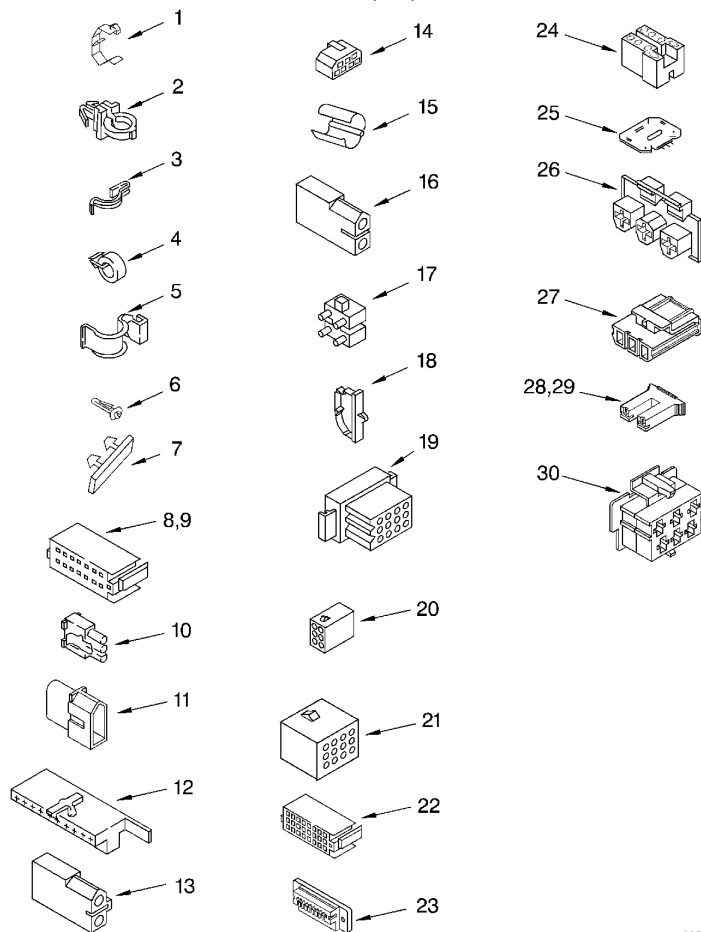


Whirlpool CAM2762JQ0 Parts Diagram - 09 - WIRING HARNESS

WIRING HARNESS PARTS

For Model: CAM2762JQ0

(White)



WH2G

8315957

12

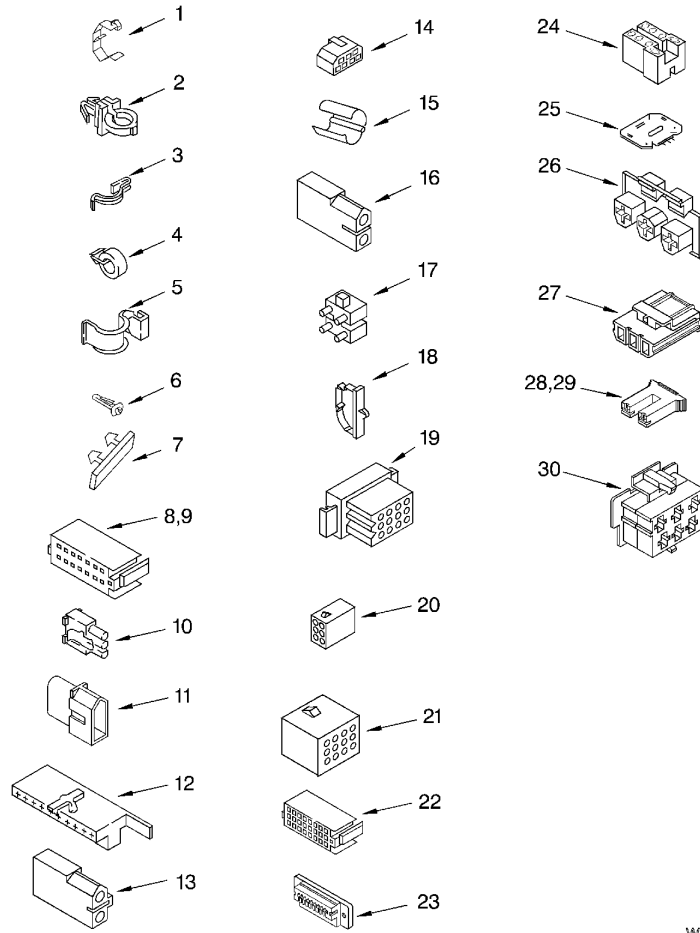
Item	Part Number	Part Description
1	3349557	Clip, Harness
2	388498	Clip, Harness
3		
4	3352501	Clip, Harness (Push-In)
5	90016	Clip
6	3390496	Clip, Harness
7	389379	Clip, Harness
8	352090	Timer, Block Disconnect (White)
9	352089	Timer, Block Disconnect (Black)
10	62889	Receptacle, Terminal (3 Way) Lid Switch
11	353424	CONNECTOR
12	62505	Block, Disconnect Motor
13	3348075	Block, Disconnect (Motor 3 Speed) (Use Term. 94613 Or 94614)
14	3347243	Block, Disconnect
15	63523	Protector, Harness
16	717252	Receptacle (2-Way)
17	387566	Plug, Terminal (4-Way) (Power Cord) (Use M3 Screws)
18	3352944	Clip, Harness
19	3390423	Plug, Multi- Terminal
20	3347730	Receptacle (6-Way)
21	388818	Plug, Terminal (12-Way) (Use Term. 94613 Or 94614.)
22	3369366	Timer, Block Disconnect (Black) (Amp) (Use Term.3369365)
23	3349494	Connector, ETC (Use Term. 340795)

Whirlpool CAM2762JQ0 Parts Diagram - 09 - WIRING HARNESS

WIRING HARNESS PARTS

For Model: CAM2762JQ0

(White)



WH2G

8315957

12

Item	Part Number	Part Description
24	60687	Connector, Relay (Use Term. 308569)
25	3407125	Control, ETC
26	3948617	Connector (T.P.A.) (3-Circuit) (Lid Switch) (Use Term. 3948619 OR
27	3360056	Plug (T.P.A) (3-Circuit) (Pressure Switch)
28	3354925	Block, Connector (Cold Valve) (Use Term.693217)
29	3354926	Block, Connector (Hot Valve) (Use Term.693217)
30	3948615	Connector (T.P.A.) (6-Circuit) (Temp. Switch) (Use Term. 3948618 OR