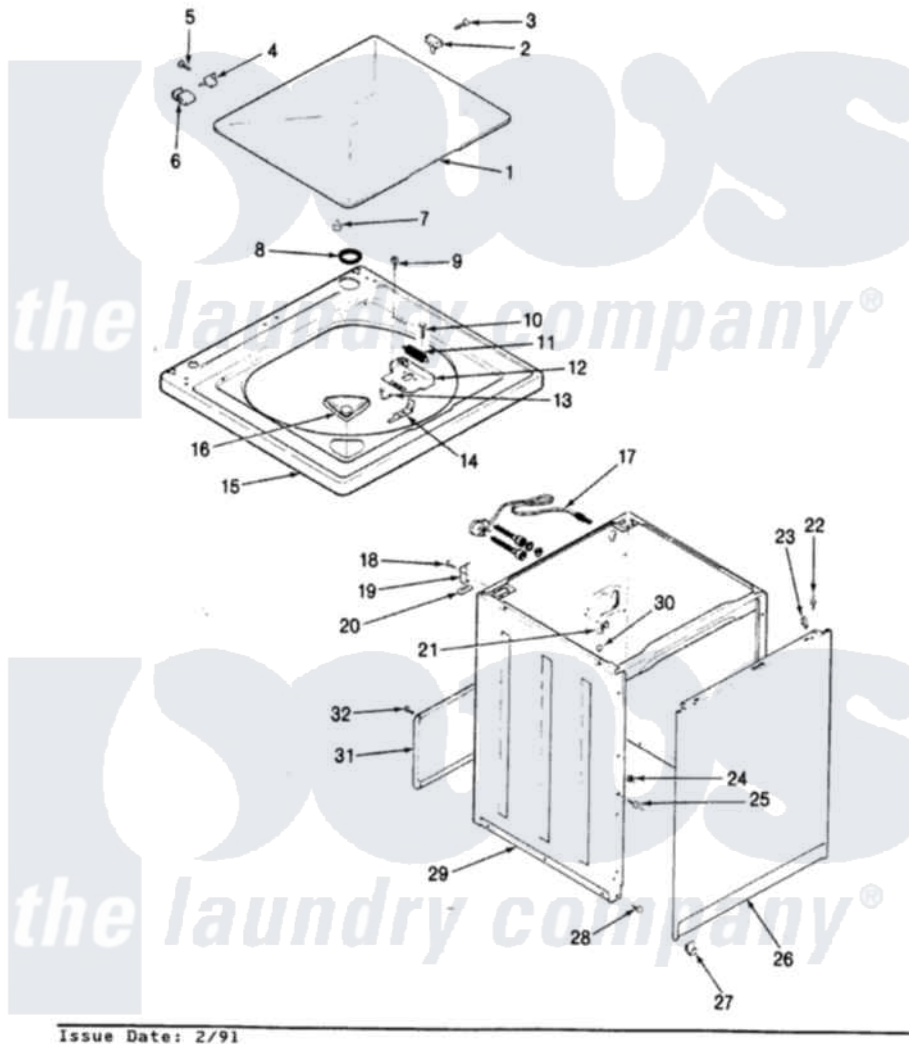


# Crosley CW18P2A 06 - EXTERIOR (REV. B-F)

SECTION: EXTERIOR

MODEL: CW18P2



Issue Date: 2/91

Crosley [Residential Crosley CW18P2A Washer Parts](#) Parts Diagram 06 - EXTERIOR (REV. B-F)

[Click on the part number to view part](#)

| Item | Original Part Number    | Replaced By                 | Status        | Part Description         |
|------|-------------------------|-----------------------------|---------------|--------------------------|
| 1    | 35-2026-24              |                             | Not Available | LID (ALM)                |
| 2    | <a href="#">25-7436</a> |                             |               | Nylite Washer            |
| "    | <a href="#">43-0057</a> |                             |               | Actuator, Door Switch    |
| 3    | <a href="#">25-7438</a> |                             |               | Screw                    |
| 4    | 25-7086                 | <a href="#">Y0308025</a>    |               | Washer, Stainless Steel  |
| "    | <a href="#">35-2045</a> |                             |               | Pin, Hinge               |
| 5    | <a href="#">25-7893</a> |                             |               | Screw                    |
| 6    | <a href="#">35-2044</a> |                             |               | Hinge, Lid               |
| 7    | <a href="#">35-0581</a> |                             |               | Bumper, Door             |
| 8    | <a href="#">35-2063</a> |                             |               | Bushing, Insulator       |
| "    | <a href="#">35-2064</a> |                             |               | Bushing, Insulating      |
| 9    | 25-7463                 | <a href="#">7101P012-60</a> |               | Screw                    |
| 10   | 25-7437                 | <a href="#">40040701</a>    |               | Screw, Tapping No.6b-20  |
| 11   | 35-2814                 | <a href="#">12001187</a>    |               | Kit, Lid Switch Assembly |
| 12   | 35-2795                 | <a href="#">12001187</a>    |               | Kit, Lid Switch Assembly |
| 13   | <a href="#">25-7878</a> |                             |               | Clip                     |

|    |                            |                          |               |                                |
|----|----------------------------|--------------------------|---------------|--------------------------------|
| 14 | 35-2805                    | <a href="#">12001187</a> |               | Kit, Lid Switch Assembly       |
| 15 | 35-2737-24                 |                          | Not Available | CABINET TOP (S.O. W/O BL. DISP |
| 16 | 33-9906                    | <a href="#">21001167</a> |               | Dispenser, Bleach              |
| 17 | 35-0680                    |                          | Not Available | CORD, POWER                    |
| 18 | <a href="#">25-7893</a>    |                          |               | Screw                          |
| 19 | 33-7450                    | <a href="#">35-2846</a>  |               | Hinge, Cabinet Top             |
| 20 | <a href="#">33-0930</a>    |                          |               | Pad, Top Hinge                 |
| 21 | 25-7796                    | <a href="#">596669</a>   |               | Clamp, Manifold                |
| 22 | <a href="#">53-0643</a>    |                          |               | Pin, Locator                   |
| 23 | <a href="#">25-7220</a>    |                          |               | Clip, Cabinet Top              |
| 24 | 25-0224                    | <a href="#">3400029</a>  |               | Nut, Adapter Plate             |
| 25 | <a href="#">53-0643</a>    |                          |               | Pin, Locator                   |
| 26 | <a href="#">35-2084-24</a> |                          |               | Panel, Front                   |
| 27 | <a href="#">53-0120</a>    |                          |               | Clip, Front Panel              |
| 28 | <a href="#">33-2653</a>    |                          |               | Bumper, Cabinet                |
| 29 | 35-2106-24                 | <a href="#">12001802</a> |               | Kit, Cabinet/Rear Shield       |
| 30 | <a href="#">33-2653</a>    |                          |               | Bumper, Cabinet                |
| 31 | 35-2108                    | <a href="#">21001871</a> |               | Cabinet                        |
| 32 | 25-7733                    | <a href="#">681414</a>   |               | Screw, 10AB X 1/2              |

