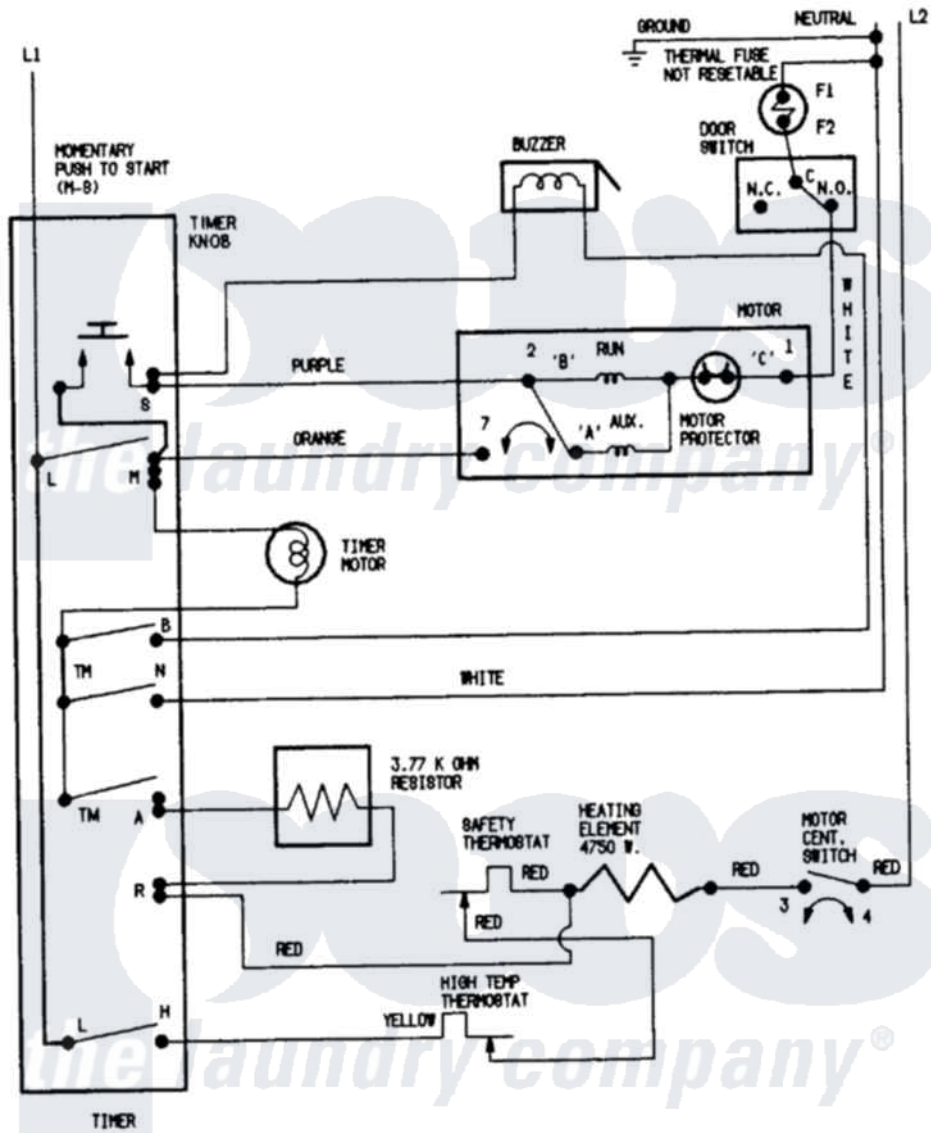


# Magic Chef YE205KW 07 - WIRING INFORMATION



CONNECT DRYER TO 120/240 V.A.C., 60 HZ. INDIVIDUAL BRANCH CIRCUIT PROTECTED BY MAXIMUM 30 A. FUSES. ALWAYS GIVE THE SERIAL & MODEL NUMBERS WHEN WRITING ABOUT THIS DRYER OR ORDERING PARTS

Magic Chef [Residential Magic Chef YE205KW Dryer Parts](#) Parts Diagram 07 - WIRING INFORMATION  
 Click on the part number to view part

Item	Original Part Number	Replaced By	Status	Part Description
NI	15001202		Not Available	WIRING INFORMATION

