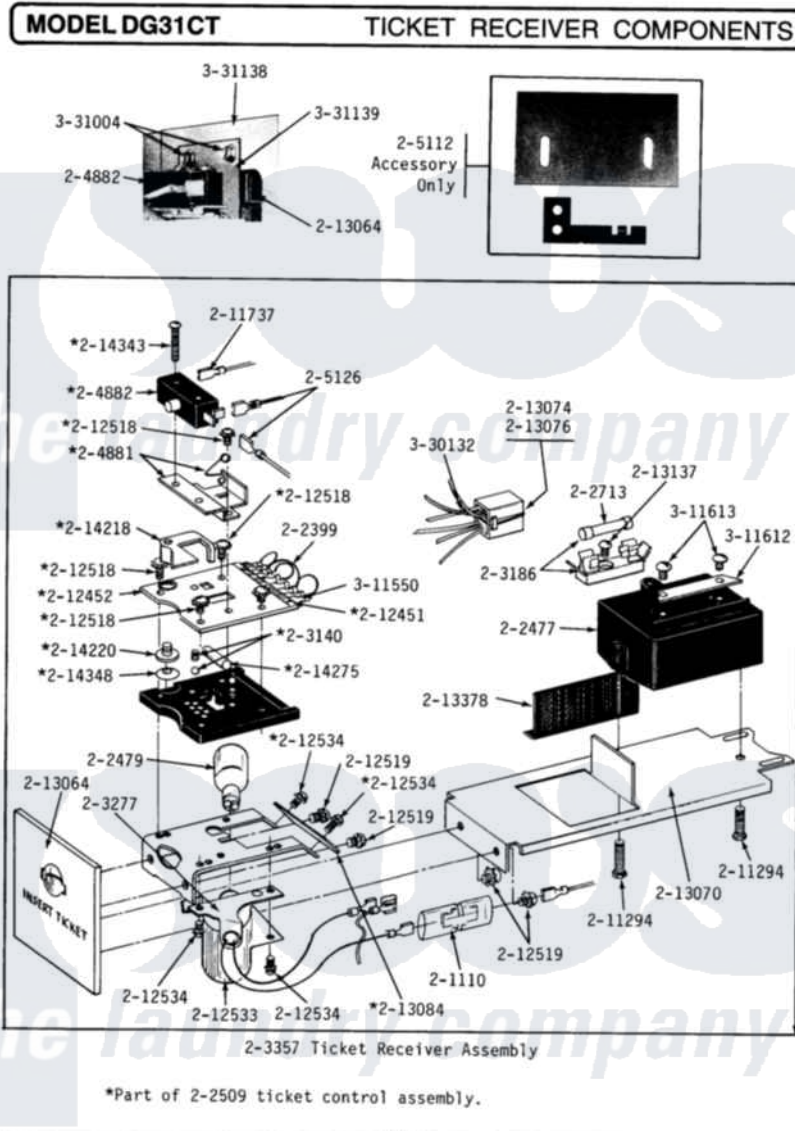


Maytag DG31CT 15 - TICKET RECEIVER COMPONENTS



Maytag Residential Maytag DG31CT Dryer Parts Parts Diagram 15 - TICKET RECEIVER COMPONENTS
 Click on the part number to view part

| Item | Original Part Number | Replaced By | Status | Part Description |
|------|------------------------|--------------------------|---------------|--------------------------------|
| 001 | Y201110 | | Not Available | CONNECTOR, WIRE (INDIC. LIGHT) |
| 002 | NLA | | Not Available | JUMPER WIRE (BLACK) |
| 003 | 202477 | 22003292 | | Control As |
| 004 | 202479 | A3167501 | | Lamp Oven, Int. |
| 005 | 202509 | | | Ticket Control Assembly |
| 006 | 202713 | 22001555 | | Fuse |
| 007 | 203140 | | | Contact Ball Kit |
| 008 | NLA | | Not Available | FUSE BLOCK WITH FUSE |
| 009 | NLA | | Not Available | LAMP SOCKET WITH BRACKET |
| 010 | NLA | | Not Available | TICKET RECEIVER ASSEMBLY |
| 011 | 204881 | | | Cam Plate Assembly |
| 012 | 204882 | | Not Available | SWITCH FOR TICKET CONTROL |
| 013 | NLA | | Not Available | DOUBLE MELT CLIP W/DEFLECTO |

| | | | | |
|-----|------------------------|-------------------------|---------------|---|
| 014 | NLA | | Not Available | SPADE CONNECTOR |
| 015 | 211294 | 90767 | | Screw, 8A X 3/8 HeX Washer Head Tapping |
| 016 | 211737 | 248562 | | Terminal |
| 017 | NLA | | Not Available | OVERLAY FOR CIRCUIT BOARD |
| 018 | 212452 | | | Board, Circuit |
| 019 | NLA | | Not Available | SEMS SCREW (No.4-40 X 1/2 INC) |
| 020 | 212519 | 488234 | | Screw 8-32 X 1/4 |
| 021 | 212533 | | | SHIELD FOR HEAT LAMP |
| 022 | NLA | | Not Available | SCREW, SHIELD TO CONTROL |
| 023 | NLA | | Not Available | FRONT PLATE F/TICKET CONTRO |
| 024 | NLA | | Not Available | BRACKET FOR TICKET ASSEMBLY |
| 025 | 213074 | | | Pin Receptacle For Plug |
| 026 | NLA | | Not Available | PIN FOR PLUG |
| 027 | NLA | | Not Available | TICKET DEFLECTOR |
| 028 | NLA | | Not Available | SCREW (No.6 X 1/4 INCH) |
| 029 | NLA | | Not Available | SHIELD |
| 030 | 214218 | | | Lever, Switch |
| 031 | 214220 | | | Adjustment Thumb Wheel |
| 032 | 214275 | | | Roller For Cam |
| 033 | NLA | | Not Available | SCREW |
| 034 | NLA | | Not Available | SPRING WASHER |
| 035 | Y311550 | | Not Available | SPADE (MINIATURE) |
| 036 | 311612 | | Not Available | COVER, CIRCUIT BOARD TERMINALS |
| 037 | 311613 | Y311711 | | Screw, Fuse Block |
| 038 | NLA | | Not Available | WIRE HARNESS |
| 039 | NLA | | Not Available | SCREW - BRACKET TO VAULT |
| 040 | NLA | | Not Available | MOUNTING PLATE-TICKET CONT |
| 041 | NLA | | Not Available | RETAINER-TICKET CONTROL |

