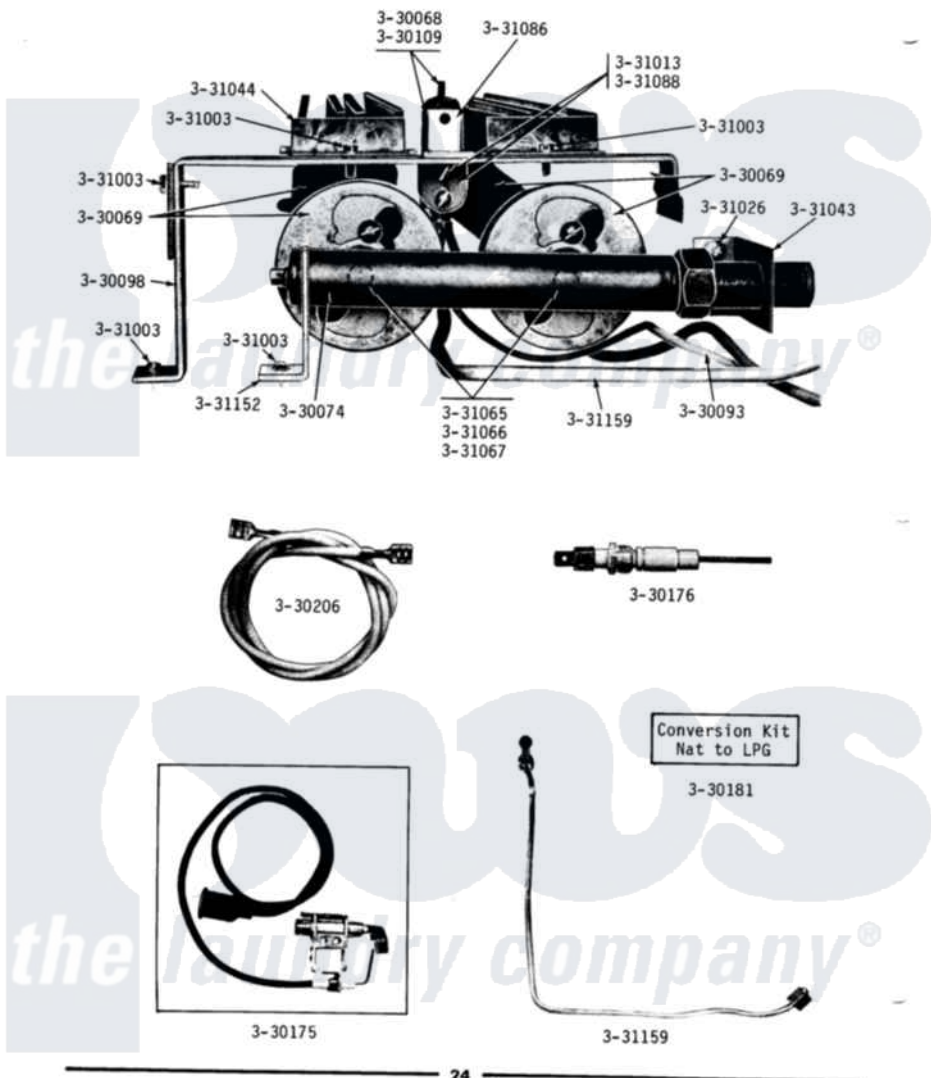


Maytag GDG31CT 07 - BURNER ASSEMBLY & COMPONENTS

MODEL DG31CA-CM-CT BURNER ASSEMBLY & COMPONENTS



Maytag [Residential Maytag GDG31CT Dryer Parts](#) Parts Diagram 07 - BURNER ASSEMBLY & COMPONENTS
 Click on the part number to view part

Item	Original Part Number	Replaced By	Status	Part Description
001	Y330068			Pilot Burner - Nat.
NI	NLA		Not Available	BURNER, MAIN
"	NLA		Not Available	MANIFOLD FOR MAIN BURNER
"	NLA		Not Available	THERMOCOUPLE----NA
"	NLA		Not Available	SUPPORT FOR BURNERS
"	NLA		Not Available	PILOT BURNER - LPG
007	Y330175			Pilot Burner
008	Y330176			Sensing Probe
009	330181		Not Available	CONVERSION KIT-NAT. TO LPG
NI	NLA		Not Available	PILOT ORIFICE - NAT
"	Y330195			Pilot Orifice - LPG
012	Y330206			Wire For Sensing Probe
013	331003	489483		Screw 10-32 X 1/2
014	331013	Y0300830		Screw No.10-32 X .375
015	331026	00767		Screw, 8A X 3/8 HeX Washer

NI	NLA	Not Available	BRACKET FOR GAS CONTROL
"	NLA	Not Available	RETAINER BRACKET-MAIN BURNE
"	NLA	Not Available	ORIFICE, MAIN BURNER-NAT.
"	NLA	Not Available	ORIFICE, MAIN BURNER-BUTANE
"	NLA	Not Available	ORIFICE, MAIN BURNER-PROPAN
021	331086	Not Available	SHIELD FOR PILOT BURNER
NI	NLA	Not Available	PILOT SHIELD
"	NLA	Not Available	BRACKET FOR MANIFOLD
"	NLA	Not Available	PILOT LINE
"	NLA	Not Available	PILOT SHIELD

the laundry company[®]

Howes
the laundry company[®]

Howes
the laundry company[®]