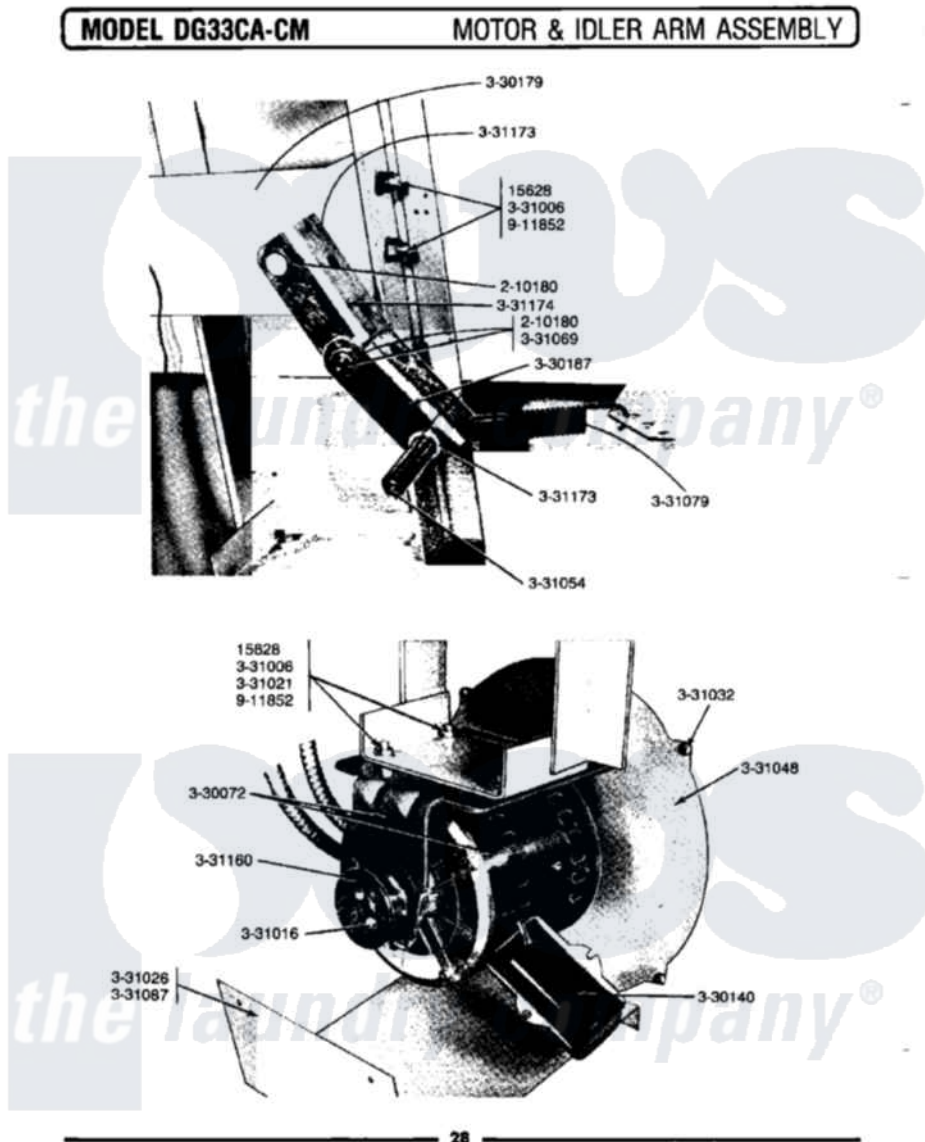


Maytag GDG33CM 12 - MOTOR & IDLER ARM ASSEMBLY



Maytag Residential Maytag GDG33CM Dryer Parts Parts Diagram 12 - MOTOR & IDLER ARM ASSEMBLY
 Click on the part number to view part

Item	Original Part Number	Replaced By	Status	Part Description
	NI	NLA	Not Available	BOLT, 5/16 X 3/4 HEX
002	210180		Not Available	RETAINING RING
003	Y330072		Not Available	MOTOR COMPLETE
	NI	NLA	Not Available	CAPICATOR
005	Y330179			Bracket And Pin
006	330187		Not Available	IDLER ARM ASSEMBLY WITH PIN
	NI	NLA	Not Available	INTERNAL MOTOR SWITCH
	"	NLA	Not Available	NUT-DRUM SUPPORT BOLT, 5/16
	"	NLA	Not Available	SET SCREW, MOTOR PULLEY
	"	NLA	Not Available	WASHER - MOTOR SUPPORT BOLT
011	331026	90767		Screw, 8A X 3/8 HeX Washer Head Tapping
012	331032	61002031		Screw, Handle
013	331048		Not Available	COVER FOR BLOWER IMPELLER

014	331054		Grease Fitting - Pulley Pin
015	331069		Pivot Pin For Tension Arms
016	331079	Not Available	TENSION SPRING
NI	NLA	Not Available	SHIELD, MOTOR
"	NLA	Not Available	SUPPORT, REAR COVER (LT)
"	NLA	Not Available	SUPPORT, REAR COVER (RT)
020	331160		Motor Pulley
NI	331162	A55	Multiplus Dual Brand V Belt
022	331173	Not Available	WASHER
023	331174	Not Available	IDLER BRACKET
024	911852	486009	Lockwasher

the laundry company[®]

Howes
the laundry company[®]

Howes
the laundry company[®]