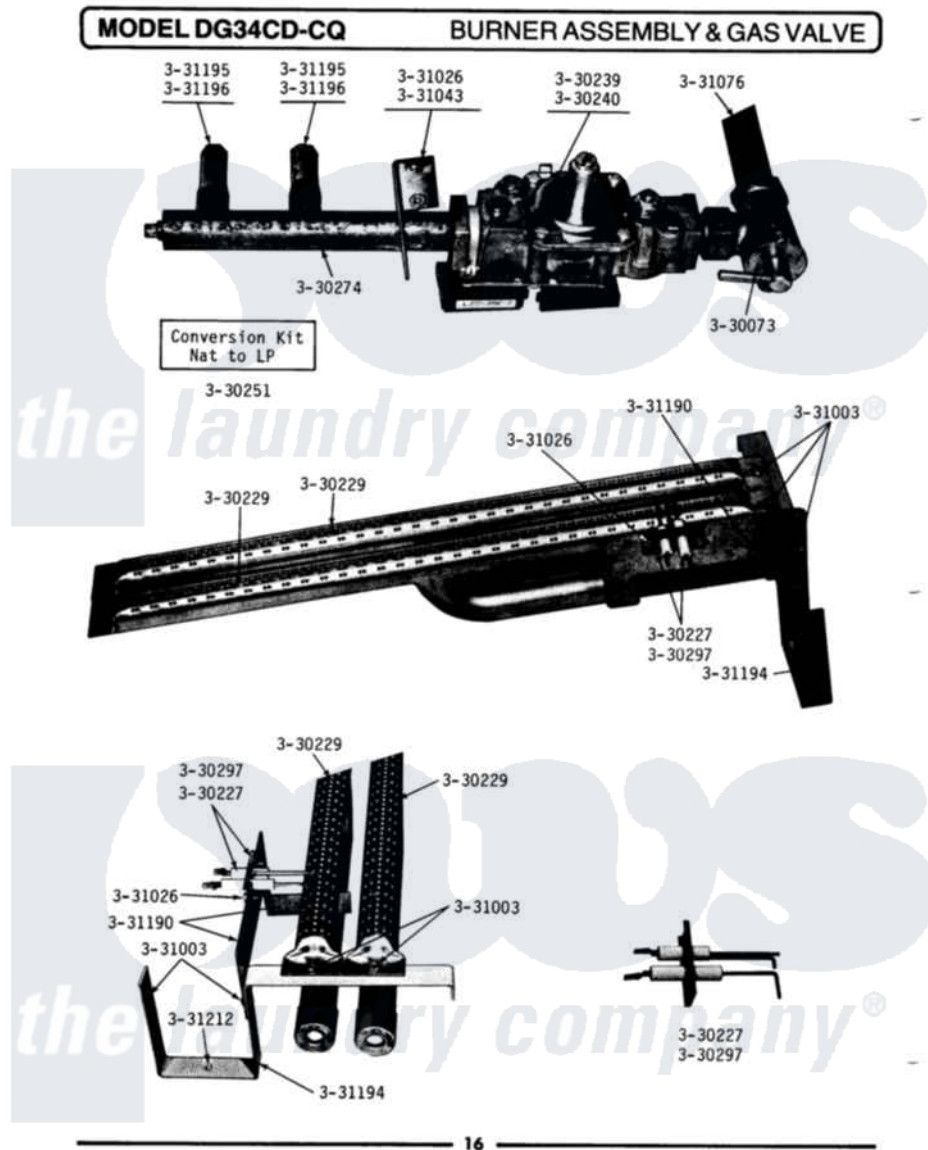


# Maytag GDG34CD 08 - BURNER ASSEMBLY & GAS VALVE



16

Maytag [Residential Maytag GDG34CD Dryer Parts](#) Parts Diagram 08 - BURNER ASSEMBLY & GAS VALVE  
 Click on the part number to view part

Item	Original Part Number	Replaced By	Status	Part Description
001	<a href="#">Y330073</a>			Valve, Shut-Off
NI	NLA		Not Available	IGNITION ASSEMBLY
003	<a href="#">Y330229</a>			Burner Assembly
004	Y330239		Not Available	GAS VALVE - NAT
NI	NLA		Not Available	GAS VALVE (LPG)
"	330249		Not Available	RETAINER FOR GAS VALVE
"	Y330250		Not Available	COIL ON GAS VALVE
"	NLA		Not Available	CONVERSION KIT (NAT.TO LPG)
"	NLA		Not Available	MANIFOLD FOR MAIN BURNER
010	331003	<a href="#">489483</a>		Screw 10-32 X 1/2
011	331026	<a href="#">90767</a>		Screw, 8A X 3/8 HeX Washer Head Tapping
NI	NLA		Not Available	BRACKET FOR GAS CONTROL
"	NLA		Not Available	GAS SUPPLY LINE-28 1/2 INCH

"	NLA		Not Available	MOUNTING BRACKET
"	NLA		Not Available	BURNER SUPPORT BRACKET
"	NLA		Not Available	ORIFICE, MAIN BURNER-NAT.
"	NLA		Not Available	ORIFICE, MAIN BURNER (LPG)
018	331212	<a href="#">3390631</a>		Screw, 10-16 X 3/8
NI	NLA		Not Available	HI-VOLT CABLE & IGNITER KIT

