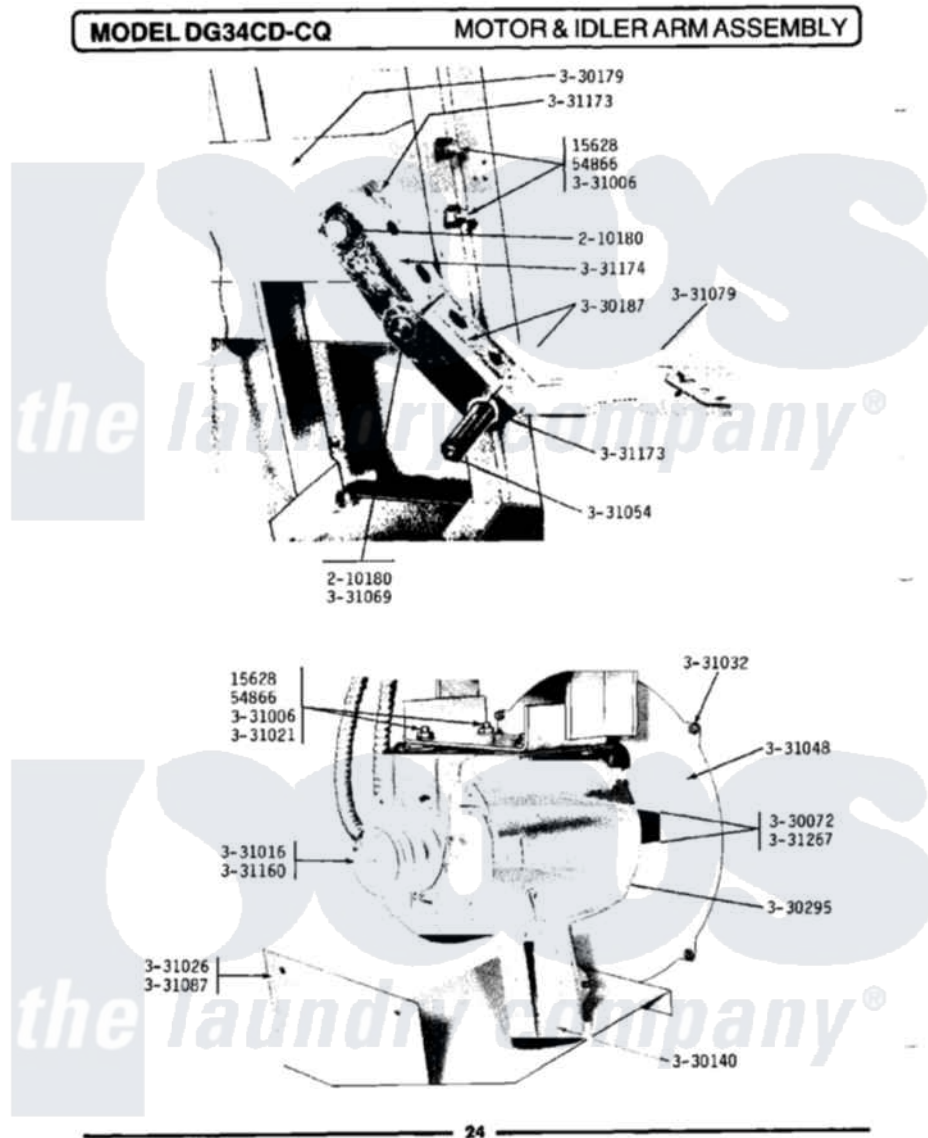


Maytag LDG34CD 12 - MOTOR & IDLER ARM ASSEMBLY



Maytag Residential Maytag LDG34CD Dryer Parts Parts Diagram 12 - MOTOR & IDLER ARM ASSEMBLY
 Click on the part number to view part

Item	Original Part Number	Replaced By	Status	Part Description
001	NLA		Not Available	BOLT, 5/16 X 3/4 HEX
002	Y054866	486009		Lockwasher
003	210180		Not Available	RETAINING RING
004	Y330072		Not Available	MOTOR COMPLETE
005	NLA		Not Available	CAPICATOR
006	Y330179			Bracket And Pin
007	330187		Not Available	IDLER ARM ASSEMBLY WITH PIN
008	NLA		Not Available	INTERNAL MOTOR SWITCH
009	NLA		Not Available	MOTOR CLAMP
010	NLA		Not Available	NUT-DRUM SUPPORT BOLT, 5/16
011	NLA		Not Available	SET SCREW FOR MOTOR PULLEY
012	NLA		Not Available	WASHER - MOTOR SUPPORT BOLT
013	331026	90767		Screw, 8A X 3/8 HeX Washer Head Tapping

014	331032	61002031		Screw, Handle
015	331048		Not Available	COVER FOR BLOWER IMPELLER
016	331054			Grease Fitting - Pulley Pin
017	331069			Pivot Pin For Tension Arms
018	331079		Not Available	TENSION SPRING
019	NLA		Not Available	SHIELD FOR MOTOR
020	NLA		Not Available	SUPPORT FOR REAR COVER-LEFT
021	NLA		Not Available	RIB, TUMBLER (ONLY)
022	331160			Motor Pulley
023	331162	A55		Multiplus Dual Brand V Belt
024	331173		Not Available	WASHER
025	331174		Not Available	IDLER BRACKET
026	NLA		Not Available	MOTOR BRACKET

