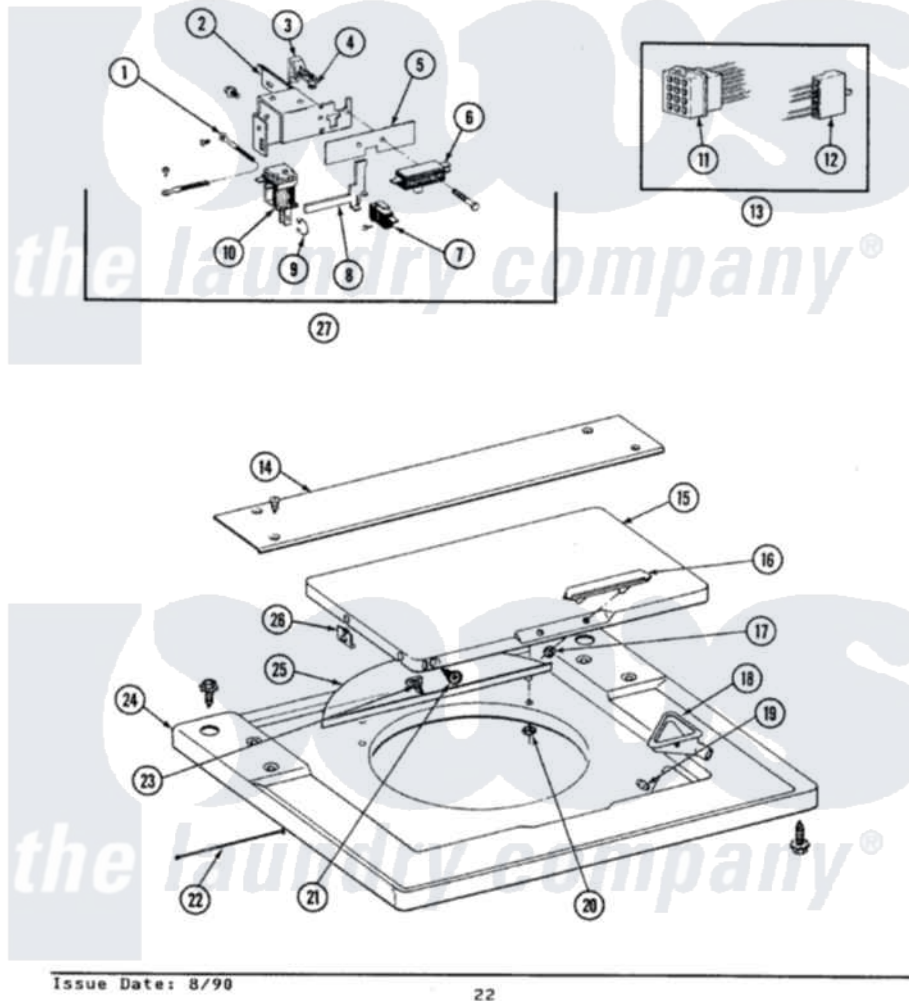


Maytag LSE9900 08 - TOP COVER, LID & LID LOCK ASSEMBLY

SECTION: TOP COVER, LID & LID LOCK ASSEMBLY
 MODEL: SE-SG9900



Issue Date: 8/90

22

Maytag [Residential Maytag LSE9900 Stacked Washer and Dryer Parts](#) Parts Diagram 08 - TOP COVER, LID & LID LOCK ASSEMBLY

[Click on the part number to view part](#)

Item	Original Part Number	Replaced By	Status	Part Description
1	Y313559			Screw
"	211252			Screw, Ground Wire
"	204807			Ground Wire, Supp. Plte To Top Cover
2	215379		Not Available	BRACKET, LID SWITCH/LATCH
3	215378		Not Available	LID SWITCH LEVER
4	213648	98165		Screw
5	215270			Moisture Barrier
6	205415	279347		Switch-Lid
"	215381		Not Available	SCREW
7	206417	10533003		Switch LI
"	912012	3400409		Screw
8	215268		Not Available	LID LATCH LEVER
9	215292			Spring For Solenoid
10	212951			Screw, No.6-32 X 1/4 Inch

"	206416	Not Available	SOLENOID
11	215539		Pin Housing
"	213076	Not Available	PIN FOR PLUG
12	206420	Not Available	EDGE CONNECTOR ASSEMBLY
13	206849		D.C. Wire Harness
14	314664	212277	Screw, No.8 X 1/2 Inch
"	215245L	Not Available	BRIDGE FOR TOP COVER ALMOND
15	215251L		Lid-Almond---NA
16	206667		Handle With Nuts
"	215550		Stud For Lid Handle
17	215551		Palnut
18	215580		Cup, Bleach
"	215374	Not Available	GASKET FOR BLEACH CUP
19	215247	Not Available	BUMPER FOR LID
20	215249		Palnut-Retainer
21	211500		Washer, Bracket To Top Cover
"	212087	25-7809	Screw, No.6-20 1/2 Flthd Torx
22	215274	Not Available	TOP COVER RESTRAINT
23	215254	Not Available	LATCH HOOK
24	207579L	Not Available	TOP COVER (ALMOND)
"	214354		Screw, Top Cover To Cabnt.
25	215246	Not Available	SPLASH SHIELD
26	215253		Key Hole Glide
27	207578		Lid Latch Assembly

the laundry company®

the laundry company®