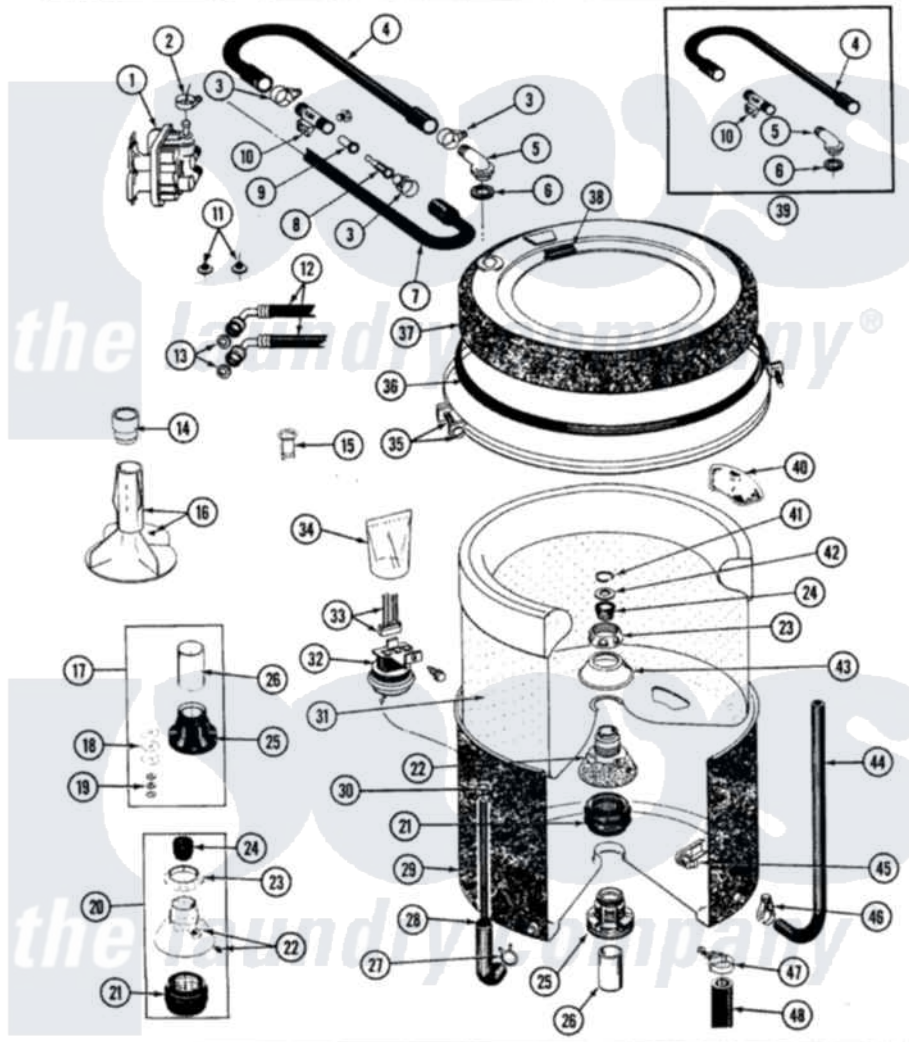


Maytag LSE9900 10 - TUB, AGITATOR, MTG. STEM, HOSES & CLAMPS

SECTION: TUB, AGITATOR, MOUNTING STEM, HOSES & CLAMPS
 MODEL: SE-SG9900



Issue Date: 8/90

28

Maytag [Residential Maytag LSE9900 Stacked Washer and Dryer Parts](#) Parts Diagram 10 - TUB, AGITATOR, MTG. STEM, HOSES & CLAMPS
 Click on the part number to view part

Item	Original Part Number	Replaced By	Status	Part Description
1	206413			Water Valve-DC
2	201575			Clamp, Hose
3	202515	596669		Clamp, Manifold
4	Y215234			Hose, Injector Fill
5	215235			Tube, Injector
6	215233			Seal For Injector Tube
7	213013			Hose, Injector
8	213015			Nozzle, Injector
9	213016	216201		Nozzle
10	213057	22213057		Sleeve- In
"	Y310632	1163839		Screw
11	200961	12001413		Strainer And Washer Kit
12	200672	76314		Hose, Inlet 6 Ft. Hose With Elbow
13	Y013783			Washer, Inlet Hose
14	215721			Dispensing Cap

15	215733		Dispensing Cup
16	206478	Not Available	SCREW & WASHER FOR AGITATOR
"	207538		Agitator W/Lock Screw
17	204013	6-2040130	Tub Bearin
18	211100		Washer, Outer Tub
19	Y054867		Washer, Lock
20	204012	6-2095720	Mounting S
21	201537	6-2095720	Mounting S
22	202521	6-2095720	Mounting S
"	211618	22001423	Set Screw, Mounting Stem
23	211047	6-2110472	Nut- Clamp
24	Y0A4298	6-0A57420	Seal- Agitator
25	200824	6-2040130	Tub Bearin
26	211130		Bearing Liner, Tub Bearing
27	211641		Clamp, 1-1/16"
28	215258	22001616	Tube, Air
29	206405		Outer Tub
30	410296	596669	Clamp, Manifold
31	207830	Not Available	INNER TUB W/PLUG
32	206418		Water Level Switch-Digital
"	Y313559		Screw
33	206849		D.C. Wire Harness
34	215081		Poly Bag
35	205529		Nut And Bolt Kit For Tub Clam
36	211232		Seal, Tub Cover
37	207775		Tub Cover Assembly
38	215232		Bumper, Unbalance
39	206531	W10276607	Hose
40	207219		Filter, Self-Cleaning
41	Y015667		Retaining Ring
42	Y015666		Washer, Retaining -
43	211210		Washer, Clamping Nut
44	214495		Tube, Inlet To Tub
45	214434		Spout, Deflector
46	205161	489503	Clamp
47	200900	616099	Clamp
48	213045		Hose, Outer Tub Part Not Used

the laundry company[®]