

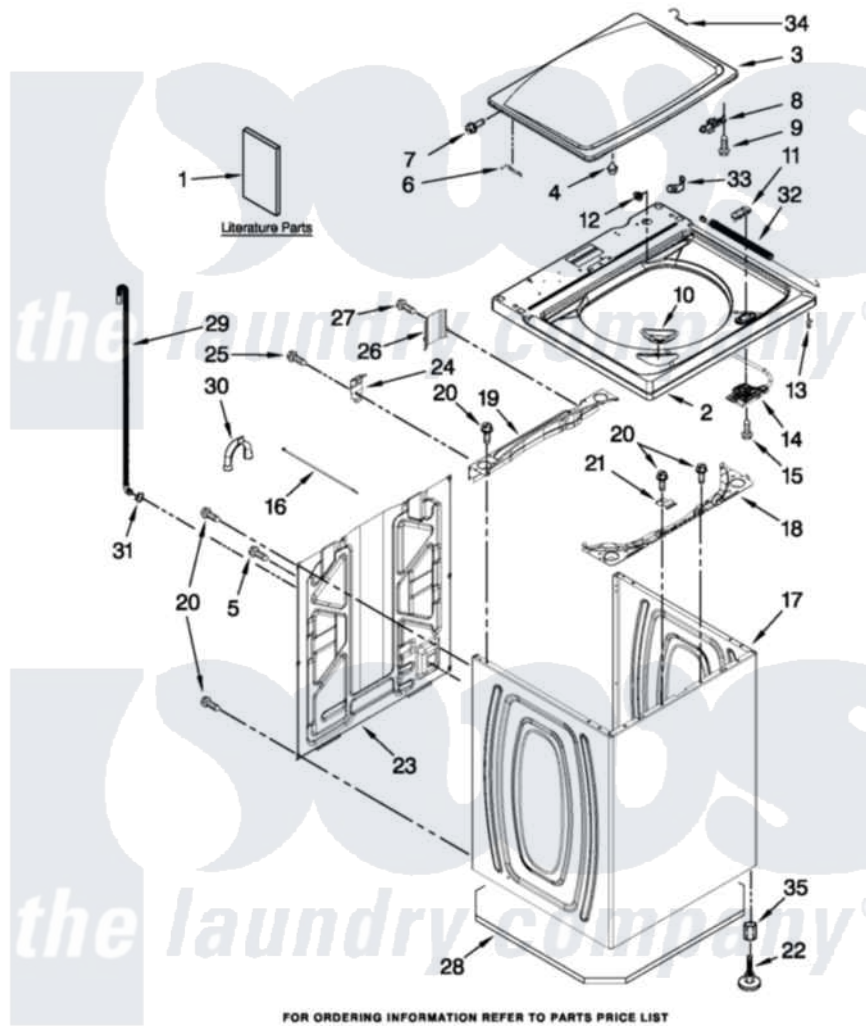
# Maytag MVWC450XW2 01 - TOP AND CABINET PARTS

**MAYTAG**

## TOP AND CABINET PARTS

AUTOMATIC WASHER

For Model: MVWC450XW2  
(White)



FOR ORDERING INFORMATION REFER TO PARTS PRICE LIST

12-11 Litho in U.S.A. (JLP)(psw)

1

Part No. W10416597 Rev. A

Maytag Residential Maytag MVWC450XW2 Washer Parts Parts Diagram 01 - TOP AND CABINET PARTS  
Click on the part number to view part

Item	Original Part Number	Replaced By	Status	Part Description
1	<a href="#">W10240509</a>			Installation Instructions
"	W10280550		Not Available	USE & CARE GUIDE
"	W10280504		Not Available	INSTRUCTIONS, SOUND SHIELD INSTALLATION
"	W10280489		Not Available	INSTALLATION (TECH SHEET)
"	W10338602		Not Available	QUICK START GUIDE
"	W10062951		Not Available	ENERGY GUIDE
2	<a href="#">W10354405</a>			Top
3	<a href="#">W10354410</a>			Lid
4	<a href="#">9724509</a>			Bumper, Lid
5	<a href="#">9740848</a>			Screw, Mixing Valve Mounting
6	<a href="#">91770</a>			Hinge, Lid
7	W10119872	<a href="#">W10119828</a>		Screw, Lid Hinge Mounting
8	<a href="#">W10240513</a>			Strike, Lid Lock
9	<a href="#">W10273971</a>			Screw, 6-19 X 1/2
10	<a href="#">W10192089</a>			Dispenser, Bleach

11	<a href="#">W10392041</a>		Bezel, Lid Lock
12	<a href="#">8319539</a>		Bearing, Lid Hinge
13	<a href="#">90016</a>		Clip, Pressure Switch Hose
14	W10238287	<a href="#">W10404050</a>	Latch
15	<a href="#">8281163</a>		Screw, Dispenser Housing Mounting
16	<a href="#">W10339879</a>		Tie, Cable
17	W10251994	<a href="#">W10338650</a>	Cabinet
18	<a href="#">W10215098</a>		Brace, Cabinet Top Front
19	<a href="#">W10215099</a>		Brace, Cabinet Top Rear
20	1157158	<a href="#">489069</a>	Xxscrew, 10-12 X 1/2
21	<a href="#">W10248088</a>		Lock, Top
22	W10335586	<a href="#">W10397767</a>	Foot Assembly, Leveling
23	<a href="#">W10250884</a>		Panel Rear
24	<a href="#">W10215102</a>		Hinge, Top
25	W10142728	<a href="#">3370225</a>	Screw
26	<a href="#">W10215139</a>		Cover, Harness
27	<a href="#">3400076</a>		Screw, Bracket Mounting
28	W10361353	<a href="#">W10319260</a>	Sound Absr
29	<a href="#">W10221546</a>		Hose, Outer Drain Assembly
30	<a href="#">W10280024</a>		U-Bend, Drain Hose
31	<a href="#">356138</a>		Clamp, Hose
32	<a href="#">W10354402</a>		Spring, Assembly
33	<a href="#">3350828</a>		Clip-Cylinder Retainer
34	<a href="#">W10202542</a>		Hinge, Lid
35	<a href="#">3359452</a>		Nut, Lock

*the laundry company*<sup>®</sup>

*the laundry company*<sup>®</sup>