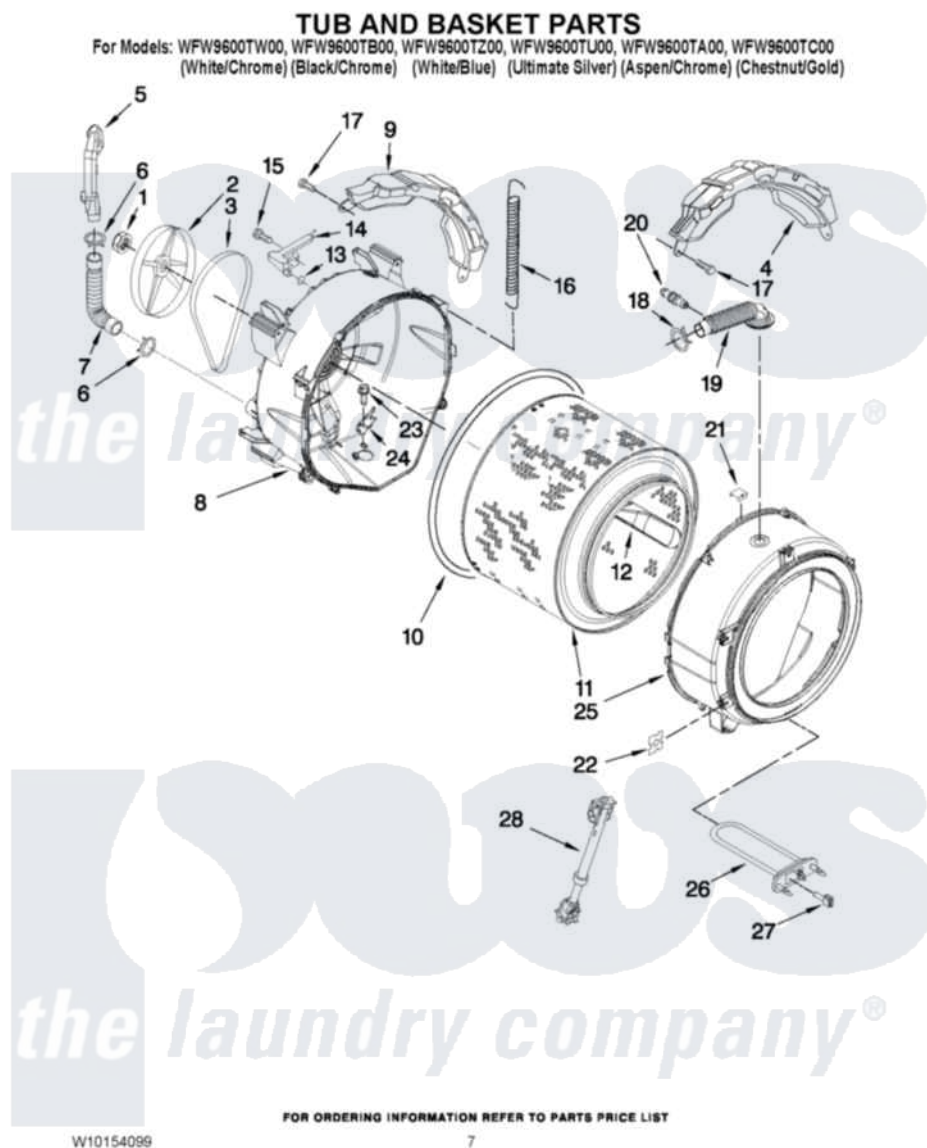


Whirlpool WFW9600TC00 05 - TUB AND BASKET PARTS



Whirlpool [Residential Whirlpool WFW9600TC00 Washer Parts](#) Parts Diagram 05 - TUB AND BASKET PARTS
 Click on the part number to view part

| Item | Original Part Number | Replaced By | Status | Part Description |
|------|-------------------------|---------------------------|--------|----------------------|
| 1 | 8181672 | W10283361 | | Nut, Pulley |
| 2 | 8182650 | | | Pulley |
| 3 | 8183269 | W10388414 | | Belt |
| 4 | 8181645 | W10008880 | | Counterweight, Front |
| 5 | 8181744 | | | Pipe, Ventilation |
| 6 | 8181746 | W10208156 | | Clamp |
| 7 | 8181743 | | | Hose, Exhaust |
| 8 | W10157908 | W10250764 | | Tub-Outer |
| 9 | 8181644 | | | Counterweight, Rear |
| 10 | 8181673 | | | Gasket, Tub |
| 11 | 8182247 | W10269756 | | Basket |
| 12 | 8182233 | | | Baffle, Basket |
| 13 | 8181748 | W10250553 | | O-Ring, Air Trap |
| 14 | 8181731 | | | Airtrap |
| 15 | 8181785 | | | Screw |
| 16 | 8182814 | | | Spring, Suspension |

| | | | |
|----|---------------------------|---------------------------|-------------------------------------|
| 17 | 8181647 | W10182109 | Screw-Kit |
| 18 | 8181742 | 3367052 | Clamp, Hose |
| 19 | W10156130 | | Hose, Inlet Valve To Steamer Siphon |
| 20 | W10156249 | | Connector, Overflow Hose |
| 21 | 8181667 | 8540092 | Clamp, Tub |
| 22 | 8182512 | | Nut, Push-In |
| 23 | 8182214 | | Screw |
| 24 | 8181686 | W10250558 | Bracket, Heater Support |
| 25 | 8182312 | 285981 | Tub-Outer |
| 26 | 8182666 | | Element, Heating |
| 27 | 8181705 | | Ntc |
| 28 | 8182812 | | Shock Absorber |

the laundry company[®]

the laundry company[®]

the laundry company[®]