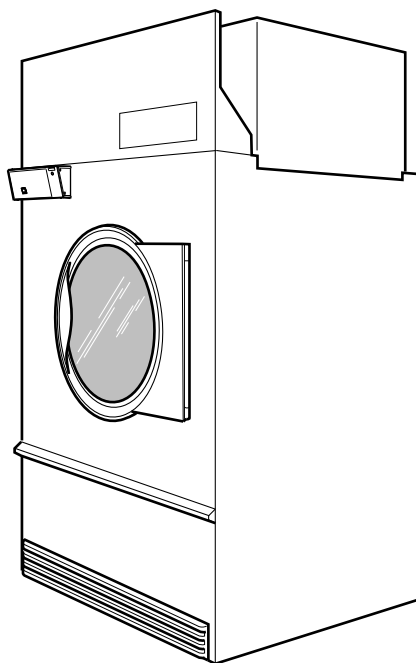


Tumble Dryer

170 Pound Capacity

15 Digit Model Numbers with 2 in 12th Position

Refer to Page 5 for Model Numbers



TMB1268C_70482101

Table of Contents

| Title | Page |
|---|------|
| Parts Ordering Information..... | 3 |
| Serial Plate Location | 3 |
| Model Identification | 5 |
| Product Overview - Heat Source and Voltage | 6 |
| Product Overview - Control Suffixes (Drawing 1 of 2)..... | 8 |
| Product Overview - Control Suffixes (Drawing 2 of 2)..... | 10 |
| Interior Control Box | 12 |
| Exterior Control Box - RM Control Suffix..... | 14 |
| Exterior Control Box - RQ Control Suffix (Drawing 1 of 2) | 16 |
| Exterior Control Box - RQ Control Suffix (Drawing 2 of 2) | 18 |
| DMP Control Box - C and I Models with RD Control Suffix..... | 20 |
| DX4 Control Box - B Models with R3 Control Suffix..... | 22 |
| Exterior Control Box - RE Control Suffix (Drawing 1 of 2)..... | 24 |
| Exterior Control Box - RE Control Suffix (Drawing 2 of 2)..... | 26 |
| Exterior Control Box - RU Control Suffix | 28 |
| Fire Suppression System Control Box | 30 |
| Cabinet Front Components..... | 32 |
| Cabinet Front Panel | 34 |
| Cabinet Front Panels and Nameplates | 36 |
| Door Assembly..... | 38 |
| Door Components..... | 40 |
| Hinge Components | 42 |
| Lint Panel Components..... | 44 |
| Lint Panel Switch Assembly | 46 |
| Lint Screen and Drive Guard | 48 |
| Cylinder and Trunnion Assembly | 50 |
| Trunnion Bearings..... | 52 |
| Drive Sheave, Step Pulley and Belts | 54 |
| Cylinder Drive Motor | 56 |
| Moisture Sensing Components..... | 58 |
| Fan Assembly | 60 |
| Fan Motor Assembly | 62 |
| Airflow Switch..... | 64 |
| Gas Heater Components - Non-CE Models Through 3/10/13 | 66 |
| Gas Heater Components - CE Models Through 3/10/13 | 68 |
| Gas Heater Components - Models Starting 3/11/13 | 70 |
| Gas Valve Replacement Kits - CE Models | 72 |
| Burner Orifices for Non-CE and Non-Australian Gas Models | 74 |
| Steam Heater Components - Except B, C and I Models..... | 76 |
| Steam Heater Components - B, C and I Models..... | 78 |
| Steam Solenoid Valve..... | 80 |

© Copyright 2023, Alliance Laundry Systems LLC

All rights reserved. No part of the contents of this book may be reproduced or transmitted in any form or by any means without the expressed written consent of the publisher.

| | |
|---|----|
| Rotation Sensor | 82 |
| Control Tray Wrap Components | 84 |
| Control Tray Fuses | 86 |
| Control Tray Harnesses | 88 |
| Control Tray Components for Gas Models | 90 |
| Control Tray Components for Steam Models..... | 92 |
| Parts Index..... | 95 |

Parts Ordering Information

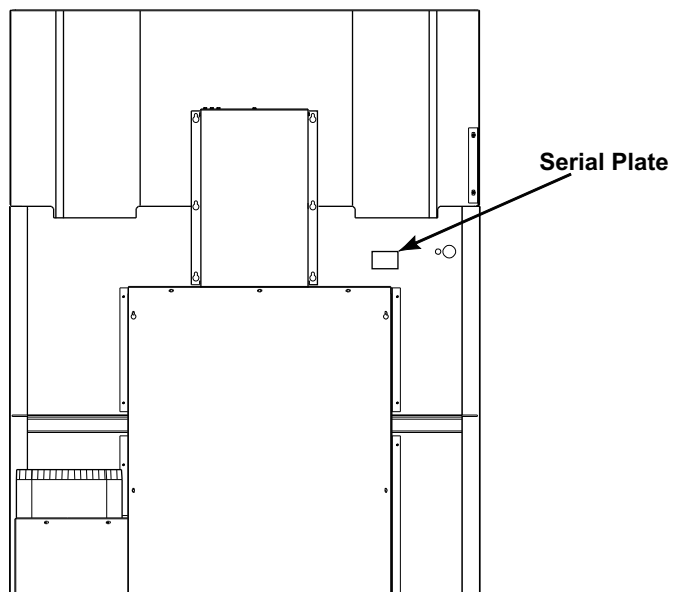
If literature or replacement parts are required, contact the source from whom the machine was purchased or contact Alliance Laundry Systems at (920) 748-3950 for the name and address of the nearest authorized parts distributor.

For technical assistance, call the number listed below:

(920) 748-3121 Ripon, Wisconsin

Serial Plate Location

When calling or writing about your product, be sure to mention model and serial numbers. Model and serial numbers are located on serial plate(s) as shown.



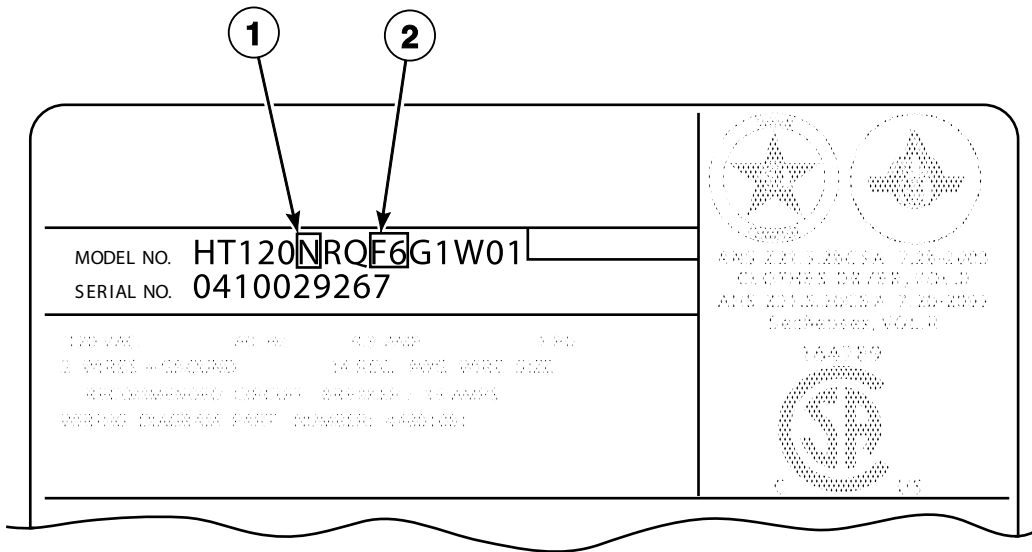
TMB3212P_70482101

Model Identification

Information in this manual is applicable to these tumble dryer models:

| | | | | | |
|--------|--------|--------|--------|--------|--------|
| BA170L | GA170L | IT170L | LA170L | PA170L | UA170L |
| BA170N | GA170N | IT170N | LA170N | PA170N | UA170N |
| BH170L | GH170L | IT170S | LK170N | PH170L | UH170L |
| BH170N | GH170N | IT170T | LT170L | PH170N | UH170N |
| BH170S | GH170S | KA170L | LT170N | PH170S | UH170S |
| BK170N | GK170N | KA170N | LT170S | PK170N | UK170N |
| BT170L | GT170L | KK170N | LT170T | PT170L | UT170L |
| BT170N | GT170N | KT170L | LU170L | PT170N | UT170N |
| BT170S | GT170S | KT170N | LU170N | PT170S | UT170S |
| BT170T | GT170T | KT170S | LU170S | PT170T | UT170T |
| BU170L | GU170L | KT170T | LU170T | PU170L | UU170L |
| BU170N | GU170N | KU170L | NH170L | PU170N | UU170N |
| BU170S | GU170S | KU170N | NH170N | PU170S | UU170S |
| BU170T | GU170T | KU170S | NH170S | PU170T | UU170T |
| CA170L | HA170L | KU170T | NT170L | SA170L | XT170L |
| CA170N | HA170N | | NT170N | SA170N | XT170N |
| CK170N | HH170L | | NT170S | SH170L | XT170S |
| CT170L | HH170N | | NU170L | SH170N | XT170T |
| CT170N | HH170S | | NU170N | SH170S | XU170L |
| CT170S | HK170N | | NU170S | SK170N | XU170N |
| CT170T | HT170L | | | ST170L | XU170S |
| CU170L | HT170N | | | ST170N | XU170T |
| CU170N | HT170S | | | ST170S | YT170L |
| CU170S | HT170T | | | ST170T | YT170N |
| CU170T | HU170L | | | SU170L | YT170S |
| | HU170N | | | SU170N | YT170T |
| | HU170S | | | SU170S | YU170L |
| | HU170T | | | SU170T | YU170N |
| | | | | | YU170S |
| | | | | | YU170T |

Product Overview - Heat Source and Voltage



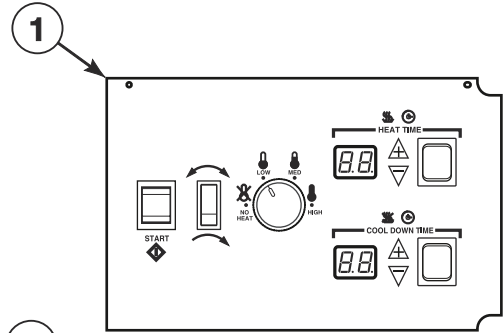
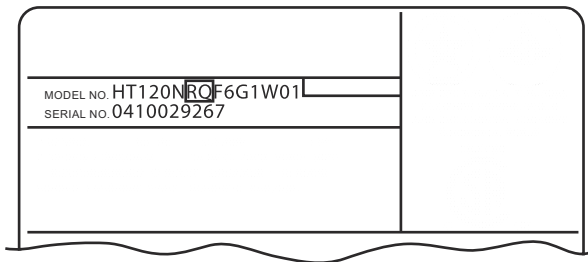
TMB2907P_70482101

Product Overview - Heat Source and Voltage

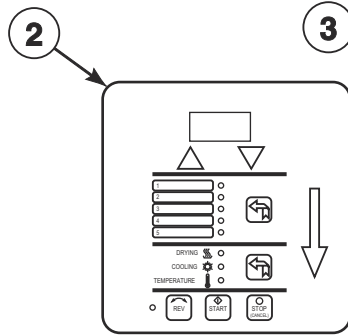
| REF | PART NO. | DESCRIPTION | COMMENTS |
|-----|----------|-------------|--|
| 1 | - | Heat Source | L: Liquid Petroleum Gas (L.P.) N: Natural Gas (N.G.) S: Steam T: Thermal Oil |
| 2 | - | Voltage | F6: 200-208 or 240 Volt/60 Hertz/3 Phase J5: 230 Volt/50 Hertz/3 Phase J8: 240 Volt/60 Hertz/3 Phase M1: 380 Volt/50 Hertz/3 Phase M2: 380 or 400-415 Volt/50 Hertz/3 Phase M3: 380 Volt/60 Hertz/3 Phase N1: 400-415 Volt/50 Hertz/3 Phase P1: 440 Volt/60 Hertz/3 Phase Q1: 460-480 Volt/60 Hertz/3 Phase Q2: 480 Volt/60 Hertz/3 Phase |

Product Overview - Control Suffixes (Drawing 1 of 2)

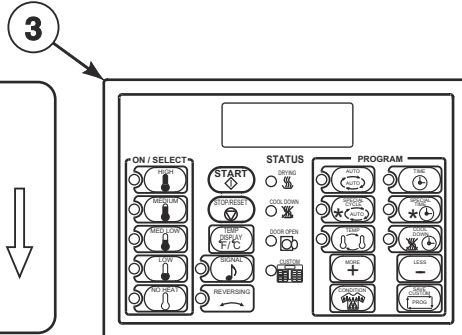
All Models Except G and K Models



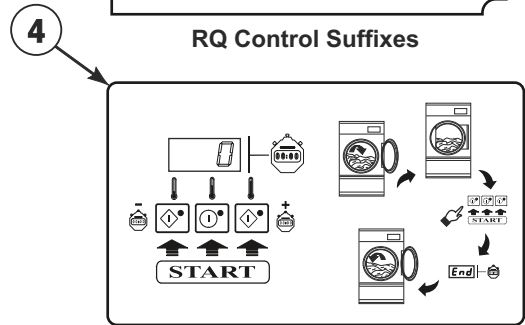
RQ Control Suffixes



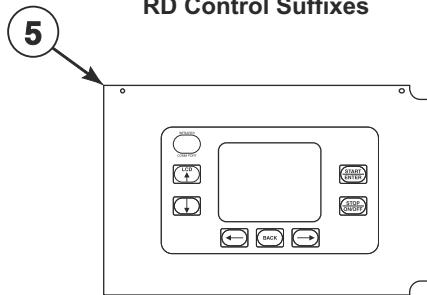
RD Control Suffixes



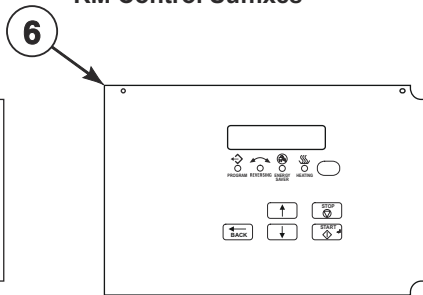
RM Control Suffixes



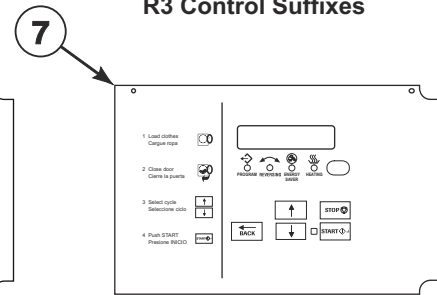
R3 Control Suffixes



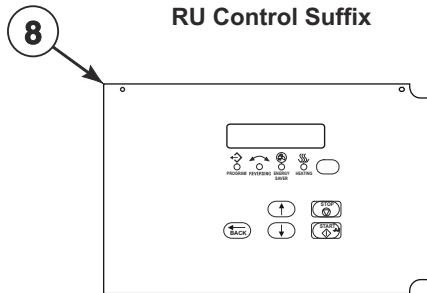
RU Control Suffix



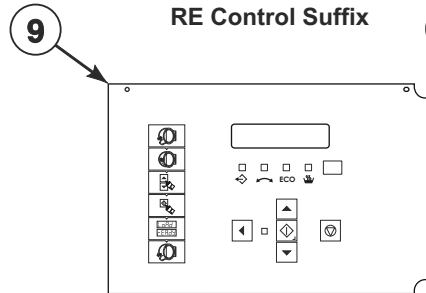
RE Control Suffix



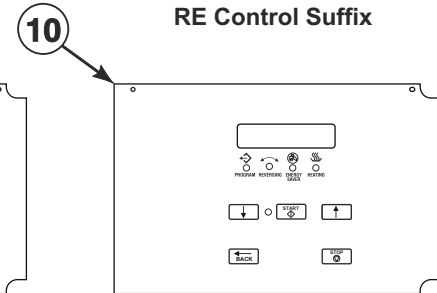
RE Control Suffix



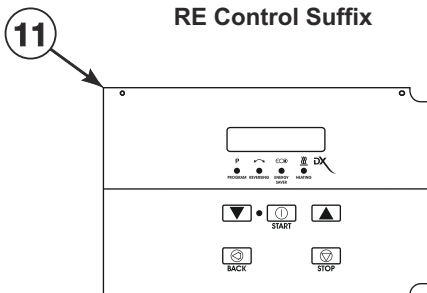
RE Control Suffix



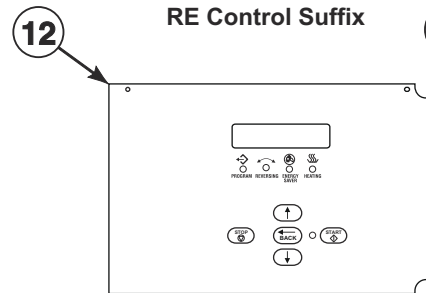
RE Control Suffix



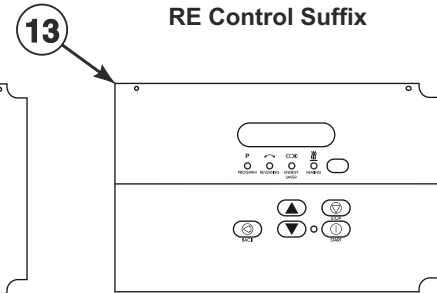
RE Control Suffix



RE Control Suffix



RE Control Suffix



RE Control Suffix

TMB3355P_70422001

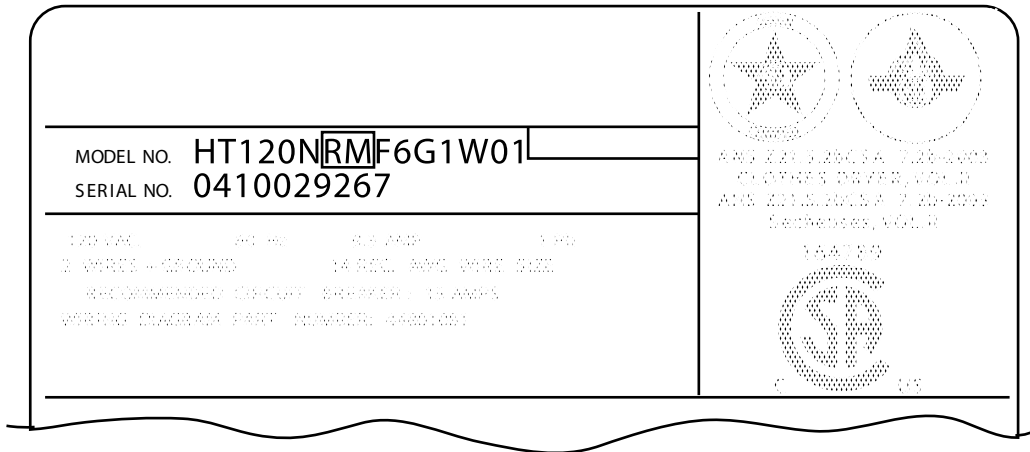
Product Overview - Control Suffixes (Drawing 1 of 2)

| REF | PART NO. | DESCRIPTION | COMMENTS |
|-----|----------|---------------------|--|
| 1 | - | Control - Reversing | RQ: reversing dual digital timer |
| 2 | - | Control - Reversing | RD: reversing DMP OPL |
| 3 | - | Control - Reversing | RM: reversing OPL micro |
| 4 | - | Control - Reversing | R3: reversing DX4 OPL |
| 5 | - | Control - Reversing | U models; RU: reversing UniLinc OPL |
| 6 | - | Control - Reversing | S models; RE: reversing LED OPL |
| 7 | - | Control - Reversing | H models; RE: reversing LED OPL |
| 8 | - | Control - Reversing | U models; RE: reversing LED OPL |
| 9 | - | Control - Reversing | B, C and I models; RE: reversing LED OPL |
| 10 | - | Control - Reversing | P models; Models through 9/30/14; RE: reversing LED OPL |
| 11 | - | Control - Reversing | P models; Models starting 10/1/14 through 5/31/15; RE: reversing LED OPL |
| 12 | - | Control - Reversing | N and Y models; L models through 5/31/15; RE: reversing LED OPL |
| 13 | - | Control - Reversing | L and P models; Models starting 6/1/15; RE: reversing LED OPL |

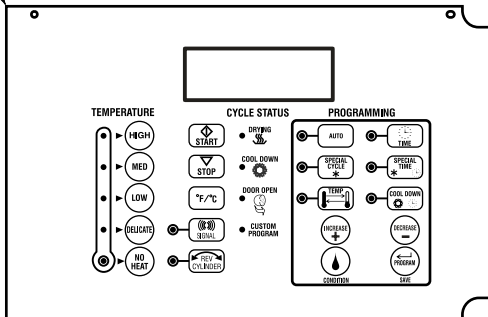
NOTE: OPL models have the following control suffixes: R3, RD, RE, RM, RQ and RU.

Product Overview - Control Suffixes (Drawing 2 of 2)

G and K Models

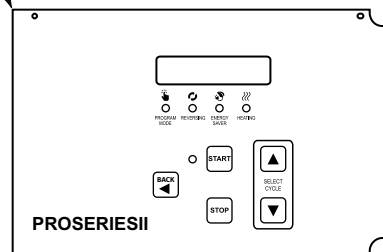


1



RM Control Suffixes

2



RE Control Suffix

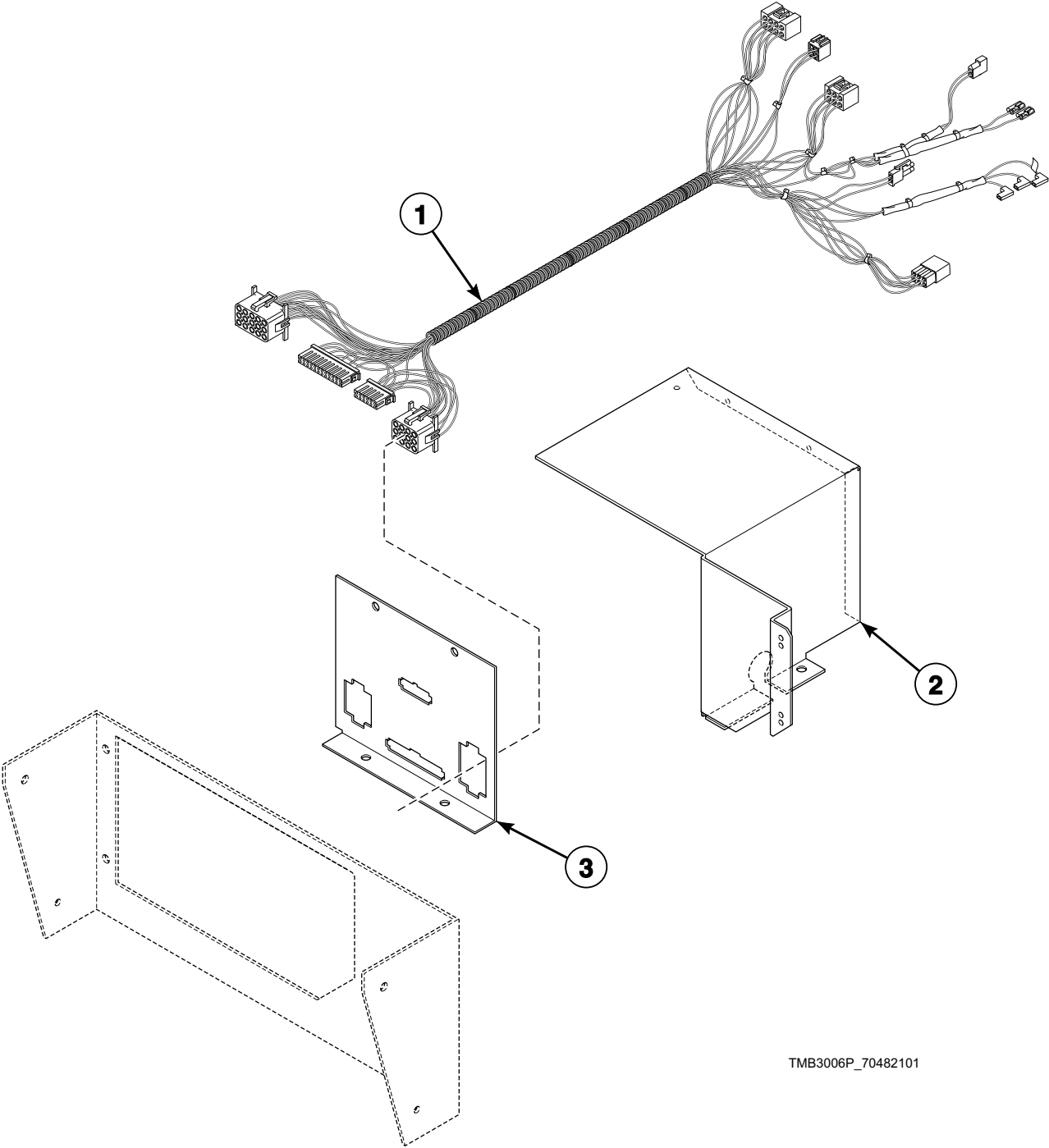
TMB3145P_70482101

Product Overview - Control Suffixes (Drawing 2 of 2)

| REF | PART NO. | DESCRIPTION | COMMENTS |
|-----|----------|---------------------|-------------------------|
| 1 | - | Control - Reversing | RM: reversing OPL micro |
| 2 | - | Control - Reversing | RE: reversing LED OPL |

NOTE: OPL models have the following control suffixes: RE and RM.

Interior Control Box



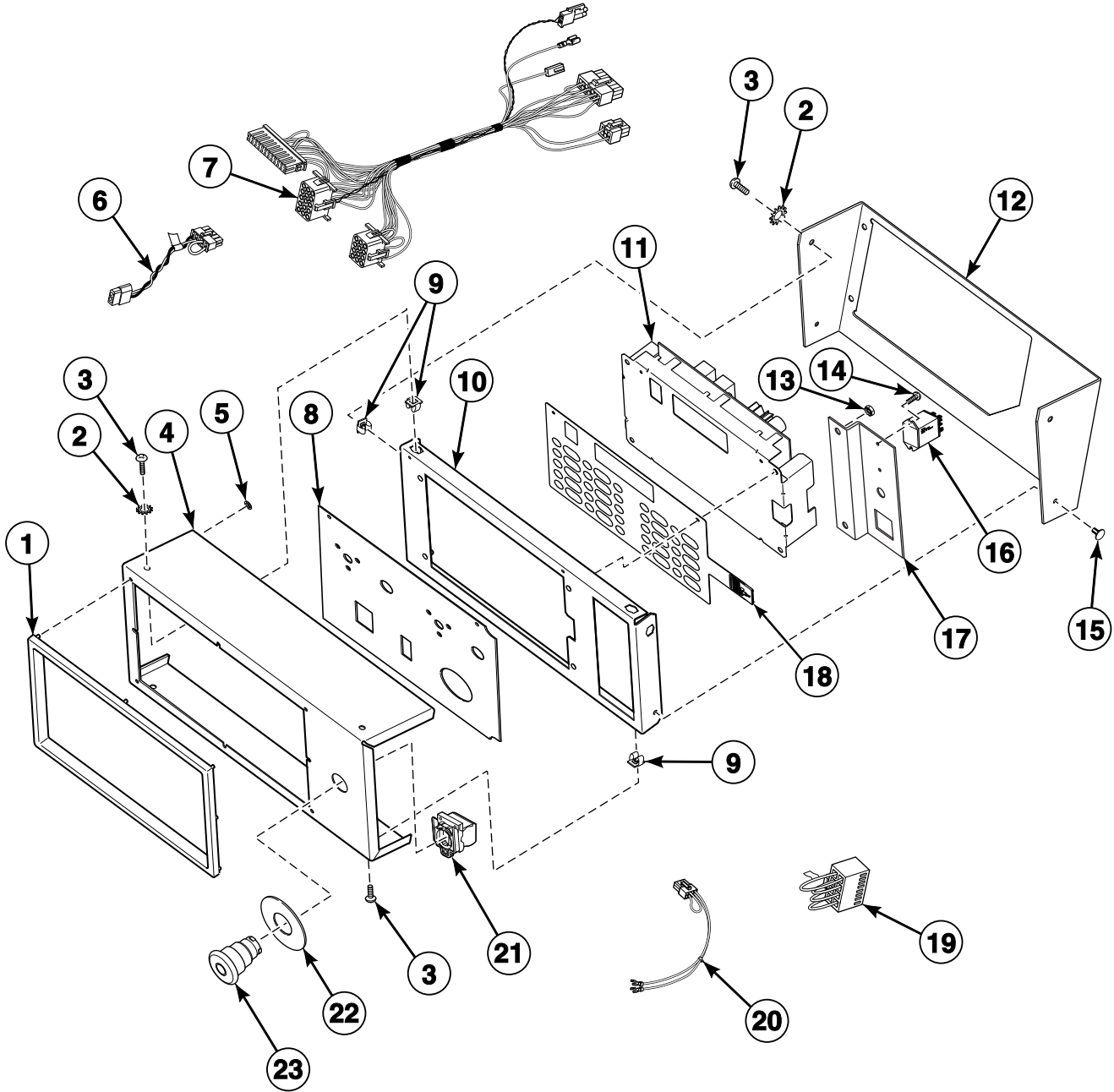
TMB3006P_70482101

Interior Control Box

| REF | PART NO. | DESCRIPTION | COMMENTS |
|-----|----------|-----------------------|--|
| 1 | 44162401 | Main Harness | Models through 7/31/11 |
| | 44243701 | Main Harness | Steam models starting 8/1/11; Gas models starting 8/1/11 through 3/10/13 |
| | 44251301 | Main Harness | Gas models; Models starting 3/11/13 |
| 2 | 44161001 | Control Box | |
| 3 | 44161101 | Control Housing Cover | |

Exterior Control Box - RM Control Suffix

H, S and U Models Through 7/31/11
G, K, L, P, X and YU Models Through 1/1/12



TMB3294P_70482101

Exterior Control Box - RM Control Suffix

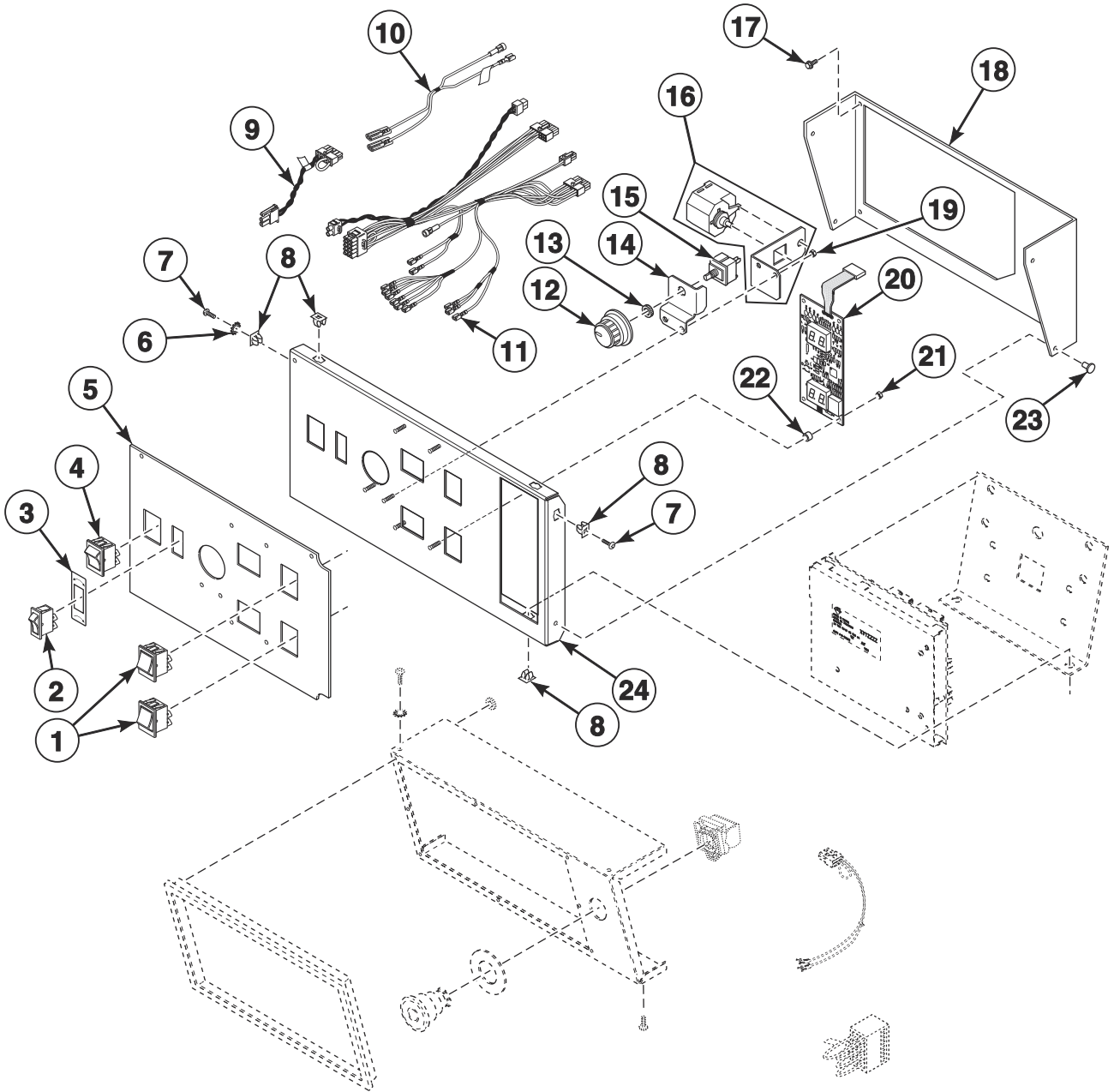
| REF | PART NO. | DESCRIPTION | COMMENTS |
|-----------|------------|--------------------------------|--|
| | M413930P | Ferrite Core Assembly | 2 required |
| | M4795P3W | Security Cover Kit | |
| | M4457P3 | RC Filter Kit | Includes (2) F330217P RC Filter and instructions |
| 1 | 44016401 | Control Trim | G, K, L, P, S, U, X and YU models; Black |
| | 44016402 | Control Trim | H models; Gray |
| 2 | 03815 | Washer | 2 required |
| 3 | 800930 | Screw | 6 required |
| 4 | 44111701* | Control Cover | G and K non-CE models |
| | 44111717 | Control Cover | G and K non-CE models; Stainless steel |
| | 44013307* | Control Cover | All other non-CE models |
| | N/A | Control Cover | All other non-CE models; Stainless steel |
| | 44111705W | Control Cover | G and K CE-models |
| | N/A | Control Cover | All other CE models |
| | 44111706 | Control Cover | G and K CE-models; Stainless steel |
| | 44013306 | Control Cover | X and Y CE-models; Stainless steel |
| | 44013319 | Control Cover | All other CE models; Stainless steel |
| 5 | M400977 | Nut | 8 required per control trim |
| 6 | 70084305 | Jumper Calibration Wire | |
| 7 | 70335301P | Control Panel Harness | Non-CE models |
| | 70382701P | Control Panel Harness | CE models |
| 8 | 70128401 | Overlay | S, U, X and YU models; Text |
| | 70130501 | Overlay | L, S and U models; Icon |
| | 70128601 | Overlay | H models; Text |
| | 70130701 | Overlay | H models; Icon |
| | 70135301 | Overlay | P models |
| | 44130001 | Overlay | G and K models; Text and icon |
| 9 | 70030501 | Expansion Clip | 6 required per control plate |
| 10 | 44029601 | Control Plate Assembly | Includes studs |
| 11 | 70228401P | Control Kit | Includes tape |
| 12 | 44099501W | Control Mounting Bracket | G and K models |
| | 44012801W | Control Mounting Bracket | All other models |
| 13 | 70054 | Nut | 4 required per control plate |
| 14 | 430497 | Screw | 4 required |
| 15 | M400713 | Drive Rivet | 2 required |
| 16 | M412534 | Relay | CE models |
| 17 | 44041701 | Relay/Buzzer Bracket | |
| 18 | M414368P | Membrane Switch | |
| 19 | 70364103 | Bypass Harness | Non-CE models |
| 20 | 70364105P | Emergency Stop Contact Harness | CE models; 1 contact |
| | 70364106P | Emergency Stop Harness | CE models; 2 contacts |
| 21 | F200233400 | Contact Block Switch | CE models; Models through 8/17/14 |
| | F8069501 | Contact Switch | CE models; Models starting 8/18/14 |
| | F8538101 | Contact Base | CE models; Models starting 8/18/14 |
| 22 | 44012901 | Emergency Stop Label | CE models |
| 23 | F200233500 | Emergency Stop Pushbutton | CE models |

* Add Letter To Designate Color. Q - Bisque W - White

N/A = Part no longer available

Exterior Control Box - RQ Control Suffix (Drawing 1 of 2)

C, H, I, L, N, P, S, U, X and YT Models
G and K Models Starting 1/16/12



TMB3295P_70482101

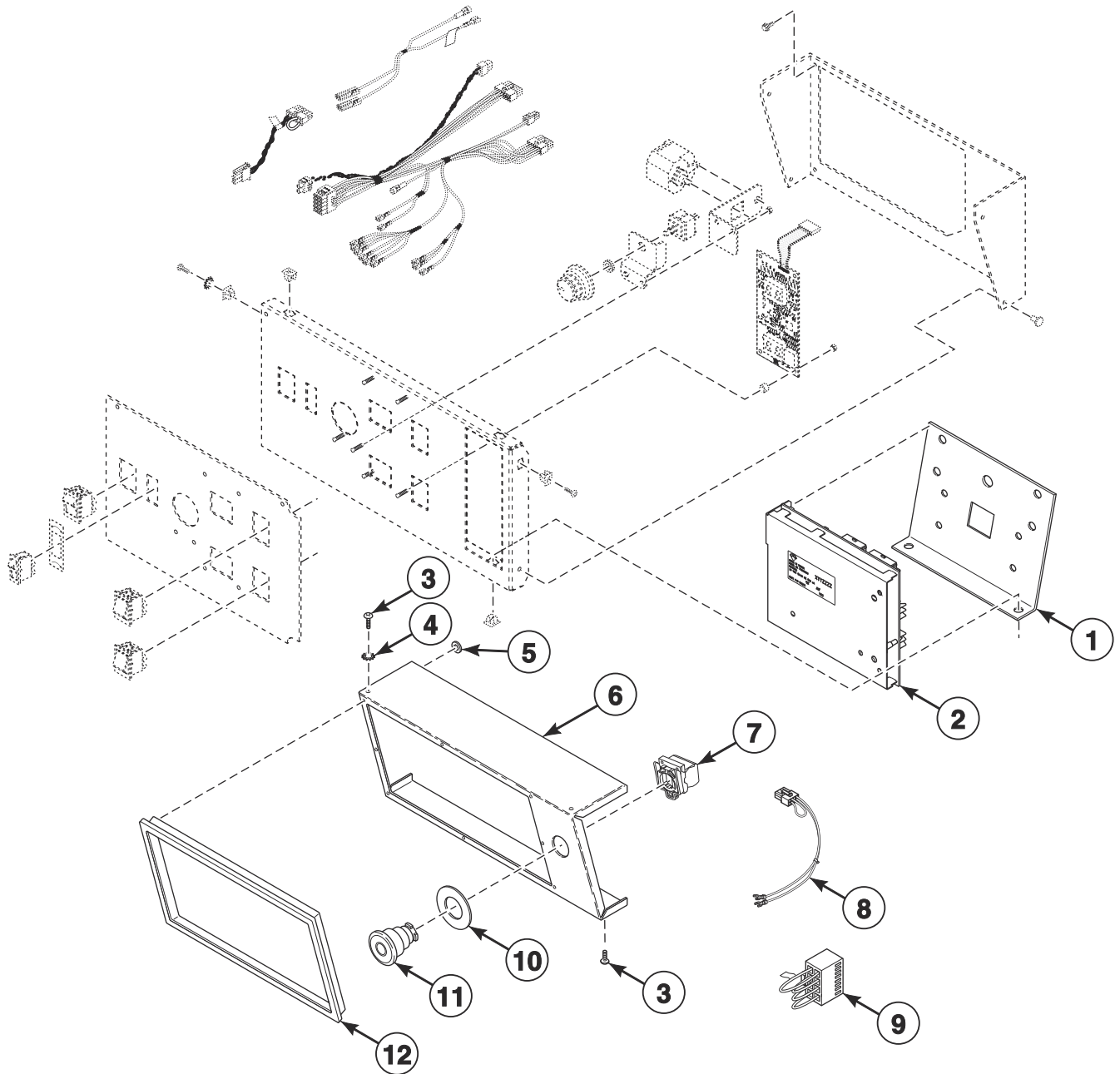
Exterior Control Box - RQ Control Suffix (Drawing 1 of 2)

| REF | PART NO. | DESCRIPTION | COMMENTS |
|-----|------------|-------------------------------------|---|
| | M4795P3W | Security Cover Kit | |
| 1 | 70461301 | Rocker Switch | 2 required |
| 2 | 44099601 | Rocker Switch | Reversing |
| 3 | M413236 | Switch Plate | Reversing |
| 4 | 70455101 | Rocker Switch | Start |
| 5 | 70362202 | Overlay | G, K, L, N, S, X and YT models; C and I models through 7/14/14; U models through 8/17/14; P models starting 1/15/15 |
| | 70504702 | Overlay | C and I models starting 7/15/14; Reversing |
| | 70494002 | Overlay | U models; Models starting 8/18/14 |
| | 70362502 | Overlay | H models |
| | 70362402 | Overlay | P models through 1/14/15 |
| 6 | 03815 | Washer | |
| 7 | 800930 | Screw | |
| 8 | 70030501 | Expansion Clip | 6 required |
| 9 | 70324604 | Jumper Calibration Wire | |
| 10 | 44100101P | Control Harness | Jumper |
| 11 | 70367001P | Control Panel Harness | |
| 12 | 44104601 | Temperature Knob | |
| 13 | 24205 | Nut | |
| 14 | 70391701 | Temperature Selector Switch Bracket | |
| 15 | D511711 | Temperature Selector Switch | |
| 16 | M4860P3 | Buzzer Kit | Includes bracket, buzzer and wire harness |
| 17 | 430497 | Screw | |
| 18 | 44099501* | Control Mounting Bracket | |
| | 44099504LG | Control Mounting Bracket | U models; Light gray |
| | 44099502 | Control Mounting Bracket | Stainless steel; Models through 3/31/15 |
| | 44099505 | Control Mounting Bracket | Stainless steel; Models starting 4/1/15 |
| 19 | 70054 | Nut | 2 required |
| 20 | D512218P | Display Assembly | C and I models through 7/14/14; All other models |
| | 70503101P | Control Assembly | C and I models starting 7/15/14 |
| 21 | 29787 | Nut | 4 required |
| 22 | 56079 | Panel Locator | 4 required |
| 23 | M400713 | Drive Rivet | 2 required |
| 24 | 44099201 | Control Plate and Studs Assembly | Includes studs |

* Add Letter To Designate Color. Q - Bisque W - White

Exterior Control Box - RQ Control Suffix (Drawing 2 of 2)

C, H, I, L, N, P, S, U, X and YT Models
G and K Models Starting 1/16/12



TMB3295PA_70482101

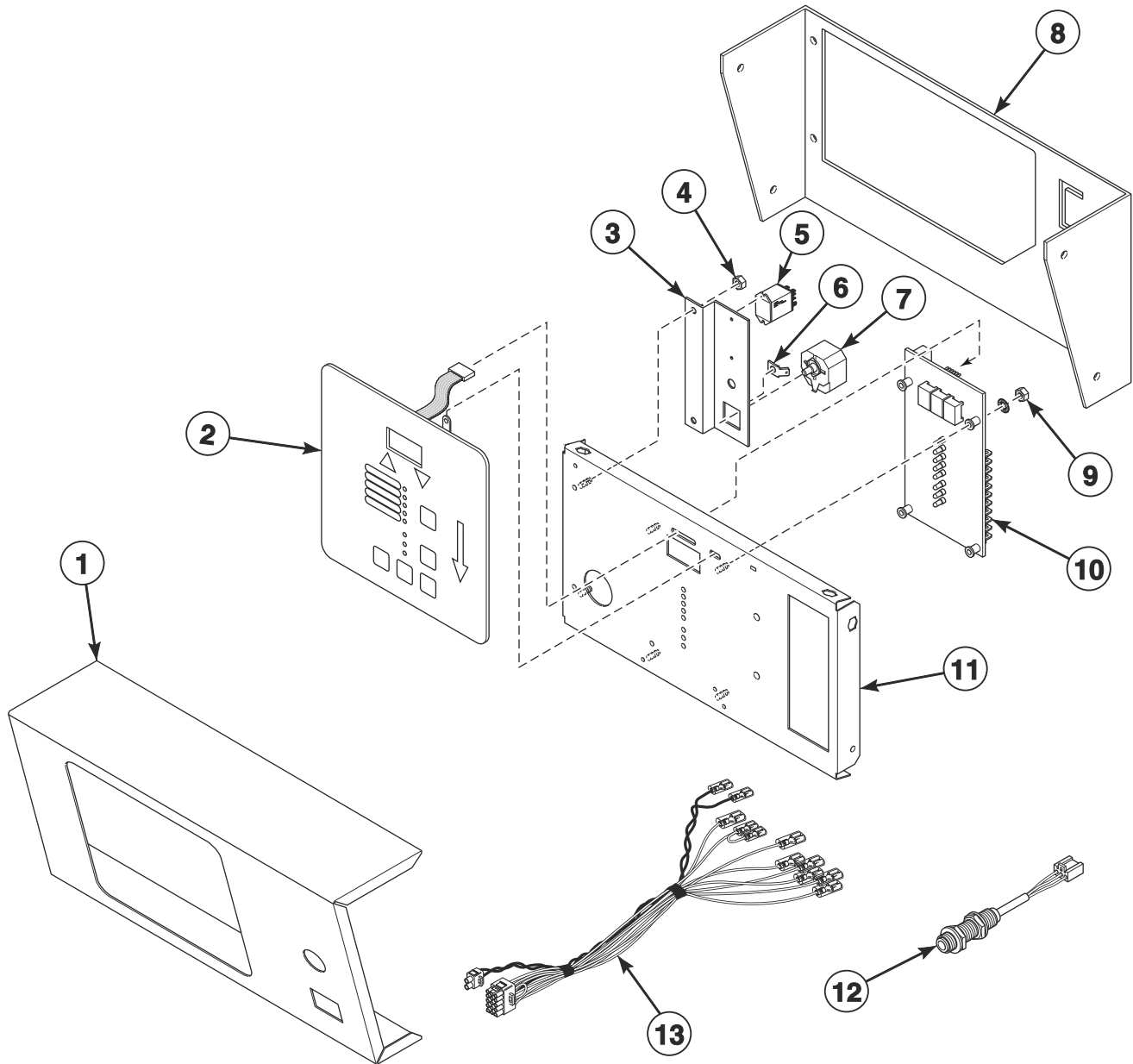
Exterior Control Box - RQ Control Suffix (Drawing 2 of 2)

| REF | PART NO. | DESCRIPTION | COMMENTS |
|-----------|------------|----------------------------------|--|
| | M4795P3W | Security Cover Kit | |
| 1 | 70357901 | Control Chassis Mounting Bracket | |
| 2 | D512202P | Control Assembly | |
| 3 | 800930 | Screw | |
| 4 | 03815 | Washer | |
| 5 | M400977 | Nut | |
| 6 | 44013307* | Control Cover | Non-CE models |
| | 44111713LG | Control Cover | Non-CE and non-Australian U models; Light gray |
| | 44013308 | Control Cover | Non-CE models through 3/31/15; Stainless steel |
| | 44013317 | Control Cover | Non-CE models starting 4/1/15; Stainless steel |
| | 44013311* | Control Cover | CE models |
| | 44111714LG | Control Cover | CE U gas models; Light gray |
| | 44111715LG | Control Cover | CE U steam models; Light gray |
| | 44111716LG | Control Cover | Australian U models; Light gray |
| | 44013319 | Control Cover | CE models; Stainless steel |
| 7 | F200233400 | Contact Block Switch | CE models; Models through 8/17/14 |
| | F8069501 | Contact Switch | CE models; Models starting 8/18/14 |
| | F8538101 | Contact Base | CE models; Models starting 8/18/14 |
| 8 | 70364105P | Emergency Stop Contact Harness | CE models; 1 contact |
| | 70364106P | Emergency Stop Harness | CE models; 2 contacts |
| 9 | 70364103 | Bypass Harness | Non-CE models |
| 10 | 44012901 | Emergency Stop Label | CE models |
| 11 | F200233500 | Emergency Stop Pushbutton | CE models |
| 12 | 44016401 | Control Trim | N, S, U, X and YT models; Black |
| | 44016402 | Control Trim | H models; Gray |

* Add Letter To Designate Color. Q - Bisque W - White

DMP Control Box - C and I Models with RD Control Suffix

Models Through 7/31/11



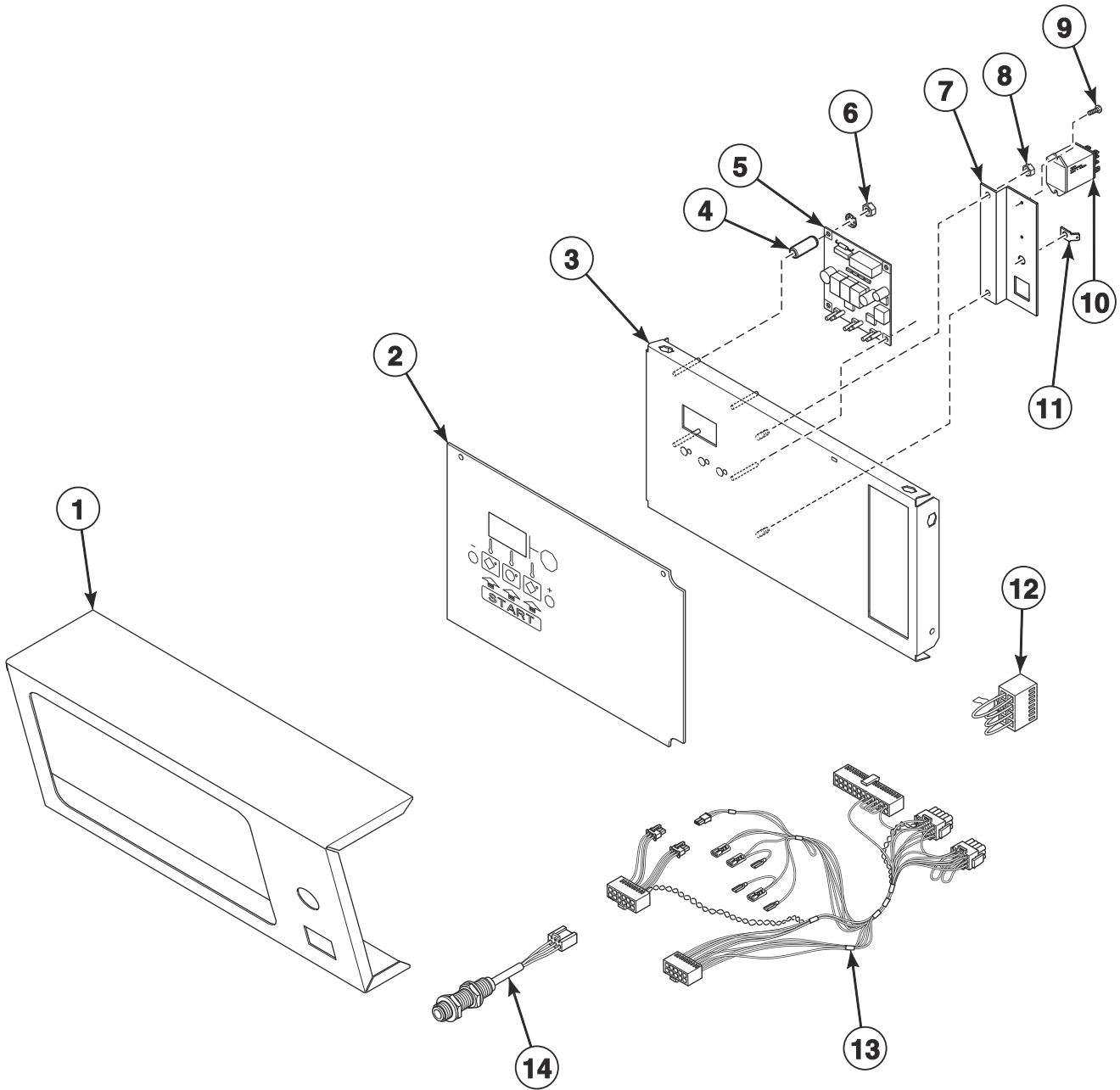
TMB3800P_70482101

DMP Control Box - C and I Models with RD Control Suffix

| REF | PART NO. | DESCRIPTION | COMMENTS |
|-----------|-----------|--------------------------------|----------------------------------|
| | M413930P | Ferrite Core Assembly | Use with item 13 |
| 1 | 44040107* | Control Cover | Non-CE models |
| | 44040108 | Control Cover | Non-CE models; Stainless steel |
| | 44040111* | Control Cover | CE-models |
| | 44040112 | Control Cover | CE-models; Stainless steel |
| 2 | 44037901P | Membrane Switch | |
| 3 | 44041701 | Relay/Buzzer Bracket | |
| 4 | 70054 | Nut | 2 required |
| 5 | M412534 | Relay | CE-models |
| 6 | 00177 | Male Tab Terminal | |
| 7 | D505447 | Adjustable Buzzer | |
| 8 | 44040201* | Control Mounting Bracket | Non-CE models |
| | 44040202 | Control Mounting Bracket | Non-CE models; Stainless steel |
| 9 | 29787 | Nut | 4 required |
| 10 | 44037801P | Electronic Control | |
| 11 | 44041101 | Control Plate Assembly | |
| 12 | 7010P | Rotation Sensor Kit | |
| 13 | 70341801P | Control Panel Harness Assembly | Non-CE and non-Australian models |
| | 70342001P | Control Panel Harness | CE and Australian models |

* Add Letter To Designate Color. **Q** - Bisque **W** - White

DX4 Control Box - B Models with R3 Control Suffix



TMB3801P_70482101

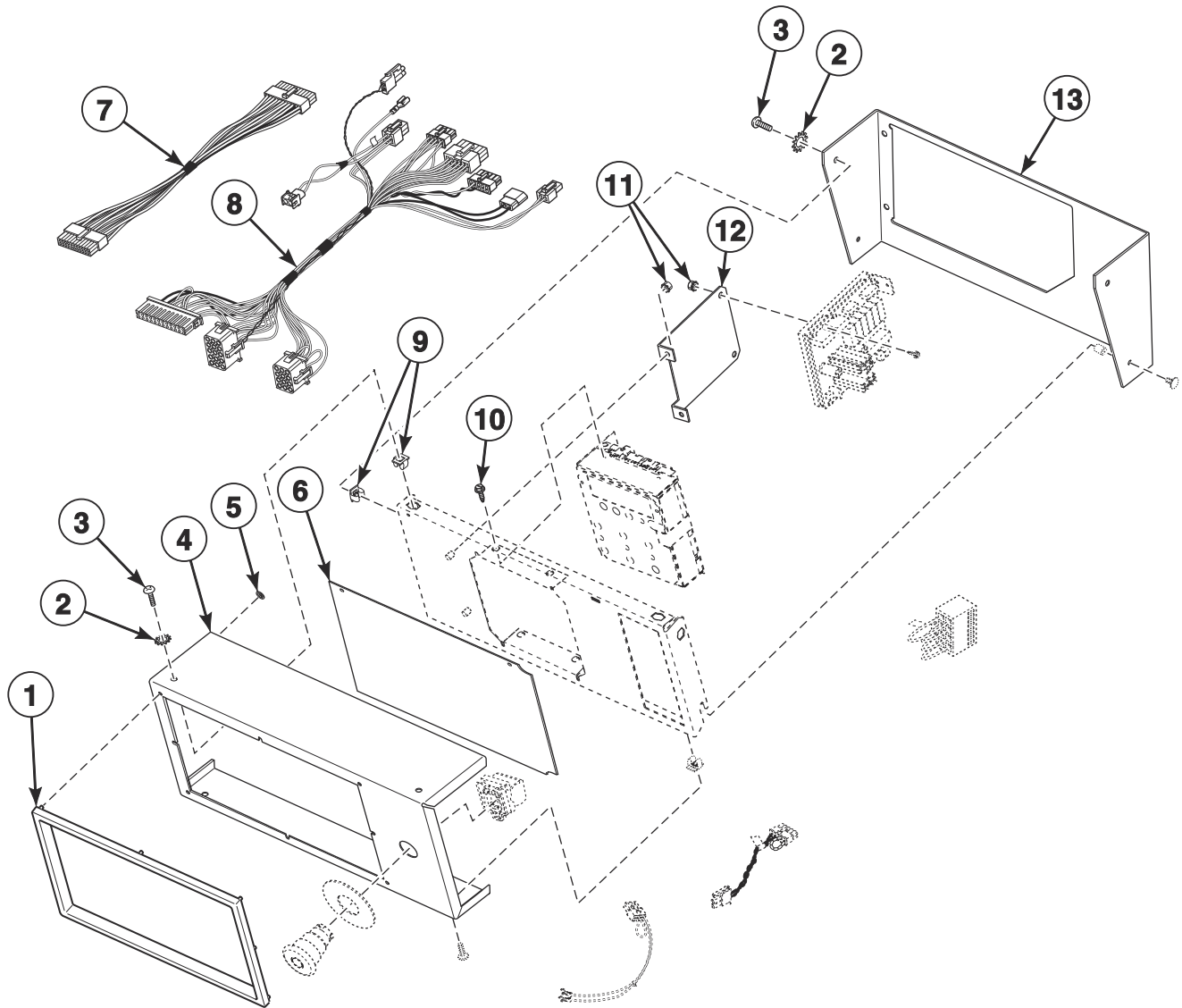
DX4 Control Box - B Models with R3 Control Suffix

| REF | PART NO. | DESCRIPTION | COMMENTS |
|-----|---------------|------------------------|---|
| | M413930P | Ferrite Core Assembly | Use with item 11 |
| 1 | 44111701* | Control Cover | Non-CE models |
| | 44111717 | Control Cover | Non-CE models; Stainless steel |
| | 44111705* | Control Cover | CE models |
| | 44111706 | Control Cover | CE models through 3/31/15; Stainless steel |
| | 44111719 | Control Cover | CE models starting 4/1/15; Stainless steel |
| 2 | 44240501 | Graphic Overlay | |
| | 259/00005/00 | Overlay | PRO HC control replacement; Refer to Parts Information Insert 8-18-251 for list of machine serial numbers |
| 3 | 44038601 | Control Plate Assembly | CE models |
| 4 | 44050601 | Sleeve | 4 required |
| 5 | 70462307P | Control Assembly | |
| | 254/00070/00P | Control Board | PRO HC control replacement; Refer to Parts Information Insert 8-18-251 for list of machine serial numbers |
| 6 | 29787 | Nut | 4 required |
| 7 | 44041701 | Relay/Buzzer Bracket | |
| 8 | 70054 | Nut | |
| 9 | D501086 | Screw | |
| 10 | M412534 | Relay | CE models |
| 11 | 00177 | Male Tab Terminal | |
| 12 | 70364103 | Bypass Harness | Non-CE models |
| 13 | 70485301 | Control Panel Harness | Non-CE and non-Australian models |
| | 70489901 | Control Panel Harness | CE and Australian models |
| 14 | 7010P | Rotation Sensor Kit | |

* Add Letter To Designate Color. Q - Bisque W - White

Exterior Control Box - RE Control Suffix (Drawing 1 of 2)

B, C, H, I, N, S and U Models
G, K, L, P and Y Models Starting 1/16/12



TMB3296P_70482101

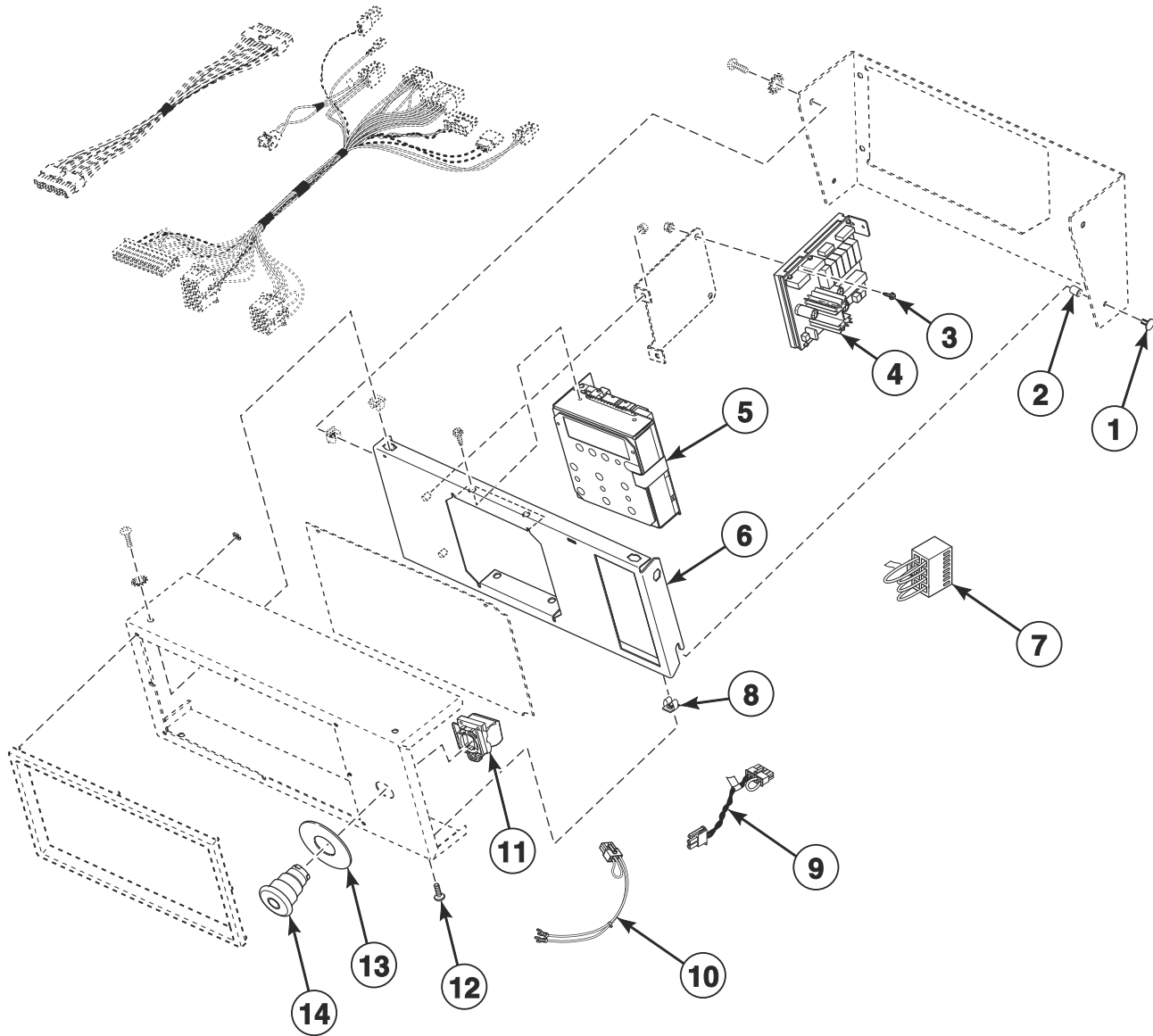
Exterior Control Box - RE Control Suffix (Drawing 1 of 2)

| REF | PART NO. | DESCRIPTION | COMMENTS |
|-----|------------|--------------------------|--|
| | 203346 | USB IR Interface Kit | |
| 1 | 44016401 | Control Trim | N, S and U models; Black |
| | 44016402 | Control Trim | H models; Gray |
| 2 | 03815 | Washer | 2 required |
| 3 | 800930 | Screw | 6 required |
| 4 | 44013315DG | Control Cover | Non-CE P models starting 10/1/14; Dark gray |
| | 44111713LG | Control Cover | Non-CE U models; Light gray |
| | 44013307* | Control Cover | Non-CE P models through 9/30/14; All other non-CE models |
| | 44013308 | Control Cover | Non-CE models through 3/31/15; Stainless steel |
| | 44013317 | Control Cover | Non-CE models starting 4/1/15; Stainless steel |
| | 44013316DG | Control Cover | CE P models starting 10/1/14; Dark gray |
| | 44111715LG | Control Cover | CE U models; Light gray |
| | 44013311* | Control Cover | CE P models through 9/30/14; All other CE models |
| | 44013319 | Control Cover | CE models; Stainless steel |
| 5 | M400977 | Nut | |
| 6 | 70445002 | Overlay | S models |
| | 70445004 | Overlay | H models |
| | 70462401 | Overlay | B, C and I models; Models through 7/14/14 |
| | 70504901 | Overlay | B, C and I models; Models starting 7/15/14 |
| | 70462701 | Overlay | U models; Models through 8/17/14 |
| | 70493701 | Overlay | U models; Models starting 8/18/14 |
| | 70462901 | Overlay | G and K models |
| | 70472401 | Overlay | P models through 9/30/14 |
| | 70508601 | Overlay | P models starting 10/1/14 through 5/31/15; L models starting 1/29/15 through 5/31/15 |
| | 70472201 | Overlay | N and Y models; L models through 1/28/15 |
| | 70526001 | Overlay | L and P models starting 6/1/15 |
| 7 | 44186101 | Output Harness | Use between control assemblies |
| 8 | 44240301 | Control Panel Harness | Goes from control assembly to main harness |
| 9 | 70030501 | Expansion Clip | 6 required per control plate |
| 10 | D501524 | Screw | |
| 11 | 70054 | Nut | |
| 12 | 44223101 | Output Bracket | |
| 13 | 44099504DG | Control Mounting Bracket | P models starting 10/1/14; Dark gray |
| | 44099504LG | Control Mounting Bracket | U models; Light gray |
| | 44099501W | Control Mounting Bracket | P models through 9/30/14; All other models |
| | 44099502 | Control Mounting Bracket | All models except P models through 3/31/15; Stainless steel |
| | 44099505 | Control Mounting Bracket | All models except P models starting 4/1/15; Stainless steel |

* Add Letter To Designate Color. Q - Bisque W - White

Exterior Control Box - RE Control Suffix (Drawing 2 of 2)

B, C, H, I, N, S and U Models
G, K, L, P and Y Models Starting 1/16/12



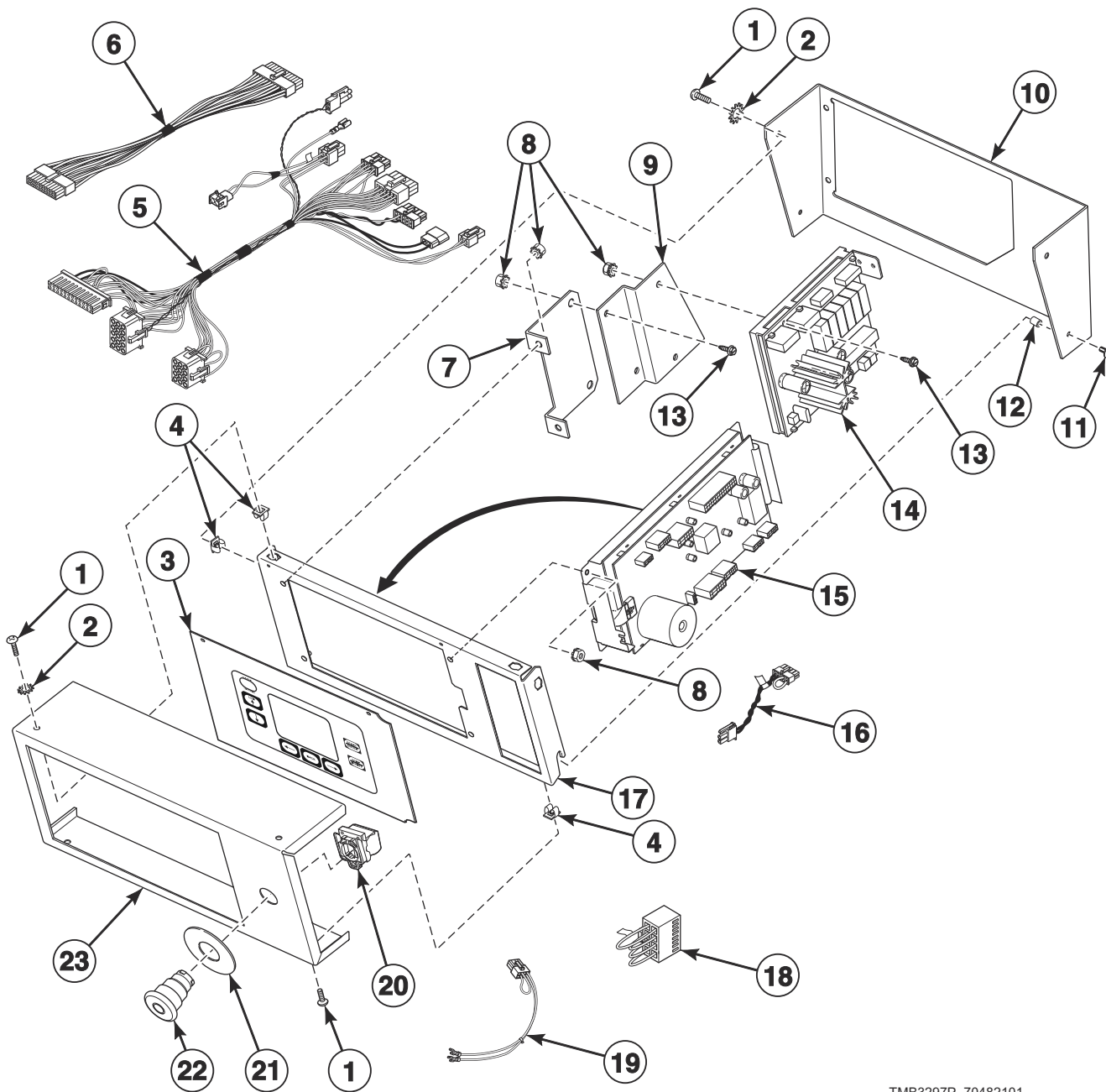
TMB3296PA_70482101

Exterior Control Box - RE Control Suffix (Drawing 2 of 2)

| REF | PART NO. | DESCRIPTION | COMMENTS |
|-----|------------|----------------------------------|---|
| 1 | 430725 | Pop Rivet | 2 required |
| 2 | 431264 | Spacer | 2 required |
| 3 | D501524 | Screw | |
| 4 | 70434101P | Control Assembly | |
| 5 | 70454101P | Control Assembly | H, S and U models; L and P models starting 6/1/15 |
| | 70437102P | Control Assembly | B, C and I models; Models through 7/14/14 |
| | 70503702P | Control Assembly | B, C and I models; Models starting 7/15/14 |
| | 70437103P | Control Assembly | P models through 5/31/15; L models starting 1/29/15 through 5/31/15 |
| | 70437104P | Control Assembly | G and K models |
| | 70437105P | Control Assembly | N and Y models; L models through 1/28/15 |
| 6 | 44185701 | Control Plate and Studs Assembly | |
| 7 | 70364103 | Bypass Harness | Non-CE models |
| 8 | 70030501 | Expansion Clip | 6 required per control plate |
| 9 | 70324604 | Jumper Calibration Wire | |
| 10 | 70364106P | Emergency Stop Harness | CE models; 2 contacts |
| 11 | F200233400 | Contact Block Switch | CE models; Models through 8/17/14 |
| | F8069501 | Contact Switch | CE models; Models starting 8/18/14 |
| | F8538101 | Contact Base | CE models; Models starting 8/18/14 |
| 12 | 800930 | Screw | 6 required |
| 13 | 44012901 | Emergency Stop Label | CE models |
| 14 | F200233500 | Emergency Stop Pushbutton | CE models |

Exterior Control Box - RU Control Suffix

U Models



TMB3297P_70482101

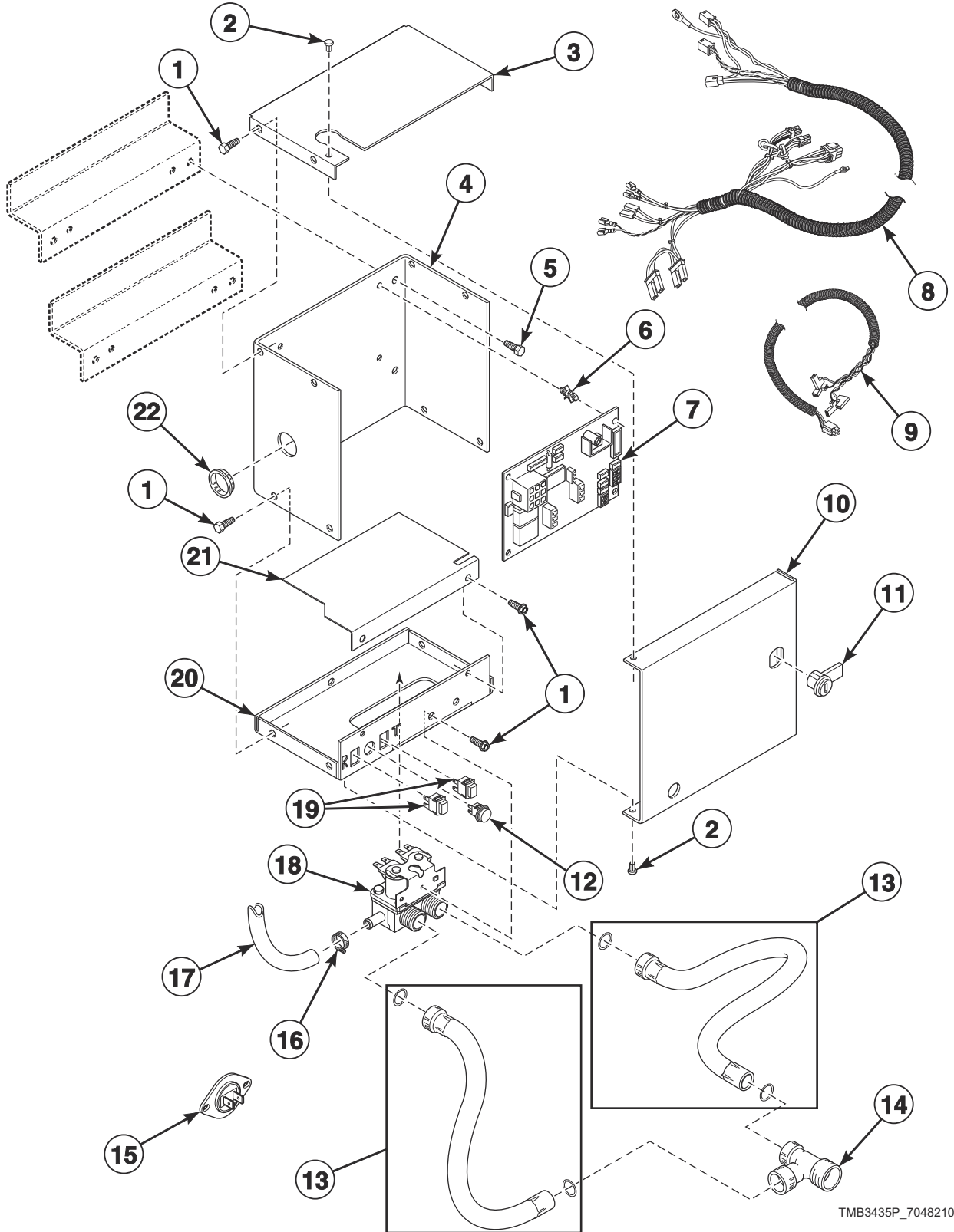
Exterior Control Box - RU Control Suffix

| REF | PART NO. | DESCRIPTION | COMMENTS |
|-----------|------------|---------------------------|--|
| | NK209 | Network Retrofit Kit | Wired |
| | NK220 | Network Controller Kit | Wired |
| | NK309 | Wireless Network Kit | Wireless |
| | NK320 | Ethernet Gateway Kit | Wireless |
| | NK330 | USB Gateway Kit | Wireless |
| | 203346 | USB IR Interface Kit | |
| 1 | 800930 | Screw | 6 required |
| 2 | 03815 | Washer | 2 required |
| 3 | 70432201 | Overlay | Models through 8/17/14 |
| | 70499001 | Overlay | Models starting 8/18/14 |
| 4 | 70030501 | Expansion Clip | 6 required per control plate |
| 5 | 44240301 | Control Panel Harness | Goes from item 15 to main harness |
| 6 | 44186101 | Output Harness | Use between item 14 and item 15 |
| 7 | 44223201 | Output Bracket | |
| 8 | 70054 | Nut | |
| 9 | 44223401 | Output Bracket | |
| 10 | 44099501W | Control Mounting Bracket | Models through 8/17/14 |
| | 44099504LG | Control Mounting Bracket | Models starting 8/18/14; Light gray |
| | 44099502 | Control Mounting Bracket | Models through 3/31/15; Stainless steel |
| | 44099505 | Control Mounting Bracket | Models starting 4/1/15; Stainless steel |
| 11 | 430725 | Pop Rivet | 2 required |
| 12 | 431264 | Spacer | 2 required |
| 13 | D501524 | Screw | |
| 14 | 70434101P | Control Assembly | |
| 15 | 70454001P | Control Assembly | |
| 16 | 70324604 | Jumper Calibration Wire | |
| 17 | 44224601 | Control Plate Assembly | |
| 18 | 70364103 | Bypass Harness | Non-CE models |
| 19 | 70364106P | Emergency Stop Harness | CE models; 2 contacts |
| 20 | F200233400 | Contact Block Switch | CE models; Models through 8/17/14 |
| | F8069501 | Contact Switch | CE models; Models starting 8/18/14 |
| | F8538101 | Contact Base | CE models; Models starting 8/18/14 |
| 21 | 44012901 | Emergency Stop Label | CE models |
| 22 | F200233500 | Emergency Stop Pushbutton | CE models |
| 23 | 44013307* | Control Cover | Non-CE models; Models through 8/17/14 |
| | 44111701* | Control Cover | Non-CE models; Models starting 8/18/14 |
| | 44111713LG | Control Cover | Non-CE models; Models starting 8/18/14 |
| | 44013308 | Control Cover | Non-CE models; Models through 3/31/15;Stainless steel |
| | 44013317 | Control Cover | Non-CE models; Models starting 4/1/15; Stainless steel |
| | 44013311* | Control Cover | CE models; Models through 8/17/14 |
| | 44111705* | Control Cover | CE steam models; Models starting 8/18/14 |
| | 44111703* | Control Cover | CE gas models; Models starting 8/18/14 |
| | 44111715LG | Control Cover | CE models; Models starting 8/18/14 |
| | 44013319 | Control Cover | CE models; Stainless steel |

* Add Letter To Designate Color. Q - Bisque W - White

Fire Suppression System Control Box

B, C, G, H, I, K, L, P, S and U Models
Models Through 7/31/11 with a K, L, N, T, U or W in the 11th Character (ST170NRTF6K1W01)
Models Starting 8/1/11 with a C, D or Y in the 11th Character

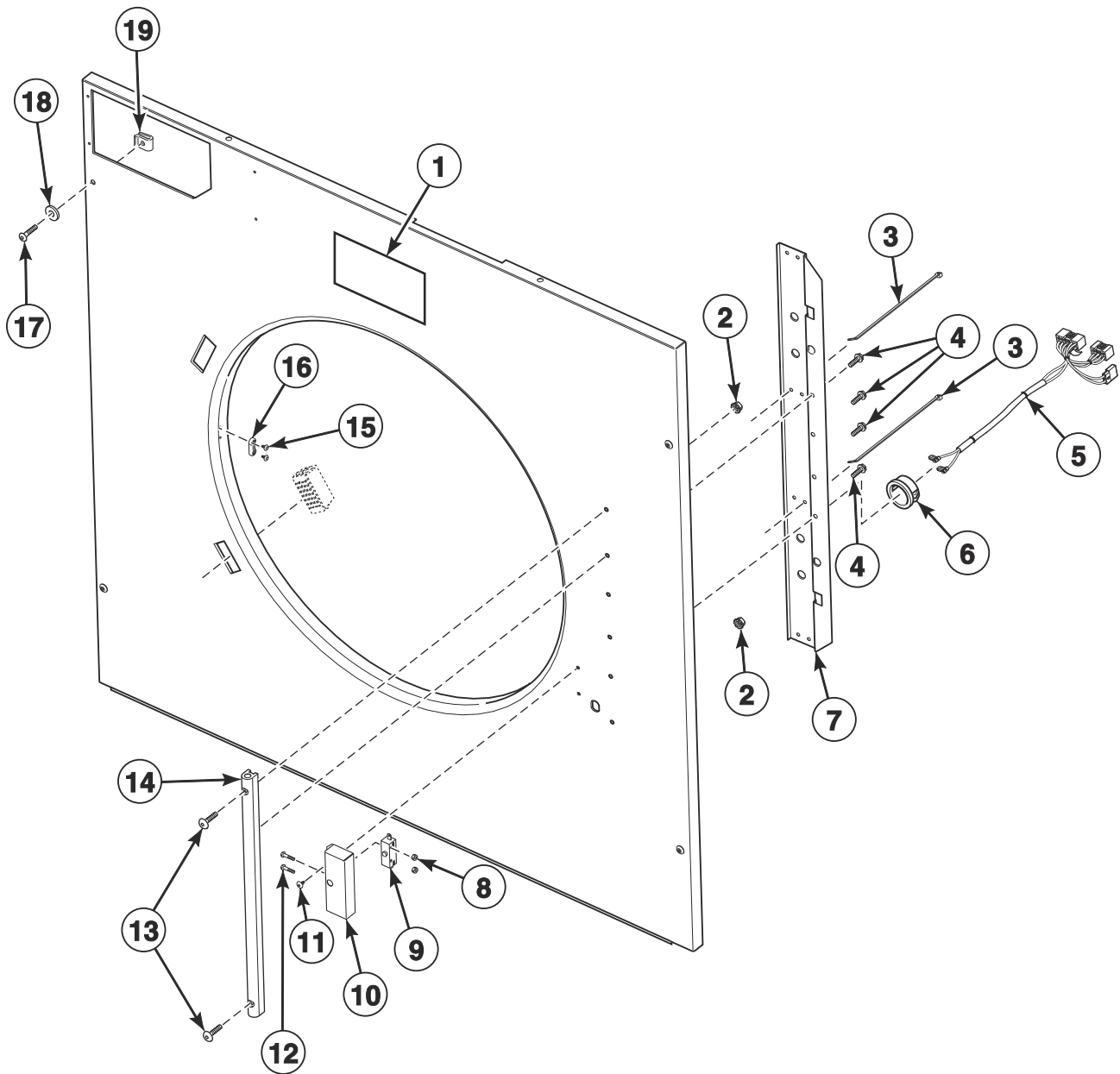


TMB3435P_70482101

Fire Suppression System Control Box

| REF | PART NO. | DESCRIPTION | COMMENTS |
|-----|-----------|-----------------------------|--|
| | 44079601 | Manifold | Gas models |
| | 44079602 | Manifold | Steam models |
| 1 | 430497 | Screw | |
| 2 | M400713 | Drive Rivet | |
| 3 | 44065401 | Control Box Top | Top |
| 4 | 44065101 | Control Box Housing | |
| 5 | 51780 | Screw | |
| 6 | D501523 | Circuit Board Support | 4 required |
| 7 | 44063801P | Control | |
| 8 | 44162601 | Control Harness | |
| 9 | 44166801 | Sensor Harness Assembly | |
| 10 | 44065201 | Control Box Cover | |
| 11 | 44089301P | Lock, Key and Nut Kit | RL001 key code |
| | 70155601 | Key | RL001 |
| 12 | 801432 | Light | Red |
| 13 | F200116 | Water Hose | Non-CE and non-Australian models; 2 required |
| | 38349P | Fill Hose Kit | CE and Australian models |
| 14 | 44069101 | Hose Fitting | Non-CE and non-Australian models |
| 15 | 44064701 | Thermistor | 2 required |
| 16 | 36801 | Hose Clamp | |
| 17 | 44073303 | Hose | 31 inches; Outlet hose |
| 18 | 36958P | Mixing Valve | |
| 19 | 801434W | Push-to-Start Switch | 2 required |
| 20 | 44065301 | Control Box Base | |
| 21 | 44065701 | Mixing Valve Shield Bracket | |
| 22 | 70178701 | Snap Bushing | |

Cabinet Front Components

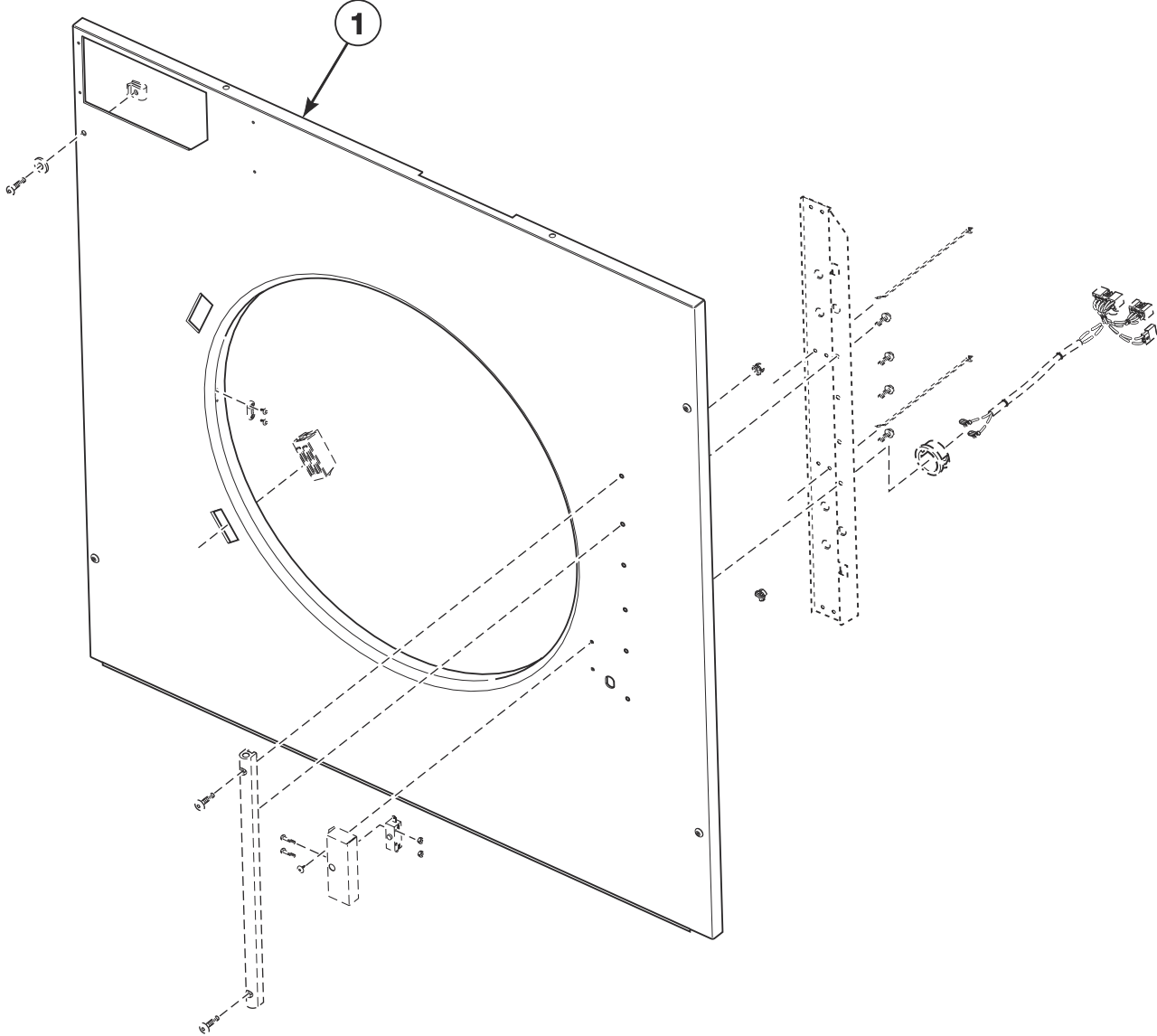


TMB3291P_70482101

Cabinet Front Components

| REF | PART NO. | DESCRIPTION | COMMENTS |
|-----|----------|--------------------------|--|
| | 298P4P | Spray Paint | White |
| | 381P4 | Spray Paint | Bisque |
| | 382P4 | Spray Paint | Cream |
| | 122P4P | Porcelain Touch-Up Paint | White |
| | 370P4P | Porcelain Touch-Up Paint | Bisque |
| 1 | 70537001 | Label | B, C, H, I, S and U models; C.A.R.E. |
| | 70537101 | Label | G and K models; F.S.S. |
| | 44190901 | Label | L and P models; Safe Tech |
| 2 | 29786 | Nut | 2 required |
| 3 | 55881 | Harness Strap | 2 required; Front panel harness to door switch wire channel |
| 4 | 44023301 | Screw | 4 required |
| 5 | 44162501 | Door Switch Harness | |
| 6 | M400770 | Snap Bushing | Required for door switch harness going through frame |
| 7 | 44001802 | Door Switch Wire Channel | |
| 8 | 02788 | Nut | 2 required |
| 9 | 44018201 | Door Switch | |
| 10 | 44001301 | Door Switch Cover | |
| 11 | 431287 | Screw | 2 required |
| 12 | M402574 | Screw | 2 required |
| 13 | 70033504 | Screw | 2 required |
| 14 | 44035001 | Door Hinge Lug Assembly | C, H, L, N, P, S, U, X and Y models; B and I models through 7/31/11; Includes bushings |
| | 44035002 | Door Hinge Lug Assembly | G and K models; B and I models starting 8/1/11; Black |
| 15 | 44166601 | Pop Rivet | 2 required |
| 16 | M401223 | Door Latch | |
| 17 | 70182601 | Screw | 4 required per panel |
| 18 | 800465 | Washer | 4 required per panel |
| 19 | 70030401 | Nut | Access and front panel attachment |

Cabinet Front Panel

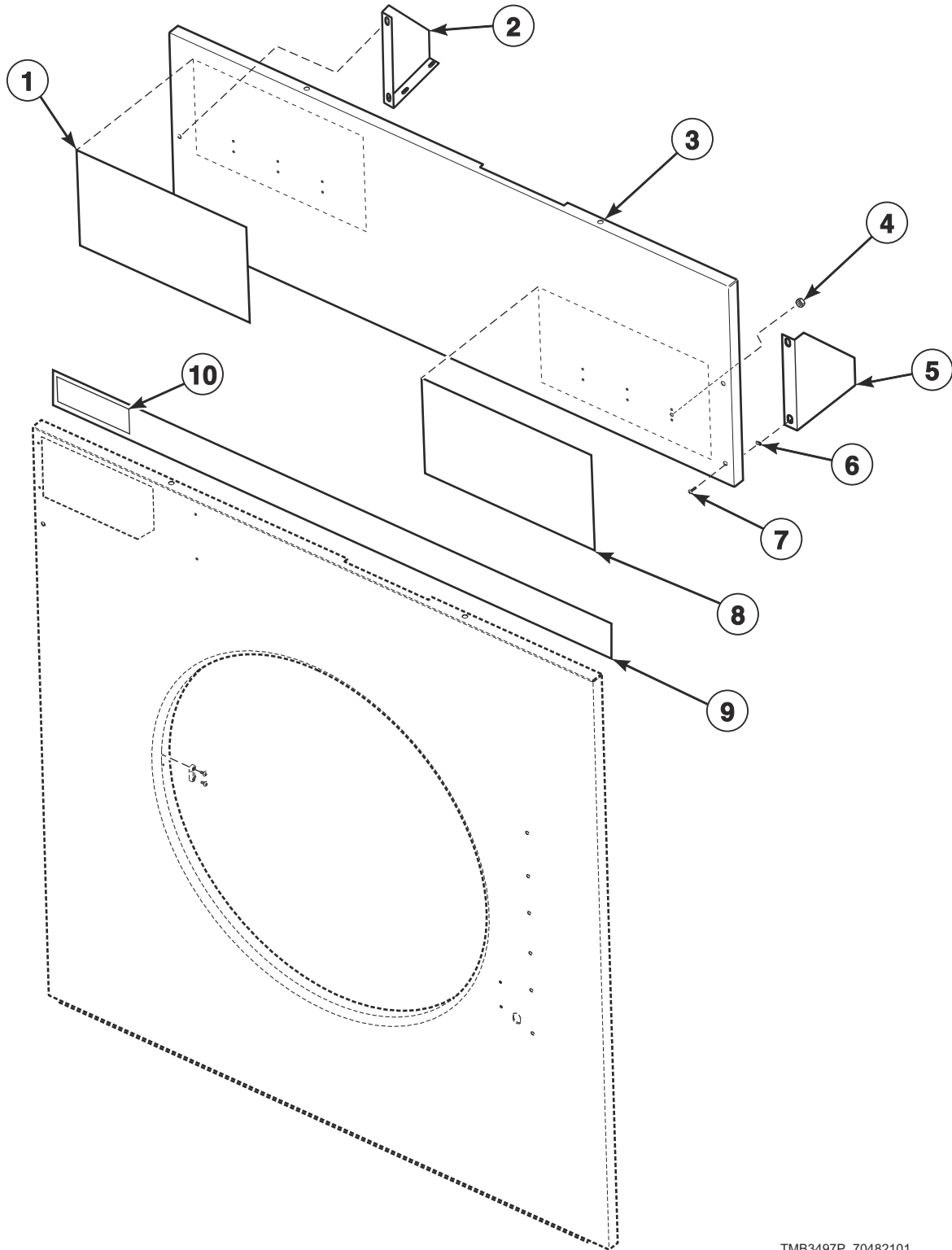


TMB3291PA_70482101

Cabinet Front Panel

| REF | PART NO. | DESCRIPTION | COMMENTS |
|-----|------------|----------------------|--|
| 1 | 44012506DG | Front Panel | P models; Models starting 10/1/14; Dark gray |
| | 44078101WP | Front Panel Assembly | P models through 9/30/14 and starting again 7/1/17; U models through 8/17/14; All other models |
| | 44012502P | Front Panel | U models through 8/17/14; All other models through 3/31/15 ; Stainless steel |
| | 44078103 | Front Panel | All models except P and U models starting 4/1/15; Stainless steel |
| | 44012503LG | Front Panel | U models; Models starting 8/18/14; Light gray |
| | 44012504 | Front Panel | U models; Models starting 8/18/14 through 3/31/15; Stainless steel |
| | 44012508 | Front Panel | U models; Models starting 4/1/15; Stainless steel |
| | 44012505W | Front Panel | U models; Models starting 8/18/14; White |

Cabinet Front Panels and Nameplates



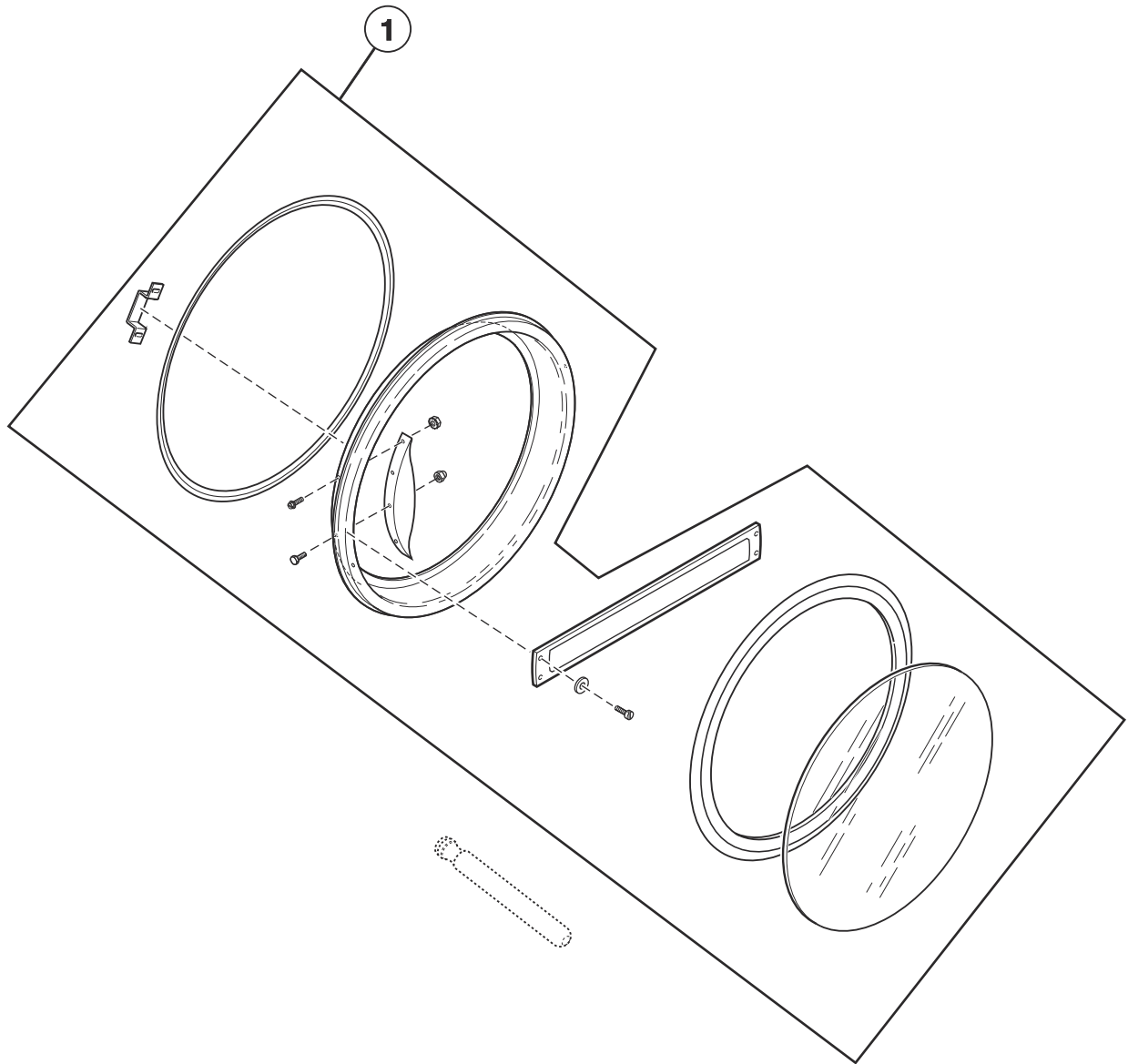
TMB3497P_70482101

Cabinet Front Panels and Nameplates

| REF | PART NO. | DESCRIPTION | COMMENTS |
|----------|-------------------|---------------------------------------|---|
| | M4787P3 | Front Access Panel and Door Hinge Kit | B and I models; To change from old look to new look |
| 1 | 70348501 | Nameplate | C models |
| | 44046801 | Nameplate | B and I models; Models through 7/9/12 |
| | B12389801 | Nameplate | B and I models; Models starting 7/10/12 |
| 2 | 44028302DG | Top Access Panel Gusset | P models starting 10/1/14; L models starting 1/29/15; Left; Dark gray |
| | 44028302LG | Top Access Panel Gusset | U models; Left; Light gray |
| | 44028302* | Top Access Panel Gusset | P models through 9/30/14; L models through 1/28/15; All other models; Left |
| 3 | 44012701*P | Front Access Panel | LU models; P models through 9/30/14 |
| | 44012702P | Access Panel | L, XT and XU models through 3/31/15; PH, PK, PT and PU models through 9/30/14; Stainless steel |
| | 44012713 | Front Access Panel | L and P models; Models starting 4/1/15; Stainless steel |
| | 44012712DG | Front Access Panel | P models; Models starting 10/1/14; Dark gray |
| | 44012707*P | Front Access Panel | CK, CT, G, H, K, N, S, XT and Y models; CE B models through 7/31/11; I models through 7/31/11; U models through 8/17/14 |
| | 44012709LG | Front Access Panel | U models; Models starting 8/18/14; Light gray |
| | 44012709B | Front Access Panel | B and I models starting 8/1/11 |
| | 44012708 | Front Access Panel | CK, CT, HH, HK, HT, SH, SK, ST, UH, UK and UT models through 3/31/15; CE B models through 7/31/11; Stainless steel |
| | 44012714 | Front Access Panel | H, S, U and X models; Models starting 4/1/15; Stainless steel |
| 4 | M400977 | Nut | L and P models require 2 for access panel trim; U models starting 8/18/14 require 5 |
| 5 | 44028301DG | Top Access Panel Gusset | P models starting 10/1/14; L models starting 1/29/15; Right; Dark gray |
| | 44028301LG | Top Access Panel Gusset | U models; Right; Light gray |
| | 44028301* | Top Access Panel Gusset | P models through 9/30/14; L models through 1/28/15; All other models; Right |
| 6 | 70030401 | Nut | |
| 7 | 70182601 | Screw | 4 required |
| 8 | 44010401 | Nameplate | H models |
| | 44010601 | Nameplate | S models |
| | 44235401 | Nameplate Overlay | U models; Models through 8/17/14 |
| | F8443102 | Nameplate | U models; Models starting 8/18/14 |
| | 70128901 | Nameplate Overlay | P models; Models through 9/30/14 |
| | 70509601 | Nameplate | P models; Models starting 10/1/14 |
| | 70243901 | Nameplate | L models; Models through 3/27/15 |
| | 70522001 | Nameplate | L models; Models starting 3/28/15 |
| | 70410201 | Nameplate Overlay | G models |
| | 44130501 | Nameplate Overlay | K models |
| 44035801 | Nameplate | X models | |
| 44104501 | Nameplate Overlay | Y models | |
| 9 | 70399404 | Access Panel Trim | G and K models; Mounts over front panel assembly and control panel |
| 10 | 70414001 | Label | G and K models; Coin |

* Add Letter To Designate Color. Q - Bisque W - White

Door Assembly

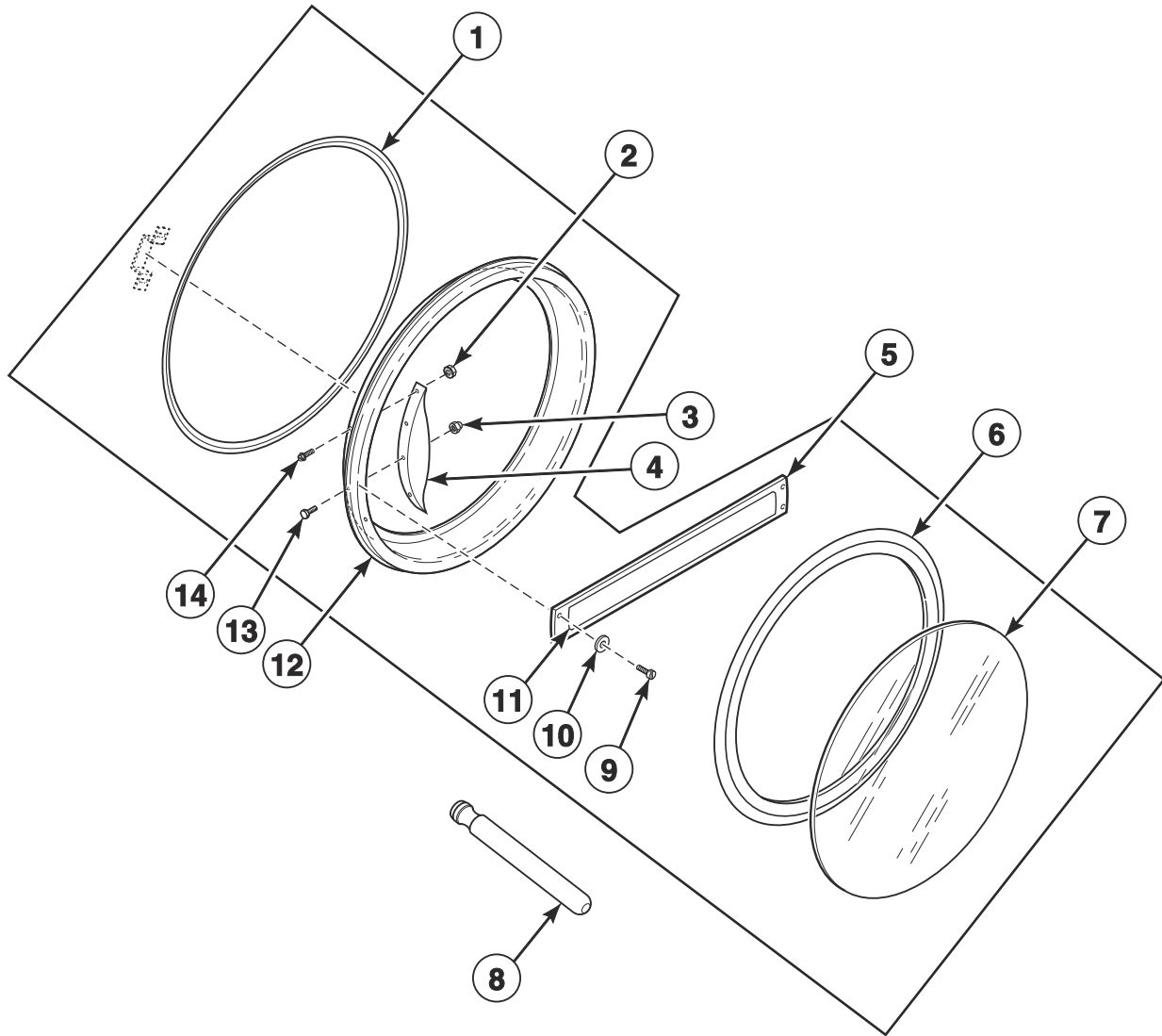


TMB3298P_70482101

Door Assembly

| REF | PART NO. | DESCRIPTION | COMMENTS |
|-----|------------|---------------|---|
| 1 | 44058102P | Door Assembly | H models |
| | 44028902P | Door Assembly | N and S models; U models through 8/17/14 |
| | 44266701 | Door Assembly | U models; Models starting 8/18/14 |
| | 44112101 | Door Assembly | B, C and I models; Models through 7/31/11 |
| | 44028903 | Door Assembly | B, C and I models; Models starting 8/1/11 |
| | 44029101 | Door Assembly | X and Y models; P models through 9/30/14; L models through 1/28/15 |
| | 44292301LG | Door Assembly | P models starting 10/1/14; L models starting 1/29/15; Light gray |
| | 44292301B | Door Assembly | P models starting 7/5/16; Use with stainless steel front panel; Black |
| | 70407402 | Door Assembly | G and K models |

Door Components

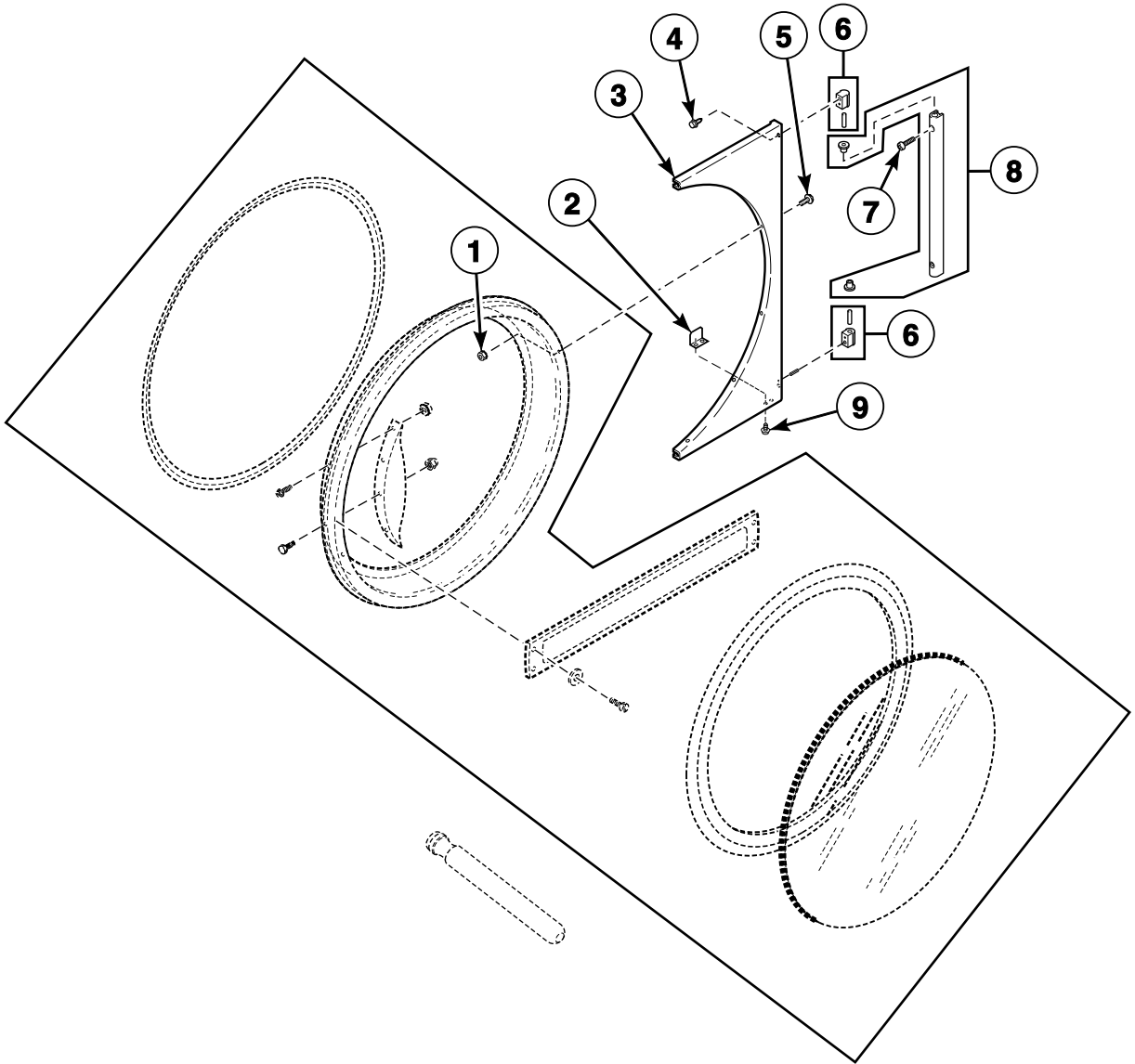


TMB3298PA_70482101

Door Components

| REF | PART NO. | DESCRIPTION | COMMENTS |
|-----|------------|-------------------------------|---|
| 1 | 44008201P | Door Ring Gasket | |
| 2 | 44071201 | Nut | H, N and S models; 4 required |
| 3 | M414215 | Nut | |
| 4 | 44057702 | Door Handle | H models |
| | 44007901 | Door Handle | N and S models; B, C and I models starting 8/1/11; U models through 8/17/14 |
| | 44263801 | Door Handle | U models; Models starting 8/18/14; Use 901620 Screw, 803871 Screw and 44088001 Nut to attach |
| | M400133 | Door Handle | P models through 9/30/14; Use two M409385 Screws |
| 5 | 70399501B | Handle Bar | G and K models |
| 6 | 70211902P | Door Seal Kit | Use Loctite 414 for seal |
| 7 | 44008402P | Door Glass | H models |
| | 44008401P | Door Glass | All other models |
| 8 | M4221P4 | Door Glass Installation Tool | |
| 9 | 70126301 | Pop Rivet | G and K models; 4 required |
| 10 | 70409301 | Washer | G and K models; 2 required |
| 11 | 70411401 | Nameplate Overlay | G models; Coin |
| | 44144401 | Nameplate Overlay | K models; Coin |
| 12 | 44326001 | Door Ring Assembly | H, N and S models; P models through 9/30/14; U models through 8/17/14; L models through 1/28/15 |
| | 44326007LG | Door Ring and Handle Assembly | P models starting 10/1/14; L models starting 1/29/15; Light gray |
| | 44326007B | Door Ring and Handle Assembly | P models starting 7/5/16; Use with stainless steel and white front panel; Black |
| | 44326002 | Door Ring Assembly | U models; Models starting 8/18/14 |
| | 44112001 | Door Ring and Handle Assembly | B, C and I models through 7/31/11 |
| | 44326004B | Door Ring Assembly | B, C and I models starting 8/1/11; S models without stainless steel front panel |
| | 44326003B | Door Ring Assembly | G and K models |
| | 44326004HG | Door Ring Assembly | H and U models without stainless steel front panel |
| 13 | M400661 | Screw | Door strike |
| 14 | 61199 | Screw | H, N and S models; 4 required |

Hinge Components



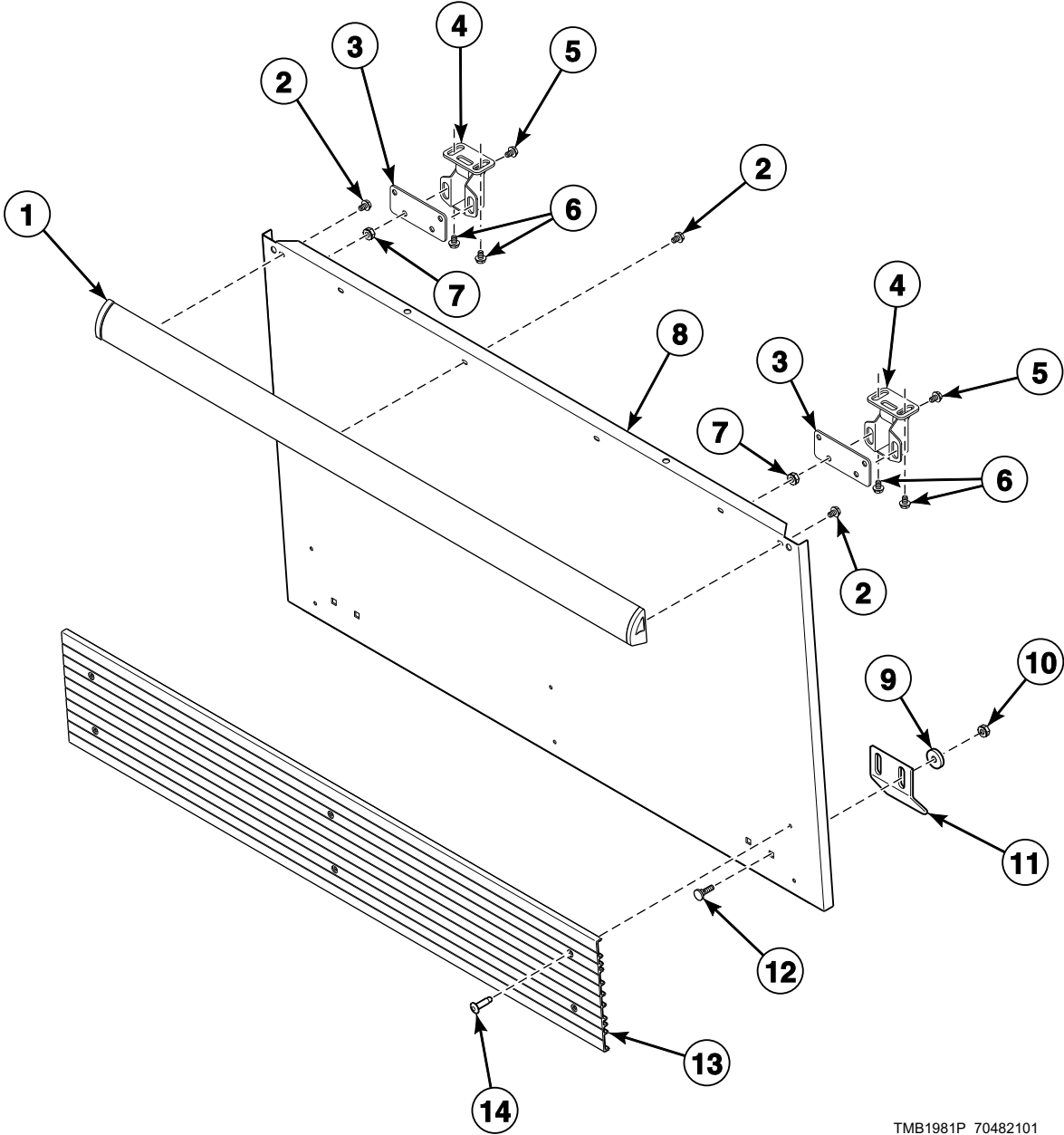
TMB3091P_70482101

Hinge Components

| REF | PART NO. | DESCRIPTION | COMMENTS |
|----------|------------|---------------------------------------|--|
| | M4787P3 | Front Access Panel and Door Hinge Kit | B and I models; To change from old look to new look |
| 1 | 23951 | Nut | 6 required |
| 2 | 70215001P | Door Switch Actuator Kit | |
| 3 | 44075207B | Door Hinge | G and K models; B and I models starting 8/1/11; P models starting 7/1/17 with white front panel and starting 7/1/16 with stainless steel front panel |
| | 44075201* | Door Hinge Assembly | H, N, S, U and Y models; C models starting 8/1/11; P models through 9/30/14; L models through 1/28/15 |
| | 44075207LG | Door Hinge Assembly | L, P and U models; Light gray |
| | 44075202 | Door Hinge Assembly | C, H, S, U and Y models through 3/31/15; B and I models through 7/31/11; P models through 9/30/14; L models through 1/28/15; Stainless steel |
| | 44075210 | Door Hinge Assembly | H, S, U and Y models starting 4/1/15; Stainless steel |
| 4 | 70442101 | Screw | 3 required |
| 5 | M400044 | Screw | 6 required |
| 6 | M4773P3 | Hinge Cam Kit | G and K models; B and I models starting 8/1/11; P models starting 7/1/17 with white front panel and starting 7/1/16 with stainless steel front panel |
| | M4772P3 | Hinge Cam Kit | C, H, L, N, P, S, U and Y models; B and I models through 7/31/11 |
| 7 | 70409801 | Screw | G and K models; B and I models starting 8/1/11; P models starting 7/1/17 with white front panel and starting 7/1/16 with stainless steel front panel; 2 required |
| | 70033504 | Screw | C, H, L, N, P, S, U and Y models; B and I models through 7/31/11; 2 required |
| 8 | 44035002 | Door Hinge Lug Assembly | G and K models; B and I models starting 8/1/11; P models starting 7/1/17 with white front panel and starting 7/1/16 with stainless steel front panel; Black |
| | 44035001 | Door Hinge Lug Assembly | C, H, L, N, P, S, U and Y models; B and I models through 7/31/11 |
| 9 | 70058501 | Pop Rivet | 2 required |

* Add Letter To Designate Color. Q - Bisque W - White

Lint Panel Components



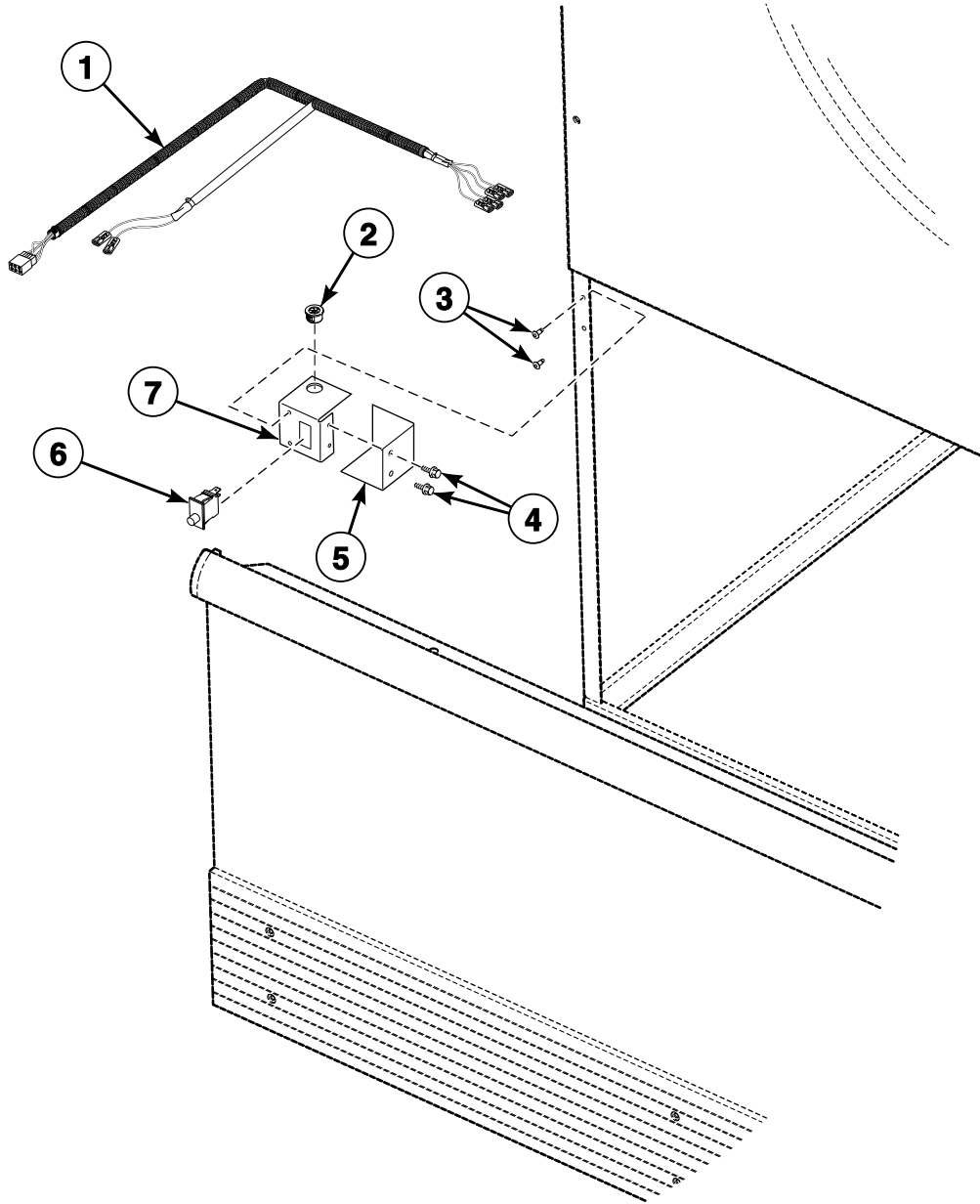
TMB1981P_70482101

Lint Panel Components

| REF | PART NO. | DESCRIPTION | COMMENTS |
|-----|------------|-------------------------------|---|
| 1 | 44049903 | Handle and Caps Assembly | B, C, I, N, S, U, X and Y models; L models through 1/28/15; P models through 9/30/14 and starting again 7/1/17 with white front panel and starting 7/1/16 with stainless steel front panel; Black |
| | 70407212 | Handle Bumper | P models starting 10/1/14; L models starting 1/29/15 |
| | 44049904 | Handle and Caps Assembly | H and U models; Gray |
| | 70407204 | Handle Bumper | G and K models; Black and blue; Does not have endcaps |
| 2 | 430757 | Screw | 6 required |
| 3 | 44014001 | Roller Catch Mounting Bracket | 2 required |
| 4 | H87020202 | Roller Catch | 2 required; Includes strike |
| 5 | 61199 | Screw | 8 required |
| 6 | D501086 | Screw | 4 required |
| 7 | 70054 | Nut | 8 required |
| 8 | 44012304DG | Lint Panel | P models; Models starting 10/1/14; Dark gray |
| | 44012304 | Lint Panel | P models; Models starting 10/1/14; Cold rolled steel |
| | 44012305 | Lint Panel | P models; Models starting 10/1/14 through 3/31/15; Stainless steel |
| | 44012307 | Lint Panel | P models; Models starting 4/1/15; Stainless steel |
| | 44012301*P | Lint Panel | P models through 9/30/14; All other models |
| | 44012302P | Lint Panel | P models through 9/30/14; All other models through 3/31/15; Stainless steel |
| | 44012306 | Lint Panel | All models except P models starting 4/1/15; Stainless steel |
| | 44012303LG | Lint Panel | U models; Light gray |
| 9 | M405535 | Washer | 4 required |
| 10 | 44087101 | Nut | 4 required |
| 11 | 44017801 | Lint Panel Clip | 2 required |
| 12 | 44017901 | Bolt | 4 required |
| 13 | 70117611 | Kickplate | B, C, G, I, K, L, N, P, S, X and Y models; U models through 8/17/14; Black |
| | 70117612 | Kickplate | H models; U models starting 8/18/14; Gray |
| 14 | 70126301 | Pop Rivet | B, C, G, I, K, L, N, P, S, X and Y models; U models through 8/17/14; Black; 6 required |
| | 70126401 | Pop Rivet | H models; U models starting 8/18/14; Gray; 6 required |

* Add Letter To Designate Color. Q - Bisque W - White

Lint Panel Switch Assembly

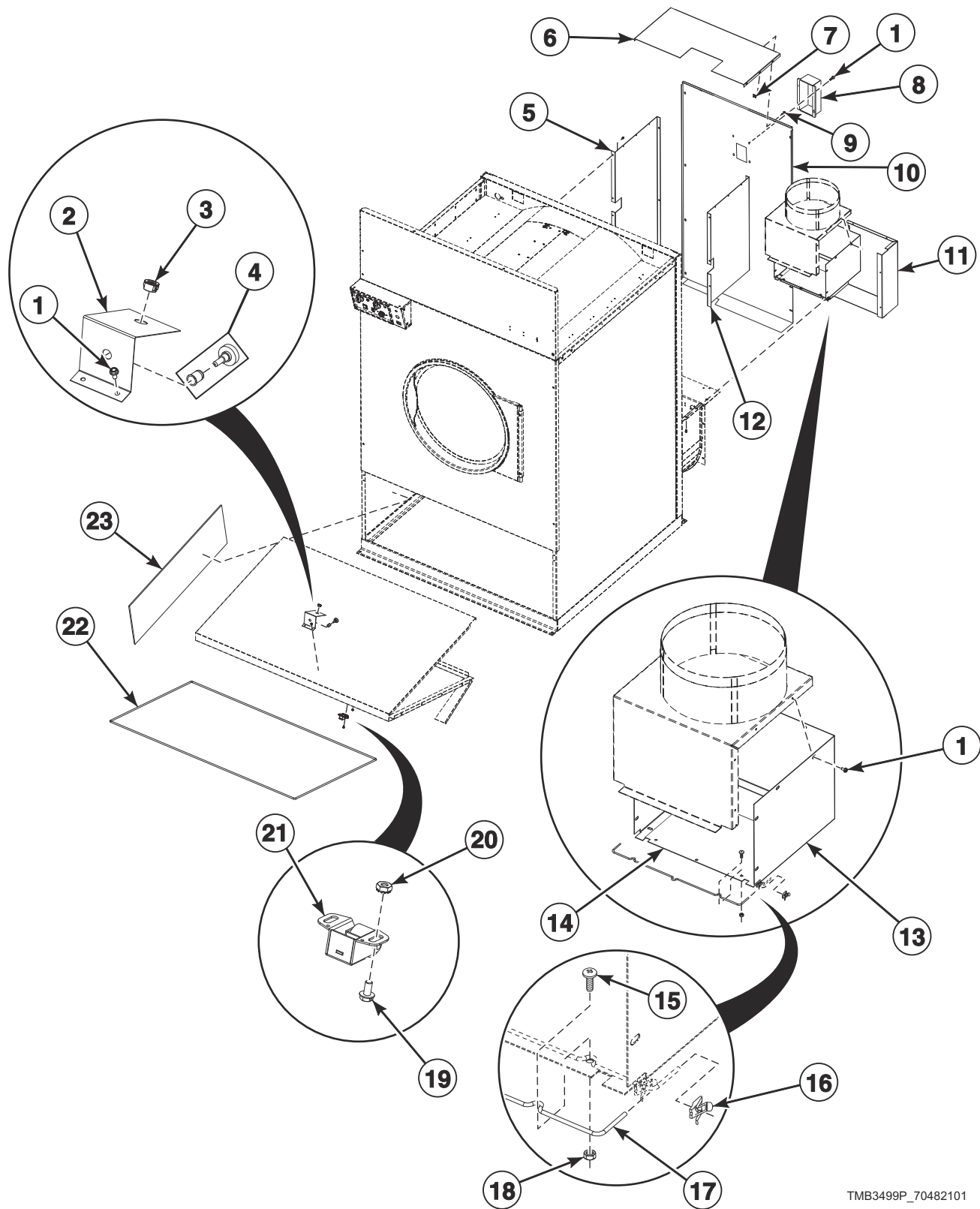


TMB2992P_70482101

Lint Panel Switch Assembly

| REF | PART NO. | DESCRIPTION | COMMENTS |
|-----|----------|---------------------------|------------|
| 1 | 44162801 | Base Harness | |
| 2 | M411537 | Bushing | |
| 3 | 430725 | Pop Rivet | 2 required |
| 4 | 430497 | Screw | 2 required |
| 5 | 44026801 | Lint Panel Switch Cover | |
| 6 | 70413401 | Switch Assembly | With boot |
| 7 | 44013401 | Lint Panel Switch Bracket | |

Lint Screen and Drive Guard



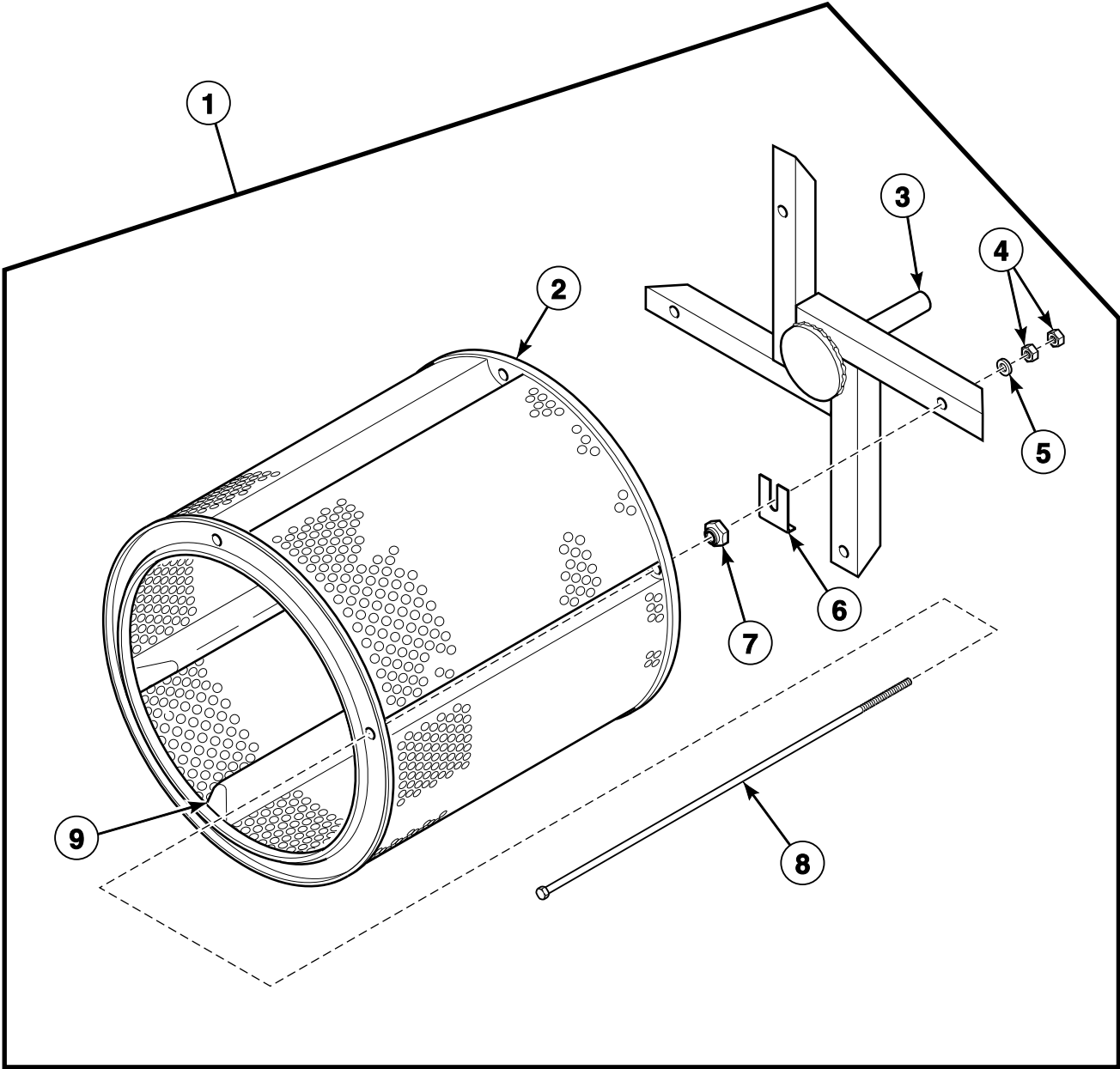
TMB3499P_70482101

Lint Screen and Drive Guard

| REF | PART NO. | DESCRIPTION | COMMENTS |
|-----|-----------|-----------------------------|---|
| 1 | 430497 | Screw | |
| 2 | 44051301 | Thermistor Bracket Assembly | Includes bracket and thermistor nut |
| 3 | M411537 | Bushing | 2 required for thermistor harness and cabinet rear |
| 4 | M414704 | Thermistor | |
| | B12308601 | Temperature Sensor Assembly | PRO HC control replacement; Refer to Parts Information Insert 8-18-251 for list of machine serial numbers |
| 5 | 44160001 | Belt Guard Side | Left; Use 70015709 Gasket on edges |
| 6 | 44159701 | Belt Guard | Top |
| 7 | M400984 | Clip | 12 required |
| 8 | 44222501 | Guard Extension | Moisture sensing |
| 9 | M411072 | Screw | 12 required |
| 10 | 44159901 | Belt Guard | Non-moisture sensing |
| | 44159902 | Belt Guard | Moisture sensing |
| 11 | 44159801 | Belt Guard | Corner |
| 12 | 44160101 | Belt Guard Side | Right |
| 13 | M412391 | Exhaust Duct Box Wrap | |
| 14 | M413402 | Damper Vane | |
| 15 | M400044 | Screw | 3 required |
| 16 | M400976 | Clip | |
| 17 | M413401 | Damper Rod | |
| 18 | 23951 | Nut | 3 required |
| 19 | 61199 | Screw | |
| 20 | 70054 | Nut | |
| 21 | H87020202 | Roller Catch | Includes strike |
| 22 | 44063603P | Lint Screen | Includes frame |
| | 44077703P | Lint Screen | Includes snaps; Frame not included |
| 23 | M411593 | Insulation | |

* Add Letter To Designate Color. Q - Bisque W - White

Cylinder and Trunnion Assembly

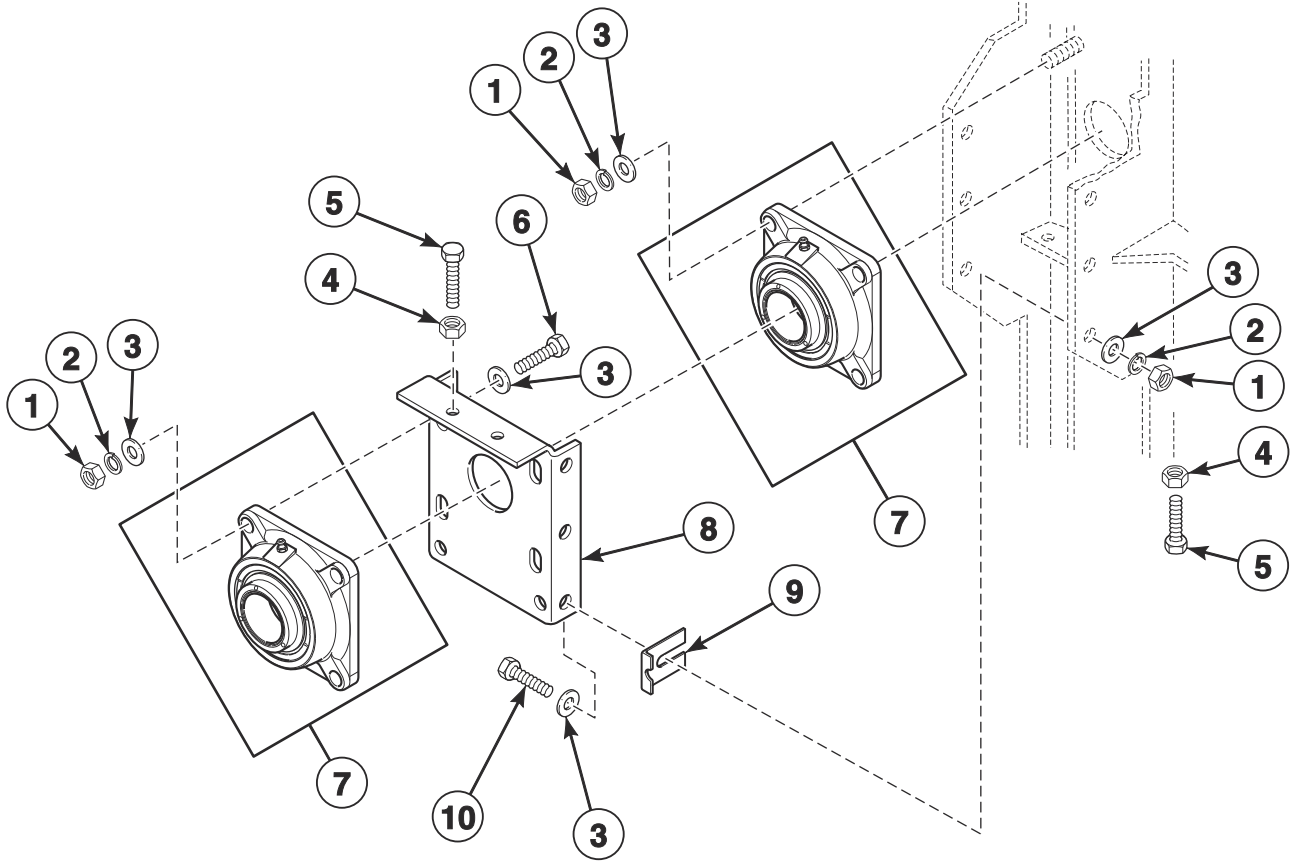


TMB1811B_70482101

Cylinder and Trunnion Assembly

| REF | PART NO. | DESCRIPTION | COMMENTS |
|-----|-----------|--------------------------------|---|
| 1 | 44054701 | Cylinder and Trunnion Assembly | Galvanized; Non-moisture sensing |
| | 44192001 | Cylinder and Trunnion Assembly | Galvanized; Moisture sensing |
| | 44054702 | Cylinder and Trunnion Assembly | Stainless steel; Non-moisture sensing |
| | 44192002 | Cylinder and Trunnion Assembly | Stainless steel; Moisture sensing |
| 2 | H96367545 | Cylinder Assembly | Galvanized; Includes items 4 and 8; Non-moisture sensing |
| | 44191101 | Cylinder Assembly | Galvanized; Moisture sensing |
| | M409826 | Cylinder Assembly | Stainless steel; Includes items 4 and 8; Non-moisture sensing |
| | 44191102 | Cylinder Assembly | Stainless steel; Moisture sensing |
| 3 | 44240801 | Trunnion Assembly | Non-moisture sensing |
| | 44240802 | Trunnion Assembly | Moisture sensing |
| 4 | H88412101 | Nut | 8 required |
| 5 | 70261401 | Washer | 4 required |
| 6 | M401402 | Spacer | As required |
| 7 | M412334 | Nut | 4 required |
| 8 | H8830143H | Bolt | 4 required |
| 9 | 44191204 | Cylinder Rib Assembly | Moisture sensing |

Trunnion Bearings

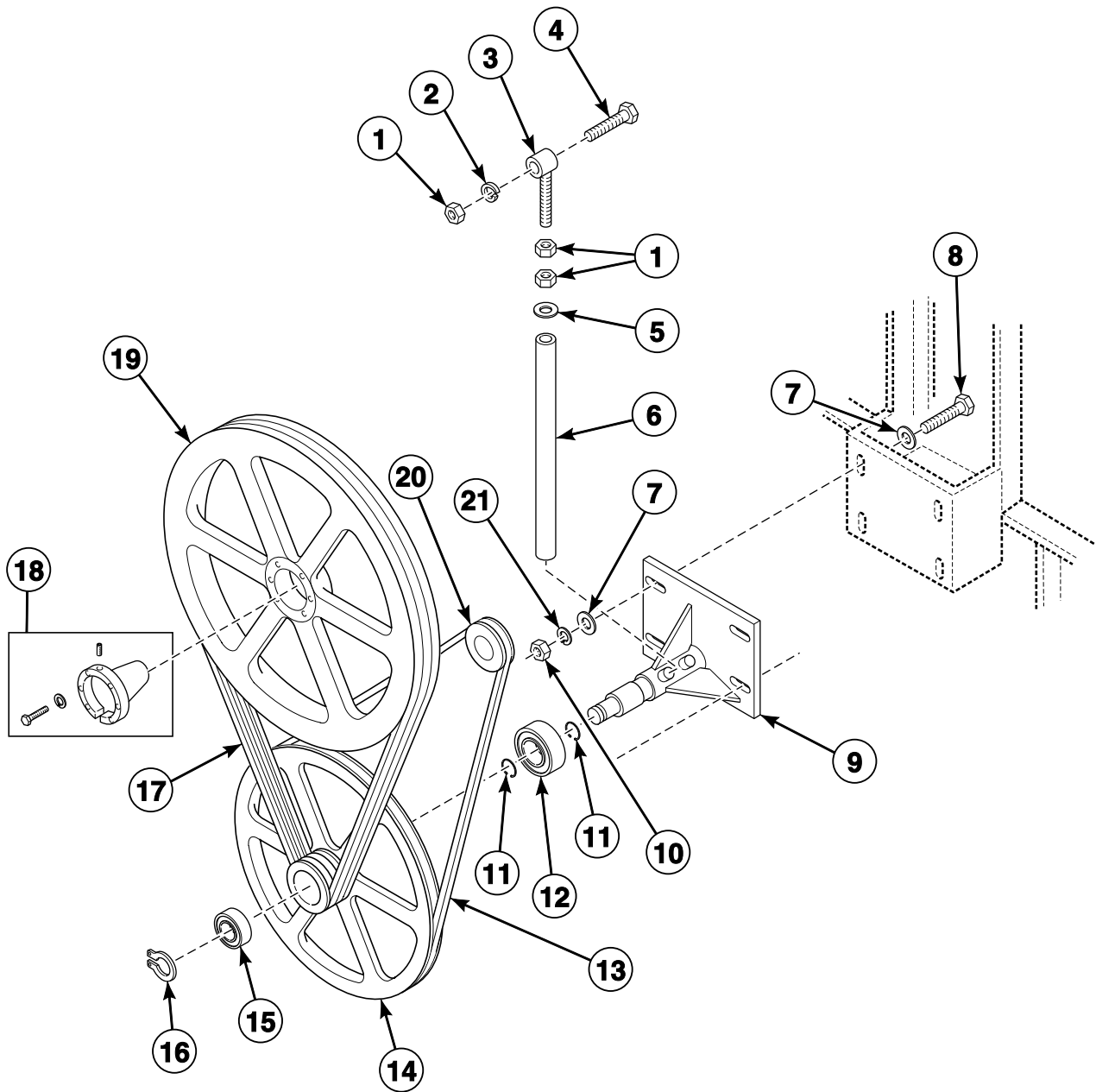


TMB3251P_70482101

Trunnion Bearings

| REF | PART NO. | DESCRIPTION | COMMENTS |
|-----|-----------|------------------|-------------|
| 1 | H88412101 | Nut | |
| 2 | M400015 | Washer | |
| 3 | 70261401 | Washer | |
| 4 | 20274 | Nut | |
| 5 | H88213996 | Screw | |
| 6 | M411165 | Screw | |
| 7 | 44048301P | Flange Bearing | |
| 8 | H96428008 | Bearing Mounting | |
| 9 | M401402 | Spacer | As required |
| 10 | H88012034 | Screw | |

Drive Sheave, Step Pulley and Belts

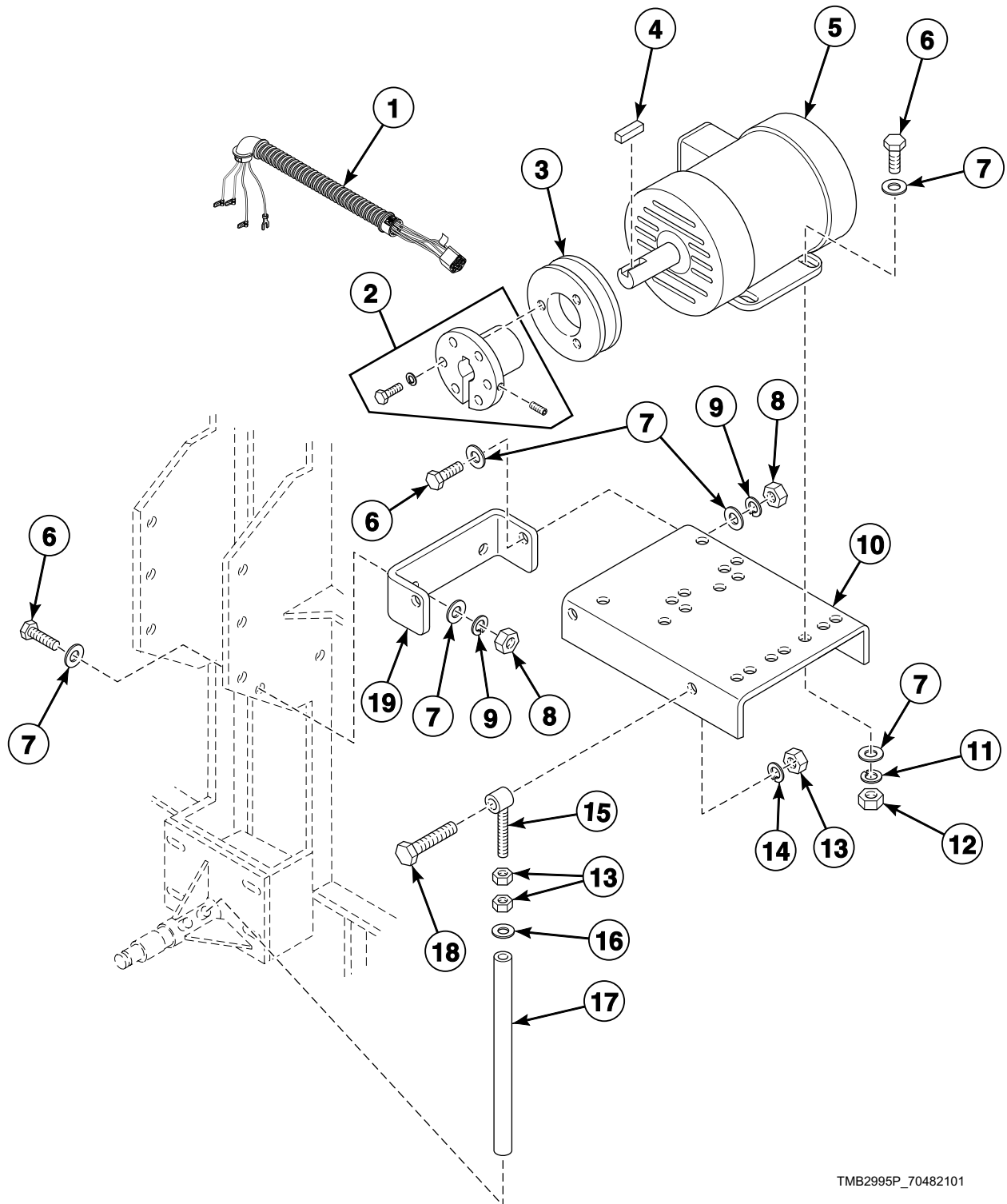


TMB2585P_70482101

Drive Sheave, Step Pulley and Belts

| REF | PART NO. | DESCRIPTION | COMMENTS |
|-----|------------|-----------------------------|---|
| 1 | H88412101 | Nut | |
| 2 | M400015 | Washer | |
| 3 | 44048501 | Rod End | Eyebolt assembly |
| 4 | M400063 | Screw | |
| 5 | 70261401 | Washer | |
| 6 | H96428487 | Belt Adjustment Tube | |
| 7 | M400081 | Washer | 8 required |
| 8 | 22688 | Screw | 4 required |
| 9 | H96357751 | Jackshaft Assembly | |
| 10 | 20274 | Nut | 4 required |
| 11 | H88603477 | Retaining Ring | Step pulley bearings stops; 2 required |
| 12 | H87672374 | Ball Bearing | Inner; Step pulley |
| 13 | H87533014 | Belt | |
| 14 | M4696P3 | Step Pulley and Bearing Kit | Includes H96428024 Step Pulley, M414321 Spacer, M4718P3 Step Pulley Outer Bearing Kit and items 11, 12 and 15 |
| 15 | M414367 | Ball Bearing | Outer |
| 16 | H88602263 | Retaining Ring | Step pulley to jackshaft |
| 17 | H87533816P | Belt Set | Set of 3 |
| 18 | H8752985HP | Bushing | Includes M400014 Washer, 44048902 Screw and 44079204 Screw |
| 19 | H8752251H | Sheave | |
| 20 | H8752026H | Sheave | 50 Hertz; 2.65 inch OD |
| | H87520334 | Sheave | 60 Hertz; 3.35 inch OD |
| 21 | M400014 | Washer | 4 required |

Cylinder Drive Motor

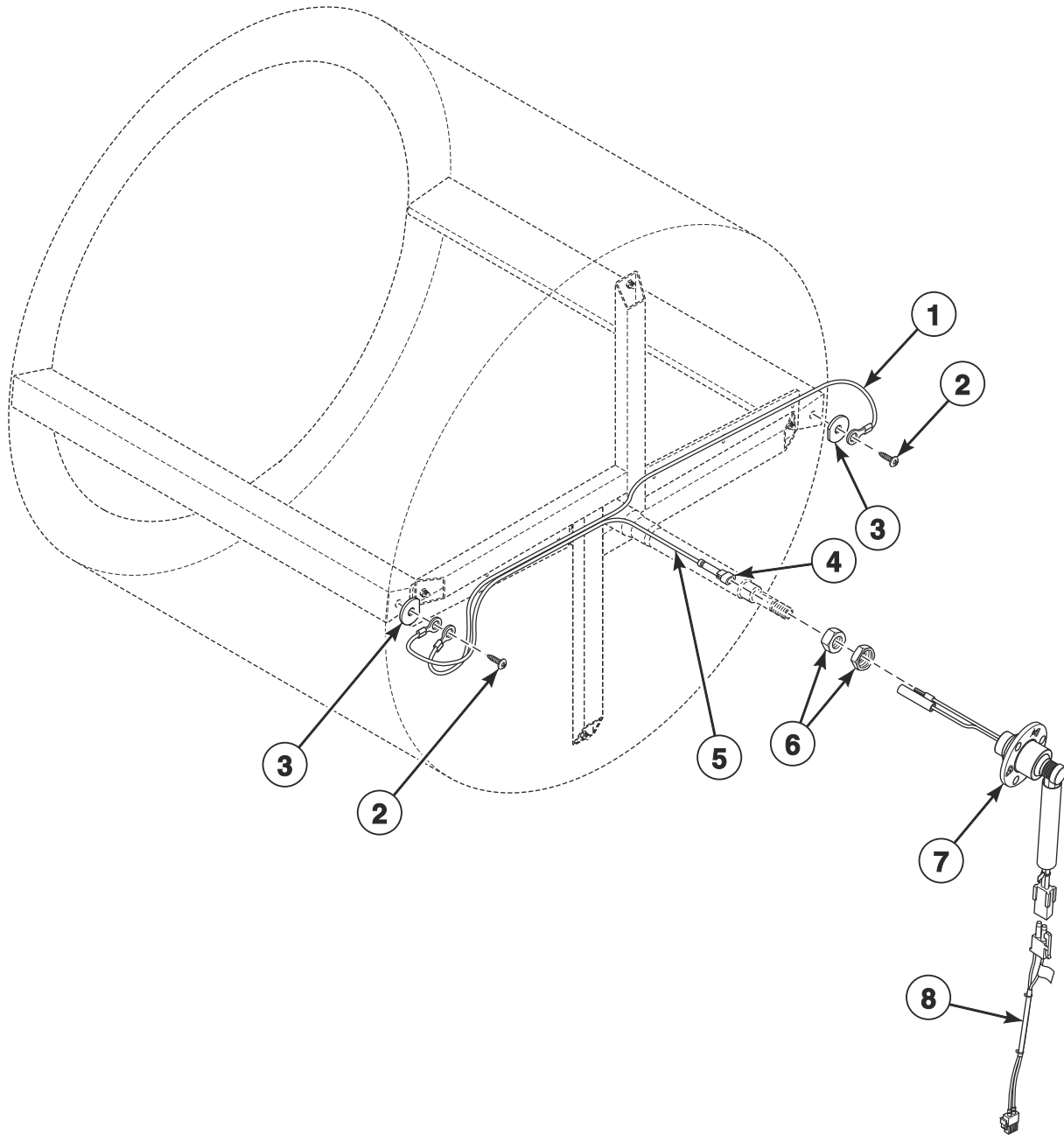


TMB2995P_70482101

Cylinder Drive Motor

| REF | PART NO. | DESCRIPTION | COMMENTS |
|-----|------------|------------------------|--|
| 1 | 44162901 | Cylinder Motor Harness | |
| 2 | H87529129P | Bushing | Includes 44079202 Screw, 44048902 Screw and 03189 Washer; Key not included |
| 3 | H87520334 | Sheave | 60 Hertz; 3.35 inch OD |
| | H8752026H | Sheave | 50 Hertz; 2.65 inch OD |
| 4 | H8752006H | Key | |
| 5 | 44052901P | Motor | 208-460 Volt/60 Hertz/3 Phase; Includes key; No capacitor |
| | 44053001P | Motor | 200-415 Volt/50 Hertz/3 Phase; Includes key; No capacitor |
| | 44157601 | Motor | 380 Volt/60 Hertz/3 Phase; Includes key; No capacitor |
| 6 | M400056 | Screw | |
| 7 | M400080 | Washer | |
| 8 | M412986 | Nut | |
| 9 | M400014 | Washer | |
| 10 | M413171 | Motor Base | |
| 11 | M400013 | Washer | |
| 12 | 70142 | Nut | |
| 13 | H88412101 | Nut | |
| 14 | M400015 | Washer | |
| 15 | 44048501 | Rod End | Eyebolt assembly |
| 16 | 70261401 | Washer | |
| 17 | H96428487 | Belt Adjustment Tube | |
| 18 | M400063 | Screw | |
| 19 | H96428693 | Base Bracket | |

Moisture Sensing Components

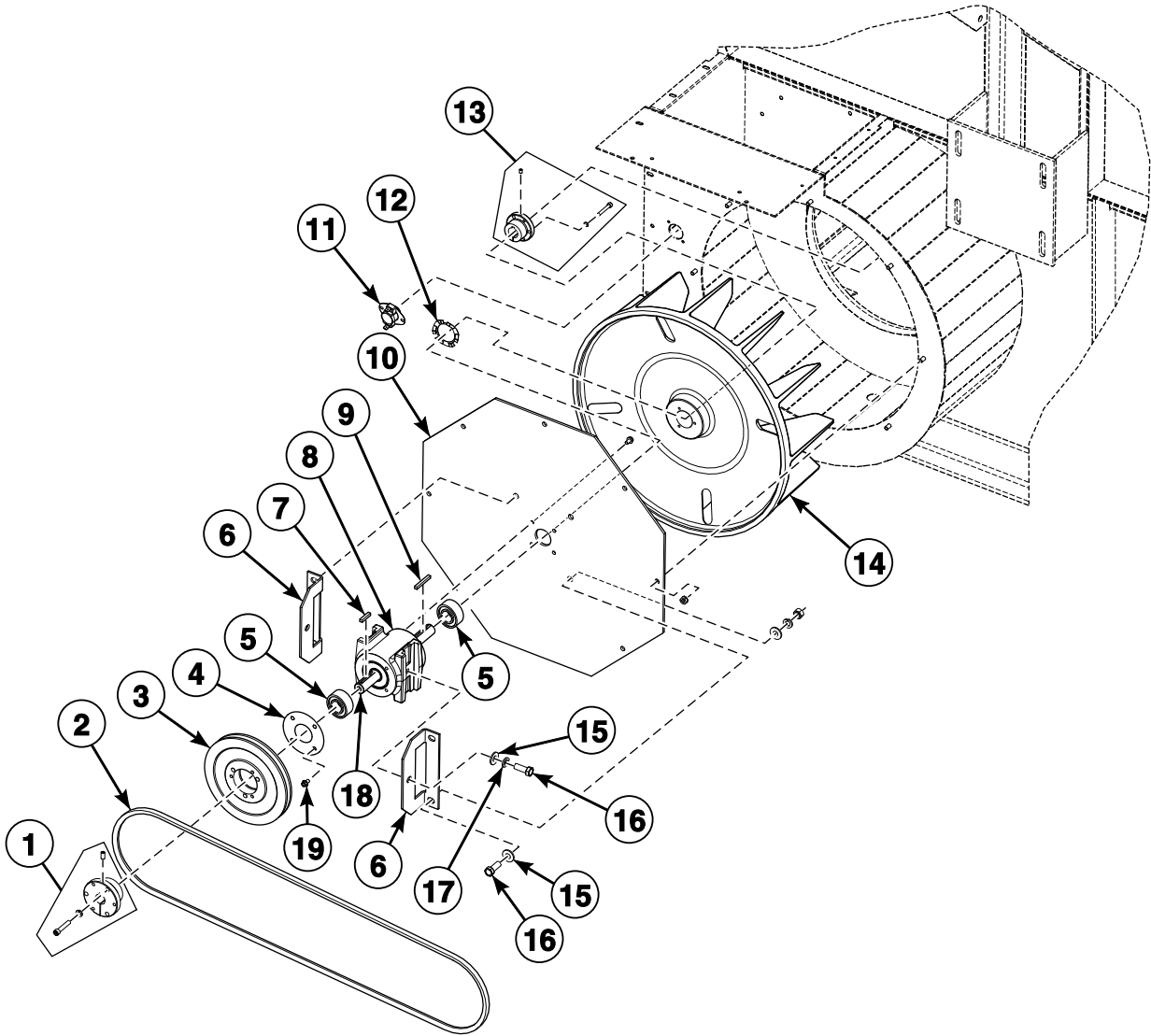


TMB3444P_70482101

Moisture Sensing Components

| REF | PART NO. | DESCRIPTION | COMMENTS |
|-----|----------|----------------------------------|---|
| | 70468901 | Moisture Sensor Test Wires | Use to troubleshoot the moisture sensor circuit |
| 1 | 44208101 | Rib Wire | |
| 2 | 44338901 | Screw | |
| 3 | 44238902 | Washer | |
| 4 | 44370401 | 1 Circuit Plug Housing | |
| 5 | 44344703 | Moisture Sensing Harness Kit | |
| 6 | M400035 | Nut | |
| 7 | 44222702 | Slip Ring Assembly | |
| 8 | 44209201 | Moisture Sensor Harness Assembly | Goes from item 7 to main harness |

Fan Assembly

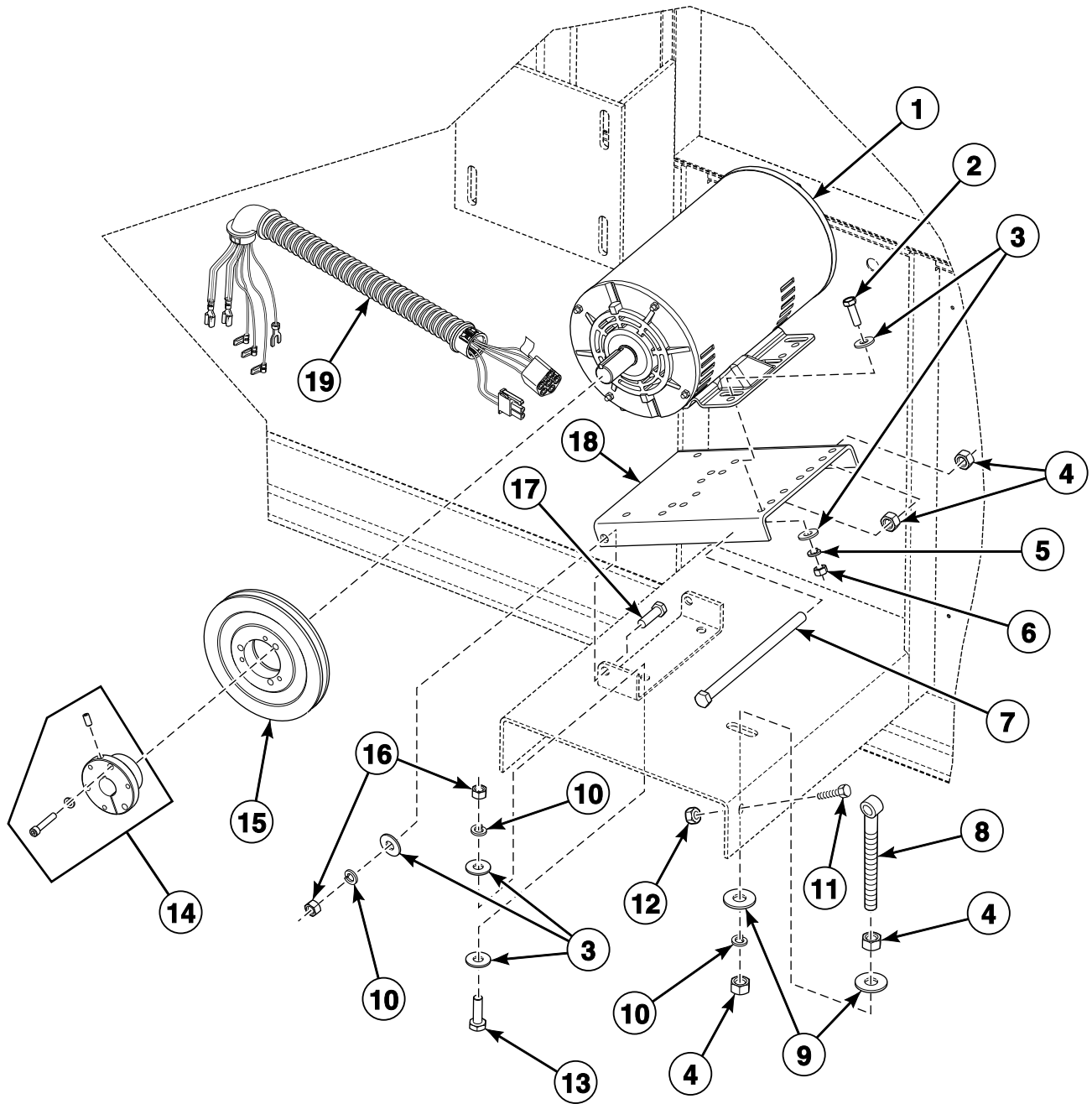


TMB2586P_70482101

Fan Assembly

| REF | PART NO. | DESCRIPTION | COMMENTS |
|-----|------------|------------------------|---|
| | M412630 | Idler Housing Assembly | Includes items 5, 8 and 18 |
| 1 | H8752922HP | Bushing | Includes 44079202 Screw, 03189 Washer and 44048902 Screw |
| 2 | H87532685 | Belt | |
| 3 | H8752060H | Sheave | 6 inch OD; 50 Hertz |
| | H8752065H | Sheave | 6.5 inch OD; 60 Hertz |
| 4 | M401370 | Bearing Retainer | |
| 5 | M401375P | Ball Bearing | 2 required for item 8 |
| 6 | M414235 | Fan Bearing Bracket | 2 required |
| 7 | M401327 | Key | |
| 8 | M412612 | Idler Housing | |
| 9 | M400993 | Key | |
| 10 | M414237 | Blower Cover | |
| 11 | M411403 | Limit Thermostat | 184 closed |
| | M411946 | Limit Thermostat | 184 closed; Manual reset; CE and Australian models |
| | H8900530H | Thermostat | 135 closed; Models with RT control suffix; Non-functional on models with RM and RQ control suffixes |
| 12 | M400401 | Loading Spring | |
| 13 | M412917P | Bushing | Includes 44079301 Screw, 56552 Washer and 44048901 Screw |
| 14 | H96368469 | Fan | |
| 15 | M400080 | Washer | |
| 16 | M400043 | Screw | 6 required |
| 17 | M400014 | Washer | |
| 18 | M414241 | Idler Shaft | |
| 19 | 70187202 | Screw | 8 required |

Fan Motor Assembly

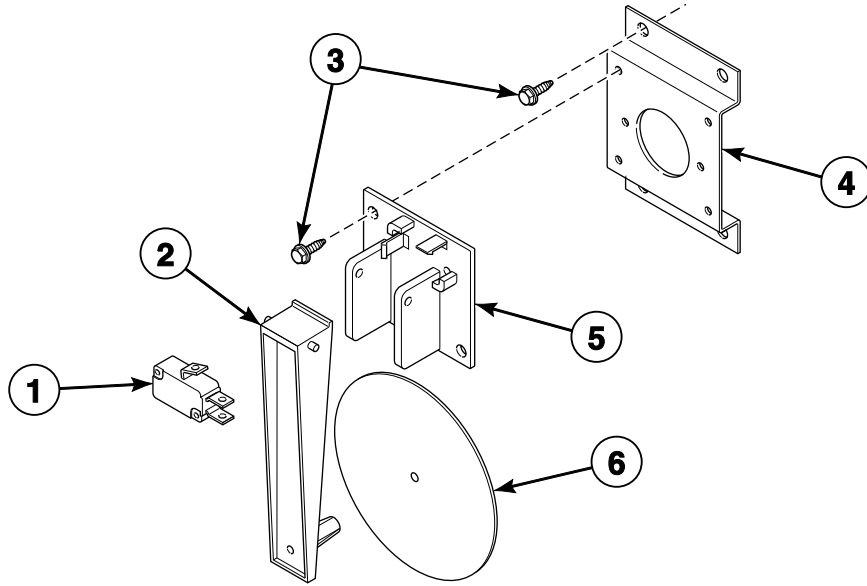


TMB2999P_70482101

Fan Motor Assembly

| REF | PART NO. | DESCRIPTION | COMMENTS |
|-----|-----------|-------------------|---|
| 1 | 44313501P | Fan Motor | 3 hp; 200-208, 240 Volt/60 Hertz/3 Phase; 460-480 Volt/60 Hertz/3 Phase; Key included; No capacitor |
| | 44046601P | Motor | 3 hp; 380, 400-415 Volt/50 Hertz/3 Phase; Key included; No capacitor |
| | 44313601 | Motor | 380 Volt/60 Hertz/3 Phase; Key included; No capacitor |
| 2 | M400056 | Screw | 4 required |
| 3 | M400080 | Washer | |
| 4 | H88412101 | Nut | 4 required |
| 5 | M400013 | Washer | 4 required |
| 6 | 70142 | Nut | 4 required |
| 7 | 44161501 | Screw | |
| 8 | 44048501 | Rod End | |
| 9 | 70261401 | Washer | 2 required |
| 10 | M400014 | Washer | |
| 11 | H88010038 | Screw | Belt motor to fan motor base |
| 12 | 29786 | Nut | Belt motor to fan motor base |
| 13 | 22688 | Screw | 4 required |
| 14 | M412995P | Bushing | Includes 44079202 Screw, 03189 Washer and 44048902 Screw |
| 15 | H8752065H | Sheave | 6.5 inch OD; 50 Hertz |
| | H8752060H | Sheave | 6 inch OD; 60 Hertz |
| 16 | 20274 | Nut | 4 required |
| 17 | H96428693 | Base Bracket | |
| 18 | M413171 | Motor Base | |
| 19 | 44242601 | Fan Motor Harness | |

Airflow Switch

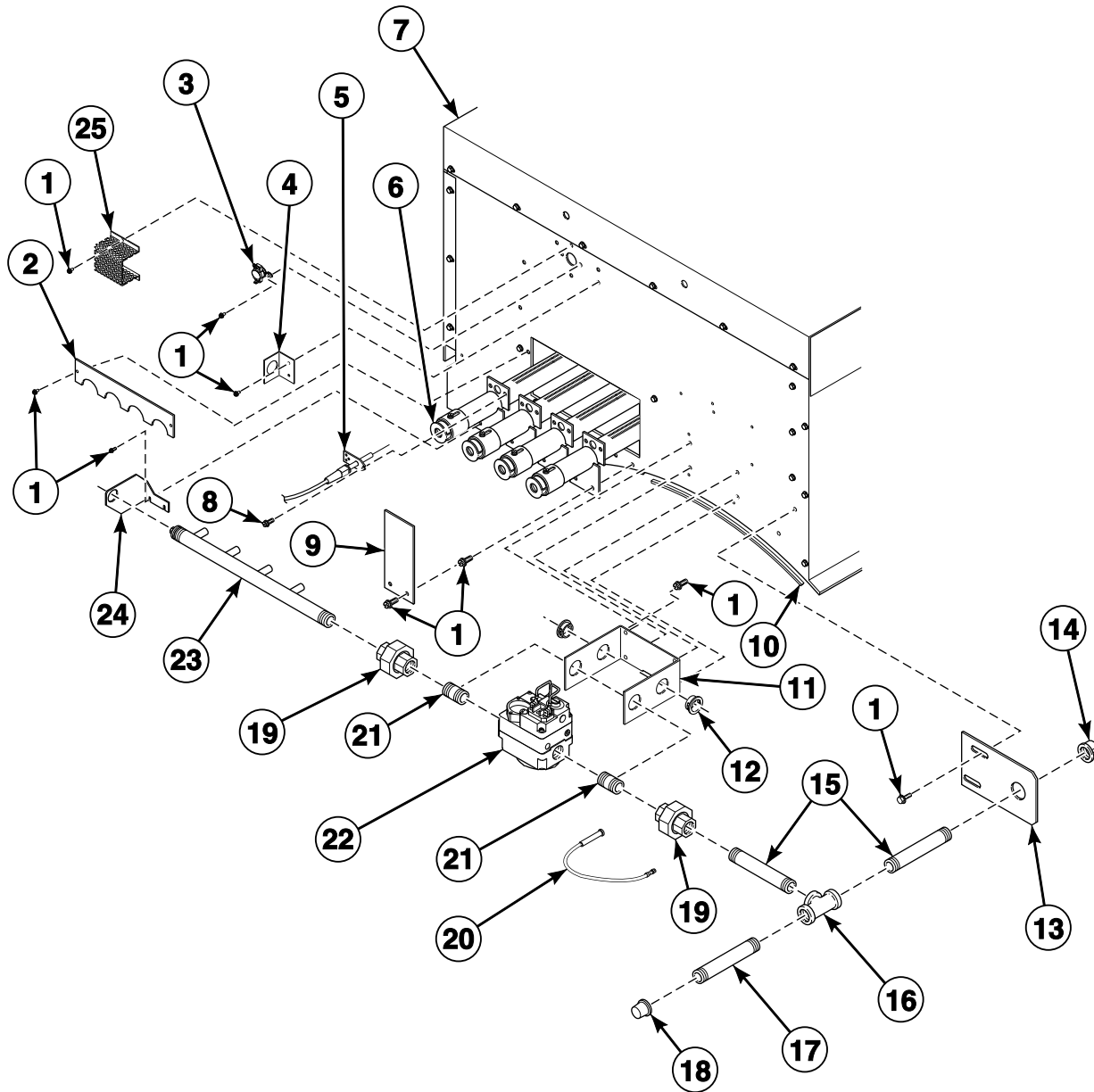


TMB3000P_70482101

Airflow Switch

| REF | PART NO. | DESCRIPTION | COMMENTS |
|-----|-----------|--------------------------------|--------------------|
| | 70429601P | Airflow Switch Kit | Includes items 1-6 |
| 1 | 70411901 | Switch | |
| 2 | 70319401 | Airflow Switch Arm | |
| 3 | 430497 | Screw | |
| 4 | 70356301 | Switch Bracket | |
| 5 | 70319602 | Airflow Switch and Arm Bracket | |
| 6 | 70319201 | Airflow Switch Vane | |

Gas Heater Components - Non-CE Models Through 3/10/13

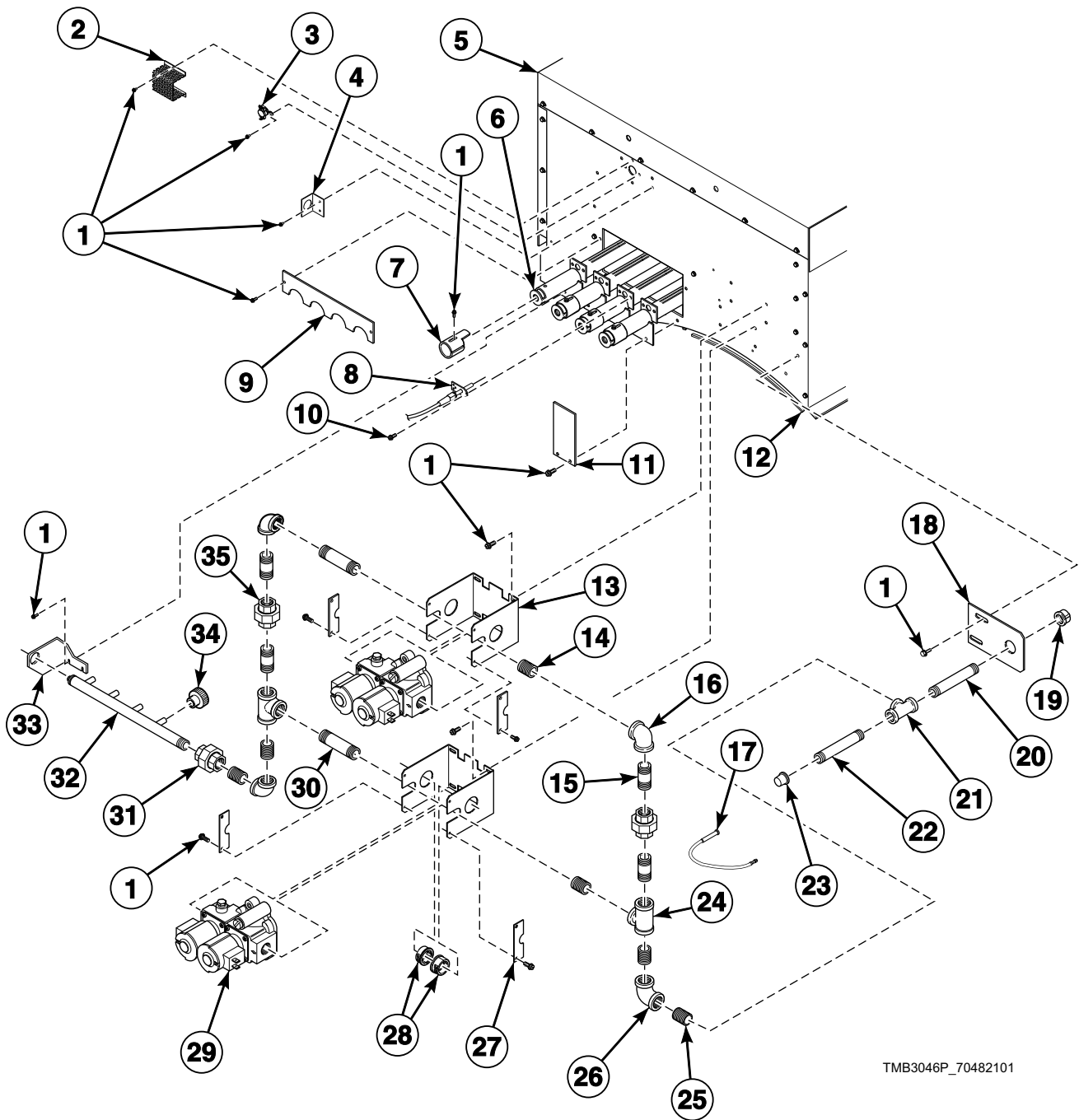


TMB3101P_70482101

Gas Heater Components - Non-CE Models Through 3/10/13

| REF | PART NO. | DESCRIPTION | COMMENTS |
|-----------|-----------|--------------------------------|---|
| | M4592P3 | L.P. Conversion Kit | Natural Gas (N.G.) to Liquid Petroleum Gas (L.P.); 60 Hertz |
| | M4974P3 | L.P. Gas Conversion Kit | N.G. to L.P.; 50 Hertz |
| | M412997 | Harness Assembly | |
| | M411506 | Stove Partition Gasket | 3 feet |
| 1 | 430497 | Screw | |
| 2 | 44171501 | Burner Hole Cover | |
| 3 | M411404 | Stove Limit Thermostat | Non-Australian models; N.G. |
| | 431177 | Stove Limit Thermostat | Non-Australian models; L.P. |
| | M413988 | Thermostat | Australian and Korean models; N.G. |
| | M413989 | Manual Reset Thermostat | Australian models; L.P. |
| 4 | 431078 | Stove Limit Harness Bracket | |
| 5 | 44328701P | Spark Electrode | |
| 6 | M412025P | Burner | N.G. 4 required; L.P. 3 required |
| 7 | 44198701 | Gas Stove Assembly | |
| 8 | 51782 | Screw | 2 required |
| 9 | M413099 | Burner Opening Cover | L.P. |
| 10 | M411505 | Stove Gasket | Sold per foot; 3 feet required |
| 11 | M411259 | Gas Valve Bracket | |
| 12 | 70178701 | Snap Bushing | 2 required |
| 13 | M411498 | Pipe Bracket | |
| 14 | 44165901 | Pipe Cap | |
| 15 | H85101673 | Nipple | 2 required |
| 16 | M413020 | Reducing Tee | |
| 17 | M413023 | Pipe Nipple | |
| 18 | 44087801 | Pipe Cap | |
| 19 | M411419 | Pipe Union | |
| 20 | 44061602P | High Temperature Ignition Lead | Connects to item 5; Models through 9/16/12 |
| | 44239703 | High Voltage Suppression Cable | Models starting 9/17/12; Use with 70458601 Ignition Control |
| 21 | M411417 | Pipe Nipple | 2 required |
| 22 | 44166701 | Gas Valve | N.G.; 50 Hertz |
| | 44166702 | Gas Valve | L.P.; 50 Hertz |
| | M413470P | Gas Valve | N.G.; 60 Hertz |
| | M4883P3 | Gas Valve Kit | L.P.; 60 Hertz |
| 23 | M411736 | Spud Holder | |
| 24 | 44173801 | Manifold End Bracket | |
| 25 | M414477 | Thermostat Cover | |

Gas Heater Components - CE Models Through 3/10/13

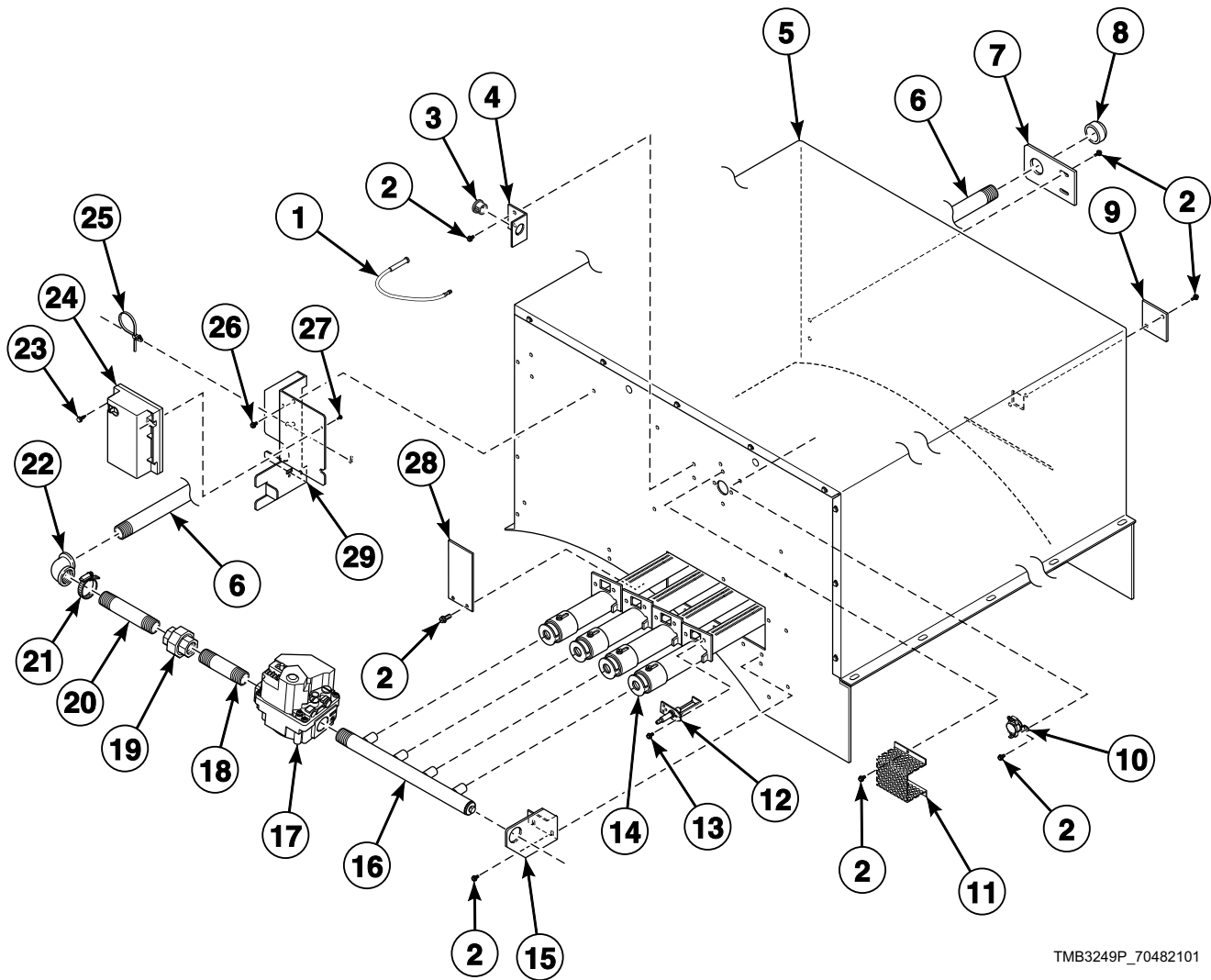


TMB3046P_70482101

Gas Heater Components - CE Models Through 3/10/13

| REF | PART NO. | DESCRIPTION | COMMENTS |
|-----|-----------|--------------------------------|---|
| | 44199101 | Gas Valve Harness | |
| 1 | 430497 | Screw | |
| 2 | M414477 | Thermostat Cover | |
| 3 | M413988 | Thermostat | Natural gas (N.G.) models |
| | M413989 | Manual Reset Thermostat | Liquid petroleum (L.P.) models |
| 4 | 431078 | Stove Limit Harness Bracket | |
| 5 | 44198701 | Gas Stove Assembly | |
| 6 | M412025P | Burner | N.G. 4 required; L.P. 3 required |
| 7 | M413795 | Burner Shutter | N.G. 4 required; L.P. 3 required |
| 8 | 44328701P | Spark Electrode | |
| 9 | 44171501 | Burner Hole Cover | |
| 10 | 51782 | Screw | 2 required |
| 11 | M413099 | Burner Opening Cover | L.P. |
| 12 | M411505 | Stove Gasket | Sold per foot; 3 feet required |
| 13 | 44117501 | Gas Valve Bracket | 2 required |
| 14 | 70435601 | Pipe Nipple | 2 required |
| 15 | M403934 | Nipple | 4 required |
| 16 | 70079601 | Elbow | 2 required |
| 17 | 44061602P | High Temperature Ignition Lead | Connects to item 8; Models through 9/16/12 |
| | 44239703 | High Voltage Suppression Cable | Models starting 9/17/12; Use with 70458701 Ignition Control |
| 18 | M411498 | Pipe Bracket | |
| 19 | 44165901 | Pipe Cap | |
| 20 | H85101673 | Nipple | |
| 21 | M413020 | Reducing Tee | |
| 22 | M413023 | Pipe Nipple | |
| 23 | 44087801 | Pipe Cap | |
| 24 | 44117401 | Reducing Tee | 2 required |
| 25 | H85101608 | Nipple | 4 required |
| 26 | F421107 | Elbow | 2 required |
| 27 | 44117901 | Pipe Keeper Bracket | 4 required |
| 28 | M402542 | Snap Bushing | 2 required |
| 29 | 44178301P | Gas Valve | N.G.; 2 required; Use to replace valves starting 12/1/09 |
| | 44178302P | Gas Valve | L.P.; 2 required; Use to replace valves starting 12/1/09 |
| 30 | 901403 | Pipe Nipple | 2 required |
| 31 | M411419 | Pipe Union | |
| 32 | M411736 | Spud Holder | |
| 33 | 44173801 | Manifold End Bracket | |
| 34 | 70684100 | Burner Orifice | L.P. |
| 35 | H86000031 | Union | 2 required |

Gas Heater Components - Models Starting 3/11/13

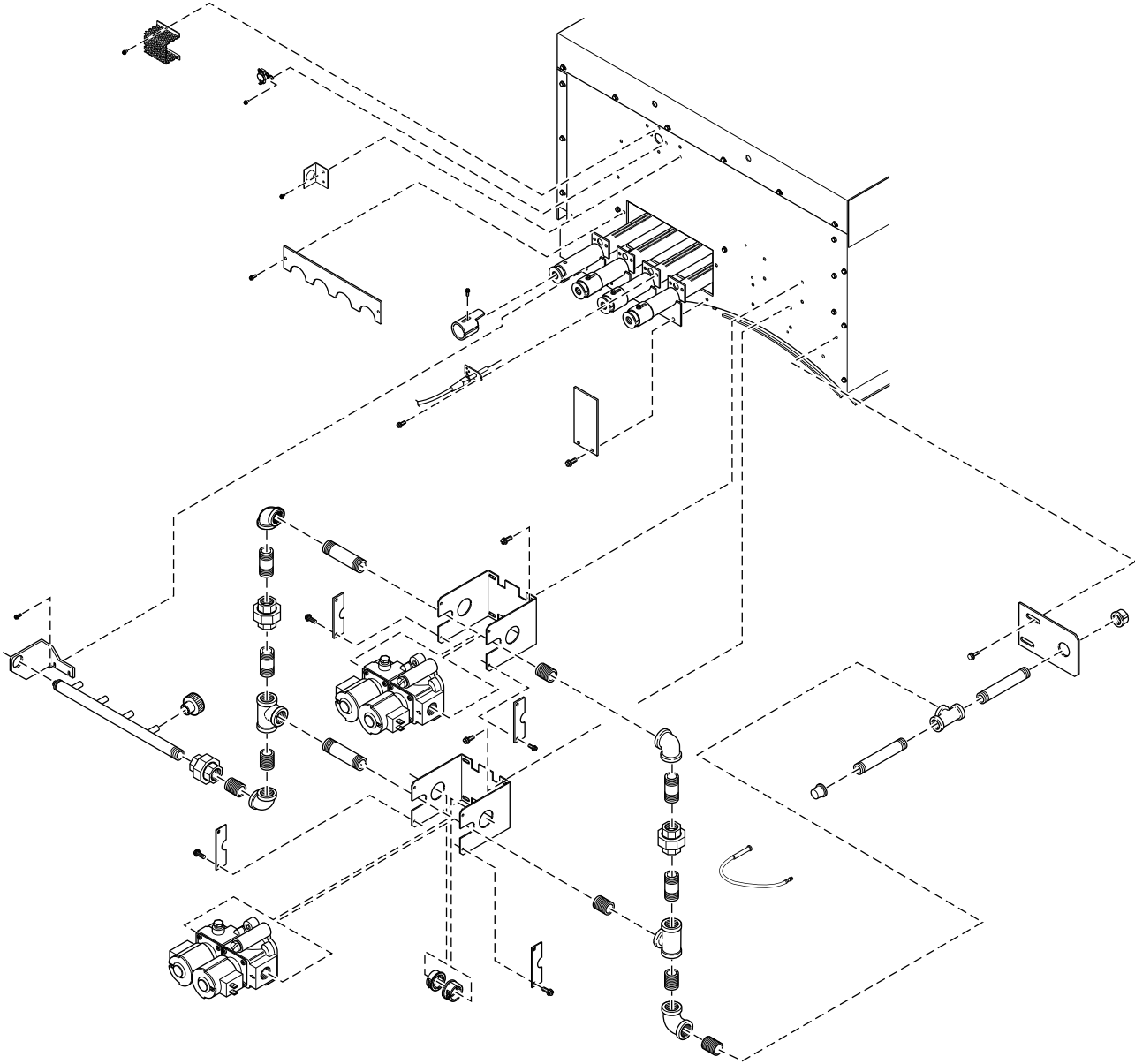


TMB3249P_70482101

Gas Heater Components - Models Starting 3/11/13

| REF | PART NO. | DESCRIPTION | COMMENTS |
|-----------|-----------|--------------------------------|---|
| | M4592P3 | L.P. Conversion Kit | Natural Gas (N.G.) to Liquid Petroleum Gas (L.P.); 60 Hertz; Non-CE models |
| | M4974P3 | L.P. Gas Conversion Kit | N.G. to L.P.; 50 Hertz; Non-CE models |
| | 70184001 | Gas Valve Harness | CE models |
| | 44240401P | L.P. Valve Conversion Kit | Unregulated; N.G. to L.P.; CE models; Must also order orifice, refer to Installation Manual |
| | 44240402P | L.P. Conversion Kit | Regulated; N.G. to L.P.; CE models; Must also order orifice, refer to Installation Manual |
| | M413650 | Gas Valve Harness Assembly | CE models |
| | M412997 | Harness Assembly | Non-CE and non-Australian models |
| 1 | 44239703 | High Voltage Suppression Cable | |
| 2 | 430497 | Screw | |
| 3 | 44071501 | Snap Bushing | |
| 4 | 431078 | Stove Limit Harness Bracket | |
| 5 | 44243901 | Gas Stove Assembly | |
| 6 | 44252401 | Pipe Nipple | |
| 7 | 44249301 | Pipe Bracket | |
| 8 | 44087801 | Pipe Cap | |
| 9 | 70159601 | Igniter Cover | |
| 10 | M411404 | Stove Limit Thermostat | Non-CE and non-Australian models; N.G. |
| | 431177 | Stove Limit Thermostat | Non-CE and non-Australian models; L.P. |
| | M413988 | Thermostat | CE and Australian models; N.G. |
| | M413989 | Manual Reset Thermostat | CE and Australian models; L.P. |
| 11 | M414477 | Thermostat Cover | |
| 12 | 44328701P | Spark Electrode | |
| 13 | 51782 | Screw | 2 required |
| 14 | M412025P | Burner | N.G. 4 required; L.P. 3 required |
| 15 | 44173801 | Manifold End Bracket | |
| 16 | 44390002 | Spud Holder Weldment | |
| 17 | 44166701 | Gas Valve | N.G.; 50 Hertz; Australian models |
| | 44166702 | Gas Valve | L.P.; 50 Hertz; Australian models |
| | M413470P | Gas Valve | N.G.; 60 Hertz; Non-CE and non-Australian models |
| | M4883P3 | Gas Valve Kit | L.P.; 60 Hertz; Non-CE and non-Australian models |
| | 44227201 | Gas Valve | N.G.; 50 Hertz; CE models |
| | 44227202 | Gas Valve | L.P.; 50 Hertz; CE models |
| 18 | 44249501 | Pipe Nipple | |
| 19 | M411419 | Pipe Union | |
| 20 | 44252301 | Pipe Nipple | |
| 21 | 20391 | Hose Clamp | |
| 22 | 44249401 | Pipe Elbow | |
| 23 | 51783 | Screw | |
| 24 | 70458601P | Ignition Control | Non-CE and non-Australian models |
| | 70483201P | Ignition Control | CE models; Australian models through 3/31/13 and starting again 8/1/13 |
| | 44264701 | Ignition Control Kit | Australian models starting 4/1/13 through 7/31/13 |
| 25 | M405829 | Cable Tie | |
| 26 | 51780 | Screw | |
| 27 | 38272 | Screw | |
| 28 | 44249601 | Burner Opening Cover | L.P. |
| 29 | 44245701 | Gas Valve Bracket | |

Gas Valve Replacement Kits - CE Models

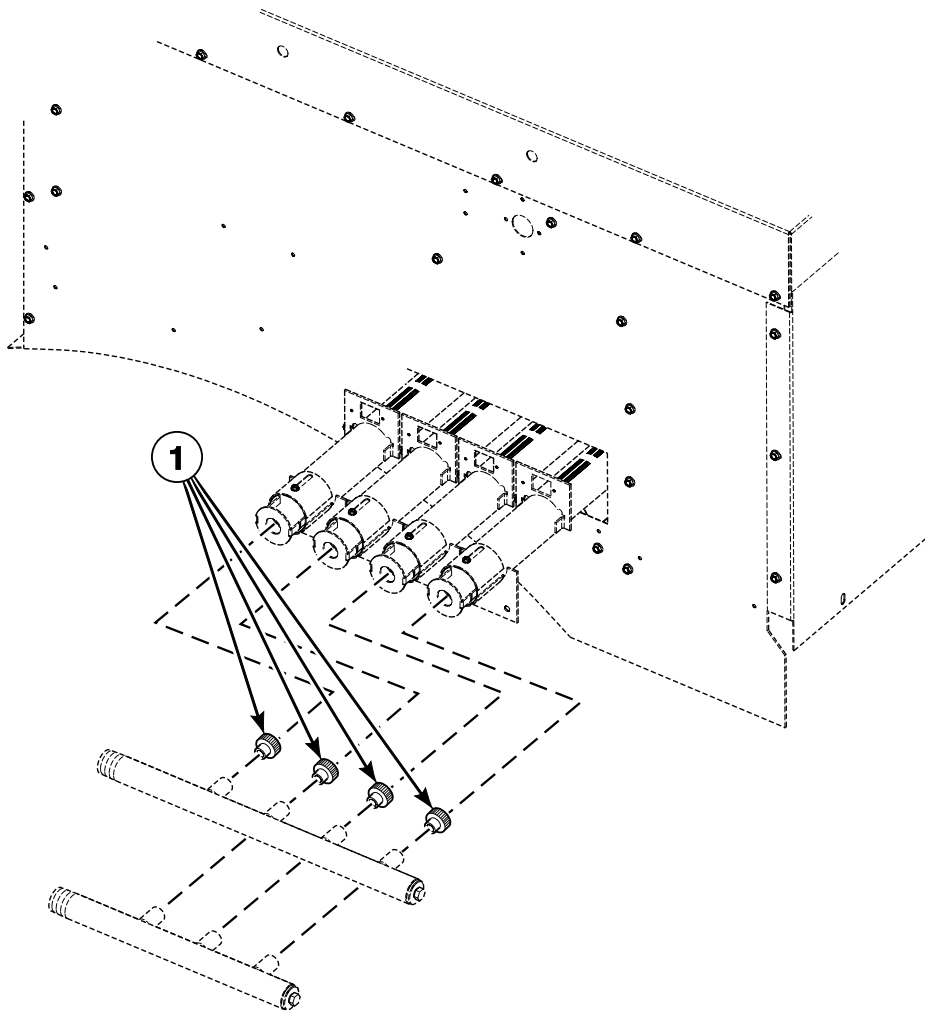


TMB3046PA_70482101

Gas Valve Replacement Kits - CE Models

| REF | PART NO. | DESCRIPTION | COMMENTS |
|-----|----------|-----------------------|---|
| | M4904P3 | Valve Replacement Kit | Natural Gas (N.G.); Models through 7/13/09 |
| | M4905P3 | Valve Replacement Kit | Liquid Petroleum Gas (L.P.); Models through 7/13/09 |
| | M4908P3 | Valve Replacement Kit | N.G.; Models starting 7/14/09 through 11/30/09 |
| | M4909P3 | Valve Replacement Kit | L.P.; Models starting 7/14/09 through 11/30/09 |

Burner Orifices for Non-CE and Non-Australian Gas Models



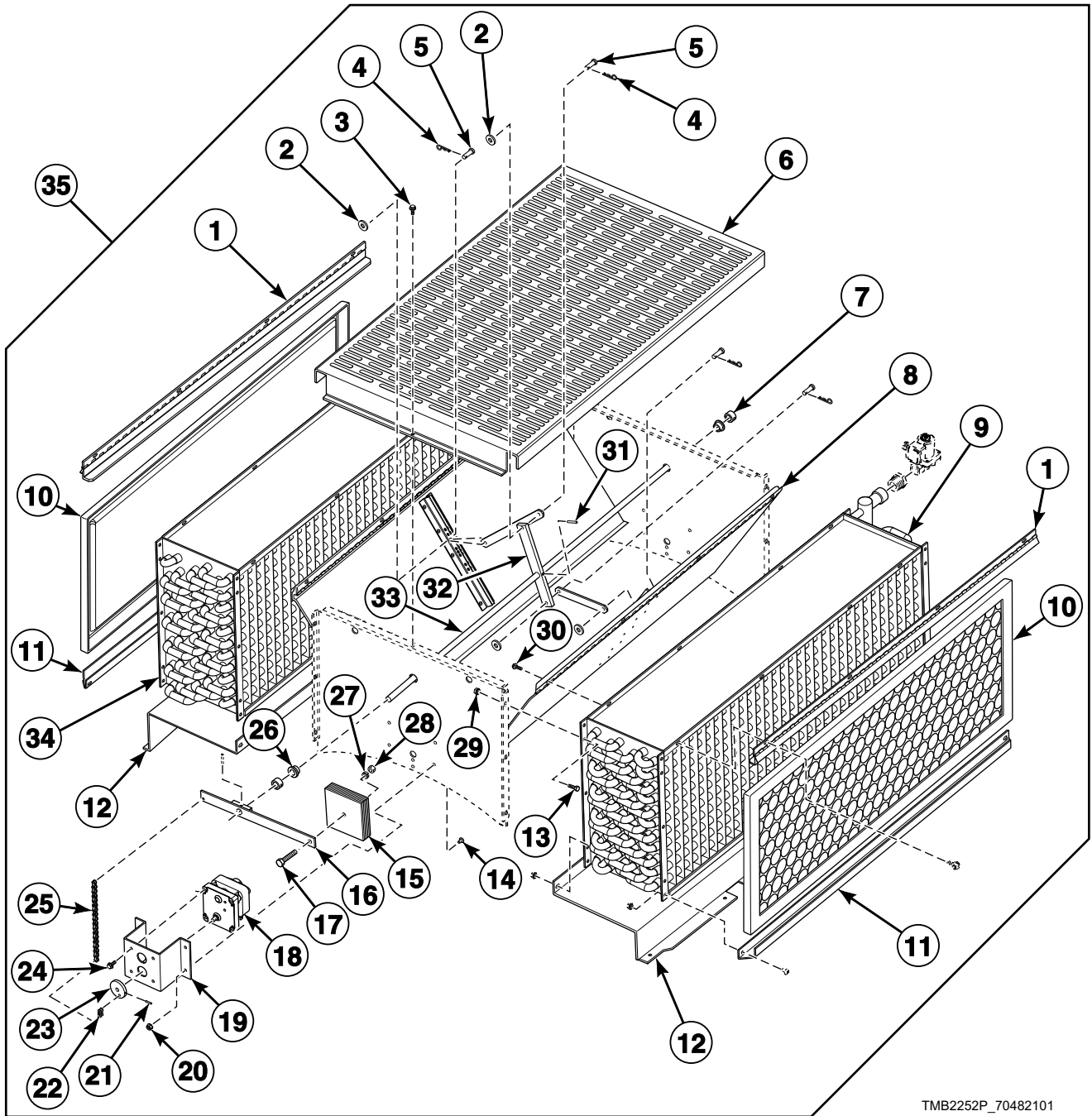
TMB2528P_70482101

Burner Orifices for Non-CE and Non-Australian Gas Models

| REF | PART NO. | DESCRIPTION | COMMENTS |
|-----|----------|----------------|--|
| 1 | 70684151 | Burner Orifice | Natural Gas (N.G.); 0-2,000 feet; Drill no. 12 (4.8 mm); 4 required |
| | 70684149 | Burner Orifice | N.G.; 2,001-4,000 feet; Drill no. 14 (4.6 mm); 4 required |
| | 70684147 | Burner Orifice | N.G.; 4,001-6,000 feet; Drill no. 16 (4.5 mm); 4 required |
| | 70684146 | Burner Orifice | N.G.; 6,001-8,000 feet; Drill no. 17 (4.4 mm); 4 required |
| | 70684143 | Burner Orifice | N.G.; 8,001-10,000 feet; Drill no. 19 (4.2 mm); 4 required |
| | 70684132 | Burner Orifice | Liquid Petroleum Gas (L.P.); 0-2,000 feet; Drill no. 29 (3.4 mm); 4 required |
| | 70684129 | Burner Orifice | L.P.; 2,001-6,000 feet; Drill no. 30 (3.3 mm); 4 required |
| | 70684126 | Burner Orifice | L.P.; 6,001-10,000 feet; Drill no. 31 (3.0 mm); 4 required |

NOTE: For CE gas and orifice information, refer to Installation Manual.

Steam Heater Components - Except B, C and I Models

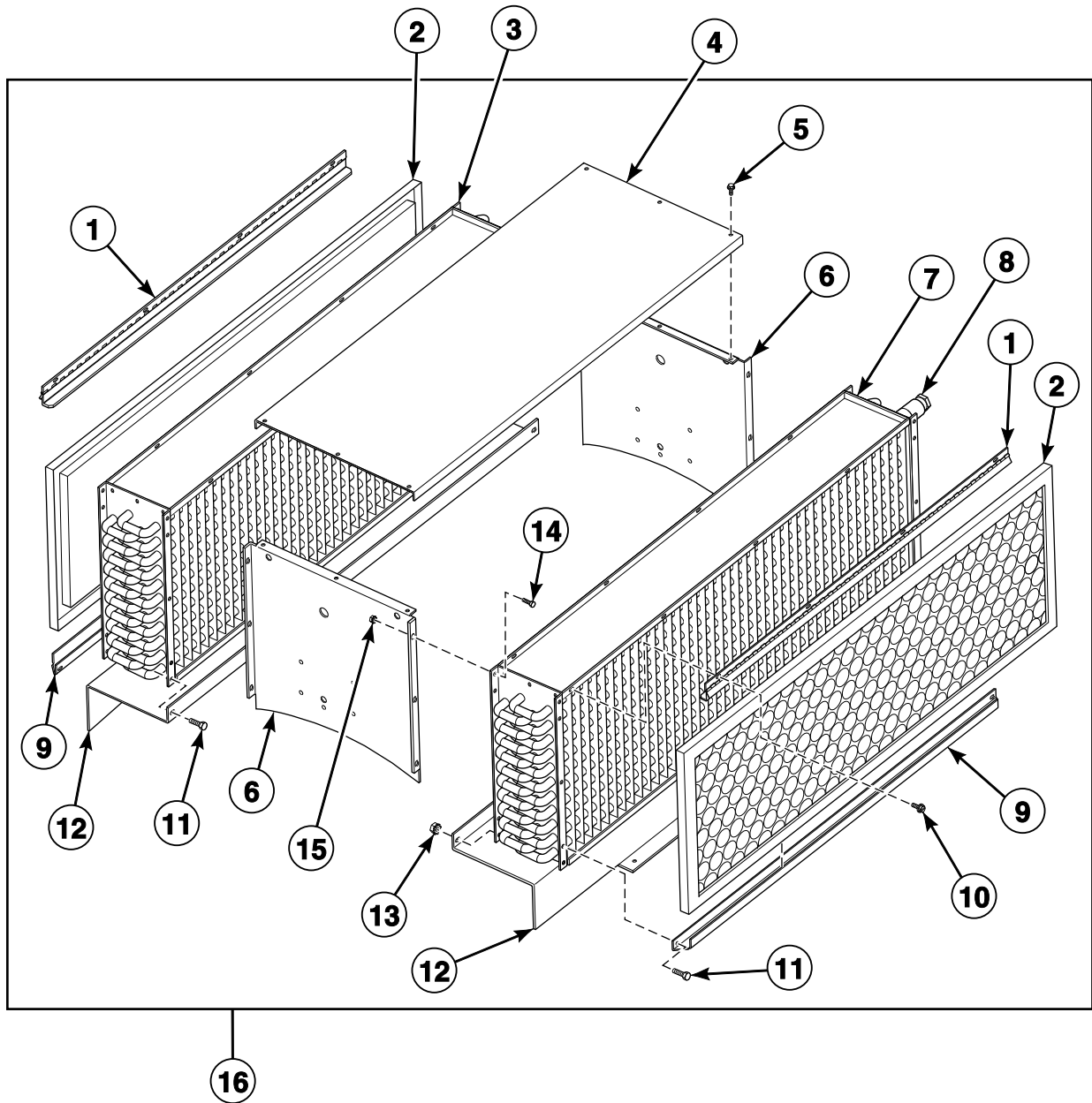


TMB2252P_70482101

Steam Heater Components - Except B, C and I Models

| REF | PART NO. | DESCRIPTION | COMMENTS |
|-----|------------|---------------------------------|--|
| | M414801 | Damper Bracket | Thermal oil models; 4 required |
| | M412997 | Harness Assembly | Models through 3/10/13 |
| | 44243601 | Steam Valve Interface Harness | Models starting 3/11/13 |
| 1 | 44088101 | Steam Filter Top Hinge Assembly | 2 required |
| 2 | 800465 | Washer | 4 required |
| 3 | M405188 | Screw | 2 required |
| 4 | 44091601 | Hairpin Cotter | 4 required |
| 5 | 44091501 | Clevis Pin | 4 required |
| 6 | 44018501 | Steam Coil Housing Cover | |
| | 44115201 | Steam Cover | |
| 7 | M414451 | Shaft Collar | 2 required |
| 8 | H96367685 | Damper Assembly | 2 required |
| 9 | M409834P | Steam Coil | All models except thermal oil models; Right; 902303 Steam Pressure Label by inlet connection |
| 10 | 44172101 | Filter | 2 required; CE models |
| | H96362264 | Coil Filter | 2 required; All other models |
| 11 | 44045101 | Filter Channel | 2 required |
| | 44088101 | Steam Filter Top Hinge Assembly | |
| 12 | M412201 | Steam Coil Support | 2 required |
| 13 | 02422 | Screw | 14 required |
| 14 | 801019 | Screw | 8 required |
| 15 | M413331 | Damper Counterweight | 7 required |
| 16 | H96387501 | Actuator Arm Assembly | |
| 17 | H88010574 | Screw | |
| 18 | M412905P | Damper Motor | 50 Hertz |
| | M413592P | Damper Motor | 60 Hertz |
| 19 | H96388145 | Motor Bracket | |
| 20 | 23951 | Nut | 12 required |
| 21 | H88900683 | Spring Pin | |
| 22 | H96382072P | Master Link | 2 required |
| 23 | H96388178 | Drive Wheel | |
| 24 | 61199 | Screw | 4 required |
| 25 | H96388186 | Drive Chain | |
| 26 | M414459 | Bushing | 2 required |
| 27 | M400013 | Washer | |
| 28 | 70142 | Nut | |
| 29 | 29786 | Nut | 14 required |
| 30 | D501086 | Screw | 16 required |
| 31 | H88970256 | Roll Pin | 2 required |
| 32 | 44096501 | Steam Damper Actuator | |
| 33 | H96368956 | Damper Shaft | |
| 34 | M409833P | Steam Coil | All models except thermal oil models; Left; 902303 Steam Pressure Label by inlet connection |
| 35 | M414490P | Steam Heater Assembly | 60 Hertz; Includes items 1-34 |
| | M414485 | Steam Heater Assembly | 50 Hertz; Includes items 1-34 |

Steam Heater Components - B, C and I Models



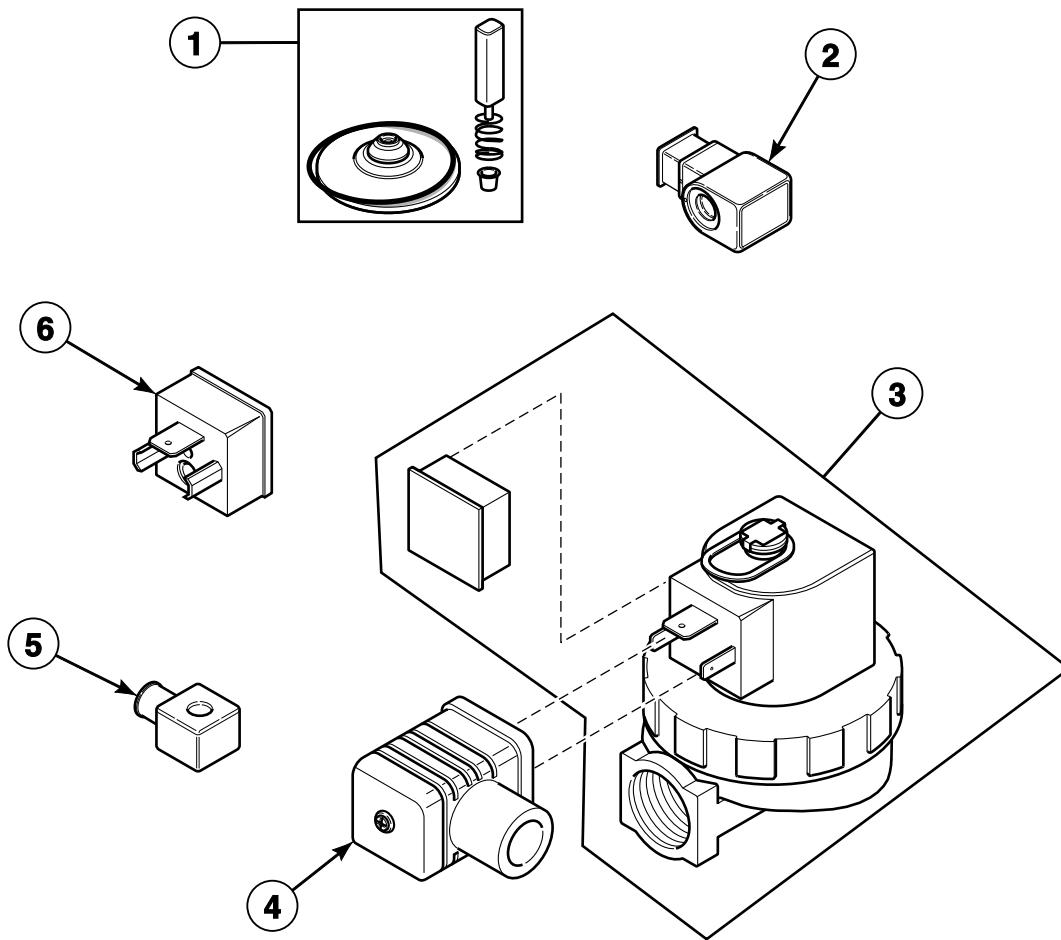
TMB3002P_70482101

Steam Heater Components - B, C and I Models

| REF | PART NO. | DESCRIPTION | COMMENTS |
|-----------|-----------|---------------------------------|---|
| | M414801 | Damper Bracket | Thermal oil models; 4 required |
| | 44243601 | Steam Valve Interface Harness | Models starting 3/11/13 |
| 1 | 44088101 | Steam Filter Top Hinge Assembly | 2 required |
| 2 | 44172101 | Filter | 2 required; CE models |
| | H96362264 | Coil Filter | 2 required; Non-CE models |
| 3 | M409833P | Steam Coil | All models except thermal oil models; Left; 902303 Steam Pressure Label by inlet connection |
| 4 | 44114601 | Steam Cover | |
| 5 | 430497 | Screw | 6 required |
| 6 | 44115001 | Steam Coil Housing End | 2 required |
| 7 | M409834P | Steam Coil | All models except thermal oil models; Right; 902303 Steam Pressure Label by inlet connection |
| 8 | M409844 | Bushing | 2 required |
| 9 | 44045101 | Filter Channel | 2 required |
| 10 | D501086 | Screw | 8 required |
| 11 | 801019 | Screw | 4 required |
| 12 | M412201 | Steam Coil Support | 2 required |
| 13 | 23951 | Nut | 4 required |
| 14 | 02422 | Screw | 16 required |
| 15 | 29786 | Nut | 16 required |
| 16 | 44114801 | Steam Heater Assembly | Includes items 1-15 |

Steam Solenoid Valve

All Steam Models Except Thermal Oil Models

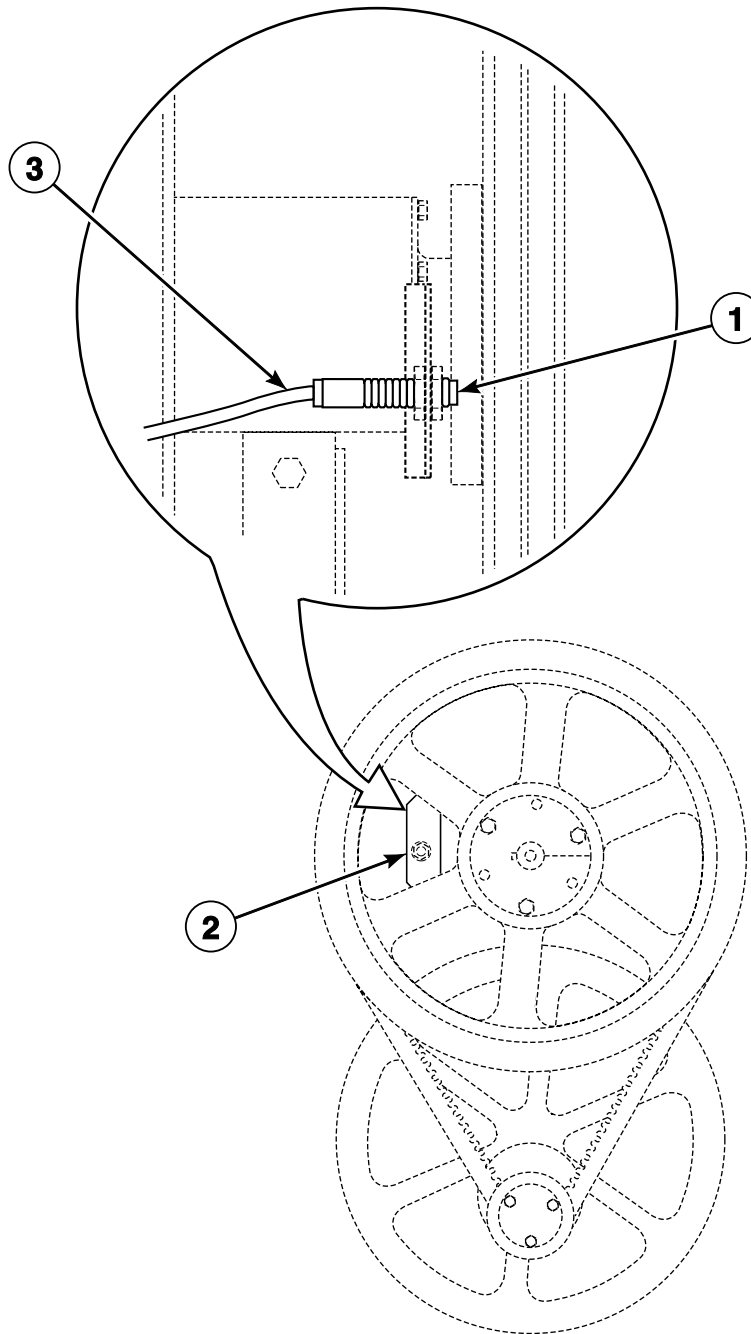


TMB3250P_70482101

Steam Solenoid Valve

| REF | PART NO. | DESCRIPTION | COMMENTS |
|----------|-----------|------------------------------|---|
| | F8514801 | Valve Coil | Use with F8322902 Steam Valve |
| 1 | 70351021P | Steam Valve Rebuild Kit | Parker; Use with 70351001P Steam Valve |
| | F8379502 | Valve Rebuild Kit | Asco; Use with F8322902 and F8322903 Steam Valves |
| 2 | 70351012 | Steam Solenoid | 50 Hertz; Used with F8322902 Steam Valve |
| 3 | F8521701 | Valve Kit | 24 Volt/60 Hertz; Parker valve replacement kit |
| | F8322902 | Steam Valve | 24 Volt/60 Hertz; Models starting Serial No. 1009000100 through 3/10/13; Asco |
| | F8322903 | Steam Valve | 24 Volt/50 Hertz; Models starting 3/11/13 |
| | F8322901P | Valve | 220 Volt/50 Hertz or 240 Volt/60 Hertz; Models starting 3/11/13 |
| | F8322906P | Valve | Includes F8322901P Valve and F8382301 DIN Valve Adapter Kit |
| 4 | 70370301P | Solenoid Valve DIN Connector | |
| 5 | 70351011P | Steam Solenoid | 60 Hertz; Used with 70351001P Steam Valve |
| 6 | F8382301 | DIN Valve Adapter Kit | Models starting 3/11/13 |

Rotation Sensor

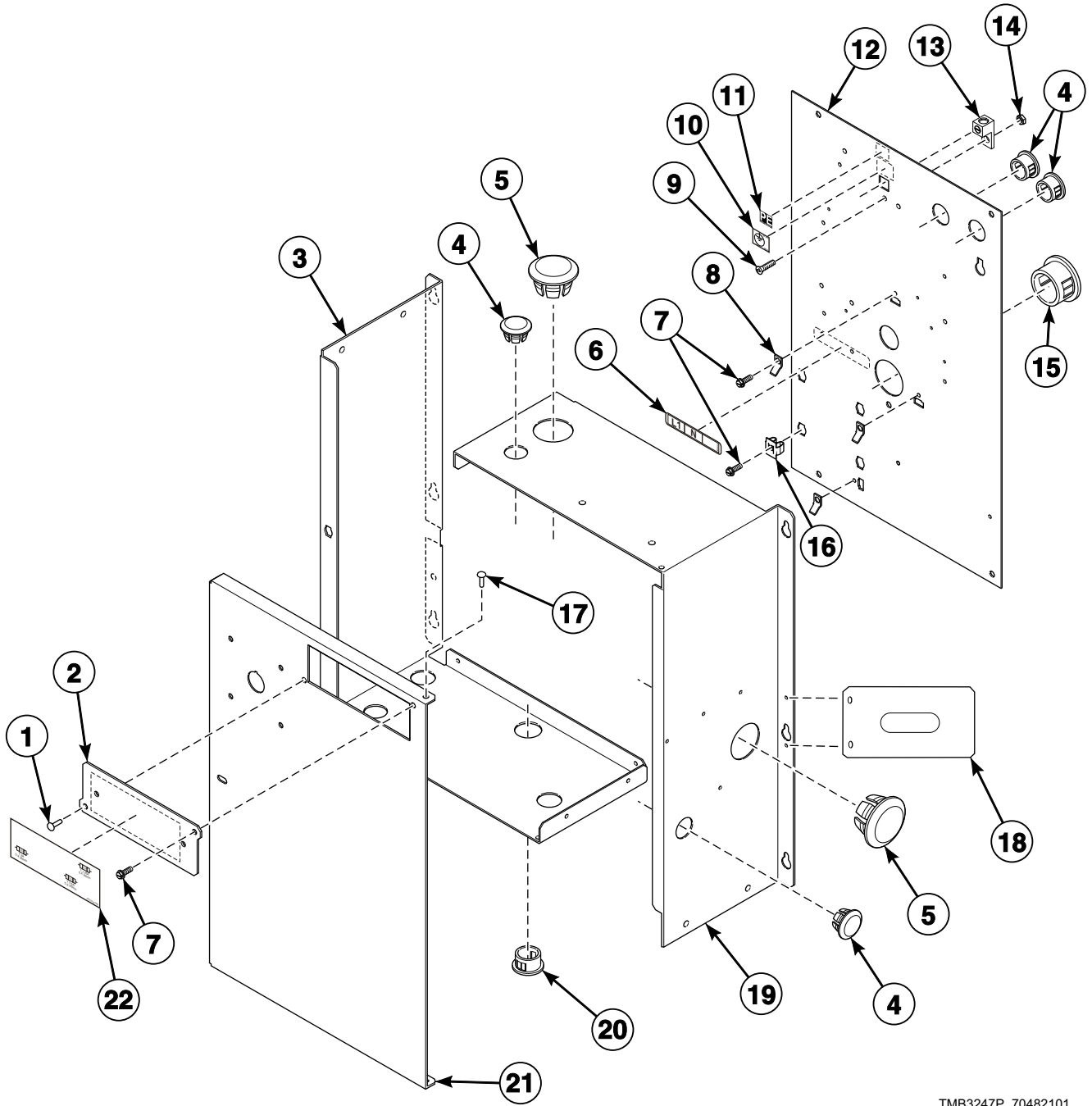


TMB2009P_70482101

Rotation Sensor

| REF | PART NO. | DESCRIPTION | COMMENTS |
|-----|----------|-------------------------|--|
| | 7010P | Rotation Sensor Kit | Includes item 1 and 44250501 Rotation Sensor Harness |
| 1 | F8066201 | Rotation Sensor | |
| 2 | 44111101 | Rotation Sensor Bracket | |
| 3 | 44201701 | Rotation Sensor Harness | RE and RU control suffixes |
| | 7010P | Rotation Sensor Kit | Models with R3 and RD control suffixes |

Control Tray Wrap Components



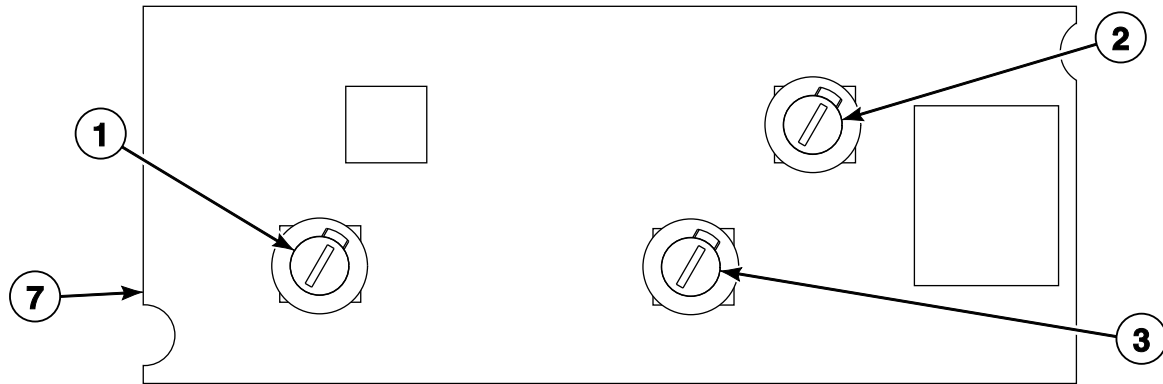
TMB3247P_70482101

Control Tray Wrap Components

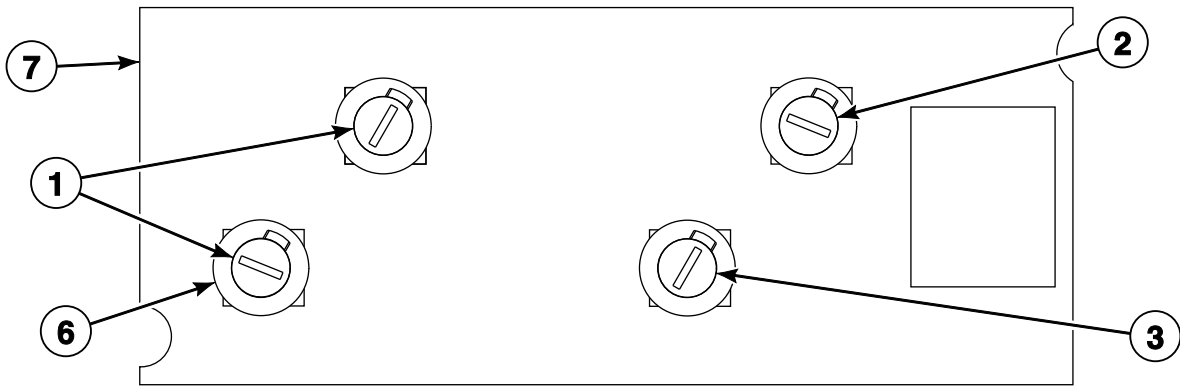
| REF | PART NO. | DESCRIPTION | COMMENTS |
|-----|----------|------------------------|--|
| | M414276 | Mount Bracket | Used to mount items 3 and 19 to machine |
| 1 | 70058501 | Pop Rivet | |
| 2 | 70313301 | Fuse Cover | |
| 3 | 44159001 | Contactactor Box Side | |
| 4 | M400985 | Plug | 3 required |
| 5 | F8223801 | Hole Plug | 2 required |
| 6 | 70218801 | Wire Label | L1, N |
| | 70218701 | Wire Label | L1, L2, L3 |
| | 70219001 | Wire Label | L1, N, L2 |
| 7 | F8206901 | Screw | 4 required |
| 8 | 00177 | Male Tab Terminal | 3 required |
| 9 | F430909 | Screw | |
| 10 | F230739 | Ground Decal | |
| 11 | M412096 | Earth Terminal Sticker | |
| 12 | 44133701 | Contactactor Box Base | |
| 13 | M411283 | Ground Lug Connector | |
| 14 | F430232 | Nut | |
| 15 | M405340 | Snap Bushing | |
| 16 | 70030501 | Expansion Clip | 5 required |
| 17 | 70058502 | Pop Rivet | 2 required |
| 18 | 44175801 | Pipe Bracket | |
| 19 | 44158901 | Contactactor Box Side | |
| 20 | 70178701 | Snap Bushing | |
| 21 | 44134001 | Contactactor Box Cover | Non-CE models |
| | 44134002 | Contactactor Box Cover | CE models |
| 22 | 70337301 | Fuse Label | 3 fuses |
| | 70337201 | Fuse Label | 4 fuses; Models with less than 380 Volts |
| | 70337401 | Fuse Label | 4 fuses; Gas models with 380 Volts or higher |
| | 44338801 | Fuse Label | 4 fuses; Steam models with 380 Volts or higher |

Control Tray Fuses

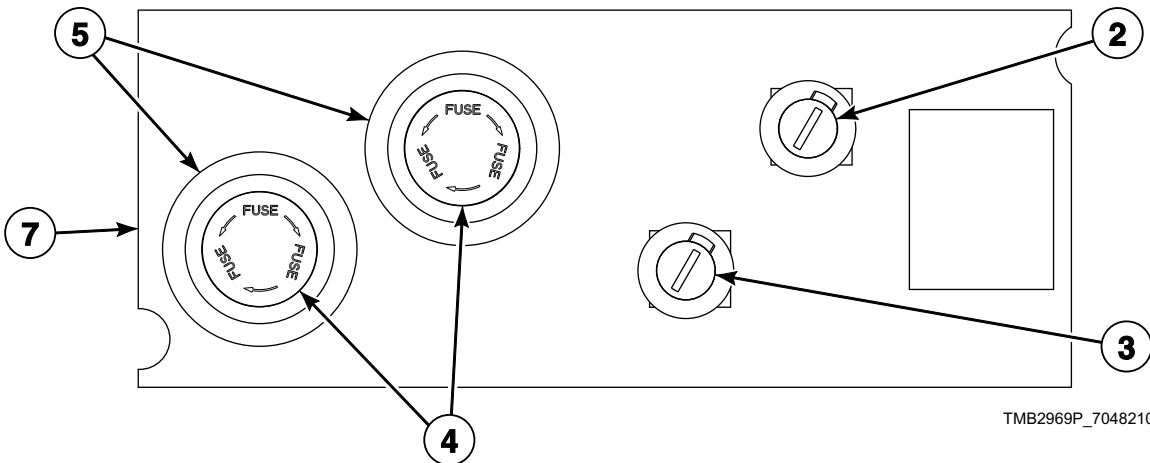
MODELS WITH LESS THAN 380 VOLTS/1 PHASE



MODELS WITH LESS THAN 380 VOLTS/3 PHASE



MODELS WITH 380 VOLTS OR HIGHER/3 PHASE

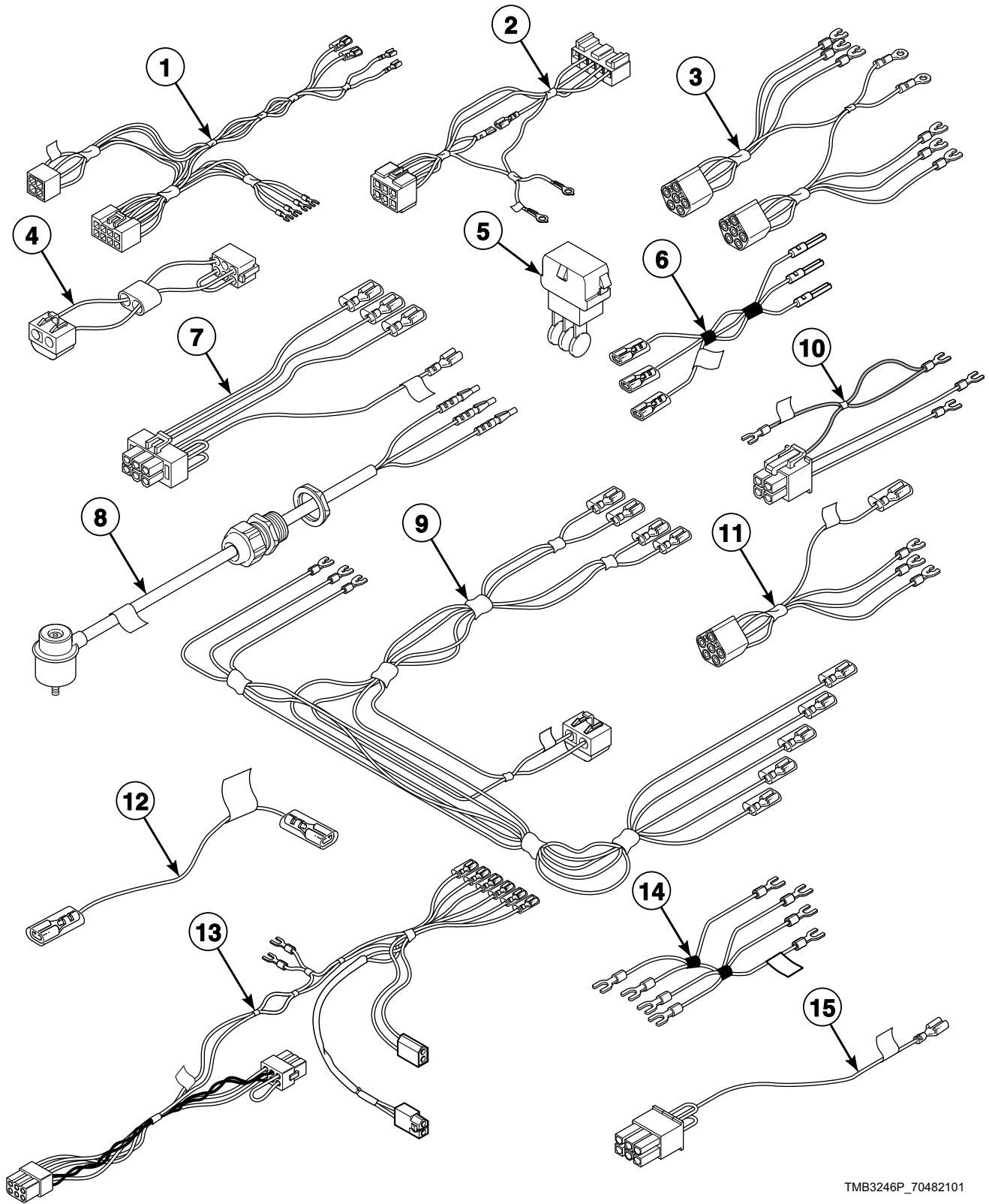


TMB2969P_70482101

Control Tray Fuses

| REF | PART NO. | DESCRIPTION | COMMENTS |
|----------|-----------|------------------|---------------------------------|
| | 44341301 | Fuse Label | Steam models; 380-480 Volt |
| 1 | 70406701 | Fuse | 2 Amp |
| 2 | 70406501 | Fuse | 1.25 Amp |
| 3 | 70406601 | Fuse | 3.5 Amp |
| 4 | 44310001 | Fuse | 0.5 Amp; Gas models |
| | 44310002 | Fuse | 1 Amp; Steam models |
| 5 | 44155601P | Fuse Holder | |
| 6 | 70329401P | Fuse Holder Body | |
| | 70329501 | Fuse Holder Cap | |
| 7 | 70313602 | Fuse Bracket | Models with 380 Volts or higher |
| | 70306901 | Fuse Bracket | Models with less than 380 Volts |

Control Tray Harnesses

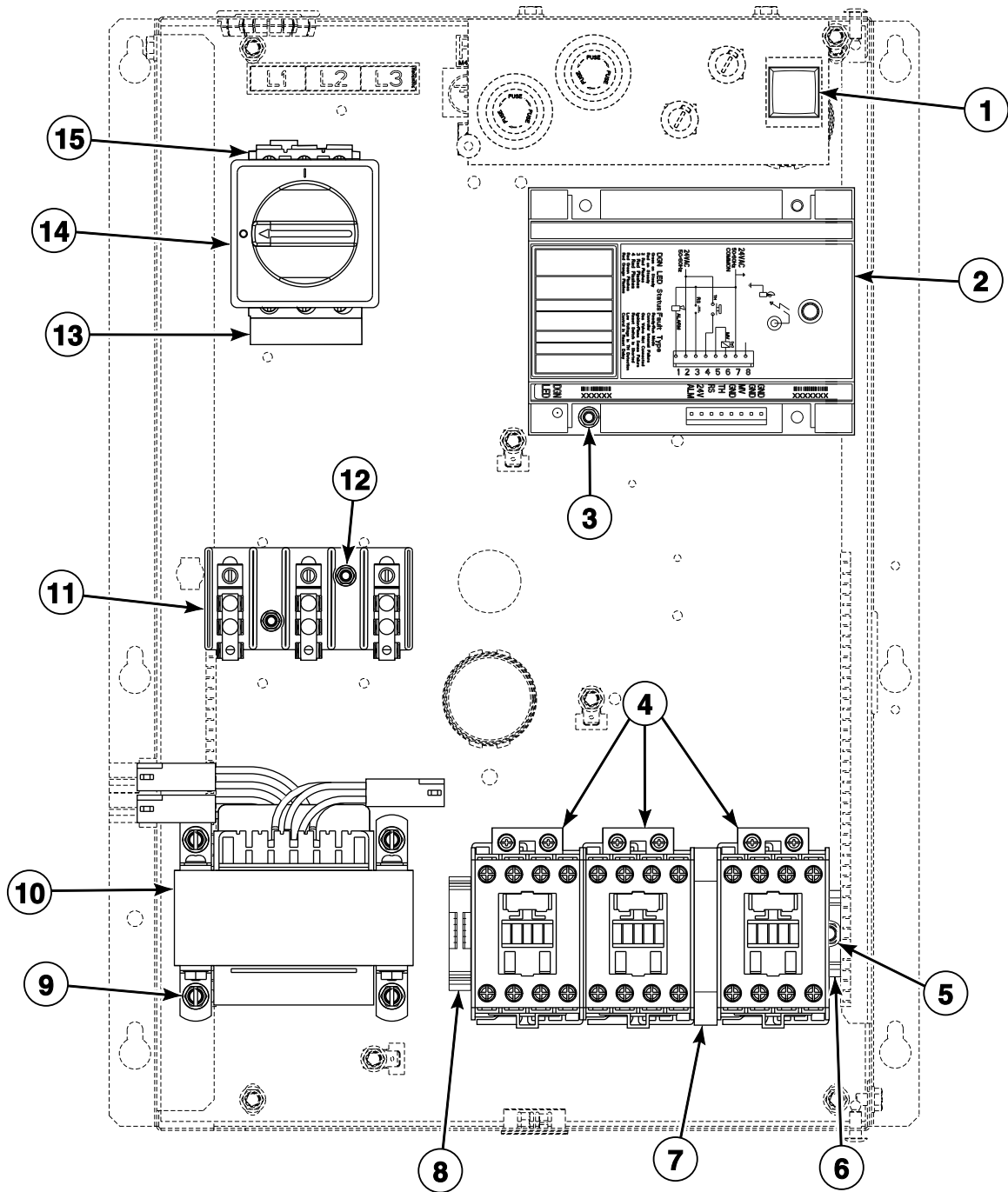


TMB3246P_70482101

Control Tray Harnesses

| REF | PART NO. | DESCRIPTION | COMMENTS |
|-----|-----------|-------------------------------------|--|
| 1 | 44136701P | Junction Box Harness | |
| 2 | 44186701 | Ignition Control Harness | Non-CE gas models; Models through 3/10/13 |
| | 44186901 | Ignition Control Harness | CE gas models; Models with RE and RU control suffixes; Models through 3/10/13 |
| | 44136601P | Ignition Control Harness | CE gas models; Models with all other control suffixes; Models through 3/10/13 |
| | 44251601 | Ignition Control Harness | Non-CE gas models; Models starting 3/11/13 |
| | 44251701 | Ignition Control Harness | CE gas models; Models with RE and RU control suffixes; Models starting 3/11/13 |
| | 44251201 | Ignition Control Harness | CE gas models; Models with all other control suffixes; Models starting 3/11/13 |
| 3 | 44139901P | Motor Contactor Harness | 1 Phase |
| | 44142601P | Motor Contactor Harness | 3 Phase |
| 4 | M413506 | Jumper Harness Assembly | 208 Volt |
| | M413507 | Jumper Configuration Assembly | 240 Volt |
| | M413508 | Jumper Harness Assembly | 380 Volt |
| | M413510 | Jumper Configuration Assembly | 480 Volt |
| 5 | M413863 | Network Capacitor Assembly | |
| 6 | 70342101 | Gas Disconnect Harness | CE models |
| 7 | 44143401P | Network Capacitor Harness Assembly | |
| 8 | 44243601 | Steam Valve Interface Harness | Steam models; Use with F8322901P Valve |
| 9 | 44136201P | Power Harness | 3 Phase models with 380 Volts or higher |
| | 44136301P | Power Harness | 3 Phase models with less than 380 Volts |
| | 44139801P | Power Harness | 1 Phase |
| 10 | 44139601P | Reversing Contactor Harness | |
| 11 | 44137001P | Motor Contactor Harness | 3 Phase |
| | 44136401 | Motor Contactor Harness | 1 Phase |
| 12 | 70389901 | Steam Stove Limit Bypass Harness | Steam models |
| 13 | 44201201 | Steam Relay Harness | Steam models; 24 Volt |
| | 44243401 | Steam Relay Harness | Steam models; Use with F8322901P Valve on 200-240 Volt models |
| | 44243501 | Steam Relay Harness | Steam models; Use with F8322901P Valve on 380-480 Volt models |
| 14 | 44157401 | Reversing Contactor Jumper Wire | 1 Phase; Upper |
| | 44139501 | Reversing Contactor Jumper | 1 Phase; Lower |
| | 44136801 | Reversing Contactor Jumper Assembly | Upper |
| | 44136901 | Reversing Contactor Jumper Assembly | Lower |
| 15 | 44142801 | Steam Configuration Harness | Steam models |

Control Tray Components for Gas Models

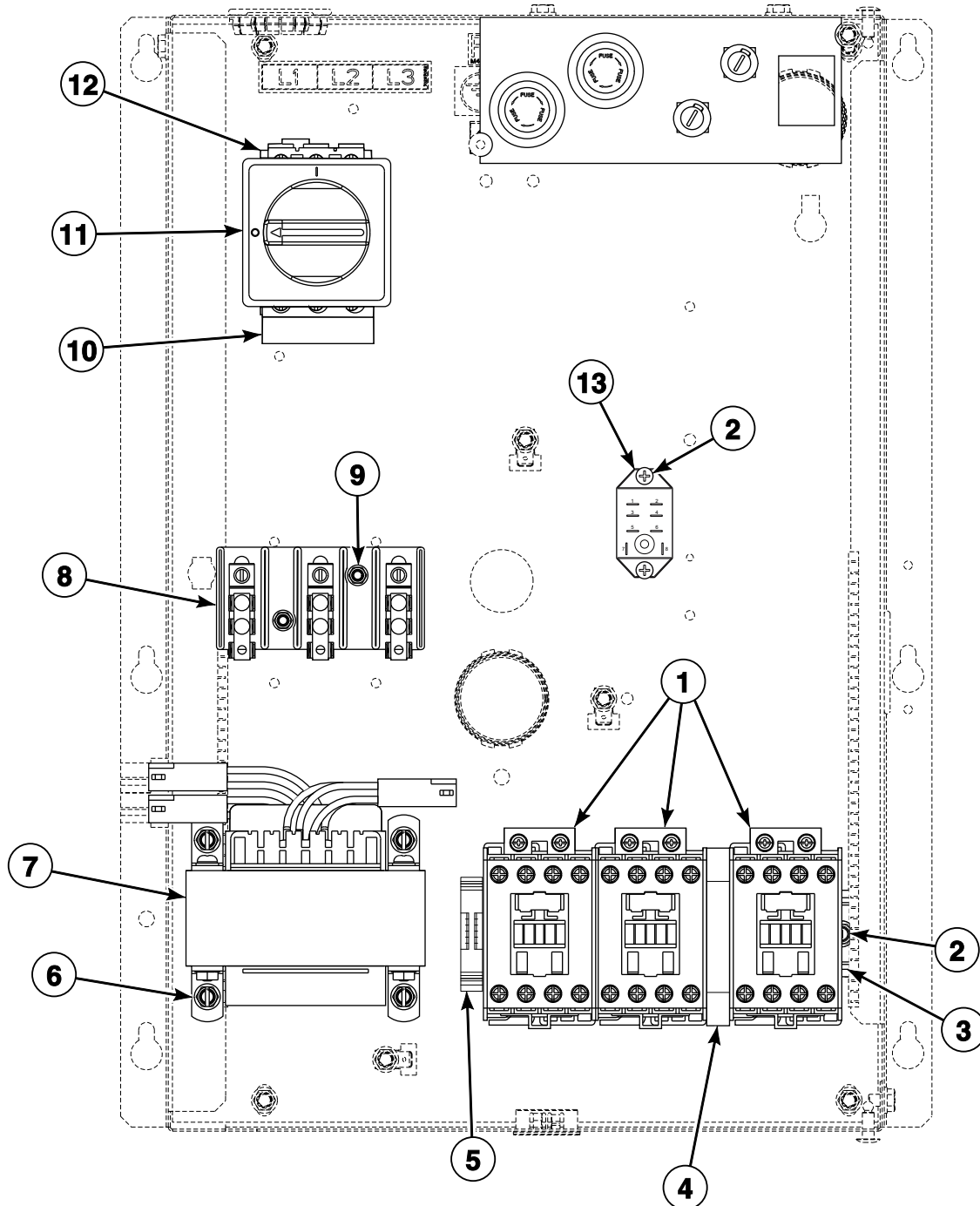


TMB3093P_70482101

Control Tray Components for Gas Models

| REF | PART NO. | DESCRIPTION | COMMENTS |
|-----|-----------|-----------------------|---|
| 1 | M413431 | Pushbutton Switch | CE and Australian models |
| 2 | 44264801 | Ignition Control Kit | Non-CE and non-Australian models; Models through Serial No. 0907003061 |
| | 44264601 | Ignition Control Kit | Non-CE and non-Australian models; Models starting Serial No. 0907003062 |
| | 44264901 | Ignition Control Kit | CE and Australian models; Models through Serial No. 0907003061 |
| | 44264701 | Ignition Control Kit | CE and Australian models; Models starting Serial No. 0907003062 |
| 3 | 38272 | Screw | 2 required; Models through 9/16/12 |
| | 51783 | Screw | 2 required; Models starting 9/17/12 through 3/10/13 |
| 4 | 70323701P | Contactator | 3 required |
| 5 | 430497 | Screw | 2 required |
| 6 | M412693 | Din Rail | |
| 7 | F330186P | Interlock Contactator | |
| 8 | 70121001 | End Stop | |
| 9 | M411072 | Screw | 4 required |
| 10 | M414228P | Transformer | Multitap; 100-240 Volt |
| | M414229P | Transformer | Multitap; 380-480 Volt |
| | 44074401 | Transformer | Dual secondary; 440 Volt |
| | M414230P | Transformer | Single secondary; 120 Volt |
| | M414312P | Transformer | Dual secondary; 120 Volt |
| 11 | 430642 | Terminal Block | Use 70333001 Terminal Block Shield to protect terminal block |
| 12 | 51783 | Screw | 2 required |
| 13 | M412366 | Finger Guard | CE models; Models through 7/31/11 |
| 14 | M412208 | Handle | CE models; Models through 7/31/11; 44160701 Extension Handle attaches to operator handle; M412368 Interlock Door mounts under operator handle |
| 15 | M412187P | Mounting Switch Base | CE models; Models through 7/31/11; Use 51782 Screw to attach |

Control Tray Components for Steam Models



TMB3094P_70482101

Control Tray Components for Steam Models

| REF | PART NO. | DESCRIPTION | COMMENTS |
|-----|-----------|----------------------|---|
| | M4984P3 | Steam Kit | Includes item 12, 44201201 Steam Relay Harness and 2 of M405188 Screw |
| 1 | 70323701P | Contactora | 3 required |
| 2 | 430497 | Screw | 2 required |
| 3 | M412693 | Din Rail | |
| 4 | F330186P | Interlock Contactora | |
| 5 | 70121001 | End Stop | |
| 6 | M411072 | Screw | 4 required |
| 7 | M414228P | Transformer | Multitap; 100-240 Volt |
| | M414229P | Transformer | Multitap; 380-480 Volt |
| | 44074401 | Transformer | Dual secondary; 440 Volt |
| | M414230P | Transformer | Single secondary; 120 Volt |
| | M414312P | Transformer | Dual secondary; 120 Volt |
| 8 | 430642 | Terminal Block | Use 70333001 Terminal Block Shield to protect terminal block |
| 9 | 51783 | Screw | 2 required |
| 10 | M412366 | Finger Guard | CE models; Models through 7/31/11 |
| 11 | M412208 | Handle | CE models; Models through 7/31/11; 44160701 Extension Handle attaches to operator handle; M412368 Interlock Door mounts under operator handle |
| 12 | M412187P | Mounting Switch Base | CE models; Models through 7/31/11; Use 51782 Screw to attach |
| 13 | M412534 | Relay | 24 Volt |

Parts Index

A

| | |
|--|----|
| Access Panel 44012702P | 37 |
| Access Panel Trim 70399404 | 37 |
| Actuator Arm Assembly H96387501 | 77 |
| Adjustable Buzzer D505447 | 21 |
| Airflow Switch and Arm Bracket 70319602 | 65 |
| Airflow Switch Arm 70319401 | 65 |
| Airflow Switch Kit 70429601P | 65 |
| Airflow Switch Vane 70319201 | 65 |

B

| | |
|---|------------|
| Ball Bearing H87672374 | 55 |
| M401375P | 61 |
| M414367 | 55 |
| Base Bracket H96428693 | 57, 63 |
| Base Harness 44162801 | 47 |
| Bearing Mounting H96428008 | 53 |
| Bearing Retainer M401370 | 61 |
| Belt H87532685 | 61 |
| H87533014 | 55 |
| Belt Adjustment Tube H96428487 | 55, 57 |
| Belt Guard 44159701 | 49 |
| 44159801 | 49 |
| 44159901 | 49 |
| 44159902 | 49 |
| Belt Guard Side 44160001 | 49 |
| 44160101 | 49 |
| Belt Set H87533816P | 55 |
| Blower Cover M414237 | 61 |
| Bolt H8830143H | 51 |
| 44017901 | 45 |
| Burner M412025P | 67, 69, 71 |
| Burner Hole Cover 44171501 | 67, 69 |
| Burner Opening Cover M413099 | 67, 69 |

| | |
|----------------------------------|--------------------|
| 44249601 | 71 |
| Burner Orifice 70684100 | 69 |
| 70684126 | 75 |
| 70684129 | 75 |
| 70684132 | 75 |
| 70684143 | 75 |
| 70684146 | 75 |
| 70684147 | 75 |
| 70684149 | 75 |
| 70684151 | 75 |
| Burner Shutter M413795 | 69 |
| Bushing H87529111P | 57 |
| H8752922HP | 61 |
| H8752985HP | 55 |
| M409844 | 79 |
| M411537 | 47, 49 |
| M412917P | 61 |
| M412995P | 63 |
| M414459 | 77 |
| Buzzer Kit M4860P3 | 17 |
| Bypass Harness 70364103 | 15, 19, 23, 27, 29 |

C

| | |
|---|----------------|
| Cable Tie M405829 | 71 |
| Circuit Board Support D501523 | 31 |
| Circuit Plug Housing, 1 44370401 | 59 |
| Clevis Pin 44091501 | 77 |
| Clip M400976 | 49 |
| M400984 | 49 |
| Coil Filter H96362264 | 77, 79 |
| Contact Base F8538101 | 15, 19, 27, 29 |
| Contact Block Switch F200233400 | 15, 19, 29 |
| F200233401 | 27 |
| Contact Switch F8069501 | 15, 19, 27, 29 |
| Contactoer 70323701P | 91, 93 |
| Contactoer Box Base 44133701 | 85 |
| Contactoer Box Cover 44134001 | 85 |
| 44134002 | 85 |
| Contactoer Box Side 44158901 | 85 |
| 44159001 | 85 |
| Control 44063801P | 31 |

N/A items do not appear in index.

| | | | |
|----------------------------------|----------------|----------------------------------|------------|
| Control Assembly | | Control Panel Harness | |
| D512202P | 19 | 44240301 | 25, 29 |
| 70434101P | 27, 29 | 70335301P | 15 |
| 70437102P | 27 | 70342001P | 21 |
| 70437103P | 27 | 70367001P | 17 |
| 70437104P | 27 | 70382701P | 15 |
| 70437105P | 27 | 70485301 | 23 |
| 70454001P | 29 | 70489901 | 23 |
| 70454101P | 27 | Control Panel Harness Assembly | |
| 70462307P | 23 | 70341801P | 21 |
| 70503101P | 17 | Control Plate and Studs Assembly | |
| 70503702P | 27 | 44099201 | 17 |
| Control Board | | 44185701 | 27 |
| 254/00070/00P | 23 | Control Plate Assembly | |
| Control Box | | 44029601 | 15 |
| 44161001 | 13 | 44038601 | 23 |
| Control Box Base | | 44041101 | 21 |
| 44065301 | 31 | 44224601 | 29 |
| Control Box Cover | | Control Trim | |
| 44065201 | 31 | 44016401 | 15, 19, 25 |
| Control Box Housing | | 44016402 | 15, 19, 25 |
| 44065101 | 31 | Cylinder and Trunnion Assembly | |
| Control Box Top | | 44054701 | 51 |
| 44065401 | 31 | 44054702 | 51 |
| Control Chassis Mounting Bracket | | 44192001 | 51 |
| 70357901 | 19 | 44192002 | 51 |
| Control Cover | | Cylinder Assembly | |
| 44013306 | 15 | H96367545 | 51 |
| 44013307* | 15, 19, 25, 29 | M409826 | 51 |
| 44013308 | 19, 25, 29 | 44191101 | 51 |
| 44013311* | 19, 25, 29 | 44191102 | 51 |
| 44013315DG | 25 | Cylinder Motor Harness | |
| 44013316DG | 25 | 44162901 | 57 |
| 44013317 | 19, 25, 29 | Cylinder Rib Assembly | |
| 44013319 | 15, 19, 25, 29 | 44191204 | 51 |
| 44040107* | 21 | | |
| 44040108 | 21 | | |
| 44040111* | 21 | | |
| 44040112 | 21 | | |
| 44111701* | 15, 23, 29 | | |
| 44111703* | 29 | | |
| 44111705W | 15 | | |
| 44111705* | 23, 29 | | |
| 44111706 | 15, 23 | | |
| 44111713LG | 19, 25, 29 | | |
| 44111714LG | 19 | | |
| 44111715LG | 19, 25, 29 | | |
| 44111716LG | 19 | | |
| 44111717 | 15, 23 | | |
| 44111719 | 23 | | |
| Control Harness | | | |
| 44100101P | 17 | | |
| 44162601 | 31 | | |
| Control Housing Cover | | | |
| 44161101 | 13 | | |
| Control Kit | | | |
| 70228401P | 15 | | |
| Control Mounting Bracket | | | |
| 44012801W | 15 | | |
| 44040201* | 21 | | |
| 44040202 | 21 | | |
| 44099501W | 15, 25, 29 | | |
| 44099501* | 17 | | |
| 44099502 | 17, 25, 29 | | |
| 44099504DG | 25 | | |
| 44099504LG | 17, 25, 29 | | |
| 44099505 | 17, 25, 29 | | |

D

| | |
|-----------------------|--------|
| Damper Assembly | |
| H96367685 | 77 |
| Damper Bracket | |
| M414801 | 77, 79 |
| Damper Counterweight | |
| M413331 | 77 |
| Damper Motor | |
| M412905P | 77 |
| M413592P | 77 |
| Damper Rod | |
| M413401 | 49 |
| Damper Shaft | |
| H96368956 | 77 |
| Damper Vane | |
| M413402 | 49 |
| Din Rail | |
| M412693 | 91, 93 |
| DIN Valve Apapter Kit | |
| F8382301 | 81 |
| Display Assembly | |
| D512218P | 17 |
| Door Assembly | |
| 44028902P | 39 |
| 44028903 | 39 |
| 44029101 | 39 |
| 44058102P | 39 |

N/A items do not appear in index.

| | |
|-------------------------------|------------|
| 44112101 | 39 |
| 44266701 | 39 |
| 44292301B | 39 |
| 44292301LG | 39 |
| 70407402 | 39 |
| Door Glass | |
| 44008401P | 41 |
| 44008402P | 41 |
| Door Glass Installation Tool | |
| M4221P4 | 41 |
| Door Handle | |
| M400133 | 41 |
| 44007901 | 41 |
| 44057702 | 41 |
| 44263801 | 41 |
| Door Hinge | |
| 44075207B | 43 |
| Door Hinge Assembly | |
| 44075201* | 43 |
| 44075202 | 43 |
| 44075207LG | 43 |
| 44075210 | 43 |
| Door Hinge Lug Assembly | |
| 44035001 | 33, 43 |
| 44035002 | 33, 43 |
| Door Latch | |
| M401223 | 33 |
| Door Ring and Handle Assembly | |
| 44112001 | 41 |
| 44326007B | 41 |
| 44326007LG | 41 |
| Door Ring Assembly | |
| 44326001 | 41 |
| 44326002 | 41 |
| 44326003B | 41 |
| 44326004B | 41 |
| 44326004HG | 41 |
| Door Ring Gasket | |
| 44008201P | 41 |
| Door Seal Kit | |
| 70211902P | 41 |
| Door Switch | |
| 44018201 | 33 |
| Door Switch Actuator Kit | |
| 70215001P | 43 |
| Door Switch Cover | |
| 44001301 | 33 |
| Door Switch Harness | |
| 44162501 | 33 |
| Door Switch Wire Channel | |
| 44001802 | 33 |
| Drive Chain | |
| H96388186 | 77 |
| Drive Rivet | |
| M400713 | 15, 17, 31 |
| Drive Wheel | |
| H96388178 | 77 |

E

| | |
|------------------------|----|
| Earth Terminal Sticker | |
| M412096 | 85 |

| | |
|--------------------------------|------------------------|
| Elbow | |
| F421107 | 69 |
| 70079601 | 69 |
| Electronic Control | |
| 44037801P | 21 |
| Emergency Stop Contact Harness | |
| 70364105P | 15, 19 |
| Emergency Stop Harness | |
| 70364106P | 15, 19, 27, 29 |
| Emergency Stop Label | |
| 44012901 | 15, 19, 27, 29 |
| Emergency Stop Pushbutton | |
| F200233500 | 15, 19, 27, 29 |
| End Stop | |
| 70121001 | 91, 93 |
| Ethernet Gateway Kit | |
| NK320 | 29 |
| Exhaust Duct Box Wrap | |
| M412391 | 49 |
| Expansion Clip | |
| 70030501 | 15, 17, 25, 27, 29, 85 |

F

| | |
|---------------------------------------|------------|
| Fan | |
| H96368469 | 61 |
| Fan Bearing Bracket | |
| M414235 | 61 |
| Fan Motor | |
| 44313501P | 63 |
| Fan Motor Harness | |
| 44242601 | 63 |
| Ferrite Core Assembly | |
| M413930P | 15, 21, 23 |
| Fill Hose Kit | |
| 38349P | 31 |
| Filter | |
| 44172101 | 77, 79 |
| Filter Channel | |
| 44045101 | 77, 79 |
| Finger Guard | |
| M412366 | 91, 93 |
| Flange Bearing | |
| 44048301P | 53 |
| Front Access Panel | |
| 44012701*P | 37 |
| 44012707*P | 37 |
| 44012708 | 37 |
| 44012709B | 37 |
| 44012709LG | 37 |
| 44012712DG | 37 |
| 44012713 | 37 |
| 44012714 | 37 |
| Front Access Panel and Door Hinge Kit | |
| M4787P3 | 37, 43 |
| Front Panel | |
| 44012502P | 35 |
| 44012503LG | 35 |
| 44012504 | 35 |
| 44012505W | 35 |
| 44012506DG | 35 |
| 44012508 | 35 |
| 44078103 | 35 |

N/A items do not appear in index.

| | |
|--|----|
| Front Panel Assembly 44078101WP | 35 |
| Fuse | |
| 44310001 | 87 |
| 44310002 | 87 |
| 70406501 | 87 |
| 70406601 | 87 |
| 70406701 | 87 |
| Fuse Bracket | |
| 70306901 | 87 |
| 70313602 | 87 |
| Fuse Cover | |
| 70313301 | 85 |
| Fuse Holder | |
| 44155601P | 87 |
| Fuse Holder Body | |
| 70329401P | 87 |
| Fuse Holder Cap | |
| 70329501 | 87 |
| Fuse Label | |
| 44338801 | 85 |
| 44341301 | 87 |
| 70337201 | 85 |
| 70337301 | 85 |
| 70337401 | 85 |

G

| | |
|---|--------|
| Gas Disconnect Harness 70342101 | 89 |
| Gas Stove Assembly | |
| 44198701 | 67, 69 |
| 44243901 | 71 |
| Gas Valve | |
| M413470P | 67, 71 |
| 44166701 | 67, 71 |
| 44166702 | 67, 71 |
| 44178301P | 69 |
| 44178302P | 69 |
| 44227201 | 71 |
| 44227202 | 71 |
| Gas Valve Bracket | |
| M411259 | 67 |
| 44117501 | 69 |
| 44245701 | 71 |
| Gas Valve Harness | |
| 44199101 | 69 |
| 70184001 | 71 |
| Gas Valve Harness Assembly M413650 | 71 |
| Gas Valve Kit M4883P3 | 67, 71 |
| Graphic Overlay 44240501 | 23 |
| Ground Decal F230739 | 85 |
| Ground Lug Connector M411283 | 85 |
| Guard Extension 44222501 | 49 |

H

| | |
|---|------------|
| Hairpin Cotter 44091601 | 77 |
| Handle M412208 | 91, 93 |
| Handle and Caps Assembly | |
| 44049903 | 45 |
| 44049904 | 45 |
| Handle Bar 70399501B | 41 |
| Handle Bumper | |
| 70407204 | 45 |
| 70407212 | 45 |
| Harness Assembly M412997 | 67, 71, 77 |
| Harness Strap 55881 | 33 |
| High Temperature Ignition Lead 44061602P | 67, 69 |
| High Voltage Suppression Cable 44239703 | 67, 69, 71 |
| Hinge Cam Kit | |
| M4772P3 | 43 |
| M4773P3 | 43 |
| Hole Plug F8223801 | 85 |
| Hose 44073303 | 31 |
| Hose Clamp | |
| 20391 | 71 |
| 36801 | 31 |
| Hose Fitting 44069101 | 31 |

I

| | |
|---|--------|
| Idler Housing M412612 | 61 |
| Idler Housing Assembly M412630 | 61 |
| Idler Shaft M414241 | 61 |
| Igniter Cover 70159601 | 71 |
| Ignition Control | |
| 70458601P | 71 |
| 70483201P | 71 |
| Ignition Control Harness | |
| 44136601P | 89 |
| 44186701 | 89 |
| 44186901 | 89 |
| 44251201 | 89 |
| 44251601 | 89 |
| 44251701 | 89 |
| Ignition Control Kit | |
| 44264601 | 91 |
| 44264701 | 71, 91 |
| 44264801 | 91 |
| 44264901 | 91 |
| Insulation M411593 | 49 |

N/A items do not appear in index.

| | |
|---------------------------------------|--------|
| Interlock Contactor F330186P | 91, 93 |
|---------------------------------------|--------|

J

| | |
|--|------------|
| Jackshaft Assembly H96357751 | 55 |
| Jumper Calibration Wire 70084305 | 15 |
| 70324604 | 17, 27, 29 |
| Jumper Configuration Assembly M413507 | 89 |
| M413510 | 89 |
| Jumper Harness Assembly M413506 | 89 |
| M413508 | 89 |
| Junction Box Harness 44136701P | 89 |

K

| | |
|-----------------------------|----|
| Key H8752006H | 57 |
| M400993 | 61 |
| M401327 | 61 |
| 70155601 | 31 |
| Kickplate 70117611 | 45 |
| 70117612 | 45 |

L

| | |
|---|----|
| Label 44190901 | 33 |
| 70414001 | 37 |
| 70537001 | 33 |
| 70537101 | 33 |
| Light 801432 | 31 |
| Limit Thermostat M411403 | 61 |
| M411946 | 61 |
| Lint Panel 44012301*P | 45 |
| 44012302P | 45 |
| 44012303LG | 45 |
| 44012304 | 45 |
| 44012304DG | 45 |
| 44012305 | 45 |
| 44012306 | 45 |
| 44012307 | 45 |
| Lint Panel Clip 44017801 | 45 |
| Lint Panel Switch Bracket 44013401 | 47 |
| Lint Panel Switch Cover 44026801 | 47 |
| Lint Screen 44063603P | 49 |
| 44077703P | 49 |
| Loading Spring M400401 | 61 |

| | |
|--|--------|
| Lock, Key and Nut Kit 44089301P | 31 |
| L.P. Conversion Kit M4592P3 | 67, 71 |
| 44240402P | 71 |
| L.P. Gas Conversion Kit M4974P3 | 67, 71 |
| L.P. Valve Conversion Kit 44240401P | 71 |

M

| | |
|--|------------|
| Main Harness 44162401 | 13 |
| 44243701 | 13 |
| 44251301 | 13 |
| Male Tab Terminal 00177 | 21, 23, 85 |
| Manifold 44079601 | 31 |
| 44079602 | 31 |
| Manifold End Bracket 44173801 | 67, 69, 71 |
| Manual Reset Thermostat M413989 | 67, 69, 71 |
| Master Link H96382072P | 77 |
| Membrane Switch M414368P | 15 |
| 44037901P | 21 |
| Mixing Valve 36958P | 31 |
| Mixing Valve Shield Bracket 44065701 | 31 |
| Moisture Sensing Harness Kit 44344703 | 59 |
| Moisture Sensor Harness Assembly 44209201 | 59 |
| Moisture Sensor Test Wires 70468901 | 59 |
| Motor 44046601P | 63 |
| 44052901P | 57 |
| 44053001P | 57 |
| 44157601 | 57 |
| 44313601 | 63 |
| Motor Base M413171 | 57, 63 |
| Motor Bracket H96388145 | 77 |
| Motor Contactor Harness 44136401 | 89 |
| 44137001P | 89 |
| 44139901P | 89 |
| 44142601P | 89 |
| Mount Bracket M414276 | 85 |
| Mounting Switch Base M412187P | 91, 93 |

N/A items do not appear in index.

N

| | |
|------------------------------------|--------------------------------|
| Nameplate | |
| B12389801 | 37 |
| F8443102 | 37 |
| 44010401 | 37 |
| 44010601 | 37 |
| 44035801 | 37 |
| 44046801 | 37 |
| 70243901 | 37 |
| 70348501 | 37 |
| 70509601 | 37 |
| 70522001 | 37 |
| Nameplate Overlay | |
| 44104501 | 37 |
| 44130501 | 37 |
| 44144401 | 41 |
| 44235401 | 37 |
| 70128901 | 37 |
| 70410201 | 37 |
| 70411401 | 41 |
| Network Capacitor Assembly | |
| M413863 | 89 |
| Network Capacitor Harness Assembly | |
| 44143401P | 89 |
| Network Controller Kit | |
| NK220 | 29 |
| Network Retrofit Kit | |
| NK209 | 29 |
| Nipple | |
| H85101608 | 69 |
| H85101673 | 67, 69 |
| M403934 | 69 |
| Nut | |
| F430232 | 85 |
| H88412101 | 51, 53, 55, 57, 63 |
| M400035 | 59 |
| M400977 | 15, 19, 25, 37 |
| M412334 | 51 |
| M412986 | 57 |
| M414215 | 41 |
| 02788 | 33 |
| 20274 | 53, 55, 63 |
| 23951 | 43, 49, 77, 79 |
| 24205 | 17 |
| 29786 | 33, 63, 77, 79 |
| 29787 | 17, 21, 23 |
| 44071201 | 41 |
| 44087101 | 45 |
| 70030401 | 33, 37 |
| 70054 | 15, 17, 21, 23, 25, 29, 45, 49 |
| 70142 | 57, 63, 77 |

O

| | |
|--------------------|--------|
| Output Bracket | |
| 44223101 | 25 |
| 44223201 | 29 |
| 44223401 | 29 |
| Output Harness | |
| 44186101 | 25, 29 |
| Overlay | |
| 259/00005/00 | 23 |
| 44130001 | 15 |

| | |
|----------------|----|
| 70128401 | 15 |
| 70128601 | 15 |
| 70130501 | 15 |
| 70130701 | 15 |
| 70135301 | 15 |
| 70362202 | 17 |
| 70362402 | 17 |
| 70362502 | 17 |
| 70432201 | 29 |
| 70445002 | 25 |
| 70445004 | 25 |
| 70462401 | 25 |
| 70462701 | 25 |
| 70462901 | 25 |
| 70472201 | 25 |
| 70472401 | 25 |
| 70493701 | 25 |
| 70494002 | 17 |
| 70499001 | 29 |
| 70504702 | 17 |
| 70504901 | 25 |
| 70508601 | 25 |
| 70526001 | 25 |

P

| | |
|--------------------------|------------|
| Panel Locator | |
| 56079 | 17 |
| Pipe Bracket | |
| M411498 | 67, 69 |
| 44175801 | 85 |
| 44249301 | 71 |
| Pipe Cap | |
| 44087801 | 67, 69, 71 |
| 44165901 | 67, 69 |
| Pipe Elbow | |
| 44249401 | 71 |
| Pipe Keeper Bracket | |
| 44117901 | 69 |
| Pipe Nipple | |
| M411417 | 67 |
| M413023 | 67, 69 |
| 44249501 | 71 |
| 44252301 | 71 |
| 44252401 | 71 |
| 70435601 | 69 |
| 901403 | 69 |
| Pipe Union | |
| M411419 | 67, 69, 71 |
| Plug | |
| M400985 | 85 |
| Pop Rivet | |
| 430725 | 27, 29, 47 |
| 44166601 | 33 |
| 70058501 | 43, 85 |
| 70058502 | 85 |
| 70126301 | 41, 45 |
| 70126401 | 45 |
| Porcelain Touch-Up Paint | |
| 122P4P | 33 |
| 370P4P | 33 |
| Power Harness | |
| 44136201P | 89 |
| 44136301P | 89 |
| 44139801P | 89 |

N/A items do not appear in index.

| | |
|----------------------|----|
| Pushbutton Switch | |
| M413431 | 91 |
| Push-to-Start Switch | |
| 801434W | 31 |

R

| | |
|-------------------------------------|----------------|
| RC Filter Kit | |
| M4457P3 | 15 |
| Reducing Tee | |
| M413020 | 67, 69 |
| 44117401 | 69 |
| Relay | |
| M412534 | 15, 21, 23, 93 |
| Relay/Buzzer Bracket | |
| 44041701 | 15, 21, 23 |
| Retaining Ring | |
| H88602263 | 55 |
| H88603477 | 55 |
| Reversing Contactor Harness | |
| 44139601P | 89 |
| Reversing Contactor Jumper | |
| 44139501 | 89 |
| Reversing Contactor Jumper Assembly | |
| 44136801 | 89 |
| 44136901 | 89 |
| Reversing Contactor Jumper Wire | |
| 44157401 | 89 |
| Rib Wire | |
| 44208101 | 59 |
| Rocker Switch | |
| 44099601 | 17 |
| 70455101 | 17 |
| 70461301 | 17 |
| Rod End | |
| 44048501 | 55, 57, 63 |
| Roll Pin | |
| H88970256 | 77 |
| Roller Catch | |
| H87020202 | 45, 49 |
| Roller Catch Mounting Bracket | |
| 44014001 | 45 |
| Rotation Sensor | |
| F8066201 | 83 |
| Rotation Sensor Bracket | |
| 44111101 | 83 |
| Rotation Sensor Harness | |
| 44201701 | 83 |
| Rotation Sensor Kit | |
| 7010P | 21, 23, 83 |

S

| | |
|-----------------|----------------|
| Screw | |
| D501086 | 23, 45, 77, 79 |
| D501524 | 25, 27, 29 |
| F430909 | 85 |
| F8206901 | 85 |
| H88010038 | 63 |
| H88010574 | 77 |
| H88012034 | 53 |
| H88213996 | 53 |

| | |
|------------------------------|--|
| M400043 | 61 |
| M400044 | 43, 49 |
| M400056 | 57, 63 |
| M400063 | 55, 57 |
| M400661 | 41 |
| M402574 | 33 |
| M405188 | 77 |
| M411072 | 49, 91, 93 |
| M411165 | 53 |
| 02422 | 77, 79 |
| 22688 | 55, 63 |
| 38272 | 71, 91 |
| 430497 | 15, 17, 31, 47, 49, 65, 67, 69, 71, 79, 91, 93 |
| 430757 | 45 |
| 431287 | 33 |
| 44023301 | 33 |
| 44161501 | 63 |
| 44338901 | 59 |
| 51780 | 31, 71 |
| 51782 | 67, 69, 71 |
| 51783 | 71, 91, 93 |
| 61199 | 41, 45, 49, 77 |
| 70033504 | 33, 43 |
| 70182601 | 33, 37 |
| 70187202 | 61 |
| 70409801 | 43 |
| 70442101 | 43 |
| 800930 | 15, 17, 19, 25, 27, 29 |
| 801019 | 77, 79 |
| Security Cover Kit | |
| M4795P3W | 15, 17, 19 |
| Sensor Harness Assembly | |
| 44166801 | 31 |
| Shaft Collar | |
| M414451 | 77 |
| Sheave | |
| H8752026H | 55, 57 |
| H87520334 | 55, 57 |
| H8752060H | 61, 63 |
| H8752065H | 61, 63 |
| H8752251H | 55 |
| Sleeve | |
| 44050601 | 23 |
| Slip Ring Assembly | |
| 44222702 | 59 |
| Snap Bushing | |
| M400770 | 33 |
| M402542 | 69 |
| M405340 | 85 |
| 44071501 | 71 |
| 70178701 | 31, 67, 85 |
| Solenoid Valve DIN Connector | |
| 70370301P | 81 |
| Spacer | |
| M401402 | 51, 53 |
| 431264 | 27, 29 |
| Spark Electrode | |
| 44328701P | 67, 69, 71 |
| Spray Paint | |
| 298P4P | 33 |
| 381P4 | 33 |
| 382P4 | 33 |
| Spring Pin | |
| H88900683 | 77 |
| Spud Holder | |
| M411736 | 67, 69 |

N/A items do not appear in index.

| | |
|--|------------|
| Spud Holder Weldment 44390002 | 71 |
| Steam Coil M409833P | 77, 79 |
| M409834P | 77, 79 |
| Steam Coil Housing Cover 44018501 | 77 |
| Steam Coil Housing End 44115001 | 79 |
| Steam Coil Support M412201 | 77, 79 |
| Steam Configuration Harness 44142801 | 89 |
| Steam Cover 44114601 | 79 |
| 44115201 | 77 |
| Steam Damper Actuator 44096501 | 77 |
| Steam Filter Top Hinge Assembly 44088101 | 77, 79 |
| Steam Heater Assembly M414485 | 77 |
| M414490P | 77 |
| 44114801 | 79 |
| Steam Kit M4984P3 | 93 |
| Steam Relay Harness 44201201 | 89 |
| 44243401 | 89 |
| 44243501 | 89 |
| Steam Solenoid 70351011P | 81 |
| 70351012 | 81 |
| Steam Stove Limit Bypass Harness 70389901 | 89 |
| Steam Valve F8322902 | 81 |
| F8322903 | 81 |
| Steam Valve Interface Harness 44243601 | 77, 79, 89 |
| Steam Valve Rebuild Kit 70351021P | 81 |
| Step Pulley and Bearing Kit M4696P3 | 55 |
| Stove Gasket M411505 | 67, 69 |
| Stove Limit Harness Bracket 431078 | 67, 69, 71 |
| Stove Limit Thermostat M411404 | 67, 71 |
| 431177 | 67, 71 |
| Stove Partition Gasket M411506 | 67 |
| Switch 70411901 | 65 |
| Switch Assembly 70413401 | 47 |
| Switch Bracket 70356301 | 65 |
| Switch Plate M413236 | 17 |

T

| | |
|---|------------|
| Temperature Knob 44104601 | 17 |
| Temperature Selector Switch D511711 | 17 |
| Temperature Selector Switch Bracket 70391701 | 17 |
| Temperature Sensor Assembly B12308601 | 49 |
| Terminal Block 430642 | 91, 93 |
| Thermistor M414704 | 49 |
| 44064701 | 31 |
| Thermistor Bracket Assembly 44051301 | 49 |
| Thermostat H8900530H | 61 |
| M413988 | 67, 69, 71 |
| Thermostat Cover M414477 | 67, 69, 71 |
| Top Access Panel Gusset 44028301DG | 37 |
| 44028301LG | 37 |
| 44028301* | 37 |
| 44028302LG | 37 |
| 44028302* | 37 |
| Transformer M414228P | 91, 93 |
| M414229P | 91, 93 |
| M414230P | 91, 93 |
| M414312P | 91, 93 |
| 44074401 | 91, 93 |
| Trunnion Assembly 44240801 | 51 |
| 44240802 | 51 |

U

| | |
|--------------------------------------|--------|
| Union H86000031 | 69 |
| USB Gateway Kit NK330 | 29 |
| USB IR Interface Kit 203346 | 25, 29 |

V

| | |
|--|----|
| Valve F8322901P | 81 |
| F8322906P | 81 |
| Valve Coil F8514801 | 81 |
| Valve Kit F8521701 | 81 |
| Valve Rebuild Kit F8379502 | 81 |
| Valve Replacement Kit M4904P3 | 73 |
| M4905P3 | 73 |

N/A items do not appear in index.

| | |
|--------------|----|
| M4908P3..... | 73 |
| M4909P3..... | 73 |

W

| | |
|----------------------|--------------------|
| Washer | |
| M400013 | 57, 63, 77 |
| M400014 | 55, 57, 61, 63 |
| M400015 | 53, 55, 57 |
| M400080 | 57, 61, 63 |
| M400081 | 55 |
| M405535 | 45 |
| 03815 | 15, 17, 19, 25, 29 |
| 44238902 | 59 |
| 70261401 | 51, 53, 55, 57, 63 |
| 70409301 | 41 |
| 800465 | 33, 77 |
| Water Hose | |
| F200116 | 31 |
| Wire Label | |
| 70218701 | 85 |
| 70218801 | 85 |
| 70219001 | 85 |
| Wireless Network Kit | |
| NK309 | 29 |
