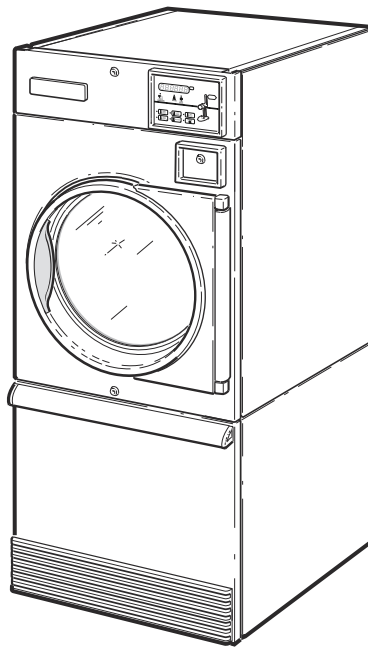


Tumble Dryers

25 Pound Capacity

18 Digit Model Numbers with 3 in 13th Position

Refer to Page 5 for Model Numbers



TMB1283C_70591201

Table of Contents

Title	Page
Parts Ordering Information.....	3
Serial Plate Location	3
Model Identification	5
Product Overview - Heat Source and Voltage	6
Product Overview - FN Control Suffix	8
Product Overview - DN and NN Control Suffixes.....	10
Product Overview - B, N and W Control Suffixes.....	12
Dual Digital Control	14
Electronic Display Control - Vend Models with B in the 7th Position	16
Electronic Display Control - Vend Models with N or W in the 7th Position.....	18
Electronic Display Control Overlays - Vend Models with N or W in the 7th Position	20
Electronic Display Control - OPL Models with N in the 7th Position	22
3.5 Inch Graphical Control	24
Coin Drops	26
Coin Drop Kits.....	28
Network Board, Central Pay and Card Reader Components.....	30
Door Assemblies.....	32
Door Components.....	34
Hinge Components	36
False Fronts	38
Control Panels	40
Front Panel Assemblies	42
Cabinet Front Components.....	44
Emergency Stop Button	46
Lower Cabinet Components	48
Lower Cabinet Components - S Models with Hinged Lint Door	50
Cylinder and Trunion Assembly	52
Moisture Sensing Components	54
Cylinder Components	56
Cabinet Components	58
Fire Suppression System Components	60
Fire Suppression System Control Box.....	62
Motor Components	64
Blower and Exhaust Components.....	66
Airflow Switch.....	68
Gas Heater Components	70
Burner Orifices	72
Electric Heater Components	74
Steam Heater Components	76
Control Tray	78
Accessory Box - Electric 200-240 Volt Models	80

© Copyright 2023, Alliance Laundry Systems LLC

All rights reserved. No part of the contents of this book may be reproduced or transmitted in any form or by any means without the expressed written consent of the publisher.

Accessory Box - Electric 380-480 Volt Models	82
Harnesses	84
Labels	85
Parts Index	87

Parts Ordering Information

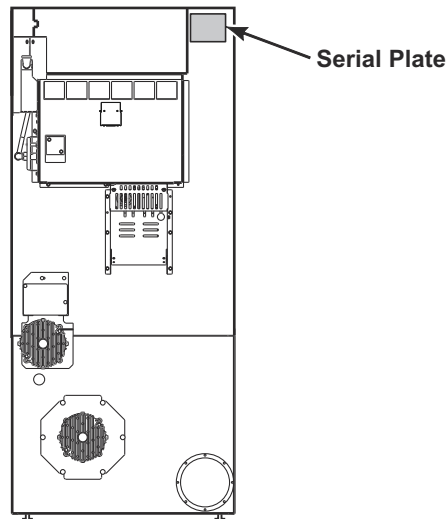
If literature or replacement parts are required, contact the source from whom the machine was purchased or contact Alliance Laundry Systems at (920) 748-3950 for the name and address of the nearest authorized parts distributor.

For technical assistance, call the number listed below:

(920) 748-3121 Ripon, Wisconsin

Serial Plate Location

When calling or writing about your product, be sure to mention model and serial numbers. Model and serial numbers are located on serial plate(s) as shown.



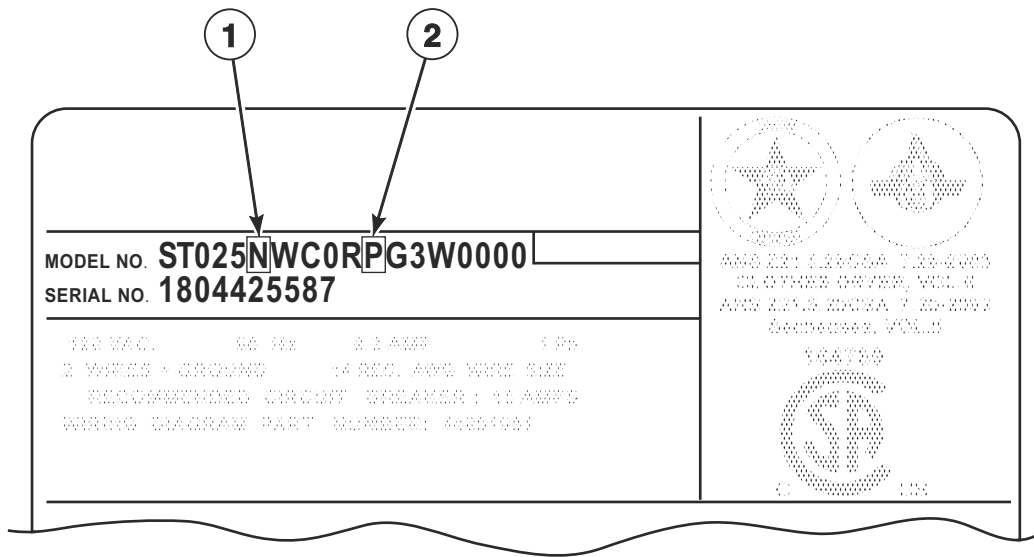
TMB3500P_70591201

Model Identification

Information in this manual is applicable to these tumbler models:

BA025E	HA025E	PA025E	SA025E	UA025E
BA025F	HA025F	PA025L	SA025F	UA025F
BA025L	HA025L	PA025N	SA025L	UA025L
BA025N	HA025N	PA025S	SA025N	UA025N
BA025R	HA025R	PG025E	SA025R	UA025R
BA025S	HA025S	PG025L	SA025S	UA025S
BG025D	HG025D	PG025N	SG025D	UG025D
BG025E	HG025E	PG025S	SG025E	UG025E
BG025F	HG025F	PH025E	SG025F	UG025F
BG025L	HG025L	PH025L	SG025L	UG025L
BG025N	HG025N	PH025N	SG025N	UG025N
BG025R	HG025R	PH025S	SG025R	UG025R
BG025S	HG025S	PJ025E	SG025S	UG025S
BH025E	HH025E	PJ025L	SH025E	UH025E
BH025F	HH025F	PJ025N	SH025F	UH025F
BH025L	HH025L	PJ025S	SH025L	UH025L
BH025N	HH025N	PK025E	SH025N	UH025N
BH025R	HH025R	PK025L	SH025R	UH025R
BH025S	HH025S	PK025N	SH025S	UH025S
BJ025D	HJ025D	PL025E	SJ025D	UJ025D
BJ025E	HJ025E	PL025L	SJ025E	UJ025E
BJ025F	HJ025F	PR025E	SJ025F	UJ025F
BJ025L	HJ025L	PR025S	SJ025L	UJ025L
BJ025N	HJ025N	PT025E	SJ025N	UJ025N
BJ025R	HJ025R	PT025L	SJ025R	UJ025R
BJ025S	HJ025S	PT025N	SJ025S	UJ025S
BK025E	HK025E	PT025S	SK025E	UK025E
BK025F	HK025F	PU025E	SK025F	UK025F
BK025L	HK025L	PU025L	SK025L	UK025L
BK025N	HK025N	PU025N	SK025N	UK025N
BK025R	HK025R	PU025S	SK025R	UK025R
BL025E	HL025E		SL025E	UL025E
BL025L	HL025L		SL025L	UL025L
BR025E	HR025E		SR025E	UR025E
BR025S	HR025S		SR025S	UR025S
BU025E	HT025E		ST025E	UT025E
BU025F	HT025F		ST025F	UT025F
BU025L	HT025L		ST025L	UT025L
BU025N	HT025N		ST025N	UT025N
BU025R	HT025R		ST025R	UT025R
BU025S	HT025S		ST025S	UT025S
	HU025E		SU025E	UU025E
	HU025F		SU025F	UU025F
	HU025L		SU025L	UU025L
	HU025N		SU025N	UU025N
	HU025R		SU025R	UU025R
	HU025S		SU025S	UU025S

Product Overview - Heat Source and Voltage



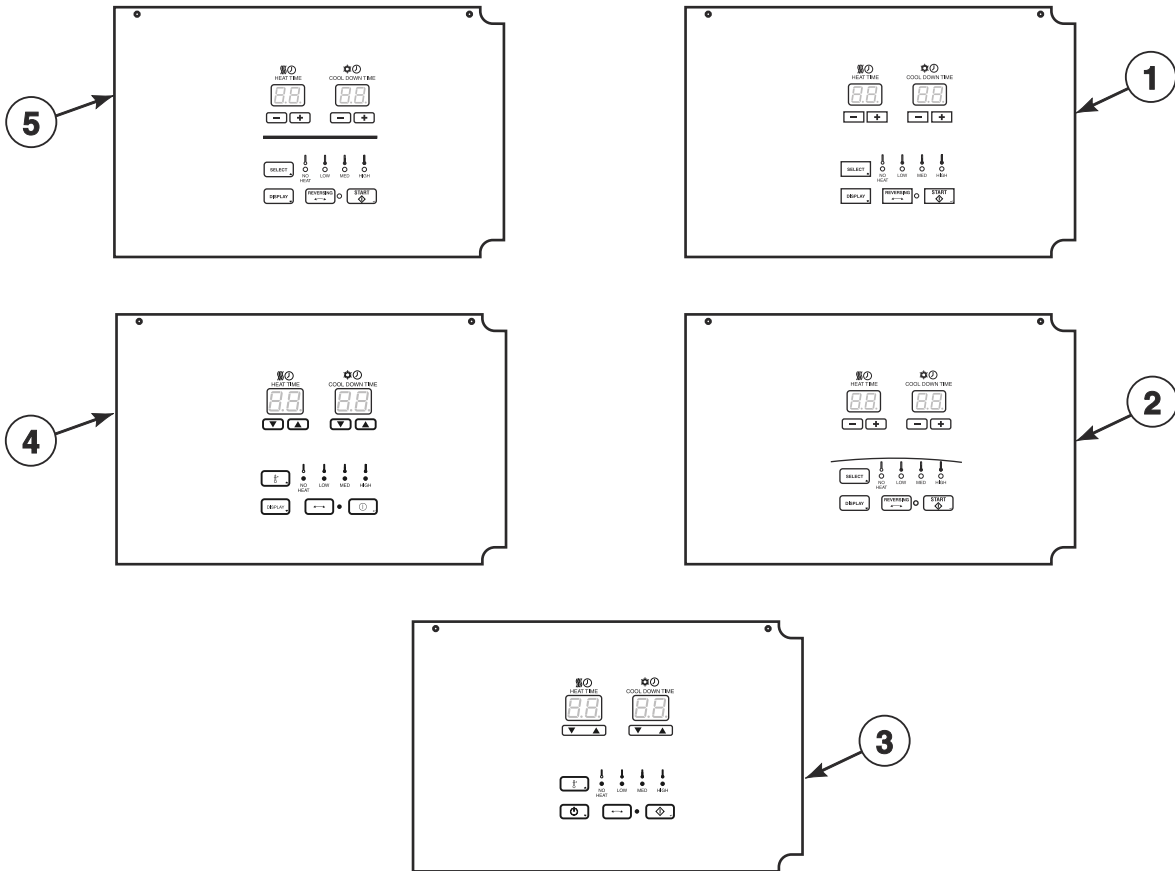
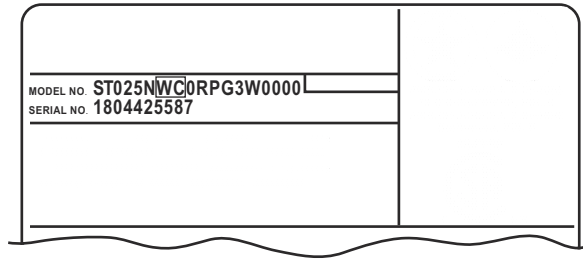
TMB3501P_70591201

Product Overview - Heat Source and Voltage

REF	PART NO.	DESCRIPTION	COMMENTS
1	-	Heat Source	D: Liquid Petroleum Gas (L.P) E: Electric F: Reduced Electric (Eco Line) L: Liquid Petroleum Gas (L.P.) N: Natural Gas (N.G.) R: Reduced Gas, Natural Gas (Eco Line) S: Steam
2	-	Voltage	B: 100-120 Volt/50-60 Hertz/1 Phase; Gas and steam models D: 200-208 Volt/50-60 Hertz/1 Phase; Electric models E: 230-240 Volt/50-60 Hertz/1 Phase; Electric models F: 200-208 Volt/50-60 Hertz/3 Phase; Electric models G: 230-240 Volt/50-60 Hertz/3 Phase; Electric models H: 380 Volt/50-60 Hertz/3 Phase; Electric models J: 400-415 Volt/50-60 Hertz/3 Phase; Electric models K: 440 Volt/50-60 Hertz/3 Phase; Electric models L: 460-480 Volt/50-60 Hertz/3 Phase; Electric models N: 440-480 Volt/50-60 Hertz/3 Phase; Gas and steam models P: 380-415 Volt/50-60 Hertz/3 Phase; Gas and steam models X: 200-240 Volt/50-60 Hertz/1-3 Phase; Gas and steam models

Product Overview - FN Control Suffix

OPL



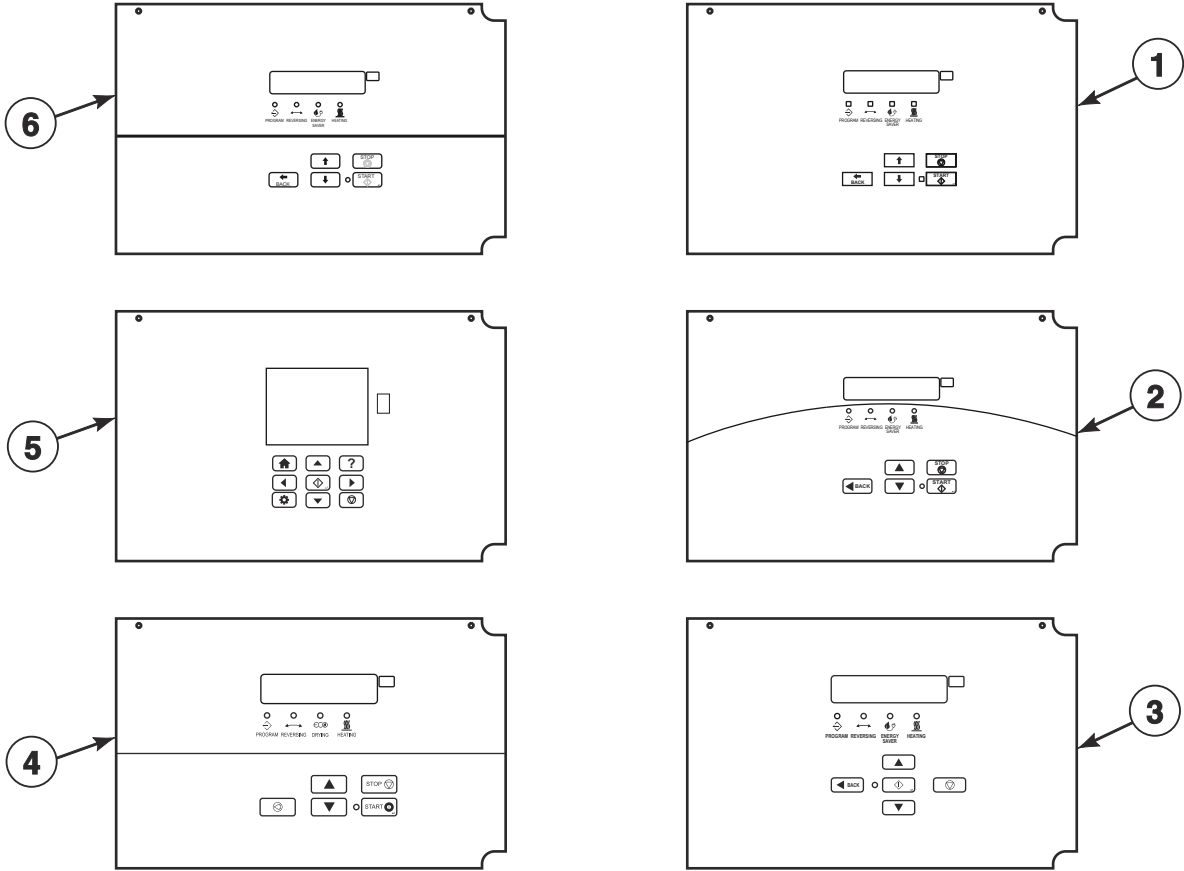
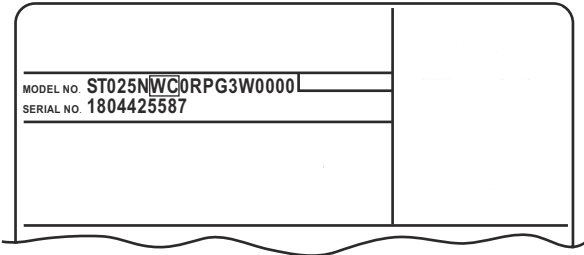
TMB3643P_70591201

Product Overview - FN Control Suffix

REF	PART NO.	DESCRIPTION	COMMENTS
1	-	Dual Digital Control	H models
2	-	Dual Digital Control	U models
3	-	Dual Digital Control	B models
4	-	Dual Digital Control	P models
5	-	Dual Digital Control	S models

Product Overview - DN and NN Control Suffixes

OPL



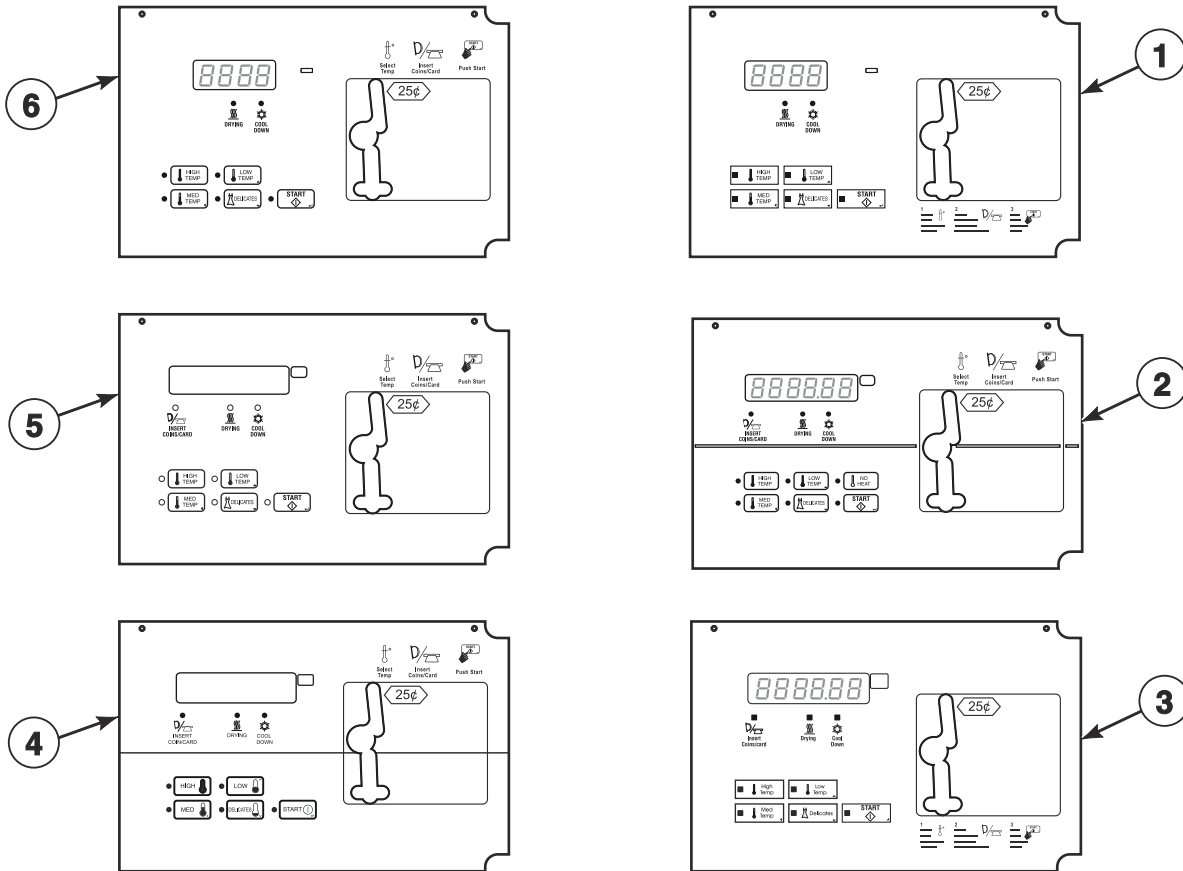
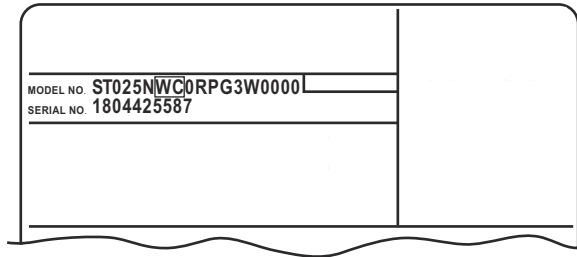
TMB3644P_70591201

Product Overview - DN and NN Control Suffixes

REF	PART NO.	DESCRIPTION	COMMENTS
1	-	Galaxy Control	H models
2	-	M-Series Control	U models
3	-	OPTimum Control	B models
4	-	OPL Micro Control	P models
5	-	UniLinc Control	U models
6	-	Quantum Gold Control	S models

Product Overview - B, N and W Control Suffixes

7th Position of the Model Number; Vend



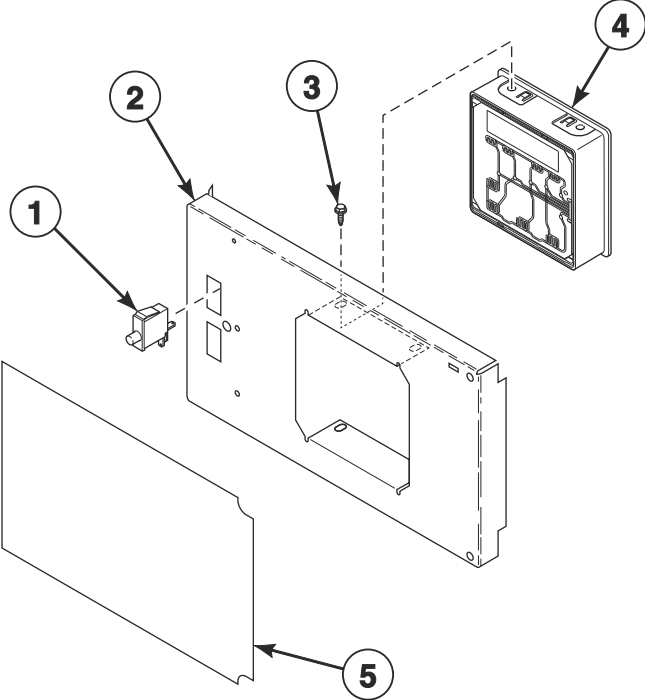
TMB3645P_70591201

Product Overview - B, N and W Control Suffixes

REF	PART NO.	DESCRIPTION	COMMENTS
1	-	Basic Electronic Control	H models
2	-	Quantum Gold Control	S models
3	-	Galaxy 600	H models
4	-	XQ Control	P models
5	-	EVO7S Control	B models
6	-	MDC II Control	S models

Dual Digital Control

Models with F in the 7th Position



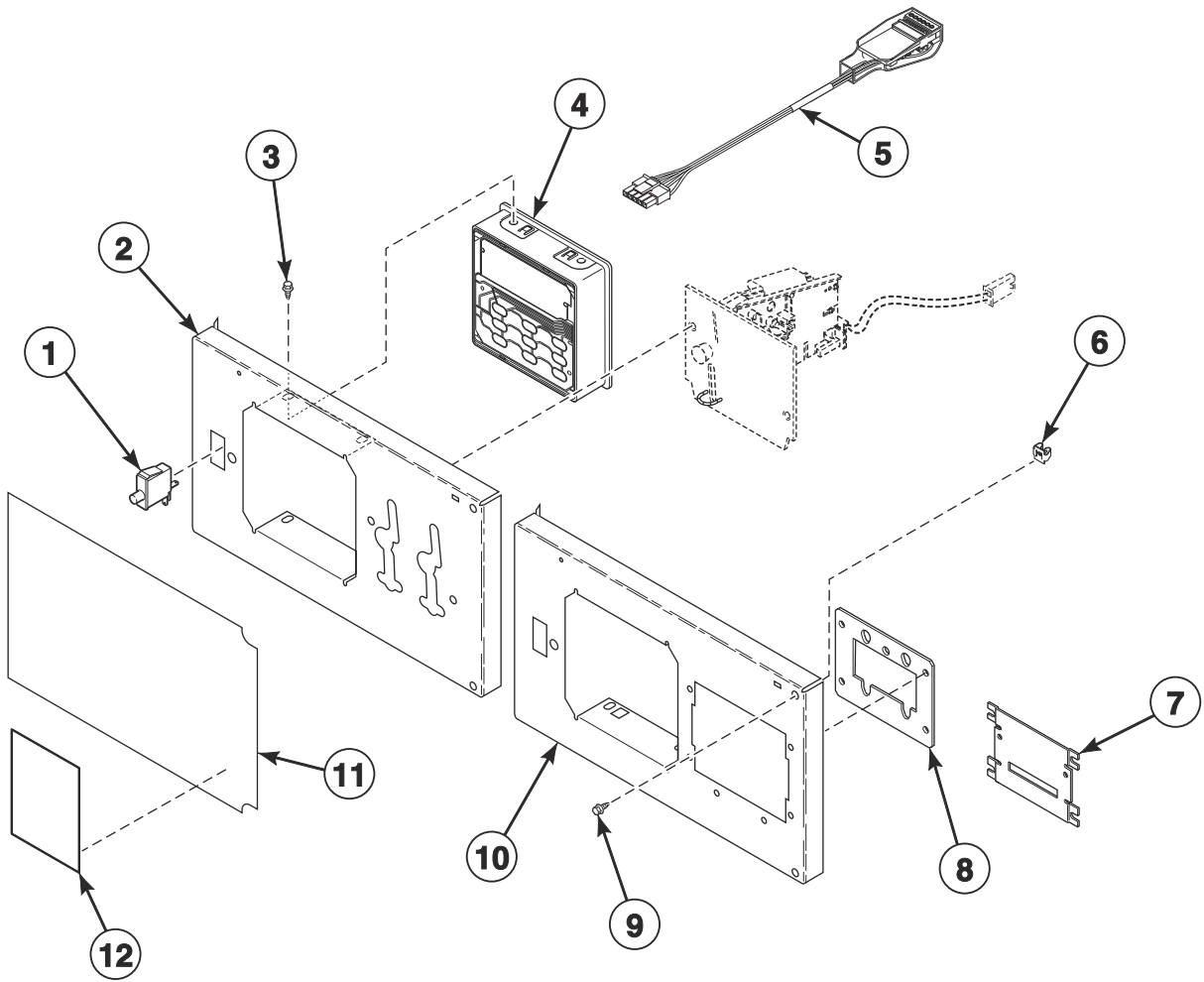
TMB3505P_70591201

Dual Digital Control

REF	PART NO.	DESCRIPTION	COMMENTS
	44334004	Vend Activation Harness	
1	70413301	Pushbutton Switch	
2	70497101	Control Plate	
3	804608	Screw	4 required
4	70523101	Control Assembly	P models; Blue
	70479801	Control Assembly	H, S and U models; Green
	70479901	Control Assembly	B models; Red
5	70539102	Overlay	B models; Nonreversing
	70539101	Overlay	B models; Reversing
	70517802	Overlay	H models; Nonreversing
	70517801	Overlay	H models; Reversing
	70545502	Overlay	P models; Nonreversing
	70545501	Overlay	P models; Reversing
	70516802	Overlay	S models; Nonreversing
	70516801	Overlay	S models; Reversing
	70519002	Overlay	U models; Nonreversing
	70519001	Overlay	U models; Reversing

Electronic Display Control - Vend Models with B in the 7th Position

H and S Models



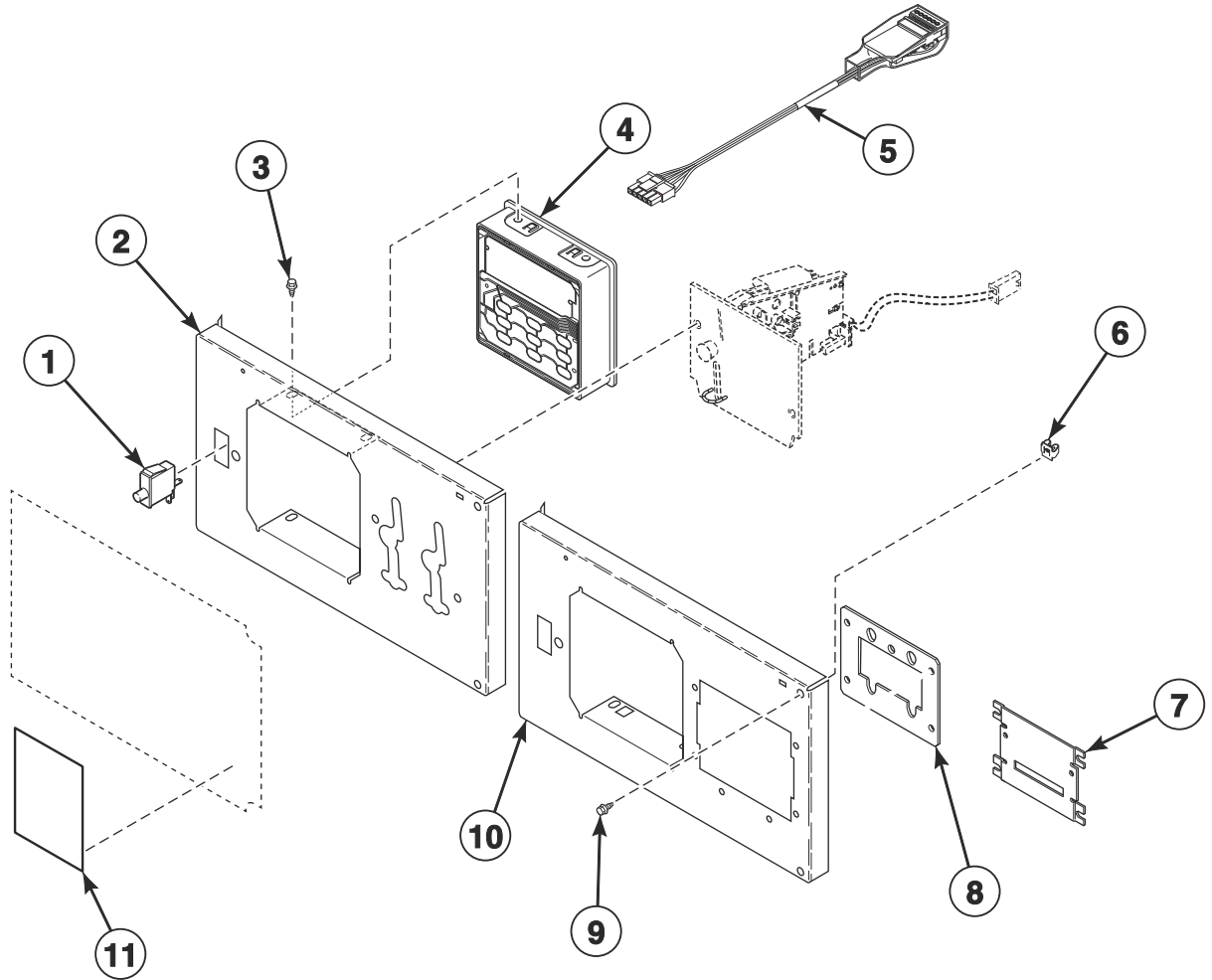
TMB3678P_70591201

Electronic Display Control - Vend Models with B in the 7th Position

REF	PART NO.	DESCRIPTION	COMMENTS
	44334004	Vend Activation Harness	
	44342801	Central Pay Harness	Models through November 2018
1	70413301	Pushbutton Switch	
2	70496601	Control Plate and Studs Assembly	Coin and central pay
3	804608	Screw	4 required
4	70478801P	Control Assembly	
5	203361P	Machine ID Control Assembly	Model or serial number is required when ordering
6	70030501	Expansion Clip	2 required
7	44089501	Slot Card Plate Assembly	Included in literature packet
8	70208801	Mounting Plate	
9	M411072	Screw	2 required
10	70497201	Control Plate Assembly	Card and card ready
11	70544701	Overlay	S models; Single drop
	70544702	Overlay	S models; Dual drop
	70544703	Overlay	S models; Card ready
	70570301	Overlay	H models; Single drop
	70570302	Overlay	H models; Dual drop
	70570303	Overlay	H models; Card ready
12	F8205101	Overlay	Black; Single drop; Left
	70557001	Overlay	S models; Prep for card
	70557002	Overlay	S models; Central pay
	70556501	Overlay	H models; Prep for card
	70556502	Overlay	H models; Central pay
	70518101	Overlay	H models; Citron; Prep for card
	70518102	Overlay	H models; Citron; Central pay

Electronic Display Control - Vend Models with N or W in the 7th Position

B, H, P and S Models



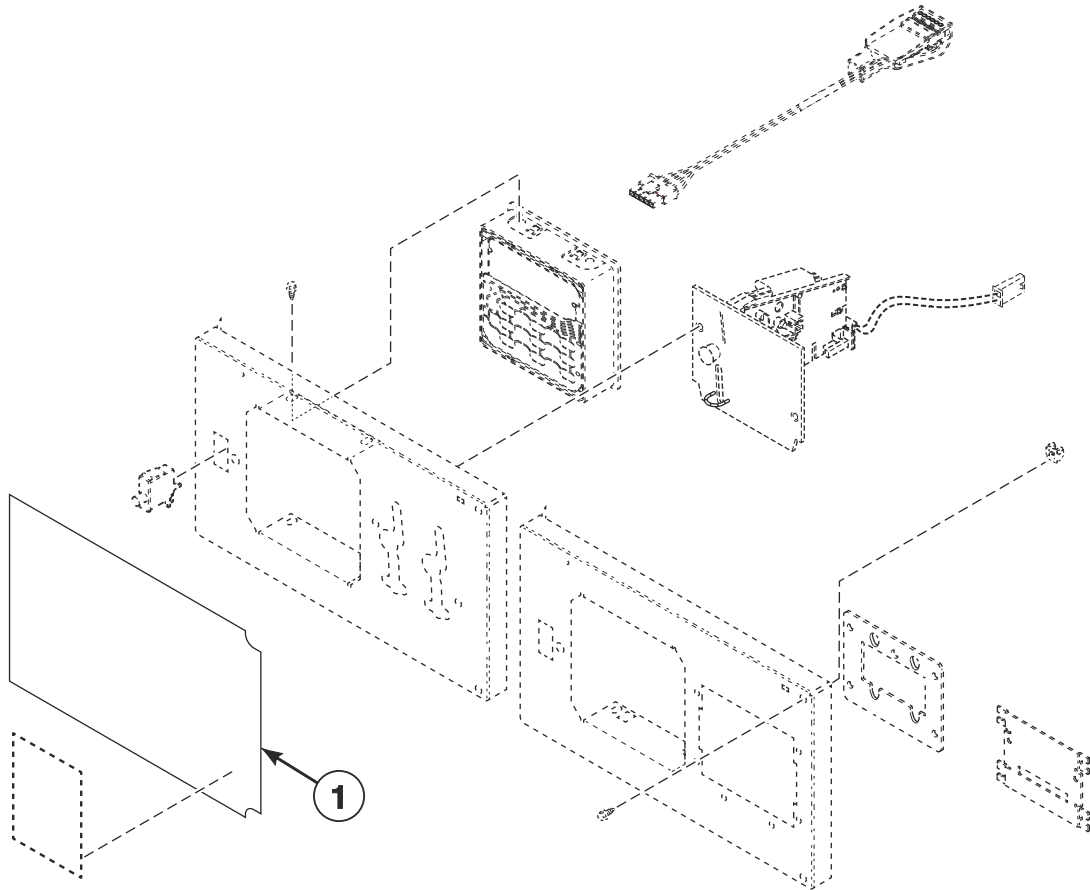
TMB3679P_70591201

Electronic Display Control - Vend Models with N or W in the 7th Position

REF	PART NO.	DESCRIPTION	COMMENTS
	44334004	Vend Activation Harness	
1	70413301	Pushbutton Switch	
2	70496601	Control Plate and Studs Assembly	Coin and central pay
3	804608	Screw	4 required
4	70523001	Control Assembly	P models; Blue
	70478801P	Control Assembly	H and S models; Green
	70478901	Control Assembly	B models; Red
5	203361P	Machine ID Control Assembly	Model or serial number is required when ordering
6	70030501	Expansion Clip	
7	44089501	Slot Card Plate Assembly	
8	70208801	Mounting Plate	
9	M411072	Screw	
10	70497201	Control Plate Assembly	Card and card ready
11	F8205101	Overlay	S models; Single drop; Left
	70557001	Overlay	B and S models; Prep for card
	70557002	Overlay	B and S models; Central pay
	70295101	Overlay	S models; World drop
	70556801	Overlay	H models; World drop
	70556501	Overlay	H models; Prep for card
	70556502	Overlay	H models; Central pay
	70556601	Overlay	H models; Single drop; Left
	70556901	Overlay	H models; Citron; World drop
	70518101	Overlay	H models; Citron; Prep for card
	70518102	Overlay	H models; Citron; Central pay
	70556701	Overlay	H models; Citron; Left
	70556201	Overlay	P models; Single drop; Right
	70556401	Overlay	P models; Prep for card
	70556402	Overlay	P models; Central pay
	70556301	Overlay	P models; Single drop; Left

Electronic Display Control Overlays - Vend Models with N or W in the 7th Position

B, H, P and S Models

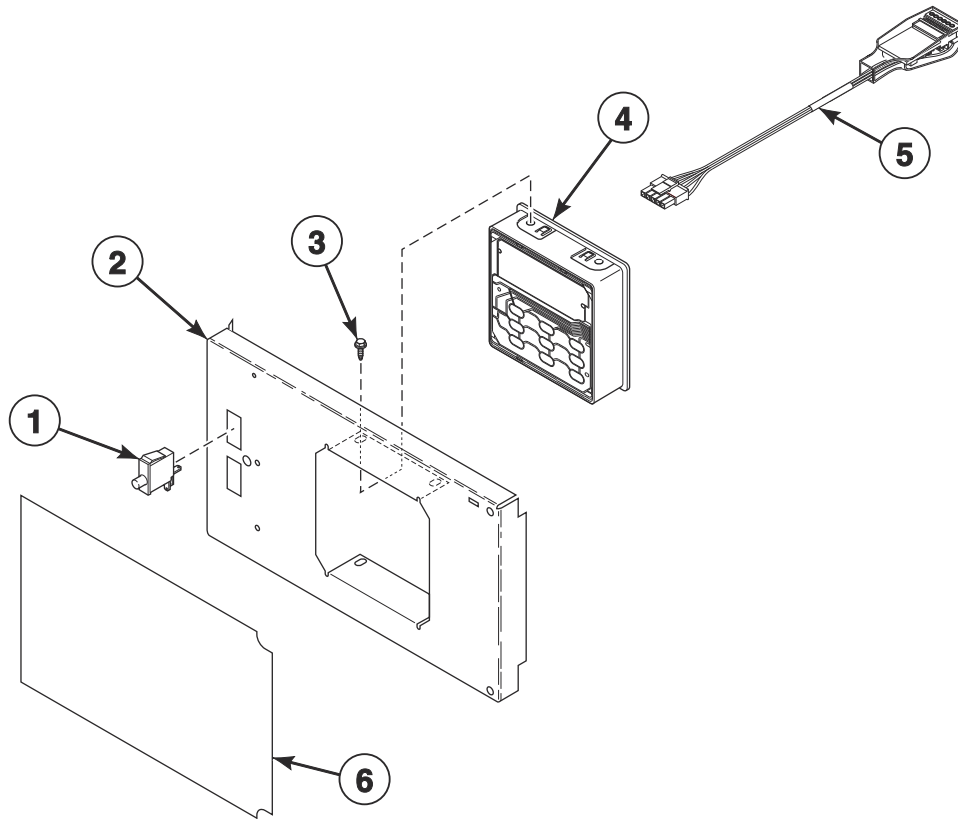


TMB3679PA_70591201

Electronic Display Control Overlays - Vend Models with N or W in the 7th Position

REF	PART NO.	DESCRIPTION	COMMENTS
1	70512004	Overlay	S models; Single drop
	70512005	Overlay	S models; Dual drop
	70512006	Overlay	S models; Card ready
	70512007	Overlay	S models; Central pay
	70512008	Overlay	S models; World drop
	70626301	Overlay	S models; Single drop; English/Spanish
	70626302	Overlay	S models; Dual drop; English/Spanish
	70626303	Overlay	S models; Card ready; English/Spanish
	70559001	Overlay	Models SG025D and SJ025D
	70517001	Overlay	H models; Single drop
	70517002	Overlay	H models; Dual drop
	70517003	Overlay	H models; Card ready
	70517004	Overlay	H models; Central pay
	70517005	Overlay	H models; World drop
	70571001	Overlay	H models; Single drop; Cityscape
	70571002	Overlay	H models; Dual drop; Cityscape
	70571003	Overlay	H models; Card ready; Cityscape
	70518201	Overlay	H models; Single drop; Citron
	70518202	Overlay	H models; Dual drop; Citron
	70518203	Overlay	H models; Card ready; Citron
	70571101	Overlay	B models; Single drop
	70571102	Overlay	B models; Dual drop
	70571103	Overlay	B models; Card ready
	70541201	Overlay	P models; Single drop
	70541202	Overlay	P models; Dual drop
	70541203	Overlay	P models; Card ready

Electronic Display Control - OPL Models with N in the 7th Position



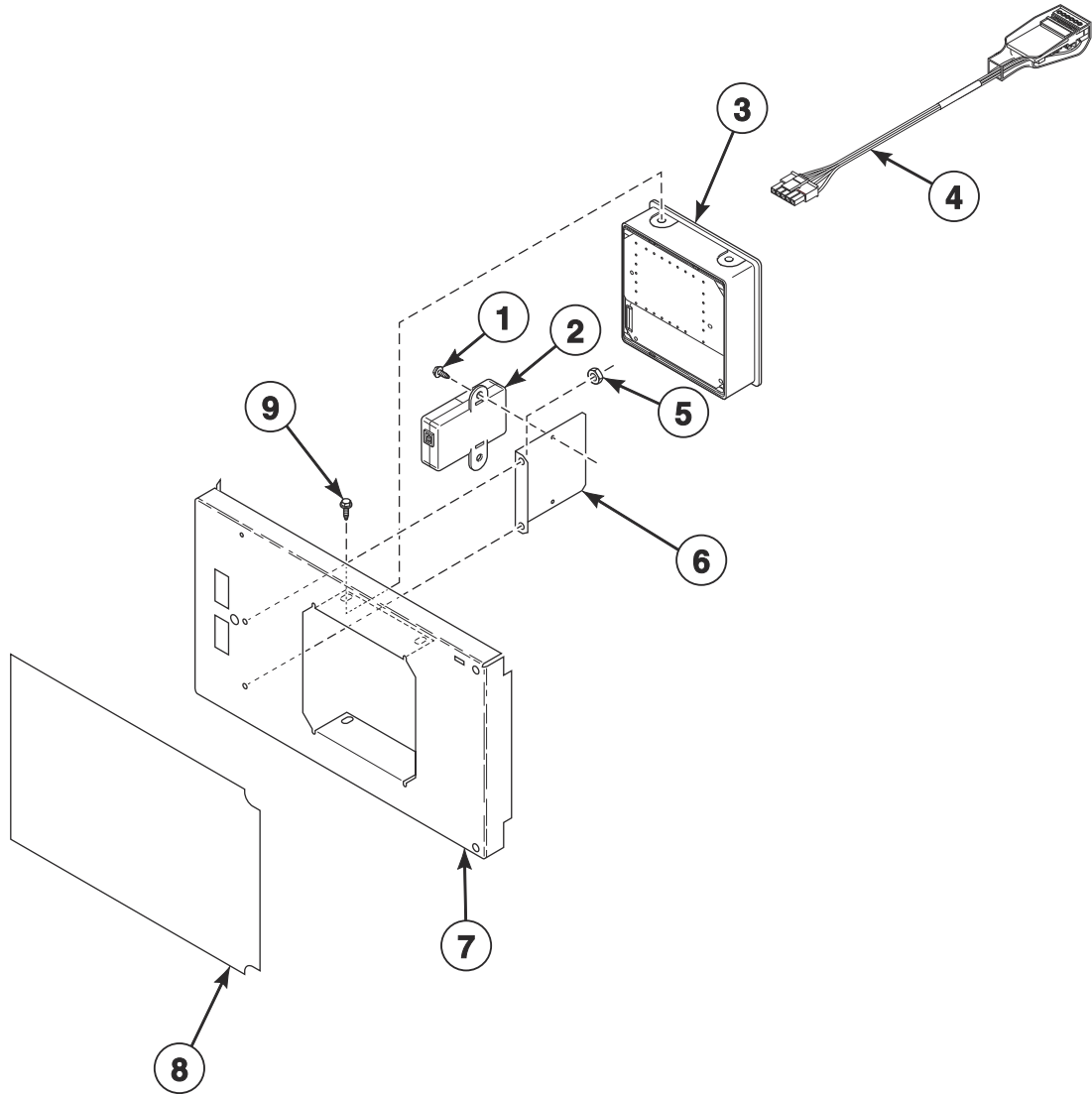
TMB3680P_70591201

Electronic Display Control - OPL Models with N in the 7th Position

REF	PART NO.	DESCRIPTION	COMMENTS
	44334004	Vend Activation Harness	
1	70413301	Pushbutton Switch	
2	70497101	Control Plate	
3	804608	Screw	4 required
4	70523002	Control Assembly	P models; Blue
	70478802	Control Assembly	H, S and U models; Green
	70478902	Control Assembly	B models; Red
5	203361P	Machine ID Control Assembly	Model or serial number is required when ordering
6	70570601	Overlay	S models; Reversing
	70570602	Overlay	S models; Nonreversing
	70571401	Overlay	U models; Reversing
	70571402	Overlay	U models; Nonreversing
	70570801	Overlay	H models; Reversing
	70570802	Overlay	H models; Nonreversing
	70548801	Overlay	B models; Reversing
	70548802	Overlay	B models; Nonreversing
	70571601	Overlay	P models; Reversing
	70571602	Overlay	P models; Nonreversing

3.5 Inch Graphical Control

U Models with D in the 7th Position



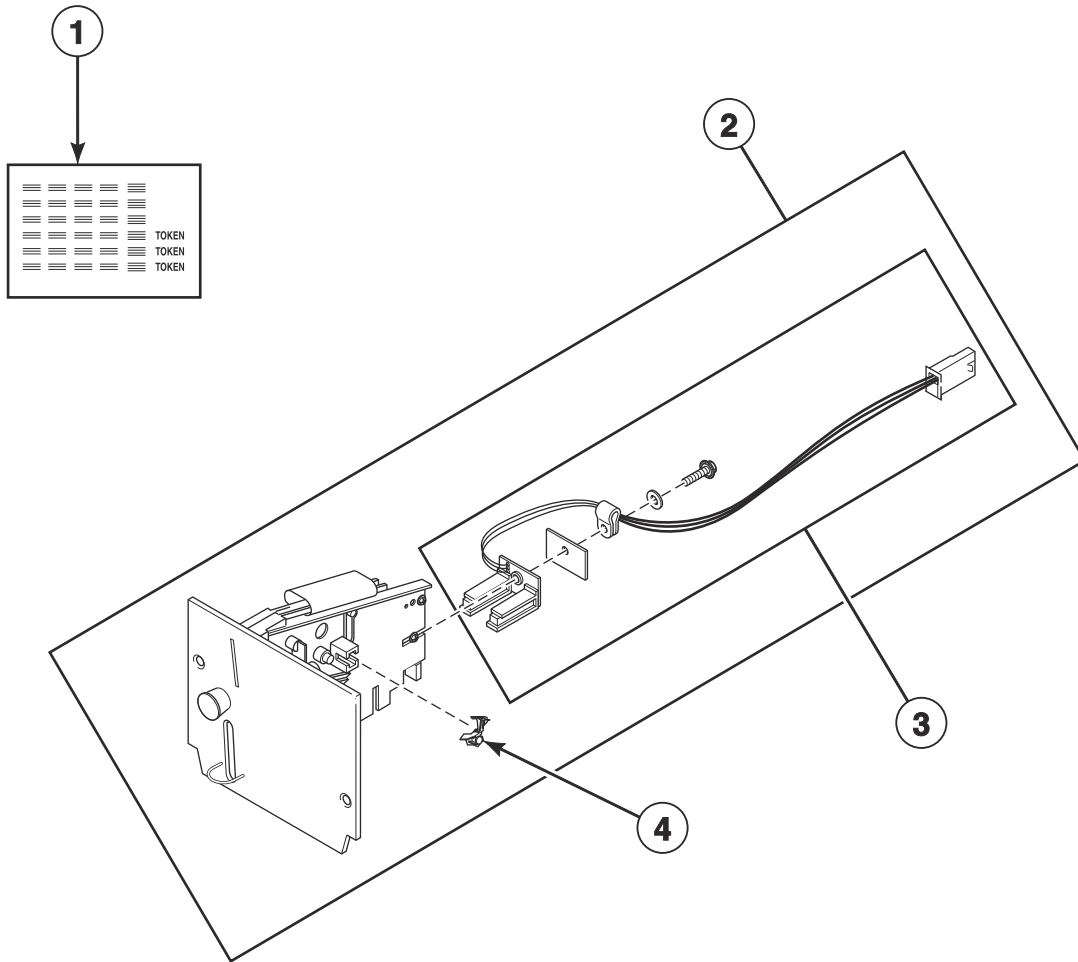
TMB3681P_70591201

3.5 Inch Graphical Control

REF	PART NO.	DESCRIPTION	COMMENTS
	F8617901	Harness	USB
1	33562	Screw	2 required
2	203440	USB-Serial Interface Assembly	
3	70543104	Control Assembly	
4	203361P	Machine ID Control Assembly	Model or serial number is required when ordering
5	44071201	Nut	2 required
6	70547001	USB Bracket	
7	70570201	Control Door and Studs Assembly	
8	70595401	Overlay	
9	804608	Screw	4 required

Coin Drops

All Models Except U Models



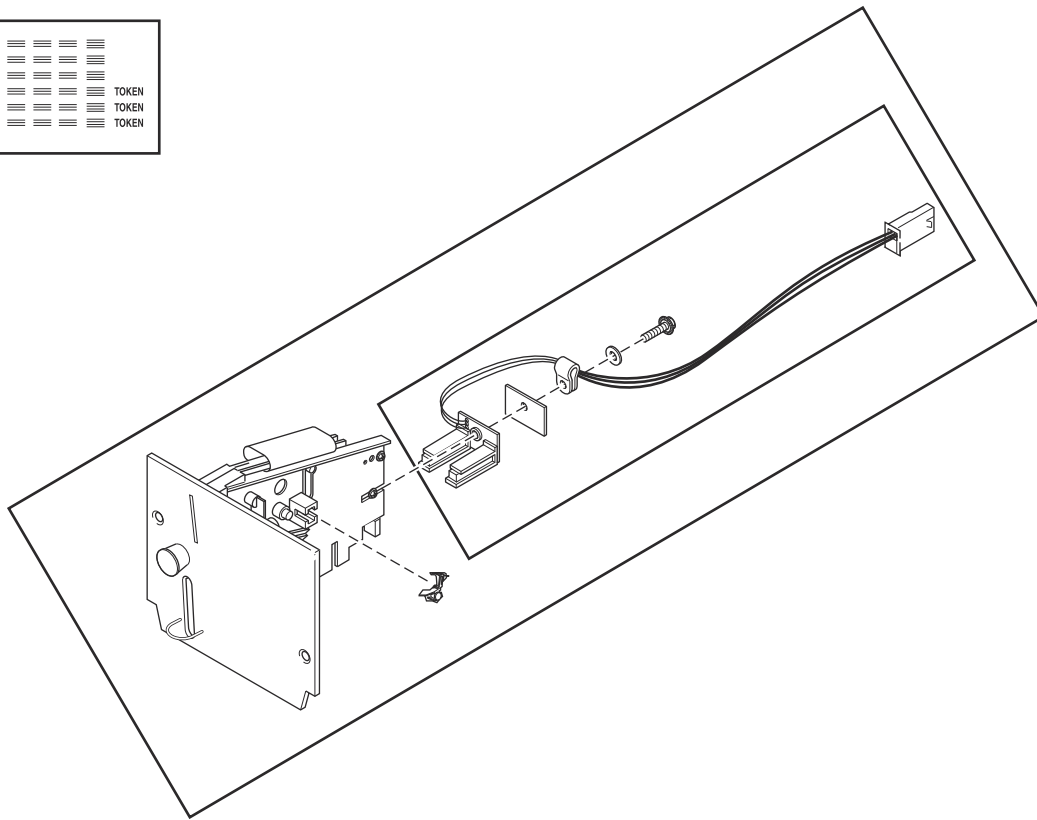
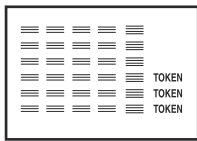
TMB3510P_70591201

Coin Drops

REF	PART NO.	DESCRIPTION	COMMENTS
1	38725	Coin Identification Paper	
2	70441601P	Coin Drop	Single; U.S.A.; \$.25
	38475	Coin Drop Assembly	Single; Japan; 100 yen
	38464P	Coin Drop Assembly	Single; Canada; .25
	CK077	Coin Drop Kit	Single; Taiwan; 10 NT
	70506901	Coin Drop Assembly	Single; Singapore; \$1.00 NEW
	70441603	Coin Drop	Dual; U.S.A.; \$.25 and \$1.00
	38519	Coin Drop Assembly	Dual; Japan; 100 yen and 500 yen
	70441602	Coin Drop Assembly	Dual; Canada; .25 and 1.00
	38467	Coin Drop Assembly	Dual; Australia; \$0.20 and \$1.00
	70447301	Coin Drop Assembly	Dual; Australia; \$1.00 and \$2.00
	70283102	Coin Drop Assembly	Dual; 0.20 and 0.50 Euro
	210195	Coin Drop Assembly	Dual; 0.20 and 1.00 Euro
	210196	Coin Drop Assembly	Dual; 0.50 and 1.00 Euro
	F0160737-00	Coin Meter	Dual; 0.50 and 2.00 Euro
	70281102	Coin Drop Assembly	Dual; Taiwan; 10 and 50 NT
	70482401	Coin Drop Assembly	Dual; New Zealand ; \$1.00 and \$2.00
	38462P	Coin Drop Assembly	Single; Token; STD 118-1
	38463	Coin Drop Assembly	Single; Token; STD 118-5
	38963P	Coin Drop	Single; Token STD 118-16
	39748	Coin Drop	Single; Jeton 08MS
	201141	Coin Drop Assembly	Single; Token; Jeton wh121
	70471601	Coin Drop Assembly	Single; Token; 7K
	70513302	Electronic Coin Drop Assembly	Euro and Great Britain coins
	70513310	Electronic Coin Drop Assembly	Japan and Thailand coins
	70513304	Electronic Coin Drop Assembly	Australia, New Zealand, Hong Kong and South Korea coins
	70513303	Electronic Coin Drop Assembly	Denmark, Norway and Euro coins
	70513306	Electronic Coin Drop Assembly	Mexico, Ecuador and U.S.A. coins
	70294107	Electronic Coin Drop Assembly	Lithuania, Latvia and Euro coins
	70513311	Electronic Coin Drop Assembly	China and Malaysia coins
	70513308	Electronic Coin Drop Assembly	South African 1, 2 and 5 rand coins
	70513309	Electronic Coin Drop Assembly	Euro coins
	70513312	Electronic Coin Drop Assembly	Russia coins
	70513313	Electronic Coin Drop Assembly	Phillipines coins
	70513314	Electronic Coin Drop Assembly	Thailand coins
	70513315	Electronic Coin Drop Assembly	Chile coins
	70513316	Electronic Coin Drop Assembly	Singapore coins
3	200674P	Opto Coupler	
4	201595P	Wire Guard	

Coin Drop Kits

All Models Except U Models



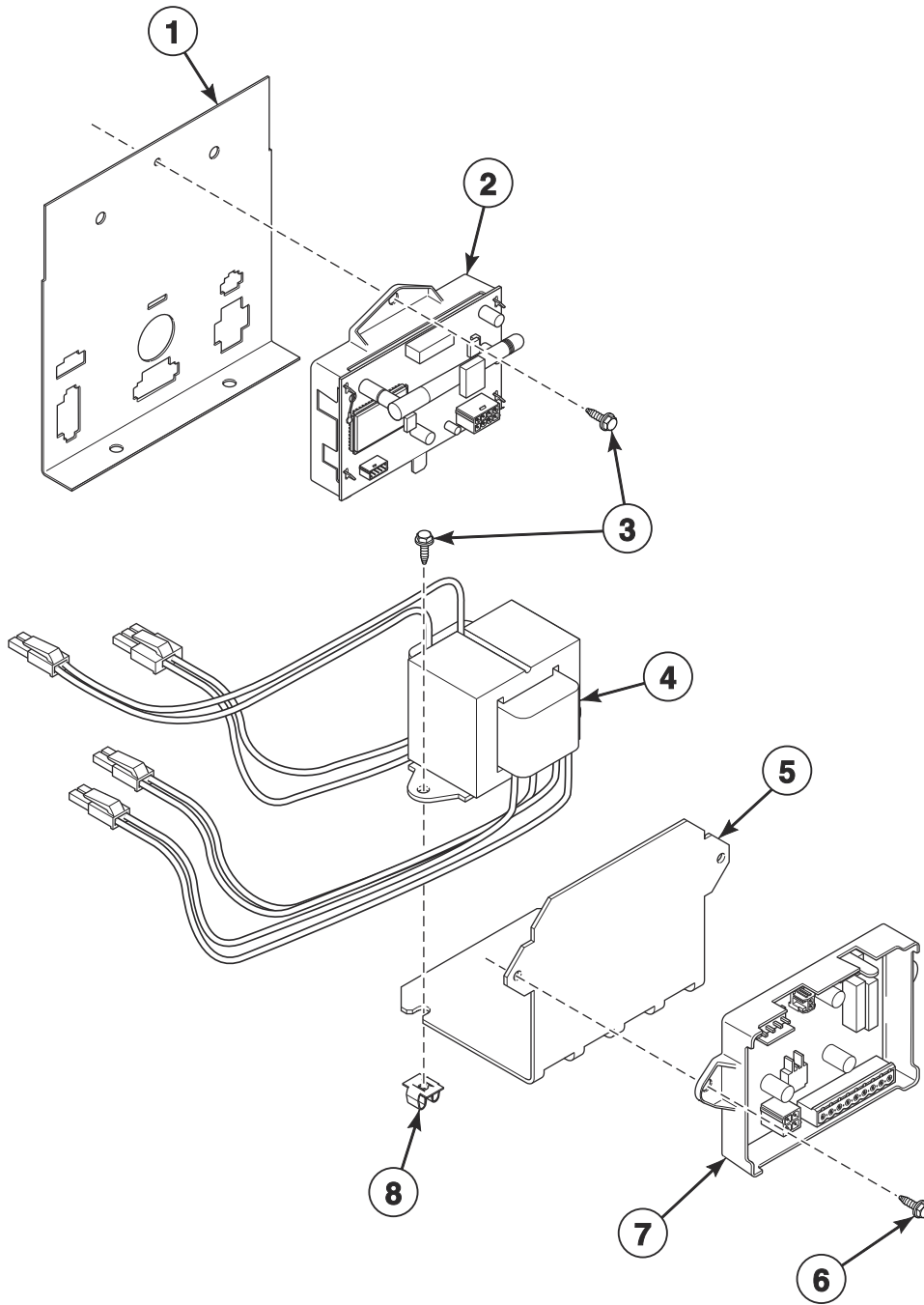
TMB3510PA_70591201

Coin Drop Kits

REF	PART NO.	DESCRIPTION	COMMENTS
	CK115	Electronic Coin Drop Kit	United States and Canada
	CK099	Electronic Coin Drop Kit	Australia (default), New Zealand, Hong Kong, South Korea and Malaysia
	CK100	Electronic Coin Drop Kit	United Kingdom (default) and Europe
	CK101	Electronic Coin Drop Kit	Europe (default), Denmark and Norway
	CK108	Electronic Coin Drop Kit	South Africa
	CK109	Electronic Coin Drop Kit	Euro
	CK110	Electronic Coin Drop Kit	Mexico (default), Ecuador and United States
	CK113	Electronic Coin Drop Kit	Japan and Taiwan
	CK116	Electronic Coin Drop Kit	Malaysia (default) and China
	CK117	Electronic Coin Drop Kit	Russia
	CK118	Electronic Coin Drop Kit	Philippine
	CK119	Electronic Coin Drop Kit	Thailand
	CK120	Electronic Coin Drop Kit	Chile
	CK121	Electronic Coin Drop Kit	Singapore
	CK122	Coin Drop Kit	New Zealand; 1.00 and 2.00

Network Board, Central Pay and Card Reader Components

Central Pay Starting December 2018

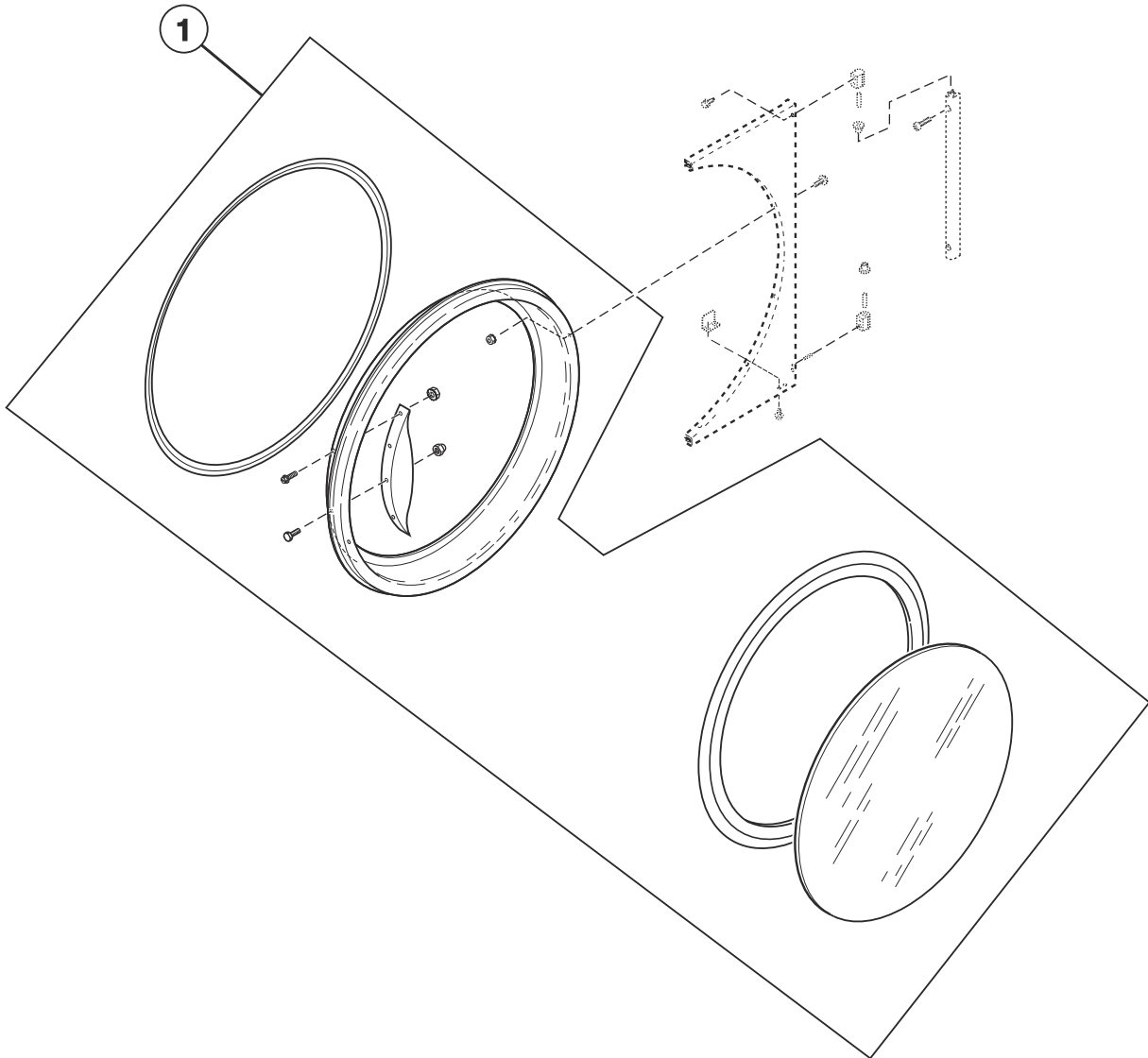


TMB3677P_70591201

Network Board, Central Pay and Card Reader Components

REF	PART NO.	DESCRIPTION	COMMENTS
	70596301	Wireless Network Kit	H and U models through 1/31/19; S models through 5/12/19
	70609701	Wireless Network Kit	H models starting 2/1/19; S models starting 5/13/19
	F8536002	Wireless Network Board Harness	H and U models through 1/31/19; S models through 5/12/19
	F8613201	FCC-IC Label	HT and U models through 1/31/19; ST models through 5/12/19
	F8674006	Wireless Network Harness	H models starting 2/1/19; S models starting 5/13/19
	204692	Wireless Control Label	H models starting 2/1/19; S models starting 5/13/19
	44355601	Central Pay Harness	Routes from central pay board to control tray
	204145P	Gateway	H and S models
	NK320	Ethernet Gateway Kit	S models through 5/12/19
	NK330	USB Gateway Kit	S models through 5/12/19
	203346	USB IR Interface Kit	
	44272301	Transformer Harness	100-120 Volt; Routes from transformer to I/O Control Assembly; Card and central pay
	44272302	Transformer Harness	200-480 Volt; Routes from transformer to I/O Control Assembly; Card and central pay
	44355604	Central Pay Board Harness	Routes from central pay board to transformer
	44355605	Central Pay Harness	Routes from central pay board to front end control
	70612701	Central Pay Kit	100-120 Volt
	70612703	Central Pay Kit	200-480 Volt
1	70307007	Harness Mounting Plate	
2	203532	Wireless Network Control Assembly	H and U models through 1/31/19; S models through 5/12/19
	807211	Wireless Network Control Assembly	H models starting 2/1/19; S models starting 5/13/19
3	F8206901	Screw	
4	202757	Transformer	100-120 Volt; Card and central pay
	202758	Transformer	200-480 Volt; Card and central pay
5	70604001	Mounting Bracket	
6	51780	Screw	2 required
7	204779	Central Pay Control Assembly	
8	70030501	Expansion Clip	2 required

Door Assemblies

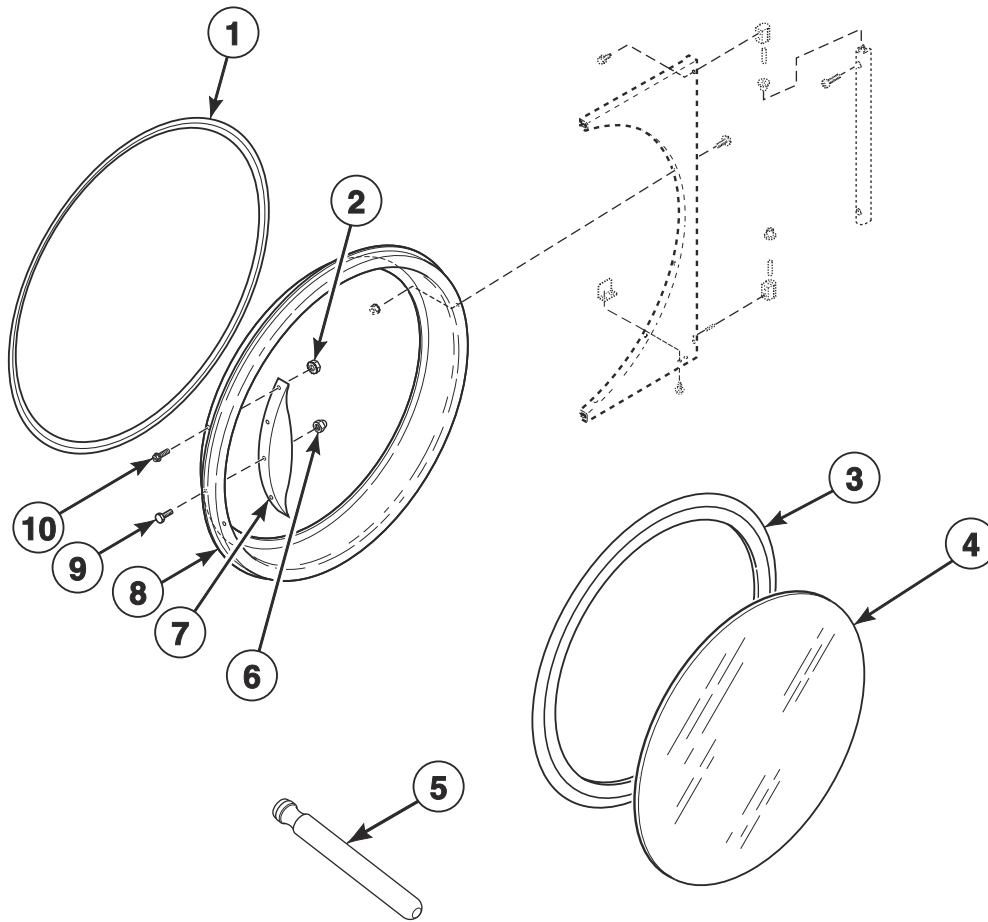


TMB3551P_70591201

Door Assemblies

REF	PART NO.	DESCRIPTION	COMMENTS
1	70496501	Door Assembly	U models; Stainless steel
	70212300	Door Assembly	S models; Stainless steel
	70212301	Door Assembly	B models
	44058005	Door Assembly	H models; Stainless steel
	44058007	Door Assembly	H models; Stainless steel with green trim
	44058008	Door Assembly	H models; Chrome with green trim
	44058006	Door Assembly	H models; Chrome
	70496502P	Door Assembly	U models; Chrome
	70212302P	Door Assembly	S models; Chrome
	44287801LGP	Door Assembly	P models
	44287801B	Door Assembly	P models; Use with stainless steel front panel

Door Components

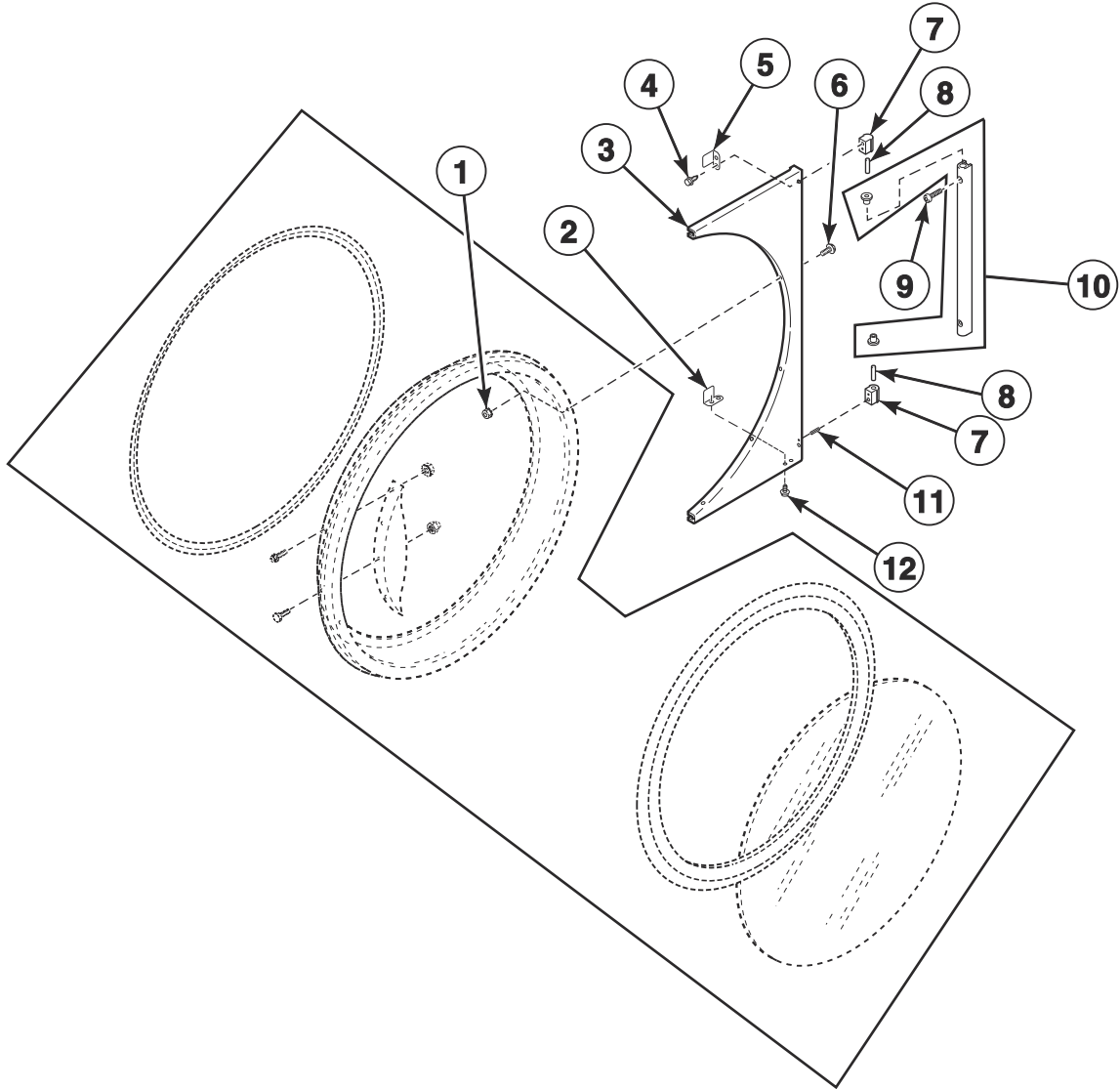


TMB3550P_70591201

Door Components

REF	PART NO.	DESCRIPTION	COMMENTS
	70650401	Door Glass Label	H models
	70707701	Door Glass Label	S models
	70707501	Max Fill Line Label	
1	70296801	Door Ring Gasket	
2	44088001	Nut	B, H and S models; 4 required
3	70211901P	Door Glass Seal Kit	Use Loctite 414 for seal
4	70133601P	Door Glass	H models
	70133602	Door Glass	H models; Green trim
	M400784P	Door Glass	All other models
5	M4221P4	Door Glass Installation Tool	
6	M414215	Nut	For door strike; Mounts between door strike screw and door handle
7	44007902P	Door Handle	B and S models
	44263801	Door Handle	U models; Use 901620 Screw, 800465 Washer, 803871 Screw and 44088001 Nut to attach
	70521101	Door Handle	H models
8	70543902	Door Ring Assembly	U models
	70543904B	Door Ring Assembly	B models
	70543905	Door Ring Assembly	H and S models; Chrome
	70543906	Door Ring Assembly	U models; Chrome
	70543907LG	Door Ring and Handle Assembly	P models; Includes handle
	70543907B	Door Ring and Handle Assembly	P models; Includes handle; Use with stainless steel and white front panel
	70543901	Door Ring Assembly	H and S models; Stainless steel
9	M400661	Screw	Door Strike
10	70442101	Screw	B, H and S models; 4 required

Hinge Components



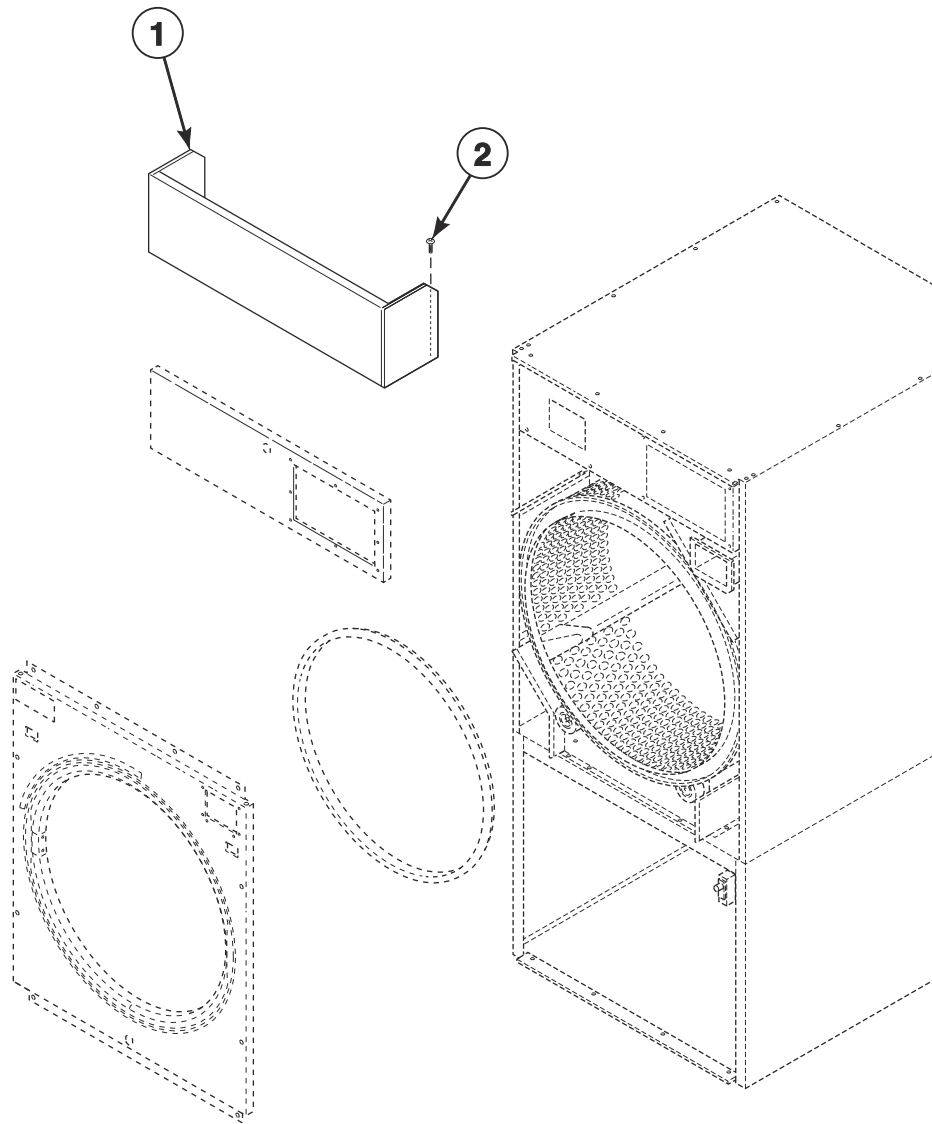
TMB3459P_70591201

Hinge Components

REF	PART NO.	DESCRIPTION	COMMENTS
1	44088001	Nut	
2	70532101	Door Switch Actuator	Bottom
3	70116003*	Door Hinge	H, S and U models
	70116006	Door Hinge	H, S and U models; Stainless steel
	70116005LG	Door Hinge	Light gray; P and U models
	70116005B	Door Hinge	Black; B models; P models with white and stainless steel front panel
4	70576101	Screw	
5	70532102	Door Switch Actuator	Top
6	M400044	Screw	
7	M4772P3	Hinge Cam Kit	H, P, S and U models
	M4773P3	Hinge Cam Kit	Black; B models; P models with white and stainless steel front panel
8	70071401	Pin	
9	70033502	Screw	H, P, S and U models
	70407301	Screw	Black; B models; P models with white and stainless steel front panel
10	44035001	Door Hinge Lug Assembly	H, P, S and U models
	44035002	Door Hinge Lug Assembly	Black; B models; P models with white and stainless steel front panel
11	70436301	Screw	
12	70058501	Pop Rivet	

* Add Letter To Designate Color. Q - Bisque W - White

False Fronts



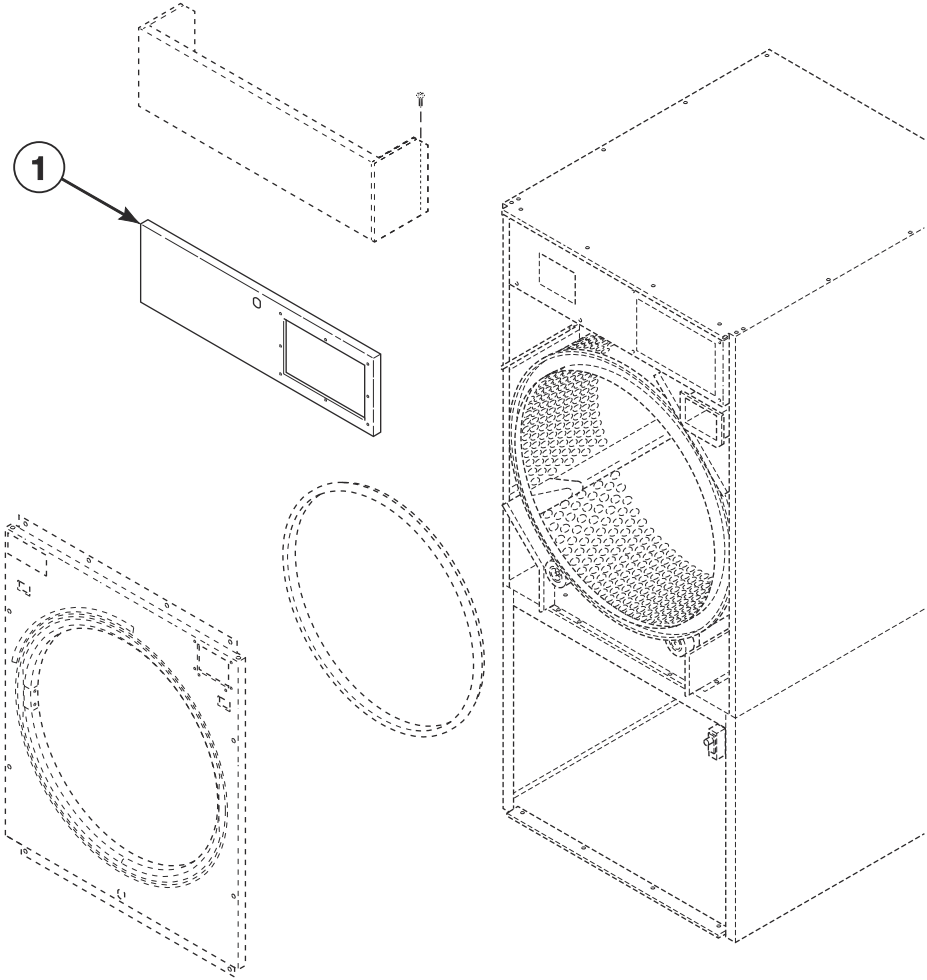
TMB3511P_70591201

False Fronts

REF	PART NO.	DESCRIPTION	COMMENTS
1	70000503DG	False Front	Dark gray; P models; 72 inches
	70000503LG	False Front	Light gray; U models; 72 inches
	70000501*P	False Front	All other models except P models; 72 inches
	70000504	False Front	72 inches; Stainless steel
	70024203DG	False Front	Dark gray; P models; 76 inches
	70024203LG	False Front	Light gray; U models; 76 inches
	70024201*P	False Front Assembly	All other models except P models; 76 inches
	70024204	False Front	76 inches; Stainless steel
2	M405188	Screw	4 required

* Add Letter To Designate Color. Q - Bisque W - White

Control Panels



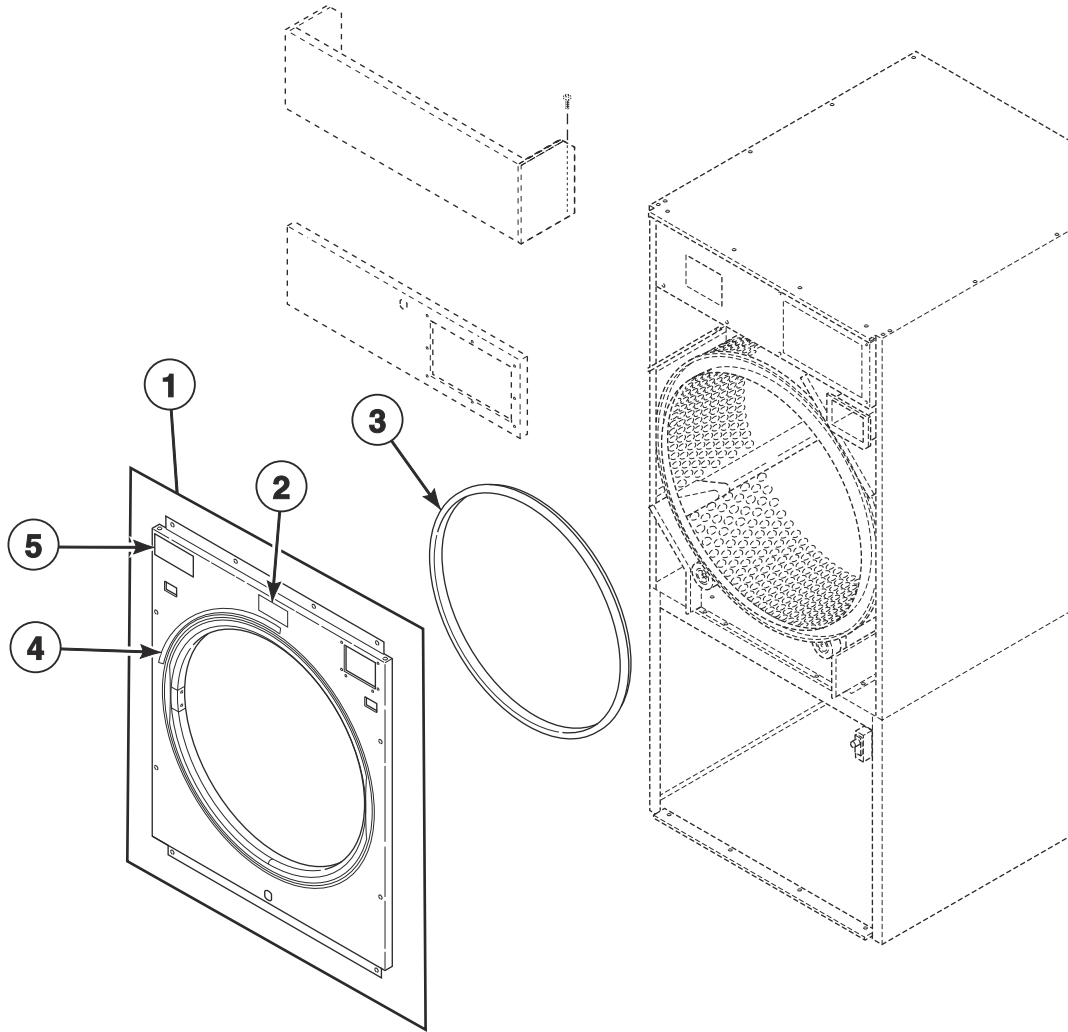
TMB3511PA_70591201

Control Panels

REF	PART NO.	DESCRIPTION	COMMENTS
1	70273308B	Control Panel	B models
	70273305*	Control Panel	U models
	70273313	Control Panel	U models; Stainless steel
	70121501W	Control Panel	S models
	70121508	Control Panel	S models; Stainless steel
	70273315LG	Control Panel	U models; Light gray
	70121514DG	Control Panel	P models; Dark gray
	70121505*	Control Panel	H models
	70121509	Control Panel	H and P models; Stainless steel

* Add Letter To Designate Color. Q - Bisque W - White

Front Panel Assemblies



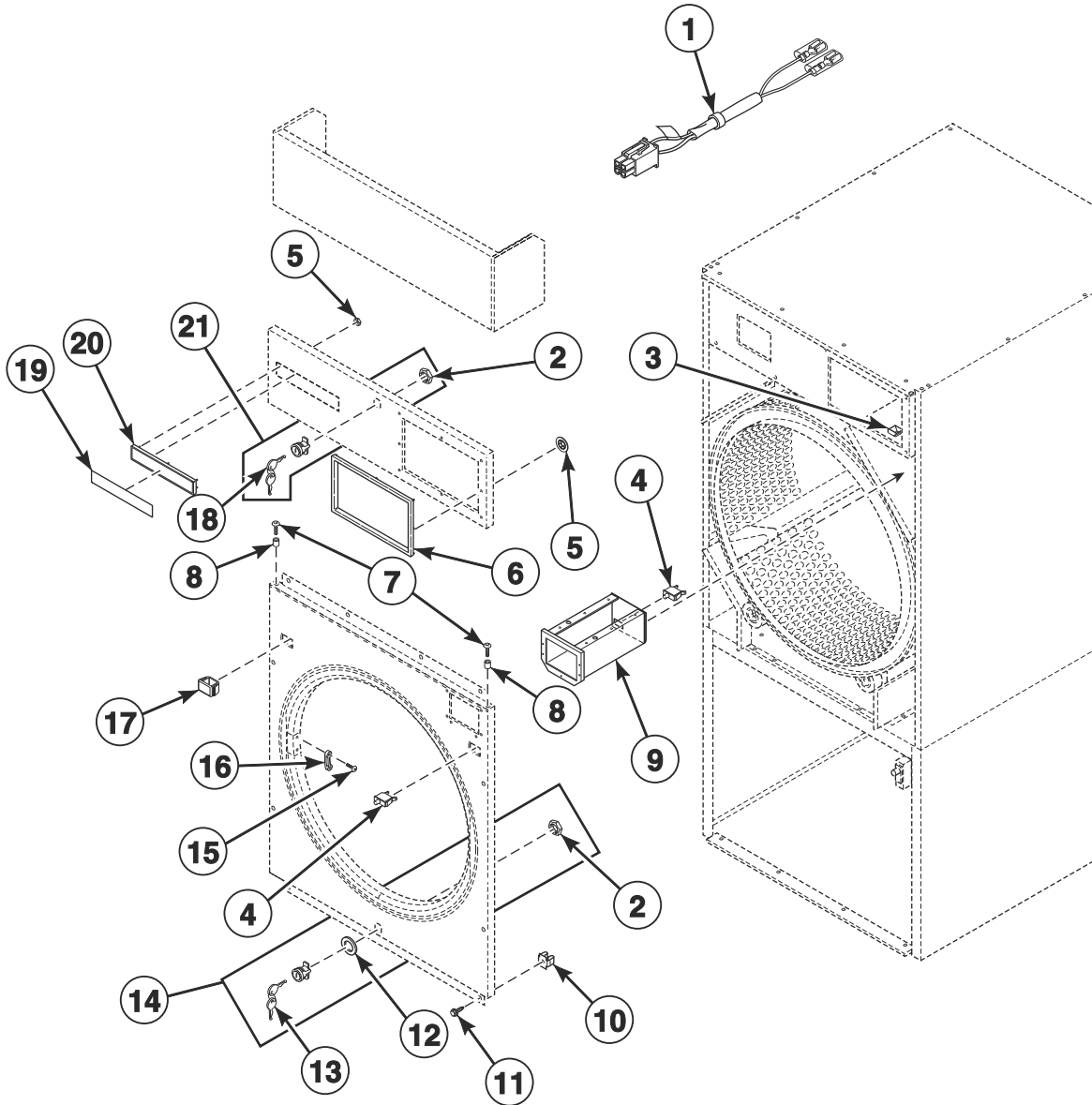
TMB3642P_70591201

Front Panel Assemblies

REF	PART NO.	DESCRIPTION	COMMENTS	
1	70602001*	Front Panel	All models except P and U models; Coin	
	70602301*	Front Panel	S models; Coin; Hinged lint door	
	70602501DG	Front Panel Assembly	P models; Coin; Dark gray	
	70601501	Front Panel Assembly	All models except P and U models; Coin; Stainless steel	
	70601701	Front Panel	S models; Coin; Hinged lint door; Stainless steel	
	70602101*	Front Panel	All models except P and U models; Card and central pay	
	70602201*	Front Panel	S models; Card; Hinged lint door	
	70576002DG	Front Panel Assembly	P models; Card and central pay; Dark gray	
	70601601	Front Panel Assembly	All models except P and U models; Card and central pay; Stainless steel	
	44115902	Front Panel Assembly	S models; Card; Hinged lint door; Stainless steel	
	70602701*	Front Panel	OPL; With e-stop	
	70602801DG	Front Panel Assembly	P models; OPL; Dark gray; With e-stop	
	70602801LG	Front Panel	U models; OPL; Light gray; With e-stop	
	70601901	Front Panel Assembly	OPL; Stainless steel; With e-stop	
	70524105*	Front Panel	OPL; Without e-stop	
	70524115DG	Front Panel	P models; OPL; Dark gray; Without e-stop	
	70524115LG	Front Panel	U models; OPL; Light gray; Without e-stop	
	70524106	Front Panel	OPL; Stainless steel; Without e-stop	
	2	70472801	Label	U models
	3	70173401P	Front Panel Seal	
4	70534301	Warning Label	English	
	70534302	Warning Label	French	
	70534300	Label Kit	Warning; IEC models	
5	70537001	Label	B, H, S and U models; C.A.R.E.	
	44190901	Label	P models; Safe Tech	

* Add Letter To Designate Color. Q - Bisque W - White

Cabinet Front Components

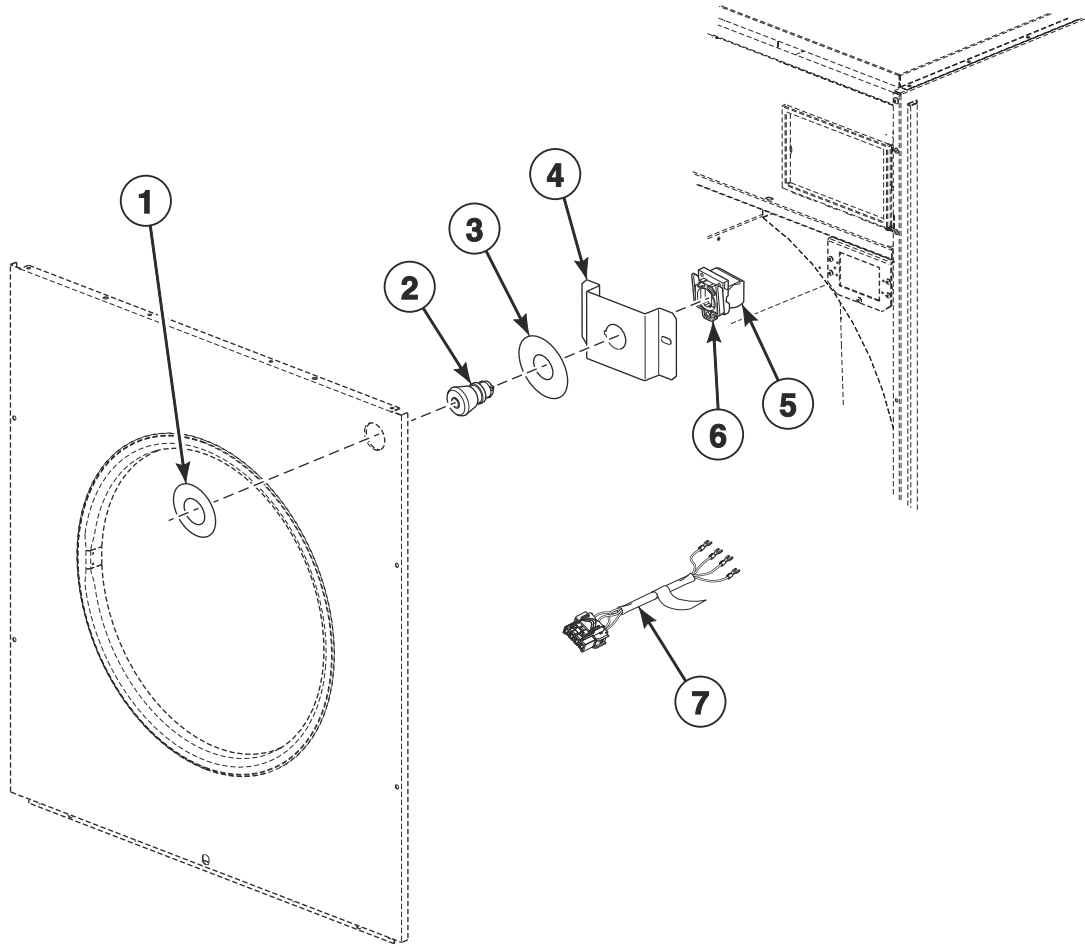


TMB3592P_70591201

Cabinet Front Components

REF	PART NO.	DESCRIPTION	COMMENTS
	44334103	Bypass Harness	Card and central pay
	D511476	Jumper Harness	Card reader present
	70482901	Door Catch Kit	
1	44334101	Coin Vault Switch Harness	
2	44088801	Nut	
3	70296401	Coin Chute Assembly	
4	70413301	Pushbutton Switch	
5	M400977	Nut	S models; 6 required
6	70529401	Control Trim	H models; Gray
	44016401	Control Trim	P and S models; Black
7	39733	Screw	
8	56079	Panel Locator	9 required
9	70529501	Coin Vault Assembly	
	70529502	Coin Vault and Emergency Stop Mount Assembly	Models with emergency stop
	F160673P	Coin Box	Optional equipment; Includes lock and key
10	70030501	Expansion Clip	8 required
11	M411072	Screw	8 required
12	70342401	Lock Shim	
13	70155602	Key	RL002
14	44089302P	Lock, Key and Nut Kit	RL002
	44089305	Panel Lock	RL002; Chrome
15	44166601	Pop Rivet	
16	M401223	Door Latch	
17	44057801W	Switch Hole Plug	White
	44057801Q	Switch Hole Plug	Bisque
	44057801LG	Switch Hole Plug	Gray; U models
	44057801B	Switch Hole Plug	Black
18	70155601	Key	RL001
19	70115601	Nameplate Overlay	S models
	F8443105	Nameplate	U models
	B12389801	Nameplate	B models
	567887	Nameplate	P models
20	70117401	Nameplate Bezel	S models
21	44089301P	Lock, Key and Nut Kit	RL001
	44089304	Panel Lock	RL001; Chrome

Emergency Stop Button

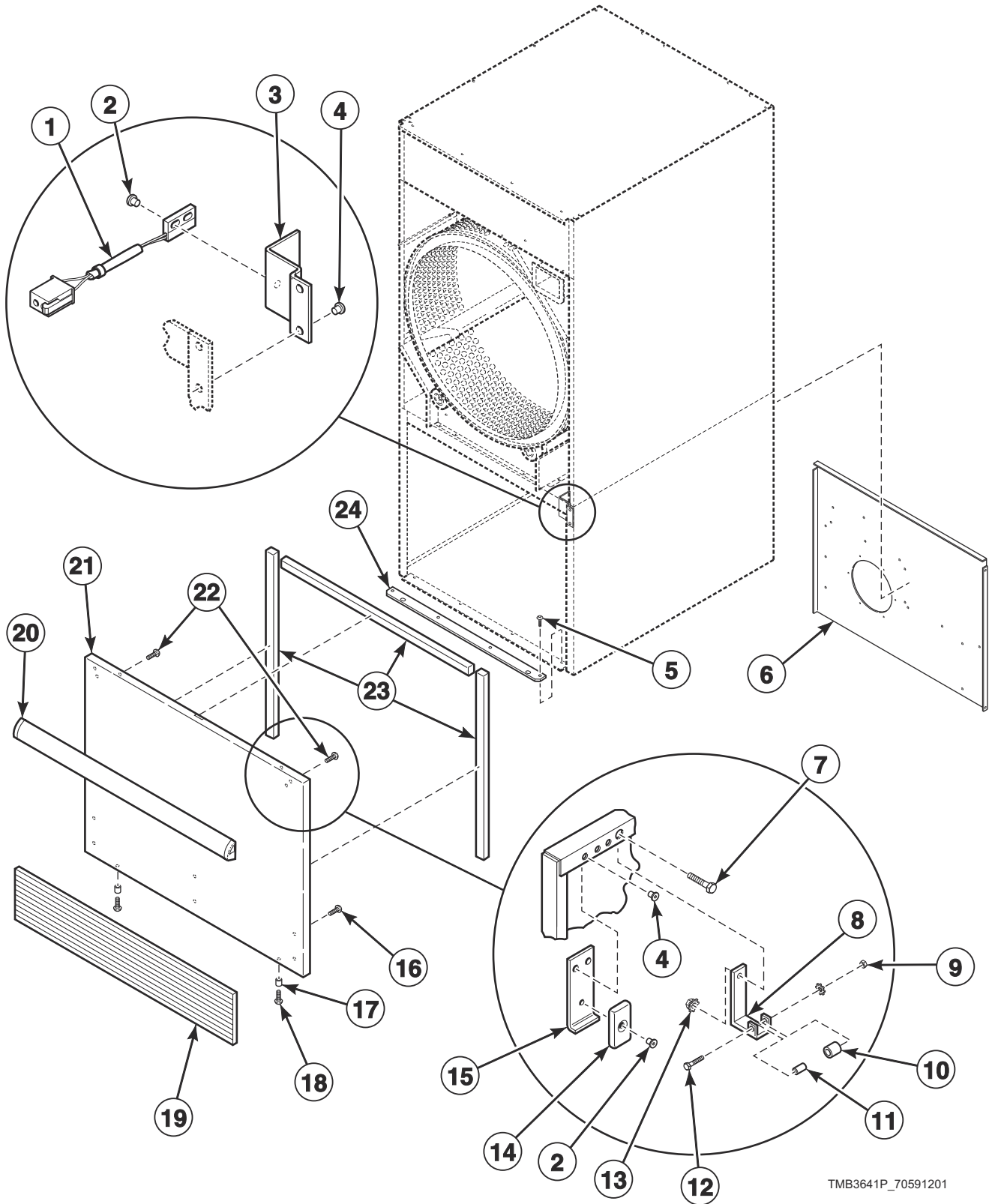


TMB3513P_70591201

Emergency Stop Button

REF	PART NO.	DESCRIPTION	COMMENTS
	70580301	Emergency Stop Button Kit	Includes items 2-4
	F8519403	Emergency Stop Bypass Harness	Coin, card and central pay
1	44012903	Emergency Stop Label	
2	F200233500	Emergency Stop Pushbutton	
3	44012901	Emergency Stop Label	
4	70550401	Emergency Stop Mounting Bracket	
5	F8069501	Contact Switch	2 required
6	F8538101	Contact Base	
7	44272401	Emergency Stop Harness	

Lower Cabinet Components



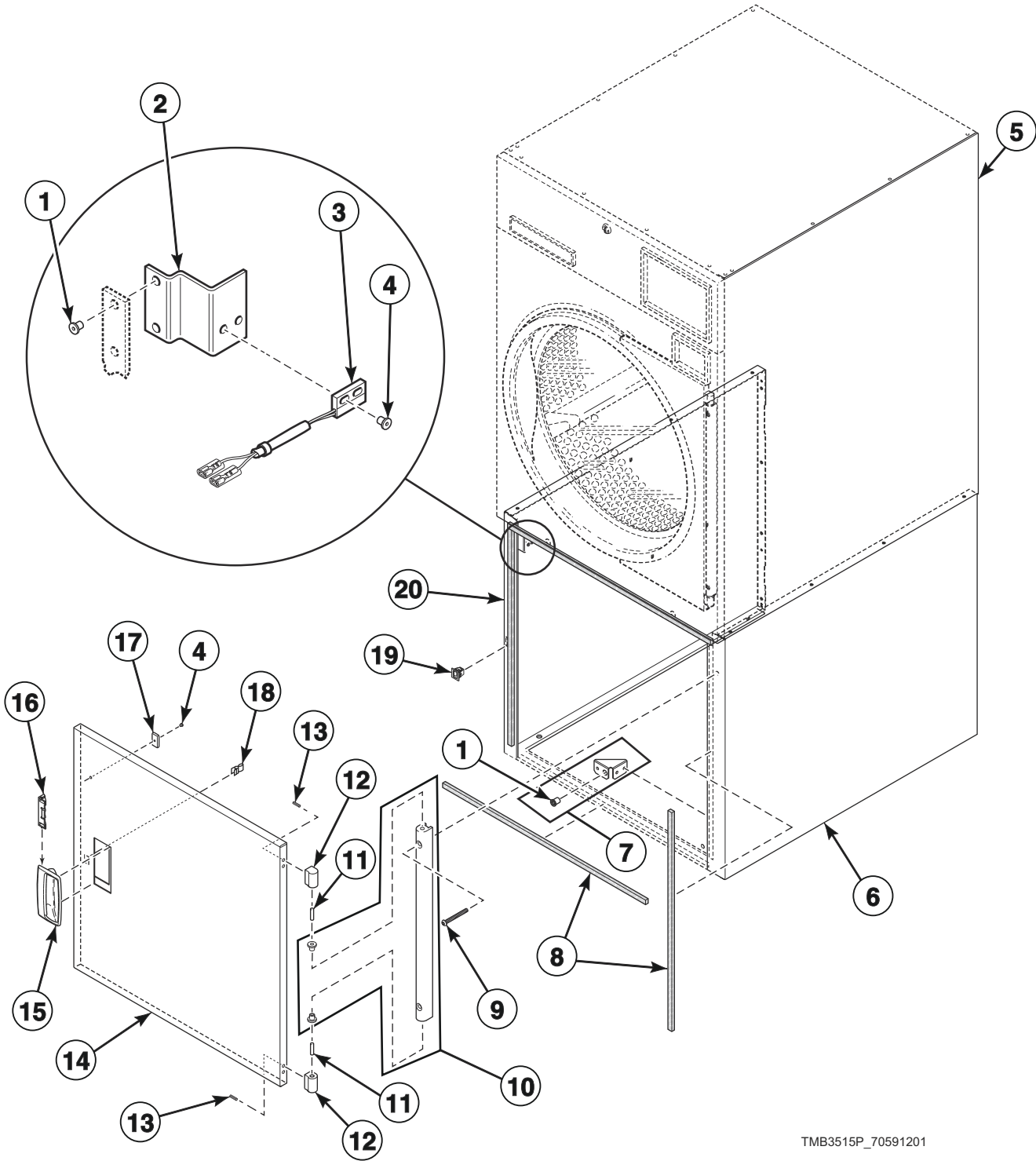
TMB3641P_70591201

Lower Cabinet Components

REF	PART NO.	DESCRIPTION	COMMENTS
1	F8066804	Reed Switch Assembly	
2	F8245101	Blind Rivet	
3	70508501	Switch Bracket	
4	70058501	Pop Rivet	
5	430497	Screw	
6	70565301	Rear Lint Panel	
7	70132301	Screw	Attaching roller catch
8	70030301	Roller Catch Arm	
9	23951	Nut	
10	70297601	Roller Catch Wheel	
11	70030201	Roller Catch Spacer	
12	70072801	Screw	
13	51236	Nut	Attaching roller catch
14	70343101	Magnet	
15	44290501	Magnet Bracket	
16	70126301	Pop Rivet	For attaching kickplate; Black; 6 required
	70126401	Pop Rivet	For attaching kickplate; Gray; 6 required
17	56079	Panel Locator	
18	39733	Screw	
19	70117616	Kickplate	H and U models; Dark gray
	70117601	Kickplate	All models except H models; Black
20	70154401	Handle and Caps Assembly	B, S and U models; P models with white and stainless steel front panel; Black
	70407207	Handle Bumper	P models; Silver
	70154413	Handle and Caps Assembly	H and U models; Dark gray
21	70515401*	Lint Panel	All models except P models
	70515403LG	Lint Panel	U models; Light gray
	70515404DG	Lint Panel	P models; Dark gray
	70515402	Lint Panel	All models except B and P models; Stainless steel
	70515405	Lint Panel	B and P models; Stainless steel; No kickplate
22	430757	Screw	For attaching handle; 6 required
23	70289101P	Gasket	Sold per foot
24	70017901	Lint Panel Pivot Plate	

* Add Letter To Designate Color. Q - Bisque W - White

Lower Cabinet Components - S Models with Hinged Lint Door



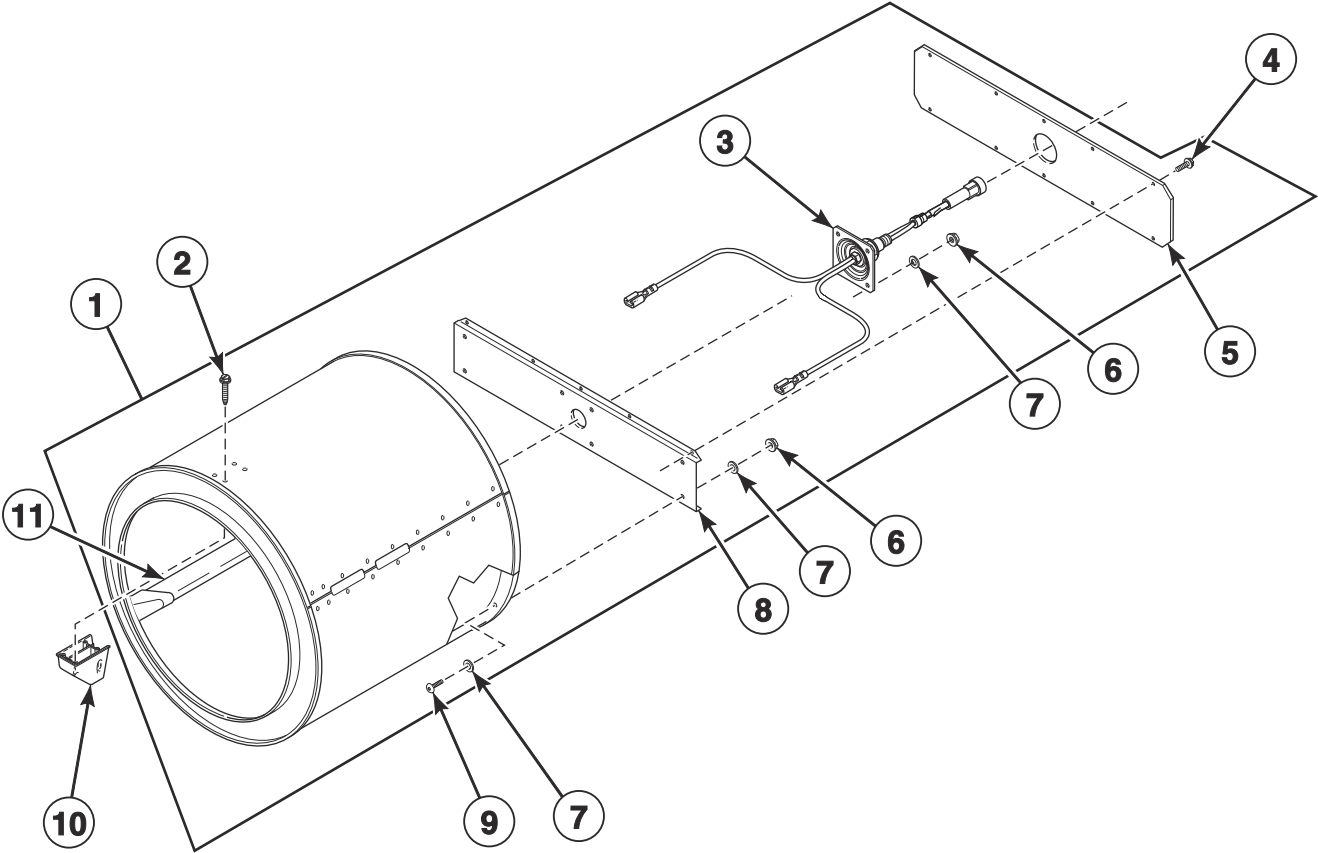
TMB3515P_70591201

Lower Cabinet Components - S Models with Hinged Lint Door

REF	PART NO.	DESCRIPTION	COMMENTS
1	70058501	Pop Rivet	
2	70508501	Switch Bracket	
3	F8066804	Reed Switch Assembly	
4	F8245101	Blind Rivet	
5	70060102*P	Side Panel	Upper
6	70557301*	Panel	Right; Lower
7	70283801	Support Bracket Assembly	2 required
8	70247601	Gasket	8 required; Felt
9	70033502	Screw	2 required
10	44035001	Door Hinge Lug Assembly	
11	70071401	Pin	2 required
12	M4772P3	Hinge Cam Kit	2 required
13	70442101	Screw	4 required
14	70267703	Hinged Door	Stainless steel
	70267701*P	Hinged Door	
15	D510103*P	Door Pull and Wedge Kit	
	D511213P	Door Pull and Wedge Kit	Black
16	D510129W	Door Handle Wedge	
17	70343101	Magnet	
18	D510181	Door Strike	
19	D510177	Door Catch Assembly	
20	70557401*	Panel	Left; Lower

* Add Letter To Designate Color. Q - Bisque W - White

Cylinder and Trunnion Assembly

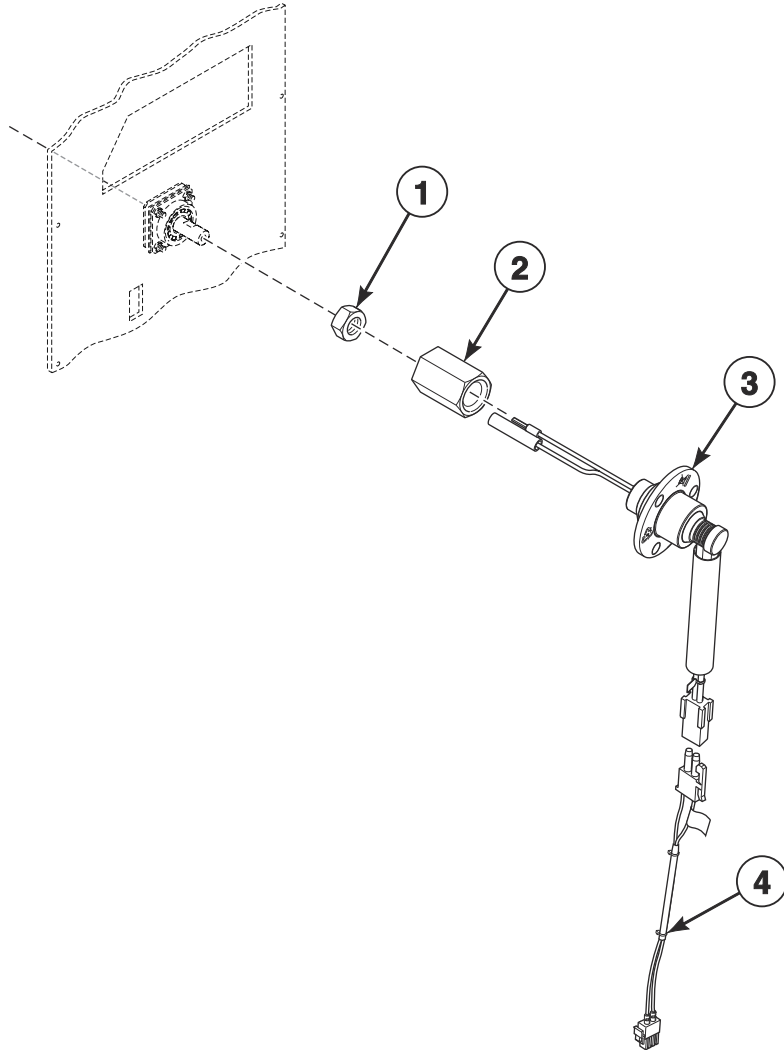


TMB3358P_70591201

Cylinder and Trunnion Assembly

REF	PART NO.	DESCRIPTION	COMMENTS
	70343101P	Drywall Screw Magnet Kit	
1	70372801P	Cylinder Assembly	Galvanized; Non-moisture sensing
	70443701	Cylinder and Trunnion Assembly	Galvanized; Moisture sensing
	70372802P	Cylinder Assembly	Stainless steel; Non-moisture sensing
	70443702	Cylinder and Trunnion Assembly	Stainless steel; Moisture sensing
2	62588	Screw	12 required
3	70564801	Trunnion and Seal Kit	Includes 70013702 Rear Cylinder Seal; Non-moisture sensing
	70564802	Trunnion and Seal Kit	Moisture sensing; Includes 70454601 Trunnion and Wire Assembly
4	430497	Screw	10 required
5	70257401	Rear Cylinder Channel Plate	
6	44087201	Nut	8 required
7	70411301	Washer	
8	70257301	Rear Cylinder Channel	Non-moisture sensing
	70257302	Rear Cylinder Channel	Moisture sensing
9	70391101	Screw	8 required
10	70070101	End Cap	Non-moisture sensing
	70070102	End Cap	Moisture sensing
11	70433003	Cylinder Rib Assembly	Moisture sensing

Moisture Sensing Components

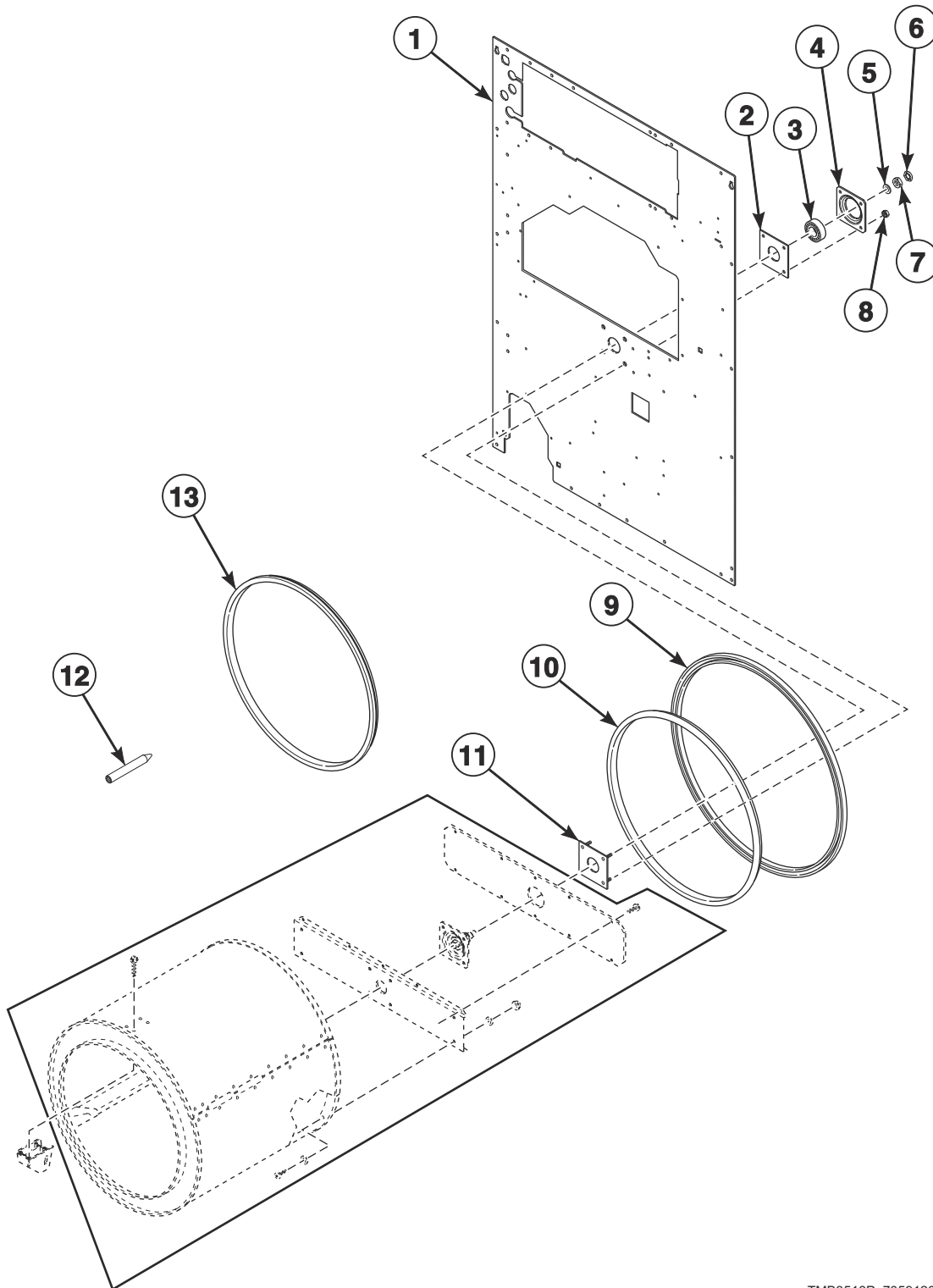


TMB3147P_70591201

Moisture Sensing Components

REF	PART NO.	DESCRIPTION	COMMENTS
1	M400022	Nut	
2	70455401	Slip Ring Holder	
3	44222702	Slip Ring Assembly	
4	44333903	Moisture Sensor Harness	

Cylinder Components

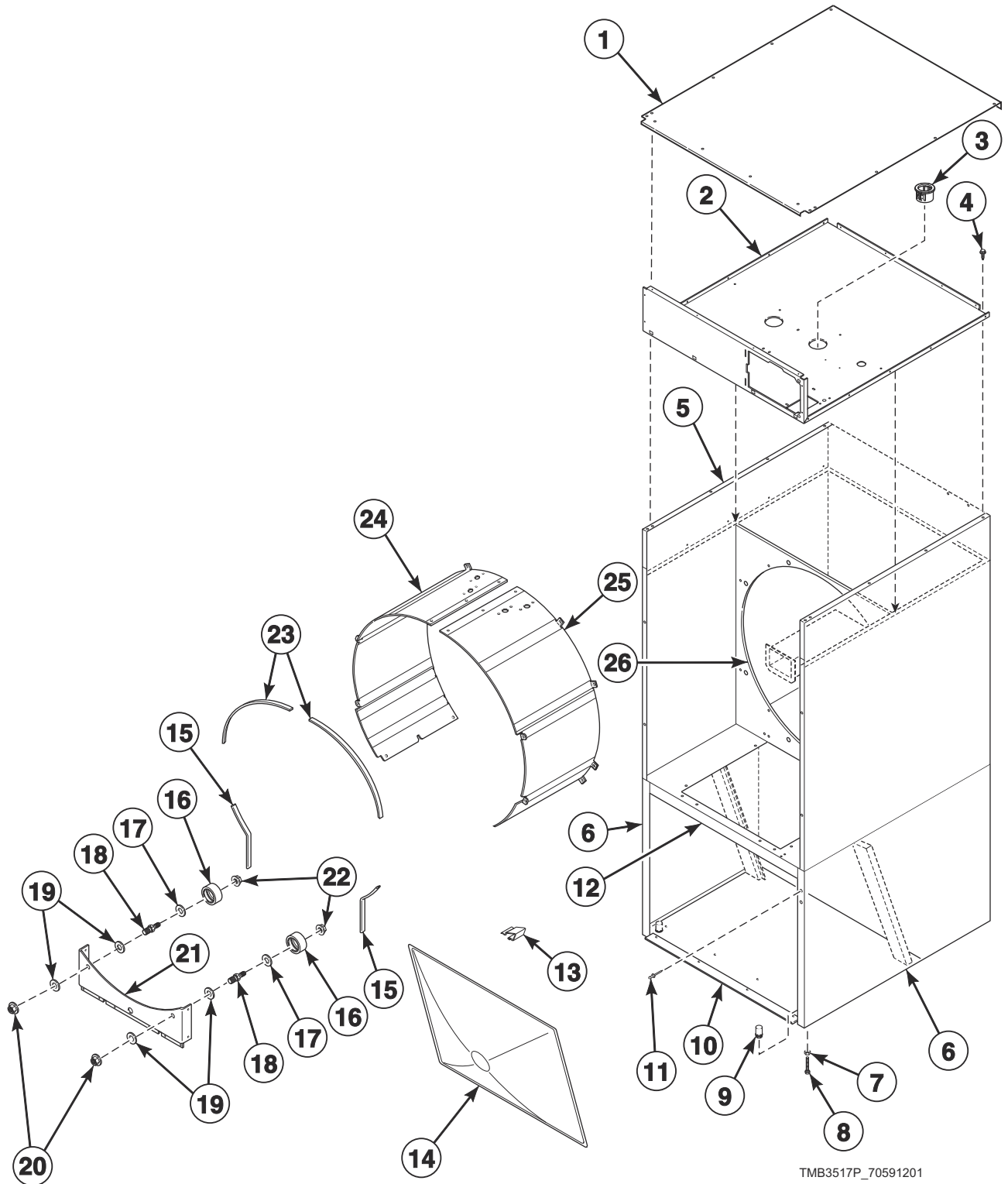


TMB3516P_70591201

Cylinder Components

REF	PART NO.	DESCRIPTION	COMMENTS
	70343101P	Drywall Screw Magnet Kit	
	430260P	Support Housing Bearing Assembly	Includes items 3, 4 and Loctite
1	70564901	Rear Panel	Gas models
	70564903	Rear Panel	Gas models; With fire suppression
	70564902	Rear Panel	Electric and steam models
	70564904	Rear Panel	Steam models; With fire suppression
2	70355001	Rear Bearing Shim	
3	70448701	Support Bearing	
4	70013901	Rear Cylinder Bearing Housing	
5	M400991	Washer	
6	M400034	Nut	
7	M400022	Nut	
8	M412986	Nut	4 required
9	70506401	Rear Cylinder Seal Support	
10	70013702	Rear Cylinder Seal	Use with 511637 Adhesive
11	430352	Cylinder Bearing Stud Plate Assembly	
12	263P4	Cylinder Guide Tool	
13	70066004	Center Cylinder Seal	

Cabinet Components



TMB3517P_70591201

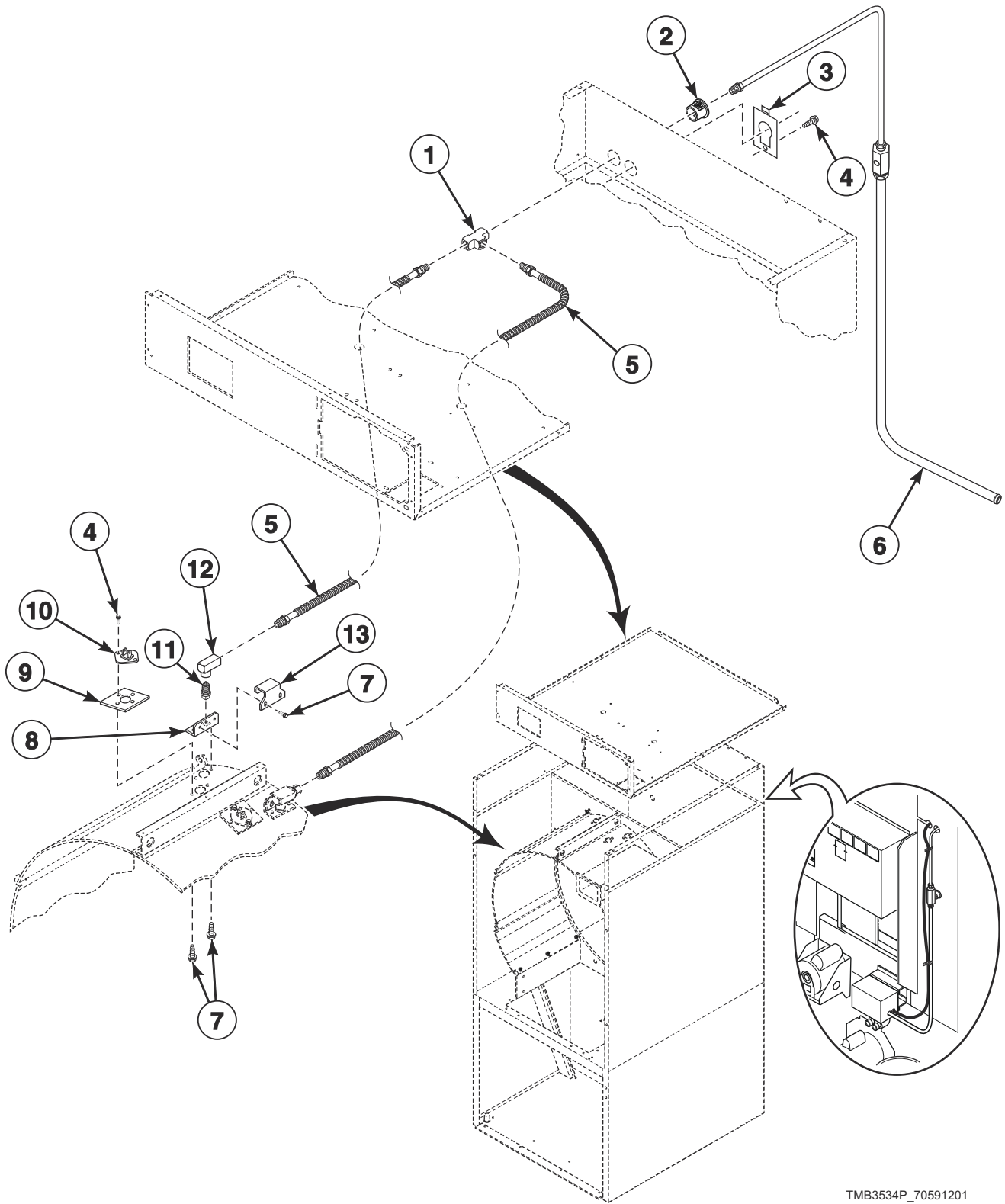
Cabinet Components

REF	PART NO.	DESCRIPTION	COMMENTS
	M4379P4	Tumbler Dolly Kit	
	298P4P	Spray Paint	White
	381P4	Spray Paint	Bisque
	122P4P	Porcelain Touch-Up Paint	White
	370P4P	Porcelain Touch-Up Paint	Bisque
1	70557501	Top Panel	
2	70555201	Top Pan	
3	70346501	Bushing	
4	430497	Screw	
5	70060102DG	Side Panel	Dark gray; P models; Upper
	70060102LG	Side Panel	Light gray; U models; Upper
	70060102*P	Side Panel	All models except P models; Upper
6	70253901DG	Side Panel	Dark gray; P models; Lower
	70253901LG	Side Panel	Light gray; U models; Lower
	70253901*P	Side Panel	All models except P models; Lower
7	21899	Nut	
8	70247701	Screw	
9	70063201	Hole Plug	
10	70326201	Lower Pan	
11	70058501	Pop Rivet	16 required; Upper side panel
12	70565101	Center Pan	
13	35865	Hold-Down Clip	
14	70325601	Lint Screen	
15	70015709	Sheet Metal Edge Gasket	Lower
16	70616701	Roller and Seal Kit	
17	70443601	Roller Seal	
18	70249501	Roller Shaft	
19	70261401	Washer	
20	M404993	Nut	
21	70328301	Roller Support Bracket	
22	430576	Nut	
23	70015710	Sheet Metal Edge Gasket	Upper
24	70427202	Cylinder Shroud	Left; With fire suppression
	70347402	Cylinder Shroud	Left
25	70427201	Cylinder Shroud	Right; With fire suppression
	70347401	Cylinder Shroud	Right
26	70252601	Center Partition	

* Add Letter To Designate Color. Q - Bisque W - White

Fire Suppression System Components

Gas and Steam Models



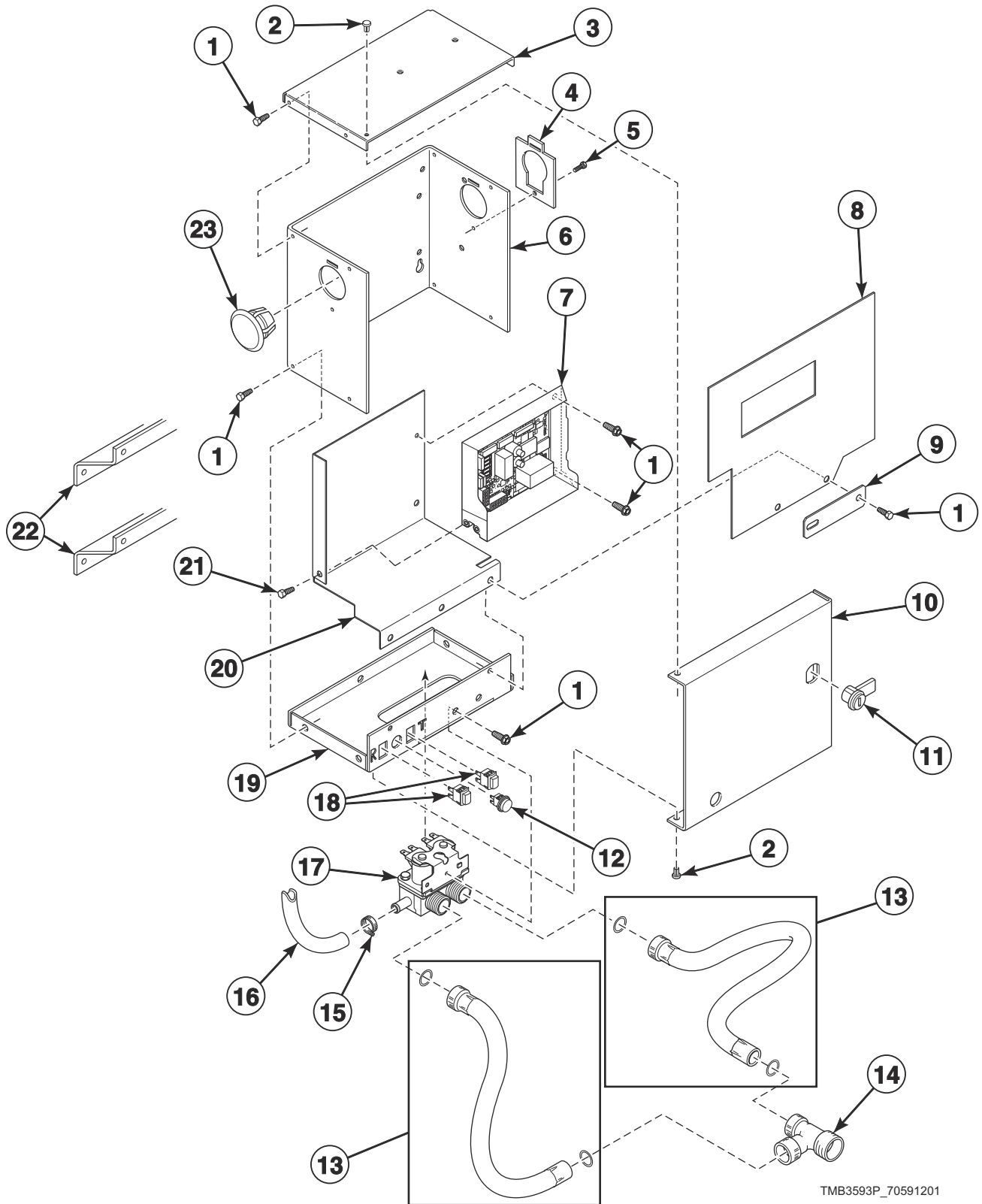
TMB3534P_70591201

Fire Suppression System Components

REF	PART NO.	DESCRIPTION	COMMENTS
1	70427901	Union Tee	
2	70178701	Snap Bushing	
3	70523301	Harness Adapter Plate	
4	51780	Screw	4 required
5	70427701	Spray Nozzle Hose	2 required
6	70427601	Tube Assembly	
7	430497	Screw	12 required
8	70424201	Nozzle Bracket	2 required
9	70424401	Thermistor Plate	2 required
10	44064701	Thermistor	2 required
11	70427801	Spray Nozzle	2 required
12	70428101	Elbow	2 required
13	70428601	Nozzle Bracket	2 required

Fire Suppression System Control Box

Gas and Steam Models

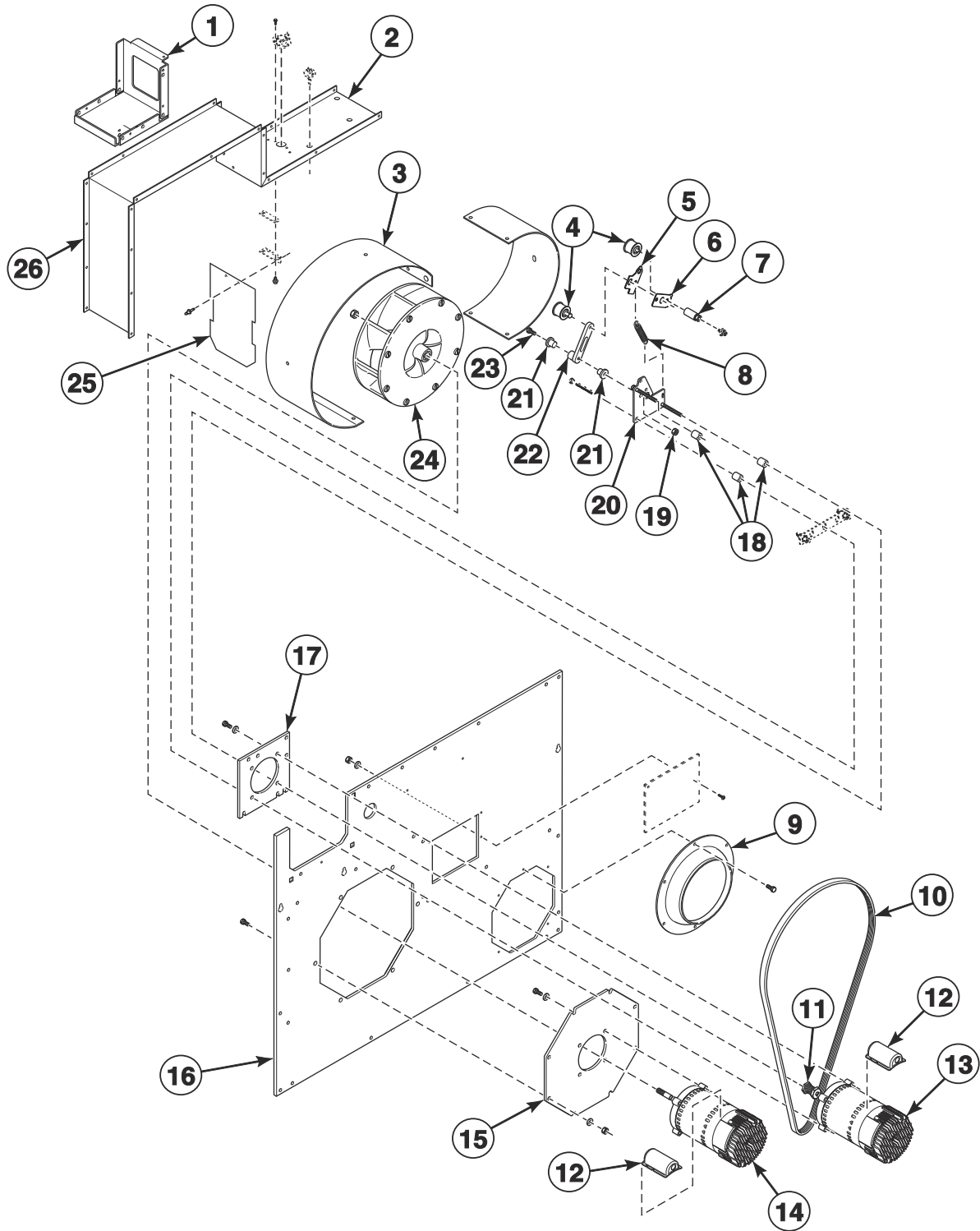


TMB3593P_70591201

Fire Suppression System Control Box

REF	PART NO.	DESCRIPTION	COMMENTS
	44340301	Cold Weather Kit	
	70155601	Key	RL001; Use with item 11
	44334404	Control Harness	
	44334405	Water Valve Harness	
	44334402	Power Sensor Harness	
	44334401	Interconnect Harness	
	44334406	Sensor Harness	
	44324501	Warning Label	F.S.S.; CSA models
	44324500	Label Kit	F.S.S.; IEC models
	F8614401	Shock Warning Label	CSA models
	F8614201	Shock Warning Label	IEC models
	44318200	Label Kit	IEC models
	44324502	Warning Label	
	44318201	Label	CSA models
1	430497	Screw	
2	M400713	Drive Rivet	
3	44307101	Control Box Top	
4	70523301	Harness Adapter Plate	
5	51780	Screw	
6	44306701	Control Box Housing	
7	70511601	Control	
8	44326801	Shield	
9	70551701	Filter Mounting Plate	
10	44065301	Control Box Base	
11	44089301P	Lock, Key and Nut Kit	RL001 key code; Optional if same key is to be used for control lock
12	801432	Light	
13	202799	Fill Hose	2 required
14	44069101	Hose Fitting	CSA models
15	36801	Hose Clamp	
16	44073304	Hose	14 inches; Outlet hose
17	70519801	Mixing Valve	
18	801434W	Push-to-Start Switch	2 required
19	44065301	Control Box Base	
20	44306601	Mixing Valve Shield Bracket	
21	804608	Screw	
22	70601401	Mounting Bracket	
23	70180001	Plug	

Motor Components

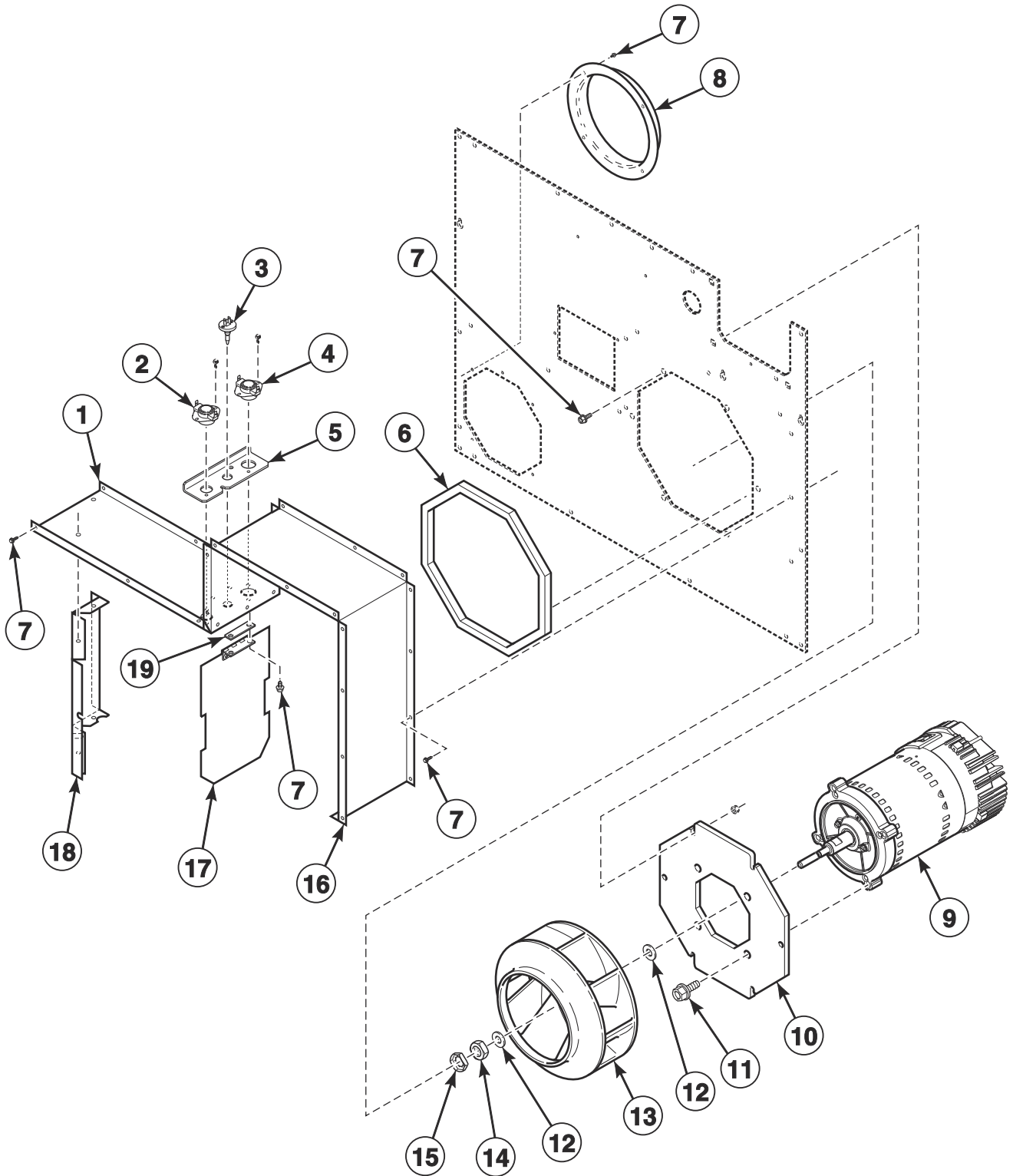


TMB3797P_70591201

Motor Components

REF	PART NO.	DESCRIPTION	COMMENTS
	44333202	Nut	Use with item 11
	70144101	Key	Use with idler shaft
	70554901	Limit Access Bracket	Use with idler shaft
	44335301	Inverter Motor Harness	Cylinder
	44335302	Inverter Motor Harness	Fan
	70608601	EMC Shield	Gas and steam Korean models
1	70564101	Motor Mount Bracket	
2	70554701	Blower Housing	Top
3	70016301	Blower Housing Scroll	
4	70050401P	Idler Wheel Assembly	
5	70569501	Tensioning Bracket	
6	70543401	Spring Catch Bracket	
7	70569603	Standoff	
8	70571801	Spring	
9	70017801	Exhaust Thimble	Classic models; 6 inch
	70478001	Exhaust Adapter	Eco models; 6 inch to 4 inch
10	70276205P	Belt	
11	70559101	Motor Pulley	
12	70521901	Motor Conduit Mounting Bracket	
13	70478601P	Drive Motor	.33 HP; 120, 230 Volt/1 Phase
	70485001P	Drive Motor	.33 HP; 380-460 Volt/3 Phase
14	70478701P	Fan Motor	.50 HP; 120, 230 Volt/1 Phase
	70484901P	Fan Motor	.50 HP; 380-460 Volt/3 Phase
15	70349601	Blower Motor Mounting Plate	
16	70493301	Lower Rear Assembly	
17	70564201	Motor Mount Plate	
18	70488403	Spacer	
19	44087301	Nut	
20	70571901	Drive Plate	
21	70542801	Bushing	
22	70543301	Pivot Arm Lever	
23	70501301	Screw	
24	70359801P	Blower Assembly	
25	70209501	Damper and Hinge Exhaust Assembly	
26	70215101	Blower Housing	

Blower and Exhaust Components

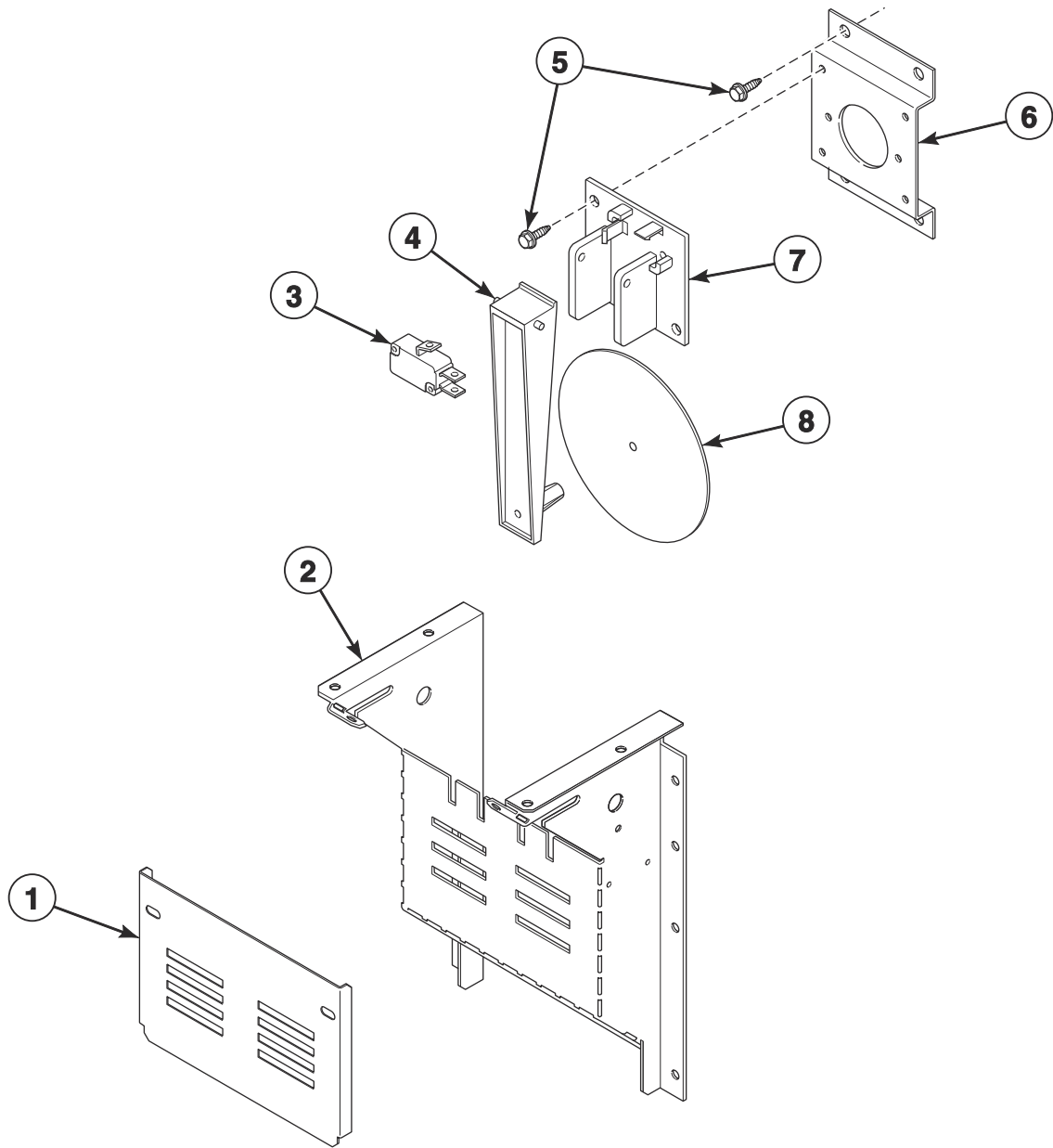


TMB3533P_70591201

Blower and Exhaust Components

REF	PART NO.	DESCRIPTION	COMMENTS
1	70554701	Blower Housing	Top
2	70530901	Limit Thermostat	Manual reset
3	M414704	Thermistor	
4	44328001	Limit Thermostat	Auto reset
5	70554901	Limit Access Bracket	
6	70392701P	Gasket	For blower housing opening
7	430497	Screw	
8	70014101	Blower Inlet Cone	
9	70478701P	Fan Motor	.50 HP; 120, 230 Volt/1 Phase
	70484901P	Fan Motor	.50 HP; 380-460 Volt/3 Phase
10	70349601	Blower Motor Mounting Plate	
11	70126101	Screw	
12	M400991	Washer	
13	70359801P	Blower Assembly	
14	M400022	Nut	
15	M400034	Nut	
16	70215101	Blower Housing	
17	70209501	Damper and Hinge Exhaust Assembly	
18	70020301	Blower Housing	Left
19	70220901	Damper Spacer	

Airflow Switch

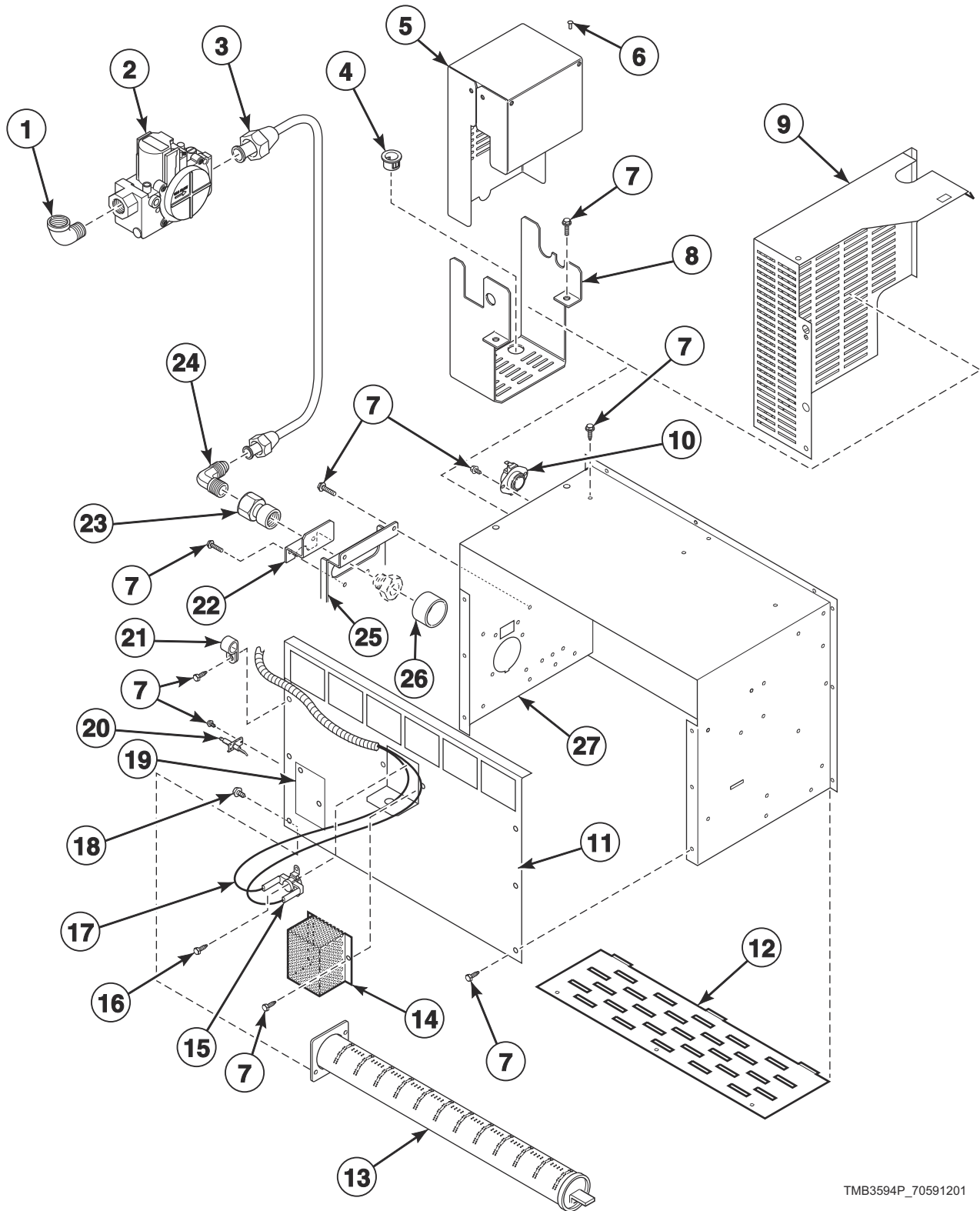


TMB3126P_70591201

Airflow Switch

REF	PART NO.	DESCRIPTION	COMMENTS
1	70356601	Airflow Switch Cover	Non-moisture sensing
	70465701	Airflow Switch Cover	Moisture sensing
2	70356101	Airflow Switch Wrapper	
3	70411901	Switch	
4	70319401	Airflow Switch Arm	
5	430497	Screw	
6	70356301	Switch Bracket	
7	70319602	Airflow Switch and Arm Bracket	
8	70319201	Airflow Switch Vane	

Gas Heater Components

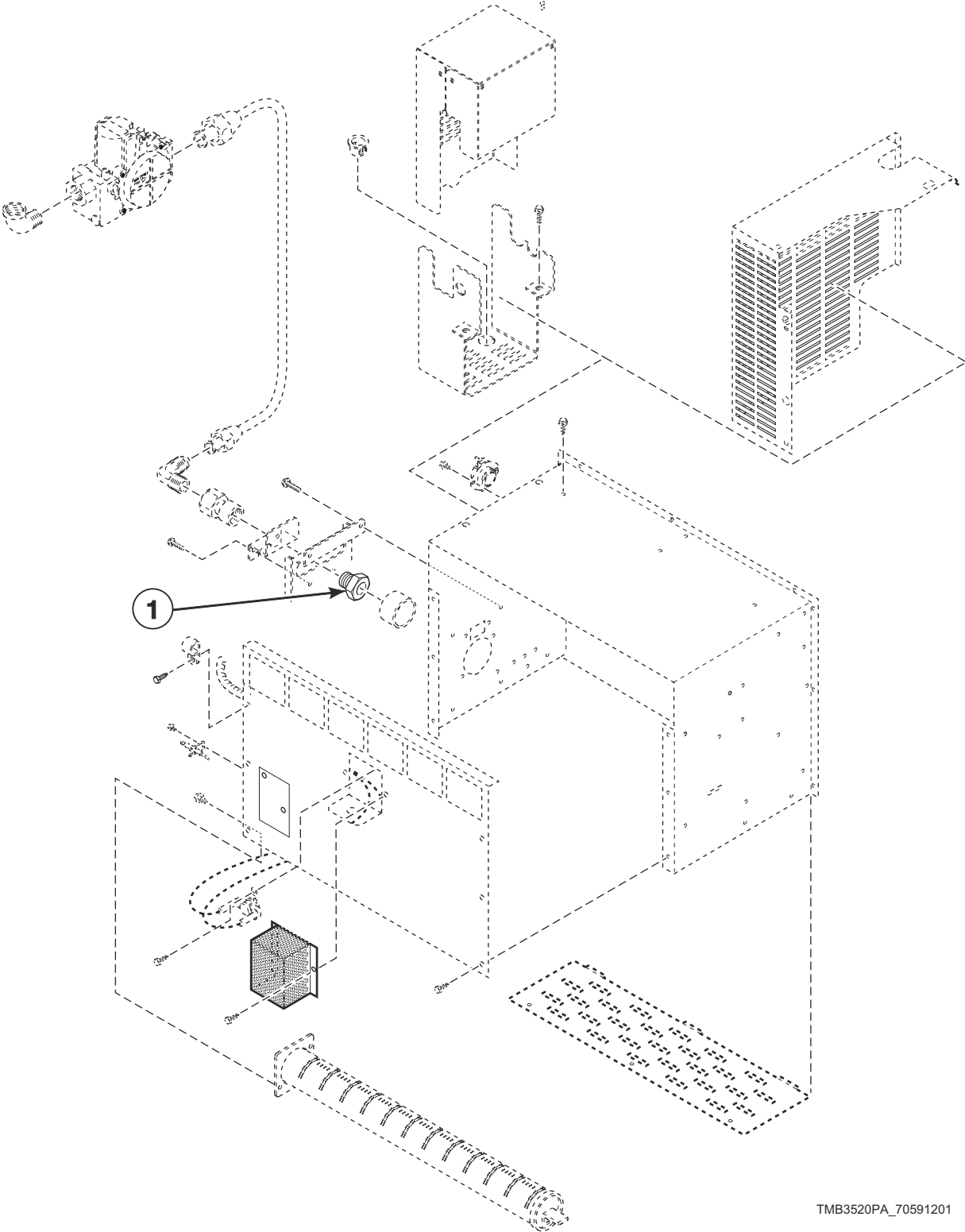


TMB3594P_70591201

Gas Heater Components

REF	PART NO.	DESCRIPTION	COMMENTS
	44273501	Gas Valve Harness	
	44239702	High Voltage Suppression Cable	
	70346801	Pipe Plug	
	70550201	L.P. Conversion Kit	CSA and AGA models; Natural Gas (N.G.); 0-2,000 feet
	70551901	L.P. Conversion Kit	IEC models; N.G.; 0-2,000 feet
	70609901	High Altitude Orifice Kit	CSA N.G. models
	70609902	High Altitude Orifice Kit	CSA Liquid Petroleum (L.P.) Gas models
	70131901	Adapter	IEC models; BPT/NPT
	70167601	Plug	IEC models
	70535901	Notice Label	Australian models; N.G.
	70544901	Notice Label	Australian models; L.P.
1	H86070034	Street Elbow	T market models
	F422304	Street Elbow	All other models
2	44154503	N.G. Valve	CSA models
	44154504	L.P. Valve	CSA models
	44154507	Gas Valve	IEC models; N.G.; 1/2 NPT
	44154508	Gas Valve	IEC models; L.P.; 1/2 NPT
3	70271201	Gas Line Assembly	
4	M400770	Snap Bushing	
5	70429901	Gas Valve Cover	
6	M405750	Pop Rivet	4 required
7	430497	Screw	10 required
8	70504101	Gas Valve Bracket	
9	70429901	Gas Valve Cover	IEC models
10	44328004	Limit Thermostat	Side
11	70371501	Stove Back	
12	70188801	Burner Grill	
13	70229801P	Gas Burner	
	70546701	Anti-Rattle Burner Assembly	Includes 70229801P Gas Burner, 431318 Control Door Latch and M400003 Pop Rivet
14	M414477	Thermostat Cover	
15	44328104	Limit Thermostat	Rear
16	M405188	Screw	2 required
17	70564301	Stove Limit Harness	
18	05161	Screw	
19	70159601	Igniter Cover	
20	70548701P	Spark Electrode	
21	70203701	Pipe Clip	
22	70539901	Ignition Keeper Orifice Bracket	
23	70379301	Orifice Adapter	
24	70208701	Elbow	2 required
25	70248901	Orifice Holder Bracket	
26	70239801	Primary Air Adjustment Sleeve	L.P. models
27	70333401	Stove Top and Sides	

Burner Orifices

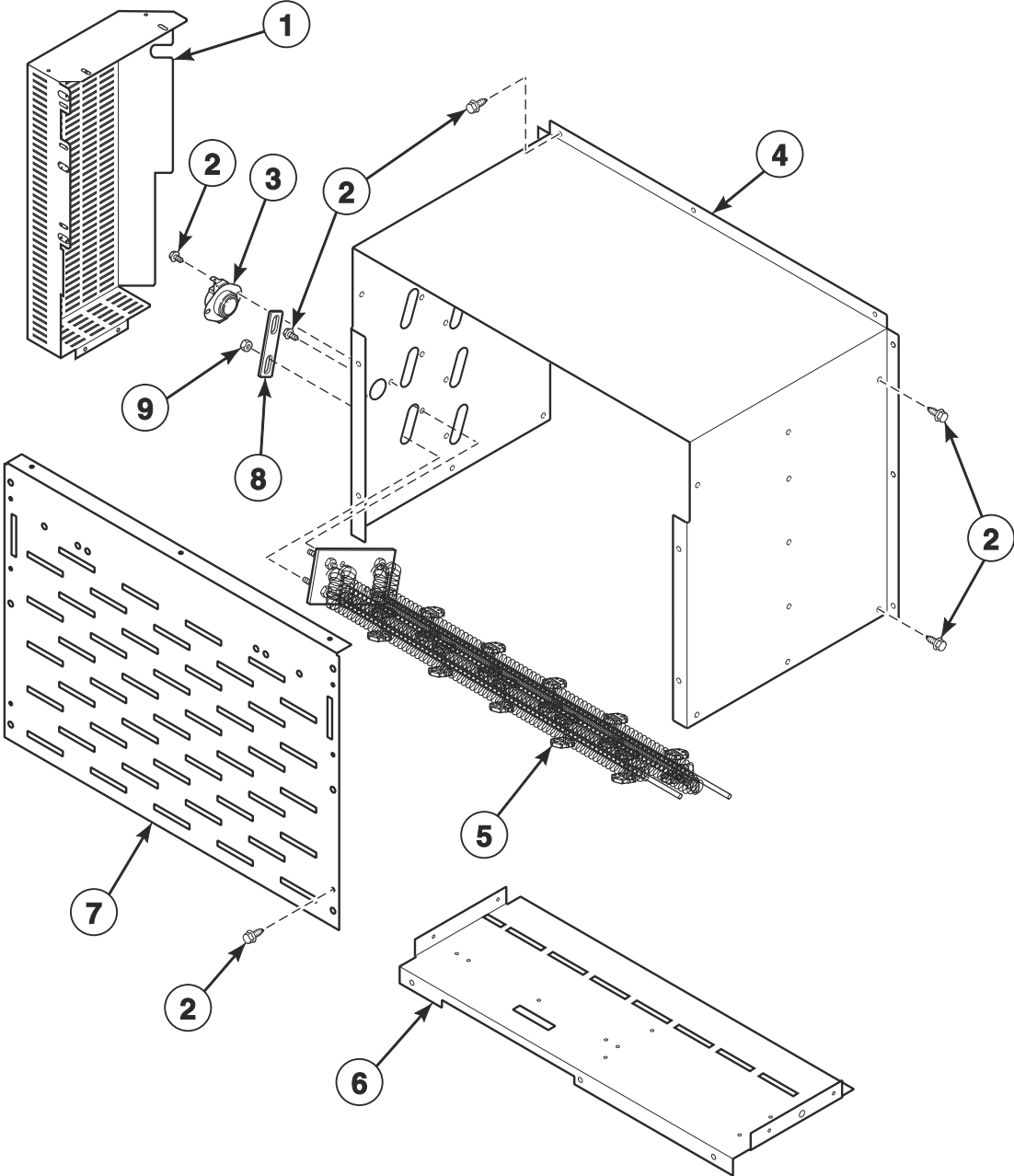


TMB3520PA_70591201

Burner Orifices

REF	PART NO.	DESCRIPTION	COMMENTS
1	70684138	Burner Orifice	Classic models; Natural Gas (N.G.); Drill no. 24 (3.86 mm); 0-2,000 feet
	70684135	Burner Orifice	Classic models; N.G.; Drill no. 27 (3.66 mm); 2,001-4,000 feet
	70684134	Burner Orifice	Classic models; N.G.; Drill no. 28 (3.57 mm); 4,001-6,000 feet
	70684132	Burner Orifice	Classic models; N.G.; Drill no. 29 (3.45 mm); 6,001-8,000 feet
	70684130	Burner Orifice	Classic models; N.G.; 3.3 mm; 8,001-10,000 feet
	70684113	Burner Orifice	Classic models with 2nd digit A, G, H, J, K, L and T; Liquid Petroleum Gas (L.P.); 2.30 mm; 0-2,000 feet
	70684110	Burner Orifice	Classic models with 2nd digit A, G, H, J, K, L and T; L.P.; Drill no. 44 (2.18 mm); 2,001-4,000 feet
	70684109	Burner Orifice	Classic models with 2nd digit A, G, H, J, K, L and T; L.P.; Drill no. 45 (2.08 mm); 4,001-6,000 feet
	70684108	Burner Orifice	Classic models with 2nd digit A, G, H, J, K, L and T; L.P.; Drill no. 46 (2.06 mm); 6,001-8,000 feet
	70684106	Burner Orifice	Classic models with 2nd digit A, G, H, J, K, L and T; L.P.; Drill no. 48 (1.93 mm); 8,001-10,000 feet
	70684108	Burner Orifice	CE classic models; L.P.; Drill no. 46 (2.06 mm); 0-2,000 feet
	70684106	Burner Orifice	CE classic models; L.P.; Drill no. 48 (1.93 mm); 2,001-6,000 feet
	70684105	Burner Orifice	CE classic models; L.P.; Drill no. 49 (1.85 mm); 6,001-8,000 feet
	70684104	Burner Orifice	CE classic models; L.P.; Drill no. 50 (1.78 mm); 8,001-10,000 feet
	70684108	Burner Orifice	Classic J market models; L.P.; Drill no. 46 (2.06 mm); 0-2,000 feet
	70684106	Burner Orifice	Classic J market models; L.P.; Drill no. 48 (1.93 mm); 2,001-6,000 feet
	70684105	Burner Orifice	Classic J market models; L.P.; Drill no. 49 (1.85 mm); 6,001-8,000 feet
	70684104	Burner Orifice	Classic J market models; L.P.; Drill no. 50 (1.78 mm); 8,001-10,000 feet
	70684134	Burner Orifice	Eco models; N.G.; Drill no. 28 (3.57 mm); 0-2,000 feet
	70684131	Burner Orifice	Eco models; N.G.; 3.40 mm; 2,001-4,000 feet
	70684130	Burner Orifice	Eco models; N.G.; 3.30 mm; 4,001-6,000 feet
	70684128	Burner Orifice	Eco models; N.G.; Drill no. 1/8 (3.18 mm); 6,001-8,000 feet
	70684126	Burner Orifice	Eco models; N.G.; Drill no. 31 (3.05 mm); 8,001-10,000 feet

Electric Heater Components

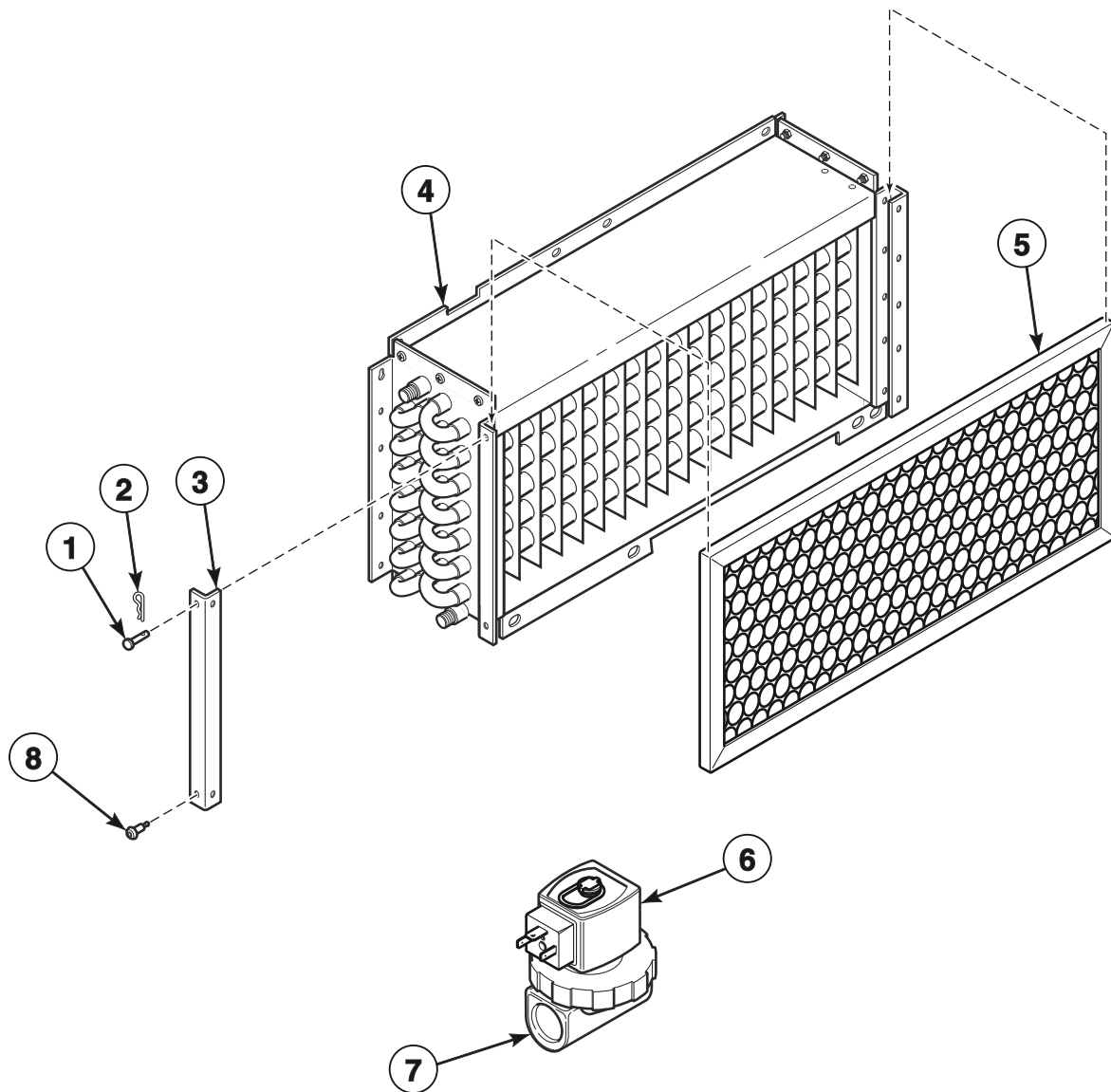


TMB3521P_70591201

Electric Heater Components

REF	PART NO.	DESCRIPTION	COMMENTS
	70564303	Stove Limit Harness	
	44281709	Jumper Harness	Use with 440-480 Volt
	44295412	Jumper Harness	Use with 380-415 Volt; 4 required
1	70365201	Stove Connectors Cover	
2	430497	Screw	
3	44328004	Limit Thermostat	
4	70525601	Stove Top and Sides	
5	70034414P	Heater Element	Classic models; 3 required; 4 kW; 220 Volt heater element for 380 and 440 Volt/3 Phase
	70034415P	Heater Element	Classic models; 3 required; 4 kW; 208 Volt heater element for 200-208 Volt/1 or 3 Phase
	70034416P	Heater Element	Classic models; 3 required; 4 kW; 240 Volt heater element for 230-240 Volt/1 or 3 Phase and 400-415 and 460-480 Volt/3 Phase
	70034413P	Heater Element	Eco models; 3 required; 3 kW; 220 Volt heater element for 380 and 440 Volt/3 Phase
	70034417	Heater Element	Eco models; 3 required; 3 kW; 240 Volt heater element for 400-415 Volt/50 Hertz or 240 and 460-480 Volt/60 Hertz
	70034418P	Heater Element	Eco models; 3 required; 3 kW; 208 Volt heater element for 200-208 Volt/3 Phase
6	70357201	Stove Partition	
7	70214901	Stove Grill	
8	70066501	Jumper Bar	2 required for 440-480 Volt
	M400869	Jumper Strip	3 required for 380-415 and 440-480 Volt; 6 required for 200-240 Volt
9	70054	Nut	

Steam Heater Components

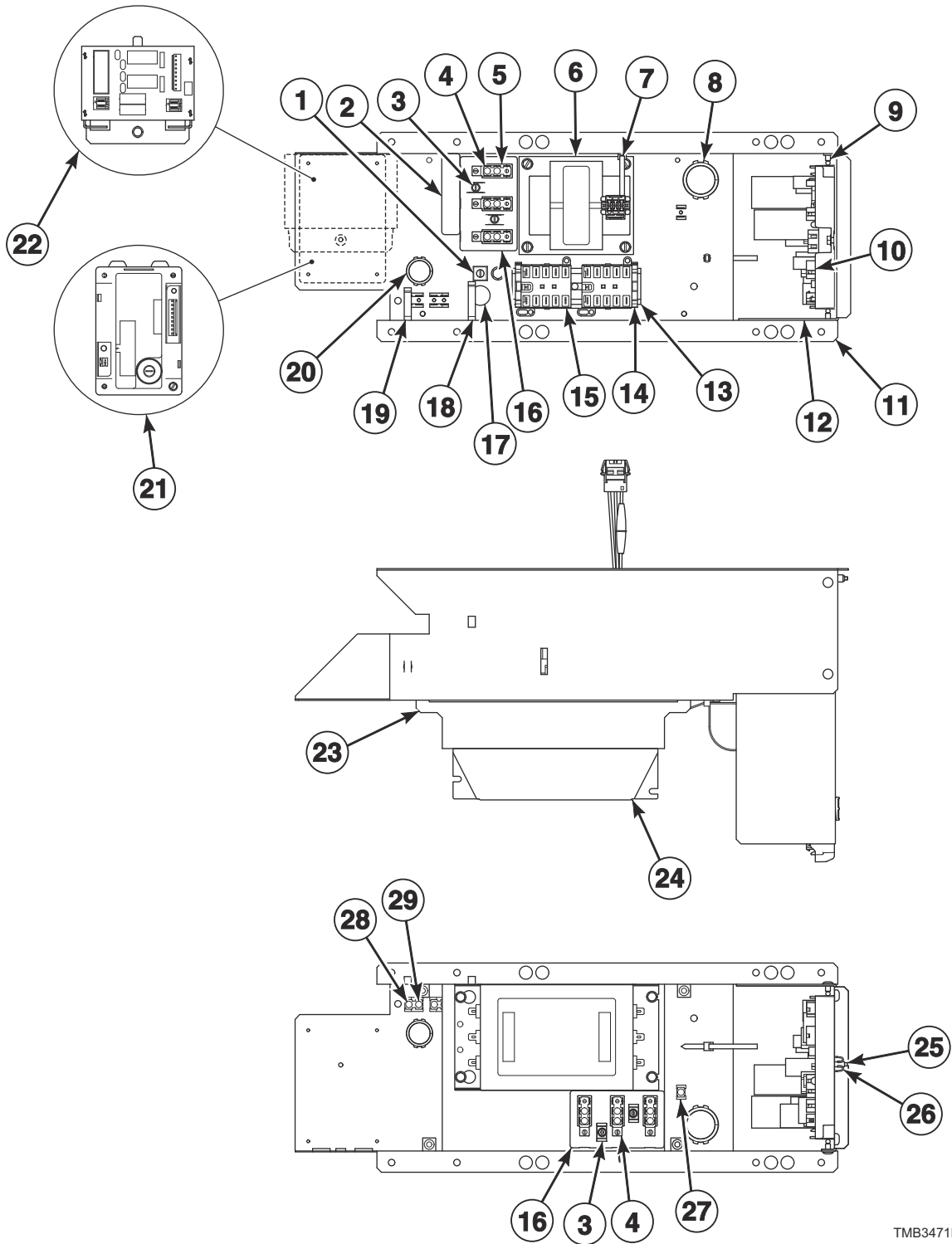


TMB3522P_70591201

Steam Heater Components

REF	PART NO.	DESCRIPTION	COMMENTS
	F8382301	DIN Valve Adapter Kit	Use with item 7
	70564302	Stove Limit Bypass Harness	
	F8520703	Steam Valve Harness	
	44304801	Strain Relief	
	70529601	Steam Adapter Kit	IEC models
1	70389201	Clevis Pin	
2	70389301	Hairpin Cotter	
3	70369301	Steam Filter Holder	
4	70369101P	Steam Coil	4 rows
5	70429401	Filter	IEC models
	70036001	Air Filter	CSA models
6	F8514701	Coil	120 Volt
	F8514601P	Coil	240 Volt
7	F8322904P	Steam Valve	120 Volt
	F8322906P	Valve	240 Volt
8	70058501	Pop Rivet	

Control Tray

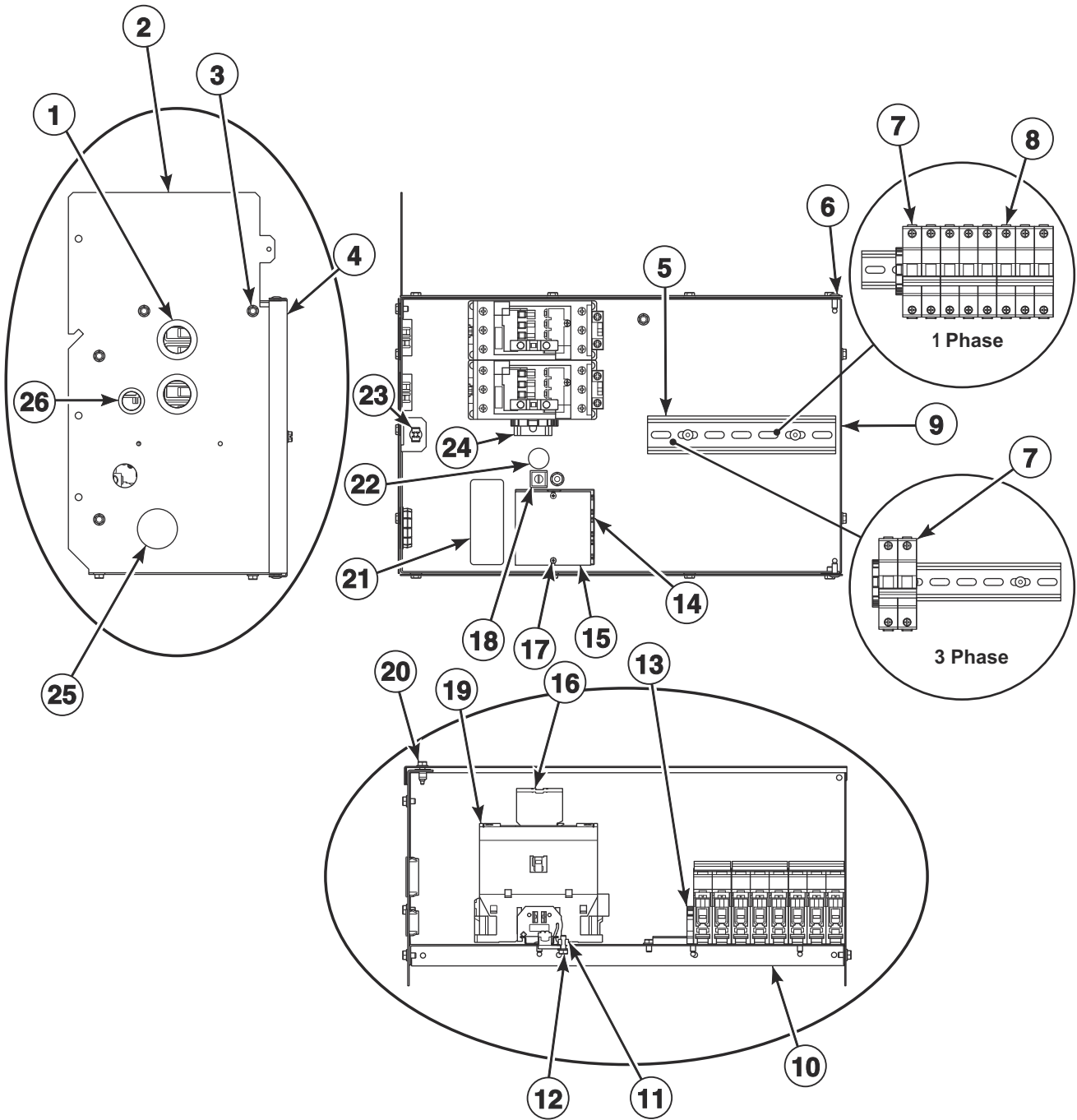


TMB3471P_70591201

Control Tray

REF	PART NO.	DESCRIPTION	COMMENTS
	685837	Screw	Use with item 1
	44088001	Nut	Use with item 1
	70507501	Control Tray Cover	
	70559301	Conversion Kit	X to B voltage
	44357401	EMI Filter Kit	CSA models; 100-240 Volt
	44357402	EMI Filter Kit	CSA models; 380-480 Volt
1	M411283	Ground Lug Connector	
2	44286803	Label	L1, L2, L3
	44286801	Label	L1, N
	44286802	Wire Label	L1 L2, L1 N
	44286804	Wire Label	L1 L2, L1 N, L1 L2 L3
3	51783	Screw	
4	430642	Terminal Block	
5	70333001	Terminal Block Shield	
6	F8491101	Transformer	380-480 Volt
7	70335601	Cable Tie	
8	70346501	Bushing	
9	70058501	Pop Rivet	
10	70479201P	I/O Control Assembly	
11	70492401	Control Tray	
12	70494901	Control Board Control Tray	
13	M412690	DIN Rail	
14	F8449801	End Stop	
15	70482601	Contactors	240 Volt or less: 1 required; 380 Volt or higher: 2 required
16	M413862	Insulator	
17	D516100	Label	
18	F8449501	Wire Clip	
19	F8449502	Wire Clip	
20	70178701	Snap Bushing	
21	70482002	Ignition Control	IEC gas models
	70482001	Ignition Control	CSA gas models
22	70501801	Steam Control Assembly	Steam models
23	70533101	Filter Bracket	
24	F8591601	EMI Filter	IEC models; 100-200 and 200-240 Volt/1 Phase
	F8637501	EMI Filter	IEC models; 380-480 Volt
25	F8206901	Screw	
26	70030501	Expansion Clip	
27	00621SG	Male Tab Terminal	
28	M400003	Pop Rivet	
29	00622SG	Terminal	

Accessory Box - Electric 200-240 Volt Models

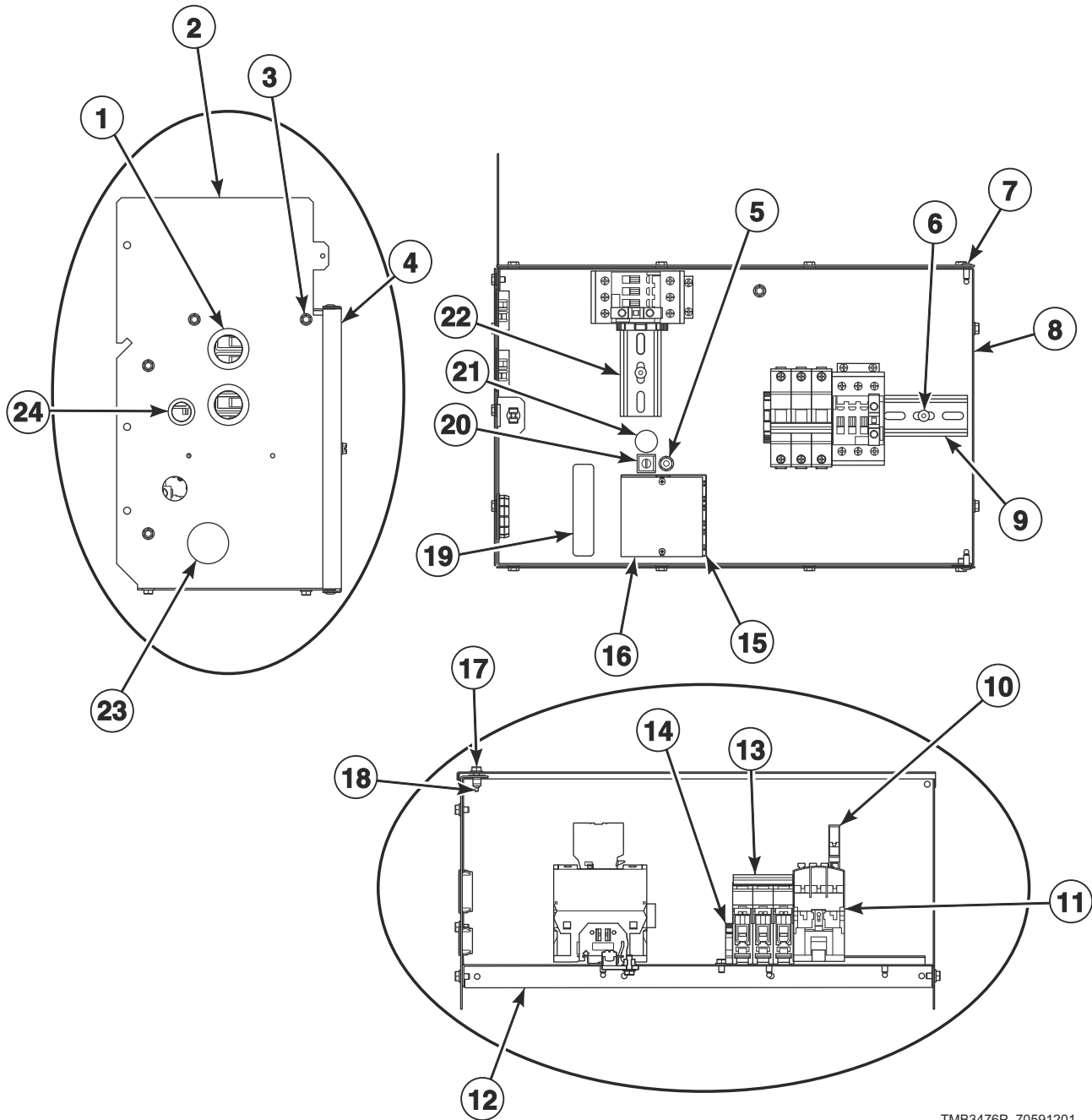


TMB3475P_70591201

Accessory Box - Electric 200-240 Volt Models

REF	PART NO.	DESCRIPTION	COMMENTS
	F8611600	Warning Label Kit	IEC models
	F8611601	Warning Label	
	44334307	Contactora Coil Harness	
	44309001	Harness	CSA models; Power distribution block to control circuit breaker
	44309011	Harness	IEC models; Power distribution block to control circuit breaker
	70516106	Harness	Contactora to element
	70516105	Harness	Contactora to element
	70516103	Harness	1 Phase; Power distribution block to circuit breaker/contactora
	70516104	Harness	Power distribution block to circuit breaker/contactora
	70516101	Harness	Power distribution block to circuit breaker/contactora
	70516102	Harness	1 Phase; Power distribution block to circuit breaker/contactora
1	M402542	Snap Bushing	2 required
2	70540601	Accessory Box Side	Left
3	51780	Screw	
4	70358401	Accessory Box Cover	
5	F8134001	DIN Rail	
6	70058502	Pop Rivet	
7	70488102	Circuit Breaker	25 amp
8	70488104	Circuit Breaker	2 required; 50 amp; 200-208 and 230-240 Volt/1 Phase
9	70540701	Accessory Box Side	Right
10	70540501	Accessory Box Back	
11	44088001	Nut	
12	685837	Screw	
13	F8449801	End Stop	2 required
14	M413865	Power Distribution Block	
15	44014901P	Power Distribution Block Cover	
16	44313201	Auxiliary Contact Block	2 required
17	39733	Screw	
18	M411283	Ground Lug Connector	
19	70482801	Contactora	2 required
20	F8206901	Screw	
21	44286802	Wire Label	1 Phase
	44286803	Label	3 Phase
22	D516100	Label	
23	70030501	Expansion Clip	
24	M412690	DIN Rail	
25	70180001	Plug	
26	M400770	Snap Bushing	

Accessory Box - Electric 380-480 Volt Models



TMB3476P_70591201

Accessory Box - Electric 380-480 Volt Models

REF	PART NO.	DESCRIPTION	COMMENTS
	F8611600	Warning Label Kit	IEC models
	F8611601	Warning Label	
	44334307	Contactora Coil Harness	
	44334302	Control Harness	3 Phase
	44309002	Harness	CSA models; Power distribution block to control circuit breaker
	44309012	Harness	IEC models; Power distribution block to control circuit breaker
	70516106	Harness	Contactora to element
	70516103	Harness	2 required; Power distribution block to circuit breaker/contactora
1	M402542	Snap Bushing	2 required
2	70540601	Accessory Box Side	Left
3	51780	Screw	
4	70358401	Accessory Box Cover	
5	685837	Screw	
	44088001	Nut	
6	70058501	Pop Rivet	
7	70058502	Pop Rivet	
8	70540701	Accessory Box Side	Right
9	F8134001	DIN Rail	
10	44313201	Auxiliary Contact Block	2 required
11	70482701	Contactora	2 required
12	70540501	Accessory Box Back	
13	70488101	Circuit Breaker	25 amp
14	F8449801	End Stop	2 required
15	M413865	Power Distribution Block	
16	44014901P	Power Distribution Block Cover	
17	F8206901	Screw	
18	70030501	Expansion Clip	
19	44286803	Label	
20	M411283	Ground Lug Connector	
21	D516100	Label	
22	M412690	DIN Rail	
23	70180001	Plug	
24	M400770	Snap Bushing	

Harnesses

PART NO.	DESCRIPTION	COMMENTS
44316007	Harness	IEC models; 1 Phase; Auxiliary power distribution block to filter harness
44316008	Harness	IEC models; 3 Phase; Auxiliary power distribution block to filter harness
44280007	Configuration Harness	100-120 Volt; Cylinder
44280006	Configuration Harness	100-120 Volt; Fan
44356402	Control Tray Harness Assembly	Electric models
44356401	Control Tray Harness Assembly	Gas models
44356407	Control Tray Harness Assembly	Steam models
44334702	Inverter Contactor Coil Harness	Secondary; 380-480 Volt
44316001	Harness	IEC models; 1 Phase; Main power distribution block to EMI filter harness
44316002	Harness	IEC models; 3 Phase; Main power distribution block to EMI filter harness
44280005	Configuration Harness	3 Phase
44280010	Motor Contactor Power Harness	IEC models; 1 Phase
44280012	Motor Contactor Power Harness	IEC models; 3 Phase
44280001	Motor Contactor Power Harness	CSA models; 1 Phase
44280003	Motor Contactor Power Harness	CSA models; 3 Phase
44280101	Power Harness	Control and emergency stop connection; 380-480 Volt
44272101	Power Harness	Control and emergency stop connection; 100-120 and 200-240 Volt
204454	Ferrite	Korean models; EMI; Motor circuit, inverter communication circuit

Labels

PART NO.	DESCRIPTION	COMMENTS
44324201	Caution Label	Australian models; Repeat Ignition Reset
70535101	Caution Label	Vent/install
F8614501	Danger Label	Shock; English/French
F8614301	Hot Surface Warning Label	English/French
F8609001	Hot Surface Warning Label	Icon
F8611601	Warning Label	
70535100	Label Kit	Vent/install
F8614500	Label Kit	Shock
70539601	Notice Label	
F8609501	Notice Label	
D516073	Notice Label	Read instructions; Icon
70538401	Pinch Warning Label	English/French
F8615701	Pinch Warning Label	Icon
F8614201	Shock Warning Label	Icon
70536301	Warning Label	Lint; Australian models
44324101	Warning Label	Fire; Australian models
70534305	Warning Label	Fire; Colombian Spanish; Australian models
44321601	Warning Label	Risk of fire; Icon

Parts Index

A

Accessory Box Back 70540501	81, 83
Accessory Box Cover 70358401	81, 83
Accessory Box Side 70540601	81, 83
70540701	81, 83
Adapter 70131901	71
Air Filter 70036001	77
Airflow Switch and Arm Bracket 70319602	69
Airflow Switch Arm 70319401	69
Airflow Switch Cover 70356601	69
70465701	69
Airflow Switch Vane 70319201	69
Airflow Switch Wrapper 70356101	69
Anti-Rattle Burner Assembly 70546701	71
Auxiliary Contact Block 44313201	81, 83

B

Belt 70276205P	65
Blind Rivet F8245101	49, 51
Blower Assembly 70359801P	65, 67
Blower Housing 70020301	67
70215101	65, 67
70554701	65, 67
Blower Housing Scroll 70016301	65
Blower Inlet Cone 70014101	67
Blower Motor Mounting Plate 70349601	65, 67
Burner Grill 70188801	71
Burner Orifice 70684104	73
70684105	73
70684106	73
70684108	73
70684109	73
70684110	73
70684113	73
70684126	73
70684128	73

70684130	73
70684131	73
70684132	73
70684134	73
70684135	73
70684138	73
Bushing 70346501	59, 79
70542801	65
Bypass Harness 44334103	45

C

Cable Tie 70335601	79
Caution Label 44324201	85
70535101	85
Center Cylinder Seal 70066004	57
Center Pan 70565101	59
Center Partition 70252601	59
Central Pay Board Harness 44355604	31
Central Pay Control Assembly 204779	31
Central Pay Harness 44342801	17
44355601	31
44355605	31
Central Pay Kit 70612701	31
70612703	31
Circuit Breaker 70488101	83
70488102	81
70488105	81
Clevis Pin 70389201	77
Coil F8514601P	77
F8514701	77
Coin Box F160673P	45
Coin Chute Assembly 70296401	45
Coin Drop 38963P	27
39748	27
70441601	27
70441603	27
Coin Drop Assembly 201141	27
210195	27
210196	27
38462P	27
38463	27
38467	27

N/A items do not appear in index.

38519	27	Control Panel	
70281102	27	70121501*	41
70283102	27	70121505*	41
70441602	27	70121508	41
70447301	27	70121509	41
70471601	27	70121514DG	41
70482401	27	70273305*	41
70506901	27	70273308B	41
Coin Drop Kit		70273313	41
CK077	27	70273315LG	41
CK122	29	Control Plate	
Coin Identification Paper		70497101	15, 23
38464P	27	Control Plate and Studs Assembly	
38475	27	70496601	17, 19
38725	27	Control Plate Assembly	
Coin Meter		70497201	17, 19
F0160737-00	27	Control Tray	
Coin Vault and Emergency Stop Mount Assembly		70492401	79
70529502	45	Control Tray Cover	
Coin Vault Assembly		70507501	79
70529501	45	Control Tray Harness Assembly	
Coin Vault Switch Harness		44356401	84
44334101	45	44356402	84
Cold Weather Kit		44356407	84
44340301	63	Control Trim	
Configuration Harness		44016401	45
44280005	84	70529401	45
44280006	84	Conversion Kit	
44280007	84	70559301	79
Contact Base		Cylinder and Trunnion Assembly	
F8538101	47	70443701	53
Contact Switch		70443702	53
F8069501	47	Cylinder Assembly	
Contactactor		70372801P	53
70482601	79	70372802P	53
70482701	83	Cylinder Bearing Stud Plate Assembly	
70482801	81	430352	57
Contactactor Coil Harness		Cylinder Guide Tool	
44334307	81, 83	263P4	57
Control		Cylinder Rib Assembly	
70511601	63	70433003	53
Control Assembly		Cylinder Shroud	
70478801P	17, 19	70347401	59
70478802	23	70347402	59
70478901	19	70427201	59
70478902	23	70427202	59
70479801	15		
70479901	15		
70523001	19		
70523002	23		
70523101	15		
70543104	25		
Control Board Control Tray			
70494901	79		
Control Box Base			
44065301	63		
Control Box Housing			
44306701	63		
Control Box Top			
44307101	63		
Control Door and Studs Assembly			
70570201	25		
Control Harness			
44334302	83		
44334404	63		

D

Damper and Hinge Exhaust Assembly	
70209501	65, 67
Damper Spacer	
70220901	67
Danger Label	
F8614501	85
DIN Rail	
F8134001	81, 83
M412690	79, 81, 83
DIN Valve Adapter Kit	
F8382301	77
Door Assembly	
44058005	33
44058006	33
44058007	33

N/A items do not appear in index.

44058008	33
44287801B	33
44287801LGP	33
70212300	33
70212301	33
70212302P	33
70496501	33
70496502P	33
Door Catch Assembly	
D510177	51
Door Catch Kit	
70482901	45
Door Glass	
M400784P	35
70133601P	35
70133602	35
Door Glass Installation Tool	
M4221P4	35
Door Glass Label	
70650401	35
70707701	35
Door Glass Seal Kit	
70211901P	35
Door Handle	
44007902P	35
44263801	35
70521101	35
Door Handle Wedge	
D510129W	51
Door Hinge	
70116003*	37
70116005B	37
70116005LG	37
70116006	37
Door Hinge Lug Assembly	
44035001	37, 51
44035002	37
Door Latch	
M401223	45
Door Pull and WEdge Kit	
D511213P	51
Door Pull and Wedge Kit	
D510103*P	51
Door Ring and Handle Assembly	
70543907B	35
70543907LG	35
Door Ring Assembly	
70543901	35
70543902	35
70543904B	35
70543905	35
70543906	35
Door Ring Gasket	
70296801	35
Door Strike	
D510181	51
Door Switch Actuator	
70532101	37
70532102	37
Drive Motor	
70478601P	65
70485001P	65
Drive Plate	
70571901	65

Drive Rivet	
M400713	63
Drywall Screw Magnet Kit	
70343101P	53, 57

E

Elbow	
70208701	71
70428101	61
Electronic Coin Drop Assembly	
70294107	27
70513302	27
70513303	27
70513304	27
70513306	27
70513308	27
70513309	27
70513310	27
70513311	27
70513312	27
70513313	27
70513314	27
70513315	27
70513316	27
Electronic Coin Drop Kit	
CK099	29
CK100	29
CK101	29
CK108	29
CK109	29
CK110	29
CK113	29
CK115	29
CK116	29
CK117	29
CK118	29
CK119	29
CK120	29
CK121	29
EMC Shield	
70608601	65
Emergency Stop Button Kit	
70580301	47
Emergency Stop Bypass Harness	
F8519403	47
Emergency Stop Harness	
44272401	47
Emergency Stop Label	
44012901	47
44012903	47
Emergency Stop Mounting Bracket	
70550401	47
Emergency Stop Pushbutton	
F200233500	47
EMI Filter	
F8591601	79
F8637501	79
EMI Filter Kit	
44357401	79
44357402	79
End Cap	
70070101	53
70070102	53

N/A items do not appear in index.

End Stop	
F8449801	79, 81, 83
Ethernet Gateway Kit	
Nk320	31
Exhaust Adapter	
70478001	65
Exhaust Thimble	
70017801	65
Expansion Clip	
70030501	17, 19, 31, 45, 79, 81, 83

F

False Front	
70000501*P	39
70000503DG	39
70000503LG	39
70000504	39
70024203DG	39
70024203LG	39
70024204	39
False Front Assembly	
70024201*P	39
Fan Motor	
70478701P	65, 67
70484901P	65, 67
FCC-IC Label	
F8613201	31
Ferrite	
204454	84
Fill Hose	
202799	63
Filter	
70429401	77
Filter Bracket	
70533101	79
Filter Mounting Plate	
70551701	63
Front Panel	
70524105*	43
70524106	43
70524115DG	43
70524115LG	43
70601701	43
70602001*	43
70602101*	43
70602201*	43
70602301*	43
70602701*	43
70602801LG	43
Front Panel Assembly	
44115902	43
70576002DG	43
70601501	43
70601601	43
706019017	43
70602501DG	43
70602801DG	43
Front Panel Seal	
70173401P	43

G

Gas Burner	
70229801P	71
Gas Line Assembly	
70271201	71
Gas Valve	
44154507	71
44154508	71
Gas Valve Bracket	
70504101	71
Gas Valve Cover	
70429901	71
Gas Valve Harness	
44273501	71
Gasket	
70247601	51
70289101P	49
70392701P	67
Gateway	
204145P	31
Ground Lug Connector	
M411283	79, 81, 83

H

Hairpin Cotter	
70389301	77
Handle and Caps Assembly	
70154401	49
70154413	49
Handle Bumper	
70407207	49
Harness	
F8617901	25
44309001	81
44309002	83
44309011	81
44309012	83
44316001	84
44316002	84
44316007	84
44316008	84
70516101	81
70516102	81
70516103	81, 83
70516104	81
70516105	81
70516106	81, 83
Harness Adapter Plate	
70523301	61, 63
Harness Mounting Plate	
70307007	31
Heater Element	
70034413P	75
70034414P	75
70034415P	75
70034416P	75
70034417	75
70034418P	75
High Altitude Orifice Kit	
70609901	71
70609902	71

N/A items do not appear in index.

High Voltage Suppression Cable	
44239702	71
Hinge Cam Kit	
M4772P3	37, 51
M4773P3	37
Hinged Door	
70267701*	51
70267703	51
Hold-Down Clip	
35865	59
Hole Plug	
70063201	59
Hose	
44073304	63
Hose Clamp	
36801	63
Hose Fitting	
44069101	63
Hot Surface Warning Label	
F8609001	85
F8614301	85

I

Idler Wheel Assembly	
70050401P	65
Igniter Cover	
70159601	71
Ignition Control	
70482001	79
70482002	79
Ignition Keeper Orifice Bracket	
70539901	71
Insulator	
M413862	79
Interconnect Harness	
44334401	63
Inverter Contactor Coil Harness	
44334702	84
Inverter Motor Harness	
44335301	65
I/O Control Assembly	
70479201P	79

J

Jumper Bar	
70066501	75
Jumper Harness	
D511476	45
442295412	75
44281709	75
Jumper Strip	
M400869	75

K

Key	
70144101	65
70155601	45, 63
70155602	45

Kickplate	
70117601	49
70117616	49

L

Label	
D516100	79, 81, 83
44108201	43
44190901	43
44286801	79
44286803	79, 81, 83
44318201	63
70472801	43
Label Kit	
F8614500	85
44318200	63
44324500	63
70534300	43
70535100	85
Light	
801432	63
Limit Access Bracket	
70554901	65, 67
Limit Thermostat	
44328001	67
44328004	71, 75
44328104	71
70530901	67
Lint Panel	
70515401*	49
70515402	49
70515403LG	49
70515404DG	49
70515405	49
Lint Panel Pivot Plate	
70017901	49
Lint Screen	
70325601	59
Lock Shim	
70342401	45
Lock, Key and Nut Kit	
44089301P	45, 63
44089302P	45
Lower Pan	
70326201	59
Lower Rear Assembly	
70493301	65
L.P. Conversion Kit	
70550201	71
70551901	71
L.P. Valve	
44154504	71

M

Machine ID Control Assembly	
203361P	17, 19, 23, 25
Magnet	
70343101	49, 51
Magnet Bracket	
44290501	49

N/A items do not appear in index.

Male Tab Terminal 00621SG	79
Max Fill Line Label 70707501	35
Mixing Valve 70519801	63
Mixing Valve Shield Bracket 44306601	63
Moisture Sensor Harness 44333903	55
Motor Conduit Mounting Bracket 70521901	65
Motor Contactor Power Harness 44280001	84
44280003	84
44280010	84
44280012	84
Motor Mount Bracket 70564101	65
Motor Mount Plate 70564201	65
Motor Pulley 70559101	65
Mounting Bracket 70601401	63
70604001	31
Mounting Plate 70208801	17, 19

N

Nameplate B12389801	45
F8443105	45
567887	45
Nameplate Overlay 44104501	45
70115601	45
Notice Label D516073	85
F8609501	85
70535901	71
70539601	85
70544901	71
Nozzle Bracket 70424201	61
70428601	61
Nut M400022	55, 57, 67
M400034	57, 67
M404993	59
M412986	57
M414215	35
21899	59
23951	49
430576	59
44071201	25
44087201	53
44087301	65
44088001	35, 37, 79, 81, 83
44088801	45
44333202	65
51236	49
70054	75

N.G. Valve 44154503	71
------------------------------	----

O

Opto Coupler 200674P	27
Orifice Adapter 70379301	71
Orifice Holder Bracket 70248901	71
Overlay F8205101	17, 19
70295101	19
70512004	21
70512005	21
70512006	21
70512007	21
70512008	21
70516801	15
70516802	15
70517001	21
70517002	21
70517003	21
70517004	21
70517005	21
70517801	15
70517802	15
7051801	17
7051802	17
70518101	19
70518102	19
70518201	21
70518202	21
70518203	21
70519001	15
70519002	15
70539101	15
70539102	15
70541201	21
70541202	21
70541203	21
70544701	17
70544702	17
70544703	17
70545501	15
70545502	15
70548801	23
70548802	23
70556201	19
70556301	19
70556401	19
70556402	19
70556501	17, 19
70556502	17, 19
70556601	19
70556701	19
70556801	19
70556901	19
70557001	17, 19
70557002	17, 19
70559001	21
70570301	17
70570302	17
70570303	17
70570601	23
70570602	23

N/A items do not appear in index.

70570801	23
70570802	23
70571001	21
70571002	21
70571003	21
70571101	21
70571102	21
70571103	21
70571401	23
70571402	23
70571601	23
70571602	23
70595401	25
70626301	21
70626302	21
70626303	21

P

Panel	
70557301*	51
70557401*	51
Panel Locator	
56079	45, 49
Panel Lock	
44089304	45
44089305	45
Pin	
70071401	37, 51
Pinch Warning Label	
F8615701	85
70538401	85
Pipe Clip	
70203701	71
Pipe Plug	
70346801	71
Pivot Arm Lever	
70543301	65
Plug	
70167601	71
70180001	63, 81, 83
Pop Rivet	
M400003	79
M405750	71
44166601	45
70058501	37, 49, 51, 59, 77, 79, 83
70058502	81, 83
70126301	49
70126401	49
Porcelain Touch-Up Paint	
122P4P	59
370P4P	59
Power Distribution Block	
M413865	81, 83
Power Distribution Block Cover	
44014901P	81, 83
Power Harness	
44272101	84
44280101	84
Power Sensor Harness	
44334402	63
Primary Air Adjustment Sleeve	
70239801	71

Pushbutton Switch	
70413301	15, 17, 19, 23, 45
Push-to-Start Switch	
801434W	63

R

Rear Bearing Shim	
70355001	57
Rear Cylinder Bearing Housing	
70013901	57
Rear Cylinder Channel	
70257301	53
70257302	53
Rear Cylinder Channel Plate	
70257401	53
Rear Cylinder Seal	
70013702	57
Rear Cylinder Seal Support	
70506401	57
Rear Lint Panel	
70565301	49
Rear Panel	
70564901	57
70564902	57
70564903	57
70564904	57
Reed Switch Assembly	
F8066804	49
Roller and Seal Kit	
70616701	59
Roller Catch Arm	
70030301	49
Roller Catch Spacer	
70030201	49
Roller Catch Wheel	
70297601	49
Roller Seal	
70443601	59
Roller Shaft	
70249501	59
Roller Support Bracket	
70328301	59

S

Screw	
F8206901	31, 79, 81, 83
M400044	37
M400661	35
M405188	39, 71
M411072	17, 19, 45
05161	71
33562	25
39733	45, 49, 81
430497	49, 53, 59, 61, 63, 67, 69, 71, 75
430757	49
51780	31, 61, 63, 81, 83
51783	79
62588	53
685837	79, 81, 83
70033502	37, 51
70072801	49

N/A items do not appear in index.

70126101	67
70132301	49
70247701	59
70391101	53
70407301	37
70436301	37
70442101	35, 51
70501301	65
70576101	37
804608	15, 17, 19, 23, 25, 63
Sensor Harness	
44334406	63
Sheet Metal Edge Gasket	
70015709	59
70015710	59
Shield	
44326801	63
Shock Warning Label	
F8614201	63, 85
F8614401	63
Side Panel	
70060102DG	59
70060102LG	59
70060102*P	51, 59
70253901DG	59
70253901LG	59
70253901*P	59
Slip Ring Assembly	
44222702	55
Slip Ring Holder	
70455401	55
Slot Card Plate Assembly	
44089501	17, 19
Snap Bushing	
M400770	71, 81, 83
M402542	81, 83
70178701	61, 79
Spacer	
70488403	65
Spark Electrode	
70548701P	71
Spray Nozzle	
70427801	61
Spray Nozzle Hose	
70427701	61
Spray Paint	
298P4P	59
381P4	59
Spring	
70571801	65
Spring Catch Bracket	
70543401	65
Standoff	
70569603	65
Steam Adapter Kit	
70529601	77
Steam Coil	
70369101P	77
Steam Control Assembly	
70501801	79
Steam Filter Holder	
70369301	77
Steam Valve	
F8322904P	77

Steam Valve Harness	
F8520703	77
Stove Back	
70371501	71
Stove Connectors Cover	
70365201	75
Stove Grill	
70214901	75
Stove Limit Bypass Harness	
70564302	77
Stove Limit Harness	
70564301	71
70564303	75
Stove Partition	
70357201	75
Stove Top and Sides	
70333401	71
7052601	75
Strain Relief	
44304801	77
Street Elbow	
F422304	71
H86070034	71
Support Bearing	
70448701	57
Support Bracket Assembly	
70283801	51
Support Housing Bearing Assembly	
430260P	57
Switch	
70411901	69
Switch Assembly	
70413401	51
Switch Bracket	
70356301	69
70508501	49, 51
Switch Hole Plug	
44057801B	45
44057801LG	45
44057801Q	45
44057801W	45

T	
Tensioning Bracket	
70569501	65
Terminal	
00622SG	79
Terminal Block	
430642	79
Terminal Block Shield	
70333001	79
Thermistor	
M414704	67
44064701	61
Thermistor Plate	
70424401	61
Thermostat Cover	
M414477	71
Top Pan	
70555201	59
Top Panel	
70557501	59

N/A items do not appear in index.

Transformer	
F8491101	79
202757	31
202758	31
Transformer Harness	
44272301	31
44272302	31
Trunnion and Seal Kit	
70564801	53
70564802	53
Tube Assembly	
70427601	61
Tumbler Dolly Kit	
M4379P4	59

Wire Label	
44286802	79, 81
44286804	79
Wireless Control Label	
204692	31
Wireless Network Board Harness	
F8536002	31
Wireless Network Control Assembly	
203532	31
807211	31
Wireless Network Harness	
F8674006	31
Wireless Network Kit	
70596301	31
70609701	31

U

Union Tee	
70427901	61
USB Bracket	
70547001	25
USB Gateway Kit	
Nk330	31
USB IR Interface Kit	
203346	31
USB-Serial Interface Assembly	
203440	25

V

Valve	
F8322906P	77
Vend Activation Harness	
44334004	15, 17, 19, 23

W

Warning Label	
F8611601	81, 83, 85
44321601	85
44324101	85
44324501	63
44324502	63
70534301	43
70534302	43
70534305	85
70536301	85
Warning Label Kit	
F8611600	81, 83
Washer	
M400991	57, 67
70261401	59
70411301	53
Water Valve Harness	
44334405	63
Wire Clip	
F8449501	79
F8449502	79
Wire Guard	
201595P	27

N/A items do not appear in index.

