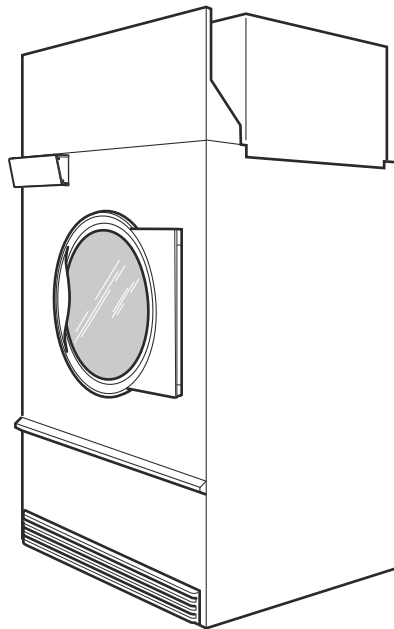


Tumble Dryer

200 Pound Capacity

18 Digit Model Numbers with 3 and 5 in 13th Position

Refer to Page 3 for Model Numbers



TMB1282C_70594801

Table of Contents

Title	Page
Parts Ordering Information.....	2
Serial Plate Location	2
Machine Identification	3
Product Overview - Heat Source and Voltage	4
Product Overview - FN Control Suffix	6
Product Overview - DN and NN Control Suffixes.....	8
Interior Control Box	10
Dual Digital Control - F in the 7th Position (Drawing 1 of 2).....	12
Dual Digital Control - F in the 7th Position (Drawing 2 of 2).....	14
Electronic Display Control - N in the 7th Position (Drawing 1 of 2).....	16
Electronic Display Control - N in the 7th Position (Drawing 2 of 2).....	18
3.5 Inch Graphical Control - D in the 7th Position	20
Fire Suppression System Control Box	22
Front Panel Components	24
Access Panel and Nameplates	26
Door Components.....	28
Hinge Components - Design 3 Models	30
Hinge Components - Design 5 Models	32
Lint Panel Components.....	34
Cabinet and Frame Assembly.....	36
Rear Panel Components.....	38
Cylinder and Trunnion Assembly	40
Trunnion Bearings.....	42
Moisture Sensing Components	44
Cylinder Motor Components	46
Blower and Exhaust Components.....	48
Airflow Switch.....	50
Gas Heater Components	52
Burner Orifices	54
Steam Heater Components	56
Steam Valve.....	58
Control Tray	60
Labels	62
Harnesses.....	63
Parts Index.....	65

© Copyright 2023, Alliance Laundry Systems LLC

All rights reserved. No part of the contents of this book may be reproduced or transmitted in any form or by any means without the expressed written consent of the publisher.

Parts Ordering Information

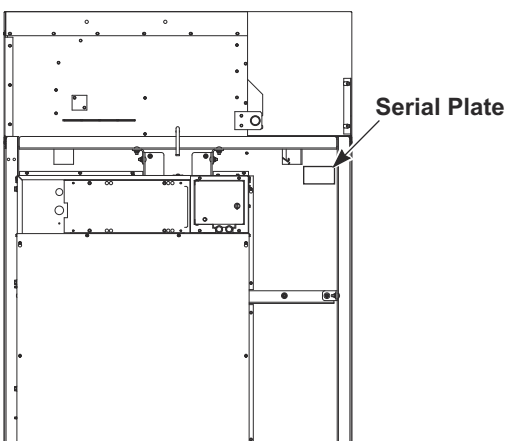
If literature or replacement parts are required, contact the source from whom the machine was purchased or contact Alliance Laundry Systems at (920) 748-3950 for the name and address of the nearest authorized parts distributor.

For technical assistance, call the number listed below:

(920) 748-3121 Ripon, Wisconsin

Serial Plate Location

When calling or writing about your product, be sure to mention model and serial numbers. Model and serial numbers are located on serial plate(s) as shown.



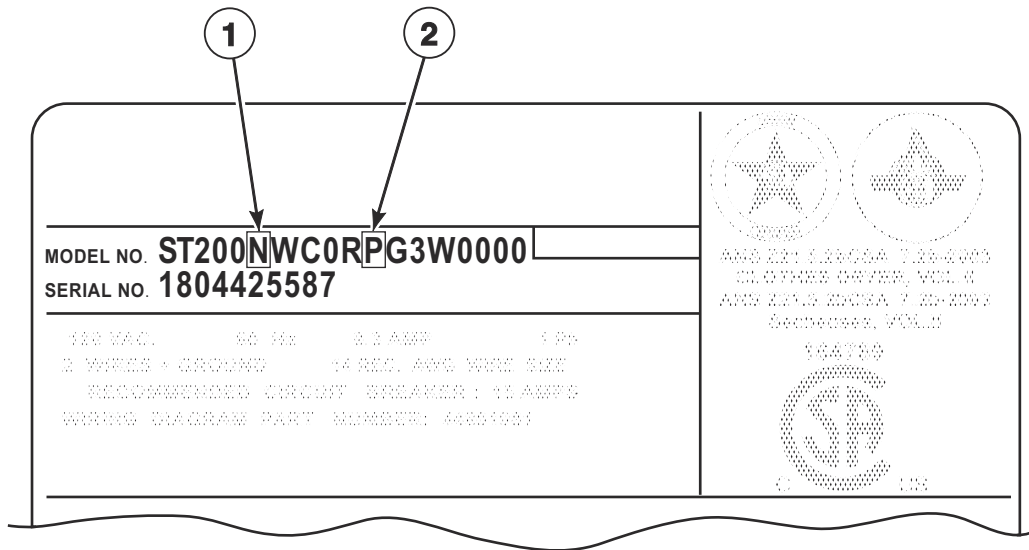
TMB3666P_70594801

Machine Identification

Information in this manual is applicable to these machines:

BA200L	HA200L	NA200L	SA200L	UA200L
BA200N	HA200N	NA200N	SA200N	UA200N
BA200S	HA200S	NA200S	SA200S	UA200S
BG200L	HG200L	NG200L	SG200L	UG200L
BG200N	HG200N	NG200N	SG200N	UG200N
BG200S	HG200S	NG200S	SG200S	UG200S
BH200L	HH200L	NH200L	SH200L	UH200L
BH200N	HH200N	NH200N	SH200N	UH200N
BH200S	HH200S	NH200S	SH200S	UH200S
BJ200L	HJ200L	NJ200L	SJ200L	UJ200L
BJ200N	HJ200N	NJ200N	SJ200N	UJ200N
BJ200S	HJ200S	NJ200S	SJ200S	UJ200S
BK200L	HK200L	NK200L	SK200L	UK200L
BK200N	HK200N	NK200N	SK200N	UK200N
BR200S	HR200S	NR200S	SR200S	UR200S
BU200L	HT200C	NT200L	ST200C	UT200C
BU200N	HT200L	NT200N	ST200L	UT200L
BU200S	HT200N	NT200S	ST200N	UT200N
GA200L	HT200S	NU200L	ST200S	UT200S
GA200N	HU200L	NU200N	SU200L	UU200L
GA200S	HU200N	NU200S	SU200N	UU200N
GG200L	HU200S	PA200L	SU200S	UU200S
GG200N	KT200L	PA200N		
GG200S	KT200N	PA200S		
GH200L	KT200S	PG200L		
GH200N		PG200N		
GH200S		PG200S		
GJ200L		PH200L		
GJ200N		PH200N		
GJ200S		PH200S		
GK200L		PJ200L		
GK200N		PJ200N		
GU200L		PJ200S		
GU200N		PK200L		
GU200S		PK200N		
		PR200S		
		PT200C		
		PT200L		
		PT200N		
		PT200S		
		PU200L		
		PU200N		
		PU200S		

Product Overview - Heat Source and Voltage

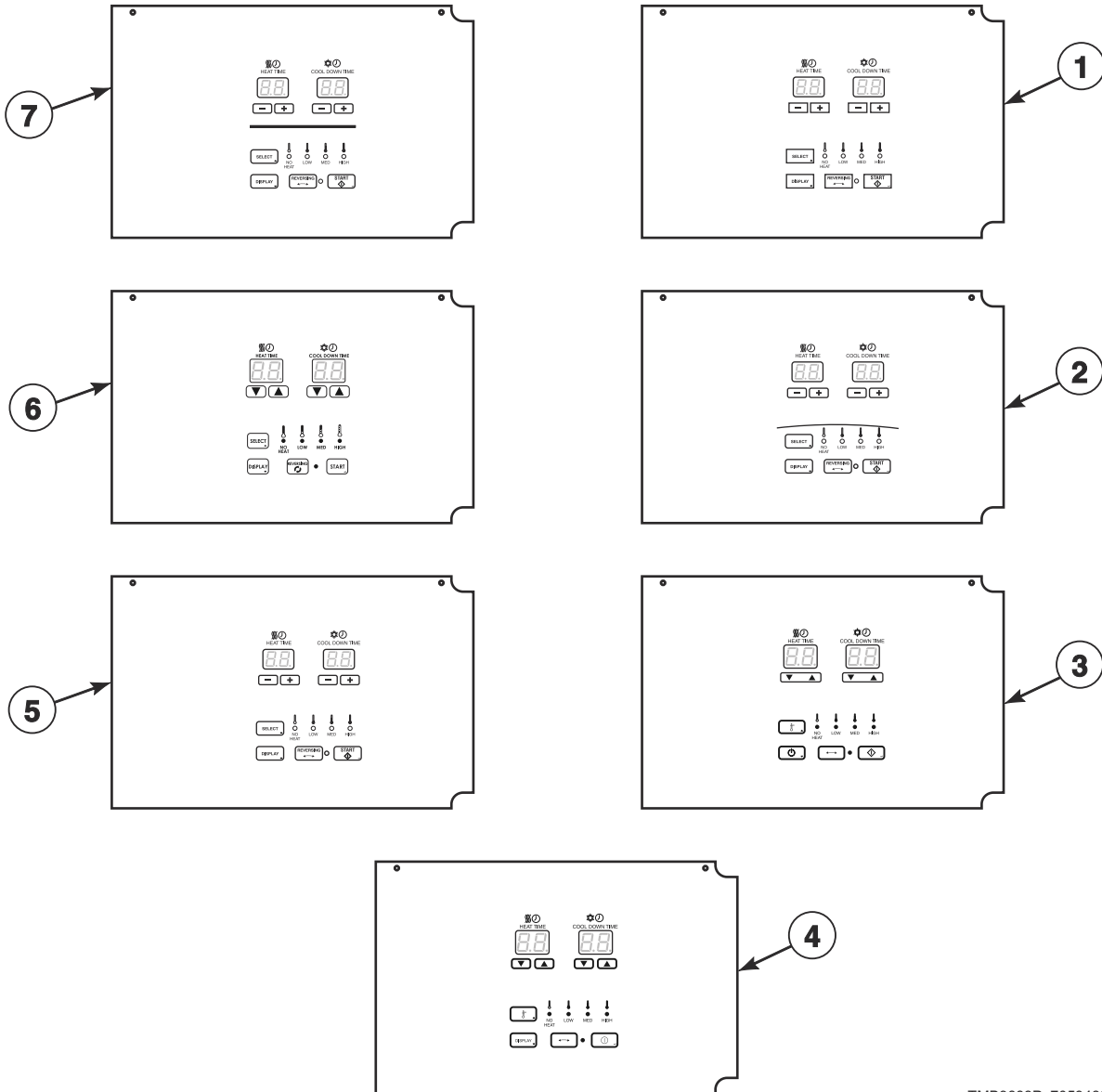
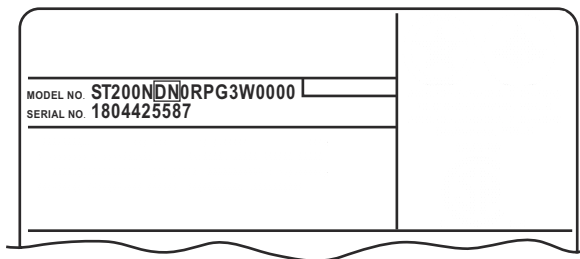


TMB3667P_70594801

Product Overview - Heat Source and Voltage

REF	PART NO.	DESCRIPTION	COMMENTS
1	-	Heat Source	C: Steam (CRN) L: Liquid Petroleum Gas (L.P.) N: Natural Gas (N.G.) S: Steam
2	-	Voltage	N: 440-480 Volt/50-60 Hertz/3 Phase P: 380-415 Volt/50-60 Hertz/3 Phase Q: 200-240 Volt/50-60 Hertz/3Phase

Product Overview - FN Control Suffix

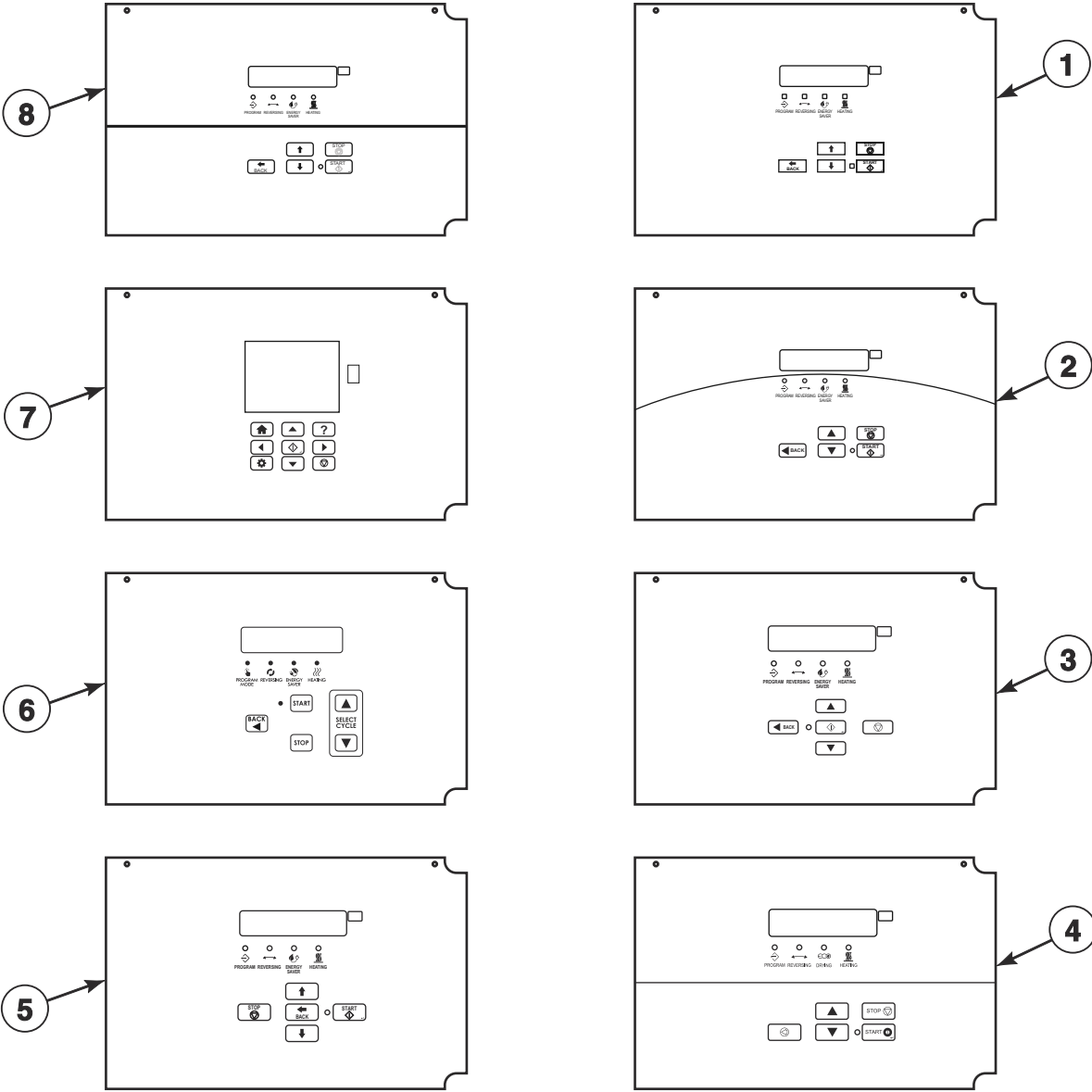
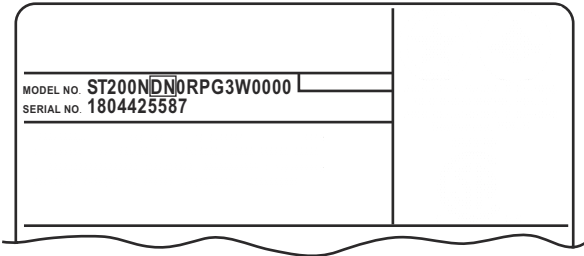


TMB3668P_70594801

Product Overview - FN Control Suffix

REF	PART NO.	DESCRIPTION	COMMENTS
1	-	Dual Digital Control	H models
2	-	Dual Digital Control	U models
3	-	Dual Digital Control	B models
4	-	Dual Digital Control	P models
5	-	Dual Digital Control	N models
6	-	Dual Digital Control	G and K models
7	-	Dual Digital Control	S models

Product Overview - DN and NN Control Suffixes

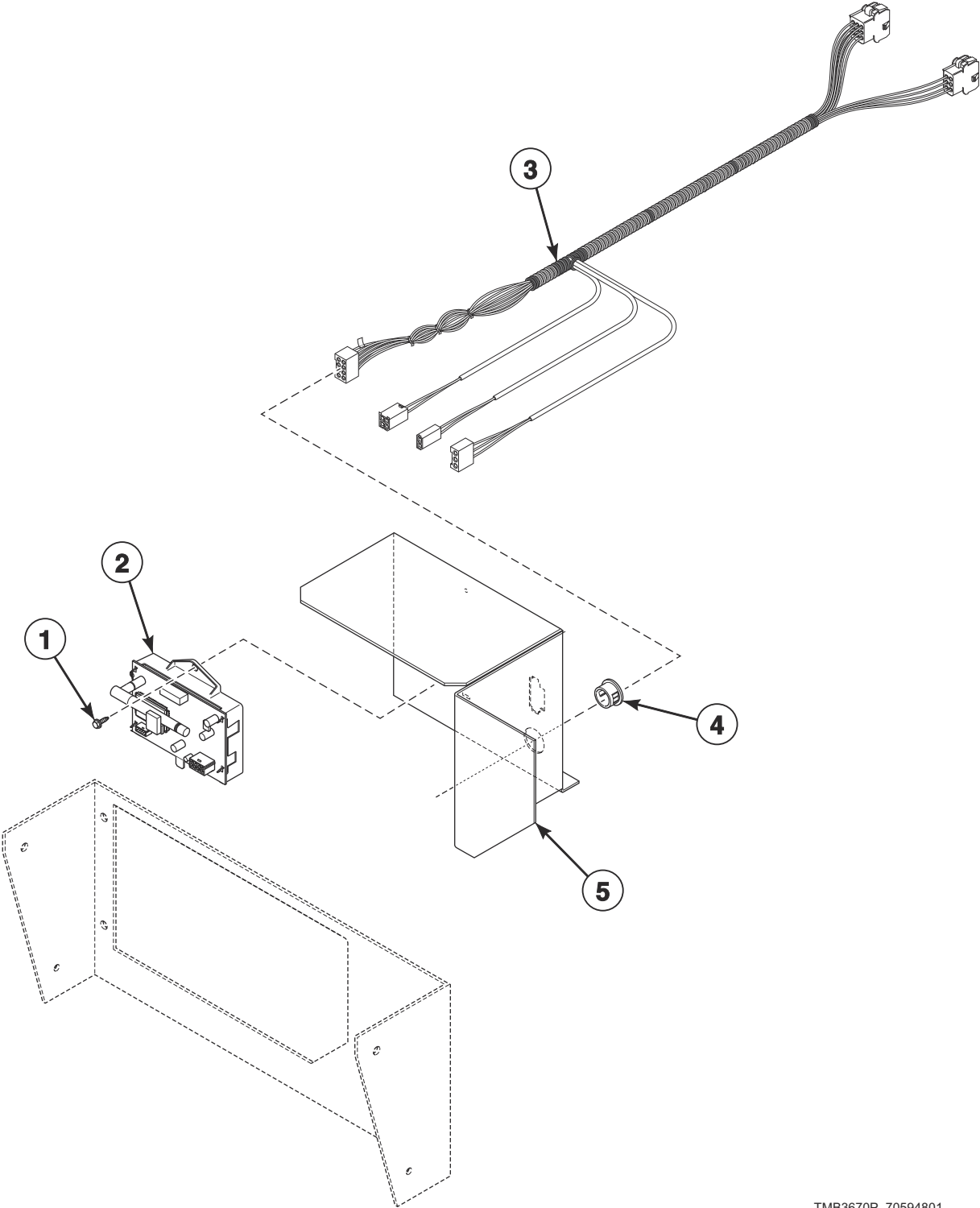


TMB3669P_70594801

Product Overview - DN and NN Control Suffixes

REF	PART NO.	DESCRIPTION	COMMENTS
1	-	Galaxy Control	H models
2	-	M-Series Control	U models
3	-	OPTimum Control	B models
4	-	OPL Micro Control	P models
5	-	OPL Micro Control	N models
6	-	OPL Micro Control	G and K models
7	-	UniLinc Control	U models
8	-	Quantum Gold Control	S models

Interior Control Box

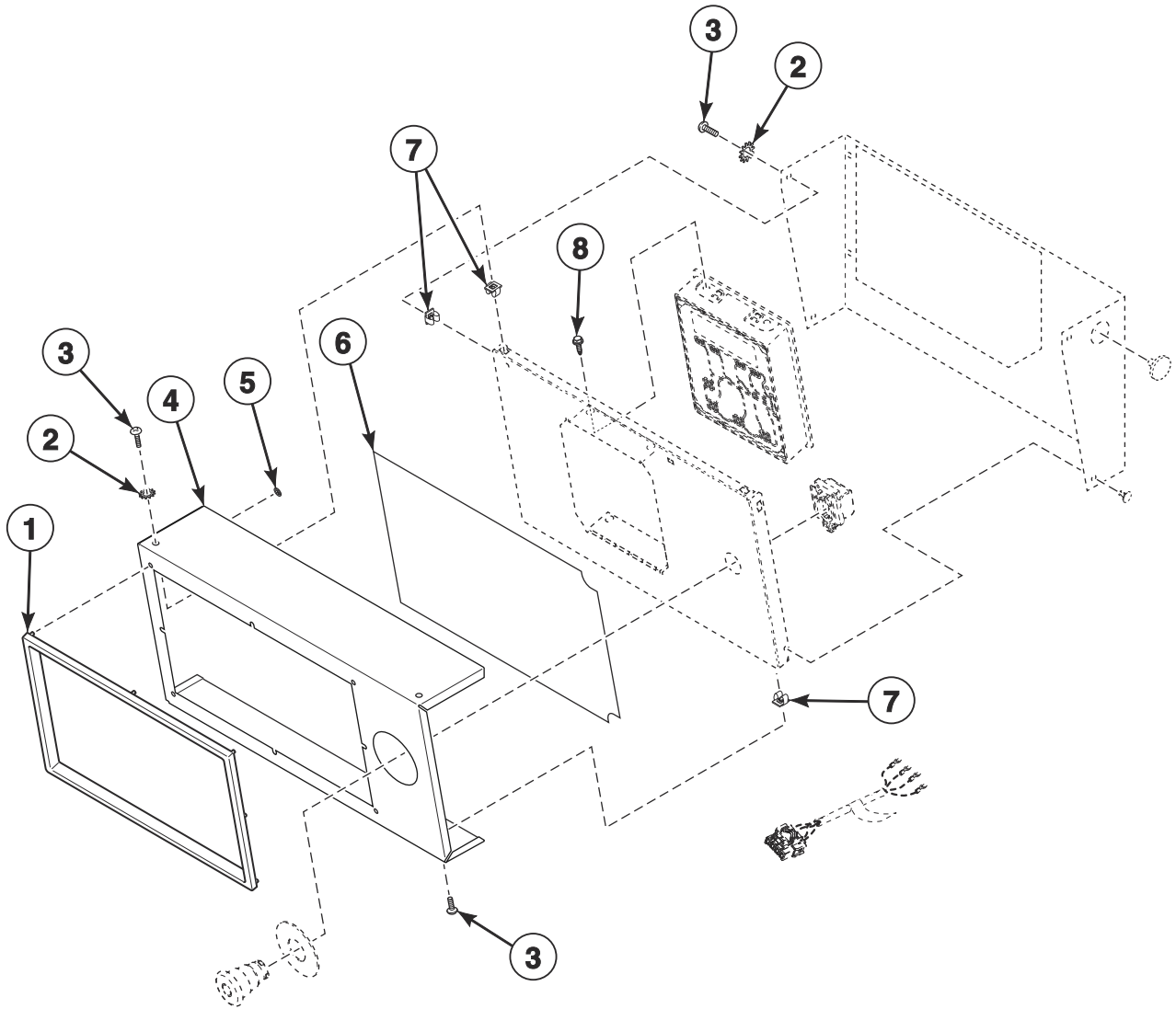


TMB3670P_70594801

Interior Control Box

REF	PART NO.	DESCRIPTION	COMMENTS
	70596301	Wireless Network Kit	D in the 7th position of model number
1	430497	Screw	
2	203532	Wireless Network Control Assembly	
3	44334202	Main Harness	
4	70178701	Snap Bushing	
5	44311101	Front Control Box	

Dual Digital Control - F in the 7th Position (Drawing 1 of 2)



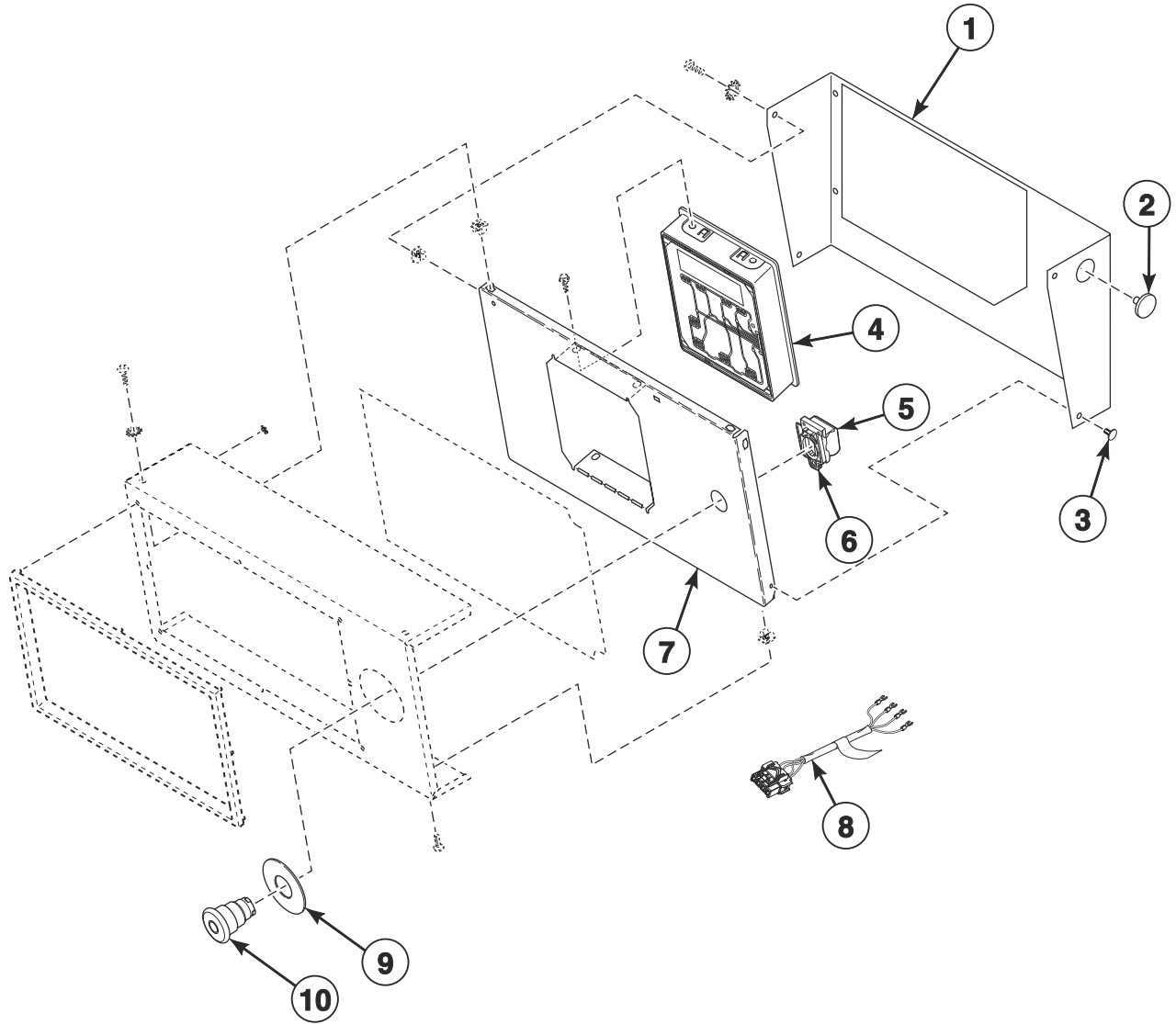
TMB3619P_70594801

Dual Digital Control - F in the 7th Position (Drawing 1 of 2)

REF	PART NO.	DESCRIPTION	COMMENTS
1	44016403	Control Trim	H models; Gray
	44016401	Control Trim	P and S models; Black
2	03815	Washer	
3	800930	Screw	
4	44330802	Control Cover	IEC B, P and U models; CSA B, P and U models through 12/31/18; Stainless steel; No trim
	44330805	Control Cover	IEC H, P and S models; CSA H, P and S models through 12/31/18; Stainless steel
	44330801*	Control Cover	IEC B and U models; CSA B and U models through 12/31/18
	44330806DG	Control Cover	IEC P models; CSA P models through 12/31/18; Dark gray
	44330804*	Control Cover	IEC H, N, P and S models; CSA H, N, P and S models through 12/31/18
	44330801B	Control Cover	IEC G and K models; CSA G and K models through 12/31/18; Black
	44330803LG	Control Cover	IEC U models; CSA U models through 12/31/18; Light gray
	44330811	Control Cover	CSA B, P and U models starting 1/1/19; Stainless steel; No trim; Design 3
	44330814	Control Cover	CSA H, P and S models starting 1/1/19; Stainless steel
	44330810*	Control Cover	CSA B and U models starting 1/1/19
	44330815DG	Control Cover	CSA P models starting 1/1/19; Dark gray
	44330813*	Control Cover	CSA H, N, P and S models starting 1/1/19
	44330810B	Control Cover	CSA G and K models starting 1/1/19; Black
	44330812LG	Control Cover	CSA U models starting 1/1/19; Light gray
5	M400977	Nut	8 required
6	70539101	Overlay	B models; Reversing
	70547501	Overlay	G and K models; Reversing
	70517801	Overlay	H models; Reversing; Design 3
	70636501	Overlay	H models; Reversing; Design 5
	70545501	Overlay	P models; Reversing
	70516801	Overlay	N models; Design 3 S models; Reversing
	70636801	Overlay	S models; Reversing; Design 5
	70519001	Overlay	U models; Reversing; Design 3
70638801	Overlay	U models; Reversing; Design 5	
7	70030501	Expansion Clip	
8	804608	Screw	4 required

* Add Letter To Designate Color. Q - Bisque W - White

Dual Digital Control - F in the 7th Position (Drawing 2 of 2)



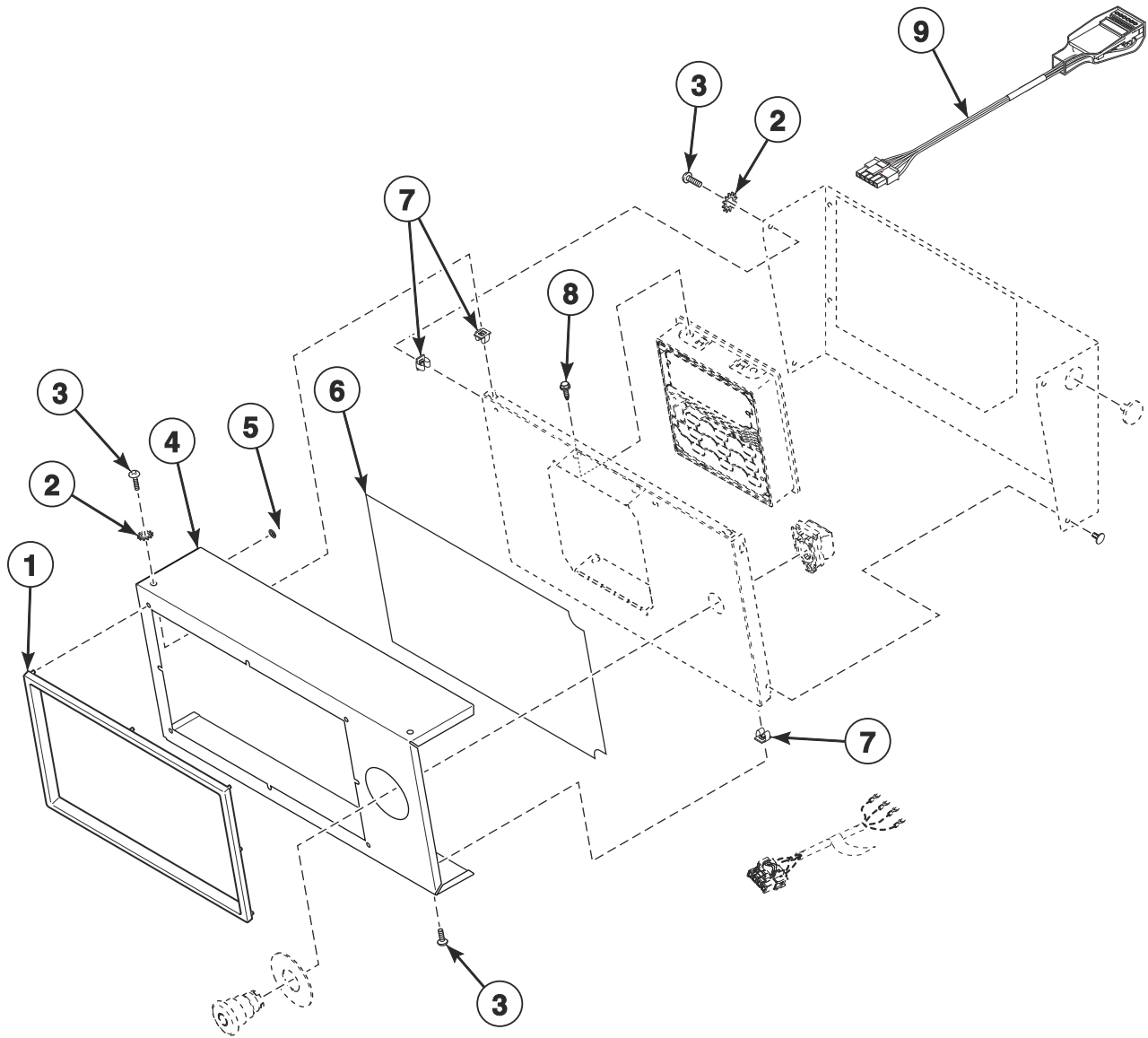
TMB3619PA_70594801

Dual Digital Control - F in the 7th Position (Drawing 2 of 2)

REF	PART NO.	DESCRIPTION	COMMENTS
1	44331005	Control Bracket	B, H, P and S models; Stainless steel
	44331006DG	Control Bracket	P models; Dark gray
	44331006W	Control Bracket	B, H, N, P, S and U models
	44331006B	Control Bracket	G and K models; Black
	44331006LG	Control Bracket	U models; Light gray
2	M400985	Plug	
3	430725	Pop Rivet	
4	70523101	Control Assembly	P models; Blue
	70479801	Control Assembly	G, H, K, N, S and U models; Green
	70479901	Control Assembly	B models; Red
5	F8069501	Contact Switch	2 required
6	F8538101	Contact Base	
7	44330901	Mounting Plate	
8	44272401	Emergency Stop Harness	
9	44012901	Emergency Stop Label	
10	F200233500	Emergency Stop Pushbutton	

* Add Letter To Designate Color. Q - Bisque W - White

Electronic Display Control - N in the 7th Position (Drawing 1 of 2)



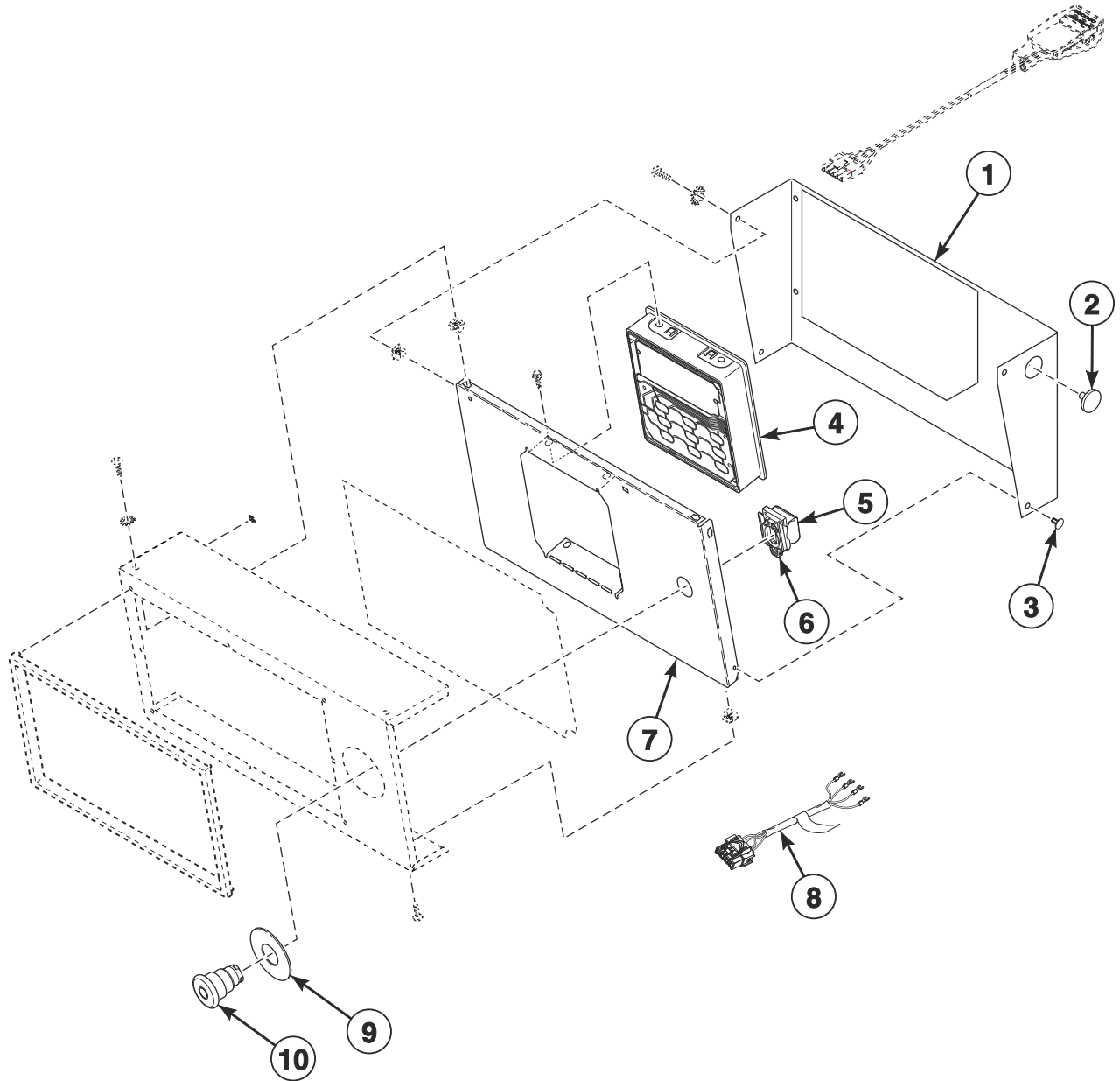
TMB3620P_70594801

Electronic Display Control - N in the 7th Position (Drawing 1 of 2)

REF	PART NO.	DESCRIPTION	COMMENTS
1	44016403	Control Trim	H models; Gray
	44016401	Control Trim	P and S models; Black
2	03815	Washer	
3	800930	Screw	
4	44330802	Control Cover	IEC B, P and U models; CSA B, P and U models through 12/31/18; Stainless steel; No trim
	44330805	Control Cover	IEC H, P and S models; CSA H, P and S models through 12/31/18; Stainless steel
	44330801*	Control Cover	IEC B and U models; CSA B and U models through 12/31/18
	44330806DG	Control Cover	IEC P models; CSA P models through 12/31/18; Dark gray
	44330804*	Control Cover	IEC H, N, P and S models; CSA H, N, P and S models through 12/31/18
	44330801B	Control Cover	IEC G and K models; CSA G and K models through 12/31/18; Black
	44330803LG	Control Cover	IEC U models; CSA U models through 12/31/18; Light gray
	44330811	Control Cover	CSA B, P and U models starting 1/1/19; Stainless steel; No trim; Design 3
	44330814	Control Cover	CSA H, P and S models starting 1/1/19; Stainless steel
	44330810*	Control Cover	CSA B and U models starting 1/1/19
	44330815DG	Control Cover	CSA P models starting 1/1/19; Dark gray
	44330813*	Control Cover	CSA H, N, P and S models starting 1/1/19
	44330810B	Control Cover	CSA G and K models starting 1/1/19; Black
	44330812LG	Control Cover	CSA U models starting 1/1/19; Light gray
5	M400977	Nut	8 required
6	70570601	Overlay	S models; Reversing; Design 3
	70638301	Overlay	S models; Reversing; Design 5
	70571401	Overlay	U models; Reversing; Design 3
	70638901	Overlay	U models; Reversing; Design 5
	70570801	Overlay	H models; Reversing; Design 3
	70636401	Overlay	H models; Reversing; Design 5
	70548801	Overlay	B models; Reversing
	70547801	Overlay	G and K models; Reversing
	70571601	Overlay	P models; Reversing
	70572401	Overlay	NT models through 10/9/19; All other N models; Reversing
	70570601	Overlay	NT models starting 10/10/19; Reversing
7	70030501	Expansion Clip	
8	804608	Screw	4 required
9	203361P	Machine ID Control Assembly	Model or serial number is required when ordering

* Add Letter To Designate Color. Q - Bisque W - White

Electronic Display Control - N in the 7th Position (Drawing 2 of 2)



TMB3620PA_70594801

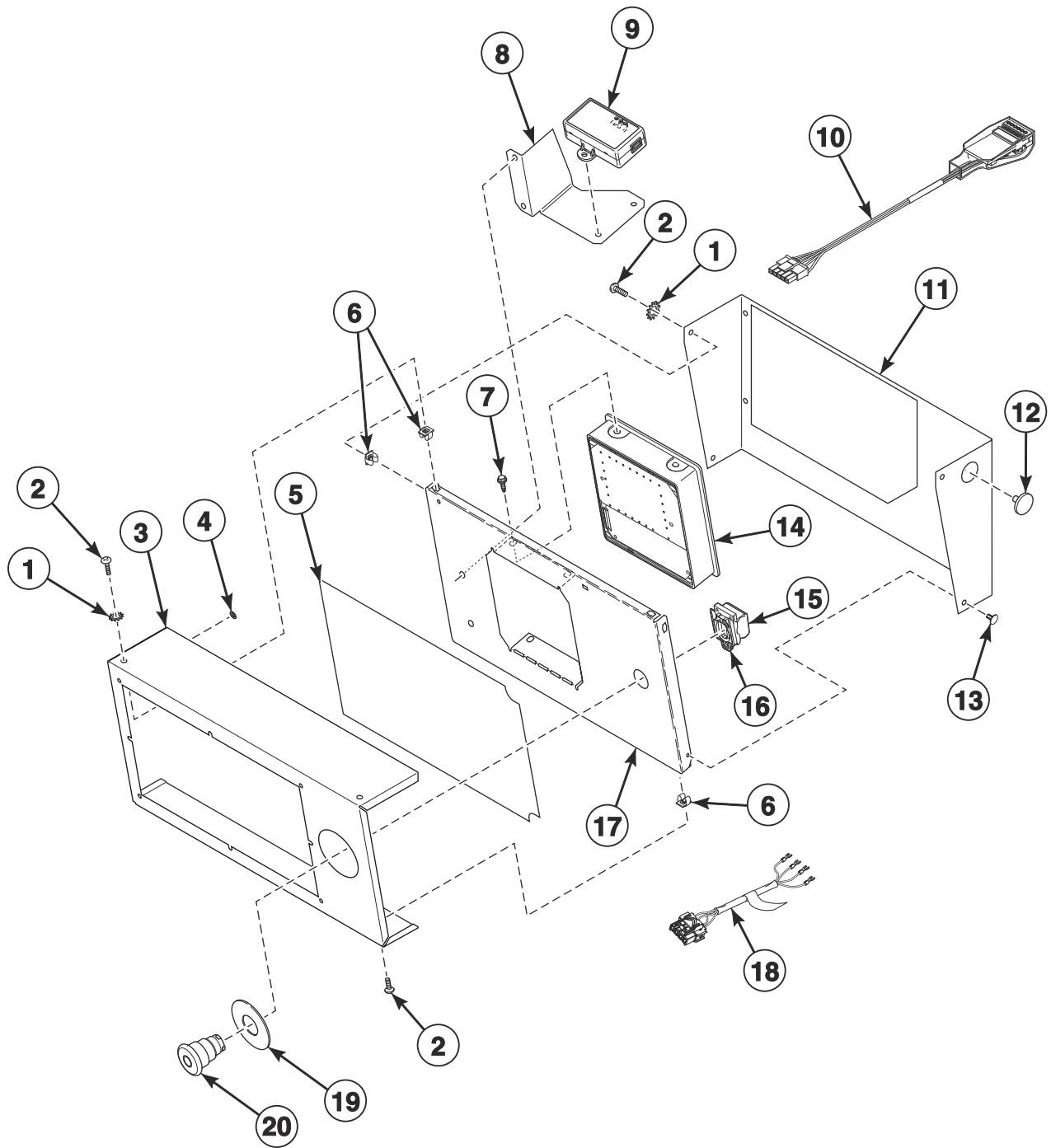
Electronic Display Control - N in the 7th Position (Drawing 2 of 2)

REF	PART NO.	DESCRIPTION	COMMENTS
1	44331005	Control Bracket	B, H, P and S models; Stainless steel
	44331006DG	Control Bracket	P models; Dark gray
	44331006W	Control Bracket	B, H, N, P, S and U models
	44331006B	Control Bracket	G and K models; Black
	44331006LG	Control Bracket	U models; Light gray
2	M400985	Plug	
3	430725	Pop Rivet	
4	70523002	Control Assembly	P models; Blue
	70478802	Control Assembly	G, H, K, N, S and U models; Green
	70478902	Control Assembly	B models; Red
5	F8069501	Contact Switch	2 required
6	F8538101	Contact Base	
7	44330901	Mounting Plate	
8	44272401	Emergency Stop Harness	
9	44012901	Emergency Stop Label	
10	F200233500	Emergency Stop Pushbutton	

* Add Letter To Designate Color. Q - Bisque W - White

3.5 Inch Graphical Control - D in the 7th Position

U Models



TMB3621P_70594801

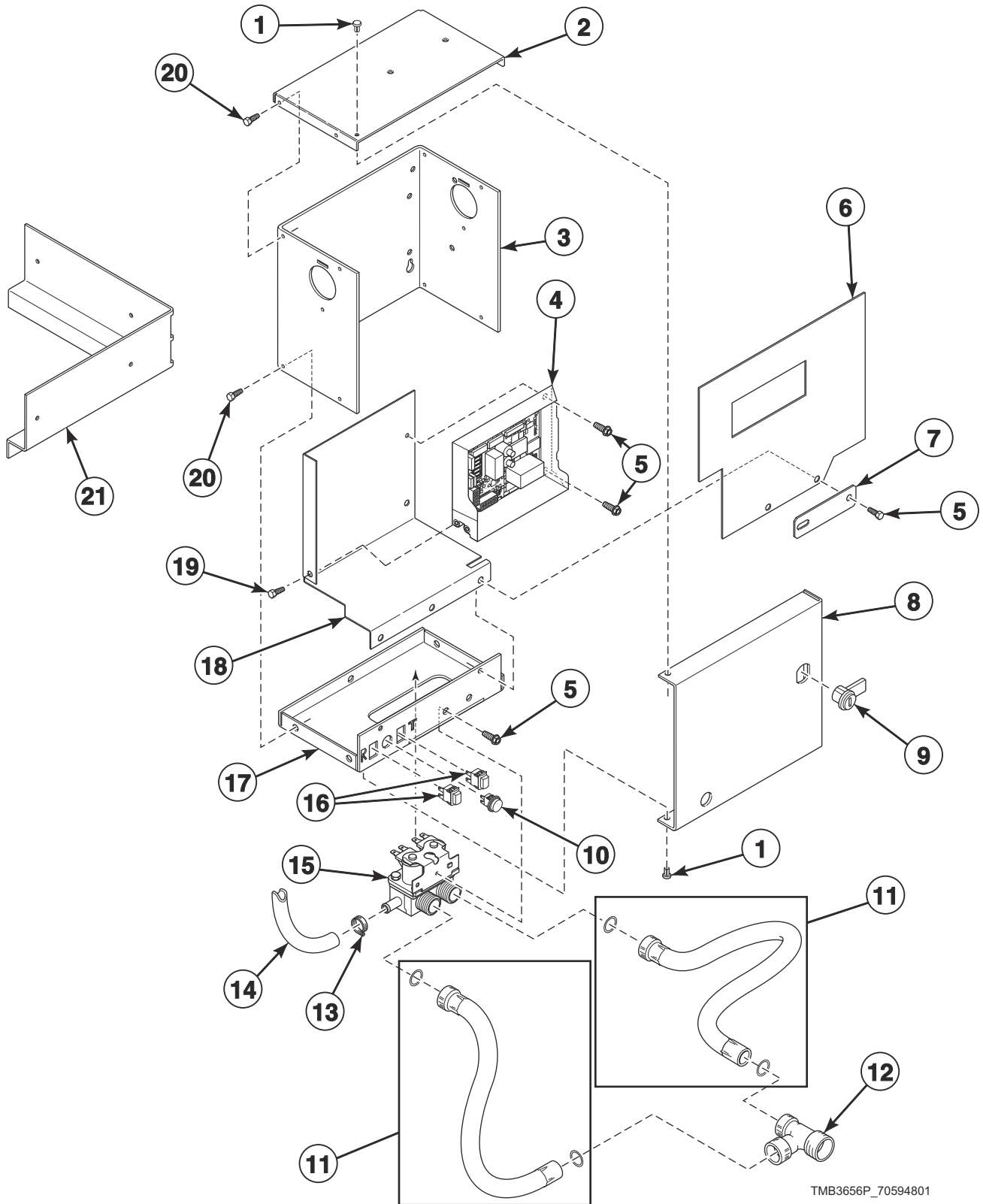
3.5 Inch Graphical Control - D in the 7th Position

REF	PART NO.	DESCRIPTION	COMMENTS
	70596301	Wireless Network Kit	
	F8536002	Wireless Network Board Harness	
	203346	USB IR Interface Kit	
	F8617901	Harness	USB
	F8613201	FCC-IC Label	UT models
	03815	Washer	2 required; Use to attach item 9
	430497	Screw	2 required; Use to attach item 9
1	03815	Washer	
2	800930	Screw	
3	44330802	Control Cover	IEC models; CSA models through 12/31/18; Stainless steel; No trim
	44330801*	Control Cover	IEC models; CSA models through 12/31/18
	44330803LG	Control Cover	IEC models; CSA models through 12/31/18; Light gray
	44330811	Control Cover	CSA models starting 1/1/19; Stainless steel; No trim; Design 3
	44330810*	Control Cover	CSA models starting 1/1/19
	44330812LG	Control Cover	CSA models starting 1/1/19; Light gray
4	M400977	Nut	8 required
5	70595401	Overlay	Design 3 models
	70639001	Overlay	Design 5 models
6	70030501	Expansion Clip	
7	804608	Screw	
8	44331101	Mounting Bracket	
9	203440	USB-Serial Interface Assembly	
10	203361P	Machine ID Control Assembly	Model or serial number is required when ordering
11	44331006W	Control Bracket	
	44331006LG	Control Bracket	Light gray
12	M400985	Plug	
13	430725	Pop Rivet	
14	70543104	Control Assembly	
15	F8069501	Contact Switch	2 required
16	F8538101	Contact Base	
17	44330901	Mounting Plate	
18	44272401	Emergency Stop Harness	
19	44012901	Emergency Stop Label	
20	F200233500	Emergency Stop Pushbutton	

* Add Letter To Designate Color. Q - Bisque W - White

Fire Suppression System Control Box

B, G, H, K, NT, P, S and U Models

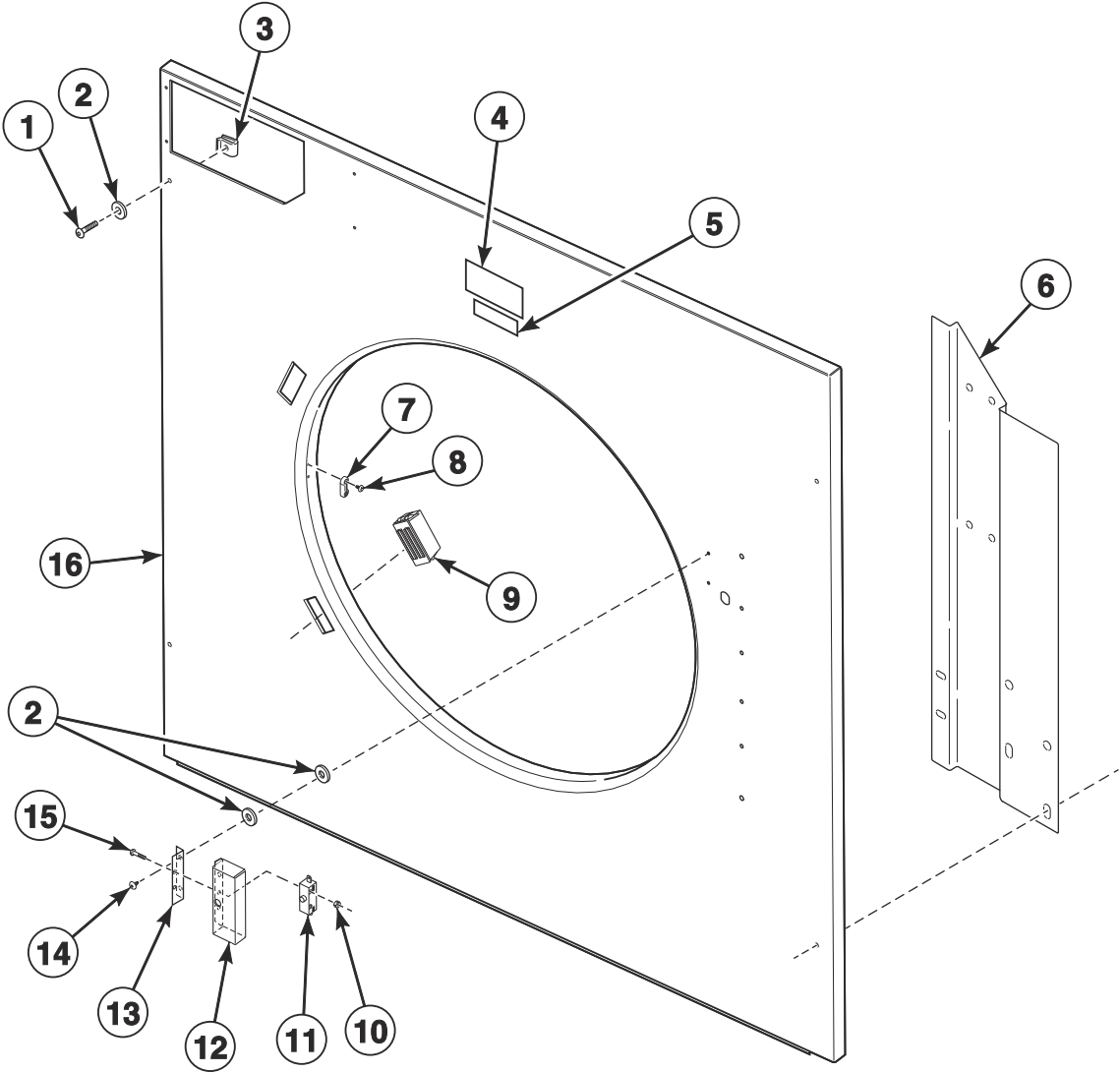


TMB3656P_70594801

Fire Suppression System Control Box

REF	PART NO.	DESCRIPTION	COMMENTS
	44340301	Cold Weather Kit	
	70155601	Key	RL001; Use with item 9
	44079603	Manifold	
	44334404	Control Harness	
	44334405	Water Valve Harness	
	44334408	Power Sensor Harness	
	44334407	Sensor Harness	
	44334401	Interconnect Harness	
	70346501	Bushing	
	44324501	Warning Label	F.S.S.; CSA models
	44324500	Label Kit	F.S.S.; IEC models
	F8614401	Shock Warning Label	CSA models
	F8614201	Shock Warning Label	IEC models
	44318200	Label Kit	IEC models
	44324502	Warning Label	
	44318201	Label	CSA models
1	M400713	Drive Rivet	
2	44307101	Control Box Top	
3	44306701	Control Box Housing	
4	70511601	Control	
5	430497	Screw	
6	44326801	Shield	
7	70551701	Filter Mounting Plate	
8	44065201	Control Box Cover	
9	44089301P	Lock, Key and Nut Kit	RL001 key code; Optional if same key is to be used for control lock
10	801432	Light	
11	202799	Fill Hose	2 required
12	44069101	Hose Fitting	CSA models
13	36801	Hose Clamp	
14	44073306	Hose	28.12 inches; Outlet hose
15	70519801	Mixing Valve	
16	801434W	Push-to-Start Switch	2 required
17	44065301	Control Box Base	
18	44306601	Mixing Valve Shield Bracket	
19	804608	Screw	
20	51780	Screw	
21	44310901	Support Bracket	

Front Panel Components



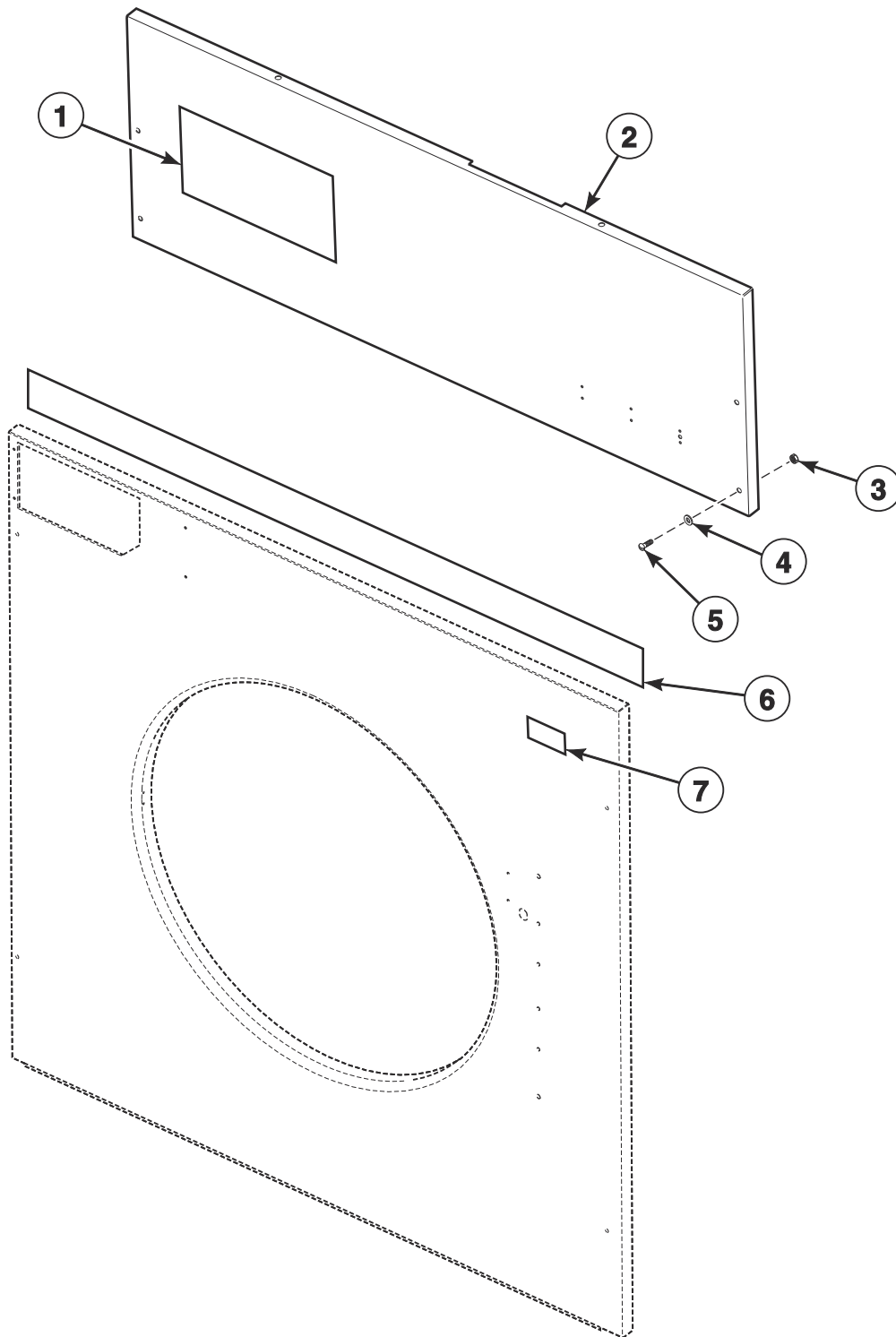
TMB3824P_70594801

Front Panel Components

REF	PART NO.	DESCRIPTION	COMMENTS
	298P4P	Spray Paint	White
	122P4P	Porcelain Touch-Up Paint	White
	370P4P	Porcelain Touch-Up Paint	Bisque
	44335203	Door Switch Harness	
	70482901	Door Catch Kit	
1	70182601	Screw	4 required per panel
2	800465	Washer	4 required per panel
3	70030401	Nut	Access and front panel attachment
4	70537001	Label	B, H, N, S and U models; C.A.R.E.
	70537101	Label	G and K models; F.S.S.
	44190901	Label	P models; Safe Tech
5	70472801	Label	U models
6	44286001	Door Switch Wire Channel	Design 3 models
	44368702	Upper Hinge/Wire Cover Bracket	Design 5 models
7	M401223	Door Latch	
8	44166601	Pop Rivet	2 required
9	44220501	Door Latch Magnet	2 required
10	29787	Nut	2 required
11	44312401	Switch	
12	44316301	Door Switch Cover	
13	44316601	Door Switch Shield	
14	431287	Screw	2 required
15	M402574	Screw	2 required
16	44288903DG	Front Panel	P models; Dark gray
	44288903LG	Front Panel	U models; Design 3; Light gray
	44288903W	Front Panel	B, H, N, P, S and U models; Design 3
	44291903W	Front Panel	G and K models
	44288902	Front Panel	B, H, P, S and U models; Design 3; Stainless steel
	44368503	Front Panel	Design 5 H, S and U models; Stainless steel
	44368501W	Front Panel	Design 5 H, S and U models

* Add Letter To Designate Color. Q - Bisque W - White

Access Panel and Nameplates



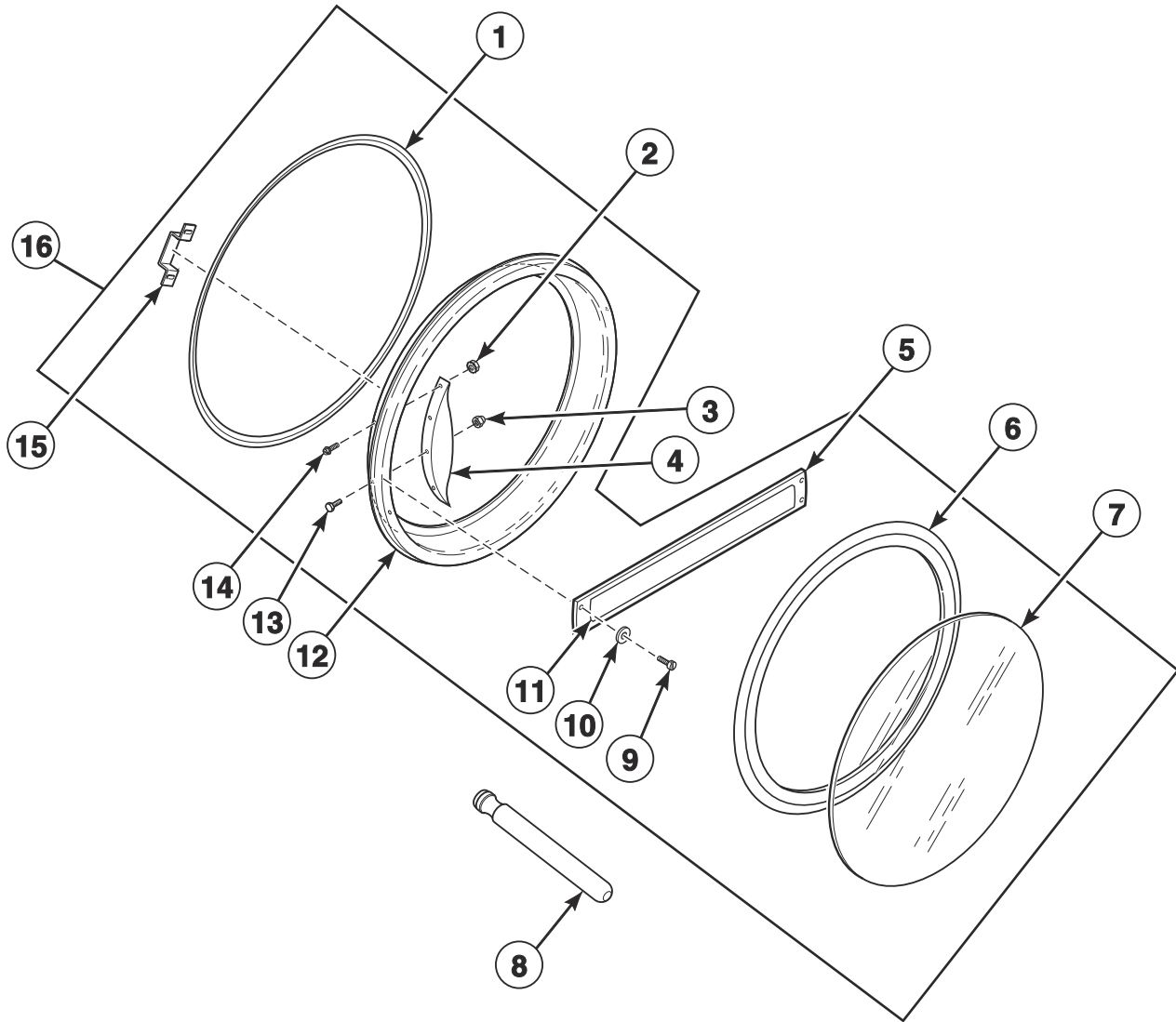
TMB3625P_70594801

Access Panel and Nameplates

REF	PART NO.	DESCRIPTION	COMMENTS
1	70410201	Nameplate Overlay	G models
	44331401	Nameplate Overlay	K models
	70472001	Nameplate	B models
	44010601	Nameplate	S models; Design 3
	F8688901	Nameplate	S models; Design 5
	F8688001	Nameplate	H models; Design 5
	F8443107	Nameplate	U models
2	44012709DG	Front Access Panel	P models; Dark gray
	44012707*P	Front Access Panel	All models except B models; Design 3
	44012709B	Front Access Panel	B models
	44012709LG	Front Access Panel	U models; Light gray; Design 3
	44012714	Front Access Panel	H, P, S and U models; Stainless steel; Design 3
	44367203	Front Access Panel	Stainless steel; Design 5 models
	44367204W	Front Access Panel	Design 5 models
3	70030401	Nut	4 required
4	800465	Washer	4 required
5	70182601	Screw	4 required
6	70399404	Access Panel Trim	G and K models; Mounts over front panel assembly and control panel
7	567887	Nameplate	P models

* Add Letter To Designate Color. Q - Bisque W - White

Door Components

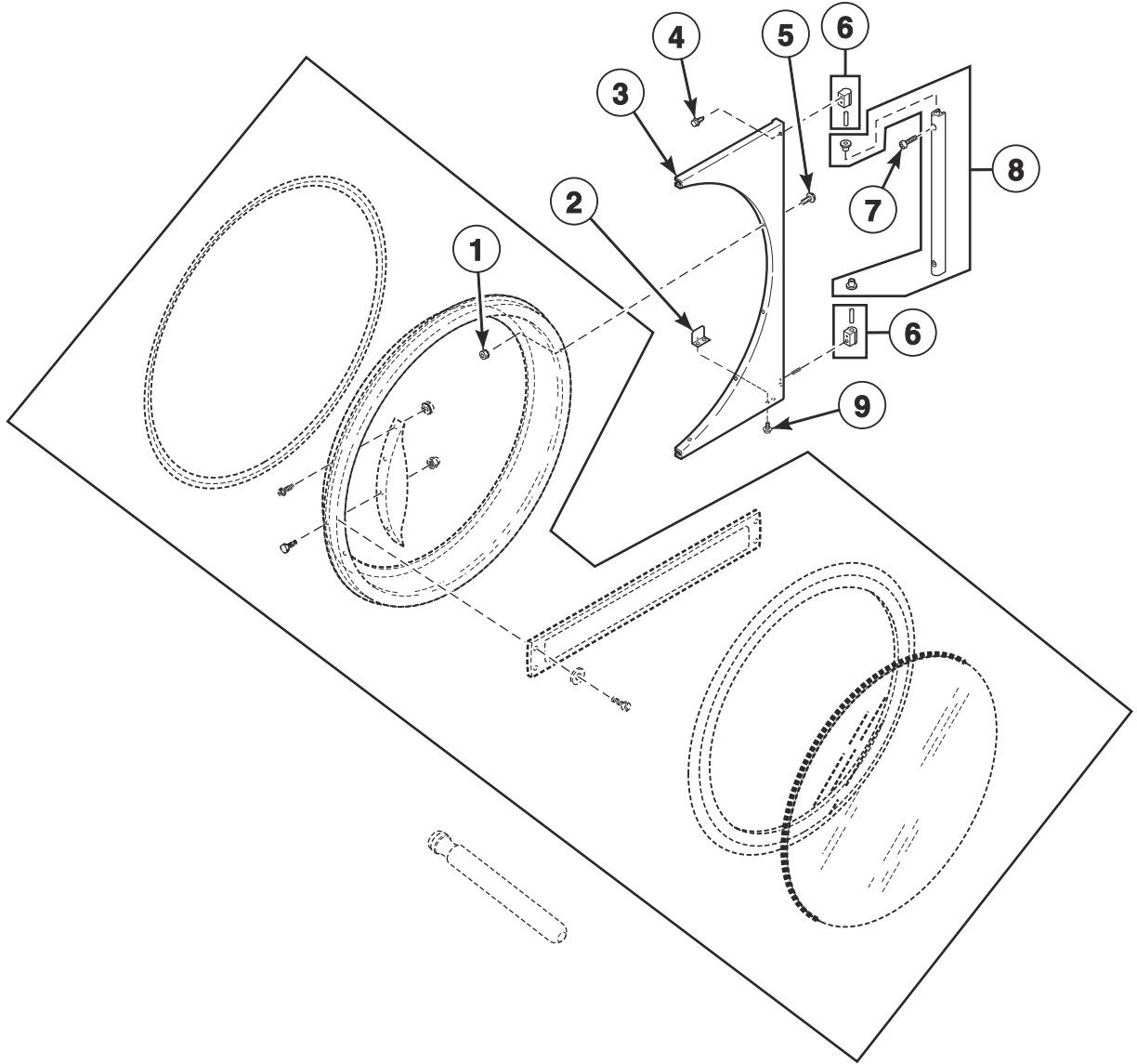


TMB3298PA_70594801

Door Components

REF	PART NO.	DESCRIPTION	COMMENTS
	685837	Screw	Use to attach item 15
	36020	Nut	Use to attach item 15
	70650401	Door Glass Label	H models; Design 5
	70707701	Door Glass Label	S models
	70707501	Max Fill Line Label	
1	44217401	Door Ring Gasket	
2	44088001	Nut	B, H, N and S models; 4 required
3	M414215	Nut	
4	70521102	Door Handle	H models; Design 3
	44370601	Door Handle	H models; Design 5
	44007901	Door Handle	B, N and S models
	44263801	Door Handle	U models; Use 901620 Screw, 800465 Washer, 803871 Screw and 44088001 Nut to attach
5	70399501B	Handle Bar	G and K models
6	70211902P	Door Seal Kit	Use Loctite 414 for seal
7	44008402P	Door Glass	H models; Design 3
	44008401P	Door Glass	All other models; Design 5 H models
8	M4221P4	Door Glass Installation Tool	
9	70412601	Pop Rivet	G and K models; 4 required
10	70409301	Washer	G and K models; 2 required
11	70411401	Nameplate Overlay	G models
	44144401	Nameplate Overlay	K models
12	44220001	Door Ring	H and S models; Stainless steel; Design 3
	44294601LG	Door Ring and Handle Assembly	P models; Light gray
	44294601B	Door Ring and Handle Assembly	P models; Use with stainless steel and white front panel; Black
	44220002	Door Ring Assembly	U models; Design 3
	44247401B	Door Ring Assembly	B and N models
	44326003B	Door Ring Assembly	G and K models
13	M400661	Screw	Door strike
14	70442101	Screw	B, H, N and S models; 4 required
15	44219701	Door Latch Bracket	2 required
16	44248002	Door Assembly	H models; Stainless steel; Design 3
	44215801	Door Assembly	S models; Stainless steel; Design 3
	44272201	Door Assembly	U models; Stainless steel; Design 3
	44354705	Door Assembly	H models; Stainless steel; Design 5
	44354701	Door Assembly	S models; Stainless steel; Design 5
	44354703	Door Assembly	U models; Stainless steel; Design 5
	44248201	Door Assembly	B and N models
	44294501LG	Door Assembly	P models; Light gray
	44294501B	Door Assembly	P models; Use with stainless steel front panel; Black
	70407402	Door Assembly	G and K models

Hinge Components - Design 3 Models



TMB3091P_70594801

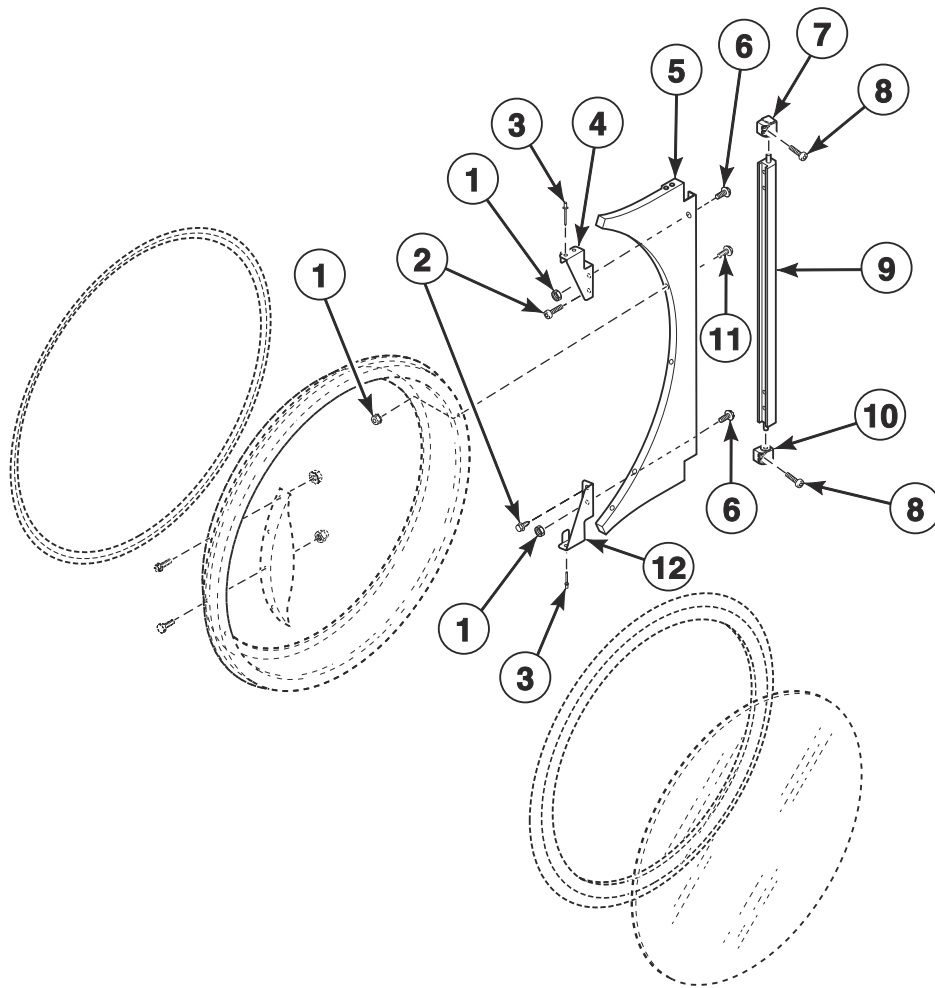
Hinge Components - Design 3 Models

REF	PART NO.	DESCRIPTION	COMMENTS
1	44088001	Nut	8 required
2	70215001P	Door Switch Actuator Kit	
3	44217903B	Door Hinge	Black; B, G, K and N models; P models with white and stainless steel front panels
	44218703LG	Door Hinge Assembly	P and U models; Light gray
	44218701*	Door Hinge Assembly	H, N, S and U models
	44218704	Door Hinge Assembly	H, S and U models; Stainless steel
4	70442101	Screw	3 required
5	44349101	Screw	8 required
6	M4773P3	Hinge Cam Kit	Black; B, G, K and N models; P models with white and stainless steel front panels
	M4772P3	Hinge Cam Kit	H, P, S and U models
7	70409801	Screw	Black; B, G, K and N models; P models with white and stainless steel front panels; 2 required
	70033504	Screw	H, P, S and U models; 2 required
8	44218102	Door Hinge Lug Assembly	Black; B, G, K and N models; P models with white and stainless steel front panels
	44218101	Door Hinge Lug Assembly	H, P, S and U models
9	70058501	Pop Rivet	2 required

* Add Letter To Designate Color. Q - Bisque W - White

Hinge Components - Design 5 Models

H, S and U Models

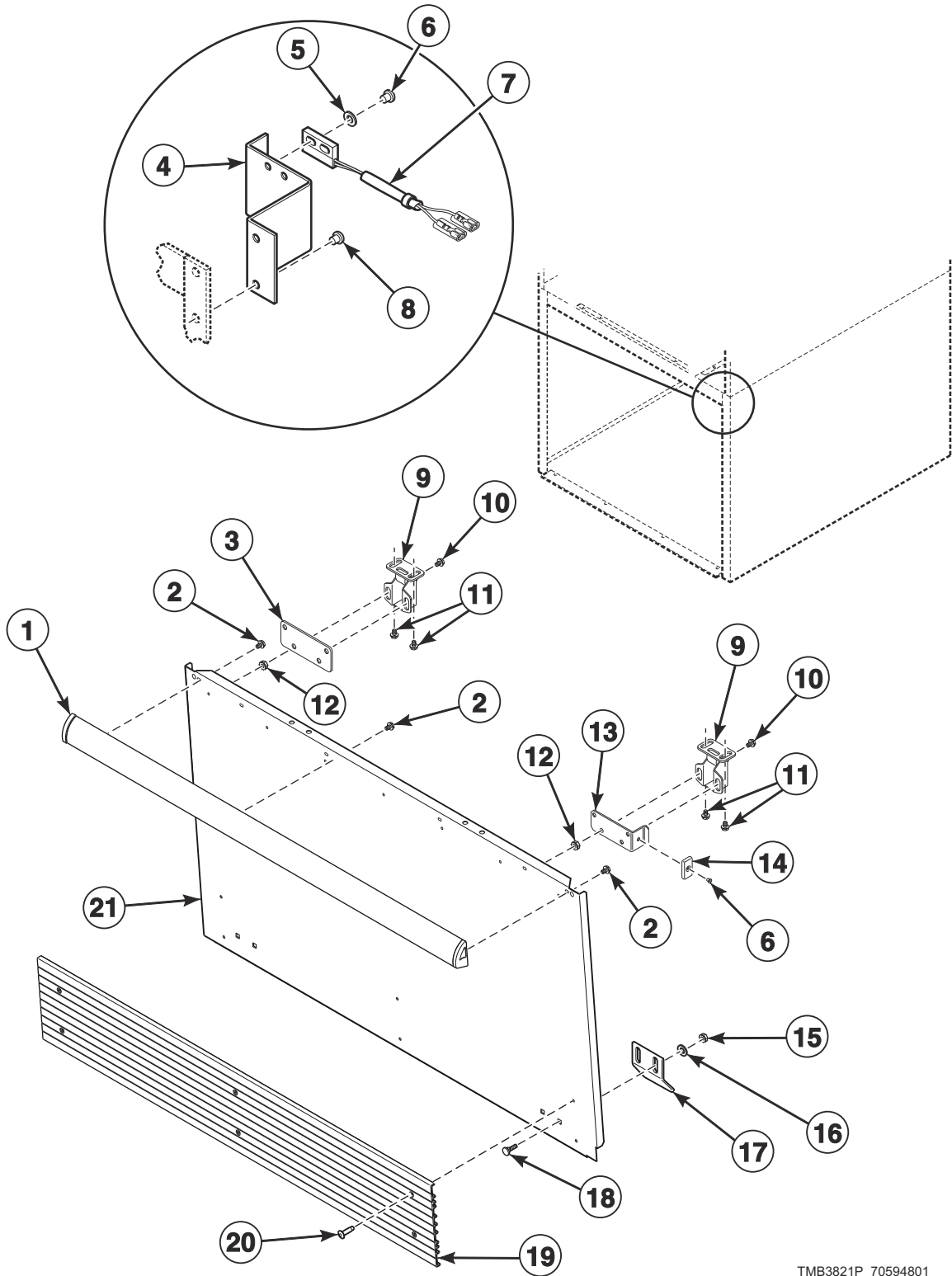


TMB3805P_70594801

Hinge Components - Design 5 Models

REF	PART NO.	DESCRIPTION	COMMENTS
1	44088001	Nut	
2	802822	Screw	
3	70058501	Pop Rivet	
4	44376501	Upper Hinge Gusset	
5	44366606W	Door Hinge Assembly	White
	44366604	Door Hinge Assembly	Stainless steel
	44366602LG	Door Hinge Assembly	Light gray; U models
	44366608	Door Hinge Assembly	Chrome
6	70640201	Screw	
7	70639301	Upper Lug Assembly	
8	70640301	Screw	
9	70640401	Center Hinge Lug Assembly	
10	70639302	Lower Lug Assembly	
11	44349101	Screw	
12	70632002	Lower Hinge Gusset	

Lint Panel Components



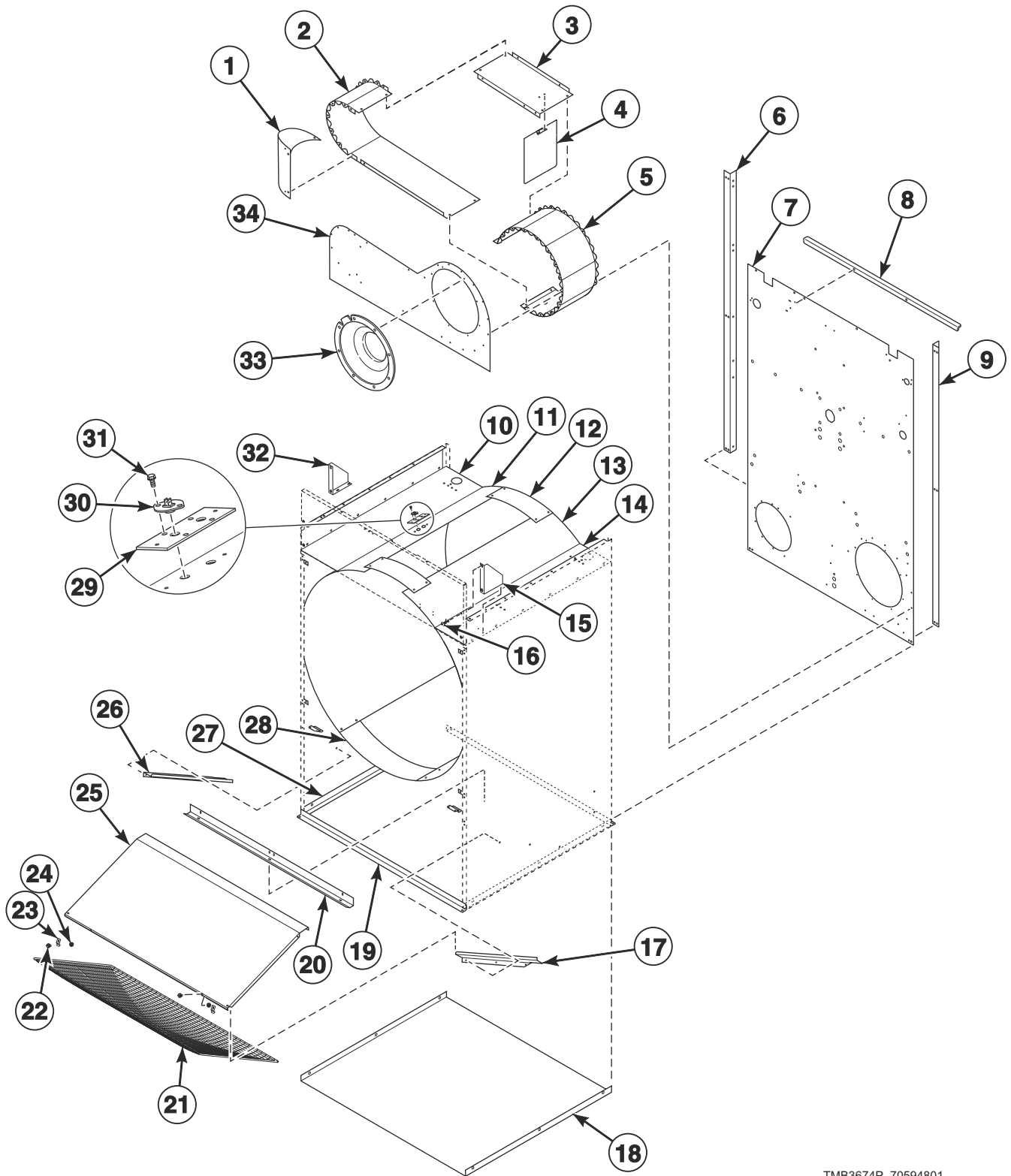
TMB3821P_70594801

Lint Panel Components

REF	PART NO.	DESCRIPTION	COMMENTS
1	44049903	Handle and Caps Assembly	B, N, S and U models; P models with white and stainless steel front panels; Black; Includes endcaps
	70407212	Handle Bumper	P models
	70154417	Handle and Caps Assembly	H and U models; Gray; Includes endcaps
	70407204	Handle Bumper	G and K models; Black and blue; Does not have endcaps
2	430757	Screw	6 required
3	44014001	Roller Catch Mounting Bracket	2 required
4	44296301	Switch Bracket	
5	F431125	Washer	2 required
6	F8245101	Blind Rivet	2 required
7	F8066804	Reed Switch Assembly	
8	430725	Pop Rivet	2 required
9	H87020202	Roller Catch	2 required; Includes strike
10	70442101	Screw	8 required
11	D501086	Screw	4 required
12	44088001	Nut	8 required
13	44288401	Mounting Plate	
14	70343101	Magnet	
15	44087101	Nut	4 required
16	M400080	Washer	Design 5 models
17	44017801	Lint Panel Clip	2 required
18	44017901	Bolt	Design 3 models
	203798	Bolt	Design 5 models
19	70117611	Kickplate	All models except H models; Black; Design 3
	70117621	Kickplate	H and U models; Gray; Design3
20	70126301	Pop Rivet	Black; 6 required
	70126401	Pop Rivet	Gray; 6 required
21	44012304DG	Lint Panel	P models; Dark gray
	44012307	Lint Panel	P models; Stainless steel; Design 5 H, S and U models
	44012301*P	Lint Panel	Design 3 models
	44012308	Lint Panel	Design 5 H, S and U models
	44012306	Lint Panel	All models except P models; Stainless steel; Design 3
	44012303LG	Lint Panel	U models; Light gray; Design 3
	44012304LG	Lint Panel	U models; Light gray; Design 5

* Add Letter To Designate Color. Q - Bisque W - White

Cabinet and Frame Assembly

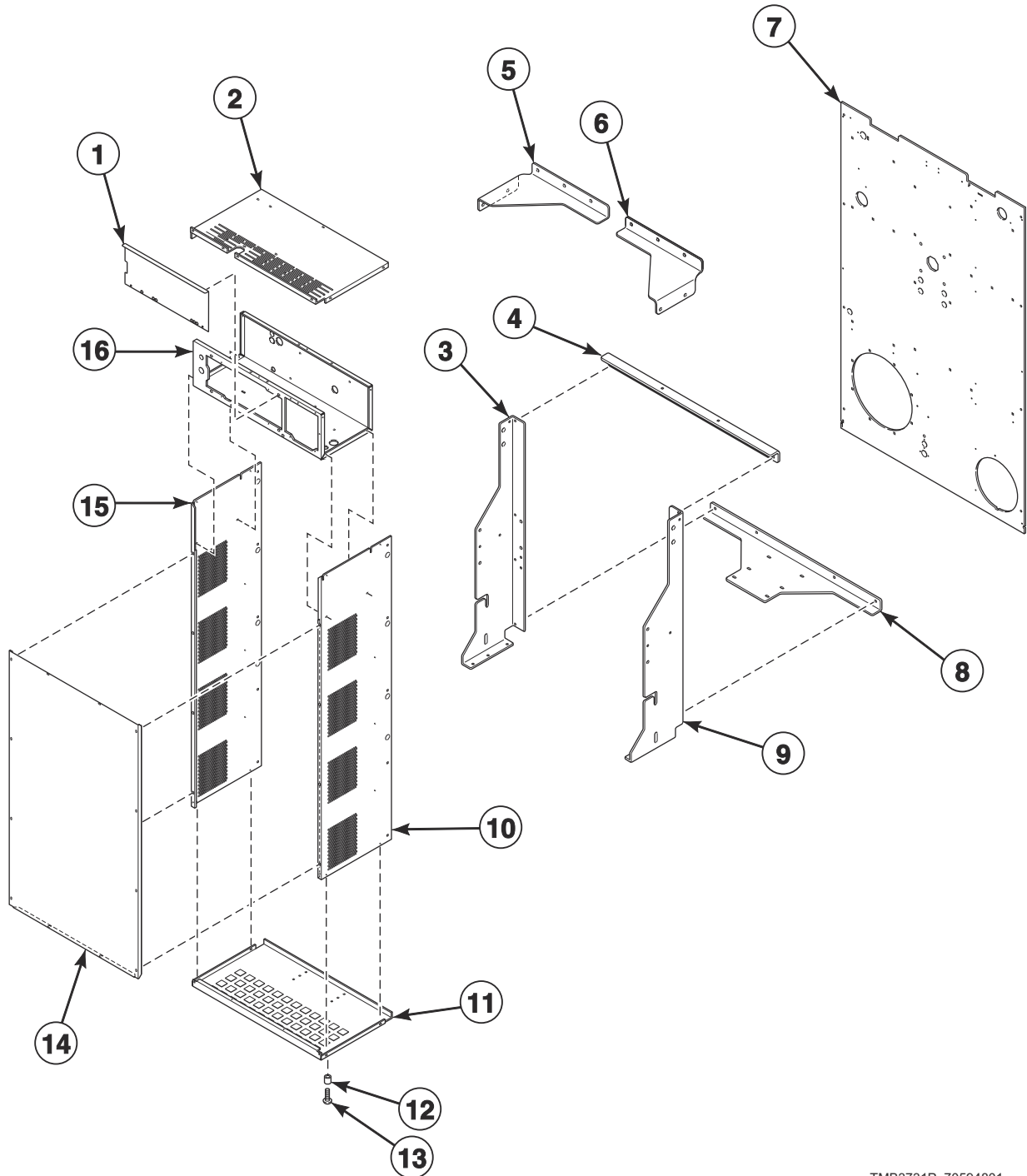


TMB3674P_70594801

Cabinet and Frame Assembly

REF	PART NO.	DESCRIPTION	COMMENTS
	M402144	Felt Pad	6 required; Behind front panel
1	44290301	Exhaust Deflector	
2	44289801	Blower Housing	Left
3	44289901	Blower Housing	Top
4	44280304	Damper Assembly	
5	44290001	Blower Housing Scroll	
6	44282802	Rear Panel Support	Left outer
7	44265901	Rear Panel	
8	44275801	Rear Panel Support	
9	44282801	Rear Panel Support	Right outer
10	44305702	Support Shelf	Left
11	44335901	Cylinder Shroud	Left
12	44336101	Cylinder Shroud	Top front and rear
13	44336001	Cylinder Shroud	Right
14	44305701	Support Shelf	Right
15	44028301DG	Top Access Panel Gusset	Dark gray; P models; Right
	44028301LG	Top Access Panel Gusset	Light gray; U models; Right
	44028301*	Top Access Panel Gusset	Right
16	431287	Screw	4 required
17	44291001	Lint Screen Support	Right
18	44279001	Bottom Pan	
19	44319502	Base Support	Front and back
20	44307901	Lint Screen Support	Back
21	44063603P	Lint Screen	
22	70442101	Screw	
23	H96418413	Lint Screen Clip	
24	44088001	Nut	
25	44290901	Lint Hood	
26	44291002	Lint Screen Support	Left
27	44319403	Base Support	Left and right
28	44336201	Cylinder Shroud	Bottom rear
29	44068101	Thermistor Plate	Without fire suppression system
	44068102	Thermistor Plate	With fire suppression system
30	44064701	Thermistor	2 required; For fire suppression system
31	51780	Screw	
32	44028302DG	Top Access Panel Gusset	Dark gray; P models; Left
	44028302LG	Top Access Panel Gusset	Light gray; U models; Left
	44028302*	Top Access Panel Gusset	Left
33	44266902	Blower Inlet Cone	
34	44289701	Blower Housing	Front

Rear Panel Components

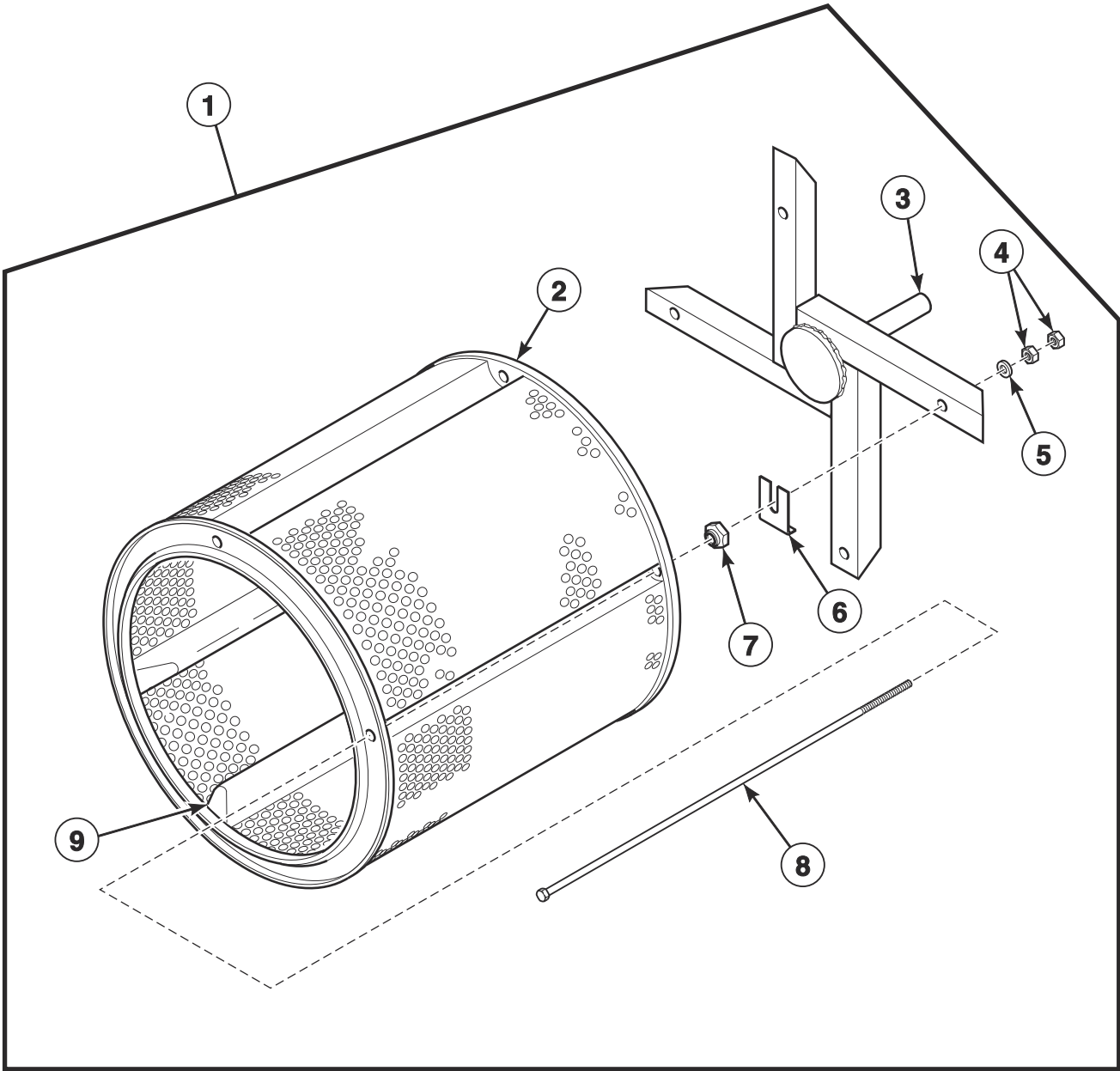


TMB3731P_70594801

Rear Panel Components

REF	PART NO.	DESCRIPTION	COMMENTS
1	70507501	Control Tray Cover	
2	44314101	Belt Guard	Top
3	44311601	Rear Panel Brace	Right center
4	44275801	Rear Panel Support	Top
5	44311702	Rear Panel Support	Left inner
6	44311701	Rear Panel Support	Right inner
7	44265901	Rear Panel	
8	44311801	Rear Panel Brace	Bottom
9	44311602	Rear Panel Brace	Left center
10	44264201	Belt Guard	Right
11	44169801	Belt Guard	Bottom
12	56079	Panel Locator	
13	70275801	Screw	
14	44169601	Belt Guard	Rear
15	44264202	Belt Guard	Left
16	44314201	Belt Guard	Center

Cylinder and Trunnion Assembly

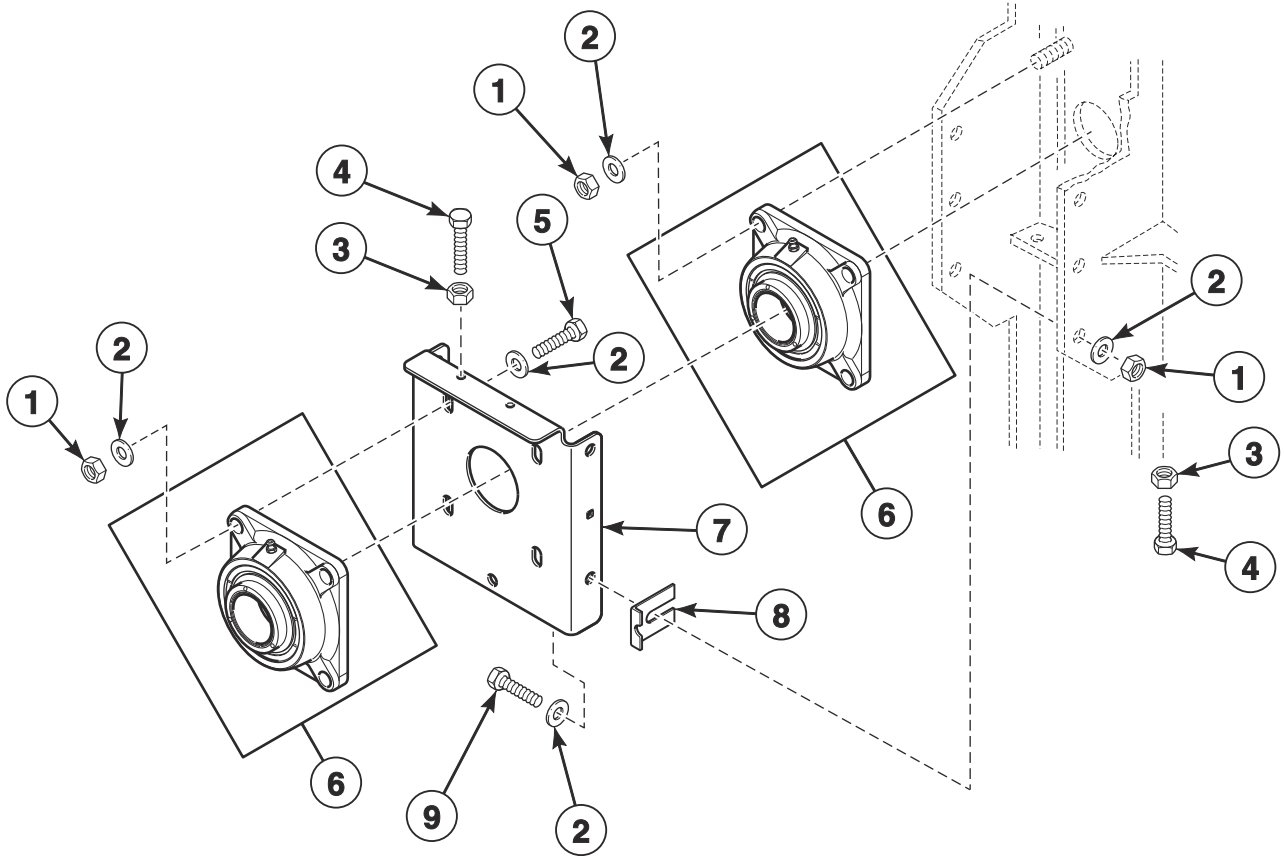


TMB1811B_70594801

Cylinder and Trunnion Assembly

REF	PART NO.	DESCRIPTION	COMMENTS
1	44221601	Cylinder and Trunnion Assembly	Galvanized; Non-moisture sensing
	44214901	Cylinder and Trunnion Assembly	Galvanized; Moisture sensing
	44221602	Cylinder and Trunnion Assembly	Stainless steel; Non-moisture sensing
	44214902	Cylinder and Trunnion Assembly	Stainless steel; Moisture sensing
2	44221501	Cylinder Assembly	Galvanized; Non-moisture sensing
	44215001	Cylinder Assembly	Galvanized; Moisture sensing
	44221502	Cylinder Assembly	Stainless steel; Non-moisture sensing
	44215002	Cylinder Assembly	Stainless steel; Moisture sensing
3	44240801	Trunnion Assembly	Non-moisture sensing
	44240802	Trunnion Assembly	Moisture sensing
4	H88412101	Nut	8 required
5	70261401	Washer	4 required
6	M401402	Spacer	As required
7	M412334	Nut	4 required
8	44215501	Bolt	4 required
9	44191205	Cylinder Rib Assembly	Moisture sensing

Trunnion Bearings

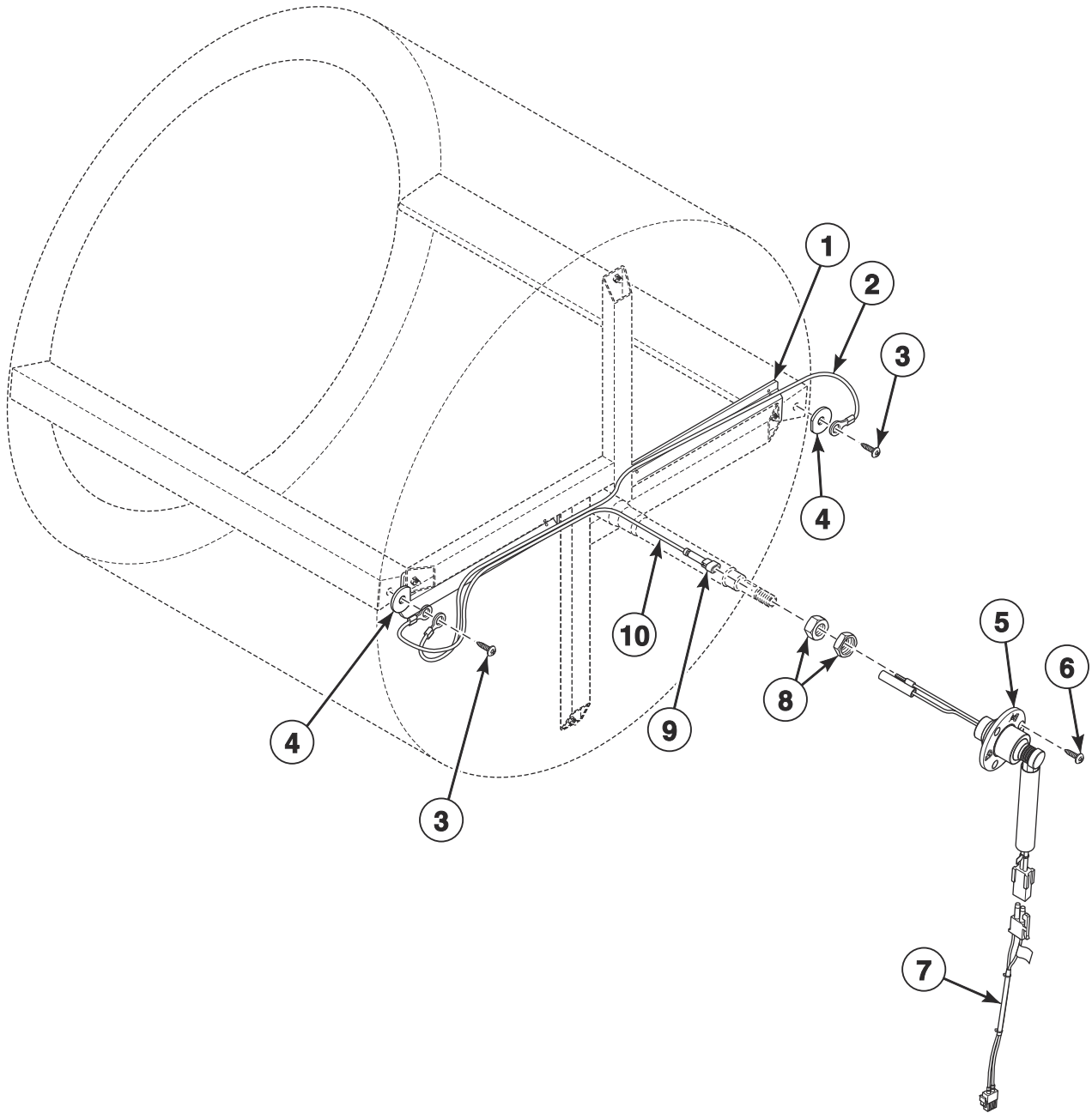


TMB3629P_70594801

Trunnion Bearings

REF	PART NO.	DESCRIPTION	COMMENTS
1	F8387701	Nut	
2	70261401	Washer	
3	20274	Nut	
4	800462	Screw	
5	M411165	Screw	
6	44048301P	Flange Bearing	
7	44301701	Bearing Mounting	
8	M401402	Spacer	As required
9	H88012034	Screw	

Moisture Sensing Components

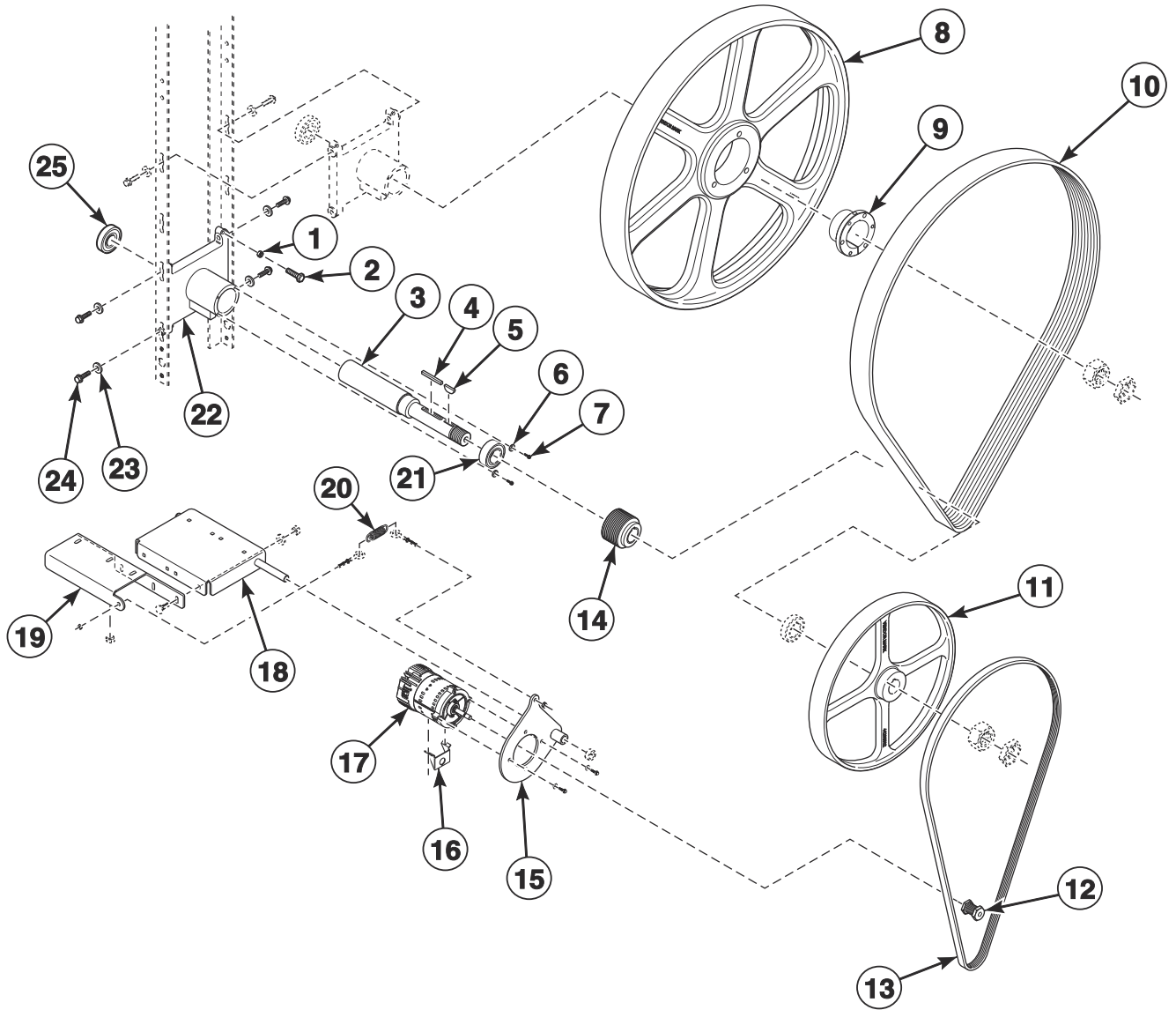


TMB3628P_70594801

Moisture Sensing Components

REF	PART NO.	DESCRIPTION	COMMENTS
1	44239002	Wireway Channel	
2	44208101	Rib Wire	
3	44338901	Screw	
4	44238902	Washer	
5	44222702	Slip Ring Assembly	
6	70442101	Screw	
7	44333903	Moisture Sensor Harness	Goes from item 5 to main harness
8	M400035	Nut	
9	44370401	1 Circuit Plug Housing	
10	44344703	Moisture Sensing Harness Kit	

Cylinder Motor Components

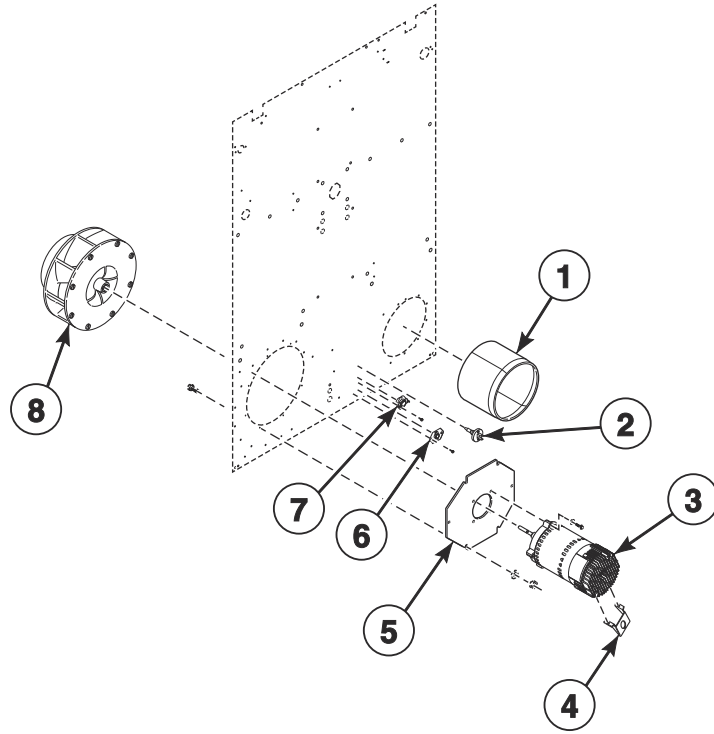


TMB3953P

Cylinder Motor Components

REF	PART NO.	DESCRIPTION	COMMENTS
	44335306	Inverter Motor Harness	Cylinder
	204454	Ferrite	Korean models; Applied to motor wires
	44375001	Trunnion Housing Assembly	Includes items 6, 7, 21, 22 and 25
1	M400026	Nut	
2	M400650	Bolt	
3	44303101	Idler Shaft	
4	M405232	Key	
5	M400008	Key	
6	20103	Washer	
7	70187201	Screw	
8	44289601	Pulley	
9	F280409P	Bushing	
10	44293702	V-Belt	
11	44289502	Pulley	
12	44267601	Motor Pulley	
13	44309402	V-Belt	
14	44302901	Micro V Pulley	
15	44311501	Motor Pivot Plate Weldment	
16	44317901	Motor Conduit Bracket	
17	44259701P	Drive Motor	1.5 HP; 230 Volt/3 Phase
	44259801P	Drive Motor	1.5 HP; 460 Volt/3 Phase
18	44310601	Motor Pivot Bracket Weldment	
19	44310701	Motor Pivot Brace	
20	F8440701	Extension Spring	
21	M413923P	Bearing	
22	M413826	Trunnion Housing	
23	70261401	Washer	
24	M400063	Screw	
25	44041901P	Ball Bearing	

Blower and Exhaust Components

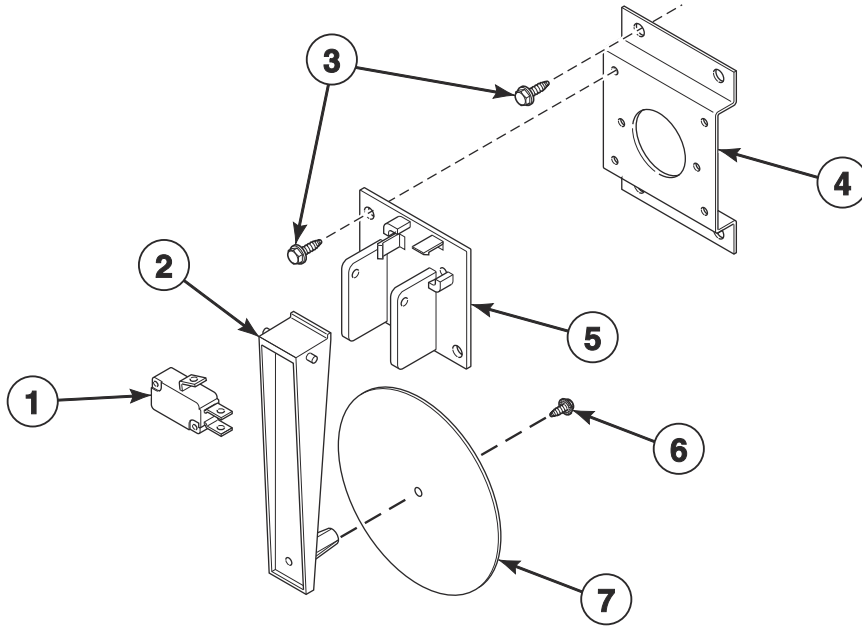


TMB3663P_70594801

Blower and Exhaust Components

REF	PART NO.	DESCRIPTION	COMMENTS
	44335307	Inverter Motor Harness	Fan
	204454	Ferrite	Korean models; Applied to motor wires
1	44305001	Exhaust Thimble Assembly	
2	M414704	Thermistor	
3	44259301P	Fan Motor	1.5 HP; 230 Volt/3 Phase
	44259401P	Fan Motor	1.5 HP; 460 Volt/3 Phase
4	44317901	Motor Conduit Bracket	
5	44311301	Blower Motor Mounting Plate	
6	70530904	Limit Thermostat	
7	44328002	Limit Thermostat	
8	44267201	Blower Assembly	

Airflow Switch

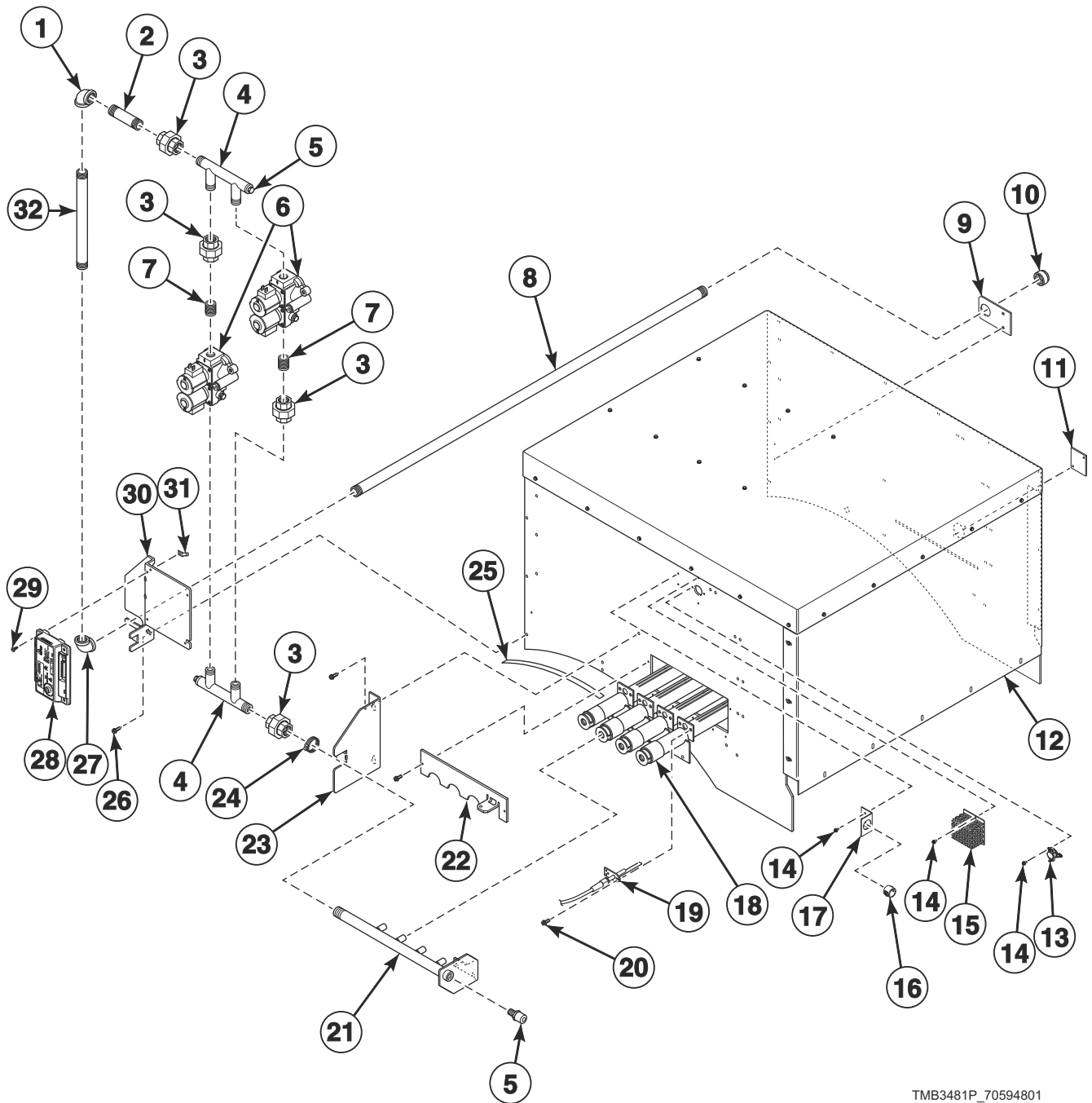


TMB3632P_70594801

Airflow Switch

REF	PART NO.	DESCRIPTION	COMMENTS
	70429601P	Airflow Switch Kit	Includes items 1, 2 and 5-7
1	70411901	Switch	
2	70319401	Airflow Switch Arm	
3	430497	Screw	
4	70356301	Switch Bracket	Gas Models
5	70319602	Airflow Switch and Arm Bracket	
6	430757	Screw	
7	70319201	Airflow Switch Vane	

Gas Heater Components

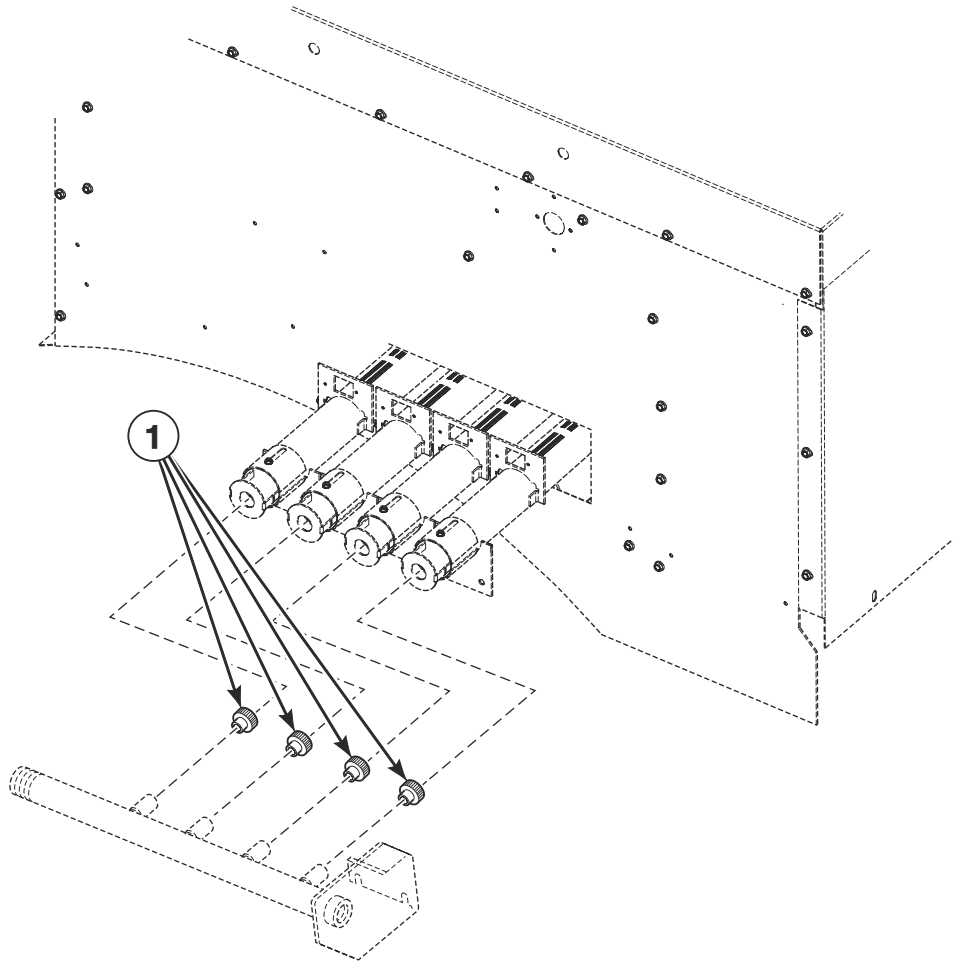


TMB3481P_70594801

Gas Heater Components

REF	PART NO.	DESCRIPTION	COMMENTS
	70564304	Stove Limit Harness	
	44334603	ICM Harness	
	44328806	L.P. Conversion Kit	CSA models; 0-2,000 feet
	44328808	L.P. Conversion Kit	AGA models; 0-2,000 feet
	44330305	L.P. Conversion Kit	IEC models; 0-2,000 feet
	44273503	Gas Valve Harness	CE models
	44324201	Caution Label	Australian models; Repeat ignition reset
	D503887	Label	Australian models; Gas
	70535901	Notice Label	Australian models; Natural Gas (N.G.)
	70544901	Notice Label	Australian models; Liquid Petroleum Gas (L.P.)
	44178803	Adapter	IEC models; BPT/NPT
	44342901	Reducer	IEC models
	H85101608	Nipple	IEC models
	M413021	Bushing	IEC models
	44174201	Pipe Tee	IEC models
	44239704	High Voltage Suppression Cable	
1	F421107	Elbow	
2	H85101673	Nipple	
3	M411419	Pipe Union	4 required
4	44315401	Pipe Adapter Weldment	2 required
5	44231601	Pressure Fitting	2 required
6	44316801	Gas Valve	2 required; Natural Gas (N.G.)
	44316802	Gas Valve	2 required; Liquid Petroleum (L.P.)
7	H85101608	Nipple	2 required
8	44252401	Pipe Nipple	
9	44249301	Pipe Bracket	
10	44087801	Pipe Cap	
11	70159601	Igniter Cover	
12	44282600	Heater Assembly	
13	44328104	Limit Thermostat	N.G. models
	44328103	Limit Thermostat	L.P. models
14	430497	Screw	
15	M414477	Thermostat Cover	
16	M400770	Snap Bushing	
17	431078	Stove Limit Harness Bracket	
18	M412025P	Burner	4 required
19	44328701P	Spark Electrode	
20	51782	Screw	
21	44390002	Spud Holder Weldment	
22	44315201	Burner Hole Cover	
23	44317201	Gas Valve Support Bracket	
24	20391	Hose Clamp	
25	44333402	Gasket	2 required
26	51783	Screw	
27	44249401	Pipe Elbow	
28	70482002	Ignition Control	IEC models
	70482001	Ignition Control	CSA models
29	51780	Screw	
30	44245701	Gas Valve Bracket	
31	00177	Male Tab Terminal	
32	70543501	Pipe Nipple	

Burner Orifices

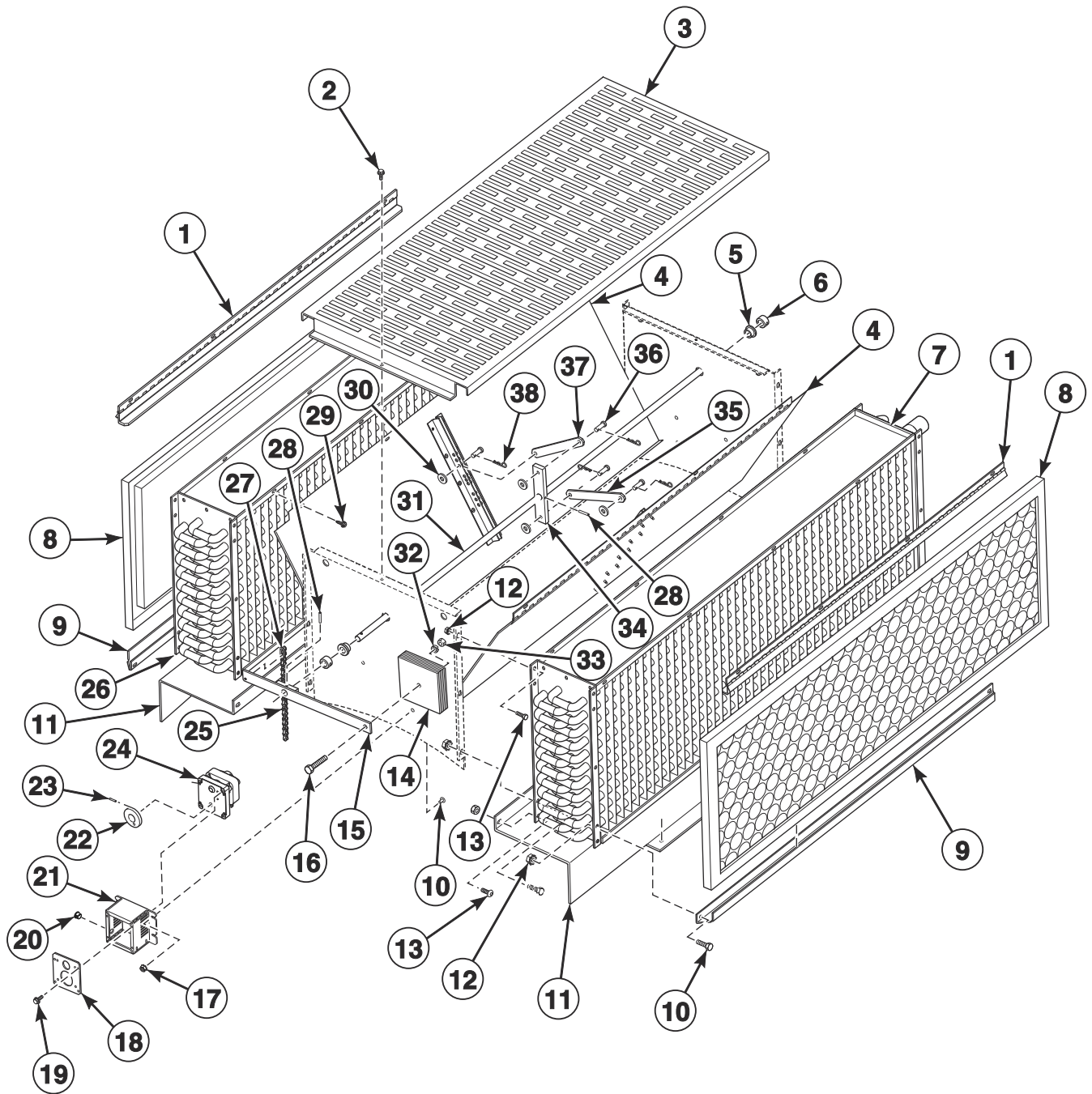


TMB3665P_70594801

Burner Orifices

REF	PART NO.	DESCRIPTION	COMMENTS
	44357511	High Altitude Orifice Kit	CSA Natural Gas (N.G.) models
	44357512	High Altitude Orifice Kit	CSA Liquid Petroleum Gas (L.P.) models
1	70684153	Burner Orifice	N.G. models; Drill no. 10 (4.91 mm); 0-2,000 feet
	70684150	Burner Orifice	N.G. models; Drill no. 13 (4.70 mm); 2,001-4,000 feet
	70684147	Burner Orifice	N.G. models; Drill no. 16 (4.50 mm); 4,001-6,000 feet
	70684145	Burner Orifice	N.G. models; Drill no. 11/64 (4.37 mm); 6,001-8,000 feet
	70684143	Burner Orifice	N.G. models; Drill no. 19 (4.22 mm); 8,001-10,000 feet
	70684132	Burner Orifice	Models with 2nd digit G, H, J, K and T; L.P.; Drill no. 29 (3.45 mm); 0-2,000 feet
	70684130	Burner Orifice	Models with 2nd digit G, H, J, K and T; L.P.; 3.30 mm; 2,001-4,000 feet
	70684128	Burner Orifice	Models with 2nd digit G, H, J, K and T; L.P.; Drill no. 1/8 (3.18 mm); 4,001-6,000 feet
	70684126	Burner Orifice	Models with 2nd digit G, H, J, K and T; L.P.; Drill no. 31 (3.05 mm); 6,001-8,000 feet
	70684125	Burner Orifice	Models with 2nd digit G, H, J, K and T; L.P.; Drill no. 32 (2.95 mm); 8,001-10,000 feet
	70684100	Burner Orifice	Blank; Models with 2nd digit G, H, J, K and T
	70684120	Burner Orifice	CE models; L.P.; Drill no. 36 (2.71 mm); 0-2,000 feet
	70684118	Burner Orifice	CE models; L.P.; Drill no. 38 (2.58 mm); 2,001-4,000 feet
	70684116	Burner Orifice	CE models; L.P.; Drill no. 40 (2.49 mm); 4,001-6,000 feet
	70684114	Burner Orifice	CE models; L.P.; Drill no. 42 (2.37 mm); 6,001-8,000 feet
	70684113	Burner Orifice	CE models; L.P.; 2.30 mm; 8,001-10,000 feet
	70684125	Burner Orifice	Australian models; L.P.; Drill no. 32 (2.95 mm); 0-2,000 feet
	70684122	Burner Orifice	Australian models; L.P.; Drill no. 35 (2.79 mm); 2,001-4,000 feet
	70684120	Burner Orifice	Australian models; L.P.; Drill no. 36 (2.71 mm); 4,001-6,000 feet
	70684119	Burner Orifice	Australian models; L.P.; Drill no. 37 (2.64 mm); 6,001-8,000 feet
	70684117	Burner Orifice	Australian models; L.P.; Drill no. 39 (2.53 mm); 8,001-10,000 feet

Steam Heater Components

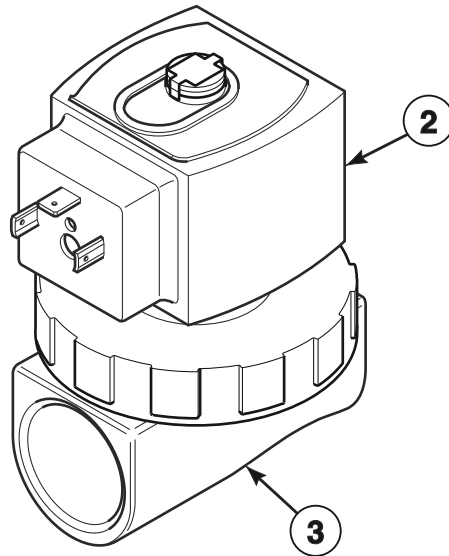
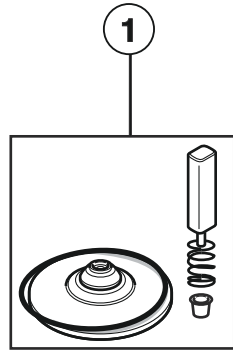


TMB3675P_70594801

Steam Heater Components

REF	PART NO.	DESCRIPTION	COMMENTS
	44273606	Damper Motor Harness	
	F8520703	Steam Valve Harness	
	70564302	Stove Limit Bypass Harness	
	70523301	Harness Adapter Plate	
	44314801	Steam Adapter Kit	IEC models
	44317101	Steam Heater Assembly	CRN models
	44316901	Steam Heater Assembly	All other models
1	44088101	Steam Filter Top Hinge Assembly	2 required
2	M405188	Screw	
3	44115101	Steam Cover	
4	H96387519	Damper	2 required; Use M405750 Pop Rivet
5	M414459	Bushing	2 required
6	M414451	Shaft Collar	2 required
7	44256601	Steam Coil	CRN models
	M409834P	Steam Coil	All other models
8	44172101	Filter	IEC models; 2 required
	H96362264	Coil Filter	CSA models; 2 required
9	H96388087	Filter Channel	2 required; Upper
10	801019	Screw	2 required
11	M411550	Steam Coil Support	3 required
12	29786	Nut	3 required
13	02422	Screw	3 required
14	44332601	Steam Damper Counterweight	6 required
15	44332701	Shaft Actuator Assembly	
16	H88010574	Screw	
17	23951	Nut	3 required
18	44327501	Damper Motor Plate	
19	61199	Screw	
20	M411826	Snap Bushing	
21	44327401	Damper Motor Cover	
22	H96388178	Drive Wheel	Damper
23	H88900683	Spring Pin	Damper
24	44308101	Damper Motor	
25	H96388186	Drive Chain	
26	44256501	Steam Coil	CRN models
	M409833P	Steam Coil	All other models
27	H96382072P	Master Link	2 required
28	H88970256	Roll Pin	2 required
29	D501086	Screw	
30	800465	Washer	4 required
31	H96388079	Damper Shaft	
32	M400013	Washer	
33	70142	Nut	
34	44096401	Steam Damper Actuator	
35	44333001	Steam Damper Link	
36	44091501	Clevis Pin	4 required
37	44332901	Steam Damper Link	
38	44091601	Hairpin Cotter	4 required

Steam Valve

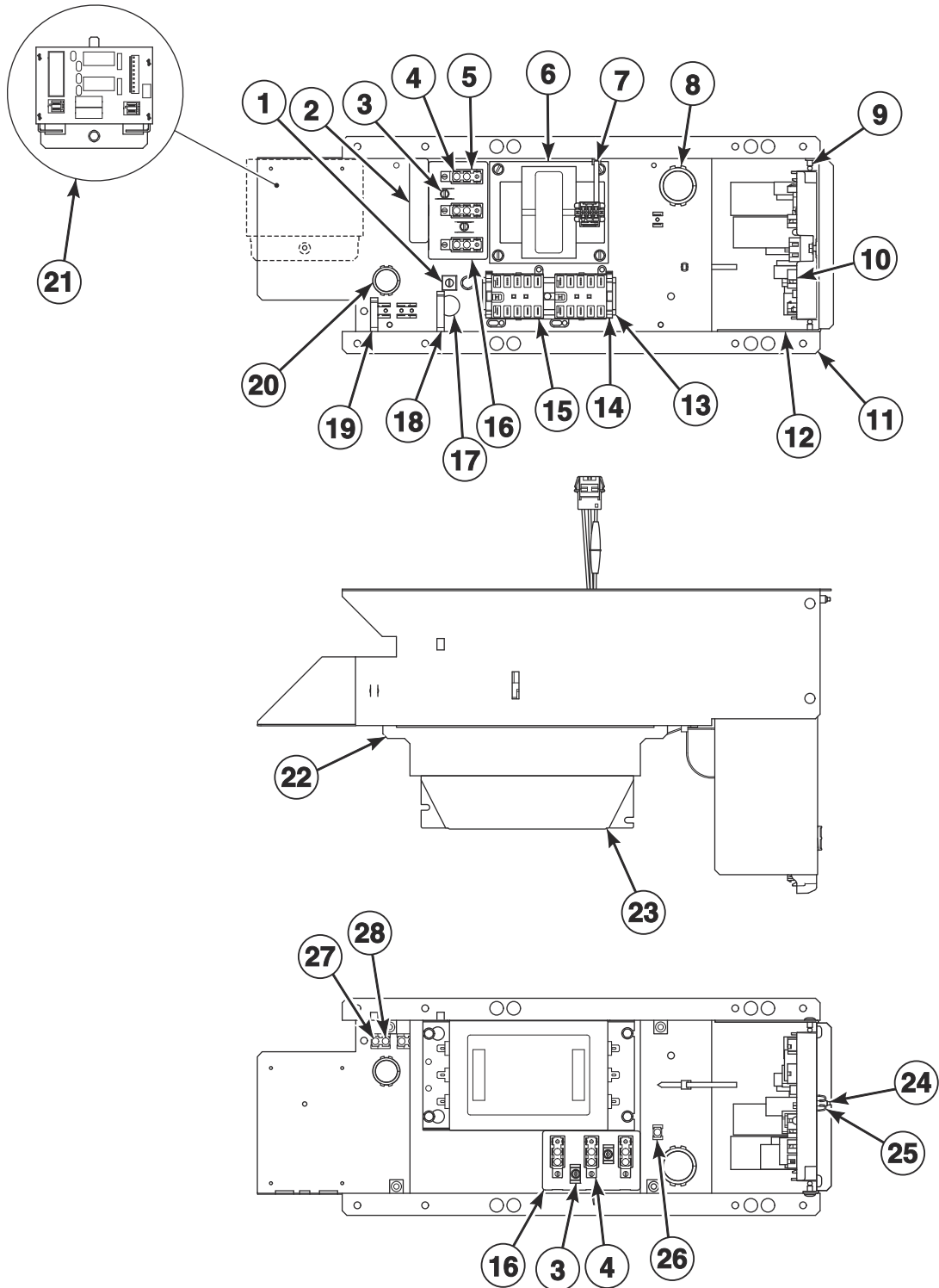


TMB3634P_70594801

Steam Valve

REF	PART NO.	DESCRIPTION	COMMENTS
	F8382301	DIN Valve Adapter Klt	
1	F8379502	Valve Rebuild Kit	
2	F8514601P	Coil	240 Volt
3	F8322906P	Valve	240 Volt

Control Tray



TMB3676P_70594801

Control Tray

REF	PART NO.	DESCRIPTION	COMMENTS
	685837	Screw	Use with item 1
	44088001	Nut	Use with item 1
	204454	Ferrite	Korean models; Applied to motor wires
	44272104	Emergency Stop Interconnect Harness	Routes from emergency stop to control tray
	44357403	EMI Filter Kit	CSA models; 200-240 Volt
	44357402	EMI Filter Kit	CSA models; 380-480 Volt
1	M411283	Ground Lug Connector	
2	44286803	Label	L1, L2, L3
3	51783	Screw	
4	430642	Terminal Block	
5	70333001	Terminal Block Shield	
6	F8491101	Transformer	380-480 Volt
7	70335601	Cable Tie	
8	70346501	Bushing	
9	70058501	Pop Rivet	
10	70479201P	I/O Control Assembly	
11	70492401	Control Tray	
12	70494901	Control Board Control Tray	
13	M412690	DIN Rail	
14	F8449801	End Stop	
15	70482601	Contactors	2 required
16	M413862	Insulator	
17	D516100	Label	
18	F8449501	Wire Clip	
19	F8449502	Wire Clip	
20	70178701	Snap Bushing	
21	70501801	Steam Control Assembly	Steam models
22	70533101	Filter Bracket	IEC models
23	F8591801	EMI Filter	IEC models; 200-240 Volt
	F8637501	EMI Filter	IEC models; 380-480 Volt
24	F8206901	Screw	
25	70030501	Expansion Clip	
26	00621SG	Male Tab Terminal	
27	M400003	Pop Rivet	
28	00622SG	Terminal	

Labels

PART NO.	DESCRIPTION	COMMENTS
44318601	Caution Label	Vent/install
F8614501	Danger Label	Shock; English/French
D516100	Label	Earth ground
F8614301	Hot Surface Warning Label	English/French
F8609001	Hot Surface Warning Label	Icon
F8611601	Warning Label	
44318600	Label Kit	Vent/install
F8614500	Label Kit	Shock
70534400	Label Kit	Fire
F8605500	Label Kit	
44321501	Notice Label	120/240 Volt
70539601	Notice Label	
D516073	Notice Label	Read instructions; Icon
70538401	Pinch Warning Label	English/French
F8615701	Pinch Warning Label	Icon
F8615702	Pinch Warning Label	Icon
F8614202	Shock Warning Label	Icon
70536401	Warning Label	Lint; Australian models
44324101	Warning Label	Fire; Australian models
70534405	Warning Label	Fire; Colombian Spanish; Australian models
70534401	Warning Label	Fire; English; Australian models
70534402	Warning Label	Fire; French; Australian models
44321601	Warning Label	Risk of fire; Icon
44324001	Warning Label	Shock/pinch
44324002	Warning Label	Shock/pinch

Harnesses

PART NO.	DESCRIPTION	COMMENTS
44316008	Harness	3 Phase; Auxiliary power distribution block to EMI filter
44356405	Control Tray Harness Assembly	Steam models
44356406	Control Tray Harness Assembly	Gas models
44334702	Inverter Contactor Coil Harness	Secondary
44316002	Harness	3 Phase; Main power distribution block to EMI filter
44280012	Motor Contactor Power Harness	3 Phase; EMI
44280003	Motor Contactor Power Harness	3 Phase
44280101	Power Harness	380-480 Volt
44272101	Power Harness	200-240 Volt

Parts Index

A

Access Panel Trim 70399404	27
Adapter 44178803	53
Airflow Switch and Arm Bracket 70319602	51
Airflow Switch Arm 70319401	51
Airflow Switch Kit 70429601P	51
Airflow Switch Vane 70319201	51

B

Ball Bearing 44041901P	47
Base Support 44319403	37
44319502	37
Bearing 70187201P	47
Bearing Mounting 44301701	43
Belt Guard 44169601	39
44169801	39
44264201	39
44264202	39
44314101	39
44314201	39
Blind Rivet F8245101	35
Blower Assembly 44267201	49
Blower Housing 44289701	37
44289801	37
44289901	37
Blower Housing Scroll 44290001	37
Blower Inlet Cone 44266902	37
Blower Motor Mounting Plate 44311301	49
Bolt M400650	47
203798	35
44017901	35
44215501	41
Bottom Pan 44279001	37
Burner M412025P	53
Burner Hole Cover 44315201	53

Burner Orifice 70684100	55
70684113	55
70684114	55
70684116	55
70684117	55
70684118	55
70684119	55
70684120	55
70684122	55
70684125	55
70684126	55
70684128	55
70684130	55
70684132	55
70684143	55
70684145	55
70684147	55
70684150	55
70684153	55

Bushing F280409P	47
M413021	53
M414459	57
70346501	23, 61

C

Cable Tie 70335601	61
Caution Label 44318601	62
44324201	53
Center Hinge Lug Assembly 70640401	33
Circuit Plug Housing, 1 44370401	45
Clevis Pin 44091501	57
Coil F8514601P	59
Coil Filter H96362264	57
Cold Weather Kit 44340301	23
Contact Base F8538101	15, 19, 21
Contact Switch F8069501	15, 19, 21
Contactoer 70482601	61
Control 70511601	23
Control Assembly 70478802	19
70478902	19
70479801	15
70479901	15
70523002	19
70523101	15
70543104	21

N/A items do not appear in index.

Control Board Control Tray 70494901	61	Damper Assembly 44280304	37
Control Box Base 44065301	23	Damper Motor 44308101	57
Control Box Cover 44065201	23	Damper Motor Cover 44327401	57
Control Box Housing 44306701	23	Damper Motor Harness 44273606	57
Control Box Top 44307101	23	Damper Motor Plate 44327501	57
Control Bracket 44331005	15, 19	Damper Shaft H96388079	57
44331006B	15, 19	Danger Label F8614501	62
44331006DG	15, 19	DIN Rail M412690	61
44331006LG	15, 19, 21	DIN Valve Adapter Kit F8382301	59
44331006W	15, 19, 21	Door Assembly 44215801	29
Control Cover 44330801B	13, 17	44248002	29
44330801*	13, 17, 21	44248201	29
44330802	13, 17, 21	44272201	29
44330803LG	13, 17, 21	44294501B	29
44330804*	13, 17	44294501LG	29
44330805	13, 17	44354701	29
44330806DG	13, 17	44354703	29
44330810B	13, 17	44354705	29
44330810*	13, 17, 21	70407402	29
44330811	13, 17, 21	Door Catch Kit 70482901	25
44330812LG	13, 17, 21	Door Glass 44008401P	29
44330813*	13, 17	44008402P	29
44330814	13, 17	Door Glass Installation Tool M4221P4	29
44330815DG	13, 17	Door Glass Label 70650401	29
Control Harness 44334404	23	70707701	29
Control Tray 70492401	61	Door Handle 44007901	29
Control Tray Cover 70507501	39	44263801	29
Control Tray Harness Assembly 44334506	63	44370601	29
44356405	63	70521102	29
Control Trim 44016401	13, 17	Door Hinge 44217903B	31
44016403	13, 17	Door Hinge Assembly 44218701*	31
Cylinder and Trunnion Assembly 44214901	41	44218703LG	31
44214902	41	44218704	31
44221601	41	44366602LG	33
44221602	41	44366604	33
Cylinder Assembly 44215001	41	44366608	33
44215002	41	Door Hinge Lug Assembly 44218101	31
44221501	41	44218102	31
44221502	41	Door Hinge Assembly 44366606W	33
Cylinder Rib Assembly 44191205	41	Door Latch M401223	25
Cylinder Shroud 44335901	37	Door Latch Bracket 44219701	29
44336001	37	Door Latch Magnet 44220501	25
44336101	37		
44336201	37		

D

Damper H96387519	57
---------------------------	----

N/A items do not appear in index.

Door Ring	
44220001	29
Door Ring and Handle Assembly	
44294601B	29
44294601LG	29
Door Ring Assembly	
44220002	29
44247401B	29
44326003B	29
Door Ring Gasket	
44217401	29
Door Seal Kit	
70211902P	29
Door Switch Actuator Kit	
70215001P	31
Door Switch Cover	
44316301	25
Door Switch Harness	
44335203	25
Door Switch Shield	
44316601	25
Door Switch Wire Channel	
44286001	25
Drive Chain	
H96388186	57
Drive Motor	
44259701P	47
44259801P	47
Drive Rivet	
M400713	23
Drive Wheel	
H96388178	57

E

Elbow	
F421107	53
Emergency Stop Harness	
44272401	15, 19, 21
Emergency Stop Interconnect Harness	
44272104	61
Emergency Stop Label	
44012901	15, 19, 21
Emergency Stop Pushbutton	
F200233500	15, 19, 21
EMI Filter	
F8591801	61
F8637501	61
EMI Filter Kit	
44357402	61
44357403	61
End Stop	
F8449801	61
Exhaust Deflector	
44290301	37
Exhaust Thimble Assembly	
44305001	49
Expansion Clip	
70030501	13, 17, 21, 61
Extension Spring	
F8440701	47

F

Fan Motor	
44259301P	49
44259401P	49
FCC-IC Label	
F8613201	21
Felt Pad	
M402144	37
Ferrite	
204454	47, 49, 61
Fill Hose	
202799	23
Filter	
44172101	57
Filter Bracket	
70533101	61
Filter Channel	
H96388087	57
Filter Mounting Plate	
70551701	23
Flange Bearing	
44048301P	43
Front Access Panel	
44012707P	27
44012709B	27
44012709DG	27
44012709LG	27
44012714	27
44367203	27
44367204W	27
Front Control Box	
44311101	11
Front Panel	
44288902	25
44288903DG	25
44288903LG	25
44288903W	25
44291903W	25
44368501W	25
44368503	25

G

Gas Valve	
44316801	53
44316802	53
Gas Valve Bracket	
44245701	53
Gas Valve Harness	
44273503	53
Gas Valve Support Bracket	
44317201	53
Gasket	
44333402	53
Ground Lug Connector	
M411283	61

N/A items do not appear in index.

H

Hairpin Cotter	
44091601	57
Handle and Caps Assembly	
44049903	35
70154417	35
Handle Bar	
70399501B	29
Handle Bumper	
70407204	35
70407212	35
Harness	
F8617901	21
44316002	63
44316008	63
Harness Adapter Plate	
70523301	57
Heater Assembly	
44282600	53
High Altitude Orifice Kit	
44357511	55
44357512	55
High Voltage Suppression Cable	
44239704	53
Hinge Cam Kit	
M4772P3	31
M4773P3	31
Hose	
44073306	23
Hose Clamp	
20391	53
36801	23
Hose Fitting	
44069101	23
Hot Surface Warning Label	
F8609001	62
F8614301	62

I

ICM Harness	
44334603	53
Idler Shaft	
44303101	47
Igniter Cover	
70159601	53
Ignition Control	
70482001	53
70482002	53
Insulator	
M413862	61
Interconnect Harness	
44334401	23
Inverter Contactor Coil Harness	
44334702	63
Inverter Motor Harness	
44335306	47
44335307	49
I/O Control Assembly	
70479201P	61

J

J-Belt	
44293702	47

K

Key	
M400008	47
M405232	47
70155601	23
Kickplate	
70117611	35
70117621	35

L

Label	
D503887	53
D516100	61, 62
44190901	25
44286803	61
44318201	23
70472801	25
70537001	25
70537101	25
Label Kit	
F8605500	62
F8614500	62
44318200	23
44318600	62
44324500	23
70534400	62
Light	
801432	23
Limit Thermostat	
44328002	49
44328103	53
44328104	53
70530904	49
Lint Hood	
44290901	37
Lint Panel	
44012301W	35
44012303LG	35
44012304DG	35
44012304LG	35
44012306	35
44012307	35
44012308	35
Lint Panel Clip	
44017801	35
Lint Screen	
44063603P	37
Lint Screen Clip	
H96418413	37
Lint Screen Support	
44291001	37
44291002	37
44307901	37
Lock, Key and Nut Kit	
44089301P	23

N/A items do not appear in index.

Lower Hinge Gusset 70632002	33
Lower Lug Assembly 70639302	33
L.P. Conversion Kit 44328806	53
44328808	53
44330305	53

M

Machine ID Control Assembly 203361P	17, 21
Magnet 70343101	35
Main Harness 44334202	11
Male Tab Terminal 00177	53
00621SG	61
Manifold 44079603	23
Master Link H96382072P	57
Max Fill Line Label 70707501	29
Micro V Pulley 44302901	47
Mixing Valve 70519801	23
Mixing Valve Shield Bracket 44306601	23
Moisture Sensing Harness Kit 44344703	45
Moisture Sensor Harness 44333903	45
Motor Conduit Bracket 44317901	47, 49
Motor Contactor Power Harness 44280003	63
44280012	63
Motor Pivot Brace 44310701	47
Motor Pivot Bracket Weldment 44310601	47
Motor Pivot Plate Weldment 44311501	47
Motor Pulley 44267601	47
Mounting Bracket 44331101	21
Mounting Plate 44288401	35
44330901	15, 19, 21

N

Nameplate F8443107	27
F8688001	27
F8688901	27
44010601	27

567887	27
70472001	27
Nameplate Overlay 44144401	29
44331401	27
70410201	27
70411401	29

Nipple H85101608	53
H851016088	53
H85101673	53

Notice Label D516073	62
44321501	62
70535901	53
70539601	62
70544901	53

Nut F8387701	43
H88412101	41
M400026	47
M400035	45
M400977	13, 17, 21
M412334	41
M414215	29
20274	43
23951	57
29786	57
29787	25
36020	29
44087101	35
44088001	29, 31, 33, 35, 37, 61
70030401	25, 27
70142	57

O

Overlay 70516801	13
70517801	13
70519001	13
70539101	13
70545501	13
70547501	13
70547801	17
70548801	17
70570601	17
70570801	17
70571401	17
70571601	17
70572401	17
70595401	21
70636401	17
70636501	13
70636801	13
70638301	17
70638801	13
70638901	17
70639001	21

P

Panel Locator 56079	39
------------------------------	----

N/A items do not appear in index.

Pinch Warning Label	
F8615701	62
F8615702	62
70538401	62
Pipe Adapter Weldment	
44315401	53
Pipe Bracket	
44249301	53
Pipe Cap	
44087801	53
Pipe Elbow	
44249401	53
Pipe Nipple	
44252401	53
70543501	53
Pipe Tee	
44174201	53
Pipe Union	
M411419	53
Plug	
M400985	15, 19, 21
Pop Rivet	
M400003	61
430725	15, 19, 21, 35
44166601	25
70058501	31, 33, 61
70126301	35
70126401	35
70412601	29
Porcelain Touch-Up Paint	
122P4P	25
370P4P	25
Power Harness	
44272101	63
44280101	63
Power Sensor Harness	
44334408	23
Pressure Fitting	
44231601	53
Pulley	
44289502	47
44289601	47
Push-to-Start Switch	
801434W	23

R

Rear Panel	
44265901	37, 39
Rear Panel Brace	
44311601	39
44311602	39
44311801	39
Rear Panel Support	
44275801	37, 39
44282801	37
44282802	37
44311701	39
44311702	39
Reducer	
44342901	53
Reed Switch Assembly	
F8066804	35

Rib Wire	
44208101	45
Roll Pin	
H88970256	57
Roller Catch	
H87020202	35
Roller Catch Mounting Bracket	
44014001	35

S

Screw	
D501086	35, 57
F8206901	61
H88010574	57
H88012034	43
M400063	47
M400661	29
M402574	25
M405188	57
M411165	43
02422	57
430497	11, 21, 23, 51, 53
430757	35, 51
431287	25, 37
44338901	45
44349101	31, 33
51780	23, 37, 53
51782	53
51783	53, 61
61199	57
685837	29, 61
70033504	31
70182601	25, 27
70187201	47
70275801	39
70409801	31
70442101	29, 31, 35, 37, 45
70640201	33
70640301	33
800462	43
800930	13, 17, 21
801019	57
802822	33
804608	13, 17, 21, 23
Sensor Harness	
44334407	23
Shaft Actuator Assembly	
44332701	57
Shaft Collar	
M414451	57
Shield	
44326801	23
Shock Warning Label	
F8614201	23
F8614202	62
F8614401	23
Slip Ring Assembly	
44222702	45
Snap Bushing	
M400770	53
M411826	57
70178701	11, 61
Spacer	
M401402	41, 43

N/A items do not appear in index.

Spark Electrode 44328701P	53
Spray Paint 298P4P	25
Spring Pin H88900683	57
Spud Holder Weldment 44390002	53
Steam Adapter Kit 44314801	57
Steam Coil M409833P	57
M409834P	57
44256501	57
44256601	57
Steam Coil Support M411550	57
Steam Control Assembly 70501801	61
Steam Cover 44115101	57
Steam Damper Actuator 44096401	57
Steam Damper Counterweight 44332601	57
Steam Damper Link 44332901	57
44333001	57
Steam Filter Top Hinge Assembly 44088101	57
Steam Heater Assembly 44316901	57
44317101	57
Steam Valve Harness F8520703	57
Stove Limit Bypass Harness 70564302	57
Stove Limit Harness 70564304	53
Stove Limit Harness Bracket 431078	53
Support Bracket 44310901	23
Support Shelf 44305701	37
44305702	37
Switch 44312401	25
70411901	51
Switch Bracket 44296301	35
70356301	51

T

Terminal 00622SG	61
Terminal Block 430642	61
Terminal Block Shield 70333001	61
Thermistor M414704	49

44064701	37
Thermistor Plate 44068101	37
44068102	37
Thermostat Cover M414477	53
Top Access Panel Gusset 44028301DG	37
44028301*	37
44028302DG	37
44028302*	37
Transformer F8491101	61
Trunnion Assembly 44240801	41
44240802	41
Trunnion Housing M413826	47
Trunnion Housing Assembly 44375001	47

U

Upper Hinge Gusset 44376501	33
Upper Hinge/Wire Cover Bracket 44368702	25
Upper Lug Assembly 70639301	33
USB IR Interface Kit 203346	21
USB-Serial Interface Assembly 203440	21

V

Valve F8322906P	59
Valve Rebuild Kit F8379502	59
V-Belt 44309401	47

W

Warning Label F8611601	62
44321601	62
44324001	62
44324002	62
44324101	62
44324501	23
44324502	23
70534401	62
70534402	62
70534405	62
70536401	62
Washer F431125	35
M400013	57
M400080	35

N/A items do not appear in index.

03815	13, 17, 21
20103	47
44238902	45
70261401	41, 43, 47
70409301	29
800465	25, 27, 57
Water Valve Harness	
44334405	23
Wire Clip	
F8449501	61
F8449502	61
Wireless Network Board Harness	
F8536002	21
Wireless Network Control Assembly	
203532	11
Wireless Network Kit	
70596301	11, 21
Wireway Channel	
44239002	45
