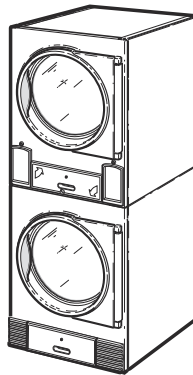


# Tumble Dryers

Stacked 30 Pound Capacity  
18 Digit Model Numbers with 3 in 13th Position  
Refer to Page 3 for Model Numbers



TMB1285C\_70602901



# Table of Contents

Title	Page
Parts Ordering Information .....	2
Serial Plate Location.....	2
Model Identification.....	3
Product Overview - Heat Source and Voltage.....	4
Product Overview - FN Control Suffix.....	6
Product Overview - DN and NN Control Suffixes .....	8
Product Overview - B, N and W Control Suffixes .....	10
Dual Digital Control.....	12
Electronic Display Control - Vend Models with B in the 7th Position.....	14
Electronic Display Control - Vend Models with N or W in the 7th Position.....	16
Electronic Display Control - OPL Models with N in the 7th Position.....	18
Coin Drops.....	20
Coin Drop Kits .....	22
Central Pay and Card Reader Components.....	24
Door Assemblies .....	26
Door Components .....	28
Hinge Components.....	30
Upper Front Panel Assemblies and False Fronts.....	32
Lower Front Panel Assemblies.....	34
Upper Cabinet Front Components (Drawing 1 of 2).....	36
Upper Cabinet Front Components (Drawing 2 of 2).....	38
Lower Cabinet Front Components.....	40
Emergency Stop Button - OPL Models.....	42
Lint Drawer Components.....	44
Lint Drawer Overlays .....	46
Cylinder and Trunnion Components.....	48
Moisture Sensing Components .....	50
Bearing Components.....	52
Cabinet Components.....	54
Drive Motor Components.....	56
Exhaust Components .....	58
Blower Components .....	60
Airflow Switch .....	62
Gas Burner Housing and Secondary Stove Limit.....	64
Gas Valve and Piping.....	66
Burner Orifices.....	68
Electric Heater Components.....	70
Steam Heater Components.....	72
Control Tray and Accessory Box .....	74
Labels.....	76
Harnesses .....	77
Parts Index .....	79

© Copyright 2023, Alliance Laundry Systems LLC

All rights reserved. No part of the contents of this book may be reproduced or transmitted in any form or by any means without the expressed written consent of the publisher.

## Parts Ordering Information

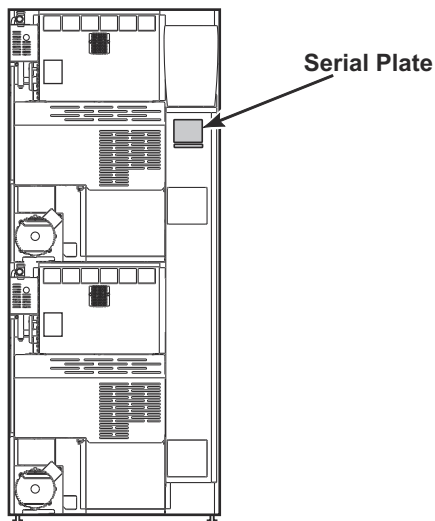
If literature or replacement parts are required, contact the source from whom the machine was purchased or contact Alliance Laundry Systems at (920) 748-3950 for the name and address of the nearest authorized parts distributor.

For technical assistance, call the number listed below:

(920) 748-3121 Ripon, Wisconsin

## Serial Plate Location

When calling or writing about your product, be sure to mention model and serial numbers. Model and serial numbers are located on serial plate(s) as shown.



TMB3565P\_70602901

# Model Identification

Information in this manual is applicable to these tumbler models:

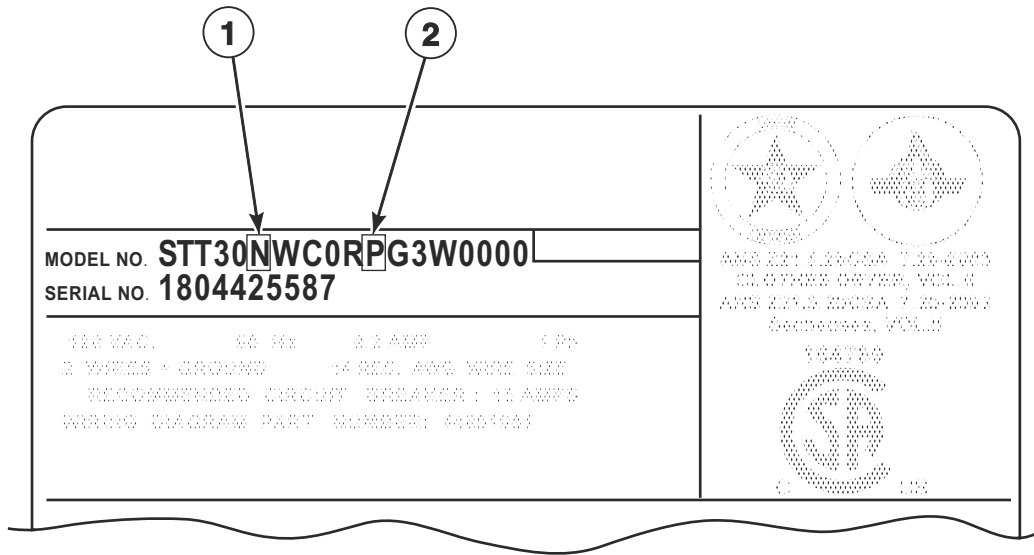
GAT30E  
GAT30L  
GAT30N  
GAT30S  
GGT30E  
GGT30L  
GGT30N  
GGT30S  
GHT30E  
GHT30L  
GHT30N  
GHT30S  
GJT30E  
GJT30L  
GJT30N  
GJT30S  
GKT30E  
GKT30L  
GKT30N  
GUT30E  
GUT30L  
GUT30N  
GUT30S

KTT30E  
KTT30L  
KTT30N  
KTT30S

MGT30D  
MGT30E  
MGT30F  
MGT30L  
MGT30N  
MGT30R  
MGT30S  
MJT30D  
MJT30E  
MJT30F  
MJT30L  
MJT30N  
MJT30R  
MJT30S

NAT30E  
NAT30L  
NAT30N  
NAT30S  
NGT30E  
NGT30L  
NGT30N  
NGT30S  
NHT30E  
NHT30L  
NHT30N  
NHT30S  
NJT30E  
NJT30L  
NJT30N  
NJT30S  
NKT30E  
NKT30L  
NKT30N  
NRT30E  
NRT30S  
NTT30E  
NTT30L  
NTT30N  
NTT30S  
NUT30E  
NUT30L  
NUT30N  
NUT30S

# Product Overview - Heat Source and Voltage



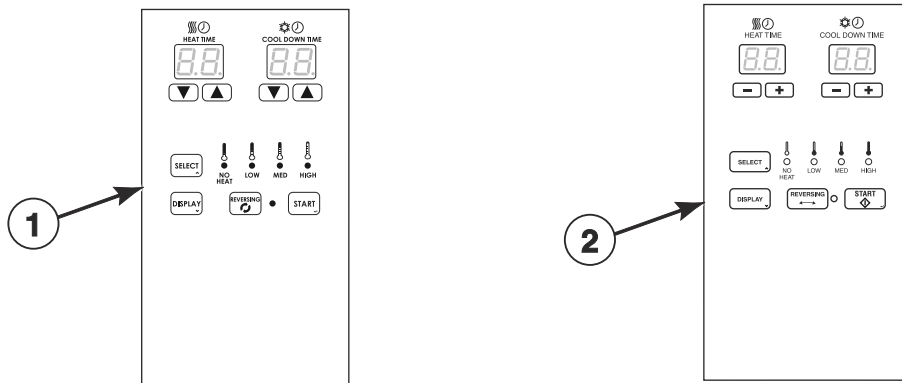
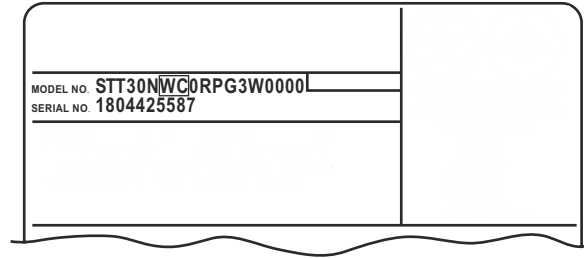
TMB3566P\_70602901

## Product Overview - Heat Source and Voltage

REF	PART NO.	DESCRIPTION	COMMENTS
1	-	Heat Source	D: Liquid Petroleum Gas (L.P) E: Electric F: Reduced Electric (Eco Line) L: Liquid Petroleum Gas (L.P.) N: Natural Gas (N.G.) R: Reduced Gas, Natural Gas (Eco Line) S: Steam
2	-	Voltage	B: 100-120 Volt/50-60 Hertz/1 Phase; Gas and steam models F: 200-208 Volt/50-60 Hertz/3 Phase; Electric models G: 230-240 Volt/50-60 Hertz/3 Phase; Electric models H: 380 Volt/50-60 Hertz/3 Phase; Electric models J: 400-415 Volt/50-60 Hertz/3 Phase; Electric models K: 440 Volt/50-60 Hertz/3 Phase; Electric models L: 460-480 Volt/50-60 Hertz/3 Phase; Electric models N: 440-480 Volt/50-60 Hertz/3 Phase; Gas and steam models P: 380-415 Volt/50-60 Hertz/3 Phase; Gas and steam models X: 200-240 Volt/50-60 Hertz/1-3 Phase; Gas and steam models

# Product Overview - FN Control Suffix

All Models Except M Models; OPL



TMB3588P\_70602901

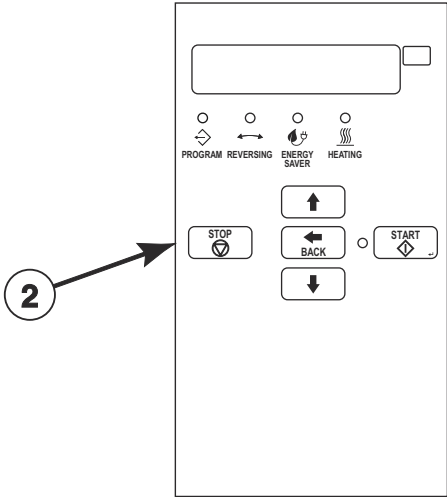
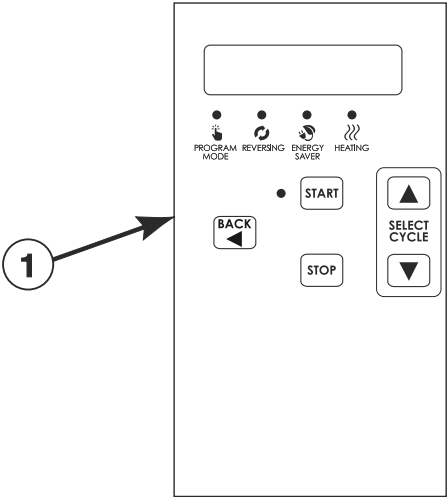
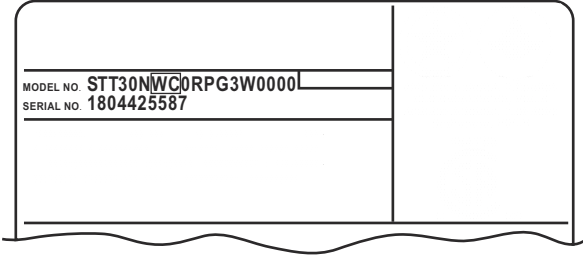


## Product Overview - FN Control Suffix

REF	PART NO.	DESCRIPTION	COMMENTS
1	-	Dual Digital Control	G and K models
2	-	Dual Digital Control	N models

# Product Overview - DN and NN Control Suffixes

All Models Except M Models; OPL



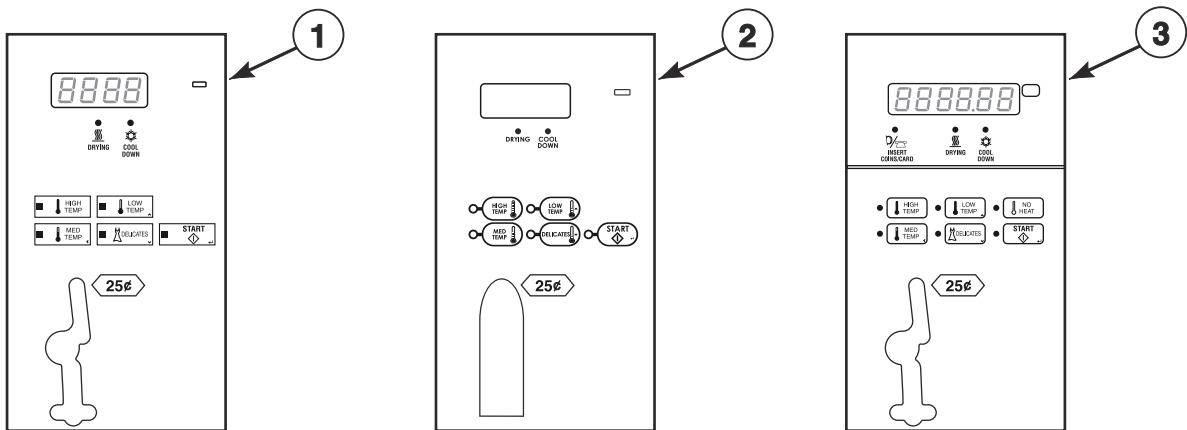
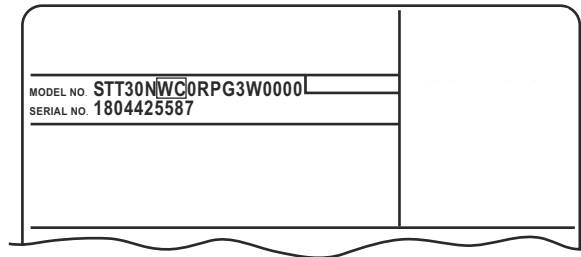
TMB3589P\_70602901

# Product Overview - DN and NN Control Suffixes

REF	PART NO.	DESCRIPTION	COMMENTS
1	-	OPL Micro Control	G and K models
2	-	OPL Micro Control	N models

# Product Overview - B, N and W Control Suffixes

7th Position of the Model Number; All Models Except NT Models; Vend



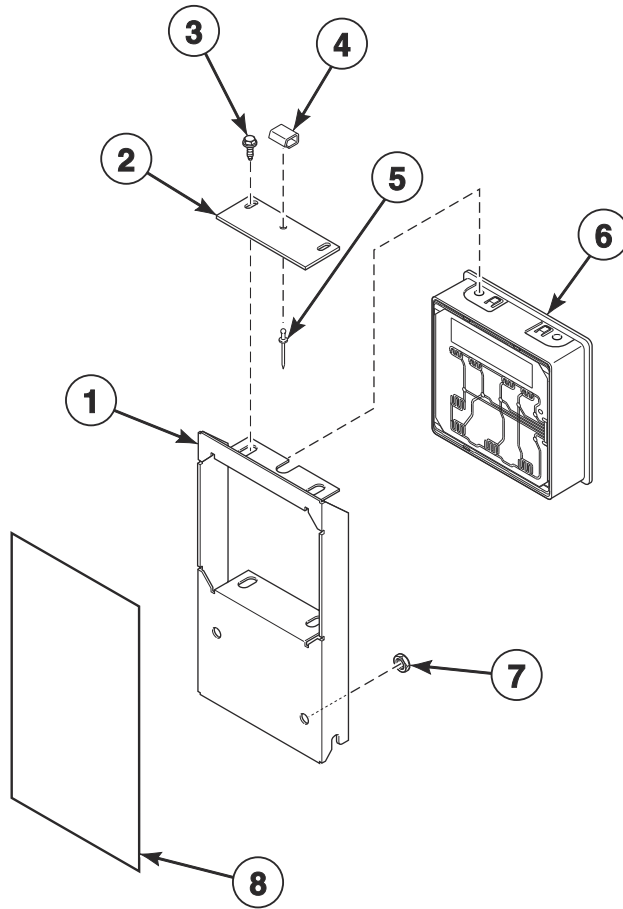
TMB3590P\_70602901

## Product Overview - B, N and W Control Suffixes

REF	PART NO.	DESCRIPTION	COMMENTS
1	-	Basic Electronic Control	N models
2	-	Basic Electronic Control	G and K models
3	-	Quantum Gold Control	M models

# Dual Digital Control

G, K and N Models with F in the 7th Position



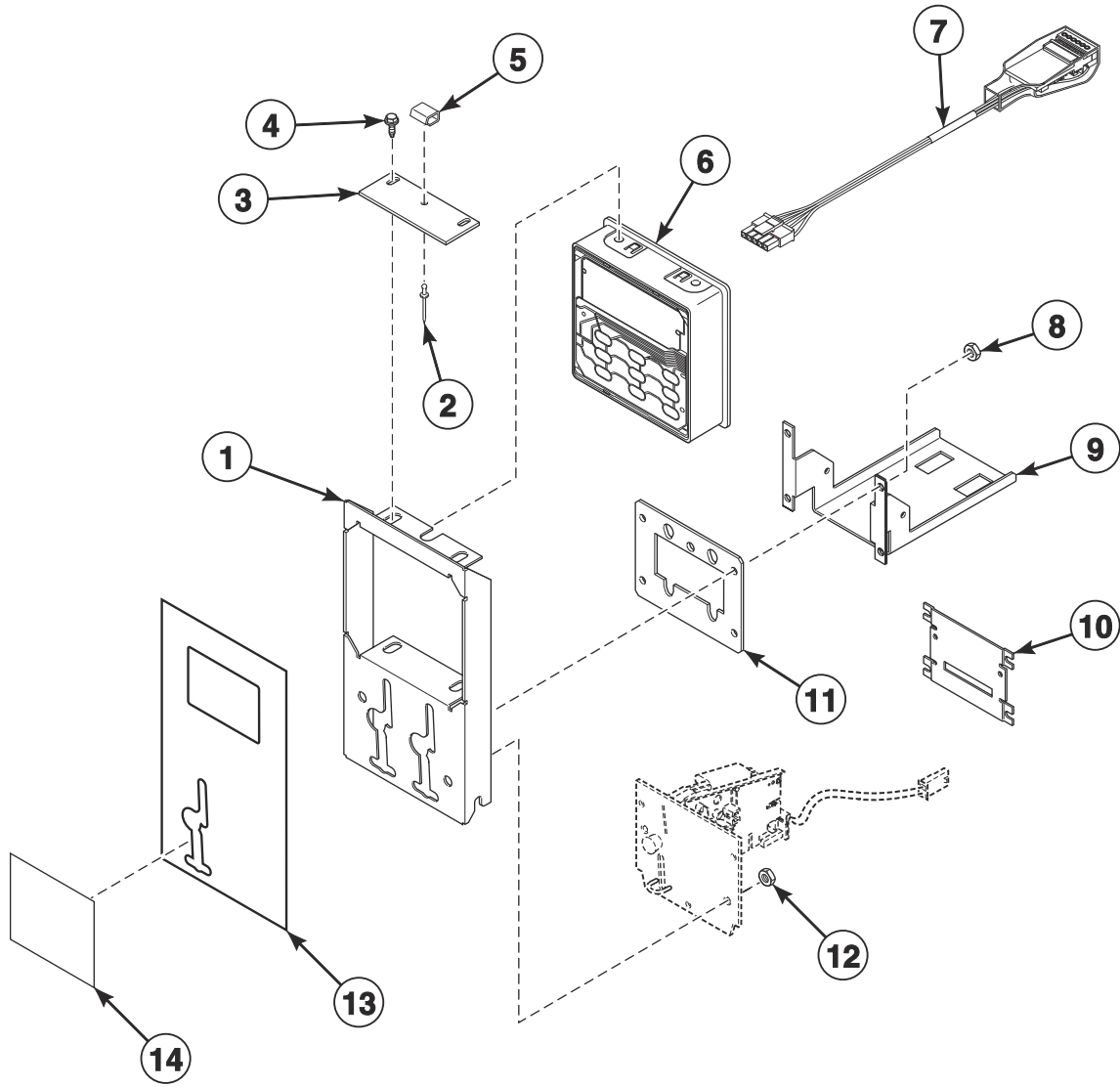
TMB3570P\_70602901

# Dual Digital Control

REF	PART NO.	DESCRIPTION	COMMENTS
	70577101	Vend Activation Harness	
1	70558501	Control Door and Studs Assembly	
2	70184501	Latch Mounting Bracket	
3	D501524	Screw	4 required
4	431318	Control Door Latch	
5	M400003	Pop Rivet	
6	70479801	Control Assembly	Green
7	44087101	Nut	2 required
8	70547602	Overlay	G and K models; Nonreversing
	70547601	Overlay	G and K models; Reversing
	70516901	Overlay	N models; Nonreversing
	70516902	Overlay	N models; Reversing

# Electronic Display Control - Vend Models with B in the 7th Position

G, K and N Models



TMB3684P\_70602901

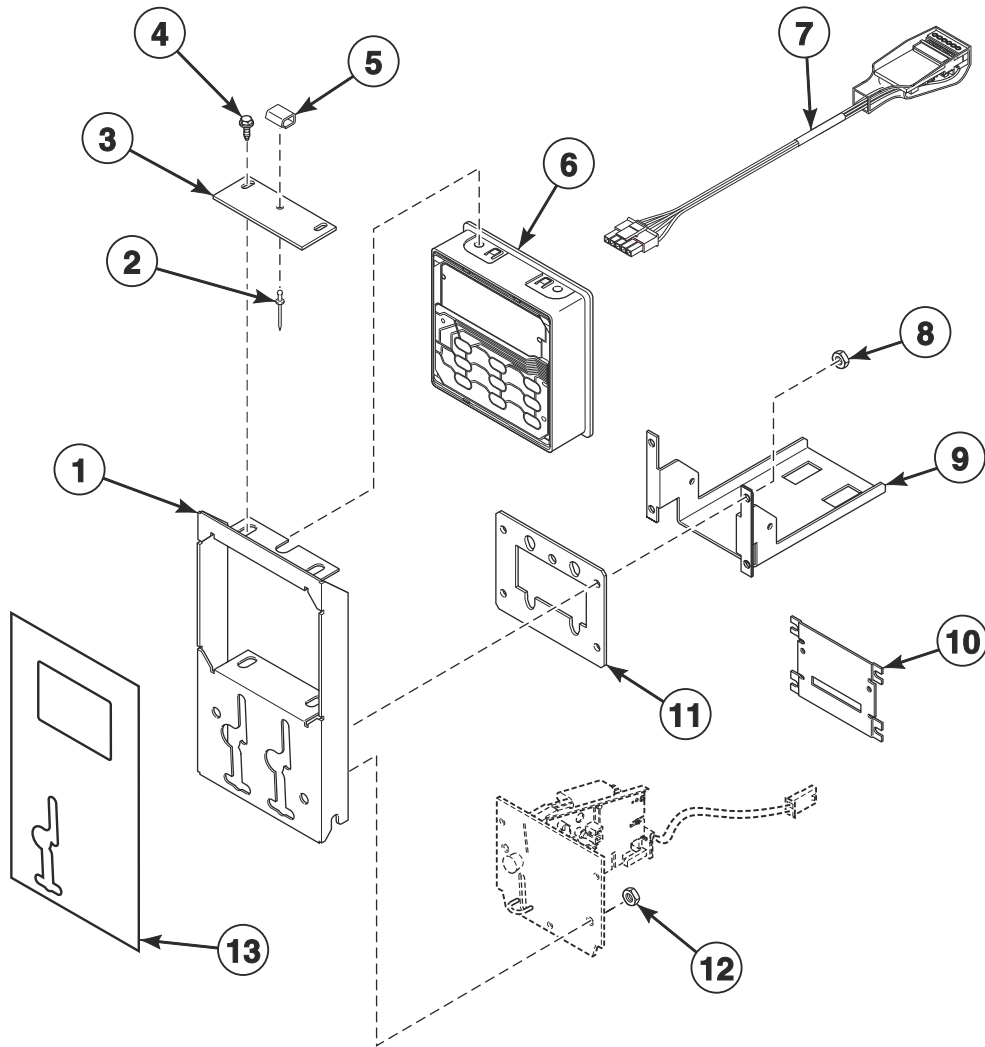


## Electronic Display Control - Vend Models with B in the 7th Position

REF	PART NO.	DESCRIPTION	COMMENTS
	70577101	Vend Activation Harness	
	44342803	Central Pay Harness	Models through November 2018
<b>1</b>	70498001	Control Door and Studs Assembly	G and K models; Coin
	70497801	Control Door and Studs Assembly	N models; Coin
	70497401	Control Door and Studs Assembly	N models; Prep for card
	70558501	Control Door and Studs Assembly	N models; Central pay and OPL
<b>2</b>	M400003	Pop Rivet	
<b>3</b>	70184501	Latch Mounting Bracket	
<b>4</b>	D501524	Screw	8 required
<b>5</b>	431318	Control Door Latch	
<b>6</b>	70478801P	Control Assembly	
<b>7</b>	203361P	Machine ID Control Assembly	Model or serial number is required when ordering
<b>8</b>	70054	Nut	4 required
<b>9</b>	70119001	Chassis Mounting Bracket	
<b>10</b>	44089501	Slot Card Plate Assembly	N models; Included in literature packet
<b>11</b>	70208801	Mounting Plate	
<b>12</b>	44087101	Nut	2 required
<b>13</b>	70547301	Overlay	G and K models; Single drop
	70547302	Overlay	G and K models; Dual drop
	70547201	Overlay	G and K models; Card ready
	70544801	Overlay	N models; Single drop
	70544802	Overlay	N models; Dual drop
	70547101	Overlay	N models; Card ready
<b>14</b>	F8205101	Overlay	Black; Single drop; Left
	70557001	Overlay	N models; Prep for card
	70557002	Overlay	N models; Central pay

# Electronic Display Control - Vend Models with N or W in the 7th Position

G, K and M Models



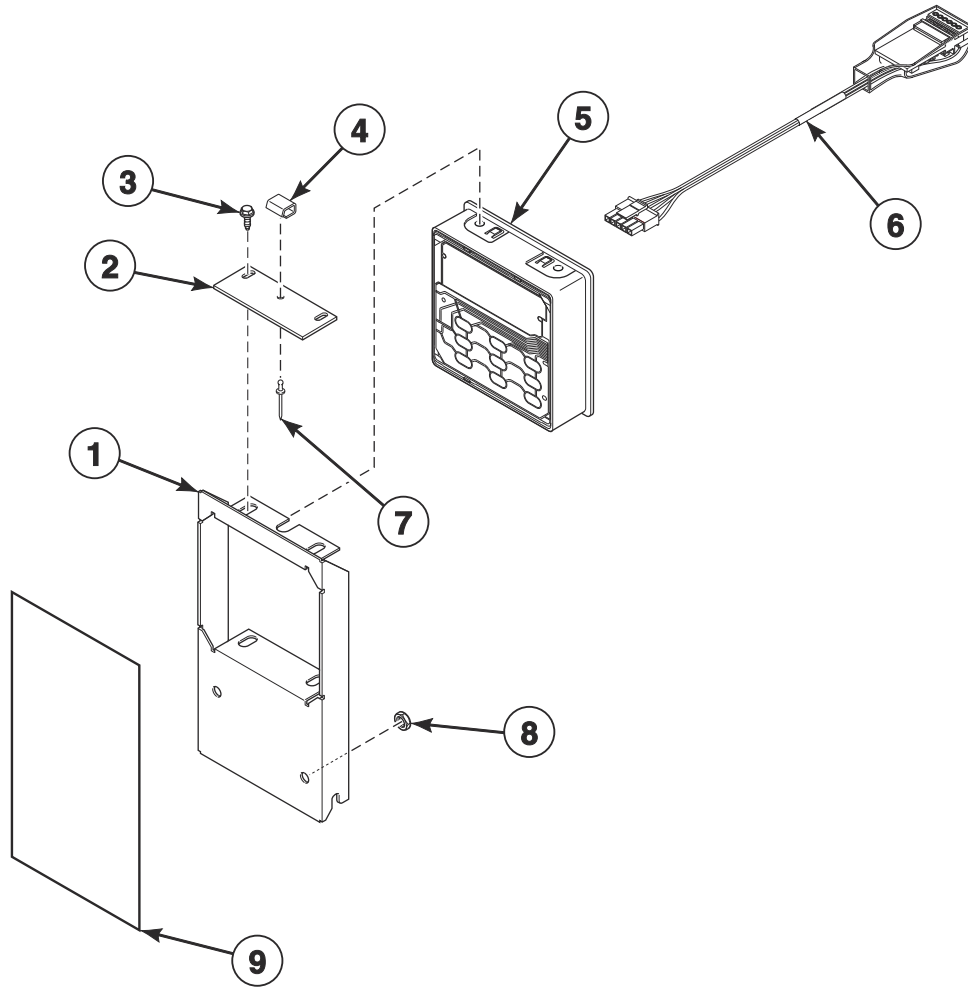
TMB3688P\_70602901

## Electronic Display Control - Vend Models with N or W in the 7th Position

REF	PART NO.	DESCRIPTION	COMMENTS
	70577101	Vend Activation Harness	
1	70497801	Control Door and Studs Assembly	Coin
	70497401	Control Door and Studs Assembly	Prep for card
	70558501	Control Door and Studs Assembly	Central pay and OPL
2	M400003	Pop Rivet	
3	70184501	Latch Mounting Bracket	
4	D501524	Screw	8 required
5	431318	Control Door Latch	
6	70478801P	Control Assembly	Green
7	203361P	Machine ID Control Assembly	Model or serial number is required when ordering
8	70054	Nut	4 required
9	70119001	Chassis Mounting Bracket	
10	44089501	Slot Card Plate Assembly	
11	70208801	Mounting Plate	
12	44087101	Nut	2 required
13	70572701	Overlay	M models; Upper
	70573301	Overlay	M models; Lower
	70625801	Overlay	G and K models; Single drop
	70625802	Overlay	G and K models; Dual drop
	70625901	Overlay	G and K models; Card ready

# Electronic Display Control - OPL Models with N in the 7th Position

G, K and N Models



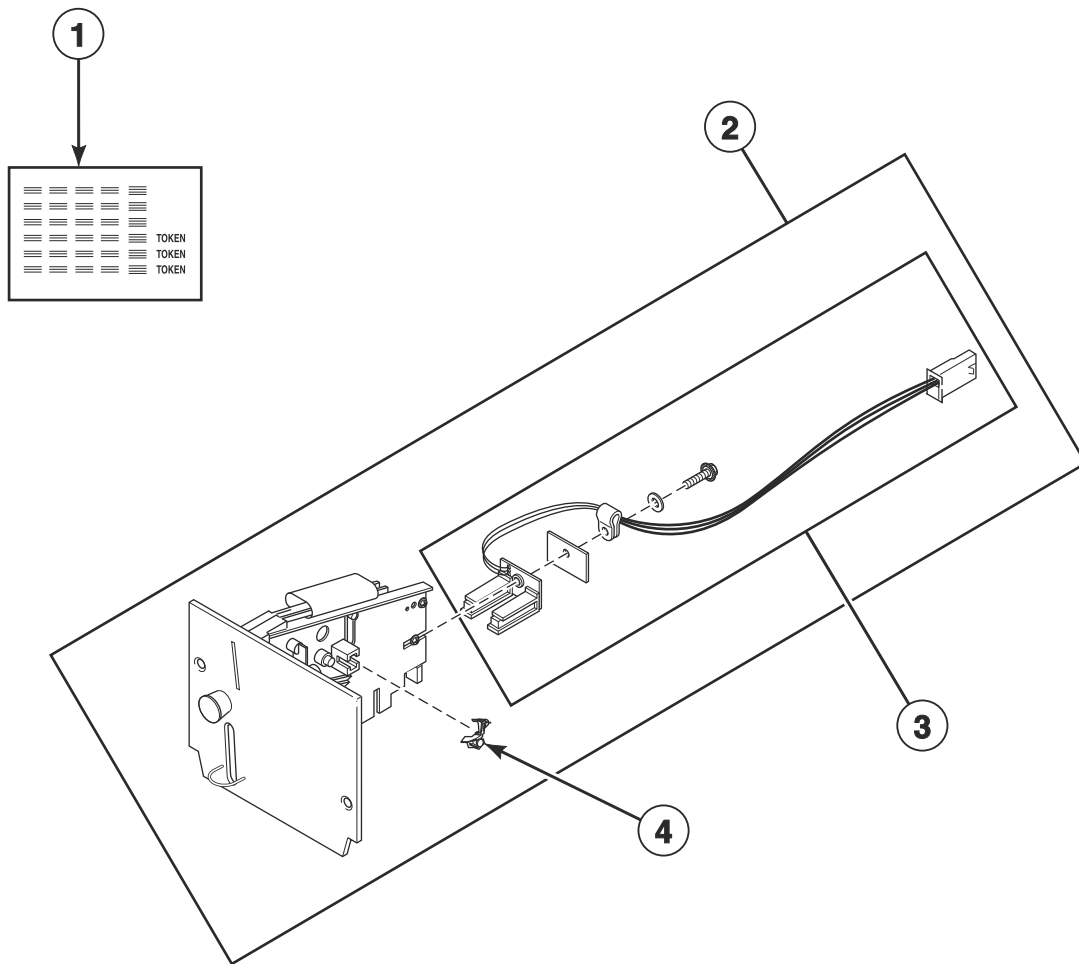
TMB3686P\_70602901

## Electronic Display Control - OPL Models with N in the 7th Position

REF	PART NO.	DESCRIPTION	COMMENTS
	70577101	Vend Activation Harness	
1	70558501	Control Door and Studs Assembly	
2	70184501	Latch Mounting Bracket	
3	D501524	Screw	
4	431318	Control Door Latch	
5	70478802	Control Assembly	Green
6	203361P	Machine ID Control Assembly	Model or serial number is required when ordering
7	M400003	Pop Rivet	
8	44087101	Nut	
9	70547701	Overlay	G and K models; Reversing
	70547702	Overlay	G and K models; Nonreversing
	70572501	Overlay	NT models through 10/9/19; All other N models; Reversing
	70572502	Overlay	NT models through 10/9/19; All other N models; Nonreversing
	70570701	Overlay	NT models starting 10/10/19; Reversing
	70570702	Overlay	NT models starting 10/10/19; Nonreversing

# Coin Drops

All Models Except NT Models



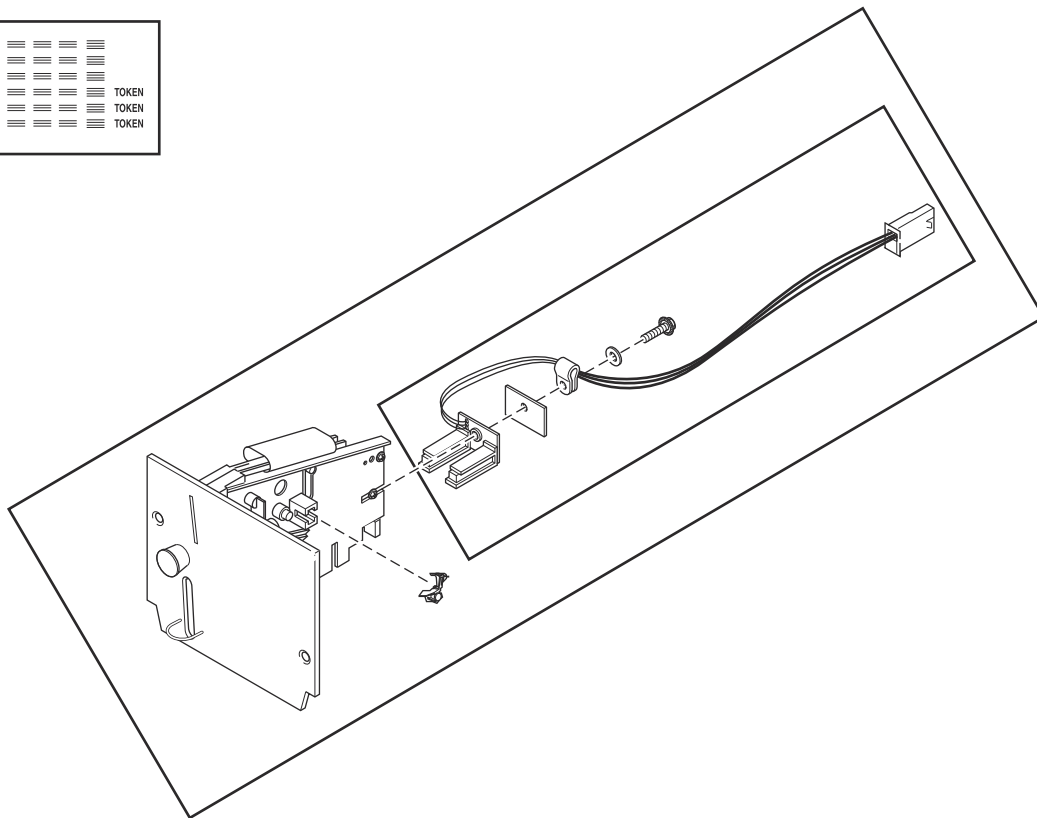
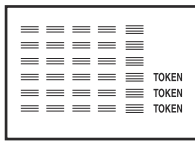
TMB3510P\_70602901

# Coin Drops

REF	PART NO.	DESCRIPTION	COMMENTS
1	38725	Coin Identification Paper	
2	70441601P	Coin Drop	Single; U.S.A.; \$.25
	38475	Coin Drop Assembly	Single; Japan; 100 yen
	38464P	Coin Drop Assembly	Single; Canada; .25
	CK077	Coin Drop Kit	Single; Taiwan; 10 NT
	70506901	Coin Drop Assembly	Single; Singapore; \$1.00 NEW
	70441603	Coin Drop	Dual; U.S.A.; \$.25 and \$1.00
	38519	Coin Drop Assembly	Dual; Japan; 100 yen and 500 yen
	70441602	Coin Drop Assembly	Dual; Canada; .25 and 1.00
	38467	Coin Drop Assembly	Dual; Australia; \$0.20 and \$1.00
	70447301	Coin Drop Assembly	Dual; Australia; \$1.00 and \$2.00
	70283102	Coin Drop Assembly	Dual; 0.20 and 0.50 Euro
	210195	Coin Drop Assembly	Dual; 0.20 and 1.00 Euro
	210196	Coin Drop Assembly	Dual; 0.50 and 1.00 Euro
	F0160737-00	Coin Meter	Dual; 0.50 and 2.00 Euro
	70281102	Coin Drop Assembly	Dual; Taiwan; 10 and 50 NT
	70482401	Coin Drop Assembly	Dual; New Zealand ; \$1.00 and \$2.00
	38462P	Coin Drop Assembly	Single; Token; STD 118-1
	38463	Coin Drop Assembly	Single; Token; STD 118-5
	38963P	Coin Drop	Single; Token STD 118-16
	39748	Coin Drop	Single; Jeton 08MS
	201141	Coin Drop Assembly	Single; Token; Jeton wh121
	70471601	Coin Drop Assembly	Single; Token; 7K
	70513302	Electronic Coin Drop Assembly	Euro and Great Britain coins
	70513310	Electronic Coin Drop Assembly	Japan and Thailand coins
	70513304	Electronic Coin Drop Assembly	Australia, New Zealand, Hong Kong and South Korea coins
	70513303	Electronic Coin Drop Assembly	Denmark, Norway and Euro coins
	70513306	Electronic Coin Drop Assembly	Mexico, Ecuador and U.S.A. coins
	70294107	Electronic Coin Drop Assembly	Lithuania, Latvia and Euro coins
	70513311	Electronic Coin Drop Assembly	China and Malaysia coins
	70513308	Electronic Coin Drop Assembly	South African 1, 2 and 5 rand coins
	70513309	Electronic Coin Drop Assembly	Euro coins
	70513312	Electronic Coin Drop Assembly	Russia coins
	70513313	Electronic Coin Drop Assembly	Phillipines coins
	70513314	Electronic Coin Drop Assembly	Thailand coins
	70513315	Electronic Coin Drop Assembly	Chile coins
	70513316	Electronic Coin Drop Assembly	Singapore coins
3	200674P	Opto Coupler	
4	201595P	Wire Guard	

# Coin Drop Kits

All Models Except NT Models



TMB3510PA\_70602901

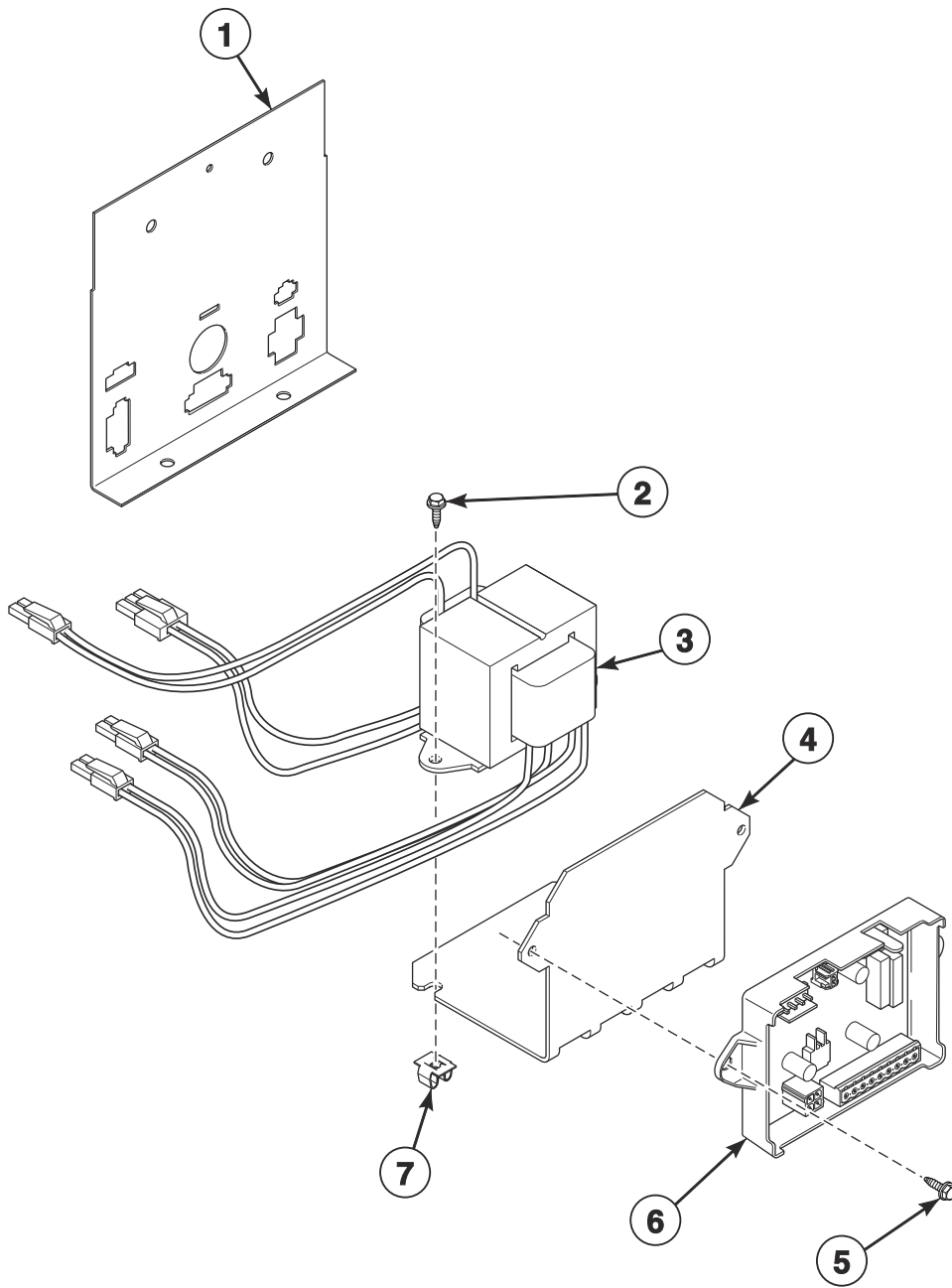


## Coin Drop Kits

REF	PART NO.	DESCRIPTION	COMMENTS
	CK115	Electronic Coin Drop Kit	United States and Canada
	CK099	Electronic Coin Drop Kit	Australia (default), New Zealand, Hong Kong, South Korea and Malaysia
	CK100	Electronic Coin Drop Kit	United Kingdom (default) and Europe
	CK101	Electronic Coin Drop Kit	Europe (default), Denmark and Norway
	CK108	Electronic Coin Drop Kit	South Africa
	CK109	Electronic Coin Drop Kit	Euro
	CK110	Electronic Coin Drop Kit	Mexico (default), Ecuador and United States
	CK113	Electronic Coin Drop Kit	Japan and Taiwan
	CK116	Electronic Coin Drop Kit	Malaysia (default) and China
	CK117	Electronic Coin Drop Kit	Russia
	CK118	Electronic Coin Drop Kit	Philippine
	CK119	Electronic Coin Drop Kit	Thailand
	CK120	Electronic Coin Drop Kit	Chile
	CK121	Electronic Coin Drop Kit	Singapore
	CK122	Coin Drop Kit	New Zealand; 1.00 and 2.00

# Central Pay and Card Reader Components

All Models Except NT Models; Central Pay Starting December 2018

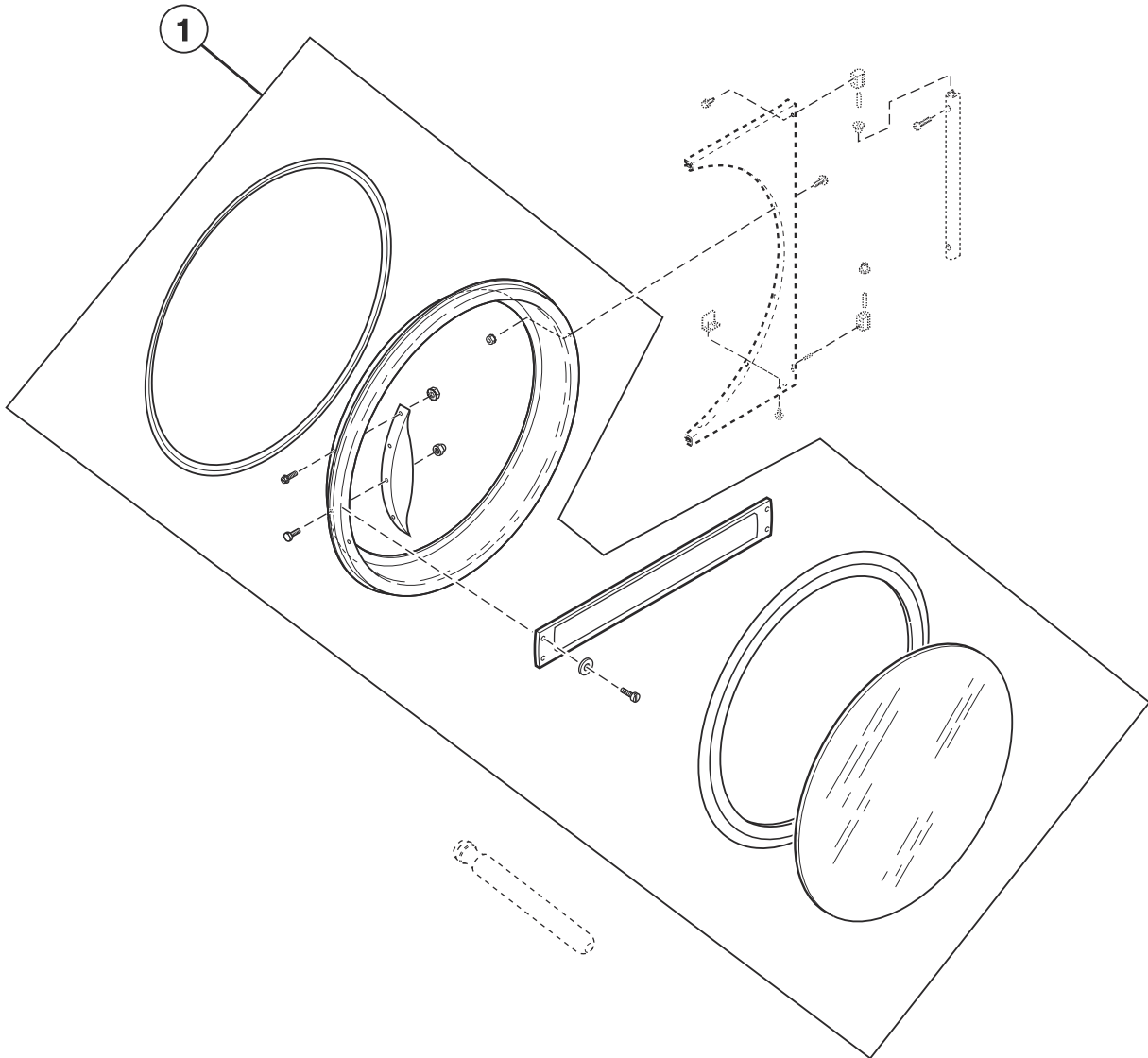


TMB3720P\_70602901

## Central Pay and Card Reader Components

REF	PART NO.	DESCRIPTION	COMMENTS
	44355603	Central Pay Harness	Routes from central pay board to upper control tray
	44272304	Transformer Harness	100-120 Volt; Routes from transformer to I/O Control Assembly; Card and central pay
	44272305	Transformer Harness	200-480 Volt; Routes from transformer to I/O Control Assembly; Card and central pay
	44355604	Central Pay Board Harness	Routes from central pay board to transformer
	44355605	Central Pay Harness	Routes from central pay board to front end control
	44272303	Power Supply Transformer Harness	
	44272306	Supply Harness	24 Volt; Lower
<b>1</b>	70307004	Control Housing Cover	OPL
	70307006	Control Housing Cover	Coin
	70307005	Control Housing Cover	Prep for card and central pay
<b>2</b>	F8206901	Screw	4 required
<b>3</b>	202757	Transformer	100-120 Volt; Card and central pay
	202758	Transformer	200-480 Volt; Card and central pay
<b>4</b>	70604001	Mounting Bracket	2 required
<b>5</b>	51780	Screw	4 required
<b>6</b>	204779	Central Pay Control Assembly	2 required
<b>7</b>	70030501	Expansion Clip	4 required

# Door Assemblies

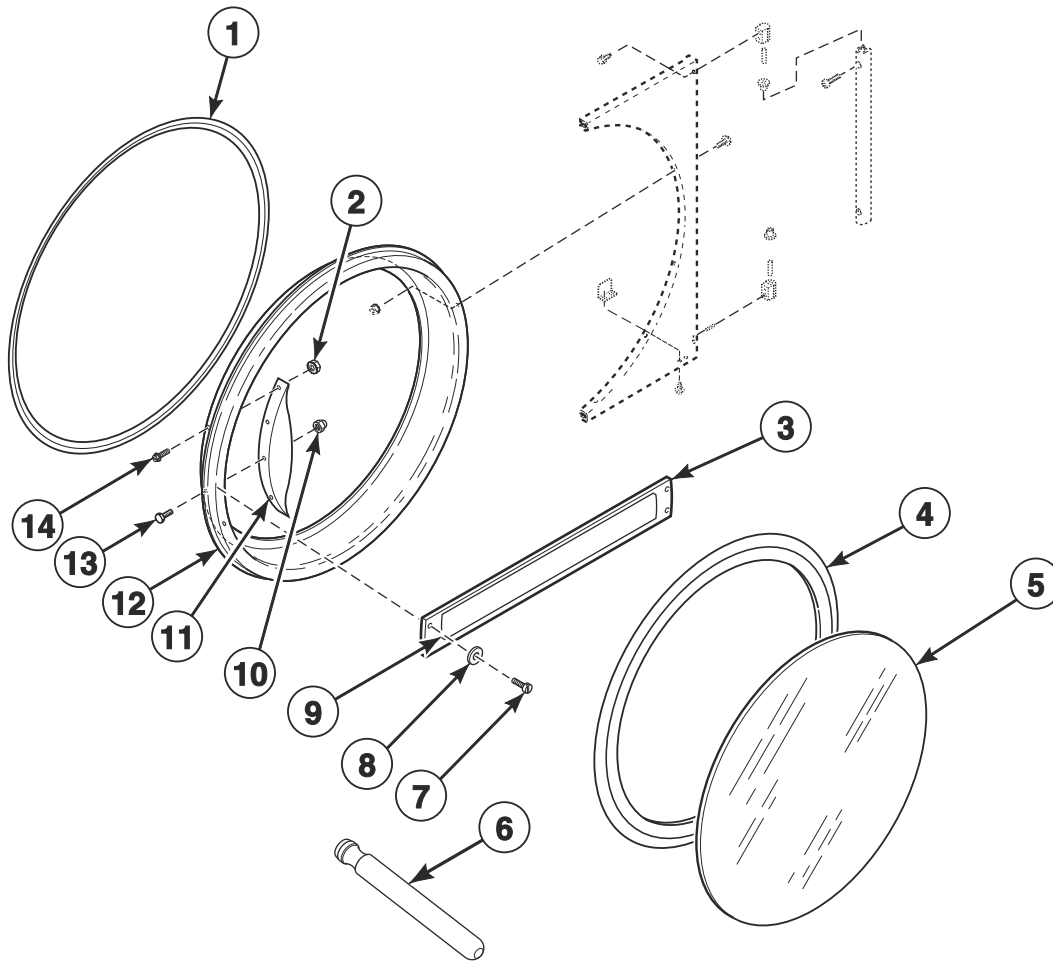


TMB3152P\_70602901

## Door Assemblies

REF	PART NO.	DESCRIPTION	COMMENTS
1	70212300	Door Assembly	M models; Stainless steel
	70212301	Door Assembly	N models
	70212302P	Door Assembly	M models; Chrome
	70408901	Door Assembly	G and K models; Includes handle

# Door Components

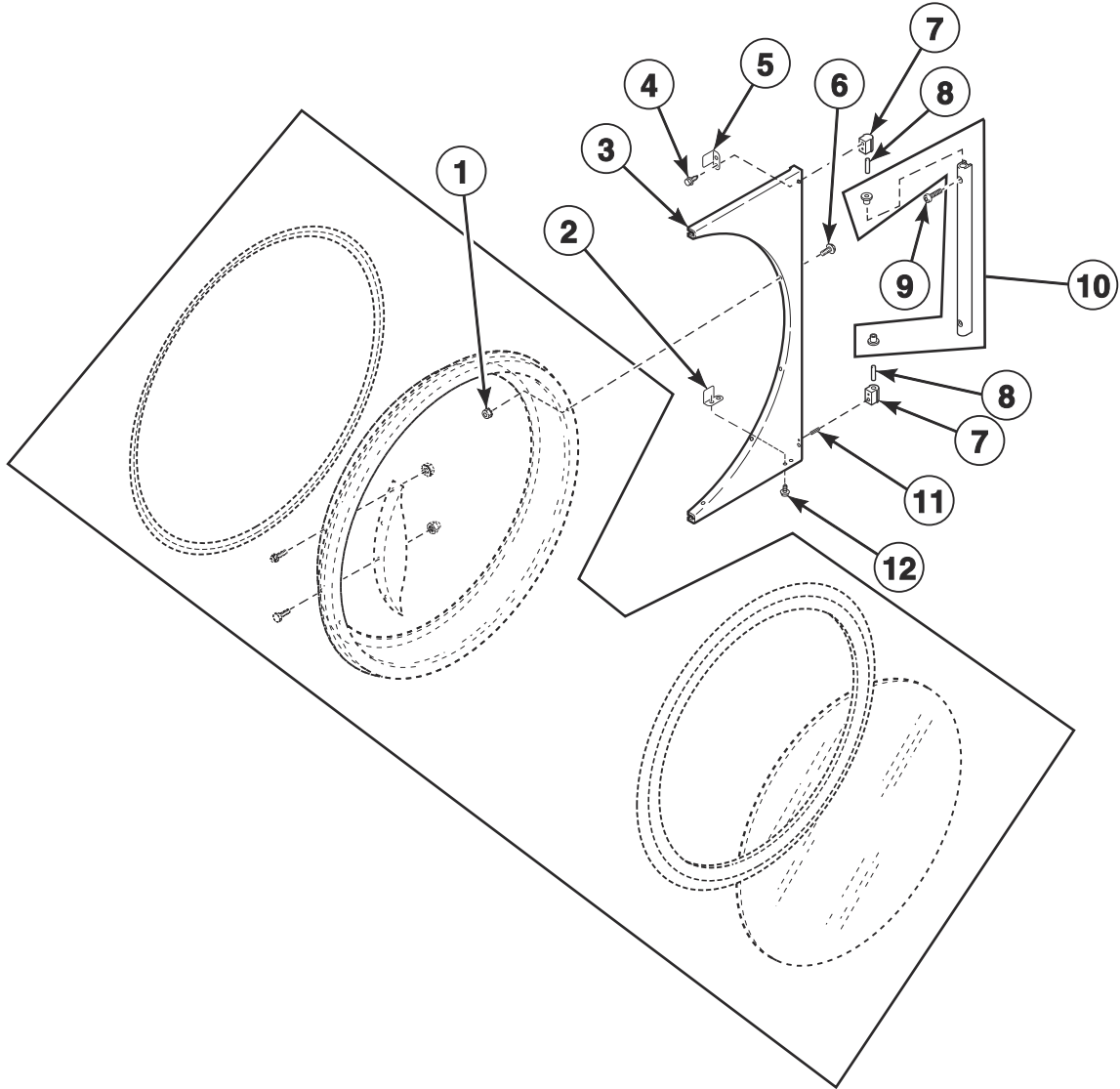


TMB3152PA\_70602901

## Door Components

REF	PART NO.	DESCRIPTION	COMMENTS
1	70296801	Door Ring Gasket	
2	44088001	Nut	M and N models; 4 required
3	70399502B	Handle Bar	G and K models
4	70211901P	Door Glass Seal Kit	Use Loctite 414 for seal
5	M400784P	Door Glass	
6	M4221P4	Door Glass Installation Tool	
7	70412601	Pop Rivet	G and K models; Attaches door handle to door ring
8	70409301	Washer	G and K models
9	70414001	Label	G and K models; Coin
10	M414215	Nut	For door strike; Mounts between door strike screw and door handle
11	44007902P	Door Handle	M and N models
12	70543903B	Door Ring	G and K models
	70543905	Door Ring Assembly	M models; Chrome
	70543901	Door Ring Assembly	M models; Stainless steel
	70543904B	Door Ring Assembly	N models
13	M400661	Screw	Door Strike
14	70442101	Screw	M and N models; 4 required

# Hinge Components



TMB3459P\_70602901

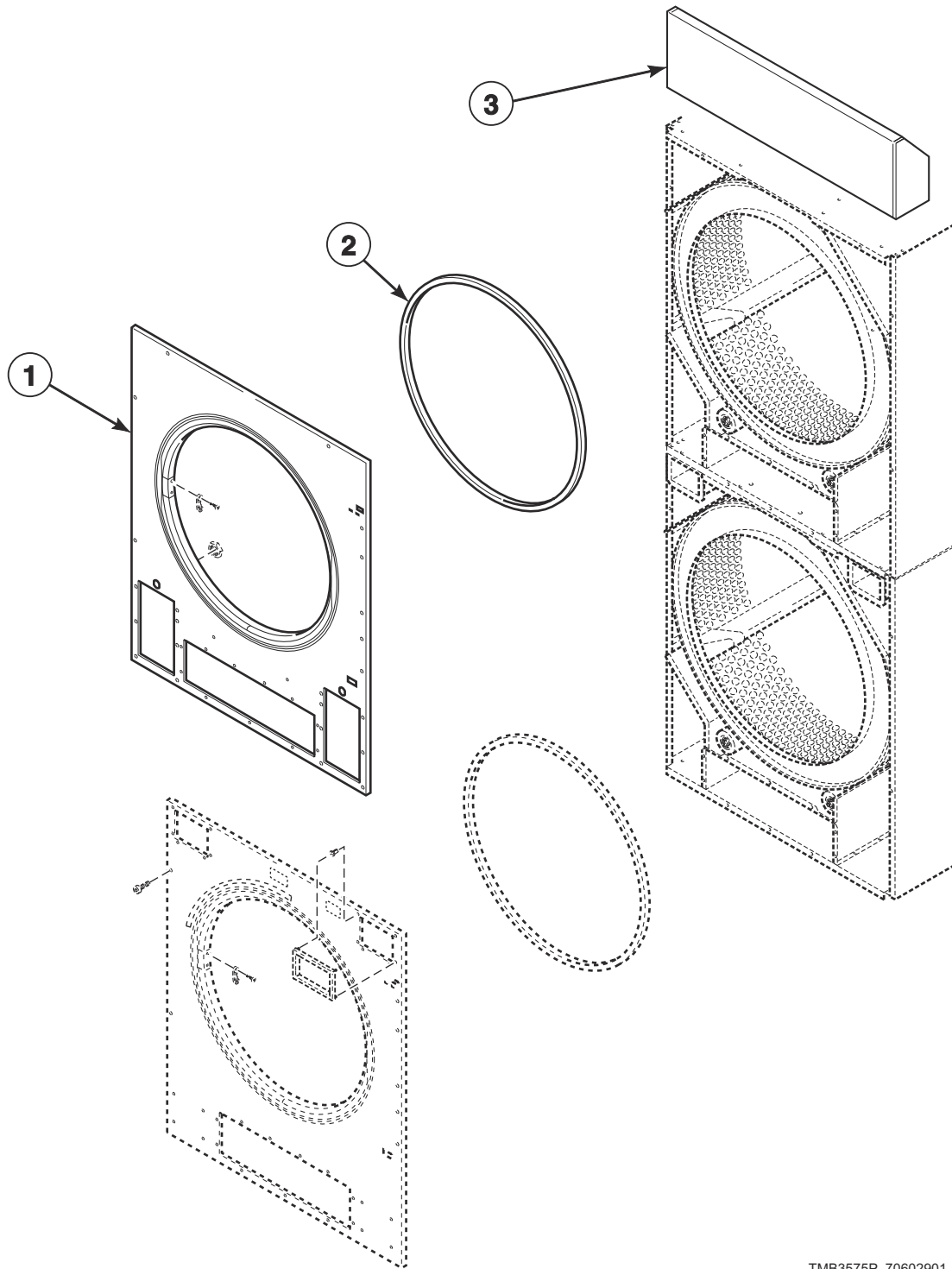


# Hinge Components

REF	PART NO.	DESCRIPTION	COMMENTS
1	44088001	Nut	
2	70532101	Door Switch Actuator	Bottom
3	70115901*	Door Hinge	M and N models
	70115904	Door Hinge	M models; Stainless steel
	70115903B	Door Hinge	Black; G, K and N models
4	70576101	Screw	
5	70532102	Door Switch Actuator	Top
6	M400044	Screw	
7	M4772P3	Hinge Cam Kit	M models
	M4773P3	Hinge Cam Kit	Black; G, K and N models
8	70071401	Pin	
9	70033502	Screw	M models
	70407301	Screw	Black; G, K and N models
10	44035001	Door Hinge Lug Assembly	M models
	44035002	Door Hinge Lug Assembly	Black; G, K and N models
11	70436301	Screw	
12	70058501	Pop Rivet	

\* Add Letter To Designate Color. Q - Bisque W - White

# Upper Front Panel Assemblies and False Fronts



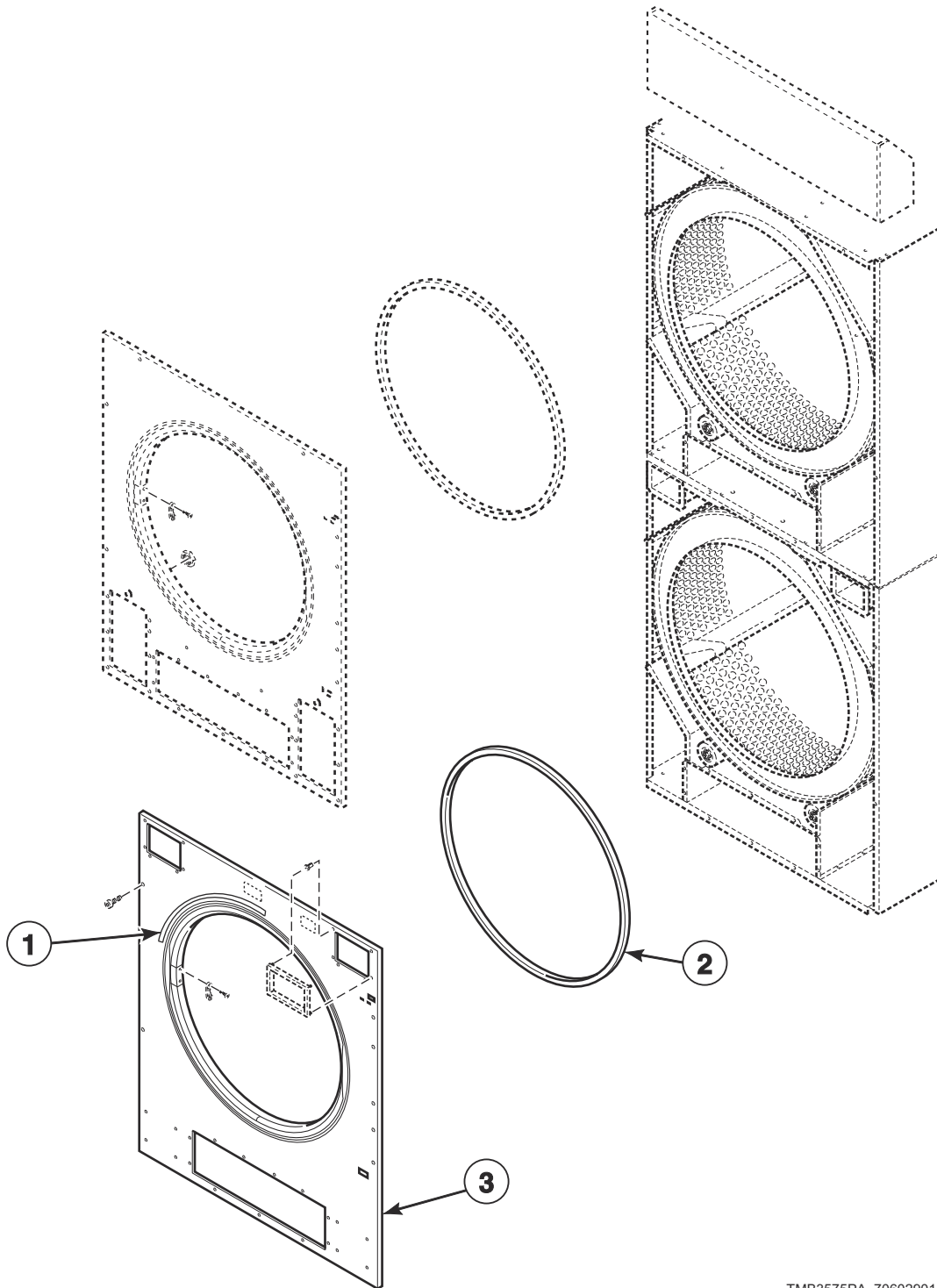
TMB3575P\_70602901

## Upper Front Panel Assemblies and False Fronts

REF	PART NO.	DESCRIPTION	COMMENTS
	70399401	Access Panel Trim	G and K models
1	70619401*	Upper Front Panel Assembly	
	70618601	Upper Front Panel Assembly	G, K and M models; Stainless steel
2	70173401P	Front Panel Seal	Requires D511637P Adhesive
3	70371701*P	False Front Kit	To match T45 height; Includes 2 screws
	70371704	False Front	Stainless steel; To match T45 height

\* Add Letter To Designate Color. Q - Bisque W - White

# Lower Front Panel Assemblies



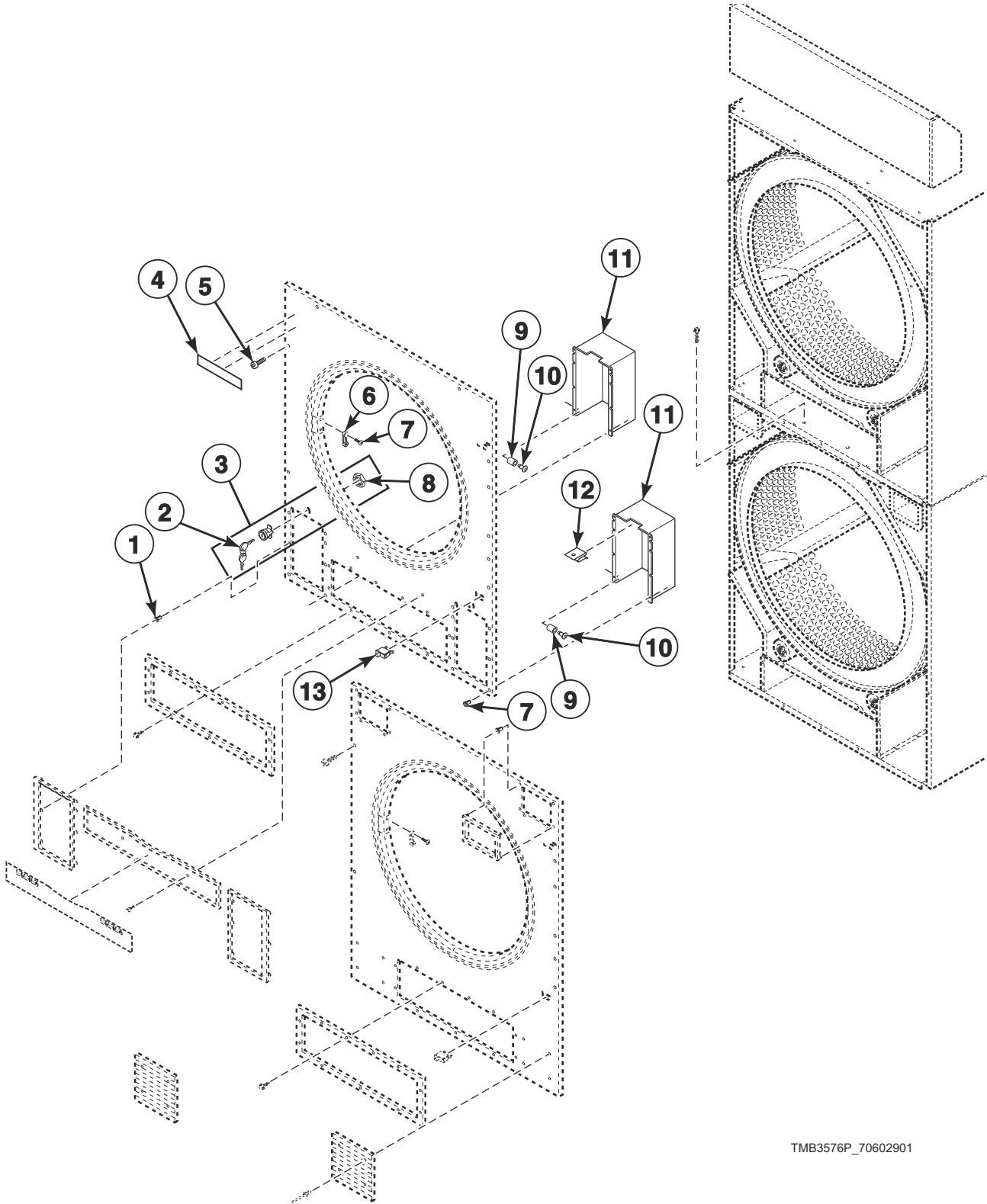
TMB3575PA\_70602901

## Lower Front Panel Assemblies

REF	PART NO.	DESCRIPTION	COMMENTS
	70399401	Access Panel Trim	G and K models
1	70534301	Warning Label	English
	70534302	Warning Label	French
	70534300	Label Kit	Warning; IEC models
2	70173401P	Front Panel Seal	Requires D511637P Adhesive
3	70619601*	Lower Front Panel	All Models Except NT Models; Coin
	70618801	Lower Front Panel	All Models Except NT Models; Coin; Stainless steel
	70619701*	Lower Front Panel	All Models Except NT Models; Card and central pay
	70391208	Lower Front Panel	Card and central pay models except NT Models; OPL without e-stop; Stainless steel
	70619901*	Lower Front Panel	OPL; With e-stop
	70619001	Lower Front Panel	OPL; Stainless steel; With e-stop
	70524003*	Lower Front Panel	OPL; Without e-stop

\* Add Letter To Designate Color. Q - Bisque W - White

# Upper Cabinet Front Components (Drawing 1 of 2)

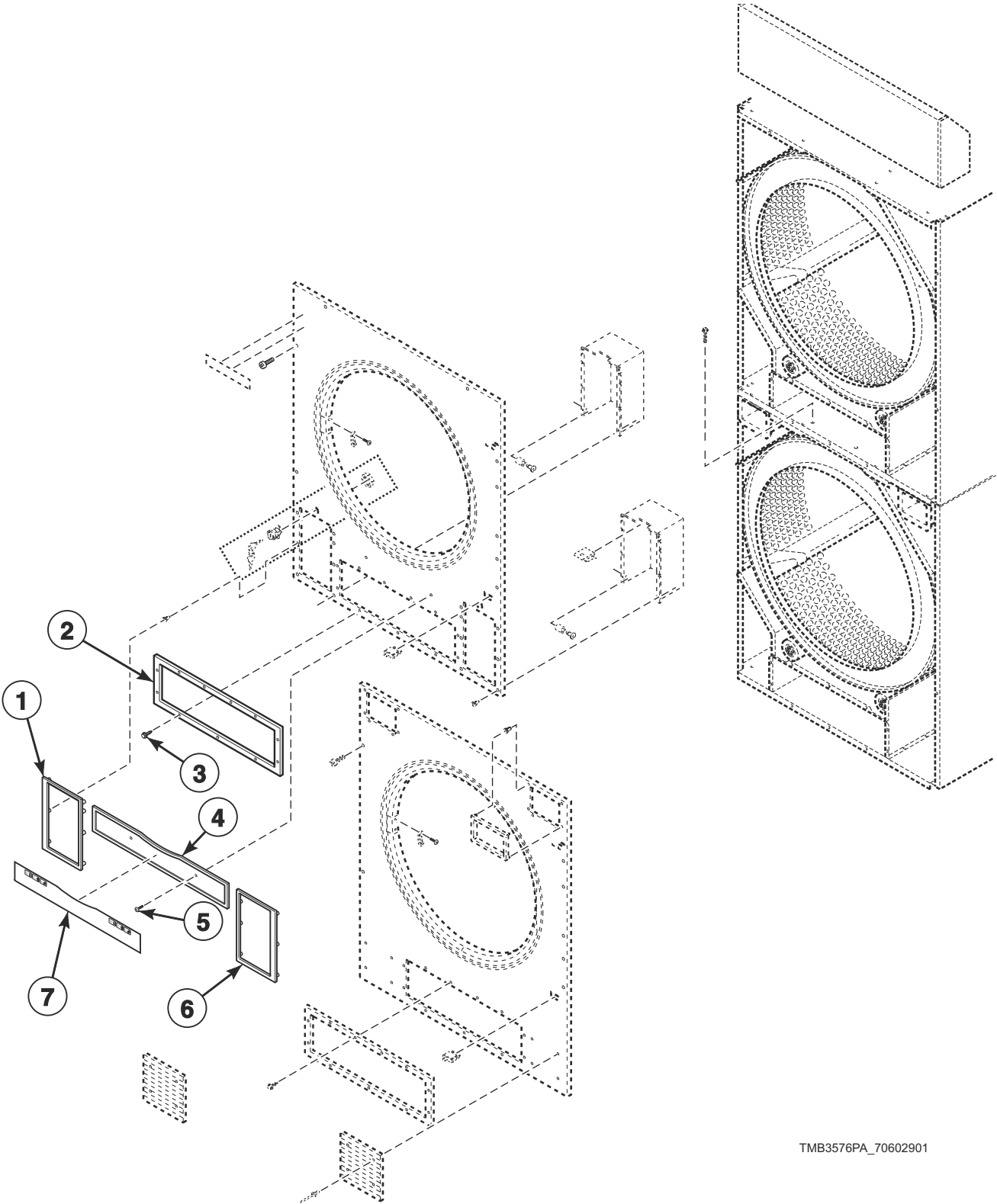


TMB3576P\_70602901

## Upper Cabinet Front Components (Drawing 1 of 2)

REF	PART NO.	DESCRIPTION	COMMENTS
	44334102	Coin Vault Switch Harness	
	44334103	Bypass Harness	
<b>1</b>	M400972	Shadow Box Clip	6 required per coin vault trim
<b>2</b>	70155601	Key	RL001
<b>3</b>	44089301P	Lock, Key and Nut Kit	RL001
	44089304	Panel Lock	RL001; Chrome
<b>4</b>	70411401	Nameplate Overlay	G models
	44144401	Nameplate Overlay	K models
<b>5</b>	70033502	Screw	For white front panels
	70182601	Screw	For all other front panels
<b>6</b>	M401223	Door Latch	
<b>7</b>	44166601	Pop Rivet	2 required for item 6; 4 required for item 12
<b>8</b>	44088801	Nut	Panel lock
<b>9</b>	431264	Spacer	2 required
<b>10</b>	44251101	Pop Rivet	2 required
<b>11</b>	70119901	Control Housing	
<b>12</b>	M406494	Panel Clip	2 required per control housing
<b>13</b>	70413301	Pushbutton Switch	Door switch

# Upper Cabinet Front Components (Drawing 2 of 2)



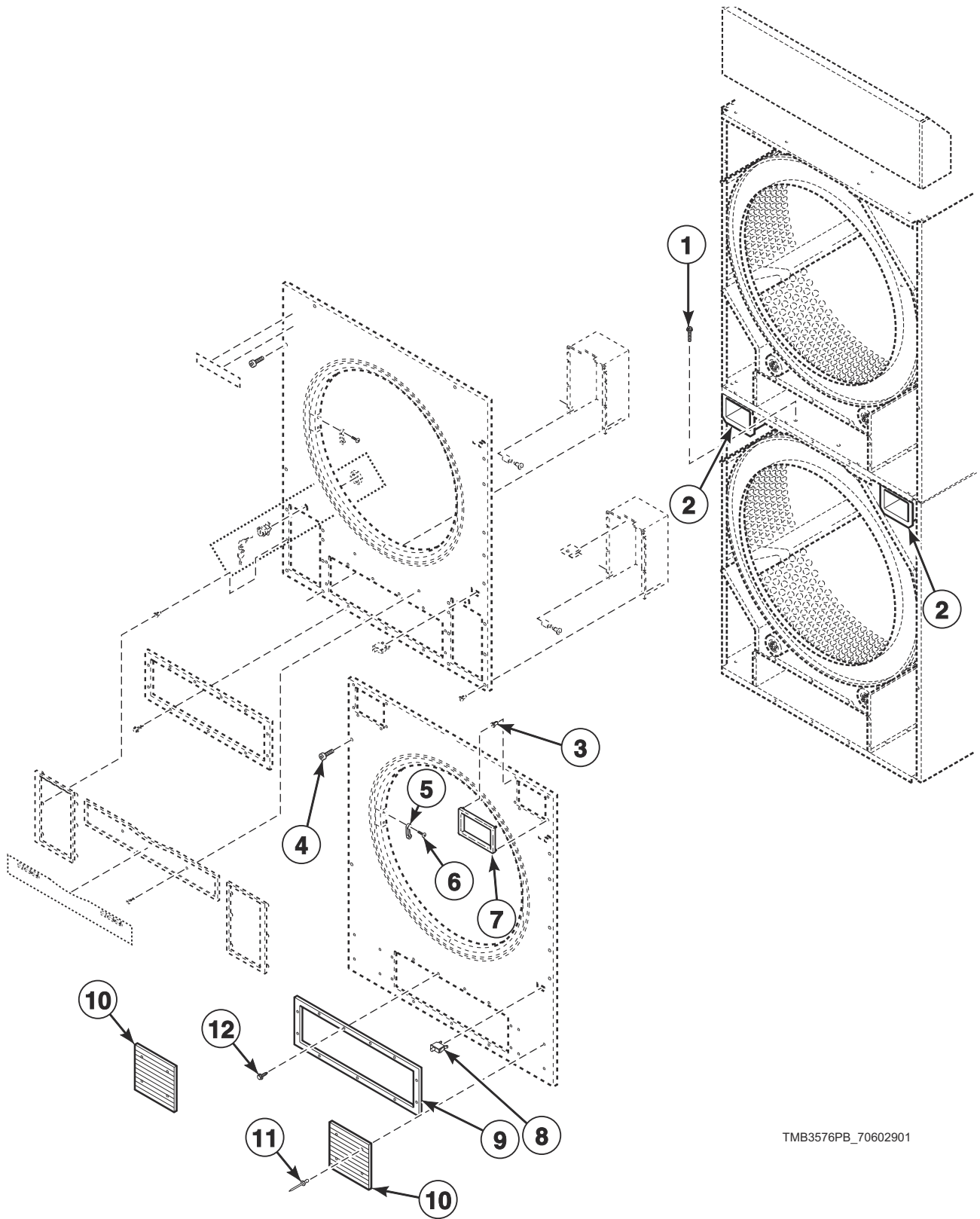
TMB3576PA\_70602901



## Upper Cabinet Front Components (Drawing 2 of 2)

REF	PART NO.	DESCRIPTION	COMMENTS
	70017301	Front Panel Baffle Seal	2 required
	70534301	Warning Label	
<b>1</b>	70116902	Control Trim	Black; Left
<b>2</b>	70117901P	Lint Drawer Gasket	
<b>3</b>	70275801	Screw	8 required
<b>4</b>	70120501	Control Trim	M and N models; Center
<b>5</b>	M405188	Screw	M and N models; 2 required
<b>6</b>	70116901	Control Trim	Black; Right
<b>7</b>	70592901	Overlay	M models
	70542001	Overlay	N models; Coin
	70554501	Overlay	N models; OPL

# Lower Cabinet Front Components



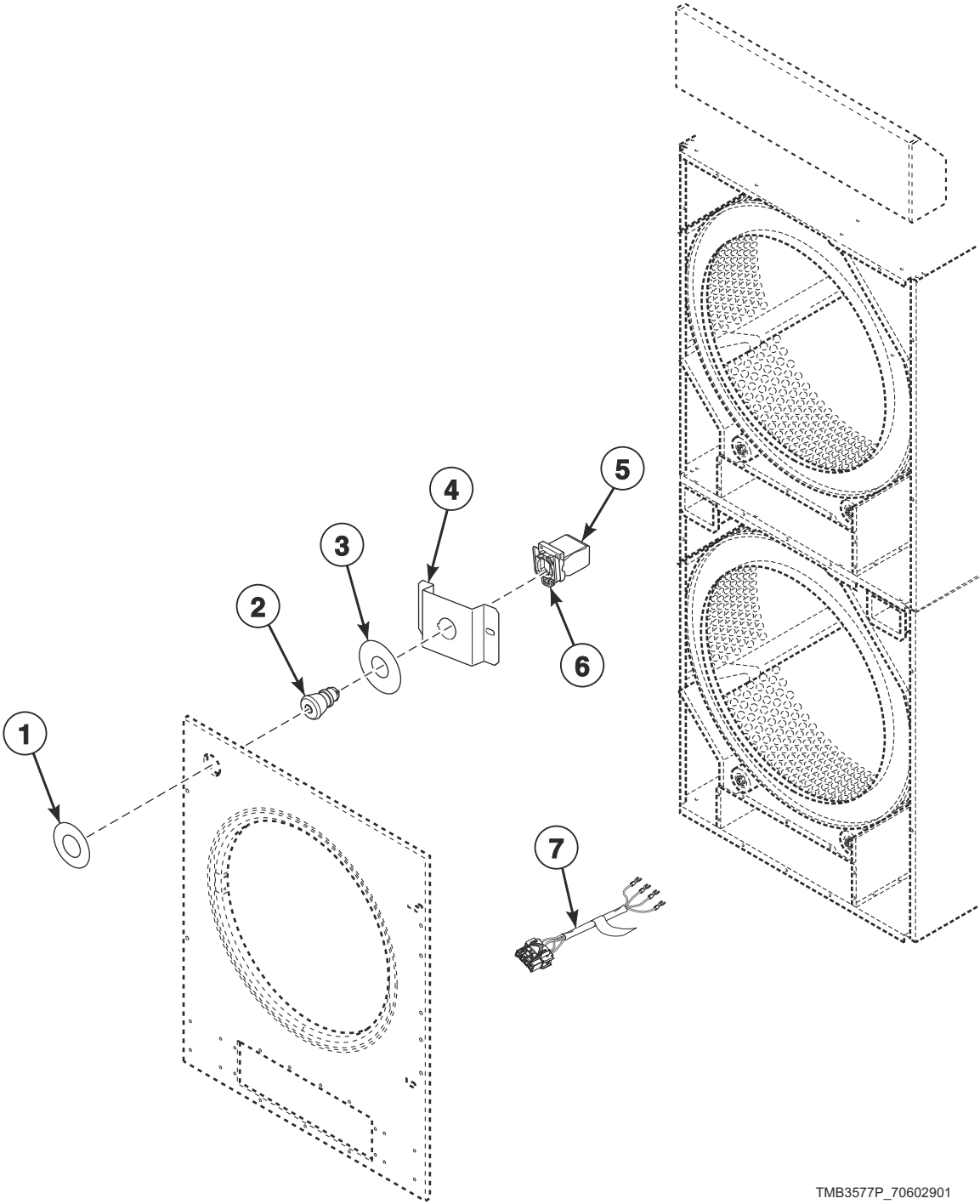
TMB3576PB\_70602901

## Lower Cabinet Front Components

REF	PART NO.	DESCRIPTION	COMMENTS
	M4379P4	Tumbler Dolly Kit	
	70534301	Warning Label	
	70017301	Front Panel Baffle Seal	2 required
<b>1</b>	70069901	Screw	
<b>2</b>	70529501	Coin Vault Assembly	
	70529503	Coin Vault and Emergency Stop Mount Assembly	Models with emergency stop
<b>3</b>	M400972	Shadow Box Clip	6 required per coin vault trim
<b>4</b>	70033502	Screw	For white front panels
	70182601	Screw	For all other front panels
<b>5</b>	M401223	Door Latch	
<b>6</b>	44166601	Pop Rivet	2 required per latch; 4 required per control housing
<b>7</b>	70117502	Coin Vault Trim	Black
<b>8</b>	70413301	Pushbutton Switch	Door switch
<b>9</b>	70117901P	Lint Drawer Gasket	
<b>10</b>	70117605	Kickplate	Black
<b>11</b>	70126301	Pop Rivet	4 required per kickplate; Black
<b>12</b>	70275801	Screw	8 required

# Emergency Stop Button - OPL Models

A, H, J, K, R and U in the 2nd Position  
G and T in the 2nd Position Through 12/31/18

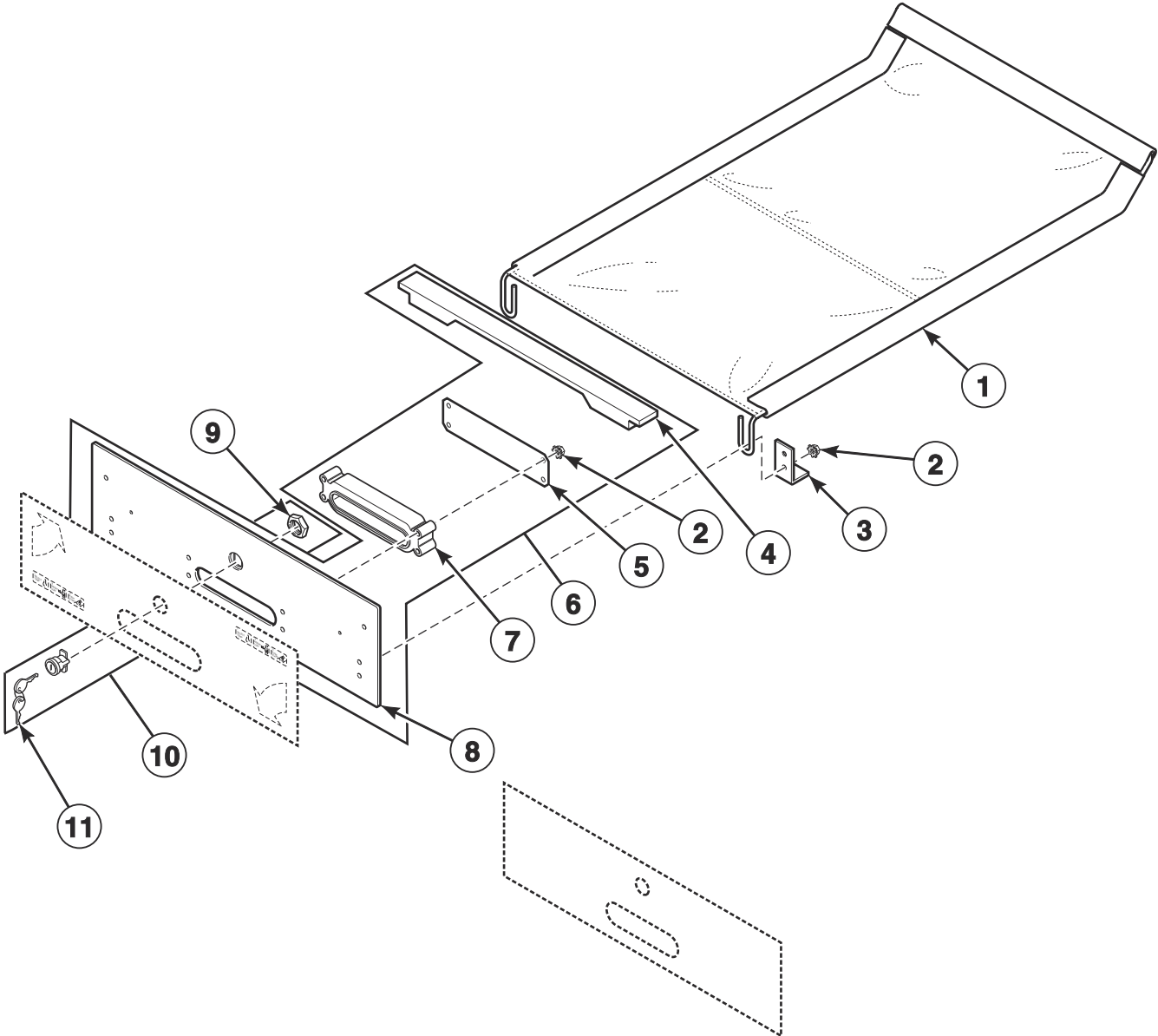


TMB3577P\_70602901

## Emergency Stop Button - OPL Models

REF	PART NO.	DESCRIPTION	COMMENTS
	70580301	Emergency Stop Button Kit	Includes items 2-4
	F8519403	Emergency Stop Bypass Harness	Coin, card and central pay
	44272105	Interconnect Harness	
<b>1</b>	44012903	Emergency Stop Label	
<b>2</b>	F200233500	Emergency Stop Pushbutton	
<b>3</b>	44012901	Emergency Stop Label	
<b>4</b>	70550401	Emergency Stop Mounting Bracket	
<b>5</b>	F8069501	Contact Switch	4 required
<b>6</b>	F8538101	Contact Base	
<b>7</b>	44272401	Emergency Stop Harness	Primary
	44272402	Emergency Stop Harness	Supplementary

# Lint Drawer Components

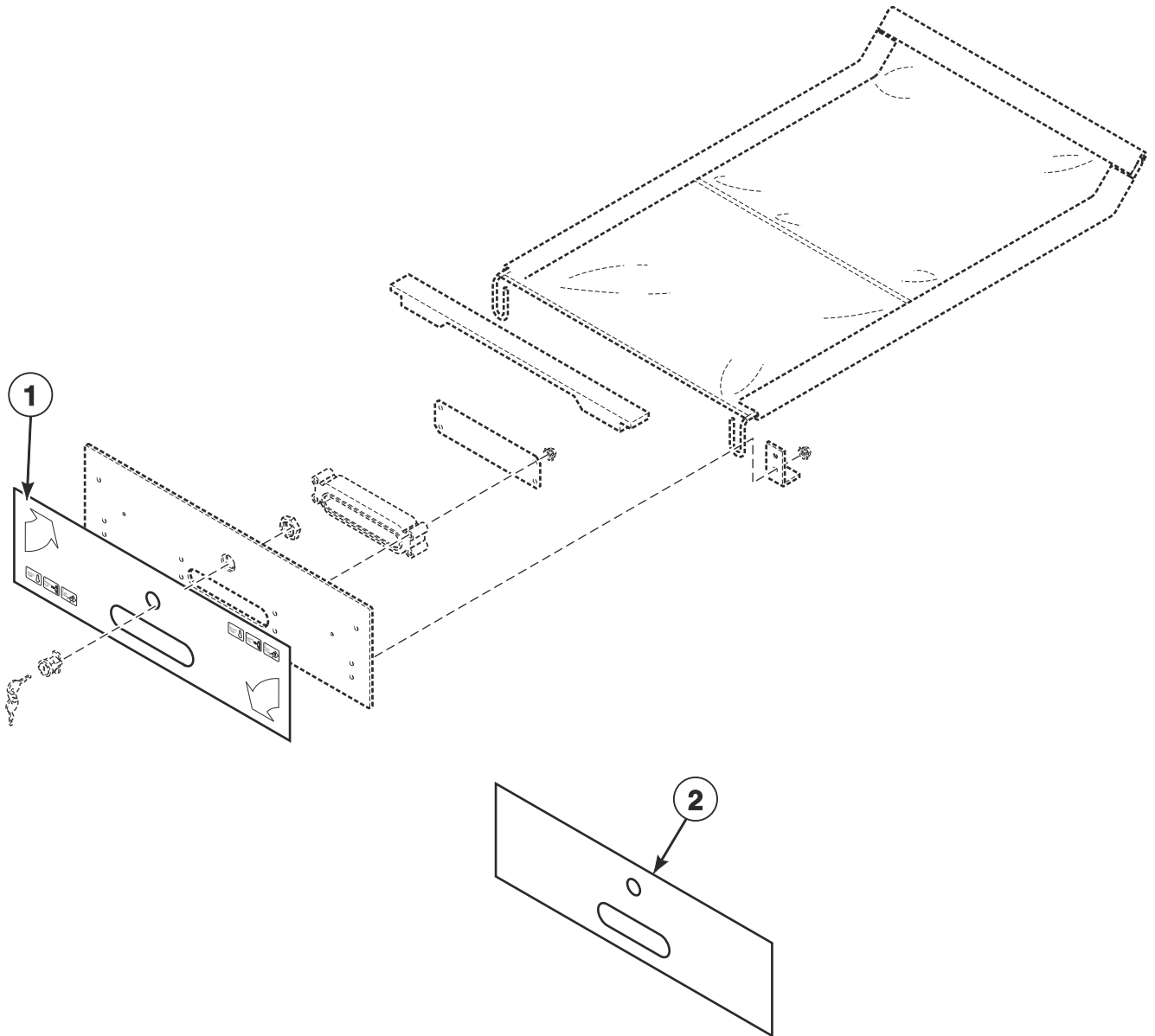


TMB3578P\_70602901

## Lint Drawer Components

REF	PART NO.	DESCRIPTION	COMMENTS
	70342401	Lock Shim	Black
	70342402	Lock Shim	Gray
<b>1</b>	70290601	Lint Screen Assembly	
<b>2</b>	44087101	Nut	6 required
<b>3</b>	70026901	Lint Screen Bracket	2 required
<b>4</b>	70333101	Lint Frame Gasket	
<b>5</b>	70323201	Lint Drawer Handle Plate	
<b>6</b>	70322901P	Lint Drawer Front Kit	Black; Includes 70342401 Lock Shim
	70322902P	Lint Drawer Front Kit	Gray; Includes 70342402 Lock Shim
<b>7</b>	70320801	Lint Drawer Handle	Black
	70320802	Lint Drawer Handle	Gray
<b>8</b>	70322906	Lint Panel and Studs Assembly	Gray
	70322903	Lint Panel and Studs Assembly	Black
<b>9</b>	44088801	Nut	
<b>10</b>	70722301	Lock, Key and Nut Kit	RL002
	44390902	Panel Lock	RL002; Black
<b>11</b>	70155602	Key	RL002

# Lint Drawer Overlays



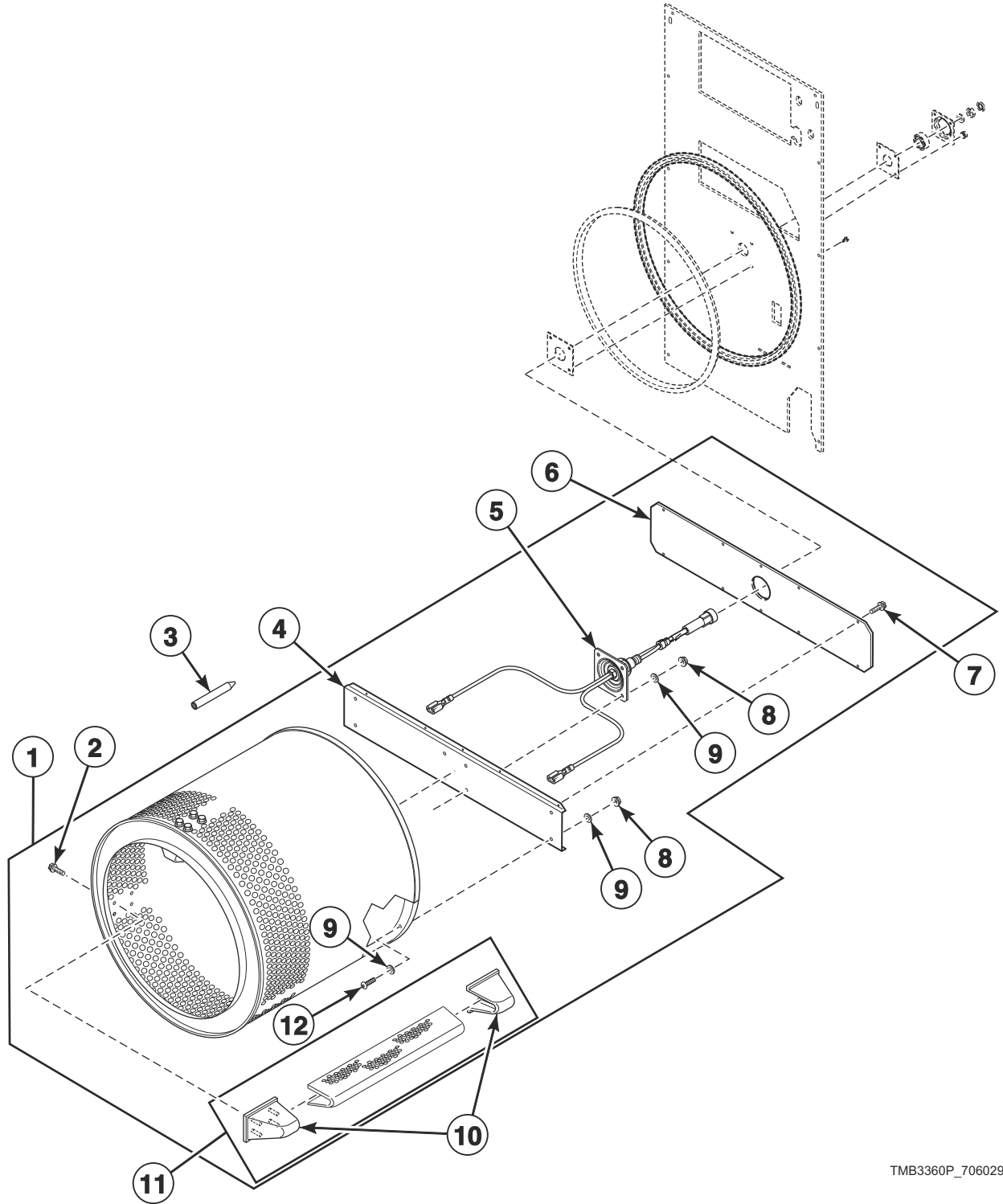
TMB3578PA\_70602901



## Lint Drawer Overlays

REF	PART NO.	DESCRIPTION	COMMENTS
1	70547901	Overlay	G and K models; Upper lint drawer
	70580601	Overlay	M models; Upper lint drawer
	70573101	Overlay	N models; Upper lint drawer; Vend
2	70136401	Overlay	Lower lint drawer

# Cylinder and Trunnion Components

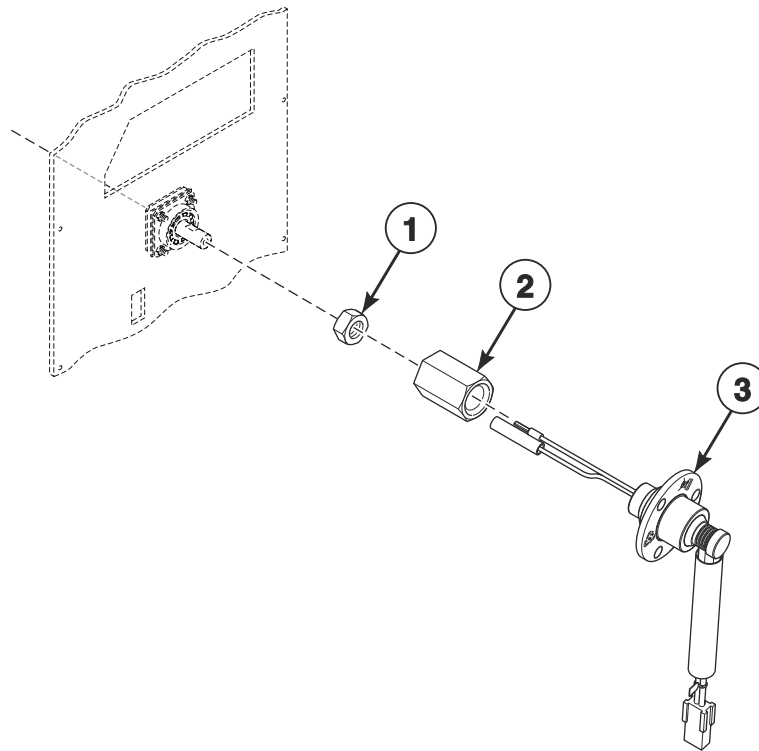


TMB3360P\_70602901

## Cylinder and Trunnion Components

REF	PART NO.	DESCRIPTION	COMMENTS
	70343101P	Drywall Screw Magnet Kit	Includes 6 magnets and 6 screws
1	70372501P	Cylinder Assembly	G, M and N models; Galvanized; Non-moisture sensing
	70372502P	Cylinder Assembly	G, M and N models; Stainless steel; Non-moisture sensing
	70372503P	Cylinder Assembly	K models; Non-moisture sensing
	70443903	Cylinder and Trunnion Assembly	G and K models; Moisture sensing
	70443901P	Cylinder and Trunnion Assembly	M and N models; Galvanized; Moisture sensing
	70443902	Cylinder and Trunnion Assembly	M and N models; Stainless steel; Moisture sensing
2	62588	Screw	
3	263P4	Cylinder Guide Tool	
4	70257101	Rear Cylinder Channel	Non-moisture sensing
	70257102	Rear Cylinder Channel	Moisture sensing
5	70564803	Trunnion and Seal Kit	Non-moisture sensing
	70564804	Trunnion and Seal Kit	Moisture sensing; Includes 70454601 Trunnion and Wire Assembly
6	70257201	Rear Cylinder Channel Plate	
7	430497	Screw	10 required
8	M412986	Nut	
9	70411301	Washer	
10	70070101	End Cap	Non-moisture sensing
	70070102	End Cap	Moisture sensing
11	70433002	Cylinder Rib Assembly	Moisture sensing
12	70391101	Screw	8 required

# Moisture Sensing Components

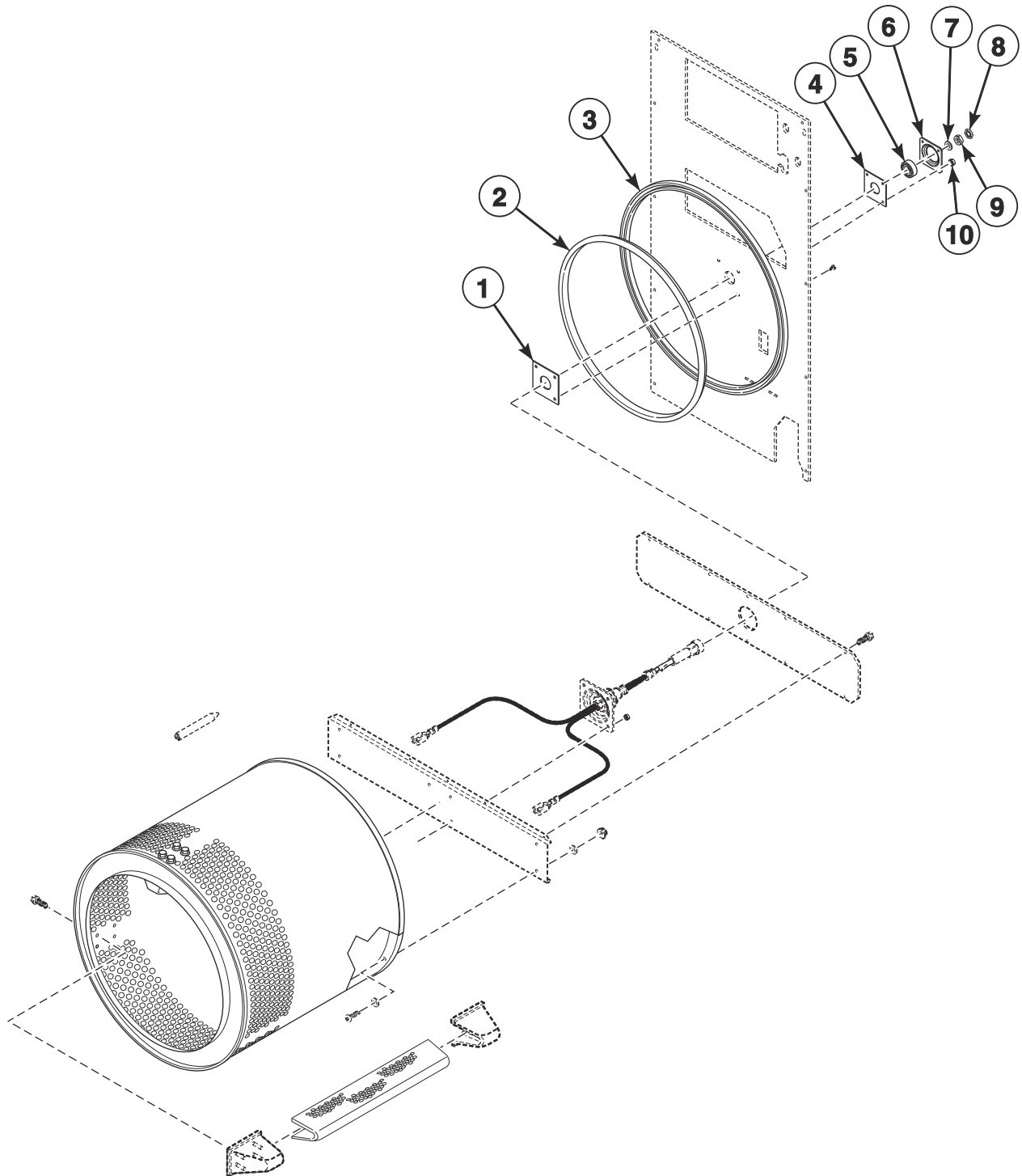


TMB3579P\_70602901

# Moisture Sensing Components

REF	PART NO.	DESCRIPTION	COMMENTS
1	M400035	Nut	
2	70455401	Slip Ring Holder	
3	44222702	Slip Ring Assembly	

# Bearing Components

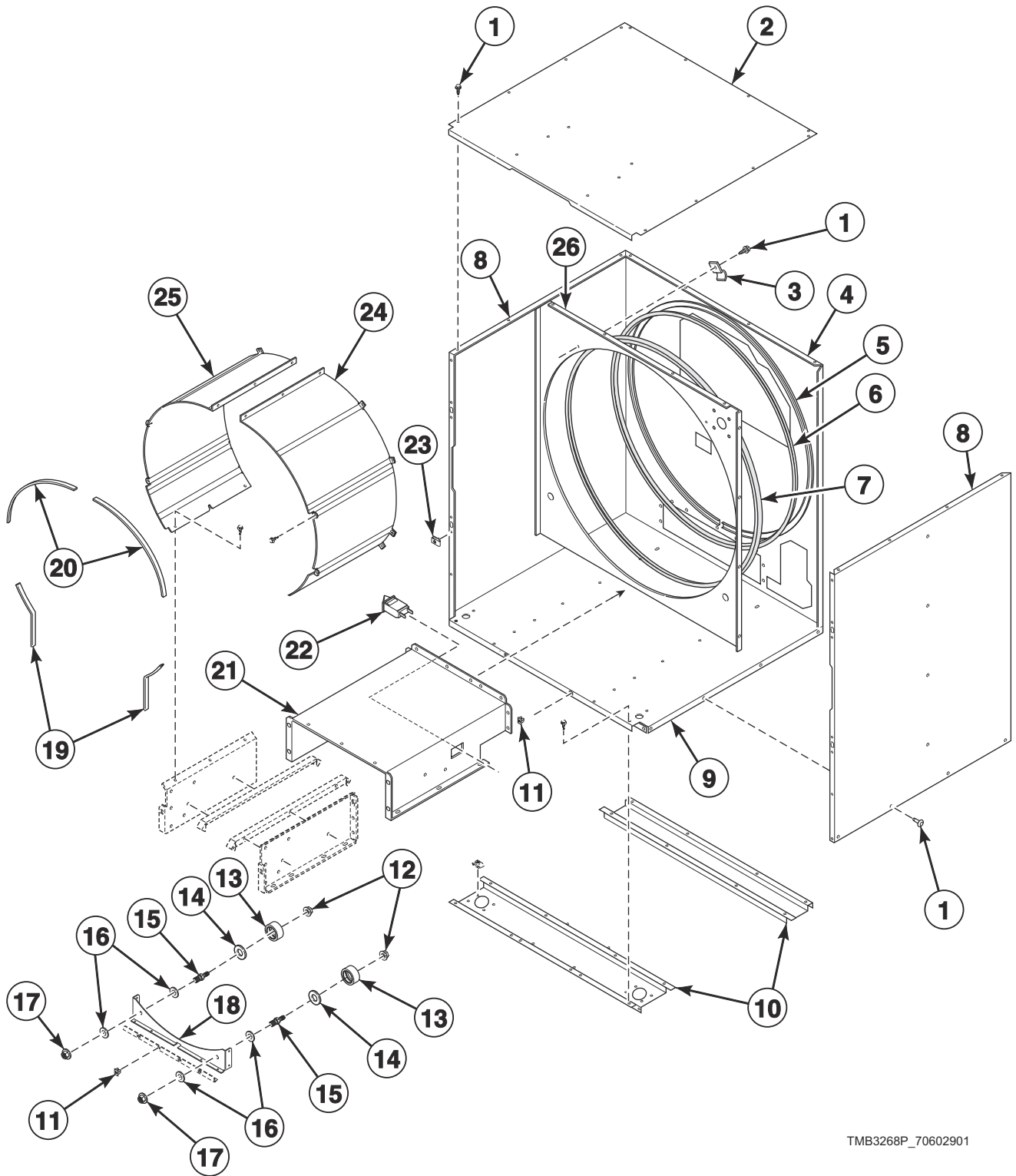


TMB3163PA\_70602901

# Bearing Components

REF	PART NO.	DESCRIPTION	COMMENTS
1	430352	Cylinder Bearing Stud Plate Assembly	
2	70013701P	Rear Cylinder Seal	Requires D511637P Adhesive
3	70506402	Rear Cylinder Seal Support	
4	70355001	Rear Bearing Shim	
5	70448701	Support Bearing	
6	70013901	Rear Cylinder Bearing Housing	
7	M400991	Washer	
8	M400034	Nut	
9	M400022	Nut	
10	M412986	Nut	

# Cabinet Components



TMB3268P\_70602901

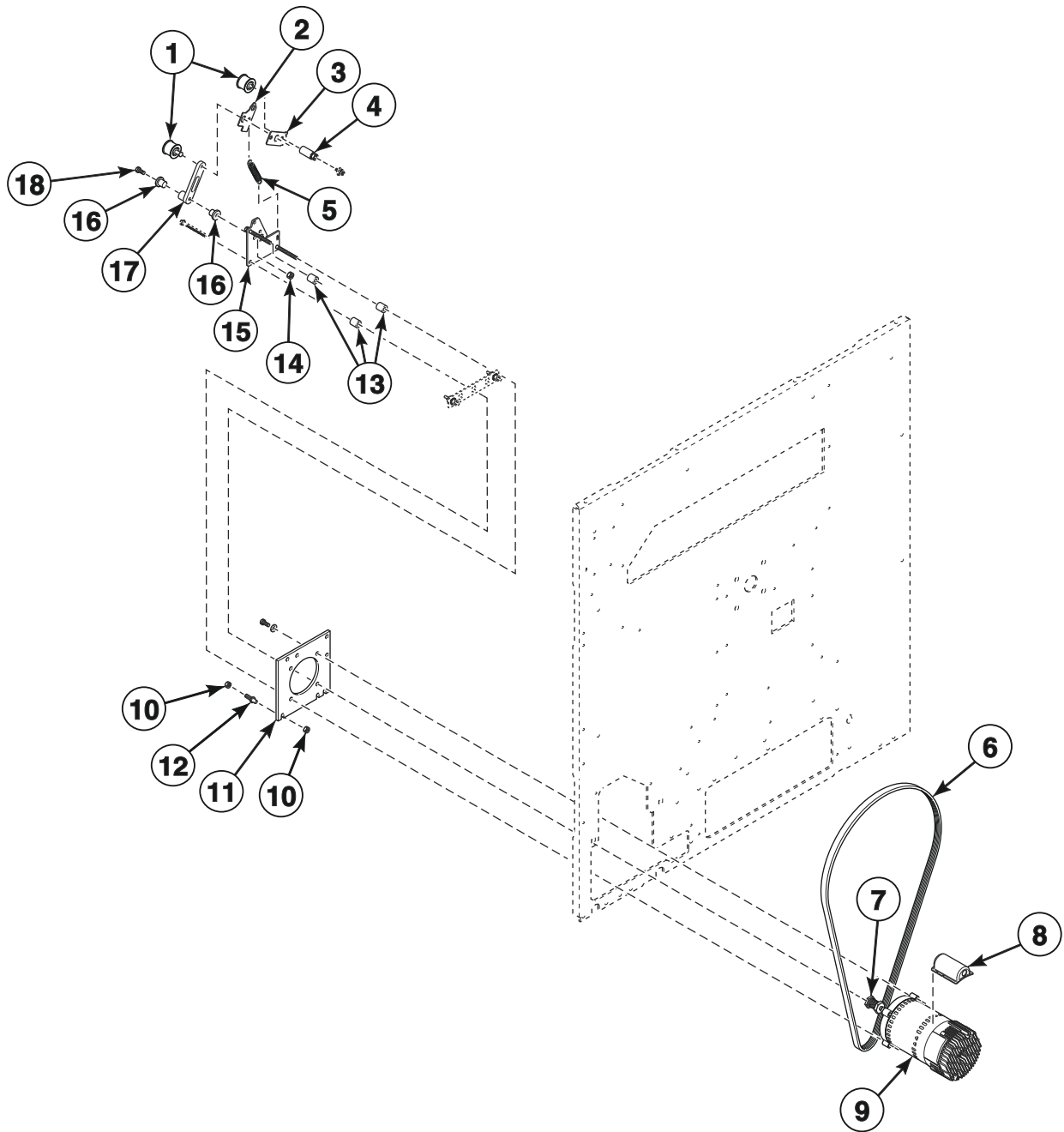


# Cabinet Components

REF	PART NO.	DESCRIPTION	COMMENTS
	298P4P	Spray Paint	White
	381P4	Spray Paint	Bisque
	122P4P	Porcelain Touch-Up Paint	White
	370P4P	Porcelain Touch-Up Paint	Bisque
	430352	Cylinder Bearing Stud Plate Assembly	
	70058501	Pop Rivet	
	21899	Nut	For leveling legs
	70247701	Screw	For leveling legs
<b>1</b>	430497	Screw	
<b>2</b>	70339601	Top Panel	Upper
<b>3</b>	70226701	Clip	
<b>4</b>	70580701	Rear Panel	Gas models
	70580702	Rear Panel	Electric and steam models
<b>5</b>	70506402	Rear Cylinder Seal Support	
<b>6</b>	70013701P	Rear Cylinder Seal	Requires D511637P Adhesive
<b>7</b>	70066003	Center Cylinder Seal	Includes center cylinder seal support and center cylinder seal
<b>8</b>	70231801*P	Side Panel	
<b>9</b>	70339501	Top Panel	Lower
<b>10</b>	70288201	Channel Base Assembly	
<b>11</b>	70030501	Expansion Clip	
<b>12</b>	430576	Nut	
<b>13</b>	70616701	Roller and Seal Kit	
<b>14</b>	70443601	Roller Seal	
<b>15</b>	70249501	Roller Shaft	
<b>16</b>	70261401	Washer	
<b>17</b>	70288801	Nut	
<b>18</b>	70339001	Roller Support Bracket	
<b>19</b>	70015711	Sheet Metal Edge Gasket	Lower
<b>20</b>	70015712	Sheet Metal Edge Gasket	Upper
<b>21</b>	70500101	Air Duct	Rear
<b>22</b>	431159	Switch	For lint drawer
<b>23</b>	70030401	Nut	
<b>24</b>	70339301	Cylinder Shroud	Right
<b>25</b>	70339302	Cylinder Shroud	Left
<b>26</b>	70639201	Center Partition	

\* Add Letter To Designate Color. Q - Bisque W - White

# Drive Motor Components

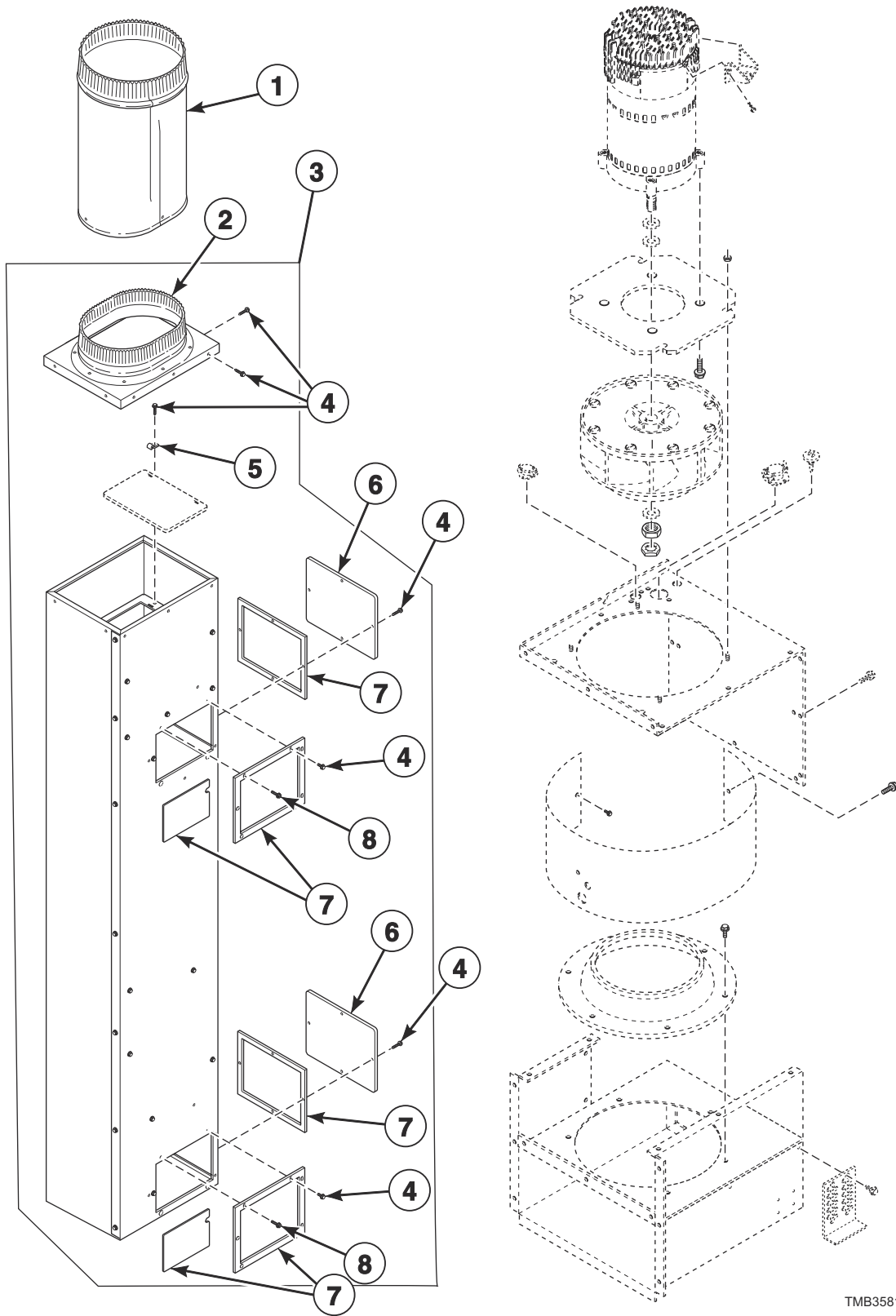


TMB3968P

## Drive Motor Components

REF	PART NO.	DESCRIPTION	COMMENTS
	44333202	Nut	Use with item 7
	70144101	Key	Use with idler shaft
	70554901	Limit Access Bracket	Use with idler shaft
	44335303	Inverter Motor Harness	Cylinder
<b>1</b>	70050401P	Idler Wheel Assembly	
<b>2</b>	70569501	Tensioning Bracket	
<b>3</b>	70543401	Spring Catch Bracket	
<b>4</b>	70569603	Standoff	
<b>5</b>	70571801	Spring	
<b>6</b>	70276208	J-Belt	
<b>7</b>	70559101	Motor Pulley	
<b>8</b>	70521901	Motor Conduit Mounting Bracket	
<b>9</b>	70478601P	Drive Motor	.33 HP; 120, 230 Volt/1 Phase
	70485001P	Drive Motor	.33 HP; 380-460 Volt/3 Phase
<b>10</b>	44087201	Nut	
<b>11</b>	70564201	Motor Mount Plate	
<b>12</b>	70334701	Double Ended Stud	
<b>13</b>	70488403	Spacer	
<b>14</b>	44087301	Nut	
<b>15</b>	70571901	Drive Plate	
<b>16</b>	70542801	Bushing	
<b>17</b>	70543301	Pivot Arm Lever	
<b>18</b>	70501301	Screw	

# Exhaust Components

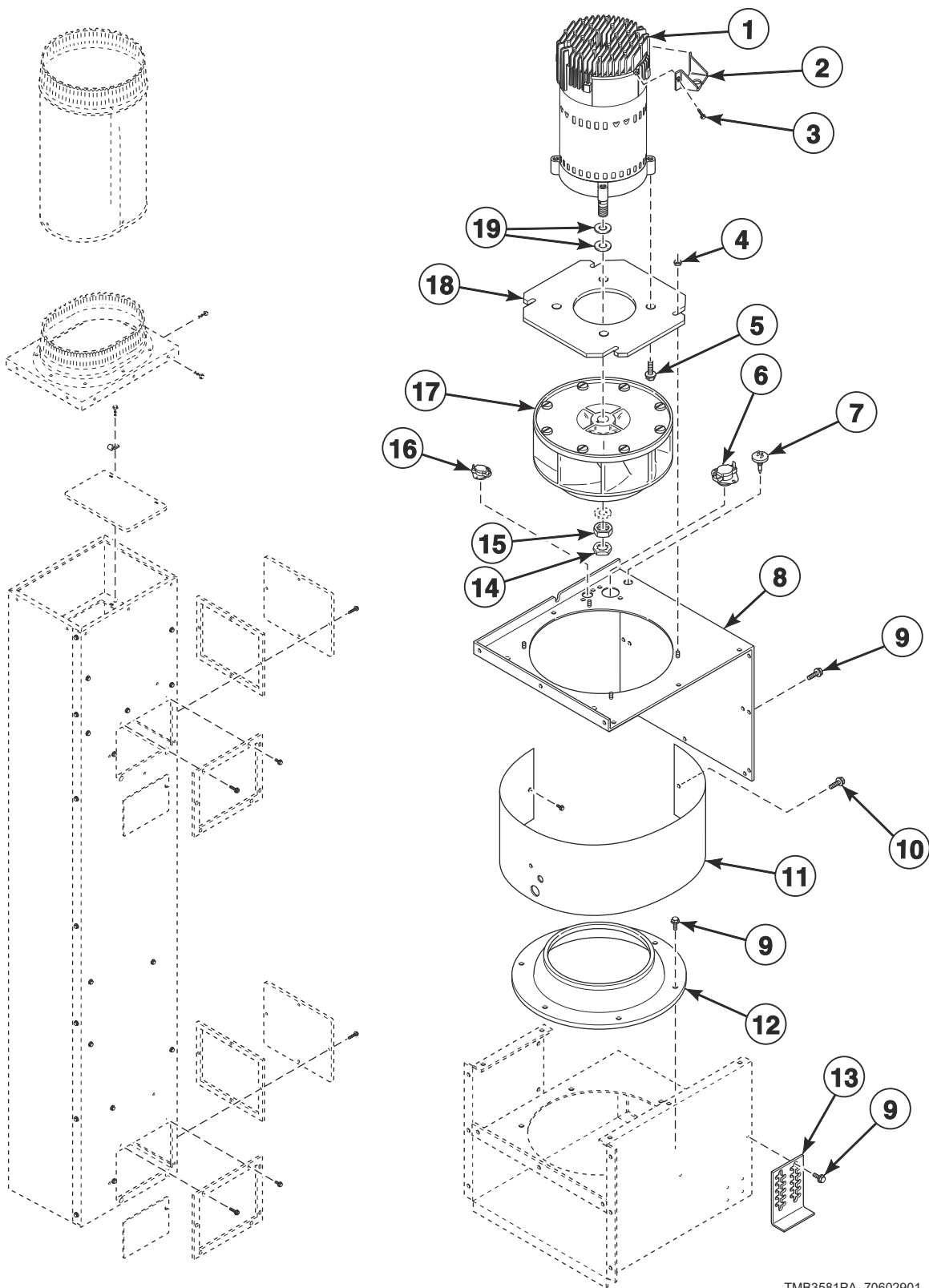


TMB3581P\_70602901

# Exhaust Components

REF	PART NO.	DESCRIPTION	COMMENTS
	70289101P	Gasket	Sold per foot
1	44154301	Exhaust Pipe	IEC models
2	70207501	Duct Cover	Standard models; Top
	70478101	Duct Cover	Eco models; Top
3	70528301	Exhaust Duct Assembly	CSA models
	70528302	Exhaust Duct Assembly	IEC models
	70662606	Exhaust Duct Assembly	Eco models
4	430497	Screw	12 required
5	70226701	Clip	
6	70340201	Duct Cover	2 required; Bottom
7	70340401	Exhaust Duct Gaskets Assembly	2 required
8	M411072	Screw	2 required

# Blower Components

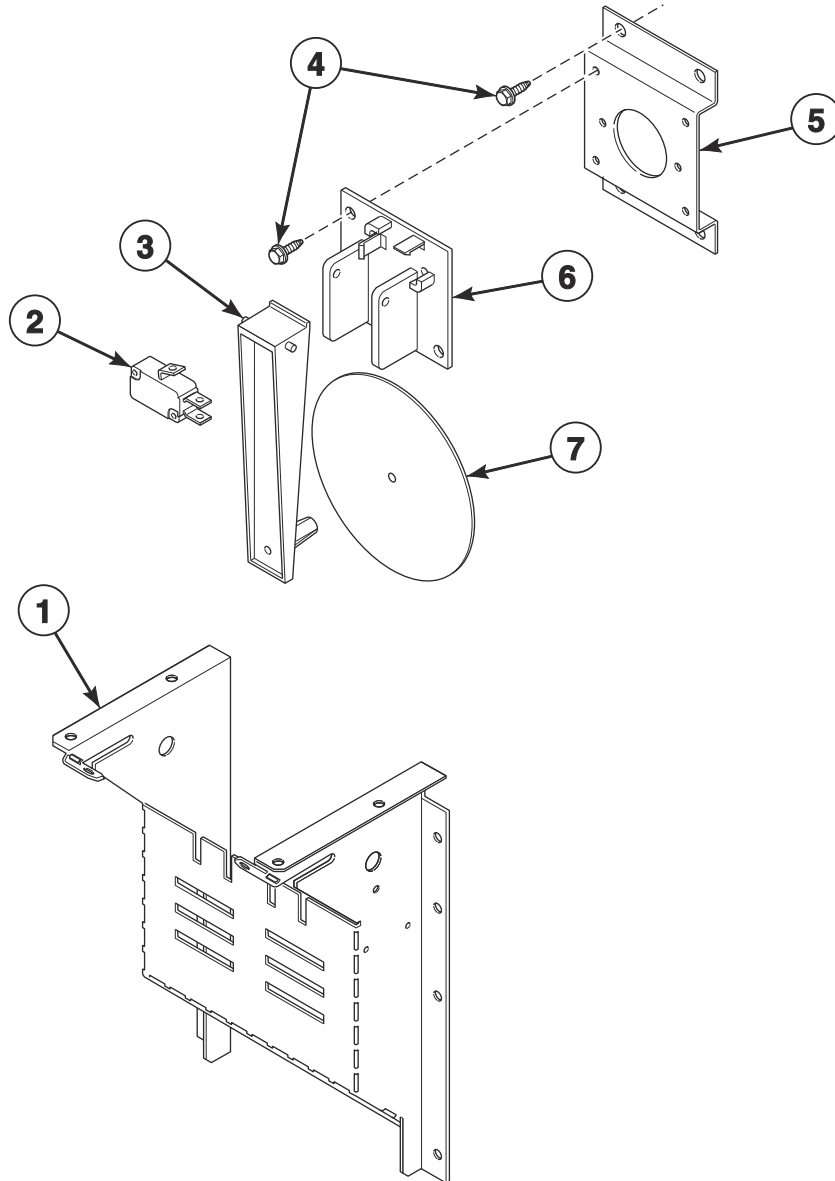


TMB3581PA\_70602901

# Blower Components

REF	PART NO.	DESCRIPTION	COMMENTS
	70392701P	Gasket	For blower housing opening
1	70478701P	Fan Motor	.50 HP; 120, 230 Volt/1 Phase
	70484901P	Fan Motor	.50 HP; 380-460 Volt/3 Phase
2	44317901	Motor Conduit Bracket	
3	23222	Screw	
4	29786	Nut	4 required
5	70126101	Screw	4 required
6	44328001	Limit Thermostat	
7	M414704	Thermistor	
8	70341402	Blower Housing Cover Assembly	
9	430497	Screw	12 required
10	51780	Screw	
11	70340801	Blower Housing Scroll	
12	70014101	Blower Inlet Cone	
13	70200301	Rear Stabilizer Bracket	
14	M400034	Nut	
15	M400022	Nut	
16	70530901	Limit Thermostat	
17	70359801P	Blower Assembly	
18	70341001	Blower Motor Mounting Plate	
19	M400991	Washer	3 required

# Airflow Switch



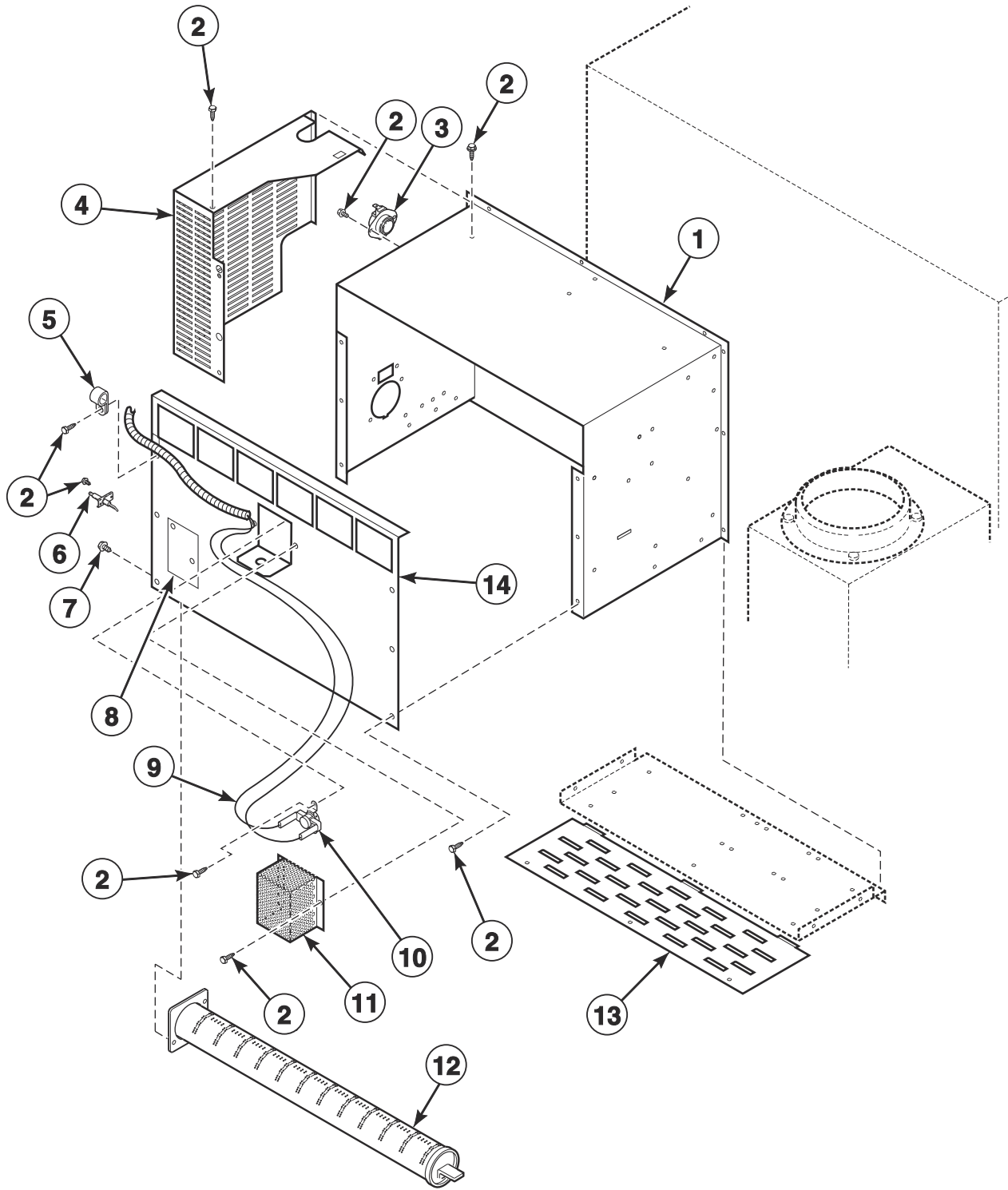
TMB3582P\_70602901



# Airflow Switch

REF	PART NO.	DESCRIPTION	COMMENTS
	70429601P	Airflow Switch Kit	Includes items 2-3, 6 and 7
1	70356101	Airflow Switch Wrapper	
2	70411901	Switch	
3	70319401	Airflow Switch Arm	
4	430757	Screw	
5	70356301	Switch Bracket	
6	70319602	Airflow Switch and Arm Bracket	
7	70319201	Airflow Switch Vane	

# Gas Burner Housing and Secondary Stove Limit

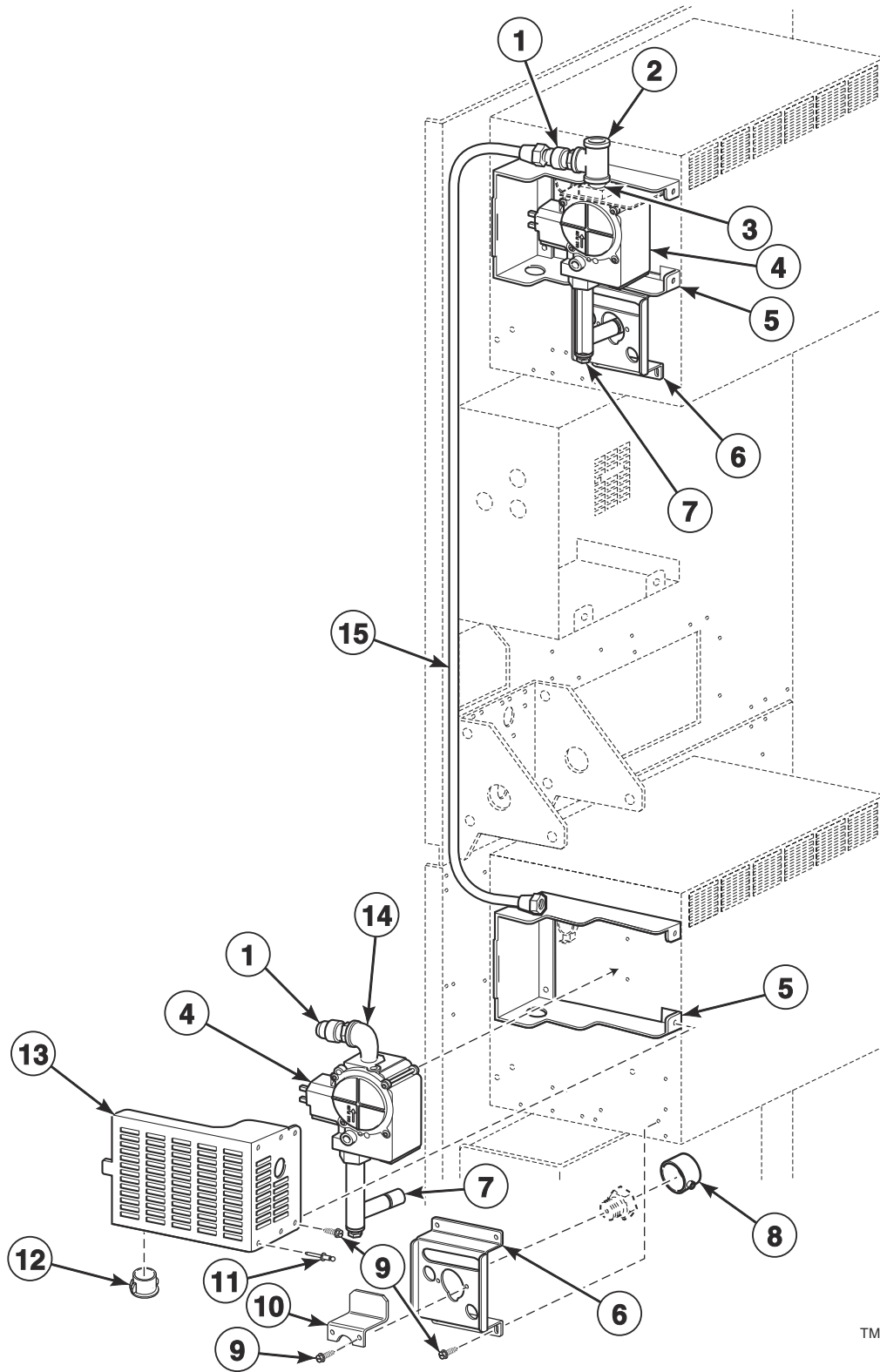


TMB2315P\_70602901

## Gas Burner Housing and Secondary Stove Limit

REF	PART NO.	DESCRIPTION	COMMENTS
	44239701	High Voltage Suppression Cable	
1	70333401	Stove Top and Sides	
2	430497	Screw	
3	44328005	Limit Thermostat	Side
4	70233401	Gas Valve Cover	IEC models
5	70203701	Pipe Clip	
6	70548701P	Spark Electrode	
7	05161	Screw	
8	70159601	Igniter Cover	
9	70564301	Stove Limit Harness	
10	44328104	Limit Thermostat	Rear
11	M414477	Thermostat Cover	
12	70229801P	Gas Burner	
	70546701	Anti-Rattle Burner Assembly	Includes 70229801P Gas Burner, 431318 Control Door Latch and M400003 Pop Rivet
13	70188801	Burner Grill	
14	70371501	Stove Back	

# Gas Valve and Piping

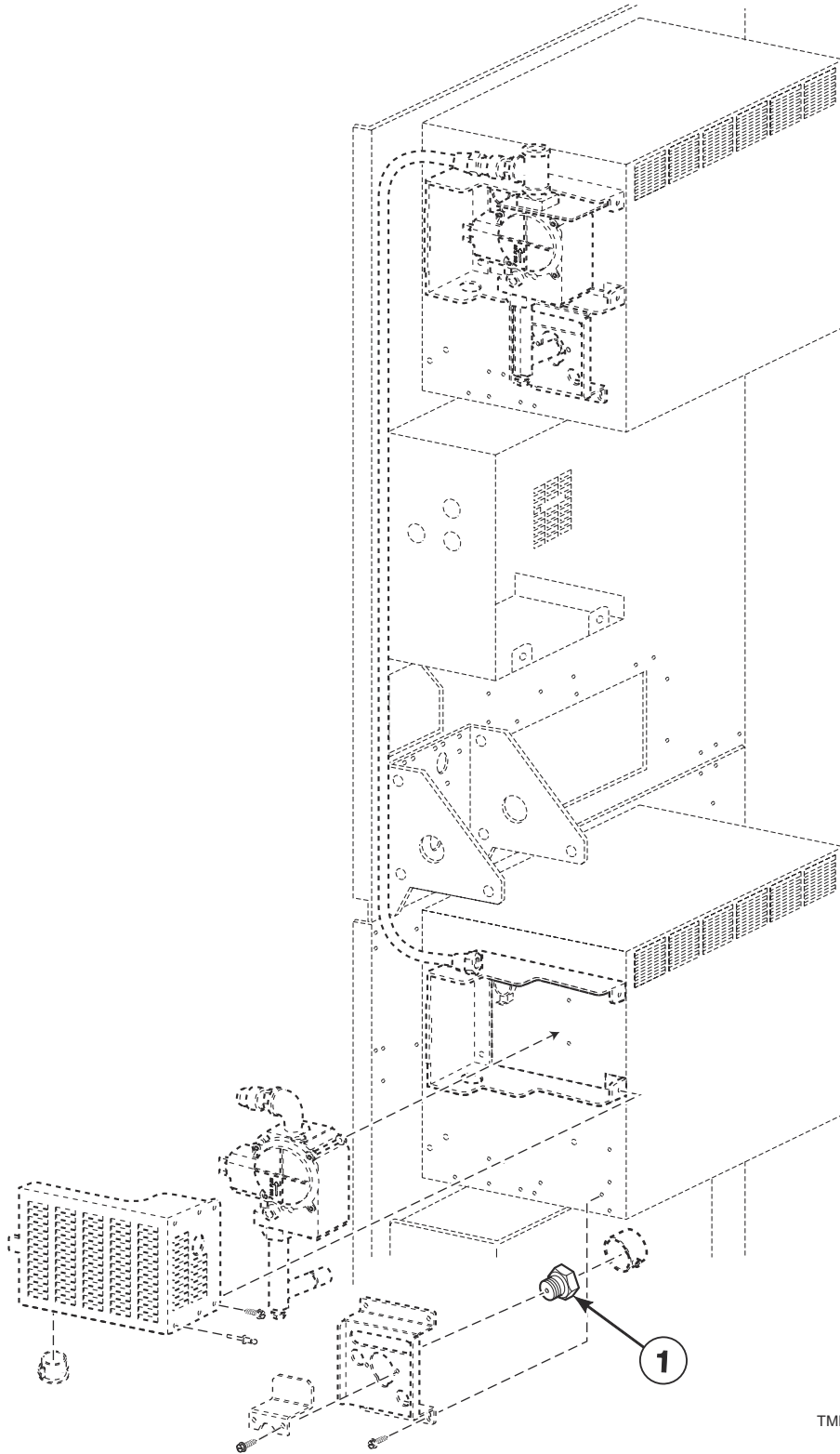


TMB3583P\_70602901

# Gas Valve and Piping

REF	PART NO.	DESCRIPTION	COMMENTS
	70550205	L.P. Conversion Kit	CSA and AGA models; Natural Gas (N.G.); 0-2,000 feet
	70551905	L.P. Conversion Kit	IEC models; N.G.; 0-2,000 feet
	44239701	High Voltage Suppression Cable	
	70131901	Adapter	IEC models; BPT/NPT
	70167601	Plug	
	70500601	Power Harness	
	44273501	Gas Valve Harness	
	70564301	Stove Limit Harness	
	70535901	Notice Label	Australian models; N.G.
	70544901	Notice Label	Australian models; Liquid Petroleum (L.P.)
<b>1</b>	70262601	Pipe	
<b>2</b>	70071801	Tee	T market models
	F422208	Tee	All other models
<b>3</b>	70435601	Pipe Nipple	T market models
	70612603	Pipe Nipple	All other models
<b>4</b>	44154503	N.G. Valve	CSA models
	44154504	L.P. Valve	CSA models
	44154507	Gas Valve	IEC models; N.G.
	44154508	Gas Valve	IEC models; L.P.
<b>5</b>	70328201	Forward Valve Cover	
<b>6</b>	70248901	Orifice Holder Bracket	
<b>7</b>	70552801P	Orifice Adapter	
<b>8</b>	70239801	Primary Air Adjustment Sleeve	
<b>9</b>	430497	Screw	
<b>10</b>	70539901	Ignition Keeper Orifice Bracket	
<b>11</b>	70058501	Pop Rivet	3/16 inch
<b>12</b>	M400770	Snap Bushing	
<b>13</b>	70282401	Rear Valve Cover	
<b>14</b>	H86070034	Street Elbow	T market models
	70612501	Street Elbow	All other models
<b>15</b>	70281601	Tube	

# Burner Orifices



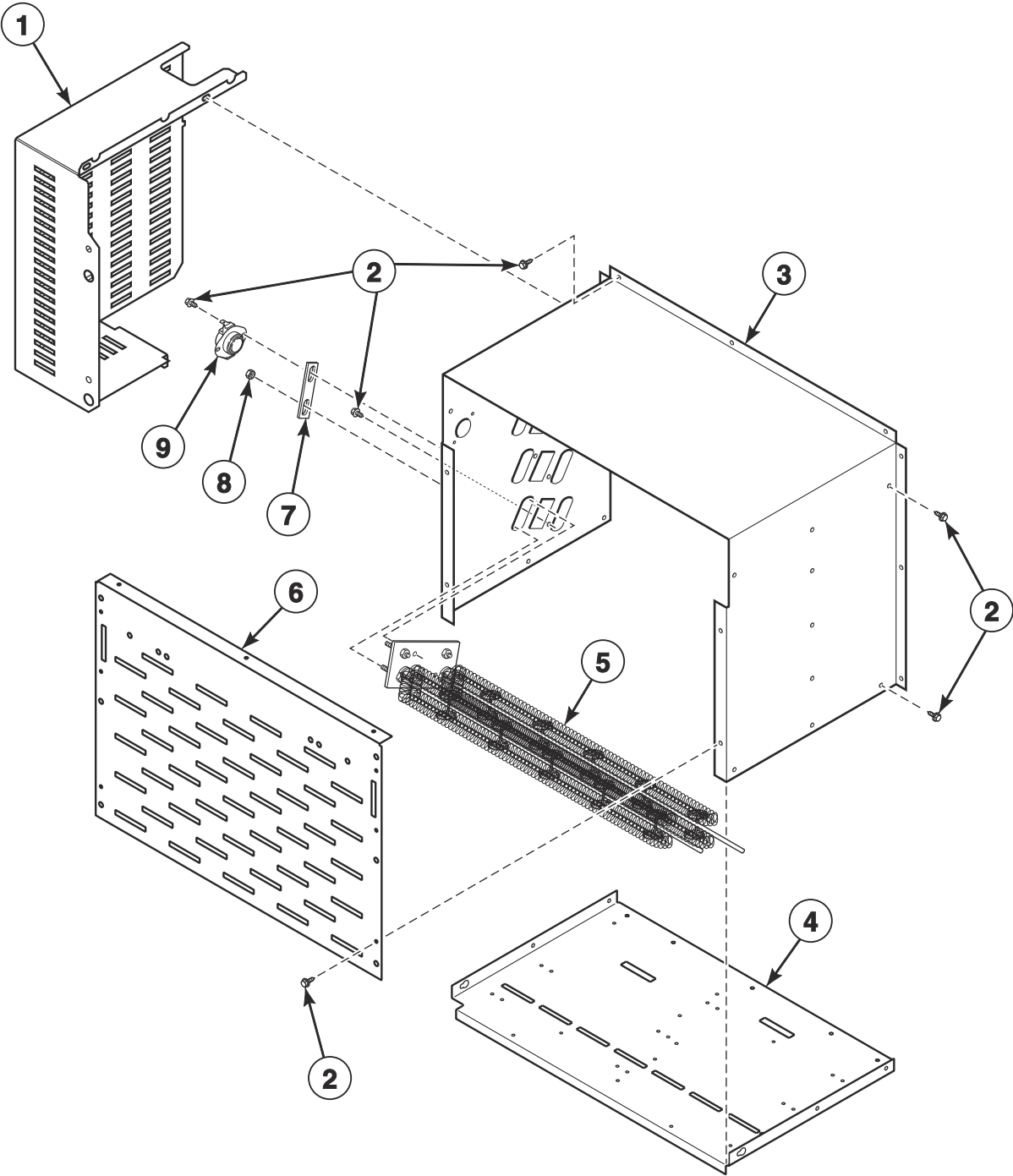
TMB3583PA\_70602901

# Burner Orifices

REF	PART NO.	DESCRIPTION	COMMENTS
	70609909	High Altitude Orifice Kit	CSA Natural Gas (N.G.) models
	70609910	High Altitude Orifice Kit	CSA Liquid Petroleum Gas (L.P.) models
<b>1</b>	70684142	Burner Orifice	Standard models; N.G.; Drill no. 20 (4.09 mm); 0-2,000 feet
	70684139	Burner Orifice	Standard models; N.G.; Drill no. 23 (3.91 mm); 2,001-4,000 feet
	70684137	Burner Orifice	Standard models; N.G.; Drill no. 25 (3.80 mm); 4,001-6,000 feet
	70684135	Burner Orifice	Standard models; N.G.; Drill no. 27 (3.66 mm); 6,001-8,000 feet
	70684133	Burner Orifice	Standard models; N.G.; 3.50 mm; 8,001-10,000 feet
	70684116	Burner Orifice	Standard models with 2nd digit A, G, H, J, K, L and T; L.P.; Drill no. 40 (2.49 mm); 0-2,000 feet
	70684114	Burner Orifice	Standard models with 2nd digit A, G, H, J, K, L and T; L.P.; Drill no. 42 (2.37 mm); 2,001-4,000 feet
	70684113	Burner Orifice	Standard models with 2nd digit A, G, H, J, K, L and T; L.P.; 2.30 mm; 4,001-6,000 feet
	70684111	Burner Orifice	Standard models with 2nd digit A, G, H, J, K, L and T; L.P.; 2.20 mm; 6,001-8,000 feet
	70684109	Burner Orifice	Standard models with 2nd digit A, G, H, J, K, L and T; L.P.; Drill no. 45 (2.08 mm); 8,001-10,000 feet
	70684110	Burner Orifice	CE standard models; L.P.; Drill no. 44 (2.18 mm); 0-2,000 feet
	70684109	Burner Orifice	CE standard models; L.P.; Drill no. 45 (2.08 mm); 2,001-4,000 feet
	70684107	Burner Orifice	CE standard models; L.P.; Drill no. 47 (1.99 mm); 4,001-6,000 feet
	70684106	Burner Orifice	CE standard models; L.P.; Drill no. 48 (1.93 mm); 6,001-8,000 feet
	70684105	Burner Orifice	CE standard models; L.P.; Drill no. 49 (1.85 mm); 8,001-10,000 feet
	70684111	Burner Orifice	Standard J market models; L.P.; 2.20 mm; 0-2,000 feet
	70684109	Burner Orifice	Standard J market models; L.P.; Drill no. 45 (2.08 mm); 2,001-4,000 feet
	70684108	Burner Orifice	Standard J market models; L.P.; Drill no. 46 (2.06 mm); 4,001-6,000 feet
	70684106	Burner Orifice	Standard J market models; L.P.; Drill no. 48 (1.93 mm); 6,001-8,000 feet
	70684105	Burner Orifice	Standard J market models; L.P.; Drill no. 49 (1.85 mm); 8,001-10,000 feet
	70684132	Burner Orifice	Eco models; N.G.; Drill no. 29 (3.45 mm); 0-2,000 feet
	70684130	Burner Orifice	Eco models; N.G.; 3.30 mm; 2,001-4,000 feet
	70684128	Burner Orifice	Eco models; N.G.; Drill no. 1/8 (3.18 mm); 4,001-6,000 feet
	70684126	Burner Orifice	Eco models; N.G.; Drill no. 31 (3.05 mm); 6,001-8,000 feet
	70684125	Burner Orifice	Eco models; N.G.; Drill no. 32 (2.95 mm); 8,001-10,000 feet

**\* NOTE: One orifice required per pocket**

# Electric Heater Components



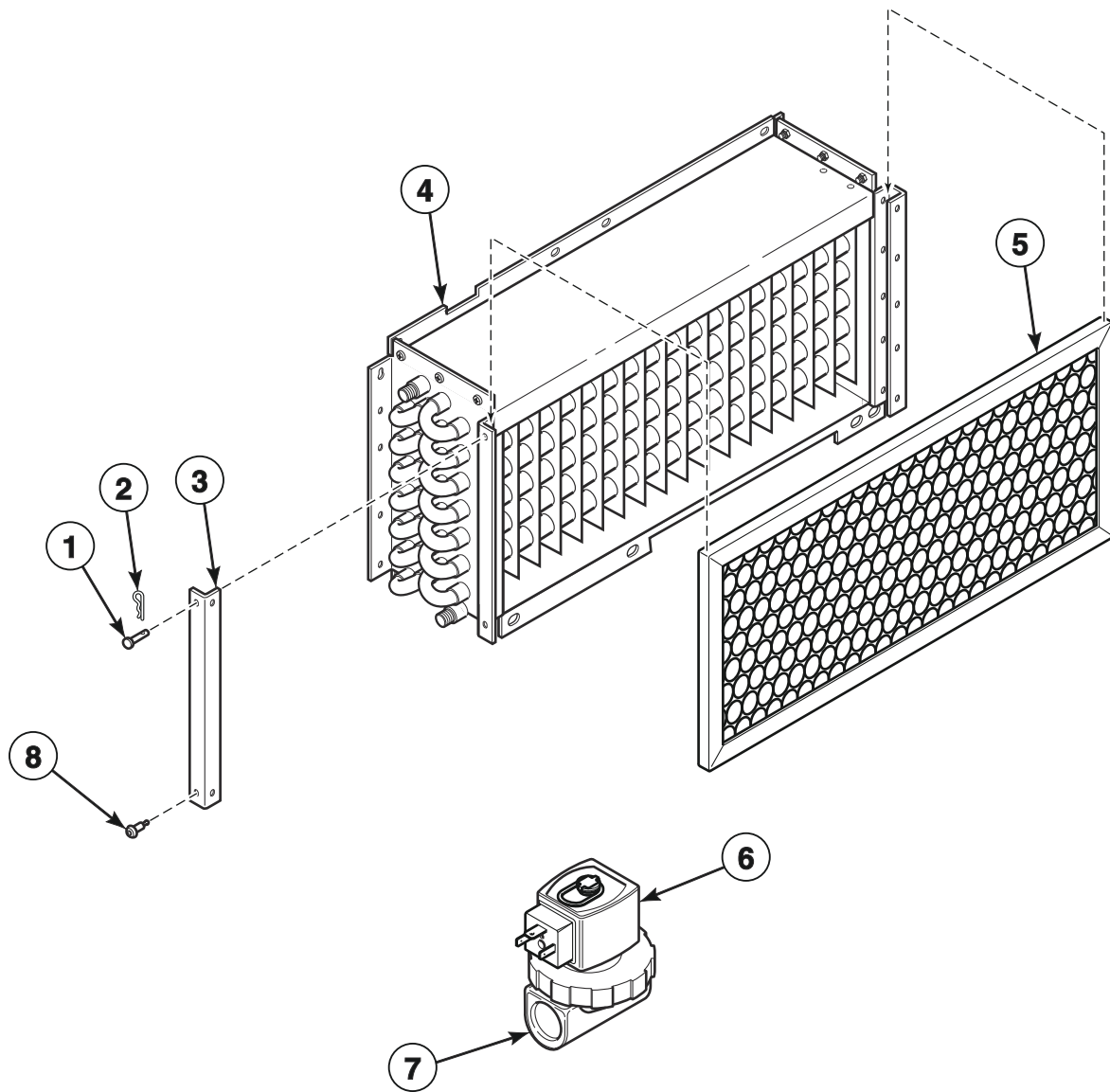
TMB3584P\_70602901



## Electric Heater Components

REF	PART NO.	DESCRIPTION	COMMENTS
	70564303	Stove Limit Harness	
	70500506	Jumper Harness	3 inch; 8 required for 380 and 400-415 Volt
	70500505	Jumper Harness	9 inch; 2 required for 440 and 460-480 Volt
<b>1</b>	70525701	Connector Cover	
<b>2</b>	430497	Screw	
<b>3</b>	70525601	Stove Top and Sides	
<b>4</b>	70357201	Stove Partition	
<b>5</b>	70034401P	Heater Element	Standard models; 3 required; 7 kW; 208 Volt heater element for 200-208 Volt/3 Phase
	70034402P	Heater Element	Standard models; 3 required; 7 kW; 220 Volt heater element for 380 and 440 Volt/3 Phase
	70034403P	Heater Element	Standard models; 3 required; 7 kW; 240 Volt heater element for 230-240 Volt/3 Phase and 400-415 and 460-480 Volt/3 Phase
	70034415P	Heater Element	Eco models; 3 required; 4 kW; 208 Volt heater element for 200-208 Volt/3 Phase
	70034414P	Heater Element	Eco models; 3 required; 4 kW; 220 Volt heater element for 380 and 440 Volt/3 Phase
	70034416P	Heater Element	Eco models; 3 required; 4 kW; 240 Volt heater element for 230-240 Volt/3 Phase and 400-415 and 460-480 Volt/3 Phase
<b>6</b>	70214901	Stove Grill	
<b>7</b>	M400869	Jumper Strip	12 required for 200-208 and 230-240 Volt; 6 required for all other voltages
	70066501	Jumper Bar	4 required for 440 and 460-480 Volt
<b>8</b>	70054	Nut	
<b>9</b>	44328007	Limit Thermostat	

# Steam Heater Components

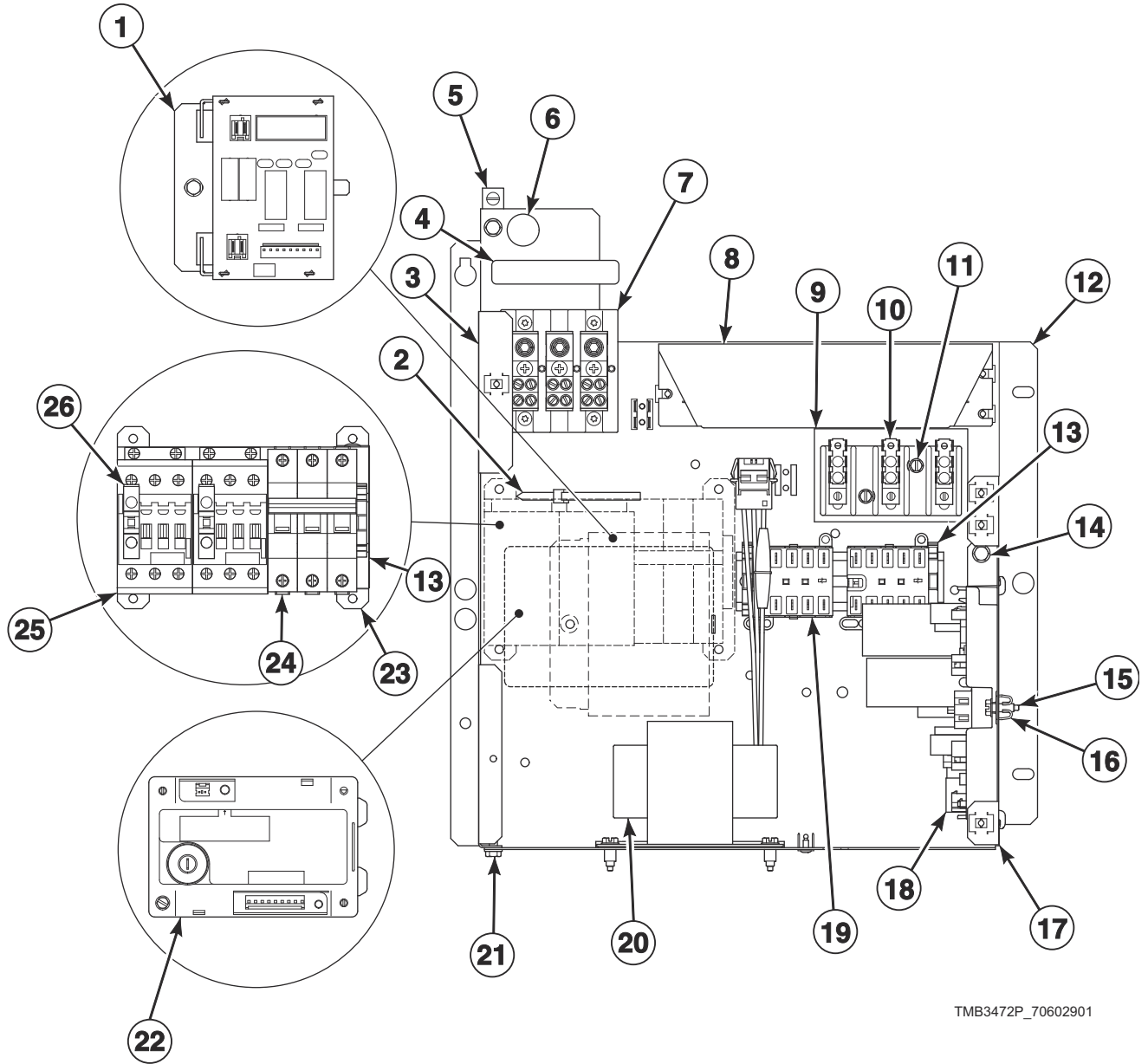


TMB3522P\_70602901

## Steam Heater Components

REF	PART NO.	DESCRIPTION	COMMENTS
	F8382301	DIN Valve Adapter Kit	Use with item 7
	70564302	Stove Limit Bypass Harness	
	F8520703	Steam Valve Harness	
	44304801	Strain Relief	
	70529601	Steam Adapter Kit	IEC models
1	70389201	Clevis Pin	
2	70389301	Hairpin Cotter	
3	70369301	Steam Filter Holder	
4	70369101P	Steam Coil	4 rows
5	70429401	Filter	IEC models
	70036001	Air Filter	CSA models
6	F8514701	Coil	120 Volt
	F8514601P	Coil	240 Volt
7	F8322904P	Steam Valve	120 Volt
	F8322906P	Valve	240 Volt
8	70058502	Pop Rivet	

# Control Tray and Accessory Box



TMB3472P\_70602901

## Control Tray and Accessory Box

REF	PART NO.	DESCRIPTION	COMMENTS
	44071501	Snap Bushing	Gas models; Use with item 3; 7/8 inch
	70476001	Snap Bushing	Gas models; Use with item 3; 1/2 inch
	70500601	Power Harness	
	M413862	Insulator	Use with item 7, 9 and 10
	70610101	EMI Filter Kit	CSA gas and steam models; 100-240 Volt
	70610102	EMI Filter Kit	CSA gas and steam models; 380-480 Volt
	70610103	EMI Filter Kit	CSA electric models; 200-240 Volt
	70610104	EMI Filter Kit	CSA electric models; 380-480 Volt
	70559304	Conversion Kit	X to B voltage
<b>1</b>	70501801	Steam Control Assembly	Steam models
<b>2</b>	70335601	Cable Tie	
<b>3</b>	70520601	Junction Box Side	Electric models; Left side
	70526401	Junction Box Side	Gas models; Left side
	70536801	Junction Box Side	Steam models; Left side
<b>4</b>	44286803	Label	Wire L1, L2, L3
	44286801	Label	Wire L1, N
	44286804	Wire Label	L1 L2, L1 N, L1 L2 L3
<b>5</b>	M411283	Ground Lug Connector	Attach with 685837 Screw
<b>6</b>	D516100	Label	
<b>7</b>	M413865	Power Distribution Block	Electric models; Attach with 39733 Screw
	44014901P	Power Distribution Block Cover	Electric models; Attach with 39733 Screw
	430642	Terminal Block	Gas and steam models; Attach with 51783 Screw
	70333001	Terminal Block Shield	Gas and steam models; Attach with 51783 Screw
<b>8</b>	F8591601	EMI Filter	IEC models; 100-120 and 200-240 Volt
	F8637501	EMI Filter	IEC models; 380-480 Volt
<b>9</b>	70333001	Terminal Block Shield	IEC models
<b>10</b>	430642	Terminal Block	IEC models
<b>11</b>	51783	Screw	IEC models
<b>12</b>	70531501	Junction Box Base Assembly	Electric models
	70531401	Junction Box Base Assembly	Gas and steam models
<b>13</b>	F8449801	End Stop	Electric models 3 required; Gas and steam models 2 required
<b>14</b>	430497	Screw	
<b>15</b>	F8206901	Screw	
<b>16</b>	70030501	Expansion Clip	
<b>17</b>	70520801	Control Board Tray	
<b>18</b>	70479201P	I/O Control Assembly	
<b>19</b>	70482601	Contactor	1 required for 120-240 Volt; 2 required for 380-480 Volt
<b>20</b>	F8491101	Transformer	380-480 Volt
<b>21</b>	51780	Screw	
<b>22</b>	70482002	Ignition Control	IEC gas models
	70482001	Ignition Control	CSA gas models
<b>23</b>	70531701	Bracket Assembly	Electric models
<b>24</b>	70488101	Circuit Breaker	Electric models; 380-480 Volt
	70488102	Circuit Breaker	Electric models; 200-240 Volt
<b>25</b>	70482701	Contactor	Electric models
<b>26</b>	44313201	Auxiliary Contact Block	Electric models

## Labels

<b>PART NO.</b>	<b>DESCRIPTION</b>	<b>COMMENTS</b>
70535101	Caution Label	Vent/install
F8614501	Danger Label	Shock; English/French
F8614301	Hot Surface Warning Label	English/French
F8609001	Hot Surface Warning Label	Icon
F8611601	Warning Label	
F8614500	Label Kit	Shock
F8605500	Label Kit	
44321501	Notice Label	120/240 Volt
70539601	Notice Label	
70534201	Notice Label	
F8609501	Notice Label	
D516073	Notice Label	Read instructions; Icon
70538401	Pinch Warning Label	English/French
F8615701	Pinch Warning Label	Icon
F8614401	Shock Warning Label	English/French
F8614201	Shock Warning Label	Icon
70536301	Warning Label	Lint
44324101	Warning Label	Fire; Australian models
70534305	Warning Label	Fire; Colombian Spanish; Australian models
44321601	Warning Label	Risk of fire; Icon

# Harnesses

PART NO.	DESCRIPTION	COMMENTS
44316009	Filter Output Power Harness	1 Phase; Power distribution block to RFI filter
44316010	Filter Output Power Harness	3 Phase; Power distribution block to RFI filter
70608501	Base Harness	
44280007	Configuration Harness	120 Volt; Cylinder
44280006	Configuration Harness	120 Volt; Fan
44334604	Heat Control Harness	Gas and steam models
44334605	Heat Control Harness	Electric models
44316005	Harness	Electric models; 200-240 Volt; Control circuit breaker to EMI filter
44316006	Harness	Electric models; 380-480 Volt; Control circuit breaker to EMI filter
44309005	Harness	Electric CSA models; 200-240 Volt; Power distribution block to control circuit breaker
44309006	Harness	Electric CSA models; 380-480 Volt; Power distribution block to control circuit breaker
44309015	Harness	Electric IEC models; 200-240 Volt; Power distribution block to control circuit breaker
44309016	Harness	Electric IEC models; 380-480 Volt; Power distribution block to control circuit breaker
70500504	Harness	Electric models; Contactor to element
70500503	Harness	Electric models; Contactor to element; 200-240 Volt
44334702	Inverter Contactor Coil Harness	Secondary; 380-480 Volt
44335303	Inverter Motor Harness	
70561501	Junction Box Harness	
44316003	Filter Input Power Harness	Gas and steam models; 1 Phase; Power distribution block to filter
44316004	Filter Input Power Harness	Gas and steam models; 3 Phase; Power distribution block to filter
70608401	Main Harness	
44280009	Motor Contactor Power Harness	Electric models; 3 Phase
44280004	Motor Contactor Power Harness	Gas and steam models; 3 Phase
44280008	Motor Contactor Power Harness	Electric models; 1 Phase
44280011	Motor Contactor Power Harness	1 Phase; EMI
44280013	Motor Contactor Power Harness	3 Phase; EMI
44280002	Motor Contactor Power Harness	Gas and steam models; 1 Phase
44280103	Power Harness	Electric models; 380-480 Volt
44280102	Power Harness	Gas models; 380-480 Volt
44272103	Power Harness	Electric models; 100-240 Volt
44272102	Power Harness	Gas models; 100-240 Volt
44273602	Steam Control Harness	
204454	Ferrite	EMI; Motor circuit, inverter communication circuit





# Parts Index

## A

Access Panel Trim	
70399401 .....	33, 35
Adapter	
70131901 .....	67
Air Duct	
70500101 .....	55
Air Filter	
70036001 .....	73
Airflow Switch and Arm Bracket	
70319602 .....	63
Airflow Switch Arm	
70319401 .....	63
Airflow Switch Kit	
70429601P .....	63
Airflow Switch Vane	
70319201 .....	63
Airflow Switch Wrapper	
70356101 .....	63
Anti-Rattle Burner Assembly	
70546701 .....	65
Auxiliary Contact Block	
44313201 .....	75

## B

Base Harness	
70608501 .....	77
Blower Assembly	
70359801P .....	61
Blower Housing Cover Assembly	
70341402 .....	61
Blower Housing Scroll	
70340801 .....	61
Blower Inlet Cone	
70014101 .....	61
Blower Motor Mounting Plate	
70341001 .....	61
Bracket Assembly	
70531701 .....	75
Burner Grill	
70188801 .....	65
Burner Orifice	
70684105 .....	69
70684106 .....	69
70684107 .....	69
70684108 .....	69
70684109 .....	69
70684110 .....	69
70684111 .....	69
70684113 .....	69
70684114 .....	69
70684116 .....	69
70684125 .....	69
70684126 .....	69
70684128 .....	69
70684130 .....	69
70684132 .....	69

70684133 .....	69
70684135 .....	69
70684137 .....	69
70684139 .....	69
70684142 .....	69
Bushing	
70542801 .....	57
Bypass Harness	
44334103 .....	37

## C

Cable Tie	
70335601 .....	75
Caution Label	
70535101 .....	76
Center Cylinder Seal	
70066003 .....	55
Center Partition	
70639201 .....	55
Central Pay Board Harness	
44355604 .....	25
Central Pay Control Assembly	
204779 .....	25
Central Pay Harness	
44342803 .....	15
44355603 .....	25
44355605 .....	25
Channel Base Assembly	
70288201 .....	55
Chassis Mounting Bracket	
70119001 .....	15, 17
Circuit Breaker	
70488101 .....	75
70488102 .....	75
Clevis Pin	
70389201 .....	73
Clip	
70226701 .....	55, 59
Coil	
F8514601P .....	73
F8514701 .....	73
Coin Drop	
38963P .....	21
39748 .....	21
70441601 .....	21
70441603 .....	21
Coin Drop Assembly	
201141 .....	21
210195 .....	21
210196 .....	21
38462P .....	21
38463 .....	21
38467 .....	21
38519 .....	21
70281102 .....	21
70283102 .....	21
70441602 .....	21
70447301 .....	21
70471601 .....	21
70482401 .....	21

N/A items do not appear in index.

70506901 .....	21
Coin Drop Kit	
CK077 .....	21
CK122 .....	23
Coin Identification Paper	
38464P .....	21
38475 .....	21
38725 .....	21
Coin Meter	
F0160737-00 .....	21
Coin Vault and Emergency Stop Mount Assembly	
70529503 .....	41
Coin Vault Assembly	
70529501 .....	41
Coin Vault Switch Harness	
44334102 .....	37
Coin Vault Trim	
70117502 .....	41
Configuration Harness	
44280006 .....	77
44280007 .....	77
Connector Cover	
70525701 .....	71
Contact Base	
F8538101 .....	43
Contact Switch	
F8069501 .....	43
Contacto	
70482601 .....	75
70482701 .....	75
Control Assembly	
70478801P .....	15, 17
70478802 .....	19
70479801 .....	13
Control Board Tray	
70520801 .....	75
Control Door and Studs Assembly	
70497401 .....	15, 17
70497801 .....	15, 17
70498001 .....	15
70558501 .....	13, 15, 17, 19
Control Door Latch	
431318 .....	13, 15, 17, 19
Control Housing	
70119901 .....	37
Control Housing Cover	
70307004 .....	25
70307005 .....	25
70307006 .....	25
Control Trim	
70116901 .....	39
70116902 .....	39
70120501 .....	39
Conversion Kit	
70559304 .....	75
Cylinder and Trunnion Assembly	
70443901P .....	49
70443902 .....	49
70443903 .....	49
Cylinder Assembly	
70372501P .....	49
70372502P .....	49
70372503P .....	49
Cylinder Bearing Stud Plate Assembly	
430352 .....	53, 55

N/A items do not appear in index.

Cylinder Guide Tool	
263P4 .....	49
Cylinder Rib Assembly	
70433002 .....	49
Cylinder Shroud	
70339301 .....	55
70339302 .....	55

## D

Danger Label	
F8614501 .....	76
DIN Valve Adapter Kit	
F8382301 .....	73
Door Assembly	
70212300 .....	27
70212301 .....	27
70212302P .....	27
70408901 .....	27
Door Glass	
M400784P .....	29
Door Glass Installation Tool	
M4221P4 .....	29
Door Glass Seal Kit	
70211901P .....	29
Door Handle	
44007902P .....	29
Door Hinge	
70115901* .....	31
70115903B .....	31
70115904 .....	31
Door Hinge Lug Assembly	
44035001 .....	31
44035002 .....	31
Door Latch	
M401223 .....	37, 41
Door Ring	
70543903B .....	29
Door Ring Assembly	
70543901 .....	29
70543904B .....	29
70543905 .....	29
Door Ring Gasket	
70296801 .....	29
Door Switch Actuator	
70532101 .....	31
70532102 .....	31
Double Ended Stud	
70334701 .....	57
Drive Motor	
70478601P .....	57
70485001P .....	57
Drive Plate	
70571901 .....	57
Drywall Screw Magnet Kit	
70343101P .....	49
Duct Cover	
70207501 .....	59
70340201 .....	59
70478101 .....	59

---

**E**

Electronic Coin Drop Assembly	
70294107 .....	21
70513302 .....	21
70513303 .....	21
70513304 .....	21
70513306 .....	21
70513308 .....	21
70513309 .....	21
70513310 .....	21
70513311 .....	21
70513312 .....	21
70513313 .....	21
70513314 .....	21
70513315 .....	21
70513316 .....	21
Electronic Coin Drop Kit	
CK099 .....	23
CK100 .....	23
CK101 .....	23
CK108 .....	23
CK109 .....	23
CK110 .....	23
CK113 .....	23
CK115 .....	23
CK116 .....	23
CK117 .....	23
CK118 .....	23
CK119 .....	23
CK120 .....	23
CK121 .....	23
Emergency Stop Button Kit	
70580301 .....	43
Emergency Stop Bypass Harness	
F8519403 .....	43
Emergency Stop Harness	
44272401 .....	43
44272402 .....	43
Emergency Stop Label	
44012901 .....	43
44012903 .....	43
Emergency Stop Mounting Bracket	
70550401 .....	43
Emergency Stop Pushbutton	
F200233500 .....	43
EMI Filter	
F8591601 .....	75
F8637501 .....	75
EMI Filter Kit	
70610101 .....	75
70610102 .....	75
70610103 .....	75
70610104 .....	75
End Cap	
70070101 .....	49
70070102 .....	49
End Stop	
F8449801 .....	75
Exhaust Duct Assembly	
70528301 .....	59
70528302 .....	59
70662606 .....	59
Exhaust Duct Gaskets Assembly	
70340401 .....	59

Exhaust Pipe	
44154301 .....	59
Expansion Clip	
70030501 .....	25, 55, 75

---

**F**

False Front	
70371704 .....	33
False Front Kit	
70371701*P .....	33
Fan Motor	
70478701P .....	61
70484901P .....	61
Ferrite	
204454 .....	77
Filter	
70429401 .....	73
Filter Input Power Harness	
44316003 .....	77
44316004 .....	77
Filter Output Power Harness	
44316009 .....	77
44316010 .....	77
Forward Valve Cover	
70328201 .....	67
Front Panel Baffle Seal	
70017301 .....	39, 41
Front Panel Seal	
70173401P .....	33, 35

---

**G**

Gas Burner	
70229801P .....	65
Gas Valve	
44154507 .....	67
44154508 .....	67
Gas Valve Cover	
70233401 .....	65
Gas Valve Harness	
44273501 .....	67
Gasket	
70289101P .....	59
70392701P .....	61
Ground Lug Connector	
M411283 .....	75

---

**H**

Hairpin Cotter	
70389301 .....	73
Handle Bar	
70399502B .....	29
Harness	
44309005 .....	77
44309006 .....	77
44309015 .....	77
44309016 .....	77
44316005 .....	77
44316006 .....	77

N/A items do not appear in index.

70500503 .....	77
70500504 .....	77
Heat Control Harness	
44334604 .....	77
44334605 .....	77
Heater Element	
70034401P .....	71
70034402P .....	71
70034403P .....	71
70034414P .....	71
70034415P .....	71
70034416P .....	71
High Altitude Orifice Kit	
70609909 .....	69
70609910 .....	69
High Voltage Suppression Cable	
44239701 .....	65, 67
Hinge Cam Kit	
M4772P3 .....	31
M4773P3 .....	31
Hot Surface Warning Label	
F8609001 .....	76
F8614301 .....	76

## I

Idler Wheel Assembly	
70050401P .....	57
Igniter Cover	
70159601 .....	65
Ignition Control	
70482001 .....	75
70482002 .....	75
Ignition Keeper Orifice Bracket	
70539901 .....	67
Insulator	
M413862 .....	75
Interconnect Harness	
44272105 .....	43
Inverter Contactor Coil Harness	
44334702 .....	77
Inverter Motor Harness	
44335303 .....	57, 77
I/O Control Assembly	
70479201P .....	75

## J

J-Belt	
70276208 .....	57
Jumper Bar	
70066501 .....	71
Jumper Harness	
70500505 .....	71
70500506 .....	71
Jumper Strip	
M400869 .....	71
Junction Box Base Assembly	
70531401 .....	75
70531501 .....	75
Junction Box Harness	
70561501 .....	77

Junction Box Side	
70520601 .....	75
70526401 .....	75
70536801 .....	75

## K

Key	
70144101 .....	57
70155601 .....	37
70155602 .....	45
Kickplate	
70117605 .....	41

## L

Label	
D516100 .....	75
44286801 .....	75
44286803 .....	75
70414001 .....	29
Label Kit	
F8605500 .....	76
F8614500 .....	76
70534300 .....	35
Latch Mounting Bracket	
70184501 .....	13, 15, 17, 19
Limit Access Bracket	
70554901 .....	57
Limit Thermostat	
44328001 .....	61
44328005 .....	65
44328007 .....	71
44328104 .....	65
70530901 .....	61
Lint Drawer Front Kit	
70322901P .....	45
70322902P .....	45
Lint Drawer Gasket	
70117901P .....	39, 41
Lint Drawer Handle	
70320801 .....	45
70320802 .....	45
Lint Drawer Handle Plate	
70323201 .....	45
Lint Frame Gasket	
70333101 .....	45
Lint Panel and Studs Assembly	
70322903 .....	45
70322906 .....	45
Lint Screen Assembly	
70290601 .....	45
Lint Screen Bracket	
70026901 .....	45
Lock Shim	
70342401 .....	45
70342402 .....	45
Lock, Key and Nut Kit	
44089301P .....	37
70722301 .....	45
Lower Front Panel	
70391208 .....	35
70524003* .....	35

N/A items do not appear in index.

70618801	35
70619001	35
70619601*	35
70619701*	35
70619901*	35
L.P. Conversion Kit	
70550205	67
70551905	67
L.P. Valve	
44154504	67

## M

Machine ID Control Assembly	
203361P	15, 17, 19
Main Harness	
70608401	77
Motor Conduit Bracket	
44317901	61
Motor Conduit Mounting Bracket	
70521901	57
Motor Contactor Power Harness	
44280002	77
44280004	77
44280008	77
44280009	77
44280011	77
44280013	77
Motor Mount Plate	
70564201	57
Motor Pulley	
70559101	57
Mounting Bracket	
70604001	25
Mounting Plate	
70208801	15, 17

## N

Nameplate Overlay	
44144401	37
70411401	37
Notice Label	
D516073	76
F8609501	76
44321501	76
70534201	76
70535901	67
70539601	76
70544901	67
Nut	
M400022	53, 61
M400034	53, 61
M400035	51
M412986	49, 53
M414215	29
Q6163	71
21899	55
29786	61
430576	55
44087101	13, 15, 17, 19, 45
44087201	57
44087301	57

44088001	29, 31
44088801	37, 45
44333202	57
70030401	55
70054	15, 17
70288801	55
N.G. Valve	
44154503	67

## O

Opto Coupler	
200674P	21
Orifice Adapter	
70552801P	67
Orifice Holder Bracket	
70248901	67
Overlay	
F8205101	15
70136401	47
70516901	13
70516902	13
70542001	39
70544801	15
70544802	15
70547101	15
70547201	15
70547301	15
70547302	15
70547601	13
70547602	13
70547701	19
70547702	19
70547901	47
70554501	39
70557001	15
70557002	15
70570701	19
70570702	19
70572501	19
70572502	19
70572701	17
70573101	47
70573301	17
70580601	47
70592901	39
70625801	17
70625802	17
70625901	17

## P

Panel Clip	
M406494	37
Panel Lock	
44089304	37
44390902	45
Pin	
70071401	31
Pinch Warning Label	
F8615701	76
70538401	76
Pipe	
70262601	67

N/A items do not appear in index.

Pipe Clip	
70203701 .....	65
Pipe Nipple	
70435601 .....	67
70612603 .....	67
Pivot Arm Lever	
70543301 .....	57
Plug	
70167601 .....	67
Pop Rivet	
M400003 .....	13, 15, 17, 19
44166601 .....	37, 41
44251101 .....	37
70058501 .....	31, 55, 67
70058502 .....	73
70126301 .....	41
70412601 .....	29
Porcelain Touch-Up Paint	
122P4P .....	55
370P4P .....	55
Power Distribution Block	
M413865 .....	75
Power Distribution Block Cover	
44014901 .....	75
Power Harness	
44272102 .....	77
44272103 .....	77
44280102 .....	77
44280103 .....	77
70500601 .....	67, 75
Power Supply Transformer Harness	
44272303 .....	25
Primary Air Adjustment Sleeve	
70239801 .....	67
Pushbutton Switch	
70413301 .....	37, 41

## R

Rear Bearing Shim	
70355001 .....	53
Rear Cylinder Bearing Housing	
70013901 .....	53
Rear Cylinder Channel	
70257101 .....	49
70257102 .....	49
Rear Cylinder Channel Plate	
70257201 .....	49
Rear Cylinder Seal	
70013701P .....	53, 55
Rear Cylinder Seal Support	
70506402 .....	53, 55
Rear Panel	
70580701 .....	55
70580702 .....	55
Rear Stabilizer Bracket	
70200301 .....	61
Rear Valve Cover	
70282401 .....	67
Roller and Seal Kit	
70616701 .....	55
Roller Seal	
70443601 .....	55

Roller Shaft	
70249501 .....	55
Roller Support Bracket	
70339001 .....	55

## S

Screw	
D501524 .....	13, 15, 17, 19
F8206901 .....	25, 75
M400044 .....	31
M400661 .....	29
M405188 .....	39
M411072 .....	59
05161 .....	65
23222 .....	61
430497 .....	49, 55, 59, 61, 65, 67, 71, 75
430757 .....	63
51780 .....	25, 61, 75
51783 .....	75
62588 .....	49
70033502 .....	31, 37, 41
70069901 .....	41
70126101 .....	61
70182601 .....	37, 41
70247701 .....	55
70275801 .....	39, 41
70391101 .....	49
70407301 .....	31
70436301 .....	31
70442101 .....	29
70501301 .....	57
70576101 .....	31
Shadow Box Clip	
M400972 .....	37, 41
Sheet Metal Edge Gasket	
70015711 .....	55
70015712 .....	55
Shock Warning Label	
F8614201 .....	76
F8614401 .....	76
Side Panel	
70231801*P .....	55
Slip Ring Assembly	
44222702 .....	51
Slip Ring Holder	
70455401 .....	51
Slot Card Plate Assembly	
44089501 .....	15, 17
Snap Bushing	
M400770 .....	67
44071501 .....	75
70476001 .....	75
Spacer	
431264 .....	37
70488403 .....	57
Spark Electrode	
70548701P .....	65
Spray Paint	
298P4P .....	55
381P4 .....	55
Spring	
70571801 .....	57
Spring Catch Bracket	
70543401 .....	57

N/A items do not appear in index.

Standoff	
70569603 .....	57
Steam Adapter Kit	
70529601 .....	73
Steam Coil	
70369101P .....	73
Steam Control Assembly	
70501801 .....	75
Steam Control Harness	
44273602 .....	77
Steam Filter Holder	
70369301 .....	73
Steam Valve	
F8322904P .....	73
Steam Valve Harness	
F8520703 .....	73
Stove Back	
70371501 .....	65
Stove Grill	
70214901 .....	71
Stove Limit Bypass Harness	
70564302 .....	73
Stove Limit Harness	
70564301 .....	65, 67
70564303 .....	71
Stove Partition	
70357201 .....	71
Stove Top and Sides	
70333401 .....	65
70525601 .....	71
Strain Relief	
44304801 .....	73
Street Elbow	
H86070034 .....	67
70612501 .....	67
Supply Harness	
44272306 .....	25
Support Bearing	
70448701 .....	53
Switch	
431159 .....	55
70411901 .....	63
Switch Bracket	
70356301 .....	63

## T

Tee	
F422208 .....	67
70071801 .....	67
Tensioning Bracket	
70569501 .....	57
Terminal Block	
430642 .....	75
Terminal Block Shield	
70333001 .....	75
Thermistor	
M414704 .....	61
Thermostat Cover	
M414477 .....	65
Top Panel	
70339501 .....	55
70339601 .....	55

Transformer	
F8491101 .....	75
202757 .....	25
202758 .....	25
Transformer Harness	
44272304 .....	25
44272305 .....	25
Trunnion and Seal Kit	
70564803 .....	49
70564804 .....	49
Tube	
70281601 .....	67
Tumbler Dolly Kit	
M4379P4 .....	41

## U

Upper Front Panel Assembly	
70618601 .....	33
70619401* .....	33

## V

Valve	
F8322906P .....	73
Vend Activation Harness	
70577101 .....	13, 15, 17, 19

## W

Warning Label	
F8611601 .....	76
44321601 .....	76
44324101 .....	76
70534301 .....	35, 39, 41
70534302 .....	35
70534305 .....	76
70536301 .....	76
Washer	
M400991 .....	53, 61
70261401 .....	55
70409301 .....	29
70411301 .....	49
Wire Guard	
201595P .....	21
Wire Label	
44286804 .....	75

N/A items do not appear in index.

