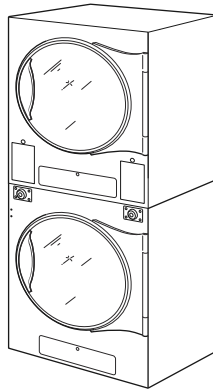


Tumble Dryers

Stacked 30 Pound Capacity
18 Digit Model Numbers with 4 and 5 in 13th Position
Refer to Page 3 for Model Numbers



TMB1289C_70621501

Table of Contents

Title	Page
Parts Ordering Information.....	2
Serial Plate Location	2
Machine Identification	3
Product Overview - Heat Source and Voltage	4
Touch Control - Vend Models with V in the 7th Position	6
Touch Control - OPL Models with V in the 7th Position	8
Coin Drops	10
Coin Drop Kits	12
Central Pay and Card Reader Components	14
Door and Hinge Components - Design 4 H and S Models.....	16
Door and Hinge Components - Design 5 Models	18
Front Panel Assemblies and False Fronts - Design 4 H and S Models	20
Front Panel Assemblies and False Fronts - Design 5 Models	22
Cabinet Front Components.....	24
Emergency Stop Button - OPL Models	26
Lint Drawer Components	28
Cylinder and Trunnion Components	30
Bearing Components	32
Cabinet Components	34
Drive Motor Components	36
Exhaust Components.....	38
Blower Components.....	40
Airflow Switch.....	42
Gas Burner Housing and Secondary Stove Limit	44
Gas Valve and Piping	46
Burner Orifices	48
Electric Heater Components	50
Steam Heater Components	52
Control Tray and Accessory Box	54
Labels	56
Harnesses	57
Parts Index.....	59

© Copyright 2023, Alliance Laundry Systems LLC

All rights reserved. No part of the contents of this book may be reproduced or transmitted in any form or by any means without the expressed written consent of the publisher.

Parts Ordering Information

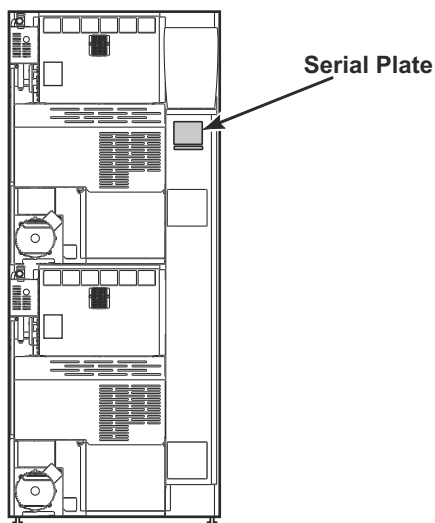
If literature or replacement parts are required, contact the source from whom the machine was purchased or contact Alliance Laundry Systems at (920) 748-3950 for the name and address of the nearest authorized parts distributor.

For technical assistance, call the number listed below:

(920) 748-3121 Ripon, Wisconsin

Serial Plate Location

When calling or writing about your product, be sure to mention model and serial numbers. Model and serial numbers are located on serial plate(s) as shown.



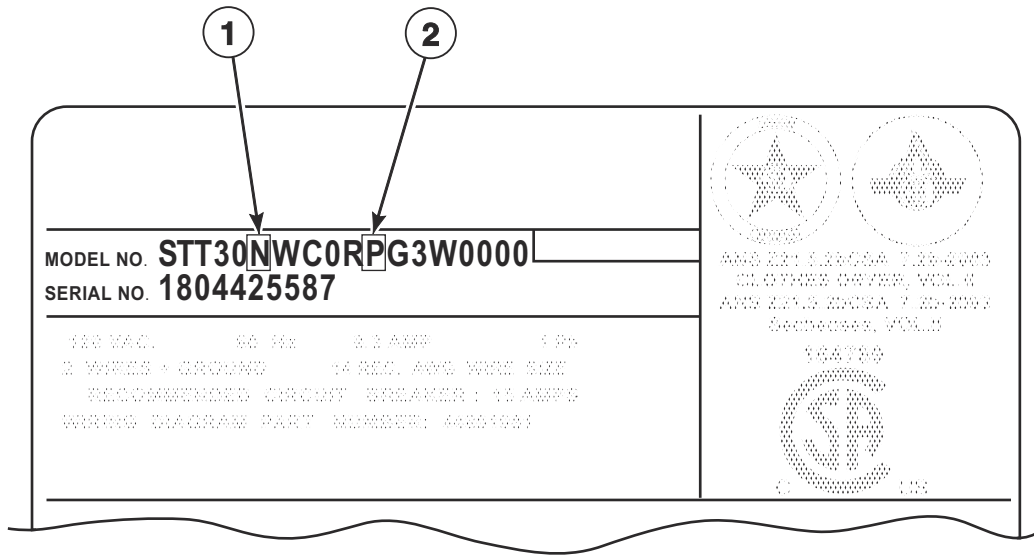
TMB3565P_70621501

Machine Identification

Information in this manual is applicable to these machines:

BGT30D	HAT30E	JUT30E	SAT30E
BGT30E	HAT30F	JUT30N	SAT30F
BGT30F	HAT30L	PGT30E	SAT30L
BGT30L	HAT30N	PGT30L	SAT30N
BGT30N	HAT30R	PGT30N	SAT30R
BGT30R	HAT30S	PGT30S	SAT30S
BGT30S	HGT30D	PRT30E	SGT30D
BRT30E	HGT30E	PRT30S	SGT30E
BRT30S	HGT30F	PUT30E	SGT30F
BUT30E	HGT30L	PUT30L	SGT30L
BUT30F	HGT30N	PUT30N	SGT30N
BUT30L	HGT30R	PUT30S	SGT30R
BUT30N	HGT30S		SGT30S
BUT30R	HHT30E		SHT30E
BUT30S	HHT30F		SHT30F
	HHT30L		SHT30L
	HHT30N		SHT30N
	HHT30R		SHT30R
	HHT30S		SHT30S
	HJT30D		SJT30D
	HJT30E		SJT30E
	HJT30F		SJT30F
	HJT30L		SJT30L
	HJT30N		SJT30N
	HJT30R		SJT30R
	HJT30S		SJT30S
	HKT30E		SKT30E
	HKT30F		SKT30F
	HKT30L		SKT30L
	HKT30N		SKT30N
	HKT30R		SKT30R
	HLT30E		SLT30E
	HLT30L		SLT30L
	HRT30E		SRT30E
	HRT30S		SRT30S
	HTT30E		STT30E
	HTT30F		STT30F
	HTT30L		STT30L
	HTT30N		STT30N
	HTT30R		STT30R
	HTT30S		STT30S
	HUT30E		SUT30E
	HUT30F		SUT30F
	HUT30L		SUT30L
	HUT30N		SUT30N
	HUT30R		SUT30R
	HUT30S		SUT30S

Product Overview - Heat Source and Voltage



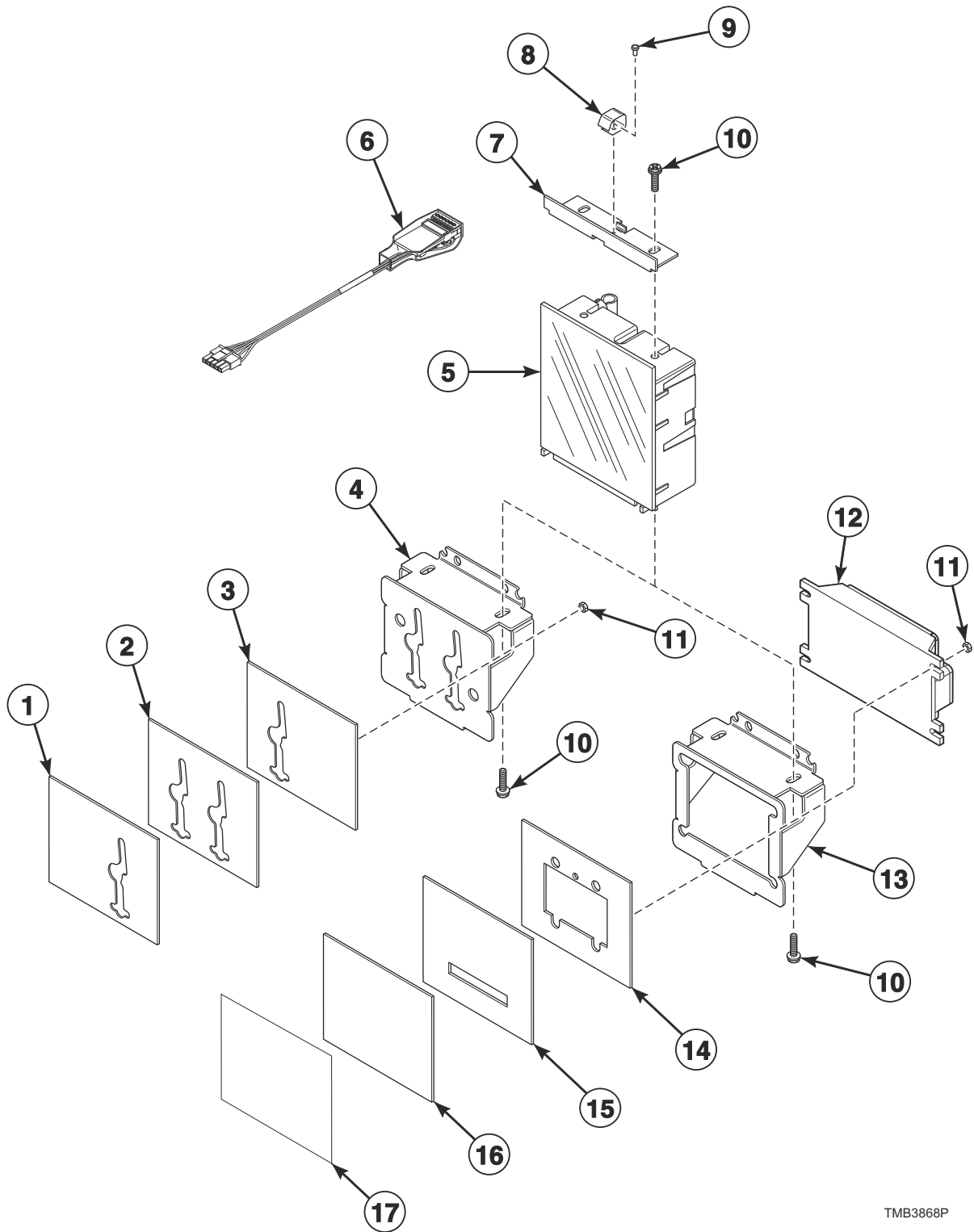
TMB3566P_70621501

Product Overview - Heat Source and Voltage

REF	PART NO.	DESCRIPTION	COMMENTS
1	-	Heat Source	D: Liquid Petroleum Gas (L.P) E: Electric F: Reduced Electric (Eco Line) L: Liquid Petroleum Gas (L.P.) N: Natural Gas (N.G.) R: Reduced Gas, Natural Gas (Eco Line) S: Steam
2	-	Voltage	B: 100-120 Volt/50-60 Hertz/1 Phase; Gas and steam models F: 200-208 Volt/50-60 Hertz/3 Phase; Electric models G: 230-240 Volt/50-60 Hertz/3 Phase; Electric models H: 380 Volt/50-60 Hertz/3 Phase; Electric models J: 400-415 Volt/50-60 Hertz/3 Phase; Electric models K: 440 Volt/50-60 Hertz/3 Phase; Electric models L: 460-480 Volt/50-60 Hertz/3 Phase; Electric models N: 440-480 Volt/50-60 Hertz/3 Phase; Gas and steam models P: 380-415 Volt/50-60 Hertz/3 Phase; Gas and steam models X: 200-240 Volt/50-60 Hertz/1-3 Phase; Gas and steam models

Touch Control - Vend Models with V in the 7th Position

B, H, P and S Models



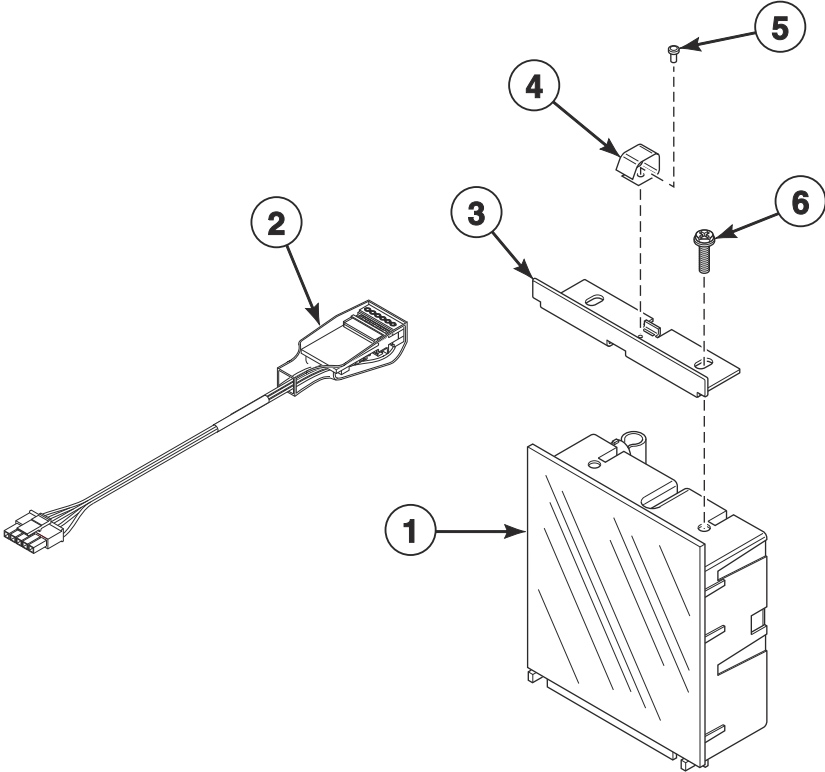
TMB3868P

Touch Control - Vend Models with V in the 7th Position

REF	PART NO.	DESCRIPTION	COMMENTS
	70577101	Vend Activation Harness	
	F8719302	Fob Communication Harness	
	203440	USB-Serial Interface Assembly	
	44374701	App Pay Overlay Kit	
	70576501P	Replacement Screen Kit	
1	70633005	Plate Assembly	Coin; Right
2	70633003	Plate Assembly	Dual drop
3	70633002	Plate Assembly	Coin; Left
4	70581001	Control Bracket	Lower; Coin
5	70576201P	Control Assembly	
6	203361P	Machine ID Control Assembly	
7	70581101	Control Bracket	Upper
8	431318	Control Door Latch	2 required
9	M400003	Pop Rivet	
10	203799	Screw	
11	44087101	Nut	
	70054	Nut	Use with FOB
12	205135	Fob Reader Control Assembly	
13	70581002	Control Bracket	Lower; Card and central pay
	70581003	Control Bracket	Lower; FOB
14	70633006	Plate Assembly	Card slide
	70666701	Plate Assembly	FOB
15	70633004	Plate Assembly	Card slot
16	70633001	Plate Assembly	Central pay
17	F8734101	Overlay	S models; FOB
	F8734401	Overlay	H models; FOB
	F8736701	Overlay	H models; Citron; FOB

Touch Control - OPL Models with V in the 7th Position

B, J and P Models

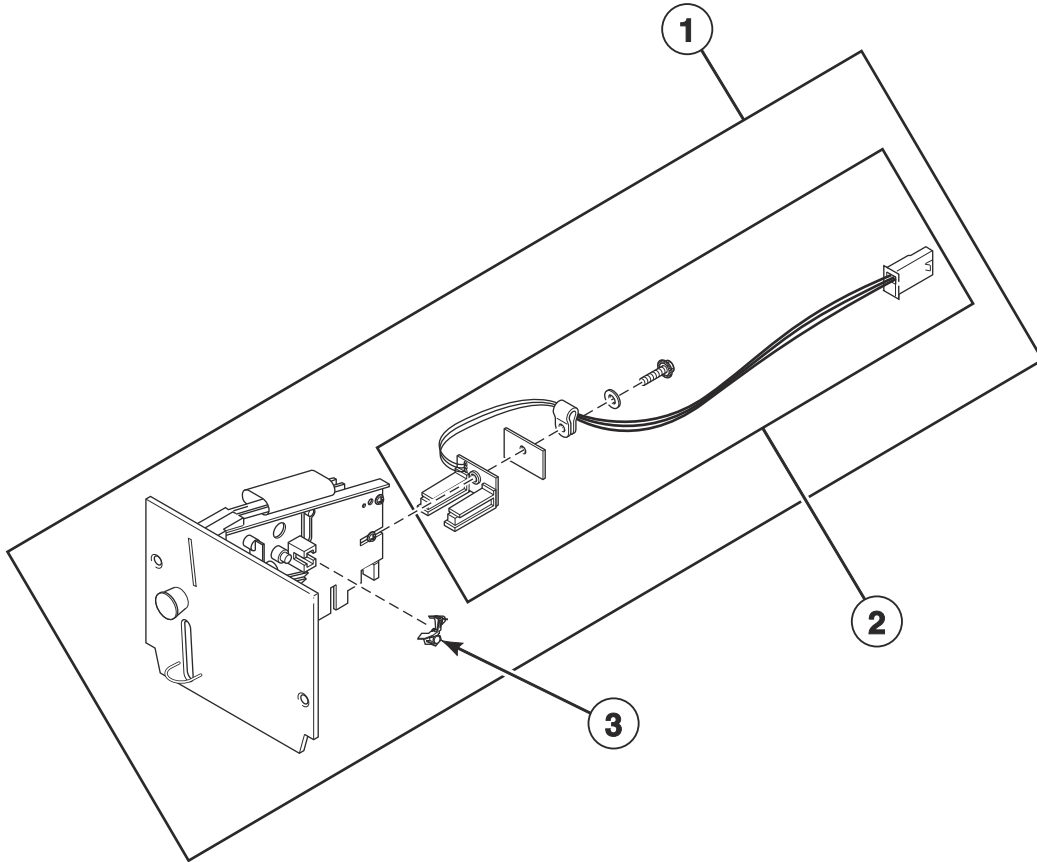


TMB3829P_70621501

Touch Control - OPL Models with V in the 7th Position

REF	PART NO.	DESCRIPTION	COMMENTS
	70577101	Vend Activation Harness	
	203440	USB-Serial Interface Assembly	
	44374701	App Pay Overlay Kit	
	70576501P	Replacement Screen Kit	
1	70697102	Control Assembly	
2	203361P	Machine ID Control Assembly	
3	70581101	Control Bracket	Upper
4	431318	Control Door Latch	2 required
5	M400003	Pop Rivet	
6	203799	Screw	

Coin Drops

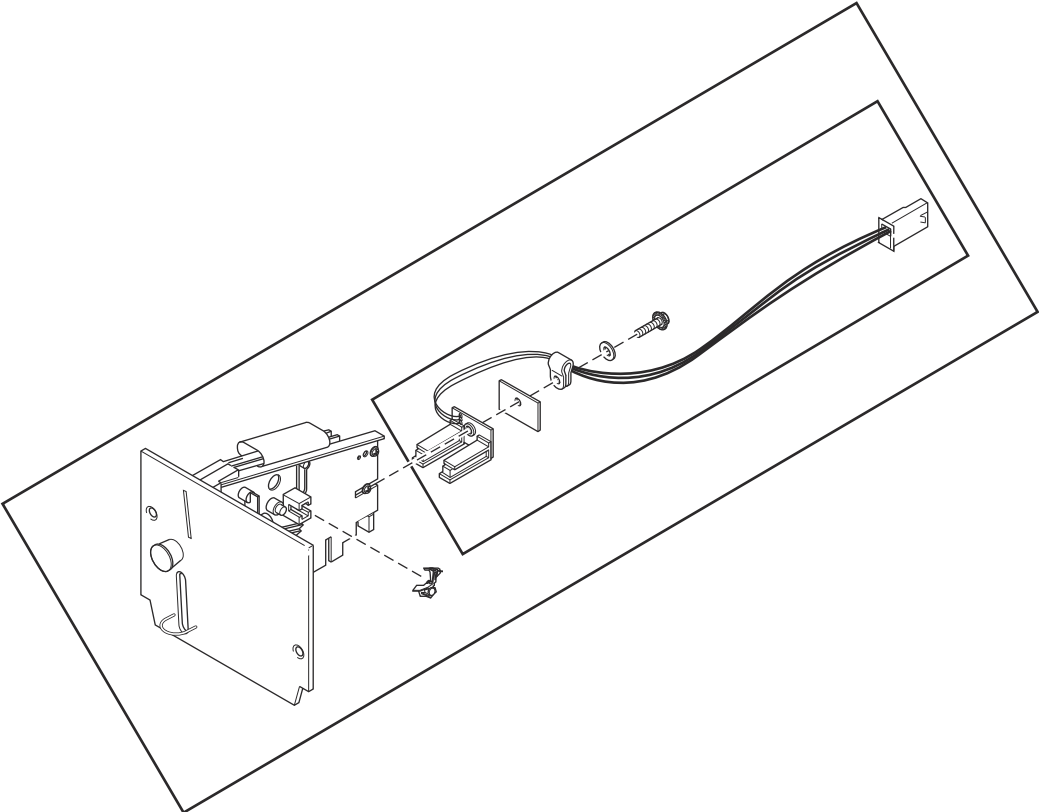


TMB3699P_70621501

Coin Drops

REF	PART NO.	DESCRIPTION	COMMENTS
1	70441601P	Coin Drop	Single; U.S.A.; \$.25
	38475	Coin Drop Assembly	Single; Japan; 100 yen
	38464P	Coin Drop Assembly	Single; Canada; .25
	CK077	Coin Drop Kit	Single; Taiwan; 10 NT
	70506901	Coin Drop Assembly	Single; Singapore; \$1.00 NEW
	70441603	Coin Drop	Dual; U.S.A.; \$.25 and \$1.00
	38519	Coin Drop Assembly	Dual; Japan; 100 yen and 500 yen
	70441602	Coin Drop Assembly	Dual; Canada; .25 and 1.00
	38467	Coin Drop Assembly	Dual; Australia; \$0.20 and \$1.00
	70447301	Coin Drop Assembly	Dual; Australia; \$1.00 and \$2.00
	70283102	Coin Drop Assembly	Dual; 0.20 and 0.50 Euro
	210195	Coin Drop Assembly	Dual; 0.20 and 1.00 Euro
	210196	Coin Drop Assembly	Dual; 0.50 and 1.00 Euro
	F0160737-00	Coin Meter	Dual; 0.50 and 2.00 Euro
	70281102	Coin Drop Assembly	Dual; Taiwan; 10 and 50 NT
	70482401	Coin Drop Assembly	Dual; New Zealand ; \$1.00 and \$2.00
	38462P	Coin Drop Assembly	Single; Token; STD 118-1
	38463	Coin Drop Assembly	Single; Token; STD 118-5
	38963P	Coin Drop	Single; Token STD 118-16
	39748	Coin Drop	Single; Jeton 08MS
	201141	Coin Drop Assembly	Single; Token; Jeton wh121
	70471601	Coin Drop Assembly	Single; Token; 7K
	70513302	Electronic Coin Drop Assembly	Euro and Great Britain coins
	70513310	Electronic Coin Drop Assembly	Japan and Thailand coins
	70513304	Electronic Coin Drop Assembly	Australia, New Zealand, Hong Kong and South Korea coins
	70513303	Electronic Coin Drop Assembly	Denmark, Norway and Euro coins
	70513306	Electronic Coin Drop Assembly	Mexico, Ecuador and U.S.A. coins
	70294107	Electronic Coin Drop Assembly	Lithuania, Latvia and Euro coins
	70513311	Electronic Coin Drop Assembly	China and Malaysia coins
	70513308	Electronic Coin Drop Assembly	South African 1, 2 and 5 rand coins
	70513309	Electronic Coin Drop Assembly	Euro coins
	70513312	Electronic Coin Drop Assembly	Russia coins
	70513313	Electronic Coin Drop Assembly	Phillipines coins
70513314	Electronic Coin Drop Assembly	Thailand coins	
70513315	Electronic Coin Drop Assembly	Chile coins	
70513316	Electronic Coin Drop Assembly	Singapore coins	
2	200674P	Opto Coupler	
3	201595P	Wire Guard	

Coin Drop Kits

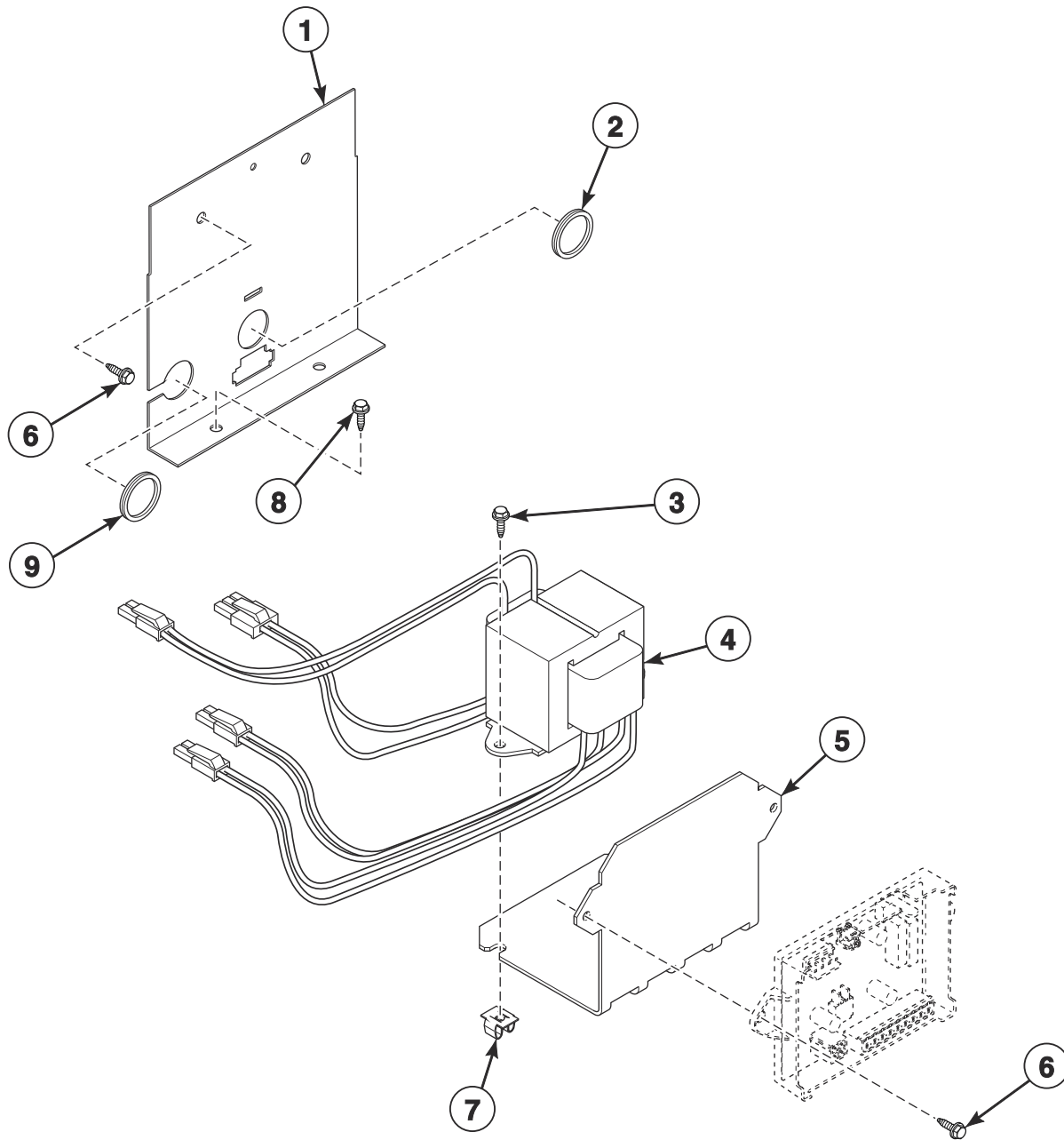


TMB3699PA_70621501

Coin Drop Kits

REF	PART NO.	DESCRIPTION	COMMENTS
	CK115	Electronic Coin Drop Kit	United States and Canada
	CK099	Electronic Coin Drop Kit	Australia (default), New Zealand, Hong Kong, South Korea and Malaysia
	CK100	Electronic Coin Drop Kit	United Kingdom (default) and Europe
	CK101	Electronic Coin Drop Kit	Europe (default), Denmark and Norway
	CK108	Electronic Coin Drop Kit	South Africa
	CK109	Electronic Coin Drop Kit	Euro
	CK110	Electronic Coin Drop Kit	Mexico (default), Ecuador and United States
	CK113	Electronic Coin Drop Kit	Japan and Taiwan
	CK116	Electronic Coin Drop Kit	Malaysia (default) and China
	CK117	Electronic Coin Drop Kit	Russia
	CK118	Electronic Coin Drop Kit	Philippine
	CK119	Electronic Coin Drop Kit	Thailand
	CK120	Electronic Coin Drop Kit	Chile
	CK121	Electronic Coin Drop Kit	Singapore
	CK122	Coin Drop Kit	New Zealand; 1.00 and 2.00

Central Pay and Card Reader Components

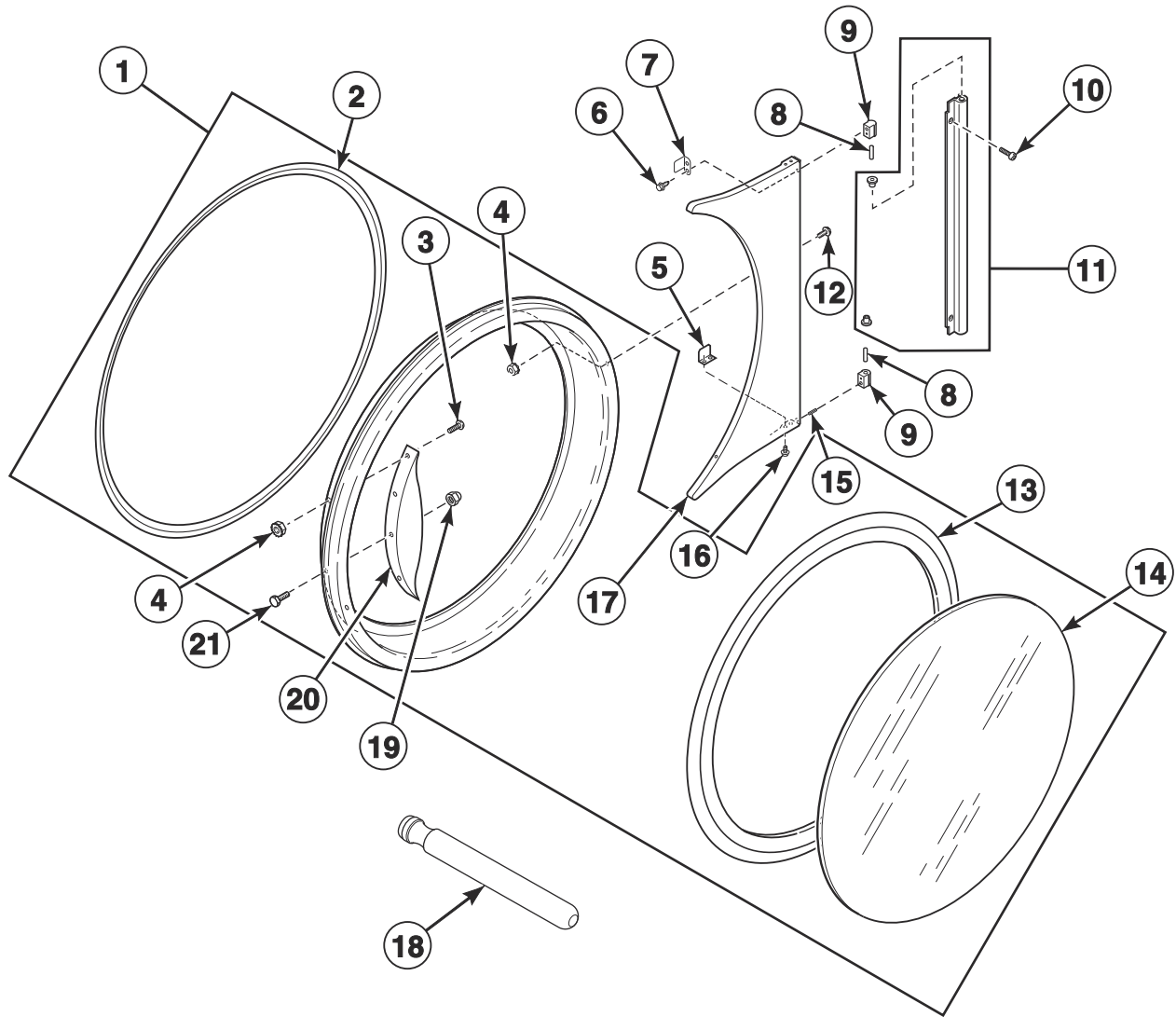


TMB3701P_70621501

Central Pay and Card Reader Components

REF	PART NO.	DESCRIPTION	COMMENTS
	44355603	Central Pay Harness	Routes from central pay board to upper control tray
	44272304	Transformer Harness	100-120 Volt; Routes from transformer to I/O Control Assembly; Card and central pay
	44272305	Transformer Harness	200-480 Volt; Routes from transformer to I/O Control Assembly; Card and central pay
	44355604	Central Pay Board Harness	Routes from central pay board to transformer
	44355605	Central Pay Harness	Routes from central pay board to front end control
	44272303	Power Supply Transformer Harness	
	44272306	Supply Harness	24 Volt; Lower
	70366201	Wire Clip	
	203346	USB IR Interface Kit	
	70666805	Fob Reader Kit	
1	70307006	Control Housing Cover	Coin
	70307005	Control Housing Cover	Prep for card and central pay
2	44052701	Bushing	Prep for card and coin
3	M411072	Screw	
4	202757	Transformer	100-120 Volt; Card and central pay
	202758	Transformer	200-480 Volt; Card and central pay
5	70604001	Mounting Bracket	2 required
6	51780	Screw	
7	70030501	Expansion Clip	4 required
8	430497	Screw	
9	44071501	Snap Bushing	

Door and Hinge Components - Design 4 H and S Models



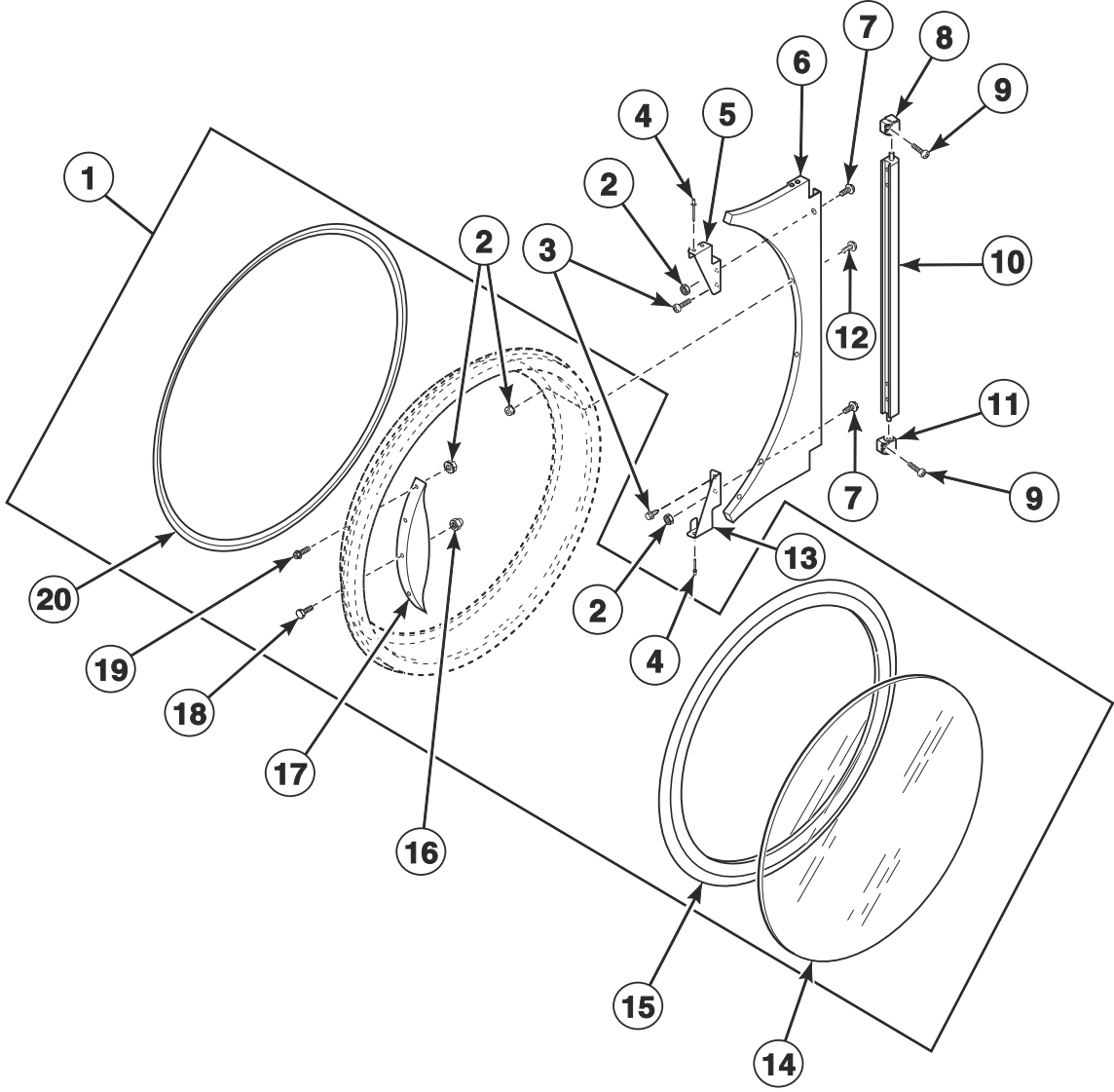
TMB3690P_70621501

Door and Hinge Components - Design 4 H and S Models

REF	PART NO.	DESCRIPTION	COMMENTS
	70650401	Door Glass Label	H models
	70707701	Door Glass Label	S models
	70707501	Max Fill Line Label	
1	70597702	Door Assembly	Chrome
2	70296801	Door Ring Gasket	
3	70442101	Screw	4 required
4	44088001	Nut	
5	70532101	Door Switch Actuator	Bottom
6	70576101	Screw	
7	70532102	Door Switch Actuator	Top
8	70071401	Pin	
9	70622401	Hinge Cam Kit	Chrome
10	FR004022	Screw	
11	70601008	Door Hinge Lug Assembly	Chrome
12	44349101	Screw	
13	70211901P	Door Glass Seal Kit	Use Loctite 414 for seal
14	M400784P	Door Glass	
15	70436301	Screw	
16	70058501	Pop Rivet	
17	70595502	Door Hinge	Chrome
18	M4221P4	Door Glass Installation Tool	
19	M414215	Nut	For door strike; Mounts between door strike screw and door handle
20	44007902P	Door Handle	
21	M400661	Screw	Door Strike

Door and Hinge Components - Design 5 Models

BG, BR, BU, HG, HT, JU, PG, PR, PU, SG and ST Models

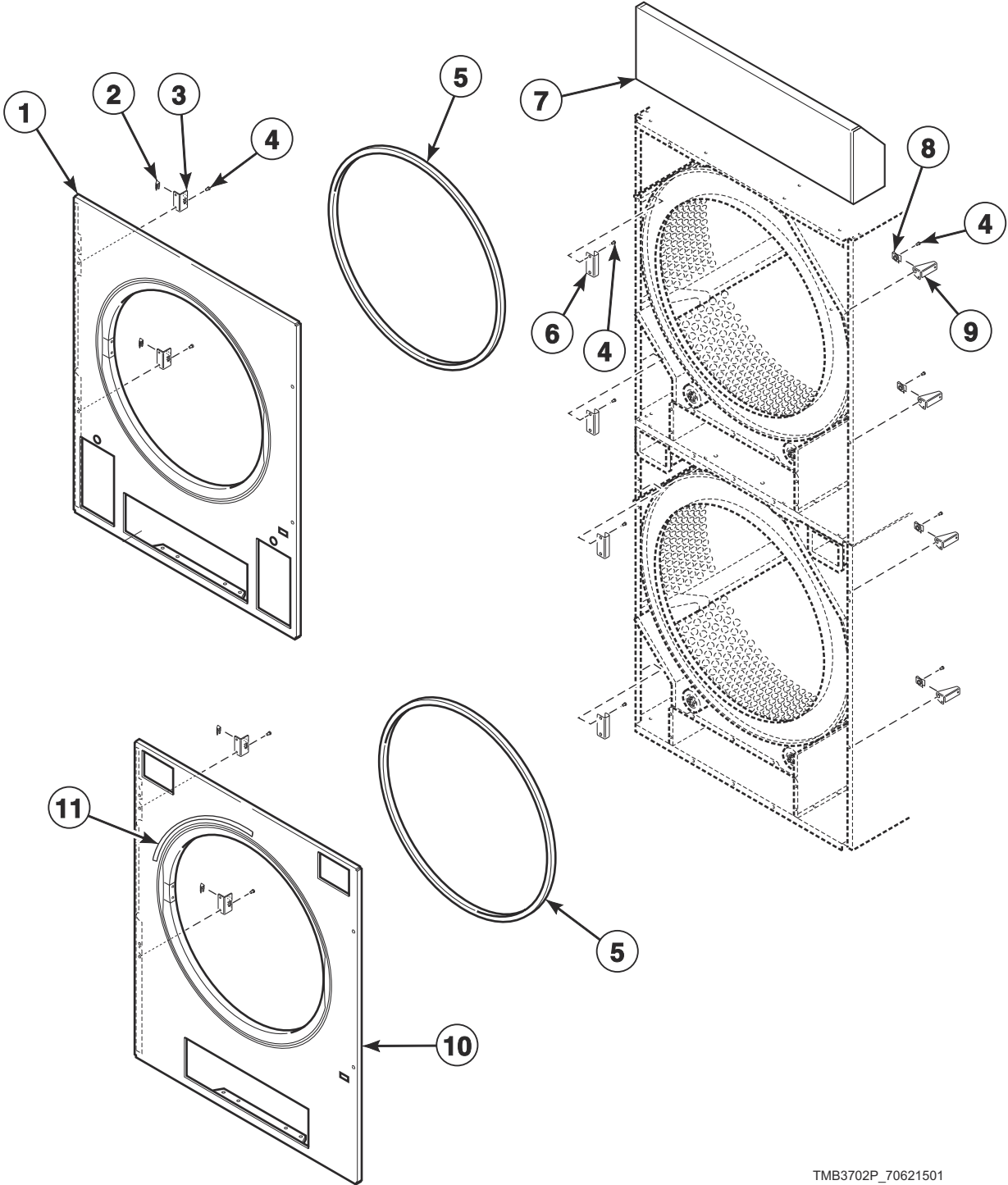


TMB3805P_70621501

Door and Hinge Components - Design 5 Models

REF	PART NO.	DESCRIPTION	COMMENTS
	70650401	Door Glass Label	H models
	70707701	Door Glass Label	S models
	70707501	Max Fill Line Label	
1	70597702	Door Assembly	Chrome; H and S models
	70597709	Door Assembly	Black; B, J and P models
2	44088001	Nut	
3	802822	Screw	
4	70058501	Pop Rivet	
5	70632001	Upper Hinge Gusset	
6	70632701W	Door Hinge	White; H and S models
	70632703	Door Hinge	Stainless steel; H and S models
	70632707	Door Hinge	Chrome; H and S models
	70632710B	Door Hinge	Black; B, J and P models
7	70640201	Screw	
8	70639301	Upper Lug Assembly	Use with 2 of item 9; H and S models
	70639303	Upper Lug Assembly	Use with 2 of item 9; B, J and P models
9	70640301	Screw	H and S models
	F8458801	Screw	B, J and P models
10	70640402	Center Hinge Lug Assembly	
11	70639302	Lower Lug Assembly	Use with 2 of item 9; H and S models
	70639304	Lower Lug Assembly	Use with 2 of item 9; B, J and P models
12	44349101	Screw	
13	70632002	Lower Hinge Gusset	
14	M400784P	Door Glass	
15	70211901P	Door Glass Seal Kit	Use Loctite 414 for seal
16	M414215	Nut	For door strike; Mounts between door strike screw and door handle
17	44007902P	Door Handle	
18	M400661	Screw	Door Strike
19	70442101	Screw	4 required
20	70296801	Door Ring Gasket	

Front Panel Assemblies and False Fronts - Design 4 H and S Models



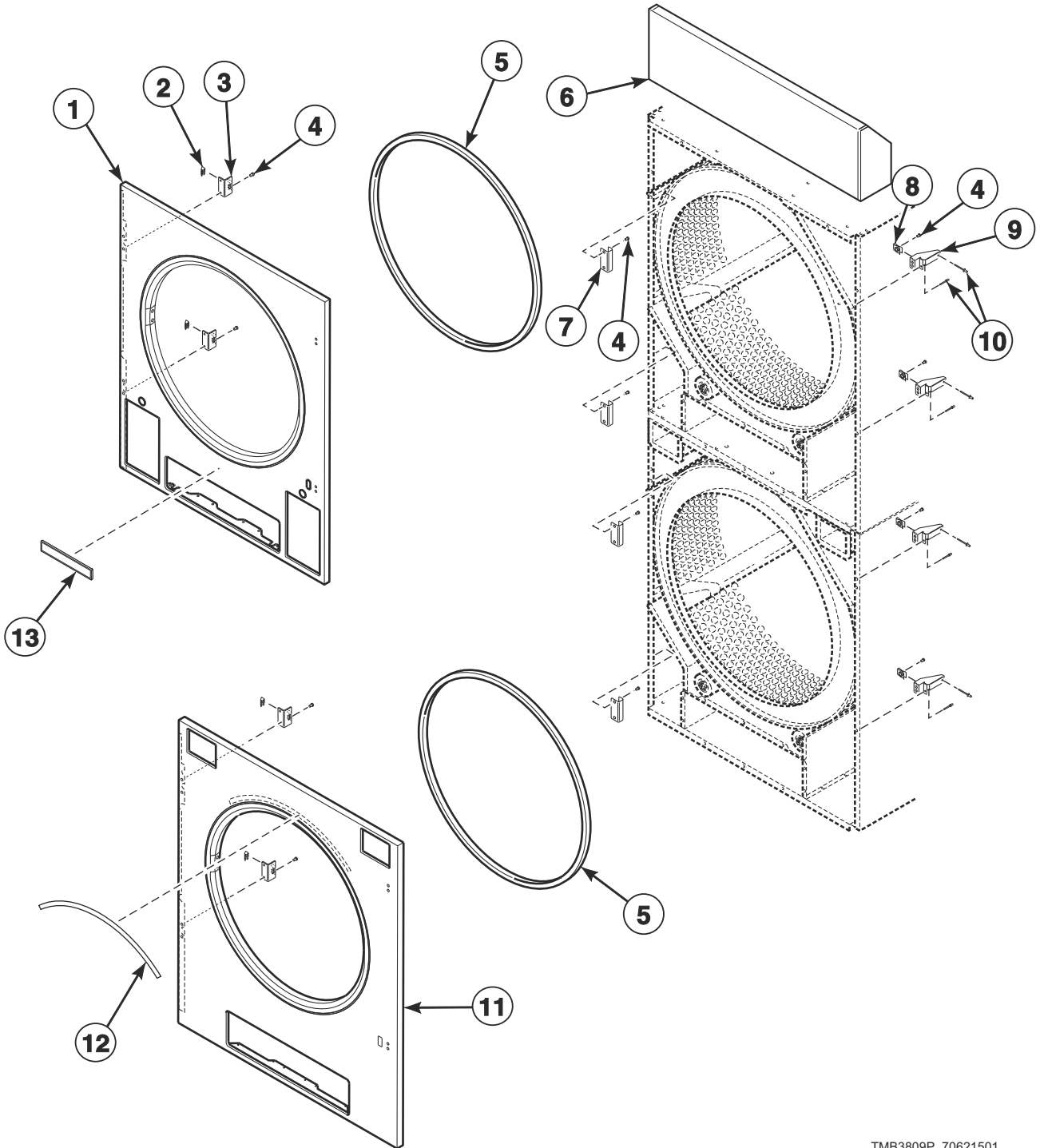
TMB3702P_70621501

Front Panel Assemblies and False Fronts - Design 4 H and S Models

REF	PART NO.	DESCRIPTION	COMMENTS
	70289101P	Gasket	Sold per foot; Used behind items 1 and 10
1	70643201	Upper Front Panel Assembly	Stainless steel
2	35865	Hold-Down Clip	2 required
3	70604801	Clip Mount Bracket	2 required
4	70058501	Pop Rivet	
5	70173401P	Front Panel Seal	Requires D511637P Adhesive
6	70604901	Clip Keeper Bracket	2 required
7	70371704	False Front	Stainless steel; To match T45 height
8	70030401	Nut	2 required
9	70610501	Bracket	2 required
10	70643101	Lower Front Panel	Coin; Stainless steel
	70643102	Lower Front Panel	Card and central pay; Stainless steel
11	70534301	Warning Label	English
	70534302	Warning Label	French
	70534300	Label Kit	Warning; IEC models

Front Panel Assemblies and False Fronts - Design 5 Models

BG, BR, BU, HG, HT, JU, PG, PR, PU, SG and ST Models

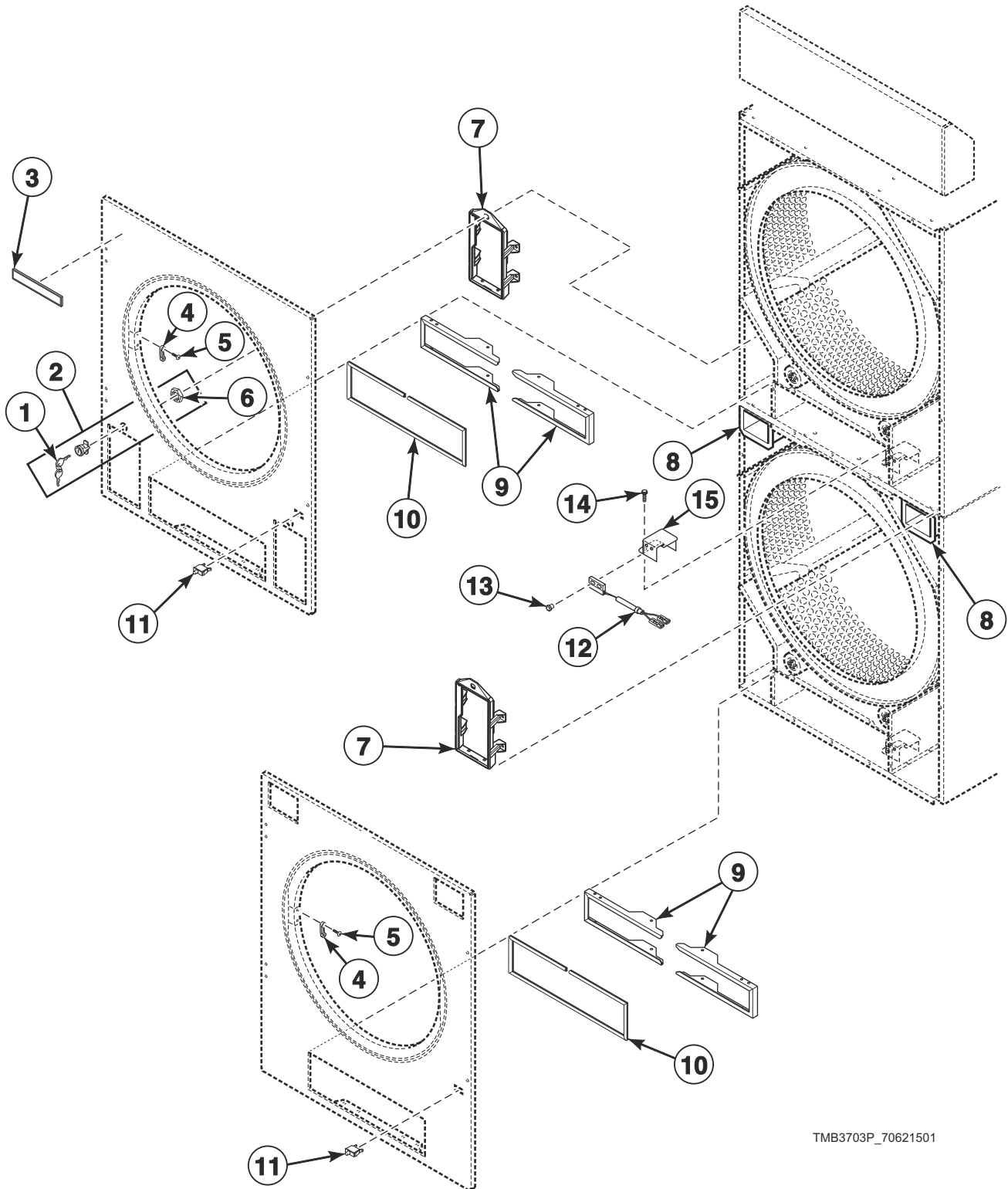


TMB3809P_70621501

Front Panel Assemblies and False Fronts - Design 5 Models

REF	PART NO.	DESCRIPTION	COMMENTS
	70289101P	Gasket	Sold per foot; Used behind items 1 and 11
	70117605	Kickplate	J models; Black
	70126301	Pop Rivet	J models; 4 required per kickplate; Black
1	70703504	Upper Front Panel Assembly	Stainless steel
	70703504W	Upper Front Panel Assembly	
2	35865	Hold-Down Clip	2 required
3	70604801	Clip Mount Bracket	2 required
4	70058501	Pop Rivet	
5	70173401P	Front Panel Seal	Requires D511637P Adhesive
6	70371704	False Front	Stainless steel; To match T45 height
7	70604901	Clip Keeper Bracket	2 required
8	70030401	Nut	2 required
9	70634201	Bracket	
10	70614201	Rivet	
11	70703501	Lower Front Panel Assembly	Coin; Stainless steel; B, H, P and S models
	70703502	Lower Front Panel Assembly	Card, central pay and OPL; Without e-stop; Stainless steel; BG, BR, H, PG, PR and S models
	70703503	Lower Front Panel Assembly	OPL; With e-stop; Stainless steel; BU, JU and PU models
	70703501W	Lower Front Panel Assembly	Coin; H and S models
	70703502W	Lower Front Panel Assembly	Card and central pay; H and S models
12	70534301	Warning Label	English
	70534302	Warning Label	French
13	F8688001	Nameplate	H models
	F8688901	Nameplate	S models
	567293	Nameplate	B models
	567887	Nameplate	P models

Cabinet Front Components



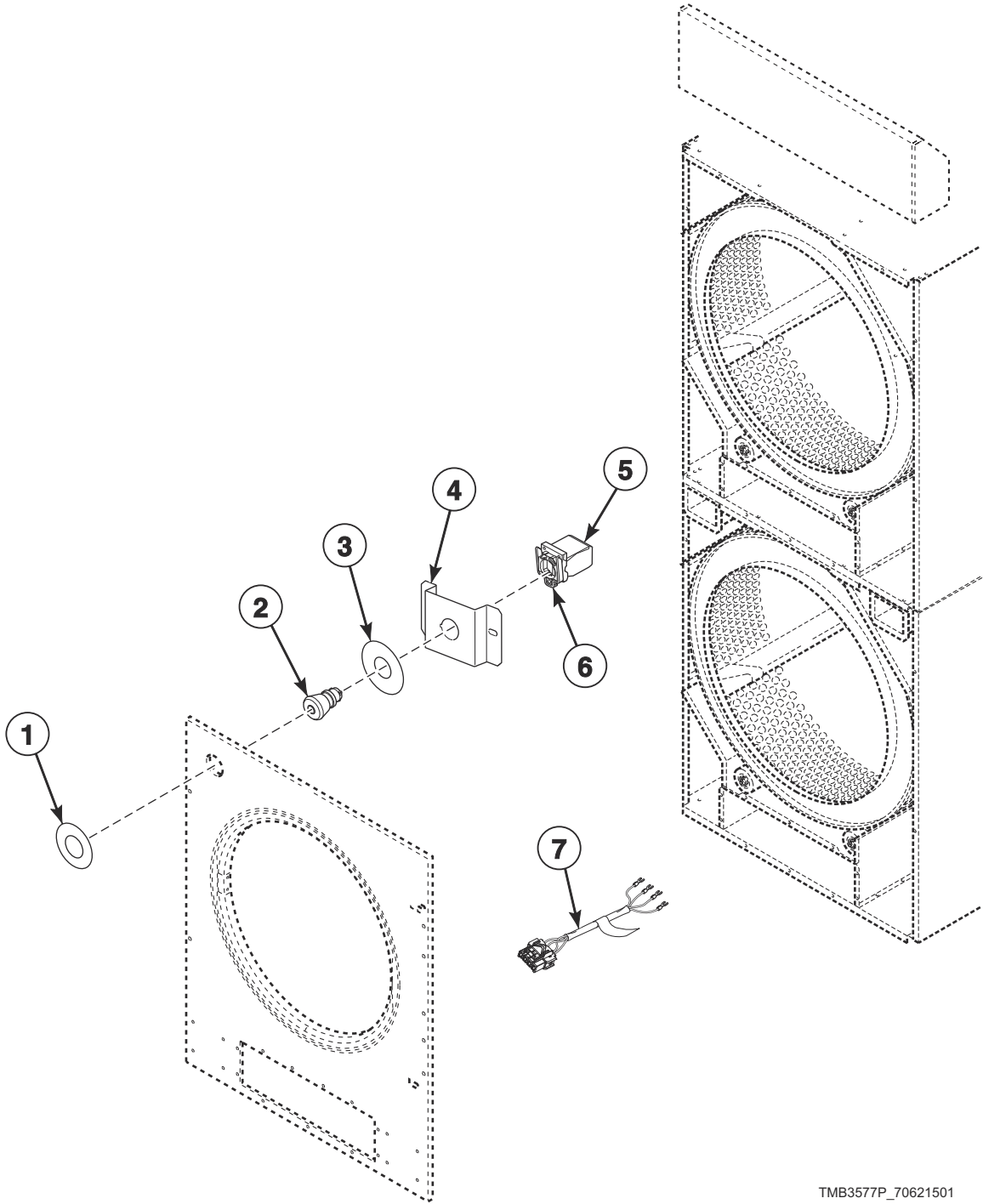
TMB3703P_70621501

Cabinet Front Components

REF	PART NO.	DESCRIPTION	COMMENTS
	44334102	Coin Vault Switch Harness	
	44334103	Bypass Harness	Card
	70482901	Door Catch Kit	
1	70155601	Key	RL001
2	44089301P	Lock, Key and Nut Kit	RL001
	44089304	Panel Lock	RL001; Chrome
3	F8664901	Nameplate	Design 4 S models
	F8688001	Nameplate	Design 4 H models
	70685901	Nameplate	J models
4	M401223	Door Latch	
5	44166601	Pop Rivet	2 required for item 4
6	44088801	Nut	Panel lock
7	70642001	Control Bezel	
8	70529501	Coin Vault Assembly	
9	70605701	Lint Seal Shoulder Bracket	
10	70593901	Lint Box Gasket	
11	70413301	Pushbutton Switch	Door switch
12	F8066804	Reed Switch Assembly	
13	F8245101	Blind Rivet	
14	430497	Screw	
15	70606301	Reed Switch Box	

Emergency Stop Button - OPL Models

B, J and P Models

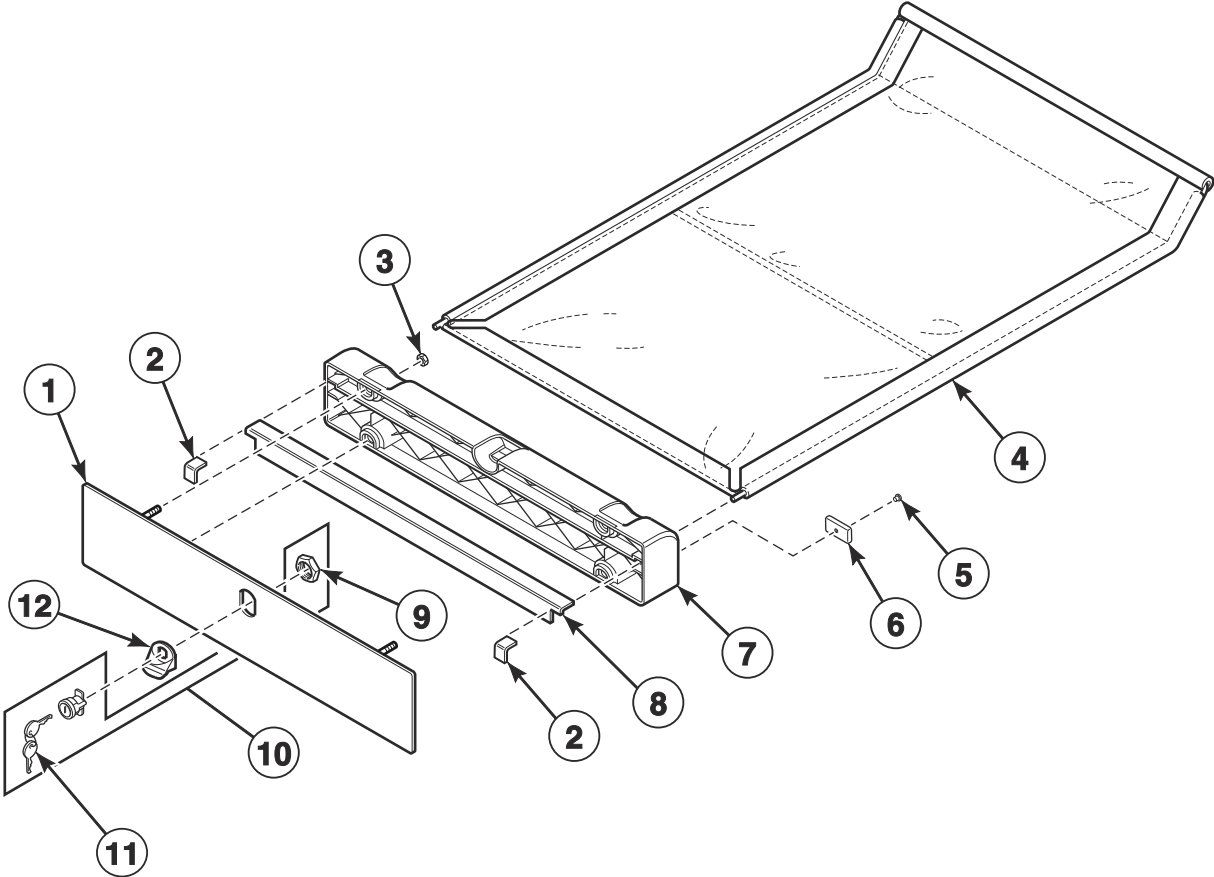


TMB3577P_70621501

Emergency Stop Button - OPL Models

REF	PART NO.	DESCRIPTION	COMMENTS
	70580301	Emergency Stop Button Kit	Includes items 2-4
	F8519403	Emergency Stop Bypass Harness	Coin, card and central pay
	44272105	Interconnect Harness	
1	44012903	Emergency Stop Label	
2	F200233500	Emergency Stop Pushbutton	
3	44012901	Emergency Stop Label	
4	70550401	Emergency Stop Mounting Bracket	
5	F8069501	Contact Switch	4 required
6	F8538101	Contact Base	
7	44272401	Emergency Stop Harness	Primary
	44272402	Emergency Stop Harness	Supplementary

Lint Drawer Components

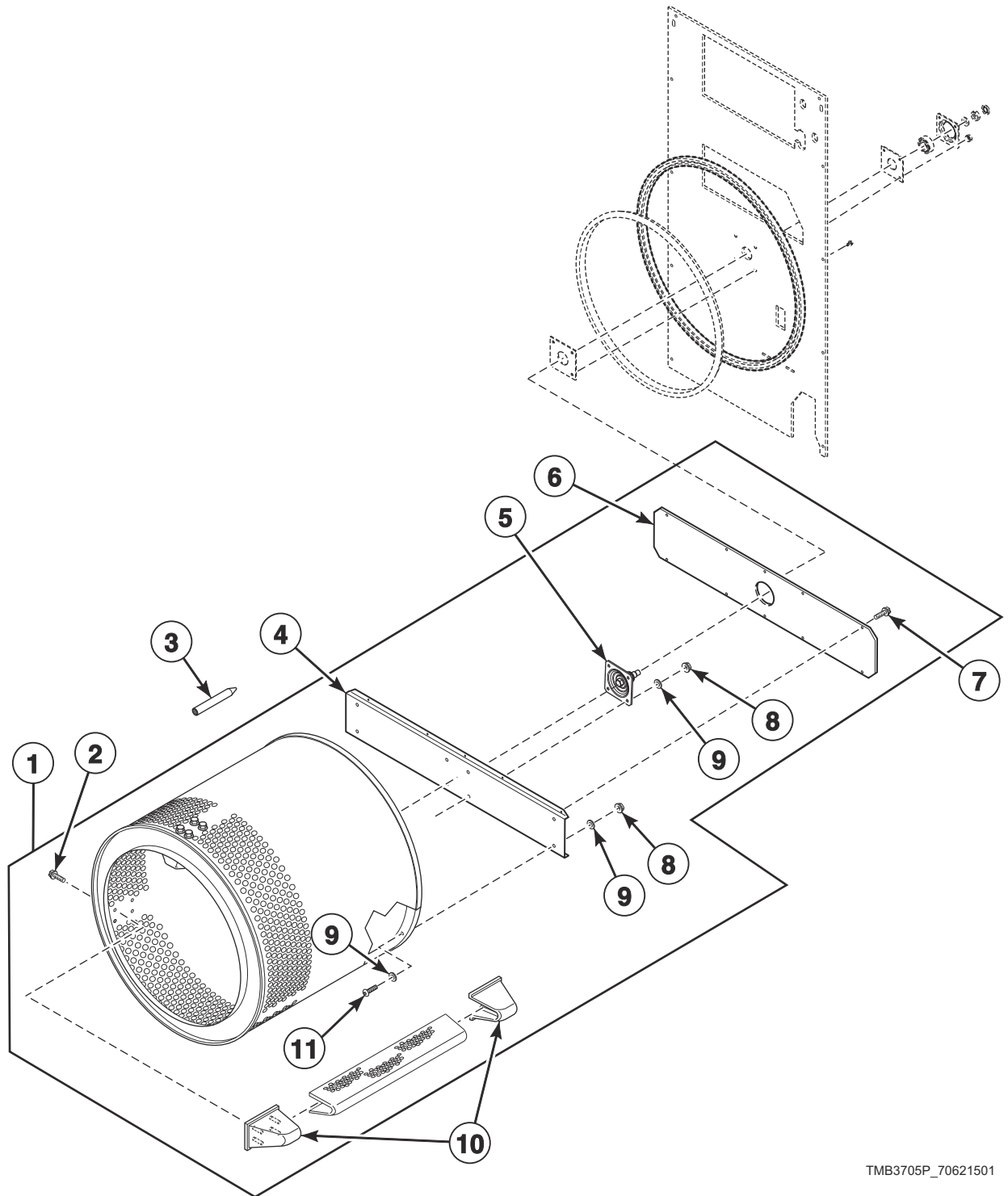


TMB3813P_70621501

Lint Drawer Components

REF	PART NO.	DESCRIPTION	COMMENTS
	70598101	Foam Gasket	
	430497	Screw	
1	70567401	Lint Front Assembly	Stainless steel
	70567402W	Lint Front Assembly	Design 5 H and S models
2	70605601	Lint Screen Shim	
3	44087101	Nut	
4	70596102	Lint Screen Assembly	
5	F8245101	Blind Rivet	
6	70343101	Magnet	
7	70598201	Lint Door Support	
8	70595702	Lint Screen Bracket	
9	44088801	Nut	
10	44390902P	Lock, Key and Nut Kit	RL002
	44390902	Panel Lock	RL002; Black
11	70155602	Key	RL002
12	70642201	Lock Pull	Vend

Cylinder and Trunnion Components

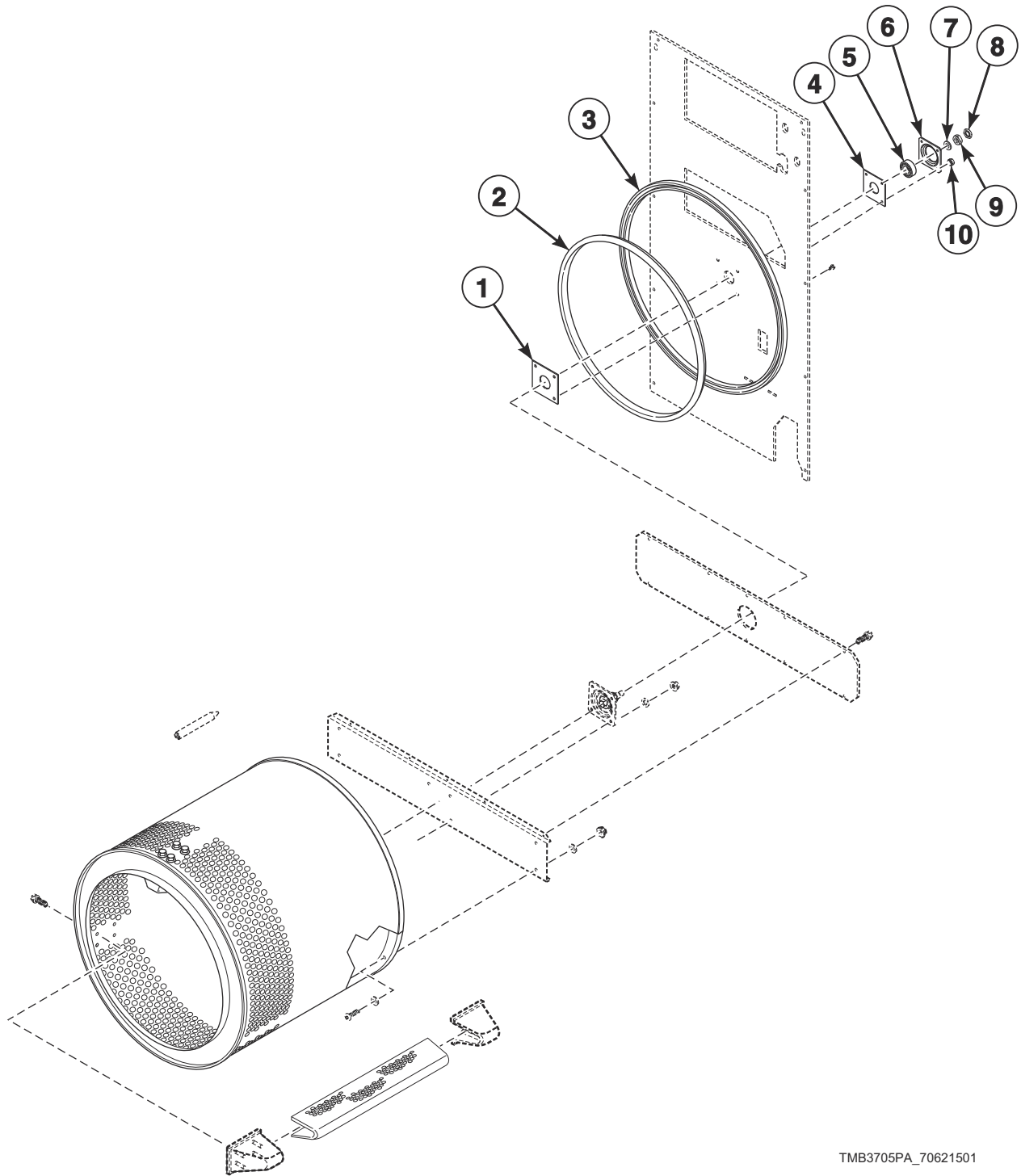


TMB3705P_70621501

Cylinder and Trunnion Components

REF	PART NO.	DESCRIPTION	COMMENTS
	70343101P	Drywall Screw Magnet Kit	Includes 6 magnets and 6 screws
1	70372504P	Cylinder Assembly	Galvanized
	70372502P	Cylinder Assembly	Stainless steel
2	62588	Screw	
3	263P4	Cylinder Guide Tool	
4	70257101	Rear Cylinder Channel	
5	70564803	Trunnion and Seal Kit	
6	70257201	Rear Cylinder Channel Plate	
7	430497	Screw	10 required
8	M412986	Nut	
9	70411301	Washer	
10	70070101	End Cap	
11	70391101	Screw	8 required

Bearing Components

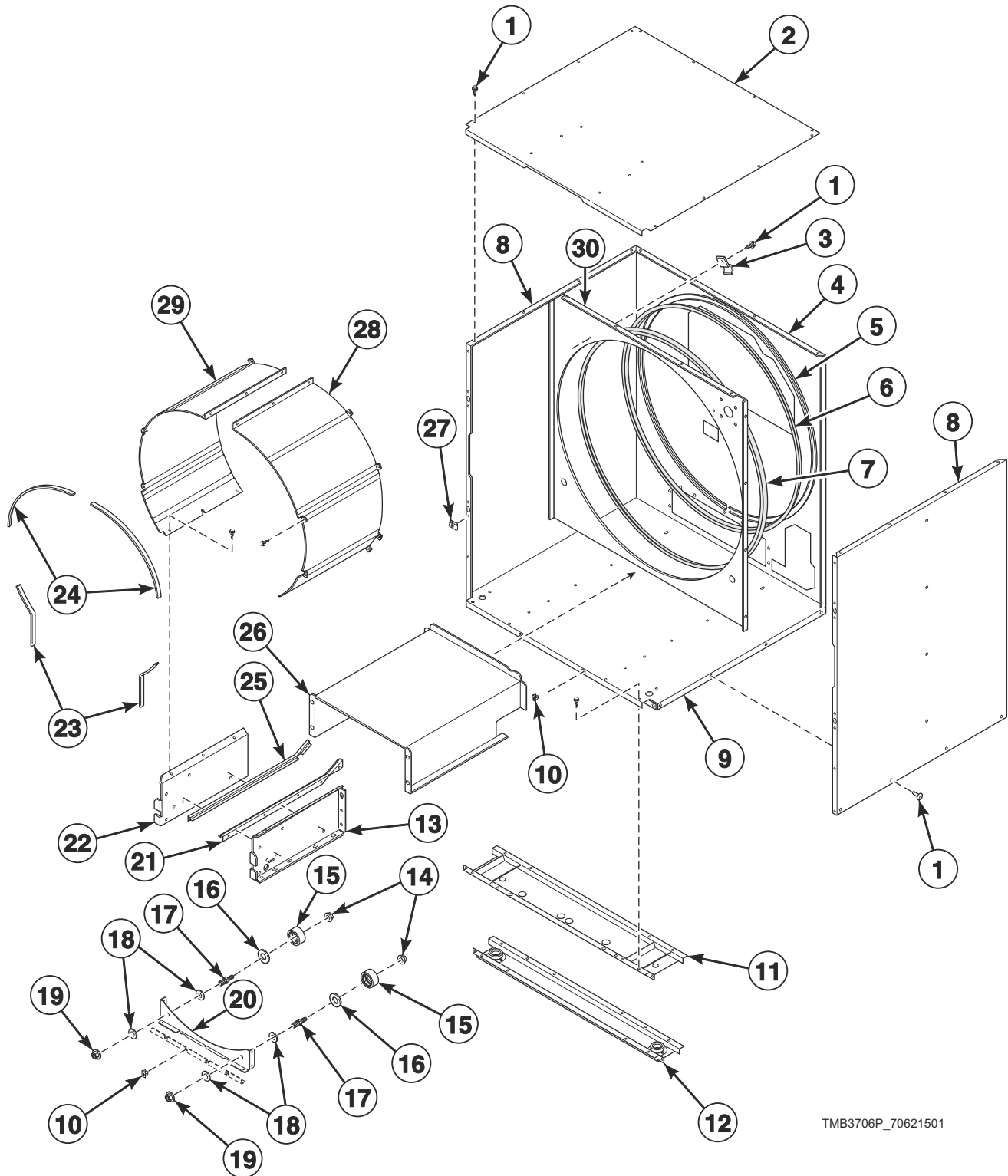


TMB3705PA_70621501

Bearing Components

REF	PART NO.	DESCRIPTION	COMMENTS
1	430352	Cylinder Bearing Stud Plate Assembly	
2	70013701P	Rear Cylinder Seal	Requires D511637P Adhesive
3	70506402	Rear Cylinder Seal Support	
4	70355001	Rear Bearing Shim	
5	70448701	Support Bearing	
6	70013901	Rear Cylinder Bearing Housing	
7	M400991	Washer	
8	M400034	Nut	
9	M400022	Nut	
10	M412986	Nut	

Cabinet Components

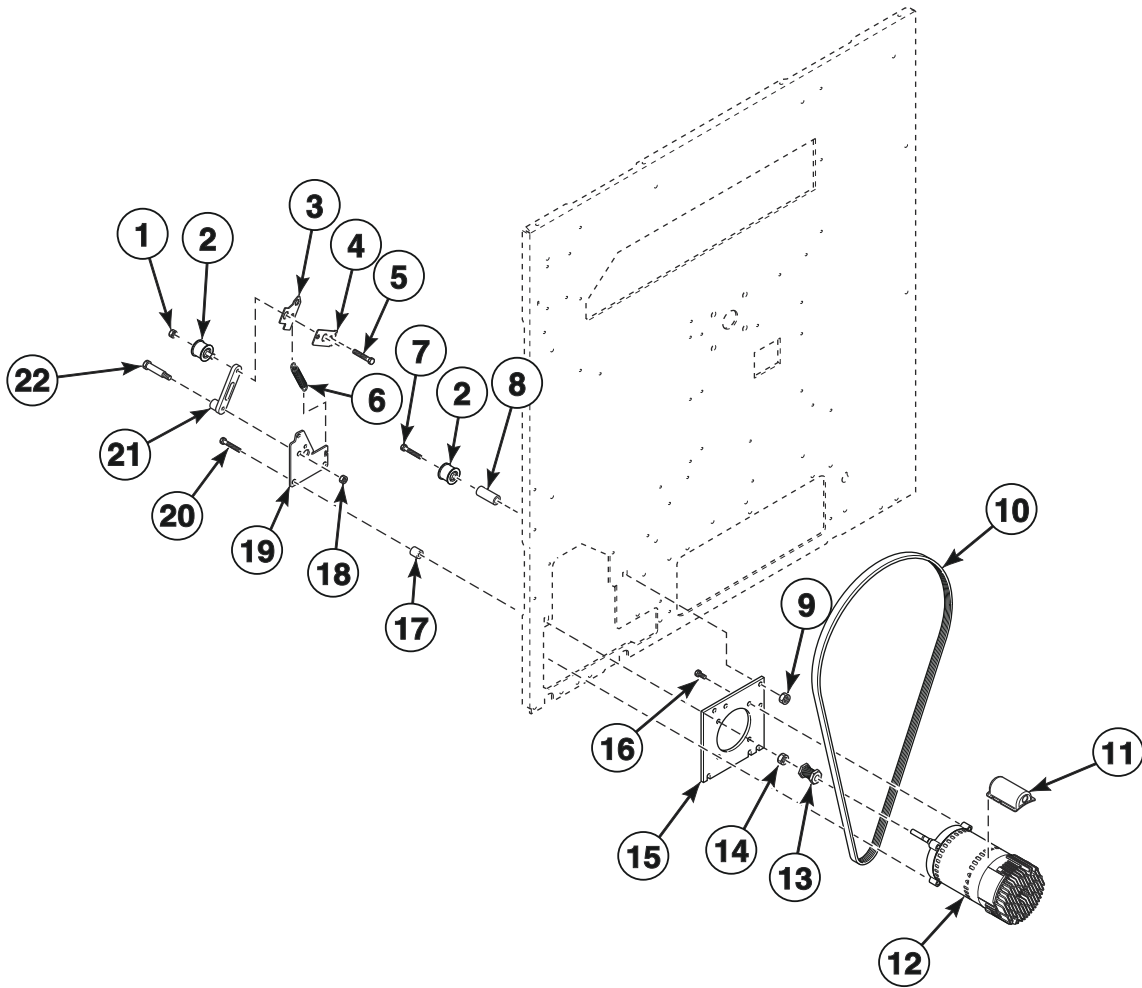


TMB3706P_70621501

Cabinet Components

REF	PART NO.	DESCRIPTION	COMMENTS
	298P4P	Spray Paint	White
	122P4P	Porcelain Touch-Up Paint	White
	430352	Cylinder Bearing Stud Plate Assembly	
	70058501	Pop Rivet	
	21899	Nut	For leveling legs
	70247701	Screw	For leveling legs
	70626801	Top Panel	Top pan of lower pocket
	70606201	Lower Pan	Lower pan of lower pocket
1	430497	Screw	
2	70605801	Top Panel	Upper pocket
3	70226701	Clip	
4	70580701	Rear Panel	Gas models
	70580702	Rear Panel	Electric and steam models
5	70506402	Rear Cylinder Seal Support	
6	70013701P	Rear Cylinder Seal	Requires D511637P Adhesive
7	70066003	Center Cylinder Seal	Includes center cylinder seal support and center cylinder seal
8	70607401W	Side Panel	Design 4 S models
	70639501W	Side Panel	Design 5 H and S models
	70639501DG	Side Panel	Dark gray; B and P models
	70639502DG	Side Panel	Dark gray; J models
9	70606001	Center Pan	Lower pan of top pocket
10	M400984	Clip	
11	70606101	Center Pan Channel	Located under center pan
12	70288201	Channel Base Assembly	Lower pocket
13	70573701	Front Air Duct	Right
14	430576	Nut	
15	70616701	Roller and Seal Kit	
16	70443601	Roller Seal	
17	70249501	Roller Shaft	
18	70261401	Washer	
19	70288801	Nut	
20	70584901	Roller Support Bracket	
21	70580901	Lint Tray Rail	Right
22	70573702	Front Air Duct	Left
23	70015711	Sheet Metal Edge Gasket	Lower
24	70015712	Sheet Metal Edge Gasket	Upper
25	70580902	Lint Tray Rail	Left
26	70580801	Air Duct	Rear
27	70030401	Nut	
28	70339301	Cylinder Shroud	Right
29	70339302	Cylinder Shroud	Left
30	70639201	Center Partition	

Drive Motor Components

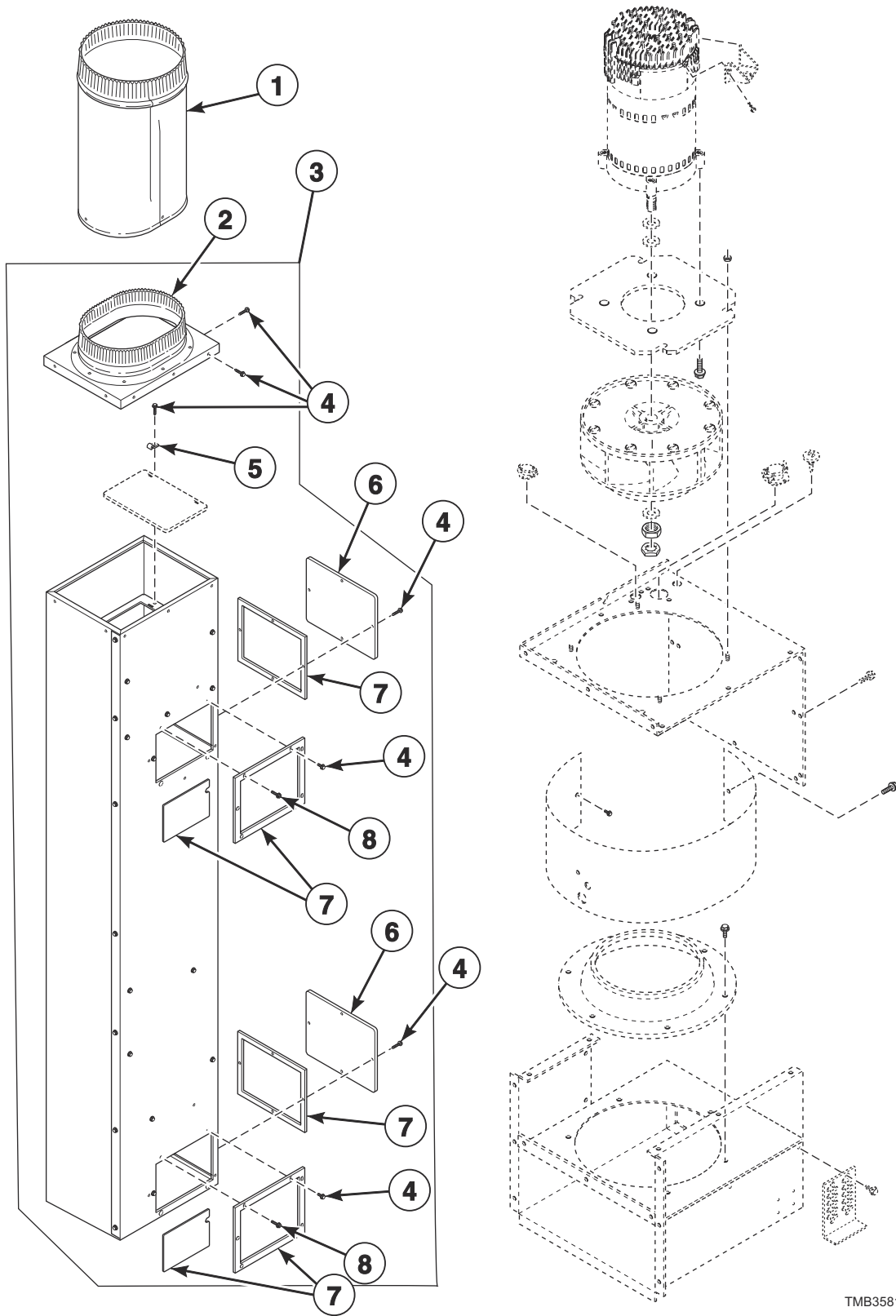


TMB3817P_70621501

Drive Motor Components

REF	PART NO.	DESCRIPTION	COMMENTS
1	56156	Nut	
2	70050401P	Idler Wheel Assembly	
3	70569501	Tensioning Bracket	
4	70543401	Spring Catch Bracket	
5	70508301	Screw	
6	70571801	Spring	
7	F430144	Screw	
8	70569603	Standoff	
9	44087201	Nut	
10	70655102	Lever Arm and Belt Kit	
11	70521901	Motor Conduit Mounting Bracket	
12	70478601P	Drive Motor	.33 HP; 120, 230 Volt/1 Phase
	70485001P	Drive Motor	.33 HP; 380-460 Volt/3 Phase
13	70559101	Motor Pulley	
14	44333202	Nut	
15	70564201	Motor Mount Plate	
16	70126104	Screw	
17	70488403	Spacer	
18	44087301	Nut	
19	70571901	Drive Plate	
20	70546301	Screw	
21	70653801	Lever Arm and Bushing Assembly	
22	70501301	Screw	

Exhaust Components

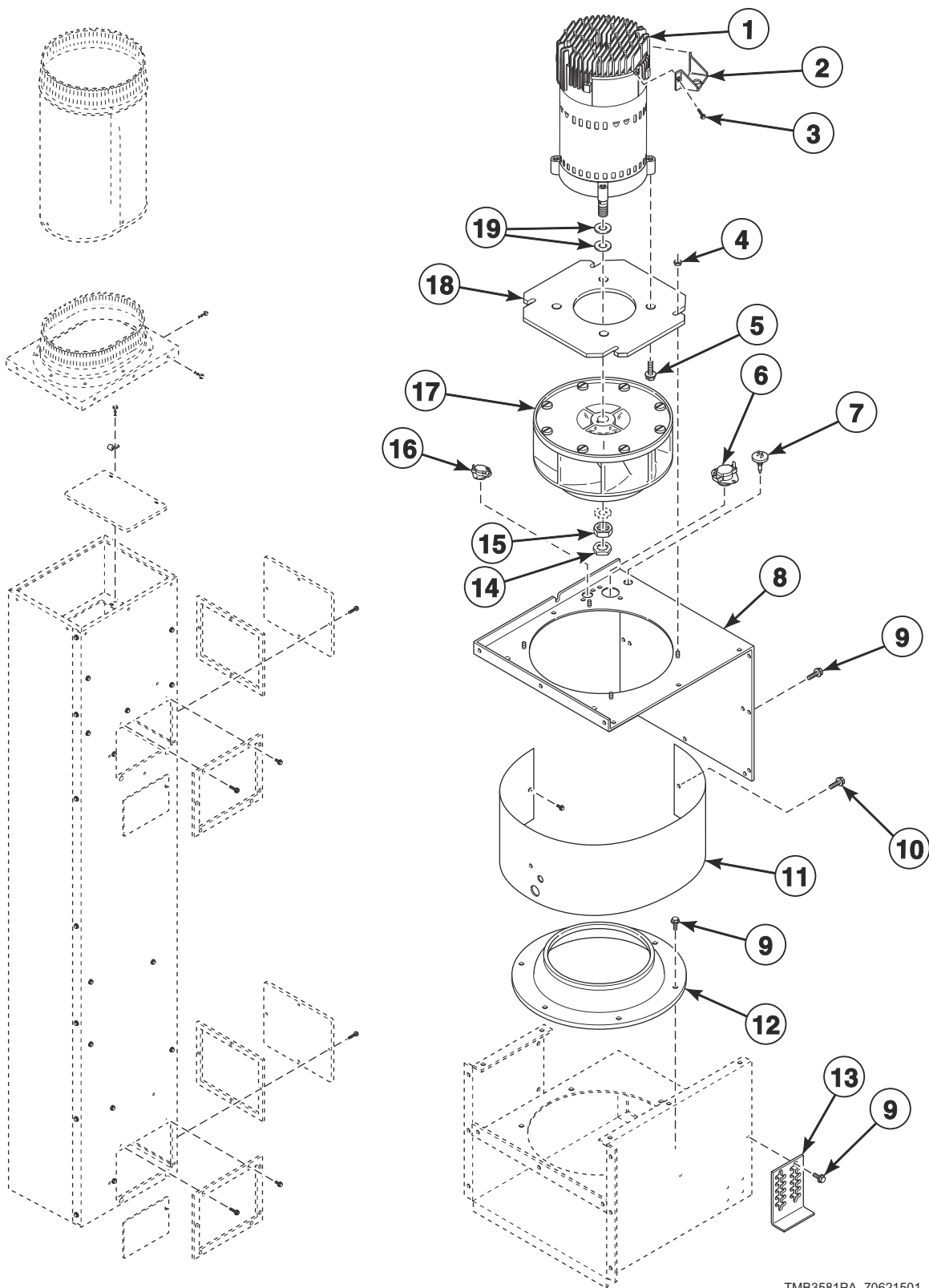


TMB3581P_70621501

Exhaust Components

REF	PART NO.	DESCRIPTION	COMMENTS
	70289101P	Gasket	Sold per foot
1	44154301	Exhaust Pipe	IEC models
2	70207501	Duct Cover	Standard models; Top
	70478101	Duct Cover	Eco models; Top
3	70528301	Exhaust Duct Assembly	North America models
	70528302	Exhaust Duct Assembly	IEC models
	70662606	Exhaust Duct Assembly	Eco models
4	430497	Screw	12 required
5	70226701	Clip	
6	70340201	Duct Cover	2 required; Bottom
7	70340401	Exhaust Duct Gaskets Assembly	2 required
8	M411072	Screw	2 required

Blower Components

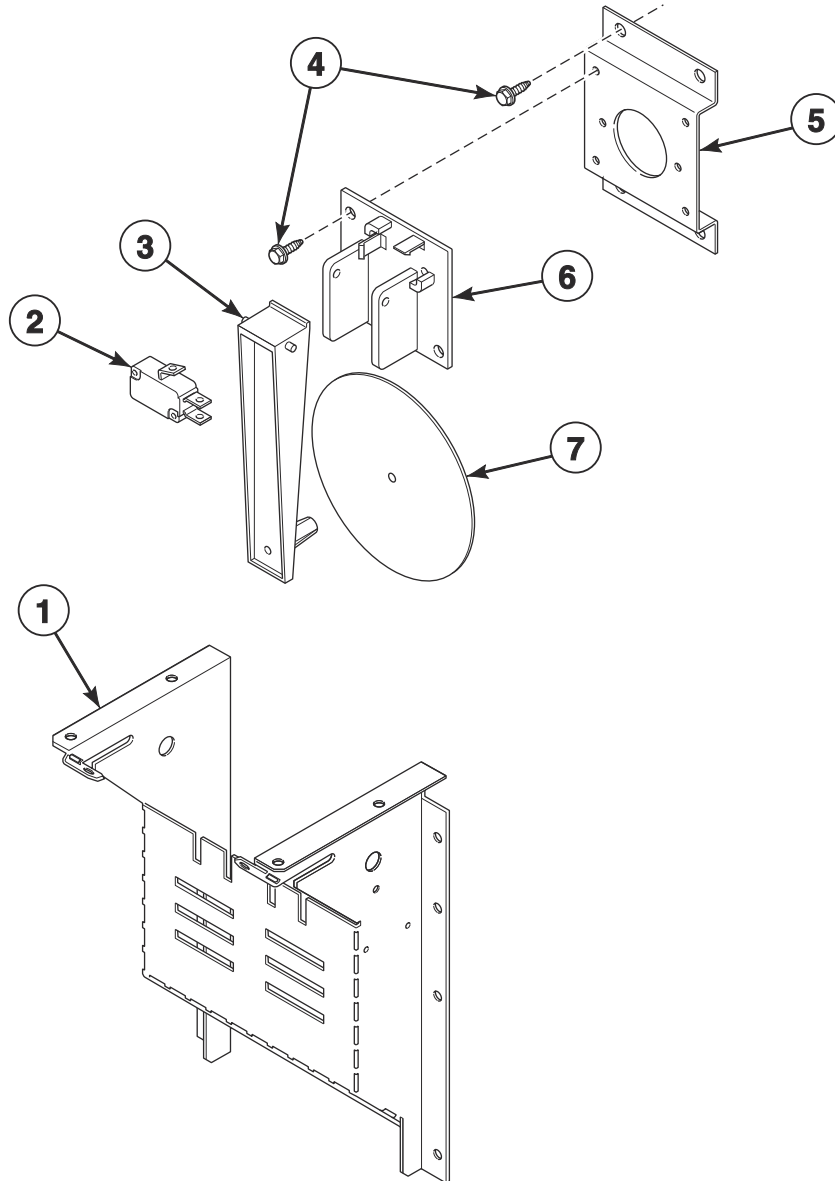


TMB3581PA_70621501

Blower Components

REF	PART NO.	DESCRIPTION	COMMENTS
	70392701P	Gasket	For blower housing opening
1	70478701P	Fan Motor	.50 HP; 120, 230 Volt/1 Phase
	70484901P	Fan Motor	.50 HP; 380-460 Volt/3 Phase
2	44317901	Motor Conduit Bracket	
3	23222	Screw	
4	29786	Nut	4 required
5	70126101	Screw	4 required
6	44328001	Limit Thermostat	
7	M414704	Thermistor	
8	70341402	Blower Housing Cover Assembly	
9	430497	Screw	12 required
10	51780	Screw	
11	70340801	Blower Housing Scroll	
12	70014101	Blower Inlet Cone	
13	70200301	Rear Stabilizer Bracket	
14	M400034	Nut	
15	M400022	Nut	
16	70530901	Limit Thermostat	
17	70359801P	Blower Assembly	
18	70341001	Blower Motor Mounting Plate	
19	M400991	Washer	3 required

Airflow Switch

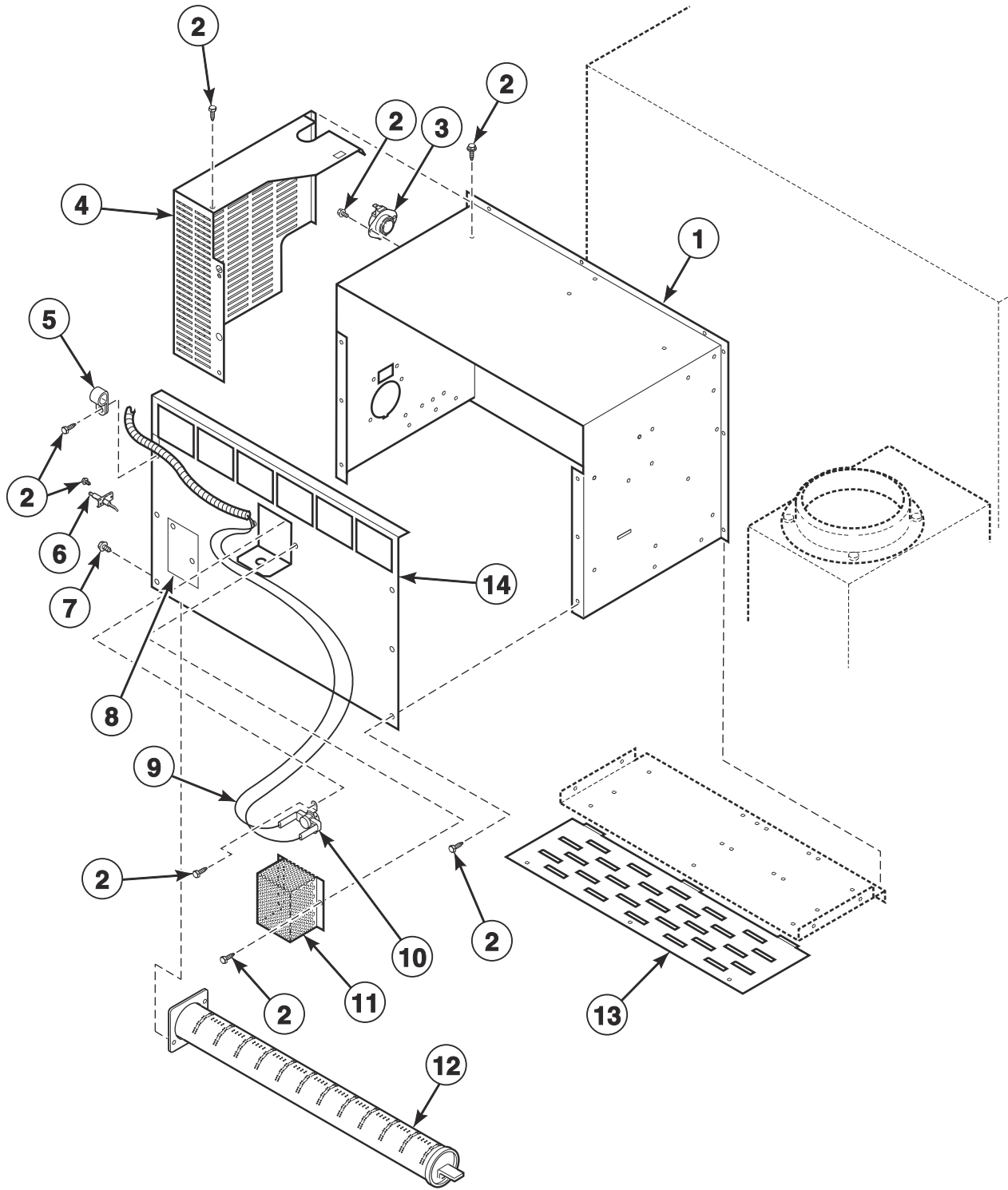


TMB3582P_70621501

Airflow Switch

REF	PART NO.	DESCRIPTION	COMMENTS
1	70356101	Airflow Switch Wrapper	
2	70411901	Switch	
3	70319401	Airflow Switch Arm	
4	430757	Screw	
5	70356301	Switch Bracket	
6	70319602	Airflow Switch and Arm Bracket	
7	70319201	Airflow Switch Vane	

Gas Burner Housing and Secondary Stove Limit

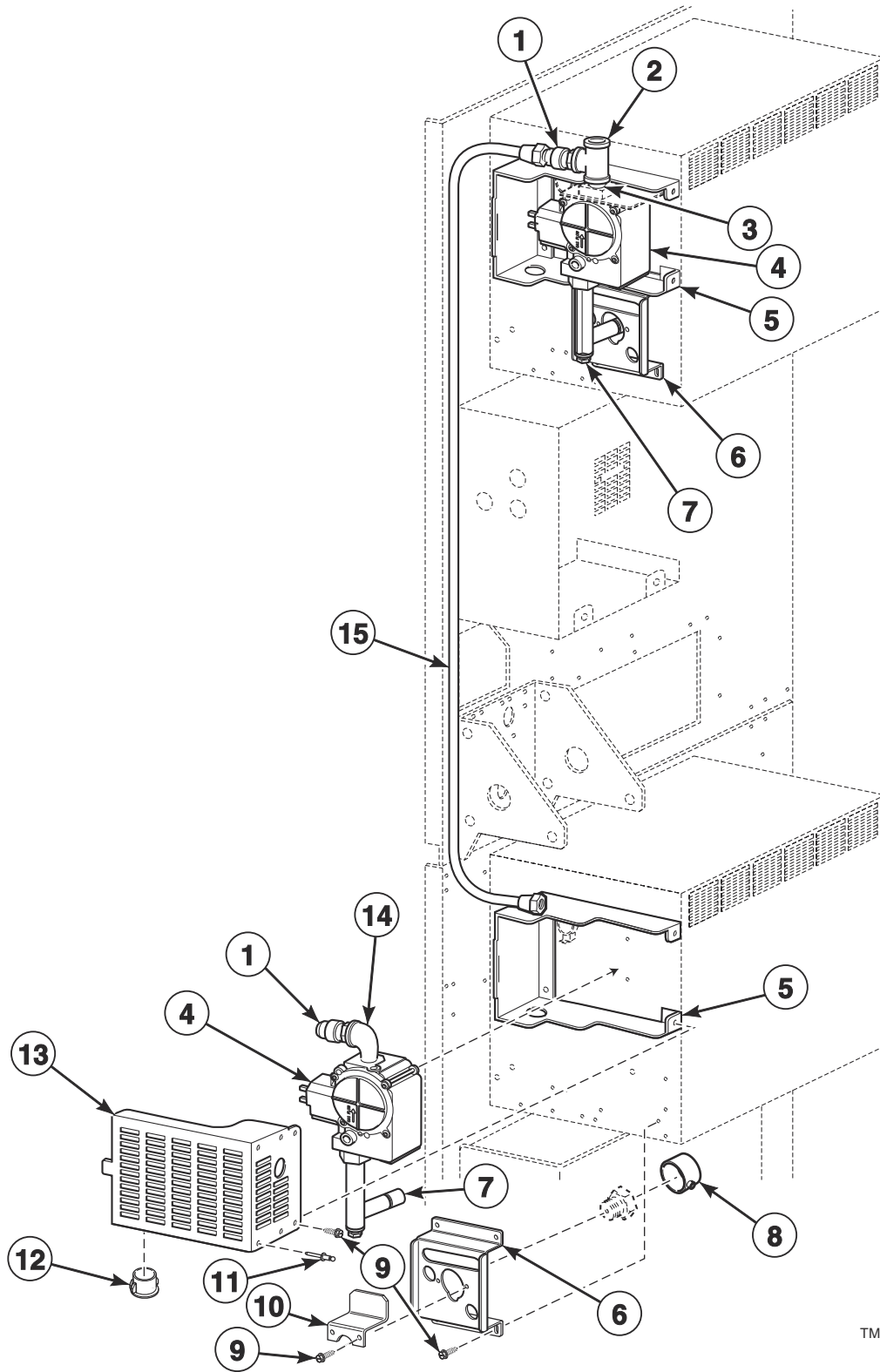


TMB2315P_70621501

Gas Burner Housing and Secondary Stove Limit

REF	PART NO.	DESCRIPTION	COMMENTS
1	70333401	Stove Top and Sides	
2	430497	Screw	
3	44328005	Limit Thermostat	Side
4	70233401	Gas Valve Cover	IEC models
5	70203701	Pipe Clip	
6	70548701P	Spark Electrode	
7	05161	Screw	
8	70159601	Igniter Cover	
9	70564301	Stove Limit Harness	
10	44328104	Limit Thermostat	Rear
11	M414477	Thermostat Cover	
12	70229801P	Gas Burner	
	70546701	Anti-Rattle Burner Assembly	Includes 70229801P Gas Burner, 431318 Control Door Latch and M400003 Pop Rivet
13	70188801	Burner Grill	
14	70371501	Stove Back	

Gas Valve and Piping

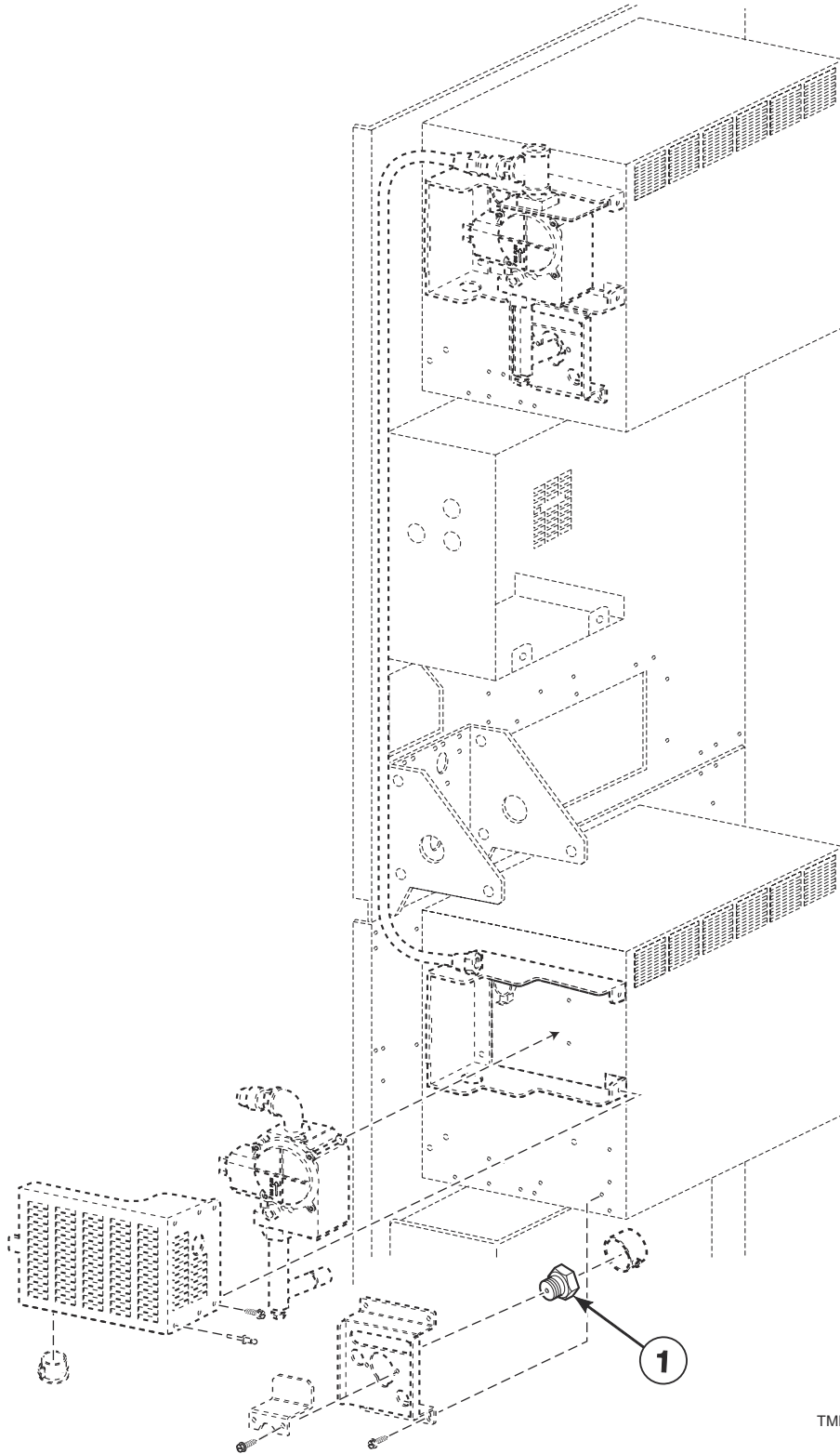


TMB3583P_70621501

Gas Valve and Piping

REF	PART NO.	DESCRIPTION	COMMENTS
	70550205	L.P. Conversion Kit	North America and Australian models; Natural Gas (N.G.); 0-2,000 feet
	70551905	L.P. Conversion Kit	IEC models; N.G.; 0-2,000 feet
	44239701	High Voltage Suppression Cable	
	70131901	Adapter	IEC models; BPT/NPT
	70131902	Adapter	North America models; BPT/NPT
	70167601	Plug	
	70500601	Power Harness	
	44273501	Gas Valve Harness	
	70564301	Stove Limit Harness	
	70535901	Notice Label	Australian models; N.G.
	70544901	Notice Label	Australian models; Liquid Petroleum (L.P.)
1	70262601	Pipe	
2	70071801	Tee	T market models
	F422208	Tee	All other models
3	70435601	Pipe Nipple	T market models
	70612603	Pipe Nipple	All other models
4	44154503	N.G. Valve	North America models
	44154504	L.P. Valve	North America models
	44154507	Gas Valve	IEC models; N.G.
	44154508	Gas Valve	IEC models; L.P.
5	70328201	Forward Valve Cover	
6	70248901	Orifice Holder Bracket	
7	70552801P	Orifice Adapter	
8	70239801	Primary Air Adjustment Sleeve	
9	430497	Screw	
10	70539901	Ignition Keeper Orifice Bracket	
11	70058501	Pop Rivet	3/16 inch
12	M400770	Snap Bushing	
13	70282401	Rear Valve Cover	
14	H86070034	Street Elbow	T market models
	70612501	Street Elbow	All other models
15	70281601	Tube	

Burner Orifices



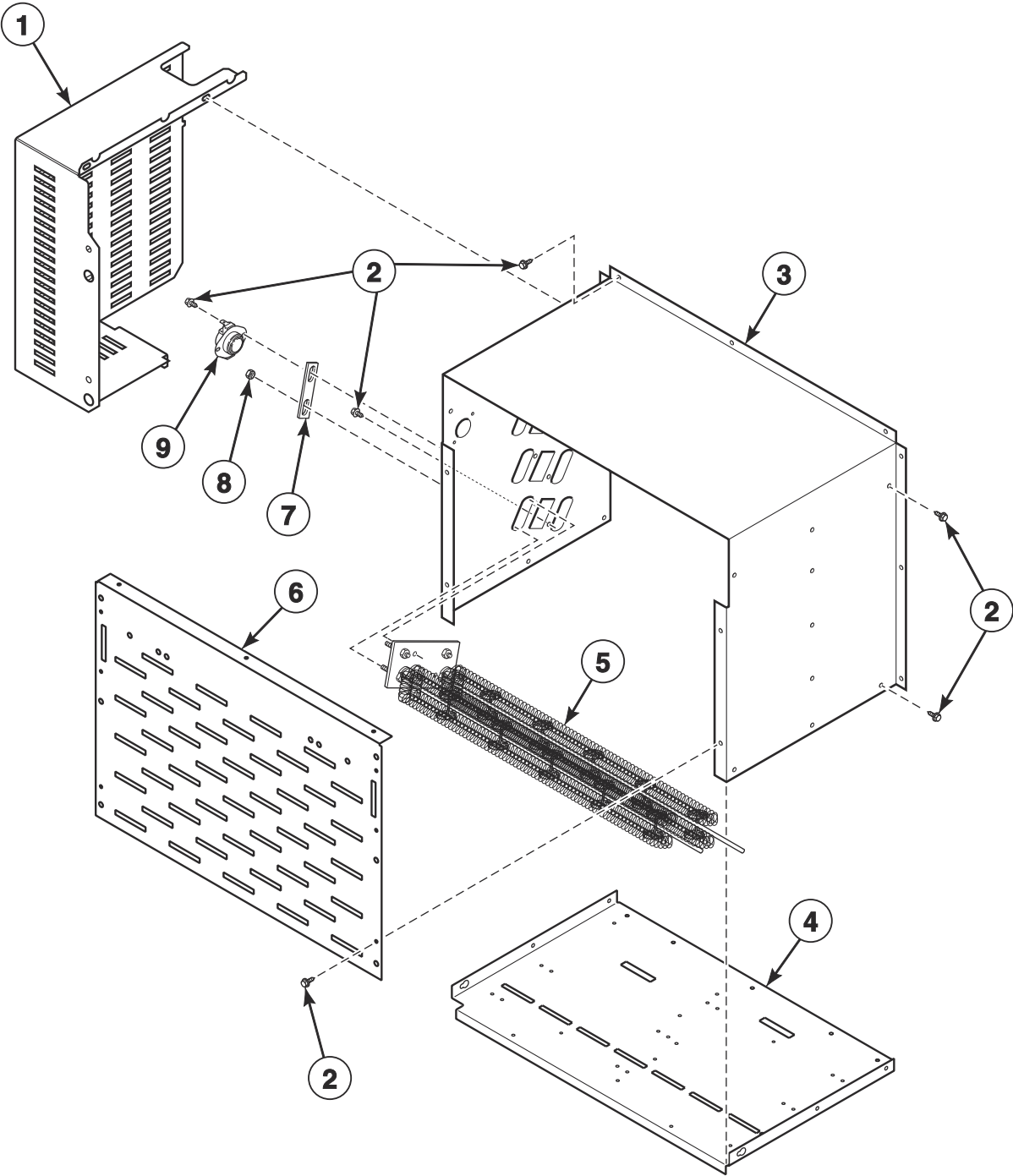
TMB3583PA_70621501

Burner Orifices

REF	PART NO.	DESCRIPTION	COMMENTS
	70609909	High Altitude Orifice Kit	North America Natural Gas (N.G.) models
	70609910	High Altitude Orifice Kit	North America Liquid Petroleum Gas (L.P.) models
1	70684142	Burner Orifice	Standard models; N.G.; Drill no. 20 (4.09 mm); 0-2,000 feet
	70684139	Burner Orifice	Standard models; N.G.; Drill no. 23 (3.91 mm); 2,001-4,000 feet
	70684137	Burner Orifice	Standard models; N.G.; Drill no. 25 (3.80 mm); 4,001-6,000 feet
	70684135	Burner Orifice	Standard models; N.G.; Drill no. 27 (3.66 mm); 6,001-8,000 feet
	70684133	Burner Orifice	Standard models; N.G.; 3.50 mm; 8,001-10,000 feet
	70684116	Burner Orifice	Standard models with 2nd digit A, G, H, J, K, L and T; L.P.; Drill no. 40 (2.49 mm); 0-2,000 feet
	70684114	Burner Orifice	Standard models with 2nd digit A, G, H, J, K, L and T; L.P.; Drill no. 42 (2.37 mm); 2,001-4,000 feet
	70684113	Burner Orifice	Standard models with 2nd digit A, G, H, J, K, L and T; L.P.; 2.30 mm; 4,001-6,000 feet
	70684111	Burner Orifice	Standard models with 2nd digit A, G, H, J, K, L and T; L.P.; 2.20 mm; 6,001-8,000 feet
	70684109	Burner Orifice	Standard models with 2nd digit A, G, H, J, K, L and T; L.P.; Drill no. 45 (2.08 mm); 8,001-10,000 feet
	70684110	Burner Orifice	CE standard models; L.P.; Drill no. 44 (2.18 mm); 0-2,000 feet
	70684109	Burner Orifice	CE standard models; L.P.; Drill no. 45 (2.08 mm); 2,001-4,000 feet
	70684107	Burner Orifice	CE standard models; L.P.; Drill no. 47 (1.99 mm); 4,001-6,000 feet
	70684106	Burner Orifice	CE standard models; L.P.; Drill no. 48 (1.93 mm); 6,001-8,000 feet
	70684105	Burner Orifice	CE standard models; L.P.; Drill no. 49 (1.85 mm); 8,001-10,000 feet
	70684111	Burner Orifice	Standard J market models; L.P.; 2.20 mm; 0-2,000 feet
	70684109	Burner Orifice	Standard J market models; L.P.; Drill no. 45; (2.08 mm); 2,001-4,000 feet
	70684108	Burner Orifice	Standard J market models; L.P.; Drill no. 46; (2.06 mm); 4,001-6,000 feet
	70684106	Burner Orifice	Standard J market models; L.P.; Drill no. 48; (1.93 mm); 6,001-8,000 feet
	70684105	Burner Orifice	Standard J market models; L.P.; Drill no. 49; (1.85 mm); 8,001-10,000 feet
	70684132	Burner Orifice	Eco models; N.G.; Drill no. 29 (3.45 mm); 0-2,000 feet
	70684130	Burner Orifice	Eco models; N.G.; 3.30 mm; 2,001-4,000 feet
	70684128	Burner Orifice	Eco models; N.G.; Drill no. 1/8 (3.18 mm); 4,001-6,000 feet
	70684126	Burner Orifice	Eco models; N.G.; Drill no. 31 (3.05 mm); 6,001-8,000 feet
	70684125	Burner Orifice	Eco models; N.G.; Drill no. 32 (2.95 mm); 8,001-10,000 feet

* NOTE: One orifice required per pocket

Electric Heater Components

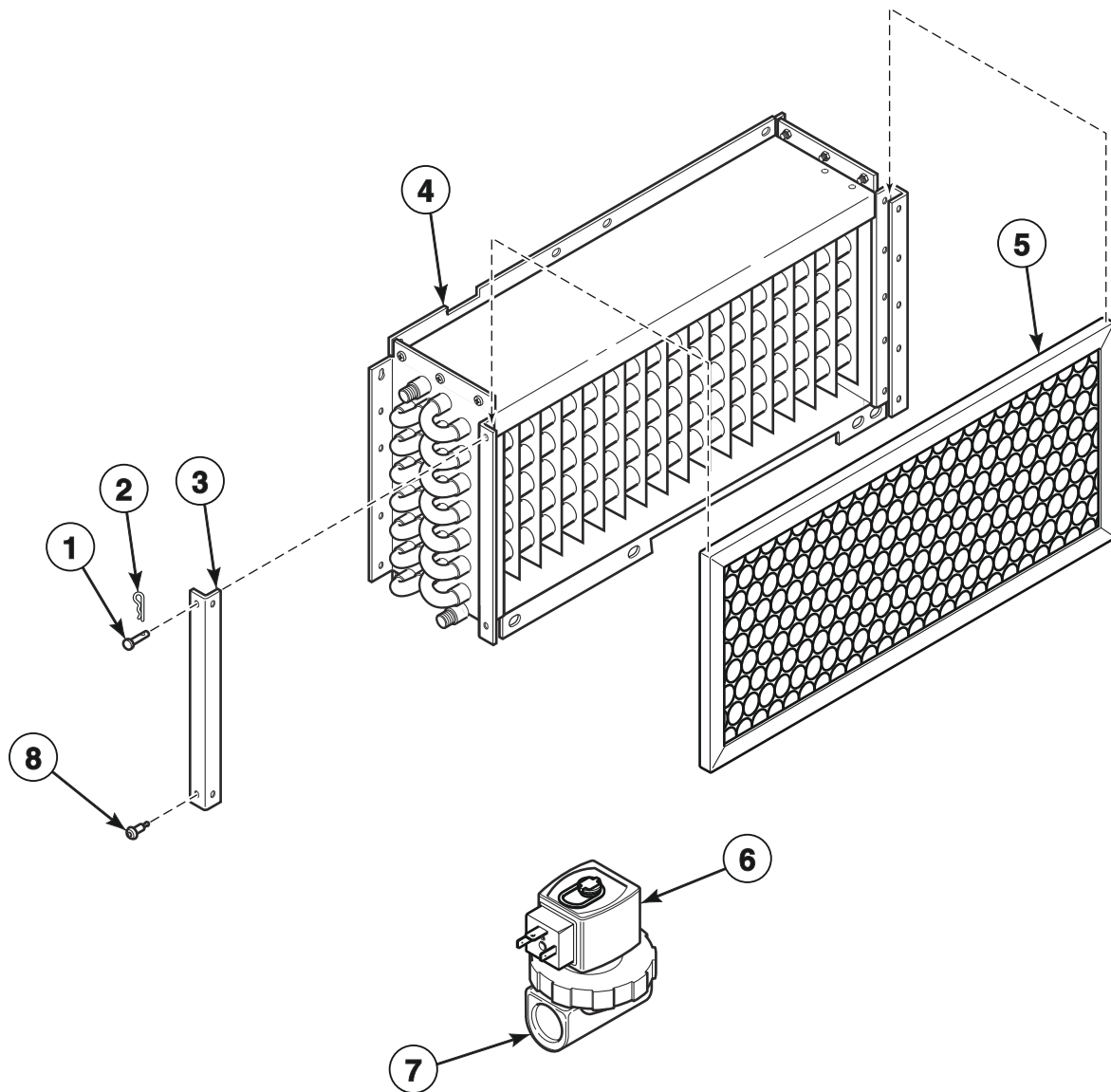


TMB3584P_70621501

Electric Heater Components

REF	PART NO.	DESCRIPTION	COMMENTS
	70564303	Stove Limit Harness	
	70500506	Jumper Harness	3 inch; 8 required for 380 and 400-415 Volt
	70500505	Jumper Harness	9 inch; 2 required for 440 and 460-480 Volt
1	70525701	Connector Cover	
2	430497	Screw	
3	70525601	Stove Top and Sides	
4	70357201	Stove Partition	
5	70034401P	Heater Element	Standard models; 3 required; 7 kW; 208 Volt heater element for 200-208 Volt/3 Phase
	70034402P	Heater Element	Standard models; 3 required; 7 kW; 220 Volt heater element for 380 and 440 Volt/3 Phase
	70034403P	Heater Element	Standard models; 3 required; 7 kW; 240 Volt heater element for 230-240 Volt/3 Phase and 400-415 and 460-480 Volt/3 Phase
	70034415P	Heater Element	Eco models; 3 required; 4 kW; 208 Volt heater element for 200-208 Volt/3 Phase
	70034414P	Heater Element	Eco models; 3 required; 4 kW; 220 Volt heater element for 380 and 440 Volt/3 Phase
	70034416P	Heater Element	Eco models; 3 required; 4 kW; 240 Volt heater element for 230-240 Volt/3 Phase and 400-415 and 460-480 Volt/3 Phase
6	70214901	Stove Grill	
7	M400869	Jumper Strip	12 required for 200-208 and 230-240 Volt; 6 required for all other voltages
	70066501	Jumper Bar	4 required for 440 and 460-480 Volt
8	70054	Nut	
9	44328007	Limit Thermostat	

Steam Heater Components

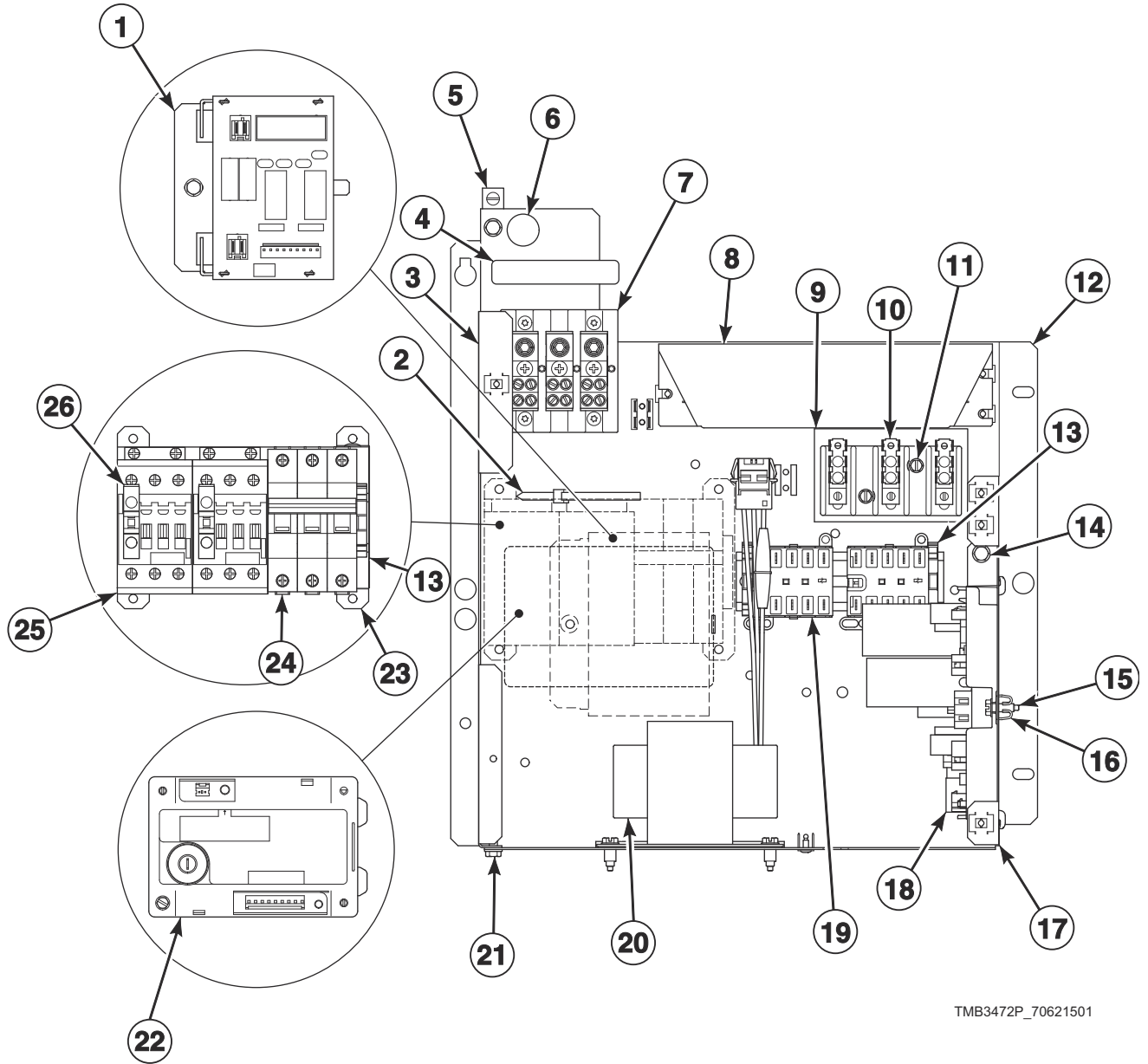


TMB3522P_70621501

Steam Heater Components

REF	PART NO.	DESCRIPTION	COMMENTS
	F8382301	DIN Valve Adapter Kit	Use with item 7
	70564302	Stove Limit Bypass Harness	
	F8520703	Steam Valve Harness	
	44304801	Strain Relief	
	70529601	Steam Adapter Kit	IEC models
1	70389201	Clevis Pin	
2	70389301	Hairpin Cotter	
3	70369301	Steam Filter Holder	
4	70369101P	Steam Coil	4 rows
5	70429401	Filter	IEC models
	70036001	Air Filter	North America models
6	F8514701	Coil	120 Volt
	F8514601P	Coil	240 Volt
7	F8322904P	Steam Valve	120 Volt
	F8322906P	Valve	240 Volt
8	70058502	Pop Rivet	

Control Tray and Accessory Box



TMB3472P_70621501

Control Tray and Accessory Box

REF	PART NO.	DESCRIPTION	COMMENTS
	44071501	Snap Bushing	Gas models; Use with item 3; 7/8 inch
	70476001	Snap Bushing	Gas models; Use with item 3; 1/2 inch
	70500601	Power Harness	
	M413862	Insulator	Use with item 7, 9 and 10
	70559308	Conversion Kit	X to B voltage
	70610101	EMI Filter Kit	North America gas and steam models; 100-240 Volt
	70610102	EMI Filter Kit	North America gas and steam models; 380-480 Volt
	70610103	EMI Filter Kit	North America electric models; 200-240 Volt
	70610104	EMI Filter Kit	North America electric models; 380-480 Volt
1	70501801	Steam Control Assembly	Steam models
2	70335601	Cable Tie	
3	70520601	Junction Box Side	Electric models; Left side
	70526401	Junction Box Side	Gas models; Left side
	70536801	Junction Box Side	Steam models; Left side
4	44286803	Label	Wire L1, L2, L3
	44286801	Label	Wire L1, N
	44286804	Wire Label	Wire L1 L2, L1 N, L1 L2 L3
5	M411283	Ground Lug Connector	Attach with 685837 Screw
6	D516100	Label	
7	M413865	Power Distribution Block	Electric models; Attach with 39733 Screw
	44014901P	Power Distribution Block Cover	Electric models; Attach with 39733 Screw
	430642	Terminal Block	Gas and steam models; Attach with 51783 Screw
	70333001	Terminal Block Shield	Gas and steam models; Attach with 51783 Screw
8	F8591601	EMI Filter	IEC models; 100-120 and 200-240 Volt
	F8637501	EMI Filter	IEC models; 380-480 Volt
9	70333001	Terminal Block Shield	IEC models
10	430642	Terminal Block	IEC models
11	51783	Screw	IEC models
12	70531501	Junction Box Base Assembly	Electric models
	70531401	Junction Box Base Assembly	Gas and steam models
13	F8449801	End Stop	Electric models 3 required; Gas and steam models 2 required
14	430497	Screw	
15	F8206901	Screw	
16	70030501	Expansion Clip	
17	70520801	Control Board Tray	
18	70479201P	I/O Control Assembly	
19	70482601	Contactor	1 required for 120-240 Volt; 2 required for 380-480 Volt
20	F8491101	Transformer	380-480 Volt
21	51780	Screw	
22	70482002	Ignition Control	IEC gas models
	70482001	Ignition Control	North America gas models
23	70531701	Bracket Assembly	Electric models
24	70488101	Circuit Breaker	Electric models; 380-480 Volt
	70488102	Circuit Breaker	Electric models; 200-240 Volt
25	70482701	Contactor	Electric models
26	44313201	Auxiliary Contact Block	Electric models

Labels

PART NO.	DESCRIPTION	COMMENTS
70535101	Caution Label	Vent/install
F8614501	Danger Label	Shock; English/French
F8614301	Hot Surface Warning Label	English/French
F8609001	Hot Surface Warning Label	Icon
F8611601	Warning Label	
F8614500	Label Kit	Shock
F8605500	Label Kit	
44321501	Notice Label	120/240 Volt
70539601	Notice Label	
70534201	Notice Label	
F8609501	Notice Label	
D516073	Notice Label	Read instructions; Icon
70538401	Pinch Warning Label	English/French
F8615701	Pinch Warning Label	Icon
F8614401	Shock Warning Label	English/French
F8614201	Shock Warning Label	Icon
70536301	Warning Label	Lint
44324101	Warning Label	Fire; Australian models
70534305	Warning Label	Fire; Colombian Spanish; Australian models
44321601	Warning Label	Risk of fire; Icon

Harnesses

PART NO.	DESCRIPTION	COMMENTS
44316009	Filter Output Power Harness	1 Phase; Power distribution block to RFI filter
44316010	Filter Output Power Harness	3 Phase; Power distribution block to RFI filter
70609001	Base Harness	
44334604	Heat Control Harness	Gas and steam models
44334605	Heat Control Harness	Electric models
44316005	Harness	Electric models; 200-240 Volt; Control circuit breaker to EMI filter
44316006	Harness	Electric models; 380-480 Volt; Control circuit breaker to EMI filter
44309005	Harness	Electric North America models; 200-240 Volt; Power distribution block to control circuit breaker
44309006	Harness	Electric North America models; 380-480 Volt; Power distribution block to control circuit breaker
44309015	Harness	Electric IEC models; 200-240 Volt; Power distribution block to control circuit breaker
44309016	Harness	Electric IEC models; 380-480 Volt; Power distribution block to control circuit breaker
70500504	Harness	Electric models; Contactor to element
70500503	Harness	Electric models; Contactor to element; 200-240 Volt
44335303	Inverter Motor Harness	Secondary; 380-480 Volt
44334702	Inverter Contactor Coil Harness	Secondary; 380-480 Volt
70561501	Junction Box Harness	
44316003	Filter Input Power Harness	Gas and steam models; 1 Phase; Power distribution block to filter
44316004	Filter Input Power Harness	Gas and steam models; 3 Phase; Power distribution block to filter
70608901	Main Harness	
44280009	Motor Contactor Power Harness	Electric models; 3 Phase
44280004	Motor Contactor Power Harness	Gas and steam models; 3 Phase
44280008	Motor Contactor Power Harness	Electric models; 1 Phase
44280011	Motor Contactor Power Harness	1 Phase; EMI
44280013	Motor Contactor Power Harness	3 Phase; EMI
44280002	Motor Contactor Power Harness	Gas and steam models; 1 Phase
44280103	Power Harness	Electric models; 380-480 Volt
44280102	Power Harness	Gas and steam models; 380-480 Volt
44272103	Power Harness	Electric models; 100-240 Volt
44272102	Power Harness	Gas models; 100-240 Volt
44273602	Steam Control Harness	
204454	Ferrite	Korean models; EMI; Motor circuit, inverter communication circuit

Parts Index

A

Adapter	
70131901	47
70131902	47
Air Duct	
70580801	35
Air Filter	
70036001	53
Airflow Switch and Arm Bracket	
70319602	43
Airflow Switch Arm	
70319401	43
Airflow Switch Vane	
70319201	43
Airflow Switch Wrapper	
70356101	43
Anti-Rattle Burner Assembly	
70546701	45
App Pay Overlay Kit	
44374701	7, 9
Auxiliary Contact Block	
44313201	55

B

Base Harness	
70609001	57
Blind Rivet	
F8245101	25, 29
Blower Assembly	
70359801P	41
Blower Housing Cover Assembly	
70341402	41
Blower Housing Scroll	
70340801	41
Blower Inlet Cone	
70014101	41
Blower Motor Mounting Plate	
70341001	41
Bracket	
70610501	21
70634201	23
Bracket Assembly	
70531701	55
Burner Grill	
70188801	45
Burner Orifice	
70684105	49
70684106	49
70684107	49
70684108	49
70684109	49
70684110	49
70684111	49
70684113	49
70684114	49
70684116	49
70684125	49

70684126	49
70684128	49
70684130	49
70684132	49
70684133	49
70684135	49
70684137	49
70684139	49
70684142	49
Bushing	
44052701	15
Bypass Harness	
44334103	25

C

Cable Tie	
70335601	55
Caution Label	
70535101	56
Center Cylinder Seal	
70066003	35
Center Hinge Lug Assembly	
70640402	19
Center Pan	
70606001	35
Center Pan Channel	
70606101	35
Center Partition	
70639201	35
Central Pay Board Harness	
44355604	15
Central Pay Harness	
44355603	15
44355605	15
Channel Base Assembly	
70288201	35
Circuit Breaker	
70488101	55
70488102	55
Clevis Pin	
70389201	53
Clip	
M400984	35
70226701	35, 39
Clip Keeper Bracket	
70604901	21, 23
Clip Mount Bracket	
70604801	21, 23
Coil	
F8514601P	53
F8514701	53
Coin Drop	
38963P	11
39748	11
70441601	11
70441603	11
Coin Drop Assembly	
201141	11
210195	11

N/A items do not appear in index.

210196	11
38462P	11
38463	11
38467	11
38519	11
70281102	11
70283102	11
70441602	11
70447301	11
70471601	11
70482401	11
70506901	11
Coin Drop Kit	
CK077	11
CK122	13
Coin Identification Paper	
38464P	11
38475	11
Coin Meter	
F0160737-00	11
Coin Vault Assembly	
70529501	25
Coin Vault Switch Harness	
44334102	25
Connector Cover	
70525701	51
Contact Base	
F8538101	27
Contact Switch	
F8069501	27
Contactactor	
70482601	55
70482701	55
Control Assembly	
70576201P	7
70697102	9
Control Bezel	
70642001	25
Control Board Tray	
70520801	55
Control Bracket	
70581001	7
70581002	7
70581003	7
70581101	7, 9
Control Door Latch	
431318	7, 9
Control Housing Cover	
70307005	15
70307006	15
Conversion Kit	
70559308	55
Cylinder Assembly	
70372502P	31
70372504P	31
Cylinder Bearing Stud Plate Assembly	
430352	33, 35
Cylinder Guide Tool	
263P4	31
Cylinder Shroud	
70339301	35
70339302	35

D

Danger Label	
F8614501	56
DIN Valve Adapter Kit	
F8382301	53
Door Assembly	
70597702	17, 19
70597709	19
Door Catch Kit	
70482901	25
Door Glass	
M400784P	17, 19
Door Glass Installation Tool	
M4221P4	17
Door Glass Label	
70650401	17, 19
70707701	17, 19
Door Glass Seal Kit	
70211901P	17, 19
Door Handle	
44007902P	17, 19
Door Hinge	
70595502	17
70632701W	19
70632703	19
70632707	19
70632710B	19
Door Hinge Lug Assembly	
70601008	17
Door Latch	
M401223	25
Door Ring Gasket	
70296801	17, 19
Door Switch Actuator	
70532101	17
70532102	17
Drive Motor	
70478601P	37
70485001P	37
Drive Plate	
70571901	37
Drywall Screw Magnet Kit	
70343101P	31
Duct Cover	
70207501	39
70340201	39
70478101	39

E

Electronic Coin Drop Assembly	
70294107	11
70513302	11
70513303	11
70513304	11
70513306	11
70513308	11
70513309	11
70513310	11
70513311	11
70513312	11
70513313	11

N/A items do not appear in index.

70513314	11
70513315	11
70513316	11
Electronic Coin Drop Kit	
CK099	13
CK100	13
CK101	13
CK108	13
CK109	13
CK110	13
CK113	13
CK115	13
CK116	13
CK117	13
CK118	13
CK119	13
CK120	13
CK121	13
Emergency Stop Button Kit	
70580301	27
Emergency Stop Bypass Harness	
F8519403	27
Emergency Stop Harness	
44272401	27
44272402	27
Emergency Stop Label	
44012901	27
44012903	27
Emergency Stop Mounting Bracket	
70550401	27
Emergency Stop Pushbutton	
F200233500	27
EMI Filter	
F8591601	55
F8637501	55
EMI Filter Kit	
70610101	55
70610102	55
70610103	55
70610104	55
End Cap	
70070101	31
End Stop	
F8449801	55
Exhaust Duct Assembly	
70528301	39
70528302	39
70662606	39
Exhaust Duct Gaskets Assembly	
70340401	39
Exhaust Pipe	
44154301	39
Expansion Clip	
70030501	15, 55

F

False Front	
70371704	21, 23
Fan Motor	
70478701P	41
70484901P	41
Ferrite	
204454	57

Filter	
70429401	53
Filter Input Power Harness	
44316003	57
44316004	57
Filter Output Power Harness	
44316009	57
44316010	57
Foam Gasket	
70598101	29
Fob Communication Harness	
F8719302	7
Fob Reader Control Assembly	
205135	7
Fob Reader Kit	
70666805	15
Forward Valve Cover	
70328201	47
Front Air Duct	
70573701	35
70573702	35
Front Panel Seal	
70173401P	21, 23

G

Gas Burner	
70229801P	45
Gas Valve	
44154507	47
44154508	47
Gas Valve Cover	
70233401	45
Gas Valve Harness	
44273501	47
Gasket	
70289101P	21, 23, 39
70392701P	41
Ground Lug Connector	
M411283	55

H

Hairpin Cotter	
70389301	53
Harness	
44309005	57
44309006	57
44309015	57
44309016	57
44316005	57
44316006	57
70500503	57
70500504	57
Heat Control Harness	
44334604	57
44334605	57
Heater Element	
70034401P	51
70034402P	51
70034403P	51
70034414P	51

N/A items do not appear in index.

70034415P	51
70034416P	51
High Altitude Orifice Kit	
70609909	49
70609910	49
High Voltage Suppression Cable	
44239701	47
Hinge Cam Kit	
70622401	17
Hold-Down Clip	
35865	21, 23
Hot Surface Warning Label	
F8609001	56
F8614301	56

I

Idler Wheel Assembly	
70050401P	37
Igniter Cover	
70159601	45
Ignition Control	
70482001	55
70482002	55
Ignition Keeper Orifice Bracket	
70539901	47
Insulator	
M413862	55
Interconnect Harness	
44272105	27
Inverter Contactor Coil Harness	
44334702	57
Inverter Motor Harness	
44335303	57
I/O Control Assembly	
70479201P	55

J

Jumper Bar	
70066501	51
Jumper Harness	
70500505	51
70500506	51
Jumper Strip	
M400869	51
Junction Box Base Assembly	
70531401	55
70531501	55
Junction Box Harness	
70561501	57
Junction Box Side	
70520601	55
70526401	55
70536801	55

K

Key	
70155601	25
70155602	29

N/A items do not appear in index.

Kickplate	
70117605	23

L

Label	
D516100	55
44286801	55
44286803	55
Label Kit	
F8605500	56
F8614500	56
70534300	21
Lever Arm and Belt Kit	
70655102	37
Lever Arm and Bushing Assembly	
70653801	37
Limit Thermostat	
44328001	41
44328005	45
44328007	51
44328104	45
70530901	41
Lint Box Gasket	
70593901	25
Lint Door Support	
70598201	29
Lint Front Assembly	
70567401	29
70567402W	29
Lint Screen Assembly	
70596102	29
Lint Screen Bracket	
70595702	29
Lint Screen Shim	
70605601	29
Lint Seal Shoulder Bracket	
70605701	25
Lint Tray Rail	
70580901	35
70580902	35
Lock Pull	
70642201	29
Lock, Key and Nut Kit	
44089301P	25
44390902P	29
Lower Front Panel	
70643101	21
70643102	21
Lower Front Panel Assembly	
70703501	23
70703501W	23
70703502	23
70703502W	23
70703503	23
Lower Hinge Gusset	
70632002	19
Lower Lug Assembly	
70639302	19
70639304	19
Lower Pan	
70606201	35
L.P. Conversion Kit	
70550205	47

70551905	47
L.P. Valve	
44154504	47

M

Machine ID Control Assembly	
203361P	7, 9
Magnet	
70343101	29
Main Harness	
70608901	57
Max Fill Line Label	
70707501	17, 19
Motor Conduit Bracket	
44317901	41
Motor Conduit Mounting Bracket	
70521901	37
Motor Contactor Power Harness	
44280002	57
44280004	57
44280008	57
44280009	57
44280011	57
44280013	57
Motor Mount Plate	
70564201	37
Motor Pulley	
70559101	37
Mounting Bracket	
70604001	15

N

Nameplate	
F8664901	25
F8688001	23, 25
F8688901	23
567293	23
567887	23
70685901	25
Notice Label	
D516073	56
F8609501	56
44321501	56
70534201	56
70535901	47
70539601	56
70544901	47
Nut	
M400022	33, 41
M400034	33, 41
M412986	31, 33
M414215	17, 19
Q6163	51
21899	35
29786	41
430576	35
44087101	7, 29
44087201	37
44087301	37
44088001	17, 19
44088801	25, 29

44333202	37
56156	37
70030401	21, 23, 35
70054	7
70288801	35

N.G. Valve	
44154503	47

O

Opto Coupler	
200674P	11
Orifice Adapter	
70552801P	47
Orifice Holder Bracket	
70248901	47
Overlay	
F8734101	7
F8734401	7
F8736701	7

P

Panel Lock	
44089304	25
44390902	29
Pin	
70071401	17
Pinch Warning Label	
F8615701	56
70538401	56
Pipe	
70262601	47
Pipe Clip	
70203701	45
Pipe Nipple	
70435601	47
70612603	47
Plate Assembly	
70633001	7
70633002	7
70633003	7
70633004	7
70633005	7
70633006	7
70666701	7
Plug	
70167601	47
Pop Rivet	
M400003	7, 9
44166601	25
70058501	17, 19, 21, 23, 35, 47
70058502	53
70126301	23
Porcelain Touch-Up Paint	
122P4P	35
Power Distribution Block	
M413865	55
Power Distribution Block Cover	
44014901	55
Power Harness	
44272102	57
44272103	57

N/A items do not appear in index.

44280102	57
44280103	57
70500601	47, 55
Power Supply Transformer Harness	
44272303	15
Primary Air Adjustment Sleeve	
70239801	47
Pushbutton Switch	
70413301	25

R

Rear Bearing Shim	
70355001	33
Rear Cylinder Bearing Housing	
70013901	33
Rear Cylinder Channel	
70257101	31
Rear Cylinder Channel Plate	
70257201	31
Rear Cylinder Seal	
70013701P	33, 35
Rear Cylinder Seal Support	
70506402	33, 35
Rear Panel	
70580701	35
70580702	35
Rear Stabilizer Bracket	
70200301	41
Rear Valve Cover	
70282401	47
Reed Switch Assembly	
F8066804	25
Reed Switch Box	
70606301	25
Replacement Screen Kit	
70576501P	7, 9
Rivet	
70614201	23
Roller and Seal Kit	
70616701	35
Roller Seal	
70443601	35
Roller Shaft	
70249501	35
Roller Support Bracket	
70584901	35

S

Screw	
FR004022	17
F430144	37
F8206901	55
F8458801	19
M400661	17, 19
M411072	15, 39
05161	45
203799	7, 9
23222	41
430497	15, 25, 29, 31, 35, 39, 41, 45, 47, 51, 55
430757	43

44349101	17, 19
51780	15, 41, 55
51783	55
62588	31
70126101	41
70126104	37
70247701	35
70391101	31
70436301	17
70442101	17, 19
70501301	37
70508301	37
70546301	37
70576101	17
70640201	19
70640301	19
802822	19
Sheet Metal Edge Gasket	
70015711	35
70015712	35
Shock Warning Label	
F8614201	56
F8614401	56
Side Panel	
70607401W	35
70639501DG	35
70639501W	35
70639502DG	35
Snap Bushing	
M400770	47
44071501	15, 55
70476001	55
Spacer	
70488403	37
Spark Electrode	
70548701P	45
Spray Paint	
298P4P	35
Spring	
70571801	37
Spring Catch Bracket	
70543401	37
Standoff	
70569603	37
Steam Adapter Kit	
70529601	53
Steam Coil	
70369101P	53
Steam Control Assembly	
70501801	55
Steam Control Harness	
44273602	57
Steam Filter Holder	
70369301	53
Steam Valve	
F8322904P	53
Steam Valve Harness	
F8520703	53
Stove Back	
70371501	45
Stove Grill	
70214901	51
Stove Limit Bypass Harness	
70564302	53

N/A items do not appear in index.

Stove Limit Harness	
70564301	45, 47
70564303	51
Stove Partition	
70357201	51
Stove Top and Sides	
70333401	45
70525601	51
Strain Relief	
44304801	53
Street Elbow	
H86070034	47
70612501	47
Supply Harness	
44272306	15
Support Bearing	
70448701	33
Switch	
70411901	43
Switch Bracket	
70356301	43

T

Tee	
F422208	47
70071801	47
Tensioning Bracket	
70569501	37
Terminal Block	
430642	55
Terminal Block Shield	
70333001	55
Thermistor	
M414704	41
Thermostat Cover	
M414477	45
Top Panel	
70605801	35
70626801	35
Transformer	
F8491101	55
202757	15
202758	15
Transformer Harness	
44272304	15
44272305	15
Trunnion and Seal Kit	
70564803	31
Tube	
70281601	47

U

Upper Front Panel Assembly	
70643201	21
70703504	23
70703504W	23
Upper Hinge Gusset	
70632001	19
Upper Lug Assembly	
70639301	19

70639303	19
USB IR Interface Kit	
203346	15
USB-Serial Interface Assembly	
203440	7, 9

V

Valve	
F8322906P	53
Vend Activation Harness	
70577101	7, 9

W

Warning Label	
F8611601	56
44321601	56
44324101	56
70534301	21, 23
70534302	21, 23
70534305	56
70536301	56
Washer	
M400991	33, 41
70261401	35
70411301	31
Wire Clip	
70366201	15
Wire Guard	
201595P	11
Wire Label	
44286804	55

N/A items do not appear in index.

