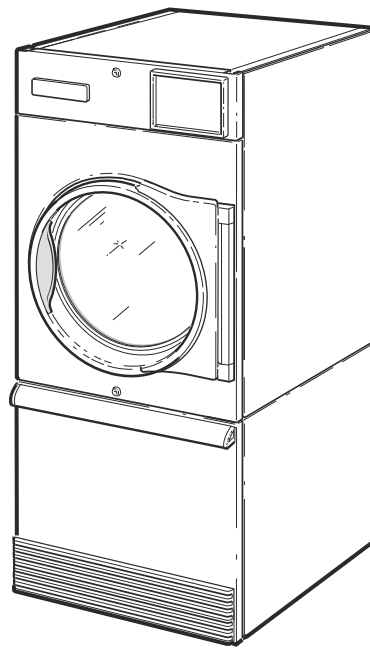


# Tumble Dryers

35 Pound Capacity

18 Digit Model Numbers with 6 in 13th Position

Refer to Page 5 for Model Numbers



TMB1293C



# Table of Contents

Title	Page
Parts Ordering Information.....	3
Serial Plate Location .....	3
Machine Identification .....	5
Product Overview - Heat Source and Voltage .....	6
Product Overview - FN Control Suffix .....	8
Product Overview - DN and NN Control Suffixes.....	10
Product Overview - N and W Control Suffixes .....	12
Product Overview - V Control Suffix .....	14
Dual Digital Control.....	16
Electronic Display Control - Vend Models with N or W in the 7th Position.....	18
Electronic Display Control Overlays - Vend Models with N or W in the 7th Position .....	20
Electronic Display Control - OPL Models with N in the 7th Position .....	22
3.5 Inch Graphical Control .....	24
Touch Control - Vend Models with V in the 7th Position.....	26
Touch Control - OPL Models with V in the 7th Position .....	28
Coin Drops .....	30
Coin Drop Kits.....	32
Network Board Components.....	34
Door Assemblies.....	36
Door Components.....	38
Hinge Components .....	40
Control Panels .....	42
Front Panel Assemblies .....	44
Cabinet Front Components.....	46
Emergency Stop Button - IEC OPL Models .....	48
Lower Cabinet Components .....	50
Cylinder and Trunnion Assembly .....	52
Moisture Sensing Components.....	54
Cylinder Components .....	56
Cabinet Components .....	58
Rear Panels .....	60
Fire Suppression System Components .....	62
Fire Suppression System Control Box.....	64
Motor Components .....	66
Blower and Exhaust Components.....	68
Inverter Tray Components .....	70
Airflow Switch.....	72
Gas Heater Components .....	74
Burner Orifices .....	76
Electric Heater Components .....	78
Control Tray .....	80

© Copyright 2022, Alliance Laundry Systems LLC

All rights reserved. No part of the contents of this book may be reproduced or transmitted in any form or by any means without the expressed written consent of the publisher.

Accessory Box - Electric Models.....	82
Accessory Box Harnesses - Electric Models.....	84
Accessory Box - Gas Models.....	86
Labels .....	88
Parts Index.....	89

## Parts Ordering Information

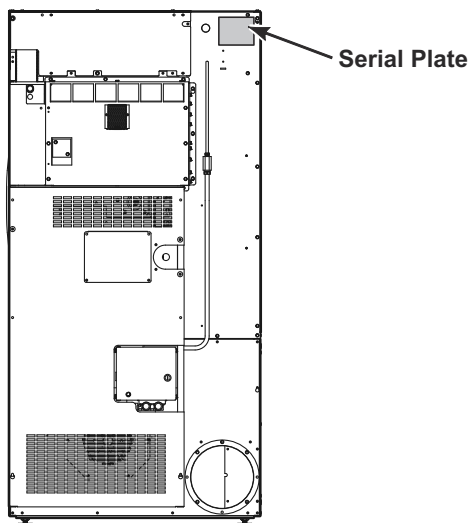
If literature or replacement parts are required, contact the source from whom the machine was purchased or contact Alliance Laundry Systems at (920) 748-3950 for the name and address of the nearest authorized parts distributor.

For technical assistance, call the number listed below:

(920) 748-3121 Ripon, Wisconsin

## Serial Plate Location

When calling or writing about your product, be sure to mention model and serial numbers. Model and serial numbers are located on serial plate(s) as shown.



TMB3830P

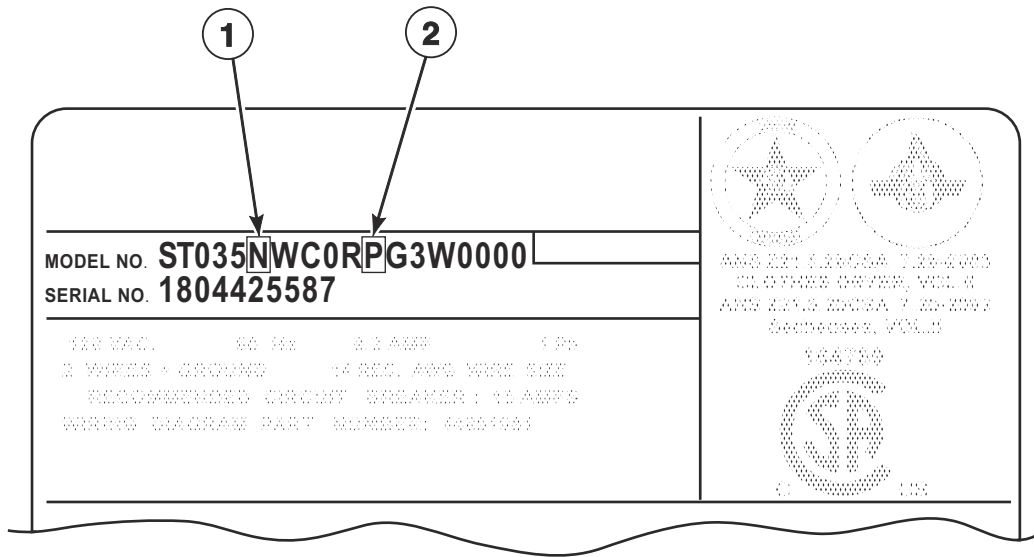


# Machine Identification

Information in this manual is applicable to these machines:

BA035E	HA035E	JU035E	SA035E	UA035E
BA035L	HA035L	JU035N	SA035L	UA035L
BA035M	HA035M	PA035E	SA035M	UA035M
BA035N	HA035N	PA035L	SA035N	UA035N
BG035D	HG035D	PA035M	SG035D	UG035D
BG035E	HG035E	PA035N	SG035E	UG035E
BG035L	HG035L	PG035E	SG035L	UG035L
BG035M	HG035M	PG035L	SG035M	UG035M
BG035N	HG035N	PG035M	SG035N	UG035N
BH035E	HH035E	PG035N	SH035E	UH035E
BH035M	HH035M	PH035E	SH035M	UH035M
BH035N	HH035N	PH035M	SH035N	UH035N
BJ035D	HJ035D	PH035N	SJ035D	UJ035D
BJ035E	HJ035E	PJ035E	SJ035E	UJ035E
BJ035M	HJ035M	PJ035M	SJ035M	UJ035M
BJ035N	HJ035N	PJ035N	SJ035N	UJ035N
BK035E	HK035E	PK035E	SK035E	UK035E
BK035L	HK035L	PK035L	SK035L	UK035L
BK035N	HK035N	PK035N	SK035N	UK035N
BL035E	HL035E	PR035E	SL035E	UL035E
BL035L	HL035L	PT035E	SL035L	UL035L
BR035E	HR035E	PT035L	SR035E	UR035E
BT035D	HT035D	PT035M	ST035D	UT035D
BT035E	HT035E	PT035N	ST035E	UT035E
BT035L	HT035L	PU035E	ST035L	UT035L
BT035M	HT035M	PU035F	ST035M	UT035M
BT035N	HT035N	PU035M	ST035N	UT035N
BU035E	HU035E	PU035N	SU035E	UU035E
BU035F	HU035F	PU035R	SU035F	UU035F
BU035M	HU035M		SU035M	UU035M
BU035N	HU035N		SU035N	UU035N
	HU035R		SU035R	UU035R

# Product Overview - Heat Source and Voltage



TMB3529P

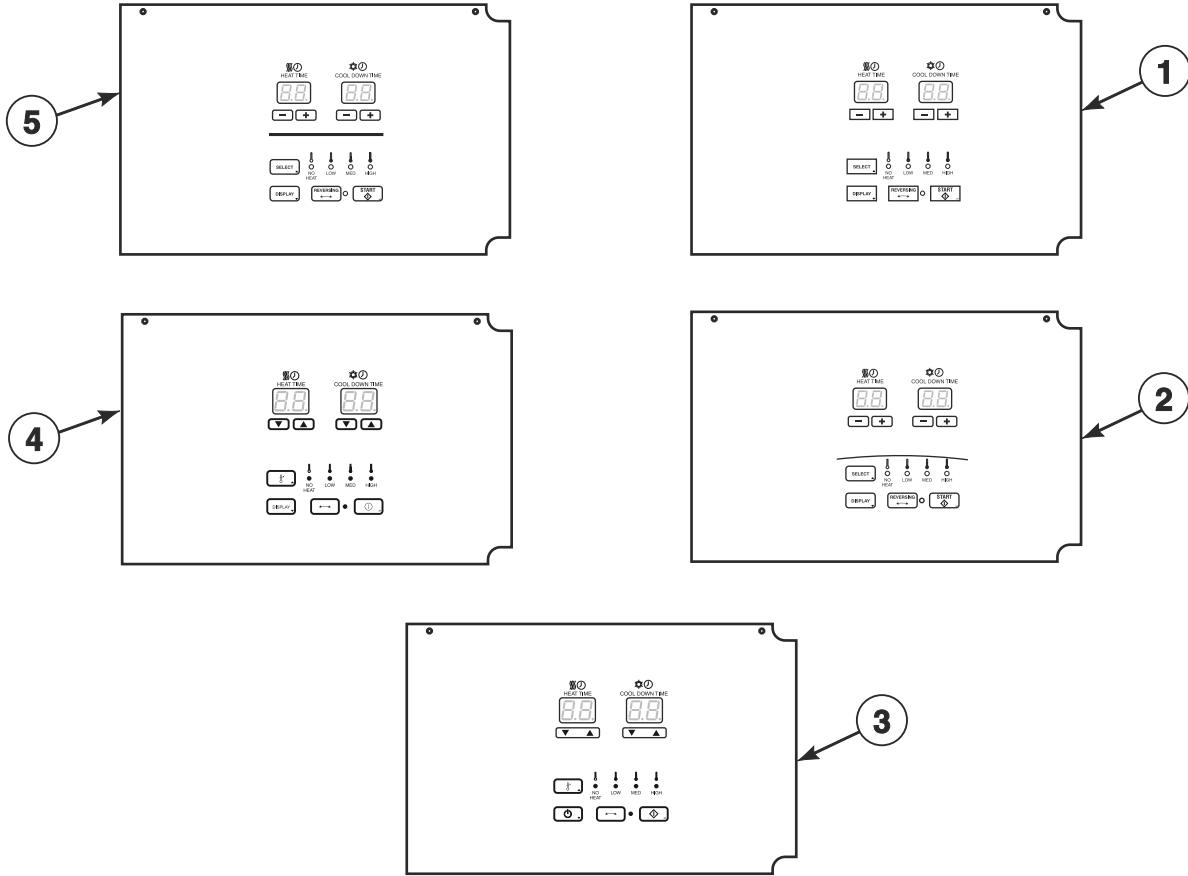
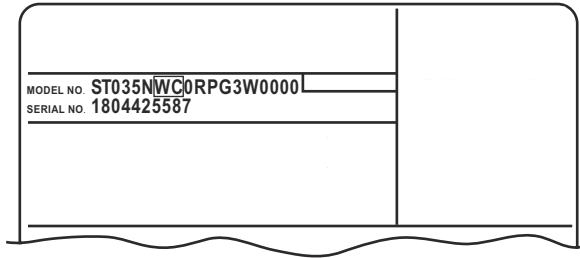


## Product Overview - Heat Source and Voltage

REF	PART NO.	DESCRIPTION	COMMENTS
1	-	Heat Source	D: Liquid Petroleum Gas (L.P) E: Electric F: Reduced Electric (Eco Line) L: Liquid Petroleum Gas (L.P.) M: Medium Electric N: Natural Gas (N.G.) R: Reduced Gas, Natural Gas (Eco Line)
2	-	Voltage	B: 100-120 Volt/50-60 Hertz/1 Phase; Gas models D: 200-208 Volt/50-60 Hertz/1 Phase; Electric models E: 230-240 Volt/50-60 Hertz/1 Phase; Electric models F: 200-208 Volt/50-60 Hertz/3 Phase; Electric models G: 230-240 Volt/50-60 Hertz/3 Phase; Electric models H: 380 Volt/50-60 Hertz/3 Phase; Electric models J: 400-415 Volt/50-60 Hertz/3 Phase; Electric models K: 440 Volt/50-60 Hertz/3 Phase; Electric models L: 460-480 Volt/50-60 Hertz/3 Phase; Electric models N: 440-480 Volt/50-60 Hertz/3 Phase; Gas models P: 380-415 Volt/50-60 Hertz/3 Phase; Gas models X: 200-240 Volt/50-60 Hertz/1-3 Phase; Gas models

# Product Overview - FN Control Suffix

All Models Except J Models; OPL



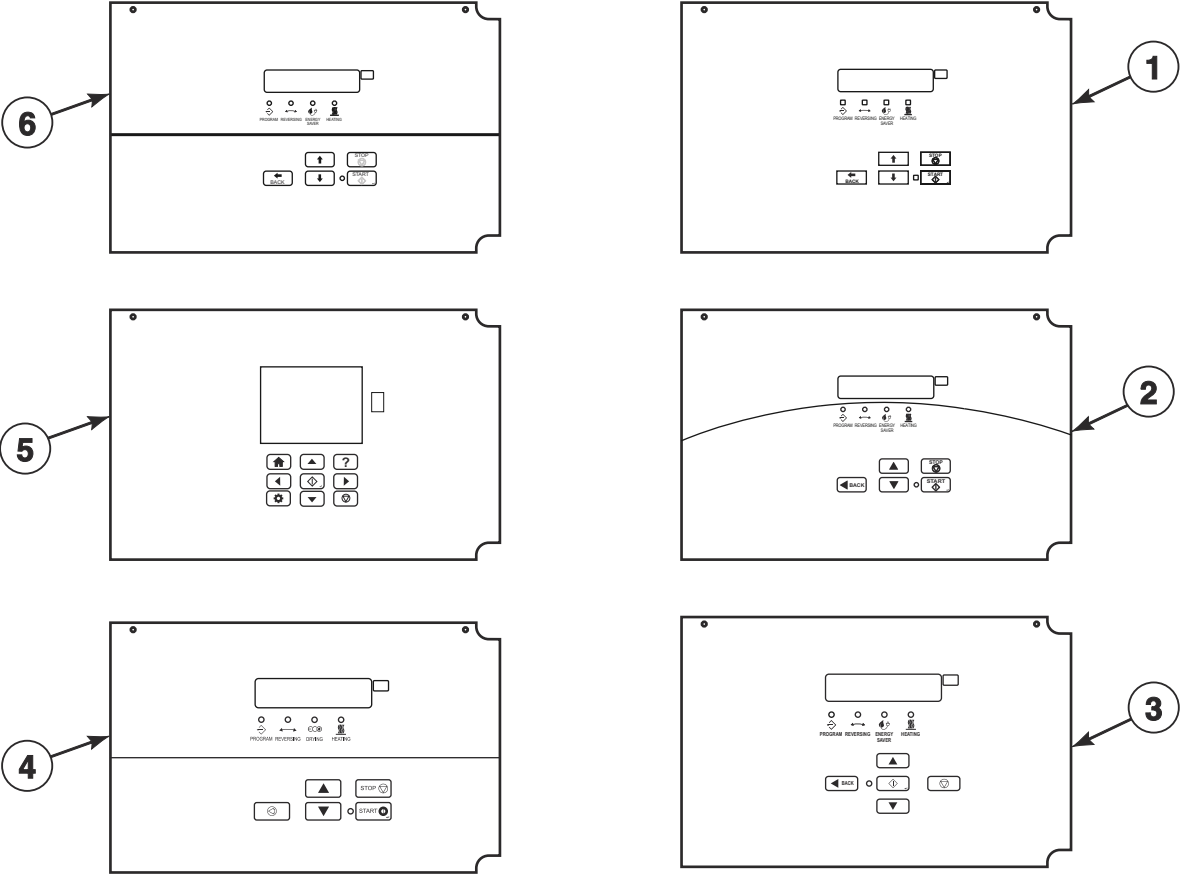
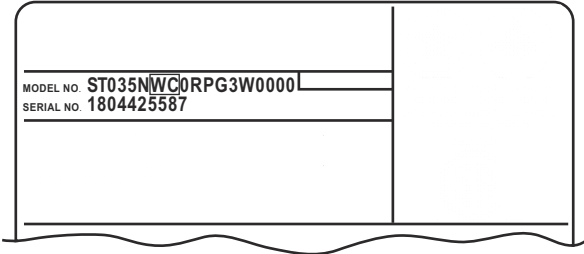
TMB3530P

## Product Overview - FN Control Suffix

REF	PART NO.	DESCRIPTION	COMMENTS
1	-	Dual Digital Control	H models
2	-	Dual Digital Control	U models
3	-	Dual Digital Control	B models
4	-	Dual Digital Control	P models
5	-	Dual Digital Control	S models

# Product Overview - DN and NN Control Suffixes

All Models Except J Models; OPL



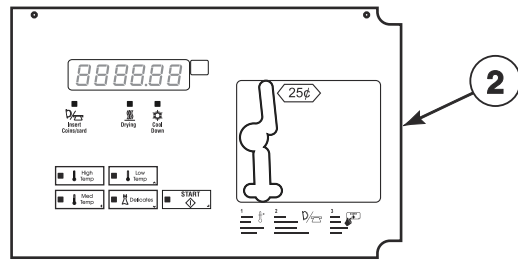
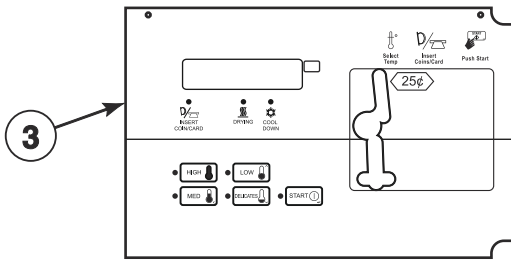
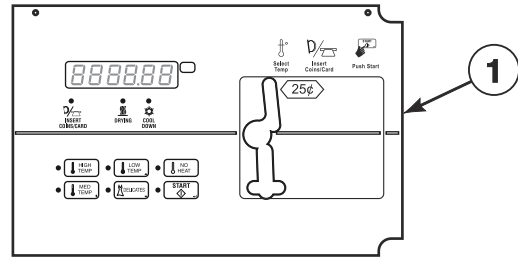
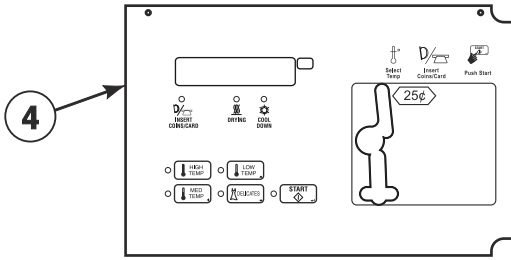
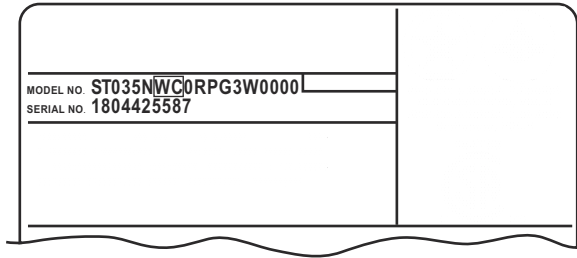
TMB3531P

## Product Overview - DN and NN Control Suffixes

REF	PART NO.	DESCRIPTION	COMMENTS
1	-	Galaxy Control	H models
2	-	M-Series Control	U models
3	-	OPTimum Control	B models
4	-	OPL Micro Control	P models
5	-	UniLinc Control	U models
6	-	Quantum Gold Control	S models

# Product Overview - N and W Control Suffixes

7th Position of the Model Number; All Models Except U Models; Vend



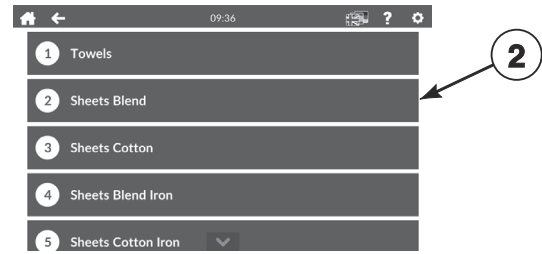
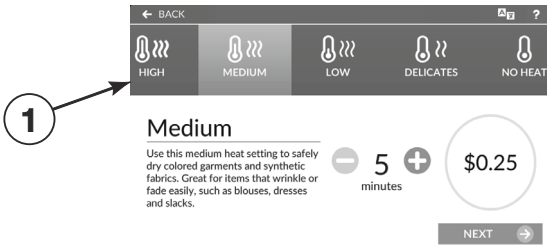
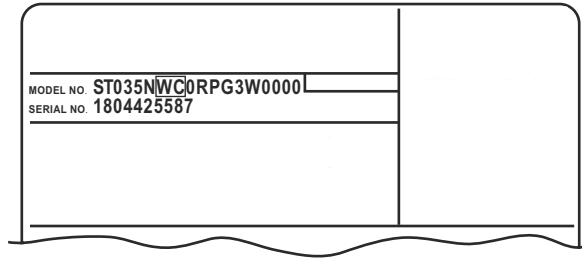
TMB3860P

## Product Overview - N and W Control Suffixes

REF	PART NO.	DESCRIPTION	COMMENTS
1	-	Quantum Gold Control	S models
2	-	Galaxy 600	H models
3	-	XQ Control	P models
4	-	EVO7S Control	B and J models

# Product Overview - V Control Suffix

7th Position of the Model Number; All Models Except U Models; Vend and OPL



TMB3861P

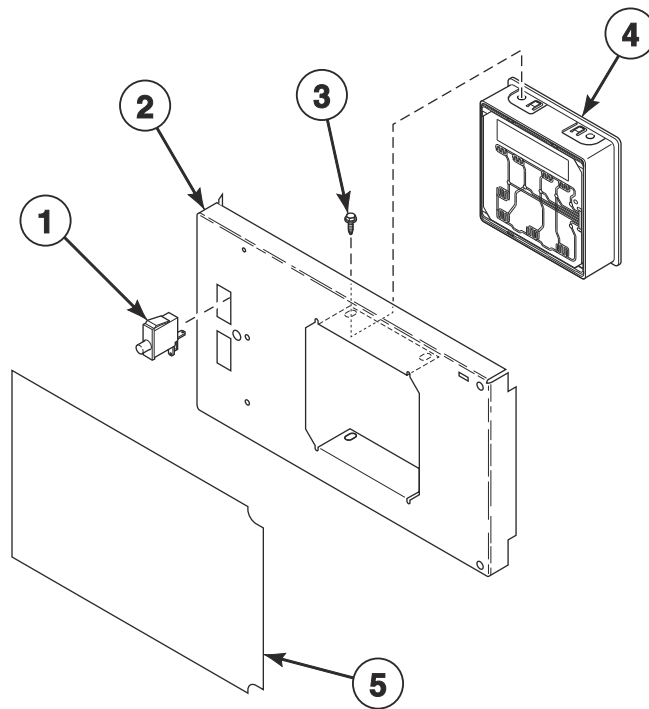


## Product Overview - V Control Suffix

REF	PART NO.	DESCRIPTION	COMMENTS
1	-	Touch Control	B, H, P and S models; Vend
2	-	Touch Control	B, J and P models; OPL

# Dual Digital Control

Models with F in the 7th Position; All Models Except J Models



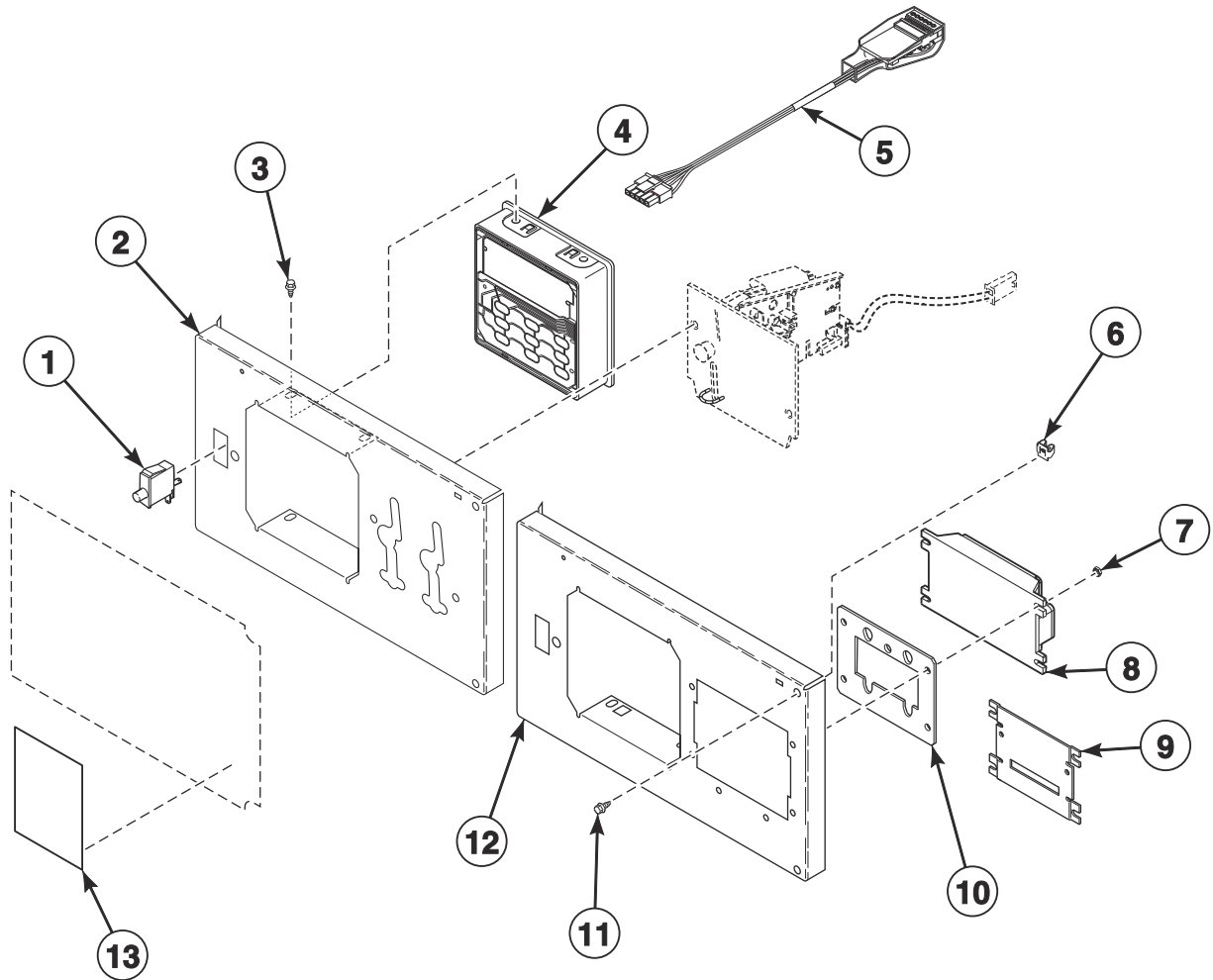
TMB3505P

# Dual Digital Control

REF	PART NO.	DESCRIPTION	COMMENTS
	44334004	Vend Activation Harness	
	70631001	Main Harness	
<b>1</b>	70413301	Pushbutton Switch	
<b>2</b>	70497101	Control Plate	All models except S models
<b>3</b>	804608	Screw	4 required
<b>4</b>	70523101	Control Assembly	P models; Blue
	70479801	Control Assembly	H, S and U models; Green
	70479901	Control Assembly	B models; Red
<b>5</b>	70539101	Overlay	B models; Reversing
	70691301	Overlay	H models; Reversing
	70545501	Overlay	P models; Reversing
	70675001	Overlay	S models; Reversing
	70519001	Overlay	U models; Reversing

# Electronic Display Control - Vend Models with N or W in the 7th Position

All Models Except U Models



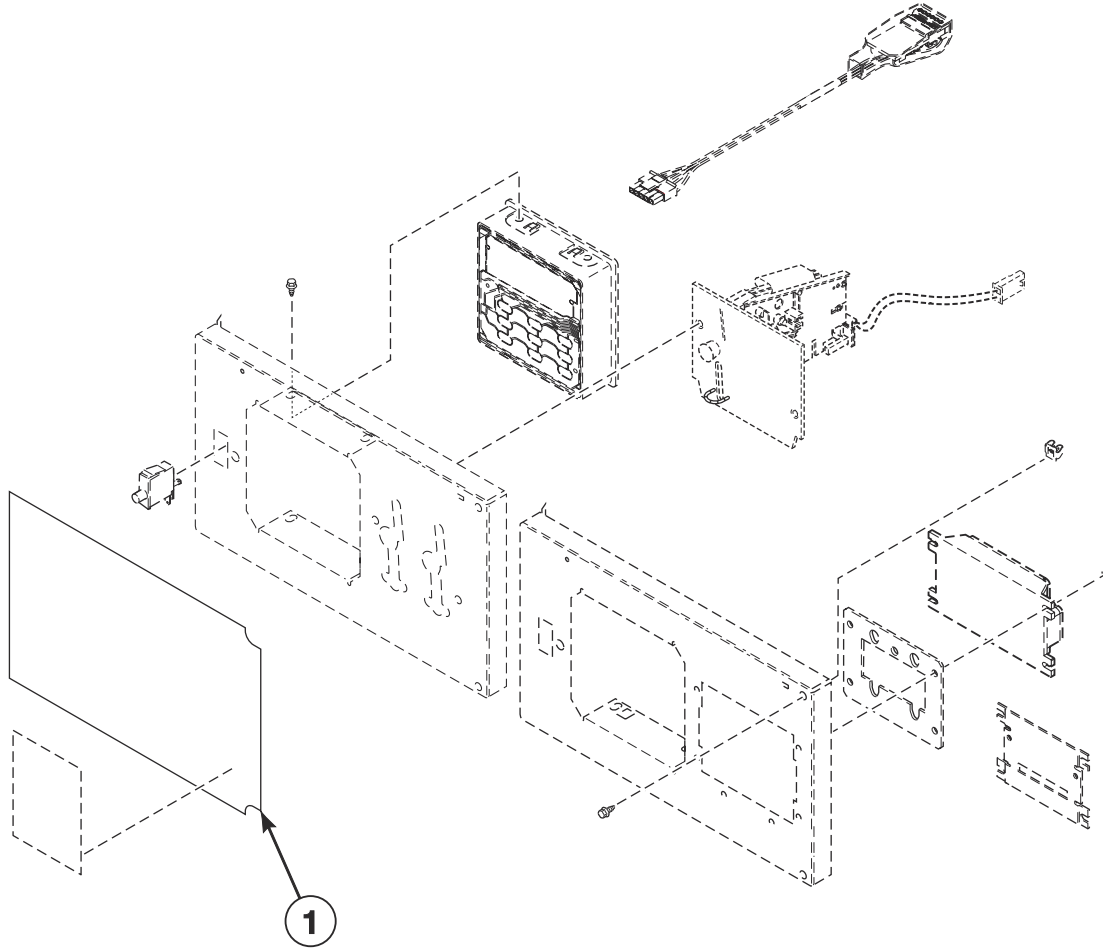
TMB3832P

## Electronic Display Control - Vend Models with N or W in the 7th Position

REF	PART NO.	DESCRIPTION	COMMENTS
	44334004	Vend Activation Harness	
	44334103	Bypass Harness	Vault Switch
	44334104	Coin Vault Switch Harness	
	44378102	Interface Harness	Central pay to front end control
	70631001	Main Harness	
	F8519403	Emergency Stop Bypass Harness	T and G market models
	F8719301	Fob Communication Harness	
<b>1</b>	70413301	Pushbutton Switch	
<b>2</b>	70496601	Control Plate and Studs Assembly	Coin and central pay; All models except S models
<b>3</b>	804608	Screw	4 required
<b>4</b>	70523001	Control Assembly	P models; Blue
	70478801P	Control Assembly	H and S models; Green
	70478901	Control Assembly	B and J models; Red
<b>5</b>	203361P	Machine ID Control Assembly	Model or serial number is required when ordering
<b>6</b>	70030501	Expansion Clip	
<b>7</b>	70054	Nut	
<b>8</b>	205135	Fob Reader Control Assembly	
<b>9</b>	44089501	Slot Card Plate Assembly	
<b>10</b>	70208801	Mounting Plate	
<b>11</b>	M411072	Screw	
<b>12</b>	70497201	Control Plate Assembly	Card and FOB; All models except S models
<b>13</b>	F8205101	Overlay	S models; Single drop; Left
	70557001	Overlay	B and S models; Prep for card
	70557002	Overlay	B and S models; Central pay
	70295101	Overlay	S models; World drop
	70556801	Overlay	H models; World drop
	70556501	Overlay	H models; Prep for card
	70556502	Overlay	H models; Central pay
	70556601	Overlay	H models; Single drop; Left
	70556901	Overlay	H models; Citron; World drop
	70518101	Overlay	H models; Citron; Prep for card
	70518102	Overlay	H models; Citron; Central pay
	70556701	Overlay	H models; Citron; Left
	70556201	Overlay	P models; Single drop; Right
	70556401	Overlay	P models; Prep for card
	70556402	Overlay	P models; Central pay
	70556301	Overlay	P models; Single drop; Left
	F8733901	Overlay	S models; FOB
	F8734201	Overlay	H models; FOB
	F8736501	Overlay	H models; Citron; FOB

# Electronic Display Control Overlays - Vend Models with N or W in the 7th Position

All Models Except U Models



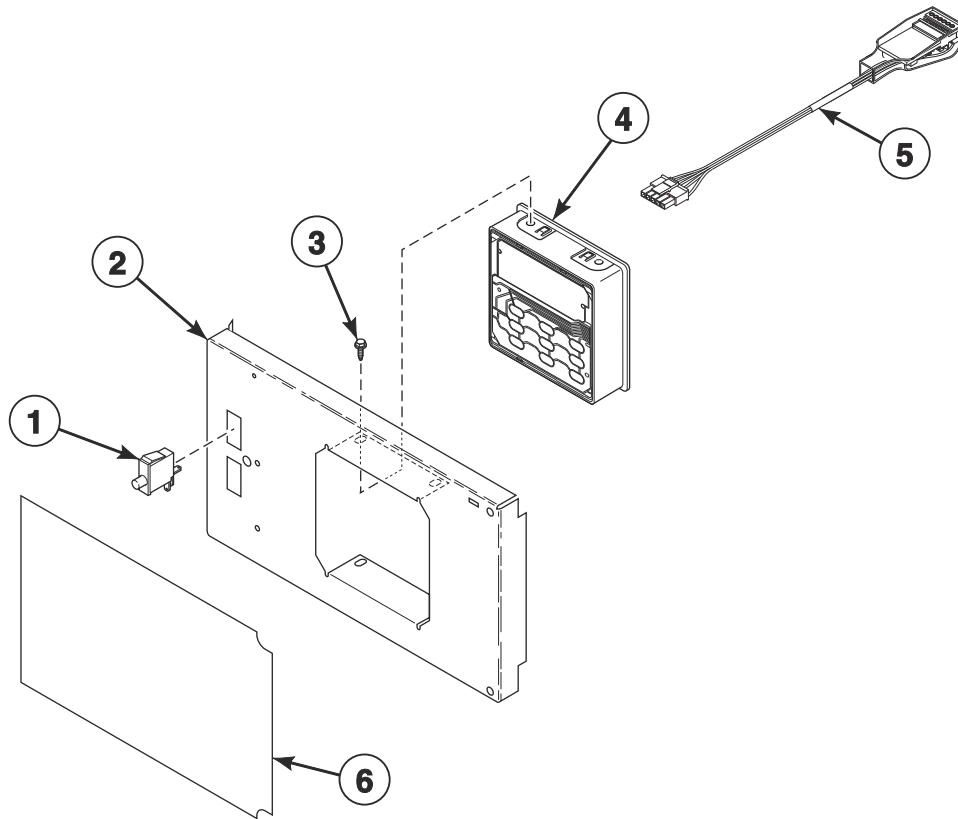
TMB3832PA

## Electronic Display Control Overlays - Vend Models with N or W in the 7th Position

REF	PART NO.	DESCRIPTION	COMMENTS
1	70681701	Overlay	S models; Single drop
	70681702	Overlay	S models; Dual drop
	70681703	Overlay	S models; Card ready
	70681704	Overlay	S models; Central pay
	70681705	Overlay	S models; World drop
	70705701	Overlay	S models
	70690401	Overlay	H models; Single drop
	70690402	Overlay	H models; Dual drop
	70690403	Overlay	H models; Card ready
	70690404	Overlay	H models; Central pay
	70690405	Overlay	H models; World drop
	70690701	Overlay	H models; Single drop; Citron
	70690702	Overlay	H models; Dual drop; Citron
	70690703	Overlay	H models; Card ready; Citron
	70571101	Overlay	B models; Single drop
	70571102	Overlay	B models; Dual drop
	70571103	Overlay	B models; Card ready
	70541201	Overlay	P models; Single drop
	70541202	Overlay	P models; Dual drop
	70541203	Overlay	P models; Card ready
	70571104	Overlay	J models; Electronic drop

# Electronic Display Control - OPL Models with N in the 7th Position

All Models Except J Models



TMB3680P

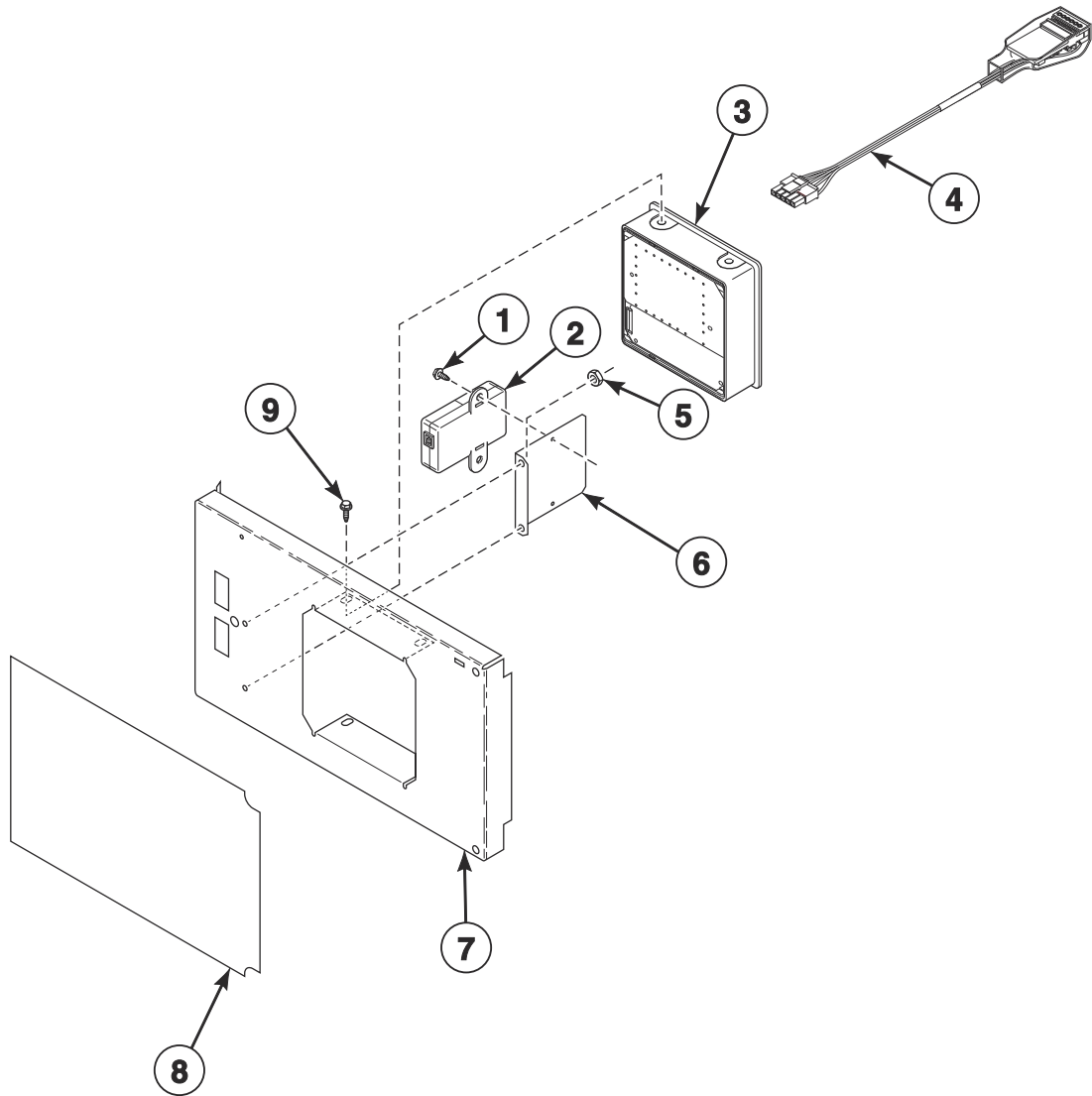


## Electronic Display Control - OPL Models with N in the 7th Position

REF	PART NO.	DESCRIPTION	COMMENTS
	44334004	Vend Activation Harness	
	70631001	Main Harness	
1	70413301	Pushbutton Switch	
2	70497101	Control Plate	All models except S models
3	804608	Screw	4 required
4	70523002	Control Assembly	P models; Blue
	70478802	Control Assembly	H, S and U models; Green
	70478902	Control Assembly	B models; Red
5	203361P	Machine ID Control Assembly	Model or serial number is required when ordering
6	70673301	Overlay	S models; Reversing
	70571401	Overlay	U models; Reversing
	70691001	Overlay	H models; Reversing
	70548801	Overlay	B models; Reversing
	70571601	Overlay	P models; Reversing

# 3.5 Inch Graphical Control

U Models with D in the 7th Position



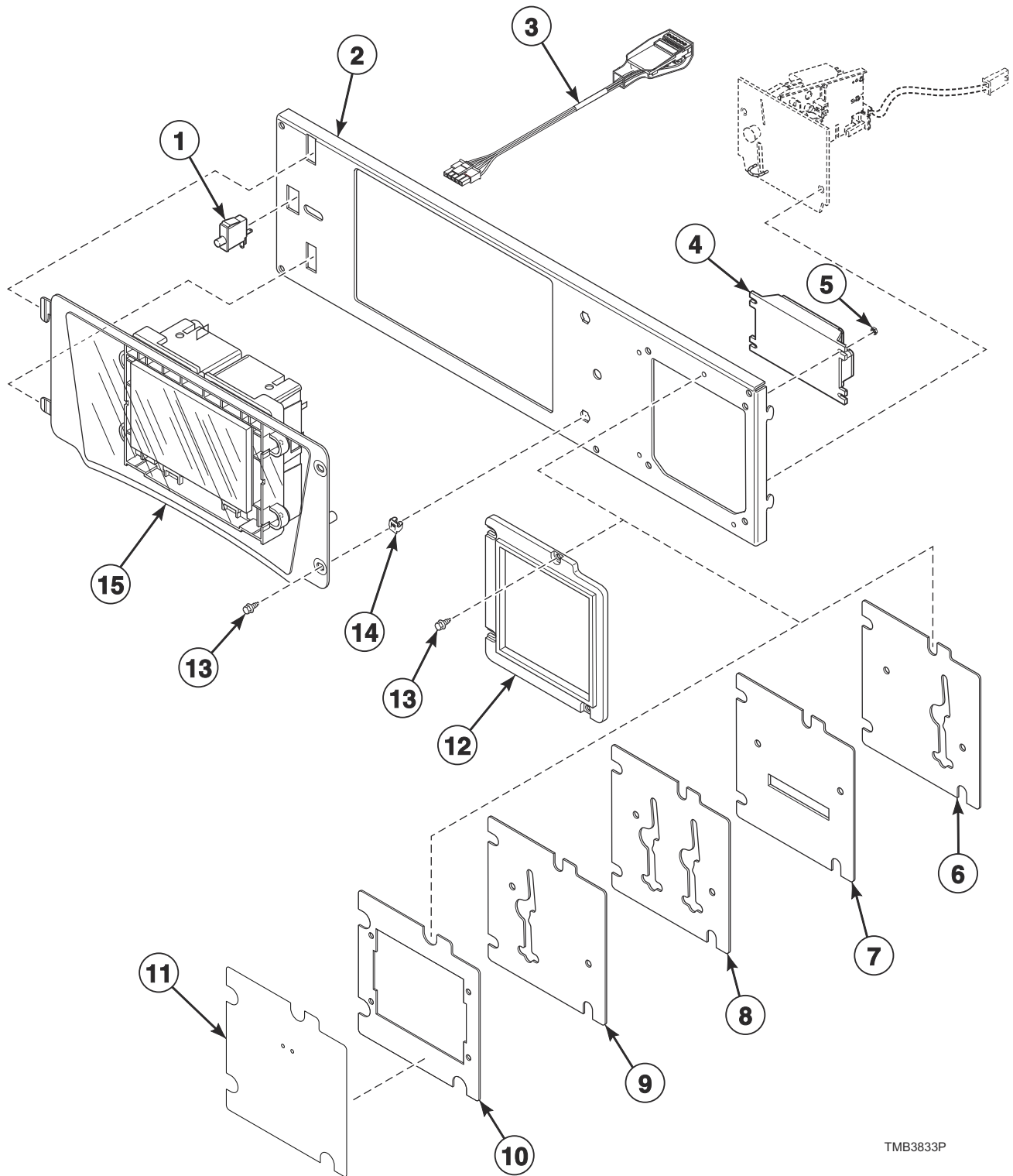
TMB3681P

## 3.5 Inch Graphical Control

REF	PART NO.	DESCRIPTION	COMMENTS
	F8617901	Harness	USB
	70631001	Main Harness	
1	51780	Screw	
2	203440	USB-Serial Interface Assembly	
3	70543104	Control Assembly	
4	203361P	Machine ID Control Assembly	Model or serial number is required when ordering
5	44071201	Nut	2 required
6	70547001	USB Bracket	
7	70570201	Control Door and Studs Assembly	
8	70595401	Overlay	
9	804608	Screw	4 required

# Touch Control - Vend Models with V in the 7th Position

B, H P and S Models



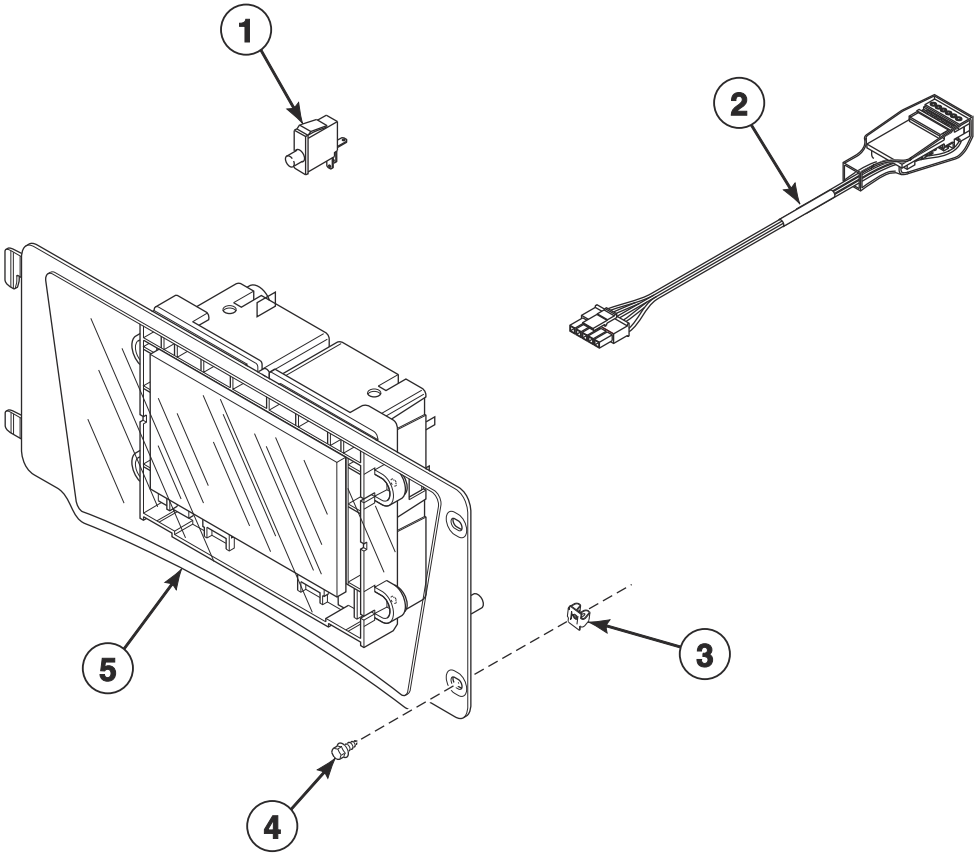
TMB3833P

## Touch Control - Vend Models with V in the 7th Position

REF	PART NO.	DESCRIPTION	COMMENTS
	44334002	Vend Activation Harness	
	44087101	Nut	2 required
	204692	Wireless Control Label	2 required
	203440	USB-Serial Interface Assembly	
	44374701	App Pay Overlay Kit	
	70576501P	Replacement Screen Kit	
	F8519403	Emergency Stop Bypass Harness	T and G market models
	70631001	Main Harness	
	F8719302	Fob Communication Harness	
	44378102	Interface Harness	Central pay to front end control
	F8713906	Serial Pay Harness	Card
	44334103	Bypass Harness	Vault switch
	44334104	Coin Vault Switch Harness	
<b>1</b>	70413301	Pushbutton Switch	
<b>2</b>	70598701	Control Mounting Bracket	
<b>3</b>	203361P	Machine ID Control Assembly	
<b>4</b>	205135	Fob Reader Control Assembly	
<b>5</b>	70054	Nut	
<b>6</b>	F8574205	Accessory Plate Assembly	World drop
<b>7</b>	F8574204	Card Reader Plate	Card
<b>8</b>	F8574203	Accessory Plate Assembly	Dual drop
<b>9</b>	F8574202	Accessory Plate Assembly	Single drop
<b>10</b>	F8734601	Accessory Plate Assembly	FOB
<b>11</b>	F8734001	Overlay	S models; FOB
	F8734301	Overlay	H models; FOB
	F8736601	Overlay	H models; Citron; FOB
<b>12</b>	F8632501	Vend Plate	
<b>13</b>	39733	Screw	
<b>14</b>	70030501	Expansion Clip	2 required
<b>15</b>	70597801P	Control Assembly	

# Touch Control - OPL Models with V in the 7th Position

B, J and P Models



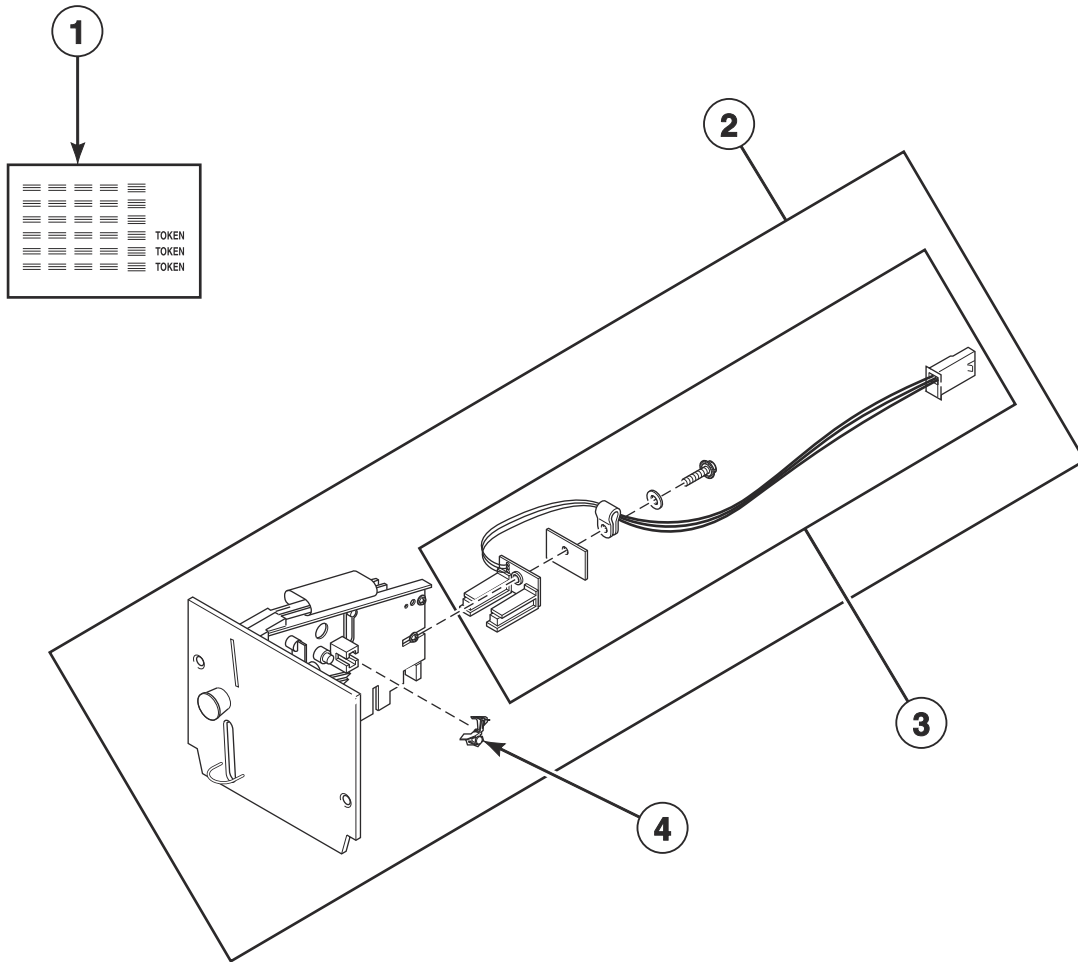
TMB3828P

## Touch Control - OPL Models with V in the 7th Position

REF	PART NO.	DESCRIPTION	COMMENTS
	44087101	Nut	2 required
	204692	Wireless Control Label	2 required
	203440	USB-Serial Interface Assembly	
	44374701	App Pay Overlay Kit	
	70576501P	Replacement Screen Kit	
	70631001	Main Harness	
1	70413301	Pushbutton Switch	
2	203361P	Machine ID Control Assembly	
3	70030501	Expansion Clip	2 required
4	39733	Screw	
5	70597803	Control Assembly	

# Coin Drops

All Models Except U Models



TMB3510P

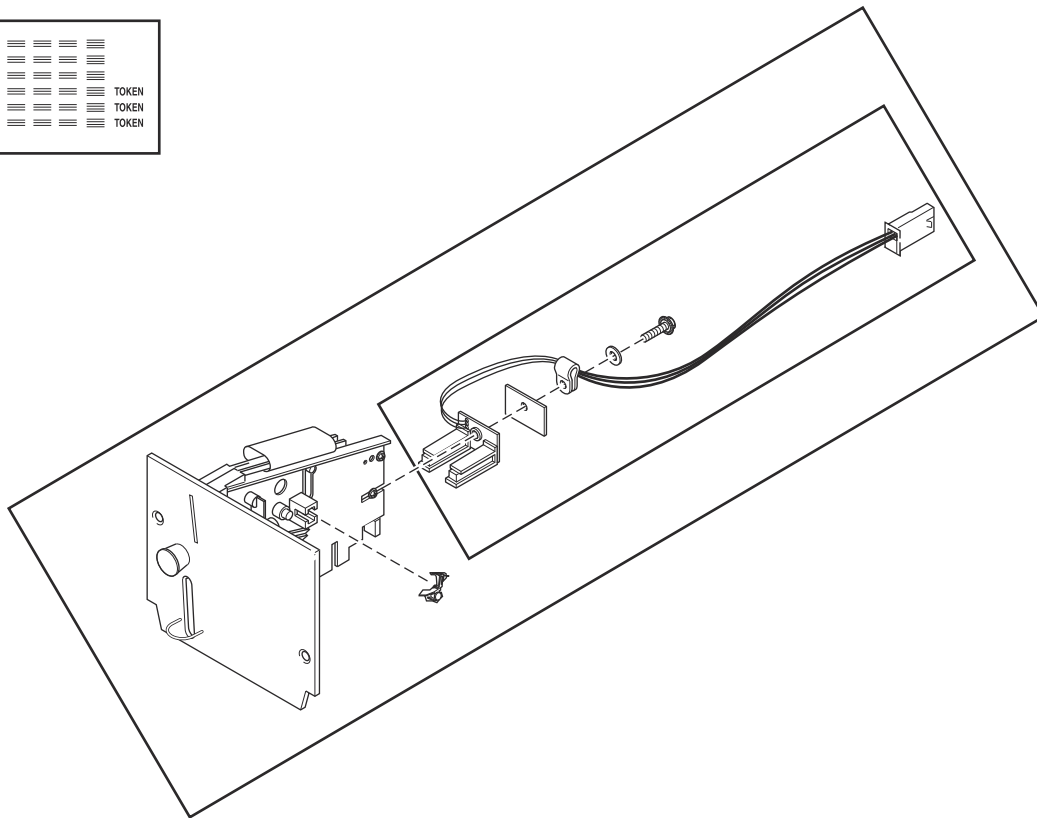
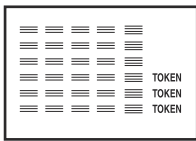


# Coin Drops

REF	PART NO.	DESCRIPTION	COMMENTS
1	38725	Coin Identification Paper	
2	70441601P	Coin Drop	Single; U.S.A.; \$.25
	38475	Coin Drop Assembly	Single; Japan; 100 yen
	38464P	Coin Drop Assembly	Single; Canada; .25
	CK077	Coin Drop Kit	Single; Taiwan; 10 NT
	70506901	Coin Drop Assembly	Single; Singapore; \$1.00 NEW
	70441603	Coin Drop	Dual; U.S.A.; \$.25 and \$1.00
	38519	Coin Drop Assembly	Dual; Japan; 100 yen and 500 yen
	70441602	Coin Drop Assembly	Dual; Canada; .25 and 1.00
	38467	Coin Drop Assembly	Dual; Australia; \$0.20 and \$1.00
	70447301	Coin Drop Assembly	Dual; Australia; \$1.00 and \$2.00
	70283102	Coin Drop Assembly	Dual; 0.20 and 0.50 Euro
	210195	Coin Drop Assembly	Dual; 0.20 and 1.00 Euro
	210196	Coin Drop Assembly	Dual; 0.50 and 1.00 Euro
	F0160737-00	Coin Meter	Dual; 0.50 and 2.00 Euro
	70281102	Coin Drop Assembly	Dual; Taiwan; 10 and 50 NT
	70482401	Coin Drop Assembly	Dual; New Zealand; \$1.00 and \$2.00
	38462P	Coin Drop Assembly	Single; Token; STD 118-1
	38463	Coin Drop Assembly	Single; Token; STD 118-5
	38963P	Coin Drop	Single; Token STD 118-16
	39748	Coin Drop	Single; Jeton 08MS
	201141	Coin Drop Assembly	Single; Token; Jeton wh121
	70471601	Coin Drop Assembly	Single; Token; 7K
	70513302	Electronic Coin Drop Assembly	Euro and Great Britain coins
	70513310	Electronic Coin Drop Assembly	Japan and Thailand coins
	70513304	Electronic Coin Drop Assembly	Australia, New Zealand, Hong Kong and South Korea coins
	70513303	Electronic Coin Drop Assembly	Denmark, Norway and Euro coins
	70513306	Electronic Coin Drop Assembly	Mexico, Ecuador and U.S.A. coins
	70294107	Electronic Coin Drop Assembly	Lithuania, Latvia and Euro coins
	70513311	Electronic Coin Drop Assembly	China and Malaysia coins
	70513308	Electronic Coin Drop Assembly	South African 1, 2 and 5 rand coins
	70513309	Electronic Coin Drop Assembly	Euro coins
	70513312	Electronic Coin Drop Assembly	Russia coins
	70513313	Electronic Coin Drop Assembly	Philippines coins
	70513314	Electronic Coin Drop Assembly	Thailand coins
	70513315	Electronic Coin Drop Assembly	Chile coins
	70513316	Electronic Coin Drop Assembly	Singapore coins
3	200674P	Opto Coupler	
4	201595P	Wire Guard	

# Coin Drop Kits

All Models Except U Models

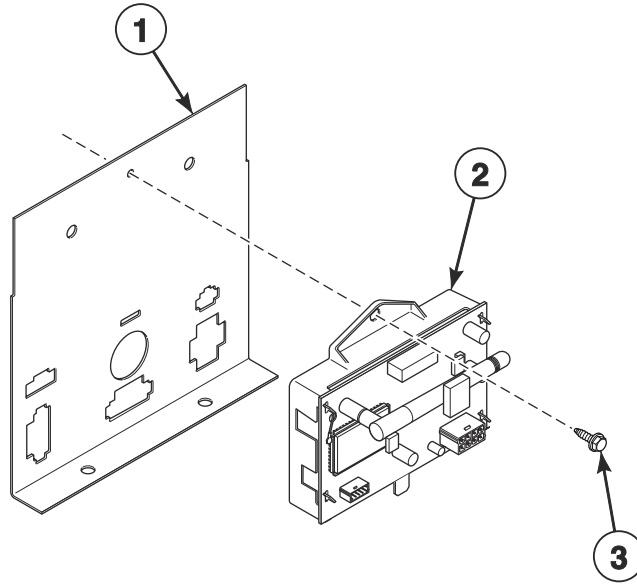


TMB3510PA

## Coin Drop Kits

REF	PART NO.	DESCRIPTION	COMMENTS
	CK115	Electronic Coin Drop Kit	United States and Canada
	CK099	Electronic Coin Drop Kit	Australia (default), New Zealand, Hong Kong, South Korea and Malaysia
	CK100	Electronic Coin Drop Kit	United Kingdom (default) and Europe
	CK101	Electronic Coin Drop Kit	Europe (default), Denmark and Norway
	CK108	Electronic Coin Drop Kit	South Africa
	CK109	Electronic Coin Drop Kit	Euro
	CK110	Electronic Coin Drop Kit	Mexico (default), Ecuador and United States
	CK113	Electronic Coin Drop Kit	Japan and Taiwan
	CK116	Electronic Coin Drop Kit	Malaysia (default) and China
	CK117	Electronic Coin Drop Kit	Russia
	CK118	Electronic Coin Drop Kit	Philippine
	CK119	Electronic Coin Drop Kit	Thailand
	CK120	Electronic Coin Drop Kit	Chile
	CK121	Electronic Coin Drop Kit	Singapore
	CK122	Coin Drop Kit	New Zealand; 1.00 and 2.00

# Network Board Components

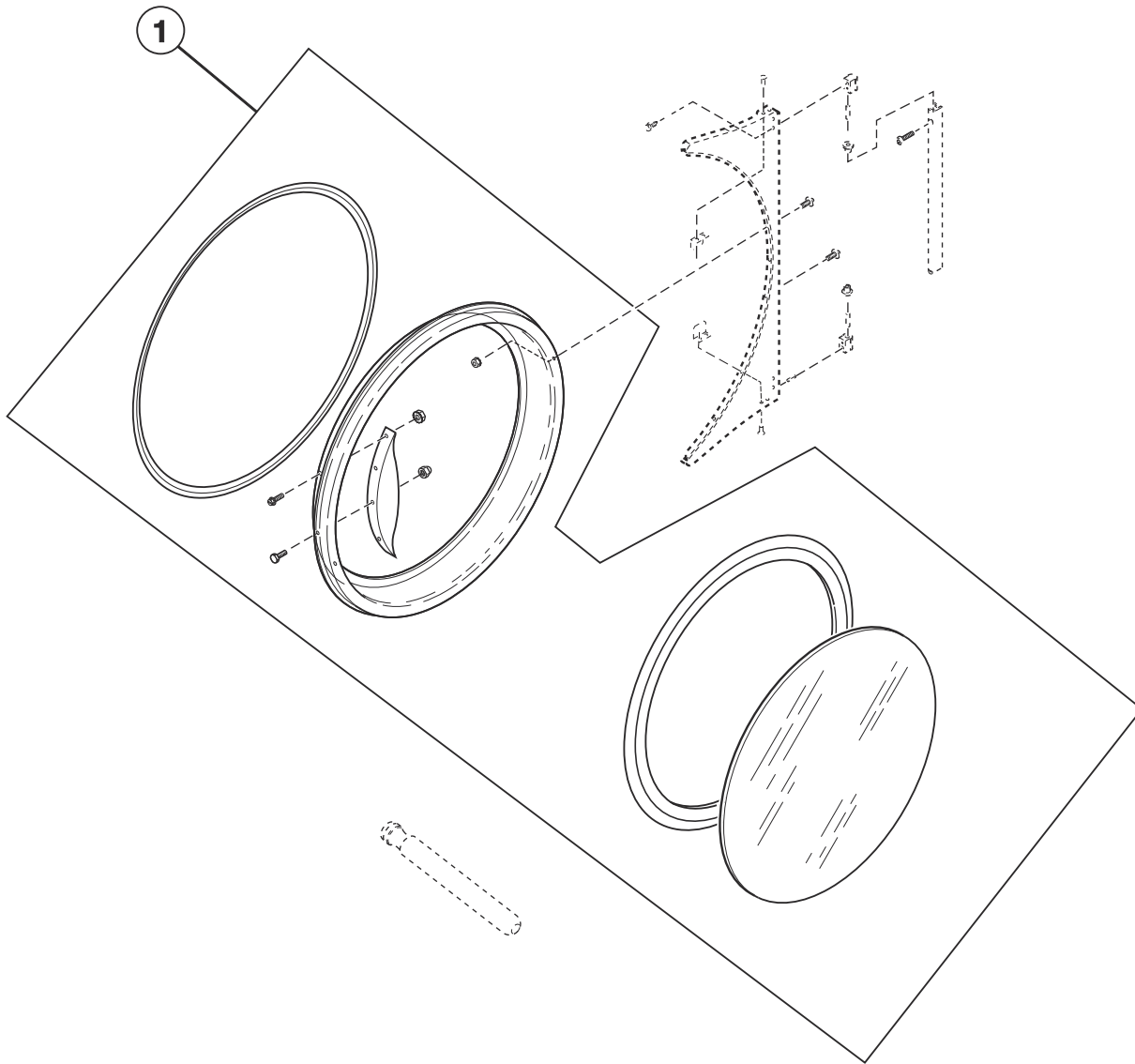


TMB3834P

## Network Board Components

REF	PART NO.	DESCRIPTION	COMMENTS
	70609701	Wireless Network Kit	
	F8674006	Wireless Network Harness	
	204692	Wireless Control Label	
	205070	Payment Center Kit	H models
	205069	Payment Center Kit	H models; Includes printer
	205068	Payment Center Kit	S models
	205067	Payment Center Kit	S models; Includes printer
	205318	Payment Center Kit	P models
	205316	Payment Center Kit	B models
	203346	USB IR Interface Kit	
	70666806	Fob Reader Kit	
<b>1</b>	70307007	Harness Mounting Plate	
<b>2</b>	807211	Wireless Network Control Assembly	
<b>3</b>	F8206901	Screw	

# Door Assemblies

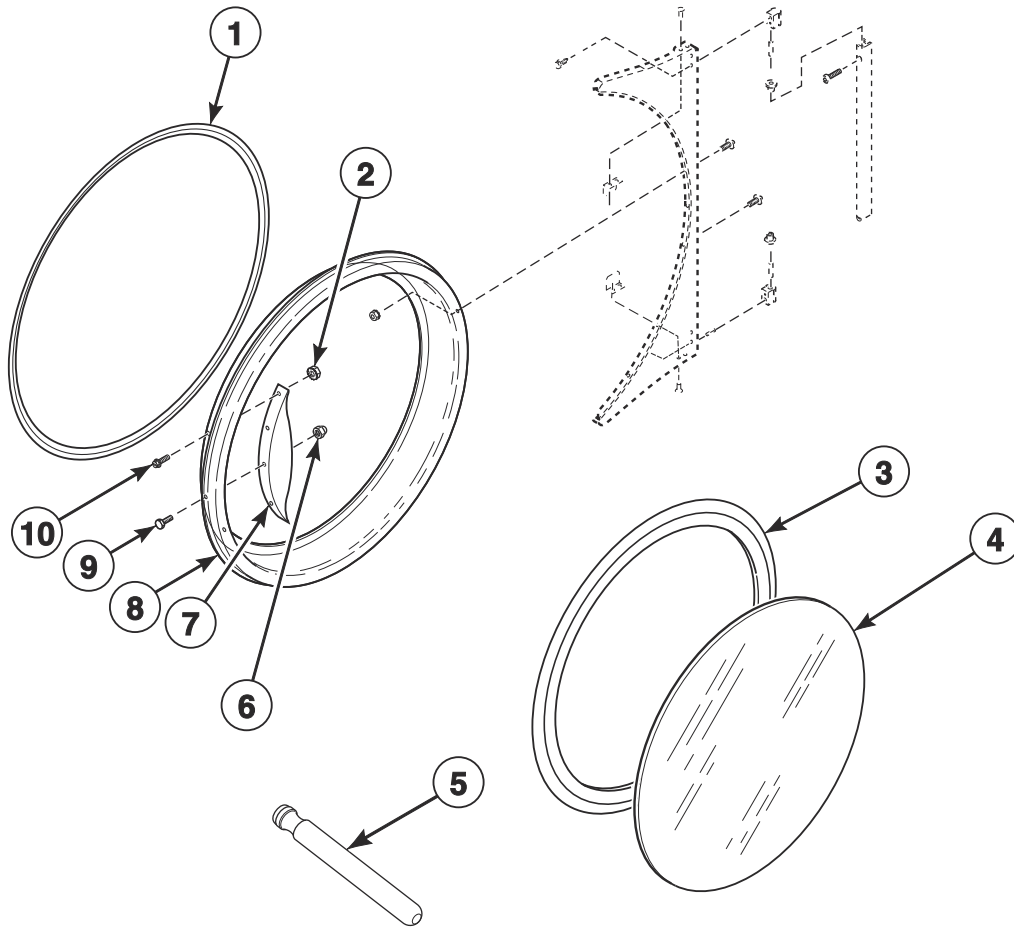


TMB3835P

## Door Assemblies

REF	PART NO.	DESCRIPTION	COMMENTS
1	70597701	Door Assembly	S models; Stainless steel
	70597702	Door Assembly	S models; Chrome
	70597703	Door Assembly	U models; Stainless steel
	70597704	Door Assembly	U models; Chrome
	70597705	Door Assembly	H models; Stainless steel
	70597707	Door Assembly	H models; Stainless steel with green trim
	70597706	Door Assembly	H models; Chrome
	70597708	Door Assembly	H models; Chrome with green trim
	70597709	Door Assembly	B, J and P models; Black
	70597710LG	Door Assembly	P models; Light gray

# Door Components



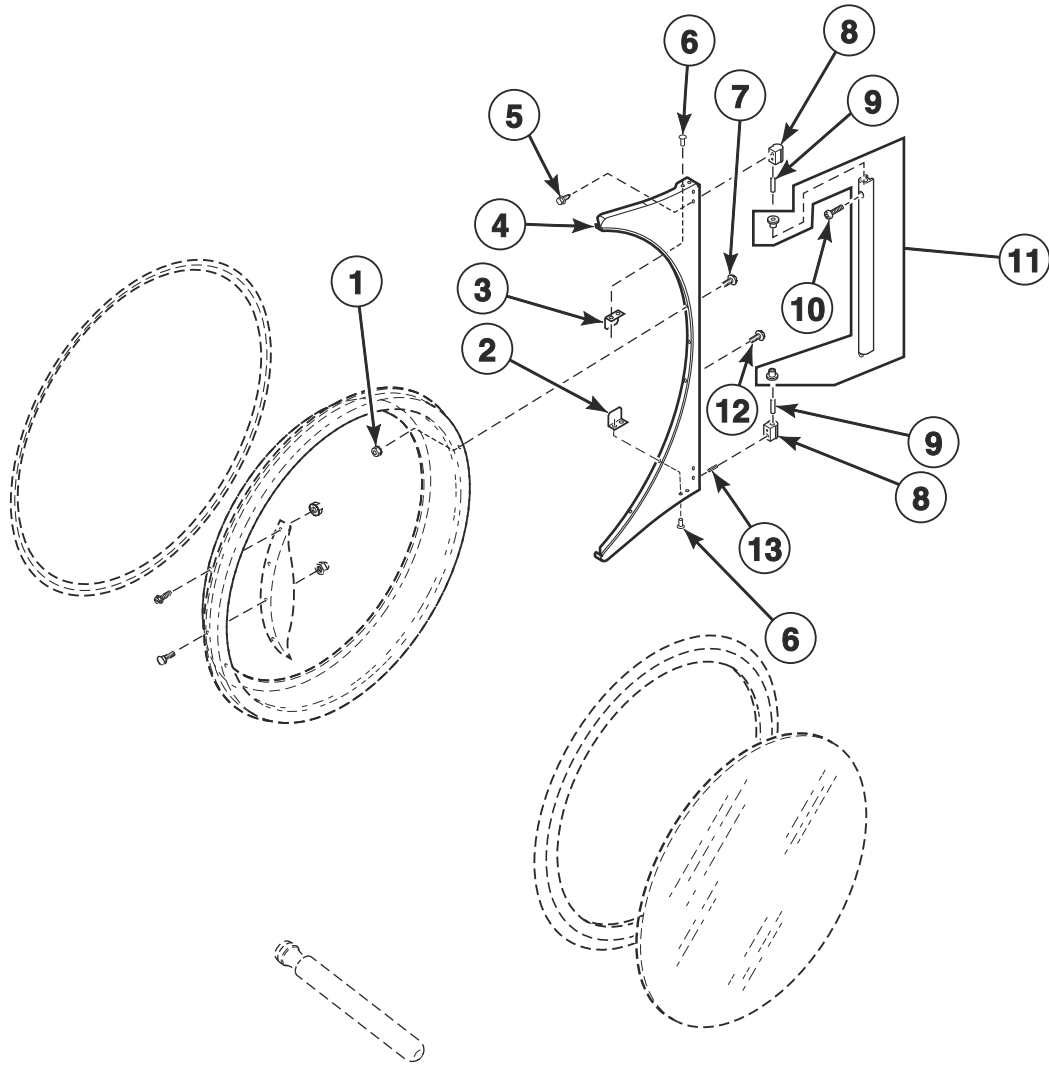
TMB3835PA



## Door Components

REF	PART NO.	DESCRIPTION	COMMENTS
	70650401	Door Glass Label	H models
<b>1</b>	70296801	Door Ring Gasket	
<b>2</b>	44088001	Nut	B, H and S models; 4 required
<b>3</b>	70211901P	Door Glass Seal Kit	Use Loctite 414 for seal
<b>4</b>	70133604	Door Glass	H models; Green trim
	M400784P	Door Glass	
<b>5</b>	M4221P4	Door Glass Installation Tool	
<b>6</b>	M414215	Nut	For door strike; Mounts between door strike screw and door handle
<b>7</b>	44007902P	Door Handle	B, J, P and S models
	44263801	Door Handle	U models; Use 901620 Screw, 800465 Washer, 803871 Screw and 44088001 Nut to attach
	44370602	Door Handle	H models
<b>8</b>	70597501	Door Ring Assembly	H and S models; Stainless steel
	70597502	Door Ring Assembly	H and S models; Chrome
	70597503	Door Ring Assembly	U models
	70597504	Door Ring Assembly	U models; Chrome
	70597508LG	Door Ring Assembly	P models; Includes handle; Light gray
	70597507B	Door Ring Assembly	B, J and P models; Black
<b>9</b>	M400661	Screw	Door Strike
<b>10</b>	70442101	Screw	B, H, J, P and S models; 4 required

# Hinge Components

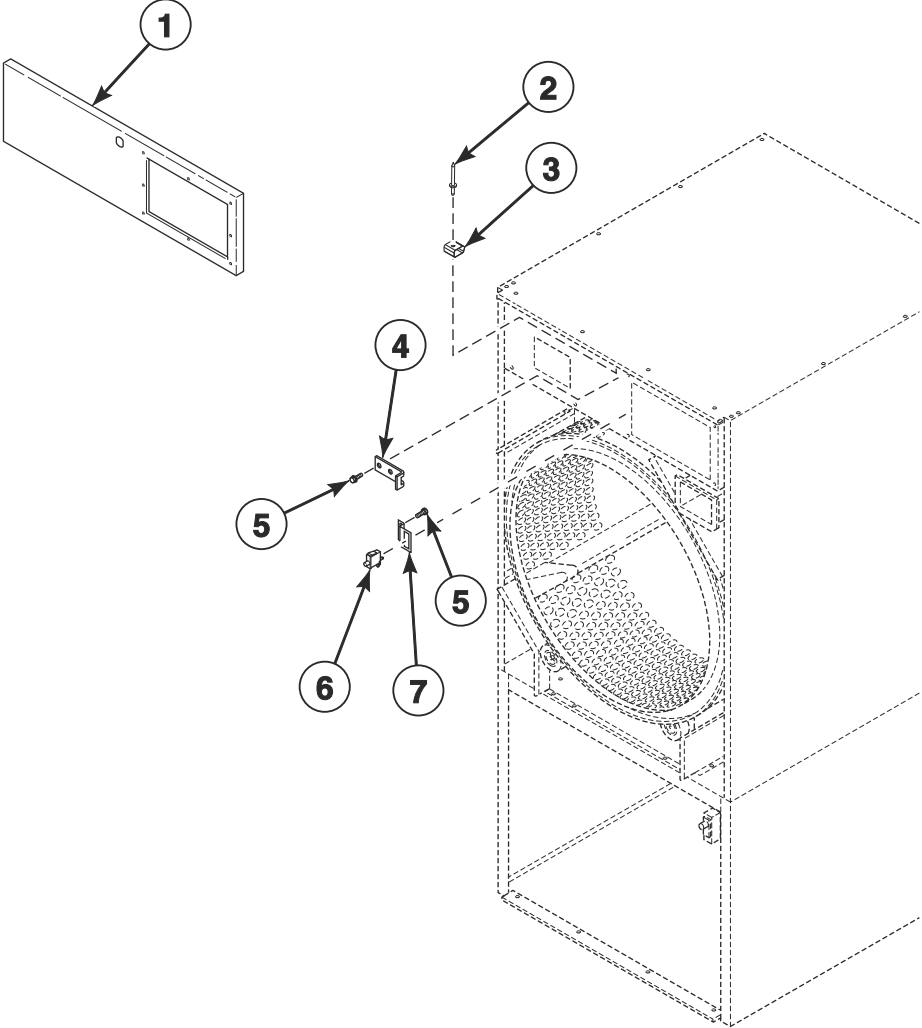


TMB3835PB

# Hinge Components

REF	PART NO.	DESCRIPTION	COMMENTS
1	44088001	Nut	
2	70532101	Door Switch Actuator	Bottom
3	70532102	Door Switch Actuator	Top
4	70595510W	Door Hinge	H, S and U models
	70595504	Door Hinge	H, S and U models; Stainless steel
	70595502	Door Hinge	H and S models; Chrome
	70595510LG	Door Hinge	P models; Light gray
	70595510B	Door Hinge	B, J and P models; Black
5	70576101	Screw	
6	70058501	Pop Rivet	
7	44349101	Screw	5 required
8	M4772P3	Hinge Cam Kit	H, P, S and U models
	70622401	Hinge Cam Kit	H and S models; Chrome
	M4773P3	Hinge Cam Kit	B, J and P models; Black
9	70071401	Pin	
10	70033502	Screw	H, P, S and U models
	70407301	Screw	B, J and P models; Black
11	44035001	Door Hinge Lug Assembly	H, P, S and U models
	44035002	Door Hinge Lug Assembly	B, J and P models; Black
	44035003	Door Hinge Lug Assembly	H and S models; Chrome
12	70689401	Screw	
13	70436301	Screw	

# Control Panels

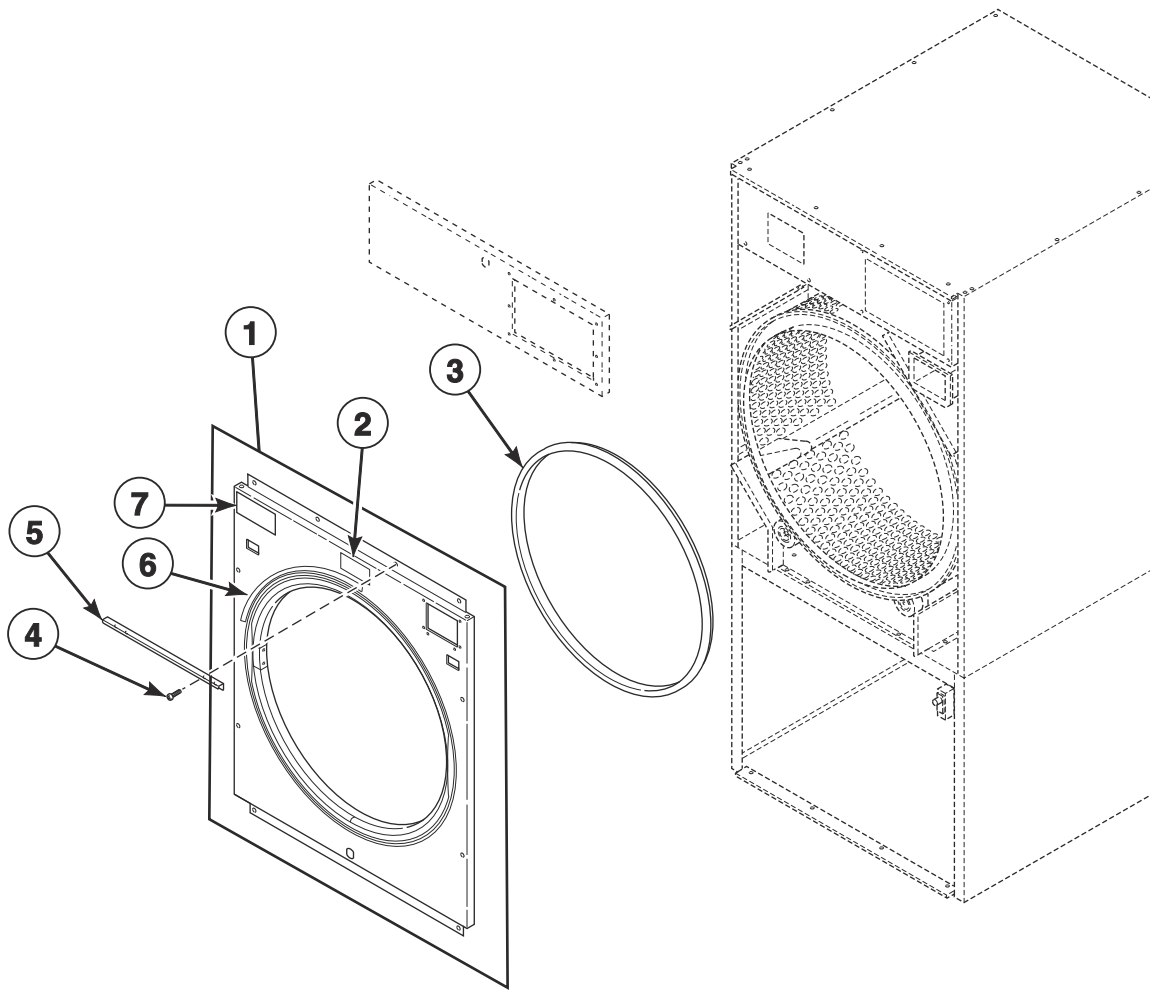


TMB3836P

# Control Panels

REF	PART NO.	DESCRIPTION	COMMENTS
1	70273416W	Control Panel	B, J and U models; Models with D, F, N and W in 7th position
	70273414	Control Panel	B and U models; Stainless steel; Models with D, F, N and W in 7th position
	70689903W	Control Panel Assembly	S models; Coin and central pay; Models with N and W in 7th position
	70689901	Control Panel Assembly	S models; Stainless steel; Coin and central pay; Models with N and W in 7th position
	70121314DG	Control Panel	P models; Dark gray; Models with F, N and W in 7th position
	70121314W	Control Panel	H models; Models with F, N and W in 7th position
	70121309	Control Panel	H and P models; Stainless steel; Models with F, N and W in 7th position
	70689902	Control Panel Assembly	S models; Stainless steel; Card; Models with N and W in 7th position
	70689904W	Control Panel Assembly	S models; Card; Models with N and W in 7th position
	70689803	Control Panel	S models; Stainless steel; OPL; Models with F, N and W in 7th position
	70689806W	Control Panel	S models; OPL; Models with F, N and W in 7th position
	70583401	Control Panel	B, H, P and S models; Coin and card models with V in 7th position
	70583402	Control Panel	B, H, J, P and S models; Central pay and OPL models with V in 7th position
2	M400003	Pop Rivet	
3	431318	Control Door Latch	Models with D, F, N and W in 7th position
4	70654501	Lock Catch Bracket	Models with V in 7th position
5	430497	Screw	
6	70413301	Pushbutton Switch	
7	70641601	Control Panel Switch Bracket	

# Front Panel Assemblies

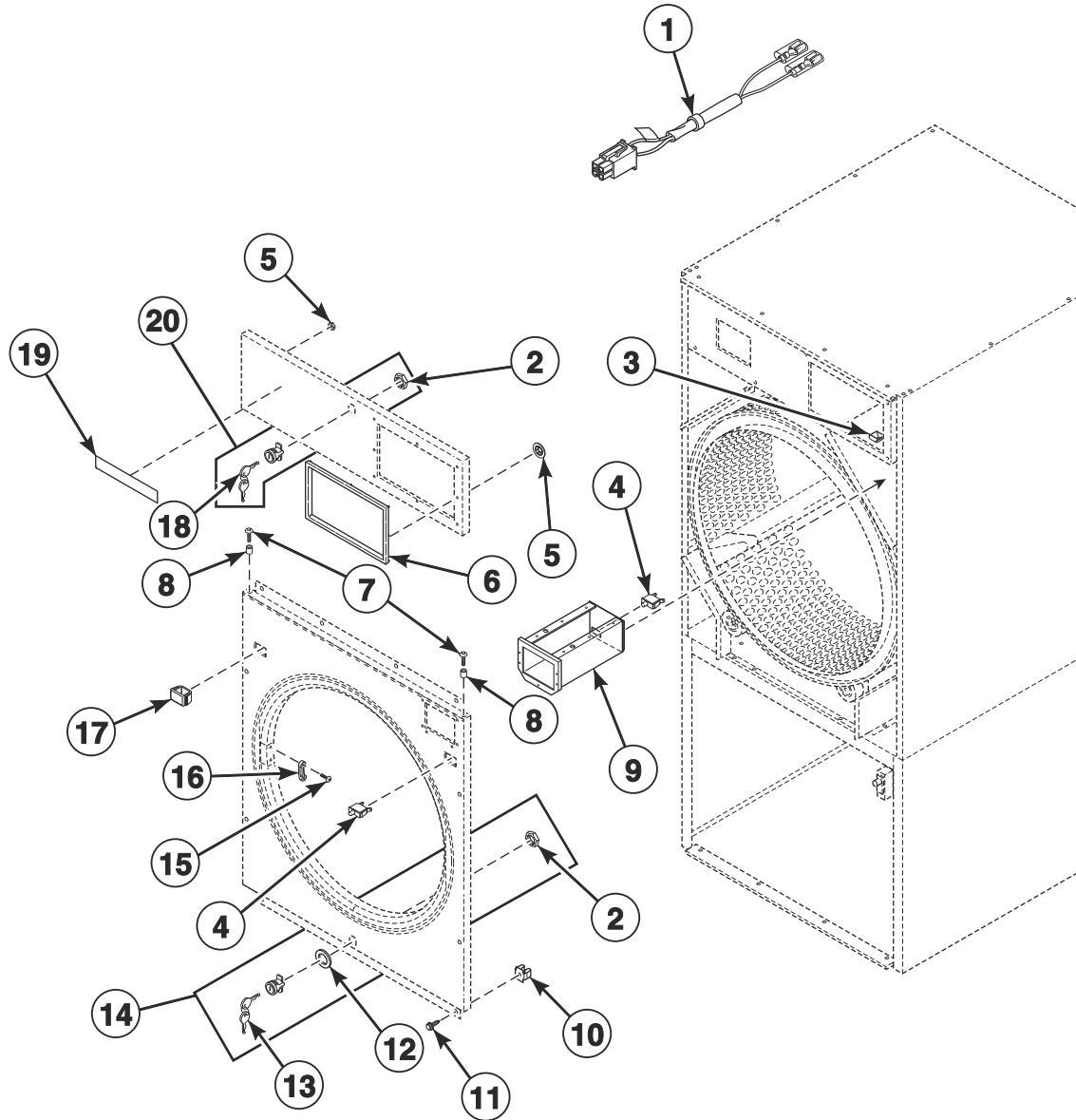


TMB3837P

# Front Panel Assemblies

REF	PART NO.	DESCRIPTION	COMMENTS
1	70622902W	Front Panel Assembly	All models except U models; Coin
	70623401DG	Front Panel Assembly	P models; Coin; Dark gray
	70622501	Front Panel Assembly	B, H, P and S models; Coin; Stainless steel
	70623002W	Front Panel Assembly	B, H, P and S models; Card and central pay
	70623501DG	Front Panel Assembly	P models; Card and central pay; Dark gray
	70622601	Front Panel Assembly	B, H, P and S models; Card and central pay; Stainless steel
	70623602W	Front Panel Assembly	All models except J models; OPL; With e-stop
	70623701DG	Front Panel Assembly	P models; OPL; Dark gray; With e-stop
	70524221	Front Panel	OPL; Stainless steel; With e-stop
	44116802W	Front Panel Assembly	All models except J models; OPL; Without e-stop
	70575802DG	Front Panel Assembly	P models; OPL; Dark gray; Without e-stop
	44116902	Front Panel Assembly	All models except J models; OPL; Stainless steel; Without e-stop
2	70472801	Label	U models
3	70173401P	Front Panel Seal	
4	M411072	Screw	
5	70641501	Control Panel Stand Bracket	S models; Models with F, N and W in the 7th position
6	70534301	Warning Label	English
	70534302	Warning Label	French
	70534300	Label Kit	Warning; IEC models
7	70537001	Label	B, H, S and U models; C.A.R.E.
	44190901	Label	P models; Safe Tech

# Cabinet Front Components



TMB3838P

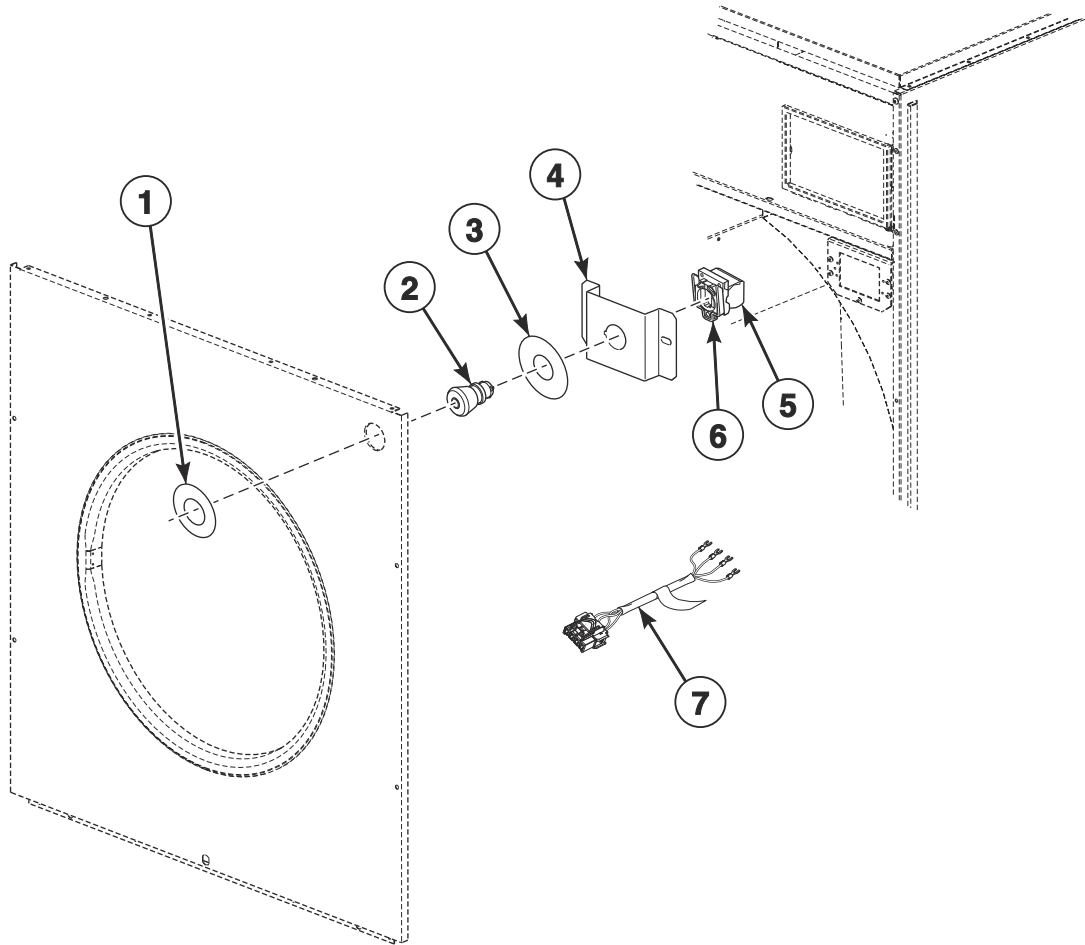


## Cabinet Front Components

REF	PART NO.	DESCRIPTION	COMMENTS
	44334103	Bypass Harness	Card and central pay
	D511476	Jumper Harness	Card reader present
	70482901	Door Catch Kit	
<b>1</b>	44334101	Coin Vault Switch Harness	
<b>2</b>	44088801	Nut	
<b>3</b>	70296401	Coin Chute Assembly	
<b>4</b>	70413301	Pushbutton Switch	
<b>5</b>	M400977	Nut	
<b>6</b>	70529401	Control Trim	H models; Gray
	44016401	Control Trim	P models; Black
<b>7</b>	39733	Screw	
<b>8</b>	56079	Panel Locator	9 required
<b>9</b>	70529501	Coin Vault Assembly	
	70529502	Coin Vault and Emergency Stop Mount Assembly	Models with emergency stop
	F160673P	Coin Box	Optional equipment; Includes lock and key
<b>10</b>	70030501	Expansion Clip	8 required
<b>11</b>	M411072	Screw	8 required
<b>12</b>	70342401	Lock Shim	
<b>13</b>	70155602	Key	RL002
<b>14</b>	44089302P	Lock, Key and Nut Kit	RL002; Black
<b>15</b>	44166601	Pop Rivet	
<b>16</b>	M401223	Door Latch	
<b>17</b>	44057801W	Switch Hole Plug	White
	44057801B	Switch Hole Plug	Black
<b>18</b>	70155601	Key	RL001
<b>19</b>	F8688801	Nameplate	S models
	F8687701	Decal	H models
	F8443105	Nameplate	U models
	567293	Nameplate	B models
	567887	Logo Label	P models
	70686001	Nameplate	J models
	70686101	Nameplate	J models; SAFE
	562738	Label	B, P and S models; Softwash
<b>20</b>	44089301P	Lock, Key and Nut Kit	RL001; Black

# Emergency Stop Button - IEC OPL Models

A, H, J, K, L, R and U in the 2nd Position

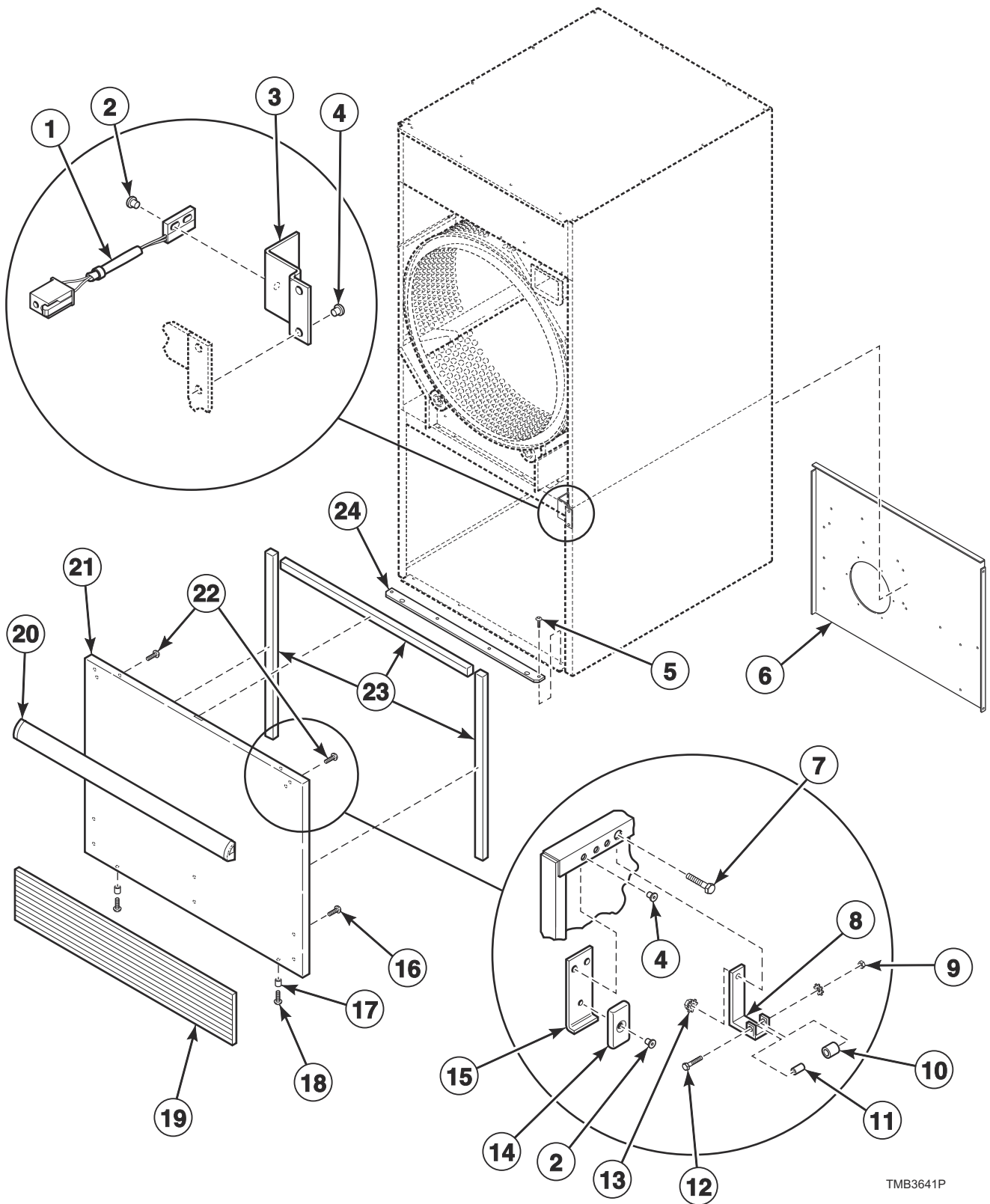


TMB3513P

## Emergency Stop Button - IEC OPL Models

REF	PART NO.	DESCRIPTION	COMMENTS
	70580301	Emergency Stop Button Kit	Includes items 2-4
	70631101	Emergency Stop Interconnect Harness	
1	44012903	Emergency Stop Label	
2	F200233500	Emergency Stop Pushbutton	
3	44012901	Emergency Stop Label	
4	70550401	Emergency Stop Mounting Bracket	
5	F8069501	Contact Switch	2 required
6	F8538101	Contact Base	
7	44272401	Emergency Stop Harness	

# Lower Cabinet Components

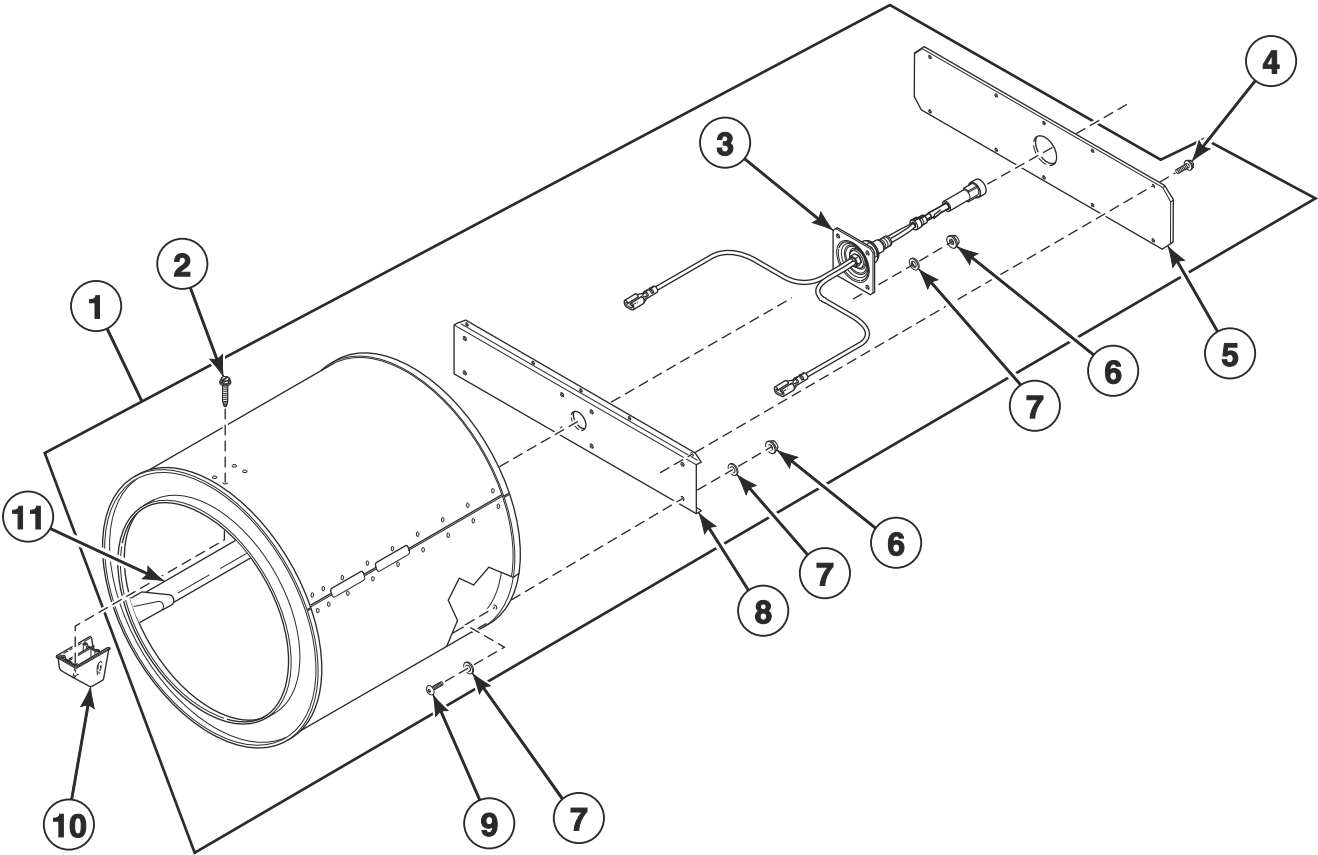


TMB3641P

## Lower Cabinet Components

REF	PART NO.	DESCRIPTION	COMMENTS
1	F8066804	Reed Switch Assembly	
2	F8245101	Blind Rivet	
3	70508501	Switch Bracket	
4	70058501	Pop Rivet	
5	430497	Screw	
6	70564401	Rear Lint Panel	
7	70132301	Screw	Attaching roller catch
8	70030301	Roller Catch Arm	
9	23951	Nut	
10	70297601	Roller Catch Wheel	
11	70030201	Roller Catch Spacer	
12	70072801	Screw	
13	51236	Nut	Attaching roller catch
14	70343101	Magnet	
15	44290501	Magnet Bracket	
16	70126301	Pop Rivet	For attaching kickplate; Black; 6 required
	70126401	Pop Rivet	For attaching kickplate; Gray; 6 required
17	56079	Panel Locator	
18	39733	Screw	
19	70117617	Kickplate	H and U models; Dark gray
	70117603	Kickplate	All models except H models; Black
20	70154403	Handle and Caps Assembly	B, J, S and U models; Black
	70407208	Handle Bumper	P models; Silver
	70154414	Handle and Caps Assembly	H and U models; Dark gray
21	70515503W	Lint Panel	B, H, S and U models; With kickplate
	70515504DG	Lint Panel	P models; Dark gray
	70515502	Lint Panel	Stainless steel; With kickplate
	70515505	Lint Panel	All models except J models; Stainless steel; No kickplate
	70515504W	Lint Panel	All models except P models; No kickplate
22	430757	Screw	For attaching handle; 6 required
23	70289101P	Gasket	Sold per foot
24	70016701	Lint Panel Pivot Plate	

# Cylinder and Trunnion Assembly

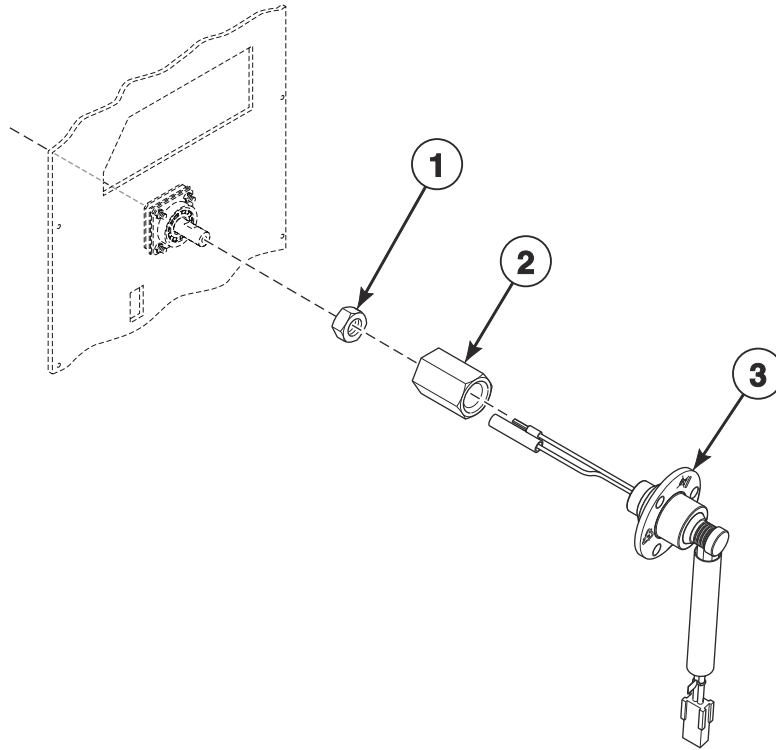


TMB3358P

# Cylinder and Trunnion Assembly

REF	PART NO.	DESCRIPTION	COMMENTS
	70343101P	Drywall Screw Magnet Kit	
<b>1</b>	70372601P	Cylinder Assembly	Galvanized; Non-moisture sensing
	70435201	Cylinder and Trunnion Assembly	Galvanized; Moisture sensing
	70372602P	Cylinder Assembly	Stainless steel; Non-moisture sensing
	70435202	Cylinder and Trunnion Assembly	Stainless steel; Moisture sensing
<b>2</b>	62588	Screw	12 required
<b>3</b>	70564803	Trunnion and Seal Kit	Includes 70013702 Rear Cylinder Seal; Non-moisture sensing
	70564804	Trunnion and Seal Kit	Moisture sensing; Includes 70454601 Trunnion and Wire Assembly
<b>4</b>	430497	Screw	10 required
<b>5</b>	70257201	Rear Cylinder Channel Plate	
<b>6</b>	44087201	Nut	8 required
<b>7</b>	70411301	Washer	
<b>8</b>	70257101	Rear Cylinder Channel	Non-moisture sensing
	70257102	Rear Cylinder Channel	Moisture sensing
<b>9</b>	70391101	Screw	8 required
<b>10</b>	70070101	End Cap	Non-moisture sensing
	70070102	End Cap	Moisture sensing
<b>11</b>	70433001	Cylinder Rib Assembly	Moisture sensing

# Moisture Sensing Components



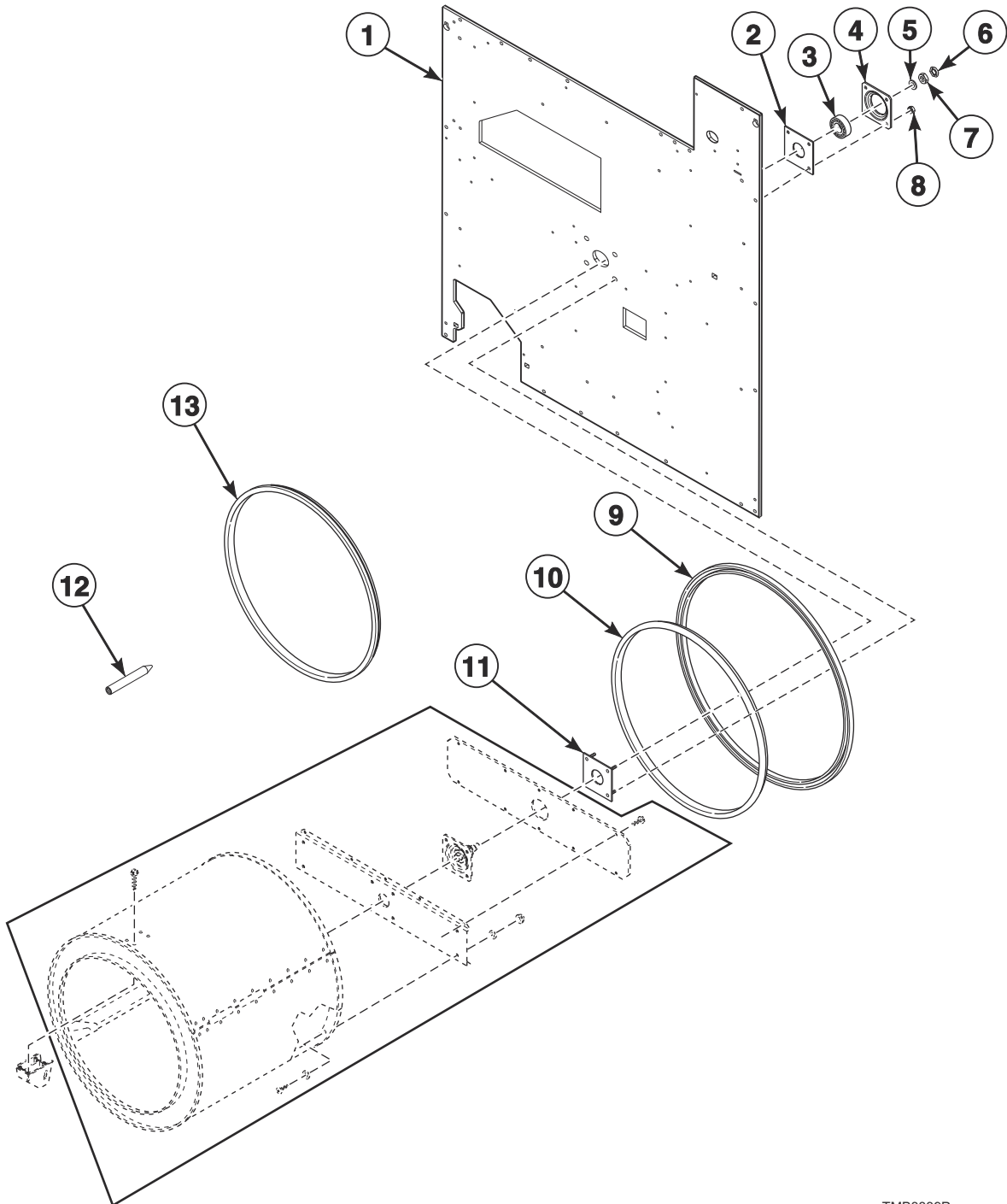
TMB3843P



# Moisture Sensing Components

REF	PART NO.	DESCRIPTION	COMMENTS
	70631203	Moisture Sensor/Airflow Switch Harness	
1	M400022	Nut	
2	70455401	Slip Ring Holder	
3	44222702	Slip Ring Assembly	

# Cylinder Components

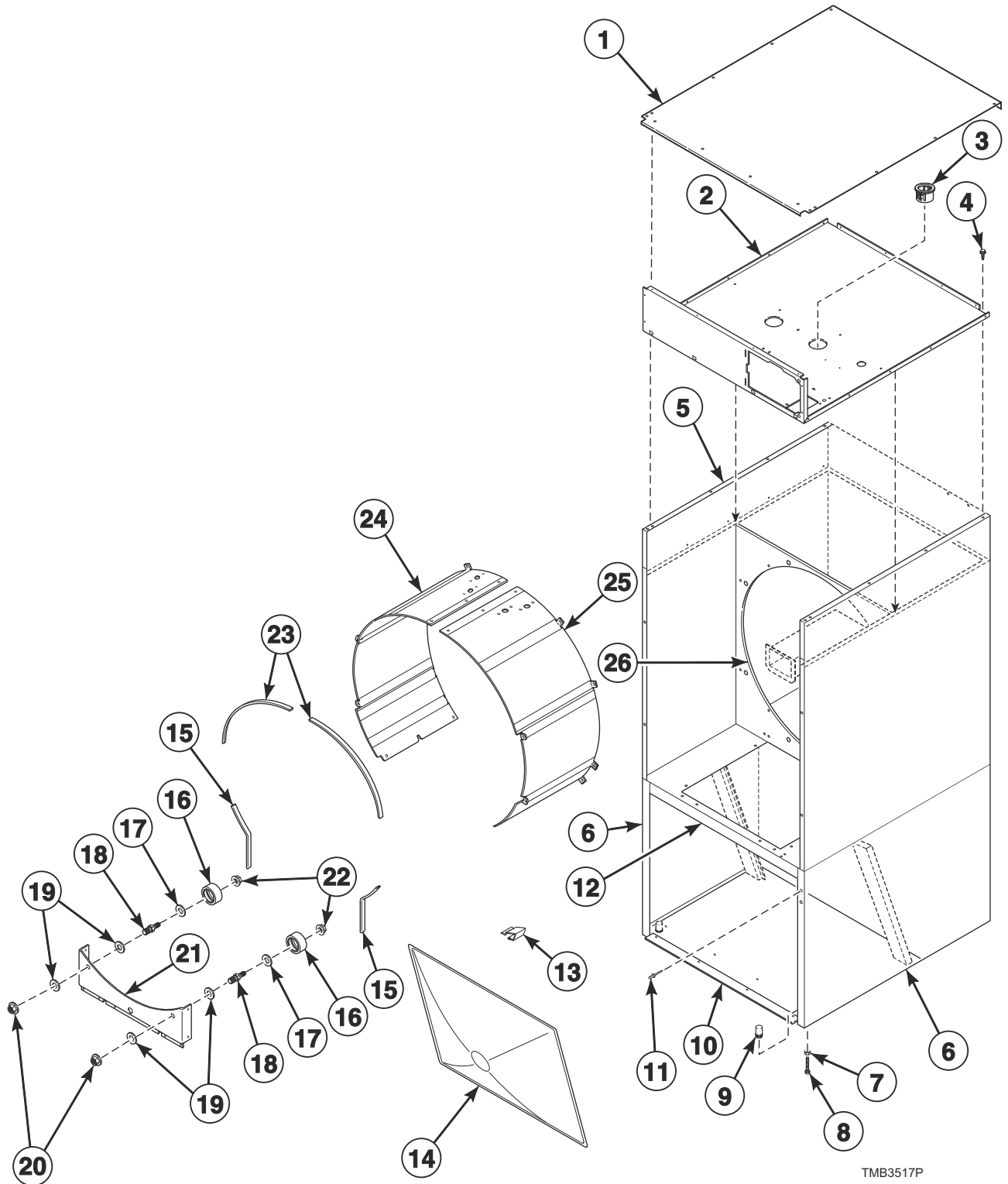


TMB3839P

# Cylinder Components

REF	PART NO.	DESCRIPTION	COMMENTS
	70343101P	Drywall Screw Magnet Kit	
	430260P	Support Housing Bearing Assembly	Includes items 3, 4 and Loctite
1	70651401	Rear Panel	Gas models
	70651403	Rear Panel	Gas models; With fire suppression
	70651402	Rear Panel	Electric models
2	70355001	Rear Bearing Shim	
3	70448701	Support Bearing	
4	70013901	Rear Cylinder Bearing Housing	
5	M400991	Washer	
6	M400034	Nut	
7	M400022	Nut	
8	M412986	Nut	4 required
9	70506402	Rear Cylinder Seal Support	
10	70013701P	Rear Cylinder Seal	Use with D511637P Adhesive
11	430352	Cylinder Bearing Stud Plate Assembly	
12	263P4	Cylinder Guide Tool	
13	70066003	Center Cylinder Seal	

# Cabinet Components

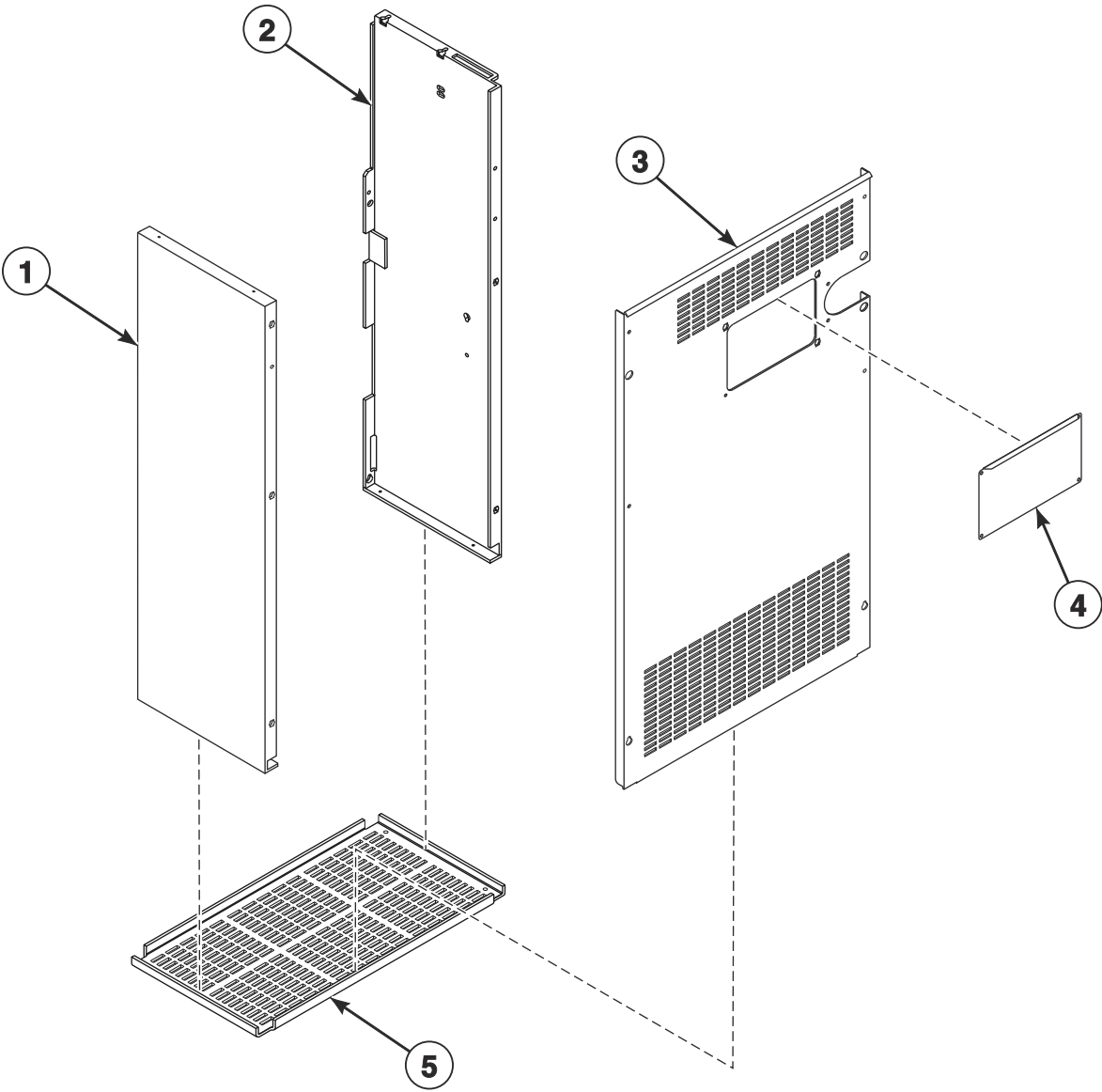


TMB3517P

# Cabinet Components

REF	PART NO.	DESCRIPTION	COMMENTS
	M4379P4	Tumbler Dolly Kit	
	298P4P	Spray Paint	White
	122P4P	Porcelain Touch-Up Paint	White
<b>1</b>	70557701	Flat Top	Models with D, F, N and W in 7th position
	70586501	Top Panel	S models with V in 7th position
<b>2</b>	70641301	Top Pan	Models with D, F, N or W in 7th position
	70583801	Top Pan	B, H, J, P and S models; Models with V in 7th position
<b>3</b>	70346501	Bushing	
<b>4</b>	430497	Screw	
<b>5</b>	70021504DG	Side Panel	B and P models; Dark gray; Upper
	70021504W	Side Panel	Upper
<b>6</b>	70253802DG	Side Panel	B and P models; Dark gray; Lower
	70253802W	Side Panel	Lower
<b>7</b>	21899	Nut	
<b>8</b>	70247701	Screw	
<b>9</b>	70063201	Hole Plug	
<b>10</b>	70326601	Lower Pan	
<b>11</b>	70058501	Pop Rivet	16 required; Upper side panel
<b>12</b>	70564501	Center Pan	
<b>13</b>	35865	Hold-Down Clip	
<b>14</b>	70325601	Lint Screen	
<b>15</b>	70015711	Sheet Metal Edge Gasket	Lower
<b>16</b>	70616701	Roller and Seal Kit	
<b>17</b>	70443601	Roller Seal	
<b>18</b>	70249501	Roller Shaft	
<b>19</b>	70261401	Washer	
<b>20</b>	M404993	Nut	
<b>21</b>	70328301	Roller Support Bracket	
<b>22</b>	430576	Nut	
<b>23</b>	70015710	Sheet Metal Edge Gasket	Upper
<b>24</b>	70432306	Cylinder Shroud	Left; With fire suppression
	70347002	Cylinder Shroud	Left
<b>25</b>	70432305	Cylinder Shroud	Right; With fire suppression
	70347001	Cylinder Shroud	Right
<b>26</b>	70252601	Center Partition	

# Rear Panels



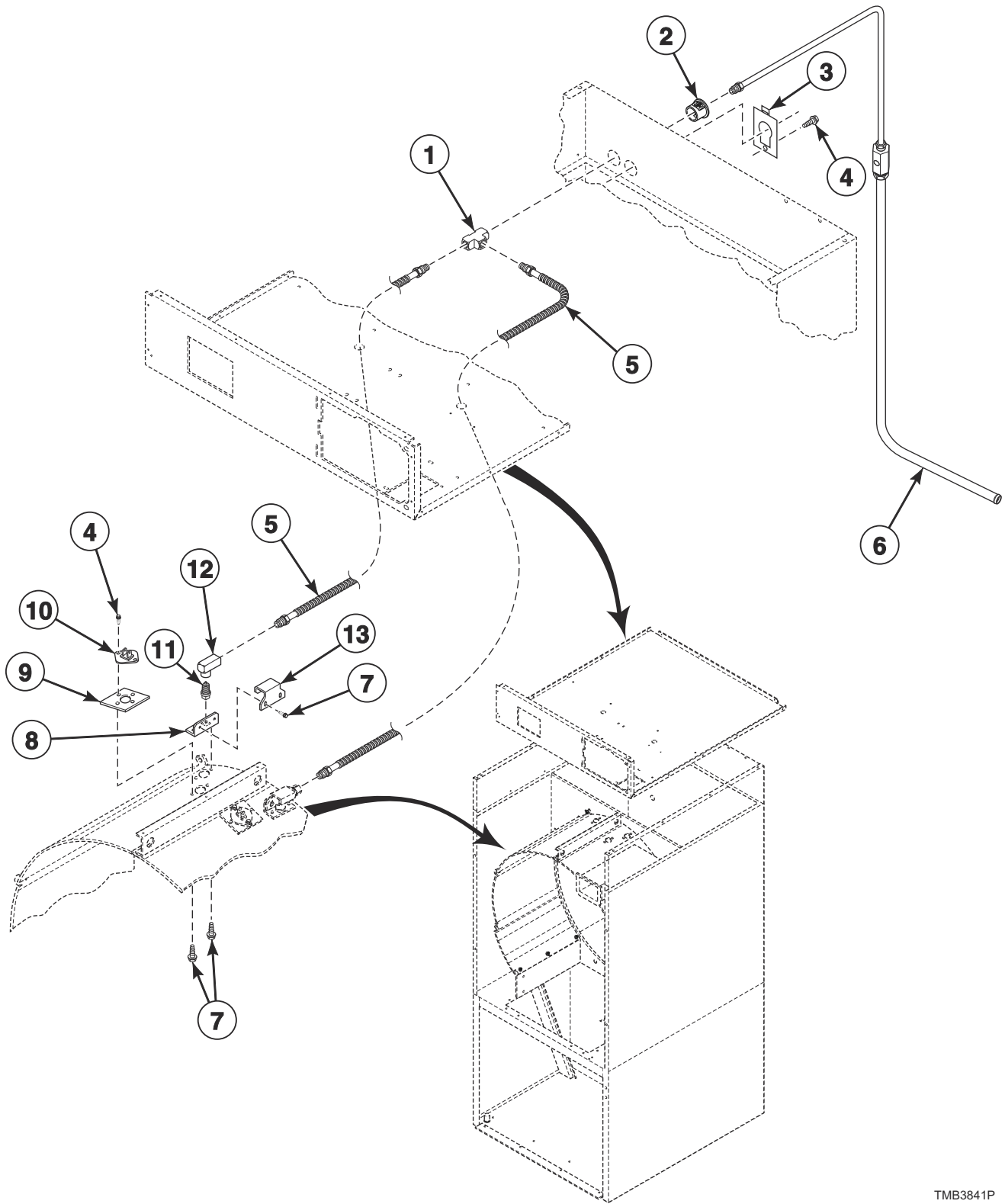
TMB3840P

## Rear Panels

REF	PART NO.	DESCRIPTION	COMMENTS
1	70648201	Side Guard	Right
2	70648102	Side Guard	Left
3	70652802	Rear Guard	
	70652801	Rear Guard	With fire suppression
4	70650901	Rear Cover	
5	70661101	Bottom Guard	

# Fire Suppression System Components

Gas Models



TMB3841P

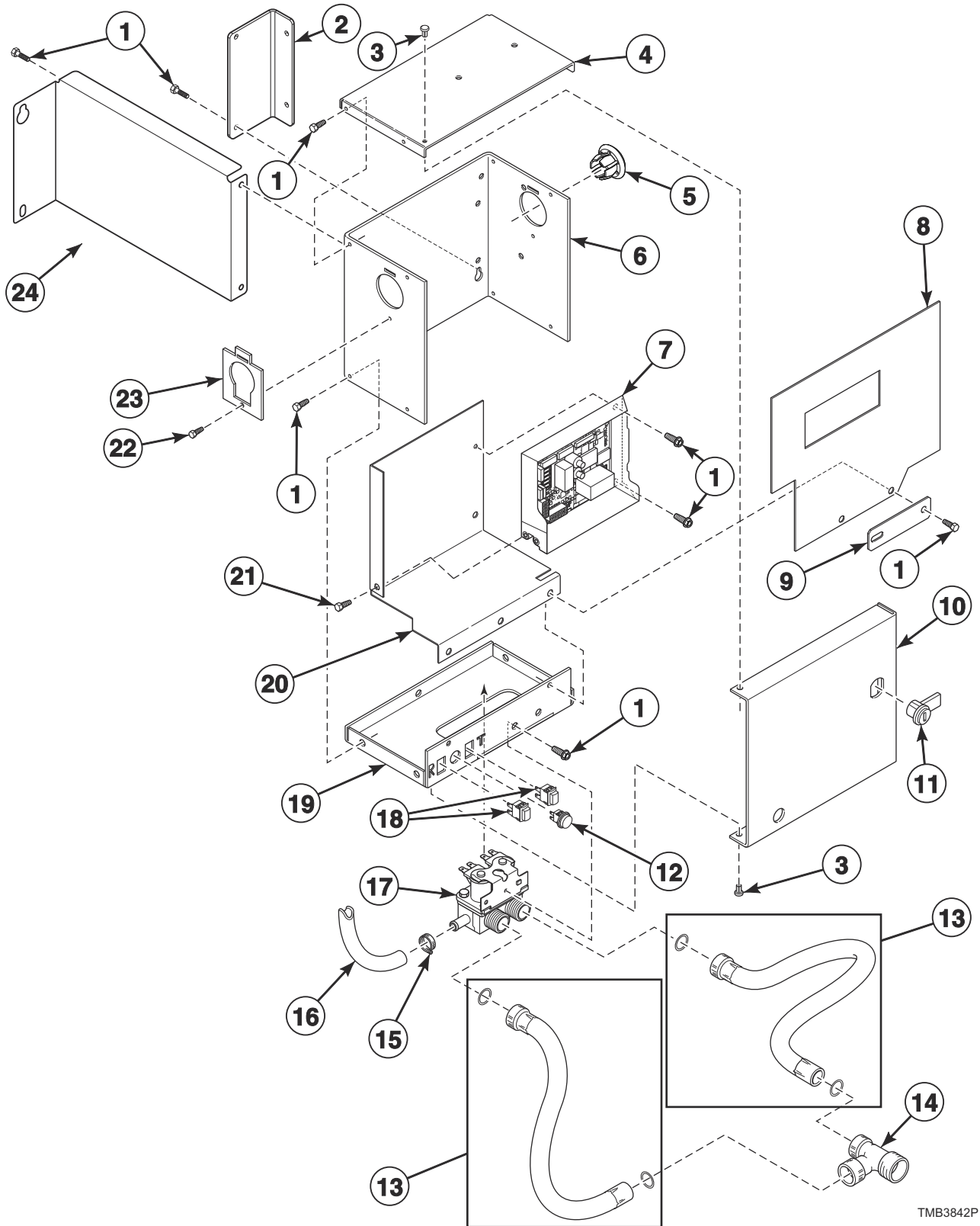


## Fire Suppression System Components

REF	PART NO.	DESCRIPTION	COMMENTS
1	70427901	Union Tee	
2	70178701	Snap Bushing	
3	70523301	Harness Adapter Plate	
4	51780	Screw	4 required
5	70427701	Spray Nozzle Hose	2 required
6	70427601	Tube Assembly	
7	430497	Screw	12 required
8	70424201	Nozzle Bracket	2 required
9	70424401	Thermistor Plate	2 required
10	44064701	Thermistor	2 required
11	70427801	Spray Nozzle	2 required
12	70428101	Elbow	2 required
13	70428601	Nozzle Bracket	2 required

# Fire Suppression System Control Box

Gas Models

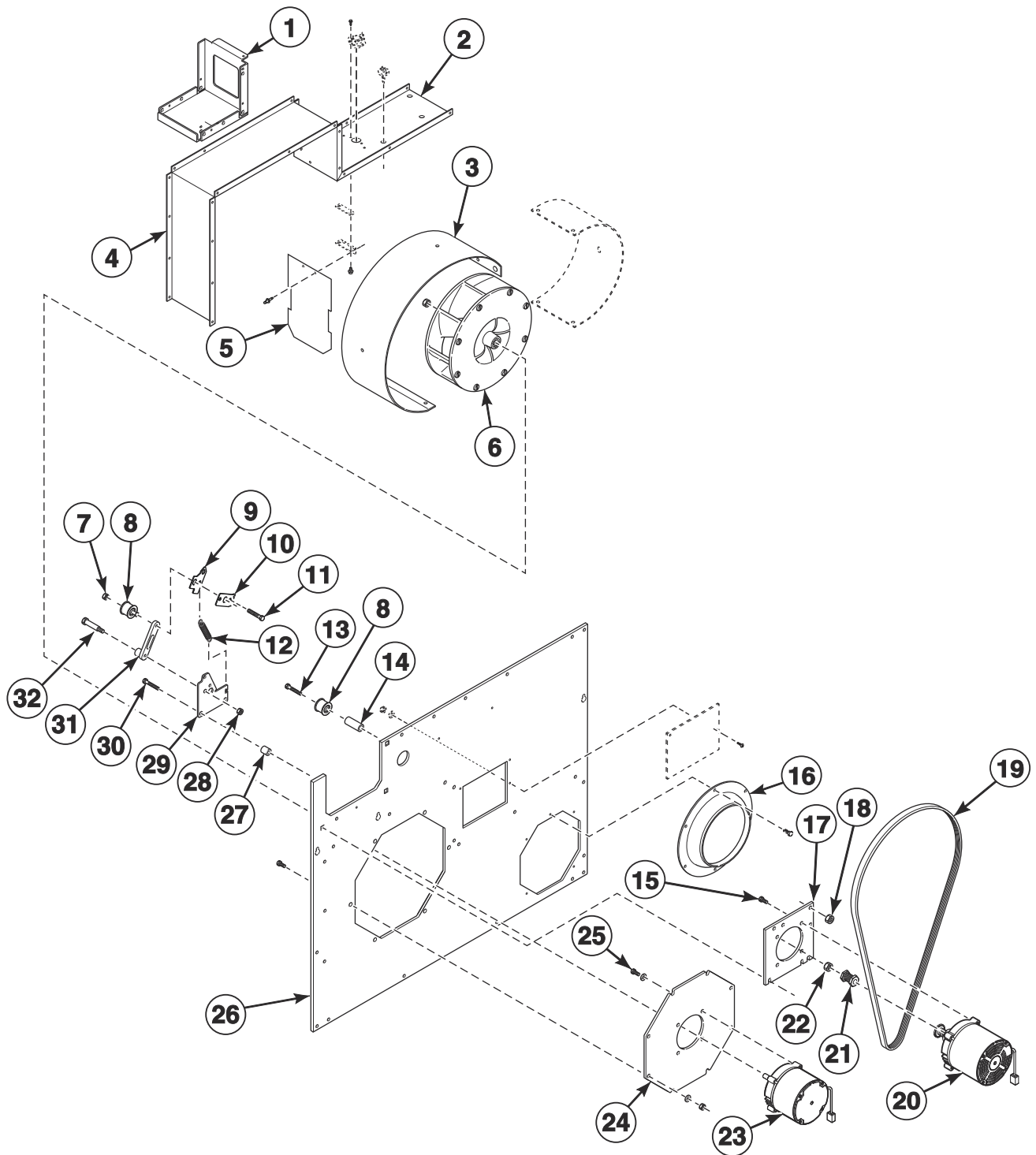


TMB3842P

# Fire Suppression System Control Box

REF	PART NO.	DESCRIPTION	COMMENTS
	44340301	Cold Weather Kit	
	70155601	Key	RL001; Use with item 11
	44375604	Control Harness	
	44375605	Water Valve Harness	
	44375602	Power Sensor Harness	
	44375601	Interconnect Harness	
	44375606	Sensor Harness	
	44324501	Warning Label	F.S.S.; T and G market models
	44324500	Label Kit	F.S.S.; IEC models
	F8614401	Shock Warning Label	T and G market models
	F8614201	Shock Warning Label	IEC models
	44318200	Label Kit	IEC models
	44324502	Warning Label	
	44318201	Label	T and G market models
<b>1</b>	430497	Screw	
<b>2</b>	70658601	Side Bracket	
<b>3</b>	M400713	Drive Rivet	
<b>4</b>	44307101	Control Box Top	
<b>5</b>	70180001	Plug	
<b>6</b>	44306701	Control Box Housing	
<b>7</b>	70511601	Control	
<b>8</b>	44326801	Shield	
<b>9</b>	70551701	Filter Mounting Plate	
<b>10</b>	44065201	Control Box Cover	
<b>11</b>	44089301P	Lock, Key and Nut Kit	RL001 key code; Optional if same key is to be used for control lock
<b>12</b>	801432	Light	
<b>13</b>	202799	Fill Hose	2 required
<b>14</b>	44069101	Hose Fitting	T and G market models
<b>15</b>	36801	Hose Clamp	
<b>16</b>	44073304	Hose	14 inches; Outlet hose
<b>17</b>	70519801	Mixing Valve	
<b>18</b>	801434W	Push-to-Start Switch	2 required
<b>19</b>	44065301	Control Box Base	
<b>20</b>	44306601	Mixing Valve Shield Bracket	
<b>21</b>	804608	Screw	
<b>22</b>	51780	Screw	
<b>23</b>	70523301	Harness Adapter Plate	
<b>24</b>	70654401	Rear Bracket	

# Motor Components

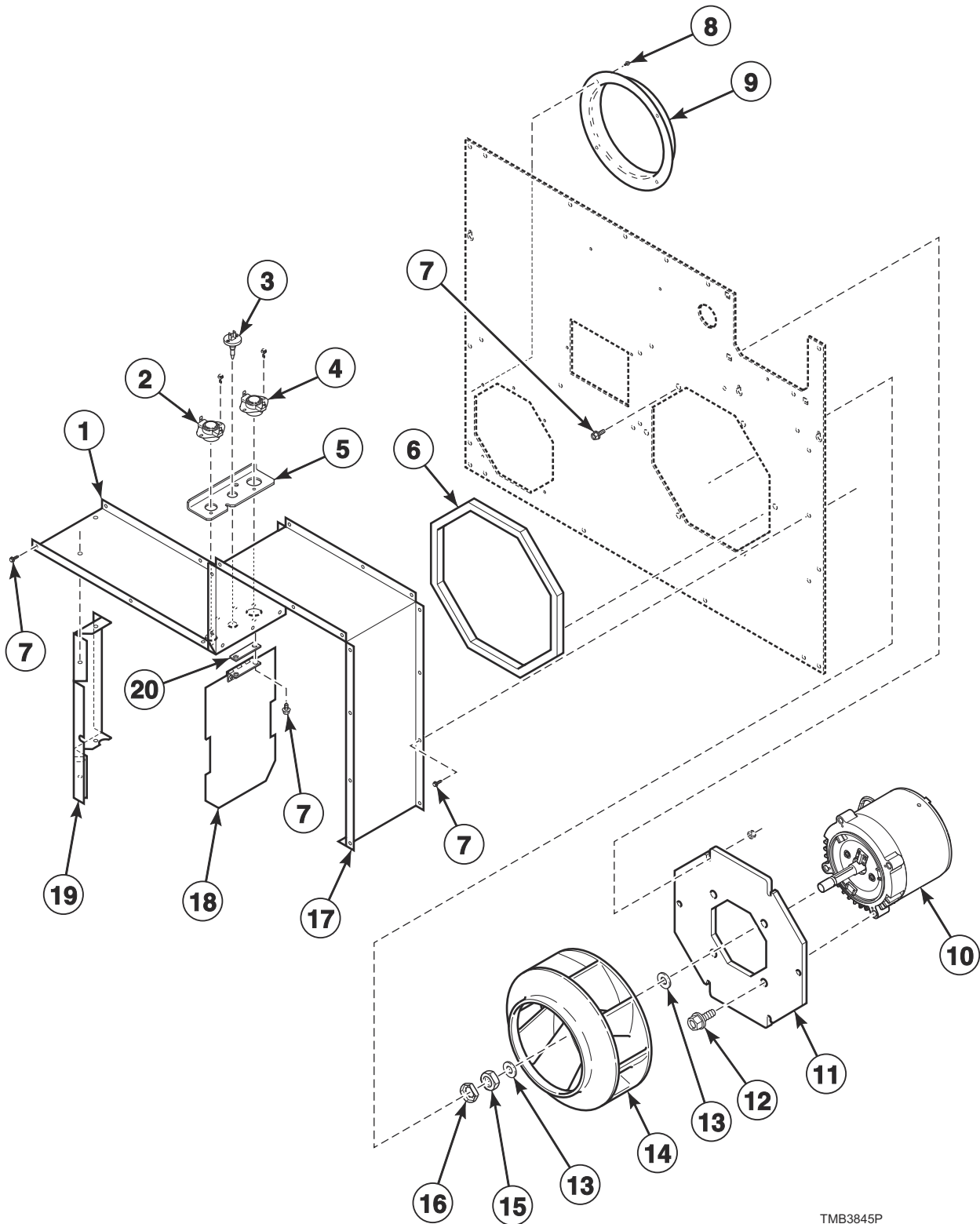


TMB3844P

# Motor Components

REF	PART NO.	DESCRIPTION	COMMENTS
	70662801	Drive Access Cover	
	70599301	Fan Spacer	
1	70564101	Motor Mount Bracket	
2	70554701	Blower Housing	Top
3	70016301	Blower Housing Scroll	
4	70215101	Blower Housing	
5	70209501	Damper and Hinge Exhaust Assembly	
6	70359801P	Blower Assembly	
7	56156	Nut	
8	70050401P	Idler Wheel Assembly	
9	70569501	Tensioning Bracket	
10	70543401	Spring Catch Bracket	
11	70508301	Screw	
12	70571801	Spring	
13	F430144	Screw	
14	70569603	Standoff	
15	44364603	Screw	3 required; Also qty 1 of 44364601 screw
16	70015601	Exhaust Thimble	Standard models; 8 inches
	70477901	Exhaust Adapter	Eco models; 6 inches
17	70564201	Motor Mount Plate	
18	44087201	Nut	
19	70655102	Lever Arm and Belt Kit	
20	44355001	Drive Motor	.50 HP; 120-240 Volt
	44355002	Drive Motor	.50 HP; 480 Volt
21	70559101	Motor Pulley	
22	44333202	Nut	
23	44354901	Fan Motor	.50 HP; 240 Volt
	44354903	Fan Motor	.50 HP; 480 Volt
24	70349601	Blower Motor Mounting Plate	
25	44364601	Screw	
26	70667701	Lower Rear Assembly	
27	70488403	Spacer	
28	44087301	Nut	
29	70571901	Drive Plate	
30	70546301	Screw	
31	70653801	Lever Arm and Bushing Assembly	
32	70501301	Screw	

# Blower and Exhaust Components

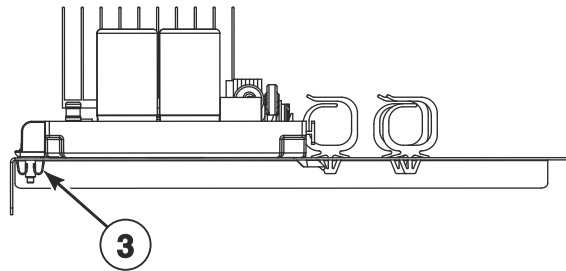
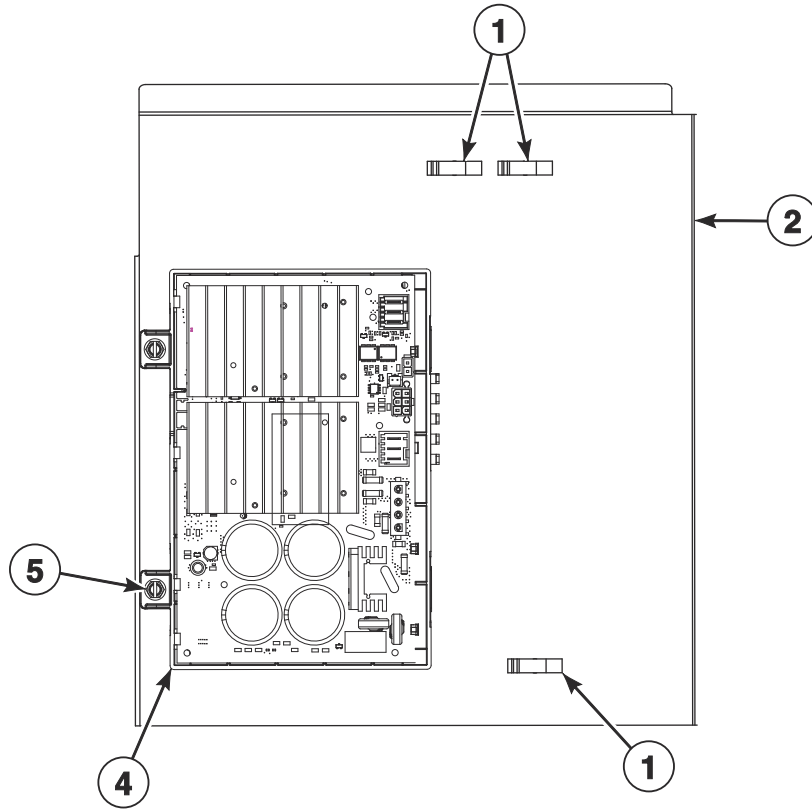


TMB3845P

## Blower and Exhaust Components

REF	PART NO.	DESCRIPTION	COMMENTS
	70631202	Thermostat/Lint Switch Interconnect Harness	
1	70554701	Blower Housing	Top
2	70530901	Limit Thermostat	Manual reset
3	M414704	Thermistor	
4	44328001	Limit Thermostat	Auto reset
5	70554901	Limit Access Bracket	
6	70392701P	Gasket	For blower housing opening
7	430497	Screw	
8	51780	Screw	
9	70014101	Blower Inlet Cone	
10	44354901	Fan Motor	.50 HP; 240 Volt
	44354903	Fan Motor	.50 HP; 480 Volt
11	70349601	Blower Motor Mounting Plate	
12	70126101	Screw	
13	M400991	Washer	
14	70359801P	Blower Assembly	
15	M400022	Nut	
16	M400034	Nut	
17	70215101	Blower Housing	
18	70209501	Damper and Hinge Exhaust Assembly	
19	70020301	Blower Housing	Left
20	70220901	Damper Spacer	

# Inverter Tray Components



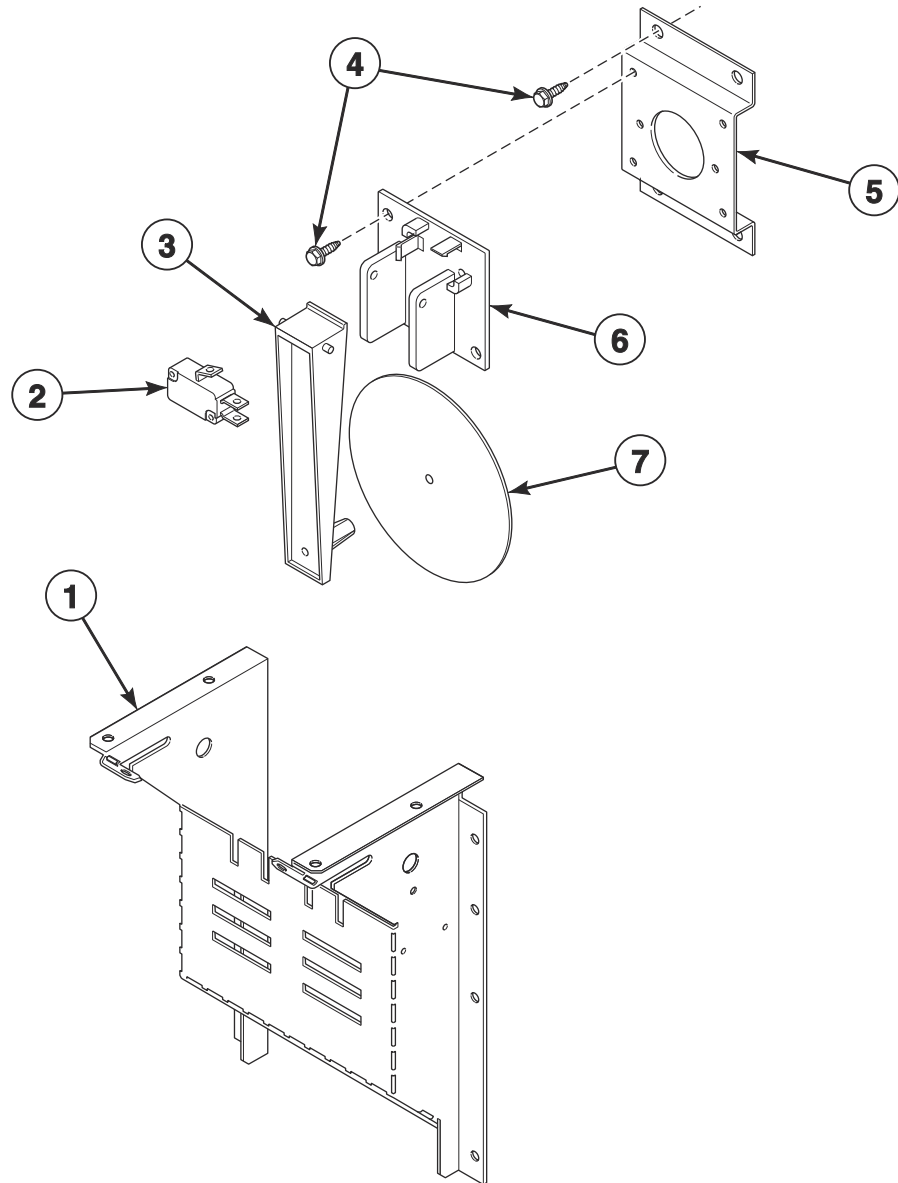
TMB3846P



## Inverter Tray Components

REF	PART NO.	DESCRIPTION	COMMENTS
	70635401	Inverter to Motor Harness	120, 240 Volt; T and G market models
	70635402	Inverter to Motor Harness	380-480 Volt; T and G market models
	70635403	Inverter to Motor Harness	120, 240 Volt/1 Phase; IEC models
	70635404	Inverter to Motor Harness	380-480 Volt; IEC models
<b>1</b>	F8449502	Wire Clip	
<b>2</b>	70648601	Drive Support Bracket	
<b>3</b>	70030501	Expansion Clip	
<b>4</b>	70603001	Inverter Control Assembly	1 HP; 120, 240 Volt/1 Phase
	70603201	Inverter Control Assembly	1 HP; 480 Volt/3 Phase
<b>5</b>	F8206901	Screw	

# Airflow Switch

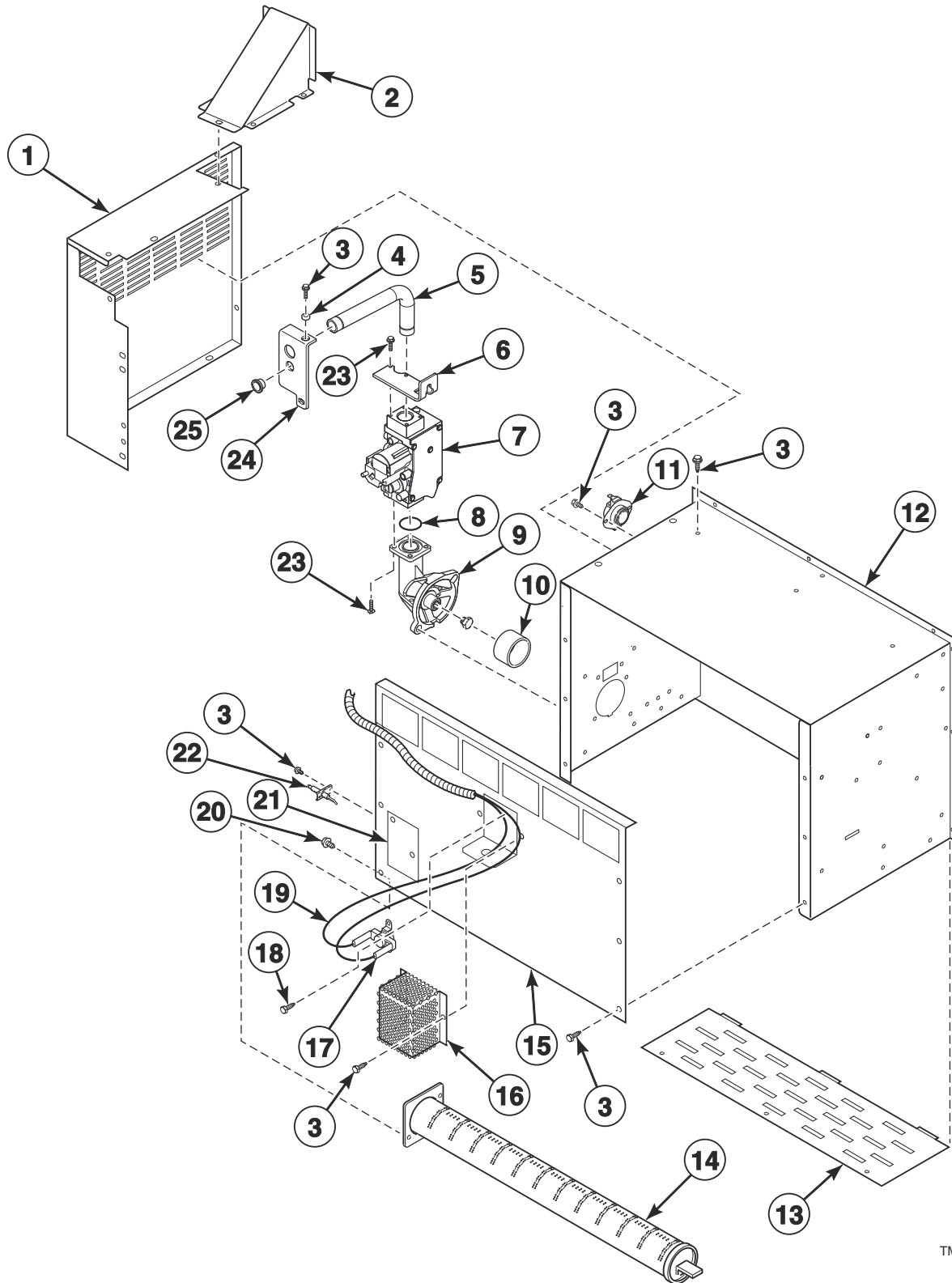


TMB3847P

# Airflow Switch

REF	PART NO.	DESCRIPTION	COMMENTS
1	70356101	Airflow Switch Wrapper	
2	70411901	Switch	
3	70319401	Airflow Switch Arm	
4	430497	Screw	
5	70356301	Switch Bracket	
6	70319602	Airflow Switch and Arm Bracket	
7	70319201	Airflow Switch Vane	

# Gas Heater Components



TMB3848P

# Gas Heater Components

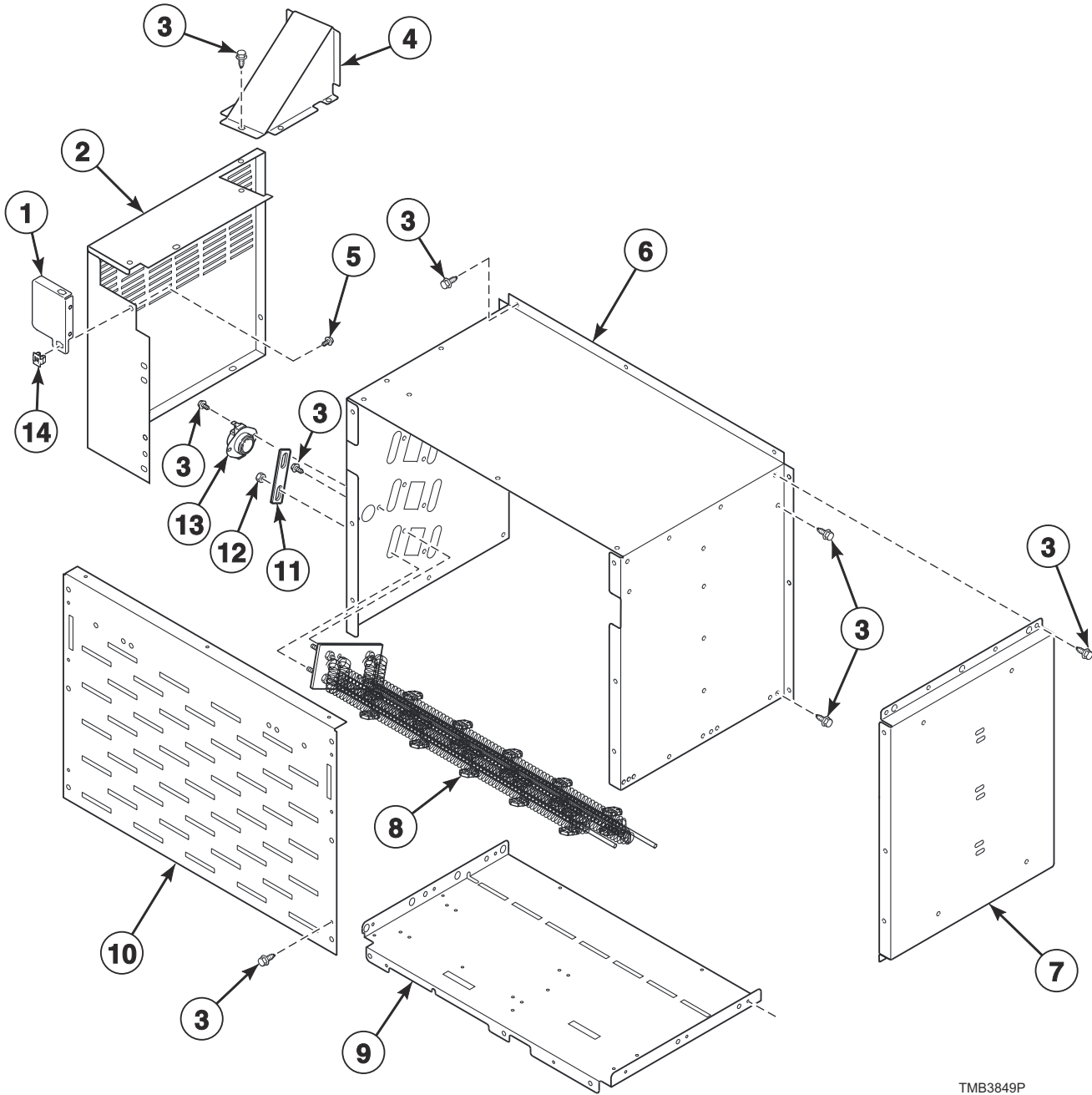
REF	PART NO.	DESCRIPTION	COMMENTS
	44273501	Gas Valve Harness	
	44239702	High Voltage Suppression Cable	
	70550203	L.P. Conversion Kit	T and G market models; Natural Gas (N.G.); 0-2,000 feet
	70550215	L.P. Conversion Kit	Australian models; N.G.; 0-2,000 feet
	70551903	L.P. Conversion Kit	IEC models; N.G.; 0-2,000 feet
	70131901	Adapter	IEC models; BPT/NPT
	70167601	Plug	
	70535901	Notice Label	Australian models; N.G.
	70544901	Notice Label	Australian models; (L.P.) Gas
<b>1</b>	70671102	Side Stove Guard	
<b>2</b>	70670902	Guard Bracket	
<b>3</b>	430497	Screw	
<b>4</b>	70030501	Expansion Clip	
<b>5</b>	70661401	Lead-In Pipe	A, K and U market models
	70661501	Lead-In Pipe	All other models
<b>6</b>	70645401	Gas Valve Bracket	
<b>7</b>	44154503	N.G. Valve	T and G market models
	44154504	L.P. Valve	T and G market models
	44154507	Gas Valve	IEC models; N.G.; 1/2 NPT
	44154508	Gas Valve	IEC models; L.P.; 1/2 NPT
<b>8</b>	431482	O-Ring	
<b>9</b>	70659201	Gas Valve Manifold	
<b>10</b>	70239801	Primary Air Adjustment Sleeve	L.P. models
<b>11</b>	44328004	Limit Thermostat	Side
<b>12</b>	70647101	Stove Top and Sides	
<b>13</b>	70188801	Burner Grill	
<b>14</b>	70229801P	Gas Burner	
	70546701	Anti-Rattle Burner Assembly	Includes 70229801P Gas Burner, 431318 Control Door Latch and M400003 Pop Rivet
<b>15</b>	70371501	Stove Back	
<b>16</b>	M414477	Thermostat Cover	
<b>17</b>	44328101	Limit Thermostat	Rear
<b>18</b>	M405188	Screw	2 required
<b>19</b>	70564301	Stove Limit Harness	
<b>20</b>	05161	Screw	
<b>21</b>	70159601	Igniter Cover	
<b>22</b>	70654201	Spark Electrode	
<b>23</b>	70672501	Screw	
<b>24</b>	70653701	Pipe Bracket	
<b>25</b>	M411826	Snap Bushing	



## Burner Orifices

REF	PART NO.	DESCRIPTION	COMMENTS
	70609905	High Altitude Orifice Kit	Natural Gas (N.G.) models
	70609906	High Altitude Orifice Kit	Liquid Petroleum (L.P.) Gas models with A, G, H, K and T in the 2nd position
1	70684148	Burner Orifice	Standard models; N.G.; Drill no. 15 (4.57 mm); 0-2,000 feet
	70684145	Burner Orifice	Standard models; N.G.; Drill no. 11/64 (4.37 mm); 2,001-4,000 feet
	70684143	Burner Orifice	Standard models; N.G.; Drill no. 19 (4.22 mm); 4,001-6,000 feet
	70684142	Burner Orifice	Standard models; N.G.; Drill no. 20 (4.09 mm); 6,001-8,000 feet
	70684139	Burner Orifice	Standard models; N.G.; Drill no. 23 (3.91 mm); 8,001-10,000 feet
	70684123	Burner Orifice	Standard models with 2nd digit A, G, K, L and T; L.P.; Drill no. 34 (2.82 mm); 0-2,000 feet
	70684120	Burner Orifice	Standard models with 2nd digit A, G, K, L and T; L.P.; Drill no. 36 (2.71 mm); 2,001-4,000 feet
	70684118	Burner Orifice	Standard models with 2nd digit A, G, K, L and T; L.P.; Drill no. 38 (2.58 mm); 4,001-6,000 feet
	70684116	Burner Orifice	Standard models with 2nd digit A, G, K, L and T; L.P.; Drill no. 40 (2.49 mm); 6,001-8,000 feet
	70684114	Burner Orifice	Standard models with 2nd digit A, G, K, L and T; L.P.; Drill no. 42 (2.37 mm); 8,001-10,000 feet
	70684117	Burner Orifice	J market models; L.P.; Drill no. 39 (2.53 mm); 0-2,000 feet
	70684114	Burner Orifice	J market models; L.P.; Drill no. 42 (2.37 mm); 2,001-4,000 feet
	70684113	Burner Orifice	J market models; L.P.; 2.3 mm; 4,001-6,000 feet
	70684112	Burner Orifice	J market models; L.P.; Drill no. 43 (2.26 mm); 6,001-8,000 feet
	70684110	Burner Orifice	J market models; L.P.; Drill no. 44 (2.18 mm); 8,001-10,000 feet
	70684139	Burner Orifice	Eco models; N.G.; Drill no. 23 (3.91 mm); 0-2,000 feet
	70684136	Burner Orifice	Eco models; N.G.; Drill no. 26 (3.73 mm); 2,001-4,000 feet
	70684134	Burner Orifice	Eco models; N.G.; Drill no. 28 (3.57 mm); 4,001-6,000 feet
	70684133	Burner Orifice	Eco models; N.G.; 3.50 mm; 6,001-8,000 feet
	70684130	Burner Orifice	Eco models; N.G.; 3.30 mm; 8,001-10,000 feet

# Electric Heater Components



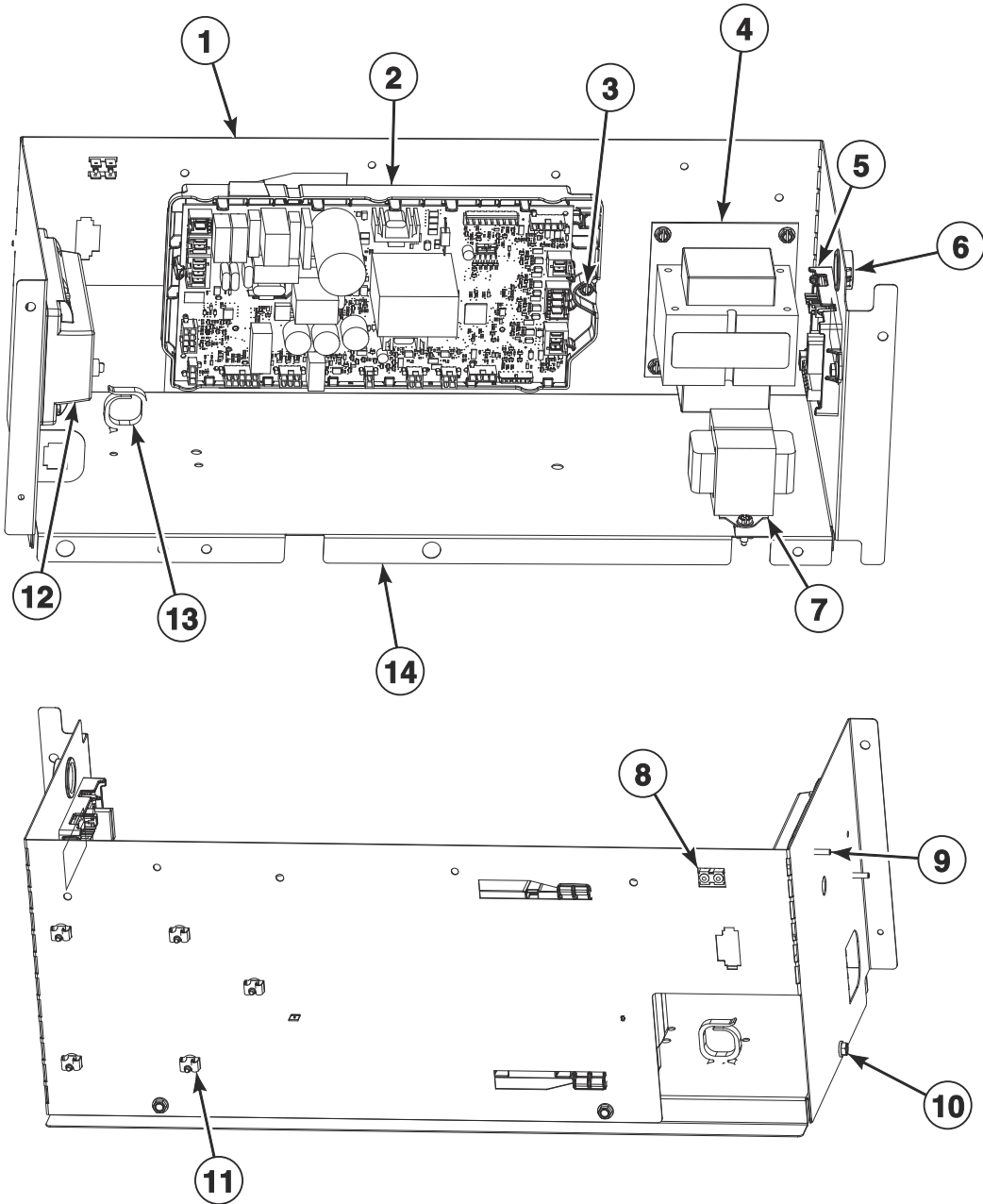
TMB3849P



## Electric Heater Components

REF	PART NO.	DESCRIPTION	COMMENTS
	70564303	Stove Limit Harness	
	70641710	Jumper Harness	Use with 440-480 Volt
	70641709	Jumper Harness	Use with 380-415 Volt
<b>1</b>	70653703	Bracket	
<b>2</b>	70671102	Side Stove Guard	
<b>3</b>	430497	Screw	
<b>4</b>	70670902	Guard Bracket	
<b>5</b>	F8206901	Screw	
<b>6</b>	70654001	Stove Top and Sides	
<b>7</b>	70652001	Stove Shield	
<b>8</b>	70034404P	Heater Element	Standard models; 3 required; 8 kW; 208 Volt heater element for 200-208 Volt/1 or 3 Phase
	70034405P	Heater Element	Standard models; 3 required; 8 kW; 220 Volt heater element for 380 and 440 Volt/3 Phase
	70034406P	Heater Element	Standard models; 3 required; 8 kW; 240 Volt heater element for 230-240 Volt/1 or 3 Phase and 400-415 and 460-480 Volt/3 Phase
	70034414P	Heater Element	Eco models; 3 required; 4 kW; 220 Volt heater element for 380 and 440 Volt/3 Phase
	70034416P	Heater Element	Eco models; 3 required; 4 kW; 240 Volt heater element for 230-240, 400-415 or 460-480 Volt/3 Phase
	70034415P	Heater Element	Eco models; 3 required; 4 kW; 208 Volt heater element for 200-208 Volt/3 Phase
	70034412P	Heater Element	Medium electric models; 3 required; 6 kW; 240 Volt heater element for 230-240 Volt/1 or 3 Phase, 400-415 and 460-480 Volt/3 Phase
	70034410P	Heater Element	Medium electric models; 3 required; 6 kW; 208 Volt heater element for 200-208 Volt/1 or 3 Phase
	70034411	Heater Element	Medium electric models; 3 required; 6 kW; 220 Volt heater element for 380 and 440 Volt/3 Phase
<b>9</b>	70652301	Stove Cover	
<b>10</b>	70214901	Stove Grill	
<b>11</b>	70066501	Jumper Bar	2 required for 440-480 Volt
	M400869	Jumper Strip	3 required for 380-415 and 440-480 Volt; 6 required for 200-240 Volt
<b>12</b>	70054	Nut	
<b>13</b>	44328006	Limit Thermostat	
<b>14</b>	70030501	Expansion Clip	

# Control Tray

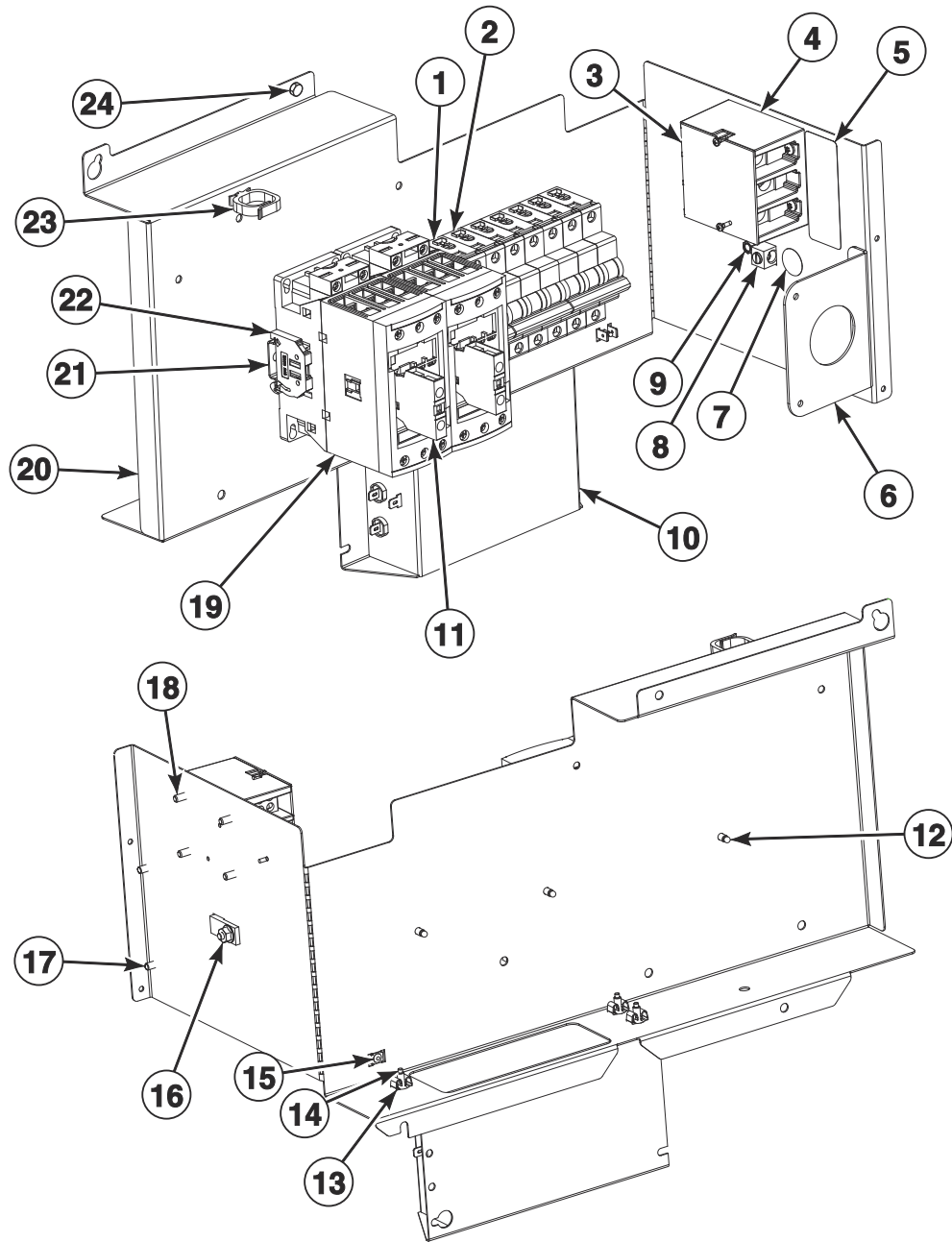


TMB3850P

# Control Tray

REF	PART NO.	DESCRIPTION	COMMENTS
	70631201	Rear Main Harness	
	44374901	Heat Control Harness	Gas models
	70642101	Control Tray Power Harness	120-240 Volt
	70642102	Control Tray Power Harness	380-480 Volt
	70631701	Primary Transformer Vend Harness	120 Volt; Card reader
	70631702	Primary Transformer Vend Harness	240 Volt; Card reader
	70631705	Central Pay Board Power Supply Harness	24V
	70630901	Contacto Interconnect Harness	Electric models
	70649001	Tray Cover	
	70696801	Conversion Kit	X to B voltage; Models with D, F, N or W in the 7th position
	70696805	Conversion Kit	X to B voltage; Models with V in the 7th position
<b>1</b>	70648901	Tray Wrap	
<b>2</b>	70671701	I/O Control Assembly	
<b>3</b>	F8206901	Screw	
<b>4</b>	F8491101	Transformer	380-480 Volt
<b>5</b>	204779	Central Pay Control Assembly	
<b>6</b>	70178701	Snap Bushing	
<b>7</b>	202757	Transformer	100-120 Volt; Card and central pay
	202758	Transformer	200-480 Volt; Card and central pay
<b>8</b>	M400003	Pop Rivet	
<b>9</b>	51783	Screw	
<b>10</b>	430497	Screw	
<b>11</b>	70030501	Expansion Clip	
<b>12</b>	70482002	Ignition Control	IEC gas models
	70482001	Ignition Control	T and G market gas models
<b>13</b>	F8449502	Wire Clip	
<b>14</b>	70649101	Tray Base	

# Accessory Box - Electric Models

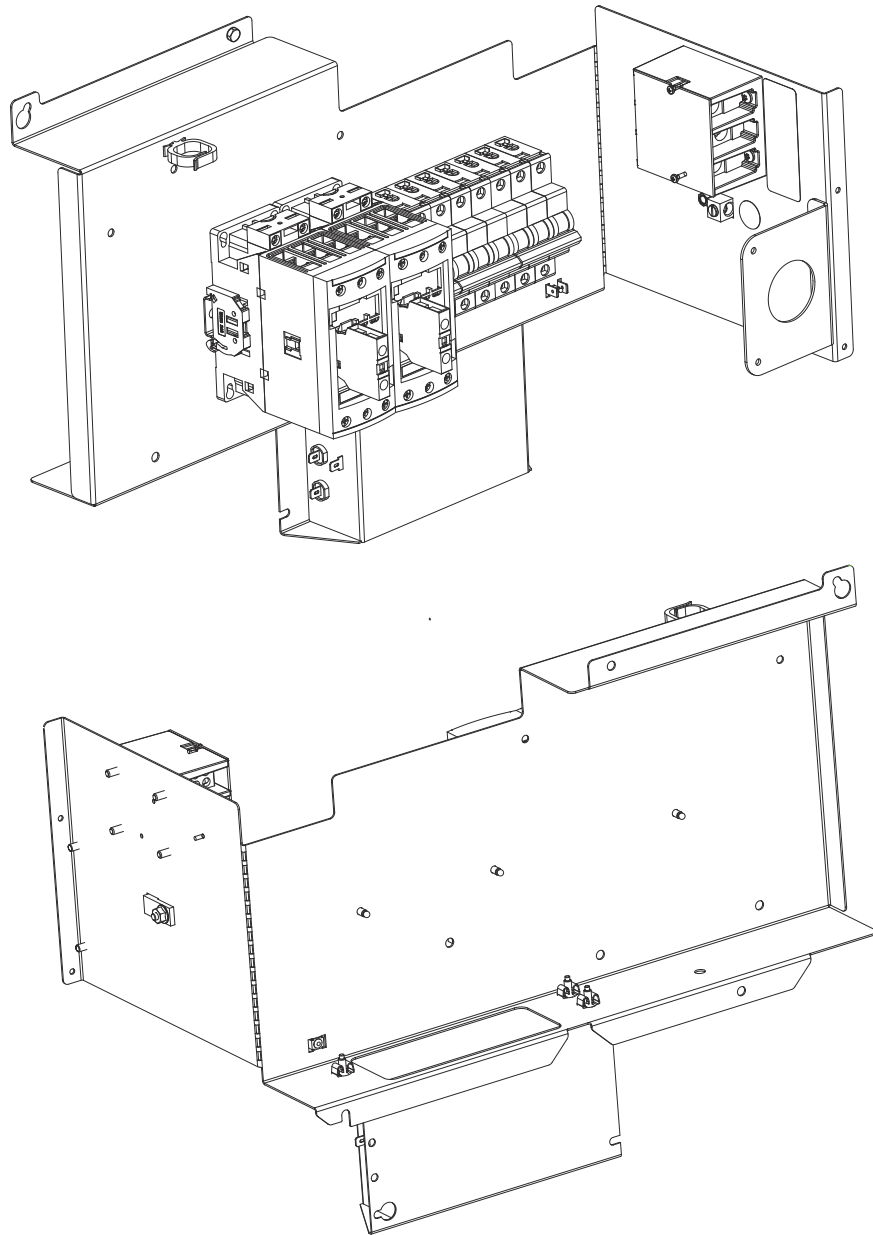


TMB3851P

## Accessory Box - Electric Models

REF	PART NO.	DESCRIPTION	COMMENTS
1	70488102	Circuit Breaker	25 amp
2	70488104	Circuit Breaker	2 required; 50 amp; 200-208 and 230-240 Volt/1 Phase
3	44014901P	Power Distribution Block Cover	
4	M413865	Power Distribution Block	
5	44286803	Label	L1, L2, L3
	44286801	Label	L1, N
	44286802	Wire Label	L1 L2, L1 N
	44286804	Wire Label	L1 L2, L1 N, L1 L2 L3
6	70615503	Conduit Plate	
7	D516100	Label	
8	M411283	Ground Lug Connector	
9	685837	Screw	
10	F8591601	EMI Filter	IEC models; 100-200 and 200-240 Volt/1 Phase
	F8637501	EMI Filter	IEC models; 380-480 Volt
11	44313201	Auxiliary Contact Block	2 required
12	70058501	Pop Rivet	
13	70030501	Expansion Clip	
14	F8206901	Screw	
15	M400003	Pop Rivet	
16	44088001	Nut	
17	51780	Screw	
18	39733	Screw	
19	70482801	Contactor	2 required
20	70659001	Accessory Bracket	
21	44229701	DIN Rail	
22	F8449801	End Stop	2 required
23	F8449502	Wire Clip	
24	430497	Screw	

# Accessory Box Harnesses - Electric Models

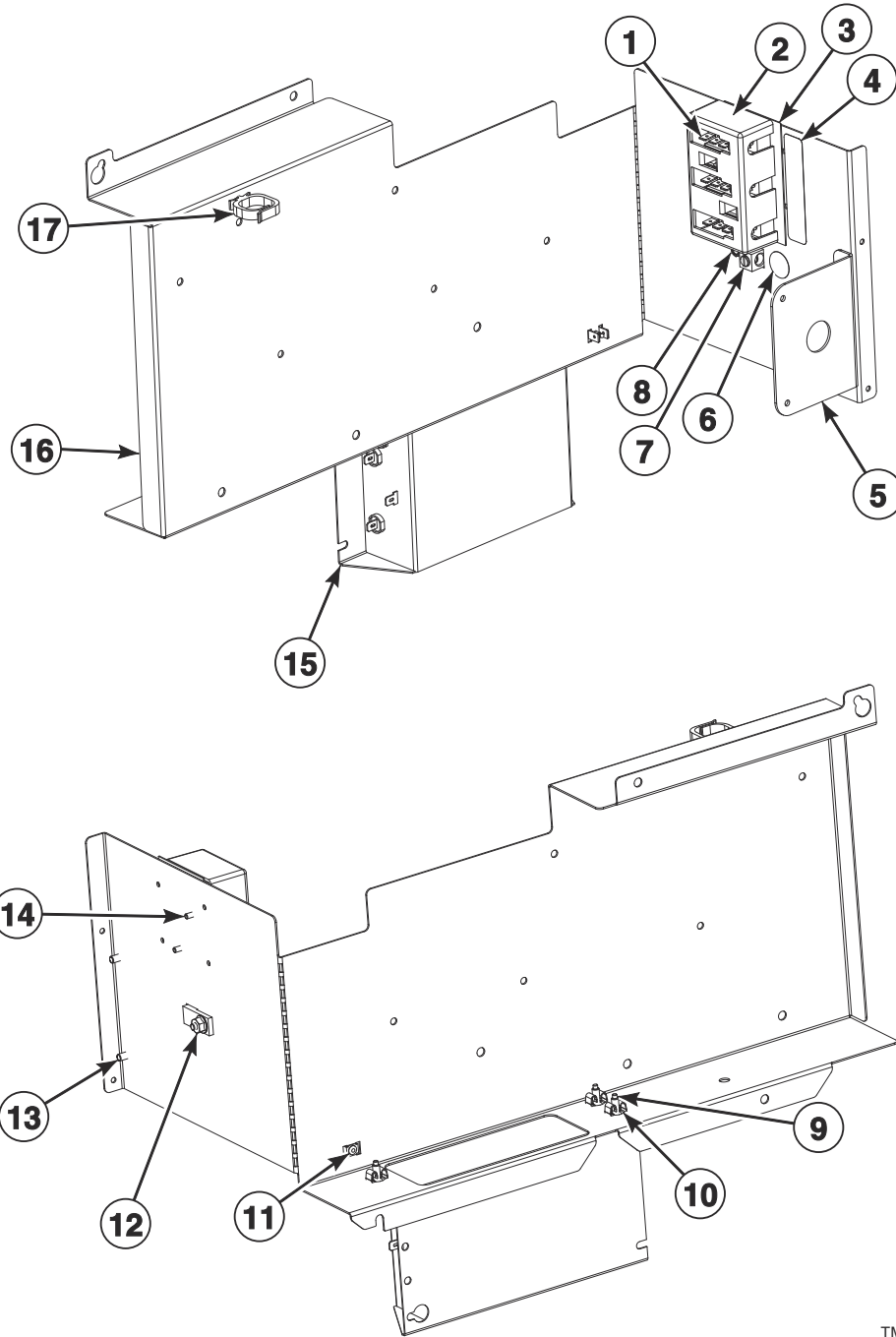


TMB3851PA

## Accessory Box Harnesses - Electric Models

REF	PART NO.	DESCRIPTION	COMMENTS
	70636703	Harness	IEC models; 120-240 Volt; EMI filter to inverter/control tray
	70636701	Harness	IEC models; 380-480 Volt; EMI filter to inverter/control tray
	70639801	Harness	200-240 Volt; Power distribution block to contactor block; 1 phase; Right
	70639802	Harness	200-240 Volt; Power distribution block to contactor block; 1 phase; Left
	70639806	Harness	200-240 Volt; Power distribution block to contactor; 3 phase
	70639807	Harness	200-240 Volt; Power distribution block to contactor; 3 phase
	70639805	Harness	200-240 Volt; Contactor block to HC
	70639810	Harness	200-240 Volt; Contactor to element H1-H3
	70639811	Harness	200-240 Volt; Contactor to element H4-H6
	70641704	Harness	380-415 Volt; Power distribution block to contactor
	70641705	Harness	380-415 Volt; Contactor to contactor
	70641708	Harness	380-415 Volt; Contactor to element
	70632201	Contactor Coil Harness	
	70630902	Contactor Monitor Harness	
	70649605	Harness	T and G market models; 1 phase; Power distribution block to control contactor block
	70649606	Harness	T and G market models; 3 phase; Power distribution block to control contactor block
	70649607	Harness	IEC models; 1 phase; Power distribution block to control contactor block
	70649608	Harness	IEC models; 3 phase; Power distribution block to control contactor block
	70636705	Harness	T and G market models; 240 Volt; Control contactor block to inverter/control tray
	70636706	Harness	T and G market models; 380-480 Volt; Control contactor block to inverter/control tray
	70649603	Harness	1 phase; Control contactor block to EMI filter
	70649604	Harness	3 phase; Control contactor block to EMI filter

# Accessory Box - Gas Models



TMB3852P



## Accessory Box - Gas Models

REF	PART NO.	DESCRIPTION	COMMENTS
	70636701	Harness	T and G market models; 120-240 Volt; Power distribution block to inverter/control tray
	70636702	Harness	T and G market models; 380-480 Volt; Power distribution block to inverter/control tray
	70649601	Harness	1 phase; Power distribution block to EMI filter
	70649602	Harness	3 phase; Power distribution block to EMI filter
	70636703	Harness	IEC models; 120-240 Volt; EMI filter to inverter/control tray
	70636704	Harness	IEC models; 380-480 Volt; EMI filter to inverter/control tray
	00621SG	Male Tab Terminal	
<b>1</b>	430642	Terminal Block	
<b>2</b>	70333001	Terminal Block Shield	
<b>3</b>	M413862	Insulator	
<b>4</b>	44286803	Label	L1, L2, L3
	44286801	Label	L1, N
	44286802	Wire Label	L1 L2, L1 N
	44286804	Wire Label	L1 L2, L1 N, L1 L2 L3
<b>5</b>	70615501	Conduit Plate	
<b>6</b>	D516100	Label	
<b>7</b>	M411283	Ground Lug Connector	
<b>8</b>	685837	Screw	
<b>9</b>	F8206901	Screw	
<b>10</b>	70030501	Expansion Clip	
<b>11</b>	M400003	Pop Rivet	
<b>12</b>	44088001	Nut	
<b>13</b>	430497	Screw	
<b>14</b>	51783	Screw	
<b>15</b>	F8591601	EMI Filter	IEC models; 100-200 and 200-240 Volt/1 Phase
	F8637501	EMI Filter	IEC models; 380-480 Volt
<b>16</b>	70659001	Accessory Bracket	
<b>17</b>	F8449502	Wire Clip	

## Labels

<b>PART NO.</b>	<b>DESCRIPTION</b>	<b>COMMENTS</b>
44324201	Caution Label	Australian models; Repeat Ignition Reset
70696901	Caution Label	Vent/install
F8614501	Danger Label	Shock; English/French
F8614301	Hot Surface Warning Label	English/French
F8609001	Hot Surface Warning Label	Icon
F8611601	Warning Label	
70535100	Label Kit	Vent/install; IEC models
F8614500	Label Kit	Shock; IEC models
70539601	Notice Label	
F8609501	Notice Label	
D516073	Notice Label	Read instructions; Icon
70538401	Pinch Warning Label	English/French
F8615701	Pinch Warning Label	Icon
F8614201	Shock Warning Label	Icon
70536301	Warning Label	Lint; Australian models
44324101	Warning Label	Fire; Australian models
70534305	Warning Label	Fire; Colombian Spanish
44321601	Warning Label	Risk of fire; Icon
D503887	Label	Australian models

# Parts Index

## A

Accessory Bracket	
70659001 .....	83, 87
Accessory Plate Assembly	
F8574202 .....	27
F8574203 .....	27
F8574205 .....	27
F8734601 .....	27
Adapter	
70131901 .....	75
Airflow Switch and Arm Bracket	
70319602 .....	73
Airflow Switch Arm	
70319401 .....	73
Airflow Switch Vane	
70319201 .....	73
Airflow Switch Wrapper	
70356101 .....	73
Anti-Rattle Burner Assembly	
70546701 .....	75
App Pay Overlay Kit	
44374701 .....	27, 29
Auxiliary Contact Block	
44313201 .....	83

## B

Blind Rivet	
F8245101 .....	51
Blower Assembly	
70359801P .....	67, 69
Blower Housing	
70020301 .....	69
70215101 .....	67, 69
70554701 .....	67, 69
Blower Housing Scroll	
70016301 .....	67
Blower Inlet Cone	
70014101 .....	69
Blower Motor Mounting Plate	
70349601 .....	67, 69
Bottom Guard	
70661101 .....	61
Bracket	
70653703 .....	79
Burner Grill	
70188801 .....	75
Burner Orifice	
70684110 .....	77
70684112 .....	77
70684113 .....	77
70684114 .....	77
70684116 .....	77
70684117 .....	77
70684118 .....	77
70684120 .....	77
70684123 .....	77
70684130 .....	77

70684133 .....	77
70684134 .....	77
70684136 .....	77
70684139 .....	77
70684142 .....	77
70684143 .....	77
70684145 .....	77
70684148 .....	77
Bushing	
70346501 .....	59
Bypass Harness	
44334103 .....	19, 27, 47

## C

Cam and Hinge Kit	
M4772P3 .....	41
M4773P3 .....	41
70622401 .....	41
Card Reader Plate	
F8574204 .....	27
Caution Label	
44324201 .....	88
70696901 .....	88
Center Cylinder Seal Assembly	
70066003 .....	57
Center Pan	
70564501 .....	59
Center Partition	
70252601 .....	59
Central Pay Board Power Supply Harness	
70631705 .....	81
Central Pay Control Assembly	
204779 .....	81
Circuit Breaker	
70488102 .....	83
70488104 .....	83
Coin Box	
F160673P .....	47
Coin Chute Assembly	
70296401 .....	47
Coin Drop	
38963P .....	31
39748 .....	31
70441601 .....	31
70441603 .....	31
Coin Drop Assembly	
201141 .....	31
210195 .....	31
210196 .....	31
38462P .....	31
38463 .....	31
38467 .....	31
38519 .....	31
70281102 .....	31
70283102 .....	31
70441602 .....	31
70447301 .....	31
70471601 .....	31
70482401 .....	31
70506901 .....	31

N/A items do not appear in index.

Coin Drop Kit			
CK077 .....	31	Control Panel	
CK122 .....	33	70121309 .....	43
Coin Identification Paper		70121314DG .....	43
38464P .....	31	70121314W .....	43
38475 .....	31	70273414 .....	43
38725 .....	31	70273416W .....	43
Coin Meter		70583401 .....	43
F0160737-00 .....	31	70583402 .....	43
Coin Vault and Emergency Stop Mount Assembly		70689803 .....	43
70529502 .....	47	70689806W .....	43
Coin Vault Assembly		Control Panel Assembly	
70529501 .....	47	70689901 .....	43
Coin Vault Switch Harness		70689902 .....	43
44334101 .....	47	70689903W .....	43
44334104 .....	19, 27	70689904W .....	43
Cold Weather Kit		Control Panel Stand Bracket	
44340301 .....	65	70641501 .....	45
Conduit Plate		Control Panel Switch Bracket	
70615501 .....	87	70641601 .....	43
70615503 .....	83	Control Plate	
Contact Base		70497101 .....	17, 23
F8538101 .....	49	Control Plate and Studs Assembly	
Contact Switch		70496601 .....	19
F8069501 .....	49	Control Plate Assembly	
Contactors		70497201 .....	19
70482801 .....	83	Control Tray Power Harness	
Contactors Coil Harness		70642101 .....	81
70632201 .....	85	70642102 .....	81
Contactors Interconnect Harness		Control Trim	
70630901 .....	81	44016401 .....	47
Contactors Monitor Harness		70529401 .....	47
70630902 .....	85	Conversion Kit	
Control		70696801 .....	81
70511601 .....	65	70696805 .....	81
Control Assembly		Cylinder and Trunnion Assembly	
70478801P .....	19	70435201 .....	53
70478802 .....	23	70435202 .....	53
70478901 .....	19	Cylinder Assembly	
70478902 .....	23	70372601P .....	53
70479801 .....	17	70372602P .....	53
70479901 .....	17	Cylinder Bearing Stud Plate Assembly	
70523001 .....	19	430352 .....	57
70523002 .....	23	Cylinder Guide Tool	
70523101 .....	17	263P4 .....	57
70543104 .....	25	Cylinder Rib Assembly	
70597801P .....	27	70433001 .....	53
70597803 .....	29	Cylinder Shroud	
Control Box Base		70347001 .....	59
44065301 .....	65	70347002 .....	59
Control Box Cover		70432305 .....	59
44065201 .....	65	70432306 .....	59
Control Box Housing			
44306701 .....	65	<b>D</b>	
Control Box Top		Damper and Hinge Exhaust Assembly	
44307101 .....	65	70209501 .....	67, 69
Control Door and Studs Assembly		Damper Spacer	
70570201 .....	25	70220901 .....	69
Control Door Latch		Danger Label	
431318 .....	43	F8614501 .....	88
Control Harness		Decal	
44375604 .....	65	F8687701 .....	47
Control Mounting Bracket		DIN Rail	
70598701 .....	27	44229701 .....	83

N/A items do not appear in index.

Door Assembly	
70597701 .....	37
70597702 .....	37
70597703 .....	37
70597704 .....	37
70597705 .....	37
70597706 .....	37
70597707 .....	37
70597708 .....	37
70597709 .....	37
70597710LG .....	37
Door Catch Kit	
70482901 .....	47
Door Glass	
M400784P .....	39
70133604 .....	39
Door Glass Installation Tool	
M4221P4 .....	39
Door Glass Label	
70650401 .....	39
Door Glass Seal Kit	
70211901P .....	39
Door Handle	
44007902P .....	39
44263801 .....	39
44370602 .....	39
Door Hinge	
70595502 .....	41
70595504 .....	41
70595510B .....	41
70595510LG .....	41
70595510W .....	41
Door Hinge Lug Assembly	
44035001 .....	41
44035002 .....	41
44035003 .....	41
Door Latch	
M401223 .....	47
Door Ring and Handle Assembly	
70597508LG .....	39
Door Ring Assembly	
70597501 .....	39
70597502 .....	39
70597503 .....	39
70597504 .....	39
70597507B .....	39
Door Ring Gasket	
70296801 .....	39
Door Switch Actuator	
70532101 .....	41
70532102 .....	41
Drive Access Cover	
70662801 .....	67
Drive Motor	
44355001 .....	67
44355002 .....	67
Drive Plate	
70571901 .....	67
Drive Rivet	
M400713 .....	65
Drive Support Bracket	
70648601 .....	71
Drywall Screw Magnet Kit	
70343101P .....	53, 57

## E

Elbow	
70428101 .....	63
Electronic Coin Drop Assembly	
70294107 .....	31
70513302 .....	31
70513303 .....	31
70513304 .....	31
70513306 .....	31
70513308 .....	31
70513309 .....	31
70513310 .....	31
70513311 .....	31
70513312 .....	31
70513313 .....	31
70513314 .....	31
70513315 .....	31
70513316 .....	31
Electronic Coin Drop Kit	
CK099 .....	33
CK100 .....	33
CK101 .....	33
CK108 .....	33
CK109 .....	33
CK110 .....	33
CK113 .....	33
CK115 .....	33
CK116 .....	33
CK117 .....	33
CK118 .....	33
CK119 .....	33
CK120 .....	33
CK121 .....	33
Emergency Stop Button Kit	
70580301 .....	49
Emergency Stop Bypass Harness	
F8519403 .....	19, 27
Emergency Stop Harness	
44272401 .....	49
Emergency Stop Interconnect Harness	
70631101 .....	49
Emergency Stop Label	
44012901 .....	49
44012903 .....	49
Emergency Stop Mounting Bracket	
70550401 .....	49
Emergency Stop Pushbutton	
F200233500 .....	49
EMI Filter	
F8591601 .....	83, 87
F8637501 .....	83, 87
End Cap	
70070101 .....	53
70070102 .....	53
End Stop	
F8449801 .....	83
Exhaust Adapter	
70477901 .....	67
Exhaust Thimble	
70015601 .....	67
Expansion Clip	
70030501 .....	19, 27, 29, 47, 71, 75, 79, 81, 83, 87

N/A items do not appear in index.

---

**F**

Fan Motor	
44354901 .....	67, 69
44354903 .....	67, 69
Fan Spacer	
70599301 .....	67
Fill Hose	
202799 .....	65
Filter Mounting Plate	
70551701 .....	65
Flat Top	
70557701 .....	59
Fob Communication Harness	
F8519403 .....	27
F8719301 .....	19
Fob Reader Control Assembly	
205135 .....	19, 27
Fob Reader Kit	
70666806 .....	35
Front Panel	
70524221 .....	45
Front Panel Assembly	
44116802W .....	45
44116902 .....	45
70575802DG .....	45
70622501 .....	45
70622601 .....	45
70622902W .....	45
70623002W .....	45
70623401DG .....	45
70623501DG .....	45
70623602W .....	45
70623701DG .....	45
Front Panel Seal	
70173401P .....	45

---

**G**

Gas Burner	
70229801P .....	75
Gas Valve	
44154507 .....	75
44154508 .....	75
Gas Valve Bracket	
70645401 .....	75
Gas Valve Harness	
44273501 .....	75
Gas Valve Manifold	
70659201 .....	75
Gasket	
70289101P .....	51
70392701P .....	69
Ground Lug Connector	
M411283 .....	83, 87
Guard Bracket	
70670902 .....	75, 79

---

**H**

Handle and Caps Assembly	
70154403 .....	51
70154414 .....	51
Handle Bumper	
70407208 .....	51
Harness	
F8617901 .....	25
70636701 .....	85, 87
70636702 .....	87
70636703 .....	85, 87
70636704 .....	87
70636705 .....	85
70636706 .....	85
70639801 .....	85
70639802 .....	85
70639805 .....	85
70639806 .....	85
70639807 .....	85
70639810 .....	85
70639811 .....	85
70641704 .....	85
70641705 .....	85
70641708 .....	85
70649601 .....	87
70649602 .....	87
70649603 .....	85
70649604 .....	85
70649605 .....	85
70649606 .....	85
70649607 .....	85
70649608 .....	85
Harness Adapter Plate	
70523301 .....	63, 65
Harness Mounting Plate	
70307007 .....	35
Heat Control Harness	
44374901 .....	81
Heater Element	
70034404P .....	79
70034405P .....	79
70034406P .....	79
70034410P .....	79
70034411 .....	79
70034412P .....	79
70034414P .....	79
70034415P .....	79
70034416P .....	79
High Altitude Orifice Kit	
70609905 .....	77
70609906 .....	77
High Voltage Suppression Cable	
44239702 .....	75
Hold-Down Clip	
35865 .....	59
Hole Plug	
70063201 .....	59
Hose	
44073304 .....	65
Hose Clamp	
36801 .....	65
Hose Fitting	
44069101 .....	65

N/A items do not appear in index.

Hot Surface Warning Label	
F8609001 .....	88
F8614301 .....	88

## I

Idler Wheel Assembly	
70050401P .....	67
Igniter Cover	
70159601 .....	75
Ignition Control	
70482001 .....	81
70482002 .....	81
Insulator	
M413862 .....	87
Interconnect Harness	
44375601 .....	65
Interface Harness	
44378102 .....	19, 27
Inverter Control Assembly	
70603001 .....	71
70603201 .....	71
Inverter to Motor Harness	
70635401 .....	71
70635402 .....	71
70635403 .....	71
70635404 .....	71
I/O Control Assembly	
70671701 .....	81

## J

Jumper Bar	
70066501 .....	79
Jumper Harness	
D511476 .....	47
70641709 .....	79
70641710 .....	79
Jumper Strip	
M400869 .....	79

## K

Key	
70155601 .....	47, 65
70155602 .....	47
Kickplate	
70117603 .....	51
70117617 .....	51

## L

Label	
D503887 .....	88
D516100 .....	83, 87
44108201 .....	45
44190901 .....	45
44286801 .....	83, 87
44286803 .....	83, 87
44318201 .....	65

562738 .....	47
70472801 .....	45
Label Kit	
F8614500 .....	88
44318200 .....	65
44324500 .....	65
70534300 .....	45
70535100 .....	88
Lead-In Pipe	
70661401 .....	75
70661501 .....	75
Lever Arm and Belt Kit	
70655102 .....	67
Lever Arm and Bushing Assembly	
70653801 .....	67
Light	
801432 .....	65
Limit Access Bracket	
70554901 .....	69
Limit Thermostat	
44328001 .....	69
44328004 .....	75
44328006 .....	79
44328101 .....	75
70530901 .....	69
Lint Panel	
70515502 .....	51
70515503W .....	51
70515504DG .....	51
70515504W .....	51
70515505 .....	51
Lint Panel Pivot Plate	
70016701 .....	51
Lint Screen	
70325601 .....	59
Lock Catch Bracket	
70654501 .....	43
Lock Shim	
70342401 .....	47
Lock, Key and Nut Kit	
44089301P .....	47, 65
44089302P .....	47
Logo Label	
567887 .....	47
Lower Pan	
70326601 .....	59
Lower Rear Assembly	
70667701 .....	67
L.P. Conversion Kit	
70550203 .....	75
70550215 .....	75
70551903 .....	75
L.P. Valve	
44154504 .....	75

## M

Machine ID Control Assembly	
203361P .....	19, 23, 25, 27, 29
Magnet	
70343101 .....	51
Magnet Bracket	
44290501 .....	51

N/A items do not appear in index.

Main Harness	
70631001 .....	17, 19, 23, 25, 27, 29
Male Tab Terminal	
00621SG .....	87
Mixing Valve	
70519801 .....	65
Mixing Valve Shield Bracket	
44306601 .....	65
Moisture Sensor/Airflow Switch Harness	
70631203 .....	55
Motor Mount Bracket	
70564101 .....	67
Motor Mount Plate	
70564201 .....	67
Motor Pulley	
70559101 .....	67
Mounting Plate	
70208801 .....	19

## N

Nameplate	
F8443105 .....	47
F8688801 .....	47
567293 .....	47
70686001 .....	47
70686101 .....	47
Notice Label	
D516073 .....	88
F8609501 .....	88
70535901 .....	75
70539601 .....	88
70544901 .....	75
Nozzle Bracket	
70424201 .....	63
70428601 .....	63
Nut	
M400022 .....	55, 57, 69
M400034 .....	57, 69
M404993 .....	59
M412986 .....	57
M414215 .....	39
21899 .....	59
23951 .....	51
430576 .....	59
44071201 .....	25
44087101 .....	27, 29
44087201 .....	53, 67
44087301 .....	67
44088001 .....	39, 41, 83, 87
44088801 .....	47
44333202 .....	67
51236 .....	51
56156 .....	67
70054 .....	19, 27, 79
N.G. Valve	
44154503 .....	75

## O

Opto Coupler	
200674P .....	31

O-Ring	
431482 .....	75
Overlay	
F8205101 .....	19
F8733901 .....	19
F8734001 .....	27
F8734201 .....	19
F8734301 .....	27
F8736501 .....	19
F8736601 .....	27
70295101 .....	19
70518101 .....	19
70518102 .....	19
70519001 .....	17
70539101 .....	17
70541201 .....	21
70541202 .....	21
70541203 .....	21
70545501 .....	17
70548801 .....	23
70556201 .....	19
70556301 .....	19
70556401 .....	19
70556402 .....	19
70556501 .....	19
70556502 .....	19
70556601 .....	19
70556701 .....	19
70556801 .....	19
70556901 .....	19
70557001 .....	19
70557002 .....	19
70571101 .....	21
70571102 .....	21
70571103 .....	21
70571104 .....	21
70571401 .....	23
70571601 .....	23
70595401 .....	25
70673301 .....	23
70675001 .....	17
70681701 .....	21
70681702 .....	21
70681703 .....	21
70681704 .....	21
70681705 .....	21
70690401 .....	21
70690402 .....	21
70690403 .....	21
70690404 .....	21
70690405 .....	21
70690701 .....	21
70690702 .....	21
70690703 .....	21
70691001 .....	23
70691301 .....	17
70705701 .....	21

## P

Panel Locator	
56079 .....	47, 51
Payment Center Kit	
205067 .....	35
205068 .....	35
205069 .....	35
205070 .....	35

N/A items do not appear in index.



205316 .....	35
205318 .....	35
Pin	
70071401 .....	41
Pinch Warning Label	
F8615701 .....	88
70538401 .....	88
Pipe Bracket	
70653701 .....	75
Plug	
70167601 .....	75
70180001 .....	65
Pop Rivet	
M400003 .....	43, 81, 83, 87
44166601 .....	47
70058501 .....	41, 51, 59, 83
70126301 .....	51
70126401 .....	51
Porcelain Touch-Up Paint	
122P4P .....	59
Power Distribution Block	
M413865 .....	83
Power Distribution Block Cover	
44014901P .....	83
Power Sensor Harness	
44375602 .....	65
Primary Air Adjustment Sleeve	
70239801 .....	75
Primary Transformer Vend Harness	
70631701 .....	81
70631702 .....	81
Pushbutton Switch	
70413301 .....	17, 19, 23, 27, 29, 43, 47
Push-to-Start Switch	
801434W .....	65

## R

Rear Bearing Shim	
70355001 .....	57
Rear Bracket	
70654401 .....	65
Rear Cover	
70650901 .....	61
Rear Cylinder Bearing Housing	
70013901 .....	57
Rear Cylinder Channel	
70257101 .....	53
70257102 .....	53
Rear Cylinder Channel Plate	
70257201 .....	53
Rear Cylinder Seal	
70013701P .....	57
Rear Cylinder Seal Support	
70506402 .....	57
Rear Guard	
70652801 .....	61
70652802 .....	61
Rear Lint Panel	
70564401 .....	51
Rear Main Harness	
70631201 .....	81

Rear Panel	
70651401 .....	57
70651402 .....	57
70651403 .....	57
Reed Switch Assembly	
F8066804 .....	51
Replacement Screen Kit	
70576501P .....	27, 29
Roller and Seal Kit	
70616701 .....	59
Roller Catch Arm	
70030301 .....	51
Roller Catch Spacer	
70030201 .....	51
Roller Catch Wheel	
70297601 .....	51
Roller Seal	
70443601 .....	59
Roller Shaft	
70249501 .....	59
Roller Support Bracket	
70328301 .....	59

## S

Screw	
F430144 .....	67
F8206901 .....	35, 71, 79, 81, 83, 87
M400661 .....	39
M405188 .....	75
M411072 .....	19, 45, 47
05161 .....	75
39733 .....	27, 29, 47, 51, 83
430497 .....	43, 51, 53, 59, 63, 65, 69, 73, 75, 79, 81, 83, 87
430757 .....	51
44349101 .....	41
44364601 .....	67
44364603 .....	67
51780 .....	25, 63, 65, 69, 83
51783 .....	81, 87
62588 .....	53
685837 .....	83, 87
70033502 .....	41
70072801 .....	51
70126101 .....	69
70132301 .....	51
70247701 .....	59
70391101 .....	53
70407301 .....	41
70436301 .....	41
70442101 .....	39
70501301 .....	67
70508301 .....	67
70546301 .....	67
70576101 .....	41
70672501 .....	75
70689401 .....	41
804608 .....	17, 19, 23, 25, 65
Sensor Harness	
44375606 .....	65
Serial Pay Harness	
F8713906 .....	27
Sheet Metal Edge Gasket	
70015710 .....	59

N/A items do not appear in index.

70015711 .....	59
Shield	
44326801 .....	65
Shock Warning Label	
F8614201 .....	65, 88
F8614401 .....	65
Side Bracket	
70658601 .....	65
Side Guard	
70648102 .....	61
70648201 .....	61
Side Panel	
70021504DG .....	59
70021504W .....	59
70253802DG .....	59
70253802W .....	59
Side Stove Guard	
70671102 .....	75, 79
Slip Ring Assembly	
44222702 .....	55
Slip Ring Holder	
70455401 .....	55
Slot Card Plate Assembly	
44089501 .....	19
Snap Bushing	
M411826 .....	75
70178701 .....	63, 81
Spacer	
70488403 .....	67
Spark Electrode	
70654201 .....	75
Spray Nozzle	
70427801 .....	63
Spray Nozzle Hose	
70427701 .....	63
Spray Paint	
298P4P .....	59
Spring	
70571801 .....	67
Spring Catch Bracket	
70543401 .....	67
Standoff	
70569603 .....	67
Stove Back	
70371501 .....	75
Stove Cover	
70652301 .....	79
Stove Grill	
70214901 .....	79
Stove Limit Harness	
70564301 .....	75
70564303 .....	79
Stove Shield	
70652001 .....	79
Stove Top and Sides	
70647101 .....	75
70654001 .....	79
Support Bearing	
70448701 .....	57
Support Housing Bearing Assembly	
430260P .....	57
Switch	
70411901 .....	73

Switch Bracket	
70356301 .....	73
70508501 .....	51
Switch Hole Plug	
44057801B .....	47
44057801W .....	47

---

## T

Tensioning Bracket	
70569501 .....	67
Terminal Block	
430642 .....	87
Terminal Block Shield	
70333001 .....	87
Thermistor	
M414704 .....	69
44064701 .....	63
Thermistor Plate	
70424401 .....	63
Thermostat Cover	
M414477 .....	75
Thermostat/Lint Switch Interconnect Harness	
70631202 .....	69
Top Pan	
70583801 .....	59
70641301 .....	59
Top Panel	
70586501 .....	59
Transformer	
F8491101 .....	81
202757 .....	81
202758 .....	81
Tray Base	
70649101 .....	81
Tray Cover	
70649001 .....	81
Tray Wrap	
70648901 .....	81
Trunnion and Seal Kit	
70564803 .....	53
70564804 .....	53
Tube Assembly	
70427601 .....	63
Tumbler Dolly Kit	
M4379P4 .....	59

---

## U

Union Tee	
70427901 .....	63
USB Bracket	
70547001 .....	25
USB IR Interface Kit	
203346 .....	35
USB-Serial Interface Assembly	
203440 .....	25, 27, 29

N/A items do not appear in index.

---

## V

Vend Activation Harness	
44334002 .....	27
44334004 .....	17, 19, 23
Vend Plate	
F8632501 .....	27

---

## W

Warning Label	
F8611601 .....	88
44321601 .....	88
44324101 .....	88
44324501 .....	65
44324502 .....	65
70534301 .....	45
70534302 .....	45
70534305 .....	88
70536301 .....	88
Washer	
M400991 .....	57, 69
70261401 .....	59
70411301 .....	53
Water Valve Harness	
44375605 .....	65
Wire Clip	
F8449502 .....	71, 81, 83, 87
Wire Guard	
201595P .....	31
Wire Label	
44286802 .....	83, 87
44286804 .....	83, 87
Wireless Control Label	
204692 .....	27, 29, 35
Wireless Network Control Assembly	
807211 .....	35
Wireless Network Harness	
F8674006 .....	35
Wireless Network Kit	
70609701 .....	35

---

