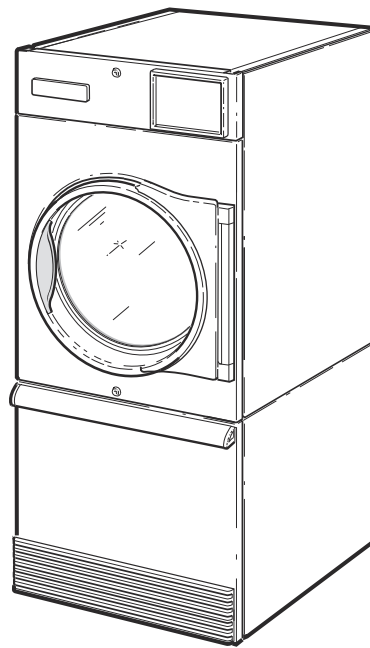


# Tumble Dryers

55 Pound Capacity

18 Digit Model Numbers with 6 in 13th Position

Refer to Page 5 for Model Numbers



TMB1293C



# Table of Contents

| Title   | Page |
|---|------|
| Parts Ordering Information.....   | 3    |
| Serial Plate Location .....   | 3    |
| Machine Identification .....  | 5    |
| Product Overview - Heat Source and Voltage .....  | 6    |
| Product Overview - FN Control Suffix .....  | 8    |
| Product Overview - DN and NN Control Suffixes.....                                      | 10   |
| Product Overview - N and W Control Suffixes .....                                       | 12   |
| Product Overview - V Control Suffix .....   | 14   |
| Dual Digital Control .....  | 16   |
| Electronic Display Control - Vend Models with N or W in the 7th Position.....           | 18   |
| Electronic Display Control Overlays - Vend Models with N or W in the 7th Position ..... | 20   |
| Electronic Display Control - OPL Models with N in the 7th Position .....                | 22   |
| 3.5 Inch Graphical Control .....  | 24   |
| Touch Control - Vend Models with V in the 7th Position .....                            | 26   |
| Touch Control - OPL Models with V in the 7th Position .....                             | 28   |
| Coin Drops .....  | 30   |
| Coin Drop Kits .....  | 32   |
| Network Board Components.....   | 34   |
| Door Assemblies .....   | 36   |
| Door Components .....   | 38   |
| Hinge Components .....  | 40   |
| Control Panels .....  | 42   |
| Front Panel Assemblies .....  | 44   |
| Cabinet Front Components.....   | 46   |
| Emergency Stop Button - IEC OPL Models .....  | 48   |
| Lower Cabinet Components .....  | 50   |
| Cylinder and Trunnion Assembly .....  | 52   |
| Moisture Sensing Components .....   | 54   |
| Cylinder Components .....   | 56   |
| Cabinet Components .....  | 58   |
| Rear Panels .....   | 60   |
| Fire Suppression System Components .....  | 62   |
| Fire Suppression System Control Box .....   | 64   |
| Motor Components .....  | 66   |
| Blower and Exhaust Components.....  | 68   |
| Inverter Tray Components .....  | 70   |
| Airflow Switch.....   | 72   |
| Gas Heater Components .....   | 74   |
| Burner Orifices .....   | 76   |
| Electric Heater Components .....  | 78   |
| Steam Heater Components .....   | 80   |

© Copyright 2023, Alliance Laundry Systems LLC

All rights reserved. No part of the contents of this book may be reproduced or transmitted in any form or by any means without the expressed written consent of the publisher.

|  |    |
|--|----|
| Control Tray .....                             | 82 |
| Accessory Box - Electric Models .....          | 84 |
| Accessory Box Harnesses - Electric Models..... | 86 |
| Accessory Box - Gas and Steam Models .....     | 88 |
| Labels .....                                   | 90 |
| Parts Index.....                               | 91 |

## Parts Ordering Information

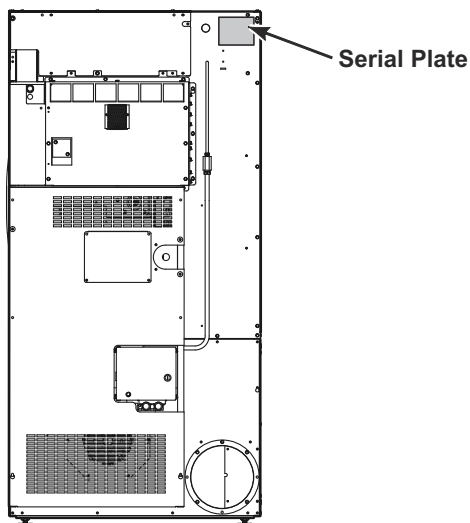
If literature or replacement parts are required, contact the source from whom the machine was purchased or contact Alliance Laundry Systems at (920) 748-3950 for the name and address of the nearest authorized parts distributor.

For technical assistance, call the number listed below:

(920) 748-3121 Ripon, Wisconsin

## Serial Plate Location

When calling or writing about your product, be sure to mention model and serial numbers. Model and serial numbers are located on serial plate(s) as shown.



TMB3830P

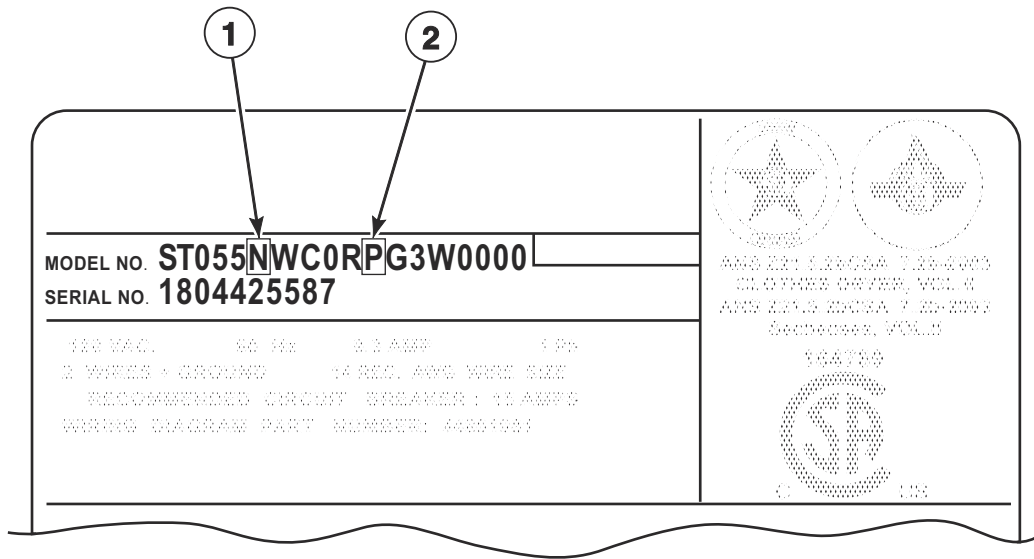


# Machine Identification

Information in this manual is applicable to these machines:

|        |        |        |        |        |
|--------|--------|--------|--------|--------|
| BA055E | GU055S | NA055E | SA055E | UA055E |
| BA055L | HA055E | NA055L | SA055L | UA055L |
| BA055N | HA055L | NA055N | SA055N | UA055N |
| BA055S | HA055N | NG055E | SA055S | UA055S |
| BG055D | HA055S | NG055L | SG055D | UG055D |
| BG055E | HG055D | NG055N | SG055E | UG055E |
| BG055L | HG055E | NH055E | SG055L | UG055L |
| BG055N | HG055L | NH055L | SG055N | UG055N |
| BH055E | HG055N | NH055N | SH055E | UH055E |
| BH055L | HH055E | NJ055E | SH055L | UH055L |
| BH055N | HH055L | NJ055N | SH055N | UH055N |
| BJ055D | HH055N | NK055E | SJ055D | UJ055D |
| BJ055E | HJ055D | NK055L | SJ055E | UJ055E |
| BJ055N | HJ055E | NK055N | SJ055N | UJ055N |
| BJ055S | HJ055N | NR055E | SJ055S | UJ055S |
| BK055E | HJ055S | NT055E | SK055E | UK055E |
| BK055L | HK055E | NT055N | SK055L | UK055L |
| BK055N | HK055L | NU055E | SK055N | UK055N |
| BL055E | HK055N | NU055N | SL055E | UL055E |
| BL055L | HL055E | PA055E | SL055L | UL055L |
| BL055S | HL055L | PA055L | SL055S | UL055S |
| BR055E | HL055S | PA055N | SR055E | UR055E |
| BR055S | HR055E | PA055S | SR055S | UR055S |
| BT055D | HR055S | PG055E | ST055D | UT055D |
| BT055E | HT055D | PG055L | ST055E | UT055E |
| BT055L | HT055E | PG055N | ST055L | UT055L |
| BT055N | HT055L | PH055E | ST055N | UT055N |
| BU055E | HT055N | PH055L | ST055S | UT055S |
| BU055F | HT055S | PH055N | SU055E | UU055E |
| BU055N | HU055E | PJ055E | SU055F | UU055F |
| BU055R | HU055F | PJ055N | SU055N | UU055N |
| BU055S | HU055N | PJ055S | SU055R | UU055R |
| GA055E | HU055R | PK055E | SU055S | UU055S |
| GA055L | HU055S | PK055L |        |        |
| GA055N | JU055E | PK055N |        |        |
| GA055S | JU055N | PR055E |        |        |
| GG055E | KT055E | PR055S |        |        |
| GG055L | KT055L | PT055E |        |        |
| GG055N | KT055N | PT055L |        |        |
| GH055E | KT055S | PT055N |        |        |
| GH055L | MG055D | PT055S |        |        |
| GH055N | MG055E | PU055E |        |        |
| GJ055E | MG055L | PU055F |        |        |
| GJ055N | MG055N | PU055N |        |        |
| GJ055S | MJ055D | PU055R |        |        |
| GK055E | MJ055E | PU055S |        |        |
| GK055L | MJ055N |        |        |        |
| GK055N |        |        |        |        |
| GU055E |        |        |        |        |
| GU055N |        |        |        |        |

# Product Overview - Heat Source and Voltage



TMB3558P

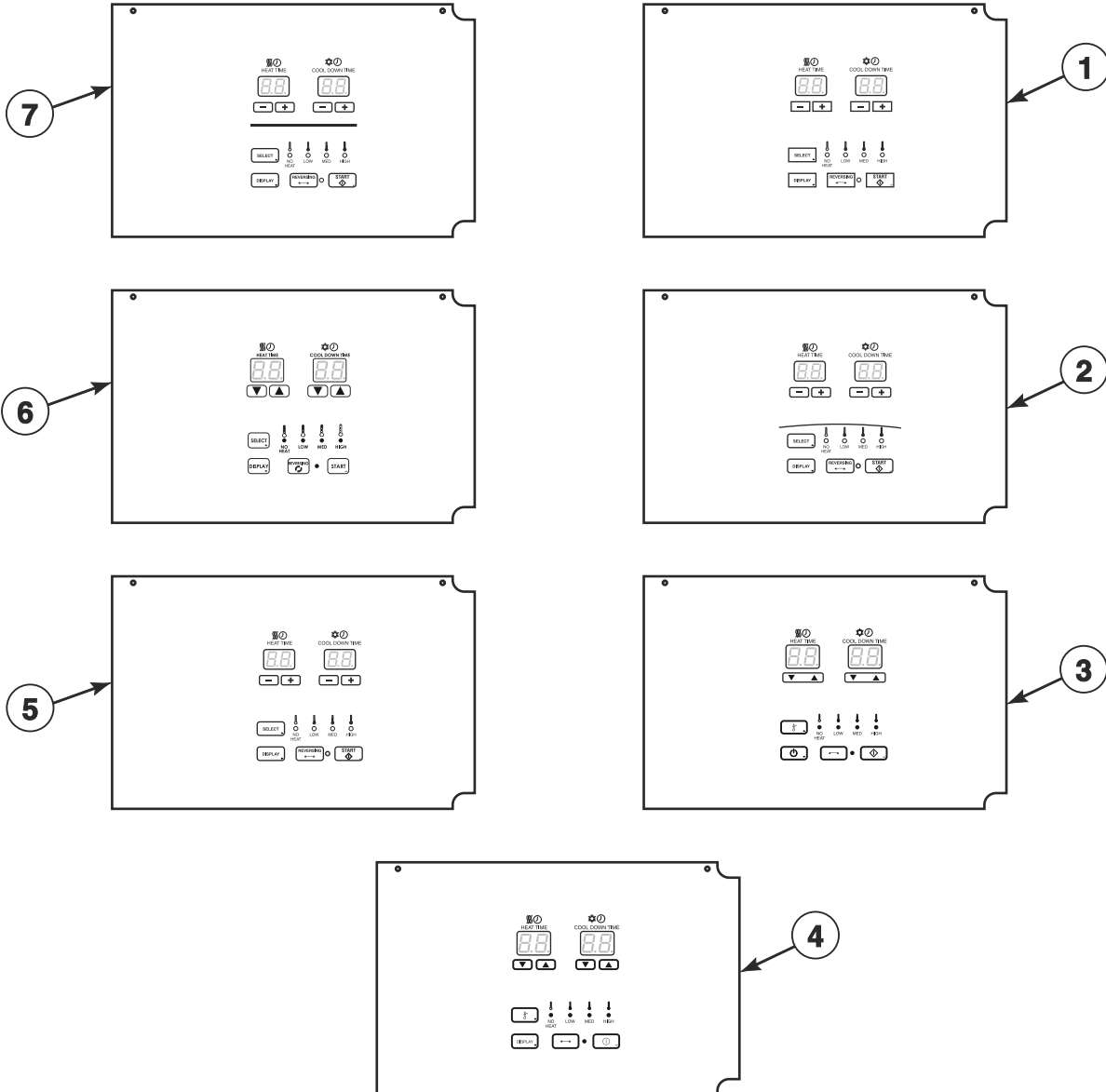
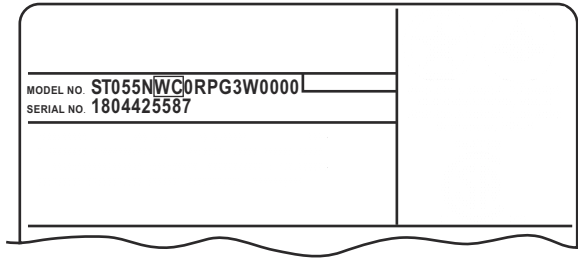


# Product Overview - Heat Source and Voltage

| REF | PART NO. | DESCRIPTION | COMMENTS   |
|-----|----------|-------------|--|
| 1   | -        | Heat Source | D: Liquid Petroleum Gas (L.P)<br>E: Electric<br>F: Reduced Electric (Eco Line)<br>L: Liquid Petroleum Gas (L.P.)<br>N: Natural Gas (N.G.)<br>S: Steam  |
| 2   | -        | Voltage     | B: 100-120 Volt/50-60 Hertz/1 Phase; Gas models<br>D: 200-208 Volt/50-60 Hertz/1 Phase; Electric models<br>E: 230-240 Volt/50-60 Hertz/1 Phase; Electric models<br>F: 200-208 Volt/50-60 Hertz/3 Phase; Electric models<br>G: 230-240 Volt/50-60 Hertz/3 Phase; Electric models<br>H: 380 Volt/50-60 Hertz/3 Phase; Electric models<br>J: 400-415 Volt/50-60 Hertz/3 Phase; Electric models<br>K: 440 Volt/50-60 Hertz/3 Phase; Electric models<br>L: 460-480 Volt/50-60 Hertz/3 Phase; Electric models<br>N: 440-480 Volt/50-60 Hertz/3 Phase; Gas models<br>P: 380-415 Volt/50-60 Hertz/3 Phase; Gas models<br>X: 200-240 Volt/50-60 Hertz/1-3 Phase; Gas models |

# Product Overview - FN Control Suffix

All Models Except J and M Models; OPL



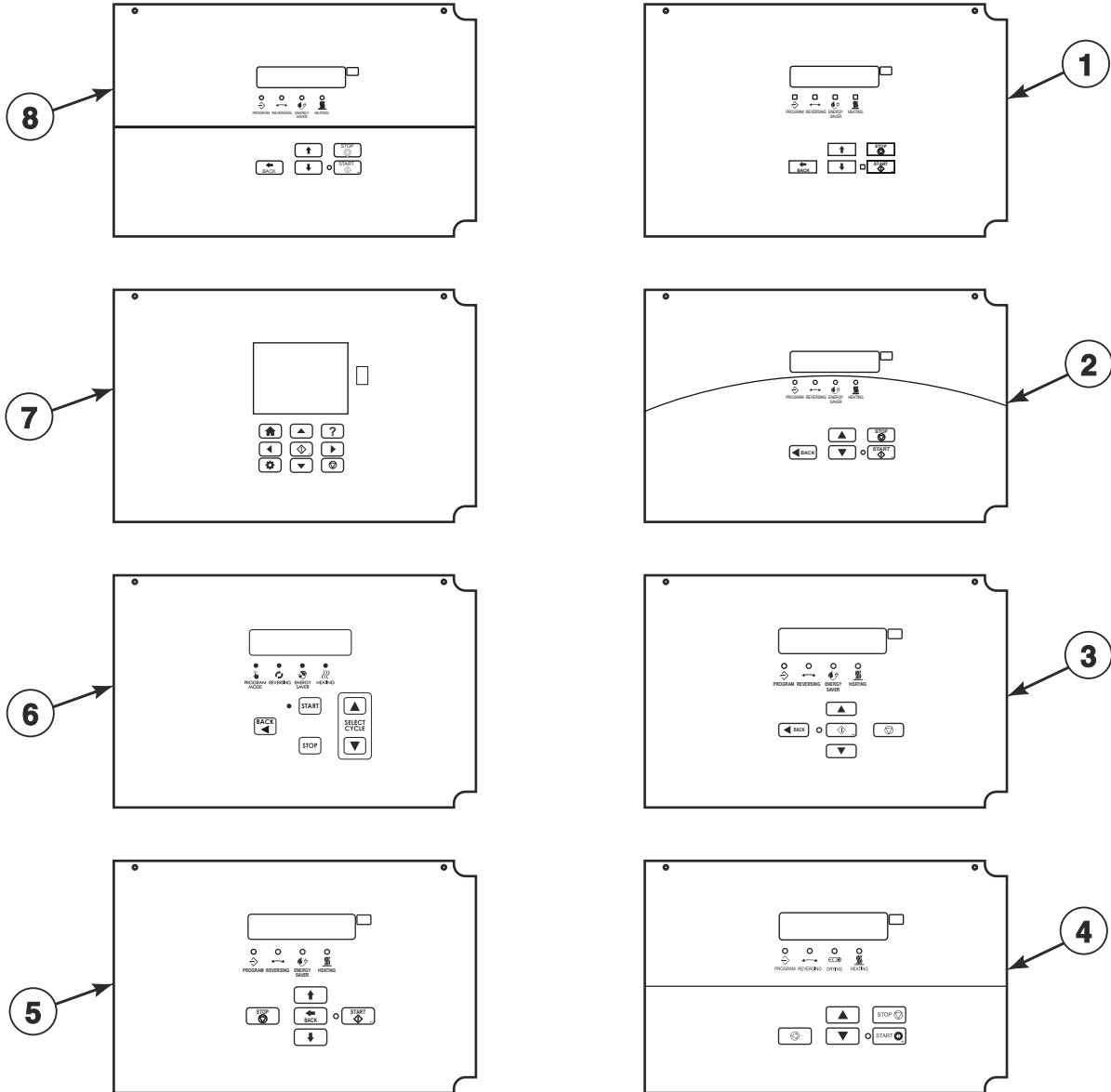
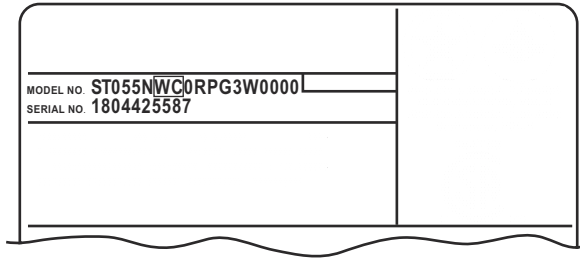
TMB3559P

## Product Overview - FN Control Suffix

| REF | PART NO. | DESCRIPTION          | COMMENTS       |
|-----|----------|----------------------|----------------|
| 1   | -        | Dual Digital Control | H models       |
| 2   | -        | Dual Digital Control | U models       |
| 3   | -        | Dual Digital Control | B models       |
| 4   | -        | Dual Digital Control | P models       |
| 5   | -        | Dual Digital Control | N models       |
| 6   | -        | Dual Digital Control | G and K models |
| 7   | -        | Dual Digital Control | S models       |

# Product Overview - DN and NN Control Suffixes

All Models Except J and M Models; OPL



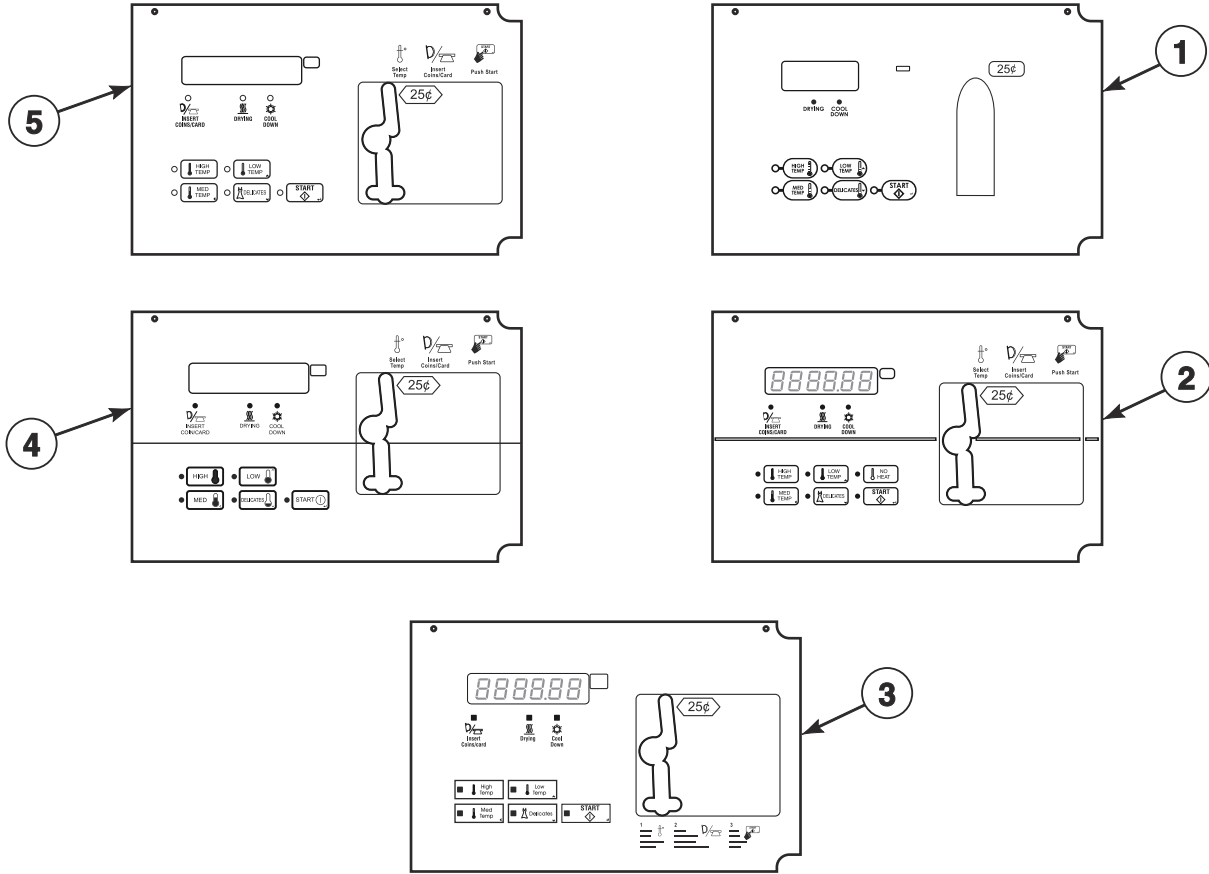
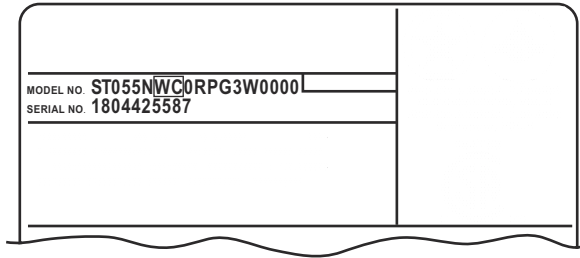
TMB3560P

## Product Overview - DN and NN Control Suffixes

| REF | PART NO. | DESCRIPTION          | COMMENTS       |
|-----|----------|----------------------|----------------|
| 1   | -        | Galaxy Control       | H models       |
| 2   | -        | M-Series Control     | U models       |
| 3   | -        | OPTimum Control      | B models       |
| 4   | -        | OPL Micro Control    | P models       |
| 5   | -        | OPL Micro Control    | N models       |
| 6   | -        | OPL Micro Control    | G and K models |
| 7   | -        | UniLinc Control      | U models       |
| 8   | -        | Quantum Gold Control | S models       |

# Product Overview - N and W Control Suffixes

7th Position of the Model Number; All Models Except U Models; Vend



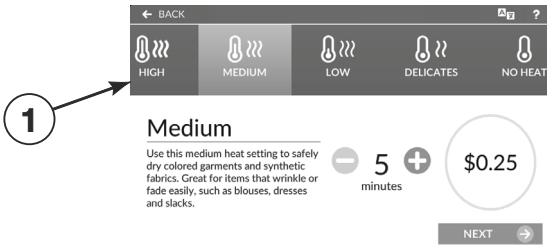
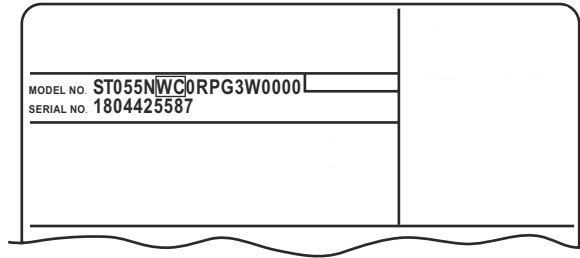
TMB3862P

## Product Overview - N and W Control Suffixes

| REF | PART NO. | DESCRIPTION          | COMMENTS          |
|-----|----------|----------------------|-------------------|
| 1   | -        | Micro Control        | G and K models    |
| 2   | -        | Quantum Gold Control | M and S models    |
| 3   | -        | Galaxy 600           | H models          |
| 4   | -        | XQ Control           | P models          |
| 5   | -        | EVO7S Control        | B, J and N models |

# Product Overview - V Control Suffix

7th Position of the Model Number; Vend and OPL



TMB3863P

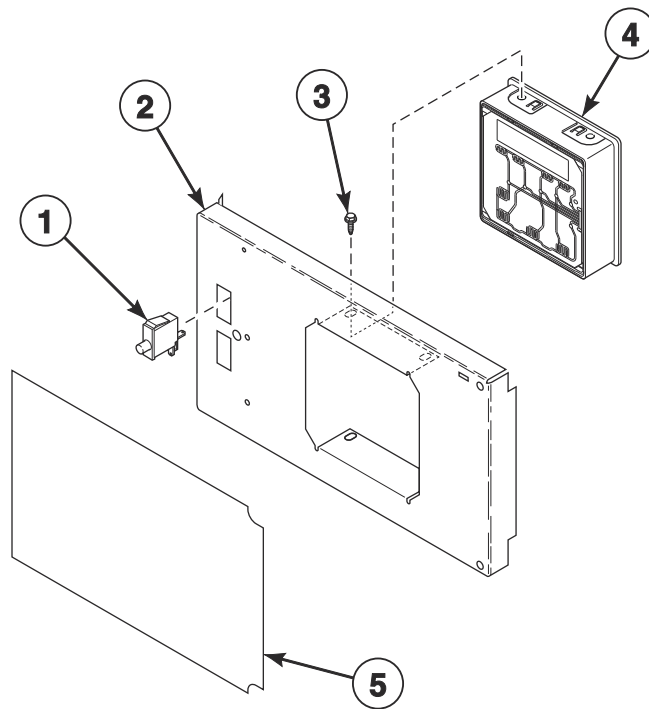


## Product Overview - V Control Suffix

| REF | PART NO. | DESCRIPTION   | COMMENTS                   |
|-----|----------|---------------|----------------------------|
| 1   | -        | Touch Control | B, H, P and S models; Vend |
| 2   | -        | Touch Control | B, J, P and U models; OPL  |

# Dual Digital Control

Models with F in the 7th Position; All Models Except J and M Models



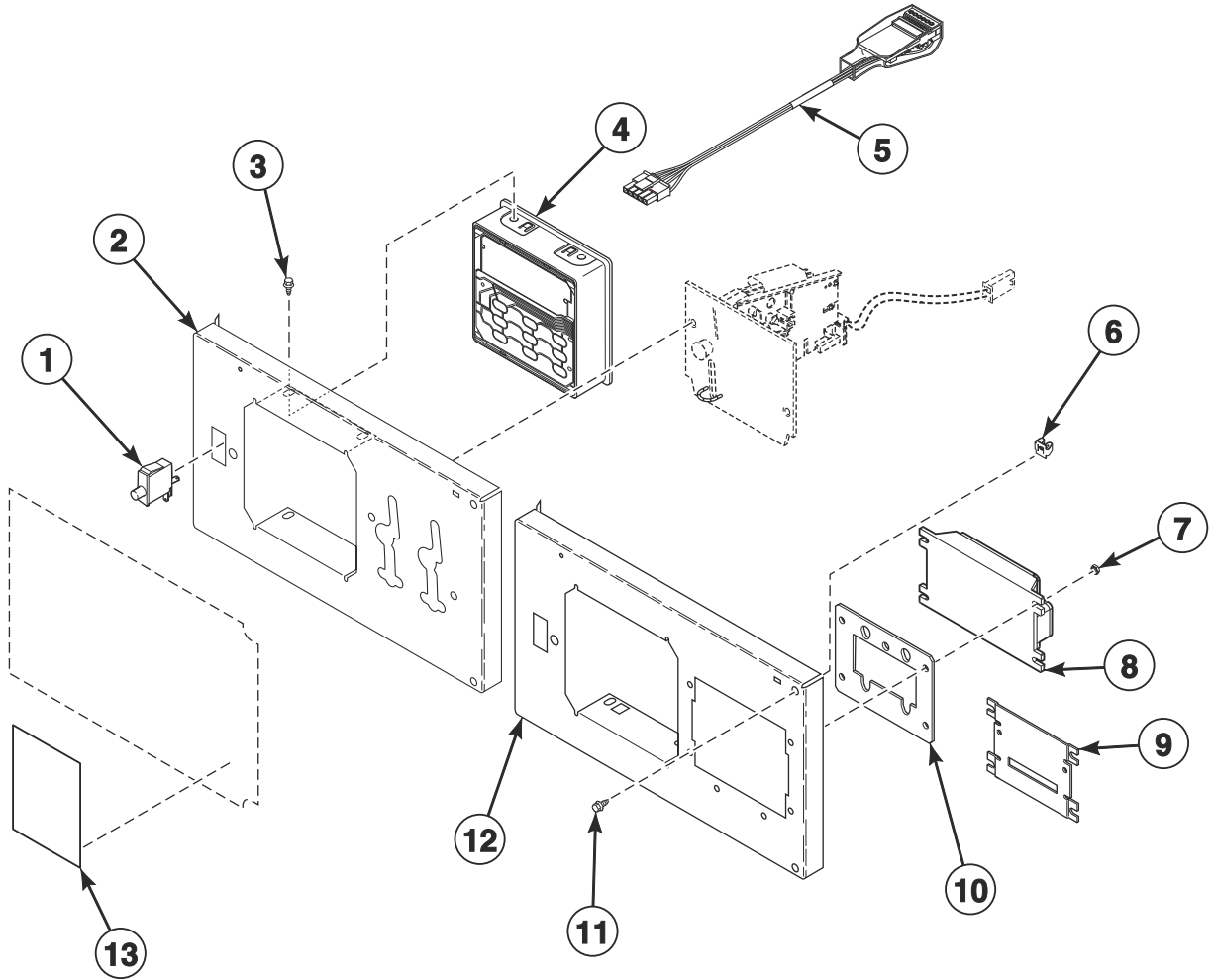
TMB3505P

## Dual Digital Control

| REF      | PART NO. | DESCRIPTION             | COMMENTS                          |
|----------|----------|-------------------------|-----------------------------------|
|          | 44334004 | Vend Activation Harness |                                   |
|          | 70631001 | Main Harness            |                                   |
| <b>1</b> | 70413301 | Pushbutton Switch       |                                   |
| <b>2</b> | 70497101 | Control Plate           | All models except S models        |
| <b>3</b> | 804608   | Screw                   | 4 required                        |
| <b>4</b> | 70523101 | Control Assembly        | P models; Blue                    |
|          | 70479801 | Control Assembly        | G, H, K, N, S and U models; Green |
|          | 70479901 | Control Assembly        | B models; Red                     |
| <b>5</b> | 70539101 | Overlay                 | B and N models; Reversing         |
|          | 70691301 | Overlay                 | H models; Reversing               |
|          | 70545501 | Overlay                 | P models; Reversing               |
|          | 70675001 | Overlay                 | S models; Reversing               |
|          | 70519001 | Overlay                 | U models; Reversing               |
|          | 70547501 | Overlay                 | G and K models; Reversing         |

# Electronic Display Control - Vend Models with N or W in the 7th Position

All Models Except U Models



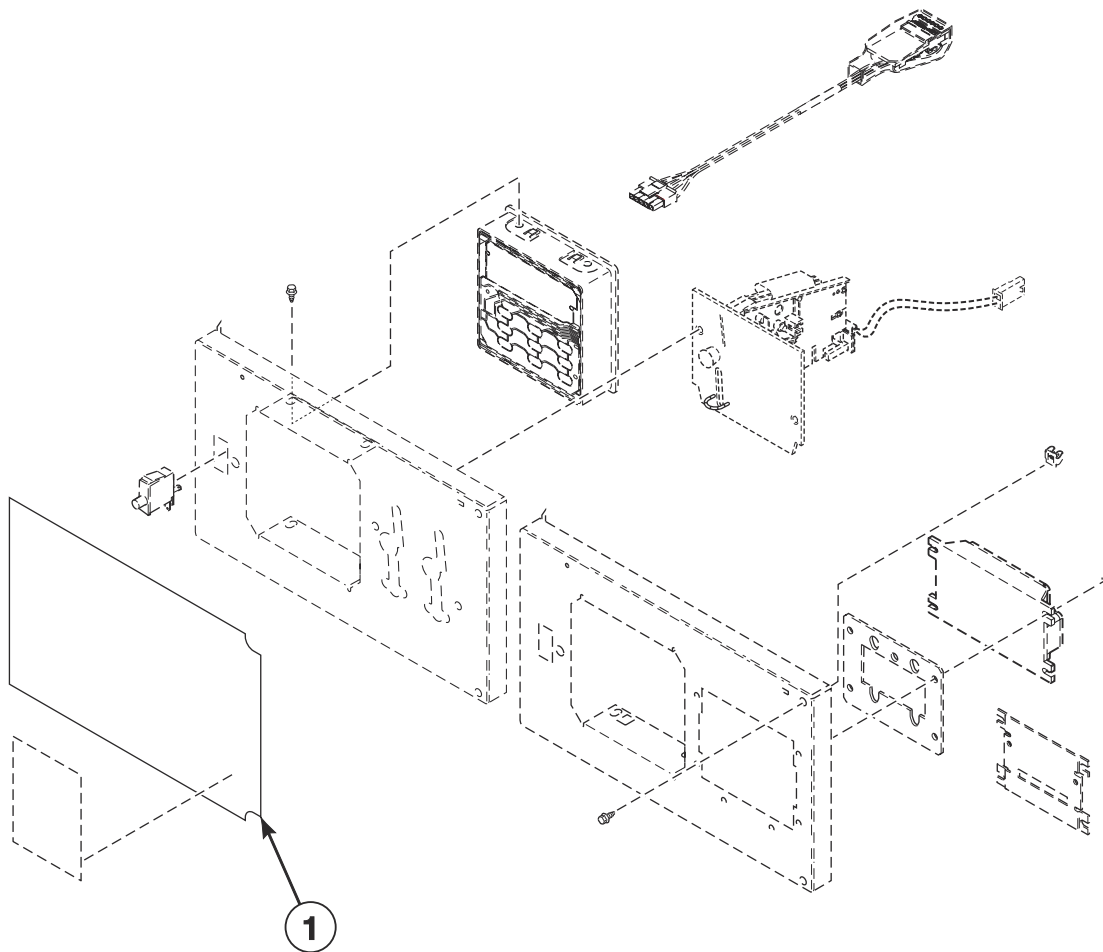
TMB3832P

## Electronic Display Control - Vend Models with N or W in the 7th Position

| REF       | PART NO.  | DESCRIPTION                      | COMMENTS   |
|-----------|-----------|----------------------------------|--|
|           | 44334004  | Vend Activation Harness          |  |
|           | 44334103  | Bypass Harness                   | Vault Switch                                     |
|           | 44334104  | Coin Vault Switch Harness        |  |
|           | 44378102  | Interface Harness                | Central pay to front end control                 |
|           | 70631001  | Main Harness                     |  |
|           | F8519403  | Emergency Stop Bypass Harness    | T and G market models                            |
|           | F8719301  | Fob Communication Harness        |  |
| <b>1</b>  | 70413301  | Pushbutton Switch                |  |
| <b>2</b>  | 70496601  | Control Plate and Studs Assembly | Coin and central pay; All models except S models |
| <b>3</b>  | 804608    | Screw                            | 4 required                                       |
| <b>4</b>  | 70523001  | Control Assembly                 | P models; Blue                                   |
|           | 70478801P | Control Assembly                 | G, H, K, M, N and S models; Green                |
|           | 70478901  | Control Assembly                 | B and J models; Red                              |
| <b>5</b>  | 203361P   | Machine ID Control Assembly      | Model or serial number is required when ordering |
| <b>6</b>  | 70030501  | Expansion Clip                   |  |
| <b>7</b>  | 70054     | Nut                              |  |
| <b>8</b>  | 205135    | Fob Reader Control Assembly      |  |
| <b>9</b>  | 44089501  | Slot Card Plate Assembly         |  |
| <b>10</b> | 70208801  | Mounting Plate                   |  |
| <b>11</b> | M411072   | Screw                            |  |
| <b>12</b> | 70497201  | Control Plate Assembly           | Card and FOB; All models except S models         |
| <b>13</b> | F8205101  | Overlay                          | S models; Single drop; Left                      |
|           | 70557001  | Overlay                          | B and S models; Prep for card                    |
|           | 70557002  | Overlay                          | B and S models; Central pay                      |
|           | 70295101  | Overlay                          | S models; World drop                             |
|           | 70556801  | Overlay                          | H models; World drop                             |
|           | 70556501  | Overlay                          | H models; Prep for card                          |
|           | 70556502  | Overlay                          | H models; Central pay                            |
|           | 70556601  | Overlay                          | H models; Single drop; Left                      |
|           | 70556901  | Overlay                          | H models; Citron; World drop                     |
|           | 70518101  | Overlay                          | H models; Citron; Prep for card                  |
|           | 70518102  | Overlay                          | H models; Citron; Central pay                    |
|           | 70556701  | Overlay                          | H models; Citron; Left                           |
|           | 70556201  | Overlay                          | P models; Single drop; Right                     |
|           | 70556401  | Overlay                          | P models; Prep for card                          |
|           | 70556402  | Overlay                          | P models; Central pay                            |
|           | 70556301  | Overlay                          | P models; Single drop; Left                      |
|           | F8733901  | Overlay                          | S models; FOB                                    |
|           | F8734201  | Overlay                          | H models; FOB                                    |
|           | F8736501  | Overlay                          | H models; Citron; FOB                            |

# Electronic Display Control Overlays - Vend Models with N or W in the 7th Position

All Models Except U Models



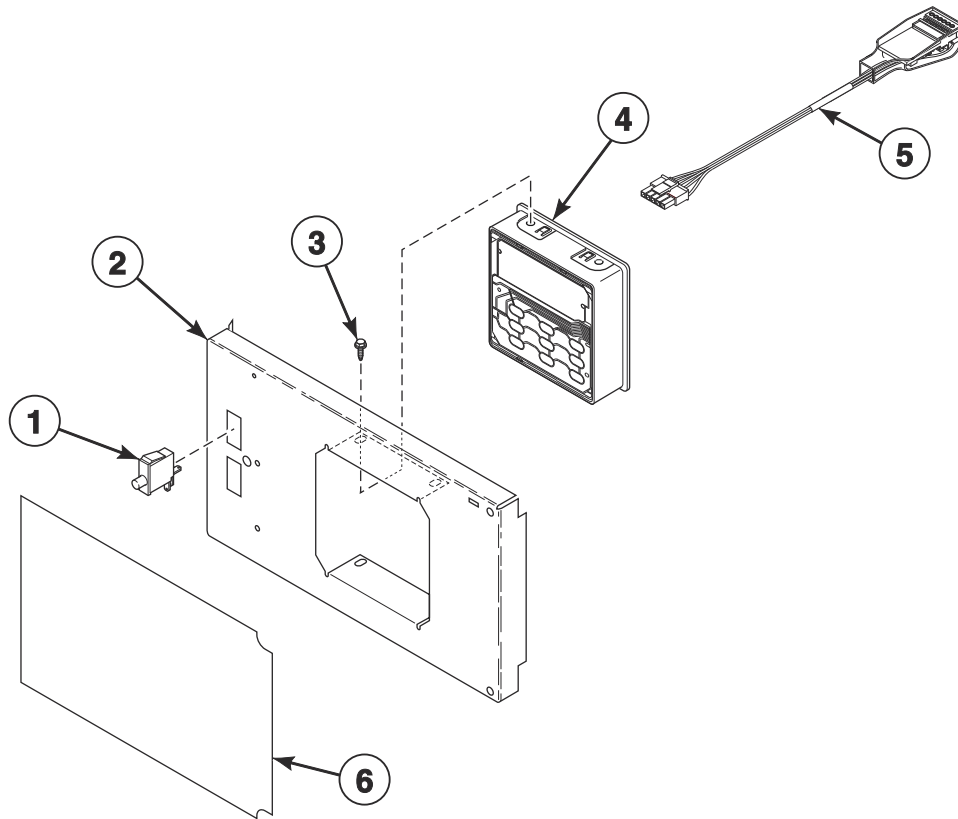
TMB3832PA

## Electronic Display Control Overlays - Vend Models with N or W in the 7th Position

| REF | PART NO. | DESCRIPTION | COMMENTS                         |
|-----|----------|-------------|----------------------------------|
| 1   | 70681701 | Overlay     | S models; Single drop            |
|     | 70681702 | Overlay     | S models; Dual drop              |
|     | 70681703 | Overlay     | S models; Card ready             |
|     | 70681704 | Overlay     | S models; Central pay            |
|     | 70681705 | Overlay     | S models; World drop             |
|     | 70705701 | Overlay     | S models with D in 17th position |
|     | 70690401 | Overlay     | H models; Single drop            |
|     | 70690402 | Overlay     | H models; Dual drop              |
|     | 70690403 | Overlay     | H models; Card ready             |
|     | 70690404 | Overlay     | H models; Central pay            |
|     | 70690405 | Overlay     | H models; World drop             |
|     | 70690701 | Overlay     | H models; Single drop; Citron    |
|     | 70690702 | Overlay     | H models; Dual drop; Citron      |
|     | 70690703 | Overlay     | H models; Card ready; Citron     |
|     | 70571101 | Overlay     | B and N models; Single drop      |
|     | 70571102 | Overlay     | B and N models; Dual drop        |
|     | 70571103 | Overlay     | B and N models; Card ready       |
|     | 70541201 | Overlay     | P models; Single drop            |
|     | 70541202 | Overlay     | P models; Dual drop              |
|     | 70541203 | Overlay     | P models; Card ready             |
|     | 70571104 | Overlay     | J models; Electronic drop        |
|     | 70679201 | Overlay     | M models; Single drop            |
|     | 70626001 | Overlay     | G and K models; Single drop      |
|     | 70626002 | Overlay     | G and K models; Dual drop        |
|     | 70626101 | Overlay     | G and K models; Card ready       |

# Electronic Display Control - OPL Models with N in the 7th Position

All Models Except J and M Models



TMB3680P

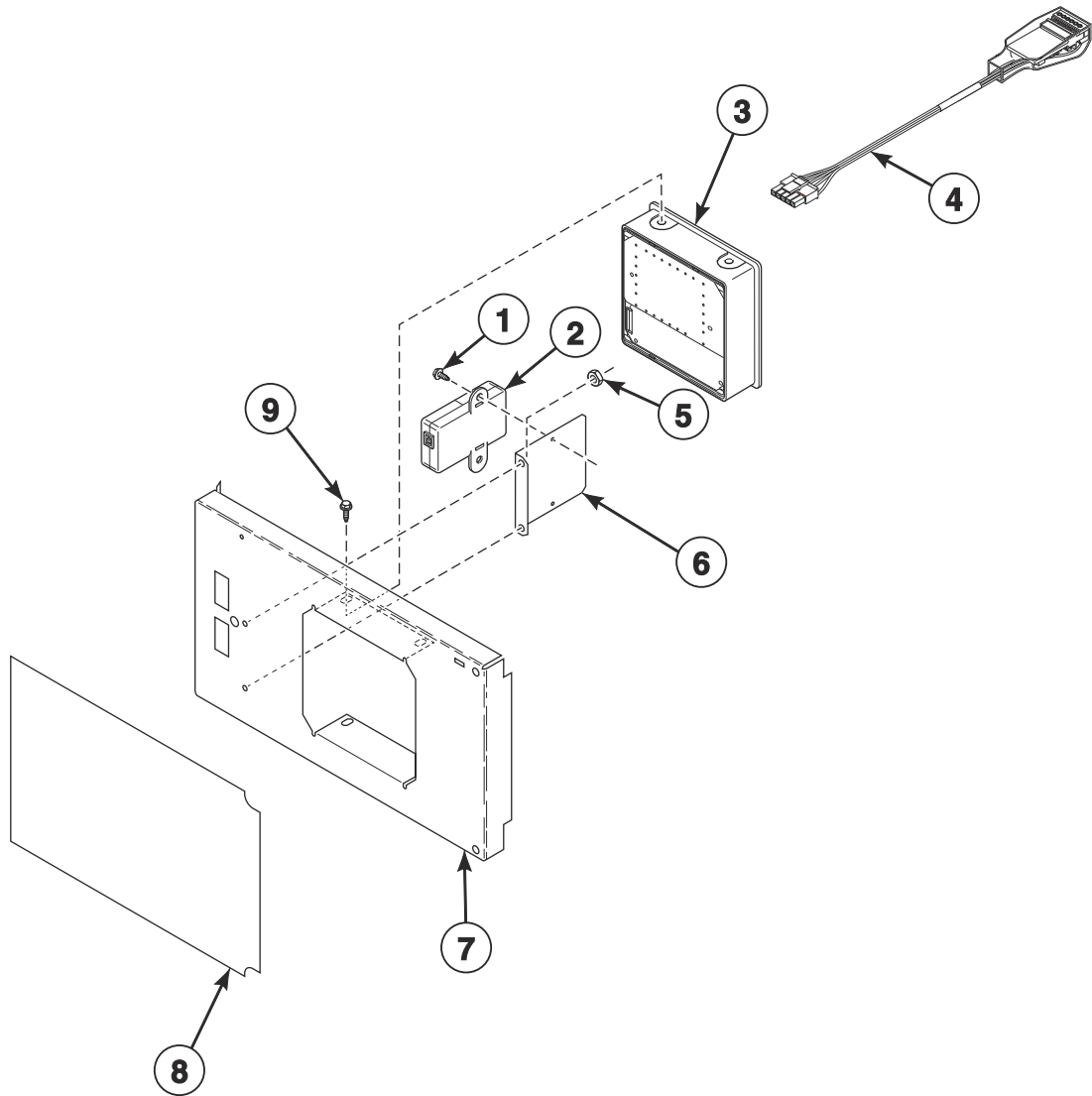


## Electronic Display Control - OPL Models with N in the 7th Position

| REF | PART NO. | DESCRIPTION                 | COMMENTS   |
|-----|----------|-----------------------------|--|
|     | 44334004 | Vend Activation Harness     |  |
|     | 70631001 | Main Harness                |  |
| 1   | 70413301 | Pushbutton Switch           |  |
| 2   | 70497101 | Control Plate               | All models except S models                       |
| 3   | 804608   | Screw                       | 4 required                                       |
| 4   | 70523002 | Control Assembly            | P models; Blue                                   |
|     | 70478802 | Control Assembly            | G, H, K, N, S and U models; Green                |
|     | 70478902 | Control Assembly            | B models; Red                                    |
| 5   | 203361P  | Machine ID Control Assembly | Model or serial number is required when ordering |
| 6   | 70673301 | Overlay                     | S models; Reversing                              |
|     | 70571401 | Overlay                     | U models; Reversing                              |
|     | 70691001 | Overlay                     | H models; Reversing                              |
|     | 70548801 | Overlay                     | B and N models; Reversing                        |
|     | 70571601 | Overlay                     | P models; Reversing                              |
|     | 70547801 | Overlay                     | G and K models; Reversing                        |

# 3.5 Inch Graphical Control

U Models with D in the 7th Position



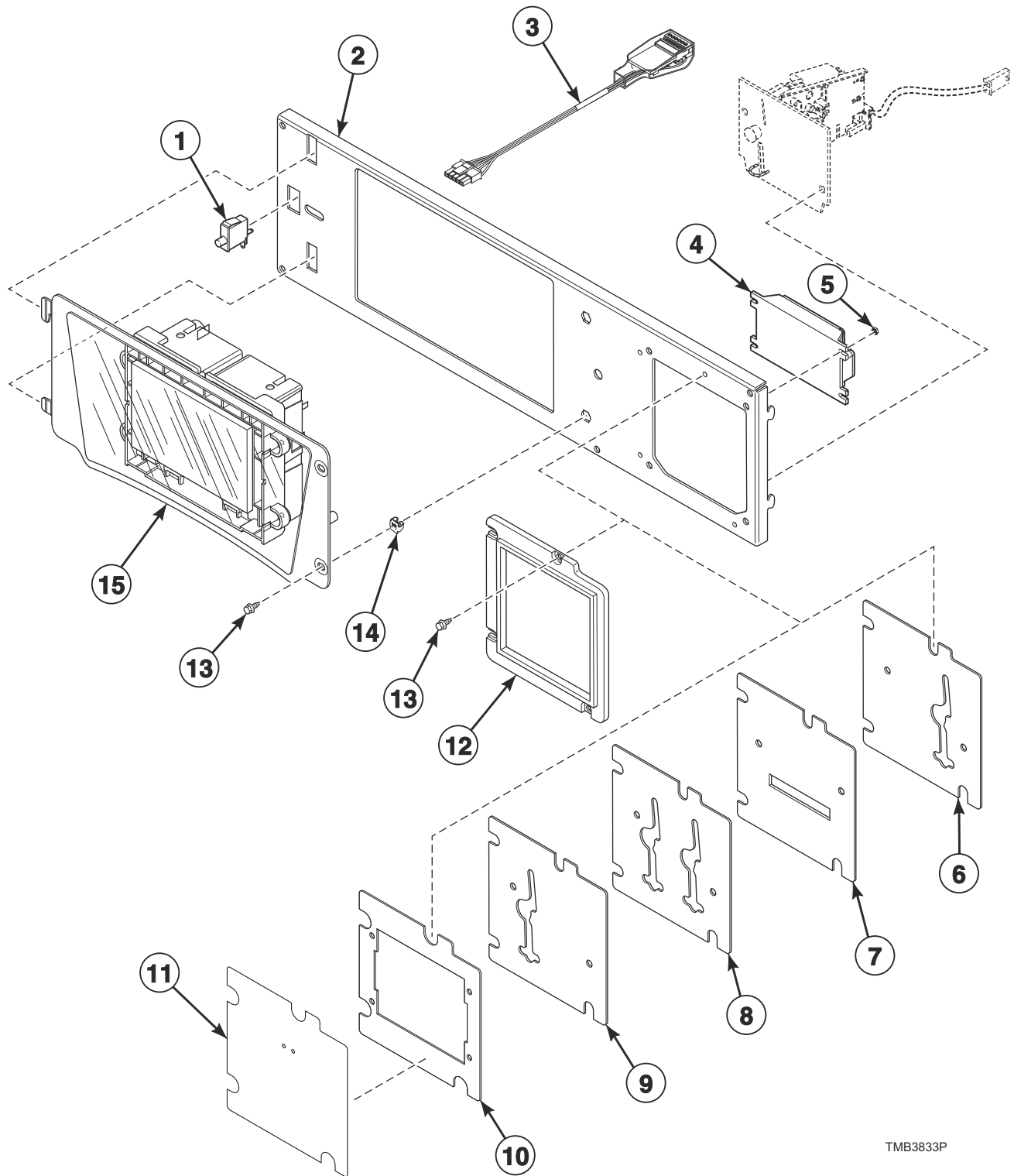
TMB3681P

## 3.5 Inch Graphical Control

| REF | PART NO. | DESCRIPTION                     | COMMENTS   |
|-----|----------|---------------------------------|--|
|     | F8617901 | Harness                         | USB  |
|     | 70631001 | Main Harness                    |  |
| 1   | 51780    | Screw                           |  |
| 2   | 203440   | USB-Serial Interface Assembly   |  |
| 3   | 70543104 | Control Assembly                |  |
| 4   | 203361P  | Machine ID Control Assembly     | Model or serial number is required when ordering |
| 5   | 44071201 | Nut                             | 2 required                                       |
| 6   | 70547001 | USB Bracket                     |  |
| 7   | 70570201 | Control Door and Studs Assembly |  |
| 8   | 70595401 | Overlay                         |  |
| 9   | 804608   | Screw                           | 4 required                                       |

# Touch Control - Vend Models with V in the 7th Position

B, H P and S Models



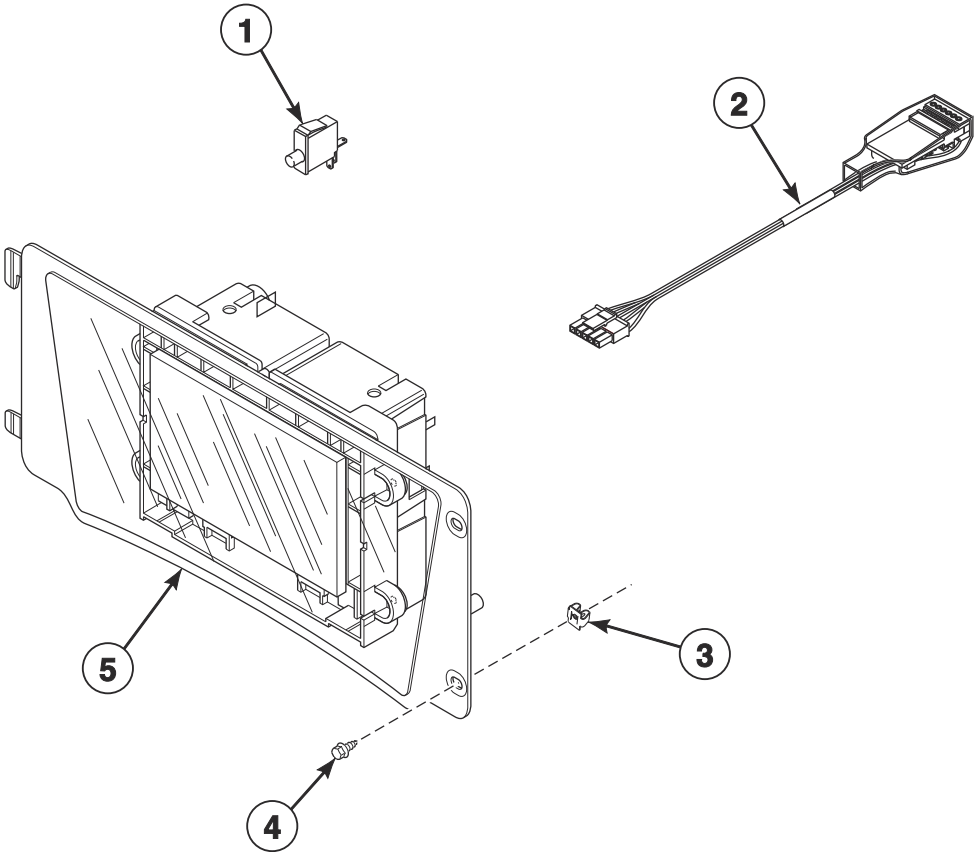
TMB3833P

## Touch Control - Vend Models with V in the 7th Position

| REF       | PART NO.  | DESCRIPTION                   | COMMENTS                         |
|-----------|-----------|-------------------------------|----------------------------------|
|           | 44334002  | Vend Activation Harness       |                                  |
|           | 44087101  | Nut                           | 2 required                       |
|           | 204692    | Wireless Control Label        | 2 required                       |
|           | 203440    | USB-Serial Interface Assembly |                                  |
|           | 44374701  | App Pay Overlay Kit           |                                  |
|           | 70576501P | Replacement Screen Kit        |                                  |
|           | F8519403  | Emergency Stop Bypass Harness | T and G market models            |
|           | 70631001  | Main Harness                  |                                  |
|           | F8719302  | Fob Communication Harness     |                                  |
|           | 44378102  | Interface Harness             | Central pay to front end control |
|           | F8713906  | Serial Pay Harness            | Card                             |
|           | 44334103  | Bypass Harness                | Vault switch                     |
|           | 44334104  | Coin Vault Switch Harness     |                                  |
| <b>1</b>  | 70413301  | Pushbutton Switch             |                                  |
| <b>2</b>  | 70598601  | Control Mounting Bracket      |                                  |
| <b>3</b>  | 203361P   | Machine ID Control Assembly   |                                  |
| <b>4</b>  | 205135    | Fob Reader Control Assembly   |                                  |
| <b>5</b>  | 70054     | Nut                           |                                  |
| <b>6</b>  | F8574205  | Accessory Plate Assembly      | World drop                       |
| <b>7</b>  | F8574204  | Card Reader Plate             | Card                             |
| <b>8</b>  | F8574203  | Accessory Plate Assembly      | Dual drop                        |
| <b>9</b>  | F8574202  | Accessory Plate Assembly      | Single drop                      |
| <b>10</b> | F8734601  | Accessory Plate Assembly      | FOB                              |
| <b>11</b> | F8734001  | Overlay                       | S models; FOB                    |
|           | F8734301  | Overlay                       | H models; FOB                    |
|           | F8736601  | Overlay                       | H models; Citron; FOB            |
| <b>12</b> | F8632501  | Vend Plate                    |                                  |
| <b>13</b> | 39733     | Screw                         |                                  |
| <b>14</b> | 70030501  | Expansion Clip                | 2 required                       |
| <b>15</b> | 70597801P | Control Assembly              |                                  |

# Touch Control - OPL Models with V in the 7th Position

B, J, P and U Models



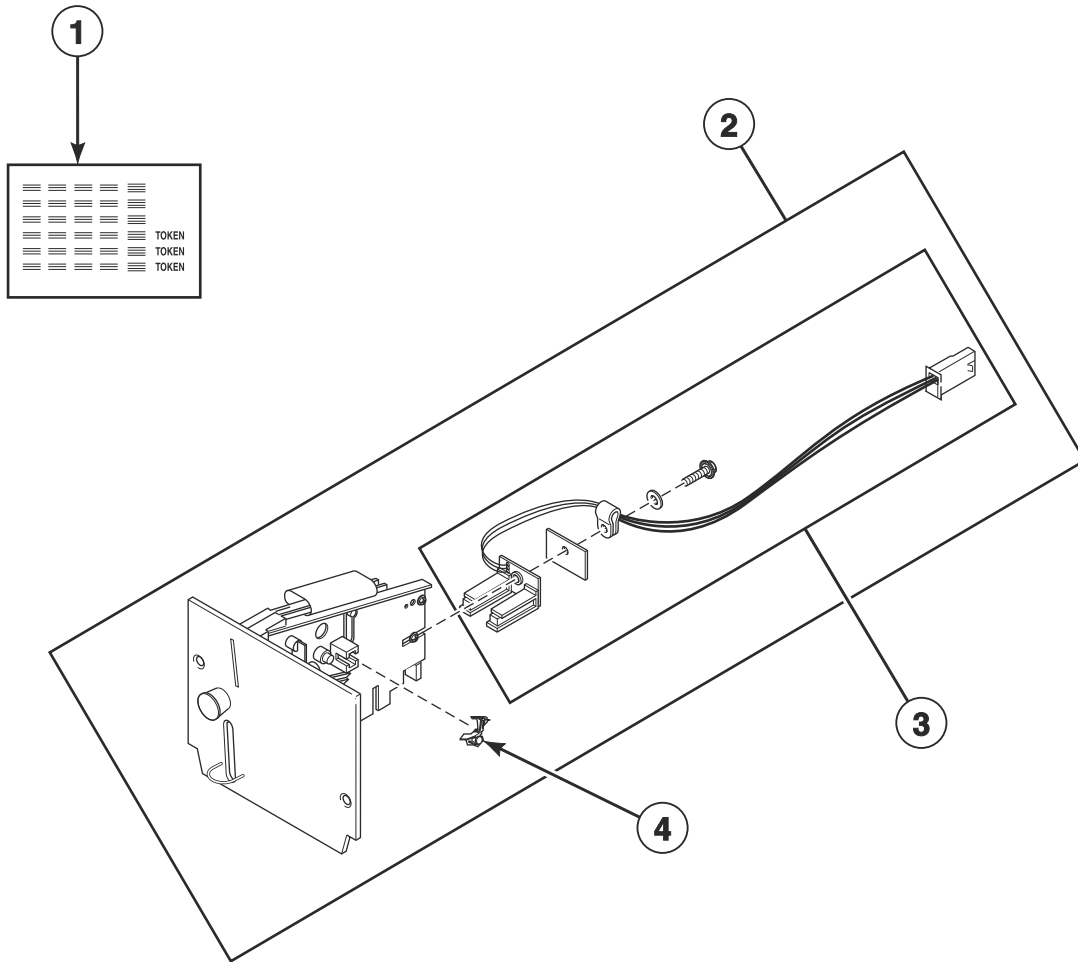
TMB3828P

## Touch Control - OPL Models with V in the 7th Position

| REF      | PART NO.  | DESCRIPTION                   | COMMENTS                                |
|----------|-----------|-------------------------------|---|
|          | 44087101  | Nut                           | 2 required                              |
|          | 204692    | Wireless Control Label        | 2 required                              |
|          | 203440    | USB-Serial Interface Assembly |   |
|          | 44374701  | App Pay Overlay Kit           |   |
|          | 70576501P | Replacement Screen Kit        |   |
|          | 70631001  | Main Harness                  |   |
|          | 51780     | Screw                         | U models; Use with 70547001 USB Bracket |
|          | 70547001  | USB Bracket                   | U models                                |
|          | F8617901  | Harness                       | U models; USB                           |
| <b>1</b> | 70413301  | Pushbutton Switch             |   |
| <b>2</b> | 203361P   | Machine ID Control Assembly   |   |
| <b>3</b> | 70030501  | Expansion Clip                | 2 required                              |
| <b>4</b> | 39733     | Screw                         |   |
| <b>5</b> | 70597803  | Control Assembly              | B, J and P models                       |
|          | 70697004  | Control Assembly              | U models                                |

# Coin Drops

All Models Except U Models



TMB3510P

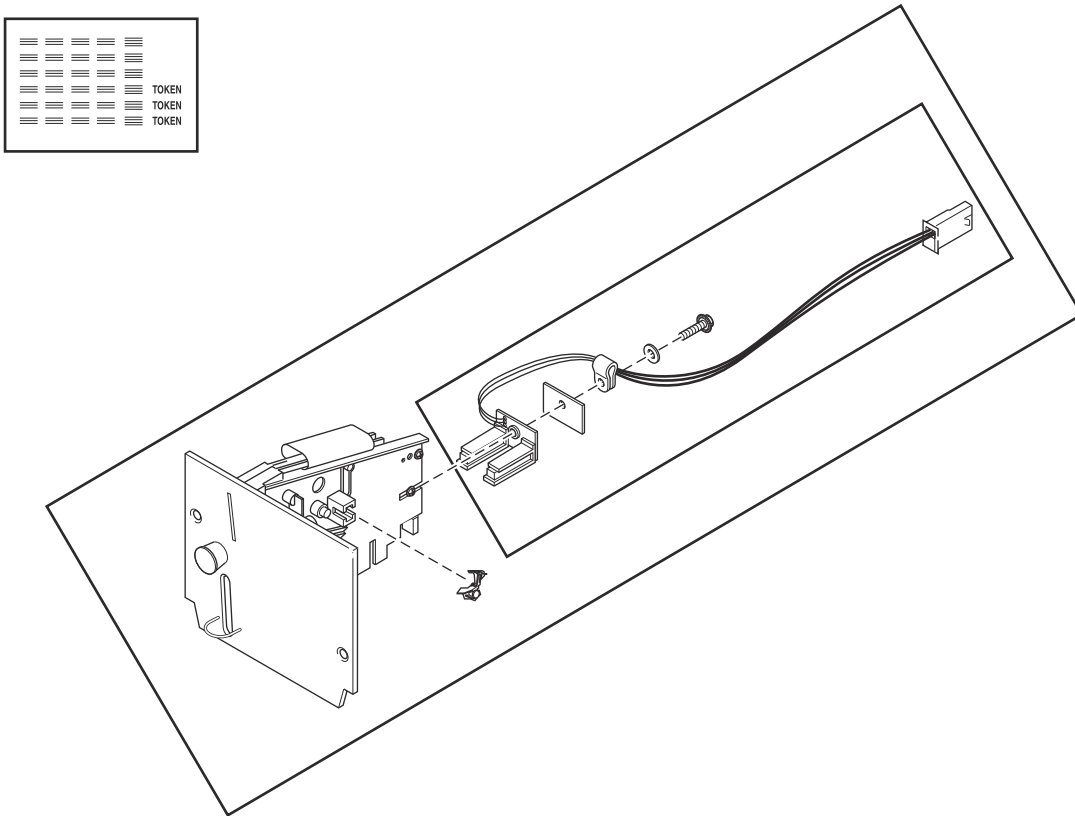


# Coin Drops

| REF | PART NO.    | DESCRIPTION                   | COMMENTS  |
|-----|-------------|-------------------------------|---|
| 1   | 38725       | Coin Identification Paper     |   |
| 2   | 70441601P   | Coin Drop                     | Single; U.S.A.; \$.25                                   |
|     | 38475       | Coin Drop Assembly            | Single; Japan; 100 yen                                  |
|     | 38464P      | Coin Drop Assembly            | Single; Canada; .25                                     |
|     | CK077       | Coin Drop Kit                 | Single; Taiwan; 10 NT                                   |
|     | 70506901    | Coin Drop Assembly            | Single; Singapore; \$1.00 NEW                           |
|     | 70441603    | Coin Drop                     | Dual; U.S.A.; \$.25 and \$1.00                          |
|     | 38519       | Coin Drop Assembly            | Dual; Japan; 100 yen and 500 yen                        |
|     | 70441602    | Coin Drop Assembly            | Dual; Canada; .25 and 1.00                              |
|     | 38467       | Coin Drop Assembly            | Dual; Australia; \$0.20 and \$1.00                      |
|     | 70447301    | Coin Drop Assembly            | Dual; Australia; \$1.00 and \$2.00                      |
|     | 70283102    | Coin Drop Assembly            | Dual; 0.20 and 0.50 Euro                                |
|     | 210195      | Coin Drop Assembly            | Dual; 0.20 and 1.00 Euro                                |
|     | 210196      | Coin Drop Assembly            | Dual; 0.50 and 1.00 Euro                                |
|     | F0160737-00 | Coin Meter                    | Dual; 0.50 and 2.00 Euro                                |
|     | 70281102    | Coin Drop Assembly            | Dual; Taiwan; 10 and 50 NT                              |
|     | 70482401    | Coin Drop Assembly            | Dual; New Zealand; \$1.00 and \$2.00                    |
|     | 38462P      | Coin Drop Assembly            | Single; Token; STD 118-1                                |
|     | 38463       | Coin Drop Assembly            | Single; Token; STD 118-5                                |
|     | 38963P      | Coin Drop                     | Single; Token STD 118-16                                |
|     | 39748       | Coin Drop                     | Single; Jeton 08MS                                      |
|     | 201141      | Coin Drop Assembly            | Single; Token; Jeton wh121                              |
|     | 70471601    | Coin Drop Assembly            | Single; Token; 7K                                       |
|     | 70513302    | Electronic Coin Drop Assembly | Euro and Great Britain coins                            |
|     | 70513310    | Electronic Coin Drop Assembly | Japan and Thailand coins                                |
|     | 70513304    | Electronic Coin Drop Assembly | Australia, New Zealand, Hong Kong and South Korea coins |
|     | 70513303    | Electronic Coin Drop Assembly | Denmark, Norway and Euro coins                          |
|     | 70513306    | Electronic Coin Drop Assembly | Mexico, Ecuador and U.S.A. coins                        |
|     | 70294107    | Electronic Coin Drop Assembly | Lithuania, Latvia and Euro coins                        |
|     | 70513311    | Electronic Coin Drop Assembly | China and Malaysia coins                                |
|     | 70513308    | Electronic Coin Drop Assembly | South African 1, 2 and 5 rand coins                     |
|     | 70513309    | Electronic Coin Drop Assembly | Euro coins  |
|     | 70513312    | Electronic Coin Drop Assembly | Russia coins  |
|     | 70513313    | Electronic Coin Drop Assembly | Philippines coins                                       |
|     | 70513314    | Electronic Coin Drop Assembly | Thailand coins  |
|     | 70513315    | Electronic Coin Drop Assembly | Chile coins   |
|     | 70513316    | Electronic Coin Drop Assembly | Singapore coins   |
| 3   | 200674P     | Opto Coupler                  |   |
| 4   | 201595P     | Wire Guard                    |   |

# Coin Drop Kits

All Models Except U Models

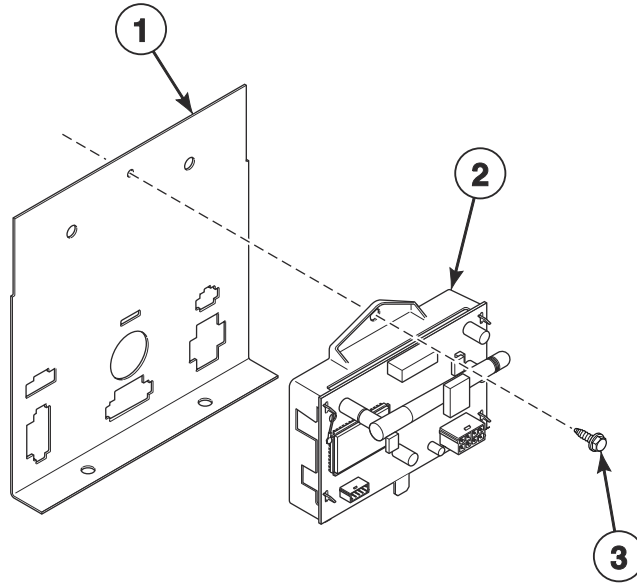


TMB3510PA

## Coin Drop Kits

| REF | PART NO. | DESCRIPTION              | COMMENTS  |
|-----|----------|--------------------------|---|
|     | CK115    | Electronic Coin Drop Kit | United States and Canada  |
|     | CK099    | Electronic Coin Drop Kit | Australia (default), New Zealand, Hong Kong, South Korea and Malaysia |
|     | CK100    | Electronic Coin Drop Kit | United Kingdom (default) and Europe                                   |
|     | CK101    | Electronic Coin Drop Kit | Europe (default), Denmark and Norway                                  |
|     | CK108    | Electronic Coin Drop Kit | South Africa  |
|     | CK109    | Electronic Coin Drop Kit | Euro  |
|     | CK110    | Electronic Coin Drop Kit | Mexico (default), Ecuador and United States                           |
|     | CK113    | Electronic Coin Drop Kit | Japan and Taiwan  |
|     | CK116    | Electronic Coin Drop Kit | Malaysia (default) and China  |
|     | CK117    | Electronic Coin Drop Kit | Russia  |
|     | CK118    | Electronic Coin Drop Kit | Philippine  |
|     | CK119    | Electronic Coin Drop Kit | Thailand  |
|     | CK120    | Electronic Coin Drop Kit | Chile   |
|     | CK121    | Electronic Coin Drop Kit | Singapore   |
|     | CK122    | Coin Drop Kit            | New Zealand; 1.00 and 2.00  |

# Network Board Components

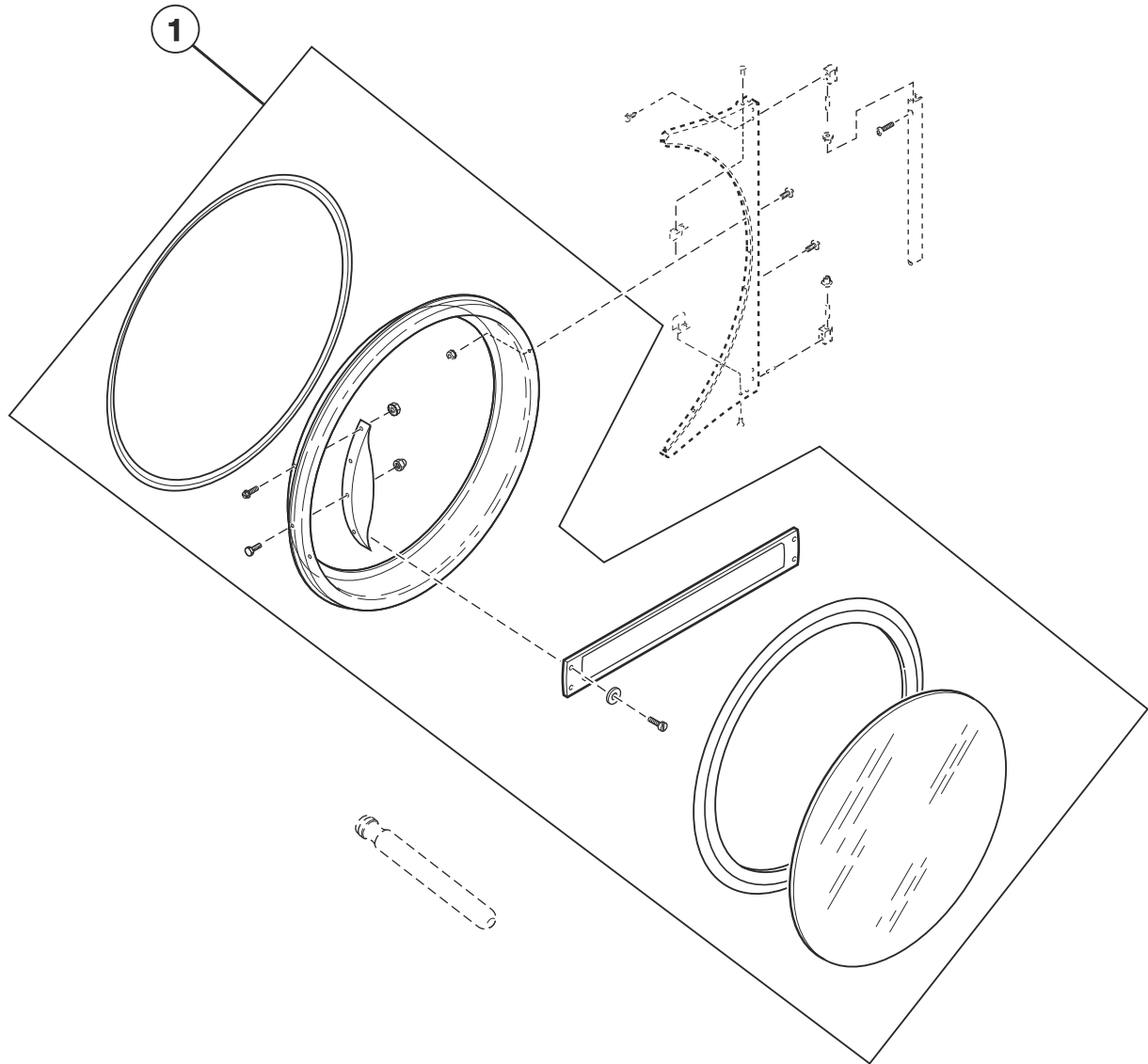


TMB3834P

## Network Board Components

| REF      | PART NO. | DESCRIPTION                       | COMMENTS                   |
|----------|----------|-----------------------------------|----------------------------|
|          | 70609701 | Wireless Network Kit              |                            |
|          | F8674006 | Wireless Network Harness          |                            |
|          | 204692   | Wireless Control Label            |                            |
|          | 205070   | Payment Center Kit                | H models                   |
|          | 205069   | Payment Center Kit                | H models; Includes printer |
|          | 205068   | Payment Center Kit                | S models                   |
|          | 205067   | Payment Center Kit                | S models; Includes printer |
|          | 205318   | Payment Center Kit                | P models                   |
|          | 205316   | Payment Center Kit                | B models                   |
|          | 203346   | USB IR Interface Kit              |                            |
|          | 70666806 | Fob Reader Kit                    |                            |
| <b>1</b> | 70307007 | Harness Mounting Plate            |                            |
| <b>2</b> | 807211   | Wireless Network Control Assembly |                            |
| <b>3</b> | F8206901 | Screw                             |                            |

# Door Assemblies

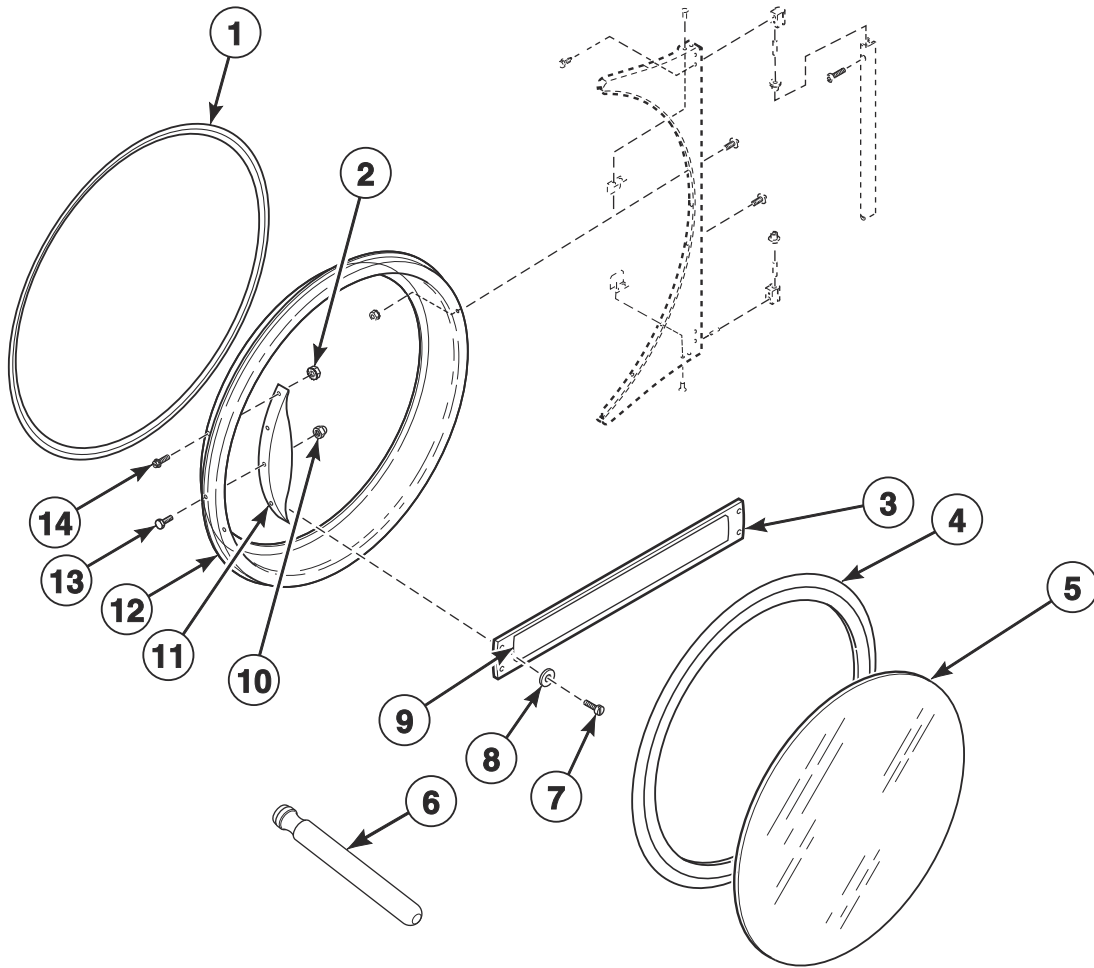


TMB3856P

## Door Assemblies

| REF | PART NO.   | DESCRIPTION   | COMMENTS                                  |
|-----|------------|---------------|---|
|     | 44354701   | Door Assembly | M and S models; Stainless steel           |
|     | 44354702   | Door Assembly | M and S models; Chrome                    |
|     | 44354703   | Door Assembly | U models; Stainless steel                 |
|     | 44354704   | Door Assembly | U models; Chrome                          |
|     | 44354705   | Door Assembly | H models; Stainless steel                 |
|     | 44354707   | Door Assembly | H models; Stainless steel with green trim |
|     | 44354706   | Door Assembly | H models; Chrome                          |
|     | 44354708   | Door Assembly | H models; Chrome with green trim          |
|     | 44354709   | Door Assembly | B, J, N and P models; Black               |
|     | 44354711B  | Door Assembly | G and K models; Includes handle           |
|     | 44354710LG | Door Assembly | P models; Light gray                      |

# Door Components



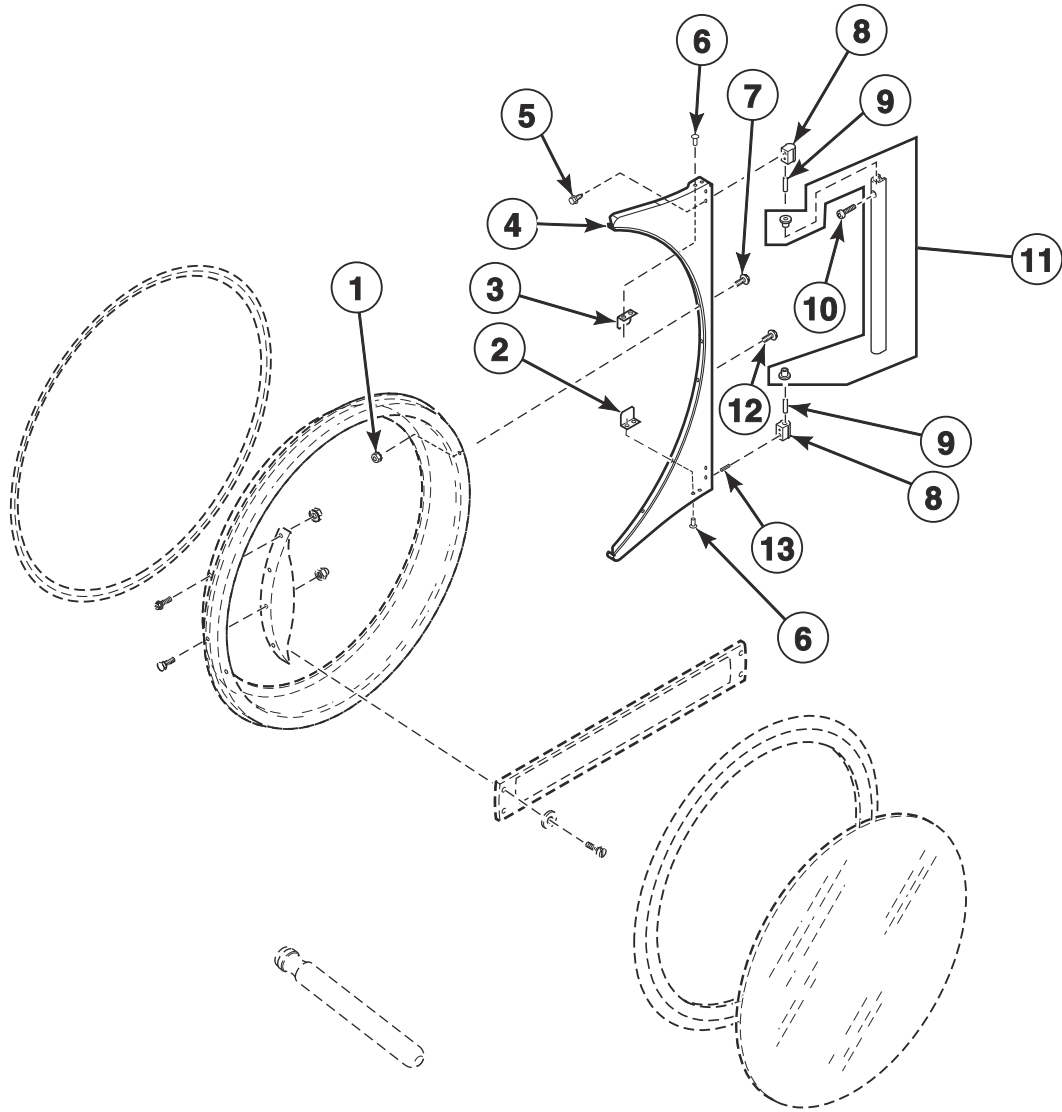
TMB3856PA



# Door Components

| REF       | PART NO.   | DESCRIPTION                  | COMMENTS   |
|-----------|------------|------------------------------|--|
|           | 70650401   | Door Glass Label             | H models   |
|           | 70707701   | Door Glass Label             | S models   |
|           | 70707501   | Max Fill Line Label          |  |
| <b>1</b>  | 70296802   | Door Ring Gasket             | H models with chrome handle  |
|           | 44008201P  | Door Ring Gasket             |  |
| <b>2</b>  | 44088001   | Nut                          | B, H, M, N and S models; 4 required  |
| <b>3</b>  | 70399501B  | Handle Bar                   | G and K models   |
| <b>4</b>  | 70211902P  | Door Seal Kit                | Use Loctite 414 for seal   |
| <b>5</b>  | 44008405   | Door Glass                   | H models; Green trim   |
|           | 44008401P  | Door Glass                   |  |
| <b>6</b>  | M4221P4    | Door Glass Installation Tool |  |
| <b>7</b>  | 70412601   | Pop Rivet                    | G and K models; Attaches door handle to door ring                                  |
| <b>8</b>  | 70409301   | Washer                       | G and K models   |
| <b>9</b>  | 44144401   | Nameplate Overlay            | K models through 8/7/22  |
|           | 44391201   | Nameplate Overlay            | K models starting 8/8/22   |
|           | 70411401   | Nameplate Overlay            | G models   |
| <b>10</b> | M414215    | Nut                          | For door strike; Mounts between door strike screw and door handle                  |
| <b>11</b> | 44007901   | Door Handle                  | B, J, M, N, P and S models   |
|           | 44263801   | Door Handle                  | U models; Use 901620 Screw, 800465 Washer, 803871 Screw and 44088001 Nut to attach |
|           | 44370601   | Door Handle                  | H models   |
| <b>12</b> | 44354801   | Door Ring Assembly           | H, M and S models; Stainless steel   |
|           | 44354802   | Door Ring Assembly           | H, M and S models; Chrome  |
|           | 44354803   | Door Ring Assembly           | U models   |
|           | 44354804   | Door Ring Assembly           | U models; Chrome   |
|           | 44354808LG | Door Ring Assembly           | P models; Light gray   |
|           | 44354807B  | Door Ring Assembly           | B, J, N and P models   |
|           | 44354809B  | Door Ring Assembly           | G and K models   |
| <b>13</b> | M400661    | Screw                        | Door Strike  |
| <b>14</b> | 70442101   | Screw                        | B, H, J, M, N, P and S models; 4 required  |

# Hinge Components

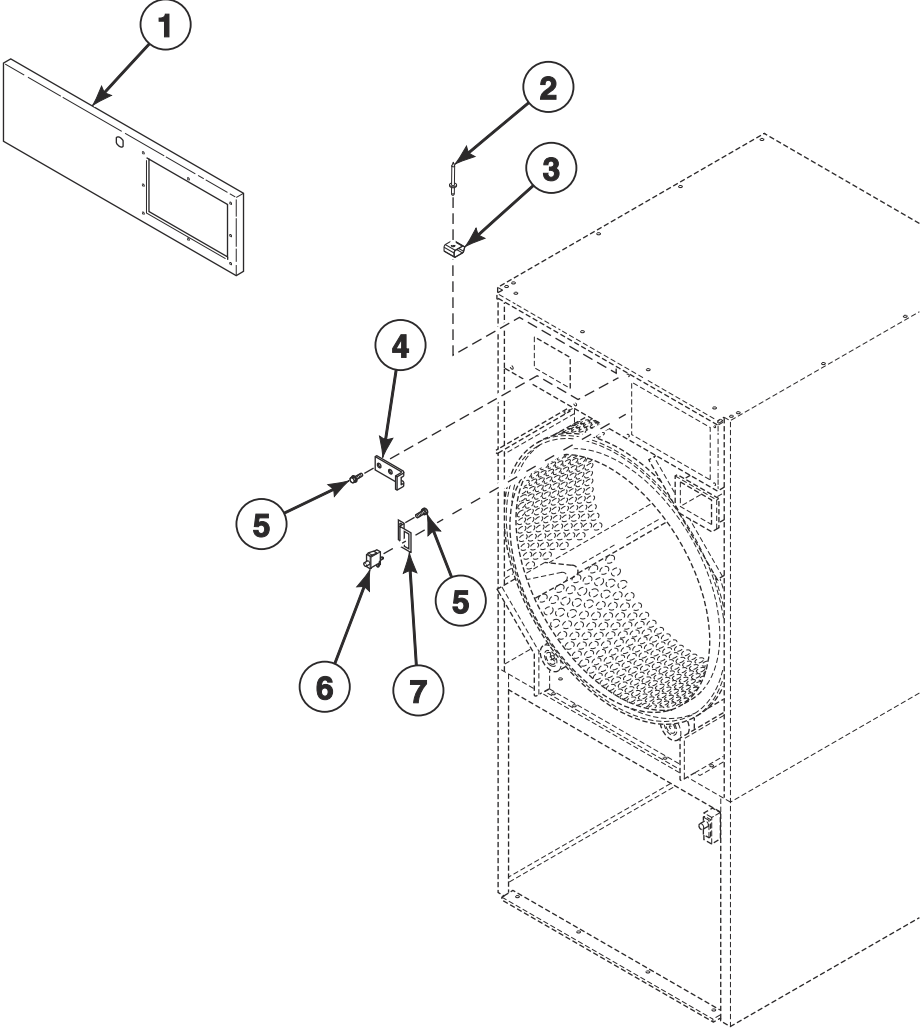


TMB3856PB

# Hinge Components

| REF | PART NO.   | DESCRIPTION             | COMMENTS                                 |
|-----|------------|-------------------------|--|
| 1   | 44088001   | Nut                     |  |
| 2   | 70532101   | Door Switch Actuator    | Bottom                                   |
| 3   | 70532102   | Door Switch Actuator    | Top                                      |
| 4   | 70596601   | Door Hinge Assembly     | H and S models; Chrome                   |
|     | 70596602   | Door Hinge Assembly     | H, M, N, S and U models; Stainless steel |
|     | 70596613B  | Door Hinge Assembly     | B, G, J, K and P models; Black           |
|     | 70596613LG | Door Hinge Assembly     | P models; Light gray                     |
|     | 70596613W  | Door Hinge Assembly     | H, M, N, S and U models                  |
| 5   | 70576101   | Screw                   |  |
| 6   | 70058501   | Pop Rivet               |  |
| 7   | 44349101   | Screw                   | 5 required                               |
| 8   | M4772P3    | Hinge Cam Kit           | H, M, N, P, S and U models               |
|     | 70622401   | Hinge Cam Kit           | H and S models; Chrome                   |
|     | M4773P3    | Hinge Cam Kit           | B, G, J, K and P models; Black           |
| 9   | 70071401   | Pin                     |  |
| 10  | 70033502   | Screw                   | H, M, N, P, S and U models               |
|     | 70407301   | Screw                   | B, G, J, K and P models; Black           |
| 11  | 70597601   | Door Hinge Lug Assembly | H, M, N, P, S and U models               |
|     | 70597603   | Door Hinge Lug Assembly | B, G, J, K and P models; Black           |
|     | 70597602   | Door Hinge Lug Assembly | H and S models; Chrome                   |
| 12  | 70689401   | Screw                   |  |
| 13  | 70436301   | Screw                   |  |

# Control Panels

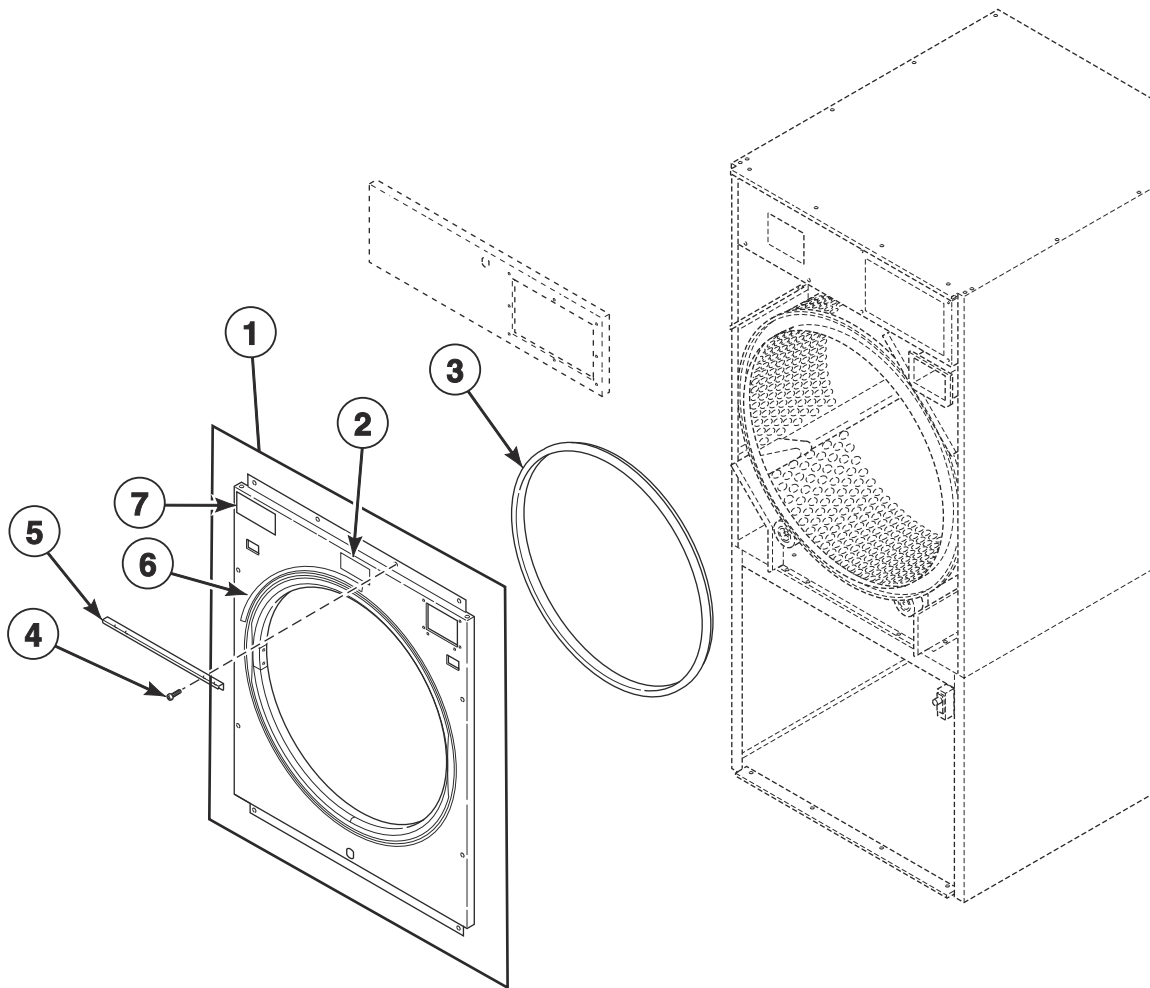


TMB3836P

# Control Panels

| REF | PART NO.   | DESCRIPTION                  | COMMENTS   |
|-----|------------|------------------------------|--|
| 1   | 70417115W  | Control Panel                | B, G, J, K and U models; Models with D, F, N and W in 7th position                         |
|     | 70417113   | Control Panel                | B, G, K and U models; Stainless steel; Models with D, F, N and W in 7th position           |
|     | 70690103W  | Control Panel Assembly       | M and S models; Coin and central pay; Models with N and W in 7th position                  |
|     | 70690101   | Control Panel Assembly       | M and S models; Stainless steel; Coin and central pay; Models with N and W in 7th position |
|     | 70376014DG | Control Panel                | P models; Dark gray; Models with F, N and W in 7th position                                |
|     | 70376014W  | Control Panel                | H and N models; Models with F, N and W in 7th position                                     |
|     | 70376009   | Control Panel                | H, N and P models; Stainless steel; Models with F, N and W in 7th position                 |
|     | 70583501   | Control Panel                | B, H, P and S models; Coin and card models with V in 7th position                          |
|     | 70583502   | Control Panel                | B, H, J, P and S models; Central pay and OPL models with V in 7th position                 |
|     | 70695801W  | Control Panel                | U models; Models with V in 7th position  |
|     | 70695802   | Control Panel                | U models; Stainless steel; Models with V in 7th position                                   |
|     | 70690102   | Control Panel Assembly       | M and S models; Stainless steel; Card; Models with N and W in 7th position                 |
|     | 70690104W  | Control Panel Assembly       | M and S models; Card; Models with N and W in 7th position                                  |
|     | 70690003   | Control Panel                | S models; Stainless steel; OPL; Models with F, N and W in 7th position                     |
|     | 70690006W  | Control Panel                | S models; OPL; Models with F, N and W in 7th position                                      |
| 2   | M400003    | Pop Rivet                    |  |
| 3   | 431318     | Control Door Latch           | Models with D, F, N and W in 7th position  |
| 4   | 70654501   | Lock Catch Bracket           | Models with V in 7th position  |
| 5   | 430497     | Screw                        |  |
| 6   | 70413301   | Pushbutton Switch            |  |
| 7   | 70641601   | Control Panel Switch Bracket |  |

# Front Panel Assemblies

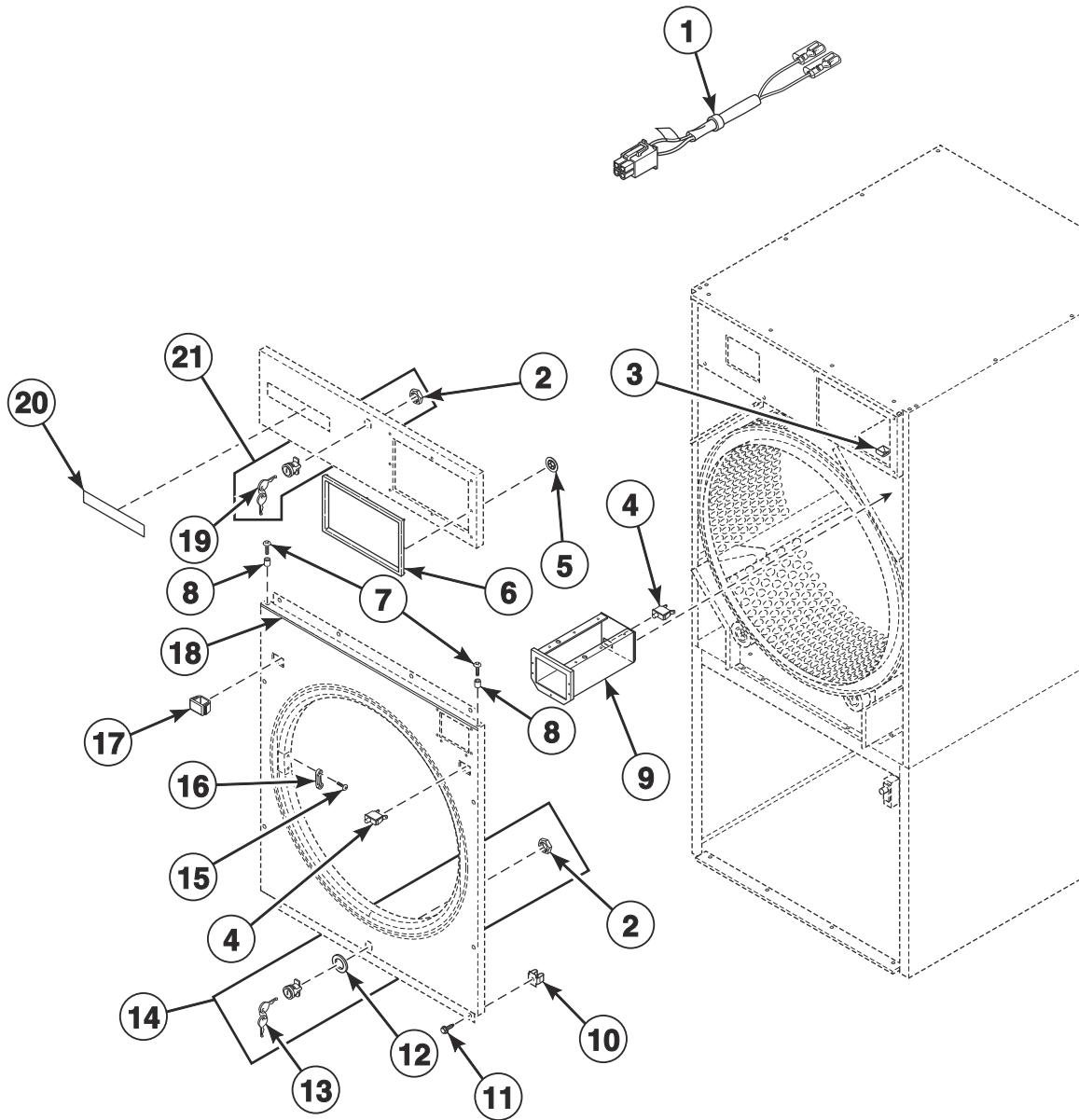


TMB3837P

# Front Panel Assemblies

| REF | PART NO.   | DESCRIPTION                 | COMMENTS  |
|-----|------------|-----------------------------|---|
| 1   | 70703601W  | Front Panel Assembly        | All models except U models; Coin  |
|     | 70703601DG | Front Panel Assembly        | P models; Coin; Dark gray   |
|     | 70703601   | Front Panel Assembly        | All models except J and U models; Coin; Stainless steel                 |
|     | 70703602W  | Front Panel Assembly        | All models except J and U models; Card and central pay                  |
|     | 70703602DG | Front Panel Assembly        | P models; Card and central pay; Dark gray                               |
|     | 70703602   | Front Panel Assembly        | All models except J and U models; Card and central pay; Stainless steel |
|     | 70703604W  | Front Panel Assembly        | All models except J models; OPL; With e-stop                            |
|     | 70703604DG | Front Panel Assembly        | P models; OPL; Dark gray; With e-stop                                   |
|     | 70703604   | Front Panel Assembly        | OPL; Stainless steel; With e-stop                                       |
|     | 70703603W  | Front Panel Assembly        | All models except J models; OPL; Without e-stop                         |
|     | 70703603DG | Front Panel Assembly        | P models; OPL; Dark gray; Without e-stop                                |
|     | 70703603   | Front Panel Assembly        | OPL; Stainless steel; Without e-stop                                    |
| 2   | 70472801   | Label                       | U models  |
| 3   | 70173402   | Front Cylinder Seal         |   |
| 4   | M411072    | Screw                       |   |
| 5   | 70641501   | Control Panel Stand Bracket | S models; Models with F, N and W in the 7th position                    |
| 6   | 70534301   | Warning Label               | English   |
|     | 70534302   | Warning Label               | French  |
|     | 70534300   | Label Kit                   | Warning; IEC models   |
| 7   | 70537001   | Label                       | B, H, M, N, S and U models; C.A.R.E.                                    |
|     | 70537101   | Label                       | G and K models; F.S.S.  |
|     | 70414001   | Label                       | G and K models through 8/7/22; Coin; ExpressDry                         |
|     | 44190901   | Label                       | P models; Safe Tech   |

# Cabinet Front Components



TMB3859P

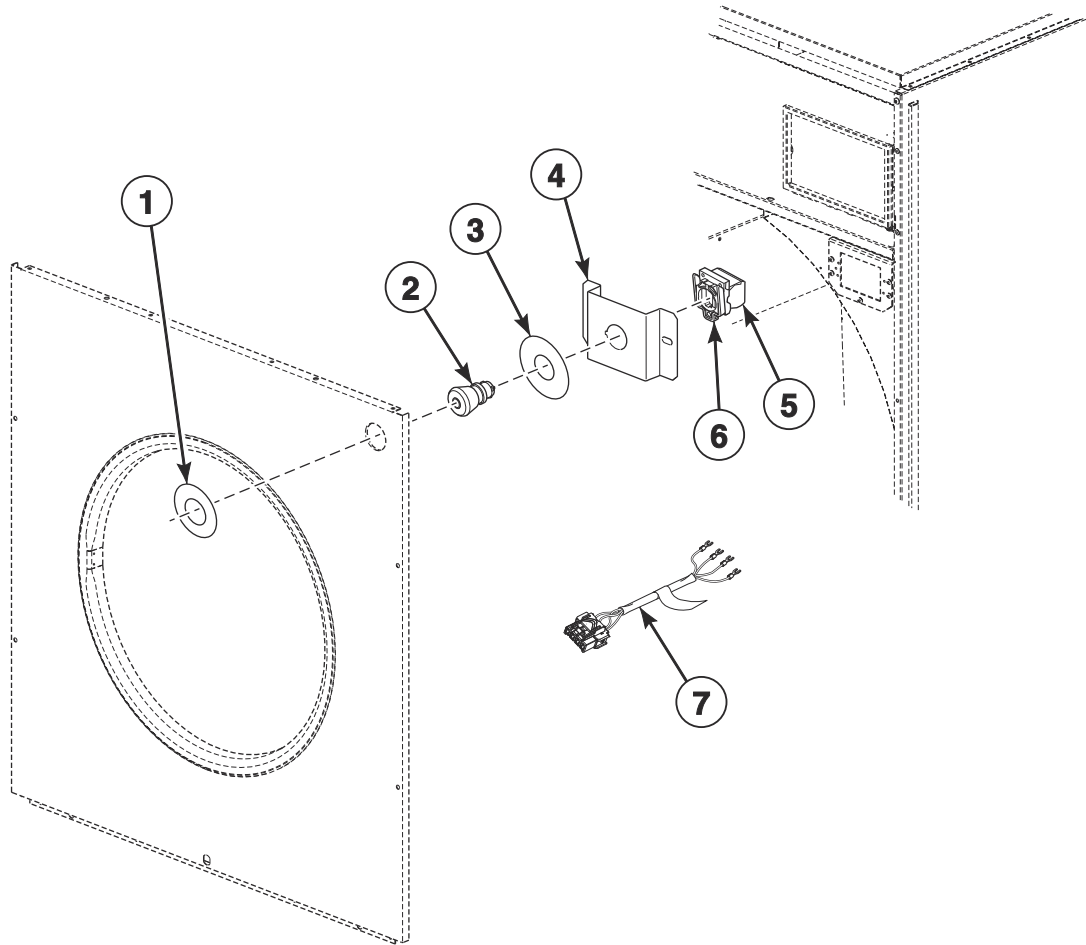


## Cabinet Front Components

| REF       | PART NO.  | DESCRIPTION                                  | COMMENTS   |
|-----------|-----------|--|--|
|           | 44334103  | Bypass Harness                               | Card and central pay                             |
|           | D511476   | Jumper Harness                               | Card reader present                              |
|           | 70482901  | Door Catch Kit                               |  |
| <b>1</b>  | 44334101  | Coin Vault Switch Harness                    |  |
| <b>2</b>  | 44088801  | Nut  |  |
| <b>3</b>  | 70296401  | Coin Chute Assembly                          |  |
| <b>4</b>  | 70413301  | Pushbutton Switch                            |  |
| <b>5</b>  | M400977   | Nut  |  |
| <b>6</b>  | 70529401  | Control Trim                                 | H models; Gray                                   |
|           | 44016401  | Control Trim                                 | P models; Black                                  |
| <b>7</b>  | 39733     | Screw  |  |
| <b>8</b>  | 56079     | Panel Locator                                | 9 required                                       |
| <b>9</b>  | 70529501  | Coin Vault Assembly                          |  |
|           | 70529502  | Coin Vault and Emergency Stop Mount Assembly | Models with emergency stop                       |
|           | F160673P  | Coin Box                                     | Optional equipment; Includes lock and key        |
| <b>10</b> | 70030501  | Expansion Clip                               | 8 required                                       |
| <b>11</b> | M411072   | Screw  | 8 required                                       |
| <b>12</b> | 70342401  | Lock Shim                                    |  |
| <b>13</b> | 70155602  | Key  | RL002  |
| <b>14</b> | 44089302P | Lock, Key and Nut Kit                        | RL002; Black                                     |
| <b>15</b> | 44166601  | Pop Rivet                                    |  |
| <b>16</b> | M401223   | Door Latch                                   |  |
| <b>17</b> | 44057801W | Switch Hole Plug                             | White  |
|           | 44057801B | Switch Hole Plug                             | Black  |
| <b>18</b> | 70399413  | Access Panel Trim                            | G and K models; Coin                             |
|           | 70399406  | Access Panel Trim                            | G and K models; Card and central pay             |
| <b>19</b> | 70155601  | Key  | RL001  |
| <b>20</b> | F8688801  | Nameplate                                    | S models   |
|           | F8687701  | Decal  | H models   |
|           | F8443105  | Nameplate                                    | U models   |
|           | 567293    | Nameplate                                    | B models   |
|           | 567887    | Nameplate                                    | P models   |
|           | 70685701  | Nameplate                                    | J models   |
|           | 70685801  | Nameplate                                    | J models; SAFE                                   |
|           | 562738    | Label  | B, P and S models; Softwash                      |
|           | 44147101  | Nameplate Overlay                            | K models through 12/31/22; OPL                   |
|           | 44391301  | Label  | G and K models starting 8/8/22; Coin; ExpressDry |
|           | 44391401  | Label  | K models starting 1/1/23; OPL; ProDry2+          |
| <b>21</b> | 44089301P | Lock, Key and Nut Kit                        | RL001; Black                                     |

# Emergency Stop Button - IEC OPL Models

A, H, J, K, L, R and U in the 2nd Position

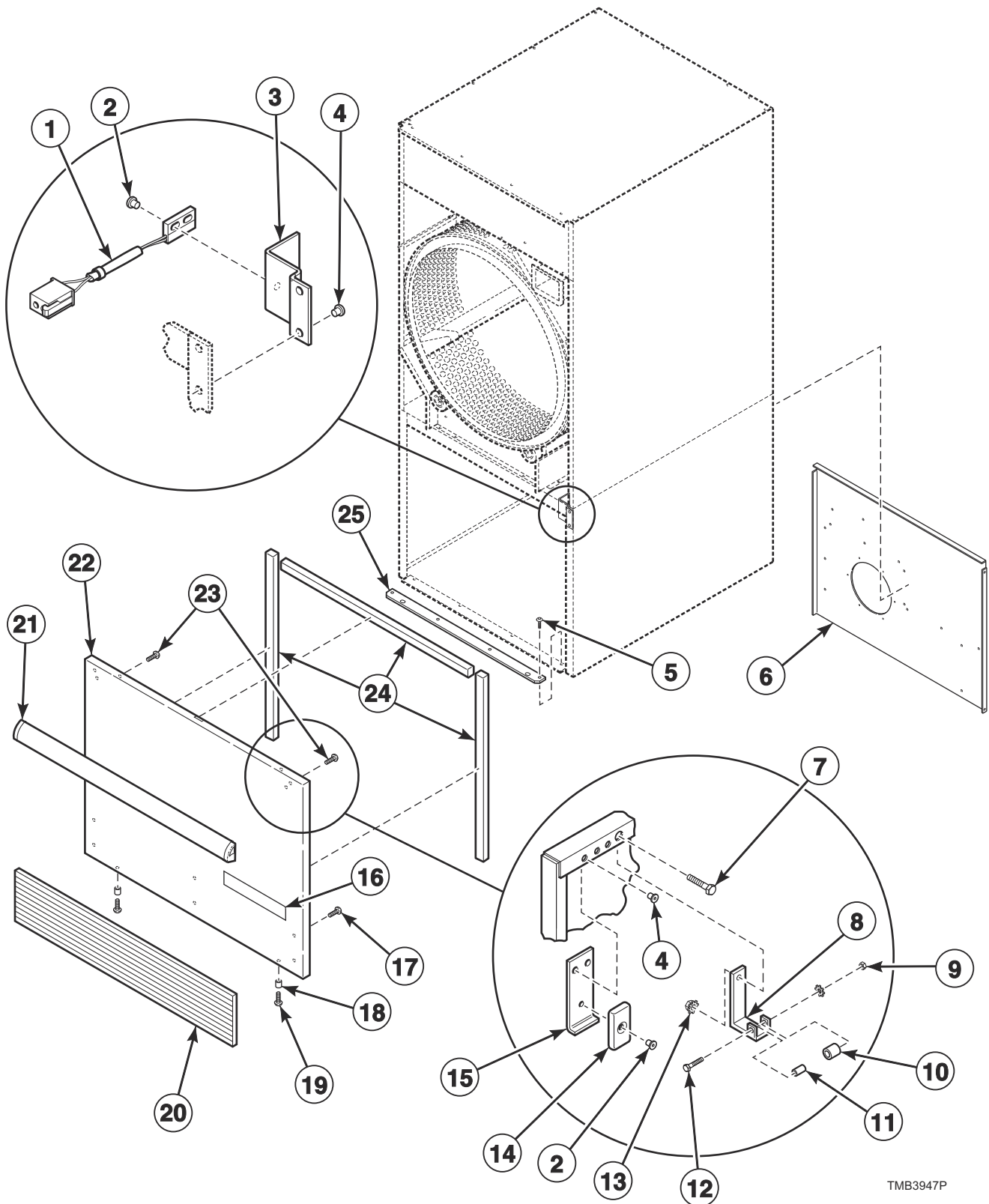


TMB3513P

## Emergency Stop Button - IEC OPL Models

| REF | PART NO.   | DESCRIPTION                         | COMMENTS           |
|-----|------------|-------------------------------------|--------------------|
|     | 70580301   | Emergency Stop Button Kit           | Includes items 2-4 |
|     | 70631101   | Emergency Stop Interconnect Harness |                    |
| 1   | 44012903   | Emergency Stop Label                |                    |
| 2   | F200233500 | Emergency Stop Pushbutton           |                    |
| 3   | 44012901   | Emergency Stop Label                |                    |
| 4   | 70550401   | Emergency Stop Mounting Bracket     |                    |
| 5   | F8069501   | Contact Switch                      | 2 required         |
| 6   | F8538101   | Contact Base                        |                    |
| 7   | 44272401   | Emergency Stop Harness              |                    |

# Lower Cabinet Components

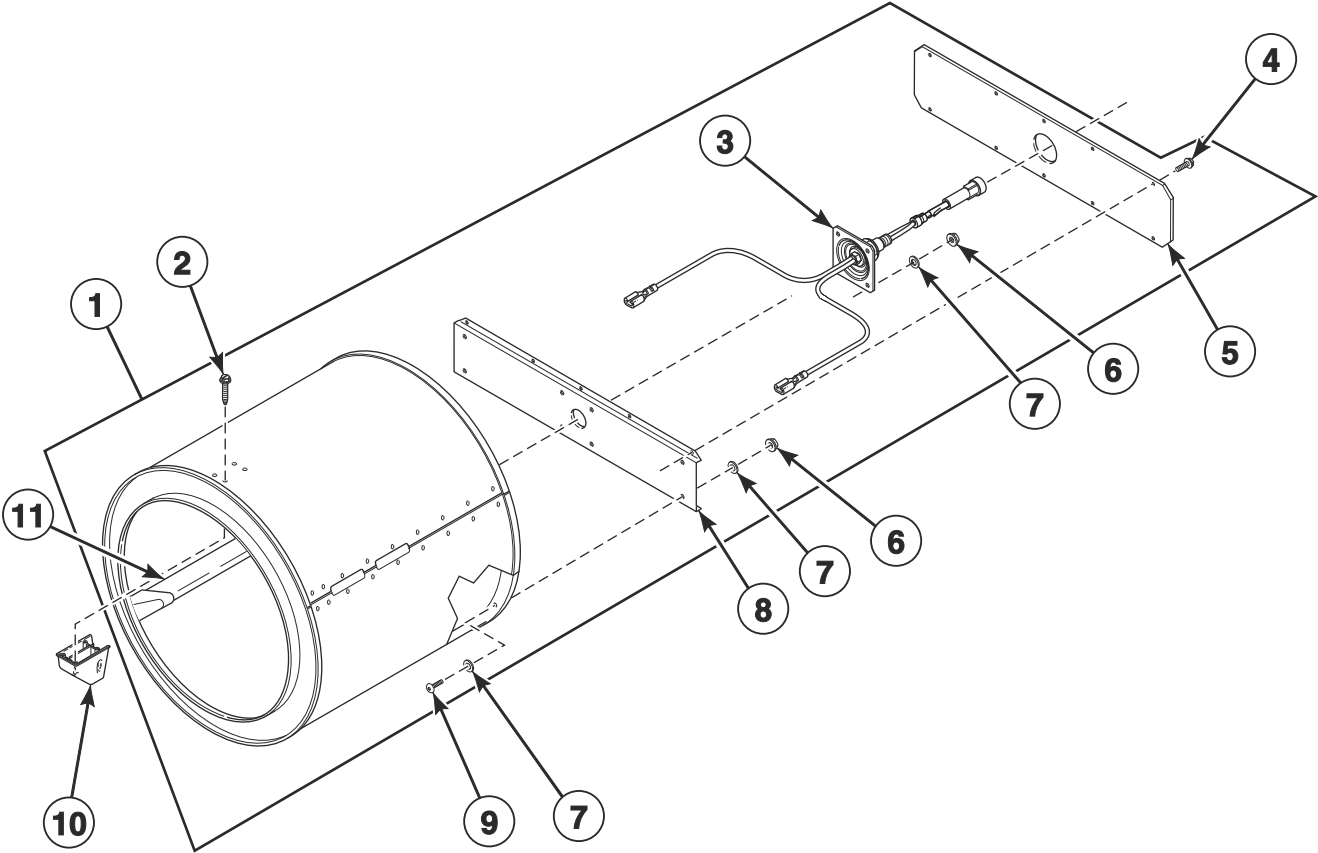


TMB3947P

## Lower Cabinet Components

| REF | PART NO.   | DESCRIPTION              | COMMENTS  |
|-----|------------|--------------------------|---|
| 1   | F8066804   | Reed Switch Assembly     |   |
| 2   | F8245101   | Blind Rivet              |   |
| 3   | 70508501   | Switch Bracket           |   |
| 4   | 70058501   | Pop Rivet                |   |
| 5   | 430497     | Screw                    |   |
| 6   | 70564001   | Rear Lint Panel          |   |
| 7   | 70132301   | Screw                    | Attaching roller catch                                    |
| 8   | 70030301   | Roller Catch Arm         |   |
| 9   | 23951      | Nut                      |   |
| 10  | 70297601   | Roller Catch Wheel       |   |
| 11  | 70030201   | Roller Catch Spacer      |   |
| 12  | 70072801   | Screw                    |   |
| 13  | 51236      | Nut                      | Attaching roller catch                                    |
| 14  | 70343101   | Magnet                   |   |
| 15  | 44290501   | Magnet Bracket           |   |
| 16  | 44391601   | Label                    | K models starting 1/1/23; Capacity; OPL                   |
| 17  | 70126301   | Pop Rivet                | For attaching kickplate; Black; 6 required                |
|     | 70126401   | Pop Rivet                | For attaching kickplate; Gray; 6 required                 |
| 18  | 56079      | Panel Locator            |   |
| 19  | 39733      | Screw                    |   |
| 20  | 70117622   | Kickplate                | H and U models; Dark gray                                 |
|     | 70117613   | Kickplate                | All models except H models; Black                         |
| 21  | 70154411   | Handle and Caps Assembly | B, J, M, N, S and U models; Black                         |
|     | 70407209   | Handle Bumper            | P models; Silver  |
|     | 70154418   | Handle and Caps Assembly | H and U models; Dark gray                                 |
|     | 70407206   | Handle Bumper            | G and K models  |
| 22  | 70515603W  | Lint Panel               | All models except J models; With kickplate                |
|     | 70515604DG | Lint Panel               | P models; Dark gray                                       |
|     | 70515602   | Lint Panel               | Stainless steel; With kickplate                           |
|     | 70515605   | Lint Panel               | All models except J models; Stainless steel; No kickplate |
|     | 70515604W  | Lint Panel               | All models except P models; No kickplate                  |
| 23  | 430757     | Screw                    | For attaching handle; 6 required                          |
| 24  | 70289101P  | Gasket                   | Sold per foot   |
| 25  | 70392101   | Lint Panel Pivot Plate   |   |

# Cylinder and Trunnion Assembly

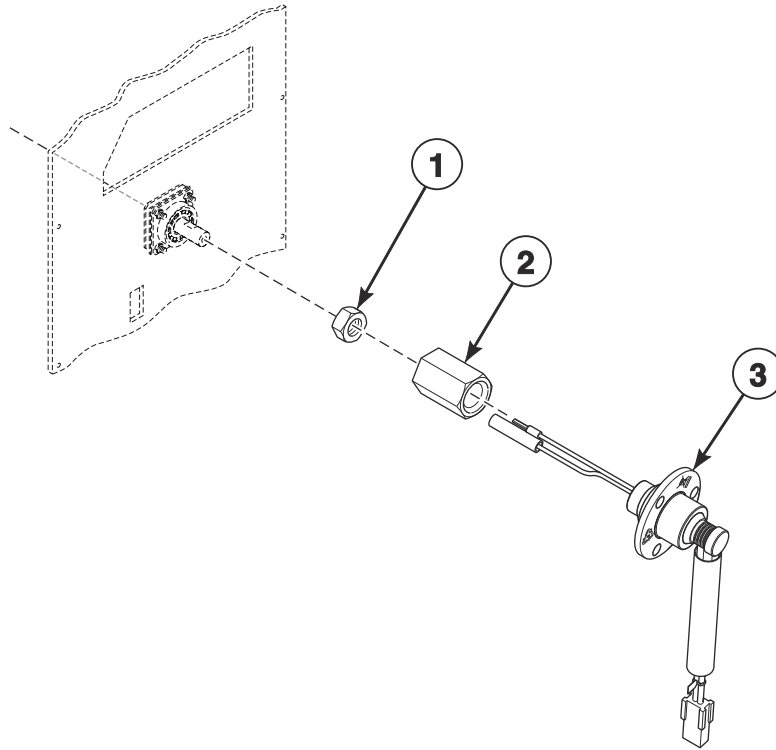


TMB3358P

## Cylinder and Trunnion Assembly

| REF | PART NO.  | DESCRIPTION                    | COMMENTS   |
|-----|-----------|--------------------------------|--|
|     | 70343101P | Drywall Screw Magnet Kit       |  |
| 1   | 70408803  | Cylinder Assembly              | G and K models; Non-moisture sensing                           |
|     | 70444103  | Cylinder and Trunnion Assembly | G and K models; Moisture sensing                               |
|     | 70408801P | Cylinder Assembly              | Galvanized; Non-moisture sensing                               |
|     | 70444101P | Cylinder and Trunnion Assembly | Galvanized; Moisture sensing                                   |
|     | 70408802P | Cylinder Assembly              | Stainless steel; Non-moisture sensing                          |
|     | 70444102  | Cylinder and Trunnion Assembly | Stainless steel; Moisture sensing                              |
| 2   | 62588     | Screw                          | 12 required  |
| 3   | 70564807  | Trunnion and Seal Kit          | Includes 70013702 Rear Cylinder Seal; Non-moisture sensing     |
|     | 70564808  | Trunnion and Seal Kit          | Moisture sensing; Includes 70454601 Trunnion and Wire Assembly |
| 4   | 430497    | Screw                          | 10 required  |
| 5   | 70305301  | Rear Cylinder Channel Plate    |  |
| 6   | 44087201  | Nut                            | 8 required   |
| 7   | 70411301  | Washer                         |  |
| 8   | 70305201  | Rear Cylinder Channel          | Non-moisture sensing   |
|     | 70305202  | Rear Cylinder Channel          | Moisture sensing   |
| 9   | 70391101  | Screw                          | 8 required   |
| 10  | 70070101  | End Cap                        | Non-moisture sensing   |
|     | 70070102  | End Cap                        | Moisture sensing   |
| 11  | 70433004  | Cylinder Rib Assembly          | Moisture sensing   |

# Moisture Sensing Components



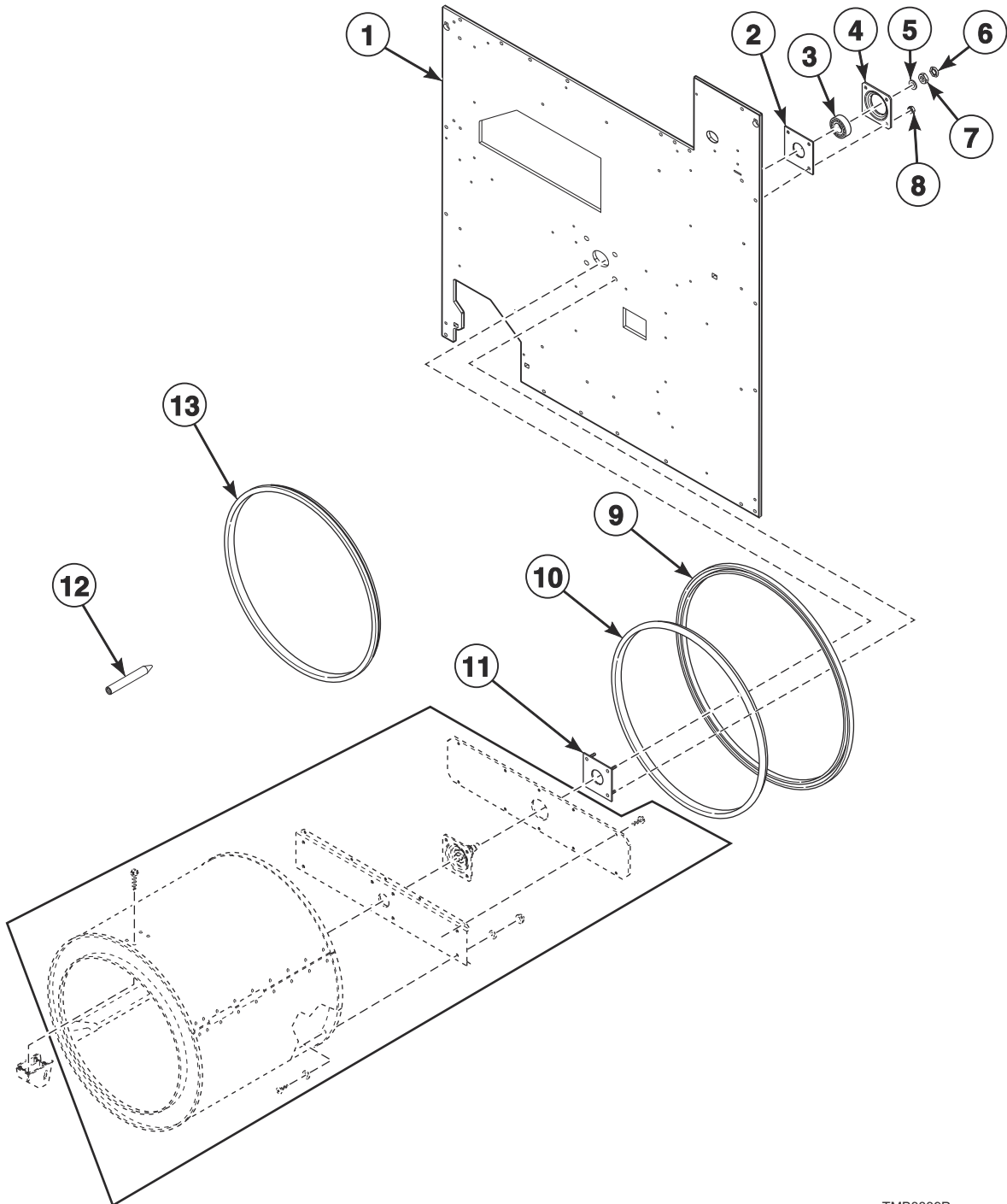
TMB3843P



# Moisture Sensing Components

| REF | PART NO. | DESCRIPTION                               | COMMENTS |
|-----|----------|---|----------|
|     | 70631203 | Moisture Sensor/Airflow Switch<br>Harness |          |
| 1   | M400022  | Nut                                       |          |
| 2   | 70455401 | Slip Ring Holder                          |          |
| 3   | 44222702 | Slip Ring Assembly                        |          |

# Cylinder Components

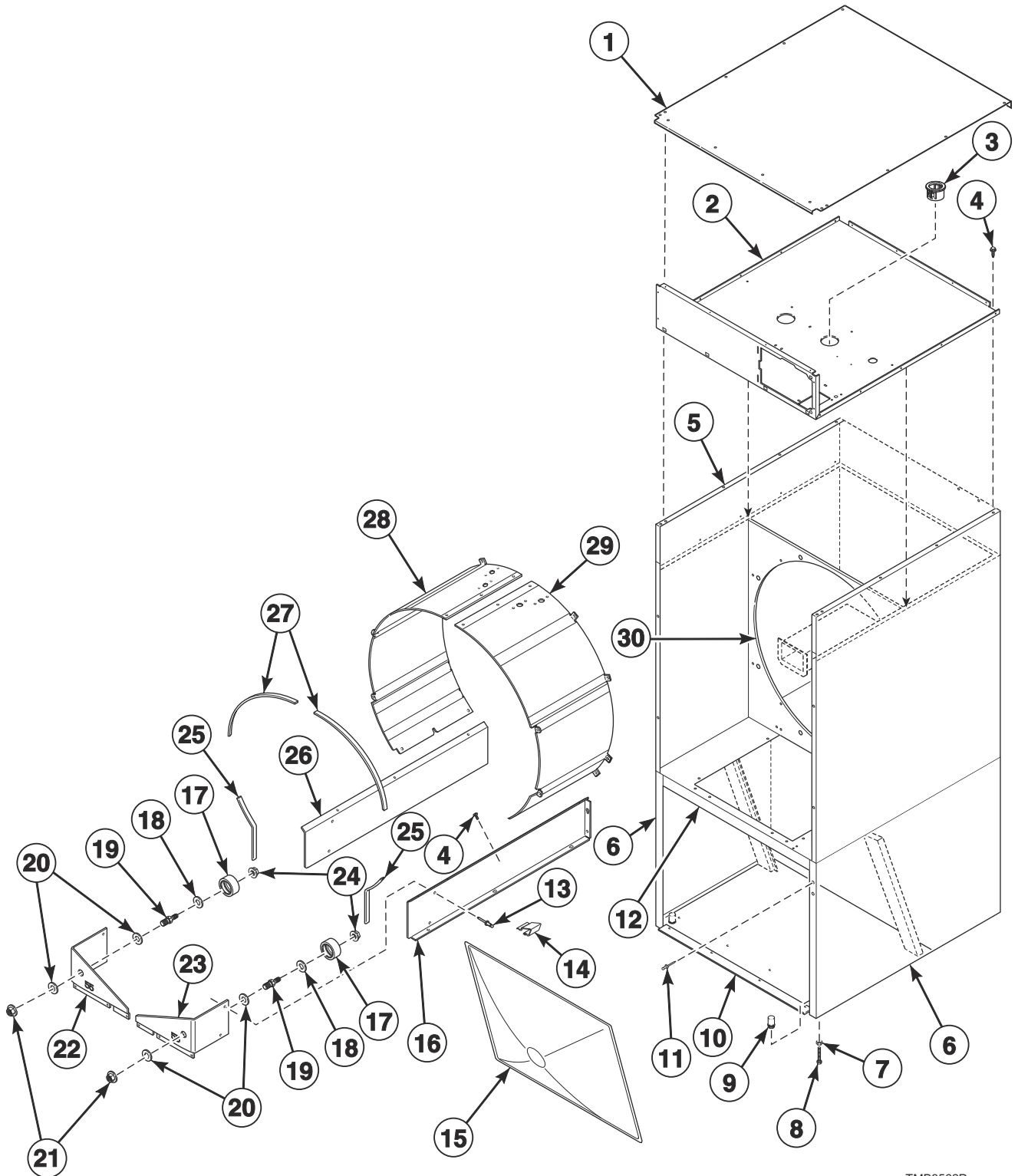


TMB3839P

# Cylinder Components

| REF       | PART NO.  | DESCRIPTION                          | COMMENTS                        |
|-----------|-----------|--------------------------------------|---------------------------------|
|           | 70343101P | Drywall Screw Magnet Kit             |                                 |
|           | 430260P   | Support Housing Bearing Assembly     | Includes items 3, 4 and Loctite |
| <b>1</b>  | 70706901  | Rear Panel                           | Gas models                      |
|           | 70706902  | Rear Panel                           | Electric and steam models       |
| <b>2</b>  | 70355001  | Rear Bearing Shim                    |                                 |
| <b>3</b>  | 70448701  | Support Bearing                      |                                 |
| <b>4</b>  | 70013901  | Rear Cylinder Bearing Housing        |                                 |
| <b>5</b>  | M400991   | Washer                               |                                 |
| <b>6</b>  | M400034   | Nut                                  |                                 |
| <b>7</b>  | M400022   | Nut                                  |                                 |
| <b>8</b>  | M412986   | Nut                                  | 4 required                      |
| <b>9</b>  | 70506403  | Rear Cylinder Seal Support           |                                 |
| <b>10</b> | 70013704P | Rear Cylinder Seal                   | Use with D511637P Adhesive      |
| <b>11</b> | 430352    | Cylinder Bearing Stud Plate Assembly |                                 |
| <b>12</b> | 263P4     | Cylinder Guide Tool                  |                                 |
| <b>13</b> | 70066005  | Center Cylinder Seal                 |                                 |

# Cabinet Components

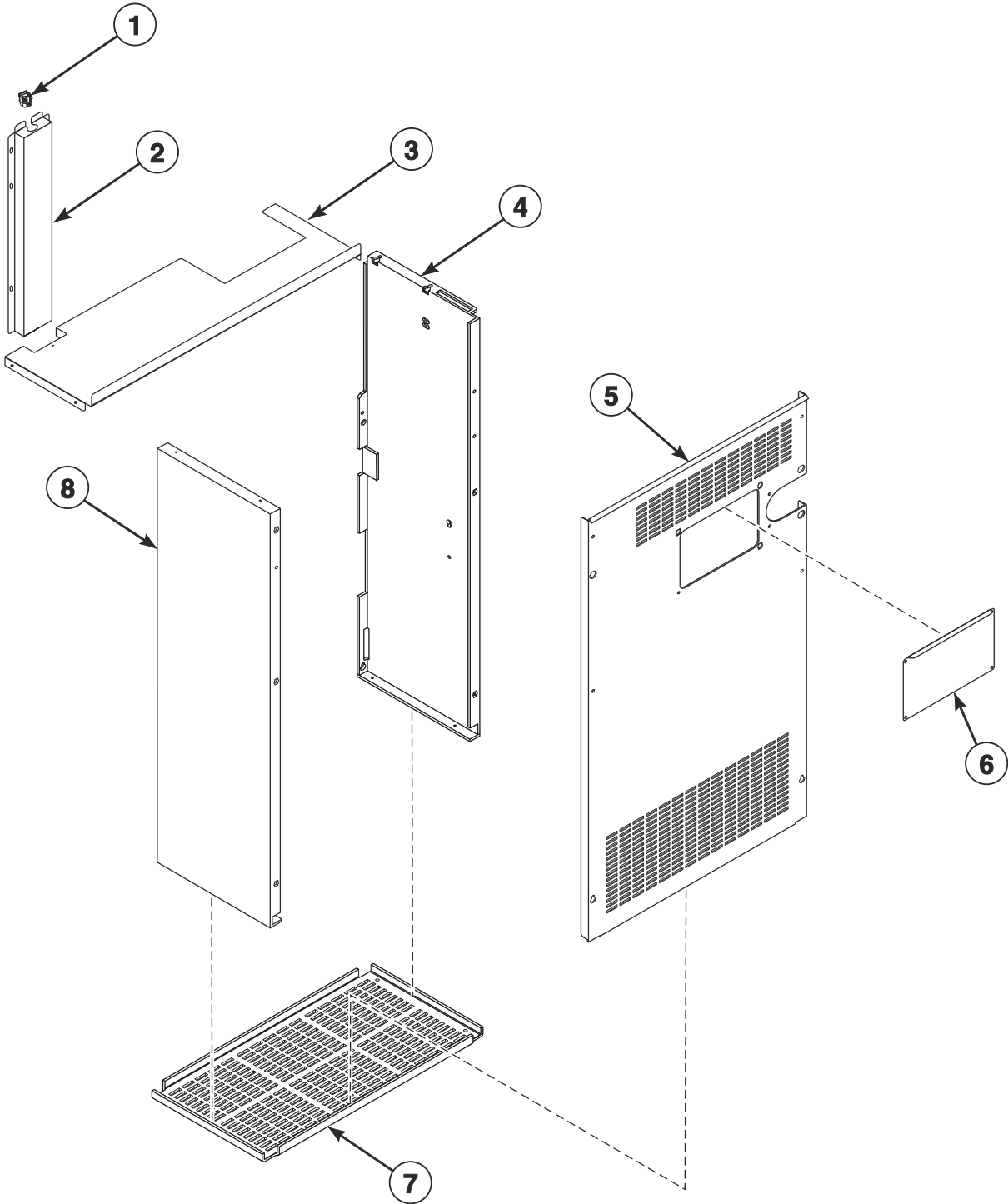


TMB3562P

# Cabinet Components

| REF | PART NO.   | DESCRIPTION              | COMMENTS  |
|-----|------------|--------------------------|---|
|     | M4379P4    | Tumbler Dolly Kit        |   |
|     | 298P4P     | Spray Paint              | White   |
|     | 122P4P     | Porcelain Touch-Up Paint | White   |
| 1   | 70586601   | Top Panel                | S models with V in 7th position                           |
|     | 70557801   | Top Panel                | Models with D, F, N and W in 7th position                 |
| 2   | 70641401   | Top Pan                  | Models with D, F, N and W in 7th position                 |
|     | 70583701   | Top Pan                  | B, H, J, P, S and U models; Models with V in 7th position |
| 3   | 70346501   | Bushing                  |   |
| 4   | 430497     | Screw                    |   |
| 5   | 70378704DG | Side Panel               | Dark gray; B and P models; Upper                          |
|     | 70378704W  | Side Panel               | Upper   |
| 6   | 70378802DG | Side Panel               | Dark gray; B and P models; Lower                          |
|     | 70378802W  | Side Panel               | Lower   |
| 7   | 21899      | Nut                      |   |
| 8   | 70247701   | Screw                    |   |
| 9   | 70063201   | Hole Plug                |   |
| 10  | 70377601   | Lower Pan                |   |
| 11  | 70058501   | Pop Rivet                | 16 required; Upper side panel                             |
| 12  | 70562401   | Center Pan               |   |
| 13  | 70058502   | Pop Rivet                |   |
| 14  | 35865      | Hold-Down Clip           |   |
| 15  | 44063601   | Lint Screen              |   |
| 16  | 70575401   | Air Duct                 | Right   |
| 17  | 70616701   | Roller and Seal Kit      |   |
| 18  | 70443601   | Roller Seal              |   |
| 19  | 70249501   | Roller Shaft             |   |
| 20  | 70261401   | Washer                   |   |
| 21  | 70288801   | Nut                      |   |
| 22  | 70326104   | Roller Support Bracket   | Left  |
| 23  | 70326103   | Roller Support Bracket   | Right   |
| 24  | 430576     | Nut                      |   |
| 25  | 70015711   | Sheet Metal Edge Gasket  | Lower   |
| 26  | 70575402   | Air Duct                 | Left  |
| 27  | 70015710   | Sheet Metal Edge Gasket  | Upper   |
| 28  | 70432308   | Cylinder Shroud          | Left; With fire suppression                               |
|     | 70378002   | Cylinder Shroud          | Left  |
| 29  | 70432307   | Cylinder Shroud          | Right; With fire suppression                              |
|     | 70378001   | Cylinder Shroud          | Right   |
| 30  | 70376801   | Center Partition         |   |

# Rear Panels



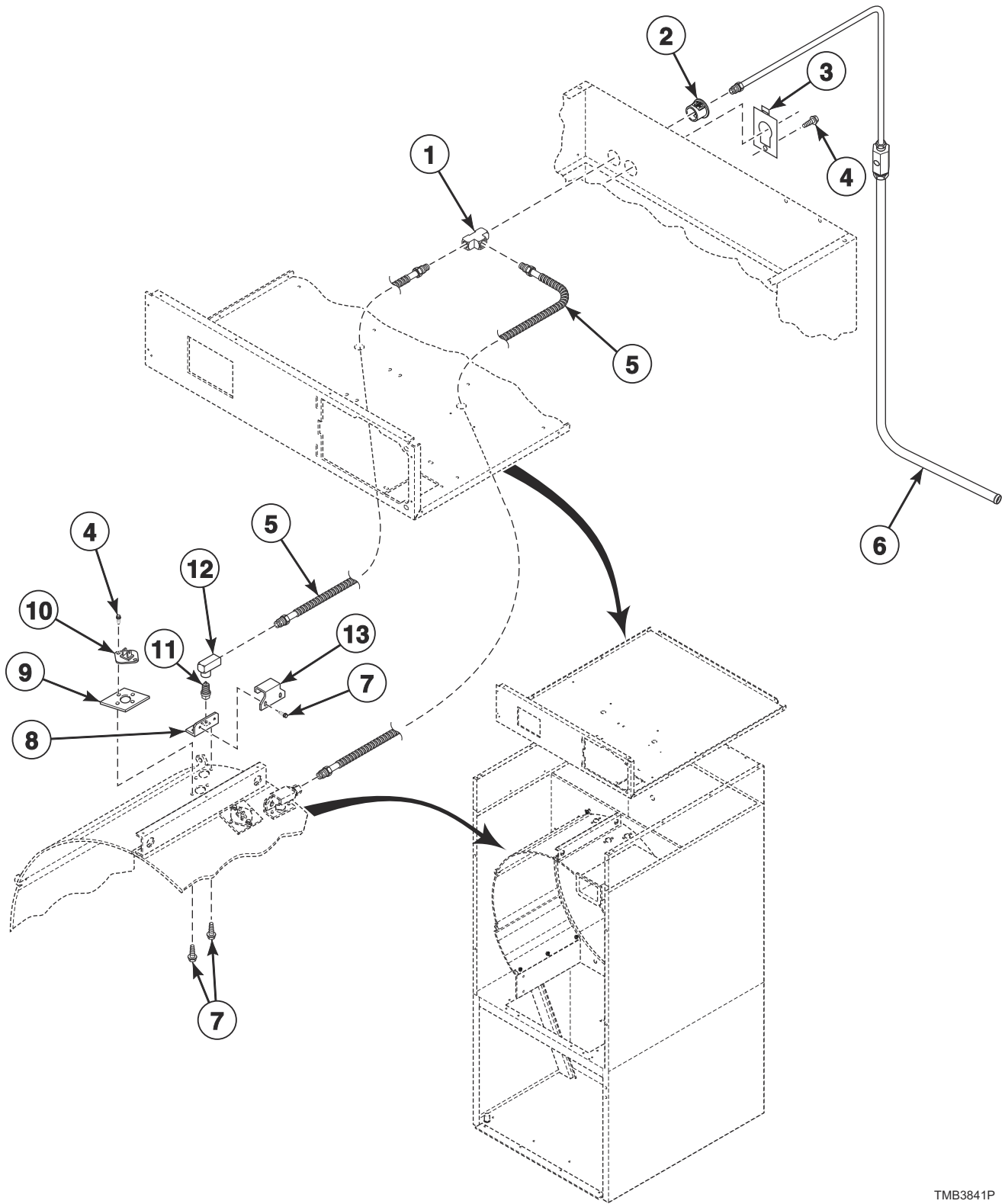
TMB3935P

## Rear Panels

| REF | PART NO. | DESCRIPTION           | COMMENTS                       |
|-----|----------|-----------------------|--------------------------------|
| 1   | 44304801 | Strain Relief         | Steam models                   |
| 2   | 70706401 | Wiring Guide          | Steam models                   |
| 3   | 70706501 | Steam Coil Tray Panel | Steam models                   |
| 4   | 70648102 | Side Guard            | Left                           |
| 5   | 70648302 | Rear Guard            |                                |
|     | 70648301 | Rear Guard            | With fire suppression          |
| 6   | 70650901 | Rear Cover            |                                |
| 7   | 70660701 | Bottom Guard          |                                |
| 8   | 70648201 | Side Guard            | Right; Gas and electric models |
|     | 70706601 | Side Guard            | Right; Steam models            |

# Fire Suppression System Components

All Gas and Steam Models Except M Models



TMB3841P

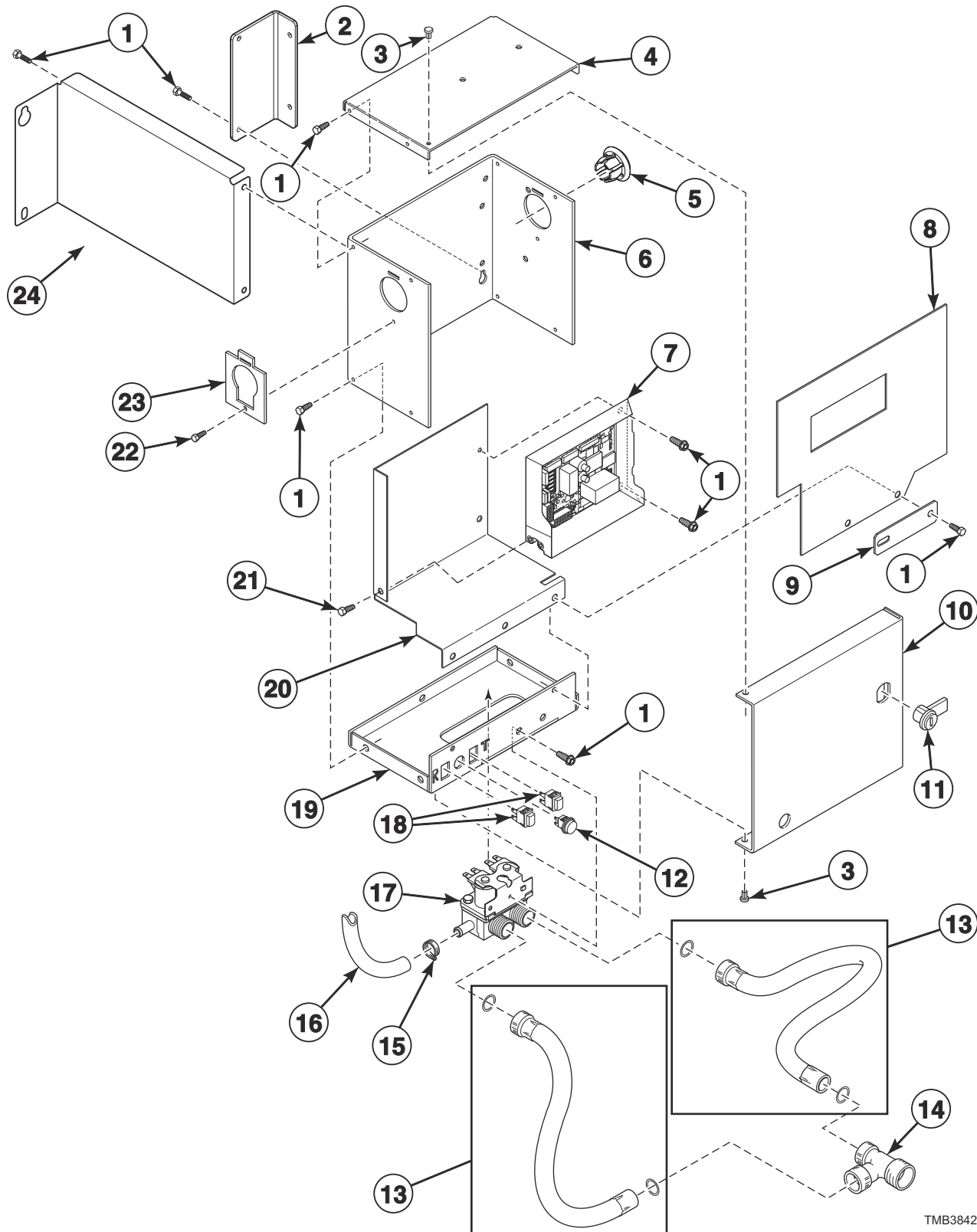


## Fire Suppression System Components

| REF | PART NO. | DESCRIPTION           | COMMENTS    |
|-----|----------|-----------------------|-------------|
| 1   | 70427901 | Union Tee             |             |
| 2   | 70178701 | Snap Bushing          |             |
| 3   | 70523301 | Harness Adapter Plate |             |
| 4   | 51780    | Screw                 | 4 required  |
| 5   | 70427701 | Spray Nozzle Hose     | 2 required  |
| 6   | 70427601 | Tube Assembly         |             |
| 7   | 430497   | Screw                 | 12 required |
| 8   | 70424201 | Nozzle Bracket        | 2 required  |
| 9   | 70424401 | Thermistor Plate      | 2 required  |
| 10  | 44064701 | Thermistor            | 2 required  |
| 11  | 70427801 | Spray Nozzle          | 2 required  |
| 12  | 70428101 | Elbow                 | 2 required  |
| 13  | 70428601 | Nozzle Bracket        | 2 required  |

# Fire Suppression System Control Box

All Gas and Steam Models Except M Models

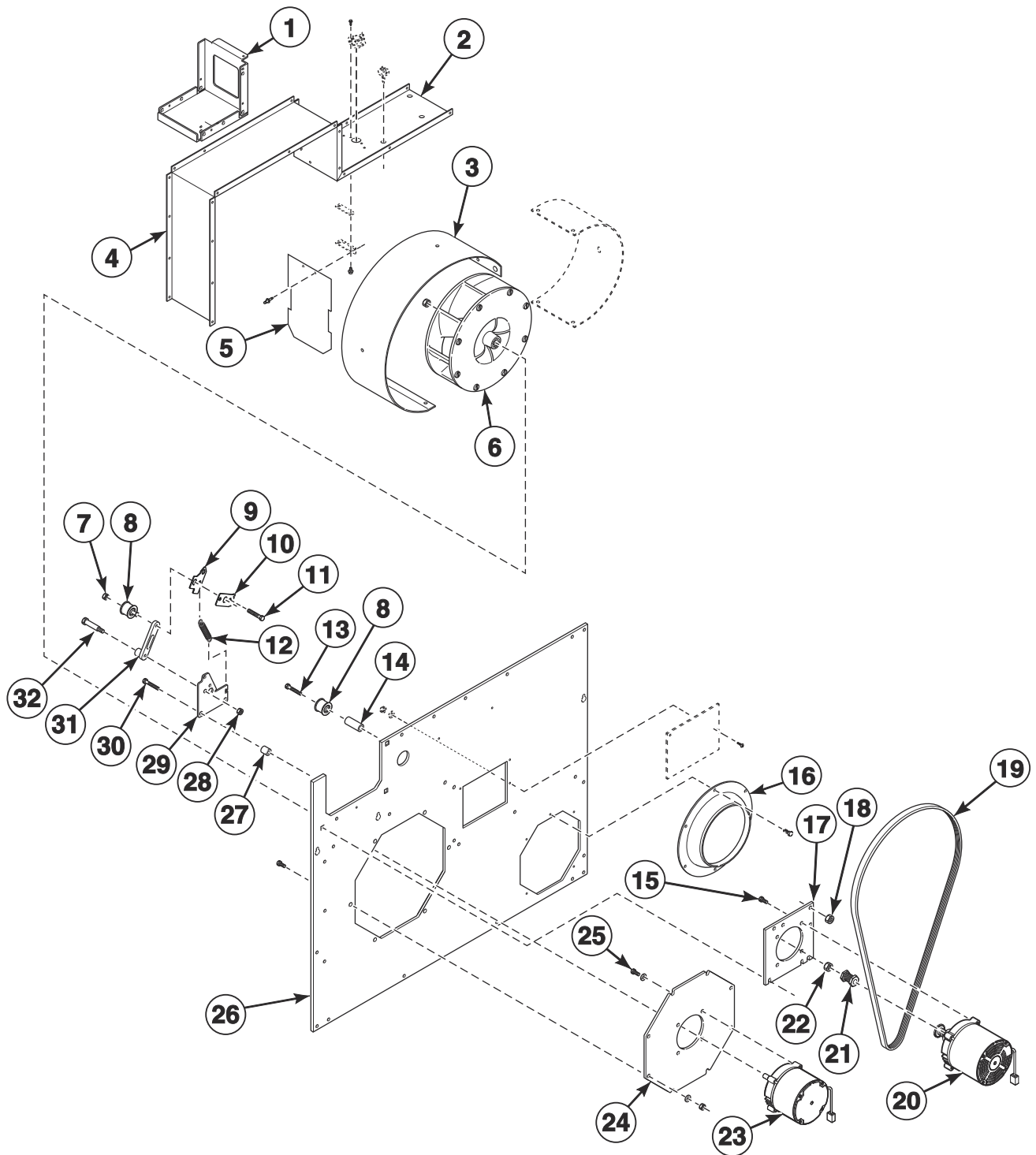


TMB3842P

# Fire Suppression System Control Box

| REF       | PART NO.  | DESCRIPTION                 | COMMENTS  |
|-----------|-----------|-----------------------------|---|
|           | 44340301  | Cold Weather Kit            |   |
|           | 70155601  | Key                         | RL001; Use with item 11   |
|           | 44375604  | Control Harness             |   |
|           | 44375605  | Water Valve Harness         |   |
|           | 44375602  | Power Sensor Harness        |   |
|           | 44375601  | Interconnect Harness        |   |
|           | 44375606  | Sensor Harness              |   |
|           | 44324501  | Warning Label               | F.S.S.; T and G market models                                       |
|           | 44324500  | Label Kit                   | F.S.S.; IEC models  |
|           | F8614401  | Shock Warning Label         | T and G market models   |
|           | F8614201  | Shock Warning Label         | IEC models  |
|           | 44318200  | Label Kit                   | IEC models  |
|           | 44324502  | Warning Label               |   |
|           | 44318201  | Label                       | T and G market models   |
| <b>1</b>  | 430497    | Screw                       |   |
| <b>2</b>  | 70658601  | Side Bracket                |   |
| <b>3</b>  | M400713   | Drive Rivet                 |   |
| <b>4</b>  | 44307101  | Control Box Top             |   |
| <b>5</b>  | 70180001  | Plug                        |   |
| <b>6</b>  | 44306701  | Control Box Housing         |   |
| <b>7</b>  | 70511601  | Control                     |   |
| <b>8</b>  | 44326801  | Shield                      |   |
| <b>9</b>  | 70551701  | Filter Mounting Plate       |   |
| <b>10</b> | 44065201  | Control Box Cover           |   |
| <b>11</b> | 44089301P | Lock, Key and Nut Kit       | RL001 key code; Optional if same key is to be used for control lock |
| <b>12</b> | 801432    | Light                       |   |
| <b>13</b> | 202799    | Fill Hose                   | 2 required  |
| <b>14</b> | 44069101  | Hose Fitting                | T and G market models   |
| <b>15</b> | 36801     | Hose Clamp                  |   |
| <b>16</b> | 44073304  | Hose                        | 14 inches; Outlet hose  |
| <b>17</b> | 70519801  | Mixing Valve                |   |
| <b>18</b> | 801434W   | Push-to-Start Switch        | 2 required  |
| <b>19</b> | 44065301  | Control Box Base            |   |
| <b>20</b> | 44306601  | Mixing Valve Shield Bracket |   |
| <b>21</b> | 804608    | Screw                       |   |
| <b>22</b> | 51780     | Screw                       |   |
| <b>23</b> | 70523301  | Harness Adapter Plate       |   |
| <b>24</b> | 70654401  | Rear Bracket                |   |

# Motor Components

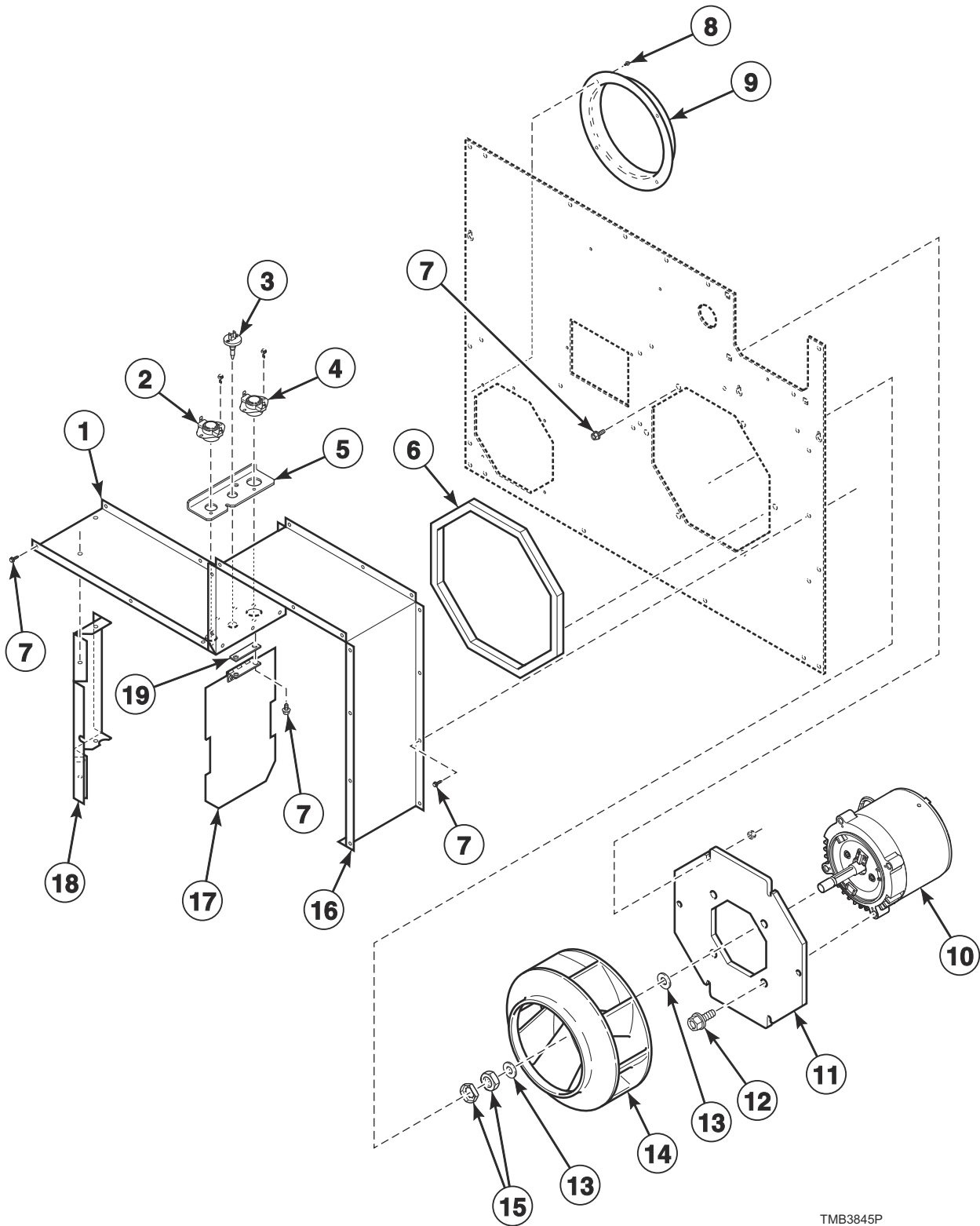


TMB3844P

# Motor Components

| REF | PART NO.  | DESCRIPTION                       | COMMENTS                                 |
|-----|-----------|-----------------------------------|--|
|     | 70662801  | Drive Access Cover                |  |
|     | 70599301  | Fan Spacer                        |  |
| 1   | 70564101  | Motor Mount Bracket               |  |
| 2   | 70554701  | Blower Housing                    | Top                                      |
| 3   | 70016301  | Blower Housing Scroll             |  |
| 4   | 70215101  | Blower Housing                    |  |
| 5   | 70209501  | Damper and Hinge Exhaust Assembly |  |
| 6   | 70302201P | Blower Assembly                   |  |
| 7   | 56156     | Nut                               |  |
| 8   | 70050401P | Idler Wheel Assembly              |  |
| 9   | 70569501  | Tensioning Bracket                |  |
| 10  | 70543401  | Spring Catch Bracket              |  |
| 11  | 70508301  | Screw                             |  |
| 12  | 70571801  | Spring                            |  |
| 13  | F430144   | Screw                             |  |
| 14  | 70569603  | Standoff                          |  |
| 15  | 44364603  | Screw                             | 3 required; Also qty 1 of 44364601 screw |
| 16  | 70015601  | Exhaust Thimble                   |  |
| 17  | 70564201  | Motor Mount Plate                 |  |
| 18  | 44087201  | Nut                               |  |
| 19  | 70655103  | Lever Arm and Belt Kit            |  |
| 20  | 44355001  | Drive Motor                       | .50 HP; 120-240 Volt                     |
|     | 44355002  | Drive Motor                       | .50 HP; 480 Volt                         |
| 21  | 70559101  | Motor Pulley                      |  |
| 22  | 44333202  | Nut                               |  |
| 23  | 44354901  | Fan Motor                         | .50 HP; 240 Volt                         |
|     | 44354903  | Fan Motor                         | .50 HP; 480 Volt                         |
| 24  | 70380801  | Blower Motor Mounting Plate       |  |
| 25  | 44364601  | Screw                             |  |
| 26  | 70667801  | Lower Rear Assembly               |  |
| 27  | 70488403  | Spacer                            |  |
| 28  | 44087301  | Nut                               |  |
| 29  | 70571901  | Drive Plate                       |  |
| 30  | 70546301  | Screw                             |  |
| 31  | 70653801  | Lever Arm and Bushing Assembly    |  |
| 32  | 70501301  | Screw                             |  |

# Blower and Exhaust Components

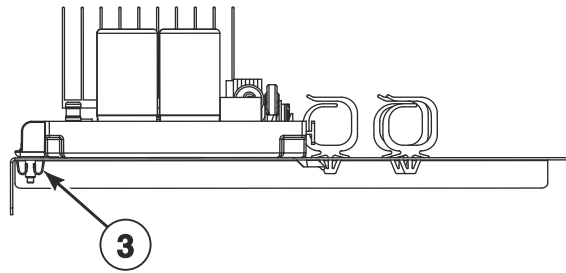
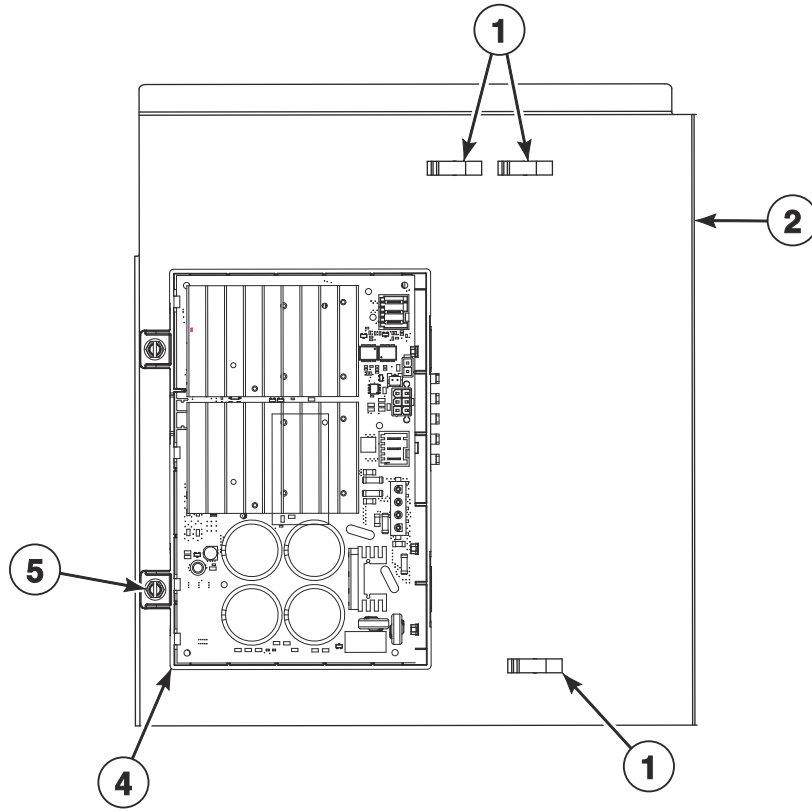


TMB3845P

## Blower and Exhaust Components

| REF | PART NO.  | DESCRIPTION                                 | COMMENTS                   |
|-----|-----------|---|----------------------------|
|     | 70631202  | Thermostat/Lint Switch Interconnect Harness |                            |
| 1   | 70554801  | Blower Housing                              | Top                        |
| 2   | 70530901  | Limit Thermostat                            | Manual reset               |
| 3   | M414704   | Thermistor                                  |                            |
| 4   | 44328001  | Limit Thermostat                            | Auto reset                 |
| 5   | 70554901  | Limit Access Bracket                        |                            |
| 6   | 70392701P | Gasket                                      | For blower housing opening |
| 7   | 430497    | Screw                                       |                            |
| 8   | 51780     | Screw                                       |                            |
| 9   | 70303101  | Blower Inlet Cone                           |                            |
| 10  | 44354901  | Fan Motor                                   | .50 HP; 240 Volt           |
|     | 44354903  | Fan Motor                                   | .50 HP; 480 Volt           |
| 11  | 70380801  | Blower Motor Mounting Plate                 |                            |
| 12  | 70126101  | Screw                                       |                            |
| 13  | M400991   | Washer                                      |                            |
| 14  | 70302201P | Blower Assembly                             |                            |
| 15  | 70660601  | Nut   | 2 required                 |
| 16  | 70215101  | Blower Housing                              |                            |
| 17  | 70209501  | Damper and Hinge Exhaust Assembly           |                            |
| 18  | 70376201  | Blower Housing                              | Right                      |
| 19  | 70220901  | Damper Spacer                               |                            |

# Inverter Tray Components



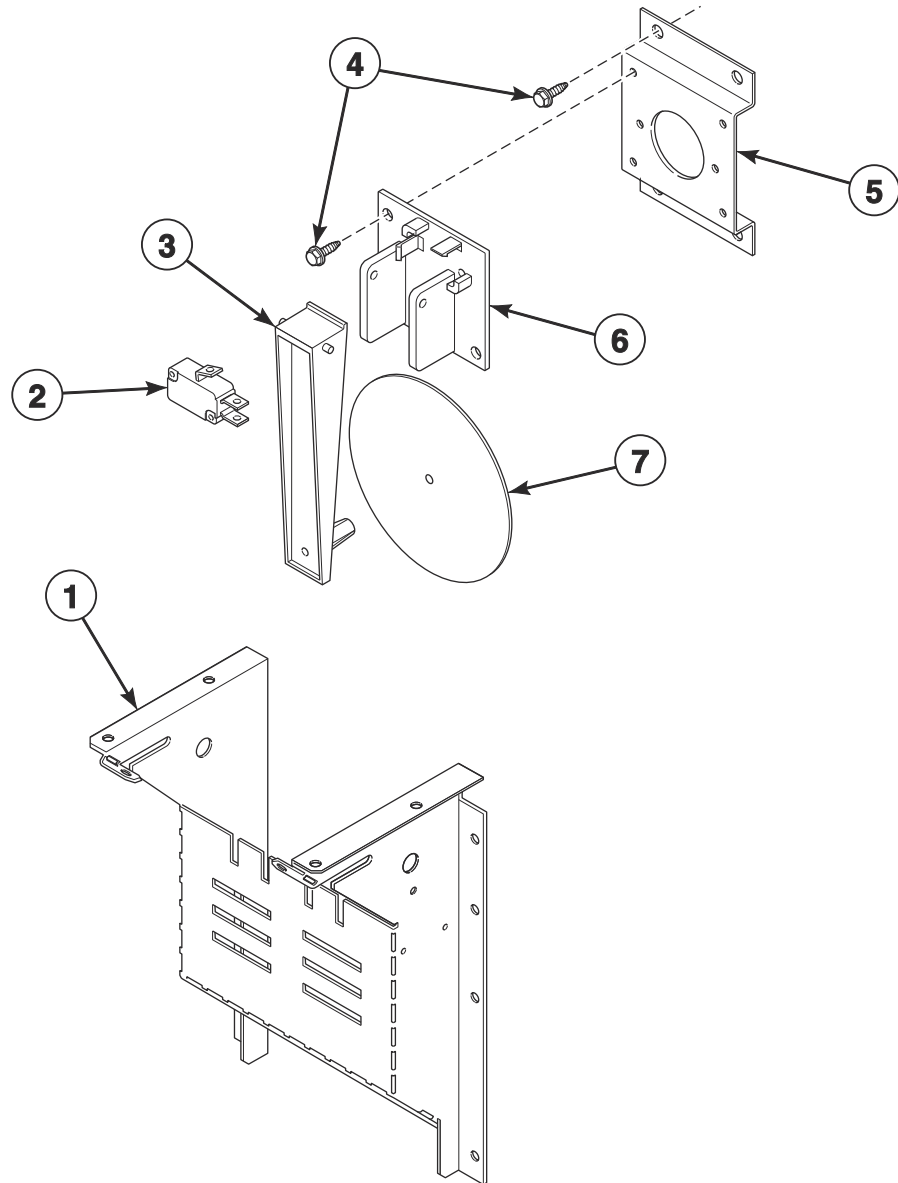
TMB3846P



## Inverter Tray Components

| REF      | PART NO. | DESCRIPTION               | COMMENTS                             |
|----------|----------|---------------------------|--------------------------------------|
|          | 70635401 | Inverter to Motor Harness | 120, 240 Volt; T and G market models |
|          | 70635402 | Inverter to Motor Harness | 380-480 Volt; T and G market models  |
|          | 70635403 | Inverter to Motor Harness | 120, 240 Volt/1 Phase; IEC models    |
|          | 70635404 | Inverter to Motor Harness | 380-480 Volt; IEC models             |
| <b>1</b> | F8449502 | Wire Clip                 |                                      |
| <b>2</b> | 70648601 | Drive Support Bracket     | Gas and electric models              |
|          | 70655201 | Drive Support Bracket     | Steam models                         |
| <b>3</b> | 70030501 | Expansion Clip            |                                      |
| <b>4</b> | 70603001 | Inverter Control Assembly | 1 HP; 120, 240 Volt/1 Phase          |
|          | 70603201 | Inverter Control Assembly | 1 HP; 480 Volt/3 Phase               |
| <b>5</b> | F8206901 | Screw                     |                                      |

# Airflow Switch

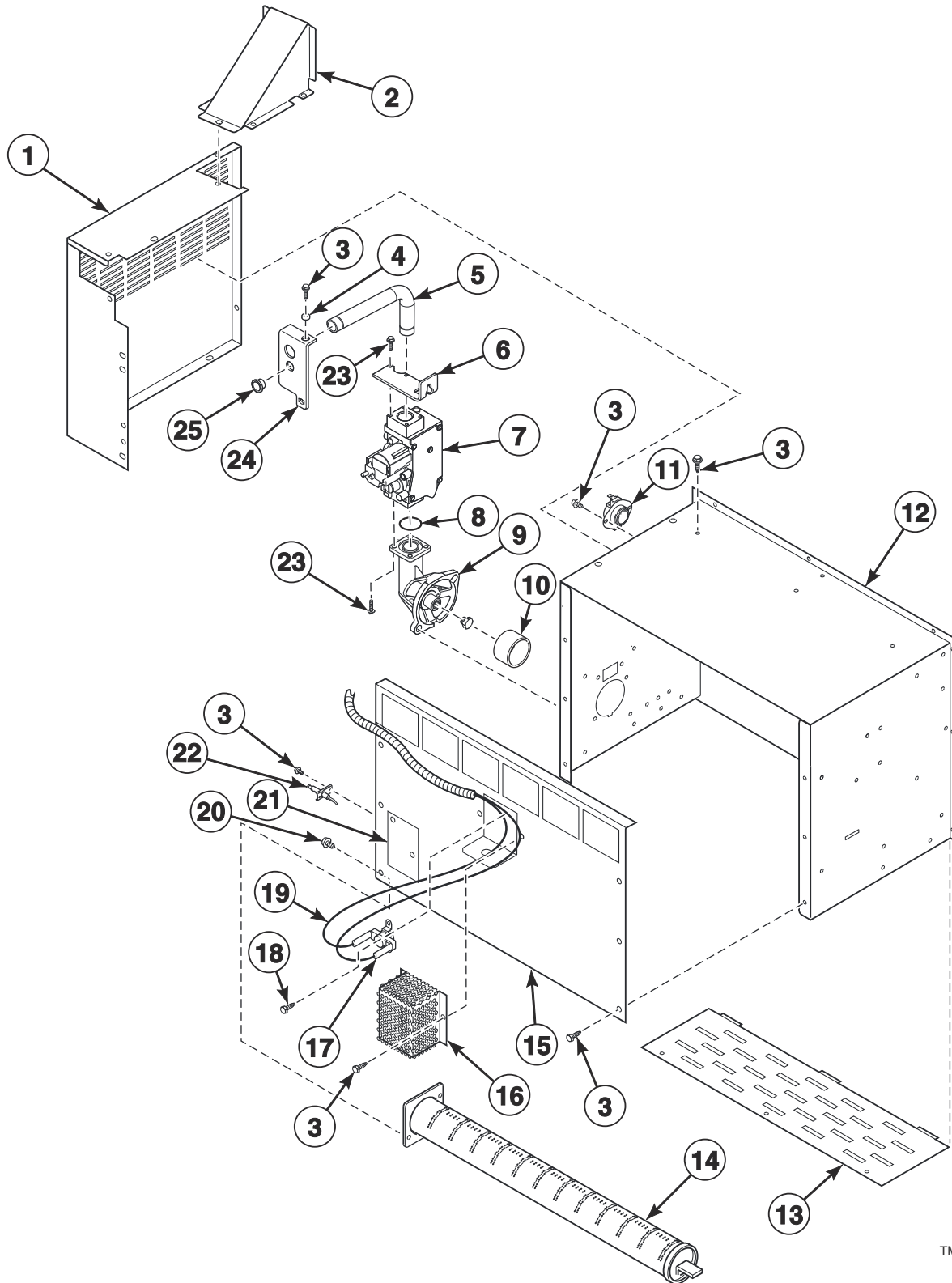


TMB3847P

# Airflow Switch

| REF | PART NO. | DESCRIPTION                    | COMMENTS |
|-----|----------|--------------------------------|----------|
| 1   | 70356101 | Airflow Switch Wrapper         |          |
| 2   | 70411901 | Switch                         |          |
| 3   | 70319401 | Airflow Switch Arm             |          |
| 4   | 430497   | Screw                          |          |
| 5   | 70356301 | Switch Bracket                 |          |
| 6   | 70319602 | Airflow Switch and Arm Bracket |          |
| 7   | 70319201 | Airflow Switch Vane            |          |

# Gas Heater Components

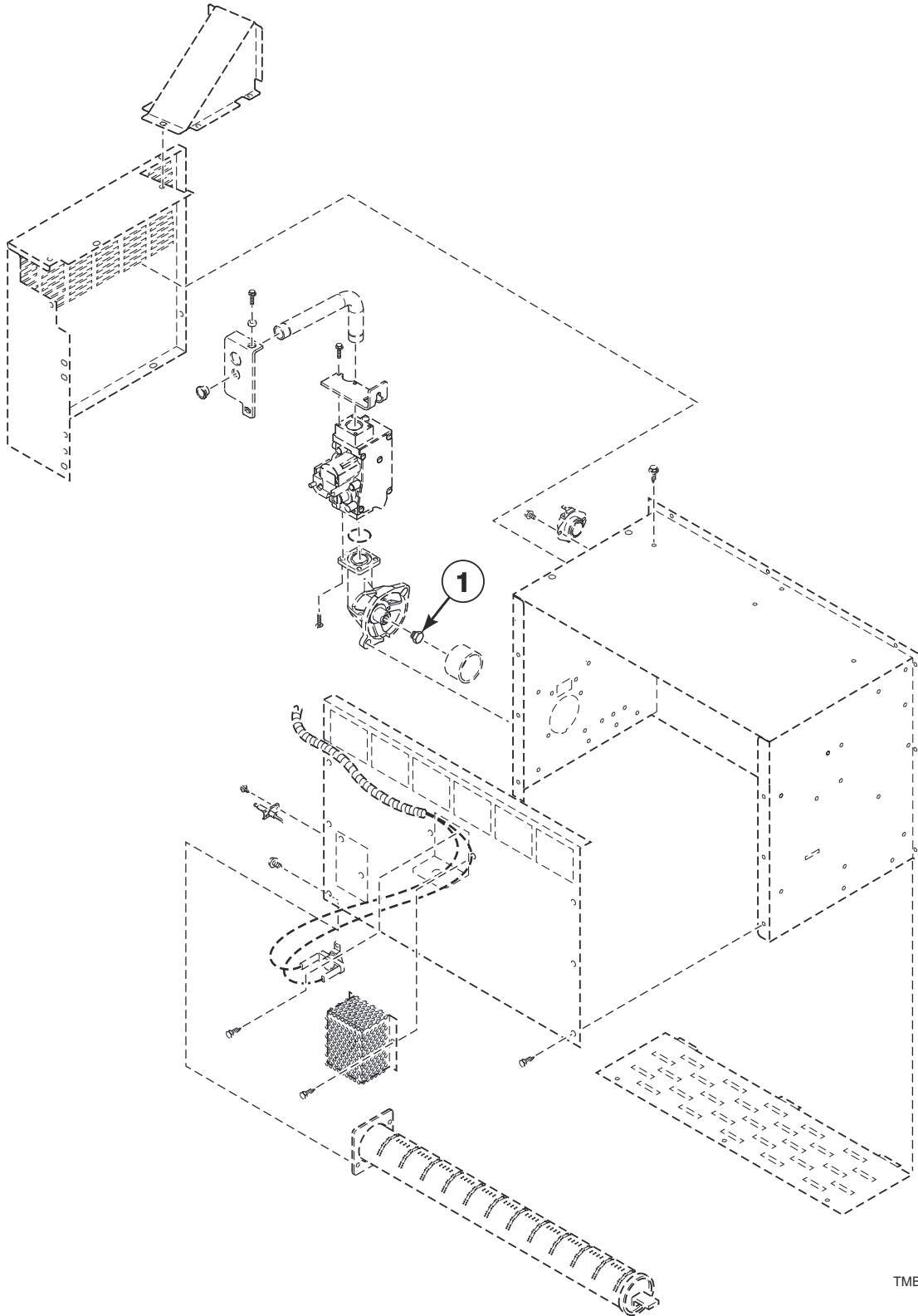


TMB3848P

# Gas Heater Components

| REF       | PART NO.  | DESCRIPTION                    | COMMENTS   |
|-----------|-----------|--------------------------------|--|
|           | 44273501  | Gas Valve Harness              |  |
|           | 44239702  | High Voltage Suppression Cable |  |
|           | 70550204  | L.P. Conversion Kit            | T and G market models; Natural Gas (N.G.); 0-2,000 feet                        |
|           | 70550213  | L.P. Conversion Kit            | Australian models; N.G.; 0-2,000 feet  |
|           | 70551904  | L.P. Conversion Kit            | IEC models; N.G.; 0-2,000 feet   |
|           | 70131901  | Adapter                        | IEC models; BPT/NPT  |
|           | 70167601  | Plug                           |  |
|           | 70535901  | Notice Label                   | Australian models; N.G.  |
|           | 70544901  | Notice Label                   | Australian models; (L.P.) Gas  |
| <b>1</b>  | 70671103  | Side Stove Guard               |  |
| <b>2</b>  | 70670902  | Guard Bracket                  |  |
| <b>3</b>  | 430497    | Screw                          |  |
| <b>4</b>  | 70030501  | Expansion Clip                 |  |
| <b>5</b>  | 70661401  | Lead-In Pipe                   | A, K and U market models   |
|           | 70661501  | Lead-In Pipe                   | All other models   |
| <b>6</b>  | 70645401  | Gas Valve Bracket              |  |
| <b>7</b>  | 44154503  | N.G. Valve                     | T and G market models  |
|           | 44154504  | L.P. Valve                     | T and G market models  |
|           | 44154507  | Gas Valve                      | IEC models; N.G.; 1/2 NPT  |
|           | 44154508  | Gas Valve                      | IEC models; L.P.; 1/2 NPT  |
| <b>8</b>  | 431482    | O-Ring                         |  |
| <b>9</b>  | 70659201  | Gas Valve Manifold             |  |
| <b>10</b> | 70239801  | Primary Air Adjustment Sleeve  | L.P. models  |
| <b>11</b> | 44328005  | Limit Thermostat               | Side   |
| <b>12</b> | 70652501  | Stove Top and Sides            |  |
| <b>13</b> | 70396701  | Burner Grill                   |  |
| <b>14</b> | 70396201P | Gas Burner                     |  |
|           | 70546702  | Anti-Rattle Burner Assembly    | Includes 70229801P Gas Burner, 431318 Control Door Latch and M400003 Pop Rivet |
| <b>15</b> | 70396801  | Stove Back                     |  |
| <b>16</b> | M414477   | Thermostat Cover               |  |
| <b>17</b> | 44328104  | Limit Thermostat               | Rear   |
| <b>18</b> | M405188   | Screw                          | 2 required   |
| <b>19</b> | 70564301  | Stove Limit Harness            |  |
| <b>20</b> | 05161     | Screw                          |  |
| <b>21</b> | 70159601  | Igniter Cover                  |  |
| <b>22</b> | 70654201  | Spark Electrode                |  |
| <b>23</b> | 70672501  | Screw                          |  |
| <b>24</b> | 70653702  | Pipe Bracket                   |  |
| <b>25</b> | M411826   | Snap Bushing                   |  |

# Burner Orifices

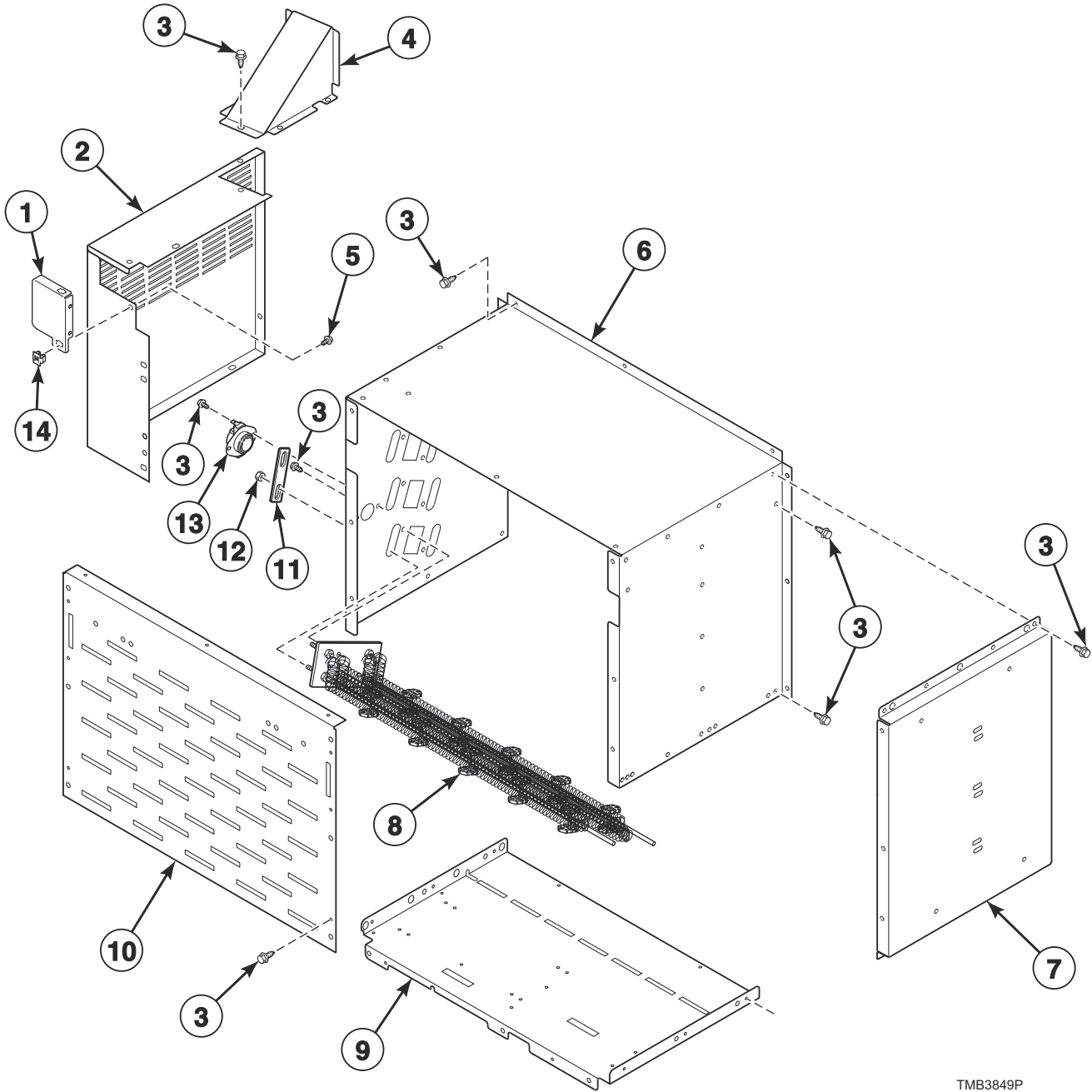


TMB3848PA

## Burner Orifices

| REF | PART NO. | DESCRIPTION               | COMMENTS   |
|-----|----------|---------------------------|--|
|     | 70609907 | High Altitude Orifice Kit | Natural Gas (N.G.) models  |
|     | 70609908 | High Altitude Orifice Kit | Liquid Petroleum (L.P.) Gas models with A, G, H, K and T in the 2nd position               |
| 1   | 70684154 | Burner Orifice            | N.G. models; Drill no. 9 (4.98 mm); 0-2,000 feet   |
|     | 70684150 | Burner Orifice            | N.G. models; Drill no. 13 (4.70 mm); 2,001-4,000 feet                                      |
|     | 70684148 | Burner Orifice            | N.G. models; Drill no. 15 (4.57 mm); 4,001-6,000 feet                                      |
|     | 70684146 | Burner Orifice            | N.G. models; Drill no. 17 (4.39 mm); 6,001-8,000 feet                                      |
|     | 70684143 | Burner Orifice            | N.G. models; Drill no. 19 (4.22 mm); 8,001-10,000 feet                                     |
|     | 70684126 | Burner Orifice            | Models with 2nd digit A, G, H, K, L and T; L.P.; Drill no. 31 (3.05 mm); 0-2,000 feet      |
|     | 70684124 | Burner Orifice            | Models with 2nd digit A, G, H, K, L and T; L.P.; Drill no. 33 (2.87 mm); 2,001-4,000 feet  |
|     | 70684123 | Burner Orifice            | Models with 2nd digit A, G, H, K, L and T; L.P.; Drill no. 34 (2.82 mm); 4,001-6,000 feet  |
|     | 70684120 | Burner Orifice            | Models with 2nd digit A, G, H, K, L and T; L.P.; Drill no. 36 (2.71 mm); 6,001-8,000 feet  |
|     | 70684118 | Burner Orifice            | Models with 2nd digit A, G, H, K, L and T; L.P.; Drill no. 38 (2.58 mm); 8,001-10,000 feet |
|     | 70684152 | Burner Orifice            | Eco models; N.G.; Drill no. 11 (4.85 mm); 0-2,000 feet                                     |
|     | 70684149 | Burner Orifice            | Eco models; N.G.; Drill no. 14 (4.62 mm); 2,001-4,000 feet                                 |
|     | 70684147 | Burner Orifice            | Eco models; N.G.; Drill no. 16 (4.50 mm); 4,001-6,000 feet                                 |
|     | 70684144 | Burner Orifice            | Eco models; N.G.; Drill no. 18 (4.31 mm); 6,001-8,000 feet                                 |
|     | 70684142 | Burner Orifice            | Eco models; N.G.; Drill no. 20 (4.09 mm); 8,001-10,000 feet                                |
|     | 70684120 | Burner Orifice            | J market models; L.P.; Drill no. 36 (2.71 mm); 0-2,000 feet                                |
|     | 70684118 | Burner Orifice            | J market models; L.P.; Drill no. 38 (2.58 mm); 2,001-4,000 feet                            |
|     | 70684116 | Burner Orifice            | J market models; L.P.; Drill no. 40 (2.49 mm); 4,001-6,000 feet                            |
|     | 70684114 | Burner Orifice            | J market models; L.P.; Drill no. 42 (2.37 mm); 6,001-8,000 feet                            |
|     | 70684113 | Burner Orifice            | J market models; L.P.; 2.3 mm; 8,001-10,000 feet   |

# Electric Heater Components



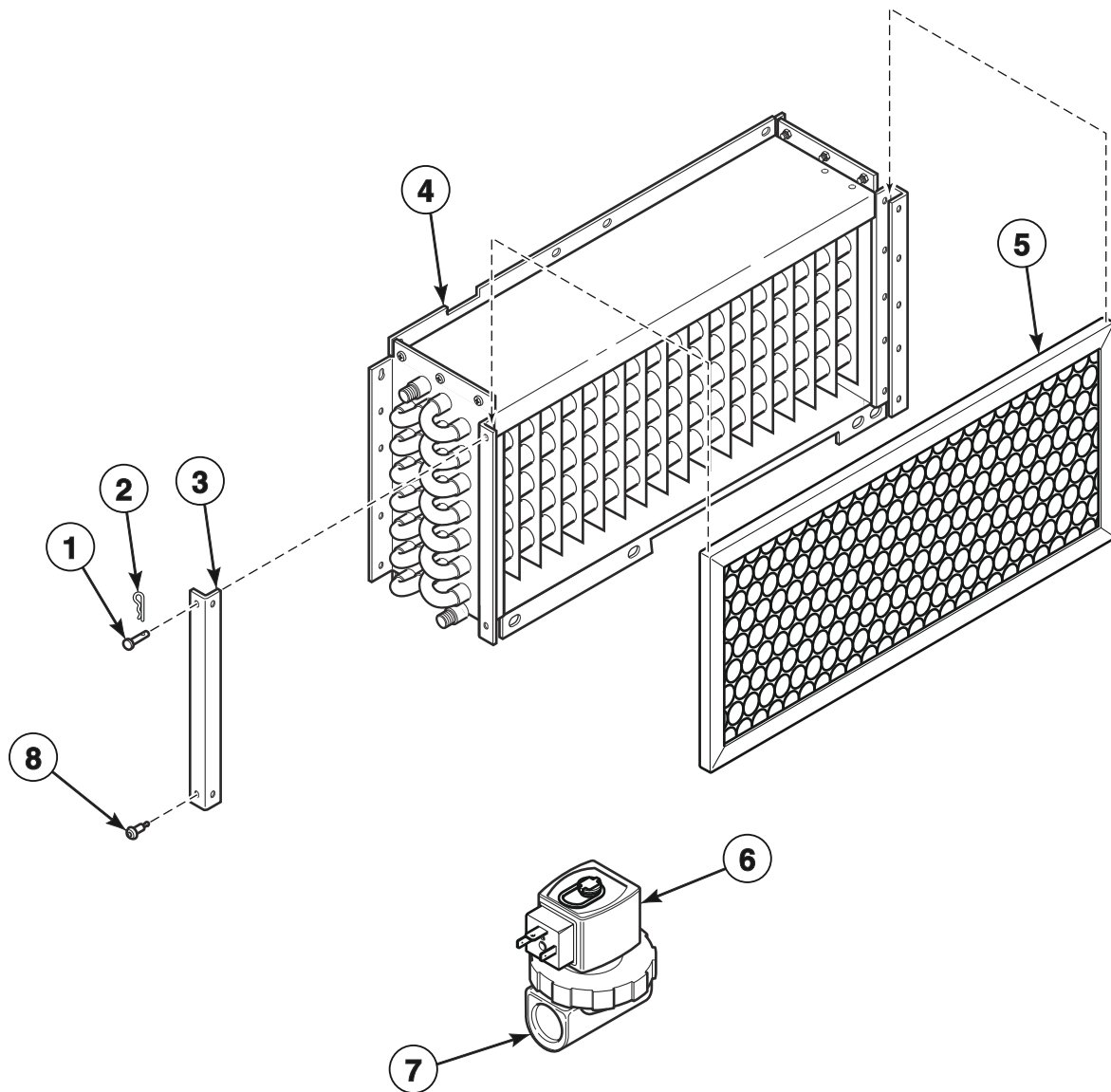
TMB3849P



# Electric Heater Components

| REF       | PART NO.  | DESCRIPTION         | COMMENTS   |
|-----------|-----------|---------------------|--|
|           | 70564303  | Stove Limit Harness |  |
|           | 70641710  | Jumper Harness      | Use with 440-480 Volt  |
|           | 70641709  | Jumper Harness      | Use with 380-415 Volt  |
|           | 44391003  | Conversion Kit      | 240V/3Ph to 208V/3Ph   |
| <b>1</b>  | 70653703  | Bracket             |  |
| <b>2</b>  | 70671104  | Side Stove Guard    |  |
| <b>3</b>  | 430497    | Screw               |  |
| <b>4</b>  | 70670903  | Guard Bracket       |  |
| <b>5</b>  | F8206901  | Screw               |  |
| <b>6</b>  | 70654001  | Stove Top and Sides |  |
| <b>7</b>  | 70652001  | Stove Shield        |  |
| <b>8</b>  | 70034408  | Heater Element      | Standard models; 3 required; 9 kW; 220 Volt heater element for 380 and 440 Volt                          |
|           | 70034407P | Heater Element      | Standard models; 3 required; 9 kW; 208 Volt heater element for 200-208 Volt                              |
|           | 70034409P | Heater Element      | Standard models; 3 required; 9 kW; 240 Volt heater element for 230-240 Volt and 400-415 and 460-480 Volt |
|           | 70034411  | Heater Element      | Eco models; 3 required; 6 kW; 220 Volt heater element for 380 and 440 Volt                               |
|           | 70034412P | Heater Element      | Eco models; 3 required; 6 kW; 240 Volt heater element for 400-415 Volt or 240 and 460-480 Volt           |
|           | 70034410P | Heater Element      | Eco models; 3 required; 6 kW; 208 Volt heater element for 200-208 Volt                                   |
| <b>9</b>  | 70652301  | Stove Cover         |  |
| <b>10</b> | 70214901  | Stove Grill         |  |
| <b>11</b> | 70066501  | Jumper Bar          | 2 required for 440-480 Volt  |
|           | M400869   | Jumper Strip        | 3 required for 380-415 and 440-480 Volt; 6 required for 200-240 Volt                                     |
| <b>12</b> | 70054     | Nut                 |  |
| <b>13</b> | 44328006  | Limit Thermostat    |  |
| <b>14</b> | 70030501  | Expansion Clip      |  |

# Steam Heater Components

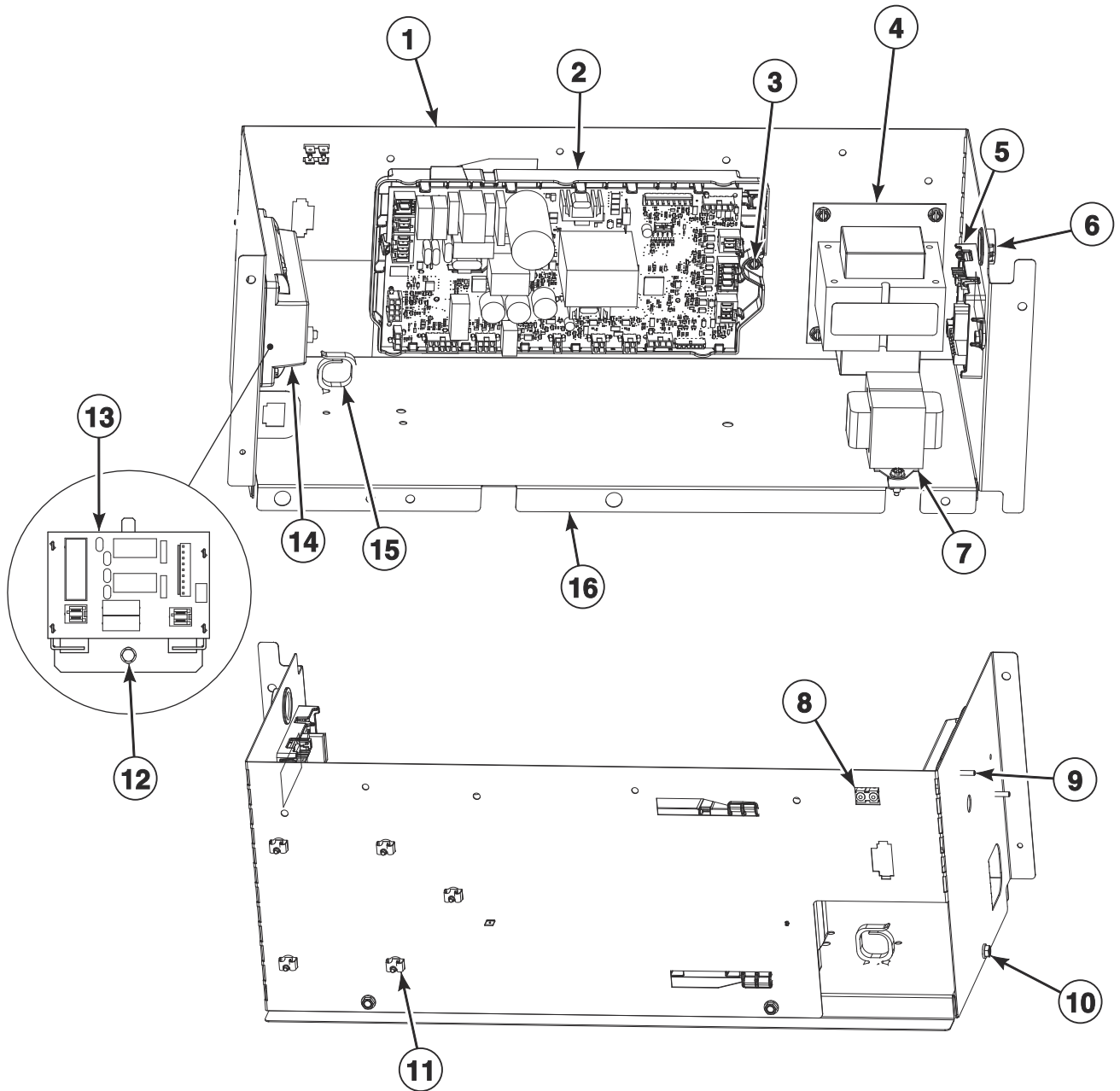


TMB3522P

## Steam Heater Components

| REF | PART NO.  | DESCRIPTION                | COMMENTS        |
|-----|-----------|----------------------------|-----------------|
|     | F8382301  | DIN Valve Adapter Kit      | Use with item 7 |
|     | 70564302  | Stove Limit Bypass Harness |                 |
|     | F8520703  | Steam Valve Harness        |                 |
|     | 44304801  | Strain Relief              |                 |
|     | 70529601  | Steam Adapter Kit          | IEC models      |
| 1   | 70389201  | Clevis Pin                 |                 |
| 2   | 70389301  | Hairpin Cotter             |                 |
| 3   | 70369301  | Steam Filter Holder        |                 |
| 4   | 70369101P | Steam Coil                 | 4 rows          |
| 5   | 70429401  | Filter                     | IEC models      |
|     | 70036001  | Air Filter                 | T market models |
| 6   | F8514701  | Coil                       | 120 Volt        |
|     | F8514601P | Coil                       | 240 Volt        |
| 7   | F8322904P | Steam Valve                | 120 Volt        |
|     | F8322906P | Valve                      | 240 Volt        |
| 8   | 70058501  | Pop Rivet                  |                 |

# Control Tray

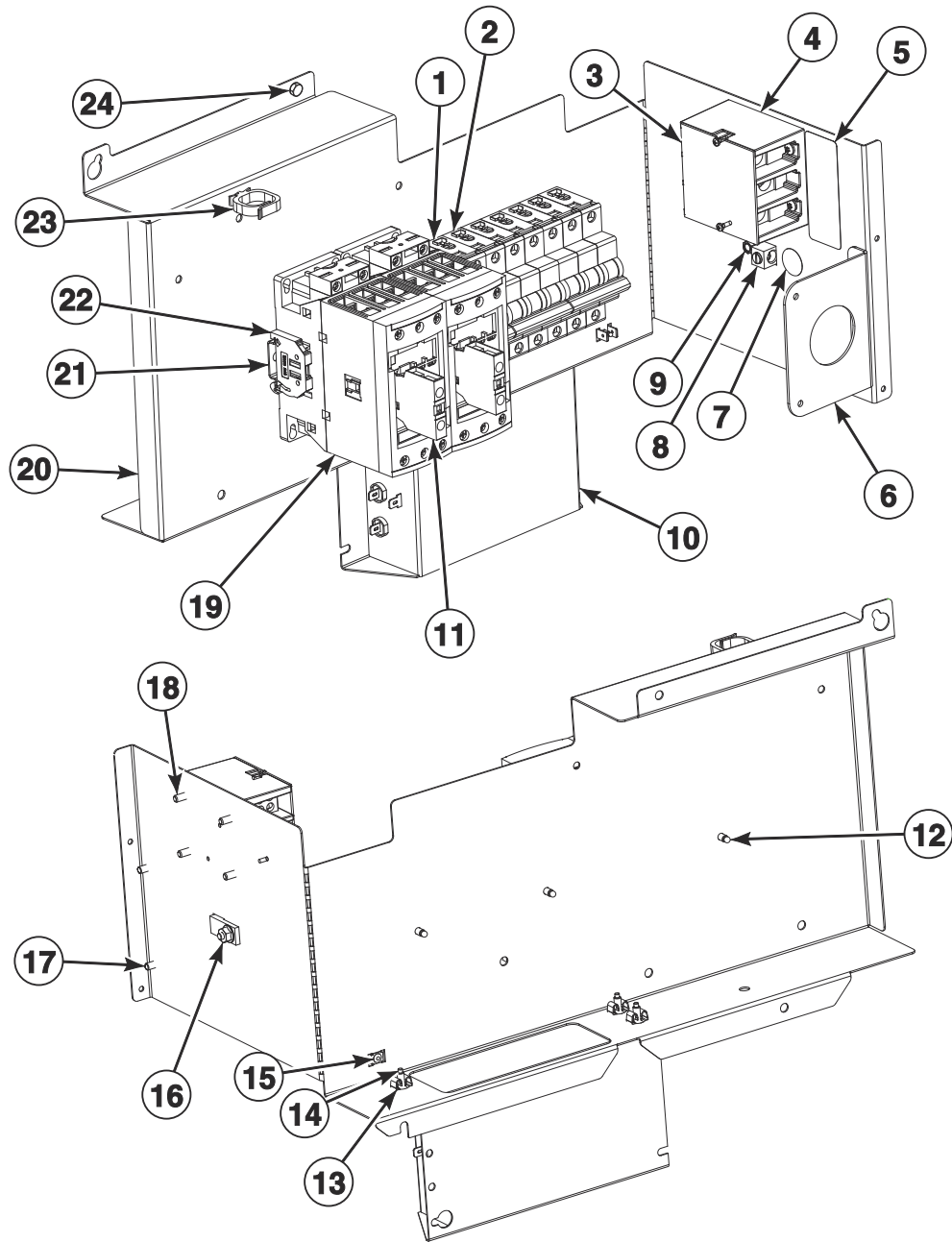


TMB3934P

# Control Tray

| REF       | PART NO. | DESCRIPTION                            | COMMENTS   |
|-----------|----------|--|--|
|           | 70631201 | Rear Main Harness                      |  |
|           | 44374901 | Heat Control Harness                   | Gas and steam models   |
|           | 44378001 | Steam Control Harness                  | Steam models   |
|           | 70642101 | Control Tray Power Harness             | 120-240 Volt   |
|           | 70642102 | Control Tray Power Harness             | 380-480 Volt   |
|           | 70631701 | Primary Transformer Vend Harness       | 120 Volt; Card reader  |
|           | 70631702 | Primary Transformer Vend Harness       | 240 Volt; Card reader  |
|           | 70631705 | Central Pay Board Power Supply Harness | 24V  |
|           | 70630901 | Contacto Interconnect Harness          | Electric models  |
|           | 70649001 | Tray Cover                             |  |
|           | 70696803 | Conversion Kit                         | X to B voltage; Models with D, F, N or W in the 7th position |
|           | 70696807 | Conversion Kit                         | X to B voltage; Models with V in the 7th position            |
| <b>1</b>  | 70648901 | Tray Wrap                              |  |
| <b>2</b>  | 70671701 | I/O Control Assembly                   |  |
| <b>3</b>  | F8206901 | Screw                                  |  |
| <b>4</b>  | F8491101 | Transformer                            | 380-480 Volt   |
| <b>5</b>  | 204779   | Central Pay Control Assembly           |  |
| <b>6</b>  | 70178701 | Snap Bushing                           |  |
| <b>7</b>  | 202757   | Transformer                            | 100-120 Volt; Card and central pay                           |
|           | 202758   | Transformer                            | 200-480 Volt; Card and central pay                           |
| <b>8</b>  | M400003  | Pop Rivet                              |  |
| <b>9</b>  | 51783    | Screw                                  |  |
| <b>10</b> | 430497   | Screw                                  |  |
| <b>11</b> | 70030501 | Expansion Clip                         |  |
| <b>12</b> | 51780    | Screw                                  |  |
| <b>13</b> | 70501801 | Steam Control Assembly                 | Steam models   |
| <b>14</b> | 70482002 | Ignition Control                       | IEC gas models   |
|           | 70482001 | Ignition Control                       | T and G market gas models                                    |
| <b>15</b> | F8449502 | Wire Clip                              |  |
| <b>16</b> | 70649101 | Tray Base                              |  |

# Accessory Box - Electric Models

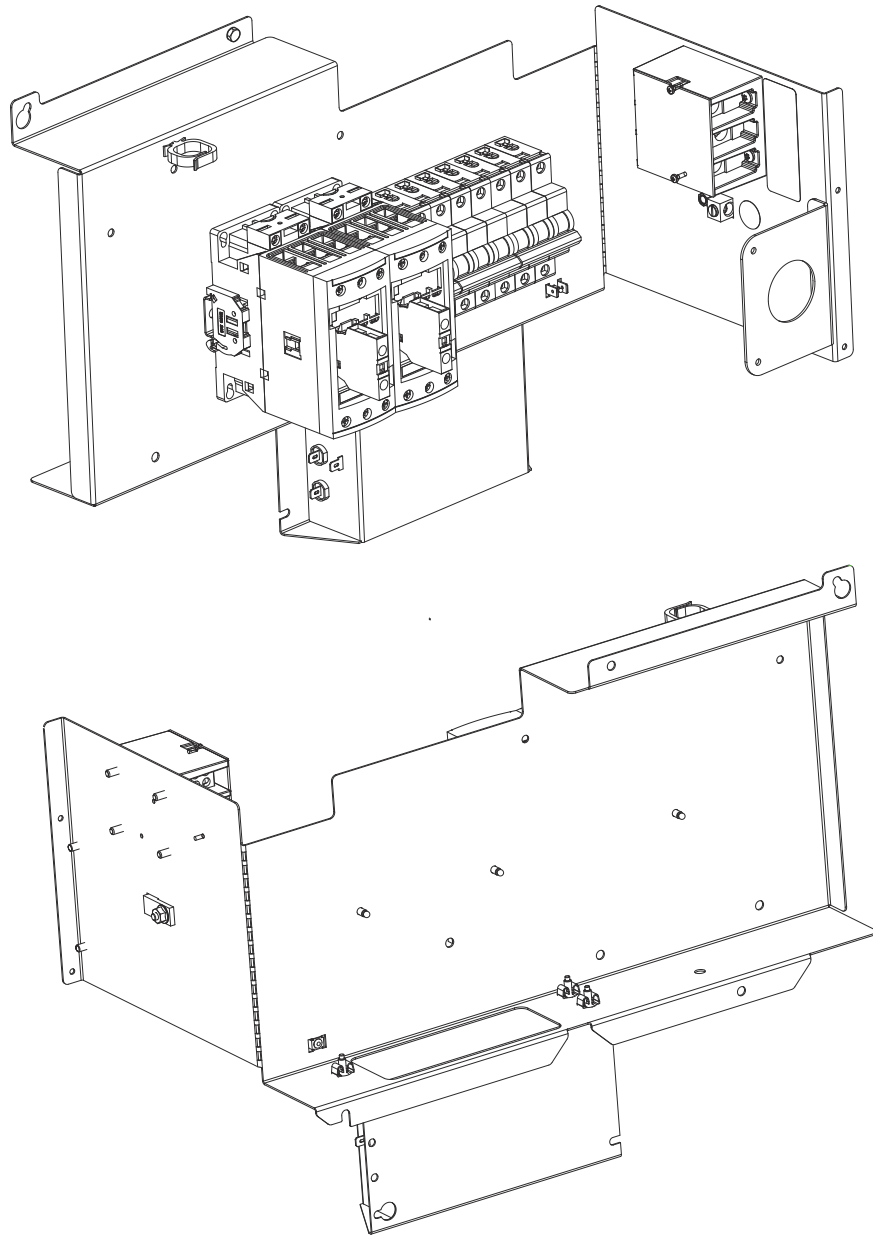


TMB3851P

## Accessory Box - Electric Models

| REF | PART NO.  | DESCRIPTION                    | COMMENTS   |
|-----|-----------|--------------------------------|--|
| 1   | 70488102  | Circuit Breaker                | 25 amp   |
| 2   | 70488104  | Circuit Breaker                | 2 required; 50 amp; 200-208 and 230-240 Volt/1 Phase |
| 3   | 44014901P | Power Distribution Block Cover |  |
| 4   | M413865   | Power Distribution Block       |  |
| 5   | 44286803  | Label                          | L1, L2, L3   |
|     | 44286801  | Label                          | L1, N  |
|     | 44286802  | Wire Label                     | L1 L2, L1 N  |
|     | 44286804  | Wire Label                     | L1 L2, L1 N, L1 L2 L3                                |
| 6   | 70615503  | Conduit Plate                  |  |
| 7   | D516100   | Label                          |  |
| 8   | M411283   | Ground Lug Connector           |  |
| 9   | 685837    | Screw                          |  |
| 10  | F8591601  | EMI Filter                     | IEC models; 100-200 and 200-240 Volt/1 Phase         |
|     | F8637501  | EMI Filter                     | IEC models; 380-480 Volt                             |
| 11  | 44313201  | Auxiliary Contact Block        | 2 required   |
| 12  | 70058501  | Pop Rivet                      |  |
| 13  | 70030501  | Expansion Clip                 |  |
| 14  | F8206901  | Screw                          |  |
| 15  | M400003   | Pop Rivet                      |  |
| 16  | 44088001  | Nut                            |  |
| 17  | 51780     | Screw                          |  |
| 18  | 39733     | Screw                          |  |
| 19  | 70482801  | Contactor                      | 2 required   |
| 20  | 70659001  | Accessory Bracket              |  |
| 21  | 44229701  | DIN Rail                       |  |
| 22  | F8449801  | End Stop                       | 2 required   |
| 23  | F8449502  | Wire Clip                      |  |
| 24  | 430497    | Screw                          |  |

# Accessory Box Harnesses - Electric Models



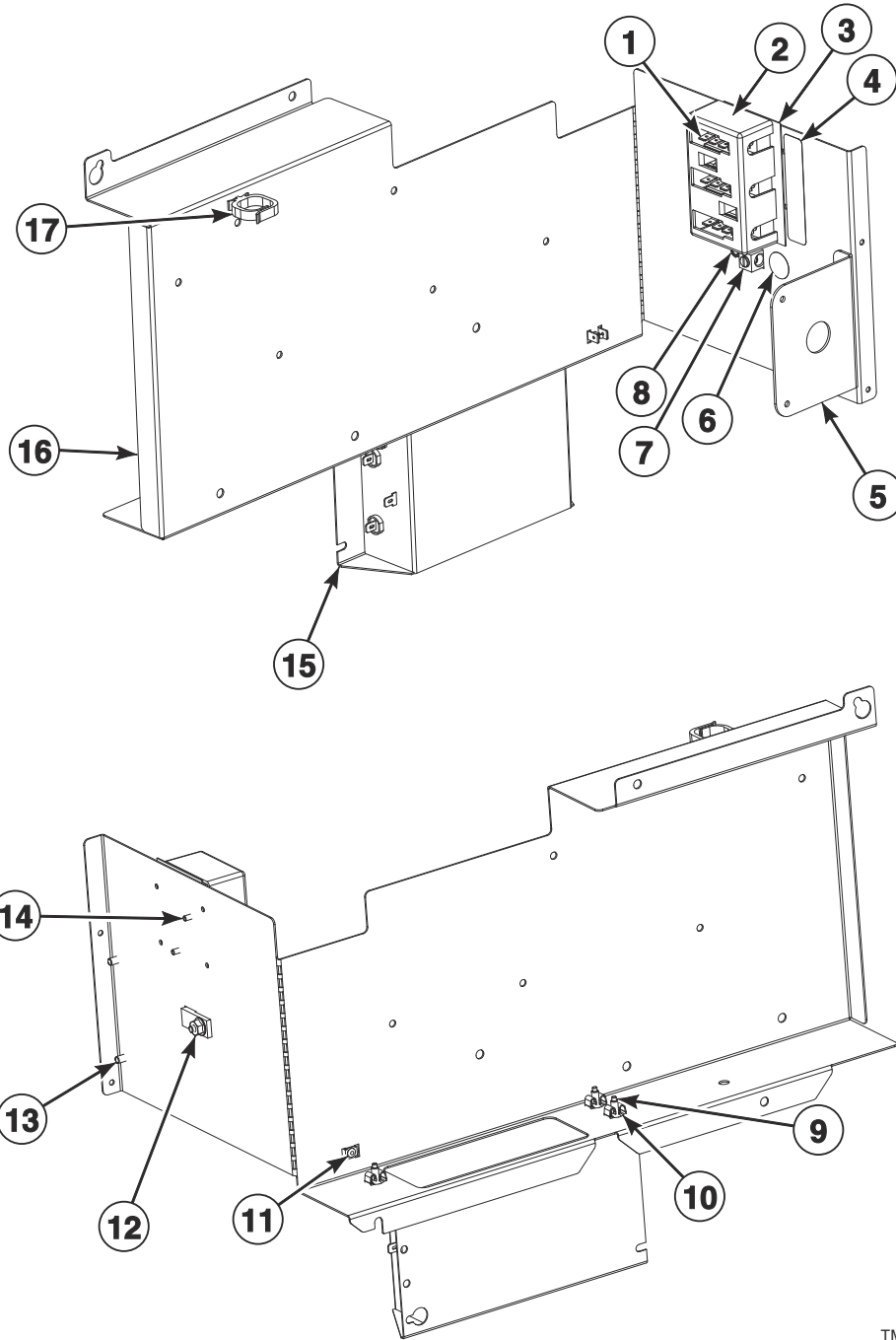
TMB3851PA



## Accessory Box Harnesses - Electric Models

| REF | PART NO. | DESCRIPTION               | COMMENTS  |
|-----|----------|---------------------------|---|
|     | 70636703 | Harness                   | IEC models; 120-240 Volt; EMI filter to inverter/control tray                         |
|     | 70636701 | Harness                   | IEC models; 380-480 Volt; EMI filter to inverter/control tray                         |
|     | 70639801 | Harness                   | 200-240 Volt; Power distribution block to contactor block; 1 phase; Right             |
|     | 70639802 | Harness                   | 200-240 Volt; Power distribution block to contactor block; 1 phase; Left              |
|     | 70639806 | Harness                   | 200-240 Volt; Power distribution block to contactor; 3 phase                          |
|     | 70639807 | Harness                   | 200-240 Volt; Power distribution block to contactor; 3 phase                          |
|     | 70639805 | Harness                   | 200-240 Volt; Contactor block to HC   |
|     | 70639810 | Harness                   | 200-240 Volt; Contactor to element H1-H3  |
|     | 70639811 | Harness                   | 200-240 Volt; Contactor to element H4-H6  |
|     | 70641704 | Harness                   | 380-415 Volt; Power distribution block to contactor                                   |
|     | 70641705 | Harness                   | 380-415 Volt; Contactor to contactor  |
|     | 70641708 | Harness                   | 380-415 Volt; Contactor to element  |
|     | 70632201 | Contactor Coil Harness    |   |
|     | 70630902 | Contactor Monitor Harness |   |
|     | 70649605 | Harness                   | T and G market models; 1 phase; Power distribution block to control contactor block   |
|     | 70649606 | Harness                   | T and G market models; 3 phase; Power distribution block to control contactor block   |
|     | 70649607 | Harness                   | IEC models; 1 phase; Power distribution block to control contactor block              |
|     | 70649608 | Harness                   | IEC models; 3 phase; Power distribution block to control contactor block              |
|     | 70636705 | Harness                   | T and G market models; 240 Volt; Control contactor block to inverter/control tray     |
|     | 70636706 | Harness                   | T and G market models; 380-480 Volt; Control contactor block to inverter/control tray |
|     | 70649603 | Harness                   | 1 phase; Control contactor block to EMI filter  |
|     | 70649604 | Harness                   | 3 phase; Control contactor block to EMI filter  |

# Accessory Box - Gas and Steam Models



TMB3852P

## Accessory Box - Gas and Steam Models

| REF       | PART NO. | DESCRIPTION           | COMMENTS   |
|-----------|----------|-----------------------|--|
|           | 70636701 | Harness               | T and G market models; 120-240 Volt; Power distribution block to inverter/control tray |
|           | 70636702 | Harness               | T and G market models; 380-480 Volt; Power distribution block to inverter/control tray |
|           | 70649601 | Harness               | 1 phase; Power distribution block to EMI filter  |
|           | 70649602 | Harness               | 3 phase; Power distribution block to EMI filter  |
|           | 70636703 | Harness               | IEC models; 120-240 Volt; EMI filter to inverter/control tray                          |
|           | 70636704 | Harness               | IEC models; 380-480 Volt; EMI filter to inverter/control tray                          |
|           | 00621SG  | Male Tab Terminal     |  |
| <b>1</b>  | 430642   | Terminal Block        |  |
| <b>2</b>  | 70333001 | Terminal Block Shield |  |
| <b>3</b>  | M413862  | Insulator             |  |
| <b>4</b>  | 44286803 | Label                 | L1, L2, L3   |
|           | 44286801 | Label                 | L1, N  |
|           | 44286802 | Wire Label            | L1 L2, L1 N  |
|           | 44286804 | Wire Label            | L1 L2, L1 N, L1 L2 L3  |
| <b>5</b>  | 70615501 | Conduit Plate         |  |
| <b>6</b>  | D516100  | Label                 |  |
| <b>7</b>  | M411283  | Ground Lug Connector  |  |
| <b>8</b>  | 685837   | Screw                 |  |
| <b>9</b>  | F8206901 | Screw                 |  |
| <b>10</b> | 70030501 | Expansion Clip        |  |
| <b>11</b> | M400003  | Pop Rivet             |  |
| <b>12</b> | 44088001 | Nut                   |  |
| <b>13</b> | 430497   | Screw                 |  |
| <b>14</b> | 51783    | Screw                 |  |
| <b>15</b> | F8591601 | EMI Filter            | IEC models; 100-200 and 200-240 Volt/1 Phase   |
|           | F8637501 | EMI Filter            | IEC models; 380-480 Volt   |
| <b>16</b> | 70659001 | Accessory Bracket     |  |
| <b>17</b> | F8449502 | Wire Clip             |  |

## Labels

| <b>PART NO.</b> | <b>DESCRIPTION</b>        | <b>COMMENTS</b>                          |
|-----------------|---------------------------|--|
| 44324201        | Caution Label             | Australian models; Repeat Ignition Reset |
| 70696901        | Caution Label             | Vent/install                             |
| F8614501        | Danger Label              | Shock; English/French                    |
| F8614301        | Hot Surface Warning Label | English/French                           |
| F8609001        | Hot Surface Warning Label | Icon                                     |
| F8611601        | Warning Label             |  |
| 70535100        | Label Kit                 | Vent/install; IEC models                 |
| F8614500        | Label Kit                 | Shock; IEC models                        |
| 70539601        | Notice Label              |  |
| F8609501        | Notice Label              |  |
| D516073         | Notice Label              | Read instructions; Icon                  |
| 70538401        | Pinch Warning Label       | English/French                           |
| F8615701        | Pinch Warning Label       | Icon                                     |
| F8614201        | Shock Warning Label       | Icon                                     |
| 70536301        | Warning Label             | Lint; Australian models                  |
| 44324101        | Warning Label             | Fire; Australian models                  |
| 70534305        | Warning Label             | Fire; Colombian Spanish                  |
| 44321601        | Warning Label             | Risk of fire; Icon                       |
| D503887         | Label                     | Australian models                        |

# Parts Index

## A

|                                |        |
|--------------------------------|--------|
| Access Panel Trim              |        |
| 70399406 .....                 | 47     |
| 70399413 .....                 | 47     |
| Accessory Bracket              |        |
| 70659001 .....                 | 85, 89 |
| Accessory Plate Assembly       |        |
| F8574202 .....                 | 27     |
| F8574203 .....                 | 27     |
| F8574205 .....                 | 27     |
| F8734601 .....                 | 27     |
| Adapter                        |        |
| 70131901 .....                 | 75     |
| Air Duct                       |        |
| 70575401 .....                 | 59     |
| 70575402 .....                 | 59     |
| Air Filter                     |        |
| 70036001 .....                 | 81     |
| Airflow Switch and Arm Bracket |        |
| 70319602 .....                 | 73     |
| Airflow Switch Arm             |        |
| 70319401 .....                 | 73     |
| Airflow Switch Vane            |        |
| 70319201 .....                 | 73     |
| Airflow Switch Wrapper         |        |
| 70356101 .....                 | 73     |
| Anti-Rattle Burner Assembly    |        |
| 70546702 .....                 | 75     |
| App Pay Overlay Kit            |        |
| 44374701 .....                 | 27, 29 |
| Auxiliary Contact Block        |        |
| 44313201 .....                 | 85     |

## B

|                             |        |
|-----------------------------|--------|
| Blind Rivet                 |        |
| F8245101 .....              | 51     |
| Blower Assembly             |        |
| 70302201P .....             | 67, 69 |
| Blower Housing              |        |
| 70215101 .....              | 67, 69 |
| 70376201 .....              | 69     |
| 70554701 .....              | 67     |
| 70554801 .....              | 69     |
| Blower Housing Scroll       |        |
| 70016301 .....              | 67     |
| Blower Inlet Cone           |        |
| 70303101 .....              | 69     |
| Blower Motor Mounting Plate |        |
| 70380801 .....              | 67, 69 |
| Bottom Guard                |        |
| 70660701 .....              | 61     |
| Bracket                     |        |
| 70653703 .....              | 79     |
| Burner Grill                |        |
| 70396701 .....              | 75     |
| Burner Orifice              |        |
| 70684113 .....              | 77     |

|                |            |
|----------------|------------|
| 70684114 ..... | 77         |
| 70684116 ..... | 77         |
| 70684118 ..... | 77         |
| 70684120 ..... | 77         |
| 70684123 ..... | 77         |
| 70684124 ..... | 77         |
| 70684126 ..... | 77         |
| 70684142 ..... | 77         |
| 70684143 ..... | 77         |
| 70684144 ..... | 77         |
| 70684146 ..... | 77         |
| 70684147 ..... | 77         |
| 70684148 ..... | 77         |
| 70684149 ..... | 77         |
| 70684150 ..... | 77         |
| 70684152 ..... | 77         |
| 70684154 ..... | 77         |
| Bushing        |            |
| 70346501 ..... | 59         |
| Bypass Harness |            |
| 44334103 ..... | 19, 27, 47 |

## C

|  |    |
|--|----|
| Card Reader Plate                      |    |
| F8574204 .....                         | 27 |
| Caution Label                          |    |
| 44324201 .....                         | 90 |
| 70696901 .....                         | 90 |
| Center Cylinder Seal                   |    |
| 70066005 .....                         | 57 |
| Center Pan                             |    |
| 70562401 .....                         | 59 |
| Center Partition                       |    |
| 70376801 .....                         | 59 |
| Central Pay Board Power Supply Harness |    |
| 70631705 .....                         | 83 |
| Central Pay Control Assembly           |    |
| 204779 .....                           | 83 |
| Circuit Breaker                        |    |
| 70488102 .....                         | 85 |
| 70488104 .....                         | 85 |
| Clevis Pin                             |    |
| 70389201 .....                         | 81 |
| Coil                                   |    |
| F8514601P .....                        | 81 |
| F8514701 .....                         | 81 |
| Coin Box                               |    |
| F160673P .....                         | 47 |
| Coin Chute Assembly                    |    |
| 70296401 .....                         | 47 |
| Coin Drop                              |    |
| 38963P .....                           | 31 |
| 39748 .....                            | 31 |
| 70441601 .....                         | 31 |
| 70441603 .....                         | 31 |
| Coin Drop Assembly                     |    |
| 201141 .....                           | 31 |
| 210195 .....                           | 31 |
| 210196 .....                           | 31 |
| 38462P .....                           | 31 |

N/A items do not appear in index.

|  |        |                                      |        |
|--|--------|--------------------------------------|--------|
| 38463  | 31     | Control Box Top                      |        |
| 38467  | 31     | 44307101                             | 65     |
| 38519  | 31     | Control Door and Studs Assembly      |        |
| 70281102                                     | 31     | 70570201                             | 25     |
| 70283102                                     | 31     | Control Door Latch                   |        |
| 70441602                                     | 31     | 431318                               | 43     |
| 70447301                                     | 31     | Control Harness                      |        |
| 70471601                                     | 31     | 44375604                             | 65     |
| 70482401                                     | 31     | Control Mounting Bracket             |        |
| 70506901                                     | 31     | 70598601                             | 27     |
| Coin Drop Kit                                |        | Control Panel                        |        |
| CK077  | 31     | 70376009                             | 43     |
| CK122  | 33     | 70376014DG                           | 43     |
| Coin Identification Paper                    |        | 70376014W                            | 43     |
| 38464P                                       | 31     | 70417113                             | 43     |
| 38475  | 31     | 70417115W                            | 43     |
| 38725  | 31     | 70583501                             | 43     |
| Coin Meter                                   |        | 70583502                             | 43     |
| F0160737-00                                  | 31     | 70690003                             | 43     |
| Coin Vault and Emergency Stop Mount Assembly |        | 70690006W                            | 43     |
| 70529502                                     | 47     | 70695801W                            | 43     |
| Coin Vault Assembly                          |        | 70695802                             | 43     |
| 70529501                                     | 47     | Control Panel Assembly               |        |
| Coin Vault Switch Harness                    |        | 70690101                             | 43     |
| 44334101                                     | 47     | 70690102                             | 43     |
| 44334104                                     | 19, 27 | 70690103W                            | 43     |
| Cold Weather Kit                             |        | 70690104W                            | 43     |
| 44340301                                     | 65     | Control Panel Stand Bracket          |        |
| Conduit Plate                                |        | 70641501                             | 45     |
| 70615501                                     | 89     | Control Panel Switch Bracket         |        |
| 70615503                                     | 85     | 70641601                             | 43     |
| Contact Base                                 |        | Control Plate                        |        |
| F8538101                                     | 49     | 70497101                             | 17, 23 |
| Contact Switch                               |        | Control Plate and Studs Assembly     |        |
| F8069501                                     | 49     | 70496601                             | 19     |
| Contactors                                   |        | Control Plate Assembly               |        |
| 70482801                                     | 85     | 70497201                             | 19     |
| Contactors Coil Harness                      |        | Control Tray Power Harness           |        |
| 70632201                                     | 87     | 70642101                             | 83     |
| Contactors Interconnect Harness              |        | 70642102                             | 83     |
| 70630901                                     | 83     | Control Trim                         |        |
| Contactors Monitor Harness                   |        | 44016401                             | 47     |
| 70630902                                     | 87     | 70529401                             | 47     |
| Control                                      |        | Conversion Kit                       |        |
| 70511601                                     | 65     | 44391003                             | 79     |
| Control Assembly                             |        | 70696803                             | 83     |
| 70478801P                                    | 19     | 70696807                             | 83     |
| 70478802                                     | 23     | Cylinder and Trunnion Assembly       |        |
| 70478901                                     | 19     | 70444101P                            | 53     |
| 70478902                                     | 23     | 70444102                             | 53     |
| 70479801                                     | 17     | 70444103                             | 53     |
| 70479901                                     | 17     | Cylinder Assembly                    |        |
| 70523001                                     | 19     | 70408801P                            | 53     |
| 70523002                                     | 23     | 70408802P                            | 53     |
| 70523101                                     | 17     | 70408803                             | 53     |
| 70543104                                     | 25     | Cylinder Bearing Stud Plate Assembly |        |
| 70597801P                                    | 27     | 430352                               | 57     |
| 70597803                                     | 29     | Cylinder Guide Tool                  |        |
| 70697004                                     | 29     | 263P4                                | 57     |
| Control Box Base                             |        | Cylinder Rib Assembly                |        |
| 44065301                                     | 65     | 70433004                             | 53     |
| Control Box Cover                            |        | Cylinder Shroud                      |        |
| 44065201                                     | 65     | 70378001                             | 59     |
| Control Box Housing                          |        | 70378002                             | 59     |
| 44306701                                     | 65     | 70432307                             | 59     |

N/A items do not appear in index.

70432308 ..... 59

**D**

Damper and Hinge Exhaust Assembly  
70209501 ..... 67, 69

Damper Spacer  
70220901 ..... 69

Danger Label  
F8614501 ..... 90

Decal  
F8687701 ..... 47

DIN Rail  
44229701 ..... 85

DIN Valve Adapter Kit  
F8382301 ..... 81

Door Assembly  
44354701 ..... 37  
44354702 ..... 37  
44354703 ..... 37  
44354704 ..... 37  
44354705 ..... 37  
44354706 ..... 37  
44354707 ..... 37  
44354708 ..... 37  
44354709 ..... 37  
44354710LG ..... 37  
44354711B ..... 37

Door Catch Kit  
70482901 ..... 47

Door Glass  
44008401P ..... 39  
44008405 ..... 39

Door Glass Installation Tool  
M4221P4 ..... 39

Door Glass Label  
70650401 ..... 39  
70707701 ..... 39

Door Handle  
44007901 ..... 39  
44263801 ..... 39  
44370601 ..... 39

Door Hinge Assembly  
70596601 ..... 41  
70596602 ..... 41  
70596613B ..... 41  
70596613LG ..... 41  
70596613W ..... 41

Door Hinge Lug Assembly  
70597601 ..... 41  
70597602 ..... 41  
70597603 ..... 41

Door Latch  
M401223 ..... 47

Door Ring Assembly  
44354801 ..... 39  
44354802 ..... 39  
44354803 ..... 39  
44354804 ..... 39  
44354807B ..... 39  
44354808LG ..... 39  
44354809B ..... 39

Door Ring Gasket  
44008201P ..... 39

70296802 ..... 39

Door Seal Kit  
70211902P ..... 39

Door Switch Actuator  
70532101 ..... 41  
70532102 ..... 41

Drive Access Cover  
70662801 ..... 67

Drive Motor  
44355001 ..... 67  
44355002 ..... 67

Drive Plate  
70571901 ..... 67

Drive Rivet  
M400713 ..... 65

Drive Support Bracket  
70648601 ..... 71  
70655201 ..... 71

Drywall Screw Magnet Kit  
70343101P ..... 53, 57

**E**

Elbow  
70428101 ..... 63

Electronic Coin Drop Assembly  
70294107 ..... 31  
70513302 ..... 31  
70513303 ..... 31  
70513304 ..... 31  
70513306 ..... 31  
70513308 ..... 31  
70513309 ..... 31  
70513310 ..... 31  
70513311 ..... 31  
70513312 ..... 31  
70513313 ..... 31  
70513314 ..... 31  
70513315 ..... 31  
70513316 ..... 31

Electronic Coin Drop Kit  
CK099 ..... 33  
CK100 ..... 33  
CK101 ..... 33  
CK108 ..... 33  
CK109 ..... 33  
CK110 ..... 33  
CK113 ..... 33  
CK115 ..... 33  
CK116 ..... 33  
CK117 ..... 33  
CK118 ..... 33  
CK119 ..... 33  
CK120 ..... 33  
CK121 ..... 33

Emergency Stop Button Kit  
70580301 ..... 49

Emergency Stop Bypass Harness  
F8519403 ..... 19, 27

Emergency Stop Harness  
44272401 ..... 49

Emergency Stop Interconnect Harness  
70631101 ..... 49

N/A items do not appear in index.

|                                 |  |
|---------------------------------|--|
| Emergency Stop Label            |  |
| 44012901 .....                  | 49                                     |
| 44012903 .....                  | 49                                     |
| Emergency Stop Mounting Bracket |  |
| 70550401 .....                  | 49                                     |
| Emergency Stop Pushbutton       |  |
| F200233500 .....                | 49                                     |
| EMI Filter                      |  |
| F8591601 .....                  | 85, 89                                 |
| F8637501 .....                  | 85, 89                                 |
| End Cap                         |  |
| 70070101 .....                  | 53                                     |
| 70070102 .....                  | 53                                     |
| End Stop                        |  |
| F8449801 .....                  | 85                                     |
| Exhaust Thimble                 |  |
| 70015601 .....                  | 67                                     |
| Expansion Clip                  |  |
| 70030501 .....                  | 19, 27, 29, 47, 71, 75, 79, 83, 85, 89 |

## F

|                             |        |
|-----------------------------|--------|
| Fan Motor                   |        |
| 44354901 .....              | 67, 69 |
| 44354903 .....              | 67, 69 |
| Fan Spacer                  |        |
| 70599301 .....              | 67     |
| Fill Hose                   |        |
| 202799 .....                | 65     |
| Filter                      |        |
| 70429401 .....              | 81     |
| Filter Mounting Plate       |        |
| 70551701 .....              | 65     |
| Fob Communication Harness   |        |
| F8519403 .....              | 27     |
| F8719301 .....              | 19     |
| Fob Reader Control Assembly |        |
| 205135 .....                | 19, 27 |
| Fob Reader Kit              |        |
| 70666806 .....              | 35     |
| Front Cylinder Seal         |        |
| 70173402 .....              | 45     |
| Front Panel Assembly        |        |
| 70703601 .....              | 45     |
| 70703601DG .....            | 45     |
| 70703601W .....             | 45     |
| 70703602 .....              | 45     |
| 70703602DG .....            | 45     |
| 70703602W .....             | 45     |
| 70703603 .....              | 45     |
| 70703603DG .....            | 45     |
| 70703603W .....             | 45     |
| 70703604 .....              | 45     |
| 70703604DG .....            | 45     |
| 70703604W .....             | 45     |

## G

|                 |    |
|-----------------|----|
| Gas Burner      |    |
| 70396201P ..... | 75 |
| Gas Valve       |    |
| 44154507 .....  | 75 |
| 44154508 .....  | 75 |

|                      |        |
|----------------------|--------|
| Gas Valve Bracket    |        |
| 70645401 .....       | 75     |
| Gas Valve Harness    |        |
| 44273501 .....       | 75     |
| Gas Valve Manifold   |        |
| 70659201 .....       | 75     |
| Gasket               |        |
| 70289101P .....      | 51     |
| 70392701P .....      | 69     |
| Ground Lug Connector |        |
| M411283 .....        | 85, 89 |
| Guard Bracket        |        |
| 70670902 .....       | 75     |
| 70670903 .....       | 79     |

## H

|                          |        |
|--------------------------|--------|
| Hairpin Cotter           |        |
| 70389301 .....           | 81     |
| Handle and Caps Assembly |        |
| 70154411 .....           | 51     |
| 70154418 .....           | 51     |
| Handle Bar               |        |
| 70399501B .....          | 39     |
| Handle Bumper            |        |
| 70407206 .....           | 51     |
| 70407209 .....           | 51     |
| Harness                  |        |
| F8617901 .....           | 25, 29 |
| 70636701 .....           | 87, 89 |
| 70636702 .....           | 89     |
| 70636703 .....           | 87, 89 |
| 70636704 .....           | 89     |
| 70636705 .....           | 87     |
| 70636706 .....           | 87     |
| 70639801 .....           | 87     |
| 70639802 .....           | 87     |
| 70639805 .....           | 87     |
| 70639806 .....           | 87     |
| 70639807 .....           | 87     |
| 70639810 .....           | 87     |
| 70639811 .....           | 87     |
| 70641704 .....           | 87     |
| 70641705 .....           | 87     |
| 70641708 .....           | 87     |
| 70649601 .....           | 89     |
| 70649602 .....           | 89     |
| 70649603 .....           | 87     |
| 70649604 .....           | 87     |
| 70649605 .....           | 87     |
| 70649606 .....           | 87     |
| 70649607 .....           | 87     |
| 70649608 .....           | 87     |
| Harness Adapter Plate    |        |
| 70523301 .....           | 63, 65 |
| Harness Mounting Plate   |        |
| 70307007 .....           | 35     |
| Heat Control Harness     |        |
| 44374901 .....           | 83     |
| Heater Element           |        |
| 70034407P .....          | 79     |
| 70034408 .....           | 79     |
| 70034409P .....          | 79     |
| 70034410P .....          | 79     |
| 70034411 .....           | 79     |

N/A items do not appear in index.



|                                |    |
|--------------------------------|----|
| 70034412P.....                 | 79 |
| High Altitude Orifice Kit      |    |
| 70609907.....                  | 77 |
| 70609908.....                  | 77 |
| High Voltage Suppression Cable |    |
| 44239702.....                  | 75 |
| Hinge Cam Kit                  |    |
| M4772P3.....                   | 41 |
| M4773P3.....                   | 41 |
| 70622401.....                  | 41 |
| Hold-Down Clip                 |    |
| 35865.....                     | 59 |
| Hole Plug                      |    |
| 70063201.....                  | 59 |
| Hose                           |    |
| 44073304.....                  | 65 |
| Hose Clamp                     |    |
| 36801.....                     | 65 |
| Hose Fitting                   |    |
| 44069101.....                  | 65 |
| Hot Surface Warning Label      |    |
| F8609001.....                  | 90 |
| F8614301.....                  | 90 |

## I

|                           |        |
|---------------------------|--------|
| Idler Wheel Assembly      |        |
| 70050401P.....            | 67     |
| Igniter Cover             |        |
| 70159601.....             | 75     |
| Ignition Control          |        |
| 70482001.....             | 83     |
| 70482002.....             | 83     |
| Insulator                 |        |
| M413862.....              | 89     |
| Interconnect Harness      |        |
| 44375601.....             | 65     |
| Interface Harness         |        |
| 44378102.....             | 19, 27 |
| Inverter Control Assembly |        |
| 70603001.....             | 71     |
| 70603201.....             | 71     |
| Inverter to Motor Harness |        |
| 70635401.....             | 71     |
| 70635402.....             | 71     |
| 70635403.....             | 71     |
| 70635404.....             | 71     |
| I/O Control Assembly      |        |
| 70671701.....             | 83     |

## J

|                |    |
|----------------|----|
| Jumper Bar     |    |
| 70066501.....  | 79 |
| Jumper Harness |    |
| D511476.....   | 47 |
| 70641709.....  | 79 |
| 70641710.....  | 79 |
| Jumper Strip   |    |
| M400869.....   | 79 |

## K

|               |        |
|---------------|--------|
| Key           |        |
| 70155601..... | 47, 65 |
| 70155602..... | 47     |
| Kickplate     |        |
| 70117613..... | 51     |
| 70117622..... | 51     |

## L

|                                |        |
|--------------------------------|--------|
| Label                          |        |
| D503887.....                   | 90     |
| D516100.....                   | 85, 89 |
| 44108201.....                  | 45     |
| 44190901.....                  | 45     |
| 44286801.....                  | 85, 89 |
| 44286803.....                  | 85, 89 |
| 44318201.....                  | 65     |
| 44391301.....                  | 47     |
| 44391401.....                  | 47     |
| 44391601.....                  | 51     |
| 562738.....                    | 47     |
| 70414001.....                  | 45     |
| 70472801.....                  | 45     |
| 70537101.....                  | 45     |
| Label Kit                      |        |
| F8614500.....                  | 90     |
| 44318200.....                  | 65     |
| 44324500.....                  | 65     |
| 70534300.....                  | 45     |
| 70535100.....                  | 90     |
| Lead-In Pipe                   |        |
| 70661401.....                  | 75     |
| 70661501.....                  | 75     |
| Lever Arm and Belt Kit         |        |
| 70655103.....                  | 67     |
| Lever Arm and Bushing Assembly |        |
| 70653801.....                  | 67     |
| Light                          |        |
| 801432.....                    | 65     |
| Limit Access Bracket           |        |
| 70554901.....                  | 69     |
| Limit Thermostat               |        |
| 44328001.....                  | 69     |
| 44328005.....                  | 75     |
| 44328006.....                  | 79     |
| 44328104.....                  | 75     |
| 70530901.....                  | 69     |
| Lint Panel                     |        |
| 70515404DG.....                | 51     |
| 70515602.....                  | 51     |
| 70515603W.....                 | 51     |
| 70515604W.....                 | 51     |
| 70515605.....                  | 51     |
| Lint Panel Pivot Plate         |        |
| 70392101.....                  | 51     |
| Lint Screen                    |        |
| 44063601.....                  | 59     |
| Lock Catch Bracket             |        |
| 70654501.....                  | 43     |
| Lock Shim                      |        |
| 70342401.....                  | 47     |

N/A items do not appear in index.

|                       |        |
|-----------------------|--------|
| Lock, Key and Nut Kit |        |
| 44089301P .....       | 47, 65 |
| 44089302P .....       | 47     |
| Lower Pan             |        |
| 70377601 .....        | 59     |
| Lower Rear Assembly   |        |
| 70667801 .....        | 67     |
| L.P. Conversion Kit   |        |
| 70550204 .....        | 75     |
| 70550213 .....        | 75     |
| 70551904 .....        | 75     |
| L.P. Valve            |        |
| 44154504 .....        | 75     |

## M

|  |                        |
|--|------------------------|
| Machine ID Control Assembly            |                        |
| 203361P .....                          | 19, 23, 25, 27, 29     |
| Magnet                                 |                        |
| 70343101 .....                         | 51                     |
| Magnet Bracket                         |                        |
| 44290501 .....                         | 51                     |
| Main Harness                           |                        |
| 70631001 .....                         | 17, 19, 23, 25, 27, 29 |
| Male Tab Terminal                      |                        |
| 00621SG .....                          | 89                     |
| Max Fill Line Label                    |                        |
| 70707501 .....                         | 39                     |
| Mixing Valve                           |                        |
| 70519801 .....                         | 65                     |
| Mixing Valve Shield Bracket            |                        |
| 44306601 .....                         | 65                     |
| Moisture Sensor/Airflow Switch Harness |                        |
| 70631203 .....                         | 55                     |
| Motor Mount Bracket                    |                        |
| 70564101 .....                         | 67                     |
| Motor Mount Plate                      |                        |
| 70564201 .....                         | 67                     |
| Motor Pulley                           |                        |
| 70559101 .....                         | 67                     |
| Mounting Plate                         |                        |
| 70208801 .....                         | 19                     |

## N

|                   |    |
|-------------------|----|
| Nameplate         |    |
| F8443105 .....    | 47 |
| 567293 .....      | 47 |
| 567887 .....      | 47 |
| 70685701 .....    | 47 |
| 70685801 .....    | 47 |
| Nameplate Overlay |    |
| 44144401 .....    | 39 |
| 44147101 .....    | 47 |
| 44391201 .....    | 39 |
| 70411401 .....    | 39 |
| Nameplate1        |    |
| F8688801 .....    | 47 |
| Notice Label      |    |
| D516073 .....     | 90 |
| F8609501 .....    | 90 |
| 70535901 .....    | 75 |

|                |                |
|----------------|----------------|
| 70539601 ..... | 90             |
| 70544901 ..... | 75             |
| Nozzle Bracket |                |
| 70424201 ..... | 63             |
| 70428601 ..... | 63             |
| Nut            |                |
| M400022 .....  | 55, 57         |
| M400034 .....  | 57             |
| M412986 .....  | 57             |
| M414215 .....  | 39             |
| 21899 .....    | 59             |
| 23951 .....    | 51             |
| 430576 .....   | 59             |
| 44071201 ..... | 25             |
| 44087101 ..... | 27, 29         |
| 44087201 ..... | 53, 67         |
| 44087301 ..... | 67             |
| 44088001 ..... | 39, 41, 85, 89 |
| 44088801 ..... | 47             |
| 44333202 ..... | 67             |
| 51236 .....    | 51             |
| 56156 .....    | 67             |
| 70054 .....    | 19, 27, 79     |
| 70288801 ..... | 59             |
| 70660601 ..... | 69             |
| N.G. Valve     |                |
| 44154503 ..... | 75             |

## O

|                |    |
|----------------|----|
| Opto Coupler   |    |
| 200674P .....  | 31 |
| O-Ring         |    |
| 431482 .....   | 75 |
| Overlay        |    |
| F8205101 ..... | 19 |
| F8733901 ..... | 19 |
| F8734001 ..... | 27 |
| F8734201 ..... | 19 |
| F8734301 ..... | 27 |
| F8736501 ..... | 19 |
| F8736601 ..... | 27 |
| 70295101 ..... | 19 |
| 70518101 ..... | 19 |
| 70518102 ..... | 19 |
| 70519001 ..... | 17 |
| 70539101 ..... | 17 |
| 70541201 ..... | 21 |
| 70541202 ..... | 21 |
| 70541203 ..... | 21 |
| 70545501 ..... | 17 |
| 70547501 ..... | 17 |
| 70547801 ..... | 23 |
| 70548801 ..... | 23 |
| 70556201 ..... | 19 |
| 70556301 ..... | 19 |
| 70556401 ..... | 19 |
| 70556402 ..... | 19 |
| 70556501 ..... | 19 |
| 70556502 ..... | 19 |
| 70556601 ..... | 19 |
| 70556701 ..... | 19 |
| 70556801 ..... | 19 |
| 70556901 ..... | 19 |
| 70557001 ..... | 19 |
| 70557002 ..... | 19 |
| 70571101 ..... | 21 |

N/A items do not appear in index.

|          |    |
|----------|----|
| 70571102 | 21 |
| 70571103 | 21 |
| 70571104 | 21 |
| 70571401 | 23 |
| 70571601 | 23 |
| 70595401 | 25 |
| 70626001 | 21 |
| 70626002 | 21 |
| 70626101 | 21 |
| 70673301 | 23 |
| 70675001 | 17 |
| 70679201 | 21 |
| 70681701 | 21 |
| 70681702 | 21 |
| 70681703 | 21 |
| 70681704 | 21 |
| 70681705 | 21 |
| 70690401 | 21 |
| 70690402 | 21 |
| 70690403 | 21 |
| 70690404 | 21 |
| 70690405 | 21 |
| 70690701 | 21 |
| 70690702 | 21 |
| 70690703 | 21 |
| 70691001 | 23 |
| 70691301 | 17 |
| 70705701 | 21 |

## P

|                                |                    |
|--------------------------------|--------------------|
| Panel Locator                  |                    |
| 56079                          | 47, 51             |
| Payment Center Kit             |                    |
| 205067                         | 35                 |
| 205068                         | 35                 |
| 205069                         | 35                 |
| 205070                         | 35                 |
| 205316                         | 35                 |
| 205318                         | 35                 |
| Pin                            |                    |
| 70071401                       | 41                 |
| Pinch Warning Label            |                    |
| F8615701                       | 90                 |
| 70538401                       | 90                 |
| Pipe Bracket                   |                    |
| 70653702                       | 75                 |
| Plug                           |                    |
| 70167601                       | 75                 |
| 70180001                       | 65                 |
| Pop Rivet                      |                    |
| M400003                        | 43, 83, 85, 89     |
| 44166601                       | 47                 |
| 70058501                       | 41, 51, 59, 81, 85 |
| 70058502                       | 59                 |
| 70126301                       | 51                 |
| 70126401                       | 51                 |
| 70412601                       | 39                 |
| Porcelain Touch-Up Paint       |                    |
| 122P4P                         | 59                 |
| Power Distribution Block       |                    |
| M413865                        | 85                 |
| Power Distribution Block Cover |                    |
| 44014901P                      | 85                 |

|                                  |                            |
|----------------------------------|----------------------------|
| Power Sensor Harness             |                            |
| 44375602                         | 65                         |
| Primary Air Adjustment Sleeve    |                            |
| 70239801                         | 75                         |
| Primary Transformer Vend Harness |                            |
| 70631701                         | 83                         |
| 70631702                         | 83                         |
| Pushbutton Switch                |                            |
| 70413301                         | 17, 19, 23, 27, 29, 43, 47 |
| Push-to-Start Switch             |                            |
| 801434W                          | 65                         |

## R

|                               |        |
|-------------------------------|--------|
| Rear Bearing Shim             |        |
| 70355001                      | 57     |
| Rear Bracket                  |        |
| 70654401                      | 65     |
| Rear Cover                    |        |
| 70650901                      | 61     |
| Rear Cylinder Bearing Housing |        |
| 70013901                      | 57     |
| Rear Cylinder Channel         |        |
| 70305201                      | 53     |
| 70305202                      | 53     |
| Rear Cylinder Channel Plate   |        |
| 70305301                      | 53     |
| Rear Cylinder Seal            |        |
| 70013704P                     | 57     |
| Rear Cylinder Seal Support    |        |
| 70506403                      | 57     |
| Rear Guard                    |        |
| 70648301                      | 61     |
| 70648302                      | 61     |
| Rear Lint Panel               |        |
| 70564001                      | 51     |
| Rear Main Harness             |        |
| 70631201                      | 83     |
| Rear Panel                    |        |
| 70706901                      | 57     |
| 70706902                      | 57     |
| Reed Switch Assembly          |        |
| F8066804                      | 51     |
| Replacement Screen Kit        |        |
| 70576501P                     | 27, 29 |
| Roller and Seal Kit           |        |
| 70616701                      | 59     |
| Roller Catch Arm              |        |
| 70030301                      | 51     |
| Roller Catch Spacer           |        |
| 70030201                      | 51     |
| Roller Catch Wheel            |        |
| 70297601                      | 51     |
| Roller Seal                   |        |
| 70443601                      | 59     |
| Roller Shaft                  |        |
| 70249501                      | 59     |
| Roller Support Bracket        |        |
| 70326103                      | 59     |
| 70326104                      | 59     |

N/A items do not appear in index.

# S

## Screw

|                         |  |
|-------------------------|--|
| F430144                 | 67   |
| F8206901                | 35, 71, 79, 83, 85, 89                             |
| M400661                 | 39   |
| M405188                 | 75   |
| M411072                 | 19, 45, 47   |
| 05161                   | 75   |
| 39733                   | 27, 29, 47, 51, 85                                 |
| 430497                  | 43, 51, 53, 59, 63, 65, 69, 73, 75, 79, 83, 85, 89 |
| 430757                  | 51   |
| 44349101                | 41   |
| 44364601                | 67   |
| 44364603                | 67   |
| 51780                   | 25, 29, 63, 65, 69, 83, 85                         |
| 51783                   | 83, 89   |
| 62588                   | 53   |
| 685837                  | 85, 89   |
| 70033502                | 41   |
| 70072801                | 51   |
| 70126101                | 69   |
| 70132301                | 51   |
| 70247701                | 59   |
| 70391101                | 53   |
| 70407301                | 41   |
| 70436301                | 41   |
| 70442101                | 39   |
| 70501301                | 67   |
| 70508301                | 67   |
| 70546301                | 67   |
| 70576101                | 41   |
| 70672501                | 75   |
| 70689401                | 41   |
| 804608                  | 17, 19, 23, 25, 65                                 |
| Sensor Harness          |  |
| 44375606                | 65   |
| Serial Pay Harness      |  |
| F8713906                | 27   |
| Sheet Metal Edge Gasket |  |
| 70015710                | 59   |
| 70015711                | 59   |
| Shield                  |  |
| 44326801                | 65   |
| Shock Warning Label     |  |
| F8614201                | 65, 90   |
| F8614401                | 65   |
| Side Bracket            |  |
| 70658601                | 65   |
| Side Guard              |  |
| 70648102                | 61   |
| 70648201                | 61   |
| 70706601                | 61   |
| Side Panel              |  |
| 70378704DG              | 59   |
| 70378704W               | 59   |
| 70378802DG              | 59   |
| 70378802W               | 59   |
| Side Stove Guard        |  |
| 70671103                | 75   |
| 70671104                | 79   |
| Slip Ring Assembly      |  |
| 44222702                | 55   |
| Slip Ring Holder        |  |
| 70455401                | 55   |

|                                  |        |
|----------------------------------|--------|
| Slot Card Plate Assembly         |        |
| 44089501                         | 19     |
| Snap Bushing                     |        |
| M411826                          | 75     |
| 70178701                         | 63, 83 |
| Spacer                           |        |
| 70488403                         | 67     |
| Spark Electrode                  |        |
| 70654201                         | 75     |
| Spray Nozzle                     |        |
| 70427801                         | 63     |
| Spray Nozzle Hose                |        |
| 70427701                         | 63     |
| Spray Paint                      |        |
| 298P4P                           | 59     |
| Spring                           |        |
| 70571801                         | 67     |
| Spring Catch Bracket             |        |
| 70543401                         | 67     |
| Standoff                         |        |
| 70569603                         | 67     |
| Steam Adapter Kit                |        |
| 70529601                         | 81     |
| Steam Coil                       |        |
| 70369101P                        | 81     |
| Steam Coil Tray Panel            |        |
| 70706501                         | 61     |
| Steam Control Assembly           |        |
| 70501801                         | 83     |
| Steam Control Harness            |        |
| 44378001                         | 83     |
| Steam Filter Holder              |        |
| 70369301                         | 81     |
| Steam Valve                      |        |
| F8322904P                        | 81     |
| Steam Valve Harness              |        |
| F8520703                         | 81     |
| Stove Back                       |        |
| 70396801                         | 75     |
| Stove Cover                      |        |
| 70652301                         | 79     |
| Stove Grill                      |        |
| 70214901                         | 79     |
| Stove Limit Bypass Harness       |        |
| 70564302                         | 81     |
| Stove Limit Harness              |        |
| 70564301                         | 75     |
| 70564303                         | 79     |
| Stove Shield                     |        |
| 70652001                         | 79     |
| Stove Top and Sides              |        |
| 70652501                         | 75     |
| 70654001                         | 79     |
| Strain Relief                    |        |
| 44304801                         | 61, 81 |
| Support Bearing                  |        |
| 70448701                         | 57     |
| Support Housing Bearing Assembly |        |
| 430260P                          | 57     |
| Switch                           |        |
| 70411901                         | 73     |
| Switch Bracket                   |        |
| 70356301                         | 73     |

N/A items do not appear in index.

|                  |    |
|------------------|----|
| 70508501 .....   | 51 |
| Switch Hole Plug |    |
| 44057801B .....  | 47 |
| 44057801W .....  | 47 |

## T

|   |    |
|---|----|
| Tensioning Bracket                          |    |
| 70569501 .....                              | 67 |
| Terminal Block                              |    |
| 430642 .....                                | 89 |
| Terminal Block Shield                       |    |
| 70333001 .....                              | 89 |
| Thermistor                                  |    |
| M414704 .....                               | 69 |
| 44064701 .....                              | 63 |
| Thermistor Plate                            |    |
| 70424401 .....                              | 63 |
| Thermostat Cover                            |    |
| M414477 .....                               | 75 |
| Thermostat/Lint Switch Interconnect Harness |    |
| 70631202 .....                              | 69 |
| Top Pan                                     |    |
| 70583701 .....                              | 59 |
| 70641401 .....                              | 59 |
| Top Panel                                   |    |
| 70557801 .....                              | 59 |
| 70586601 .....                              | 59 |
| Transformer                                 |    |
| F8491101 .....                              | 83 |
| 202757 .....                                | 83 |
| 202758 .....                                | 83 |
| Tray Base                                   |    |
| 70649101 .....                              | 83 |
| Tray Cover                                  |    |
| 70649001 .....                              | 83 |
| Tray Wrap                                   |    |
| 70648901 .....                              | 83 |
| Trunnion and Seal Kit                       |    |
| 70564807 .....                              | 53 |
| 70564808 .....                              | 53 |
| Tube Assembly                               |    |
| 70427601 .....                              | 63 |
| Tumbler Dolly Kit                           |    |
| M4379P4 .....                               | 59 |

## U

|                               |            |
|-------------------------------|------------|
| Union Tee                     |            |
| 70427901 .....                | 63         |
| USB Bracket                   |            |
| 70547001 .....                | 25, 29     |
| USB IR Interface Kit          |            |
| 203346 .....                  | 35         |
| USB-Serial Interface Assembly |            |
| 203440 .....                  | 25, 27, 29 |

## V

|                         |            |
|-------------------------|------------|
| Valve                   |            |
| F8322906P .....         | 81         |
| Vend Activation Harness |            |
| 44334002 .....          | 27         |
| 44334004 .....          | 17, 19, 23 |
| Vend Plate              |            |
| F8632501 .....          | 27         |

## W

|                                   |                |
|-----------------------------------|----------------|
| Warning Label                     |                |
| F8611601 .....                    | 90             |
| 44321601 .....                    | 90             |
| 44324101 .....                    | 90             |
| 44324501 .....                    | 65             |
| 44324502 .....                    | 65             |
| 70534301 .....                    | 45             |
| 70534302 .....                    | 45             |
| 70534305 .....                    | 90             |
| 70536301 .....                    | 90             |
| Washer                            |                |
| M400991 .....                     | 57, 69         |
| 70261401 .....                    | 59             |
| 70409301 .....                    | 39             |
| 70411301 .....                    | 53             |
| Water Valve Harness               |                |
| 44375605 .....                    | 65             |
| Wire Clip                         |                |
| F8449502 .....                    | 71, 83, 85, 89 |
| Wire Guard                        |                |
| 201595P .....                     | 31             |
| Wire Label                        |                |
| 44286802 .....                    | 85, 89         |
| 44286804 .....                    | 85, 89         |
| Wireless Control Label            |                |
| 204692 .....                      | 27, 29, 35     |
| Wireless Network Control Assembly |                |
| 807211 .....                      | 35             |
| Wireless Network Harness          |                |
| F8674006 .....                    | 35             |
| Wireless Network Kit              |                |
| 70609701 .....                    | 35             |
| Wiring Guide                      |                |
| 70706401 .....                    | 61             |

