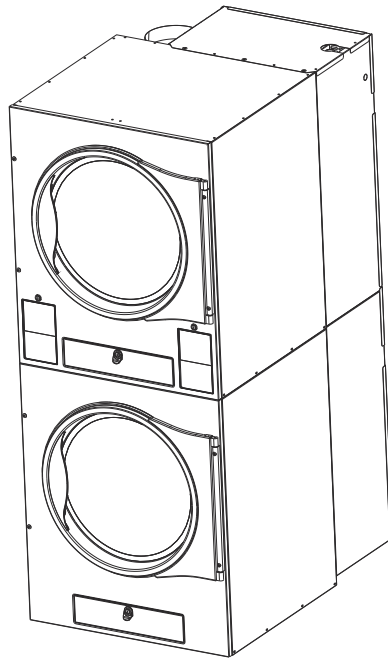


Tumble Dryers

Stacked 30 Pound Capacity
18 Digit Model Numbers with 6 in 13th Position
Refer to Page 3 for Model Numbers



TMB1294C

Table of Contents

Title	Page
Parts Ordering Information.....	2
Serial Plate Location	2
Machine Identification	5
Product Overview - Heat Source and Voltage	6
Product Overview - FN Control Suffix	8
Product Overview - NN Control Suffixes.....	10
Product Overview - N and W Control Suffixes	12
Dual Digital Control	14
Electronic Display Control - Vend Models with N or W in the 7th Position.....	16
Electronic Display Control - OPL Models with N in the 7th Position	18
Coin Drops	20
Coin Drop Kits.....	22
Door Assemblies	24
Door Components.....	26
Hinge Components	28
Front Panel Assemblies	30
Cabinet Front Components.....	32
Emergency Stop Button - IEC OPL Models	34
Lint Drawer Components	36
Cylinder and Trunnion Components	38
Moisture Sensing Components	40
Bearing Components	42
Cabinet Components	44
Rear Panels	46
Drive Motor Components	48
Exhaust Components.....	50
Blower Components.....	52
Airflow Switch.....	54
Gas Burner Housing and Secondary Stove Limit	56
Gas Valve and Piping	58
Burner Orifices	60
Electric Heater Components	62
Control Tray - Gas Models.....	64
Control Tray - Electric Models (Drawing 1 of 2)	66
Control Tray - Electric Models (Drawing 2 of 2).....	68
Labels	70
Control Tray Harnesses	71
Parts Index.....	73

© Copyright 2023, Alliance Laundry Systems LLC

All rights reserved. No part of the contents of this book may be reproduced or transmitted in any form or by any means without the expressed written consent of the publisher.

Parts Ordering Information

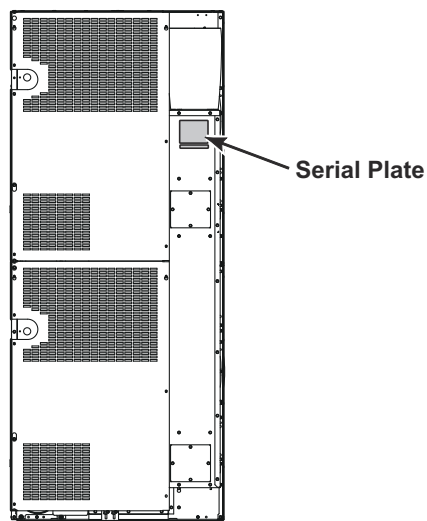
If literature or replacement parts are required, contact the source from whom the machine was purchased or contact Alliance Laundry Systems at (920) 748-3950 for the name and address of the nearest authorized parts distributor.

For technical assistance, call the number listed below:

(920) 748-3121 Ripon, Wisconsin

Serial Plate Location

When calling or writing about your product, be sure to mention model and serial numbers. Model and serial numbers are located on serial plate(s) as shown.



TMB3864P

Machine Identification

Information in this manual is applicable to these machines:

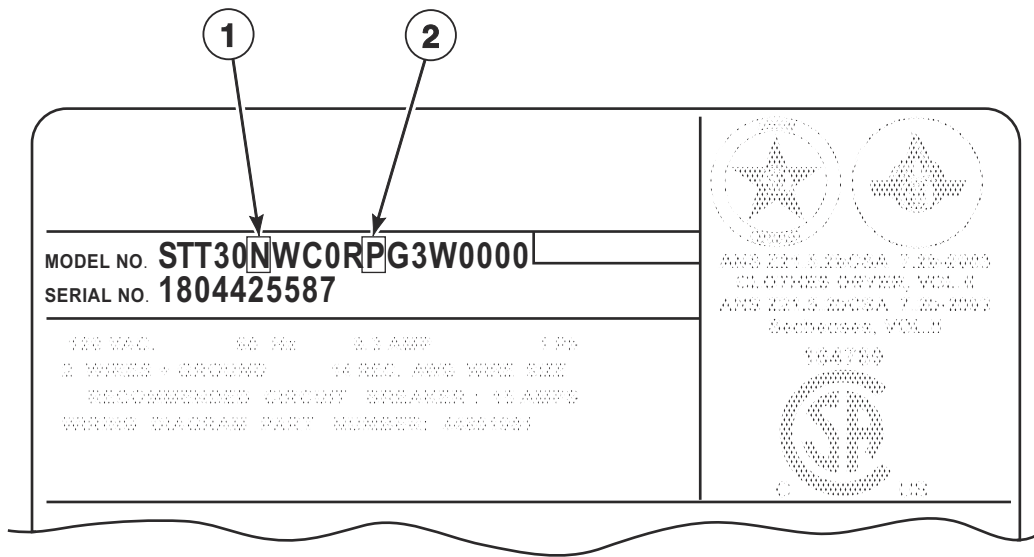
GAT30E
GAT30L
GAT30N
GGT30E
GGT30L
GGT30N
GHT30E
GHT30L
GHT30N
GJT30E
GJT30N
GKT30E
GKT30L
GKT30N
GUT30E
GUT30N

KTT30E
KTT30L
KTT30N

MGT30D
MGT30E
MGT30L
MGT30N
MJT30D
MJT30E
MJT30N

NAT30E
NAT30L
NAT30N
NGT30E
NGT30L
NGT30N
NHT30E
NHT30L
NHT30N
NJT30E
NJT30N
NKT30E
NKT30L
NKT30N
NRT30E
NTT30E
NTT30N
NUT30E
NUT30N

Product Overview - Heat Source and Voltage



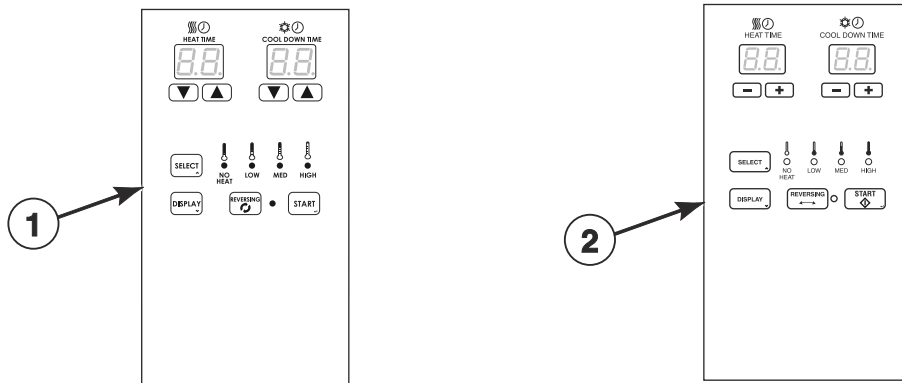
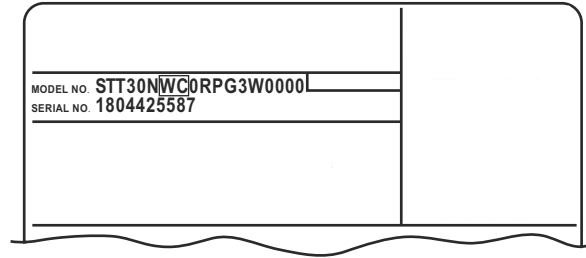
TMB3566P

Product Overview - Heat Source and Voltage

REF	PART NO.	DESCRIPTION	COMMENTS
1	-	Heat Source	D: Liquid Petroleum Gas (L.P) E: Electric L: Liquid Petroleum Gas (L.P.) N: Natural Gas (N.G.)
2	-	Voltage	B: 100-120 Volt/50-60 Hertz/1 Phase; Gas models F: 200-208 Volt/50-60 Hertz/3 Phase; Electric models G: 230-240 Volt/50-60 Hertz/3 Phase; Electric models H: 380 Volt/50-60 Hertz/3 Phase; Electric models J: 400-415 Volt/50-60 Hertz/3 Phase; Electric models K: 440 Volt/50-60 Hertz/3 Phase; Electric models L: 460-480 Volt/50-60 Hertz/3 Phase; Electric models N: 440-480 Volt/50-60 Hertz/3 Phase; Gas models P: 380-415 Volt/50-60 Hertz/3 Phase; Gas models X: 200-240 Volt/50-60 Hertz/1-3 Phase; Gas models

Product Overview - FN Control Suffix

G, K and N Models; OPL



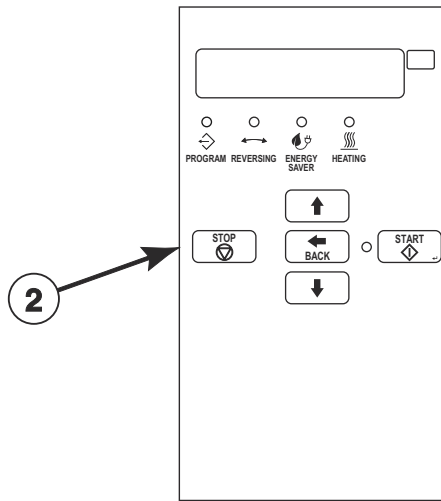
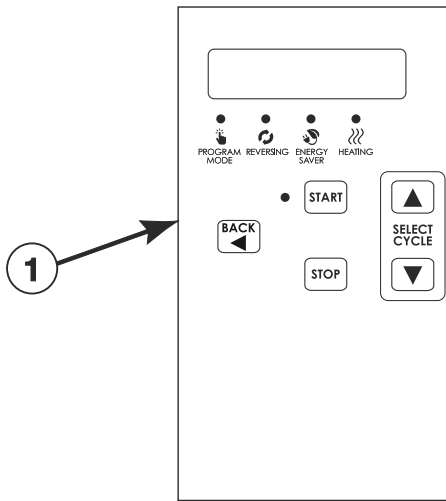
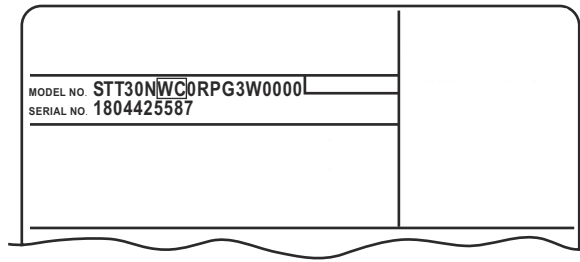
TMB3588P

Product Overview - FN Control Suffix

REF	PART NO.	DESCRIPTION	COMMENTS
1	-	Dual Digital Control	G and K models
2	-	Dual Digital Control	N models

Product Overview - NN Control Suffixes

G, K and N Models; OPL



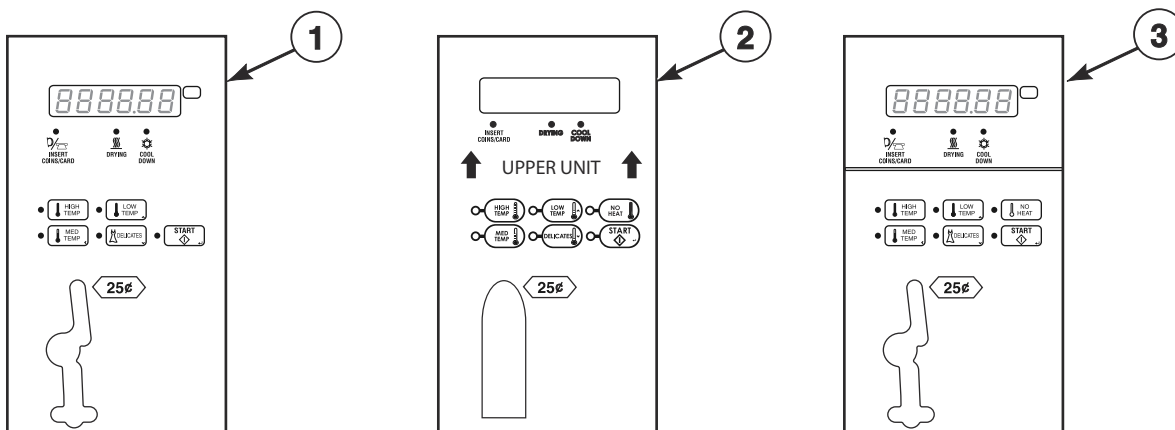
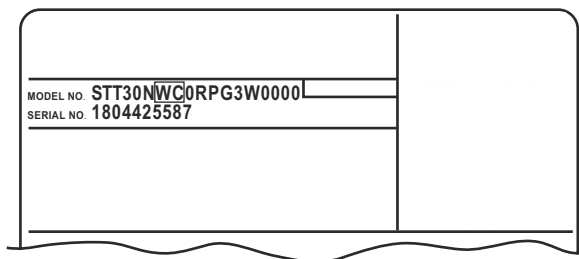
TMB3589P

Product Overview - NN Control Suffixes

REF	PART NO.	DESCRIPTION	COMMENTS
1	-	OPL Micro Control	G and K models
2	-	OPL Micro Control	N models

Product Overview - N and W Control Suffixes

7th Position of the Model Number; Vend



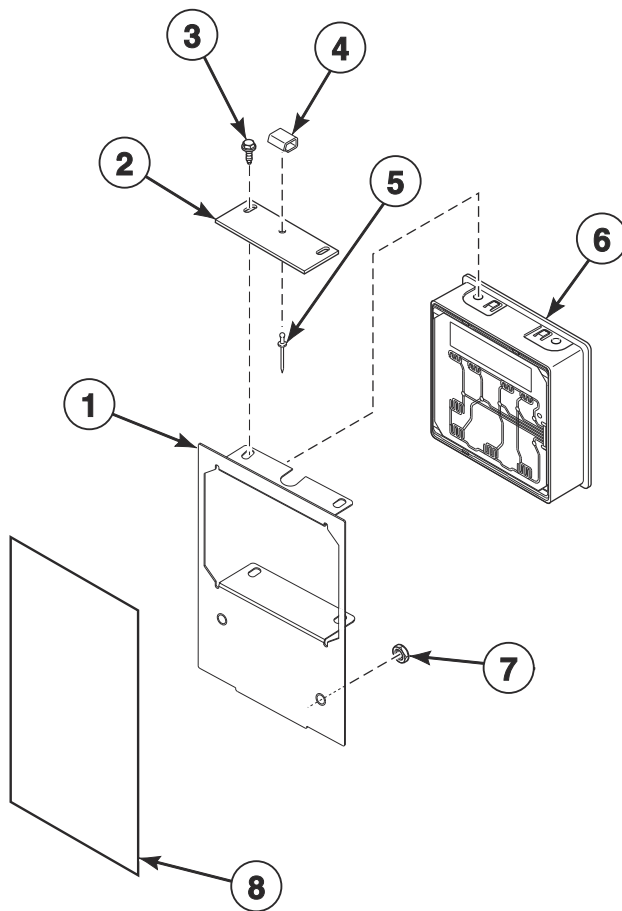
TMB3930P

Product Overview - N and W Control Suffixes

REF	PART NO.	DESCRIPTION	COMMENTS
1	-	Micro Control	N models
2	-	Micro Control	G and K models
3	-	Quantum Gold Control	M models

Dual Digital Control

G, K and N Models; Models with F in the 7th Position

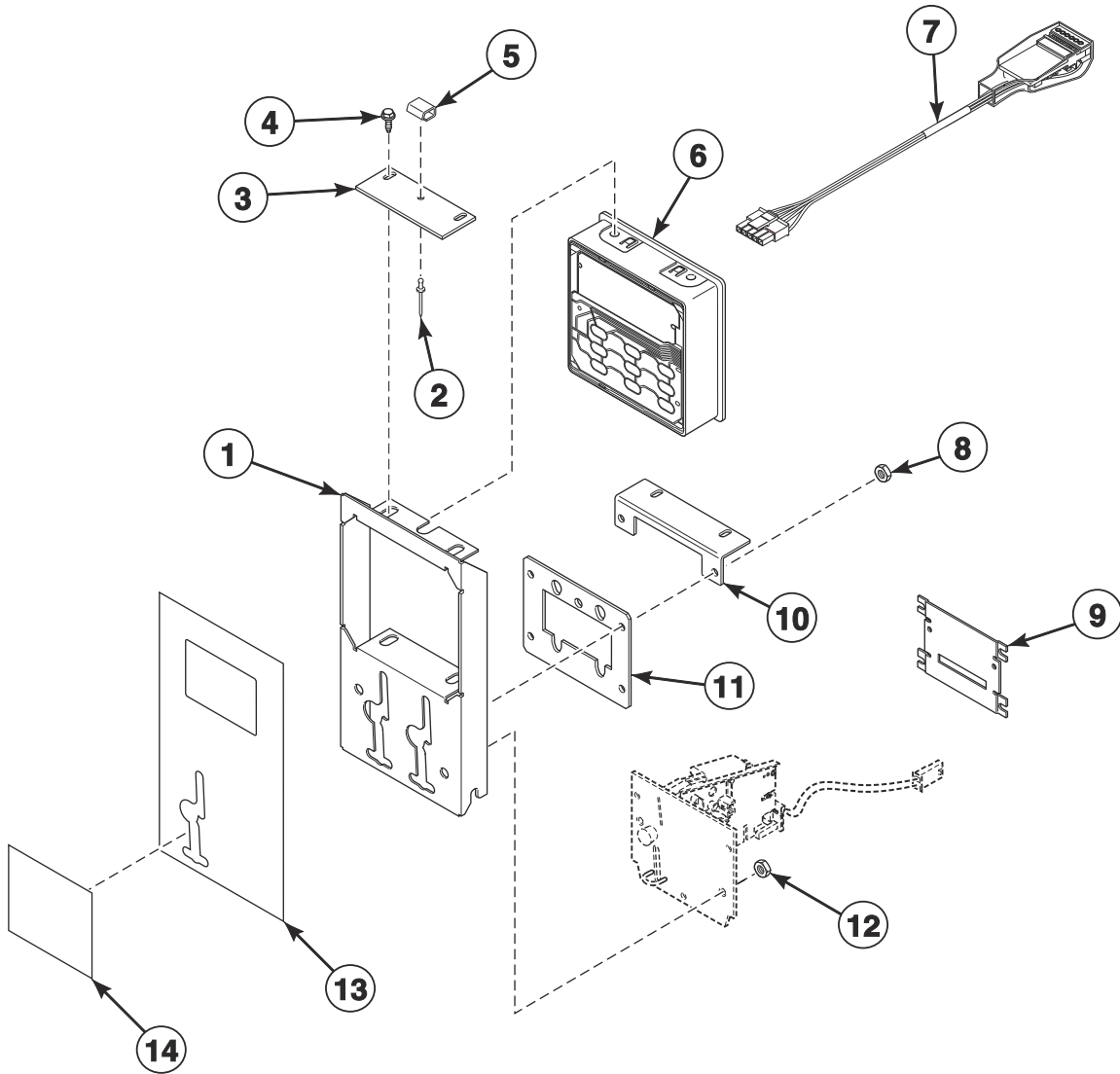


TMB3926P

Dual Digital Control

REF	PART NO.	DESCRIPTION	COMMENTS
	70577101	Vend Activation Harness	
	70622001	Main Harness	
1	70641803	Control Door and Studs Assembly	
2	70634401	Control Latch Plate	
3	D501524	Screw	4 required
4	431318	Control Door Latch	
5	M400003	Pop Rivet	
6	70479801	Control Assembly	Green
7	44087101	Nut	2 required
8	70678501	Overlay	G and K models; Reversing; Upper
	70681601	Overlay	G and K models; Reversing; Lower
	70693001	Overlay	N models; Reversing; Upper
	70693101	Overlay	N models; Reversing; Lower

Electronic Display Control - Vend Models with N or W in the 7th Position



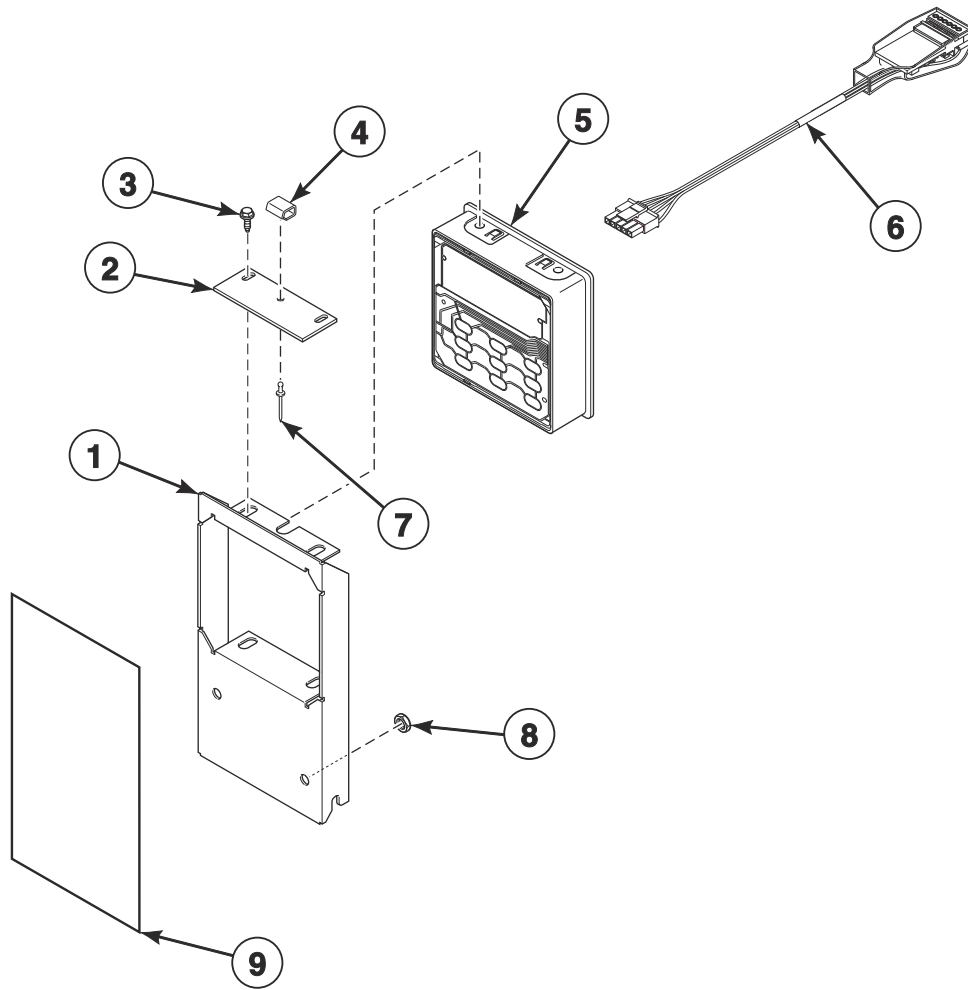
TMB3931P

Electronic Display Control - Vend Models with N or W in the 7th Position

REF	PART NO.	DESCRIPTION	COMMENTS
	44334102	Coin Vault Switch Harness	
	44334103	Bypass Harness	Vault Switch
	70577101	Vend Activation Harness	
	70622001	Main Harness	
	70622201	Harness	Front end control to central pay
1	70641801	Control Door and Studs Assembly	Coin
	70641802	Control Door and Studs Assembly	Card
	70641803	Control Door and Studs Assembly	Central pay
2	M400003	Pop Rivet	
3	70634401	Control Latch Plate	
4	D501524	Screw	8 required
5	431318	Control Door Latch	
6	70478801P	Control Assembly	Green
7	203361P	Machine ID Control Assembly	Model or serial number is required when ordering
8	70054	Nut	4 required
9	44089501	Slot Card Plate Assembly	
10	70658501	Control Stiffening Bracket	Prep for coin
11	70208801	Mounting Plate	Prep for card
12	44087101	Nut	2 required
13	70692601	Overlay	N models; Upper; Single drop
	70692602	Overlay	N models; Upper; Dual drop
	70692603	Overlay	N models; Upper; Card ready
	70692701	Overlay	N models; Lower; Single drop
	70692702	Overlay	N models; Lower; Dual drop
	70692703	Overlay	N models; Lower; Card ready
	70679001	Overlay	M models; Upper; Single drop
	70679101	Overlay	M models; Lower; Single drop
	70677501	Overlay	G and K models; Upper; Single drop
	70677502	Overlay	G and K models; Upper; Dual drop
	70677503	Overlay	G and K models; Upper; Card ready
	70677601	Overlay	G and K models; Lower; Single drop
	70677602	Overlay	G and K models; Lower; Dual drop
	70677603	Overlay	G and K models; Lower; Card ready
14	70557001	Overlay	M and N models; Prep for card
	70557002	Overlay	Central pay
	70295101	Overlay	N models; World drop

Electronic Display Control - OPL Models with N in the 7th Position

G, K and N Models

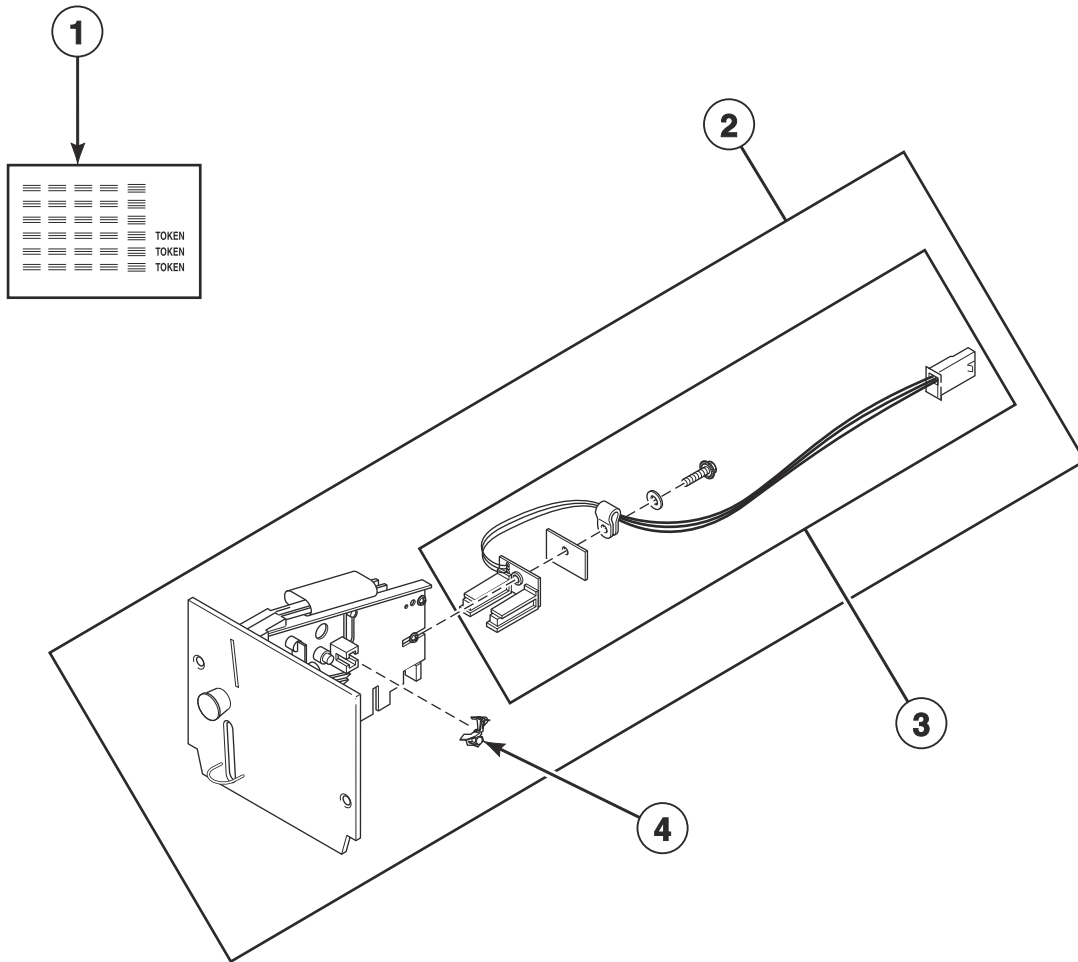


TMB3686P

Electronic Display Control - OPL Models with N in the 7th Position

REF	PART NO.	DESCRIPTION	COMMENTS
	70577101	Vend Activation Harness	
	70622001	Main Harness	
1	70641803	Control Door and Studs Assembly	
2	70634401	Control Latch Plate	
3	D501524	Screw	
4	431318	Control Door Latch	
5	70478802	Control Assembly	Green
6	203361P	Machine ID Control Assembly	Model or serial number is required when ordering
7	M400003	Pop Rivet	
8	44087101	Nut	
9	70692801	Overlay	N models; Reversing; Upper
	70692901	Overlay	N models; Reversing; Lower
	70677901	Overlay	G and K models; Reversing; Upper
	70681501	Overlay	G and K models; Reversing; Lower

Coin Drops

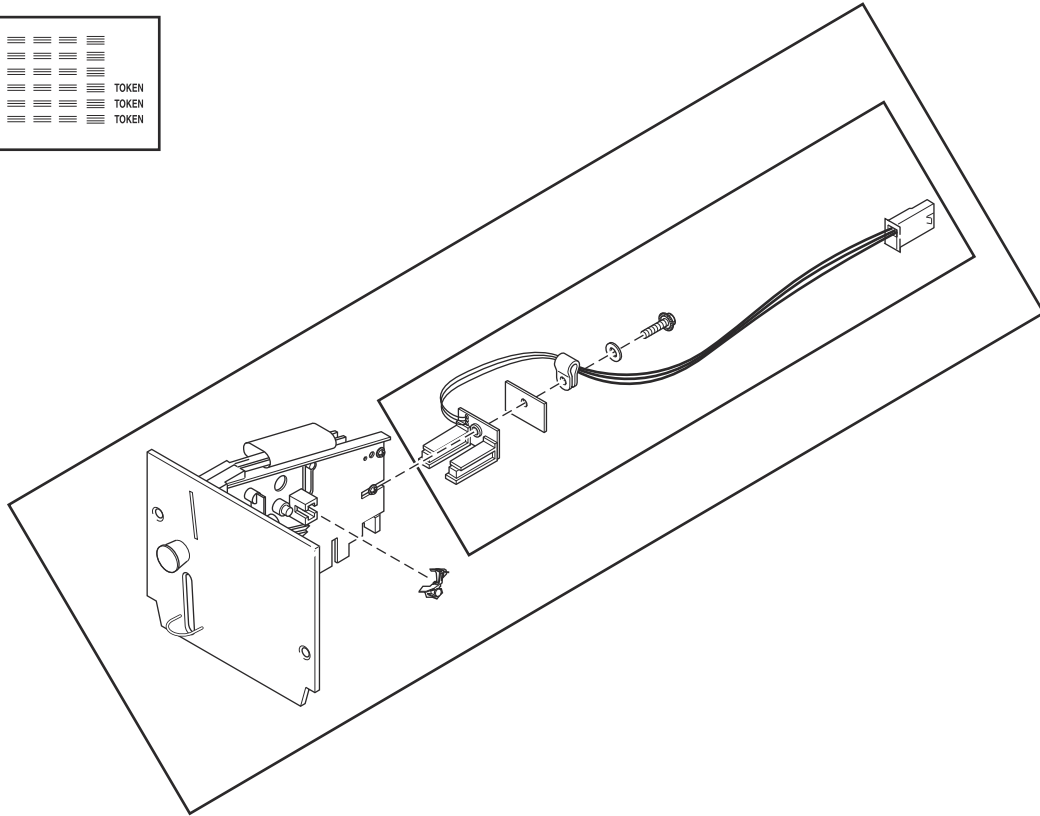
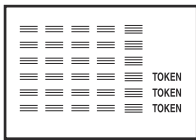


TMB3510P

Coin Drops

REF	PART NO.	DESCRIPTION	COMMENTS
1	38725	Coin Identification Paper	
2	70441601P	Coin Drop	Single; U.S.A.; \$.25
	38475	Coin Drop Assembly	Single; Japan; 100 yen
	38464P	Coin Drop Assembly	Single; Canada; .25
	CK077	Coin Drop Kit	Single; Taiwan; 10 NT
	70506901	Coin Drop Assembly	Single; Singapore; \$1.00 NEW
	70441603	Coin Drop	Dual; U.S.A.; \$.25 and \$1.00
	38519	Coin Drop Assembly	Dual; Japan; 100 yen and 500 yen
	70441602	Coin Drop Assembly	Dual; Canada; .25 and 1.00
	38467	Coin Drop Assembly	Dual; Australia; \$0.20 and \$1.00
	70447301	Coin Drop Assembly	Dual; Australia; \$1.00 and \$2.00
	70283102	Coin Drop Assembly	Dual; 0.20 and 0.50 Euro
	210195	Coin Drop Assembly	Dual; 0.20 and 1.00 Euro
	210196	Coin Drop Assembly	Dual; 0.50 and 1.00 Euro
	F0160737-00	Coin Meter	Dual; 0.50 and 2.00 Euro
	70281102	Coin Drop Assembly	Dual; Taiwan; 10 and 50 NT
	70482401	Coin Drop Assembly	Dual; New Zealand ; \$1.00 and \$2.00
	38462P	Coin Drop Assembly	Single; Token; STD 118-1
	38463	Coin Drop Assembly	Single; Token; STD 118-5
	38963P	Coin Drop	Single; Token STD 118-16
	39748	Coin Drop	Single; Jeton 08MS
	201141	Coin Drop Assembly	Single; Token; Jeton wh121
	70471601	Coin Drop Assembly	Single; Token; 7K
	70513302	Electronic Coin Drop Assembly	Euro and Great Britain coins
	70513310	Electronic Coin Drop Assembly	Japan and Thailand coins
	70513304	Electronic Coin Drop Assembly	Australia, New Zealand, Hong Kong and South Korea coins
	70513303	Electronic Coin Drop Assembly	Denmark, Norway and Euro coins
	70513306	Electronic Coin Drop Assembly	Mexico, Ecuador and U.S.A. coins
	70294107	Electronic Coin Drop Assembly	Lithuania, Latvia and Euro coins
	70513311	Electronic Coin Drop Assembly	China and Malaysia coins
	70513308	Electronic Coin Drop Assembly	South African 1, 2 and 5 rand coins
	70513309	Electronic Coin Drop Assembly	Euro coins
	70513312	Electronic Coin Drop Assembly	Russia coins
	70513313	Electronic Coin Drop Assembly	Phillipines coins
	70513314	Electronic Coin Drop Assembly	Thailand coins
	70513315	Electronic Coin Drop Assembly	Chile coins
	70513316	Electronic Coin Drop Assembly	Singapore coins
3	200674P	Opto Coupler	
4	201595P	Wire Guard	

Coin Drop Kits

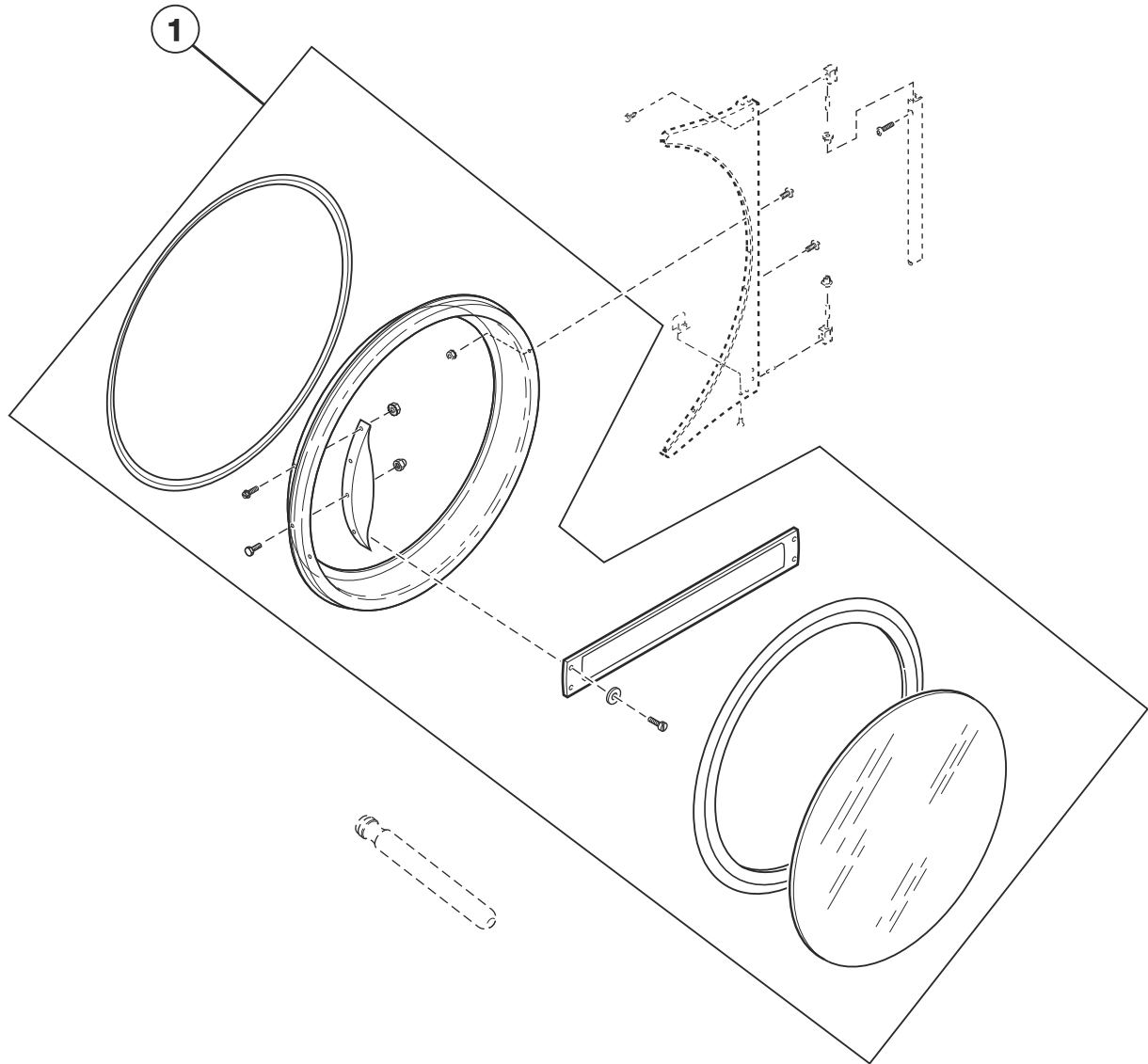


TMB3510PA

Coin Drop Kits

REF	PART NO.	DESCRIPTION	COMMENTS
	CK115	Electronic Coin Drop Kit	United States and Canada
	CK099	Electronic Coin Drop Kit	Australia (default), New Zealand, Hong Kong, South Korea and Malaysia
	CK100	Electronic Coin Drop Kit	United Kingdom (default) and Europe
	CK101	Electronic Coin Drop Kit	Europe (default), Denmark and Norway
	CK108	Electronic Coin Drop Kit	South Africa
	CK109	Electronic Coin Drop Kit	Euro
	CK110	Electronic Coin Drop Kit	Mexico (default), Ecuador and United States
	CK113	Electronic Coin Drop Kit	Japan and Taiwan
	CK116	Electronic Coin Drop Kit	Malaysia (default) and China
	CK117	Electronic Coin Drop Kit	Russia
	CK118	Electronic Coin Drop Kit	Philippine
	CK119	Electronic Coin Drop Kit	Thailand
	CK120	Electronic Coin Drop Kit	Chile
	CK121	Electronic Coin Drop Kit	Singapore
	CK122	Coin Drop Kit	New Zealand; 1.00 and 2.00

Door Assemblies

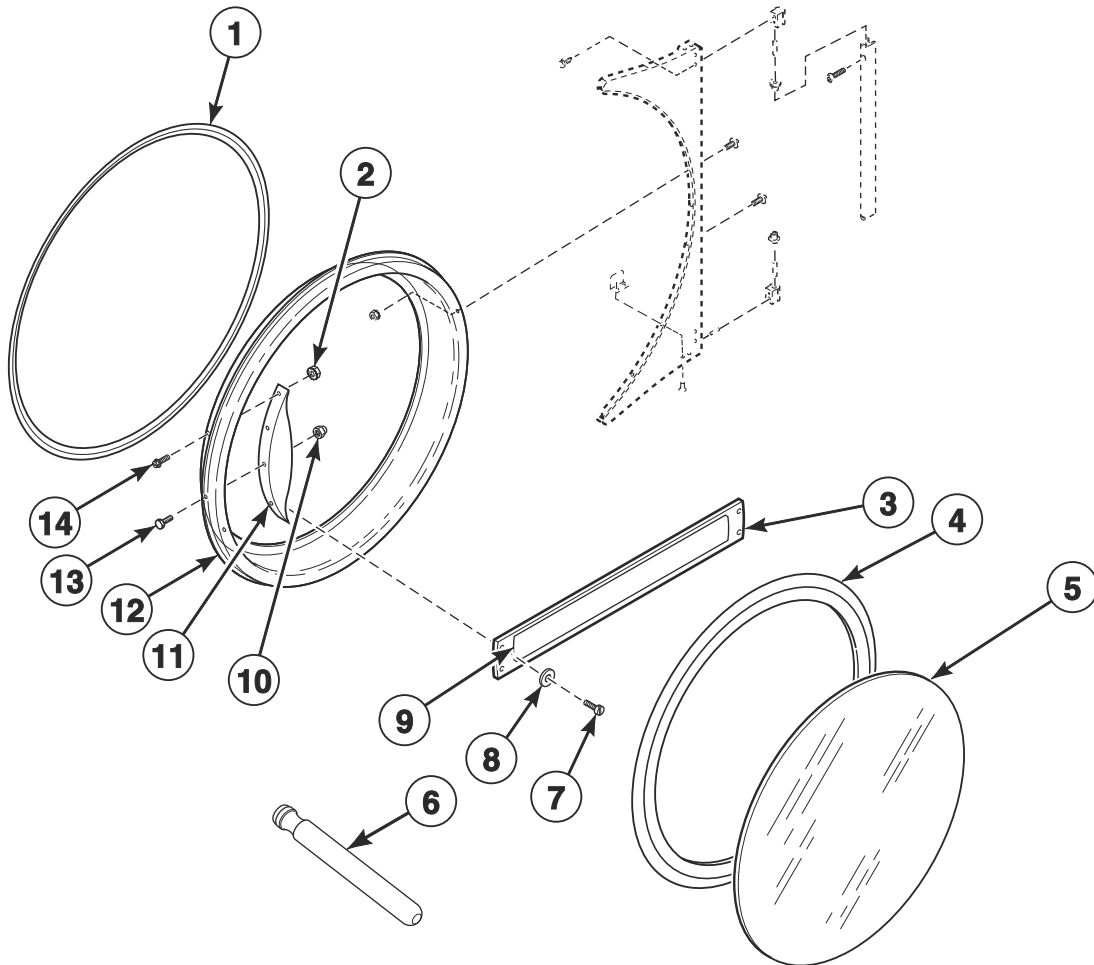


TMB3932P

Door Assemblies

REF	PART NO.	DESCRIPTION	COMMENTS
1	70597701	Door Assembly	M models; Stainless steel
	70597702	Door Assembly	M models; Chrome
	70597709	Door Assembly	N models; Black
	70597711B	Door Assembly	G and K models; Black

Door Components

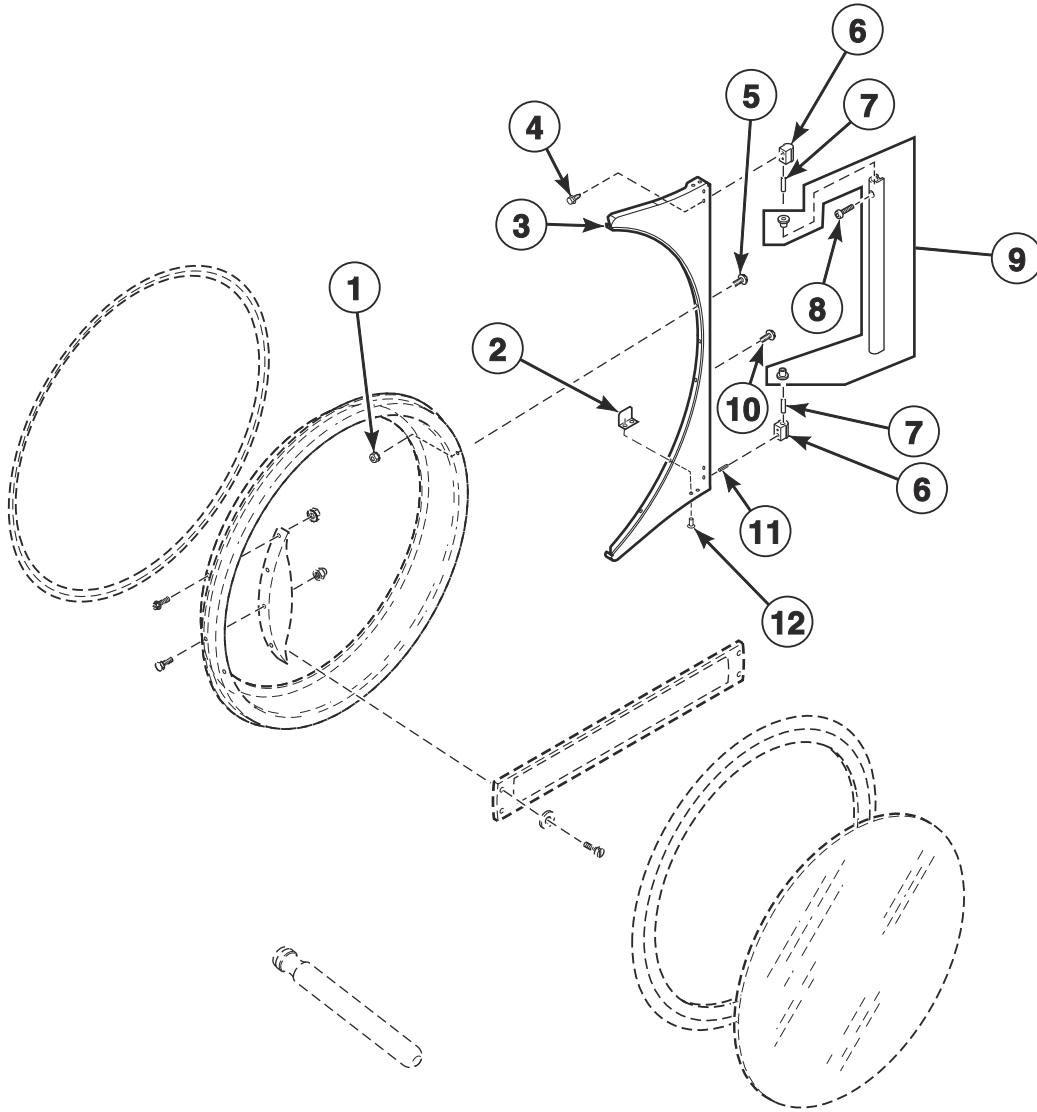


TMB3932PA

Door Components

REF	PART NO.	DESCRIPTION	COMMENTS
1	70296801	Door Ring Gasket	
2	44088001	Nut	M and N models; 4 required
3	70399502B	Handle Bar	G and K models
4	70211901P	Door Glass Seal Kit	Use Loctite 414 for seal
5	M400784P	Door Glass	
6	M4221P4	Door Glass Installation Tool	
7	70412601	Pop Rivet	G and K models; Attaches handle to door ring
8	70409301	Washer	G and K models
9	44144401	Nameplate Overlay	K models through 7/7/22
	44391201	Nameplate Overlay	K models starting 7/8/22
	70411401	Nameplate Overlay	G models
10	M414215	Nut	For door strike; Mounts between door strike screw and door handle
11	44007902P	Door Handle	M and N models
12	70597501	Door Ring Assembly	M models; Stainless steel
	70597502	Door Ring Assembly	M models; Chrome
	70597509B	Door Ring Assembly	G and K models
	70597507B	Door Ring Assembly	N models; Black
13	M400661	Screw	Door Strike
14	70442101	Screw	M and N models; 4 required

Hinge Components

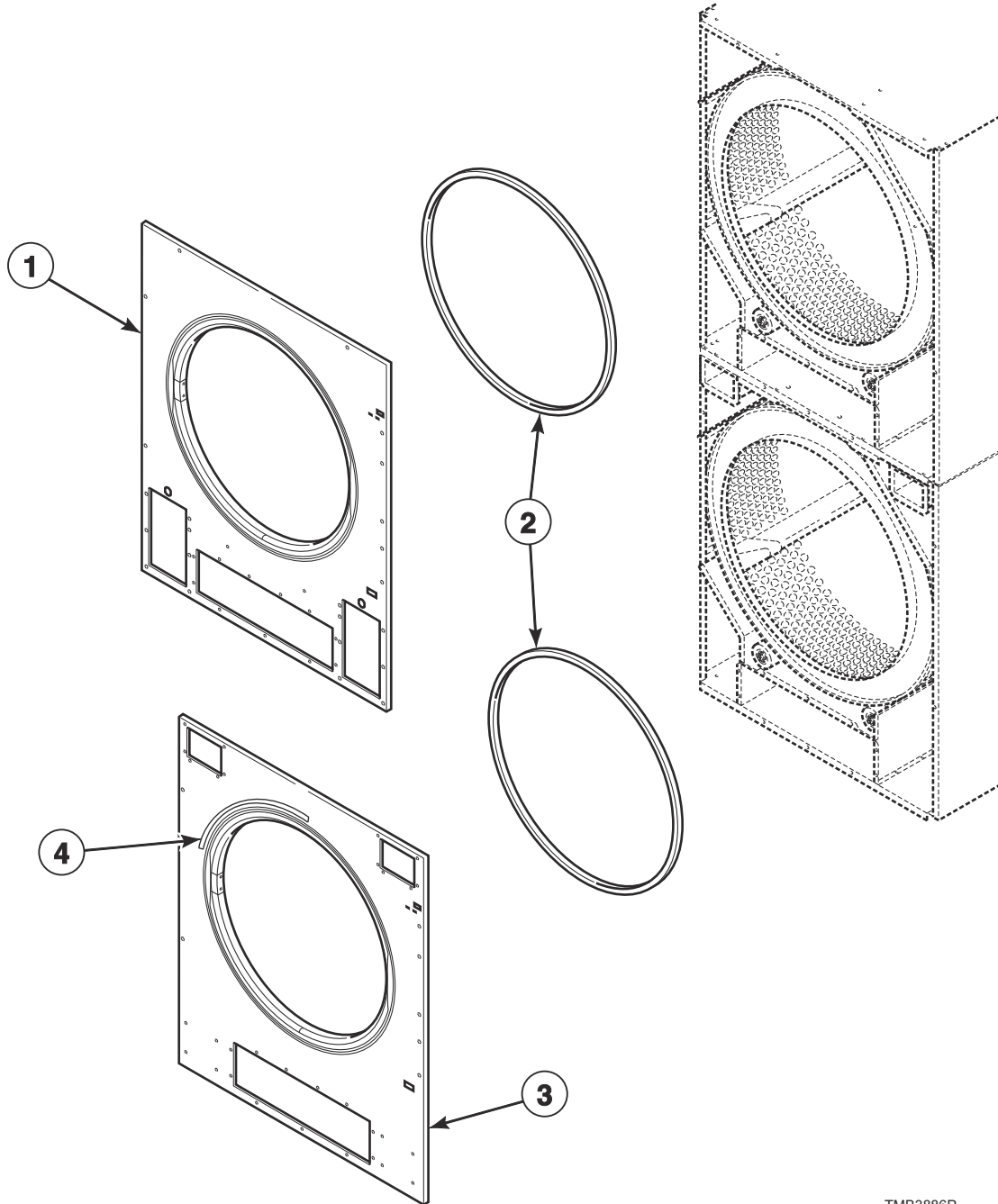


TMB3932PB

Hinge Components

REF	PART NO.	DESCRIPTION	COMMENTS
1	44088001	Nut	
2	70532101	Door Switch Actuator	Bottom
3	70595510W	Door Hinge	M and N models
	70595504	Door Hinge	M and N models; Stainless Steel
	70595510B	Door Hinge	G and K models; Black
4	70576101	Screw	
5	44349101	Screw	
6	M4772P3	Hinge Cam Kit	M models
	M4773P3	Hinge Cam Kit	G, K and N models; Black
7	70071401	Pin	
8	70033502	Screw	M models
	70407301	Screw	G, K and N models; Black
9	44035001	Door Hinge Lug Assembly	M models
	44035002	Door Hinge Lug Assembly	G, K and N models; Black
10	70689401	Screw	
11	70436301	Screw	
12	70058501	Pop Rivet	

Front Panel Assemblies

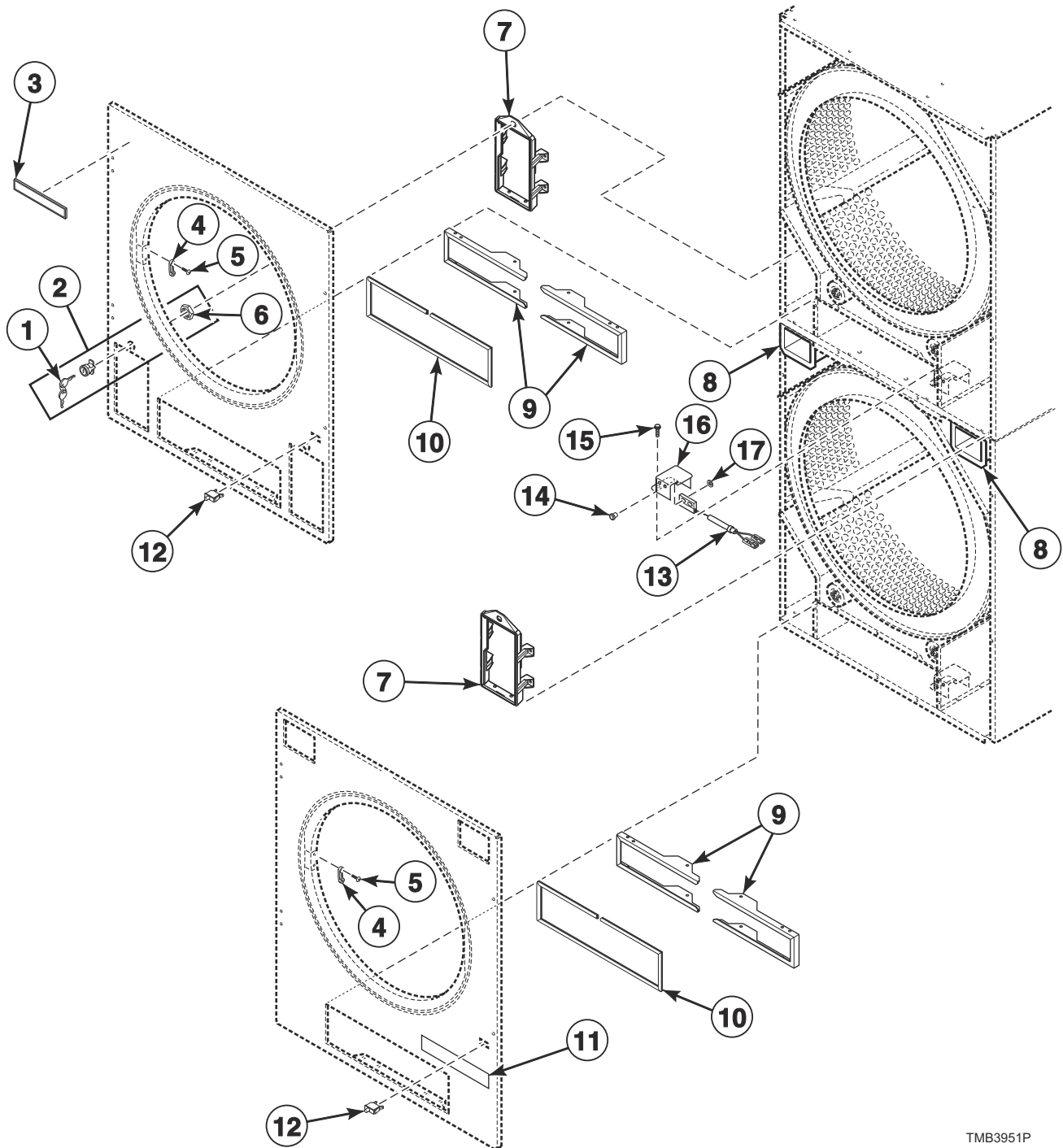


TMB3886P

Front Panel Assemblies

REF	PART NO.	DESCRIPTION	COMMENTS
	70399401	Access Panel Trim	G and K models
	70289101P	Gasket	
1	70704104W	Upper Front Panel Assembly	
	70704104	Upper Front Panel Assembly	Stainless steel
2	70173401P	Front Panel Seal	Requires D511637P Adhesive
3	70704101W	Lower Front Panel Assembly	Coin
	70704101	Lower Front Panel Assembly	Coin; Stainless steel
	70704102W	Lower Front Panel Assembly	Card, central pay and OPL without e-stop
	70704102	Lower Front Panel Assembly	Card, central pay and OPL without e-stop; Stainless steel
	70704103W	Lower Front Panel Assembly	OPL; With e-stop
	70704103	Lower Front Panel Assembly	OPL; Stainless steel; With e-stop
4	70534301	Warning Label	English
	70534302	Warning Label	French
	70534300	Label Kit	IEC models; Warning

Cabinet Front Components



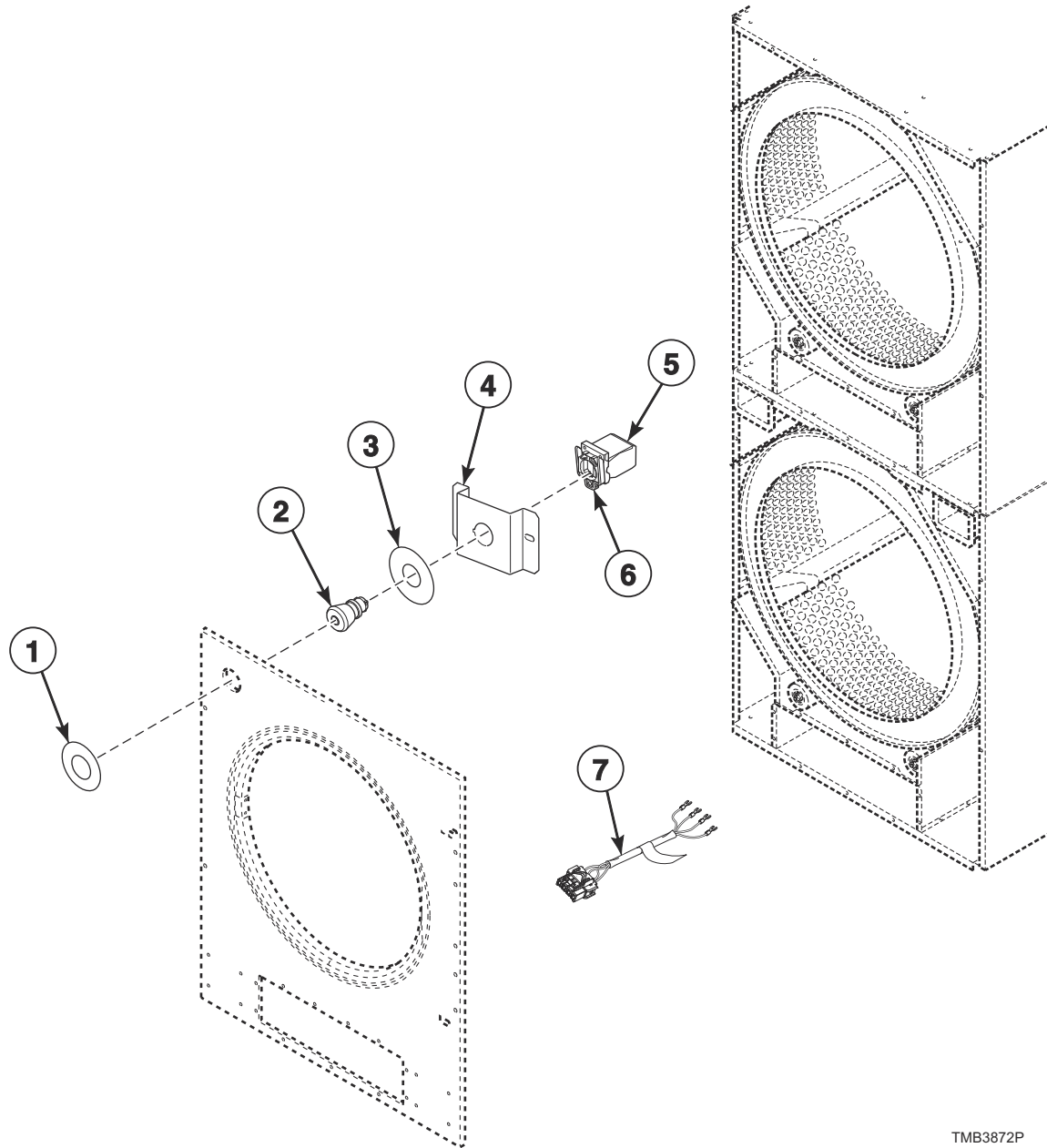
TMB3951P

Cabinet Front Components

REF	PART NO.	DESCRIPTION	COMMENTS
1	70155601	Key	RL001
2	44089301P	Lock, Key and Nut Kit	RL001; Black
3	70414001	Label	G and K models through 8/7/22; Coin; ExpressDry
	44391301	Label	G and K models starting 8/8/22; Coin; ExpressDry
	44391401	Label	K models starting 7/8/22; OPL; ProDry2+
4	M401223	Door Latch	
5	44166601	Pop Rivet	2 required for item 4
6	44088801	Nut	Panel lock
7	70642001	Control Bezel	
8	70529501	Coin Vault Assembly	
9	70605701	Lint Seal Shoulder Bracket	
10	70593901	Lint Box Gasket	
11	44392101	Label	K models starting 7/8/22; Capacity; OPL
12	70413301	Pushbutton Switch	Door switch
13	F8066804	Reed Switch Assembly	
14	F8245101	Blind Rivet	
15	430497	Screw	
16	70606301	Reed Switch Box	
17	F431125	Washer	

Emergency Stop Button - IEC OPL Models

A, H, J, K, L, R and U in the 2nd Position

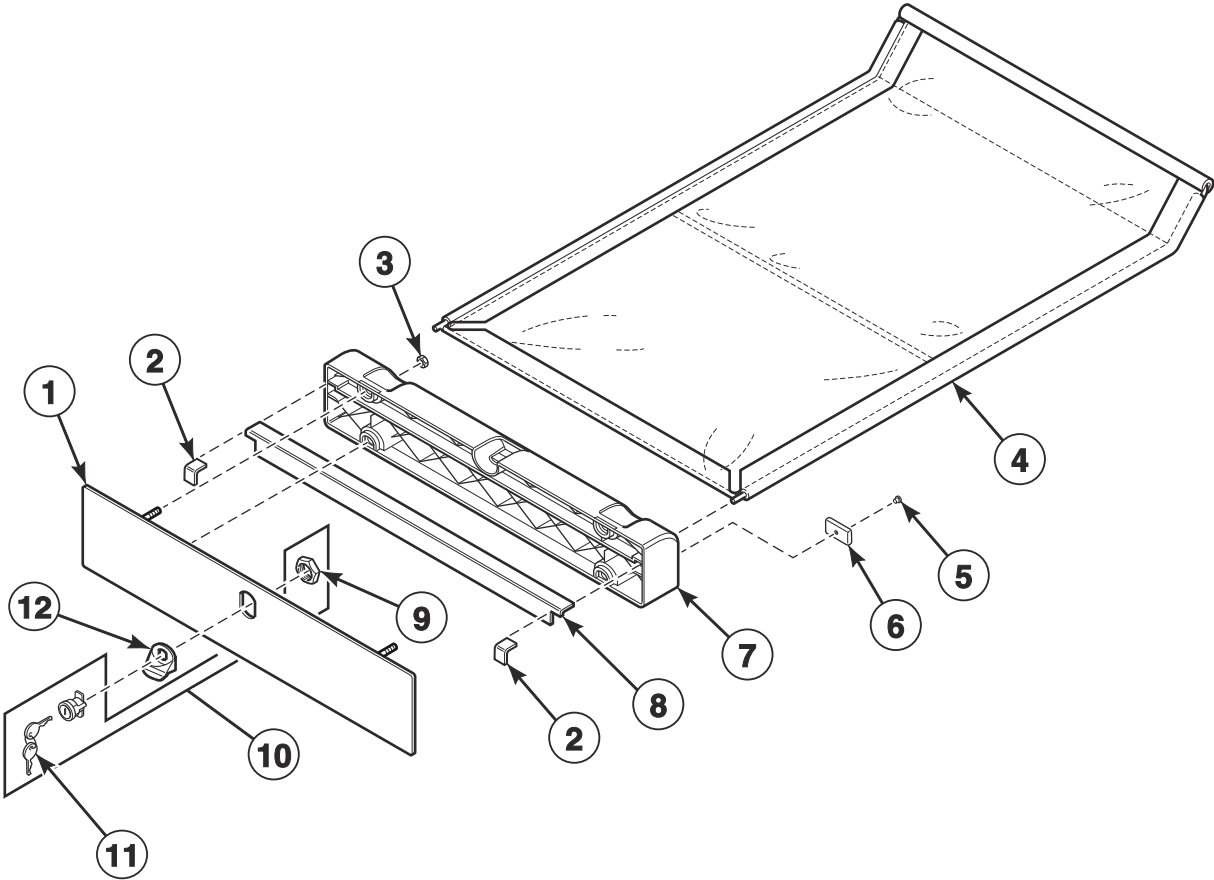


TMB3872P

Emergency Stop Button - IEC OPL Models

REF	PART NO.	DESCRIPTION	COMMENTS
	70580301	Emergency Stop Button Kit	Includes items 2-4
	F8519403	Emergency Stop Bypass Harness	Coin, card and central pay
	70611901	Emergency Stop Power Harness	
1	44012903	Emergency Stop Label	
2	F200233500	Emergency Stop Pushbutton	
3	44012901	Emergency Stop Label	
4	70550401	Emergency Stop Mounting Bracket	
5	F8069501	Contact Switch	4 required
6	F8538101	Contact Base	
7	44272401	Emergency Stop Harness	Primary
	44272402	Emergency Stop Harness	Supplementary

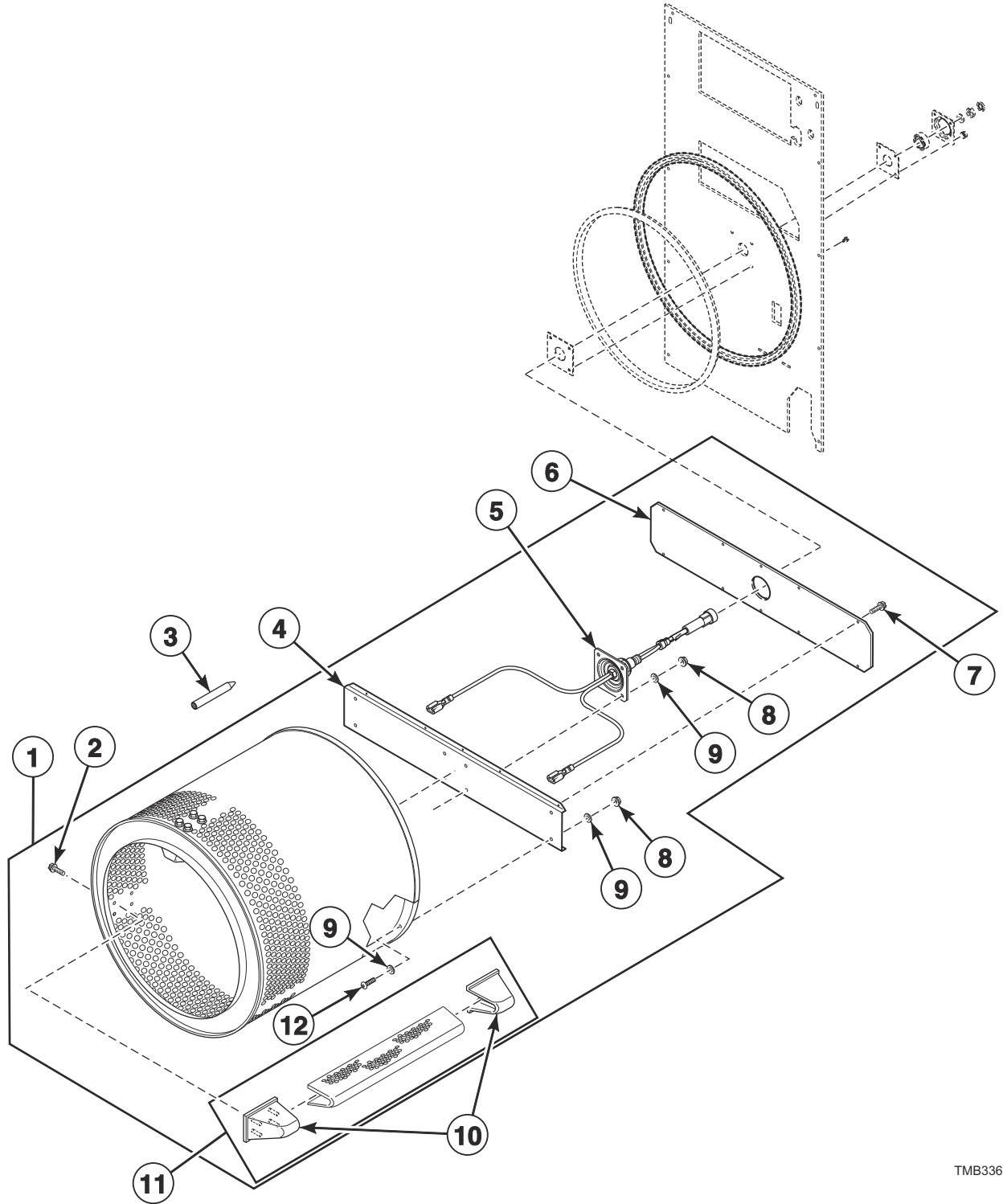
Lint Drawer Components



Lint Drawer Components

REF	PART NO.	DESCRIPTION	COMMENTS
	70598101	Foam Gasket	
	430497	Screw	
1	70567401	Lint Front Assembly	Stainless steel
	70567403W	Lint Front Assembly	
2	70605601	Lint Screen Shim	
3	44087101	Nut	
4	70596102	Lint Screen Assembly	
5	F8245101	Blind Rivet	
6	70343101	Magnet	
7	70598201	Lint Door Support	
8	70595702	Lint Screen Bracket	
9	44088801	Nut	
10	44390902P	Lock, Key and Nut Kit	RL002; Black
11	70155602	Key	RL002
12	70642201	Lock Pull	Vend

Cylinder and Trunnion Components

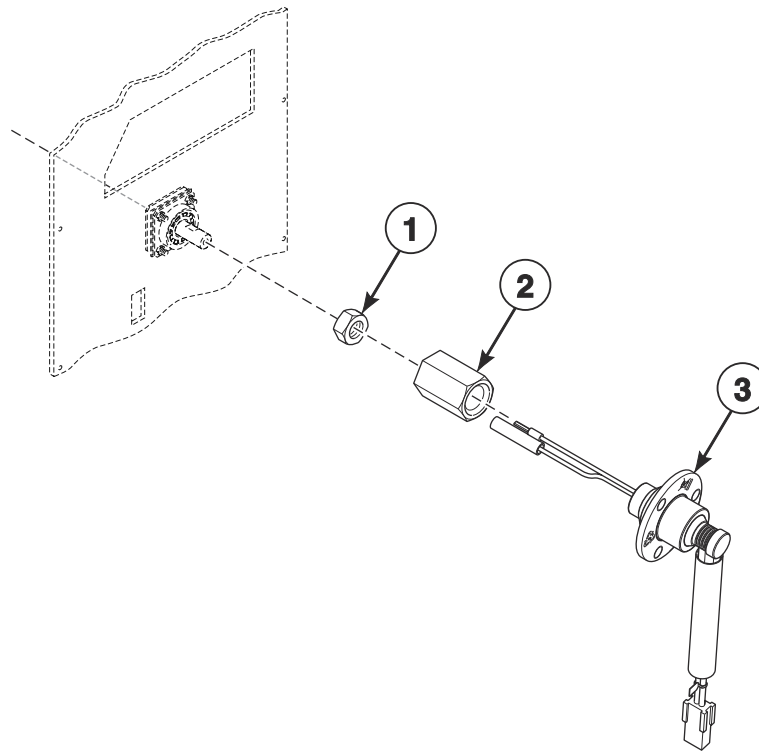


TMB3360P

Cylinder and Trunnion Components

REF	PART NO.	DESCRIPTION	COMMENTS
	70343101P	Drywall Screw Magnet Kit	Includes 6 magnets and 6 screws
1	70372501P	Cylinder Assembly	Galvanized; Non-moisture sensing
	70372502P	Cylinder Assembly	Stainless steel; Non-moisture sensing
	70372503P	Cylinder Assembly	G and K models; Non-moisture sensing
	70443901P	Cylinder and Trunnion Assembly	Galvanized; Moisture sensing
	70443902	Cylinder and Trunnion Assembly	Stainless steel; Moisture sensing
	70443903	Cylinder and Trunnion Assembly	G and K models; Moisture sensing
2	62588	Screw	
3	263P4	Cylinder Guide Tool	
4	70257101	Rear Cylinder Channel	Non-moisture sensing
	70257102	Rear Cylinder Channel	Moisture sensing
5	70564803	Trunnion and Seal Kit	Non-moisture sensing
	70564804	Trunnion and Seal Kit	Moisture sensing; Includes 70454601 Trunnion and Wire Assembly
6	70257201	Rear Cylinder Channel Plate	
7	430497	Screw	10 required
8	M412986	Nut	
9	70411301	Washer	
10	70070101	End Cap	Non-moisture sensing
	70070102	End Cap	Moisture sensing
11	70433002	Cylinder Rib Assembly	Moisture sensing
12	70391101	Screw	8 required

Moisture Sensing Components

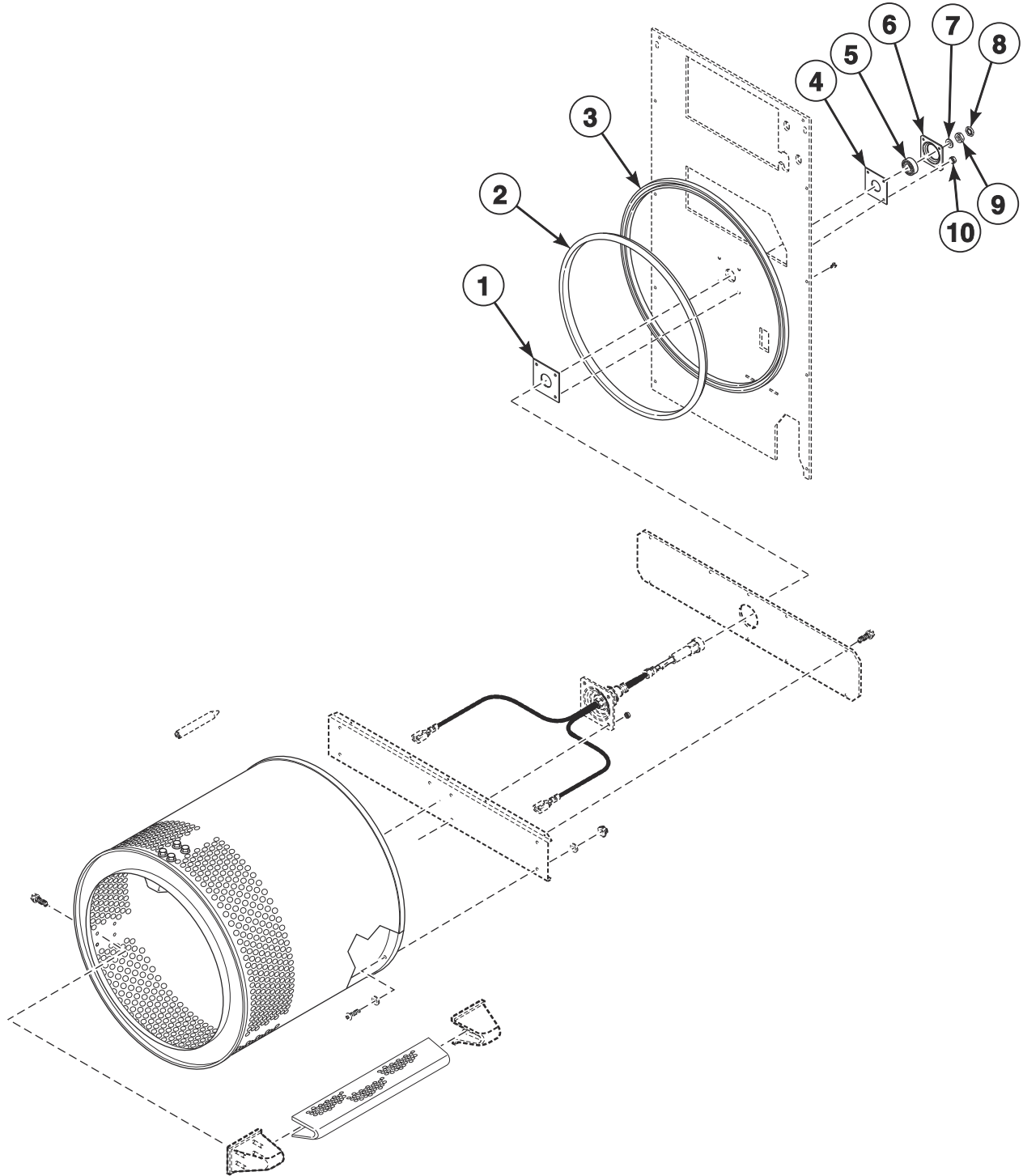


TMB3579P

Moisture Sensing Components

REF	PART NO.	DESCRIPTION	COMMENTS
1	M400035	Nut	
2	70455401	Slip Ring Holder	
3	44222702	Slip Ring Assembly	

Bearing Components

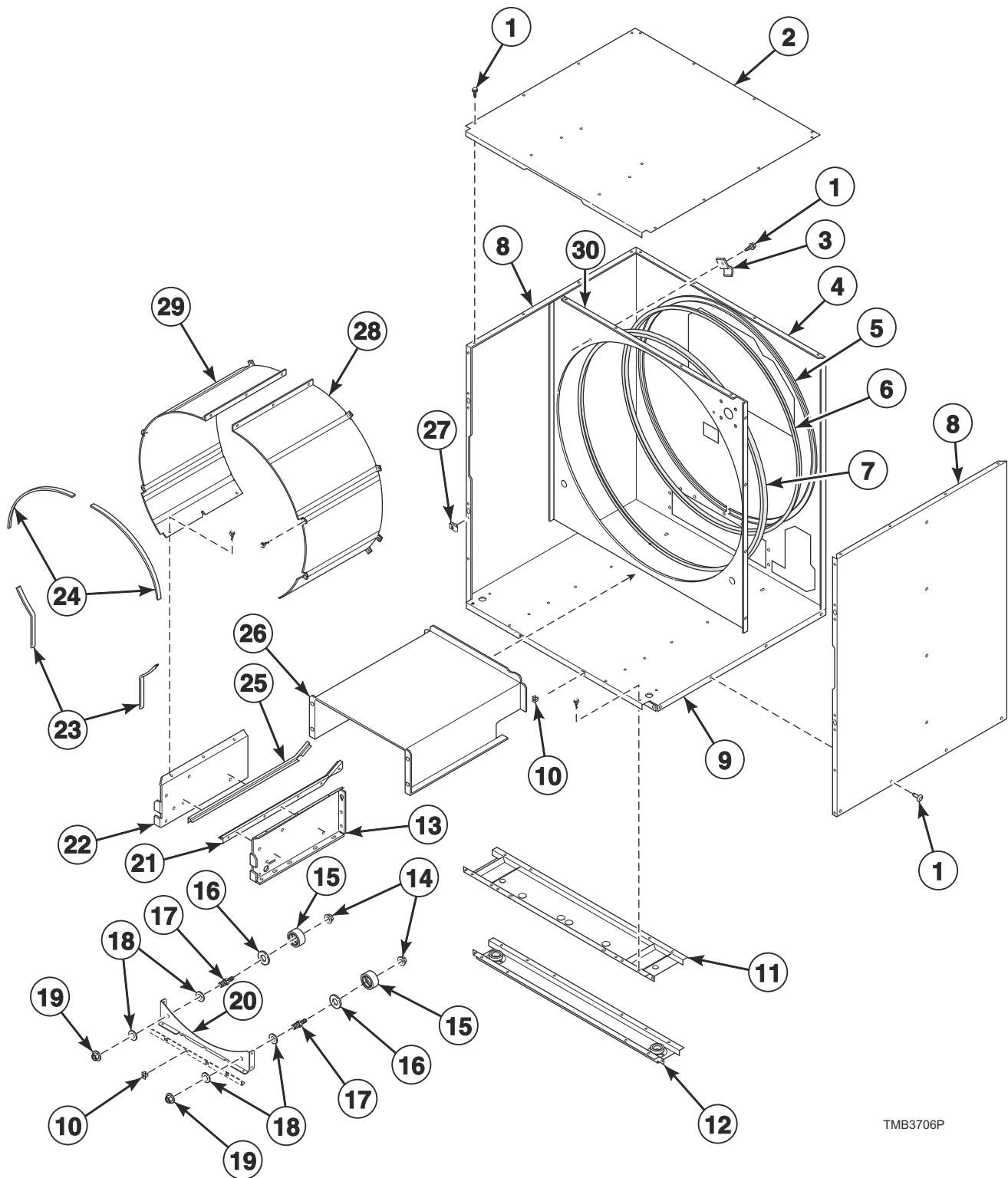


TMB3163PA

Bearing Components

REF	PART NO.	DESCRIPTION	COMMENTS
1	430352	Cylinder Bearing Stud Plate Assembly	
2	70013701P	Rear Cylinder Seal	Requires D511637P Adhesive
3	70506402	Rear Cylinder Seal Support	
4	70355001	Rear Bearing Shim	
5	70448701	Support Bearing	
6	70013901	Rear Cylinder Bearing Housing	
7	M400991	Washer	
8	M400034	Nut	
9	M400022	Nut	
10	M412986	Nut	

Cabinet Components

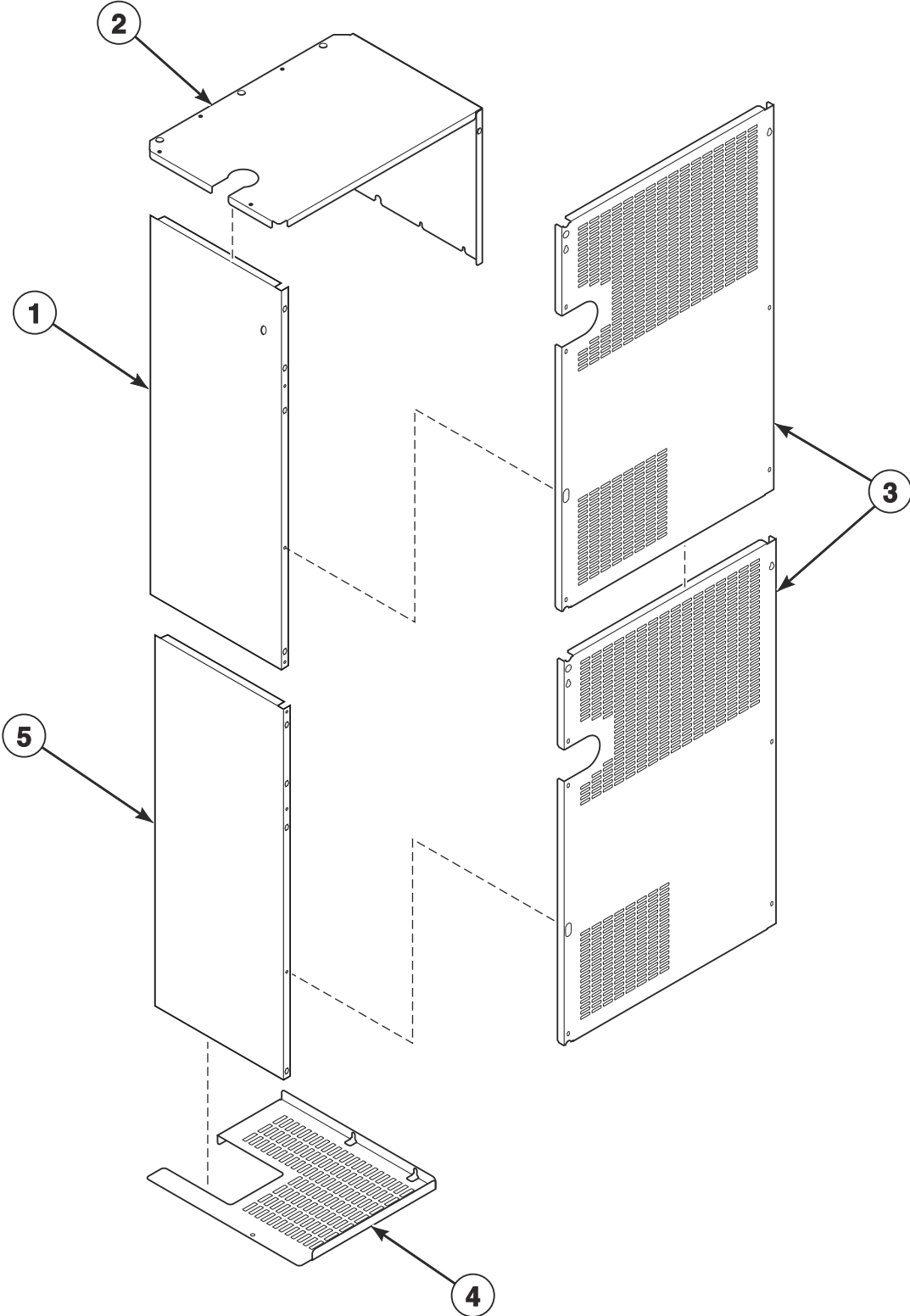


TMB3706P

Cabinet Components

REF	PART NO.	DESCRIPTION	COMMENTS
	298P4P	Spray Paint	White
	122P4P	Porcelain Touch-Up Paint	White
	430352	Cylinder Bearing Stud Plate Assembly	
	70058501	Pop Rivet	
	21899	Nut	For leveling legs
	70247701	Screw	For leveling legs
	70696201	Top Panel	Top pan of lower pocket
	70606201	Lower Pan	Lower pan of lower pocket
1	430497	Screw	
2	70339601	Top Panel	Upper pocket
3	70226701	Clip	
4	70616601	Rear Panel	Gas models
	70616602	Rear Panel	Electric models
5	70506402	Rear Cylinder Seal Support	
6	70013701P	Rear Cylinder Seal	Requires D511637P Adhesive
7	70066003	Center Cylinder Seal	Includes center cylinder seal support and center cylinder seal
8	70663301W	Side Panel	
9	70606001	Center Pan	Lower pan of top pocket
10	M400984	Clip	
11	70606101	Center Pan Channel	Located under center pan
12	70288201	Channel Base Assembly	Lower pocket
13	70573701	Front Air Duct	Right
14	430576	Nut	
15	70616701	Roller and Seal Kit	
16	70443601	Roller Seal	
17	70249501	Roller Shaft	
18	70261401	Washer	
19	70288801	Nut	
20	70584901	Roller Support Bracket	
21	70580901	Lint Tray Rail	Right
22	70573702	Front Air Duct	Left
23	70015711	Sheet Metal Edge Gasket	Lower
24	70015712	Sheet Metal Edge Gasket	Upper
25	70580902	Lint Tray Rail	Left
26	70580801	Air Duct	Rear
27	70030401	Nut	
28	70339301	Cylinder Shroud	Right
29	70339302	Cylinder Shroud	Left
30	70639201	Center Partition	

Rear Panels

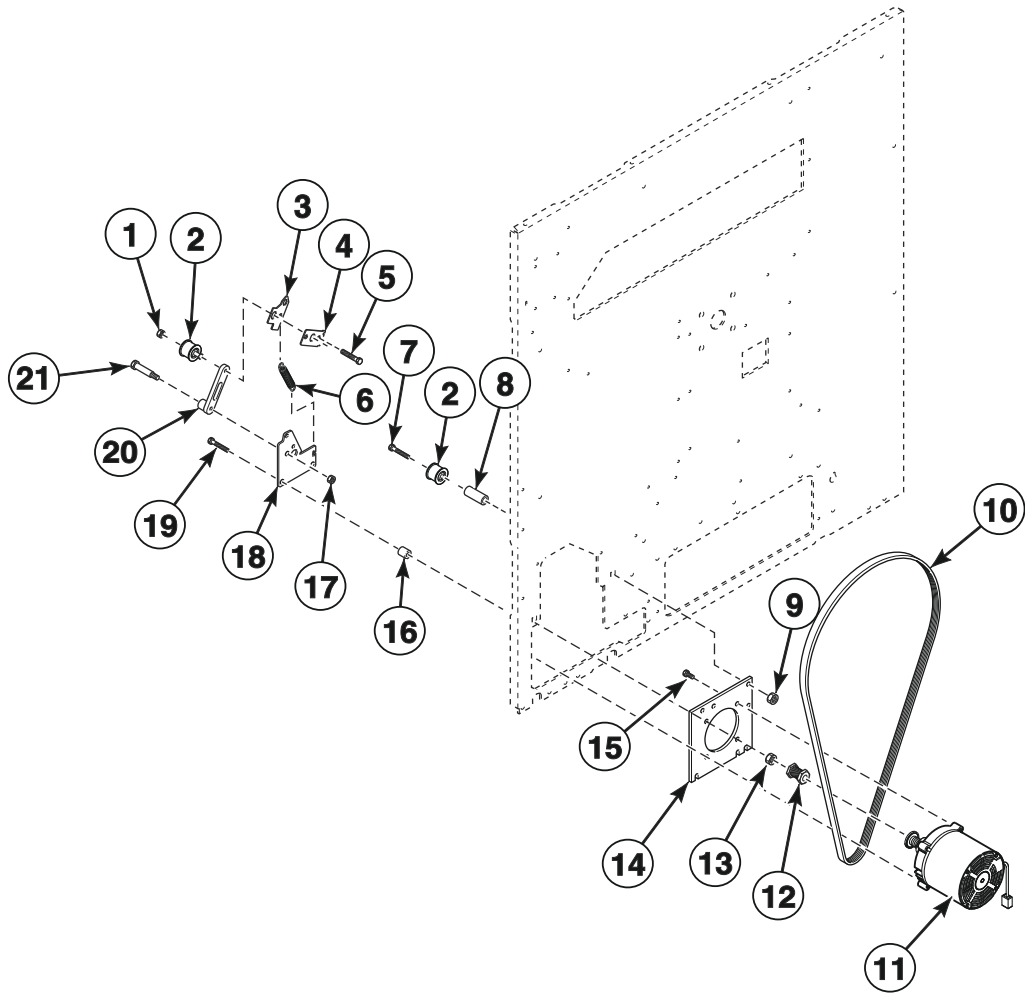


TMB3881P

Rear Panels

REF	PART NO.	DESCRIPTION	COMMENTS
	430497	Screw	Use with item 1
	70030501	Expansion Clip	Use with item 1
	51780	Screw	Use with item 4
	70626201	Guard Bracket	Upper
	70633501	Guard Bracket	Middle
	70650901	Rear Cover	Electric models
1	70699301	Side Guard	Upper
2	70616001	Rear Guard	Gas models; Top
	70616002	Rear Guard	Electric models; Top
3	70633601	Rear Guard	Gas models
	70633602	Rear Guard	Electric models
4	70661701	Bottom Guard	
5	70699201	Side Guard	Lower

Drive Motor Components

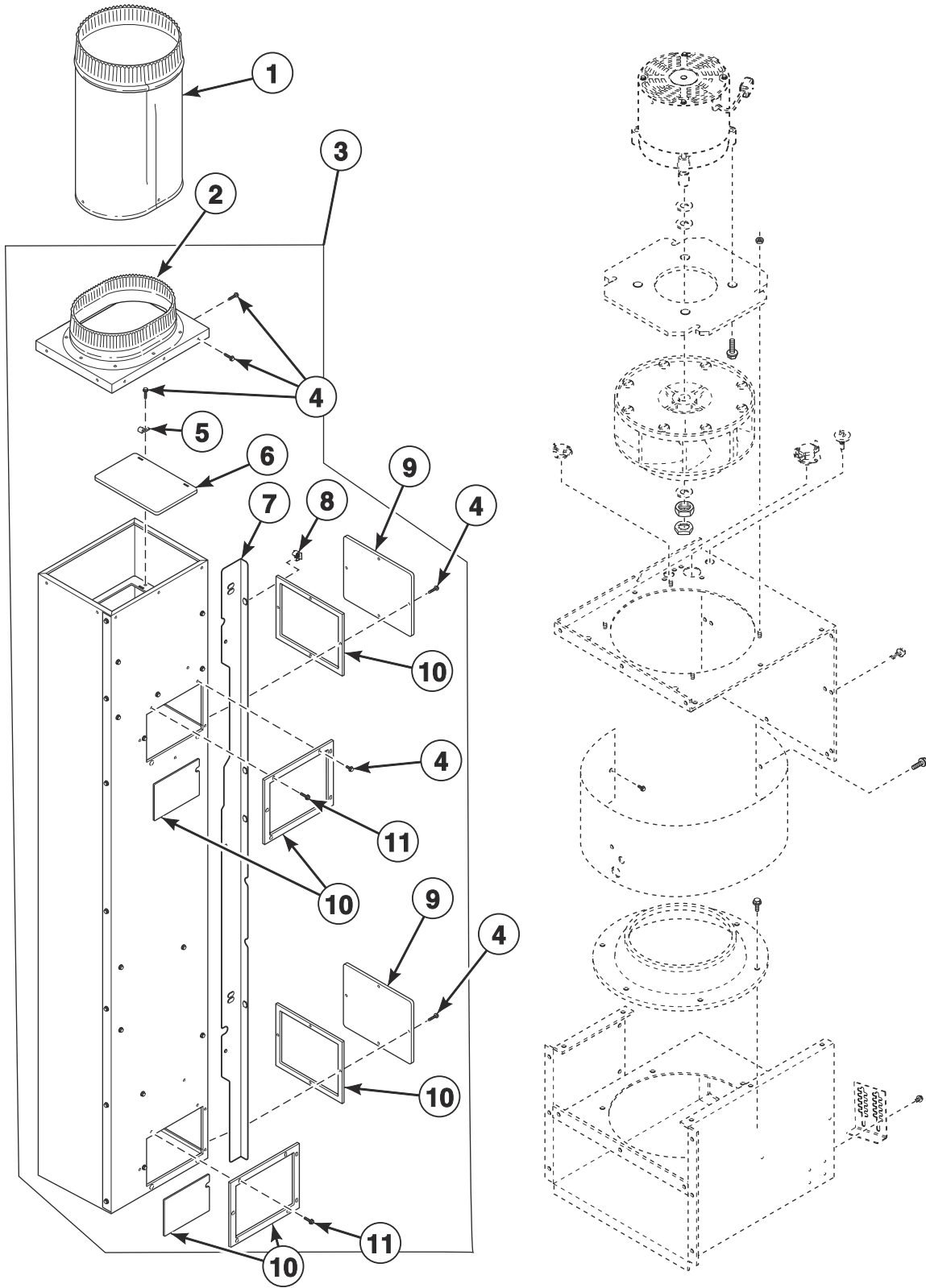


TMB3873P

Drive Motor Components

REF	PART NO.	DESCRIPTION	COMMENTS
1	56156	Nut	
2	70050401P	Idler Wheel Assembly	
3	70569501	Tensioning Bracket	
4	70543401	Spring Catch Bracket	
5	70508301	Screw	
6	70571801	Spring	
7	F430144	Screw	
8	70569603	Standoff	
9	44087201	Nut	
10	70655102	Lever Arm and Belt Kit	
11	44355001	Drive Motor	.50 HP; 120-240 Volt
	44355002	Drive Motor	.50 HP; 480 Volt
12	70559101	Motor Pulley	
13	44333202	Nut	
14	70564201	Motor Mount Plate	
15	44364603	Screw	3 required; Also qty 1 of 44364601 Screw
16	70488403	Spacer	
17	44087301	Nut	
18	70571901	Drive Plate	
19	70546301	Screw	
20	70653801	Lever Arm and Bushing Assembly	
21	70501301	Screw	

Exhaust Components

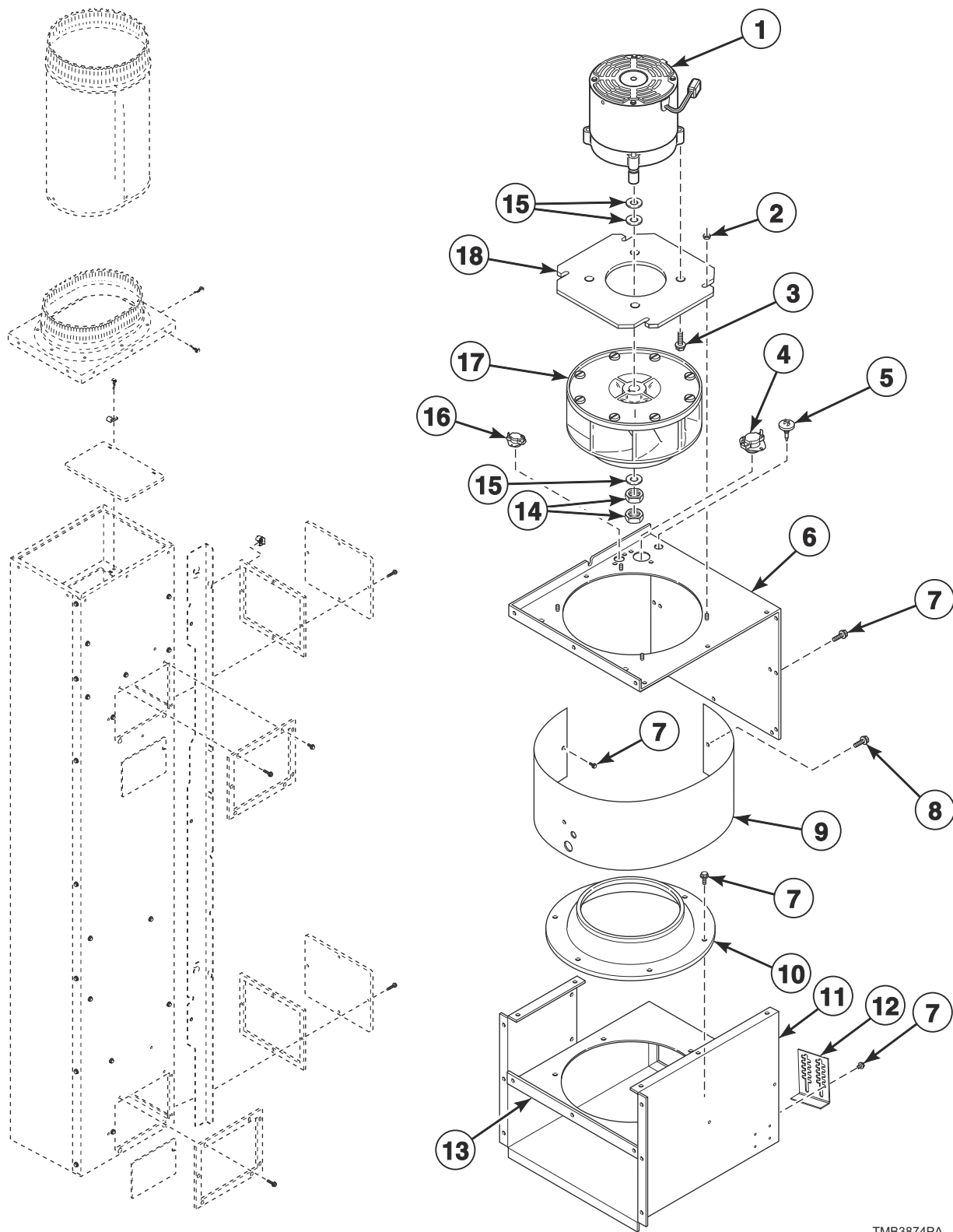


TMB3874P

Exhaust Components

REF	PART NO.	DESCRIPTION	COMMENTS
	70289101P	Gasket	Sold per foot
1	44154301	Exhaust Pipe	IEC models
2	70207501	Duct Cover	Top
3	70528304	Exhaust Duct Assembly	North America and Australia models
	70528305	Exhaust Duct Assembly	IEC models
4	430497	Screw	12 required
5	70226701	Clip	
6	70343501	Duct Damper	
7	70633401	Rear Guard Bracket	
8	70030501	Expansion Clip	
9	70340301	Duct Access Cover	2 required; Bottom
10	70340401	Exhaust Duct Gaskets Assembly	2 required
11	M411072	Screw	2 required

Blower Components

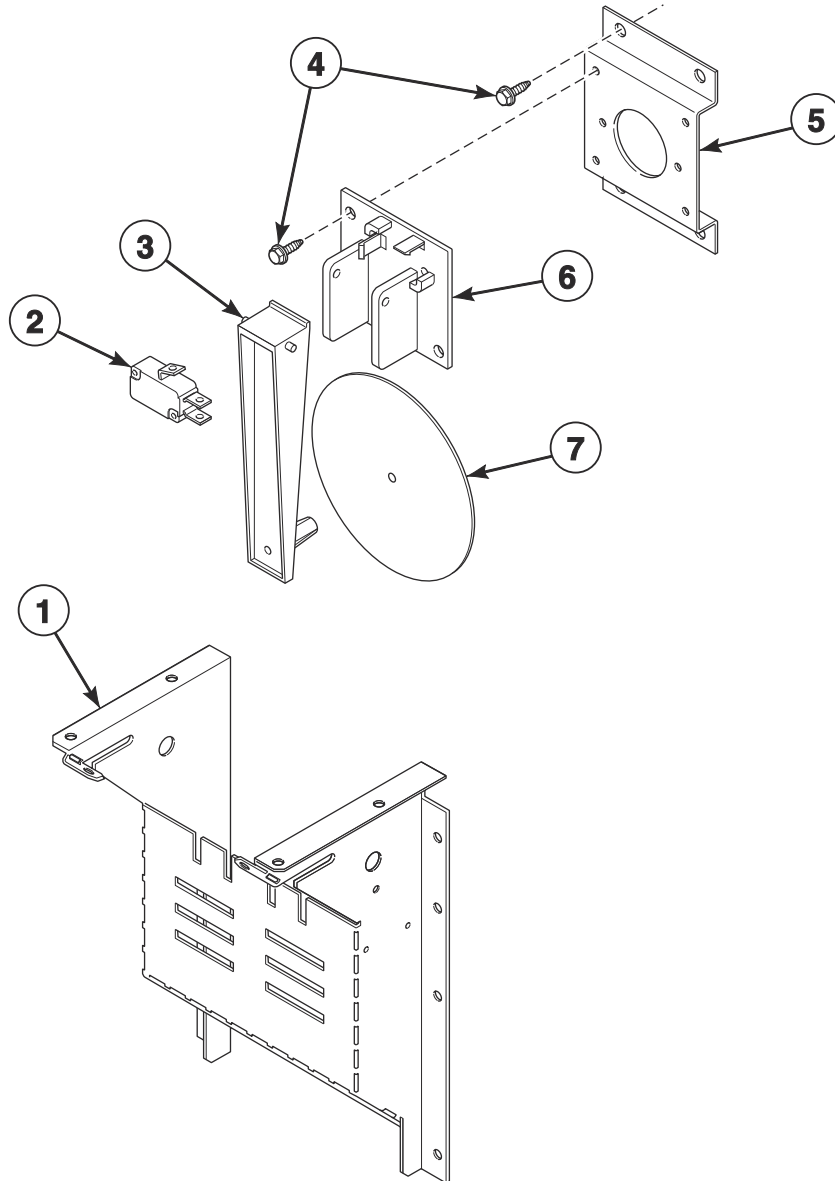


TMB3874PA

Blower Components

REF	PART NO.	DESCRIPTION	COMMENTS
	70661201	Lower Rear Guard Bracket	
	70392701P	Gasket	For blower housing opening
1	44354901	Fan Motor	.50 HP; 240 Volt
	44354903	Fan Motor	.50 HP; 480 Volt
2	29786	Nut	4 required
3	44364601	Screw	4 required
4	44328001	Limit Thermostat	
5	M414704	Thermistor	
6	70341403	Blower Housing Cover Assembly	
7	51780	Screw	
8	430497	Screw	12 required
9	70340801	Blower Housing Scroll	
10	70014101	Blower Inlet Cone	
11	70665801	Blower Housing	
12	70200301	Rear Stabilizer Bracket	
13	70340701	Blower Inlet Plate	
14	70660601	Nut	2 required
15	M400991	Washer	3 required
16	70530901	Limit Thermostat	
17	70359801P	Blower Assembly	
18	70341001	Blower Motor Mounting Plate	

Airflow Switch

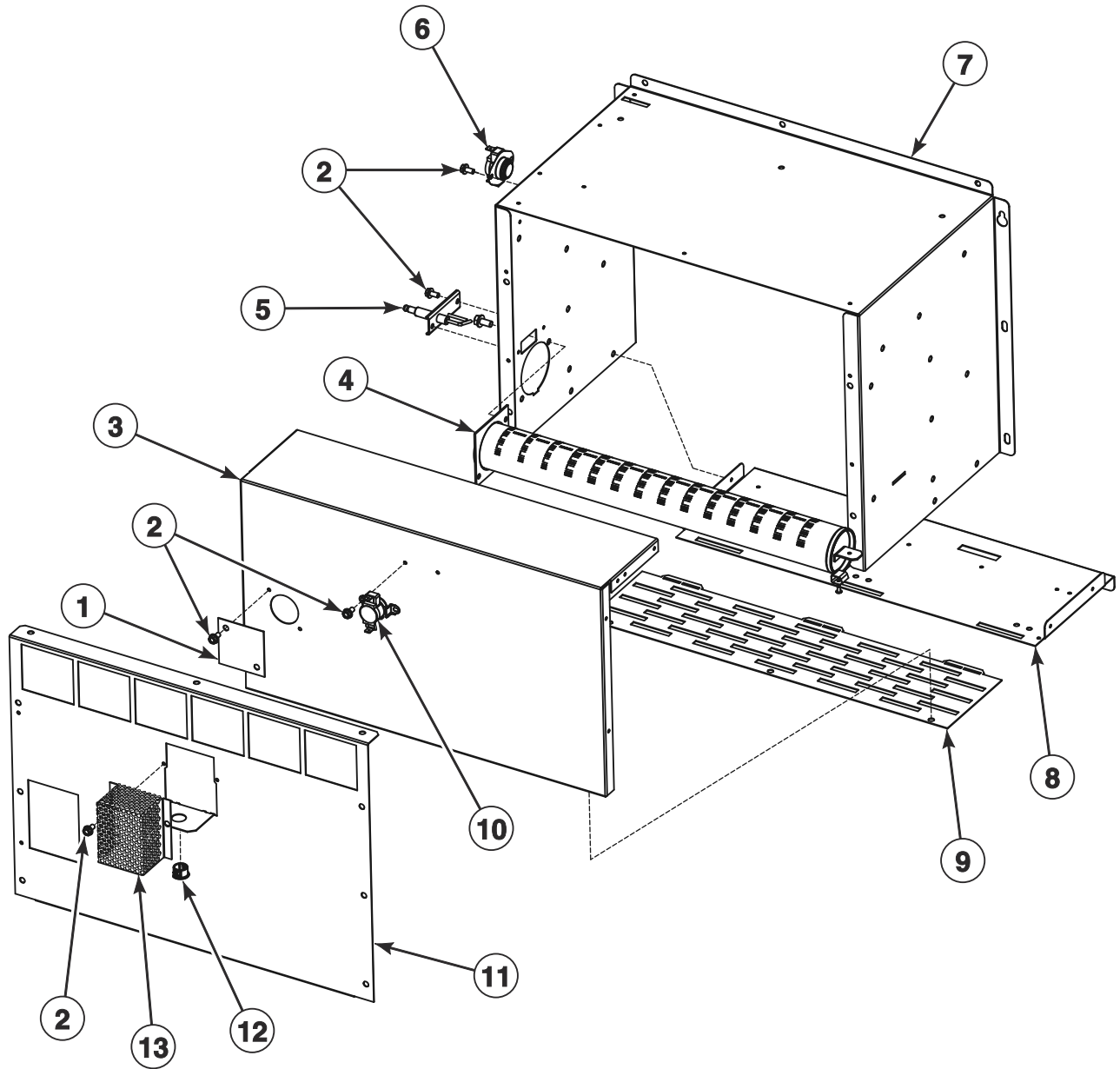


TMB3582P

Airflow Switch

REF	PART NO.	DESCRIPTION	COMMENTS
1	70356101	Airflow Switch Wrapper	
2	70411901	Switch	
3	70319401	Airflow Switch Arm	
4	430757	Screw	
5	70356301	Switch Bracket	
6	70319602	Airflow Switch and Arm Bracket	
7	70319201	Airflow Switch Vane	

Gas Burner Housing and Secondary Stove Limit

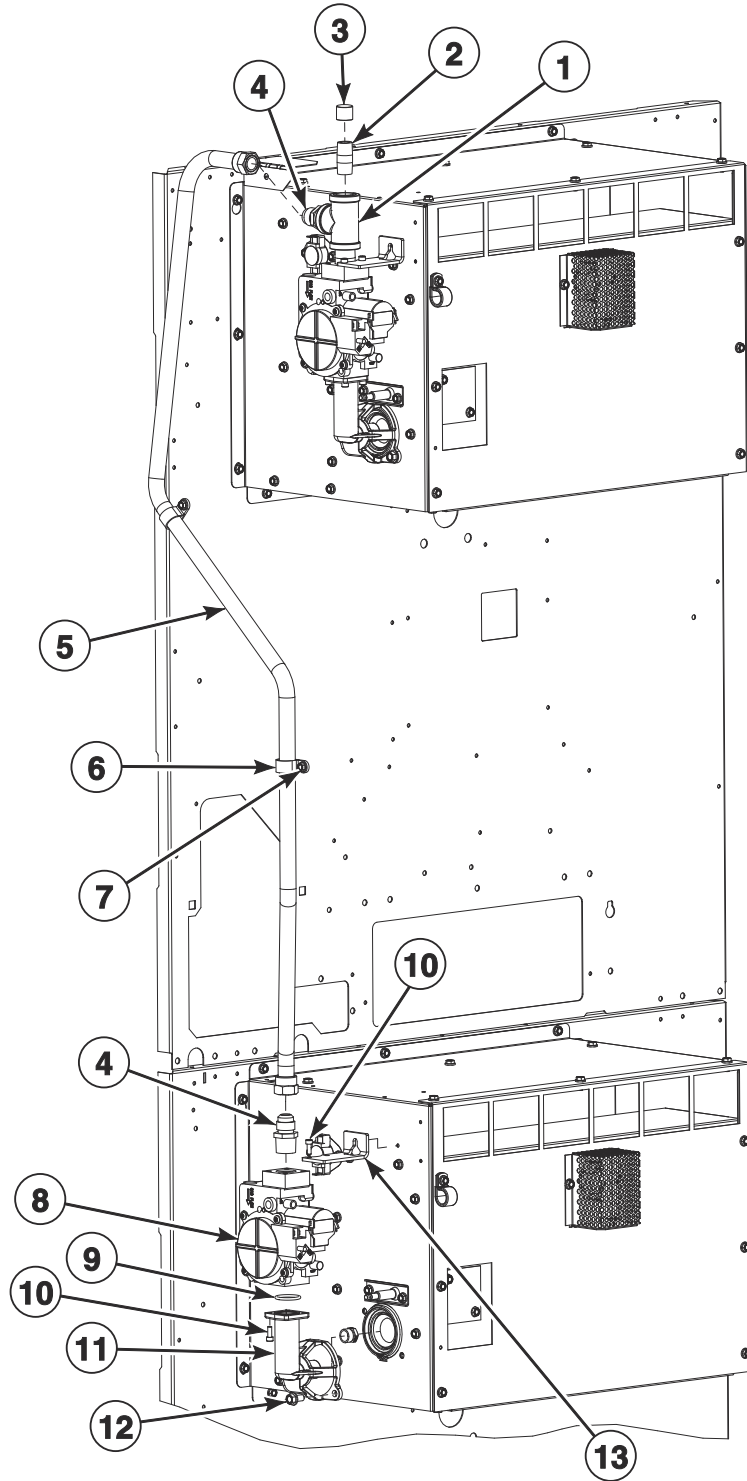


TMB3878P

Gas Burner Housing and Secondary Stove Limit

REF	PART NO.	DESCRIPTION	COMMENTS
	70613801	Stove Limit Harness	Use 70203701 Pipe Clip to secure
	44239701	High Voltage Suppression Cable	
1	70159601	Igniter Cover	
2	430497	Screw	
3	70306101	Stove Partition	
4	70229801P	Gas Burner	
	70546701	Anti-Rattle Burner Assembly	Includes 70229801P Gas Burner, 431318 Control Door Latch and M400003 Pop Rivet
5	70654201	Spark Electrode	
6	44328005	Limit Thermostat	Side
7	70647101	Stove Top and Sides	
8	70652401	Stove Cover	Lower
9	70188801	Burner Grill	
10	44328104	Limit Thermostat	Rear
11	70371501	Stove Back	
12	M411826	Snap Bushing	
13	M414477	Thermostat Cover	

Gas Valve and Piping

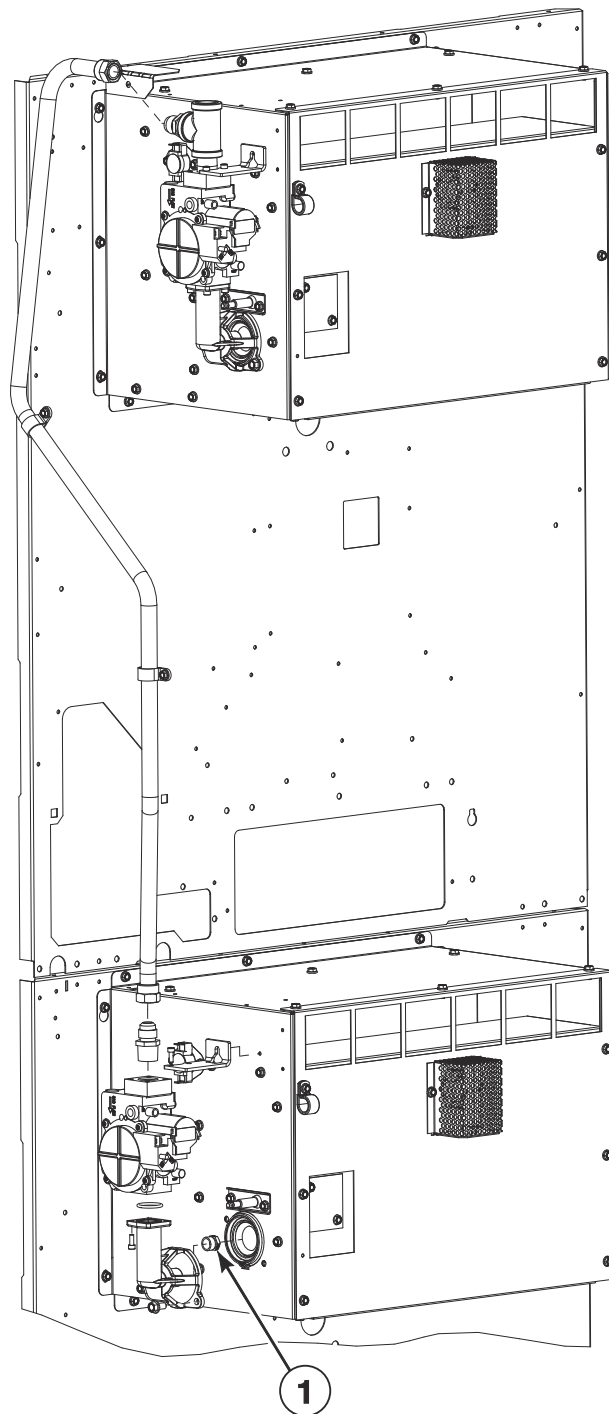


TMB3946P

Gas Valve and Piping

REF	PART NO.	DESCRIPTION	COMMENTS
	70550205	L.P. Conversion Kit	T and G market models; Natural Gas (N.G.); 0-2,000 feet
	70550211	L.P. Conversion Kit	Australian models; N.G.; 0-2,000 feet
	70551905	L.P. Conversion Kit	IEC models; N.G.; 0-2,000 feet
	44239701	High Voltage Suppression Cable	
	70131901	Adapter	IEC models; BPT/NPT
	70613901	Gas Valve Harness	
	70535901	Notice Label	Australian models; N.G.
	70544901	Notice Label	Australian models; Liquid Petroleum (L.P.)
	70239801	Primary Air Adjustment Sleeve	L.P. models
1	F422208	Tee	
2	70612604	Pipe Nipple	K market models
3	70167601	Plug	
4	70262601	Pipe	
5	70660501	Gas Tubing	
6	70661601	Clamp	
7	51780	Screw	
8	44154503	N.G. Valve	T and G market models
	44154504	L.P. Valve	T and G market models
	44154507	Gas Valve	IEC models; N.G.
	44154508	Gas Valve	IEC models; L.P.
9	431482	O-Ring	
10	70672501	Screw	
11	70659201	Gas Valve Manifold	
12	05161	Screw	
13	70645401	Gas Valve Bracket	

Burner Orifices



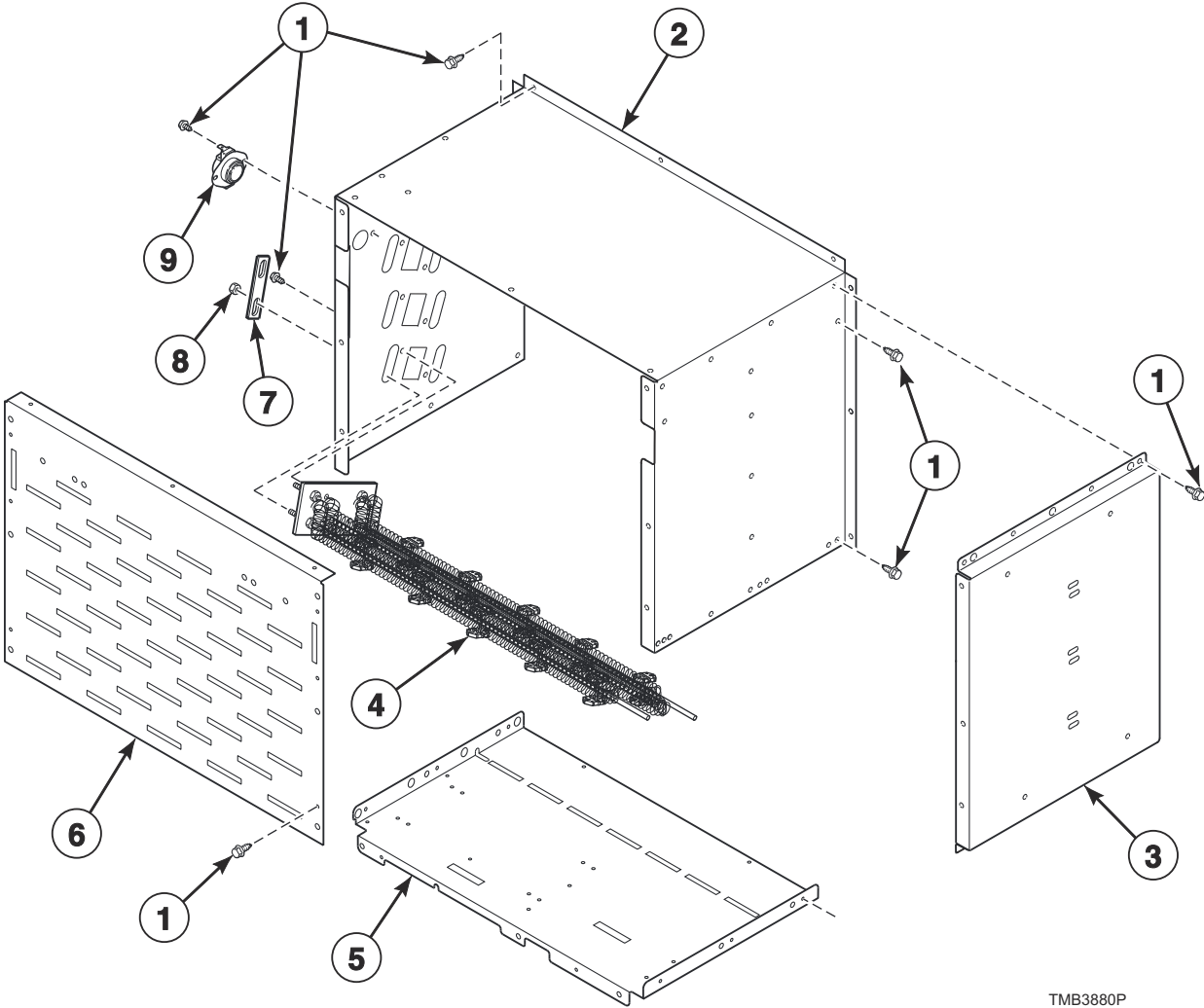
TMB3879PA

Burner Orifices

REF	PART NO.	DESCRIPTION	COMMENTS
	70609909	High Altitude Orifice Kit	North America Natural Gas (N.G.) models
	70609910	High Altitude Orifice Kit	North America Liquid Petroleum Gas (L.P.) models
1	70684142	Burner Orifice	N.G. models; Drill no. 20 (4.09 mm); 0-2,000 feet
	70684139	Burner Orifice	N.G. models; Drill no. 23 (3.91 mm); 2,001-4,000 feet
	70684137	Burner Orifice	N.G. models; Drill no. 25 (3.80 mm); 4,001-6,000 feet
	70684135	Burner Orifice	N.G. models; Drill no. 27 (3.66 mm); 6,001-8,000 feet
	70684133	Burner Orifice	N.G. models; 3.50 mm; 8,001-10,000 feet
	70684116	Burner Orifice	Models with 2nd digit A, G, H, K and T; L.P.; Drill no. 40 (2.49 mm); 0-2,000 feet
	70684114	Burner Orifice	Models with 2nd digit A, G, H, K and T; L.P.; Drill no. 42 (2.37 mm); 2,001-4,000 feet
	70684113	Burner Orifice	Models with 2nd digit A, G, H, K and T; L.P.; 2.30 mm; 4,001-6,000 feet
	70684111	Burner Orifice	Models with 2nd digit A, G, H, K and T; L.P.; 2.20 mm; 6,001-8,000 feet
	70684109	Burner Orifice	Models with 2nd digit A, G, H, K and T; L.P.; Drill no. 45 (2.08 mm); 8,001-10,000 feet
	70684111	Burner Orifice	J market models; L.P.; 2.20 mm; 0-2,000 feet
	70684109	Burner Orifice	J market models; L.P.; Drill no. 45 (2.08 mm); 2,001-4,000 feet
	70684108	Burner Orifice	J market models; L.P.; Drill no. 46 (2.06 mm); 4,001-6,000 feet
	70684106	Burner Orifice	J market models; L.P.; Drill no. 48 (1.93 mm); 6,001-8,000 feet
	70684105	Burner Orifice	J market models; L.P.; Drill no. 49 (1.85 mm); 8,001-10,000 feet

*** NOTE: One orifice required per pocket**

Electric Heater Components

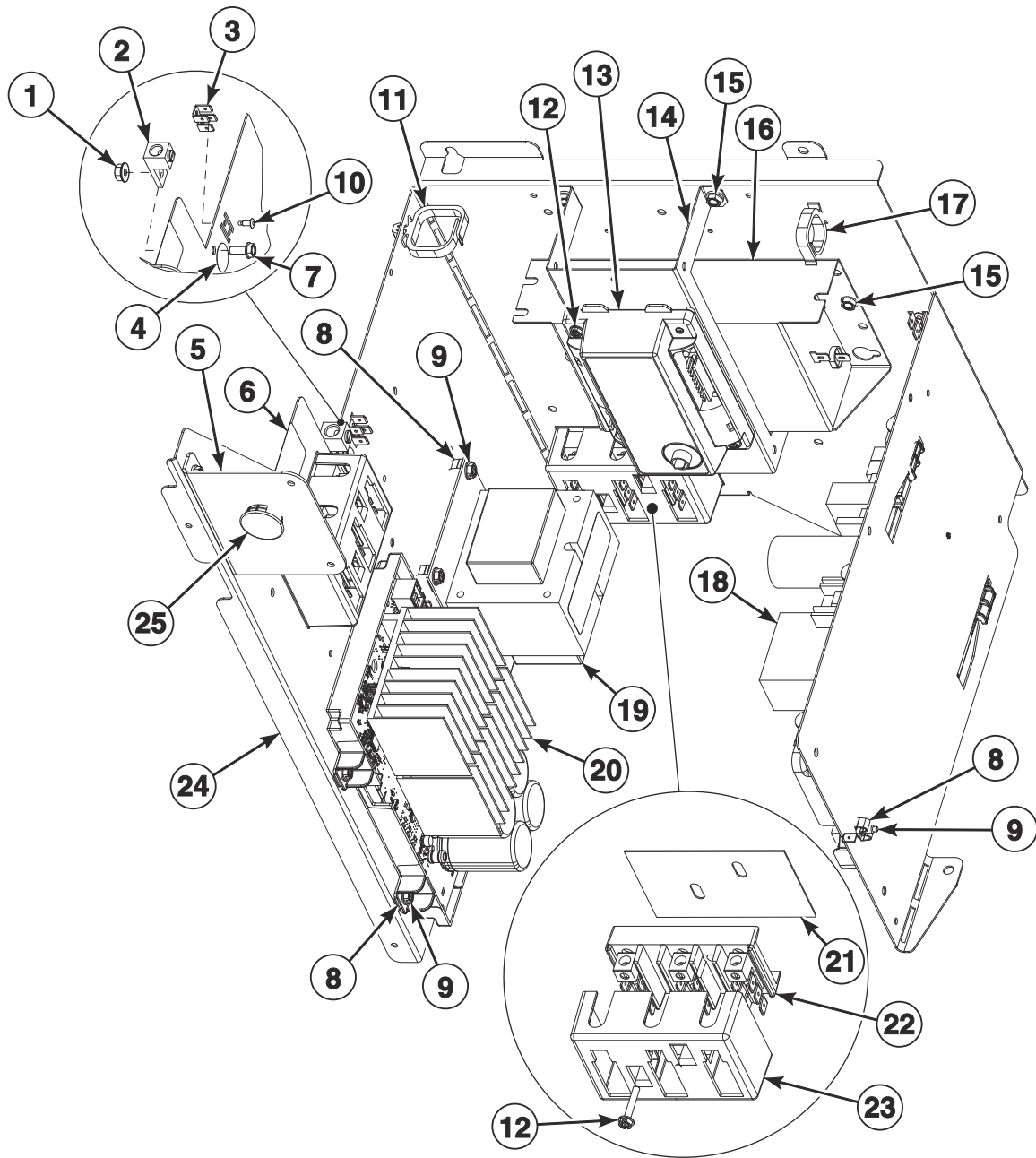


TMB3880P

Electric Heater Components

REF	PART NO.	DESCRIPTION	COMMENTS
	70613803	Stove Limit Harness	
	70641709	Jumper Harness	3 inch; 8 required for 380 and 400-415 Volt
	70641710	Jumper Harness	9 inch; 2 required for 440 and 460-480 Volt
	44391001	Conversion Kit	240V/3Ph to 208V/3Ph
1	430497	Screw	
2	70654001	Stove Top and Sides	
3	70652001	Stove Shield	
4	70034401P	Heater Element	3 required; 7 kW; 208 Volt heater element for 200-208 Volt/3 Phase
	70034402P	Heater Element	3 required; 7 kW; 220 Volt heater element for 380 and 440 Volt/3 Phase
	70034403P	Heater Element	3 required; 7 kW; 240 Volt heater element for 230-240 Volt/3 Phase and 400-415 and 460-480 Volt/3 Phase
5	70652301	Stove Cover	
6	70214901	Stove Grill	
7	M400869	Jumper Strip	12 required for 200-208 and 230-240 Volt; 6 required for all other voltages
	70066501	Jumper Bar	4 required for 440 and 460-480 Volt
8	70054	Nut	
9	44328007	Limit Thermostat	

Control Tray - Gas Models

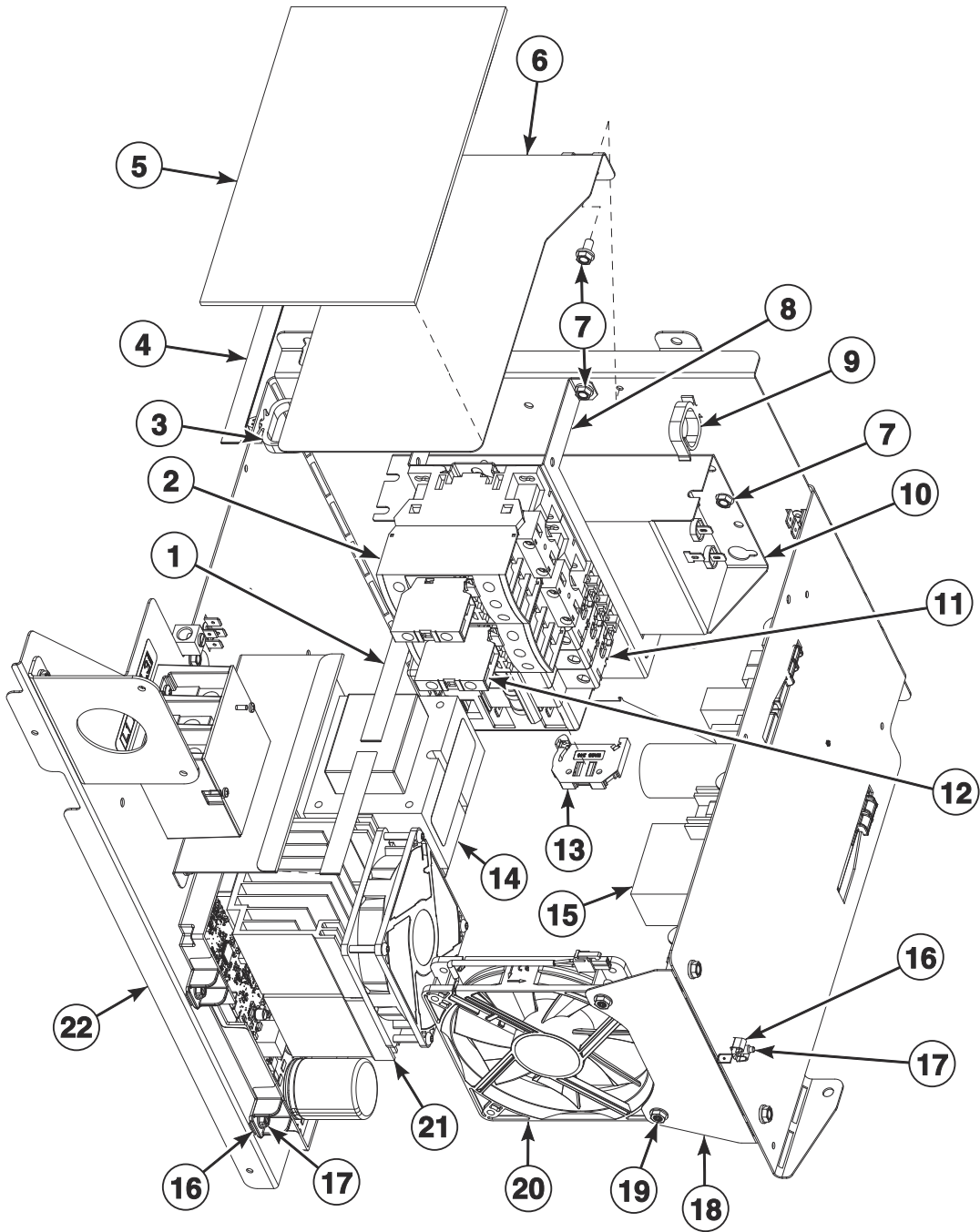


TMB3882P

Control Tray - Gas Models

REF	PART NO.	DESCRIPTION	COMMENTS
	70696804	Conversion Kit	X to B voltage; Models with D, F, N or W in 7th position
	70696808	Conversion Kit	X to B voltage; Models with V in 7th position
1	44088001	Nut	
2	M411283	Ground Lug Connector	
3	00622SG	Terminal	
4	D516100	Label	
5	70615501	Conduit Plate	
6	44286803	Label	L1, L2, L3
	44286801	Label	L1, N
	44286802	Wire Label	L1 L2, L1 N
	44286804	Wire Label	L1 L2, L1 N, L1 L2 L3
7	685837	Screw	
8	70030501	Expansion Clip	
9	F8206901	Screw	
10	M400003	Pop Rivet	
11	F8449501	Wire Clip	
12	51783	Screw	
13	70482002	Ignition Control	IEC models
	70482001	Ignition Control	T and G market models
14	70615401	Contactoer Bracket	
15	430497	Screw	
16	F8591601	EMI Filter	IEC models; 100-200 and 200-400 Volt/1 Phase
	F8637501	EMI Filter	IEC models; 380-480 Volt
17	F8449502	Wire Clip	
18	70671701	I/O Control Assembly	
19	F8491101	Transformer	380-480 Volt
20	70603001	Inverter Control Assembly	1 HP; 120, 240 Volt/1 Phase
	70603201	Inverter Control Assembly	1 HP; 480 Volt/3 Phase
21	M413862	Insulator	
22	430642	Terminal Block	
23	70333001	Terminal Block Shield	
24	70628401	I/O Board Tray	
25	M400985	Plug	

Control Tray - Electric Models (Drawing 1 of 2)

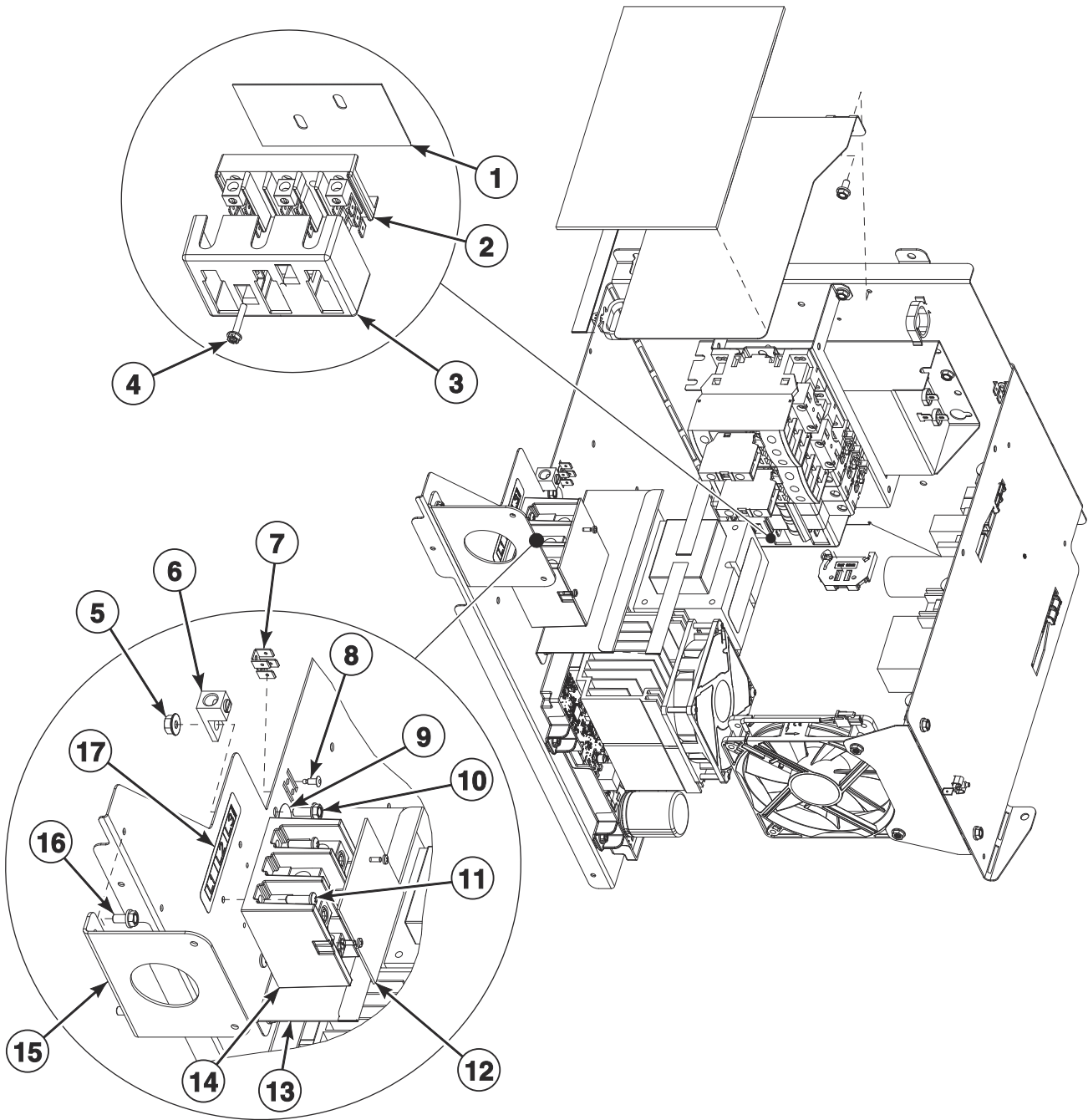


TMB3883P

Control Tray - Electric Models (Drawing 1 of 2)

REF	PART NO.	DESCRIPTION	COMMENTS
1	70531803	Label	
2	70482701	Contactora	2 required; 50 amp
3	F8449501	Wire Clip	
4	70531802	Label	
5	70465902	Insulation	
6	70664801	Heat Shield Contactora Bracket	
7	430497	Screw	
8	70628501	Contactora Bracket Assembly	
9	F8449502	Wire Clip	
10	F8591601	EMI Filter	IEC models; 100-200 and 200-400 Volt/1 Phase
	F8637501	EMI Filter	IEC models; 380-480 Volt
11	70488101	Circuit Breaker	25 amp; 3 Pole; 380-480 Volt
	70488102	Circuit Breaker	25 amp; 2 Pole; 200-240 Volt
12	44313201	Auxiliary Contact Block	2 required
13	F8449801	End Stop	
14	F8491101	Transformer	380-480 Volt
15	70671701	I/O Control Assembly	
16	70030501	Expansion Clip	
17	F8206901	Screw	
18	70664901	Fan Mount Bracket	
19	203799	Screw	
20	F8504301	Fan	24 VDC
21	70603001	Inverter Control Assembly	1 HP; 120, 240 Volt/1 Phase
	70603201	Inverter Control Assembly	1 HP; 480 Volt/3 Phase
22	70628401	I/O Board Tray	

Control Tray - Electric Models (Drawing 2 of 2)



TMB3883PA

Control Tray - Electric Models (Drawing 2 of 2)

REF	PART NO.	DESCRIPTION	COMMENTS
1	M413862	Insulator	
2	430642	Terminal Block	
3	70333001	Terminal Block Shield	
4	51783	Screw	
5	44088001	Nut	
6	M411283	Ground Lug Connector	
7	00622SG	Terminal	
8	M400003	Pop Rivet	
9	D516100	Label	
10	685837	Screw	
11	39733	Screw	
12	44014901P	Power Distribution Block Cover	
13	70671801	Emissions Shield Bracket	
14	M413865	Power Distribution Block	
15	70615503	Conduit Plate	
16	430497	Screw	
17	44286803	Label	L1, L2, L3
	44286801	Label	L1, N
	44286802	Wire Label	L1 L2, L1 N
	44286804	Wire Label	L1 L2, L1 N, L1 L2 L3

Labels

PART NO.	DESCRIPTION	COMMENTS
70696901	Caution Label	Vent/install
F8614501	Danger Label	Shock; English/French
F8614301	Hot Surface Warning Label	English/French
F8609001	Hot Surface Warning Label	Icon
F8611601	Warning Label	
F8614500	Label Kit	Shock; IEC models
70535100	Label Kit	Vent/Install; IEC models
F8605500	Label Kit	
44321501	Notice Label	120/240 Volt
70539601	Notice Label	
70534201	Notice Label	
F8609501	Notice Label	
D516073	Notice Label	Read instructions; Icon
70538401	Pinch Warning Label	English/French
F8615701	Pinch Warning Label	Icon
F8614401	Shock Warning Label	English/French
F8614201	Shock Warning Label	Icon
70536301	Warning Label	Lint; Australian models
44324101	Warning Label	Fire; Australian models
70534305	Warning Label	Fire; Colombian Spanish
44321601	Warning Label	Risk of fire; Icon
D503887	Label	Australian models

Control Tray Harnesses

PART NO.	DESCRIPTION	COMMENTS
70612101	Junction Box Harness	
70671001	Inverter Power Conversion Harness	X to B voltage
70611402	Power Harness	T and G market gas models; 120-240 Volt
70611403	Power Harness	T and G market gas models; 240 Volt
70611405	Power Harness	IEC gas models; 120-240 Volt; Upper
70611407	Power Harness	IEC gas models; 120-240 Volt; Lower
70613401	Power Harness	T and G market gas models; 380-480 Volt
70613402	Power Harness	T and G market electric models; 380-480 Volt
70613403	Power Harness	IEC gas upper models; 380-480 Volt; IEC electric upper/lower models
70613404	Power Harness	IEC gas lower models; 380-480 Volt
70611501	Power Harness	IEC models; Terminal block 1 to EMI Filter; 1 Phase
70611502	Power Harness	IEC models; Terminal block 1 to EMI Filter; 3 Phase
70611503	Power Harness	Electric models; Power distribution block to circuit breaker; 1 Phase
70611504	Power Harness	Electric models; Power distribution block to circuit breaker; 3 Phase
70611505	Power Harness	IEC models; Circuit breaker to EMI filter; 1 Phase
70611506	Power Harness	IEC models; Circuit breaker to EMI filter; 3 Phase
70611507	Power Harness	IEC models; EMI filter to terminal block 2; 1 Phase
70611508	Power Harness	IEC models; EMI filter to terminal block 2; 3 Phase
70641701	Harness	Electric models; Power distribution block to heat contactor; 3 Phase
70641702	Harness	Electric models; Power distribution block to heat contactor; 1 Phase
70641703	Jumper Harness	Electric models; 3 required; 380-480 Volt
70641707	Harness	Electric models; Heat contactor to element H4-H6; 200-240 Volt
70641706	Harness	Electric models; Heat contactor to element H1-H3
70612201	Control Harness	Gas models
70612203	Control Harness	Electric models
70611801	Power Harness	Upper/Lower; Gas models
70612001	Transformer Harness	Vend; 120 Volt
70612002	Transformer Harness	Vend; 240 Volt
70665301	Central Pay Harness	24V power supply
70622101	Base Harness	

Parts Index

A

Access Panel Trim 70399401	29
Adapter 70131901	57
Air Duct 70580801	43
Airflow Switch and Arm Bracket 70319602	53
Airflow Switch Arm 70319401	53
Airflow Switch Vane 70319201	53
Airflow Switch Wrapper 70356101	53
Anti-Rattle Burner Assembly 70546701	55
Auxiliary Contact Block 44313201	65

B

Base Harness 70622101	69
Blind Rivet F8245101	31, 35
Blower Assembly 70359801P	51
Blower Housing 70665801	51
Blower Housing Cover Assembly 70341403	51
Blower Housing Scroll 70340801	51
Blower Inlet Cone 70014101	51
Blower Inlet Plate 70340701	51
Blower Motor Mounting Plate 70341001	51
Bottom Guard 70661701	45
Burner Grill 70188801	55
Burner Orifice 70684105	59
70684106	59
70684108	59
70684109	59
70684111	59
70684113	59
70684114	59
70684116	59
70684133	59
70684135	59
70684137	59
70684139	59
70684142	59

7084111	59
Bypass Harness 44334103	15

C

Caution Label 70696901	68
Center Cylinder Seal 70066003	43
Center Pan 70606001	43
Center Pan Channel 70606101	43
Center Partition 70639201	43
Central Pay Harness 70665301	69
Channel Base Assembly 70288201	43
Circuit Breaker 70488101	65
70488102	65
Clamp 70661601	57
Clip M400984	43
70226701	43, 49
Coin Drop 38963P	19
39748	19
70441601	19
70441603	19
Coin Drop Assembly 201141	19
210195	19
210196	19
38462P	19
38463	19
38467	19
38519	19
70281102	19
70283102	19
70441602	19
70447301	19
70471601	19
70482401	19
70506901	19
Coin Drop Kit CK077	19
CK122	21
Coin Identification Paper 38464P	19
38475	19
38725	19
Coin Meter F0160737-00	19
Coin Vault Assembly 70529501	31
Coin Vault Switch Harness 44334102	15

N/A items do not appear in index.

Conduit Plate	
70615501	63
70615503	67
Contact Base	
F8538101	33
Contact Switch	
F8069501	33
Contacto	
70482701	65
Contacto Bracket	
70615401	63
Contacto Bracket Assembly	
70628501	65
Control Assembly	
70478801P	15
70478802	17
70479801	13
Control Bezel	
70642001	31
Control Door and Studs Assembly	
70641801	15
70641802	15
70641803	13, 15, 17
Control Door Latch	
431318	13, 15, 17
Control Harness	
70612201	69
70612203	69
Control Latch Plate	
70634401	13, 15, 17
Control Stiffening Bracket	
70658501	15
Conversion Kit	
44391001	61
70696804	63
70696808	63
Cylinder and Trunnion Assembly	
70443901P	37
70443902	37
70443903	37
Cylinder Assembly	
70372501P	37
70372502P	37
70372503P	37
Cylinder Bearing Stud Plate Assembly	
430352	41, 43
Cylinder Guide Tool	
263P4	37
Cylinder Rib Assembly	
70433002	37
Cylinder Shroud	
70339301	43
70339302	43

D

Danger Label	
F8614501	68
Door Assembly	
70597701	23
70597702	23
70597709	23
70597711B	23

Door Glass	
M400784P	25
Door Glass Installation Tool	
M4221P4	25
Door Glass Seal Kit	
70211901P	25
Door Handle	
44007902P	25
Door Hinge	
70595504	27
70595510B	27
70595510W	27
Door Hinge Lug Assembly	
44035001	27
44035002	27
Door Latch	
M401223	31
Door Ring Assembly	
70597501	25
705975025	25
70597507B	25
70597509B	25
Door Ring Gasket	
70296801	25
Door Switch Actuator	
70532101	27
Drive Motor	
44355001	47
44355002	47
Drive Plate	
70571901	47
Drywall Screw Magnet Kit	
70343101P	37
Duct Access Cover	
70340301	49
Duct Cover	
70207501	49
Duct Damper	
70343501	49

E

Electronic Coin Drop Assembly	
70294107	19
70513302	19
70513303	19
70513304	19
70513306	19
70513308	19
70513309	19
70513310	19
70513311	19
70513312	19
70513313	19
70513314	19
70513315	19
70513316	19
Electronic Coin Drop Kit	
CK099	21
CK100	21
CK101	21
CK108	21
CK109	21
CK110	21

N/A items do not appear in index.

CK113	21
CK115	21
CK116	21
CK117	21
CK118	21
CK119	21
CK120	21
CK121	21
Emergency Stop Button Kit 70580301	33
Emergency Stop Bypass Harness F8519403	33
Emergency Stop Harness 44272401	33
44272402	33
Emergency Stop Label 44012901	33
44012903	33
Emergency Stop Mounting Bracket 70550401	33
Emergency Stop Power Harness 70611901	33
Emergency Stop Pushbutton F200233500	33
EMI Filter F8591601	63, 65
F8637501	63, 65
Emissions Shield Bracket 70671801	67
End Cap 70070101	37
70070102	37
End Stop F8449801	65
Exhaust Duct Assembly 70528304	49
70528305	49
Exhaust Duct Gaskets Assembly 70340401	49
Exhaust Pipe 44154301	49
Expansion Clip 70030501	45, 49, 63, 65

F

Fan F8504301	65
Fan Motor 44354901	51
44354903	51
Fan Mount Bracket 70664901	65
Foam Gasket 70598101	35
Front Air Duct 70573701	43
70573702	43
Front Panel Seal 70173401P	29

G

Gas Burner 70229801P	55
Gas Tubing 70660501	57
Gas Valve 44154507	57
44154508	57
Gas Valve Bracket 70645401	57
Gas Valve Harness 70613901	57
Gas Valve Manifold 70659201	57
Gasket 70289101P	29, 49
70392701P	51
Ground Lug Connector M411283	63, 67
Guard Bracket 70626201	45
70633501	45

H

Handle Bar 70399502B	25
Harness 70622001	15
70641701	69
70641702	69
70641706	69
70641707	69
Heat Shield Contactor Bracket 70664801	65
Heater Element 70034401P	61
70034402P	61
70034403P	61
High Altitude Orifice Kit 70609909	59
70609910	59
High Voltage Suppression Cable 44239701	55, 57
Hinge Cam Kit M4772P3	27
M4773P3	27
Hot Surface Warning Label F8609001	68
F8614301	68

I

Idler Wheel Assembly 70050401P	47
Igniter Cover 70159601	55
Ignition Control 70482001	63
70482002	63

N/A items do not appear in index.

Insulation	
70465902	65
Insulator	
M413862	63, 67
Inverter Control Assembly	
70603001	63, 65
70603201	63, 65
Inverter Power Conversion Harness	
70671001	69
I/O Board Tray	
70628401	63, 65
I/O Control Assembly	
70671701	63, 65

J

Jumper Bar	
70066501	61
Jumper Harness	
70641703	69
70641709	61
70641710	61
Jumper Strip	
M400869	61
Junction Box Harness	
70612101	69

K

Key	
70155601	31
70155602	35

L

Label	
D503887	68
D516100	63, 67
44286801	63, 67
44286803	63, 67
44391301	31
44391401	31
44392101	31
70414001	31
70531802	65
70531803	65
Label Kit	
F8605500	68
F8614500	68
70534300	29
70535100	68
Lever Arm and Belt Kit	
70655102	47
Lever Arm and Bushing Assembly	
70653801	47
Limit Thermostat	
44328001	51
44328005	55
44328007	61
44328104	55
70530901	51

Lint Box Gasket	
70593901	31
Lint Door Support	
70598201	35
Lint Front Assembly	
70567401	35
70567403W	35
Lint Screen Assembly	
70596102	35
Lint Screen Bracket	
70595702	35
Lint Screen Shim	
70605601	35
Lint Seal Shoulder Bracket	
70605701	31
Lint Tray Rail	
70580901	43
70580902	43
Lock Pull	
70642201	35
Lock, Key and Nut Kit	
44089301P	31
44390902P	35
Lower Front Panel Assembly	
70704101	29
70704101W	29
70704102	29
70704102W	29
70704103	29
70704103W	29
Lower Pan	
70606201	43
Lower Rear Guard Bracket	
70661201	51
L.P. Conversion Kit	
70550205	57
70550211	57
70551905	57
L.P. Valve	
44154504	57

M

Machine ID Control Assembly	
203361P	15, 17
Magnet	
70343101	35
Main Harness	
70622001	13, 15, 17
Motor Mount Plate	
70564201	47
Motor Pulley	
70559101	47
Mounting Plate	
70208801	15

N

Nameplate Overlay	
44144401	25
44391201	25
70411401	25

N/A items do not appear in index.

Notice Label	
D516073	68
F8609501	68
44321501	68
70534201	68
70535901	57
70539601	68
70544901	57
Nut	
M400022	41
M400034	41
M400035	39
M412986	37, 41
M414215	25
Q6163	61
21899	43
29786	51
430576	43
44087101	13, 15, 17, 35
44087201	47
44087301	47
44088001	25, 27, 63, 67
44088801	31, 35
44333202	47
56156	47
70030401	43
70054	15
70288801	43
70660601	51
N.G. Valve	
44154503	57

O

Opto Coupler	
200674P	19
O-Ring	
431482	57
Overlay	
70295101	15
70557001	15
70557002	15
70677501	15
70677502	15
70677503	15
70677601	15
70677602	15
70677603	15
70677901	17
70678501	13
70679001	15
70679101	15
70681501	17
70681601	13
70692601	15
70692602	15
70692603	15
70692701	15
70692702	15
70692703	15
70692801	17
70692901	17
70693001	13
70693101	13

P

Pin	
70071401	27
Pinch Warning Label	
F8615701	68
70538401	68
Pipe	
70262601	57
Pipe Nipple	
70612604	57
Plug	
M400985	63
70167601	57
Pop Rivet	
M400003	13, 15, 17, 63, 67
44166601	31
70058501	27, 43
70412601	25
Porcelain Touch-Up Paint	
122P4P	43
Power Distribution Block	
M413865	67
Power Distribution Block Cover	
44014901P	67
Power Harness	
70611402	69
70611403	69
70611405	69
70611407	69
70611501	69
70611502	69
70611503	69
70611504	69
70611505	69
70611506	69
70611507	69
70611508	69
70611801	69
70613401	69
70613402	69
70613403	69
70613404	69
Primary Air Adjustment Sleeve	
70239801	57
Pushbutton Switch	
70413301	31

R

Rear Bearing Shim	
70355001	41
Rear Cover	
70650901	45
Rear Cylinder Bearing Housing	
70013901	41
Rear Cylinder Channel	
70257101	37
70257102	37
Rear Cylinder Channel Plate	
70257201	37
Rear Cylinder Seal	
70013701P	41, 43

N/A items do not appear in index.

Rear Cylinder Seal Support	
70506402	41, 43
Rear Guard	
70616001	45
70616002	45
70633601	45
70633602	45
Rear Guard Bracket	
70633401	49
Rear Panel	
70616601	43
70616602	43
Rear Stabilizer Bracket	
70200301	51
Reed Switch Assembly	
F8066804	31
Reed Switch Box	
70606301	31
Roller and Seal Kit	
70616701	43
Roller Seal	
70443601	43
Roller Shaft	
70249501	43
Roller Support Bracket	
70584901	43

S

Screw	
D501524	13, 15, 17
F430144	47
F8206901	63, 65
M400661	25
M411072	49
05161	57
203799	65
39733	67
430497 ..	31, 35, 37, 43, 45, 49, 51, 55, 61, 63, 65, 67
430757	53
44349101	27
44364601	51
44364603	47
51780	45, 51, 57
51783	63, 67
62588	37
685837	63, 67
70033502	27
70247701	43
70391101	37
70407301	27
70436301	27
70442101	25
70501301	47
70508301	47
70546301	47
70576101	27
70672501	57
70689401	27
Sheet Metal Edge Gasket	
70015711	43
70015712	43
Shock Warning Label	
F8614201	68
F8614401	68

Side Guard	
70699201	45
70699301	45
Side Panel	
70663301W	43
Slip Ring Assembly	
44222702	39
Slip Ring Holder	
70455401	39
Slot Card Plate Assembly	
44089501	15
Snap Bushing	
M411826	55
Spacer	
70488403	47
Spark Electrode	
70654201	55
Spray Paint	
298P4P	43
Spring	
70571801	47
Spring Catch Bracket	
70543401	47
Standoff	
70569603	47
Stove Back	
70371501	55
Stove Cover	
70652301	61
70652401	55
Stove Grill	
70214901	61
Stove Limit Harness	
70613801	55
70613803	61
Stove Partition	
70306101	55
Stove Shield	
70652001	61
Stove Top and Sides	
70654001	61
Stove Top and Sidest	
70647101	55
Support Bearing	
70448701	41
Switch	
70411901	53
Switch Bracket	
70356301	53

T

Tee	
F422208	57
Tensioning Bracket	
70569501	47
Terminal	
00622SG	63, 67
Terminal Block	
430642	63, 67
Terminal Block Shield	
70333001	63, 67

N/A items do not appear in index.

Thermistor	
M414704	51
Thermostat Cover	
M414477	55
Top Panel	
70339601	43
70696201	43
Transformer	
F8491101	63, 65
Transformer Harness	
70612001	69
70612002	69
Trunion and Seal Kit	
70564803	37
70564804	37

U

Upper Front Panel Assembly	
70619402W	29
70704104	29

V

Vend Activation Harness	
70577101	13, 15, 17

W

Warning Label	
F8611601	68
44321601	68
44324101	68
70534301	29
70534302	29
70534305	68
70536301	68
Washer	
F431125	31
M400991	41, 51
70261401	43
70409301	25
70411301	37
Wire Clip	
F8449501	63, 65
F8449502	63, 65
Wire Guard	
201595P	19
Wire Label	
44286802	63, 67
44286804	63, 67
