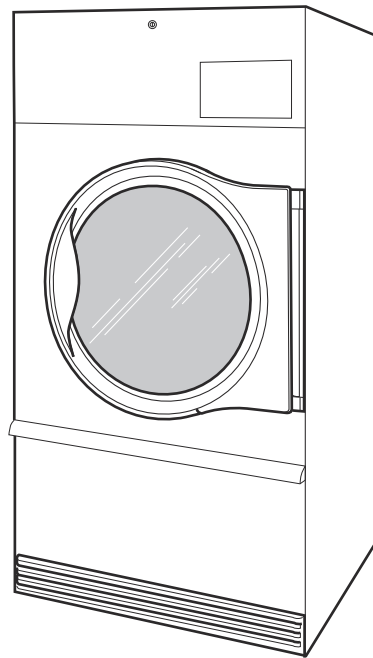


# Tumble Dryers

75 Pound Capacity

18 Digit Model Numbers with 6 in 13th Position

Refer to Page 3 for Model Numbers



TMB1290C



# Table of Contents

Title	Page
Parts Ordering Information.....	2
Serial Plate Location .....	2
Machine Identification .....	3
Product Overview - Heat Source and Voltage .....	4
Product Overview - FN Control Suffix .....	6
Product Overview - DN and NN Control Suffixes.....	8
Product Overview - N and W Control Suffixes .....	10
Control Box .....	12
Fire Suppression System Control Box.....	14
Dual Digital Control.....	16
Electronic Display Control - Vend Models with N or W in the 7th Position.....	18
Electronic Display Control - OPL Models with N in the 7th Position .....	20
Coin Drops .....	22
Coin Drop Kits.....	24
Emergency Stop Button - IEC OPL Models .....	26
Cabinet Front Components.....	28
Control Panels and Nameplates .....	30
Front Panel Assemblies .....	32
Lower Cabinet Front Components .....	34
Lint Panel Components.....	36
Cabinet Components .....	38
Rear Panel and Belt Guard Components .....	40
Door Assemblies.....	42
Door Components .....	44
Hinge Components .....	46
Cylinder and Trunnion Components .....	48
Bearing Components .....	50
Moisture Sensing Components.....	52
Drive Motor Components .....	54
Blower and Exhaust Components.....	56
Inverter Tray Components .....	58
Airflow Switch Assembly .....	60
Gas Heater Components .....	62
Burner Orifices .....	64
Electric Heater Components .....	66
Steam Heater and Valve.....	68
Control Tray .....	70
Accessory Box - Electric 200-240 Volt Models .....	72
Accessory Box - Electric 380-480 Volt Models .....	74
Labels .....	76
Parts Index.....	77

© Copyright 2023, Alliance Laundry Systems LLC

All rights reserved. No part of the contents of this book may be reproduced or transmitted in any form or by any means without the expressed written consent of the publisher.

## Parts Ordering Information

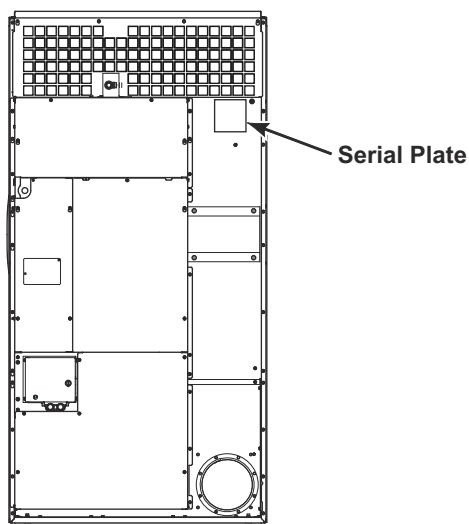
If literature or replacement parts are required, contact the source from whom the machine was purchased or contact Alliance Laundry Systems at (920) 748-3950 for the name and address of the nearest authorized parts distributor.

For technical assistance, call the number listed below:

(920) 748-3121 Ripon, Wisconsin

## Serial Plate Location

When calling or writing about your product, be sure to mention model and serial numbers. Model and serial numbers are located on serial plate(s) as shown.



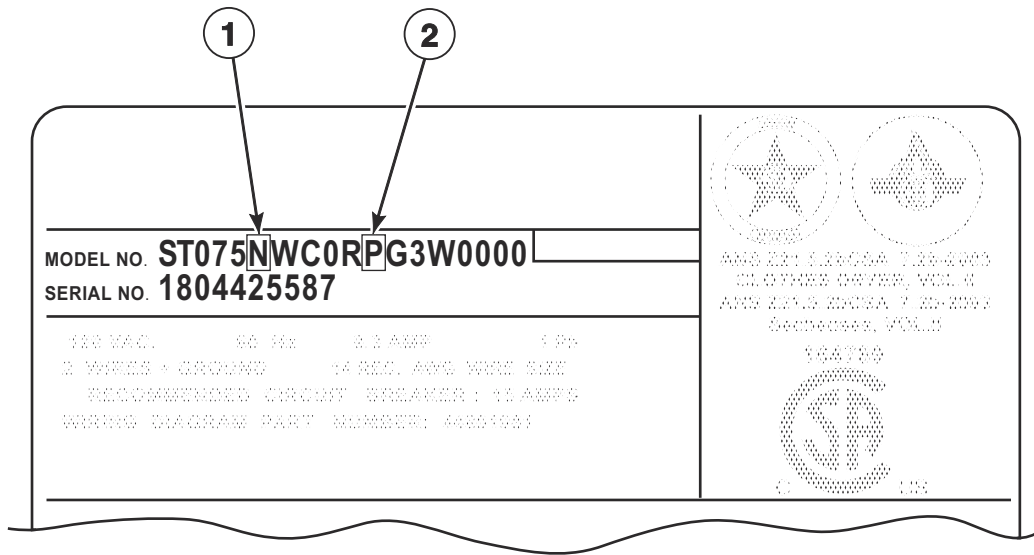
TMB3888P

# Machine Identification

Information in this manual is applicable to these machines:

GA075E	KT075E	MG075D	NA075E
GA075L	KT075L	MG075E	NA075L
GA075M	KT075M	MG075F	NA075M
GA075N	KT075N	MG075L	NA075N
GA075S	KT075S	MG075M	NA075S
GG075E		MG075N	NG075E
GG075L		MG075R	NG075L
GG075M		MG075S	NG075M
GG075N		MJ075D	NG075N
GG075S		MJ075E	NG075S
GH075E		MJ075F	NH075E
GH075L		MJ075L	NH075L
GH075M		MJ075M	NH075M
GH075N		MJ075N	NH075N
GH075S		MJ075R	NH075S
GJ075E		MJ075S	NJ075E
GJ075L			NJ075L
GJ075M			NJ075M
GJ075N			NJ075N
GJ075S			NJ075S
GK075E			NK075E
GK075L			NK075L
GK075N			NK075N
GU075E			NR075E
GU075L			NR075S
GU075M			NT075E
GU075N			NT075L
GU075S			NT075M
			NT075N
			NT075S
			NU075E
			NU075L
			NU075M
			NU075N
			NU075S

# Product Overview - Heat Source and Voltage



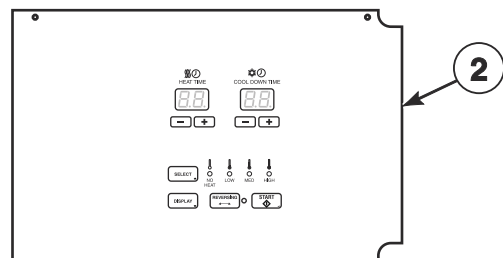
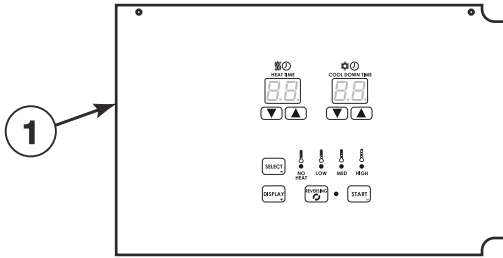
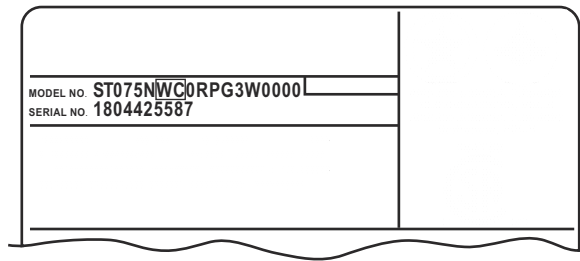
TMB3595P

# Product Overview - Heat Source and Voltage

REF	PART NO.	DESCRIPTION	COMMENTS
1	-	Heat Source	D: Liquid Petroleum Gas (L.P.) E: Electric F: Reduced Electric (Eco Line) L: Liquid Petroleum Gas (L.P.) M: Medium Electric N: Natural Gas (N.G.) R: Reduced Gas, Natural Gas (Eco Line) S: Steam
2	-	Voltage	B:100-120 Volt/50-60 Hertz/1 Phase; Gas and steam models F: 200-208 Volt/50-60 Hertz/3 Phase; Electric models G: 230-240 Volt/50-60 Hertz/3 Phase; Electric models H: 380 Volt/50-60 Hertz/3 Phase; Electric models J: 400-415 Volt/50-60 Hertz/3 Phase; Electric models K: 440 Volt/50-60 Hertz/3 Phase; Electric models L: 460-480 Volt/50-60 Hertz/3 Phase; Electric models N: 440-480 Volt/50-60 Hertz/3 Phase; Gas and steam models P: 380-415 Volt/50-60 Hertz/3 Phase; Gas and steam models X: 200-240 Volt/50-60 Hertz/1-3 Phase; Gas and steam models

# Product Overview - FN Control Suffix

All Models Except M Models; OPL



TMB3605P

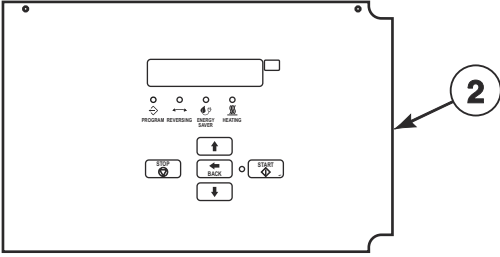
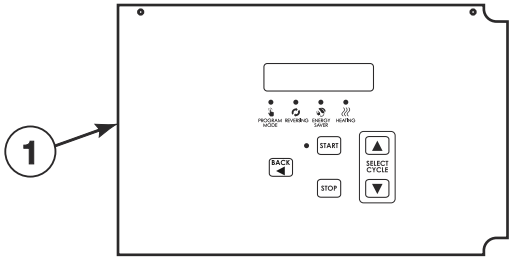
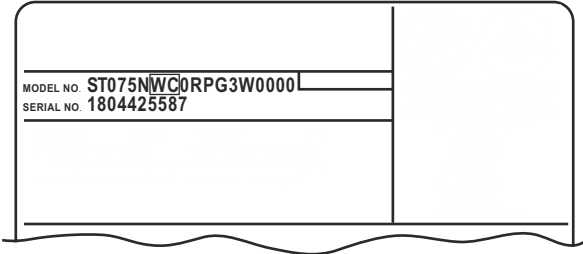


## Product Overview - FN Control Suffix

REF	PART NO.	DESCRIPTION	COMMENTS
1	-	Dual Digital Control	G and K models
2	-	Dual Digital Control	N models

# Product Overview - DN and NN Control Suffixes

All Models Except M Models; OPL



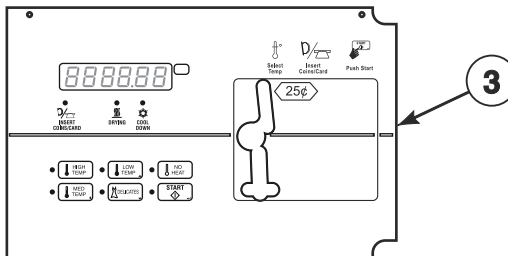
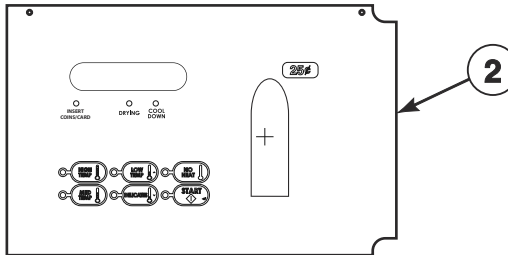
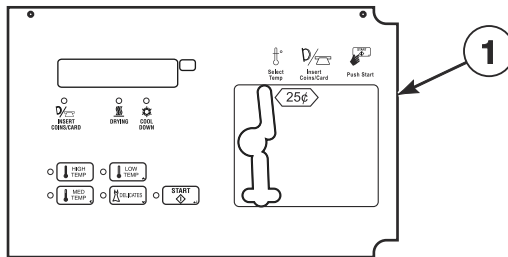
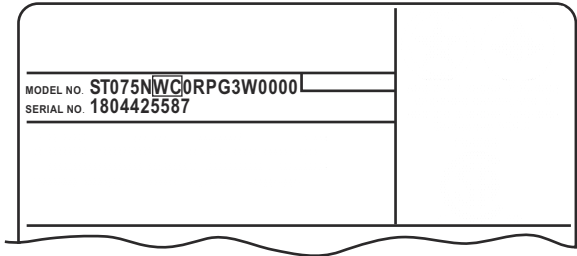
TMB3606P

## Product Overview - DN and NN Control Suffixes

REF	PART NO.	DESCRIPTION	COMMENTS
1	-	OPL Micro Control	G and K models
2	-	OPL Micro Control	N models

# Product Overview - N and W Control Suffixes

7th Position of the Model Number; Vend

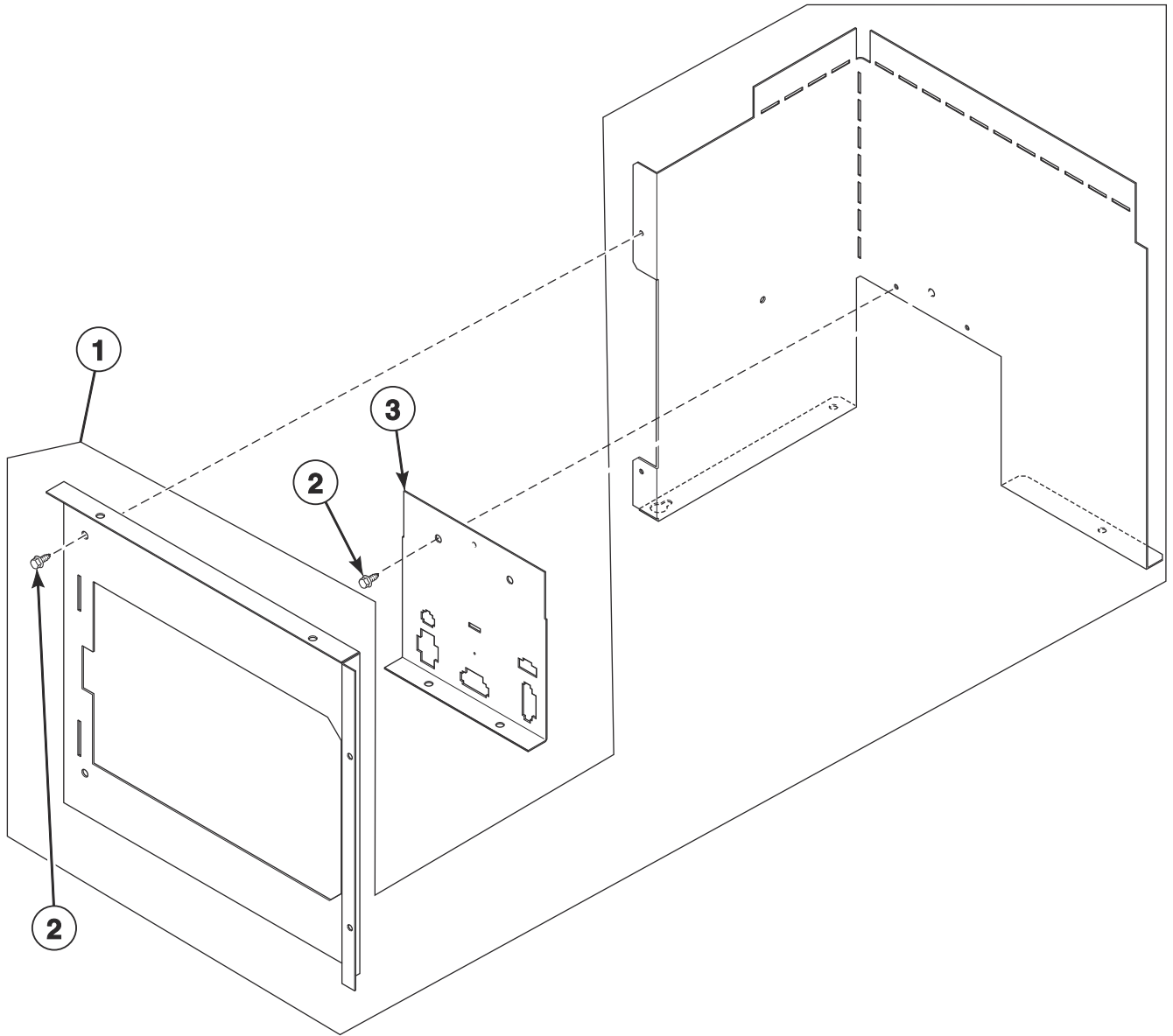


TMB3912P

## Product Overview - N and W Control Suffixes

REF	PART NO.	DESCRIPTION	COMMENTS
1	-	Micro Control	N models
2	-	Micro Control	G and K models
3	-	Quantum Gold Control	M models

# Control Box



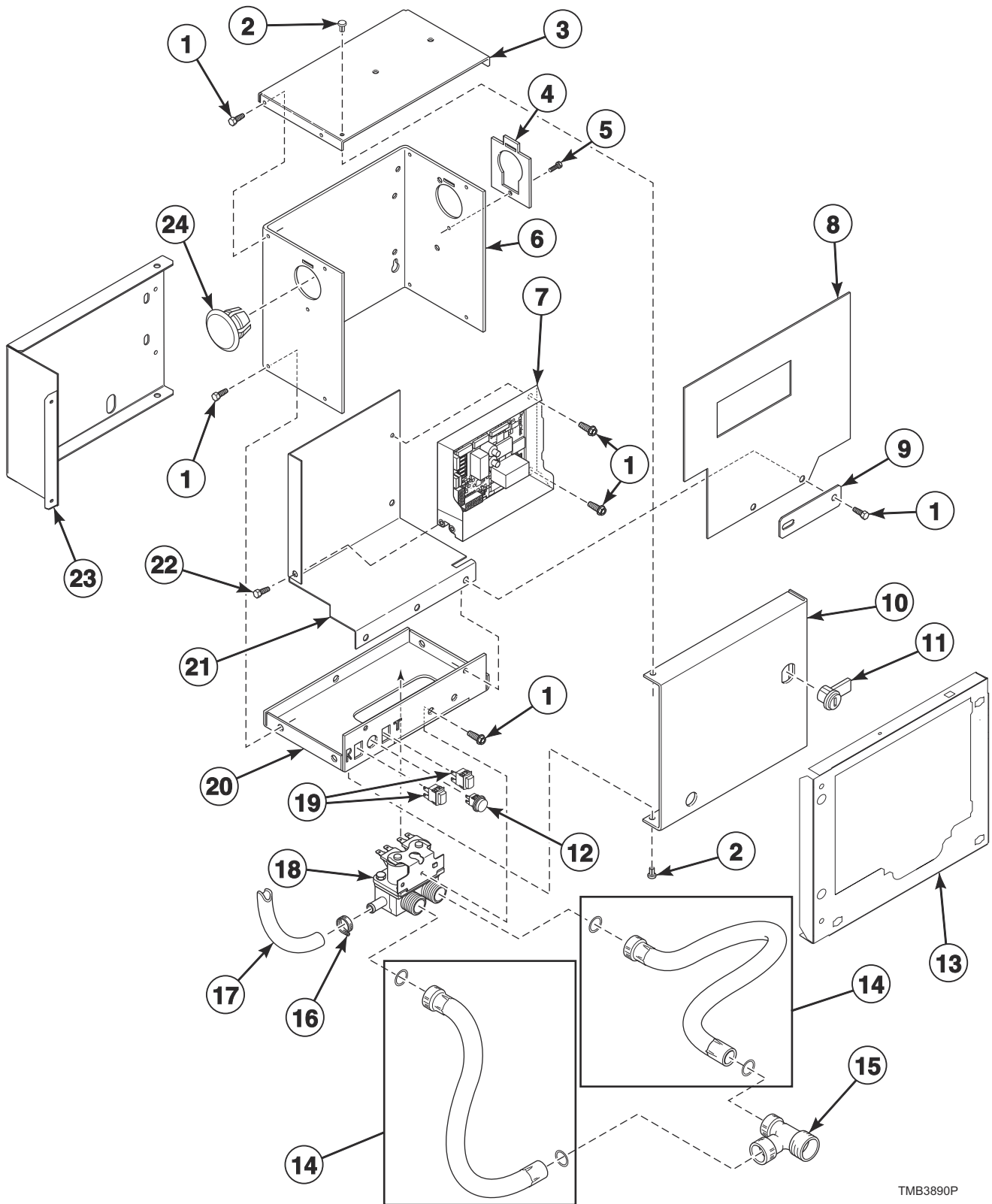
TMB3524P

# Control Box

REF	PART NO.	DESCRIPTION	COMMENTS
	44363301	Main Harness	
1	44180101	Control Box Assembly	
2	430497	Screw	
3	70307005	Control Housing Cover	

# Fire Suppression System Control Box

G, K and N Gas and Steam Models



TMB3890P

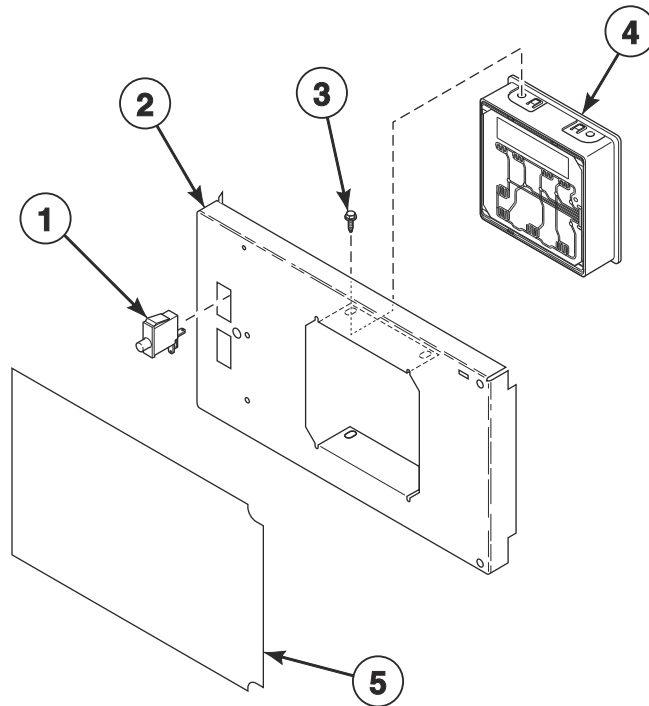


# Fire Suppression System Control Box

REF	PART NO.	DESCRIPTION	COMMENTS
	44340301	Cold Weather Kit	
	70155601	Key	RL001; Use with item 11
	44375604	Control Harness	
	44375605	Water Valve Harness	
	44375602	Power Sensor Harness	
	44375606	Sensor Harness	
	44375601	Interconnect Harness	
	44375603	Power Sensor Harness	
	44324501	Warning Label	F.S.S.; T and G market models
	44324500	Label Kit	F.S.S.; IEC models
	F8614401	Shock Warning Label	T and G market models
	F8614201	Shock Warning Label	IEC models
	44318200	Label Kit	IEC models
	44324502	Warning Label	
	44318201	Label	T and G market models
<b>1</b>	430497	Screw	
<b>2</b>	M400713	Drive Rivet	
<b>3</b>	44307101	Control Box Top	
<b>4</b>	70523301	Harness Adapter Plate	
<b>5</b>	51780	Screw	
<b>6</b>	44306701	Control Box Housing	
<b>7</b>	70511601	Control	
<b>8</b>	44326801	Shield	
<b>9</b>	70551701	Filter Mounting Plate	
<b>10</b>	44065201	Control Box Cover	
<b>11</b>	44089301P	Lock, Key and Nut Kit	RL001 key code; Optional if same key is to be used for control lock
<b>12</b>	801432	Light	
<b>13</b>	44376701	Rear Guard	
<b>14</b>	202799	Fill Hose	2 required
<b>15</b>	44069101	Hose Fitting	T and G market models
<b>16</b>	36801	Hose Clamp	
<b>17</b>	44073304	Hose	14 inches; Outlet hose
<b>18</b>	70519801	Mixing Valve	
<b>19</b>	801434W	Push-to-Start Switch	2 required
<b>20</b>	44065301	Control Box Base	
<b>21</b>	44306601	Mixing Valve Shield Bracket	
<b>22</b>	804608	Screw	
<b>23</b>	44376601	Mounting Bracket	
<b>24</b>	70180001	Plug	

# Dual Digital Control

All Models Except M Models; Models with F in the 7th Position

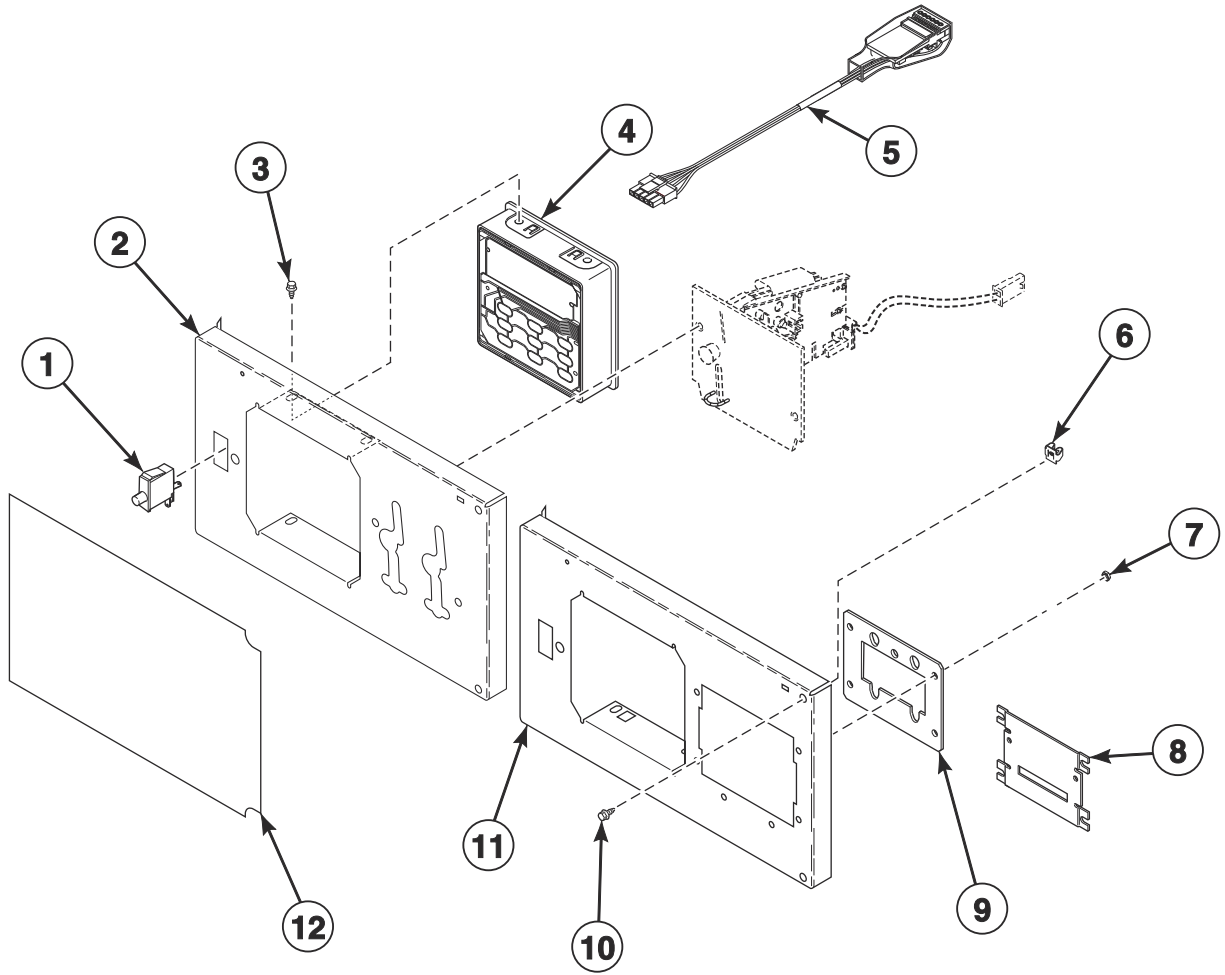


TMB3505P

# Dual Digital Control

REF	PART NO.	DESCRIPTION	COMMENTS
	44334004	Vend Activation Harness	
1	70413301	Pushbutton Switch	
2	70497101	Control Plate	
3	804608	Screw	4 required
4	70479801	Control Assembly	Green
5	70539102	Overlay	N models; Nonreversing
	70539101	Overlay	N models; Reversing
	70547502	Overlay	G and K models; Nonreversing
	70547501	Overlay	G and K models; Reversing

# Electronic Display Control - Vend Models with N or W in the 7th Position



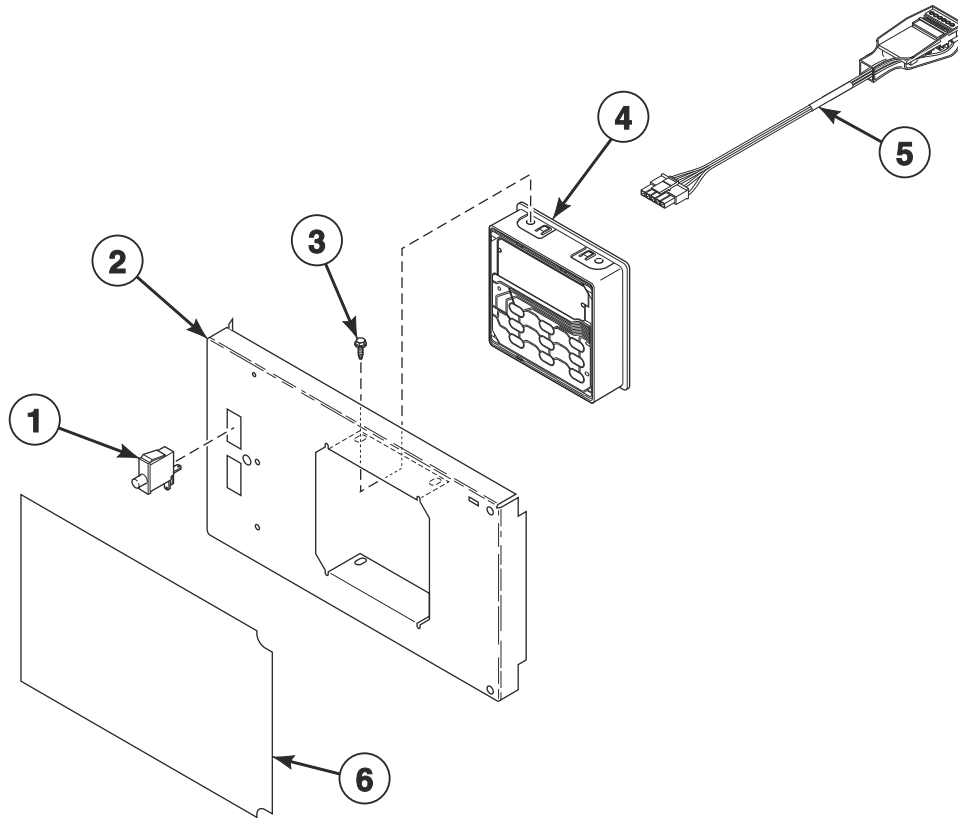
TMB3928P

## Electronic Display Control - Vend Models with N or W in the 7th Position

REF	PART NO.	DESCRIPTION	COMMENTS
	F8519403	Emergency Stop Bypass Harness	T and G models
	70631001	Main Harness	
	44334004	Vend Activation Harness	
	44378104	Interface Harness	Central pay to front end control
	44334103	Bypass Harness	Vault Switch
	44334104	Coin Vault Switch Harness	
<b>1</b>	70413301	Pushbutton Switch	
<b>2</b>	70496601	Control Plate and Studs Assembly	Coin and central pay
<b>3</b>	804608	Screw	4 required
<b>4</b>	70478801P	Control Assembly	Green
<b>5</b>	203361P	Machine ID Control Assembly	Model or serial number is required when ordering
<b>6</b>	70030501	Expansion Clip	
<b>7</b>	70054	Nut	
<b>8</b>	44089501	Slot Card Plate Assembly	
<b>9</b>	70208801	Mounting Plate	
<b>10</b>	M411072	Screw	
<b>11</b>	70497201	Control Plate Assembly	Card
<b>12</b>	70679201	Overlay	M models; Single drop
	70571101	Overlay	N models; Single drop
	70571102	Overlay	N models; Dual drop
	70571103	Overlay	N models; Card ready
	70626001	Overlay	G and K models; Single drop
	70626002	Overlay	G and K models; Dual drop
	70626101	Overlay	G and K models; Card ready

# Electronic Display Control - OPL Models with N in the 7th Position

All Models Except M Models

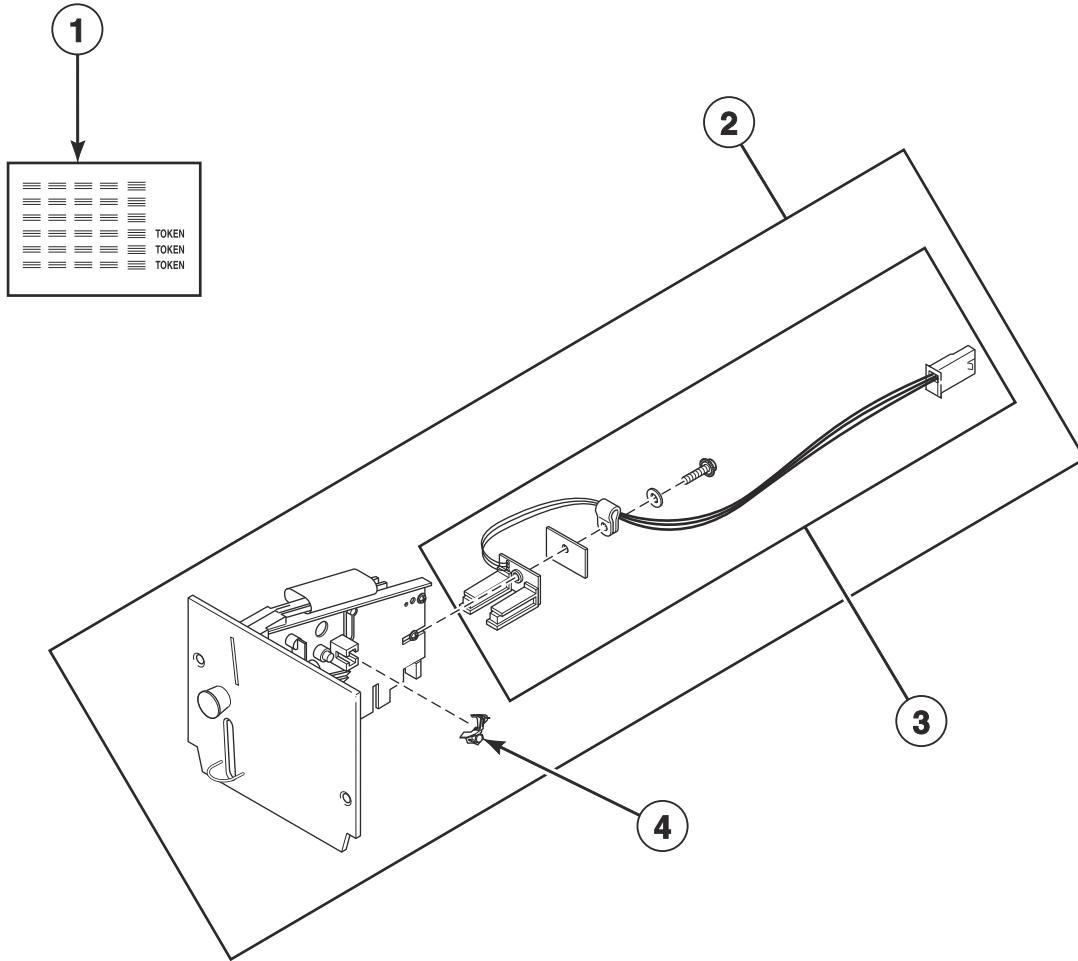


TMB3680P

## Electronic Display Control - OPL Models with N in the 7th Position

REF	PART NO.	DESCRIPTION	COMMENTS
	44334004	Vend Activation Harness	
1	70413301	Pushbutton Switch	
2	70497101	Control Plate	
3	804608	Screw	4 required
4	70478802	Control Assembly	
5	203361P	Machine ID Control Assembly	Model or serial number is required when ordering
6	70548801	Overlay	N models; Reversing
	70548802	Overlay	N models; Nonreversing
	70547801	Overlay	G and K models; Reversing
	70547802	Overlay	G and K models; Nonreversing

# Coin Drops



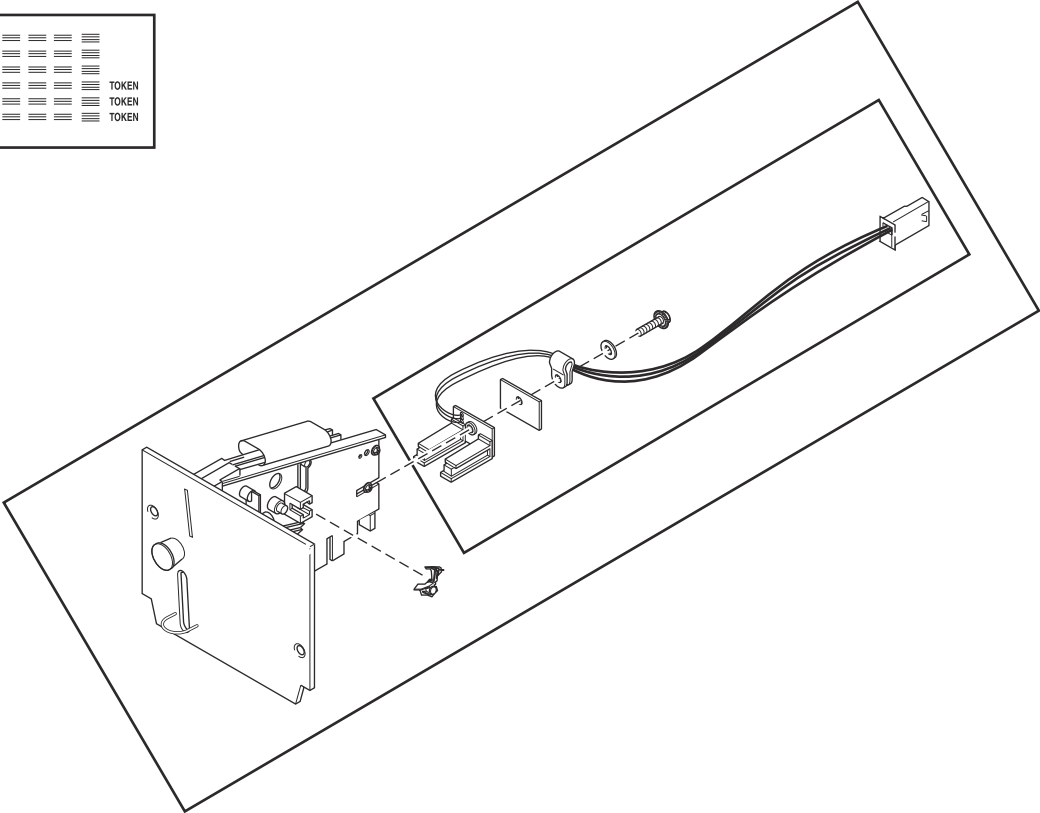
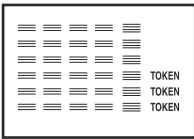
TMB3510P



# Coin Drops

REF	PART NO.	DESCRIPTION	COMMENTS
1	38725	Coin Identification Paper	
2	70441601P	Coin Drop	Single; U.S.A.; \$.25
	38475	Coin Drop Assembly	Single; Japan; 100 yen
	38464P	Coin Drop Assembly	Single; Canada; .25
	CK077	Coin Drop Kit	Single; Taiwan; 10 NT
	70506901	Coin Drop Assembly	Single; Singapore; \$1.00 NEW
	70441603	Coin Drop	Dual; U.S.A.; \$.25 and \$1.00
	38519	Coin Drop Assembly	Dual; Japan; 100 yen and 500 yen
	70441602	Coin Drop Assembly	Dual; Canada; .25 and 1.00
	38467	Coin Drop Assembly	Dual; Australia; \$0.20 and \$1.00
	70447301	Coin Drop Assembly	Dual; Australia; \$1.00 and \$2.00
	70283102	Coin Drop Assembly	Dual; 0.20 and 0.50 Euro
	210195	Coin Drop Assembly	Dual; 0.20 and 1.00 Euro
	210196	Coin Drop Assembly	Dual; 0.50 and 1.00 Euro
	F0160737-00	Coin Meter	Dual; 0.50 and 2.00 Euro
	70281102	Coin Drop Assembly	Dual; Taiwan; 10 and 50 NT
	70482401	Coin Drop Assembly	Dual; New Zealand; \$1.00 and \$2.00
	38462P	Coin Drop Assembly	Single; Token; STD 118-1
	38463	Coin Drop Assembly	Single; Token; STD 118-5
	38963P	Coin Drop	Single; Token STD 118-16
	39748	Coin Drop	Single; Jeton 08MS
	201141	Coin Drop Assembly	Single; Token; Jeton wh121
	70471601	Coin Drop Assembly	Single; Token; 7K
	70513302	Electronic Coin Drop Assembly	Euro and Great Britain coins
	70513310	Electronic Coin Drop Assembly	Japan and Thailand coins
	70513304	Electronic Coin Drop Assembly	Australia, New Zealand, Hong Kong and South Korea coins
	70513303	Electronic Coin Drop Assembly	Denmark, Norway and Euro coins
	70513306	Electronic Coin Drop Assembly	Mexico, Ecuador and U.S.A. coins
	70294107	Electronic Coin Drop Assembly	Lithuania, Latvia and Euro coins
	70513311	Electronic Coin Drop Assembly	China and Malaysia coins
	70513308	Electronic Coin Drop Assembly	South African 1, 2 and 5 rand coins
	70513309	Electronic Coin Drop Assembly	Euro coins
	70513312	Electronic Coin Drop Assembly	Russia coins
	70513313	Electronic Coin Drop Assembly	Philippines coins
	70513314	Electronic Coin Drop Assembly	Thailand coins
	70513315	Electronic Coin Drop Assembly	Chile coins
	70513316	Electronic Coin Drop Assembly	Singapore coins
3	200674P	Opto Coupler	
4	201595P	Wire Guard	

# Coin Drop Kits



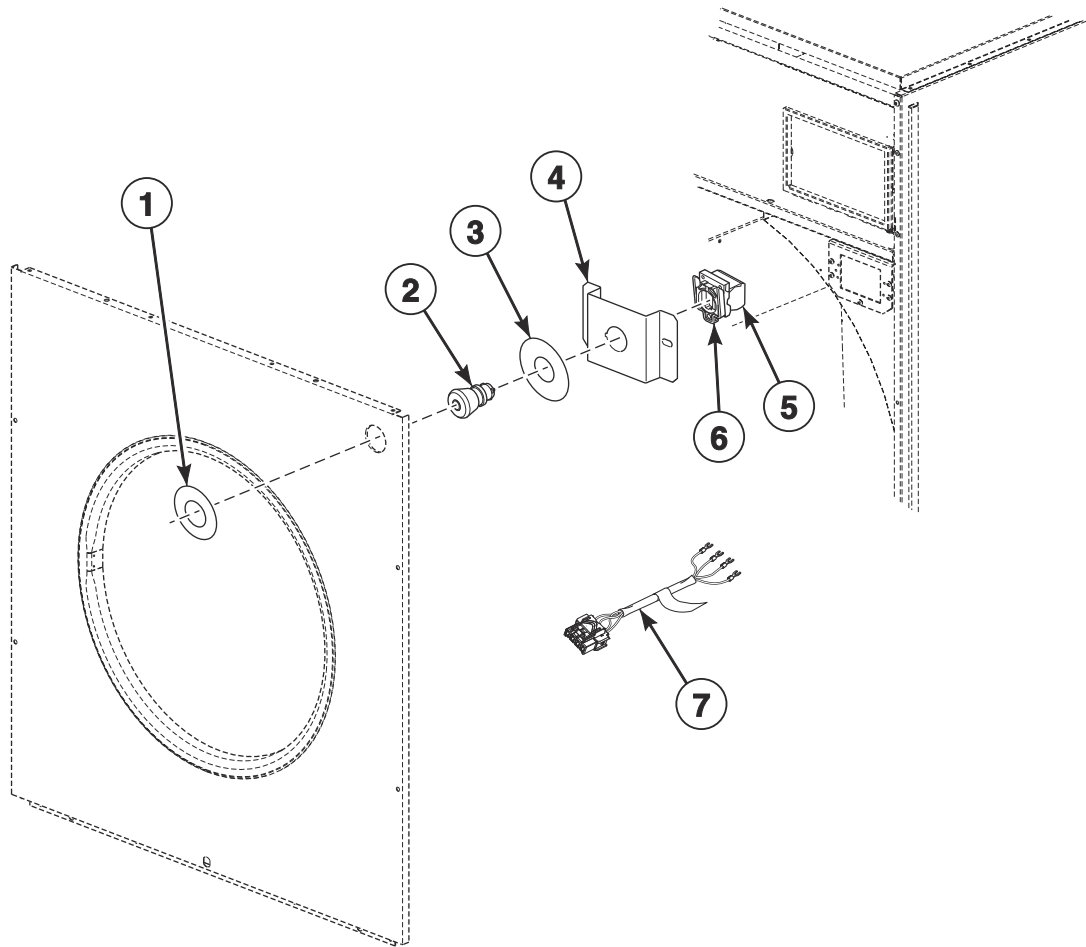
TMB3510PA

## Coin Drop Kits

REF	PART NO.	DESCRIPTION	COMMENTS
	CK115	Electronic Coin Drop Kit	United States and Canada
	CK099	Electronic Coin Drop Kit	Australia (default), New Zealand, Hong Kong, South Korea and Malaysia
	CK100	Electronic Coin Drop Kit	United Kingdom (default) and Europe
	CK101	Electronic Coin Drop Kit	Europe (default), Denmark and Norway
	CK108	Electronic Coin Drop Kit	South Africa
	CK109	Electronic Coin Drop Kit	Euro
	CK110	Electronic Coin Drop Kit	Mexico (default), Ecuador and United States
	CK113	Electronic Coin Drop Kit	Japan and Taiwan
	CK116	Electronic Coin Drop Kit	Malaysia (default) and China
	CK117	Electronic Coin Drop Kit	Russia
	CK118	Electronic Coin Drop Kit	Philippine
	CK119	Electronic Coin Drop Kit	Thailand
	CK120	Electronic Coin Drop Kit	Chile
	CK121	Electronic Coin Drop Kit	Singapore
	CK122	Coin Drop Kit	New Zealand; 1.00 and 2.00

# Emergency Stop Button - IEC OPL Models

A, H, J, K, R and U in the 2nd Position

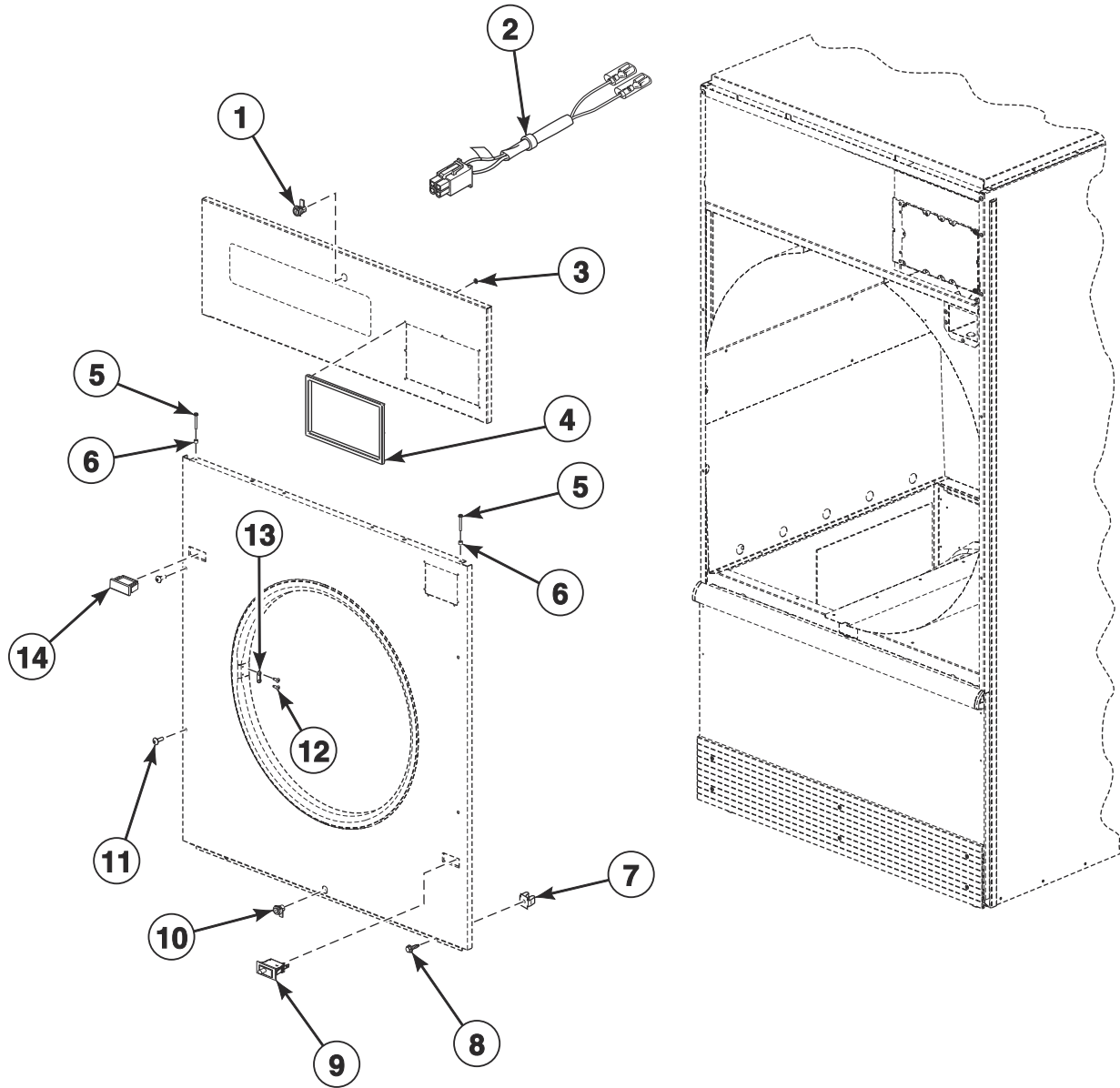


TMB3513P

## Emergency Stop Button - IEC OPL Models

REF	PART NO.	DESCRIPTION	COMMENTS
	70580301	Emergency Stop Button Kit	Includes items 2-4
	70631102	Emergency Stop Interconnect Harness	
1	44012903	Emergency Stop Label	
2	F200233500	Emergency Stop Pushbutton	
3	44012901	Emergency Stop Label	
4	70550401	Emergency Stop Mounting Bracket	
5	F8069501	Contact Switch	2 required
6	F8538101	Contact Base	
7	44272401	Emergency Stop Harness	

# Cabinet Front Components

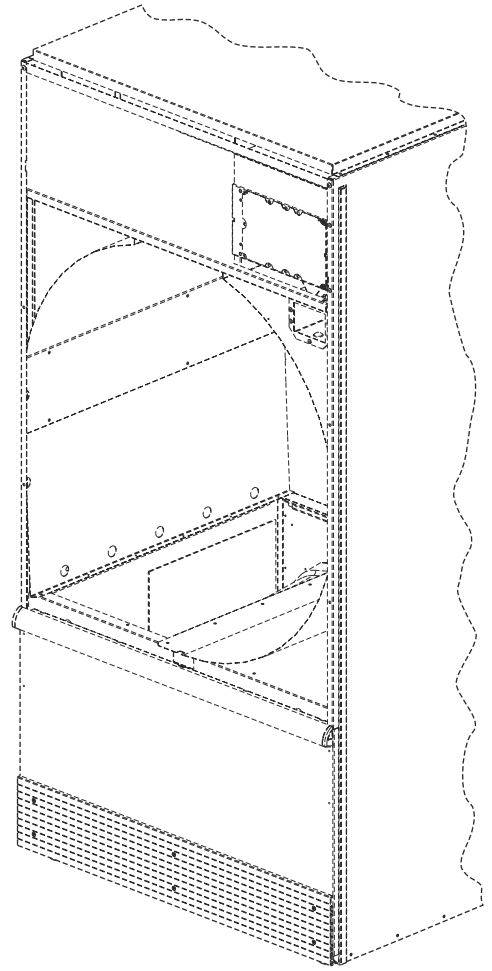
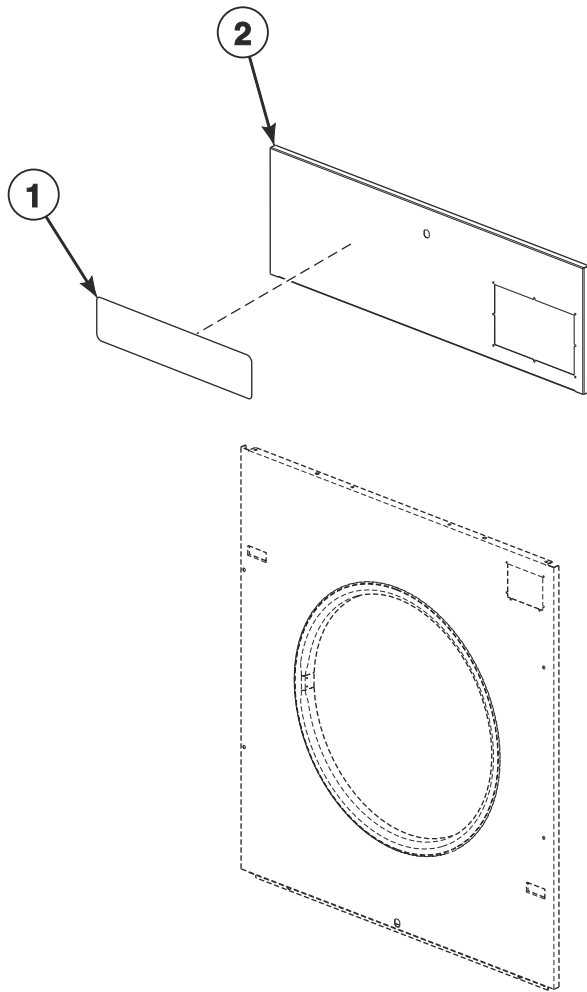


TMB3538P

## Cabinet Front Components

REF	PART NO.	DESCRIPTION	COMMENTS
	M4379P4	Tumbler Dolly Kit	
	D511476	Jumper Harness	Card reader present
	44366201	Door Switch Harness	
	44334103	Bypass Harness	Card and central pay
	70482901	Door Catch Kit	
<b>1</b>	44089301P	Lock, Key and Nut Kit	RL001 key code; Black; Control panel; Optional if same key is to be used for control lock
	70155601	Key	RL001
<b>2</b>	44334101	Coin Vault Switch Harness	
<b>3</b>	M400977	Nut	8 required per control trim
<b>4</b>	44016401	Control Trim	Black
<b>5</b>	70275801	Screw	4 required
<b>6</b>	56079	Panel Locator	2 required
<b>7</b>	70030501	Expansion Clip	
<b>8</b>	M411072	Screw	4 required; Front panel; Bottom
<b>9</b>	70413301	Pushbutton Switch	Door switch
<b>10</b>	44089301P	Lock, Key and Nut Kit	RL001 key code; Black; Lint panel; Optional if same key is to be used for control lock
	70155601	Key	RL001
	44089302P	Lock, Key and Nut Kit	RL002 key code; Black; Lint panel; Standard coin and card models
	70155602	Key	RL002
<b>11</b>	70033502	Screw	2 required for stainless steel panels in addition to 2 of 70182601 Screw
	70182601	Screw	2 required for stainless steel panels in addition to 2 of 70033502 Screw; 4 required for painted panels
<b>12</b>	44166601	Pop Rivet	2 per door latch
<b>13</b>	M401223	Door Latch	2 required
<b>14</b>	44057801W	Switch Hole Plug	White
	44057801B	Switch Hole Plug	Black

# Control Panels and Nameplates



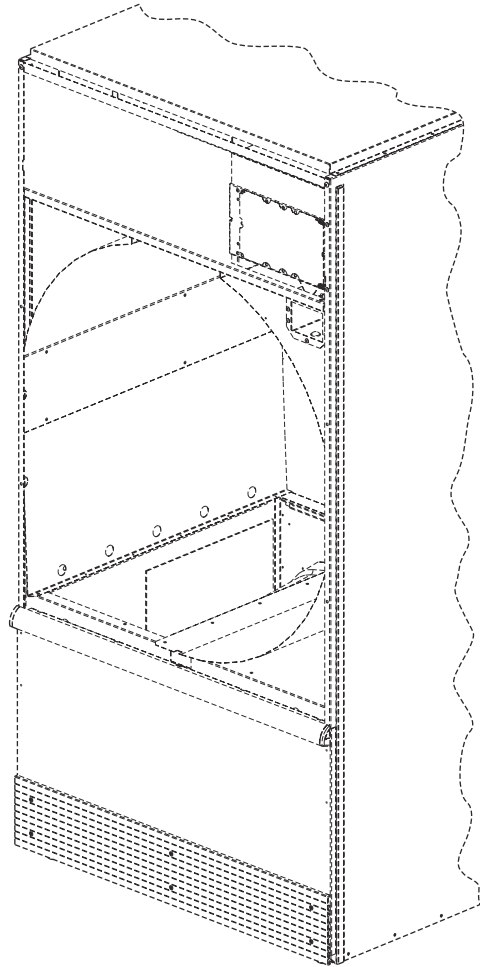
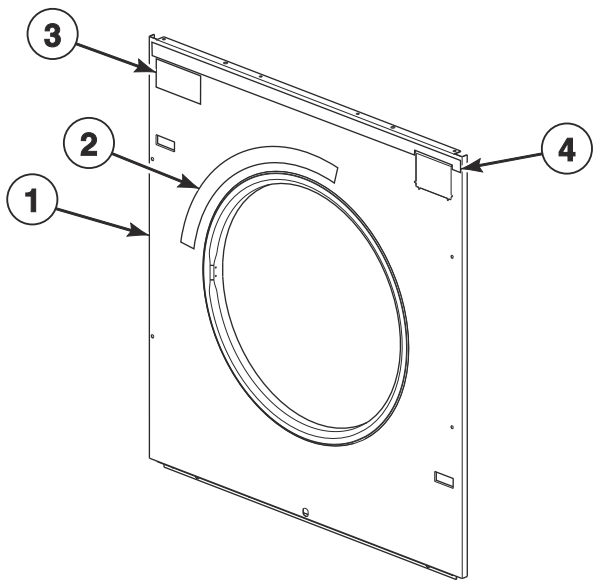
TMB3891P



## Control Panels and Nameplates

REF	PART NO.	DESCRIPTION	COMMENTS
1	44130301	Nameplate Overlay	K models through 12/31/22; OPL
	44391301	Label	G and K models starting 8/8/22; Coin; ExpressDry
	44391401	Label	K models starting 1/1/23; OPL; ProDry2+
2	44040015W	Control Panel	G and K models
	44040013	Control Panel	G and K models; Stainless steel
	44000130W	Control Panel	N models
	44000125	Control Panel	N models; Stainless steel

# Front Panel Assemblies

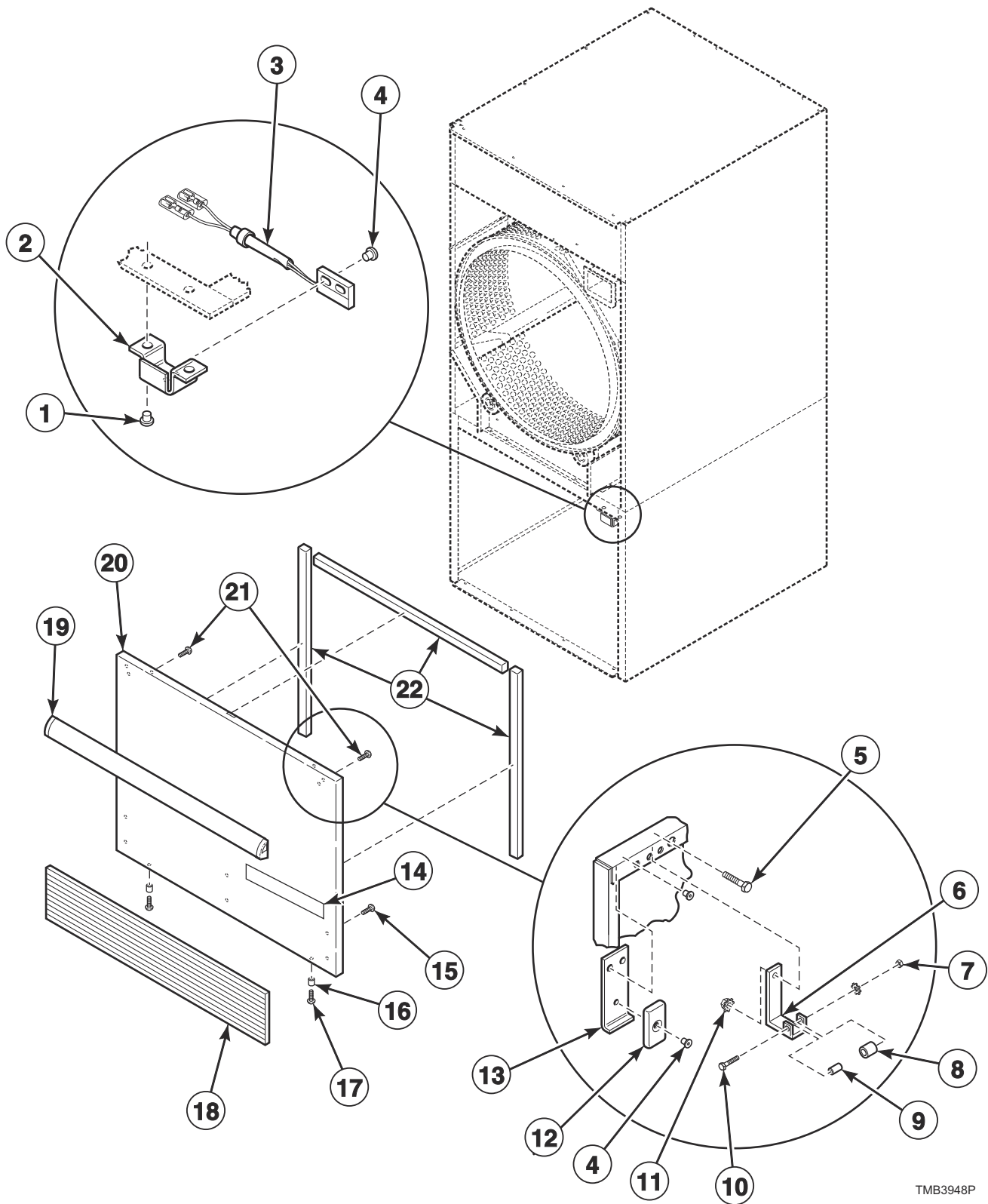


TMB3540P

## Front Panel Assemblies

REF	PART NO.	DESCRIPTION	COMMENTS
<b>1</b>	44052533W	Front Panel	Coin
	44052532	Front Panel	Stainless steel; Coin
	44052536W	Front Panel	Card and central pay
	44052535	Front Panel	Stainless steel; Card and central pay
	44052542W	Front Panel	With e-stop; OPL
	44052541	Front Panel	Stainless steel; With e-stop; OPL
	44052539W	Front Panel	Without e-stop; OPL
	44052538	Front Panel	Stainless steel; Without e-stop; OPL
<b>2</b>	70534401	Warning Label	English
	70534402	Warning Label	French
	70534405	Warning Label	Colombian Spanish
	70534400	Label Kit	IEC models; Warning
<b>3</b>	70537101	Label	G and K models; F.S.S.
	70537001	Label	M and N models; C.A.R.E.
	70414001	Label	G and K models through 8/7/22; Coin; ExpressDry
<b>4</b>	70399402	Access Panel Trim	G and K models

# Lower Cabinet Front Components

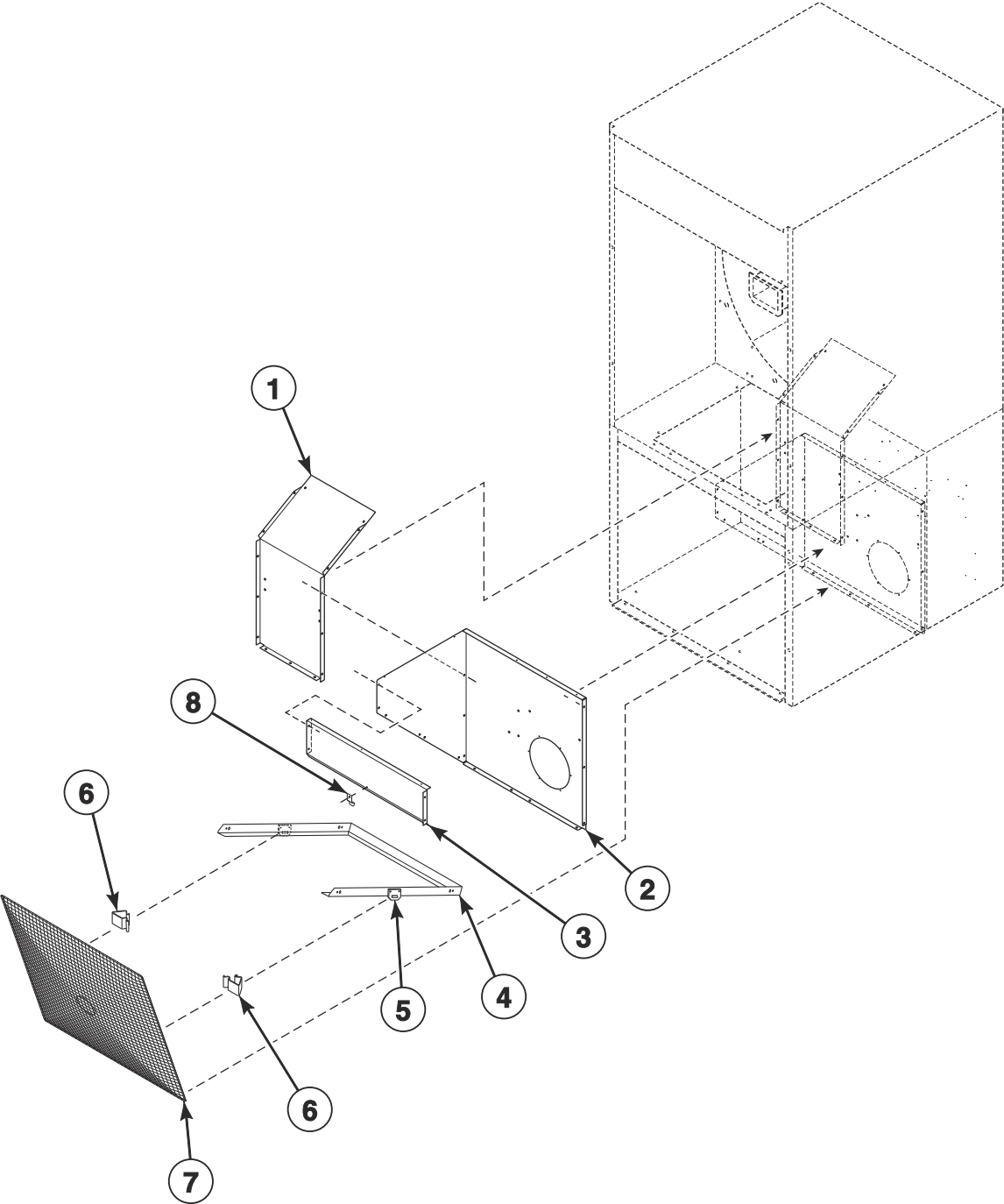


TMB3948P

## Lower Cabinet Front Components

REF	PART NO.	DESCRIPTION	COMMENTS
	44362702	Lint Door Switch Harness	
	70404001	Roller Bracket Assembly	Includes items 6-10
1	70058501	Pop Rivet	
2	44296101	Switch Bracket	
3	F8066804	Reed Switch Assembly	
4	F8245101	Blind Rivet	
5	70132301	Screw	Attaching roller catch
6	70030301	Roller Catch Arm	
7	23951	Nut	
8	70297601	Roller Catch Wheel	
9	70030201	Roller Catch Spacer	
10	70072801	Screw	
11	51236	Nut	Attaching roller catch
12	70343101	Magnet	
13	44290501	Magnet Bracket	
14	44391701	Label	K models starting 1/1/23; Capacity; OPL
15	70126301	Pop Rivet	For attaching kickplate; Black; 6 required
	70126401	Pop Rivet	For attaching kickplate; Gray; 6 required
16	56079	Panel Locator	
17	39733	Screw	
18	70117607	Kickplate	Black
19	70154405P	Handle and Caps Assembly	M and N models; Black; Includes endcaps
	70407202	Handle Bumper	G and K models; Black and blue; Does not include endcaps
20	44293603W	Lint Panel	With kickplate
	44293602	Lint Panel	Stainless steel; With kickplate
	44293605	Lint Panel	Stainless steel; No kickplate
	44293604W	Lint Panel	No kickplate
21	430757	Screw	
22	70289101P	Gasket	Sold per foot

# Lint Panel Components

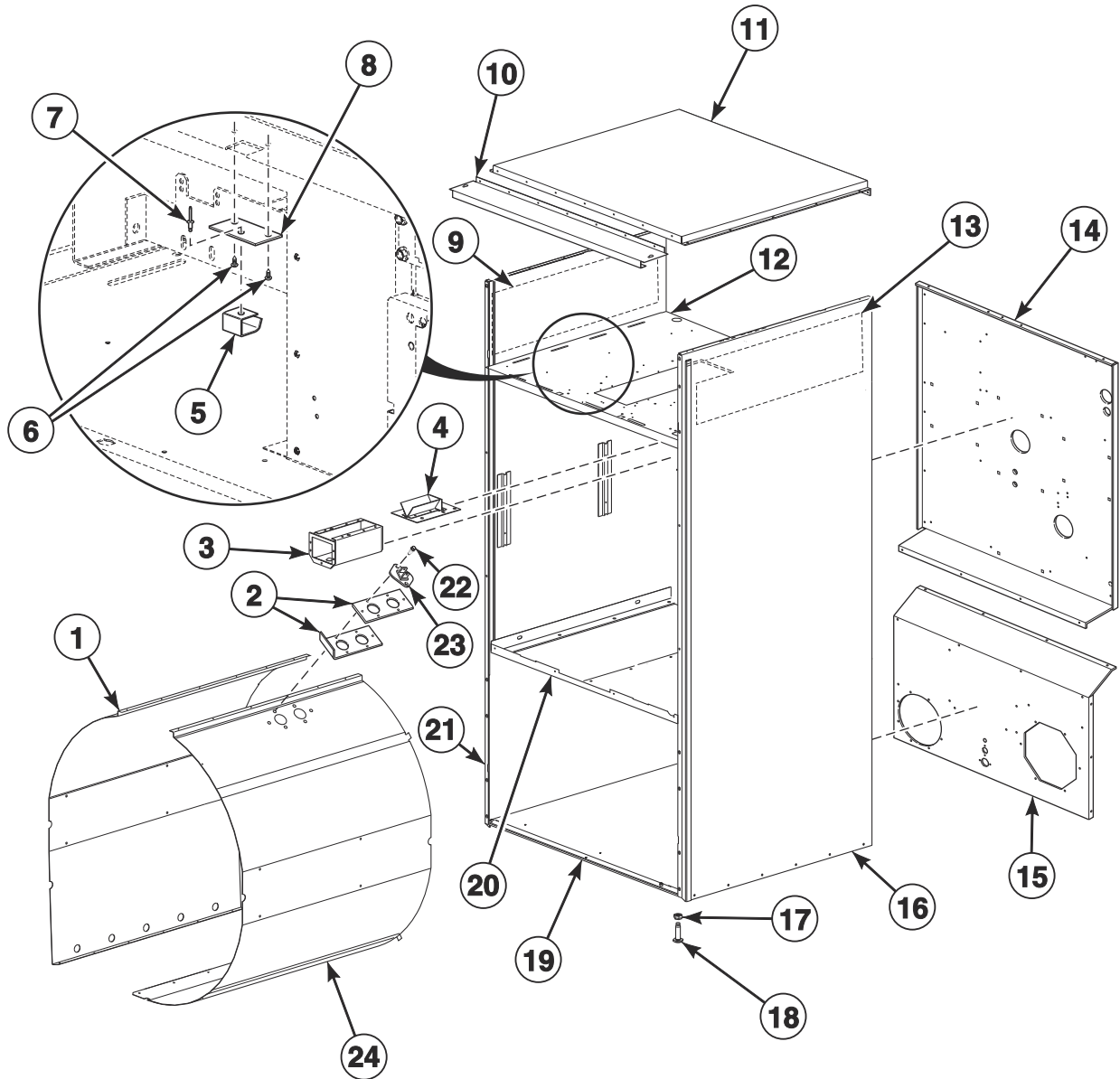


TMB3637P

## Lint Panel Components

REF	PART NO.	DESCRIPTION	COMMENTS
1	44298102	Lint Panel	Left
2	44300901	Lint Panel	Right
3	44298901	Lint Screen Top Rail	
4	44325301	Lint Bracket	
5	44140202	Lint Clip Bracket	2 required
6	35865	Hold-Down Clip	2 required
7	44063601	Lint Screen	
8	H96418413	Lint Screen Clip	

# Cabinet Components



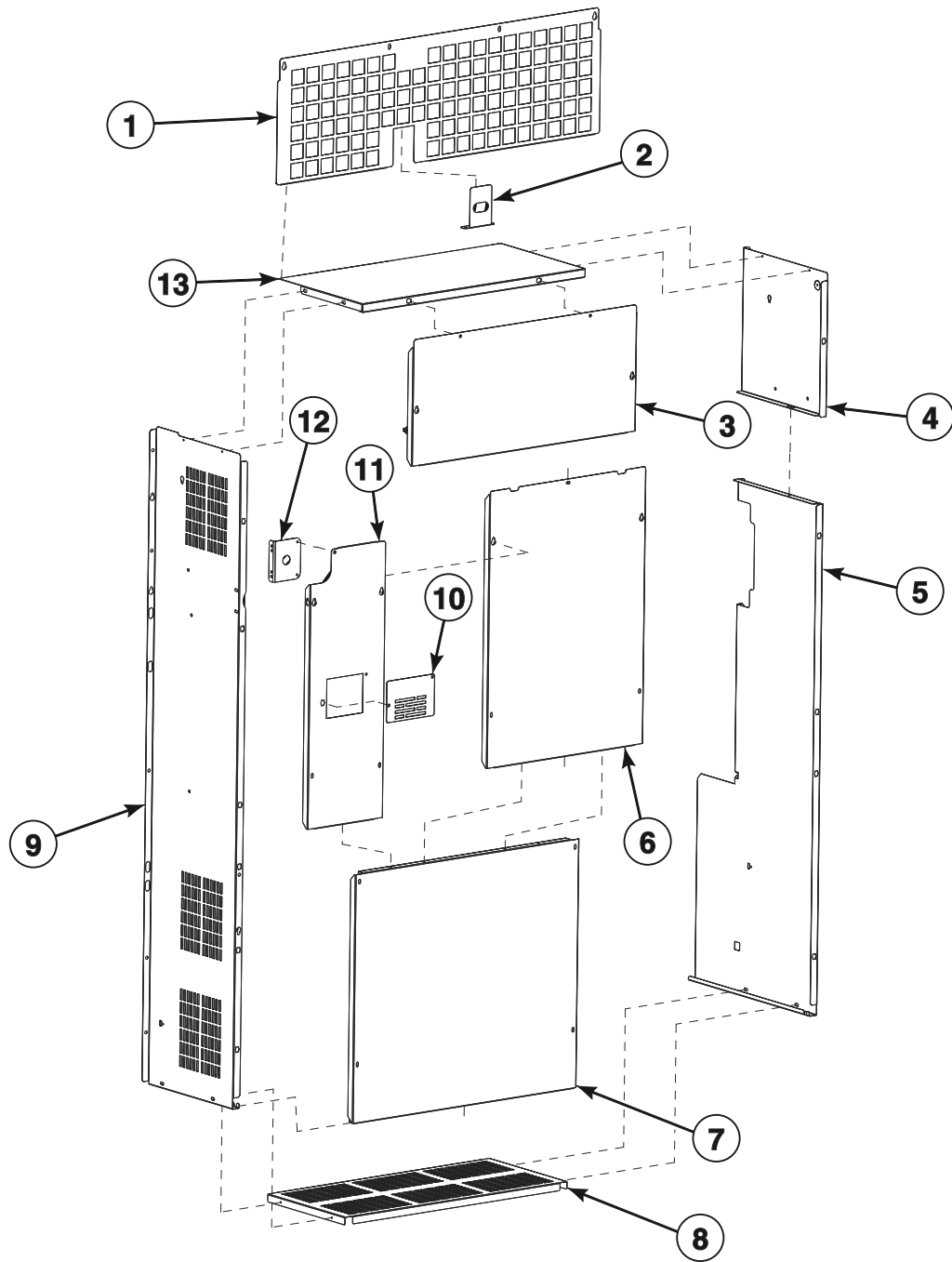
TMB3893P



# Cabinet Components

REF	PART NO.	DESCRIPTION	COMMENTS
	298P4P	Spray Paint	White
	122P4P	Porcelain Touch-Up Paint	White
	70058501	Pop Rivet	Use with items 16 and 21
	430497	Screw	Use with items 16 and 21
<b>1</b>	44299001	Baffle	Left
<b>2</b>	44068101	Thermistor Plate	
	44068102	Thermistor Plate	Use as a shim
<b>3</b>	70529501	Coin Vault Assembly	
	70529502	Coin Vault and Emergency Stop Mount Assembly	Models with emergency stop
	F160673P	Coin Box	Optional equipment; Includes lock and key
<b>4</b>	70296401	Coin Chute Assembly	Wide
<b>5</b>	431318	Control Door Latch	
<b>6</b>	431287	Screw	
<b>7</b>	M400003	Pop Rivet	
<b>8</b>	44003201	Latch Mounting Bracket	
<b>9</b>	44150102	Insulation	
<b>10</b>	44368201	Top Panel Bracket	Gas and electric models
<b>11</b>	44129301P	Top Cover Pan	Gas and electric models
	44368901	Top Cover	Steam models
<b>12</b>	44300101	Top Pan	
<b>13</b>	44150105	Insulation	
<b>14</b>	44376901	Upper Rear Panel	
<b>15</b>	44380501	Lower Rear Panel	
<b>16</b>	44367802W	Side Panel	Right
<b>17</b>	21899	Nut	Right
<b>18</b>	70247701	Screw	Leveling leg
<b>19</b>	44298701	Bottom Pan	
<b>20</b>	44298601	Center Pan	
<b>21</b>	44367702W	Side Panel	Left
<b>22</b>	51780	Screw	
<b>23</b>	44064701	Thermistor	
<b>24</b>	44299802	Baffle	Right
	44299801	Baffle	Right with fire suppression system

# Rear Panel and Belt Guard Components

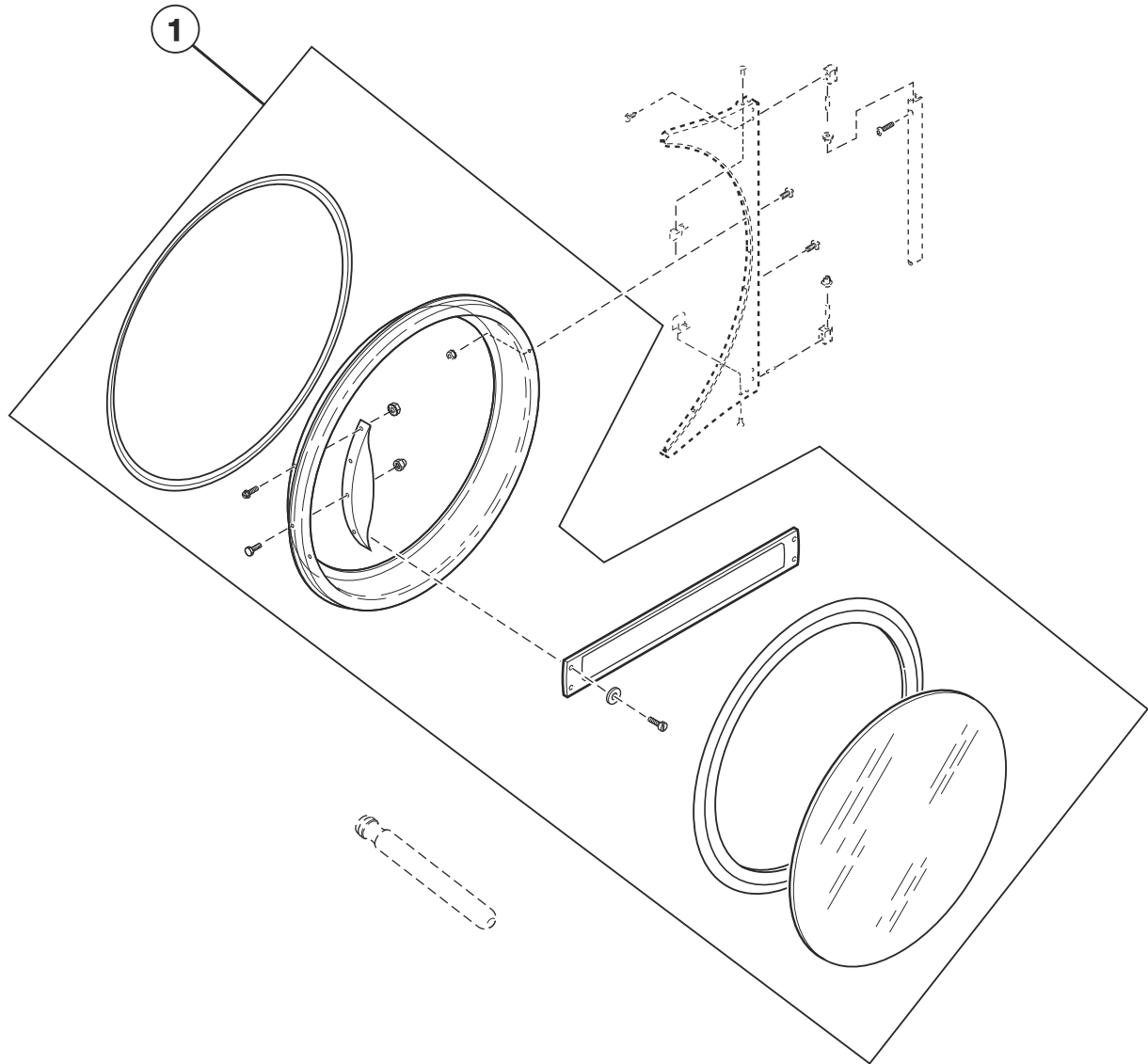


TMB3894P

## Rear Panel and Belt Guard Components

REF	PART NO.	DESCRIPTION	COMMENTS
1	44300301	Stove Grate	Gas models
	44300302	Stove Grate	Steam models
	44364801	Stove Grate	Electric models
2	44327601	Pipe Bracket	Gas models
	44376801	Steam Harness Bracket	Steam models
3	44363801	Control Tray Guard	
4	44374301	Upper Guard	Left
5	44363501	Lower Guard	Left
6	44373501	Rear Guard	Belt
7	44363901	Lower Guard	Rear
	44363902	Lower Guard	Rear with fire suppression system
8	44377301	Guard	Bottom
9	44363601	Guard	Right
10	70202501	Drive Access Cover	
11	44373401	Rear Guard	Inverter
12	70615501	Conduit Plate	Gas and steam models
	70615502	Conduit Plate	Electric models
13	44364001	Top Guard	Gas and steam models
	44364002	Top Guard	Electric models

# Door Assemblies

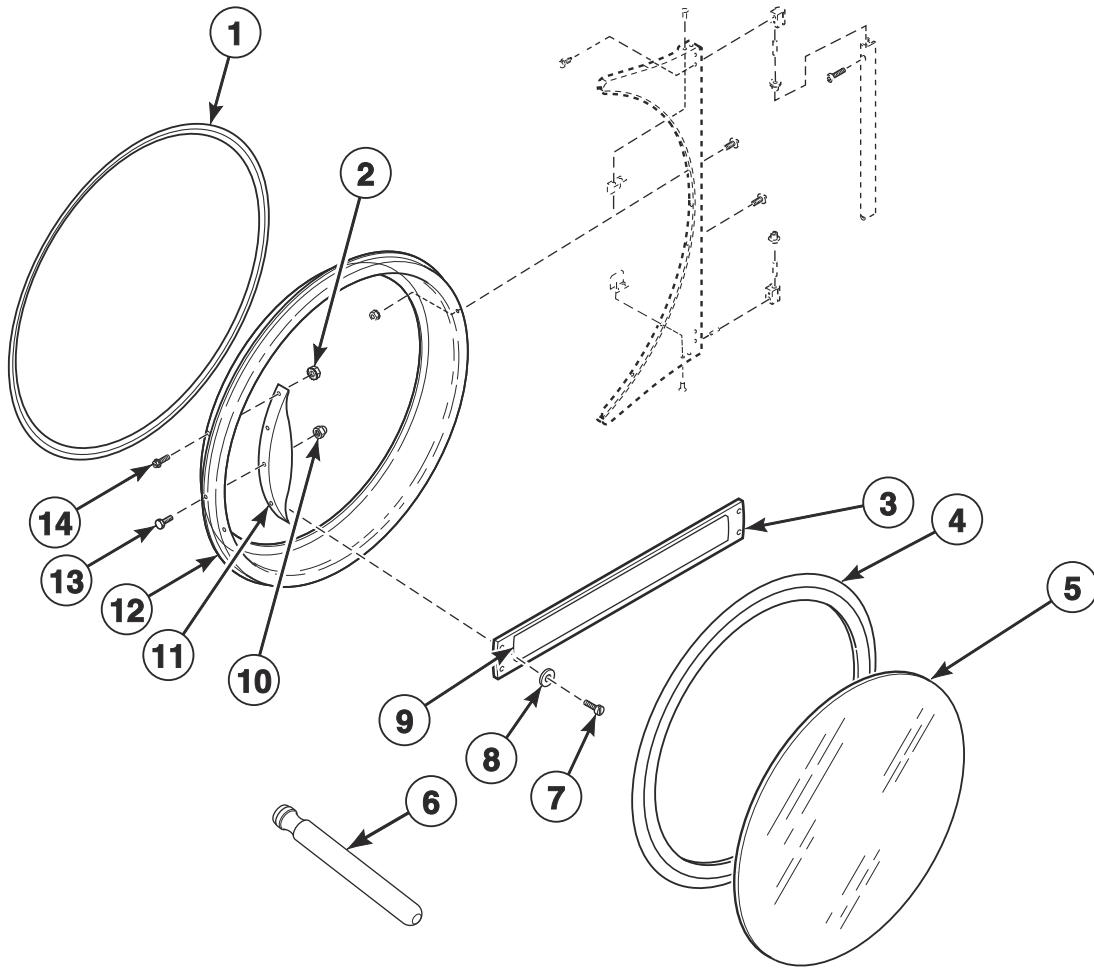


TMB3856P

## Door Assemblies

REF	PART NO.	DESCRIPTION	COMMENTS
1	44354701	Door Assembly	M models; Stainless steel
	44354702	Door Assembly	M models; Chrome
	44354709	Door Assembly	N models; Black
	44354711B	Door Assembly	G and K models; Includes handle

# Door Components

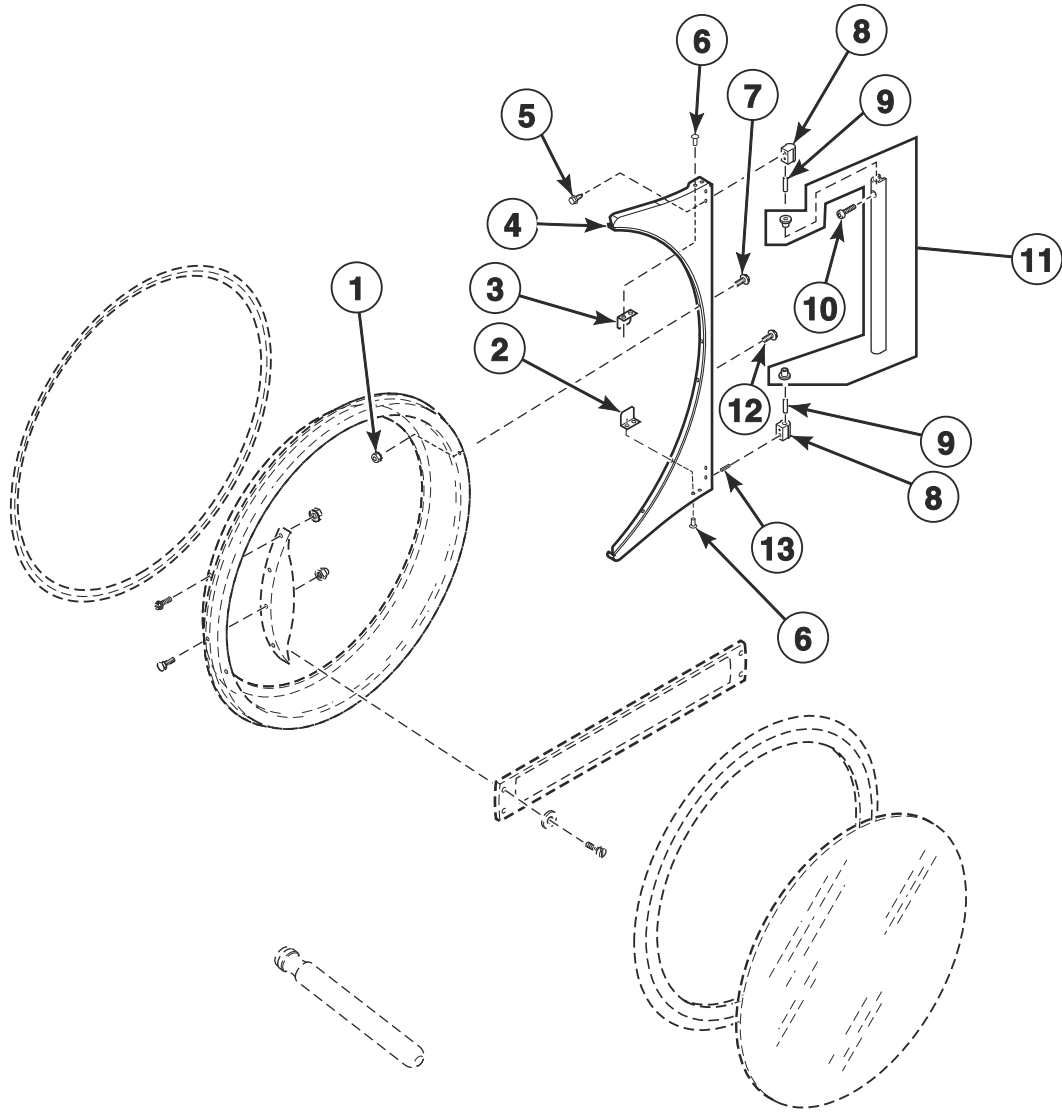


TMB3856PA

## Door Components

REF	PART NO.	DESCRIPTION	COMMENTS
1	44008201P	Door Ring Gasket	
2	44088001	Nut	M and N models; 4 required
3	70399501B	Handle Bar	G and K models
4	70211902P	Door Seal Kit	Use Loctite 414 for seal
5	44008401P	Door Glass	
6	M4221P4	Door Glass Installation Tool	
7	70412601	Pop Rivet	G and K models; Attaches door handle to ring
8	70409301	Washer	G and K models
9	44144401	Nameplate Overlay	K models through 8/7/22
	44391201	Nameplate Overlay	K models starting 8/8/22
	70411401	Nameplate Overlay	G models
10	M414215	Nut	For door strike; Mounts between door strike screw and door handle
11	44007901	Door Handle	M and N models
12	44354801	Door Ring Assembly	M models; Stainless steel
	44354802	Door Ring Assembly	M models; Chrome
	44354809B	Door Ring Assembly	G and K models
	44354807B	Door Ring Assembly	N models
13	M400661	Screw	Door Strike
14	70442101	Screw	M and N models; 4 required

# Hinge Components



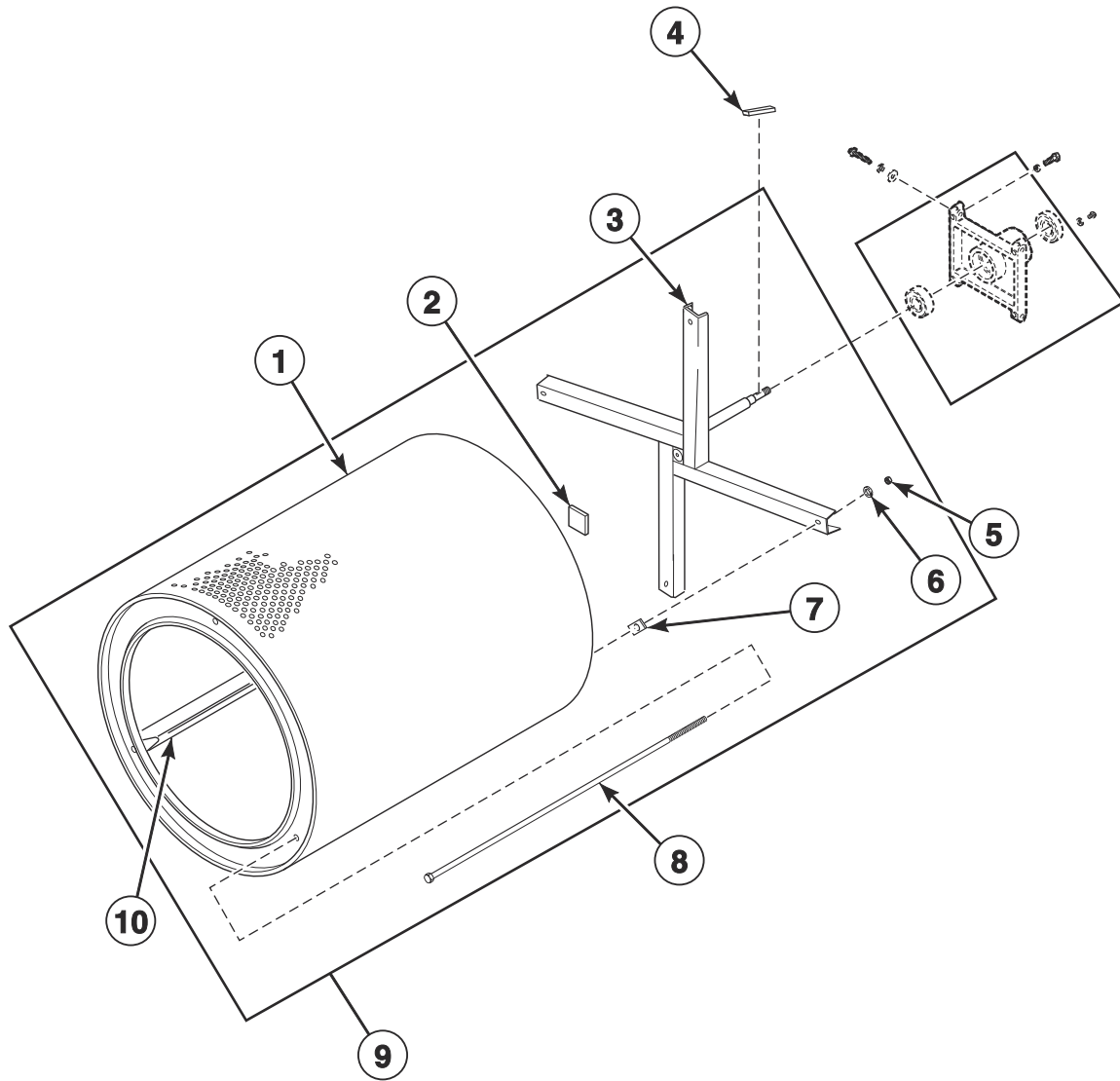
TMB3856PB



# Hinge Components

REF	PART NO.	DESCRIPTION	COMMENTS
1	44088001	Nut	
2	70532101	Door Switch Actuator	Bottom
3	70532102	Door Switch Actuator	Top
4	70596614B	Door Hinge Assembly	G and K models; Black
	70596614W	Door Hinge Assembly	M and N models
	70596604	Door Hinge Assembly	M and N models; Stainless steel
5	70576101	Screw	3 required
6	70058501	Pop Rivet	2 required
7	44349101	Screw	6 required
8	M4773P3	Hinge Cam Kit	G and K models; Black
	M4772P3	Hinge Cam Kit	M and N models
9	70071401	Pin	
10	70407301	Screw	G and K models; Black
	70033502	Screw	M and N models
11	70597603	Door Hinge Lug Assembly	G and K models; Black
	70597601	Door Hinge Lug Assembly	M and N models
12	70689401	Screw	
13	70436301	Screw	

# Cylinder and Trunnion Components

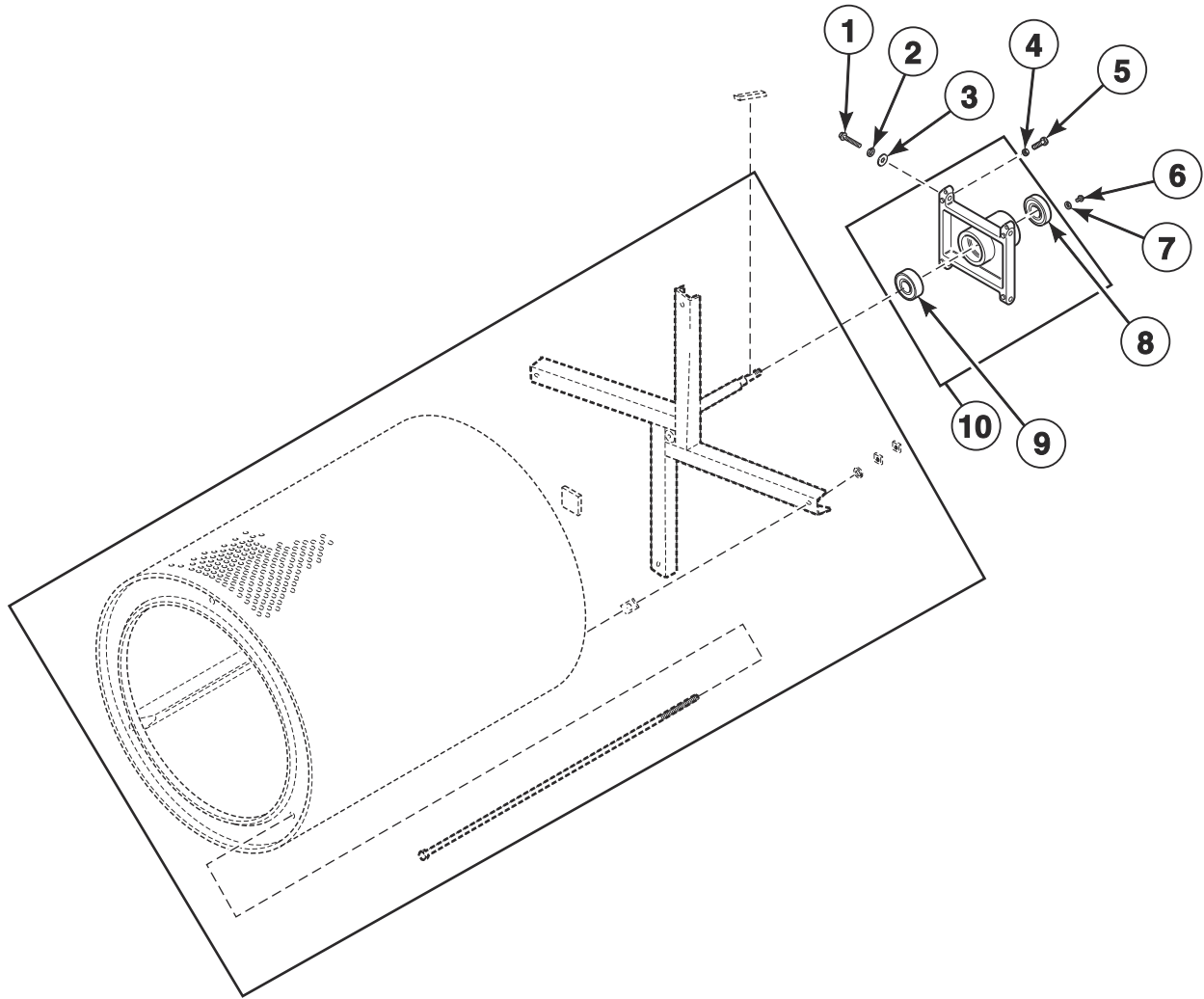


TMB3796P

## Cylinder and Trunnion Components

REF	PART NO.	DESCRIPTION	COMMENTS
1	44057201P	Cylinder Kit	Galvanized; Non-moisture sensing
	44198301P	Cylinder Assembly	Galvanized; Moisture sensing
	44057301P	Cylinder Kit	Stainless steel; Non-moisture sensing
	44198302	Cylinder Assembly	Stainless steel; Moisture sensing
	44130702P	Cylinder Assembly	G and K models; Non-moisture sensing
	44198303	Cylinder Assembly	G and K models; Moisture sensing
2	M402144	Felt Pad	
3	44208001	Trunnion Assembly	Spider; Non-moisture sensing
	44207901	Trunnion Assembly	Moisture sensing
4	M400008	Key	Half moon
5	M404993	Nut	
6	M400015	Washer	4 required
7	M401402	Spacer	Adjustment between cylinder and trunnion
8	M404992	Rib Rod	
9	44195701P	Cylinder and Trunnion Assembly	Galvanized; Non-moisture sensing
	44195702P	Cylinder and Trunnion Assembly	Stainless steel; Non-moisture sensing
	44195705P	Cylinder and Trunnion Assembly	Galvanized; Moisture sensing
	44195706	Cylinder and Trunnion Assembly	Stainless steel; Moisture sensing
	44195703	Cylinder and Trunnion Assembly	G and K models; Non-moisture sensing
	44195707	Cylinder and Trunnion Assembly	G and K models; Moisture sensing
10	44191202	Cylinder Rib Assembly	Moisture sensing

# Bearing Components

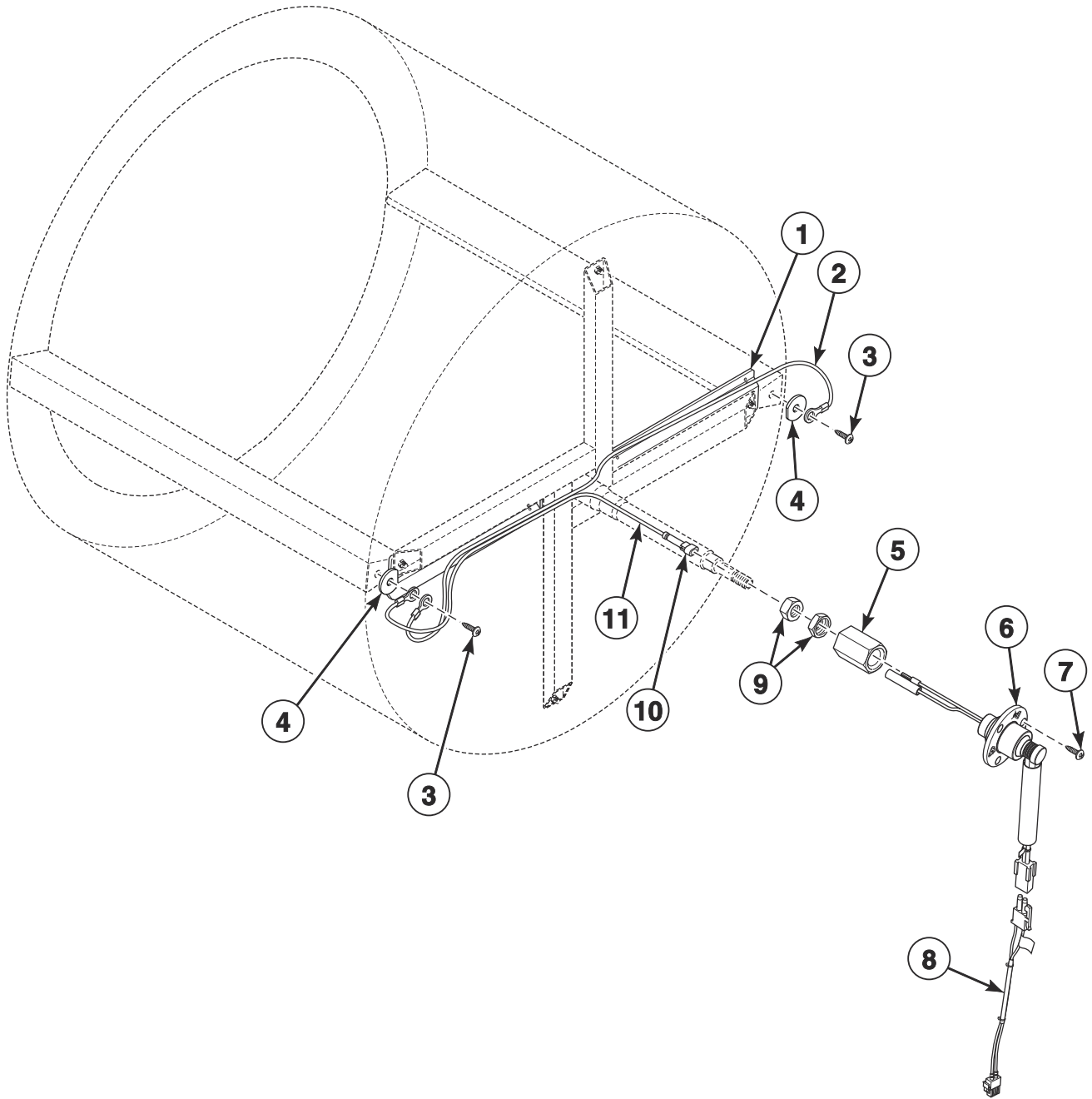


TMB2123PA

# Bearing Components

REF	PART NO.	DESCRIPTION	COMMENTS
	M4640P3	Trunnion and Bearing Assembly	Non-moisture sensing
	44336301	Trunnion and Bearing Assembly	Moisture sensing
	M4644P3	Housing and Trunnion Assembly	Includes bearing; Non-moisture sensing
	44336302	Housing and Trunnion Assembly	Moisture sensing
<b>1</b>	M400063	Screw	4 required
<b>2</b>	M400015	Washer	4 required
<b>3</b>	70261401	Washer	4 required
<b>4</b>	M400026	Nut	4 required
<b>5</b>	M400650	Bolt	2 required
<b>6</b>	70187201	Screw	4 required
<b>7</b>	20103	Washer	4 required
<b>8</b>	M413923P	Bearing	
<b>9</b>	44041901P	Ball Bearing	
<b>10</b>	44375001	Trunnion Housing Assembly	Includes bearing

# Moisture Sensing Components

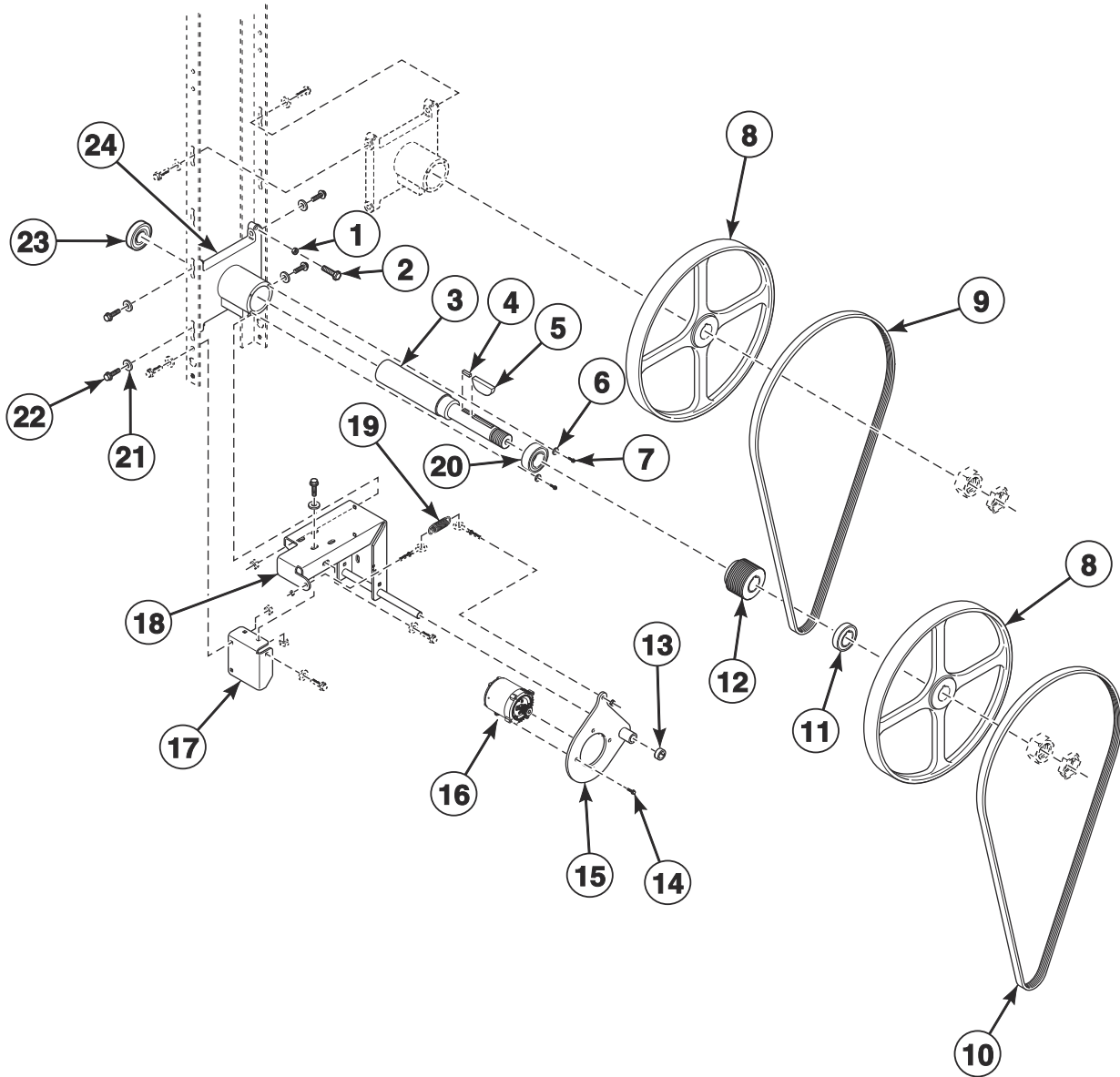


TMB3544P

## Moisture Sensing Components

REF	PART NO.	DESCRIPTION	COMMENTS
	44344702	Moisture Sensing Harness Kit	
	55881	Harness Strap	Use with item 1
	44375503	Adapter Harness	Goes to I/O Board
<b>1</b>	44239101	Wireway Channel	
<b>2</b>	44208601	Rib Wire	
<b>3</b>	44338901	Screw	
<b>4</b>	44238902	Washer	
<b>5</b>	44224401	Slip Ring Holder	
<b>6</b>	44222702	Slip Ring Assembly	
<b>7</b>	70442101	Screw	
<b>8</b>	44375501	Moisture Sensor Harness	Goes from item 6 to 44375503 Adapter Harness
<b>9</b>	M400035	Nut	
<b>10</b>	44370401	1 Circuit Plug Housing	
<b>11</b>	44208702	Shaft Wire	

# Drive Motor Components



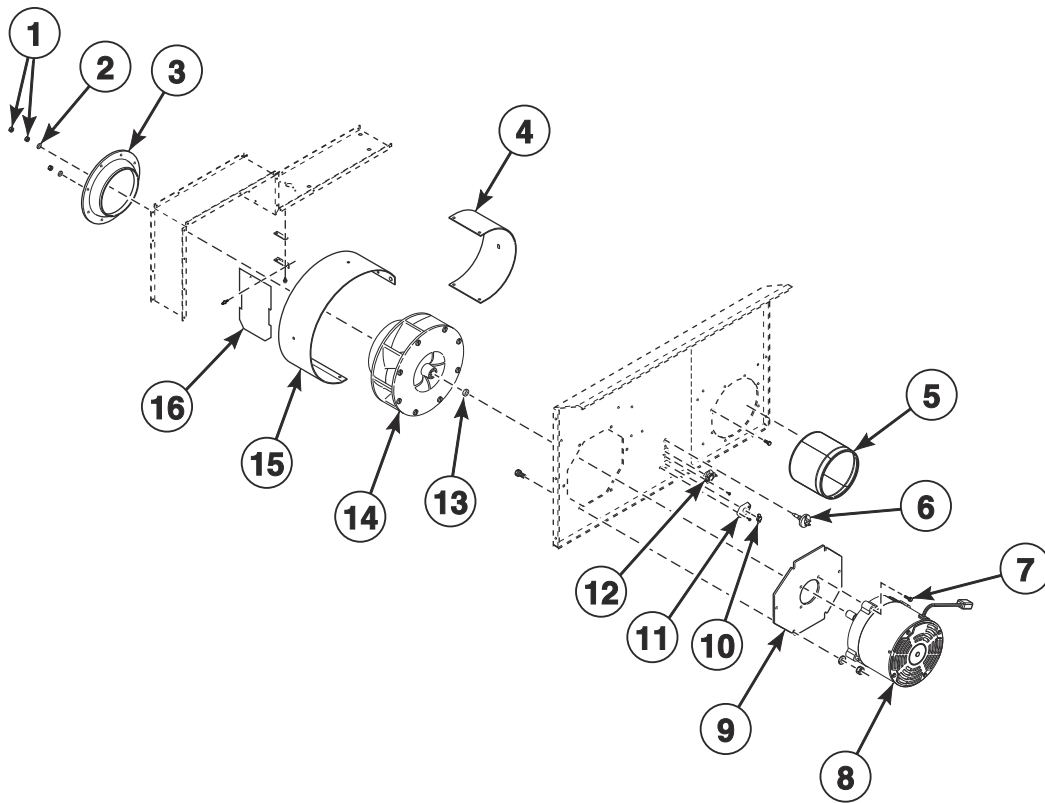
TMB3895P



## Drive Motor Components

REF	PART NO.	DESCRIPTION	COMMENTS
	44333202	Nut	Use with motor pulley
	70635405	Inverter to Motor Harness	T and G market models; 120-240 Volt
	70635406	Inverter to Motor Harness	T and G market models; 380-480 Volt
	70635407	Inverter to Motor Harness	IEC models; 120-240 Volt
	70635408	Inverter to Motor Harness	IEC models; 380-480 Volt
	44375001	Trunnion Housing Assembly	Includes items 6, 7, 20, 23 and 24
<b>1</b>	M400026	Nut	
<b>2</b>	M400650	Bolt	
<b>3</b>	44303102	Idler Shaft	
<b>4</b>	44309301	Key	
<b>5</b>	M400008	Key	
<b>6</b>	20103	Washer	
<b>7</b>	70187201	Screw	
<b>8</b>	44289502	Pulley	
<b>9</b>	44333301	V-Belt	Upper
<b>10</b>	44309402	V-Belt	Lower
<b>11</b>	44306801	Idler Spacer	
<b>12</b>	44374001	Micro V Pulley	
<b>13</b>	70467001	Shaft Collar	
<b>14</b>	44364602	Screw	
<b>15</b>	44311501	Motor Pivot Plate Weldment	
<b>16</b>	44355005	Drive Motor	.50 HP; 240 Volt
	44355006	Drive Motor	.50 HP; 480 Volt
<b>17</b>	44325801	Motor Pivot Support Bracket	
<b>18</b>	44327001	Motor Pivot Bracket Weldment	
<b>19</b>	F8440701	Extension Spring	
<b>20</b>	M413923P	Bearing	
<b>21</b>	70261401	Washer	4 required
<b>22</b>	805213	Screw	4 required
<b>23</b>	44041901P	Ball Bearing	
<b>24</b>	M413826	Trunnion Housing	

# Blower and Exhaust Components

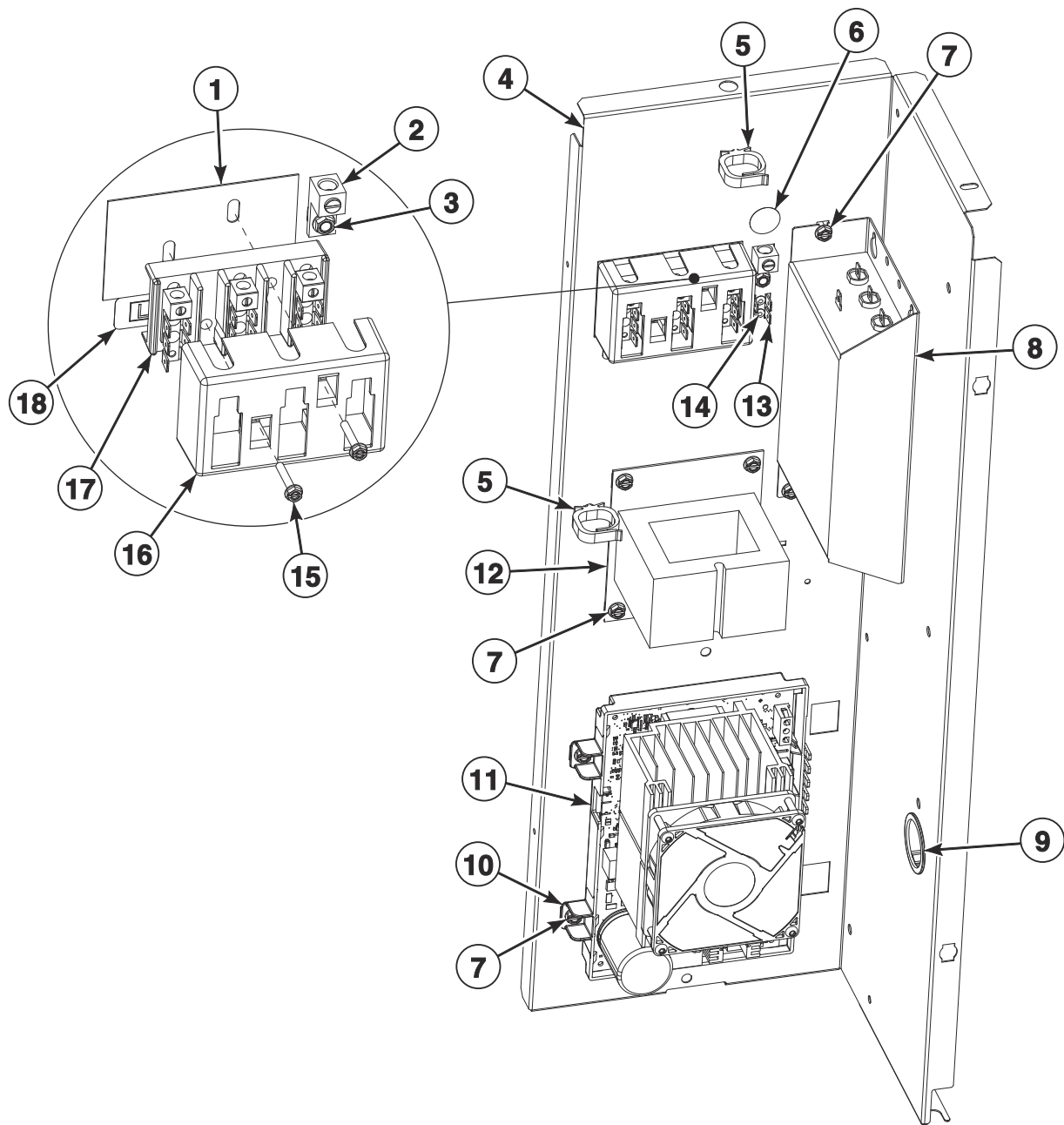


TMB3954P

## Blower and Exhaust Components

REF	PART NO.	DESCRIPTION	COMMENTS
1	70660601	Nut	2 required
2	F431131	Washer	
3	70303101	Blower Inlet Cone	
4	44308401	Air Exhaust Deflector	
5	44327901	Exhaust Pipe Assembly	
6	M414704	Thermistor	
7	44364601	Screw	
8	44354901	Fan Motor	.50 HP; 240 Volt
	44354903	Fan Motor	.50 HP; 480 Volt
9	44380401	Blower Motor Mounting Plate	
10	70530905	Limit Thermostat	Manual reset
11	44312501	Thermostat Opening Cover	
12	44328003	Limit Thermostat	
13	70599301	Fan Spacer	
14	70302201P	Blower Assembly	
15	44303801	Blower Housing Scroll	
16	44280301	Damper Assembly	

# Inverter Tray Components

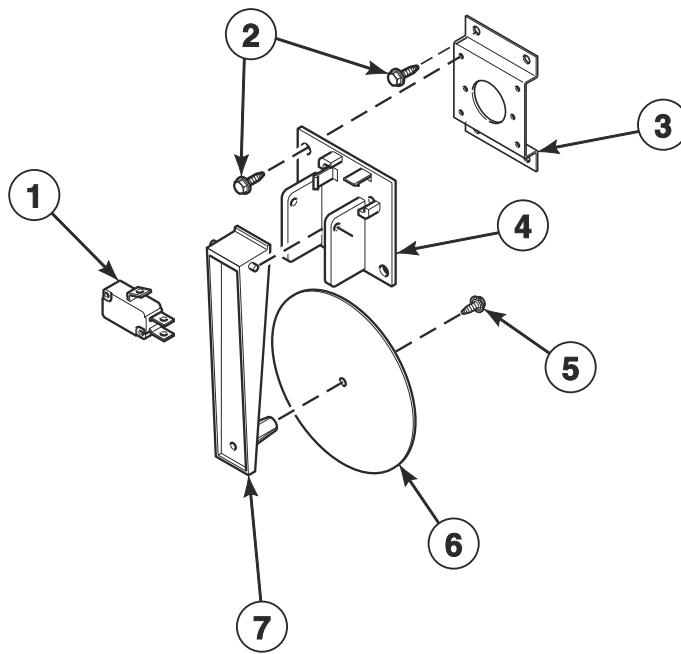


TMB3901P

## Inverter Tray Components

REF	PART NO.	DESCRIPTION	COMMENTS
	70671001	Inverter Power Conversion Harness	Gas models; X to B voltage
	44375701	Inverter Control Power Harness	T and G market models; 120-240 Volt
	44375703	Inverter Control Power Harness	T and G market models; 380-480 Volt
	44375704	Inverter Control Power Harness	IEC models; 120-240 Volt
	44375706	Inverter Control Power Harness	IEC models; 380-480 Volt
	44375401	Harness	Gas and steam models; 120-240 Volt/1 Phase; Power distribution block to EMI filter
	44375402	Harness	Gas and steam models; 380-480 Volt/3 Phase; Power distribution block to EMI filter
<b>1</b>	M413862	Insulator	T and G market models; IEC models
<b>2</b>	M411283	Ground Lug Connector	Gas models
<b>3</b>	685837	Screw	Gas models; Use with 44088001 Nut
<b>4</b>	44364201	Inverter Drive Tray	
<b>5</b>	F8449502	Wire Clip	380-480 Volt
<b>6</b>	D516100	Label	Gas models
<b>7</b>	F8206901	Screw	
<b>8</b>	F8591601	EMI Filter	IEC models; 120-240 Volt
	F8637501	EMI Filter	IEC models; 380-480 Volt
<b>9</b>	70346501	Bushing	
<b>10</b>	70030501	Expansion Clip	
<b>11</b>	70603001	Inverter Control Assembly	1 HP; 120-240 Volt
	70603201	Inverter Control Assembly	1 HP; 380-480 Volt
<b>12</b>	F8491101	Transformer	380-480 Volt
<b>13</b>	00622SG	Terminal	
<b>14</b>	M400003	Pop Rivet	
<b>15</b>	51783	Screw	T and G market models; IEC models
<b>16</b>	70333001	Terminal Block Shield	T and G market models; IEC models
<b>17</b>	430642	Terminal Block	T and G market models; IEC models
<b>18</b>	44286803	Label	Gas models; N and P voltage; L1, L2, L3
	44286801	Label	Gas models; B voltage; L1, N
	44286804	Wire Label	Gas models; X voltage; L1 L2, L1 N, L1 L2 L3

# Airflow Switch Assembly

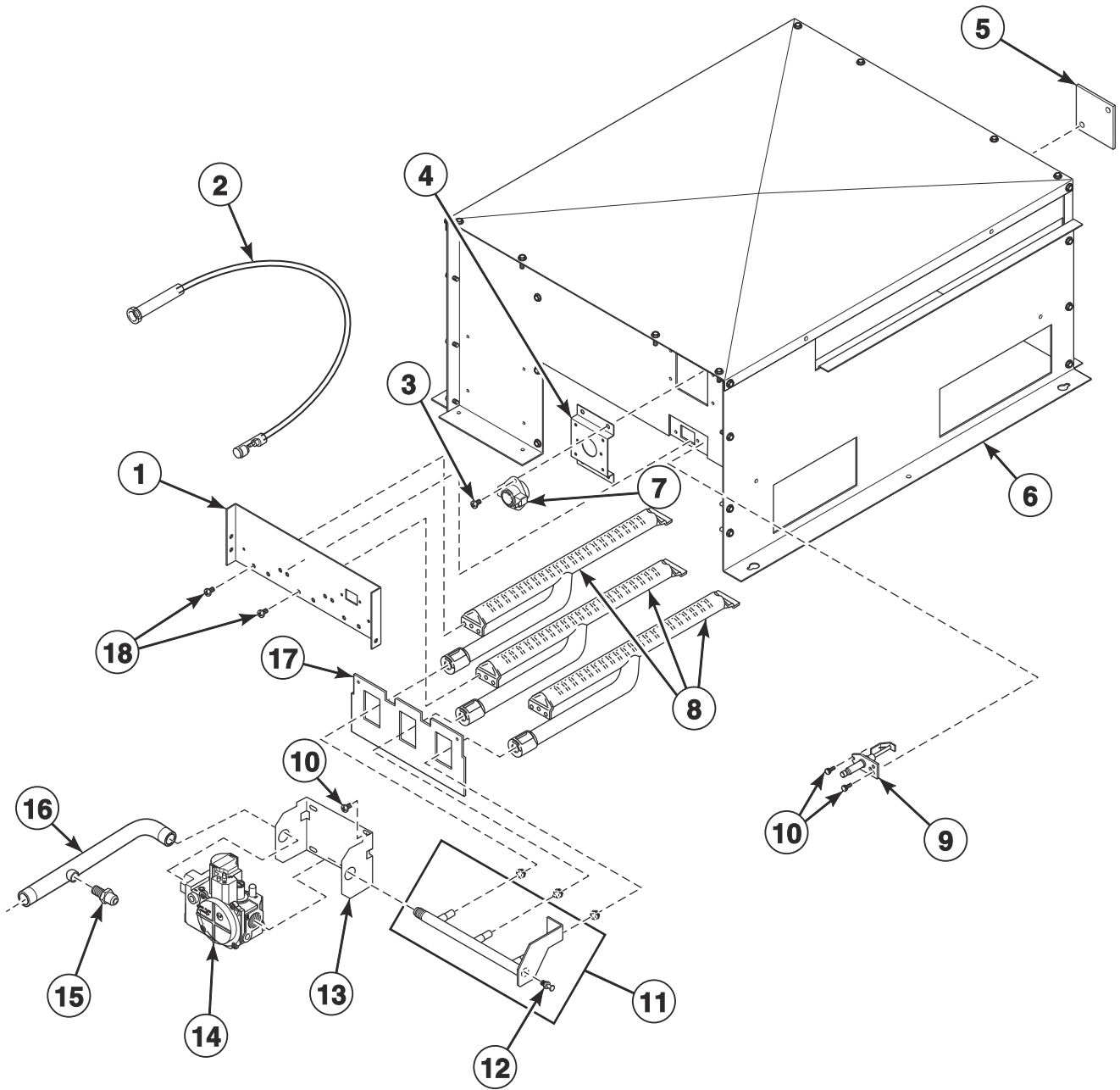


TMB3636P

# Airflow Switch Assembly

REF	PART NO.	DESCRIPTION	COMMENTS
	70429602	Airflow Switch Assembly	Includes items 1 and 4-7
1	70411901	Switch	
2	430497	Screw	6 required
3	70356301	Switch Bracket	
4	70319602	Airflow Switch and Arm Bracket	
5	430757	Screw	
6	70319202	Airflow Switch Vane	
7	70319401	Airflow Switch Arm	

# Gas Heater Components



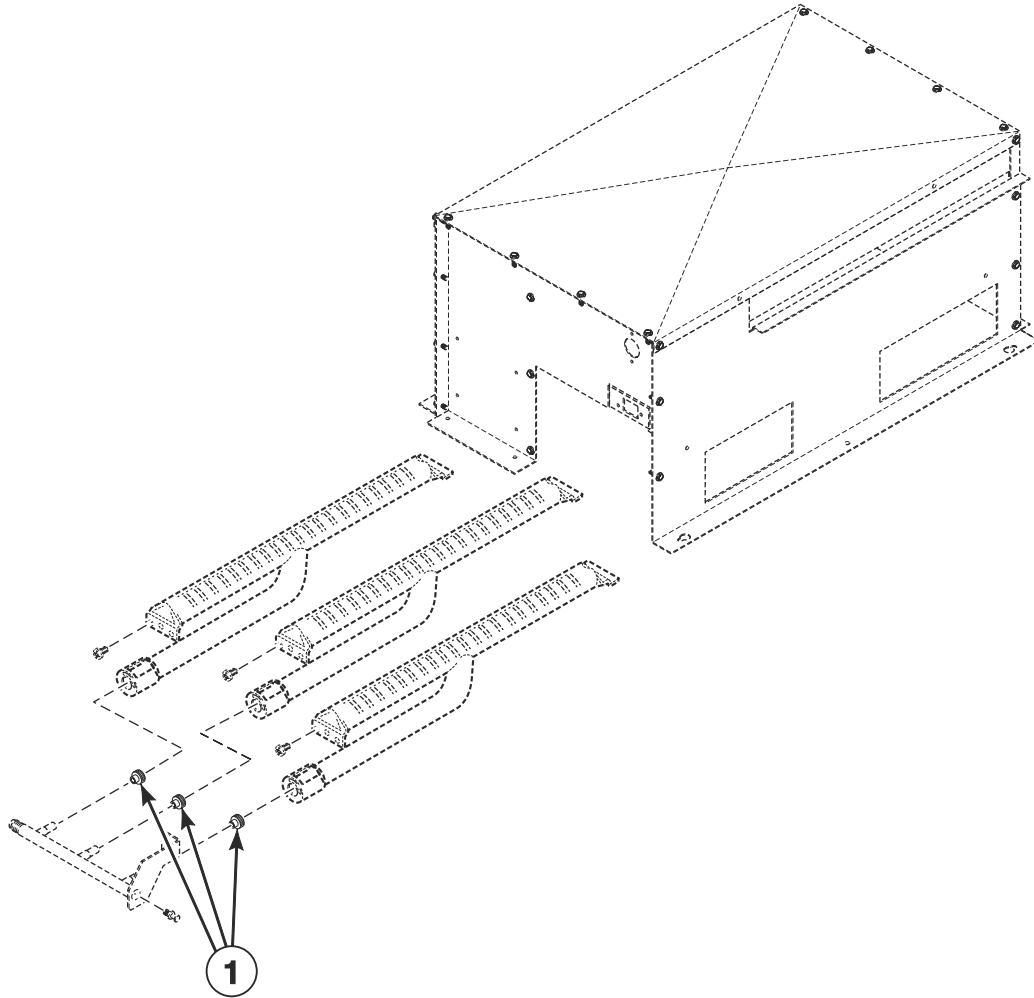
TMB3911P



# Gas Heater Components

REF	PART NO.	DESCRIPTION	COMMENTS
	70539501	Notice Label	Australian models; Natural Gas (N.G.)
	70544901	Notice Label	Australian models; Liquid Petroleum Gas (L.P.)
	D503887	Label	Australian models; Gas
	44178801	Adapter	CE and Australian models; Used to convert from standard to metric thread
	44328802	L.P. Conversion Kit	North America models; 0-2000 feet
	44328811	L.P. Conversion Kit	Australian models; 0-2000 feet
	44330302	L.P. Conversion Kit	IEC models; 0-2000 feet
	44273502	Gas Valve Harness	CE models; Double
	44273501	Gas Valve Harness	All other models; Single
	44366301	Gas Valve/Thermostat Harness	
<b>1</b>	44110301	Burner Support	
<b>2</b>	44239705	High Voltage Suppression Cable	
<b>3</b>	M402797	Screw	2 required
<b>4</b>	70356301	Switch Bracket	
<b>5</b>	70159601	Igniter Cover	
<b>6</b>	44135605	Gas Stove Assembly	Includes item 8
<b>7</b>	44328008	Limit Thermostat	
<b>8</b>	M410541P	Burner Assembly	3 required
<b>9</b>	44328701P	Spark Electrode	
<b>10</b>	51782	Screw	2 required
<b>11</b>	44263104	Spud Holder Weldment	
<b>12</b>	70167601	Plug	
<b>13</b>	44175703	Gas Valve Bracket	
<b>14</b>	44154501P	Gas Valve	North America models; N.G.
	44154502P	Gas Valve	North America models; L.P.
	44298501	Gas Valve	Australian models; N.G.
	44298504	Gas Valve	Australian models; L.P.
	44178301P	Gas Valve	CE models; N.G.
	44178302P	Gas Valve	CE models; L.P.
	44154505	Gas Valve	All other models; N.G.
	44154506	Gas Valve	All other models; L.P.
<b>15</b>	44231601	Pressure Fitting	CE and Australian models
<b>16</b>	44377001	Lead-In Pipe	A, K and U market models
	44377101	Lead-In Pipe	All other models
<b>17</b>	44135201	Rear Access Plate	
<b>18</b>	70240301	Screw	6 required

# Burner Orifices

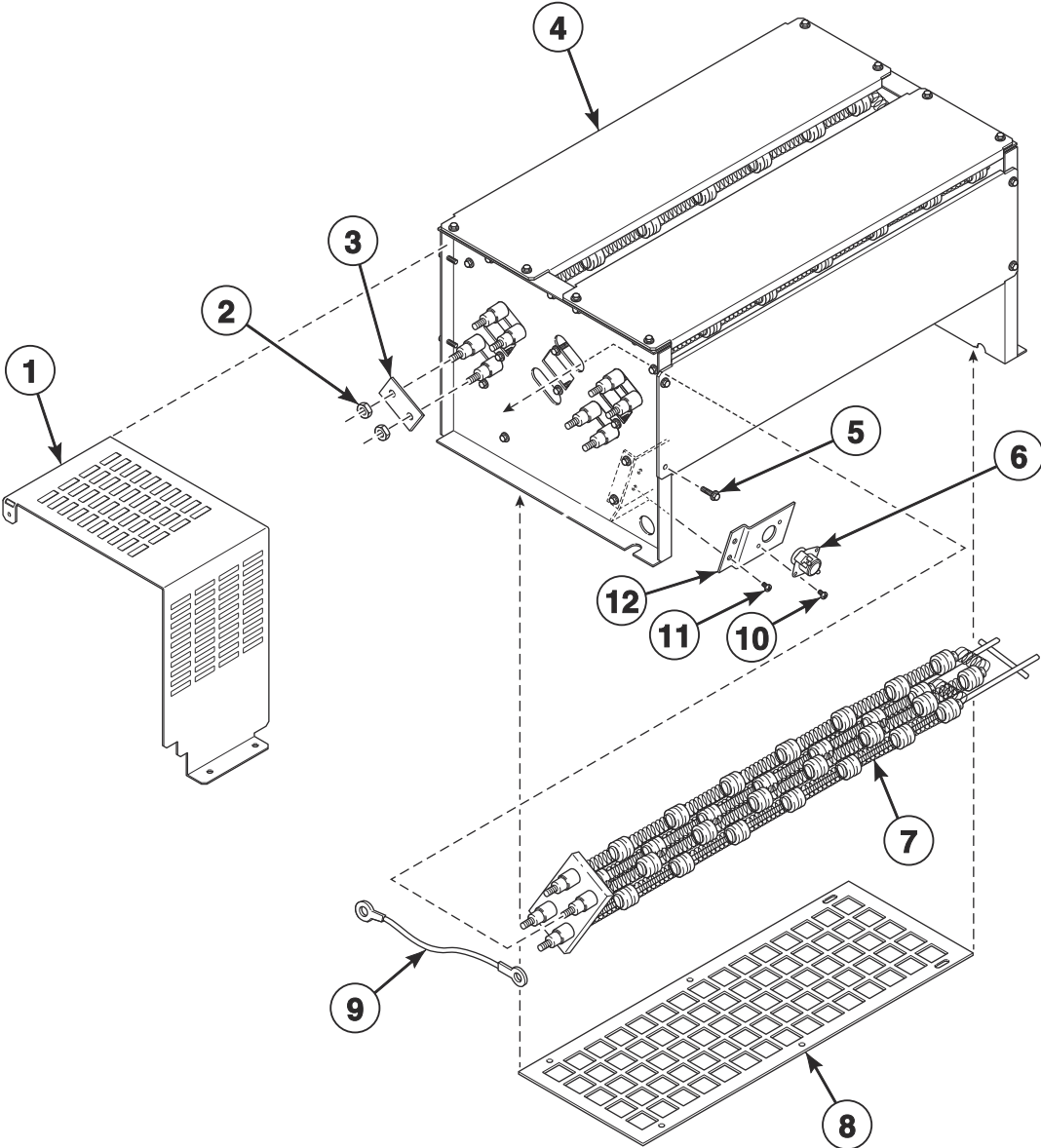


TMB3600P

## Burner Orifices

REF	PART NO.	DESCRIPTION	COMMENTS
	44357503	High Altitude Orifice Kit	North America Natural Gas (N.G.) models
	44357504	High Altitude Orifice Kit	North America Liquid Petroleum Gas (L.P.) models
1	70684134	Burner Orifice	Standard models N.G.; Drill no. 28 (3.57 mm); 0-2,000 feet
	70684131	Burner Orifice	Standard models N.G.; 3.40 mm; 2,001-4,000 feet
	70684130	Burner Orifice	Standard models N.G.; 3.30 mm; 4,001-6,000 feet
	70684128	Burner Orifice	Standard models N.G.; Drill no. 1/8 (3.18 mm); 6,001-8,000 feet
	70684126	Burner Orifice	Standard models N.G.; Drill no. 31 (3.05 mm); 8,001-10,000 feet
	70684110	Burner Orifice	Standard models with 2nd digit A, G, H, J, K, L and T; L.P.; Drill no. 44 (2.18 mm); 0-2,000 feet
	70684109	Burner Orifice	Standard models with 2nd digit A, G, H, J, K, L and T; L.P.; Drill no. 45 (2.08 mm); 2,001-4,000 feet
	70684107	Burner Orifice	Standard models with 2nd digit A, G, H, J, K, L and T; L.P.; Drill no. 47 (1.99 mm); 4,001-6,000 feet
	70684106	Burner Orifice	Standard models with 2nd digit A, G, H, J, K, L and T; L.P.; Drill no. 48 (1.93 mm); 6,001-8,000 feet
	70684105	Burner Orifice	Standard models with 2nd digit A, G, H, J, K, L and T; L.P.; Drill no. 49 (1.85 mm); 8,001-10,000 feet
	70684104	Burner Orifice	CE standard models; L.P.; Drill no. 50 (1.78 mm); 0-2,000 feet
	70684158	Burner Orifice	CE standard models; L.P.; Drill no. 51 (1.70 mm); 2,001-4,000 feet
	70684103	Burner Orifice	CE standard models; L.P.; Drill no. 52 (1.61 mm); 4,001-6,000 feet
	70684102	Burner Orifice	CE standard models; L.P.; Drill no. 1/16 (1.59 mm); 6,001-8,000 feet
	70684101	Burner Orifice	CE standard models; L.P.; Drill no. 53 (1.51); 8,001-10,000 feet
	70684108	Burner Orifice	Standard J market models; L.P.; Drill no. 46 (2.06 mm); 0-2,000 feet
	70684138	Burner Orifice	Eco models; N.G.; Drill no. 24 (3.86 mm); 0-2,000 feet
	70684135	Burner Orifice	Eco models; N.G.; Drill no. 27 (3.66 mm); 2,001-4,000 feet
	70684134	Burner Orifice	Eco models; N.G.; Drill no. 28 (3.57 mm); 4,001-6,000 feet
	70684132	Burner Orifice	Eco models; N.G.; Drill no. 29 (3.45 mm); 6,001-8,000 feet
	70684130	Burner Orifice	Eco models; N.G.; 3.30 mm; 8,001-10,000 feet

# Electric Heater Components

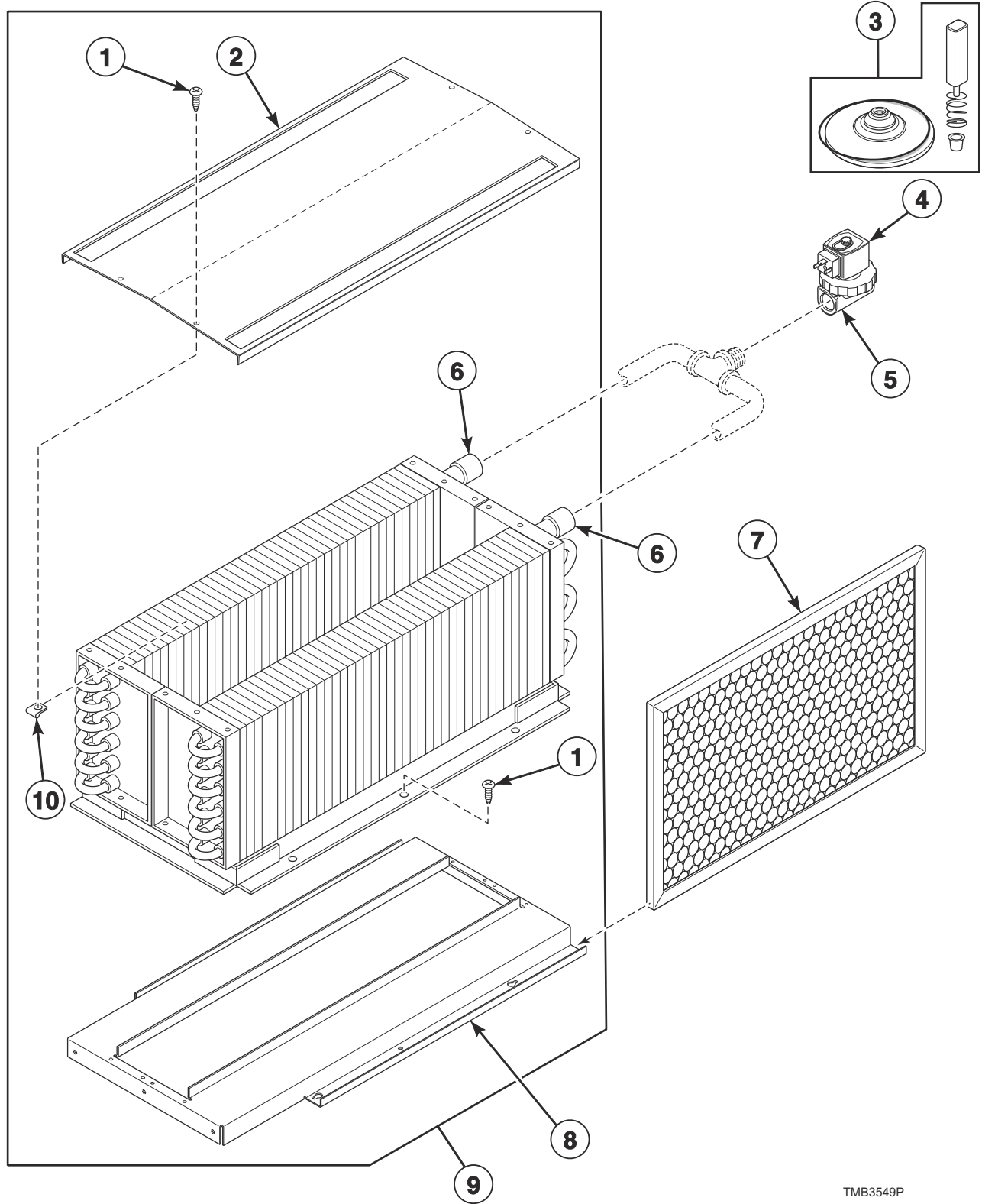


TMB3900P

## Electric Heater Components

REF	PART NO.	DESCRIPTION	COMMENTS
	44366302	Harness	Contact to coil/fan/thermostat
	44391004	Conversion Kit	240V/3Ph to 208V/3Ph
1	44364701	Electric Wrap	Eco and medium electric models
	44364702	Electric Wrap	Standard models
2	70054	Nut	
3	M400869	Jumper Strip	3 required for high voltage; 6 required for low voltage
4	44252501	Electric Stove Assembly	Eco and medium electric models
	44242101	Electric Stove Assembly	Standard models
5	70240301	Screw	
6	44328006	Limit Thermostat	
7	44232801	Heater Element	Standard models; 3 required; 12 kW; 208 Volt heater element for 200-208 Volt
	44232802	Heater Element	Standard models; 3 required; 12 kW; 220 Volt heater element for 380 and 440 Volt
	44232803	Heater Element	Standard models; 3 required; 12 kW; 240 Volt heater element for 230-240 Volt and 400-415 and 460-480 Volt
	44258701	Heater Element	Eco models; 3 required; 7 kW; 220 Volt heater element for 380 and 440 Volt
	M412955P	Heater Element	Eco models; 3 required; 7 kW; 240 Volt heater element for 230-240, 400-415 or 460-480 Volt
	44263201P	Heater Element	Eco models; 3 required; 7 kW; 208 Volt heater element for 200-208 Volt
	M410939P	Heater Element	Medium electric models; 3 required; 10 kW; 240 Volt heater element for 230-240 Volt, 400-415 and 460-480 Volt
	M410940P	Heater Element	Medium electric models; 3 required; 10 kW; 208 Volt heater element for 200-208 Volt
	M410941P	Heater Element	Medium electric models; 3 required; 10 kW; 220 Volt heater element for 380 and 440 Volt
8	44308801	Heating Element Screen	Eco and medium electric models
	44308802	Heating Element Screen	Standard models
9	70639808	Jumper Harness	3 inch; 380-415 Volt
	70639809	Jumper Harness	9 inch; 440-480 Volt
10	33562	Screw	
11	430497	Screw	
12	44226101	Limit Offset Bracket	

# Steam Heater and Valve

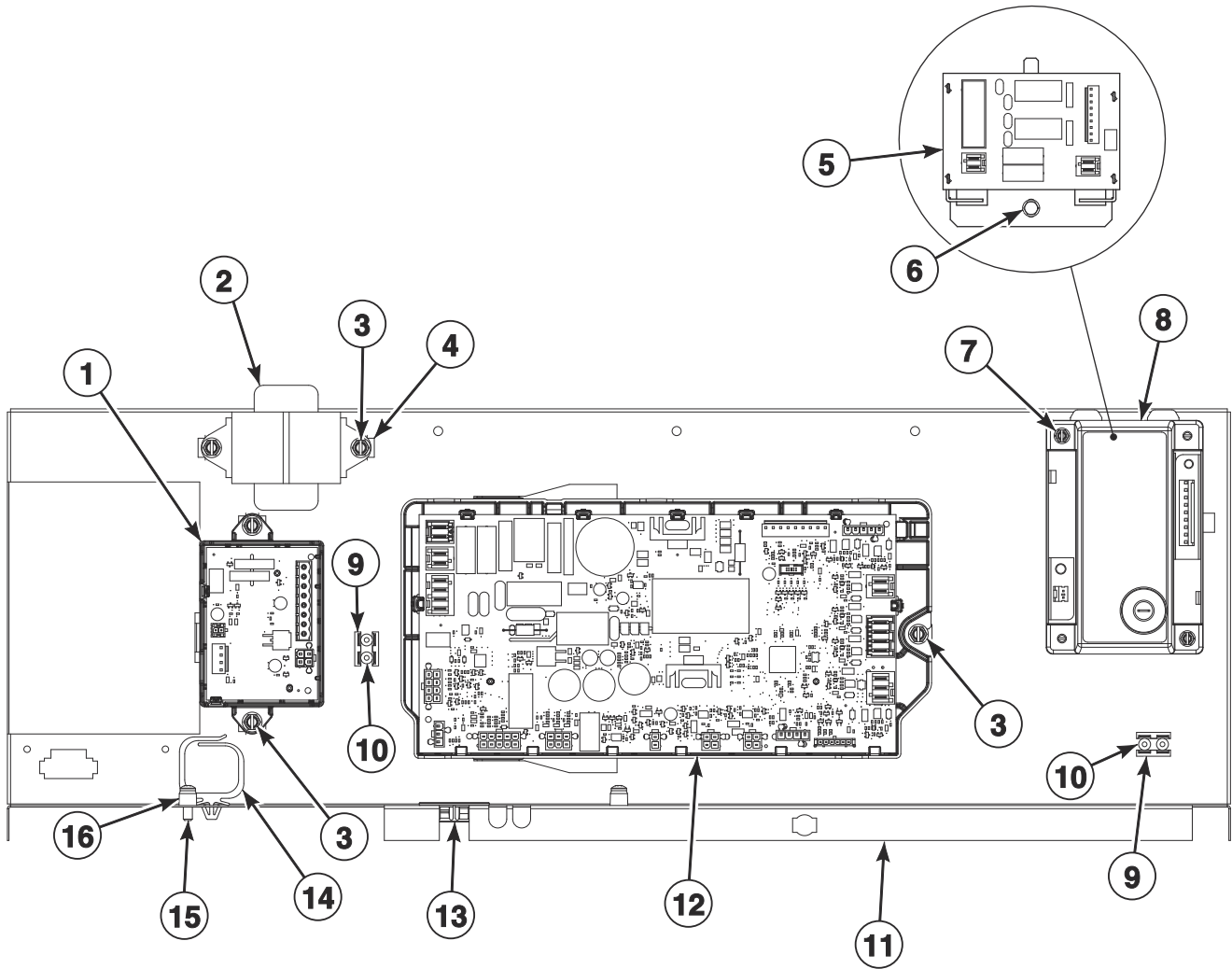


TMB3549P

## Steam Heater and Valve

REF	PART NO.	DESCRIPTION	COMMENTS
	44366303	Stove Limit Bypass Harness	
	F8520703	Steam Valve Harness	
	44314701	Steam Adapter Kit	IEC models
	44304801	Strain Relief	
	F8382301	DIN Valve Adapter Kit	Use with item 5
1	23008	Screw	4 required
2	M400828	Low Pressure Steam Cover	
3	F8379502	Valve Rebuild Kit	
4	F8514701	Coil	120 Volt
	F8514601P	Coil	240 Volt
5	F8322904P	Steam Valve	120 Volt
	F8322906P	Valve	240 Volt
6	M400637P	Steam Coil	2 required
7	44172001	Filter	IEC models; Aluminum; 2 required
	44104201	Air Filter	T and G market models; Fiberglass; 2 required
8	44007501	Steam Stand Box	
9	44020401P	Steam Heater Assembly	
10	36020	Nut	4 required

# Control Tray



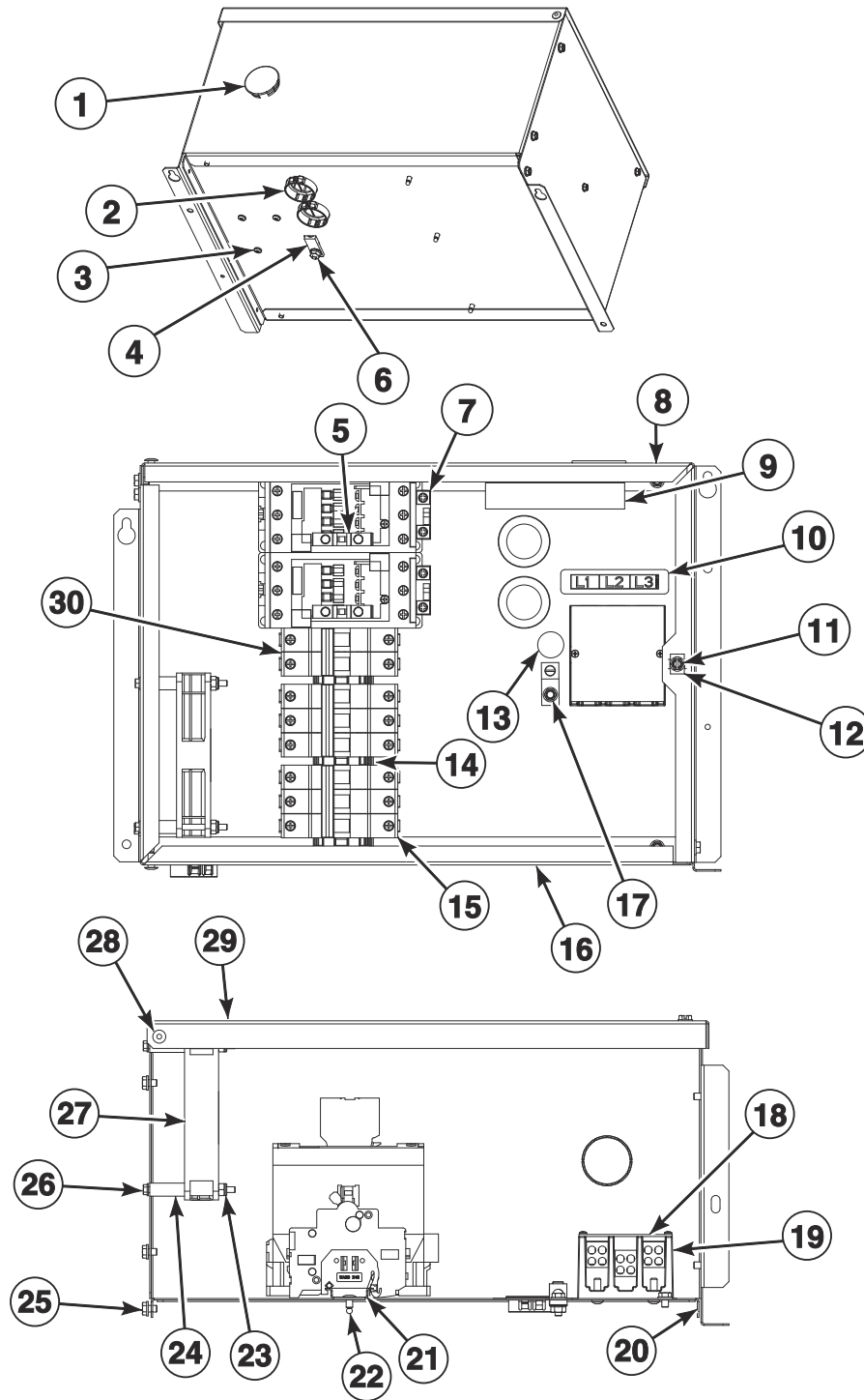
TMB3902P



# Control Tray

REF	PART NO.	DESCRIPTION	COMMENTS
	44362701	Rear Main Harness	
	44374901	Heat Control Harness	Gas and steam models
	44378001	Steam Control Harness	Steam models
	70631703	Primary Transformer Vend Harness	120 Volt; Card and central pay
	70631704	Primary Transformer Vend Harness	240 Volt; Card and central pay
	70631705	Central Pay Board Power Supply Harness	24V
	44377401	CARE Harness Bracket	Mounts to item 11
	70696803	Conversion Kit	X to B voltage
<b>1</b>	204779	Central Pay Control Assembly	
<b>2</b>	202757	Transformer	100-200 Volt; Card and central pay
	202758	Transformer	200-480 Volt; Card and central pay
<b>3</b>	F8206901	Screw	
<b>4</b>	70030501	Expansion Clip	
<b>5</b>	70501801	Steam Control Assembly	Steam models
<b>6</b>	51780	Screw	
<b>7</b>	51783	Screw	
<b>8</b>	70482002	Ignition Control	IEC gas models
	70482001	Ignition Control	T and G market gas models
<b>9</b>	00622SG	Terminal	Gas and steam models 2 required; Electric models 1 required
<b>10</b>	M400003	Pop Rivet	
<b>11</b>	44364101	Control Tray	
<b>12</b>	70671701	I/O Control Assembly	
<b>13</b>	70346501	Bushing	
<b>14</b>	F8449501	Wire Clip	
<b>15</b>	39733	Screw	
<b>16</b>	56079	Panel Locator	

# Accessory Box - Electric 200-240 Volt Models

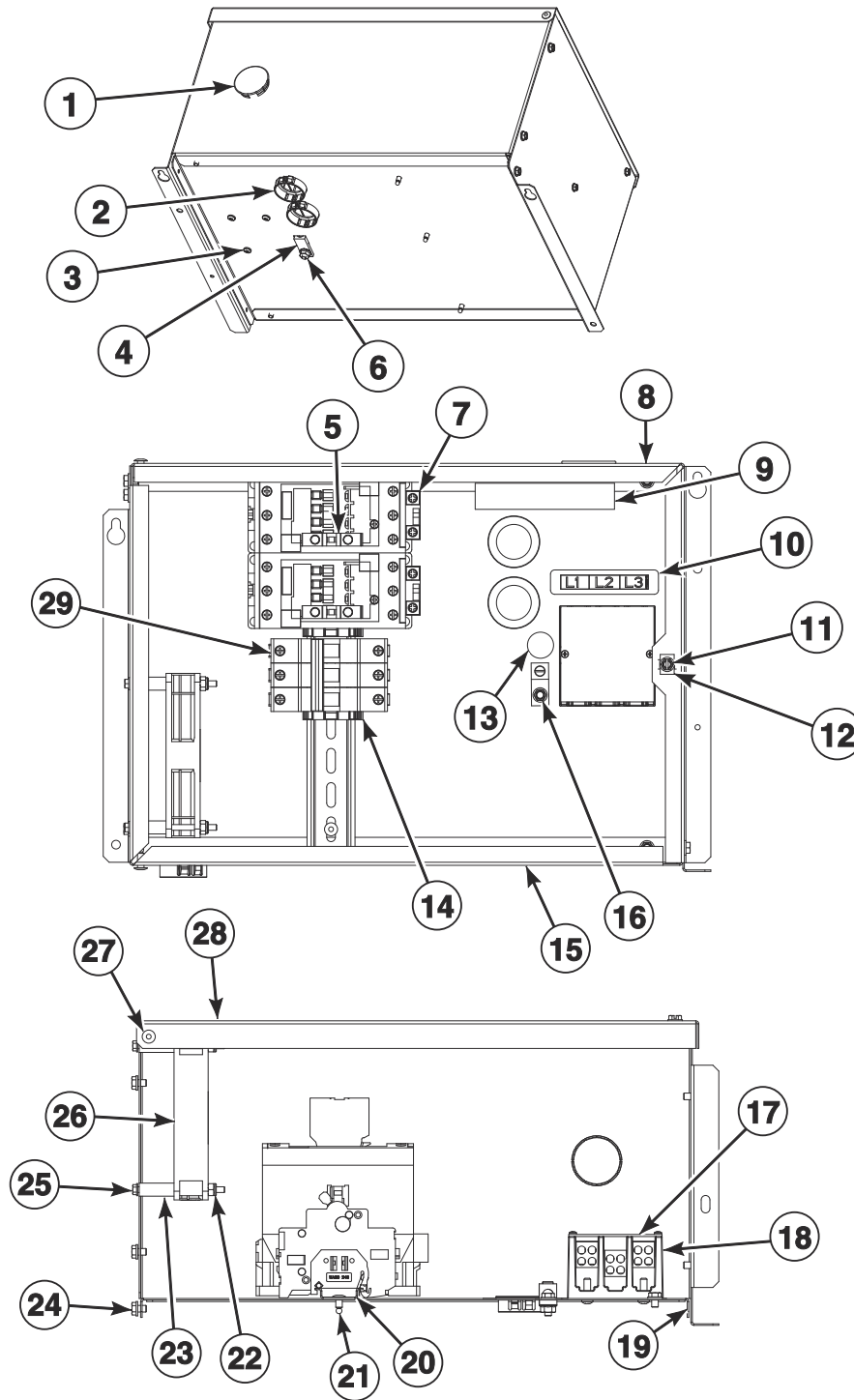


TMB3903P

## Accessory Box - Electric 200-240 Volt Models

REF	PART NO.	DESCRIPTION	COMMENTS
	44375409	Harness	Contactora box to power distribution block/EMI filter; 1 phase
	44375410	Harness	Contactora box to power distribution block/EMI filter; 3 phase
	70639803	Harness	Power distribution block to contactor block
	70639804	Harness	Power distribution block to contactor block
	70639805	Harness	Contactora block to HC
	70632202	Harness	Contactora coil
	70630903	Harness	Contactora monitor
	70630904	Harness	IEC models; Contactora monitor
	70639812	Harness	Contactora to Element H1-H3
	70639813	Harness	Contactora to Element H4-H6
<b>1</b>	70180001	Plug	
<b>2</b>	M402542	Snap Bushing	3 required
<b>3</b>	39733	Screw	
<b>4</b>	M411283	Ground Lug Connector	
<b>5</b>	44313201	Auxiliary Contact Block	2 required
<b>6</b>	44088001	Nut	
<b>7</b>	70482801	Contactora	2 required
<b>8</b>	44365001	Contactora Box Top	
<b>9</b>	F8614501	Danger Label	
<b>10</b>	44286802	Wire Label	1 Phase; L1, L2 L1, N
	44286803	Label	3 Phase; L1, L2, L3
<b>11</b>	F8206901	Screw	
<b>12</b>	70030501	Expansion Clip	
<b>13</b>	D516100	Label	
<b>14</b>	F8449801	End Stop	3 required
<b>15</b>	70488105	Circuit Breaker	2 required; 63 amp
<b>16</b>	44364901	Contactora Box Bottom	
<b>17</b>	685837	Screw	
<b>18</b>	44014901P	Power Distribution Block Cover	
<b>19</b>	M413865	Power Distribution Block	
<b>20</b>	44365101	Contactora Box Base	
<b>21</b>	44229701	Din Rail	
<b>22</b>	70058501	Pop Rivet	
<b>23</b>	F430232	Nut	
<b>24</b>	44328601	Sleeve	2 required
<b>25</b>	51780	Screw	
<b>26</b>	70546902	Screw	
<b>27</b>	F8504301	Fan	
<b>28</b>	70058502	Pop Rivet	
<b>29</b>	44365301	Contactora Box Cover	
<b>30</b>	70488102	Circuit Breaker	25 amp

# Accessory Box - Electric 380-480 Volt Models



TMB3904P

## Accessory Box - Electric 380-480 Volt Models

REF	PART NO.	DESCRIPTION	COMMENTS
	44375409	Harness	Contactora box to power distribution block/EMI filter; 1 phase
	44375410	Harness	Contactora box to power distribution block/EMI filter; 3 phase
	70639803	Harness	Power distribution block to contactora block
	70639804	Harness	Power distribution block to contactora block
	70639805	Harness	Contactora block to HC
	70632202	Harness	Contactora coil
	70630903	Harness	Contactora monitor
	70630904	Harness	IEC models; Contactora monitor
	70639812	Harness	Contactora to Element H1-H3
	70639813	Harness	Contactora to Element H4-H6
<b>1</b>	70180001	Plug	
<b>2</b>	M402542	Snap Bushing	3 required
<b>3</b>	39733	Screw	
<b>4</b>	M411283	Ground Lug Connector	
<b>5</b>	44313201	Auxiliary Contact Block	2 required
<b>6</b>	44088001	Nut	
<b>7</b>	70482801	Contactora	2 required
<b>8</b>	44365001	Contactora Box Top	
<b>9</b>	F8614501	Danger Label	
<b>10</b>	44286803	Label	3 Phase; L1, L2, L3
<b>11</b>	F8206901	Screw	
<b>12</b>	70030501	Expansion Clip	
<b>13</b>	D516100	Label	
<b>14</b>	F8449801	End Stop	2 required
<b>15</b>	44364901	Contactora Box Bottom	
<b>16</b>	685837	Screw	
<b>17</b>	44014901P	Power Distribution Block Cover	
<b>18</b>	M413865	Power Distribution Block	
<b>19</b>	44365101	Contactora Box Base	
<b>20</b>	44229701	Din Rail	
<b>21</b>	70058501	Pop Rivet	
<b>22</b>	F430232	Nut	
<b>23</b>	44328601	Sleeve	2 required
<b>24</b>	51780	Screw	
<b>25</b>	70546902	Screw	
<b>26</b>	F8504301	Fan	
<b>27</b>	70058502	Pop Rivet	
<b>28</b>	44365301	Contactora Box Cover	
<b>29</b>	70488101	Circuit Breaker	25 amp

# Labels

<b>PART NO.</b>	<b>DESCRIPTION</b>	<b>COMMENTS</b>
44324201	Caution Label	Australian models; Repeat Ignition Reset
44318601	Caution Label	Vent/install
F8614501	Danger Label	Shock; English/French
F8614301	Hot Surface Warning Label	English/French
F8609001	Hot Surface Warning Label	Icon
F8611601	Warning Label	
44318600	Label Kit	Vent/install
F8614500	Label Kit	Shock
F8611600	Warning Label Kit	
44321501	Notice Label	120/240 Volt
70539601	Notice Label	
70534201	Notice Label	
F8609501	Notice Label	
D516073	Notice Label	Read instructions; Icon
70538401	Pinch Warning Label	English/French
F8615701	Pinch Warning Label	Icon
70536401	Warning Label	Lint; Australian models
44324101	Warning Label	Fire; Australian models
44321601	Warning Label	Risk of fire; Icon
44324001	Warning Label	Shock/pinch

# Parts Index

## A

Access Panel Trim 70399402 .....	33
Adapter 44178801 .....	63
Adapter Harness 44375503 .....	53
Air Exhaust Deflector 44308401 .....	57
Air Filter 44104201 .....	69
Airflow Switch and Arm Bracket 70319602 .....	61
Airflow Switch Arm 70319401 .....	61
Airflow Switch Assembly 70429602 .....	61
Airflow Switch Vane 70319202 .....	61
Auxiliary Contact Block 44313201 .....	73, 75

## B

Baffle 44299001 .....	39
44299801 .....	39
44299802 .....	39
Ball Bearing 44041901P .....	51, 55
Bearing M413923P .....	51, 55
Blind Rivet F8245101 .....	35
Blower Assembly 70302201P .....	57
Blower Housing Scroll 44303801 .....	57
Blower Inlet Cone 70303101 .....	57
Blower Motor Mounting Plate 44380401 .....	57
Bolt M400650 .....	51, 55
Bottom Pan 44298701 .....	39
Burner Assembly M410541P .....	63
Burner Orifice 70684101 .....	65
70684102 .....	65
70684103 .....	65
70684104 .....	65
70684105 .....	65
70684106 .....	65
70684107 .....	65
70684108 .....	65
70684109 .....	65

70684110 .....	65
70684126 .....	65
70684128 .....	65
70684130 .....	65
70684131 .....	65
70684132 .....	65
70684134 .....	65
70684135 .....	65
70684138 .....	65
70684158 .....	65
Burner Support 44110301 .....	63
Bushing 70346501 .....	59, 71
Bypass Harness 44334103 .....	19, 29

## C

CARE Harness Bracket 44377401 .....	71
Caution Label 44318601 .....	76
44324201 .....	76
Center Pan 44298601 .....	39
Central Pay Board Power Supply Harness 70631705 .....	71
Central Pay Control Assembly 204779 .....	71
Circuit Breaker 70488101 .....	75
70488102 .....	73
70488105 .....	73
Circuit Plug Housing, 1 26302 .....	53
Coil F8514601P .....	69
F8514701 .....	69
Coin Box F160673P .....	39
Coin Chute Assembly 70296401 .....	39
Coin Drop 38963P .....	23
39748 .....	23
70441601 .....	23
70441603 .....	23
Coin Drop Assembly 201141 .....	23
210195 .....	23
210196 .....	23
38462P .....	23
38463 .....	23
38467 .....	23
38519 .....	23
70281102 .....	23
70283102 .....	23
70441602 .....	23
70447301 .....	23
70471601 .....	23

N/A items do not appear in index.

70482401 .....	23
70506901 .....	23
Coin Drop Kit	
CK077 .....	23
CK122 .....	25
Coin Identification Paper	
38464P .....	23
38475 .....	23
38725 .....	23
Coin Meter	
F0160737-00 .....	23
Coin Vault and Emergency Stop Mount Assembly	
70529502 .....	39
Coin Vault Assembly	
70529501 .....	39
Coin Vault Switch Harness	
44334101 .....	29
44334104 .....	19
Cold Weather Kit	
44340301 .....	15
Conduit Plate	
70615501 .....	41
70615502 .....	41
Contact Base	
F8538101 .....	27
Contact Switch	
F8069501 .....	27
Contactactor	
70482801 .....	73, 75
Contactactor Box Base	
44365101 .....	73, 75
Contactactor Box Bottom	
44364901 .....	73, 75
Contactactor Box Cover	
44365301 .....	73, 75
Contactactor Box Top	
44365001 .....	73, 75
Control	
70511601 .....	15
Control Assembly	
70478801P .....	19
70478802 .....	21
70479801 .....	17
Control Box Assembly	
44180101 .....	13
Control Box Base	
44065301 .....	15
Control Box Cover	
44065201 .....	15
Control Box Housing	
44306701 .....	15
Control Box Top	
44307101 .....	15
Control Door Latch	
431318 .....	39
Control Harness	
44375604 .....	15
Control Housing Cover	
70307005 .....	13
Control Panel	
44000125 .....	31
44000130W .....	31
44040013 .....	31
44040015W .....	31

Control Plate	
70497101 .....	17, 21
Control Plate and Studs Assembly	
70496601 .....	19
Control Plate Assembly	
70497201 .....	19
Control Tray	
44364101 .....	71
Control Tray Guard	
44363801 .....	41
Control Trim	
44016401 .....	29
Conversion Kit	
44391004 .....	67
70696803 .....	71
Cylinder and Trunnion Assembly	
44195701P .....	49
44195702P .....	49
44195703 .....	49
44195705P .....	49
44195706 .....	49
44195707 .....	49
Cylinder Assembly	
44130702P .....	49
44198301P .....	49
44198302 .....	49
Cylinder Kit	
44057201P .....	49
44057301P .....	49
Cylinder Rib Assembly	
44191202 .....	49

---

## D

Damper Assembly	
44280301 .....	57
Danger Label	
F8614501 .....	73, 75, 76
Din Rail	
44229701 .....	73, 75
DIN Valve Adapter Kit	
F8382301 .....	69
Door Assembly	
44354701 .....	43
44354702 .....	43
44354709 .....	43
44354711B .....	43
Door Catch Kit	
70482901 .....	29
Door Glass	
44008401P .....	45
Door Glass Installation Tool	
M4221P4 .....	45
Door Handle	
44007901 .....	45
Door Hinge Assembly	
70596604 .....	47
70596614B .....	47
70596614W .....	47
Door Hinge Lug Assembly	
70597601 .....	47
70597603 .....	47

N/A items do not appear in index.



Door Latch M401223 .....	29
Door Ring Assembly 44354801 .....	45
44354802 .....	45
44354807B .....	45
44354809B .....	45
Door Ring Gasket 44008201P .....	45
Door Seal Kit 70211902P .....	45
Door Switch Actuator 70532101 .....	47
Door Switch Acuator 70532102 .....	47
Door Switch Harness 44366201 .....	29
Drive Access Cover 70202501 .....	41
Drive Motor 44355005 .....	55
44355006 .....	55
Drive Rivet M400713 .....	15

## E

Electric Stove Assembly 44242101 .....	67
44252501 .....	67
Electric Wrap 44364701 .....	67
44364702 .....	67
Electronic Coin Drop Assembly 70294107 .....	23
70513302 .....	23
70513303 .....	23
70513304 .....	23
70513306 .....	23
70513308 .....	23
70513309 .....	23
70513310 .....	23
70513311 .....	23
70513312 .....	23
70513313 .....	23
70513314 .....	23
70513315 .....	23
70513316 .....	23
Electronic Coin Drop Kit CK099 .....	25
CK100 .....	25
CK101 .....	25
CK108 .....	25
CK109 .....	25
CK110 .....	25
CK113 .....	25
CK115 .....	25
CK116 .....	25
CK117 .....	25
CK118 .....	25
CK119 .....	25
CK120 .....	25
CK121 .....	25
Emergency Stop Button Kit 70580301 .....	27

Emergency Stop Bypass Harness F8519403 .....	19
Emergency Stop Harness 44272401 .....	27
Emergency Stop Interconnect Harness 70631102 .....	27
Emergency Stop Label 44012901 .....	27
44012903 .....	27
Emergency Stop Mounting Bracket 70550401 .....	27
Emergency Stop Pushbutton F200233500 .....	27
EMI Filter F8591601 .....	59
F8637501 .....	59
End Stop F8449801 .....	73, 75
Exhaust Pipe Assembly 44327901 .....	57
Expansion Clip 70030501 .....	19, 29, 59, 71, 73, 75
Extension Spring F8440701 .....	55

## F

Fan F8504301 .....	73, 75
Fan Motor 44354901 .....	57
44354903 .....	57
Fan Spacer 70599301 .....	57
Felt Pad M402144 .....	49
Fill Hose 202799 .....	15
Filter 44172001 .....	69
Filter Mounting Plate 70551701 .....	15
Front Panel 44052532 .....	33
44052533W .....	33
44052535 .....	33
44052536W .....	33
44052538 .....	33
44052539W .....	33
44052541 .....	33
44052542W .....	33

## G

Gas Stove Assembly 44135605 .....	63
Gas Valve 44154501P .....	63
44154502P .....	63
44154505 .....	63
44154506 .....	63
44178301P .....	63

N/A items do not appear in index.

44178302P.....	63
44298501.....	63
44298504.....	63
Gas Valve Bracket	
44175703.....	63
Gas Valve Harness	
44273501.....	63
44273502.....	63
Gas Valve/Thermostat Harness	
44366301.....	63
Gasket	
70289101P.....	35
Ground Lug Connector	
M411283.....	59, 73, 75
Guard	
44363601.....	41
44377301.....	41

## H

Handle and Caps Assembly	
70154405P.....	35
Handle Bar	
70399501B.....	45
Handle Bumper	
70407202.....	35
Harness	
44366302.....	67
44375401.....	59
44375402.....	59
44375409.....	73, 75
44375410.....	73, 75
70630903.....	73, 75
70630904.....	73, 75
70632202.....	73, 75
70639803.....	73, 75
70639804.....	73, 75
70639805.....	73, 75
70639812.....	73, 75
70639813.....	73, 75
Harness Adapter Plate	
70523301.....	15
Harness Strap	
55881.....	53
Heat Control Harness	
44374901.....	71
Heater Element	
M410939P.....	67
M410940P.....	67
M410941P.....	67
M412955P.....	67
44232801.....	67
44232802.....	67
44232803.....	67
44258701.....	67
44263201P.....	67
Heating Element Screen	
44308801.....	67
44308802.....	67
High Altitude Orifice Kit	
44357503.....	65
44357504.....	65
High Voltage Suppression Cable	
44239705.....	63

Hinge Cam Kit	
M4772P3.....	47
M4773P3.....	47
Hold-Down Clip	
35865.....	37
Hose	
44073304.....	15
Hose Clamp	
36801.....	15
Hose Fitting	
44069101.....	15
Hot Surface Warning Label	
F8609001.....	76
F8614301.....	76
Housing and Trunnion Assembly	
M4644P3.....	51
44336302.....	51

## I

Idler Shaft	
44303102.....	55
Idler Spacer	
44306801.....	55
Igniter Cover	
70159601.....	63
Ignition Control	
70482001.....	71
70482002.....	71
Insulation	
44150102.....	39
44150105.....	39
Insulator	
M413862.....	59
Interconnect Harness	
44375601.....	15
Interface Harness	
44378104.....	19
Inverter Control Assembly	
70603001.....	59
70603201.....	59
Inverter Control Power Harness	
44375701.....	59
44375703.....	59
44375704.....	59
44375706.....	59
Inverter Drive Tray	
44364201.....	59
Inverter Power Conversion Harness	
70671001.....	59
Inverter to Motor Harness	
70635405.....	55
70635406.....	55
70635407.....	55
70635408.....	55
I/O Control Assembly	
70671701.....	71

## J

Jumper Harness	
D511476.....	29

N/A items do not appear in index.

70639808 .....	67
70639809 .....	67
Jumper Strip	
M400869 .....	67

## K

Key	
M400008 .....	49, 55
44309301 .....	55
70155601 .....	15, 29
70155602 .....	29
Kickplate	
70117607 .....	35

## L

Label	
D503887 .....	63
D516100 .....	59, 73, 75
44286801 .....	59
44286803 .....	59, 73, 75
44318201 .....	15
44391301 .....	31
44391401 .....	31
44391701 .....	35
70414001 .....	33
70537001 .....	33
70537101 .....	33
Label Kit	
F8614500 .....	76
44318200 .....	15
44318600 .....	76
44324500 .....	15
70534400 .....	33
Latch Mounting Bracket	
44003201 .....	39
Lead-In Pipe	
44377001 .....	63
44377101 .....	63
Light	
801432 .....	15
Limit Offset Bracket	
44226101 .....	67
Limit Thermostat	
44328003 .....	57
44328006 .....	67
44328008 .....	63
70530905 .....	57
Lint Bracket	
44325301 .....	37
Lint Clip Bracket	
44140202 .....	37
Lint Door Switch Harness	
44362702 .....	35
Lint Panel	
44293602 .....	35
44293603W .....	35
44293604W .....	35
44293605 .....	35
44298102 .....	37
44300901 .....	37

Lint Screen	
44063601 .....	37
Lint Screen Clip	
H96418413 .....	37
Lint Screen Top Rail	
44298901 .....	37
Lock, Key and Nut Kit	
44089301P .....	15, 29
44089302P .....	29
Low Pressure Steam Cover	
M400828 .....	69
Lower Guard	
44363501 .....	41
44363901 .....	41
44363902 .....	41
Lower Rear Panel	
44380501 .....	39
L.P. Conversion Kit	
44328802 .....	63
44328811 .....	63
44330302 .....	63

## M

Machine ID Control Assembly	
203361P .....	19, 21
Magnet	
70343101 .....	35
Magnet Bracket	
44290501 .....	35
Main Harness	
44363301 .....	13
70631001 .....	19
Micro V Pulley	
44374001 .....	55
Mixing Valve	
70519801 .....	15
Mixing Valve Shield Bracket	
44306601 .....	15
Moisture Sensing Harness Kit	
44344702 .....	53
Moisture Sensor Harness	
44375501 .....	53
Motor Pivot Bracket Weldment	
44327001 .....	55
Motor Pivot Plate Weldment	
44311501 .....	55
Motor Pivot Support Bracket	
44325801 .....	55
Mounting Bracket	
44376601 .....	15
Mounting Plate	
70208801 .....	19

## N

Nameplate Overlay	
44130301 .....	31
44144401 .....	45
44391201 .....	45
70411401 .....	45

N/A items do not appear in index.

Notice Label	
D516073 .....	76
F8609501 .....	76
44321501 .....	76
70534201 .....	76
70539501 .....	63
70539601 .....	76
Notice label	
70544901 .....	63
Nut	
F430232 .....	73, 75
M400026 .....	51, 55
M400035 .....	53
M400977 .....	29
M404993 .....	49
M414215 .....	45
21899 .....	39
23951 .....	35
36020 .....	69
44088001 .....	45, 47, 73, 75
44333202 .....	55
51236 .....	35
70054 .....	19, 67
70660601 .....	57

## O

Opto Coupler	
200674P .....	23
Overlay	
70539101 .....	17
70539102 .....	17
70547501 .....	17
70547502 .....	17
70547801 .....	21
70547802 .....	21
70548801 .....	21
70548802 .....	21
70571101 .....	19
70571102 .....	19
70571103 .....	19
70626001 .....	19
70626002 .....	19
70626101 .....	19
70679201 .....	19

## P

Panel Locator	
56079 .....	29, 35, 71
Pin	
70071401 .....	47
Pinch Warning Label	
F8615701 .....	76
70538401 .....	76
Pipe Bracket	
44327601 .....	41
Plug	
70167601 .....	63
70180001 .....	15, 73, 75
Pop Rivet	
M400003 .....	39, 59, 71
44166601 .....	29
70058501 .....	35, 39, 47, 73, 75

70058502 .....	73, 75
70126301 .....	35
70126401 .....	35
70412601 .....	45
Porcelain Touch-Up Paint	
122P4P .....	39
Power Distribution Block	
M413865 .....	73, 75
Power Distribution Block Cover	
44014901P .....	73, 75
Power Sensor Harness	
44375602 .....	15
44375603 .....	15
Pressure Fitting	
44231601 .....	63
Primary Transformer Vend Harness	
70631703 .....	71
70631704 .....	71
Pulley	
44289502 .....	55
Pushbutton Switch	
70413301 .....	17, 19, 21, 29
Push-to-Start Switch	
801434W .....	15

## R

Rear Access Plate	
44135201 .....	63
Rear Guard	
44373401 .....	41
44373501 .....	41
44376701 .....	15
Rear Main Harness	
44362701 .....	71
Reed Switch Assembly	
F8066804 .....	35
Rib Rod	
M404992 .....	49
Rib Wire	
44208601 .....	53
Roller Bracket Assembly	
70404001 .....	35
Roller Catch Arm	
70030301 .....	35
Roller Catch Spacer	
70030201 .....	35
Roller Catch Wheel	
70297601 .....	35

## S

Screw	
F8206901 .....	59, 71, 73, 75
M400063 .....	51
M400661 .....	45
M402797 .....	63
M411072 .....	19, 29
23008 .....	69
33562 .....	67
39733 .....	35, 71, 73, 75
430497 .....	13, 15, 39, 61, 67

N/A items do not appear in index.

430757	35, 61
431287	39
44338901	53
44349101	47
44364601	57
44364602	55
51780	15, 39, 71, 73, 75
51782	63
51783	59, 71
685837	59, 73, 75
70033502	29, 47
70072801	35
70132301	35
70182601	29
70187201	51, 55
70240301	63, 67
70247701	39
70275801	29
70407301	47
70436301	47
70442101	45, 53
70546902	73, 75
70576101	47
70689401	47
804608	15, 17, 19, 21
805213	55
Sensor Harness	
44375606	15
Shaft Collar	
70467001	55
Shaft Wire	
44208702	53
Shield	
44326801	15
Shock Warning Label	
F8614201	15
F8614401	15
Side Panel	
44367702W	39
44367802W	39
Sleeve	
44328601	73, 75
Slip Ring Assembly	
44222702	53
Slip Ring Holder	
44224401	53
Slot Card Plate Assembly	
44089501	19
Snap Bushing	
M402542	73, 75
Spacer	
M401402	49
Spark Electrode	
44328701P	63
Spray Paint	
298P4P	39
Spud Holder Weldment	
44263104	63
Steam Adaptor Kit	
44314701	69
Steam Coil	
M400637P	69
Steam Control Assembly	
70501801	71

Steam Control Harness	
44378001	71
Steam Harness Bracket	
44376801	41
Steam Heater Assembly	
44020401P	69
Steam Stand Box	
44007501	69
Steam Valve	
F8322904P	69
Steam Valve Harness	
F8520703	69
Stove Grate	
44300301	41
44300302	41
44364801	41
Stove Limit Bypass Harness	
44366303	69
Strain Relief	
44304801	69
Switch	
70411901	61
Switch Bracket	
44296101	35
70356301	61, 63
Switch Hole Plug	
44057801B	29
44057801W	29

## T

Terminal	
00622SG	59, 71
Terminal Block	
430642	59
Terminal Block Shield	
70333001	59
Thermistor	
M414704	57
44064701	39
Thermistor Plate	
44068101	39
44068102	39
Thermostat Opening Cover	
44312501	57
Top Cover	
44368901	39
Top Cover Pan	
44129301P	39
Top Guard	
44364001	41
44364002	41
Top Pan	
44300101	39
Top Panel Bracket	
44368201	39
Transformer	
F8491101	59
202757	71
202758	71
Trunnion and Bearing Assembly	
M4640P3	51
44336301	51

N/A items do not appear in index.

Trunnion Assembly	
44207901 .....	49
44208001 .....	49
Trunnion Housing	
M413826 .....	55
Trunnion Housing Assembly	
44375001 .....	51, 55
Tumbler Dolly Kit	
M4379P4 .....	29

Wireway Channel	
44239101 .....	53

---

## U

Upper Guard	
44374301 .....	41
Upper Rear Panel	
44376901 .....	39

---

## V

Valve	
F8322906P .....	69
Valve Rebuild Kit	
F8379502 .....	69
V-Belt	
44309402 .....	55
44333301 .....	55
Vend Activation Harness	
44334004 .....	17, 19, 21

---

## W

Warning Label	
F8611601 .....	76
44321601 .....	76
44324001 .....	76
44324101 .....	76
44324501 .....	15
44324502 .....	15
70534401 .....	33
70534402 .....	33
70534405 .....	33
70536401 .....	76
Warning Label Kit	
F8611600 .....	76
Washer	
F431131 .....	57
M400015 .....	49, 51
20103 .....	51, 55
44238902 .....	53
70261401 .....	51, 55
Water Valve Harness	
44375605 .....	15
Wire Clip	
F8449501 .....	71
F8449502 .....	59
Wire Guard	
201595P .....	23
Wire Label	
44286802 .....	73
44286804 .....	59

N/A items do not appear in index.