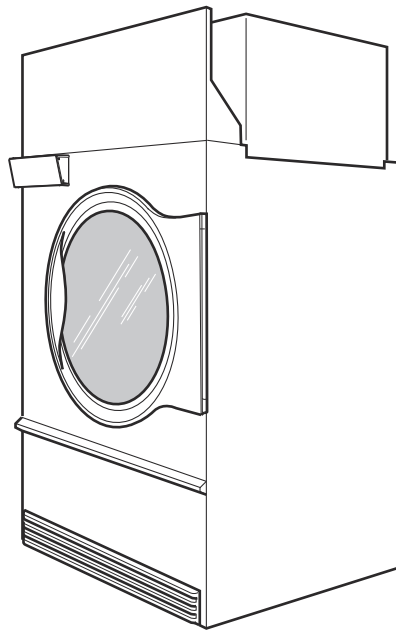


# Tumble Dryer

120 Pound Capacity

18 Digit Model Numbers with 6 in 13th Position

Refer to Page 3 for Model Numbers



TMB1291C



# Table of Contents

Title	Page
Parts Ordering Information.....	2
Serial Plate Location .....	2
Machine Identification .....	3
Product Overview - Heat Source and Voltage .....	4
Product Overview - FN Control Suffix .....	6
Product Overview - DN and NN Control Suffixes.....	8
Product Overview - VN Control Suffix.....	10
Interior Control Box .....	12
Dual Digital Control - F in the 7th Position (Drawing 1 of 2).....	14
Dual Digital Control - F in the 7th Position (Drawing 2 of 2).....	16
Electronic Display Control - N in the 7th Position (Drawing 1 of 2).....	18
Electronic Display Control - N in the 7th Position (Drawing 2 of 2).....	20
3.5 Inch Graphical Control - D in the 7th Position .....	22
Touch Control - V in the 7th Position .....	24
Fire Suppression System Control Box .....	26
Front Panel Components .....	28
Access Panel and Nameplates .....	30
Door Components.....	32
Hinge Components .....	34
Lint Panel Components.....	36
Cabinet and Frame Assembly.....	38
Rear Panel Components.....	40
Cylinder and Trunnion Assembly .....	42
Trunnion Bearings.....	44
Moisture Sensing Components .....	46
Cylinder Motor Components .....	48
Blower and Exhaust Components.....	50
Inverter Tray Components .....	52
Airflow Switch.....	54
Gas Heater Components .....	56
Burner Orifices .....	60
Steam Heater Components .....	62
Steam Valve.....	64
Electric Heater Components .....	66
Control Tray .....	68
Accessory Box - Electric 200-240 Volt Models .....	70
Accessory Box - Electric 380-480 Volt Models .....	72
Accessory Box Harnesses - Electric Models.....	74
Labels .....	76
Parts Index.....	77

© Copyright 2023, Alliance Laundry Systems LLC

All rights reserved. No part of the contents of this book may be reproduced or transmitted in any form or by any means without the expressed written consent of the publisher.

## Parts Ordering Information

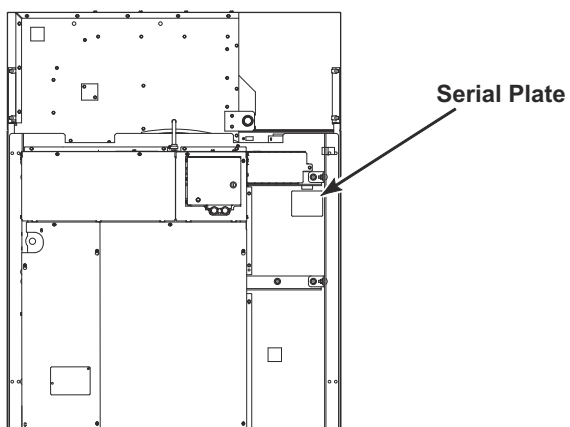
If literature or replacement parts are required, contact the source from whom the machine was purchased or contact Alliance Laundry Systems at (920) 748-3950 for the name and address of the nearest authorized parts distributor.

For technical assistance, call the number listed below:

(920) 748-3121 Ripon, Wisconsin

## Serial Plate Location

When calling or writing about your product, be sure to mention model and serial numbers. Model and serial numbers are located on serial plate(s) as shown.



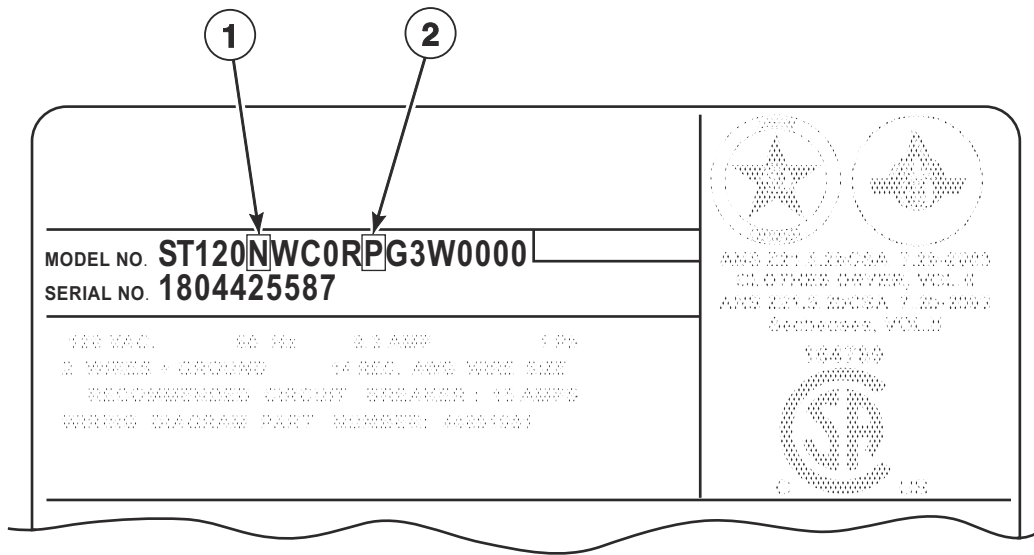
TMB3913P

# Machine Identification

Information in this manual is applicable to these machines:

BA120E	GK120E	KT120E	PA120E	SA120E	UA120E
BA120L	GK120L	KT120L	PA120L	SA120L	UA120L
BA120N	GK120N	KT120N	PA120N	SA120N	UA120N
BA120S	GU120E	KT120S	PA120S	SA120S	UA120S
BG120E	GU120L	NA120E	PG120E	SG120E	UG120E
BG120L	GU120N	NA120L	PG120L	SG120L	UG120L
BG120N	GU120S	NA120N	PG120N	SG120N	UG120N
BG120S	HA120E	NA120S	PG120S	SG120S	UG120S
BH120E	HA120L	NG120E	PH120E	SH120E	UH120E
BH120L	HA120N	NG120L	PH120L	SH120L	UH120L
BH120N	HA120S	NG120N	PH120N	SH120N	UH120N
BH120S	HG120E	NG120S	PH120S	SH120S	UH120S
BJ120E	HG120L	NH120E	PJ120E	SJ120E	UJ120E
BJ120L	HG120N	NH120L	PJ120L	SJ120L	UJ120L
BJ120N	HG120S	NH120N	PJ120N	SJ120N	UJ120N
BJ120S	HH120E	NH120S	PJ120S	SJ120S	UJ120S
BK120E	HH120L	NJ120E	PK120E	SK120E	UK120E
BK120L	HH120N	NJ120L	PK120L	SK120L	UK120L
BK120N	HH120S	NJ120N	PK120N	SK120N	UK120N
BR120E	HJ120E	NJ120S	PR120E	SR120E	UR120E
BR120S	HJ120L	NK120E	PR120S	SR120S	UR120S
BT120E	HJ120N	NK120L	PT120C	ST120C	UT120C
BT120L	HJ120S	NK120N	PT120E	ST120E	UT120E
BT120N	HK120E	NR120E	PT120L	ST120L	UT120L
BT120S	HK120L	NR120S	PT120N	ST120N	UT120N
BU120E	HK120N	NT120E	PT120S	ST120S	UT120S
BU120L	HR120E	NT120L	PU120E	SU120E	UU120E
BU120N	HR120S	NT120N	PU120L	SU120L	UU120L
BU120S	HT120C	NT120S	PU120N	SU120N	UU120N
GA120E	HT120E	NU120E	PU120S	SU120S	UU120S
GA120L	HT120L	NU120L			
GA120N	HT120N	NU120N			
GA120S	HT120S	NU120S			
GG120E	HU120E				
GG120L	HU120L				
GG120N	HU120N				
GG120S	HU120S				
GH120E					
GH120L					
GH120N					
GH120S					
GJ120E					
GJ120L					
GJ120N					
GJ120S					

# Product Overview - Heat Source and Voltage

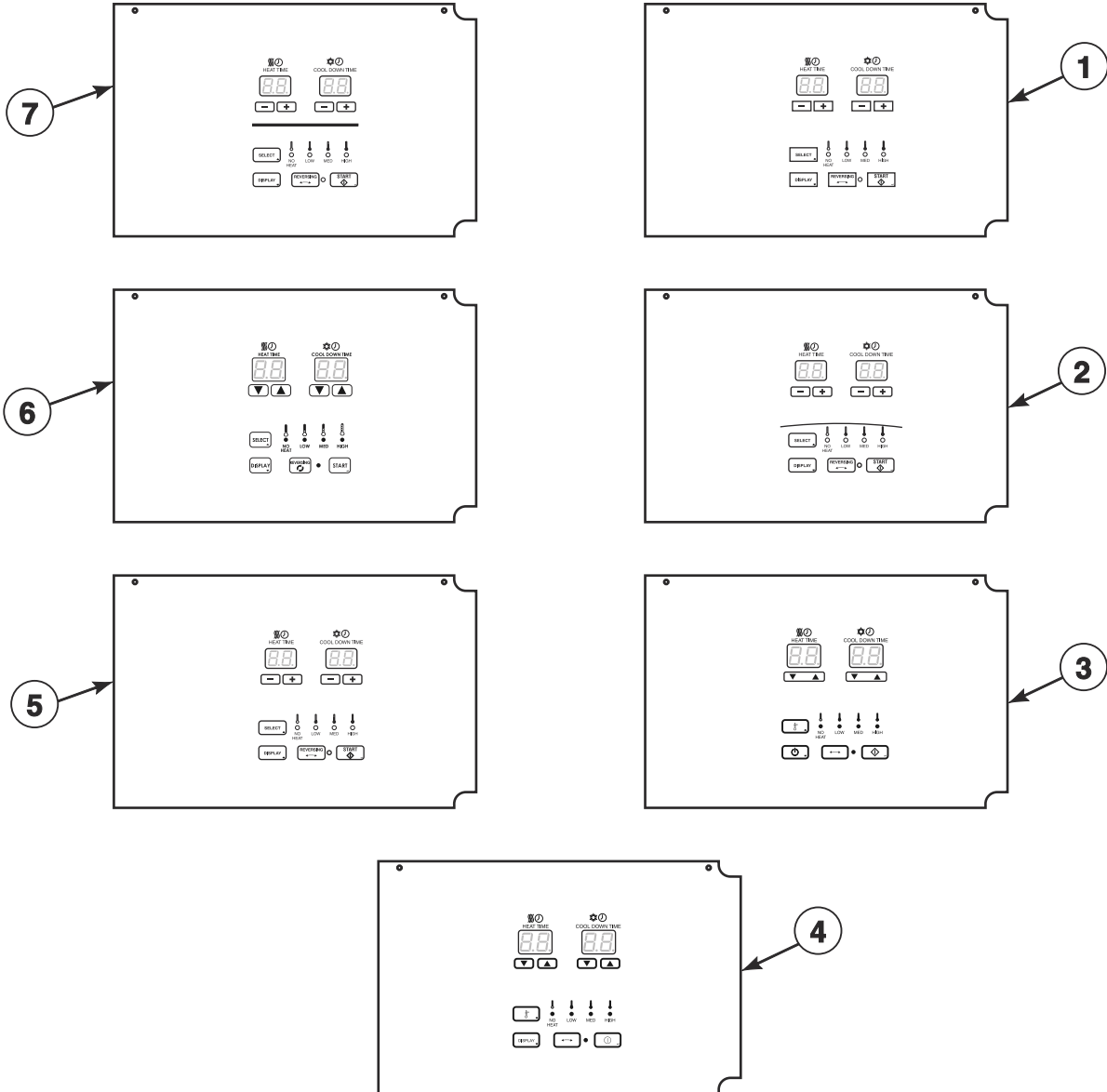
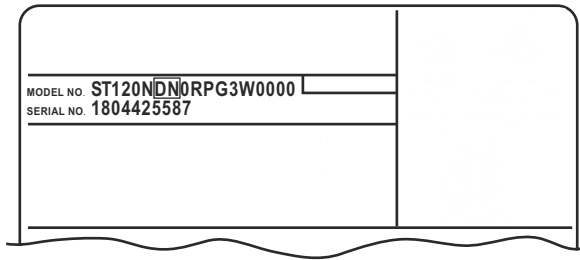


TMB3616P

# Product Overview - Heat Source and Voltage

REF	PART NO.	DESCRIPTION	COMMENTS
1	-	Heat Source	C: Steam (CRN) E: Electric L: Liquid Petroleum Gas (L.P.) N: Natural Gas (N.G.) S: Steam
2	-	Voltage	G: 230-240 Volt/50-60 Hertz/3 Phase; Electric models H: 380 Volt/50-60 Hertz/3 Phase; Electric models J: 400-415 Volt/50-60 Hertz/3 Phase; Electric models L: 460-480 Volt/50-60 Hertz/3 Phase; Electric models N: 440-480 Volt/50-60 Hertz/3 Phase; Gas and steam models P: 380-415 Volt/50-60 Hertz/3 Phase; Gas and steam models Q: 200-240 Volt/50-60 Hertz/3Phase; Gas and steam models

# Product Overview - FN Control Suffix



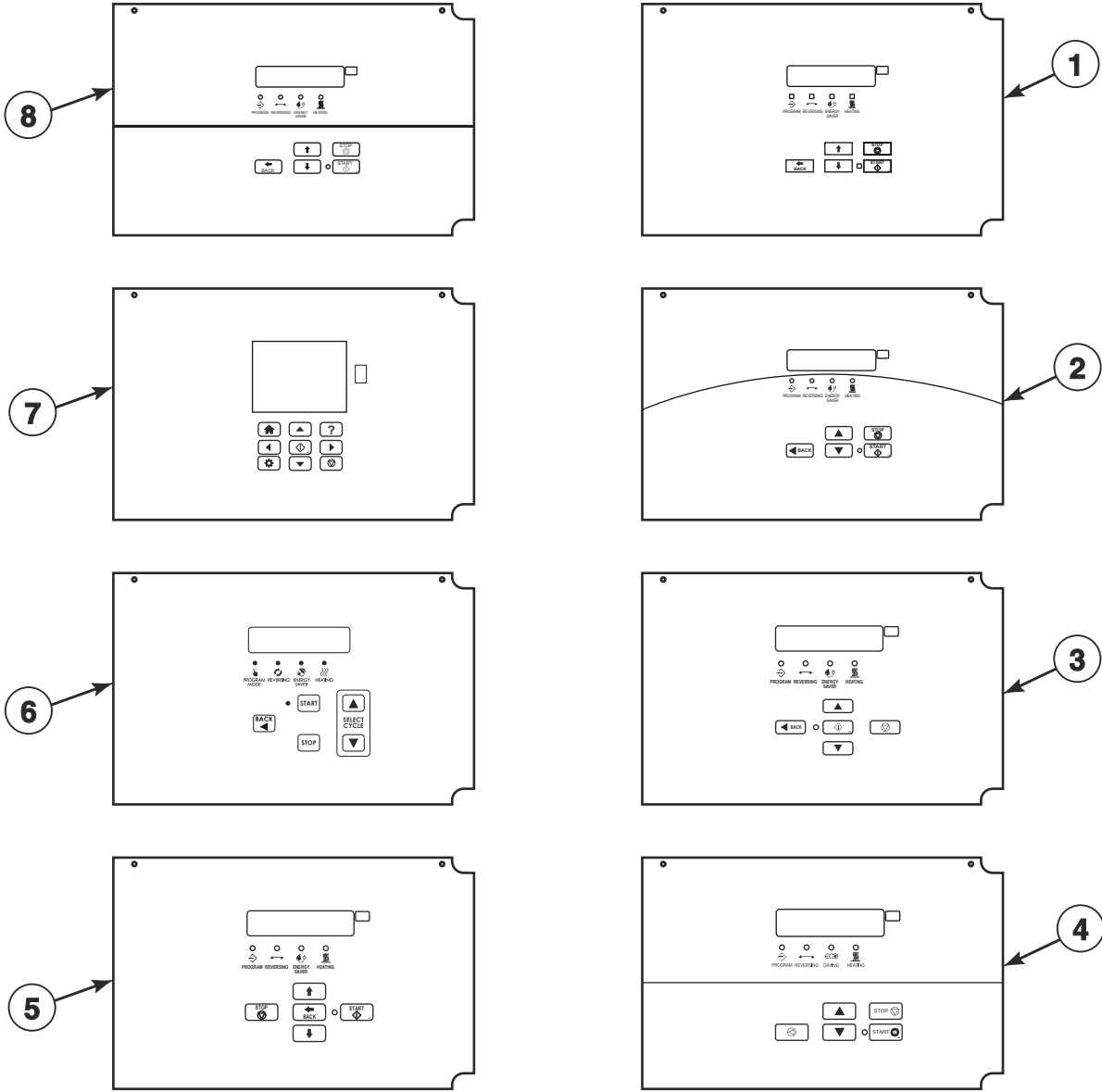
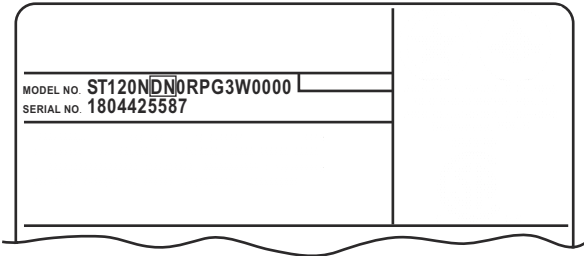
TMB3617P



## Product Overview - FN Control Suffix

REF	PART NO.	DESCRIPTION	COMMENTS
1	-	Dual Digital Control	H models
2	-	Dual Digital Control	U models
3	-	Dual Digital Control	B models
4	-	Dual Digital Control	P models
5	-	Dual Digital Control	N models
6	-	Dual Digital Control	G and K models
7	-	Dual Digital Control	S models

# Product Overview - DN and NN Control Suffixes



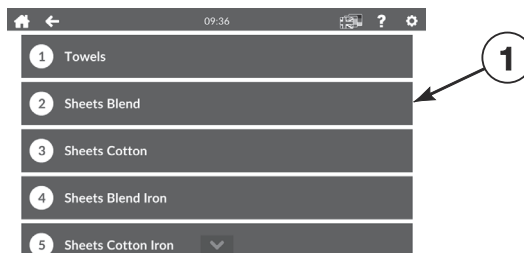
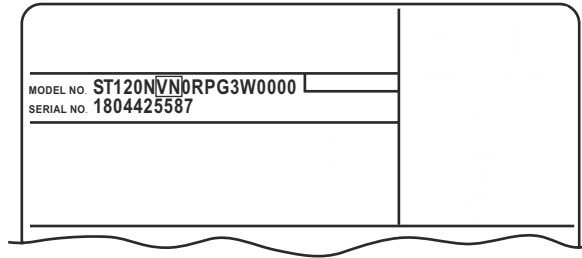
TMB3618P

## Product Overview - DN and NN Control Suffixes

REF	PART NO.	DESCRIPTION	COMMENTS
1	-	Galaxy Control	H models
2	-	M-Series Control	U models
3	-	OPTimum Control	B models
4	-	OPL Micro Control	P models
5	-	OPL Micro Control	N models
6	-	OPL Micro Control	G and K models
7	-	UniLinc Control	U models
8	-	Quantum Gold Control	S models

# Product Overview - VN Control Suffix

U Models

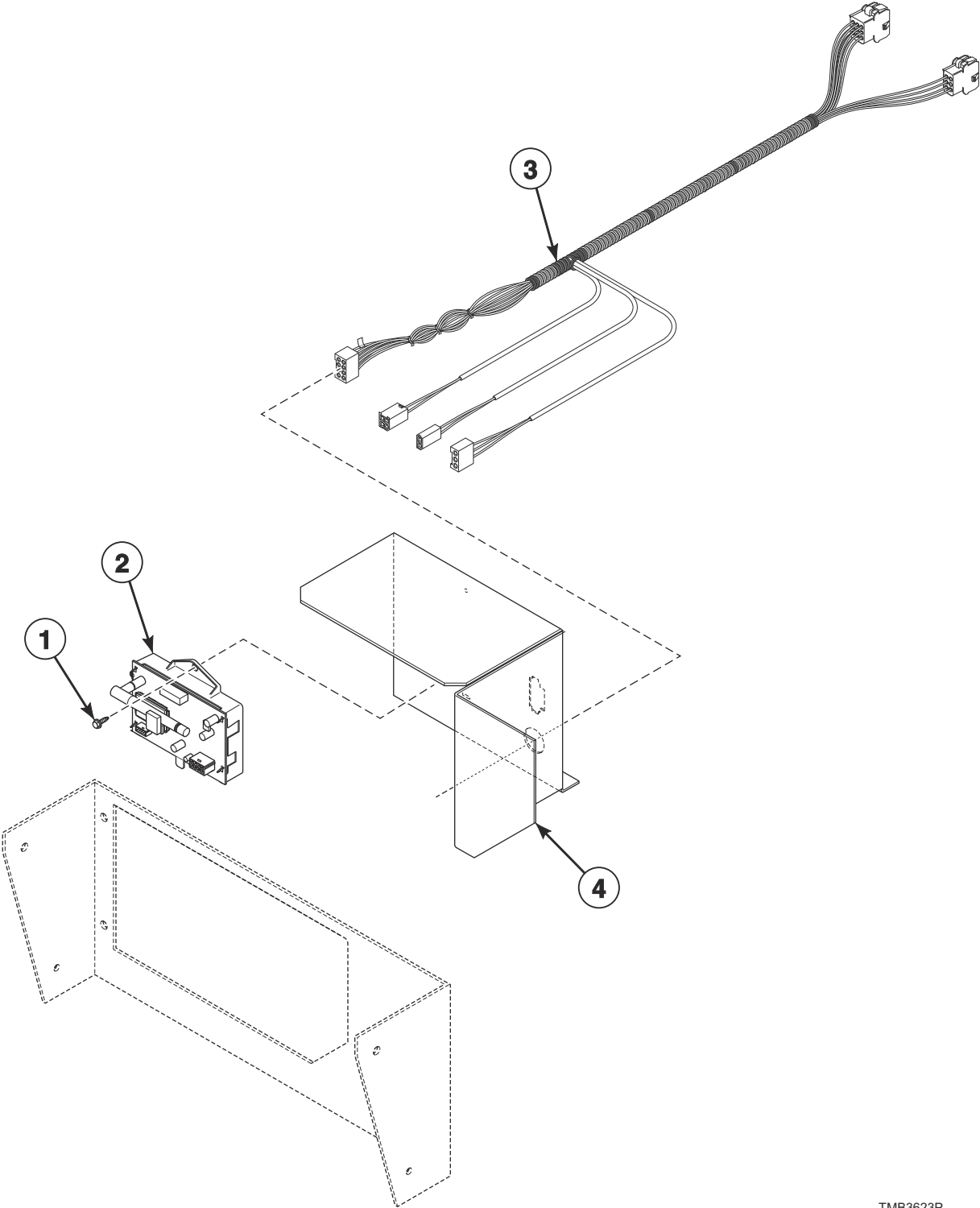


TMB3939P

# Product Overview - VN Control Suffix

REF	PART NO.	DESCRIPTION	COMMENTS
1	-	UniLinc Touch Control	

# Interior Control Box

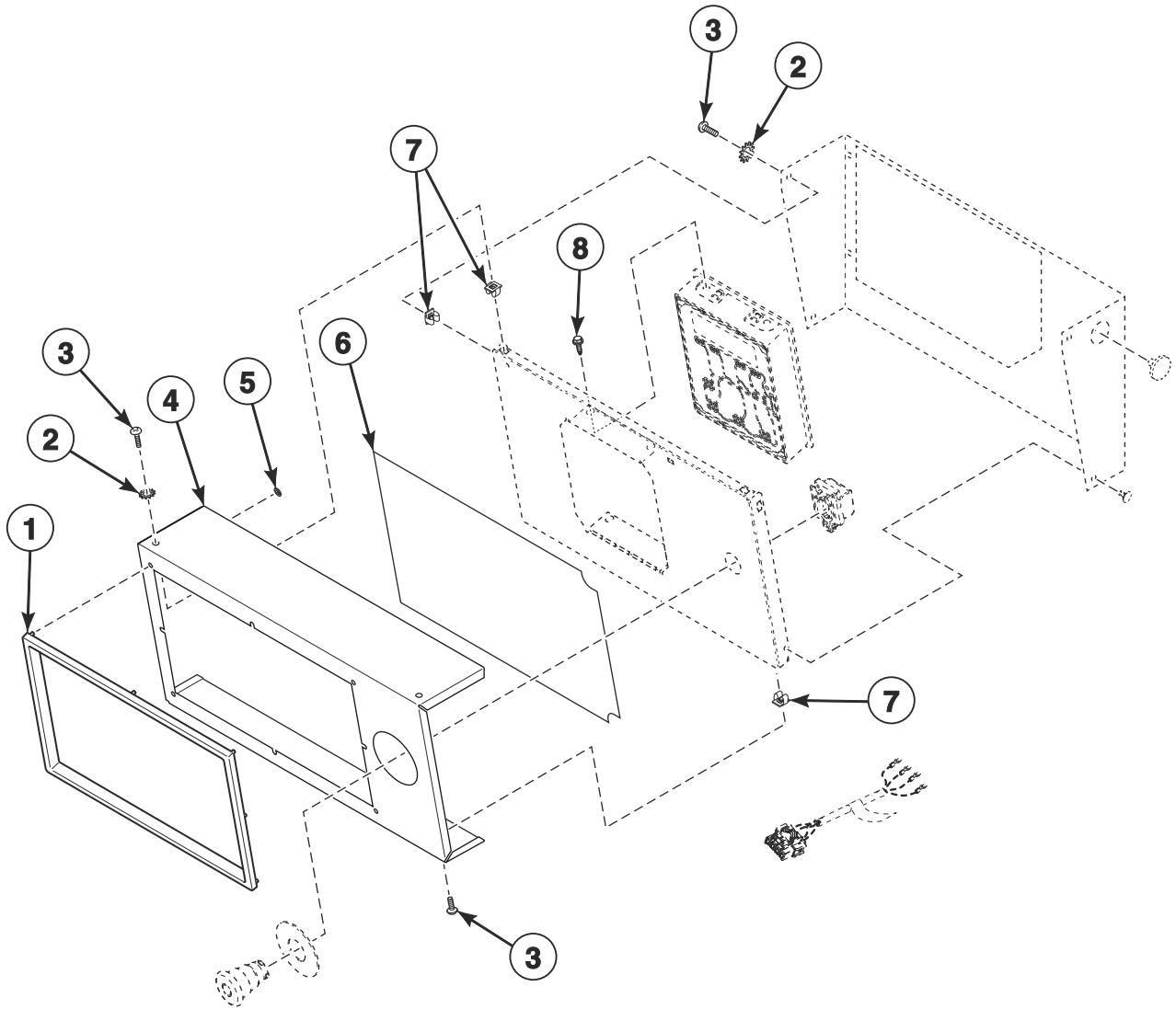


TMB3623P

## Interior Control Box

REF	PART NO.	DESCRIPTION	COMMENTS
	70596301	Wireless Network Kit	D in the 7th position of the model number
1	430497	Screw	
2	203532	Wireless Network Control Assembly	
3	44375101	Main Harness	
4	44311101	Front Control Box	

# Dual Digital Control - F in the 7th Position (Drawing 1 of 2)



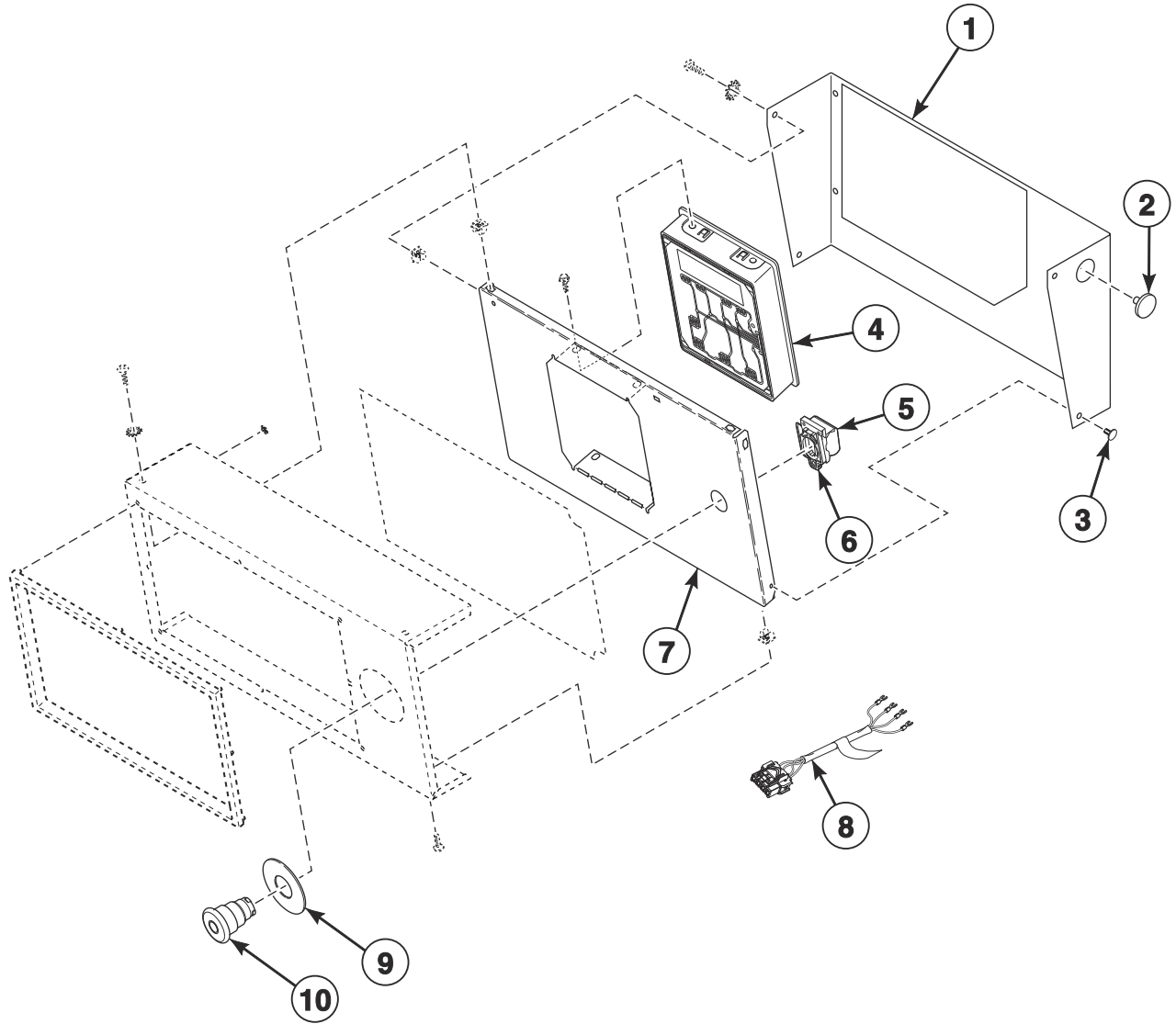
TMB3619P



## Dual Digital Control - F in the 7th Position (Drawing 1 of 2)

REF	PART NO.	DESCRIPTION	COMMENTS
1	44016403	Control Trim	H models; Gray
	44016401	Control Trim	N, P and S models; Black
2	03815	Washer	
3	800930	Screw	
4	44330802	Control Cover	IEC B and U models; Stainless steel; No trim
	44330805	Control Cover	IEC H, N, P and S models; Stainless steel
	44330803W	Control Cover	IEC B and U models; No trim
	44330806DG	Control Cover	IEC P models; Dark gray
	44330806W	Control Cover	IEC H, N, P and S models
	44330803B	Control Cover	IEC G and K models; Black; No trim
	44330803LG	Control Cover	IEC U models; Light gray; No trim
	44330811	Control Cover	T and G market B and U models; Stainless steel; No trim
	44330814	Control Cover	T and G market H, N, P and S models; Stainless steel
	44330812W	Control Cover	T and G market B and U models; No trim
	44330815DG	Control Cover	T and G market P models; Dark gray
	44330815W	Control Cover	T and G market H, N, P and S models
	44330812B	Control Cover	T and G market G and K models; Black; No trim
	44330812LG	Control Cover	T and G market U models; Light gray; No trim
	5	M400977	Nut
6	70539101	Overlay	B models; Reversing
	70547501	Overlay	G and K models; Reversing
	70691301	Overlay	H models; Reversing
	70545501	Overlay	P models; Reversing
	70516801	Overlay	N and S models; Reversing
	70519001	Overlay	U models; Reversing
7	70030501	Expansion Clip	
8	804608	Screw	4 required

# Dual Digital Control - F in the 7th Position (Drawing 2 of 2)

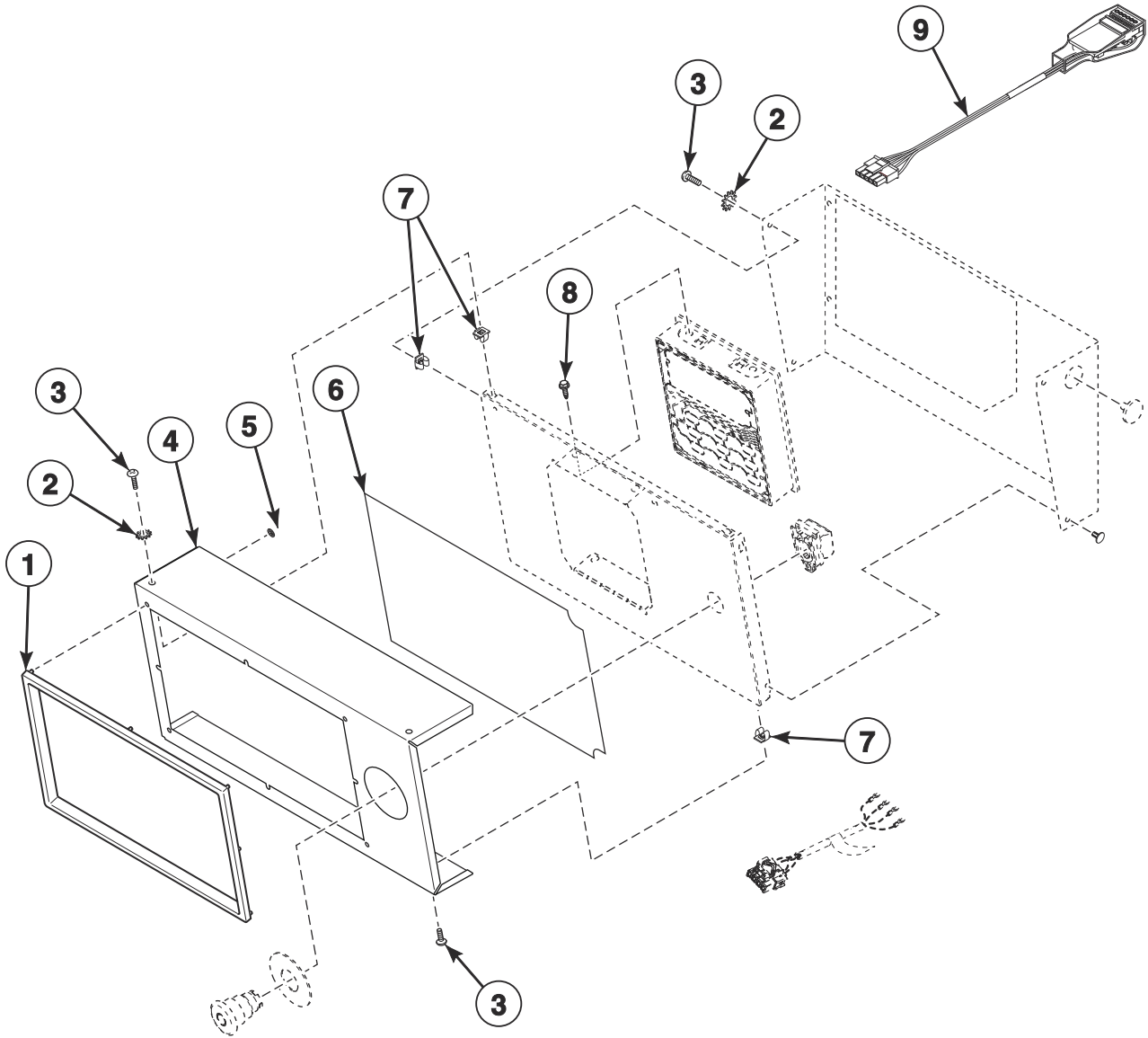


TMB3619PA

## Dual Digital Control - F in the 7th Position (Drawing 2 of 2)

REF	PART NO.	DESCRIPTION	COMMENTS
	70631103	Emergency Stop Interconnect Harness	
	F8519403	Emergency Stop Bypass Harness	Models without e-stop
<b>1</b>	44331005	Control Bracket	B, H, N, P, S and U models; Stainless steel
	44331006DG	Control Bracket	P models; Dark gray
	44331006W	Control Bracket	B, H, N, P, S and U models
	44331006B	Control Bracket	G and K models; Black
	44331006LG	Control Bracket	U models; Light gray
<b>2</b>	M400985	Plug	
<b>3</b>	430725	Pop Rivet	
<b>4</b>	70523101	Control Assembly	P models; Blue
	70479801	Control Assembly	G, H, K, N, S and U models; Green
	70479901	Control Assembly	B models; Red
<b>5</b>	F8069501	Contact Switch	2 required
<b>6</b>	F8538101	Contact Base	
<b>7</b>	44330901	Mounting Plate	
<b>8</b>	44272401	Emergency Stop Harness	
<b>9</b>	44012901	Emergency Stop Label	
<b>10</b>	F200233500	Emergency Stop Pushbutton	

# Electronic Display Control - N in the 7th Position (Drawing 1 of 2)

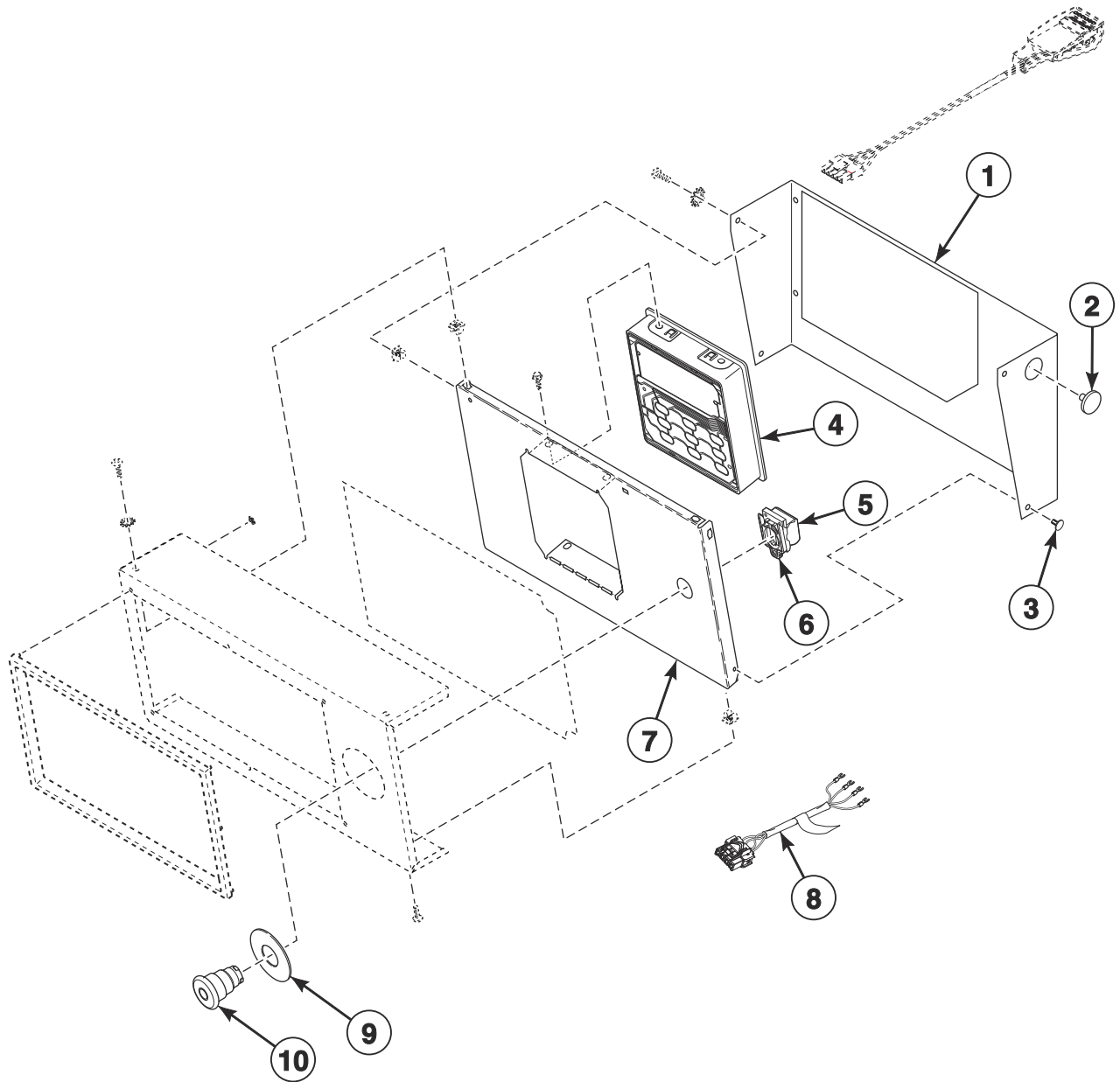


TMB3620P

## Electronic Display Control - N in the 7th Position (Drawing 1 of 2)

REF	PART NO.	DESCRIPTION	COMMENTS
1	44016403	Control Trim	H models; Gray
	44016401	Control Trim	N, P and S models; Black
2	03815	Washer	
3	800930	Screw	
4	44330802	Control Cover	IEC B and U models; Stainless steel; No trim
	44330805	Control Cover	IEC H, N, P and S models; Stainless steel
	44330803W	Control Cover	IEC B and U models; No trim
	44330806DG	Control Cover	IEC P models; Dark gray
	44330806W	Control Cover	IEC H, N, P and S models
	44330803B	Control Cover	IEC G and K models; Black; No trim
	44330803LG	Control Cover	IEC U models; Light gray; No trim
	44330811	Control Cover	T and G market B and U models; Stainless steel; No trim
	44330814	Control Cover	T and G market H, N, P and S models; Stainless steel
	44330812W	Control Cover	T and G market B and U models; No trim
	44330815DG	Control Cover	T and G market P models; Dark gray
	44330815W	Control Cover	T and G market H, N, P and S models
	44330812B	Control Cover	T and G market G and K models; Black; No trim
	44330812LG	Control Cover	T and G market U models; Light gray; No trim
	5	M400977	Nut
6	70570601	Overlay	S models; Reversing
	70571401	Overlay	U models; Reversing
	70691001	Overlay	H models; Reversing
	70548801	Overlay	B and N models; Reversing
	70547801	Overlay	G and K models; Reversing
	70571601	Overlay	P models; Reversing
7	70030501	Expansion Clip	
8	804608	Screw	4 required
9	203361P	Machine ID Control Assembly	Model or serial number is required when ordering

# Electronic Display Control - N in the 7th Position (Drawing 2 of 2)



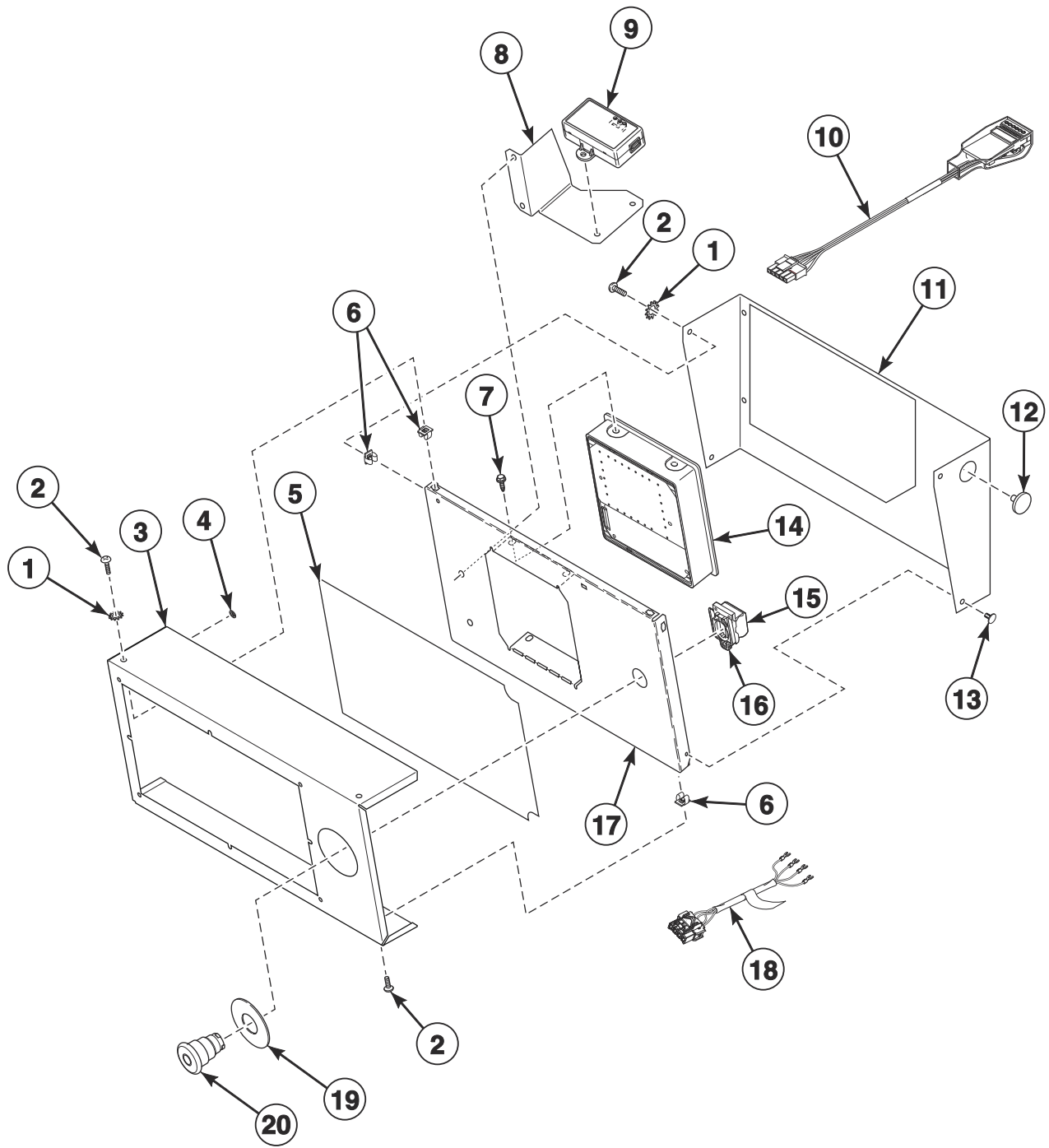
TMB3620PA

## Electronic Display Control - N in the 7th Position (Drawing 2 of 2)

REF	PART NO.	DESCRIPTION	COMMENTS
	70631103	Emergency Stop Interconnect Harness	
	F8519403	Emergency Stop Bypass Harness	Models without e-stop
<b>1</b>	44331005	Control Bracket	B, H, N, P, S and U models; Stainless steel
	44331006DG	Control Bracket	P models; Dark gray
	44331006W	Control Bracket	B, H, N, P, S and U models
	44331006B	Control Bracket	G and K models; Black
	44331006LG	Control Bracket	U models; Light gray
<b>2</b>	M400985	Plug	
<b>3</b>	430725	Pop Rivet	
<b>4</b>	70523002	Control Assembly	P models; Blue
	70478802	Control Assembly	G, H, K, N, S and U models; Green
	70478902	Control Assembly	B models; Red
<b>5</b>	F8069501	Contact Switch	2 required
<b>6</b>	F8538101	Contact Base	
<b>7</b>	44330901	Mounting Plate	
<b>8</b>	44272401	Emergency Stop Harness	
<b>9</b>	44012901	Emergency Stop Label	
<b>10</b>	F200233500	Emergency Stop Pushbutton	

# 3.5 Inch Graphical Control - D in the 7th Position

U Models



TMB3621P

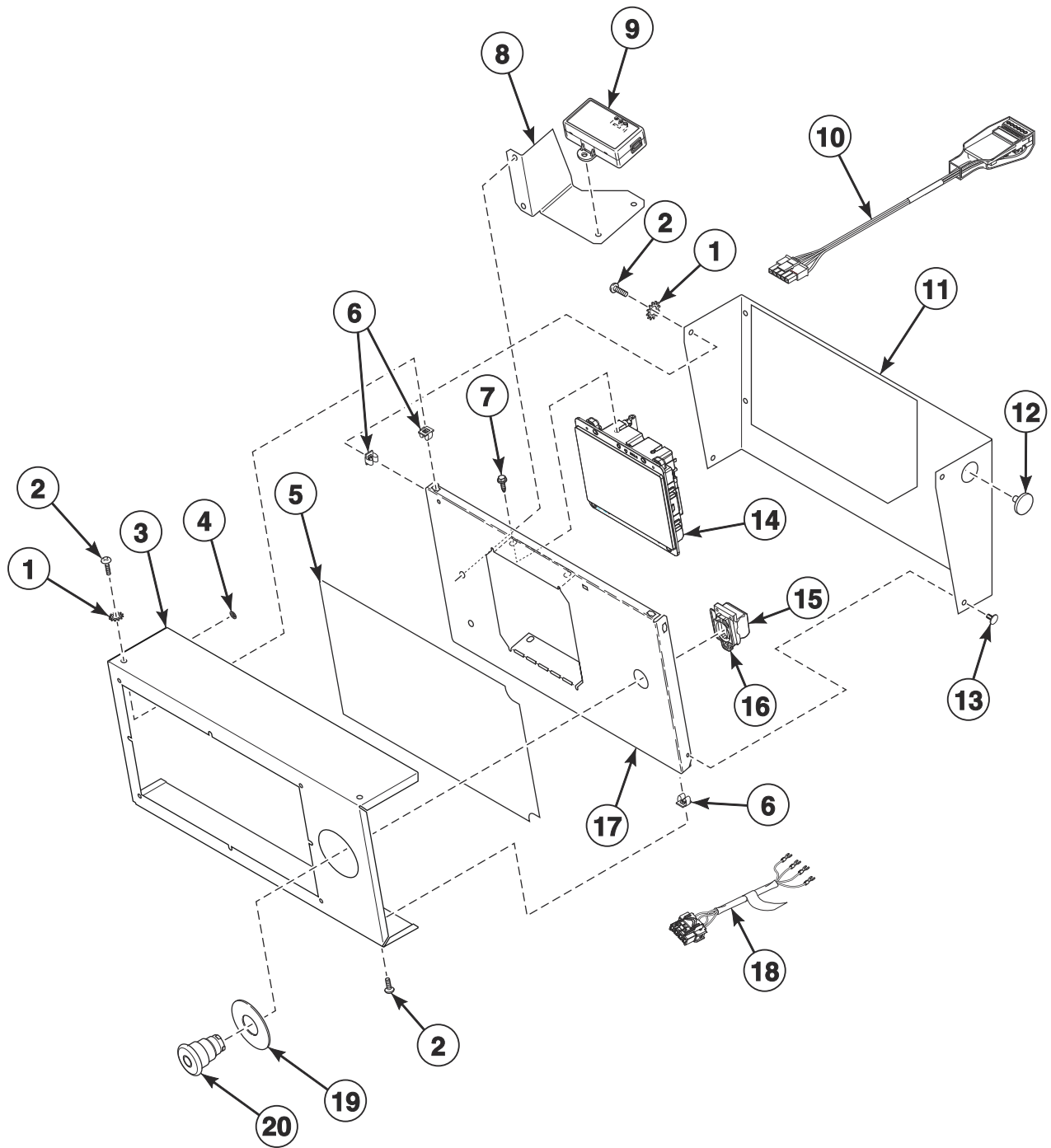


### 3.5 Inch Graphical Control - D in the 7th Position

REF	PART NO.	DESCRIPTION	COMMENTS
	70596301	Wireless Network Kit	
	F8536002	Wireless Network Board Harness	
	203346	USB IR Interface Kit	
	F8617901	Harness	USB
	F8613201	FCC-IC Label	UT models
	03815	Washer	2 required; Use to attach item 9
	430497	Screw	2 required; Use to attach item 9
	70631103	Emergency Stop Interconnect Harness	
	F8519403	Emergency Stop Bypass Harness	Models without e-stop
<b>1</b>	03815	Washer	
<b>2</b>	800930	Screw	
<b>3</b>	44330802	Control Cover	IEC models; Stainless steel; No trim
	44330803W	Control Cover	IEC models; No trim
	44330803LG	Control Cover	IEC models; Light gray; No trim
	44330811	Control Cover	T and G market models; Stainless steel; No trim
	44330812W	Control Cover	T and G market models; No trim
	44330812LG	Control Cover	T and G market models; Light gray; No trim
<b>4</b>	M400977	Nut	8 required
<b>5</b>	70595401	Overlay	
<b>6</b>	70030501	Expansion Clip	
<b>7</b>	804608	Screw	
<b>8</b>	44331101	Mounting Bracket	
<b>9</b>	203440	USB-Serial Interface Assembly	
<b>10</b>	203361P	Machine ID Control Assembly	Model or serial number is required when ordering
<b>11</b>	44331005	Control Bracket	Stainless steel
	44331006W	Control Bracket	
	44331006LG	Control Bracket	Light gray
<b>12</b>	M400985	Plug	
<b>13</b>	430725	Pop Rivet	
<b>14</b>	70543104	Control Assembly	
<b>15</b>	F8069501	Contact Switch	2 required
<b>16</b>	F8538101	Contact Base	
<b>17</b>	44330901	Mounting Plate	
<b>18</b>	44272401	Emergency Stop Harness	
<b>19</b>	44012901	Emergency Stop Label	
<b>20</b>	F200233500	Emergency Stop Pushbutton	

# Touch Control - V in the 7th Position

U Models



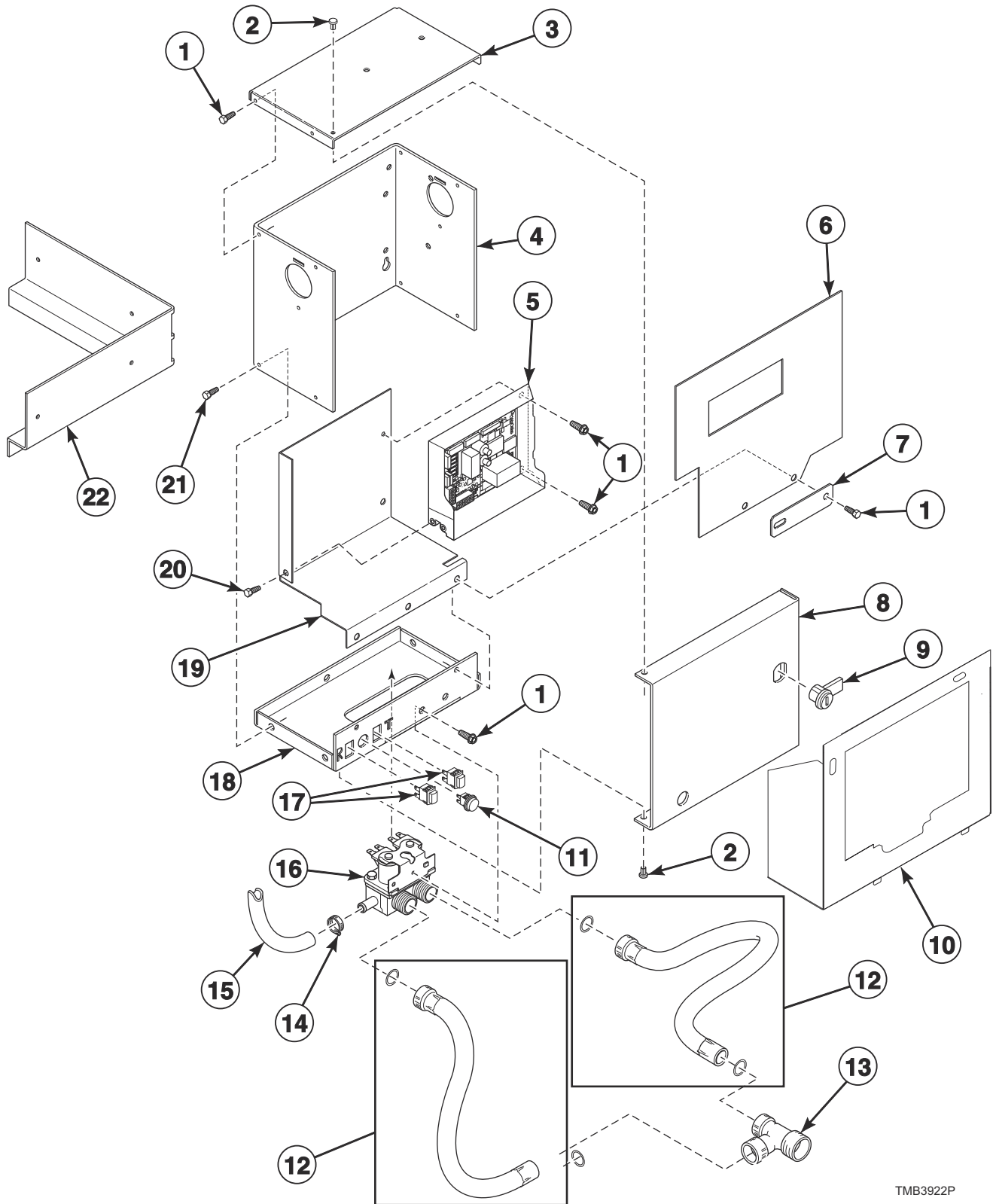
TMB3940P

## Touch Control - V in the 7th Position

REF	PART NO.	DESCRIPTION	COMMENTS
	F8617901	Harness	USB
	F8613201	FCC-IC Label	UT models
	03815	Washer	2 required; Use to attach item 9
	430497	Screw	2 required; Use to attach item 9
	70631103	Emergency Stop Interconnect Harness	
	F8519403	Emergency Stop Bypass Harness	Models without e-stop
<b>1</b>	03815	Washer	
<b>2</b>	800930	Screw	
<b>3</b>	44330816	Control Cover	Stainless steel; No trim; With e-stop
	44330818W	Control Cover	No trim; With e-stop
	44330818LG	Control Cover	Light gray; No trim; With e-stop
	44330817	Control Cover	Stainless steel; No trim; No e-stop
	44330819W	Control Cover	No trim; No e-stop
	44330819LG	Control Cover	Light gray; No trim; No e-stop
<b>4</b>	M400977	Nut	8 required
<b>5</b>	70595401	Overlay	
<b>6</b>	70030501	Expansion Clip	
<b>7</b>	804608	Screw	
<b>8</b>	44331101	Mounting Bracket	
<b>9</b>	203440	USB-Serial Interface Assembly	
<b>10</b>	203361P	Machine ID Control Assembly	Model or serial number is required when ordering
<b>11</b>	44331005	Control Bracket	Stainless steel
	44331006W	Control Bracket	
	44331006LG	Control Bracket	Light gray
<b>12</b>	M400985	Plug	
<b>13</b>	430725	Pop Rivet	
<b>14</b>	70697004	Control Assembly	
<b>15</b>	F8069501	Contact Switch	2 required
<b>16</b>	F8538101	Contact Base	
<b>17</b>	44330901	Mounting Plate	
<b>18</b>	44272401	Emergency Stop Harness	
<b>19</b>	44012901	Emergency Stop Label	
<b>20</b>	F200233500	Emergency Stop Pushbutton	

# Fire Suppression System Control Box

Gas and Steam Models

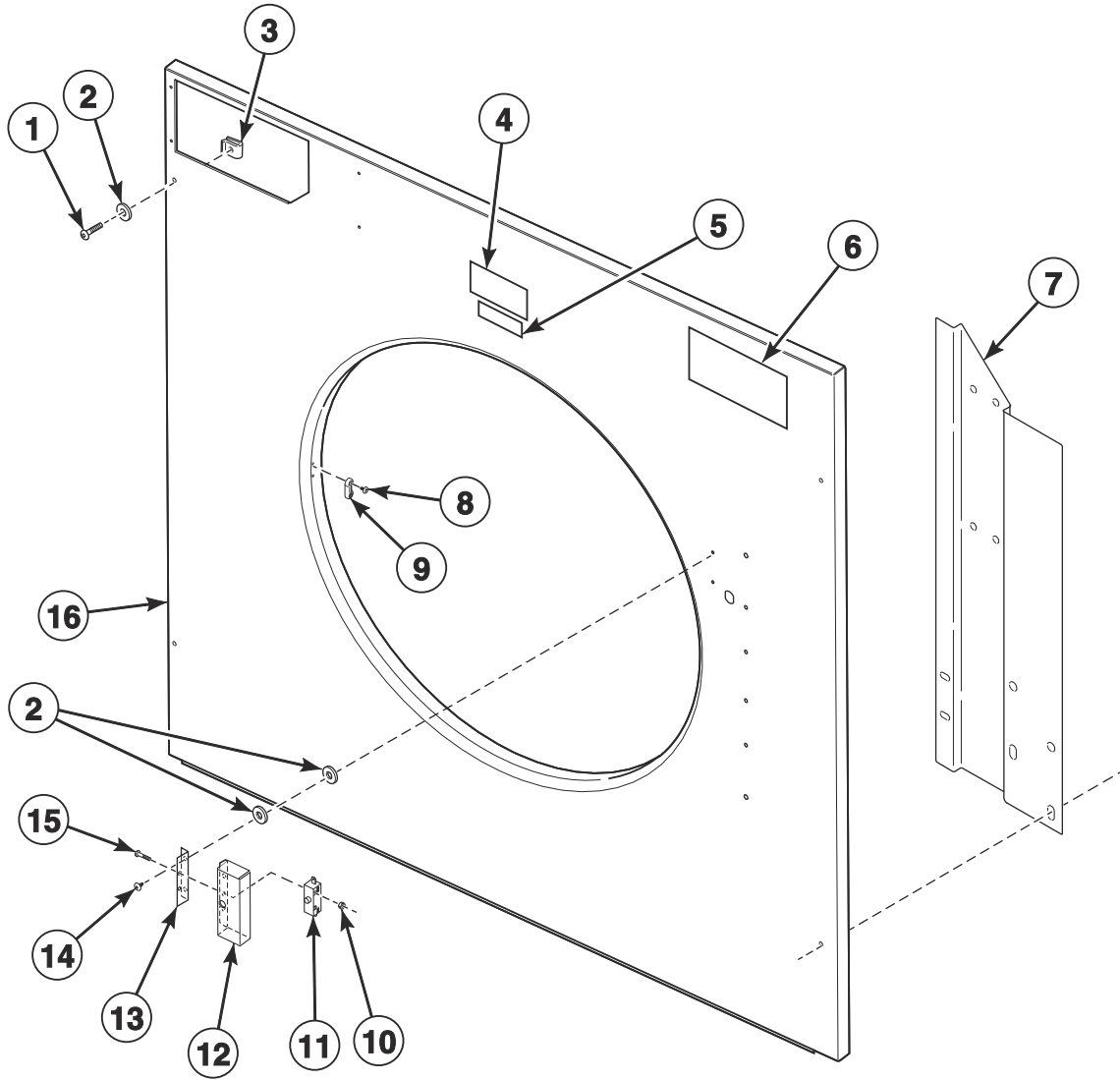


TMB3922P

# Fire Suppression System Control Box

REF	PART NO.	DESCRIPTION	COMMENTS
	44340301	Cold Weather Kit	
	70155601	Key	RL001; Use with item 9
	44079601	Manifold	Gas models
	44079602	Manifold	Steam models
	44375604	Control Harness	
	44375605	Water Valve Harness	
	44375608	Power Sensor Harness	
	44375607	Sensor Harness	
	44375601	Interconnect Harness	
	44324501	Warning Label	F.S.S.; T and G market models
	44324500	Label Kit	F.S.S.; IEC models
	F8614401	Shock Warning Label	T and G market models
	F8614201	Shock Warning Label	IEC models
	44318200	Label Kit	IEC models
	44324502	Warning Label	
	44318201	Label	T and G market models
<b>1</b>	430497	Screw	
<b>2</b>	M400713	Drive Rivet	
<b>3</b>	44307101	Control Box Top	
<b>4</b>	44306701	Control Box Housing	
<b>5</b>	70511601	Control	
<b>6</b>	44326801	Shield	
<b>7</b>	70551701	Filter Mounting Plate	
<b>8</b>	44065201	Control Box Cover	
<b>9</b>	44089301P	Lock, Key and Nut Kit	RL001 key code; Optional if same key is to be used for control lock
<b>10</b>	44369601	Control Guard	Without fire suppression
	44369602	Control Guard	With fire suppression
<b>11</b>	801432	Light	
<b>12</b>	202799	Fill Hose	2 required
<b>13</b>	44069101	Hose Fitting	T and G market models
<b>14</b>	36801	Hose Clamp	
<b>15</b>	44073305	Hose	24.5 inches; Outlet hose
<b>16</b>	70519801	Mixing Valve	
<b>17</b>	801434W	Push-to-Start Switch	2 required
<b>18</b>	44065301	Control Box Base	
<b>19</b>	44306601	Mixing Valve Shield Bracket	
<b>20</b>	804608	Screw	
<b>21</b>	51780	Screw	
<b>22</b>	44310901	Support Bracket	

# Front Panel Components

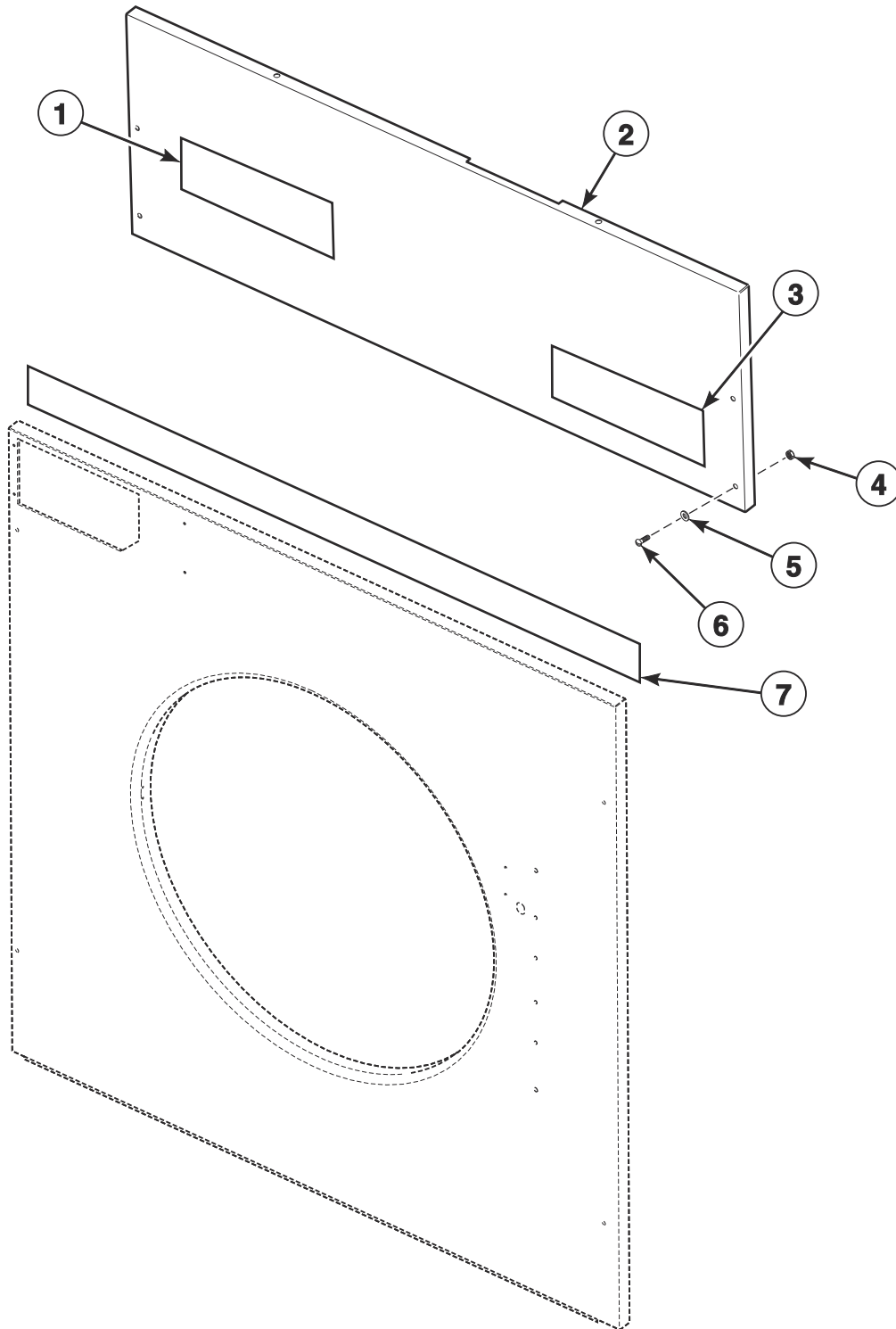


TMB3914P

## Front Panel Components

REF	PART NO.	DESCRIPTION	COMMENTS
	298P4P	Spray Paint	White
	122P4P	Porcelain Touch-Up Paint	White
	44366202	Door Switch Harness	
	70482901	Door Catch Kit	
<b>1</b>	70182601	Screw	4 required per panel
<b>2</b>	800465	Washer	4 required per panel
<b>3</b>	70030401	Nut	Access and front panel attachment
<b>4</b>	70537001	Label	B, H, N, S and U models; C.A.R.E.
	70537101	Label	G and K models; F.S.S.
	44190901	Label	P models; Safe Tech
<b>5</b>	70472801	Label	U models
<b>6</b>	F8443107	Nameplate	U models
<b>7</b>	44286001	Door Switch Wire Channel	
<b>8</b>	44166601	Pop Rivet	2 required
<b>9</b>	M401223	Door Latch	
<b>10</b>	29787	Nut	2 required
<b>11</b>	44312401	Switch	
<b>12</b>	44316301	Door Switch Cover	
<b>13</b>	44316601	Door Switch Shield	
<b>14</b>	431287	Screw	2 required
<b>15</b>	M402574	Screw	2 required
<b>16</b>	44292003DG	Front Panel	P models; Dark gray
	44292003LG	Front Panel	U models; Light gray
	44292003W	Front Panel	
	44292002	Front Panel	Stainless steel

# Access Panel and Nameplates



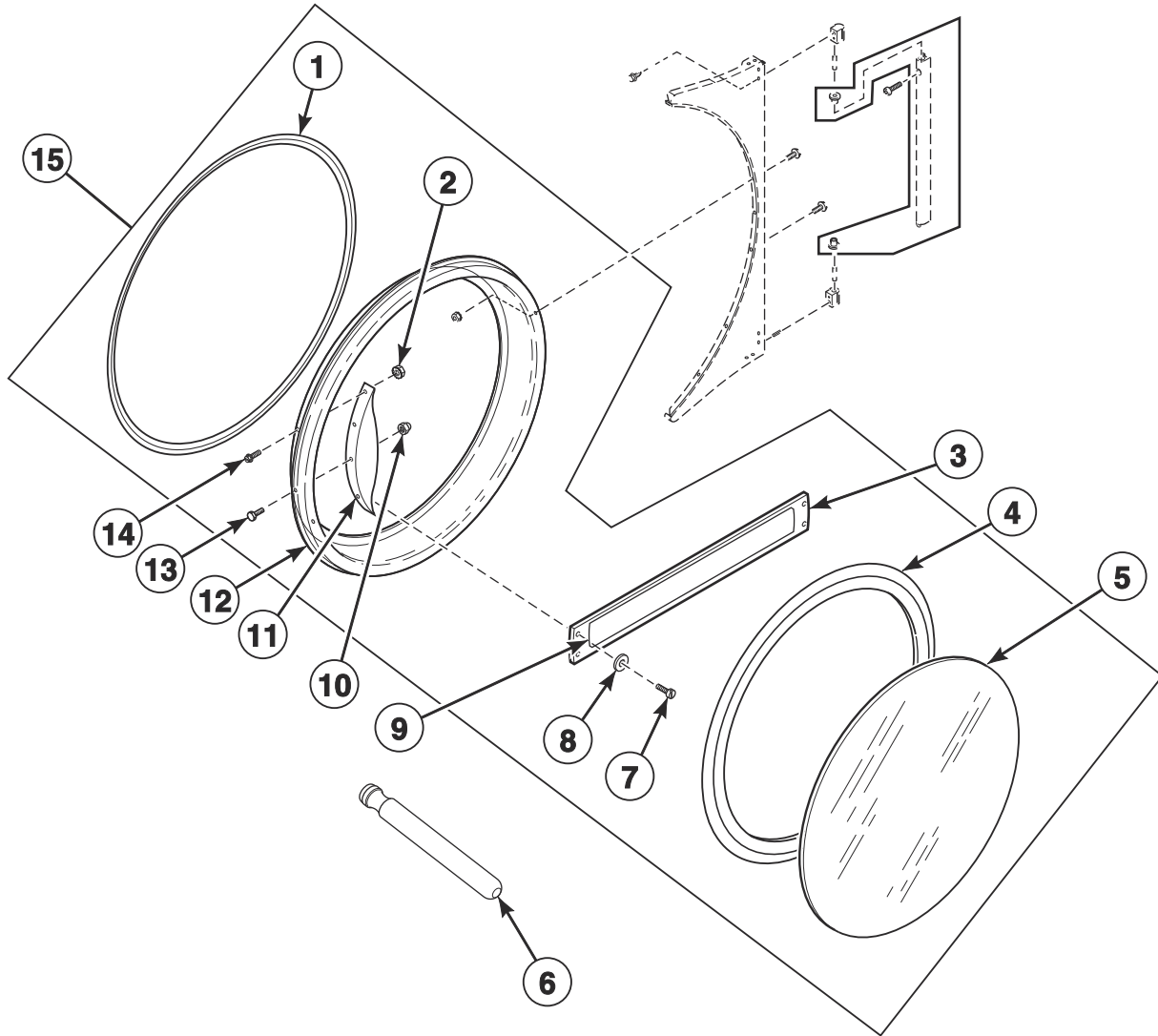
TMB3915P



## Access Panel and Nameplates

REF	PART NO.	DESCRIPTION	COMMENTS
1	70410201	Nameplate Overlay	G models
	44130401	Nameplate Overlay	K models through 12/31/22
	44391401	Label	K models starting 1/1/23; ProDry2+
	70472001	Nameplate	B models
2	44012609DG	Front Access Panel	P models; Dark gray
	44012609W	Front Access Panel	
	44012609LG	Front Access Panel	U models; Light gray
	44012612	Front Access Panel	Stainless steel
3	F8688901	Nameplate	S models
	F8688001	Nameplate	H models
	567887	Nameplate	P models
4	70030401	Nut	4 required
5	800465	Washer	4 required
6	70182601	Screw	4 required
7	70399403	Access Panel Trim	G and K models; Mounts over front panel assembly and control panel

# Door Components

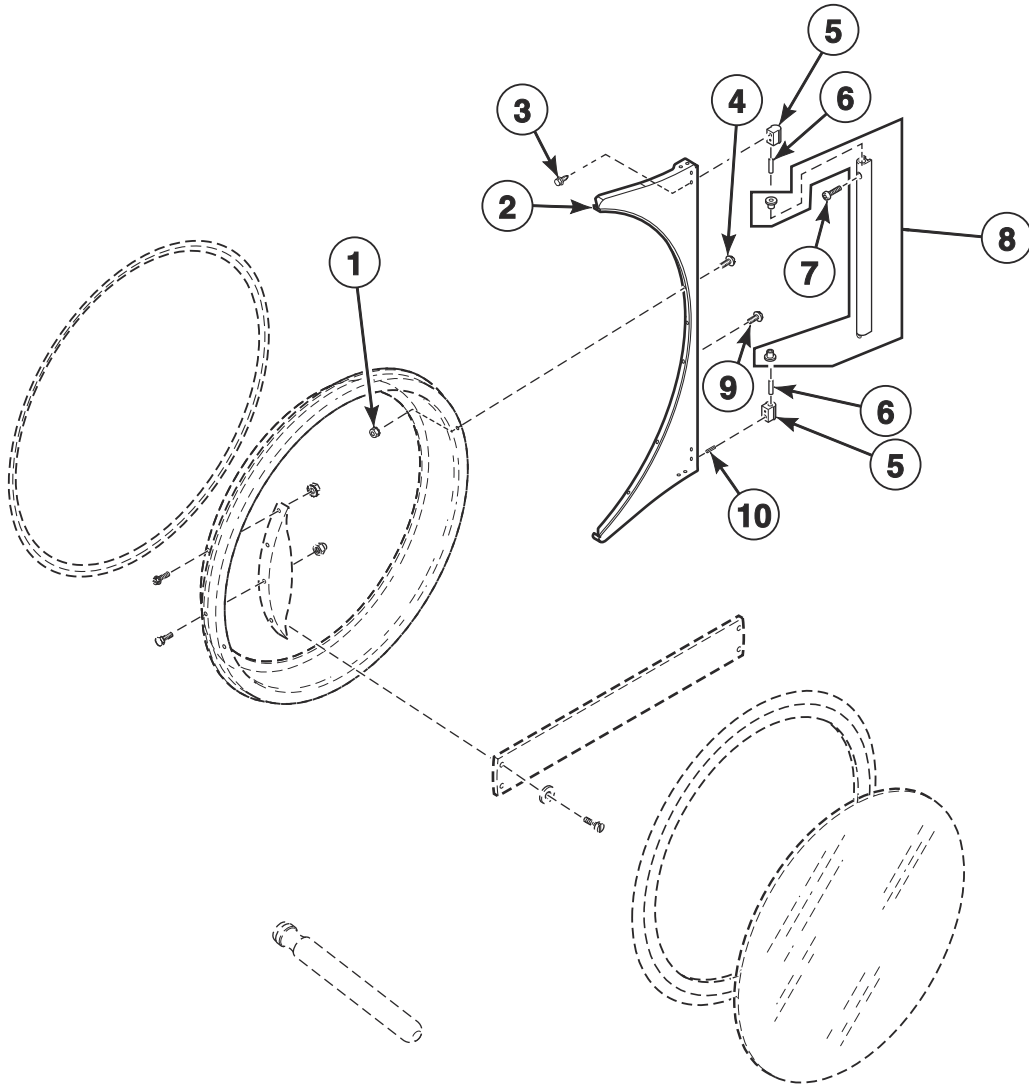


TMB3949P

# Door Components

REF	PART NO.	DESCRIPTION	COMMENTS
	70650401	Door Glass Label	H models
	70707701	Door Glass Label	S models
	70707501	Max Fill Line Label	
<b>1</b>	70296802	Door Ring Gasket	H models
	44008201P	Door Ring Gasket	All other models
<b>2</b>	44088001	Nut	B, H, N and S models; 4 required
<b>3</b>	70399501B	Handle Bar	G and K models
<b>4</b>	70211902P	Door Seal Kit	Use Loctite 414 for seal
<b>5</b>	44008401P	Door Glass	
<b>6</b>	M4221P4	Door Glass Installation Tool	
<b>7</b>	70412601	Pop Rivet	G and K models; 4 required
<b>8</b>	70409301	Washer	G and K models; 2 required
<b>9</b>	44391201	Nameplate Overlay	K models starting 8/8/22
<b>10</b>	M414215	Nut	
<b>11</b>	44370601	Door Handle	H models
	44007901	Door Handle	B, N and S models
	44263801	Door Handle	U models; Use 901620 Screw, 800465 Washer, 803871 Screw and 44088001 Nut to attach
<b>12</b>	44354801	Door Ring Assembly	H and S models; Stainless steel
	44354803	Door Ring Assembly	U models
	44354808LG	Door Ring Assembly	P models; Light gray
	44326007B	Door Ring and Handle Assembly	P models; Black
	44326004B	Door Ring Assembly	B and N models
	44354809B	Door Ring Assembly	G and K models
<b>13</b>	M400661	Screw	Door strike
<b>14</b>	70442101	Screw	B, H, N, P and S models; 4 required
<b>15</b>	44354705	Door Assembly	H models; Stainless steel
	44354701	Door Assembly	S models; Stainless steel
	44354703	Door Assembly	U models; Stainless steel
	44028907	Door Assembly	B and N models
	44354710LG	Door Assembly	P models; Light gray
	44292302B	Door Assembly	P models; Black
	44354711B	Door Assembly	G and K models

# Hinge Components

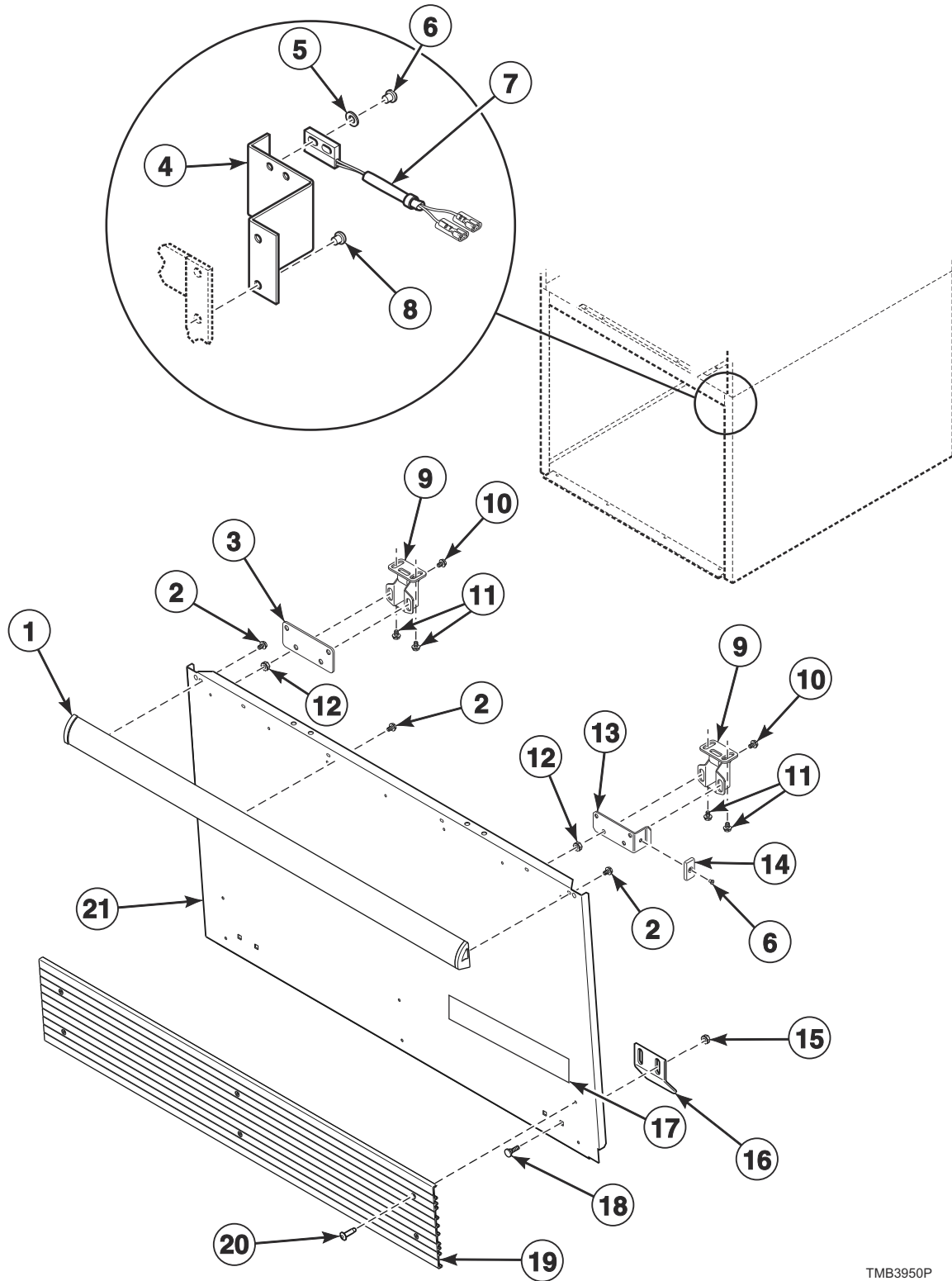


TMB3916PA

# Hinge Components

REF	PART NO.	DESCRIPTION	COMMENTS
1	44088001	Nut	6 required
2	70596615B	Door Hinge Brace Assembly	Black; B, G, K and P models
	70596615W	Door Hinge Brace Assembly	H, N, S and U models
	70596606	Door Hinge Brace Assembly	H, N, S and U models; Stainless steel
	70596615LG	Door Hinge Brace Assembly	P and U models; Light gray
3	70576101	Screw	3 required
4	44349101	Screw	5 required
5	M4773P3	Hinge Cam Kit	Black; B, G, K and P models
	M4772P3	Hinge Cam Kit	H, N, P, S and U models
6	70071401	Pin	
7	70409801	Screw	Black; B, G, K and P models; 2 required
	70033504	Screw	H, N, P, S and U models; 2 required
8	70597603	Door Hinge Lug Assembly	Black; B, G, K and P models
	70597601	Door Hinge Lug Assembly	H, N, P, S and U models
9	70689401	Screw	
10	70436301	Screw	

# Lint Panel Components

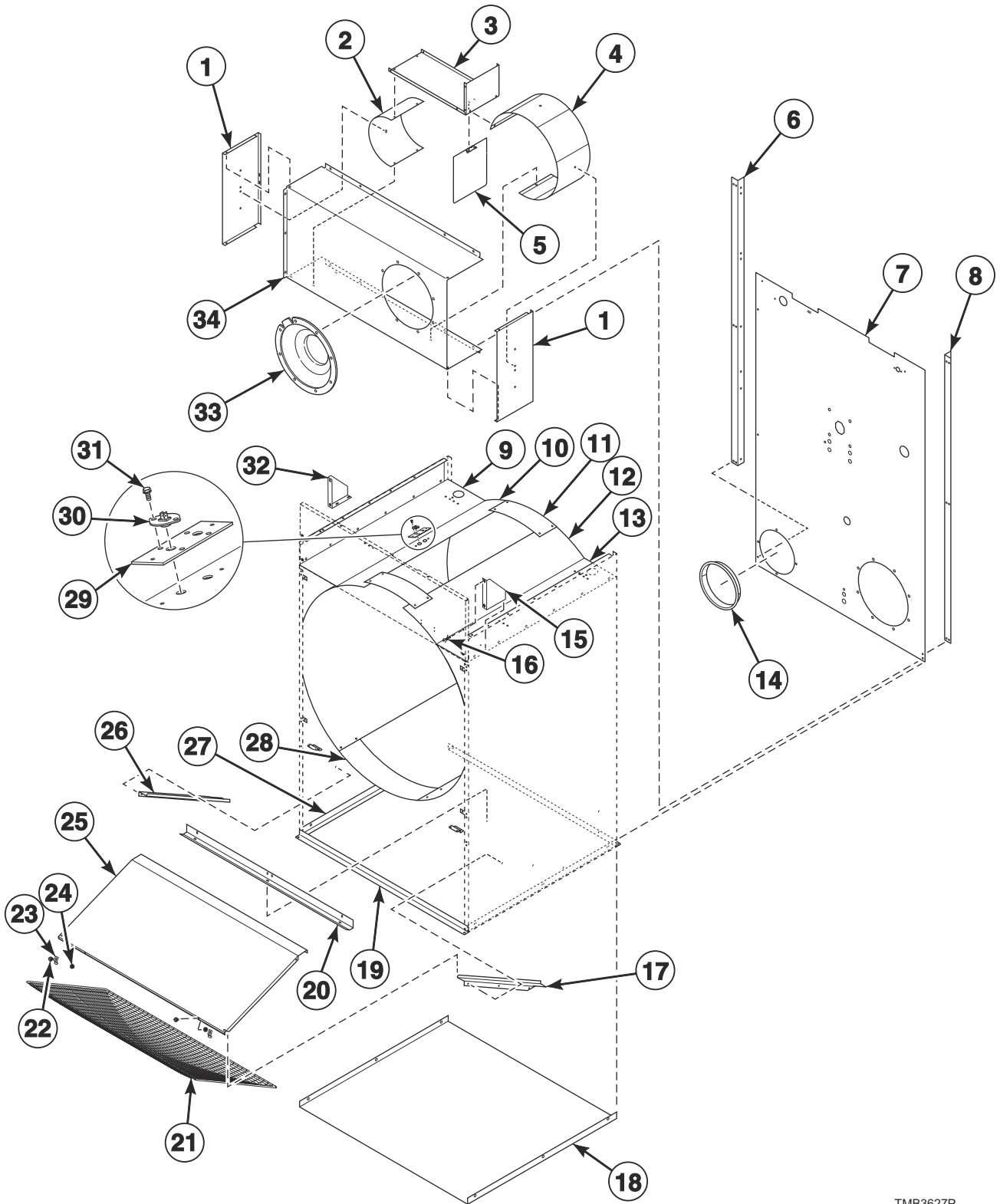


TMB3950P

# Lint Panel Components

REF	PART NO.	DESCRIPTION	COMMENTS
1	44049901	Handle and Caps Assembly	B, N, P and S models; Black; Includes endcaps
	70407211	Handle Bumper	P models; Silver
	70154416	Handle and Caps Assembly	H and U models; Gray; Includes endcaps
	70407203	Handle Bumper	G and K models; Black and blue; Does not have endcaps
2	430757	Screw	6 required
3	44014001	Roller Catch Mounting Bracket	2 required
4	44296301	Switch Bracket	
5	F431125	Washer	2 required
6	F8245101	Blind Rivet	2 required
7	F8066804	Reed Switch Assembly	
8	430725	Pop Rivet	2 required
9	H87020202	Roller Catch	2 required; Includes strike
10	70442101	Screw	8 required
11	D501086	Screw	4 required
12	44088001	Nut	8 required
13	44288401	Mounting Plate	
14	70343101	Magnet	
15	44087101	Nut	4 required
16	44017801	Lint Panel Clip	2 required
17	44391801	Label	K models starting 1/1/23; Capacity
18	44017901	Bolt	
19	70117609	Kickplate	All models except H models; Black
	70117620	Kickplate	H and U models; Gray
20	70126301	Pop Rivet	Black; 6 required
	70126401	Pop Rivet	Gray; 6 required
21	44012204DG	Lint Panel	P models; Dark gray; No kickplate
	44012207	Lint Panel	P models; Stainless steel; No kickplate
	44012203W	Lint Panel	
	44012206	Lint Panel	All models except P models; Stainless steel
	44012203LG	Lint Panel	U models; Light gray

# Cabinet and Frame Assembly



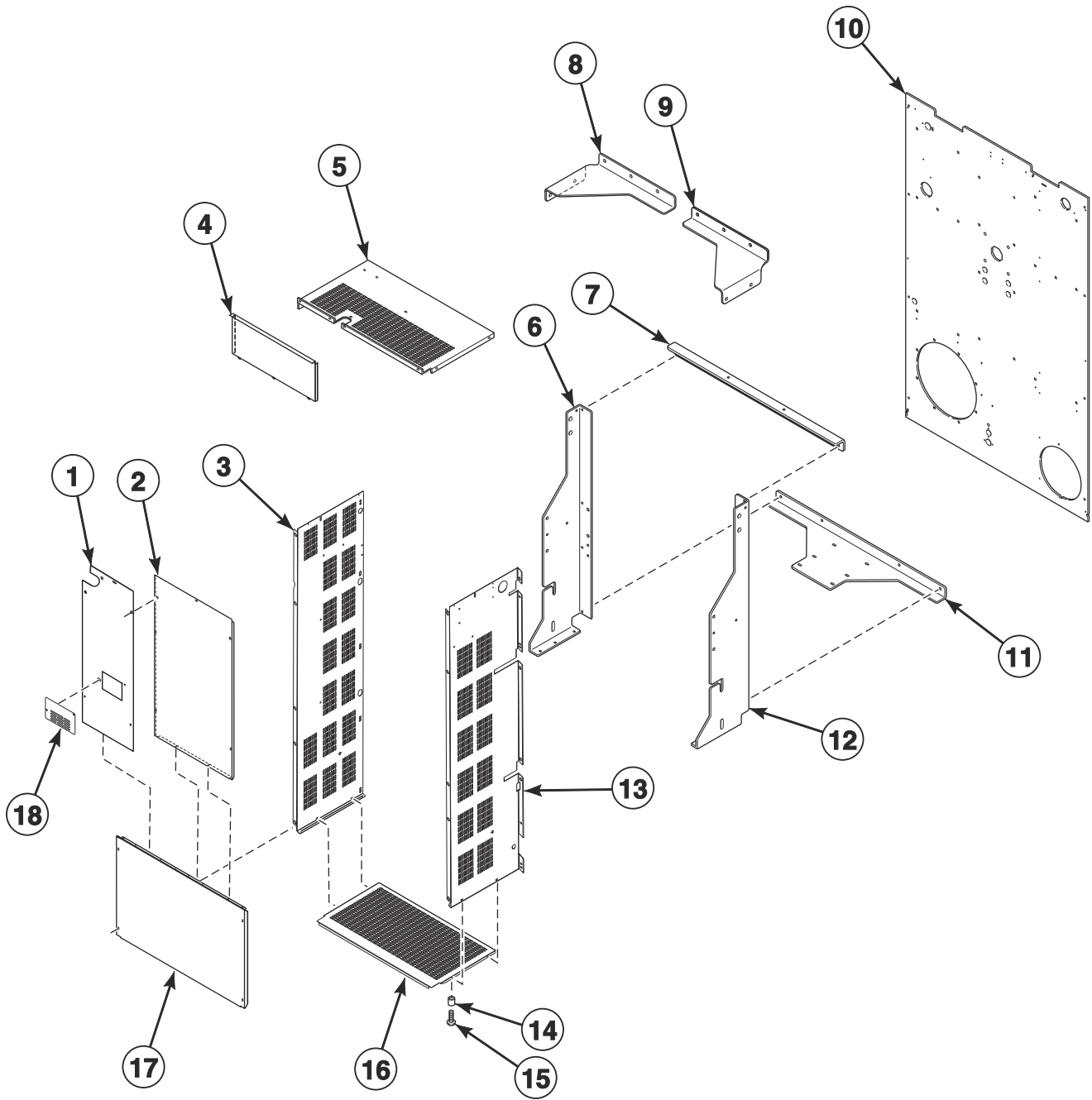
TMB3627P



# Cabinet and Frame Assembly

REF	PART NO.	DESCRIPTION	COMMENTS
	M402144	Felt Pad	6 required; Behind front panel
1	44327701	Blower Housing Side Panel	2 required
2	44307401	Exhaust Deflector	
3	44285601	Top Deflector	
4	44307301	Blower Housing Scroll	
5	44280303	Damper Assembly	
6	44285402	Rear Panel Support	Left outer
7	44276601	Rear Panel	
8	44285401	Rear Panel Support	Right outer
9	44312602	Support Shelf	Left
10	44286601	Cylinder Shroud	Left
11	44286401	Cylinder Shroud	Top front and rear
12	44286701	Cylinder Shroud	Right
13	44312601	Support Shelf	Right
14	H96372164	Vent Collar	
15	44028201DG	Top Access Panel	Dark gray; P models; Right
	44028201LG	Top Access Panel Gusset	Light gray; U models; Right
	44028201W	Top Access Panel Gusset	Right
16	431287	Screw	4 required
17	44286201	Lint Screen Support	Right
18	M409911	Base Pan	
19	44319501	Base Support	Front and back
20	44307501	Lint Screen Support	Back
21	44063602	Lint Screen	
22	70442101	Screw	
23	H96418413	Lint Screen Clip	
24	44088001	Nut	
25	44286101	Lint Hood	
26	44286202	Lint Screen Support	Left
27	44319401	Base Support	Left and right
28	44286501	Cylinder Shroud	Bottom rear
29	44068101	Thermistor Plate	Without fire suppression system
	44068102	Thermistor Plate	With fire suppression system
30	44064701	Thermistor	2 required; For fire suppression system
31	51780	Screw	
32	44028202DG	Top Access Panel Gusset	Dark gray; P models; Left
	44028202LG	Top Access Panel Gusset	Light gray; U models; Left
	44028202W	Top Access Panel Gusset	Left
33	44266902	Blower Inlet Cone	
34	44285501	Rear Lint Panel	

# Rear Panel Components

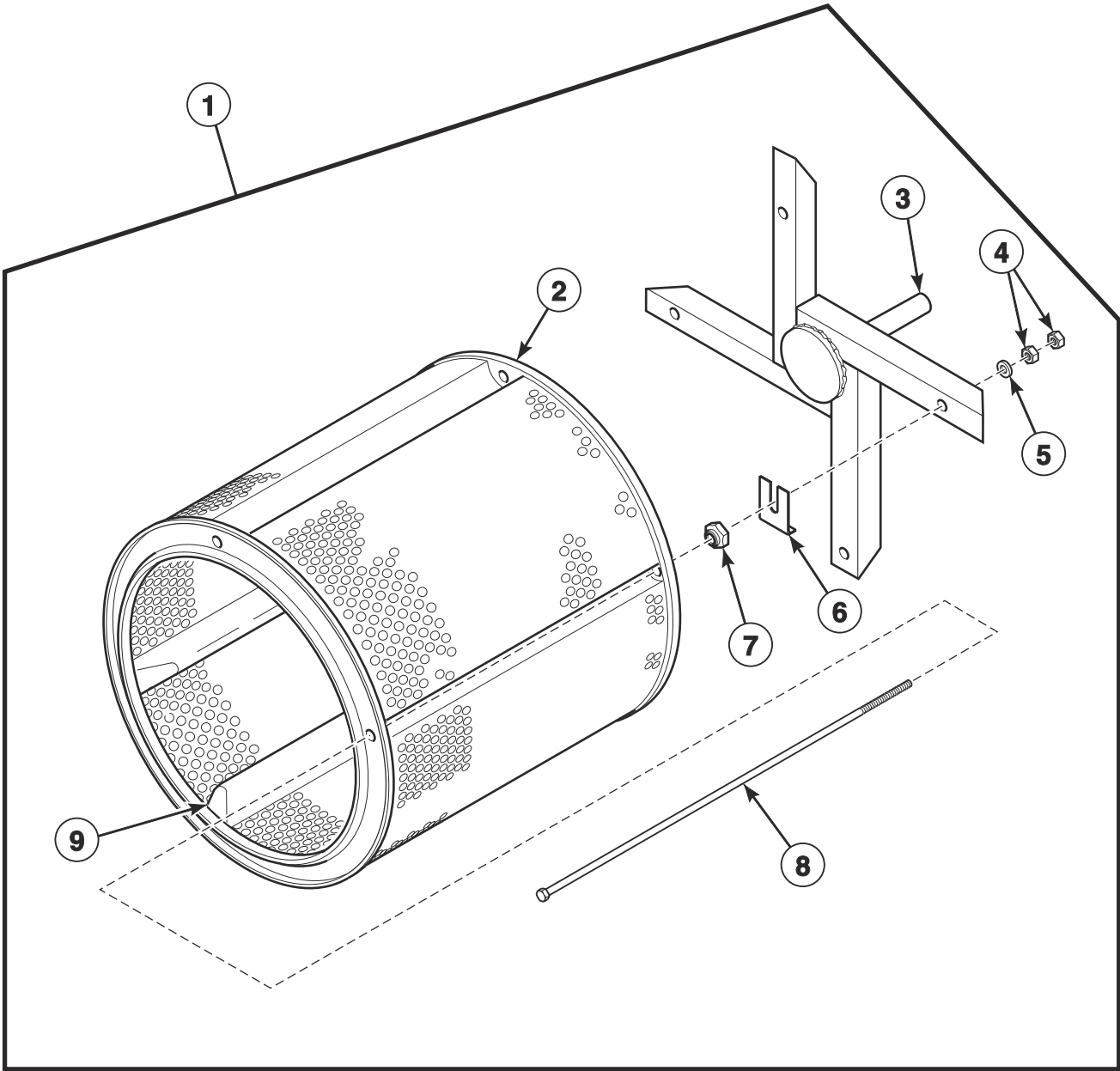


TMB3923P

## Rear Panel Components

REF	PART NO.	DESCRIPTION	COMMENTS
1	44372001	Rear Guard	Inverter
2	44371901	Rear Guard	Belt
3	44369401	Guard	Left
4	44371701	Control Tray Guard	
5	44370101	Guard	Top
6	44310301	Rear Panel Support	Right center
7	44277001	Rear Panel Support	Top
8	44300402	Rear Panel Support	Left inner
9	44300401	Rear Panel Support	Right inner
10	44276601	Rear Panel	
11	44310401	Rear Panel Brace	Bottom
12	44310302	Rear Panel Support	Left center
13	44369301	Guard	Right
14	56079	Panel Locator	
15	70275801	Screw	
16	44377201	Guard	Bottom
17	44371801	Rear Guard	Lower
18	70202501	Drive Access Cover	

# Cylinder and Trunnion Assembly

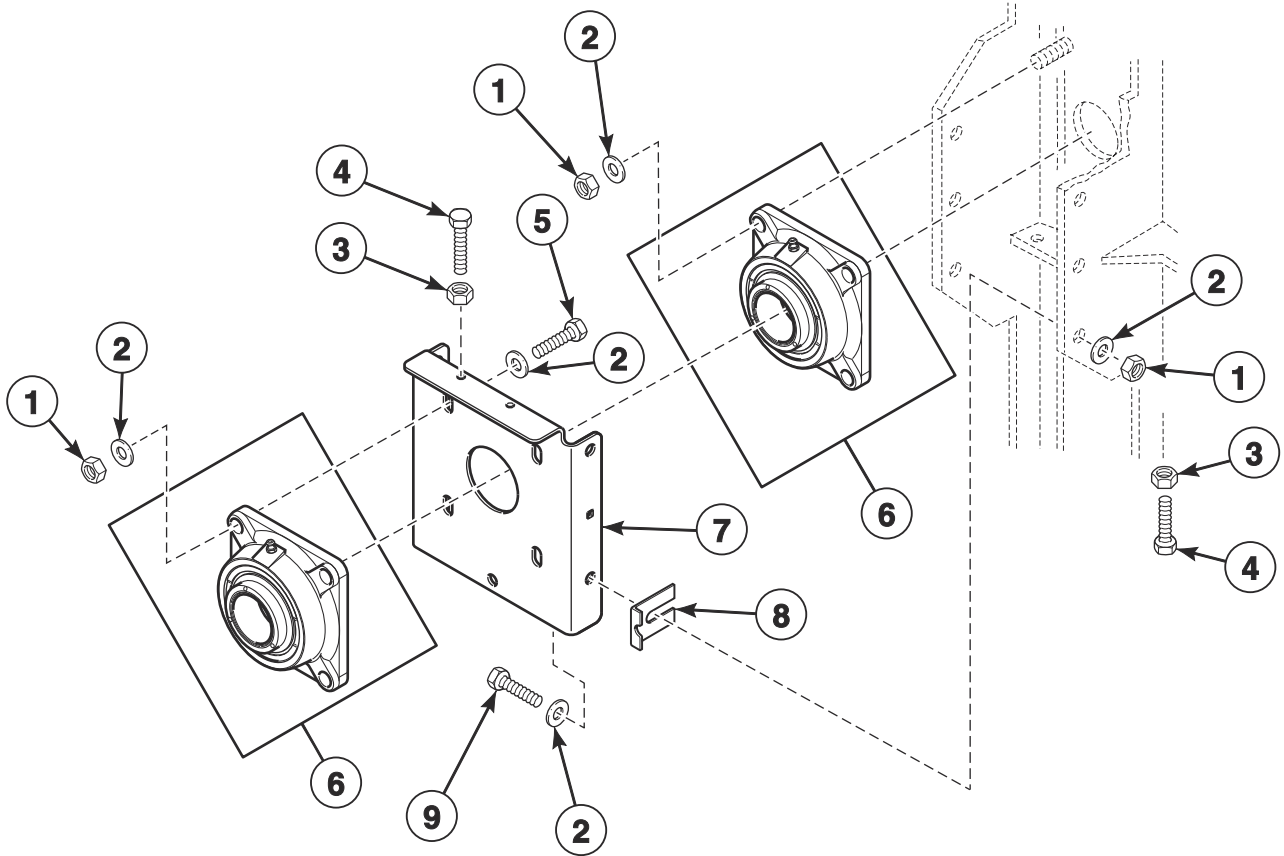


TMB1811B

# Cylinder and Trunnion Assembly

REF	PART NO.	DESCRIPTION	COMMENTS
1	44054801	Cylinder and Trunnion Assembly	Galvanized; Non-moisture sensing
	44194101	Cylinder and Trunnion Assembly	Galvanized; Moisture sensing
	44054802	Cylinder and Trunnion Assembly	Stainless steel; Non-moisture sensing
	44194102	Cylinder and Trunnion Assembly	Stainless steel; Moisture sensing
2	H96427513	Cylinder Assembly	Galvanized; Includes items 4 and 8; Non-moisture sensing
	44193301	Cylinder Assembly	Galvanized; Moisture sensing
	M409788	Cylinder Assembly	Stainless steel; Includes items 4 and 8; Non-moisture sensing
	44193302	Cylinder Assembly	Stainless steel; Moisture sensing
3	44055501	Trunnion Assembly	Non-moisture sensing
	44055502	Trunnion Assembly	Moisture sensing
4	H88412101	Nut	8 required
5	70261401	Washer	4 required
6	M401402	Spacer	As required
7	M412334	Nut	4 required
8	H88301411	Bolt	4 required
9	44191203	Cylinder Rib Assembly	Moisture sensing

# Trunnion Bearings

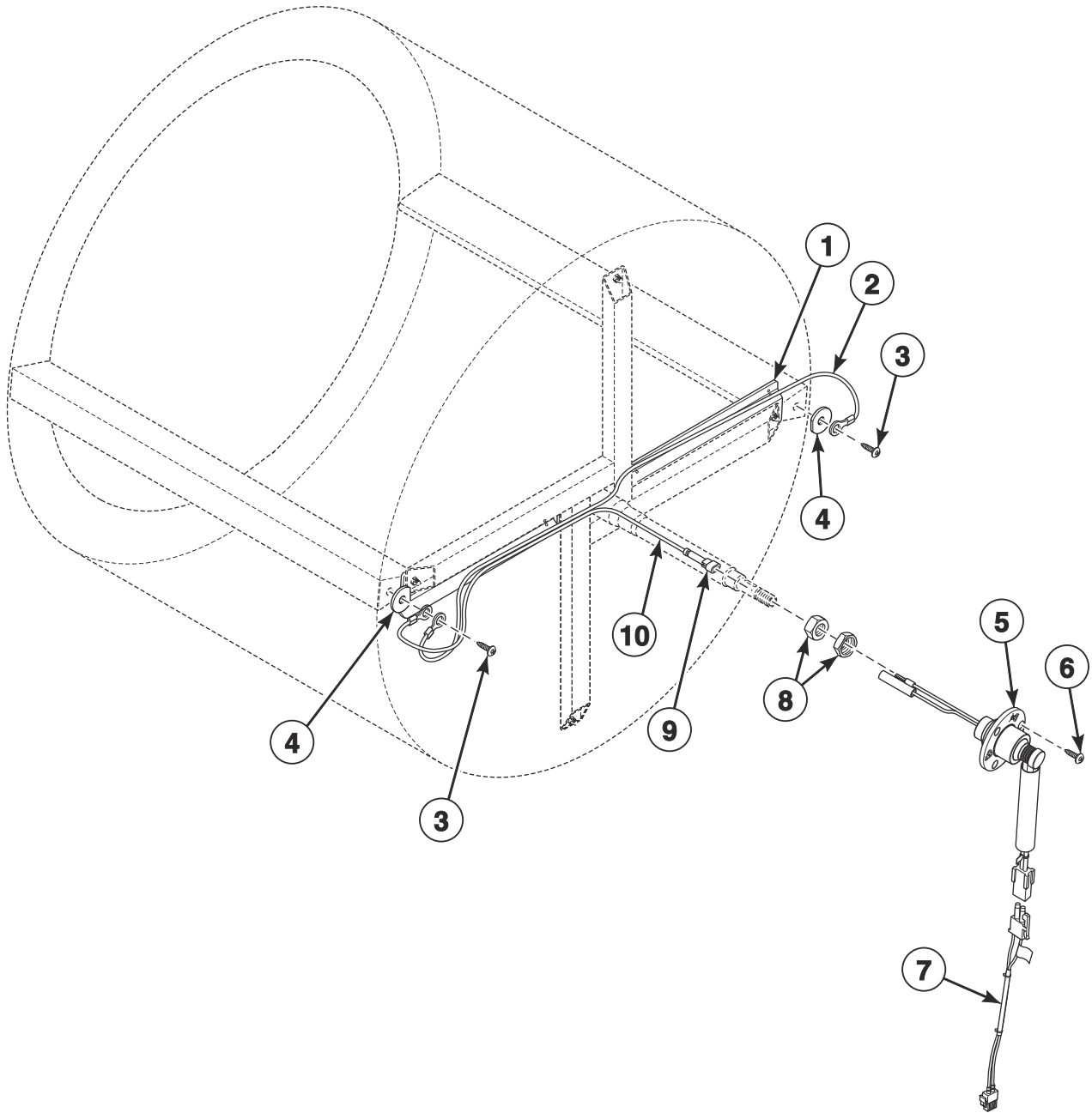


TMB3629P

# Trunnion Bearings

REF	PART NO.	DESCRIPTION	COMMENTS
1	F8387701	Nut	
2	70261401	Washer	
3	20274	Nut	
4	800462	Screw	
5	M411165	Screw	
6	44048301P	Flange Bearing	
7	44301701	Bearing Mounting	
8	M401402	Spacer	As required
9	H88012034	Screw	

# Moisture Sensing Components



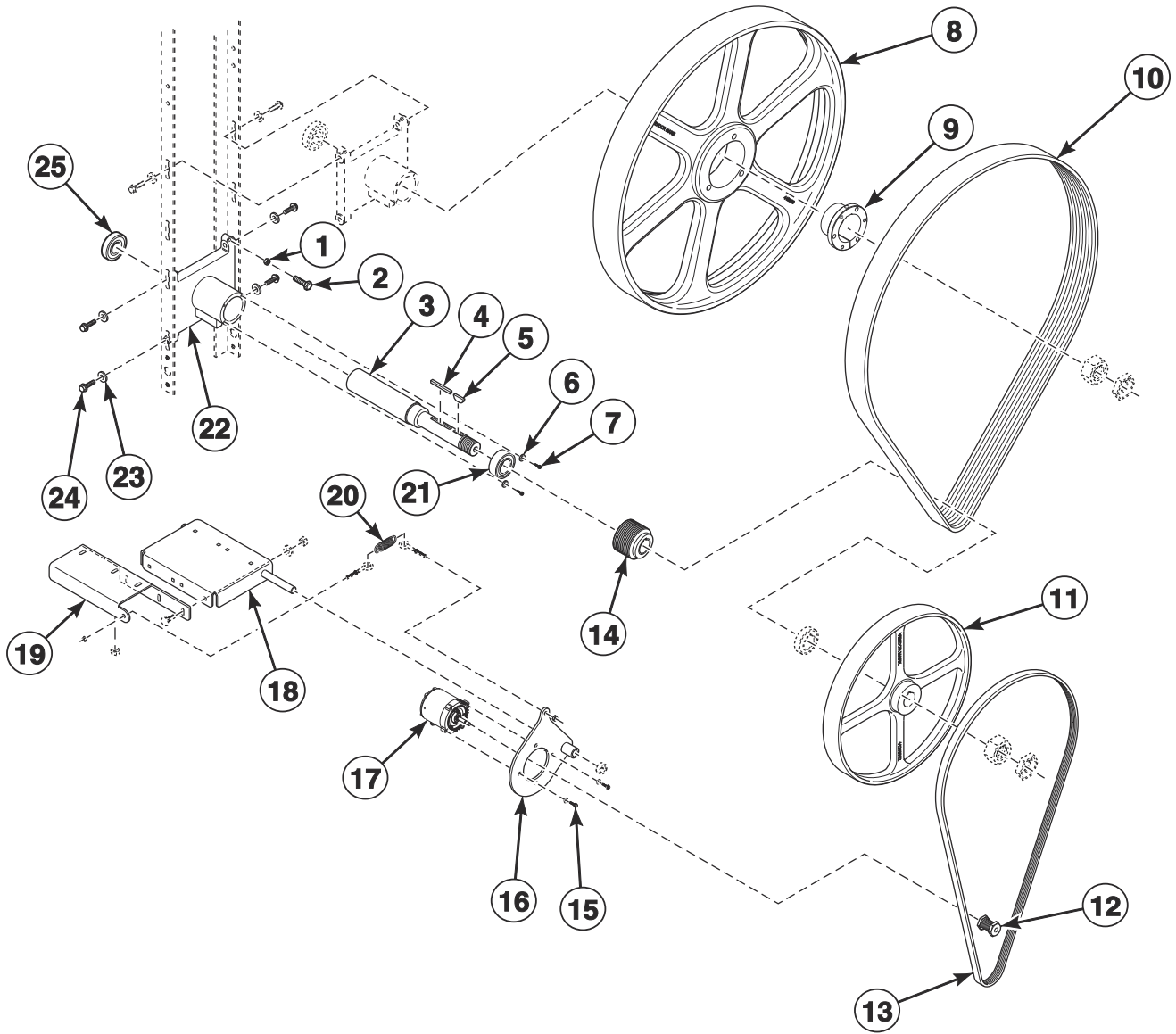
TMB3628P



## Moisture Sensing Components

REF	PART NO.	DESCRIPTION	COMMENTS
	44375503	Adapter Harness	Goes to I/O Board
1	44239001	Wireway Channel	
2	44208101	Rib Wire	
3	44338901	Screw	
4	44238902	Washer	
5	44222702	Slip Ring Assembly	
6	70442101	Screw	
7	44375502	Moisture Sensor Harness	Goes from item 5 to 44375503 Adapter Harness
8	M400035	Nut	
9	44370401	1 Circuit Plug Housing	
10	44344703	Moisture Sensing Harness Kit	Includes shaft wire and items 2, 4 and 9

# Cylinder Motor Components

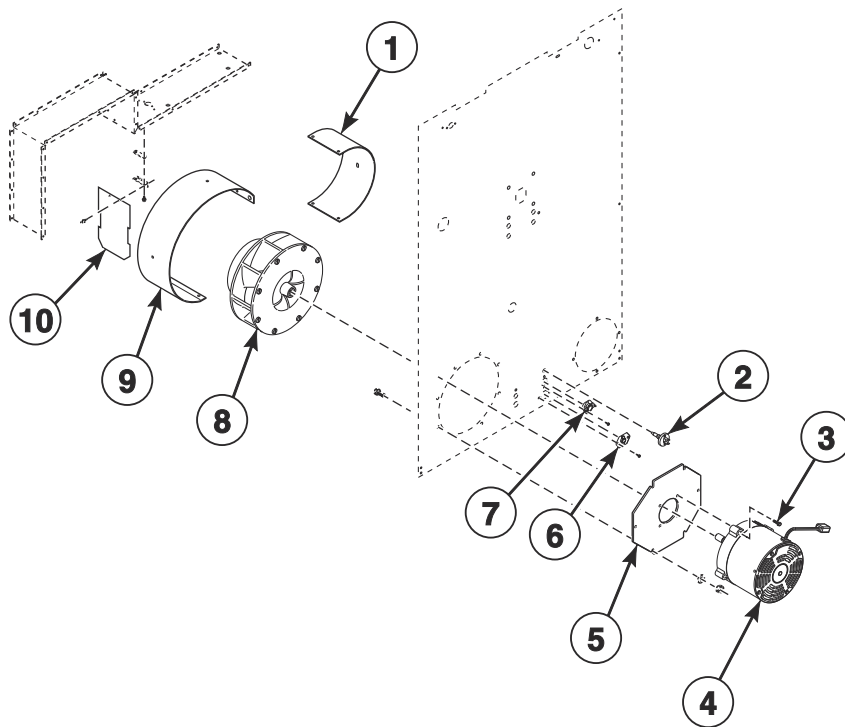


TMB3929P

# Cylinder Motor Components

REF	PART NO.	DESCRIPTION	COMMENTS
	70635409	Inverter to Motor Harness	T and G market models; 120-240 Volt
	70635410	Inverter to Motor Harness	T and G market models; 380-480 Volt
	70635411	Inverter to Motor Harness	IEC models; 120-240 Volt
	70635412	Inverter to Motor Harness	IEC models; 380-480 Volt
	204454	Ferrite	Korean models; Applied to motor wires
	44375001	Trunnion Housing Assembly	Includes items 6, 7, 21, 22 and 25
<b>1</b>	M400026	Nut	
<b>2</b>	M400650	Bolt	
<b>3</b>	44303101	Idler Shaft	
<b>4</b>	44309301	Key	
<b>5</b>	M400008	Key	
<b>6</b>	20103	Washer	
<b>7</b>	70187201	Screw	
<b>8</b>	44289601	Pulley	
<b>9</b>	F280409P	Bushing	Includes 3 of 44079203 Screw (torque to 180 in-lbs [20.34 Nm]), 3 of M400013 Washer and 902094 Set Screw (torque to 87 in-lbs [9.83 Nm])
<b>10</b>	44293702	V-Belt	
<b>11</b>	44289502	Pulley	
<b>12</b>	44267602	Motor Pulley	
<b>13</b>	44309402	V-Belt	
<b>14</b>	44302901	Micro V Pulley	
<b>15</b>	44364602	Screw	
<b>16</b>	44311501	Motor Pivot Plate Weldment	
<b>17</b>	44355003	Drive Motor	1.5 HP; 240 Volt
	44355004	Drive Motor	1.5 HP; 480 Volt
<b>18</b>	44310601	Motor Pivot Bracket Weldment	
<b>19</b>	44310701	Motor Pivot Brace	
<b>20</b>	F8440701	Extension Spring	
<b>21</b>	M413923P	Bearing	
<b>22</b>	M413826	Trunnion Housing	
<b>23</b>	70261401	Washer	
<b>24</b>	M400063	Screw	
<b>25</b>	44041901P	Ball Bearing	

# Blower and Exhaust Components

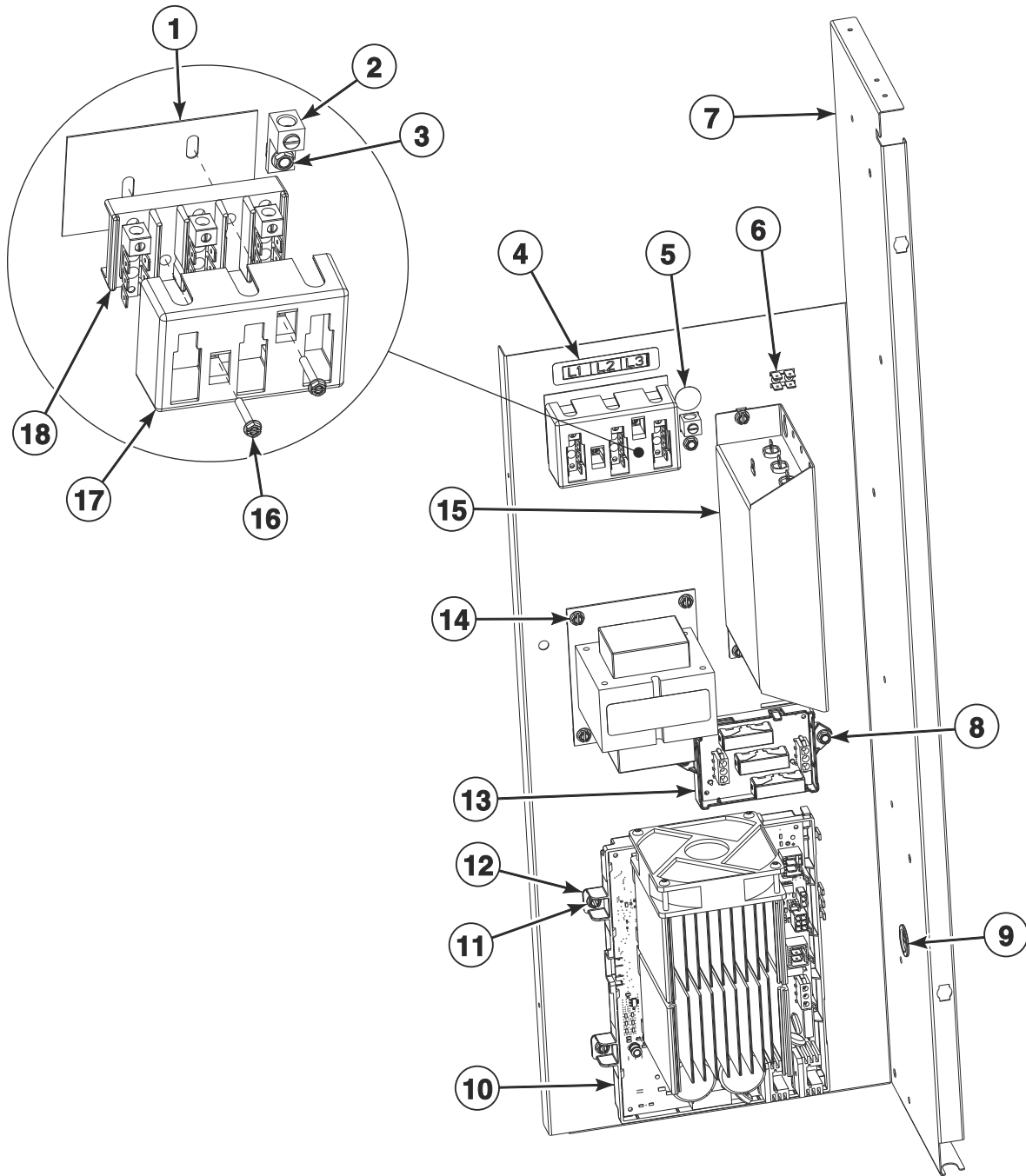


TMB3919P

## Blower and Exhaust Components

REF	PART NO.	DESCRIPTION	COMMENTS
	204454	Ferrite	Korean models; Applied to motor wires
1	44307401	Exhaust Deflector	
2	M414704	Thermistor	
3	44364602	Screw	
4	44354902	Fan Motor	1.5 HP; 240 Volt
	44354904	Fan Motor	1.5 HP; 480 Volt
5	44311301	Blower Motor Mounting Plate	
6	70530905	Limit Thermostat	
7	44328002	Limit Thermostat	
8	44267201	Blower Assembly	
9	44307301	Blower Housing Scroll	
10	44280303	Damper Assembly	

# Inverter Tray Components

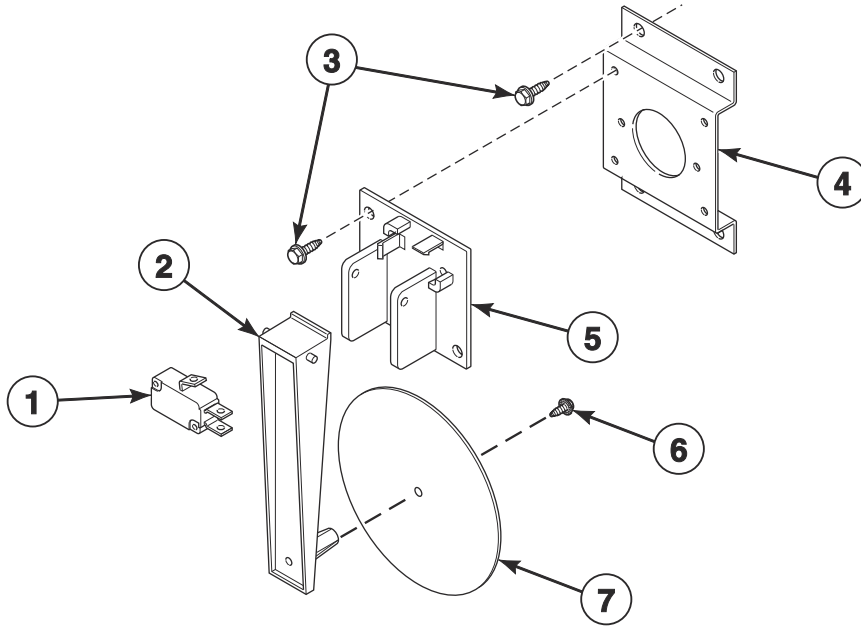


TMB3924P

# Inverter Tray Components

REF	PART NO.	DESCRIPTION	COMMENTS
	44374801	Rear Main Harness	
	44388402	Fuse Board Control Power Harness	T and G market models; 200-240 Volt
	44388403	Fuse Board Control Power Harness	IEC models; 200-240 Volt
	44388502	Fuse Board to Inverter Harness	T and G market models; 200-240 Volt
	44388503	Fuse Board to Inverter Harness	IEC models; 200-240 Volt
	44374603	Inverter Control Power Harness	T and G market models; 380-480 Volt
	44374604	Inverter Control Power Harness	IEC models; 380-480 Volt
	44375402	Harness	IEC gas and steam models; 380-480 Volt/3 Phase; Power distribution block to EMI filter
	F8449502	Wire Clip	380-480 Volt
<b>1</b>	M413862	Insulator	
<b>2</b>	M411283	Ground Lug Connector	Gas and steam models
<b>3</b>	685837	Screw	Gas and steam models; Use with 44088001 Nut
<b>4</b>	44286803	Label	Gas and steam models; L1, L2, L3
<b>5</b>	D516100	Label	Gas and steam models
<b>6</b>	00622SG	Terminal	
<b>7</b>	44370801	Inverter Drive Tray	
<b>8</b>	430497	Screw	
<b>9</b>	44071501	Snap Bushing	
<b>10</b>	70603401	Inverter Control Assembly	3 HP; 200-240 Volt
	70603601	Inverter Control Assembly	3 HP; 480 Volt
<b>11</b>	F8206901	Screw	
<b>12</b>	70030501	Expansion Clip	
<b>13</b>	70683201	Fuse Control Assembly	
<b>14</b>	F8491101	Transformer	380-480 Volt
<b>15</b>	F8591801	EMI Filter	IEC models; 200-240 Volt
	F8637501	EMI Filter	IEC models; 380-480 Volt
<b>16</b>	51783	Screw	
<b>17</b>	70333001	Terminal Block Shield	
<b>18</b>	430642	Terminal Block	

# Airflow Switch



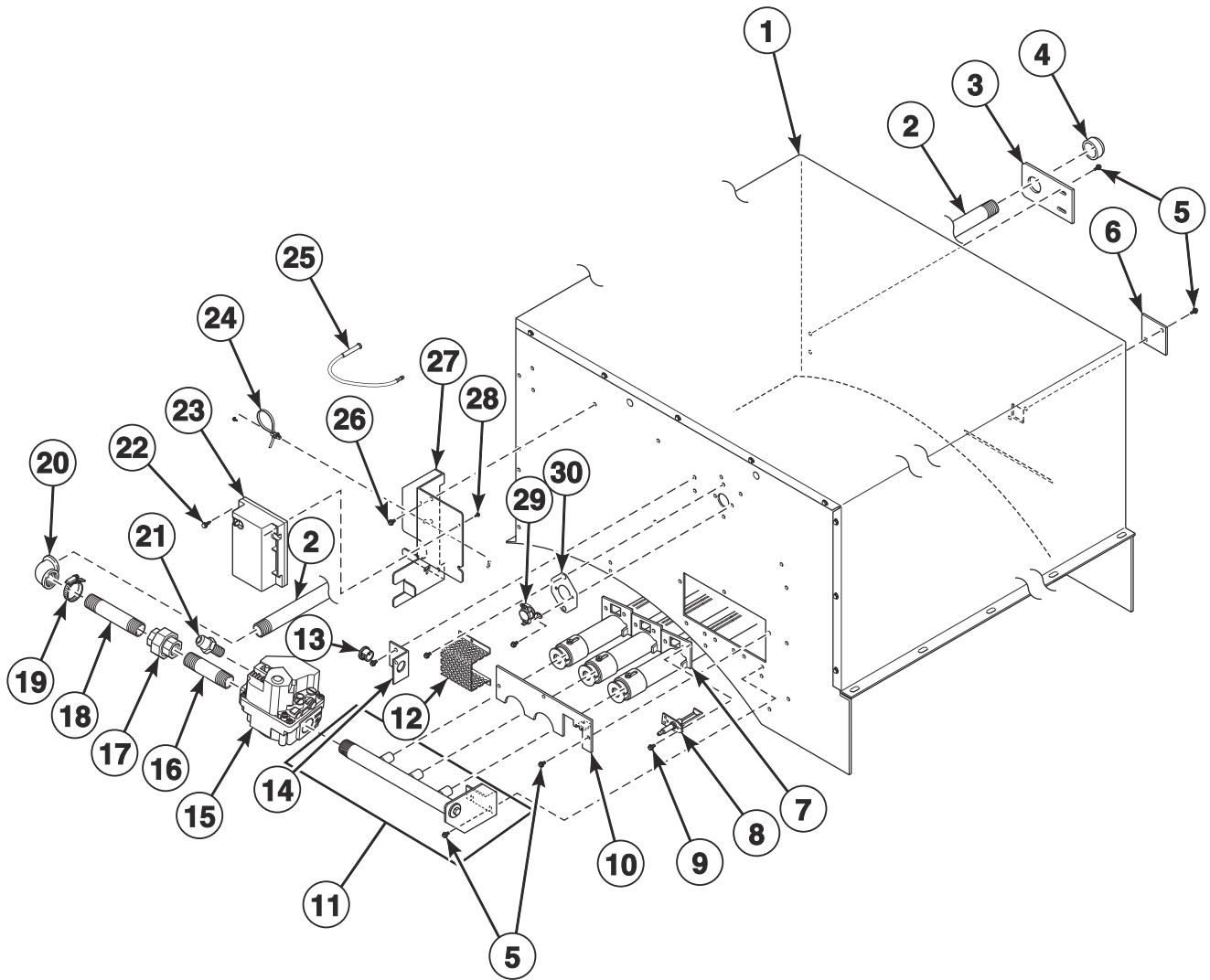
TMB3632P



# Airflow Switch

REF	PART NO.	DESCRIPTION	COMMENTS
	70429601P	Airflow Switch Kit	Includes items 1, 2 and 5-7
1	70411901	Switch	
2	70319401	Airflow Switch Arm	
3	430497	Screw	
4	70356301	Switch Bracket	
5	70319602	Airflow Switch and Arm Bracket	
6	430757	Screw	
7	70319201	Airflow Switch Vane	

# Gas Heater Components



TMB3633P

# Gas Heater Components

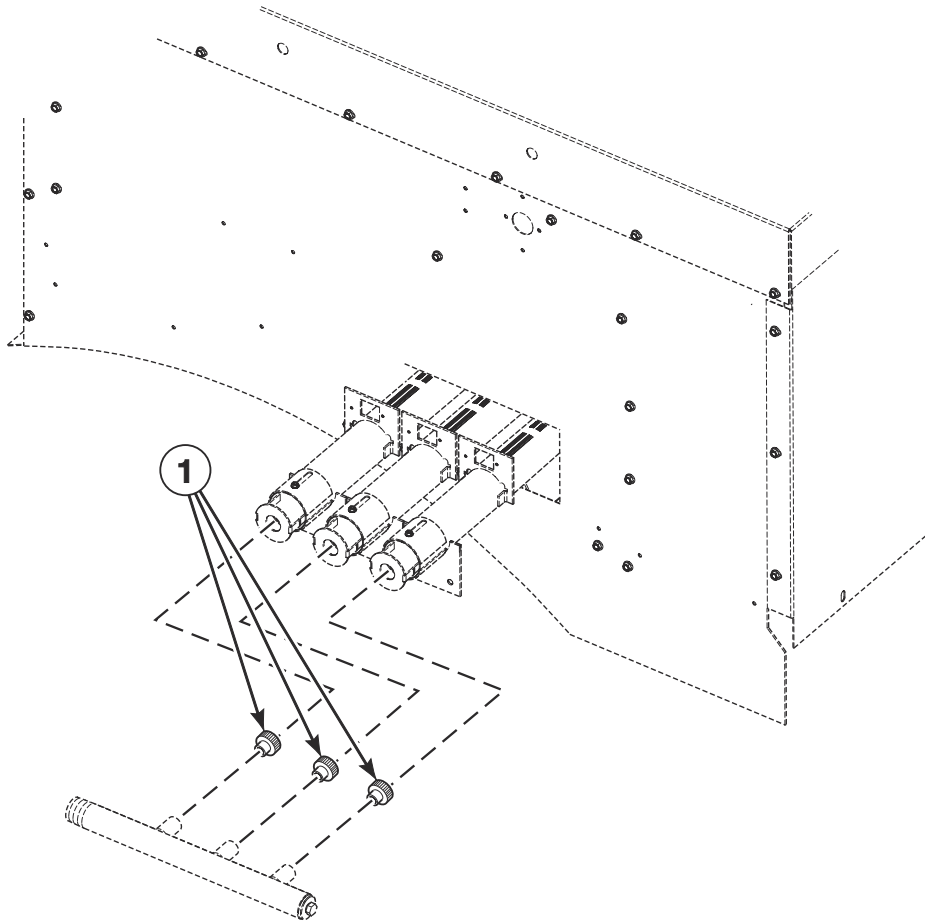
REF	PART NO.	DESCRIPTION	COMMENTS
	70564304	Stove Limit Harness	
	44328804	L.P. Conversion Kit	North America models; 0-2,000 feet
	44328812	L.P. Conversion Kit	Australian models; 0-2,000 feet
	44330303	L.P. Conversion Kit	IEC models; 0-2,000 feet
	44273502	Gas Valve Harness	Double; CE models
	44273501	Gas Valve Harness	Single; All other models
	44374903	Extension Harness	
	44333401	Gasket	2 required; Use with item 1
	44324201	Caution Label	Australian models; Repeat ignition reset
	D503887	Label	Australian models; Gas
	70535901	Notice Label	Australian models; Natural Gas (N.G.)
	70544901	Notice Label	Australian models; Liquid Petroleum Gas (L.P.)
	44178803	Adapter	IEC models; BPT/NPT
	44342901	Reducer	IEC models
	H85101608	Nipple	IEC models
	M413021	Bushing	IEC models
	44174201	Pipe Tee	IEC models
<b>1</b>	44248801	Gas Stove Assembly	
<b>2</b>	44252401	Pipe Nipple	
<b>3</b>	44249301	Pipe Bracket	
<b>4</b>	44087801	Pipe Cap	
<b>5</b>	430497	Screw	
<b>6</b>	70159601	Igniter Cover	
<b>7</b>	M412025P	Burner	3 required
<b>8</b>	44328701P	Spark Electrode	
<b>9</b>	51782	Screw	2 required
<b>10</b>	44315101	Burner Hole Cover	
<b>11</b>	44390001	Spud Holder Weldment	
<b>12</b>	M414477	Thermostat Cover	
<b>13</b>	M400770	Snap Bushing	
<b>14</b>	431078	Stove Limit Harness Bracket	
<b>15</b>	44316801	Gas Valve	CE models; N.G.
	44316802	Gas Valve	CE models; L.P.
	44166701	Gas Valve	T and G market models; N.G.
	44166702	Gas Valve	T and G market models; L.P.
	44166703	Gas Valve	All other models; N.G.
	44166704	Gas Valve	All other models; L.P.
<b>16</b>	44249501	Pipe Nipple	
<b>17</b>	M411419	Pipe Union	
<b>18</b>	44252301	Pipe Nipple	
<b>19</b>	20391	Hose Clamp	
<b>20</b>	44249401	Pipe Elbow	
<b>21</b>	44231601	Pressure Fitting	IEC models
<b>22</b>	51783	Screw	
<b>23</b>	70482001	Ignition Control	T and G market models
	70482002	Ignition Control	IEC models
<b>24</b>	M405829	Cable Tie	
<b>25</b>	44239704	High Voltage Suppression Cable	
<b>26</b>	51780	Screw	
<b>27</b>	44245701	Gas Valve Bracket	
<b>28</b>	38272	Screw	
<b>29</b>	44328105	Limit Thermostat	

# Gas Heater Components

REF	PART NO.	DESCRIPTION	COMMENTS
30	44312501	Thermostat Opening Cover	



# Burner Orifices

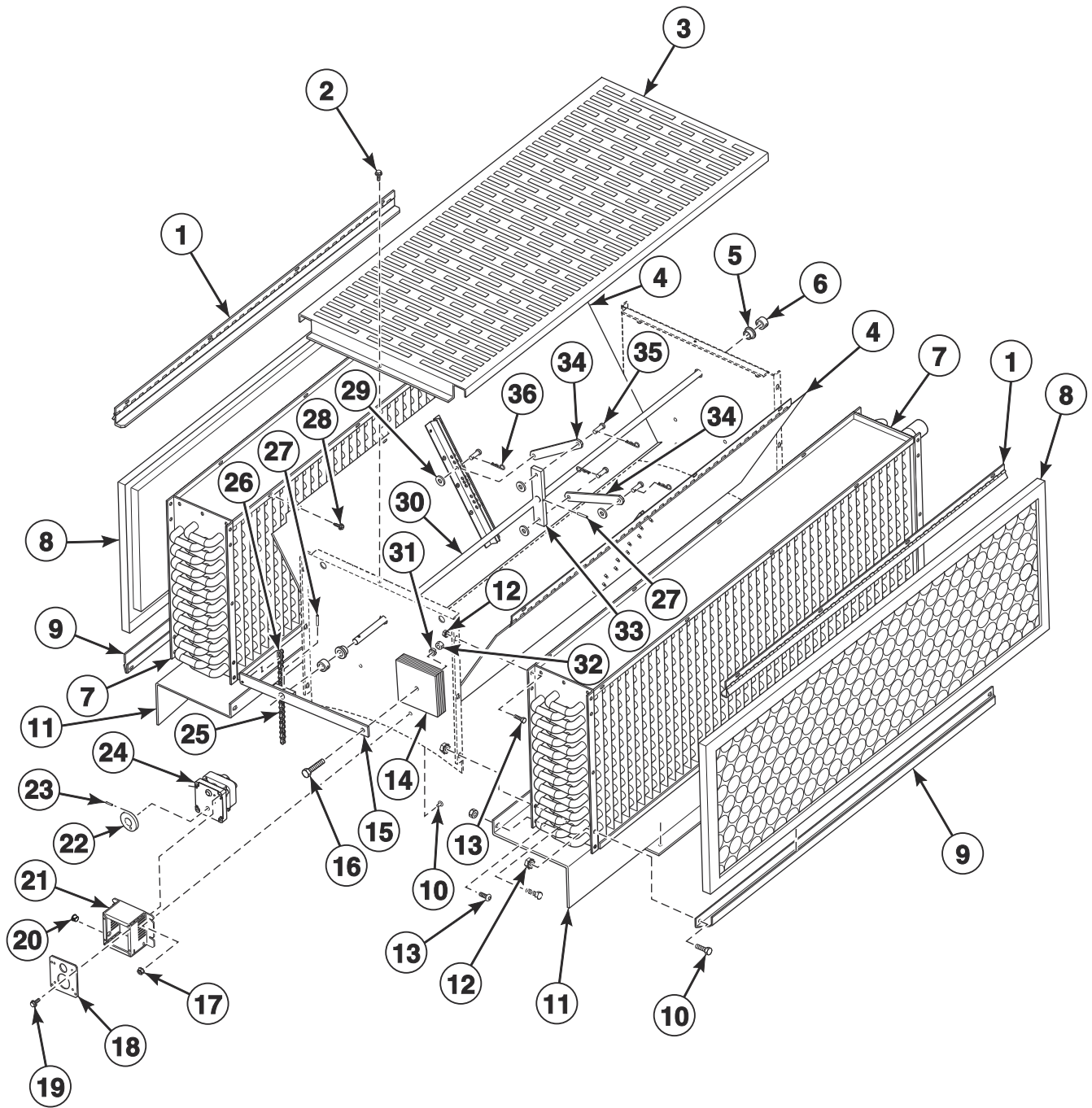


TMB3215P

## Burner Orifices

REF	PART NO.	DESCRIPTION	COMMENTS
	44357507	High Altitude Orifice Kit	North America Natural Gas (N.G.) models
	44357508	High Altitude Orifice Kit	North America Liquid Petroleum Gas (L.P.) models
1	70684147	Burner Orifice	N.G. models; Drill no. 16 (4.50 mm); 0-2,000 feet
	70684144	Burner Orifice	N.G. models; Drill no. 18 (4.31 mm); 2,001-4,000 feet
	70684142	Burner Orifice	N.G. models; Drill no. 20 (4.09 mm); 4,001-6,000 feet
	70684140	Burner Orifice	N.G. models; Drill no. 22 (3.99 mm); 6,001-8,000 feet
	70684137	Burner Orifice	N.G. models; Drill no. 25 (3.80 mm); 8,001-10,000 feet
	70684122	Burner Orifice	Models with 2nd digit A, G, H, J, K and T; L.P.; Drill no. 35 (2.79 mm); 0-2,000 feet
	70684119	Burner Orifice	Models with 2nd digit A, G, H, J, K and T; L.P.; Drill no. 37 (2.64 mm); 2,001-4,000 feet
	70684118	Burner Orifice	Models with 2nd digit A, G, H, J, K and T; L.P.; Drill no. 38 (2.58 mm); 4,001-6,000 feet
	70684116	Burner Orifice	Models with 2nd digit A, G, H, J, K and T; L.P.; Drill no. 40 (2.49 mm); 6,001-8,000 feet
	70684114	Burner Orifice	Models with 2nd digit A, G, H, J, K and T; L.P.; Drill no. 42 (2.37 mm); 8,001-10,000 feet
	70684118	Burner Orifice	CE models; L.P.; Drill no. 38 (2.58 mm); 0-2,000 feet
	70684115	Burner Orifice	CE models; L.P.; Drill no. 41 (2.44 mm); 2,001-4,000 feet
	70684114	Burner Orifice	CE models; L.P.; Drill no. 42 (2.37 mm); 4,001-6,000 feet
	70684113	Burner Orifice	CE models; L.P.; 2.30 mm; 6,001-8,000 feet
	70684111	Burner Orifice	CE models; L.P.; 2.20 mm; 8,001-10,000 feet

# Steam Heater Components



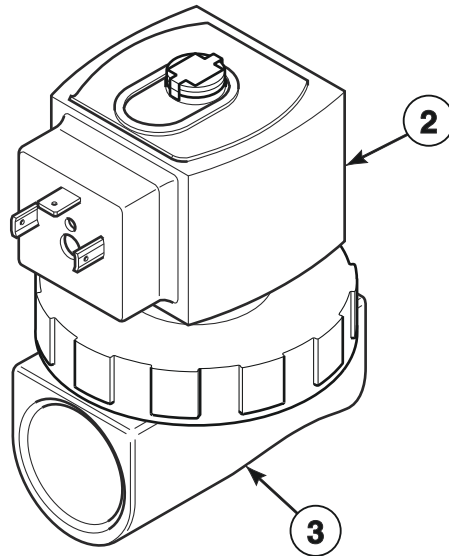
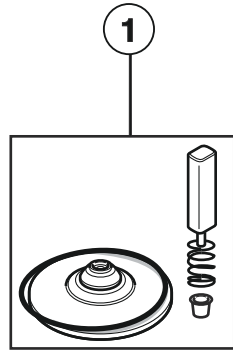
TMB3683P



# Steam Heater Components

REF	PART NO.	DESCRIPTION	COMMENTS
	44378004	Damper Motor Harness	
	F8520703	Steam Valve Harness	
	70564302	Stove Limit Bypass Harness	
	70523301	Harness Adapter Plate	
	44314801	Steam Adapter Kit	IEC models
	44317501	Steam Heater Assembly	CRN models
	44317301	Steam Heater Assembly	All other models
1	44088101	Steam Filter Top Hinge Assembly	2 required
2	M405188	Screw	
3	44115101	Steam Cover	
4	H96387519	Damper	2 required; Use M405750 Pop Rivet
5	M414459	Bushing	2 required
6	M414451	Shaft Collar	2 required
7	44256401	Steam Coil	CRN models; 2 required
	H96382023P	Steam Coil	All other models; 2 required
8	44172201	Filter	IEC models; 2 required
	H96382106	Steam Coil Filter	T and G market models; 2 required
9	H96388087	Filter Channel	2 required; Upper
10	801019	Screw	2 required
11	M411550	Steam Coil Support	3 required
12	29786	Nut	3 required
13	02422	Screw	3 required
14	44332601	Steam Damper Counterweight	6 required
15	44332701	Shaft Actuator Assembly	
16	H88010574	Screw	
17	23951	Nut	3 required
18	44327501	Damper Motor Plate	
19	204342	Screw	
20	M411826	Snap Bushing	
21	44327401	Damper Motor Cover	
22	H96388178	Drive Wheel	Damper
23	H88900683	Spring Pin	Damper
24	44308101	Damper Motor	
25	H96388186	Drive Chain	
26	H96382072P	Master Link	2 required
27	H88970256	Roll Pin	2 required
28	D501086	Screw	
29	800465	Washer	4 required
30	H96388079	Damper Shaft	
31	M400013	Washer	
32	70142	Nut	
33	44096401	Steam Damper Actuator	
34	44333001	Steam Damper Link	2 required
35	44091501	Clevis Pin	4 required
36	44091601	Hairpin Cotter	4 required

# Steam Valve

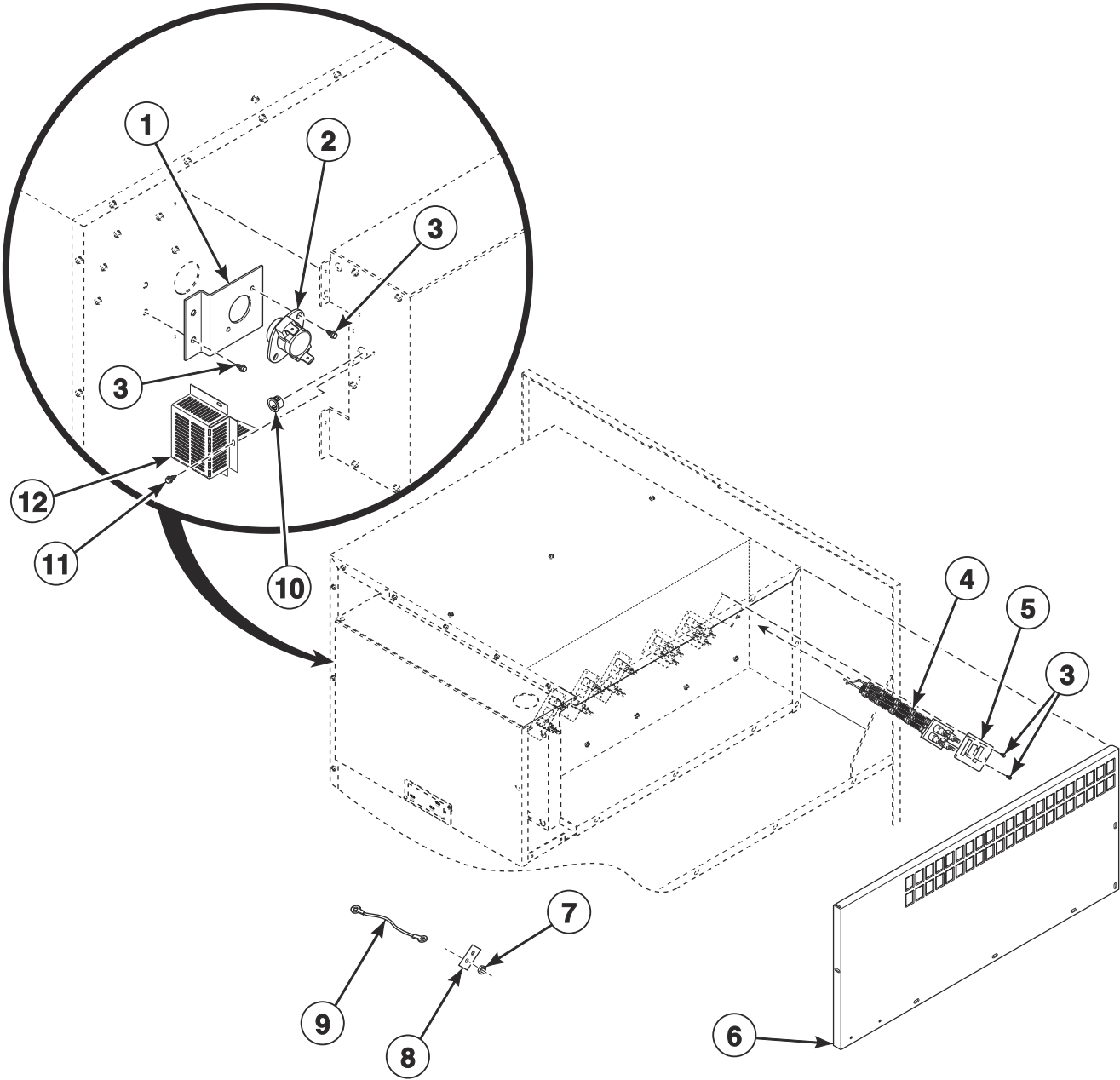


TMB3634P

# Steam Valve

REF	PART NO.	DESCRIPTION	COMMENTS
	F8382301	DIN Valve Adapter Kit	
1	F8379502	Valve Rebuild Kit	
2	F8514601P	Coil	240 Volt
3	F8322906P	Valve	240 Volt

# Electric Heater Components

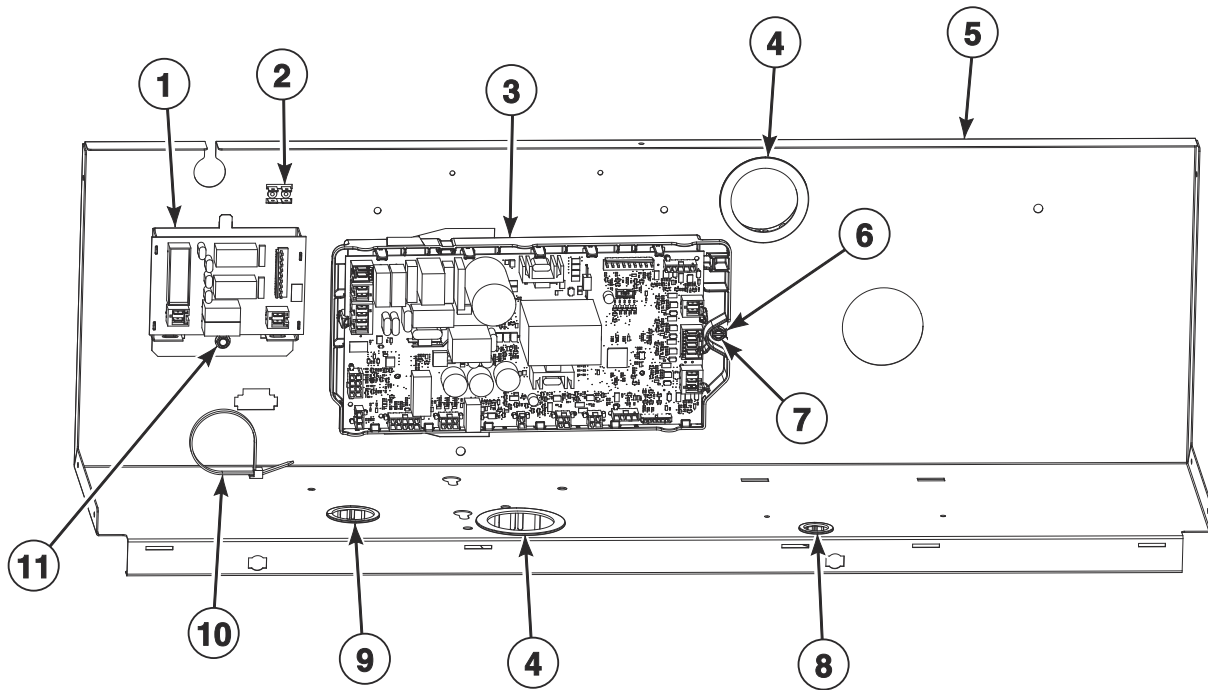


TMB3135P

# Electric Heater Components

REF	PART NO.	DESCRIPTION	COMMENTS
	70564305	Stove Limit Harness	
1	44226101	Limit Offset Bracket	
2	44328004	Limit Thermostat	
3	430497	Screw	
4	M410939P	Heater Element	6 required; 10 kW; 240 Volt heater element for 230-240, 400-415 and 460-480 Volt
	M410941P	Heater Element	6 required; 10 kW; 220 Volt heater element for 380 and 440 Volt
5	44226001	Heater Element Sub-Plate	
6	44313101	Stove Cover	Left
7	70054	Nut	24 required
8	M400869	Jumper Strip	12 required for 230-240 volt; 6 required for 380-480 volt
9	44295412	Jumper Harness	8 required for 380 and 400-415 Volt; 4 required for 440-480 volt
	44295413	Jumper Harness	2 required for 440-480 Volt
10	44071501	Snap Bushing	
11	51780	Screw	
12	44318501	Stove Limit Cover	

# Control Tray

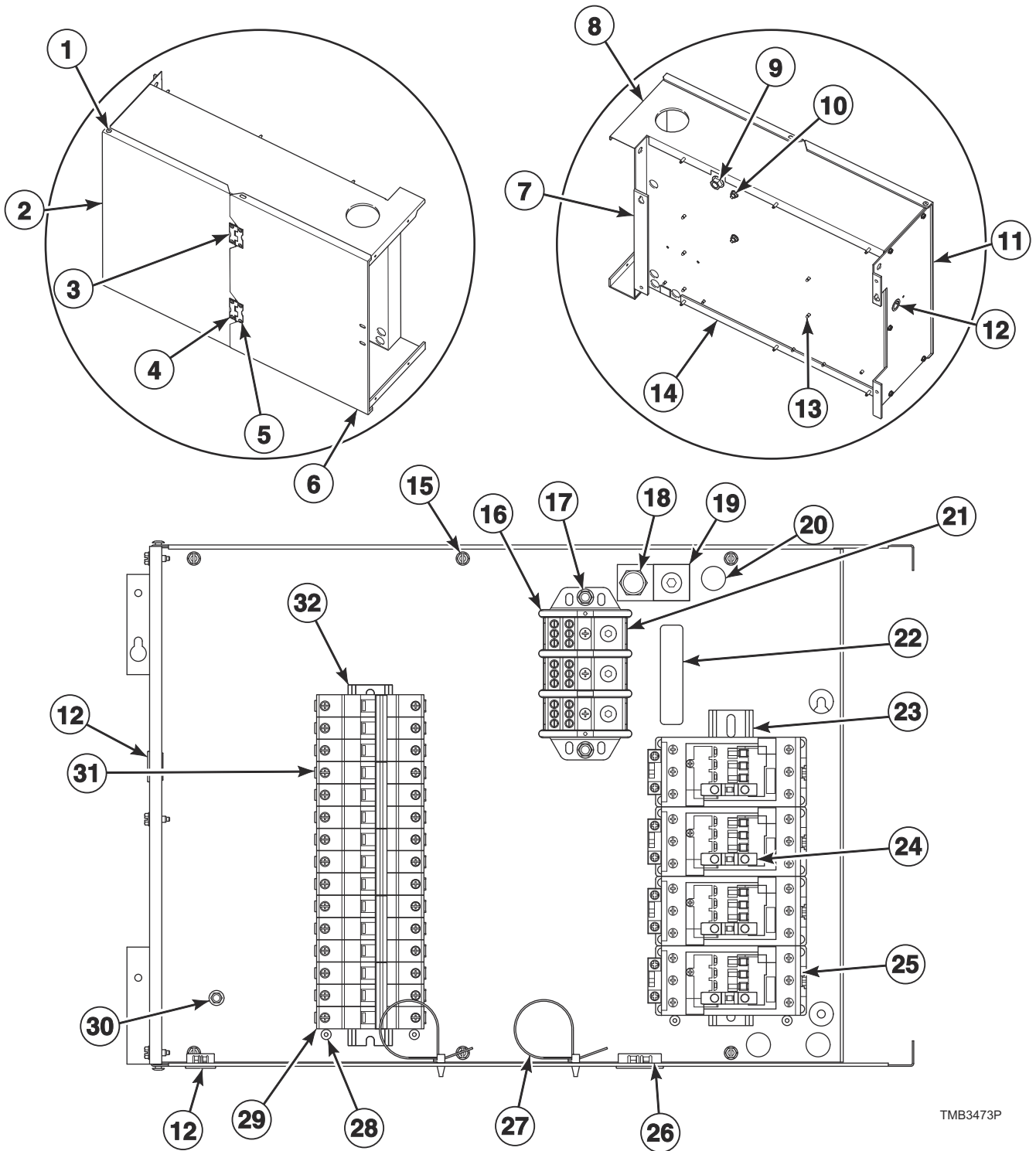


TMB3925P

# Control Tray

REF	PART NO.	DESCRIPTION	COMMENTS
	44374901	Heat Control Harness	Steam models
	44374902	Interconnect Harness	Gas models
	44374903	Extension Harness	Gas models
	70630905	Interconnect Harness	T and G market electric models
	70630906	Interconnect Harness	IEC electric models
	44378003	Steam Control Harness	Steam models
	M400003	Pop Rivet	Use with item 2
<b>1</b>	70501801	Steam Control Assembly	Steam models
<b>2</b>	00622SG	Terminal	
<b>3</b>	70671701	I/O Control Assembly	
<b>4</b>	D503235	Snap Bushing	2 required
<b>5</b>	44371101	Control Tray	
<b>6</b>	70030501	Expansion Clip	
<b>7</b>	F8206901	Screw	
<b>8</b>	M400770	Snap Bushing	
<b>9</b>	70346501	Bushing	
<b>10</b>	70335601	Cable Tie	
<b>11</b>	51780	Screw	

# Accessory Box - Electric 200-240 Volt Models



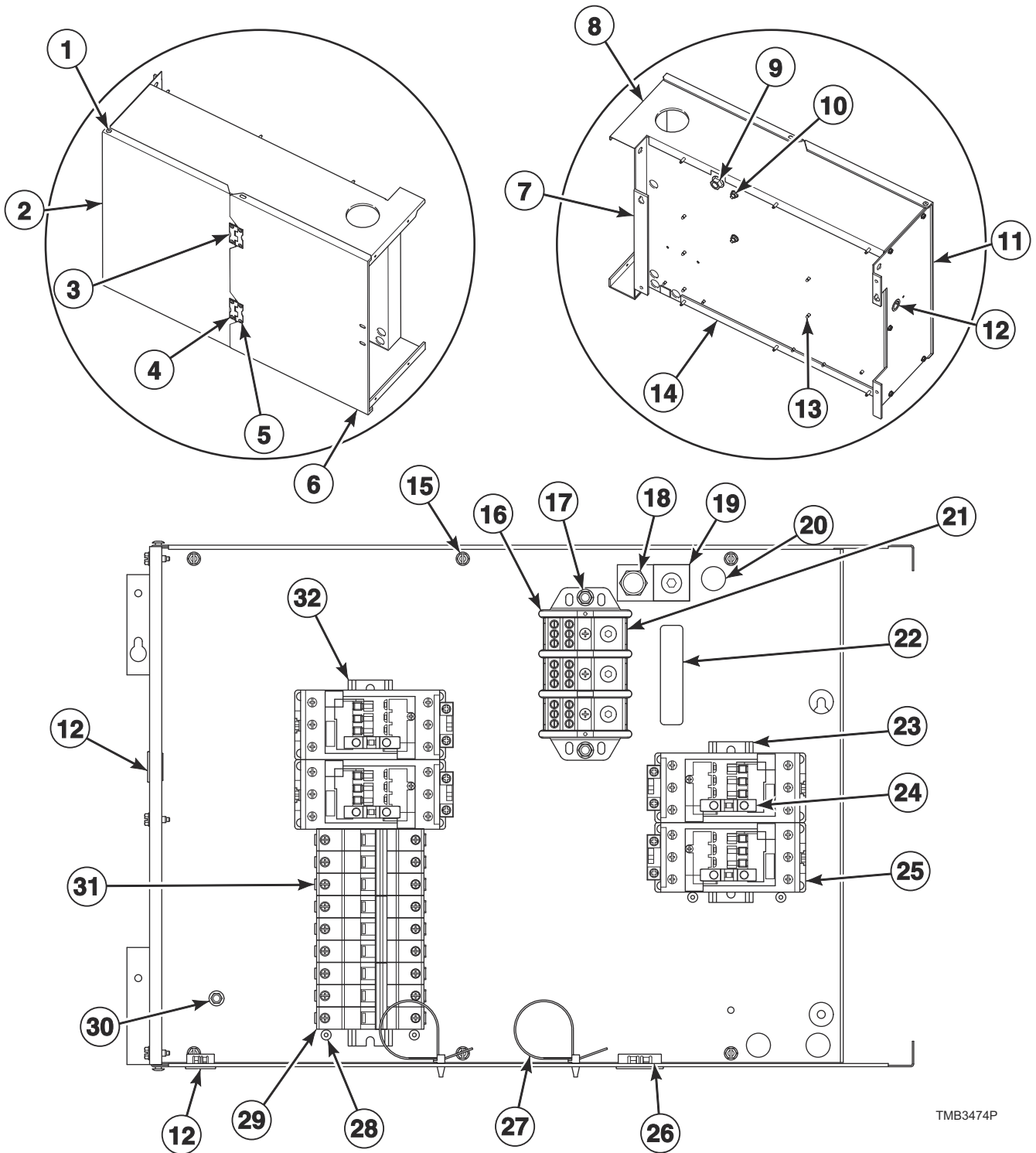
TMB3473P



## Accessory Box - Electric 200-240 Volt Models

REF	PART NO.	DESCRIPTION	COMMENTS
1	70058502	Pop Rivet	
2	44288101	Control Box Front Cover Plate	Left
3	70220901	Damper Spacer	
4	D503676	Hinge	2 required
5	M405750	Pop Rivet	
6	44328401	Control Box Front Cover Plate	Right
7	44288001	Control Box Base Plate	
8	44287901	Control Box Top Plate	
9	70288801	Nut	
10	44087101	Nut	
11	44313001	Contact Box Side	
12	M400770	Snap Bushing	2 required
13	70058501	Pop Rivet	
14	44288201	Control Box Bottom Plate	
15	F8206901	Screw	
16	44014902	Power Distribution Block Shield	
17	202175	Screw	
18	70244801	Screw	
19	44212301	Ground Lug Connector	
20	D516100	Label	
21	44211501	Power Distribution Block	
22	44286803	Label	
23	F8396501	DIN Rail	
24	44313201	Auxiliary Contact Block	4 required
25	70482801	Contact Box	4 required
26	M402542	Snap Bushing	
27	70335601	Cable Tie	2 required
28	431264	Spacer	
	44251101	Pop Rivet	
29	70488101	Circuit Breaker	25 amp; 3 Phase
30	51780	Screw	
31	70488105	Circuit Breaker	4 required; 63 amp; 3 Phase
32	70512301	DIN Rail	

# Accessory Box - Electric 380-480 Volt Models

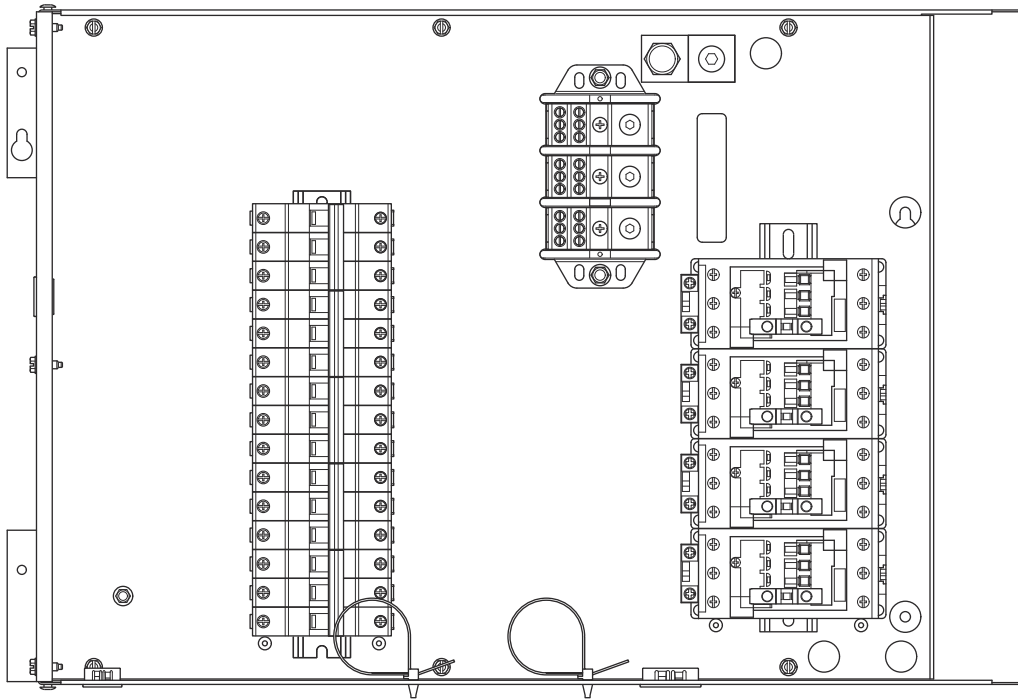
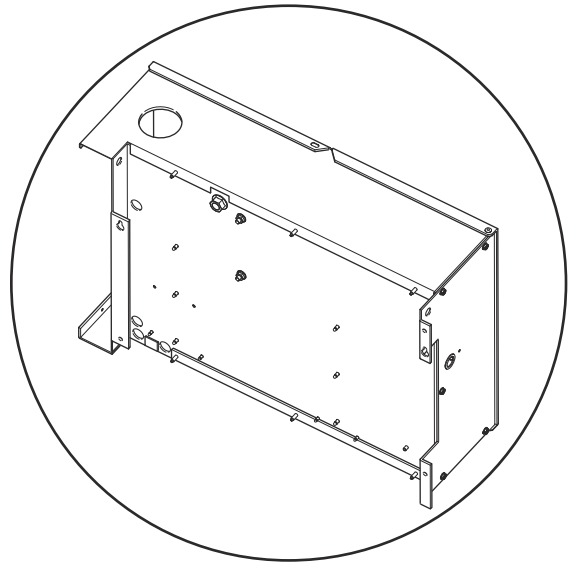
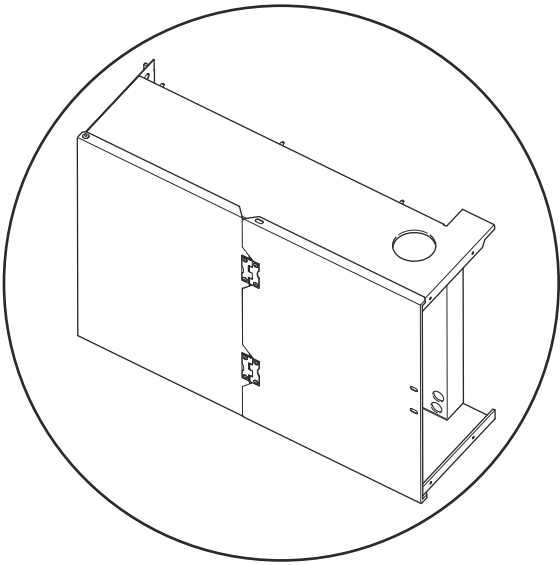


TMB3474P

## Accessory Box - Electric 380-480 Volt Models

REF	PART NO.	DESCRIPTION	COMMENTS
1	70058502	Pop Rivet	
2	44288101	Control Box Front Cover Plate	Left
3	70220901	Damper Spacer	
4	D503676	Hinge	2 required
5	M405750	Pop Rivet	
6	44328401	Control Box Front Cover Plate	Right
7	44288001	Control Box Base Plate	
8	44287901	Control Box Top Plate	
9	70288801	Nut	
10	44087101	Nut	
11	44313001	Contact Box Side	
12	M400770	Snap Bushing	2 required
13	70058501	Pop Rivet	
14	44288201	Control Box Bottom Plate	
15	F8206901	Screw	
16	44014902	Power Distribution Block Shield	
17	202175	Screw	
18	70244801	Screw	
19	44212301	Ground Lug Connector	
20	D516100	Label	
21	44211501	Power Distribution Block	
22	44286803	Label	
23	M412690	DIN Rail	
24	44313201	Auxiliary Contact Block	4 required
25	70482801	Contact Box	4 required
26	M402542	Snap Bushing	
27	70335601	Cable Tie	2 required
28	431264	Spacer	
	44251101	Pop Rivet	
29	70488101	Circuit Breaker	25 amp; 3 Phase
30	51780	Screw	
31	70488105	Circuit Breaker	2 required; 63 amp; 3 Phase
32	70512301	DIN Rail	

# Accessory Box Harnesses - Electric Models



TMB3473PA

## Accessory Box Harnesses - Electric Models

REF	PART NO.	DESCRIPTION	COMMENTS
	44375407	Harness	T and G market models; Power distribution block to control circuit breaker
	44375408	Harness	IEC models; Power distribution block to control circuit breaker
	44295407	Harness	Circuit breaker/contactor to contactor (1 per contactor)
	44295409	Harness	Contactor to element (Long)
	44295408	Harness	Contactor to element (Short)
	44295411	Harness	200-240 Volt; Contactor to element (Long)
	44295410	Harness	200-240 Volt; Contactor to element (Short)
	44295401	Harness	200-240 Volt; Power distribution block L1 to element circuit breaker
	44295402	Harness	200-240 Volt; Power distribution block L2 to element circuit breaker
	44295403	Harness	200-240 Volt; Power distribution block L3 to element circuit breaker
	44295404	Harness	380-480 Volt; Power distribution block L1 to element circuit breaker
	44295405	Harness	380-480 Volt; Power distribution block L2 to element circuit breaker
	44295406	Harness	380-480 Volt; Power distribution block L3 to element circuit breaker
	44375411	Harness	Contactor box to power distribution block/EMI filter
	70632203	Harness	Contactor coil
	70632204	Jumper Harness	
	70632205	Harness	HC1-HC2
	70632206	Harness	HC3-HC4
	70630907	Contactor Monitor Harness	
	70630908	Jumper Harness	Contactor monitor

# Labels

<b>PART NO.</b>	<b>DESCRIPTION</b>	<b>COMMENTS</b>
44318601	Caution Label	Vent/install
F8614501	Danger Label	Shock; English/French
D516100	Label	Earth ground
F8614301	Hot Surface Warning Label	English/French
F8609001	Hot Surface Warning Label	Icon
F8611601	Warning Label	
44318600	Label Kit	Vent/install; IEC models
F8614500	Label Kit	Shock; IEC models
70534400	Label Kit	Fire; IEC models
44321501	Notice Label	120/240 Volt
70539601	Notice Label	
D516073	Notice Label	Read instructions; Icon
70538401	Pinch Warning Label	English/French
F8615701	Pinch Warning Label	Icon
F8615702	Pinch Warning Label	Icon
F8614202	Shock Warning Label	Icon
70536401	Warning Label	Lint; Australian models
44324101	Warning Label	Fire; Australian models
70534405	Warning Label	Fire; Colombian Spanish; Australian models
70534401	Warning Label	Fire; English; Australian models
70534402	Warning Label	Fire; French; Australian models
44321601	Warning Label	Risk of fire; Icon
44324001	Warning Label	Shock/pinch
44324002	Warning Label	Shock/pinch

# Parts Index

## A

Access Panel Trim 70399403 .....	31
Adapter 44178803 .....	57
Adapter Harness 44375503 .....	47
Airflow Switch and Arm Bracket 70319602 .....	55
Airflow Switch Arm 70319401 .....	55
Airflow Switch Kit 70429601P .....	55
Airflow Switch Vane 70319201 .....	55
Auxiliary Contact Block 44313201 .....	71, 73

## B

Ball Bearing 44041901P .....	49
Base Pan M409911 .....	39
Base Support 44319401 .....	39
44319501 .....	39
Bearing M413923P .....	49
Bearing Mounting 44301701 .....	45
Blind Rivet F8245101 .....	37
Blower Assembly 44267201 .....	51
Blower Housing Scroll 44307301 .....	39
444307301 .....	51
Blower Housing Side Panel 44327701 .....	39
Blower Inlet Cone 44266902 .....	39
Blower Motor Mounting Plate 44311301 .....	51
Bolt H88301411 .....	43
M400650 .....	49
44017901 .....	37
Burner M412025P .....	57
Burner Hole Cover 44315101 .....	57
Burner Orifice 70684111 .....	61
70684113 .....	61
70684114 .....	61
70684115 .....	61
70684116 .....	61

70684118 .....	61
70684119 .....	61
70684122 .....	61
70684137 .....	61
70684140 .....	61
70684142 .....	61
70684144 .....	61
70684147 .....	61

## Bushing

F280409P .....	49
M413021 .....	57
M414459 .....	63
70346501 .....	69

## C

### Cable Tie

M405829 .....	57
70335601 .....	69, 71, 73

### Caution Label

44318601 .....	76
44324201 .....	57

### Circuit Breaker

70488101 .....	71, 73
70488105 .....	71, 73

### Circuit Plug Housing, 1

44370401 .....	47
----------------	----

### Clevis Pin

44091501 .....	63
----------------	----

### Coil

F8514601P .....	65
-----------------	----

### Cold Weather Kit

44340301 .....	27
----------------	----

### Contact Base

F8538101 .....	17, 21, 23, 25
----------------	----------------

### Contact Switch

F8069501 .....	17, 21, 23, 25
----------------	----------------

### Contacto

70482801 .....	71, 73
----------------	--------

### Contacto Box Side

44313001 .....	71, 73
----------------	--------

### Contacto Monitor Harness

70630907 .....	75
----------------	----

### Control

70511601 .....	27
----------------	----

### Control Assembly

70478802 .....	21
70478902 .....	21
70479801 .....	17
70479901 .....	17
70523002 .....	21
70523101 .....	17
70543104 .....	23
70697004 .....	25

### Control Box Base

44065301 .....	27
----------------	----

### Control Box Base Plate

44288001 .....	71, 73
----------------	--------

### Control Box Bottom Plate

44288201 .....	71, 73
----------------	--------

N/A items do not appear in index.

Control Box Cover 44065201 .....	27
Control Box Front Cover Plate 44288101 .....	71, 73
44328401 .....	71, 73
Control Box Housing 44306701 .....	27
Control Box Top 44307101 .....	27
Control Box Top Plate 44287901 .....	71, 73
Control Bracket 44331004* .....	17
44331005 .....	17, 21, 23, 25
44331006B .....	17, 21
44331006DG .....	17, 21
44331006LG .....	17, 21, 23, 25
44331006W .....	21, 23, 25
Control Cover 44330802 .....	15, 19, 23
44330803B .....	15, 19
44330803LG .....	15, 19, 23
44330803W .....	15, 19, 23
44330805 .....	15, 19
44330806DG .....	15, 19
44330806W .....	15, 19
44330811 .....	15, 19, 23
44330812B .....	15, 19
44330812LG .....	15, 19, 23
44330812W .....	15, 19, 23
44330814 .....	15, 19
44330815DG .....	15, 19
44330815W .....	15, 19
44330816 .....	25
44330817 .....	25
44330818LG .....	25
44330818W .....	25
44330819LG .....	25
44330819W .....	25
Control Guard 44369601 .....	27
44369602 .....	27
Control Harness 44375604 .....	27
Control Tray 44371101 .....	69
Control Tray Guard 44371701 .....	41
Control Trim 44016401 .....	15, 19
44016403 .....	15, 19
Cylinder and Trunnion Assembly 44054801 .....	43
44054802 .....	43
44194101 .....	43
44194102 .....	43
Cylinder Assembly H96427513 .....	43
M409788 .....	43
44193301 .....	43
44193302 .....	43
Cylinder Rib Assembly 44191203 .....	43
Cylinder Shroud 44286401 .....	39
44286501 .....	39

44286601 .....	39
44286701 .....	39

## D

Damper H96387519 .....	63
Damper Assembly 44280303 .....	39, 51
Damper Motor 44308101 .....	63
Damper Motor Cover 44327401 .....	63
Damper Motor Harness 44378004 .....	63
Damper Motor Plate 44327501 .....	63
Damper Shaft H96388079 .....	63
Damper Spacer 70220901 .....	71, 73
Danger Label F8614501 .....	76
DIN Rail F8396501 .....	71
M412690 .....	73
70512301 .....	71, 73
DIN Valve Adapter Kit F8382301 .....	65
Door Assembly 44028907 .....	33
44292302B .....	33
44354701 .....	33
44354703 .....	33
44354705 .....	33
44354710LG .....	33
44354711B .....	33
Door Catch Kit 70482901 .....	29
Door Glass 44008401P .....	33
Door Glass Installation Tool M4221P4 .....	33
Door Glass Label 70650401 .....	33
70707701 .....	33
Door Handle 44007901 .....	33
44263801 .....	33
44370601 .....	33
Door Hinge Brace Assembly 70596606 .....	35
70596615B .....	35
70596615LG .....	35
70596615W .....	35
Door Hinge Lug Assembly 70597601 .....	35
70597603 .....	35
Door Latch M401223 .....	29
Door Ring and Handle Assembly 44326007B .....	33

N/A items do not appear in index.



Door Ring Assembly	
44326001 .....	33
44326004B .....	33
44354803 .....	33
44354808LG .....	33
44354809B .....	33
Door Ring Gasket	
44008201P .....	33
70296802 .....	33
Door Seal Kit	
70211902P .....	33
Door Switch Cover	
44316301 .....	29
Door Switch Harness	
44366202 .....	29
Door Switch Shield	
44316601 .....	29
Door Switch Wire Channel	
44286001 .....	29
Drive Access Cover	
70202501 .....	41
Drive Chain	
H96388186 .....	63
Drive Motor	
44355003 .....	49
44355004 .....	49
Drive Rivet	
M400713 .....	27
Drive Wheel	
H96388178 .....	63

## E

Emergency Stop Bypass Harness	
F8519403 .....	17, 21, 23, 25
Emergency Stop Harness	
44272401 .....	17, 21, 23, 25
Emergency Stop Interconnect Harness	
70631103 .....	17, 21, 23, 25
Emergency Stop Label	
44012901 .....	17, 21, 23, 25
Emergency Stop Pushbutton	
F200233500 .....	17, 21, 23, 25
EMI Filter	
F8591801 .....	53
F8637501 .....	53
Exhaust Deflector	
44307401 .....	39, 51
Expansion Clip	
70030501 .....	15, 19, 23, 25, 53, 69
Extension Harness	
44374903 .....	57, 69
Extension Spring	
F8440701 .....	49

## F

Fan Motor	
44354902 .....	51
44354904 .....	51
FCC-IC Label	
F8613201 .....	23, 25

Felt Pad	
M402144 .....	39
Ferrite	
204454 .....	49, 51
Fill Hose	
202799 .....	27
Filter	
44172201 .....	63
Filter Channel	
H96388087 .....	63
Filter Mounting Plate	
70551701 .....	27
Flange Bearing	
44048301P .....	45
Front Access Panel	
44012609DG .....	31
44012609LG .....	31
44012609W .....	31
44012612 .....	31
Front Control Box	
44311101 .....	13
Front Panel	
44292002 .....	29
44292003DG .....	29
44292003LG .....	29
44292003W .....	29
Fuse Board Control Power Harness	
44388402 .....	53
44388403 .....	53
Fuse Board to Inverter Harness	
44388502 .....	53
44388503 .....	53
Fuse Control Assembly	
70683201 .....	53

## G

Gas Stove Assembly	
44248801 .....	57
Gas Valve	
44166701 .....	57
44316801 .....	57
44316802 .....	57
Gas Valve Bracket	
44245701 .....	57
Gas Valve Harness	
44273501 .....	57
44273502 .....	57
Gasket	
44333401 .....	57
Ground Lug Connector	
M411283 .....	53
44212301 .....	71, 73
Guard	
44369301 .....	41
44369401 .....	41
44370101 .....	41
44377201 .....	41

N/A items do not appear in index.

---

**H**

Hairpin Cotter	44091601	63
Handle and Caps Assembly	44049901	37
	70154416	37
Handle Bar	70399501B	33
Handle Bumper	70407203	37
	70407211	37
Harness	F8617901	23, 25
	44295401	75
	44295402	75
	44295403	75
	44295404	75
	44295405	75
	44295406	75
	44295407	75
	44295408	75
	44295409	75
	44295410	75
	44295411	75
	44375402	53
	44375407	75
	44375408	75
	44375411	75
	70632203	75
	70632205	75
	70632206	75
Harness Adapter Plate	70523301	63
Heat Control Harness	44374901	69
Heater Element	M410939P	67
	M410941P	67
Heater Element Sub-Plate	44226001	67
High Altitude Orifice Kit	44357507	61
	44357508	61
High Voltage Suppression Cable	44239704	57
Hinge	D503676	71, 73
Hinge Cam Kit	M4772P3	35
	M4773P3	35
Hose	44073305	27
Hose Clamp	20391	57
	36801	27
Hose Fitting	44069101	27
Hot Surface Warning Label	F8609001	76
	F8614301	76

---

**I**

Idler Shaft	44303101	49
Igniter Cover	70159601	57
Ignition Control	70482001	57
	70482002	57
Insulator	M413862	53
Interconnect Harness	44374902	69
	44375601	27
	70630905	69
	70630906	69
Inverter Control Assembly	70603401	53
	70603601	53
Inverter Control Power Harness	44374603	53
	44374604	53
Inverter Drive Tray	44370801	53
Inverter Motor Harness	70635409	49
	70635410	49
	70635411	49
	70635412	49
I/O Control Assembly	70671701	69

---

**J**

J-Belt	44293702	49
Jumper Harness	44295412	67
	44295413	67
	70630908	75
	70632204	75
Jumper Strip	M400869	67

---

**K**

Key	M400008	49
	44309301	49
	70155601	27
Kickplate	70117609	37
	70117620	37

---

**L**

Label	D503887	57
	D516100	53, 71, 73, 76
	44190901	29

N/A items do not appear in index.

44286803	53, 71, 73
44318201	27
44391401	31
44391801	37
70472801	29
70537001	29
70537101	29
Label Kit	
F8614500	76
44318200	27
44318600	76
44324500	27
70534400	76
Light	
801432	27
Limit Offset Bracket	
44226101	67
Limit Thermostat	
44328002	51
44328004	67
44328105	57
70530905	51
Lint Hood	
44286101	39
Lint Panel	
44012203LG	37
44012203W	37
44012204DG	37
44012206	37
44012207	37
Lint Panel Clip	
44017801	37
Lint Screen	
44063602	39
Lint Screen Clip	
H96418413	39
Lint Screen Support	
44286201	39
44286202	39
44307501	39
Lock, Key and Nut Kit	
44089301P	27
L.P. Conversion Kit	
44328804	57
44328812	57
44330303	57

## M

Machine ID Control Assembly	
203361P	19, 23, 25
Magnet	
70343101	37
Main Harness	
44375101	13
Manifold	
44079601	27
44079602	27
Master Link	
H96382072P	63
Max Fill Line Label	
70707501	33
Micro V Pulley	
44302901	49

Mixing Valve	
70519801	27
Mixing Valve Shield Bracket	
44306601	27
Moisture Sensing Harness Kit	
44344703	47
Moisture Sensor Harness	
44375502	47
Motor Pivot Brace	
44310701	49
Motor Pivot Bracket Weldment	
44310601	49
Motor Pivot Plate Weldment	
44311501	49
Motor Pulley	
44267602	49
Mounting Bracket	
44331101	23, 25
Mounting Plate	
44288401	37
44330901	17, 21, 23, 25

## N

Nameplate	
F8443107	29
F8688001	31
F8688901	31
567887	31
70472001	31
Nameplate Overlay	
44130401	31
44391201	33
70410201	31
Nipple	
H851016088	57
Notice Label	
D516073	76
44321501	76
70535901	57
70539601	76
70544901	57
Nut	
F8387701	45
H88412101	43
M400026	49
M400035	47
M400977	15, 19, 23, 25
M412334	43
M414215	33
20274	45
23951	63
29786	63
29787	29
44087101	37, 71, 73
44088001	33, 35, 37, 39
70030401	29, 31
70054	67
70142	63
70288801	71, 73

N/A items do not appear in index.

---

## O

Overlay	
70516801 .....	15
70519001 .....	15
70539101 .....	15
70545501 .....	15
70547501 .....	15
70547801 .....	19
70548801 .....	19
70570601 .....	19
70571401 .....	19
70571601 .....	19
70595401 .....	23, 25
70691001 .....	19
70691301 .....	15

---

## P

Panel Locator	
56079 .....	41
Pin	
70071401 .....	35
Pinch Warning Label	
F8615701 .....	76
F8615702 .....	76
70538401 .....	76
Pipe Bracket	
44249301 .....	57
Pipe Cap	
44087801 .....	57
Pipe Elbow	
44249401 .....	57
Pipe Nipple	
44249501 .....	57
44252301 .....	57
44252401 .....	57
Pipe Tee	
44174201 .....	57
Pipe Union	
M411419 .....	57
Plug	
M400985 .....	17, 21, 23, 25
Pop Rivet	
M400003 .....	69
M405750 .....	73
430725 .....	17, 21, 23, 25, 37
44166601 .....	29
44251101 .....	73
70058501 .....	71, 73
70058502 .....	71, 73
70126301 .....	37
70126401 .....	37
70412601 .....	33
Porcelain Touch-Up Paint	
122P4P .....	29
Power Distribution Block	
44211501 .....	71, 73
Power Distribution Block Shield	
44014902 .....	71, 73
Power Sensor Harness	
44375608 .....	27

Pressure Fitting	
44231601 .....	57
Pulley	
44289502 .....	49
44289601 .....	49
Push-to-Start Switch	
801434W .....	27

---

## R

Rear Guard	
44371801 .....	41
44371901 .....	41
44372001 .....	41
Rear Lint Panel	
44285501 .....	39
Rear Main Harness	
44374801 .....	53
Rear Panel	
44276601 .....	39, 41
Rear Panel Brace	
44310401 .....	41
Rear Panel Support	
44277001 .....	41
44285401 .....	39
44285402 .....	39
44300401 .....	41
44300402 .....	41
44310301 .....	41
44310302 .....	41
Reducer	
44342901 .....	57
Reed Switch Assembly	
F8066804 .....	37
Rib Wire	
44208101 .....	47
Rivet	
M405750 .....	71
44251101 .....	71
Roll Pin	
H88970256 .....	63
Roller Catch	
H87020202 .....	37
Roller Catch Mounting Bracket	
44014001 .....	37

---

## S

Screw	
D501086 .....	37, 63
F8206901 .....	53, 69, 71, 73
H88010574 .....	63
H88012034 .....	45
M400063 .....	49
M400661 .....	33
M402574 .....	29
M405188 .....	63
M411165 .....	45
02422 .....	63
202175 .....	71, 73
204342 .....	63
38272 .....	57
430497 .....	13, 23, 25, 27, 53, 55, 57, 67

N/A items do not appear in index.



44028202LG .....	39
44028202W .....	39
Top Deflector	
44285601 .....	39
Transformer	
F8491101 .....	53
Trunnion Assembly	
44055501 .....	43
44055502 .....	43
Trunnion Housing	
M413826 .....	49
Trunnion Housing Assembly	
44375001 .....	49

Wireless Network Control Assembly	
203532 .....	13
Wireless Network Kit	
70596301 .....	13, 23
Wireway Channel	
44239001 .....	47

---

## U

USB IR Interface Kit	
203346 .....	23
USB-Serial Interface Assembly	
203440 .....	23, 25

---

## V

Valve	
F8322906P .....	65
Valve Rebuild Kit	
F8379502 .....	65
V-Belt	
44309401 .....	49
Vent Collar	
H96372164 .....	39

---

## W

Warning76	
Warning Label	
44321601 .....	76
44324001 .....	76
44324002 .....	76
44324101 .....	76
44324501 .....	27
44324502 .....	27
70534401 .....	76
70534402 .....	76
70534405 .....	76
70536401 .....	76
Washer	
F431125 .....	37
M400013 .....	63
03815 .....	15, 19, 23, 25
20103 .....	49
44238902 .....	47
70261401 .....	43, 45, 49
70409301 .....	33
800465 .....	29, 31, 63
Water Valve Harness	
44375605 .....	27
Wire Clip	
F8449502 .....	53
Wireless Network Board Harness	
F8536002 .....	23

N/A items do not appear in index.