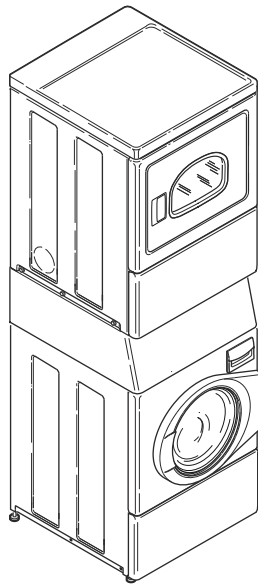


# Commercial Stack Washer/Dryers

Refer to Page 5 for Model Numbers



SWD456C\_806122



# Table of Contents

Title	Page
Parts Ordering Information.....	3
Serial Plate Location .....	3
Model Identification .....	5
Control Panel and Controls (Drawing 1 of 4) .....	6
Control Panel and Controls (Drawing 2 of 4) .....	8
Control Panel and Controls (Drawing 3 of 4) .....	10
Control Panel and Controls (Drawing 4 of 4) .....	12
Control Panel and Cabinet Wrapper .....	14
Non-Electronic Coin Drop .....	16
Electronic Coin Drop .....	18
Card Reader and Non-Vend Control Cabinet .....	20
Front Panel, Door Assembly and Door Seal .....	22
Front Panel Assembly .....	24
Dispenser Assembly .....	26
Mixing Valve and Valve-to-Dispenser Hose.....	28
Fill Hose .....	30
Outer Tub, Front and Clamp Ring.....	32
Inner Basket, Trunnion, Bearing Housing and Pulley .....	34
Motor and Belt.....	36
Drain Hoses and Valve .....	38
Drain Hose and Pump.....	40
Base, Side Panels and Rear Panel.....	42
Washer Junction Box .....	44
Washer Lead-In Cord, Wire Ties and Harness Clips .....	46
Dryer Loading Door (Drawing 1 of 3) .....	48
Dryer Loading Door (Drawing 2 of 3) .....	50
Dryer Loading Door (Drawing 3 of 3) .....	52
Access Panel, Front Panel and Seal .....	54
Motor, Exhaust Fan and Belt .....	56
Thermistor, Shields and Idler Assembly .....	58
Front Bulkhead, Felt Seal and Cylinder .....	60
Air Duct Assembly.....	62
Rear Bulkhead, Felt Seal, Cylinder Roller and Terminal Block.....	64
Heater Duct and Element Assembly .....	66
Heater Duct Assembly .....	68
Gas Valve, Igniter and Gas Conversion Kits.....	70
Burner Orifice Spuds - For Higher Elevations .....	72
Dryer Cabinet, Exhaust Duct and Base .....	74
Dryer Power Cord .....	76
Dryer Terminals and Terminal Extractor Tools .....	78
Terminals .....	80

© Copyright 2023, Alliance Laundry Systems LLC

All rights reserved. No part of the contents of this book may be reproduced or transmitted in any form or by any means without the expressed written consent of the publisher.

Dryer Labels.....	82
Washer Labels .....	84
Shipping Materials .....	86
Special Tools .....	88
Washer Wire Harnesses and Wires.....	90
Dryer Wire Harnesses and Wires.....	92
Parts Index.....	95

## Parts Ordering Information

If literature or replacement parts are required, contact the source from whom the machine was purchased or contact Alliance Laundry Systems at (920) 748-3950 for the name and address of the nearest authorized parts distributor.

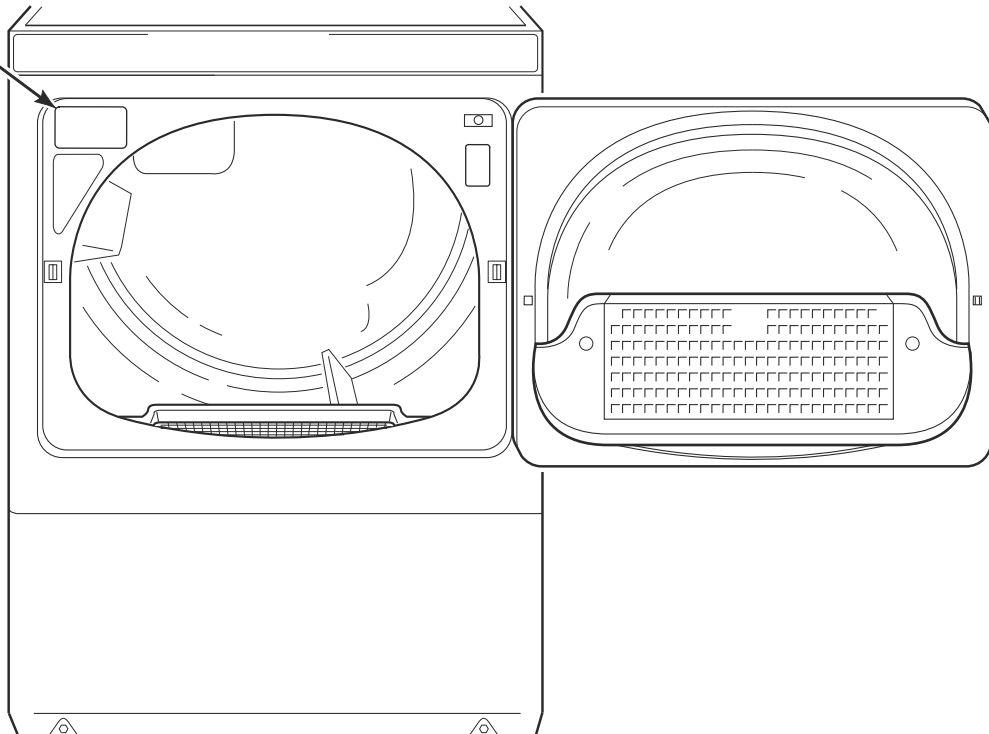
For technical assistance, call the number listed below:

(920) 748-3121 Ripon, Wisconsin

## Serial Plate Location

When calling or writing about your product, be sure to mention model and serial numbers. Model and serial numbers are located on serial plate(s) as shown.

SERIAL PLATE



DRY2283P\_806122

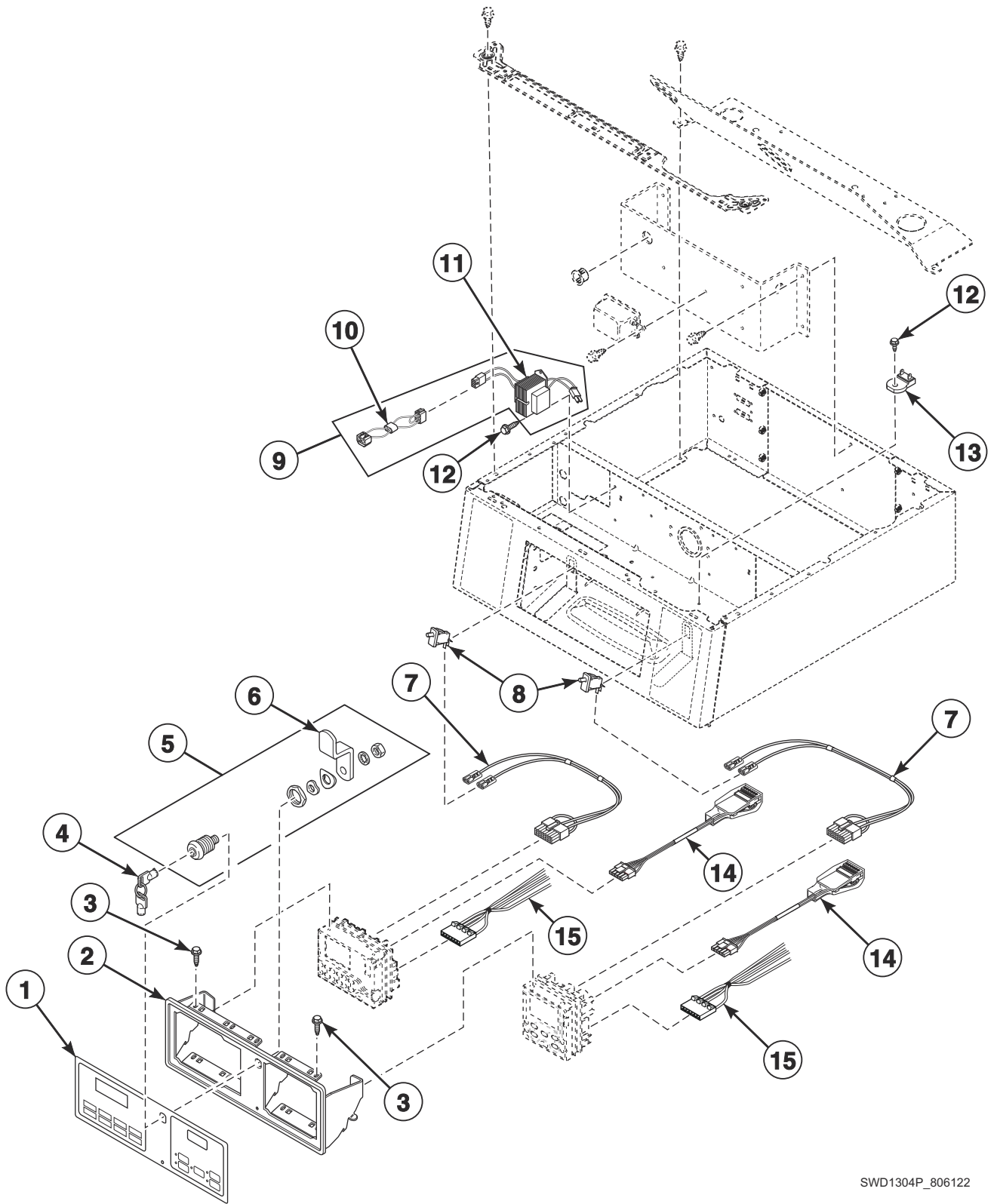


## Model Identification

Information in this manual is applicable to these washer/dryer models:

BTEBCASP173TW01	STEBCASP173TQ01
BTEBEASP283CW01	STEBCASP173TW01
BTEBLASP433AW01	STEBXASP133DW01
BTEBXASP173FW28	STEBXASP173FW28
BTEBXASP433AW01	STEBXASP173TQ01
BTEBYASP173TW01	STEBXASP173TW01
BTGBCASP113TW01	STEBXASP303NW22
BTGBLASP303AW01	STEBXASP303UW01
BTGBXASP113FW28	STEBXASP433AW01
BTGBXASP303AW01	STEBXASP433AW12
BTGBYASP113TW01	STEBXASP543DW01
HTEBCASP173TW01	STEBXASP543ZW01
HTEBDASP283CW01	STEBYASP173TW01
HTEBXASP133DW01	STGBCASP113TW01
HTEBXASP173FW28	STGBXASG113TW01
HTEBXASP283CW01	STGBXASP113FW28
HTEBXASP293CW01	STGBXASP113TW01
HTEBXASP543DW01	STGBXASP123DW01
HTEBYASP283CW01	STGBXASP303AW01
HTGBCASP113TW01	STGBXASP303AW12
HTGBDASP093CW01	STGBXASP303NW22
HTGBXASP093CW01	STGBXASP303ZW01
HTGBXASP113FW28	STGBXASP543DW01
HTGBXASP123DW01	STGBYASP113TW01
HTGBXASP543DW01	TTEBXASP303NW22
HTGBYASP093CW01	
HTGBYASP113TW01	
NTEBXASP303NW01	
NTEBXASP303NW22	
NTGBXASP303NW01	
NTLBXASP303NW26	

# Control Panel and Controls (Drawing 1 of 4)



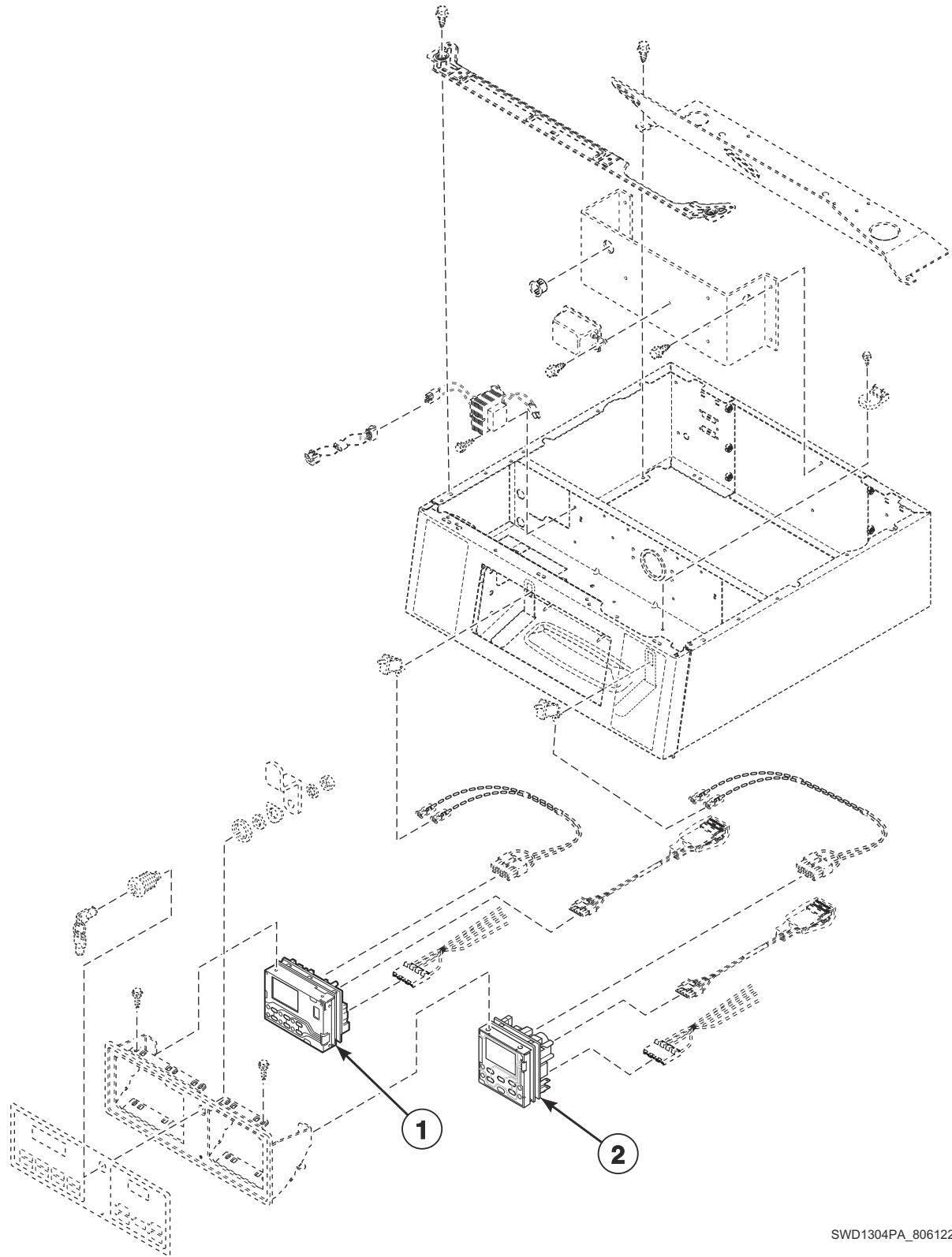
SWD1304P\_806122



## Control Panel and Controls (Drawing 1 of 4)

REF	PART NO.	DESCRIPTION	COMMENTS
	807174	Central Pay Kit	White
1	805397	Overlay	HTE and HTG models
	805398	Overlay	Models BTEBCASP173TW01, BTEBEASP283CW01, BTEBXASP173FW28, BTEBYASP173TW01, BTGBCASP113TW01, BTGBXASP113FW28 and BTGBYASP113TW01; Models BTEBLASP433AW01, BTEBXASP433AW01, BTGBLASP303AW01 and BTGBXASP303AW01 through Serial Nos. beginning 1509
	806189	Overlay	Models BTEBLASP433AW01, BTEBXASP433AW01, BTGBLASP303AW01 and BTGBXASP303AW01 starting Serial Nos. beginning 1509
	805400	Overlay	Models NTEBXASP303NW01, NTEBXASP303NW22, NTGBXASP303NW01, NTLBXASP303NW26 and TTEBXASP303NW22
	805032	Overlay	Models STEBXASP303NW22, STEBXASP303UW01 and STGBXASP303NW22
	805396	Overlay	All other models
2	804069W	Control Panel Assembly	White
	804069B	Control Panel Assembly	Black
	804069DG	Control Panel Assembly	Dark gray
3	804608	Screw	
4	54612	Key	GR800
5	804339P	Lock Assembly	
6	804338	Lock Cam	
7	202868	Wiring Harness Assembly	
8	D512973	Switch	
9	203423	Transformer Kit	120 Volt; Washer
	203424	Transformer Kit	240 Volt; Washer
10	804795	Transformer Harness	120 Volt; Washer
	805428	Transformer Harness	240 Volt; Washer
11	202757	Transformer	120 Volt; Washer
	201375P	Transformer	120 Volt; Dryer
	202758	Transformer	240 Volt; Washer
	803527P	Transformer	240 Volt; Dryer
12	D503661	Screw	
13	210100	Resistor	
14	203361P	Machine ID Control Assembly	Model or serial number is required when ordering
15	805427	Central Pay Harness	

# Control Panel and Controls (Drawing 2 of 4)

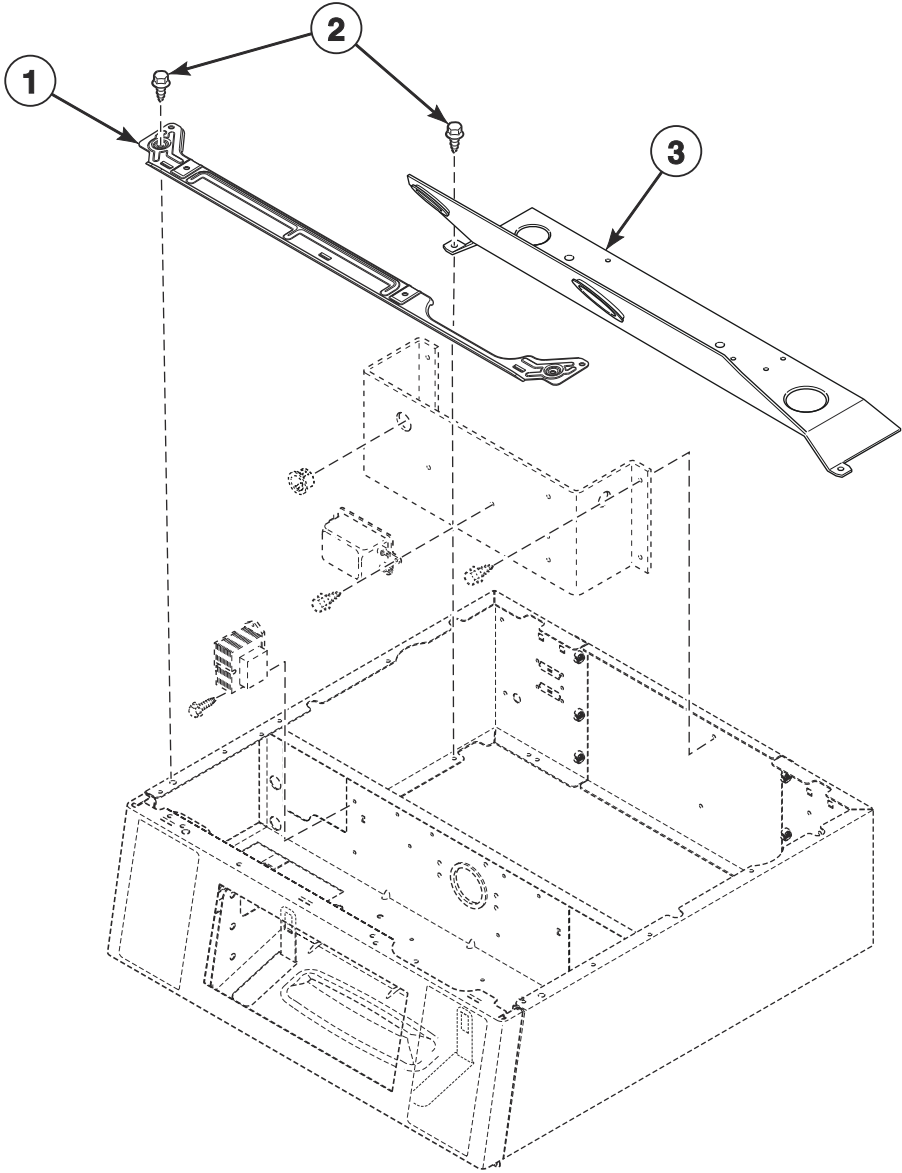


SWD1304PA\_806122

## Control Panel and Controls (Drawing 2 of 4)

REF	PART NO.	DESCRIPTION	COMMENTS
1	806268P	Control Assembly	Washer; Red LEDs; Models BTEBCASP173TW01, BTEBEASP283CW01, BTEBLASP433AW01, BTEBXASP173FW28, BTEBXASP433AW01, BTEBYASP173TW01, BTGBCASP113TW01, BTGBLASP303AW01, BTGBXASP113FW28, BTGBXASP303AW01 and BTGBYASP113TW01 through Serial No. 2012999999
	807459	Control Assembly	Washer; Red LEDs; Models BTEBCASP173TW01, BTEBEASP283CW01, BTEBLASP433AW01, BTEBXASP173FW28, BTEBXASP433AW01, BTEBYASP173TW01, BTGBCASP113TW01, BTGBLASP303AW01, BTGBXASP113FW28, BTGBXASP303AW01 and BTGBYASP113TW01 starting Serial No. 2101000001
	806267P	Control Assembly	Washer; Green LEDs; All other models through Serial No. 2012999999
	807458	Control Assembly	Washer; Green LEDs; All other models starting Serial No. 2101000001
2	D514273P	Control Assembly	Dryer; Red LEDs; Models BTEBCASP173TW01, BTEBEASP283CW01, BTEBLASP433AW01, BTEBXASP173FW28, BTEBXASP433AW01, BTEBYASP173TW01, BTGBCASP113TW01, BTGBLASP303AW01, BTGBXASP113FW28, BTGBXASP303AW01 and BTGBYASP113TW01
	D511867P	Control Assembly	Dryer; Green LEDs; All other models
	D510036P	Membrane Switch	Use with D511867P Control Assembly

# Control Panel and Controls (Drawing 3 of 4)



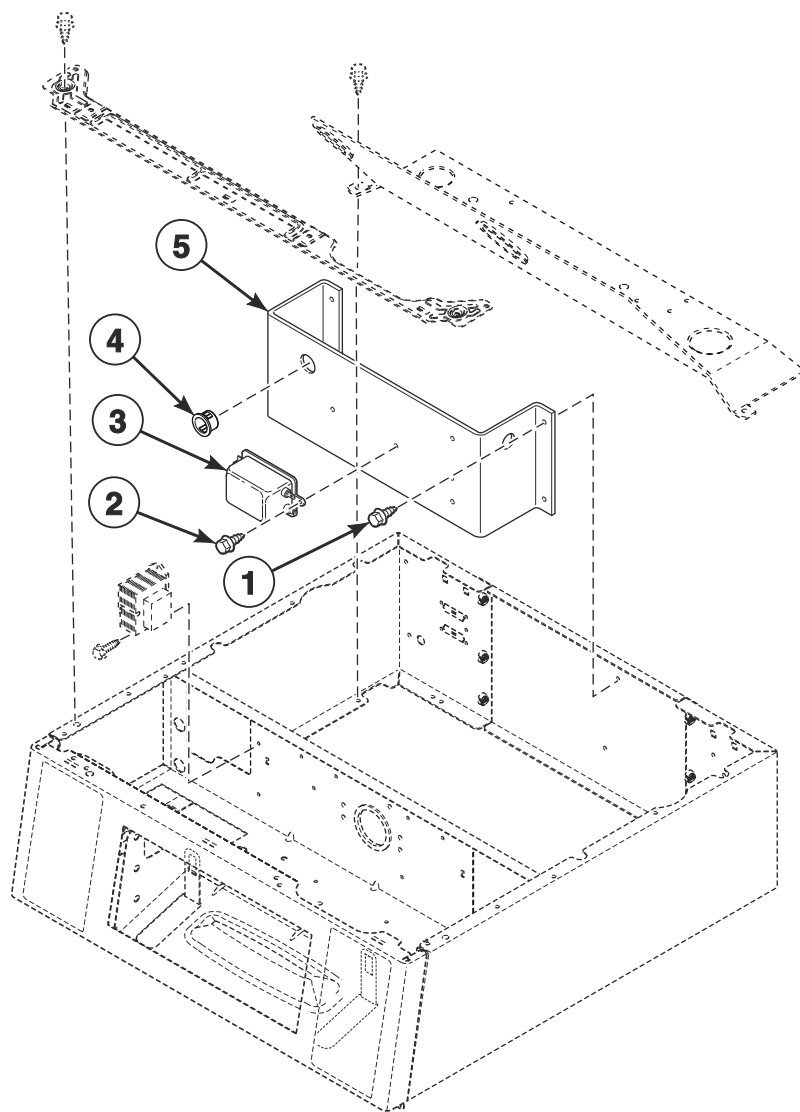
SWD1303P\_806122

## Control Panel and Controls (Drawing 3 of 4)

REF	PART NO.	DESCRIPTION	COMMENTS
1	804018	Shield Bracket	
2	D503688	Screw	
3	804363	Control Shield	

## Control Panel and Controls (Drawing 4 of 4)

Models BTEBLASP433AW01, BTEBXASP173FW28, BTEBXASP433AW01, BTGBLASP303AW01, BTGBXASP113FW28, BTGBXASP303AW01, HTEBXASP133DW01, HTEBXASP173FW28, HTEBXASP543DW01, HTGBXASP113FW28, HTGBXASP123DW01, HTGBXASP543DW01, NTEBXASP303NW01, NTEBXASP303NW22, NTGBXASP303NW01, NTLBXASP303NW26, STEBXASP133DW01, STEBXASP173FW28, STEBXASP303NW22, STEBXASP303UW01, STEBXASP433AW01, STEBXASP433AW12, STEBXASP543DW01, STEBXASP543ZW01, STGBXASP113FW28, STGBXASP123DW01, STGBXASP303AW01, STGBXASP303AW12, STGBXASP303NW22, STGBXASP303ZW01, STGBXASP543DW01 and TTEBXASP303NW22



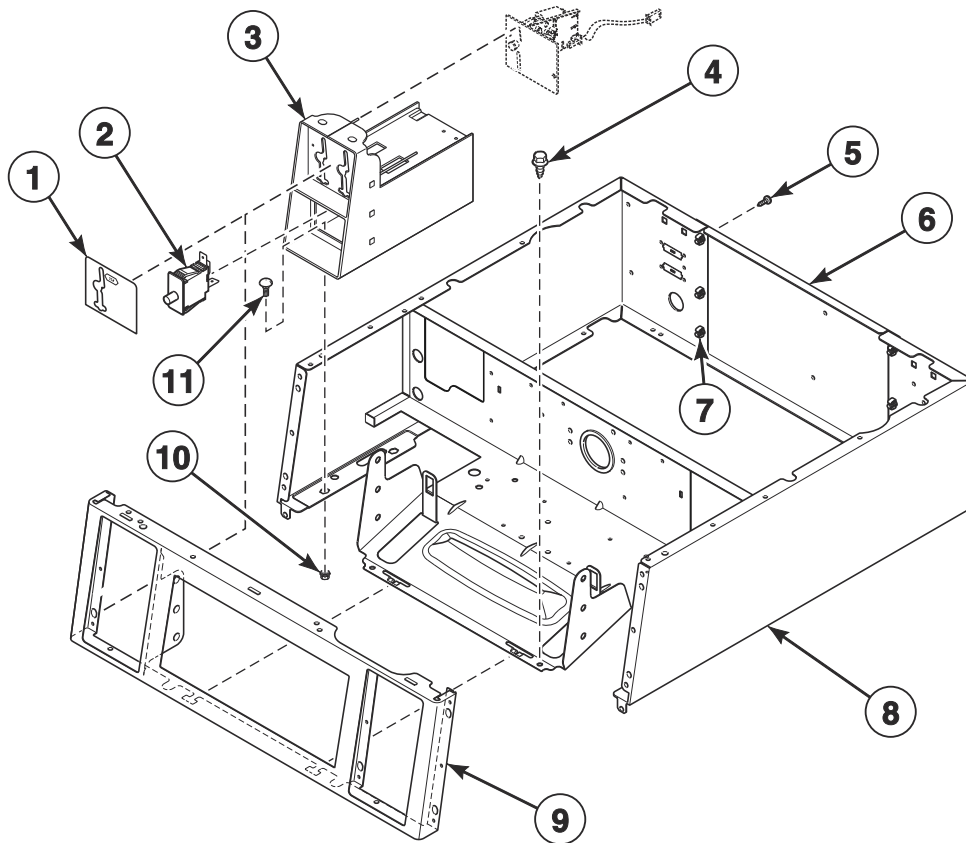
SWD1303PA\_806122

## Control Panel and Controls (Drawing 4 of 4)

REF	PART NO.	DESCRIPTION	COMMENTS
	805344	Terminal Block Drip Shield	Models BTEBLASP433AW01, BTEBXASP173FW28, BTEBXASP433AW01, BTGBLASP303AW01, BTGBXASP113FW28, BTGBXASP303AW01, HTEBXASP133DW01, HTEBXASP173FW28, HTEBXASP543DW01, HTGBXASP113FW28, HTGBXASP123DW01, HTGBXASP543DW01, STEBXASP133DW01, STEBXASP173FW28, STEBXASP303UW01, STEBXASP433AW01, STEBXASP433AW12, STEBXASP543DW01, STEBXASP543ZW01, STGBXASP113FW28, STGBXASP123DW01, STGBXASP303AW01, STGBXASP303AW12, STGBXASP303ZW01 and STGBXASP543DW01
<b>1</b>	D503661	Screw	
<b>2</b>	D501086	Screw	
<b>3</b>	805633	Line Filter	
	804797	Filter Harness	
<b>4</b>	M402542	Snap Bushing	
<b>5</b>	803988	Terminal Block Assembly	

# Control Panel and Cabinet Wrapper

Coin Models



SWD1289P\_806122

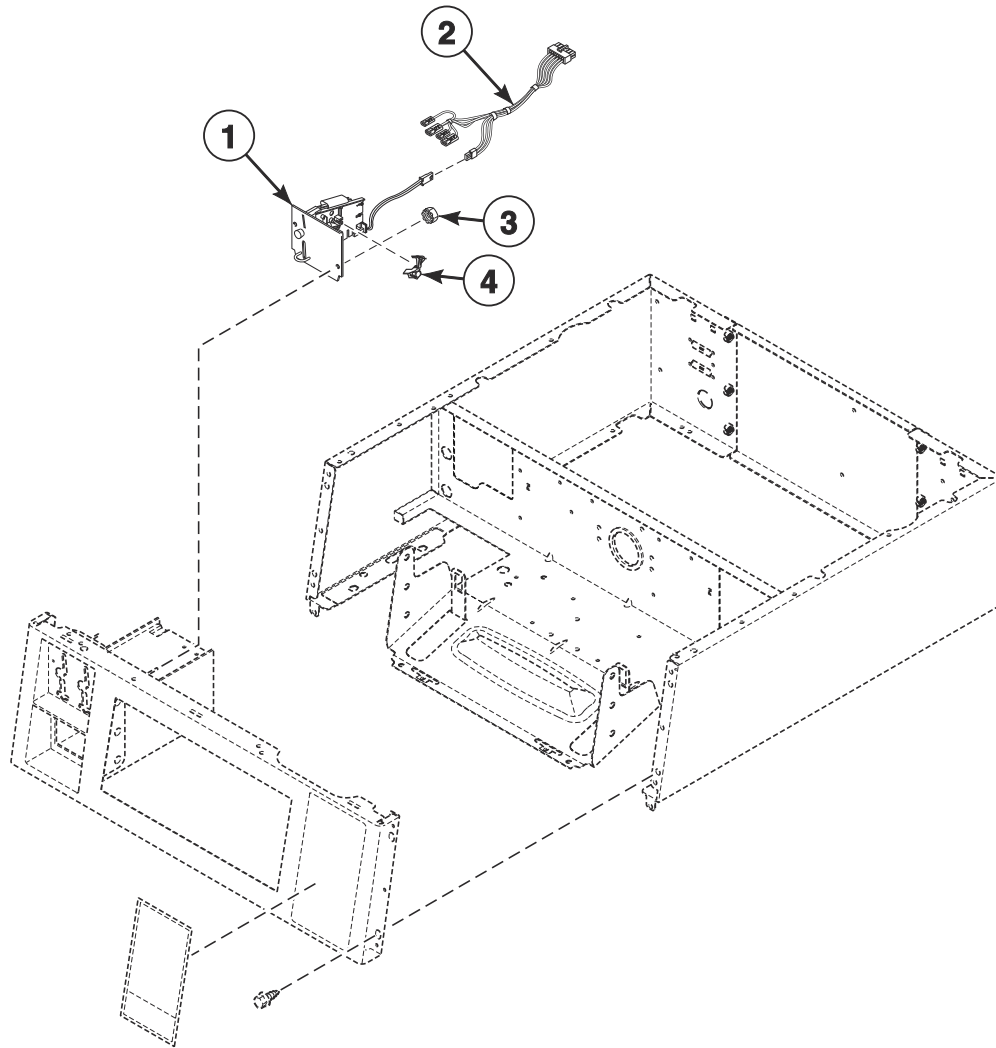


## Control Panel and Cabinet Wrapper

REF	PART NO.	DESCRIPTION	COMMENTS
1	38717	Single Overlay	
	39073	Dual Overlay	
	38676	Overlay Kit	Dual drop; Includes coin identification paper
	201091	Overlay	For electronic coin drops
2	D512973	Switch	
3	807396W	Meter Case Assembly	White
	804009Q	Meter Case Assembly	Bisque
4	D503688	Screw	
5	70240301	Screw	
6	803998	Rear Access Panel	
7	70030501	Expansion Clip	
8	804104W	Wrapper Assembly	White
	804104Q	Wrapper Assembly	Bisque
9	803964W	Control Panel	White
	803964Q	Control Panel	Bisque
10	44087201	Nut	
11	29651	Bolt	

# Non-Electronic Coin Drop

Coin Models



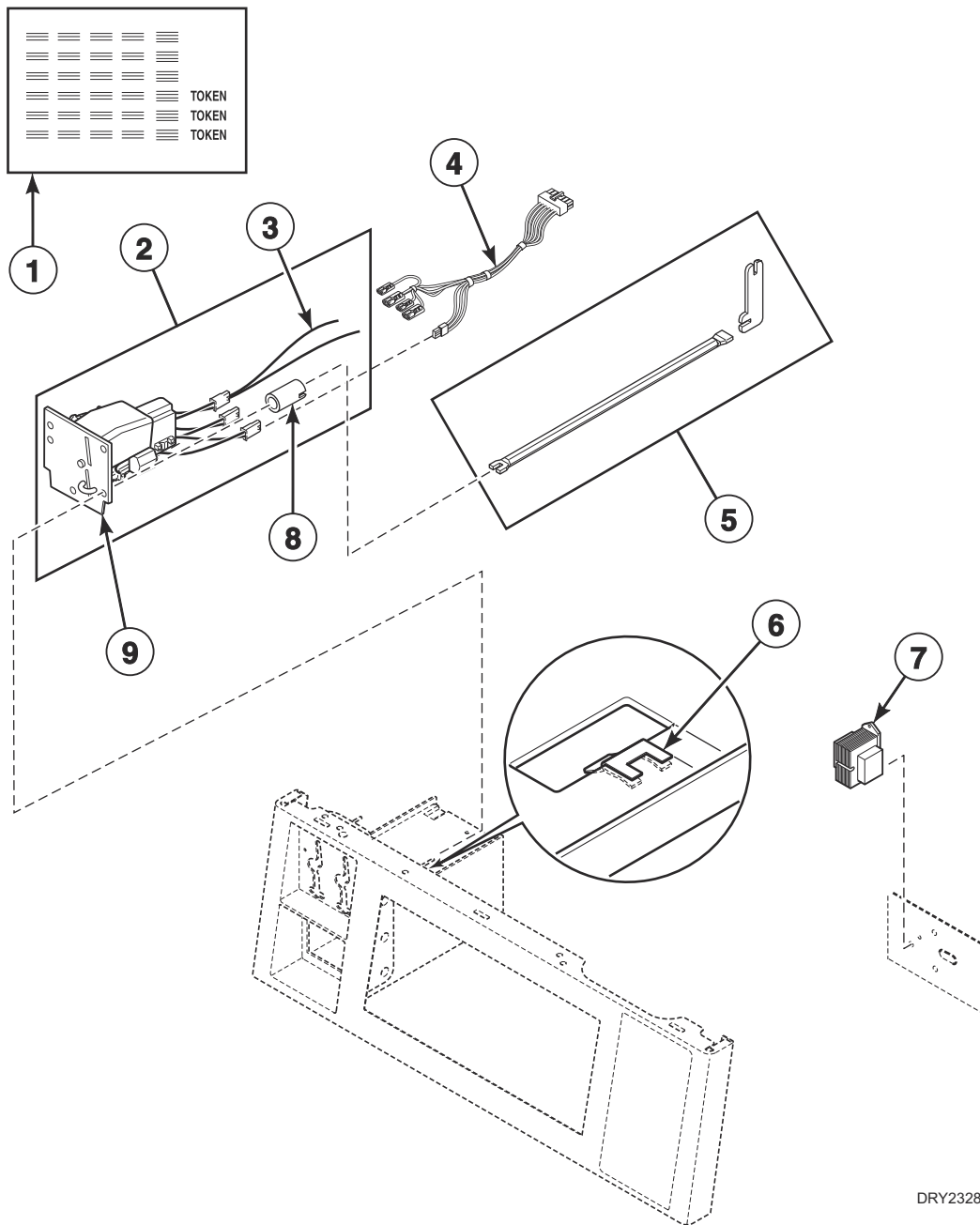
DRY2327P\_806122

## Non-Electronic Coin Drop

REF	PART NO.	DESCRIPTION	COMMENTS
1	38462P	Coin Drop Assembly	Token; 118-1 mzp; .880 diameter x .079 thick; Brass
	38463	Coin Drop Assembly	Token; 118-5 mzp; .990 diameter x .081 thick; Silver
	70441601P	Coin Drop	United States; \$.25
	38963P	Coin Drop	Token 118-16 not available; Replacement for 38963P Coin Drop only
	70441602	Coin Drop Assembly	Canada; .25 and 1.00
	38464P	Coin Drop Assembly	Canada; .25
	38467	Coin Drop Assembly	Australia; .20 and 1.00
	70482401	Coin Drop Assembly	New Zealand; 1.00 and 2.00
	38472	Coin Drop Assembly	England; 20 pence and 1 pound
	38519	Coin Drop Assembly	Japan; 100 yen and 500 yen
	38521	Coin Drop Assembly	Korea; 100 won and 500 won
	CK114	Coin Drop Assembly	Singapore; 1.00
	2	202870	Single Coin Harness Assembly
202871		Dual Coin Harness Assembly	Dual drop
3	29786	Nut	
4	201595P	Wire Guard	Anti-stringing security device; Add to coin drops

# Electronic Coin Drop

Coin Models



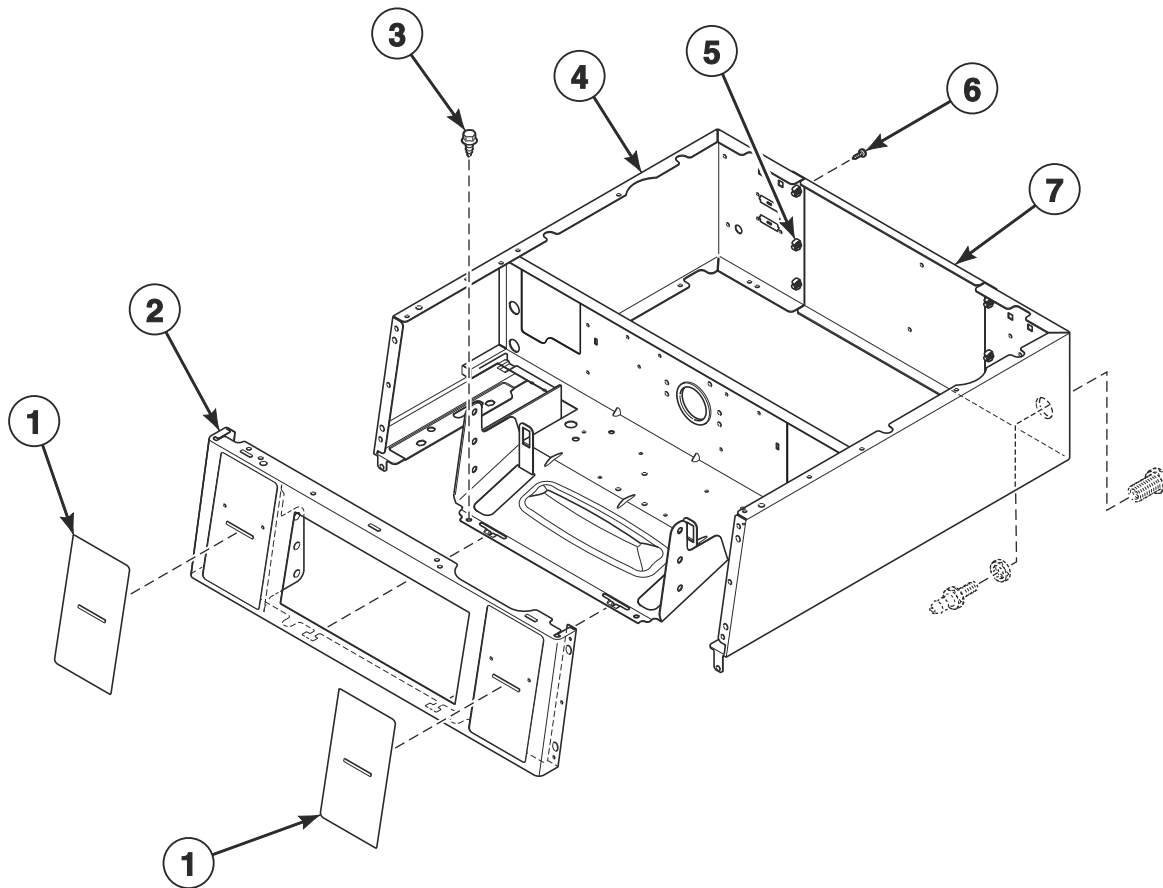
DRY2328P\_806122

# Electronic Coin Drop

REF	PART NO.	DESCRIPTION	COMMENTS
1	38725	Coin Identification Paper	
2	CK099	Electronic Coin Drop Kit	Australia, New Zealand, Hong Kong and South Korea; Includes items 1, 3, 6, 8 and 9
	CK100	Electronic Coin Drop Kit	Euro and Great Britain; Includes items 1, 3, 6, 8 and 9
	CK101	Electronic Coin Drop Kit	Euro, Denmark and Norway; Includes items 1, 3, 6, 8 and 9
	CK103	Electronic Coin Drop Kit	Euro, Lithuania and Latvia; Includes items 1, 3, 6, 8 and 9
	CK108	Electronic Coin Drop Kit	South Africa; Includes items 1, 3, 6, 8 and 9
	CK109	Electronic Coin Drop Kit	Euro; Includes items 1, 3, 6, 8 and 9
	CK110	Electronic Coin Drop Kit	Mexico, Ecuador and United States; Includes items 1, 3, 6, 8 and 9
	CK113	Electronic Coin Drop Kit	Japan and Taiwan; Includes items 1, 3, 6, 8 and 9
	CK115	Electronic Coin Drop Kit	United States and Canada; Includes items 1, 3, 6, 8 and 9
	CK116	Electronic Coin Drop Kit	Malaysia and China; Includes items 1, 3, 6, 8 and 9
	CK117	Electronic Coin Drop Kit	Russia; Includes items 1, 3, 6, 8 and 9
	CK118	Electronic Coin Drop Kit	Philippines; Includes items 1, 3, 6, 8 and 9
	CK120	Electronic Coin Drop Kit	Chile; Includes items 1, 3, 6, 8 and 9
	CK121	Electronic Coin Drop Kit	Singapore; Includes items 1, 3, 6, 8 and 9
3	201104	Coin Drop Wire Harness	
4	202871	Dual Coin Harness Assembly	
5	CK096	Mounting Tool Kit	
6	201572	Clip	
7	201375P	Transformer	
8	201216	Nut	
9	70513302	Electronic Coin Drop Assembly	Euro and Great Britain
	70294104	Electronic Coin Drop Assembly	Euro, Denmark and Norway
	70513306	Electronic Coin Drop Assembly	Mexico, Ecuador and United States
	70294107	Electronic Coin Drop Assembly	Euro, Lithuania and Latvia
	70294110	Electronic Coin Drop Assembly	South Africa
	70294111	Electronic Coin Drop Assembly	Euro
	70294122	Electronic Coin Drop Assembly	Great Britain and token
	70513311	Electronic Coin Drop Assembly	Malaysia and China
	70294117	Electronic Coin Drop Assembly	Russia
	70294120	Electronic Coin Drop Assembly	Chile
	70294121	Electronic Coin Drop Assembly	Singapore

# Card Reader and Non-Vend Control Cabinet

Card and Non-Vend Models

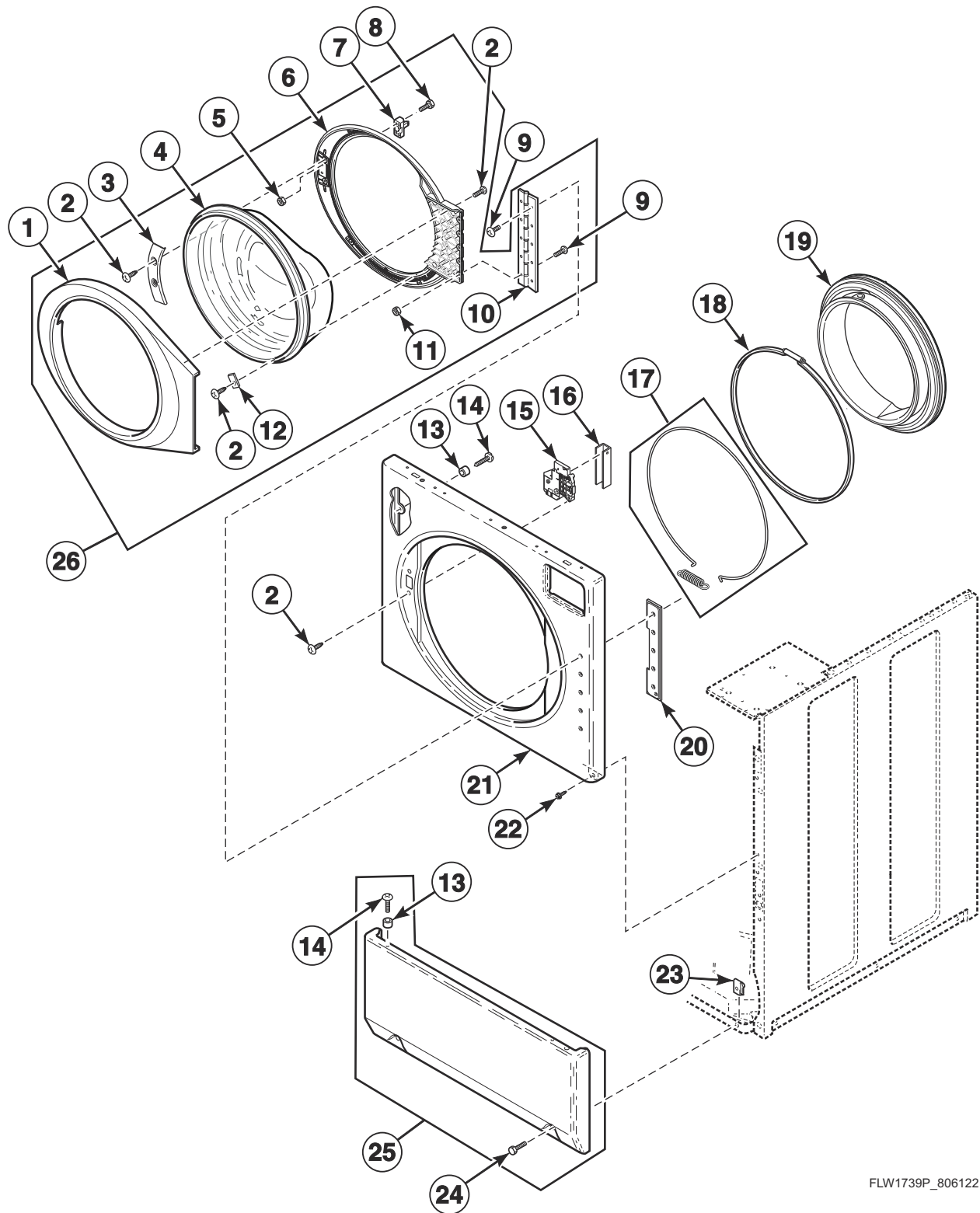


SWD1290P\_806122

## Card Reader and Non-Vend Control Cabinet

REF	PART NO.	DESCRIPTION	COMMENTS
	805667	Operation Instructions	Washer; Icon; Models BTEBLASP433AW01 and BTGBLASP303AW01
1	D514391	Card Insert Overlay	Models BTEBYASP173TW01, BTGBYASP113TW01, STEBYASP173TW01 and STGBYASP113TW01
	D514873	Overlay	Models HTEBYASP283CW01, HTGBYASP093CW01 and HTGBYASP113TW01
2	803972W	Control Panel	White; Models BTEBLASP433AW01 and BTGBLASP303AW01
	803968W	Control Panel	White; Models BTEBYASP173TW01, BTGBYASP113TW01, HTEBYASP283CW01, HTGBYASP093CW01, HTGBYASP113TW01, STEBYASP173TW01 and STGBYASP113TW01
3	D503688	Screw	
4	804112W	Wrapper Assembly	White
5	70030501	Expansion Clip	
6	70240301	Screw	
7	803998	Rear Access Panel	

# Front Panel, Door Assembly and Door Seal



FLW1739P\_806122

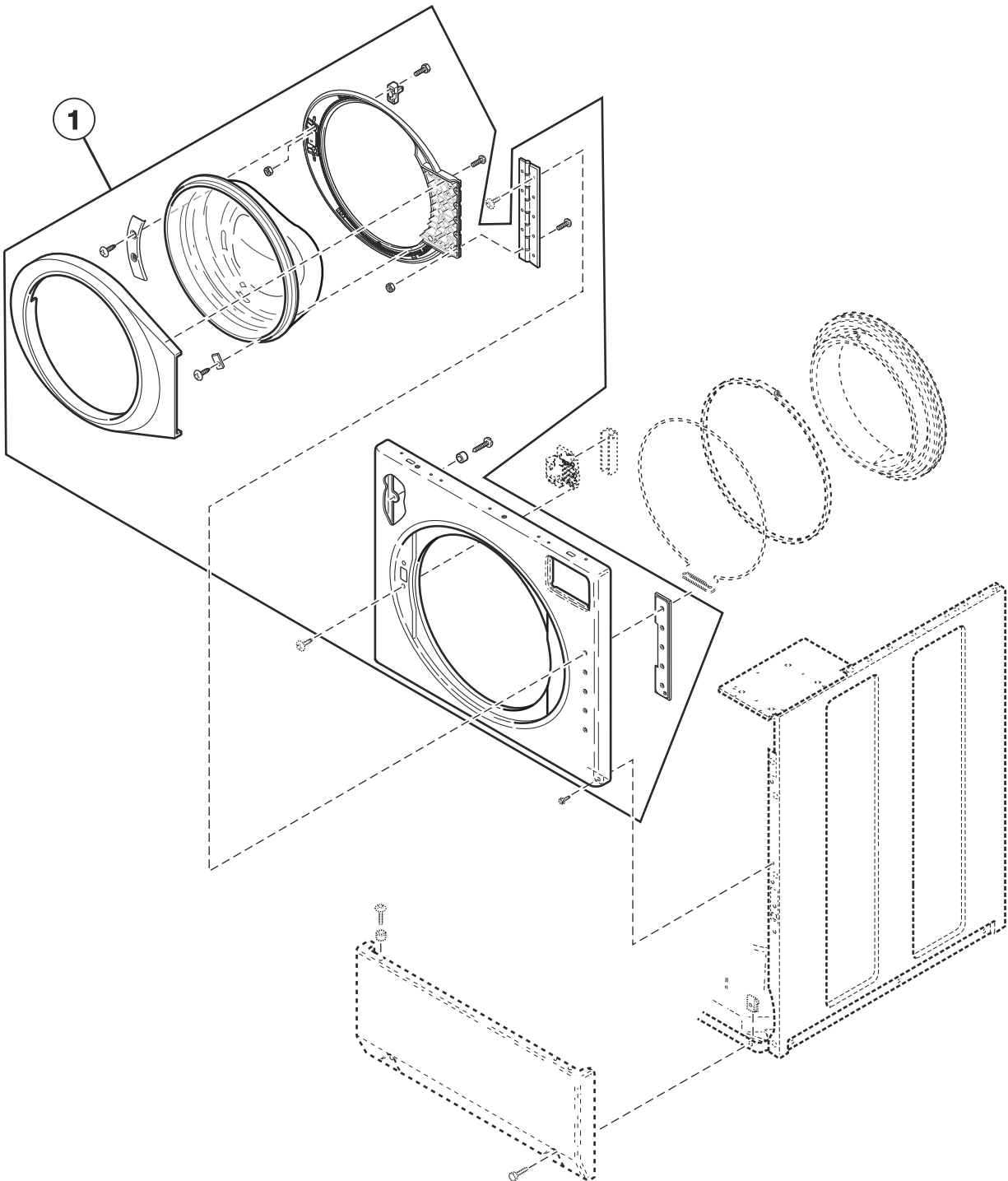


## Front Panel, Door Assembly and Door Seal

REF	PART NO.	DESCRIPTION	COMMENTS
1	808094	Outer Door Bezel	White
	808091	Outer Door Bezel	Gray
2	800548	Screw	
3	806354	Door Glass Mounting Plate	
4	802695P	Door Glass	
5	685846	Nut	
6	808095	Inner Door Bezel Kit	White
	808096	Inner Door Bezel Kit	Gray
	808097	Inner Door Bezel	White; Glass-filled polypropylene upgrade
7	802803	Door Catch Assembly	
8	801993	Screw	
9	801019	Screw	
10	802934	Door Hinge	
11	23951	Nut	
12	802700	Glass Mounting Clip	7 required
13	56079	Panel Locator	
14	39733	Screw	
15	803920	Door Latch Assembly	
16	804784	Door Lock Drip Shield	Models BTEBLASP433AW01, BTEBXASP173FW28, BTEBXASP433AW01, BTGBLASP303AW01, BTGBXASP113FW28, BTGBXASP303AW01, HTEBXASP133DW01, HTEBXASP173FW28, HTEBXASP543DW01, HTGBXASP113FW28, HTGBXASP123DW01, HTGBXASP543DW01, STEBXASP133DW01, STEBXASP173FW28, STEBXASP303UW01, STEBXASP433AW01, STEBXASP433AW12, STEBXASP543DW01, STEBXASP543ZW01, STGBXASP113FW28, STGBXASP123DW01, STGBXASP303AW01, STGBXASP303AW12, STGBXASP303ZW01 and STGBXASP543DW01
17	806466	Wire Ring and Spring	
18	802281	Hose Clamp	Seal to outer tub front
19	804428P	Door Seal	Black
	804429P	Door Seal Assembly	Gray
20	802206	Hinge Plate	
21	802277WP	Front Panel	White
	802277QP	Front Panel	Bisque
22	D503661	Screw	
23	36020	Nut	
24	801045	Screw	
25	804617W	Access Panel Assembly	White
	804617Q	Access Panel Assembly	Bisque
26	804083WP	Door Assembly	White; Includes items 1-12
	804210P	Door Assembly	Gray; Includes items 1-12

# Front Panel Assembly

Models BTEBCASP173TW01, BTEBYASP173TW01, BTGBCASP113TW01, BTGBYASP113TW01, HTEBCASP173TW01, HTGBCASP113TW01, HTGBYASP113TW01, STEBCASP173TW01, STEBXASP173TW01, STEBYASP173TW01, STGBCASP113TW01, STGBXASP113TW01 and STGBYASP113TW01

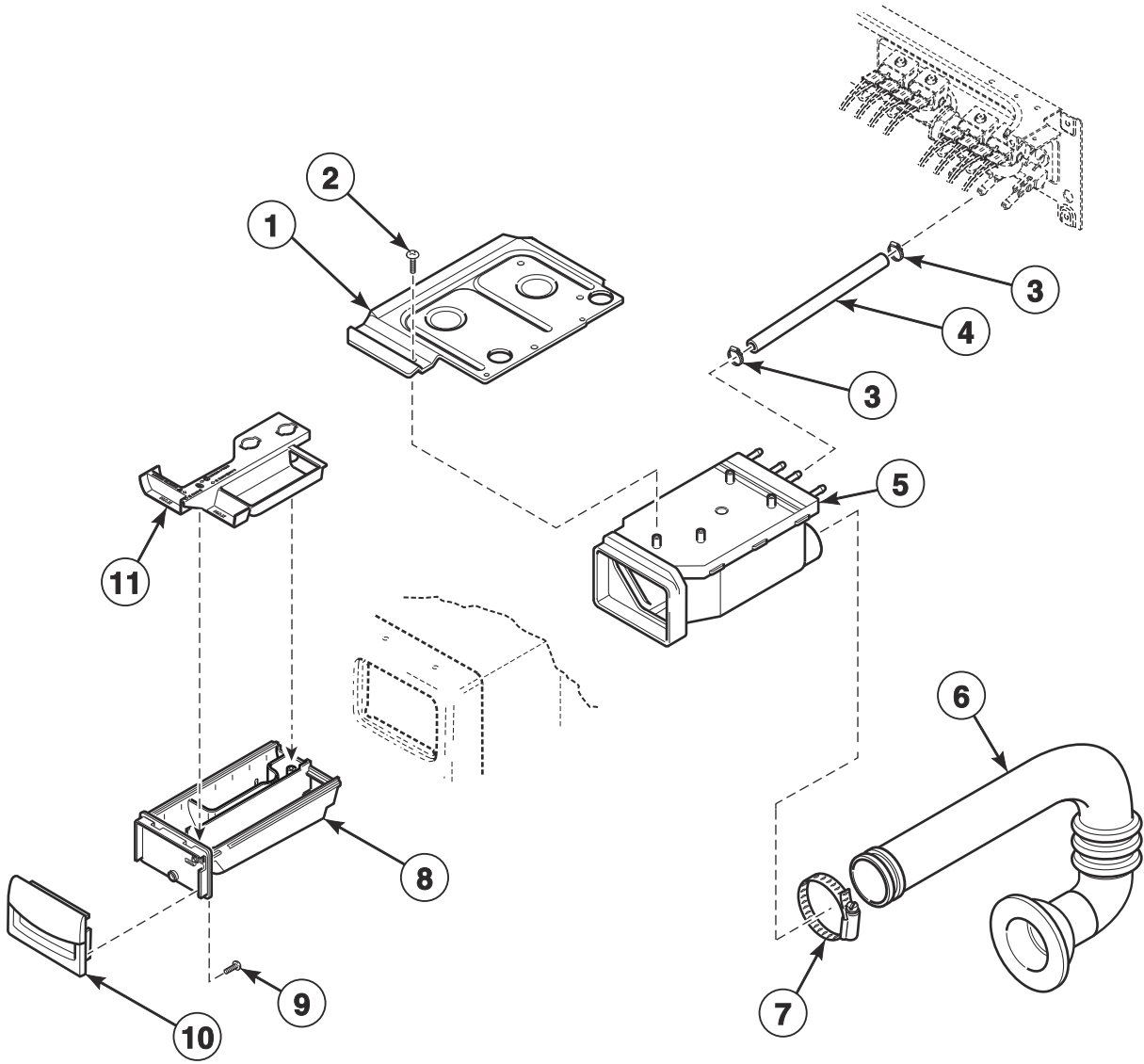


FLW1739PA\_806122

# Front Panel Assembly

REF	PART NO.	DESCRIPTION	COMMENTS
1	806505W	Front Panel Assembly Kit	White

# Dispenser Assembly

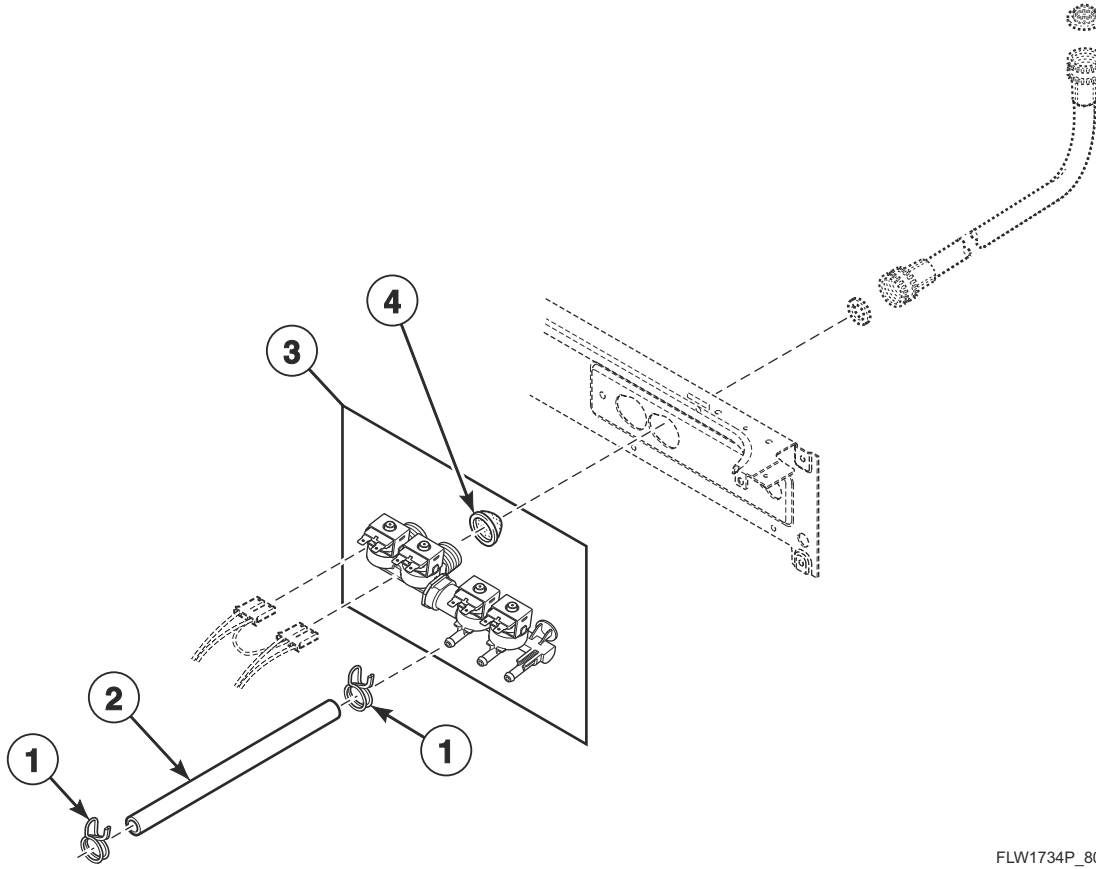


FLW1717P\_806122

# Dispenser Assembly

REF	PART NO.	DESCRIPTION	COMMENTS
	804875	Foam Pad	
1	803843	Dispenser Plate	
2	801001	Screw	
3	807386	Hose Clamp	
4	803849	Dispenser Inlet Hose	Through Serial No. 1810000001
	807364	Dispenser Inlet Hose	Models BTEBLASP433AW01, BTEBXASP433AW01, BTGBLASP303AW01, BTGBXASP303AW01, STEBXASP433AW01, STEBXASP433AW12, STGBXASP303AW01 and STGBXASP303AW12 starting Serial No. 1810000001 and continuing through Serial no. 1905000001; All other models starting Serial No. 1810000001
	806718	Dispenser Inlet Hose	Models BTEBLASP433AW01, BTEBXASP433AW01, BTGBLASP303AW01, BTGBXASP303AW01, STEBXASP433AW01, STEBXASP433AW12, STGBXASP303AW01 and STGBXASP303AW12 starting Serial No. 1905000001
5	803698	Dispenser Assembly	
6	804717	Detergent Hose	
7	685725	Hose Clamp	
8	803667	Dispenser Drawer	
9	800548	Screw	
10	804227WP	Dispenser Handle	White
11	803670	Compartment Cover	

# Mixing Valve and Valve-to-Dispenser Hose

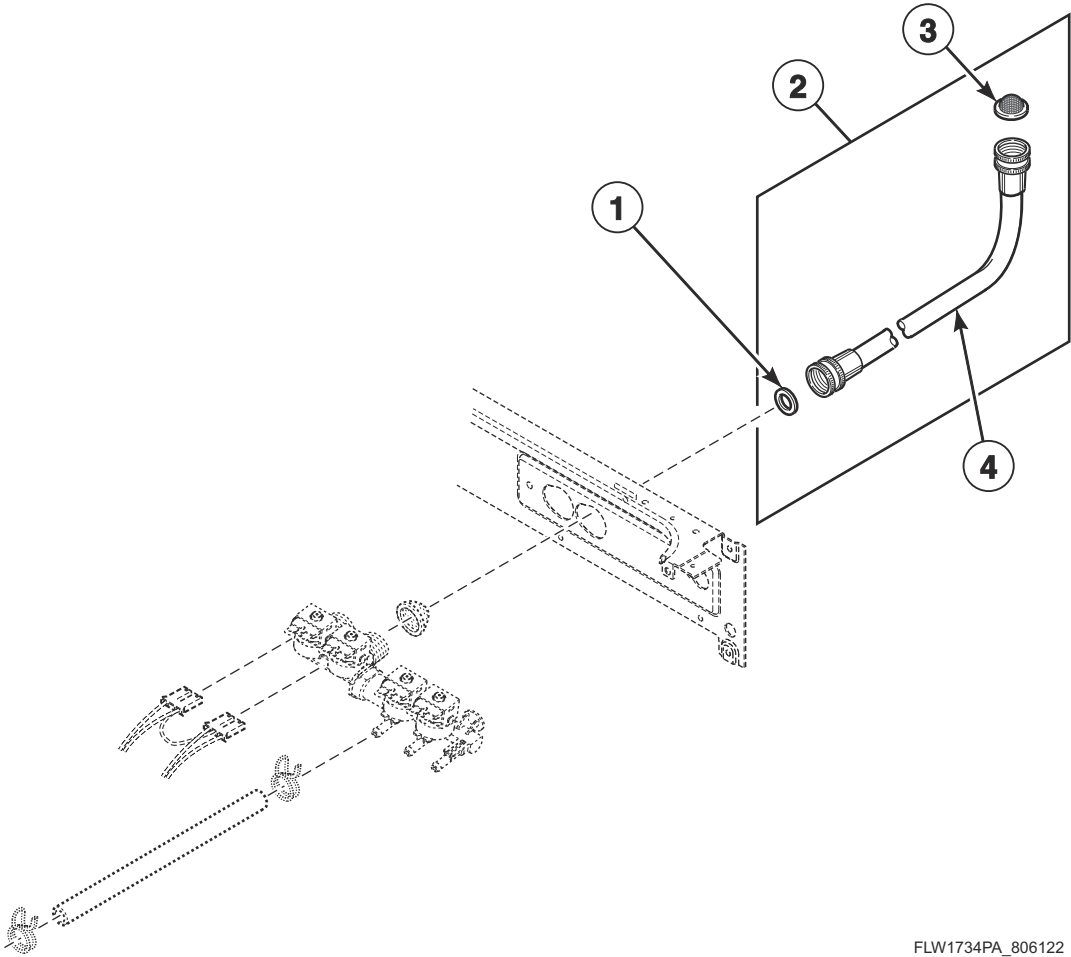


FLW1734P\_806122

## Mixing Valve and Valve-to-Dispenser Hose

REF	PART NO.	DESCRIPTION	COMMENTS
	804783	Mixing Valve Shield	Models BTEBLASP433AW01, BTEBXASP173FW28, BTEBXASP433AW01, BTGBLASP303AW01, BTGBXASP113FW28, BTGBXASP303AW01, HTEBXASP133DW01, HTEBXASP173FW28, HTEBXASP543DW01, HTGBXASP113FW28, HTGBXASP123DW01, HTGBXASP543DW01, STEBXASP133DW01, STEBXASP173FW28, STEBXASP303UW01, STEBXASP433AW01, STEBXASP433AW12, STEBXASP543DW01, STEBXASP543ZW01, STGBXASP113FW28, STGBXASP123DW01, STGBXASP303AW01, STGBXASP303AW12, STGBXASP303ZW01 and STGBXASP543DW01
<b>1</b>	807386	Hose Clamp	
<b>2</b>	803849	Dispenser Inlet Hose	Through Serial No. 1810000001
	807364	Dispenser Inlet Hose	Models BTEBLASP433AW01, BTEBXASP433AW01, BTGBLASP303AW01, BTGBXASP303AW01, STEBXASP433AW01, STEBXASP433AW12, STGBXASP303AW01 and STGBXASP303AW12 starting Serial No. 1810000001 and continuing through Serial no. 1905000001; All other models starting Serial No. 1810000001
	806718	Dispenser Inlet Hose	Models BTEBLASP433AW01, BTEBXASP433AW01, BTGBLASP303AW01, BTGBXASP303AW01, STEBXASP433AW01, STEBXASP433AW12, STGBXASP303AW01 and STGBXASP303AW12 starting Serial No. 1905000001
<b>3</b>	807497P	Mixing Valve	240 Volt; Models BTEBLASP433AW01, BTEBXASP433AW01, BTGBLASP303AW01, BTGBXASP303AW01, HTEBXASP543DW01, HTGBXASP543DW01, NTEBXASP303NW01, NTEBXASP303NW22, NTGBXASP303NW01, NTLBXASP303NW26, STEBXASP303NW22, STEBXASP303UW01, STEBXASP433AW01, STEBXASP433AW12, STEBXASP543DW01, STEBXASP543ZW01, STGBXASP303AW01, STGBXASP303AW12, STGBXASP303NW22, STGBXASP303ZW01, STGBXASP543DW01 and TTEBXASP303NW22
	807837P	Mixing Valve	120 Volt; All other models
<b>4</b>	24122	Mixing Valve Screen	Steel mesh
	F8161201	Mixing Valve Screen	Plastic

# Fill Hose



FLW1734PA\_806122



## Fill Hose

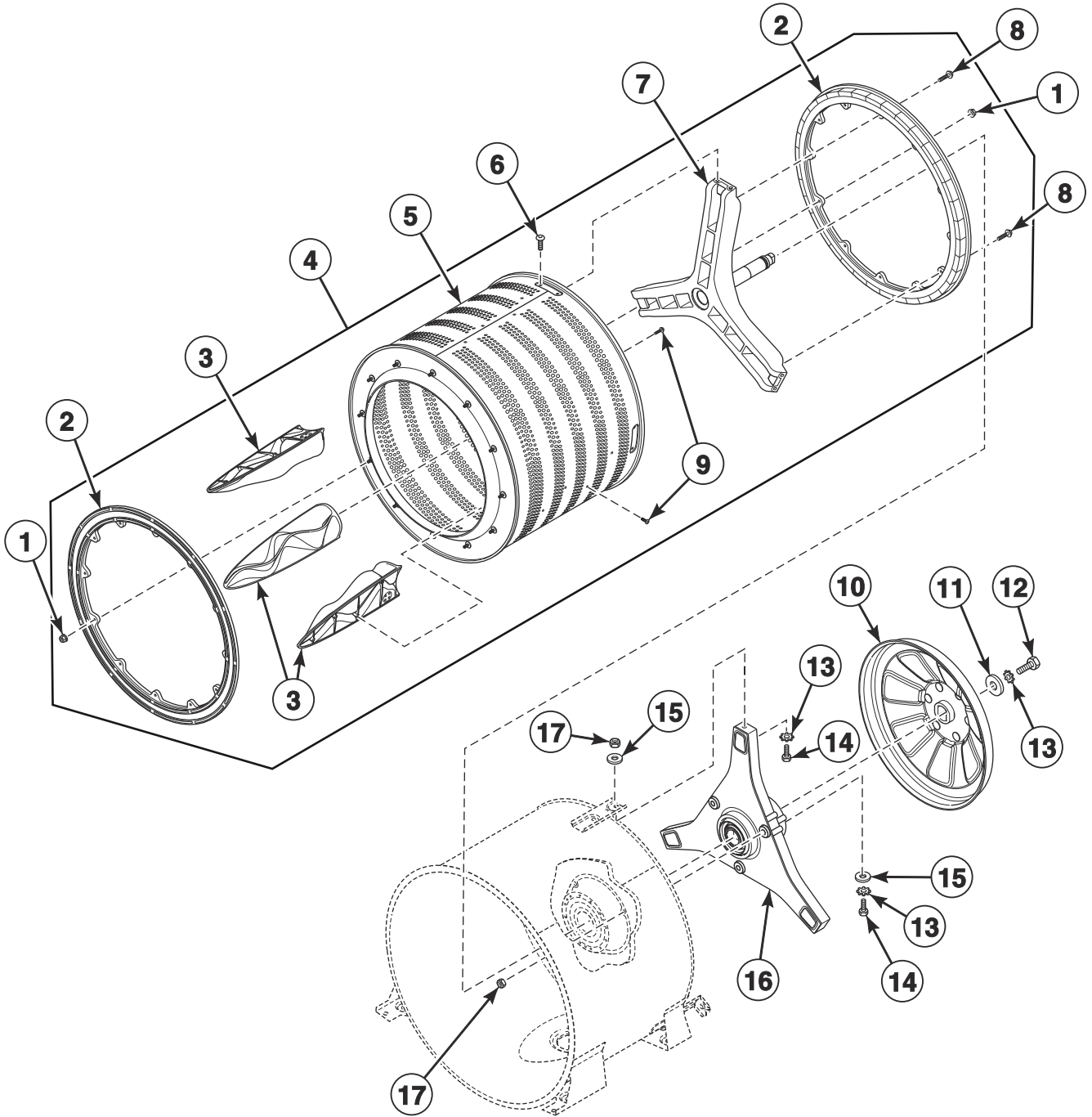
REF	PART NO.	DESCRIPTION	COMMENTS
1	20290	Washer	
2	203676	Hose and Washers Kit	Includes 2 of item 1; Models BTEBXASP173FW28, BTGBXASP113FW28, HTEBXASP133DW01, HTEBXASP173FW28, HTEBXASP543DW01, HTGBXASP113FW28, HTGBXASP123DW01, HTGBXASP543DW01, STEBXASP133DW01, STEBXASP173FW28, STEBXASP543DW01, STGBXASP113FW28, STGBXASP123DW01 and STGBXASP543DW01
	203675	Hose and Washers Kit	Includes 2 of item 1; Models BTEBLASP433AW01, BTEBXASP433AW01, BTGBLASP303AW01, BTGBXASP303AW01, NTEBXASP303NW01, NTEBXASP303NW22, NTGBXASP303NW01, NTLBXASP303NW26, STEBXASP303NW22, STEBXASP303UW01, STEBXASP433AW01, STEBXASP433AW12, STEBXASP543ZW01, STGBXASP303AW01, STGBXASP303AW12, STGBXASP303NW22, STGBXASP303ZW01 and TTEBXASP303NW22
	F200116	Water Hose	5 feet; Hose is equipped with 2 standard hose couplings; Includes items 5 and 7; All other models
3	803615	Washer	Filter screen
	802254	Washer	Flow restrictor; Water pressure reducer; Available for water pressure up to but not exceeding 120 psi
4	202799	Fill Hose	4 feet; Hose is equipped with 2 standard hose couplings; Models BTEBXASP173FW28, BTGBXASP113FW28, HTEBXASP133DW01, HTEBXASP173FW28, HTEBXASP543DW01, HTGBXASP113FW28, HTGBXASP123DW01, HTGBXASP543DW01, STEBXASP133DW01, STEBXASP173FW28, STEBXASP543DW01, STGBXASP113FW28, STGBXASP123DW01 and STGBXASP543DW01
	202800	Fill Hose	4 feet; Hose is equipped with 1 standard and 1 BSPP hose coupling; Models BTEBLASP433AW01, BTEBXASP433AW01, BTGBLASP303AW01, BTGBXASP303AW01, NTEBXASP303NW01, NTEBXASP303NW22, NTGBXASP303NW01, NTLBXASP303NW26, STEBXASP303NW22, STEBXASP303UW01, STEBXASP433AW01, STEBXASP433AW12, STEBXASP543ZW01, STGBXASP303AW01, STGBXASP303AW12, STGBXASP303NW22, STGBXASP303ZW01 and TTEBXASP303NW22
	F8498701	Fill Hose	5 feet; Hose is equipped with 2 standard hose couplings; Models BTEBXASP173FW28, BTGBXASP113FW28, HTEBXASP133DW01, HTEBXASP173FW28, HTEBXASP543DW01, HTGBXASP113FW28, HTGBXASP123DW01, HTGBXASP543DW01, STEBXASP133DW01, STEBXASP173FW28, STEBXASP543DW01, STGBXASP113FW28, STGBXASP123DW01 and STGBXASP543DW01
	202931	Fill Hose	10 feet; Hose is equipped with 1 standard and 1 BSPP hose coupling; Models BTEBLASP433AW01, BTEBXASP433AW01, BTGBLASP303AW01, BTGBXASP303AW01, NTEBXASP303NW01, NTEBXASP303NW22, NTGBXASP303NW01, NTLBXASP303NW26, STEBXASP303NW22, STEBXASP303UW01, STEBXASP433AW01, STEBXASP433AW12, STEBXASP543ZW01, STGBXASP303AW01, STGBXASP303AW12, STGBXASP303NW22, STGBXASP303ZW01 and TTEBXASP303NW22
	20617	Fill Hose	8 feet; Hose is equipped with 2 standard hose couplings; All other models
	20618	Fill Hose	10 feet; Hose is equipped with 2 standard hose couplings; All other models



## Outer Tub, Front and Clamp Ring

REF	PART NO.	DESCRIPTION	COMMENTS
1	803415	Out-of-Balance Switch Assembly	Through Serial No. 2012999999
	807384	Out-of-Balance Switch Assembly	Starting Serial No. 2101000001
2	800461	Screw	
3	804458	Washer	
4	804457	Out-of-Balance Switch Bracket	Through Serial No. 2012999999
	807280	Out-of-Balance Switch Bracket	Starting Serial No. 2101000001
5	800452	Nut	
6	685847	Pop Rivet	
7	800553	Hose Clip	
8	D500049	Warning Label	
9	808013	Pressure Bulb	
10	36985	Hose Clip	
11	804483	Pressure Sensor Tube Assembly	
12	803891	Hose Clamp	
13	29175	Grommet	
14	803864	Outer Tub Assembly	
15	803777P	Shock Assembly	Must replace all four
16	807476	Counterweight	Through Serial No. 2012999999
	807476	Counterweight	Starting Serial No. 2101000001
17	803770	Tub Front	
18	806308	Foreign Object Deflector	Black; Includes screws
	806313	Foreign Object Deflector	Gray; Includes screws
	806361	Foreign Object Deflector	Tall; Gray; Includes screws
19	803801	Tub Front Seal	
20	803802	Clamp Ring	
21	F430218	Nut	
22	M400081	Washer	
23	800462	Screw	
24	802596	Screw	
25	804467	Clothes Guard Deflector	
	805548	Clothes Guard Deflector	Heavy duty
26	803879	Tub Front Assembly	Includes items 17, 24, 25 and 27
27	802343	Nut	

# Inner Basket, Trunnion, Bearing Housing and Pulley

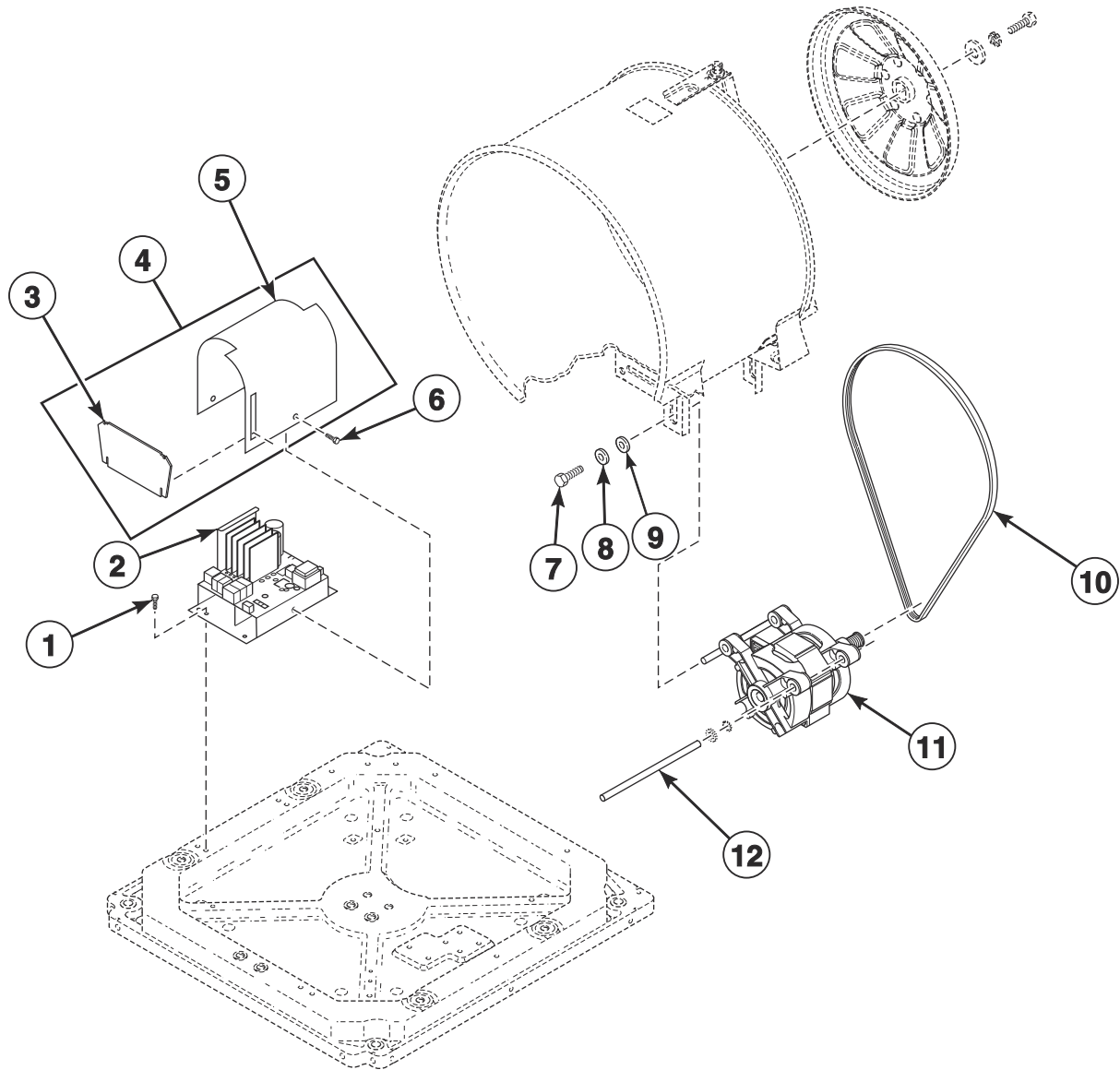


FLW1803P\_806122

## Inner Basket, Trunnion, Bearing Housing and Pulley

REF	PART NO.	DESCRIPTION	COMMENTS
	27604P	Anti-Seize Compound	Pulley to inner basket shaft
1	804418	Nut	
2	804393	Balance Ring Assembly	
3	804382	Lifter	
4	805485	Inner Basket Assembly	Includes items 1-3 and 5-9; Models STEBXASP433AW12 and STGBXASP303AW12
	804376P	Inner Basket Assembly Kit	Includes items 1-3 and 5-9; All other models
5	804374P	Inner Basket Assembly	
6	804699	Screw	
7	806831	Trunnion Kit	Includes hardware; Models STEBXASP433AW12 and STGBXASP303AW12
	808043P	Trunnion Shaft Kit	Includes hardware and tool; All other models
8	804399	Screw	
9	800548	Screw	
10	808197	Pulley Assembly	
11	807679	Washer	
12	685831	Screw	Left hand thread
13	M403958	Washer	Washer used on pulley through Serial No. 1609046805
14	M400043	Screw	
15	800457	Washer	
16	805525	Bearing Housing Kit	Includes hardware and tool
17	800452	Nut	

# Motor and Belt



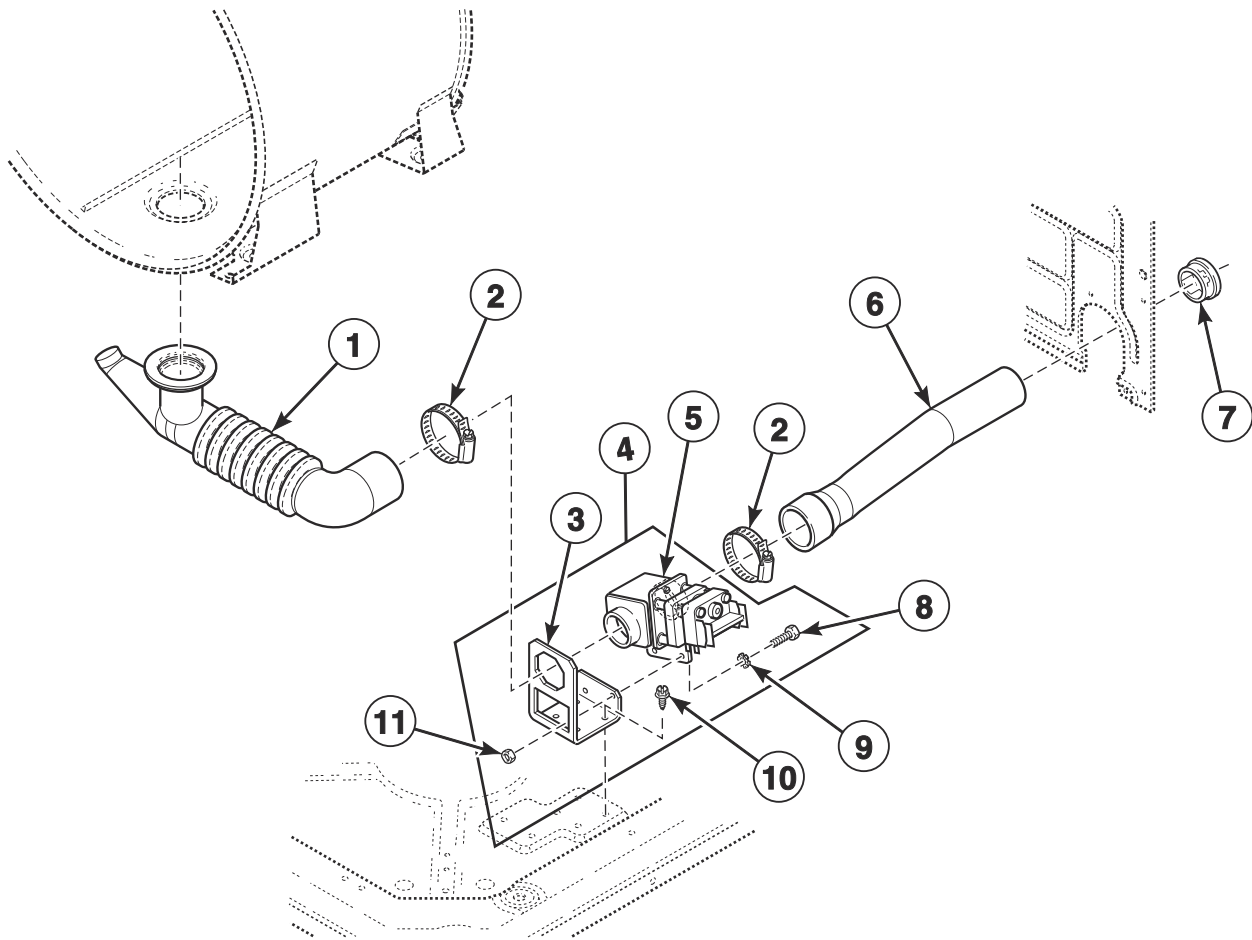
FLW1794P\_806122

# Motor and Belt

REF	PART NO.	DESCRIPTION	COMMENTS
	807441	Control Bracket	Starting Serial No. 2101000001
	F8206901	Screw	Starting Serial No. 2101000001; Use with 807441 Control Bracket
<b>1</b>	D503661	Screw	
<b>2</b>	807175P	Inverter Control Assembly	Through Serial No. 2012999999
	808149	Output Control Assembly	120 Volt; Without filter; Starting Serial No. 2101000001
	808150	Output Control Assembly	240 Volt; With filter; Starting Serial No. 2101000001
<b>3</b>	806258	End Shield	Models BTEBLASP433AW01, BTEBXASP173FW28, BTEBXASP433AW01, BTGBLASP303AW01, BTGBXASP113FW28, BTGBXASP303AW01, HTEBXASP133DW01, HTEBXASP173FW28, HTEBXASP543DW01, HTGBXASP113FW28, HTGBXASP123DW01, HTGBXASP543DW01, STEBXASP133DW01, STEBXASP173FW28, STEBXASP303UW01, STEBXASP433AW01, STEBXASP433AW12, STEBXASP543DW01, STEBXASP543ZW01, STGBXASP113FW28, STGBXASP123DW01, STGBXASP303AW01, STGBXASP303AW12, STGBXASP303ZW01 and STGBXASP543DW01
<b>4</b>	806498	Motor Control Shield	Includes items 3 and 5; Models BTEBLASP433AW01, BTEBXASP173FW28, BTEBXASP433AW01, BTGBLASP303AW01, BTGBXASP113FW28, BTGBXASP303AW01, HTEBXASP133DW01, HTEBXASP173FW28, HTEBXASP543DW01, HTGBXASP113FW28, HTGBXASP123DW01, HTGBXASP543DW01, STEBXASP133DW01, STEBXASP173FW28, STEBXASP303UW01, STEBXASP433AW01, STEBXASP433AW12, STEBXASP543DW01, STEBXASP543ZW01, STGBXASP113FW28, STGBXASP123DW01, STGBXASP303AW01, STGBXASP303AW12, STGBXASP303ZW01 and STGBXASP543DW01
<b>5</b>	804878	Motor Control Shield	Through Serial No. 2012999999
<b>6</b>	D501524	Screw	
<b>7</b>	M400057	Screw	Through Serial No. 2010999999
	02916	Screw	Starting Serial No. 2011000001
<b>8</b>	02834	Washer	Through Serial No. 2010999999
<b>9</b>	M400080	Washer	Through Serial No. 2010999999
<b>10</b>	804985	Drive Belt	
<b>11</b>	805726P	Motor and Rod Assembly Kit	Includes item 12; Through Serial No.2012999999
	808067P	Motor and Rod Assembly Kit	Includes item 12; Starting Serial No. 2101000001
<b>12</b>	803861	Motor Rod	Through Serial No. 2010999999
	807739	Motor Rod	Starting Serial No. 2011000001

# Drain Hoses and Valve

Model STGBXASG113TW01



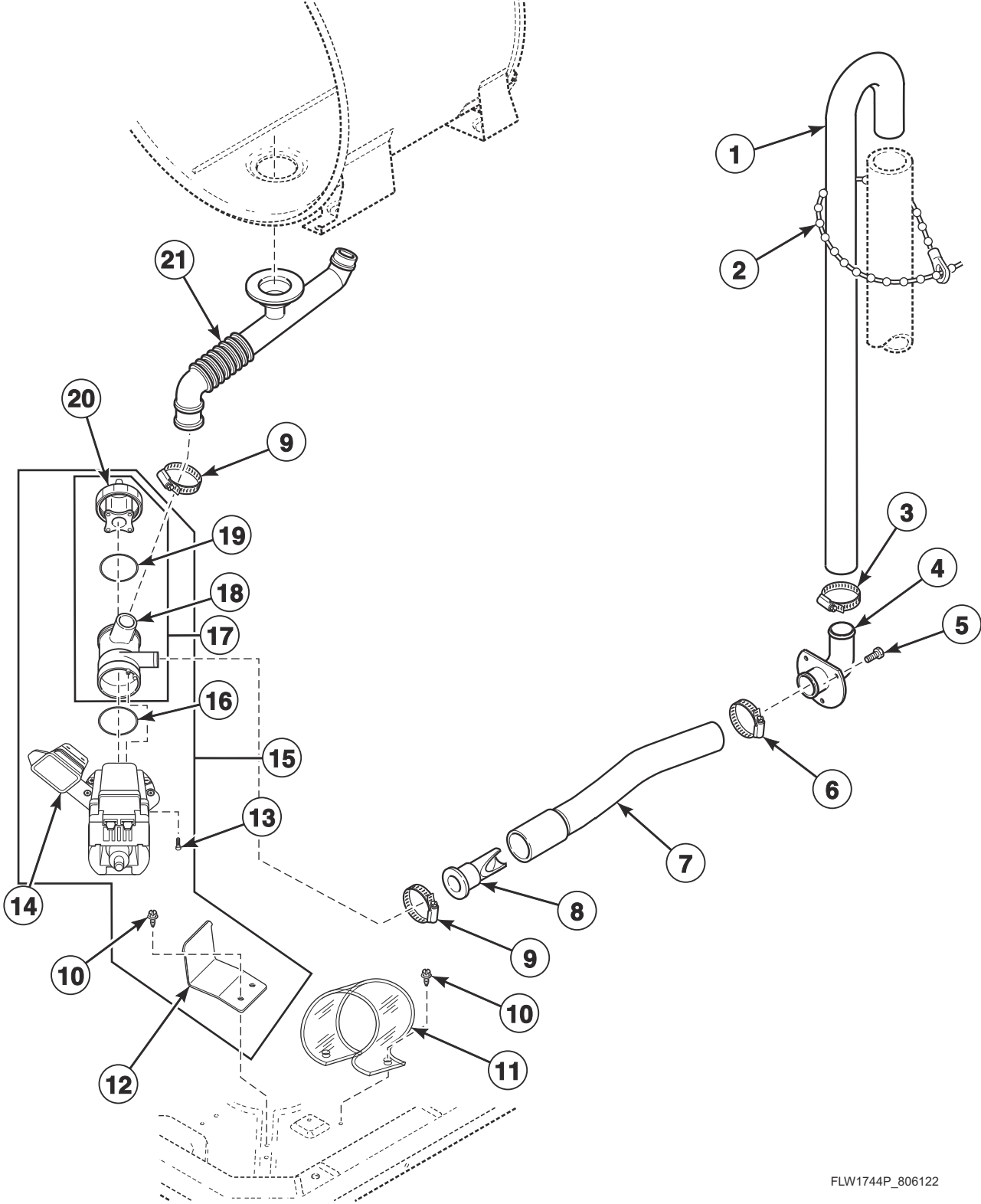
FLW1745P\_806122



## Drain Hoses and Valve

REF	PART NO.	DESCRIPTION	COMMENTS
1	803874	Tub-to-Gravity Drain Hose	
2	685725	Hose Clamp	
3	803291	Gravity Drain Bracket	
4	F975P3	Drain Valve Kit	120 Volt
5	803293P	Drain Valve	120 Volt
6	800903	Drain-to-Cabinet Hose	
7	D503235	Snap Bushing	
8	02916	Screw	
9	M400017	Washer	
10	D503661	Screw	
11	29786	Nut	

# Drain Hose and Pump

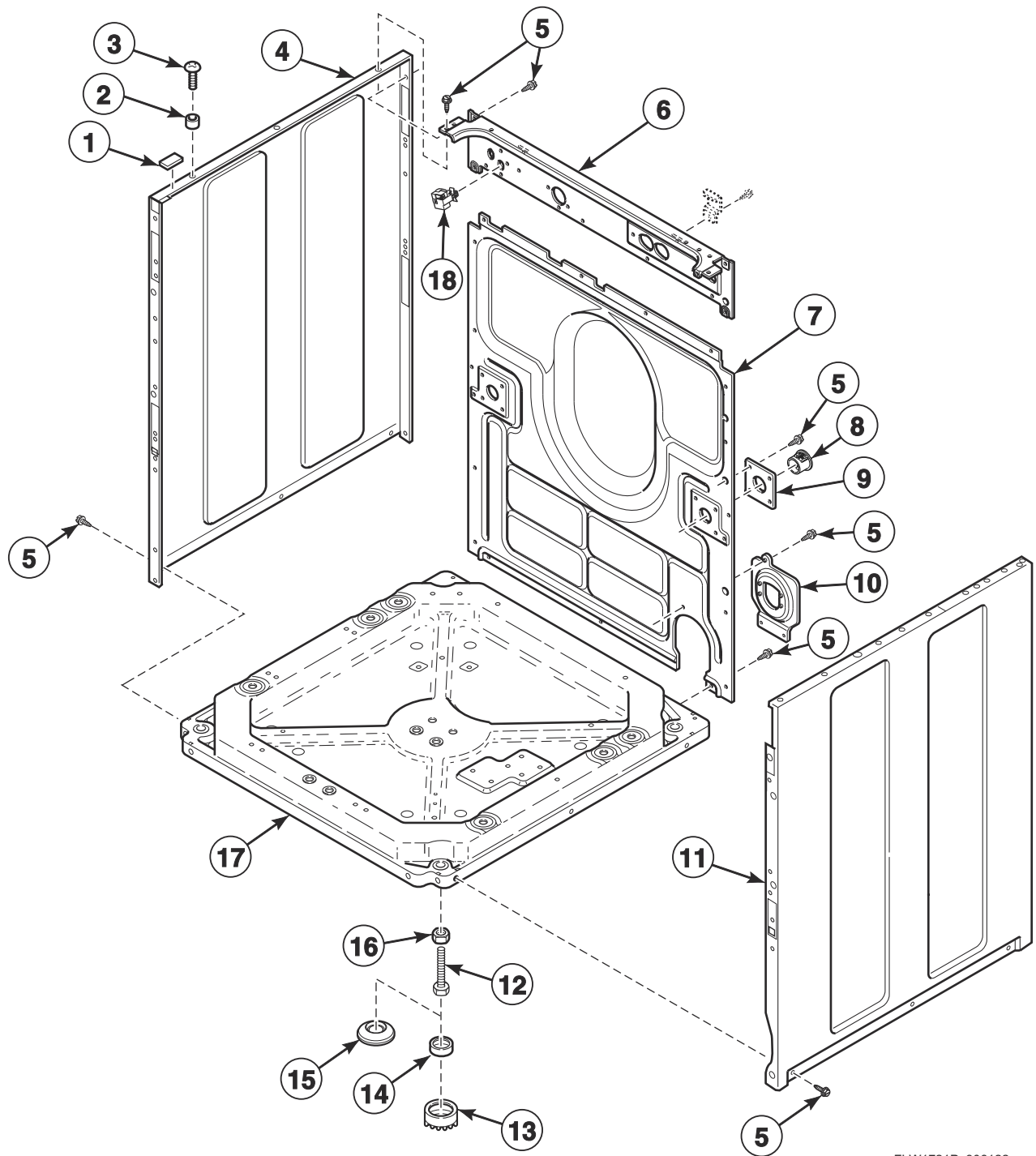


FLW1744P\_806122

# Drain Hose and Pump

REF	PART NO.	DESCRIPTION	COMMENTS
1	27154	Drain Hose	
2	33489	Standpipe Strap	
3	20211	Hose Clamp	
4	35766	Drain Hose Elbow	
5	52909	Screw	
6	20391	Hose Clamp	
7	803734	Pump-to-Elbow Hose	
8	800310	Backflow Preventer	
9	F200204	Hose Clamp	
10	D503661	Screw	
11	805561	Drain Pump Drip Shield	Models BTEBLASP433AW01, BTEBXASP173FW28, BTEBXASP433AW01, BTGBLASP303AW01, BTGBXASP113FW28, BTGBXASP303AW01, HTEBXASP133DW01, HTEBXASP173FW28, HTEBXASP543DW01, HTGBXASP113FW28, HTGBXASP123DW01, HTGBXASP543DW01, STEBXASP133DW01, STEBXASP173FW28, STEBXASP303UW01, STEBXASP433AW01, STEBXASP433AW12, STEBXASP543DW01, STEBXASP543ZW01, STGBXASP113FW28, STGBXASP123DW01, STGBXASP303AW01, STGBXASP303AW12, STGBXASP303ZW01 and STGBXASP543DW01
12	803814	Drain Base Bracket	
13	802431	Screw	
14	803815	Drain Pump Isolator	
15	808195P	Drain Pump Assembly	208-240 Volt; 60 Hertz; Includes items 10, 12-14 and 16-20; Models HTEBXASP543DW01, HTGBXASP543DW01, STEBXASP543DW01, STEBXASP543ZW01 and STGBXASP543DW01
	803922	Drain Pump Assembly	220-240 Volt; 50 Hertz; Includes items 10, 12-14 and 16-20; Models BTEBLASP433AW01, BTEBXASP433AW01, BTGBLASP303AW01, BTGBXASP303AW01, NTEBXASP303NW01, NTEBXASP303NW22, NTGBXASP303NW01, NTLBXASP303NW26, STEBXASP303NW22, STEBXASP303UW01, STEBXASP433AW01, STEBXASP433AW12, STGBXASP303AW01, STGBXASP303AW12, STGBXASP303NW22, STGBXASP303ZW01 and TTEBXASP303NW22
	805724P	Drain Pump Assembly	100-127 Volt; 60 Hertz; Includes items 10, 12-14 and 16-20; Models BTEBXASP173FW28, BTGBXASP113FW28, HTEBXASP133DW01, HTEBXASP173FW28, HTGBXASP113FW28, HTGBXASP123DW01, STEBXASP133DW01, STEBXASP173FW28, STGBXASP113FW28 and STGBXASP123DW01
	805724P	Drain Pump Assembly	120 Volt; 60 Hertz; Includes items 10, 12-14 and 16-20; All other models
16	802429P	O-Ring	
17	802434P	Pump Housing Assembly	Includes items 18-20
18	802428	Pump Housing	
19	802427	Gasket	
20	802426P	Lid Assembly	Includes filter
21	803829	Tub-to-Pump Hose	
	27615P	Sealant	Tub-to-pump hose to outer tub

# Base, Side Panels and Rear Panel



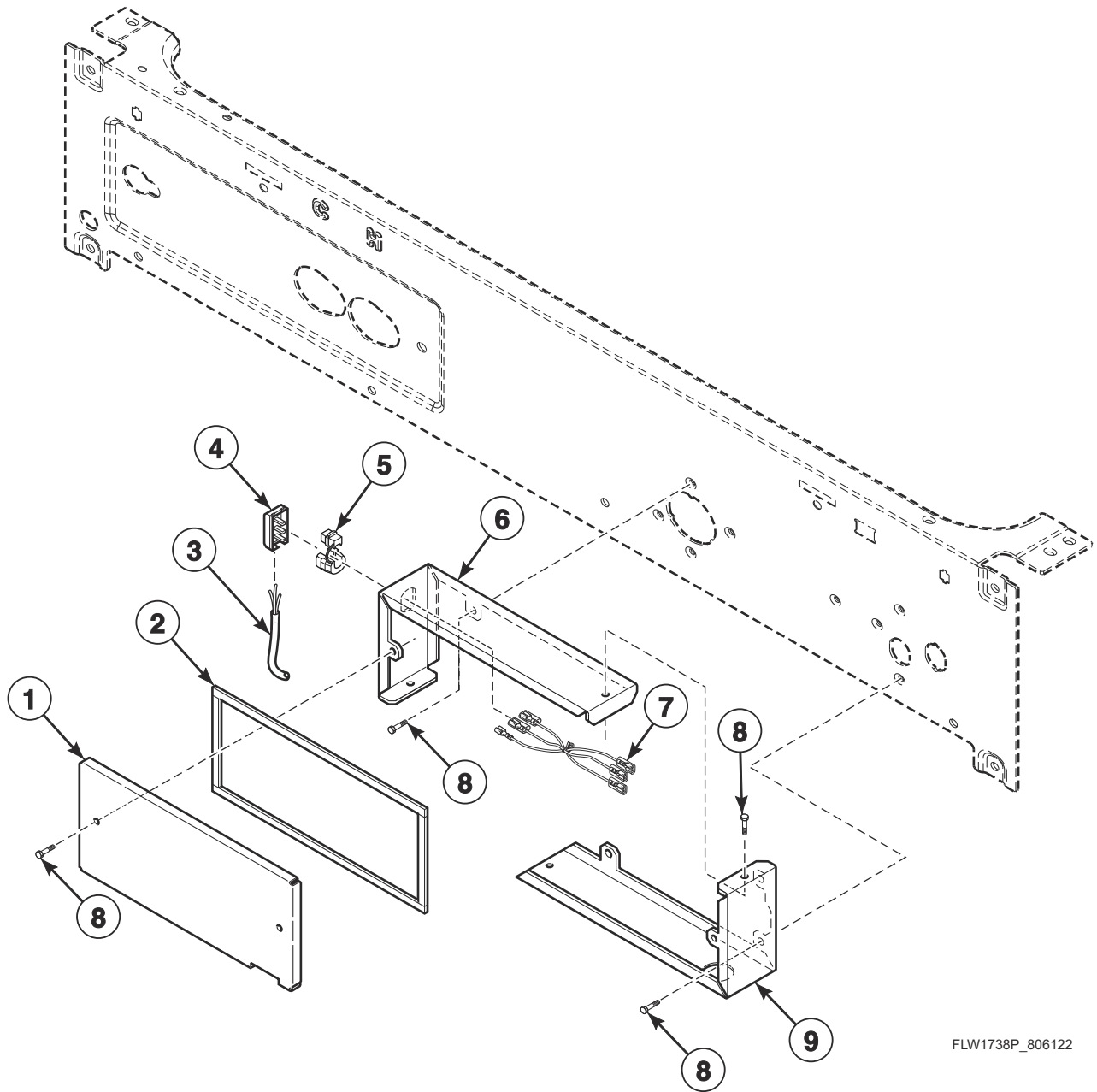
FLW1721P\_806122

## Base, Side Panels and Rear Panel

REF	PART NO.	DESCRIPTION	COMMENTS
	122P4P	Porcelain Touch-Up Paint	White
1	36226	Bumper Pad	
2	56079	Panel Locator	
3	39733	Screw	
4	800004WP	Cabinet Panel Kit	Left; White; Includes corner gusset with hardware
	800004QP	Cabinet Panel Kit	Left; Bisque
5	D503661	Screw	
6	803790	Rear Panel	Fixed
7	803789	Rear Panel	Removable
8	803859	Shipping Plug	
9	803851	Shipping Plate	
10	803828	Drain Hose Bracket	
11	806492	Side Panel Kit	Right; White
	800005QP	Side Panel Kit	Right; Bisque
12	34319	Leveling Leg	
13	D501855	Rubber Foot	Use to prevent movement on smooth surface floor coverings; Install over two existing front rubber feet (item 14)
14	34318	Rubber Foot	
15	155P3	Anchor	Includes 4 rubber discs with adhesive backing
	802844P	Anchor Floor Mount Assembly	Includes 2 rubber discs with adhesive backing
16	21899	Nut	
17	803876	Base Assembly	
18	203843	Pressure Sensor	

# Washer Junction Box

Models BTEBLASP433AW01, BTEBXASP173FW28, BTEBXASP433AW01, BTGBLASP303AW01, BTGBXASP113FW28, BTGBXASP303AW01, HTEBXASP133DW01, HTEBXASP173FW28, HTEBXASP543DW01, HTGBXASP113FW28, HTGBXASP123DW01, HTGBXASP543DW01, NTEBXASP303NW01, NTEBXASP303NW22, NTGBXASP303NW01, NTLBXASP303NW26, STEBXASP133DW01, STEBXASP173FW28, STEBXASP303NW22, STEBXASP303UW01, STEBXASP433AW01, STEBXASP433AW12, STEBXASP543DW01, STEBXASP543ZW01, STGBXASP113FW28, STGBXASP123DW01, STGBXASP303AW01, STGBXASP303AW12, STGBXASP303NW22, STGBXASP303ZW01, STGBXASP543DW01 and TTEBXASP303NW22

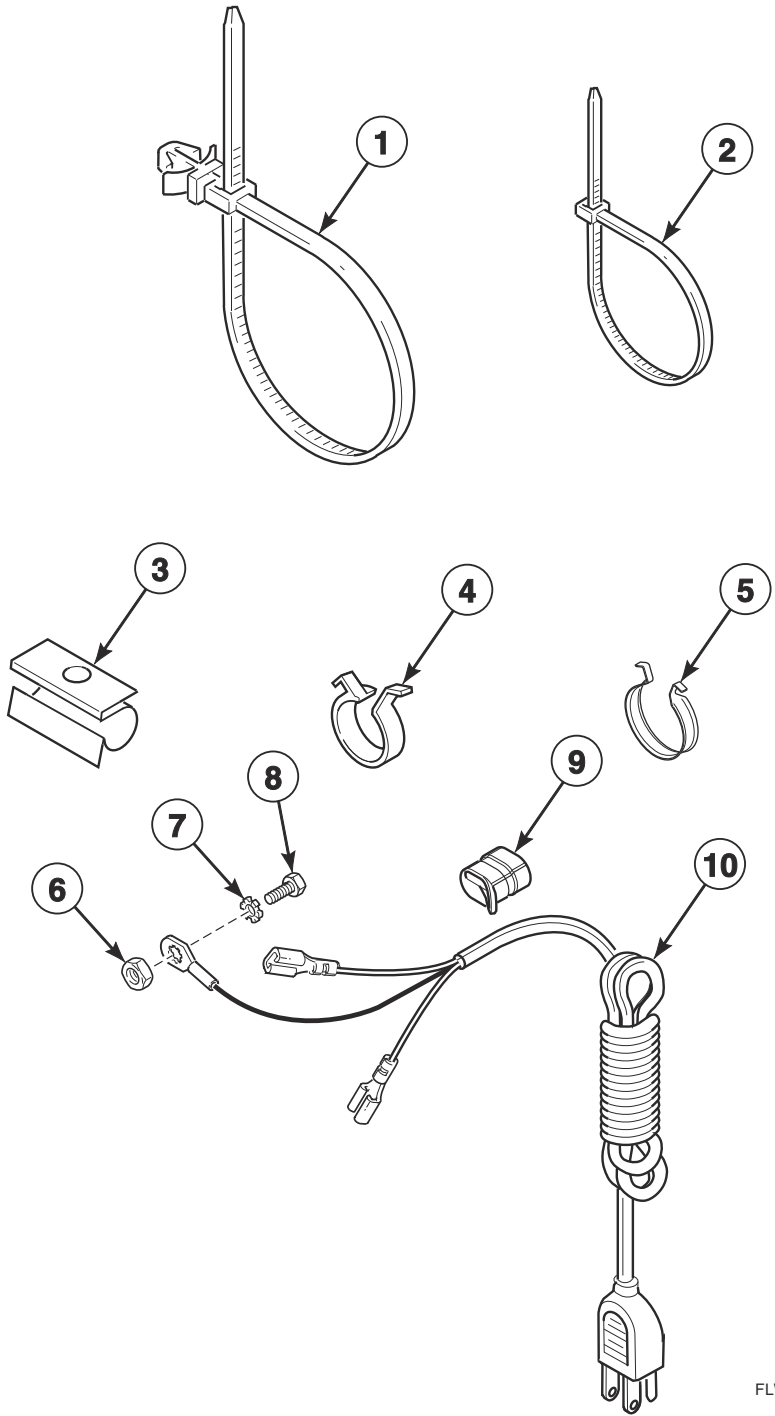


FLW1738P\_806122

# Washer Junction Box

REF	PART NO.	DESCRIPTION	COMMENTS
1	803820	Junction Box Cover	
2	803832P	Junction Box Seal	
3	801450	Power Cord Assembly	Models NTEBXASP303NW01, NTEBXASP303NW22, NTGBXASP303NW01, STEBXASP303NW22, STEBXASP303UW01, STEBXASP543ZW01, STGBXASP303NW22, STGBXASP303ZW01 and TTEBXASP303NW22
	808131	Lead-In Cord	Model NTLBXASP303NW26
	808047	Power Cord Assembly	Models BTEBLASP433AW01, BTEBXASP433AW01, BTGBLASP303AW01, BTGBXASP303AW01, STEBXASP433AW01, STEBXASP433AW12, STGBXASP303AW01 and STGBXASP303AW12
	804556	Lead-In Cord Assembly	Models HTEBXASP133DW01, HTEBXASP543DW01, HTGBXASP123DW01, HTGBXASP543DW01, STEBXASP133DW01, STEBXASP543DW01, STGBXASP123DW01 and STGBXASP543DW01
	802012	Power Cord Assembly	Models BTEBXASP173FW28, BTGBXASP113FW28, HTEBXASP173FW28, HTGBXASP113FW28, STEBXASP173FW28 and STGBXASP113FW28
4	39922	Cable Connection Box	
5	38384	Strain Relief	
6	803818	Junction Box	Upper
7	804805	Filter Jumper Harness	Filter to terminal block
8	D503661	Screw	
9	803819	Junction Box	Lower

# Washer Lead-In Cord, Wire Ties and Harness Clips



FLW823P\_806122

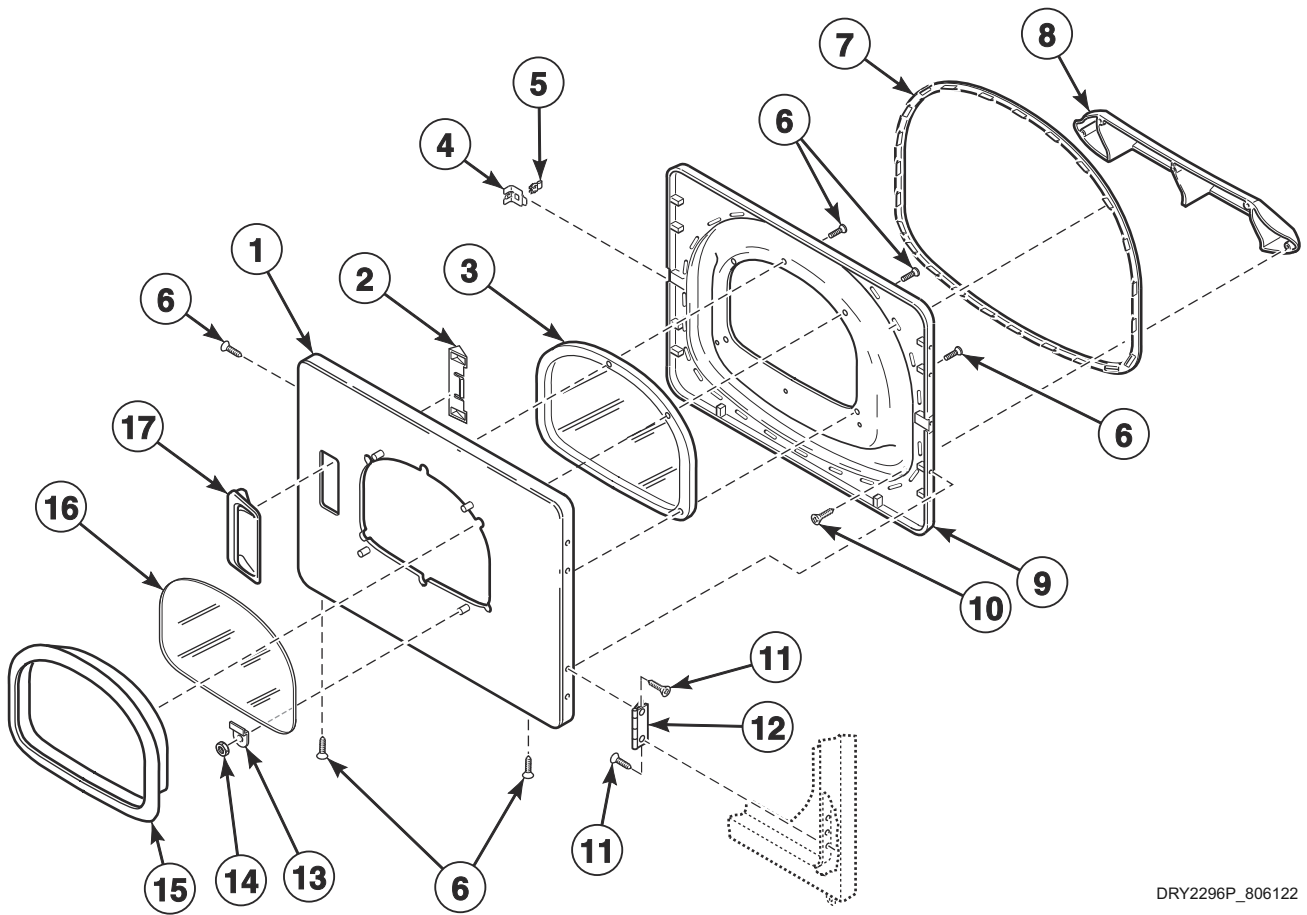


## Washer Lead-In Cord, Wire Ties and Harness Clips

REF	PART NO.	DESCRIPTION	COMMENTS
1	38663	Wire Tie	
2	55881	Harness Strap	
3	36985	Hose Clip	
4	D504034	Wire Clip	Small
5	687500	Wire Clip	Large
6	03673	Nut	
7	03815	Washer	
8	20530	Screw	
9	38384	Strain Relief	
10	202777	Lead-In Cord	Models BTEBCASP173TW01, BTEBYASP173TW01, BTGBCASP113TW01, BTGBYASP113TW01, HTEBCASP173TW01, HTGBCASP113TW01, HTGBYASP113TW01, STEBCASP173TQ01, STEBCASP173TW01, STEBXASP173TQ01, STEBXASP173TW01, STEBYASP173TW01, STGBCASP113TW01, STGBXASG113TW01, STGBXASP113TW01 and STGBYASP113TW01

# Dryer Loading Door (Drawing 1 of 3)

Models BTEBCASP173TW01, BTEBEASP283CW01, BTEBYASP173TW01, HTEBCASP173TW01, HTEBDASP283CW01, HTEBXASP283CW01, HTEBXASP293CW01, HTEBYASP283CW01, STEBCASP173TQ01, STEBCASP173TW01, STEBXASP173TQ01, STEBXASP173TW01 and STEBYASP173TW01



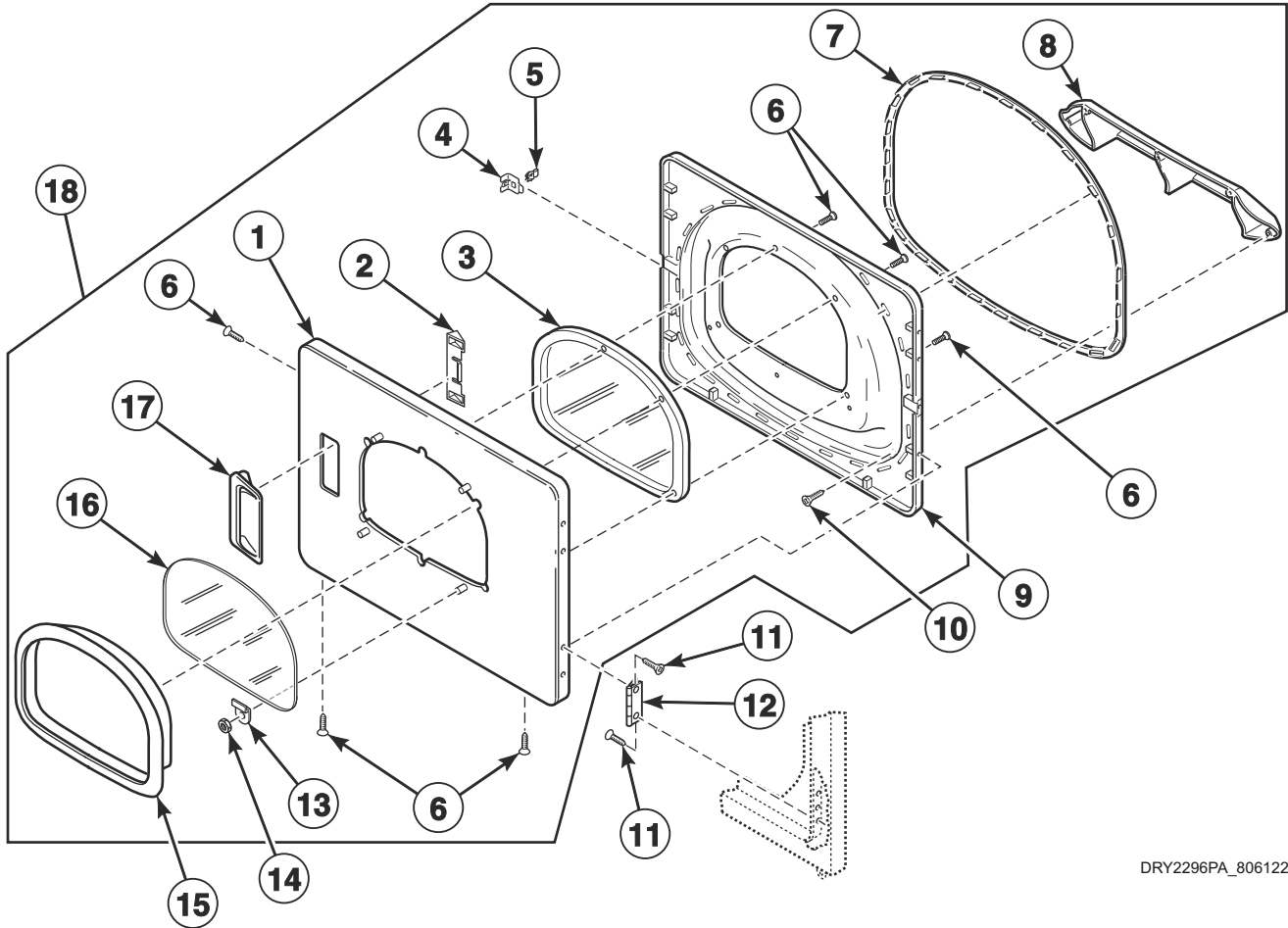
DRY2296P\_806122

## Dryer Loading Door (Drawing 1 of 3)

REF	PART NO.	DESCRIPTION	COMMENTS
1	D516737W	Door Assembly	Through Serial Nos. beginning 1707
	D515961W	Dryer Door	Starting Serial Nos. beginning 1707
2	D510129W	Door Handle Wedge	
3	D503982P	Dryer Door Window	Through Serial Nos. beginning 1707
	D515681	Dryer Door Window	Glass; Starting Serial Nos. beginning 1707
4	D510127	Door Strike Mount	Through Serial Nos. beginning 1707
5	D510181	Door Strike	
6	D515597	Screw	Through Serial Nos. beginning 1707
	D515967	Screw	Starting Serial Nos. beginning 1707
7	D510147P	Liner Door Seal	Through Serial Nos. beginning 1707
	D515709	Liner Door Seal	Starting Serial Nos. beginning 1707
8	D503870LG	Door Liner Grill	Through Serial Nos. beginning 1707
	D503870W	Door Liner Grill	Starting Serial Nos. beginning 1707
9	D516737W	Door Assembly	Includes item 7; Through Serial Nos. beginning 1707
	D516509	Liner and Seal Assembly	Includes item 7; Starting Serial Nos. beginning 1707
10	D505870	Screw	
11	D505295	Screw	
12	D511036	Hinge	
13	D513958	Window Clip	Through Serial Nos. beginning 1707
14	44071201	Nut	Through Serial Nos. beginning 1707
15	D516737W	Door Assembly	Through Serial Nos. beginning 1707
	D515956W	Window Trim	Starting Serial Nos. beginning 1707
16	D516737W	Door Assembly	Through Serial Nos. beginning 1707
17	D510103WP	Door Pull and Wedge Kit	Includes item 2

# Dryer Loading Door (Drawing 2 of 3)

Models BTGBCASP113TW01, BTGBYASP113TW01, HTGBCASP113TW01, HTGBDASP093CW01, HTGBXASP093CW01, HTGBYASP093CW01, HTGBYASP113TW01, STGBCASP113TW01, STGBXASG113TW01, STGBXASP113TW01 and STGBYASP113TW01



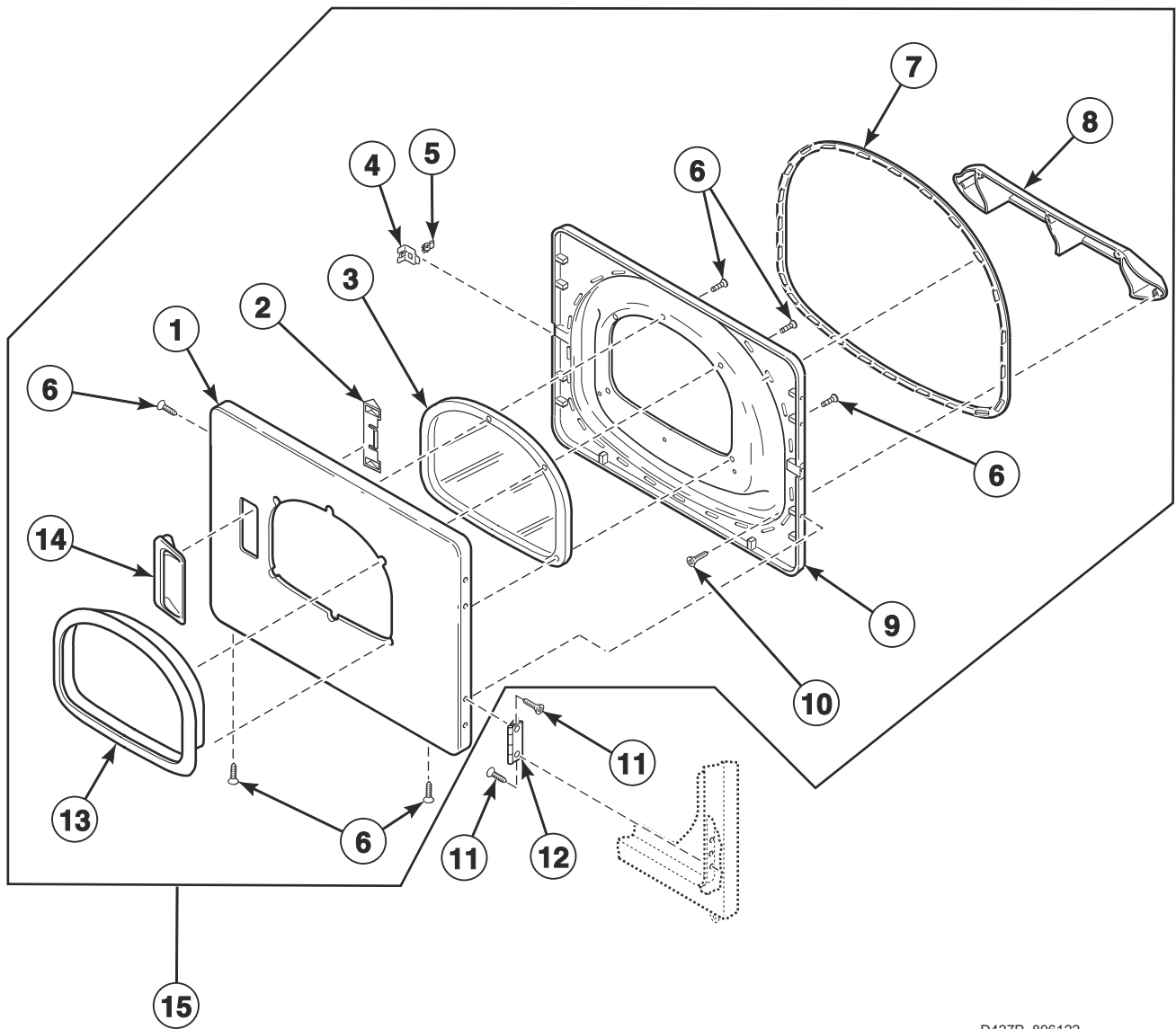
DRY2296PA\_806122

## Dryer Loading Door (Drawing 2 of 3)

REF	PART NO.	DESCRIPTION	COMMENTS
1	D510082WP	Dryer Door	Through Serial No. 1606000838
	D516737W	Door Assembly	Starting Serial No. 1606000839 and continuing through Serial Nos. beginning 1707
	D515961W	Dryer Door	Starting Serial Nos. beginning 1707
2	D510129W	Door Handle Wedge	Through Serial No. 1606000838 and starting again with Serial Nos. beginning 1711
3	D503982P	Dryer Door Window	
	D515681	Dryer Door Window	Glass; Starting Serial Nos. beginning 1707
4	D510127	Door Strike Mount	Through Serial Nos. beginning 1707
5	D510181	Door Strike	
6	D500226	Screw	Through Serial No. 1606000838
	D515597	Screw	Starting Serial No. 1606000839 and continuing through Serial Nos. beginning 1707
	D515967	Screw	Starting Serial Nos. beginning 1707
7	D510147P	Liner Door Seal	Through Serial Nos. beginning 1707
	D515709	Liner Door Seal	Starting Serial Nos. beginning 1707
8	D503870W	Door Liner Grill	Through Serial No. 1606000838
	D503870LG	Door Liner Grill	Starting Serial No. 1606000839 and continuing through Serial Nos. beginning 1707
	D503870W	Door Liner Grill	Starting Serial Nos. beginning 1707
9	D516509	Liner and Seal Assembly	Includes item 7; Through Serial No. 1606000838
	D516737W	Door Assembly	Includes item 7; Starting Serial No. 1606000839 and continuing through Serial Nos. beginning 1707
	D516509	Liner and Seal Assembly	Includes item 7; Starting Serial Nos. beginning 1707
10	D505870	Screw	
11	D505295	Screw	
12	D511036	Hinge	
13	D513958	Window Clip	Starting Serial No. 1606000839 and continuing through Serial Nos. beginning 1707
14	44071201	Nut	Starting Serial No. 1606000839 and continuing through Serial Nos. beginning 1707
15	D503981W	Window Trim	Through Serial No. 1606000838
	D516737W	Door Assembly	Starting Serial No. 1606000839 and continuing through Serial Nos. beginning 1707
	D515956W	Window Trim	Starting Serial Nos. beginning 1707
16	D516737W	Door Assembly	Starting Serial No. 1606000839 and continuing through Serial Nos. beginning 1707
17	D510103WP	Door Pull and Wedge Kit	Includes item 2
18	D516737W	Door Assembly	White; Includes items 1-10, 15 and 17; Through Serial No. 1606000838

## Dryer Loading Door (Drawing 3 of 3)

Models BTEBLASP433AW01, BTEBXASP173FW28, BTEBXASP433AW01, BTGBLASP303AW01, BTGBXASP113FW28, BTGBXASP303AW01, HTEBXASP133DW01, HTEBXASP173FW28, HTEBXASP543DW01, HTGBXASP113FW28, HTGBXASP123DW01, HTGBXASP543DW01, NTEBXASP303NW01, NTEBXASP303NW22, NTGBXASP303NW01, NTLBXASP303NW26, STEBXASP133DW01, STEBXASP173FW28, STEBXASP303NW22, STEBXASP303UW01, STEBXASP433AW01, STEBXASP433AW12, STEBXASP543DW01, STEBXASP543ZW01, STGBXASP113FW28, STGBXASP123DW01, STGBXASP303AW01, STGBXASP303AW12, STGBXASP303NW22, STGBXASP303ZW01, STGBXASP543DW01 and TTEBXASP303NW22

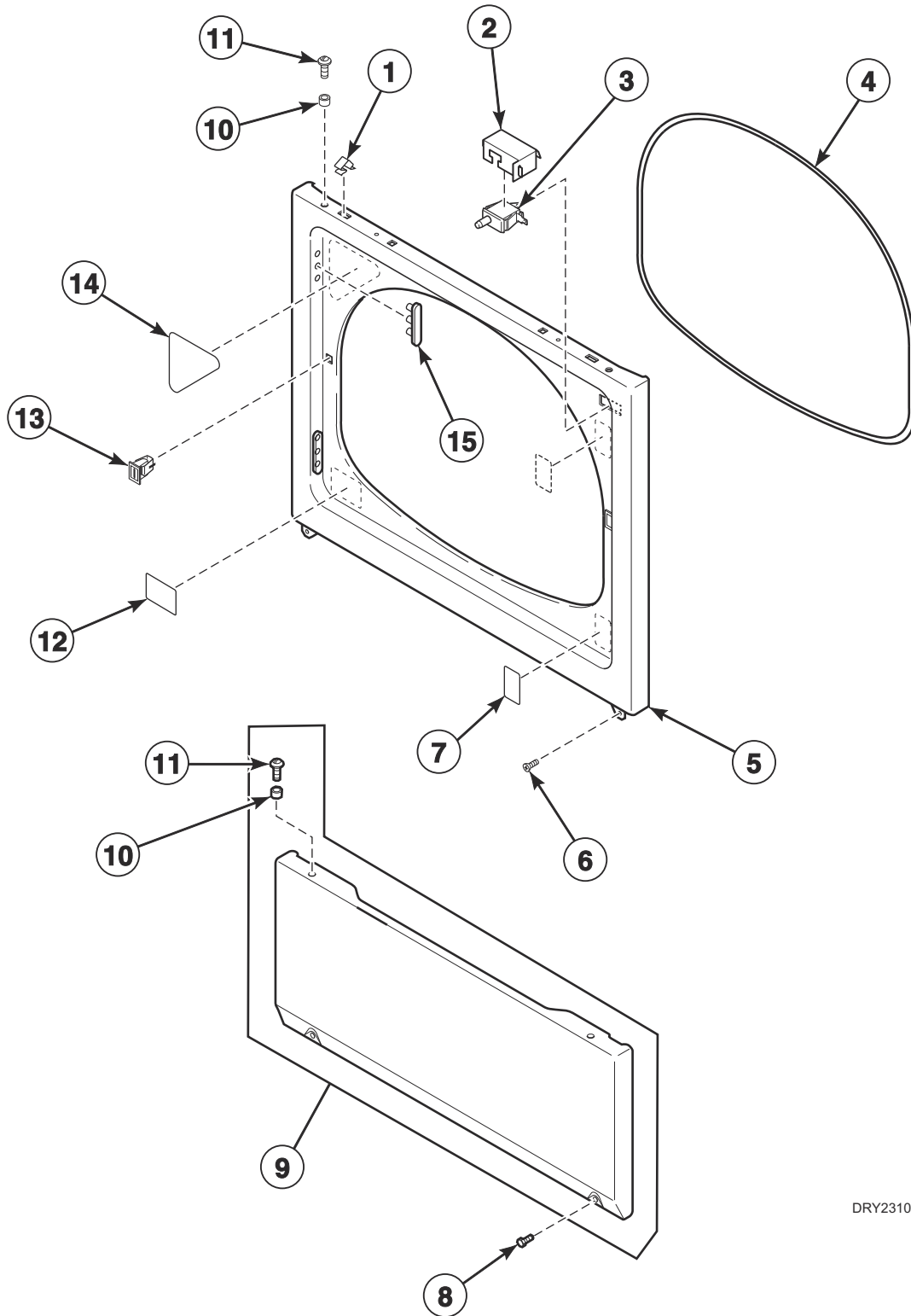


D427P\_806122

## Dryer Loading Door (Drawing 3 of 3)

REF	PART NO.	DESCRIPTION	COMMENTS
1	D510082WP	Dryer Door	
2	D510129W	Door Handle Wedge	
3	D503982P	Dryer Door Window	
4	D510127	Door Strike Mount	
5	D510181	Door Strike	
6	D500226	Screw	
7	D510147P	Liner Door Seal	
8	D503870W	Door Liner Grill	
9	D516509	Liner and Seal Assembly	Includes item 7
10	D505870	Screw	
11	D505295	Screw	
12	D511036	Hinge	
13	D512633	Window Trim	Gray; Models BTEBLASP433AW01, BTEBXASP173FW28, BTEBXASP433AW01, BTGBLASP303AW01, BTGBXASP113FW28 and BTGBXASP303AW01
	D503981W	Window Trim	White; All other models
14	D510103WP	Door Pull and Wedge Kit	Includes item 2
15	D516737W	Door Assembly	White; Includes items 1-10, 13 and 14

# Access Panel, Front Panel and Seal



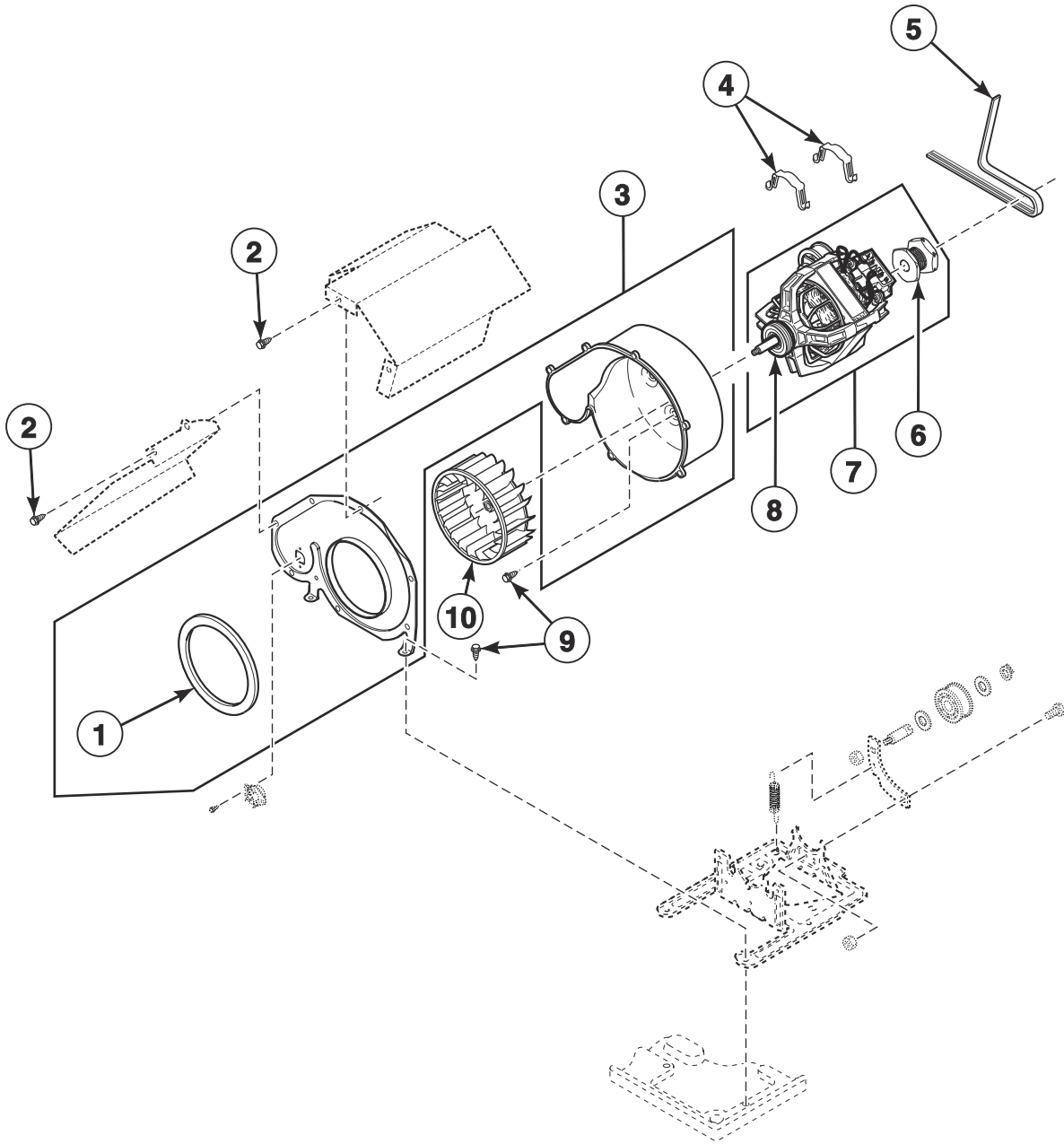
DRY2310P\_806122



## Access Panel, Front Panel and Seal

REF	PART NO.	DESCRIPTION	COMMENTS
1	28835	Speed Clip	
2	D514327	Drip Shield	Models BTEBLASP433AW01, BTEBXASP173FW28, BTEBXASP433AW01, BTGBLASP303AW01, BTGBXASP113FW28, BTGBXASP303AW01, HTEBXASP133DW01, HTEBXASP173FW28, HTEBXASP543DW01, HTGBXASP113FW28, HTGBXASP123DW01, HTGBXASP543DW01, STEBXASP133DW01, STEBXASP173FW28, STEBXASP303UW01, STEBXASP433AW01, STEBXASP433AW12, STEBXASP543DW01, STEBXASP543ZW01, STGBXASP113FW28, STGBXASP123DW01, STGBXASP303AW01, STGBXASP303AW12, STGBXASP303ZW01 and STGBXASP543DW01
3	D512973	Switch	
4	D511056	Front Panel Seal	
5	D510066WP	Front Panel	
6	D503688	Screw	
7	D512263	Warning Label	Models BTEBLASP433AW01, BTEBXASP433AW01, BTGBLASP303AW01, BTGBXASP303AW01, STEBXASP433AW01, STEBXASP433AW12, STGBXASP303AW01 and STGBXASP303AW12
8	33562	Screw	
9	D514250WP	Access Panel Assembly	White; BTEBCASP173TW01, BTEBEASP283CW01, BTEBYASP173TW01, HTEBCASP173TW01, HTEBDASP283CW01, HTEBXASP283CW01, HTEBXASP293CW01, HTEBYASP283CW01, STEBCASP173TQ01, STEBCASP173TW01, STEBXASP173TQ01, STEBXASP173TW01 and STEBYASP173TW01 starting Serial Nos. beginning 1711; Models BTGBCASP113TW01, BTGBYASP113TW01, HTGBCASP113TW01, HTGBDASP093CW01, HTGBXASP093CW01, HTGBYASP093CW01, HTGBYASP113TW01, STGBCASP113TW01, STGBXASG113TW01, STGBXASP113TW01 and STGBYASP113TW01 through Serial No. 1606000838 and starting again with Serial Nos. beginning 1711; All other models
10	56079	Panel Locator	
11	39733	Screw	
12	D502804	Lint Filter Label	Models BTEBLASP433AW01, BTEBXASP433AW01, BTGBLASP303AW01, BTGBXASP303AW01, STEBXASP433AW01, STEBXASP433AW12, STGBXASP303AW01 and STGBXASP303AW12
13	D510177	Door Catch Assembly	
14	D500281	Warning/Caution Label	
15	D510186	Hinge Hole Plug	

# Motor, Exhaust Fan and Belt

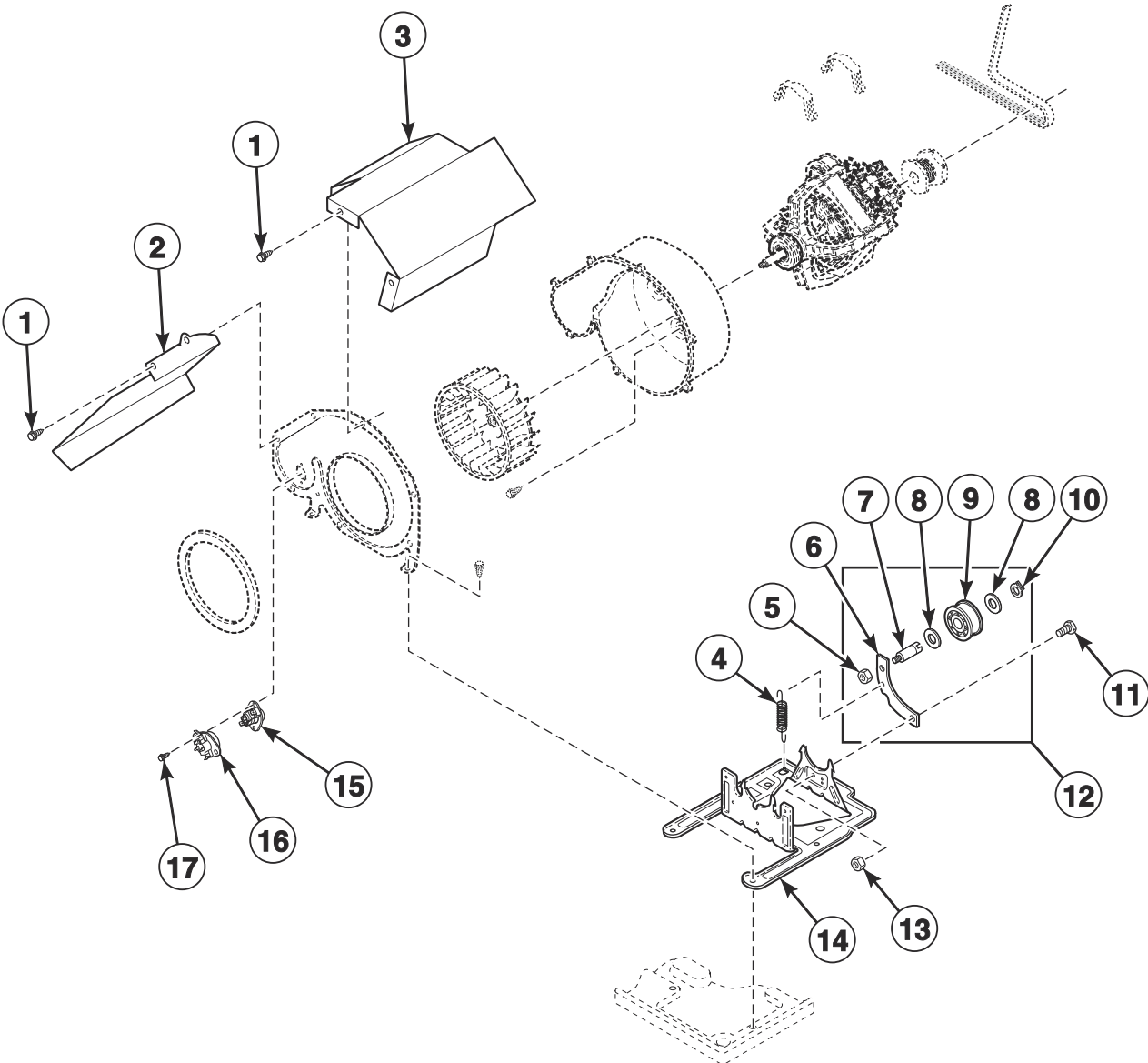


DRY2312P\_806122

## Motor, Exhaust Fan and Belt

REF	PART NO.	DESCRIPTION	COMMENTS
	27604P	Anti-Seize Compound	Apply to motor shaft when installing blower fan assembly
1	D510238P	Blower Housing Seal	
2	31260	Screw	
3	D511969LG	Blower Housing	Includes items 1 and 2; Models BTEBCASP173TW01, BTEBEASP283CW01, BTEBYASP173TW01, HTEBCASP173TW01, HTEBDASP283CW01, HTEBXASP283CW01, HTEBXASP293CW01, HTEBYASP283CW01, STEBCASP173TQ01, STEBCASP173TW01, STEBXASP173TQ01, STEBXASP173TW01 and STEBYASP173TW01 through Serial Nos. beginning 1711; Models BTGBCASP113TW01, BTGBYASP113TW01, HTGBCASP113TW01, HTGBDASP093CW01, HTGBXASP093CW01, HTGBYASP093CW01, HTGBYASP113TW01, STGBCASP113TW01, STGBXASG113TW01, STGBXASP113TW01 and STGBYASP113TW01 starting Serial No. 1606000839 and continuing through Serial Nos. beginning 1711
	D511969WP	Blower Housing	Includes items 1 and 2; Models BTEBCASP173TW01, BTEBEASP283CW01, BTEBYASP173TW01, HTEBCASP173TW01, HTEBDASP283CW01, HTEBXASP283CW01, HTEBXASP293CW01, HTEBYASP283CW01, STEBCASP173TQ01, STEBCASP173TW01, STEBXASP173TQ01, STEBXASP173TW01 and STEBYASP173TW01 starting Serial Nos. beginning 1711; Models BTGBCASP113TW01, BTGBYASP113TW01, HTGBCASP113TW01, HTGBDASP093CW01, HTGBXASP093CW01, HTGBYASP093CW01, HTGBYASP113TW01, STGBCASP113TW01, STGBXASG113TW01, STGBXASP113TW01 and STGBYASP113TW01 through Serial No. 1606000838 and starting again with Serial Nos. beginning 1711; All other models
4	D510180	Motor Mount Clamp	
5	D511255P	Cylinder Belt	
6	D500222	Motor Pulley	50 Hertz; Models BTEBLASP433AW01, BTEBXASP433AW01, BTGBLASP303AW01, BTGBXASP303AW01, NTEBXASP303NW01, NTEBXASP303NW22, NTGBXASP303NW01, NTLBXASP303NW26, STEBXASP303NW22, STEBXASP303UW01, STEBXASP433AW01, STEBXASP433AW12, STGBXASP303AW01, STGBXASP303AW12, STGBXASP303NW22, STGBXASP303ZW01 and TTEBXASP303NW22
	D500011	Motor Pulley	60 Hertz; All other models
7	D505869P	Motor and Pulley Assembly	240 Volt/60 Hertz; Includes items 4, 6 and 8; Apply anti-seize compound to motor shaft when installing blower fan assembly; Models HTEBXASP543DW01, HTGBXASP543DW01, STEBXASP543DW01, STEBXASP543ZW01 and STGBXASP543DW01
	D505843P	Motor and Pulley Assembly	240 Volt/50 Hertz; Includes items 4, 6 and 8; Apply anti-seize compound to motor shaft when installing blower fan assembly; Models BTEBLASP433AW01, BTEBXASP433AW01, BTGBLASP303AW01, BTGBXASP303AW01, NTEBXASP303NW01, NTEBXASP303NW22, NTGBXASP303NW01, NTLBXASP303NW26, STEBXASP303NW22, STEBXASP303UW01, STEBXASP433AW01, STEBXASP433AW12, STGBXASP303AW01, STGBXASP303AW12, STGBXASP303NW22, STGBXASP303ZW01 and TTEBXASP303NW22
	D511629P	Motor and Pulley Assembly	120 Volt/60 Hertz; Includes items 4, 6 and 8; Apply anti-seize compound to motor shaft when installing blower fan assembly; All other models
8	590P3	Motor Hub Ring Kit	
9	D503688	Screw	
10	D510139P	Blower Fan Assembly	

# Thermistor, Shields and Idler Assembly

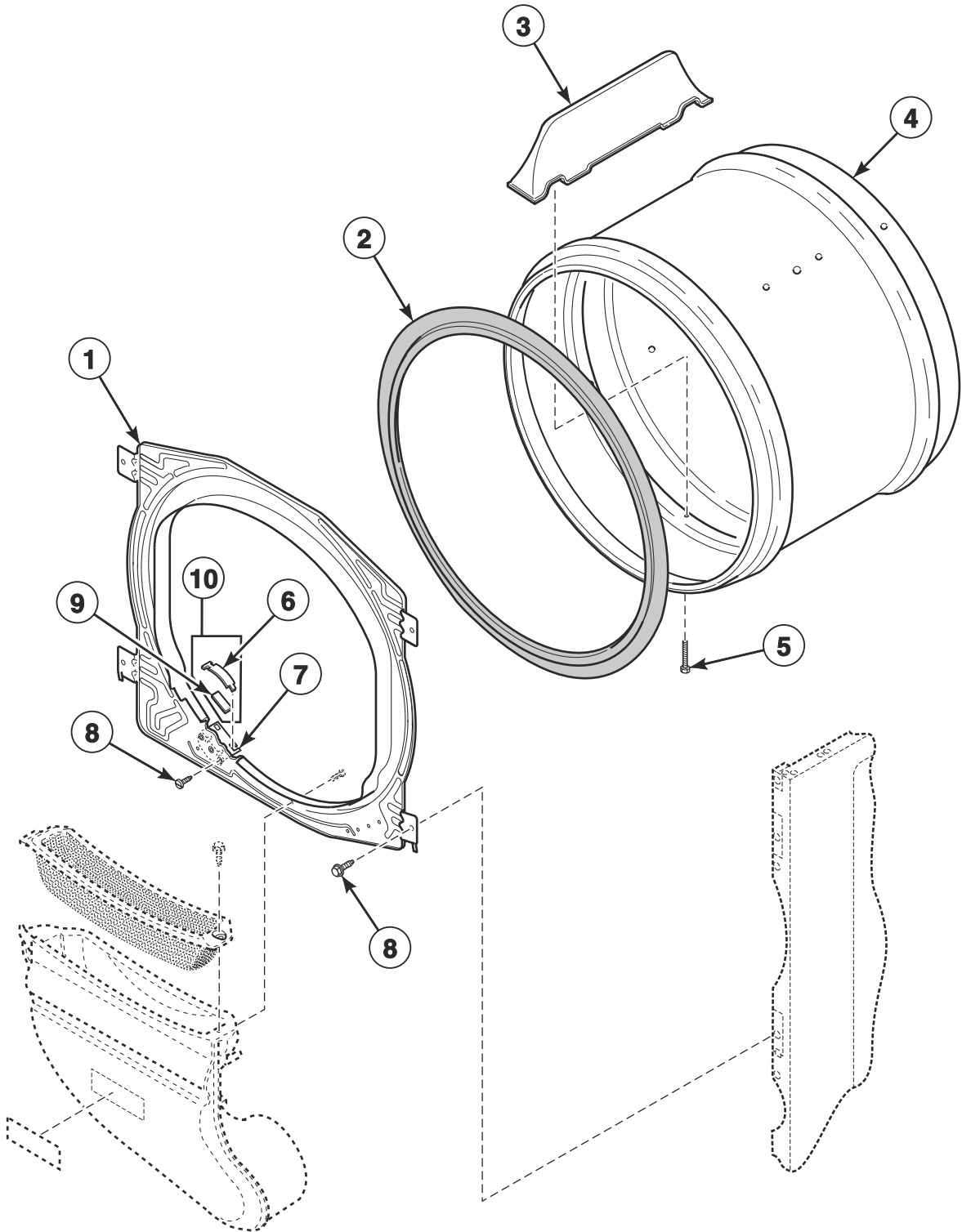


DRY2440PA\_806122

## Thermistor, Shields and Idler Assembly

REF	PART NO.	DESCRIPTION	COMMENTS
1	31260	Screw	
2	D514325	Thermostat Shield	Models BTEBLASP433AW01, BTEBXASP173FW28, BTEBXASP433AW01, BTGBLASP303AW01, BTGBXASP113FW28, BTGBXASP303AW01, HTEBXASP133DW01, HTEBXASP173FW28, HTEBXASP543DW01, HTGBXASP113FW28, HTGBXASP123DW01, HTGBXASP543DW01, STEBXASP133DW01, STEBXASP173FW28, STEBXASP303UW01, STEBXASP433AW01, STEBXASP433AW12, STEBXASP543DW01, STEBXASP543ZW01, STGBXASP113FW28, STGBXASP123DW01, STGBXASP303AW01, STGBXASP303AW12, STGBXASP303ZW01 and STGBXASP543DW01
3	D514602	Motor Shield	Models BTEBLASP433AW01, BTEBXASP173FW28, BTEBXASP433AW01, BTGBLASP303AW01, BTGBXASP113FW28, BTGBXASP303AW01, HTEBXASP133DW01, HTEBXASP173FW28, HTEBXASP543DW01, HTGBXASP113FW28, HTGBXASP123DW01, HTGBXASP543DW01, STEBXASP133DW01, STEBXASP173FW28, STEBXASP303UW01, STEBXASP433AW01, STEBXASP433AW12, STEBXASP543DW01, STEBXASP543ZW01, STGBXASP113FW28, STGBXASP123DW01, STGBXASP303AW01, STGBXASP303AW12, STGBXASP303ZW01 and STGBXASP543DW01
4	D510185	Idler Spring	
5	56156	Nut	
6	D516310	Idler Lever	
7	56461P	Shaft	
8	52549	Washer	
9	D510142P	Idler Wheel and Bearing Assembly	
10	23748	Retaining Ring	
11	D500824	Screw	
12	D516792	Idler Lever and Wheel Assembly	Includes items 4-9
13	52566	Nut	
14	D518517	Motor Mount	
15	M411941	Manual Reset Thermostat	Models BTGBLASP303AW01, BTGBXASP303AW01, STGBXASP303AW01 and STGBXASP303AW12
16	D502366	Thermistor Assembly	50 Hertz; Models BTEBLASP433AW01, BTEBXASP433AW01, BTGBLASP303AW01, BTGBXASP303AW01, NTEBXASP303NW01, NTEBXASP303NW22, NTGBXASP303NW01, NTLBXASP303NW26, STEBXASP303NW22, STEBXASP303UW01, STEBXASP433AW01, STEBXASP433AW12, STGBXASP303AW01, STGBXASP303AW12, STGBXASP303NW22, STGBXASP303ZW01 and TTEBXASP303NW22
	D510523	Thermistor Assembly	60 Hertz; All other models
17	D502535	Screw	

# Front Bulkhead, Felt Seal and Cylinder

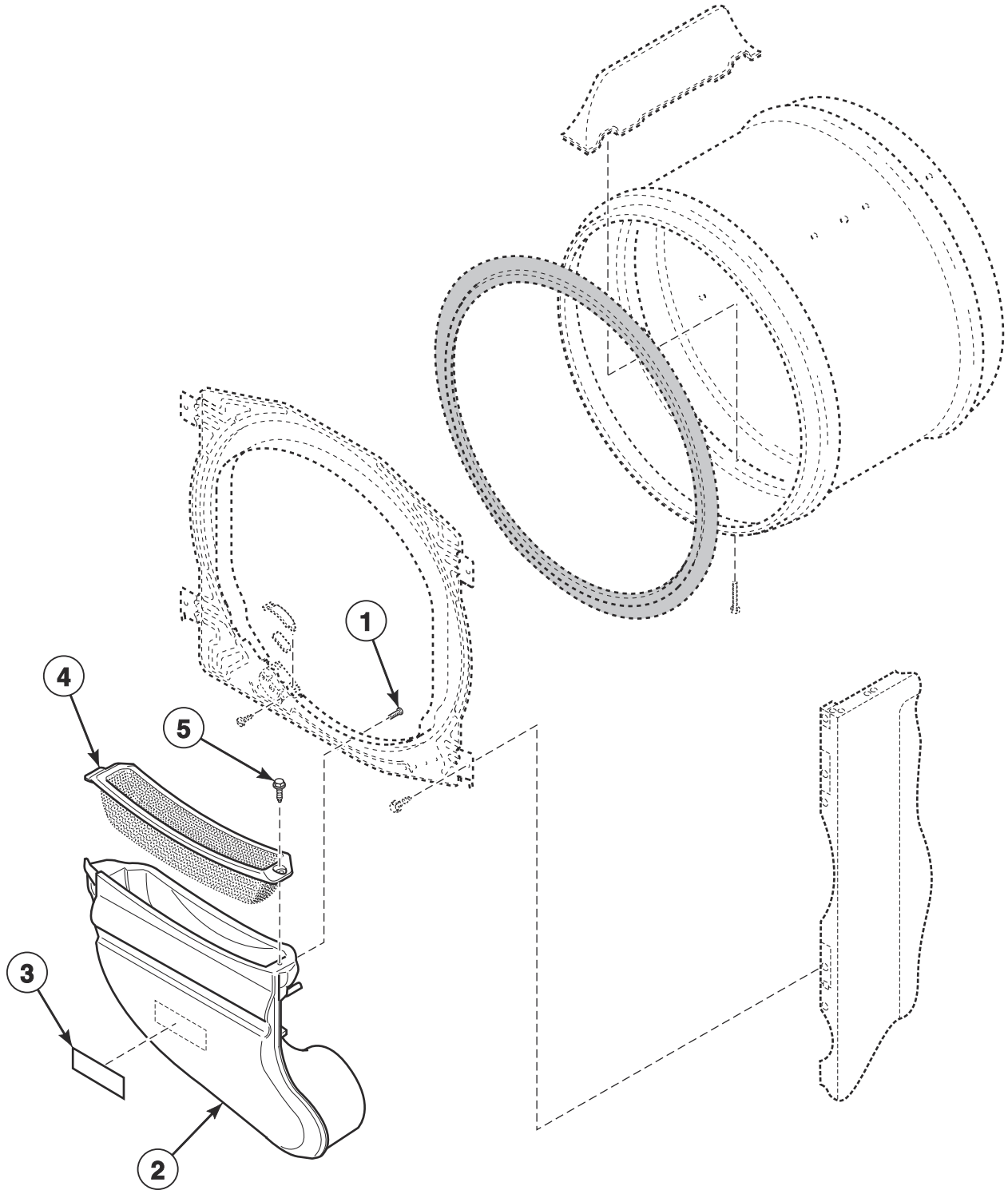


SWD1174P\_806122

## Front Bulkhead, Felt Seal and Cylinder

REF	PART NO.	DESCRIPTION	COMMENTS
1	D510266P	Front Bulkhead Assembly	Unpainted; Includes item 2
2	D510207P	Cylinder Seal Assembly	
	D511637P	Adhesive	Apply to cylinder seal
	RB170001	Seal Kit	Includes 2 cylinder seals, D510238P Blower Housing Seal and Adhesive
3	D510102W	Cylinder Baffle	
4	D510265WP	Cylinder Assembly	Galvanized; Includes item 3
5	62588	Screw	
6	D513710	Cylinder Glide	
7	D510145	Cylinder Glide Bracket	
8	D503688	Screw	
9	D510189	Felt Pad	
10	RB170003	Glide Kit	Includes items 6 and 7

# Air Duct Assembly



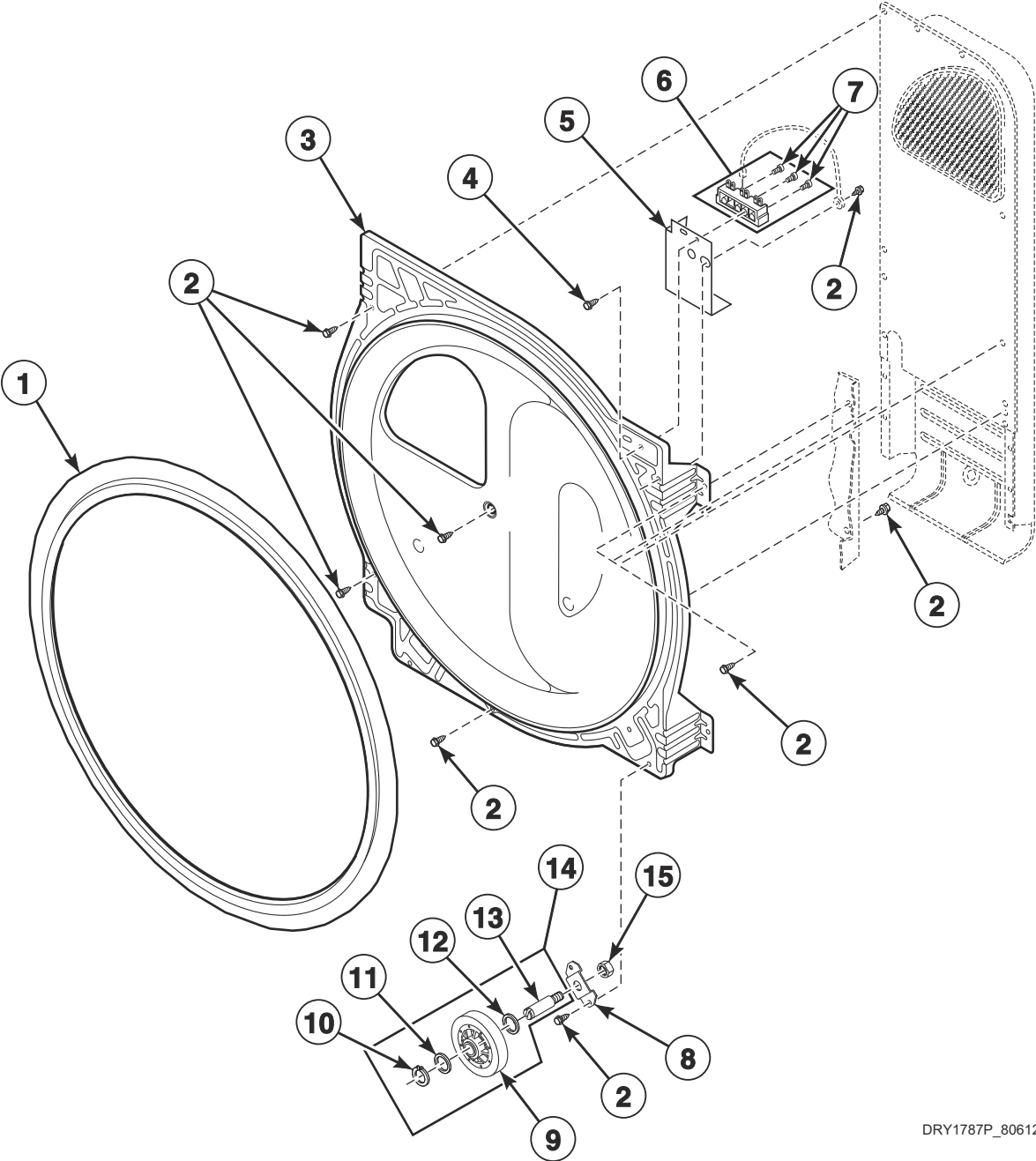
SWD1174PA\_806122



# Air Duct Assembly

REF	PART NO.	DESCRIPTION	COMMENTS
1	52864	Screw	
2	D518433	Air Duct Assembly	Models BTEBCASP173TW01, BTEBEASP283CW01, BTEBYASP173TW01, BTGBCASP113TW01, BTGBYASP113TW01, HTEBCASP173TW01, HTEBDASP283CW01, HTEBXASP283CW01, HTEBXASP293CW01, HTEBYASP283CW01, HTGBCASP113TW01, HTGBDASP093CW01, HTGBXASP093CW01, HTGBYASP093CW01, HTGBYASP113TW01, STEBCASP173TQ01, STEBCASP173TW01, STEBXASP173TQ01, STEBXASP173TW01, STEBYASP173TW01, STGBCASP113TW01, STGBXASP113TW01, STGBXASP113TW01 and STGBYASP113TW01
	D518432	Air Duct Assembly	Models BTGBCASP113TW01, BTGBYASP113TW01, HTGBCASP113TW01, HTGBDASP093CW01, HTGBXASP093CW01, HTGBYASP093CW01, HTGBYASP113TW01, STGBCASP113TW01, STGBXASP113TW01, STGBXASP113TW01 and STGBYASP113TW01 through Serial No. 1606000838; All other models
3	61294	Fuse Notice Label	Electric models
4	D503980LG	Lint Filter	Models BTEBCASP173TW01, BTEBEASP283CW01, BTEBYASP173TW01, HTEBCASP173TW01, HTEBDASP283CW01, HTEBXASP283CW01, HTEBXASP293CW01, HTEBYASP283CW01, STEBCASP173TQ01, STEBCASP173TW01, STEBXASP173TQ01, STEBXASP173TW01 and STEBYASP173TW01 through Serial Nos. beginning 1711; Models BTGBCASP113TW01, BTGBYASP113TW01, HTGBCASP113TW01, HTGBDASP093CW01, HTGBXASP093CW01, HTGBYASP093CW01, HTGBYASP113TW01, STGBCASP113TW01, STGBXASP113TW01, STGBXASP113TW01 and STGBYASP113TW01 starting Serial No. 1606000839 and continuing through Serial Nos. beginning 1711
	D503980W	Lint Filter	Models BTEBCASP173TW01, BTEBEASP283CW01, BTEBYASP173TW01, HTEBCASP173TW01, HTEBDASP283CW01, HTEBXASP283CW01, HTEBXASP293CW01, HTEBYASP283CW01, STEBCASP173TQ01, STEBCASP173TW01, STEBXASP173TQ01, STEBXASP173TW01 and STEBYASP173TW01 starting Serial Nos. beginning 1711; Models BTGBCASP113TW01, BTGBYASP113TW01, HTGBCASP113TW01, HTGBDASP093CW01, HTGBXASP093CW01, HTGBYASP093CW01, HTGBYASP113TW01, STGBCASP113TW01, STGBXASP113TW01, STGBXASP113TW01 and STGBYASP113TW01 through Serial No. 1606000838 and starting again with Serial Nos. beginning 1711; All other models
5	D501285	Screw	

# Rear Bulkhead, Felt Seal, Cylinder Roller and Terminal Block



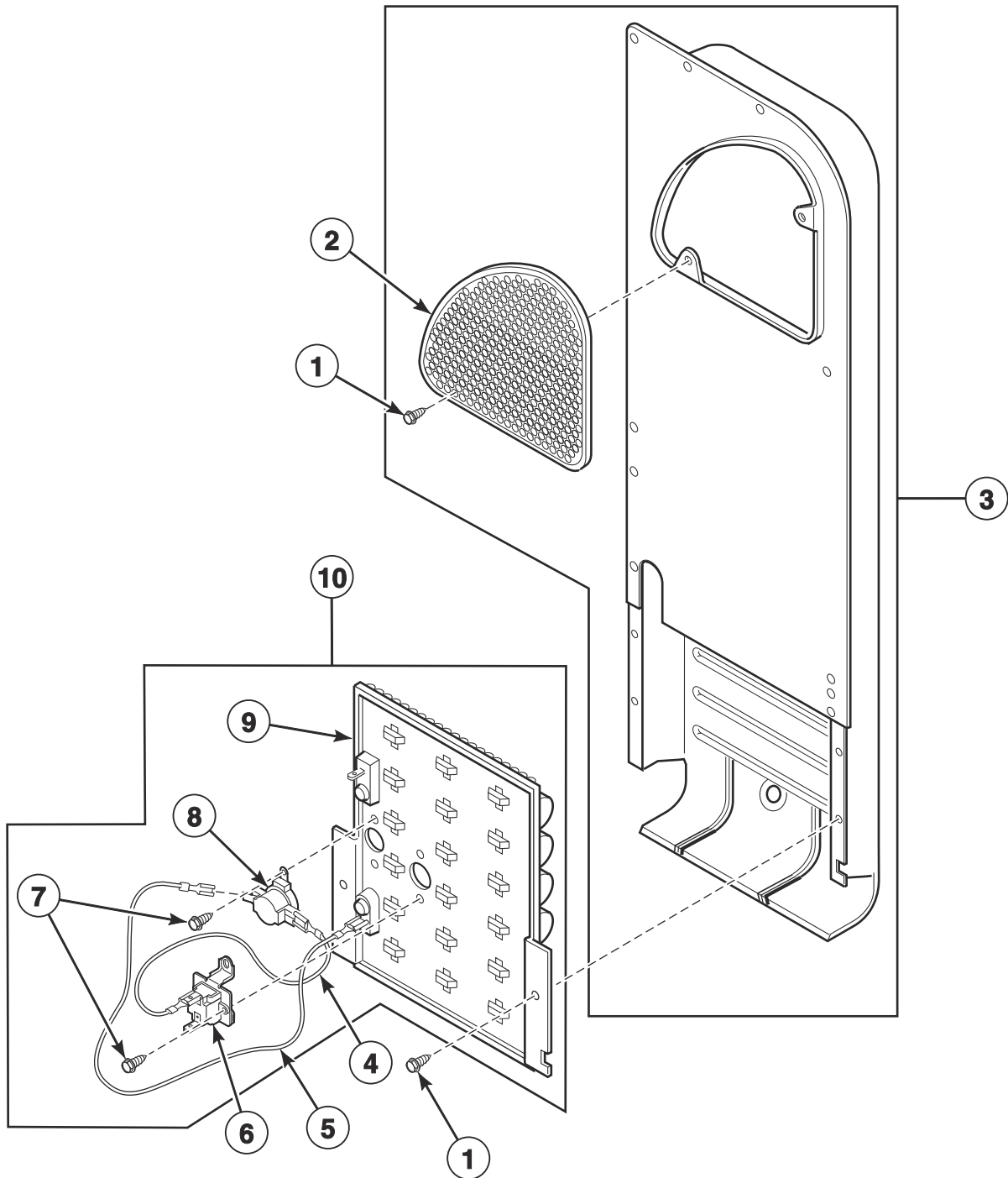
DRY1787P\_806122

# Rear Bulkhead, Felt Seal, Cylinder Roller and Terminal Block

REF	PART NO.	DESCRIPTION	COMMENTS
1	D510207P	Cylinder Seal Assembly	
	D511637P	Adhesive	Apply to cylinder seal
	RB170001	Seal Kit	Includes 2 cylinder seals, D510238P Blower Housing Seal and Adhesive
2	D503688	Screw	
3	D511082P	Rear Bulkhead Assembly	Includes item 1
	D510905WP	Rear Bulkhead Assembly	White; Includes item 1; If black marks appear on clothes, replace rear bulkhead with this part, cylinder with D510159WP Cylinder Assembly and front bulkhead with D505899WP Bulkhead Assembly
4	D501285	Screw	Electric models
5	D510237	Terminal Block Shield	Models BTEBCASP173TW01, BTEBEASP283CW01, BTEBXASP173FW28, BTEBYASP173TW01, HTEBCASP173TW01, HTEBDASP283CW01, HTEBXASP133DW01, HTEBXASP173FW28, HTEBXASP283CW01, HTEBXASP293CW01, HTEBXASP543DW01, HTEBYASP283CW01, NTEBXASP303NW01, NTEBXASP303NW22, STEBCASP173TQ01, STEBCASP173TW01, STEBXASP133DW01, STEBXASP173FW28, STEBXASP173TQ01, STEBXASP173TW01, STEBXASP303NW22, STEBXASP303UW01, STEBXASP543DW01, STEBXASP543ZW01, STEBYASP173TW01 and TTEBXASP303NW22; Through Serial No. 1903000001
	D517715	Terminal Block Shield	Models BTEBLASP433AW01, BTEBXASP433AW01, BTGBLASP303AW01, BTGBXASP303AW01, STEBXASP433AW01, STEBXASP433AW12, STGBXASP303AW01 and STGBXASP303AW12
6	D510190P	Terminal Block Assembly	Includes 3 of item 7; Electric models
7	61199	Screw	
8	D510100	Cylinder Roller Bracket	
9	D510708P	Cylinder Roller	
10	23748	Retaining Ring	
11	52549	Washer	
12	D504082	Washer	
13	56461P	Shaft	
14	RB170002	Roller Kit	Includes 2 each of items 9-13
15	56156	Nut	

# Heater Duct and Element Assembly

Electric Models



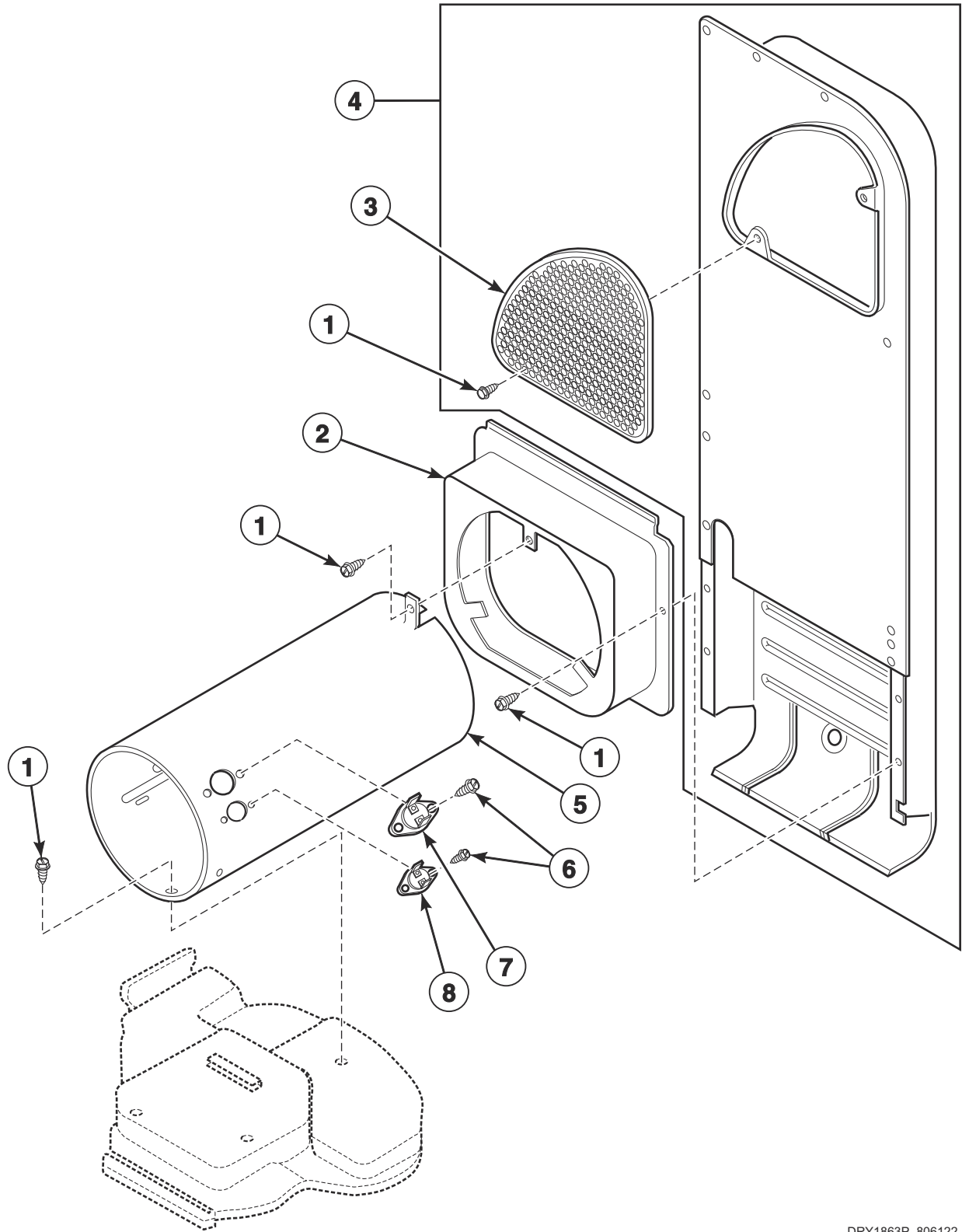
DRY1789P\_806122

# Heater Duct and Element Assembly

REF	PART NO.	DESCRIPTION	COMMENTS
1	D503688	Screw	
2	D500820	Outlet Cover	Aluminized steel
	D518524	Outlet Cover	Black; Nitrocarburized
3	D510025P	Heater Duct Assembly	Includes items 1 and 2
4	D518256	Wire Assembly	Orange; Thermostat jumper
5	D518255	Wire Assembly	Black; Fuse jumper
6	D518649	Thermal Fuse Assembly	
7	23222	Screw	
8	D510701	Limit Thermostat	
9	D510326P	Heater Assembly	4800 Watt; 240 Volt/50 Hertz; Models NTEBXASP303NW01, NTEBXASP303NW22, STEBXASP303NW22, STEBXASP303UW01 and TTEBXASP303NW22
	D510324P	Heater Assembly	5000 Watt; 240 Volt/60 Hertz; Models BTEBEASP283CW01, HTEBDASP283CW01, HTEBXASP283CW01 and HTEBYASP283CW01
	D510330P	Heater Assembly	4250 Watt; 208 Volt/60 Hertz; Model HTEBXASP293CW01
	D510327P	Heater Assembly	4000 Watt; 240 Volt/50 Hertz; Models BTEBLASP433AW01, BTEBXASP433AW01, STEBXASP433AW01 and STEBXASP433AW12
	D510329P	Heater Assembly	5350 Watt; 240 Volt/60 Hertz; All other models
10	61927	Heater Kit Assembly	Includes items 4-9; 5000 Watt; 240 Volt/60 Hertz; Models BTEBEASP283CW01, HTEBDASP283CW01, HTEBXASP283CW01 and HTEBYASP283CW01
	61928	Heater Kit Assembly	Optional conversion; Includes items 4-9; 4750 Watt; 208 Volt/60 Hertz; Models BTEBCASP173TW01, BTEBXASP173FW28, BTEBYASP173TW01, HTEBCASP173TW01, HTEBXASP133DW01, HTEBXASP173FW28, HTEBXASP543DW01, STEBCASP173TQ01, STEBCASP173TW01, STEBXASP133DW01, STEBXASP173FW28, STEBXASP173TQ01, STEBXASP173TW01, STEBXASP543DW01, STEBXASP543ZW01 and STEBYASP173TW01
	61929	Heater Kit Assembly	Includes items 4-9; 4800 Watt; 240 Volt/50 Hertz; Models NTEBXASP303NW01, NTEBXASP303NW22, STEBXASP303NW22, STEBXASP303UW01 and TTEBXASP303NW22
	61930	Heater Kit Assembly	Includes items 4-9; 4000 Watt; 240 Volt/50 Hertz; Models BTEBLASP433AW01, BTEBXASP433AW01, STEBXASP433AW01 and STEBXASP433AW12
	964P3	Heater Kit	Includes factory-installed heater; Includes items 4-9; 5350 Watt; 240 Volt/60 Hertz; Models BTEBCASP173TW01, BTEBXASP173FW28, BTEBYASP173TW01, HTEBCASP173TW01, HTEBXASP133DW01, HTEBXASP173FW28, HTEBXASP543DW01, STEBCASP173TQ01, STEBCASP173TW01, STEBXASP133DW01, STEBXASP173FW28, STEBXASP173TQ01, STEBXASP173TW01, STEBXASP543DW01, STEBXASP543ZW01 and STEBYASP173TW01
	965P3	Heater Kit	Includes items 4-9; 4250 Watt; 208 Volt/60 Hertz; Model HTEBXASP293CW01

# Heater Duct Assembly

Gas Models



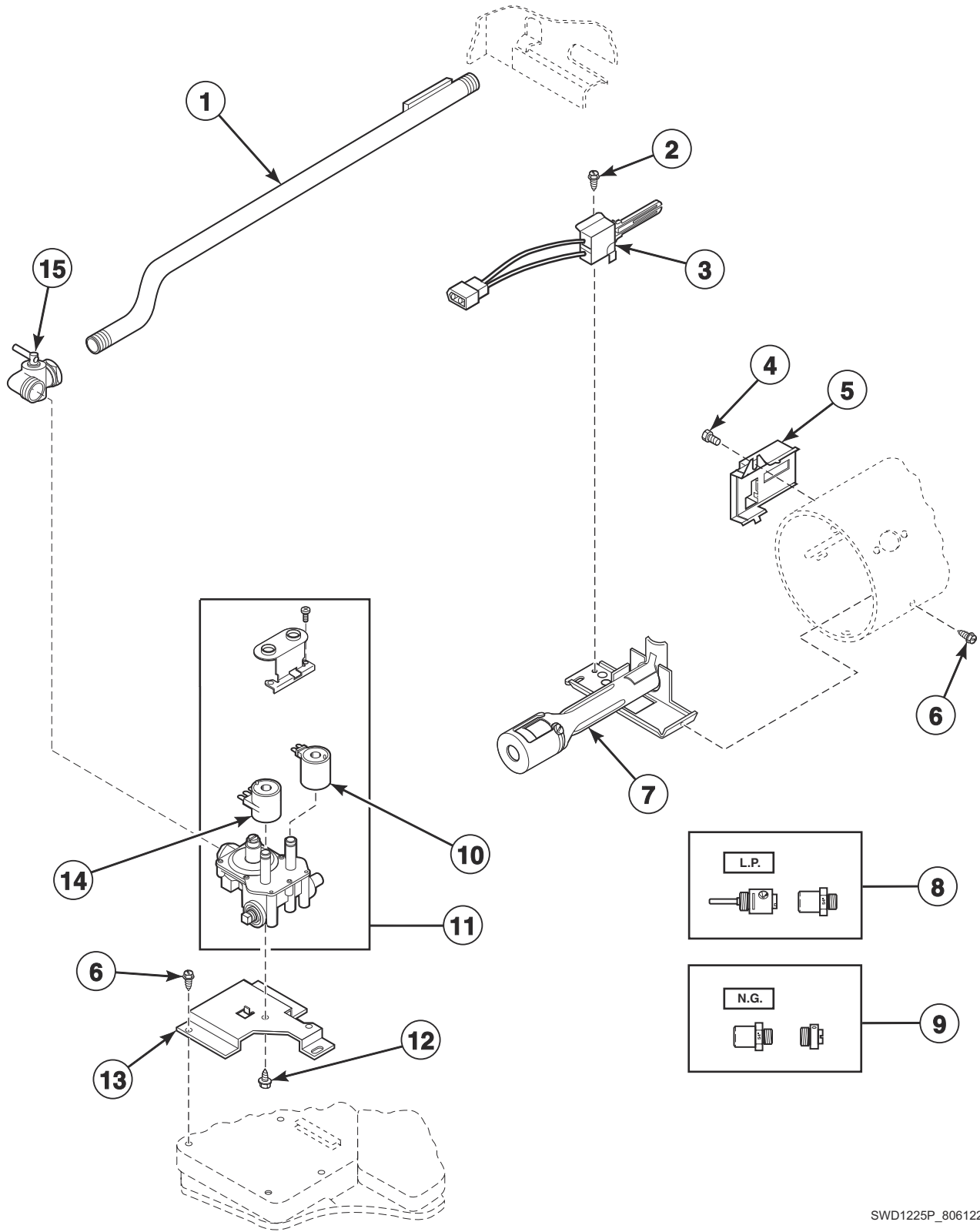
DRY1863P\_806122

# Heater Duct Assembly

REF	PART NO.	DESCRIPTION	COMMENTS
1	D503688	Screw	
2	D510101	Heat Duct Shroud	
3	D500820	Outlet Cover	
4	D510025P	Heater Duct Assembly	Includes items 1 and 3
5	D510132	Combustion Duct	Double thermostat; Models BTGBCASP113TW01, BTGBXASP113FW28, BTGBYASP113TW01, HTGBCASP113TW01, HTGBDASP093CW01, HTGBXASP093CW01, HTGBXASP113FW28, HTGBXASP123DW01, HTGBXASP543DW01, HTGBYASP093CW01, HTGBYASP113TW01, STGBCASP113TW01, STGBXASG113TW01, STGBXASP113FW28, STGBXASP113TW01, STGBXASP123DW01, STGBXASP543DW01 and STGBYASP113TW01
	D510131	Combustion Duct	Single thermostat; All other models
6	51782	Screw	
7	D510702	Limit Thermostat	Black; Auto reset
8	D510703	Thermostat	Manual reset; Models BTGBCASP113TW01, BTGBXASP113FW28, BTGBYASP113TW01, HTGBCASP113TW01, HTGBDASP093CW01, HTGBXASP093CW01, HTGBXASP113FW28, HTGBXASP123DW01, HTGBXASP543DW01, HTGBYASP093CW01, HTGBYASP113TW01, STGBCASP113TW01, STGBXASG113TW01, STGBXASP113FW28, STGBXASP113TW01, STGBXASP123DW01, STGBXASP543DW01 and STGBYASP113TW01

# Gas Valve, Igniter and Gas Conversion Kits

Gas Model Dryers



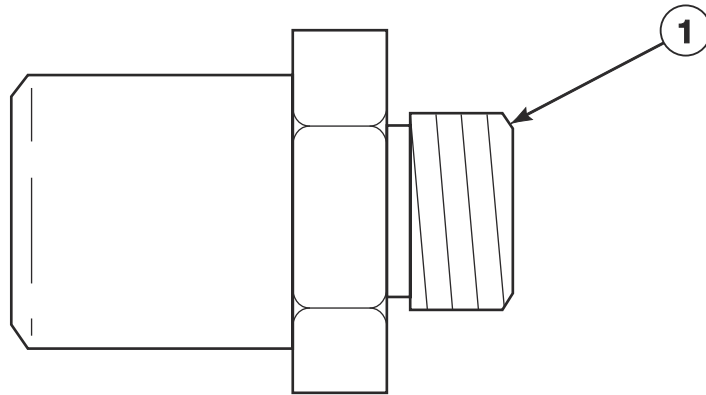


## Gas Valve, Igniter and Gas Conversion Kits

REF	PART NO.	DESCRIPTION	COMMENTS
1	D510204	Lead-In Pipe Assembly	
2	51782	Screw	
3	D510184P	Igniter and Bracket Assembly	
4	23222	Screw	
5	D510213	Sensor	
6	D503688	Screw	
7	D510149P	Burner Assembly	
8	600P3	L.P. Conversion Kit	Models BTGBLASP303AW01, BTGBXASP303AW01, NTGBXASP303NW01, NTLBXASP303NW26, STGBXASP303AW01, STGBXASP303AW12, STGBXASP303NW22 and STGBXASP303ZW01; 50 Hertz; Used to convert dryers from Natural Gas (N.G.) or Mixed Gas to Liquid Petroleum Gas (L.P.); 25,000 Btu
	458P3	L.P. Conversion Kit	60 Hertz; Used to convert dryers from N.G. or Mixed Gas to L.P.; 25,000 Btu; All other models
9	459P3	N.G. Conversion Kit	Used to convert dryers from L.P. to N.G. or Mixed Gas; 25,000 Btu
10	58804B	Secondary Coil	60 Hertz; Models BTGBCASP113TW01, BTGBXASP113FW28, BTGBYASP113TW01, HTGBCASP113TW01, HTGBDASP093CW01, HTGBXASP093CW01, HTGBXASP113FW28, HTGBXASP123DW01, HTGBXASP543DW01, HTGBYASP093CW01, HTGBYASP113TW01, STGBCASP113TW01, STGBXASG113TW01, STGBXASP113FW28, STGBXASP113TW01, STGBXASP123DW01, STGBXASP543DW01 and STGBYASP113TW01
	59063B	Secondary Coil	50 Hertz; Models BTGBLASP303AW01, BTGBXASP303AW01, NTGBXASP303NW01, NTLBXASP303NW26, STGBXASP303AW01, STGBXASP303AW12, STGBXASP303NW22 and STGBXASP303ZW01
11	60443P	Valve Assembly	50 Hertz; 25,000 Btu; Models BTGBLASP303AW01, BTGBXASP303AW01, NTGBXASP303NW01, STGBXASP303AW01, STGBXASP303AW12, STGBXASP303NW22 and STGBXASP303ZW01
	D510506P	Gas Valve Assembly	Models HTGBXASP123DW01, HTGBXASP543DW01, STGBXASP123DW01 and STGBXASP543DW01
	D515490	Gas Valve Assembly	Model NTLBXASP303NW26
	60353P	Gas Valve Assembly	60 Hertz, 25,000 Btu; All other models
12	56124	Screw	
13	D510128	Gas Valve Mounting Bracket	
14	58804A	Booster and Holding Coil	60 Hertz; Models BTGBCASP113TW01, BTGBXASP113FW28, BTGBYASP113TW01, HTGBCASP113TW01, HTGBDASP093CW01, HTGBXASP093CW01, HTGBXASP113FW28, HTGBXASP123DW01, HTGBXASP543DW01, HTGBYASP093CW01, HTGBYASP113TW01, STGBCASP113TW01, STGBXASG113TW01, STGBXASP113FW28, STGBXASP113TW01, STGBXASP123DW01, STGBXASP543DW01 and STGBYASP113TW01
	59063A	Booster and Holding Coil	50 Hertz; Models BTGBLASP303AW01, BTGBXASP303AW01, NTGBXASP303NW01, NTLBXASP303NW26, STGBXASP303AW01, STGBXASP303AW12, STGBXASP303NW22 and STGBXASP303ZW01
15	D510205	Elbow Shut-Off Valve	

# Burner Orifice Spuds - For Higher Elevations

Gas Models

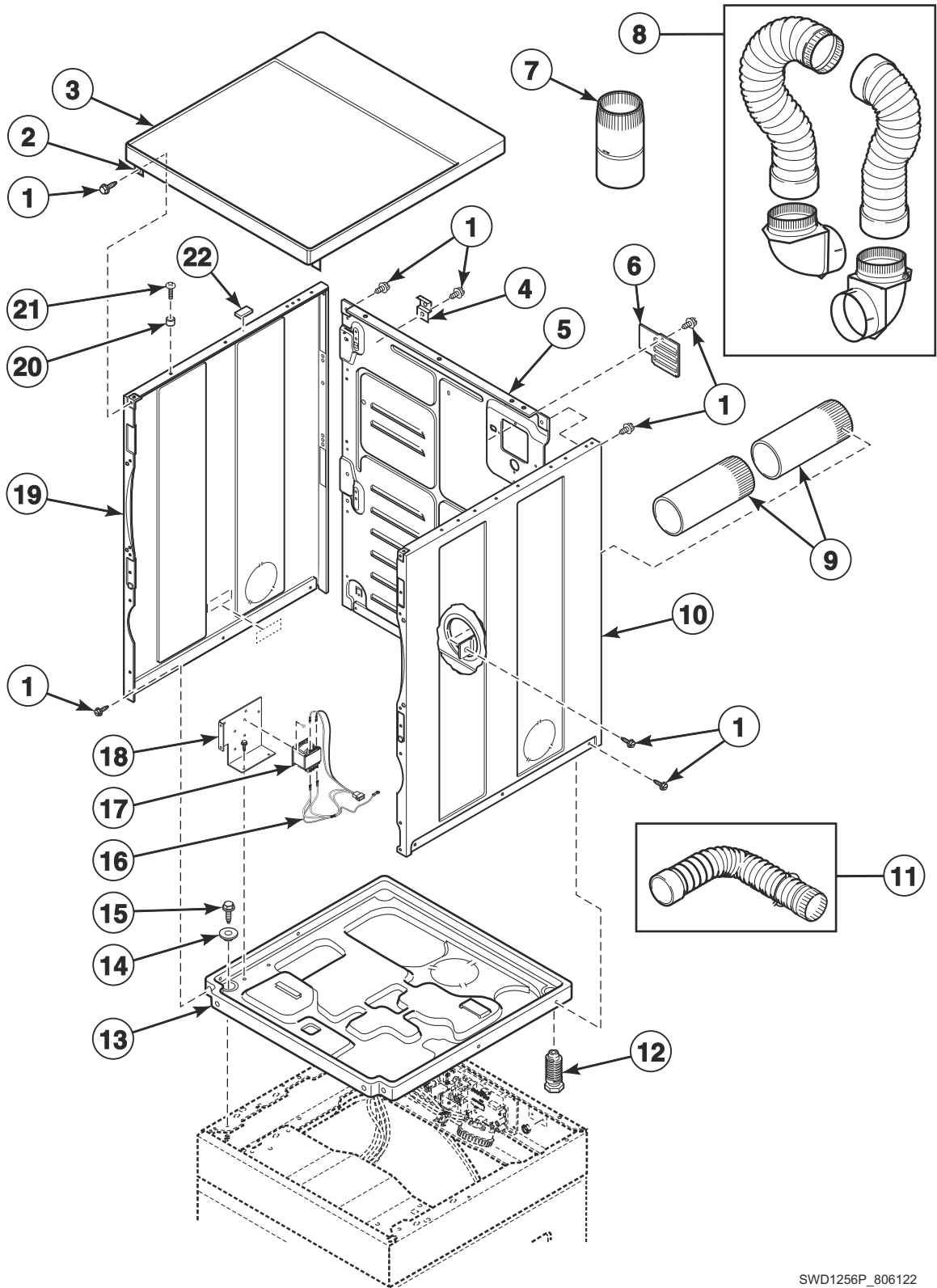


DRY2266P\_806122

## Burner Orifice Spuds - For Higher Elevations

REF	PART NO.	DESCRIPTION	COMMENTS
1	58755	L.P. Orifice	25,000 Btu; 7500-10,999 feet (2290-3354 m)
	D503786	L.P. Orifice	25,000 Btu; 11,000 feet (3355 m) and higher
	58719	Screw Orifice	Natural Gas (N.G.); 25,000 Btu; 7000-8999 feet (2135-2744 m)
	D503776	N.G. Orifice	25,000 Btu; 2000-2999 feet (610-914 m)
	D510517	N.G. Orifice	25,000 Btu; 3000-5499 feet (915-1678 m)
	D503778	N.G. Orifice	25,000 Btu; 5500-6999 feet (1680-2134 m)
	D503779	N.G. Orifice	25,000 Btu; 9000-10,499 feet (2745-3199 m)
	D503780	N.G. Orifice	25,000 Btu; 10,500 feet (3200 m) and higher

# Dryer Cabinet, Exhaust Duct and Base



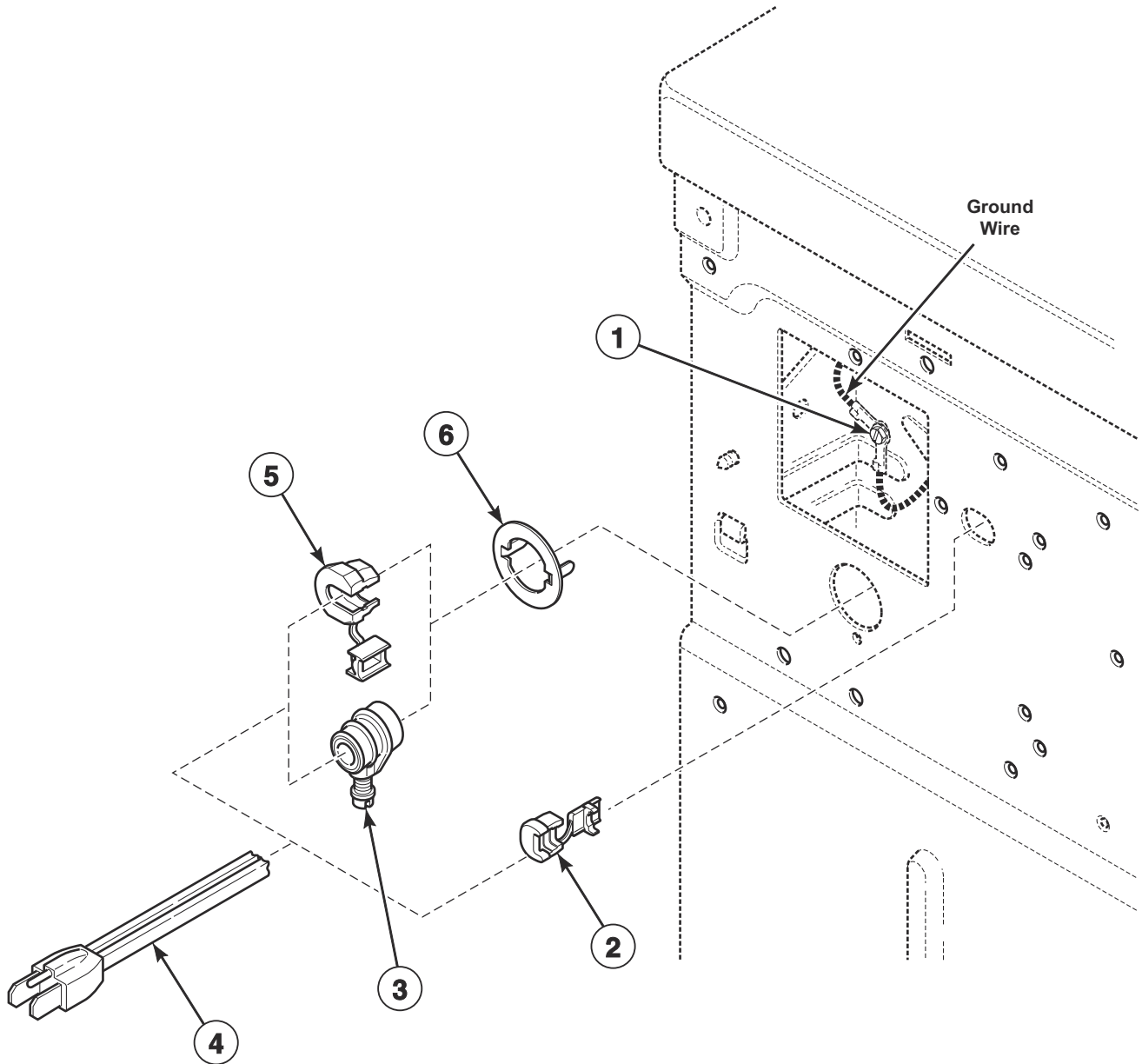
SWD1256P\_806122

## Dryer Cabinet, Exhaust Duct and Base

REF	PART NO.	DESCRIPTION	COMMENTS
	122P4P	Porcelain Touch-Up Paint	White
1	D503688	Screw	
2	D510146	Bracket	
3	D510032WP	Top Kit	
4	D510136	Top Hinge	
5	D514632P	Cabinet Rear Panel	
6	D510903	Access Panel Plate	
7	58786	Damper	
8	521P3	Flexible Venting Kit	
9	D516196	Exhaust Duct	Each dryer requires 2 pieces
10	D510002WP	Cabinet Side Panel	Right
11	528P3	Directional Exhaust Kit	Used to vent dryer out the sides
12	D510135	Leveling Leg	
13	D514245	Dryer Base	
14	26509	Washer	
15	36048	Screw	
16	D511303	Wire Harness Assembly	Transformer adapter; Includes D502592 Fuse, 3.15 Amp; 250Volt; Models BTGBLASP303AW01, BTGBXASP303AW01, HTGBXASP543DW01, NTGBXASP303NW01, NTLBXASP303NW26, STGBXASP303AW01, STGBXASP303AW12, STGBXASP303NW22 and STGBXASP543DW01
17	D511658P	Transformer Kit	Includes item 16; Models BTGBLASP303AW01, BTGBXASP303AW01, HTGBXASP543DW01, NTGBXASP303NW01, NTLBXASP303NW26, STGBXASP303AW01, STGBXASP303AW12, STGBXASP303NW22 and STGBXASP543DW01
18	D511859	Contactoer Bracket	Models BTGBLASP303AW01, BTGBXASP303AW01, HTGBXASP543DW01, NTGBXASP303NW01, NTLBXASP303NW26, STGBXASP303AW01, STGBXASP303AW12, STGBXASP303NW22 and STGBXASP543DW01
19	D510001WP	Cabinet Side Panel	Left
20	56079	Panel Locator	
21	39733	Screw	
22	56128	Bumper Pad	

# Dryer Power Cord

Models BTEBLASP433AW01, BTEBXASP433AW01, BTGBCASP113TW01, BTGBLASP303AW01, BTGBXASP113FW28, BTGBXASP303AW01, BTGBYASP113TW01, HTGBCASP113TW01, HTGBDASP093CW01, HTGBXASP093CW01, HTGBXASP113FW28, HTGBXASP123DW01, HTGBXASP543DW01, HTGBYASP093CW01, HTGBYASP113TW01, NTLBXASP303NW26, STEBXASP303UW01, STEBXASP433AW01, STEBXASP433AW12, STGBCASP113TW01, STGBXASG113TW01, STGBXASP113FW28, STGBXASP113TW01, STGBXASP123DW01, STGBXASP303AW01, STGBXASP303AW12, STGBXASP543DW01 and STGBYASP113TW01

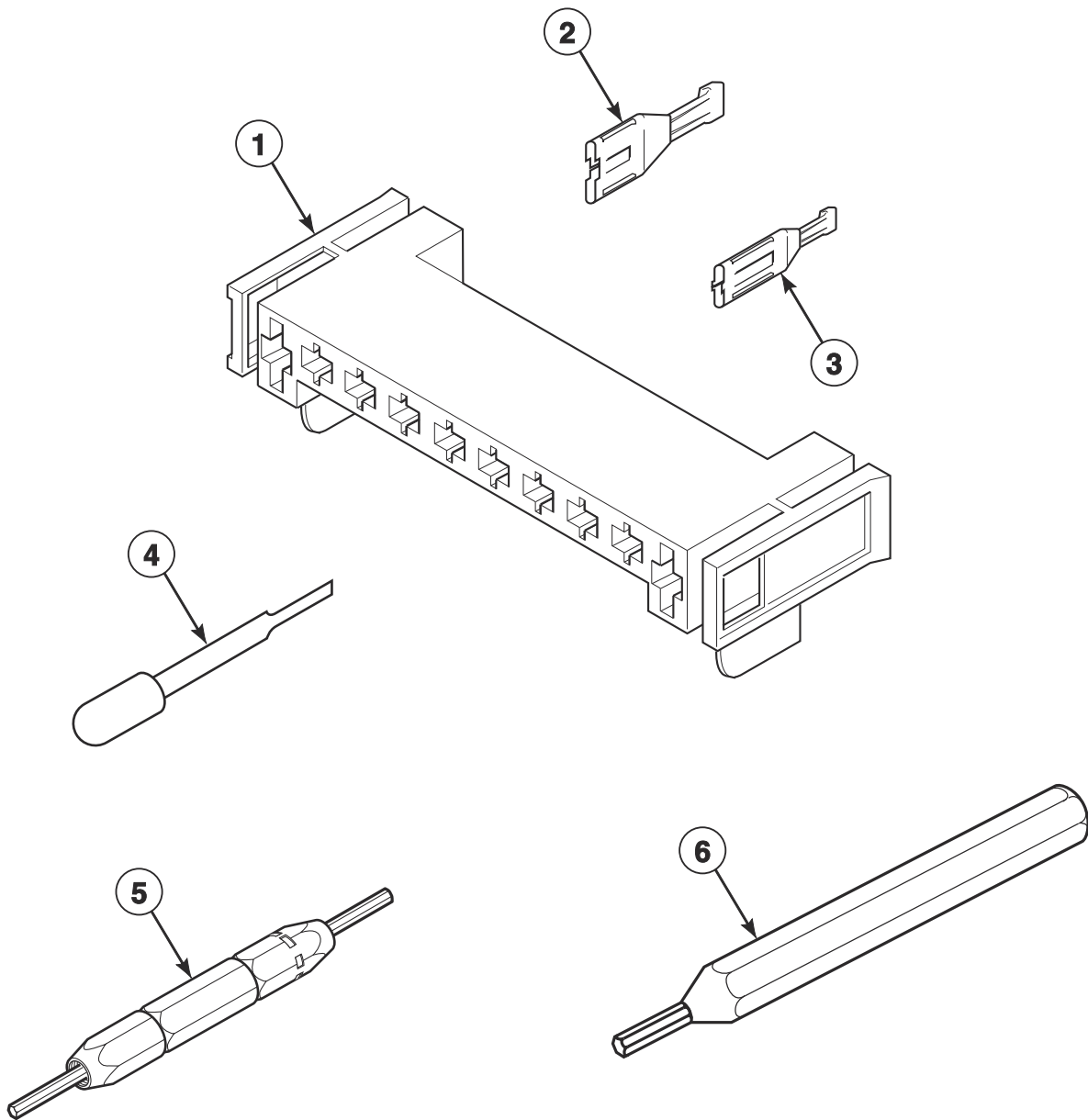


SWD1230P\_806122

# Dryer Power Cord

REF	PART NO.	DESCRIPTION	COMMENTS
1	20530	Screw	
2	38384	Strain Relief	Models BTGBCASP113TW01, BTGBXASP113FW28, BTGBYASP113TW01, HTGBCASP113TW01, HTGBXASP113FW28, HTGBXASP123DW01, HTGBXASP543DW01, HTGBYASP113TW01, STGBCASP113TW01, STGBXASP113TW01, STGBXASP113FW28, STGBXASP113TW01, STGBXASP123DW01, STGBXASP543DW01 and STGBYASP113TW01
3	D502500	Strain Relief	Model NTLBXASP303NW26
4	61605P	Lead-In Cord Kit	Models BTEBLASP433AW01, BTEBXASP433AW01, STEBXASP433AW01 and STEBXASP433AW12
	D515312	Lead-In Cord	Models BTGBXASP113FW28, HTGBXASP113FW28 and STGBXASP113FW28
	D516747	Lead-In Cord Assembly	Model STEBXASP303UW01
	D512019	Lead-In Cord	Models BTGBLASP303AW01, BTGBXASP303AW01, STGBXASP303AW01 and STGBXASP303AW12
	58992	Power Cord Assembly	Models HTGBDASP093CW01, HTGBXASP093CW01 and HTGBYASP093CW01
	D514222	Lead-In Cord Assembly	Models HTGBXASP123DW01 and STGBXASP123DW01
	D514289	Lead-In Cord Assembly	Models HTGBXASP543DW01 and STGBXASP543DW01
	59373	Lead-In Cord	Model NTLBXASP303NW26
	59308	Lead-In Cord	Models BTGBCASP113TW01, BTGBYASP113TW01, HTGBCASP113TW01, HTGBYASP113TW01, STGBCASP113TW01, STGBXASP113TW01, STGBXASP113FW28 and STGBYASP113TW01
5	52113	Strain Relief	Models BTEBLASP433AW01, BTEBXASP433AW01, STEBXASP303UW01, STEBXASP433AW01 and STEBXASP433AW12
	D511628	Strain Relief Connector	Models HTGBDASP093CW01, HTGBXASP093CW01 and HTGBYASP093CW01
	60298	Strain Relief	Models BTGBLASP303AW01, BTGBXASP303AW01, STGBXASP303AW01 and STGBXASP303AW12
6	D502496	Strain Relief Adapter	Models BTEBLASP433AW01, BTEBXASP433AW01, BTGBLASP303AW01, BTGBXASP303AW01, NTLBXASP303NW26, STEBXASP303UW01, STEBXASP433AW01, STEBXASP433AW12, STGBXASP303AW01 and STGBXASP303AW12

# Dryer Terminals and Terminal Extractor Tools



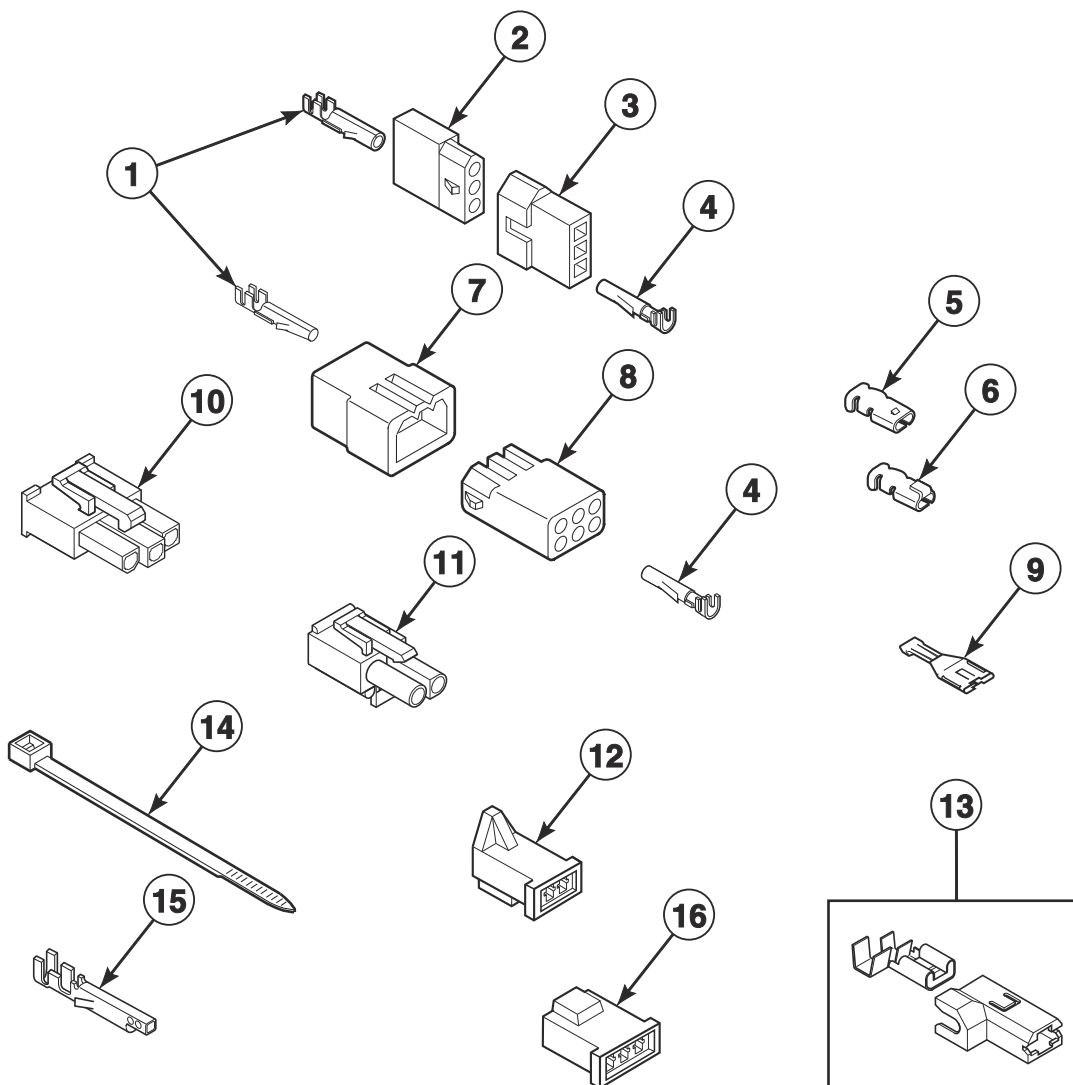
DRY1767P\_806122



## Dryer Terminals and Terminal Extractor Tools

REF	PART NO.	DESCRIPTION	COMMENTS
1	D500338	10 Position Housing	
2	00255	Female Terminal	1/4 inch; (1) 12 gauge wire; Electric models
	00256	Female Terminal	1/4 inch; (1) or (2) 18 gauge wires; Gas models
3	00188	Female Terminal	For 1 or 2 wire application
4	283P4	Terminal Extractor Tool	For use on Molex connectors
5	190P4	Extractor Tool	For use on electric dryer terminals
6	128P4	Extractor Tool	For use on gas dryer terminals

# Terminals

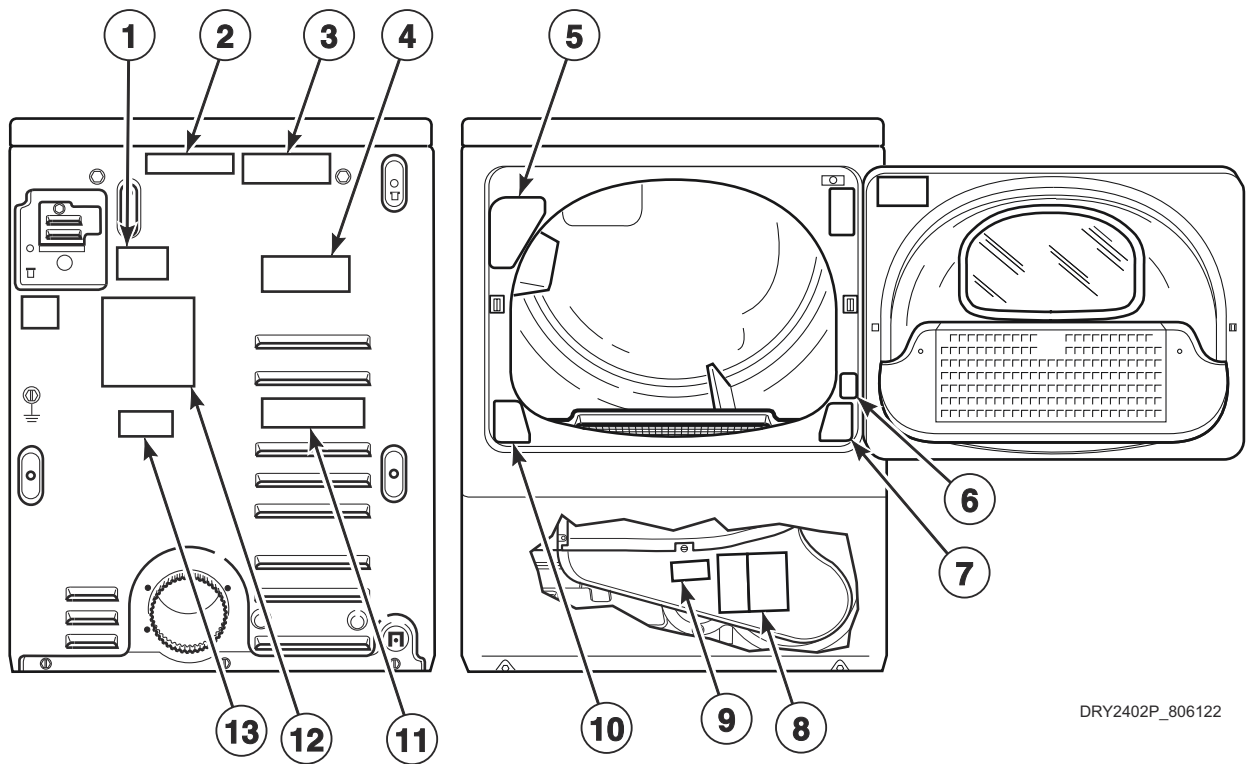


SWD1143P\_806122

# Terminals

REF	PART NO.	DESCRIPTION	COMMENTS
1	00117	Female Pin Terminal	
2	23039	3 Circuit Receptacle	
3	23040	Plug	
4	00116	Male Pin Terminal	
5	00189	Female Spade Terminal	Gas models
6	00361	Female Piggyback Terminal	Gas models
7	23033	9 Circuit Plug	
8	26708	6 Circuit Receptacle	
9	00256	Female Terminal	
10	36170	3 Circuit Receptacle	
11	D501223	2 Circuit Receptacle	
12	58799	2 Circuit Connector	Gas models
13	00221	Insulated Female Flag Terminal	
14	55881	Harness Strap	
15	00252	Terminal	
16	58800	3 Circuit Connector	Gas models

# Dryer Labels

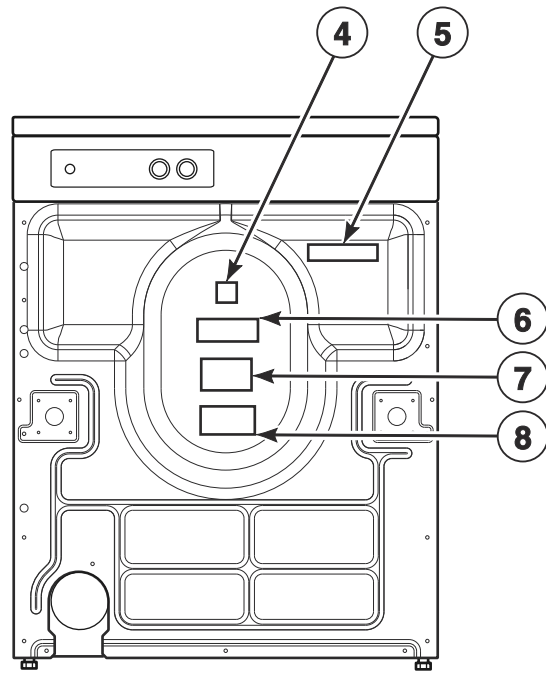
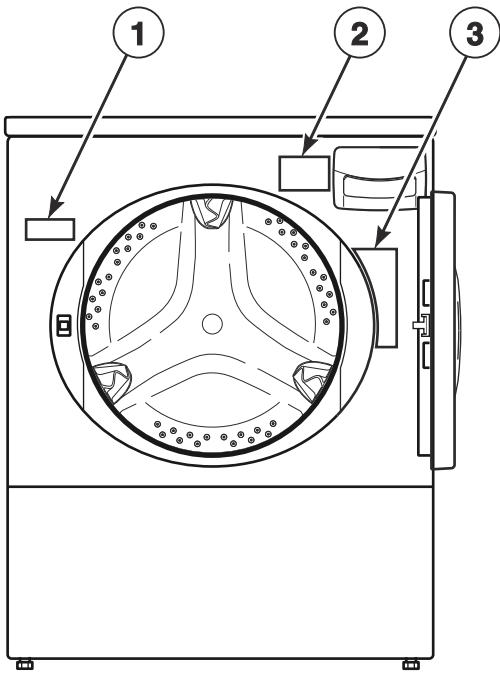


DRY2402P\_806122

## Dryer Labels

REF	PART NO.	DESCRIPTION	COMMENTS
1	803260	Warning Label	Turn off controls
2	D505281	Disconnect Power Warning Label	Text; English; Disconnect power
	D500316	Warning Label	English/French; Disconnect power
3	44324001	Warning Label	Text; Electric shock
4	D502791	Venting Instruction Label	
5	D500281	Warning/Caution Label	English
	D516243	Warning Label	Quebec French
6	D503887	Label	Australian gas association
	D500240	Natural/L.P. Gas Label	English/Quebec French
7	D512263	Warning Label	
8	D511004	Gas Clearance Label	
9	D500049	Warning Label	Text; Electric shock
	F8211201	Electrical Shock Label	Icon; Electric shock
	F8615701	Pinch Warning Label	Icon; Crush hazard
10	D502781	Lint Filter Label	Icon
11	D505215	Gas Label	Text; Stainless steel flexible gas line
12	D511005	Electric Clearance Label	
13	D500497	Exhaust Warning Label	Text
	D502507	Exhaust Warning Label	Icon
	D502508	Warning Label	Icon; Fire

# Washer Labels

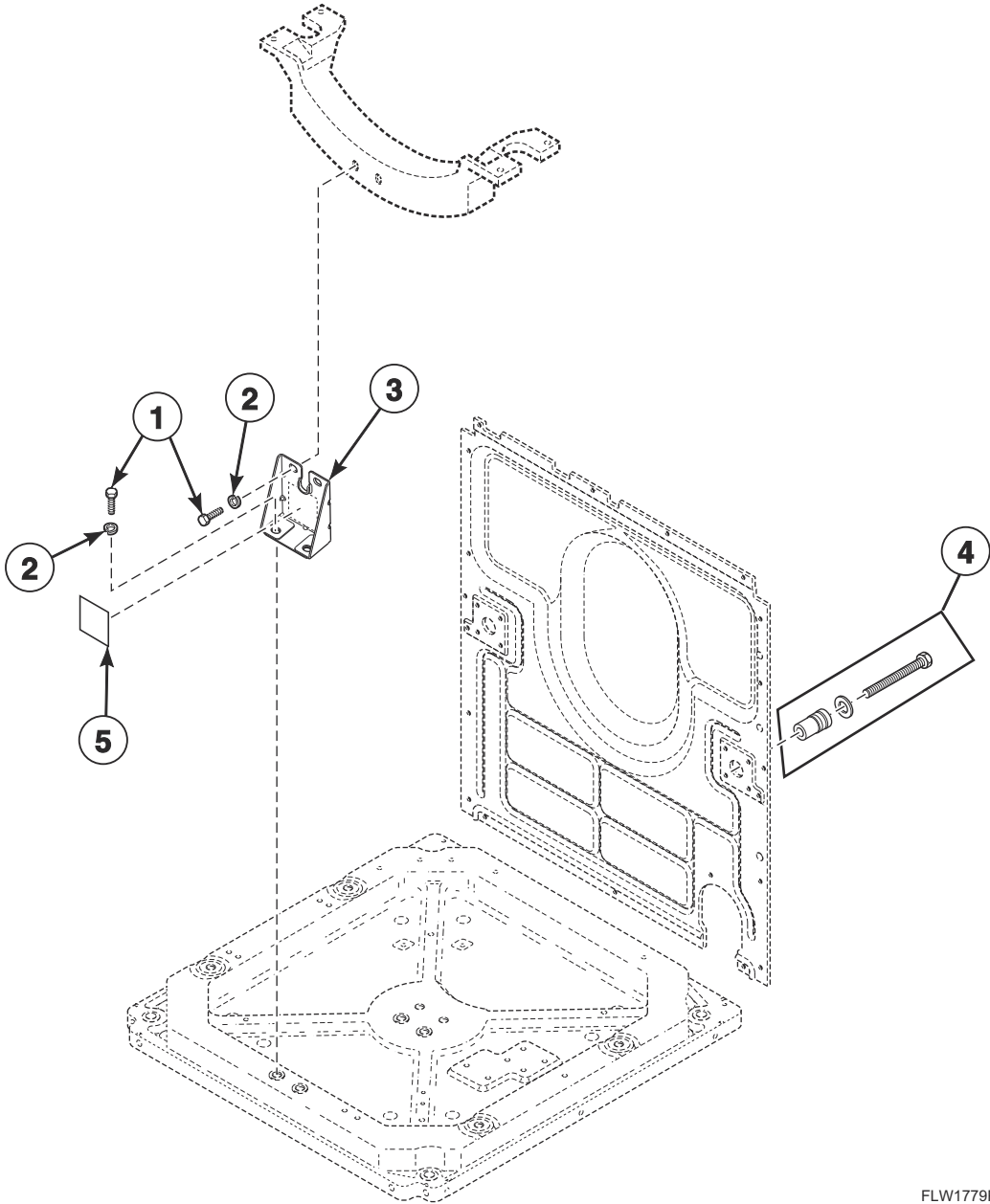


FLW1722P\_806122

## Washer Labels

REF	PART NO.	DESCRIPTION	COMMENTS
1	803011	Notice Label	
2	802074	Oversudsing Label	English
	802838	Oversudsing Label	Spanish
	802839	Oversudsing Label	Quebec French
3	802367	Warning Label	English; Reduce fire risk; Door locked
	806591	Warning Label	English/Quebec French; Reduce fire risk; Door locked
4	D513371	Read Instructions Label	
5	D505281	Disconnect Power Warning Label	English
	801706	Caution Label	Icon; Ground machine
	D500316	Warning Label	English/French; Disconnect Power
6	685928	Left Hand Thread Label	Text
	804949	Left Hand Thread Label	Icon
7	803260	Warning Label	Disconnect power
	F8211201	Electrical Shock Label	Icon; Electric shock
8	D500049	Warning Label	English
	D500314	Warning Label	English/French
	F8615701	Pinch Warning Label	Icon; Crush hazard

# Shipping Materials



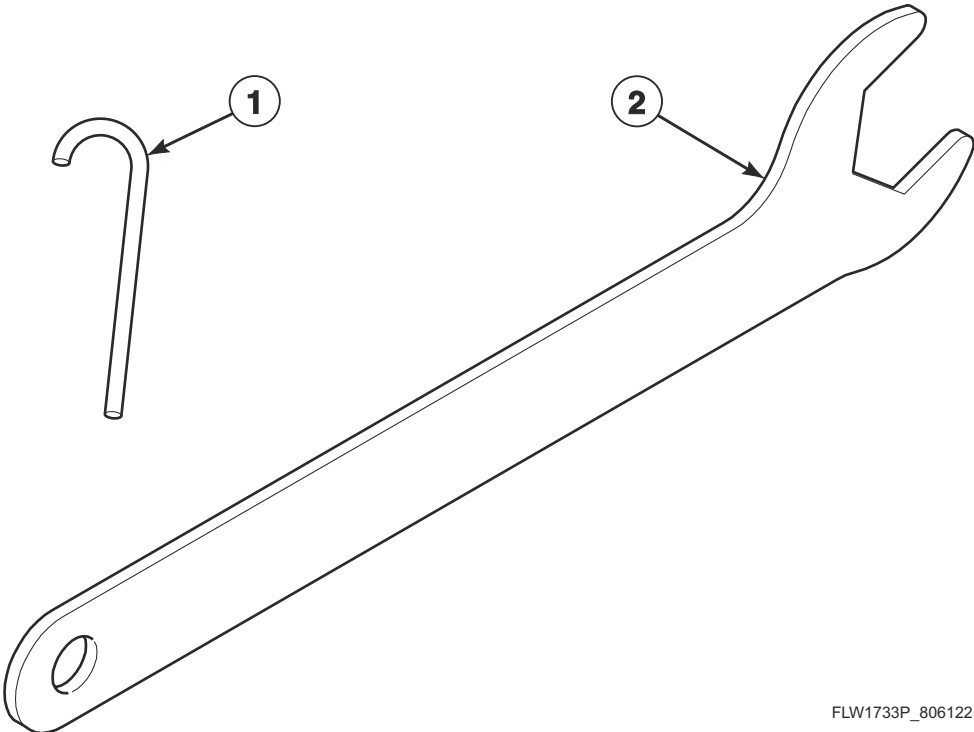
FLW1779P\_806122



# Shipping Materials

REF	PART NO.	DESCRIPTION	COMMENTS
	807550	Label	Remove shipping brace; Long tongue label
1	M400043	Screw	
2	M400014	Washer	
3	807448	Shipping Brace	
4	807452	Shipping Bolt Assembly	
5	807552	Shipping Bracket Label	Square label

# Special Tools

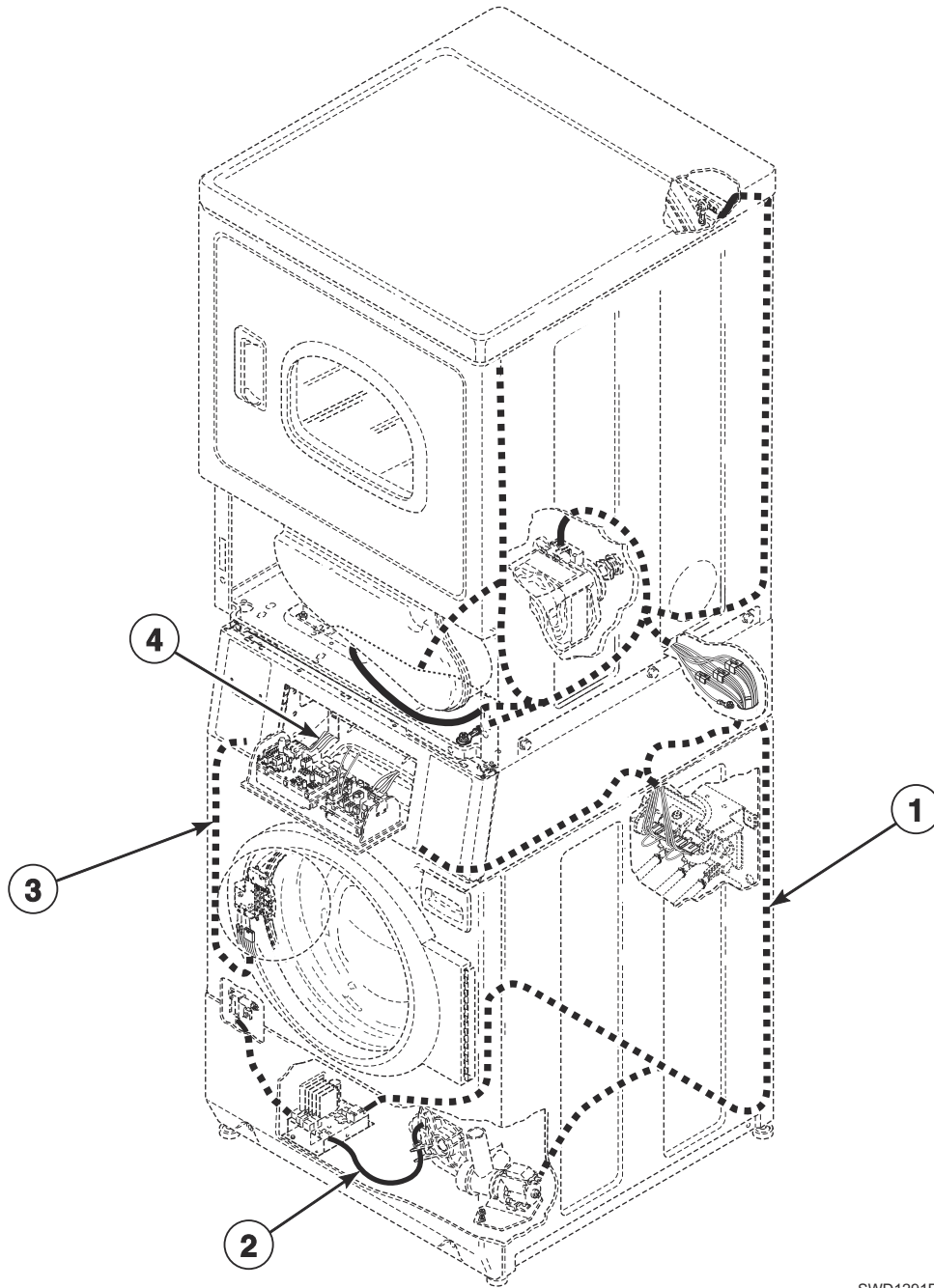


FLW1733P\_806122

# Special Tools

REF	PART NO.	DESCRIPTION	COMMENTS
1	802336	Pulley Bolt Tightening Fixture	Use to install inner basket
2	392P4	Wrench	Use for adjusting leveling leg nuts

# Washer Wire Harnesses and Wires



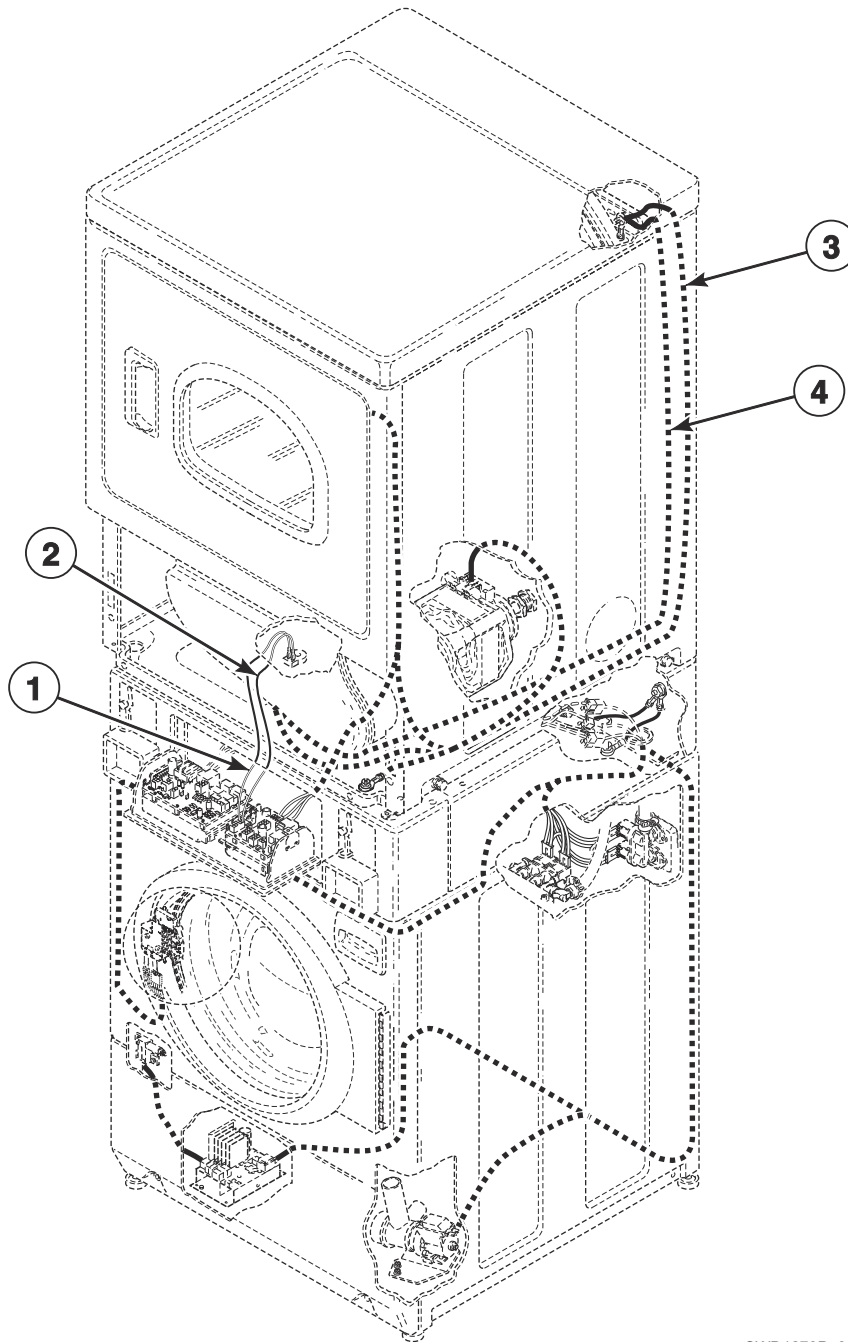
SWD1291P\_806122

## Washer Wire Harnesses and Wires

REF	PART NO.	DESCRIPTION	COMMENTS
	45001	18 Gauge Wire	Black; Order wire by the foot and terminals as required
	45380	12 Gauge Wire	Orange; Order wire by the foot and terminals as required
	804433	Pressure Sensor Harness	
	807298	Power Harness	Starting Serial No. 2101000001
1	806031	Front Control Harness	Through Serial No. 2012999999
	807346	Front Control Harness	Starting Serial No. 2101000001
2	806029	Motor Harness	Through Serial No. 2012999999
	807294	Motor Harness	Starting Serial No. 2101000001
3	806028	Door Lock Harness Assembly	Through Serial No. 2012999999
	807293	Door Lock Harness Assembly	Starting Serial No. 2101000001
4	D512422P	Wire Harness Assembly	

**NOTE: Individual wires are not available separately. Order complete wire harness, or order wire by the foot. When applying terminals to wires, it is recommended that the terminals be soldered to the wires.**

# Dryer Wire Harnesses and Wires



SWD1279P\_806122

## Dryer Wire Harnesses and Wires

REF	PART NO.	DESCRIPTION	COMMENTS
	45001	18 Gauge Wire	Black; Order wire by the foot and terminals as required
	45380	12 Gauge Wire	Orange; Order wire by the foot and terminals as required
<b>1</b>	D512273P	Wire Configuration Assembly	
<b>2</b>	D512275P	Wire Configuration Assembly	
<b>3</b>	D513833	Electronic Harness	Models BTGBCASP113TW01, BTGBXASP113FW28, BTGBYASP113TW01, HTGBCASP113TW01, HTGBDASP093CW01, HTGBXASP093CW01, HTGBXASP113FW28, HTGBXASP123DW01, HTGBYASP093CW01, HTGBYASP113TW01, STGBCASP113TW01, STGBXASG113TW01, STGBXASP113FW28, STGBXASP113TW01, STGBXASP123DW01 and STGBYASP113TW01
	D513828	Electronic Harness	Models BTEBLASP433AW01, BTEBXASP173FW28, BTEBXASP433AW01, NTEBXASP303NW01, NTEBXASP303NW22, STEBCASP173TQ01, STEBXASP173FW28, STEBXASP173TQ01, STEBXASP303NW22, STEBXASP303UW01, STEBXASP433AW01, STEBXASP433AW12, STEBXASP543ZW01 and TTEBXASP303NW22
	D513837	Wire Harness Assembly	Models BTGBLASP303AW01, BTGBXASP303AW01, STGBXASP303AW01 and STGBXASP303AW12
	D513841	Wire Harness Assembly	Models HTGBXASP543DW01 and STGBXASP543DW01
	D514094	Electronic Harness	Models BTEBCASP173TW01, BTEBEASP283CW01, BTEBYASP173TW01, HTEBCASP173TW01, HTEBDASP283CW01, HTEBXASP133DW01, HTEBXASP173FW28, HTEBXASP283CW01, HTEBXASP293CW01, HTEBXASP543DW01, HTEBYASP283CW01, STEBCASP173TW01, STEBXASP133DW01, STEBXASP173TW01, STEBXASP543DW01 and STEBYASP173TW01
	D513819	Harness	Models NTGBXASP303NW01, NTLBXASP303NW26, STGBXASP303NW22 and STGBXASP303ZW01
<b>4</b>	805684	Harness	Main harness to dryer base; Models BTEBEASP283CW01, HTEBDASP283CW01, HTEBXASP283CW01, HTEBXASP293CW01, HTEBYASP283CW01, HTGBDASP093CW01, HTGBXASP093CW01 and HTGBYASP093CW01 through 12/31/21
	808123	Harness	Main harness to dryer base; Models BTEBEASP283CW01, HTEBDASP283CW01, HTEBXASP283CW01, HTEBXASP293CW01, HTEBYASP283CW01, HTGBDASP093CW01, HTGBXASP093CW01 and HTGBYASP093CW01 starting 1/1/22

**NOTE: Individual wires are not available separately. Order complete wire harness, or order wire by the foot. When applying terminals to wires, it is recommended that the terminals be soldered to the wires.**





# Parts Index

## A

Access Panel Assembly	
D514250WP .....	55
804617Q .....	23
804617W .....	23
Access Panel Plate	
D510903 .....	75
Adhesive	
D511637P .....	61, 65
Air Duct Assembly	
D518432 .....	63
D518433 .....	63
Anchor	
155P3 .....	43
Anchor Floor Mount Assembly	
802844P .....	43
Anti-Seize Compound	
27604P .....	35, 57

## B

Backflow Preventer	
800310 .....	41
Balance Ring Assembly	
804393 .....	35
Base Assembly	
803876 .....	43
Bearing Housing Kit	
805525 .....	35
Blower Fan Assembly	
D510139P .....	57
Blower Housing	
D511969LG .....	57
D511969WP .....	57
Blower Housing Seal	
D510238P .....	57
Bolt	
29651 .....	15
Booster and Holding Coil	
58804A .....	71
59063A .....	71
Bracket	
D510146 .....	75
Bumper Pad	
36226 .....	43
56128 .....	75
Burner Assembly	
D510149P .....	71

## C

Cabinet Panel Kit	
800004QP .....	43
800004WP .....	43
Cabinet Rear Panel	
D514632P .....	75

Cabinet Side Panel	
D510001WP .....	75
D510002WP .....	75
Cable Connection Box	
39922 .....	45
Card Insert Overlay	
D514391 .....	21
Caution Label	
801706 .....	85
Central Pay Harness	
805427 .....	7
Central Pay Kit	
807174 .....	7
Clamp Ring	
803802 .....	33
Clip	
201572 .....	19
Clothes Guard Deflector	
804467 .....	33
805548 .....	33
Coin Drop	
38963P .....	17
70441601P .....	17
Coin Drop Assembly	
CK114 .....	17
38462P .....	17
38463 .....	17
38464P .....	17
38467 .....	17
38472 .....	17
38519 .....	17
38521 .....	17
70441602 .....	17
70482401 .....	17
Coin Drop Wire Harness	
201104 .....	19
Coin Identification Paper	
38725 .....	19
Combustion Duct	
D510131 .....	69
D510132 .....	69
Compartment Cover	
803670 .....	27
Connector, 2 Circuit	
58799 .....	81
Connector, 3 Circuit	
58800 .....	81
Contacto Bracket	
D511859 .....	75
Control Assembly	
D511867P .....	9
D514273P .....	9
806267P .....	9
806268P .....	9
807458 .....	9
807459 .....	9
Control Bracket	
807441 .....	37
Control Panel	
803964Q .....	15
803964W .....	15
803968W .....	21

N/A items do not appear in index.

803972W.....	21
Control Panel Assembly	
804069B.....	7
804069DG.....	7
804069W.....	7
Control Shield	
804363.....	11
Counterweight	
807476.....	33
Cylinder Assembly	
D510265WP.....	61
Cylinder Baffle	
D510102W.....	61
Cylinder Belt	
D511255P.....	57
Cylinder Glide	
D513710.....	61
Cylinder Glide Bracket	
D510145.....	61
Cylinder Roller	
D510708P.....	65
Cylinder Roller Bracket	
D510100.....	65
Cylinder Seal Assembly	
D510207P.....	61, 65

## D

Damper	
58786.....	75
Detergent Hose	
804717.....	27
Directional Exhaust Kit	
528P3.....	75
Disconnect Power Warning Label	
D505281.....	83, 85
Dispenser Assembly	
803698.....	27
Dispenser Drawer	
803667.....	27
Dispenser Handle	
804227WP.....	27
Dispenser Inlet Hose	
803849.....	27, 29
806718.....	27, 29
807364.....	27, 29
Dispenser Plate	
803843.....	27
Door Assembly	
D516737W.....	49, 51, 53
804083WP.....	23
804210P.....	23
Door Catch Assembly	
D510177.....	55
802803.....	23
Door Glass	
802695P.....	23
Door Glass Mounting Plate	
806354.....	23
Door Handle Wedge	
D510129W.....	49, 51, 53
Door Hinge	
802934.....	23

N/A items do not appear in index.

Door Latch Assembly	
803920.....	23
Door Liner Grill	
D503870LG.....	49, 51
D503870W.....	49, 51, 53
Door Lock Drip Shield	
804784.....	23
Door Lock Harness Assembly	
806028.....	91
807293.....	91
Door Pull and Wedge Kit	
D510103WP.....	49, 51, 53
Door Seal	
804428P.....	23
Door Seal Assembly	
804429P.....	23
Door Strike	
D510181.....	49, 51, 53
Door Strike Mount	
D510127.....	49, 51, 53
Drain Base Bracket	
803814.....	41
Drain Hose	
27154.....	41
Drain Hose Bracket	
803828.....	43
Drain Hose Elbow	
35766.....	41
Drain Pump Assembly	
803922.....	41
805724P.....	41
808195P.....	41
Drain Pump Drip Shield	
805561.....	41
Drain Pump Isolator	
803815.....	41
Drain Valve	
803293P.....	39
Drain Valve Kit	
F975P3.....	39
Drain-to-Cabinet Hose	
800903.....	39
Drip Shield	
D514327.....	55
Drive Belt	
804985.....	37
Dryer Base	
D514245.....	75
Dryer Door	
D510082WP.....	51, 53
D515961W.....	49, 51
Dryer Door Window	
D503982P.....	49, 51, 53
D515681.....	49, 51
Dual Coin Harness Assembly	
202871.....	17, 19
Dual Overlay	
39073.....	15

## E

Elbow Shut-Off Valve	
D510205.....	71



Heat Duct Shroud D510101 .....	69
Heater Assembly D510324P .....	67
D510326P .....	67
D510327P .....	67
D510329P .....	67
D510330P .....	67
Heater Duct Assembly D510025P .....	67, 69
Heater Kit 964P3 .....	67
965P3 .....	67
Heater Kit Assembly 61927 .....	67
61928 .....	67
61929 .....	67
61930 .....	67
Hinge D511036 .....	49, 51, 53
Hinge Hole Plug D510186 .....	55
Hinge Plate 802206 .....	23
Hose and Washers Kit 203675 .....	31
203676 .....	31
Hose Clamp F200204 .....	41
20211 .....	41
20391 .....	41
685725 .....	27, 39
802281 .....	23
803891 .....	33
807386 .....	27, 29
Hose Clip 36985 .....	33, 47
800553 .....	33
Housing, 10 Position D500338 .....	79

## I

Idler Lever D516310 .....	59
Idler Lever and Wheel Assembly D516792 .....	59
Idler Spring D510185 .....	59
Idler Wheel and Bearing Assembly D510142P .....	59
Igniter and Bracket Assembly D510184P .....	71
Inner Basket Assembly 804374P .....	35
805485 .....	35
Inner Basket Assembly Kit 804376P .....	35
Inner Door Bezel 808097 .....	23
Inner Door Bezel Kit 808095 .....	23
808096 .....	23

Insulated Female Flag Terminal 00221 .....	81
Inverter Control Assembly 807175P .....	37

## J

Junction Box 803818 .....	45
803819 .....	45
Junction Box Cover 803820 .....	45
Junction Box Seal 803832P .....	45

## K

Key 54612 .....	7
--------------------	---

## L

Label D503887 .....	83
807550 .....	87
Lead-In Cord D512019 .....	77
D515312 .....	77
202777 .....	47
59308 .....	77
59373 .....	77
808131 .....	45
Lead-In Cord Assembly D514222 .....	77
D514289 .....	77
D516747 .....	77
804556 .....	45
Lead-In Cord Kit 61605P .....	77
Lead-In Pipe Assembly D510204 .....	71
Left Hand Thread Label 685928 .....	85
Left Hand Thread Label 804949 .....	85
Leveling Leg D510135 .....	75
34319 .....	43
Lid Assembly 802426P .....	41
Lifter 804382 .....	35
Limit Thermostat D510701 .....	67
D510702 .....	69
Line Filter 805633 .....	13
Liner and Seal Assembly D516509 .....	49, 51, 53
Liner Door Seal D510147P .....	49, 51, 53

N/A items do not appear in index.

D515709 .....	49, 51
Lint Filter	
D503980LG .....	63
D503980W .....	63
Lint Filter Label	
D502781 .....	83
D502804 .....	55
Lock Assembly	
804339P .....	7
Lock Cam	
804338 .....	7
L.P. Conversion Kit	
458P3 .....	71
600P3 .....	71
L.P. Orifice	
D503786 .....	73
58755 .....	73

## M

Machine ID Control Assembly	
203361P .....	7
Male Pin Terminal	
00116 .....	81
Manual Reset Thermostat	
M411941 .....	59
Membrane Switch	
D510036P .....	9
Meter Case Assembly	
804009Q .....	15
807396W .....	15
Mixing Valve	
807497P .....	29
807837P .....	29
Mixing Valve Screen	
F8161201 .....	29
24122 .....	29
Mixing Valve Shield	
804783 .....	29
Motor and Pulley Assembly	
D505843P .....	57
D505869P .....	57
D511629P .....	57
Motor and Rod Assembly Kit	
805726P .....	37
808067P .....	37
Motor Control Shield	
804878 .....	37
806258 .....	37
806498 .....	37
Motor Harness	
806029 .....	91
807294 .....	91
Motor Hub Ring Kit	
590P3 .....	57
Motor Mount	
D518517 .....	59
Motor Mount Clamp	
D510180 .....	57
Motor Pulley	
D500011 .....	57
D500222 .....	57

Motor Rod	
803861 .....	37
807739 .....	37
Motor Shield	
D514602 .....	59
Mounting Tool Kit	
CK096 .....	19

## N

Natural/L.P. Gas Label	
D500240 .....	83
Notice Label	
803011 .....	85
Nut	
F430218 .....	33
03673 .....	47
201216 .....	19
21899 .....	43
23951 .....	23
29786 .....	17, 39
36020 .....	23
44071201 .....	49, 51
44087201 .....	15
52566 .....	59
56156 .....	59, 65
685846 .....	23
800452 .....	33, 35
802343 .....	33
804418 .....	35
N.G. Conversion Kit	
459P3 .....	71
N.G. Orifice	
D503776 .....	73
D503778 .....	73
D503779 .....	73
D503780 .....	73
D510517 .....	73

## O

Operation Instructions	
805667 .....	21
O-Ring	
802429P .....	41
Outer Door Bezel	
808091 .....	23
808094 .....	23
Outer Tub Assembly	
803864 .....	33
Outlet Cover	
D500820 .....	67, 69
D518524 .....	67
Out-of-Balance Switch Assembly	
803415 .....	33
807384 .....	33
Out-of-Balance Switch Bracket	
804457 .....	33
807280 .....	33
Output Control Assembly	
808149 .....	37
808150 .....	37

N/A items do not appear in index.

Overlay	
D514873 .....	21
201091 .....	15
805032 .....	7
805396 .....	7
805397 .....	7
805398 .....	7
805400 .....	7
806189 .....	7
Overlay Kit	
38676 .....	15
Oversuding Label	
802074 .....	85
802838 .....	85
802839 .....	85

## P

Panel Locator	
56079 .....	23, 43, 55, 75
Pinch Warning Label	
F8615701 .....	83, 85
Plug	
23040 .....	81
Plug, 9 Circuit	
23033 .....	81
Pop Rivet	
685847 .....	33
Porcelain Touch-Up Paint	
122P4P .....	43, 75
Power Cord Assembly	
58992 .....	77
801450 .....	45
802012 .....	45
808047 .....	45
Power Harness	
807298 .....	91
Pressure Bulb	
808013 .....	33
Pressure Sensor	
203843 .....	43
Pressure Sensor Harness	
804433 .....	91
Pressure Sensor Tube Assembly	
804483 .....	33
Pulley Assembly	
808197 .....	35
Pulley Bolt Tightening Fixture	
802336 .....	89
Pump Housing	
802428 .....	41
Pump Housing Assembly	
802434P .....	41
Pump-to-Elbow Hose	
803734 .....	41

## R

Read Instructions Label	
D513371 .....	85
Rear Access Panel	
803998 .....	15, 21

Rear Bulkhead Assembly	
D510905WP .....	65
D511082P .....	65
Rear Panel	
803789 .....	43
803790 .....	43
Receptacle, 2 Circuit	
D501223 .....	81
Receptacle, 3 Circuit	
23039 .....	81
36170 .....	81
Receptacle, 6 Circuit	
26708 .....	81
Resistor	
210100 .....	7
Retaining Ring	
23748 .....	59, 65
Roller Kit	
RB170002 .....	65
Rubber Foot	
D501855 .....	43
34318 .....	43

## S

Screw	
D500226 .....	51, 53
D500824 .....	59
D501086 .....	13
D501285 .....	63, 65
D501524 .....	37
D502535 .....	59
D503661 .....	7, 13, 23, 37, 39, 41, 43, 45
D503688 .....	11, 15, 21, 55, 57, 61, 65, 67, 69, 71, 75
D505295 .....	49, 51, 53
D505870 .....	49, 51, 53
D515597 .....	49, 51
D515967 .....	49, 51
F8206901 .....	37
M400043 .....	35, 87
M400057 .....	37
02916 .....	37, 39
20530 .....	47, 77
23222 .....	67, 71
31260 .....	57, 59
33562 .....	55
36048 .....	75
39733 .....	23, 43, 55, 75
51782 .....	69, 71
52864 .....	63
52909 .....	41
56124 .....	71
61199 .....	65
62588 .....	61
685831 .....	35
70240301 .....	15, 21
800461 .....	33
800462 .....	33
800548 .....	23, 27, 35
801001 .....	27
801019 .....	23
801045 .....	23
801993 .....	23
802431 .....	41
802596 .....	33
804399 .....	35

N/A items do not appear in index.

804608	7
804699	35
Screw Orifice	
58719	73
Seal Kit	
RB170001	61, 65
Sealant	
27615P	41
Secondary Coil	
58804B	71
59063B	71
Sensor	
D510213	71
Shaft	
56461P	59, 65
Shield Bracket	
804018	11
Shipping Bolt Assembly	
807452	87
Shipping Brace	
807448	87
Shipping Bracket Label	
807552	87
Shipping Plate	
803851	43
Shipping Plug	
803859	43
Shock Assembly	
803777P	33
Side Panel Kit	
800005QP	43
806492	43
Single Coin Harness Assembly	
202870	17
Single Overlay	
38717	15
Snap Bushing	
D503235	39
M402542	13
Speed Clip	
28835	55
Standpipe Strap	
33489	41
Strain Relief	
D502500	77
38384	45, 47, 77
52113	77
60298	77
Strain Relief Adapter	
D502496	77
Strain Relief Connector	
D511628	77
Switch	
D512973	7, 15, 55

## T

Terminal	
00252	81
Terminal Block Assembly	
D510190P	65
803988	13

Terminal Block Drip Shield	
805344	13
Terminal Block Shield	
D510237	65
D514330	65
Terminal Extractor Tool	
283P4	79
Thermal Fuse Assembly	
D518649	67
Thermistor Assembly	
D502366	59
D510523	59
Thermostat	
D510703	69
Thermostat Shield	
D514325	59
Top Hinge	
D510136	75
Top Kit	
D510032WP	75
Transformer	
201375P	7, 19
202757	7
202758	7
803527P	7
Transformer Harness	
804795	7
805428	7
Transformer Kit	
D511658P	75
203423	7
203424	7
Trunnion Kit	
806831	35
Trunnion Shaft Kit	
808043P	35
Tub Front	
803770	33
Tub Front Assembly	
803879	33
Tub Front Seal	
803801	33
Tub-to-Gravity Drain Hose	
803874	39
Tub-to-Pump Hose	
803829	41

## V

Valve Assembly	
60443P	71
Venting Instruction Label	
D502791	83

## W

Warning Label	
D500049	33, 83, 85
D500314	85
D500316	83, 85
D502508	83
D512263	55, 83

N/A items do not appear in index.

D516243 .....	83
44324001 .....	83
802367 .....	85
803260 .....	83, 85
806591 .....	85
Warning/Caution Label	
D500281 .....	55, 83
Washer	
D504082 .....	65
M400014 .....	87
M400017 .....	39
M400080 .....	37
M400081 .....	33
M403958 .....	35
02834 .....	37
03815 .....	47
20290 .....	31
26509 .....	75
52549 .....	59, 65
800457 .....	35
802254 .....	31
803615 .....	31
804458 .....	33
807679 .....	35
Water Hose	
F200116 .....	31
Window Clip	
D513958 .....	49, 51
Window Trim	
D503981W .....	51, 53
D512633 .....	53
D515956W .....	49, 51
Wire Assembly	
D518255 .....	67
D518256 .....	67
Wire Clip	
D504034 .....	47
687500 .....	47
Wire Configuration Assembly	
D512273P .....	93
D512275P .....	93
Wire Guard	
201595P .....	17
Wire Harness Assembly	
D511303 .....	75
D512422P .....	91
D513837 .....	93
D513841 .....	93
Wire Ring and Spring	
806466 .....	23
Wire Tie	
38663 .....	47
Wire, 12 Gauge	
45380 .....	91, 93
Wire, 18 Gauge	
45001 .....	91, 93
Wiring Harness Assembly	
202868 .....	7
Wrapper Assembly	
804104Q .....	15
804104W .....	15
804112W .....	21
Wrench	
392P4 .....	89

N/A items do not appear in index.