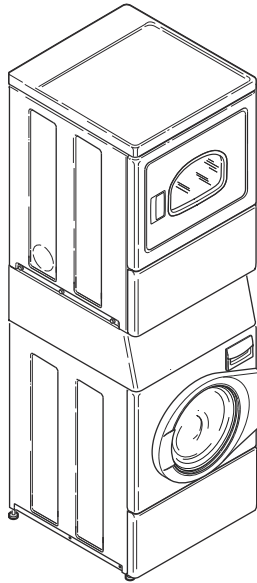


Commercial Stack Washer/Dryers

Refer to Page 5 for Model Numbers



SWD456C_806913

Table of Contents

| Title | Page |
|--|------|
| Parts Ordering Information..... | 3 |
| Serial Plate Location | 3 |
| Model Identification | 5 |
| Control Panel and Controls (Drawing 1 of 3) | 6 |
| Control Panel and Controls (Drawing 2 of 3) | 8 |
| Control Panel and Controls (Drawing 3 of 3) | 10 |
| Control Shield and Bracket | 12 |
| Control Panel and Cabinet Wrapper | 14 |
| Non-Electronic Dual Coin Drop | 16 |
| Non-Electronic Single Coin Drop | 18 |
| Electronic Coin Drop | 20 |
| Card Reader and Non-Vend Control Cabinet | 22 |
| Front Panel, Door Assembly and Door Seal | 24 |
| Front Panel Assembly | 26 |
| Dispenser Assembly | 28 |
| Mixing Valve..... | 30 |
| Fill Hose | 32 |
| Outer Tub, Front and Clamp Ring..... | 34 |
| Inner Basket, Trunnion, Bearing Housing and Pulley | 36 |
| Motor and Belt..... | 38 |
| Drain Hose and Pump..... | 40 |
| Drain Hose and Valve | 42 |
| Base, Side Panels and Rear Panel..... | 44 |
| Washer Junction Box | 46 |
| Washer Lead-In Cord, Wire Ties and Harness Clips | 48 |
| Dryer Loading Door With Window (Drawing 1 of 2) | 50 |
| Dryer Loading Door With Window (Drawing 2 of 2) | 52 |
| Dryer Loading Door Without Window..... | 54 |
| Access Panel, Front Panel and Seal | 56 |
| Motor, Exhaust Fan and Belt | 58 |
| Thermistor and Shields | 60 |
| Idler Assembly | 62 |
| Front Bulkhead, Felt Seal and Cylinder | 64 |
| Air Duct Assembly..... | 66 |
| Rear Bulkhead, Felt Seal, Cylinder Roller and Terminal Block..... | 68 |
| Terminal Block Shield | 70 |
| Heater Duct and Element Assembly | 72 |
| Heater Duct Assembly | 74 |
| Gas Valve, Igniter and Gas Conversion Kits - Gas Dryer Models Through Serial No. 1908000001 | 76 |
| Gas Valve, Igniter and Gas Conversion Kits - Gas Dryer Models Starting Serial No. 1908000001 | 78 |
| Burner Orifice Spuds - For Higher Elevations..... | 80 |

© Copyright 2023, Alliance Laundry Systems LLC

All rights reserved. No part of the contents of this book may be reproduced or transmitted in any form or by any means without the expressed written consent of the publisher.

| | |
|--|-----|
| Dryer Cabinet, Exhaust Duct and Base | 82 |
| Output Board..... | 84 |
| Junction Box (Drawing 1 of 2)..... | 86 |
| Junction Box (Drawing 2 of 2)..... | 88 |
| Dryer Power Cord (Drawing 1 of 2)..... | 90 |
| Dryer Power Cord (Drawing 2 of 2)..... | 92 |
| Dryer Labels..... | 94 |
| Washer Labels | 96 |
| Shipping Materials | 98 |
| Special Tools | 100 |
| Washer Wire Harnesses and Wires..... | 102 |
| Dryer Wire Harnesses and Wires (Drawing 1 of 3)..... | 104 |
| Dryer Wire Harnesses and Wires (Drawing 2 of 3)..... | 106 |
| Dryer Wire Harnesses and Wires (Drawing 3 of 3)..... | 108 |
| Parts Index..... | 111 |

Parts Ordering Information

If literature or replacement parts are required, contact the source from whom the machine was purchased or contact Alliance Laundry Systems at (920) 748-3950 for the name and address of the nearest authorized parts distributor.

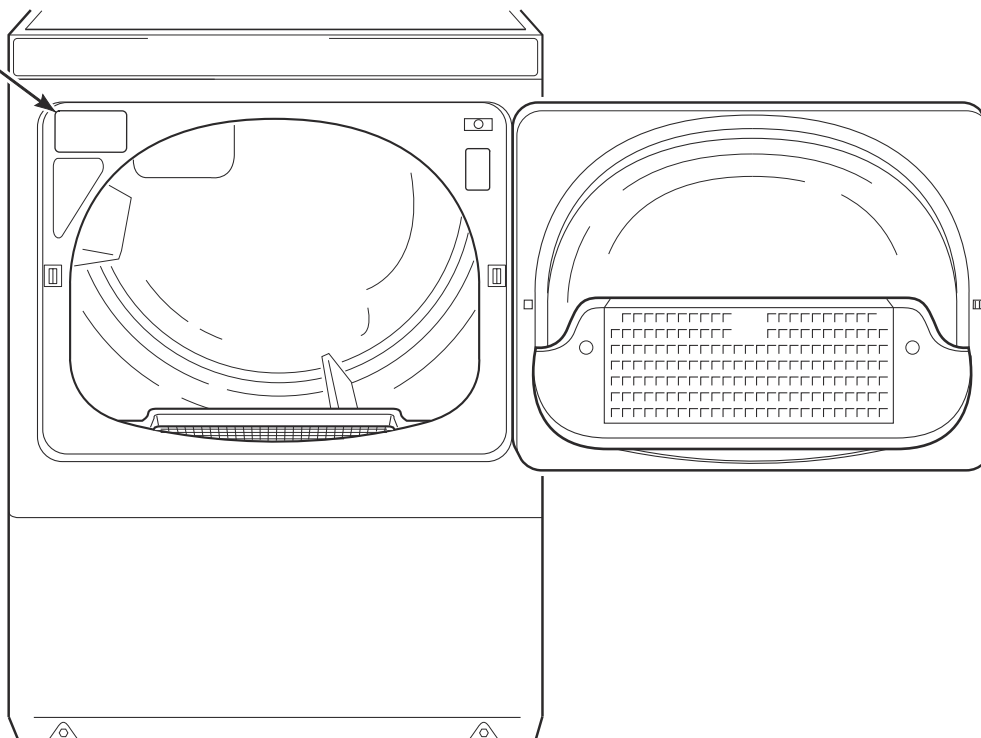
For technical assistance, call the number listed below:

(920) 748-3121 Ripon, Wisconsin

Serial Plate Location

When calling or writing about your product, be sure to mention model and serial numbers. Model and serial numbers are located on serial plate(s) as shown.

SERIAL PLATE



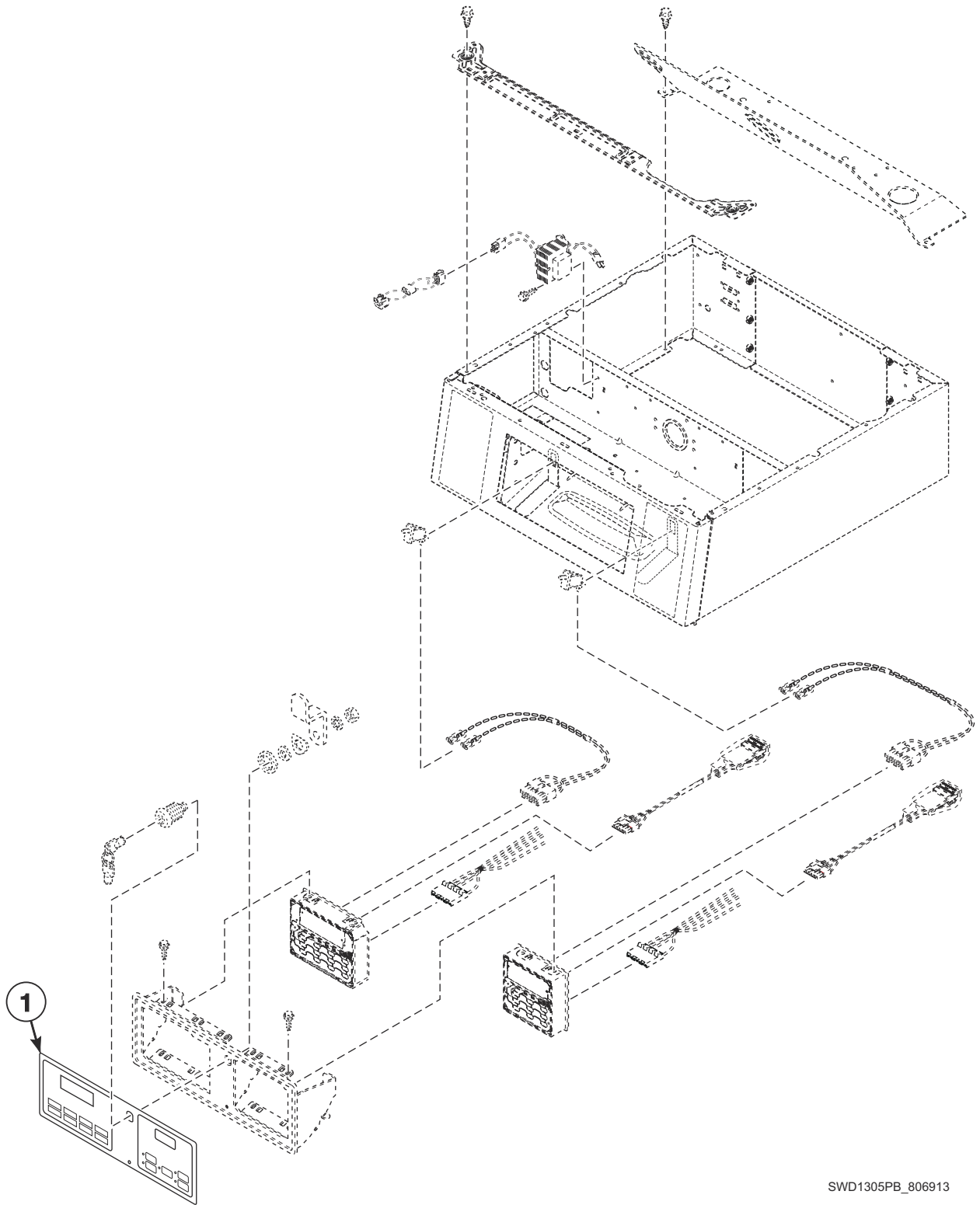
DRY2283P_806913

Model Identification

Information in this manual is applicable to these washer/dryer models:

| | |
|-----------------|-----------------|
| BTEBLASP434AW01 | STEBCASP175TW01 |
| BTEBXASG454NW36 | STEBXASP134DW01 |
| BTEBXASP434AW01 | STEBXASP134FW01 |
| BTGBLASP304AW01 | STEBXASP175TW01 |
| BTGBXASP304AW01 | STEBXASP304NW22 |
| BTLBXASG304NW36 | STEBXASP304UW01 |
| BTLBXASP304NW22 | STEBXASP304WW01 |
| HTEBCASP175TW01 | STEBXASP434AW01 |
| HTEBCASP176TW01 | STEBXASP434AW12 |
| HTEBDASP285CW01 | STEBXASP434LW01 |
| HTEBXASP134DW01 | STEBXASP544DW01 |
| HTEBXASP134FW01 | STEBXASP544ZW01 |
| HTEBXASP285CW01 | STEBYASP175TW01 |
| HTEBXASP295CW01 | STGBCASP115TW01 |
| HTEBXASP304NW22 | STGBXASP114FW01 |
| HTEBXASP544DW01 | STGBXASP115TW01 |
| HTEBYASP285CW01 | STGBXASP124DW01 |
| HTEBYASP286CW01 | STGBXASP304AW01 |
| HTGBCASP115TW01 | STGBXASP304AW12 |
| HTGBCASP116TW01 | STGBXASP304NW22 |
| HTGBDASP095CW01 | STGBXASP304ZW01 |
| HTGBXASP095CW01 | STGBXASP544DW01 |
| HTGBXASP114FW01 | STGBYASP115TW01 |
| HTGBXASP124DW01 | TTEBXASP304NW22 |
| HTGBXASP304NW21 | |
| HTGBXASP544DW01 | |
| HTGBYASP095CW01 | |
| HTGBYASP115TW01 | |
| HTGBYASP116TW01 | |
| NTEBXASP304NW01 | |
| NTEBXASP304NW22 | |
| NTEBXASP544NW23 | |
| NTEBYASP544NW23 | |
| NTGBXASP304NW01 | |
| NTLBXASP304NW26 | |
| NTLBXASP543NW23 | |
| NTLBXASP544NW23 | |
| NTLBYASP544NW23 | |

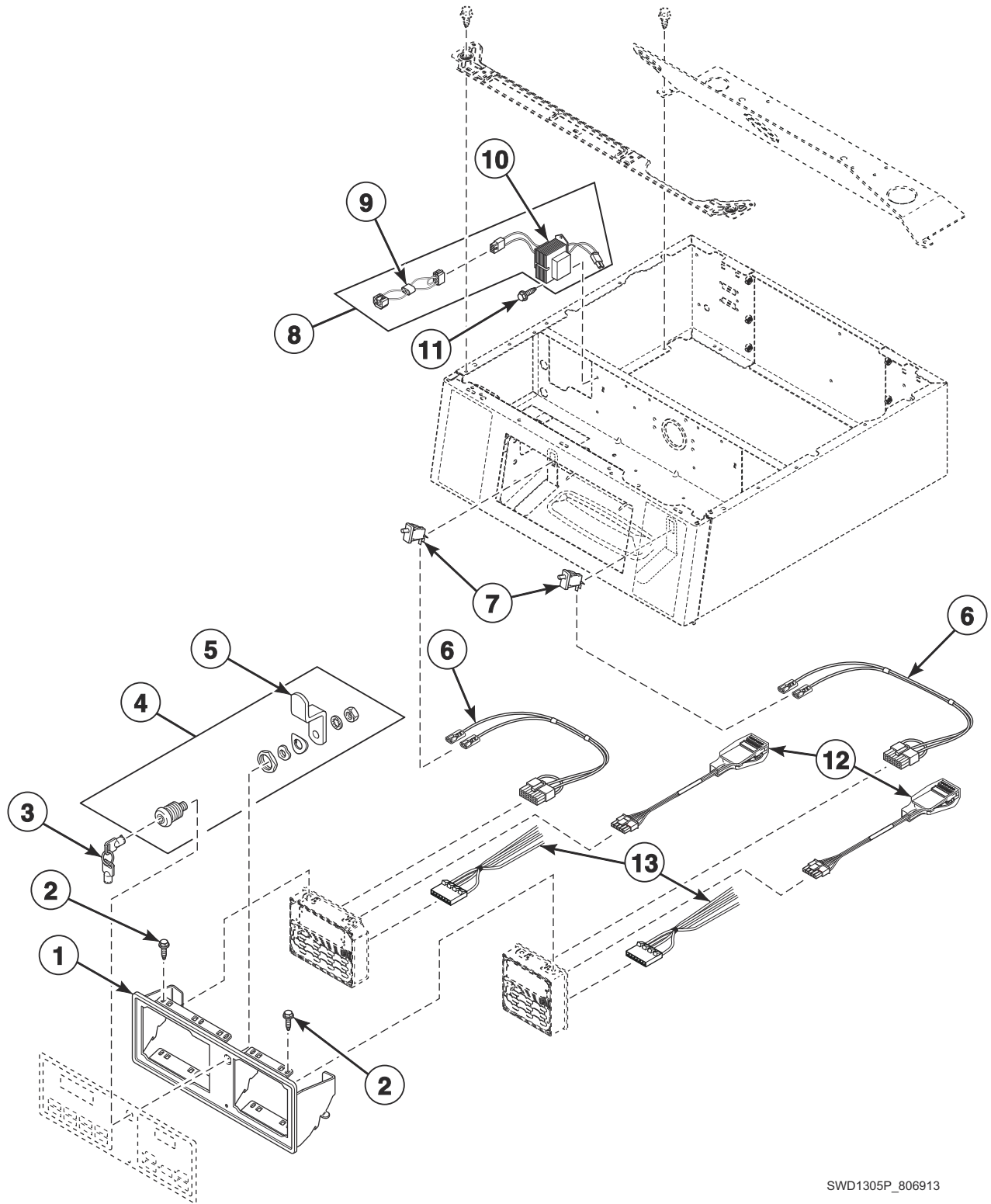
Control Panel and Controls (Drawing 1 of 3)



Control Panel and Controls (Drawing 1 of 3)

| REF | PART NO. | DESCRIPTION | COMMENTS |
|-----|----------|-----------------|---|
| | 807174 | Central Pay Kit | |
| 1 | 806129 | Overlay | Models BTEBLASP434AW01, BTEBXASG454NW36, BTEBXASP434AW01, BTGBLASP304AW01, BTGBXASP304AW01, BTLBXASG304NW36 and BTLBXASP304NW22 |
| | 806111 | Overlay | Models HTEBCASP175TW01, HTEBDASP285CW01, HTEBXASP134DW01, HTEBXASP134FW01, HTEBXASP285CW01, HTEBXASP295CW01, HTEBXASP304NW22, HTEBXASP544DW01, HTEBYASP285CW01, HTGBCASP115TW01, HTGBDASP095CW01, HTGBXASP095CW01, HTGBXASP114FW01, HTGBXASP124DW01, HTGBXASP544DW01, HTGBYASP095CW01 and HTGBYASP115TW01 |
| | 805717 | Overlay | Models NTEBXASP304NW01, NTEBXASP304NW22, NTEBXASP544NW23, NTEBYASP544NW23, NTGBXASP304NW01, NTLBXASP304NW26, NTLBXASP543NW23, NTLBXASP544NW23, NTLBYASP544NW23 and TTEBXASP304NW22 |
| | 806110 | Overlay | Models STEBXASP134DW01, STEBXASP304NW22, STEBXASP304UW01, STEBXASP544DW01, STEBXASP544ZW01, STGBXASP124DW01, STGBXASP304NW22, STGBXASP304ZW01 and STGBXASP544DW01 |
| | 807464 | Overlay | Model HTGBXASP304NW21 |
| | 807757 | Overlay | Models HTEBCASP176TW01, HTEBYASP286CW01, HTGBCASP116TW01 and HTGBYASP116TW01 |
| | 806109 | Overlay | All other models |

Control Panel and Controls (Drawing 2 of 3)

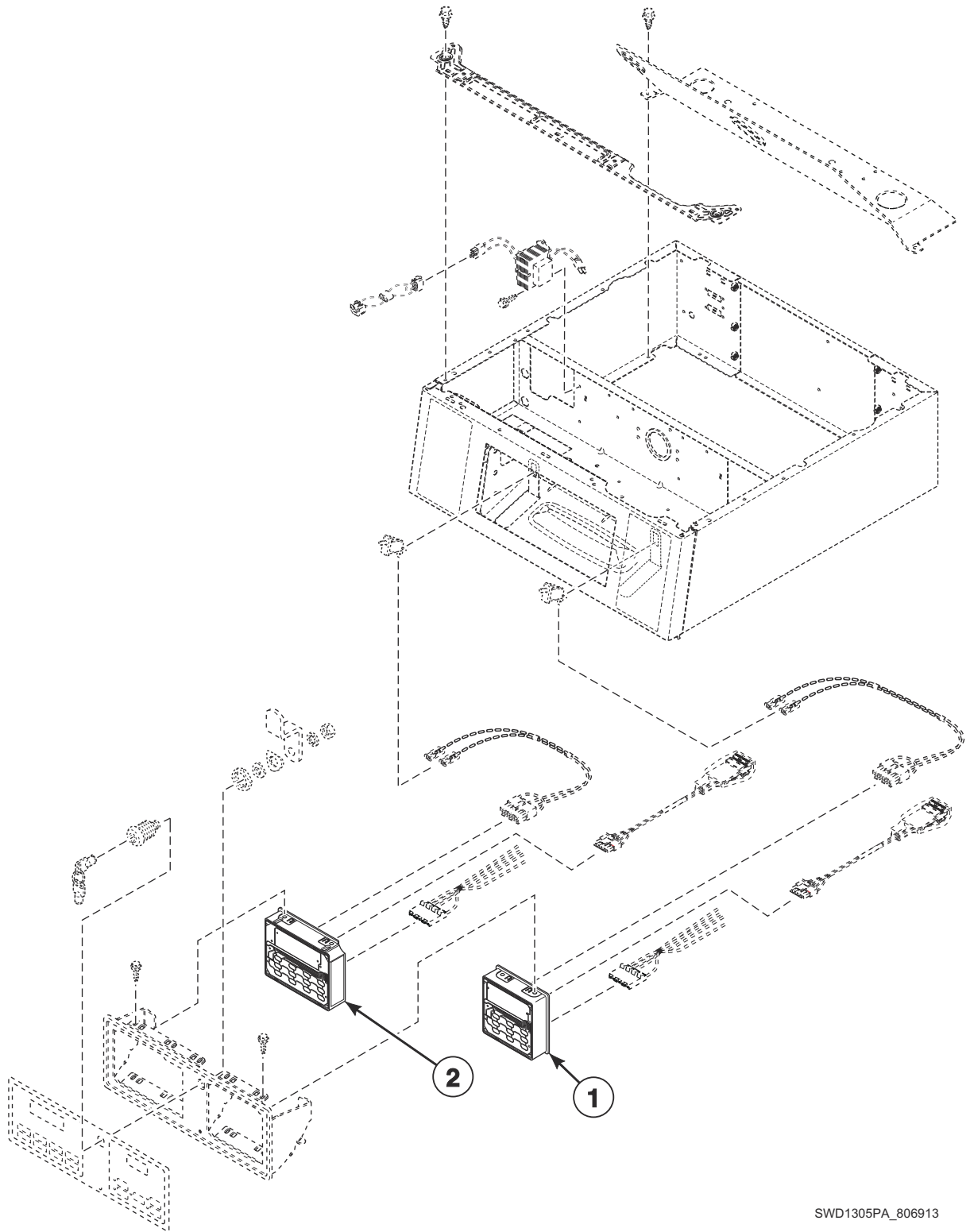


SWD1305P_806913

Control Panel and Controls (Drawing 2 of 3)

| REF | PART NO. | DESCRIPTION | COMMENTS |
|-----|----------|-----------------------------|---|
| 1 | 804069W | Control Panel Assembly | |
| 2 | 804608 | Screw | |
| 3 | 54612 | Key | GR800 |
| 4 | 804339P | Lock Assembly | |
| 5 | 804338 | Lock Cam | |
| 6 | 202868 | Wiring Harness Assembly | |
| 7 | D512973 | Switch | |
| 8 | 203423 | Transformer Kit | 120 Volt |
| | 203424 | Transformer Kit | 240 Volt |
| 9 | 804795 | Transformer Harness | 120 Volt |
| | 805428 | Transformer Harness | 240 Volt |
| 10 | 202757 | Transformer | 120 Volt |
| | 202758 | Transformer | 240 Volt |
| 11 | D503661 | Screw | |
| 12 | 203361P | Machine ID Control Assembly | Model or serial number is required when ordering; All models except HTEBCASP176TW01, HTEBYASP286CW01, HTGBCASP116TW01 and HTGBYASP116TW01 |
| 13 | 805427 | Central Pay Harness | Models BTEBLASP434AW01 and BTGBLASP304AW01 |

Control Panel and Controls (Drawing 3 of 3)

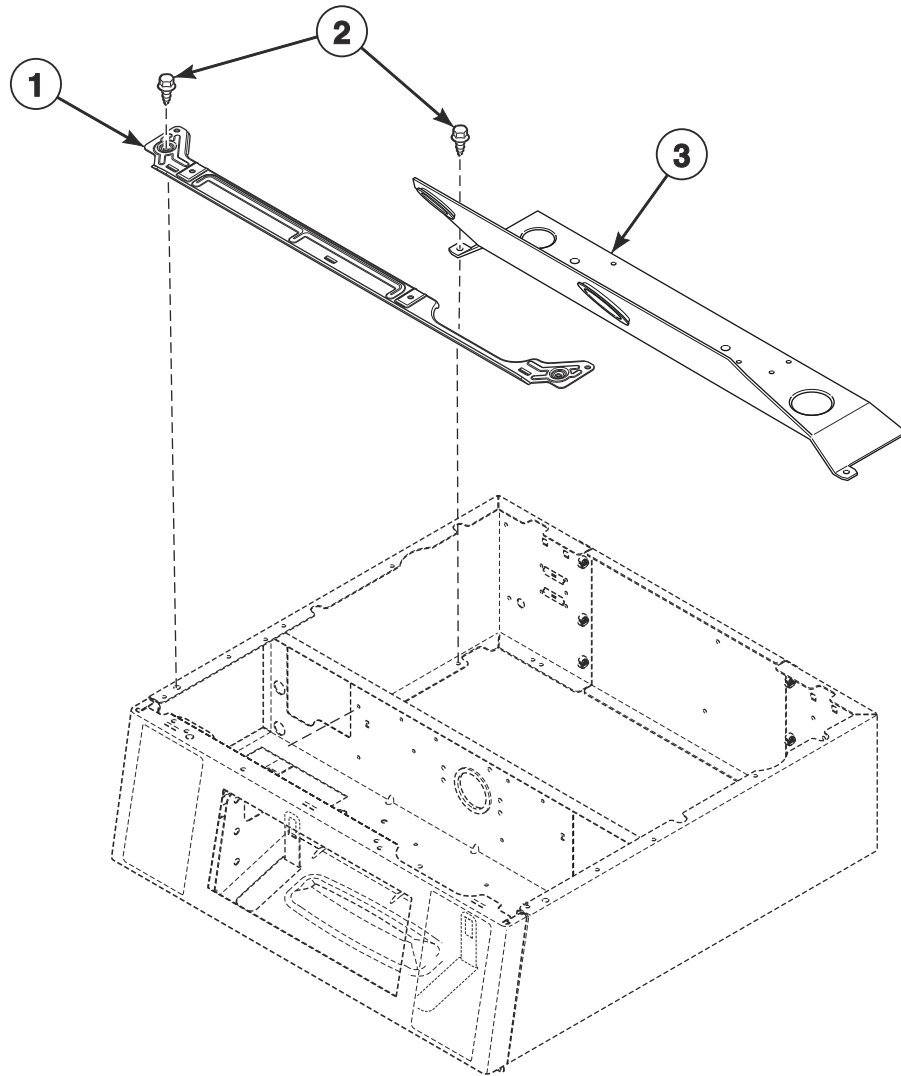


SWD1305PA_806913

Control Panel and Controls (Drawing 3 of 3)

| REF | PART NO. | DESCRIPTION | COMMENTS |
|-----|----------|------------------|--|
| 1 | D515808P | Control Assembly | Dryer; Red LEDs; Models BTEBLASP434AW01, BTEBXASG454NW36, BTEBXASP434AW01, BTGBLASP304AW01, BTGBXASP304AW01, BTLBXASG304NW36 and BTLBXASP304NW22 through Serial No. 1912999999 |
| | D517523 | Control Assembly | Dryer; Red LEDs; Models BTEBLASP434AW01, BTEBXASG454NW36, BTEBXASP434AW01, BTGBLASP304AW01, BTGBXASP304AW01, BTLBXASG304NW36 and BTLBXASP304NW22 starting Serial No. 2001000001 |
| | D515807P | Control Assembly | Dryer; Green LEDs; Models HTEBXASP134DW01, HTEBXASP134FW01, HTEBXASP304NW22, HTEBXASP544DW01, HTGBXASP114FW01, HTGBXASP124DW01, HTGBXASP544DW01, STEBXASP134DW01, STEBXASP134FW01, STEBXASP544DW01, STGBXASP114FW01, STGBXASP124DW01 and STGBXASP544DW01; Models HTEBCASP175TW01, HTEBDASP285CW01, HTEBXASP285CW01, HTEBXASP295CW01, HTEBYASP285CW01, HTGBCASP115TW01, HTGBDASP095CW01, HTGBXASP095CW01, HTGBXASP304NW21, HTGBYASP095CW01, HTGBYASP115TW01, NTEBXASP304NW01, NTEBXASP304NW22, NTEBXASP544NW23, NTEBYASP544NW23, NTGBXASP304NW01, NTLBXASP304NW26, NTLBXASP543NW23, NTLBXASP544NW23, NTLBYASP544NW23, STEBCASP175TW01, STEBXASP175TW01, STEBXASP304NW22, STEBXASP304UW01, STEBXASP304WW01, STEBXASP434AW01, STEBXASP434AW12, STEBXASP434LW01, STEBXASP544ZW01, STEBYASP175TW01, STGBCASP115TW01, STGBXASP115TW01, STGBXASP304AW01, STGBXASP304AW12, STGBXASP304NW22, STGBXASP304ZW01, STGBYASP115TW01 and TTEBXASP304NW22 through Serial No. 1912999999 |
| | D517522 | Control Assembly | Dryer; Models HTEBCASP175TW01, HTEBDASP285CW01, HTEBXASP285CW01, HTEBXASP295CW01, HTEBYASP285CW01, HTGBCASP115TW01, HTGBDASP095CW01, HTGBXASP095CW01, HTGBXASP304NW21, HTGBYASP095CW01, HTGBYASP115TW01, NTEBXASP304NW01, NTEBXASP304NW22, NTEBXASP544NW23, NTEBYASP544NW23, NTGBXASP304NW01, NTLBXASP304NW26, NTLBXASP543NW23, NTLBXASP544NW23, NTLBYASP544NW23, STEBCASP175TW01, STEBXASP175TW01, STEBXASP304NW22, STEBXASP304UW01, STEBXASP304WW01, STEBXASP434AW01, STEBXASP434AW12, STEBXASP434LW01, STEBXASP544ZW01, STEBYASP175TW01, STGBCASP115TW01, STGBXASP115TW01, STGBXASP304AW01, STGBXASP304AW12, STGBXASP304NW22, STGBXASP304ZW01, STGBYASP115TW01 and TTEBXASP304NW22 starting Serial No. 2001000001 |
| | D518647 | Control Assembly | Dryer; Models HTEBCASP176TW01, HTEBYASP286CW01, HTGBCASP116TW01 and HTGBYASP116TW01 |
| 2 | 806268P | Control Assembly | Washer; Red LEDs; Models BTEBLASP434AW01, BTEBXASG454NW36, BTEBXASP434AW01, BTGBLASP304AW01, BTGBXASP304AW01, BTLBXASG304NW36 and BTLBXASP304NW22 through Serial No.2012999999 |
| | 807459 | Control Assembly | Washer; Red LEDs; Models BTEBLASP434AW01, BTEBXASG454NW36, BTEBXASP434AW01, BTGBLASP304AW01, BTGBXASP304AW01, BTLBXASG304NW36 and BTLBXASP304NW22 starting Serial No.2101000001 |
| | 808121 | Control Assembly | Washer; Models HTEBCASP176TW01, HTEBYASP286CW01, HTGBCASP116TW01 and HTGBYASP116TW01 |
| | 806267P | Control Assembly | Washer; Green LEDs; All other models through Serial No.2012999999 |
| | 807458 | Control Assembly | Washer; Green LEDs; All other models starting Serial No. 2101000001 |

Control Shield and Bracket



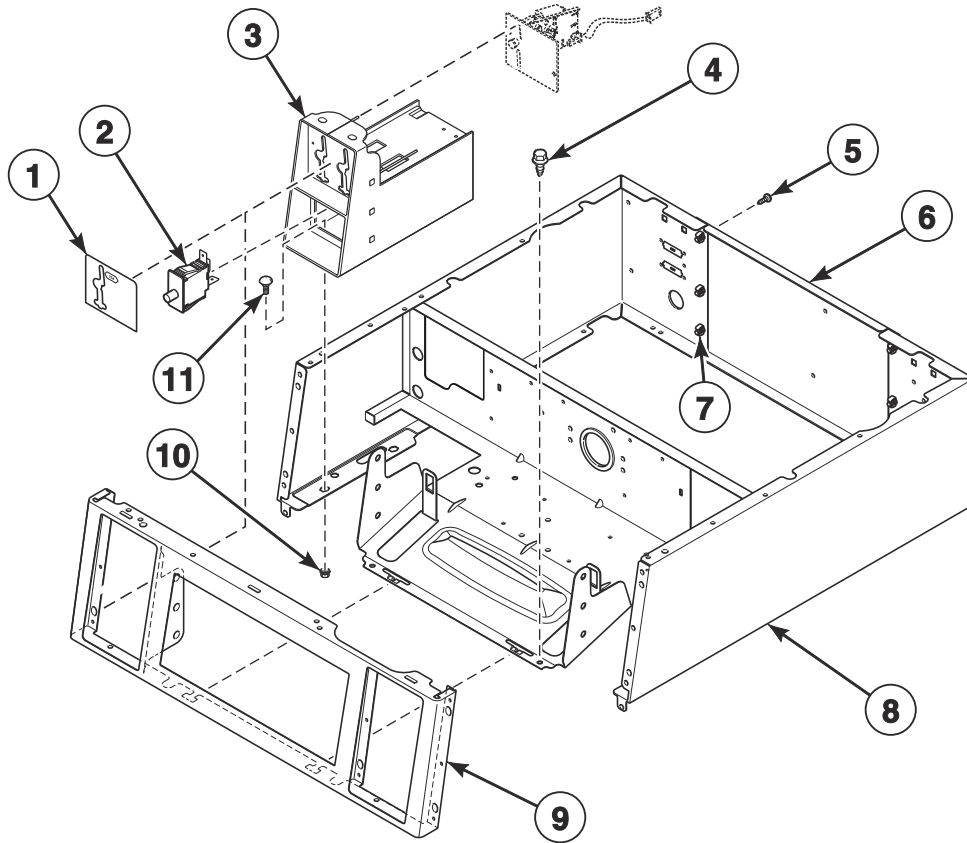
SWD1306P_806913

Control Shield and Bracket

| REF | PART NO. | DESCRIPTION | COMMENTS |
|-----|----------|----------------|----------|
| 1 | 804018 | Shield Bracket | |
| 2 | D503688 | Screw | |
| 3 | 804363 | Control Shield | |

Control Panel and Cabinet Wrapper

Coin Models



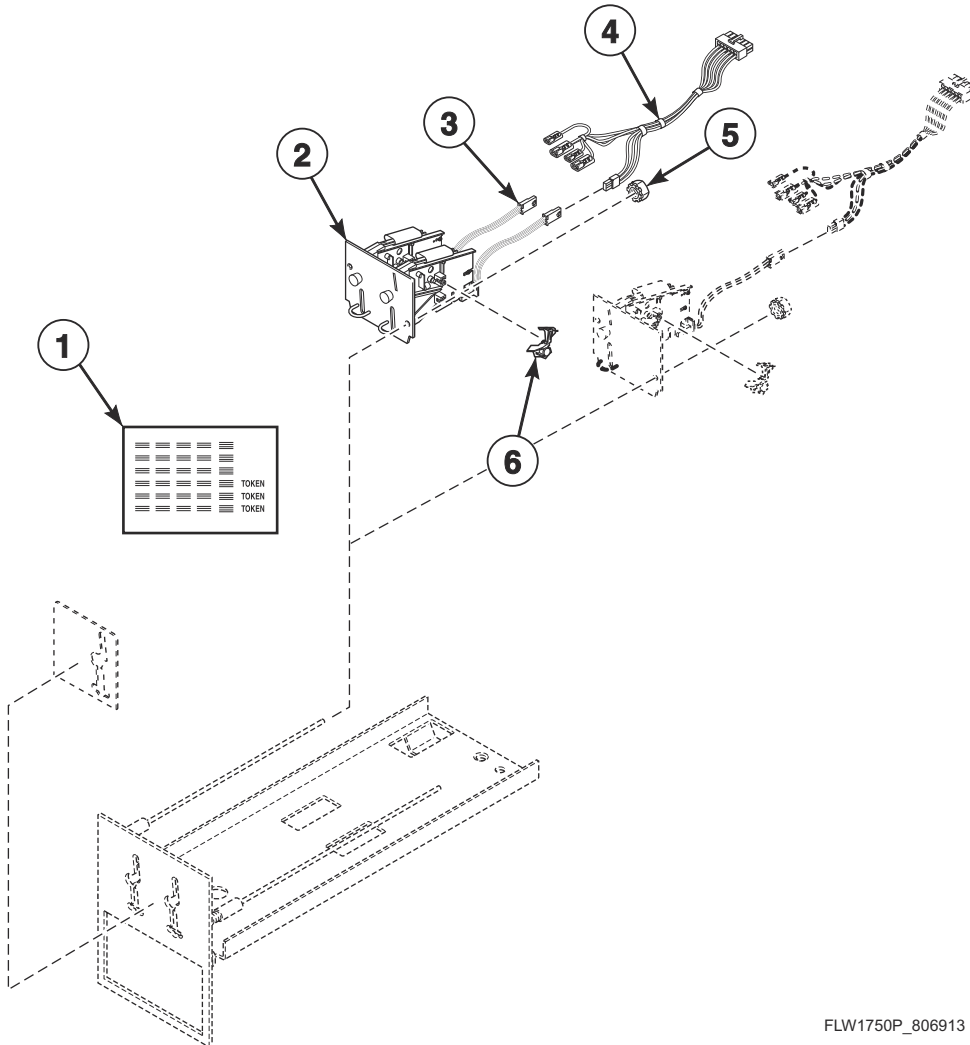
SWD1289P_806913

Control Panel and Cabinet Wrapper

| REF | PART NO. | DESCRIPTION | COMMENTS |
|-----------|----------|---------------------|---|
| | 805665 | Instruction Label | Text |
| | 805664 | Instruction Label | Icon |
| 1 | 38717 | Single Overlay | |
| | 39073 | Dual Overlay | |
| | 38676 | Overlay Kit | Dual drop; Includes coin identification paper |
| | 201091 | Overlay | For electronic coin drops |
| 2 | D512973 | Switch | |
| 3 | 807396W | Meter Case Assembly | |
| 4 | D503688 | Screw | |
| 5 | 70240301 | Screw | |
| 6 | 803998 | Rear Access Panel | |
| 7 | 70030501 | Expansion Clip | |
| 8 | 804104W | Wrapper Assembly | |
| 9 | 803964W | Control Panel | |
| 10 | 44087201 | Nut | |
| 11 | 29651 | Bolt | |

Non-Electronic Dual Coin Drop

Coin Models



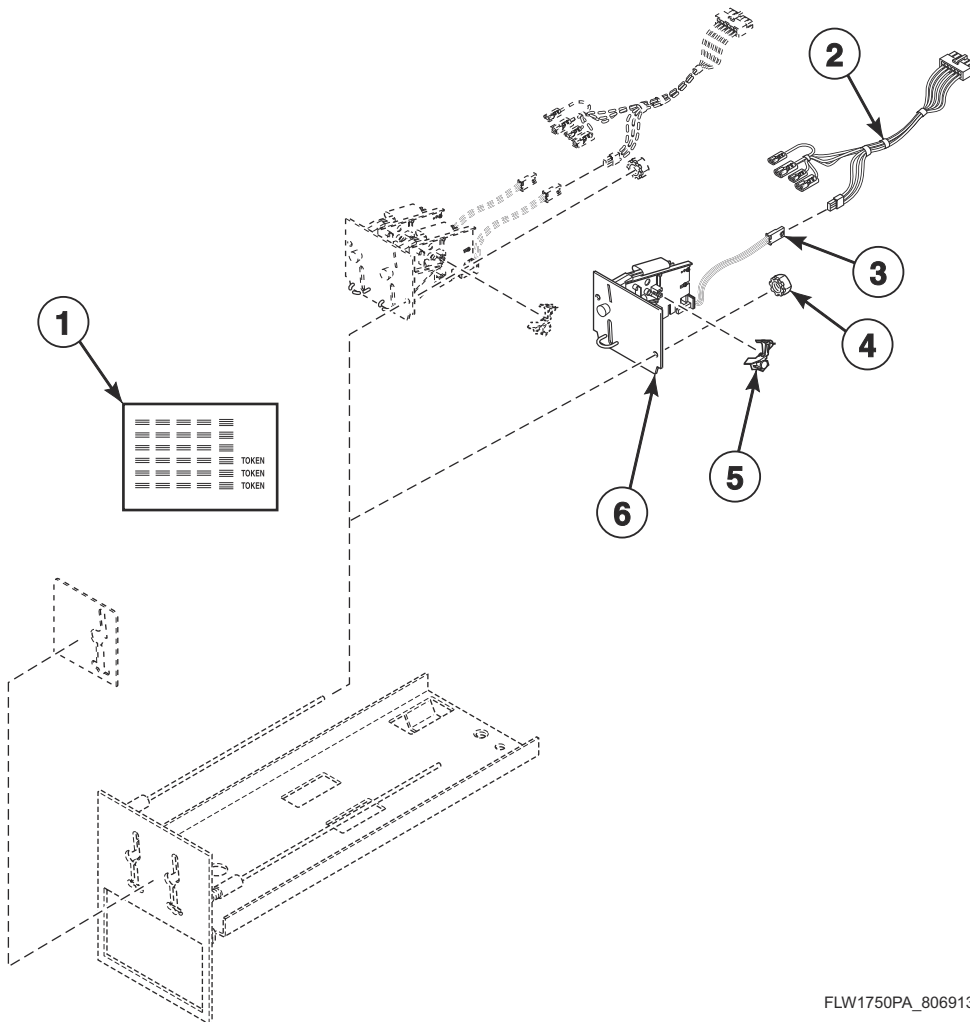
FLW1750P_806913

Non-Electronic Dual Coin Drop

| REF | PART NO. | DESCRIPTION | COMMENTS |
|-----|----------|----------------------------|---|
| 1 | 38725 | Coin Identification Paper | |
| 2 | 70441603 | Coin Drop | U.S.A.; \$.25 and \$1.00 |
| | 38467 | Coin Drop Assembly | Australia; \$0.20 and \$1.00 |
| | 70447301 | Coin Drop Assembly | Australia; \$1.00 and \$2.00 |
| | 70441602 | Coin Drop Assembly | Canada; .25 and 1.00 |
| | 38472 | Coin Drop Assembly | England; 20 pence and 1 pound |
| | 38519 | Coin Drop Assembly | apan; 100 yen and 500 yen |
| | 38521 | Coin Drop Assembly | Korea; 100 won and 500 won |
| | 70482401 | Coin Drop Assembly | New Zealand ; \$1.00 and \$2.00 |
| | 553192 | Coin Drop Assembly | Danish Crown |
| | 39157 | Coin Drop Assembly | Israel; 1 and 5 Shekel |
| | 210195 | Coin Drop Assembly | 0.20 and 1.00 Euro |
| | 210196 | Coin Drop Assembly | 0.50 and 1.00 Euro |
| | 70281102 | Coin Drop Assembly | Taiwan; 10 and 50 NT |
| | CK058 | Coin Drop Kit | Canada; \$0.25 and \$1.00 |
| | CK060 | Coin Drop Kit | Australia; \$0.20 and \$1.00 |
| | CK071 | Coin Drop Kit | Japan; 100 yen and 500 yen |
| | CK086 | Coin Drop Kit | Israel; 1 and 5 Shekel |
| | CK091 | Coin Drop Kit | 0.20 and 1.00 Euro |
| | CK107 | Coin Drop Kit | Taiwan; 10 and 50 NT |
| | CK111 | Coin Drop Kit | Australia; \$1.00 and \$2.00 |
| | CK122 | Coin Drop Kit | New Zealand; \$1.00 and \$2.00 |
| 3 | 200674P | Opto Coupler | |
| 4 | 202871 | Dual Coin Harness Assembly | Dual drop |
| 5 | 29786 | Nut | |
| 6 | 201595P | Wire Guard | Anti-stringing security device; Add to coin drops |

Non-Electronic Single Coin Drop

Coin Models



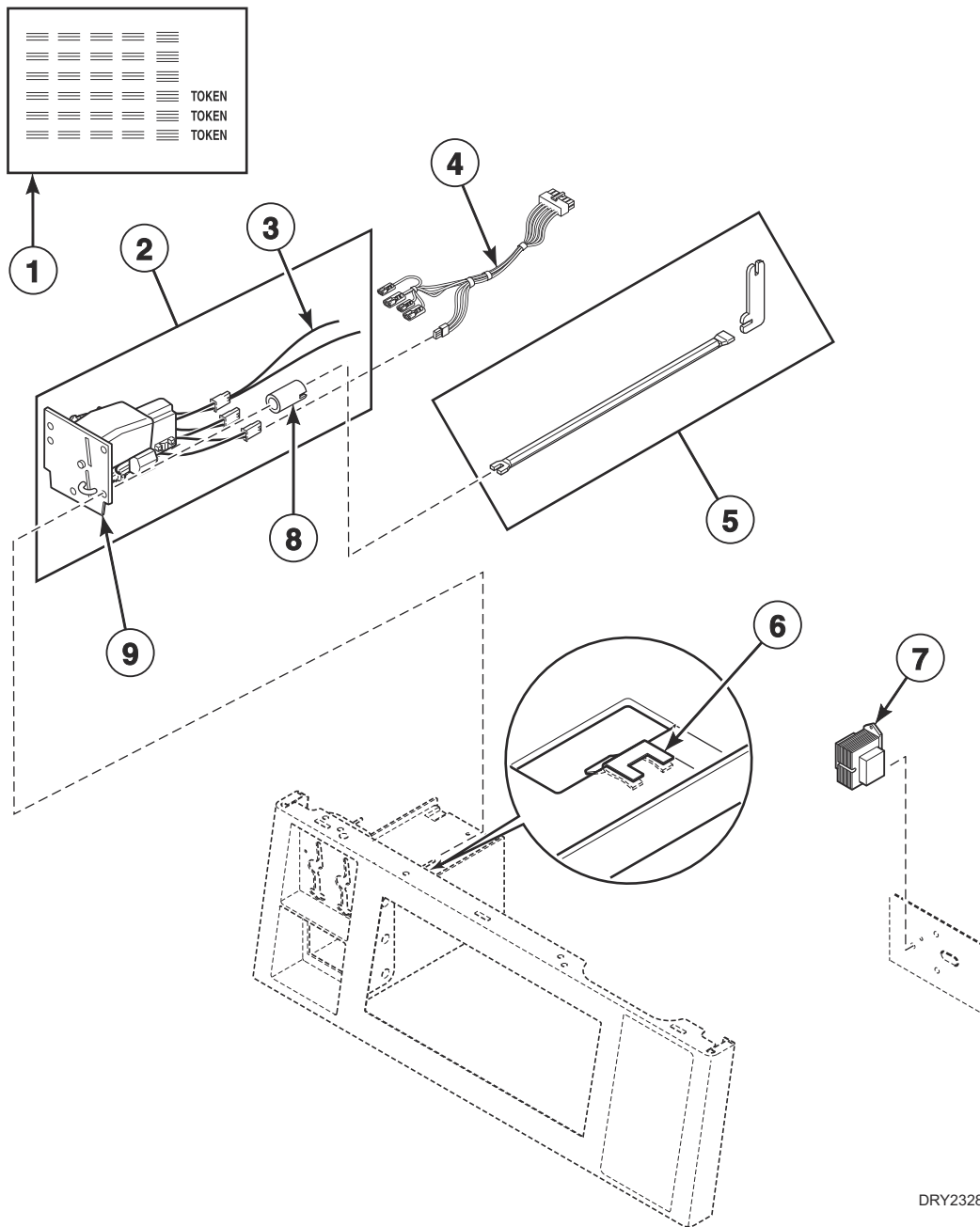
FLW1750PA_806913

Non-Electronic Single Coin Drop

| REF | PART NO. | DESCRIPTION | COMMENTS |
|-------|---------------|------------------------------|---|
| 1 | 38725 | Coin Identification Paper | |
| 2 | 202870 | Single Coin Harness Assembly | Single drop |
| 3 | 200674P | Opto Coupler | |
| 4 | 29786 | Nut | |
| 5 | 201595P | Wire Guard | Anti-stringing security device; Add to coin drops |
| 6 | 70441601P | Coin Drop | U.S.A.; \$.25 |
| | 200731 | Coin Drop | U.S.A.; \$1.00 |
| | 38464P | Coin Drop Assembly | Canada; .25 |
| | CK114 | Coin Drop Assembly | Singapore; Old \$1.00 |
| | CK123 | Coin Drop Kit | Singapore; New \$1.00 |
| | 38462P | Coin Drop Assembly | Token; STD 118-1 |
| | 38463 | Coin Drop Assembly | Token; STD 118-5 |
| | 38963P | Coin Drop | Token STD 118-16 |
| | 38475 | Coin Drop Assembly | Japan; 100 yen |
| | 70506901 | Coin Drop Assembly | Singapore; \$1.00 NEW |
| | 39748 | Coin Drop | Jeton 08MS |
| | 201141 | Coin Drop Assembly | Token; Jeton wh121 |
| | CK055 | Coin Drop Kit | Token STD 118-1 |
| | CK056 | Coin Drop Kit | Token STD 118-5 |
| | CK057 | Coin Drop Kit | Canada; \$0.25 |
| | CK077 | Coin Drop Kit | Taiwan; 10 NT |
| | CK078 | Coin Drop Kit | U.S.A.; \$0.25 |
| | CK085 | Coin Drop Kit | Token STD 118-16 |
| | CK089 | Coin Drop Kit | Japan; 100 yen |
| | CK090 | Coin Drop Kit | U.S.A.; \$1.00 |
| CK097 | Coin Drop Kit | Token; Jeton 08MS | |
| CK098 | Coin Drop Kit | Token; Jeton wh121 | |

Electronic Coin Drop

Coin Models



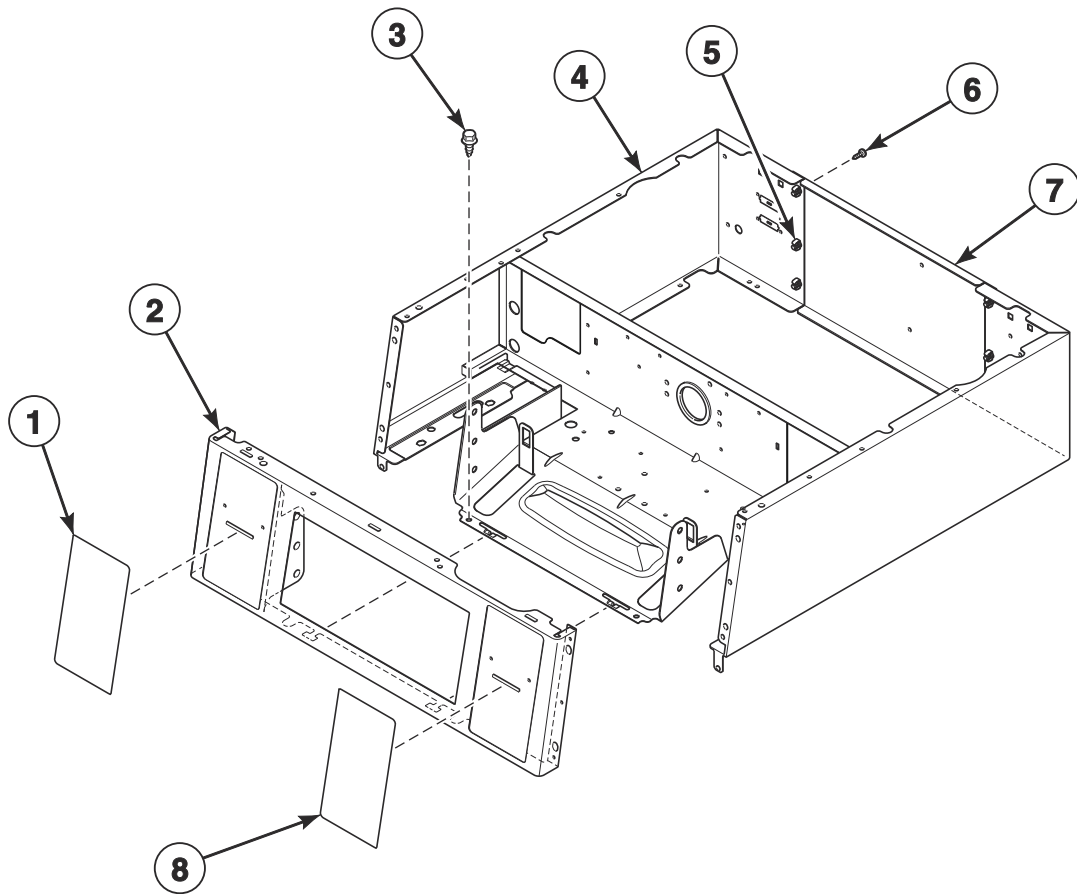
DRY2328P_806913

Electronic Coin Drop

| REF | PART NO. | DESCRIPTION | COMMENTS |
|-----|-----------|-------------------------------|--|
| 1 | 38725 | Coin Identification Paper | |
| 2 | CK099 | Electronic Coin Drop Kit | Australia, New Zealand, Hong Kong and South Korea; Includes items 1, 3, 6, 8 and 9 |
| | CK100 | Electronic Coin Drop Kit | Euro and Great Britain; Includes items 1, 3, 6, 8 and 9 |
| | CK101 | Electronic Coin Drop Kit | Euro, Denmark and Norway; Includes items 1, 3, 6, 8 and 9 |
| | CK103 | Electronic Coin Drop Kit | Euro, Lithuania and Latvia; Includes items 1, 3, 6, 8 and 9 |
| | CK108 | Electronic Coin Drop Kit | South Africa; Includes items 1, 3, 6, 8 and 9 |
| | CK109 | Electronic Coin Drop Kit | Euro; Includes items 1, 3, 6, 8 and 9 |
| | CK110 | Electronic Coin Drop Kit | Mexico, Ecuador and United States; Includes items 1, 3, 6, 8 and 9 |
| | CK113 | Electronic Coin Drop Kit | Japan and Taiwan; Includes items 1, 3, 6, 8 and 9 |
| | CK115 | Electronic Coin Drop Kit | United States and Canada; Includes items 1, 3, 6, 8 and 9 |
| | CK116 | Electronic Coin Drop Kit | Malaysia and China; Includes items 1, 3, 6, 8 and 9 |
| | CK117 | Electronic Coin Drop Kit | Russia; Includes items 1, 3, 6, 8 and 9 |
| | CK118 | Electronic Coin Drop Kit | Philippines; Includes items 1, 3, 6, 8 and 9 |
| | CK119 | Electronic Coin Drop Kit | Thailand coins; Includes items 1, 3, 6, 8 and 9 |
| | CK120 | Electronic Coin Drop Kit | Chile; Includes items 1, 3, 6, 8 and 9 |
| | CK121 | Electronic Coin Drop Kit | Singapore; Includes items 1, 3, 6, 8 and 9 |
| 3 | 201104 | Coin Drop Wire Harness | |
| 4 | 202871 | Dual Coin Harness Assembly | |
| 5 | CK096 | Mounting Tool Kit | |
| 6 | 201572 | Clip | |
| 7 | 201375P | Transformer | |
| 8 | 201216 | Nut | |
| 9 | 70513302 | Electronic Coin Drop Assembly | Euro and Great Britain |
| | 70294104 | Electronic Coin Drop Assembly | Euro, Denmark and Norway |
| | 70513306 | Electronic Coin Drop Assembly | Mexico, Ecuador and United States |
| | 70294107 | Electronic Coin Drop Assembly | Euro, Lithuania and Latvia |
| | 70294110 | Electronic Coin Drop Assembly | South Africa |
| | 70294111 | Electronic Coin Drop Assembly | Euro |
| | 70294122 | Electronic Coin Drop Assembly | Great Britain and token |
| | 70513311 | Electronic Coin Drop Assembly | Malaysia and China |
| | 70294117 | Electronic Coin Drop Assembly | Russia |
| | 70294120 | Electronic Coin Drop Assembly | Chile |
| | 70294121 | Electronic Coin Drop Assembly | Singapore |
| | 70294103P | Electronic Coin Drop Assembly | Euro and Great Britain coins |
| | 70294119 | Electronic Coin Drop Assembly | Thailand coins |

Card Reader and Non-Vend Control Cabinet

Card and Non-Vend Models

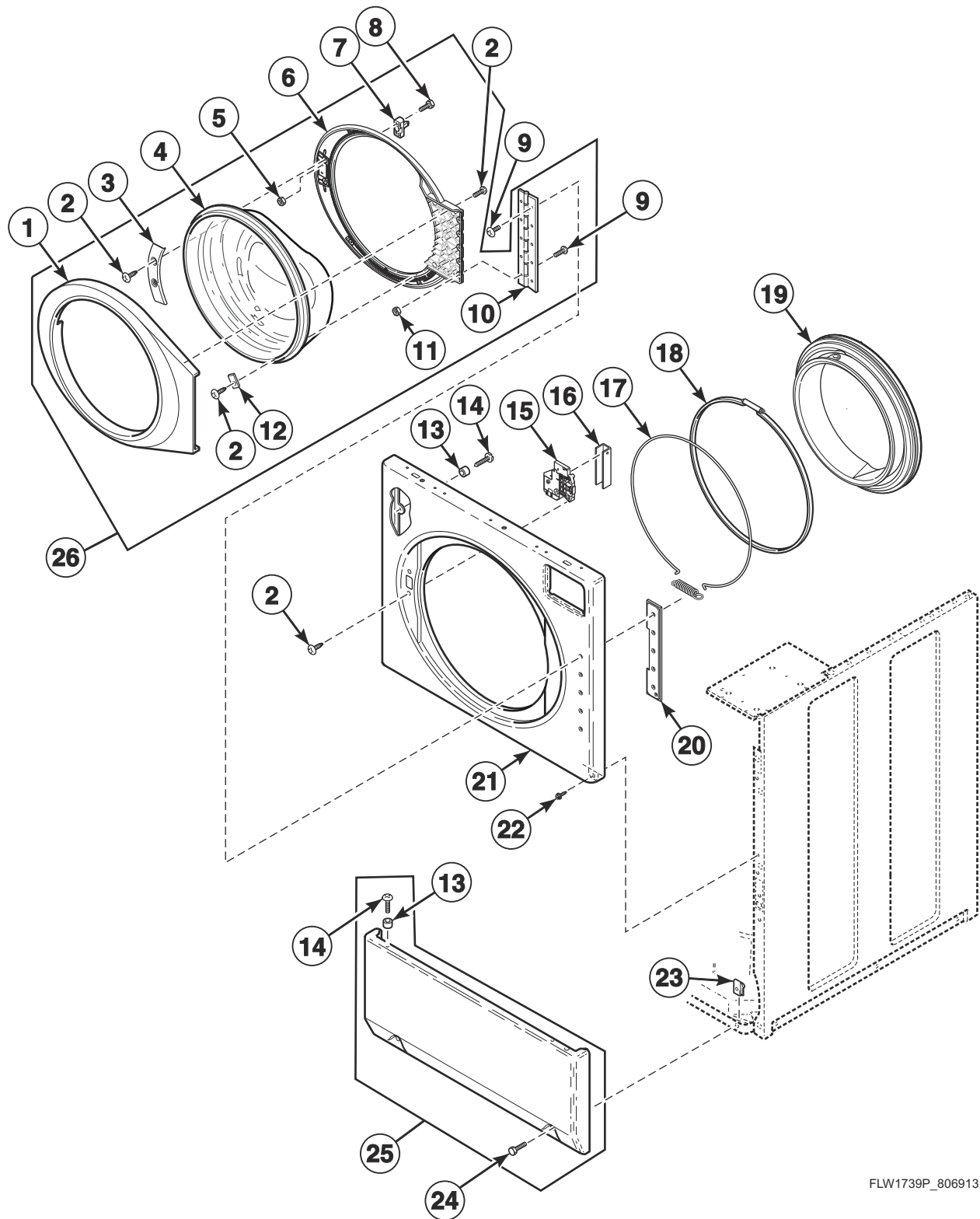


SWD1307P_806913

Card Reader and Non-Vend Control Cabinet

| REF | PART NO. | DESCRIPTION | COMMENTS |
|-----|----------|------------------------------|---|
| | 805664 | Instruction Label | Icon; Model NTLBYASP544NW23 |
| 1 | D514391 | Card Insert Overlay | Models STEBYASP175TW01 and STGBYASP115TW01 |
| | D514873 | Overlay | Models HTEBYASP285CW01, HTEBYASP286CW01, HTGBYASP095CW01, HTGBYASP115TW01, HTGBYASP116TW01, NTEBYASP544NW23 and NTLBYASP544NW23 |
| | 805668 | Operation Instructions Label | Washer; Models BTEBLASP434AW01 and BTGBLASP304AW01 |
| 2 | 803972W | Control Panel | White; Models BTEBLASP434AW01 and BTGBLASP304AW01 |
| | 803968W | Control Panel | White; All other models |
| 3 | D503688 | Screw | |
| 4 | 804112W | Wrapper Assembly | White |
| 5 | 70030501 | Expansion Clip | |
| 6 | 70240301 | Screw | |
| 7 | 803998 | Rear Access Panel | |
| 8 | D514391 | Card Insert Overlay | Models STEBYASP175TW01 and STGBYASP115TW01 |
| | D514873 | Overlay | Models HTEBYASP285CW01, HTEBYASP286CW01, HTGBYASP095CW01, HTGBYASP115TW01, HTGBYASP116TW01, NTEBYASP544NW23 and NTLBYASP544NW23 |
| | D514991 | Operation Instructions Label | Dryer; Models BTEBLASP434AW01 and BTGBLASP304AW01 |

Front Panel, Door Assembly and Door Seal



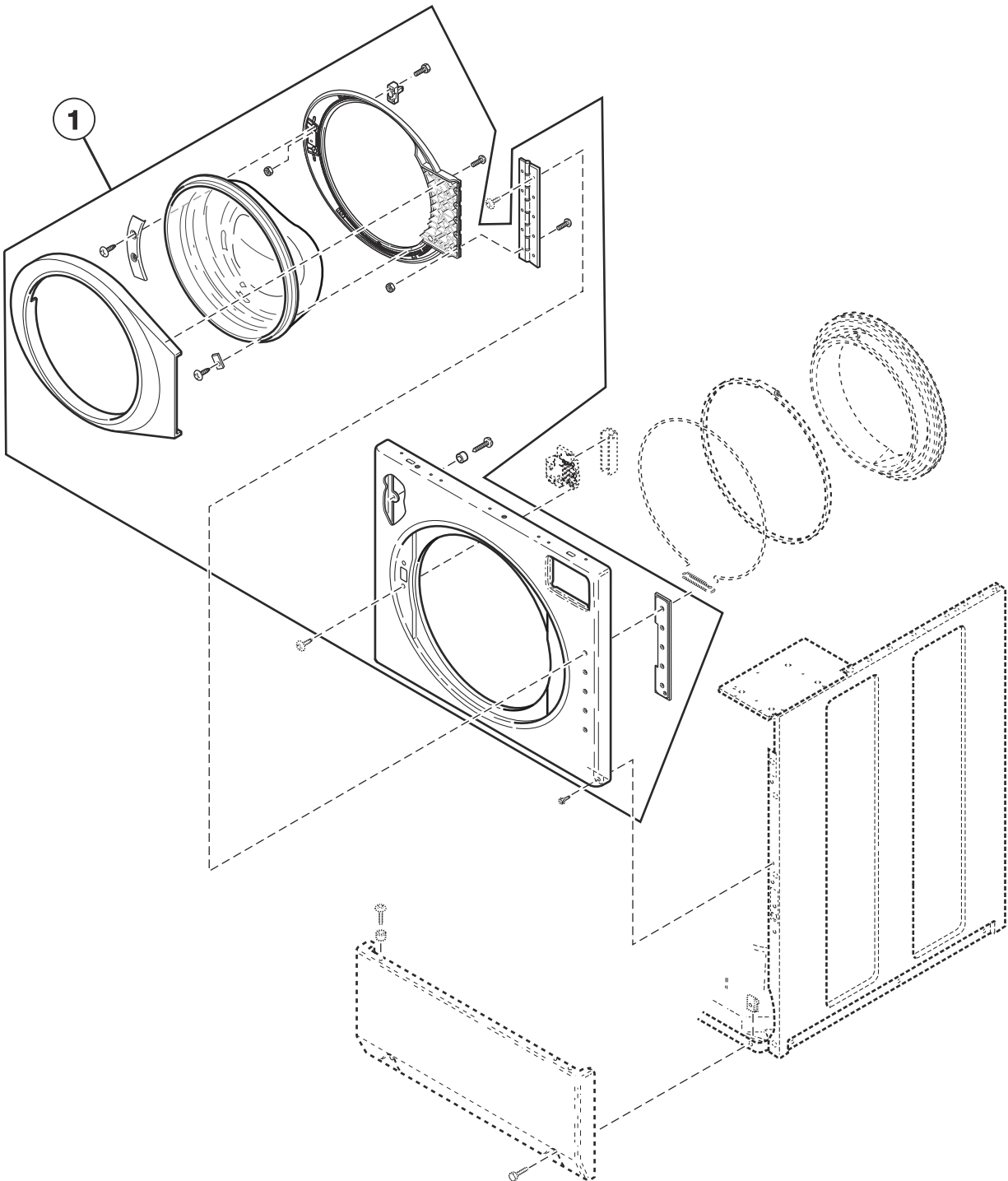
FLW1739P_806913

Front Panel, Door Assembly and Door Seal

| REF | PART NO. | DESCRIPTION | COMMENTS |
|-----|----------|---------------------------|---|
| 1 | 808094 | Outer Door Bezel | White |
| | 808091 | Outer Door Bezel | Gray |
| 2 | 800548 | Screw | |
| 3 | 806354 | Door Glass Mounting Plate | |
| 4 | 802695P | Door Glass | |
| 5 | 685846 | Nut | |
| 6 | 808095 | Inner Door Bezel Kit | White |
| | 808096 | Inner Door Bezel Kit | Gray |
| | 808097 | Inner Door Bezel | White; Glass-filled polypropylene upgrade |
| 7 | 802803 | Door Catch Assembly | |
| 8 | 801993 | Screw | |
| 9 | 801019 | Screw | |
| 10 | 802934 | Door Hinge | |
| 11 | 23951 | Nut | |
| 12 | 802700 | Glass Mounting Clip | 7 required |
| 13 | 56079 | Panel Locator | |
| 14 | 39733 | Screw | |
| 15 | 803920 | Door Latch Assembly | |
| 16 | 804784 | Door Lock Drip Shield | Models BTEBLASP434AW01, BTEBXASP434AW01, BTGBLASP304AW01, BTGBXASP304AW01, BTLBXASG304NW36, BTLBXASP304NW22, HTEBXASP134DW01, HTEBXASP134FW01, HTEBXASP544DW01, HTGBXASP114FW01, HTGBXASP124DW01, HTGBXASP544DW01, NTEBXASP544NW23, NTLBXASP304NW26, NTLBXASP543NW23, NTLBXASP544NW23, STEBXASP134DW01, STEBXASP134FW01, STEBXASP304UW01, STEBXASP304WW01, STEBXASP434AW01, STEBXASP434AW12, STEBXASP434LW01, STEBXASP544DW01, STEBXASP544ZW01, STGBXASP114FW01, STGBXASP124DW01, STGBXASP304AW01, STGBXASP304AW12, STGBXASP304ZW01 and STGBXASP544DW01 |
| 17 | 806466 | Wire Ring and Spring | |
| 18 | 802281 | Hose Clamp | Seal to outer tub front |
| 19 | 804428P | Door Seal | Black |
| | 804429P | Door Seal Assembly | Gray |
| 20 | 802206 | Hinge Plate | |
| 21 | 802277WP | Front Panel | |
| 22 | D503661 | Screw | |
| 23 | 36020 | Nut | |
| 24 | 801045 | Screw | |
| 25 | 804617W | Access Panel Assembly | |
| 26 | 804083WP | Door Assembly | White; Includes items 1-12 |
| | 804210P | Door Assembly | Gray; Includes items 1-12 |

Front Panel Assembly

Models HTEBCASP175TW01, HTEBCASP176TW01, HTGBCASP115TW01, HTGBCASP116TW01, HTGBYASP115TW01, HTGBYASP116TW01, NTEBYASP544NW23, NTLBYASP544NW23, STEBCASP175TW01, STEBXASP175TW01, STEBYASP175TW01, STGBCASP115TW01, STGBXASP115TW01 and STGBYASP115TW01

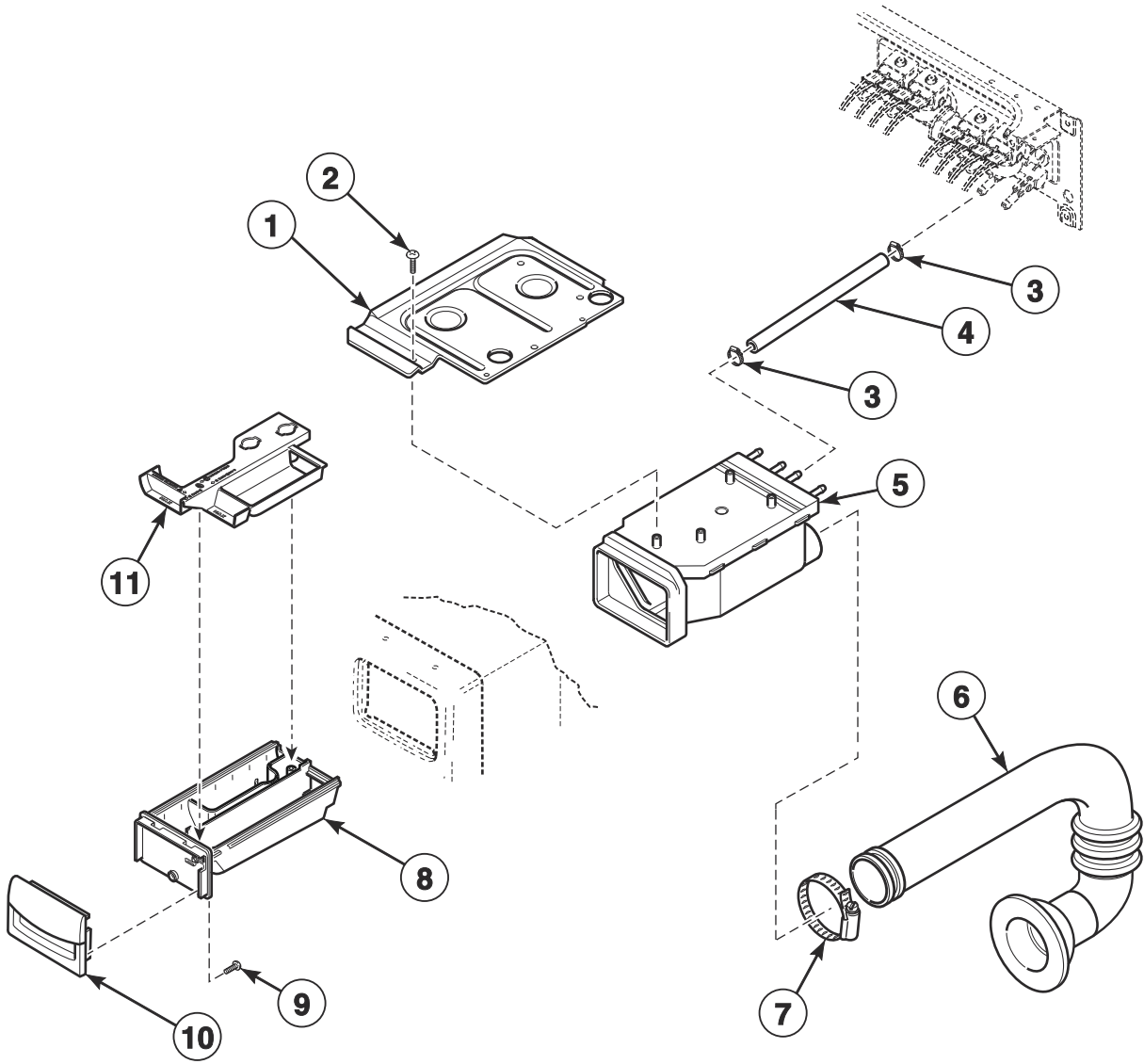


FLW1739PA_806913

Front Panel Assembly

| REF | PART NO. | DESCRIPTION | COMMENTS |
|-----|----------|--------------------------|----------|
| 1 | 806505W | Front Panel Assembly Kit | White |

Dispenser Assembly

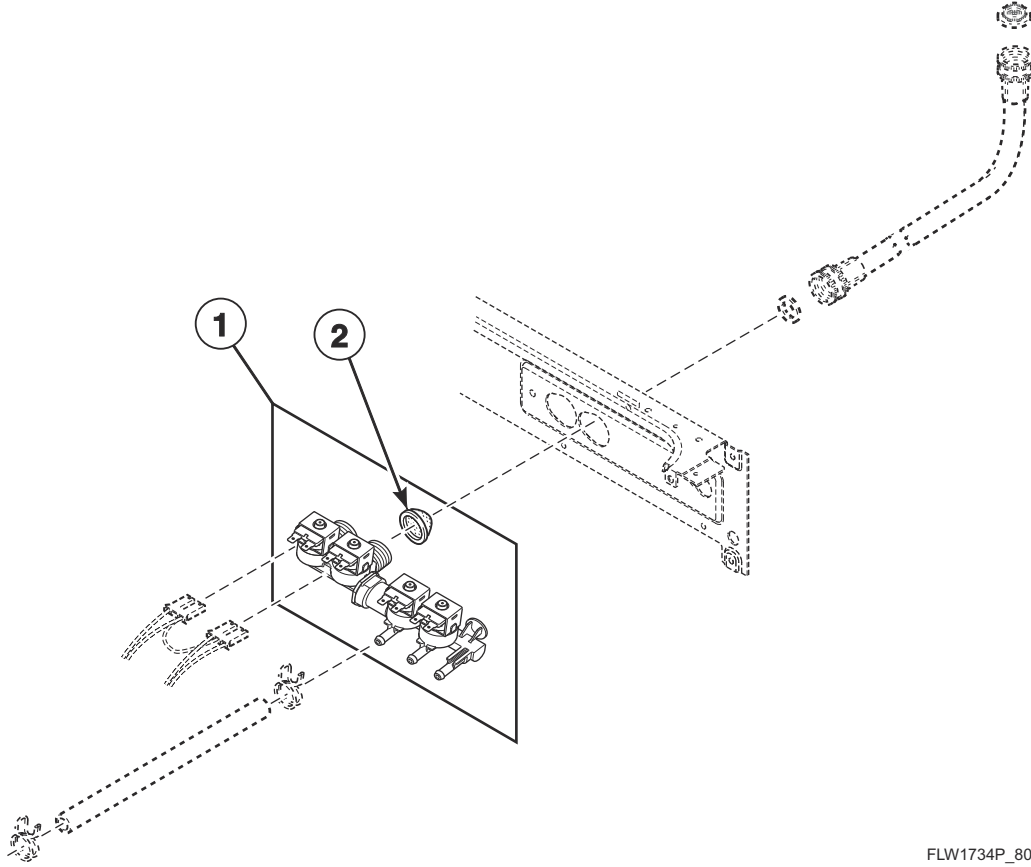


FLW1717P_806913

Dispenser Assembly

| REF | PART NO. | DESCRIPTION | COMMENTS |
|-----|----------|----------------------|---|
| | 804875 | Foam Pad | |
| 1 | 803843 | Dispenser Plate | |
| 2 | 801001 | Screw | |
| 3 | 807386 | Hose Clamp | |
| 4 | 803849 | Dispenser Inlet Hose | Through Serial No. 1809999999 |
| | 807364 | Dispenser Inlet Hose | Models BTEBLASP434AW01, BTEBXASP434AW01, BTGBLASP304AW01, BTGBXASP304AW01, STEBXASP434AW01, STEBXASP434AW12, STGBXASP304AW01 and STGBXASP304AW12 starting Serial no. 1810000001 and continuing through Serial No. 1904999999; All other models starting Serial no. 1810000001 |
| | 806718 | Dispenser Inlet Hose | Models BTEBLASP434AW01, BTEBXASP434AW01, BTGBLASP304AW01, BTGBXASP304AW01, STEBXASP434AW01, STEBXASP434AW12, STGBXASP304AW01 and STGBXASP304AW12 starting Serial No. 1905000001 |
| 5 | 803698 | Dispenser Assembly | |
| 6 | 804717 | Detergent Hose | |
| 7 | 685725 | Hose Clamp | |
| 8 | 803667 | Dispenser Drawer | |
| 9 | 800548 | Screw | |
| 10 | 804227WP | Dispenser Handle | White |
| 11 | 803670 | Compartment Cover | |

Mixing Valve

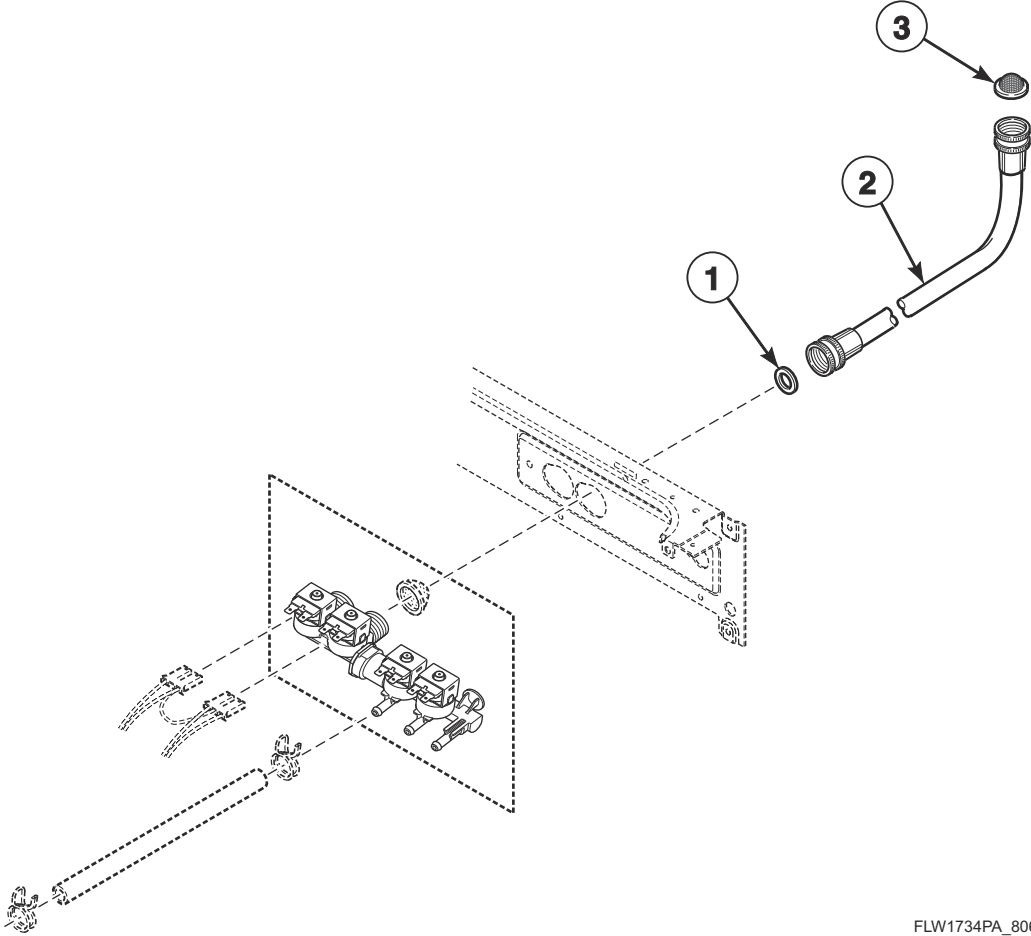


FLW1734P_806913

Mixing Valve

| REF | PART NO. | DESCRIPTION | COMMENTS |
|-----|----------|---------------------|--|
| | 804783 | Mixing Valve Shield | Models BTEBLASP434AW01, BTEBXASP434AW01, BTGBLASP304AW01, BTGBXASP304AW01, BTLBXASG304NW36, BTLBXASP304NW22, HTEBXASP134DW01, HTEBXASP134FW01, HTEBXASP544DW01, HTGBXASP114FW01, HTGBXASP124DW01, HTGBXASP304NW21, HTGBXASP544DW01, NTEBXASP544NW23, NTLBXASP304NW26, NTLBXASP543NW23, NTLBXASP544NW23, STEBXASP134DW01, STEBXASP134FW01, STEBXASP304UW01, STEBXASP304WW01, STEBXASP434AW01, STEBXASP434AW12, STEBXASP434LW01, STEBXASP544DW01, STEBXASP544ZW01, STGBXASP114FW01, STGBXASP124DW01, STGBXASP304AW01, STGBXASP304AW12, STGBXASP304ZW01 and STGBXASP544DW01 |
| 1 | 807838 | Mixing Valve | 220-240 Volt; GHT thread; Models HTEBXASP544DW01, HTGBXASP544DW01, STEBXASP544DW01 and STGBXASP544DW01 |
| | 807837P | Mixing Valve | 100-127 Volt; GHT thread; All other models |
| | 807497P | Mixing Valve | 220-240 Volt; BSPP thread; Models BTEBLASP434AW01, BTEBXASG454NW36, BTEBXASP434AW01, BTGBLASP304AW01, BTGBXASP304AW01, BTLBXASG304NW36, BTLBXASP304NW22, HTEBXASP304NW22, HTGBXASP304NW21, NTEBXASP304NW01, NTEBXASP304NW22, NTEBXASP544NW23, NTEBYASP544NW23, NTGBXASP304NW01, NTLBXASP304NW26, NTLBXASP543NW23, NTLBXASP544NW23, NTLBYASP544NW23, STEBXASP304NW22, STEBXASP304UW01, STEBXASP304WW01, STEBXASP434AW01, STEBXASP434AW12, STEBXASP434LW01, STEBXASP544ZW01, STGBXASP304AW01, STGBXASP304AW12, STGBXASP304NW22, STGBXASP304ZW01 and TTEBXASP304NW22 |
| 2 | 24122 | Mixing Valve Screen | Steel mesh |
| | F8161201 | Mixing Valve Screen | Plastic |

Fill Hose

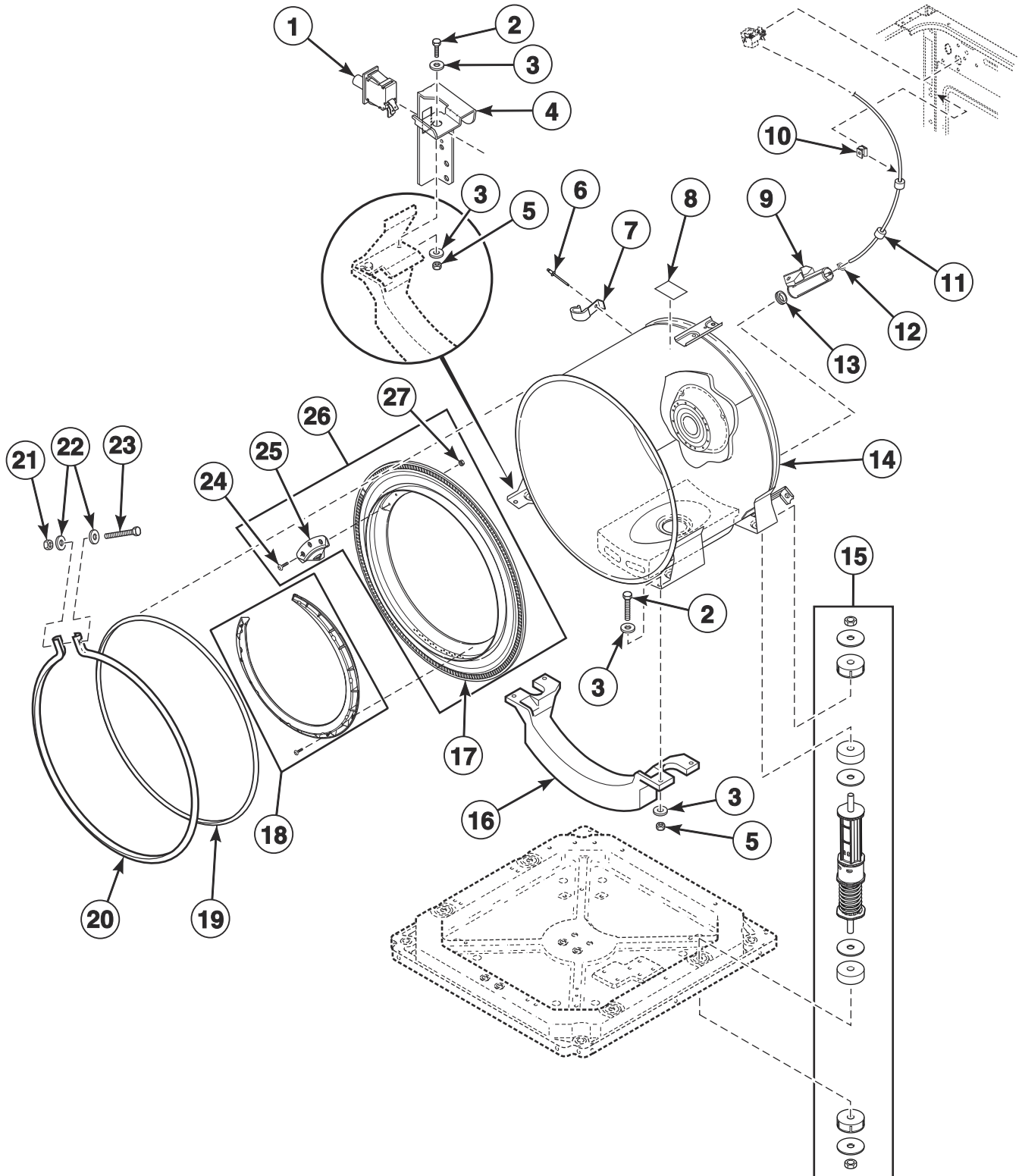


FLW1734PA_806913

Fill Hose

| REF | PART NO. | DESCRIPTION | COMMENTS |
|-----|----------|-------------|---|
| 1 | 20290 | Washer | |
| 2 | 203720 | Fill Hose | Marked for cold water; 4 feet; 2 GHT thread hose couplings |
| | 203719 | Fill Hose | Marked for hot water; 4 feet; 2 GHT thread hose couplings |
| | 203750 | Fill Hose | Marked for cold water; 4 feet; 1 GHT thread and 1 BSPP thread hose coupling |
| | 203718 | Fill Hose | Marked for hot water; 4 feet; 1 GHT thread and 1 BSPP thread hose coupling |
| | 204103 | Fill Hose | Marked for cold water; 4 feet; 2 BSPP thread hose couplings |
| | 204102 | Fill Hose | Marked for hot water; 4 feet; 2 BSPP thread hose couplings |
| | 204108 | Fill Hose | Marked for hot water; 10 feet; 2 BSPP thread hose couplings |
| 3 | 803615 | Washer | Filter screen |
| | 802254 | Washer | Flow restrictor; Water pressure reducer; Available for water pressure up to but not exceeding 120 psi |

Outer Tub, Front and Clamp Ring

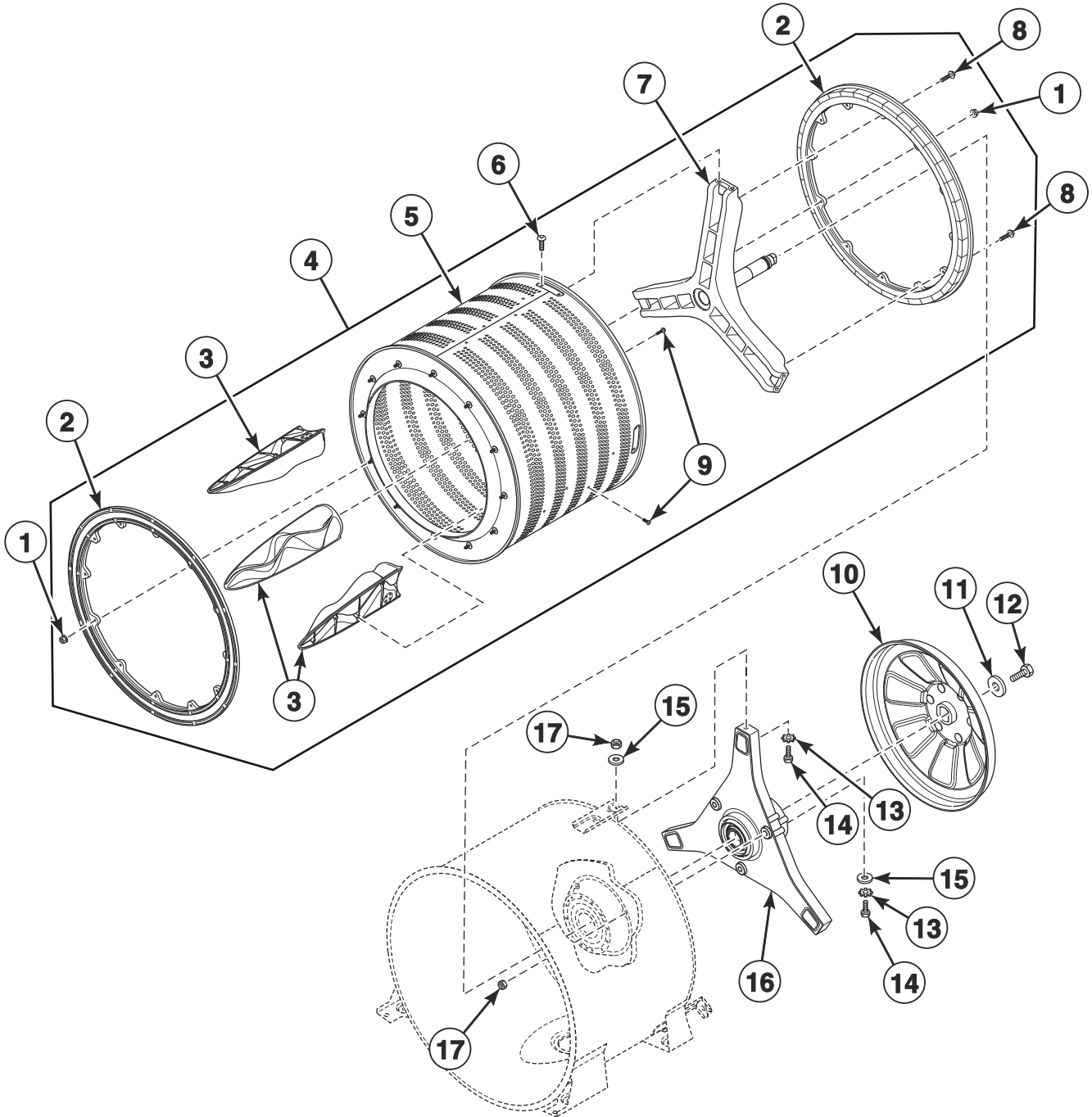


FLW1809P_806913

Outer Tub, Front and Clamp Ring

| REF | PART NO. | DESCRIPTION | COMMENTS |
|-----|----------|--------------------------------|--|
| 1 | 803415 | Out-of-Balance Switch Assembly | Through Serial No. 2012999999 |
| | 807384 | Out-of-Balance Switch Assembly | Starting Serial No. 2101000001 |
| 2 | 800461 | Screw | |
| 3 | 804458 | Washer | |
| 4 | 804457 | Out-of-Balance Switch Bracket | Through Serial No. 2012999999 |
| | 807280 | Out-of-Balance Switch Bracket | Starting Serial No. 2101000001 |
| 5 | 800452 | Nut | |
| 6 | 685847 | Pop Rivet | |
| 7 | 800553 | Hose Clip | |
| 8 | D500049 | Warning Label | |
| 9 | 808013 | Pressure Bulb | |
| 10 | 36985 | Hose Clip | |
| 11 | 804483 | Pressure Sensor Tube Assembly | |
| 12 | 803891 | Hose Clamp | |
| 13 | 29175 | Grommet | |
| 14 | 803864 | Outer Tub Assembly | Models through Serial No. 1910999999 except Serial Nos. 1908066087 to 1909000879 |
| | 807618 | Outer Tub Assembly | Models Serial Nos. 1908066087 to 1909000879 and starting Serial No. 1911000001 to 2010999999 |
| | 807479 | Outer Tub Assembly | Starting Serial No. 2011000001 |
| 15 | 803777P | Shock Assembly | Must replace all four |
| 16 | 807476 | Counterweight | |
| 17 | 803770 | Tub Front | |
| 18 | 806308 | Foreign Object Deflector | Black; Includes screws |
| | 806313 | Foreign Object Deflector | Gray; Includes screws |
| | 806361 | Foreign Object Deflector | Tall; Gray; Includes screws |
| 19 | 803801 | Tub Front Seal | |
| 20 | 803802 | Clamp Ring | |
| 21 | F430218 | Nut | |
| 22 | M400081 | Washer | |
| 23 | 800462 | Screw | |
| 24 | 802596 | Screw | |
| 25 | 804467 | Clothes Guard Deflector | |
| | 805548 | Clothes Guard Deflector | Heavy duty |
| 26 | 803879 | Tub Front Assembly | Includes items 17, 24, 25 and 27 |
| 27 | 802343 | Nut | |

Inner Basket, Trunnion, Bearing Housing and Pulley

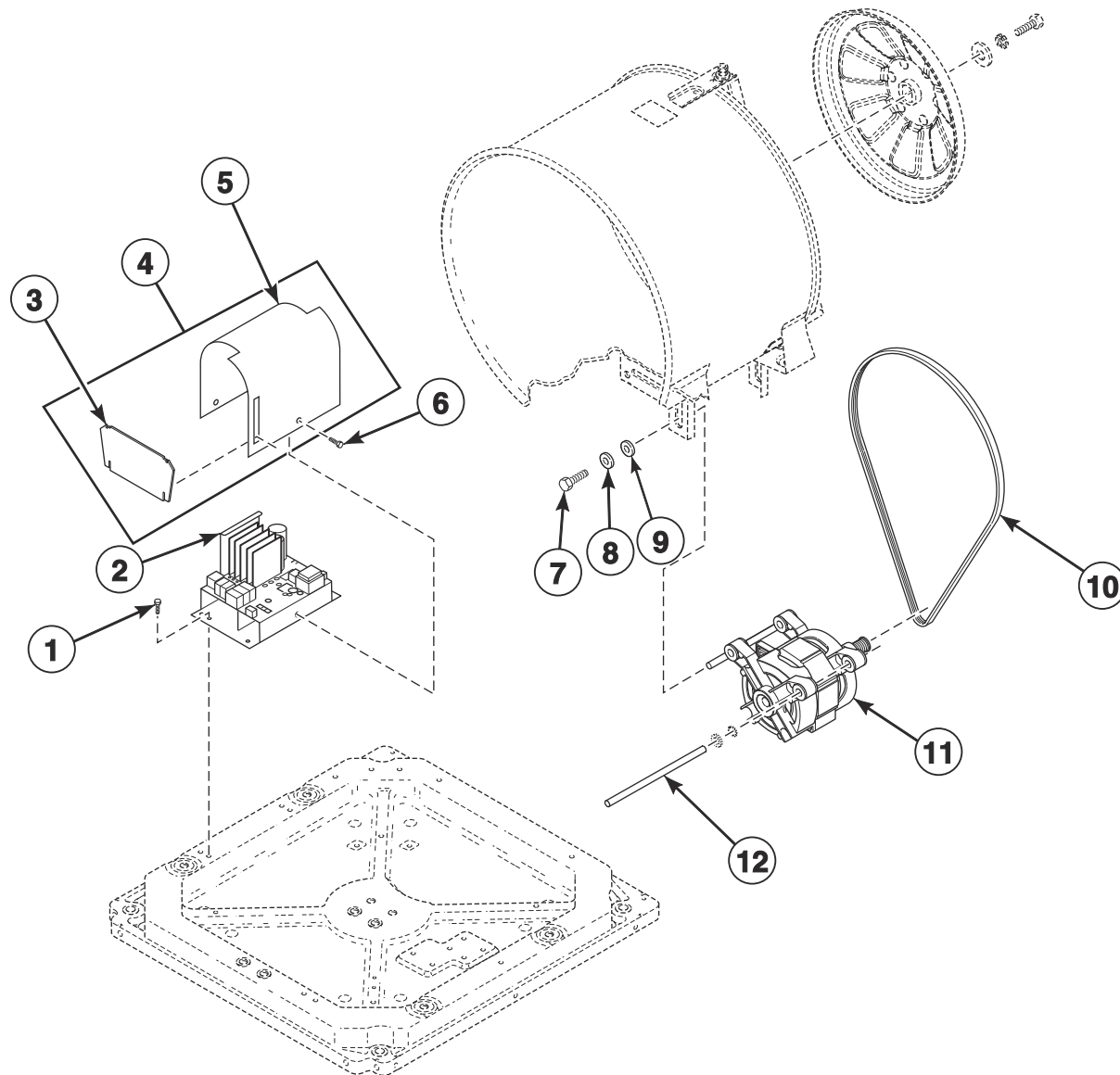


FLW1818P_806913

Inner Basket, Trunnion, Bearing Housing and Pulley

| REF | PART NO. | DESCRIPTION | COMMENTS |
|-----|----------|---------------------------|--|
| | 27604P | Anti-Seize Compound | Pulley to inner basket shaft |
| 1 | 804418 | Nut | |
| 2 | 804393 | Balance Ring Assembly | |
| 3 | 804382 | Lifter | |
| 4 | 805485 | Inner Basket Assembly | Includes items 1-3 and 5-9; Models STEBXASP434AW12 and STGBXASP304AW12 |
| | 804376P | Inner Basket Assembly Kit | Includes items 1-3 and 5-9; All other models |
| 5 | 804374P | Inner Basket Assembly | |
| 6 | 804699 | Screw | |
| 7 | 806831 | Trunnion Kit | Includes hardware; Models STEBXASP434AW12 and STGBXASP304AW12 |
| | 808043 | Trunnion Shaft Kit | Includes hardware and tool; All other models |
| 8 | 804399 | Screw | |
| 9 | 800548 | Screw | |
| 10 | 808197 | Pulley Assembly | |
| 11 | 807679 | Washer | |
| 12 | 685831 | Screw | Left hand thread |
| 13 | M403958 | Washer | |
| 14 | M400043 | Screw | |
| 15 | 800457 | Washer | |
| 16 | 805525 | Bearing Housing Kit | Includes hardware and tool |
| 17 | 800452 | Nut | |

Motor and Belt



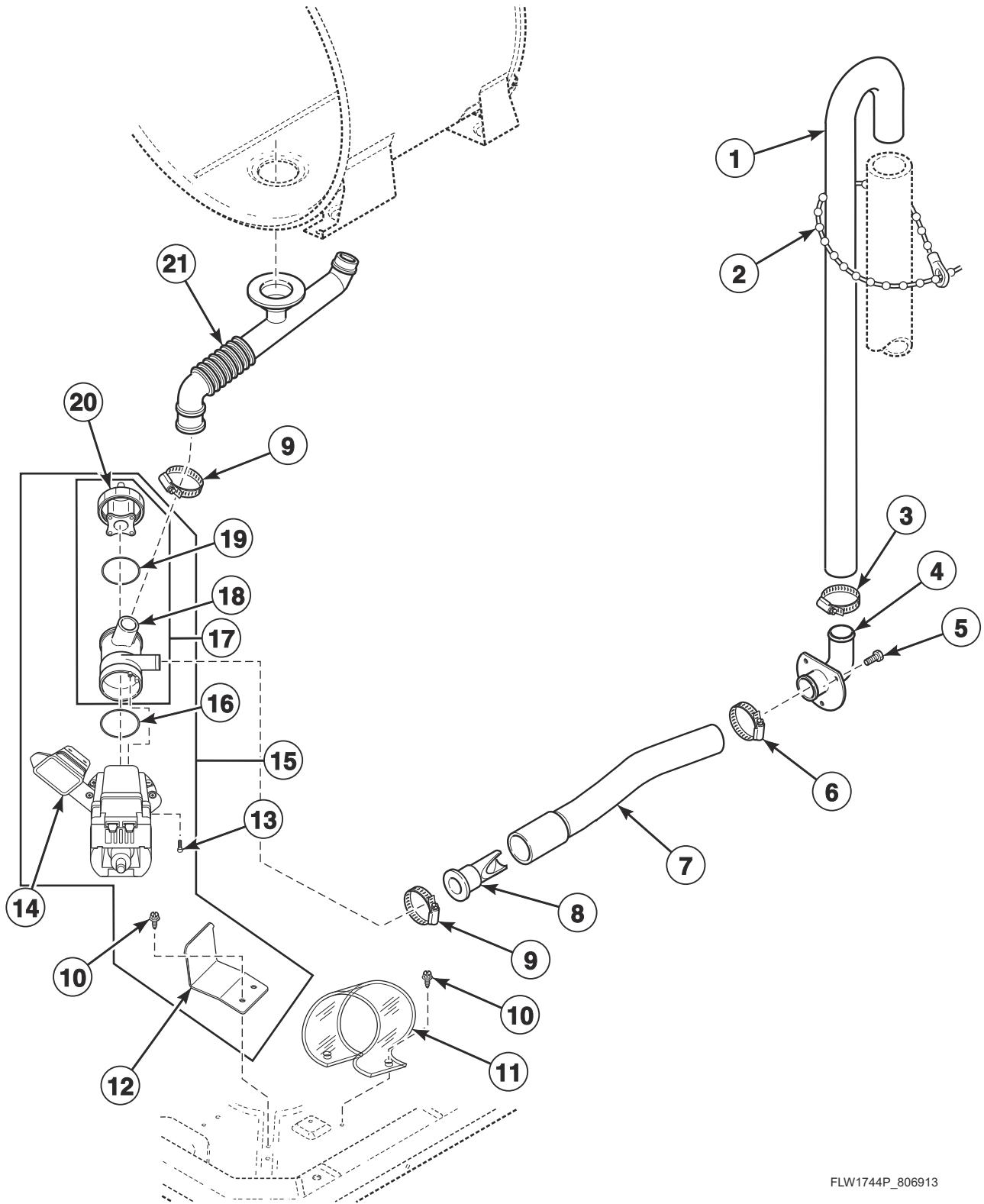
FLW1794P_806913

Motor and Belt

| REF | PART NO. | DESCRIPTION | COMMENTS |
|-----|----------|----------------------------|---|
| | 807441 | Control Bracket | Starting Serial No. 2101000001 |
| | F8206901 | Screw | Starting Serial No. 2101000001; Use with 807441 Control Bracket |
| | 807623 | Belt Install Tool | |
| 1 | D503661 | Screw | Through Serial No. 2012999999 |
| 2 | 807175P | Inverter Control Assembly | Through Serial No. 2012999999 |
| | 808149 | Output Control Assembly | 120 Volt; Without filter; Starting Serial No. 2101000001 |
| | 808150 | Output Control Assembly | 240 Volt; With filter; Starting Serial No. 2101000001 |
| 3 | 806258 | End Shield | Models BTEBLASP434AW01, BTEBXASP434AW01, BTGBLASP304AW01, BTGBXASP304AW01, BTLBXASG304NW36, BTLBXASP304NW22, HTEBXASP134DW01, HTEBXASP134FW01, HTEBXASP544DW01, HTGBXASP114FW01, HTGBXASP124DW01, HTGBXASP544DW01, NTEBXASP544NW23, NTLBXASP304NW26, NTLBXASP543NW23, NTLBXASP544NW23, STEBXASP134DW01, STEBXASP134FW01, STEBXASP304UW01, STEBXASP304WW01, STEBXASP434AW01, STEBXASP434AW12, STEBXASP434LW01, STEBXASP544DW01, STEBXASP544ZW01, STGBXASP114FW01, STGBXASP124DW01, STGBXASP304AW01, STGBXASP304AW12, STGBXASP304ZW01 and STGBXASP544DW01 through Serial No. 2012999999 |
| 4 | 806498 | Motor Control Shield | Includes items 3 and 5; Models BTEBLASP434AW01, BTEBXASP434AW01, BTGBLASP304AW01, BTGBXASP304AW01, BTLBXASG304NW36, BTLBXASP304NW22, HTEBXASP134DW01, HTEBXASP134FW01, HTEBXASP544DW01, HTGBXASP114FW01, HTGBXASP124DW01, HTGBXASP544DW01, NTEBXASP544NW23, NTLBXASP304NW26, NTLBXASP543NW23, NTLBXASP544NW23, STEBXASP134DW01, STEBXASP134FW01, STEBXASP304UW01, STEBXASP304WW01, STEBXASP434AW01, STEBXASP434AW12, STEBXASP434LW01, STEBXASP544DW01, STEBXASP544ZW01, STGBXASP114FW01, STGBXASP124DW01, STGBXASP304AW01, STGBXASP304AW12, STGBXASP304ZW01 and STGBXASP544DW01 |
| 5 | 804878 | Motor Control Shield | Through Serial No. 2012999999 |
| 6 | D501524 | Screw | |
| 7 | M400057 | Screw | Through Serial No. 2010999999 |
| | 02916 | Screw | Starting Serial No. 2011000001 |
| 8 | 02834 | Washer | Through Serial No. 2010999999 |
| 9 | M400080 | Washer | Through Serial No. 2010999999 |
| 10 | 804985 | Drive Belt | Models through Serial No. 1910999999 except Serial Nos. 1908066087 to 1909000879 |
| | 807429P | Belt Kit | Use with belt install tool; Models Serial Nos. 1908066087 to 1909000879 and starting Serial No. 1911000001 |
| 11 | 805726P | Motor and Rod Assembly Kit | Includes item 12; Through Serial No. 2010071306 |
| | 808034P | Motor and Rod Assembly Kit | Includes item 12; Starting Serial No. 2010071307 through Serial No. 2012999999 |
| | 808067P | Motor and Rod Assembly Kit | Includes item 12; Starting Serial No. 2101000001 |
| 12 | 803861 | Motor Rod | Through Serial No. 2010999999 |
| | 807739 | Motor Rod | Starting Serial No. 2011000001 |

Drain Hose and Pump

All Models Except BTEBXASG454NW36 and BTLBXASG304NW36



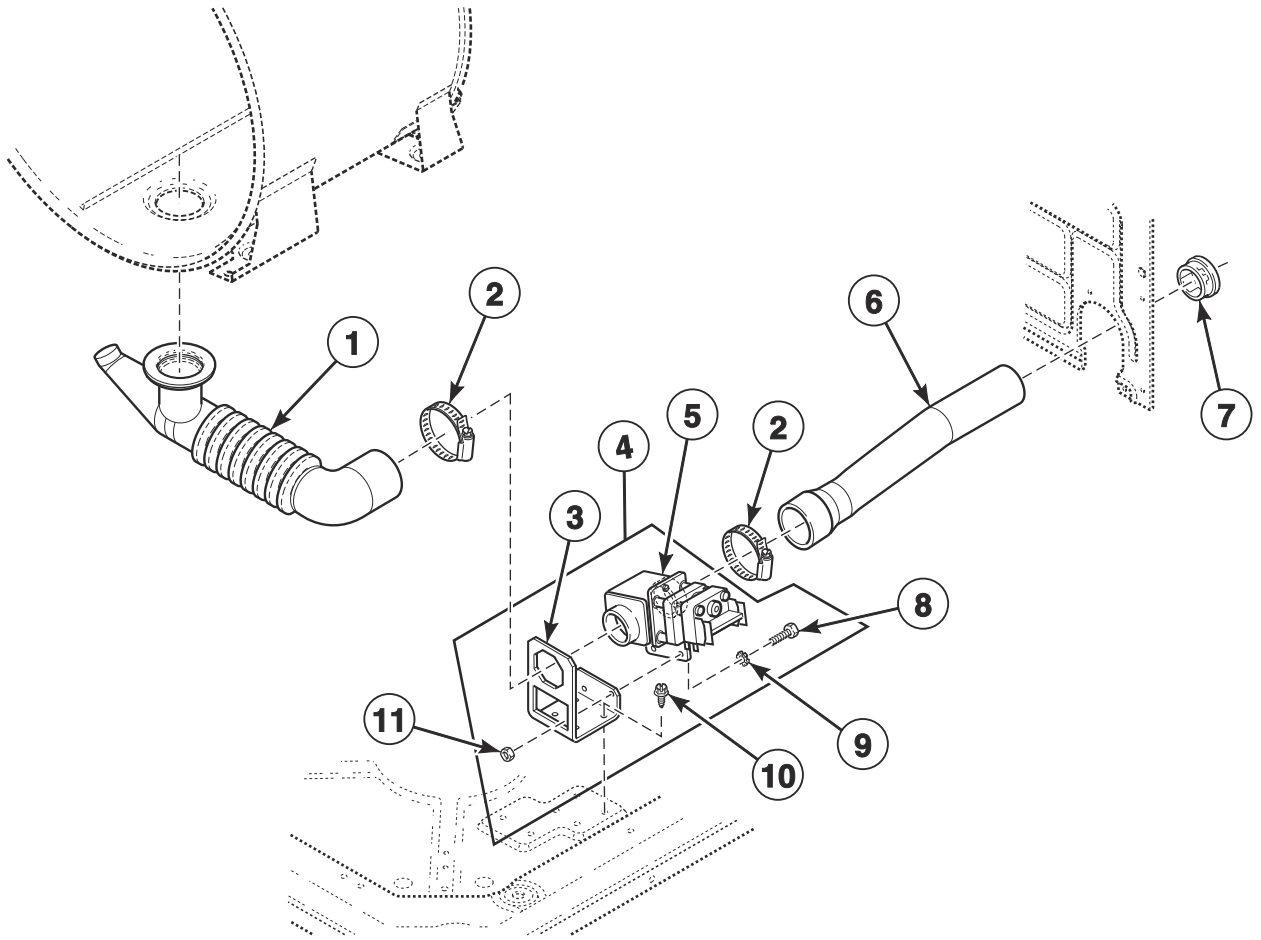
FLW1744P_806913

Drain Hose and Pump

| REF | PART NO. | DESCRIPTION | COMMENTS |
|-----|----------|------------------------|--|
| 1 | 27154 | Drain Hose | |
| 2 | 33489 | Standpipe Strap | |
| 3 | 20211 | Hose Clamp | |
| 4 | 35766 | Drain Hose Elbow | |
| 5 | 52909 | Screw | |
| 6 | 20391 | Hose Clamp | |
| 7 | 803734 | Pump-to-Elbow Hose | |
| 8 | 800310 | Backflow Preventer | |
| 9 | F200204 | Hose Clamp | |
| 10 | D503661 | Screw | |
| 11 | 805561 | Drain Pump Drip Shield | Models BTEBLASP434AW01, BTEBXASP434AW01, BTGBLASP304AW01, BTGBXASP304AW01, BTLBXASP304NW22, HTEBXASP134DW01, HTEBXASP134FW01, HTEBXASP544DW01, HTGBXASP114FW01, HTGBXASP124DW01, HTGBXASP544DW01, NTEBXASP544NW23, NTLBXASP304NW26, NTLBXASP543NW23, NTLBXASP544NW23, STEBXASP134DW01, STEBXASP134FW01, STEBXASP304UW01, STEBXASP304WW01, STEBXASP434AW01, STEBXASP434AW12, STEBXASP434LW01, STEBXASP544DW01, STEBXASP544ZW01, STGBXASP114FW01, STGBXASP124DW01, STGBXASP304AW01, STGBXASP304AW12, STGBXASP304ZW01 and STGBXASP544DW01 |
| 12 | 803814 | Drain Base Bracket | |
| 13 | 802431 | Screw | |
| 14 | 803815 | Drain Pump Isolator | |
| 15 | 808195P | Drain Pump Assembly | 208-240 Volt; 60 Hertz; Includes items 10, 12-14 and 16-20; Models HTEBXASP544DW01, HTGBXASP544DW01, NTEBXASP544NW23, NTEBYASP544NW23, NTLBXASP543NW23, NTLBXASP544NW23, NTLBYASP544NW23, STEBXASP544DW01, STEBXASP544ZW01 and STGBXASP544DW01 |
| | 803922 | Drain Pump Assembly | 220-240 Volt; 50 Hertz; Includes items 10, 12-14 and 16-20; Models BTEBLASP434AW01, BTEBXASP434AW01, BTGBLASP304AW01, BTGBXASP304AW01, BTLBXASP304NW22, HTEBXASP304NW22, HTGBXASP304NW21, NTEBXASP304NW01, NTEBXASP304NW22, NTGBXASP304NW01, NTLBXASP304NW26, STEBXASP304NW22, STEBXASP304UW01, STEBXASP304WW01, STEBXASP434AW01, STEBXASP434AW12, STEBXASP434LW01, STGBXASP304AW01, STGBXASP304AW12, STGBXASP304NW22, STGBXASP304ZW01 and TTEBXASP304NW22 |
| | 805724P | Drain Pump Assembly | 100-127 Volt; 60 Hertz; Includes items 10, 12-14 and 16-20; All other models |
| 16 | 802429P | O-Ring | |
| 17 | 802434P | Pump Housing Assembly | Includes items 18-20 |
| 18 | 802428 | Pump Housing | |
| 19 | 802427 | Gasket | |
| 20 | 802426P | Lid Assembly | Includes filter |
| 21 | 803829 | Tub-to-Pump Hose | |
| | 27615P | Sealant | Tub-to-pump hose to outer tub |

Drain Hose and Valve

Models BTEBXASG454NW36 and BTLBXASG304NW36

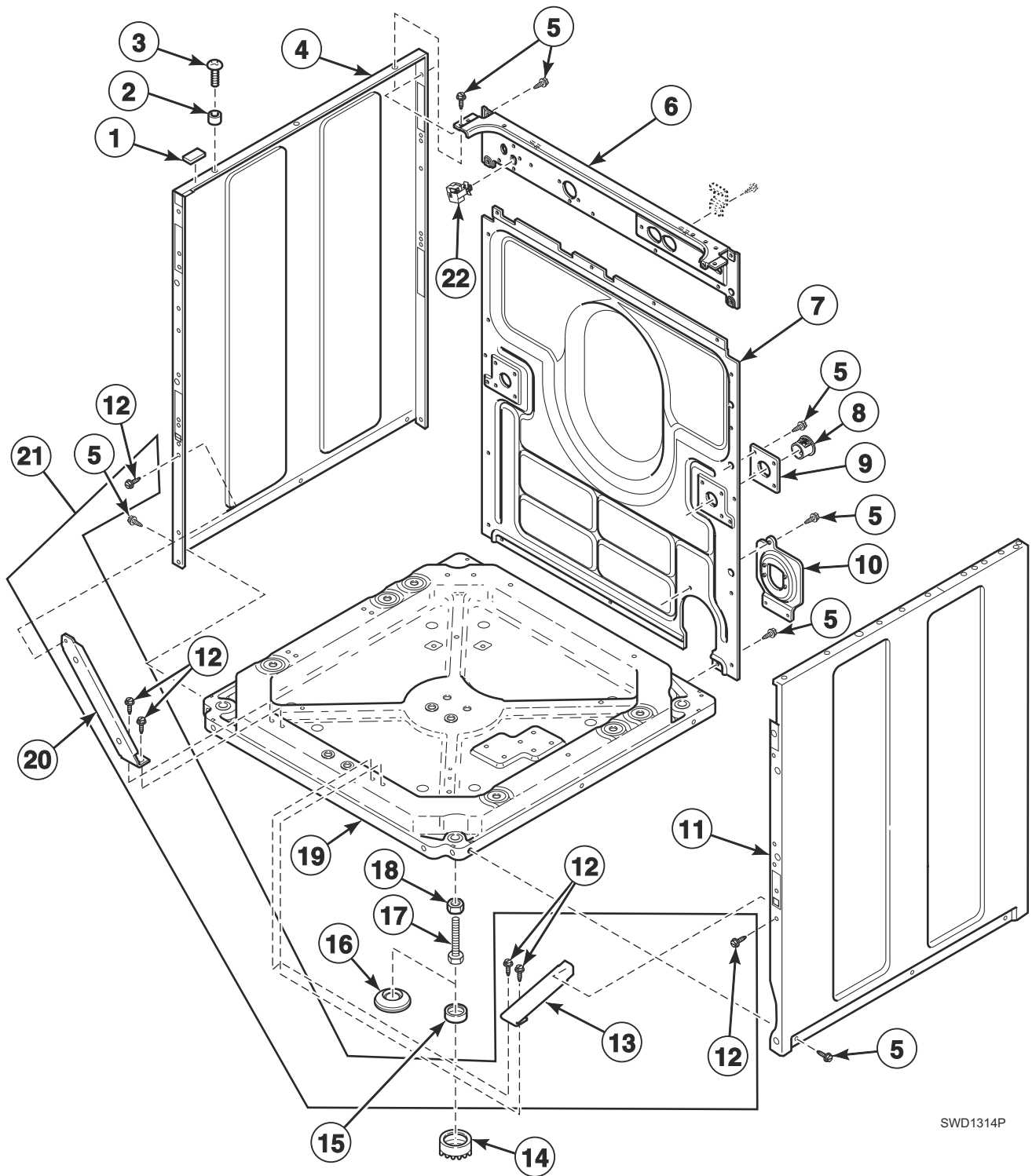


FLW1745P_806913

Drain Hose and Valve

| REF | PART NO. | DESCRIPTION | COMMENTS |
|-----|----------|---------------------------|----------|
| 1 | 803874 | Tub-to-Gravity Drain Hose | |
| 2 | 685725 | Hose Clamp | |
| 3 | 803291 | Gravity Drain Bracket | |
| 4 | F976P3 | Drain Valve Kit | 230 Volt |
| 5 | 803292P | Gravity Drain Valve | 230 Volt |
| 6 | 800903 | Drain-to-Cabinet Hose | |
| 7 | D503235 | Snap Bushing | |
| 8 | 02916 | Screw | |
| 9 | M400017 | Washer | |
| 10 | D503661 | Screw | |
| 11 | 29786 | Nut | |

Base, Side Panels and Rear Panel



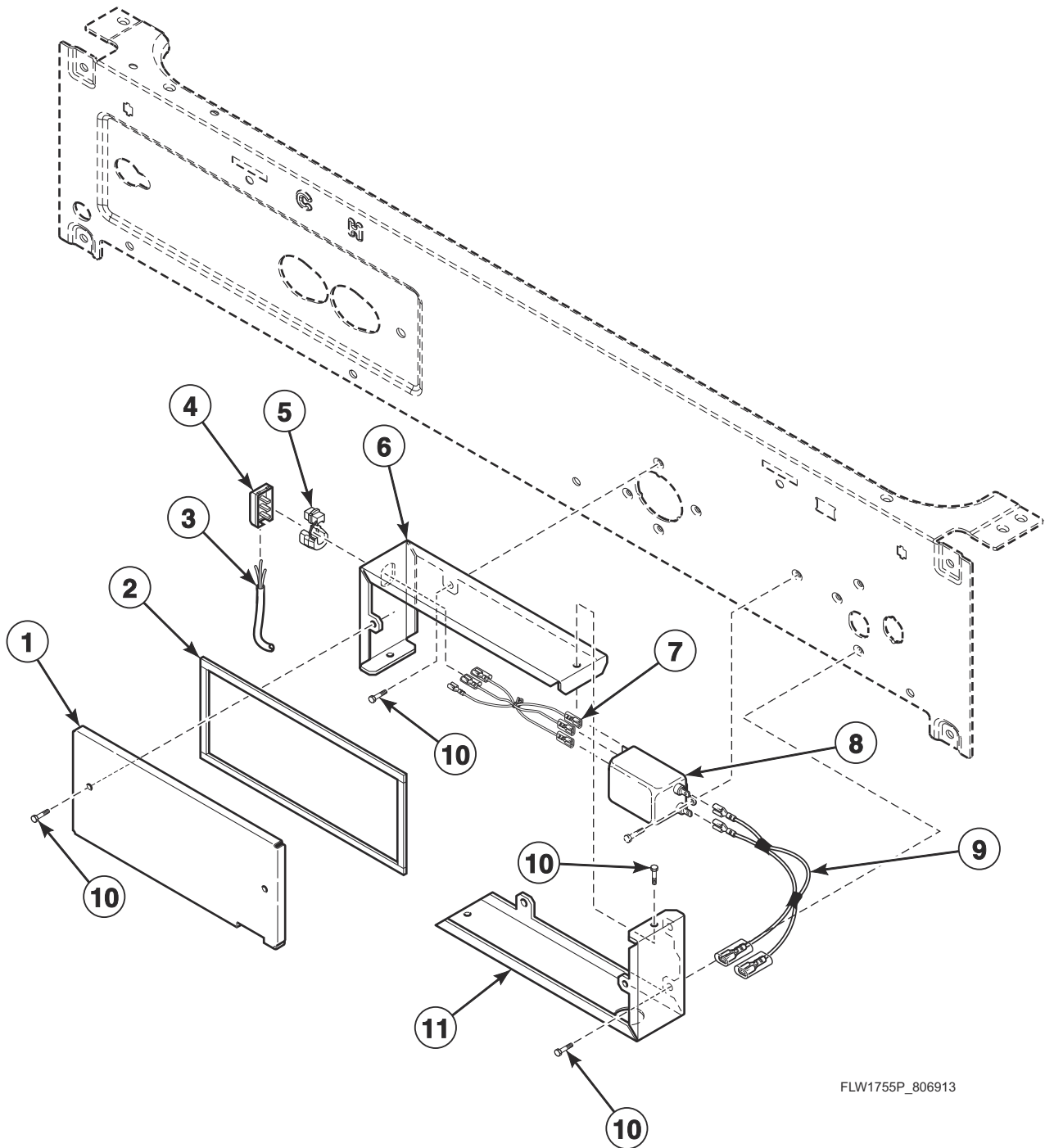
SWD1314P

Base, Side Panels and Rear Panel

| REF | PART NO. | DESCRIPTION | COMMENTS |
|-----|----------|-----------------------------|--|
| | 122P4P | Porcelain Touch-Up Paint | White |
| 1 | 36226 | Bumper Pad | |
| 2 | 56079 | Panel Locator | |
| 3 | 39733 | Screw | |
| 4 | 800004WP | Cabinet Panel Kit | Left; Includes corner gusset with hardware |
| 5 | D503661 | Screw | |
| 6 | 803790 | Rear Panel | Fixed; Through Serial No. 1809999999 |
| | 806716 | Rear Panel | Fixed; Starting Serial No. 1810000001 |
| 7 | 803789 | Rear Panel | Removable |
| 8 | 803859 | Shipping Plug | |
| 9 | 803851 | Shipping Plate | |
| 10 | 803833 | Gravity Drain Bracket | Models BTEBXASG454NW36 and BTLBXASG304NW36 |
| | 803828 | Drain Hose Bracket | All other models |
| 11 | 806492 | Side Panel Kit | Right |
| 12 | 31645 | Screw | |
| 13 | 801492 | Cabinet Brace | Right |
| 14 | D501855 | Rubber Foot | Use to prevent movement on smooth surface floor coverings; Install over two existing front rubber feet (item 14) |
| 15 | 34318 | Rubber Foot | |
| 16 | 155P3 | Anchor | Includes 4 rubber discs with adhesive backing |
| | 802844P | Anchor Floor Mount Assembly | Includes 2 rubber discs with adhesive backing |
| 17 | 34319 | Leveling Leg | |
| 18 | 21899 | Nut | |
| 19 | 803876 | Base Assembly | |
| 20 | 801491 | Cabinet Brace | Left |
| 21 | 918P3 | Brace Kit | Includes items 12, 13 and 20 |
| 22 | 203843 | Pressure Sensor | |

Washer Junction Box

Models BTEBLASP434AW01, BTEBXASG454NW36, BTEBXASP434AW01, BTGBLASP304AW01, BTGBXASP304AW01, BTLBXASG304NW36, BTLBXASP304NW22, HTEBXASP134DW01, HTEBXASP134FW01, HTEBXASP304NW22, HTEBXASP544DW01, HTGBXASP114FW01, HTGBXASP124DW01, HTGBXASP304NW21, HTGBXASP544DW01, NTEBXASP304NW01, NTEBXASP304NW22, NTEBXASP544NW23, NTEBYASP544NW23, NTGBXASP304NW01, NTLBXASP304NW26, NTLBXASP543NW23, NTLBXASP544NW23, NTLBYASP544NW23, STEBXASP134DW01, STEBXASP134FW01, STEBXASP304NW22, STEBXASP304UW01, STEBXASP304WW01, STEBXASP434AW01, STEBXASP434AW12, STEBXASP434LW01, STEBXASP544DW01, STEBXASP544ZW01, STGBXASP114FW01, STGBXASP124DW01, STGBXASP304AW01, STGBXASP304AW12, STGBXASP304NW22, STGBXASP304ZW01, STGBXASP544DW01 and TTEBXASP304NW22

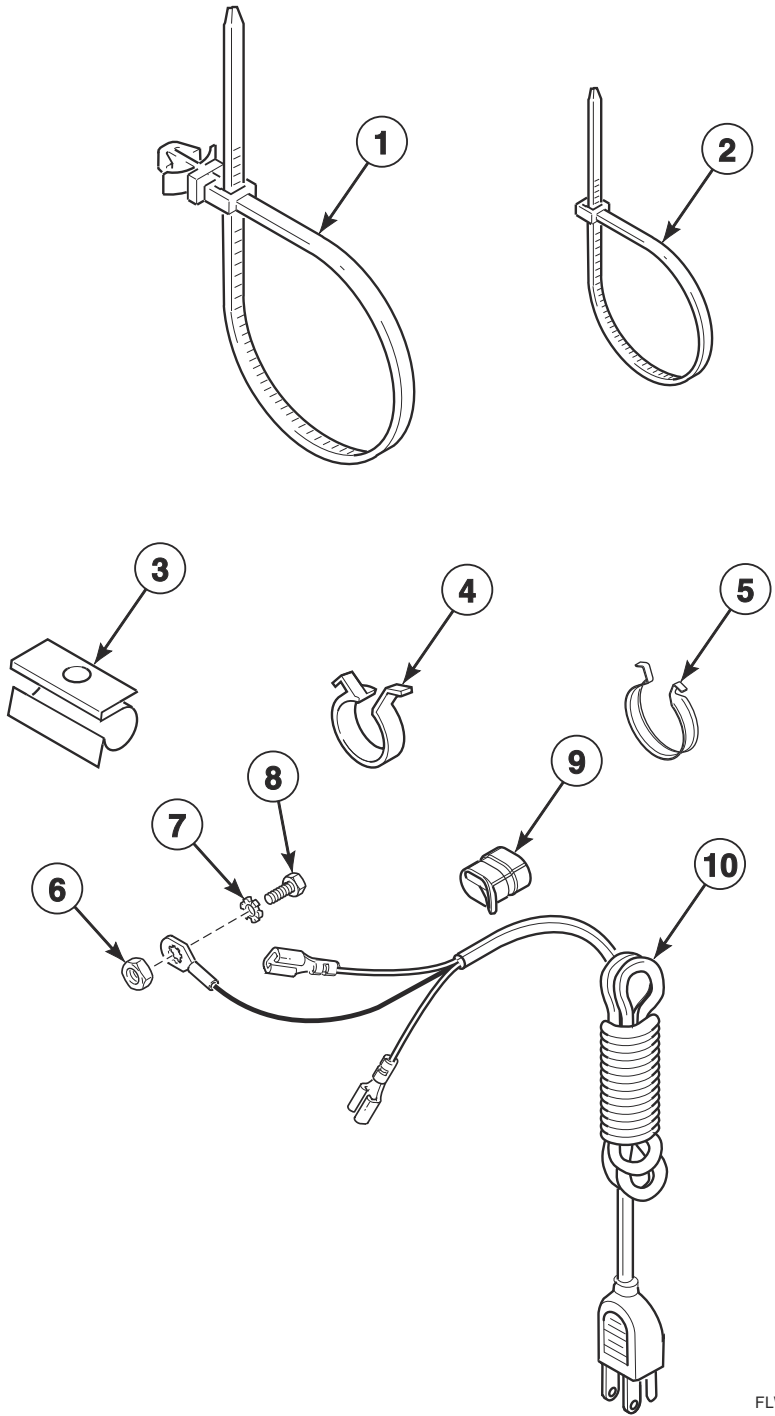


FLW1755P_806913

Washer Junction Box

| REF | PART NO. | DESCRIPTION | COMMENTS |
|-----|----------|-----------------------|--|
| 1 | 803820 | Junction Box Cover | |
| 2 | 803832P | Junction Box Seal | |
| 3 | 801450 | Power Cord Assembly | |
| | 808131 | Lead-In Cord | Models NTEBXASP544NW23, NTEBYASP544NW23, NTLBXASP304NW26, NTLBXASP543NW23, NTLBXASP544NW23 and NTLBYASP544NW23 |
| | 808045 | Power Cord Assembly | Model STEBXASP304WW01 |
| | 808046 | Power Cord Assembly | Models BTEBXASG454NW36 and BTLBXASG304NW36 |
| | 808047 | Power Cord Assembly | Models BTEBLASP434AW01, BTEBXASP434AW01, BTGBLASP304AW01, BTGBXASP304AW01, STEBXASP434AW01, STEBXASP434AW12, STGBXASP304AW01 and STGBXASP304AW12 |
| | 804556 | Lead-In Cord Assembly | Models HTEBXASP134DW01, HTEBXASP544DW01, HTGBXASP124DW01, HTGBXASP544DW01, STEBXASP134DW01, STEBXASP544DW01, STGBXASP124DW01 and STGBXASP544DW01 |
| | 802012 | Power Cord Assembly | Models HTEBXASP134FW01, HTGBXASP114FW01, STEBXASP134FW01 and STGBXASP114FW01 |
| | 805732 | Power Cord Assembly | Model HTGBXASP304NW21 |
| | 805974 | Lead-In Cord | Model STEBXASP434LW01 |
| 4 | 39922 | Cable Connection Box | |
| 5 | 38384 | Strain Relief | |
| 6 | 803818 | Junction Box | Upper |
| 7 | 808048 | Filter Jumper Harness | Filter to terminal block |
| 8 | 805633 | Line Filter | |
| 9 | 804396 | Filter Harness | Filter to main harness |
| 10 | D503661 | Screw | |
| 11 | 803819 | Junction Box | Lower |

Washer Lead-In Cord, Wire Ties and Harness Clips



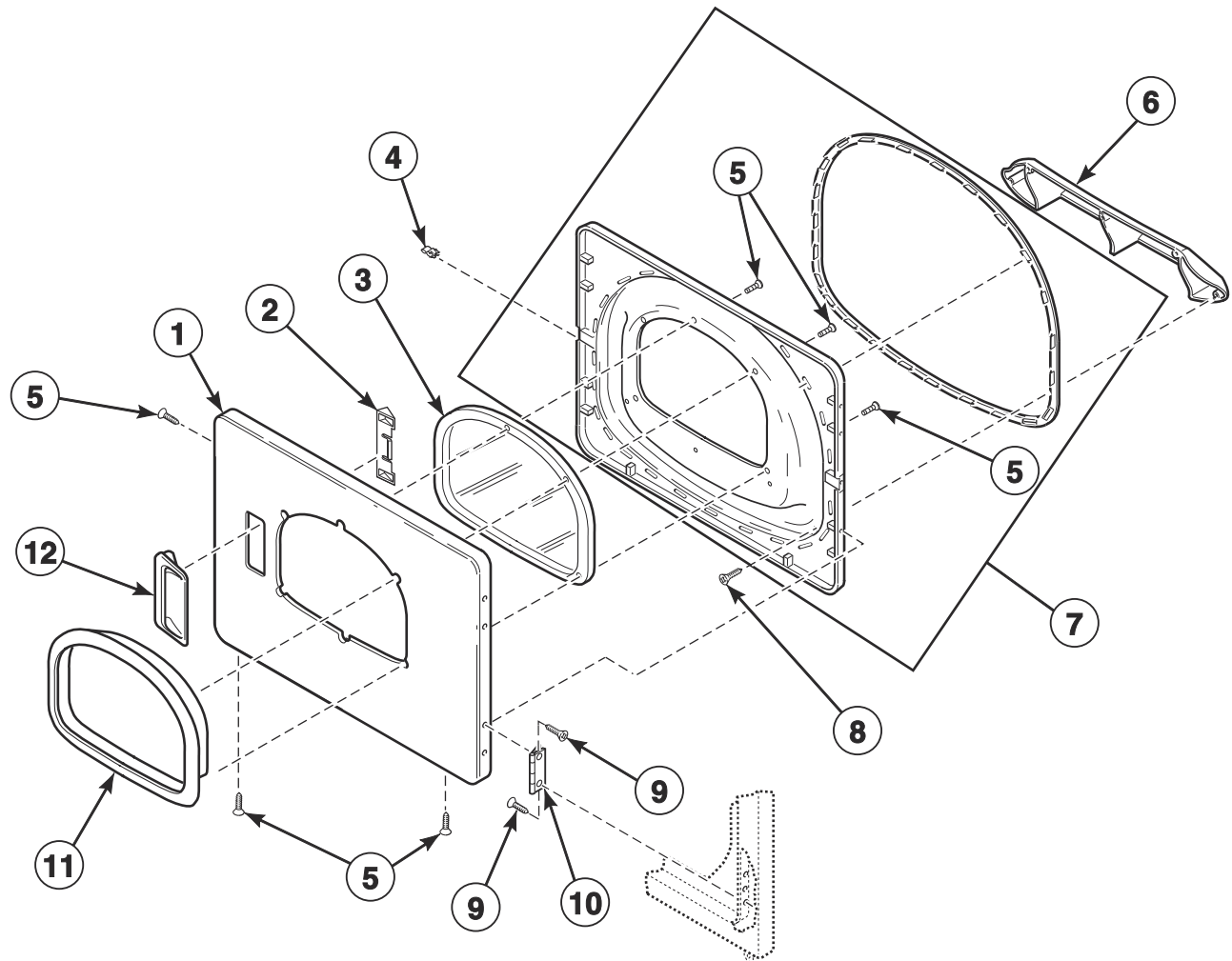
FLW823P_806913

Washer Lead-In Cord, Wire Ties and Harness Clips

| REF | PART NO. | DESCRIPTION | COMMENTS |
|-----|----------|---------------|--|
| 1 | 38663 | Wire Tie | |
| 2 | 55881 | Harness Strap | |
| 3 | 36985 | Hose Clip | |
| 4 | D504034 | Wire Clip | Small |
| 5 | 687500 | Wire Clip | Large |
| 6 | 03673 | Nut | |
| 7 | 03815 | Washer | |
| 8 | 20530 | Screw | |
| 9 | 38384 | Strain Relief | |
| 10 | 202777 | Lead-In Cord | Models HTEBCASP175TW01, HTEBCASP176TW01, HTGBCASP115TW01, HTGBCASP116TW01, HTGBYASP115TW01, HTGBYASP116TW01, NTEBYASP544NW23, NTLBYASP544NW23, STEBCASP175TW01, STEBXASP175TW01, STEBYASP175TW01, STGBCASP115TW01, STGBXASP115TW01 and STGBYASP115TW01 |

Dryer Loading Door With Window (Drawing 1 of 2)

Models HTEBCASP175TW01, HTEBCASP176TW01, HTEBYASP286CW01, HTGBCASP115TW01, HTGBCASP116TW01, HTGBYASP115TW01 and HTGBYASP116TW01 through Serial No. 2109999999; Models HTEBDASP285CW01, HTEBXASP285CW01, HTEBXASP295CW01, HTEBYASP285CW01, HTGBDASP095CW01, HTGBXASP095CW01, HTGBYASP095CW01, NTEBYASP544NW23, NTLBYASP544NW23, STEBCASP175TW01, STEBXASP175TW01, STEBYASP175TW01, STGBCASP115TW01, STGBXASP115TW01 and STGBYASP115TW01



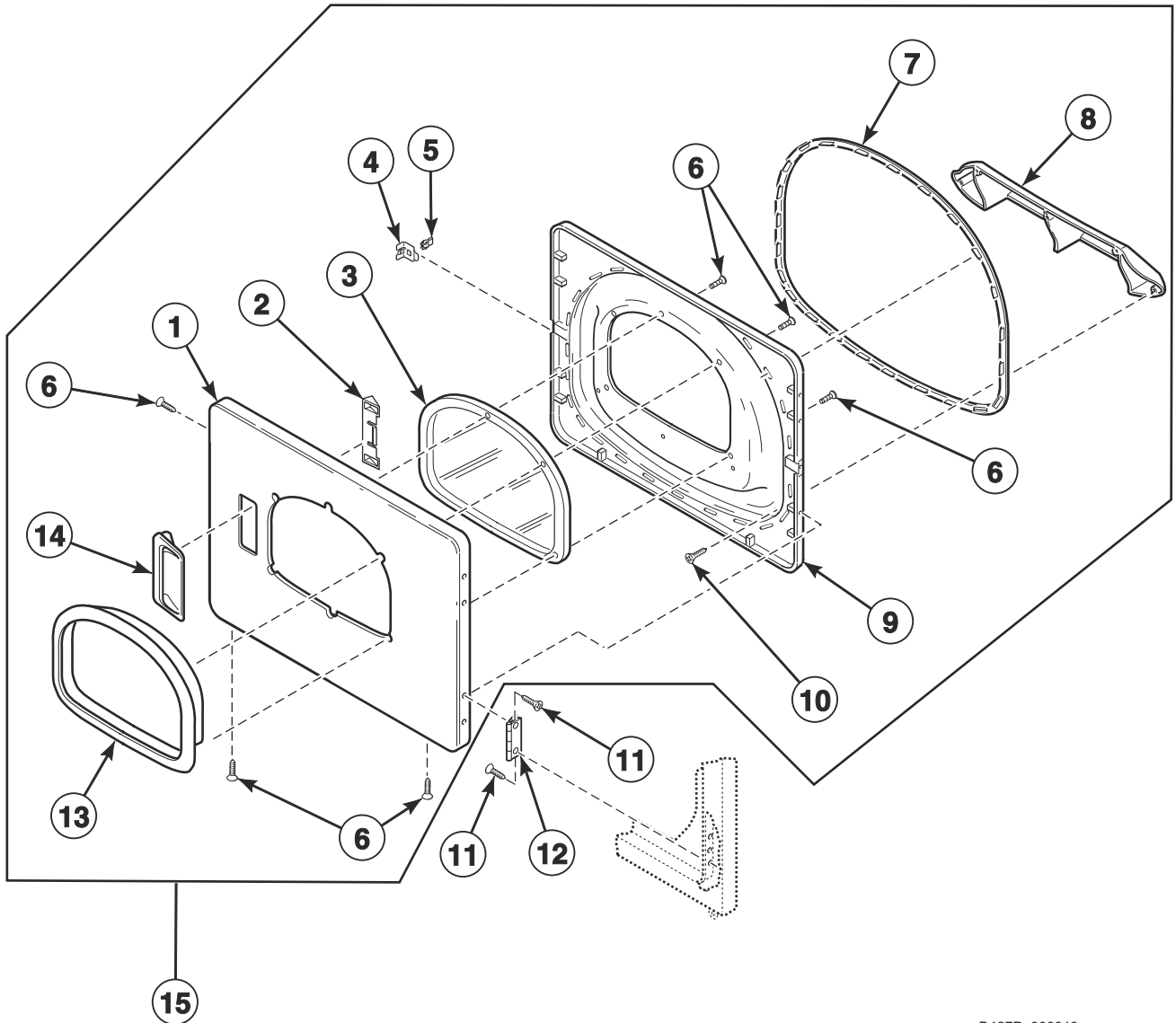
SWD1308P_806913

Dryer Loading Door With Window (Drawing 1 of 2)

| REF | PART NO. | DESCRIPTION | COMMENTS |
|-----|-----------|-------------------------|-----------------|
| 1 | D515961W | Dryer Door | |
| 2 | D510129W | Door Handle Wedge | |
| 3 | D515681 | Dryer Door Window | |
| 4 | D510181 | Door Strike | |
| 5 | D515967 | Screw | |
| 6 | D503870W | Door Liner Grill | |
| 7 | D516509 | Liner and Seal Assembly | Includes seal |
| 8 | D505870 | Screw | |
| 9 | D505295 | Screw | |
| 10 | D511036 | Hinge | |
| 11 | D515956W | Window Trim | White |
| 12 | D510103WP | Door Pull and Wedge Kit | Includes item 2 |

Dryer Loading Door With Window (Drawing 2 of 2)

Models BTEBXASP434AW01, BTGBXASP304AW01, BTLBXASP304NW22, NTEBXASP304NW22, NTLBXASP304NW26, NTLBXASP544NW23, STEBXASP304NW22, STEBXASP434AW12 and STGBXASP304NW22 through Serial No. 2109999999; Models BTEBLASP434AW01, BTEBXASG454NW36, BTGBLASP304AW01, BTLBXASG304NW36, HTEBXASP134DW01, HTEBXASP134FW01, HTEBXASP304NW22, HTEBXASP544DW01, HTGBXASP114FW01, HTGBXASP124DW01, HTGBXASP304NW21, HTGBXASP544DW01, NTEBXASP304NW01, NTEBXASP544NW23, NTGBXASP304NW01, NTLBXASP543NW23, STEBXASP134DW01, STEBXASP134FW01, STEBXASP304UW01, STEBXASP304WW01, STEBXASP434AW01, STEBXASP434LW01, STEBXASP544DW01, STEBXASP544ZW01, STGBXASP114FW01, STGBXASP124DW01, STGBXASP304AW01, STGBXASP304AW12, STGBXASP304ZW01, STGBXASP544DW01 and TTEBXASP304NW22



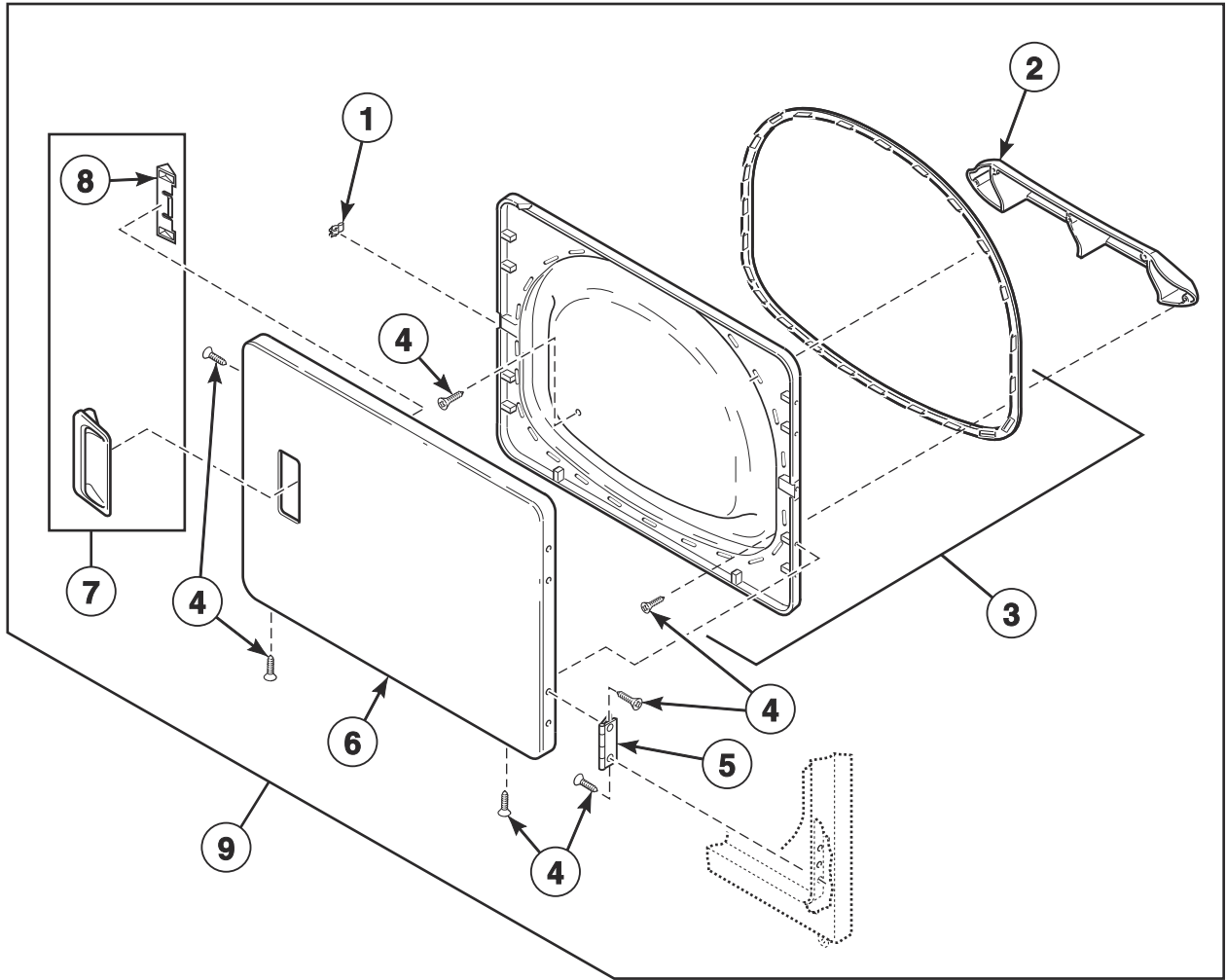
D427P_806913

Dryer Loading Door With Window (Drawing 2 of 2)

| REF | PART NO. | DESCRIPTION | COMMENTS |
|-----|-----------|-------------------------|--|
| 1 | D510082WP | Dryer Door | |
| 2 | D510129W | Door Handle Wedge | |
| 3 | D503982P | Dryer Door Window | |
| 4 | D510127 | Door Strike Mount | |
| 5 | D510181 | Door Strike | |
| 6 | D500226 | Screw | |
| 7 | D510147P | Liner Door Seal | |
| 8 | D503870W | Door Liner Grill | |
| 9 | D516509 | Liner and Seal Assembly | Includes item 7 |
| 10 | D505870 | Screw | |
| 11 | D505295 | Screw | |
| 12 | D511036 | Hinge | |
| 13 | D512633 | Window Trim | Gray; Models BTEBLASP434AW01, BTEBXASP434AW01, BTGBLASP304AW01 and BTGBXASP304AW01 |
| | D515955 | Window Trim | Gray; Models BTEBXASG454NW36, BTLBXASG304NW36 and BTLBXASP304NW22 |
| | D503981W | Window Trim | White; All other models |
| 14 | D510103WP | Door Pull and Wedge Kit | Includes item 2 |
| 15 | D516737W | Door Assembly | White; Includes items 1-10, 13 and 14 |

Dryer Loading Door Without Window

Models BTEBXASP434AW01, BTGBXASP304AW01, BTLBXASP304NW22, HTEBCASP175TW01, HTEBCASP176TW01, HTEBYASP286CW01, HTGBCASP115TW01, HTGBCASP116TW01, HTGBYASP115TW01, HTGBYASP116TW01, NTEBXASP304NW22, NTLBXASP304NW26, NTLBXASP544NW23, STEBXASP304NW22, STEBXASP434AW12 and STGBXASP304NW22 starting Serial No. 211000001

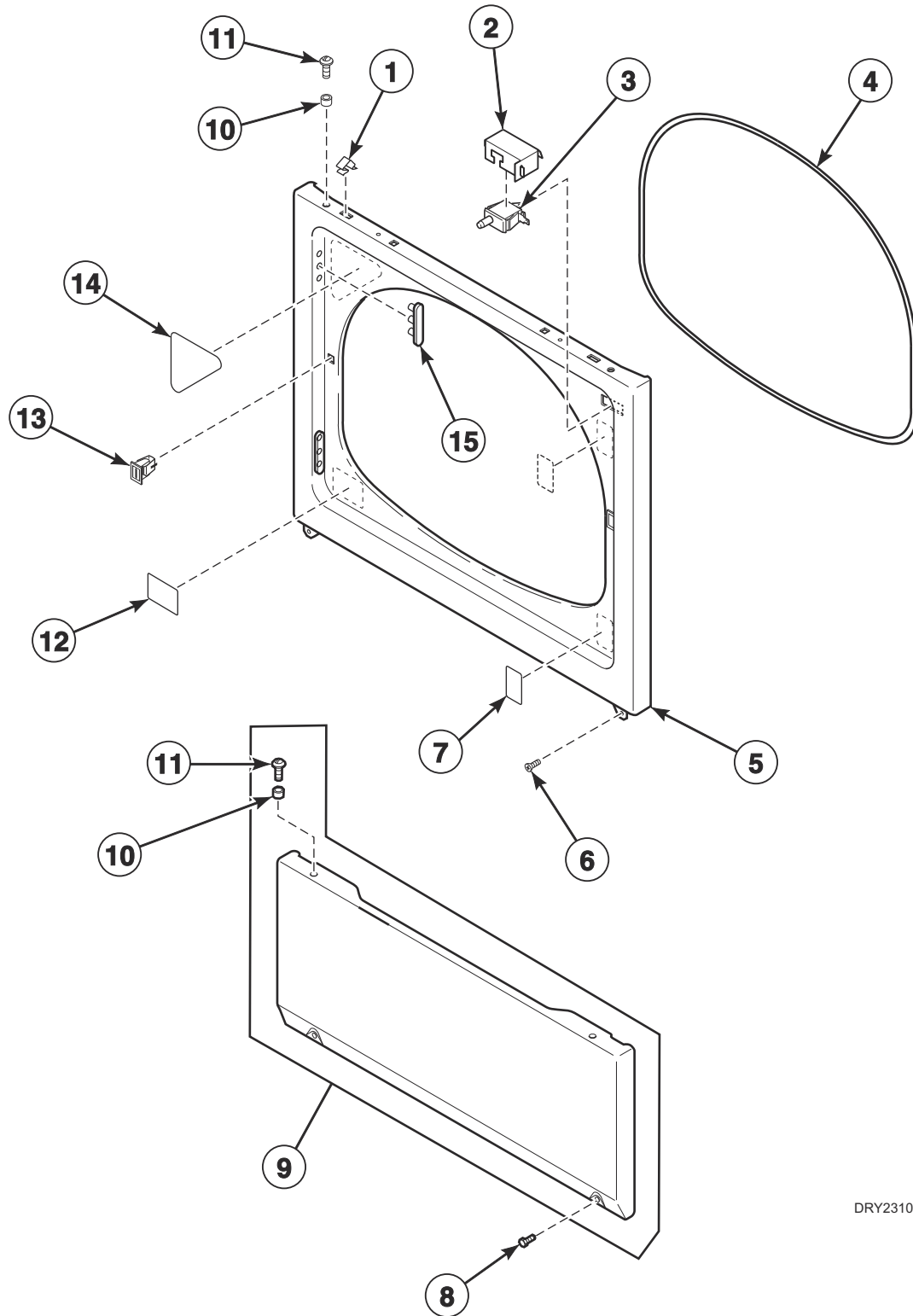


DRY2500P_806913

Dryer Loading Door Without Window

| REF | PART NO. | DESCRIPTION | COMMENTS |
|-----|-----------|-------------------------|---------------------------|
| 1 | D510181 | Door Strike | |
| 2 | D503870W | Door Liner Grill | |
| 3 | D516508 | Door Liner Assembly | Includes door seal |
| 4 | D500226 | Screw | |
| 5 | D511036 | Hinge | |
| 6 | D515960W | Dryer Door | White |
| 7 | D510103WP | Door Pull and Wedge Kit | White; Includes item 8 |
| 8 | D510129W | Door Handle Wedge | |
| 9 | D516510W | Door Assembly | White; Includes items 1-8 |

Access Panel, Front Panel and Seal

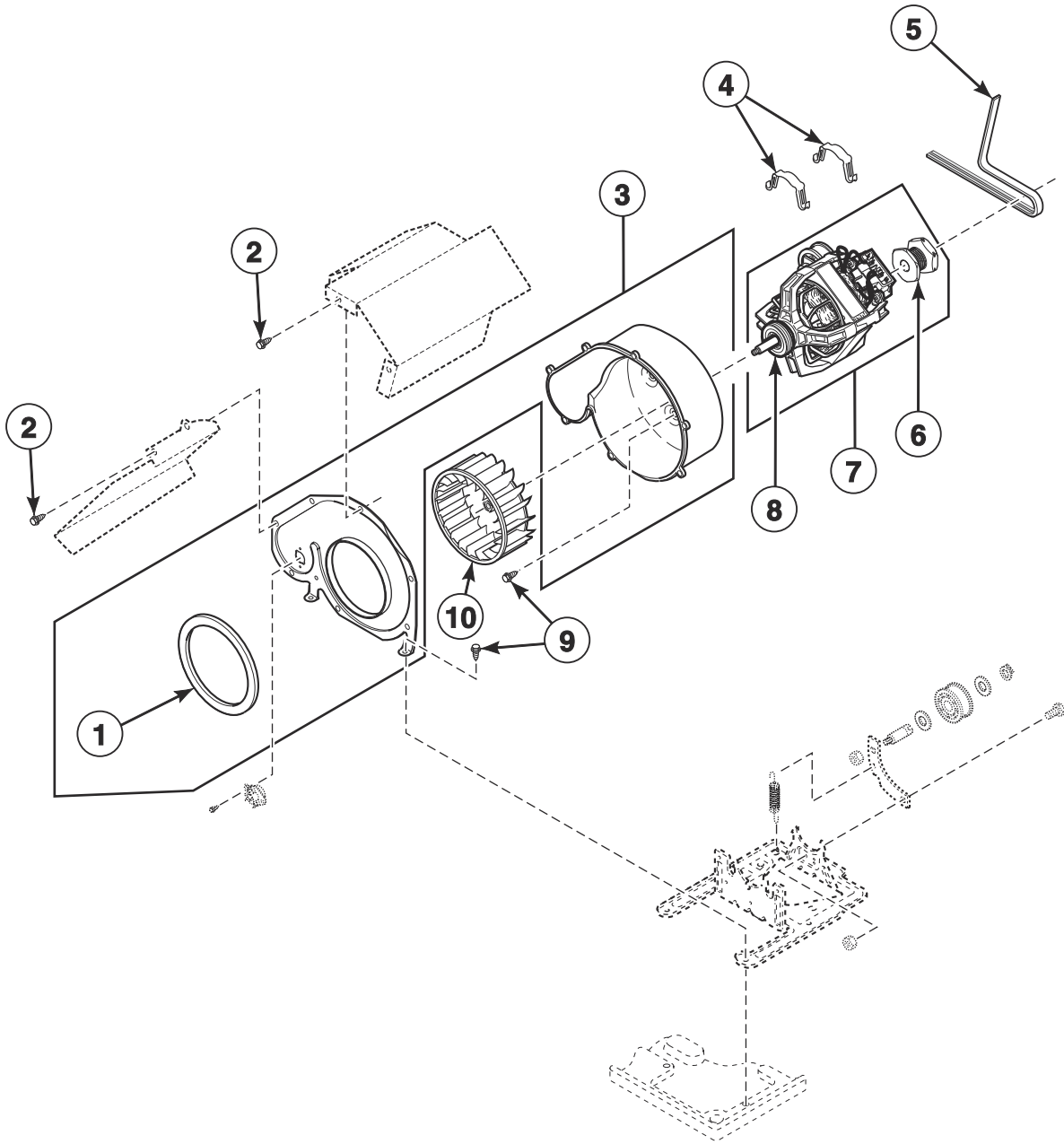


DRY2310P_806913

Access Panel, Front Panel and Seal

| REF | PART NO. | DESCRIPTION | COMMENTS |
|-----|-----------|-----------------------|---|
| 1 | 28835 | Speed Clip | |
| 2 | D514327 | Drip Shield | Models BTEBLASP434AW01, BTEBXASP434AW01, BTGBLASP304AW01, BTGBXASP304AW01, BTLBXASG304NW36, BTLBXASP304NW22, HTEBXASP134DW01, HTEBXASP134FW01, HTEBXASP544DW01, HTGBXASP114FW01, HTGBXASP124DW01, HTGBXASP544DW01, NTEBXASP544NW23, NTLBXASP304NW26, NTLBXASP543NW23, NTLBXASP544NW23, STEBXASP134DW01, STEBXASP134FW01, STEBXASP304UW01, STEBXASP304WW01, STEBXASP434AW01, STEBXASP434AW12, STEBXASP434LW01, STEBXASP544DW01, STEBXASP544ZW01, STGBXASP114FW01, STGBXASP124DW01, STGBXASP304AW01, STGBXASP304AW12, STGBXASP304ZW01 and STGBXASP544DW01 |
| 3 | D512973 | Switch | |
| 4 | D511056 | Front Panel Seal | |
| 5 | D510066WP | Front Panel | |
| 6 | D503688 | Screw | |
| 7 | D512263 | Warning Label | Models BTEBLASP434AW01, BTEBXASP434AW01, BTGBLASP304AW01, BTGBXASP304AW01, STEBXASP434AW01, STEBXASP434AW12, STGBXASP304AW01 and STGBXASP304AW12 |
| 8 | 33562 | Screw | |
| 9 | D514250WP | Access Panel Assembly | |
| 10 | 56079 | Panel Locator | |
| 11 | 39733 | Screw | |
| 12 | D502804 | Lint Filter Label | Models BTEBLASP434AW01, BTEBXASP434AW01, BTGBLASP304AW01, BTGBXASP304AW01, STEBXASP434AW01, STEBXASP434AW12, STGBXASP304AW01 and STGBXASP304AW12 |
| 13 | D510177 | Door Catch Assembly | |
| 14 | D500281 | Warning/Caution Label | English |
| | D514867 | Warning Label | Thai |
| 15 | D510186 | Hinge Hole Plug | |

Motor, Exhaust Fan and Belt

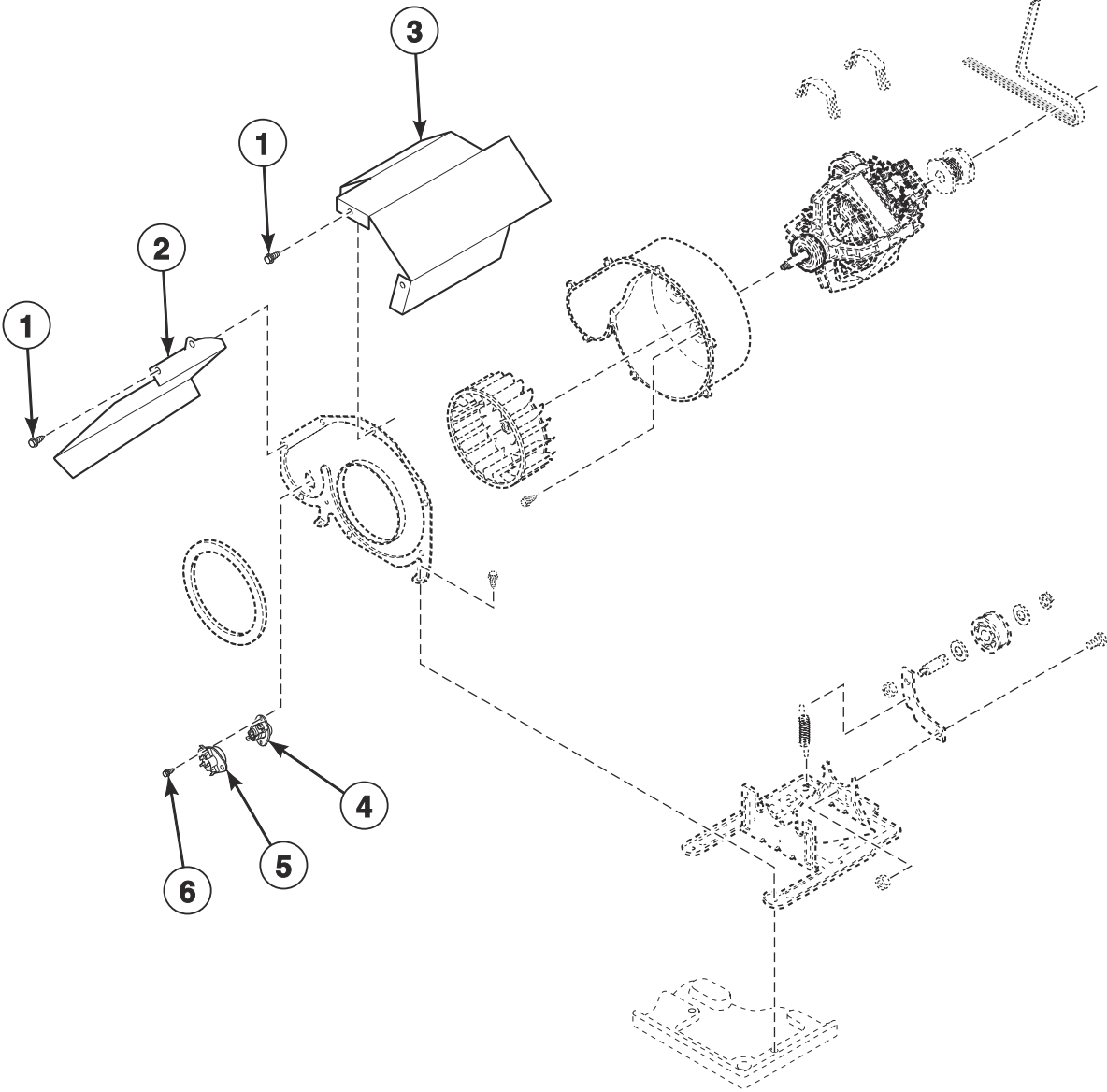


DRY2312P_806913

Motor, Exhaust Fan and Belt

| REF | PART NO. | DESCRIPTION | COMMENTS |
|-----|-----------|---------------------------|--|
| | 27604P | Anti-Seize Compound | Apply to motor shaft when installing blower fan assembly |
| 1 | D510238P | Blower Housing Seal | |
| 2 | 31260 | Screw | |
| 3 | D511969WP | Blower Housing | Includes items 1 and 2 |
| 4 | D510180 | Motor Mount Clamp | |
| 5 | D511255P | Cylinder Belt | |
| 6 | D500222 | Motor Pulley | 50 Hertz; Models BTEBLASP434AW01, BTEBXASG454NW36, BTEBXASP434AW01, BTGBLASP304AW01, BTGBXASP304AW01, BTLBXASG304NW36, BTLBXASP304NW22, HTEBXASP304NW22, HTGBXASP304NW21, NTEBXASP304NW01, NTEBXASP304NW22, NTGBXASP304NW01, NTLBXASP304NW26, NTLBXASP543NW23, NTLBXASP544NW23, STEBXASP304NW22, STEBXASP304UW01, STEBXASP304WW01, STEBXASP434AW01, STEBXASP434AW12, STEBXASP434LW01, STGBXASP304AW01, STGBXASP304AW12, STGBXASP304NW22, STGBXASP304ZW01 and TTEBXASP304NW22 |
| | D500011 | Motor Pulley | 60 Hertz; All other models |
| 7 | D505869P | Motor and Pulley Assembly | 240 Volt/60 Hertz; Includes items 4, 6 and 8; Apply anti-seize compound to motor shaft when installing blower fan assembly; Models HTEBXASP134DW01, HTEBXASP134FW01, HTEBXASP544DW01, HTGBXASP544DW01, NTEBXASP544NW23, NTEBYASP544NW23, NTLBXASP543NW23, NTLBXASP544NW23, NTLBYASP544NW23, STEBXASP134DW01, STEBXASP134FW01, STEBXASP544DW01, STEBXASP544ZW01 and STGBXASP544DW01 |
| | D505843P | Motor and Pulley Assembly | 240 Volt/50 Hertz; Includes items 4, 6 and 8; Apply anti-seize compound to motor shaft when installing blower fan assembly; Models BTEBLASP434AW01, BTEBXASG454NW36, BTEBXASP434AW01, BTGBLASP304AW01, BTGBXASP304AW01, BTLBXASG304NW36, BTLBXASP304NW22, HTEBXASP304NW22, HTGBXASP304NW21, NTEBXASP304NW01, NTEBXASP304NW22, NTGBXASP304NW01, NTLBXASP304NW26, STEBXASP304NW22, STEBXASP304UW01, STEBXASP304WW01, STEBXASP434AW01, STEBXASP434AW12, STEBXASP434LW01, STGBXASP304AW01, STGBXASP304AW12, STGBXASP304NW22, STGBXASP304ZW01 and TTEBXASP304NW22 |
| | D511629P | Motor and Pulley Assembly | 120 Volt/60 Hertz; Includes items 4, 6 and 8; Apply anti-seize compound to motor shaft when installing blower fan assembly; All other models |
| 8 | 590P3 | Motor Hub Ring Kit | |
| 9 | D503688 | Screw | |
| 10 | D510139P | Blower Fan Assembly | |

Thermistor and Shields

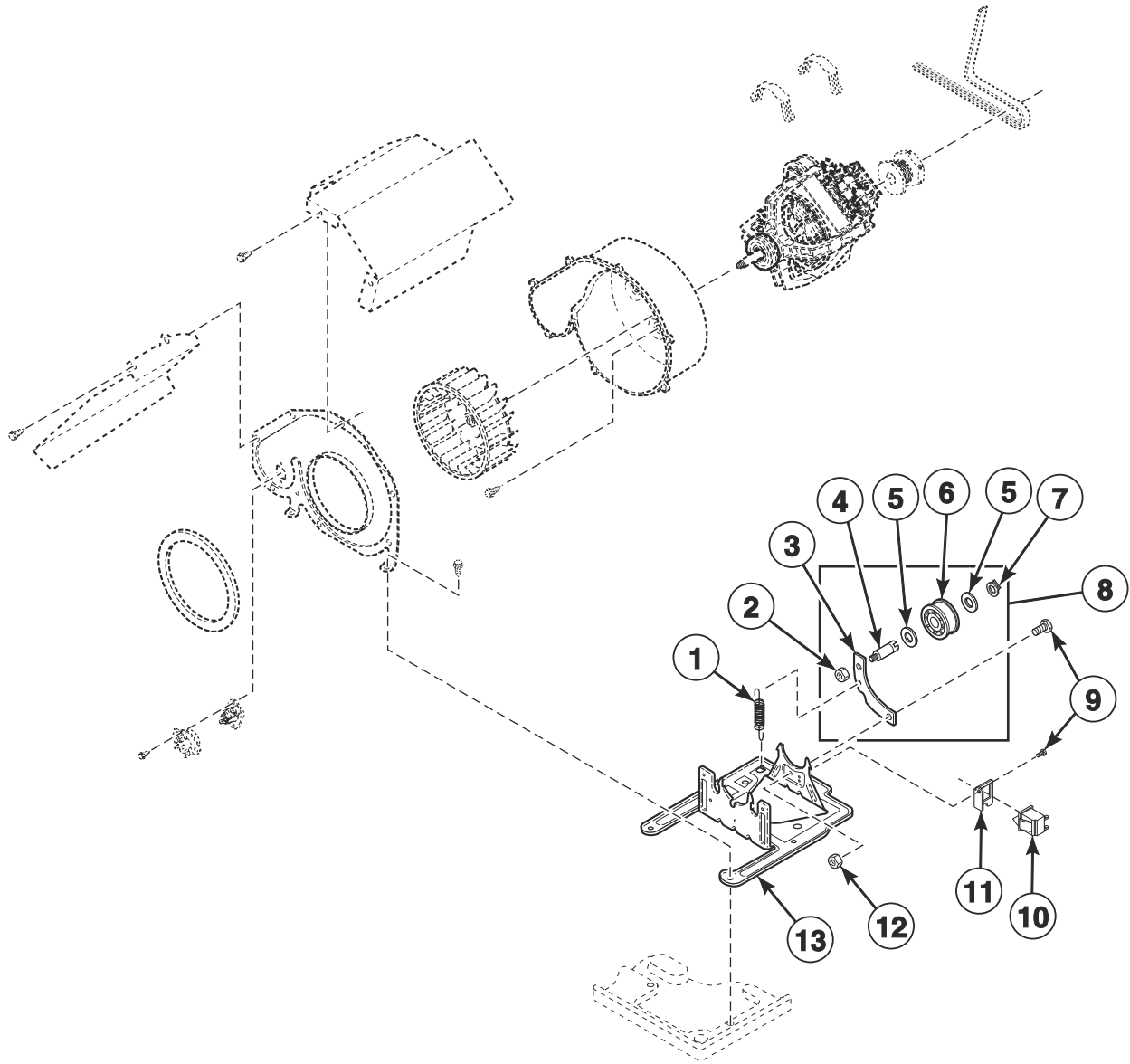


DRY2440PA_806913

Thermistor and Shields

| REF | PART NO. | DESCRIPTION | COMMENTS |
|-----|----------|---------------------|---|
| 1 | 31260 | Screw | |
| 2 | D514325 | Thermostat Shield | Models BTEBLASP434AW01, BTEBXASP434AW01, BTGBLASP304AW01, BTGBXASP304AW01, BTLBXASG304NW36, BTLBXASP304NW22, HTEBXASP134DW01, HTEBXASP134FW01, HTEBXASP544DW01, HTGBXASP114FW01, HTGBXASP124DW01, HTGBXASP544DW01, NTEBXASP544NW23, NTLBXASP304NW26, NTLBXASP543NW23, NTLBXASP544NW23, STEBXASP134DW01, STEBXASP134FW01, STEBXASP304UW01, STEBXASP304WW01, STEBXASP434AW01, STEBXASP434AW12, STEBXASP434LW01, STEBXASP544DW01, STEBXASP544ZW01, STGBXASP114FW01, STGBXASP124DW01, STGBXASP304AW01, STGBXASP304AW12, STGBXASP304ZW01 and STGBXASP544DW01 |
| 3 | D514602 | Motor Shield | Models BTEBLASP434AW01, BTEBXASP434AW01, BTGBLASP304AW01, BTGBXASP304AW01, BTLBXASG304NW36, BTLBXASP304NW22, HTEBXASP134DW01, HTEBXASP134FW01, HTEBXASP544DW01, HTGBXASP114FW01, HTGBXASP124DW01, HTGBXASP544DW01, NTEBXASP544NW23, NTLBXASP304NW26, NTLBXASP543NW23, NTLBXASP544NW23, STEBXASP134DW01, STEBXASP134FW01, STEBXASP304UW01, STEBXASP304WW01, STEBXASP434AW01, STEBXASP434AW12, STEBXASP434LW01, STEBXASP544DW01, STEBXASP544ZW01, STGBXASP114FW01, STGBXASP124DW01, STGBXASP304AW01, STGBXASP304AW12, STGBXASP304ZW01 and STGBXASP544DW01 |
| 4 | D510703 | Thermostat | Manual reset; Models BTGBLASP304AW01, BTGBXASP304AW01, BTLBXASG304NW36, BTLBXASP304NW22, HTGBXASP114FW01, HTGBXASP124DW01, HTGBXASP304NW21, HTGBXASP544DW01, NTGBXASP304NW01, NTLBXASP304NW26, NTLBXASP543NW23, NTLBXASP544NW23, STGBXASP114FW01, STGBXASP124DW01, STGBXASP304AW01, STGBXASP304AW12, STGBXASP304NW22, STGBXASP304ZW01 and STGBXASP544DW01 |
| 5 | D502366 | Thermistor Assembly | 50 Hertz; Models BTEBLASP434AW01, BTEBXASG454NW36, BTEBXASP434AW01, BTGBLASP304AW01, BTGBXASP304AW01, BTLBXASG304NW36, BTLBXASP304NW22, HTEBXASP304NW22, HTGBXASP304NW21, NTEBXASP304NW01, NTEBXASP304NW22, NTGBXASP304NW01, NTLBXASP304NW26, STEBXASP304NW22, STEBXASP304UW01, STEBXASP304WW01, STEBXASP434AW01, STEBXASP434AW12, STEBXASP434LW01, STGBXASP304AW01, STGBXASP304AW12, STGBXASP304NW22, STGBXASP304ZW01 and TTEBXASP304NW22 |
| | D510523 | Thermistor Assembly | 60 Hertz; All other models |
| 6 | D502535 | Screw | |

Idler Assembly

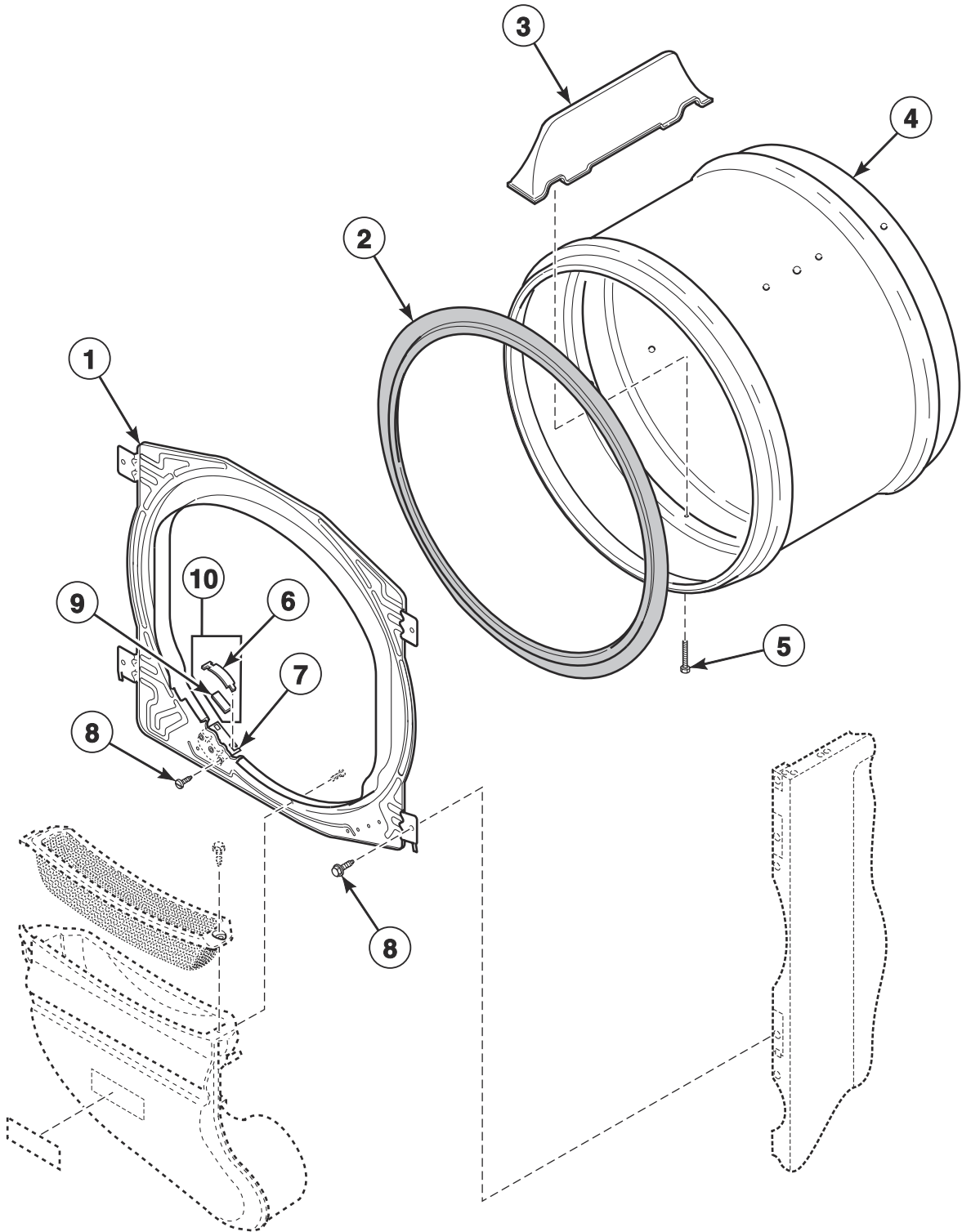


DRY2524P_806913

Idler Assembly

| REF | PART NO. | DESCRIPTION | COMMENTS |
|-----|----------|----------------------------------|--------------------------------|
| 1 | D510185 | Idler Spring | |
| 2 | 56156 | Nut | |
| 3 | D516310 | Idler Lever | |
| 4 | 56461P | Shaft | |
| 5 | 52549 | Washer | |
| 6 | D510142P | Idler Wheel and Bearing Assembly | |
| 7 | 23748 | Retaining Ring | |
| 8 | D516792 | Idler Lever and Wheel Assembly | Includes items 4-9 |
| 9 | D500824 | Screw | |
| 10 | D516391 | Switch | Starting Serial No. 1903000001 |
| 11 | D516311 | Motor Switch Bracket | Starting Serial No. 1903000001 |
| 12 | 52566 | Nut | |
| 13 | D518517 | Motor Mount | |

Front Bulkhead, Felt Seal and Cylinder

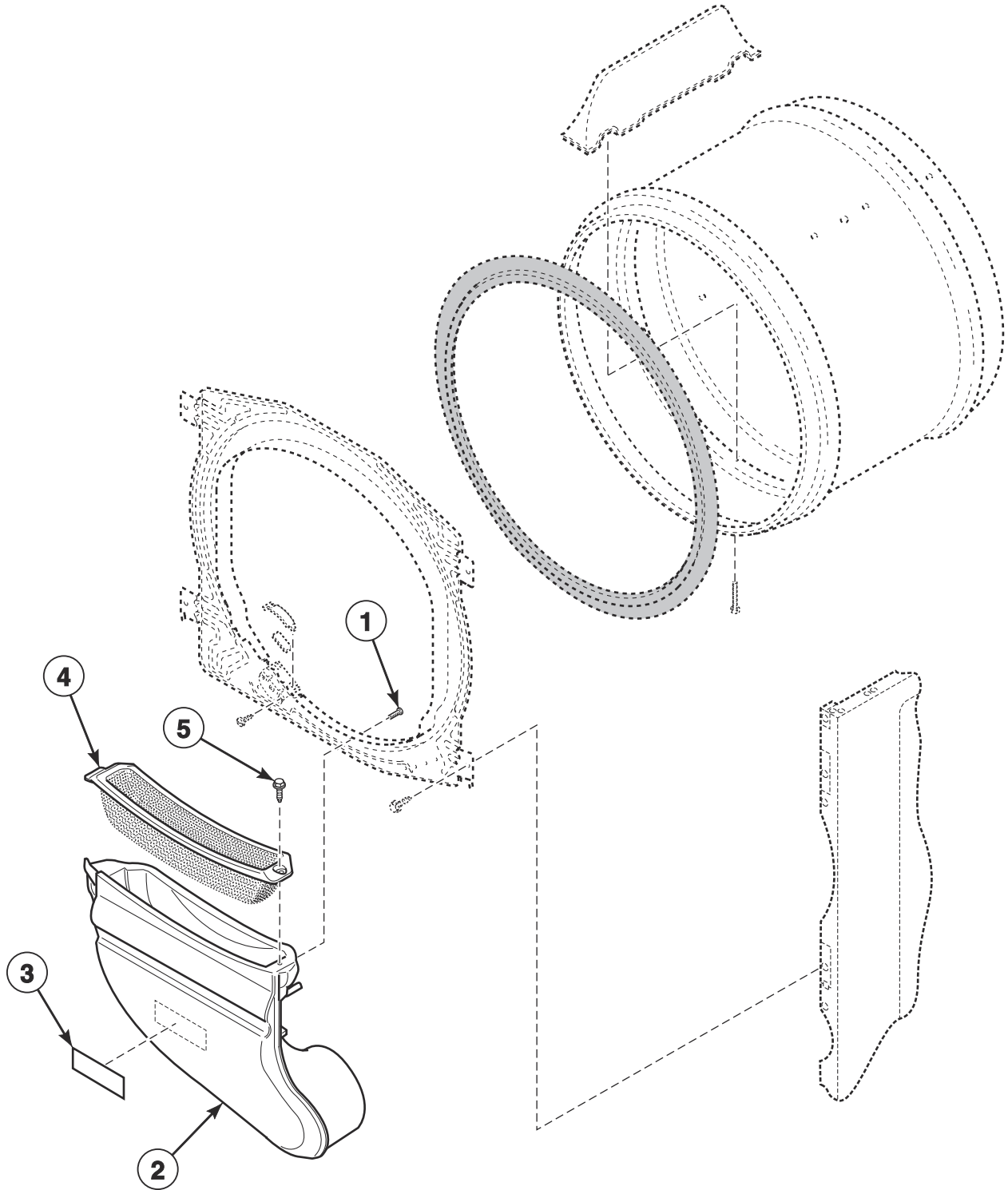


SWD1174P_806913

Front Bulkhead, Felt Seal and Cylinder

| REF | PART NO. | DESCRIPTION | COMMENTS |
|-----|-----------|-------------------------|--|
| 1 | D510266P | Front Bulkhead Assembly | Unpainted; Includes item 2 |
| 2 | D510207P | Cylinder Seal Assembly | |
| | D511637P | Adhesive | Apply to cylinder seal |
| | RB170001 | Seal Kit | Includes 2 cylinder seals, D510238P Blower Housing Seal and Adhesive |
| 3 | D510102W | Cylinder Baffle | |
| 4 | D510265WP | Cylinder Assembly | Galvanized; Includes item 3 |
| 5 | 62588 | Screw | |
| 6 | D513710 | Cylinder Glide | |
| 7 | D510145 | Cylinder Glide Bracket | |
| 8 | D503688 | Screw | |
| 9 | D510189 | Felt Pad | |
| 10 | RB170003 | Glide Kit | Includes items 6 and 7 |

Air Duct Assembly

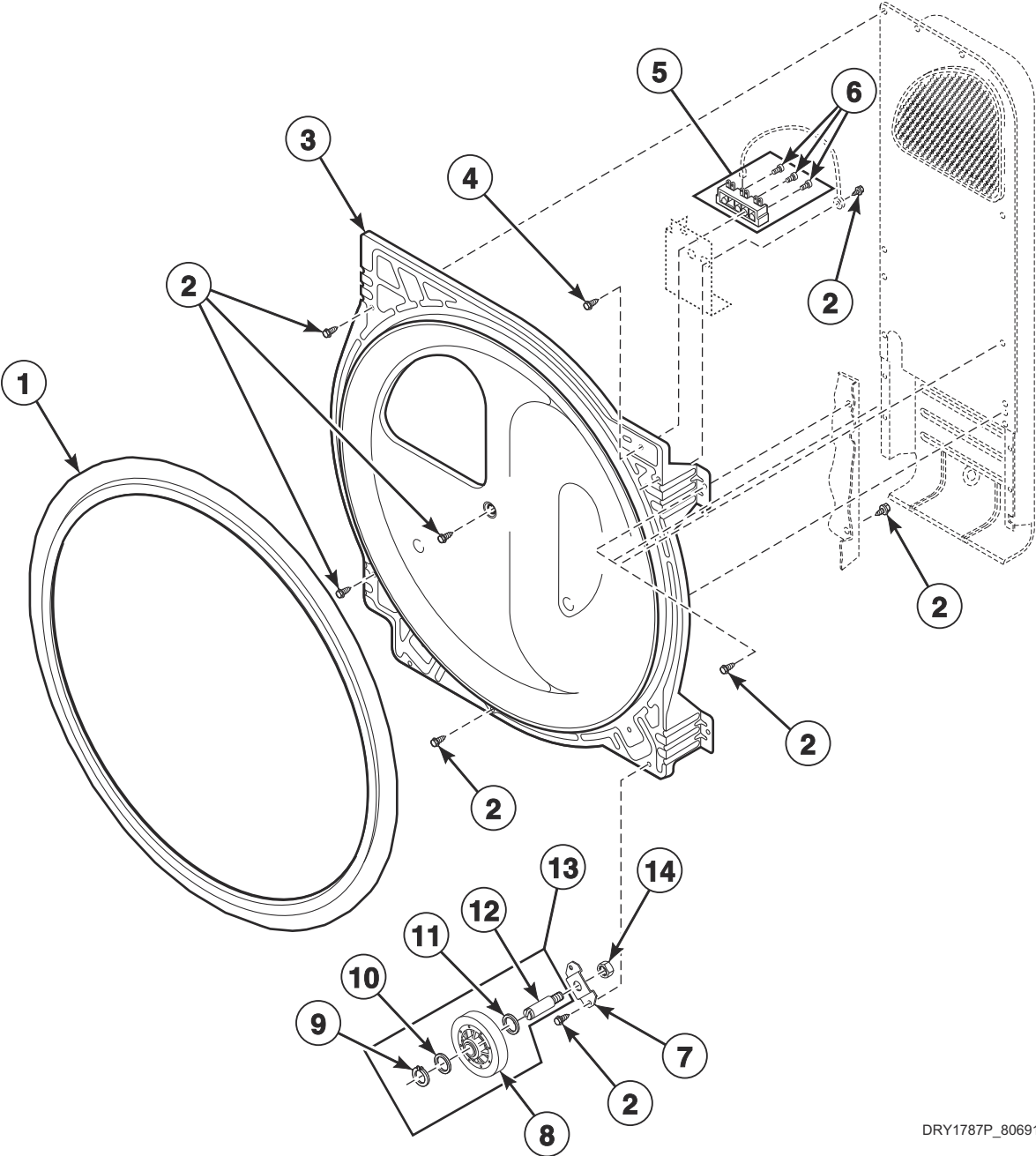


SWD1174PA_806913

Air Duct Assembly

| REF | PART NO. | DESCRIPTION | COMMENTS |
|-----|----------|-------------------|--|
| 1 | 52864 | Screw | |
| 2 | D518433 | Air Duct Assembly | Models HTEBCASP175TW01, HTEBCASP176TW01, HTEBDASP285CW01, HTEBXASP285CW01, HTEBXASP295CW01, HTEBYASP285CW01, HTEBYASP286CW01, HTGBCASP115TW01, HTGBCASP116TW01, HTGBDASP095CW01, HTGBXASP095CW01, HTGBYASP095CW01, HTGBYASP115TW01, HTGBYASP116TW01, STEBCASP175TW01, STEBXASP175TW01, STEBYASP175TW01, STGBCASP115TW01, STGBXASP115TW01 and STGBYASP115TW01 |
| | D518432 | Air Duct Assembly | All other models |
| 3 | 61294 | Fuse Notice Label | Models HTEBCASP175TW01, HTEBCASP176TW01, HTEBDASP285CW01, HTEBXASP285CW01, HTEBXASP295CW01, HTEBYASP285CW01, HTEBYASP286CW01, NTEBYASP544NW23, STEBCASP175TW01, STEBXASP175TW01 and STEBYASP175TW01 |
| 4 | D503980W | Lint Filter | |
| 5 | D501285 | Screw | |

Rear Bulkhead, Felt Seal, Cylinder Roller and Terminal Block

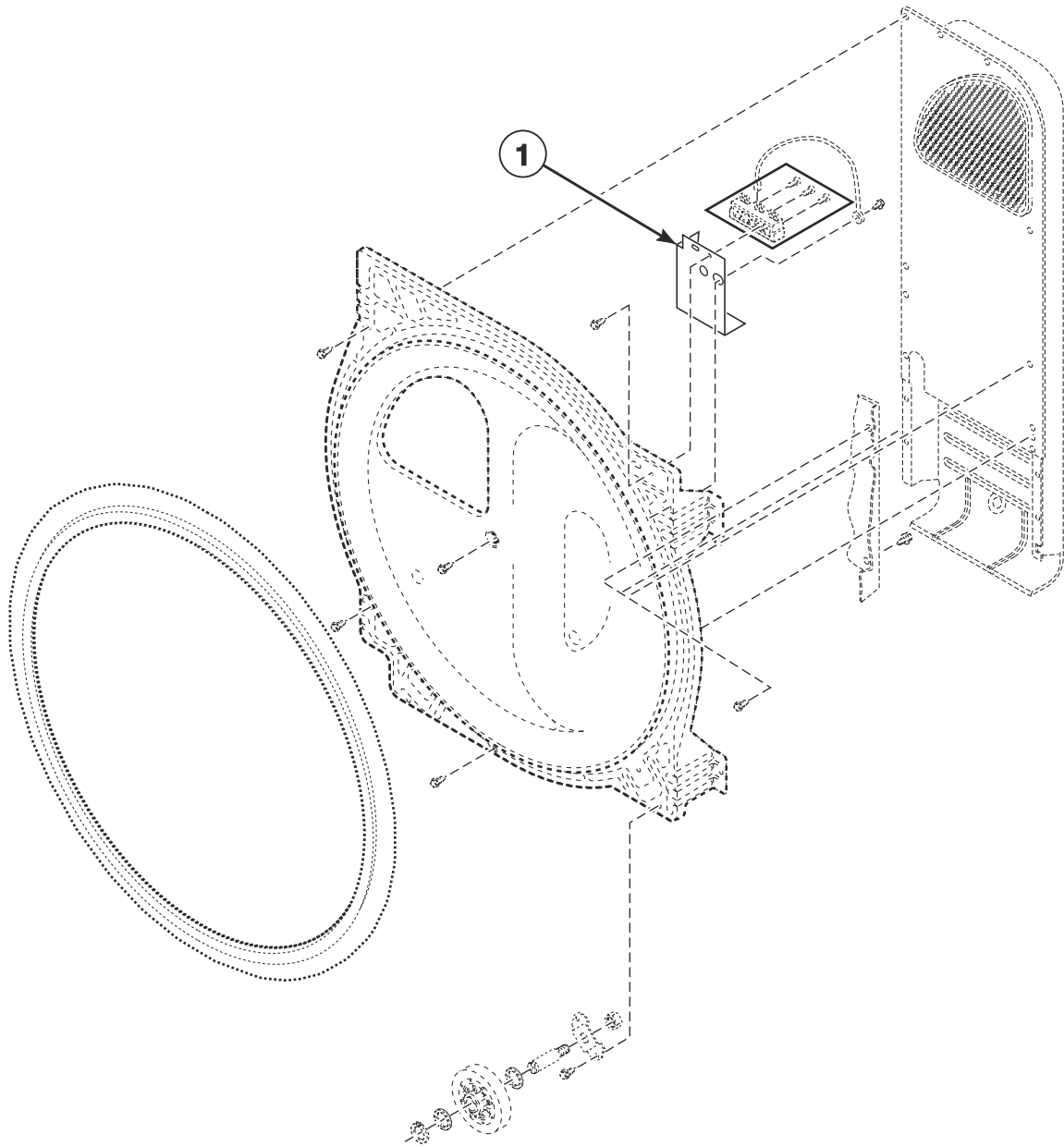


DRY1787P_806913

Rear Bulkhead, Felt Seal, Cylinder Roller and Terminal Block

| REF | PART NO. | DESCRIPTION | COMMENTS |
|-----|-----------|-------------------------|--|
| 1 | D510207P | Cylinder Seal Assembly | |
| | D511637P | Adhesive | Apply to cylinder seal |
| | RB170001 | Seal Kit | Includes 2 cylinder seals, D510238P Blower Housing Seal and Adhesive |
| 2 | 44023301 | Screw | Models BTLBXASG304NW36 and BTLBXASP304NW22 |
| | D503688 | Screw | All other models |
| 3 | D511082P | Rear Bulkhead Assembly | Includes item 1 |
| | D510905WP | Rear Bulkhead Assembly | White; Includes item 1; If black marks appear on clothes, replace rear bulkhead with this part, cylinder with D510159WP Cylinder Assembly and front bulkhead with D505899WP Bulkhead Assembly |
| 4 | D501285 | Screw | |
| 5 | D510190P | Terminal Block Assembly | Includes 3 of item 6; Models BTEBLASP434AW01, BTEBXASG454NW36, BTEBXASP434AW01, BTLBXASG304NW36, BTLBXASP304NW22, HTEBCASP175TW01, HTEBCASP176TW01, HTEBDASP285CW01, HTEBXASP134DW01, HTEBXASP134FW01, HTEBXASP285CW01, HTEBXASP295CW01, HTEBXASP304NW22, HTEBXASP544DW01, HTEBYASP285CW01, HTEBYASP286CW01, HTGBDASP095CW01, HTGBXASP095CW01, HTGBXASP304NW21, HTGBYASP095CW01, NTEBXASP304NW01, NTEBXASP304NW22, NTEBXASP544NW23, NTEBYASP544NW23, NTGBXASP304NW01, STEBCASP175TW01, STEBXASP134DW01, STEBXASP134FW01, STEBXASP175TW01, STEBXASP304NW22, STEBXASP304UW01, STEBXASP304WW01, STEBXASP434AW01, STEBXASP434AW12, STEBXASP434LW01, STEBXASP544DW01, STEBXASP544ZW01, STEBYASP175TW01, STGBXASP304NW22 and TTEBXASP304NW22 |
| 6 | 61199 | Screw | Used with item 5 |
| 7 | D510100 | Cylinder Roller Bracket | |
| 8 | D510708P | Cylinder Roller | |
| 9 | 23748 | Retaining Ring | |
| 10 | 52549 | Washer | |
| 11 | D504082 | Washer | |
| 12 | 56461P | Shaft | |
| 13 | RB170002 | Roller Kit | Includes 2 each of items 8-12 |
| 14 | 56156 | Nut | |

Terminal Block Shield



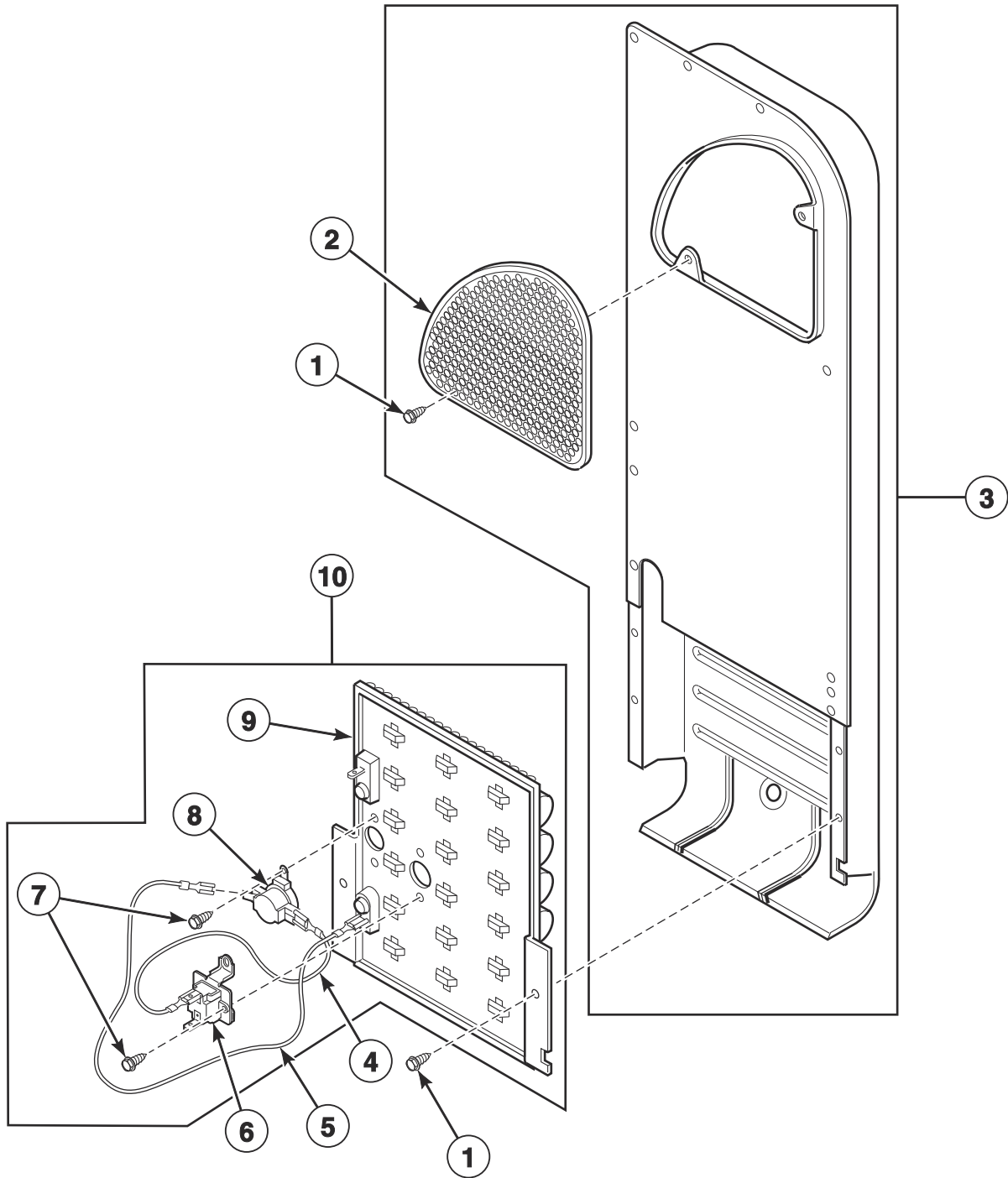
DRY1787PA_806913

Terminal Block Shield

| REF | PART NO. | DESCRIPTION | COMMENTS |
|-----|----------|----------------------------|---|
| 1 | D510237 | Terminal Block Shield | Models HTEBCASP175TW01, HTEBDASP285CW01, HTEBXASP285CW01, HTEBXASP295CW01, HTEBYASP285CW01, NTEBYASP544NW23, STEBCASP175TW01, STEBXASP175TW01 and STEBYASP175TW01; Through Serial No. 1903000001 |
| | D517715 | Terminal Block Shield | Models BTEBLASP434AW01, BTEBXASP434AW01, BTLBXASG304NW36, BTLBXASP304NW22, HTEBXASP134DW01, HTEBXASP134FW01, HTEBXASP544DW01, HTGBXASP304NW21, NTEBXASP544NW23, NTGBXASP304NW01, STEBXASP134DW01, STEBXASP134FW01, STEBXASP304UW01, STEBXASP304WW01, STEBXASP434AW01, STEBXASP434AW12, STEBXASP434LW01, STEBXASP544DW01 and STEBXASP544ZW01 |
| | 805344 | Terminal Block Drip Shield | Model BTEBXASG454NW36 |

Heater Duct and Element Assembly

Electric Models



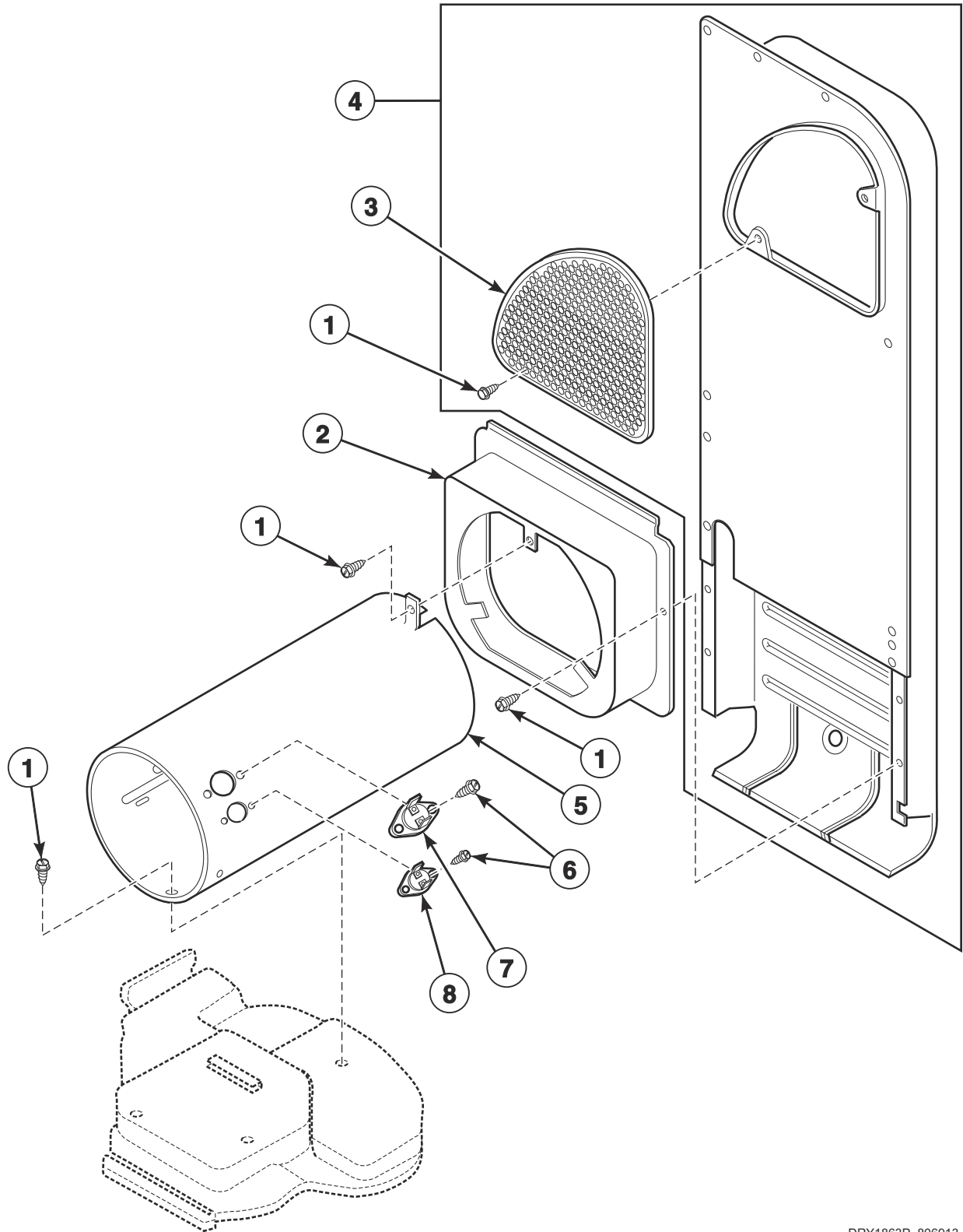
DRY1789P_806913

Heater Duct and Element Assembly

| REF | PART NO. | DESCRIPTION | COMMENTS | |
|-------|----------|-----------------------|---|---|
| 1 | D503688 | Screw | | |
| 2 | D500820 | Outlet Cover | Aluminized steel | |
| | D518524 | Outlet Cover | Black; Nitrocarburized | |
| 3 | D510025P | Heater Duct Assembly | Includes items 1 and 2 | |
| 4 | D518256 | Wire Assembly | Orange; Thermostat jumper | |
| 5 | D518255 | Wire Assembly | Black; Fuse jumper | |
| 6 | D518649 | Thermal Fuse Assembly | | |
| 7 | 23222 | Screw | | |
| 8 | D510700 | Limit Thermostat | Model BTEBXASG454NW36 | |
| | D510701 | Limit Thermostat | All other models | |
| 9 | D510326P | Heater Assembly | 4800 Watt; 240 Volt/50 Hertz; Models HTEBXASP304NW22, NTEBXASP304NW01, NTEBXASP304NW22, STEBXASP304NW22, STEBXASP304UW01, STEBXASP304WW01 and TTEBXASP304NW22 | |
| | D510324P | Heater Assembly | 5000 Watt; 240 Volt/60 Hertz; Models HTEBDASP285CW01, HTEBXASP285CW01, HTEBYASP285CW01 and HTEBYASP286CW01 | |
| | D510330P | Heater Assembly | 4250 Watt; 208 Volt/60 Hertz; Model HTEBXASP295CW01 | |
| | D510327P | Heater Assembly | 4000 Watt; 240 Volt/50 Hertz; Models BTEBLASP434AW01, BTEBXASP434AW01, STEBXASP434AW01, STEBXASP434AW12 and STEBXASP434LW01 | |
| | D510328P | Heater Assembly | 3100 Watt; 240 Volt/50 Hertz; Model BTEBXASG454NW36 | |
| | D510329P | Heater Assembly | 5350 Watt; 240 Volt/60 Hertz; All other models | |
| | 10 | 61927 | Heater Kit Assembly | Includes items 4-9; 5000 Watt; 240 Volt/60 Hertz; Models HTEBDASP285CW01, HTEBXASP285CW01, HTEBYASP285CW01 and HTEBYASP286CW01 |
| | | 61928 | Heater Kit Assembly | Optional conversion; Includes items 4-9; 4750 Watt; 208 Volt/60 Hertz; Models HTEBCASP175TW01, HTEBCASP176TW01, NTEBYASP544NW23, STEBCASP175TW01, STEBXASP175TW01 and STEBYASP175TW01 |
| | | 61929 | Heater Kit Assembly | Includes items 4-9; 4800 Watt; 240 Volt/50 Hertz; Models HTEBXASP304NW22, NTEBXASP304NW01, NTEBXASP304NW22, STEBXASP304NW22, STEBXASP304UW01, STEBXASP304WW01 and TTEBXASP304NW22 |
| | | 61930 | Heater Kit Assembly | Includes items 4-9; 4000 Watt; 240 Volt/50 Hertz; Models BTEBLASP434AW01, BTEBXASP434AW01, STEBXASP434AW01, STEBXASP434AW12 and STEBXASP434LW01 |
| 964P3 | | Heater Kit | Includes factory-installed heater; Includes items 4-9; 5350 Watt; 240 Volt/60 Hertz; Models HTEBCASP175TW01, HTEBCASP176TW01, HTEBXASP134DW01, HTEBXASP134FW01, HTEBXASP544DW01, NTEBXASP544NW23, NTEBYASP544NW23, STEBCASP175TW01, STEBXASP134DW01, STEBXASP134FW01, STEBXASP175TW01, STEBXASP544DW01, STEBXASP544ZW01 and STEBYASP175TW01 | |
| 61931 | | Heater Kit Assembly | Includes items 4-9; 3100 Watt; 240 Volt/50 Hertz; Model BTEBXASG454NW36 | |
| 965P3 | | Heater Kit | Includes items 4-9; 4250 Watt; 208 Volt/60 Hertz; Model HTEBXASP295CW01 | |

Heater Duct Assembly

Gas Models



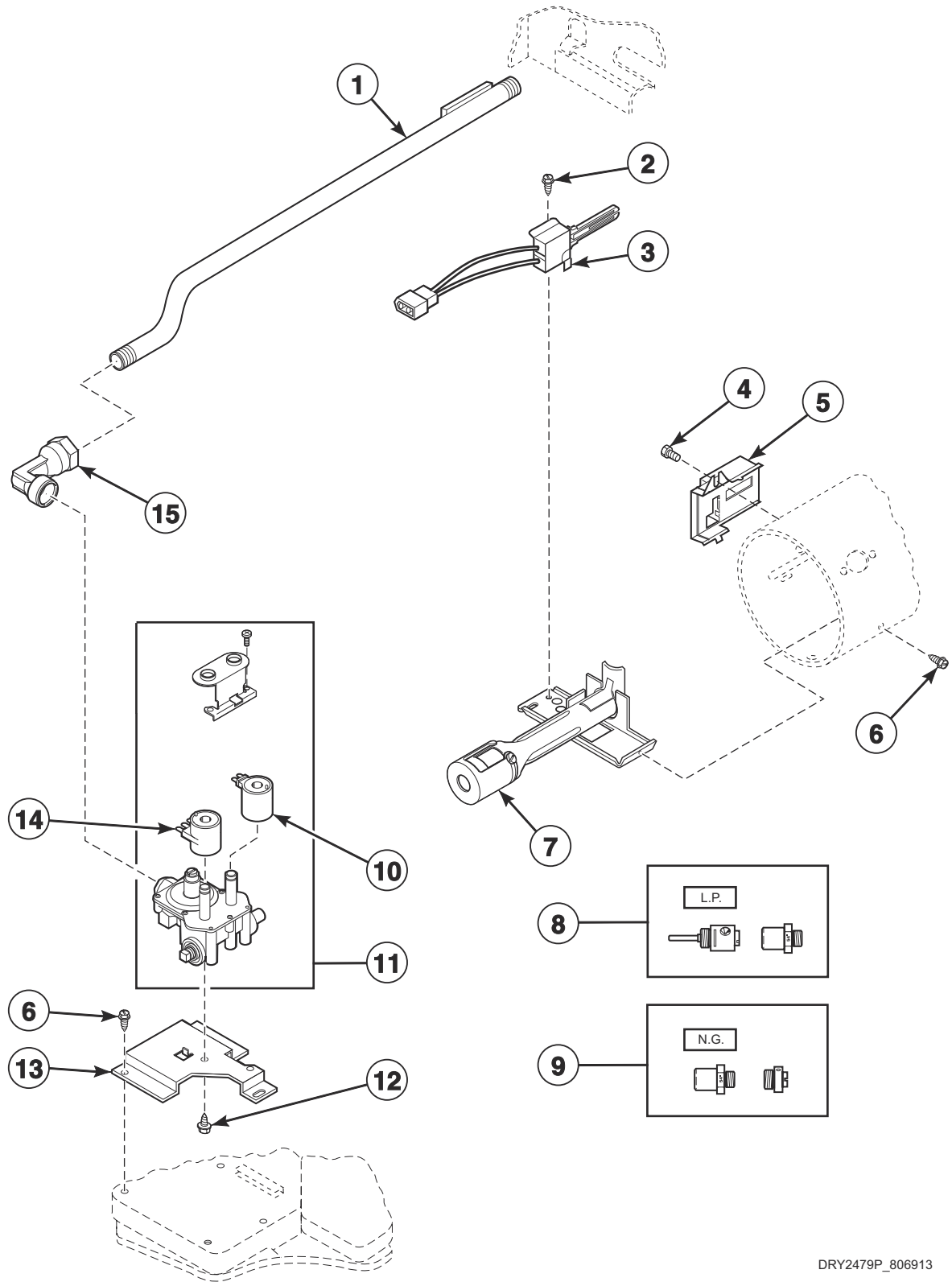
DRY1863P_806913

Heater Duct Assembly

| REF | PART NO. | DESCRIPTION | COMMENTS |
|-----|----------|----------------------|--|
| 1 | D503688 | Screw | |
| 2 | D510101 | Heat Duct Shroud | |
| 3 | D500820 | Outlet Cover | |
| 4 | D510025P | Heater Duct Assembly | Includes items 1 and 3 |
| 5 | D510131 | Combustion Duct | Single thermostat; Models HTGBCASP115TW01, HTGBCASP116TW01, HTGBDASP095CW01, HTGBXASP095CW01, HTGBYASP095CW01, HTGBYASP115TW01, HTGBYASP116TW01, NTLBYASP544NW23, STGBCASP115TW01, STGBXASP115TW01 and STGBYASP115TW01 |
| | D510132 | Combustion Duct | Double thermostat; All other models |
| 6 | 51782 | Screw | |
| 7 | D510702 | Limit Thermostat | Black; Auto reset |
| 8 | D510703 | Thermostat | Manual reset; Models BTGBLASP304AW01, BTGBXASP304AW01, BTLBXASG304NW36, BTLBXASP304NW22, HTGBXASP114FW01, HTGBXASP124DW01, HTGBXASP304NW21, HTGBXASP544DW01, NTGBXASP304NW01, NTLBXASP304NW26, NTLBXASP543NW23, NTLBXASP544NW23, NTLBYASP544NW23, STGBXASP114FW01, STGBXASP124DW01, STGBXASP304AW01, STGBXASP304AW12, STGBXASP304NW22, STGBXASP304ZW01 and STGBXASP544DW01 |

Gas Valve, Igniter and Gas Conversion Kits - Gas Dryer Models Through Serial No. 190800001

Gas Models



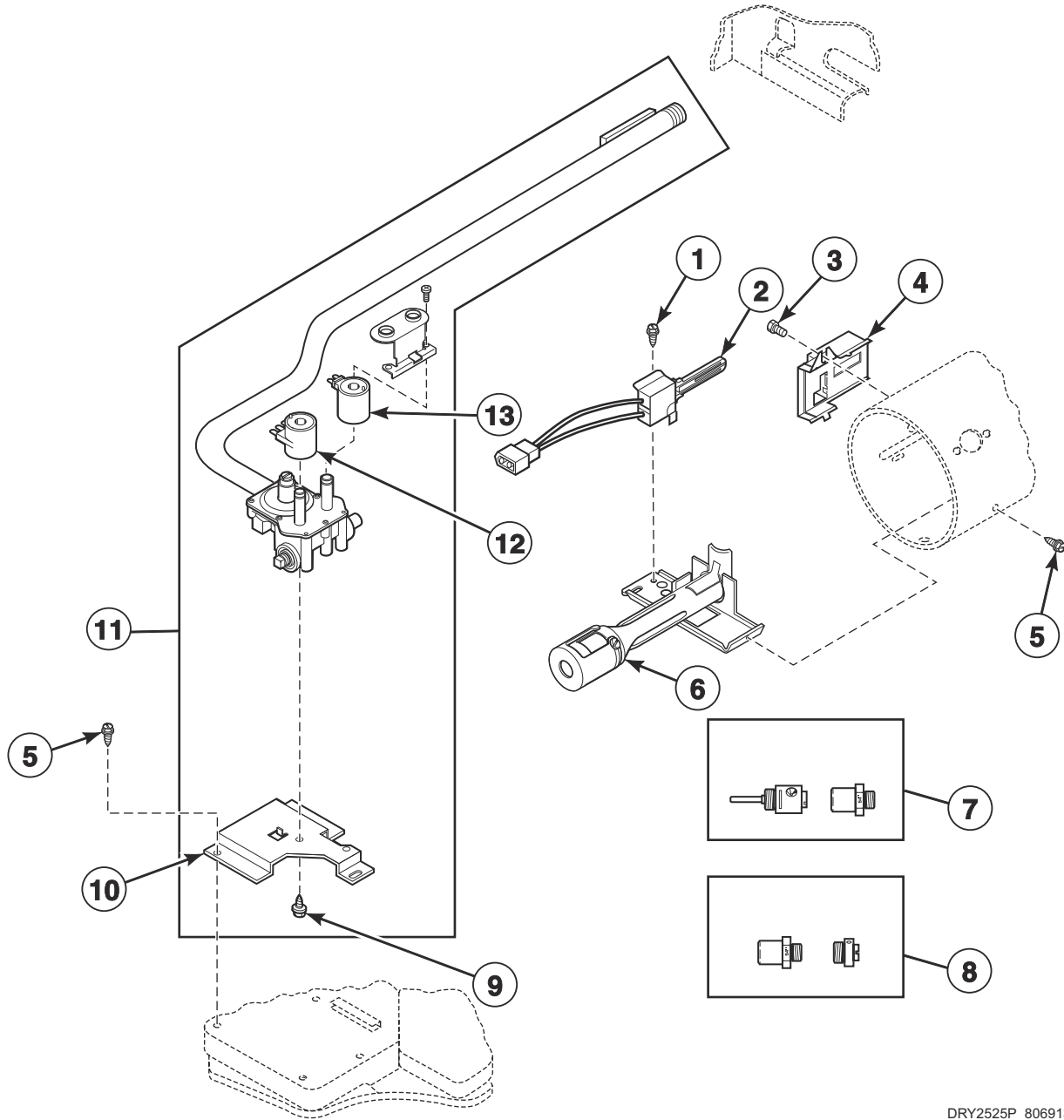
DRY2479P_806913

Gas Valve, Igniter and Gas Conversion Kits - Gas Dryer Models Through Serial No. 1908000001

| REF | PART NO. | DESCRIPTION | COMMENTS |
|-----|----------|------------------------------|---|
| 1 | D510204 | Lead-In Pipe Assembly | |
| 2 | 51782 | Screw | |
| 3 | D510184P | Igniter and Bracket Assembly | |
| 4 | 23222 | Screw | |
| 5 | D510213 | Sensor | |
| 6 | D503688 | Screw | |
| 7 | D510149P | Burner Assembly | |
| 8 | 600P3 | L.P. Conversion Kit | Models BTGBLASP304AW01, BTGBXASP304AW01, BTLBXASG304NW36, BTLBXASP304NW22, HTGBXASP304NW21, NTGBXASP304NW01, NTLBXASP304NW26, STGBXASP304AW01, STGBXASP304AW12, STGBXASP304NW22 and STGBXASP304ZW01; 50 Hertz; Used to convert dryers from Natural Gas (N.G.) or Mixed Gas to Liquid Petroleum Gas (L.P.); 25,000 Btu |
| | 458P3 | L.P. Conversion Kit | 60 Hertz; Used to convert dryers from N.G. or Mixed Gas to L.P.; 25,000 Btu; All other models |
| 9 | 459P3 | N.G. Conversion Kit | Used to convert dryers from L.P. to N.G. or Mixed Gas; 25,000 Btu |
| 10 | 59063B | Secondary Coil | 50 Hertz; Models BTGBLASP304AW01, BTGBXASP304AW01, BTLBXASG304NW36, BTLBXASP304NW22, HTGBXASP304NW21, NTGBXASP304NW01, NTLBXASP304NW26, STGBXASP304AW01, STGBXASP304AW12, STGBXASP304NW22 and STGBXASP304ZW01 |
| | 58804B | Secondary Coil | 60 Hertz; All other models |
| 11 | 60443P | Valve Assembly | 50 Hertz; 25,000 Btu; N.G.; Includes items 10 and 14; Models BTGBLASP304AW01, BTGBXASP304AW01, HTGBXASP304NW21, NTGBXASP304NW01, STGBXASP304AW01, STGBXASP304AW12, STGBXASP304NW22 and STGBXASP304ZW01 |
| | D515490 | Gas Valve Assembly | 50 Hertz; 25,000 Btu; L.P.; Includes items 10 and 14; Models BTLBXASG304NW36, BTLBXASP304NW22 and NTLBXASP304NW26 |
| | D513631 | Gas Valve Assembly | 60 Hertz, 22,500 Btu; L.P.; Includes items 10 and 14; Models NTLBXASP543NW23, NTLBXASP544NW23 and NTLBYASP544NW23 |
| | 60353P | Gas Valve Assembly | 60 Hertz, 25,000 Btu; N.G.; Includes items 10 and 14; All other models |
| 12 | 56124 | Screw | |
| 13 | D510128 | Gas Valve Mounting Bracket | |
| 14 | 59063A | Booster and Holding Coil | 50 Hertz; Models BTGBLASP304AW01, BTGBXASP304AW01, BTLBXASG304NW36, BTLBXASP304NW22, HTGBXASP304NW21, NTGBXASP304NW01, NTLBXASP304NW26, STGBXASP304AW01, STGBXASP304AW12, STGBXASP304NW22 and STGBXASP304ZW01 |
| | 58804A | Booster and Holding Coil | 60 Hertz; All other models |
| 15 | D513072 | Elbow | |

Gas Valve, Igniter and Gas Conversion Kits - Gas Dryer Models Starting Serial No. 1908000001

Gas Models



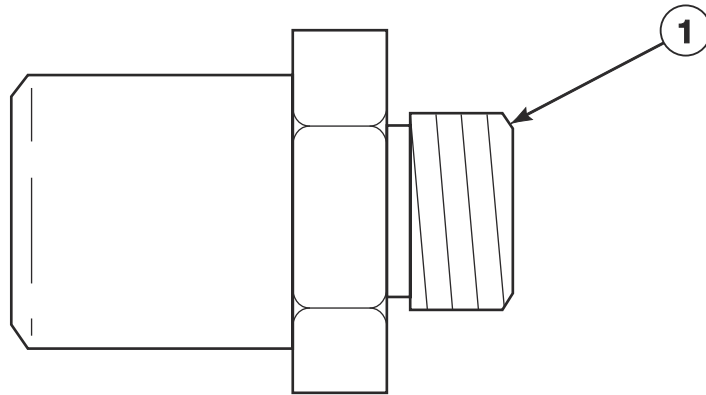
DRY2525P_806913

Gas Valve, Igniter and Gas Conversion Kits - Gas Dryer Models Starting Serial No. 1908000001

| REF | PART NO. | DESCRIPTION | COMMENTS |
|-----|----------|--------------------------------------|---|
| 1 | 51782 | Screw | |
| 2 | D510184P | Igniter and Bracket Assembly | |
| 3 | 23222 | Screw | |
| 4 | D510213 | Sensor | |
| 5 | D503688 | Screw | |
| 6 | D510149P | Burner Assembly | |
| 7 | 600P3 | L.P. Conversion Kit | Models BTGBLASP304AW01, BTGBXASP304AW01, BTLBXASG304NW36, BTLBXASP304NW22, HTGBXASP304NW21, NTGBXASP304NW01, NTLBXASP304NW26, STGBXASP304AW01, STGBXASP304AW12, STGBXASP304NW22 and STGBXASP304ZW01; 50 Hertz; Used to convert dryers from Natural Gas (N.G.) or Mixed Gas to Liquid Petroleum Gas (L.P.); 25,000 Btu |
| | 458P3 | L.P. Conversion Kit | 60 Hertz; Used to convert dryers from N.G. or Mixed Gas to L.P.; 25,000 Btu; All other models |
| 8 | 459P3 | N.G. Conversion Kit | Used to convert dryers from L.P. to N.G. or Mixed Gas; 25,000 Btu |
| 9 | 56124 | Screw | |
| 10 | D510128 | Gas Valve Mounting Bracket | |
| 11 | D517608 | Gas Valve, Bracket and Pipe Assembly | 50 Hertz; 25,000 Btu; N.G.; Includes items 9-13; Models BTGBLASP304AW01, BTGBXASP304AW01, HTGBXASP304NW21, NTGBXASP304NW01, STGBXASP304AW01, STGBXASP304AW12, STGBXASP304NW22 and STGBXASP304ZW01 |
| | D517613 | Gas Valve, Bracket and Pipe Assembly | 50 Hertz; 25,000 Btu; L.P.; Includes items 9-13; Models BTLBXASG304NW36, BTLBXASP304NW22 and NTLBXASP304NW26 |
| | D517612 | Gas Valve, Bracket and Pipe Assembly | 60 Hertz, 22,500 Btu; L.P.; Includes items 9-13; Models NTLBXASP543NW23, NTLBXASP544NW23 and NTLBYASP544NW23 |
| | D517606 | Gas Valve, Bracket and Pipe Assembly | 60 Hertz; 25,000 Btu; N.G.; Includes items 9-13; All other models |
| 12 | 59063A | Booster and Holding Coil | 50 Hertz; Models BTGBLASP304AW01, BTGBXASP304AW01, BTLBXASG304NW36, BTLBXASP304NW22, HTGBXASP304NW21, NTGBXASP304NW01, NTLBXASP304NW26, STGBXASP304AW01, STGBXASP304AW12, STGBXASP304NW22 and STGBXASP304ZW01 |
| | 58804A | Booster and Holding Coil | 60 Hertz; All other models |
| 13 | 59063B | Secondary Coil | 50 Hertz; Models BTGBLASP304AW01, BTGBXASP304AW01, BTLBXASG304NW36, BTLBXASP304NW22, HTGBXASP304NW21, NTGBXASP304NW01, NTLBXASP304NW26, STGBXASP304AW01, STGBXASP304AW12, STGBXASP304NW22 and STGBXASP304ZW01 |
| | 58804B | Secondary Coil | 60 Hertz; All other models |

Burner Orifice Spuds - For Higher Elevations

Gas Models

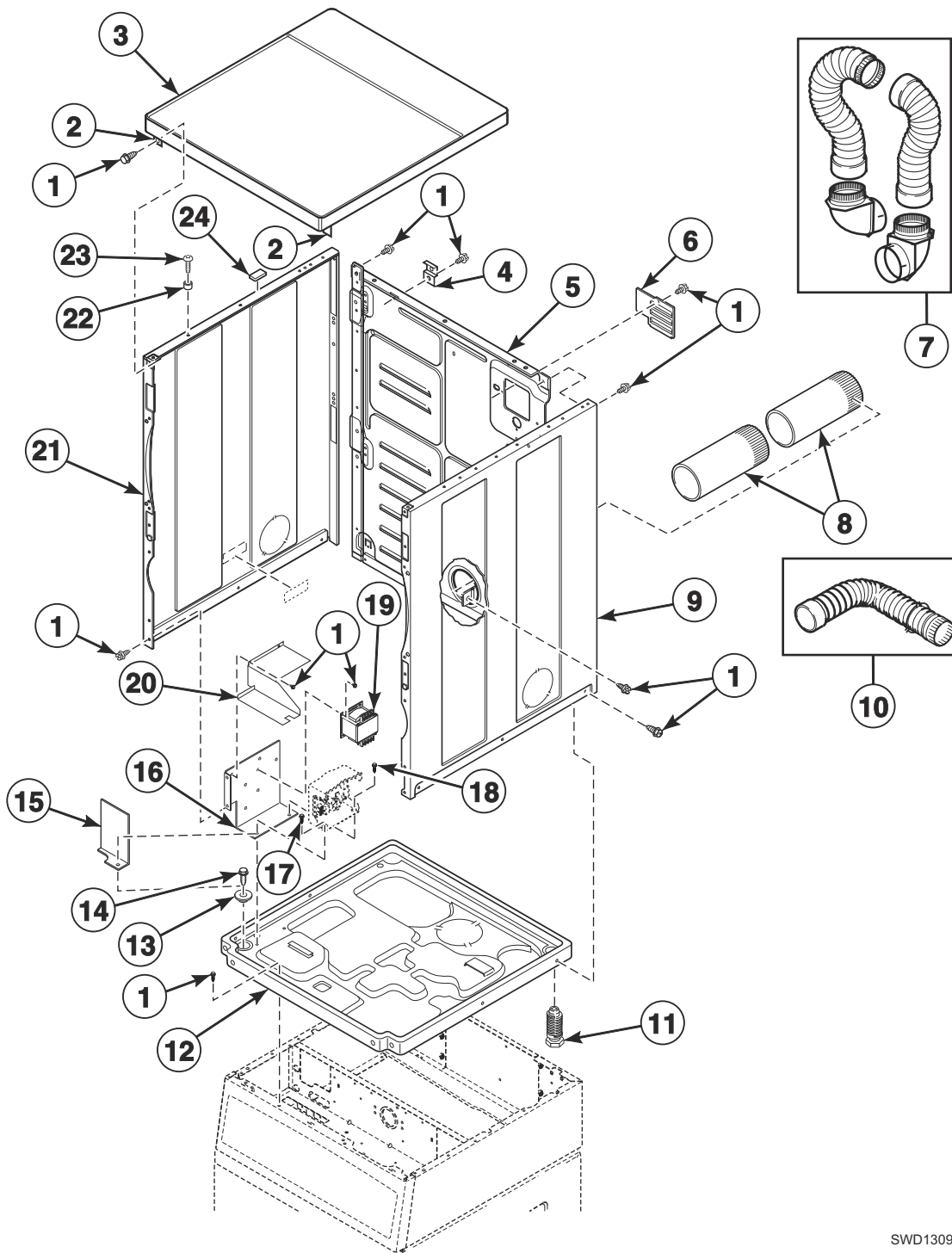


DRY2266P_806913

Burner Orifice Spuds - For Higher Elevations

| REF | PART NO. | DESCRIPTION | COMMENTS |
|-----|----------|---------------|--|
| 1 | 58755 | L.P. Orifice | 25,000 Btu; 7500-10,999 feet (2290-3354 m) |
| | D503786 | L.P. Orifice | 25,000 Btu; 11,000 feet (3355 m) and higher |
| | 58719 | Screw Orifice | Natural Gas (N.G.); 25,000 Btu; 7000-8999 feet (2135-2744 m) |
| | D503776 | N.G. Orifice | 25,000 Btu; 2000-2999 feet (610-914 m) |
| | D510517 | N.G. Orifice | 25,000 Btu; 3000-5499 feet (915-1678 m) |
| | D503778 | N.G. Orifice | 25,000 Btu; 5500-6999 feet (1680-2134 m) |
| | D503779 | N.G. Orifice | 25,000 Btu; 9000-10,499 feet (2745-3199 m) |
| | D503780 | N.G. Orifice | 25,000 Btu; 10,500 feet (3200 m) and higher |

Dryer Cabinet, Exhaust Duct and Base

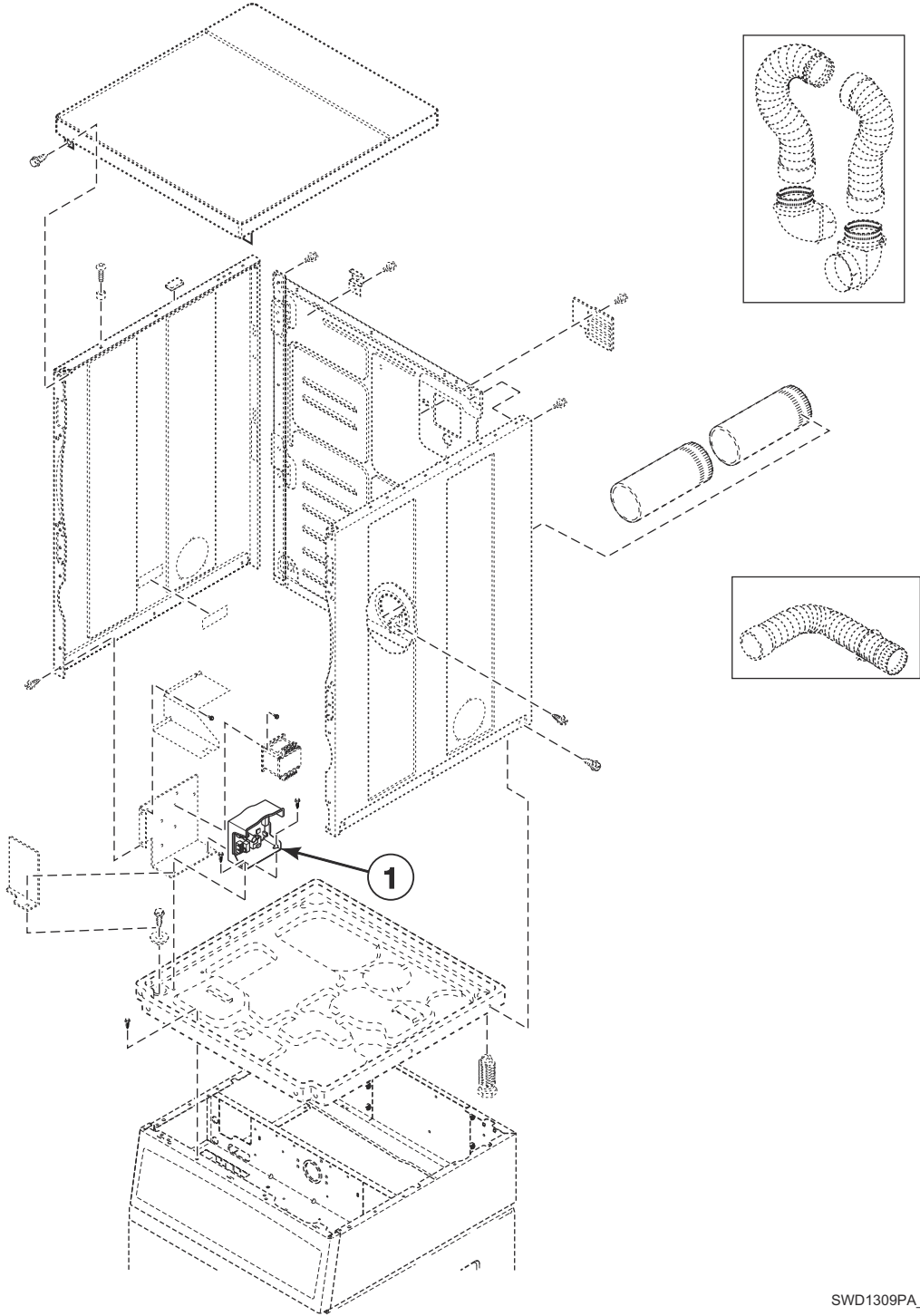


SWD1309P_806913

Dryer Cabinet, Exhaust Duct and Base

| REF | PART NO. | DESCRIPTION | COMMENTS |
|-----|-----------|--------------------------|--|
| | 122P4P | Porcelain Touch-Up Paint | White |
| 1 | D503688 | Screw | |
| 2 | D510146 | Bracket | |
| 3 | D510032WP | Top Kit | |
| 4 | D510136 | Top Hinge | |
| 5 | D517566 | Cabinet Rear Panel | |
| 6 | D514356 | Access Cover Plate | No louvers |
| | D510903 | Access Panel Plate | 3 louvers |
| 7 | 521P3 | Flexible Venting Kit | |
| 8 | D516196 | Exhaust Duct | Each dryer requires 2 pieces |
| 9 | D510002WP | Cabinet Side Panel | Right |
| 10 | 528P3 | Directional Exhaust Kit | Used to vent dryer out the sides |
| 11 | D510135 | Leveling Leg | |
| 12 | D514245 | Dryer Base | |
| 13 | 26509 | Washer | |
| 14 | 36048 | Screw | |
| 15 | D514420 | Output Board Shield | Models BTEBLASP434AW01, BTEBXASP434AW01, HTEBXASP134DW01, HTEBXASP134FW01, HTEBXASP544DW01, HTGBXASP114FW01, HTGBXASP124DW01, HTGBXASP544DW01, NTEBXASP544NW23, STEBXASP134DW01, STEBXASP134FW01, STEBXASP304UW01, STEBXASP304WW01, STEBXASP434AW01, STEBXASP434AW12, STEBXASP434LW01, STEBXASP544DW01, STEBXASP544ZW01, STGBXASP114FW01 and STGBXASP124DW01 |
| 16 | D518062 | Bracket Assembly | Models BTGBLASP304AW01, BTGBXASP304AW01, BTLBXASG304NW36, BTLBXASP304NW22, HTGBXASP304NW21, HTGBXASP544DW01, NTGBXASP304NW01, NTLBXASP304NW26, NTLBXASP543NW23, NTLBXASP544NW23, STGBXASP304AW01, STGBXASP304AW12, STGBXASP304NW22, STGBXASP304ZW01 and STGBXASP544DW01 |
| 17 | D514428 | Screw | |
| 18 | 804667 | Screw | |
| 19 | D513763P | Transformer | Models BTGBLASP304AW01, BTGBXASP304AW01, BTLBXASG304NW36, BTLBXASP304NW22, HTGBXASP304NW21, HTGBXASP544DW01, NTGBXASP304NW01, NTLBXASP304NW26, NTLBXASP543NW23, NTLBXASP544NW23, NTLBYASP544NW23, STGBXASP304AW01, STGBXASP304AW12, STGBXASP304NW22, STGBXASP304ZW01 and STGBXASP544DW01 |
| 20 | D514334 | Transformer Shield | Models BTGBLASP304AW01, BTGBXASP304AW01, BTLBXASG304NW36, BTLBXASP304NW22, HTGBXASP304NW21, HTGBXASP544DW01, NTGBXASP304NW01, NTLBXASP304NW26, NTLBXASP543NW23, NTLBXASP544NW23, NTLBYASP544NW23, STGBXASP304AW01, STGBXASP304AW12, STGBXASP304NW22, STGBXASP304ZW01 and STGBXASP544DW01 |
| 21 | D510001WP | Cabinet Side Panel | Left |
| 22 | 56079 | Panel Locator | |
| 23 | 39733 | Screw | |
| 24 | 56128 | Bumper Pad | |

Output Board



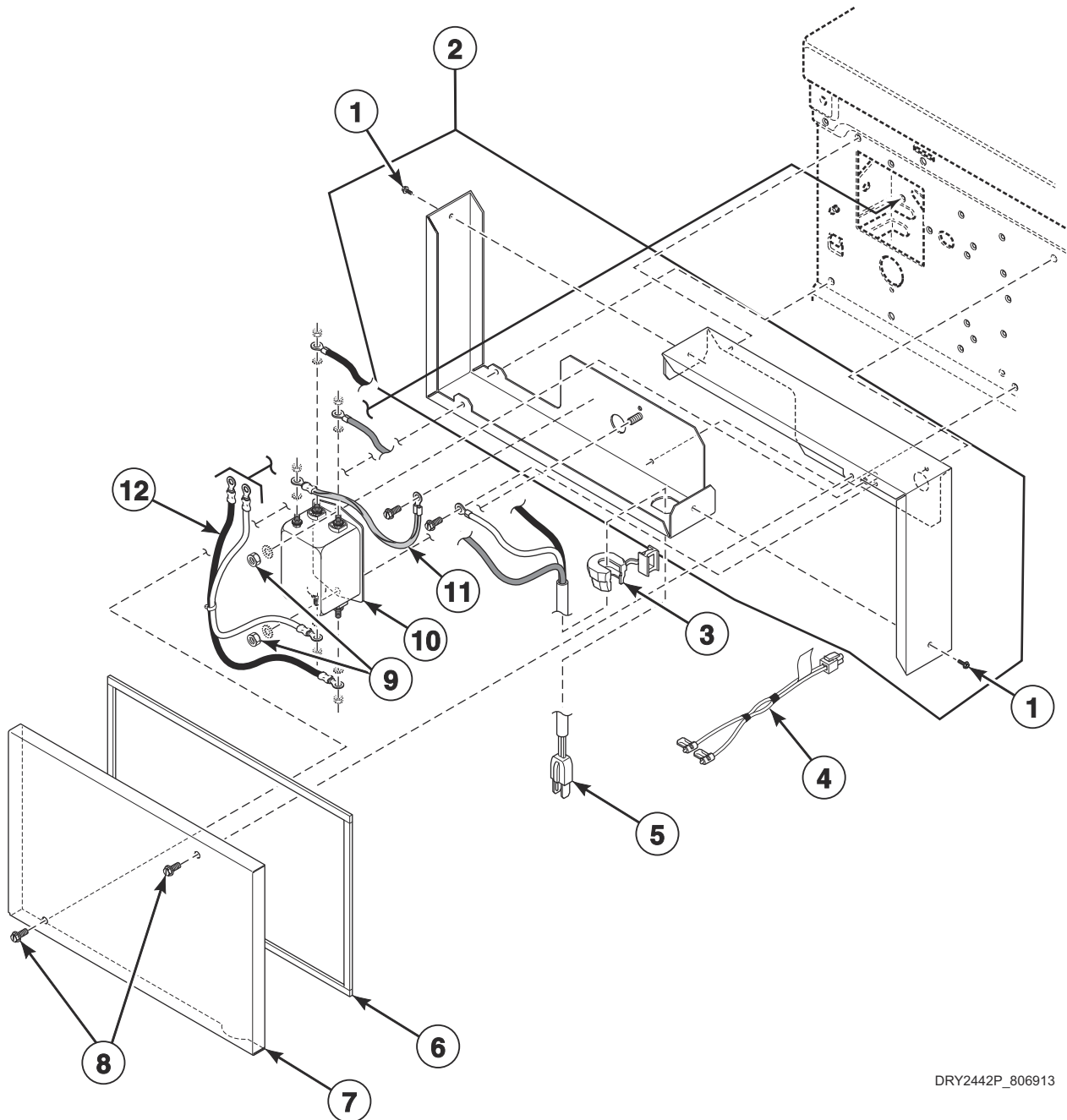
SWD1309PA_806913

Output Board

| REF | PART NO. | DESCRIPTION | COMMENTS |
|-----|----------|-------------------------|---|
| 1 | D517269 | Output Control Assembly | Models NTEBXASP544NW23, NTEBYASP544NW23 and NTLBYASP544NW23 through Serial No. 1912999999 |
| | D513797P | Output Control Assembly | Models HTEBXASP134DW01, HTEBXASP134FW01, HTEBXASP304NW22, HTEBXASP544DW01, HTGBXASP114FW01, HTGBXASP124DW01, HTGBXASP544DW01, STEBXASP134DW01, STEBXASP134FW01, STEBXASP544DW01, STGBXASP114FW01, STGBXASP124DW01 and STGBXASP544DW01; Models BTEBLASP434AW01, BTEBXASG454NW36, BTEBXASP434AW01, BTGBLASP304AW01, BTGBXASP304AW01, BTLBXASG304NW36, BTLBXASP304NW22, HTEBCASP175TW01, HTEBDASP285CW01, HTEBXASP285CW01, HTEBXASP295CW01, HTEBYASP285CW01, HTGBCASP115TW01, HTGBDASP095CW01, HTGBXASP095CW01, HTGBXASP304NW21, HTGBYASP095CW01, HTGBYASP115TW01, NTEBXASP304NW01, NTEBXASP304NW22, NTGBXASP304NW01, NTLBXASP304NW26, NTLBXASP543NW23, NTLBXASP544NW23, STEBCASP175TW01, STEBXASP175TW01, STEBXASP304NW22, STEBXASP304UW01, STEBXASP304WW01, STEBXASP434AW01, STEBXASP434AW12, STEBXASP434LW01, STEBXASP544ZW01, STEBYASP175TW01, STGBCASP115TW01, STGBXASP115TW01, STGBXASP304AW01, STGBXASP304AW12, STGBXASP304NW22, STGBXASP304ZW01, STGBYASP115TW01 and TTEBXASP304NW22 through Serial No. 1912999999 |
| | D517191P | Output Control Assembly | Models BTEBXASG454NW36, BTLBXASG304NW36, BTLBXASP304NW22, HTEBCASP175TW01, HTEBCASP176TW01, HTEBDASP285CW01, HTEBXASP285CW01, HTEBXASP295CW01, HTEBYASP285CW01, HTEBYASP286CW01, HTGBCASP115TW01, HTGBCASP116TW01, HTGBDASP095CW01, HTGBXASP095CW01, HTGBYASP095CW01, HTGBYASP115TW01, HTGBYASP116TW01, NTEBXASP304NW01, NTEBXASP304NW22, NTEBXASP544NW23, NTEBYASP544NW23, NTGBXASP304NW01, NTLBXASP544NW23, NTLBYASP544NW23, STEBXASP304NW22, STGBXASP304NW22 and TTEBXASP304NW22 starting Serial No. 2001000001 |
| | D517319 | Output Control Assembly | Models BTEBLASP434AW01, BTEBXASP434AW01, BTGBLASP304AW01, BTGBXASP304AW01, HTGBXASP304NW21, NTLBXASP304NW26, STEBXASP304UW01, STEBXASP304WW01, STEBXASP434AW01, STEBXASP434AW12, STEBXASP434LW01, STEBXASP544ZW01, STGBXASP304AW01, STGBXASP304AW12 and STGBXASP304ZW01 starting Serial No. 2001000001 |

Junction Box (Drawing 1 of 2)

Models BTEBLASP434AW01, BTEBXASG454NW36, BTEBXASP434AW01, BTGBLASP304AW01, BTGBXASP304AW01, BTLBXASG304NW36, BTLBXASP304NW22, HTGBXASP304NW21, NTEBXASP544NW23, NTEBYASP544NW23, NTLBXASP304NW26, NTLBXASP543NW23, NTLBXASP544NW23, NTLBYASP544NW23, STEBXASP304UW01, STEBXASP304WW01, STEBXASP434AW01, STEBXASP434AW12, STEBXASP434LW01, STEBXASP544ZW01, STGBXASP304AW01, STGBXASP304AW12 and STGBXASP304ZW01 through Serial No. 1912999999



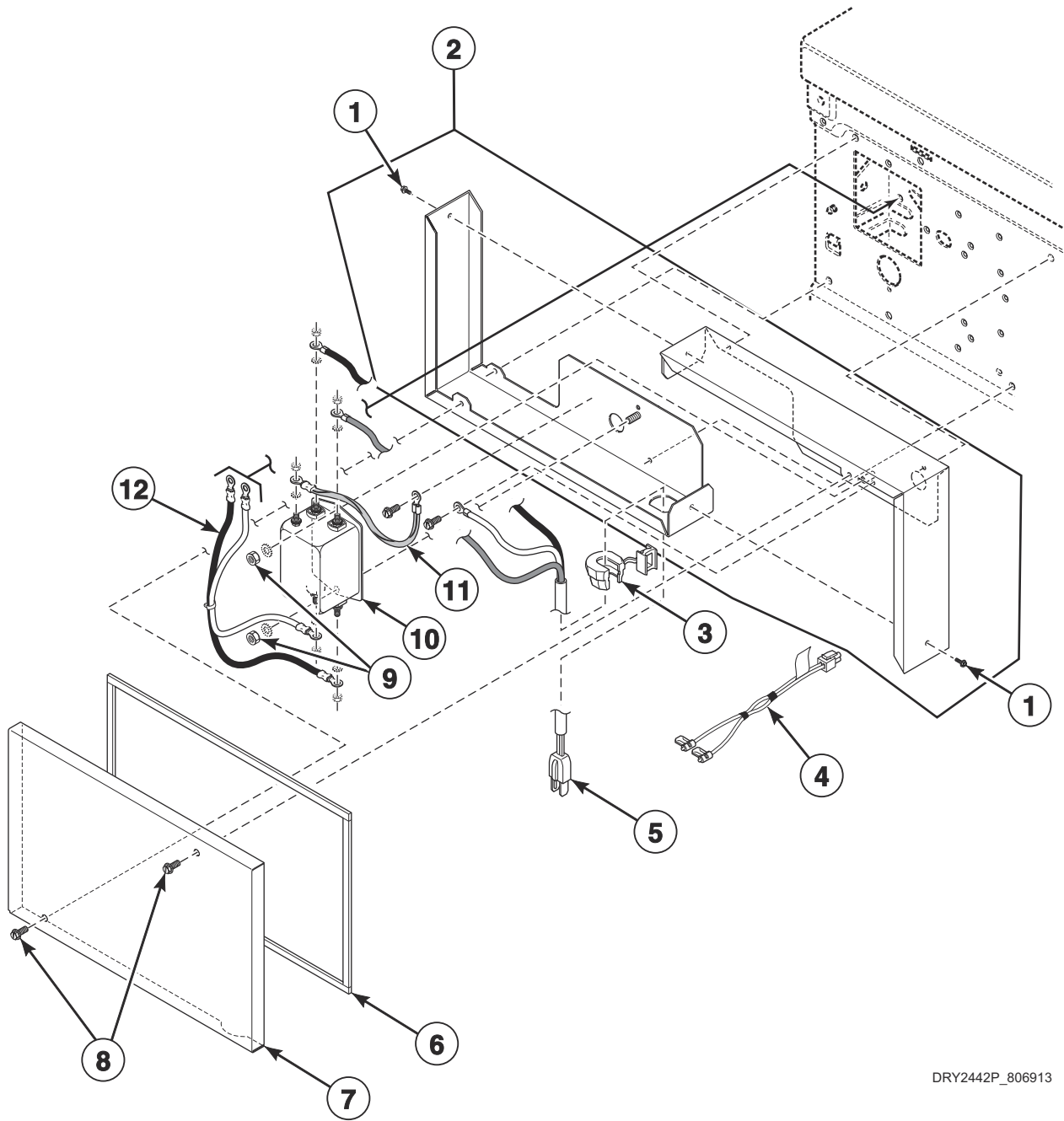
DRY2442P_806913

Junction Box (Drawing 1 of 2)

| REF | PART NO. | DESCRIPTION | COMMENTS |
|-----|----------|-----------------------|--|
| | D502496 | Strain Relief Adapter | Models BTEBXASG454NW36 and BTLBXASG304NW36 |
| 1 | D503688 | Screw | 4 required |
| 2 | D516153 | Junction Box Assembly | Electric models; Includes items 1 and 6 |
| | D516152 | Junction Box Assembly | Gas models; Includes items 1 and 6 |
| 3 | 52113 | Strain Relief | Models BTEBXASG454NW36 and BTLBXASG304NW36 |
| | 38384 | Strain Relief | Models NTLBXASP543NW23 and NTLBXASP544NW23 |
| | 60298 | Strain Relief | All other models |
| 4 | 804396 | Filter Harness | Filter to main harness |
| 5 | 203208 | Lead-In Cord | Model STGBXASP304ZW01 |
| | 202926 | Lead-In Cord | Models BTGBLASP304AW01, BTGBXASP304AW01, HTGBXASP304NW21, STGBXASP304AW01 and STGBXASP304AW12 |
| | D516747 | Lead-In Cord Assembly | Models BTEBXASG454NW36, NTEBXASP544NW23, STEBXASP304UW01, STEBXASP304WW01, STEBXASP434LW01 and STEBXASP544ZW01 |
| | D513632 | Lead-In Cord | Model BTLBXASG304NW36 |
| | 61605P | Lead-In Cord Kit | Models BTEBLASP434AW01, BTEBXASP434AW01, STEBXASP434AW01 and STEBXASP434AW12 |
| | 202925 | Lead-In Cord | Models BTLBXASP304NW22 and NTLBXASP304NW26 |
| | 203344 | Lead-In Cord | Models NTLBXASP543NW23, NTLBXASP544NW23 and NTLBYASP544NW23 |
| 6 | D514379P | Junction Box Seal | 4 required |
| 7 | D516186 | Junction Box Cover | Model STEBXASP304WW01 |
| | D514363 | Junction Box Cover | All other models |
| 8 | D503661 | Screw | 2 required |
| 9 | 29787 | Nut | 2 required |
| 10 | 804844 | Line Filter | Electric models; 30 Amp |
| | 804864 | Line Filter | Gas models; 10 Amp |
| 11 | D518534 | Ground Filter Harness | 30 Amp; Electric models |
| | D514039 | Ground Filter Harness | 10 Amp; Gas models |
| 12 | D518533 | Filter Harness | 10 Amp; Gas models |
| | D518532 | Filter Harness | 30 Amp; Electric models |

Junction Box (Drawing 2 of 2)

Models HTEBXASP134DW01, HTEBXASP134FW01, HTEBXASP304NW22, HTEBXASP544DW01, HTGBXASP114FW01, HTGBXASP124DW01, HTGBXASP544DW01, STEBXASP134DW01, STEBXASP134FW01, STEBXASP544DW01, STGBXASP114FW01, STGBXASP124DW01 and STGBXASP544DW01



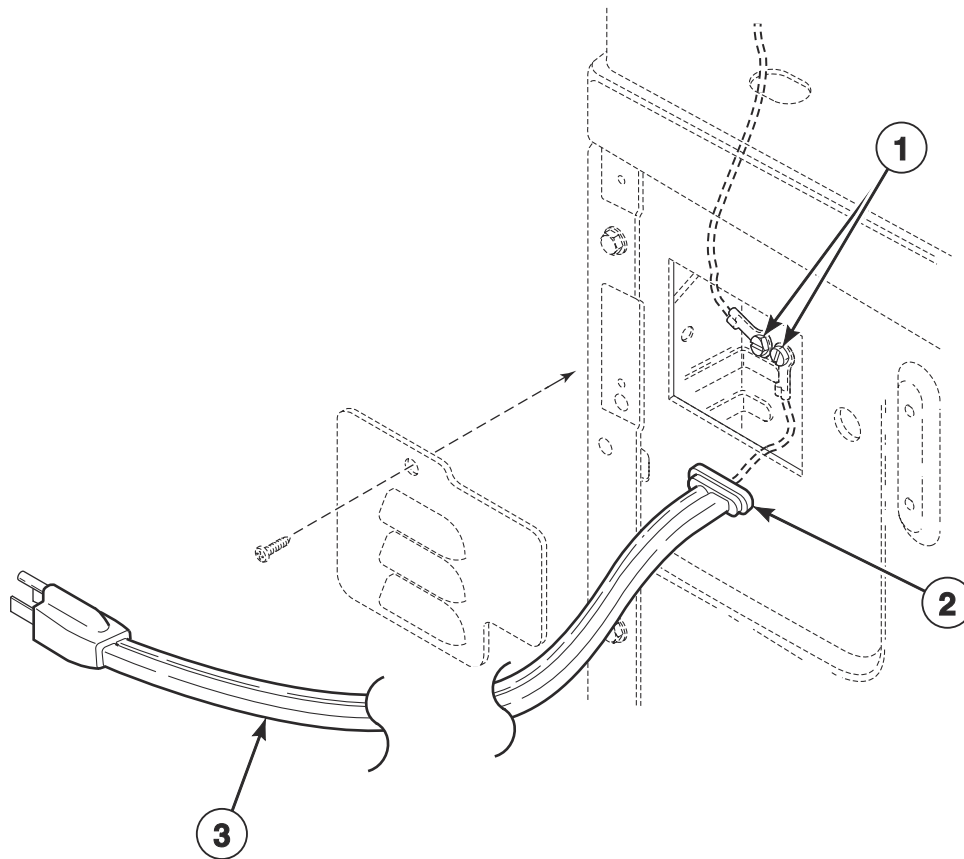
DRY2442P_806913

Junction Box (Drawing 2 of 2)

| REF | PART NO. | DESCRIPTION | COMMENTS |
|-----|----------|-----------------------|---|
| | D502496 | Strain Relief Adapter | Model HTEBXASP304NW22 |
| 1 | D503688 | Screw | 4 required |
| 2 | D516153 | Junction Box Assembly | Electric models; Includes items 1 and 6 |
| | D516152 | Junction Box Assembly | Gas models; Includes items 1 and 6 |
| 3 | 52113 | Strain Relief | Model HTEBXASP304NW22 |
| | 60298 | Strain Relief | All other models |
| 4 | 804396 | Filter Harness | Filter to main harness |
| 5 | D516747 | Lead-In Cord Assembly | Models HTEBXASP134DW01, HTEBXASP134FW01, HTEBXASP304NW22, HTEBXASP544DW01, STEBXASP134DW01, STEBXASP134FW01 and STEBXASP544DW01 |
| | D514061 | Lead-In Cord | Models HTGBXASP124DW01, HTGBXASP544DW01, STGBXASP124DW01 and STGBXASP544DW01 |
| | D514953 | Lead-In Cord | Models HTGBXASP114FW01 and STGBXASP114FW01 |
| 6 | D514379P | Junction Box Seal | 4 required |
| 7 | D514363 | Junction Box Cover | |
| 8 | D503661 | Screw | 2 required |
| 9 | 29787 | Nut | 2 required |
| 10 | 804844 | Line Filter | Electric models; 30 Amp |
| | 804864 | Line Filter | Gas models; 10 Amp |
| 11 | D518534 | Ground Filter Harness | 30 Amp; Electric models |
| | D514039 | Ground Filter Harness | 10 Amp; Gas models |
| 12 | D518533 | Filter Harness | 10 Amp; Gas models |
| | D518532 | Filter Harness | 30 Amp; Electric models |

Dryer Power Cord (Drawing 1 of 2)

Models HTGBCASP115TW01, HTGBCASP116TW01, HTGBDASP095CW01, HTGBXASP095CW01, HTGBYASP095CW01, HTGBYASP115TW01, HTGBYASP116TW01, STGBCASP115TW01 and STGBYASP115TW01



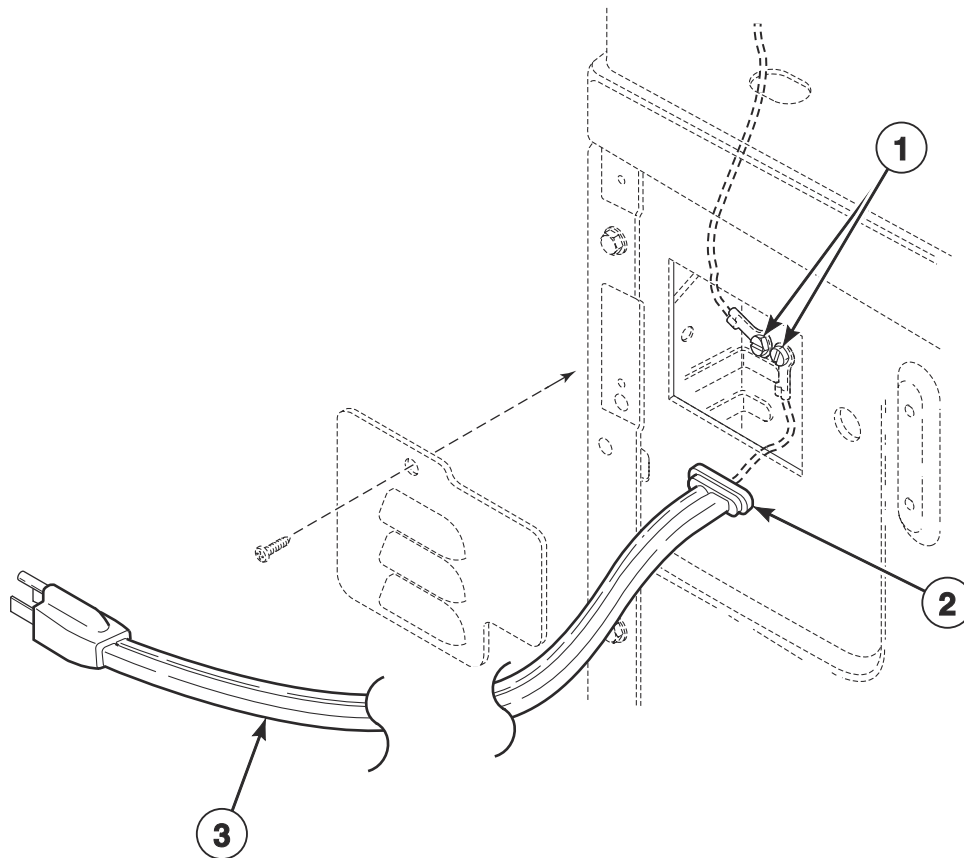
DRY1790P_806913

Dryer Power Cord (Drawing 1 of 2)

| REF | PART NO. | DESCRIPTION | COMMENTS |
|-----|----------|---------------------|--|
| 1 | 20530 | Screw | |
| 2 | F140312 | Connector | Models HTGBDASP095CW01, HTGBXASP095CW01 and HTGBYASP095CW01 |
| | 38384 | Strain Relief | All other models |
| 3 | 58992 | Power Cord Assembly | Models HTGBDASP095CW01, HTGBXASP095CW01 and HTGBYASP095CW01 |
| | 202777 | Lead-In Cord | Models HTGBCASP115TW01, HTGBCASP116TW01, HTGBYASP115TW01, HTGBYASP116TW01, STGBCASP115TW01 and STGBYASP115TW01 |

Dryer Power Cord (Drawing 2 of 2)

Models BTEBLASP434AW01, BTEBXASG454NW36, BTEBXASP434AW01, BTGBLASP304AW01, BTGBXASP304AW01, BTLBXASG304NW36, BTLBXASP304NW22, HTGBXASP304NW21, NTEBXASP544NW23, NTEBYASP544NW23, NTLBXASP304NW26, NTLBXASP543NW23, NTLBXASP544NW23, NTLBYASP544NW23, STEBXASP304UW01, STEBXASP304WW01, STEBXASP434AW01, STEBXASP434AW12, STEBXASP434LW01, STEBXASP544ZW01, STGBXASP304AW01, STGBXASP304AW12 and STGBXASP304ZW01 starting Serial No. 2001000001

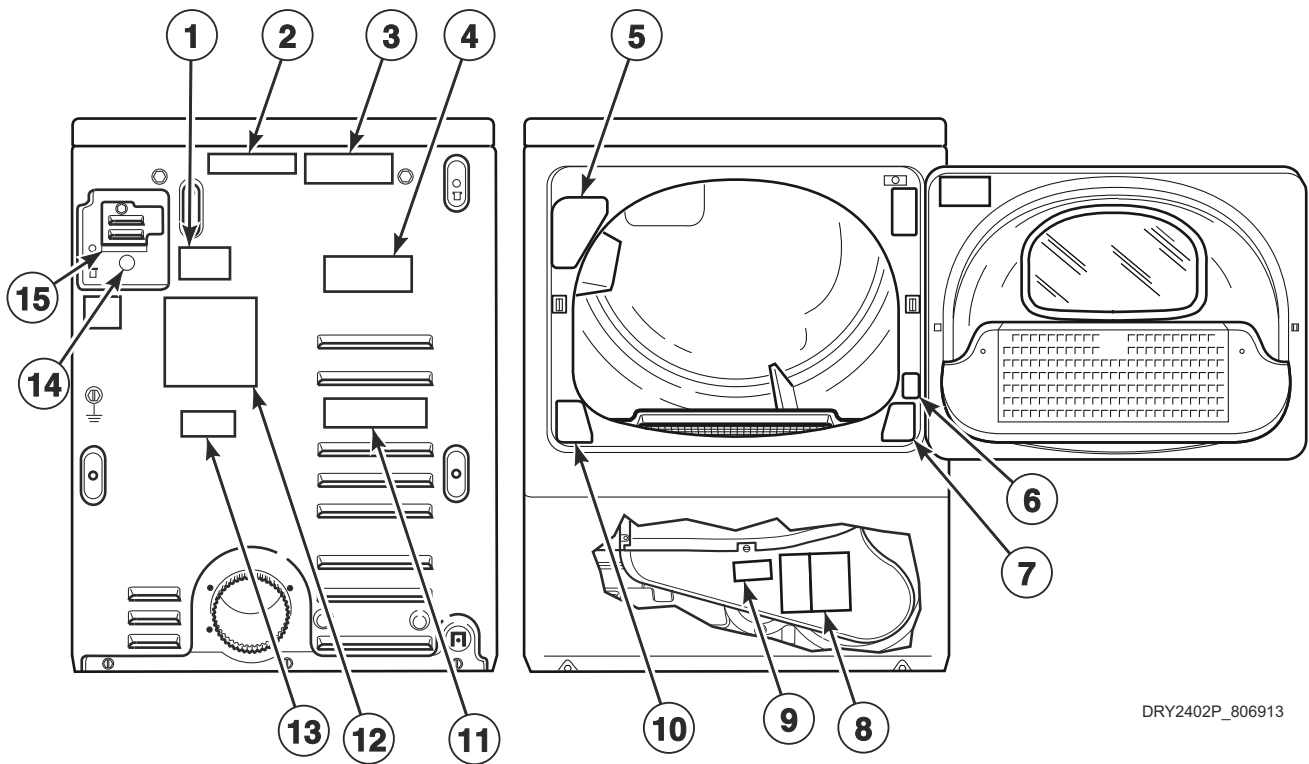


DRY1790P_806913

Dryer Power Cord (Drawing 2 of 2)

| REF | PART NO. | DESCRIPTION | COMMENTS |
|-----|----------|-----------------------|---|
| 1 | 20530 | Screw | |
| 2 | D517492 | Strain Relief | Models BTEBLASP434AW01, BTEBXASG454NW36, BTEBXASP434AW01, STEBXASP304UW01, STEBXASP304WW01, STEBXASP434AW01, STEBXASP434AW12, STEBXASP434LW01 and STEBXASP544ZW01 |
| | D517491 | Strain Relief | All other models |
| 3 | 61605P | Lead-In Cord Kit | Models BTEBLASP434AW01, BTEBXASP434AW01, STEBXASP434AW01 and STEBXASP434AW12 |
| | D517578 | Lead-In Cord | Model STGBXASP304ZW01 |
| | D516705 | Lead-In Cord | Models BTGBLASP304AW01, BTGBXASP304AW01, HTGBXASP304NW21, STGBXASP304AW01 and STGBXASP304AW12 |
| | D516747 | Lead-In Cord Assembly | Models BTEBXASG454NW36, STEBXASP304UW01, STEBXASP304WW01, STEBXASP434LW01 and STEBXASP544ZW01 |
| | 204594 | Lead-In Cord | Model BTLBXASG304NW36 |
| | 38362P | Lead-In Cord | Model BTLBXASP304NW22 |
| | 808131 | Lead-In Cord | All other models |

Dryer Labels

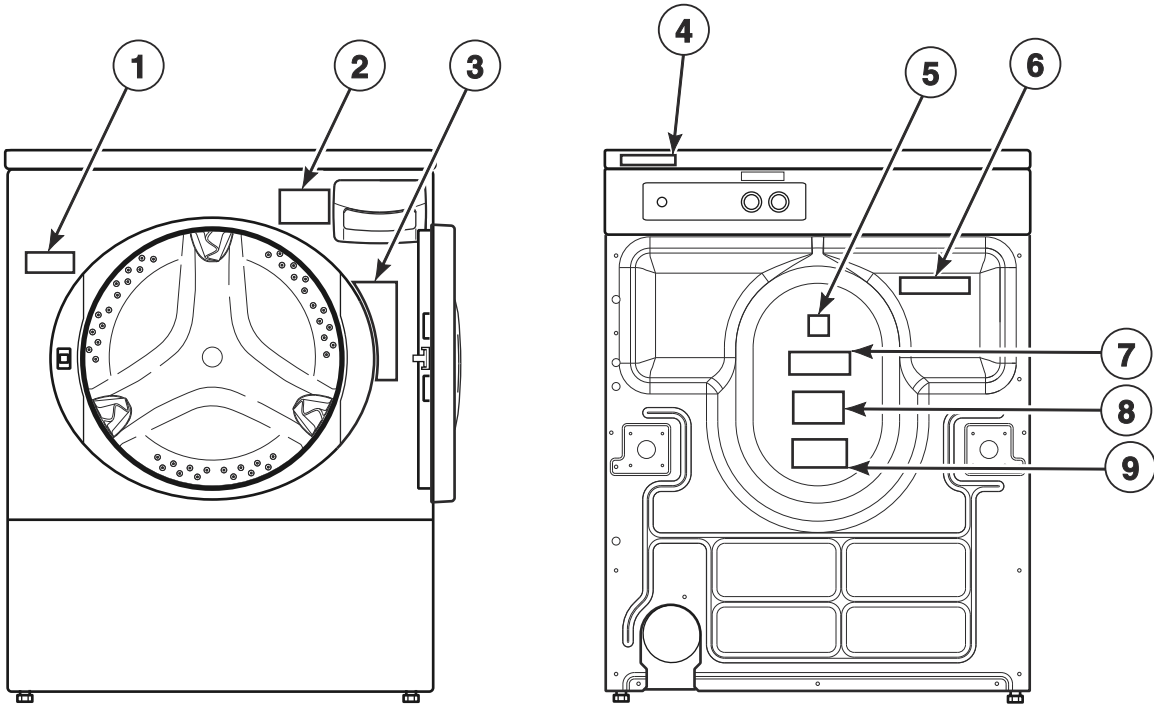


DRY2402P_806913

Dryer Labels

| REF | PART NO. | DESCRIPTION | COMMENTS |
|-----|----------|--------------------------------|---|
| 1 | 803260 | Warning Label | Turn off controls |
| 2 | D505281 | Disconnect Power Warning Label | Text; English; Disconnect power |
| | D500316 | Warning Label | English/French; Disconnect power |
| 3 | 44324001 | Warning Label | Text; Electric shock |
| 4 | D502791 | Venting Instruction Label | |
| 5 | D500281 | Warning/Caution Label | English |
| | D516243 | Warning Label | Quebec French |
| | D514867 | Warning Label | Thai |
| 6 | D503887 | Label | Australian gas association |
| | D500240 | Natural/L.P. Gas Label | English/Quebec French |
| 7 | D512263 | Warning Label | |
| 8 | D511004 | Gas Clearance Label | |
| | D513341 | Clearance Label | Models HTEBDASP285CW01, HTEBXASP285CW01, HTEBXASP295CW01, HTEBYASP285CW01 and HTEBYASP286CW01 |
| 9 | D500049 | Warning Label | Text; Electric shock |
| | F8211201 | Electrical Shock Label | Icon; Electric shock |
| | F8615701 | Pinch Warning Label | Icon; Crush hazard |
| 10 | D502781 | Lint Filter Label | Icon |
| 11 | D505215 | Gas Label | Text; Stainless steel flexible gas line |
| 12 | D511005 | Electric Clearance Label | |
| 13 | D500497 | Exhaust Warning Label | Text |
| | D502507 | Exhaust Warning Label | Icon |
| | D502508 | Warning Label | Icon; Fire |

Washer Labels

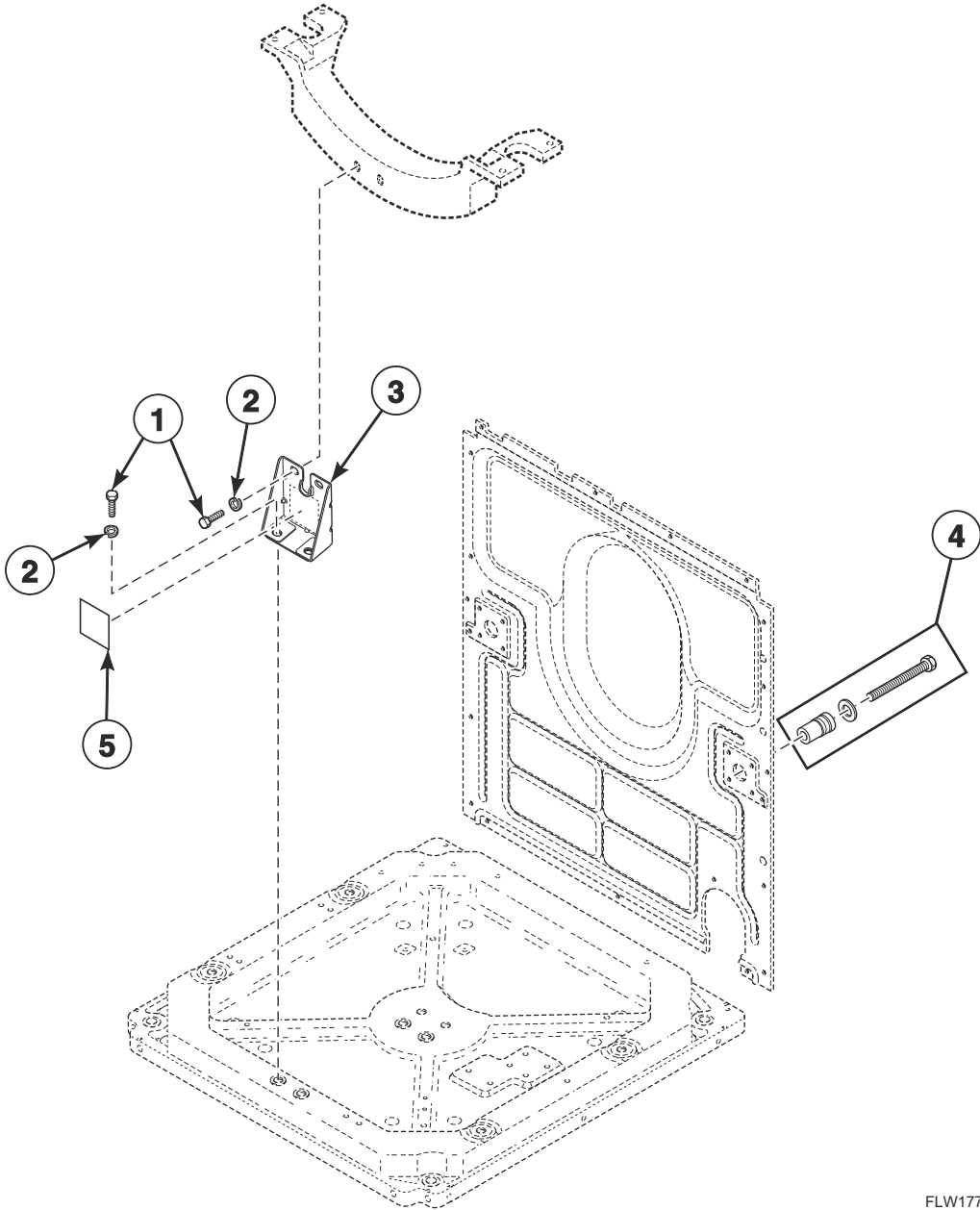


FLW1812P_806913

Washer Labels

| REF | PART NO. | DESCRIPTION | COMMENTS |
|-----|----------|--------------------------------|--|
| 1 | 803011 | Notice Label | |
| 2 | 802074 | Oversudsing Label | English |
| | 802838 | Oversudsing Label | Spanish |
| | 802839 | Oversudsing Label | Quebec French |
| 3 | 802367 | Warning Label | English; Reduce fire risk; Door locked |
| | 806591 | Warning Label | English/Quebec French; Reduce fire risk; Door locked |
| | 805966 | Warning Label | Model STEBXASP434LW01 |
| 4 | D515740 | Warning Label | Dual supply; Model STEBXASP434LW01 |
| 5 | D513371 | Read Instructions Label | |
| 6 | D505281 | Disconnect Power Warning Label | English |
| | 801706 | Caution Label | Icon; Ground machine |
| | D500316 | Warning Label | English/French; Disconnect Power |
| 7 | 685928 | Left Hand Thread Label | Text |
| | 804949 | Left Hand Thread Label | Icon |
| 8 | 803260 | Warning Label | Disconnect power |
| | F8211201 | Electrical Shock Label | Icon; Electric shock |
| 9 | D500049 | Warning Label | English |
| | D500314 | Warning Label | English/French |
| | F8615701 | Pinch Warning Label | Icon; Crush hazard |

Shipping Materials

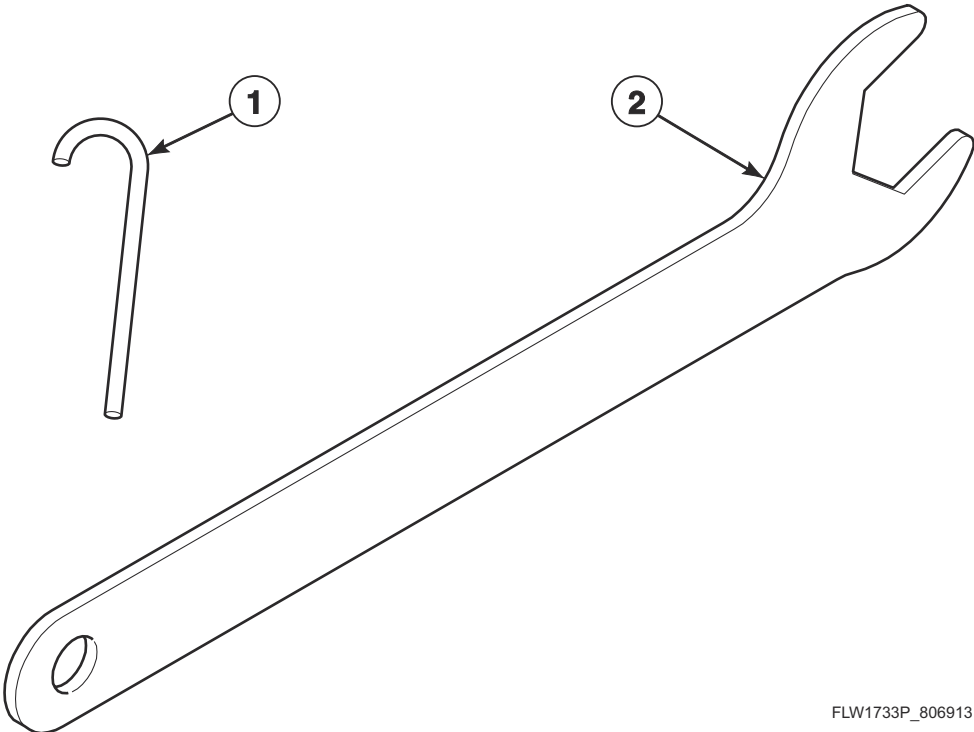


FLW1779P_806913

Shipping Materials

| REF | PART NO. | DESCRIPTION | COMMENTS |
|-----|----------|------------------------|--|
| | 807550 | Label | Remove shipping brace; Long tongue label |
| 1 | M400043 | Screw | |
| 2 | M400014 | Washer | |
| 3 | 807448 | Shipping Brace | |
| 4 | 807452 | Shipping Bolt Assembly | |
| 5 | 807552 | Shipping Bracket Label | Remove shipping brace; Square label |

Special Tools

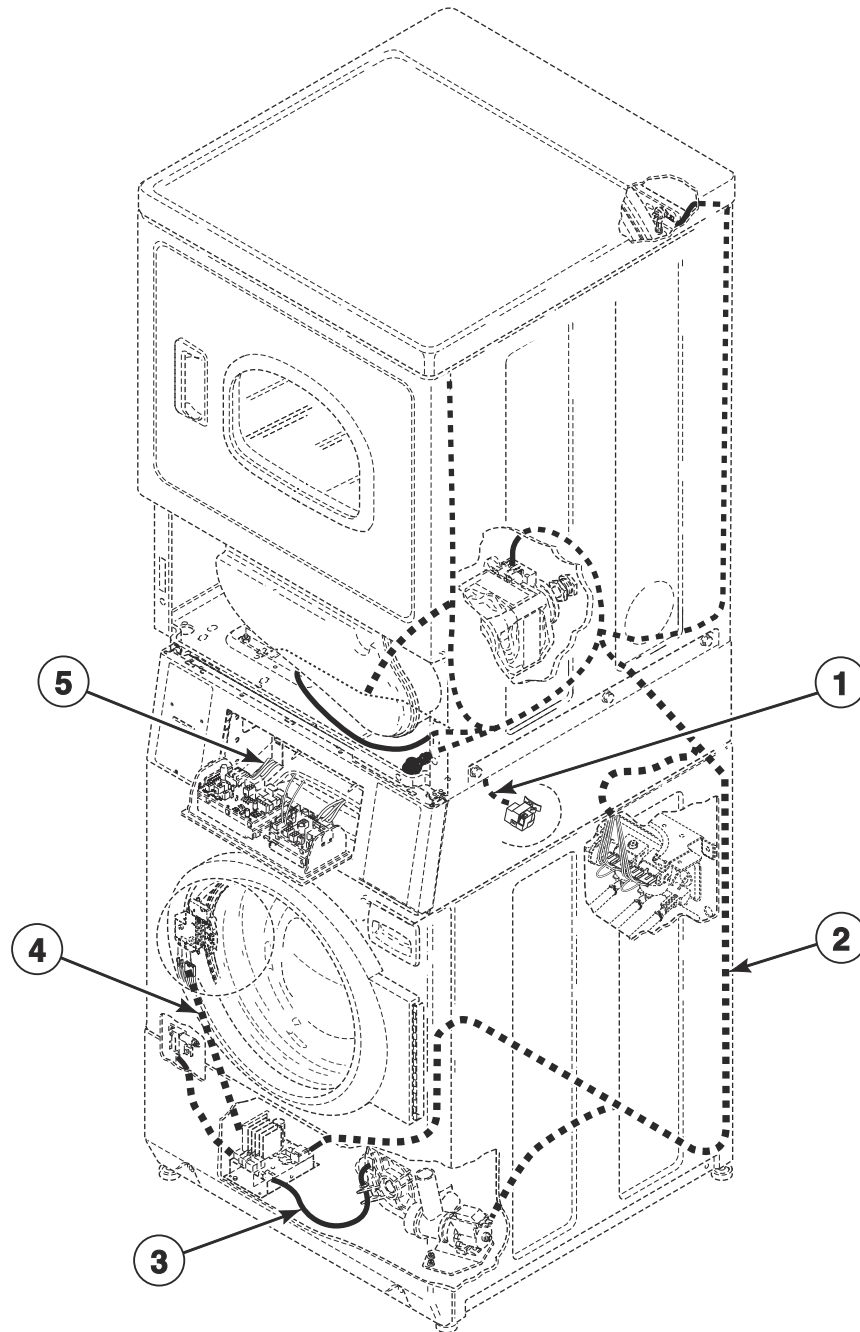


FLW1733P_806913

Special Tools

| REF | PART NO. | DESCRIPTION | COMMENTS |
|-----|----------|--------------------------------|-------------------------------------|
| | 807623 | Belt Install Tool | |
| 1 | 802336 | Pulley Bolt Tightening Fixture | Use to install inner basket |
| 2 | 392P4 | Wrench | Use for adjusting leveling leg nuts |

Washer Wire Harnesses and Wires



SWD1295P_806913

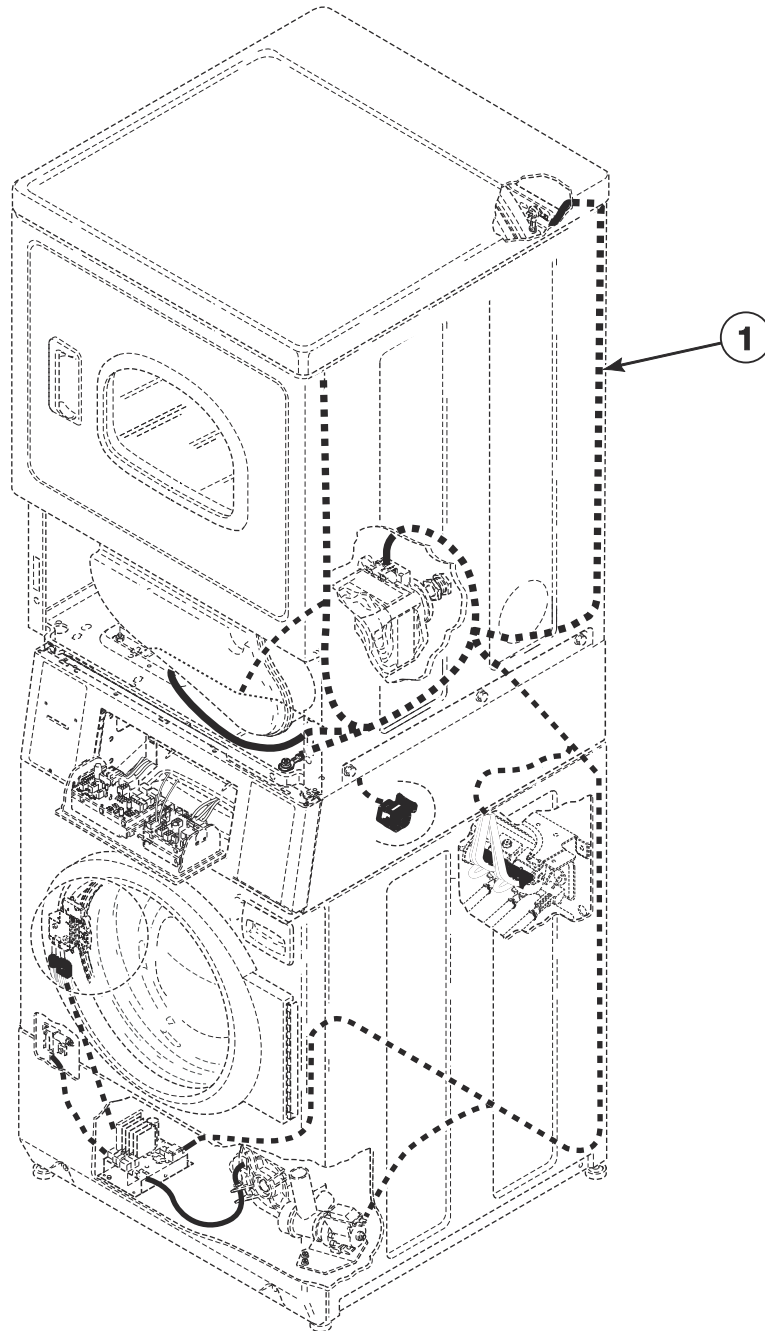
Washer Wire Harnesses and Wires

| REF | PART NO. | DESCRIPTION | COMMENTS |
|----------|----------|----------------------------|--|
| | 45001 | 18 Gauge Wire | Black; Order wire by the foot and terminals as required |
| | 45380 | 12 Gauge Wire | Orange; Order wire by the foot and terminals as required |
| | 807298 | Power Harness | Starting Serial No. 2101000001 |
| 1 | 804433 | Pressure Sensor Harness | |
| 2 | 806031 | Front Control Harness | Through Serial No. 2012999999 |
| | 807346 | Front Control Harness | Starting Serial No. 2101000001 |
| 3 | 806029 | Motor Harness | Through Serial No. 2012999999 |
| | 807294 | Motor Harness | Starting Serial No. 2101000001 |
| 4 | 806028 | Door Lock Harness Assembly | Through Serial No. 2012999999 |
| | 807293 | Door Lock Harness Assembly | Starting Serial No. 2101000001 |
| 5 | D513991 | Security Cabinet Harness | |

NOTE: Individual wires are not available separately. Order complete wire harness, or order wire by the foot. When applying terminals to wires, it is recommended that the terminals be soldered to the wires.

Dryer Wire Harnesses and Wires (Drawing 1 of 3)

Models HTEBXASP134DW01, HTEBXASP134FW01, HTEBXASP304NW22, HTEBXASP544DW01, HTGBXASP114FW01, HTGBXASP124DW01, HTGBXASP544DW01, STEBXASP134DW01, STEBXASP134FW01, STEBXASP544DW01, STGBXASP114FW01, STGBXASP124DW01 and STGBXASP544DW01



SWD1295PA_806913

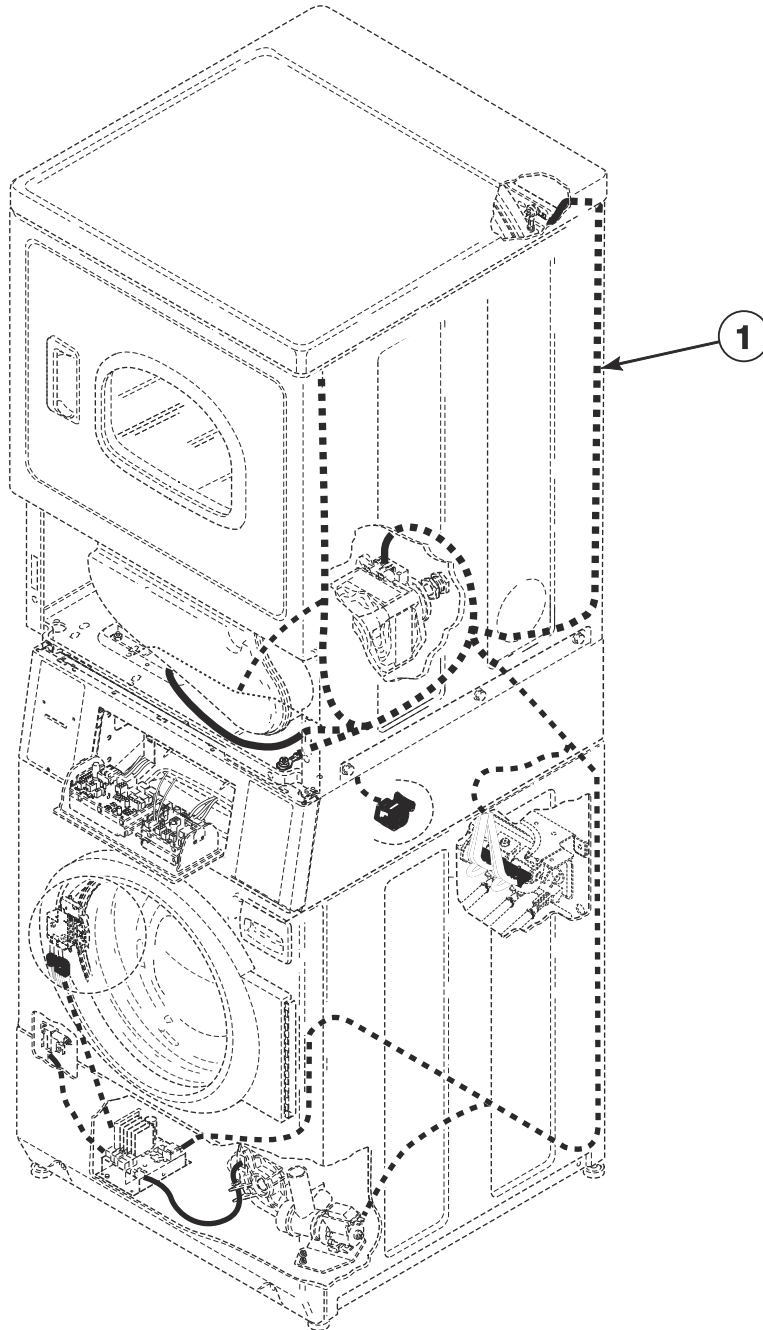
Dryer Wire Harnesses and Wires (Drawing 1 of 3)

| REF | PART NO. | DESCRIPTION | COMMENTS |
|-----|----------|------------------------|---|
| | 45001 | 18 Gauge Wire | Black; Order wire by the foot and terminals as required |
| | 45380 | 12 Gauge Wire | Orange; Order wire by the foot and terminals as required |
| 1 | D517238 | Upper Electric Harness | Models HTEBXASP134DW01, HTEBXASP134FW01, HTEBXASP304NW22, HTEBXASP544DW01, STEBXASP134DW01, STEBXASP134FW01 and STEBXASP544DW01 |
| | D517094 | Upper Gas Harness | Models HTGBXASP114FW01, HTGBXASP124DW01, STGBXASP114FW01 and STGBXASP124DW01 |
| | D517098 | Upper Gas Harness | Models HTGBXASP544DW01 and STGBXASP544DW01 |

NOTE: Individual wires are not available separately. Order complete wire harness, or order wire by the foot. When applying terminals to wires, it is recommended that the terminals be soldered to the wires.

Dryer Wire Harnesses and Wires (Drawing 2 of 3)

Models BTEBLASP434AW01, BTEBXASG454NW36, BTEBXASP434AW01, BTGBLASP304AW01, BTGBXASP304AW01, BTLBXASG304NW36, BTLBXASP304NW22, HTEBCASP175TW01, HTEBCASP176TW01, HTEBDASP285CW01, HTEBXASP285CW01, HTEBXASP295CW01, HTEBYASP285CW01, HTEBYASP286CW01, HTGBCASP115TW01, HTGBCASP116TW01, HTGBDASP095CW01, HTGBXASP095CW01, HTGBXASP304NW21, HTGBYASP095CW01, HTGBYASP115TW01, HTGBYASP116TW01, NTEBXASP304NW01, NTEBXASP304NW22, NTEBXASP544NW23, NTEBYASP544NW23, NTGBXASP304NW01, NTLBXASP304NW26, NTLBXASP543NW23, NTLBXASP544NW23, NTLBYASP544NW23, STEBCASP175TW01, STEBXASP175TW01, STEBXASP304NW22, STEBXASP304UW01, STEBXASP304WW01, STEBXASP434AW01, STEBXASP434AW12, STEBXASP434LW01, STEBXASP544ZW01, STEBYASP175TW01, STGBCASP115TW01, STGBXASP115TW01, STGBXASP304AW01, STGBXASP304AW12, STGBXASP304NW22, STGBXASP304ZW01, STGBYASP115TW01 and TTEBXASP304NW22



SWD1295PA_806913

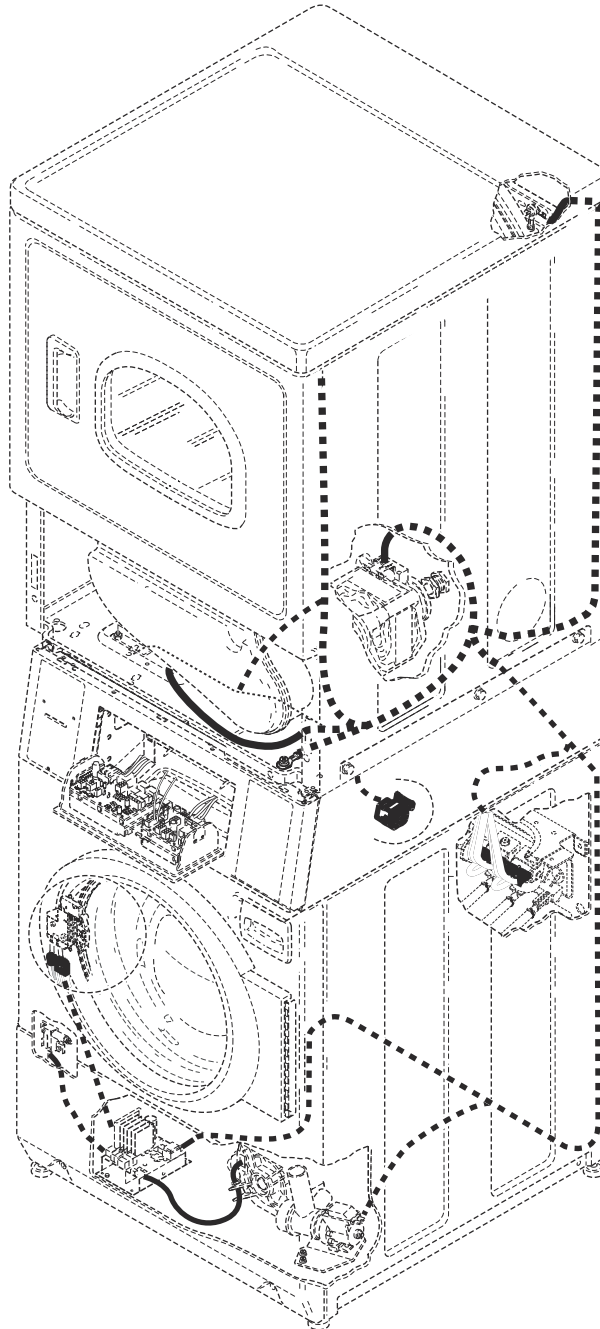
Dryer Wire Harnesses and Wires (Drawing 2 of 3)

| REF | PART NO. | DESCRIPTION | COMMENTS |
|-----|----------|------------------------|--|
| 1 | D517094 | Upper Gas Harness | Models HTGBCASP115TW01, HTGBDASP095CW01, HTGBXASP095CW01, HTGBYASP095CW01, HTGBYASP115TW01, STGBCASP115TW01, STGBXASP115TW01 and STGBYASP115TW01 through Serial No. 1912999999 |
| | D517098 | Upper Gas Harness | Models BTGBLASP304AW01, BTGBXASP304AW01, BTLBXASG304NW36, BTLBXASP304NW22, NTGBXASP304NW01, NTLBXASP304NW26, NTLBXASP543NW23, NTLBXASP544NW23, NTLBYASP544NW23, STGBXASP304AW01, STGBXASP304AW12, STGBXASP304NW22 and STGBXASP304ZW01 through Serial No. 1912999999 |
| | D517211 | Upper Gas Harness | Model HTGBXASP304NW21 through Serial No. 1912999999 |
| | D517238 | Upper Electric Harness | Models BTEBLASP434AW01, BTEBXASG454NW36, BTEBXASP434AW01, HTEBCASP175TW01, HTEBDASP285CW01, HTEBXASP285CW01, HTEBXASP295CW01, HTEBYASP285CW01, NTEBXASP304NW01, NTEBXASP304NW22, NTEBXASP544NW23, NTEBYASP544NW23, STEBCASP175TW01, STEBXASP175TW01, STEBXASP304NW22, STEBXASP304UW01, STEBXASP304WW01, STEBXASP434AW01, STEBXASP434AW12, STEBXASP434LW01, STEBXASP544ZW01, STEBYASP175TW01 and TTEBXASP304NW22 through Serial No. 1912999999 |
| | D517476 | Upper Electric Harness | Models BTEBLASP434AW01, BTEBXASG454NW36, BTEBXASP434AW01, HTEBCASP175TW01, HTEBCASP176TW01, HTEBDASP285CW01, HTEBXASP285CW01, HTEBXASP295CW01, HTEBYASP285CW01, HTEBYASP286CW01, NTEBXASP304NW01, NTEBXASP304NW22, NTEBXASP544NW23, NTEBYASP544NW23, STEBCASP175TW01, STEBXASP175TW01, STEBXASP304NW22, STEBXASP304UW01, STEBXASP304WW01, STEBXASP434AW01, STEBXASP434AW12, STEBXASP434LW01, STEBXASP544ZW01, STEBYASP175TW01 and TTEBXASP304NW22 starting Serial No. 2001000001 |
| | D517477 | Gas Harness | Models BTGBLASP304AW01, BTGBXASP304AW01, BTLBXASG304NW36, BTLBXASP304NW22, HTGBCASP115TW01, HTGBCASP116TW01, HTGBDASP095CW01, HTGBXASP095CW01, HTGBXASP304NW21, HTGBYASP095CW01, HTGBYASP115TW01, HTGBYASP116TW01, NTGBXASP304NW01, NTLBXASP304NW26, NTLBXASP543NW23, NTLBXASP544NW23, NTLBYASP544NW23, STGBCASP115TW01, STGBXASP115TW01, STGBXASP304AW01, STGBXASP304AW12, STGBXASP304NW22, STGBXASP304ZW01 and STGBYASP115TW01 starting Serial No. 2001000001 |

NOTE: Individual wires are not available separately. Order complete wire harness, or order wire by the foot. When applying terminals to wires, it is recommended that the terminals be soldered to the wires.

Dryer Wire Harnesses and Wires (Drawing 3 of 3)

Models BTEBLASP434AW01, BTEBXASG454NW36, BTEBXASP434AW01, BTGBLASP304AW01, BTGBXASP304AW01, BTLBXASG304NW36, BTLBXASP304NW22, HTEBCASP175TW01, HTEBCASP176TW01, HTEBDASP285CW01, HTEBXASP285CW01, HTEBXASP295CW01, HTEBYASP285CW01, HTEBYASP286CW01, HTGBCASP115TW01, HTGBCASP116TW01, HTGBDASP095CW01, HTGBXASP095CW01, HTGBXASP304NW21, HTGBYASP095CW01, HTGBYASP115TW01, HTGBYASP116TW01, NTEBXASP304NW01, NTEBXASP304NW22, NTEBXASP544NW23, NTEBYASP544NW23, NTGBXASP304NW01, NTLBXASP304NW26, NTLBXASP543NW23, NTLBXASP544NW23, NTLBYASP544NW23, STEBCASP175TW01, STEBXASP175TW01, STEBXASP304NW22, STEBXASP304UW01, STEBXASP304WW01, STEBXASP434AW01, STEBXASP434AW12, STEBXASP434LW01, STEBXASP544ZW01, STEBYASP175TW01, STGBCASP115TW01, STGBXASP115TW01, STGBXASP304AW01, STGBXASP304AW12, STGBXASP304NW22, STGBXASP304ZW01, STGBYASP115TW01 and TTEBXASP304NW22



SWD1295PB_806913

Dryer Wire Harnesses and Wires (Drawing 3 of 3)

| REF | PART NO. | DESCRIPTION | COMMENTS |
|-----|----------|---------------------|---|
| | 45001 | 18 Gauge Wire | Black; Order wire by the foot and terminals as required |
| | 45380 | 12 Gauge Wire | Orange; Order wire by the foot and terminals as required |
| | D518536 | Gas Power Harness | Models HTGBDASP095CW01, HTGBXASP095CW01 and HTGBYASP095CW01 through 12/31/21 |
| | D518663 | Gas Harness | Models HTGBDASP095CW01, HTGBXASP095CW01 and HTGBYASP095CW01 starting 1/1/22 |
| | D514044 | Power Harness | Models HTEBDASP285CW01, HTEBXASP285CW01, HTEBXASP295CW01, HTEBYASP285CW01 and HTEBYASP286CW01 through 12/31/21 |
| | D518656 | Power Harness | Models HTEBDASP285CW01, HTEBXASP285CW01, HTEBXASP295CW01, HTEBYASP285CW01 and HTEBYASP286CW01 starting 1/1/22 |
| | 805684 | Harness | Main harness to dryer base; Models HTEBDASP285CW01, HTEBXASP285CW01, HTEBXASP295CW01, HTEBYASP285CW01, HTEBYASP286CW01, HTGBDASP095CW01, HTGBXASP095CW01 and HTGBYASP095CW01 through 12/31/21 |
| | 808123 | Harness | Main harness to dryer base; Models HTEBDASP285CW01, HTEBXASP285CW01, HTEBXASP295CW01, HTEBYASP285CW01, HTEBYASP286CW01, HTGBDASP095CW01, HTGBXASP095CW01 and HTGBYASP095CW01 starting 1/1/22 |
| | D517261 | Broken Belt Harness | Bypass |
| | D517236 | Broken Belt Harness | Starting Serial No. 1903000001 and continuing through Serial No. 1912999999 |
| | D516365 | Gas Valve Harness | 240 Volt; Model NTLBYASP544NW23 |

NOTE: Individual wires are not available separately. Order complete wire harness, or order wire by the foot. When applying terminals to wires, it is recommended that the terminals be soldered to the wires.

Parts Index

A

| | |
|--|--------|
| Access Cover Plate D514356 | 83 |
| Access Panel Assembly D514250WP | 57 |
| 804617W | 25 |
| Access Panel Plate D510903 | 83 |
| Adhesive D511637P | 65, 69 |
| Air Duct Assembly D518432 | 67 |
| D518433 | 67 |
| Anchor 155P3 | 45 |
| Anchor Floor Mount Assembly 802844P | 45 |
| Anti-Seize Compound 27604P | 37, 59 |

B

| | |
|--|---------|
| Backflow Preventer 800310 | 41 |
| Balance Ring Assembly 804393 | 37 |
| Base Assembly 803876 | 45 |
| Bearing Housing Kit 805525 | 37 |
| Belt Install Tool 807623 | 39, 101 |
| Belt Kit 807429P | 39 |
| Blower Fan Assembly D510139P | 59 |
| Blower Housing D511969WP | 59 |
| Blower Housing Seal D510238P | 59 |
| Bolt 29651 | 15 |
| Booster and Holding Coil 58804A | 77, 79 |
| 59063A | 77, 79 |
| Brace Kit 918P3 | 45 |
| Bracket D510146 | 83 |
| Bracket Assembly D518062 | 83 |
| Broken Belt Harness D517236 | 109 |
| D517261 | 109 |
| Bumper Pad 36226 | 45 |
| 56128 | 83 |

| | |
|-----------------------------------|--------|
| Burner Assembly D510149P | 77, 79 |
|-----------------------------------|--------|

C

| | |
|---|----|
| Cabinet Brace 801491 | 45 |
| 801492 | 45 |
| Cabinet Panel Kit 800004WP | 45 |
| Cabinet Rear Panel D517566 | 83 |
| Cabinet Side Panel D510001WP | 83 |
| D510002WP | 83 |
| Cable Connection Box 39922 | 47 |
| Card Insert Overlay D514391 | 23 |
| Caution Label 801706 | 97 |
| Central Pay Harness 805427 | 9 |
| Central Pay Kit 807174 | 7 |
| Clamp Ring 803802 | 35 |
| Clearance Label D513341 | 95 |
| Clip 201572 | 21 |
| Clothes Guard Deflector 804467 | 35 |
| 805548 | 35 |
| Coin Drop 200731 | 19 |
| 38963P | 19 |
| 39748 | 19 |
| 70441601P | 19 |
| 70441603 | 17 |
| Coin Drop Assembly CK114 | 19 |
| 201141 | 19 |
| 210195 | 17 |
| 210196 | 17 |
| 38462P | 19 |
| 38463 | 19 |
| 38464P | 19 |
| 38467 | 17 |
| 38472 | 17 |
| 38475 | 19 |
| 38519 | 17 |
| 38521 | 17 |
| 39157 | 17 |
| 553192 | 17 |
| 70281102 | 17 |
| 70441602 | 17 |
| 70447301 | 17 |
| 70482401 | 17 |
| 70506901 | 19 |

N/A items do not appear in index.

| | |
|---------------------------|------------|
| Coin Drop Kit | |
| CK055 | 19 |
| CK056 | 19 |
| CK057 | 19 |
| CK058 | 17 |
| CK060 | 17 |
| CK071 | 17 |
| CK077 | 19 |
| CK078 | 19 |
| CK085 | 19 |
| CK086 | 17 |
| CK089 | 19 |
| CK090 | 19 |
| CK091 | 17 |
| CK097 | 19 |
| CK098 | 19 |
| CK107 | 17 |
| CK111 | 17 |
| CK122 | 17 |
| CK123 | 19 |
| Coin Drop Wire Harness | |
| 201104 | 21 |
| Coin Identification Paper | |
| 38725 | 17, 19, 21 |
| Combustion Duct | |
| D510131 | 75 |
| D510132 | 75 |
| Compartment Cover | |
| 803670 | 29 |
| Connector | |
| F140312 | 91 |
| Control Assembly | |
| D515807P | 11 |
| D515808P | 11 |
| D517522 | 11 |
| D517523 | 11 |
| D518647 | 11 |
| 806267P | 11 |
| 806268P | 11 |
| 807458 | 11 |
| 807459 | 11 |
| 808121 | 11 |
| Control Bracket | |
| 807441 | 39 |
| Control Panel | |
| 803964W | 15 |
| 803968W | 23 |
| 803972W | 23 |
| Control Panel Assembly | |
| 804069W | 9 |
| Control Shield | |
| 804363 | 13 |
| Counterweight | |
| 807476 | 35 |
| Cylinder Assembly | |
| D510265WP | 65 |
| Cylinder Baffle | |
| D510102W | 65 |
| Cylinder Belt | |
| D511255P | 59 |
| Cylinder Glide | |
| D513710 | 65 |
| Cylinder Glide Bracket | |
| D510145 | 65 |
| Cylinder Roller | |
| D510708P | 69 |

| | |
|--------------------------------|------------|
| Cylinder Roller Bracket | |
| D510100 | 69 |
| Cylinder Seal Assembly | |
| D510207P | 65, 69 |
| <hr/> | |
| D | |
| Detergent Hose | |
| 804717 | 29 |
| Directional Exhaust Kit | |
| 528P3 | 83 |
| Disconnect Power Warning Label | |
| D505281 | 95, 97 |
| Dispenser Assembly | |
| 803698 | 29 |
| Dispenser Drawer | |
| 803667 | 29 |
| Dispenser Handle | |
| 804227WP | 29 |
| Dispenser Inlet Hose | |
| 803849 | 29 |
| 806718 | 29 |
| 807364 | 29 |
| Dispenser Plate | |
| 803843 | 29 |
| Door Assembly | |
| D516510W | 55 |
| D516737W | 53 |
| 804083WP | 25 |
| 804210P | 25 |
| Door Catch Assembly | |
| D510177 | 57 |
| 802803 | 25 |
| Door Glass | |
| 802695P | 25 |
| Door Glass Mounting Plate | |
| 806354 | 25 |
| Door Handle Wedge | |
| D510129W | 51, 53, 55 |
| Door Hinge | |
| 802934 | 25 |
| Door Latch Assembly | |
| 803920 | 25 |
| Door Liner Assembly | |
| D516508 | 55 |
| Door Liner Grill | |
| D503870W | 51, 53, 55 |
| Door Lock Drip Shield | |
| 804784 | 25 |
| Door Lock Harness Assembly | |
| 806028 | 103 |
| 807293 | 103 |
| Door Pull and Wedge Kit | |
| D510103WP | 51, 53, 55 |
| Door Seal | |
| 804428P | 25 |
| Door Seal Assembly | |
| 804429P | 25 |
| Door Strike | |
| D510181 | 51, 53, 55 |
| Door Strike Mount | |
| D510127 | 53 |

N/A items do not appear in index.

| | |
|----------------------------|--------|
| Drain Base Bracket | |
| 803814 | 41 |
| Drain Hose | |
| 27154 | 41 |
| Drain Hose Bracket | |
| 803828 | 45 |
| Drain Hose Elbow | |
| 35766 | 41 |
| Drain Pump Assembly | |
| 803922 | 41 |
| 805724P | 41 |
| 808195P | 41 |
| Drain Pump Drip Shield | |
| 805561 | 41 |
| Drain Pump Isolator | |
| 803815 | 41 |
| Drain Valve Kit | |
| F976P3 | 43 |
| Drain-to-Cabinet Hose | |
| 800903 | 43 |
| Drip Shield | |
| D514327 | 57 |
| Drive Belt | |
| 804985 | 39 |
| Dryer Base | |
| D514245 | 83 |
| Dryer Door | |
| D510082WP | 53 |
| D515960W | 55 |
| D515961W | 51 |
| Dryer Door Window | |
| D503982P | 53 |
| D515681 | 51 |
| Dual Coin Harness Assembly | |
| 202871 | 17, 21 |
| Dual Overlay | |
| 39073 | 15 |

E

| | |
|-------------------------------|--------|
| Elbow | |
| D513072 | 77 |
| Electric Clearance Label | |
| D511005 | 95 |
| Electrical Shock Label | |
| F8211201 | 95, 97 |
| Electronic Coin Drop Assembly | |
| 70294103P | 21 |
| 70294104 | 21 |
| 70294107 | 21 |
| 70294110 | 21 |
| 70294111 | 21 |
| 70294117 | 21 |
| 70294119 | 21 |
| 70294120 | 21 |
| 70294121 | 21 |
| 70294122 | 21 |
| 70513302 | 21 |
| 70513306 | 21 |
| 70513311 | 21 |
| Electronic Coin Drop Kit | |
| CK099 | 21 |
| CK100 | 21 |
| CK101 | 21 |

| | |
|-----------------------|--------|
| CK103 | 21 |
| CK108 | 21 |
| CK109 | 21 |
| CK110 | 21 |
| CK113 | 21 |
| CK115 | 21 |
| CK116 | 21 |
| CK117 | 21 |
| CK118 | 21 |
| CK119 | 21 |
| CK120 | 21 |
| CK121 | 21 |
| Exhaust Duct | |
| D516196 | 83 |
| Exhaust Warning Label | |
| D500497 | 95 |
| D502507 | 95 |
| Expansion Clip | |
| 70030501 | 15, 23 |

F

| | |
|--------------------------|------------|
| Felt Pad | |
| D510189 | 65 |
| Fill Hose | |
| 203718 | 33 |
| 203719 | 33 |
| 203720 | 33 |
| 203750 | 33 |
| 204102 | 33 |
| 204103 | 33 |
| 204108 | 33 |
| Filter Harness | |
| D518532 | 87, 89 |
| D518533 | 87, 89 |
| 804396 | 47, 87, 89 |
| Filter Jumper Harness | |
| 808048 | 47 |
| Flexible Venting Kit | |
| 521P3 | 83 |
| Foam Pad | |
| 804875 | 29 |
| Foreign Object Deflector | |
| 806308 | 35 |
| 806313 | 35 |
| 806361 | 35 |
| Front Bulkhead Assembly | |
| D510266P | 65 |
| Front Control Harness | |
| 806031 | 103 |
| 807346 | 103 |
| Front Panel | |
| D510066WP | 57 |
| 802277WP | 25 |
| Front Panel Assembly Kit | |
| 806505W | 27 |
| Front Panel Seal | |
| D511056 | 57 |
| Fuse Notice Label | |
| 61294 | 67 |

N/A items do not appear in index.

G

| | |
|--------------------------------------|--------|
| Gas Clearance Label | |
| D511004 | 95 |
| Gas Harness | |
| D517477 | 107 |
| D518663 | 109 |
| Gas Label | |
| D505215 | 95 |
| Gas Power Harness | |
| D518536 | 109 |
| Gas Valve Assembly | |
| D513631 | 77 |
| D515490 | 77 |
| 60353P | 77 |
| Gas Valve Harness | |
| D516365 | 109 |
| Gas Valve Mounting Bracket | |
| D510128 | 77, 79 |
| Gas Valve, Bracket and Pipe Assembly | |
| D517606 | 79 |
| D517608 | 79 |
| D517612 | 79 |
| D517613 | 79 |
| Gasket | |
| 802427 | 41 |
| Glass Mounting Clip | |
| 802700 | 25 |
| Glide Kit | |
| RB170003 | 65 |
| Gravity Drain Bracket | |
| 803291 | 43 |
| 803833 | 45 |
| Gravity Drain Valve | |
| 803292P | 43 |
| Grommet | |
| 29175 | 35 |
| Ground Filter Harness | |
| D514039 | 87, 89 |
| D518534 | 87, 89 |

H

| | |
|----------------------|--------|
| Harness | |
| 805684 | 109 |
| 808123 | 109 |
| Harness Strap | |
| 55881 | 49 |
| Heat Duct Shroud | |
| D510101 | 75 |
| Heater Assembly | |
| D510324P | 73 |
| D510326P | 73 |
| D510327P | 73 |
| D510328P | 73 |
| D510329P | 73 |
| D510330P | 73 |
| Heater Duct Assembly | |
| D510025P | 73, 75 |
| Heater Kit | |
| 964P3 | 73 |
| 965P3 | 73 |

| | |
|---------------------|------------|
| Heater Kit Assembly | |
| 61927 | 73 |
| 61928 | 73 |
| 61929 | 73 |
| 61930 | 73 |
| 61931 | 73 |
| Hinge | |
| D511036 | 51, 53, 55 |
| Hinge Hole Plug | |
| D510186 | 57 |
| Hinge Plate | |
| 802206 | 25 |
| Hose Clamp | |
| F200204 | 41 |
| 20211 | 41 |
| 20391 | 41 |
| 685725 | 29, 43 |
| 802281 | 25 |
| 803891 | 35 |
| 807386 | 29 |
| Hose Clip | |
| 36985 | 35, 49 |
| 800553 | 35 |

I

| | |
|----------------------------------|--------|
| Idler Lever | |
| D516310 | 63 |
| Idler Lever and Wheel Assembly | |
| D516792 | 63 |
| Idler Spring | |
| D510185 | 63 |
| Idler Wheel and Bearing Assembly | |
| D510142P | 63 |
| Igniter and Bracket Assembly | |
| D510184P | 77, 79 |
| Inner Basket Assembly | |
| 804374P | 37 |
| 805485 | 37 |
| Inner Basket Assembly Kit | |
| 804376P | 37 |
| Inner Door Bezel | |
| 808097 | 25 |
| Inner Door Bezel Kit | |
| 808095 | 25 |
| 808096 | 25 |
| Instruction Label | |
| 805664 | 15, 23 |
| 805665 | 15 |
| Inverter Control Assembly | |
| 807175P | 39 |

J

| | |
|-----------------------|--------|
| Junction Box | |
| 803818 | 47 |
| 803819 | 47 |
| Junction Box Assembly | |
| D516152 | 87, 89 |
| D516153 | 87, 89 |
| Junction Box Cover | |
| D514363 | 87, 89 |
| D516186 | 87 |

N/A items do not appear in index.

| | |
|-------------------------|------------|
| 803820 | 47 |
| Junction Box Seal | |
| D514379P | 87, 89 |
| 803832P | 47 |
| <hr/> | |
| K | |
| Key | |
| 54612 | 9 |
| <hr/> | |
| L | |
| Label | |
| D503887 | 95 |
| 807550 | 99 |
| Lead-In Cord | |
| D513632 | 87 |
| D514061 | 89 |
| D514953 | 89 |
| D516705 | 93 |
| D517578 | 93 |
| 202777 | 49, 91 |
| 202925 | 87 |
| 202926 | 87 |
| 203208 | 87 |
| 203344 | 87 |
| 204594 | 93 |
| 38362P | 93 |
| 805974 | 47 |
| 808131 | 47, 93 |
| Lead-In Cord Assembly | |
| D516747 | 87, 89, 93 |
| 804556 | 47 |
| Lead-In Cord Kit | |
| 61605P | 87, 93 |
| Lead-In Pipe Assembly | |
| D510204 | 77 |
| Left Hand Thread Label | |
| 685928 | 97 |
| Left Hand Thread Labell | |
| 804949 | 97 |
| Leveling Leg | |
| D510135 | 83 |
| 34319 | 45 |
| Lid Assembly | |
| 802426P | 41 |
| Lifter | |
| 804382 | 37 |
| Limit Thermostat | |
| D510700 | 73 |
| D510701 | 73 |
| D510702 | 75 |
| Line Filter | |
| 804844 | 87, 89 |
| 804864 | 87, 89 |
| 805633 | 47 |
| Liner and Seal Assembly | |
| D516509 | 51, 53 |
| Liner Door Seal | |
| D510147P | 53 |
| Lint Filter | |
| D503980W | 67 |

| | |
|---------------------|--------|
| Lint Filter Label | |
| D502781 | 95 |
| D502804 | 57 |
| Lock Assembly | |
| 804339P | 9 |
| Lock Cam | |
| 804338 | 9 |
| L.P. Conversion Kit | |
| 458P3 | 77, 79 |
| 600P3 | 77, 79 |
| L.P. Orifice | |
| D503786 | 81 |
| 58755 | 81 |

M

| | |
|-----------------------------|-----|
| Machine ID Control Assembly | |
| 203361P | 9 |
| Meter Case Assembly | |
| 807396W | 15 |
| Mixing Valve | |
| 807497P | 31 |
| 807837P | 31 |
| 807838 | 31 |
| Mixing Valve Screen | |
| F8161201 | 31 |
| 24122 | 31 |
| Mixing Valve Shield | |
| 804783 | 31 |
| Motor and Pulley Assembly | |
| D505843P | 59 |
| D505869P | 59 |
| D511629P | 59 |
| Motor and Rod Assembly Kit | |
| 805726P | 39 |
| 808034P | 39 |
| 808067P | 39 |
| Motor Control Shield | |
| 804878 | 39 |
| 806258 | 39 |
| 806498 | 39 |
| Motor Harness | |
| 806029 | 103 |
| 807294 | 103 |
| Motor Hub Ring Kit | |
| 590P3 | 59 |
| Motor Mount | |
| D518517 | 63 |
| Motor Mount Clamp | |
| D510180 | 59 |
| Motor Pulley | |
| D500011 | 59 |
| D500222 | 59 |
| Motor Rod | |
| 803861 | 39 |
| 807739 | 39 |
| Motor Shield | |
| D514602 | 61 |
| Motor Switch Bracket | |
| D5163111 | 63 |
| Mounting Tool Kit | |
| CK096 | 21 |

N/A items do not appear in index.

N

| | |
|------------------------|------------|
| Natural/L.P. Gas Label | |
| D500240 | 95 |
| Notice Label | |
| 803011 | 97 |
| Nut | |
| F430218 | 35 |
| 03673 | 49 |
| 201216 | 21 |
| 21899 | 45 |
| 23951 | 25 |
| 29786 | 17, 19, 43 |
| 29787 | 87, 89 |
| 36020 | 25 |
| 44087201 | 15 |
| 52566 | 63 |
| 56156 | 63, 69 |
| 685846 | 25 |
| 800452 | 35, 37 |
| 802343 | 35 |
| 804418 | 37 |
| N.G. Conversion Kit | |
| 459P3 | 77, 79 |
| N.G. Orifice | |
| D503776 | 81 |
| D503778 | 81 |
| D503779 | 81 |
| D503780 | 81 |
| D510517 | 81 |

O

| | |
|--------------------------------|--------|
| Operation Instructions Label | |
| D514991 | 23 |
| 805668 | 23 |
| Opto Coupler | |
| 200674P | 17, 19 |
| O-Ring | |
| 802429P | 41 |
| Outer Door Bezel | |
| 808091 | 25 |
| 808094 | 25 |
| Outer Tub Assembly | |
| 803864 | 35 |
| 807479 | 35 |
| 807618 | 35 |
| Outlet Cover | |
| D500820 | 73, 75 |
| D518524 | 73 |
| Out-of-Balance Switch Assembly | |
| 803415 | 35 |
| 807384 | 35 |
| Out-of-Balance Switch Bracket | |
| 804457 | 35 |
| 807280 | 35 |
| Output Board Shield | |
| D514420 | 83 |
| Output Control Assembly | |
| D513797P | 85 |
| D517191 | 85 |
| D517191P | 85 |
| D517269 | 85 |
| 808149 | 39 |

| | |
|------------------|----|
| 808150 | 39 |
| Overlay | |
| D514873 | 23 |
| 201091 | 15 |
| 805717 | 7 |
| 806109 | 7 |
| 806110 | 7 |
| 806111 | 7 |
| 806129 | 7 |
| 807464 | 7 |
| 807757 | 7 |
| Overlay Kit | |
| 38676 | 15 |
| Oversuding Label | |
| 802074 | 97 |
| 802838 | 97 |
| 802839 | 97 |

P

| | |
|--------------------------------|----------------|
| Panel Locator | |
| 56079 | 25, 45, 57, 83 |
| Pinch Warning Label | |
| F8615701 | 95, 97 |
| Pop Rivet | |
| 685847 | 35 |
| Porcelain Touch-Up Paint | |
| 122P4P | 45, 83 |
| Power Cord Assembly | |
| 58992 | 91 |
| 801450 | 47 |
| 802012 | 47 |
| 805732 | 47 |
| 808045 | 47 |
| 808046 | 47 |
| 808047 | 47 |
| Power Harness | |
| D514044 | 109 |
| D518656 | 109 |
| 807298 | 103 |
| Pressure Bulb | |
| 808013 | 35 |
| Pressure Sensor | |
| 203843 | 45 |
| Pressure Sensor Harness | |
| 804433 | 103 |
| Pressure Sensor Tube Assembly | |
| 804483 | 35 |
| Pulley Assembly | |
| 808197 | 37 |
| Pulley Bolt Tightening Fixture | |
| 802336 | 101 |
| Pump Housing | |
| 802428 | 41 |
| Pump Housing Assembly | |
| 802434P | 41 |
| Pump-to-Elbow Hose | |
| 803734 | 41 |

N/A items do not appear in index.

R

| | |
|-------------------------|--------|
| Read Instructions Label | |
| D513371 | 97 |
| Rear Access Panel | |
| 803998 | 15, 23 |
| Rear Bulkhead Assembly | |
| D510905WP | 69 |
| D511082P | 69 |
| Rear Panel | |
| 803789 | 45 |
| 803790 | 45 |
| 806716 | 45 |
| Retaining Ring | |
| 23748 | 63, 69 |
| Roller Kit | |
| RB170002 | 69 |
| Rubber Foot | |
| D501855 | 45 |
| 34318 | 45 |

S

| | |
|----------------|--|
| Screw | |
| D500226 | 53, 55 |
| D500824 | 63 |
| D501285 | 67, 69 |
| D501524 | 39 |
| D502535 | 61 |
| D503661 | 9, 25, 39, 41, 43, 45, 47, 87, 89 |
| D503688 | 13, 15, 23, 57, 59, 65, 69, 73, 75, 77, 79, 83, 87, 89 |
| D505295 | 51, 53 |
| D505870 | 51, 53 |
| D514428 | 83 |
| D515967 | 51 |
| F8206901 | 39 |
| M400043 | 37, 99 |
| M400057 | 39 |
| 02916 | 39, 43 |
| 20530 | 49, 91, 93 |
| 23222 | 73, 77, 79 |
| 31260 | 59, 61 |
| 31645 | 45 |
| 33562 | 57 |
| 36048 | 83 |
| 39733 | 25, 45, 57, 83 |
| 44023301 | 69 |
| 51782 | 75, 77, 79 |
| 52864 | 67 |
| 52909 | 41 |
| 56124 | 77, 79 |
| 61199 | 69 |
| 62588 | 65 |
| 685831 | 37 |
| 70240301 | 15, 23 |
| 800461 | 35 |
| 800462 | 35 |
| 800548 | 25, 29, 37 |
| 801001 | 29 |
| 801019 | 25 |
| 801045 | 25 |
| 801993 | 25 |
| 802431 | 41 |
| 802596 | 35 |

| | |
|------------------------------|----------------|
| 804399 | 37 |
| 804608 | 9 |
| 804667 | 83 |
| 804699 | 37 |
| Screw Orifice | |
| 58719 | 81 |
| Seal Kit | |
| RB170001 | 65, 69 |
| Sealant | |
| 27615P | 41 |
| Secondary Coil | |
| 58804B | 77, 79 |
| 59063B | 77, 79 |
| Security Cabinet Harness | |
| D513991 | 103 |
| Sensor | |
| D510213 | 77, 79 |
| Shaft | |
| 56461P | 63, 69 |
| Shield Bracket | |
| 804018 | 13 |
| Shipping Bolt Assembly | |
| 807452 | 99 |
| Shipping Brace | |
| 807448 | 99 |
| Shipping Bracket Label | |
| 807552 | 99 |
| Shipping Plate | |
| 803851 | 45 |
| Shipping Plug | |
| 803859 | 45 |
| Shock Assembly | |
| 803777P | 35 |
| Side Panel Kit | |
| 806492 | 45 |
| Single Coin Harness Assembly | |
| 202870 | 19 |
| Single Overlay | |
| 38717 | 15 |
| Snap Bushing | |
| D503235 | 43 |
| Speed Clip | |
| 28835 | 57 |
| Standpipe Strap | |
| 33489 | 41 |
| Strain Relief | |
| D517491 | 93 |
| D517492 | 93 |
| 38384 | 47, 49, 87, 91 |
| 52113 | 87, 89 |
| 60298 | 87, 89 |
| Strain Relief Adapter | |
| D502496 | 87, 89 |
| Switch | |
| D512973 | 9, 15, 57 |
| D516391 | 63 |

T

| | |
|----------------------------|----|
| Terminal Block Assembly | |
| D510190P | 69 |
| Terminal Block Drip Shield | |
| 805344 | 71 |

N/A items do not appear in index.

| | |
|---------------------------|--------|
| Terminal Block Shield | |
| D510237 | 71 |
| D517715 | 71 |
| Thermal Fuse Assembly | |
| D518649 | 73 |
| Thermistor Assembly | |
| D502366 | 61 |
| D510523 | 61 |
| Thermostat | |
| D510703 | 61, 75 |
| Thermostat Shield | |
| D514325 | 61 |
| Top Hinge | |
| D510136 | 83 |
| Top Kit | |
| D510032WP | 83 |
| Transformer | |
| D513763P | 83 |
| 201375P | 21 |
| 202757 | 9 |
| 202758 | 9 |
| Transformer Harness | |
| 804795 | 9 |
| 805428 | 9 |
| Transformer Kit | |
| 203423 | 9 |
| 203424 | 9 |
| Transformer Shield | |
| D514334 | 83 |
| Trunnion Kit | |
| 806831 | 37 |
| Trunnion Shaft Kit | |
| 808043 | 37 |
| Tub Front | |
| 803770 | 35 |
| Tub Front Assembly | |
| 803879 | 35 |
| Tub Front Seal | |
| 803801 | 35 |
| Tub-to-Gravity Drain Hose | |
| 803874 | 43 |
| Tub-to-Pump Hose | |
| 803829 | 41 |

U

| | |
|------------------------|----------|
| Upper Electric Harness | |
| D517238 | 105, 107 |
| D517476 | 107 |
| Upper Gas Harness | |
| D517094 | 105, 107 |
| D517098 | 105, 107 |
| D517211 | 107 |

V

| | |
|---------------------------|----|
| Valve Assembly | |
| 60443P | 77 |
| Venting Instruction Label | |
| D502791 | 95 |

W

| | |
|-------------------------|---------------|
| Warning Label | |
| D500049 | 35, 95, 97 |
| D500314 | 97 |
| D500316 | 95, 97 |
| D502508 | 95 |
| D512263 | 57, 95 |
| D514867 | 57, 95 |
| D515740 | 97 |
| D516243 | 95 |
| 44324001 | 95 |
| 802367 | 97 |
| 803260 | 95, 97 |
| 805966 | 97 |
| 806591 | 97 |
| Warning/Caution Label | |
| D500281 | 57, 95 |
| Washer | |
| D504082 | 69 |
| M400014 | 99 |
| M400017 | 43 |
| M400080 | 39 |
| M400081 | 35 |
| M403958 | 37 |
| 02834 | 39 |
| 03815 | 49 |
| 20290 | 33 |
| 26509 | 83 |
| 52549 | 63, 69 |
| 800457 | 37 |
| 802254 | 33 |
| 803615 | 33 |
| 804458 | 35 |
| 807679 | 37 |
| Window Trim | |
| D503981W | 53 |
| D512633 | 53 |
| D515955 | 53 |
| D515956W | 51 |
| Wire Assembly | |
| D518255 | 73 |
| D518256 | 73 |
| Wire Clip | |
| D504034 | 49 |
| 687500 | 49 |
| Wire Guard | |
| 201595P | 17, 19 |
| Wire Ring and Spring | |
| 806466 | 25 |
| Wire Tie | |
| 38663 | 49 |
| Wire, 12 Gauge | |
| 45380 | 103, 105, 109 |
| Wire, 18 Gauge | |
| 45001 | 103, 105, 109 |
| Wiring Harness Assembly | |
| 202868 | 9 |
| Wrapper Assembly | |
| 804104W | 15 |
| 804112W | 23 |
| Wrench | |
| 392P4 | 101 |