

# Drying Tumblers

170 Pound Capacity

Refer to Page 3 for Model Numbers

Parts



[www.alliancelaundry.com](http://www.alliancelaundry.com)

Part No. D1027R2  
November 2013



# Table of Contents

Title	Page
Parts Ordering Information.....	2
Serial Plate Location .....	2
Model Identification .....	3
2 Timer Control Panel Assembly .....	4
DMP Control Panel Assembly.....	6
Pro and ProHC Control Panel Assembly .....	8
Front Panel Assembly .....	10
Front View .....	12
Burner Access Door.....	14
Lint Door Assembly .....	16
Gear Motor Rear View .....	18
Air Switch Assembly .....	20
Rear Motor Control Assembly.....	22
TM200 Gear Reducer - Rear View .....	24
TM200 Large Gear Reducer with Bronze Teeth .....	26
Fan Assembly .....	28
Thermostat Assembly - 2 Timer .....	30
2 Timer Sensor Assembly.....	32
DMP Sensor Assembly .....	34
Pro Sensor Assembly .....	36
ProHC Sensor Assembly - Upper Assembly.....	38
ProHC Sensor Assembly - Lower Assembly.....	40
Gas Bonnet Assembly .....	42
Steam Bonnet Assembly.....	44
Insulation Placement.....	46
Parts Index.....	49

© Copyright 2013, Alliance Laundry Systems LLC

All rights reserved. No part of the contents of this book may be reproduced or transmitted in any form or by any means without the expressed written consent of the publisher.

## Parts Ordering Information

If literature or replacement parts are required, contact the source from whom the machine was purchased or contact Alliance Laundry Systems at (920) 748-3950 for the name and address of the nearest authorized parts distributor.

For technical assistance, call either of the numbers listed below:

(920) 748-3121 Ripon, Wisconsin

+32 56 41 20 54 Wevelgem, Belgium

## Serial Plate Location

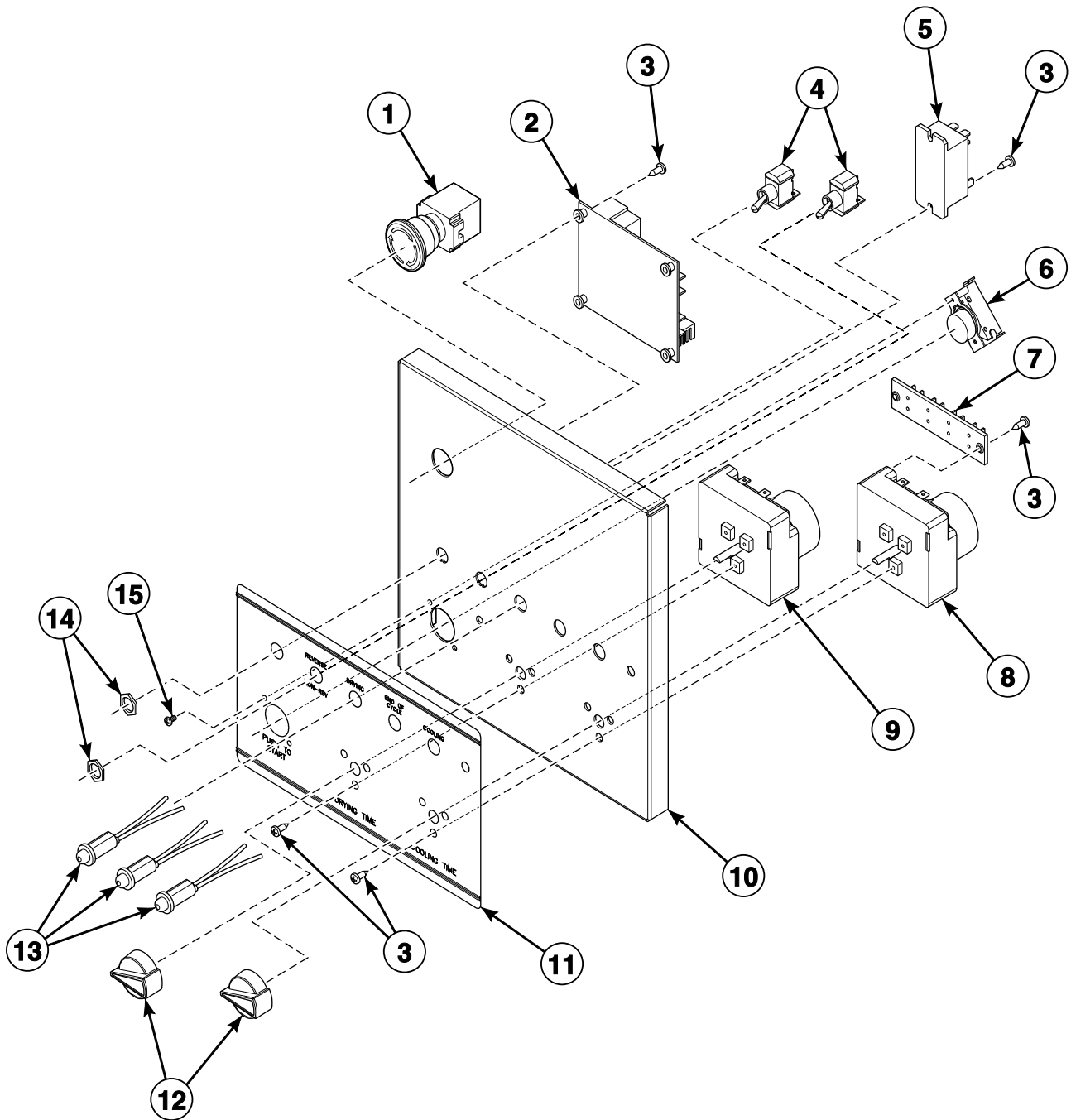
When calling or writing about your product, be sure to mention model and serial numbers. Model and serial numbers are located on serial plates.

## Model Identification

Information in this manual is applicable to these tumbler models:

HD170

## 2 Timer Control Panel Assembly

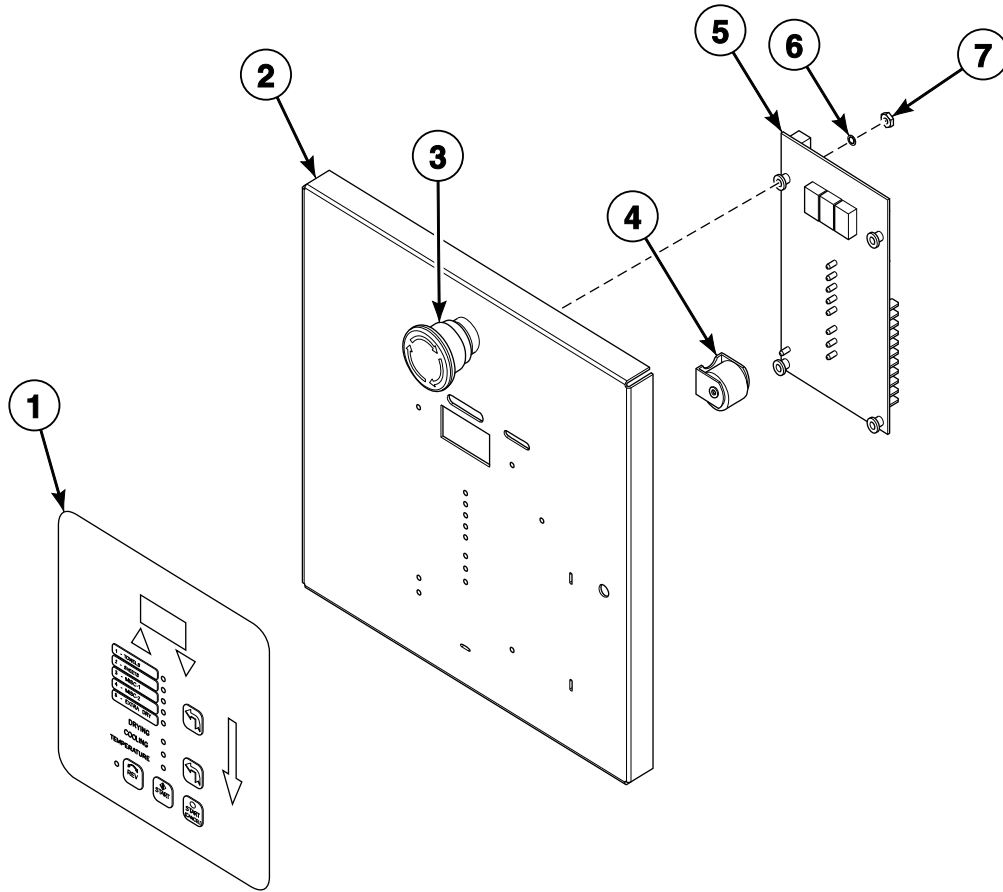


TMB2812P\_D1027

## 2 Timer Control Panel Assembly

REF	PART NO.	DESCRIPTION	COMMENTS
1	TU14435	Emergency Stop Button Kit	50 Hertz
	TU15724	Button Plug	7/8 inch; 60 Hertz
2	TU12874P	Reversing Timer	
3	TU7733	Screw	No. 8-18 x 1/2 inch; Self-drilling
4	FG147P	Toggle Switch	
5	F1300P	Relay	24 Volt
6	TU9028	Pushbutton Switch	
7	TU8629	Terminal Board	
8	TU12933P	Timer	0-15 minutes
9	TU12932P	Timer	0-60 minutes
10	TU15406WHT	Control Panel Weldment Assembly	
11	TU15459	2 Timer Nameplate	
12	TU2555	Knob	
13	TUT316	LED Light Assembly	24 Volt
14	TU3805	Nut	No. 15-32; Hex
15	ET208	Screw	No. 6-32 x 1/4 inch; Binding head

# DMP Control Panel Assembly



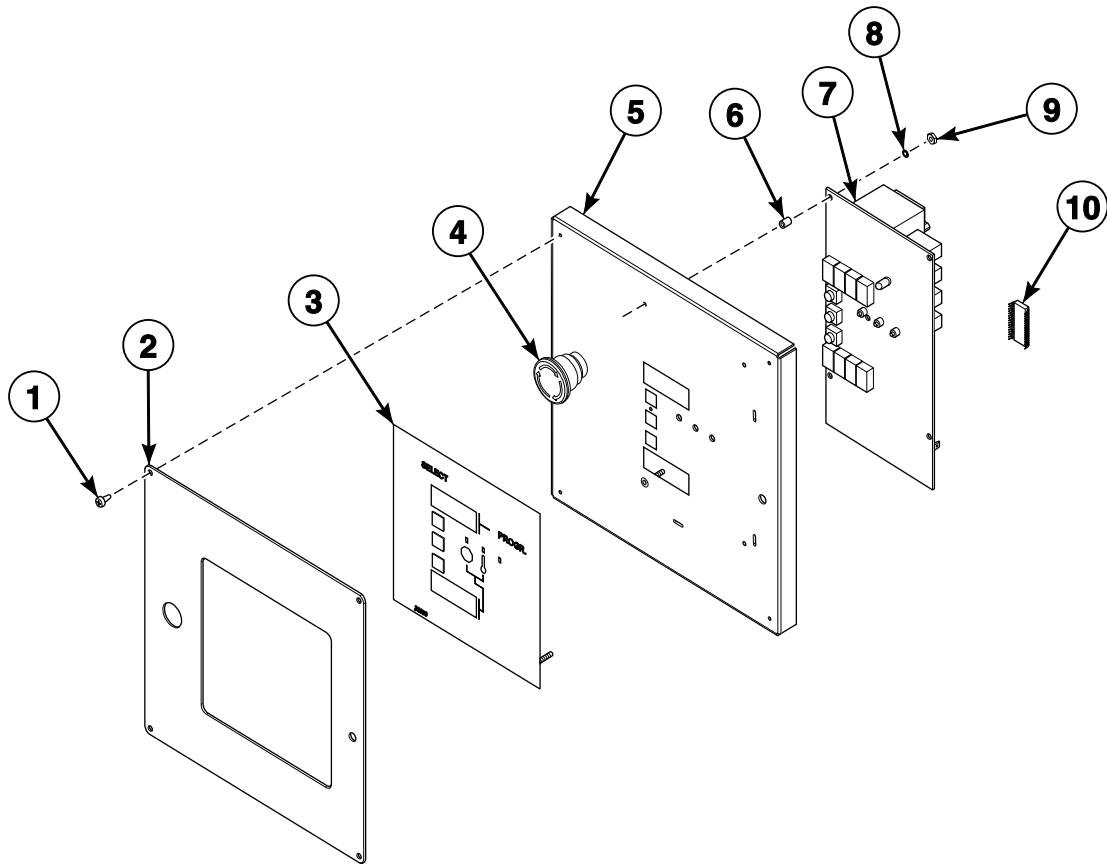
TMB2435P\_D1027



# DMP Control Panel Assembly

REF	PART NO.	DESCRIPTION	COMMENTS
1	44037901P	Membrane Switch	OPL DMP; Right side; Down
2	TU14469WHT	DMP Control Panel Weldment Assembly	
3	TU14435	Emergency Stop Button Kit	50 Hertz
	TU15724	Button Plug	7/8 inch; 60 Hertz
4	TU14137	Buzzer	24 Volt
5	TU14404P	Controller	OPL/Coin board; New
6	M270	Washer	No. 6; Internal tooth lock
7	TU3400	Nut	No. 6-32; Hex

# Pro and ProHC Control Panel Assembly



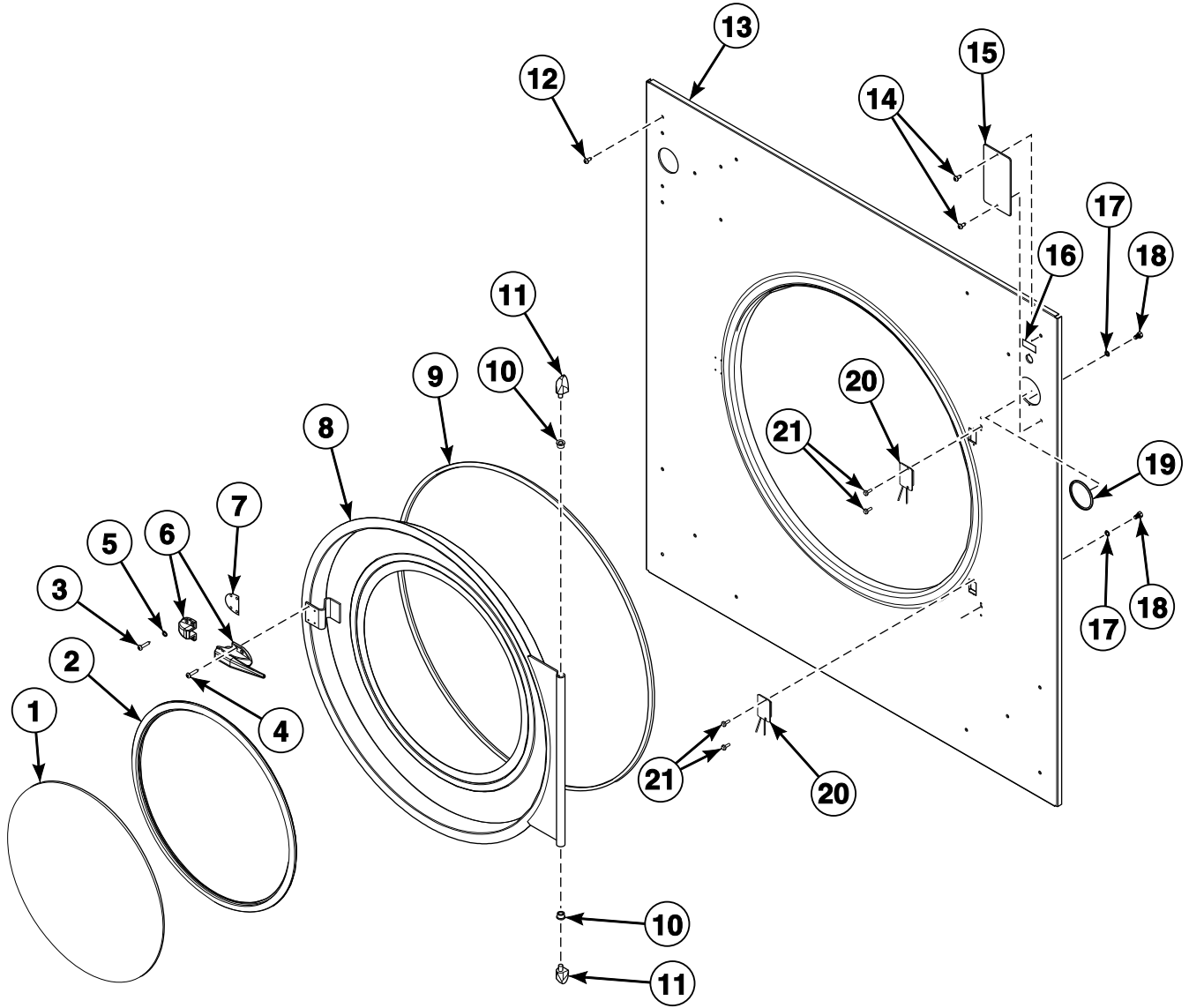
TMB2888P\_D1027

## Pro and ProHC Control Panel Assembly

REF	PART NO.	DESCRIPTION	COMMENTS
1	M261	Screw	No. 8-32
2	TU14727WHT	Control Panel Cover Plate	
3	254/00039/00	Operating Touchpad	Pro control
	254/00018/00	Control Label	ProHC control
4	TU14435	Emergency Stop Button Kit	50 Hertz
	TU15724	Button Plug	7/8 inch; 60 Hertz
5	TU14442WHT	Control Cover Assembly	
6	N/A	Spacer	
7	254/00070/00P	Control Board	
8	M270	Washer	Lock
9	TU3400	Nut	No. 6-32
10	N/A	EPROM Chip	Standard program

**N/A = Part no longer available**

# Front Panel Assembly

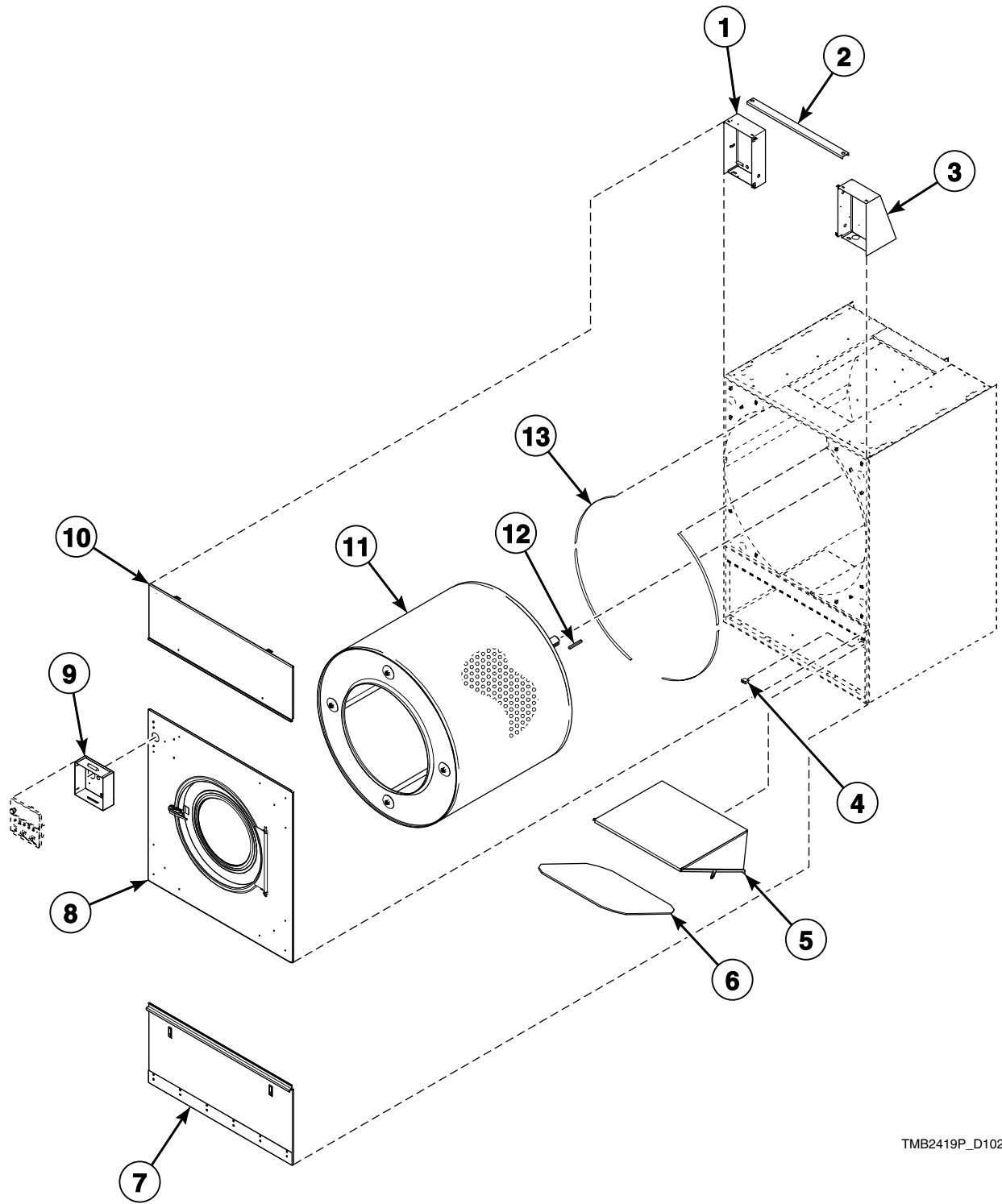


TMB2424P\_D1027

# Front Panel Assembly

REF	PART NO.	DESCRIPTION	COMMENTS
	TU6030	Temperature Control Assembly	See detail
1	TU15107P	Door Glass	20 1/4 inch
2	TU15966	Door Gasket	
3	TU2687	Screw	No. 8; Phillips head
4	JA-51604	Screw	No. 8-32; Pan head
5	F431106	Washer	No. 8; E.T. cup
6	TUA2319H	Door Latch	Includes keeper
7	TU5503	Door Latch Spacer	
8	TU14467WHT	Door Basket	Specify color
9	TU5288P	Door Seal	
10	PIF172	Hinge Bushing	
11	TU2236	Hinge Post	
12	TU3209	Screw	No. 14; Pan head
13	TU15448WHT	Front Panel Assembly	Specify color
14	TU7733	Screw	No. 8 x 1/2 long
15	TU15525WHT	Front Panel Cover Plate	Specify color; For DMP and ProHC
16	TU5458	Temperature Nameplate	
17	202010	Washer	5/16; Lock
18	TU2836	Screw	5/16-18; Hex head
19	TU2641	Thermometer Gasket	
20	ESA-00862-0P	Reed Switch Assembly	
21	SB-00975-0	Screw	No. 6-32

# Front View



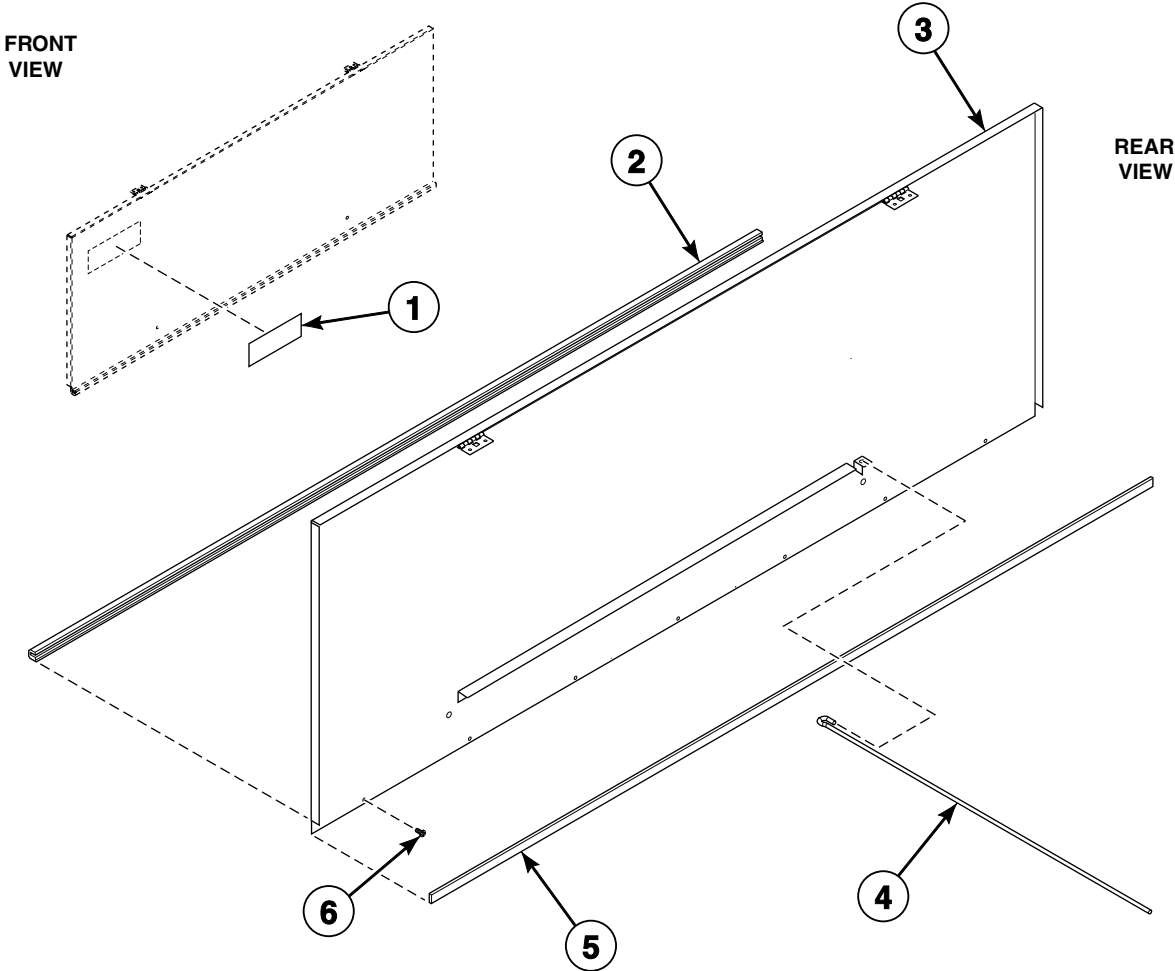
TMB2419P\_D1027

## Front View

REF	PART NO.	DESCRIPTION	COMMENTS
1	N/A	Left Hand Control Box Assembly	Specify color
2	N/A	Control Box Support	
3	N/A	Right Hand Control Box Assembly	Specify color
4	EA-11621-0	Lint Door Switch	
5	TU10345	Lint Screen Housing	
6	K121	Lint Trap Frame Kit	
	K368	Lint Screen Kit	
7	N/A	Lint Door Assembly	
8	N/A	Time/Temperature Front Panel Assembly	Specify color
9	N/A	Control Box	Specify color; Includes hardware
10	N/A	Burner Access Door Assembly	Specify color
11	K325	Basket Assembly Kit	Includes spider; Galvanized; TM200 Gear Reducer
	N/A	Basket Assembly	Includes spider; Stainless steel; TM200 Gear Reducer
	N/A	Basket and Spider Assembly	Galvanized; Gear motor
	N/A	Basket and Spider Assembly	Includes spider; Stainless steel; Gear motor
	TU9609	Basket	Galvanized; Without spider
	N/A	Basket	Stainless steel; Without spider
	K321	Spider Kit	Without basket; TM200 Gear Reducer
	TU16027	Spider Assembly	Without basket; Gear motor
12	TU9975	Key	TM200 Gear Reducer
	N/A	Key	Gear motor
13	K118	Gasket Kit	

**N/A = Part no longer available**

# Burner Access Door



TMB2889P\_D1027

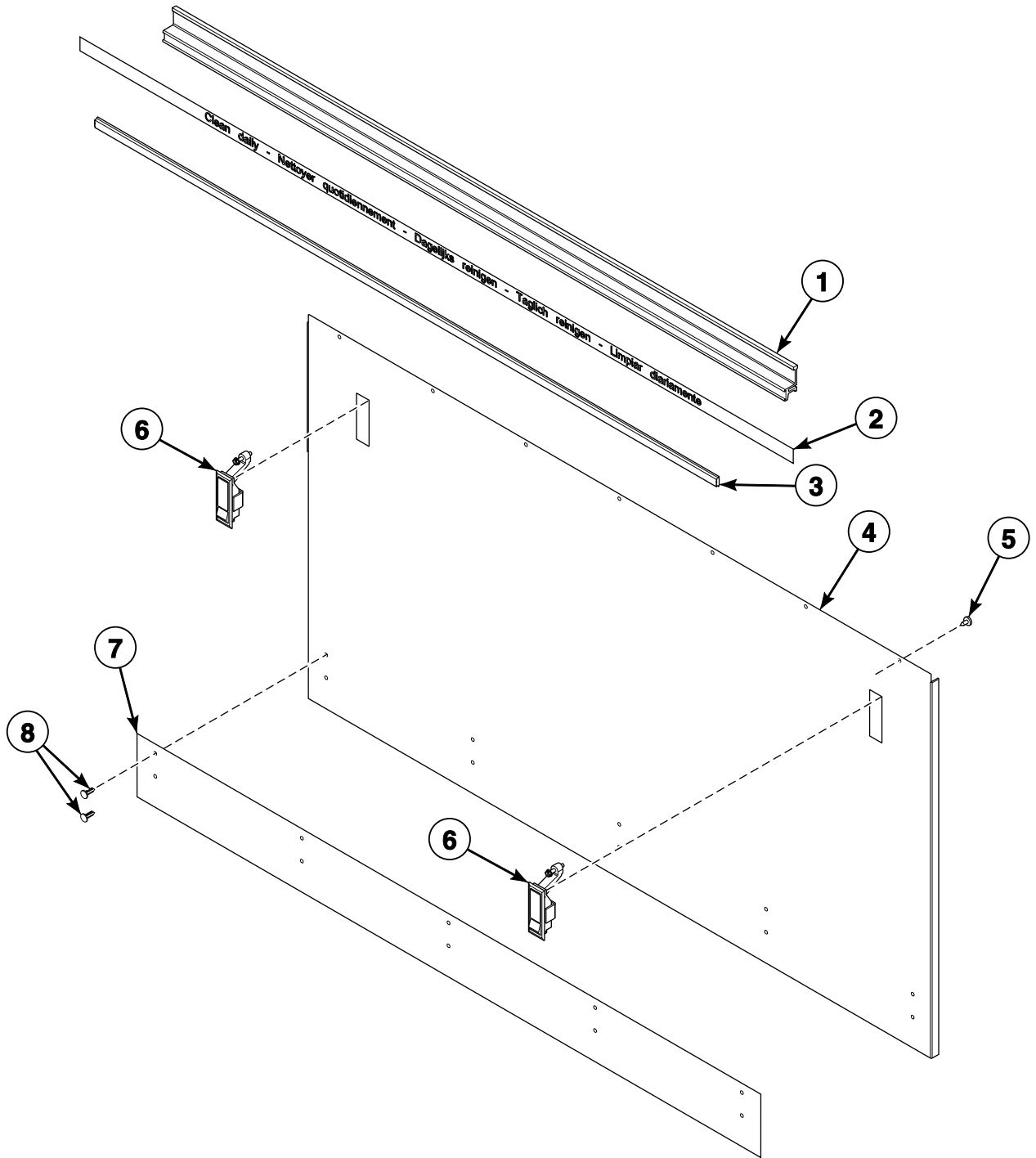


## Burner Access Door

REF	PART NO.	DESCRIPTION	COMMENTS
1	TU14662	Decal	
2	N/A	Burner Access Door Trim	
3	TU14622WHT	Access Door Weldment Assembly	Specify color
4	TU5739	Support Arm Rod	
5	CA-13098-0	Control Door Gasket	
6	SB-00951-0	Screw	No. 8 x 7/16 inch; Phillips flat head

**N/A = Part no longer available**

# Lint Door Assembly

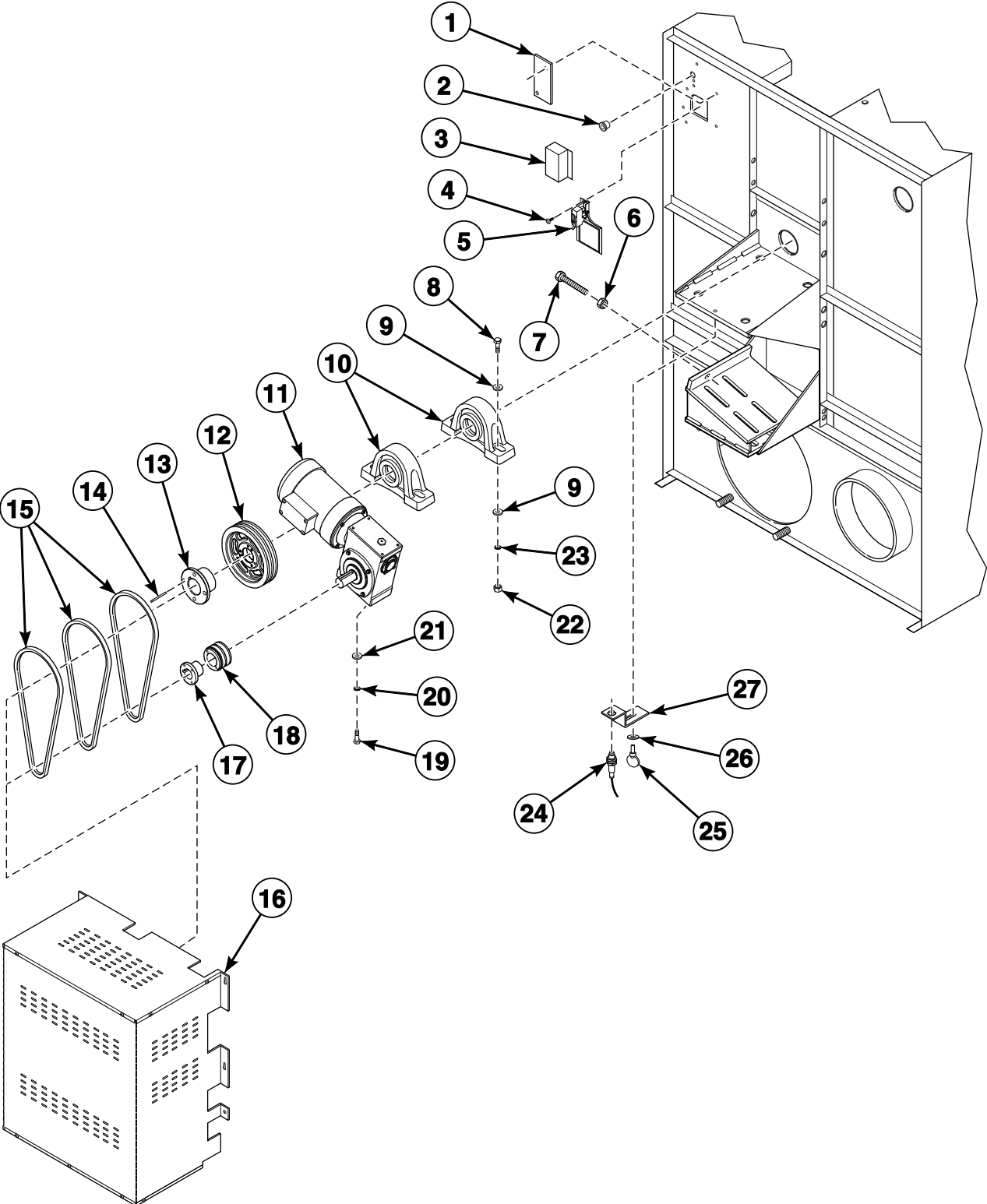


TMB2813P\_D1027

# Lint Door Assembly

REF	PART NO.	DESCRIPTION	COMMENTS
1	TU14529	Lint Door Handle	
2	TU15410	Clean Lint Screen Label	5 language
3	TU14530	Rubrail Trim	
4	TU14626WHT	Lint Door Weldment Assembly	Specify color
5	M405188	Screw	Pancake
6	LA-00123-0P	Trigger Lock Latch	
7	TU14640	Lint Door Kickplate	
8	SB-00949-0	Kickplate Fastener	

# Gear Motor Rear View



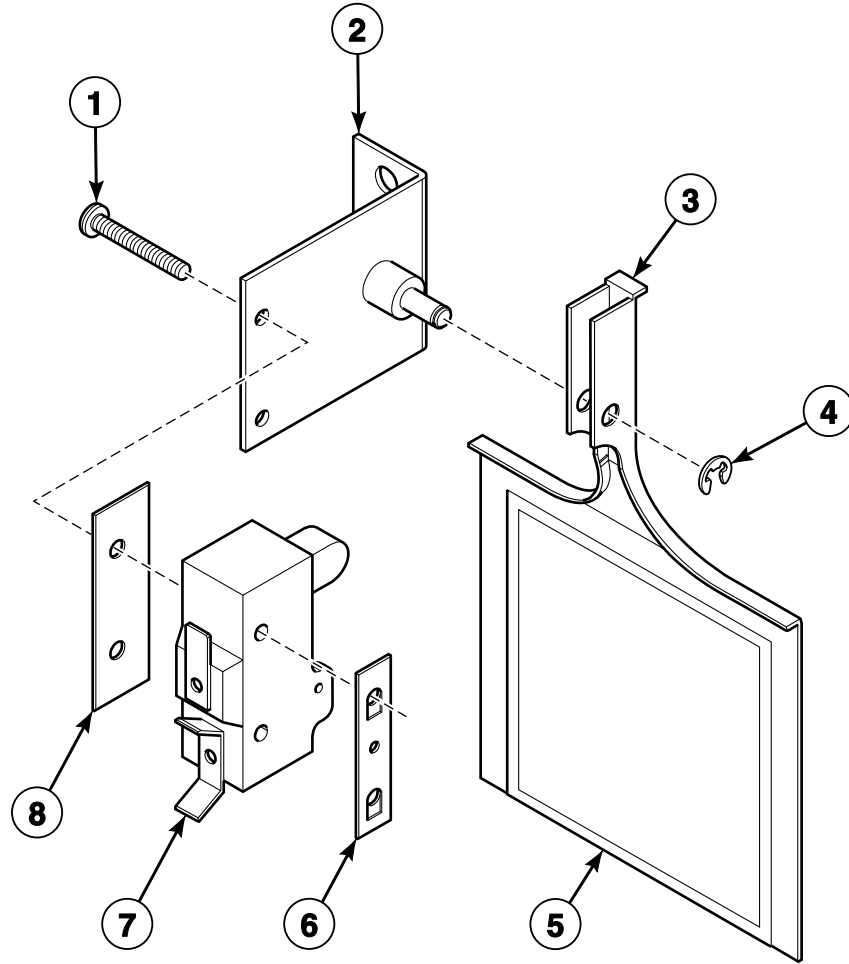
TMB2826P\_D1027

## Gear Motor Rear View

REF	PART NO.	DESCRIPTION	COMMENTS
	503661	Screw	Use with item 16
	TU2833	Bushing	For motor pulley
1	N/A	Air Switch Cover Plate	Steam only
2	TU2372	Snap Bushing	
3	TUX415	Air Switch Cover	
4	TU7733	Screw	No. 8-18 x 1/2 inch; Self-tap; Package of 6
5	TU8206	Air Switch Kit	
6	TU2881	Nut	5/8-18; Hex
7	TUX575	Adjustment Rod Weldment	
8	N/A	Screw	5/8-11 x 2 3/4 inch long
9	TUX329	Washer	5/8 inch; Flat
10	TU16016	Pillow Block Bearing	2 inch
11	TUX594P	Gearbox	2 hp
12	N/A	Pulley	3B86; 60 cycle
	N/A	Pulley	3B80; 50 cycle
13	N/A	Bushing	SK2
14	N/A	Key	1/2 inch square
15	TU16091	Belt	BX47; 60 cycle
	TU16085	Belt	BX46; 50 cycle
16	N/A	Belt Guard	
17	N/A	Bushing	SH1-3/8
18	TU16042	Sheave	3B44
19	N/A	Screw	7/16-14 x 1 1/4 inch long
20	N/A	Washer	7/16 inch; Lock
21	N/A	Washer	7/16 inch; Flat
22	N/A	Nut	5/8-11; Hex
23	TU3418	Washer	5/8 inch; Lock
24	7010P	Rotation Sensor Kit	
25	FR244	Screw	No. 10-32; Thumb
26	TU4820	Washer	3/16 inch; Flat
27	N/A	Rotation Sensor Bracket	

**N/A = Part no longer available**

# Air Switch Assembly

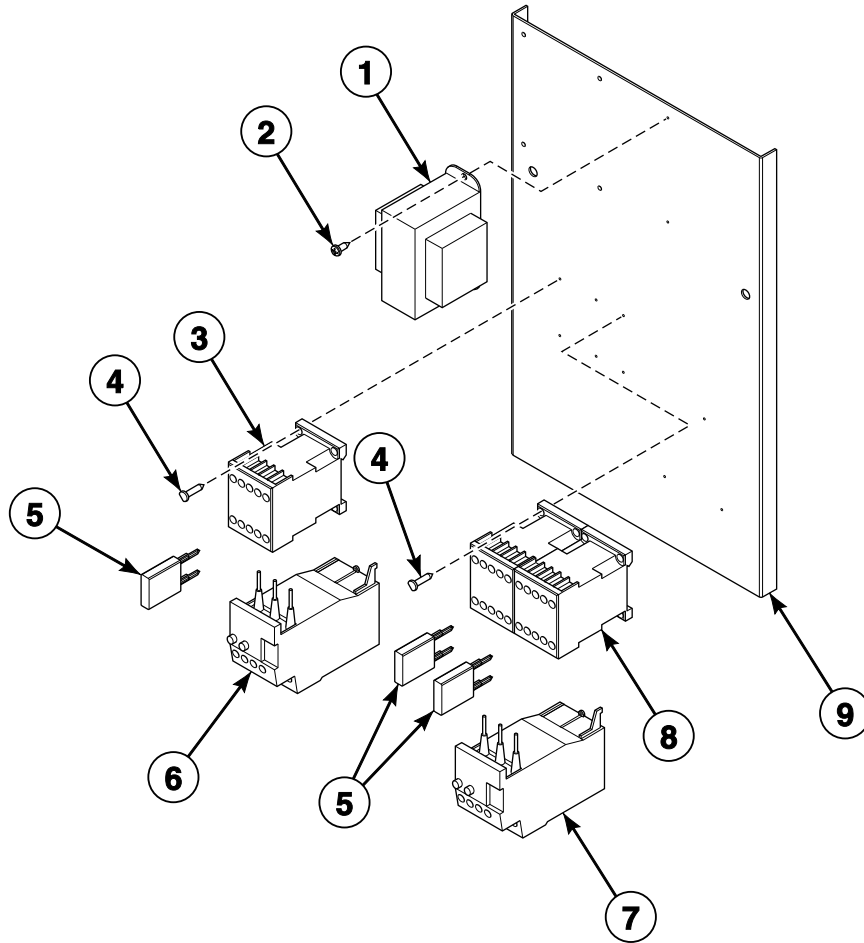


TMB2433P\_D1027

# Air Switch Assembly

REF	PART NO.	DESCRIPTION	COMMENTS
	TU8206	Air Switch Kit	
	TU7733	Screw	No. 8
1	TU3219	Screw	No. 6
2	TU8171	Air Switch Mounting Bracket	
3	TU2463	Actuator Arm	
4	F888	E-Ring	
5	TU3476	Label	
6	TU1771	Nut	No. 6; Tinnerman
7	TU14482	Microswitch	
8	TU1770	Air Switch Insulator	

# Rear Motor Control Assembly



TMB2890P\_D1027

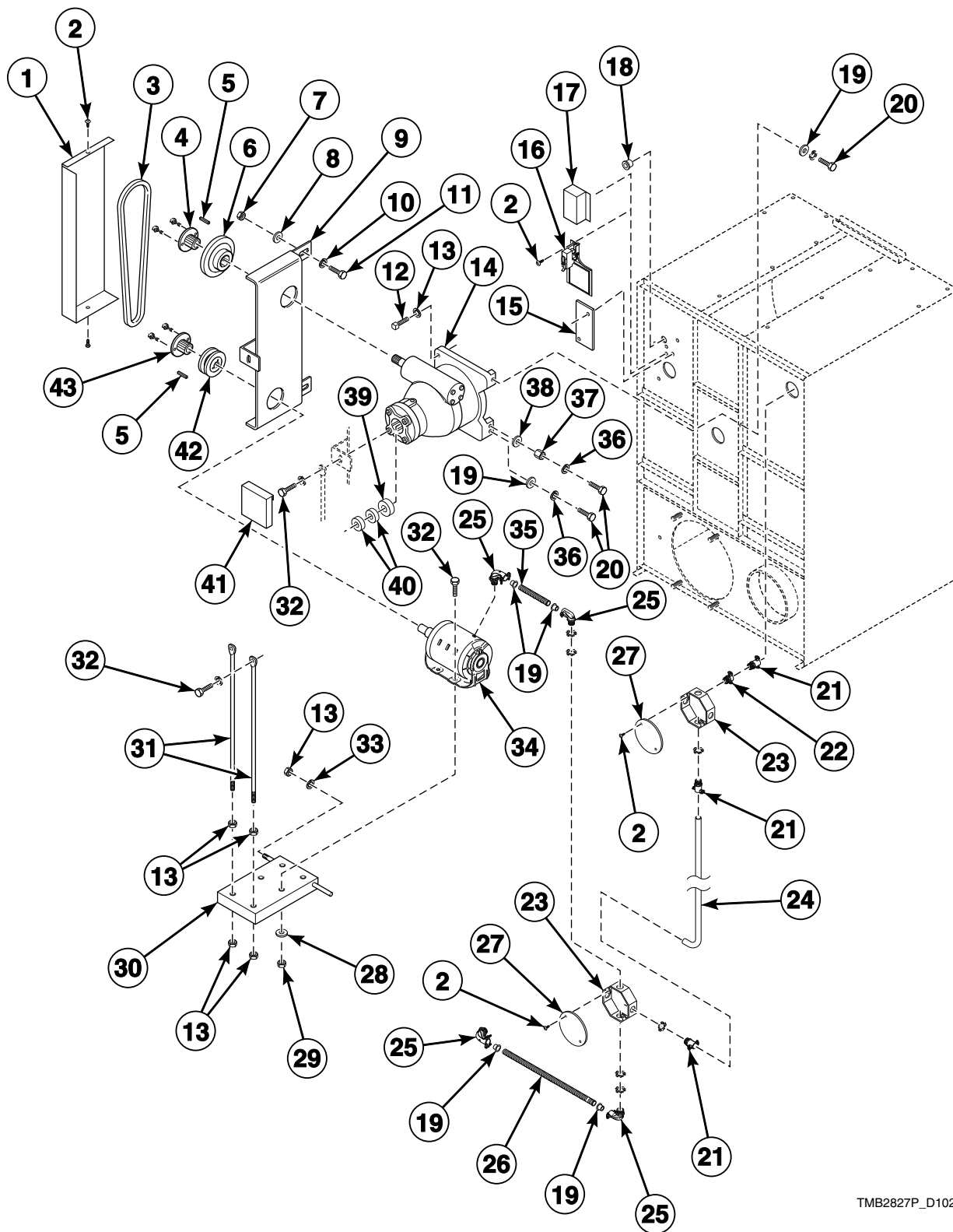


## Rear Motor Control Assembly

REF	PART NO.	DESCRIPTION	COMMENTS
1	TU13802P	Transformer	115, 208, 230 or 460 Volt; 24 Volt; 60 or 75VA
	N/A	Transformer	575 Volt; 24 Volt; 60VA
2	TU7733	Screw	No. 8; Self-drilling
3	TU13516	Contactator	24 VAC; IEC; 12 Amp; With auxiliary
4	N/A	Screw	No. 8
5	TU14825	Surge Suppressor	
6	TU15592	Overload	2.8-4 Amp
	TU15898	Overload	3.5-5.0 Amp
	TU16034	Overload	7-10 Amp
7	TU16101	Overload	4.5-6.3 Amp
	TU15962	Overload	2.2-3.2 Amp
8	EA-00685-0P	Reversing Contactator	3 pole; 24 Volt coil; 12 Amp
9	TU13700	Motor Control Panel Plate	

**N/A = Part no longer available**

# TM200 Gear Reducer - Rear View



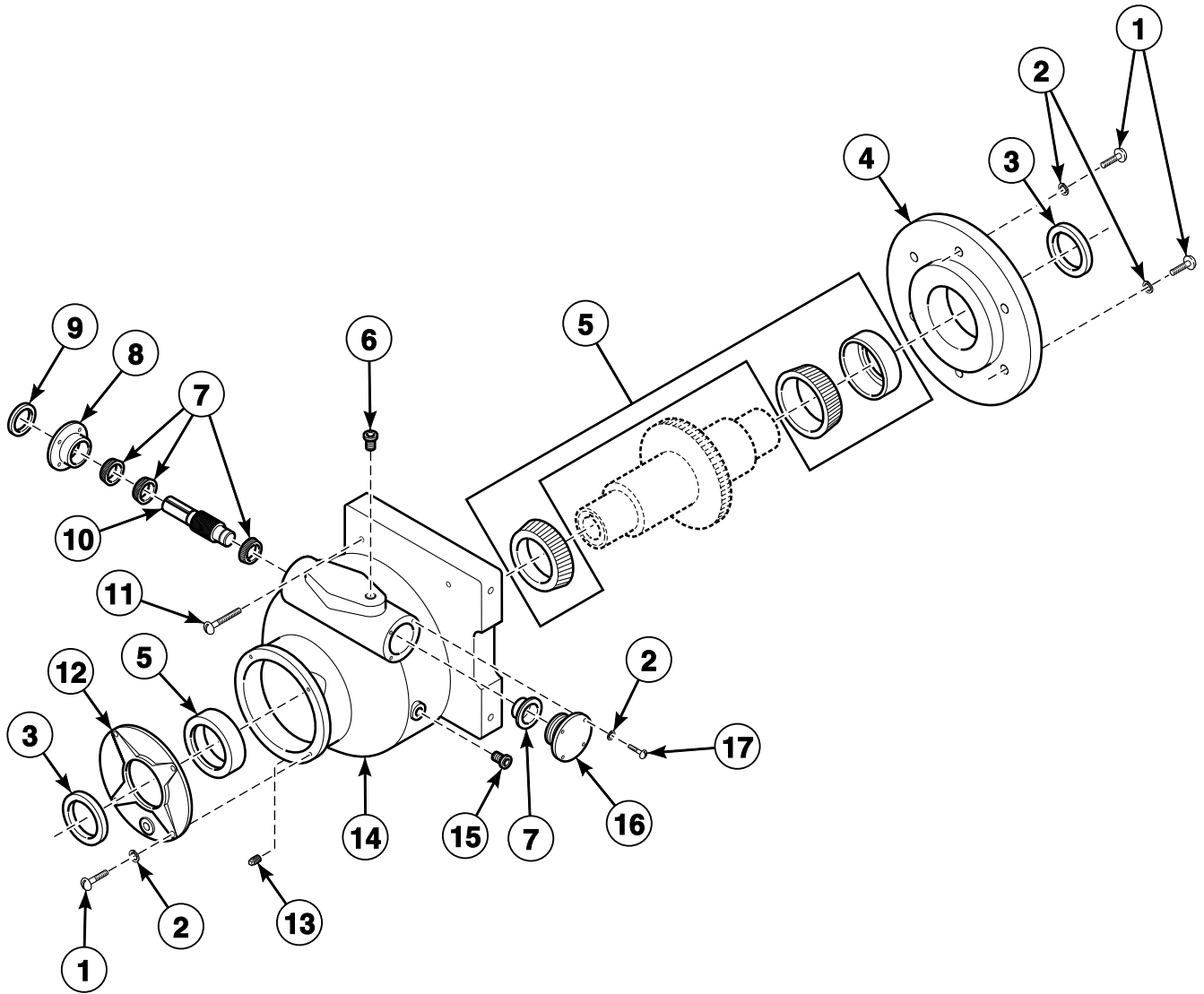
TMB2827P\_D1027

## TM200 Gear Reducer - Rear View

REF	PART NO.	DESCRIPTION	COMMENTS
1	TU14092	Rear Guard Cover Plate	
2	TU7733	Screw	No. 8-18 x 1/2 inch; Self-tap; Package of 6
3	TU2363	Belt	V; 5L500
4	TU3807	Sheave Bushing	
5	TU4684	Key	2 each
6	TU9663	Sheave	50 or 60 Hertz
7	20275	Nut	1/4 inch - 20 x 7/16 inch; Hex; Package of 6
8	03189	Washer	1/4 inch; Split lock; Package of 6
9	TU9615	Belt Guard Weldment Assembly	
10	TU2847	Washer	1/4 inch; Flat; Package of 6
11	FB189	Screw	1/4 inch - 20 x 1 inch; Hex head
12	TU5312	Screw	3/8 inch - 16 x 3 inch; Square head set
13	TU4787	Nut	3/8 inch - 16; Hex; Package of 6
14	TM200P	Gear Reducer	
15	N/A	Air Switch Cover Plate	Steam only
16	TU8206	Air Switch Kit	
17	TUX415	Air Switch Cover	
18	TU2372	Snap Bushing	
19	TU1851	Washer	1/2 inch; Flat
20	TU2195	Screw	1/2 inch - 13 x 1 3/4 inch; Hex head cap; Package of 6
21	N/A	Straight Connector	3/4 inch; 2 each
22	N/A	Straight Connector	1/2 inch; 2 each
23	500300644	Junction Box	2 required
24	N/A	Back Motor Conduit	
25	TU4791	Angle Connector	90 degrees
26	CFB2100	Cable	1/2 inch; 21 inches long; Greenfield
27	SB170	Junction Box Cover	2 required
28	M400013	Washer	5/16 inch; Split lock; Package of 6
29	70142	Nut	5/16 inch - 18; Hex; Package of 6
30	TU4626	Basket Motor Mount	
31	TU5328	Belt Adjusting Rod	
32	M400057	Screw	5/16 inch - 18 x 3/4 inch; Hex head cap; Package of 6
33	VSB134	Washer	3/8 inch; Split lock; Package of 6
34	MTR100	Motor	1 1/2 hp; 600 Volt/60 Hertz/3 Phase
	MTR304P	Motor	1 1/2 hp; 208-480 Volt/50 or 60 Hertz/3 Phase
35	N/A	Cable	1/2 inch; 10 inches long; Greenfield
36	TU2831	Washer	1/2 inch; Split lock; Package of 6
37	TU455	Nut	Cam adjustment
38	TU3575	Washer	7/8 inch; Internal tooth lock
39	TU6633	Washer	Basket shaft
40	TU470	Nut	1 3/8 inch-12; Hex
41	TU7517	Basket Shaft Cover	C only
42	TU9751	Sheave	60 Hertz; Motor
	TU6081	Sheave	50 Hertz; Motor
43	F280214	Motor Bushing	

N/A = Part no longer available

# TM200 Large Gear Reducer with Bronze Teeth



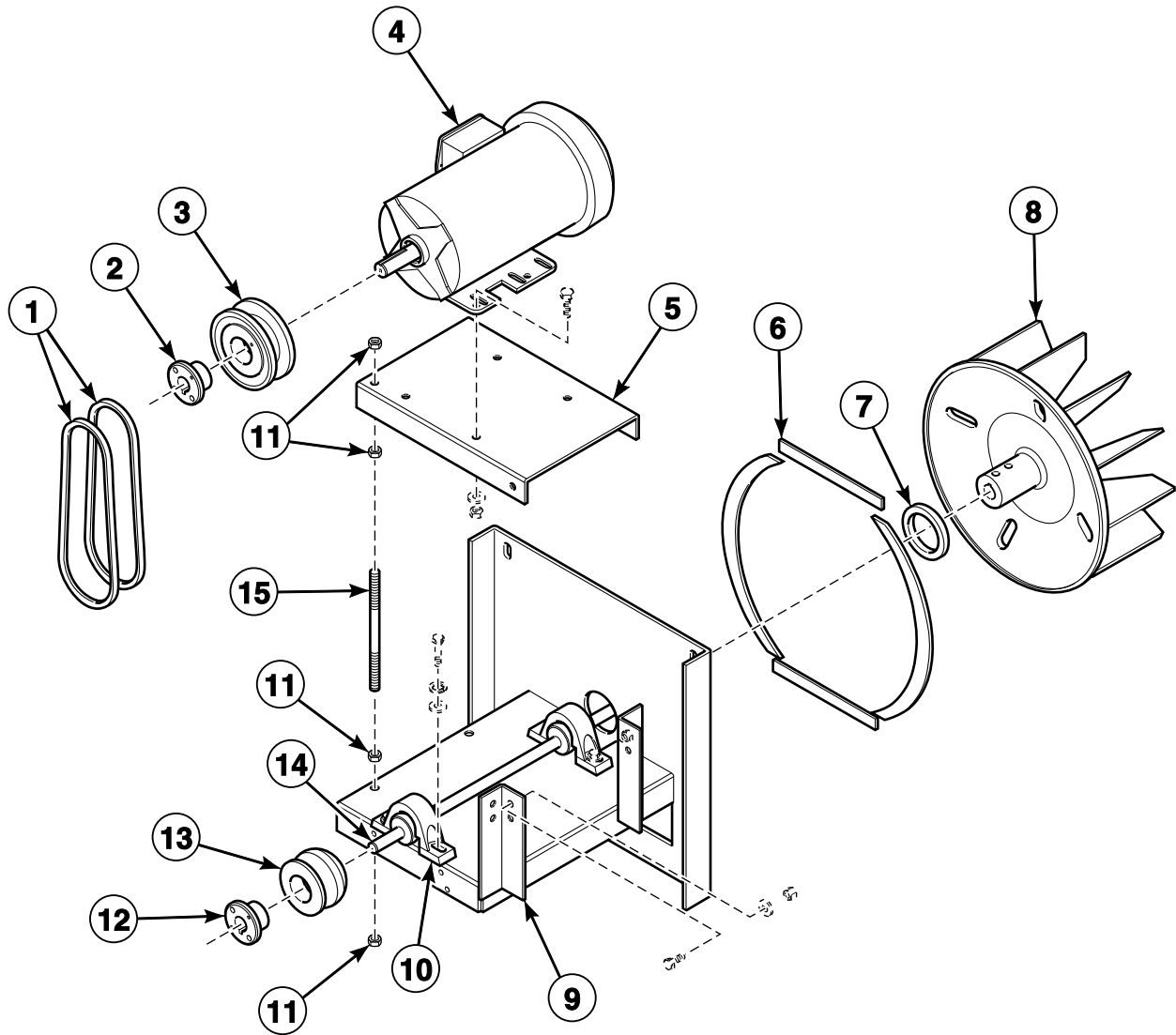
TMB2439P\_D1027

## TM200 Large Gear Reducer with Bronze Teeth

REF	PART NO.	DESCRIPTION	COMMENTS
	27243P	Transmission Oil	Cissell; 1 pint
1	IB139	Screw	3/8 inch - 16 x 1 1/4 inch; Cap
2	VSB134	Washer	3/8 inch; Split lock; Package of 6
3	TM220	Large Klozure	
4	TM211	Large End Cap	10 1/2 diameter
5	TM217	Large Bearing Cone and Cup	
6	N/A	Vent Plug	1/4 inch
7	TM208	Small Bearing Cone and Cup	
8	TM205	Small Open End Cap	
9	TM204	Small Klozure	
10	TM225P	Worm and Gear	For TM200 only; Sold as set
11	TU5312	Screw	3/8 inch x 3 inch; Set
12	TM212	Small End Cap	6 3/4 diameter
13	TM221	Pipe Plug	1/4 inch
14	N/A	Housing	
15	K474	Oil Level Kit	
16	N/A	Small Closed End Cap	
17	TU3246	Screw	3/8 inch - 16 x 1 inch; Cap; Package of 6

**N/A = Part no longer available**

# Fan Assembly



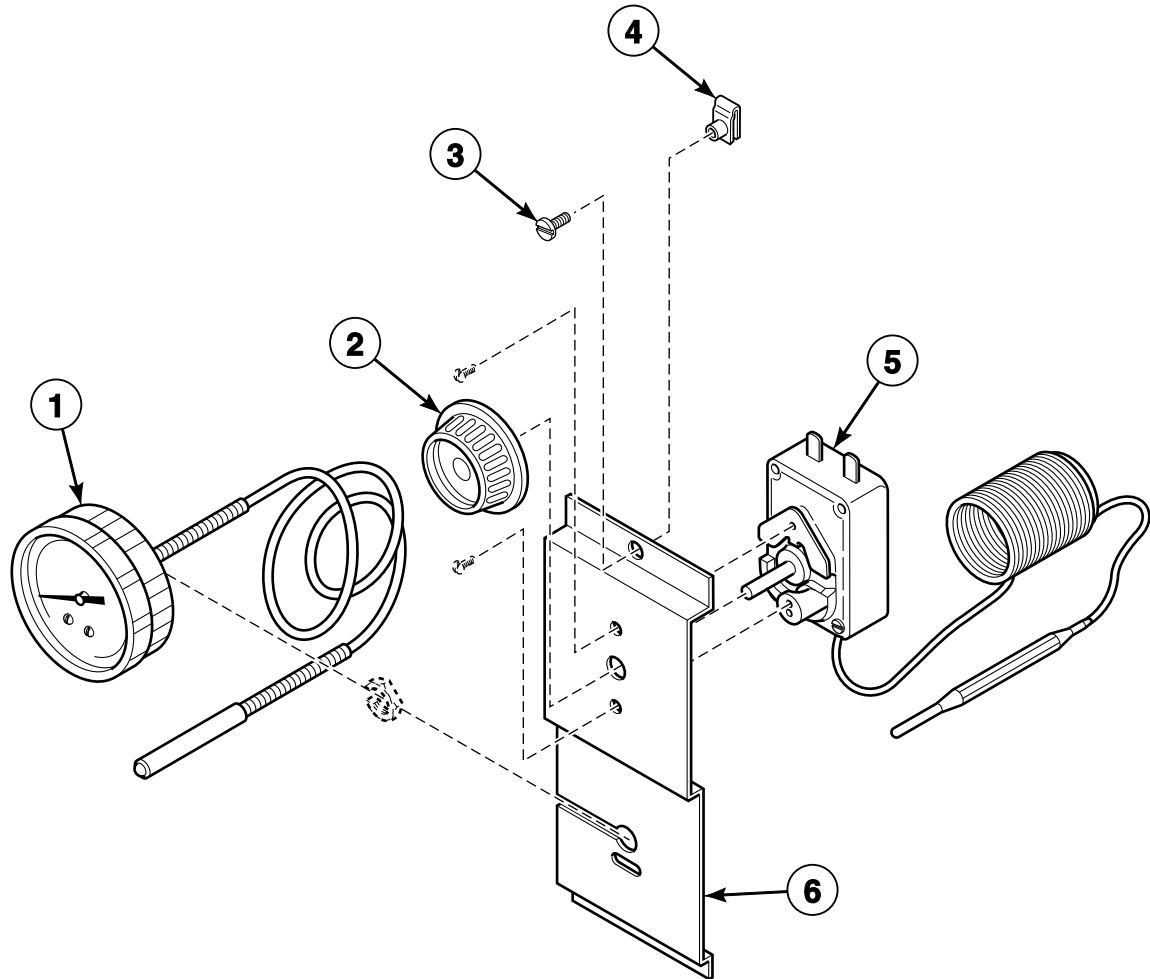
TMB2891P\_D1027

## Fan Assembly

REF	PART NO.	DESCRIPTION	COMMENTS
1	TU3393	Belt	V
2	TU6723	Lock Bushing	1 1/8 inch
3	TU2008	Sheave	4.6
4	MTR318	Motor	3 hp
5	TU4706	Motor Mount Plate	
6	TU2473	Motor Mount Gasket	Set
7	TU108	Gasket	
8	TU6086	Fan	
9	TU5659	Motor Mount	
10	TU16035P	Collar Lock Bearing	3/4 inch
11	TU4787	Nut	3/8-16; Hex head
12	TU3807	Sheave Bushing	3/4 inch
13	TU2009	Sheave	3.9; 60 cycle
	N/A	Sheave	3.4; 50 cycle
14	TU1693	Jack Shaft	3/4 inch
15	TU1950	Motor Support Rod	

**N/A = Part no longer available**

# Thermostat Assembly - 2 Timer



TMB2425P\_D1027

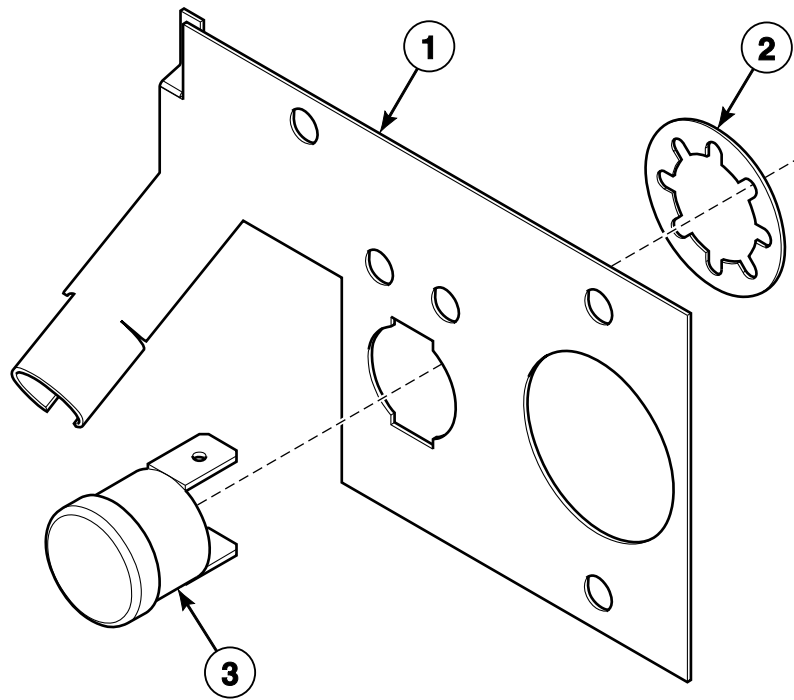


## Thermostat Assembly - 2 Timer

REF	PART NO.	DESCRIPTION	COMMENTS
	TU6030	Temperature Control Assembly	
<b>1</b>	TU3593	Thermometer	
	TU3816	Lens	Texas Gage
	N/A	Lens Replacement	Marshalltown Inst.
	N/A	Lens Replacement	Weiss - consult factory
	TU13213	Lens	Weiss - consult factory
<b>2</b>	TU490	Thermostat Knob	Fahrenheit
	TU491	Thermostat Knob	Centigrade
<b>3</b>	TU3209	Screw	No. 14 x 5/8 inch
<b>4</b>	TU7848	Nut	No. 14; Tinnerman clip
<b>5</b>	TU1980P	Thermostat	
<b>6</b>	TU5530	Mounting Bracket	

**N/A = Part no longer available**

## 2 Timer Sensor Assembly

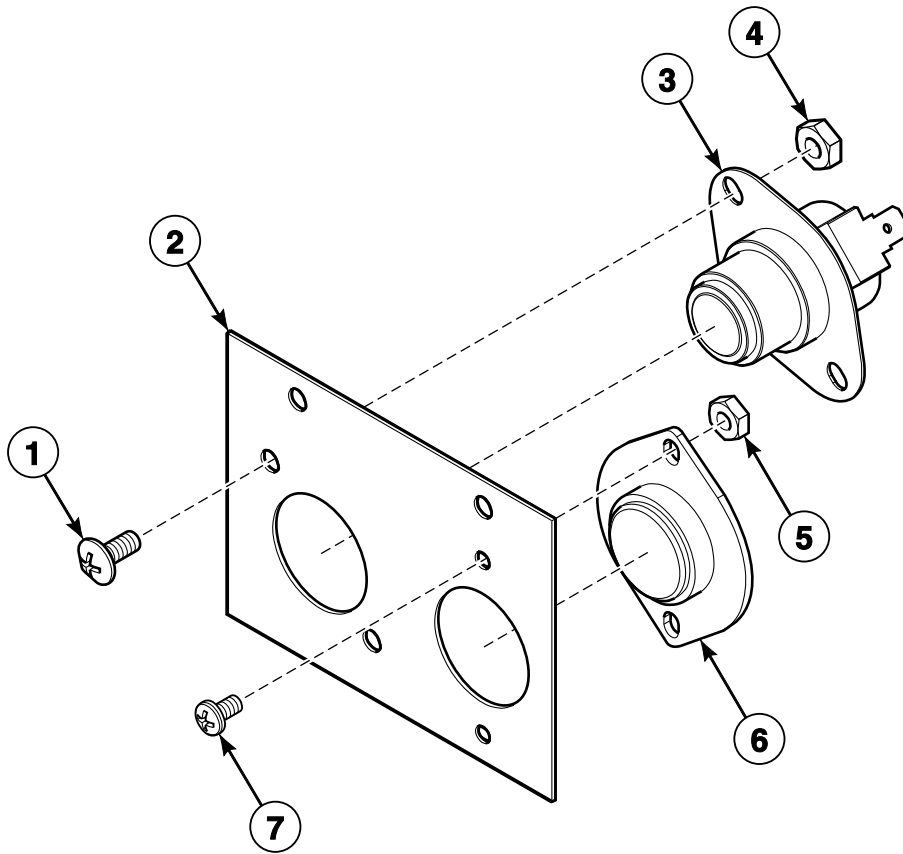


TMB2429P\_D1027

## 2 Timer Sensor Assembly

REF	PART NO.	DESCRIPTION	COMMENTS
	TU6029	Thermostat Assembly	
1	TU2486	Thermostat Mounting Bracket	
2	TU3801	Nut	No. C18784-010-4; Speed
3	TU2477	Thermostat	No. AR594

# DMP Sensor Assembly

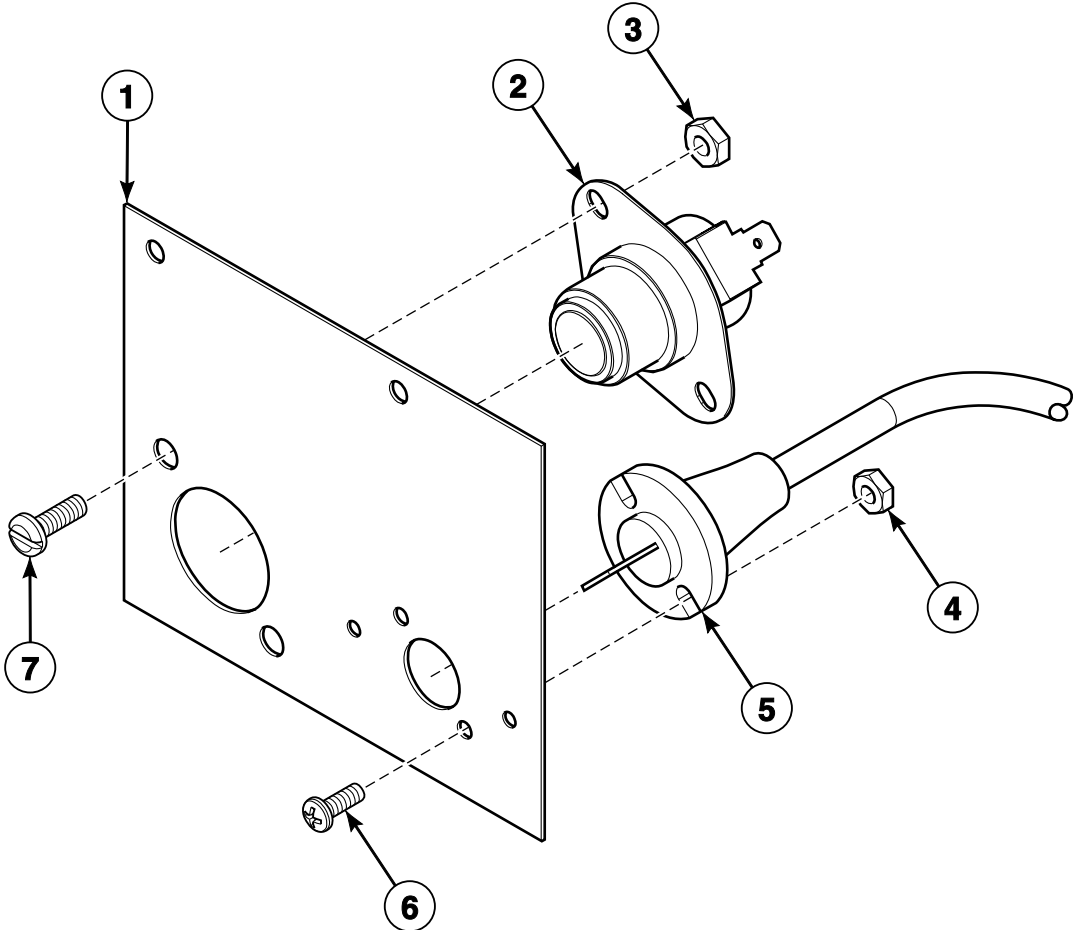


TMB2428P\_D1027

# DMP Sensor Assembly

REF	PART NO.	DESCRIPTION	COMMENTS
	TU15538	Thermostat and Bracket Assembly	
1	M262	Screw	No. 8-32
2	TU15537	Thermostat Bracket	
3	EA-00411-0	Temperature Switch	220 degrees
4	TU3266	Nut	No. 8-32; Hex; Brass
5	TU3400	Nut	No. 6-32; Hex; Brass
6	TU11991K	Thermistor Kit	
7	M400072	Screw	No. 6-32

# Pro Sensor Assembly



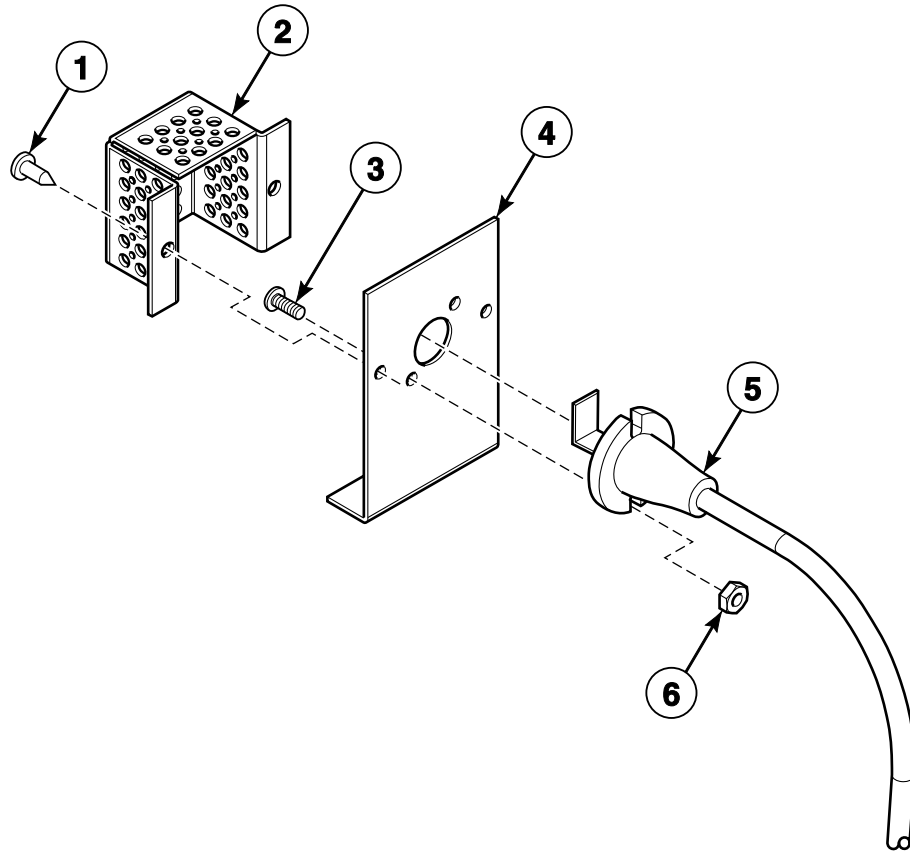
TMB2430P\_D1027

# Pro Sensor Assembly

REF	PART NO.	DESCRIPTION	COMMENTS
1	N/A	Thermostat	
2	EA-00411-0	Temperature Switch	220 degrees
3	TU3266	Nut	No. 8-32; Hex
4	TU3400	Nut	No. 6-32; Hex
5	254/00072/10	Temperature Sensor	
6	SB-00952-0	Screw	No. 6-32 x 3/8; Pan head
7	SB-00828-0	Screw	No. 8-32 x 1/2; Machine pan head

**N/A = Part no longer available**

# ProHC Sensor Assembly - Upper Assembly



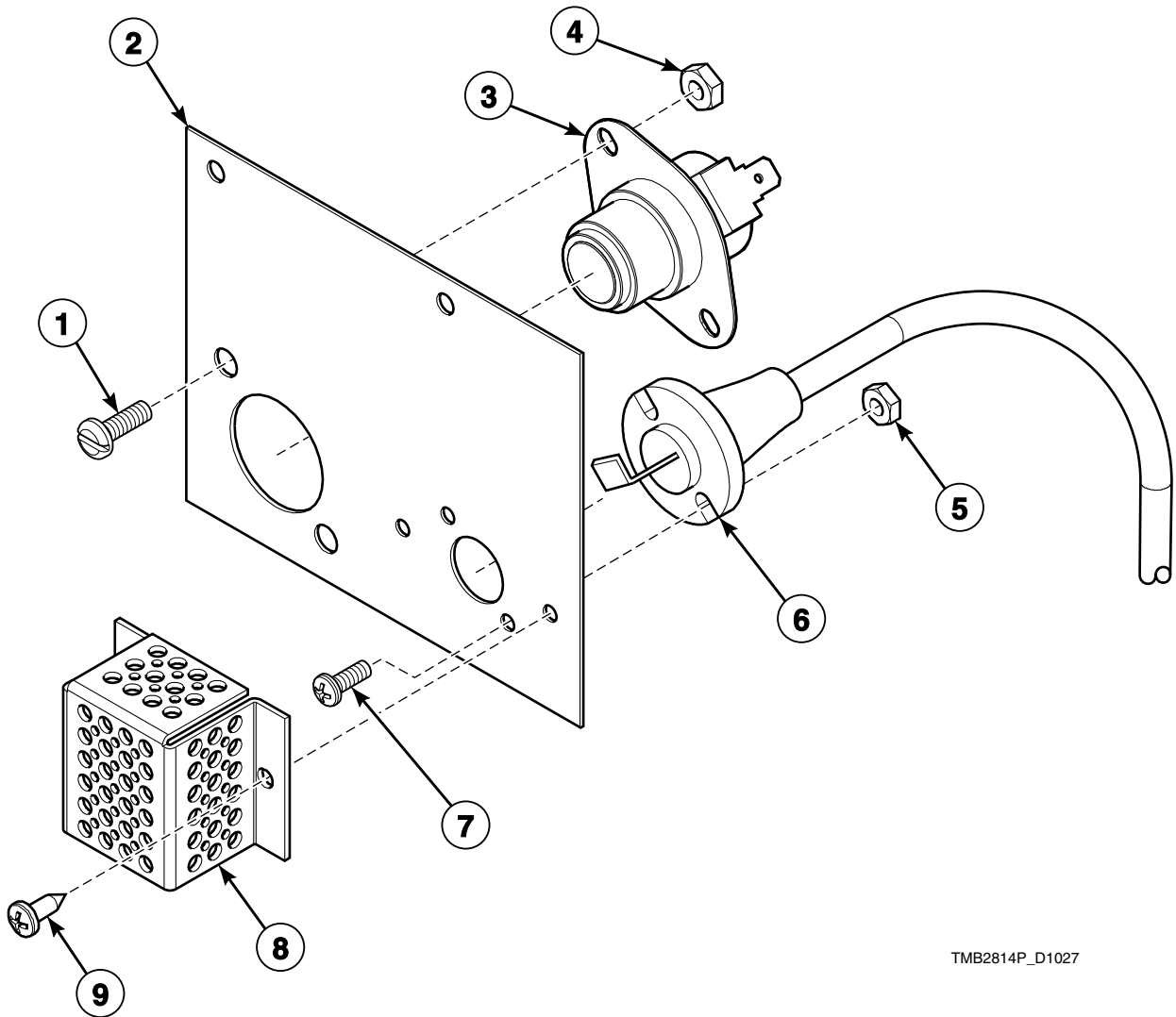
TMB2431P\_D1027



## ProHC Sensor Assembly - Upper Assembly

REF	PART NO.	DESCRIPTION	COMMENTS
	TU14724	ProHC Upper Sensor Assembly	
1	TU7733	Screw	No. 8-18 x 1/2 inch long; Self-drill
2	TU14694	Probe Cover Plate	
3	SB-00952-0	Screw	No. 6-32 x 3/8 inch long
4	TU14693	Upper Probe Mounting Plate	
5	254/00071/10	Temperature and Humidity Sensor	
6	TU3400	Nut	No. 6-32

# ProHC Sensor Assembly - Lower Assembly

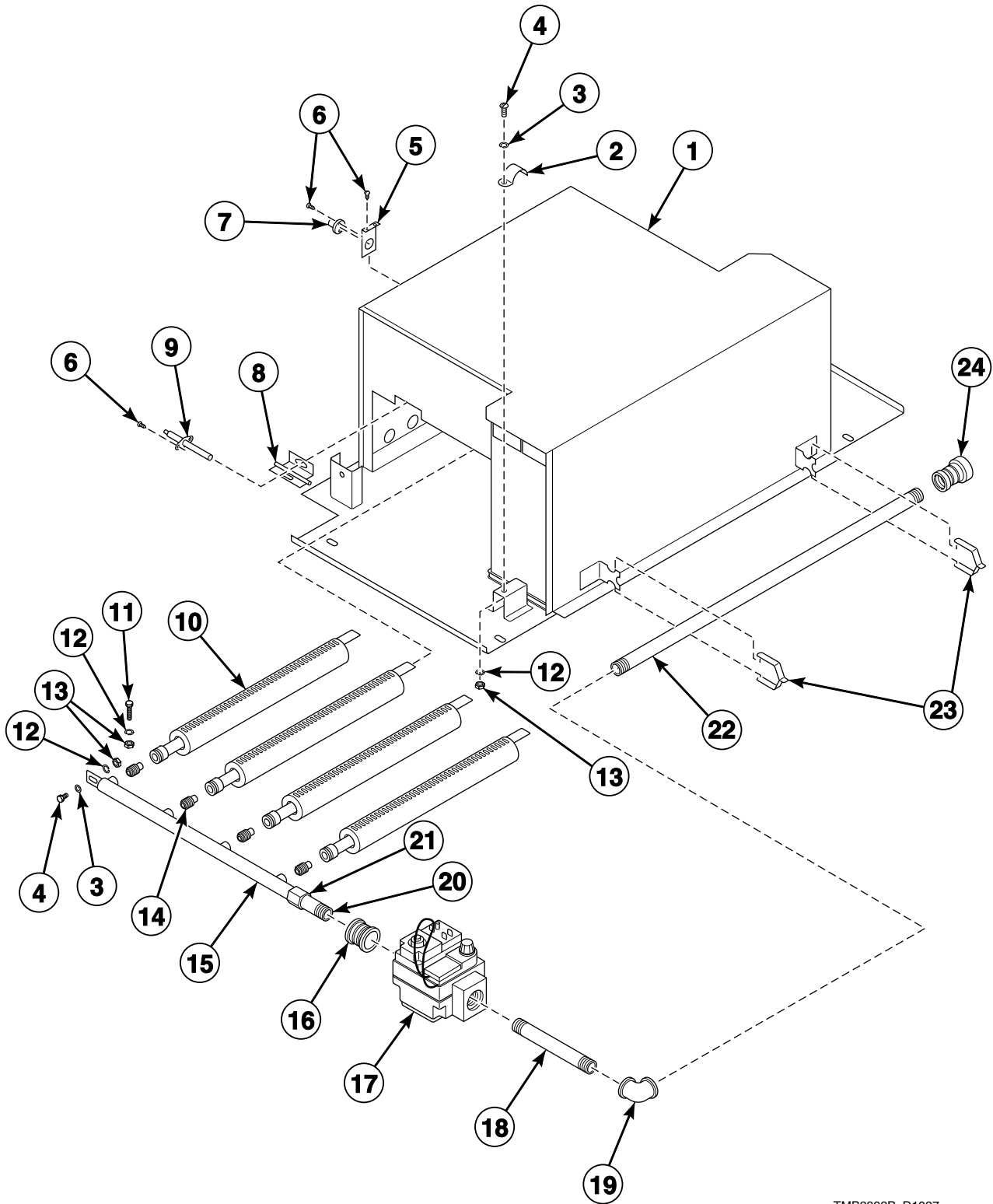


TMB2814P\_D1027

## ProHC Sensor Assembly - Lower Assembly

REF	PART NO.	DESCRIPTION	COMMENTS
	TU14723	Lower Sensor Assembly	
1	SB-00828-0	Screw	No. 8-32 x 1/2 inch long; Machine
2	CA-13067-0	Sensor Bracket	
3	EA-00411-0	Temperature Switch	220 degrees
4	TU3266	Nut	No. 8-32; Hex; Brass
5	TU3400	Nut	No. 6-32; Hex; Brass
6	254/00071/10	Temperature and Humidity Sensor	
7	SB-00952-0	Screw	No. 6-32 x 3/8 inch long
8	TU14694	Probe Cover Plate	
9	TU7733	Screw	No. 8-18 x 1/2 inch long; Self-drill

# Gas Bonnet Assembly



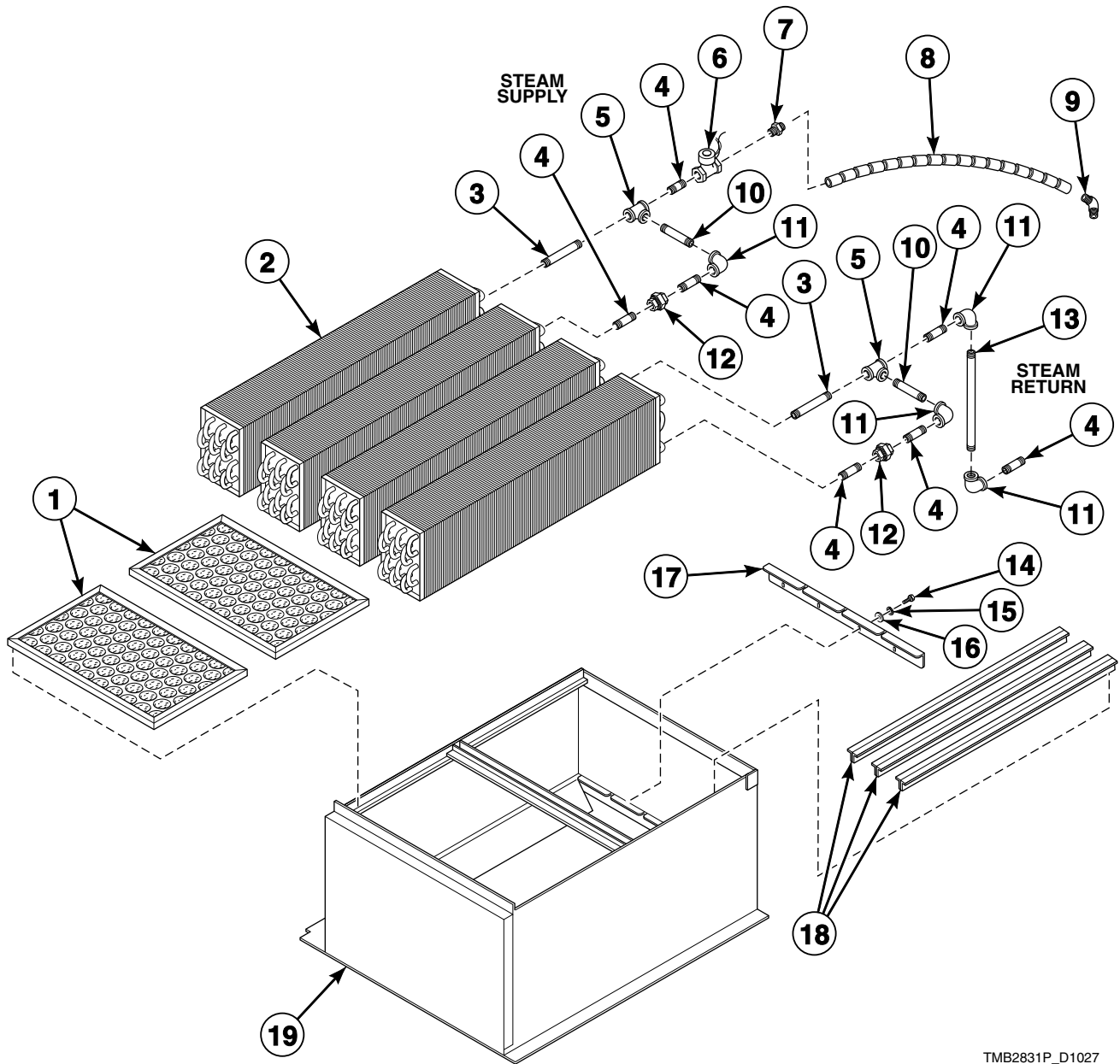
TMB2892P\_D1027

# Gas Bonnet Assembly

REF	PART NO.	DESCRIPTION	COMMENTS
	GA-00765-0P	Igniter	
	GA-11007-0P	Igniter Module	
	GA-00803-0	Suppression Lead	
1	TU13613	Bonnet	
2	PT196	Strap	3/4 inch
3	TU2847	Washer	1/4 inch; Flat
4	RC344	Screw	1/4 inch - 20 x 3/4 inch; Hex head
5	TU13695	Bonnet Thermostat Mounting Bracket	
6	TU7733	Screw	No. 8-18 x 1/2 inch; Self-drill
7	TU13678	Thermostat	300 degrees; Manual reset
8	TU13647	Mounting Bracket	
9	GA-00764-0P	Electrode	Direct spark ignition
10	TUX387	Burner Weldment Assembly	BSI
11	02422	Screw	1/4 inch - 20 x 1/2 inch; Hex head
12	03189	Washer	1/4 inch; Lock
13	20275	Nut	1/4 inch - 20; Hex
14	TU3539	Burner Orifice	3 required
15	N/A	Gas Manifold	
16	OP267	Bushing	3/4 inch x 1/2 inch; Steel
17	TUX352P	Gas Valve	Natural Gas (N.G.); 3/4 inch
	TUX435	Gas Valve	Liquid Petroleum Gas (L.P.); 3/4 inch
18	TU4606	Nipple	3/4 inch x 4 inch
19	TU4605	Elbow	3/4 inch
20	664946146	Pipe	
21	TU6862	Nut	Gas manifold
22	TU13823	Nipple	3/4 inch x 36 inch
23	TU2226	Manifold Mounting Bracket Assembly	
24	TU2735	Pipe Reducer	

**N/A = Part no longer available**

# Steam Bonnet Assembly



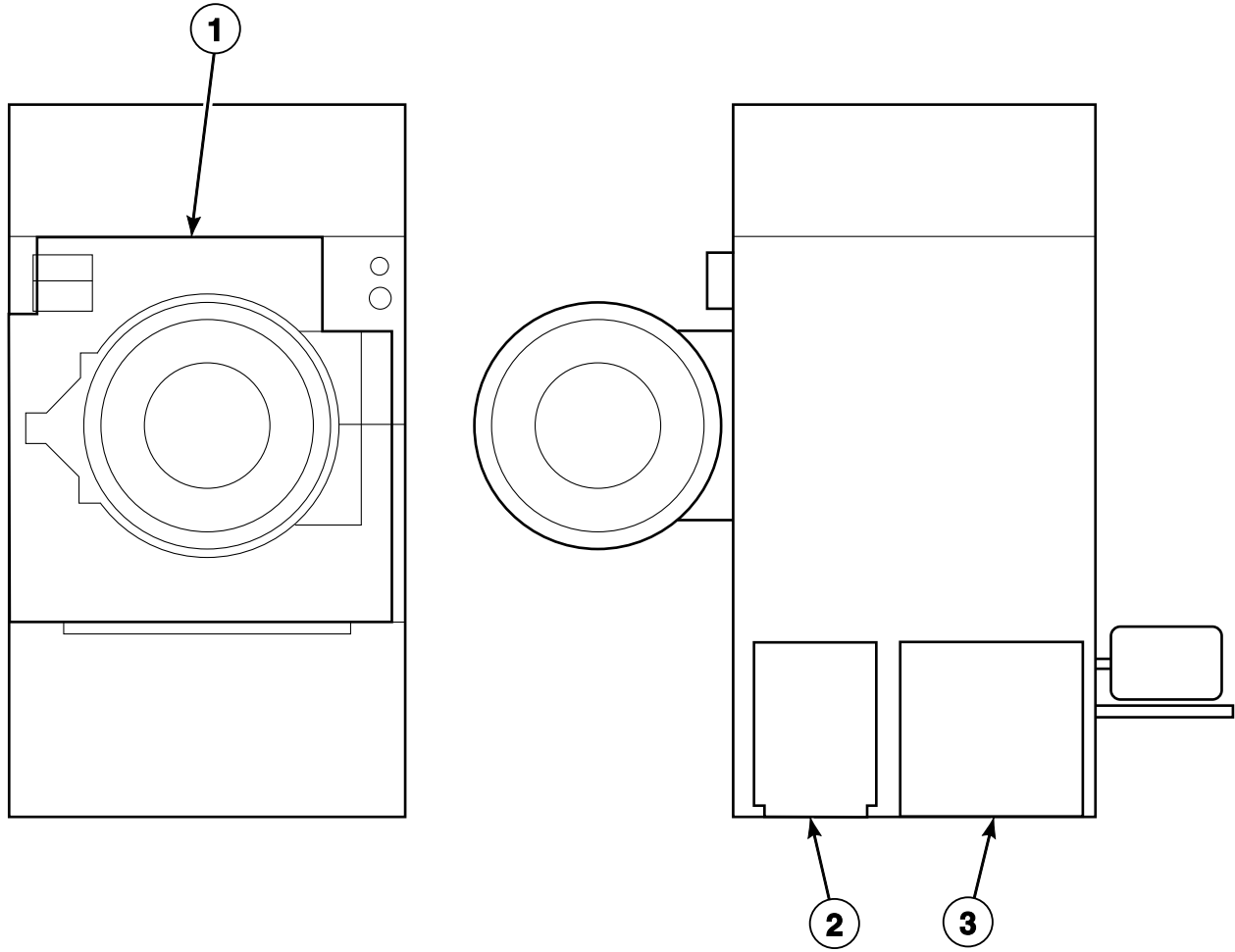
TMB2831P\_D1027

## Steam Bonnet Assembly

REF	PART NO.	DESCRIPTION	COMMENTS
1	TU9953	Air Filter	20 inch x 24 inch x 1 inch
2	TU1699P	Coil	
3	H85101673	Pipe Nipple	Pipe; 3/4 inch x 5 inch
4	M411417	Pipe Nipple	Pipe; 3/4 inch x 2 inch
5	TU4597	Tee	3/4 inch
6	TU13517P	Steam Solenoid Valve	24 Volt
7	TU4790	Connector	
8	CFB7600	Cable	1/2 inch; 72 inches; Right side; Greenfield
	CFB8800	Cable	1/2 inch; 88 inches; Left side; Greenfield
9	TU4791	Angle Connector	90 degrees
10	TU4620	Nipple	Pipe; 3/4 inch x 4 1/2 inch
11	TU4605	Elbow	3/4 inch
12	M411419	Pipe Union	3/4 inch
13	TU4599	Nipple	Pipe; 3/4 inch x 18 inch
14	02422	Screw	1/4 inch - 20 x 1/2 inch; Hex; Package of 6
15	03189	Washer	1/4 inch; Split lock; Package of 6
16	TU2847	Washer	Flat; Package of 6
17	TU9890	Coil Bracket	
18	TU9889	Coil Support Angle	
19	N/A	Steam Bonnet Weldment	

**N/A = Part no longer available**

# Insulation Placement



TMB2893P\_D1027



# Insulation Placement

REF	PART NO.	DESCRIPTION	COMMENTS
1	N/A	Front Panel Insulation	Set
2	N/A	Insulation	
3	N/A	Insulation	

N/A = Part no longer available



# Parts Index

## A

Access Door Weldment Assembly TU14622WHT .....	15
Actuator Arm TU2463 .....	21
Adjustment Rod Weldment TUX575 .....	19
Air Filter TU9953 .....	45
Air Switch Cover TUX415 .....	19, 25
Air Switch Insulator TU1770 .....	21
Air Switch Kit TU8206 .....	19, 21, 25
Air Switch Mounting Bracket TU8171 .....	21
Angle Connector TU4791 .....	25, 45

## B

Basket TU9609 .....	13
Basket Assembly Kit K325 .....	13
Basket Motor Mount TU4626 .....	25
Basket Shaft Cover TU7517 .....	25
Belt TU16085 .....	19
TU16091 .....	19
TU2363 .....	25
TU3393 .....	29
Belt Adjusting Rod TU5328 .....	25
Belt Guard Weldment Assembly TU9615 .....	25
Bonnet TU13613 .....	43
Bonnet Thermostat Mounting Bracket TU13695 .....	43
Burner Orifice TU3539 .....	43
Burner Weldment Assembly TUX387 .....	43
Bushing OP267 .....	43
TU2833 .....	19
Button Plug TU15724 .....	5, 7, 9
Buzzer TU14137 .....	7

## C

Cable CFB2100 .....	25
CFB7600 .....	45
CFB8800 .....	45
Clean Lint Screen Label TU15410 .....	17
Coil TU1699P .....	45
Coil Bracket TU9890 .....	45
Coil Support Angle TU9889 .....	45
Collar Lock Bearing TU16035P .....	29
Connector TU4790 .....	45
Contactors TU13516 .....	23
Control Board 254/00070/00P .....	9
Control Cover Assembly TU14442WHT .....	9
Control Door Gasket CA-13098-0 .....	15
Control Label 254/00018/00 .....	9
Control Panel Cover Plate TU14727WHT .....	9
Control Panel Weldment Assembly TU15406WHT .....	5
Controller TU14404P .....	7

## D

Decal TU14662 .....	15
DMP Control Panel Weldment Assembly TU14469WHT .....	7
Door Basket TU14467WHT .....	11
Door Gasket TU15966 .....	11
Door Glass TU15107P .....	11
Door Latch TUA2319H .....	11
Door Latch Spacer TU5503 .....	11
Door Seal TU5288P .....	11

N/A items do not appear in index.

---

**E**

Elbow	
TU4605 .....	43, 45
Electrode	
GA-00764-0P .....	43
Emergency Stop Button Kit	
TU14435 .....	5, 7, 9
E-Ring	
F888 .....	21

---

**F**

Fan	
TU6086 .....	29
Front Panel Assembly	
TU15448WHT .....	11
Front Panel Cover Plate	
TU15525WHT .....	11

---

**G**

Gas Valve	
TUX352P .....	43
TUX435 .....	43
Gasket	
TU108 .....	29
Gasket Kit	
K118 .....	13
Gear Reducer	
TM200P .....	25
Gearbox	
TUX594P .....	19

---

**H**

Hinge Bushing	
PIF172 .....	11
Hinge Post	
TU2236 .....	11

---

**I**

Igniter	
GA-00765-0P .....	43
Igniter Module	
GA-11007-0P .....	43

---

**J**

Jack Shaft	
TU1693 .....	29
Junction Box	
500300644 .....	25
Junction Box Cover	
SB170 .....	25

---

**K**

Key	
TUX454 .....	13
TU4684 .....	25
TU9975 .....	13
Kickplate Fastener	
SB-00949-0 .....	17
Knob	
TU2555 .....	5

---

**L**

Label	
TU3476 .....	21
Large Bearing Cone and Cup	
TM217 .....	27
Large End Cap	
TM211 .....	27
Large Klosure	
TM220 .....	27
LED Light Assembly	
TUT316 .....	5
Lens	
TU13213 .....	31
TU3816 .....	31
Lint Door Handle	
TU14529 .....	17
Lint Door Kickplate	
TU14640 .....	17
Lint Door Switch	
EA-11621-0 .....	13
Lint Door Weldment Assembly	
TU14626 .....	17
Lint Screen Housing	
TU10345 .....	13
Lint Screen Kit	
K368 .....	13
Lint Trap Frame Kit	
K121 .....	13
Lock Bushing	
TU6723 .....	29
Lower Sensor Assembly	
TU14723 .....	41

---

**M**

Manifold Mounting Bracket Assembly	
TU2226 .....	43
Membrane Switch	
44037901P .....	7
Microswitch	
TU14482 .....	21
Motor	
MTR100 .....	25
MTR304P .....	25
MTR318 .....	29
Motor Bushing	
F280214 .....	25

N/A items do not appear in index.

Motor Control Panel Plate TU13700 .....	23
Motor Mount TU5659 .....	29
Motor Mount Gasket TU2473 .....	29
Motor Mount Plate TU4706 .....	29
Motor Support Rod TU1950 .....	29
Mounting Bracket TU13647 .....	43
TU5530 .....	31

## N

Nameplate, 2 Timer TU15459 .....	5
Nipple TU13823 .....	43
TU4599 .....	45
TU4606 .....	43
TU4620 .....	45
Nut TU1771 .....	21
TU2881 .....	19
TU3266 .....	35, 37, 41
TU3400 .....	7, 9, 35, 37, 39, 41
TU3801 .....	33
TU3805 .....	5
TU455 .....	25
TU470 .....	25
TU4787 .....	25, 29
TU6862 .....	43
TU7848 .....	31
20275 .....	25, 43
70142 .....	25

## O

Oil Level Kit K474 .....	27
Operating Touchpad 254/00039/00 .....	9
Overload TU15592 .....	23
TU15898 .....	23
TU15962 .....	23
TU16034 .....	23
TU16101 .....	23

## P

Pillow Block Bearing TU16016 .....	19
Pipe 664946146 .....	43
Pipe Nipple H85101673 .....	45
M411417 .....	45
Pipe Plug TM221 .....	27

Pipe Reducer TU2735 .....	43
Pipe Union M411419 .....	45
Probe Cover Plate TU14694 .....	39, 41
ProHC Upper Sensor Assembly TU14724 .....	39
Pushbutton Switch TU9028 .....	5

## R

Rear Guard Cover Plate TU14092 .....	25
Reed Switch Assembly ESA-00862-0P .....	11
Relay F1300P .....	5
Reversing Contactor EA-00685-0P .....	23
Reversing Timer TU12874P .....	5
Rotation Sensor Kit 7010P .....	19
Rubrail Trim TU14530 .....	17

## S

Screw ET208 .....	5
FB189 .....	25
FR244 .....	19
IB139 .....	27
JA-51604 .....	11
M261 .....	9
M262 .....	35
M400057 .....	25
M400072 .....	35
M405188 .....	17
RC344 .....	43
SB-00828-0 .....	37, 41
SB-00951-0 .....	15
SB-00952-0 .....	37, 39, 41
SB-00975-0 .....	11
TU2195 .....	25
TU2687 .....	11
TU2836 .....	11
TU3209 .....	11, 31
TU3219 .....	21
TU3246 .....	27
TU5312 .....	25, 27
TU7733 .....	5, 11, 19, 21, 23, 25, 39, 41, 43
02422 .....	43, 45
503661 .....	19
Sensor Bracket CA-13067-0 .....	41
Sheave TU16042 .....	19
TU2008 .....	29
TU2009 .....	29
TU6081 .....	25

N/A items do not appear in index.

TU9663 .....	25
TU9751 .....	25
Sheave Bushing	
TU3807 .....	25, 29
Small Bearing Cone and Cup	
TM208 .....	27
Small End Cap	
TM212 .....	27
Small Klozure	
TM204 .....	27
Small Open End Cap	
TM205 .....	27
Snap Bushing	
TU2372 .....	19, 25
Spider Assembly	
TU16027 .....	13
Spider Kit	
K321 .....	13
Steam Solenoid Valve	
TU13517P .....	45
Strap	
PT196 .....	43
Support Arm Rod	
TU5739 .....	15
Suppression Lead	
GA-00803-0 .....	43
Surge Suppressor	
TU14825 .....	23

---

## T

Tee	
TU4597 .....	45
Temperature and Humidity Sensor	
254/00071/10 .....	39, 41
Temperature Control Assembly	
TU6030 .....	11, 31
Temperature Nameplate	
TU5458 .....	11
Temperature Sensor	
254/00072/10 .....	37
Temperature Switch	
EA-00411-0 .....	35, 37, 41
Terminal Board	
TU8629 .....	5
Thermistor Kit	
TU11991K .....	35
Thermometer	
TU3593 .....	31
Thermometer Gasket	
TU2641 .....	11
Thermostat	
TU13678 .....	43
TU1980P .....	31
TU2477 .....	33
Thermostat and Bracket Assembly	
TU15538 .....	35
Thermostat Assembly	
TU6029 .....	33
Thermostat Bracket	
TU15537 .....	35

Thermostat Knob	
TU490 .....	31
TU491 .....	31
Thermostat Mounting Bracket	
TU2486 .....	33
Timer	
TU12932P .....	5
TU12933P .....	5
Toggle Switch	
FG147P .....	5
Transformer	
TU13802P .....	23
Transmission Oil	
27243P .....	27
Trigger Lock Latch	
LA-00123-0P .....	17

---

## U

Upper Probe Mounting Plate	
TU14693 .....	39

---

## W

Washer	
F431106 .....	11
M270 .....	7, 9
M400013 .....	25
TUX329 .....	19
TU1851 .....	25
TU2831 .....	25
TU2847 .....	25, 43, 45
TU3418 .....	19
TU3575 .....	25
TU4820 .....	19
TU6633 .....	25
VSB134 .....	25, 27
03189 .....	25, 43, 45
202010 .....	11
Worm and Gear	
TM225P .....	27