

# Washer-Extractor

7, 65, WMA504EP and  
W2106VRVS Models

Refer to Page 5 for Model Numbers





# Table of Contents

Title	Page
Parts Ordering Information.....	4
Serial Plate Location .....	4
Model Identification .....	5
Logo Label - Non-Brand Models .....	6
Upper Frame .....	8
Lower Frame .....	10
Stabilizing Springs - AF Non-Brand, H, HY, IY, LP, NY, SY and UY Models.....	12
Stabilizing Springs - AF, FX, HX, LY, PY, QW, SW and W Models .....	14
Stabilizing Springs - AF, IY, J and NY Models.....	16
Stabilizing Springs - FX and PY Models .....	18
Cabinet - AF Non-Brand, HY, LP, NY, SY and UY Models (Drawing 1 of 2) .....	20
Cabinet - AF Non-Brand, HY, LP, NY, SY and UY Models (Drawing 2 of 2) .....	22
Cabinet - H, IY and WMA Models (Drawing 1 of 2).....	24
Cabinet - H, IY and WMA Models (Drawing 2 of 2).....	26
Cabinet - AF, FX, HX, LY, PY, QW, SW and W Models (Drawing 1 of 2).....	28
Cabinet - AF, FX, HX, LY, PY, QW, SW and W Models (Drawing 2 of 2).....	30
Cabinet - AF, IY, J and NY Models (Drawing 1 of 3).....	32
Cabinet - AF, IY, J and NY Models (Drawing 2 of 3).....	34
Cabinet - AF, IY, J and NY Models (Drawing 3 of 3).....	36
Cabinet - FX and PY Models (Drawing 1 of 2).....	38
Cabinet - FX and PY Models (Drawing 2 of 2).....	40
Control Panel - AF Non-Brand, HY, LP, NY, SY and UY Models (Drawing 1 of 5).....	42
Control Panel - AF Non-Brand, HY, LP, NY, SY and UY Models (Drawing 2 of 5).....	44
Control Panel - AF Non-Brand, HY, LP, NY, SY and UY Models (Drawing 3 of 5).....	46
Control Panel - AF Non-Brand, HY, LP, NY, SY and UY Models (Drawing 4 of 5).....	48
Control Panel - AF Non-Brand, HY, LP, NY, SY and UY Models (Drawing 5 of 5).....	50
Control Panel - H, IY and WMA Models (Drawing 1 of 4) .....	52
Control Panel - H, IY and WMA Models (Drawing 2 of 4) .....	54
Control Panel - H, IY and WMA Models (Drawing 3 of 4) .....	56
Control Panel - H, IY and WMA Models (Drawing 4 of 4) .....	58
Control Panel - AF, FX, HX, LY, PY, QW, SW and W Models (Drawing 1 of 2) .....	60
Control Panel - AF, FX, HX, LY, PY, QW, SW and W Models (Drawing 2 of 2) .....	62
Coin Meter - AF, FX, HX, LY and PY Models (Drawing 1 of 4).....	64
Coin Meter - AF, FX, HX, LY and PY Models (Drawing 2 of 4).....	66
Coin Meter - AF, FX, HX, LY and PY Models (Drawing 3 of 4).....	68
Coin Meter - AF, FX, HX, LY and PY Models (Drawing 4 of 4).....	70
Control Panel OPL - AF, IY, NY Models .....	72
Control Panel Vended - AF, IY, NY Models .....	74
Control Panel for Central Payment System - AF, IY, NY Models.....	76
Control Panel OPL - AF, IY, JY and NY Models .....	78
Control Panel Vended - AF, IY, JY and NY Models .....	80

© Copyright 2022, Alliance Laundry Systems LLC

All rights reserved. No part of the contents of this book may be reproduced or transmitted in any form or by any means without the expressed written consent of the publisher.

Control Panel for Central Payment System - AF, IY, JY and NY Models .....	82
Control Panel OPL - FX and PY Models .....	84
Control Panel OPL - FX and PY Models .....	86
Control Panel Vended - FX and PY Models.....	88
Control Panel Vended - FX and PY Models.....	90
Control Panel for Central Payment System - FX and PY Models .....	92
Control Panel for Central Payment System - FX and PY Models .....	94
Coin Meter Box .....	96
Coin Meter Box - IY Models - AF, IY and NY Models .....	98
Coin Meter - AF, IY and NY Models (Drawing 1 of 3) .....	100
Coin Meter - AF, IY and NY Models (Drawing 2 of 3).....	102
Coin Meter - AF, IY and NY Models (Drawing 3 of 3).....	104
Door (Drawing 1 of 3).....	106
Door (Drawing 2 of 3).....	108
Door (Drawing 3 of 3).....	110
Door .....	112
Door .....	114
Door Lock.....	116
Door Lock.....	118
Water Inlet System.....	120
Two Water Inlet System.....	122
Three Water Inlet System .....	124
Two Water Inlet System without Soap Hopper .....	126
Three Water Inlet System without Soap Hopper.....	128
Drain System .....	130
Drain System .....	132
Drain System .....	134
Drain System - Drain Pump Option Through Serial No. 65FX013025QF .....	136
Drain System - Drain Pump Option Starting Serial No. 65FX013026QF .....	138
Drain System - Drain Pump Option.....	140
Rear Panel (Drawing 1 of 3) .....	142
Rear Panel (Drawing 2 of 3) .....	144
Rear Panel (Drawing 3 of 3) .....	146
Rear Panel - 230-400V with Neutral (Drawing 1 of 2).....	148
Rear Panel - 230-400V with Neutral (Drawing 2 of 2).....	150
Rear Panel - 400-440V (Drawing 1 of 2).....	152
Rear Panel - 400-440V (Drawing 2 of 2).....	154
Rear Panel - 230-400V CE Models with Neutral (Drawing 1 of 2) .....	156
Rear Panel - 230-400V CE Models with Neutral (Drawing 2 of 2) .....	158
Rear Panel - CE Models - 400-440V (Drawing 1 of 2).....	160
Rear Panel - CE Models - 400-440V (Drawing 2 of 2).....	162
Rear Panel - 230V / 400V + N (Drawing 1 of 2).....	164
Rear Panel - 230V / 400V + N (Drawing 2 of 2).....	166
Rear Panel - 400V / 440V-480V (Drawing 1 of 2).....	168
Rear Panel - 400V / 440V-480V (Drawing 2 of 2).....	170
Steam Heating - All Models EXcept Models with V in 7th Position .....	172
Steam Heating - All Models with V in 7th Position .....	174
Washing Drum and Tub - All Models Except Models with V in 7th Position .....	176
Washing Drum and Tub (Drawing 1 of 2) .....	178
Washing Drum and Tub (Drawing 2 of 2) .....	180

Drive.....	182
Bearing Housing .....	184
Elevated Base Frame .....	186
Base Frame with Built-In Filter .....	188
Soft Wash - Without Built-In Recirculation Pump.....	190
Liquid Soap Supply System - Pumps.....	192
Filter Tank .....	194
Wire Harnesses .....	196
Parts Index.....	197

## Parts Ordering Information

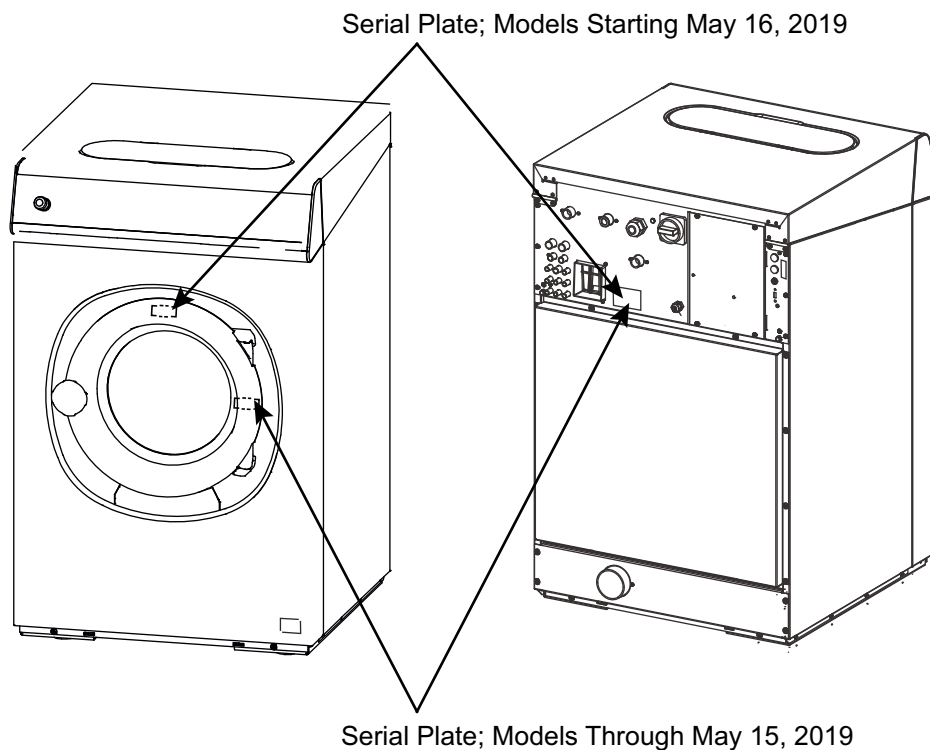
If literature or replacement parts are required, contact the source from whom the machine was purchased or contact Alliance Laundry Systems at (920) 748-3950 for the name and address of the nearest authorized parts distributor.

For technical assistance, call the number listed below:

(920) 748-3121 Ripon, Wisconsin

## Serial Plate Location

When calling or writing about your product, be sure to mention model and serial numbers. Model and serial numbers are located on serial plate(s).



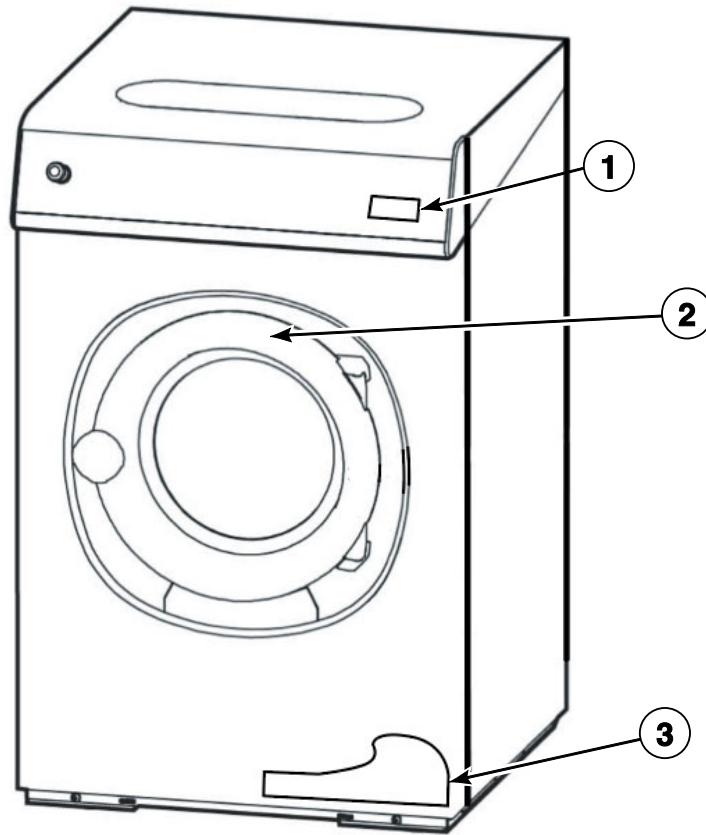
CFS1954P\_D1617

## Model Identification

Information in this manual is applicable to these washer-extractor models:

AF65_BASIC	H65	LPRFRAF65E	PYU065T
AF65_PROFESSIONAL	HY65_HC-200	LYC065T	PYU065V
AF65_X_CONTROL	HYC065F	LYC065X	PYU065X
AF65_X_CONTROL_PLUS	HYE065F	LYE065T	PYX065T
FX65_X_CONTROL	HYG065F	LYE065X	PYX065V
FX65_X_CONTROL_FLEX_VEND	HYH065F	LYH065T	PYX065X
FX65_X_CONTROL_PLUS	HYM065F	LYH065X	PYY065T
HX65_X_CONTROL	HYQ065F	LYU065T	PYY065X
HX65_X_CONTROL_PLUS	HYR065F	LYU065X	SYC065A
IY65_ARIES	HYU065F	LYX065T	SYC065D
IY65_ARIES-ELITE	HYW065F	LYX065X	SYE065A
IY65_EVOLIS	HYY065F	LYY065T	SYE065D
IY65_EVOLIS-ELITE	IYA065V	LYY065X	SYG065A
NYC65_GRAPHITRONIC_TOUCH	IYC065J	NYA065V	SYG065D
PY65_X_CONTROL_FLEX	IYC065R	NYC065T	SYH065A
PY65_X_CONTROL_FLEX_PLUS	IYC065V	NYC065V	SYH065D
QW7_X_CONTROL_PLUS	IYE065J	NYC065X	SYM065A
SW7_X_CONTROL	IYE065R	NYE065T	SYM065D
SW9_X_CONTROL	IYE065V	NYE065V	SYQ065A
SY65_QED	IYG065J	NYE065X	SYQ065D
SY65_QED-SELECT	IYG065R	NYH065T	SYR065A
UY65_PROFORM	IYH065J	NYH065X	SYR065D
UY65_PROFORM_TOUCH	IYH065R	NYM065T	SYU065A
	IYM065J	NYR065T	SYU065D
	IYM065R	NYR065V	SYW065A
	IYQ065J	NYU065T	SYW065D
	IYQ065R	NYU065V	SYX065A
	IYR065J	NYU065X	SYX065D
	IYR065R	NYX065T	SYY065A
	IYR065V	NYX065V	SYY065D
	IYU065J	NYX065X	UYC065I
	IYU065R	NYY065T	UYE065I
	IYU065V	NYY065X	UYG065I
	IYW065J	PYA065V	UYH065I
	IYW065R	PYC065T	UYQ065I
	IYX065J	PYC065V	UYU065I
	IYX065R	PYC065X	UYW065I
	IYX065V	PYE065T	UYX065I
	IYY065J	PYE065V	W2106VRVS
	IYY065R	PYE065X	WMA504EP
	JYA065V	PYH065T	
	JYC065V	PYH065X	
	JYE065V	PYM065T	
	JYR065V	PYR065T	
	JYU065V	PYR065V	
	JYX065V		

## Logo Label - Non-Brand Models



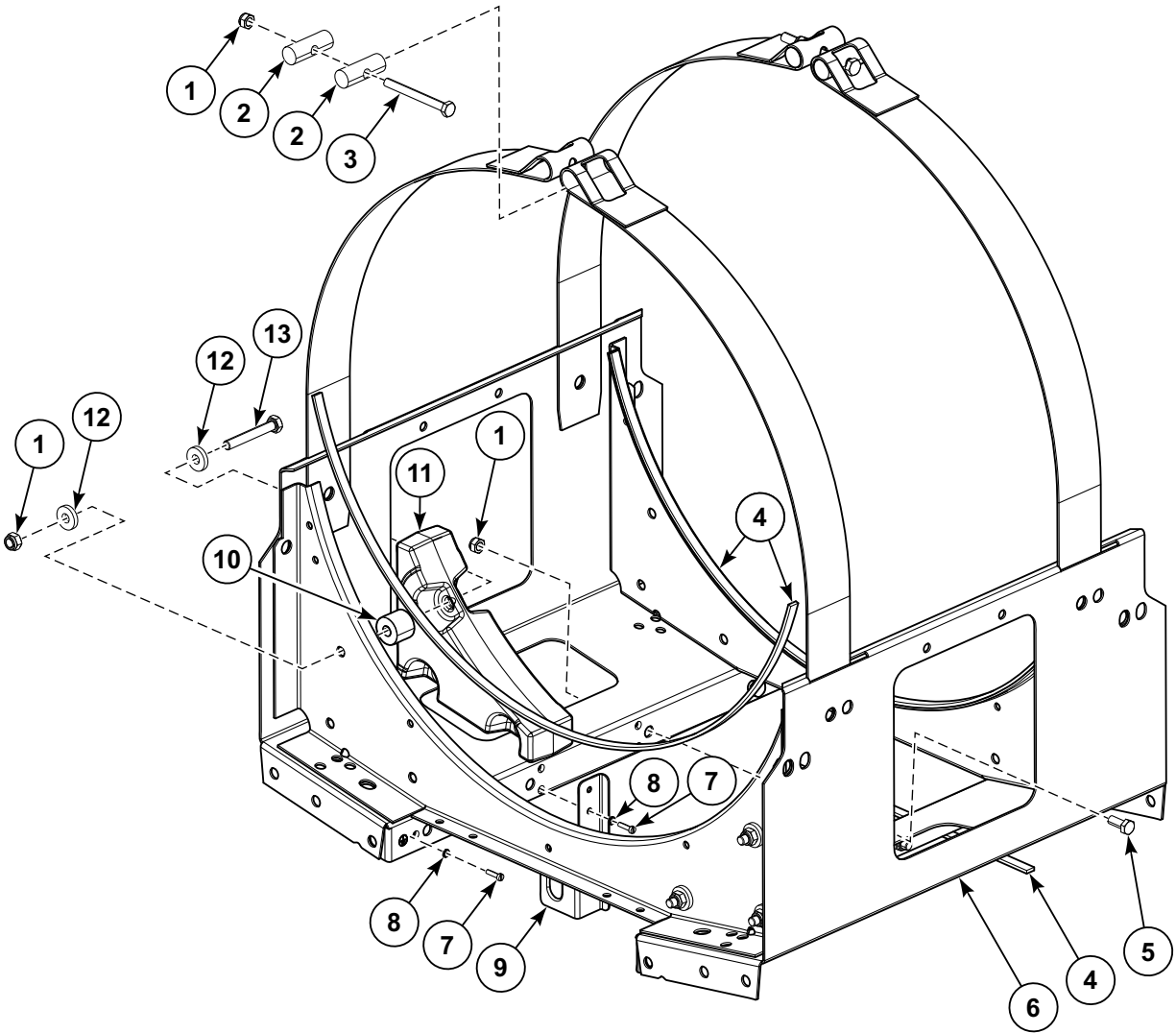
CFD3558P\_D1617



## Logo Label - Non-Brand Models

REF	PART NO.	DESCRIPTION	COMMENTS
1	572486	Label	Lion Logo
2	576337	Label	Located on top inside of door; AF and NY models
3	572487	Label	Softwash

# Upper Frame



CZW113P\_D1617

# Upper Frame

REF	PART NO.	DESCRIPTION	COMMENTS
	SP245704003021	Adhesive	Used with external tub for fastening into frame
1	SP310985000008	Nut	M8
2	SP533738	Cover Strip Pin	
3	SP309933000880	Bolt	M8x80
4	SP517232	Seal	
5	SP309933000820	Bolt	M8x20
6	SP533886	Upper Frame	
7	SP309084000416	Bolt	M4x16
8	SP311679800004	Washer	M4
9	SP533388	Oscillation Limiter	
10	SP557472	Distance Case	
11	SP533753	Lower Weight	
12	SP525284	Washer	M8
13	521895	Bolt	M8x55

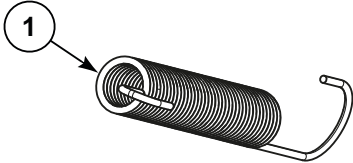
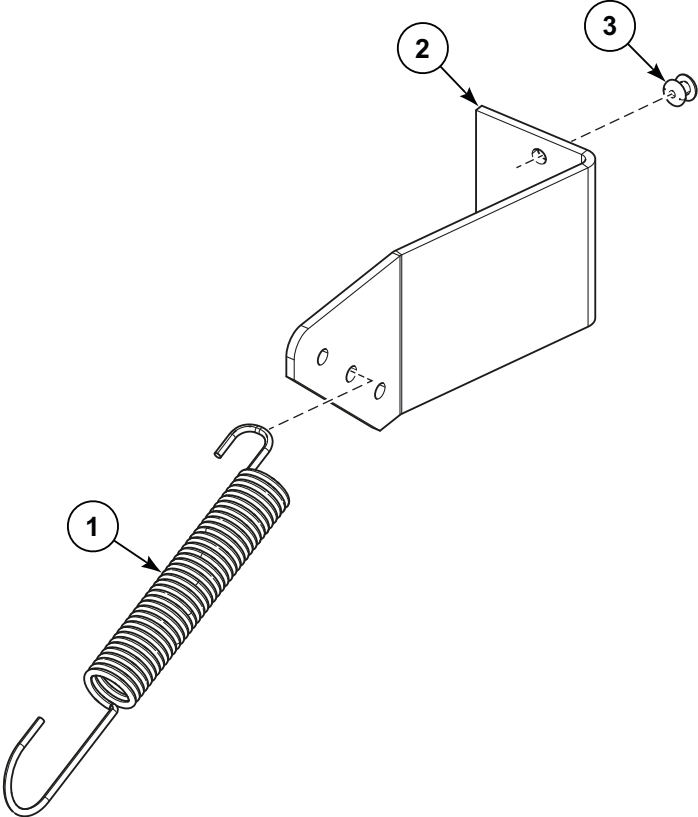


## Lower Frame

REF	PART NO.	DESCRIPTION	COMMENTS
1	SP309084240325	Bolt	M3x25
2	SP311125000003	Washer	3.2
3	SP528309	Microswitch	Includes spring
4	SP533387	Vibration Switch Holder	
5	SPPRI505000058	Profiled Sealing	Through Serial No. 65FX016070SW
6	SP309084000416	Bolt	M4x16
7	SP311679800004	Washer	M4
8	SP311902100004	Washer	M4 - 4.3/12/1
9	SP311679800003	Washer	M3
10	SP310934000003	Nut	M3
11	SP533391	Vibration Switch Assembly	Includes items 1-10
12	SP309933000820	Bolt	M8x20
13	SP534978	Spring Holder	Left
14	SP310985000008	Nut	M8
15	SP533876	Spring	Left
16	SP310934000020	Nut	M20
17	SP534977	Spring Holder	Right
18	SP533875	Spring	Right
19	SP533881	Lower Frame	
20	SP547779	Rivet	4x16.7
21	SP520408	Pin Insertion	
22	SP533726	Bolt	
23	SP310934000010	Nut	M10
24	SPPRI504000001	Adjustable Foot	
25	SP506432	Bolt	M10x60
26	SP311902100010	Washer	10
27	SP533727	Roller	
28	SP533715	Damper	4 required
29	SP310985000010	Nut	M10
30	SP527420	Bolt	M10x40
31	SP510923	Nut	M6

# Stabilizing Springs - AF Non-Brand, H, HY, IY, LP, NY, SY and UY Models

All Models Except Models with G, H, J or K in 13th Position



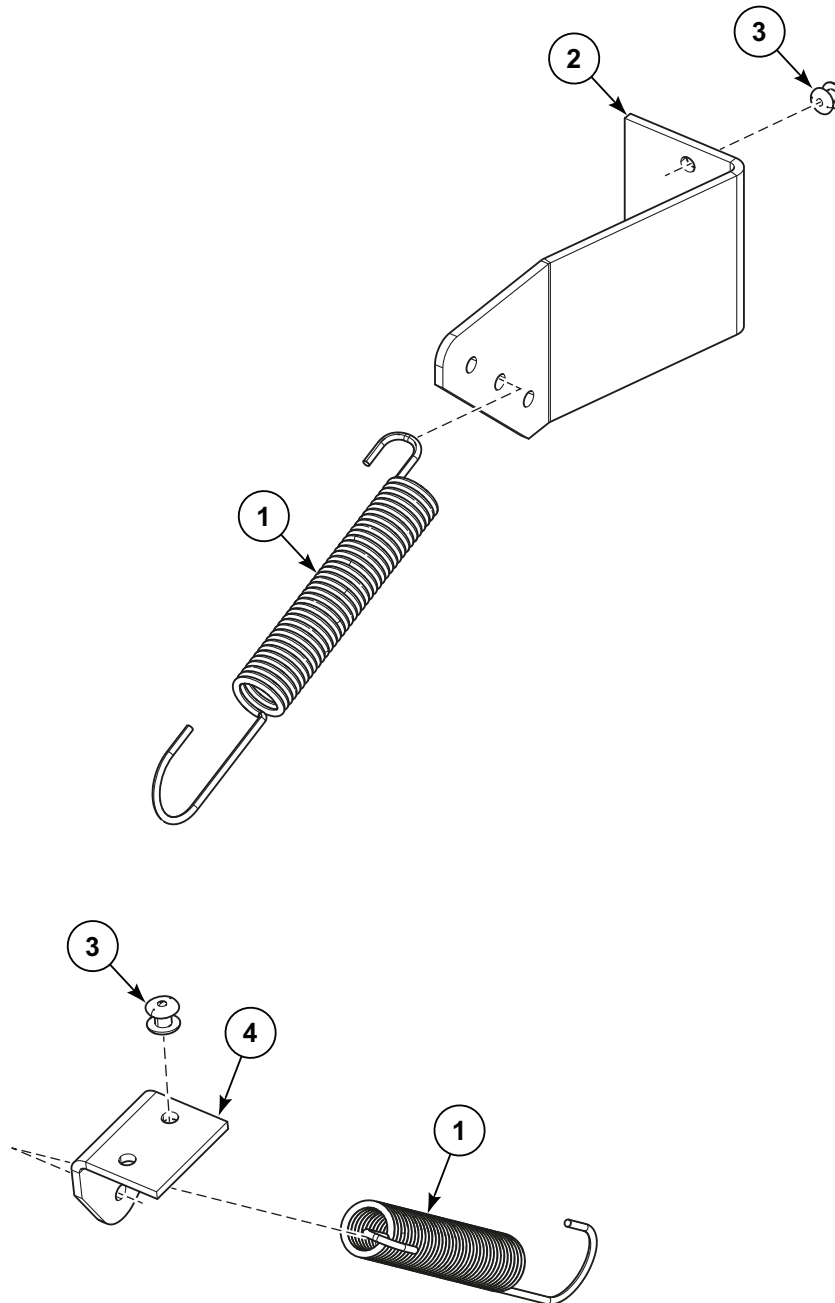
CZW417P\_D1617

## Stabilizing Springs - AF Non-Brand, H, HY, IY, LP, NY, SY and UY Models

REF	PART NO.	DESCRIPTION	COMMENTS
1	SP505372	Spring	
2	SP555517	Rear Spring Holder	
3	505479	Screw	4x8

# Stabilizing Springs - AF, FX, HX, LY, PY, QW, SW and W Models

All Models Except Models with V in the 7th Position



CZW418P\_D1617

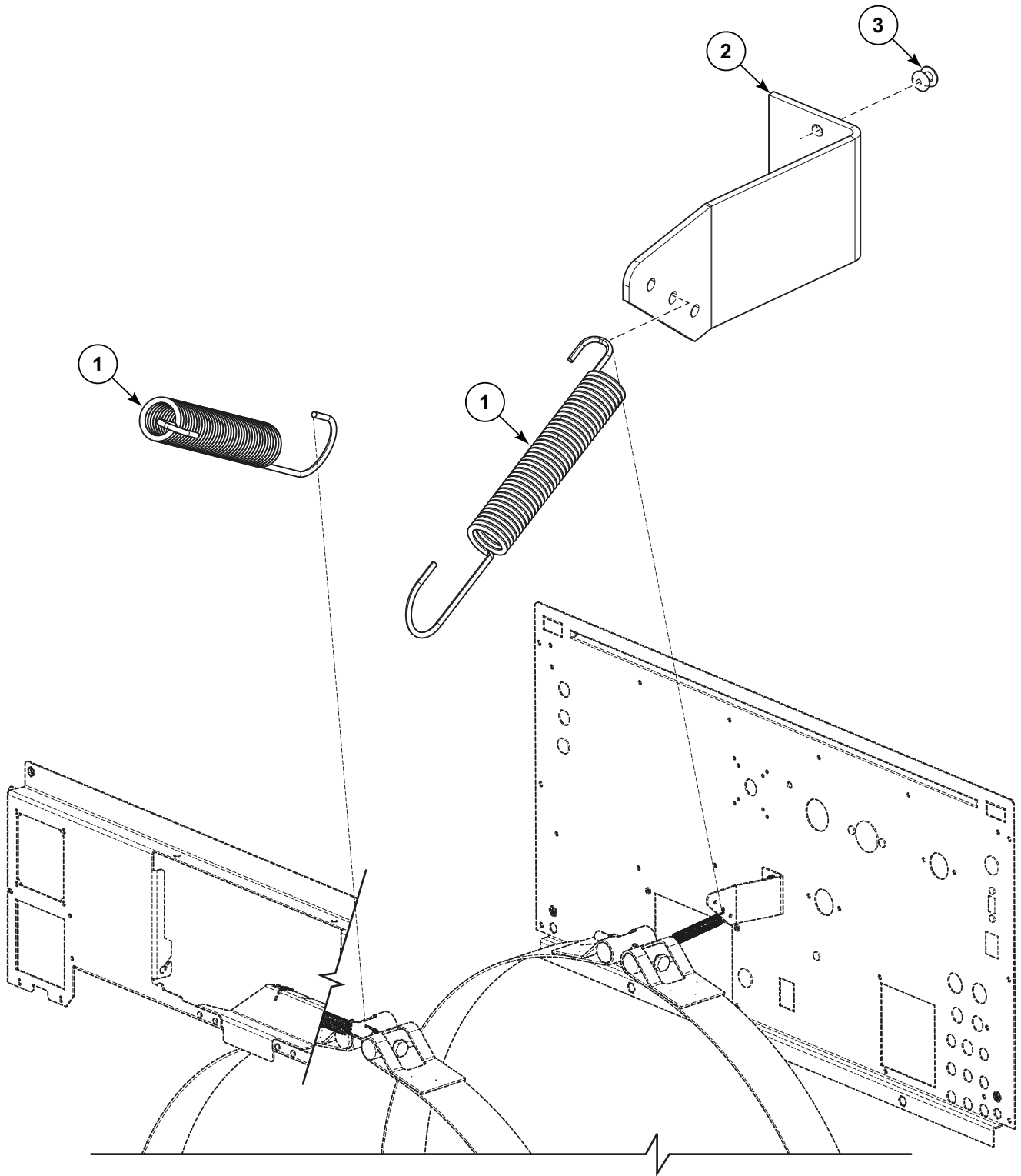


## Stabilizing Springs - AF, FX, HX, LY, PY, QW, SW and W Models

REF	PART NO.	DESCRIPTION	COMMENTS
1	SP505372	Spring	
2	SP555517	Rear Spring Holder	
3	505479	Screw	4x8
4	SP555516	Front Spring Holder	

# Stabilizing Springs - AF, IY, J and NY Models

Models with V in 7th Position, Models with G, H, J or K in 13th Position



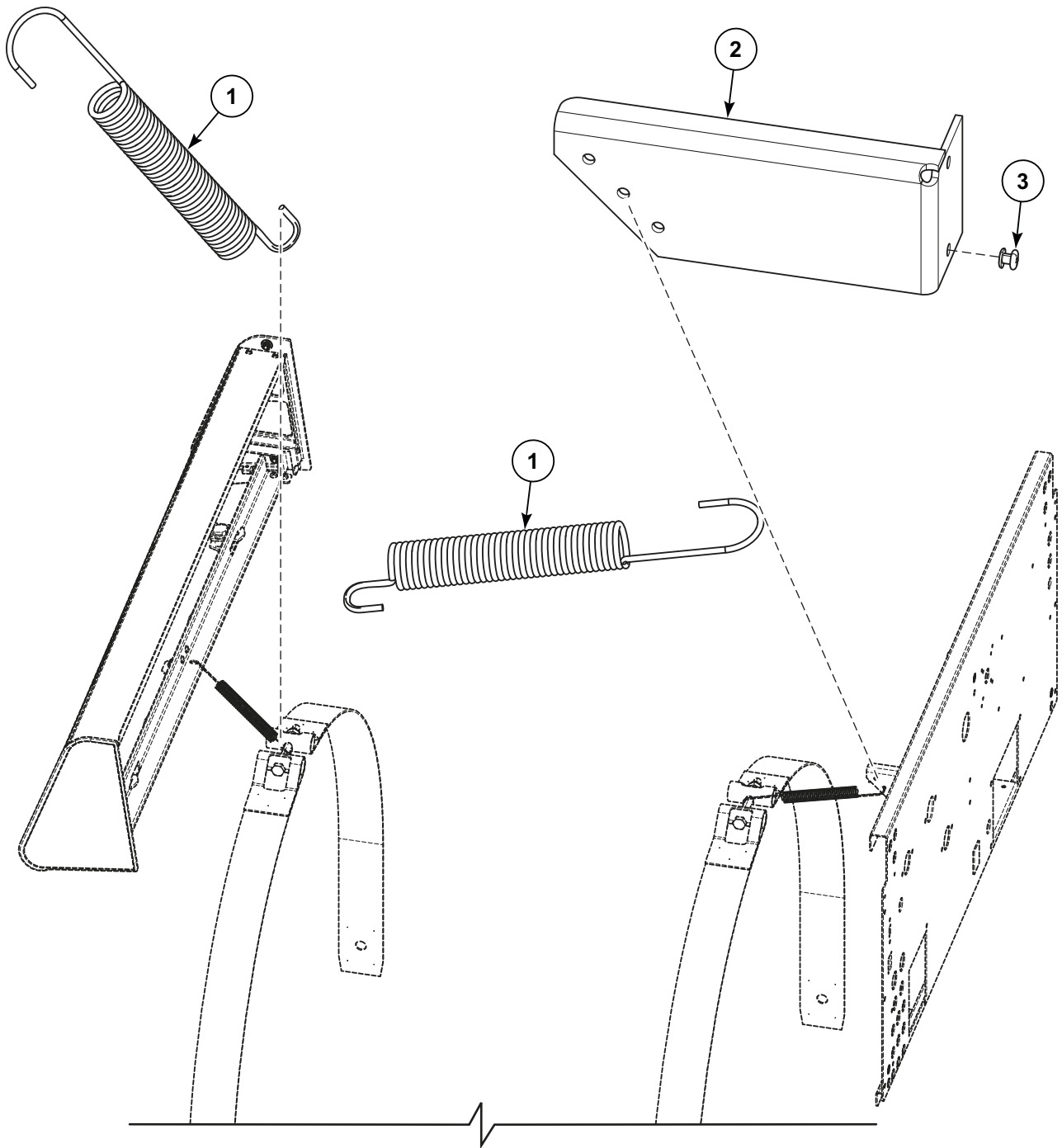
CZW419P\_D1617

## Stabilizing Springs - AF, IY, J and NY Models

REF	PART NO.	DESCRIPTION	COMMENTS
1	SP505372	Spring	
2	SP555517	Rear Spring Holder	
3	505479	Screw	4x8

# Stabilizing Springs - FX and PY Models

FX and PY Models with V in 7th Position



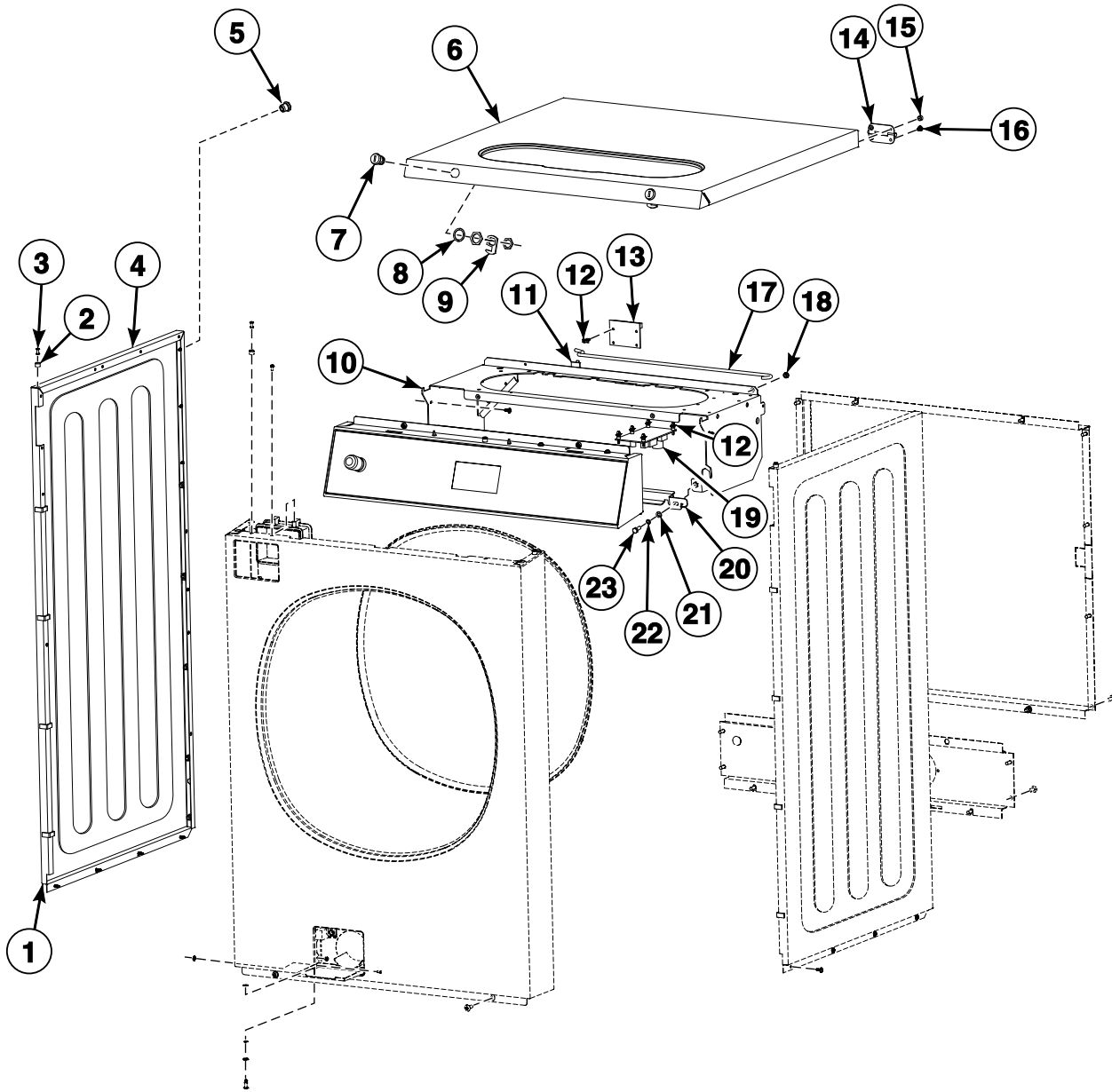
CZW420P\_D1617

## Stabilizing Springs - FX and PY Models

REF	PART NO.	DESCRIPTION	COMMENTS
1	SP505372	Spring	
2	SP555517	Rear Spring Holder	
3	505479	Screw	4x8

# Cabinet - AF Non-Brand, HY, LP, NY, SY and UY Models (Drawing 1 of 2)

All Models Except Models with V in 7th Position



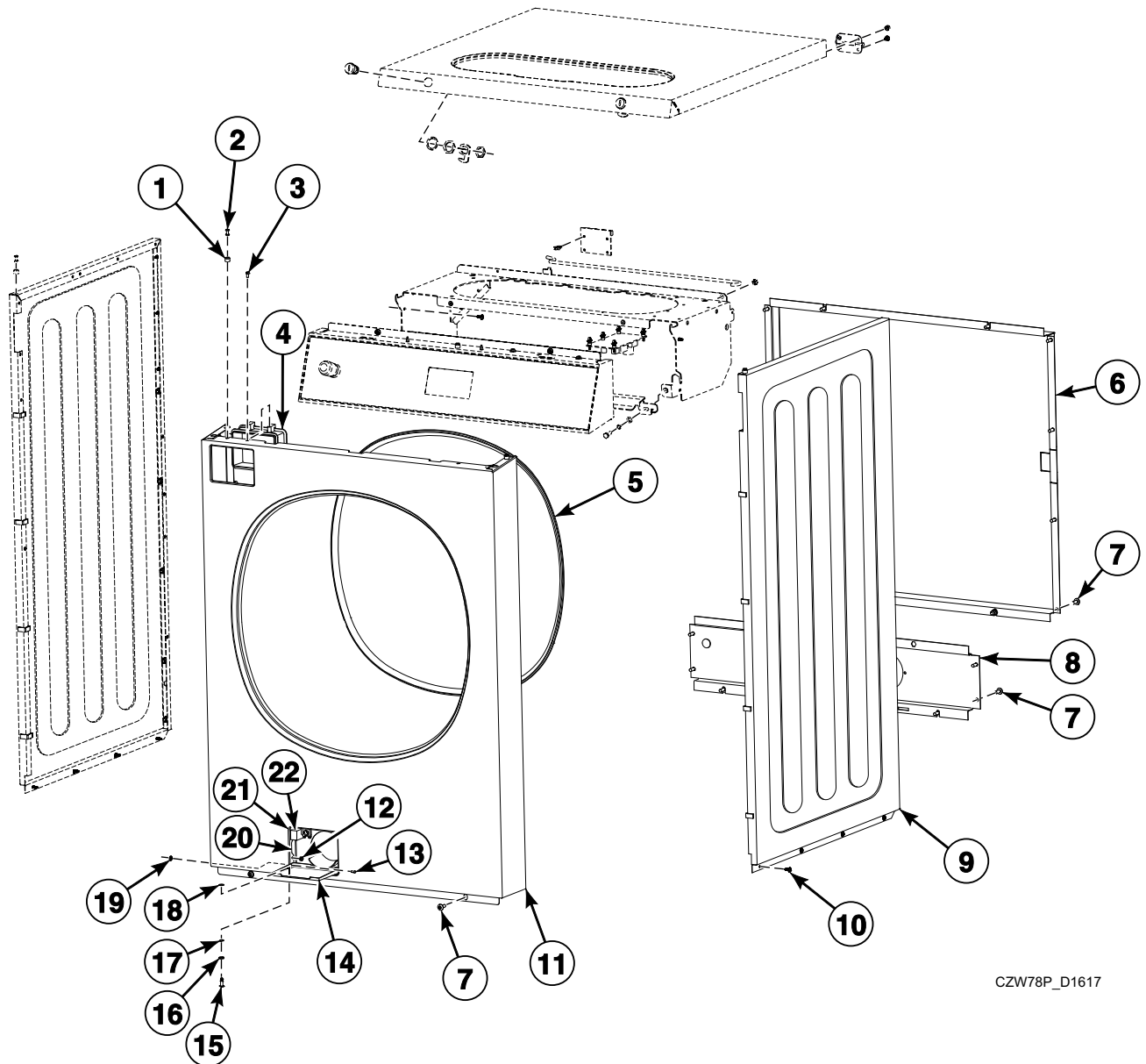
CFS1955P\_D1617

## Cabinet - AF Non-Brand, HY, LP, NY, SY and UY Models (Drawing 1 of 2)

REF	PART NO.	DESCRIPTION	COMMENTS
1	SP517232	Seal	
2	SP520408	Pin Insertion	
3	SP547779	Rivet	4x16.7
4	SP558917	Side Panel	Left; Stainless
	563520	Side Panel	AF Non-Brand, LP and NY models; Left; Painted
5	SP313251000006	Nut	M6
6	SP558921	Top Cover	
	567883	Top Cover	Without soap hopper opening
7	SP547527	Lock	
	SP550616	Key	Used with SP547527 Lock
8	SPPRI522000012	Washer	21x27x1
9	SPPRI610002007	Hook Lock	Small
10	SP557603	Panel Holder	
11	SPPRI551016250	Hook	Stick-on
12	SPPRI326002004	Holder	
13	SP545238	Automatic Unlocking Module Assembly	MC6; Includes item 11, SP547004 Automatic Door Opening Module, SP345000160971 Binding Strip and SP545235 Door Timer Wiring
14	SP516832	Hinge	
15	SP313250048008	Rivet	4.8x8
16	SP529206	Screw	4x11
17	SP550133	Upper Lid Prop	
18	SP273121005052	Cable Passage	5x2
19	SP552489	Automatic Unlocking Module Assembly	MC7; Includes item 11, SP553406 Automatic Door Opening Module, SP345000160971 Binding Strip, SP552455 Automatic Door Opening Module Wiring and SP552381 Power Terminal Protection
20	SP558879	Reinforcement	
21	SP311125000006	Washer	6.4
22	SP311127000006	Washer	6
23	SP309933000616	Bolt	M6x16

# Cabinet - AF Non-Brand, HY, LP, NY, SY and UY Models (Drawing 2 of 2)

All Models Except Models with V in 7th Position



CZW78P\_D1617

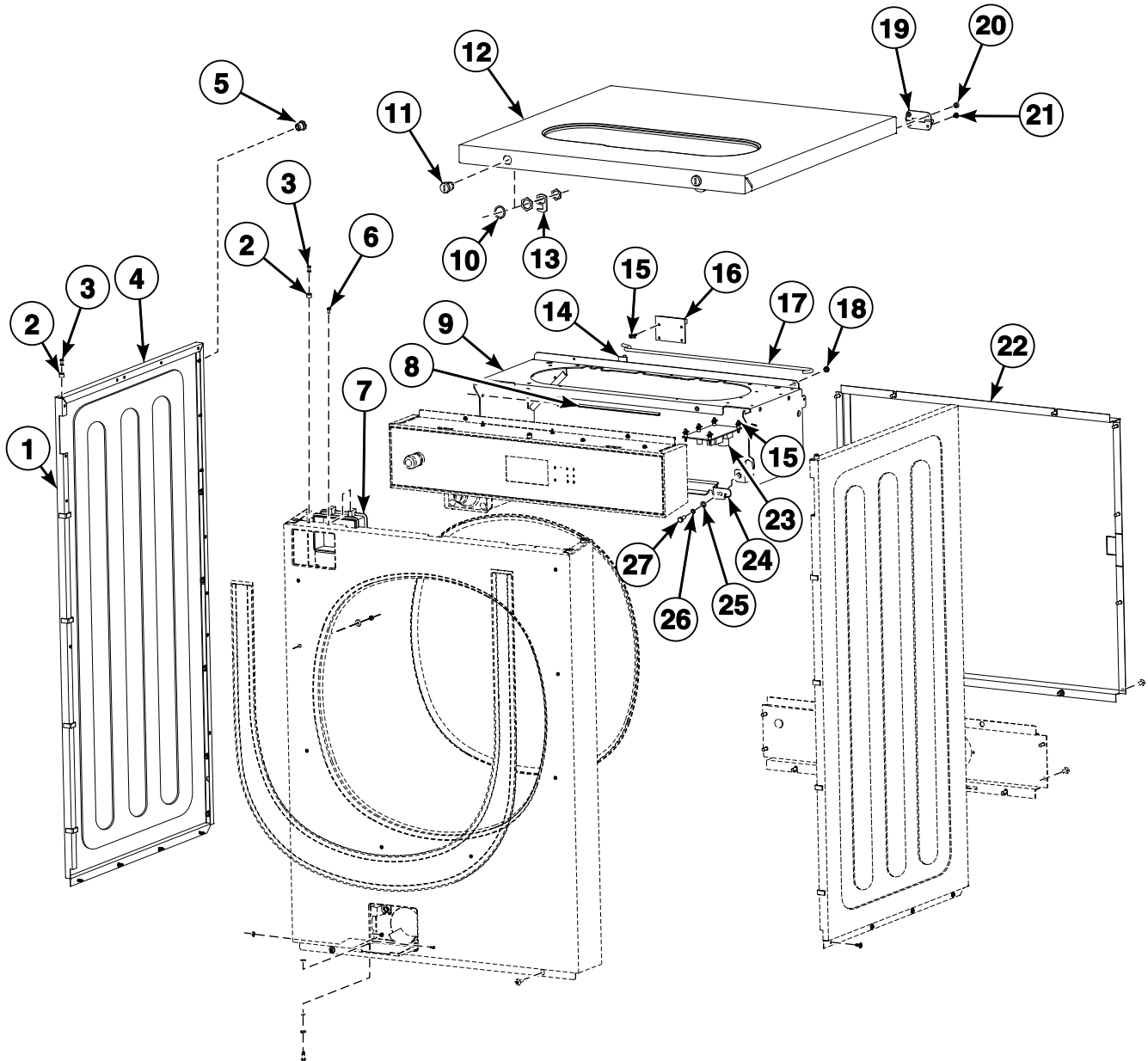


## Cabinet - AF Non-Brand, HY, LP, NY, SY and UY Models (Drawing 2 of 2)

REF	PART NO.	DESCRIPTION	COMMENTS
1	SP520408	Pin Insertion	
2	SP547779	Rivet	4x16.7
3	SP309084000408	Bolt	M4x8
4	SP533103	Coin Vault Plate	
5	SP529068	Edge Protection	
6	SP533111	Rear Cover	
7	SP555658	Bolt	M6x16
8	SP533381	Lower Rear Cover	
9	SP558919	Side Panel	Right
	563522	Side Panel	AF Non-Brand, LP and NY models; Right; Painted
10	SP529206	Screw	4x11
11	SP547748	Front Panel	OPL
	SP547750	Front Panel	Vended
	SP554243	Front Panel	OPL with drain pump
	SP554245	Front Panel	Vended with drain pump
	563450	Front Panel	AF Non-Brand, LP and NY models; OPL; Patined
	563452	Front Panel	AF Non-Brand, LP and NY models; Vended; Painted
	563454	Front Panel	AF Non-Brand, LP and NY models; OPL with drain pump; Painted
	563456	Front Panel	AF Non-Brand, LP and NY models; Vended with drain pump; Painted
	550446	Washer	Not sliding accessories
12	SP313250004063	Rivet	4x6.3
13	SP521706	Rivet	3x8
14	SP521511	Drain Pump Cover	Used with SP527021 Washer
15	SP527084	Bolt	
16	SP527087	Washer	
17	SP527086	Spring	
18	SP527085	Ring	
19	SPPRI247000013	Washer	
20	SP521553	Drain Cover	
21	SP527088	Profile	
22	SP527083	Latch	

# Cabinet - H, IY and WMA Models (Drawing 1 of 2)

All Models Except AF, IY and NY Models with G, H, J or K in 13th Position



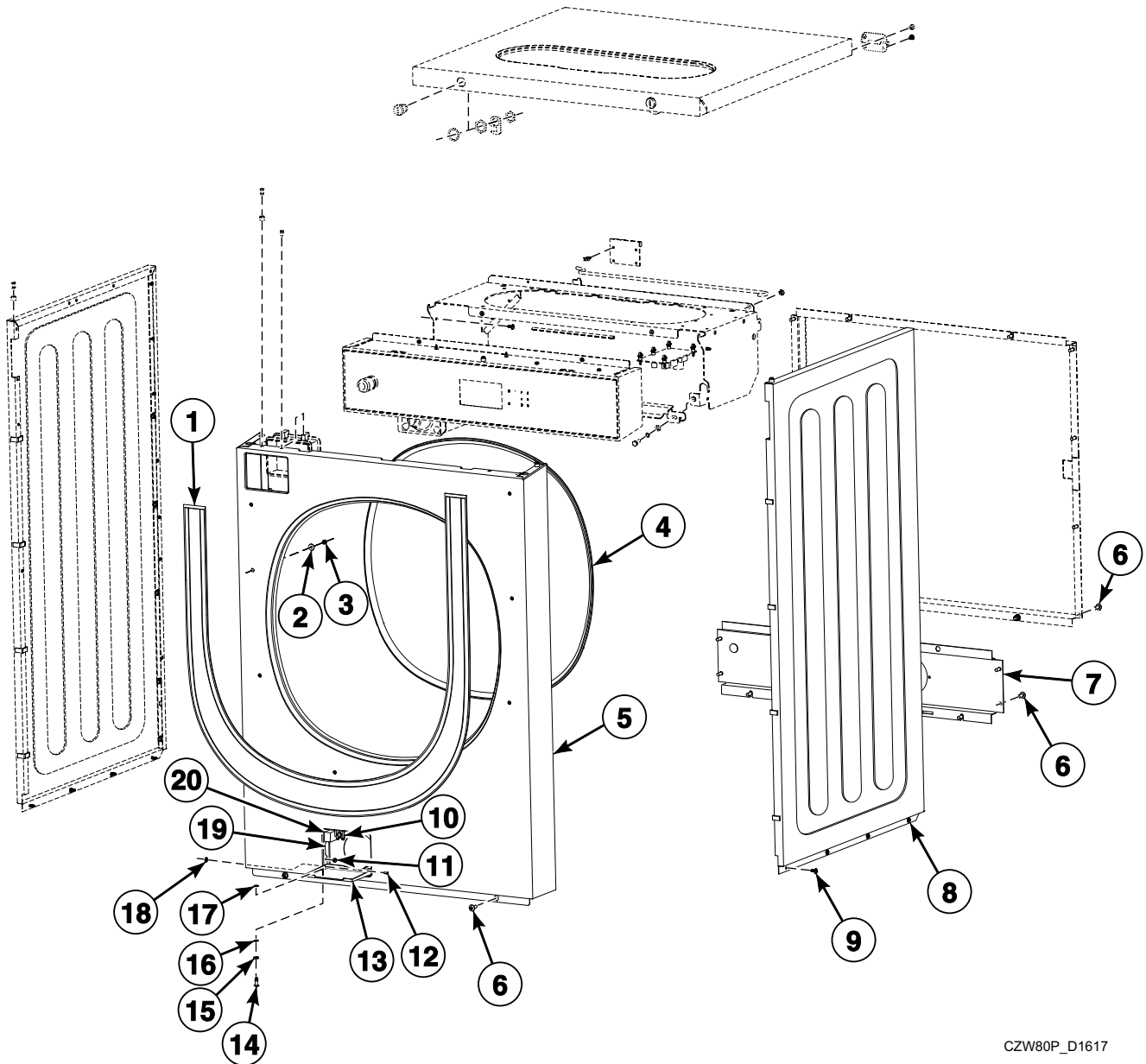
CFS1956P\_D1617

## Cabinet - H, IY and WMA Models (Drawing 1 of 2)

REF	PART NO.	DESCRIPTION	COMMENTS
1	SP517232	Seal	
2	SP520408	Pin Insertion	
3	SP547779	Rivet	4x16.7
4	SP558917	Side Panel	Stainless; Left
	SP558996	Side Panel	Black; Left
5	SP313251000006	Nut	M6
6	SP309084000408	Bolt	M4x8
7	SP533103	Coin Vault Plate	
8	SPPRI505000058	Profiled Sealing	Through Serial No. 65FX011031KZ
9	SP560301	Panel Holder	
10	SPPRI522000012	Washer	21x27x1
11	SP547527	Lock	
	SP550616	Key	Used with SP547527 Lock
12	SP558966	Top Cover	
13	SPPRI610002007	Hook Lock	Small
14	SPPRI551016250	Hook	Stick-on
15	SPPRI326002004	Holder	
16	SP545238	Automatic Unlocking Module Assembly	MC6; Includes item 14, SP547004 Automatic Door Opening Module, SP345000160971 Binding Strip and SP545235 Door Timer Wiring
17	SP533341	Upper Lid Prop	
18	SP273121005052	Cable Passage	5x2
19	SP516832	Hinge	
20	SP313250048008	Rivet	4.8x8
21	SP529206	Screw	
22	SP533111	Rear Cover	
23	SP552489	Automatic Unlocking Module Assembly	MC7; Includes item 14, SP553406 Automatic Door Opening Module, SP345000160971 Binding Strip, SP552455 Automatic Door Opening Module Wiring and SP552381 Power Terminal Protection
24	SP558943	Reinforcement	
25	SP311125000006	Washer	6.4
26	SP311127000006	Washer	6
27	SP309933000616	Bolt	M6x16

# Cabinet - H, IY and WMA Models (Drawing 2 of 2)

All Models Except AF, IY and NY Models with G, H, J or K in 13th Position



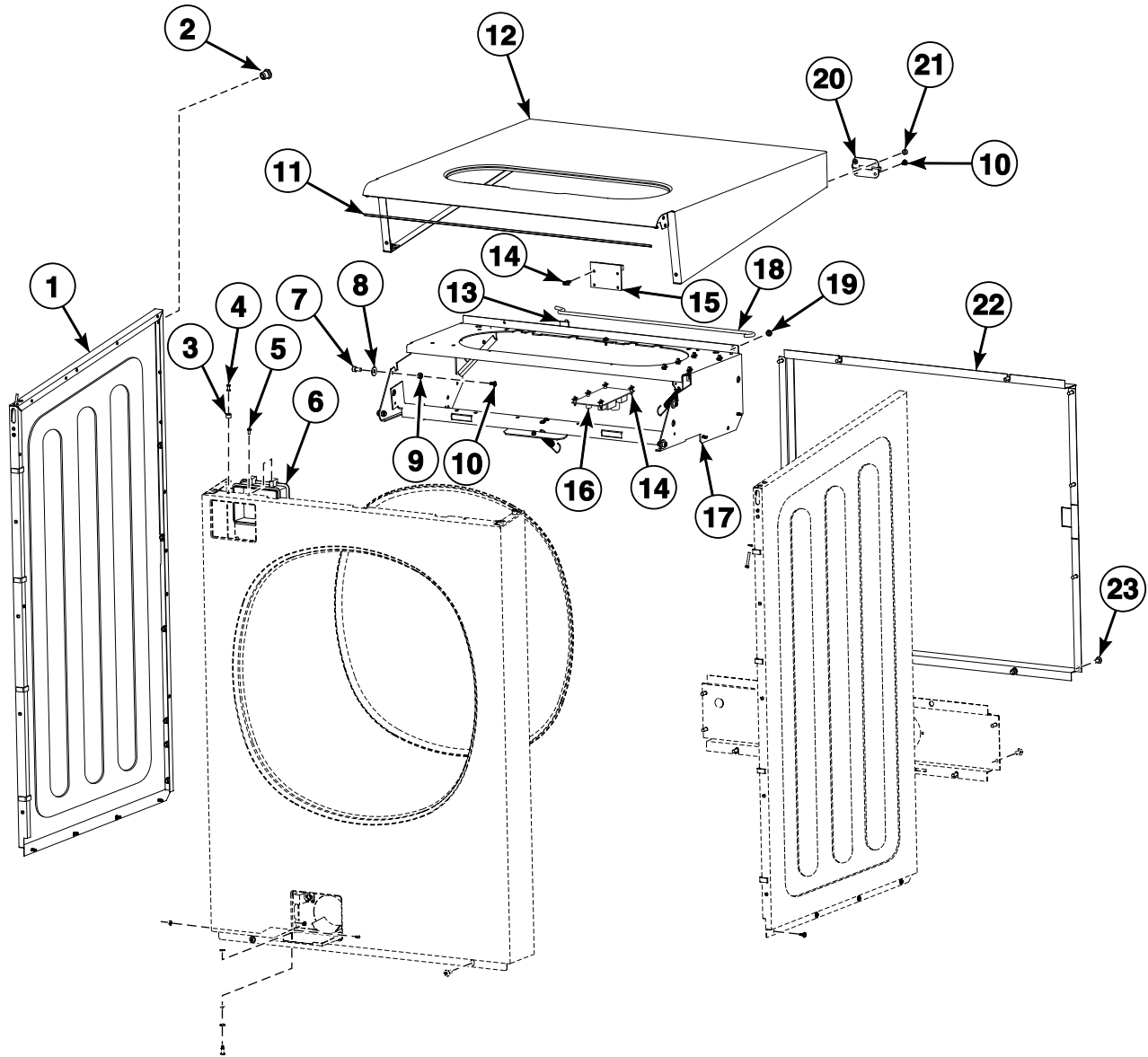
CZW80P\_D1617

## Cabinet - H, IY and WMA Models (Drawing 2 of 2)

REF	PART NO.	DESCRIPTION	COMMENTS
1	SP556991	U Shape	OPL
	SP556992	U Shape	Vended
2	SP311902100004	Washer	M4
3	SP514193	Nut	M4
4	SP529068	Edge Protection	
5	SP557052	Front Panel	OPL
	SP557053	Front Panel	Vended
	SP557054	Front Panel	OPL with drain pump
	SP557055	Front Panel	Vended with drain pump
	550446	Washer	Not sliding accessories
6	SP555658	Bolt	M6x16
7	SP533381	Lower Rear Cover	
8	SP558919	Side Panel	Stainless; Right
	SP558998	Side Panel	Black; Right
9	SP529206	Screw	
10	SP527083	Latch	
11	SP313250004063	Rivet	4x6.3
12	SP521706	Rivet	3x8
13	SP521511	Drain Pump Cover	Used with SP527021 Washer
14	SP527084	Bolt	
15	SP527087	Washer	
16	SP527086	Spring	
17	SP527085	Ring	
18	SPPRI247000013	Washer	
19	SP521553	Drain Cover	
20	SP527088	Profile	15x30

# Cabinet - AF, FX, HX, LY, PY, QW, SW and W Models (Drawing 1 of 2)

All Models Except FX and PY Models with V in 7th Position



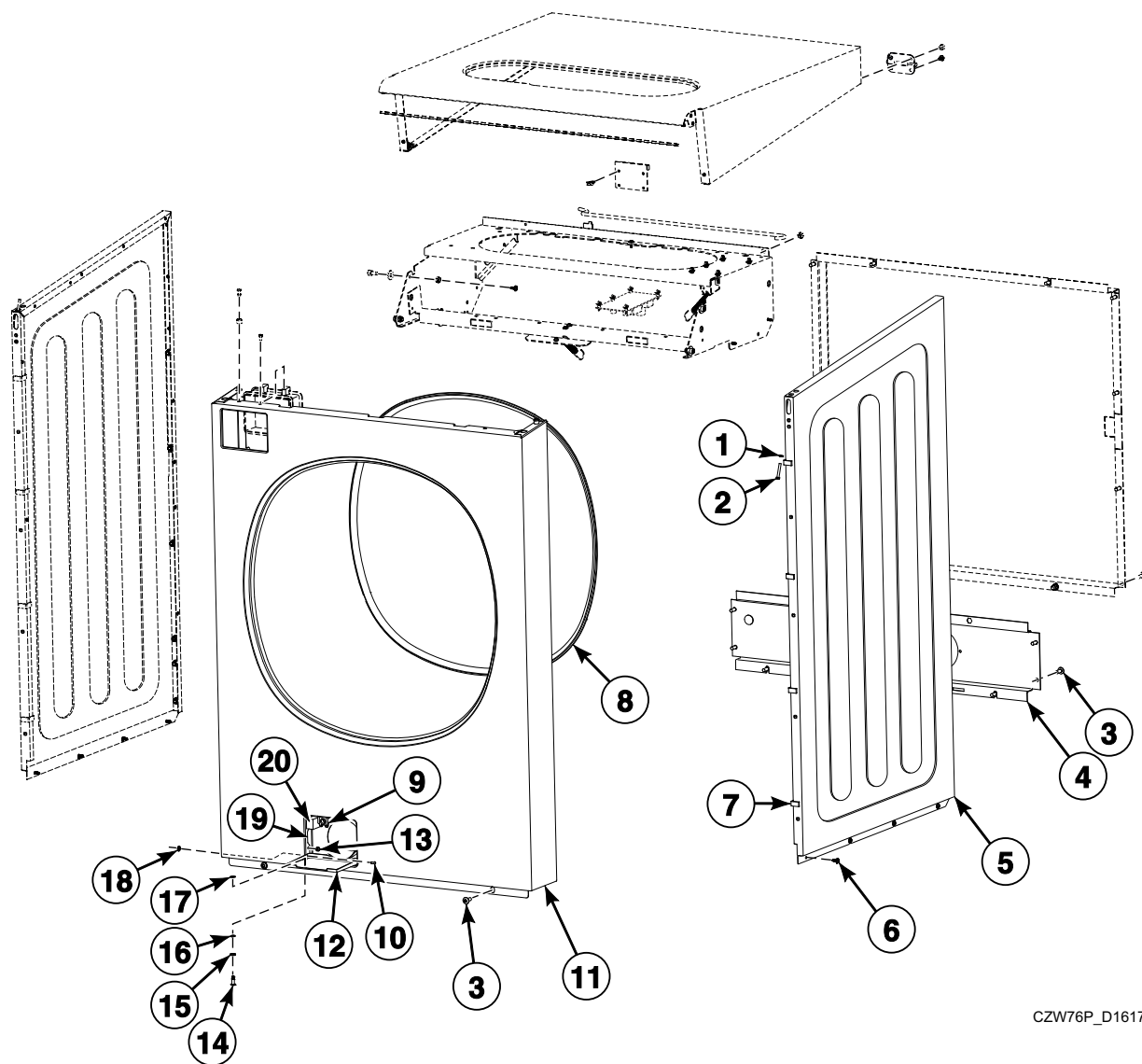
CFS1957P\_D1617

## Cabinet - AF, FX, HX, LY, PY, QW, SW and W Models (Drawing 1 of 2)

REF	PART NO.	DESCRIPTION	COMMENTS
1	SP550334	Side Panel	Painted; Left; Through Serial No. 65FX004687FD
	563488	Side Panel	Painted; Left; Starting Serial No. 65FX004688FD
	SP550358	Side Panel	Stainless; Left
2	SP313251000006	Nut	M6
3	SP520408	Pin Insertion	
4	SP547779	Rivet	4x16,7
5	SP309084000408	Bolt	M4x8
6	SP533103	Coin Vault Plate	
7	SP506431	Bolt	M6x12
8	SP311902100006	Washer	6
9	SP310985000006	Nut	M6
10	SP529206	Screw	4x11
11	SP284000012003	Tape	
12	SP550311	Top Cover	AF, FX, HX, LY, PY and W models
	SP551996	Top Cover	Without soap hopper opening
13	SPPRI551016250	Hook	Stick-on
14	SPPRI326002004	Holder	
15	SP545238	Automatic Unlocking Module Assembly	MC6; Includes item 13, SP547004 Automatic Door Opening Module, SP345000160971 Binding Strip and SP545235 Door Timer Wiring
16	SP552489	Automatic Unlocking Module Assembly	MC7; Includes item 13, SP553406 Automatic Door Opening Module, SP345000160971 Binding Strip, SP552455 Automatic Door Opening Module Wiring and SP552381 Power Terminal Protection
17	SP533257	Panel Holder	
18	SP550133	Upper Lid Prop	
19	SP273121005052	Cable Passage	5x2
20	SP516832	Hinge	
21	SP555658	Bolt	M6x16
22	SP533111	Rear Cover	
23	SP313250048008	Rivet	4,8x8

# Cabinet - AF, FX, HX, LY, PY, QW, SW and W Models (Drawing 2 of 2)

All Models Except FX and PY Models with V in 7th Position



CZW76P\_D1617

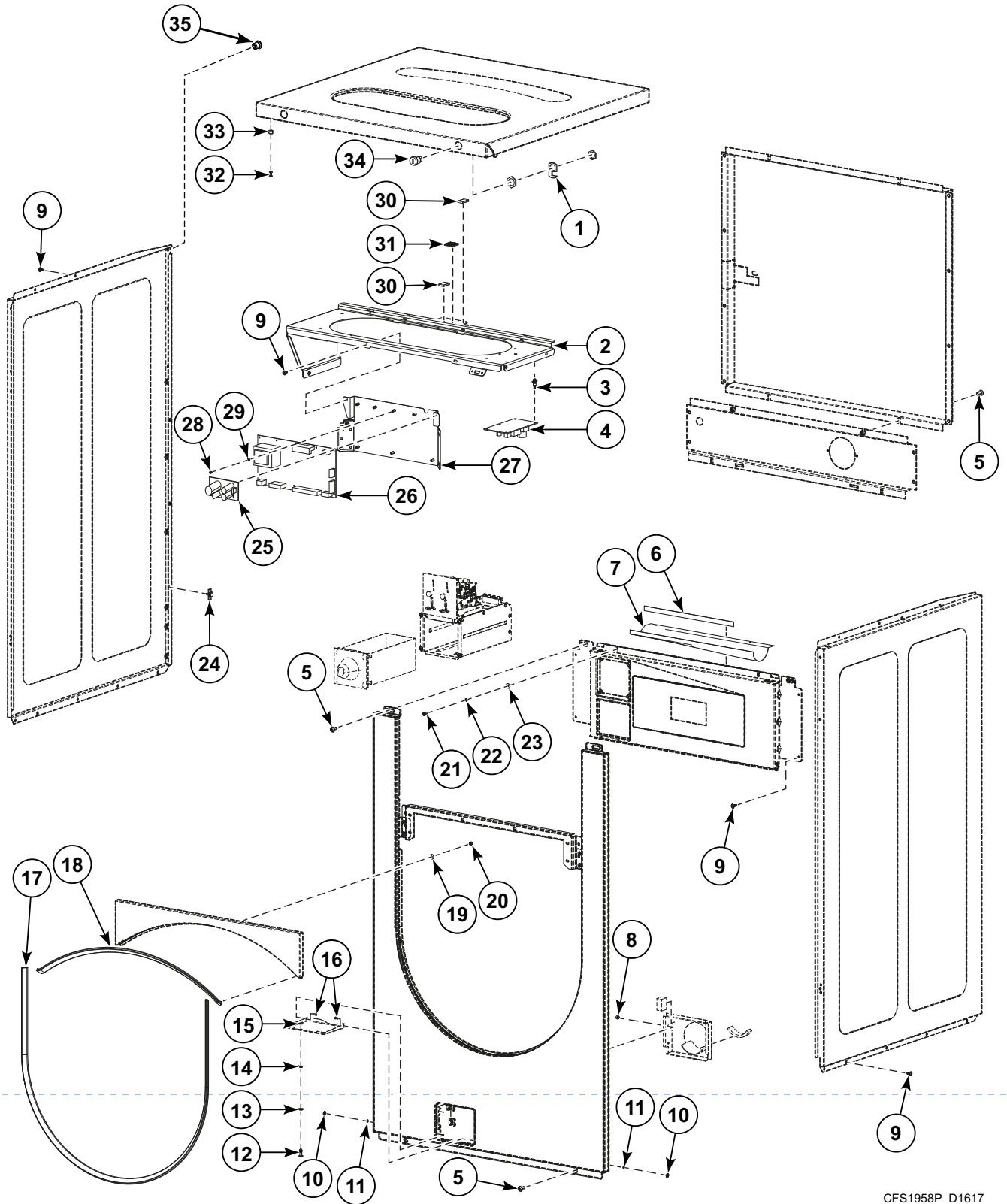


## Cabinet - AF, FX, HX, LY, PY, QW, SW and W Models (Drawing 2 of 2)

REF	PART NO.	DESCRIPTION	COMMENTS
	SP552455	Automatic Door Opening Module Wiring	
1	SP311679800004	Washer	M4
2	SP550482	Bolt	M4x25
3	SP555658	Bolt	M6x16
4	SP533381	Lower Rear Cover	
5	SP550336	Side Panel	Painted; Right; Through Serial No. 65FX004687FD
	563490	Side Panel	Painted; Right; Starting Serial No. 65FX004688FD
	SP550360	Side Panel	Stainless; Right
6	SP529206	Screw	4x11
7	SP517232	Seal	
8	SP529068	Edge Protection	
9	SP527083	Latch	
10	SP521706	Rivet	3x8
11	SP547740	Front Panel	OPL; Painted; Through Serial No. 65FX004687FD
	563450	Front Panel	OPL; Painted; Starting Serial No. 65FX004688FD
	SP547742	Front Panel	Vended; Painted; Through Serial No. 65FX004687FD
	563452	Front Panel	Vended; Painted; Starting Serial No. 65FX004688FD
	SP547748	Front Panel	OPL; Stainless
	SP547750	Front Panel	Vended; Stainless
	SP554256	Front Panel	OPL; With drain pump; Painted; Through Serial No. 65FX004687FD
	563454	Front Panel	OPL; With drain pump; Painted; Starting Serial No. 65FX004688FD
	SP554258	Front Panel	Vended; With drain pump; Painted; Through Serial No. 65FX004687FD
	563456	Front Panel	Vended; With drain pump; Painted; Starting Serial No. 65FX004688FD
	SP554243	Front Panel	OPL; With drain pump; Stainless
	SP554245	Front Panel	Vended; With drain pump; Stainless
	550446	Washer	Not sliding accessories
12	SP521511	Drain Pump Cover	Used with SP527021 Washer
13	SP313250004063	Rivet	4x6.3
14	SP527084	Bolt	
15	SP527087	Washer	
16	SP527086	Spring	
17	SP527085	Ring	
18	SPPRI247000013	Washer	
19	SP521553	Drain Cover	
20	SP527088	Profile	15x30

# Cabinet - AF, IY, J and NY Models (Drawing 1 of 3)

Models with V in the 7th Position, Models with G, H, J or K in 13th Position



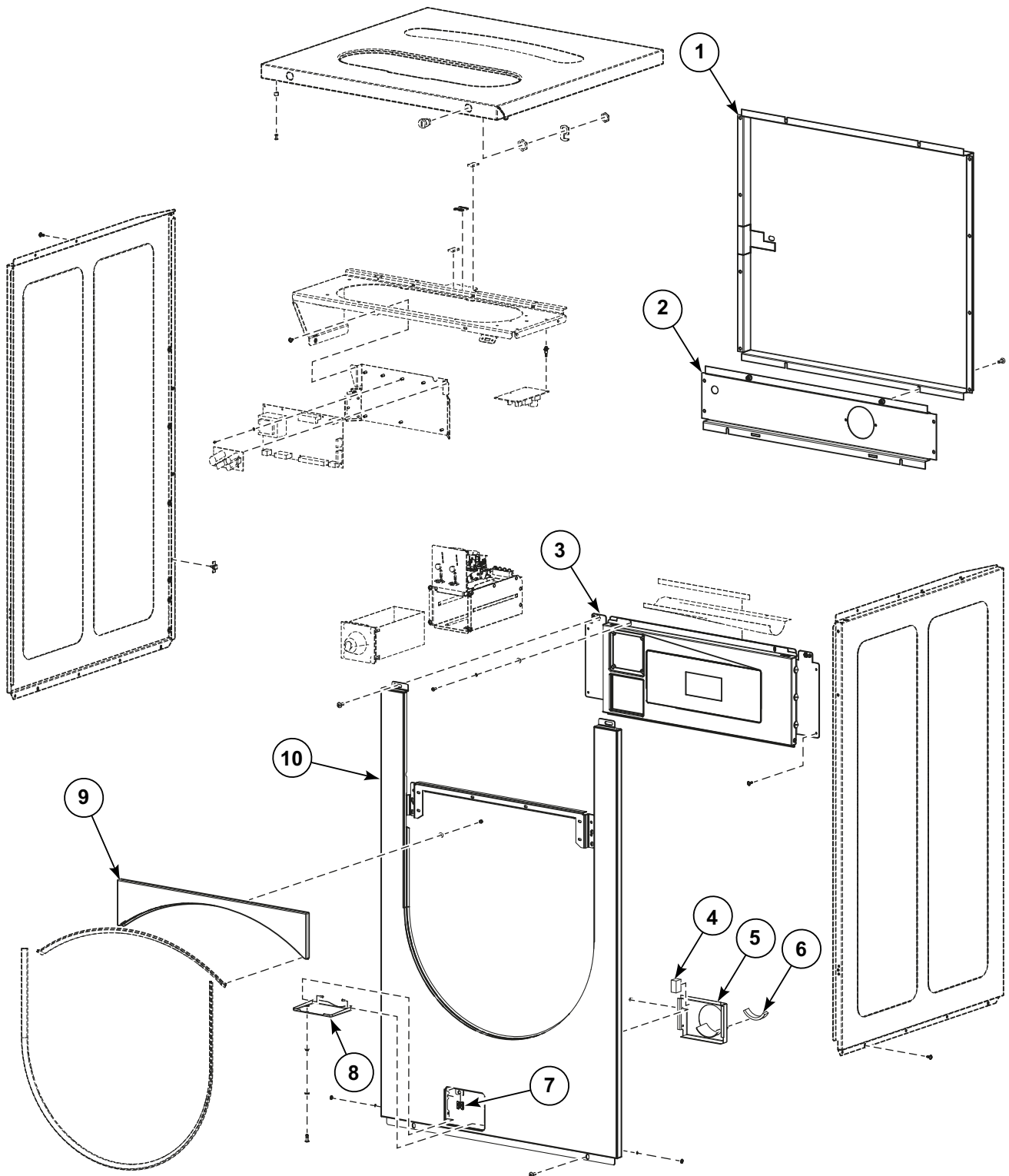
CFS1958P\_D1617

## Cabinet - AF, IY, J and NY Models (Drawing 1 of 3)

REF	PART NO.	DESCRIPTION	COMMENTS
1	SPPRI610002007	Hook Lock	
2	569573	Panel Holder	
3	SPPRI326002004	Holder	
4	SP552489	Automatic Unlocking Module Assembly	MC7; Includes item 3, SP553406 Automatic Door Opening Module, SP345000160971 Binding Strip, SP552455 Automatic Door Opening Module Wiring and SP552381 Power Terminal Protection
5	SP555658	Bolt	M6x16
6	SP537896	Adhesive	Reversible
7	569656	Cover	
8	SP313250004063	Rivet	4x6.3
9	SP529206	Screw	4x11
10	PRI247000013	Washer	
11	SP527021	Washer	
12	SP527084	Bolt	
13	SP527087	Washer	
14	SP527086	Spring	
15	SP527085	Ring	
16	SP521706	Rivet	3x8
17	SP529068	Edge Protection	1.31m
18	SP529068	Edge Protection	0.59m
19	SP311902100004	Washer	4
20	SP514193	Nut	M4
21	SP555504	Bolt	M4x12
22	SP311127000004	Washer	4
23	SP311902100004	Washer	M4
24	SP528313	Cable Holder	
25	N/A	Module	Door Lock
26	SP553405	Control Board I/O	MC7; Power
	575630	Control Board I/O	MC10; Power; Used with 569701 Interconnection Flat Cable
27	569578	Programmer Holder	Includes SPPRI212000055 Nut
28	SP309798500306	Bolt	M3x6
29	SP311679800003	Washer	M3
30	564202	Seal	0.05m
31	SP550115	Fastener	
32	SP547779	Rivet	
33	SP520408	Pin Insertion	
34	SP547527	Lock	includes Nuts - 2pieces
35	SP313251000006	Nut	M6

# Cabinet - AF, IY, J and NY Models (Drawing 2 of 3)

Models with V in the 7th Position, Models with G, H, J or K in 13th Position



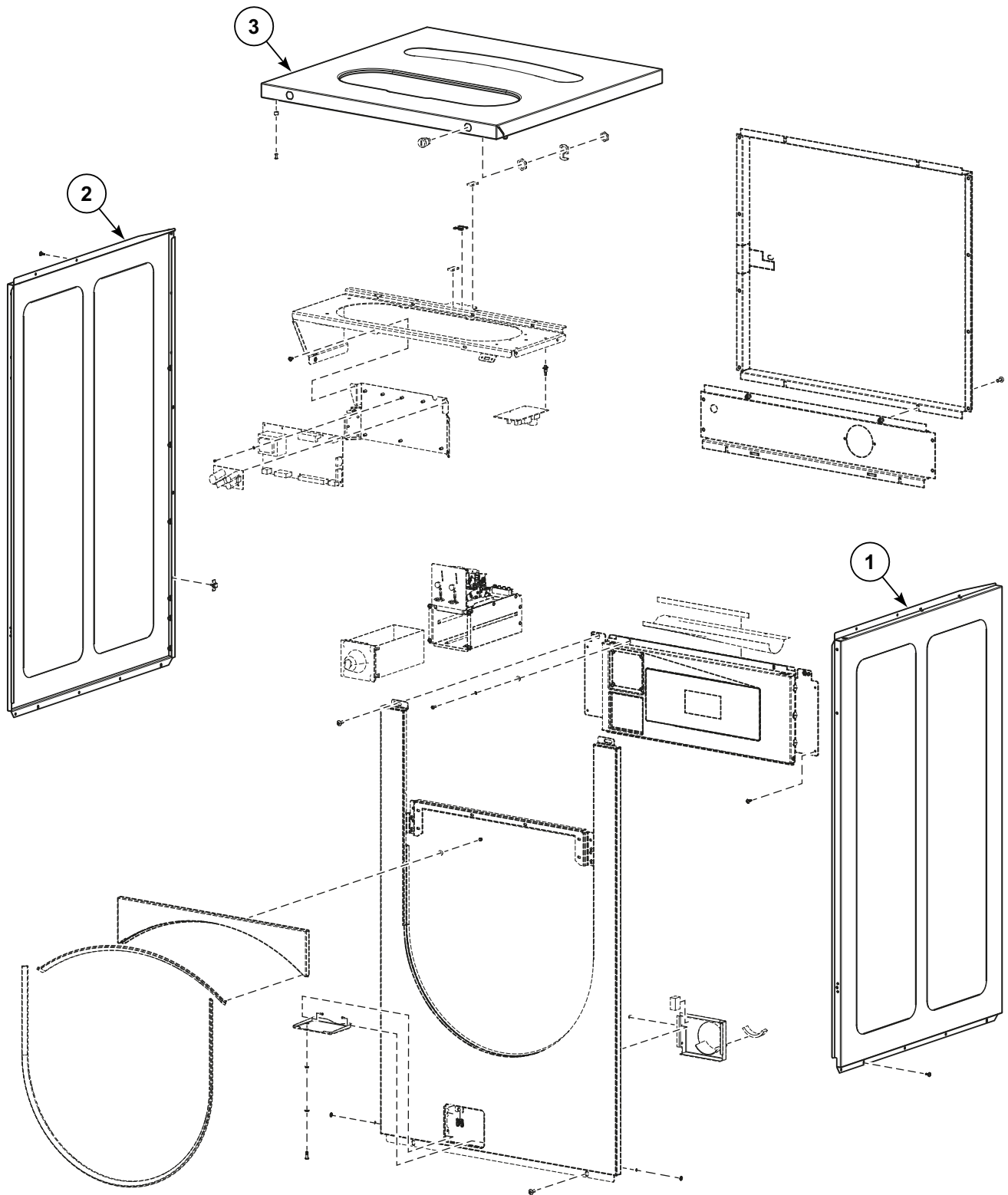
CZW280P\_D1617

## Cabinet - AF, IY, J and NY Models (Drawing 2 of 3)

REF	PART NO.	DESCRIPTION	COMMENTS
1	570467	Rear Cover	
2	SP533381	Lower Rear Cover	
3	573004	Control Panel Frame	
4	SP527088	Profile	15x30
5	SP521553	Drain Cover	
6	522450	Profile	15x6
7	SP527083	Latch	
8	SP521511	Drain Pump Cover	
9	573012	Front Cover	Stainless steel
	SP564362	Front Cover	Black
10	571025	Front Panel	Stainless steel; With opening for drain pump
	571028	Front Panel	Stainless
	574090	Front Panel	AF and NY models; Gray
	574089	Front Panel	AF and NY models; Gray; With opening for drain pump
	550446	Washer	Not sliding accessories

# Cabinet - AF, IY, J and NY Models (Drawing 3 of 3)

Models with V in the 7th Position, Models with G, H, J or K in 13th Position



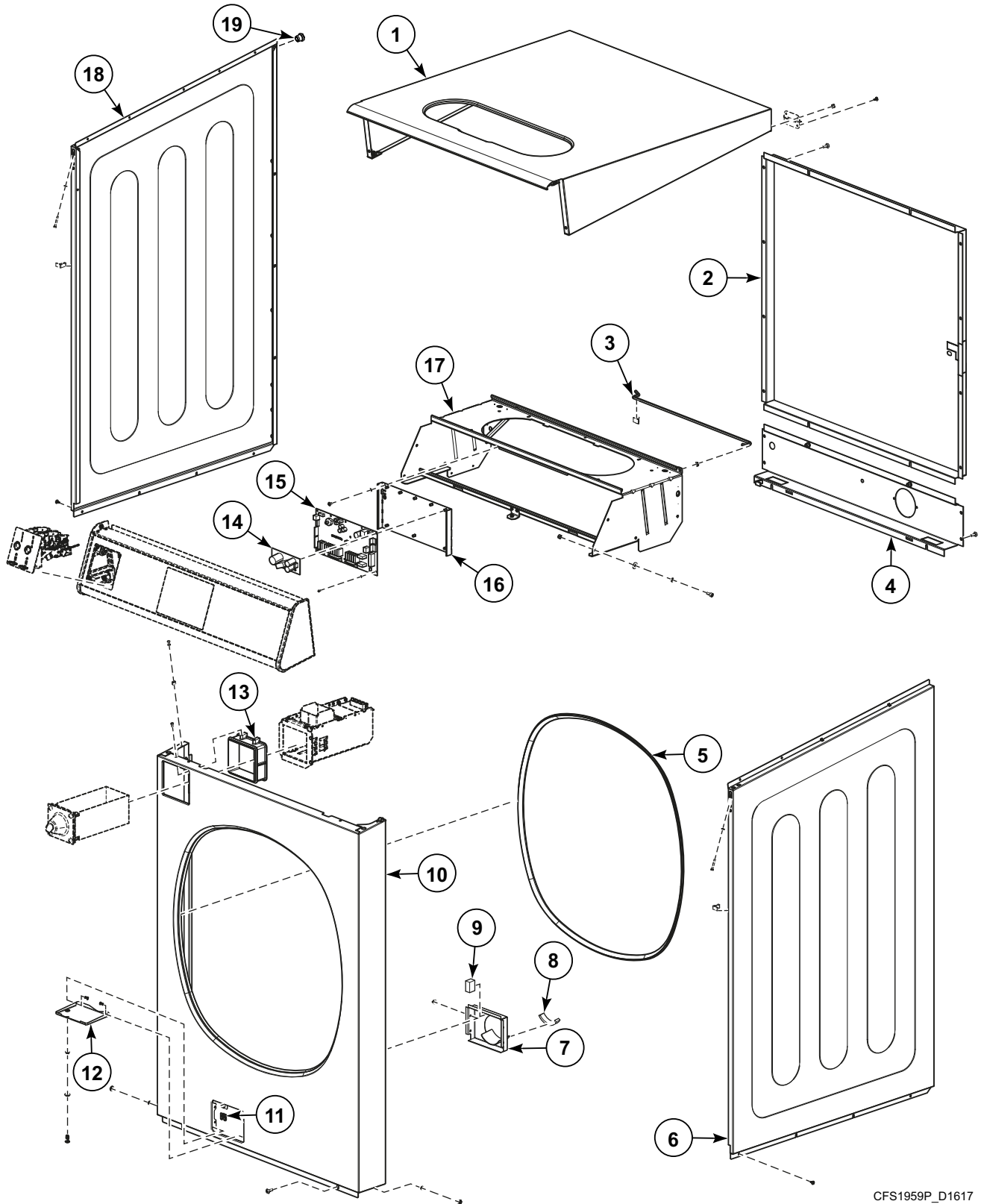
CZW303P\_D1617

## Cabinet - AF, IY, J and NY Models (Drawing 3 of 3)

REF	PART NO.	DESCRIPTION	COMMENTS
<b>1</b>	572004	Side Panel	Stainless; Right; Includes SP313251000006 Nut
	573036	Side Panel	IY and J models; Black; Right; Includes SP313251000006 Nut
	574058	Side Panel	AF and NY models; Gray; Right; Includes SP313251000006 Nut
<b>2</b>	572003	Side Panel	Stainless; Left; Includes SP313251000006 Nut
	573034	Side Panel	IY and J models; Black; Left; Includes SP313251000006 Nut
	574057	Side Panel	AF and NY models; Gray; Left; Includes SP313251000006 Nut
<b>3</b>	569623	Top Cover	Includes SP547527 Lock, SP550616 Key, SPPRI610002007 Hook Lock, SP520408 Pin Insertion, SP547779 Rivet and SP550115 Fastener
	569641	Top Cover	Without soap hopper opening, Includes SP547527 Lock, SP550616 Key, SPPRI610002007 Hook Lock, SP520408 Pin Insertion, SP547779 Rivet and SP550115 Fastener

# Cabinet - FX and PY Models (Drawing 1 of 2)

FX and PY Models with V in 7th Position



CFS1959P\_D1617

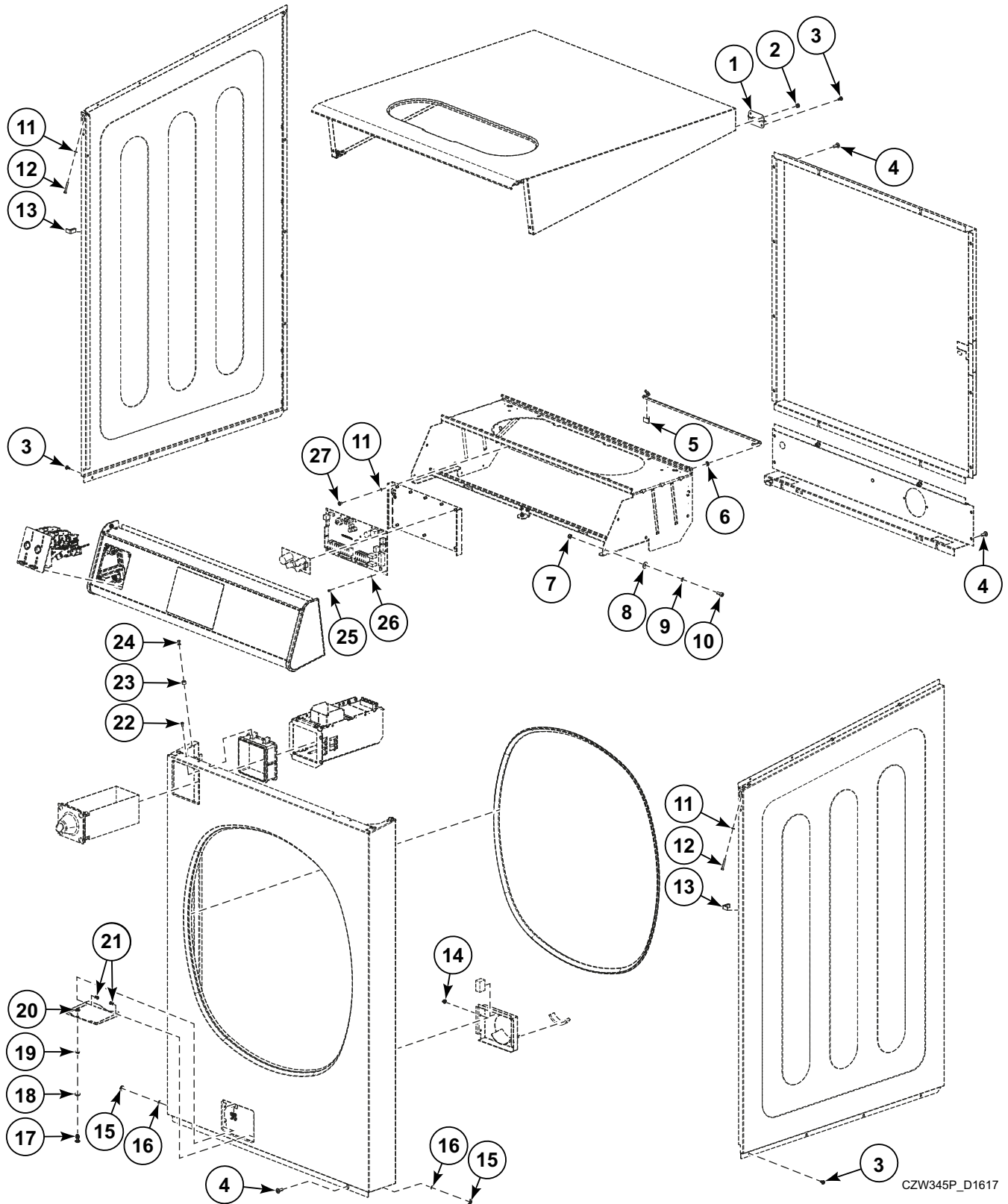


## Cabinet - FX and PY Models (Drawing 1 of 2)

REF	PART NO.	DESCRIPTION	COMMENTS
1	572573	Top Cover	
	574250	Top Cover	Without soap hopper opening
2	570467	Rear Cover	
3	SP550133	Upper Lid Prop	
4	SP533381	Lower Rear Cover	
5	SP529068	Edge Protection	1.795m
6	572591	Side Panel Assembly	Painted; Right
	572590	Side Panel Assembly	Stainless; Right
7	SP521553	Drain Cover	
8	SP522450	Profile	
9	SP527088	Profile	15x30
10	572531	Front Panel	OPL; Painted
	572525	Front Panel	Vended; Painted
	572532	Front Panel	OPL; Painted; With opening for drain pump
	572533	Front Panel	Vended; Painted; With opening for drain pump
	572526	Front Panel	OPL; Stainless
	572527	Front Panel	Vended; Stainless
	572529	Front Panel	OPL; Stainless; With opening for drain pump
	572528	Front Panel	Vended; Stainless; With opening for drain pump
	550446	Washer	Not sliding accessories
11	SP527083	Latch	
12	SP521511	Drain Pump Cover	
13	566737	Coin Vault Plate	
14	553189	Module	Door Lock
15	575630	Control Board I/O	MC10; Power; Used with 569701 Interconnection Flat Cable
16	573934	Programmer Holder	Includes 527279 Nut
17	573938	Panel Holder	
18	572595	Side Panel Assembly	Painted; Left
	572594	Side Panel Assembly	Stainless; Left
19	SP313251000006	Nut	M6

# Cabinet - FX and PY Models (Drawing 2 of 2)

FX and PY Models with V in 7th Position



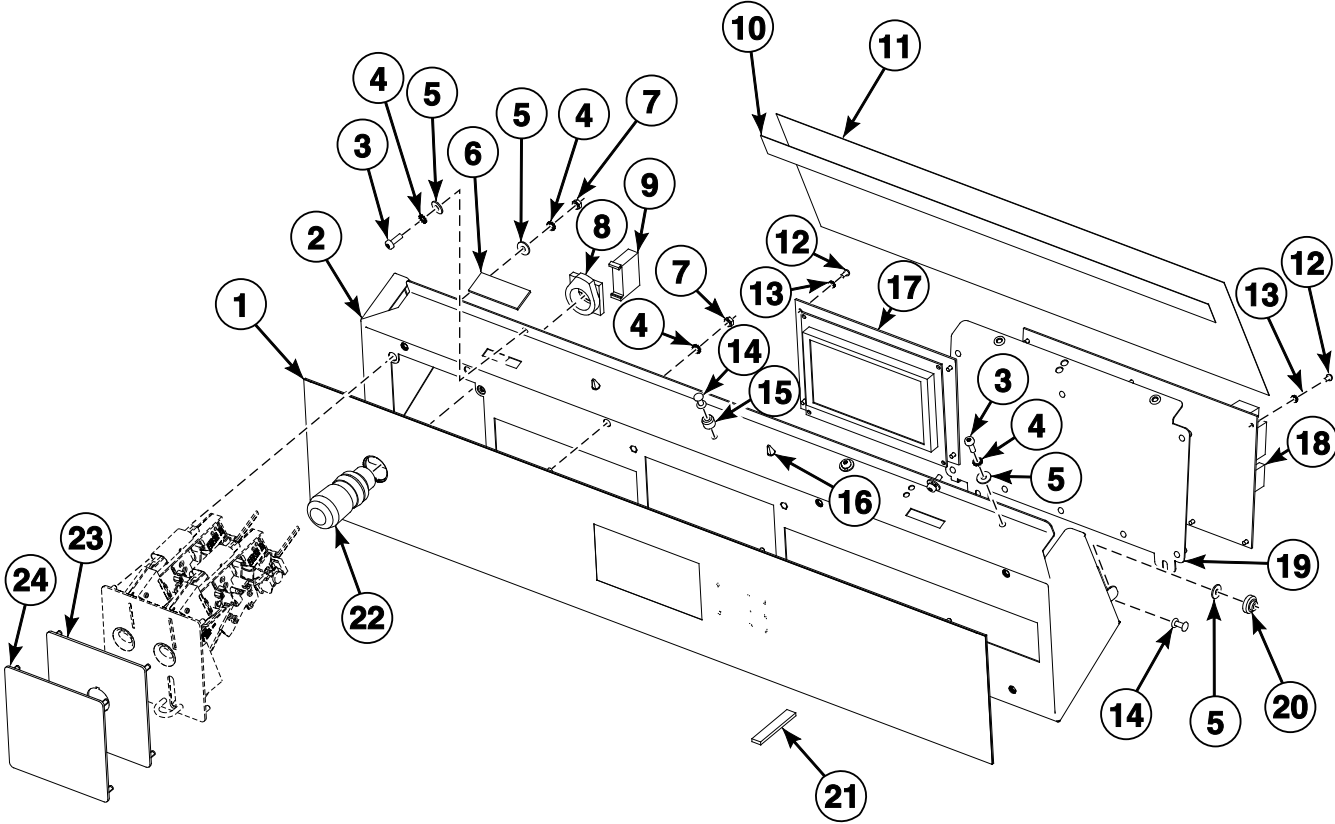
CZW345P\_D1617

## Cabinet - FX and PY Models (Drawing 2 of 2)

REF	PART NO.	DESCRIPTION	COMMENTS
1	SP516832	Hinge	
2	SP313250048103	Rivet	
3	SP529206	Screw	4x11
4	SP555658	Bolt	M6x16
5	SPPRI551016250	Hook	Stick-on
6	SP273121005052	Cable Passage	5.5x2
7	SP310985000006	Nut	M6
8	SP311902100006	Washer	6
9	576338	Washer	
10	SP506431	Bolt	M6x12
11	SP311679800004	Washer	M4
12	SP550482	Bolt	M4x25
13	SP517232	Seal	
14	SP313250004063	Rivet	4x6.3
15	SPPRI247000013	Washer	
16	SP527021	Washer	
17	SP527084	Bolt	
18	SP527087	Washer	
19	SP527086	Spring	
20	SP527085	Ring	
21	SP521706	Rivet	3x8
22	SP309084000408	Bolt	M4x8
23	SP520408	Pin Insertion	
24	SP547779	Rivet	4x16.7
25	SP309798500306	Bolt	M3x6
26	SP311679800003	Washer	M3
27	SP506013	Bolt	M4x8

# Control Panel - AF Non-Brand, HY, LP, NY, SY and UY Models (Drawing 1 of 5)

Except Models with V in the 7th Position



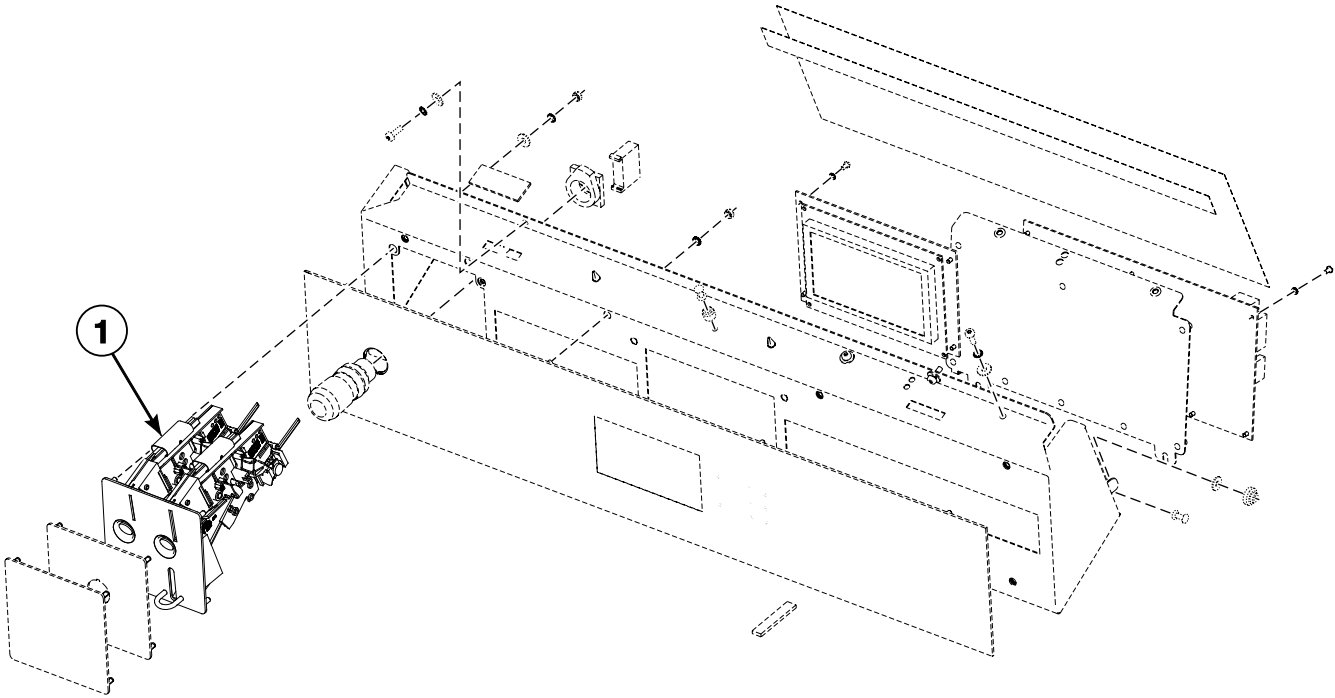
CFD2893P\_D1617

## Control Panel - AF Non-Brand, HY, LP, NY, SY and UY Models (Drawing 1 of 5)

REF	PART NO.	DESCRIPTION	COMMENTS
	569593	Network Installation Kit	Includes 569595 Holder, 203532 Wireless Network Control Assembly, 568363 Power Supply, 568362 Cable, 568378 Wiring, 568379 Wiring Diagram, SP345000626088 Binding Strip and connection accessories
	F8600501	Programming Cable	
1	SP557579	Keyboard	UY models; OPL
	SP557573	Keyboard	SY models; OPL
	SP557574	Keyboard	SY models; Vended
	SP557582	Keyboard	HY models; OPL
	SP547022	Keyboard	AF Non-Brand, LP and NY models; OPL; Professional; Black
	SP547021	Keyboard	AF Non-Brand, LP and NY models; OPL; Basic; Black
	SP547019	Keyboard	AF Non-Brand, LP and NY models; Vended; Basic; Black
	SP547020	Keyboard	AF Non-Brand, LP and NY models; CPS, Basic, Black
2	SP557599	Control Panel	
3	SP555504	Bolt	M4x12
4	SP311679800004	Washer	M4
5	SP311902100004	Washer	M4
6	SPMEC001410	Self-Adhesive Pad	
7	SP310934000004	Nut	M4
8	SP528311	Emergency Stop Connector	OPL
9	SP528312	Switching Unit	
10	SP510846	Tape	
11	SPPRI543000004	Cover	
12	SP309798500306	Bolt	M3x6
13	SP311679800003	Washer	M3
14	SP547779	Rivet	4x16.7
15	SP520408	Pin Insertion	
16	SP528313	Cable Holder	
	SP553412	Control Board	MC7; HY, SY and UY models
	SP553411	Control Board	MC7; AF Non-Brand, LP and NY models
17	SP553405	Control Board I/O	MC7
	SP547005	Board Interconnection Cable	
18	SP557616	Programmer Holder	
19	SP550113	Leading Pin	
20	SP284000012003	Tape	
21	SP528310	Emergency Stop Knob	OPL
	SP520032	Emergency Stop Wiring	OPL
	SP520033	Emergency Stop Interconnection	Vended
22	SP558929	Coin Meter Cover Plate	SY models; Black
23	SP558930	CPS Cover Plate	SY models; Black

# Control Panel - AF Non-Brand, HY, LP, NY, SY and UY Models (Drawing 2 of 5)

Except Models with V in 7th Position



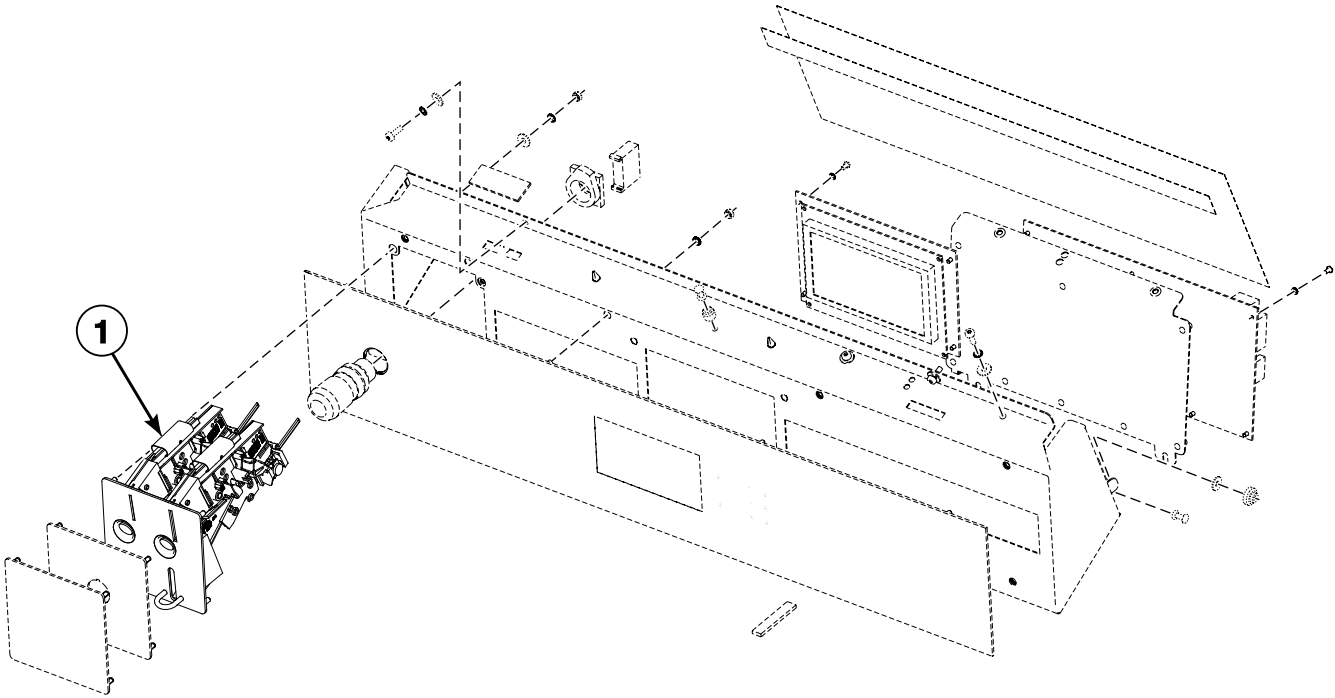
CFD2894P\_D2409

## Control Panel - AF Non-Brand, HY, LP, NY, SY and UY Models (Drawing 2 of 5)

REF	PART NO.	DESCRIPTION	COMMENTS
1	SP547601	Coin Meter	5K Primus jeton
	SP547602	Coin Meter	7K Primus jeton
	SP547603	Coin Meter	10K Primus jeton
	SP547604	Coin Meter	12K Primus jeton
	SP547605	Coin Meter	15K Primus jeton
	SP547606	Coin Meter	D jeton
	SP547648	Coin Meter	0.05EUR
	SP547638	Coin Meter	0.2EUR
	SP547616	Coin Meter	0.5EUR
	SP547614	Coin Meter	1EUR
	SP547647	Coin Meter	2EUR
	SP547622	Coin Meter	0.2EUR + 0.5EUR
	SP547639	Coin Meter	0.2EUR + 1EUR
	SP547617	Coin Meter	0.5EUR + 1EUR
	SP547656	Coin Meter	0.5EUR + 2EUR
	SP547631	Coin Meter	1EUR + 2EUR
	SP547652	Coin Meter	7K + D jeton
	SP547666	Coin Meter	7K jeton and 2EUR
	SP547665	Coin Meter	D jeton and 2EUR
	SP547600	Coin Meter	1AUD + 20C
	SP547607	Coin Meter	1POND + 20PC
	SP547608	Coin Meter	1POND + 50PC
	SP547609	Coin Meter	100YEN
	SP547610	Coin Meter	500JPY + 100JPY
	SP547611	Coin Meter	5DKK
	SP547612	Coin Meter	20DKK
	SP547613	Coin Meter	5ILS + 1ILS
	SP547615	Coin Meter	1MYR
	SP547618	Coin Meter	1DKK + 5DKK
	SP547619	Coin Meter	10NOK + 20NOK
	SP547620	Coin Meter	2DKK + 5DKK
	SP547621	Coin Meter	5NOK
	SP547623	Coin Meter	1NZD + 2NZD
	SP547624	Coin Meter	10 NOK
	SP547625	Coin Meter	10NT + 50NT
	SP547626	Coin Meter	2DKK
	SP547627	Coin Meter	Lucky Winner jeton
	SP547628	Coin Meter	10TWD
	SP547629	Coin Meter	10CZK + 20CZK
	SP547630	Coin Meter	7K Equipos Par Lavar jeton
	569921	Coin Meter	0.2GBP, 0.5GBP, 1GBP, 2GBP, 0.1EUR, 0.2EUR, 0.5EUR, 1EUR, 2EUR; Electronic EMPv7
	SP547634	Coin Meter	500WON
	SP547635	Coin Meter	0.25USD
	SP547636	Coin Meter	1AUD + 2AUD
	SP547637	Coin Meter	5DK + 10DK
	SP547640	Coin Meter	Sun Wash jeton

# Control Panel - AF Non-Brand, HY, LP, NY, SY and UY Models (Drawing 3 of 5)

Except Models with V in 7th Position



CFD2894P\_D2409

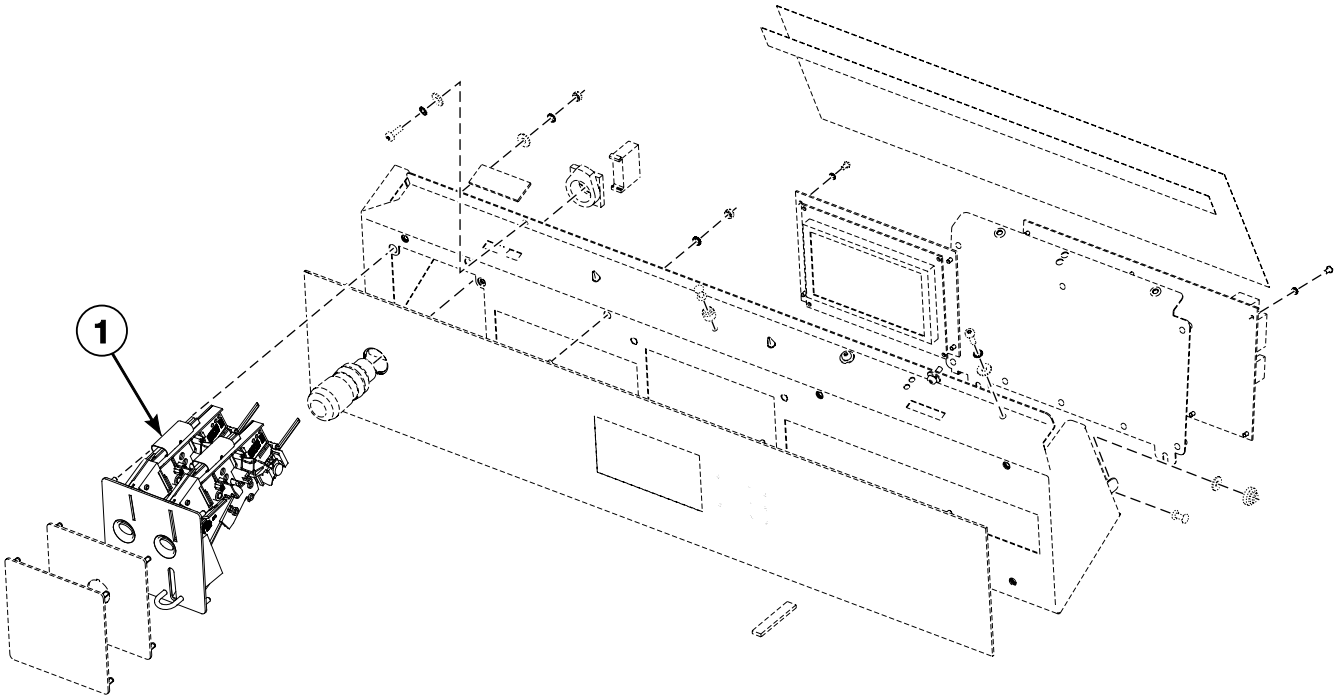


## Control Panel - AF Non-Brand, HY, LP, NY, SY and UY Models (Drawing 3 of 5)

REF	PART NO.	DESCRIPTION	COMMENTS
1	SP547641	Coin Meter	2DK + 10DK
	SP547642	Coin Meter	1AUD
	SP547643	Coin Meter	1CHF
	SP547644	Coin Meter	5NOK + 10NOK
	SP547645	Coin Meter	1 TopMos jeton + 1LEV jeton
	SP547646	Coin Meter	1 Vendo jeton
	SP547649	Coin Meter	1 jeton
	569951	Coin Meter	0.5MAD, 1MAD, 2MAD, 5MAD, 10MAD; Electronic EMPv7
	SP547651	Coin Meter	20 penny
	SP547653	Coin Meter	1 Wascator jeton, jeton diamater 22.2 mm
	SP547654	Coin Meter	1 Unibel jeton, jeton diamater 18.55 mm
	SP547657	Coin Meter	50HUF + 100HUF
	SP547658	Coin Meter	1 jeton without coining, jeton diamater 20 mm
	SP547659	Coin Meter	1 Volund jeton, jeton diamater 22.5 mm
	SP547660	Coin Meter	1 Wascator jeton, jeton diamater 19 mm
	SP547661	Coin Meter	1 Miele jeton
	SP547662	Coin Meter	1 jeton without coining, jeton diamater 26 mm
	SP547663	Coin Meter	Three-groove jeton; jeton diamater 27 mm
	SP547664	Coin Meter	Three-groove jeton; jeton diamater 24.9 mm
	SP537996	Coin Meter	Top-Mosr jeton
	SP547667	Coin Meter	Milano Italy jeton
	SP547668	Coin Meter	5PLN + 1PLN
	SP547669	Coin Meter	Two-grooves jeton; jeton diamater 27 mm
	SP547670	Coin Meter	A.S.A.R.D. jeton, jeton diamater 25.8 mm
	SP547671	Coin Meter	20CZK
	SP547672	Coin Meter	Jeton ASARD, jeton diamater 22.3 mm
	SP547673	Coin Meter	Jeton Laundromatic Belgium, jeton diamater 22.3 mm
	SP547674	Coin Meter	1SGD
	SP547675	Coin Meter	Jeton Asard Wascator, jeton diamater 19.9 mm
	SP555502	Coin Meter	Easy Games jeton
	SP555543	Coin Meter	Brev.C jeton
	SP555546	Coin Meter	50 Malaysian cent
	SP555549	Coin Meter	Flat Polis jeton
	SP555550	Coin Meter	Butzi Wash jeton
	SP555578	Coin Meter	1 New Singapore Dollar
	SP555558	Coin Meter	Copper without grooves jeton
	569939	Coin Meter	0.1SGD, 0.2SGD, 0.5SGD, 1SGD; Electronic EMPv7
	SP555666	Coin Meter	2x50 Malaysian cent
	569933	Coin Meter	0.1EUR, 0.2EUR, 0.5EUR, 1EUR, 2EUR; Electronic EMPv7
	SP555559	Coin Meter	Speedy Matic jeton
	SP555579	Coin Meter	Was-Salon Lavoir jeton
	569948	Coin Meter	5CZK, 10CZK, 20CZK, 50CZK; Electronic EMPv7
	SP560744	Coin Meter	Electronic for Dobi Ekspres jeton
	569964	Coin Meter	0.2GBP, 0.5GBP, 1GBP, 2GBP, 0.1EUR, 0.2EUR, 0.5EUR, 1EUR, 2EUR, jeton "KWL Aqua", jeton "Gettone"; Electronic EMPv7
	SP560089	Coin Meter	STD 118-1 jeton

# Control Panel - AF Non-Brand, HY, LP, NY, SY and UY Models (Drawing 4 of 5)

Except Models with V in 7th Position



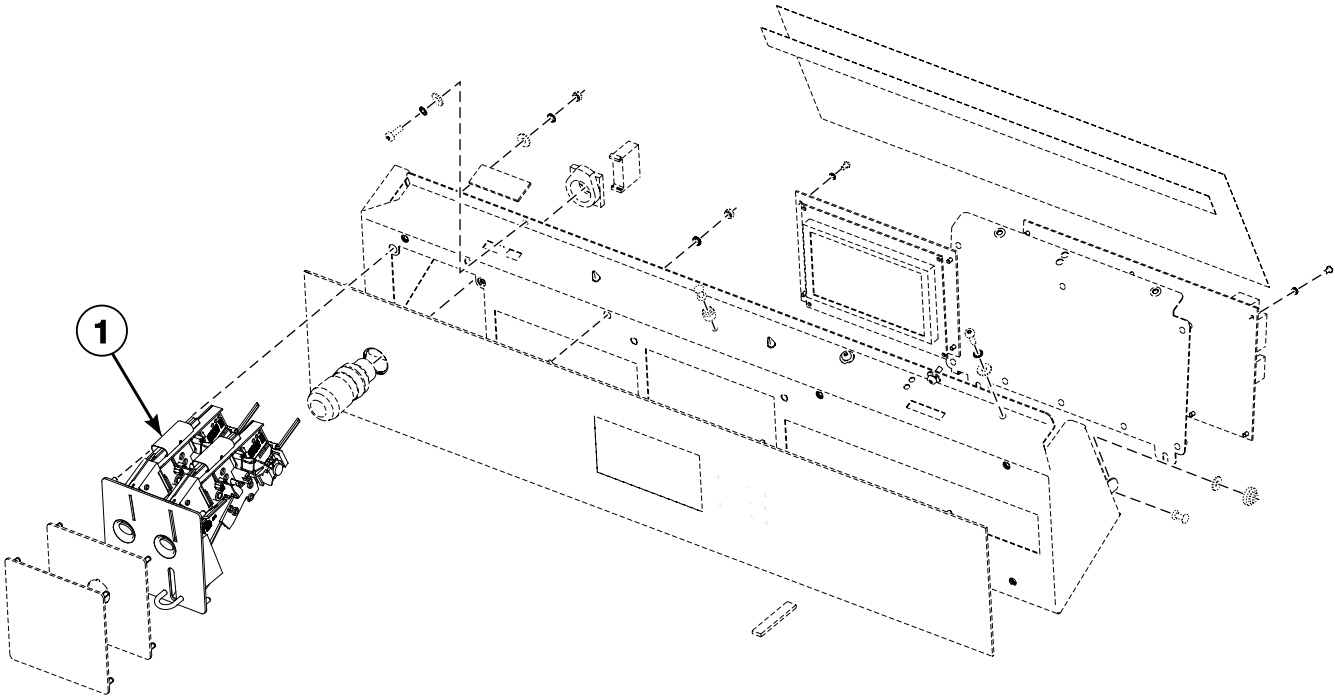
CFD2894P\_D2409

## Control Panel - AF Non-Brand, HY, LP, NY, SY and UY Models (Drawing 4 of 5)

REF	PART NO.	DESCRIPTION	COMMENTS
1	SP560082	Coin Meter	5k IPSO jeton
	SP560083	Coin Meter	7k IPSO jeton
	SP560084	Coin Meter	10k IPSO jeton
	SP560085	Coin Meter	12k IPSO jeton
	SP560086	Coin Meter	15k IPSO jeton
	561378	Coin Meter	10 Moroccan Dirham
	569918	Coin Meter	0.25USD, 1USD, 0.25CAD, 1CAD, 2CAD; Electronic EMPv7
	560073	Coin Meter	0.25 USD/1 USD
	569930	Coin Meter	1CNY, 0.1MYR, 0.2MYR, 0.5MYR; Electronic EMPv7
	569927	Coin Meter	0.2AUD, 1AUD, 2AUD, 0.2NZD, 1NZD, 2NZD, 5HKD, 10HKD, 500KRW; Electronic EMPv7
	561496	Coin Meter	Jeton Grupo Azkoyen CDS Automaten
	569936	Coin Meter	1PHP, 5PHP, 10PHP; Electronic EMPv7
	569942	Coin Meter	0.1MYR, 0.2MYR, 0.5MYR, 0.5SGD, 1SGD; Electronic EMPv7
	569945	Coin Meter	1HRK, 2HRK, 5HRK; Electronic EMPv7
	569924	Coin Meter	1DKK, 2DKK, 5DKK, 10DKK, 20DKK, 1NOK, 5NOK, 10NOK, 20NOK, 0.2EUR, 0.5EUR, 1EUR, 2EUR; Electronic EMPv7
	564484	Coin Meter	Jeton 118-5
	564486	Coin Meter	Jeton Barisart (LDL)
	569961	Coin Meter	0.1EUR, 0.2EUR, 0.5EUR, 1EUR, 2EUR, jeton IPSO 5K; Electronic EMPv7
	564489	Coin Meter	Jeton Sporrong
	569970	Coin Meter	0.5MYR, jeton "DOBI PAPA"; Electronic EMPv7
	553150	Coin Meter	Jeton with hole
	553151	Coin Meter	Jeton Deton Wash
	569901	Coin Meter	Brass jeton
	569912	Coin Meter	Jeton Wassalon lavoir
	569954	Coin Meter	1PLN, 2PLN, 5PLN, 0.1EUR, 0.2EUR, 0.5EUR, 1EUR, 2EUR, 10ISK, 50ISK, 100ISK; Electronic EMPv7
	569967	Coin Meter	0.1EUR, 0.2EUR, 0.5EUR, 1EUR, 2EUR, jeton G-FIS "LAVOIR BIANCA"; Electronic EMPv7
	569973	Coin Meter	1AUD, 2AUD, jeton "No Cash Value"; Electronic EMPv7
	569979	Coin Meter	0.5MYR, jeton "BUBBLELAB"; Electronic EMPv7
	569987	Coin Meter	Jeton HAUCK 2018
	569998	Coin Meter	100+500 ISK
	572301	Coin Meter	Token 118-16
	572304	Coin Meter	1ILS, 2ILS, 5ILS, 10ILS; Electronic EMPv7
	572307	Coin Meter	1ZAR, 2ZAR, 5ZAR; Electronic EMPv7
	572310	Coin Meter	5RUB, 10RUB; Electronic EMPv7
	572313	Coin Meter	50CLP, 100CLP, 500CLP; Electronic EMPv7
	572317	Coin Meter	100JPY, 500JPY, 10TWD, 50TWD; Electronic EMPv7
	572320	Coin Meter	0.5GEL, 1GEL, 2GEL; Electronic EMPv7
	572323	Coin Meter	0.2 EUR, 0.5EUR, 1EUR, 2EUR, Jeton 7K; Electronic EMPv7
	579812	Coin Meter	20 HUF, 50HUF, 100HUF, 200HUF; 1TK, 2TK, Jeton; Electronic EMPv7
	572342	Coin Meter	Token WH121
	579808	Coin Meter	1EAD, 1TK, 2TK; Electronic EMPv7

# Control Panel - AF Non-Brand, HY, LP, NY, SY and UY Models (Drawing 5 of 5)

Except Models with V in 7th Position



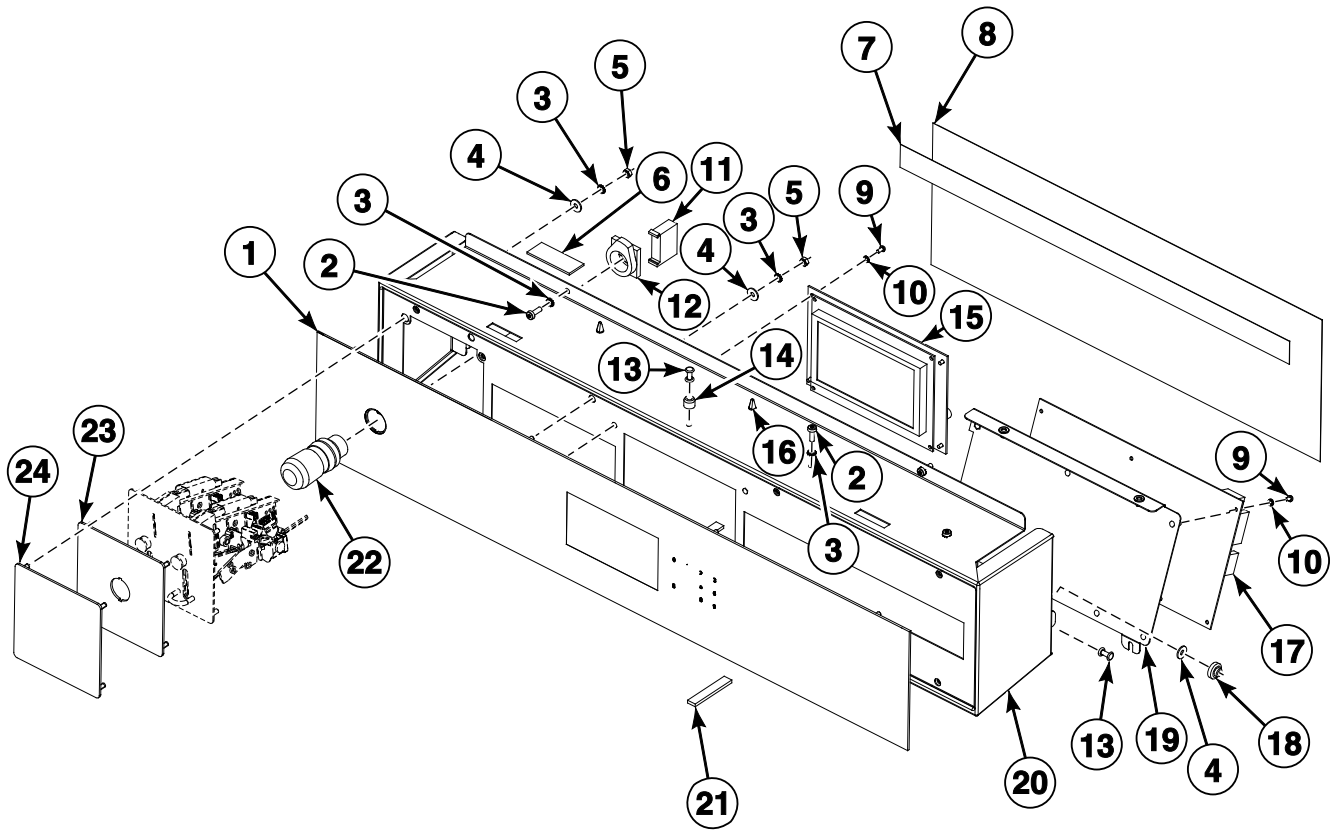
CFD2894P\_D2409

## Control Panel - AF Non-Brand, HY, LP, NY, SY and UY Models (Drawing 5 of 5)

REF	PART NO.	DESCRIPTION	COMMENTS
1	572358	Coin Meter	1THB, 2THB, 5THB, 10THB; 1TK, 2TK Jeton; Electronic EMPv7
	572391	Coin Meter	0.25CAD
	572383	Coin Meter	0.2CHF, 0.5CHF, 1CHF, 2CHF; 1TK, 2TK Jeton; Electronic EMPv7
	572339	Coin Meter	Getton Jeton (26mm diameter x 1.7mm)

# Control Panel - H, IY and WMA Models (Drawing 1 of 4)

All Models Except Models with G, H, J or K in 13th Position



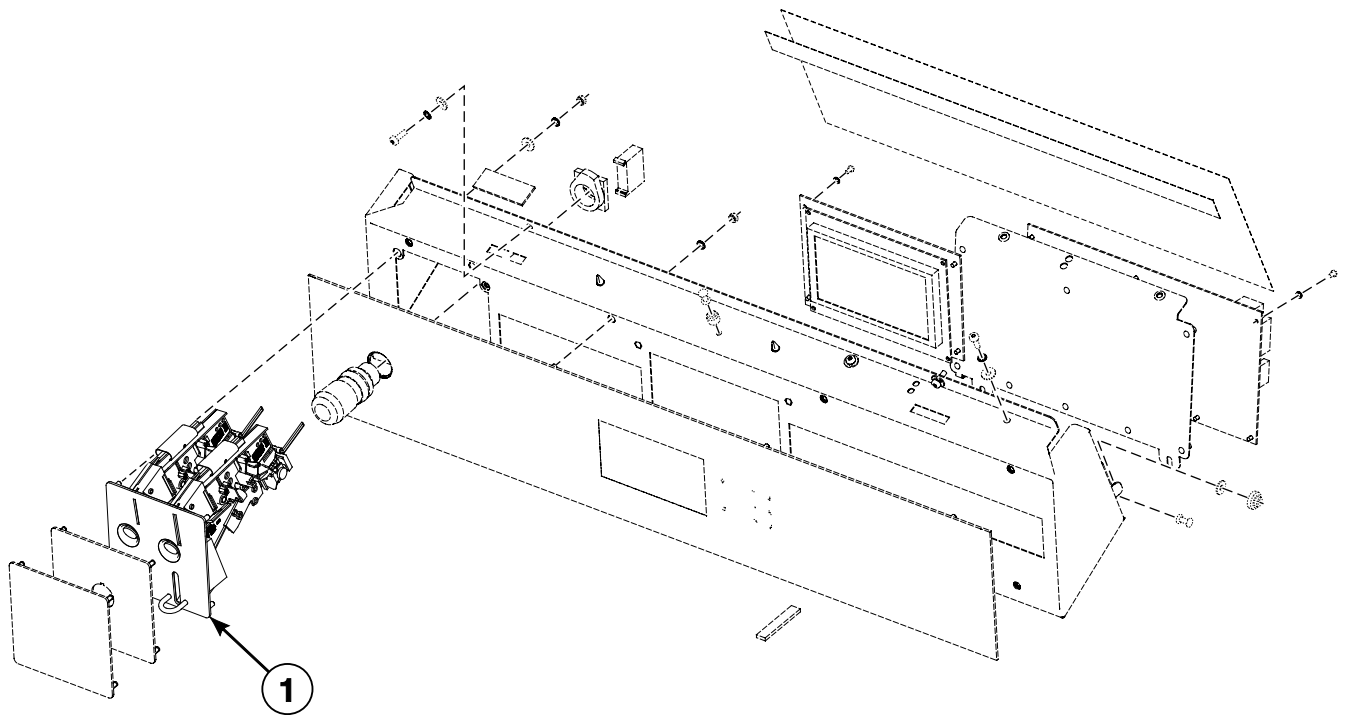
CFD2895P\_D1617

## Control Panel - H, IY and WMA Models (Drawing 1 of 4)

REF	PART NO.	DESCRIPTION	COMMENTS
	569593	Network Installation Kit	Includes 569595 Holder, 203532 Wireless Network Control Assembly, 568363 Power Supply, 568362 Cable, 568378 Wiring, 568379 Wiring Diagram, SP345000626088 Binding Strip and connection accessories
	F8600501	Programming Cable	
1	SP557567	Keyboard	Aries-Elite
	SP557568	Keyboard	Aries
	SP560759	Keyboard	Without logo; With numeric keypad
	SP560760	Keyboard	Without logo; Without numeric keypad
2	SP555504	Bolt	M4x12
3	SP311679800004	Washer	M4
4	SP311902100004	Washer	M4
5	SP310934000004	Nut	M4
6	SPMEC001410	Self-Adhesive Pad	
7	SP510846	Tape	
8	SPPRI543000004	Cover	
9	SP309798500306	Bolt	M3x6
10	SP311679800003	Washer	M3
11	SP528312	Switching Unit	
12	SP528311	Emergency Stop Connector	
13	SP547779	Rivet	4x16.7
14	SP520408	Pin Insertion	
15	SP553419	Control Board	MC7
16	SP528313	Cable Holder	
17	SP553405	Control Board I/O	MC7
	SP547005	Board Interconnection Cable	
18	SP550113	Leading Pin	
19	SP558887	Programmer Holder	
20	SP558885	Control Panel	
21	SP284000012003	Tape	
22	SP528310	Emergency Stop Knob	OPL
	SP520032	Emergency Stop Wiring	OPL
	SP520033	Emergency Stop Interconnection	Vended
23	SP558929	Coin Meter Cover Plate	
24	SP558930	CPS Cover Plate	

# Control Panel - H, IY and WMA Models (Drawing 2 of 4)

All Models Except Models with G, H, J or K in 13th Position



CFD2896P\_D1617

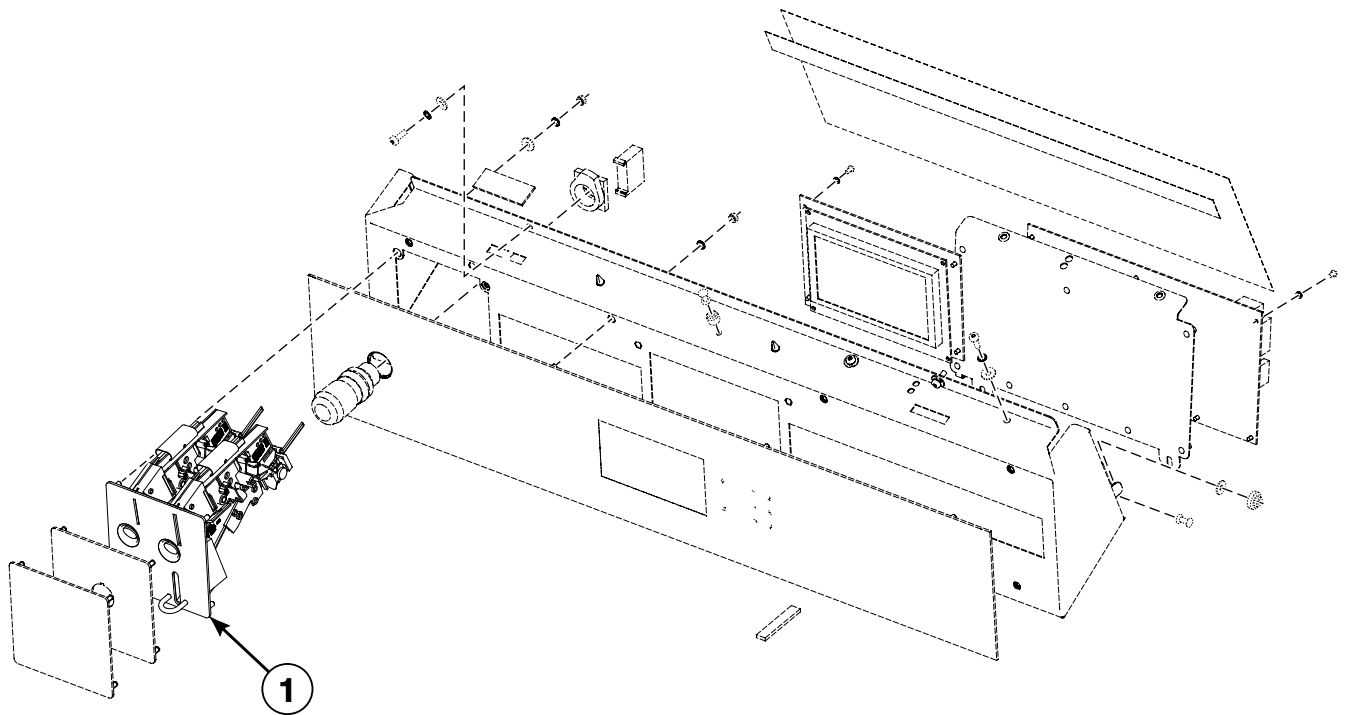


## Control Panel - H, IY and WMA Models (Drawing 2 of 4)

REF	PART NO.	DESCRIPTION	COMMENTS
1	569922	Coin Meter	0.2GBP, 0.5GBP, 1GBP, 2GBP, 0.1EUR, 0.2EUR, 0.5EUR, 1EUR, 2EUR; Electronic EMPv7
	SP558958	Coin Meter	0.25USD
	SP558959	Coin Meter	0.5EUR and 1EUR
	SP560310	Coin Meter	1EUR
	SP560311	Coin Meter	0.5EUR
	SP560312	Coin Meter	1EUR and 2EUR
	SP559933	Coin Meter	5K Primus jeton
	SP559934	Coin Meter	10K Primus jeton
	569965	Coin Meter	0.2GBP, 0.5GBP, 1GBP, 2GBP, 0.1EUR, 0.2EUR, 0.5EUR, 1EUR, 2EUR, jeton "KWL Aqua", jeton "Gettone"; Electronic EMPv7
	SP559938	Coin Meter	STD 118-1 jeton
	SP560309	Coin Meter	7K Primus jeton
	SP560405	Coin Meter	12K Primus jeton
	SP560406	Coin Meter	15K Primus jeton
	SP560407	Coin Meter	2EUR
	SP560408	Coin Meter	0.2EUR and 0.5EUR
	SP560409	Coin Meter	0.2EUR
	SP560410	Coin Meter	1EUR and 0.2EUR
	SP560411	Coin Meter	2EUR and 0.5EUR
	SP560412	Coin Meter	1AUD and 0.2AUD
	SP560413	Coin Meter	1GBP and 20PC
	SP560414	Coin Meter	1GBP and 50PC
	SP560415	Coin Meter	100JPY
	SP560416	Coin Meter	500JPY and 100 JPY
	SP560417	Coin Meter	1AUD and 2AUD
	SP560418	Coin Meter	1AUD
	SP560419	Coin Meter	20PC
	SP560420	Coin Meter	50 Malaysian cent
	SP560421	Coin Meter	1SGD; New Singaporean dollar
	SP560422	Coin Meter	2MYR and 0.5MYR
	SP560423	Coin Meter	1SGD
	SP560424	Coin Meter	1NZD and 2NZD
	SP560425	Coin Meter	Easy games jeton
	SP560426	Coin Meter	Flat polis jeton
	SP560427	Coin Meter	Butzi wash jeton
	SP560428	Coin Meter	Speedy matic jeton
	SP560429	Coin Meter	Laundromatic Belgium jeton; Diameter 22.3mm
	569940	Coin Meter	0.1SGD, 0.2SGD, 0.5SGD, 1SGD; Electronic EMPv7
	569934	Coin Meter	0.1EUR, 0.2EUR, 0.5EUR, 1EUR, 2EUR; Electronic EMPv7
	SP560432	Coin Meter	500WON
	SP560745	Coin Meter	Dobi ekspress jeton
	SP560751	Coin Meter	Lucky winner jeton
	SP559969	Coin Meter	Gettone jeton
	SP559949	Coin Meter	10 Taiwan dollar
	SP560090	Coin Meter	5K IPSO jeton
	SP560091	Coin Meter	7K IPSO jeton
	SP560092	Coin Meter	10K IPSO jeton
	SP560093	Coin Meter	12K IPSO jeton
	SP560094	Coin Meter	15K IPSO jeton
	SP560100	Coin Meter	Electrolux Asard jeton
	SP560087	Coin Meter	Gettone jeton

# Control Panel - H, IY and WMA Models (Drawing 3 of 4)

All Models Except Models with G, H, J or K in 13th Position



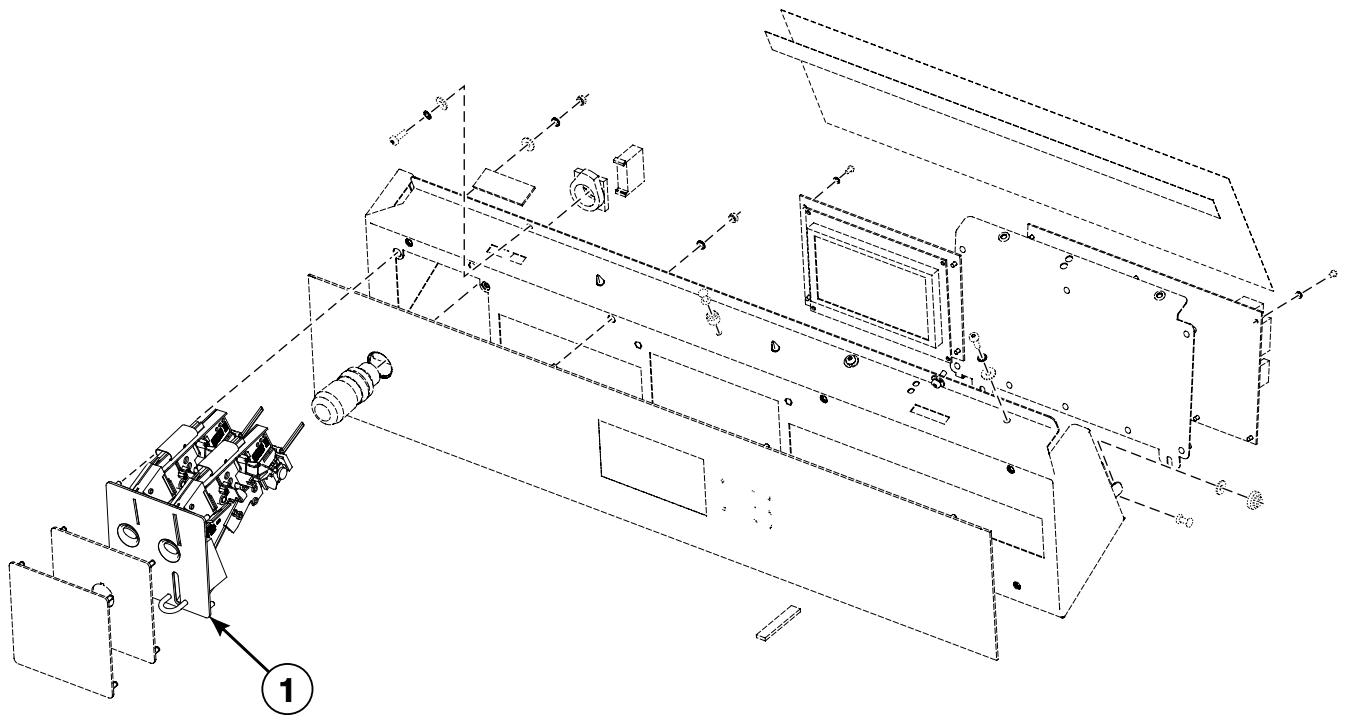
CFD2896P\_D1617

## Control Panel - H, IY and WMA Models (Drawing 3 of 4)

REF	PART NO.	DESCRIPTION	COMMENTS
1	SP560075	Coin Meter	5+1 Shekel
	SP560071	Coin Meter	1HKD
	569968	Coin Meter	0.1EUR, 0.2EUR, 0.5EUR, 1EUR, 2EUR, jeton G-FIS "LAVOIR BIANCA"; Electronic EMPv7
	569946	Coin Meter	1HRK, 2HRK, 5HRK; Electronic EMPv7
	569974	Coin Meter	1AUD, 2AUD, jeton "No Cash Value"; Electronic EMPv7
	561497	Coin Meter	Jeton Prinz Firbitex
	563405	Coin Meter	Token Ldl Chamberland Washing Machine
	569943	Coin Meter	0.1MYR, 0.2MYR, 0.5MYR, 0.5SGD, 1SGD; Electronic EMPv7
	569925	Coin Meter	1DKK, 2DKK, 5DKK, 10DKK, 20DKK, 1NOK, 5NOK, 10NOK, 20NOK, 0.2EUR, 0.5EUR, 1EUR, 2EUR; Electronic EMPv7
	564485	Coin Meter	Token 118-5
	564487	Coin Meter	Token Barisart (Ldl)
	569971	Coin Meter	0.5MYR, jeton "DOBI PAPA"; Electronic EMPv7
	553156	Coin Meter	Token Rotondi
	569905	Coin Meter	Brass jeton
	569911	Coin Meter	0.5CHF, 2CHF
	569919	Coin Meter	0.25USD, 1USD, 0.25CAD, 1CAD, 2CAD; Electronic EMPv7
	569928	Coin Meter	0.2AUD, 1AUD, 2AUD, 0.2NZD, 1NZD, 2NZD, 5HKD, 10HKD, 500KRW; Electronic EMPv7
	569931	Coin Meter	1CNY, 0.1MYR, 0.2MYR, 0.5MYR; Electronic EMPv7
	569937	Coin Meter	1PHP, 5PHP, 10PHP; Electronic EMPv7
	569949	Coin Meter	5CZK, 10CZK, 20CZK, 50CZK; Electronic EMPv7
	569952	Coin Meter	0.5MAD, 1MAD, 2MAD, 5MAD, 10MAD; Electronic EMPv7
	569955	Coin Meter	1PLN, 2PLN, 5PLN, 0.1EUR, 0.2EUR, 0.5EUR, 1EUR, 2EUR, 10ISK, 50ISK, 100ISK; Electronic EMPv7
	569962	Coin Meter	0.1EUR, 0.2EUR, 0.5EUR, 1EUR, 2EUR, jeton IPRSO 5K; Electronic EMPv7
	569980	Coin Meter	0.5MYR, jeton "BUBBLELAB"; Electronic EMPv7
	569988	Coin Meter	Jeton HAUCK 2018
	569993	Coin Meter	Jeton 08 MS
	569995	Coin Meter	Jeton D

# Control Panel - H, IY and WMA Models (Drawing 4 of 4)

All Models Except Models with G, H, J or K in 13th Position



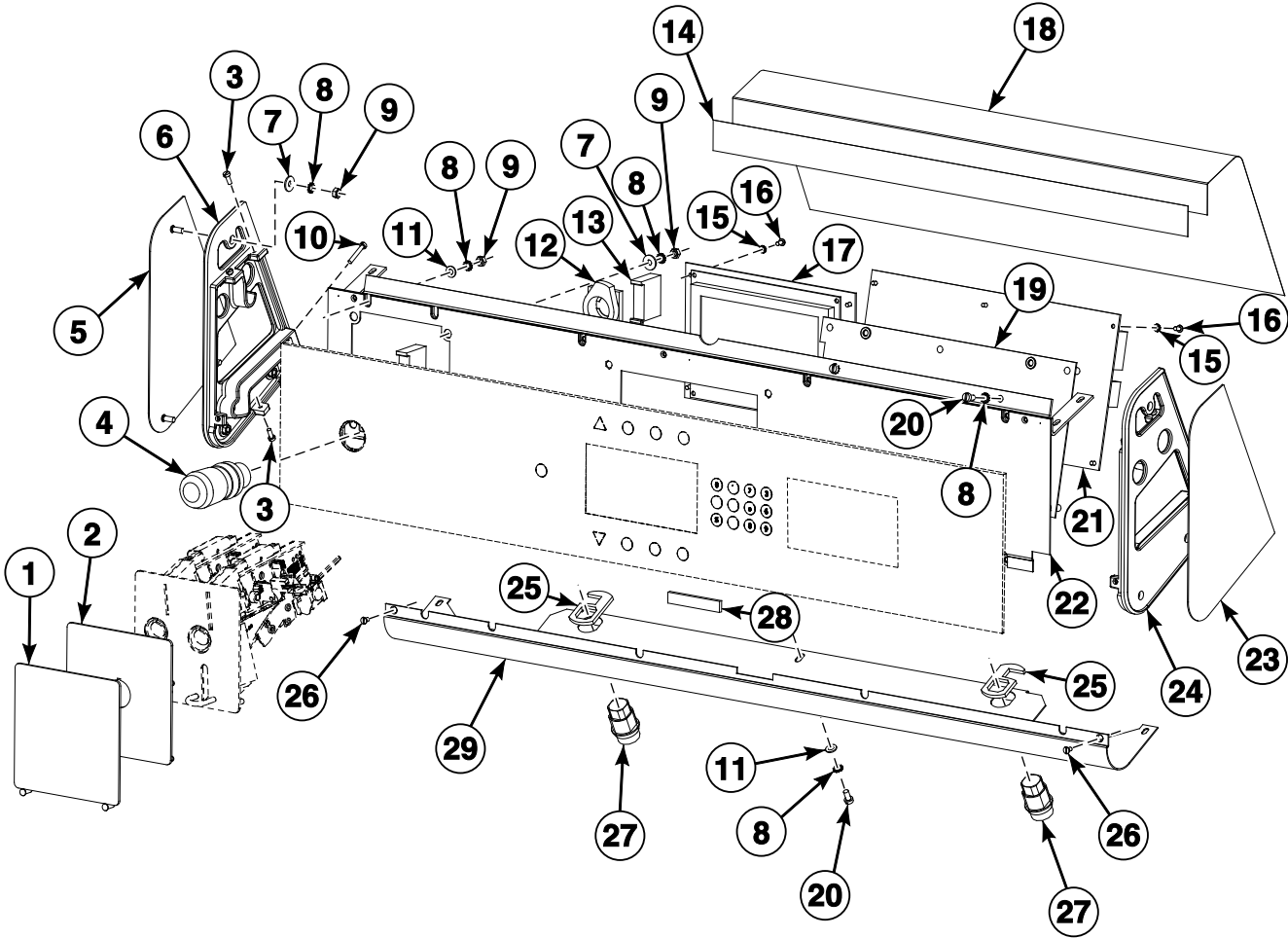
CFD2896P\_D1617

## Control Panel - H, IY and WMA Models (Drawing 4 of 4)

REF	PART NO.	DESCRIPTION	COMMENTS
1	569999	Coin Meter	10+50 TWD
	570000	Coin Meter	100+500 ISK
	572302	Coin Meter	Token 118-16
	579809	Coin Meter	1EAD, 1TK, 2TK; Electronic EMPv7
	572308	Coin Meter	1ZAR, 2ZAR, 5ZAR; Electronic EMPv7
	572311	Coin Meter	5RUB, 10RUB; Electronic EMPv7
	572314	Coin Meter	50CLP, 100CLP, 500CLP; Electronic EMPv7
	572318	Coin Meter	100JPY, 500JPY, 10TWD, 50TWD; Electronic EMPv7
	572321	Coin Meter	0.5GEL, 1GEL, 2GEL; Electronic EMPv7
	572324	Coin Meter	0.2 EUR, 0.5EUR, 1EUR, 2EUR, Jeton 7K; Electronic EMPv7
	579813	Coin Meter	20 HUF, 50HUF, 100HUF, 200HUF; 1TK, 2TK, Jeton; Electronic EMPv7
	572343	Coin Meter	Token WH121
	572359	Coin Meter	1THB, 2THB, 5THB, 10THB/TK1+2; ElectronicEMPv7
	572355	Coin Meter	Token 1699360
	572389	Coin Meter	0.25CAD
	575276	Coin Meter	0.25USD + 1USD
	575277	Coin Meter	0.25CAD + 1CAD
	572384	Coin Meter	0.2CHF, 0.5CHF, 1CHF, 2CHF, TK1, TK2; Electronic EMPv7

# Control Panel - AF, FX, HX, LY, PY, QW, SW and W Models (Drawing 1 of 2)

All Models Except Models with V in 7th Position



CZW207P\_D1617

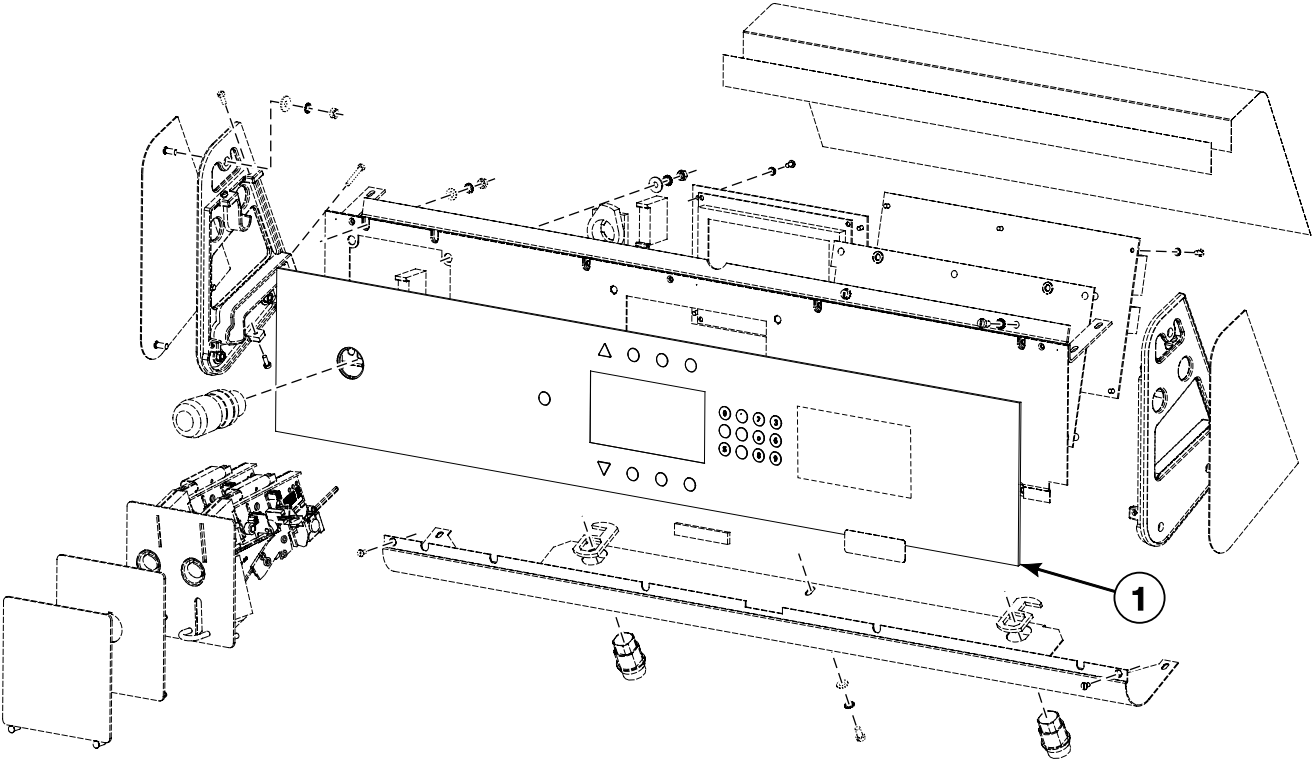
## Control Panel - AF, FX, HX, LY, PY, QW, SW and W Models (Drawing 1 of 2)

REF	PART NO.	DESCRIPTION	COMMENTS
	569593	Network Installation Kit	Includes 569595 Holder, 203532 Wireless Network Control Assembly, 568363 Power Supply, 568362 Cable, 568378 Wiring, 568379 Wiring Diagram, SP345000626088 Binding Strip and connection accessories
	F8600501	Programming Cable	
1	SP550149	Cover Plate	PY models
2	SP547565	Coin Meter Cover	
3	577761	Bolt	3x8
4	SP528310	Emergency Stop Knob	OPL
	SP520032	Emergency Stop Wiring	OPL
	SP520033	Emergency Stop Interconnection	Vended
5	SP547507	Side Sheet Metal	Left
6	570391	Side Board	Left
7	SP311902100004	Washer	M4
8	SP311679800004	Washer	M4
9	SP310934000004	Nut	M4
10	577763	Bolt	3x20
11	SP311125000004	Washer	M4
12	SP528311	Emergency Stop Connector	
13	SP528312	Switching Unit	
14	SP510846	Tape	
15	SP311679800003	Washer	M3
16	SP309798500306	Bolt	M3x6
17	SP547001	Control Board	MC6 (green color); Models through Serial No. 65FX002622BZ; Refer to NOTE*
	SP553411	Control Board	MC7 (blue color); Models starting Serial No. 65FX002624DB; Refer to NOTE*
18	SPPRI543000004	Cover	
19	SP547504	Programmer Holder	
20	SP555504	Bolt	M4x12
21	SP547002	Control Board Power	MC6
	SP553405	Control Board I/O	MC7
	SP547005	Board Interconnection Cable	AF, FX, HX, LY, PY, SW and W models
	SP537995	Board Interconnection Cable	QW models
22	SP547501	Programmer Holder	
23	SP547506	Side Sheet Metal	Right
24	570392	Side Board	Right
25	SPPRI610002007	Hook Lock	Small; MC7; OPL
26	577762	Bolt	3x8
27	SP547527	Lock	
	SP550616	Key	Used with SP547527 Lock
28	SP284000012003	Tape	
29	SP547508	Lath	

\* NOTE: For machines within the Serial No. range 65FX002625DB - 65FX002892DF, contact the After Sales department.

# Control Panel - AF, FX, HX, LY, PY, QW, SW and W Models (Drawing 2 of 2)

All Models Except Models with V in 7th Position



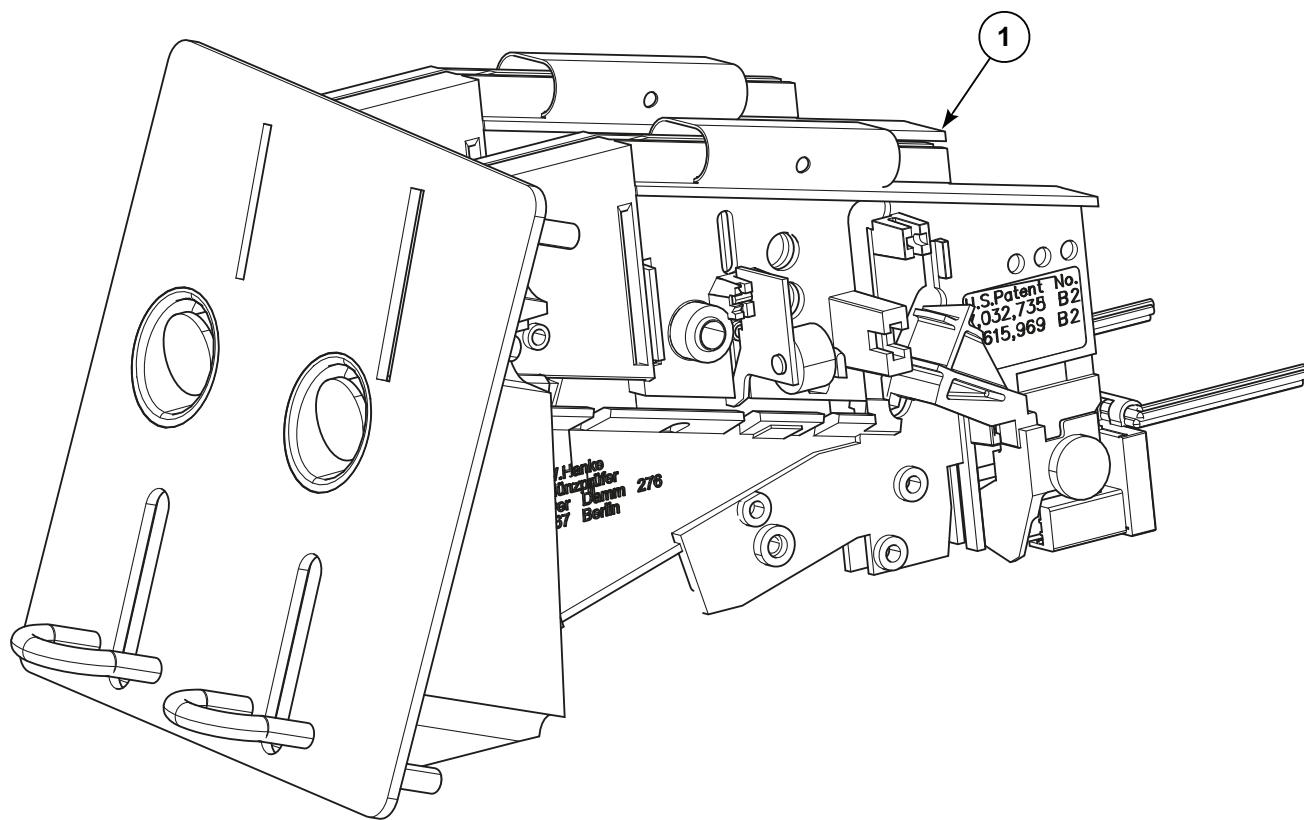
CFD3542P\_D1617



## Control Panel - AF, FX, HX, LY, PY, QW, SW and W Models (Drawing 2 of 2)

REF	PART NO.	DESCRIPTION	COMMENTS
1	SP547010	Keyboard	FX and PY models; OPL; X Control Plus; Gray-black; CE
	SP547009	Keyboard	FX and PY models; OPL; X Control; Gray-black; CE
	SP547007	Keyboard	FX and PY models; Vended; X Control; Gray-black; CE
	SP547008	Keyboard	FX and PY models; CPS; X Control; Gray-black; CE
	SP547022	Keyboard	AF and LY models; OPL; X Control Plus; Black; CE
	SP547021	Keyboard	AF and LY models; OPL; X Control; Black; CE
	SP547019	Keyboard	AF and LY models; Vended; X Control; Black; CE
	SP547020	Keyboard	AF and LY models; CPS; X Control; Black; CE
	SP547034	Keyboard	FX and PY models; OPL; X Control Plus; Gray; CE
	SP547033	Keyboard	FX and PY models; OPL; X Control; Gray; CE
	SP547031	Keyboard	FX and PY models; Vended; X Control; Gray; CE
	SP547032	Keyboard	FX and PY models; CPS; X Control; Gray; CE
	SP537991	Keyboard	QW models; X Control; CE
	SP556107	Keyboard	SW models; X Control; CE
	SP537990	Keyboard	HX models; X Control; CE

# Coin Meter - AF, FX, HX, LY and PY Models (Drawing 1 of 4)

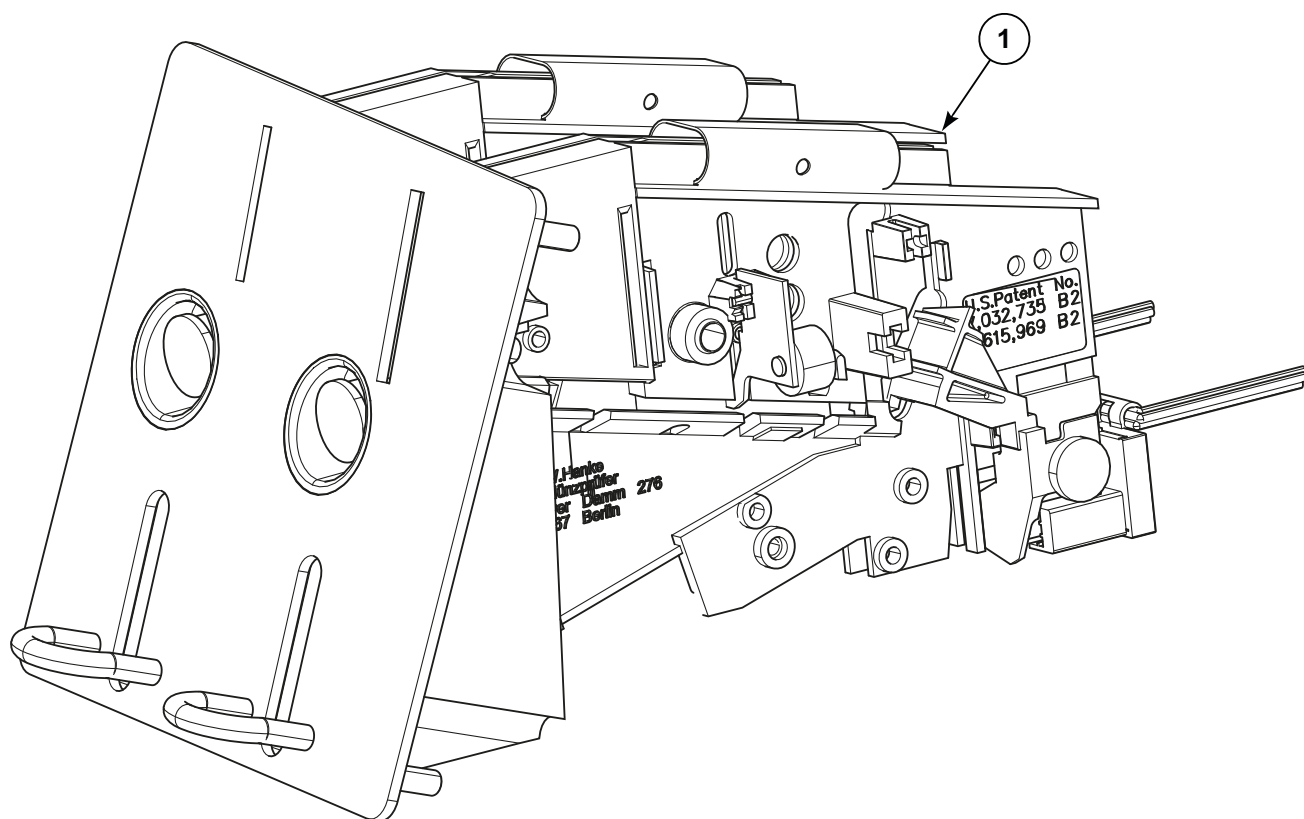


CZT185P\_D2409

## Coin Meter - AF, FX, HX, LY and PY Models (Drawing 1 of 4)

REF	PART NO.	DESCRIPTION	COMMENTS
1	SP547601	Coin Meter	5K Primus jeton
	SP547602	Coin Meter	7K Primus jeton
	SP547603	Coin Meter	10K Primus jeton
	SP547604	Coin Meter	12K Primus jeton
	SP547605	Coin Meter	15K Primus jeton
	SP547606	Coin Meter	D jeton
	SP547648	Coin Meter	0.05EUR
	SP547638	Coin Meter	0.2EUR
	SP547616	Coin Meter	0.5EUR
	SP547614	Coin Meter	1EUR
	SP547647	Coin Meter	2EUR
	SP547622	Coin Meter	0.2EUR + 0.5EUR
	SP547639	Coin Meter	0.2EUR + 1EUR
	SP547617	Coin Meter	0.5EUR + 1EUR
	SP547656	Coin Meter	0.5EUR + 2EUR
	SP547631	Coin Meter	1EUR + 2EUR
	SP547652	Coin Meter	7K + D jeton
	SP547666	Coin Meter	7K jeton and 2EUR
	SP547665	Coin Meter	D jeton and 2EUR
	SP547600	Coin Meter	1AUD + 20C
	SP547607	Coin Meter	1POND + 20PC
	SP547608	Coin Meter	1POND + 50PC
	SP547609	Coin Meter	100YEN
	SP547610	Coin Meter	500JPY + 100JPY
	SP547611	Coin Meter	5DKK
	SP547612	Coin Meter	20DKK
	SP547613	Coin Meter	5ILS + 1ILS
	SP547615	Coin Meter	1MYR
	SP547618	Coin Meter	1DKK + 5DKK
	SP547619	Coin Meter	10NOK + 20NOK
	SP547620	Coin Meter	2DKK + 5DKK
	SP547621	Coin Meter	5NOK
	SP547623	Coin Meter	1NZD + 2NZD
	SP547624	Coin Meter	10 NOK
	SP547625	Coin Meter	10NT + 50NT
	SP547626	Coin Meter	2DKK
	SP547627	Coin Meter	Lucky Winner jeton
	SP547628	Coin Meter	10TWD
	SP547629	Coin Meter	10CZK + 20CZK
	SP547630	Coin Meter	7K Equipos Par Lavar jeton
	569921	Coin Meter	0.2GBP, 0.5GBP, 1GBP, 2GBP, 0.1EUR, 0.2EUR, 0.5EUR, 1EUR, 2EUR; Electronic EMPv7
	SP547634	Coin Meter	500WON
	SP547635	Coin Meter	0.25USD
	SP547636	Coin Meter	1AUD + 2AUD
	SP547640	Coin Meter	Sun Wash jeton

# Coin Meter - AF, FX, HX, LY and PY Models (Drawing 2 of 4)

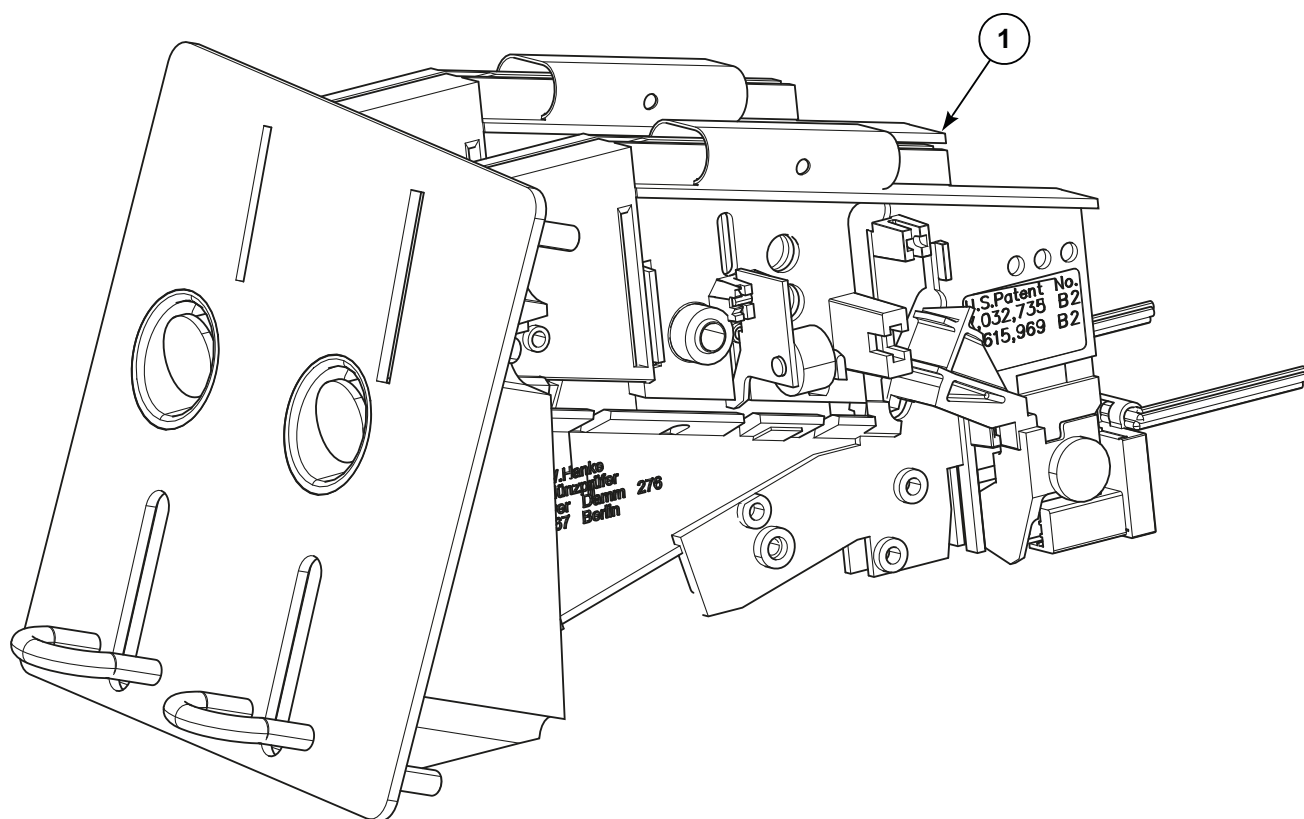


CZT185P\_D2409

## Coin Meter - AF, FX, HX, LY and PY Models (Drawing 2 of 4)

REF	PART NO.	DESCRIPTION	COMMENTS
1	SP547641	Coin Meter	2DK + 10DK
	SP547642	Coin Meter	1AUD
	SP547643	Coin Meter	1CHF
	SP547644	Coin Meter	5NOK + 10NOK
	SP547645	Coin Meter	1 TopMos jeton + 1LEV jeton
	SP547646	Coin Meter	1 Vendo jeton
	SP547649	Coin Meter	1 jeton
	569951	Coin Meter	0.5MAD, 1MAD, 2MAD, 5MAD, 10MAD; Electronic EMPv7
	SP547651	Coin Meter	20 penny
	SP547653	Coin Meter	1 Wascator jeton, jeton diamater 22.2 mm
	SP547654	Coin Meter	1 Unibel jeton, jeton diamater 18.55 mm
	SP547657	Coin Meter	50HUF + 100HUF
	SP547658	Coin Meter	1 jeton without coining, jeton diamater 20 mm
	SP547659	Coin Meter	1 Volund jeton, jeton diamater 22.5 mm
	SP547660	Coin Meter	1 Wascator jeton, jeton diamater 19 mm
	SP547661	Coin Meter	1 Miele jeton
	SP547662	Coin Meter	1 jeton without coining, jeton diamater 26 mm
	SP547663	Coin Meter	Three-groove jeton; jeton diamater 27 mm
	SP547664	Coin Meter	Three-groove jeton; jeton diamater 24.9 mm
	SP537996	Coin Meter	Top-Mosr jeton
	SP547667	Coin Meter	Milano Italy jeton
	SP547668	Coin Meter	5PLN + 1PLN
	SP547669	Coin Meter	Two-grooves jeton; jeton diamater 27 mm
	SP547670	Coin Meter	A.S.A.R.D. jeton, jeton diamater 25.8 mm
	SP547671	Coin Meter	20CZK
	SP547672	Coin Meter	Jeton ASARD, jeton diamater 22.3 mm
	SP547673	Coin Meter	Jeton Laundromatic Belgium, jeton diamater 22.3 mm
	SP547674	Coin Meter	1SGD
	SP547675	Coin Meter	Jeton Asard Wascator, jeton diamater 19.9 mm
	SP555502	Coin Meter	Easy Games jeton
	SP555543	Coin Meter	Brev.C jeton
	SP555546	Coin Meter	50 Malaysian cent
	SP555549	Coin Meter	Flat Polis jeton
	SP555550	Coin Meter	Butzi Wash jeton
	SP555578	Coin Meter	1 New Singapore Dollar
	SP555558	Coin Meter	Copper without grooves jeton
	569939	Coin Meter	0.1SGD, 0.2SGD, 0.5SGD, 1SGD; Electronic EMPv7
	SP555666	Coin Meter	2x50 Malaysian cent
	569933	Coin Meter	0.1EUR, 0.2EUR, 0.5EUR, 1EUR, 2EUR; Electronic EMPv7
	SP555559	Coin Meter	Speedy Matic jeton
	SP555579	Coin Meter	Was-Salon Lavoir jeton.
	569948	Coin Meter	5CZK, 10CZK, 20CZK, 50CZK; Electronic EMPv7
	SP560744	Coin Meter	Electronic for Dobi Ekspress jeton
	569964	Coin Meter	0.2GBP, 0.5GBP, 1GBP, 2GBP, 0.1EUR, 0.2EUR, 0.5EUR, 1EUR, 2EUR, jeton "KWL Aqua", jeton "Gettone"; Electronic EMPv7
	SP560089	Coin Meter	STD 118-1 jeton

# Coin Meter - AF, FX, HX, LY and PY Models (Drawing 3 of 4)

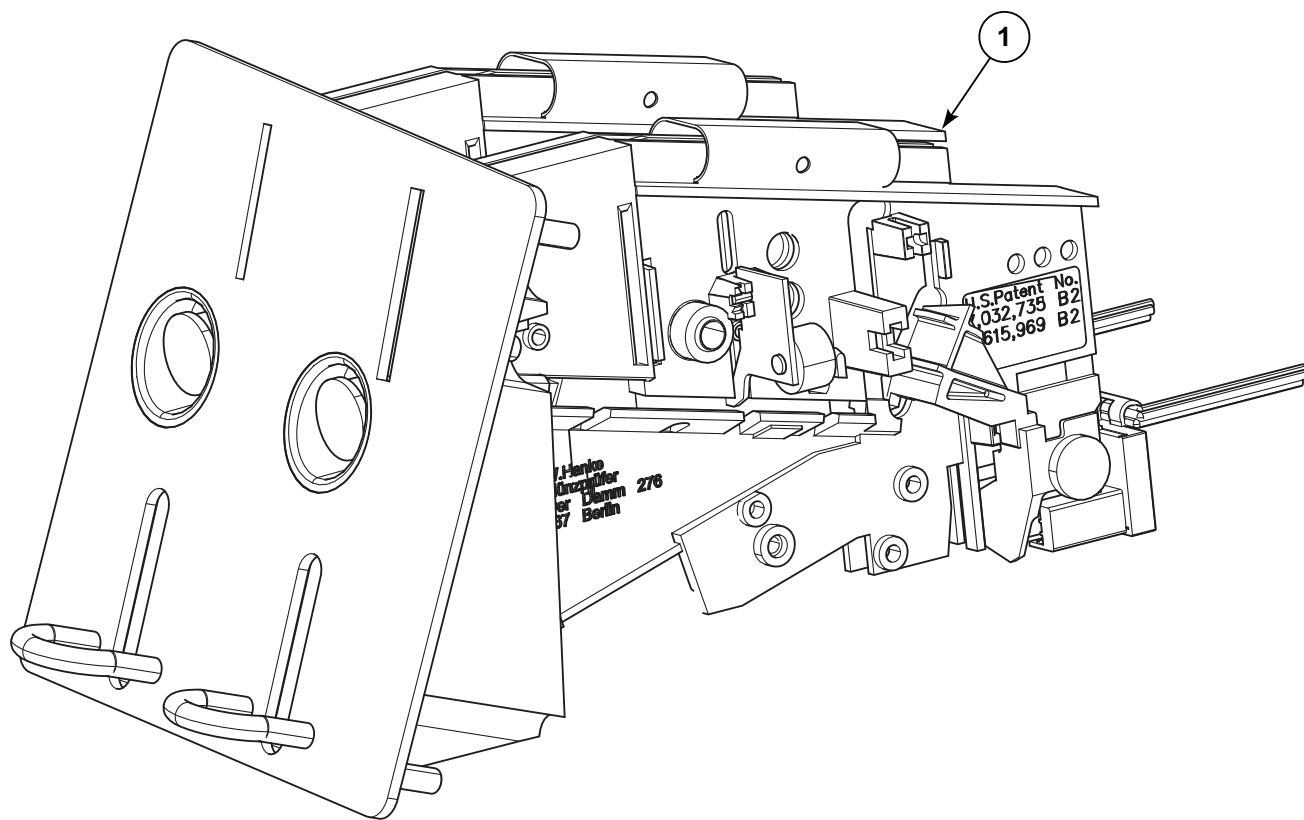


CZT185P\_D2409

## Coin Meter - AF, FX, HX, LY and PY Models (Drawing 3 of 4)

REF	PART NO.	DESCRIPTION	COMMENTS
1	SP560082	Coin Meter	5k IPSO jeton
	SP560083	Coin Meter	7k IPSO jeton
	SP560084	Coin Meter	10k IPSO jeton
	SP560085	Coin Meter	12k IPSO jeton
	SP560086	Coin Meter	15k IPSO jeton
	561378	Coin Meter	10 Moroccan Dirham
	569918	Coin Meter	0.25USD, 1USD, 0.25CAD, 1CAD, 2CAD; Electronic EMPv7
	560073	Coin Meter	0.25 USD/1 USD
	569930	Coin Meter	1CNY, 0.1MYR, 0.2MYR, 0.5MYR; Electronic EMPv7
	569927	Coin Meter	0.2AUD, 1AUD, 2AUD, 0.2NZD, 1NZD, 2NZD, 5HKD, 10HKD, 500KRW; Electronic EMPv7
	561496	Coin Meter	Jeton Grupo Azkoyen CDS Automaten
	569936	Coin Meter	1PHP, 5PHP, 10PHP; Electronic EMPv7
	569942	Coin Meter	0.1MYR, 0.2MYR, 0.5MYR, 0.5SGD, 1SGD; Electronic EMPv7
	569945	Coin Meter	1HRK, 2HRK, 5HRK; Electronic EMPv7
	569924	Coin Meter	1DKK, 2DKK, 5DKK, 10DKK, 20DKK, 1NOK, 5NOK, 10NOK, 20NOK, 0.2EUR, 0.5EUR, 1EUR, 2EUR; Electronic EMPv7
	564484	Coin Meter	Jeton 118-5
	564486	Coin Meter	Jeton Barisart (LDL)
	569961	Coin Meter	0.1EUR, 0.2EUR, 0.5EUR, 1EUR, 2EUR, jeton IPSO 5K; Electronic EMPv7
	564489	Coin Meter	Jeton Sporrong
	569970	Coin Meter	0.5MYR, jeton "DOBI PAPA"; Electronic EMPv7
	553150	Coin Meter	Jeton with hole
	553151	Coin Meter	Jeton Deton Wash
	569901	Coin Meter	Brass jeton
	569912	Coin Meter	Jeton Wassalon lavoir
	569954	Coin Meter	1PLN, 2PLN, 5PLN, 0.1EUR, 0.2EUR, 0.5EUR, 1EUR, 2EUR, 10ISK, 50ISK, 100ISK; Electronic EMPv7
	569967	Coin Meter	0.1EUR, 0.2EUR, 0.5EUR, 1EUR, 2EUR, jeton G-FIS "LAVOIR BIANCA"; Electronic EMPv7
	569973	Coin Meter	1AUD, 2AUD, jeton "No Cash Value"; Electronic EMPv7
	569979	Coin Meter	0.5MYR, jeton "BUBBLELAB"; Electronic EMPv7
	569987	Coin Meter	Jeton HAUCK 2018
	569998	Coin Meter	100+500 ISK
	572301	Coin Meter	Token 118-16
	572304	Coin Meter	1ILS, 2ILS, 5ILS, 10ILS; Electronic EMPv7
	572307	Coin Meter	1ZAR, 2ZAR, 5ZAR; Electronic EMPv7
	572310	Coin Meter	5RUB, 10RUB; Electronic EMPv7
	572313	Coin Meter	50CLP, 100CLP, 500CLP; Electronic EMPv7
	572317	Coin Meter	100JPY, 500JPY, 10TWD, 50TWD; Electronic EMPv7
572320	Coin Meter	0.5GEL, 1GEL, 2GEL; Electronic EMPv7	
572323	Coin Meter	0.2 EUR, 0.5EUR, 1EUR, 2EUR, Jeton 7K; Electronic EMPv7	
579812	Coin Meter	20 HUF, 50HUF, 100HUF, 200HUF; 1TK, 2TK, Jeton; Electronic EMPv7	
SP547637	Coin Meter	5DK + 10DK	

# Coin Meter - AF, FX, HX, LY and PY Models (Drawing 4 of 4)



CZT185P\_D2409

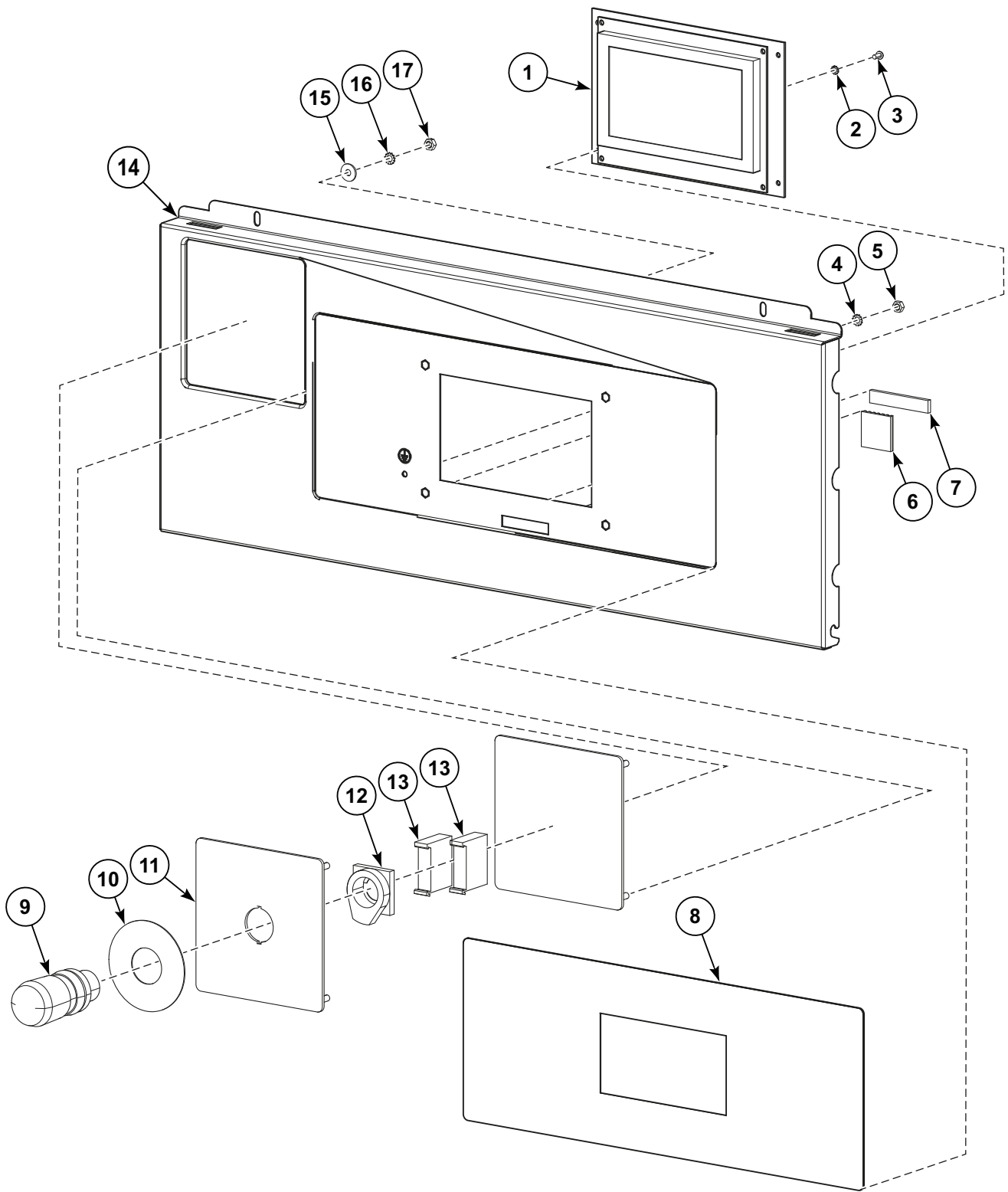


## Coin Meter - AF, FX, HX, LY and PY Models (Drawing 4 of 4)

REF	PART NO.	DESCRIPTION	COMMENTS
1	572339	Coin Meter	Getton Jeton (26mm diameter x 1.7mm)
	572342	Coin Meter	Token WH121
	579808	Coin Meter	1EAD, 1TK, 2TK; Electronic EMPv7
	572383	Coin Meter	0.2CHF, 0.5CHF, 1CHF, 2CHF; 1TK, 2TK Jeton; Electronic EMPv7
	572391	Coin Meter	0.25CAD
	572358	Coin Meter	1THB, 2THB, 5THB, 10THB; 1TK, 2TK Jeton; Electronic EMPv7

# Control Panel OPL - AF, IY, NY Models

Models with G, H, J or K in 13th Position except Models with V in 7th Position



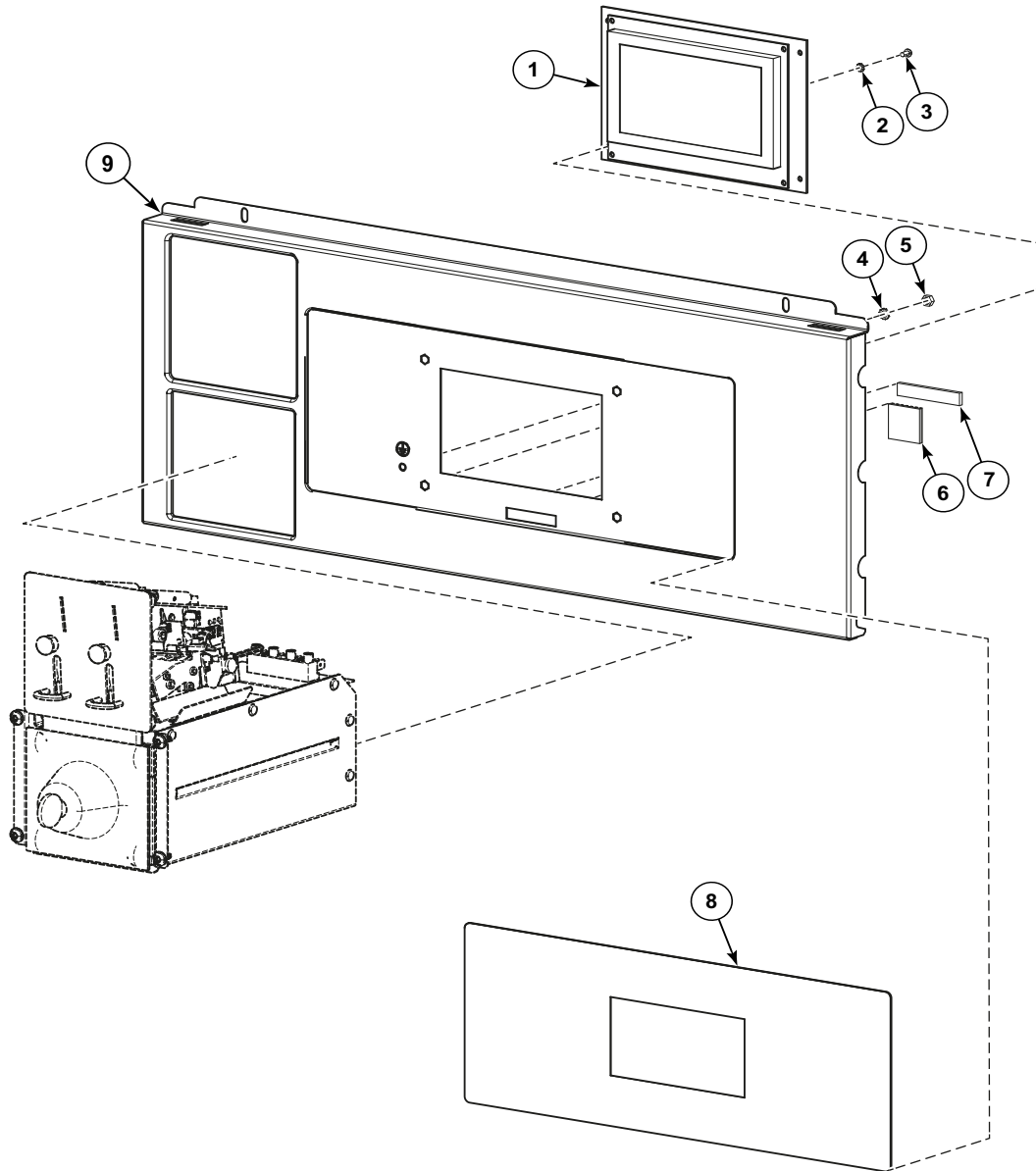
CZW284P\_D1617

## Control Panel OPL - AF, IY, NY Models

REF	PART NO.	DESCRIPTION	COMMENTS
1	SP553419	Control Board	MC7
	553411	Control Board	IY models; AF and NY Models; MC7
2	SP311679800003	Washer	M3
3	SP309798500306	Bolt	M3x6
4	SP311679800004	Washer	M4
5	SP310934000004	Nut	M4
6	SP550115	Fastener	
7	SP284000012003	Tape	
8	SP557565	Keyboard	IY models; Aries Elite
	SP557566	Keyboard	IY models; Aries
	547087	Keyboard	AF and NY Models; Professional; Black
	547088	Keyboard	AF and NY Models; Basic; Black
9	SP528310	Emergency Stop Knob	Used with SP520032 Emergency Stop Wiring
10	SPPRI551005248	Emergency Stop Label	
11	567924	Coin Meter Cover	
12	SP528311	Emergency Stop Connector	
13	SP528312	Switching Unit	
14	573065	Control Panel	
15	SP311902100004	Washer	M4
16	SP311679800004	Washer	M4
17	SP310934000004	Nut	M4

# Control Panel Vended - AF, IY, NY Models

Models with G, H, J or K in 13th Position except Models with V in 7th Position



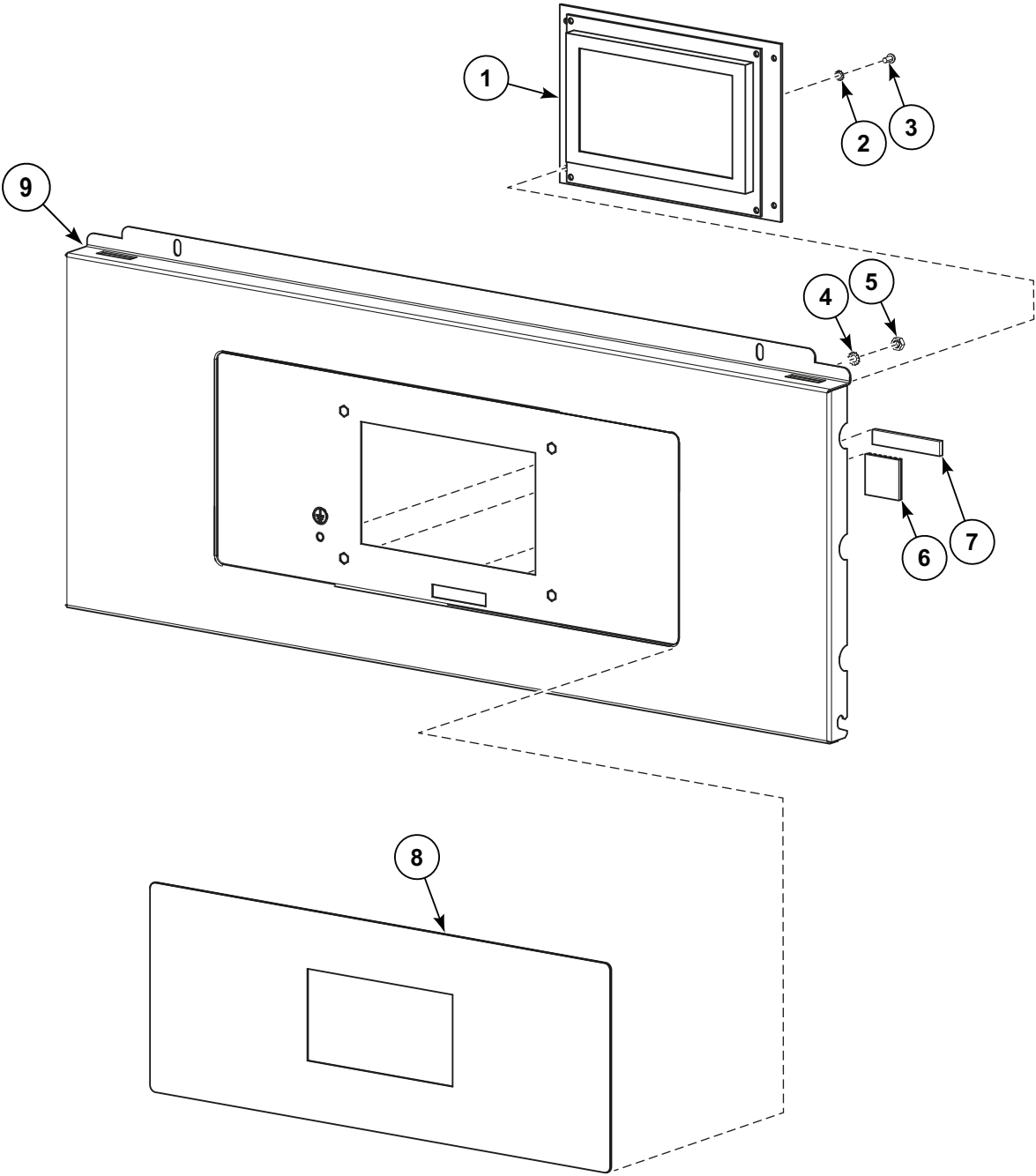
CZW285P\_D1617

## Control Panel Vended - AF, IY, NY Models

REF	PART NO.	DESCRIPTION	COMMENTS
1	SP553419	Control Board	IY models; MC7
	553411	Control Board	AF and NY Models; MC7
2	SP311679800003	Washer	M3
3	SP309798500306	Bolt	M3x6
4	SP311679800004	Washer	M4
5	SP310934000004	Nut	M4
6	SP550115	Fastener	
7	SP284000012003	Tape	
8	SP557566	Keyboard	IY models; Aries
	547088	Keyboard	AF and NY Models; Basic; Black
9	573068	Control Panel	

# Control Panel for Central Payment System - AF, IY, NY Models

Models with G, H, J or K in 13th Position except Models with V in 7th Position



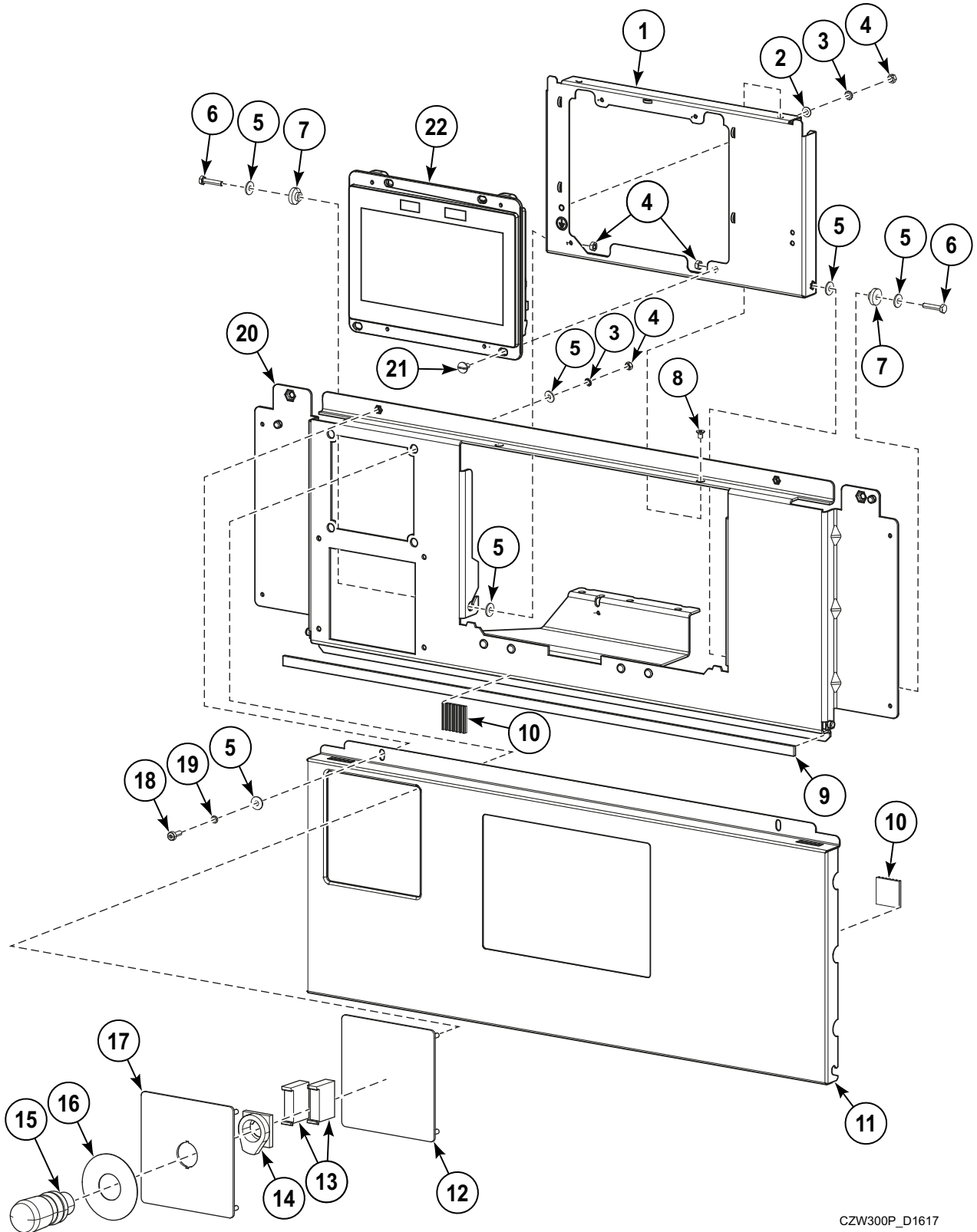
CZW286P\_D1617

# Control Panel for Central Payment System - AF, IY, NY Models

REF	PART NO.	DESCRIPTION	COMMENTS
1	SP553419	Control Board	IY models; MC7
	553411	Control Board	AF and NY Models
2	SP311679800003	Washer	M3
3	SP309798500306	Bolt	M3x6
4	SP311679800004	Washer	M4
5	SP310934000004	Nut	M4
6	SP550115	Fastener	
7	SP284000012003	Tape	
8	SP557566	Keyboard	IY models; Aries
	547088	Keyboard	AF and NY Models; Basic; Black
9	573068	Control Panel	

# Control Panel OPL - AF, IY, JY and NY Models

Models with V in 7th Position



CZW300P\_D1617

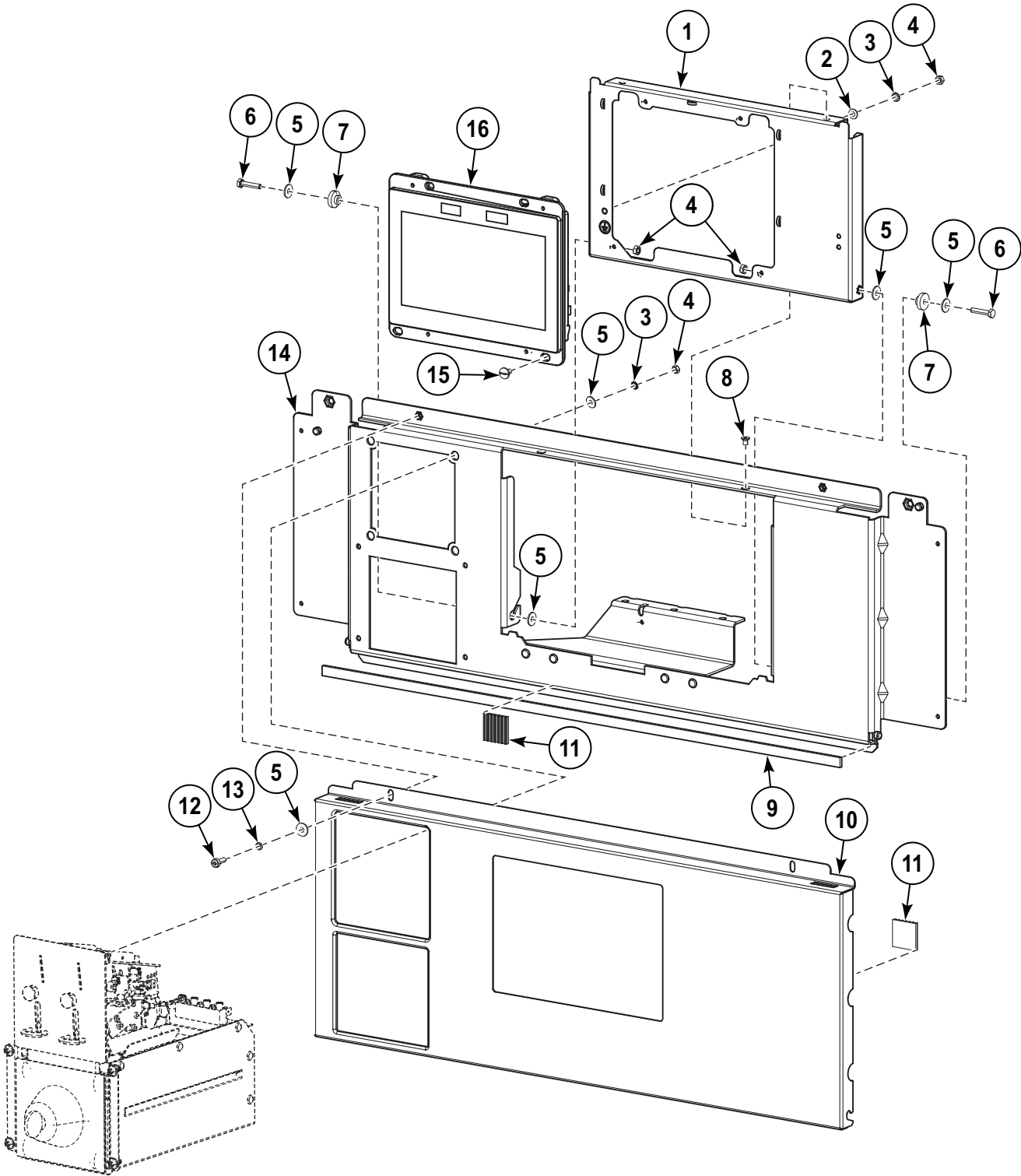


## Control Panel OPL - AF, IY, JY and NY Models

REF	PART NO.	DESCRIPTION	COMMENTS
1	571041	Control Holder	
2	SP311125000004	Washer	M4
3	SP311679800004	Washer	M4
4	SP310934000004	Nut	M4
5	SP311902100004	Washer	M4
6	569655	Bolt	M4x25
7	SP550113	Leading Pin	
8	SP309965240408	Bolt	M4x8
9	SP284000012003	Tape	0.558m
10	SP550115	Fastener	
11	573119	Control Panel	
12	567925	Label Covering	
13	SP528312	Switching Unit	
14	SP528311	Emergency Stop Connector	
15	SP528310	Emergency Stop Knob	Used with SP520032 Emergency Stop Wiring
16	SPPRI551005248	Emergency Stop Label	
17	567924	Coin Meter Cover	
18	SP555504	Bolt	M4x12
19	SP311127000004	Washer	4
20	573004	Control Panel Frame	
21	309500240408	Bolt	M4x8
22	575632	Control	7", MC10

# Control Panel Vended - AF, IY, JY and NY Models

Models with V in 7th Position



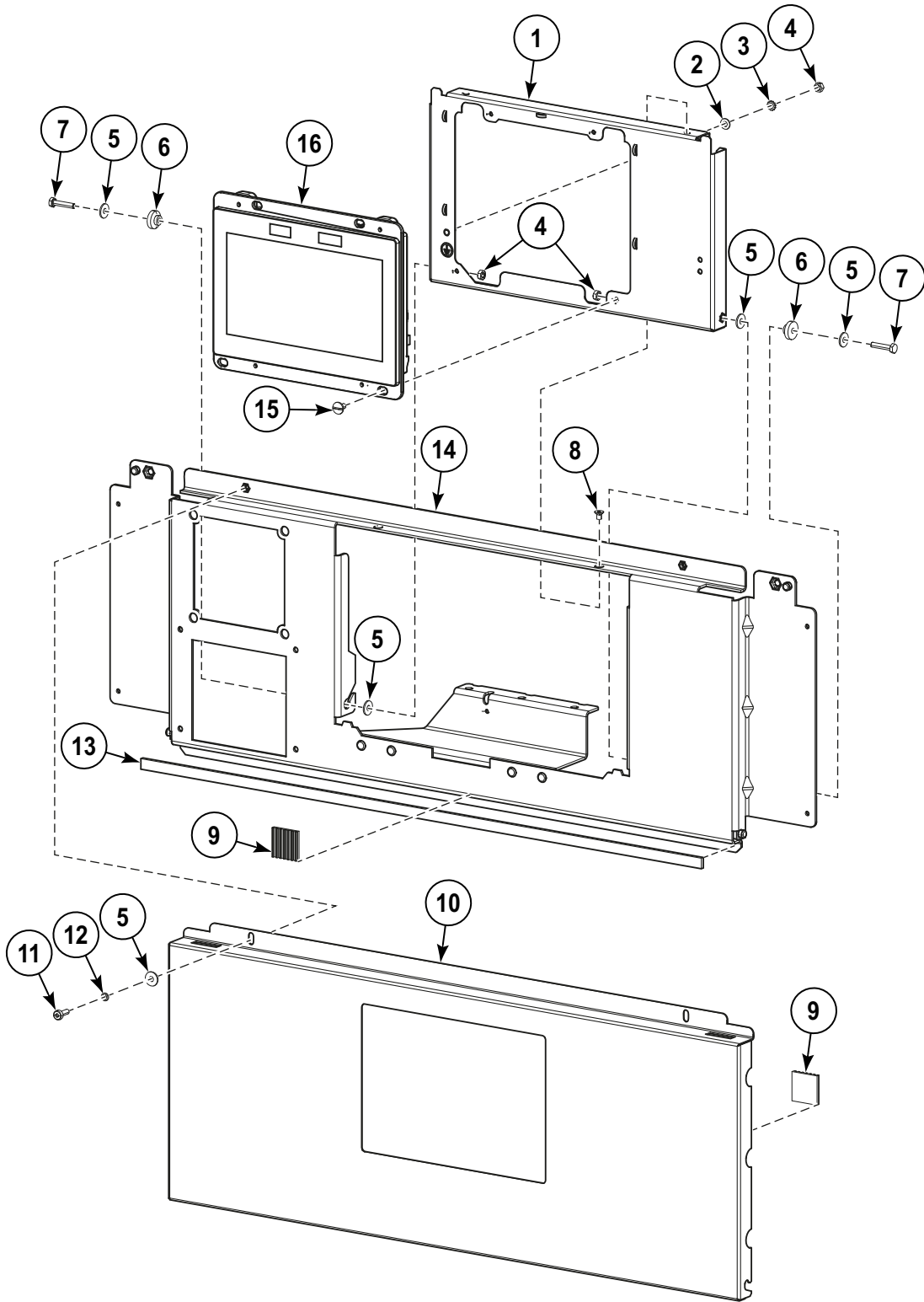
CZW301P\_D1617

# Control Panel Vended - AF, IY, JY and NY Models

REF	PART NO.	DESCRIPTION	COMMENTS
1	571041	Control Holder	
2	SP311125000004	Washer	M4
3	SP311679800004	Washer	M4
4	SP310934000004	Nut	M4
5	SP311902100004	Washer	M4
6	569655	Bolt	M4x25
7	SP550113	Leading Pin	
8	SP309965240408	Bolt	M4x8
9	SP284000012003	Tape	0.558m
10	573119	Control Panel	
11	SP550115	Fastener	
12	SP555504	Bolt	M4x12
13	SP311127000004	Washer	4
14	573004	Control Panel Frame	
15	309500240408	Bolt	M4x8
16	575632	Control	7", MC10

# Control Panel for Central Payment System - AF, IY, JY and NY Models

Models with V in 7th Position



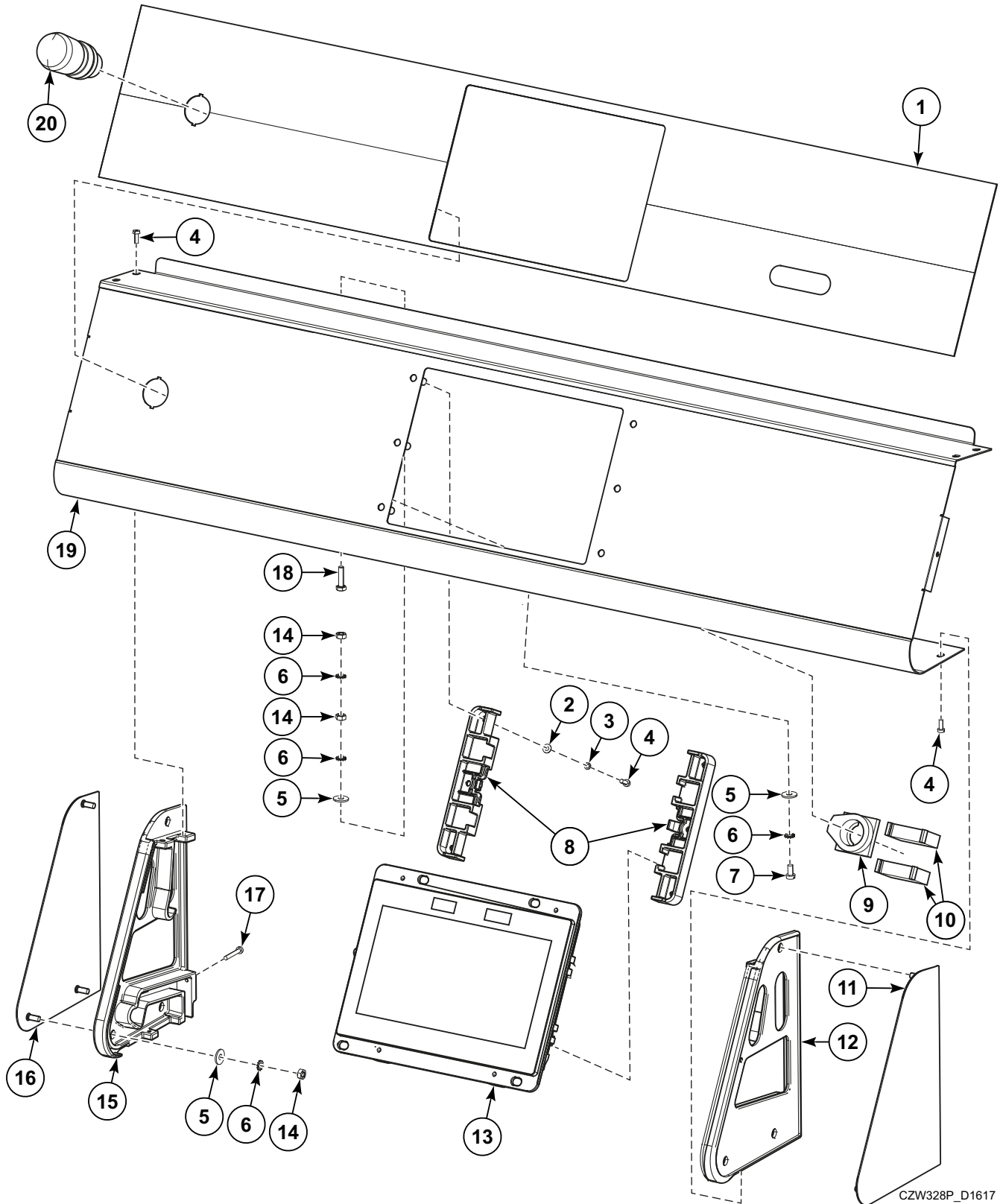
CZW302P\_D1617

## Control Panel for Central Payment System - AF, IY, JY and NY Models

REF	PART NO.	DESCRIPTION	COMMENTS
1	571041	Control Holder	
2	SP311125000004	Washer	M4
3	SP311679800004	Washer	M4
4	SP310934000004	Nut	M4
5	SP311902100004	Washer	M4
6	SP550113	Leading Pin	
7	569655	Bolt	M4x25
8	SP309965240408	Bolt	M4x8
9	SP550115	Fastener	
10	573119	Control Panel	
11	SP555504	Bolt	M4x12
12	SP311127000004	Washer	4
13	SP284000012003	Tape	0.558m
14	573004	Control Panel Frame	
15	309500240408	Bolt	M4x8
16	575632	Control	7", MC10

# Control Panel OPL - FX and PY Models

Models with V in 7th Position Through Serial No. 65FX015208SH



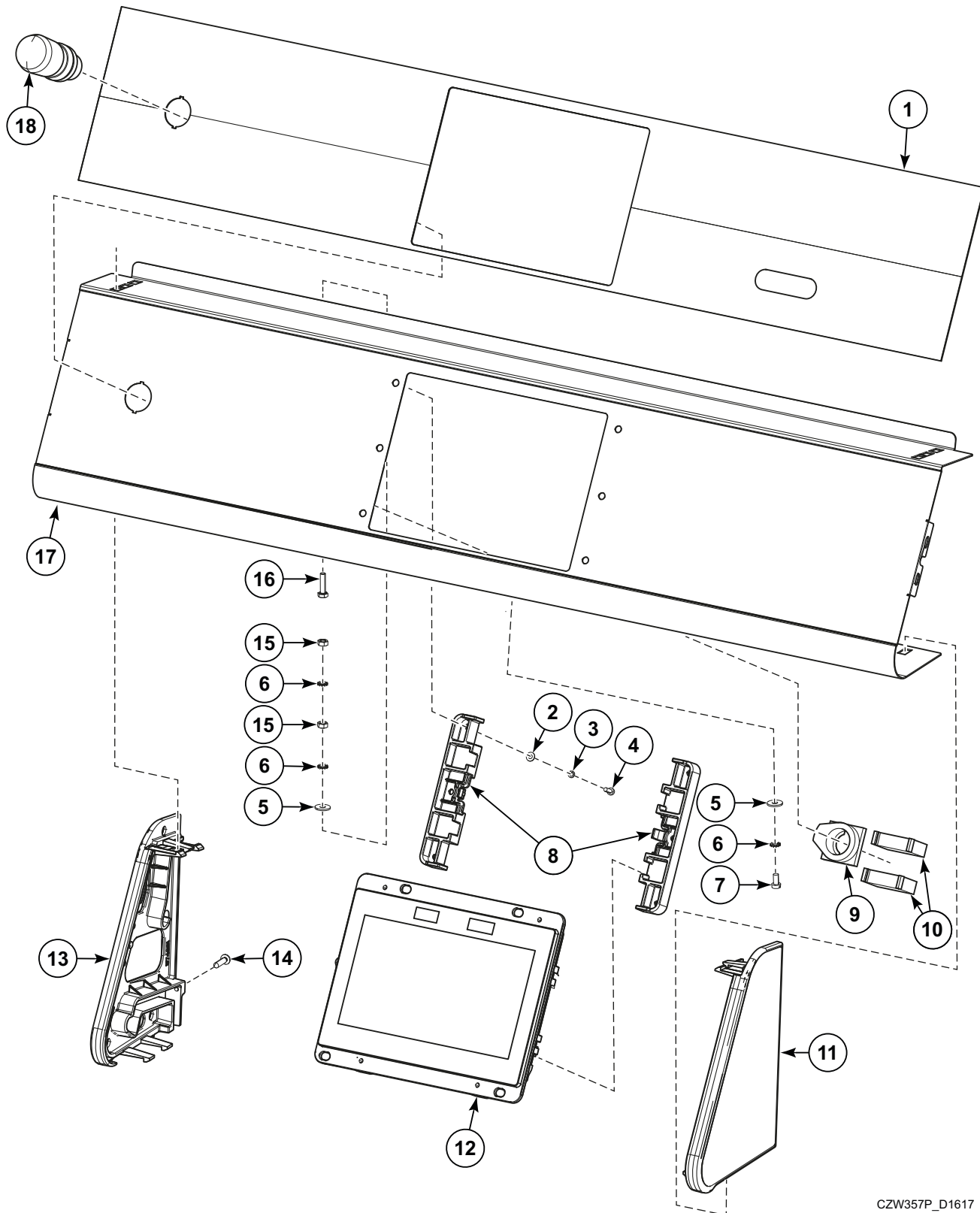
CZW328P\_D1617

## Control Panel OPL - FX and PY Models

REF	PART NO.	DESCRIPTION	COMMENTS
1	573926	Overlay	
	574216	Overlay	OEM
2	SP311125000003	Washer	M3
3	SP311127000003	Washer	3
4	SP309084000308	Bolt	M3x8
5	SP311902100004	Washer	M4
6	SP311679800004	Washer	M4
7	SP309084000408	Bolt	M4x8
8	573929	Sidewall	
9	SP528311	Emergency Stop Connector	
10	SP528312	Switching Unit	
11	572586	Sidewall	Right
12	572572	Sidewall	Right
13	575632	Control	7", MC10
14	SP310934000004	Nut	M4
15	572571	Sidewall	Left
16	572588	Sidewall	Left
17	SP309084000320	Bolt	M3x20
18	SP309933000416	Bolt	M4x16
19	572580	Nose Assembly	Includes item 1 and 573930 Nut
	574234	Nose Assembly	OEM; Includes item 1 and 573930 Nut
20	SP528310	Emergency Stop Knob	Used with SP520032 Emergency Stop Wiring

# Control Panel OPL - FX and PY Models

Models with V in 7th Position Starting Serial No. 65FX015209SH



CZW357P\_D1617

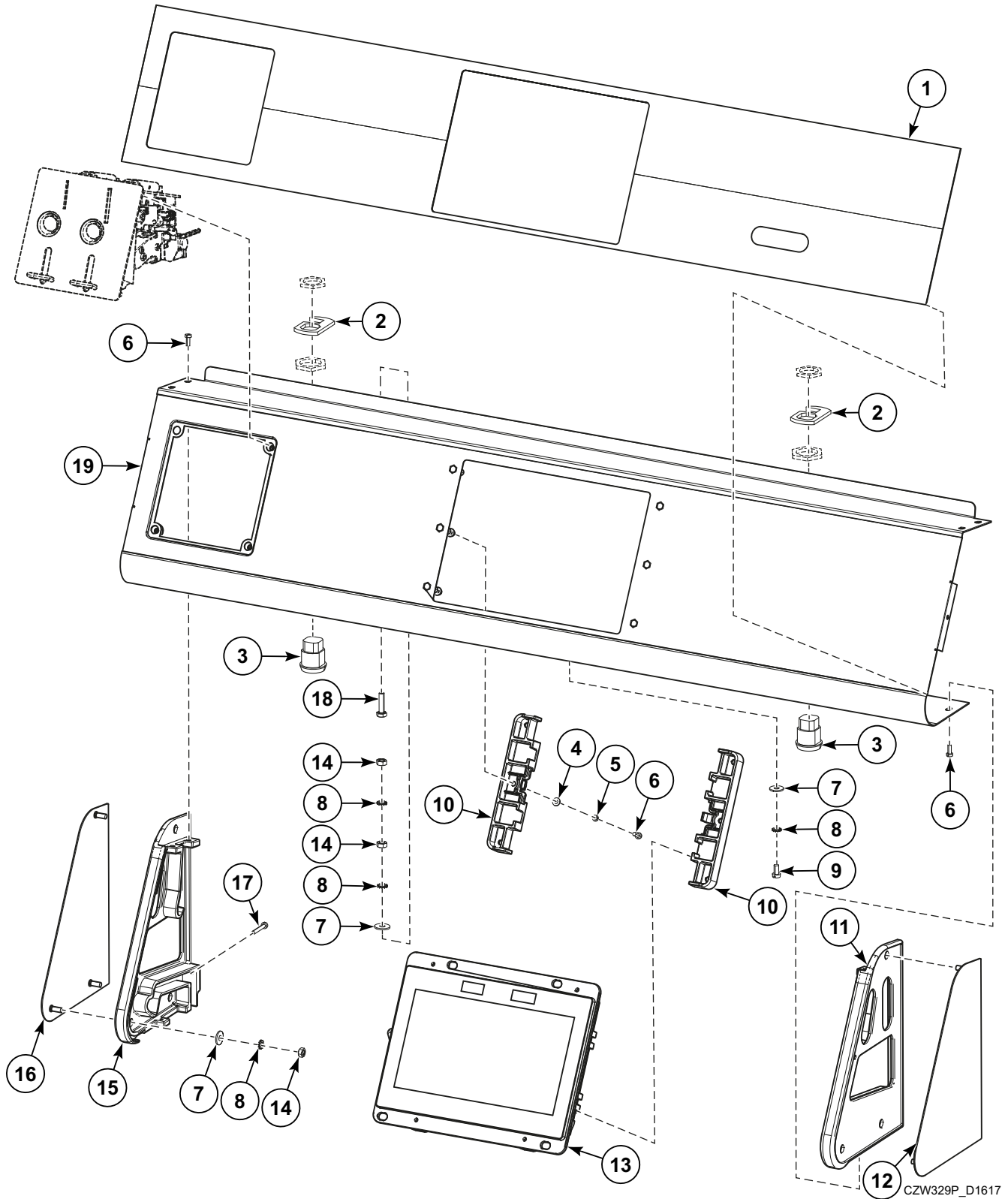


## Control Panel OPL - FX and PY Models

REF	PART NO.	DESCRIPTION	COMMENTS
1	573926	Overlay	
	574216	Overlay	OEM
2	SP311125000003	Washer	M3
3	SP311127000003	Washer	3
4	SP309084000308	Bolt	M3x8
5	SP311902100004	Washer	M4
6	SP311679800004	Washer	M4
7	SP309084000408	Bolt	M4x8
8	573929	Sidewall	
9	SP528311	Emergency Stop Connector	
10	SP528312	Switching Unit	
11	576070	Sidewall	Right
12	575632	Control	7", MC10
13	576069	Sidewall	Left
14	SP520407	Screw	
15	SP310934000004	Nut	M4
16	SP309933240412	Bolt	M4x12
17	576033	Nose Assembly	Includes item 1 and 573930 Nut
	576042	Nose Assembly	OEM; Includes item 1 and 573930 Nut
18	SP528310	Emergency Stop Knob	Used with SP520032 Emergency Stop Wiring

# Control Panel Vended - FX and PY Models

Models with V in 7th Position Through Serial No. 65FX015208SH



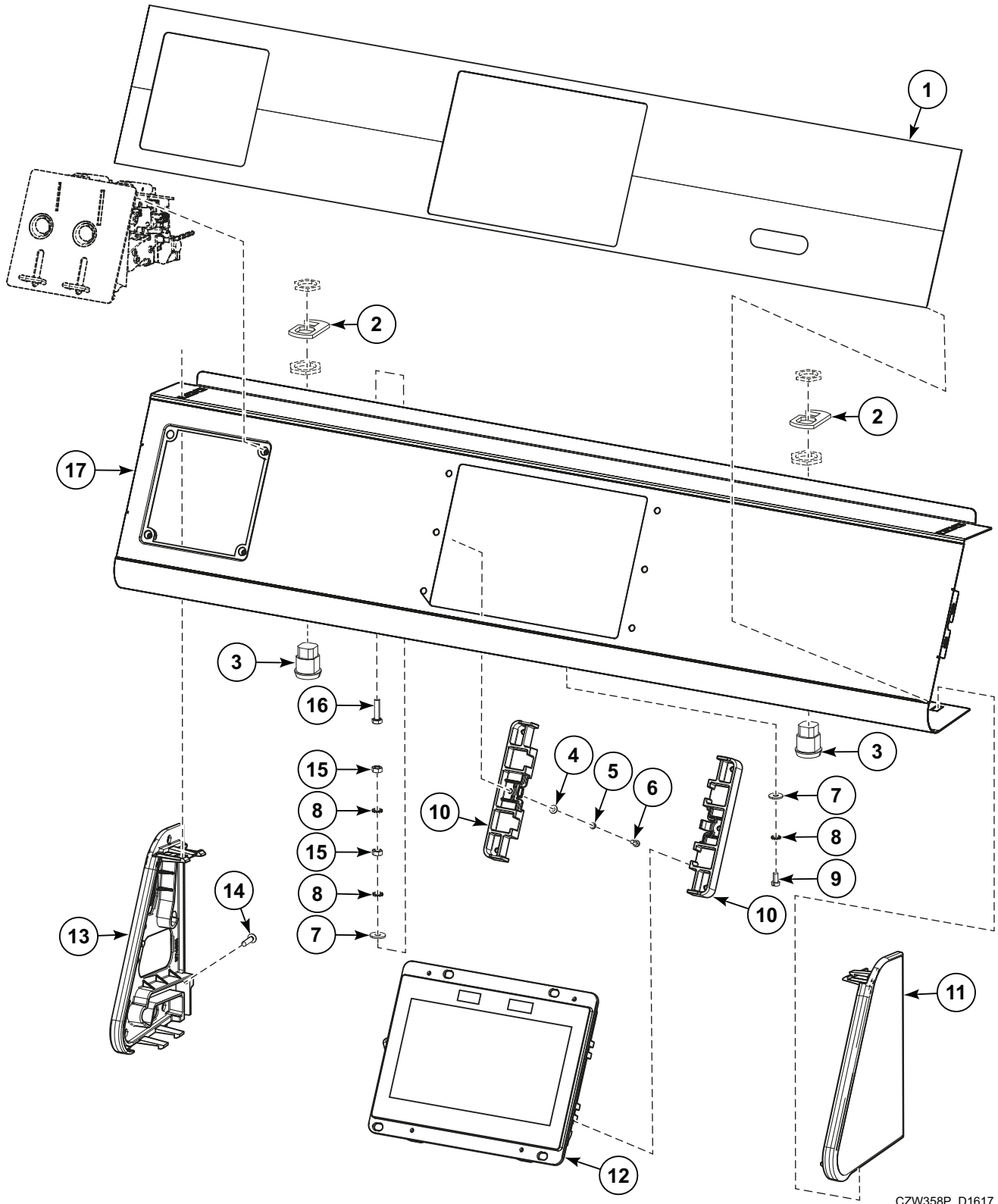
CZW329P\_D1617

## Control Panel Vended - FX and PY Models

REF	PART NO.	DESCRIPTION	COMMENTS
	SP520033	Emergency Stop Interconnection	
1	573935	Overlay	
	574219	Overlay	OEM
2	SPPRI610002007	Hook Lock	
3	SP547527	Lock	Includes Nuts – 2 pieces
	SP550616	Key	Used with SP547527 Lock
4	SP311125000003	Washer	M3
5	SP311127000003	Washer	3
6	SP309084000308	Bolt	M3x8
7	SP311902100004	Washer	M4
8	SP311679800004	Washer	M4
9	SP309084000408	Bolt	M4x8
10	573929	Sidewall	
11	572572	Sidewall	Right
12	572586	Sidewall	Right
13	575632	Control	7", MC10
14	SP310934000004	Nut	M4
15	572571	Sidewall	Left
16	572588	Sidewall	Left
17	SP309084000320	Bolt	M3x20
18	SP309933000416	Bolt	M4x16
19	574121	Nose Assembly	Includes item 1 and 573930 Nut
	574237	Nose Assembly	OEM; Includes item 1 and 573930 Nut

# Control Panel Vended - FX and PY Models

Models with V in 7th Position Starting Serial No. 65FX015209SH



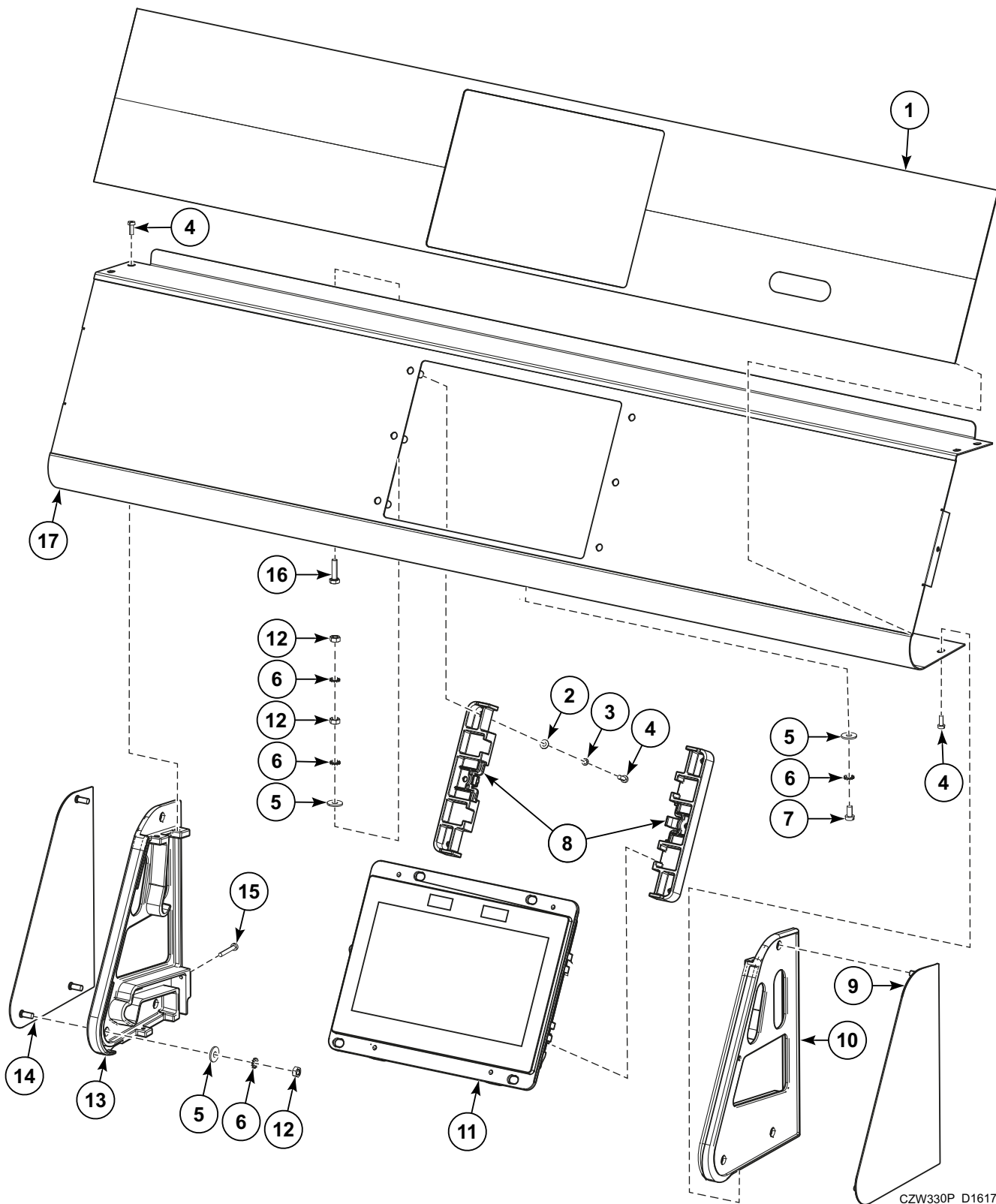
CZW358P\_D1617

## Control Panel Vended - FX and PY Models

REF	PART NO.	DESCRIPTION	COMMENTS
	SP520033	Emergency Stop Interconnection	
1	573935	Overlay	
	574219	Overlay	OEM
2	SPPRI610002007	Hook Lock	
3	SP547527	Lock	Includes Nuts – 2 pieces
	SP550616	Key	Used with SP547527 Lock
4	SP311125000003	Washer	M3
5	SP311127000003	Washer	3
6	SP309084000308	Bolt	M3x8
7	SP311902100004	Washer	M4
8	SP311679800004	Washer	M4
9	SP309084000408	Bolt	M4x8
10	573929	Sidewall	
11	576070	Sidewall	Right
12	575632	Control	7", MC10
13	576069	Sidewall	Left
14	SP520407	Screw	
15	SP310934000004	Nut	M4
16	SP309933240412	Bolt	M4x12
17	576036	Nose Assembly	Includes item 1 and 573930 Nut
	576045	Nose Assembly	OEM; Includes item 1 and 573930 Nut

# Control Panel for Central Payment System - FX and PY Models

Models with V in 7th Position Through Serial No. 65FX015208SH



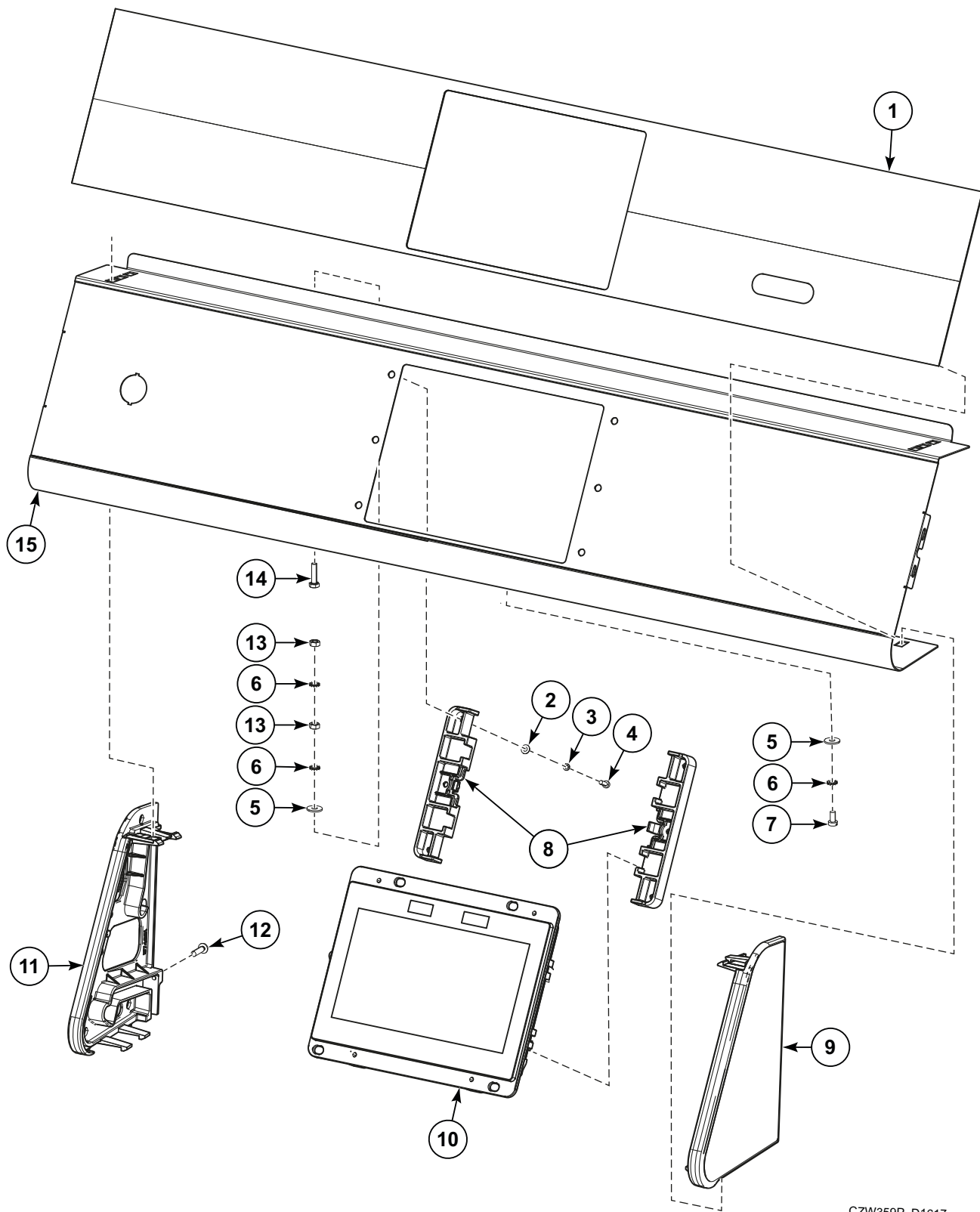
CZW330P\_D1617

## Control Panel for Central Payment System - FX and PY Models

REF	PART NO.	DESCRIPTION	COMMENTS
	571485	Emergency Stop Interconnection	
1	573950	Overlay	
	574222	Overlay	OEM
2	SP311125000003	Washer	M3
3	SP311127000003	Washer	3
4	SP309084000308	Bolt	M3x8
5	SP311902100004	Washer	M4
6	SP311679800004	Washer	M4
7	SP309084000408	Bolt	M4x8
8	573929	Sidewall	
9	572586	Sidewall	Right
10	572572	Sidewall	Right
11	575632	Control	7", MC10
12	SP310934000004	Nut	M4
13	572571	Sidewall	Left
14	572588	Sidewall	Left
15	SP309084000320	Bolt	M3x20
16	SP309933000416	Bolt	M4x16
17	573953	Nose Assembly	Includes item 1 and 573930 Nut
	574240	Nose Assembly	OEM; Includes item 1 and 573930 Nut

# Control Panel for Central Payment System - FX and PY Models

Models with V in 7th Position Starting Serial No. 65FX015209SH



CZW359P\_D1617

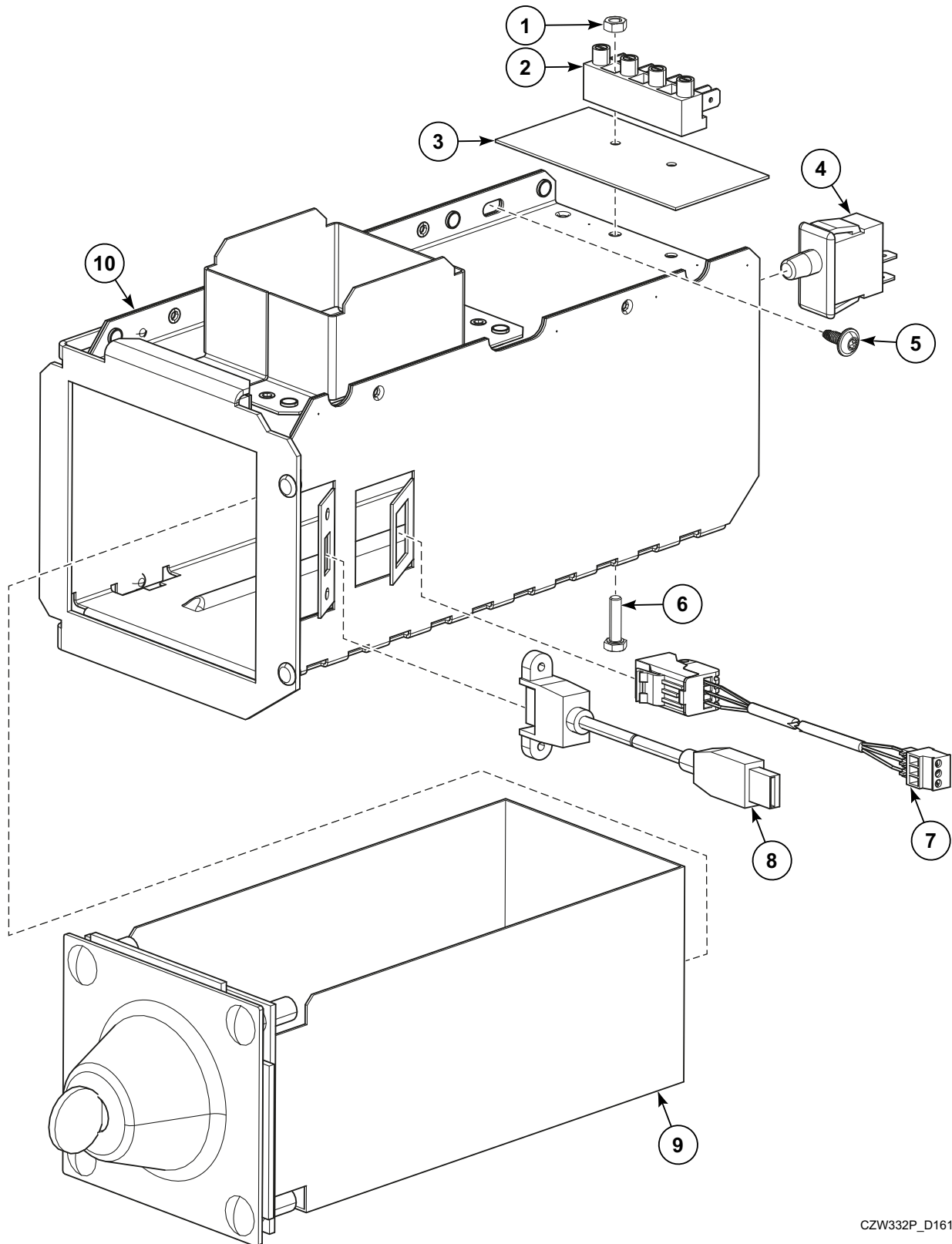


# Control Panel for Central Payment System - FX and PY Models

REF	PART NO.	DESCRIPTION	COMMENTS
	571485	Emergency Stop Interconnection	
1	573950	Overlay	
	574222	Overlay	OEM
2	SP311125000003	Washer	M3
3	SP311127000003	Washer	3
4	SP309084000308	Bolt	M3x8
5	SP311902100004	Washer	M4
6	SP311679800004	Washer	M4
7	SP309084000408	Bolt	M4x8
8	573929	Sidewall	
9	576070	Sidewall	Right
10	575632	Control	7", MC10
11	576069	Sidewall	Left
12	SP520407	Screw	
13	SP310934000004	Nut	M4
14	SP309933240412	Bolt	M4x12
15	576039	Nose Assembly	Includes item 1 and 573930 Nut
	576048	Nose Assembly	OEM; Includes item 1 and 573930 Nut

# Coin Meter Box

All Models Except AF, IY and NY Models with G, H, J or K in 13th Position



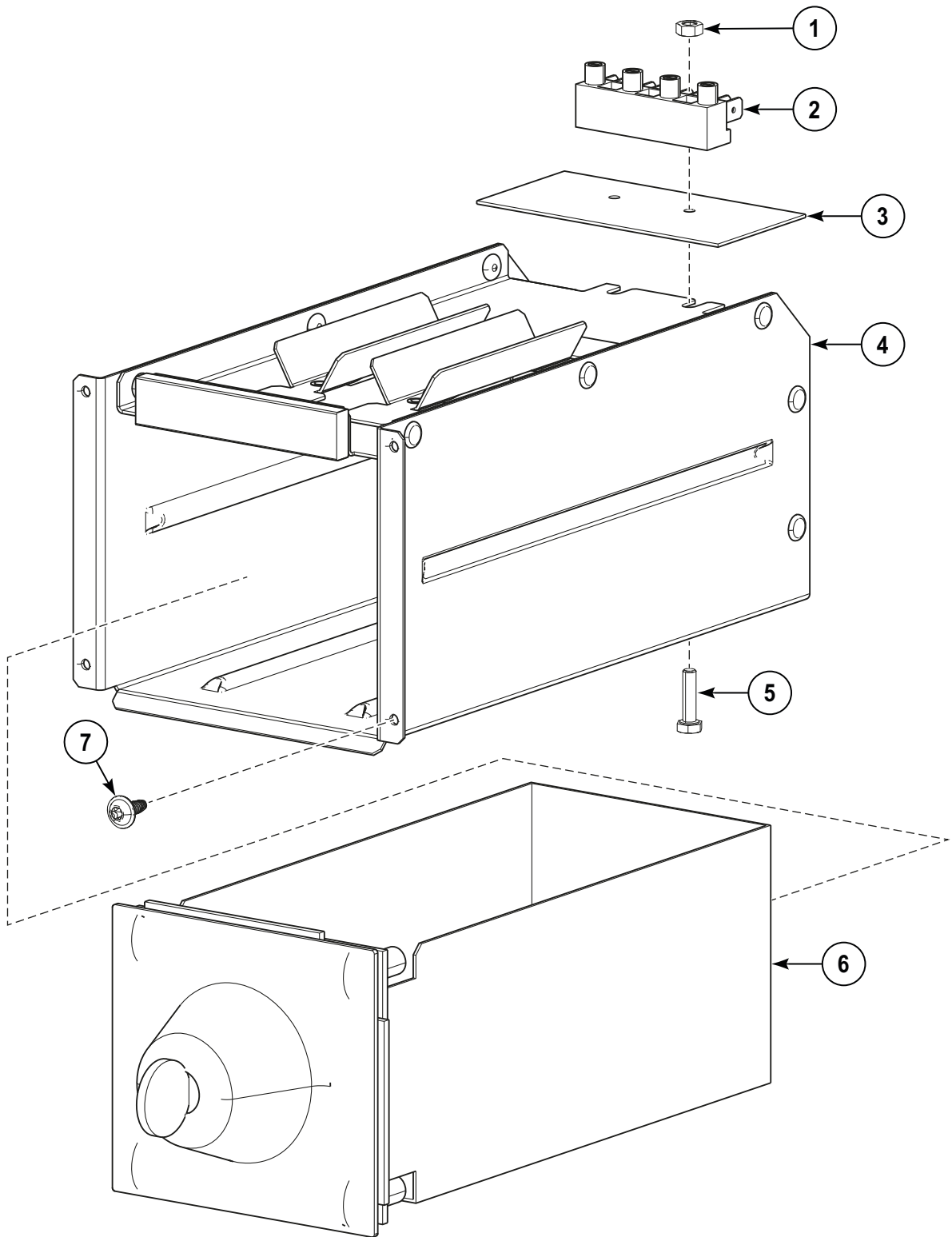
CZW332P\_D1617

## Coin Meter Box

REF	PART NO.	DESCRIPTION	COMMENTS
1	SP310934000004	Nut	M4
2	SPPRI350000007	Terminal Board	
3	SPPRI350012007	Isolation Paper	
4	N/A	Microswitch	
5	SP529206	Screw	4x11
6	SP309933000416	Bolt	M4x16
7	SP545234	Cable	With connectors; RS485
8	569668	USB Cable	
9	SP102532	Coin Meter Box	
	100498	Coin Meter Box	Large; FX and PY models with H or K in 13th Position
10	571049	Coin Meter Case	
	571055	Coin Meter Case	Large; FX and PY models with H or K in 13th Position

# Coin Meter Box - IY Models - AF, IY and NY Models

Models with V in 7th Position, Models with G, H, J or K in 13th Position



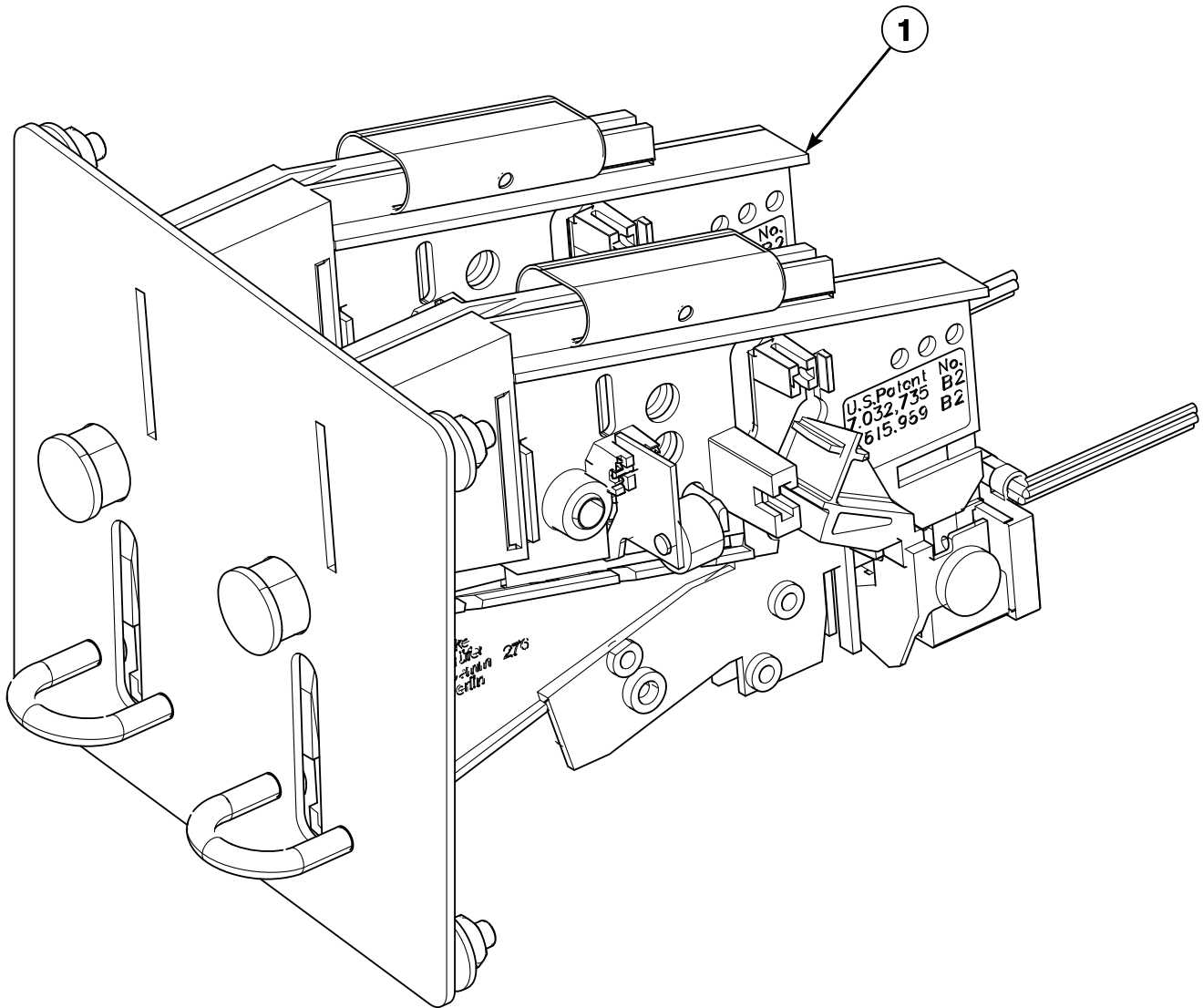
CZW287P\_D1617

## Coin Meter Box - IY Models - AF, IY and NY Models

REF	PART NO.	DESCRIPTION	COMMENTS
1	SP310934000004	Nut	M4
2	SPPRI350000007	Terminal Board	
3	SPPRI350012007	Isolation Paper	
4	573009	Coin Meter Case	
5	SP309933000416	Bolt	M4x16
6	568036	Coin Meter Box	
7	SP529206	Screw	4x11

# Coin Meter - AF, IY and NY Models (Drawing 1 of 3)

Models with V in 7th Position, Models with G, H, J or K in 13th Position



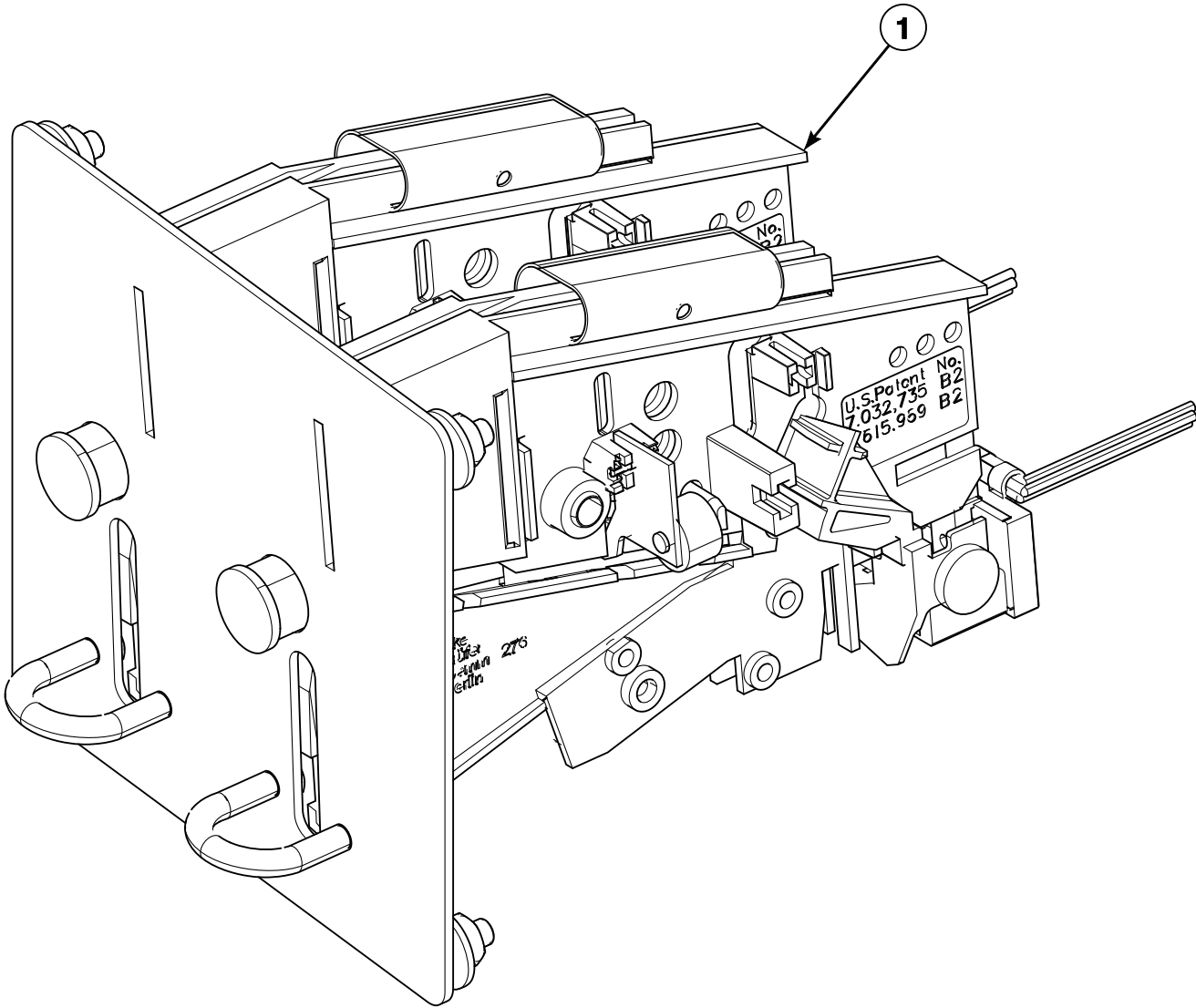
CZW233P\_D1617

## Coin Meter - AF, IY and NY Models (Drawing 1 of 3)

REF	PART NO.	DESCRIPTION	COMMENTS
1	SP568002	Coin Meter	GBP / EUR; Electronic EMPv7
	SP568003	Coin Meter	5K jeton
	SP568004	Coin Meter	7K jeton
	SP568005	Coin Meter	10K jeton
	SP568006	Coin Meter	12K jeton
	SP568007	Coin Meter	15K jeton
	SP568008	Coin Meter	5K jeton
	SP568009	Coin Meter	1EUR
	SP568010	Coin Meter	0.5EUR
	SP568011	Coin Meter	1EUR + 2EUR
	SP568012	Coin Meter	2EUR
	SP568013	Coin Meter	0.2EUR + 0.5EUR
	SP568014	Coin Meter	0.25EUR
	SP568015	Coin Meter	0.2EUR + 1EUR
	SP568016	Coin Meter	0.5EUR + 2EUR
	SP568017	Coin Meter	0.25EUR
	575218	Coin Meter	1 Singapore dollar
	575219	Coin Meter	1NZD and 2NZD
	575220	Coin Meter	Easy games jeton
	575221	Coin Meter	Flat polis jeton
	575222	Coin Meter	Butzi wash jeton
	575223	Coin Meter	Speedy matic jeton
	575224	Coin Meter	Laundromatic Belgium jeton; Diameter 22.3mm
	575225	Coin Meter	500WON
	575226	Coin Meter	Dobi ekspres jeton
	575227	Coin Meter	Lucky winner jeton
	575228	Coin Meter	Gettone jeton
	575229	Coin Meter	10 Taiwan dollar
	575230	Coin Meter	Electrolux Asard jeton
	575231	Coin Meter	Gettone jeton
	575232	Coin Meter	5+1 Shekel
	575233	Coin Meter	1HKD
	575234	Coin Meter	Jeton Prinz Firbitex
	575235	Coin Meter	Token Ldl Chamberland Washing Machine
	575236	Coin Meter	Token 118-5
	575237	Coin Meter	Token Barisart (Ldl)
	575238	Coin Meter	Token Rotondi
	575239	Coin Meter	Brass jeton
	575240	Coin Meter	0.5CHF + 2CHF
	575241	Coin Meter	Jeton HAUCK 2018
	575242	Coin Meter	Jeton 08 MS, diameter 24.9mm
	575243	Coin Meter	Jeton D
	575244	Coin Meter	10+50 TWD
	575245	Coin Meter	100+500 ISK
	575246	Coin Meter	Token 118-16
	575247	Coin Meter	Token WH121
	575248	Coin Meter	Token Nr. 1699360

# Coin Meter - AF, IY and NY Models (Drawing 2 of 3)

Models with V in 7th Position, Models with G, H, J or K in 13th Position



CZW233P\_D1617

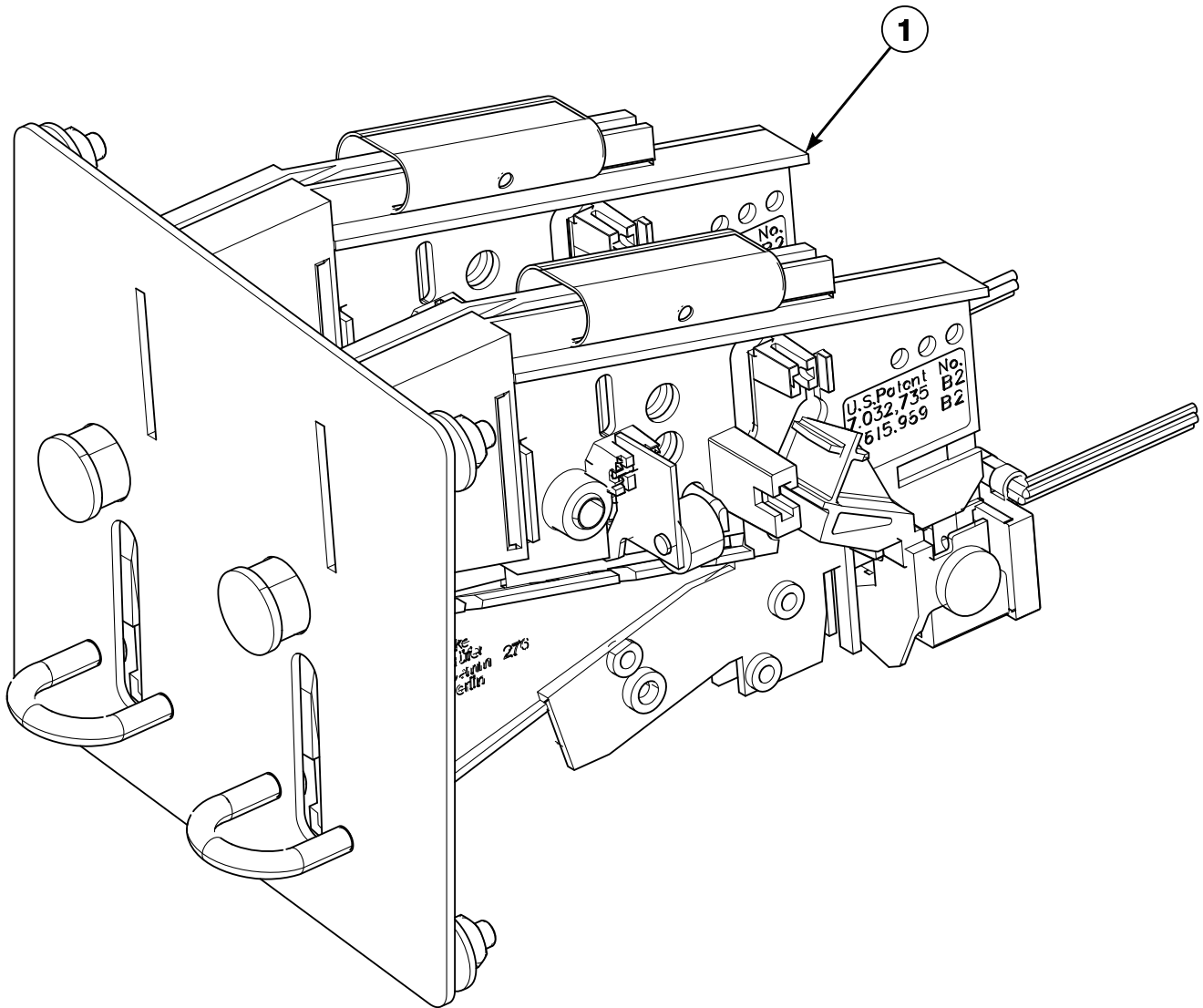


## Coin Meter - AF, IY and NY Models (Drawing 2 of 3)

REF	PART NO.	DESCRIPTION	COMMENTS
1	575278	Coin Meter	0.25USD + 1USD
	575279	Coin Meter	0.25CAD + 1CAD
	575249	Coin Meter	0.25USD + 1USD; 0.25CAD + 1CAD + 2CAD; TK1 + TK2; Electronic EMPv7
	568002	Coin Meter	0.2GBP + 0.5GBP + 1GBP + 2GBP; 0.1EUR + 0.2EUR + 0.5EUR + 1EUR + 2EUR; TK1 + TK2; Electronic EMPv7
	575250	Coin Meter	1DKK + 2DKK + 5DKK + 10DKK + 20DKK; 1NOK + 5NOK + 10NOK + 20NOK; 0.2EUR + 0.5EUR + 1EUR + 2EUR; TK1 + TK2; Electronic EMPv7
	575251	Coin Meter	0.2AUD + 1AUD + 2AUD; 0.2NZD + 1NZD + 2NZD; 5HKD + 10HKD; 500KRW; TK1 + TK2; Electronic EMPv7
	575252	Coin Meter	1CNY; 0.1MYR + 0.2MYR + 0.5MYR; TK1 + TK2; Electronic EMPv7
	575253	Coin Meter	0.1EUR + 0.2EUR + 0.5EUR + 1EUR + 2EUR; TK1 + TK2; Electronic EMPv7
	575254	Coin Meter	1PHP + 5PHP + 10PHP; TK1 + TK2; Electronic EMPv7
	575255	Coin Meter	0.1SGD + 0.2SGD + 0.5SGD + 1SGD; TK1 + TK2; Electronic EMPv7
	575256	Coin Meter	0.1MYR + 0.2MYR + 0.5MYR (old/new); 0.5SGD + 1SGD (old/new); TK1 + TK2; Electronic EMPv7
	575257	Coin Meter	1HRK + 2HRK + 5HRK; TK1 + TK2; Electronic EMPv7
	575258	Coin Meter	5CZK + 10CZK + 20CZK + 50CZK; Token Primus 7K; TK1 + TK2; Electronic EMPv7
	575259	Coin Meter	0.5MAD + 1MAD + 2MAD + 5MAD + 10MAD; TK1 + TK2; Electronic EMPv7
	575260	Coin Meter	1PLN + 2PLN + 5PLN; 0.1EUR + 0.2EUR + 0.5EUR + 1EUR + 2EUR; 10ISK + 50ISK + 100ISK; TK1 + TK2; Electronic EMPv7
	575261	Coin Meter	0.1EUR + 0.2EUR + 0.5EUR + 1EUR + 2EUR; jeton IPSO 5K; TK1 + TK2; Electronic EMPv7
	575262	Coin Meter	0.2GBP + 0.5GBP + 1GBP + 2GBP; 0.1EUR + 0.2EUR + 0.5EUR + 1EUR + 2EUR; TK1: jeton Gettone; TK2: jeton "KLW Aqua"; Electronic EMPv7
	575263	Coin Meter	0.1EUR + 0.2EUR + 0.5EUR + 1EUR + 2EUR; jeton G-FIS "LAVOIR BIANCA" (20x1.8); TK1 + TK2; Electronic EMPv7
	575264	Coin Meter	0.5MYR; jeton "DOBI PAPA" (22.5x2); TK1 + TK2; Electronic EMPv7
	575265	Coin Meter	1AUD + 2AUD; jeton "No Cash Value" (28.6x1.58); TK1 + TK2; Electronic EMPv7
	575266	Coin Meter	0.5MYR; jeton "BUBBLELAB"; TK1 + TK2; Electronic EMPv7
	575267	Coin Meter	1ILS + 2ILS + 5ILS + 10ILS; TK1 + TK2; Electronic EMPv7
	575268	Coin Meter	1ZAR + 2ZAR + 5ZAR; TK1 + TK2; Electronic EMPv7
	575269	Coin Meter	5RUB + 10RUB; TK1 + TK2; Electronic EMPv7
	575270	Coin Meter	50CLP + 100CLP + 500CLP; TK1 + TK2; Electronic EMPv7
	575271	Coin Meter	100JPY + 500JPY; 10TWD + 50TWD; TK1 + TK2; Electronic EMPv7
	575272	Coin Meter	0.5GEL + 1GEL + 2GEL; TK1 + TK2; Electronic EMPv7
	575273	Coin Meter	0.1EUR + 0.2 EUR + 0.5EUR + 1EUR + 2EUR; Jeton 7K; TK1 + TK2; Electronic EMPv7
	579815	Coin Meter	20HUF + 50HUF + 100HUF + 200HUF; TK1 + TK2; Electronic EMPv7
	575275	Coin Meter	1THB + 2THB + 5THB + 10THB; TK1 + TK2; Electronic EMPv7
	572386	Coin Meter	0.2CHF + 0.5CHF + 1CHF + 2CHF; TK1 + TK2; Electronic EMPv7

# Coin Meter - AF, IY and NY Models (Drawing 3 of 3)

Models with V in 7th Position, Models with G, H, J or K in 13th Position



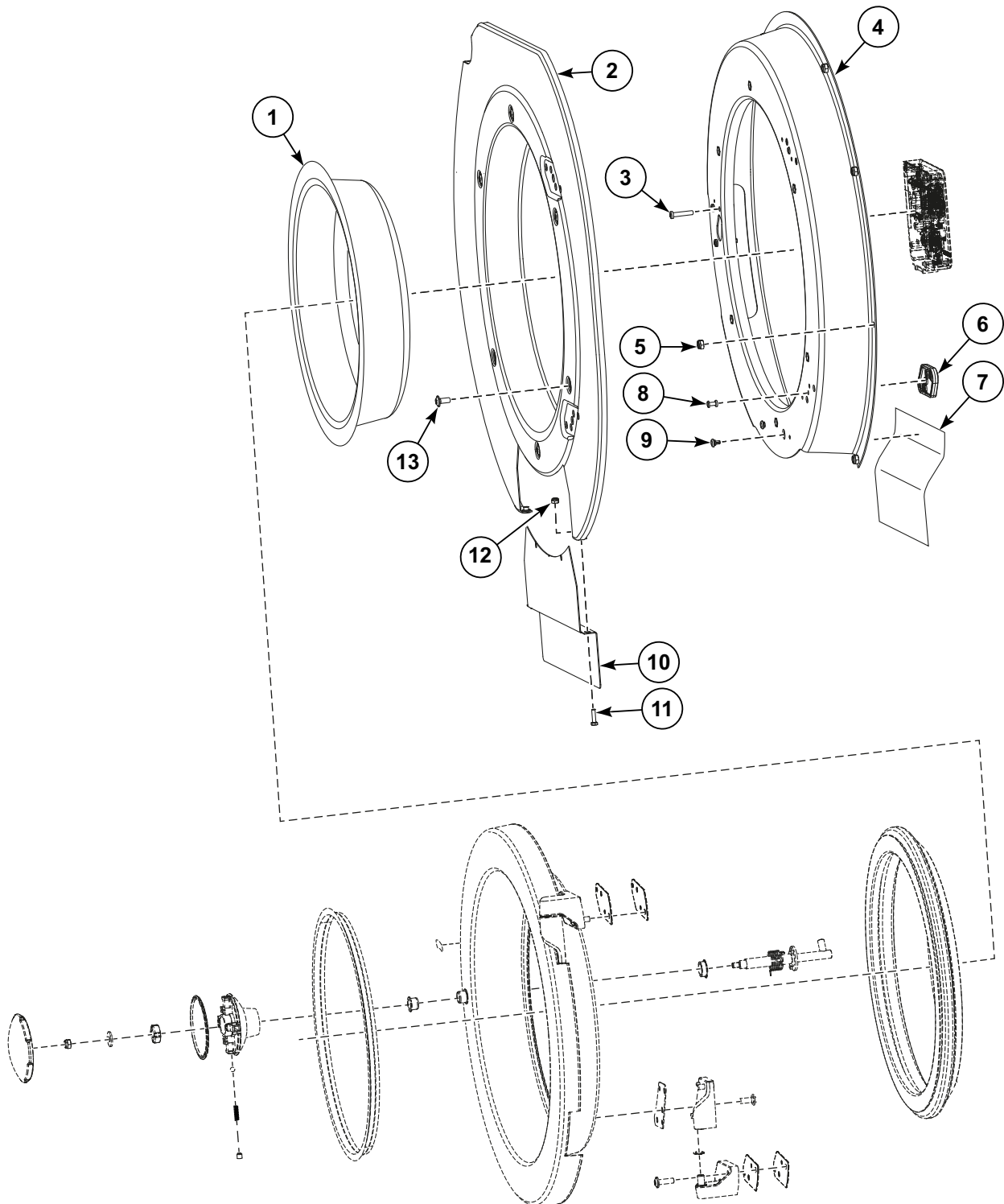
CZW233P\_D1617

## Coin Meter - AF, IY and NY Models (Drawing 3 of 3)

REF	PART NO.	DESCRIPTION	COMMENTS
1	575201	Coin Meter	5K PRIMUS jeton
	575202	Coin Meter	10K PRIMUS jeton
	575203	Coin Meter	STD 118-1 jeton
	575204	Coin Meter	7K PRIMUS jeton
	575205	Coin Meter	12K PRIMUS jeton
	575206	Coin Meter	15K PRIMUS jeton
	575207	Coin Meter	1AUD + 0.2AUD
	575208	Coin Meter	1POND + 20PC
	575209	Coin Meter	1POND + 50PC
	575210	Coin Meter	100YEN
	575211	Coin Meter	100YEN + 500YEN
	575212	Coin Meter	1AUD + 2AUD
	575213	Coin Meter	1AUD
	575214	Coin Meter	20 penny
	575215	Coin Meter	50 New Malaysian cent
	575216	Coin Meter	1 Singapore dollar
	575217	Coin Meter	2x50 Malaysian cent
	579811	Coin Meter	1EAD; TK1, TK2 Jeton; Electronic EMPv7

# Door (Drawing 1 of 3)

All Models without V in 7th Position  
AF, FX, IY, JY, NY and PY models with V in 7th Position Starting 1 March 2021



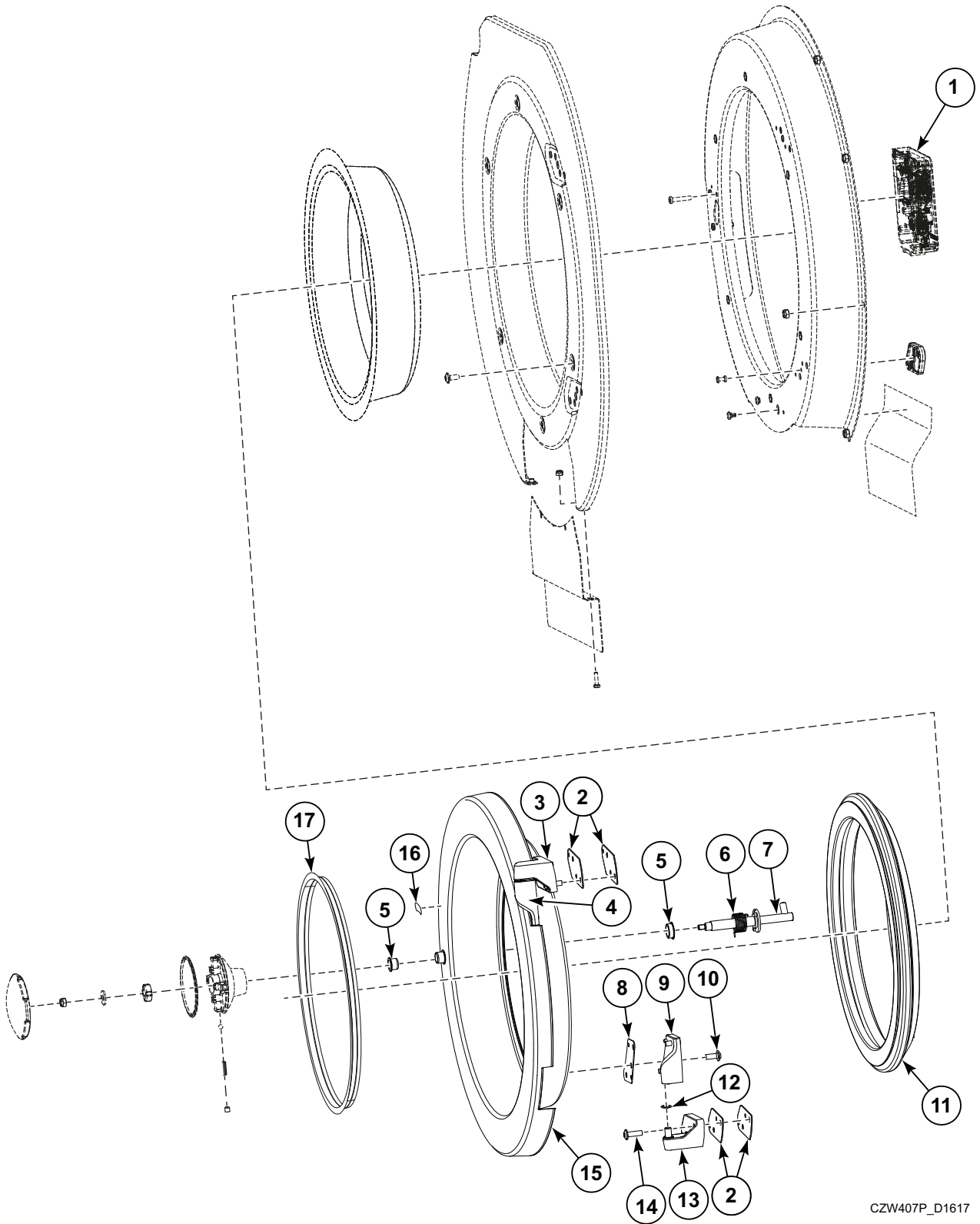
CZW370P\_D1617

## Door (Drawing 1 of 3)

REF	PART NO.	DESCRIPTION	COMMENTS
	SP245704003021	Adhesive	Loctite 243
	SP528270	Door Lock Wiring	Except models with V in 7th Position; MC6
	SP552453	Door Lock Wiring	Except models with V in 7th Position; MC7
	569723	Door Lock Wiring	Models with V in 7th Position
	SP537896	Adhesive	Reversible
	SP245704000603	Adhesive	Loctite 603; Used with SP537854 Bolt
	568990	Service Door Kit	Includes 562528 Door Seal, 568804 Shim, 560069 Shim, PRI722000004 Plastic Protection, PRI722000001 Plastic Protection and SP345000160971 Binding Strip
<b>1</b>	SP556226	Door Glass	IY models; With logo
	SP535413	Door Glass	AF, AF Non-Brand, FX, HX, HY, LP, LY, NY, PY, SW, SY and UY models
	559399	Door Glass	JY models without V in 7th Position
	573190	Door Glass	JY models with V in 7th Position
<b>2</b>	571721	Front Panel	Black
	571724	Front Panel	Stainless
<b>3</b>	SP556137	Bolt	M5x25
<b>4</b>	SP537852	Door and Lock Holder	
<b>5</b>	SP310985000006	Nut	M6
<b>6</b>	SP537849	Hinge Spacer	
<b>7</b>	SP552972	Cover	
<b>8</b>	SP547779	Rivet	4x16.7
<b>9</b>	SP537856	Connector	
<b>10</b>	SP563273	Heating Element Front Cover	Black
	568985	Heating Element Front Cover	Stainless
<b>11</b>	SP309084000416	Bolt	M4x16
<b>12</b>	SP313251002104	Nut	M4
<b>13</b>	SP537854	Bolt	M6x14

# Door (Drawing 2 of 3)

All Models without V in 7th Position  
AF, FX, IY, JY, NY and PY models with V in 7th Position Starting 1 March 2021



CZW407P\_D1617

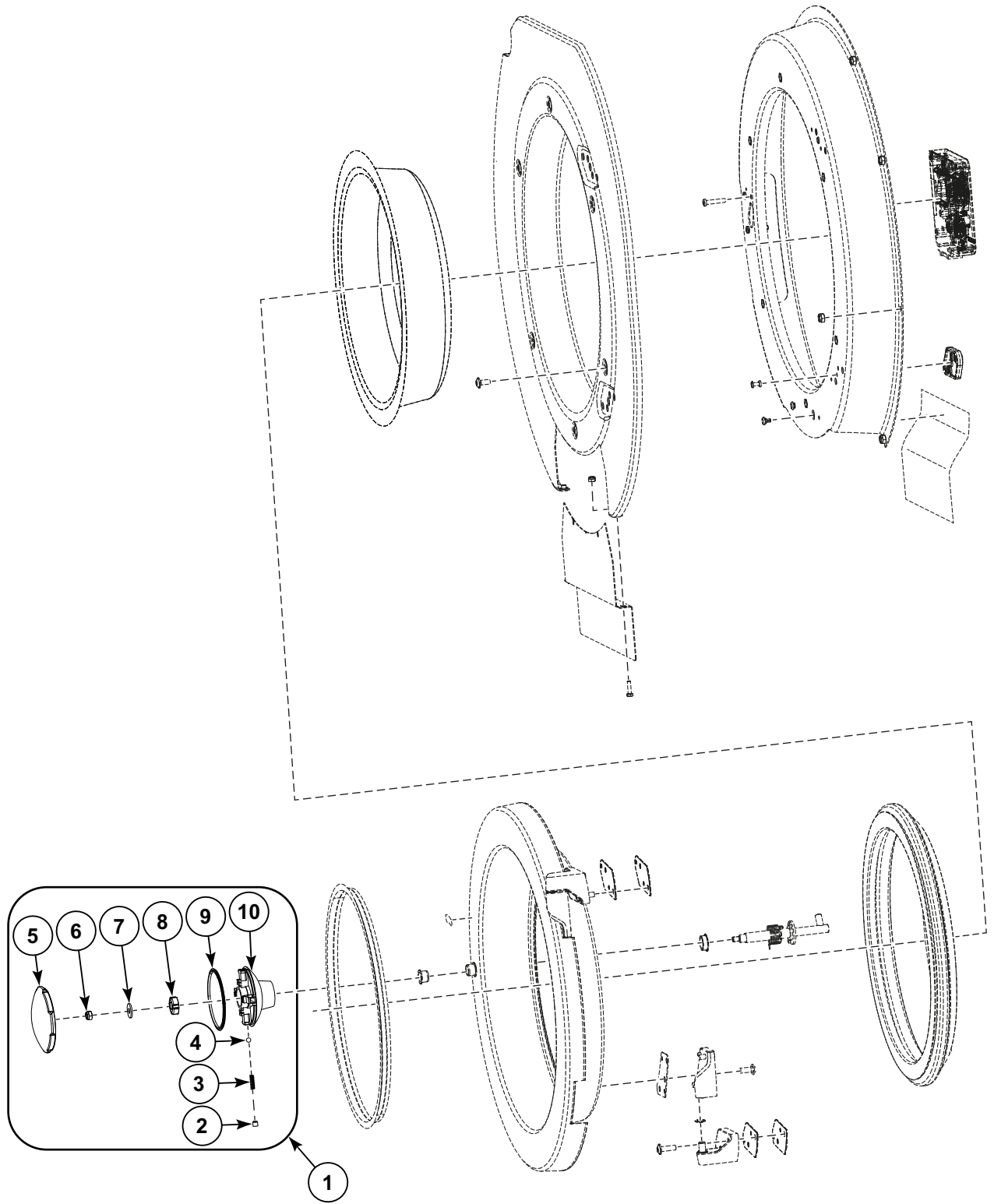
## Door (Drawing 2 of 3)

REF	PART NO.	DESCRIPTION	COMMENTS
	570554	Kit of Hinges	HY, SY and UY models; includes 568981, 568984 , 575962, 575965 and 571642
	570553	Kit of Hinges	AF, AF Non-Brand, FX, HX, IY, JY, LP, LY, NY, PY and SW models; includes 568979, 568982, 575960, 575963 and 571642
<b>1</b>	SP537760	Lock	
<b>2</b>	N/A	Washer	
<b>3</b>	568981	Fixed Hinge	HY, SY and UY models; Upper
	568979	Fixed Hinge	AF, AF Non-Brand, FX, HX, IY, JY, LP, LY, NY, PY and SW models; Upper
<b>4</b>	575962	Upper Hinge	HY, SY and UY models; with Case
	575960	Upper Hinge	AF, AF Non-Brand, FX, HX, IY, JY, LP, LY, NY, PY and SW models; with Case
<b>5</b>	SP529739	Casing	
<b>6</b>	SP535402	Handle Torsion Spring	
<b>7</b>	SP537933	Lock Pin	
<b>8</b>	SP535421	Hinge Spacer	
<b>9</b>	575965	Lower Hinge	HY, SY and UY models; with case
	575963	Lower Hinge	AF, AF Non-Brand, FX, HX, IY, JY, LP, LY, NY, PY and SW models; with case
<b>10</b>	SP537864	Bolt	M6x16
<b>11</b>	568990	Service Door Kit	
<b>12</b>	571642	Washer	
<b>13</b>	568984	Fixed Hinge	HY, SY and UY models; Lower
	568982	Fixed Hinge	AF, AF Non-Brand, FX, HX, IY, JY, LP, LY, NY, PY and SW models; Lower
<b>14</b>	SP535479	Bolt	M6x25
<b>15</b>	SP535423	Door	HY, SY and UY models; FX, HX, PY, QW, SW and W models through Serial No. 65FX011224MB
	SP553525	Door	FX, HX, PY, QW, SW and W models starting Serial No. 65FX011225MB; Gray
	SP535425	Door	AF, AF Non-Brand, H, IY, JY, LP, LY, NY and WMA models; Black
	568836	Door	AF, IY, JY and NY models with "G", "H", "J, or "K" in 13th position; Black
<b>16</b>	N/A	Label	
<b>17</b>	SP562545	Rim	IY models with "G", "H", "J, or "K" in 13th position
<b>17</b>	573187	Rim	JY models with "V" in 7th Position

**N/A = Part no longer available**

# Door (Drawing 3 of 3)

All Models without V in 7th Position  
AF, FX, IY, JY, NY and PY models with V in 7th Position Starting 1 March 2021



CZW372P\_D1617

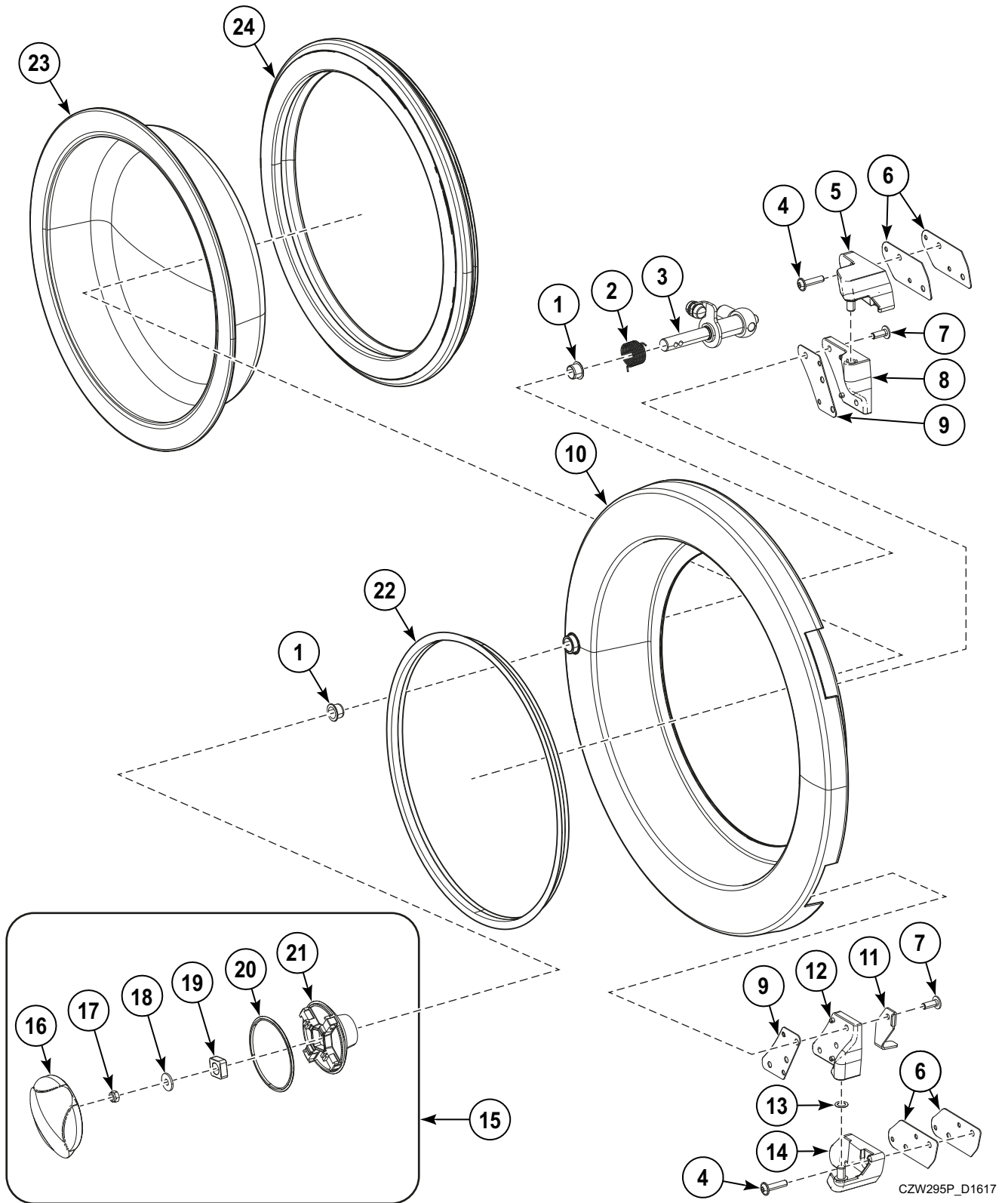


## Door (Drawing 3 of 3)

REF	PART NO.	DESCRIPTION	COMMENTS
1	SP556297	Handle	HY, SY and UY models
	SP552909	Handle	AF, AF Non-Brand, H, IY, LP, LY and NY Models models without "G", "H", "J" or "K" in 13th Position
	571788	Handle	AF, IY and NY models with "G", "H", "J" or "K" in 13th Position
	SP552908	Handle	FX, HX, PY, QW and SW models
	SP562898	Handle	JY models
2	SP553524	Bolt	M6x6
3	SP535406	Compression Spring	
4	SP535407	Handle Ball	
5	SP556278	Handle Cover	HY, SY and UY models
	SP535438	Holder Cover	AF, AF Non-Brand, H, IY, J, LP, LY and NY models
	SP535430	Holder Cover	FX, HX, MWF, PY, QW and SW models
6	SP310985000006	Nut	M6
7	SP311902100006	Washer	M6
8	SP529710	Locating Segment	
9	SP535411	Distinguishing Ring	FX, HX, HY, JY, MWF, PY, QW, SW, SY and UY models; Blue
	SP535437	Distinguishing Ring	AF, AF Non-Brand, H, IY, LP, LY and NY Models models without "G", "H", "J" or "K" in 13th Position; Red
	571733	Distinguishing Ring	AF, IY and NY models with "G", "H", "J" or "K" in 13th Position; Red
10	SP535429	Handle Lower Part	

# Door

AF, IY, JY and NY models with V in 7th Position Through 28 February 2021



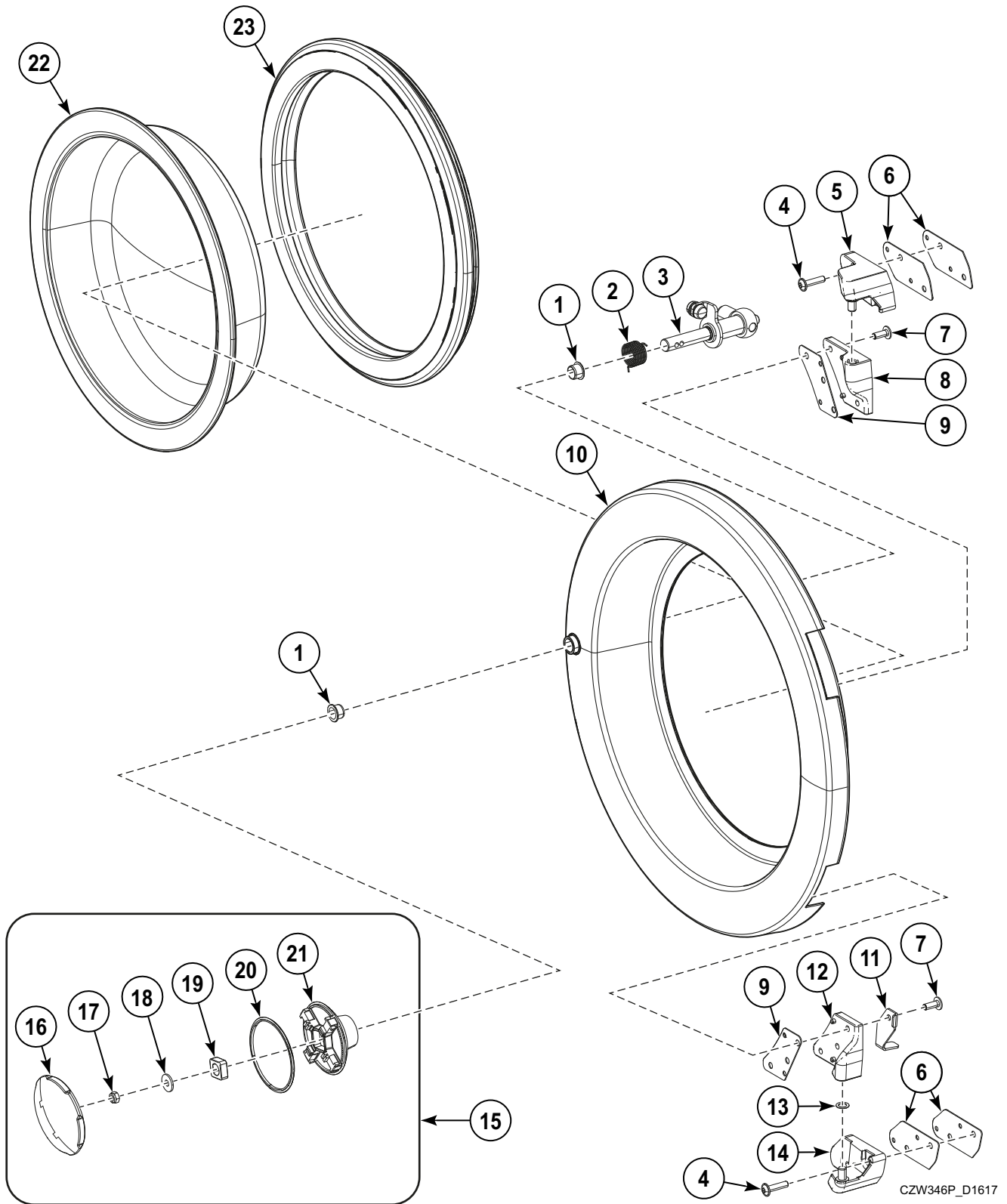
# Door

REF	PART NO.	DESCRIPTION	COMMENTS
	571766	Door Assembly	Black; Includes items 1-24
	570553	Kit of Hinges	Includes 571642, 575960, 575693, 568979 and 568982
1	SP529739	Casing	
2	SP535402	Handle Torsion Spring	
3	571762	Door Level	
4	SP535479	Bolt	M6x25
5	568979	Fixed Upper Hinge	
6	N/A	Shim	
7	SP537864	Bolt	M6x25
8	571650	Upper Hinge	
9	SP535421	Hinge Spacer	
10	568836	Door	Black
11	571632	Door Frame Sheet	
12	571651	Lower Hinge	
13	571642	Washer	
14	568982	Fixed Hinge	Lower
15	571781	Handle	
16	SP535438	Holder Cover	
17	SP310985000006	Nut	M6
18	SP311902100006	Washer	M6
19	571773	Locating Segment	
20	571733	Distinguishing Ring	Red
21	571779	Handle Lower Part	
22	SP562545	Rim	
	573187	Rim	JY models
23	SP556226	Door Glass	With logo
	573190	Door Glass	JY models
	535413	Door Glass	AF and NY models
24	568990	Service Door Kit	

N/A = Part no longer available

# Door

FX and PY models with V in 7th Position Through 28 February 2021



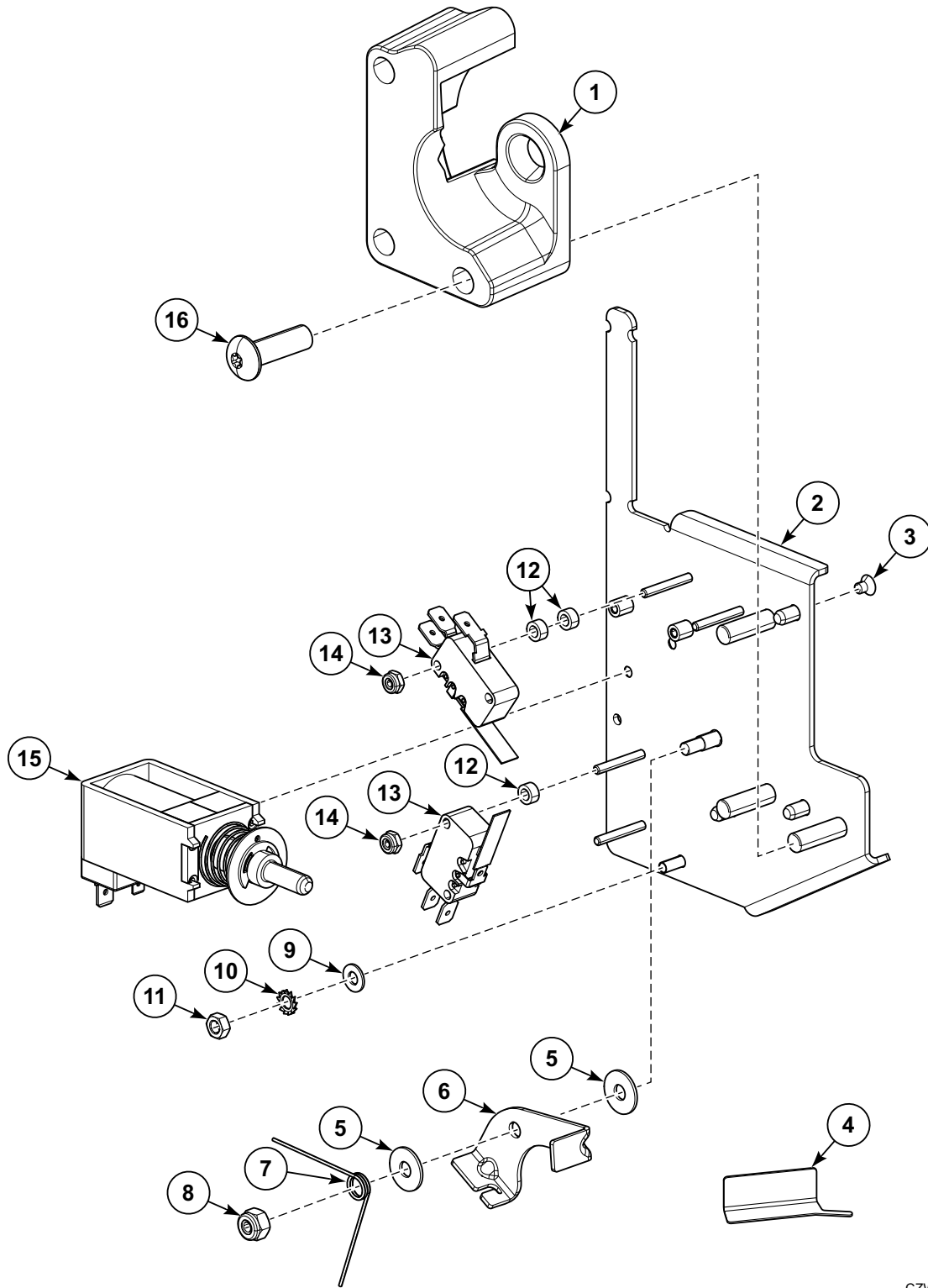
# Door

REF	PART NO.	DESCRIPTION	COMMENTS
	571763	Door Assembly	Gray; Includes items 1-23
1	SP529739	Casing	
2	SP535402	Handle Torsion Spring	
3	571762	Door Level	
4	SP535479	Bolt	M6x25
5	568979	Fixed Upper Hinge	
6	N/A	Shim	
7	SP537864	Bolt	M6x16
8	571650	Upper Hinge	
9	SP535421	Hinge Spacer	
10	SP553525	Door	Gray
11	571632	Door Frame Sheet	
12	571651	Lower Hinge	
13	571642	Washer	
14	568982	Fixed Hinge	Lower
15	571780	Handle	
16	SP535430	Holder Cover	
17	SP310985000006	Nut	M6
18	SP311902100006	Washer	M6
19	571773	Locating Segment	
20	SP535411	Distinguishing Ring	Blue
21	571779	Handle Lower Part	
22	SP535413	Door Glass	
23	568990	Service Door Kit	

**N/A = Part no longer available**

# Door Lock

Models with V in 7th Position with Serial No. Through 65FX015194SH



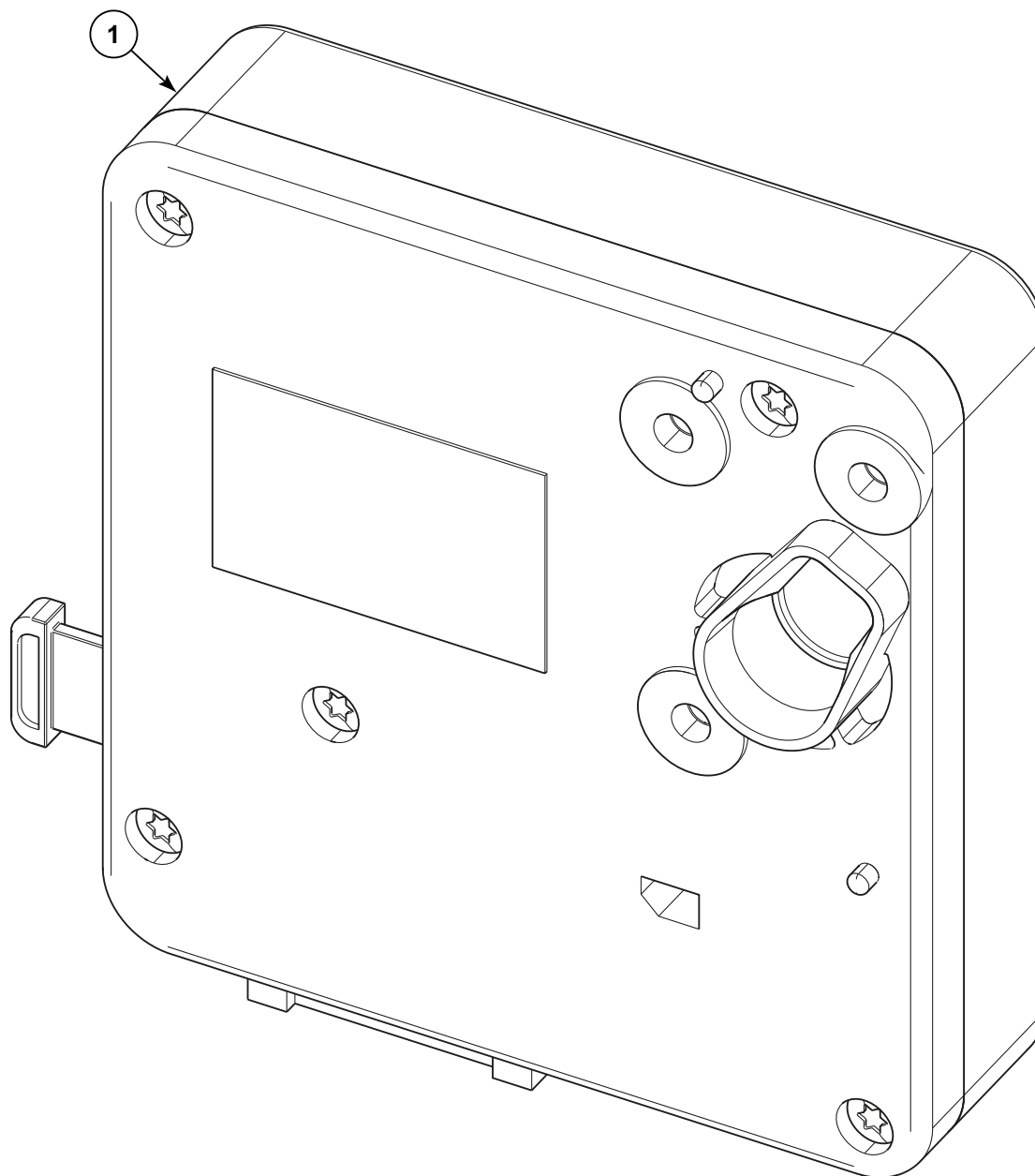
CZW347P\_D1617

## Door Lock

REF	PART NO.	DESCRIPTION	COMMENTS
	576085	Door Lock Assembly	Includes item 1-16, 569751 Door Lock Cable, SP345000160996 Binding Strip, 571466 Door Lock Switch Cable
1	576084	Door Lock Catch	
2	568971	Door Lock Plate	
3	F430977	Screw	
4	571615	Emergency Opener	For door lock
5	F8193101	Washer	
6	568941	Closing Plate	
7	571612	Torsion/Door Lock Spring	
8	F430232	Nut	
9	SP311125240004	Washer	4
10	SP311679824004	Washer	4
11	SP310934240004	Nut	M4
12	F431901	Spacer	
13	568978	Microswitch	
14	F430225	Nut	
15	568942	Coil	
16	F827071	Bolt	Stainless
	568968	Bolt	Black

# Door Lock

Models with V in 7th Position with Serial No. Starting 65FX015195SH



CZW360P\_D1617

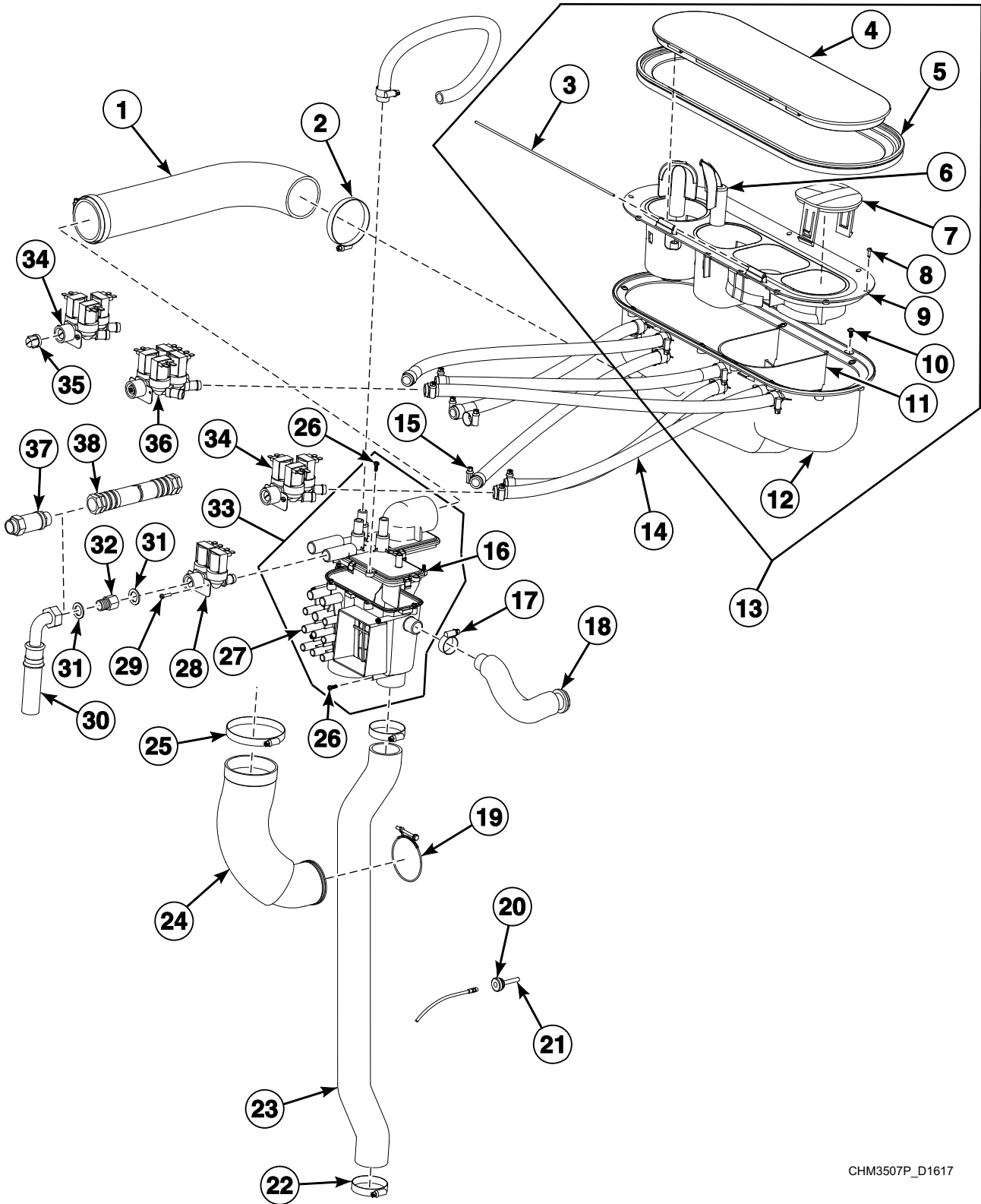


# Door Lock

REF	PART NO.	DESCRIPTION	COMMENTS
	SP537760	Lock	

# Water Inlet System

All Models Except Models with V in 7th Position



CHM3507P\_D1617

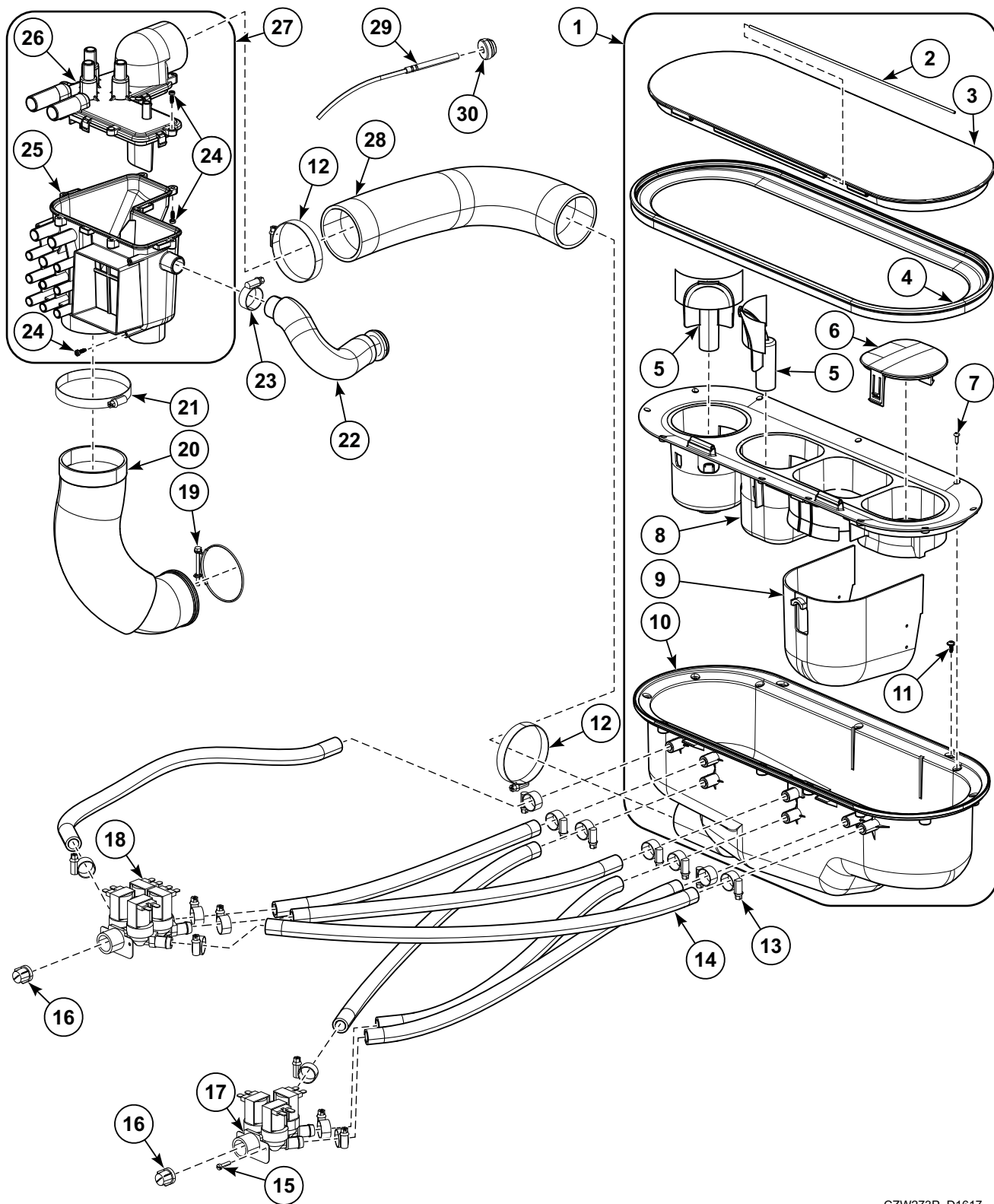
# Water Inlet System

REF	PART NO.	DESCRIPTION	COMMENTS
1	SP526589	Dispenser Pipe	
2	SPPRI240000021	Hose Clamp	60-80
3	SP540117	Pin	
4	SP551695	Dispenser Lid	HY, SY and UY models
	SP526461	Dispenser Lid	All other models
5	SP540158	Dispenser Seal	
6	SP540113	Flap	
7	SP526468	Soap Hopper Plug	
8	SP309798124313	Screw	ST3.5x13
9	SP540112	Soap Hopper Upper Cover	
10	SP529206	Screw	4x11
11	SP540122	Internal Vessel	
12	SP540115	Main Vessel	Requires SPPRI704000053 Silicon Sealant
13	SP554213	Soap Hopper	HY, SY and UY models
	SP540111	Soap Hopper	All other models
14	SPPRI540000014	Hose	13/19
	SP101745	Hose Pipe	Valid for water approval
15	SPPRI240000002	Hose Clamp	12-22
16	SP526557	Mixer Lid	
17	SPPRI240000003	Hose Clamp	20-32
18	SP526509	Vent Hose	
19	SP526491	Hose Clamp	62-70
20	SP526439	Temperature Sensor Seal	
21	503839	Temperature Sensor	
22	SPPRI240000017	Hose Clamp	40-60
23	SP526481	Overflow Tube	
24	SP526456	Filling Elbow Pipe	
25	SPPRI240000007	Hose Clamp	70-90
26	SP526497	Screw	4x12
27	SP526565	Mixer Body	
28	SP547958	2-Way Valve	3/4 inch
29	SP309084000416	Bolt	4x16
30	SPPRI505000054	Filling Hose Pipe	Used with cold water
	SP547980	Filling Hose Pipe	Used with hot water
	SP101621	Filling Hose Pipe	Valid for water approval
	RSPF200166	Filling Hose Pipe	IY, LY, NY, PY, SY and UY models
31	SPPRI520001009	Seal	
32	N/A	Reduction	
33	SP526558	Mixer	
34	SP547959	3-Way Valve	3/4 inch
35	SPPRI340004030	Filter	
36	SP548933	4-Way Valve	3/4 inch
37	RSPF200166	Filling Hose Pipe	IYY, LYY, NYY, PYY, SYY and UYY models
38	RSPB12543901	Double Reverse Valve	IYY, LYY, NYY, PYY, SYY and UYY models

**N/A = Part no longer available**

# Two Water Inlet System

Models with V in 7th Position



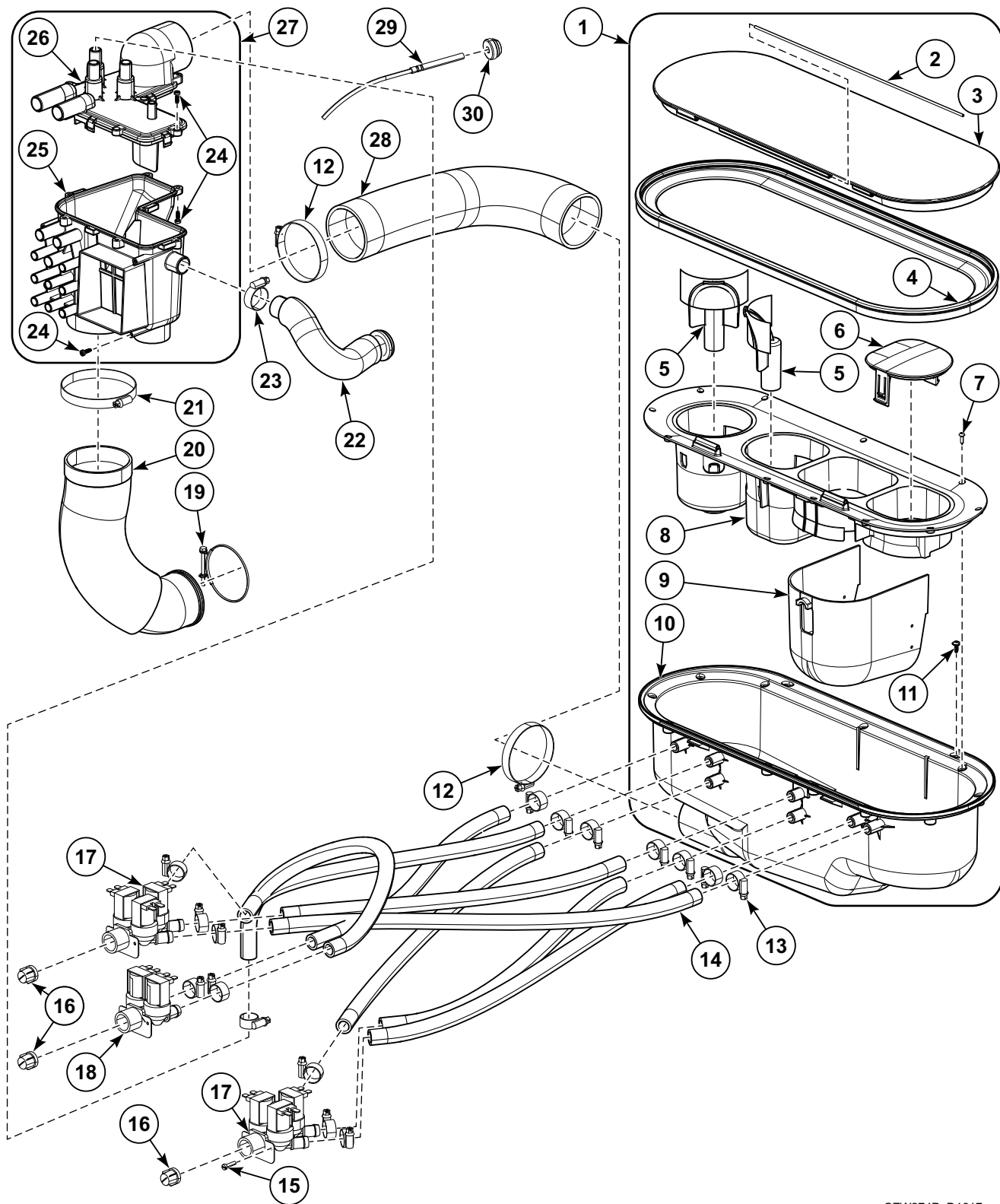
CZW273P\_D1617

## Two Water Inlet System

REF	PART NO.	DESCRIPTION	COMMENTS
	SPPRI505000054	Filling Hose Pipe	Used with cold water and with SPPRI520001009 Seal
	SP547980	Filling Hose Pipe	Used with hot water and with SPPRI520001009 Seal
	SP101621	Filling Hose Pipe	Valid for water approval WRAS; Used with SPPRI520001009 Seal
1	SP540111	Soap Hopper	
2	SP540117	Pin	
3	SP526461	Dispenser Lid	
4	SP540158	Dispenser Seal	
5	SP540113	Flap	
6	SP526468	Soap Hopper Plug	
7	SP309798124313	Screw	ST3.5x13
8	SP540112	Soap Hopper Upper Cover	
9	SP540122	Internal Vessel	
10	SP540115	Main Vessel	
11	SP529206	Screw	
12	SPPRI240000021	Hose Clamp	60-80
13	SPPRI240000002	Hose Clamp	12-22
14	SPPRI540000014	Hose	13-19
	SP101745	Hose Pipe	Used with Water Approval WRAS
15	SP309084000416	Bolt	M4x16
16	SPPRI340004030	Filter	
17	SP547959	3-Way Valve	3/4 inch
18	SP548933	4-Way Valve	3/4 inch
19	SP526491	Hose Clamp	62-70
20	SP526456	Filling Elbow Pipe	
21	SPPRI240000007	Hose Clamp	70-90
22	SP526509	Vent Hose	
23	SPPRI240000003	Hose Clamp	
24	SP526497	Screw	4x12
25	SP526565	Mixer Body	
26	SP526557	Mixer Lid	
27	SP526558	Mixer	
28	SP526488	Dispenser Pipe	
29	503839	Temperature Sensor	
30	SP526439	Temperature Sensor Seal	

# Three Water Inlet System

Models with V in 7th Position



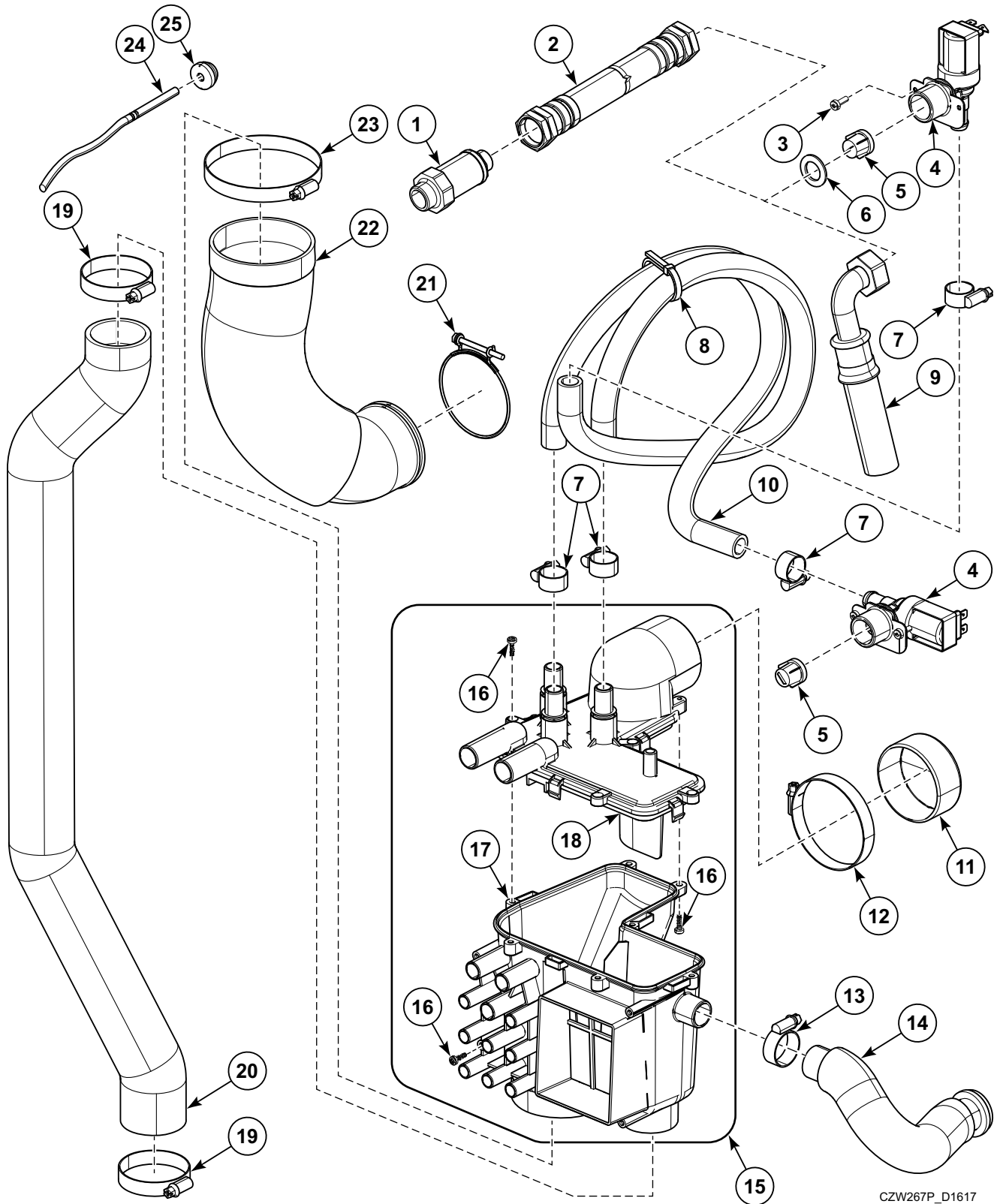
CZW274P\_D1617

## Three Water Inlet System

REF	PART NO.	DESCRIPTION	COMMENTS
	SPPRI505000054	Filling Hose Pipe	Used with cold water and with SPPRI520001009 Seal
	SP547980	Filling Hose Pipe	Used with hot water and with SPPRI520001009 Seal
	SP101621	Filling Hose Pipe	Valid for water approval WRAS; Used with SPPRI520001009 Seal
1	SP540111	Soap Hopper	
2	SP540117	Pin	
3	SP526461	Dispenser Lid	
4	SP540158	Dispenser Seal	
5	SP540113	Flap	
6	SP526468	Soap Hopper Plug	
7	SP309798124313	Screw	ST3.5x13
8	SP540112	Soap Hopper Upper Cover	
9	SP540122	Internal Vessel	
10	SP540115	Main Vessel	
11	SP529206	Screw	
12	SPPRI240000021	Hose Clamp	60-80
13	SPPRI240000002	Hose Clamp	12-22
14	SPPRI540000014	Hose	13-19
	SP101745	Hose Pipe	Used with Water Approval WRAS
15	SP309084000416	Bolt	M4x16
16	SPPRI340004030	Filter	
17	SP547959	3-Way Valve	3/4 inch
18	SP547958	2-Way Valve	3/4 inch
19	SP526491	Hose Clamp	62-70
20	SP526456	Filling Elbow Pipe	
21	SPPRI240000007	Hose Clamp	70-90
22	SP526509	Vent Hose	
23	SPPRI240000003	Hose Clamp	
24	SP526497	Screw	4x12
25	SP526565	Mixer Body	
26	SP526557	Mixer Lid	
27	SP526558	Mixer	
28	SP526488	Dispenser Pipe	
29	503839	Temperature Sensor	
30	SP526439	Temperature Sensor Seal	

# Two Water Inlet System without Soap Hopper

All Models Except Models with V in 7th Position, Models with G, H, J or K in 13th Position



CZW267P\_D1617

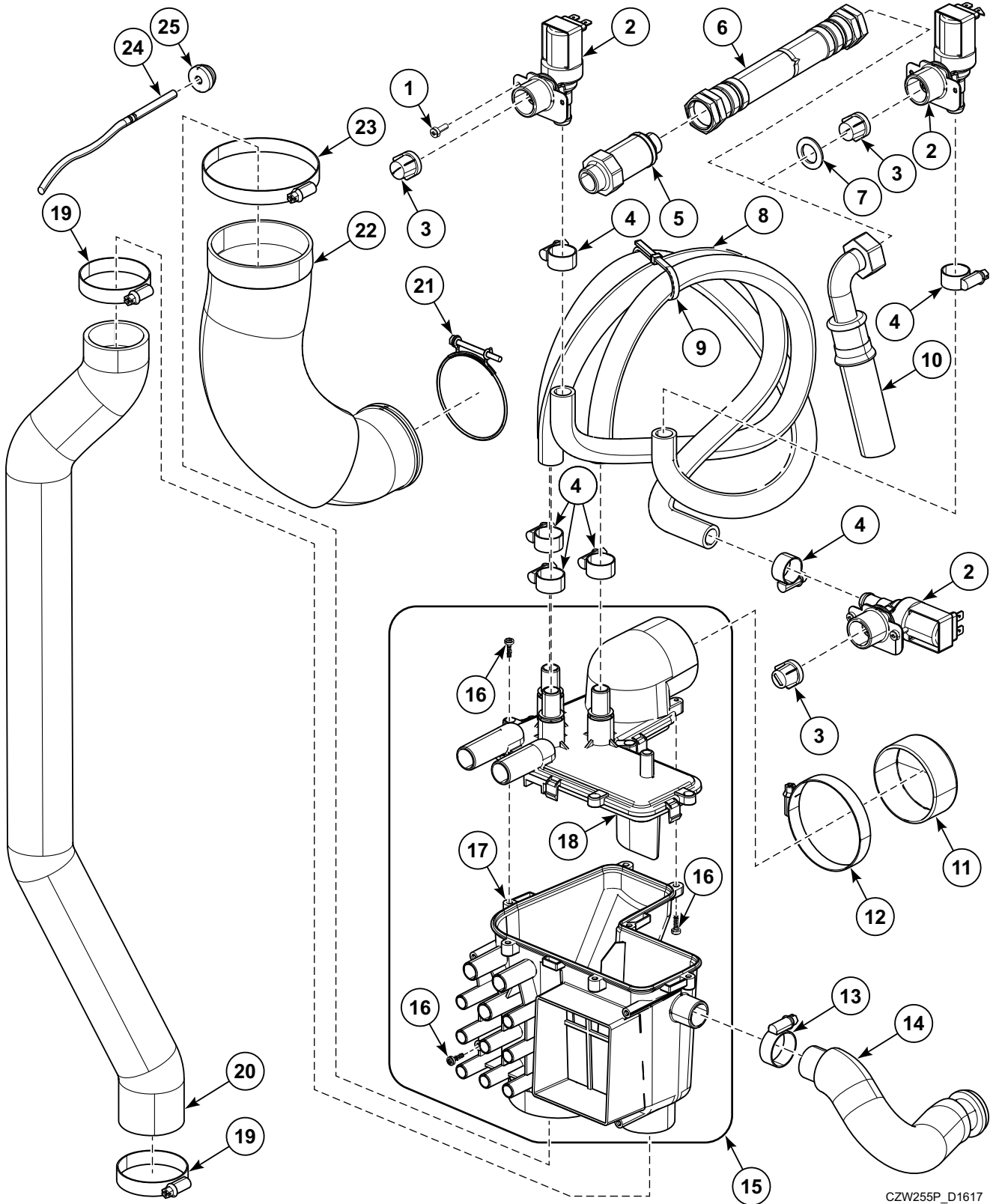


## Two Water Inlet System without Soap Hopper

REF	PART NO.	DESCRIPTION	COMMENTS
1	RSPB12543901	Double Reverse Valve	IYY, LYY, NYY, PYY and SYY models
2	RSPF200166	Filling Hose Pipe	IYY, LYY, NYY, PYY and SYY models
3	SP555504	Bolt	M4x12
4	570195	1-Way Valve	3/4 inch
5	SPPRI340004030	Filter	
6	SPPRI520001009	Seal	
7	SPPRI240000002	Hose Clamp	
8	SP503817	Binding Strip	
9	SPPRI505000054	Filling Hose Pipe	Used with cold water
	SP547980	Filling Hose Pipe	Used with hot water
	SP101621	Filling Hose Pipe	Valid for water approval WRAS
10	SPPRI540000014	Hose	
11	567053	Plug	
12	SPPRI240000021	Hose Clamp	60-80
13	SPPRI240000003	Hose Clamp	20-32
14	SP526509	Vent Hose	
15	SP526558	Mixer	
16	SP526497	Screw	4x12
17	SP526565	Mixer Body	
18	SP526557	Mixer Lid	
19	SPPRI240000017	Hose Clamp	40-60
20	SP526481	Overflow Tube	
21	SP526491	Hose Clamp	62-70
22	SP526456	Filling Elbow Pipe	
23	SPPRI240000007	Hose Clamp	70-90
24	SP503839	Temperature Sensor	
25	SP526439	Temperature Sensor Seal	

# Three Water Inlet System without Soap Hopper

All Models Except Models with V in 7th Position, Models with G, H, J or K in 13th Position



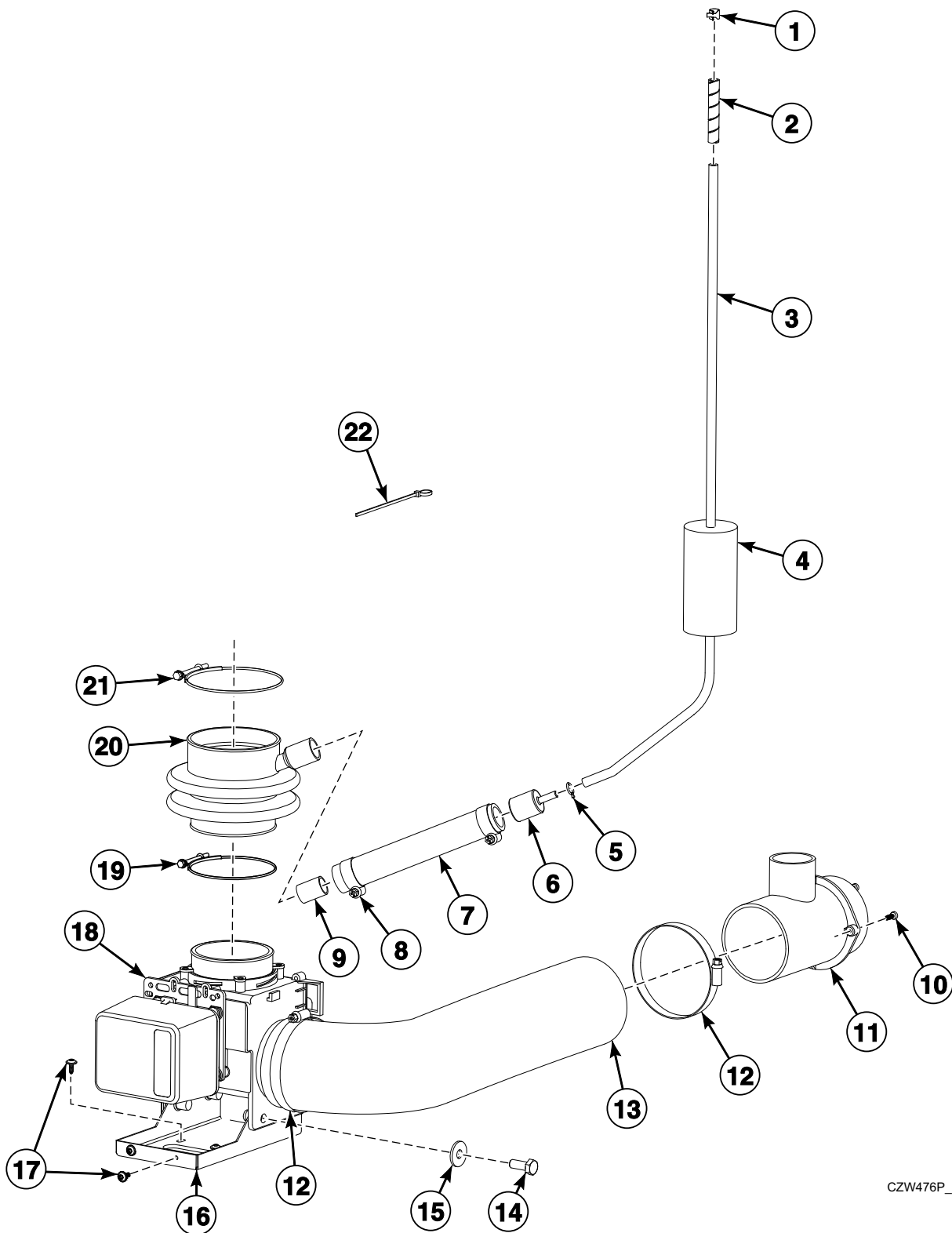
CZW255P\_D1617

## Three Water Inlet System without Soap Hopper

REF	PART NO.	DESCRIPTION	COMMENTS
1	SP555504	Bolt	M4x12
2	570195	1-Way Valve	3/4 inch
3	SPPRI340004030	Filter	
4	SPPRI240000002	Hose Clamp	
5	RSPB12543901	Double Reverse Valve	IYY, LYY, NYY, PYY and SYY models
6	RSPF200166	Filling Hose Pipe	IYY, LYY, NYY, PYY and SYY models
7	SPPRI520001009	Seal	
8	SPPRI540000014	Hose	
9	SP503817	Binding Strip	
10	SPPRI505000054	Filling Hose Pipe	Used with cold water
	SP547980	Filling Hose Pipe	Used with hot water
	SP101621	Filling Hose Pipe	Valid for water approval WRAS
11	567053	Plug	
12	SPPRI240000021	Hose Clamp	60-80
13	SPPRI240000003	Hose Clamp	20-32
14	SP526509	Vent Hose	
15	SP526558	Mixer	
16	SP526497	Screw	4x12
17	SP526565	Mixer Body	
18	SP526557	Mixer Lid	
19	SPPRI240000017	Hose Clamp	40-60
20	SP526481	Overflow Tube	
21	SP526491	Hose Clamp	62-70
22	SP526456	Filling Elbow Pipe	
23	SPPRI240000007	Hose Clamp	70-90
24	SP503839	Temperature Sensor	
25	SP526439	Temperature Sensor Seal	

# Drain System

All Models Except Models with V in 7th Position



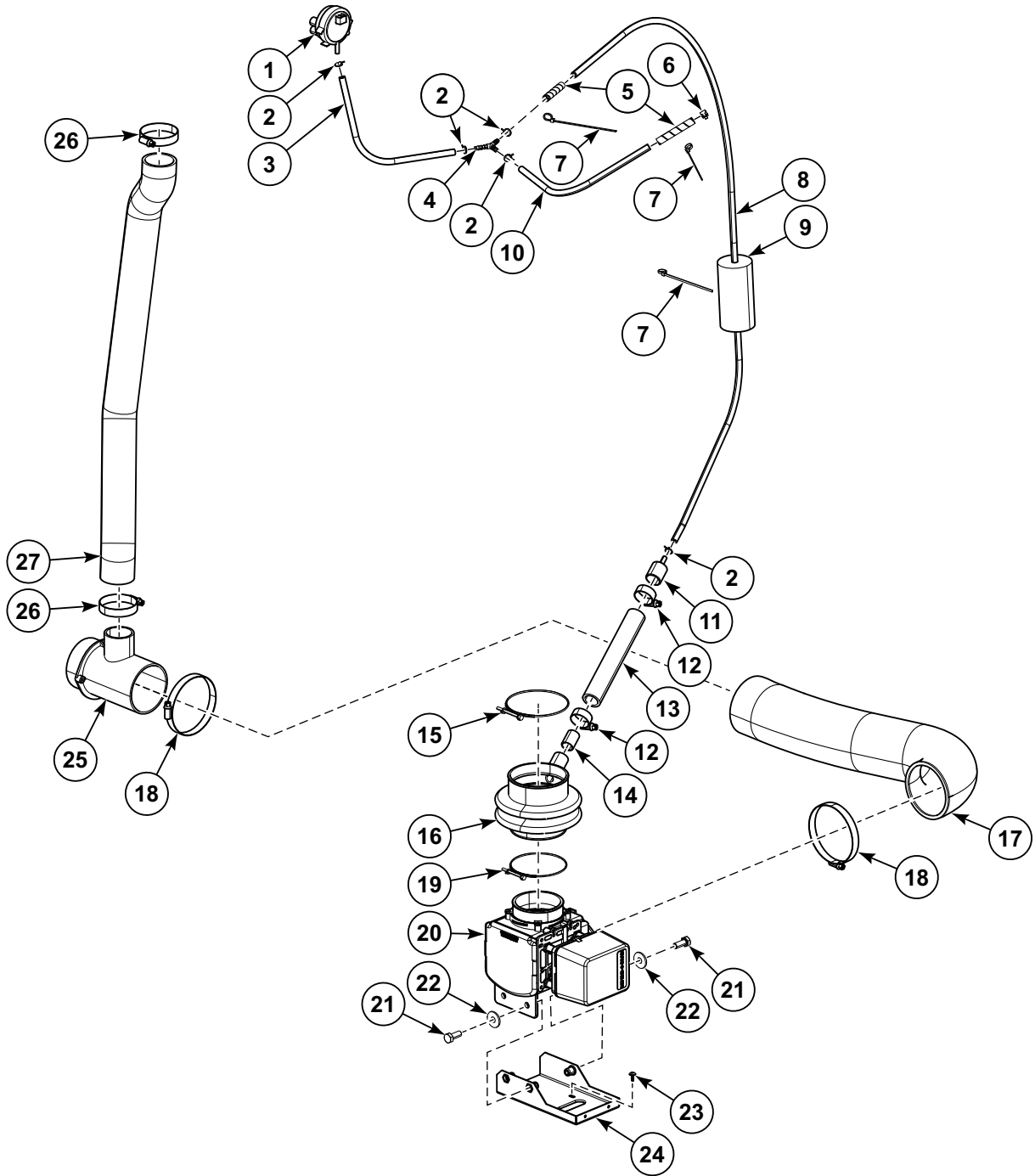
CZW476P\_D1617

# Drain System

REF	PART NO.	DESCRIPTION	COMMENTS
1	SP540183	Spring Clamp	
2	SP283449080200	Spiral	
3	SPPRI540001003	Water Level Switch Hose	
4	SP100188	Foam Roller	
5	SPPRI241000017	Hose Clamp	A5.5
6	SPPRI503000027	Air Trap Reduction	
7	SPPRI503002049	Hose	Air trap
8	SPPRI240000003	Hose Clamp	20-32
9	SP500125	Reinforcement Tube	
10	SP526497	Screw	4x12
11	SP526454	Tee	
12	SPPRI240000007	Hose Clamp	70-90
13	SP526591	Drain Elbow	
14	SP309933000820	Bolt	M8x20
15	SP311902100008	Washer	8
16	SP526511	Drain Valve Holder	
17	SP529206	Screw	4x11
18	SP526460	Drain Valve	Black; Includes 553195 Drain Valve Chamber, SPPRI340002051 Drain Valve Motor and 554276 Drain Valve Seal
	SP553195	Drain Valve Chamber	Black
	SPPRI340002051	Drain Valve Motor	Includes gear box
	SP547821	Reverse Function Drain Valve	CE and Watermark; Black; Includes 553195 Drain Valve Chamber, SPPRI340002051 Drain Valve Motor and 554276 Drain Valve Seal
	554276	Drain Valve Seal	
19	576096	Hose Clamp	78-85
20	SP526492	Drain Hose Pipe	
21	SP526532	Hose Clamp	82-90
22	SP345000626088	Binding Strip	

# Drain System

Models with V in 7th Position



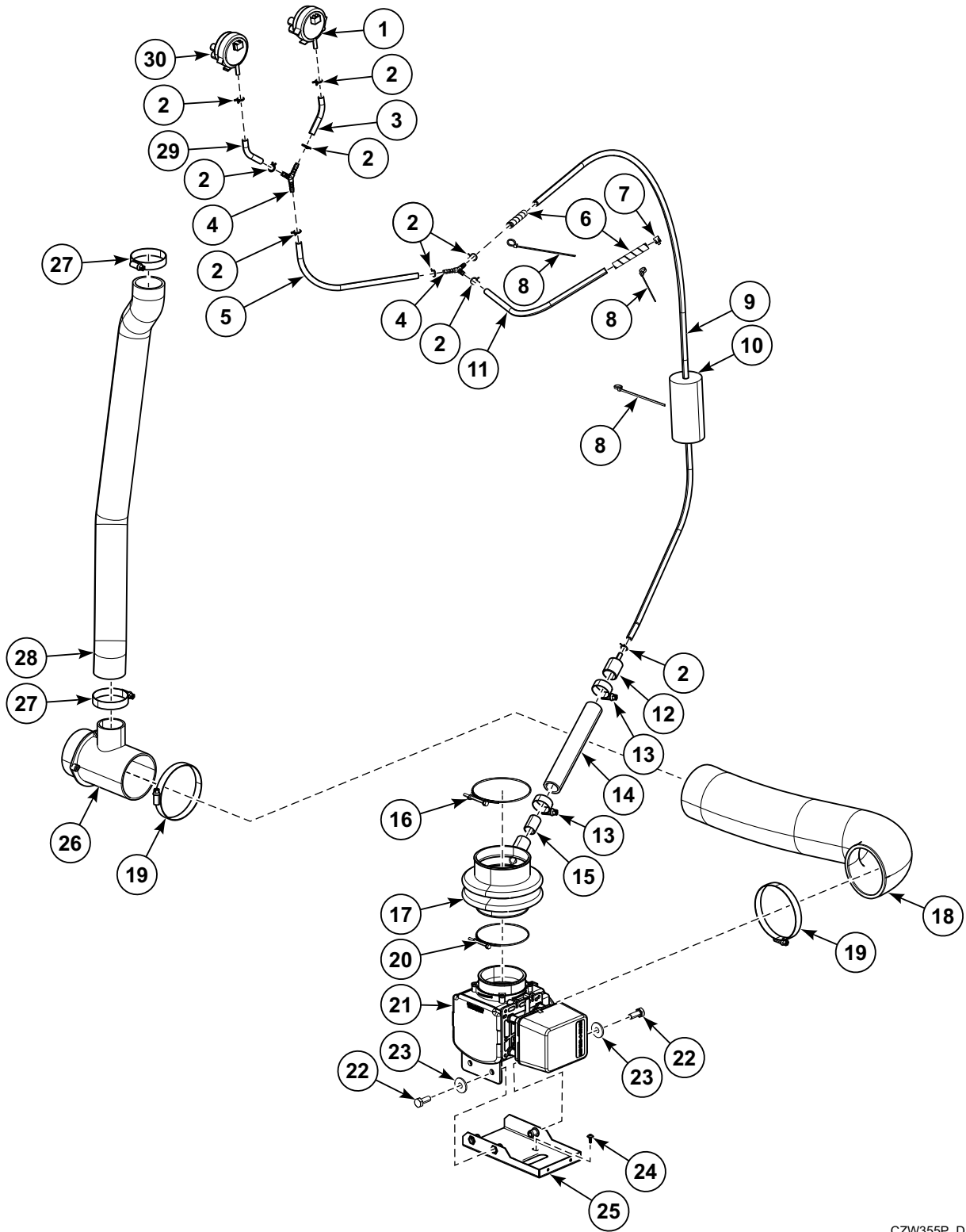
CZW416P\_D1617

# Drain System

REF	PART NO.	DESCRIPTION	COMMENTS
1	570315	Water Level Switch	
2	SPPRI241000017	Hose Clamp	A5.5
3	SPPRI540001003	Water Level Switch Hose	12.2 inch (0.31 m)
4	SPPRI503000028	Y-Piece	
5	SP283449080200	Spiral	
6	SP540183	Spring Clamp	
7	SP345000626088	Binding Strip	
8	SPPRI540001003	Water Level Switch Hose	31.5 inch (0.8 m)
9	SP100188	Foam Roller	
10	SPPRI540001003	Water Level Switch Hose	11.42 inch (0.29 m)
11	SPPRI503000027	Air Trap Reduction	
12	SPPRI240000003	Hose Clamp	20-32
13	SPPRI503002049	Hose	Air trap
14	SP500125	Reinforcement Tube	
15	SP526532	Hose Clamp	82-90
16	SP526492	Drain Hose Pipe	
17	SP526591	Drain Elbow	
18	SPPRI240000007	Hose Clamp	70-90
19	576096	Hose Clamp	78-85
20	SP526460	Drain Valve	Black; Includes SPPRI340002051 Drain Valve Motor and 554276 Drain Valve Seal
	SP547821	Reverse Function Drain Valve	Black; Includes SPPRI340002051 Drain Valve Motor and 554276 Drain Valve Seal
	SPPRI340002051	Drain Valve Motor	Includes gear box
	554276	Drain Valve Seal	
21	SP309933000820	Bolt	M8x20
22	SP311902100008	Washer	8
23	SP529206	Screw	4x11
24	SP526511	Drain Valve Holder	
25	SP526454	Tee	
26	SPPRI541000001	Hose Clamp	40-60
27	SP526481	Overflow Tube	

# Drain System

JY Models with V in 7th Position



CZW355P\_D1617

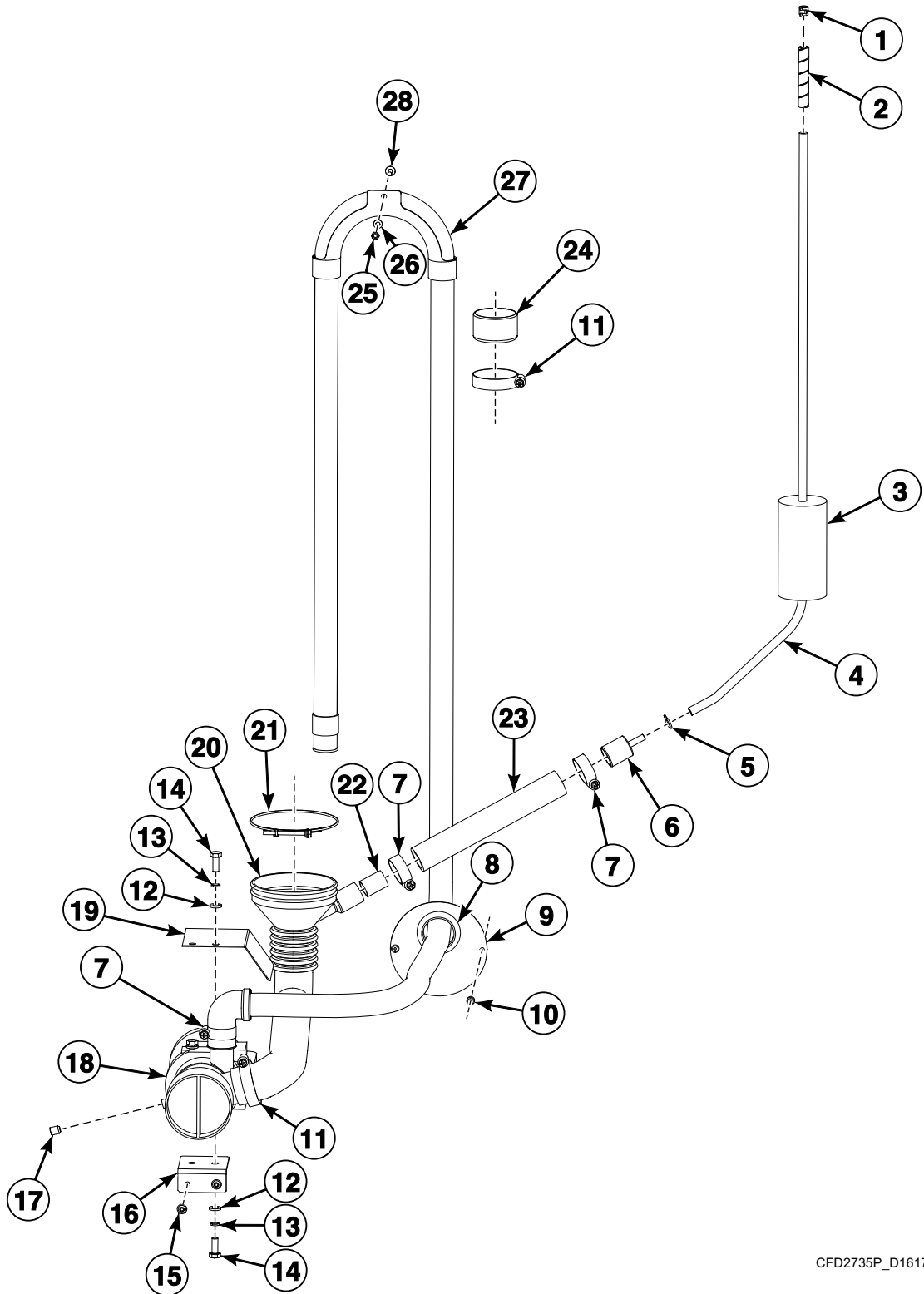


# Drain System

REF	PART NO.	DESCRIPTION	COMMENTS
1	570315	Water Level Switch	
2	SPPRI241000017	Hose Clamp	A5.5
3	SPPRI540001003	Water Level Switch Hose	2.76 inch (0.07 m)
4	SPPRI503000028	Y-Piece	
5	SPPRI540001003	Water Level Switch Hose	5.12 inch (0.13 m)
6	SP283449080200	Spiral	
7	SP540183	Spring Clamp	
8	SP345000626088	Binding Strip	
9	SPPRI540001003	Water Level Switch Hose	31.5 inch (0.8 m)
10	SP100188	Foam Roller	
11	SPPRI540001003	Water Level Switch Hose	12.20 inch (0.31 m)
12	SPPRI503000027	Air Trap Reduction	
13	SPPRI240000003	Hose Clamp	20-32
14	SPPRI503002049	Hose	Air trap
15	SP500125	Reinforcement Tube	
16	SP526532	Hose Clamp	82-90
17	SP526492	Drain Hose Pipe	
18	SP526591	Drain Elbow	
19	SPPRI240000007	Hose Clamp	70-90
20	576096	Hose Clamp	78-85
21	SP526460	Drain Valve	Black; Includes SPPRI340002051 Drain Valve Motor and 554276 Drain Valve Seal
	SP547821	Reverse Function Drain Valve	Black; Includes SPPRI340002051 Drain Valve Motor and 554276 Drain Valve Seal
	SPPRI340002051	Drain Valve Motor	Includes gear box
	554276	Drain Valve Seal	
22	SP309933000820	Bolt	M8x20
23	SP311902100008	Washer	8
24	SP529206	Screw	4x11
25	SP526511	Drain Valve Holder	
26	SP526454	Tee	
27	SPPRI240000017	Hose Clamp	40-60
28	SP526481	Overflow Tube	
29	SPPRI540001003	Water Level Switch Hose	5.51 inch (0.14 m)
30	562709	Water Level Switch	

# Drain System - Drain Pump Option Through Serial No. 65FX013025QF

All Models Except Models with V in 7th Position



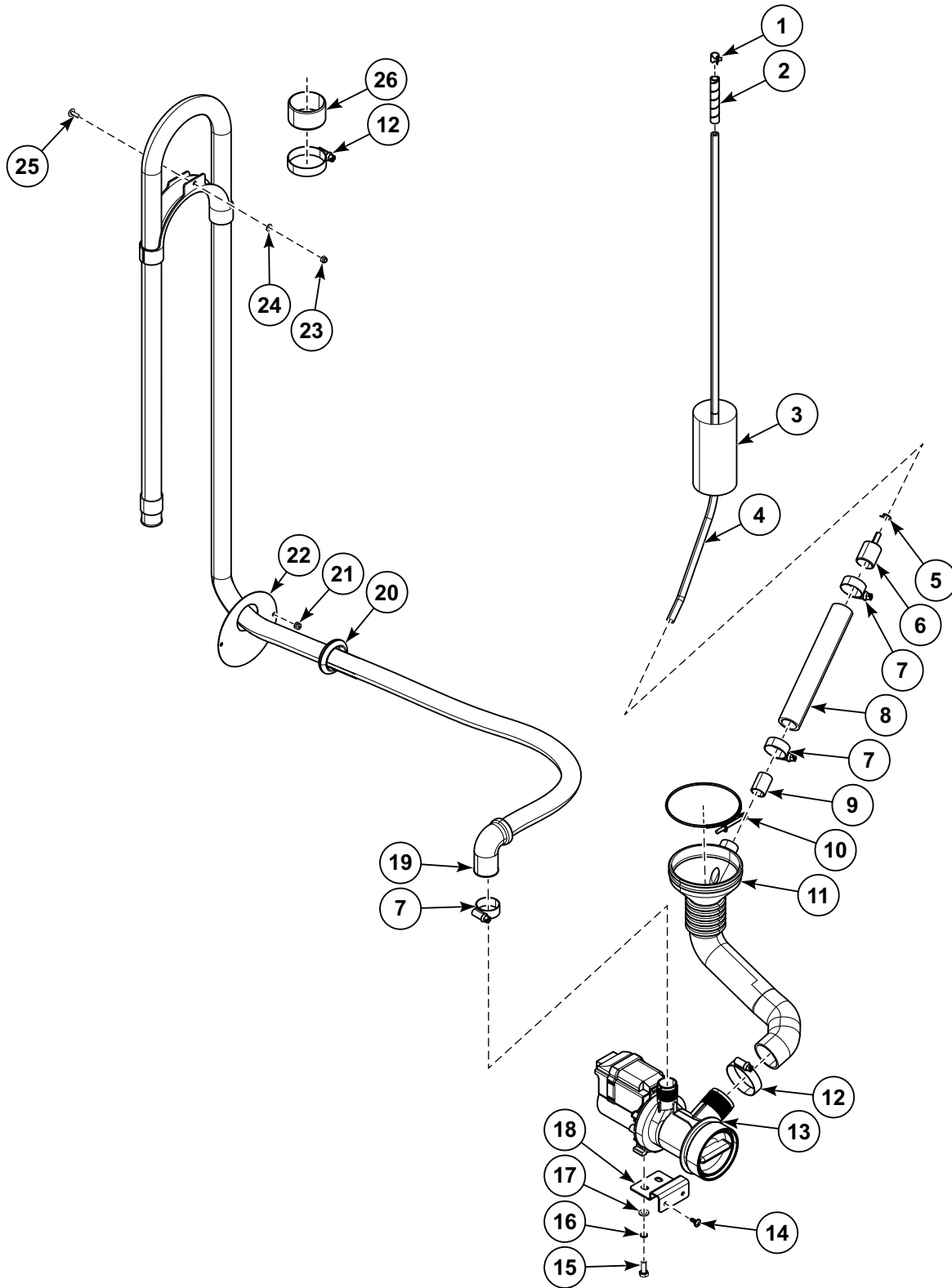
CFD2735P\_D1617

## Drain System - Drain Pump Option Through Serial No. 65FX013025QF

REF	PART NO.	DESCRIPTION	COMMENTS
	SPPRI704000053	Sealant	
1	SP540183	Spring Clamp	
2	SP283449080200	Spiral	
3	SP100188	Foam Roller	
4	SPPRI540001003	Water Level Switch Hose	
5	SPPRI241000017	Hose Clamp	A5.5
6	SPPRI503000027	Air Trap Reduction	
7	SPPRI240000003	Hose Clamp	20-32
8	SPPRI501001078	Cable Bushing	
9	SP547807	Drain Pump Hose Bushing	
10	SP313250004063	Rivet	4x6.3
11	SPPRI240000008	Hose Clamp	32-50
12	SP311125000006	Washer	6.4
13	SP311127000006	Washer	6
14	SP309933000616	Bolt	M6x16
15	SP529206	Screw	4x11
16	SP547804	Pump Holder	
17	SP309916000810	Bolt	M8x10
18	567937	Drain Pump Kit	50 Hz; Includes 570314 Drain Pump, 567127 Holder, SP529206 Screw, SP309933000616 Bolt M6x16, SP311125000006 Washer M6 and SP311127000006 Washer M6
19	SP500140	Pump Cover	
20	SP547803	Drain Elbow	
21	SP526532	Hose Clamp	82-90
22	SP500125	Reinforcement Tube	
23	SPPRI503002049	Hose	Air trap
24	SP526568	Cylinder Cap	
25	SP514193	Nut	M4
26	SP311125000004	Washer	4.3
27	SP521558	Drain Hose Pipe	
28	SP521957	Bolt	M4x12

# Drain System - Drain Pump Option Starting Serial No. 65FX013026QF

All Models Except Models with V in 7th Position



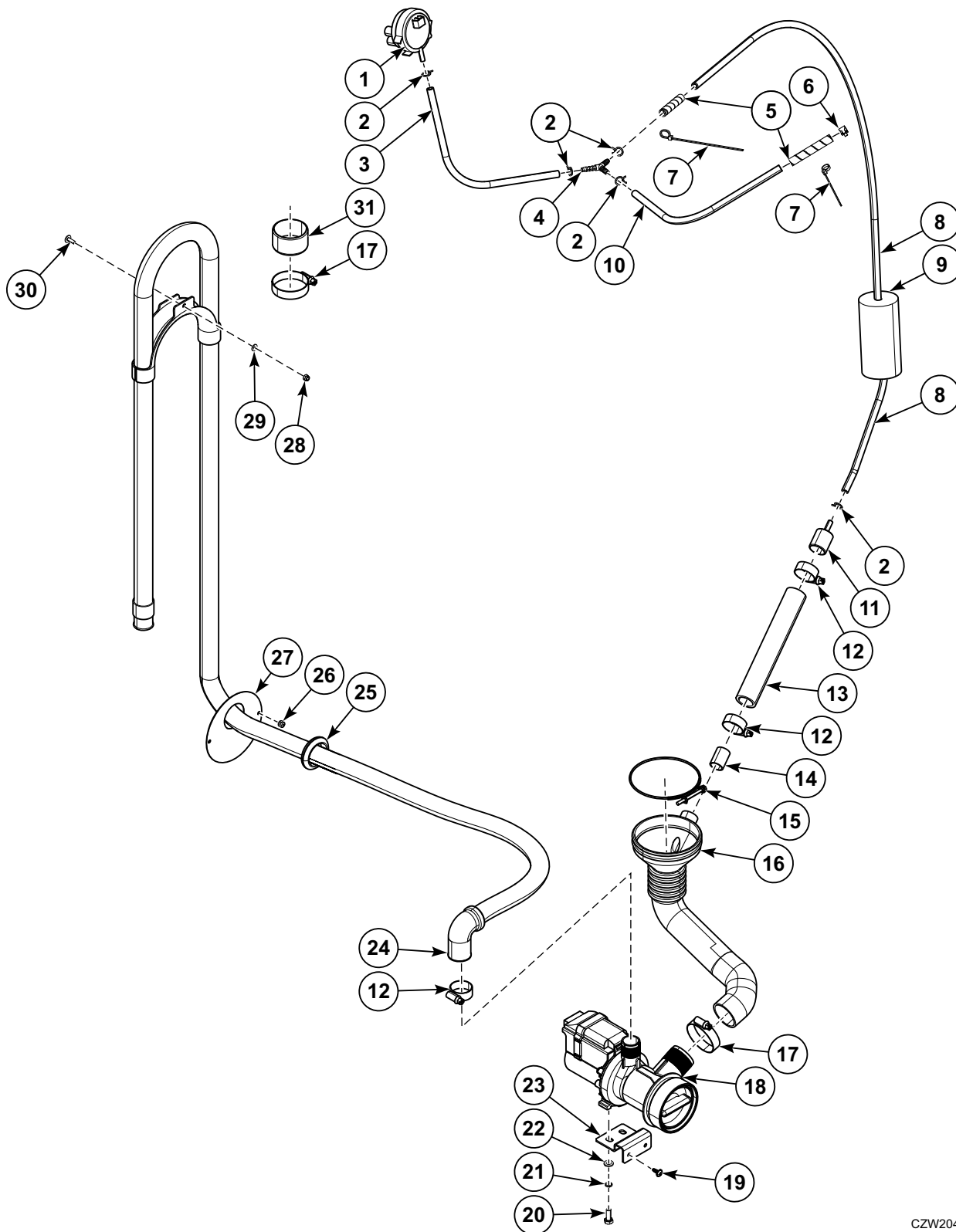
CZW323P\_D1617

## Drain System - Drain Pump Option Starting Serial No. 65FX013026QF

REF	PART NO.	DESCRIPTION	COMMENTS
1	SP540183	Spring Clamp	
2	SP283449080200	Spiral	
3	SP100188	Foam Roller	
4	SPPRI540001003	Water Level Switch Hose	
5	SPPRI241000017	Hose Clamp	A5.5
6	SPPRI503000027	Air Trap Reduction	
7	SPPRI240000003	Hose Clamp	20-32
8	SPPRI503002049	Hose	Air trap
9	SP500125	Reinforcement Tube	
10	SP526532	Hose Clamp	82-90
11	SP547803	Drain Elbow	
12	SPPRI240000008	Hose Clamp	32-50
13	570314	Drain Pump	50Hz
	567142	Drain Pump	60Hz
14	SP529206	Screw	4x11
15	SP309933000616	Bolt	M6x16
16	SP311127000006	Washer	6
17	SP311125000006	Washer	6.4
18	567127	Pump Holder	
19	SP521558	Drain Hose Pipe	
20	SPPRI501001078	Cable Bushing	
21	SP313250004063	Rivet	4x6.3
22	SP547807	Drain Pump Hose Bushing	
23	SP514193	Nut	M4
24	SP311125000004	Washer	4.3
25	SP521957	Bolt	M4x12
26	SP526568	Cylinder Cap	

# Drain System - Drain Pump Option

All Models with V in 7th Position



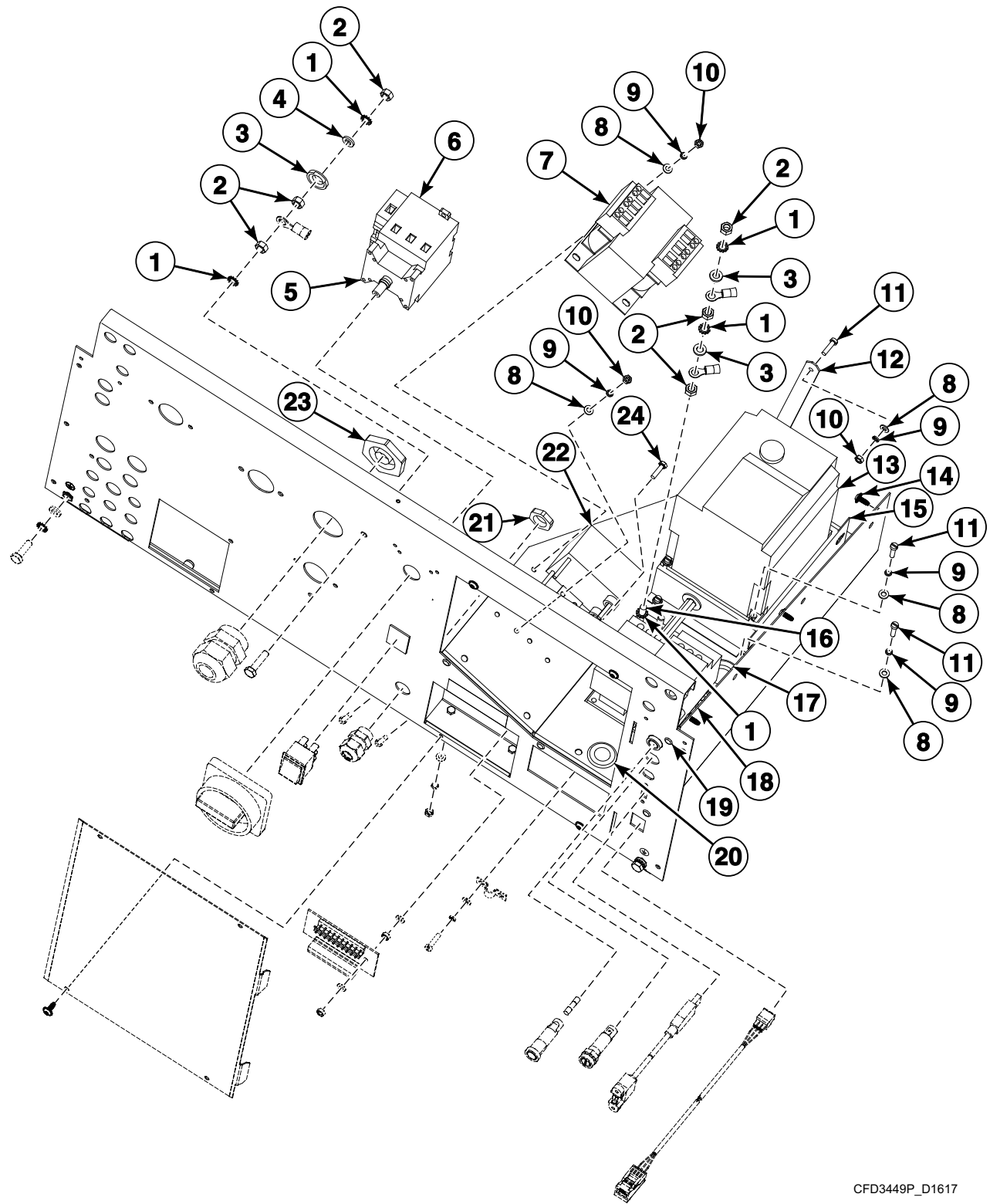
CZW204P\_D1617

## Drain System - Drain Pump Option

REF	PART NO.	DESCRIPTION	COMMENTS
	SPPRI704000053	Sealant	
1	570315	Water Level Switch	
2	SPPRI241000017	Hose Clamp	A5.5
3	SPPRI540001003	Water Level Switch Hose	0.31m
4	SPPRI503000028	Y-Piece	
5	SP283449080200	Spiral	
6	SP540183	Spring Clamp	
7	SP345000626088	Binding Strip	
8	SPPRI540001003	Water Level Switch Hose	0.8m
9	SP100188	Foam Roller	
10	SPPRI540001003	Water Level Switch Hose	0.29m
11	SPPRI503000027	Air Trap Reduction	
12	SPPRI240000003	Hose Clamp	20-32
13	SPPRI503002049	Hose	Air trap
14	SP500125	Reinforcement Tube	
15	SP526532	Hose Clamp	82-90
16	SP547803	Drain Elbow	
17	SPPRI240000008	Hose Clamp	32-50
18	570314	Drain Pump	50Hz
	567142	Drain Pump	60Hz
19	SP529206	Screw	4x11
20	SP309933000616	Bolt	M6x16
21	SP311127000006	Washer	6
22	SP311125000006	Washer	6.4
23	567127	Pump Holder	
24	SP521558	Drain Hose Pipe	
25	SPPRI501001078	Cable Bushing	
26	SP313250004063	Rivet	4x6.3
27	SP547807	Drain Pump Hose Bushing	
28	SP514193	Nut	M4
29	SP311125000004	Washer	4.3
30	SP521957	Bolt	M4x12
31	SP526568	Cylinder Cap	

# Rear Panel (Drawing 1 of 3)

All Model Except Models with V in 7th Position, Models with G, H, J or K in 13th Position



CFD3449P\_D1617

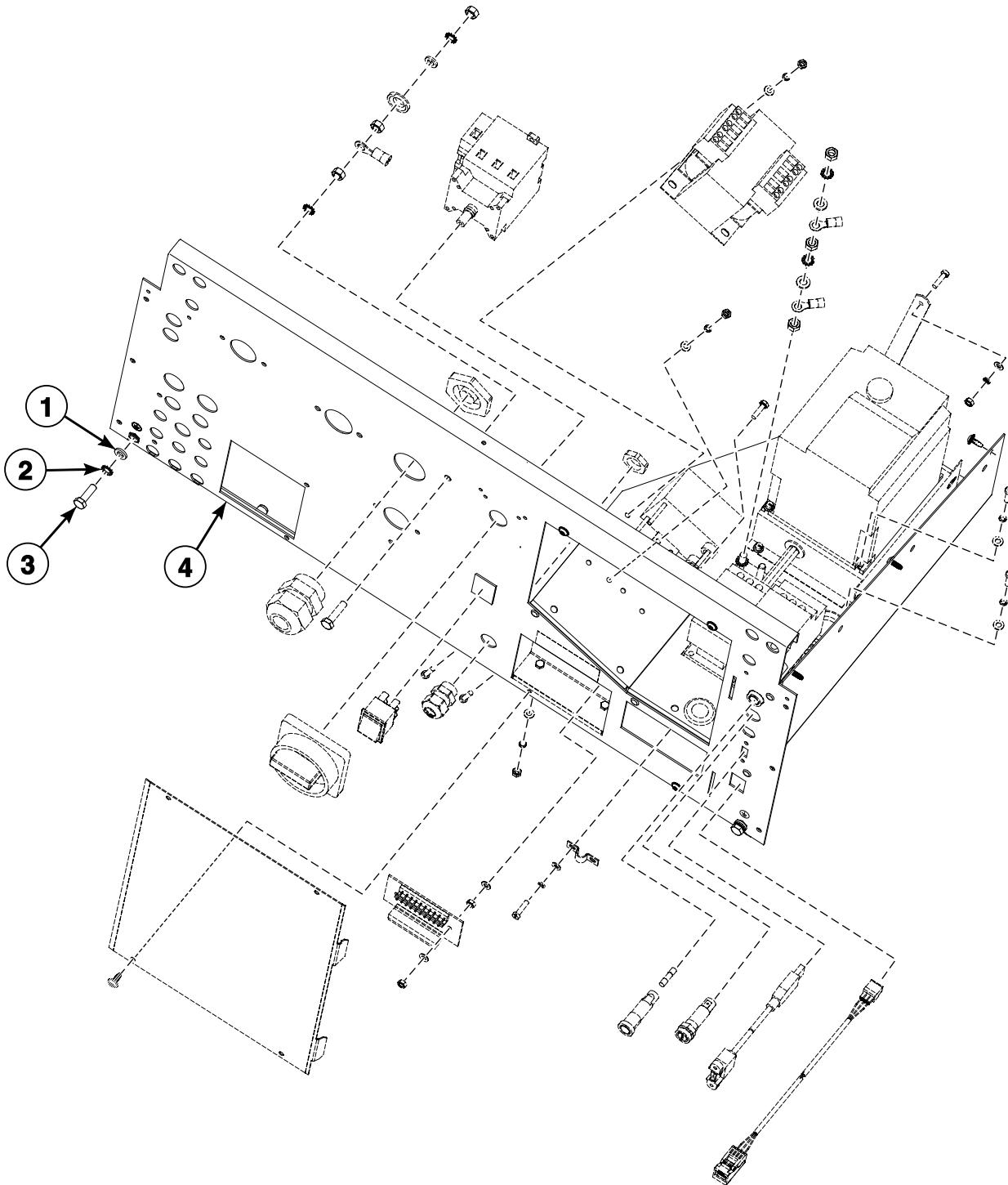


## Rear Panel (Drawing 1 of 3)

REF	PART NO.	DESCRIPTION	COMMENTS
	SP557768	Main Wiring	
	SP552475	Main Wiring	
	SP540180	Liquid Soap Supply Connection Kit	
	SPPRI350012007	Isolation Paper	
1	SP311679824006	Washer	M6
2	SP310934100006	Nut	M6
3	563361	Washer	
4	SP311125100006	Washer	6.4
5	SP506407	Main Switch	25A; Fourth Pole
	SPPRI404001098	Main Switch	32A; Fourth Pole
	SPPRI404001099	Main Switch	63A; Fourth Pole
6	SPPRI404000098	Main Switch	32A
	SPPRI404000097	Main Switch	25A
	SPPRI404000099	Main Switch	63A
7	SP516648	Transformer	
8	SP311125000004	Washer	4.3
9	SP311127000004	Washer	4
10	SP310934000004	Nut	M4
11	SP309084000416	Bolt	M4x16
12	SP526474	Holder Partition	
13	571471	Frequency Inverter	FR-D720S-042-SC-E8
	571474	Frequency Inverter	FR-D740-036-SC-E8
	SP528323	Communication Cable	
14	SP529206	Screw	4x11
15	SP525935	Filter	FR-D740-xxx
16	SP309933100625	Bolt	M6x25
17	SP273121022002	Cable Passage	22x2; AF, FX, HX, LY, PY, QW, SW and W models through Serial No. 65FX011134KZ; AF Non-Brand, H, HY, IY LP, NY, SY, UY and WMA models through Serial No. 65FX011218MB
18	SPPRI345002019	Contactor	LC1D32M7
	SP514043	Contactor	LC1D50M7
	SP514038	Contactor	LC1-D09M7
	SP514042	Contactor	LC1D18M7
19	SP313250004007	Rivet	4x7
20	SP273121015002	Cable Passage	15x2; AF, FX, HX, LY, PY, QW, SW and W models through Serial No. 65FX011134KZ; AF Non-Brand, H, HY, IY LP, NY, SY, UY and WMA models through Serial No. 65FX011218MB
21	SP101416	Nut	M16
22	SP516012	Filter	FR-D720S-xxx
23	SP101419	Nut	M32
24	SP309933000416	Bolt	M4x16

# Rear Panel (Drawing 2 of 3)

All Model Except Models with V in 7th Position, Models with G, H, J or K in 13th Position



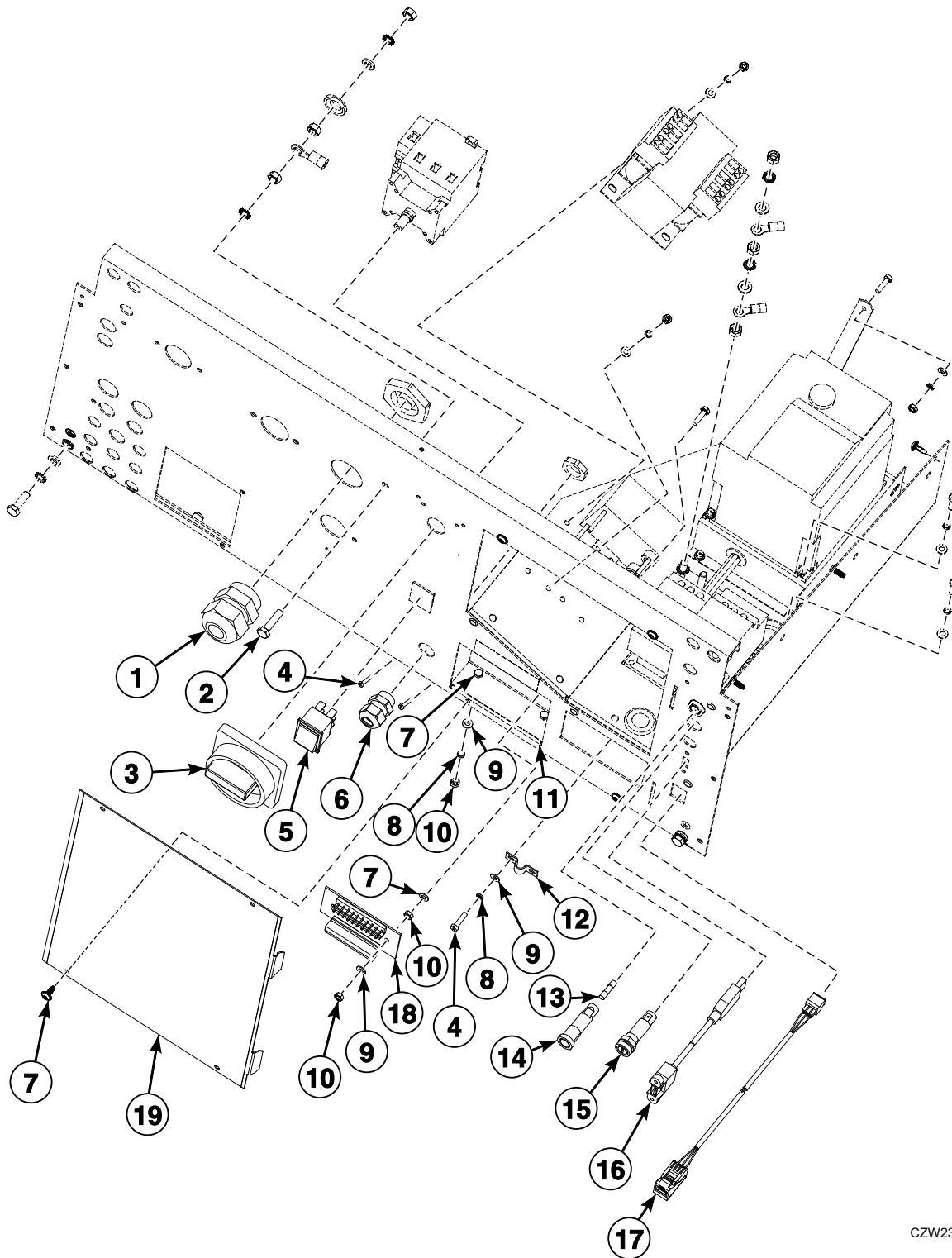
CFD3450P\_D1617

## Rear Panel (Drawing 2 of 3)

REF	PART NO.	DESCRIPTION	COMMENTS
	557982	Cable	Extra price option
	SP506575	Terminal Board	Extra price option
	557981	Label	Extra price option
1	SP311125240006	Washer	6.4
2	SP311679824006	Washer	M6
3	SP309933000620	Bolt	M6x20
4	SP554400	Rear Panel	AF Non-Brand, H, HY, IY, LP, NY, SY, UY and WMA models
	SP526573	Rear Panel	AF, FX, HX, LY, PY, QW, SW and W models

# Rear Panel (Drawing 3 of 3)

All Model Except Models with V in 7th Position, Models with G, H, J or K in 13th Position



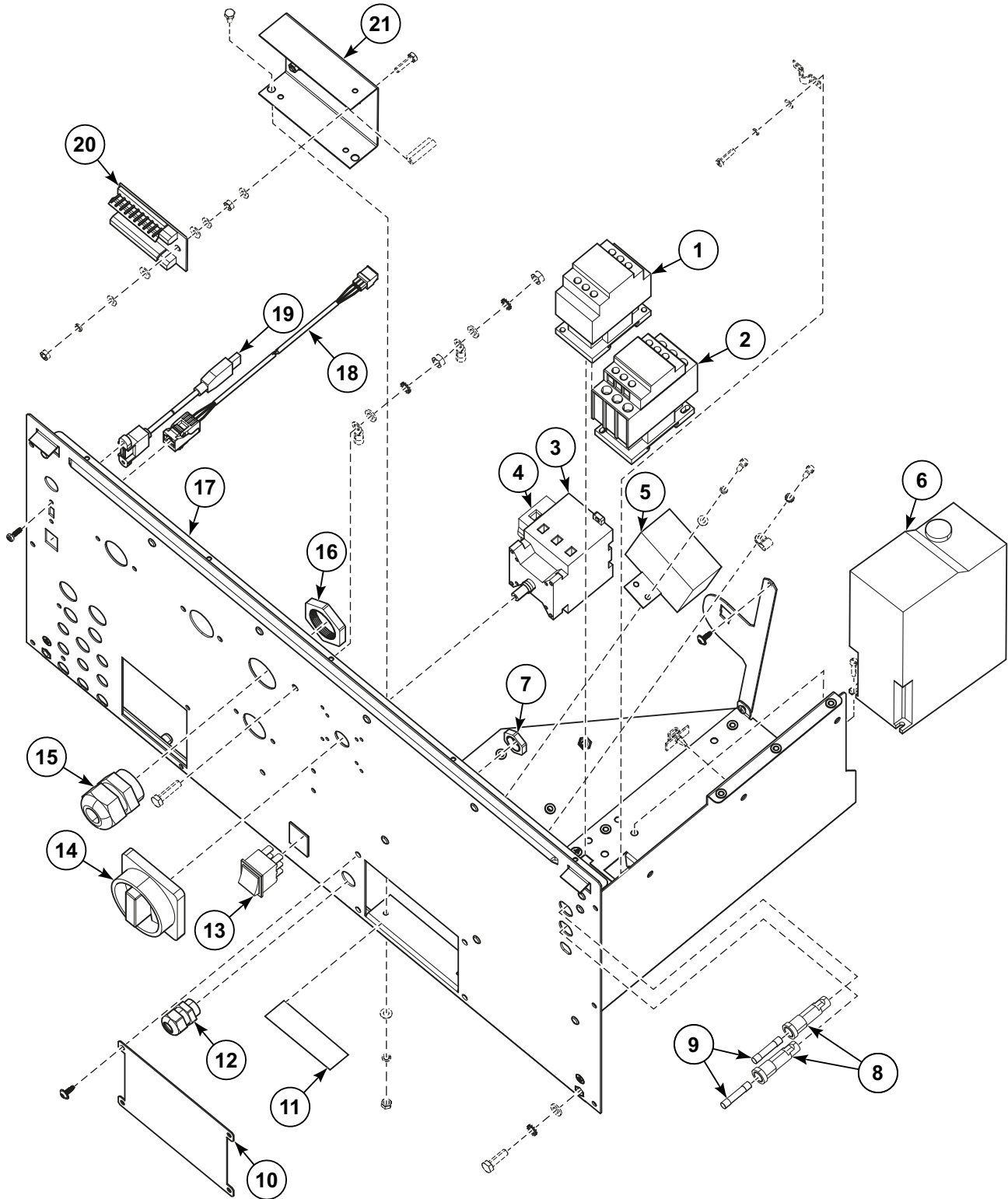
CZW23P\_D1617

## Rear Panel (Drawing 3 of 3)

REF	PART NO.	DESCRIPTION	COMMENTS
1	SP101409	Bushing	M32x1.5
	SP557952	Cable Bushing Insert	M32
2	SP309933100625	Bolt	M6x25
3	SPPRI404000095	Main Switch Knob	
4	SP309084000416	Bolt	M4x16
5	SP100388	Switch	
6	SP101406	Bushing	M16
7	SP529206	Screw	4x11
	SP309933240408	Bolt	M4x8
8	SP311127000004	Washer	4
9	SP311125000004	Washer	4.3
10	SP310934000004	Nut	M4
11	SP540123	Liquid Detergent Box	
12	SP528392	Cable Clamp	
13	SP345805005020	Fuse	5x20mm, T0.5A/250V
	SP345805163032	Fuse	6.3x32mm, T1A/500V
14	SPPRI401003020	Fuse Housing	6.3x32
15	SPPRI401001020	Fuse Holder	
16	SP547006	USB Cable	Rear panel connection
17	SP545234	Cable	RS485; With connectors
18	SP524714	Soap Relay Board	
	SP528149	Pump Relay Board to LED Terminal Cable	
	SP557944	Soap Link Kit	
	SP557947	External Block Signal Cable	2.8m
19	SP540121	Rear Panel Lid	

# Rear Panel - 230-400V with Neutral (Drawing 1 of 2)

AF, IY and NY Models with G, H, J or K in 13th Position except Models with V in 7th Position



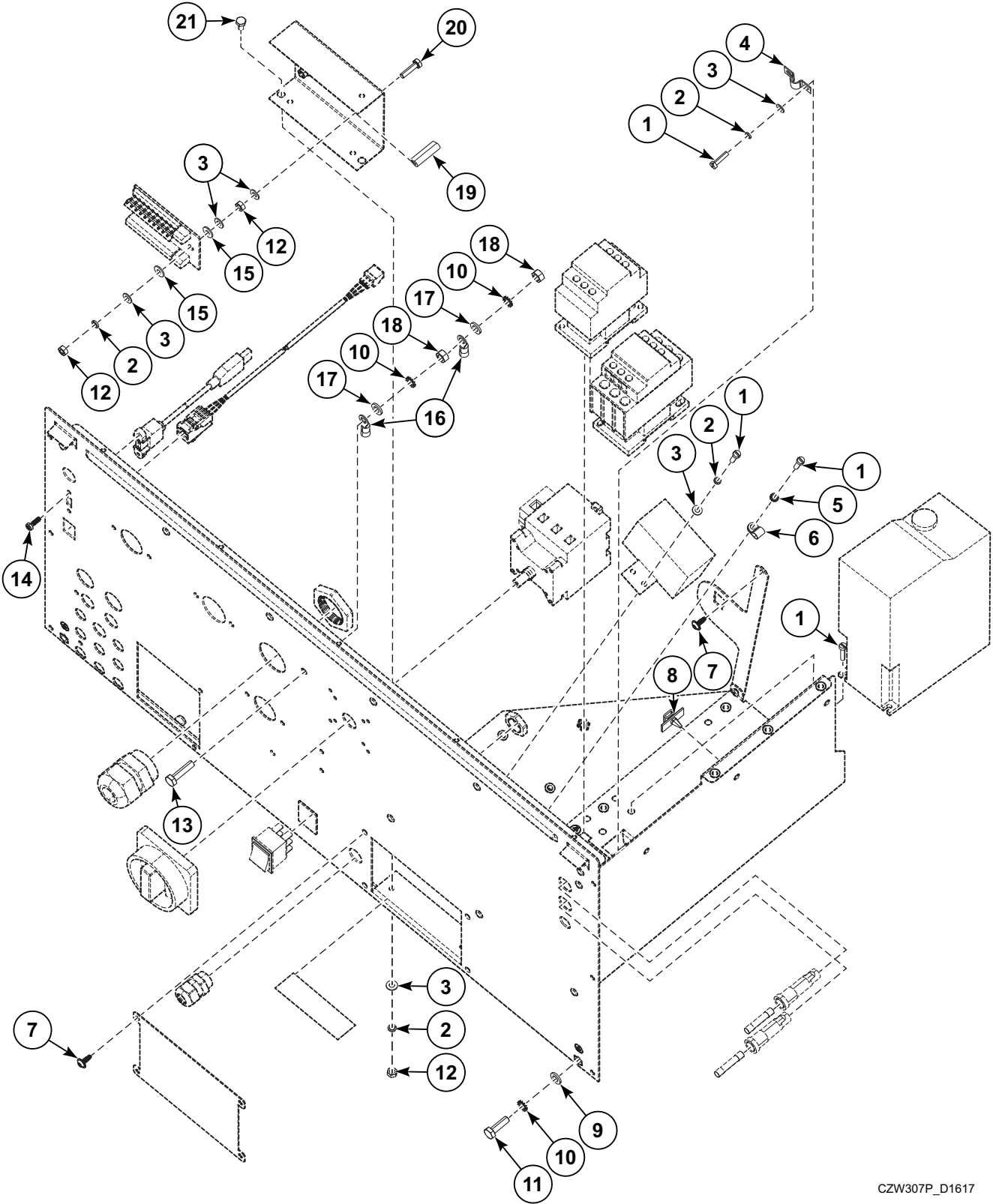
CZW306P\_D1617

## Rear Panel - 230-400V with Neutral (Drawing 1 of 2)

REF	PART NO.	DESCRIPTION	COMMENTS
1	SP514038	Contactator	LC1-D09M7; Used with frequency inverter
2	SP514038	Contactator	LC1-D09M7; Electric heating; 6kW, 9kW, 12kW 400V / 440V
	SP514042	Contactator	LC1D18M7; Electric heating 9kW 230V
	SPPRI345002019	Contactator	LC1D3201; Electric heating 12kW, 13.8kW, 230V
3	SPPRI404000097	Main Switch	25A; used with SP506407 Main Switch Fourth Pole 25A
	SPPRI404000098	Main Switch	32A; used with SPPRI404001098 Main Switch Fourth Pole 32A
	SPPRI404000099	Main Switch	63A; used with SPPRI404001099 Main Switch Fourth Pole 63A
4	SP506407	Main Switch	25A; Fourth pole
	SPPRI404001098	Main Switch	32A; Fourth pole
	SPPRI404001099	Main Switch	63A; Fourth pole
5	SP516012	Filter	16A / 250V
6	571471	Frequency Inverter	FR-D720S-042-SC-E8; 0.75kW; 230V / 400V+N
	571474	Frequency Inverter	1.5kW; 400V / 440V; FR-D740-036-SC-E8
	557961	Ferrite Core	Used with frequency inverter
7	SP101416	Nut	M16
8	SPPRI401003020	Fuse Housing	2 pieces
9	SP345805163032	Fuse	6.3x32mm, T1A/500V; 2 pieces
10	566549	Cover	
11	524740	Label	
12	SP101406	Bushing	M16
13	SP100388	Switch	
14	SPPRI404000095	Main Switch Knob	
15	SP101409	Bushing	M32x1.5
16	SP101419	Nut	M32
17	577191	Rear Panel	Assembly
18	SP545234	Cable	RS485; With connectors
19	SP547006	USB Cable	Rear panel connection; Optional
20	524714	Soap Relay Board	Used with SP528419 Pump Relay Board Flat Cable, 1=1.8m long
	SP557944	Soap Link Kit	
	SP557947	External Block Signal Cable	2.8m
21	540123	Holder	

# Rear Panel - 230-400V with Neutral (Drawing 2 of 2)

AF, IY and NY Models with G, H, J or K in 13th Position except Models with V in 7th Position



CZW307P\_D1617

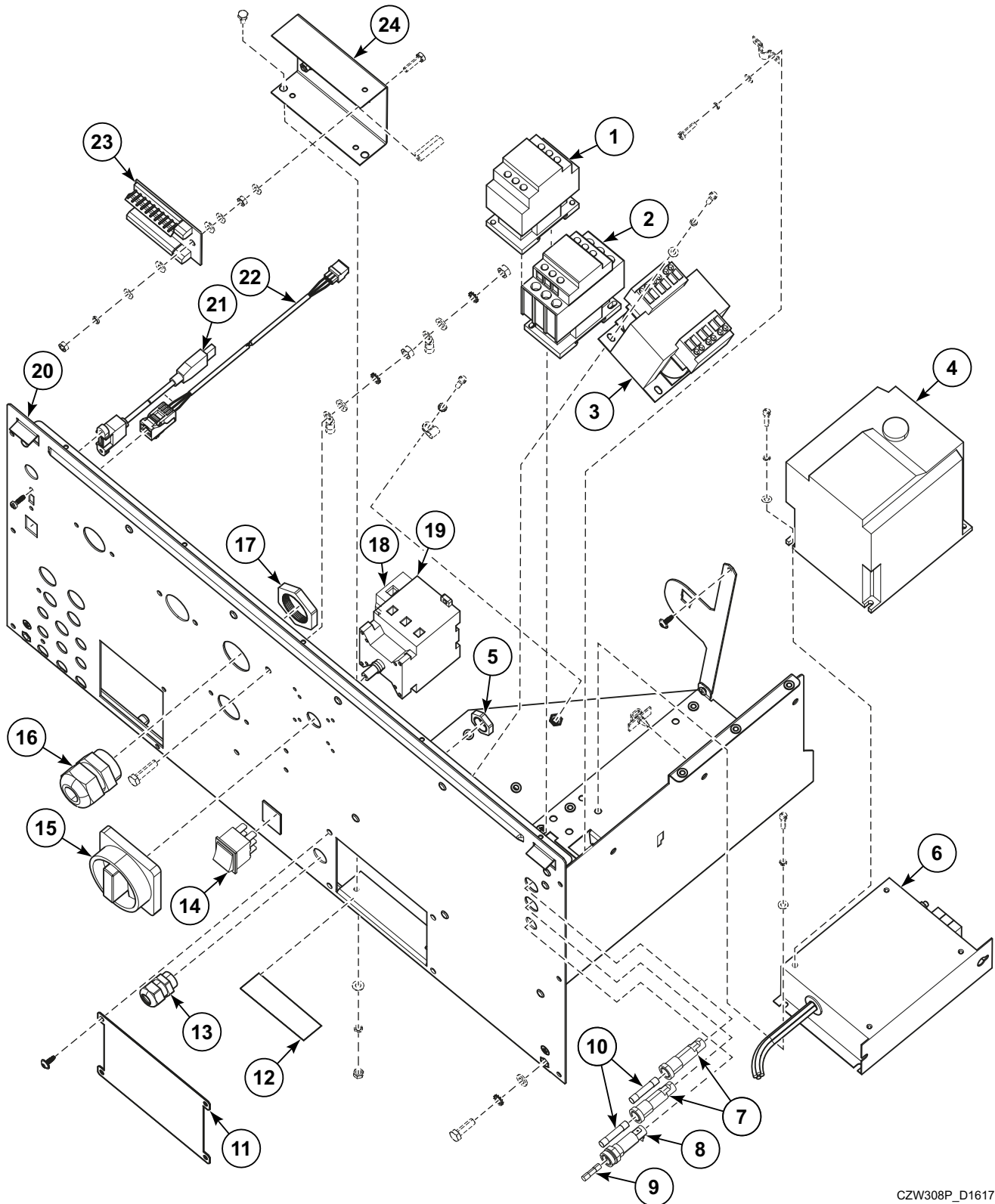


## Rear Panel - 230-400V with Neutral (Drawing 2 of 2)

REF	PART NO.	DESCRIPTION	COMMENTS
1	SP309084000416	Bolt	M4x16
2	SP311127000004	Washer	4
3	SP311125000004	Washer	4.3
4	SP528392	Cable Clamp	
5	SP311679800004	Washer	M4
6	SP502214	Clip	
7	SP529206	Screw	4x11
8	SP528313	Cable Holder	
9	SP311125240006	Washer	6
10	SP311679824006	Washer	6
11	SP309933000620	Bolt	M6x20
12	SP310934000004	Nut	M4
13	SP309933100625	Bolt	M6x25
14	SP526497	Screw	4x12
15	SPPRI523000007	Washer	M4
16	SP345000165034	Cable Eye	
17	SP311125100006	Washer	
18	SP310934100006	Nut	M6
19	SPPRI505000058	Profiled Sealing	
20	SP309933000416	Bolt	M4x16
21	SP309933240408	Bolt	M4x8

# Rear Panel - 400-440V (Drawing 1 of 2)

AF, IY and NY Models with G, H, J or K in 13th Position except Models with V in 7th Position



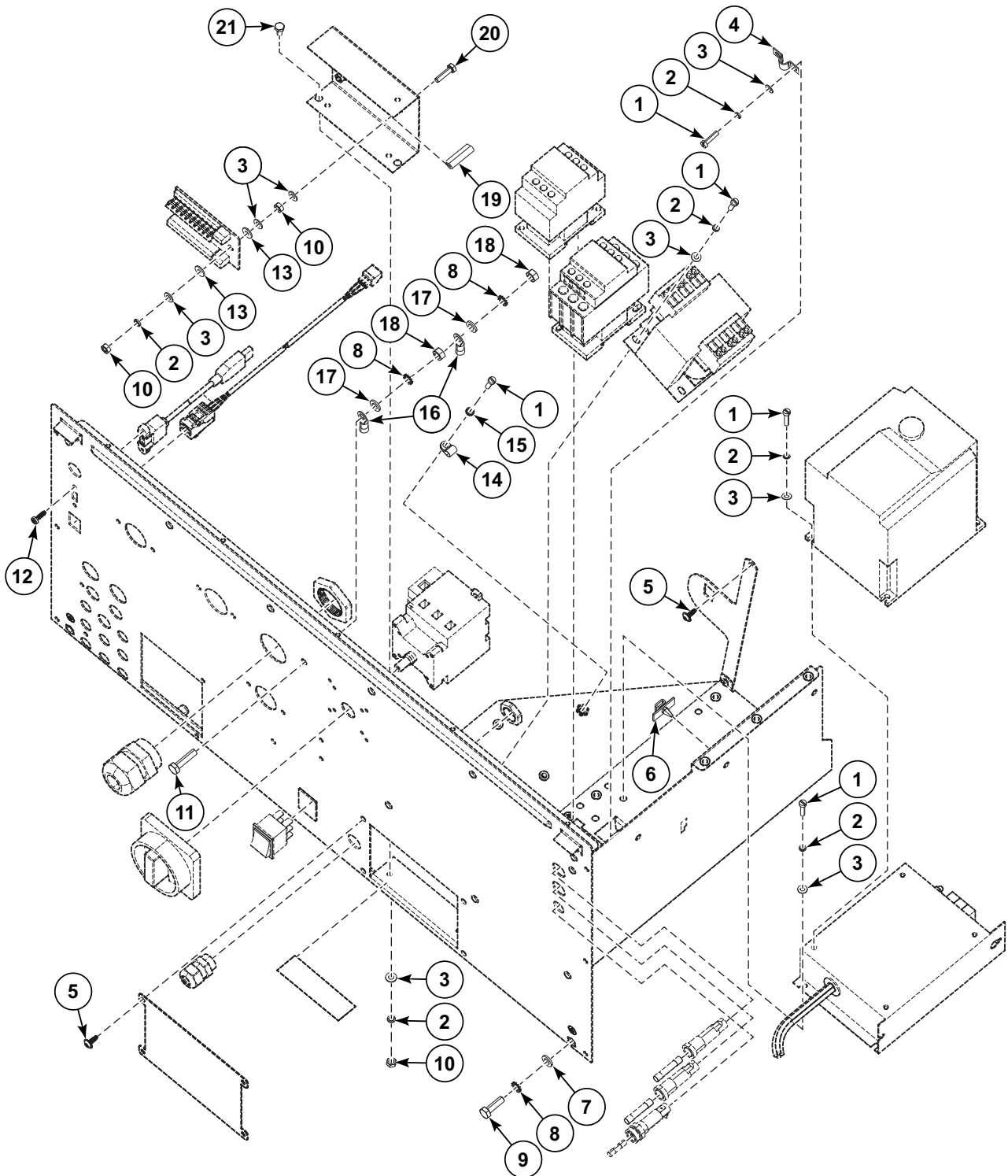
CZW308P\_D1617

## Rear Panel - 400-440V (Drawing 1 of 2)

REF	PART NO.	DESCRIPTION	COMMENTS
1	SP514038	Contactator	LC1-D09M7; Used with frequency inverter
2	SP514038	Contactator	LC1-D09M7; Electric heating; 6kW, 9kW, 12kW 400V / 440V
	SP514042	Contactator	LC1D18M7; Electric heating 9kW 230V
	SPPRI345002019	Contactator	LC1D3201; Electric heating 12kW, 13.8kW, 230V
3	SP516648	Transformer	
4	571474	Frequency Inverter	1.5kW; 400V / 440V; FR-D740-036-SC-E8
	557961	Ferrite Core	Used with frequency inverter
5	SP101416	Nut	M16
6	525935	Filter	16A
7	SPPRI401003020	Fuse Housing	2 pieces
8	SPPR401001020	Fuse Holder	
9	SP345805005020	Fuse	5x20mm, T0.5A/250V; 1 piece
10	SP345805163032	Fuse	6.3x32mm, T1A/500V; 2 pieces
11	566549	Cover	
12	524740	Label	
13	SP101406	Bushing	M16
14	SP100388	Switch	
15	SPPRI404000095	Main Switch Knob	
16	SP101409	Bushing	M32x1.5
17	SP101419	Nut	M32
18	SP506407	Main Switch	25A; Fourth pole
	SPPRI404001098	Main Switch	32A; Fourth pole
	SPPRI404000199	Main Switch	63A; Fourth pole
19	SPPRI404000097	Main Switch	25A; used with SP506407 Main Switch Fourth Pole 25A
	SPPRI404000098	Main Switch	32A; used with SPPRI404001098 Main Switch Fourth Pole 32A
	SPPRI404000099	Main Switch	63A; used with SPPRI404001099 Main Switch Fourth Pole 63A
20	577191	Rear Panel	Assembly
21	SP547006	USB Cable	Rear panel connection; Optional
22	SP545234	Cable	RS485; With connectors
23	524714	Soap Relay Board	Used with SP528419 Pump Relay Board Flat Cable, l=1.8m long
	SP557944	Soap Link Kit	
	SP557947	External Block Signal Cable	2.8m
24	540123	Holder	

# Rear Panel - 400-440V (Drawing 2 of 2)

AF, IY and NY Models with G, H, J or K in 13th Position except Models with V in 7th Position



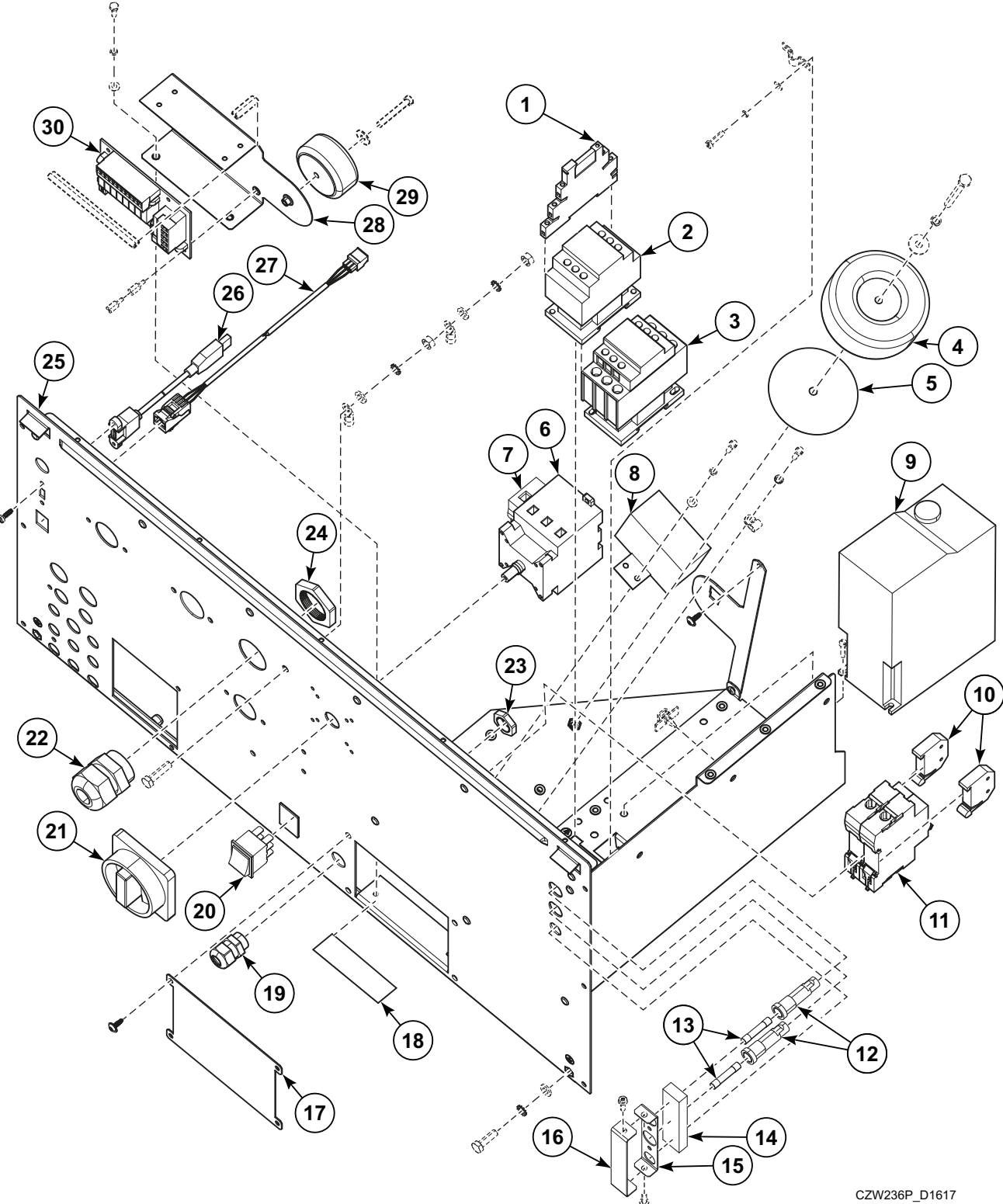
CZW309P\_D1617

## Rear Panel - 400-440V (Drawing 2 of 2)

REF	PART NO.	DESCRIPTION	COMMENTS
1	SP309084000416	Bolt	M4x16
2	SP311127000004	Washer	4
3	SP311125000004	Washer	4.3
4	SP528392	Cable Clamp	
5	SP529206	Screw	4x11
6	SP528313	Cable Holder	
7	SP311125240006	Washer	6
8	SP311679824006	Washer	6
9	SP309933000620	Bolt	M6x20
10	SP310934000004	Nut	M4
11	SP309933100625	Bolt	M6x25
12	SP526497	Screw	4x12
13	SPPRI523000007	Washer	M4
14	SP502214	Clip	
15	SP311679800004	Washer	M4
16	SP345000165034	Cable Eye	
17	SP311125100006	Washer	
18	SP310934100006	Nut	M6
19	SPPRI505000058	Profiled Sealing	
20	SP309933000416	Bolt	M4x16
21	SP309933240408	Bolt	M4x8

# Rear Panel - 230-400V CE Models with Neutral (Drawing 1 of 2)

AF, IY, JY and NY Models with V in 7th Position



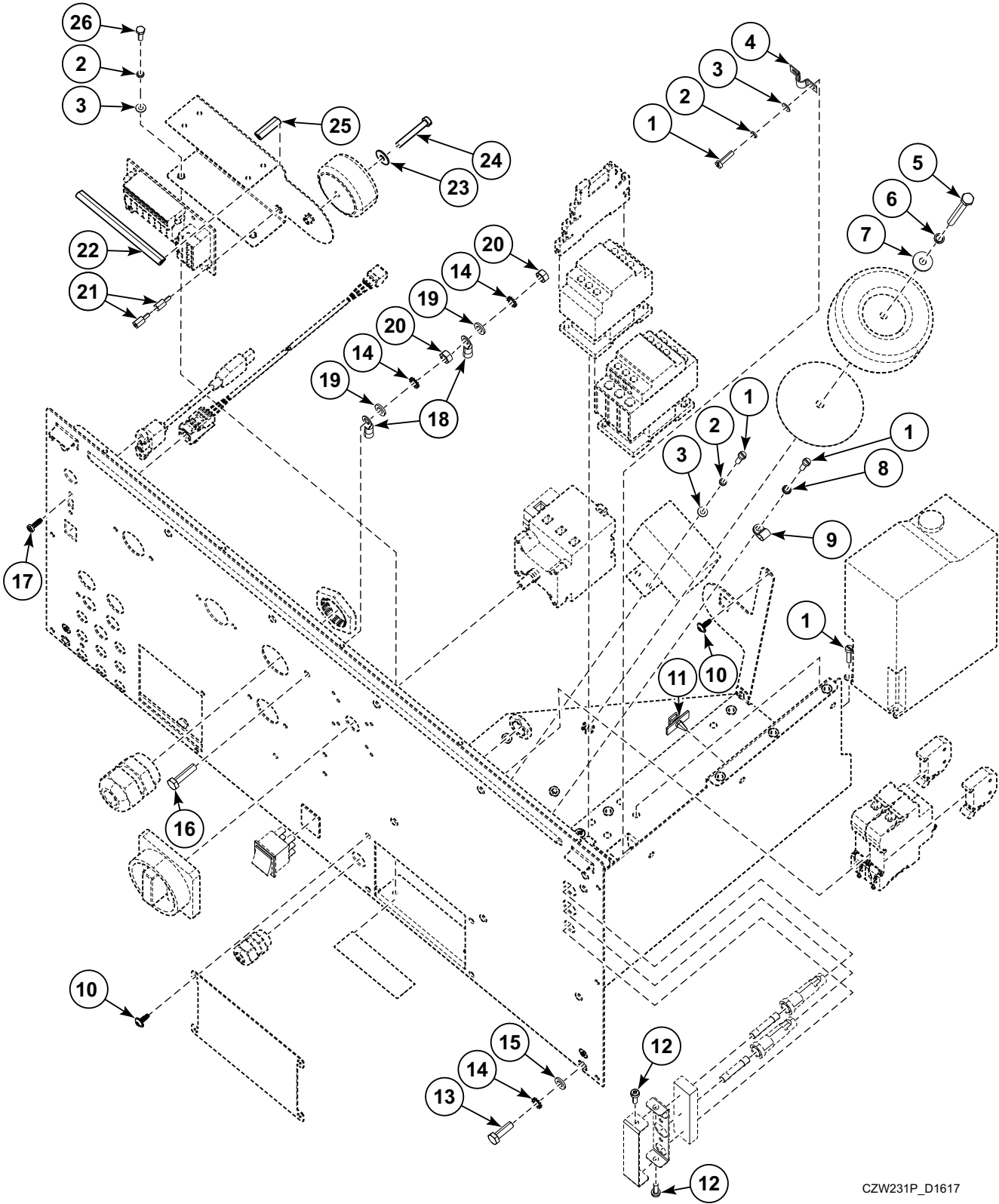
CZW236P\_D1617

## Rear Panel - 230-400V CE Models with Neutral (Drawing 1 of 2)

REF	PART NO.	DESCRIPTION	COMMENTS
	570316	Liquid detergents	Assembly, includes items: (drawing 1 of 2): 18, 19, 23, 28-30, 569737 Pump Relay Board Flat Cable and items from (drawing 2 of 2): 2, 3 and 21-26
1	SP552468	Relay	2 poles; Used with drain pump
2	SP514038	Contactors	LC1-D09M7; Used with frequency inverter
3	SP514038	Contactors	LC1-D09M7; Electric heating; 6kW, 9kW, 12kW 400V / 440V
	SP514042	Contactors	LC1D18M7; Electric heating 9kW 230V
	SPPRI345002019	Contactors	LC1D3201; Electric heating 12kW, 13.8kW, 230V
4	571454	DC Choke	9.7mH; Supply 230V, 380-415V+N
5	571458	Insulation Washer	
6	SPPRI404000097	Main Switch	25A; used with SP506407 Main Switch Fourth Pole 25A
	SPPRI404000098	Main Switch	32A; used with SPPRI404001098 Main Switch Fourth Pole 32A
	SPPRI404000099	Main Switch	63A; used with SPPRI404001099 Main Switch Fourth Pole 63A
7	SP506407	Main Switch	25A; Fourth pole
	SPPRI404001098	Main Switch	32A; Fourth pole
	SPPRI404001099	Main Switch	63A; Fourth pole
8	568380	Filter	20A / 250V
9	571471	Frequency Inverter	FR-D720S-042-SC-E8; 0.75kW; 230V / 400V+N
	571474	Frequency Inverter	1.5kW; 400V / 440V; FR-D740-036-SC-E8
	557961	Ferrite Core	Used with frequency inverter
10	SP346000209101	End Stop	
11	571462	Circuit Breaker	
12	SPPRI401003020	Fuse Housing	2 pieces
13	SP345805163032	Fuse	6.3x32mm, T1A/500V; 2 pieces
14	570387	Self-Adhesive Profile	
15	SP554310	Fuse Holder	
16	SP554311	Fuse Cover	
17	566549	Cover	
18	570371	Label	Models with Transformer
	579019	Label	Models without Transformer
19	SP101406	Bushing	M16
20	SP100388	Switch	
21	SPPRI404000095	Main Switch Knob	
22	SP101409	Bushing	M32x1.5
23	SP101416	Nut	M16
24	SP101419	Nut	M32
25	569591	Rear Panel	
26	SP547006	USB Cable	Rear panel connection; Optional
27	SP545234	Cable	RS485; With connectors
28	570382	Holder	
29	564561	Transformer	With transformer
	579014	Transformer Kit	Models without transformer
30	553187	Soap Relay Board	Used with 569737 Pump Relay Board Flat Cable, 2m long

# Rear Panel - 230-400V CE Models with Neutral (Drawing 2 of 2)

AF, IY, JY and NY Models with V in 7th Position



CZW231P\_D1617

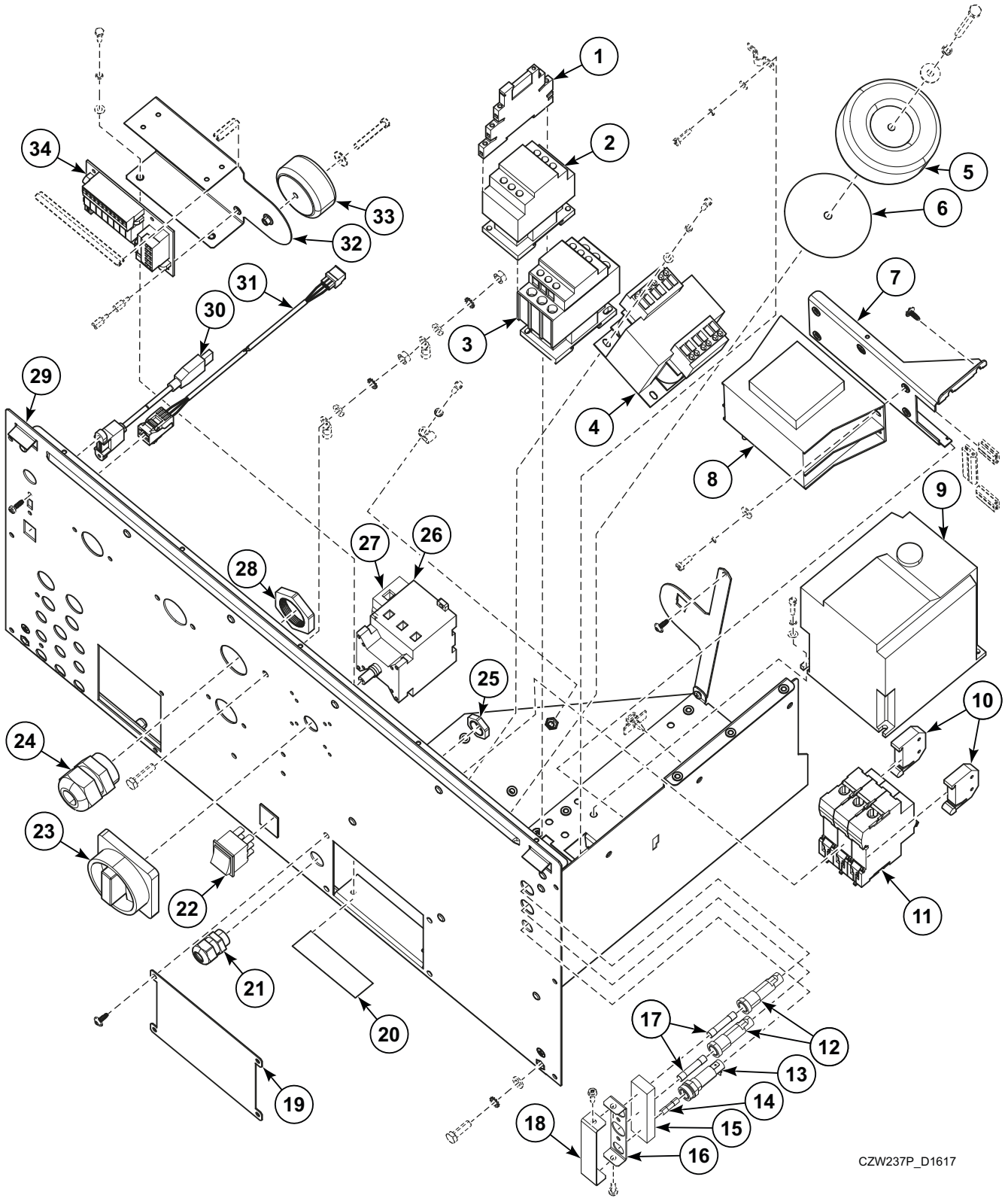


## Rear Panel - 230-400V CE Models with Neutral (Drawing 2 of 2)

REF	PART NO.	DESCRIPTION	COMMENTS
1	SP309084000416	Bolt	M4x16
2	SP311127000004	Washer	4
3	SP311125000004	Washer	4.3
4	SP528392	Cable Clamp	
5	SP309933000660	Bolt	M6x60
6	SP311127000006	Washer	6
7	SP311902100006	Washer	6
8	SP311679800004	Washer	M4
9	SP502214	Clip	
10	SP529206	Screw	4x11
11	SP528313	Cable Holder	
12	SP555504	Bolt	
13	SP309933000620	Bolt	M6x20
14	SP311679824006	Washer	6
15	SP311125240006	Washer	6
16	SP309933100625	Bolt	M6x25
17	SP526497	Screw	4x12
18	SP345000165034	Cable Eye	
19	SP311125100006	Washer	6
20	SP310934100006	Nut	M6
21	570381	Hex Pillar	M3
22	SPPRI505000058	Profiled Sealing	0.105m
23	SP505430	Washer	5
24	SP309084000535	Bolt	M5x35
25	SPPRI505000058	Profiled Sealing	0.025m
26	SP309933240412	Bolt	M4x12

# Rear Panel - CE Models - 400-440V (Drawing 1 of 2)

AF, IY, JY and NY Models with V in 7th Position



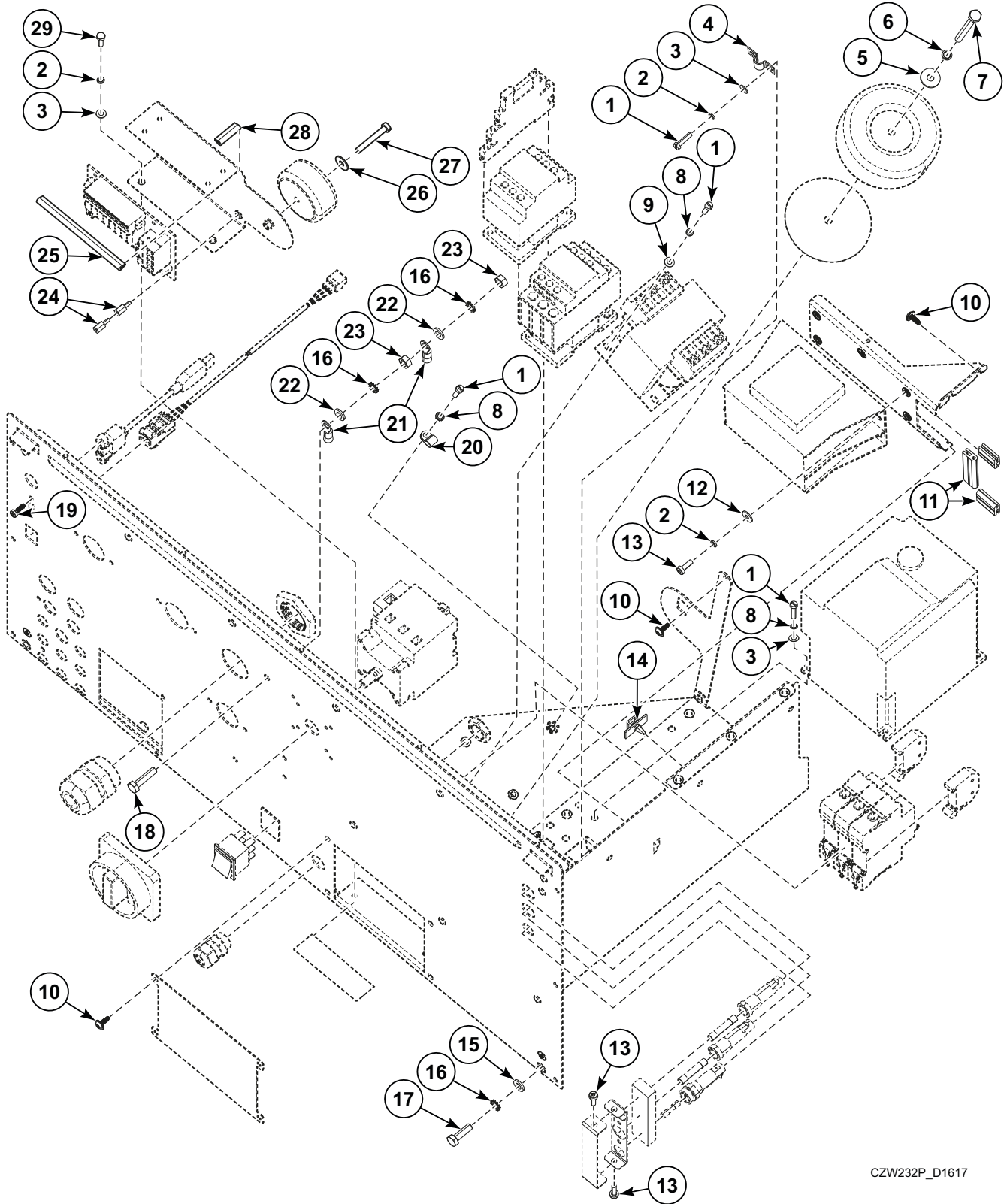
CZW237P\_D1617

## Rear Panel - CE Models - 400-440V (Drawing 1 of 2)

REF	PART NO.	DESCRIPTION	COMMENTS
	570316	Liquid detergents	Assembly, includes items: (drawing 1 of 2): 20, 21, 25, 32-34, 569737 Pump Relay Board Flat Cable and items from (drawing 2 of 2): 2, 3 and 24-29
1	SP552468	Relay	2 poles; Used with drain pump
2	SP514038	Contactator	LC1-D09M7; Used with frequency inverter
3	SP514038	Contactator	LC1-D09M7; Electric heating; 6kW, 9kW, 12kW 400V / 440V
	SP514042	Contactator	LC1D18M7; Electric heating 9kW 230V
	SPPRI345002019	Contactator	LC1D3201; Electric heating 12kW, 13.8kW, 230V
4	SP516648	Transformer	
5	571454	DC Choke	9.7mH; Supply 230V / 400V / 440V / 400V+N
6	571458	Insulation Washer	
7	572126	Filter Holder	Used with SP313251002104 Nut
8	SP557932	Frequency Inverter Filter	3x400V
9	571474	Frequency Inverter	1.5kW; 400V / 440V; FR-D740-036-SC-E8
	557961	Ferrite Core	Used with frequency inverter
10	SP346000209101	End Stop	
11	571462	Circuit Breaker	
12	SPPRI401003020	Fuse Housing	2 pieces
13	SPPRI401001020	Fuse Holder	
14	SP345805005020	Fuse	Without Neutral
15	570387	Self-Adhesive Profile	
16	SP554310	Fuse Holder	
17	SP345805163032	Fuse	6.3x32mm, T1A/500V; 2 pieces
18	SP554311	Fuse Cover	
19	566549	Cover	
20	570371	Label	Models with Transformer
	579019	Label	Models without Transformer
21	SP101406	Bushing	M16
22	SP100388	Switch	
23	SPPRI404000095	Main Switch Knob	
24	SP101409	Bushing	M32x1.5
25	SP101416	Nut	M16
26	SPPRI404000097	Main Switch	25A
	SPPRI404000098	Main Switch	32A
	SPPRI404000099	Main Switch	63A
27	SP506407	Main Switch	25A; Fourth pole
	SPPRI404001098	Main Switch	32A; Fourth pole
	SPPRI404001099	Main Switch	63A; Fourth pole
28	SP101419	Nut	M32
29	569591	Rear Panel	
30	SP547006	USB Cable	Rear panel connection; Optional
31	SP545234	Cable	RS485; With connectors
32	570382	Holder	
33	564561	Transformer	With transformer
	579014	Transformer Kit	Models without transformer
34	553187	Soap Relay Board	Used with 569737 Pump Relay Board Flat Cable

# Rear Panel - CE Models - 400-440V (Drawing 2 of 2)

AF, IY, JY and NY Models with V in 7th Position



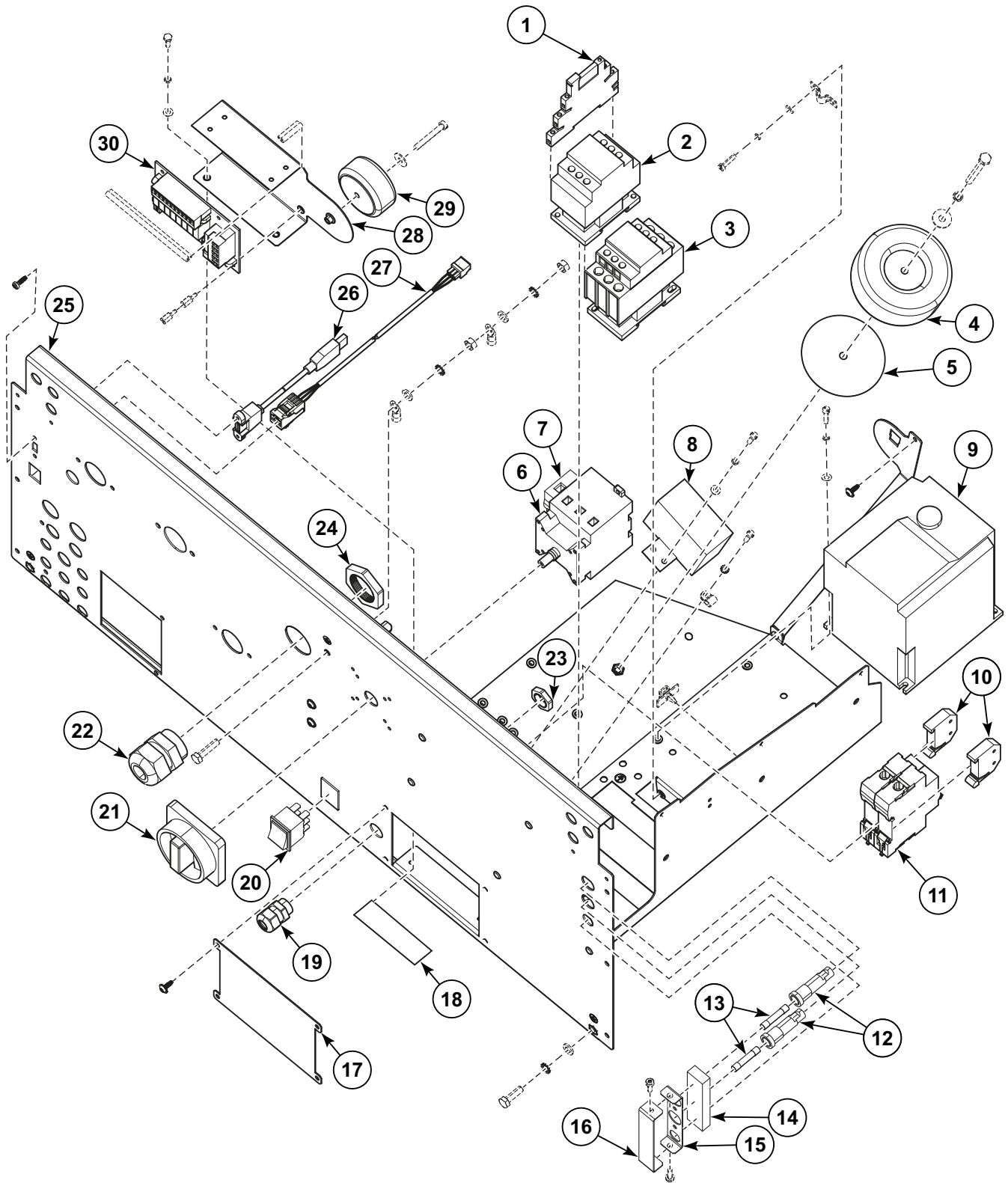
CZW232P\_D1617

## Rear Panel - CE Models - 400-440V (Drawing 2 of 2)

REF	PART NO.	DESCRIPTION	COMMENTS
1	SP309084000416	Bolt	M4x16
2	SP311127000004	Washer	4
3	SP311125000004	Washer	4.3
4	SP528392	Cable Clamp	
5	SP311902100006	Washer	6
6	SP311127000006	Washer	6
7	SP309933000660	Bolt	M6x60
8	SP311679800004	Washer	M4
9	SP311125000004	Washer	4.3
10	SP529206	Screw	4x11
11	SP529068	Edge Protection	
12	SP311902100004	Washer	4
13	SP555504	Bolt	M4x12
14	SP528313	Cable Holder	
15	SP311125240006	Washer	6
16	SP311679824006	Washer	6
17	SP309933000620	Bolt	M6x20
18	SP309933100625	Bolt	M6x25
19	SP526497	Screw	4x12
20	SP502214	Clip	
21	SP345000165034	Cable Eye	
22	SP311125100006	Washer	6
23	SP310934100006	Nut	M6
24	570381	Hex Pillar	M3
25	SPPRI505000058	Profiled Sealing	0.105m
26	SP505430	Washer	5
27	SP309084000535	Bolt	M5x35
28	SPPRI505000058	Profiled Sealing	0.025m
29	SP309933240412	Bolt	M4x12

# Rear Panel - 230V / 400V + N (Drawing 1 of 2)

FX and PY Models with V in 7th Position



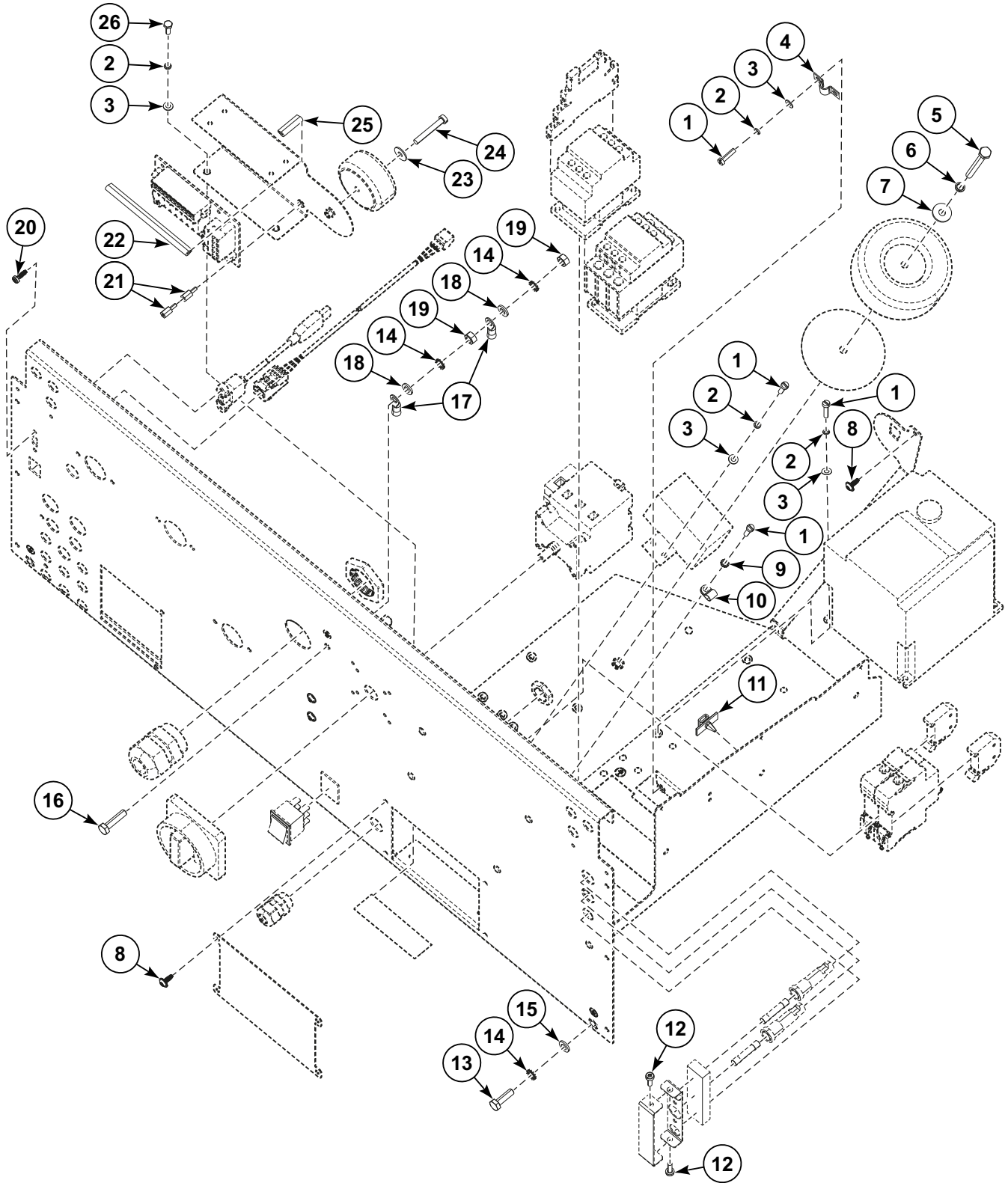
CZW333P\_D1617

## Rear Panel - 230V / 400V + N (Drawing 1 of 2)

REF	PART NO.	DESCRIPTION	COMMENTS
	570316	Liquid detergents	Assembly, includes items: (drawing 1 of 2): 18, 19, 23, 28-30, 569737 Pump Relay Board Flat Cable and items from (drawing 2 of 2): 2, 3 and 21-26
1	SP552468	Relay	2 poles; Used with drain pump
2	SP514038	Contactors	LC1-D09M7; Used with frequency inverter
3	SP514038	Contactors	LC1-D09M7; Electric heating; 6kW, 9kW, 12kW 400V / 440V
	SP514042	Contactors	LC1D18M7; Electric heating 9kW 230V
4	571454	DC Choke	9.7mH; Supply 230V, 400V / 400V+N / 440V
5	571458	Insulation Washer	
6	SPPRI404000097	Main Switch	25A; Used with SP506407 Main Switch Fourth Pole 25A
	SPPRI404000098	Main Switch	32A; Used with SPPRI404001098 Main Switch Fourth Pole 32A
	SPPRI404000099	Main Switch	63A; Used with SPPRI404001099 Main Switch Fourth Pole 63A
7	SP506407	Main Switch	25A; Fourth pole; Applicable for 400V+N
	SPPRI404001098	Main Switch	32A; Fourth pole; Applicable for 400V+N
	SPPRI404001099	Main Switch	63A; Fourth pole; Applicable for 400V+N
8	568380	Filter	20A / 250V
9	571471	Frequency Inverter	FR-D720S-042-SC-E8; 0.75kW; 230V / 400V+N
	557961	Ferrite Core	Used with frequency inverter
10	SP346000209101	End Stop	
11	571462	Circuit Breaker	
12	SPPRI401003020	Fuse Housing	2 pieces
13	SP345805163032	Fuse	6.3x32mm, T1A/500V; 2 pieces
14	570387	Self-Adhesive Profile	
15	SP554310	Fuse Holder	
16	SP554311	Fuse Cover	
17	566549	Cover	
18	570371	Label	Models with Transformer
	579019	Label	Models without Transformer
19	SP101406	Bushing	M16
20	SP100388	Switch	
21	SPPRI404000095	Main Switch Knob	
22	SP101409	Bushing	M32x1.5
23	SP101416	Nut	M16
24	SP101419	Nut	M32
25	572521	Rear Panel	
26	SP547006	USB Cable	Rear panel connection; Optional
27	SP545234	Cable	RS485; With connectors
28	570382	Holder	
29	564561	Transformer	With transformer
	579014	Transformer Kit	Models without transformer
30	553187	Soap Relay Board	Used with 569737 Pump Relay Board Flat Cable, 2m long

# Rear Panel - 230V / 400V + N (Drawing 2 of 2)

FX and PY Models with V in 7th Position



CZW334P\_D1617

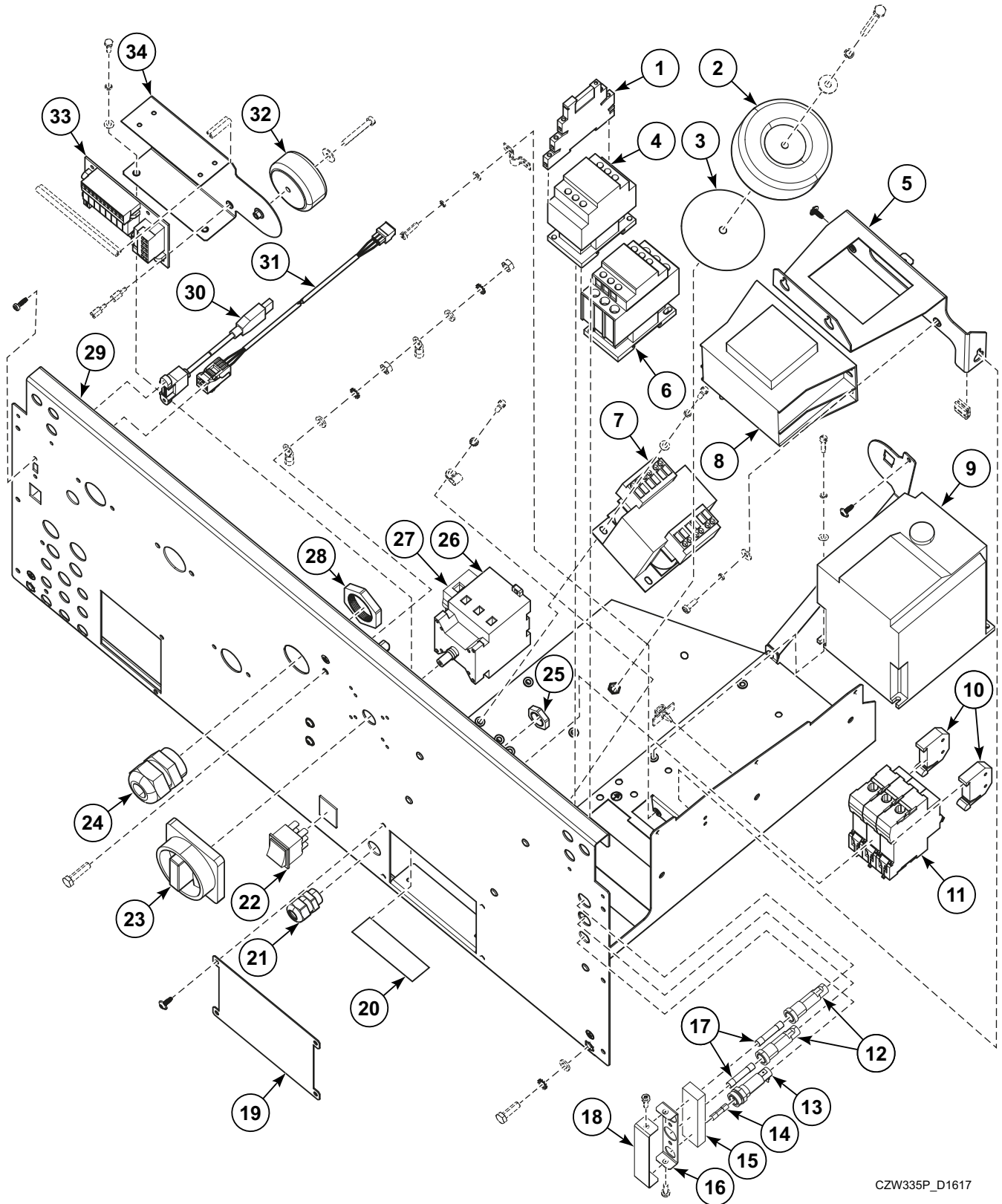


## Rear Panel - 230V / 400V + N (Drawing 2 of 2)

REF	PART NO.	DESCRIPTION	COMMENTS
1	SP309084000416	Bolt	M4x16
2	SP311127000004	Washer	4
3	SP311125000004	Washer	4.3
4	SP528392	Cable Clamp	
5	SP309933000660	Bolt	M6x60
6	SP311127000006	Washer	6
7	SP311902100006	Washer	6
8	SP529206	Screw	4x11
9	SP311679800004	Washer	M4
10	SP502214	Clip	
11	SP528313	Cable Holder	
12	SP555504	Bolt	
13	SP309933000620	Bolt	M6x20
14	SP311679824006	Washer	6
15	SP311125240006	Washer	6
16	SP309933100625	Bolt	M6x25
17	SP345000165034	Cable Eye	
18	SP311125100006	Washer	6
19	SP310934100006	Nut	M6
20	SP526497	Screw	4x12
21	570381	Hex Pillar	M3
22	SPPRI505000058	Profiled Sealing	0.105m
23	SP505430	Washer	5
24	SP309084000535	Bolt	M5x35
25	SPPRI505000058	Profiled Sealing	0.025m
26	SP309933240412	Bolt	M4x12

# Rear Panel - 400V / 440V-480V (Drawing 1 of 2)

FX and PY Models with V in 7th Position



CZW335P\_D1617

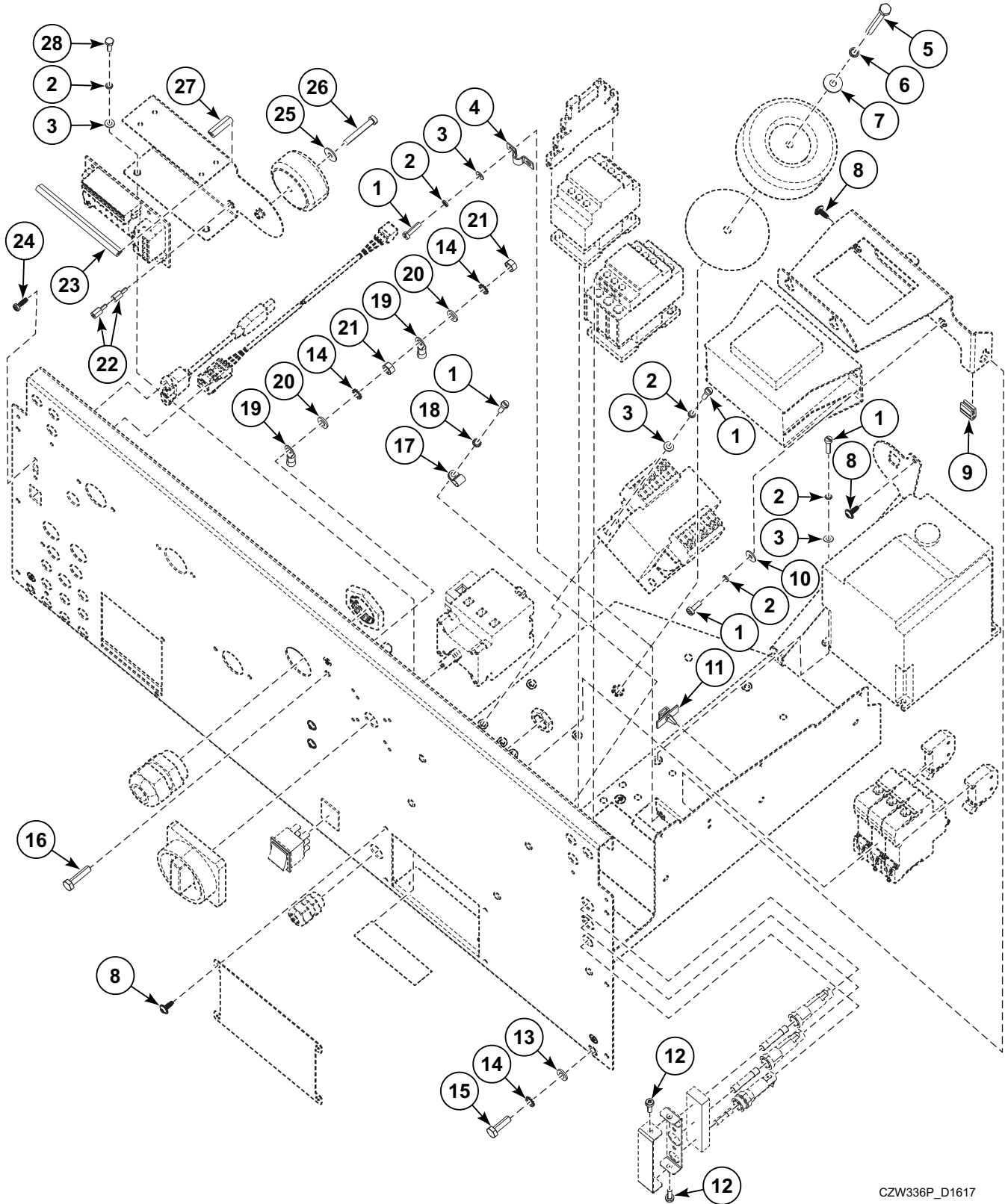
## Rear Panel - 400V / 440V-480V (Drawing 1 of 2)

REF	PART NO.	DESCRIPTION	COMMENTS
	570316	Liquid detergents	Assembly, includes items: (drawing 1 of 2): 20, 21, 25, 32-34, 569737 Pump Relay Board Flat Cable and items from (drawing 2 of 2): 2, 3, 22, 23 and 25-28
1	SP552468	Relay	2 poles; Used with drain pump
2	571454	DC Choke	9.7mH; Supply 400V / 440V
3	571458	Insulation Washer	
4	SP514038	Contactors	LC1-D09M7; Used with frequency inverter
5	574850	Filter Holder	Used with SP313251002104 Nut
6	SP514038	Contactors	LC1-D09M7; Electric heating; 6kW, 9kW, 12kW 400V / 440V
	SP514042	Contactors	LC1D18M7; Electric heating 9kW 230V
7	SP516648	Transformer	
8	SP557932	Frequency Inverter Filter	3x400V
9	571474	Frequency Inverter	1.5kW; 400V / 440V; FR-D740-036-SC-E8
	557961	Ferrite Core	Used with frequency inverter
10	SP346000209101	End Stop	
11	571464	Circuit Breaker	
12	SPPRI401003020	Fuse Housing	2 pieces
13	SPPRI1401001020	Fuse Holder	
14	SP345805005020	Fuse	Without Neutral
15	570387	Self-Adhesive Profile	
16	SP554310	Fuse Holder	
17	SP345805163032	Fuse	6.3x32mm, T1A/500V; 2 pieces
18	SP554311	Fuse Cover	
19	566549	Cover	
20	570371	Label	Models with Transformer
	579019	Label	Models without Transformer
21	SP101406	Bushing	M16
22	SP100388	Switch	
23	SPPRI404000095	Main Switch Knob	
24	SP101409	Bushing	M32x1.5
25	SP101416	Nut	M16
26	SPPRI404000097	Main Switch	25A
	SPPRI404000098	Main Switch	32A
	SPPRI404000099	Main Switch	63A
27	N/A	Main Switch	25A; Fourth pole
	N/A	Main Switch	32A; Fourth pole
	N/A	Main Switch	63A; Fourth pole
28	SP101419	Nut	M32
29	572521	Rear Panel	
30	SP547006	USB Cable	Rear panel connection; Optional
31	SP545234	Cable	RS485; With connectors
32	564561	Transformer	With transformer
	579014	Transformer Kit	Models without transformer
33	553187	Soap Relay Board	Used with 569737 Pump Relay Board Flat Cable
34	570382	Holder	

N/A = Part no longer available

# Rear Panel - 400V / 440V-480V (Drawing 2 of 2)

FX and PY Models with V in 7th Position

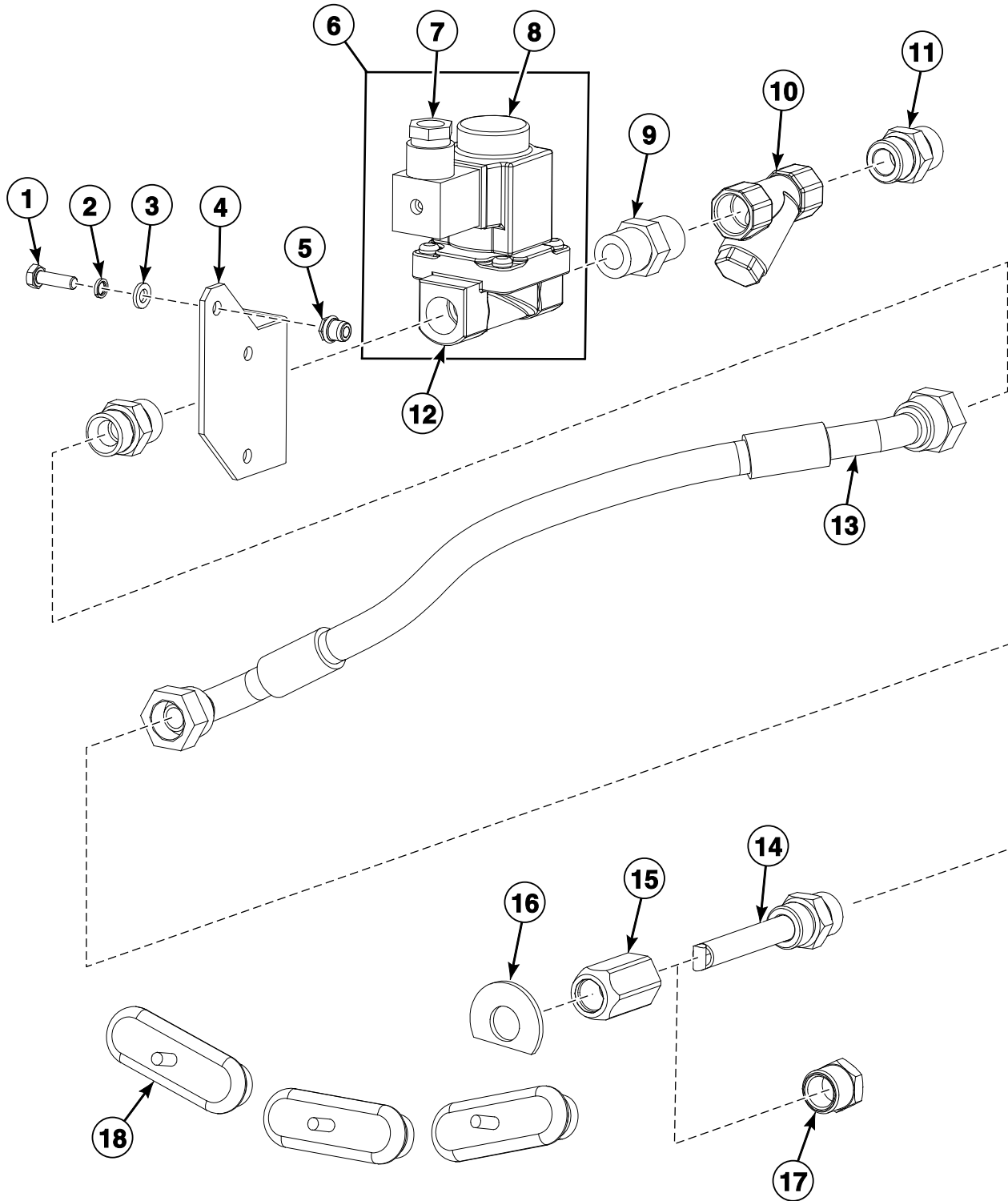


CZW336P\_D1617

## Rear Panel - 400V / 440V-480V (Drawing 2 of 2)

REF	PART NO.	DESCRIPTION	COMMENTS
1	SP309084000416	Bolt	M4x16
2	SP311127000004	Washer	4
3	SP311125000004	Washer	4.3
4	SP528392	Cable Clamp	
5	SP309933000660	Bolt	M6x60
6	SP311127000006	Washer	6
7	SP311902100006	Washer	6
8	SP529206	Screw	4x11
9	SP529068	Edge Protection	0.014m
10	SP311902100004	Washer	4
11	SP528313	Cable Holder	
12	SP555504	Bolt	M4x12
13	SP311125240006	Washer	6
14	SP311679824006	Washer	6
15	SP309933000620	Bolt	M6x20
16	SP309933100625	Bolt	M6x25
17	SP502214	Clip	
18	SP311679800004	Washer	M4
19	SP345000165034	Cable Eye	
20	SP311125100006	Washer	6
21	SP310934100006	Nut	M6
22	570381	Hex Pillar	M3
23	SPPRI505000058	Profiled Sealing	0.105m
24	SP526497	Screw	4x12
25	SP505430	Washer	5
26	SP309084000535	Bolt	M5x35
27	SPPRI505000058	Profiled Sealing	0.025m
28	SP309933240412	Bolt	M4x12

# Steam Heating - All Models EXcept Models with V in 7th Position

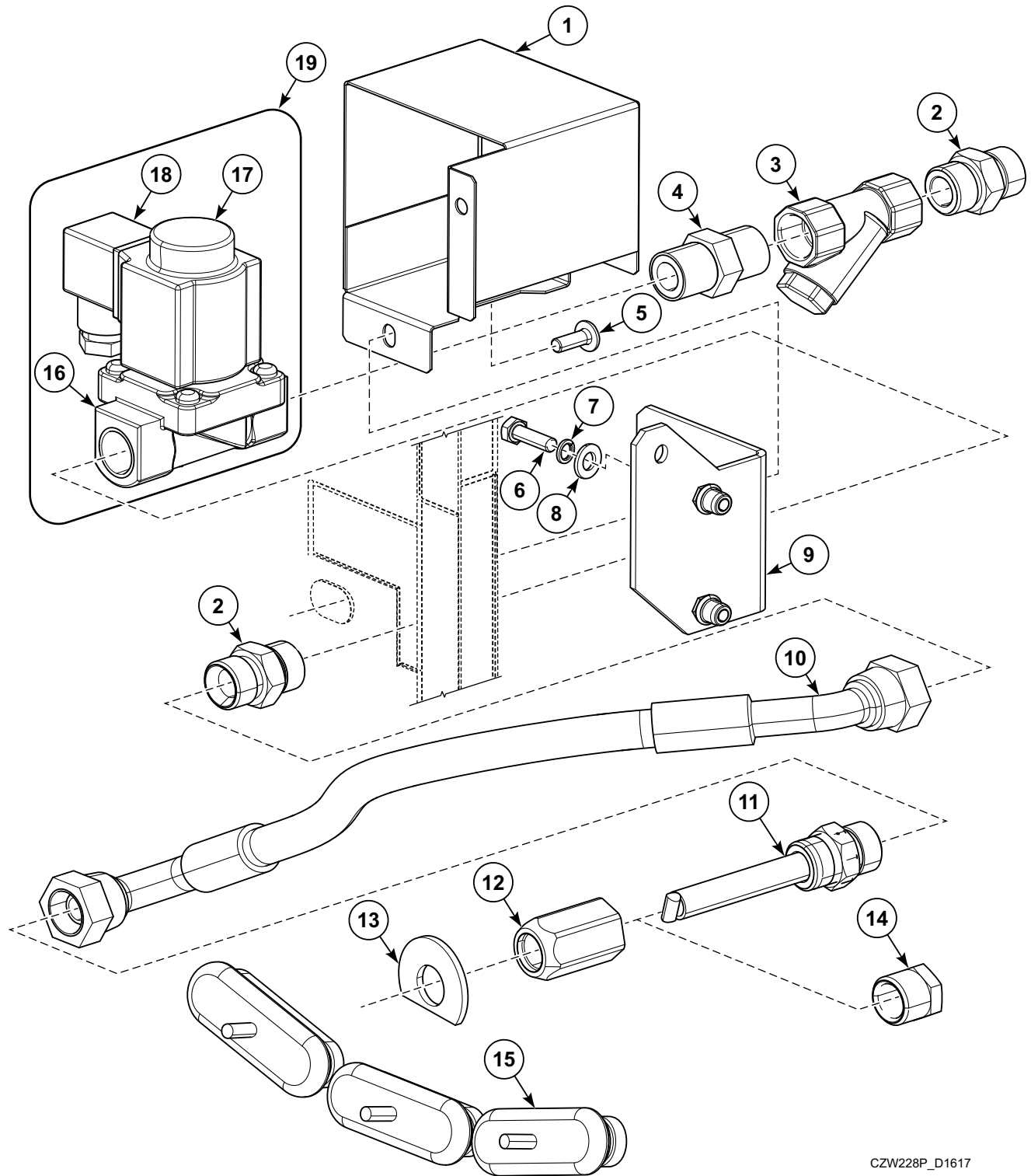


CFD2852P\_D1617

## Steam Heating - All Models EXcept Models with V in 7th Position

REF	PART NO.	DESCRIPTION	COMMENTS
	SP526564	Seal	
	SP101403	Adhesive	Loctite 5366
	SP245704000603	Adhesive	Loctite 603
	SP559312	Steam Kit	
1	SP309933000620	Bolt	M6x20
2	SP311127000006	Washer	6
3	SP311125000006	Washer	6.4
4	SP526521	Steam Valve Support	
5	SP313251000006	Nut	M6
6	SP514164	Steam Valve	1/2 inch
7	SP554156	Connector	
8	SP554110	Coil	50/60Hz
9	SP319428324012	Adapter	1/2 inch
10	SP405054120215	Steam Filter	1/2 inch
11	SPR22112000114	Pipe Nipple	1/2 inch
12	SP514165	Steam Valve Body	
13	SP526522	Steam Hose	1/2 inch l=465mm
14	SP526525	Steam Injector	
15	SP547968	Adapter	G3/8 inch / G1/2 inch
16	SP547981	Washer	
17	SPPRI426001268	Plug	1/2 inch; Prep for electric and steam heat
18	SPPRI342001016	Heating Element Hole Plug	

# Steam Heating - All Models with V in 7th Position



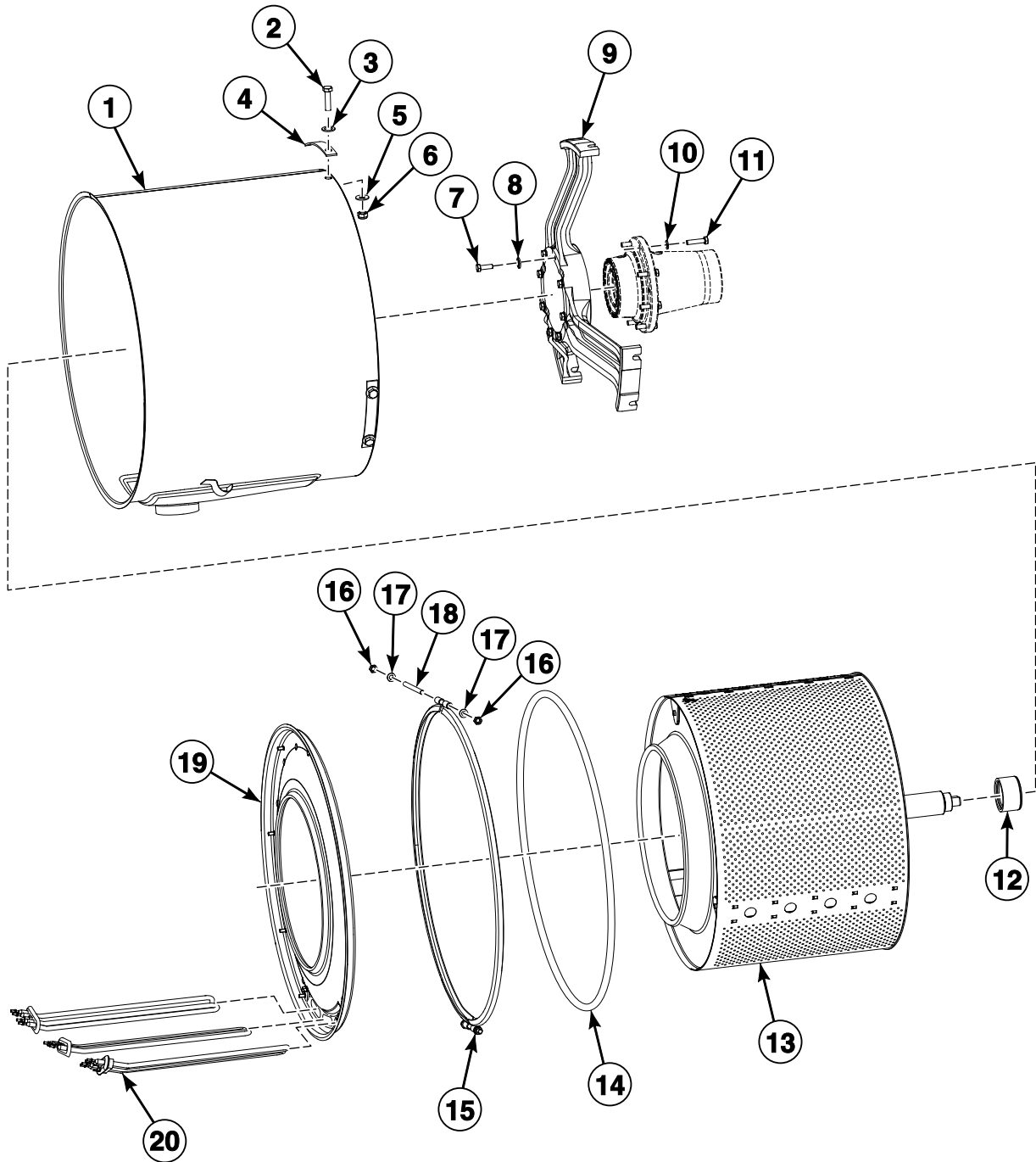
CZW228P\_D1617



## Steam Heating - All Models with V in 7th Position

REF	PART NO.	DESCRIPTION	COMMENTS
	555351	Steam Kit	
	SP101403	Adhesive	Loctite 5366
	SP245704000603	Adhesive	Loctite 603
<b>1</b>	570435	Steam Valve Cover	
<b>2</b>	SPR22112000114	Pipe Nipple	1/2 inch
<b>3</b>	SP405054120215	Steam Filter	1/2 inch
<b>4</b>	SP319428324012	Adapter	1/2 inch
<b>5</b>	SP555658	Bolt	M6x16
<b>6</b>	SP309933000620	Bolt	M6x20
<b>7</b>	SP311127000006	Washer	6
<b>8</b>	SP311125000006	Washer	6
<b>9</b>	SP526521	Steam Valve Support	
<b>10</b>	SP526522	Steam Hose	1/2 inch, l=465mm
<b>11</b>	SP526525	Steam Injector	
<b>12</b>	SP547968	Adapter	G3/8 inch / G1/2 inch
<b>13</b>	SP547981	Washer	
<b>14</b>	SPPRI426001268	Plug	1/2 inch; Prep for electric and steam heat
<b>15</b>	SPPRI342001016	Heating Element Hole Plug	
<b>16</b>	SP514165	Steam Valve Body	
<b>17</b>	SP554110	Coil	50/60Hz
<b>18</b>	SP554156	Connector	
<b>19</b>	SP514164	Steam Valve	1/2 inch

# Washing Drum and Tub - All Models Except Models with V in 7th Position



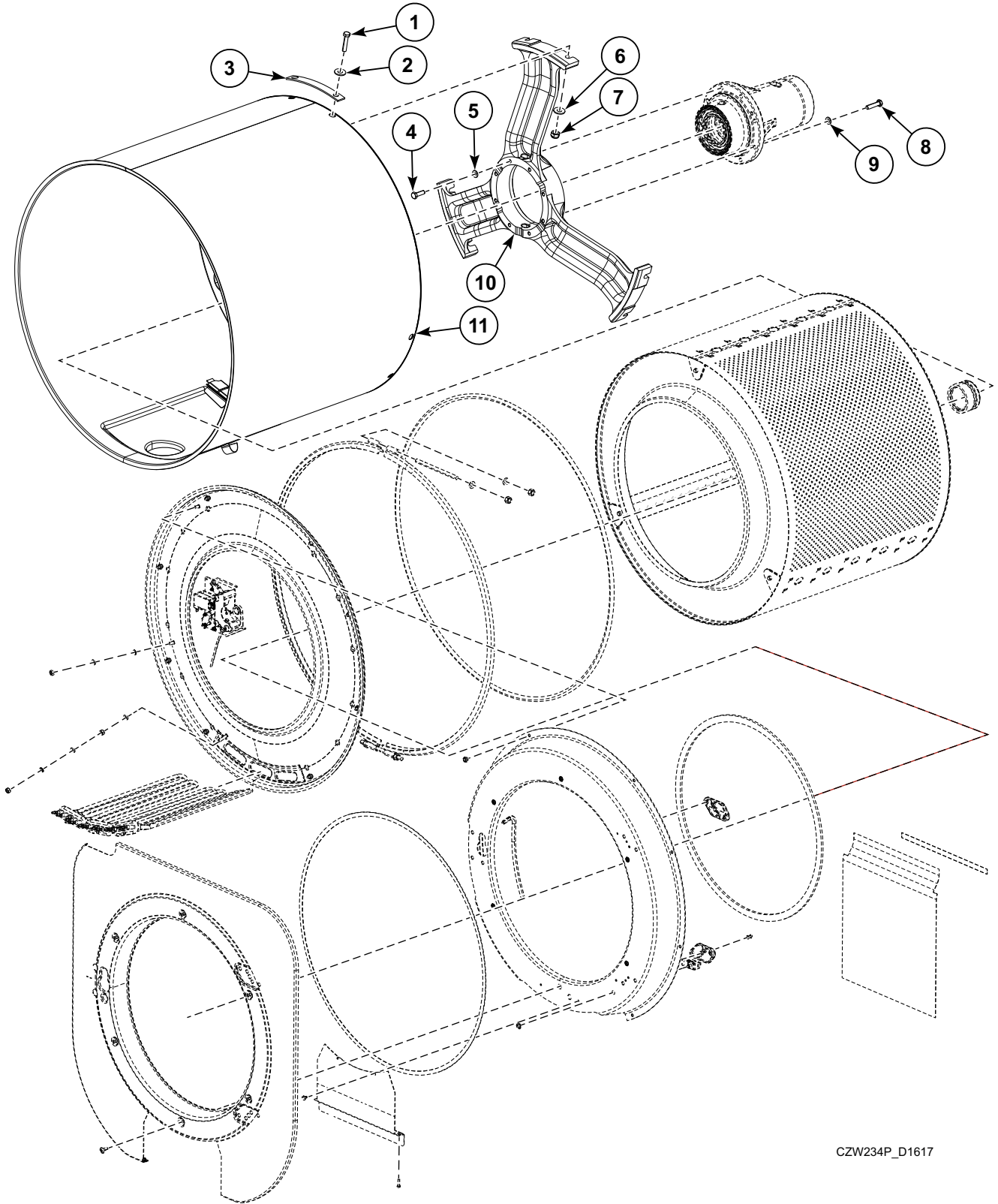
CFD2742P\_D1617

## Washing Drum and Tub - All Models Except Models with V in 7th Position

REF	PART NO.	DESCRIPTION	COMMENTS
	SP245704003021	Adhesive	Loctite 243; Used with bolt
	SPPRI704000053	Sealant	
	SP245704000050	Adhesive	
	SP510889	Anticorrosive Agent	
1	SP537891	External Tub	Steam heating
	SP537923	External Tub	Electric heating
2	SP527420	Bolt	M10x40
3	SP311737000010	Washer	M10
4	SP537897	Washer	
5	SP311737000010	Washer	M10
6	SP310985000010	Nut	M10
7	SP309933240825	Bolt	M8x25
8	SP311125240008	Washer	M8
9	SP537861	Cross Piece	
10	SP311125000008	Washer	M8
11	SP309933000835	Bolt	M8x35
12	SP537843	Shaft Ring	
13	563263P	Washing Drum	AF, IY and NY models with "G", "H", "J" or "K" in 13th Position; Includes item 12; Flat
	537886P	Washing Drum	Includes item 12; Cascade
14	SP537719	Seal	d10-1800mm
15	SP537717	Clamp	
16	SP310934240008	Nut	M8
17	SP311125240008	Washer	M8
18	SPF02119000415	Bolt	M8
19	SP537722	External Tub Front Plate	
20	SP540143	Heating Element	2000W, l=325mm
	SP540144	Heating Element	3000W, l=325mm
	SP540145	Heating Element	2x1500kW, l=325mm
	SP540142	Heating Element	2x2300W, l=325mm

# Washing Drum and Tub (Drawing 1 of 2)

Models with V in 7th Position



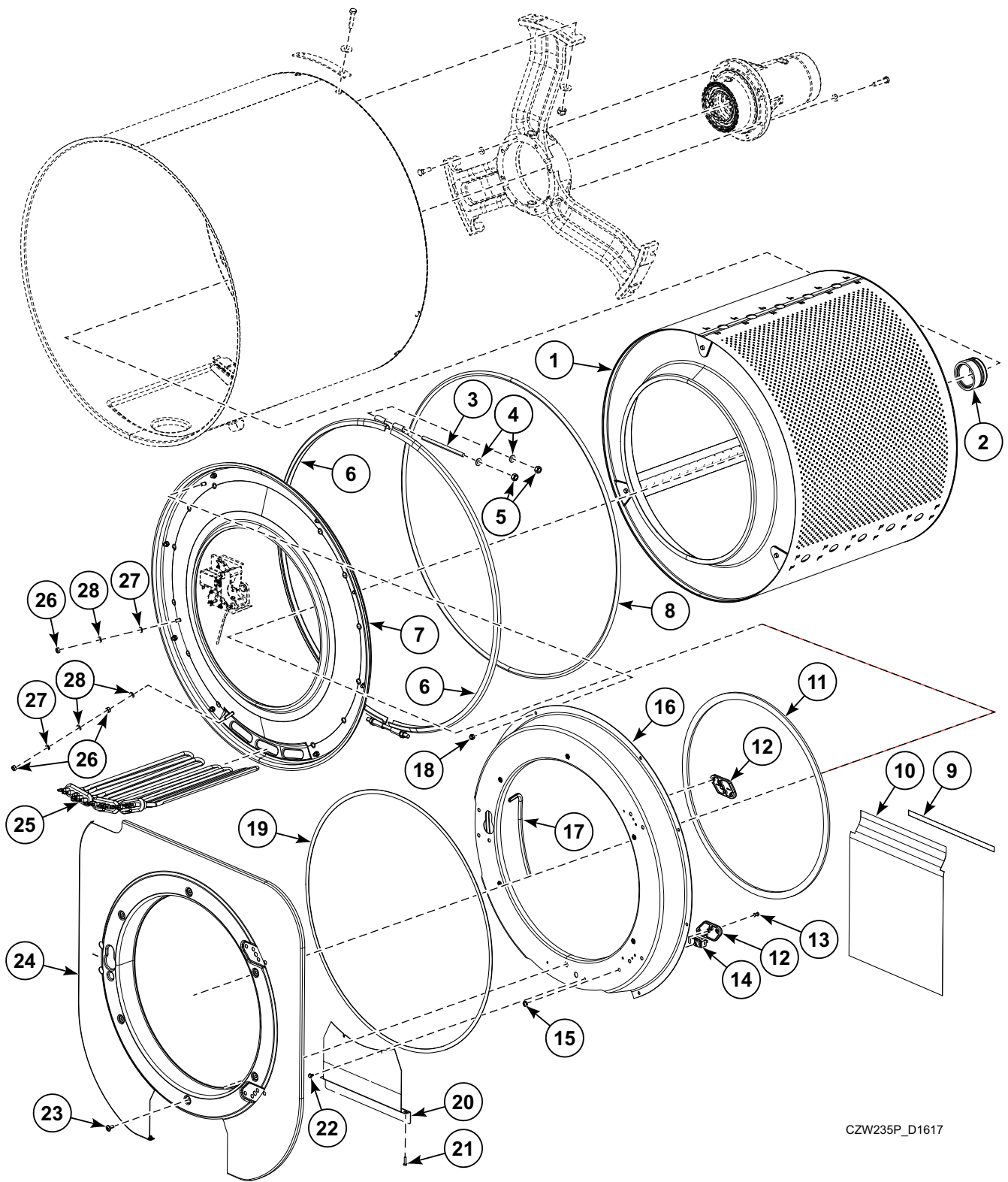
CZW234P\_D1617

## Washing Drum and Tub (Drawing 1 of 2)

REF	PART NO.	DESCRIPTION	COMMENTS
1	SP527420	Bolt	M10x40
2	SP311125000010	Washer	M10
3	SP537897	Washer	
4	SP309933240825	Bolt	M8x25
5	SP311125240008	Washer	8
6	SP311737000010	Washer	M10
7	SP310985000010	Nut	M10
8	SP309933000835	Bolt	M8x35
9	SP311125000008	Washer	8
10	SP537861	Cross Piece	
11	SP537891	External Tub	Steam heating
	SP537923	External Tub	Electric heating

# Washing Drum and Tub (Drawing 2 of 2)

Models with V in 7th Position

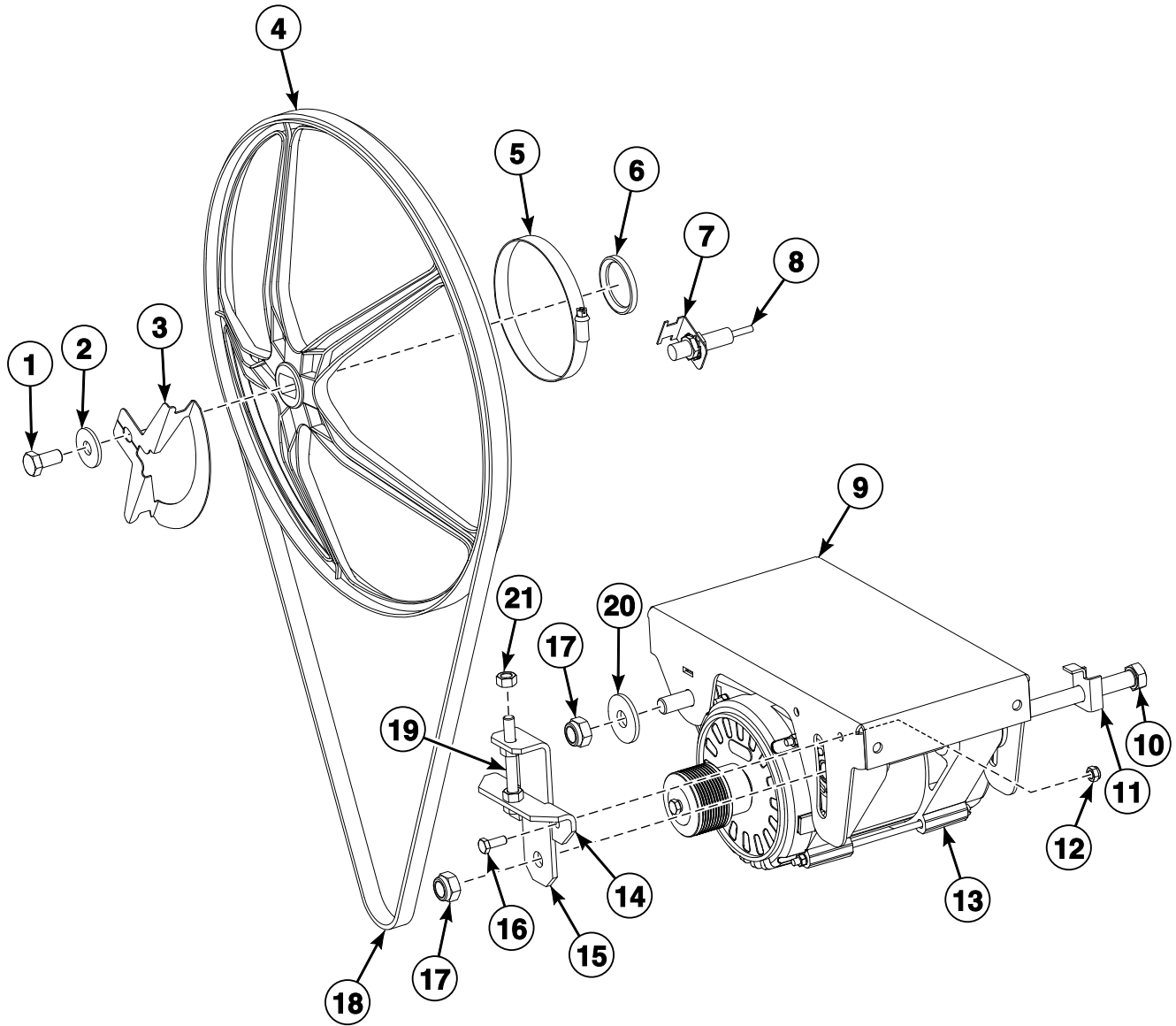


CZW235P\_D1617

## Washing Drum and Tub (Drawing 2 of 2)

REF	PART NO.	DESCRIPTION	COMMENTS
1	537886P	Washing Drum	Includes item 2; Cascade
	563263P	Washing Drum	Includes item 2; Flat
2	SP537843	Shaft Ring	
3	SPF02119000415	Bolt	M8
4	SP311125240008	Washer	M8
5	SP310934240008	Nut	M8
6	SP537717	Clamp	
7	SP571606	External Tub Front Plate	
8	SP537719	Seal	d10-1800mm
9	SP537896	Adhesive	
10	568929	Heating Element Cover	
11	SP522450	Profile	l=1.2m
12	SP537849	Hinge Spacer	
13	SP547779	Rivet	4x16.7
14	571634	Microswitch	
15	571635	Nut	M10
16	568887	Door Lock Holder	Models through Serial No. 65FX015194SH
	SP537852	Door Lock Holder	Models starting Serial No. 65FX015195SH
17	SPPRI505000058	Profiled Sealing	
18	SP310985000006	Nut	M8
19	SP284000012003	Tape	
20	568985	Heating Element Front Cover	Stainless
	SP563273	Heating Element Front Cover	Black
21	SP309084000416	Bolt	M4x16
22	SP537856	Connector	
23	SP537854	Bolt	M6x14
24	571721	Front Panel	Black
	571724	Front Panel	Stainless
25	SP540144	Heating Element	3000W, l=325mm
	SP540143	Heating Element	2000W, l=325mm
	SP540145	Heating Element	2x1500W, l=325mm
	SP540142	Heating Element	2x2300kW, l=325mm
26	SP310934240006	Nut	M6
27	SP311679800006	Washer	6
28	SP311125240006	Washer	6

# Drive



CFD2853P\_D1617

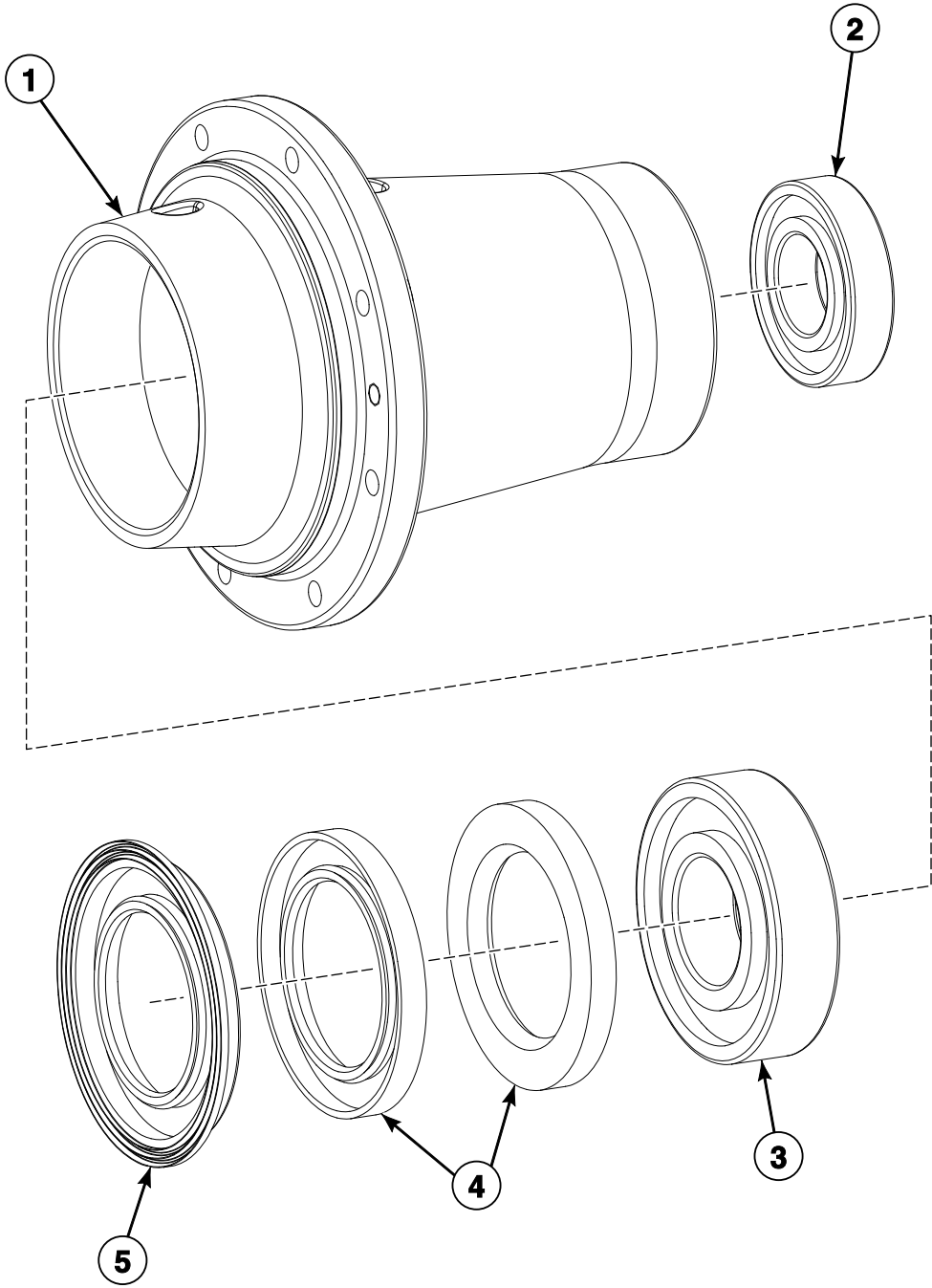


# Drive

REF	PART NO.	DESCRIPTION	COMMENTS
1	SP309933001020	Bolt	M10x20
2	SP311902100010	Washer	
3	SP555545	Speed Sensor Plate	
4	SP556166	Drum V-Pulley	
5	SPPRI240000005	Hose Clamp	
6	N/A	Pulley Ring	
7	SP555547	Speed Sensor Holder	
8	SP557701	Speed Sensor	
9	SP533741	Motor Holder	
10	SP533392	Bolt	M12x180
11	SP533742	Cage	1
12	SP310985000006	Nut	M6
13	SP555580	Motor and Pulley	0.75kW, 230V/75Hz; Includes SP528421 Motor; Applicable for power supply 200V-240V, 50/60Hz, 1/3ph and 380-415V+N, 50/60Hz, 3ph
	SP555583	Motor and Pulley	0.75kW, 400V/76Hz; Includes SP552411 Motor; Applicable for power supply 400V, 50/60Hz, 3ph without Neutral and 440-480V, 50/60Hz, 3ph
	571443	Motor and Pulley	Models with V in 7th Position; 0.75kW, 230V/75Hz; Includes 568371 Motor; Applicable for power supply 200V-240V, 50/60Hz, 1/3ph and 380-415V+N, 50/60Hz, 3ph
	571444	Motor and Pulley	Models with V in 7th Position; 0.75kW, 400V/76Hz; CE; Includes 568381 Motor; Applicable for power supply 400V, 50/60Hz, 3ph without Neutral and 440-480V, 50/60Hz, 3ph
14	SP533326	Tensioning Angle Piece	Fixed
15	SP533327	Tensioning Angle Piece	Movable
16	SP309933000616	Bolt	M6x16
17	SP310985000012	Nut	M12
18	SP528925	Belt	
19	SP309933000870	Bolt	M8x70
20	SP311902100012	Washer	12
21	SP310934000008	Nut	M8

N/A = Part no longer available

# Bearing Housing

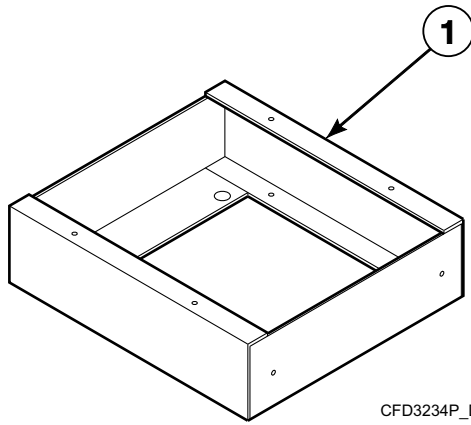


CFD2747P\_D1617

# Bearing Housing

REF	PART NO.	DESCRIPTION	COMMENTS
	SP245704000603	Adhesive	Loctite 603
	SP111313000002	Lubrication Grease	
	SP537862	Bearing Housing	
	SP538787	Bearing Replacement Tool Kit	
1	SP537860	Bearing Housing	
2	SPPRI608000002	Bearing	6207
3	SPPRI608000048	Bearing	6309
4	SP525813	Sealing Ring	65x100x10; Includes 1 seal, 2 seals required
5	SP537848	Sealing Ring	65x100/114x9/12

# Elevated Base Frame



CFD3234P\_D1617

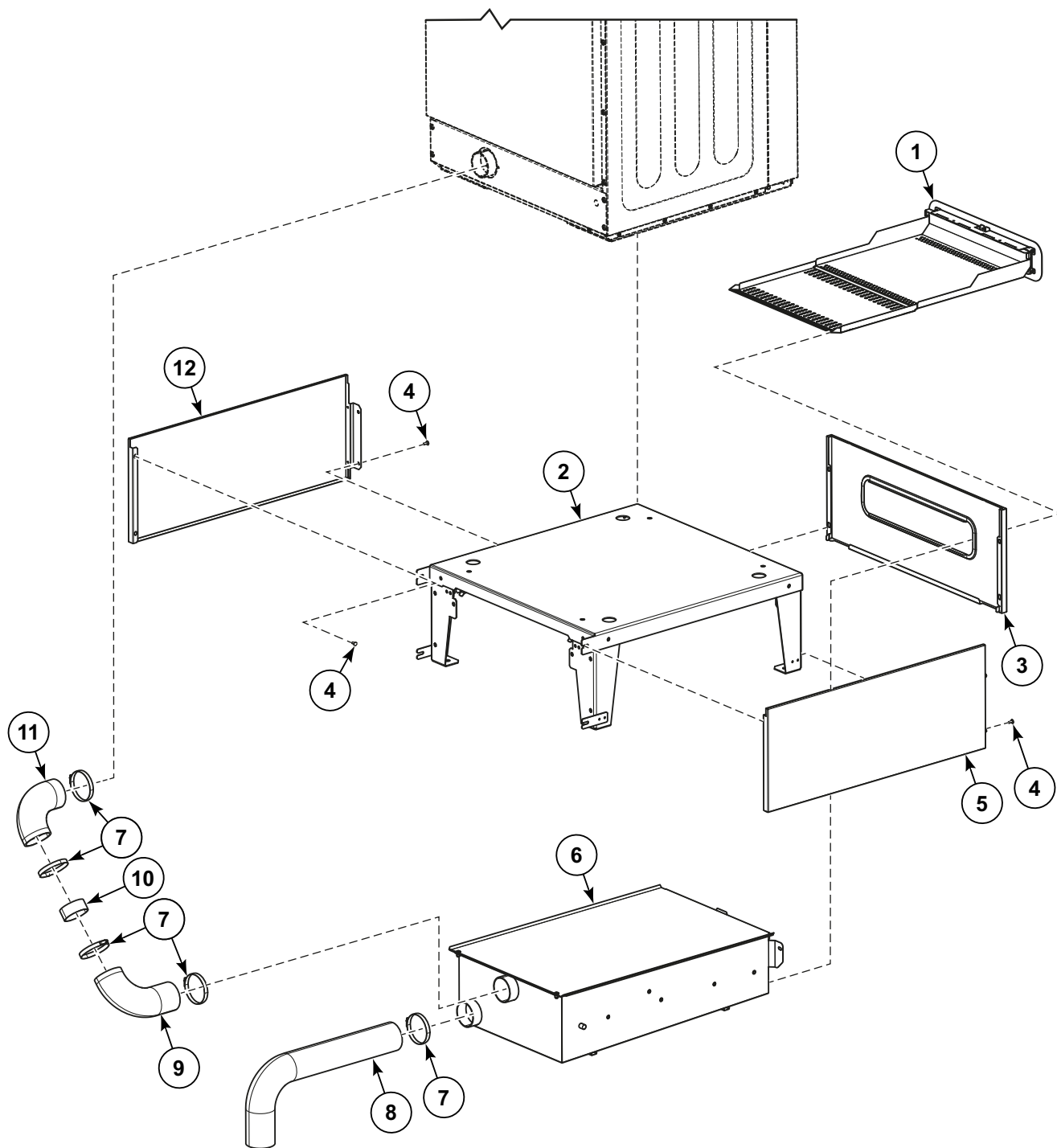
## Elevated Base Frame

REF	PART NO.	DESCRIPTION	COMMENTS
1	SP550120	Elevated Base Frame	For mounting one machine; 135mm; Refer to NOTE*
	SP550135	Elevated Base Frame	For mounting two machines; 135mm; Refer to NOTE*
	SP550136	Elevated Base Frame	For mounting three machines; 135mm; Refer to NOTE*
	SP550137	Elevated Base Frame	For mounting four machines; 135mm; Refer to NOTE*
	SP550138	Elevated Base Frame	For mounting five machines; 135mm; Refer to NOTE*
	SP551901	Elevated Base Frame	For mounting one machine; 200mm; Refer to NOTE*
	SP551902	Elevated Base Frame	For mounting two machines; 200mm; Refer to NOTE*
	SP551903	Elevated Base Frame	For mounting three machines; 200mm; Refer to NOTE*
	SP551904	Elevated Base Frame	For mounting four machines; 200mm; Refer to NOTE*
	SP551905	Elevated Base Frame	For mounting five machines; 200mm; Refer to NOTE*

\* NOTE: Part can only be ordered through the Equipment Order desk.

# Base Frame with Built-In Filter

All Models Except Models with V in 7th Position; Models Starting January 1, 2020

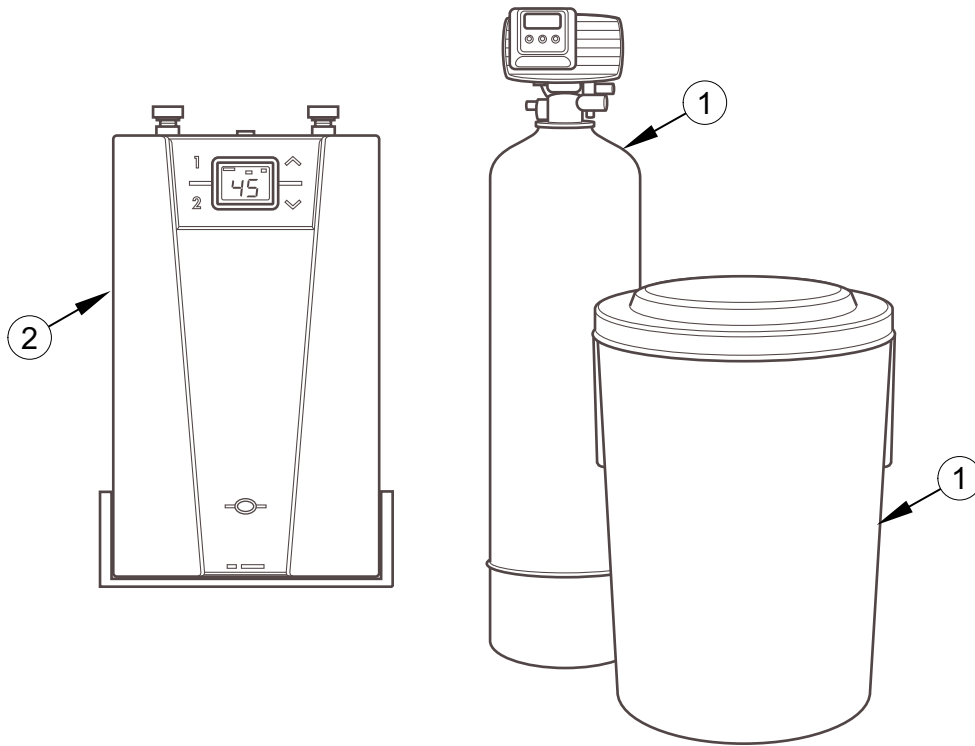


CZW320P\_D1617

## Base Frame with Built-In Filter

REF	PART NO.	DESCRIPTION	COMMENTS
	574827	Base Frame	With built-in Filter; Assembly; Includes items 1-12
1	574720	Filter	Assembly
2	573815	Base Frame	
3	574767	Front Panel	
4	SP537854	Bolt	M6x14
5	574782	Left Cover	Assembly
6	574701	Box	Assembly
7	SPPRI240000007	Hose Clamp	
8	SP519463	Drain Elbow	
9	574840	Elbow	
10	570807	Pipe	
11	574843	Elbow	
12	574788	Right Cover	Assembly

# Soft Wash - Without Built-In Recirculation Pump



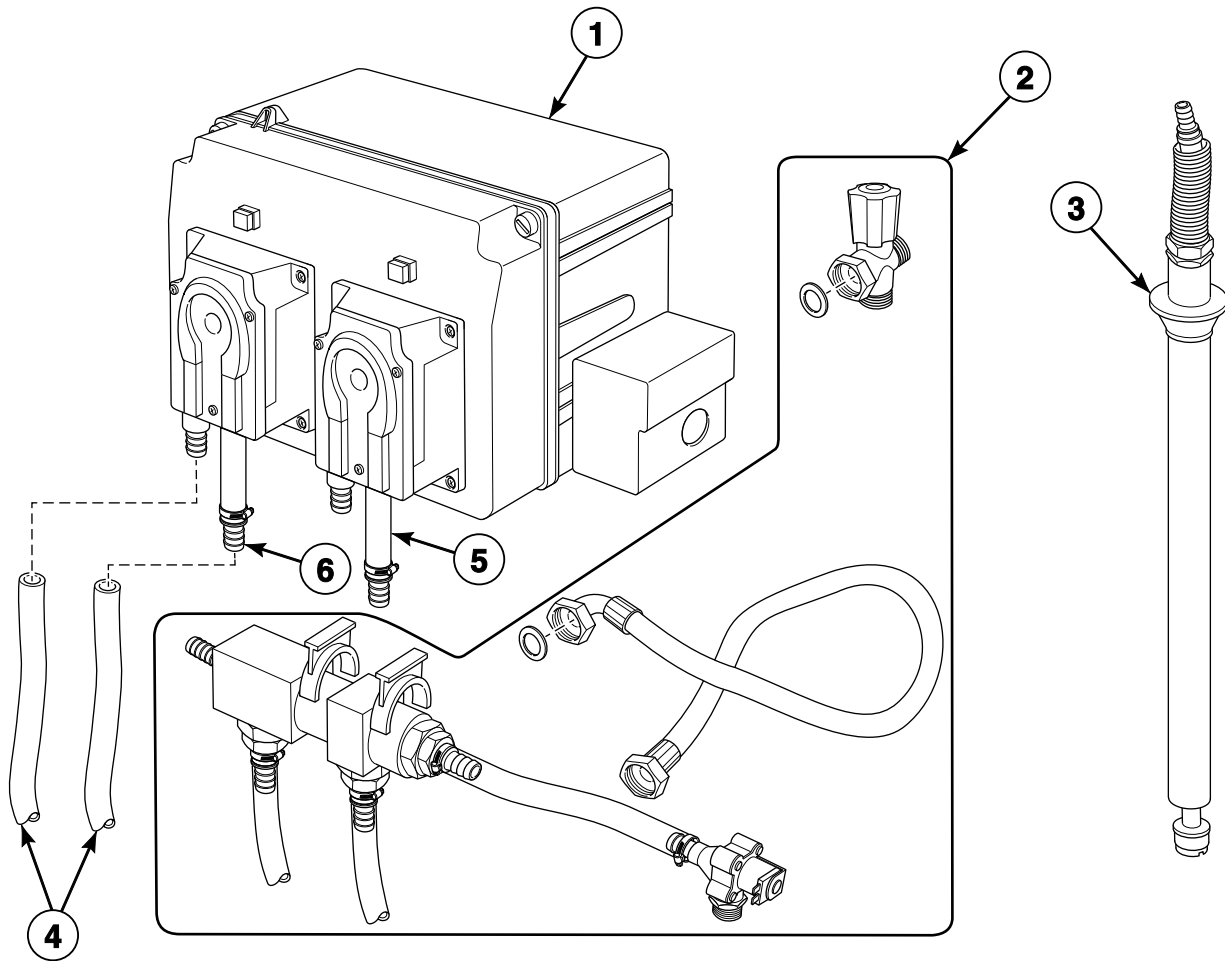
C-CZW57P\_D1617



## Soft Wash - Without Built-In Recirculation Pump

REF	PART NO.	DESCRIPTION	COMMENTS
	SP567105	Soap Pump Kit	Four pumps; Includes suction hoses and tubes; CE and Watermark
	SP567106	Soap Pump Kit	Six pumps; Includes suction hoses and tubes; CE and Watermark
<b>1</b>	SP562737	Water Softener	AMVE 305; Optional; CE and Watermark
	SP562750	Water Softener	AMVE 505; Optional; CE and Watermark
<b>2</b>	SP562749	Water Heater	6kW; 50/60Hz; 230V; Optional; CE and Watermark
	SP562736	Water Heater	8.8kW; 50/60Hz; 230V; Optional; CE and Watermark

# Liquid Soap Supply System - Pumps

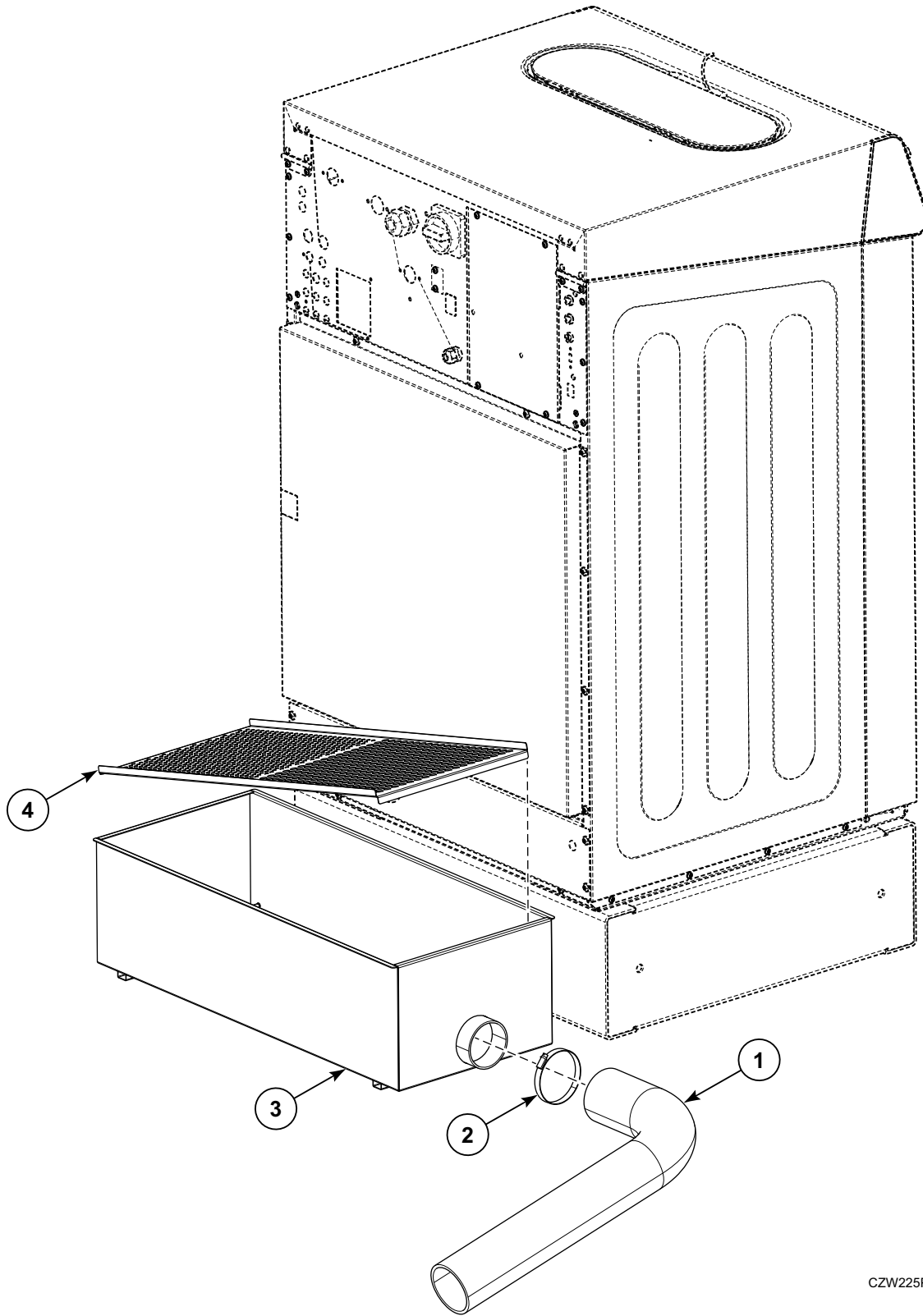


CZW45P\_D1617

## Liquid Soap Supply System - Pumps

REF	PART NO.	DESCRIPTION	COMMENTS
	MB90-Z40	Supply Pump Kit	For two pumps
	MB90-Z41	Supply Pump Kit	For three pumps
	MB90-Z42	Supply Pump Kit	For four pumps
	MB90-Z43	Supply Pump Kit	For five pumps
	MB90-Z44	Supply Pump Kit	For six pumps
<b>1</b>	529742	Pump	Two
	529743	Pump	Three
	529744	Pump	Four
	529745	Pump	Five
	529746	Pump	Six
<b>2</b>	529789	Manifold Flush Kit	For two pumps
	529797	Manifold Flush Kit	For three pumps
	529798	Manifold Flush Kit	For four pumps
	529799	Manifold Flush Kit	For five pumps
	529800	Manifold Flush Kit	For six pumps
<b>3</b>	529787	Suction Tube	
<b>4</b>	SPPRI540020005	Hose	d10/14
<b>5</b>	529747	Hose	Spare hose for pump
<b>6</b>	547808	Connection	

# Filter Tank



CZW225P\_D1617

# Filter Tank

REF	PART NO.	DESCRIPTION	COMMENTS
	570845	Filter Tank	Used with elevated base frame 200mm tal
1	SP519463	Drain Elbow	
2	SPPRI240000007	Hose Clamp	
3	570839	Collector Weldment	
4	561294	Filter	

## Wire Harnesses

PART NO.	DESCRIPTION	COMMENTS
SPPRI351000161	Steam Valve Cable	CE and Watermark; Steam heating
SPPRI351107209	Heating Contactor Wiring	CE and Watermark; 2.5mm <sup>2</sup> ; l=440mm; For 4.6kW, 6kW, 9kW; CE
SPPRI351108209	Heating Contactor Wiring	CE and Watermark; 4mm <sup>2</sup> ; l=440mm; For 9kW
SP547075	RS485 External Interconnection	For RS485 external interconnection to PC
528393	Wiring Steam - Electrical Heating	Steam heating- electrical heating modification
528328	Heating Wiring	CE and Watermark; 1.5mm <sup>2</sup>
SP528335	Heating GND Wiring	CE and Watermark
SP528205	Frame GND Interconnection	
528350	Transformer Connection	400-480V, 3AC -N; CE and Watermark
568391	Main Wiring	Models with V in 7th Position
569749	Door Lock Wiring	l=1.7m; Models with V in 7th Position
569751	Door Lock Cable	l=0.24m; Models with V in 7th Position
SP528323	Communication Cable	
568396	Motor Temperatuer Protect Cable	Models with V in 7th Position
528329	Heating Wiring	Section 2.5mm <sup>2</sup>
528080	Frame GND Interconnection	Models with V in 7th Position
SP528064	Steam Heat Wiring	Steamboat; Models with V in 7th Position
SP557947	External Block Signal Cable	Length = 110.24 inches (2.8 m)
SP557948	External Block Signal Cable	Length = 169.29 inches (4.3m)
569701	Cable	CPU - I/O board interconnection; Models with V in 7th Position

# Parts Index

## A

Adapter	
SP319428324012 .....	175, 177
SP547968 .....	175, 177
Adhesive	
SP101403 .....	175, 177
SP245704000050 .....	179
SP245704000603 .....	109, 175, 177, 187
SP245704003021 .....	9, 109, 179
SP537896 .....	33, 109, 183
Adjustable Foot	
SPPRI504000001 .....	11
Air Trap Reduction	
SPPRI503000027 .....	133, 135, 137, 139, 141, 143
Anticorrosive Agent	
SP510889 .....	179
Automatic Door Opening Module Wiring	
SP552455 .....	31
Automatic Unlocking Module Assembly	
SP545238 .....	21, 25, 29
SP552489 .....	21, 25, 29, 33

## B

Base Frame	
573815 .....	191
574827 .....	191
Bearing	
SPPRI608000002 .....	187
SPPRI608000048 .....	187
Bearing Housing	
SP537860 .....	187
SP537862 .....	187
Bearing Replacement Tool Kit	
SP538787 .....	187
Belt	
SP528925 .....	185
Binding Strip	
SP345000626088 .....	133, 135, 137, 143
SP503817 .....	129, 131
Board Interconnection Cable	
SP537995 .....	63
SP547005 .....	43, 55, 63
Bolt	
F8270701 .....	119
SPF02119000415 .....	179, 183
SP309084000320 .....	87, 91, 95
SP309084000408 .....	23, 25, 29, 41, 87, 89, 91, 93, 95, 97
SP3090840004169, 11, 109, 123, 125, 127, 145, 149, 153, .....	157, 161, 165, 169, 173, 183
SP309084000535 .....	161, 165, 169, 173
SP309084240325 .....	11
SP309798500306 .....	33, 41, 43, 55, 63, 75, 77, 79
SP309916000810 .....	139
SP309933000416 .....	87, 91, 95, 99, 101, 145, 153, 157
SP309933000616 .....	21, 25, 139, 141, 143, 185
SP309933000620 .....	147, 153, 157, 161, 165, 169, 173, 175, .....
.....	177

SP309933000660 .....	161, 165, 169, 173
SP309933000820 .....	9, 11, 133, 135, 137
SP309933000835 .....	179, 181
SP309933000870 .....	185
SP309933000880 .....	9
SP309933001020 .....	185
SP309933100625 .....	145, 149, 153, 157, 161, 165, 169, 173
SP309933240408 .....	149, 153, 157
SP309933240412 .....	89, 93, 97, 161, 165, 169, 173
SP309933240825 .....	179, 181
SP309965240408 .....	81, 83, 85
SP310934000004 .....	89
SP506013 .....	41
SP506431 .....	29, 41
SP506432 .....	11
SP521957 .....	139, 141, 143
SP527084 .....	23, 27, 31, 33, 41
SP527420 .....	11, 179, 181
SP533392 .....	185
SP533726 .....	11
SP535479 .....	111, 115, 117
SP537854 .....	109, 183, 191
SP537864 .....	111, 115, 117
SP550482 .....	31, 41
SP553524 .....	113
SP555504 .....	33, 43, 55, 63, 81, 83, 85, 129, 131, 161, 165, .....
.....	169, 173
SP555658 .....	23, 27, 29, 31, 33, 41, 177
SP556137 .....	109
309500240408 .....	81, 83, 85
521895 .....	9
568968 .....	119
569655 .....	81, 83, 85
577761 .....	63
577762 .....	63
577763 .....	63

Box	
574701 .....	191
Bushing	
SP101406 .....	149, 151, 155, 159, 163, 167, 171
SP101409 .....	149, 151, 155, 159, 163, 167, 171

## C

Cable	
SP545234 .....	99, 149, 151, 155, 159, 163, 167, 171
557982 .....	147
569701 .....	198
Cable Bushing	
SPPRI501001078 .....	139, 141, 143
Cable Bushing Insert	
SP557952 .....	149
Cable Clamp	
SP528392 .....	149, 153, 157, 161, 165, 169, 173
Cable Eye	
SP345000165034 .....	153, 157, 161, 165, 169, 173
Cable Holder	
SP528313 .....	33, 43, 55, 153, 157, 161, 165, 169, 173
Cable Passage	
SP273121005052 .....	21, 25, 29, 41
SP273121015002 .....	145
SP273121022002 .....	145

N/A items do not appear in index.

Cage	SP533742 .....	185	SP547656.....	45, 67
			SP547657.....	47, 69
Casing	SP529739 .....	111, 115, 117	SP547658.....	47, 69
			SP547659.....	47, 69
Circuit Breaker			SP547660.....	47, 69
	571462 .....	159, 163, 167	SP547661.....	47, 69
	571464 .....	171	SP547662.....	47, 69
Clamp			SP547663.....	47, 69
	SP537717 .....	179, 183	SP547664.....	47, 69
Clip			SP547665.....	45, 67
	SP502214 .....	153, 157, 161, 165, 169, 173	SP547666.....	45, 67
Coil			SP547667.....	47, 69
	SP554110.....	175, 177	SP547668.....	47, 69
	568942 .....	119	SP547669.....	47, 69
Coin Meter			SP547670.....	47, 69
	SP537996 .....	47, 69	SP547671.....	47, 69
	SP547600 .....	45, 67	SP547672.....	47, 69
	SP547601 .....	45, 67	SP547673.....	47, 69
	SP547602 .....	45, 67	SP547674.....	47, 69
	SP547603 .....	45, 67	SP547675.....	47, 69
	SP547604 .....	45, 67	SP555502.....	47, 69
	SP547605 .....	45, 67	SP555543.....	47, 69
	SP547606 .....	45, 67	SP555546.....	47, 69
	SP547607 .....	45, 67	SP555549.....	47, 69
	SP547608 .....	45, 67	SP555550.....	47, 69
	SP547609 .....	45, 67	SP555558.....	47, 69
	SP547610 .....	45, 67	SP555559.....	47, 69
	SP547611 .....	45, 67	SP555578.....	47, 69
	SP547612 .....	45, 67	SP555579.....	47, 69
	SP547613 .....	45, 67	SP555666.....	47, 69
	SP547614 .....	45, 67	SP558958.....	57
	SP547615 .....	45, 67	SP558959.....	57
	SP547616 .....	45, 67	SP559933.....	57
	SP547617 .....	45, 67	SP559934.....	57
	SP547618 .....	45, 67	SP559938.....	57
	SP547619 .....	45, 67	SP559949.....	57
	SP547620 .....	45, 67	SP559969.....	57
	SP547621 .....	45, 67	SP560071.....	59
	SP547622 .....	45, 67	SP560075.....	59
	SP547623 .....	45, 67	SP560082.....	49, 71
	SP547624 .....	45, 67	SP560083.....	49, 71
	SP547625 .....	45, 67	SP560084.....	49, 71
	SP547626 .....	45, 67	SP560085.....	49, 71
	SP547627 .....	45, 67	SP560086.....	49, 71
	SP547628 .....	45, 67	SP560087.....	57
	SP547629 .....	45, 67	SP560089.....	47, 69
	SP547630 .....	45, 67	SP560090.....	57
	SP547631 .....	45, 67	SP560091.....	57
	SP547634 .....	45, 67	SP560092.....	57
	SP547635 .....	45, 67	SP560093.....	57
	SP547636 .....	45, 67	SP560094.....	57
	SP547637 .....	45, 71	SP560100.....	57
	SP547638 .....	45, 67	SP560309.....	57
	SP547639 .....	45, 67	SP560310.....	57
	SP547640 .....	45, 67	SP560311.....	57
	SP547641 .....	47, 69	SP560312.....	57
	SP547642 .....	47, 69	SP560405.....	57
	SP547643 .....	47, 69	SP560406.....	57
	SP547644 .....	47, 69	SP560407.....	57
	SP547645 .....	47, 69	SP560408.....	57
	SP547646 .....	47, 69	SP560409.....	57
	SP547647 .....	45, 67	SP560410.....	57
	SP547648 .....	45, 67	SP560411.....	57
	SP547649 .....	47, 69	SP560412.....	57
	SP547651 .....	47, 69	SP560413.....	57
	SP547652 .....	45, 67	SP560414.....	57
	SP547653 .....	47, 69	SP560415.....	57
	SP547654 .....	47, 69	SP560416.....	57
			SP560417.....	57

N/A items do not appear in index.



SP560418	57	569946	59
SP560419	57	569948	47, 69
SP560420	57	569949	59
SP560421	57	569951	47, 69
SP560422	57	569952	59
SP560423	57	569954	49, 71
SP560424	57	569955	59
SP560425	57	569961	49, 71
SP560426	57	569962	59
SP560427	57	569964	47, 69
SP560428	57	569965	57
SP560429	57	569967	49, 71
SP560432	57	569968	59
SP560744	47, 69	569970	49, 71
SP560745	57	569971	59
SP560751	57	569973	49, 71
SP568002	103	569974	59
SP568003	103	569979	49, 71
SP568004	103	569980	59
SP568005	103	569987	49, 71
SP568006	103	569988	59
SP568007	103	569993	59
SP568008	103	569995	59
SP568009	103	569998	49, 71
SP568010	103	569999	61
SP568011	103	570000	61
SP568012	103	572301	49, 71
SP568013	103	572302	61
SP568014	103	572304	49, 71
SP568015	103	572307	49, 71
SP568016	103	572308	61
SP568017	103	572310	49, 71
553150	49, 71	572311	61
553151	49, 71	572313	49, 71
553156	59	572314	61
560073	49, 71	572317	49, 71
561378	49, 71	572318	61
561496	49, 71	572320	49, 71
561497	59	572321	61
563405	59	572323	49, 71
564484	49, 71	572324	61
564485	59	572339	53, 73
564486	49, 71	572342	49, 73
564487	59	572343	61
564489	49, 71	572355	61
568002	105	572358	53, 73
569901	49, 71	572359	61
569905	59	572383	53, 73
569911	59	572386	105
569912	49, 71	572389	61
569918	49, 71	572391	53, 73
569919	59	575201	107
569921	45, 67	575202	107
569922	57	575203	107
569924	49, 71	575204	107
569925	59	575205	107
569927	49, 71	575206	107
569928	59	575207	107
569930	49, 71	575208	107
569931	59	575209	107
569933	47, 69	575210	107
569934	57	575211	107
569936	49, 71	575212	107
569937	59	575213	107
569939	47, 69	575214	107
569940	57	575215	107
569942	49, 71	575216	107
569943	59	575217	107
569945	49, 71	575218	103

N/A items do not appear in index.

575219	103	568036	101
575220	103	Coin Meter Case	
575221	103	571049	99
575222	103	571055	99
575223	103	573009	101
575224	103	Coin Meter Cover	
575225	103	567924	75, 81
575226	103	Coin Meter Cover Plate	
575227	103	SP558929	43, 55
575228	103	Coin Meter Covering Plate	
575229	103	SP547565	63
575230	103	Coin Vault Plate	
575231	103	SP533103	23, 25, 29
575232	103	566737	39
575233	103	Collector Weldment	
575234	103	570839	197
575235	103	Communication Cable	
575236	103	SP528323	145, 198
575237	103	Compression Spring	
575238	103	SP535406	113
575239	103	Connection	
575240	103	547808	195
575241	103	Connector	
575242	103	SP537856	109, 183
575243	103	SP554156	175, 177
575244	103	Contactactor	
575245	103	SPPRI345002019	145, 151, 155, 159, 163
575246	103	SP514038	145, 151, 155, 159, 163, 167, 171
575247	103	SP514042	145, 151, 155, 159, 163, 167, 171
575248	103	SP514043	145
575249	105	Control	
575250	105	575632	81, 83, 85, 87, 89, 91, 93, 95, 97
575251	105	Control Board	
575252	105	SP547001	63
575253	105	SP553411	43, 63
575254	105	SP553412	43
575255	105	SP553419	55, 75, 77, 79
575256	105	553411	75, 77, 79
575257	105	Control Board I/O	
575258	105	SP553405	33, 43, 55, 63
575259	105	575630	33, 39
575260	105	Control Board Power	
575261	105	SP547002	63
575262	105	Control Holder	
575263	105	571041	81, 83, 85
575264	105	Control Panel	
575265	105	SP557599	43
575266	105	SP558885	55
575267	105	573065	75
575268	105	573068	77, 79
575269	105	573119	81, 83, 85
575270	105	Control Panel Frame	
575271	105	573004	35, 81, 83, 85
575272	105	Cover	
575273	105	SPPRI543000004	43, 55, 63
575275	105	SP552972	109
575276	61	566549	151, 155, 159, 163, 167, 171
575277	61	569656	33
575278	105	Cover Plate	
575279	105	SP550149	63
579808	50, 73	Cover Strip Pin	
579809	61	SP533738	9
579811	107	CPS Cover Plate	
579812	49, 71	SP558930	43, 55
579813	61		
579815	105		
Coin Meter Box			
SP102532	99		
100498	99		

N/A items do not appear in index.

Cross Piece SP537861 .....	179, 181
Cylinder Cap SP526568 .....	139, 141, 143
<hr/>	
<b>D</b>	
Damper SP533715 .....	11
DC Choke 571454 .....	159, 163, 167, 171
Dispenser Lid SP526461 .....	123, 125, 127
SP551695 .....	123
Dispenser Pipe SP526488 .....	125, 127
SP526589 .....	123
Dispenser Seal SP540158 .....	123, 125, 127
Distance Case SP557472 .....	9
Distinguishing Ring SP535411 .....	113, 117
SP535437 .....	113
571733 .....	113, 115
Door SP535423 .....	111
SP535425 .....	111
SP553525 .....	111, 117
568836 .....	111, 115
Door and Lock Holder SP537852 .....	109
Door Assembly 571763 .....	117
571766 .....	115
Door Frame Sheet 571632 .....	115, 117
Door Glass SP535413 .....	109, 117
SP556226 .....	109, 115
535413 .....	115
559399 .....	109
573190 .....	109, 115
Door Level 573009 .....	115, 117
Door Lock Assembly 576085 .....	119
Door Lock Cable 569751 .....	198
Door Lock Catch 576084 .....	119
Door Lock Holder SP537852 .....	183
568887 .....	183
Door Lock Plate 568971 .....	119
Door Lock Wiring SP528270 .....	109
SP552453 .....	109
569723 .....	109
569749 .....	198
Double Reverse Valve RSPB12543901 .....	123, 129, 131

Drain Cover SP521553 .....	23, 27, 31, 35, 39
Drain Elbow SP519463 .....	191, 197
SP526591 .....	133, 135, 137
SP547803 .....	139, 141, 143
Drain Hose Pipe SP521558 .....	139, 141, 143
SP526492 .....	133, 135, 137
Drain Pump 567142 .....	141, 143
570314 .....	141, 143
Drain Pump Cover SP521511 .....	23, 27, 31, 35, 39
Drain Pump Hose Bushing SP547807 .....	139, 141, 143
Drain Pump Kit 567937 .....	139
Drain Valve SP526460 .....	133, 135, 137
Drain Valve Chamber SP553195 .....	133
Drain Valve Holder SP526511 .....	133, 135, 137
Drain Valve Motor SPPRI340002051 .....	133, 135, 137
Drain Valve Seal 554276 .....	133, 135, 137
Drum V-Pulley SP556166 .....	185

---

## E

Edge Protection SP529068 .....	23, 27, 31, 33, 39, 165, 173
Elbow 574840 .....	191
574843 .....	191
Elevated Base Frame SP550120 .....	189
SP550135 .....	189
SP550136 .....	189
SP550137 .....	189
SP550138 .....	189
SP551901 .....	189
SP551902 .....	189
SP551903 .....	189
SP551904 .....	189
SP551905 .....	189
Emergency Stop Connector SP528311 .....	43, 55, 63, 75, 81, 87, 89
Emergency Stop Interconnection SP520033 .....	43, 55, 63, 91, 93
571485 .....	95, 97
Emergency Stop Knob SP528310 .....	43, 55, 63, 75, 81, 87, 89
Emergency Stop Label SPPRI551005248 .....	75, 81
Emergency Stop Wiring SP520032 .....	43, 55, 63
End Stop SP346000209101 .....	159, 163, 167, 171

N/A items do not appear in index.

External Block Signal Cable	
SP557947 .....	149, 151, 155, 198
SP557948 .....	198
External Tub	
SP537891 .....	179, 181
SP537923 .....	179, 181
External Tub Front Plate	
SP537722 .....	179
SP571606 .....	183

## F

Fastener	
SP550115.....	33, 75, 77, 79, 81, 83, 85
Ferrite Core	
557961 .....	151, 155, 159, 163, 167, 171
Filling Elbow Pipe	
SP526456 .....	123, 125, 127, 129, 131
Filling Hose Pipe	
RSPF200166 .....	123
SPPRI505000054 .....	123, 125, 127, 129, 131
SP101621 .....	123, 125, 127, 129, 131
SP547980 .....	123, 125, 127, 129, 131
Filter	
SPPRI340004030 .....	123, 125, 127, 129, 131
SP516012 .....	145, 151
SP525935 .....	145
525935 .....	155
561294 .....	197
568380 .....	159, 167
574720 .....	191
Filter Holder	
572126 .....	163
574850 .....	171
Filter Tank	
570845 .....	197
Fixed Hinge	
568979 .....	111
568981 .....	111
568982 .....	111, 115, 117
568984 .....	111
Fixed Upper Hinge	
568979 .....	115, 117
Flap	
SP540113.....	123, 125, 127
Foam Roller	
SP100188 .....	133, 135, 137, 139, 141, 143
Frame GND Interconnection	
SP528205 .....	198
528080 .....	198
Frequency Inverter	
571471 .....	145, 151, 159, 167
571474 .....	145, 151, 155, 159, 163, 171
Frequency Inverter Filter	
SP557932 .....	163, 171
Front Cover	
SP564362 .....	35
573012 .....	35
Front Panel	
SP547740 .....	31
SP547742 .....	31
SP547748 .....	23, 31
SP547750 .....	23, 31
SP554243 .....	23, 31

SP554245.....	23, 31
SP554256.....	31
SP554258.....	31
SP557052.....	27
SP557053.....	27
SP557054.....	27
SP557055.....	27
563450 .....	23, 31
563452 .....	23, 31
563454 .....	23, 31
563456 .....	23, 31
571025 .....	35
571028 .....	35
571721 .....	109, 183
571724 .....	109, 183
572525 .....	39
572526 .....	39
572527 .....	39
572528 .....	39
572529 .....	39
572531 .....	39
572532 .....	39
572533 .....	39
574089 .....	35
574090 .....	35
574767 .....	191

Front Spring Holder	
SP555516.....	15
Fuse	
SP345805005020.....	149, 155, 163, 171
SP345805163032..	149, 151, 155, 159, 163, 167, 171
Fuse Cover	
SP554311 .....	159, 163, 167, 171
Fuse Holder	
SPPRI1401001020.....	163, 171
SPPRI401001020.....	149
SPPRI401001020.....	155
SP554310.....	159, 163, 167, 171
Fuse Housing	
SPPRI401003020..	149, 151, 155, 159, 163, 167, 171

## H

Handle	
SP552908.....	113
SP552909.....	113
SP556297.....	113
SP562898.....	113
571780 .....	117
571781 .....	115
571788 .....	113
Handle Ball	
SP535407.....	113
Handle Cover	
SP556278.....	113
Handle Lower Part	
SP535429.....	113
571779 .....	115, 117
Handle Torsion Spring	
SP535402.....	111, 115, 117
Heating Contactor Wiring	
SPPRI351107209.....	198
SPPRI351108209.....	198
Heating Element	
SP540142.....	179, 183

N/A items do not appear in index.

SP540143 .....	179, 183
SP540144 .....	179, 183
SP540145 .....	179, 183
Heating Element Cover	
568929 .....	183
Heating Element Front Cover	
SP563273 .....	109, 183
568985 .....	109, 183
Heating Element Hole Plug	
SPPRI342001016 .....	175, 177
Heating GND Wiring	
SP528335 .....	198
Heating Wiring	
528328 .....	198
528329 .....	198
Hex Pillar	
570381 .....	161, 165, 169, 173
Hinge	
SP516832 .....	21, 25, 29, 41
Hinge Spacer	
SP535421 .....	111, 115, 117
SP537849 .....	109, 183
Hinges	
570553 .....	111
Holder	
SPPRI326002004 .....	21, 25, 29, 33
540123 .....	151, 155
570382 .....	159, 163, 167, 171
Holder Cover	
SP535430 .....	113, 117
SP535438 .....	113, 115
Holder Partition	
SP526474 .....	145
Hook	
SPPRI551016250 .....	21, 25, 29, 41
Hook Lock	
SPPRI610002007 .....	21, 25, 33, 63, 91, 93
Hose	
SPPRI503002049 .....	133, 135, 137, 139, 141, 143
SPPRI540000014 .....	123, 125, 127, 129, 131
SPPRI540020005 .....	195
529747 .....	195
Hose Clamp	
SPPRI240000002 .....	123, 125, 127, 129, 131
SPPRI240000003 .....	123, 125, 127, 129, 131, 133, 135, 137, 139, 141, 143
SPPRI240000005 .....	185
SPPRI240000007 .....	123, 125, 127, 129, 131, 133, 135, 137, 191, 197
SPPRI240000008 .....	139, 141, 143
SPPRI240000017 .....	123, 129, 131, 137
SPPRI240000021 .....	123, 125, 127, 129, 131
SPPRI241000017 .....	133, 135, 137, 139, 141, 143
SPPRI541000001 .....	135
SP526491 .....	123, 125, 127, 129, 131
SP526532 .....	133, 135, 137, 139, 141, 143
576096 .....	133, 135, 137
Hose Pipe	
SP101745 .....	123, 125, 127

## I

Insulation Washer	
571458 .....	159, 163, 167, 171

Internal Vessel	
SP540122 .....	123, 125, 127
Isolation Paper	
SPPRI350012007 .....	99, 101, 145

## K

Key	
SP550616 .....	21, 25, 63, 91, 93
Keyboard	
SP537990 .....	65
SP537991 .....	65
SP547007 .....	65
SP547008 .....	65
SP547009 .....	65
SP547010 .....	65
SP547019 .....	43, 65
SP547020 .....	43, 65
SP547021 .....	43, 65
SP547022 .....	43, 65
SP547031 .....	65
SP547032 .....	65
SP547033 .....	65
SP547034 .....	65
SP556107 .....	65
SP557566 .....	75, 77, 79
SP557567 .....	55
SP557568 .....	55
SP557573 .....	43
SP557574 .....	43
SP557579 .....	43
SP557582 .....	43
SP560759 .....	55
SP560760 .....	55
547087 .....	75
547088 .....	75, 77, 79
Kit of Hinges	
570553 .....	115
570554 .....	111

## L

Label	
524740 .....	151, 155
557981 .....	147
570371 .....	159, 163, 167, 171
572486 .....	7
572487 .....	7
576337 .....	7
Label Covering	
567925 .....	81
Latch	
SP527083 .....	23, 27, 31, 35, 39
Lath	
SP547508 .....	63
Leading Pin	
SP550113 .....	43, 55, 81, 83, 85
Left Cover	
574782 .....	191
Liquid Detergent Box	
SP540123 .....	149
Liquid detergents	
570316 .....	159, 163, 167, 171

N/A items do not appear in index.

Liquid Soap Supply Connection Kit SP540180 .....	145
Locating Segment SP529710 .....	113
571773 .....	115, 117
Lock SP537760 .....	111, 121
SP547527 .....	21, 25, 33, 63, 91, 93
Lock Pin SP537933 .....	111
Lower Frame SP533881 .....	11
Lower Hinge 571651 .....	115, 117
575963 .....	111
575965 .....	111
Lower Rear Cover SP533381 .....	23, 27, 31, 35, 39
Lower Weight SP533753 .....	9
Lubrication Grease SP111313000002 .....	187

## M

Main Switch SPPRI404000097 .	145, 151, 155, 159, 163, 167, 171
SPPRI404000098 .	145, 151, 155, 159, 163, 167, 171
SPPRI404000099 .	145, 151, 155, 159, 163, 167, 171
SPPRI404000199 .....	155
SPPRI404001098 .....	145, 151, 155, 159, 163, 167
SPPRI404001099 .....	145, 151, 159, 163, 167
SP506407 .....	145, 151, 155, 159, 163, 167
Main Switch Knob SPPRI404000095 .	149, 151, 155, 159, 163, 167, 171
Main Vessel SP540115.....	123, 125, 127
Main Wiring SP552475 .....	145
SP557768 .....	145
568391 .....	198
Manifold Flush Kit 529789 .....	195
529797 .....	195
529798 .....	195
529799 .....	195
529800 .....	195
Microswitch SP528309 .....	11
568978 .....	119
571634 .....	183
Mixer SP526558 .....	123, 125, 127, 129, 131
Mixer Body SP526565 .....	123, 125, 127, 129, 131
Mixer Lid SP526557 .....	123, 125, 127, 129, 131
Module 553189 .....	39
Motor and Pulley SP555580 .....	185
SP555583 .....	185
571443 .....	185
571444 .....	185

N/A items do not appear in index.

Motor Holder SP533741 .....	185
Motor Temperatur Protect Cable 568396 .....	198

## N

Network Installation Kit 569593 .....	43, 55, 63
Nose Assembly 572580 .....	87
573953 .....	95
574121 .....	91
574234 .....	87
574237 .....	91
574240 .....	95
576033 .....	89
576036 .....	93
576039 .....	97
576042 .....	89
576045 .....	93
576048 .....	97
Nut F430225 .....	119
F430232 .....	119
SP101416.....	145, 151, 155, 159, 163, 167, 171
SP101419.....	145, 151, 155, 159, 163, 167, 171
SP309084000308.....	87, 89, 91, 93, 95, 97
SP310934000003.....	11
SP310934000004... ..	43, 55, 63, 75, 77, 79, 81, 83, 85, 87, ..... 91, 93, 95, 97, 99, 101, 145, 149, 153, 157
SP310934000008.....	185
SP310934000010.....	11
SP310934000020.....	11
SP310934100006..	145, 153, 157, 161, 165, 169, 173
SP310934240004.....	119
SP310934240006.....	183
SP310934240008.....	179, 183
SP310985000006.....	29, 41, 109, 113, 115, 117, 183, 185
SP310985000008.....	9, 11
SP310985000010.....	11, 179, 181
SP310985000012.....	185
SP313251000006.....	21, 25, 29, 33, 39, 175
SP313251002104.....	109
SP510923.....	11
SP514193.....	27, 33, 139, 141, 143
571635 .....	183

## O

Oscillation Limiter SP533388.....	9
Overflow Tube SP526481.....	123, 129, 131, 135, 137
Overlay 573926 .....	87, 89
573935 .....	91, 93
573950 .....	95, 97
574216 .....	87, 89
574219 .....	91, 93
574222 .....	95, 97

---

**P**

Panel Holder	
SP533257 .....	29
SP557603 .....	21
SP560301 .....	25
569573 .....	33
573938 .....	39
Pin	
SP540117 .....	123, 125, 127
Pin Insertion	
SP520408 .....	11, 21, 23, 25, 29, 33, 41, 43, 55
Pipe	
570807 .....	191
Pipe Nipple	
SPR22112000114 .....	175, 177
Plate of Closing	
568941 .....	119
Plug	
SPPRI426001268 .....	175, 177
567053 .....	129, 131
Profile	
SP522450 .....	39, 183
SP527088 .....	23, 27, 31, 35, 39
522450 .....	35
Profiled Sealing	
SPPRI505000058 ....	11, 25, 153, 157, 161, 165, 169, 173, 183
Programmer Holder	
SP547501 .....	63
SP547504 .....	63
SP557616 .....	43
SP558887 .....	55
569578 .....	33
573934 .....	39
Programming Cable	
F8600501 .....	43, 55, 63
Pump	
529742 .....	195
529743 .....	195
529744 .....	195
529745 .....	195
529746 .....	195
Pump Cover	
SP500140 .....	139
Pump Holder	
SP547804 .....	139
567127 .....	141, 143
Pump Relay Board to LED Terminal Cable	
SP528149 .....	149

---

**R**

Rear Cover	
SP533111 .....	23, 25, 29
570467 .....	35, 39
Rear Panel	
SP526573 .....	147
SP554400 .....	147
569591 .....	159, 163
572521 .....	167, 171
577191 .....	151, 155

Rear Panel Lid	
SP540121 .....	149
Rear Spring Holder	
SP555517 .....	13, 15, 17, 19
Reinforcement	
SP558879 .....	21
SP558943 .....	25
Reinforcement Tube	
SP500125 .....	133, 135, 137, 139, 141, 143
Relay	
SP552468 .....	159, 163, 167, 171
Reverse Function Drain Valve	
SP547821 .....	133, 135, 137
Right Cover	
574788 .....	191
Rim	
SP562545 .....	111, 115
573187 .....	111, 115
Ring	
SP527085 .....	23, 27, 31, 33, 41
Rivet	
SP313250004007 .....	145
SP313250004063 .....	23, 27, 31, 33, 41, 139, 141, 143
SP313250048008 .....	21, 25, 29
SP313250048103 .....	41
SP521706 .....	23, 27, 31, 33, 41
SP547779 11, 21, 23, 25, 29, 33, 41, 43, 55, 109, 183	
Roller	
SP533727 .....	11
RS485 External Interconnection	
SP547075 .....	198

---

**S**

Screw	
F430977 .....	119
SP309798124313 .....	123, 125, 127
SP520407 .....	93, 97
SP526497 .....	123, 125, 127, 129, 131, 133, 153, 157, 161, 165, 169, 173
SP52920621, 23, 25, 27, 29, 31, 33, 41, 99, 101, 123, 125, 127, 133, 135, 137, 139, 141, 143, 145, 149, 153, 157, 161, 165, 169, 173	
505479 .....	13, 15, 17, 19
Seal	
SPPRI520001009 .....	123, 129, 131
SP517232 .....	9, 21, 25, 31, 41
SP526564 .....	175
SP537719 .....	179, 183
564202 .....	33
Sealant	
SPPRI704000053 .....	139, 143, 179
Sealing Ring	
SP525813 .....	187
SP537848 .....	187
Self-Adhesive Pad	
SPMEC001410 .....	43, 55
Self-Adhesive Profile	
570387 .....	159, 163, 167, 171
Service Door Kit	
568990 .....	109, 111, 115, 117
Shaft Ring	
SP537843 .....	179, 183

N/A items do not appear in index.

Side Board			Spring	
SP533338 .....	63		SP505372 .....	13, 15, 17, 19
570392 .....	63		SP527086 .....	23, 27, 31, 33, 41
Side Panel			SP533875 .....	11
SP550334 .....	29		SP533876 .....	11
SP550336 .....	31		Spring Clamp	
SP550358 .....	29		SP540183 .....	133, 135, 137, 139, 141, 143
SP550360 .....	31		Spring Holder	
SP558917 .....	21, 25		SP534977 .....	11
SP558919 .....	23, 27		SP534978 .....	11
SP558996 .....	25		Steam Filter	
SP558998 .....	27		SP405054120215 .....	175, 177
563488 .....	29		Steam Heat Wiring	
563490 .....	31		SP528064 .....	198
563520 .....	21		Steam Hose	
563522 .....	23		SP526522 .....	175, 177
572003 .....	37		Steam Injector	
572004 .....	37		SP526525 .....	175, 177
573034 .....	37		Steam Kit	
573036 .....	37		SP559312 .....	175
574057 .....	37		555351 .....	177
574058 .....	37		Steam Valve	
Side Panel Assembly			SP514164 .....	175, 177
572590 .....	39		Steam Valve Body	
572591 .....	39		SP514165 .....	175, 177
572594 .....	39		Steam Valve Cable	
572595 .....	39		SPPRI351000161 .....	198
Side Sheet Metal			Steam Valve Cover	
SP547506 .....	63		570435 .....	177
SP547507 .....	63		Steam Valve Support	
Sidewall			SP526521 .....	175, 177
SP520407 .....	89		Suction Tube	
572571 .....	87, 91, 95		529787 .....	195
572572 .....	87, 91, 95		Supply Pump Kit	
572586 .....	87, 91, 95		MB90-Z40 .....	195
572588 .....	87, 91, 95		MB90-Z41 .....	195
573929 .....	87, 89, 91, 93, 95, 97		MB90-Z42 .....	195
576069 .....	89, 93, 97		MB90-Z43 .....	195
576070 .....	89, 93, 97		MB90-Z44 .....	195
Soap Hopper			Switch	
SP540111 .....	123, 125, 127		SP100388 .....	149, 151, 155, 159, 163, 167, 171
SP554213 .....	123		Switching Unit	
Soap Hopper Plug			SP528312 .....	43, 55, 63, 75, 81, 87, 89
SP526468 .....	123, 125, 127			
Soap Hopper Upper Cover				
SP540112 .....	123, 125, 127			
Soap Link Kit				
SP557944 .....	149, 151, 155			
Soap Pump Kit				
SP567105 .....	193			
SP567106 .....	193			
Soap Relay Board				
SP524714 .....	149			
524714 .....	151, 155			
553187 .....	159, 163, 167, 171			
Spacer				
F431901 .....	119			
Speed Sensor				
SP557701 .....	185			
Speed Sensor Holder				
SP555547 .....	185			
Speed Sensor Plate				
SP555545 .....	185			
Spiral				
SP283449080200 .....	133, 135, 137, 139, 141, 143			

## T

Tape		
SP284000012003 .....	29, 43, 55, 63, 75, 77, 79, 81, 83, 85, .....	183
SP510846 .....	43, 55, 63	
Tee		
SP526454 .....	133, 135, 137	
Temperature Sensor		
SP503839 .....	129, 131	
503839 .....	123, 125, 127	
Temperature Sensor Seal		
SP526439 .....	123, 125, 127, 129, 131	
Tensioning Angle Piece		
SP533326 .....	185	
SP533327 .....	185	
Terminal Board		
SPPRI350000007 .....	99, 101	
SP506575 .....	147	

N/A items do not appear in index.



Top Cover	
SP550311	29
SP551996	29
SP558921	21
SP558966	25
567883	21
569623	37
569641	37
572573	39
574250	39
Torsion/Door Lock Spring	
571612	119
Transformer	
SP516648	145
564561	171
Transformer Connection	
528350	198
Transformer Kit	
579014	159, 163, 167, 171
Transformet	
SP516648	155, 163, 171
564561	159, 163, 167

## U

U Shape	
SP556991	27
SP556992	27
Upper Frame	
SP533886	9
Upper Hinge	
571650	115, 117
575960	111
575962	111
Upper Lid Prop	
SP533341	25
SP550133	21, 29, 39
USB Cable	
SP547006	149, 151, 155, 159, 163, 167, 171
569668	99

## V

Valve, 2-Way	
SP547958	123, 127
Valve, 3-Way	
SP547959	123, 125, 127
570195	129, 131
Valve, 4-Way	
SP548933	123, 125
Vent Hose	
SP526509	123, 125, 127, 129, 131
Vibration Switch Assembly	
SP533391	11
Vibration Switch Holder	
SP533387	11

## W

Washer	
F8193101	119
PRI247000013	33
SPPRI247000013	23, 27, 31, 41

SPPRI522000012	21, 25
SPPRI523000007	153, 157
SP311125000003	11, 87, 89, 91, 93, 95, 97
SP311125000004	63, 81, 83, 85, 139, 141, 143, 145, 149, 153, 157, 161, 165, 169, 173
SP311125000006	21, 139, 141, 143, 175, 177
SP311125000008	179, 181
SP311125000010	181
SP311125100006	145, 153, 157, 161, 165, 169, 173
SP311125240004	119
SP311125240006	147, 153, 157, 161, 165, 169, 173, 183
SP311125240008	179, 181, 183
SP311127000003	87, 89, 91, 93, 95, 97
SP311127000004	33, 81, 83, 85, 145, 149, 153, 157, 161, 165, 169, 173
SP311127000006	21, 25, 139, 141, 143, 161, 165, 169, 173, 175, 177
SP311679800003	11, 33, 41, 43, 55, 63, 75, 77, 79
SP3116798000049	11, 31, 41, 43, 55, 63, 75, 77, 79, 81, 83, 85, 87, 89, 91, 93, 95, 97, 153, 157, 161, 165, 169, 173
SP311679800006	183
SP311679824004	119
SP311679824006	145, 147, 153, 157, 161, 165, 169, 173
SP311737000010	179, 181
SP311902100004	11, 27, 33, 43, 55, 63, 75, 81, 83, 85, 87, 89, 91, 93, 95, 97, 165, 173
SP311902100006	29, 41, 113, 115, 117, 161, 165, 169, 173
SP311902100008	133, 135, 137
SP311902100010	11, 185
SP311902100012	185
SP505430	161, 165, 169, 173
SP525284	9
SP527021	33, 41
SP527087	23, 27, 31, 33, 41
SP537897	179, 181
SP547981	175, 177
550446	23, 27, 31, 35, 39
563361	145
571642	111, 115, 117
576338	41
Washing Drum	
537886P	179, 183
563263P	179, 183
Water Heater	
SP562736	193
SP562749	193
Water Level Switch	
562709	137
570315	135, 137, 143
Water Level Switch Hose	
SPPRI540001003	133, 135, 137, 139, 141, 143
Water Softener	
SP562737	193
SP562750	193
Wiring Steam - Electrical Heating	
528393	198

## Y

Y-Piece	
SPPRI503000028	135, 137, 143

N/A items do not appear in index.

