

Tumble Dryers

190 Liters (9 Kilograms) Capacity
With Easy Control

Refer to Page 3 for Model Numbers

Parts

Table of Contents

Title	Page
Parts Ordering Information	2
Serial Plate Location.....	2
Model Identification.....	3
Front Panel Assembly.....	4
Control Panel for EC Models	6
Easy Control Components With Coin Meter	8
Coin Meter (Drawing 1 of 3).....	10
Coin Meter (Drawing 2 of 3).....	12
Coin Meter (Drawing 3 of 3).....	14
Easy Control Components Without Coin Meter	16
Easy Control Components With External Payment System	18
Cabinet - Heat Pump Models.....	20
Cabinet - Gas and Electric Models (Drawing 1 of 2).....	22
Cabinet - Gas and Electric Models (Drawing 2 of 2).....	24
Drum Assembly	26
Door Assembly	28
Electric Heating Components	30
Gas Heating Components - Gas Models Through Serial No. 9T011519QD (Drawing 1 of 2)	32
Gas Heating Components - Gas Models Through Serial No. 9T011519QD (Drawing 2 of 2)	34
Gas Heating Components - Gas Models Starting Serial No. 9T011520QD (Drawing 1 of 2).....	36
Gas Heating Components - Gas Models Starting Serial No. 9T011520QD (Drawing 2 of 2).....	38
Heat Pump (Drawing 1 of 2)	40
Heat Pump (Drawing 2 of 2)	42
Heat Pump Rinsing System	44
Ventilator - Heat Pump Models.....	46
Ventilator - Gas and Electric Models	48
Exhaust - Gas Models	50
Exhaust - Electric and Gas Models.....	52
Drive System	54
Electric Box Components - Heat Pump Models.....	56
Electric Box Components - Electric Models.....	58
Electric Box Components - Gas Models	60
Under Pressure Clutch	62
Humidity Sensor	64
Parts Index.....	67

© Copyright 2022, Alliance Laundry Systems LLC

All rights reserved. No part of the contents of this book may be reproduced or transmitted in any form or by any means without the expressed written consent of the publisher.

Parts Ordering Information

If literature or replacement parts are required, contact the source from whom the machine was purchased or contact Alliance Laundry Systems at (920) 748-3950 for the name and address of the nearest authorized parts distributor.

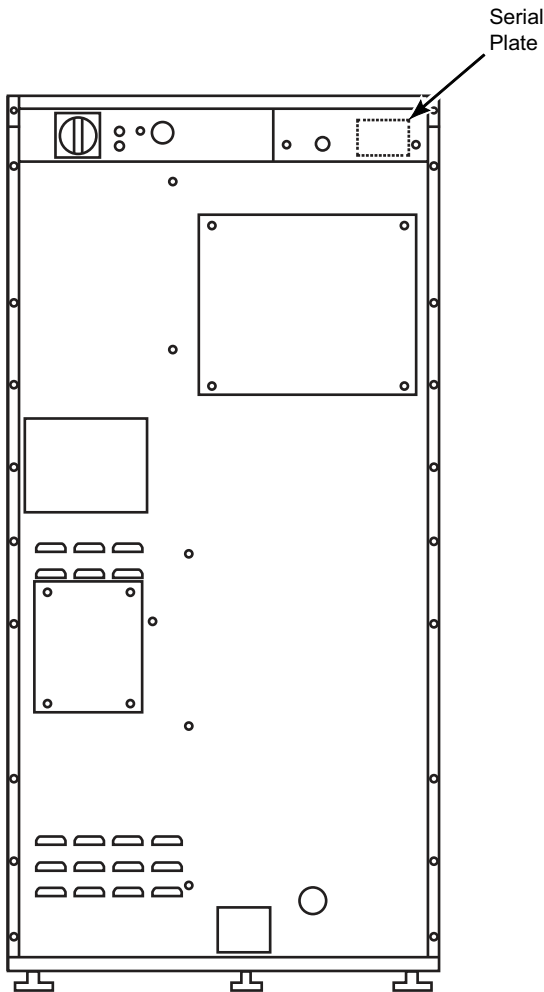
For technical assistance, call the number listed below:

(920) 748-3121 Ripon, Wisconsin

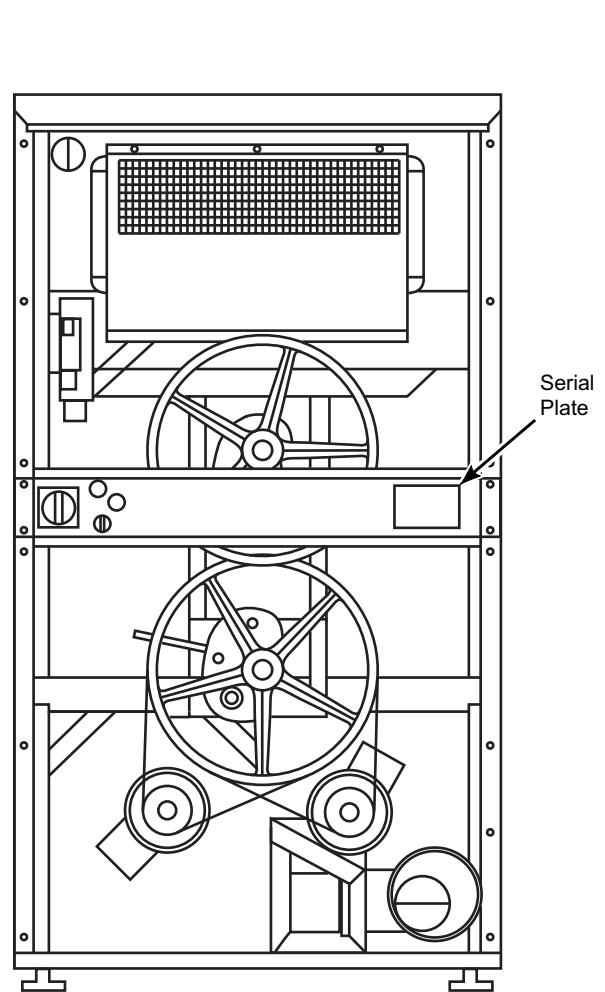
Serial Plate Location

When calling or writing about your product, be sure to mention model and serial numbers. Model and serial numbers are located on serial plate(s) as shown.

HEAT PUMP



GAS AND ELECTRIC



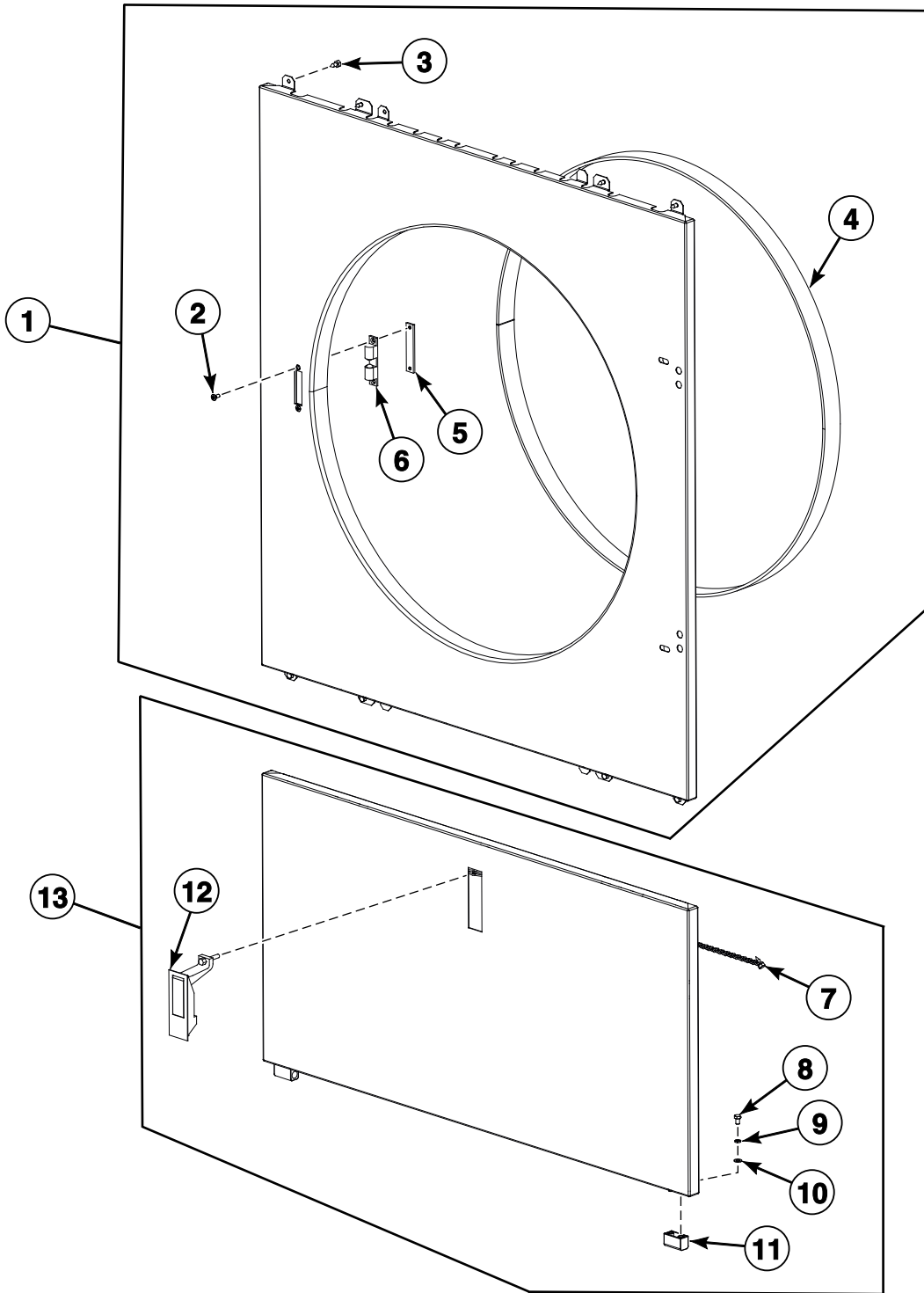
TMB3402P_D1643

Model Identification

Information in this manual is applicable to these tumbler models:

DT190AE	LC190EE	NX190EE	SC190EE	UC190EE
DT190AG	LC190FE	NX190FE	SC190FE	UC190FE
DT190AH	LC190HE	NX190HE	SC190HE	UC190HE
DT190BG	LC190LE	NX190LE	SC190LE	UC190LE
EC_HYDROS_ST11	LC190ME	NX190ME	SC190ME	UC190ME
EC_HYDROS_ST11HP	LC190NE	NX190NE	SC190NE	UC190NE
I190_EASY	LC190TE	NX190TE	SC190TE	UC190TE
IC190EE	LH190EE	PC190EE	SDR190	UDR190
IC190FE	LH190FE	PC190FE	SE190HE	UE190HE
IC190HE	LH190HE	PC190HE	SGHP190E	UGHP190E
IC190LE	LH190LE	PC190LE	SHP190	UHP190
IC190ME	LH190ME	PC190ME	SH190EE	UH190EE
IC190NE	LH190NE	PC190NE	SH190FE	UH190FE
IC190TE	LH190TE	PC190TE	SH190HE	UH190HE
IDR190	LS195	PE190HE	SH190LE	UH190LE
IE190HE	LS195HP_BASIC	PGDE190E	SH190ME	UH190ME
IGHP190E	LU190EE	PGDG190E	SH190NE	UH190NE
IH190EE	LU190FE	PGDL190E	SH190TE	UH190TE
IH190FE	LU190HE	PGHP190E	SR190EE	UHP190_EASY
IH190HE	LU190ME	PH190EE	SR190FE	UR190EE
IH190LE	LX190EE	PH190FE	SR190LE	UR190FE
IH190ME	LX190FE	PH190HE	SR190ME	UR190LE
IH190NE	LX190HE	PH190LE	SR190NE	UR190ME
IH190TE	LX190LE	PH190ME	SR190TE	UR190NE
IHP90	LX190ME	PH190NE	SU190EE	UR190TE
IHP190	LX190NE	PH190TE	SU190FE	UU190EE
IR190EE	LX190TE	PU190EE	SU190HE	UU190FE
IR190FE	NC190EE	PU190FE	SU190ME	UU190HE
IR190LE	NC190FE	PU190HE	SUHP190E	UU190ME
IR190ME	NC190HE	PU190LE	SX190EE	UUHP190E
IR190NE	NC190LE	PU190ME	SX190FE	UX190EE
IR190TE	NC190ME	PU190NE	SX190HE	UX190FE
IU190EE	NC190NE	PU190SE	SX190LE	UX190HE
IU190FE	NC190TE	PU190TE	SX190ME	UX190LE
IU190HE	NH190EE	PU190WE	SX190NE	UX190ME
IU190ME	NH190FE	PUDE190E	SX190TE	UX190NE
IUHP190E	NH190HE	PUDG190E	T9	UX190TE
IX190EE	NH190LE	PUDL190E	T9_EASY	
IX190FE	NH190ME	PUHP190E	T9E	
IX190HE	NH190NE	PX190EE	T9E_CURRENT	
IX190LE	NH190TE	PX190FE	T9HP	
IX190ME	NU190EE	PX190HE	T9-JESS	
IX190NE	NU190FE	PX190LE	T9VP	
IX190TE	NU190HE	PX190ME		
	NU190ME	PX190NE		
		PX190TE		

Front Panel Assembly

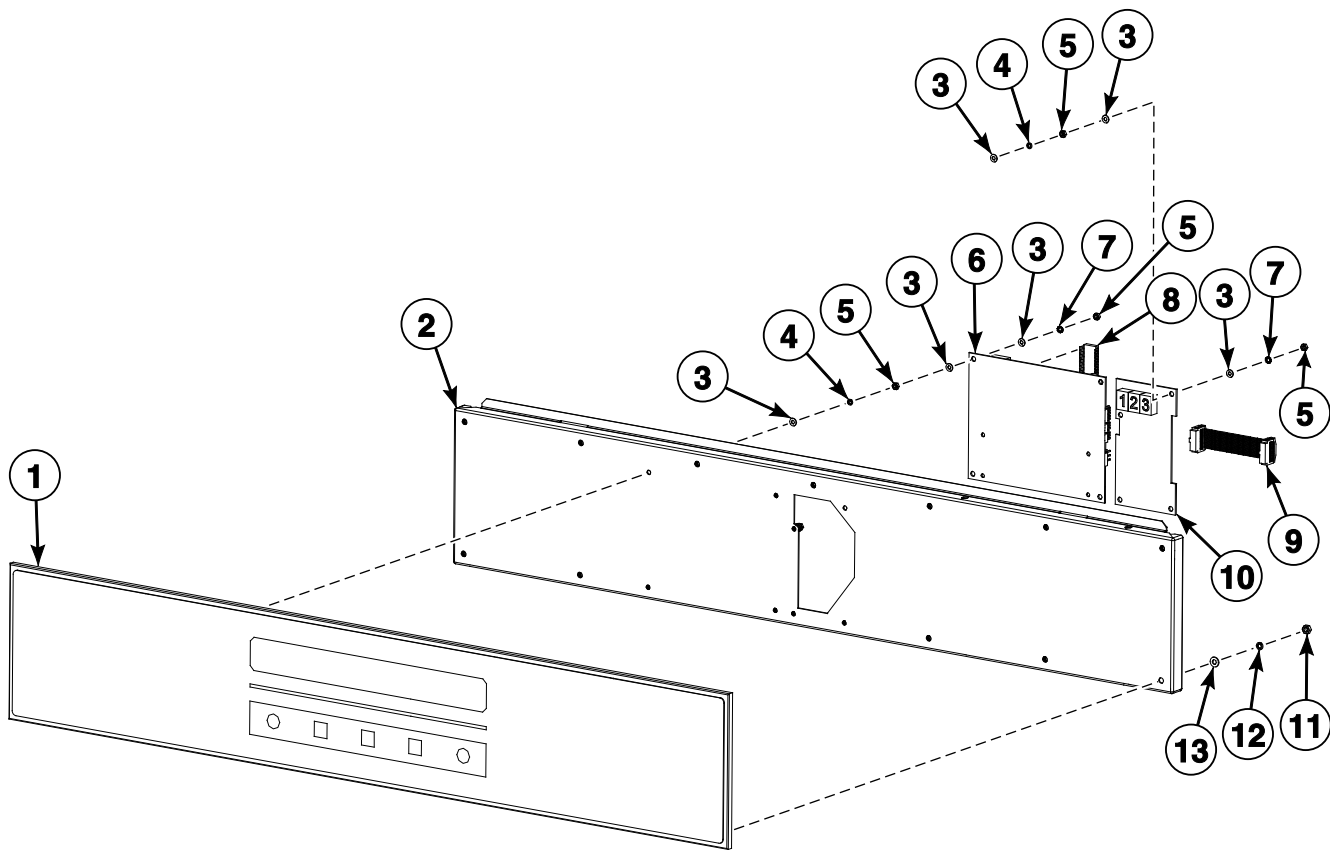


TMB3323P_D1643

Front Panel Assembly

REF	PART NO.	DESCRIPTION	COMMENTS
1	SP559713	Upper Panel Assembly	U models; Includes items 2-6; Imitation stainless steel; I models starting Serial No. 9T011535QD; S models starting 1/1/2021
	SP559716	Upper Panel Assembly	Model LS195HP_BASIC; Includes items 2-6; White; I models through Serial No. 9T011534QD; S models through 12/31/2020
	SP559715	Upper Panel Assembly	EC, L, N, P and T models; Includes items 2-6; Gray
	SP559714	UpperPanel Assembly	Includes items 2-6; Stainless steel
	SP559717	Upper Panel Assembly	U models; Includes items 2-6; Right door; Coin; Imitation stainless steel; I models starting Serial No. 9T011535QD; S models starting 1/1/2021
	SP559720	Upper Panel Assembly	Model LS195HP_BASIC; Includes items 2-6; Right door; Coin; White; I models through Serial No. 9T011534QD; S models through 12/31/2020
	SP559719	Upper Panel Assembly	EC, L, N, P and T models; Includes items 2-6; Right door; Coin; Gray
	SP559718	Upper Panel Assembly	Includes items 2-6; Right door; Coin; Stainless steel
	SP559721	Upper Panel Assembly	U models; Includes items 2-6; left door; Coin; Imitation stainless steel; I models starting Serial No. 9T011535QD; S models starting 1/1/2021
	SP559724	Upper Panel Assembly	Model LS195HP_BASIC; Includes items 2-6; left door; Coin; White; I models through Serial No. 9T011534QD; S models through 12/31/2020
	SP559723	Upper Panel Assembly	EC, L, N, P and T models; Includes items 2-6; Left door; Coin; Gray
	SP559722	Upper Panel Assembly	Includes items 2-6; Left door; Coin; Stainless steel
2	SP309966240410	Bolt	
3	SP100218	Screw	
4	SP517404	Seal	
5	SP514906	Washer	
6	SP514530	Latch	
7	SP521266	Chain	
8	SP521260	Bolt	
9	SP311127000005	Washer	
10	SP311125000005	Washer	
11	SP521222	Hinge	
12	SP521221	Lock	
13	SP521113	Filter Panel Assembly	U models; Includes items 7-12; Imitation stainless steel; I models starting Serial No. 9T011535QD; S models starting 1/1/2021
	SP559711	Filter Panel Assembly	Model LS195HP_BASIC; Includes items 7-12; White; I models through Serial No. 9T011534QD; S models through 12/31/2020
	SP555953	Filter Panel Assembly	EC, L, N, P and T models; Includes items 7-12; Gray
	SP521261	Filter Panel Assembly	Includes items 7-12; Stainless steel

Control Panel for EC Models

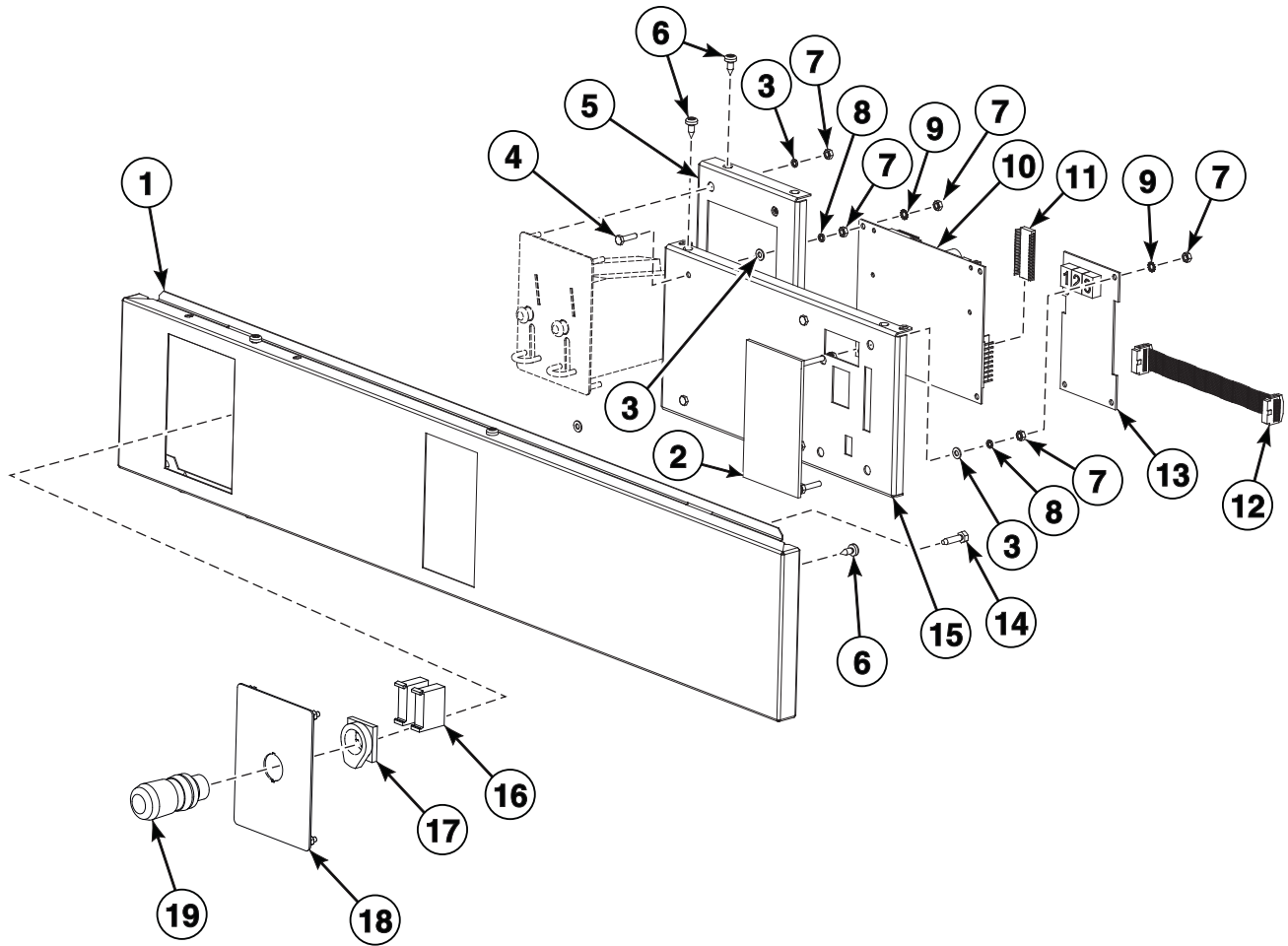


TMB3324P_D1643

Control Panel for EC Models

REF	PART NO.	DESCRIPTION	COMMENTS
	SP557145	Control Panel Assembly	Includes items 1-13
1	SP557147	Keyboard	
2	SP557146	Control Panel	
3	SP311125000003	Washer	
4	SP311127000003	Washer	
5	SP310934000003	Nut	
6	SP529112	Control	
7	SP311679800003	Washer	
8	SP526001	Memory	Empty without software version
	545268	Memory	Models with heat pump; Includes SP52001 Memory and software
	103460	Memory	Includes SP52001 Memory and software
9	SP516684	Cable	
10	SP553416	Display Board	
11	SP310934000004	Nut	
12	SP311127000004	Washer	
13	SP311125000004	Washer	

Easy Control Components With Coin Meter

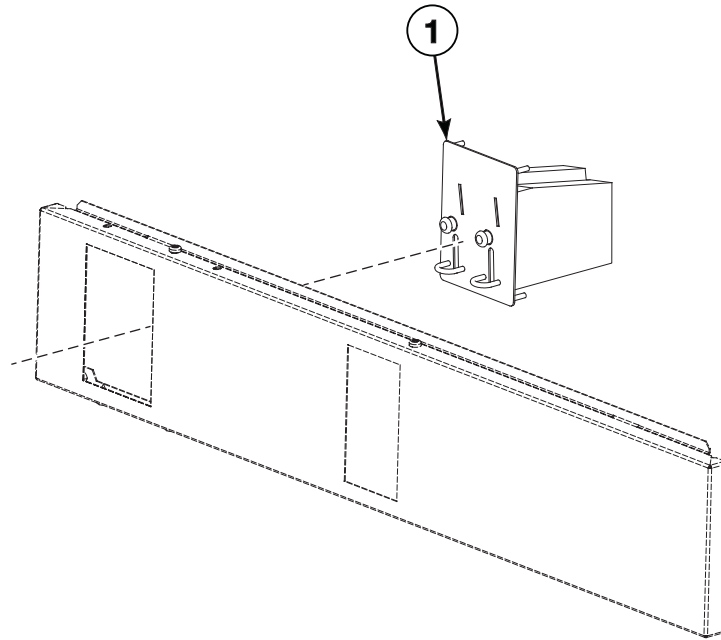


TMB3396P_D1643

Easy Control Components With Coin Meter

REF	PART NO.	DESCRIPTION	COMMENTS
	SP559809	Control Panel Assembly	U models; Includes items 1-15; Imitation stainless steel
	SP559879	Control Panel Assembly	U models; Includes items 1-15; Stainless steel
	SP559812	Control Panel Assembly	I models; Includes items 1-15; White; Through Serial No. 9T011534QD
	SP559880	Control Panel Assembly	I models; Includes items 1-15; Stainless steel
	SP560704	Control Panel Assembly	S models through 12/31/2020; Includes items 1-15; White
	575441	Control Panel Assembly	S models starting 1/1/2021; Includes items 1-15; Imitation stainless steel
	SP560705	Control Panel Assembly	S models; Includes items 1-15; Stainless steel
	SP559811	Control Panel Assembly	L, N, P and T models; Includes items 1-15; Gray
	SP559810	Control Panel Assembly	L, N, P and T models; Includes items 1-15; Stainless steel
	SP559813	Control Panel Assembly	P and T models; Includes items 1-15; Black; Through Serial No. 9T011534QD
	SP560230	Control Panel Assembly	Model LS195HP_BASIC; Includes items 1-15; White; Through Serial No. 9T011534QD
	SP560231	Control Panel Assembly	Model LS195HP_BASIC; Includes items 1-15; Stainless steel; N models
	574512	Control Panel Assembly	N models; Includes items 1-15; Gray; Starting Serial No. 9T011535QD
	574509	Control Panel Assembly	I models; Includes items 1-15; Imitation stainless steel; Starting Serial No. 9T011535QD
1	SP559794	Control Panel	U models; Imitation stainless steel; I models starting Serial No. 9T011535QD; S models starting 1/1/2021
	SP559797	Control Panel	I, LS195HP_BASIC and S models; White
	SP559796	Control Panel	P and T models; Gray; N models starting Serial No. 9T011535QD
	SP559798	Control Panel	P and T models; Black
	SP559795	Control Panel	Stainless steel
2	SP559870	Overlay	U models
	SP559900	Overlay	I models
	SP559871	Overlay	LS195HP_BASIC and S models
	SP556099	Overlay	L, N, P and T models
3	SP311125000004	Washer	
4	SP309933000416	Bolt	
5	SP559820	Coin Meter Bracket	
6	SP514061	Screw	
7	SP310934000004	Nut	
8	SP311127000004	Washer	
9	SP311679800004	Washer	
10	SP102458	Control	
11	SP526001	Memory	Empty without software version
	102460	Memory	Includes SP526001 Memory and software; Gas heating, Electric heating
	545264	Memory	Includes SP526001 Memory and software; Gas heating, Electric heating; Export France
	545265	Memory	Models with heat pump; Includes SP526001 Memory and software
	545266	Memory	Models with heat pump; Includes SP526001 Memory and software; Export France
	545267	Memory	Models with heat pump and frequency inverter; Includes SP526001 Memory and software
12	SP521061	Cable	
13	SP102459	Display Board	S and U models; Green
	SP560706	Display Board	I models; Red
	SP553416	Display Board	L, N, P and T models; Blue
14	SP520871	Screw	
15	SP559819	Control Bracket	
16	SP528312	Switching Unit	
17	SP528311	Emergency Stop Connector	
18	SP562956	Label	
19	SP528310	Emergency Stop Knob	

Coin Meter (Drawing 1 of 3)

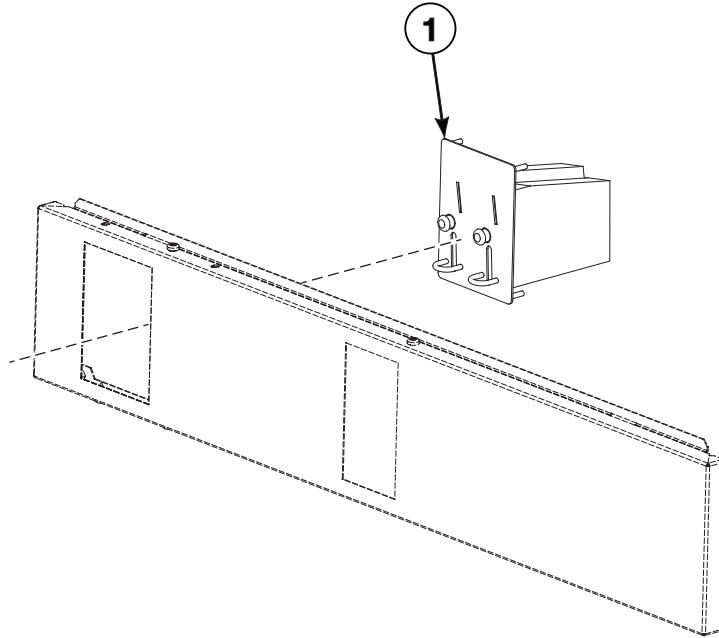


TMB3397P_D1643

Coin Meter (Drawing 1 of 3)

REF	PART NO.	DESCRIPTION	COMMENTS
1	SP100642	Coin Meter	1AUD + 20C
	SP100866	Coin Meter	5K jeton
	SP100867	Coin Meter	7K jeton
	SP100868	Coin Meter	10K jeton
	SP100869	Coin Meter	12K jeton
	SP100870	Coin Meter	15K jeton
	SP100871	Coin Meter	D jeton
	SP100887	Coin Meter	1pound + 20PC
	SP100888	Coin Meter	1pound + 50PC
	SP100891	Coin Meter	100YEN
	SP100892	Coin Meter	500YEN + 100YEN
	SP100895	Coin Meter	5DKK
	SP100896	Coin Meter	20DKK
	SP100900	Coin Meter	5ILS + 1ILS
	SP100902	Coin Meter	1EUR
	SP101228	Coin Meter	1 MYR
	SP101535	Coin Meter	0.50EUR
	SP101536	Coin Meter	0.50EUR + 1EUR
	SP101797	Coin Meter	1DKK + 5DKK
	SP101612	Coin Meter	10NOK + 20NOK
	SP101450	Coin Meter	2DKK + 5DKK
	SP101499	Coin Meter	5NOK
	SP101632	Coin Meter	0.20EUR + 0.50EUR
	SP101586	Coin Meter	1NZD + 2NZD
	SP101155	Coin Meter	10NOK
	SP102084	Coin Meter	10NT + 50NT (dolar)
	SP516639	Coin Meter	2DKK
	SP516638	Coin Meter	Lucky Winner jeton
	SP102473	Coin Meter	10 Taiwan dollar
	SP516636	Coin Meter	10CZK + 20CZK
	SP516804	Coin Meter	7K Equipos Par Lavar jeton
	SP516737	Coin Meter	1EUR + 2EUR
	SP516807	Coin Meter	F10.3-W2000-19,2 Groove jeton, jeton diameter 24.8 mm
	SP100898	Coin Meter	500WON
	SP101437	Coin Meter	0.25USD
	SP516875	Coin Meter	1AUD + 2AUD
	SP102371	Coin Meter	5DKK + 10DKK
	SP102407	Coin Meter	0.2EUR
	SP102452	Coin Meter	1EUR + 0.2 EUR
	SP102546	Coin Meter	SUN WASH jeton
	SP516632	Coin Meter	2DKK + 10DKK
	SP516921	Coin Meter	Unibel Tech 5K jeton
	SP100893	Coin Meter	1AUD
	SP516950	Coin Meter	1CHF
	SP516967	Coin Meter	5 NOK +10NOK
	SP516969	Coin Meter	1 TopMos jeton + 1BGN
	SP516976	Coin Meter	50 penny
	SP516977	Coin Meter	1 Vendo jeton
	SP516980	Coin Meter	2EUR
	SP516984	Coin Meter	0.05EUR
	SP516991	Coin Meter	1 jeton Token

Coin Meter (Drawing 2 of 3)

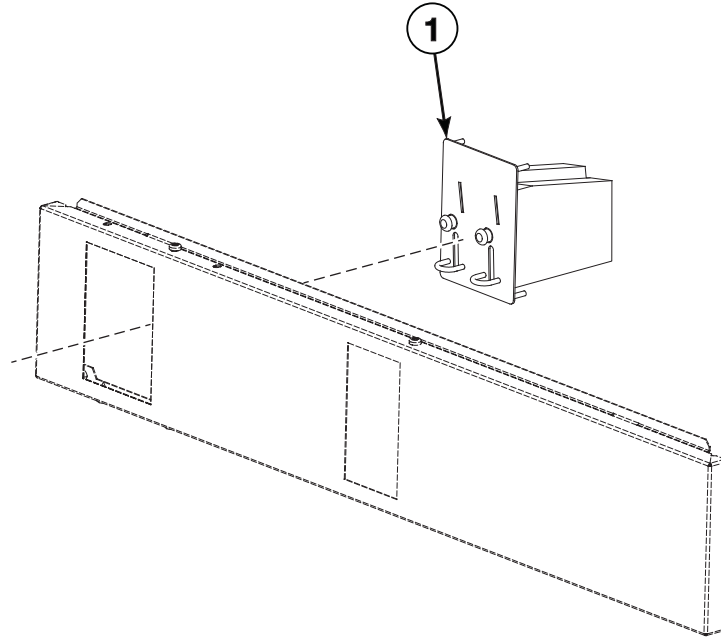


TMB3397P_D1643

Coin Meter (Drawing 2 of 3)

REF	PART NO.	DESCRIPTION	COMMENTS
1	SP516994	Coin Meter	20 pence
	SP516999	Coin Meter	7K + D jetons
	SP529106	Coin Meter	1 Wascator jeton diamater 22.2 mm
	SP529108	Coin Meter	1 Unibel jeton diamater 18.55 mm
	SP529114	Coin Meter	2EUR + 0.50EUR
	SP529115	Coin Meter	50HUF + 100HUF
	SP529119	Coin Meter	1 jeton, without coining, jeton diamater 20 mm
	SP529124	Coin Meter	1 Volund jeton, jeton diamater 22.5 mm
	SP534187	Coin Meter	1 Wascator jeton diamater 19 mm
	SP529113	Coin Meter	1 Miele jeton
	SP529110	Coin Meter	1 jeton without coining, jeton diamater 26 mm
	SP534289	Coin Meter	Three-groove jeton, jeton diamater 27 mm
	SP534297	Coin Meter	Three-groove jeton, jeton diamater 25 mm
	SP537775	Coin Meter	D jeton + 2EUR
	SP537776	Coin Meter	7K jeton + 2EUR
	SP537778	Coin Meter	Milano Italy jeton
	SP537779	Coin Meter	5PLN + 1 PLN
	SP537787	Coin Meter	Two-groove jeton, jeton diamater 27 mm
	SP537788	Coin Meter	A.S.A.R.D. jeton, jeton diamater 25.8 mm
	SP537825	Coin Meter	20CZK
	SP537828	Coin Meter	Electrolux ASARD jeton, jeton diamater 22.3 mm
	SP537859	Coin Meter	Laundromatic Belgium jeton, jeton diamater 22.3 mm
	SP537829	Coin Meter	Carsen two-groove jeton, jeton diamater 22 mm
	SP537913	Coin Meter	Asard Wascator jeton, jeton diamater 19.9 mm
	SP552901	Coin Meter	Eagle jeton, jeton diamater 25.98 mm
	SP552951	Coin Meter	1SGD
	SP552952	Coin Meter	200HUF
	SP552998	Coin Meter	1TRY
	SP553007	Coin Meter	0.5 MYR
	SP553008	Coin Meter	Butzi wash jeton
	SP553152	Coin Meter	EUROTOKEN 10 (DETON WASH)
	SP556109	Coin Meter	1SGD (new Singapore dollar)
	SP556113	Coin Meter	Flash wash jeton
	SP556114	Coin Meter	2PLN
	SP555667	Coin Meter	50 + 50, Malaysian cents
	SP556153	Coin Meter	Symbol M jeton, jeton ROMAC
	SP559709	Coin Meter	1 NOK + 5 NOK
	SP560746	Coin Meter	Dobi Ekspress jeton
	SP560095	Coin Meter	5k IPSO jeton
	SP560096	Coin Meter	7k IPSO jeton
	SP560097	Coin Meter	10k IPSO jeton
	SP560098	Coin Meter	12k IPSO jeton
	SP560099	Coin Meter	15k IPSO jeton
	SP561379	Coin Meter	10 Morrocan Dirham
	SP560793	Coin Meter	AAW Lav-o-seul jeton
	SP553140	Coin Meter	20 CZK + 50 CZK

Coin Meter (Drawing 3 of 3)

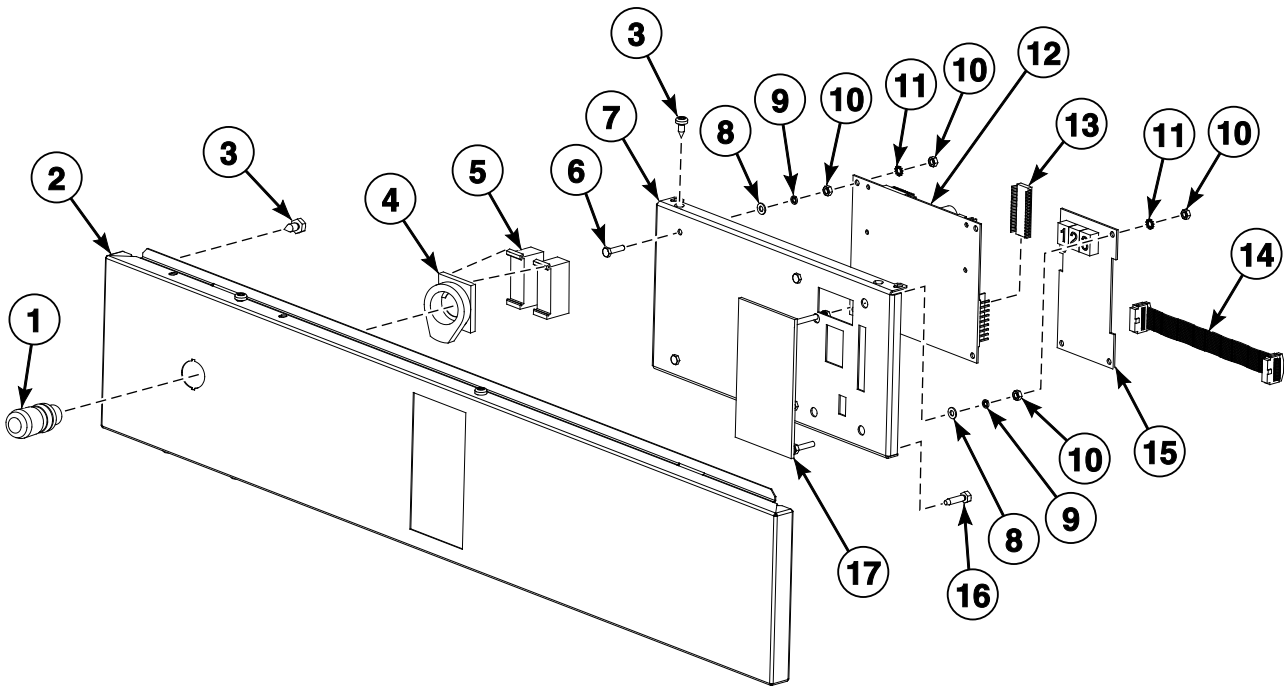


TMB3397P_D1643

Coin Meter (Drawing 3 of 3)

REF	PART NO.	DESCRIPTION	COMMENTS
1	516848	Coin Meter	Washmatic jeton
	516908	Coin Meter	Unibel Tech one-groove jeton
	516909	Coin Meter	Unibel Tech two-groove jeton
	516913	Coin Meter	Unibel Tech jeton for FS07
	516914	Coin Meter	Unibel Tech jeton for FS10
	529159	Coin Meter	1 Wash Jet. 20 jeton
	569920	Coin Meter	0.25USD, 1USD, 0.25CAD, 1CAD, 2CAD; Electronic EMPv7
	569923	Coin Meter	0.2GBP, 0.5GBP, 1GBP, 2GBP, 0.1EUR, 0.2EUR, 0.5EUR, 1EUR, 2EUR; Electronic EMPv7
	569926	Coin Meter	1DKK, 2DKK, 5DKK, 10DKK, 20DKK, 1NOK, 5NOK, 10NOK, 20NOK, 0.2EUR, 0.5EUR, 1EUR, 2EUR; Electronic EMPv7
	569929	Coin Meter	0.2AUD, 1AUD, 2AUD, 0.2NZD, 1NZD, 2NZD, 5HKD, 10HKD, 500KRW; Electronic EMPv7
	569932	Coin Meter	1CNY, 0.1MYR, 0.2MYR, 0.5MYR; Electronic EMPv7
	569935	Coin Meter	0.1EUR, 0.2EUR, 0.5EUR, 1EUR, 2EUR; Electronic EMPv7
	569938	Coin Meter	1PHP, 5PHP, 10PHP; Electronic EMPv7
	569941	Coin Meter	0.1SGD, 0.2SGD, 0.5SGD, 1SGD; Electronic EMPv7
	569944	Coin Meter	0.1MYR, 0.2MYR, 0.5MYR, 0.5SGD, 1SGD; Electronic EMPv7
	569947	Coin Meter	1HRK, 2HRK, 5HRK; Electronic EMPv7
	569950	Coin Meter	5CZK, 10CZK, 20CZK, 50CZK; Electronic EMPv7
	569953	Coin Meter	0.5MAD, 1MAD, 2MAD, 5MAD, 10MAD; Electronic EMPv7
	569956	Coin Meter	1PLN, 2PLN, 5PLN, 0.1EUR, 0.2EUR, 0.5EUR, 1EUR, 2EUR, 10ISK, 50ISK, 100ISK; Electronic EMPv7
	569963	Coin Meter	0.1EUR, 0.2EUR, 0.5EUR, 1EUR, 2EUR, jeton IPSO 5K; Electronic EMPv7
	569966	Coin Meter	0.2GBP, 0.5GBP, 1GBP, 2GBP, 0.1EUR, 0.2EUR, 0.5EUR, 1EUR, 2EUR, jeton "KWL Aqua", jeton "Gettone"; Electronic EMPv7
	569969	Coin Meter	0.1EUR, 0.2EUR, 0.5EUR, 1EUR, 2EUR, jeton G-FIS "LAVOIR BIANCA"; Electronic EMPv7
	569972	Coin Meter	0.5MYR, jeton "DOBI PAPA"; Electronic EMPv7
	569975	Coin Meter	1AUD, 2AUD, jeton "No Cash Value"; Electronic EMPv7
	569981	Coin Meter	0.5MYR, jeton "BUBBLELAB"; Electronic EMPv7
	569986	Coin Meter	HAUCK 2018 jeton
	572303	Coin Meter	Jeton 118-16
	572306	Coin Meter	1ILS, 2ILS, 5ILS, 10ILS; Electronic EMPv7
	572309	Coin Meter	1ZAR, 2ZAR, 5ZAR; Electronic EMPv7
	572312	Coin Meter	5RUB, 10RUB; Electronic EMPv7
	572315	Coin Meter	50CLP, 100CLP, 500CLP; Electronic EMPv7
	572319	Coin Meter	100JPY, 500JPY, 10TWD, 50TWD; Electronic EMPv7
	572322	Coin Meter	0.5GEL, 1GEL, 2GEL; Electronic EMPv7
	572325	Coin Meter	0.1EUR, 0.2EUR, 0.5EUR, 1EUR, 2EUR; Jeton 7K; Electronic EMPv7
	572337	Coin Meter	Jeton 118-1
	572338	Coin Meter	Jeton 118-5
	572340	Coin Meter	Gettone Jeton (26mm diameter x 1.7mm)
	572344	Coin Meter	TOKEN WH121
	572360	Coin Meter	1THB, 2THB, 5THB, 10THB; Electronic EMPv7
	572385	Coin Meter	0.2CHF, 0.5CHF, 1CHF, 2CHF; Electronic EMPv7
	572390	Coin Meter	0.25CAD
	579810	Coin Meter	1AED; Jeton 118-1; Electronic EMPv7
	579814	Coin Meter	20 HUF, 50HUF, 100HUF, 200HUF; Electronic EMPv7
	579820	Coin Meter	2PLN + 5PLN

Easy Control Components Without Coin Meter

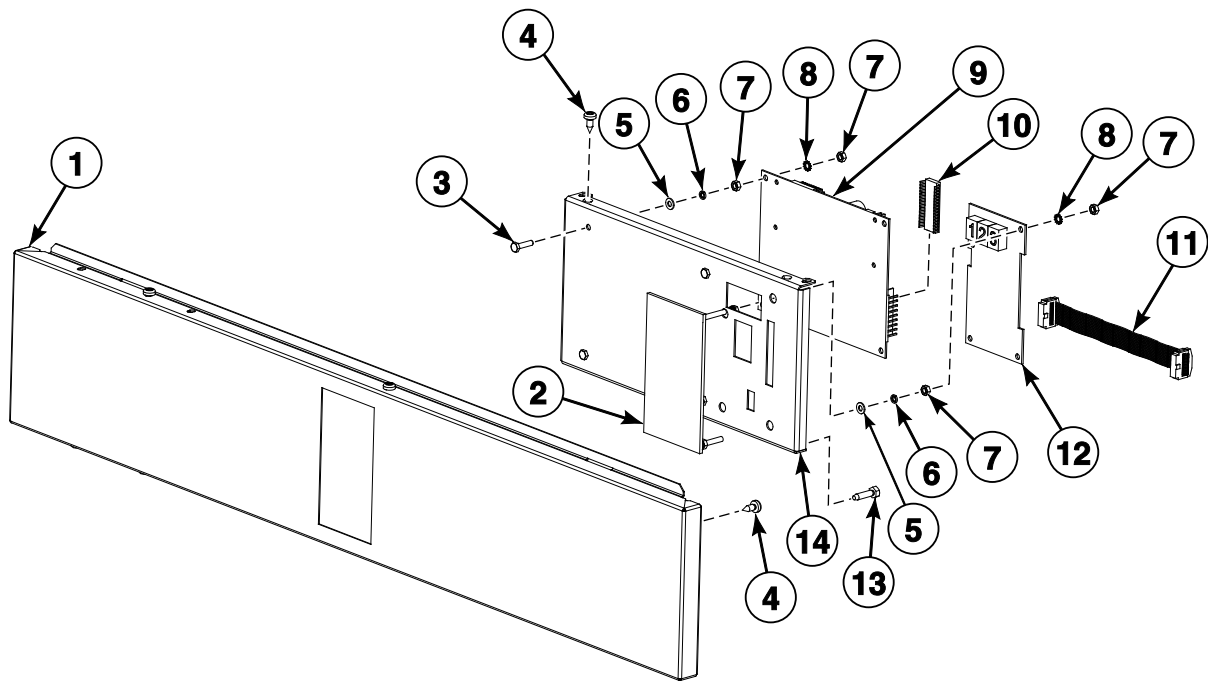


TMB3327P_D1643

Easy Control Components Without Coin Meter

REF	PART NO.	DESCRIPTION	COMMENTS
	SP559804	Control Panel Assembly	U models; Includes items 1-17; Imitation stainless steel
	SP559877	Control Panel Assembly	U models; Includes items 1-17; Stainless steel
	SP559806	Control Panel Assembly	I models; Includes items 1-17; White; Through Serial No. 9T011534QD
	SP559878	Control Panel Assembly	I models; Includes items 1-17; Stainless steel
	SP560708	Control Panel Assembly	S models through 12/31/2020; Includes items 1-17; White
	575440	Control Panel Assembly	S models starting 1/1/2021; Includes items 1-17; Imitation stainless steel
	SP560707	Control Panel Assembly	S models; Includes items 1-17; Stainless steel
	SP559808	Control Panel Assembly	L, N, P and T models; Includes items 1-17; Gray
	SP559805	Control Panel Assembly	L, N, P and T models; Includes items 1-17; Stainless steel
	SP559807	Control Panel Assembly	P and T models; Includes items 1-17; Black; Through Serial No. 9T011534QD
	SP560228	Control Panel Assembly	Model LS195HP_BASIC; Includes items 1-17; White; Through Serial No. 9T011534QD
	SP560229	Control Panel Assembly	Model LS195HP_BASIC; Includes items 1-17; Stainless steel; N models
	574511	Control Panel Assembly	LS195HP_BASIC and N models; Includes items 1-17; Gray; Starting Serial No. 9T011535QD
	574508	Control Panel Assembly	I models; Includes items 1-17; Imitation stainless steel; Starting Serial No. 9T011535QD
1	SP528310	Emergency Stop Knob	
2	SP559789	Control Panel	U models; Imitation stainless steel; I models starting Serial No. 9T011535QD; S models starting 1/1/2021
	SP559793	Control Panel	LS195HP_BASIC and S models; White; I models through Serial No. 9T011534QD
	SP559792	Control Panel	L, N, P and T models; Gray
	SP559791	Control Panel	P and T models; Black
	SP559790	Control Panel	Stainless steel
3	SP514061	Screw	
4	SP528311	Emergency Stop Connector	
5	SP528312	Switching Unit	
6	SP309933000416	Bolt	
7	SP559819	Control Bracket	
8	SP311125000004	Washer	
9	SP311127000004	Washer	
10	SP310934000004	Nut	
11	SP311679800004	Washer	
12	SP102458	Control	
13	SP526001	Memory	Empty without software version
	102460	Memory	Includes SP526001 Memory and software; Gas heating, Electric heating
	545264	Memory	Includes SP526001 Memory and software; Gas heating, Electric heating; Export France
	545265	Memory	Models with heat pump; Includes SP526001 Memory and software
	545266	Memory	Models with heat pump; Includes SP526001 Memory and software; Export France
	545267	Memory	Models with heat pump; Includes SP526001 Memory and software
14	SP521061	Cable	
15	SP102459	Display Board	S and U models; Green
	SP560706	Display Board	I models; Red
	SP553416	Display Board	L, N, P and T models; Blue
16	SP520871	Screw	
17	SP559870	Overlay	U models
	SP559900	Overlay	I models
	SP559871	Overlay	LS195HP_BASIC and S models
	SP556099	Overlay	L, N, P and T models

Easy Control Components With External Payment System

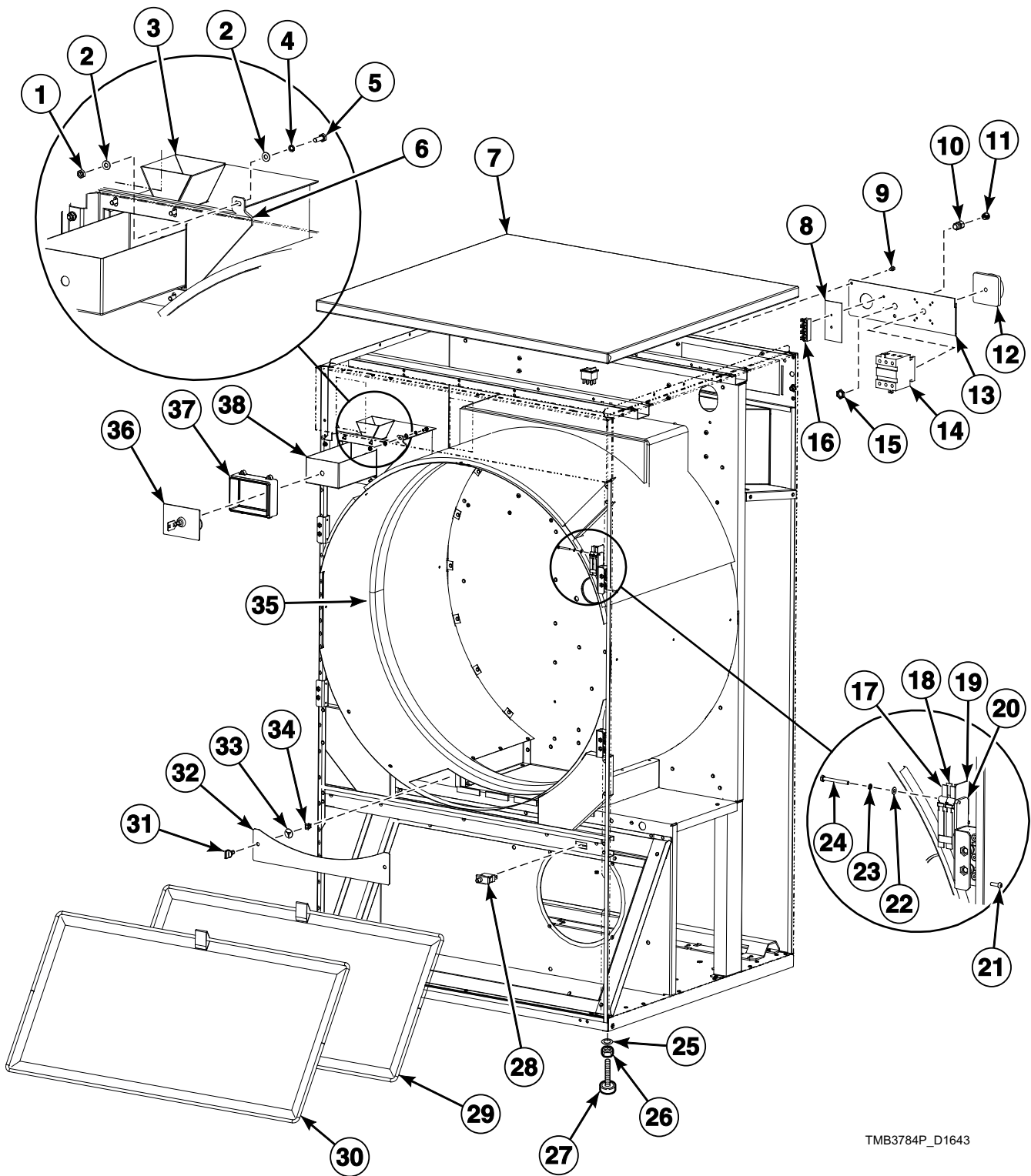


TMB3328P_D1643

Easy Control Components With External Payment System

REF	PART NO.	DESCRIPTION	COMMENTS
	SP559814	Control Panel Assembly	U models; Includes items 1-14; Imitation stainless steel
	SP559881	Control Panel Assembly	U models; Includes items 1-14; Stainless steel
	SP559817	Control Panel Assembly	I models; Includes items 1-14; White; Through Serial No. 9T011534QD
	SP559882	Control Panel Assembly	I models; Includes items 1-14; Stainless steel
	SP560703	Control Panel Assembly	S models; Includes items 1-14; White
	SP560702	Control Panel Assembly	S models; Includes items 1-14; Stainless steel
	575442	Control Panel Assembly	S models starting 1/1/2021; Includes items 1-14; Imitation stainless steel
	SP559816	Control Panel Assembly	P and T models; Includes items 1-14; Gray
	SP559815	Control Panel Assembly	P and T models; Includes items 1-14; Stainless steel
	SP559818	Control Panel Assembly	P and T models; Includes items 1-14; Black; Through Serial No. 9T011534QD
	SP559821	Control Panel Assembly	P and T models; Includes items 1-14; Black
	SP560232	Control Panel Assembly	Model LS195HP_BASIC; Includes items 1-14; White; Through Serial No. 9T011534QD
	SP560233	Control Panel Assembly	L, LS195HP_BASIC and N models; Includes items 1-14; Stainless steel
	574510	Control Panel Assembly	I models; Includes items 1-14; Imitation stainless steel; Starting Serial No. 9T011535QD
	574513	Control Panel Assembly	L and N models; Includes items 1-14; Gray; Starting Serial No. 9T011535QD
1	SP559799	Control Panel	U models; Imitation stainless steel; I models starting Serial No. 9T011535QD; S models starting 1/1/2021
	SP559802	Control Panel	I, LS195HP_BASIC and S models; White
	SP559801	Control Panel	L, N, P and T models; Gray
	SP559803	Control Panel	P and T models; Black
	SP559800	Control Panel	Stainless steel
2	SP559870	Overlay	U models
	SP559900	Overlay	I models
	SP559871	Overlay	LS195HP_BASIC and S models
	SP556099	Overlay	L, N, P and T models
	SP553415	Overlay	Model T9E
3	SP309933000416	Bolt	
4	SP514061	Screw	
5	SP311125000004	Washer	
6	SP311127000004	Washer	
7	SP310934000004	Nut	
8	SP311679800004	Washer	
9	SP102458	Control	
10	SP526001	Memory	Empty without software version
	102460	Memory	Includes SP526001 Memory and software; Gas heating, Electric heating
	545264	Memory	Includes SP526001 Memory and software; Gas heating, Electric heating; Export France
	545265	Memory	Models with heat pump; Includes SP526001 Memory and software
	545266	Memory	Models with heat pump; Includes SP526001 Memory and software; Export France
	545267	Memory	Models with heat pump; Includes SP526001 Memory and software
11	SP521061	Cable	
12	SP102459	Display Board	S and U models; Green
	SP560706	Display Board	I models; Red
	SP553416	Display Board	L, N, P and T models; Blue
13	SP520871	Screw	
14	SP559819	Control Bracket	

Cabinet - Heat Pump Models

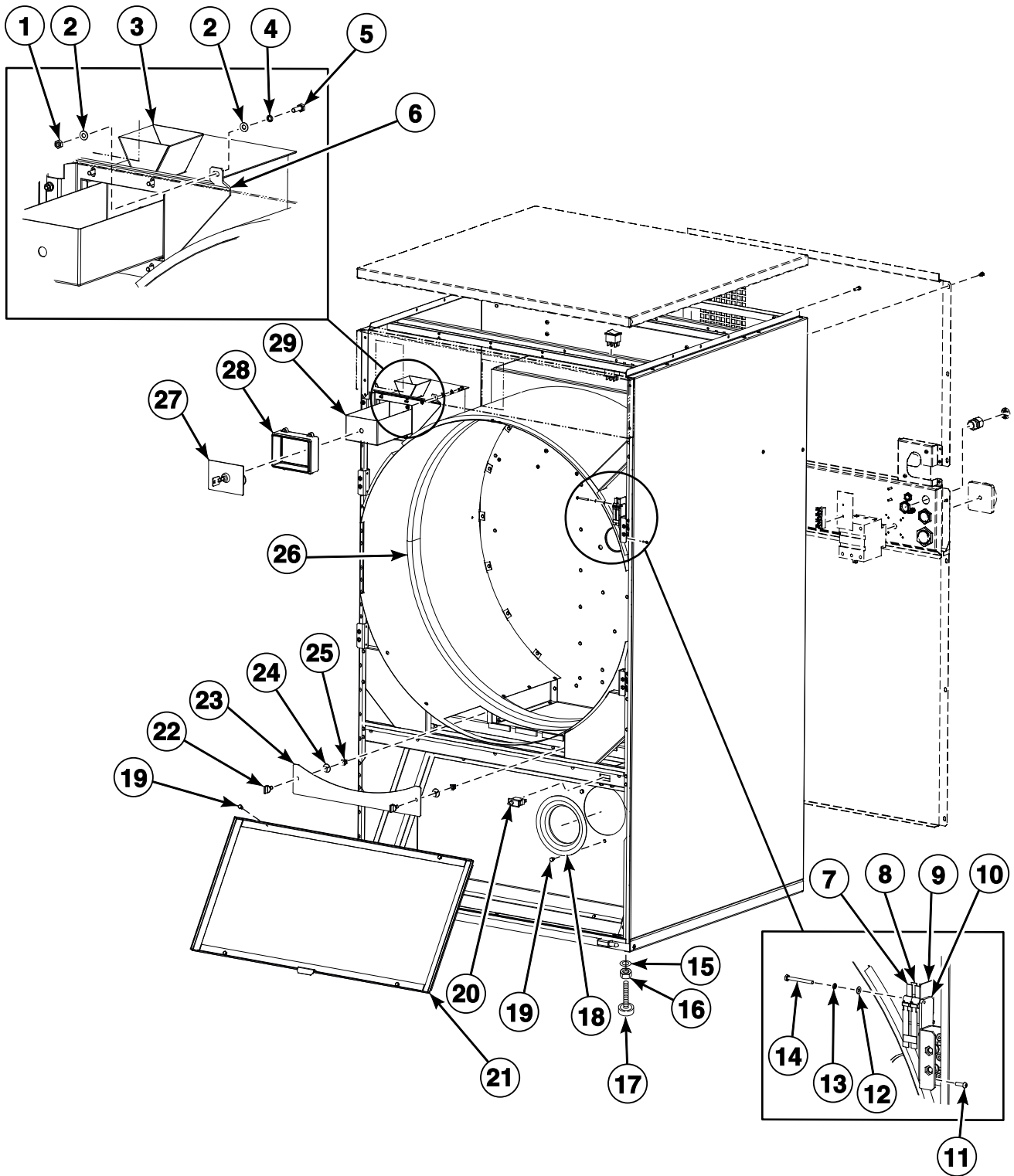


TMB3784P_D1643

Cabinet - Heat Pump Models

REF	PART NO.	DESCRIPTION	COMMENTS
	SP520404	Door Switch Assembly	Includes items 17-24
	SP521325	Coin Vault Assembly	Includes items 1-6 and 36-38
	SP521274	Filter	
	SP100388	Switch	
	SP560161	Filter Assembly	Includes items 29 and 30
1	SP310934000004	Nut	
2	SP311125000004	Washer	
3	SP521329	Coin Vault Box	
4	SP311127000004	Washer	
5	SP309933240412	Bolt	
6	SP559746	Coin Vault Bracket	
7	SP521153	Upper Cover	U models; Imitation stainless steel; I models starting Serial No. 9T011535QD; S models starting 1/1/2021
	SP559708	Upper Cover	Model LS195HP_BASIC; White; I models through Serial No. 9T011534QD; S models through 12/31/2020
	SP556012	Upper Cover	EC, L, N, P and T models; Gray
	SP521247	Upper Cover	Stainless steel
8	SPPRI350012007	Isolation Paper	
9	SP100218	Screw	
10	SP101405	Bushing	
11	SPPRI505003064	Plug	
12	SPPRI404000095	Main Switch Knob	
13	SP520816	Main Switch Panel	
14	SPPRI404000097	Main Switch	Main heating
15	SP101415	Nut	
16	SPPRI350000007	Terminal Board	
17	SPPRI610011077	Microswitch	
18	SP517484	Microswitch	
19	SP101154	Isolation Plate	
20	SP520403	Door Switch Holder	
21	SP518719	Bolt	
22	SP311125000003	Washer	
23	SP311127000003	Washer	
24	SP516693	Bolt	
25	SP311125000010	Washer	
26	SP310934000010	Nut	
27	SPPRI504000001	Adjustable Foot	
28	SP506045	Microswitch	
29	SP560157	Fine Filter	
30	SP560126	Filter	
31	SP545529	Bolt	
32	SP541312	Exhaust Lid	
33	SP545531	Washer	
34	SP545530	Nut	
35	SP518505	Front Seal	
36	SP515291	Coin Vault Cover	
37	SP501514	Coin Vault Frame	
38	SP321848140028	Coin Vault	

Cabinet - Gas and Electric Models (Drawing 1 of 2)

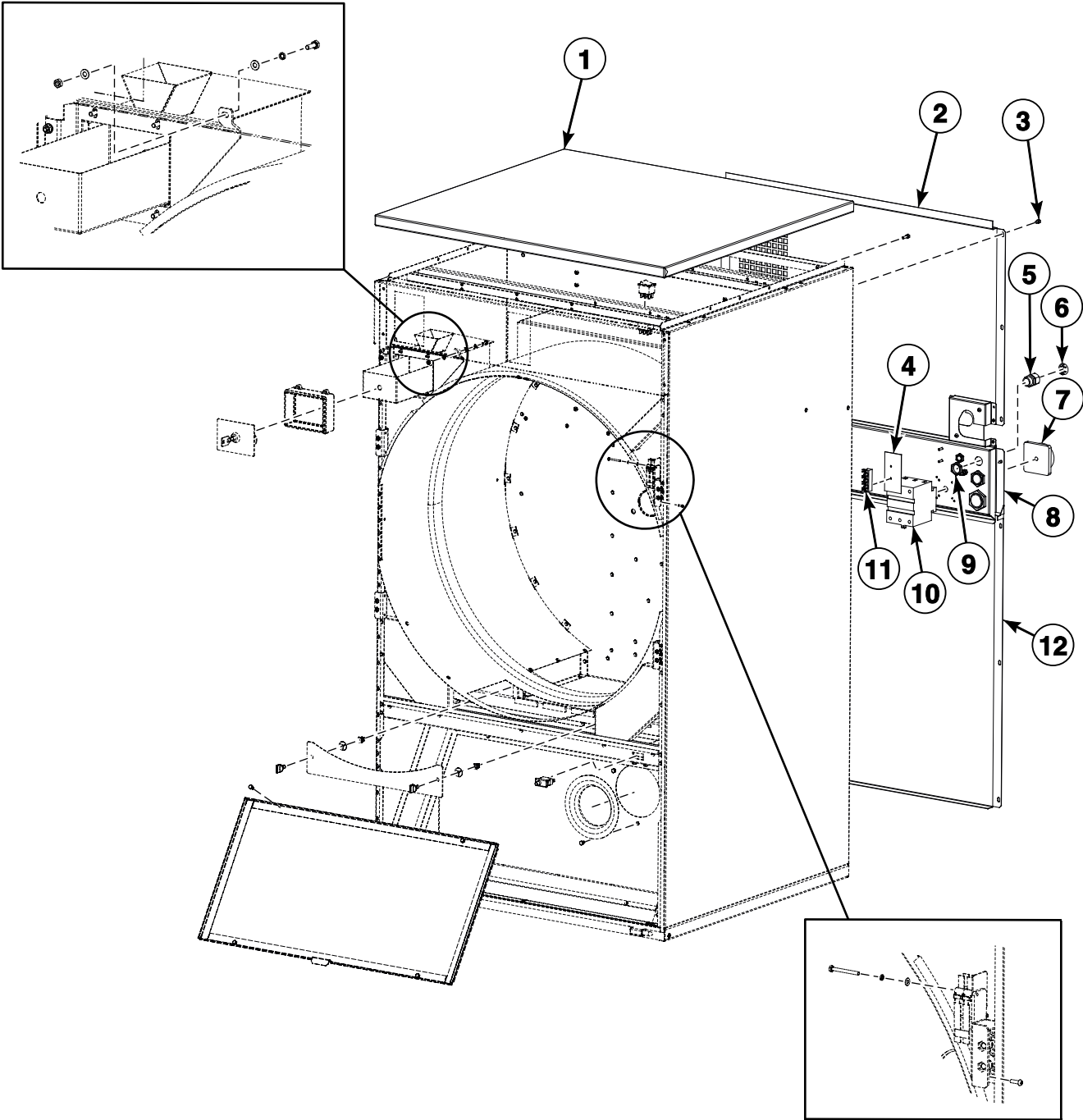


TMB3781P_D1643

Cabinet - Gas and Electric Models (Drawing 1 of 2)

REF	PART NO.	DESCRIPTION	COMMENTS
	SP520404	Door Switch Assembly	Includes items 7-14
	SP521325	Coin Vault Assembly	Includes items 1-6 and 27-29
	SP523615	Filter	Includes item 21
	SP100388	Switch	
1	SP310934000004	Nut	
2	SP311125000004	Washer	
3	SP521329	Coin Vault Box	
4	SP311127000004	Washer	
5	SP309933240412	Bolt	
6	SP559746	Coin Vault Bracket	
7	SPPRI610011077	Microswitch	
8	SP517484	Microswitch	
9	SP101154	Isolation Plate	
10	SP520403	Door Switch Holder	
11	SP518719	Bolt	
12	SP311125000003	Washer	
13	SP311127000003	Washer	
14	SP516693	Bolt	
15	SP311125000010	Washer	
16	SP310934000010	Nut	
17	SPPRI504000001	Adjustable Foot	
18	SP521268	Inlet	
19	SP100218	Screw	
20	SP506045	Microswitch	
21	SP521274	Filter	
22	SP545529	Bolt	
23	SP541312	Exhaust Lid	
24	SP545531	Washer	
25	SP545530	Nut	
26	SP518505	Front Seal	
27	SP515291	Coin Vault Cover	
28	SP501514	Coin Vault Frame	
29	SP321848140028	Coin Vault	

Cabinet - Gas and Electric Models (Drawing 2 of 2)

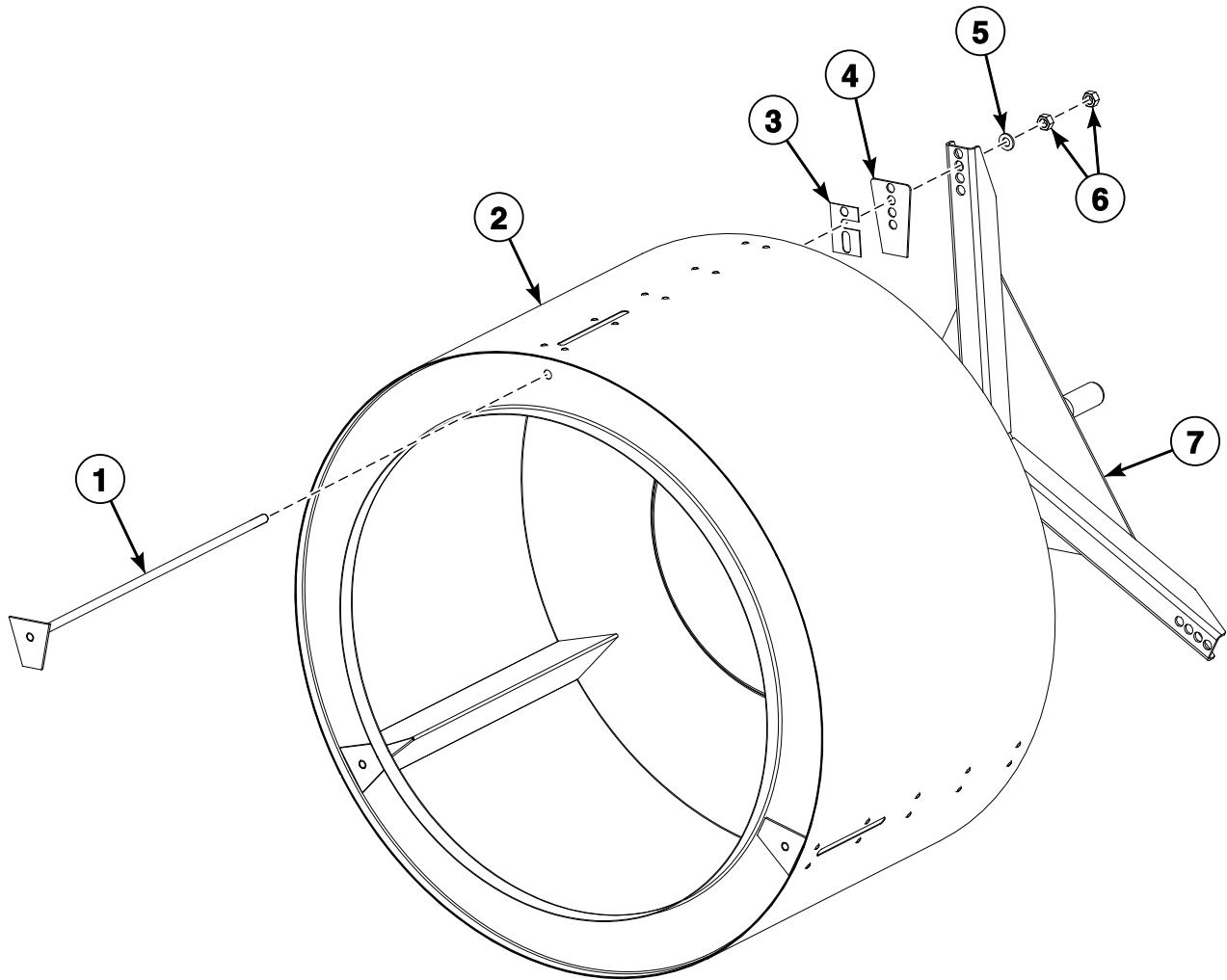


TMB3362PA_D1643

Cabinet - Gas and Electric Models (Drawing 2 of 2)

REF	PART NO.	DESCRIPTION	COMMENTS
1	SP556012	Upper Cover	Gray; EC, L, N, P and T models
	SP521247	Upper Cover	Stainless steel
	SP559708	Upper Cover	I models through Serial No. 9T011534QD; S models through 12/31/2020; White
	SP521153	Upper Cover	U models; Imitation stainless steel; I models starting Serial No. 9T011535QD; S models starting 1/1/2021
2	SP524288	Rear Upper Cover	Electric models
	SP556539	Rear Upper Cover	Gas models
3	SP100218	Screw	
4	SPPRI350012007	Isolation Paper	
5	SP101407	Bushing	Gas models
	SP101405	Bushing	External payment system
	SP101408	Bushing	Electric models
	SP101409	Bushing	Electric models
6	SPPRI505003064	Plug	Not for external payment systems
	SP345900025012	Plug	#20
	SP345900032132	Plug	#25
	SP345900043132	Plug	#32
7	SPPRI404000095	Main Switch Knob	
8	SP524286	Rear Reinforcement Panel	
9	SP101417	Nut	Gas models
	SP101415	Nut	External payment system
	SP101418	Nut	Electric models
	SP101419	Nut	Electric models
10	SPPRI404000097	Main Switch	Gas models; 9 kW, 380-415V or 440V and 12 kW, 380-415V or 440V
	SPPRI404000098	Main Switch	Electric models; Electric; 9 kW, 208-240V
	SPPRI404000099	Main Switch	Electric models; Electric; 12 kW, 208-240V
	SP506407	Main Switch	Gas models; Fourth pole
11	SPPRI350000007	Terminal Board	
12	SP521181	Rear Lower Cover	

Drum Assembly

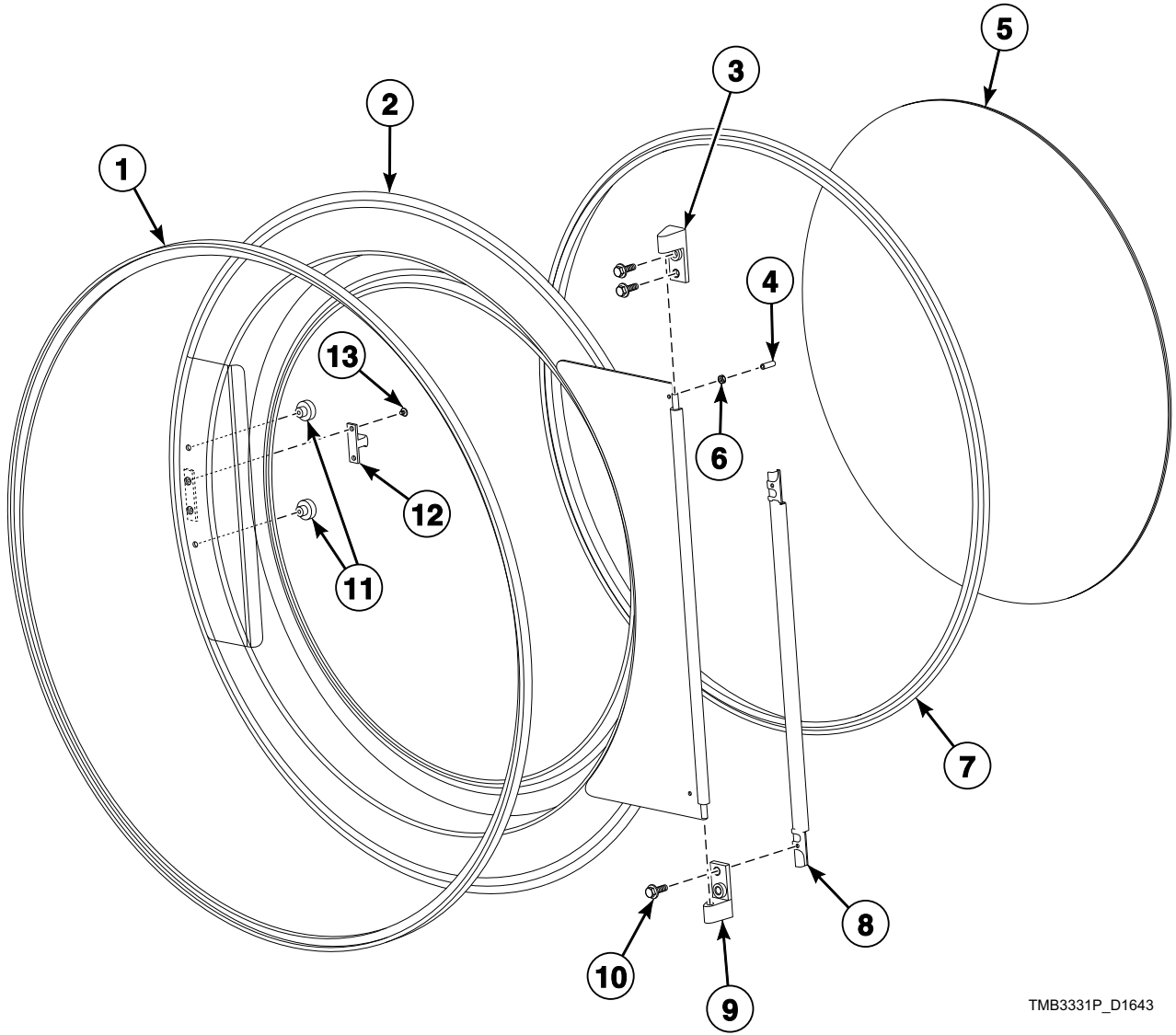


TMB3330P_D1643

Drum Assembly

REF	PART NO.	DESCRIPTION	COMMENTS
	573272	Drum Assembly	Galvanized; Includes items 1-7
	573273	Drum Assembly	Stainless Steel; Includes items 1-7
1	SP521128	Bolt	
2	573274	Drum	Galvanized
	577727	Drum	Stainless Steel
3	SP512233	Washer	1mm
	517426	Washer	0,5mm
4	SP510697	Washer	
5	SP311125000010	Washer	
6	SP310934000010	Nut	
7	SP521020	Drum Cross	

Door Assembly



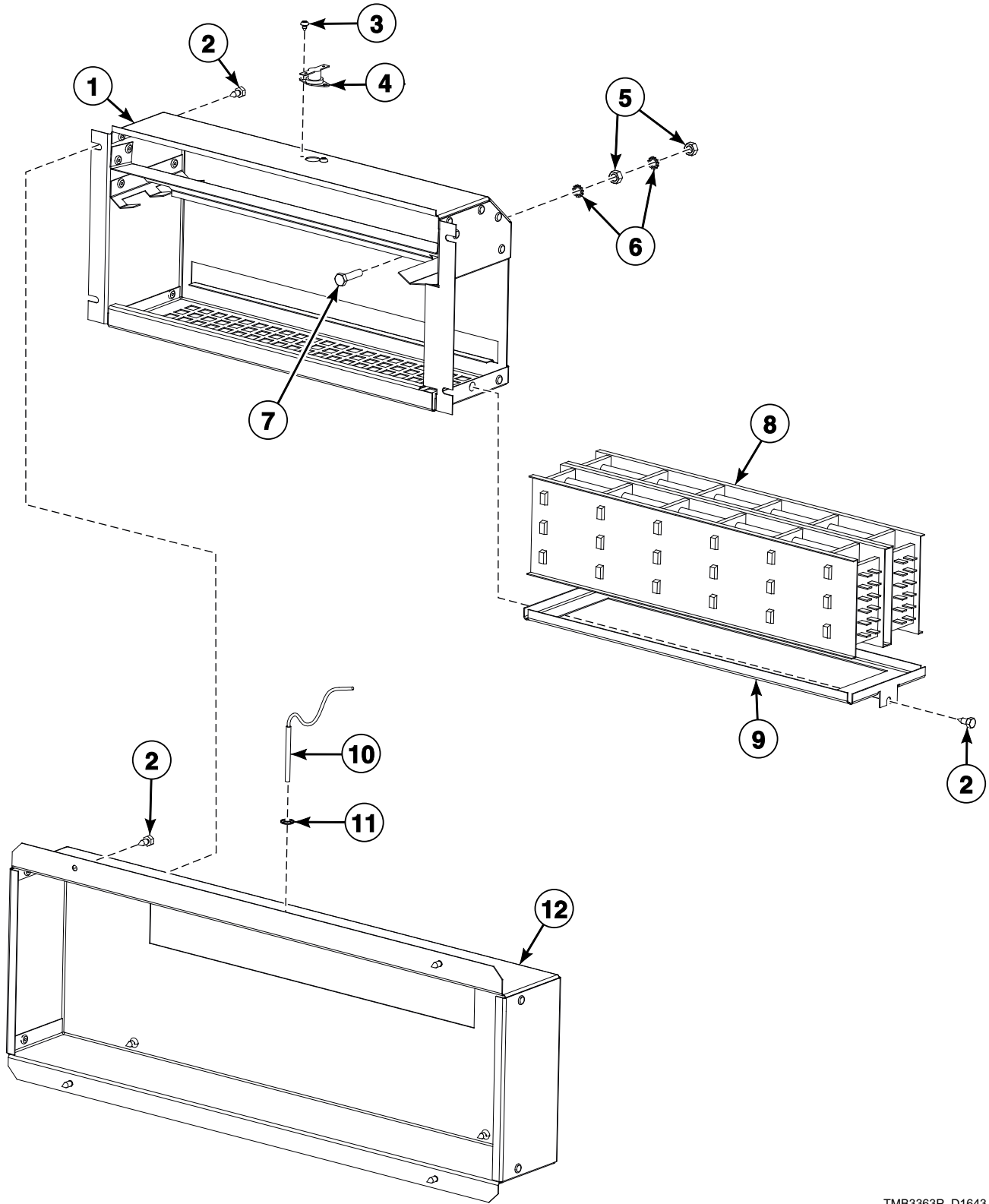
TMB3331P_D1643

Door Assembly

REF	PART NO.	DESCRIPTION	COMMENTS
	SP534969	Glue	Use with item 5
	SP245704003021	Adhesive	Use with item 4
	SP556558	Door Assembly	EC, P and T models; Gas and electric; Includes items 1-13; Silver; Through Serial No. 9T011244MQ
	559702	Door Assembly	EC, P, S, T and U models; Gas and electric; Includes items 1-13; Mettalic gray; Starting Serial No. 9T011245MQ; S and U models through Serial No. 9T012833UD
	SP556559	Door Assembly	I, L and N models; S and U models starting Serial No. 9T012834UD; Heat pump; Includes items 1-13; Black
	SP559703	Door Assembly	P, S, T and U models; Heat pump; Includes items 1-13; Metallic gray; S and U models through Serial No. 9T012833UD
	SP556561	Door Assembly	EC, P and T models; Heat pump; Includes items 1-13; Silver; Through Serial No. 9T011244MQ
	SP524359	Door Assembly	I, L, N, S and U models; Gas and electric; Black; I models starting Serial No. 9T011535QD; S and U models starting Serial No. 9T012834UD
1	SP534873	Door Ring	
2	SP524364	Door	I, L, N, S and U models; Black
	SP559701	Door	P, S, T and U models; Metallic gray
	SP556552	Door	EC, P and T models; Silver
3	SP525105	Upper Door Hinge	I, L, N, S and U models; Black
	SP559705	Upper Door Hinge	P, S, T and U models; Metallic gray
	SP556555	Upper Door Hinge	EC, P and T models; Silver
4	SP520201	Stop Pin	
5	SP512053	Door Glass	
6	SP310934240004	Nut	
7	SP519933	Outer Door Gasket	
8	SP524582	Lath	I, L, N, S and U models; Black
	SP559706	Lath	P, S, T and U models; Metallic gray
	SP556553	Lath	EC, P and T models; Silver
9	SP525104	Lower Door Hinge	I, L, N, S and U models; Black
	SP559704	Lower Door Hinge	P, S, T and U models; Metallic gray
	SP556554	Lower Door Hinge	EC, P and T models; Silver
10	SP525101	Bolt	
11	SP556557	Magnet	
12	SP514530	Latch	
13	SP524367	Bolt	

Electric Heating Components

Electric Models

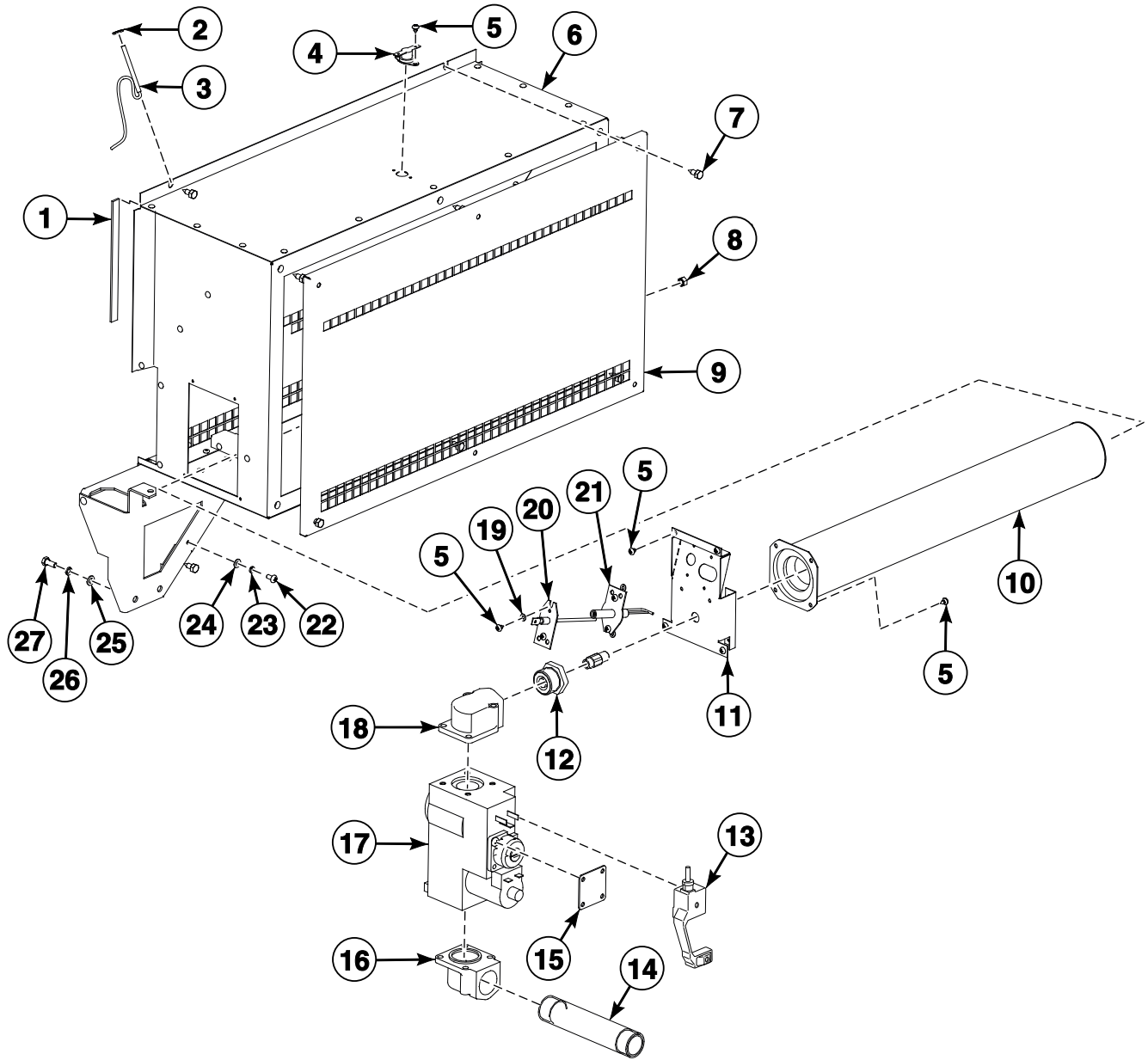


TMB3363P_D1643

Electric Heating Components

REF	PART NO.	DESCRIPTION	COMMENTS
	SP521332	Heating Component Assembly	12 kW; Includes items 1-12
	SP521372	Heating Component Assembly	9 kW; Includes items 1-12
	SP556010	Heating Component Assembly	6 kW; Includes items 1-12
1	SP528901	Heater Box	
2	SP100218	Screw	
3	SP517238	Screw	
4	SP514127	Safety Thermostat	
5	SP310934100006	Nut	
6	SP311679824006	Washer	
7	SP309933100625	Bolt	
8	SP510984	Heating Element	6 kW
	SP510985	Heating Element	4.5 kW
	SP557786	Fuse	
9	SP521334	Trolley	
10	SP516092	Temperature Sensor	
11	SP516669	Washer	
12	SP525075	Cover	

Gas Heating Components - Gas Models Through Serial No. 9T011519QD (Drawing 1 of 2)

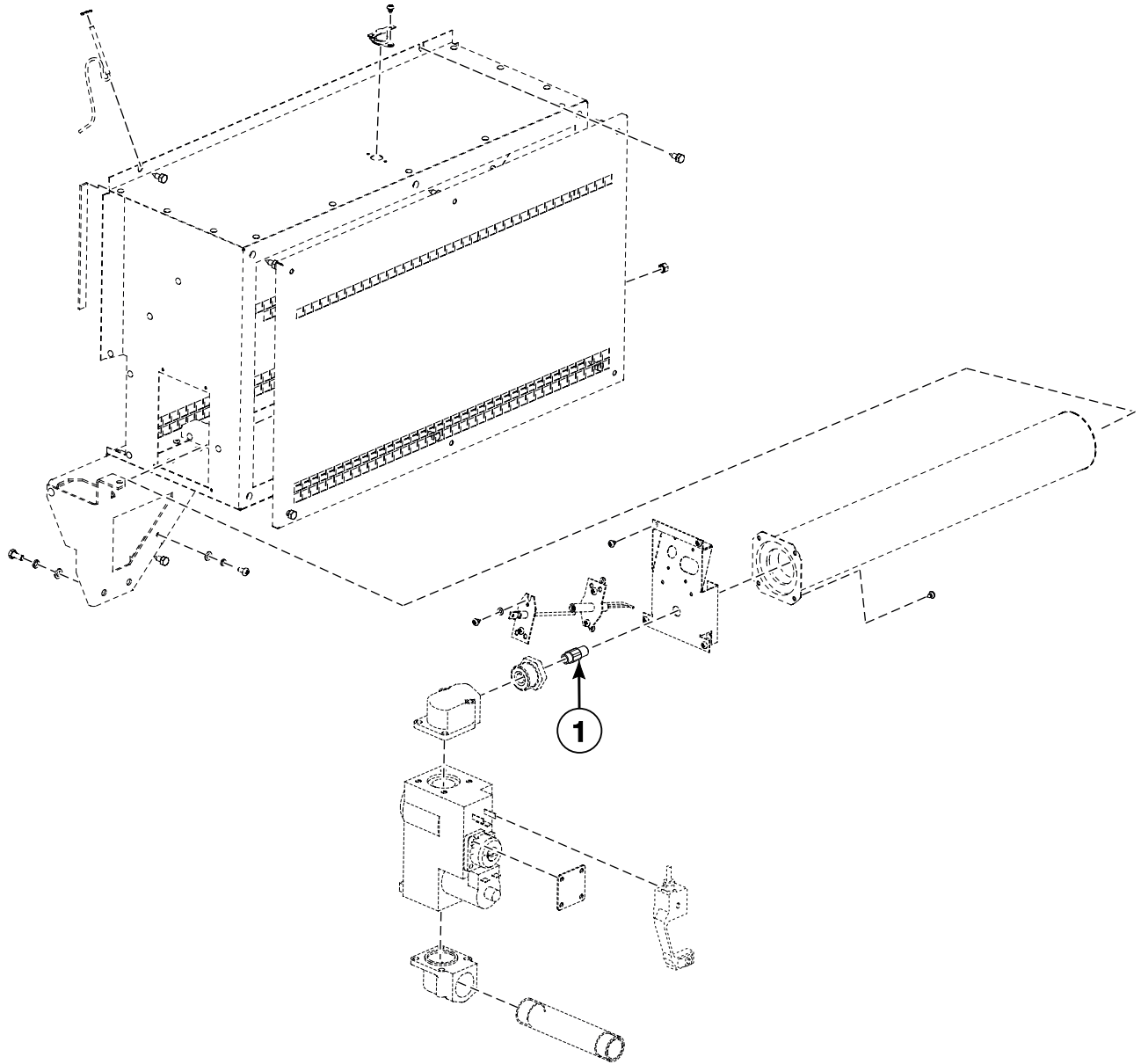


CZT2P_D1643

Gas Heating Components - Gas Models Through Serial No. 9T011519QD (Drawing 1 of 2)

REF	PART NO.	DESCRIPTION	COMMENTS
	SP273454410020	Hose	
	SP516144	Flame Detection Cable	Use with item 20
	SP516143	Ignition Cable	Use with item 21
	520098	Gas Valve Wiring	60 Hertz; Use with item 17
1	SP517232	Seal	
2	SP516669	Washer	
3	SP516092	Temperature Sensor	
4	SP514127	Safety Thermostat	
5	SP517238	Screw	
6	SP523780	Gas Heater Box	
7	SP100218	Screw	
8	SP310934240005	Nut	
9	SP525524	Rear Cover	
10	SP552515	Burner Tube	
11	SP525442	Electrode Bracket	
12	SP512067	Nozzle	
13	345000180901	Connector	50 Hertz; Use with item 17
	345000160645	Contact	50 Hertz; Use with item 17
	SP357500459412	Gas Valve Cable	50 Hertz; Use with item 17
14	SP519198	Tube	
15	SP102019	Blank Plate Kit	Without regulator
16	N/A	Flange	
17	SP102000	Gas Valve	50 Hertz
	SP520281	Gas Valve	60 Hertz
18	SP102018	Flange	
19	SP311125000003	Washer	
20	SP102002	Detection Electrode	
21	575643	Ignition Electrode	
22	SP309798524408	Bolt	
23	SP311127240004	Washer	
24	SP311125240004	Washer	
25	SP311125000005	Washer	
26	SP311127000005	Washer	
27	SPPRI202001001	Bolt	

Gas Heating Components - Gas Models Through Serial No. 9T011519QD (Drawing 2 of 2)

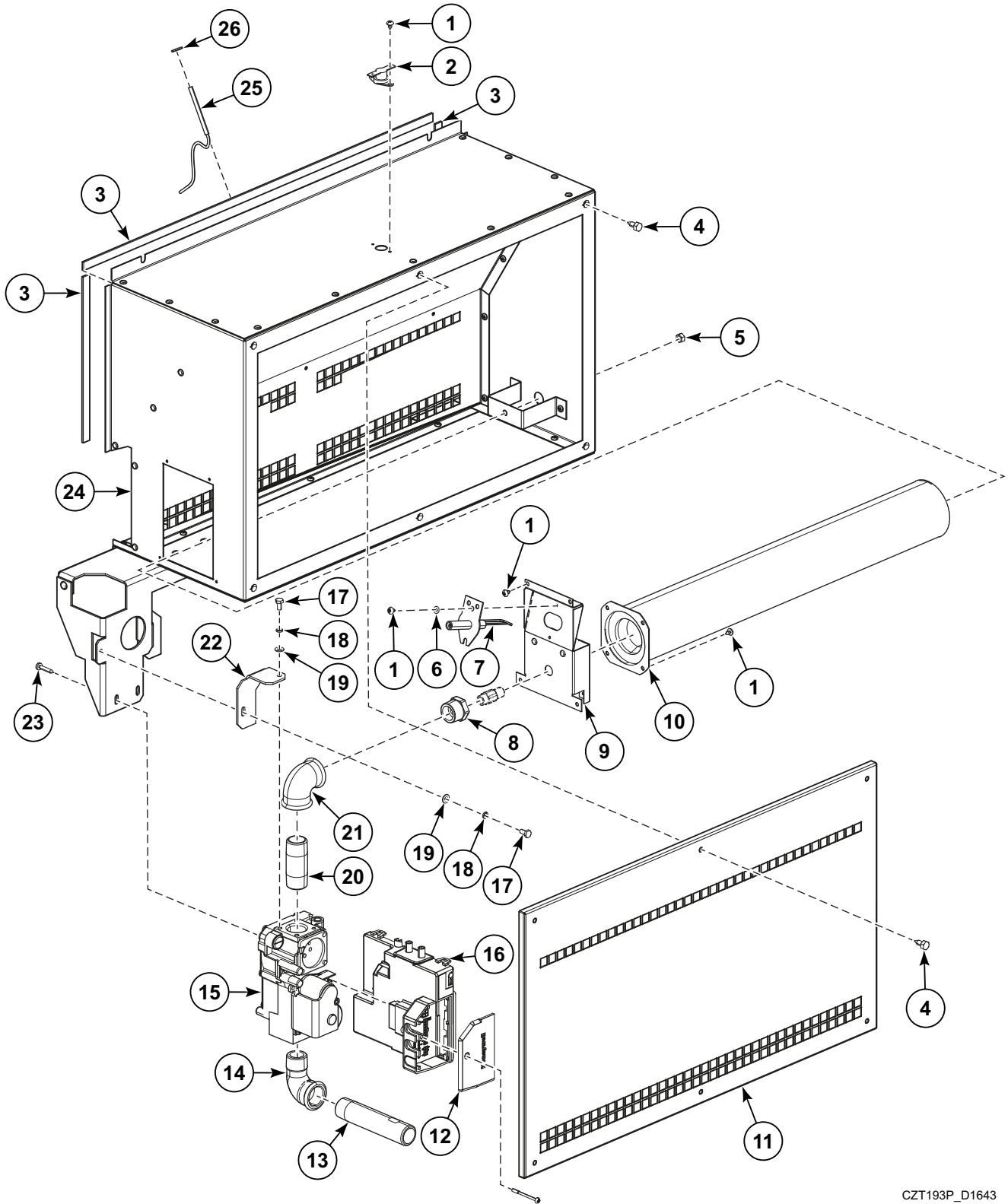


CZT2PA_D1643

Gas Heating Components - Gas Models Through Serial No. 9T011519QD (Drawing 2 of 2)

REF	PART NO.	DESCRIPTION	COMMENTS
1	525466	Orifice	130
	525465	Orifice	165
	517241	Orifice	170
	517327	Orifice	175
	517328	Orifice	185
	517243	Orifice	190
	517222	Orifice	200
	520399	Orifice	210
	517223	Orifice	215
	517329	Orifice	220
	517224	Orifice	235
	517245	Orifice	245
	530819	Orifice	250
	517246	Orifice	260
	517250	Orifice	290
	517251	Orifice	300
	517252	Orifice	310
	517253	Orifice	325
	517225	Orifice	350
	517257	Orifice	360
	517258	Orifice	365
	517226	Orifice	380
	530820	Orifice	385
	517227	Orifice	420
	517330	Orifice	435
	517331	Orifice	445
	517337	Orifice	530
	520237	Orifice	650
	520236	Orifice	700

Gas Heating Components - Gas Models Starting Serial No. 9T011520QD (Drawing 1 of 2)

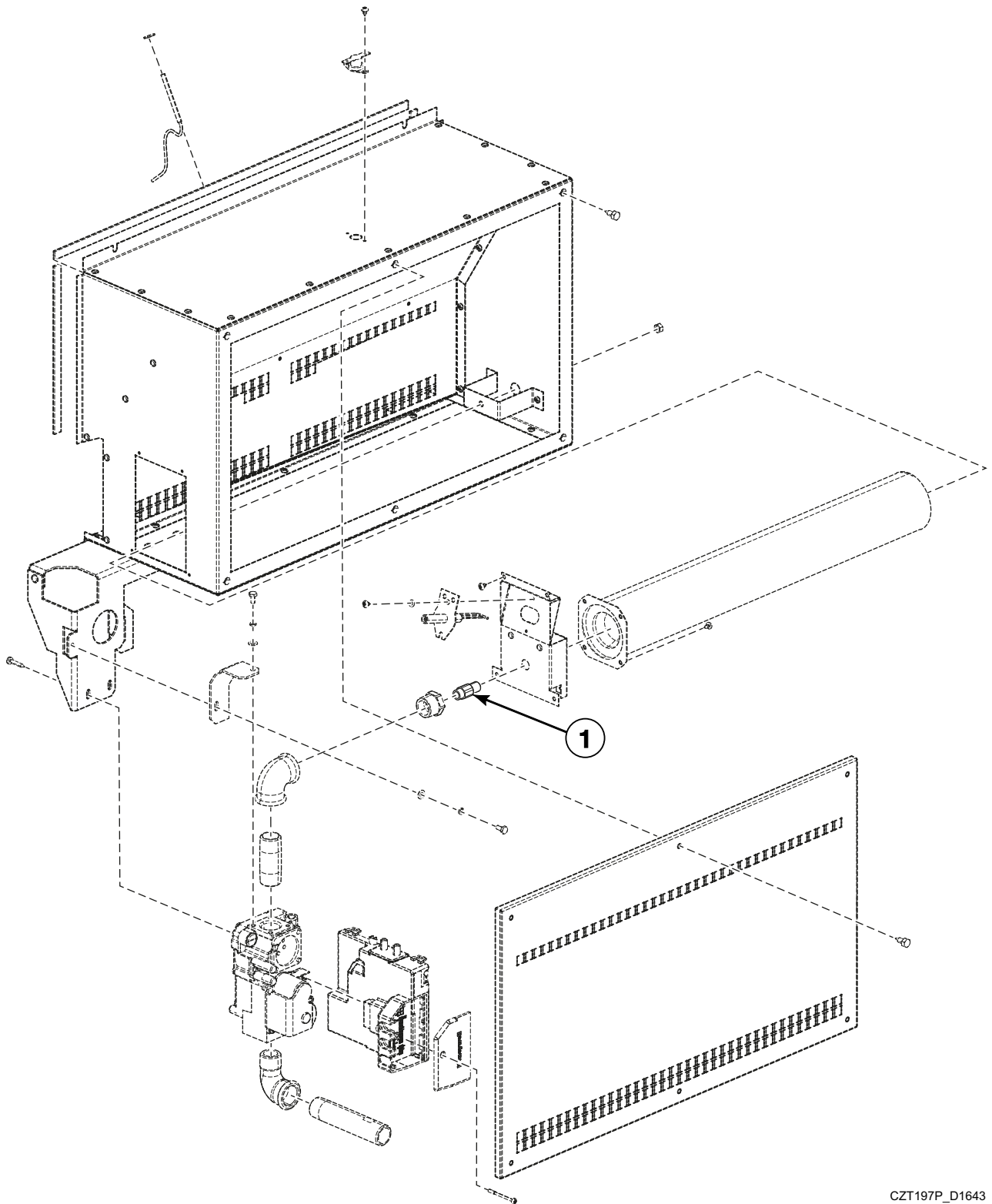


CZT193P_D1643

Gas Heating Components - Gas Models Starting Serial No. 9T011520QD (Drawing 1 of 2)

REF	PART NO.	DESCRIPTION	COMMENTS
1	SP517238	Screw	ST 3.6x6.5
2	SP514127	Safety Thermostat	
3	SP517232	Seal	
4	SP100218	Screw	ST4.8x13
5	SP310934240005	Nut	M5
6	SP311125000003	Washer	3.2
7	575643	Ignition Electrode	
8	571884	Holder	
9	571920	Holder	
10	SP552515	Burner Tube	
11	SP525524	Rear Cover	
12	SP537625	Terminal Board Cover	
13	571928	Tube	1/2 inch
14	572352	Elbow	1/2 inch
15	572351	Gas Valve	
16	571938	Control Unit	
17	SP309933240412	Bolt	M4x12
18	SP311127000004	Washer	M4
19	SP311125000004	Washer	4.3
20	571881	Tube	1/2 inch
21	572350	Elbow	1/2 inch
22	571937	Holder	
23	572361	Screw	ST3.9x13
24	571918	Gas Heater Box	
25	SP516092	Temperature Sensor	
26	SP516669	Washer	2 pcs

Gas Heating Components - Gas Models Starting Serial No. 9T011520QD (Drawing 2 of 2)



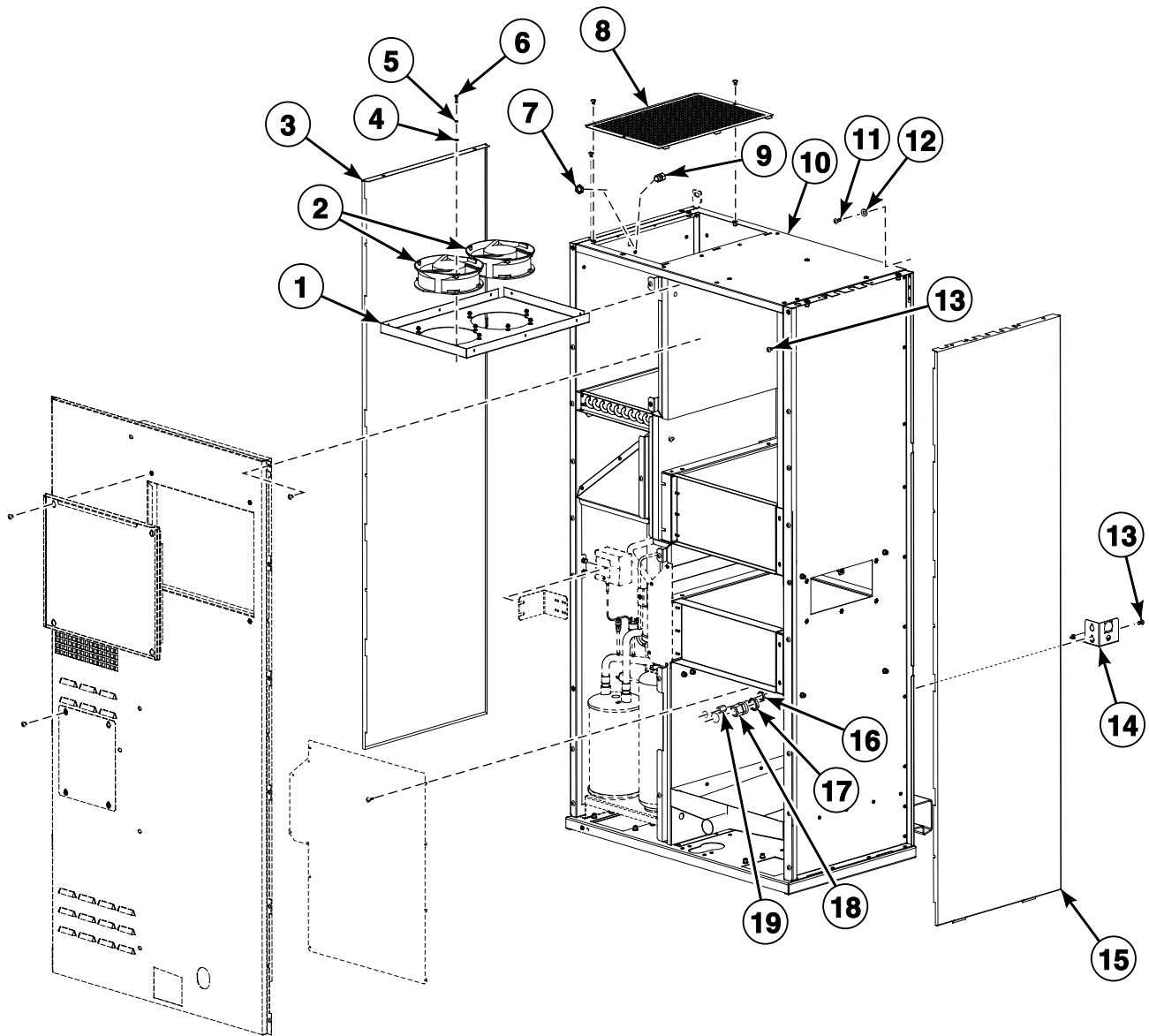
CZT197P_D1643

Gas Heating Components - Gas Models Starting Serial No. 9T011520QD (Drawing 2 of 2)

REF	PART NO.	DESCRIPTION	COMMENTS
1	525466	Orifice	130
	525465	Orifice	165
	517241	Orifice	170
	517327	Orifice	175
	517328	Orifice	185
	517243	Orifice	190
	517222	Orifice	200
	520399	Orifice	210
	517223	Orifice	215
	517329	Orifice	220
	517224	Orifice	235
	517245	Orifice	245
	530819	Orifice	250
	517246	Orifice	260
	517250	Orifice	290
	517251	Orifice	300
	517252	Orifice	310
	517253	Orifice	325
	517225	Orifice	350
	517257	Orifice	360
	517258	Orifice	365
	517226	Orifice	380
	530820	Orifice	385
	517227	Orifice	420
	517330	Orifice	435
	517331	Orifice	445
	517337	Orifice	530
	520237	Orifice	650
	520236	Orifice	700

Heat Pump (Drawing 1 of 2)

Heat Pump Models



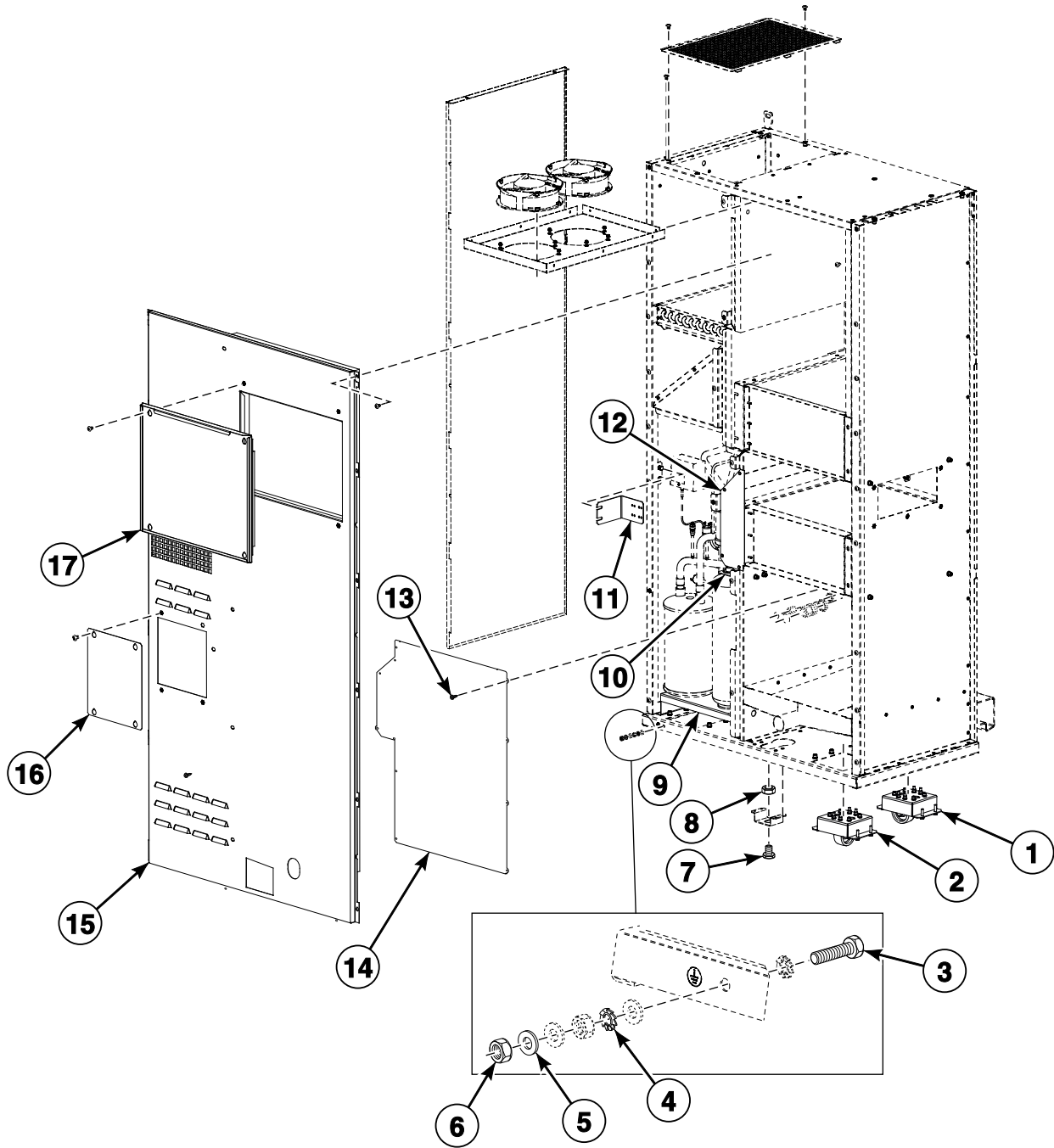
TMB3438P_D1643

Heat Pump (Drawing 1 of 2)

REF	PART NO.	DESCRIPTION	COMMENTS
	SP556086	Heat Pump	U models; With rinsing system; 380-415 Volt/50 Hertz/3 Phase Plus N or 440 Volt/60 Hertz/3 Phase; Imitation stainless steel; I models starting Serial No. 9T011535QD; S models starting 1/1/2021
	SP556088	Heat Pump	U models; With rinsing system; 230 Volt/50 Hertz/3 Phase; Imitation stainless steel; I models starting Serial No. 9T011535QD; S models starting 1/1/2021
	SP556094	Heat Pump	U models; Without rinsing system; 380-415 Volt/50 Hertz/3 Phase Plus N or 440 Volt/60 Hertz/3 Phase; Imitation stainless steel; I models starting Serial No. 9T011535QD; S models starting 1/1/2021
	SP556096	Heat Pump	U models; Without rinsing system; 230 Volt/50 Hertz/3 Phase; Imitation stainless steel; I models starting Serial No. 9T011535QD; S models starting 1/1/2021
	SP556665	Heat Pump	Model LS195HP_BASIC; With rinsing system; 230 Volt/50 Hertz/3 Phase; White; I models through Serial No. 9T011534QD; S models through 12/31/2020
	SP556666	Heat Pump	Model LS195HP_BASIC; With rinsing system; 380-415 Volt/50 Hertz/3 Phase plus N or 440 Volt/60 Hertz/3 Phase; White; I models through Serial No. 9T011534QD; S models through 12/31/2020
	SP556661	Heat Pump	Model LS195HP_BASIC; Without rinsing system; 230 Volt/50 Hertz/3 Phase; White; I models through Serial No. 9T011534QD; S models through 12/31/2020
	SP556662	Heat Pump	Model LS195HP_BASIC; Without rinsing system; 380-415 Volt/50 Hertz/3 Phase plus N or 440 Volt/60 Hertz/3 Phase; White; I models through Serial No. 9T011534QD; S models through 12/31/2020
	SP556087	Heat Pump	EC, N, P and T models; With rinsing system; 380-415 Volt/50 Hertz/3 Phase plus N or 440 Volt/60 Hertz/3 Phase; Gray
	SP556089	Heat Pump	EC, N, P and T models; With rinsing system; 230 Volt/50 Hertz/3 Phase; Gray
	SP556095	Heat Pump	EC, N, P and T models; Without rinsing system; 380-415 Volt/50 Hertz/3 Phase plus N or 440 Volt/60 Hertz/3 Phase; Gray
	SP556097	Heat Pump	EC, N, P and T models; Without rinsing system; 230 Volt/50 Hertz/3 Phase; Gray
	SP541496	Fan Assembly	Includes items 1, 2 and 4-6
1	SP541495	Fan Holder	
2	SP528481	Fan	
3	SP541463	Side Panel	U models; Left; Imitation stainless steel; I models starting Serial No. 9T011535QD; S models starting 1/1/2021
	SP556651	Side Panel	Model LS195HP_BASIC; Left; White; I models through Serial No. 9T011534QD; S models through 12/31/2020
	SP556006	Side Panel	EC, L, N, P and T models; Left; Gray
4	SP311125000004	Washer	
5	SP311127000004	Washer	
6	SP309084000416	Bolt	
7	SP101415	Nut	
8	SP541484	Fan Cover	
9	SP101405	Bushing	
10	SP541459	Cabinet	
11	SP537864	Bolt	
12	SP311902100006	Washer	
13	SP506012	Bolt	
14	SP551869	Humidity Sensor Cover	
15	SP541464	Side Panel	U models; Right; Imitation stainless steel; I models starting Serial No. 9T011535QD; S models starting 1/1/2021
	SP556652	Side Panel	Model LS195HP_BASIC; Right; White; I models through Serial No. 9T011534QD; S models through 12/31/2020
	SP556008	Side Panel	EC, L, N, P and T models; Right; Gray
16	SP101416	Nut	
17	SP101418	Nut	
18	SP101408	Bushing	
19	SP101406	Bushing	

Heat Pump (Drawing 2 of 2)

Heat Pump Models



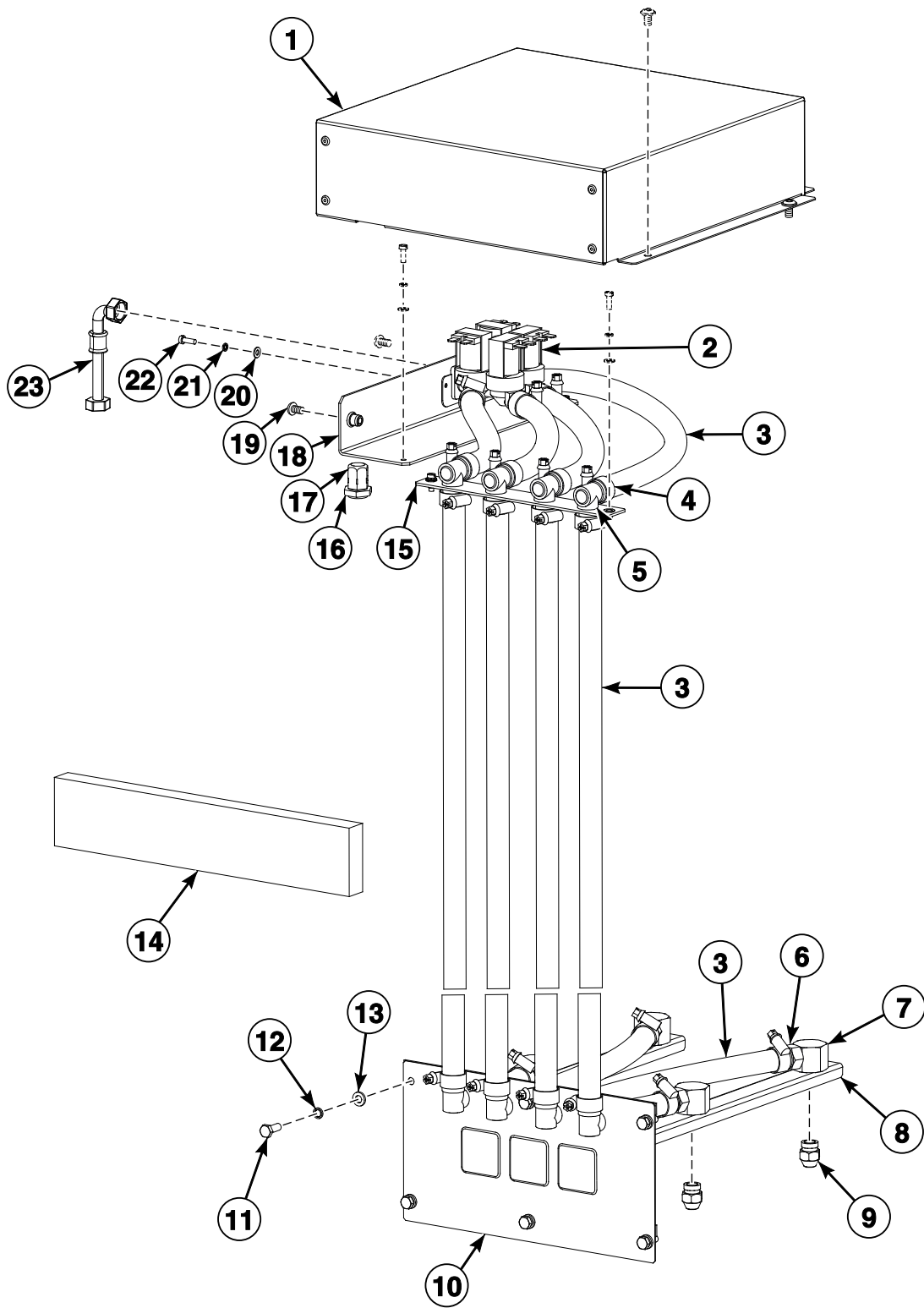
TMB3439P_D1643

Heat Pump (Drawing 2 of 2)

REF	PART NO.	DESCRIPTION	COMMENTS
	SPPRI704000053	Sealant	Silicone
1	SP541494	Swivel Wheel Assembly	
2	SP551864	Swivel Wheel Assembly	
3	SP309933000625	Bolt	
4	SP311679824006	Washer	
5	SP311125000006	Washer	
6	SP310934000006	Nut	
7	SP533726	Bolt	
8	SP310934000020	Nut	
9	SP541489	Base	
10	SP541436	Bracket	
11	SP541457	Thermostat Bracket	
12	SP541314	Cover	Through Serial No. 9T009484FS
13	SP529206	Screw	M4x11
14	SP566259	Cover	Starting Serial No. 9T009485FS
15	SP541468	Cover	Through Serial No. 9T009484FS
	SP566304	Cover	Starting Serial No. 9T009485FS
16	SP551860	Cover	
17	SP541434	Cover	

Heat Pump Rinsing System

Heat Pump Models

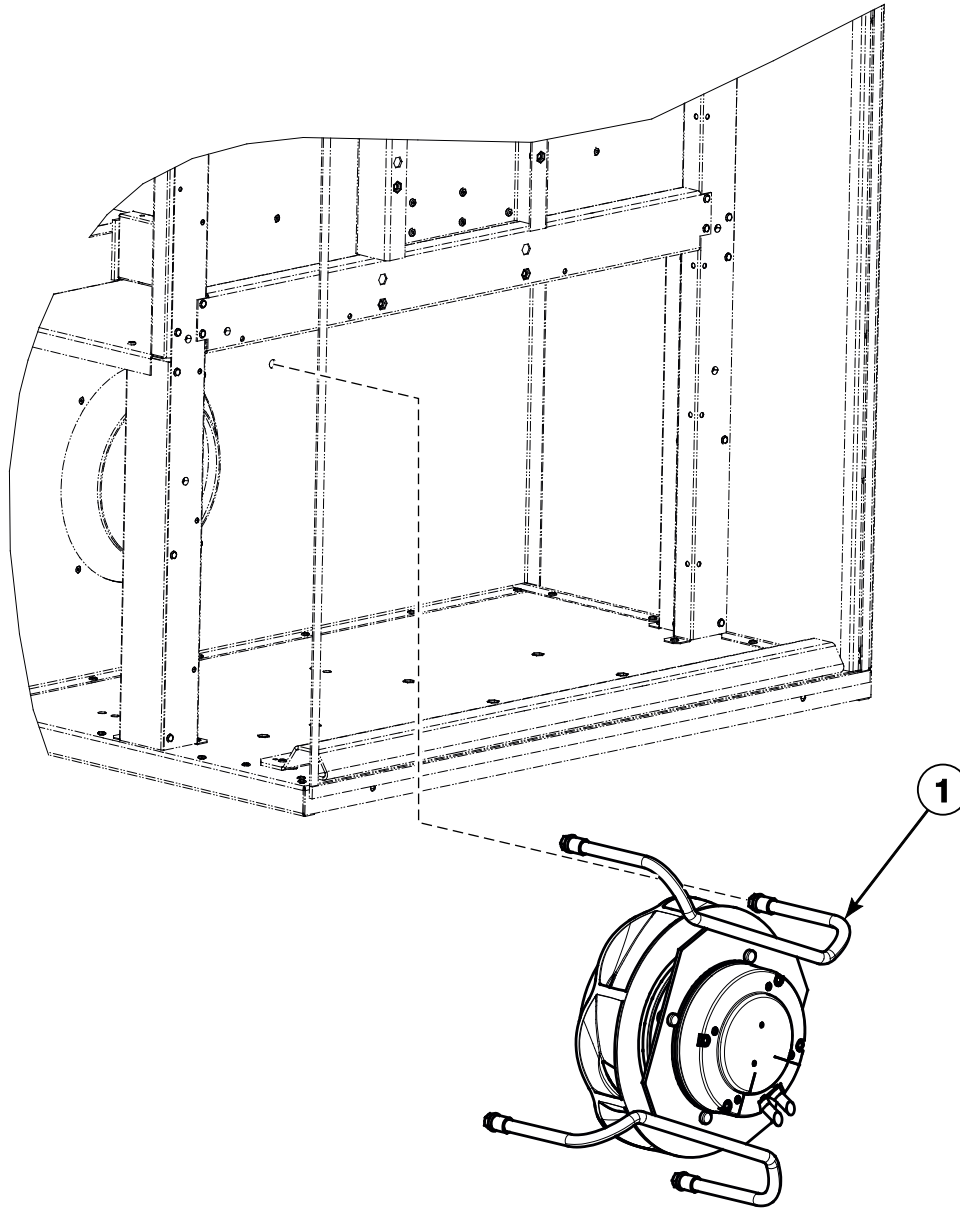


CZT1P_D1643

Heat Pump Rinsing System

REF	PART NO.	DESCRIPTION	COMMENTS
	SP556920	Nozzle Holder Assembly	
1	SP556947	Valve Cover Assembly	
2	SP556959	Valve	4-way
3	SPPRI540000014	Hose	
	SP101745	Hose Pipe	For water approval
4	SPPRI240000002	Hose Clamp	
5	SP527236	Elbow	
6	SP556916	Nozzle Adapter	
7	SP556915	Nozzle Fitting Adapter	
8	SP556919	Nozzle Bracket Assembly	
9	SP556922	Nozzle	
10	SP556954	Rinsing System Bracket	
11	SP309933000616	Bolt	
12	SP311125000006	Washer	
13	SP311127000006	Washer	
14	SP552666	Insulation	
15	SP556943	Elbow Bracket Assembly	
16	SP101416	Nut	
17	SP101406	Bushing	
18	SP556946	Valve Bracket Assembly	
19	SP506012	Bolt	
20	SP311127000004	Washer	
21	SP311125000004	Washer	
22	SP309084000412	Bolt	
23	SPPRI505000054	Filling Hose Pipe	
	SP101621	Filling Hose Pipe	For water approval

Ventilator - Heat Pump Models

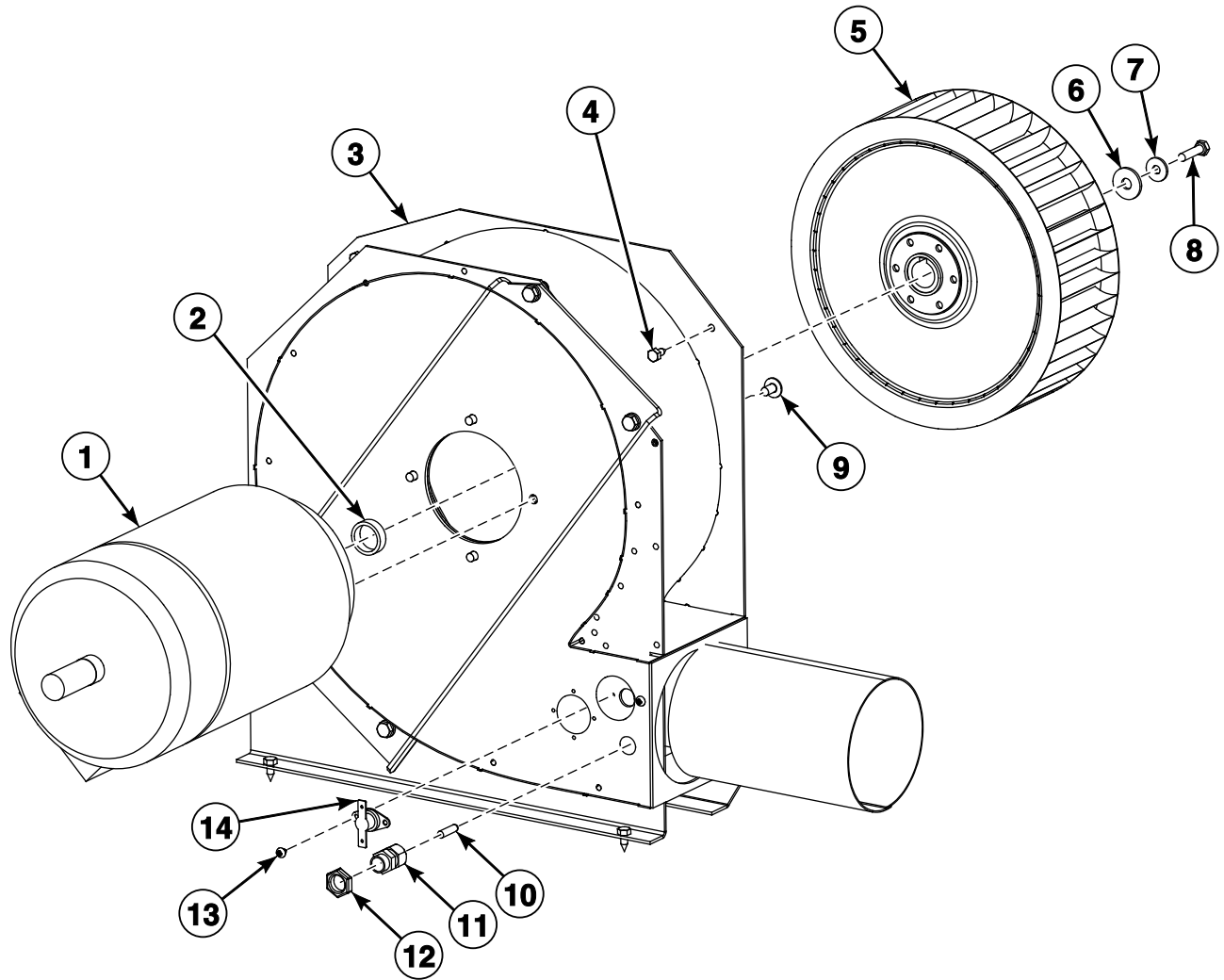


TMB3356P_D1643

Ventilator - Heat Pump Models

REF	PART NO.	DESCRIPTION	COMMENTS
	SP534930	Temperature Sensor	
1	SP552675	Ventilator	

Ventilator - Gas and Electric Models



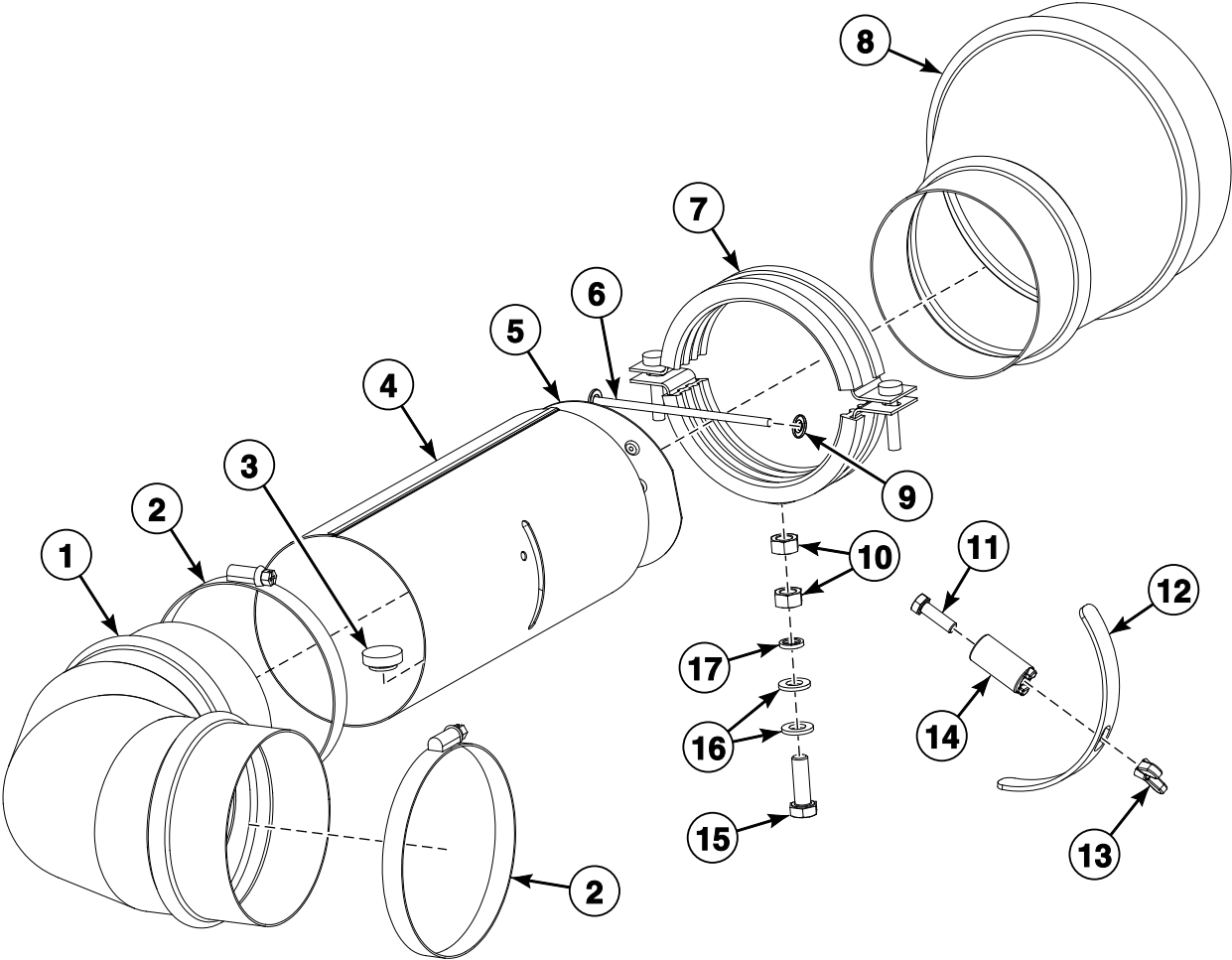
TMB3426P_D1643

Ventilator - Gas and Electric Models

REF	PART NO.	DESCRIPTION	COMMENTS
	SP527863	Ventilator Assembly	EC models; 3 Phase reversing; Includes items 1-14
	SP527865	Ventilator Assembly	EC models; 3 Phase nonreversing; Includes items 1-14
	SP534967	Ventilator Assembly	3 Phase reversing; Includes items 1-14
	SP534968	Ventilator Assembly	1 Phase reversing; Includes items 1-14
	SP527864	Ventilator Assembly	EC models; 1 Phase reversing; Includes items 1-14
	SP545521	Ventilator Assembly	3 Phase nonreversing; Includes items 1-14
	SP545522	Ventilator Assembly	1 Phase nonreversing; Includes items 1-14
	SP527866	Ventilator Assembly	EC models; 1 Phase nonreversing; Includes items 1-14
	SP284000012003	Tape	
1	SP518640	Motor	1 Phase reversing
	SP523623	Motor	EC models; 1 Phase reversing
	SP545526	Motor	1 Phase nonreversing
	SP523625	Fan Motor	EC models; 1 Phase nonreversing
	SP523620	Motor	EC models; 3 Phase reversing
	SP518639	Motor	3 Phase reversing
	SP523622	Fan Motor	EC models; 3 Phase nonreversing
	SP545525	Motor	3 Phase nonreversing
2	SP520940	Spacer	
3	SP527868	Ventilator Box	
4	SP100218	Screw	
5	SP102413	Ventilator	
	527702	Ventilator	EC models
6	SP311902100008	Washer	
7	SP311902100006	Washer	
8	SP309933000625	Bolt	
9	SP510954	Bolt	M6x16; Nonreversing
	SP309595240612	Bolt	M6x12; Reversing
10	SP534930	Temperature Sensor	
11	SP101405	Bushing	
12	SP101415	Nut	
13	SP517238	Screw	
14	SP514016	Safety Thermostat	

Exhaust - Gas Models

Models through the End of May 2016

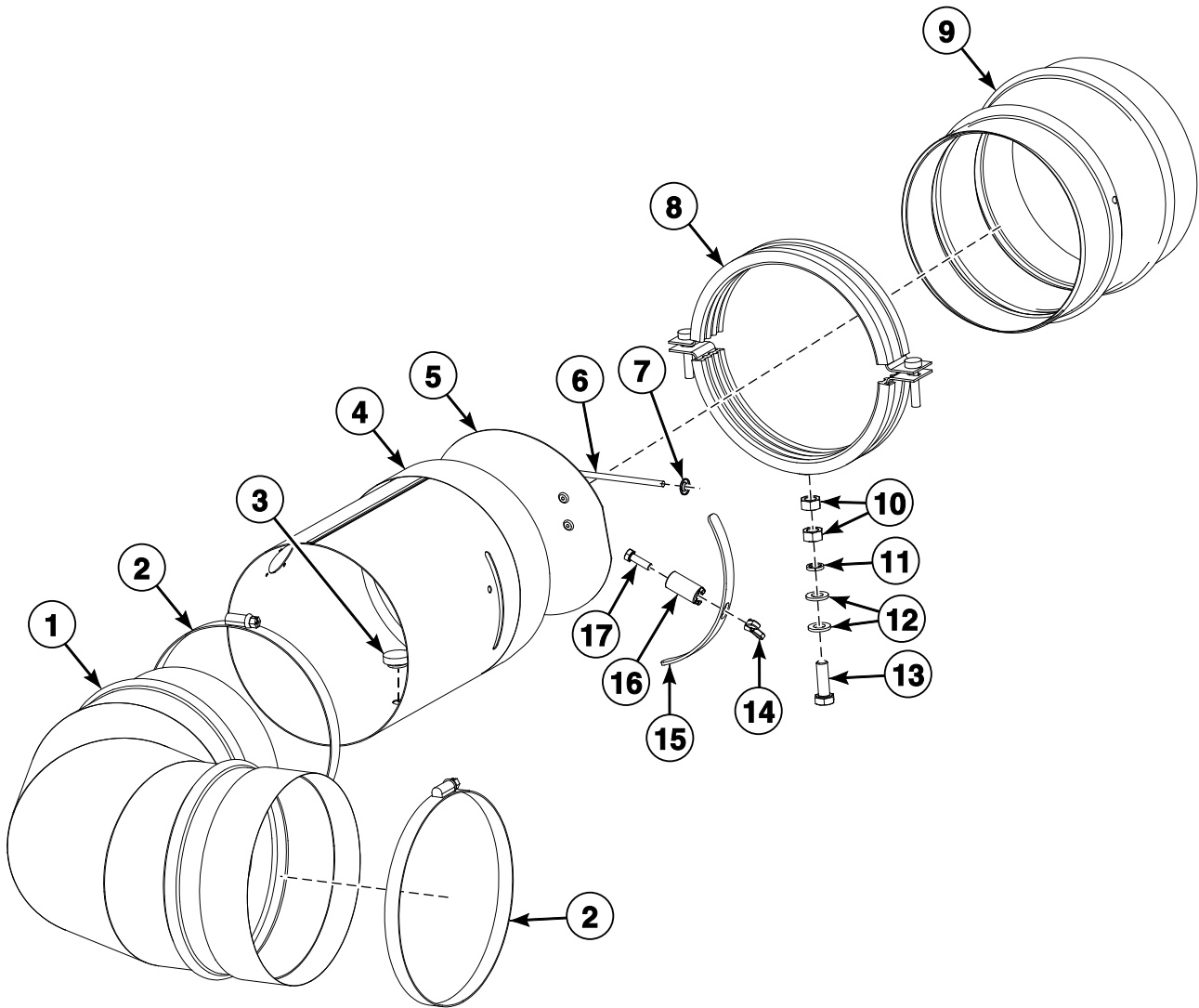


TMB3366P_D1643

Exhaust - Gas Models

REF	PART NO.	DESCRIPTION	COMMENTS
	SP534877	Exhaust Assembly	L, P and T models; Nonreversing; Includes items 1-17
1	SP521215	Elbow	
2	SPPRI240000005	Hose Clamp	
3	SP273127001798	Plug	
4	SP534879	Damper Tube	
5	SP534901	Clutch	
6	SP534880	Bar	
7	SP521283	Clamp Ring	
8	SP521217	Reduction	
9	SP516669	Washer	
10	SP310934000008	Nut	
11	SP309933000516	Bolt	
12	SP534882	Plug	
13	SP534929	Nut	
14	SP534900	Flap Stop	
15	SP309933000825	Bolt	
16	SP311125000008	Washer	
17	SP311127000008	Washer	

Exhaust - Electric and Gas Models

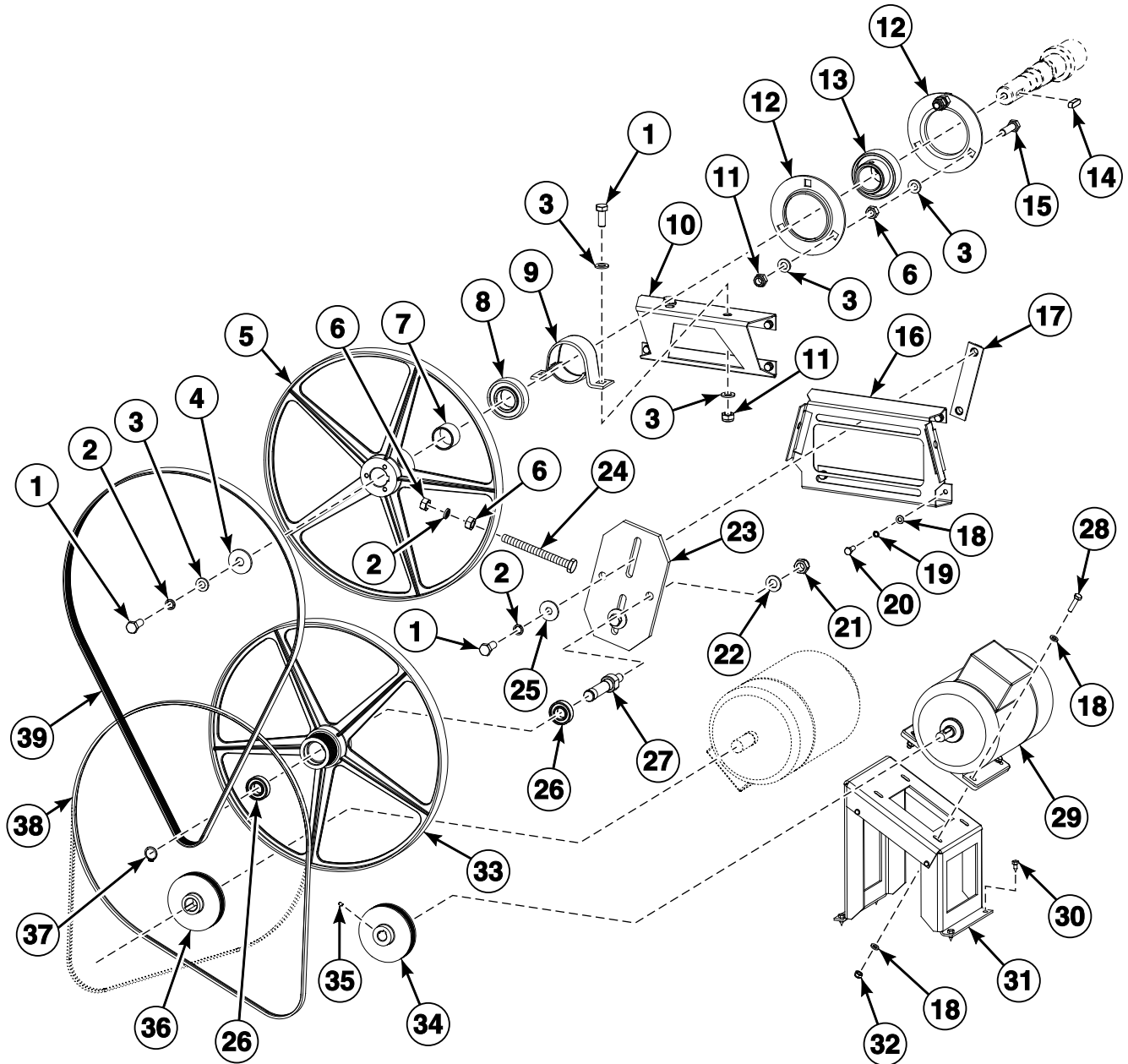


TMB3367P_D1643

Exhaust - Electric and Gas Models

REF	PART NO.	DESCRIPTION	COMMENTS
	SP534906	Exhaust Assembly	I, L, N, P, S, T and U models; Includes items 1-17
	SP534909	Exhaust Assembly	EC models; Includes items 1-17
1	SP527871	Elbow	
2	SP529013	Clamp	
3	SP273127001798	Plug	
4	SP534905	Tube	
5	SP534902	Flap Assembly	
6	SP534908	Bar	
7	SP516669	Washer	
8	SP527877	Clamp Ring	
9	SP527879	Reducer	I, L, N, P, S, T and U models
	SP527870	Reducer	EC models
10	SP310934000008	Nut	
11	SP311127000008	Washer	
12	SP311125000008	Washer	
13	SP309933000825	Bolt	
14	SP534929	Nut	
15	SP534904	Plug	
16	SP534900	Flap Stop	
17	SP309933000516	Bolt	

Drive System

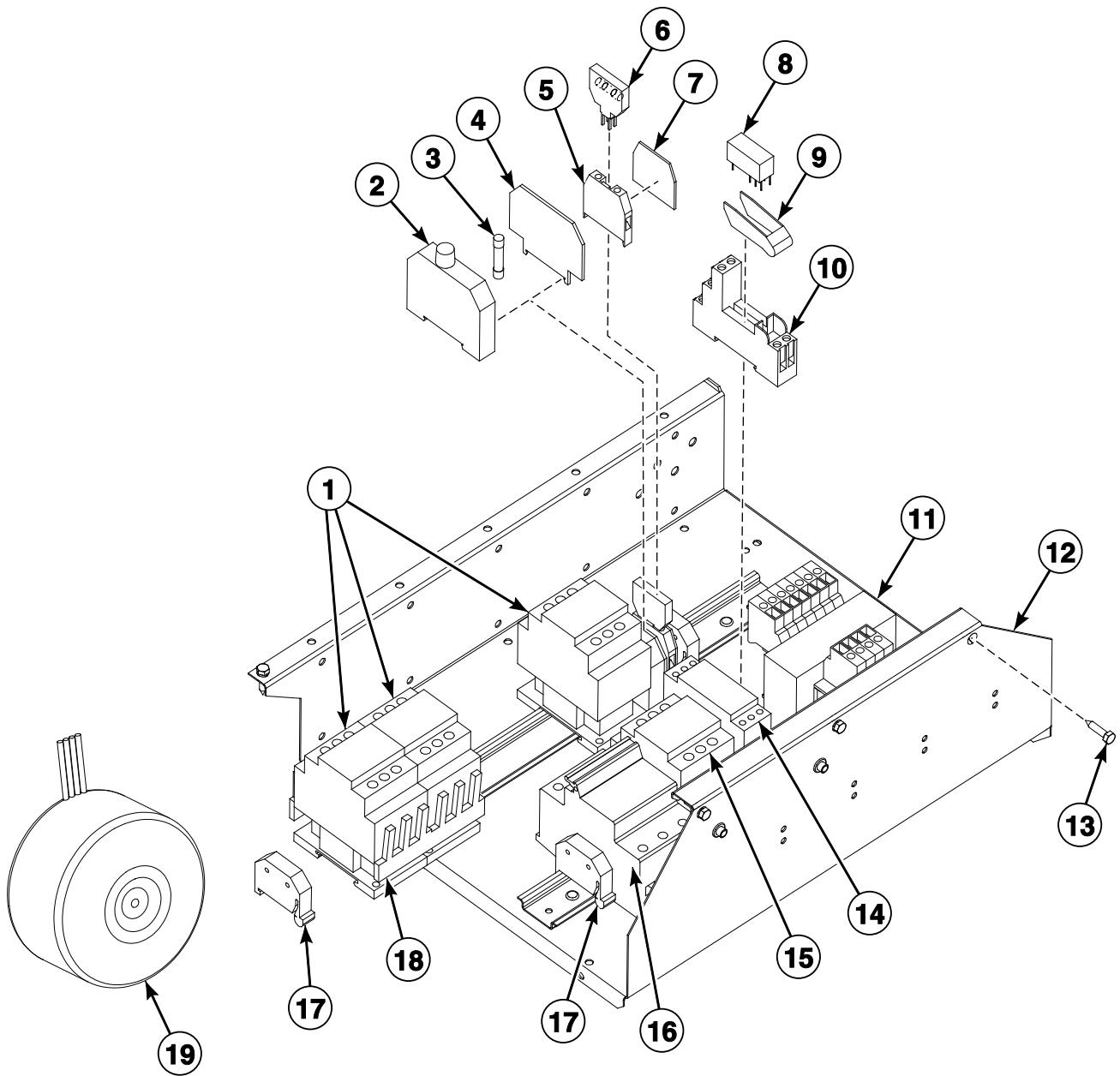


TMB3334P_D1643

Drive System

REF	PART NO.	DESCRIPTION	COMMENTS
	SP528927	Tension Assembly	Reversing; Includes items 1, 2, 6, 16-27, 33 and 37
	SP545520	Tension Assembly	Nonreversing; Includes items 1, 2, 6, 16-27, 33 and 37
1	SP309933001025	Bolt	
2	SP311127000010	Washer	
3	SP311125000010	Washer	
4	SP311902100012	Washer	
5	SP518646	Double Drum Pulley	
6	SP310934000010	Nut	
7	SP518529	Distance Ring	
8	SP514007	Bearing	
9	SP515571	Bearing House	
10	SP521152	Bearing Bracket	
11	SP310985000010	Nut	
12	SP514011	Flange Bearing Body	
13	SP514005	Bearing	
14	SP505449	Key	
15	SP309933001035	Bolt	
16	SP521171	Tensioning Bracket	
17	SP521232	Support Plate	
18	SP311125000006	Washer	
19	SP311127000006	Washer	
20	SP309933000616	Bolt	
21	SP310985000012	Nut	
22	SP311125000013	Washer	
23	SP521172	Tensioning Board	
24	SP309933001120	Bolt	
25	SP311902100010	Washer	
26	SP326000600300	Bearing	
27	SP534704	Tension Rod	
28	SP309933000625	Bolt	
29	SP523621	Motor	3 Phase; Reversing
	SP523724	Motor	1 Phase; Reversing
	SP528147	Motor	250 Volt/50 Hertz/1 Phase; Reversing
30	SP309933000616	Bolt	
31	SP521240	Motor Bracket	
32	SP310985000006	Nut	
33	SP534703	Double Pulley	Reversing
	SP534984	Double Pulley	Nonreversing
34	SP530720	Motor Pulley	50 Hertz; Reversing
	SP530721	Motor Pulley	60 Hertz; Reversing
35	SP309916000408	Bolt	
36	SP527723	Motor Pulley	50 Hertz; Nonreversing
	SP528922	Motor Pulley	60 Hertz; Nonreversing
37	SP515517	Retaining Ring	
38	SP528926	Belt	
39	SP518647	Belt	

Electric Box Components - Heat Pump Models

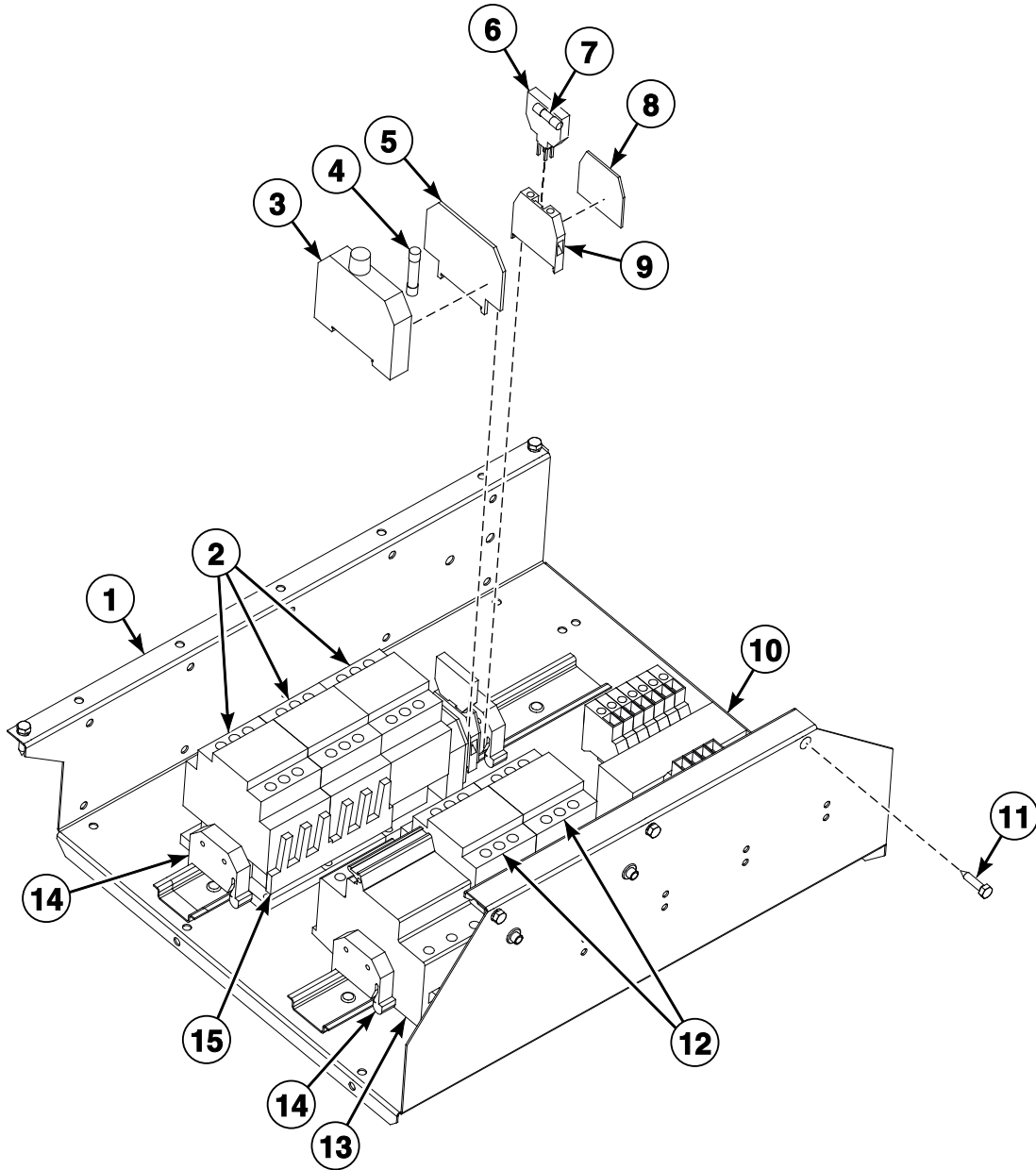


TMB3335P_D1643

Electric Box Components - Heat Pump Models

REF	PART NO.	DESCRIPTION	COMMENTS
	SP552248	Autotransformer	440-480 Volt/50 or 60 Hertz/3 Phase
	SPPRI401001021	Fuse	250 Volt
	SP345805005020	Fuse	500mA 250 Volt
1	569856	Contactora	9 kW 380-415 or 440 Volt; 12 kW 208-240, 380-415 or 440 Volt
2	SP346000004010	Fuse Case	500mA 500Volt; 380-415 or 440 Volt
3	SP514133	Fuse	
4	SP346000014010	Cover	
5	SP524653	Fuse Clip	
6	SP524654	Fuse Plug	
7	SP524655	Cover	
8	SP514057	Relay	
9	SP514135	Relay Clamp	
10	SP506586	Relay Case	
11	SP514021	Transformer	208-440 Volt
12	575429	Electric Box	
13	SP100218	Screw	
14	SP552311	Control Relay	
15	569856	Contactora	
	569857	Contactora	9 kW 208-240 Volt
16	SP358251601312	Fuse Isolator	
17	SP346000209101	End Stop	
18	569858	Mechanical Interlock Unit	Need to use with 569859 Set for Reversing Contactors
19	SP552201	Autotransformer	230 or 400-440 Volt

Electric Box Components - Electric Models

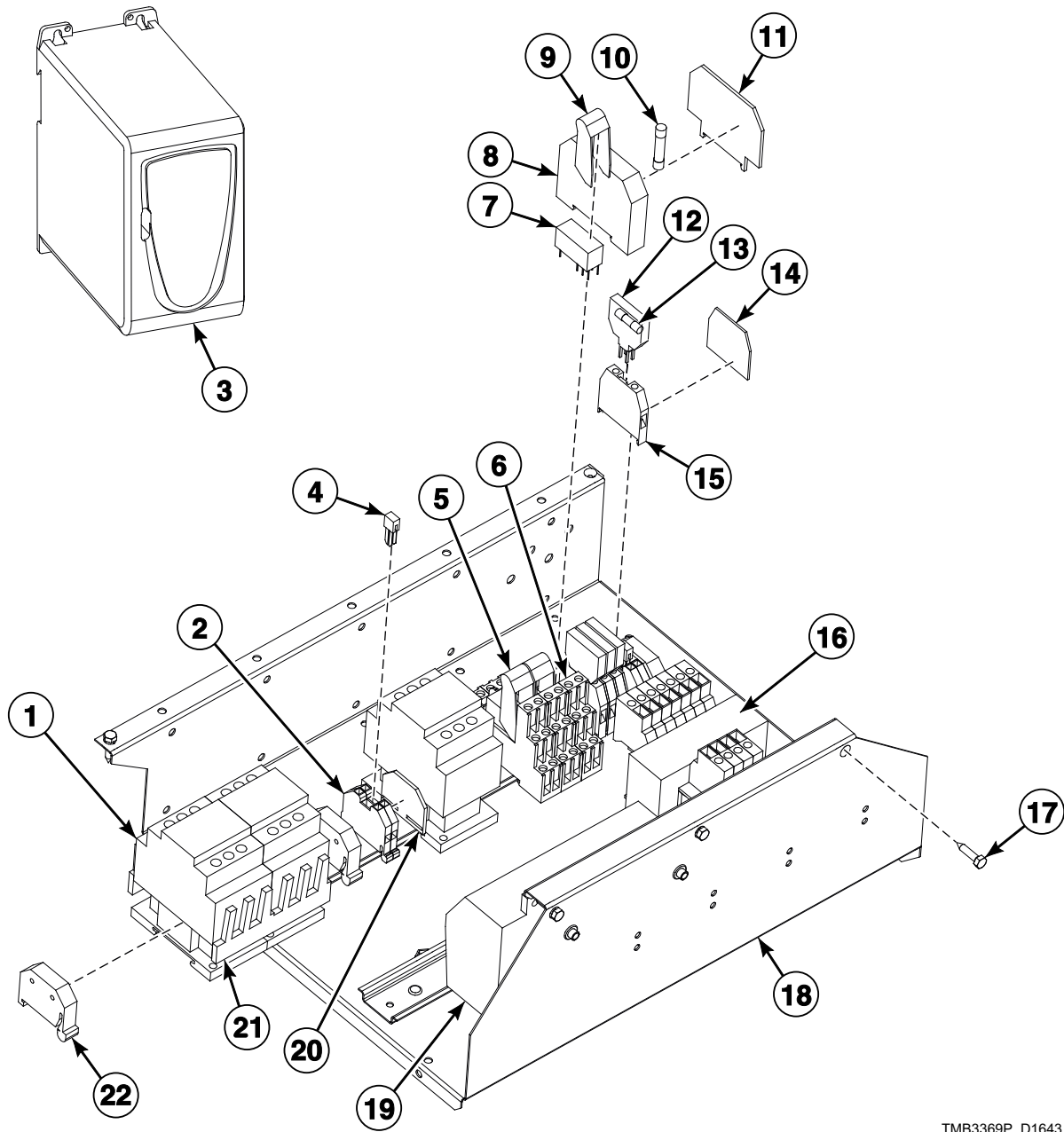


TMB3368P_D1643

Electric Box Components - Electric Models

REF	PART NO.	DESCRIPTION	COMMENTS
	SP552248	Autotransformer	
1	SP521243	Electric Box	
2	569856	Contactator	
3	SP34600004010	Fuse Case	
4	SP514133	Fuse	
5	SP346000014010	Cover	
6	SP524654	Fuse Plug	
7	SPPRI401001021	Fuse	
	SP345805005020	Fuse	
8	SP524655	Cover	
9	SP524653	Fuse Clip	
10	SP514021	Transformer	
11	SP100218	Screw	
12	569856	Contactator	9 kW 380-415V or 440V and 12 kW 380-415V, 208-240V or 440V
	569857	Contactator	9 kW 208-240V
13	SP358251601312	Fuse Isolator	
14	SP346000209101	End Stop	
15	569858	Mechanical Interlock Unit	Need to use with 569859 Set for Reversing Contactors

Electric Box Components - Gas Models



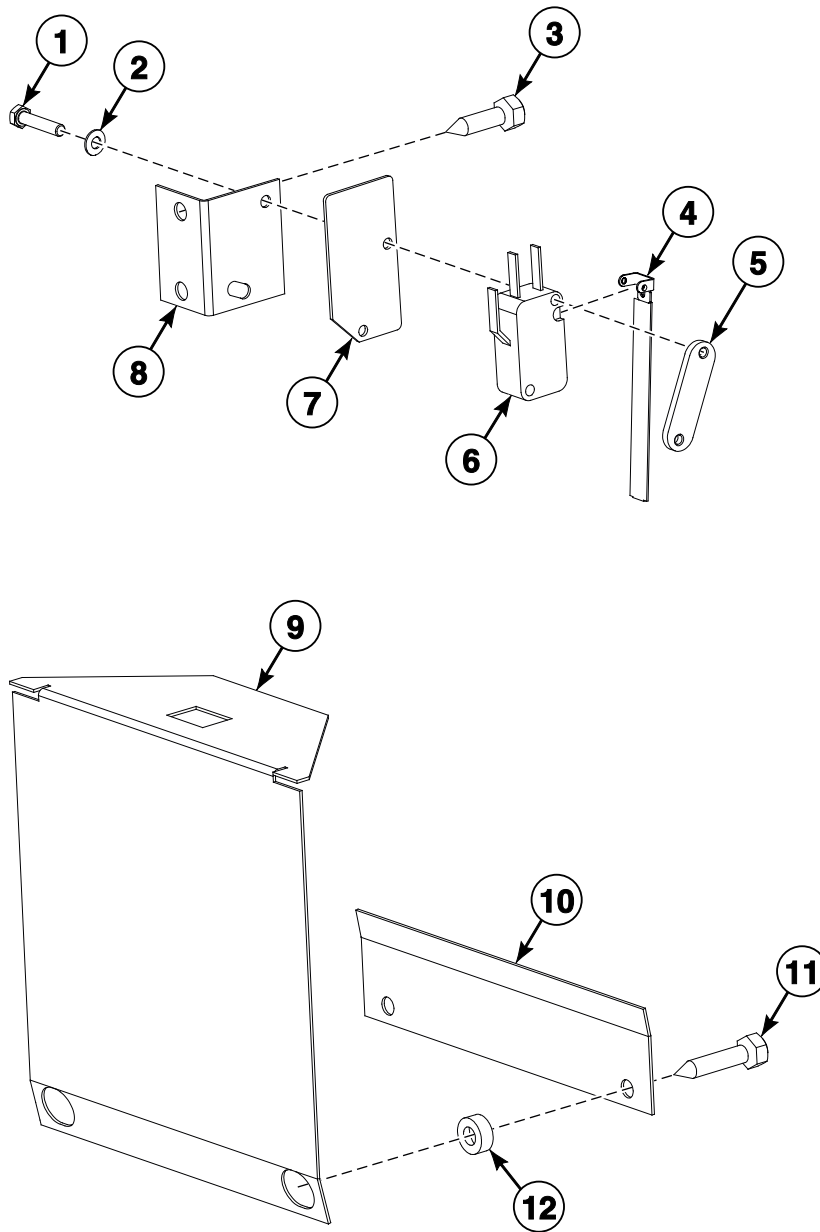
TMB3369P_D1643

Electric Box Components - Gas Models

REF	PART NO.	DESCRIPTION	COMMENTS
	SP552248	Autotransformer	
1	569856	Contactors	
	SP520195	Resistance Bleeder	
2	SP346000280101	Clamp	
3	SP557962	Frequency Inverter	
4	SP346000280402	Interconnection	
5	SP514057	Relay	24VAC
6	SP506586	Relay Case	
7	SP514134	Relay	220VAC
8	SP346000004010	Fuse Case	
9	SP514135	Relay Clamp	
10	SP514133	Fuse	
	SP345805163032	Fuse	
11	SP346000014010	Cover	
12	SP524654	Fuse Plug	
13	SPPRI401001021	Fuse	
	SP345805005020	Fuse	
	SPPRI401020021	Fuse	
14	SP524655	Cover	
15	SP524653	Fuse Clip	
16	SP514021	Transformer	14.2V + 24V, 208-440V
	SP516648	Transformer	380-415V, without N
17	SP100218	Screw	
18	SP521244	Electrical Box	
19	SP357456010080	Ignition Unit	
20	SP346000280301	Cover	
21	569858	Mechanical Interlock Unit	Need to use with 569859 Set for Reversing Contactors
22	SP346000209101	End Stop	

Under Pressure Clutch

Gas and Electric Models

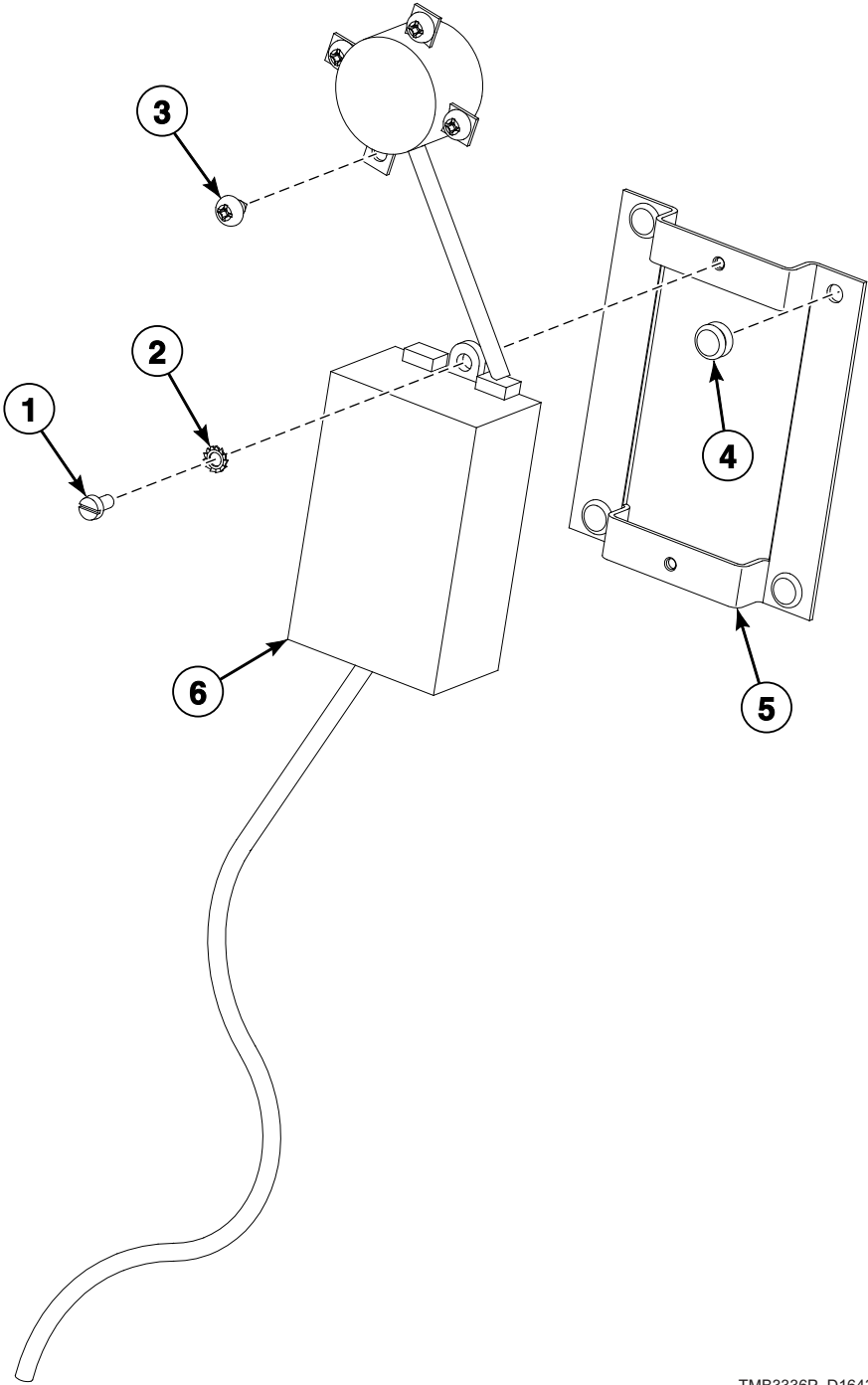


TMB3370P_D1643

Under Pressure Clutch

REF	PART NO.	DESCRIPTION	COMMENTS
	SP525467	Underpressure Clutch Assembly	Includes items 1-12
1	SP516623	Bolt	
2	SP311125000003	Washer	
3	SP518623	Bolt	
4	SP517441	Microswitch Lever Assembly	
5	SP235119001815	Nut	
6	SPPRI610028017	Microswitch	
7	SP101154	Isolation Plate	
8	SP520803	Microswitch Bracket	
9	SP525468	Clutch	
10	SP520808	Stop End	
11	SP520871	Screw	
12	SP520804	Distance Ring	

Humidity Sensor



TMB3336P_D1643

Humidity Sensor

REF	PART NO.	DESCRIPTION	COMMENTS
	SP532002	Dust Cap Humidity Sensor	
	SP524351	Humidity Sensor Kit	Includes item 1-6
1	SP309084000306	Bolt	
2	SP311679800003	Washer	
3	SP517238	Screw	
4	SP313250004063	Rivet	
5	SP518563	Sensor Holder	
6	SP102456	Humidity Sensor	

Parts Index

A

Adhesive	
SP245704003021	29
Adjustable Foot	
SPPRI504000001	21, 23
Autotransformer	
SP552201	57
SP552248	57, 59, 61

B

Bar	
SP534880	51, 53
Base	
SP541489	43
Bearing	
SP326000600300	55
SP514005	55
SP514007	55
Bearing Bracket	
SP521152	55
Bearing House	
SP515571	55
Belt	
SP518647	55
SP528926	55
Blank Plate Kit	
SP102019	33
Bolt	
SPPRI202001001	33
SP309084000306	65
SP309084000412	45
SP309084000416	41
SP309595240612	49
SP309798524408	33
SP309916000408	55
SP309933000416	9, 17, 19
SP309933000516	51, 53
SP309933000616	45, 55
SP309933000625	43, 49, 55
SP309933000825	51, 53
SP309933001025	55
SP309933001035	55
SP309933001120	55
SP309933100625	31
SP309933240412	21, 23, 37
SP309966240410	5
SP506012	41, 45
SP510954	49
SP516623	63
SP516693	21, 23
SP518623	63
SP518719	21, 23
SP521128	27
SP521260	5
SP524367	29
SP525101	29
SP533726	43
SP537864	41
SP545529	21, 23

Bracket	
SP541436	43
Burner Tube	
SP552515	33, 37
Bushing	
SP101405	21, 25, 41, 49
SP101406	41, 45
SP101407	25
SP101408	25, 41
SP101409	25

C

Cabinet	
SP541459	41
Cable	
SP516684	7
SP521061	9, 17, 19
Chain	
SP521266	5
Clamp	
SP346000280101	61
SP529013	53
Clamp Ring	
SP521283	51
SP527877	53
Clutch	
SP525468	63
SP534901	51
Coin Meter	
SP100642	11
SP100866	11
SP100867	11
SP100868	11
SP100869	11
SP100870	11
SP100871	11
SP100887	11
SP100888	11
SP100891	11
SP100892	11
SP100893	11
SP100895	11
SP100896	11
SP100898	11
SP100900	11
SP100902	11
SP101155	11
SP101228	11
SP101437	11
SP101450	11
SP101499	11
SP101535	11
SP101536	11
SP101586	11
SP101612	11
SP101632	11
SP101797	11
SP102084	11
SP102371	11
SP102407	11
SP102452	11
SP102473	11

N/A items do not appear in index.

SP102546	11	529159	15
SP516632	11	569920	15
SP516636	11	569923	15
SP516638	11	569926	15
SP516639	11	569929	15
SP516737	11	569932	15
SP516804	11	569935	15
SP516807	11	569938	15
SP516875	11	569941	15
SP516921	11	569944	15
SP516950	11	569947	15
SP516967	11	569950	15
SP516969	11	569953	15
SP516976	11	569956	15
SP516977	11	569963	15
SP516980	11	569966	15
SP516984	11	569969	15
SP516991	11	569972	15
SP516994	13	569975	15
SP516999	13	569981	15
SP529106	13	569986	15
SP529108	13	572303	15
SP529110	13	572306	15
SP529113	13	572309	15
SP529114	13	572312	15
SP529115	13	572315	15
SP529119	13	572319	15
SP529124	13	572322	15
SP534187	13	572325	15
SP534289	13	572337	15
SP534297	13	572338	15
SP537775	13	572340	15
SP537776	13	572344	15
SP537778	13	572360	15
SP537779	13	572385	15
SP537787	13	572390	15
SP537788	13	579810	15
SP537825	13	579814	15
SP537828	13	579820	15
SP537829	13	Coin Meter Bracket	
SP537859	13	SP559820	9
SP537913	13	Coin Vault	
SP552901	13	SP321848140028	21, 23
SP552951	13	Coin Vault Assembly	
SP552952	13	SP521325	21, 23
SP552998	13	Coin Vault Box	
SP553007	13	SP521329	21, 23
SP553008	13	Coin Vault Bracket	
SP553140	13	SP559746	21, 23
SP553152	13	Coin Vault Cover	
SP555667	13	SP515291	21, 23
SP556109	13	Coin Vault Frame	
SP556113	13	SP501514	21, 23
SP556114	13	Connector	
SP556153	13	345000180901	33
SP559709	13	Contact	
SP560095	13	345000160645	33
SP560096	13	Contact	
SP560097	13	569856	57, 59, 61
SP560098	13	569857	57, 59
SP560099	13	Contact	
SP560746	13	SP102458	9, 17, 19
SP560793	13	SP529112	7
SP561379	13	Control Bracket	
516848	15	SP559819	9, 17, 19
516908	15	Control Panel	
516909	15	SP557146	7
516913	15		
516914	15		

N/A items do not appear in index.

572350	37
572352	37
Elbow Bracket Assembly SP556943	45
Electric Box SP521243	59
575429	57
Electrical Box SP521244	61
Electrode Bracket SP525442	33
Emergency Stop Connector SP528311	9, 17
Emergency Stop Knob SP528310	9, 17
End Stop SP346000209101	57, 59, 61
Exhaust Assembly SP534877	51
SP534906	53
SP534909	53
Exhaust Lid SP541312	21, 23

F

Fan SP528481	41
Fan Assembly SP541496	41
Fan Cover SP541484	41
Fan Holder SP541495	41
Fan Motor SP523622	49
SP523625	49
Filling Hose Pipe SPPRI505000054	45
SP101621	45
Filter SP521274	21, 23
SP523615	23
SP560126	21
Filter Assembly SP560161	21
Filter Panel Assembly SP521113	5
SP521261	5
SP555953	5
SP559711	5
Fine Filter SP560157	21
Flame Detection Cable SP516144	33
Flange SP102018	33
Flange Bearing Body SP514011	55
Flap Assembly SP534902	53
Flap Stop SP534900	51, 53

N/A items do not appear in index.

Frequency Inverter SP557962	61
Front Seal SP518505	21, 23
Fuse SPPRI401001021	57, 59, 61
SPPRI401020021	61
SP345805005020	57, 59, 61
SP345805163032	61
SP514133	57, 59, 61
SP557786	31
Fuse Case SP346000004010	57, 59, 61
Fuse Clip SP524653	57, 59, 61
Fuse Isolator SP358251601312	57, 59
Fuse Plug SP524654	57, 59, 61

G

Gas Heater Box SP523780	33
571918	37
Gas Valve SP102000	33
SP520281	33
572351	37
Gas Valve Cable SP357500459412	33
Gas Valve Wiring 520098	33
Glue SP534969	29

H

Heat Pump SP556086	41
SP556087	41
SP556088	41
SP556089	41
SP556094	41
SP556095	41
SP556096	41
SP556097	41
SP556661	41
SP556662	41
SP556665	41
SP556666	41
Heater Box SP528901	31
Heating Component Assembly SP521332	31
SP521372	31
SP556010	31
Heating Element SP510984	31
SP510985	31
Hinge SP521222	5

Holder	
571884	37
571920	37
571937	37
Hose	
SPPRI54000014	45
SP273454410020	33
Hose Clamp	
SPPRI240000002	45
SPPRI240000005	51
Hose Pipe	
SP101745	45
Humidity Sensor	
SP102456	65
Humidity Sensor Cover	
SP551869	41
Humidity Sensor Kit	
SP524351	65

I

Ignition Cable	
SP516143	33
Ignition Electrode	
575643	33, 37
Ignition Unit	
SP357456010080	61
Inlet	
SP521268	23
Insulation	
SP552666	45
Interconnection	
SP346000280402	61
Isolation Paper	
SPPRI350012007	21, 25
Isolation Plate	
SP101154	21, 23, 63

K

Key	
SP505449	55
Keyboard	
SP557147	7

L

Label	
SP562956	9
Latch	
SP514530	5, 29
Lath	
SP524582	29
SP556553	29
SP559706	29
Lock	
SP521221	5
Lower Door Hinge	
SP525104	29
SP556554	29
SP559704	29

M

Magnet	
SP556557	29
Main Switch	
SPPRI404000097	21, 25
SPPRI404000098	25
SPPRI404000099	25
SP506407	25
Main Switch Knob	
SPPRI404000095	21, 25
Main Switch Panel	
SP520816	21
Mechanical Interlock Unit	
569858	57, 59, 61
Memory	
SP526001	7, 9, 17, 19
102460	9, 17, 19
103460	7
545264	9, 17, 19
545265	9, 17, 19
545266	9, 17, 19
545267	9, 17, 19
545268	7
Microswitch	
SPPRI610011077	21, 23
SPPRI610028017	63
SP506045	21, 23
SP517484	21, 23
Microswitch Bracket	
SP520803	63
Microswitch Lever Assembly	
SP517441	63
Motor	
SP518639	49
SP518640	49
SP523620	49
SP523621	55
SP523623	49
SP523724	55
SP528147	55
SP545525	49
SP545526	49
Motor Bracket	
SP521240	55
Motor Pulley	
SP527723	55
SP528922	55
SP530720	55
SP530721	55

N

Nozzle	
SP512067	33
SP556922	45
Nozzle Adapter	
SP556916	45
Nozzle Bracket Assembly	
SP556919	45
Nozzle Fitting Adapter	
SP556915	45

N/A items do not appear in index.

Nozzle Holder Assembly	
SP556920	45
Nut	
SP101415	21, 25, 41, 49
SP101416	41, 45
SP101417	25
SP101418	25, 41
SP101419	25
SP235119001815	63
SP310934000003	7
SP310934000004	7, 9, 17, 19, 21, 23
SP310934000006	43
SP310934000008	51, 53
SP310934000010	21, 23, 27, 55
SP310934000020	43
SP310934100006	31
SP310934240004	29
SP310934240005	33, 37
SP310985000006	55
SP310985000010	55
SP310985000012	55
SP534929	51, 53
SP545530	21, 23

O

Orifice	
517222	35, 39
517223	35, 39
517224	35, 39
517225	35, 39
517226	35, 39
517227	35, 39
517241	35, 39
517243	35, 39
517245	35, 39
517246	35, 39
517250	35, 39
517251	35, 39
517252	35, 39
517253	35, 39
517257	35, 39
517258	35, 39
517327	35, 39
517328	35, 39
517329	35, 39
517330	35, 39
517331	35, 39
517337	35, 39
520236	35, 39
520237	35, 39
520399	35, 39
525465	35, 39
525466	35, 39
530819	35, 39
530820	35, 39
Outer Door Gasket	
SP519933	29
Overlay	
SP553415	19
SP556099	9, 17, 19
SP559870	9, 17, 19
SP559871	9, 17, 19
SP559900	9, 17, 19

P

Plug	
SPPRI505003064	21, 25
SP273127001798	51, 53
SP345900025012	25
SP345900032132	25
SP345900043132	25
SP534882	51
SP534904	53

R

Rear Cover	
SP525524	33, 37
Rear Lower Cover	
SP521181	25
Rear Reinforcement Panel	
SP524286	25
Rear Upper Cover	
SP524288	25
Reducer	
SP527870	53
SP527879	53
Reduction	
SP521217	51
Relay	
SP514057	57, 61
SP514134	61
Relay Case	
SP506586	57, 61
Relay Clamp	
SP514135	57, 61
Resistance Bleeder	
SP520195	61
Retaining Ring	
SP515517	55
Rinsing System Bracket	
SP556954	45
Rivet	
SP313250004063	65

S

Safety Thermostat	
SP514016	49
SP514127	31, 33, 37
Screw	
SP100218	5, 21, 23, 25, 31, 33, 37, 49, 57, 59, 61
SP514061	9, 17, 19
SP517238	31, 33, 37, 49, 65
SP520871	9, 17, 19, 63
SP529206	43
572361	37
Seal	
SP517232	33, 37
SP517404	5
Sealant	
SPPRI704000053	43
Sensor Holder	
SP518563	65

N/A items do not appear in index.

Side Panel	
SP541463	41
SP541464	41
SP556006	41
SP556008	41
SP556651	41
SP556652	41
Spacer	
SP520940	49
Stop End	
SP520808	63
Stop Pin	
SP520201	29
Support Plate	
SP521232	55
Switch	
SP100388	21, 23
Switching Unit	
SP528312	9, 17
Swivel Wheel Assembly	
SP541494	43
SP551864	43

T

Tape	
SP284000012003	49
Temperature Sensor	
SP516092	31, 33, 37
SP534930	47, 49
Tension Assembly	
SP528927	55
SP545520	55
Tension Rod	
SP534704	55
Tensioning Board	
SP521172	55
Tensioning Bracket	
SP521171	55
Terminal Board	
SPPRI350000007	21, 25
Terminal Board Cover	
SP537625	37
Thermostat Bracket	
SP541457	43
Transformer	
SP514021	57, 59, 61
SP516648	61
Trolley	
SP521334	31
Tube	
SP519198	33
SP534905	53
571881	37
571928	37

U

Underpressure Clutch Assembly	
SP525467	63
Upper Cover	
SP521153	21, 25

SP521247	21, 25
SP556012	21, 25
SP559708	21, 25
Upper Door Hinge	
SP525105	29
SP556555	29
SP559705	29
Upper Panel Assembly	
SP559713	5
SP559714	5
SP559715	5
SP559716	5
SP559717	5
SP559718	5
SP559719	5
SP559720	5
SP559721	5
SP559722	5
SP559723	5
SP559724	5

V

Valve	
SP556959	45
Valve Bracket Assembly	
SP556946	45
Valve Cover Assembly	
SP556947	45
Ventilator	
SP102413	49
SP552675	47
527702	49
Ventilator Assembly	
SP527863	49
SP527864	49
SP527865	49
SP527866	49
SP534968	49
SP545521	49
SP545522	49
Ventilator Assembly	49
Ventilator Box	
SP527868	49

W

Washer	
SP311125000003	7, 21, 23, 33, 37, 63
SP311125000004	7, 9, 17, 19, 21, 23, 37, 41, 45
SP311125000005	5, 33
SP311125000006	43, 45, 55
SP311125000008	51, 53
SP311125000010	21, 23, 27, 55
SP311125000013	55
SP311125240004	33
SP311127000003	7, 21, 23
SP311127000004	7, 9, 17, 19, 21, 23, 37, 41, 45
SP311127000005	5, 33
SP311127000006	45, 55
SP311127000008	51, 53
SP311127000010	55
SP311127240004	33
SP311679800003	7, 65

N/A items do not appear in index.

SP311679800004.....	9, 17, 19
SP311679824006.....	31, 43
SP311902100006.....	41, 49
SP311902100008.....	49
SP311902100010.....	55
SP311902100012.....	55
SP510697	27
SP512233	27
SP514906	5
SP516669	31, 33, 37, 51, 53
SP545531	21, 23
