

Tumble Dryer

250 Liters (11 Kilograms) Capacity
With Easy Control

Refer to Page 3 for Model Numbers

Parts

Table of Contents

Title	Page
Parts Ordering Information	2
Serial Plate Location.....	2
Model Identification.....	3
Front Panel Assembly.....	4
Filter Panel Assembly.....	6
Upper Panel for EC Models.....	8
Easy Control Components With Coin Meter (Drawing 1 of 2)	10
Easy Control Components With Coin Meter (Drawing 2 of 2)	12
Coin Meter (Drawing 1 of 3).....	14
Coin Meter (Drawing 2 of 3).....	16
Coin Meter (Drawing 3 of 3).....	18
Easy Control Components Without Coin Meter (Drawing 1 of 2)	20
Easy Control Components Without Coin Meter (Drawing 2 of 2)	22
Easy Control with External Payment System (Drawing 1 of 2).....	24
Easy Control with External Payment System (Drawing 2 of 2).....	26
Cabinet - Heat Pump Models.....	28
Cabinet - Gas, Steam and Electric Models.....	30
Drum Assembly	32
Door Assembly	34
Electric Heat Components	36
Gas Heat Components - Gas Models Through Serial No. 11T006658QB	38
Gas Heat Components (Drawing 1 of 2).....	40
Gas Heat Components (Drawing 2 of 2).....	42
Steam Heat Components	44
Heat Pump (Drawing 1 of 2)	46
Heat Pump (Drawing 2 of 2)	48
Frequency Inverter Panel	50
Heat Pump Rinsing System.....	52
Exhaust.....	54
Drive System	56
Fan Housing Assembly.....	58
Electric Box Components - Heat Pump Models.....	60
Electric Box Components - Electric Models.....	62
Electric Box Components - Gas and Steam Models.....	64
Under Pressure Clutch	66
Humidity Sensor	68
WiFi Connection	70
Ventilator - Heat Pump Models.....	72
Parts Index.....	75

© Copyright 2022, Alliance Laundry Systems LLC

All rights reserved. No part of the contents of this book may be reproduced or transmitted in any form or by any means without the expressed written consent of the publisher.

Parts Ordering Information

If literature or replacement parts are required, contact the source from whom the machine was purchased or contact Alliance Laundry Systems at (920) 748-3950 for the name and address of the nearest authorized parts distributor.

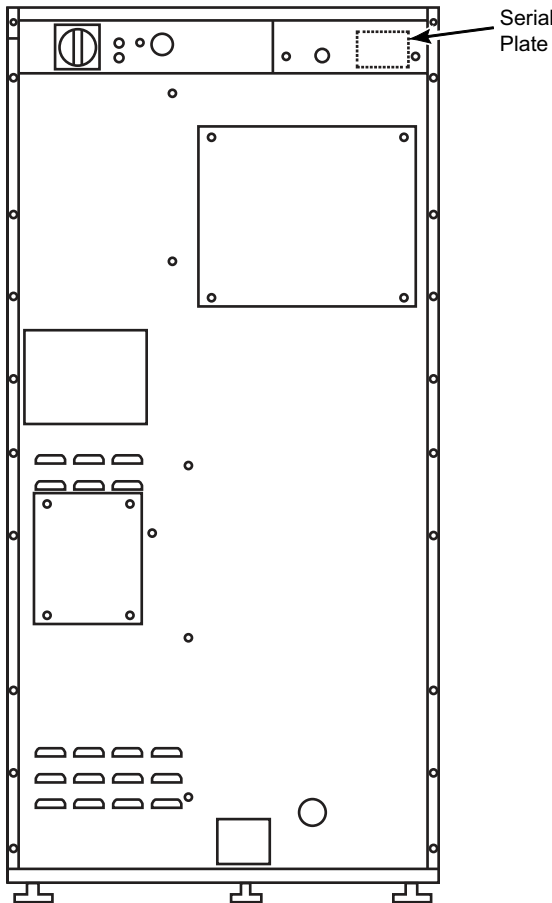
For technical assistance, call the number listed below:

(920) 748-3121 Ripon, Wisconsin

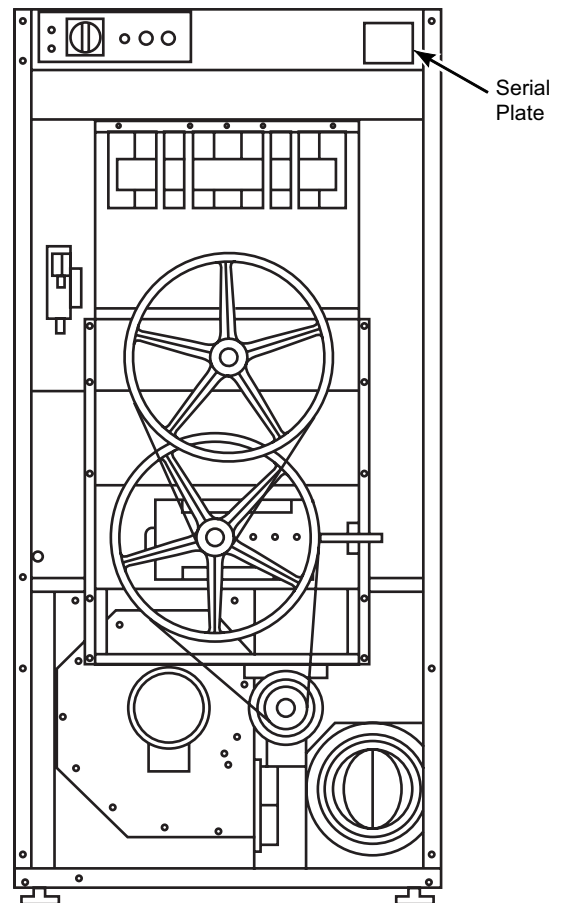
Serial Plate Location

When calling or writing about your product, be sure to mention model and serial numbers. Model and serial numbers are located on serial plate(s).

HEAT PUMP



GAS, STEAM AND ELECTRIC



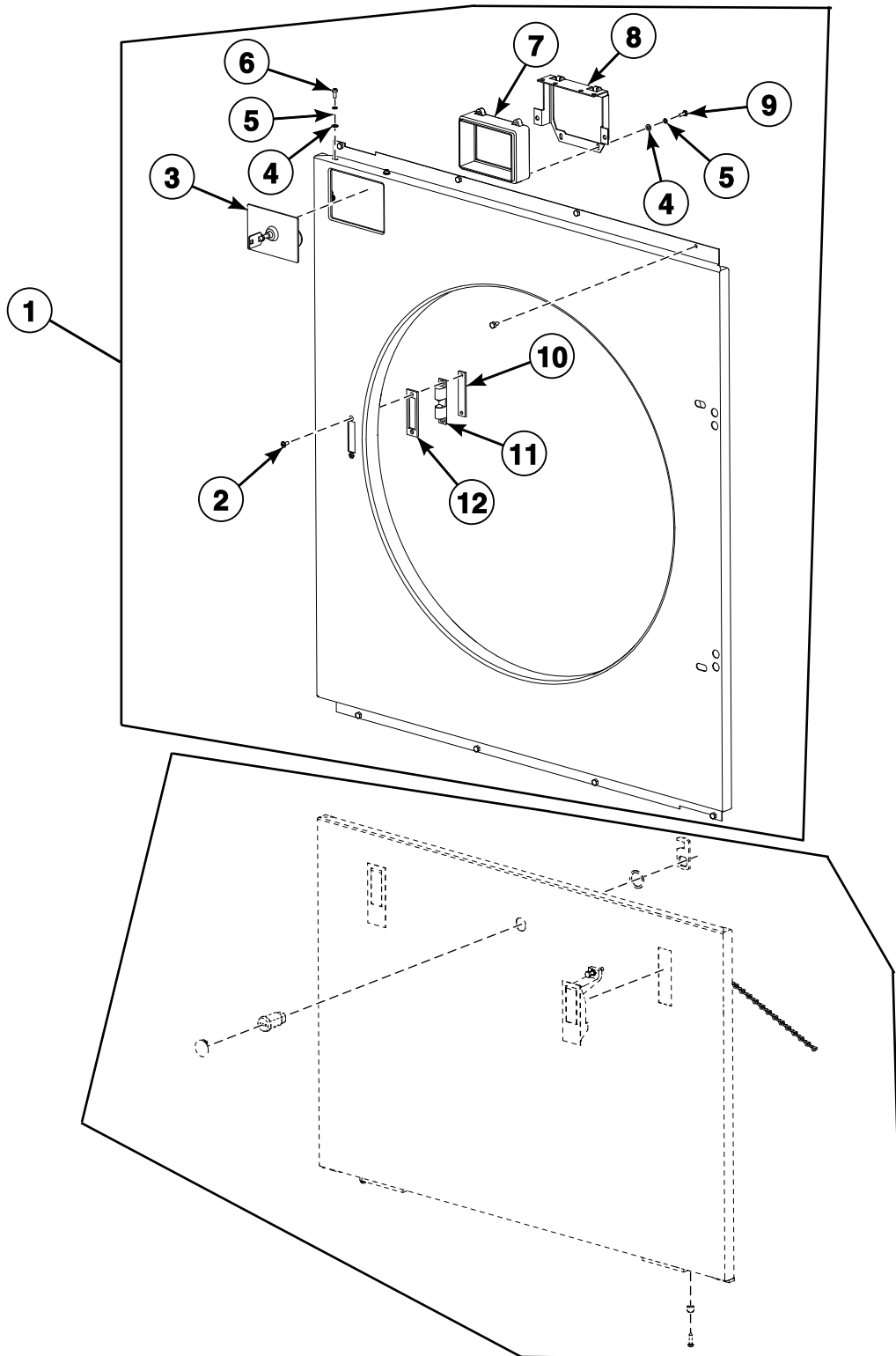
TMB3403P_D1644

Model Identification

Information in this manual is applicable to these tumbler models:

DT250AE	IUHP250E	NC250WE	PU250FE	SX250EE
DT250AG	IX250EE	NH250EE	PU250HE	SX250HE
DT250AH	IX250HE	NH250FE	PU250ME	SX250LE
DT250AS	IX250LE	NH250HE	PU250SE	SX250ME
DT250BG	IX250ME	NH250LE	PU250WE	SX250NE
DT250BH	IX250NE	NH250ME	PUDE250E	SX250SE
DT250BS	IX250SE	NH250NE	PUDG250E	SX250TE
EC_HYDROS_ST14	IX250TE	NH250SE	PUDL250E	SX250WE
EC_HYDROS_ST14HP	IX250WE	NH250TE	PUDS250E	T11E
IHP250_EASY	LC250EE	NH250WE	PUHP250E	T11VP
LS250_EASY	LC250FE	NU250EE	PX250EE	UC250EE
LS250HP_BASIC	LC250HE	NU250FE	PX250FE	UC250HE
PC250T_EASY	LC250LE	NU250HE	PX250HE	UC250LE
PHP250_EASY	LC250ME	NU250ME	PX250ME	UC250ME
SHP250_EASY	LC250NE	NU250SE	PX250NE	UC250NE
T11_EASY	LC250SE	NU250WE	PX250SE	UC250SE
T11HP_EASY	LC250TE	NX250EE	PX250TE	UC250TE
UHP250_EASY	LC250WE	NX250FE	PX250WE	UC250WE
I250_EASY	LH250EE	NX250HE	SC250EE	UDR250
IC250EE	LH250FE	NX250LE	SC250HE	UE250HE
IC250HE	LH250HE	NX250ME	SC250LE	UGHP250E
IC250LE	LH250LE	NX250NE	SC250ME	UH250EE
IC250ME	LH250ME	NX250SE	SC250NE	UH250HE
IC250NE	LH250NE	NX250TE	SC250SE	UH250LE
IC250SE	LH250SE	NX250WE	SC250TE	UH250ME
IC250TE	LH250TE	PC250EE	SDR250	UH250NE
IC250WE	LH250WE	PC250FE	SE250HE	UH250SE
IDR250	LU250EE	PC250HE	SGHP250E	UH250TE
IE250HE	LU250FE	PC250LE	SH250EE	UH250WE
IGHP250E	LU250HE	PC250ME	SH250HE	UR250EE
IH250EE	LU250ME	PC250NE	SH250LE	UR250LE
IH250HE	LU250SE	PC250SE	SH250ME	UR250ME
IH250LE	LU250WE	PC250TE	SH250NE	UR250NE
IH250ME	LX250EE	PC250WE	SH250SE	UR250SE
IH250NE	LX250FE	PE250HE	SH250TE	UR250TE
IH250SE	LX250HE	PGDE250E	SH250WE	UR250WE
IH250TE	LX250LE	PGDG250E	SR250EE	UU250EE
IH250WE	LX250ME	PGDL250E	SR250LE	UU250HE
IR250EE	LX250NE	PGDS250E	SR250ME	UU250ME
IR250LE	LX250SE	PGHP250E	SR250NE	UU250SE
IR250ME	LX250TE	PH250EE	SR250SE	UU250WE
IR250NE	LX250WE	PH250FE	SR250TE	UUHP250E
IR250SE	NC250EE	PH250HE	SR250WE	UX250EE
IR250TE	NC250FE	PH250LE	ST14	UX250HE
IR250WE	NC250HE	PH250ME	SU250EE	UX250LE
IU250EE	NC250LE	PH250NE	SU250HE	UX250ME
IU250HE	NC250ME	PH250SE	SU250ME	UX250NE
IU250ME	NC250NE	PH250TE	SU250SE	UX250SE
IU250SE	NC250SE	PH250WE	SU250WE	UX250TE
IU250WE	NC250TE	PU250EE	SUHP250E	UX250WE

Front Panel Assembly

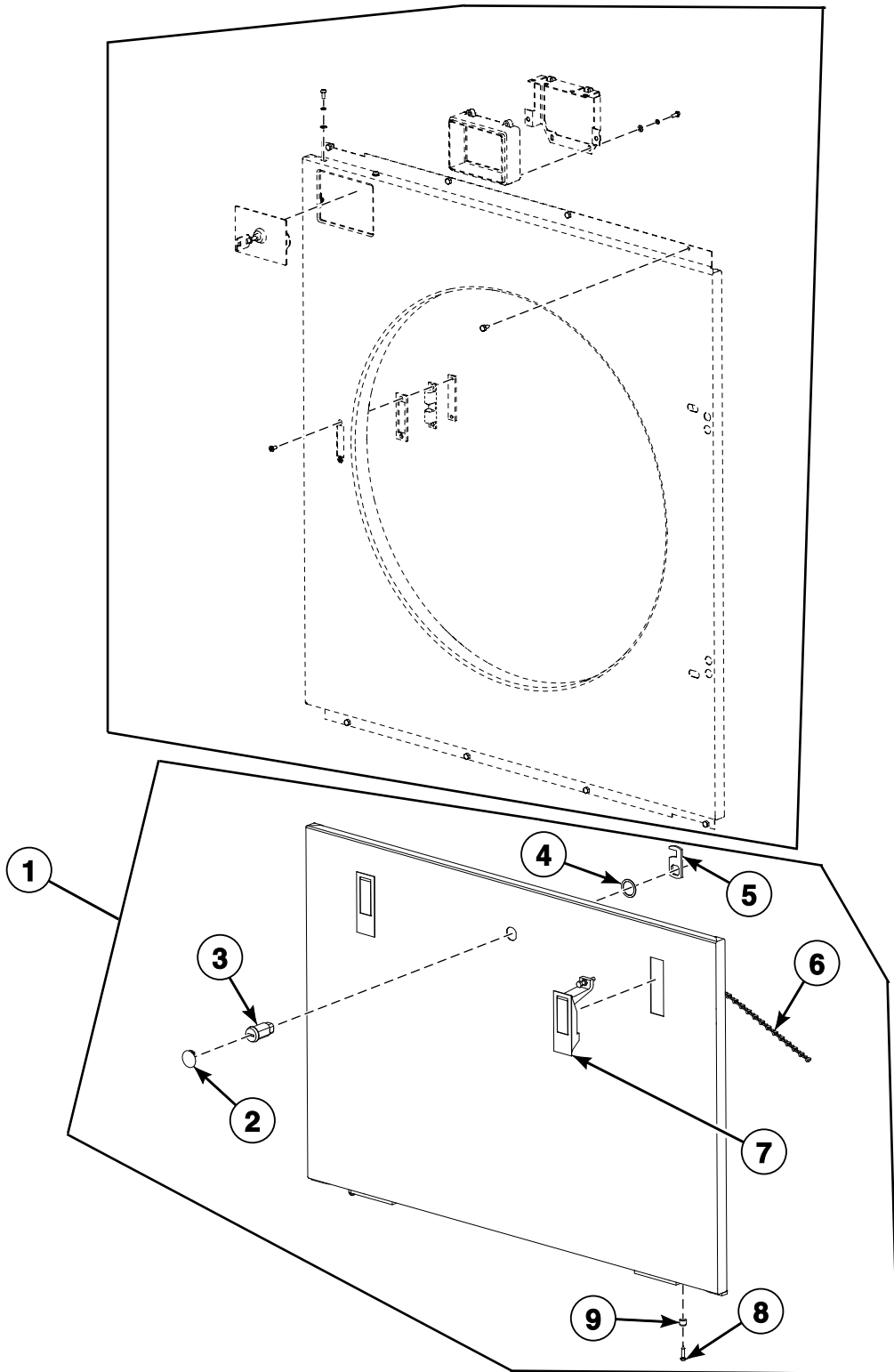


TMB3337P_D1644

Front Panel Assembly

REF	PART NO.	DESCRIPTION	COMMENTS
1	SP530621	Front Panel Assembly	U models; I models starting Serial No. 11T006637MZ; S models starting 1/1/2021; Includes items 2-12; Imitation stainless steel
	SP559831	Front Panel Assembly	S models through 12/31/2020; I and LS250HP_BASIC models through Serial No.11T006636MZ; Includes items 2-12; White
	SP555996	Front Panel Assembly	EC, L, N, P and T models; Includes items 2-12; Gray
	SP530620	Front Panel Assembly	Includes items 2-12; Stainless steel
	SP530623	Front Panel Assembly	U models; I models starting Serial No. 11T006637MZ; S models starting 1/1/2021; Includes items 2-12; Coin; Right door; Imitation stainless steel
	SP559832	Front Panel Assembly	S models through 12/31/2020; I and LS250HP_BASIC models through Serial No. 11T006636MZ; Includes items 2-12; Coin; Right door; White
	SP555997	Front Panel Assembly	EC, L, N, P and T models; Includes items 2-12; Coin; Right door; Gray
	SP530622	Front Panel Assembly	Includes items 2-12; Coin; Right door; Stainless steel
	SP545543	Front Panel Assembly	U models; I models starting Serial No. 11T006637MZ; S models starting 1/1/2021; Includes items 2-12; Coin; Left door; Imitation stainless steel
	SP559833	Front Panel Assembly	S models through 12/31/2020; I and LS250HP_BASIC models through Serial No. 11T006636MZ; Includes items 2-12; Coin; Left door; White
	SP555998	Front Panel Assembly	EC, L, N, P and T models; Includes items 2-12; Coin; Left door; Gray
	SP545542	Front Panel Assembly	Includes items 2-12; Coin; Left door; Stainless steel
2	SP309966240410	Bolt	
3	SP515291	Coin Vault Cover	Coin
4	SP311125000004	Washer	
5	SP311127000004	Washer	
6	SP515075	Bolt	
7	SP501514	Coin Vault Frame	Coin
8	SP524394	Coin Vault Frame Bracket	Coin
9	SP309933240412	Bolt	
10	SP514906	Washer	
11	SP514530	Latch	
12	SP524366	Washer	

Filter Panel Assembly

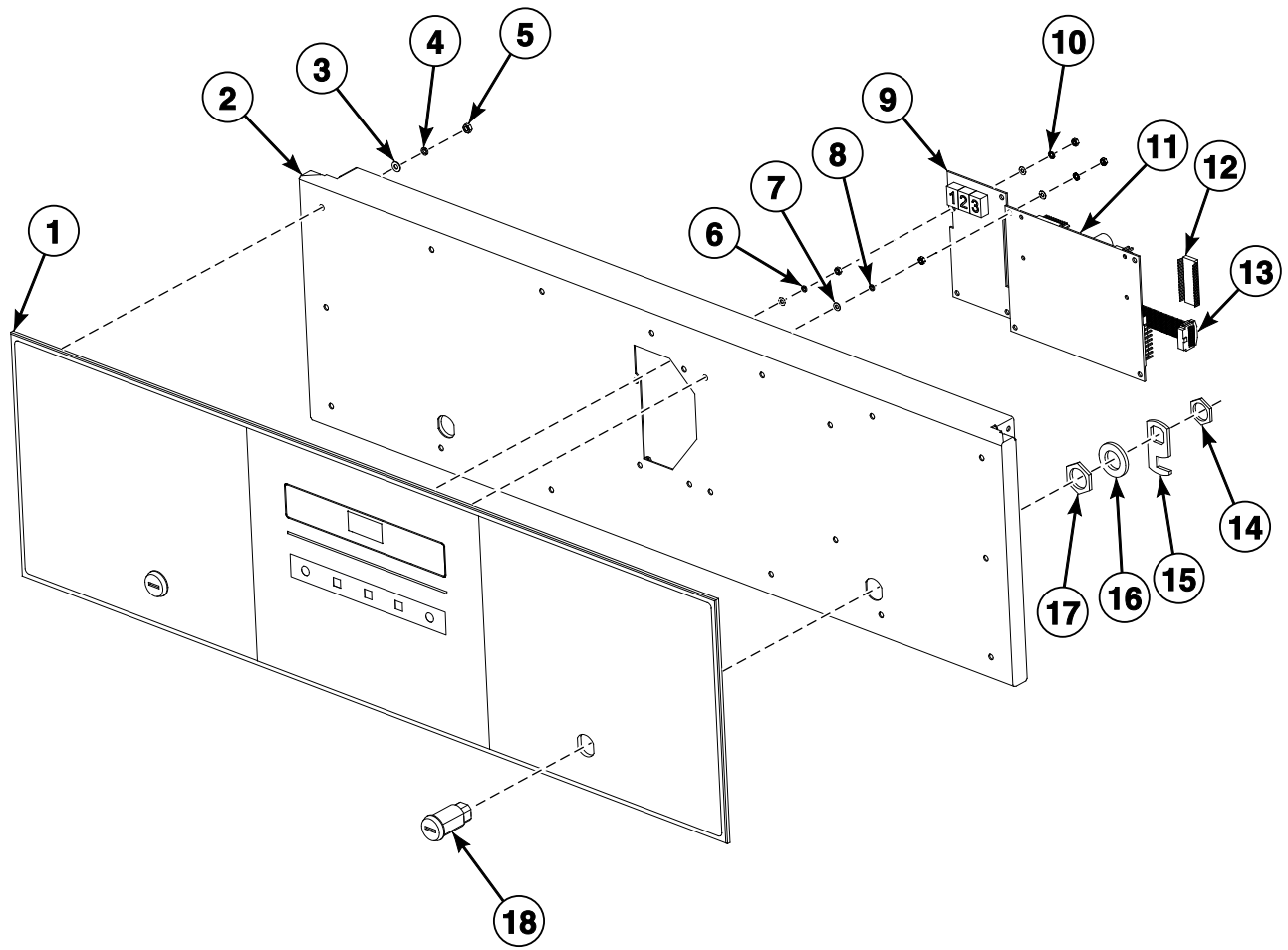


TMB3337PA_D1644

Filter Panel Assembly

REF	PART NO.	DESCRIPTION	COMMENTS
1	SP530631	Filter Panel Assembly	U models; I models starting Serial No. 11T006637MZ; S models starting 1/1/2021; Includes items 2-9; Imitation stainless steel
	SP559827	Filter Panel Assembly	S models through 12/31/2020; I and LS250HP_BASIC models through Serial No. 11T006636MZ; Includes items 2-9; White
	SP555961	Filter Panel Assembly	EC, L, N, P and T models; Includes items 2-9; Gray
	SP530630	Filter Panel Assembly	Includes items 2-9; Stainless steel
	SP530634	Filter Panel Assembly	U models; I models starting Serial No. 11T006637MZ; S models starting 1/1/2021; Includes items 2-9; With lock; Imitation stainless steel
	SP559828	Filter Panel Assembly	S models through 12/31/2020; I and LS250HP_BASIC models through Serial No. 11T006636MZ; Includes items 2-9; With lock; White
	SP555962	Filter Panel Assembly	EC, L, N, P and T models; Includes items 2-9; With lock; Gray
	SP530633	Filter Panel Assembly	Includes items 2-9; With lock; Stainless steel
	2	SP345900025012	Plug
3	SPPRI610000007	Lock	
4	SPPRI522000012	Washer	
5	SPPRI610001007	Lock Hook	
6	SP521266	Chain	
7	SP521221	Lock	
8	SP520407	Screw	
9	SP520408	Pin Insertion	

Upper Panel for EC Models

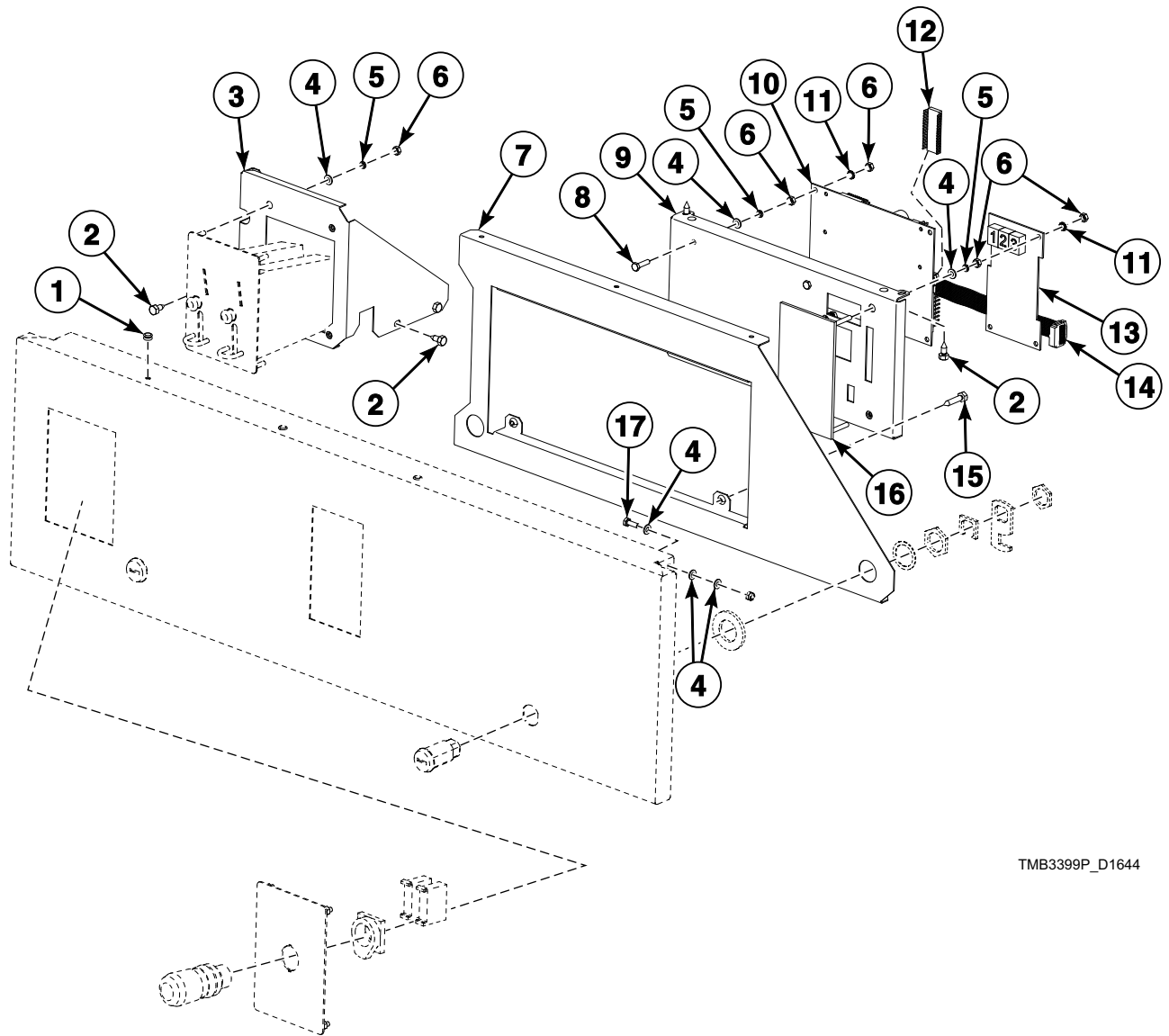


TMB3338P_D1644

Upper Panel for EC Models

REF	PART NO.	DESCRIPTION	COMMENTS
	SP560138	Control Panel Assembly	Includes items 1-18; Gray
1	SP560140	Overlay	
2	SP560139	Control Panel	Gray
3	SP311125000004	Washer	
4	SP311127000004	Washer	
5	SP310934000004	Nut	
6	SP310934000003	Nut	
7	SP311125000003	Washer	
8	SP311127240003	Washer	
9	SP553416	Display Board	Blue
10	SP311679800003	Washer	
11	SP529112	Control	
12	SP526001	Memory	Empty without software version
	103460	Memory	Includes SP526001 Memory and software
	545268	Memory	Models with heat pump; Includes SP526001 Memory and software
13	SP521061	Cable	
14	SPPRI610006007	Nut	
15	SPPRI610001007	Lock Hook	
16	SP311125000010	Washer	
17	SPPRI610005007	Nut	
18	SPPRI610000007	Lock	

Easy Control Components With Coin Meter (Drawing 1 of 2)

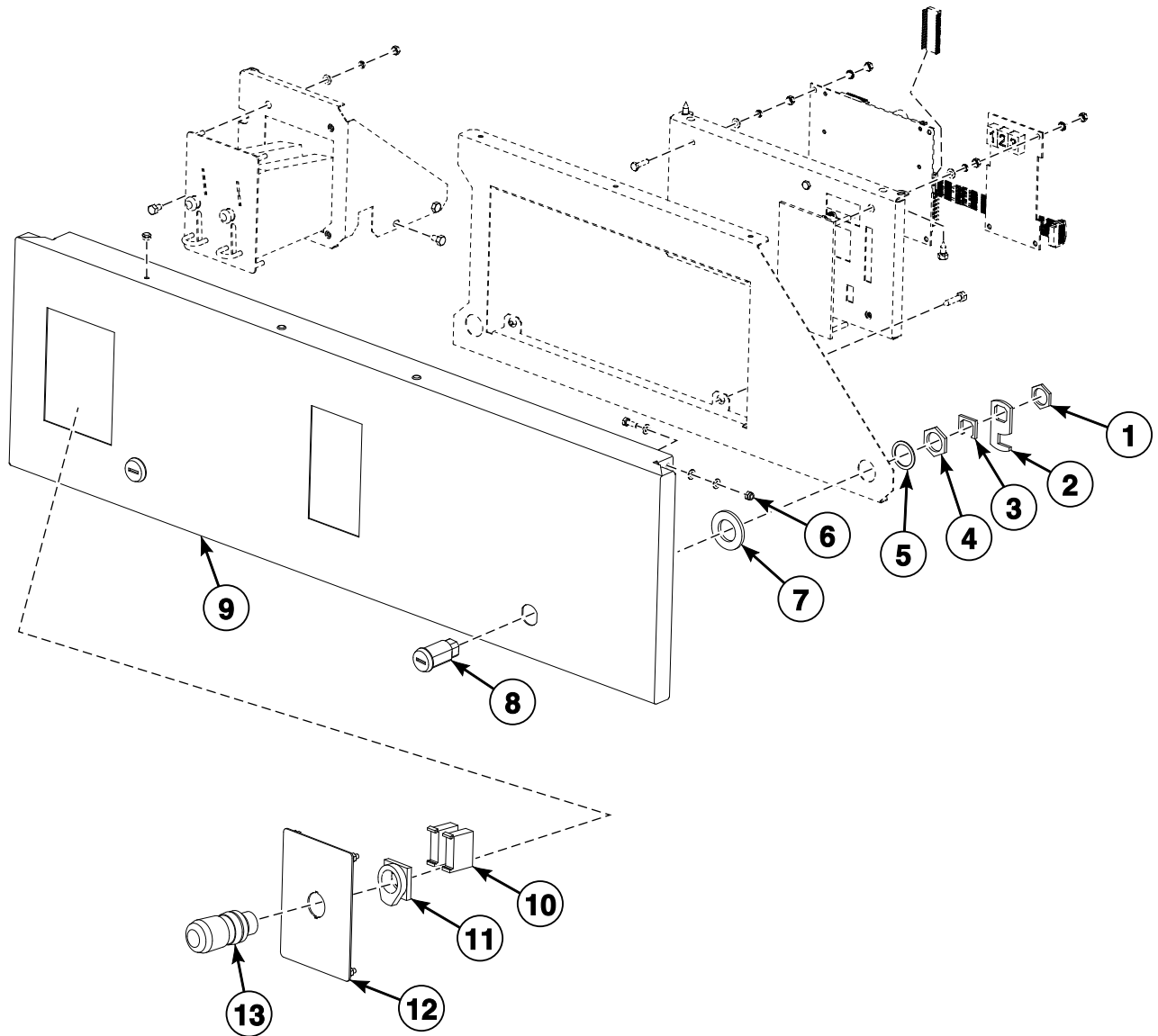


TMB3399P_D1644

Easy Control Components With Coin Meter (Drawing 1 of 2)

REF	PART NO.	DESCRIPTION	COMMENTS
	SP556690	Control Panel Assembly	U models; Imitation stainless steel
	SP559889	Control Panel Assembly	U models; Stainless steel
	SP556691	Control Panel Assembly	I models; White; Through Serial No. 11T006636MZ
	574517	Control Panel Assembly	I models; Imitation stainless steel; Starting Serial No. 11T006637MZ
	SP559890	Control Panel Assembly	I models; Stainless steel
	575433	Control Panel Assembly	S models; Imitation stainless steel
	SP560717	Control Panel Assembly	S models through 12/31/2020; White
	SP560716	Control Panel Assembly	S models; Stainless steel
	SP556075	Control Panel Assembly	P and T models; Gray; L and N models through Serial No. 11T006636MZ
	SP556689	Control Panel Assembly	P and T models; Stainless steel; L and N models through Serial No. 11T006636MZ
	SP556692	Control Panel Assembly	P and T models; Black; Through 12/12/2016
	SP560224	Control Panel Assembly	Model LS250HP; White; Through Serial No. 11T006636MZ
	574518	Control Panel Assembly	L and N models; Gray; Starting Serial No. 11T006637MZ
	SP560225	Control Panel Assembly	L and N models; Stainless steel
1	SP313250004075	Rivet	
2	SP100218	Screw	
3	SP556081	Coin Meter Bracket	
4	SP311125000004	Washer	
5	SP311127000004	Washer	
6	SP310934000004	Nut	
7	SP556603	Control Bracket	
8	SP309933000416	Bolt	
9	SP559819	Control Bracket	
10	SP102458	Control	
11	SP311679800004	Washer	
12	SP526001	Memory	Empty without software version
	102460	Memory	Includes SP526001 Memory and software; Gas heat; Electric heat; Steam heat
	545264	Memory	Includes SP526001 Memory and software; Gas heat; Electric heat; Steam heat; Export France
	545265	Memory	Models with heat pump; Includes SP526001 Memory and software
	545266	Memory	Models with heat pump; Includes SP526001 Memory and software; Export France
	545267	Memory	Models with heat pump and frequency inverter; Includes SP526001 Memory and software
13	SP102459	Display Board	S and U models; Green
	SP560706	Display Board	I models; Red
	SP553416	Display Board	L, N, P and T models; Blue
14	SP521061	Cable	
15	SP520871	Screw	
16	SP559870	Overlay	U models
	SP559900	Overlay	I models
	SP559871	Overlay	L, N and S models
	SP556099	Overlay	P and T models
17	SP309933240412	Bolt	

Easy Control Components With Coin Meter (Drawing 2 of 2)

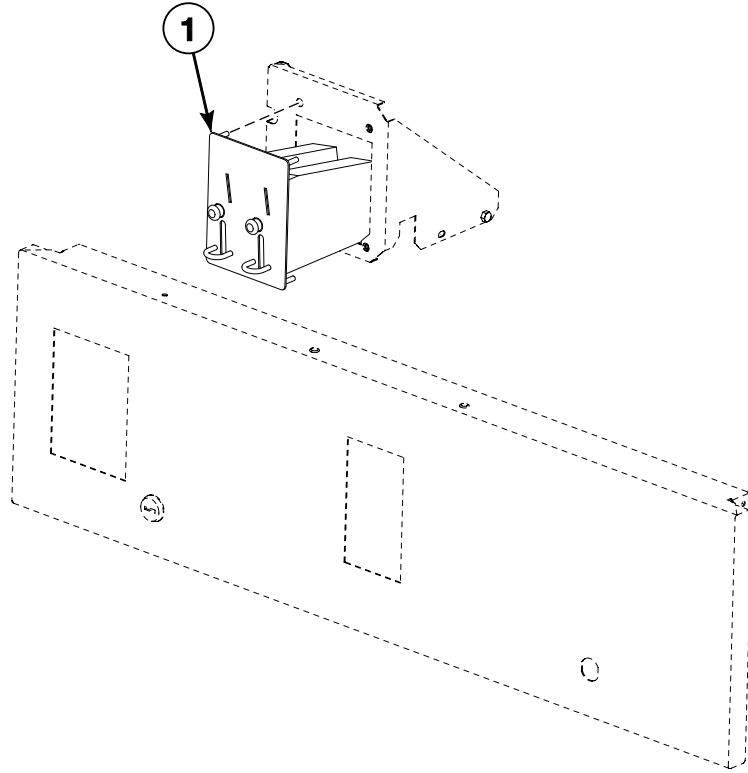


TMB3399PA_D1644

Easy Control Components With Coin Meter (Drawing 2 of 2)

REF	PART NO.	DESCRIPTION	COMMENTS
1	SPPRI610006007	Nut	
2	SPPRI610001007	Lock Hook	
3	SP529082	Shim	
4	SPPRI610005007	Nut	
5	SPPRI522000012	Washer	
6	SP514193	Nut	
7	SP311125000020	Washer	
8	SPPRI610000007	Lock	
9	SP556644	Control Panel	I, L, N, P, S, T and U models; Stainless steel
	SP556680	Control Panel	P and T models; Black
	SP556678	Control Panel	U models; I models starting Serial No. 11T006637MZ; S models starting 1/1/2021; Imitation stainless steel
	SP556679	Control Panel	I, L and N models through Serial No. 11T006636MZ; S models through 12/31/2020; White
	SP556076	Control Panel	L, N, P and T models; Gray
10	SP528312	Switching Unit	
11	SP528311	Emergency Stop Connector	
12	SP562956	Label	
13	SP528310	Emergency Stop Knob	

Coin Meter (Drawing 1 of 3)

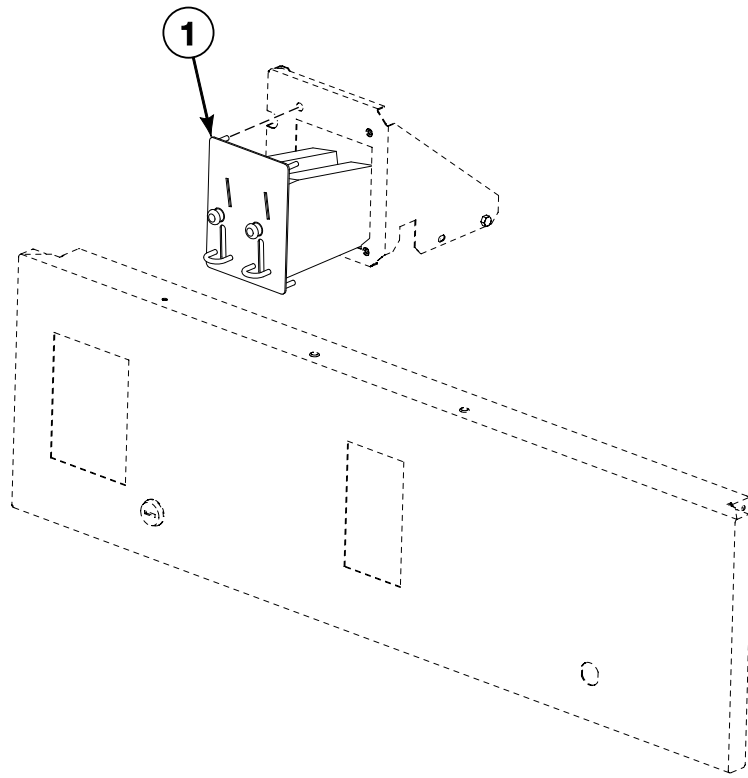


TMB3400P_D1644

Coin Meter (Drawing 1 of 3)

REF	PART NO.	DESCRIPTION	COMMENTS
1	SP100642	Coin Meter	1AUD + 20C
	SP100866	Coin Meter	5K jeton
	SP100867	Coin Meter	7K jeton
	SP100868	Coin Meter	10K jeton
	SP100869	Coin Meter	12K jeton
	SP100870	Coin Meter	15K jeton
	SP100871	Coin Meter	D jeton
	SP100887	Coin Meter	1pound + 20PC
	SP100888	Coin Meter	1pound + 50PC
	SP100891	Coin Meter	100YEN
	SP100892	Coin Meter	500YEN + 100YEN
	SP100895	Coin Meter	5DKK
	SP100896	Coin Meter	20DKK
	SP100900	Coin Meter	5ILS + 1ILS
	SP100902	Coin Meter	1EUR
	SP101228	Coin Meter	1 MYR
	SP101535	Coin Meter	0.50EUR
	SP101536	Coin Meter	0.50EUR + 1EUR
	SP101797	Coin Meter	1DKK + 5DKK
	SP101612	Coin Meter	10NOK + 20NOK
	SP101450	Coin Meter	2DKK + 5DKK
	SP101499	Coin Meter	5NOK
	SP101632	Coin Meter	0.20EUR + 0.50EUR
	SP101586	Coin Meter	1NZD + 2NZD
	SP101155	Coin Meter	10NOK
	SP102084	Coin Meter	10NT + 50NT (dolar)
	SP516639	Coin Meter	2DKK
	SP516638	Coin Meter	Lucky Winner jeton
	SP102473	Coin Meter	10 Taiwan dollar
	SP516636	Coin Meter	10CZK + 20CZK
	SP516804	Coin Meter	7K Equipos Par Lavar jeton
	SP516737	Coin Meter	1EUR + 2EUR
	SP516807	Coin Meter	F10.3-W2000-19,2 Groove jeton, jeton diameter 24.8 mm
	SP100898	Coin Meter	500WON
	SP101437	Coin Meter	0.25USD
	SP516875	Coin Meter	1AUD + 2AUD
	SP102371	Coin Meter	5DKK + 10DKK
	SP102407	Coin Meter	0.2EUR
	SP102452	Coin Meter	1EUR + 0.2 EUR
	SP102546	Coin Meter	SUN WASH jeton
	SP516632	Coin Meter	2DKK + 10DKK
	SP516921	Coin Meter	Unibel Tech 5K jeton
	SP100893	Coin Meter	1AUD
	SP516950	Coin Meter	1CHF
	SP516967	Coin Meter	5 NOK +10NOK
	SP516969	Coin Meter	1 TopMos jeton + 1BGN
	SP516976	Coin Meter	50 penny
	SP516977	Coin Meter	1 Vendo jeton
	SP516980	Coin Meter	2EUR
	SP516984	Coin Meter	0.05EUR
	SP516991	Coin Meter	1 jeton Token

Coin Meter (Drawing 2 of 3)

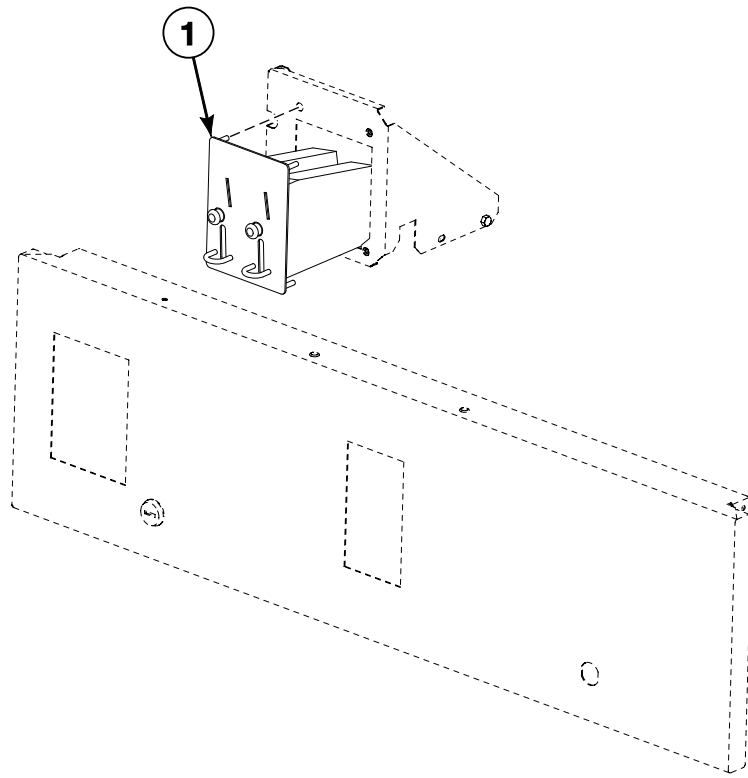


TMB3400P_D1644

Coin Meter (Drawing 2 of 3)

REF	PART NO.	DESCRIPTION	COMMENTS
1	SP516994	Coin Meter	20 pence
	SP516999	Coin Meter	7K + D jetons
	SP529106	Coin Meter	1 Wascator jeton diamater 22.2 mm
	SP529108	Coin Meter	1 Unibel jeton diamater 18.55 mm
	SP529114	Coin Meter	2EUR + 0.50EUR
	SP529115	Coin Meter	50HUF + 100HUF
	SP529119	Coin Meter	1 jeton, without coining, jeton diamater 20 mm
	SP529124	Coin Meter	1 Volund jeton, jeton diamater 22.5 mm
	SP534187	Coin Meter	1 Wascator jeton diamater 19 mm
	SP529113	Coin Meter	1 Miele jeton
	SP529110	Coin Meter	1 jeton without coining, jeton diamater 26 mm
	SP534289	Coin Meter	Three-groove jeton, jeton diamater 27 mm
	SP534297	Coin Meter	Three-groove jeton, jeton diamater 25 mm
	SP537775	Coin Meter	D jeton + 2EUR
	SP537776	Coin Meter	7K jeton + 2EUR
	SP537778	Coin Meter	Milano Italy jeton
	SP537779	Coin Meter	5PLN + 1 PLN
	SP537787	Coin Meter	Two-groove jeton, jeton diamater 27 mm
	SP537788	Coin Meter	A.S.A.R.D. jeton, jeton diamater 25.8 mm
	SP537825	Coin Meter	20CZK
	SP537828	Coin Meter	Electrolux ASARD jeton, jeton diamater 22.3 mm
	SP537859	Coin Meter	Laundromatic Belgium jeton, jeton diamater 22.3 mm
	SP537829	Coin Meter	Carsen two-groove jeton, jeton diamater 22 mm
	SP537913	Coin Meter	Asard Wascator jeton, jeton diamater 19.9 mm
	SP552901	Coin Meter	Eagle jeton, jeton diamater 25.98 mm
	SP552951	Coin Meter	1SGD
	SP552952	Coin Meter	200HUF
	SP552998	Coin Meter	1TRY
	SP553007	Coin Meter	0.5 MYR
	SP553008	Coin Meter	Butzi wash jeton
	SP553152	Coin Meter	EUROTOKEN 10 (DETON WASH)
	SP556109	Coin Meter	1SGD (new Singapore dollar)
	SP556113	Coin Meter	Flash wash jeton
	SP556114	Coin Meter	2PLN
	SP555667	Coin Meter	50 + 50, Malaysian cents
	SP556153	Coin Meter	Symbol M jeton, jeton ROMAC
	SP559709	Coin Meter	1 NOK + 5 NOK
	SP560746	Coin Meter	Dobi Ekspres jeton
	SP560095	Coin Meter	5k IPSO jeton
	SP560096	Coin Meter	7k IPSO jeton
	SP560097	Coin Meter	10k IPSO jeton
	SP560098	Coin Meter	12k IPSO jeton
	SP560099	Coin Meter	15k IPSO jeton
	SP561379	Coin Meter	10 Morrocan Dirham
	SP560793	Coin Meter	AAW Lav-o-seul jeton
	SP564823	Coin Meter	EMP500.12v5 for new SGD + new MYR + teach mode
	SP553140	Coin Meter	20 CZK + 50 CZK

Coin Meter (Drawing 3 of 3)

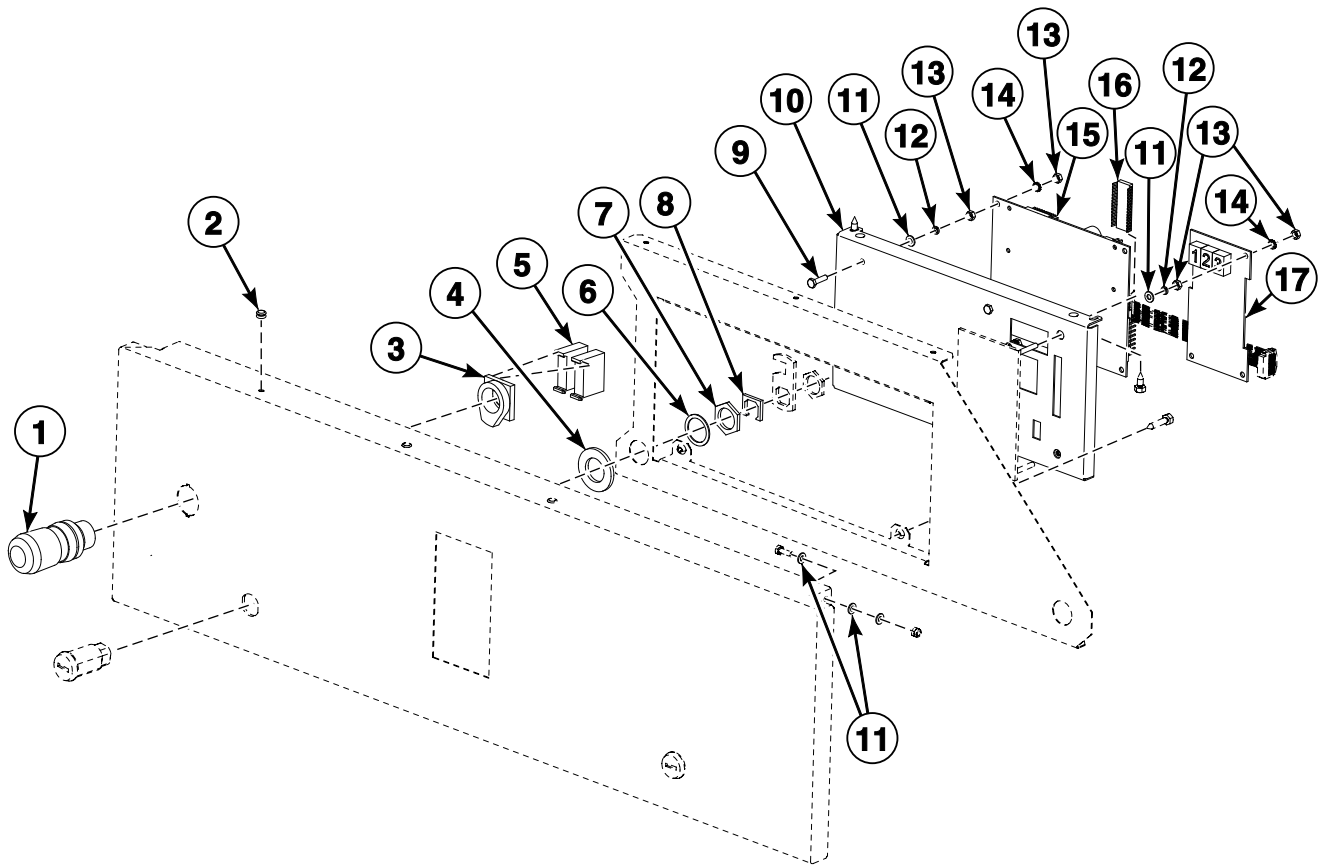


TMB3400P_D1644

Coin Meter (Drawing 3 of 3)

REF	PART NO.	DESCRIPTION	COMMENTS
1	516848	Coin Meter	Washmatic jeton
	516908	Coin Meter	Unibel Tech one-groove jeton
	516909	Coin Meter	Unibel Tech two-groove jeton
	516913	Coin Meter	Unibel Tech jeton for FS07
	516914	Coin Meter	Unibel Tech jeton for FS10
	529159	Coin Meter	1 Wash Jet. 20 jeton
	569920	Coin Meter	0.25USD, 1USD, 0.25CAD, 1CAD, 2CAD; Electronic EMPv7
	569923	Coin Meter	0.2GBP, 0.5GBP, 1GBP, 2GBP, 0.1EUR, 0.2EUR, 0.5EUR, 1EUR, 2EUR; Electronic EMPv7
	569926	Coin Meter	1DKK, 2DKK, 5DKK, 10DKK, 20DKK, 1NOK, 5NOK, 10NOK, 20NOK, 0.2EUR, 0.5EUR, 1EUR, 2EUR; Electronic EMPv7
	569929	Coin Meter	0.2AUD, 1AUD, 2AUD, 0.2NZD, 1NZD, 2NZD, 5HKD, 10HKD, 500KRW; Electronic EMPv7
	569932	Coin Meter	1CNY, 0.1MYR, 0.2MYR, 0.5MYR; Electronic EMPv7
	569935	Coin Meter	0.1EUR, 0.2EUR, 0.5EUR, 1EUR, 2EUR; Electronic EMPv7
	569938	Coin Meter	1PHP, 5PHP, 10PHP; Electronic EMPv7
	569941	Coin Meter	0.1SGD, 0.2SGD, 0.5SGD, 1SGD; Electronic EMPv7
	569944	Coin Meter	0.1MYR, 0.2MYR, 0.5MYR, 0.5SGD, 1SGD; Electronic EMPv7
	569947	Coin Meter	1HRK, 2HRK, 5HRK; Electronic EMPv7
	569950	Coin Meter	5CZK, 10CZK, 20CZK, 50CZK; Electronic EMPv7
	569953	Coin Meter	0.5MAD, 1MAD, 2MAD, 5MAD, 10MAD; Electronic EMPv7
	569956	Coin Meter	1PLN, 2PLN, 5PLN, 0.1EUR, 0.2EUR, 0.5EUR, 1EUR, 2EUR, 10ISK, 50ISK, 100ISK; Electronic EMPv7
	569963	Coin Meter	0.1EUR, 0.2EUR, 0.5EUR, 1EUR, 2EUR, jeton IPSO 5K; Electronic EMPv7
	569966	Coin Meter	0.2GBP, 0.5GBP, 1GBP, 2GBP, 0.1EUR, 0.2EUR, 0.5EUR, 1EUR, 2EUR, jeton "KWL Aqua", jeton "Gettone"; Electronic EMPv7
	569969	Coin Meter	0.1EUR, 0.2EUR, 0.5EUR, 1EUR, 2EUR, jeton G-FIS "LAVOIR BIANCA"; Electronic EMPv7
	569972	Coin Meter	0.5MYR, jeton "DOBI PAPA"; Electronic EMPv7
	569975	Coin Meter	1AUD, 2AUD, jeton "No Cash Value"; Electronic EMPv7
	569981	Coin Meter	0.5MYR, jeton "BUBBLELAB"; Electronic EMPv7
	569986	Coin Meter	HAUCK 2018 jeton
	572303	Coin Meter	Jeton 118-16
	572306	Coin Meter	1ILS, 2ILS, 5ILS, 10ILS; Electronic EMPv7
	572309	Coin Meter	1ZAR, 2ZAR, 5ZAR; Electronic EMPv7
	572312	Coin Meter	5RUB, 10RUB; Electronic EMPv7
	572315	Coin Meter	50CLP, 100CLP, 500CLP; Electronic EMPv7
	572319	Coin Meter	100JPY, 500JPY, 10TWD, 50TWD; Electronic EMPv7
	572322	Coin Meter	0.5GEL, 1GEL, 2GEL; Electronic EMPv7
	572325	Coin Meter	0.1EUR, 0.2EUR, 0.5EUR, 1EUR, 2EUR, Jeton 7K; Electronic EMPv7
	572337	Coin Meter	Jeton 118-1
	572338	Coin Meter	Jeton 118-5
	572340	Coin Meter	Gettone Jeton (26mm diameter x 1.7mm)
	572344	Coin Meter	TOKEN WH121
	572360	Coin Meter	1THB, 2THB, 5THB, 10THB; Electronic EMPv7
	572385	Coin Meter	0.2CHF, 0.5CHF, 1CHF, 2CHF; Electronic EMPv7
	572390	Coin Meter	0,25CAD
	579810	Coin Meter	1AED; Jeton 118-1; Electronic EMPv7
	579814	Coin Meter	20HUF, 50HUF, 100HUF, 200HUF; Electronic EMPv7
	579820	Coin Meter	2PLN + 5PLN; Electronic EMPv7

Easy Control Components Without Coin Meter (Drawing 1 of 2)

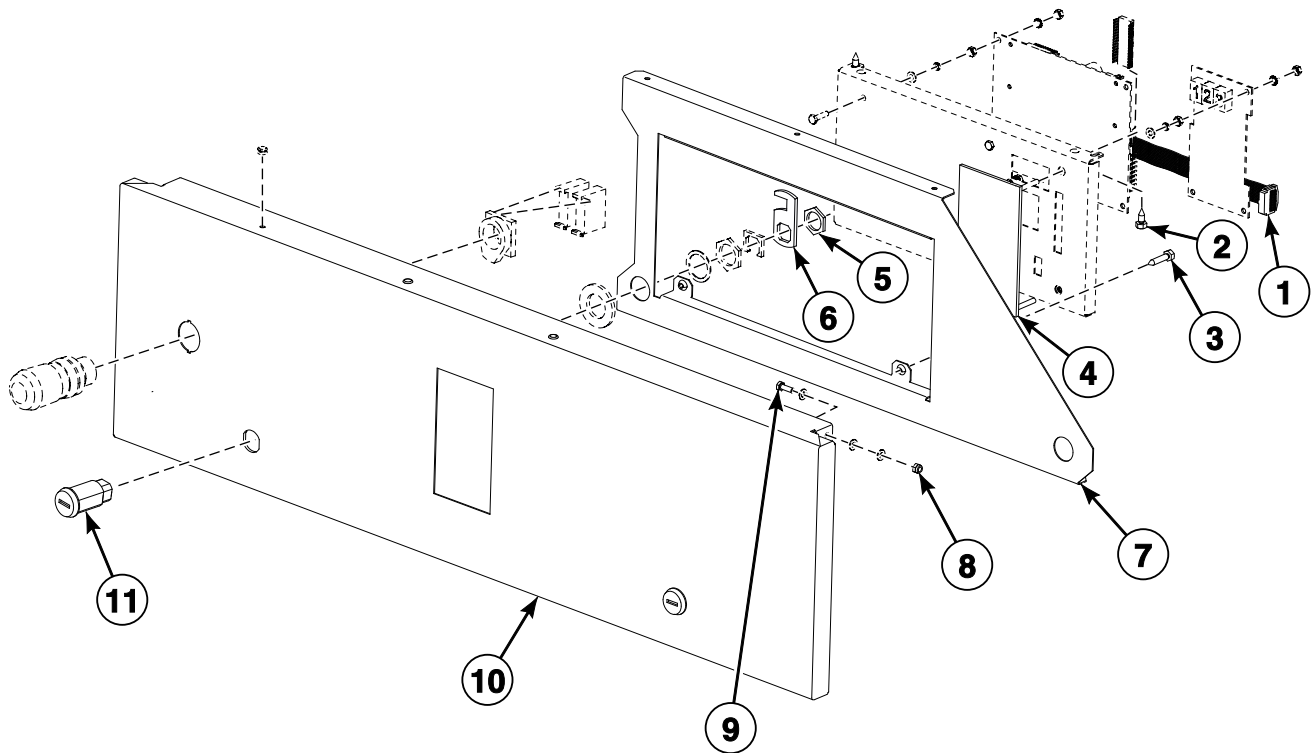


TMB3341P_D1644

Easy Control Components Without Coin Meter (Drawing 1 of 2)

REF	PART NO.	DESCRIPTION	COMMENTS
	SP556688	Control Panel Assembly	U models; Imitation stainless steel
	SP559887	Control Panel Assembly	U models; Stainless steel
	SP556687	Control Panel Assembly	I models; White; Through Serial No. 11T006636MZ
	574515	Control Panel Assembly	I models; Imitation stainless steel; Starting Serial No. 11T006637MZ
	SP559888	Control Panel Assembly	I models; Stainless steel
	575432	Control Panel Assembly	S models; Imitation stainless steel
	SP560715	Control Panel Assembly	S models through 12/31/2020; White
	SP560714	Control Panel Assembly	S models; Stainless steel
	SP556078	Control Panel Assembly	P and T models; Gray; L and N models through Serial No. 11T006636MZ
	SP556685	Control Panel Assembly	P and T models; Stainless steel; L and N models through Serial No. 11T006636MZ
	SP556686	Control Panel Assembly	P and T models; Black; Through 12/12/2016
	SP560222	Control Panel Assembly	Model LS250HP_BASIC; White; Through Serial No. 11T006636MZ
	574516	Control Panel Assembly	L and N models; Gray; Starting Serial No. 11T006637MZ
	SP560223	Control Panel Assembly	L and N models; Stainless steel
1	SP528310	Emergency Stop Knob	
2	SP313250004075	Rivet	
3	SP528311	Emergency Stop Connector	
4	SP311125000020	Washer	
5	SP528312	Switching Unit	
6	SPPRI522000012	Washer	
7	SPPRI610005007	Nut	
8	SP529082	Shim	
9	SP309933000416	Bolt	
10	SP559819	Control Bracket	
11	SP311125000004	Washer	
12	SP311127000004	Washer	
13	SP310934000004	Nut	
14	SP311679800004	Washer	
15	SP102458	Control	
16	SP526001	Memory	Empty without software version
	102460	Memory	Includes SP526001 Memory and software; Gas heat; Electric heat; Steam heat
	545264	Memory	Includes SP526001 Memory and software; Gas heat; Electric heat; Steam heat; Export France
	545265	Memory	Models with heat pump; Includes SP526001 Memory and software
	545266	Memory	Models with heat pump; Includes SP526001 Memory and software; Export France
	545267	Memory	Models with heat pump and frequency inverter; Includes SP526001 Memory and software
17	SP102459	Display Board	S and U models; Green
	SP560706	Display Board	I models; Red
	SP553416	Display Board	L, N, P and T models; Blue

Easy Control Components Without Coin Meter (Drawing 2 of 2)

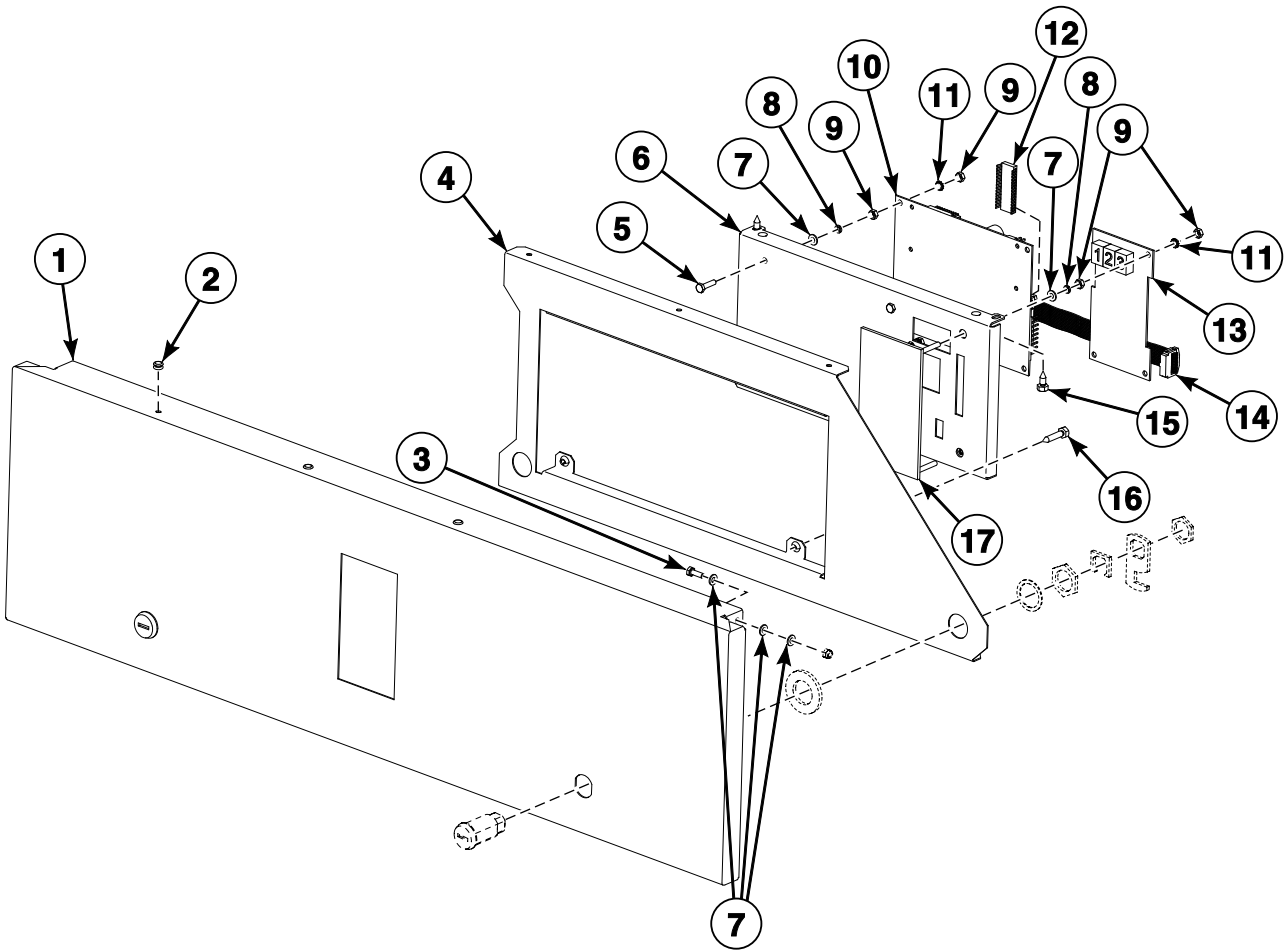


TMB3341PA_D1644

Easy Control Components Without Coin Meter (Drawing 2 of 2)

REF	PART NO.	DESCRIPTION	COMMENTS
1	SP521061	Cable	
2	SP100218	Screw	
3	SP520871	Screw	
4	SP559870	Overlay	U models
	SP559900	Overlay	I models
	SP559871	Overlay	L, N and S models
	SP556099	Overlay	P and T models
5	SPPRI610006007	Nut	
6	SPPRI610001007	Lock Hook	
7	SP556603	Control Bracket	
8	SP514193	Nut	
9	SP309933240412	Bolt	
10	SP556677	Control Panel	U models; I models starting Serial No. 11T006637MZ; S models starting 1/1/2021; Imitation stainless steel
	SP556676	Control Panel	I, L and N models through Serial No. 11T006636MZ; S models through 12/31/2020; White
	SP556077	Control Panel	L, N, P and T models; Gray
	SP556675	Control Panel	P and T models; Black
	SP556674	Control Panel	Stainless steel
11	SPPRI610000007	Lock	

Easy Control with External Payment System (Drawing 1 of 2)

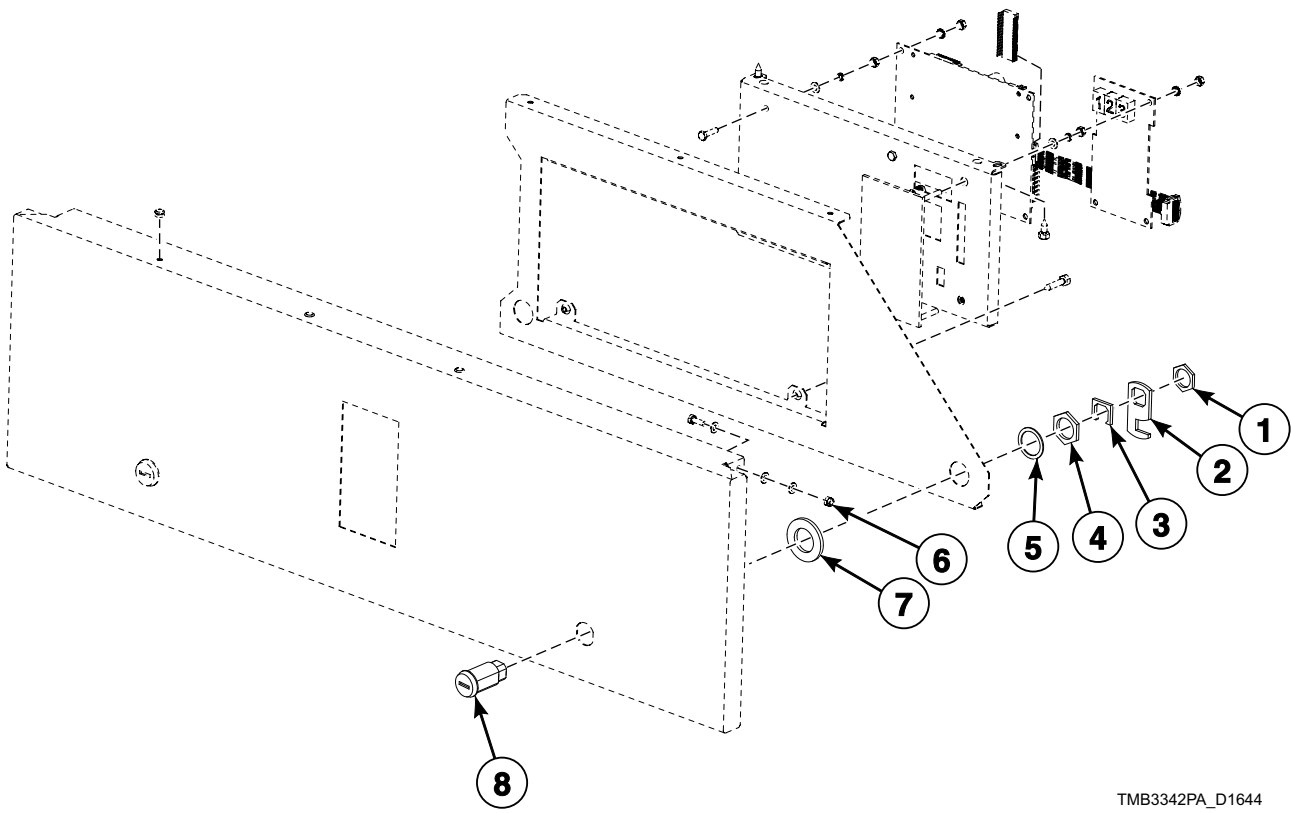


TMB3342P_D1644

Easy Control with External Payment System (Drawing 1 of 2)

REF	PART NO.	DESCRIPTION	COMMENTS
	SP556693	Control Panel Assembly	U models; Imitation stainless steel
	SP559891	Control Panel Assembly	U models; Stainless steel
	SP556696	Control Panel Assembly	I models; White; Through Serial No. 11T006636MZ
	574519	Control Panel Assembly	I models; Imitation stainless steel; Starting Serial No. 11T006637MZ
	SP559892	Control Panel Assembly	I models; Stainless steel
	575434	Control Panel Assembly	S models; Imitation stainless steel
	SP560719	Control Panel Assembly	S models through 12/31/2020; White
	SP560718	Control Panel Assembly	S models; Stainless steel
	SP556695	Control Panel Assembly	P and T models; Gray; L and N models through Serial No. 11T006636MZ
	SP556694	Control Panel Assembly	P and T models; Stainless steel; L and N models through Serial No. 11T006636MZ
	SP556646	Control Panel Assembly	P and T models; Black; Through 12/12/2016
	SP559893	Control Panel Assembly	P and T models; Black
	SP560226	Control Panel Assembly	Model LS250HP_BASIC; White; Through Serial No. 11T006636MZ
	574520	Control Panel Assembly	L and N models; Gray; Starting Serial No. 11T006637MZ
	SP560227	Control Panel Assembly	L and N models; Stainless steel
1	SP556681	Control Panel	U models; I models starting Serial No. 11T006637MZ; S models starting 1/1/2021; Imitation stainless steel
	SP556684	Control Panel	I, L and N models through Serial No. 11T006636MZ; S models through 12/31/2020; White
	SP556683	Control Panel	L, N, P and T models; Gray
	SP556645	Control Panel	P and T models; Black
	SP556682	Control Panel	Stainless steel
2	SP313250004075	Rivet	
3	SP309933240412	Bolt	
4	SP556603	Control Bracket	
5	SP309933000416	Bolt	
6	SP559819	Control Bracket	
7	SP311125000004	Washer	
8	SP311127000004	Washer	
9	SP310934000004	Nut	
10	SP102458	Control	
11	SP311679800004	Washer	
12	SP526001	Memory	Empty without software version
	102460	Memory	Includes SP526001 Memory and software; Gas heat; Electric heat; Steam heat
	545264	Memory	Includes SP526001 Memory and software; Gas heat; Electric heat; Steam heat; Export France
	545265	Memory	Models with heat pump; Includes SP526001 Memory and software
	545266	Memory	Models with heat pump; Includes SP526001 Memory and software; Export France
	545267	Memory	Models with heat pump and frequency inverter; Includes SP526001 Memory and software
13	SP102459	Display Board	S and U models; Green
	SP560706	Display Board	I models; Red
	SP553416	Display Board	L, N, P and T models; Blue
14	SP521061	Cable	
15	SP100218	Screw	
16	SP520871	Screw	
17	SP559870	Overlay	U models
	SP559900	Overlay	I models
	SP559871	Overlay	L, N and S models
	SP556099	Overlay	P and T models
	SP553415	Overlay	Model T11E

Easy Control with External Payment System (Drawing 2 of 2)

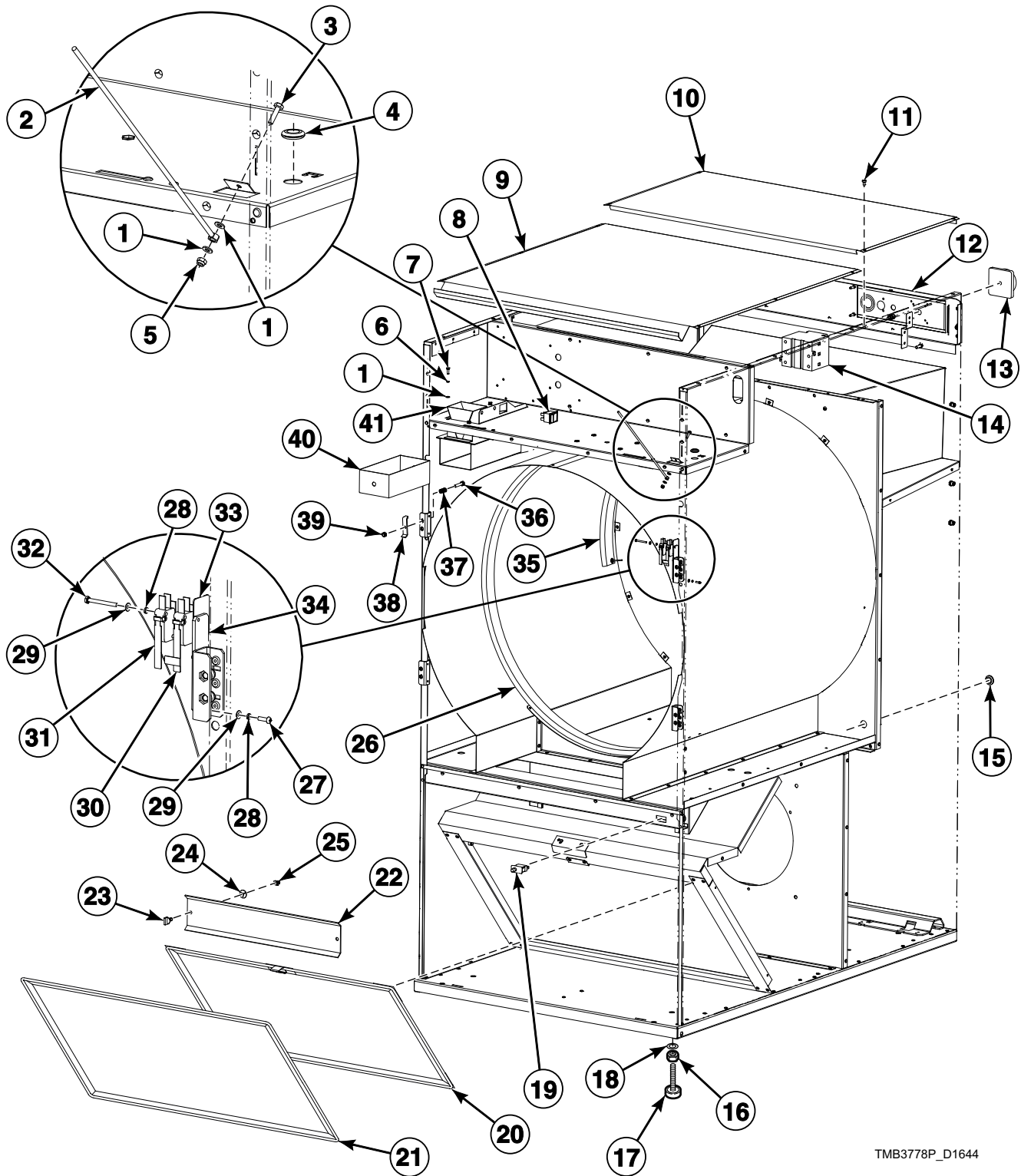


TMB3342PA_D1644

Easy Control with External Payment System (Drawing 2 of 2)

REF	PART NO.	DESCRIPTION	COMMENTS
1	SPPRI610006007	Nut	
2	SPPRI610001007	Lock Hook	
3	SP529082	Shim	
4	SPPRI610005007	Nut	
5	SPPRI522000012	Washer	
6	SP514193	Nut	
7	SP311125000020	Washer	
8	SPPRI610000007	Lock	

Cabinet - Heat Pump Models

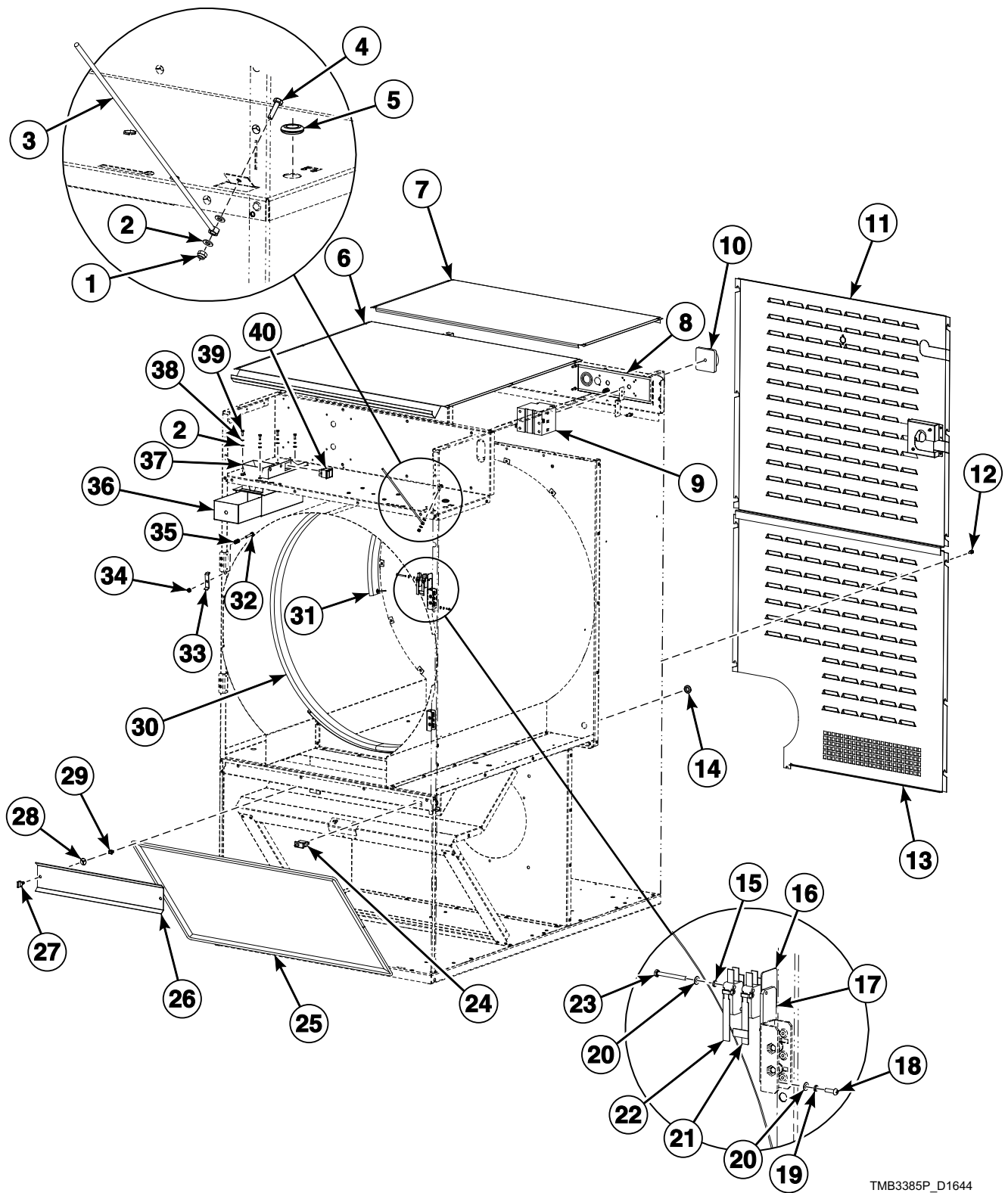


TMB3778P_D1644

Cabinet - Heat Pump Models

REF	PART NO.	DESCRIPTION	COMMENTS
	SP560162	Filter Assembly	Includes items 20 and 21
	SP520404	Door Switch Assembly	Includes items 27-34
	573370	Coin Vault Assembly	Includes items 1, 6, 7, 40 and 41
1	SP311125000004	Washer	
2	SP517486	Rod	
3	SP309933000416	Bolt	
4	SP273121011001	Bushing	
5	SP514193	Nut	
6	SP311127000004	Washer	
7	SP309933240412	Bolt	
8	SP100388	Switch	
9	SP534602	Upper Cover	
	SP557135	Upper Cover	Single phase
10	SP530796	Access Cover	
	SP557136	Access Cover	Single phase
11	SP100218	Screw	
12	SP520891	Switch Panel	
13	SPPRI404000095	Main Switch Knob	
14	SPPRI404000097	Main Switch	
15	SP273121013002	Bushing	
16	SP310934000010	Nut	
17	SPPRI504000001	Adjustable Foot	
18	SP311125000010	Washer	
19	SP506045	Microswitch	
20	SP560160	Fine Filter	
21	SP512324	Filter	
22	SP545533	Exhaust Cover	
23	SP545529	Bolt	
24	SP545531	Washer	
25	SP545530	Nut	
26	SP518505	Front Seal	
27	SP518719	Bolt	
28	SP311127000003	Washer	
29	SP311125000003	Washer	
30	SP517484	Microswitch	
31	SPPRI610011077	Microswitch	
32	SP516693	Bolt	
33	SP101154	Isolation Plate	
34	SP520403	Door Switch Holder	
35	SP527801	Back Seal	
36	SP309933000630	Bolt	
37	SPPRI611000009	Spring	
38	SP534645	Lock Hook	
39	SP310985000006	Nut	
40	SP321848140028	Coin Vault	
41	573350	Coin Vault	

Cabinet - Gas, Steam and Electric Models

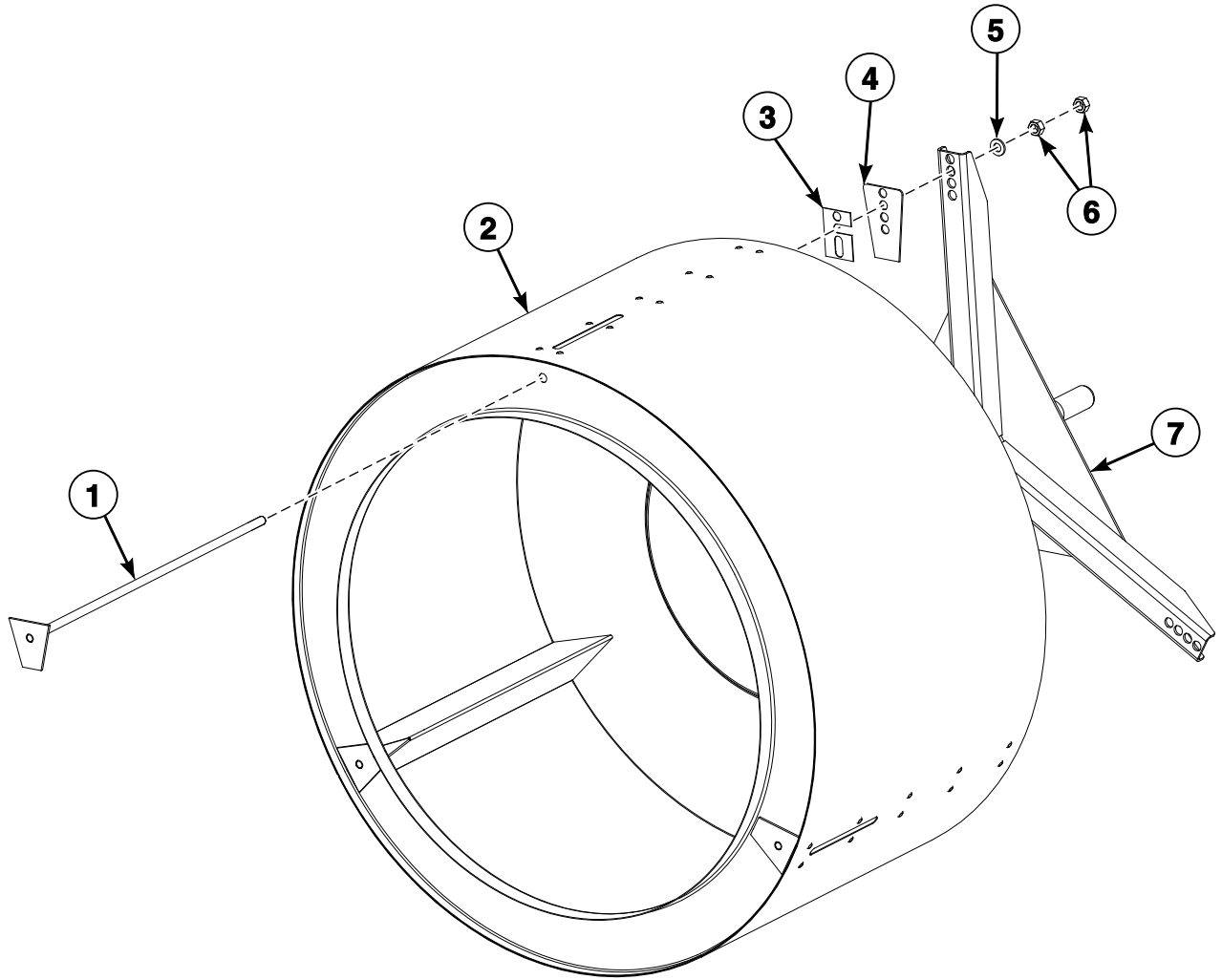


TMB3385P_D1644

Cabinet - Gas, Steam and Electric Models

REF	PART NO.	DESCRIPTION	COMMENTS
	SP520404	Door Switch Assembly	Includes items 15-23
	573370	Coin Vault Assembly	Includes items 36 and 37
1	SP514193	Nut	
2	SP311125000004	Washer	
3	SP517486	Rod	
4	SP309933000416	Bolt	
5	SP273121011001	Bushing	
6	SP534602	Upper Cover	
7	SP530796	Access Cover	
8	SP520890	Switch Panel	
9	SPPRI404000097	Main Switch	Gas and steam models
	SPPRI404000098	Main Switch	Electric models; 400-440V; 13.5 or 18 kW
	SPPRI404000099	Main Switch	Electric models; 208-240V, 13.5 or 18 kW; 400-440V, 24kW
	SPPRI404000100	Main Switch	Electric models; 208-240V; 24 kW
10	SPPRI404000095	Main Switch Knob	
11	SP530798	Upper Rear Cover	Electric models
	SP556533	Upper Rear Cover	Gas models; Also use SP556519 Cover
12	SP100218	Screw	
13	SP530799	Lower Rear Cover	
14	SP273121013002	Bushing	
15	SP311127000003	Washer	
16	SP101154	Isolation Plate	
17	SP520403	Door Switch Holder	
18	SP518719	Bolt	
19	SP311127000003	Washer	
20	SP311125000003	Washer	
21	SP517484	Microswitch	
22	SPPRI610011077	Microswitch	
23	SP516693	Bolt	
24	SP506045	Microswitch	
25	SP512324	Filter	
26	SP545533	Exhaust Cover	
27	SP545529	Bolt	
28	SP545531	Washer	
29	SP545530	Nut	
30	SP518505	Front Seal	
31	SP527801	Back Seal	
32	SP309933000630	Bolt	
33	SP534645	Lock Hook	
34	SP310985000006	Nut	
35	SPPRI611000009	Spring	
36	SP321848140028	Coin Vault	
37	573350	Coin Vault	
38	SP311127000004	Washer	
39	SP309933240412	Bolt	
40	SP100388	Switch	

Drum Assembly

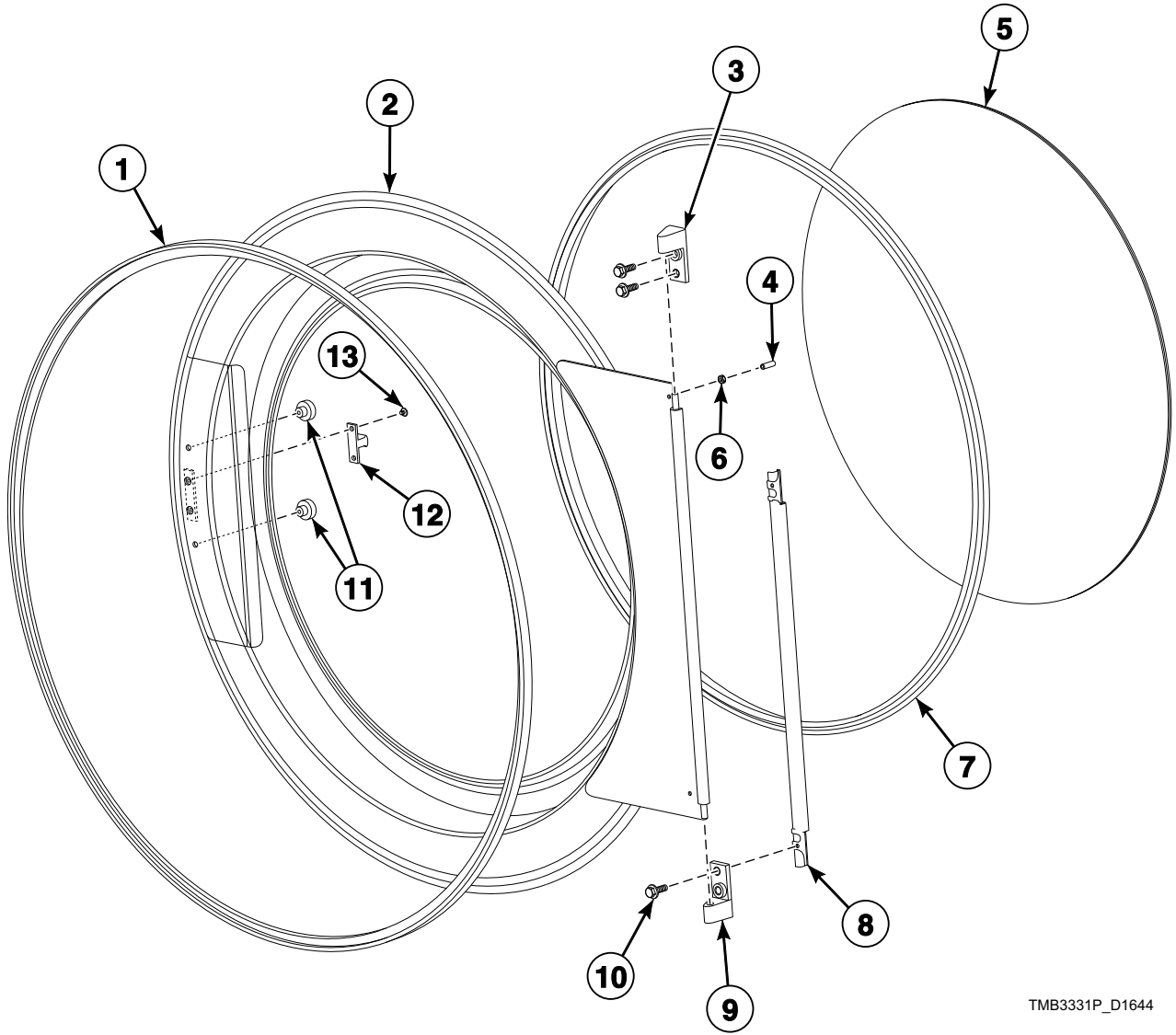


TMB3330P_D1644

Drum Assembly

REF	PART NO.	DESCRIPTION	COMMENTS
	577702	Drum Assembly	Galvanized; Includes items 1-7; 3000 RPM
	577724	Drum Assembly	Stainless Steel; Includes items 1-7; 3000 RPM
1	SP525028	Bolt	
2	577764	Drum	Galvanized
	577767	Drum	Stainless Steel
3	SP512233	Washer	1mm
	517426	Washer	0.5mm
4	SP510697	Washer	
5	SP311125000010	Washer	
6	SP310934000010	Nut	
7	SP514957	Drum Cross	3000 RPM

Door Assembly



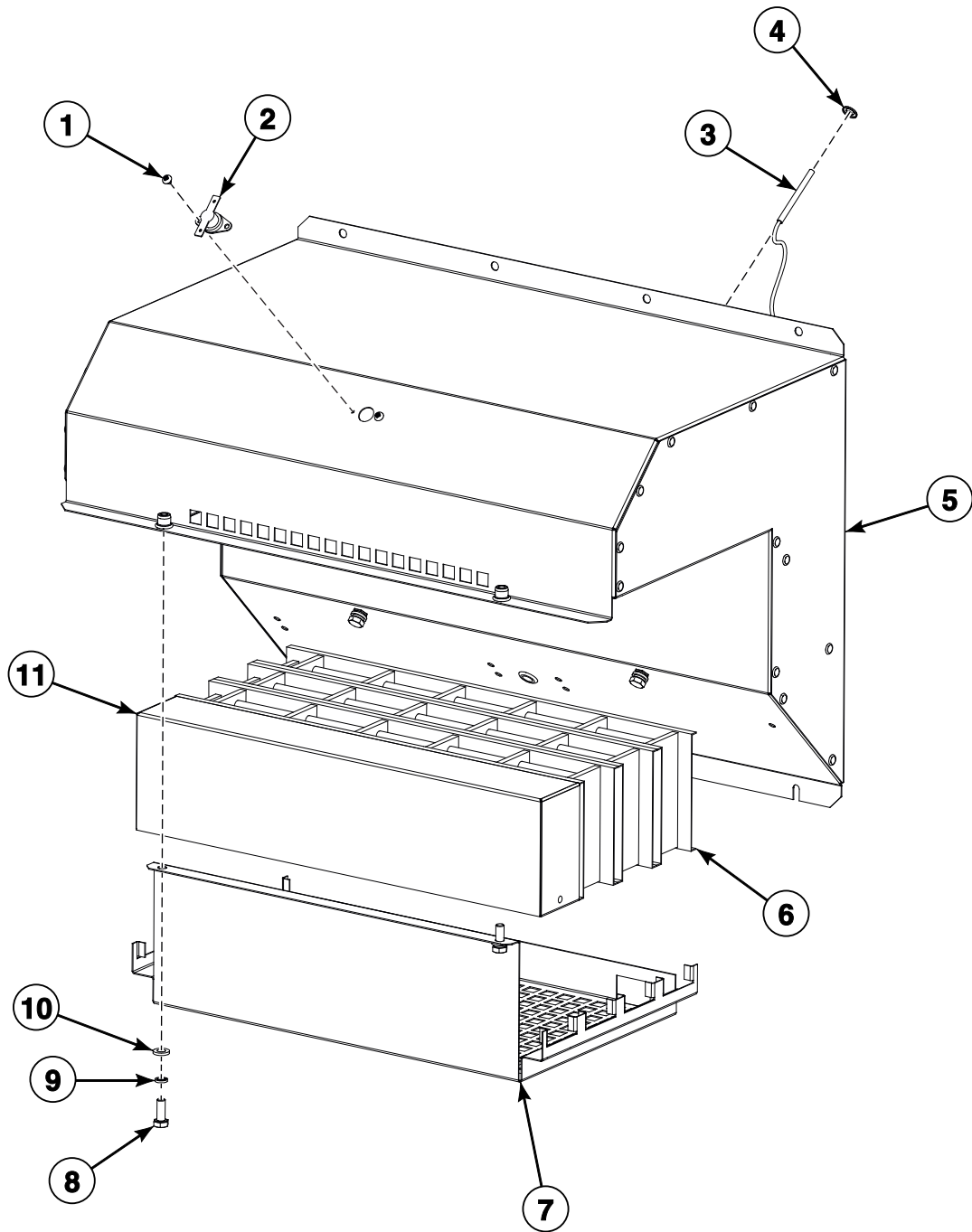
TMB3331P_D1644

Door Assembly

REF	PART NO.	DESCRIPTION	COMMENTS
	SP534969	Glue	Use with item 5
	SP245704003021	Adhesive	Use with item 4
	SP559703	Door Assembly	EC, P, S, T and U models; Heat pump; Includes items 1-13; Metallic gray; S and U models through Serial No.11T007307UD
	SP556559	Door Assembly	I, L and N models; S and U models starting Serial No. 11T007308UD; Heat pump; Includes items 1-13; Black
	SP524359	Door Assembly	L and N models; Gas, steam and electric; Includes items 1-13; Black; I models starting Serial No. 11T006637MZ; S and U models starting Serial No. 11T007308UD
	SP556561	Door Assembly	EC, P and T models; Heat pump; Includes items 1-13; Silver; Through Serial No.11T006636MZ
	SP556558	Door Assembly	EC, P and T models; Gas, steam and electric; Includes items 1-13; Silver; Through Serial No. 11T006539MQ
	559702	Door Assembly	EC, P and T models; Gas, steam and electric; Includes items 1-13; Metallic gray; Starting Serial No. 11T006540MQ; S and U models through Serial No. 11T007307UD
1	SP534873	Door Ring	
2	SP559701	Door	EC, P, S, T and U models; Metallic gray
	SP524364	Door	I, L, N, S and U models; Black
	SP556552	Door	EC, P and T models; Silver
3	SP559705	Upper Door Hinge	EC, P, S, T and U models; Metallic gray
	SP525105	Upper Door Hinge	I, L, N, S and U models; Black
	SP556555	Upper Door Hinge	EC, P and T models; Silver
4	SP520201	Stop Pin	
5	SP512053	Door Glass	
6	SP310934240004	Nut	
7	SP519933	Outer Door Gasket	
8	SP559706	Lath	EC, P, S, T and U models; Metallic gray
	SP524582	Lath	I, L, N, S and U models; Black
	SP556553	Lath	EC, P and T models; Silver
9	SP559704	Lower Door Hinge	EC, P, S, T and U models; Metallic gray
	SP525104	Lower Door Hinge	I, L, N, S and U models; Black
	SP556554	Lower Door Hinge	EC, P and T models; Silver
10	SP525101	Bolt	
11	564203	Magnet	
12	SP514530	Latch	
13	SP524367	Bolt	

Electric Heat Components

Electric Models

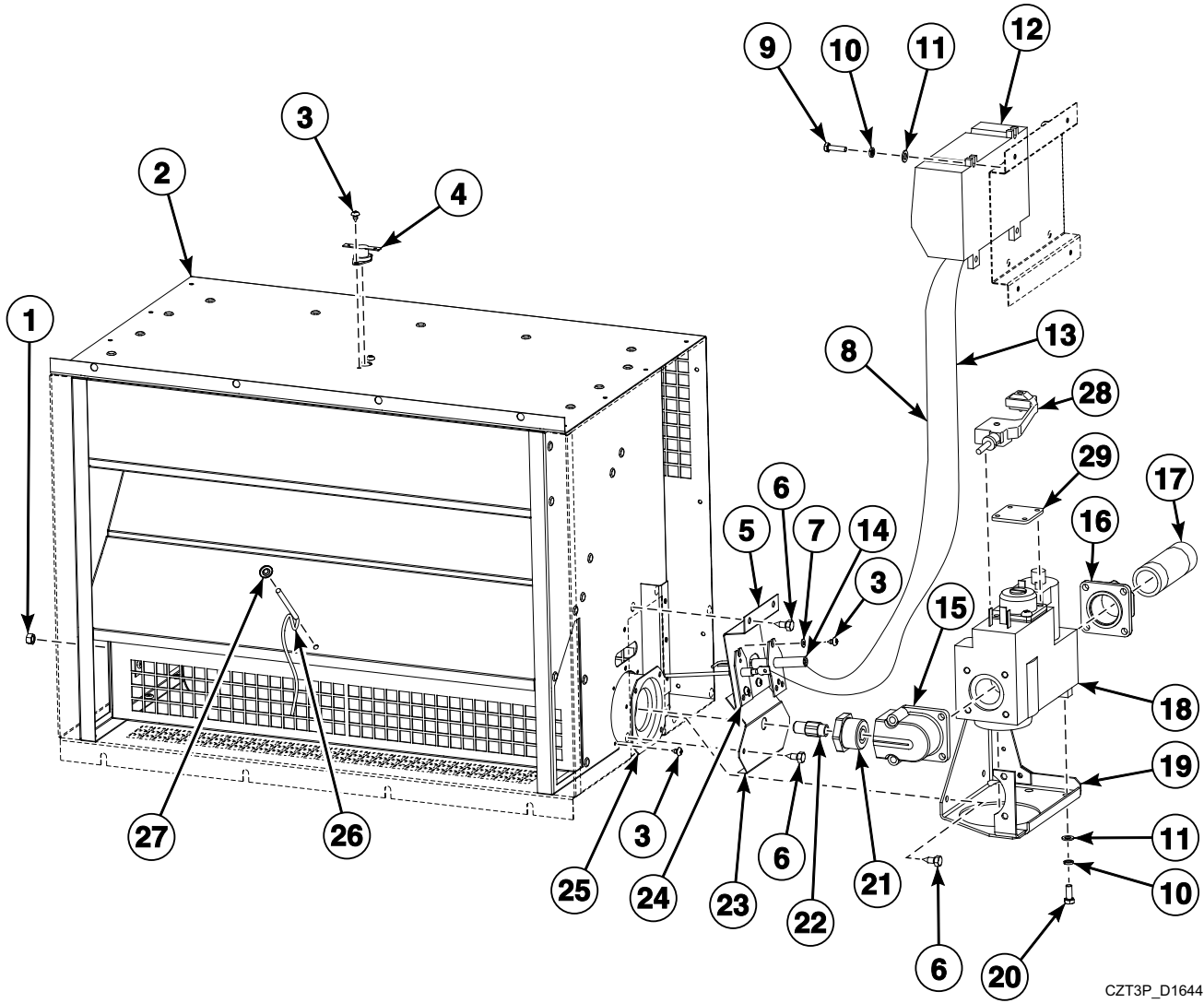


TMB3386P_D1644

Electric Heat Components

REF	PART NO.	DESCRIPTION	COMMENTS
1	SP309798100313	Screw	
2	SP514127	Safety Thermostat	
3	SP516092	Temperature Sensor	
4	SP516669	Washer	
5	SP528941	Heater Box	
6	SP510984	Heating Element	6 kW
	SP510985	Heating Element	4.5 kW
	SP557786	Fuse	
7	SP527900	Heating Element Bracket	
8	SP309933000616	Bolt	
9	SP311127000006	Washer	
10	SP311125000006	Washer	
11	SP520297	Plug	

Gas Heat Components - Gas Models Through Serial No. 11T006658QB



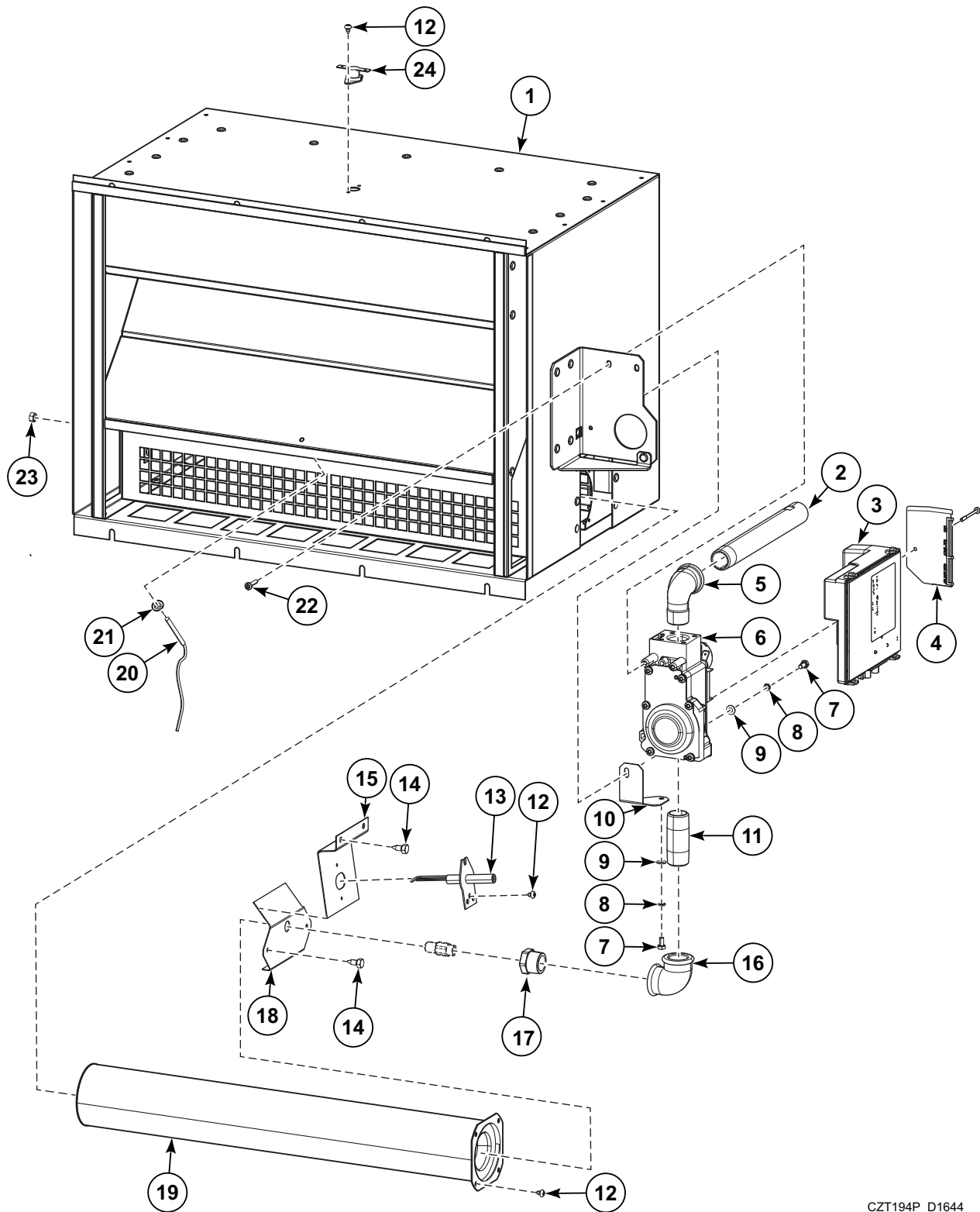
CZT3P_D1644

Gas Heat Components - Gas Models Through Serial No. 11T006658QB

REF	PART NO.	DESCRIPTION	COMMENTS
	SP273454410020	Hose	
	520098	Gas Valve Wiring	60 Hertz; Use with item 18
1	SP310934240005	Nut	
2	SP512130	Gas Heater Box	
3	SP517238	Screw	
4	SP514127	Safety Thermostat	
5	SP512141	Electrode Bracket	
6	SP100218	Screw	
7	SP311125000003	Washer	
8	SP516060	Ignition Cable	
9	SP309933000516	Bolt	
10	SP311127000005	Washer	
11	SP311125000005	Washer	
12	SP357456010080	Ignition Unit	
13	SP516057	Flame Detection Cable	
14	575643	Ignition Electrode	
15	SP102018	Flange	
16	SP514062	Flange	
17	SP512142	Tube	
18	SP102000	Gas Valve	50 Hertz
	SP520281	Gas Valve	60 Hertz
19	SP512144	Valve Bracket	
20	SPPRI202001001	Bolt	
21	SP512067	Nozzle	
22	525466	Orifice	130
	525465	Orifice	165
	517241	Orifice	170
	517327	Orifice	175
	517328	Orifice	185
	517243	Orifice	190
	517222	Orifice	200
	520399	Orifice	210
	517223	Orifice	215
	517329	Orifice	220
	517224	Orifice	235
	517245	Orifice	245
	530819	Orifice	250
	517246	Orifice	260
	517250	Orifice	290
	517251	Orifice	300
	517252	Orifice	310
	517253	Orifice	325
	517225	Orifice	350
	517257	Orifice	360
	517258	Orifice	365
	517226	Orifice	380
	530820	Orifice	385
	517227	Orifice	420
	517330	Orifice	435
	517331	Orifice	445
	517337	Orifice	530
	520237	Orifice	650
	520236	Orifice	700
23	SP512139	Cover	
24	SP102002	Detection Electrode	
25	SP552515	Burner Tube	
26	SP516092	Temperature Sensor	
27	SP516669	Washer	
28	345000180901	Connector	50 Hertz; Use with item 18
	345000160645	Contact	50 Hertz; Use with item 18
	SP357500459412	Gas Valve Cable	50 Hertz; Use with item 18
29	SP102019	Blank Plate Kit	Without regulator

Gas Heat Components (Drawing 1 of 2)

Gas Models starting Serial No. 11T006659QB



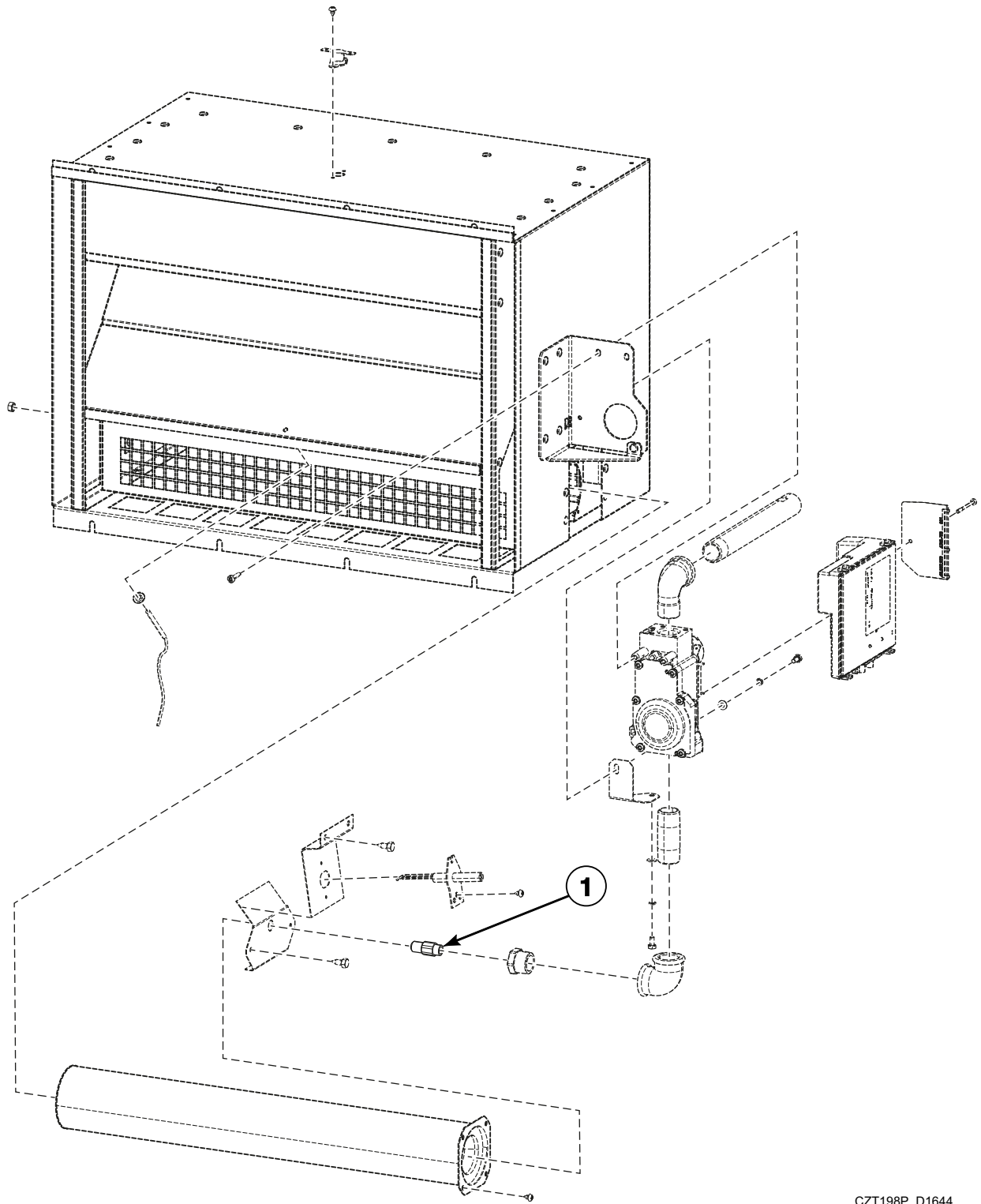
CZT194P_D1644

Gas Heat Components (Drawing 1 of 2)

REF	PART NO.	DESCRIPTION	COMMENTS
1	569440	Gas Heater Box	
2	569444	Tube	1/2 inch
3	571938	Control Unit	
4	537625	Cover	
5	572352	Elbow	1/2 inch
6	572351	Gas Valve	
7	SP309798524408	Bolt	M4x8
8	SP311127000004	Washer	M4
9	SP311125000004	Washer	4.3
10	569446	Holder	
11	571881	Tube	1/2 inch
12	SP517238	Screw	ST 3.6x6.5
13	575643	Ignition Electrode	
14	SP100218	Screw	ST4.8x13
15	571880	Holder	
16	572350	Elbow	1/2 inch
17	571884	Holder	
18	SP512139	Cover	
19	SP552515	Burner Tube	
20	SP516092	Temperature Sensor	
21	SP516669	Washer	2 pcs
22	572361	Screw	ST3.9x13
23	SP310934240005	Nut	M5
24	SP514127	Safety Thermostat	

Gas Heat Components (Drawing 2 of 2)

Gas Models starting Serial No. 11T006659QB



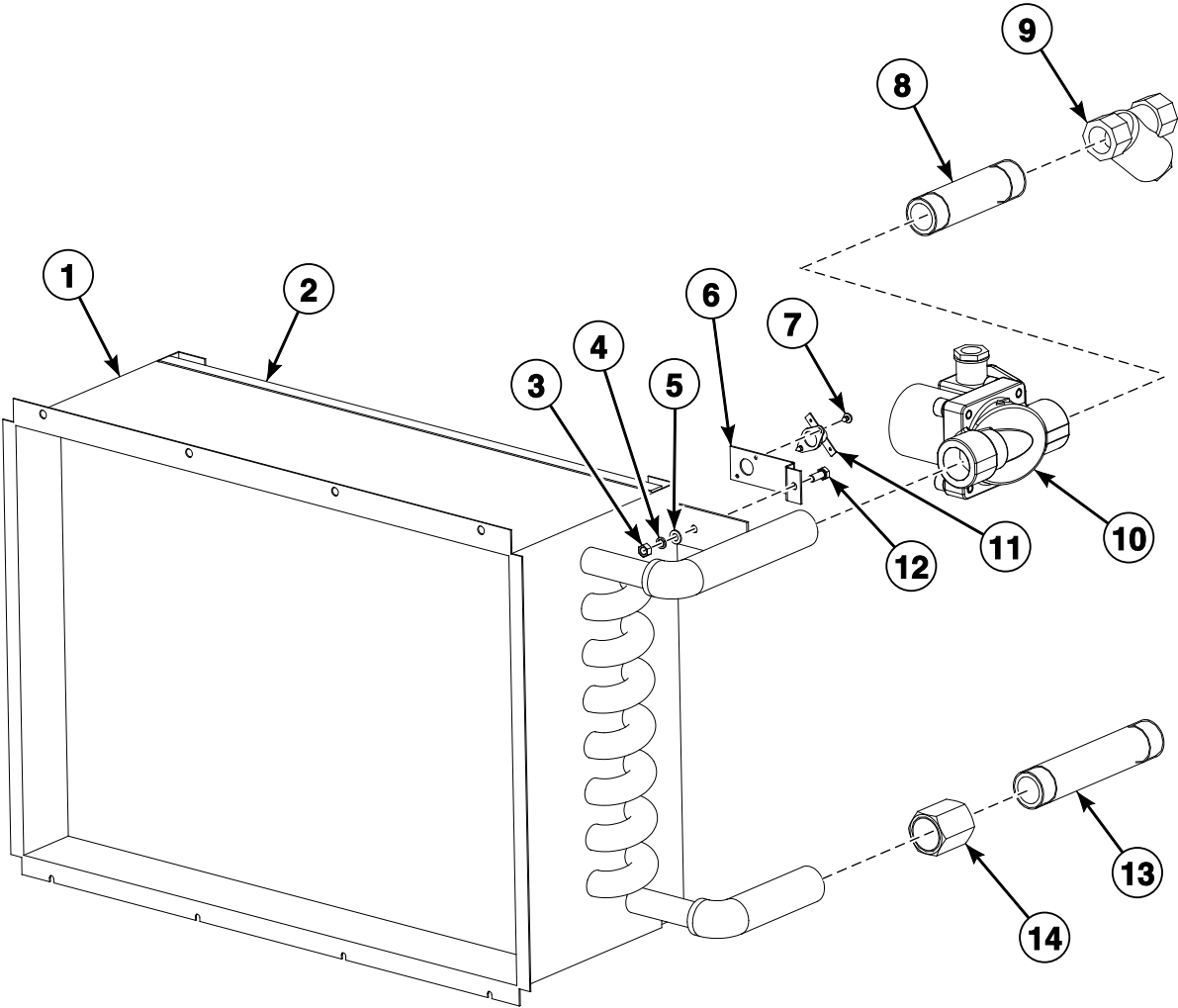
CZT198P_D1644

Gas Heat Components (Drawing 2 of 2)

REF	PART NO.	DESCRIPTION	COMMENTS
1	525466	Orifice	130
	525465	Orifice	165
	517241	Orifice	170
	517327	Orifice	175
	517328	Orifice	185
	517243	Orifice	190
	517222	Orifice	200
	520399	Orifice	210
	517223	Orifice	215
	517329	Orifice	220
	517224	Orifice	235
	517245	Orifice	245
	530819	Orifice	250
	517246	Orifice	260
	517250	Orifice	290
	517251	Orifice	300
	517252	Orifice	310
	517253	Orifice	325
	575530	Orifice	330
	517225	Orifice	350
	517257	Orifice	360
	517258	Orifice	365
	517226	Orifice	380
	530820	Orifice	385
	517227	Orifice	420
	517330	Orifice	435
	517331	Orifice	445
	517337	Orifice	530
	520237	Orifice	650
	520236	Orifice	700

Steam Heat Components

Steam Models



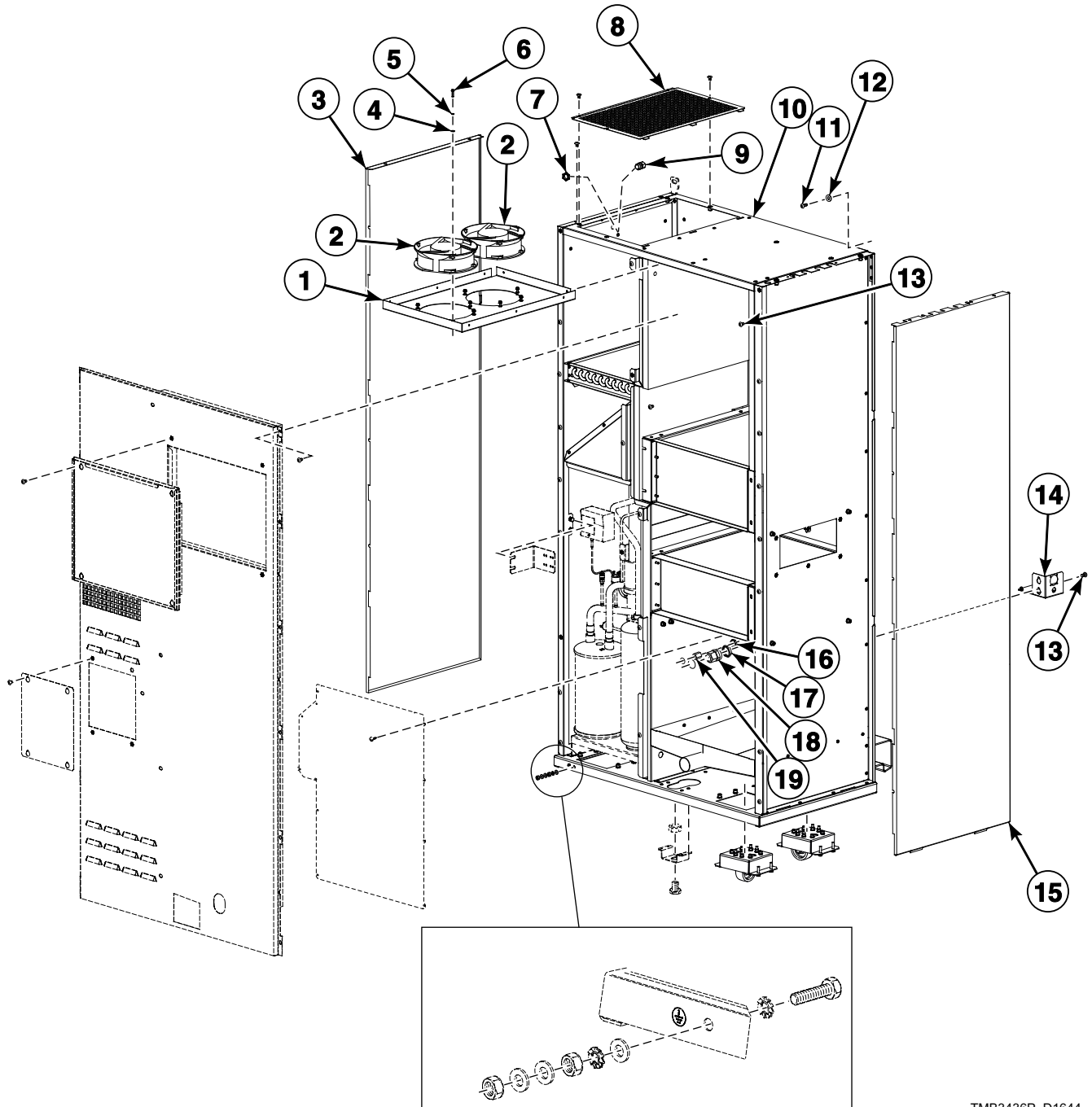
TMB3388P_D1644

Steam Heat Components

REF	PART NO.	DESCRIPTION	COMMENTS
1	SP530409	Steam Exchanger	Double row
2	SP519027	Filter	
3	SP310934240005	Nut	
4	SP311127000005	Washer	
5	SP311125000005	Washer	
6	SP520227	Thermostat Bracket	
7	SP517238	Screw	
8	SP517236	Tube	
9	SP405054057006	Steam Filter	3/4 inch
10	SP516718	Steam Valve	50 Hertz; With coil
	SP514166	Steam Valve Body	60 Hertz; Without coil
	SP516717	Coil	60 Hertz
11	SP514127	Safety Thermostat	
12	SPPRI202001001	Bolt	
13	SP314G00017524	Tube	
14	SPX01140400514	Tube Insert	

Heat Pump (Drawing 1 of 2)

Heat Pump Models



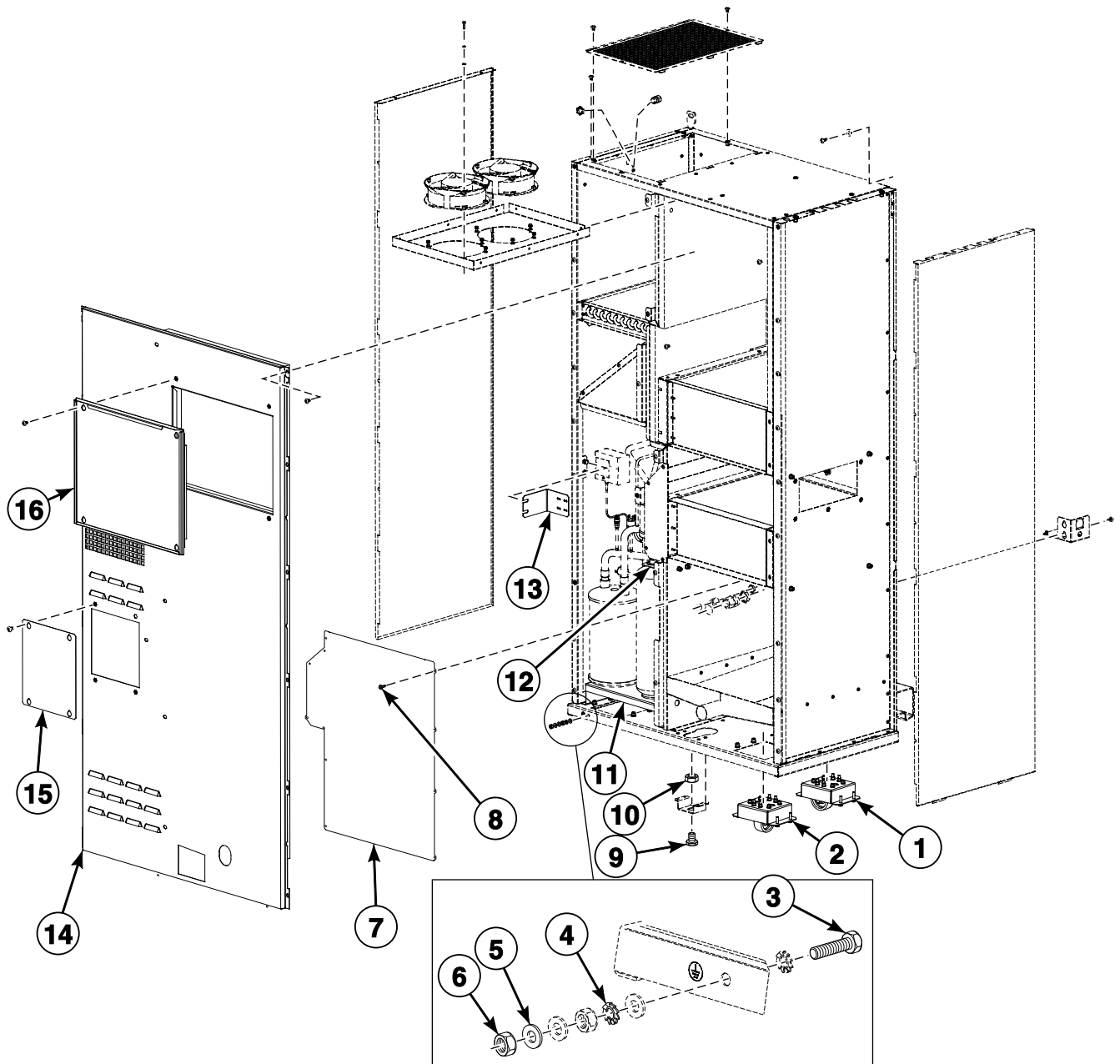
TMB3436P_D1644

Heat Pump (Drawing 1 of 2)

REF	PART NO.	DESCRIPTION	COMMENTS
	SP556082	Heat Pump	U models; With rinsing system; 380-415V 3AC+N 50Hz or 440V 3AC 60Hz; Imitation stainless steel; I models starting S.N.11T006637MZ; S models starting S.N. 11T007308UD
	SP556084	Heat Pump	U models; With rinsing system; 230V 3AC 50Hz; Imitation stainless steel; I models starting S.N.11T006637MZ; S models starting S.N.11T007308UD
	SP556090	Heat Pump	U models; Without rinsing system; 380-415V 3AC+N 50Hz or 440V 3AC 60Hz; Imitation stainless steel; I models starting S.N.11T006637MZ; S models starting S.N.11T007308UD
	SP556092	Heat Pump	U models; Without rinsing system; 230V 3AC 50Hz; Imitation stainless steel; I models starting S.N.11T006637MZ; S models starting S.N.11T007308UD
	SP556659	Heat Pump	I and LS250HP_BASIC models through S.N. 11T006636MZ; S models through S.N.11T007307UD; Without rinsing system; 230V 3AC 50Hz; White
	SP556660	Heat Pump	I and LS250HP_BASIC models through S.N.11T006636MZ; S models through S.N.11T007307UD; Without rinsing system; 380-415V 3AC+N 50Hz or 440V 3AC 60Hz; White
	SP556663	Heat Pump	I and LS250HP_BASIC models through S.N.11T006636MZ; S models through S.N.11T007307UD; With rinsing system; 230V 3AC 50Hz; White
	SP556664	Heat Pump	I and LS250HP_BASIC models through S.N.11T006636MZ; S models through S.N.11T007307UD; With rinsing system; 380-415V 3AC+N 50Hz N or 440V 3AC 60Hz; White
	SP556083	Heat Pump	EC, L, N, P and T models; With rinsing system; 380-415V 3AC+N 50Hz or 440V 3AC 60Hz; Gray
	SP556085	Heat Pump	EC, L, N, P and T models; With rinsing system; 230V 3AC 50Hz; Gray
	SP556091	Heat Pump	EC, L, N, P and T models; Without rinsing system; 380-415V 3AC+N 50Hz or 440V 3AC 60Hz; Gray
	SP556093	Heat Pump	EC, L, N, P and T models; Without rinsing system; 230V 3AC 50Hz; Gray
	SP541496	Fan Assembly	Includes items 1, 2 and 4-6
1	SP541495	Fan Holder	
2	SP528481	Fan	
3	SP541424	Side Panel	U models; Left; Imitation stainless steel; I models starting S.N.11T006637MZ; S models starting S.N.11T007308UD
	SP556649	Side Panel	I and LS250HP_BASIC models through S.N.11T006636MZ; S models through S.N.11T007307UD; Left; White
	SP556005	Side Panel	EC, L, N, P and T models; Left; Gray
4	SP311125000004	Washer	
5	SP311127000004	Washer	
6	SP309084000416	Bolt	
7	SP101415	Nut	
8	SP541484	Fan Cover	
9	SP101405	Bushing	
10	SP552660	Cabinet	
11	SP537864	Bolt	
12	SP311902100006	Washer	
13	SP506012	Bolt	
14	SP551869	Humidity Sensor Cover	
15	SP541425	Side Panel	U models; Right; Imitation stainless steel; I models starting S.N.11T006637MZ; S models starting S.N.11T007308UD
	SP556650	Side Panel	I and LS250HP_BASIC models through S.N.11T006636MZ; S models through S.N.11T007307UD; Right; White
	SP556007	Side Panel	EC, L, N, P and T models; Right; Gray
16	SP101416	Nut	
17	SP101418	Nut	
18	SP101408	Bushing	
19	SP101406	Bushing	

Heat Pump (Drawing 2 of 2)

Heat Pump Models

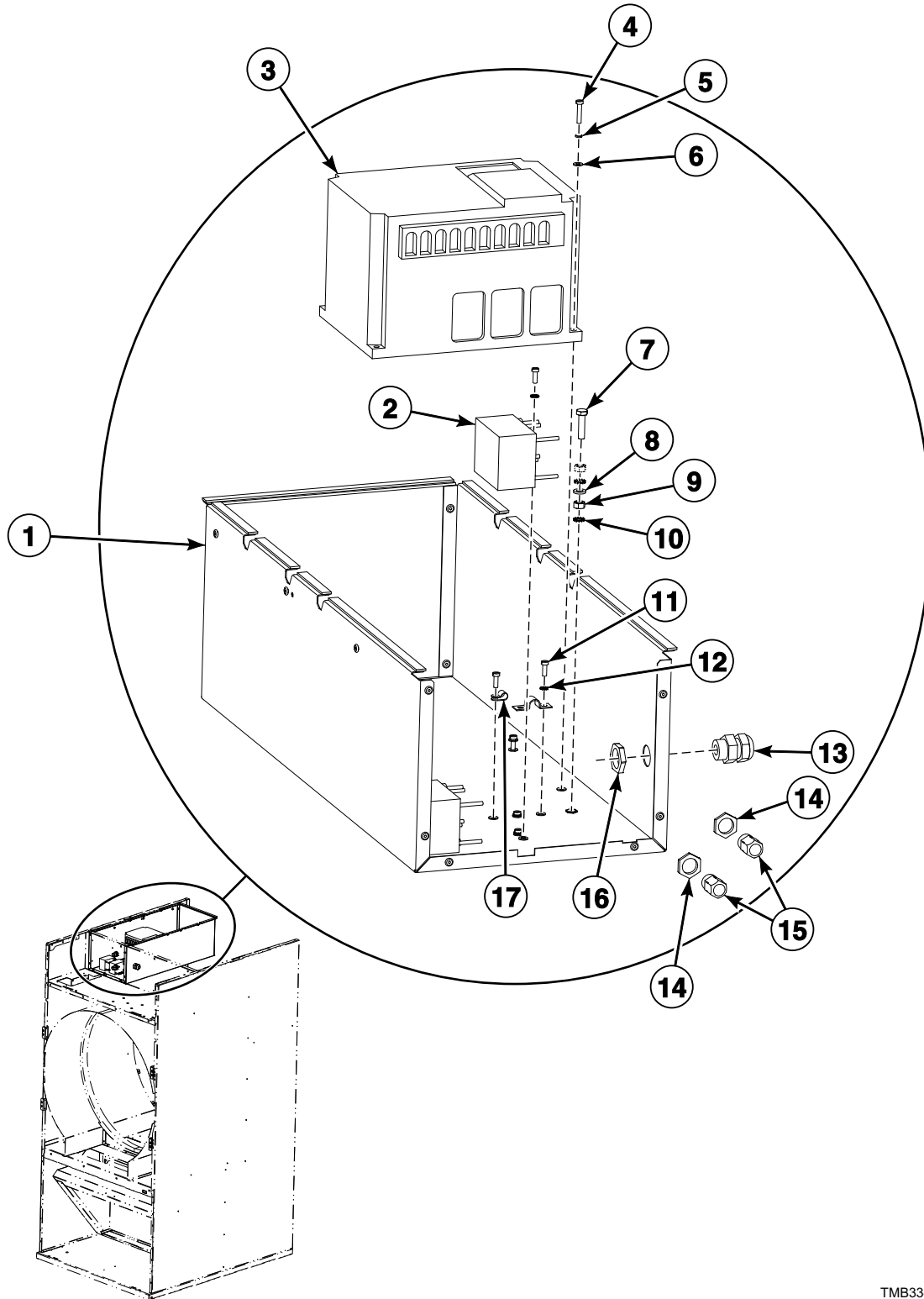


TMB3437P_D1644

Heat Pump (Drawing 2 of 2)

REF	PART NO.	DESCRIPTION	COMMENTS
1	SP541494	Swivel Wheel Assembly	
2	SP551864	Swivel Wheel Assembly	
3	SP309933000625	Bolt	
4	SP311679824006	Washer	
5	SP311125000006	Washer	
6	SP310934000006	Nut	
7	SP566259	Cover	New style
8	SP529206	Screw	M4x11
9	SP533726	Bolt	
10	SP310934000020	Nut	
11	SP541489	Base	
12	SP541436	Bracket	
13	SP541457	Thermostat Bracket	
14	SP541435	Cover	Through Serial No.11T005334FU
	SP566301	Cover	Starting Serial No. 11T005335FU
15	SP551860	Cover	
16	SP541434	Cover	

Frequency Inverter Panel



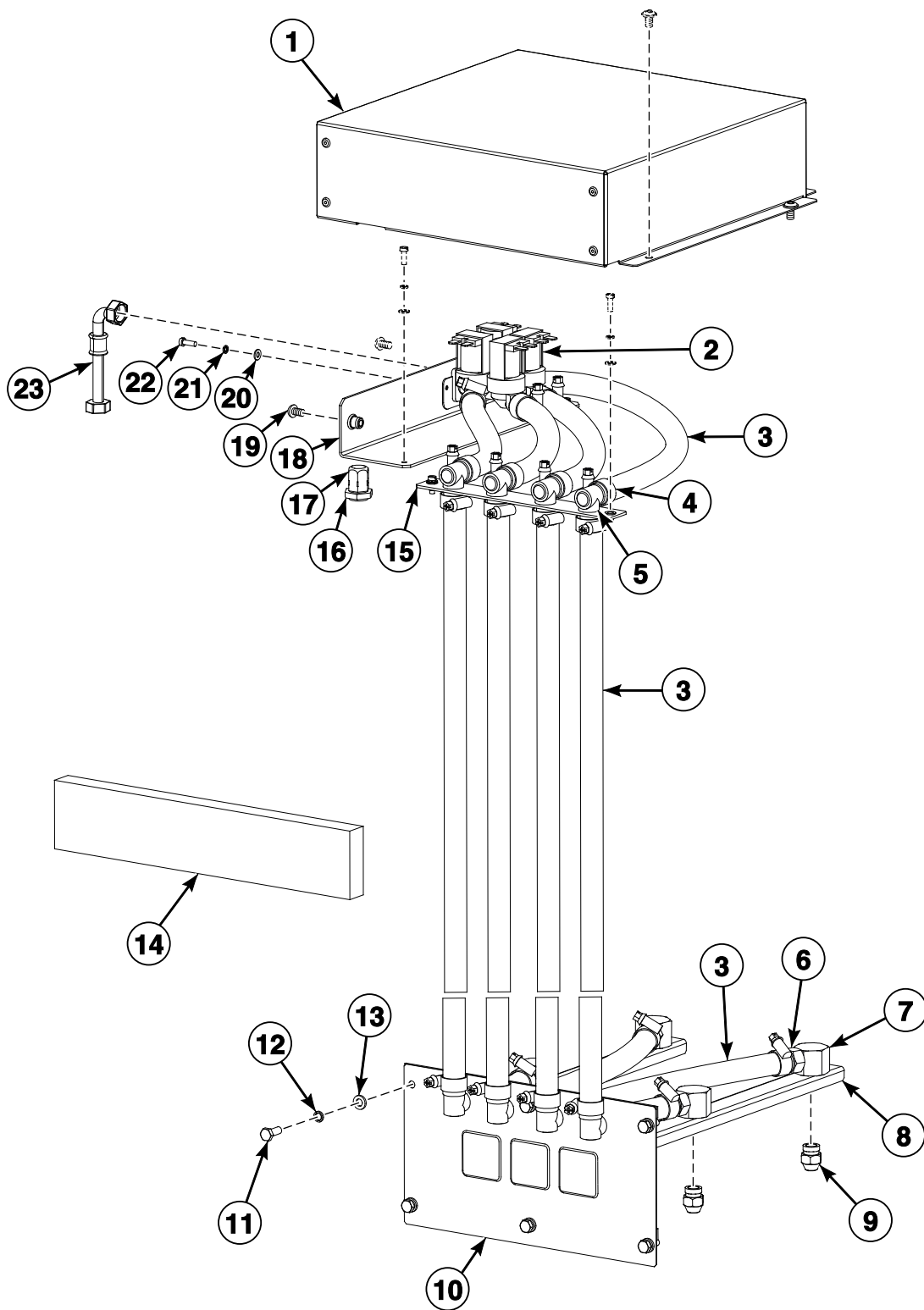
TMB3344P_D1644

Frequency Inverter Panel

REF	PART NO.	DESCRIPTION	COMMENTS
	SP556043	Box Assembly	Includes items 1-17
1	SP556044	Box	
2	SP552251	Filter	
3	571478	Frequency Inverter	
4	SP309084000420	Bolt	
5	SP311127000004	Washer	
6	SP311125000004	Washer	
7	SP309933100625	Bolt	
8	SP311125100006	Washer	
9	SP310934100006	Nut	
10	SP311679824006	Washer	
11	SP309084000412	Bolt	
12	SP311679800004	Washer	
13	SP101408	Bushing	
14	SP101416	Nut	
15	SP101406	Bushing	
16	SP101418	Nut	
17	SP502214	Clip	

Heat Pump Rinsing System

Heat Pump Models



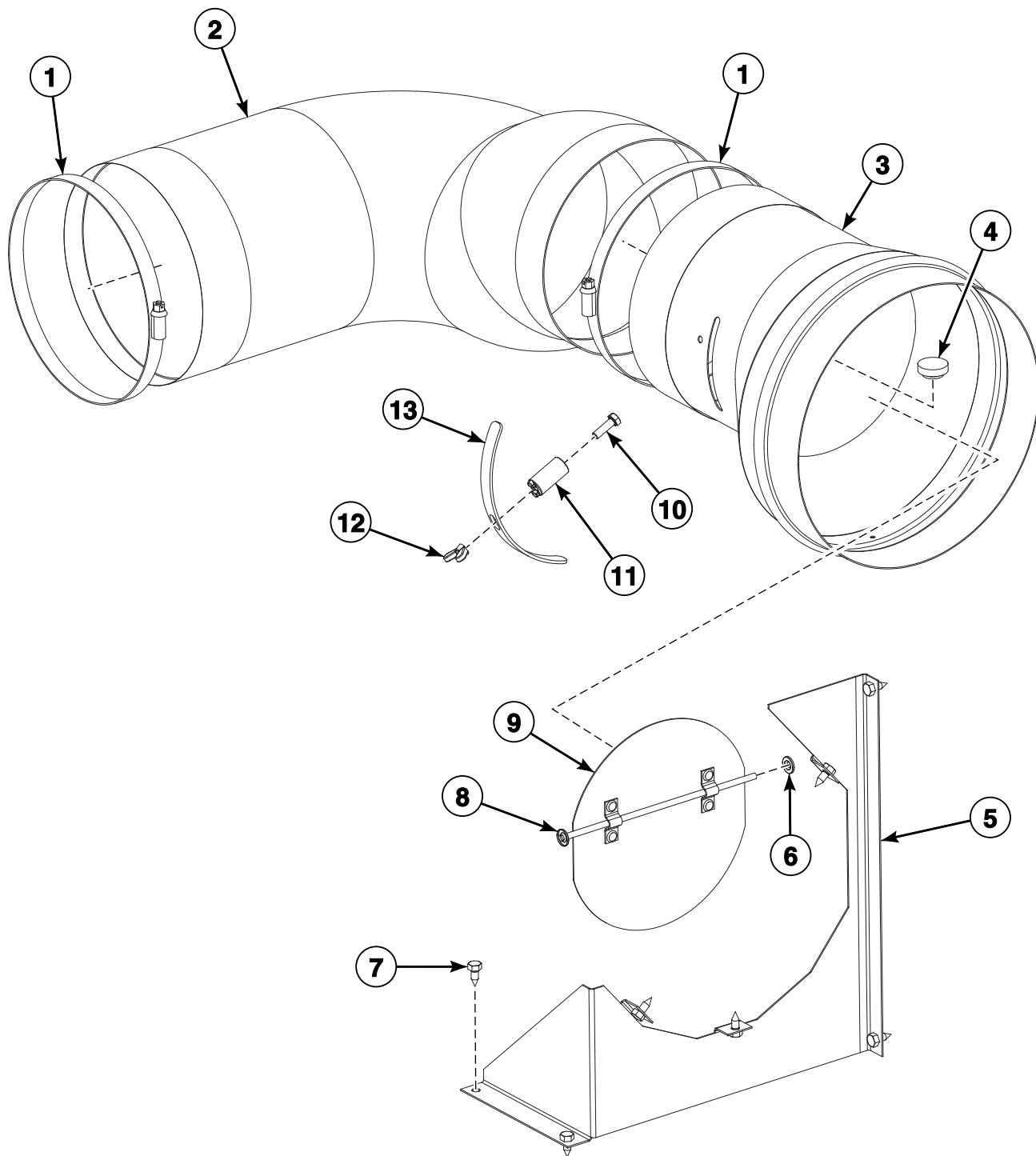
CZT1P_D1644

Heat Pump Rinsing System

REF	PART NO.	DESCRIPTION	COMMENTS
	SP556920	Nozzle Holder Assembly	
1	SP556947	Valve Cover Assembly	
2	SP556959	Valve	4-way
3	SPPRI540000014	Hose	
	SP101745	Hose Pipe	For water approval
4	SPPRI240000002	Hose Clamp	
5	SP527236	Elbow	
6	SP556916	Nozzle Adapter	
7	SP556915	Nozzle Fitting Adapter	
8	SP556919	Nozzle Bracket Assembly	
9	SP556922	Nozzle	
10	SP556954	Rinsing System Bracket	
11	SP309933000616	Bolt	
12	SP311125000006	Washer	
13	SP311127000006	Washer	
14	SP552666	Insulation	
15	SP556943	Elbow Bracket Assembly	
16	SP101416	Nut	
17	SP101406	Bushing	
18	SP556946	Valve Bracket Assembly	
19	SP506012	Bolt	
20	SP311127000004	Washer	
21	SP311125000004	Washer	
22	SP309084000412	Bolt	
23	SPPRI505000054	Filling Hose Pipe	
	SP101621	Filling Hose Pipe	For water approval

Exhaust

Gas, Steam and Electric Models

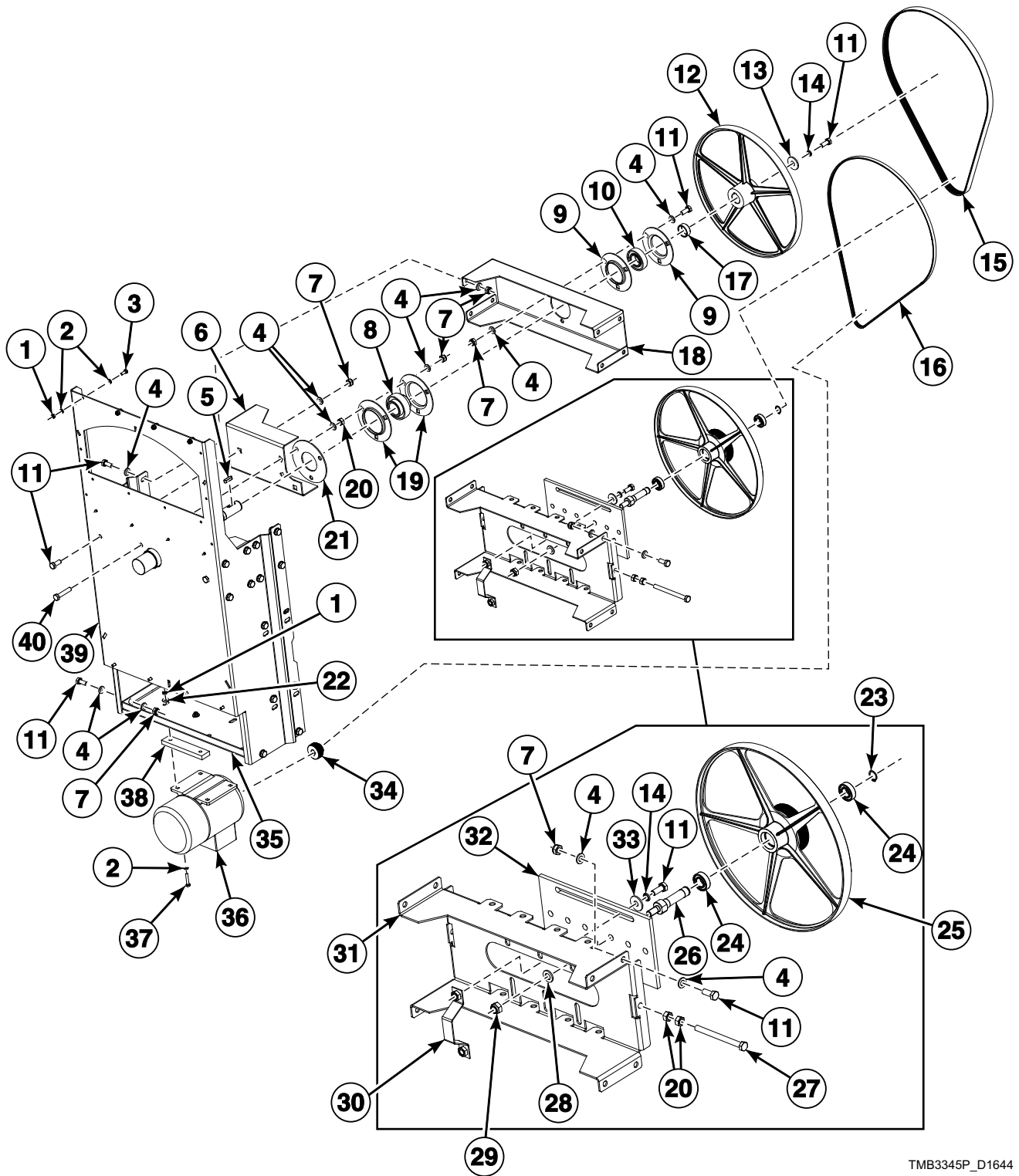


TMB3389P_D1644

Exhaust

REF	PART NO.	DESCRIPTION	COMMENTS
	SP534910	Exhaust Assembly	Includes items 1-13
1	SP529013	Clamp	
2	SP144151508341	Tube	
3	SP534914	Tube	
4	SP273127001798	Plug	
5	SP530689	Exhaust Bracket	
6	SP516669	Washer	
7	SP100218	Screw	
8	SP534908	Bar	
9	SP534902	Flap Assembly	
10	SP309933000516	Bolt	
11	SP534900	Flap Stop	
12	SP534929	Nut	
13	SP534904	Plug	

Drive System



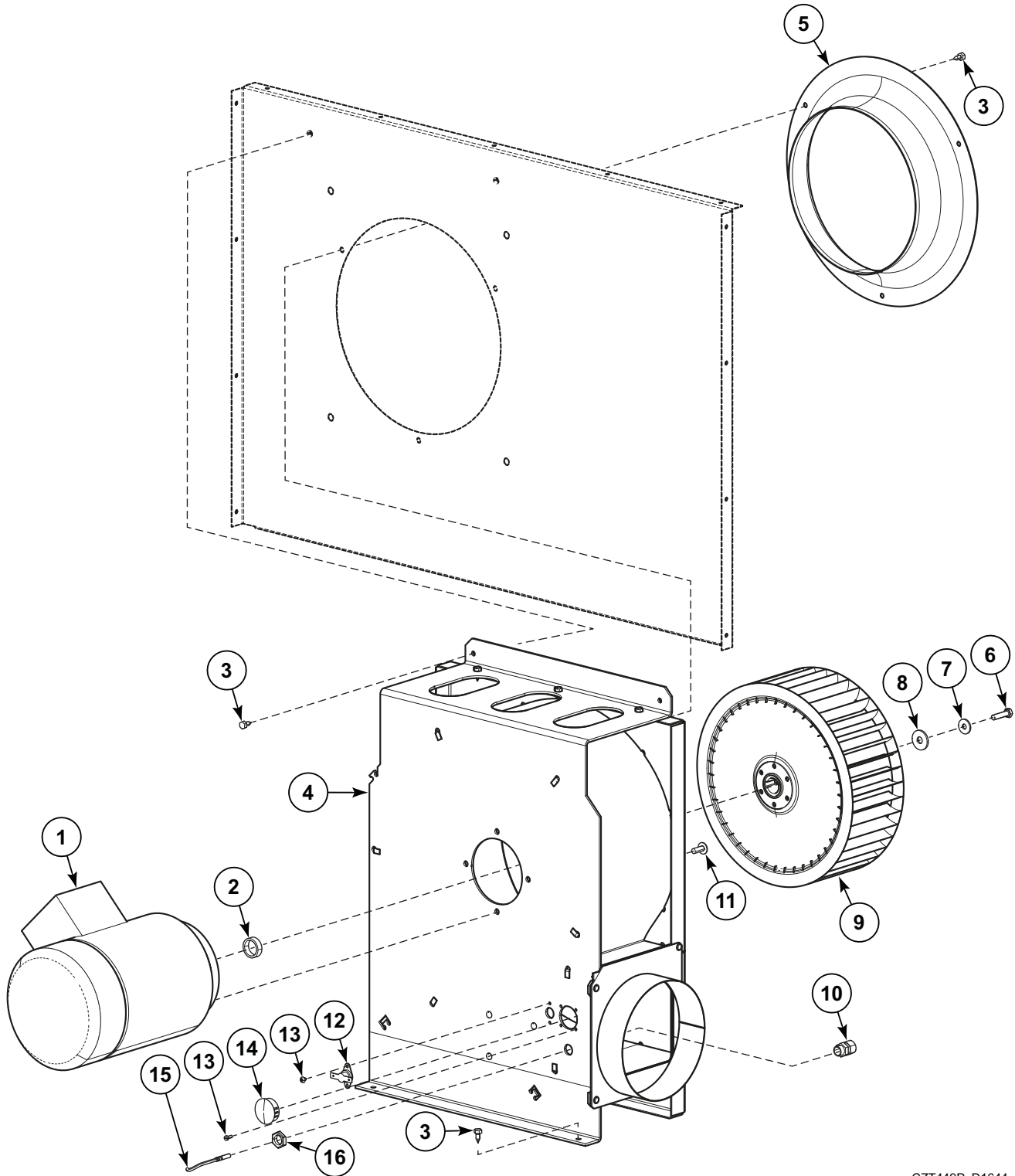
TMB3345P_D1644

Drive System

REF	PART NO.	DESCRIPTION	COMMENTS
	SP528928	Tension Assembly	Includes items 4, 7, 11, 14, 20 and 23-33
1	SP310985000006	Nut	
2	SP311125000006	Washer	
3	SP309933000616	Bolt	
4	SP311125000010	Washer	
5	SP505449	Key	
6	SP512365	Reinforcement Bracket	
7	SP310985000010	Nut	
8	SP514005	Bearing	
9	SP514012	Flange Bearing Body	
10	SP514007	Bearing	
11	SP309933001025	Bolt	
12	SP518646	Double Drum Pulley	
13	SP311902100012	Washer	
14	SP311127000010	Washer	
15	SP518647	Belt	
16	SP515257	Belt	
17	SP518649	Distance Ring	
18	SP512366	Bearing Bracket	
19	SP514011	Flange Bearing Body	
20	SP310934000010	Nut	
21	SP514483	Bearing Flange	
22	SP311902100006	Washer	
23	SP515517	Retaining Ring	
24	SP326000600300	Bearing	
25	SP534703	Double Pulley	
26	SP534704	Tension Rod	
27	SP309933001120	Bolt	
28	SP311125000013	Washer	
29	SP310985000012	Nut	
30	SP515514	Support Plate	
31	SP514479	Tension Assembly	
32	SP514480	Sliding Board	
33	SP311902100010	Washer	
34	SP530720	Motor Pulley	50 Hertz; Reversing
	SP530721	Motor Pulley	60 Hertz; Reversing
	SP527723	Motor Pulley	50 Hertz; Nonreversing
	SP528922	Motor Pulley	60 Hertz; Nonreversing
35	SP515418	Motor Bracket	3 Phase; Reversing
	SP518517	Motor Bracket	1 Phase; Reversing
36	SP523724	Motor	208-240 Volt; 1 Phase; Reversing
	SP523725	Motor	3 Phase; Reversing
37	SP518556	Bolt	
38	SP515521	Spacer	
39	SP512363	Drive Bracket	
40	SP309933001050	Bolt	

Fan Housing Assembly

Gas, Steam and Electric Models

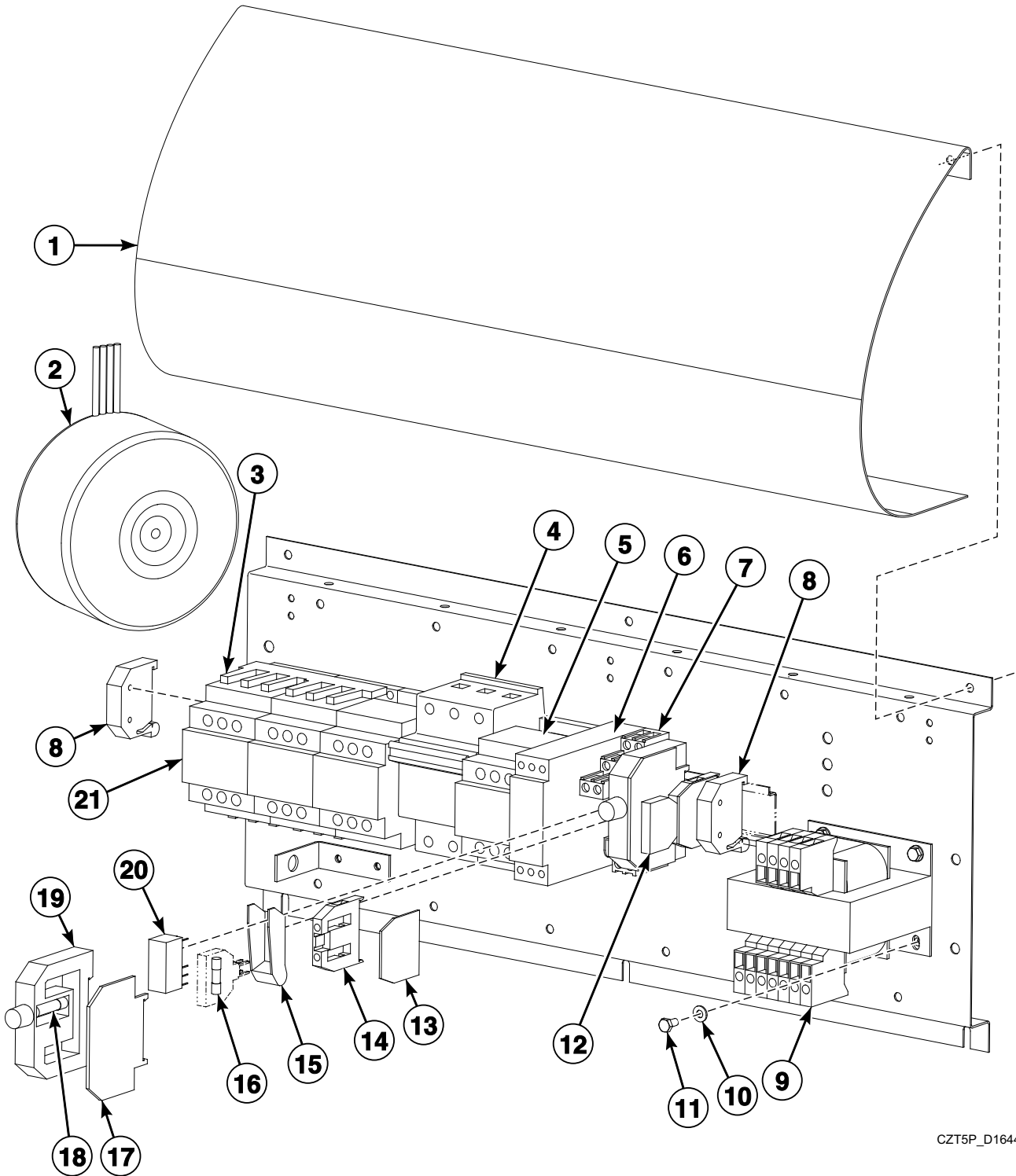


CZT449P_D1644

Fan Housing Assembly

REF	PART NO.	DESCRIPTION	COMMENTS
1	SP523622	Fan Motor	3 phase; Nonreversing
	SP523625	Fan Motor	1 phase; Nonreversing
2	SP520940	Spacer	
3	SP100218	Screw	
4	575503	Fan Housing Weldment	
5	SP520950	Inlet Nozzle	
6	SP309933000625	Bolt	
7	SP311902100006	Washer	
8	SP311902100008	Washer	
9	SP520945	Ventilator	
10	SP101405	Bushing	
11	SP510954	Bolt	
12	SP514016	Safety Thermostat	
13	SP309798500306	Screw	
14	SPPRI505000064	Plug	
15	SP534930	Temperature Sensor	
16	SP101415	Nut	

Electric Box Components - Heat Pump Models

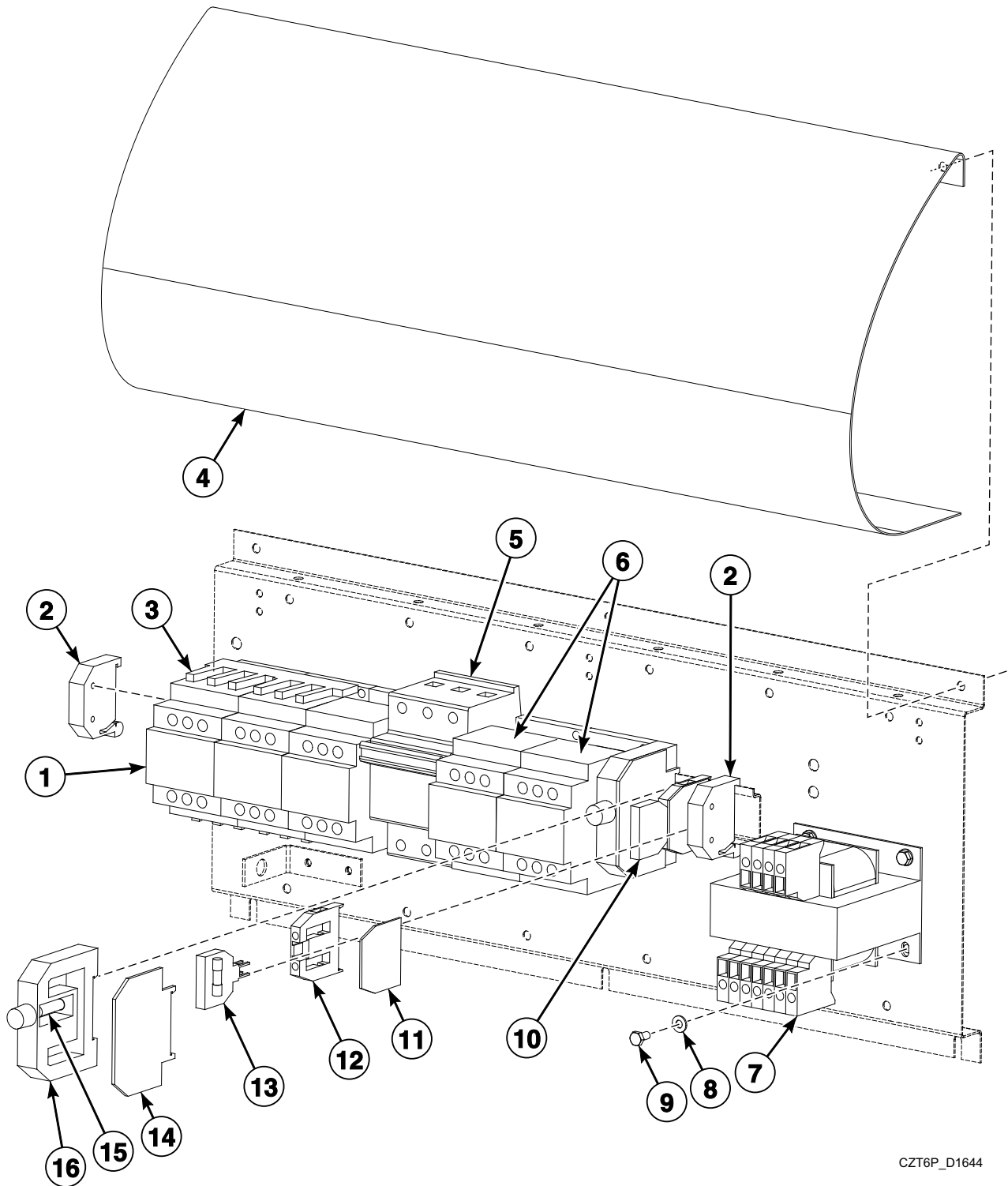


CZT5P_D1644

Electric Box Components - Heat Pump Models

REF	PART NO.	DESCRIPTION	COMMENTS
	SP552248	Autotransformer	440-480 Volt/50 or 60 Hertz/3 AC
1	530518	Electric Box Cover	
2	SP552201	Autotransformer	
3	569858	Mechanical Interlock Unit	Need to use with 569859 Set for Reversing Contactors
4	SP358251506220	Fuse	
	SP358251601312	Fuse Isolator	
5	569857	Contactors	208-240V 1AC
	569856	Contactors	208-240V 3AC; 380-415V 3AC
6	SP552311	Control Relay	
7	SP506586	Relay Case	
8	SP346000209101	End Stop	
9	SP514021	Transformer	208-440 Volt
10	SP311125000004	Washer	
11	SP309084000410	Bolt	
12	SP524654	Fuse Plug	
13	SP524655	Cover	
14	SP524653	Fuse Clip	
15	SP514135	Relay Clamp	
16	SP345805005020	Fuse	250 Volt; T500mA
	SPPRI401001021	Fuse	250 Volt; F4A
17	SP346000014010	Cover	
18	SP514133	Fuse	500 Volt, F500mA; 440V; 380-415V
19	SP346000004010	Fuse Case	
20	SP514057	Relay	
21	569856	Contactors	

Electric Box Components - Electric Models

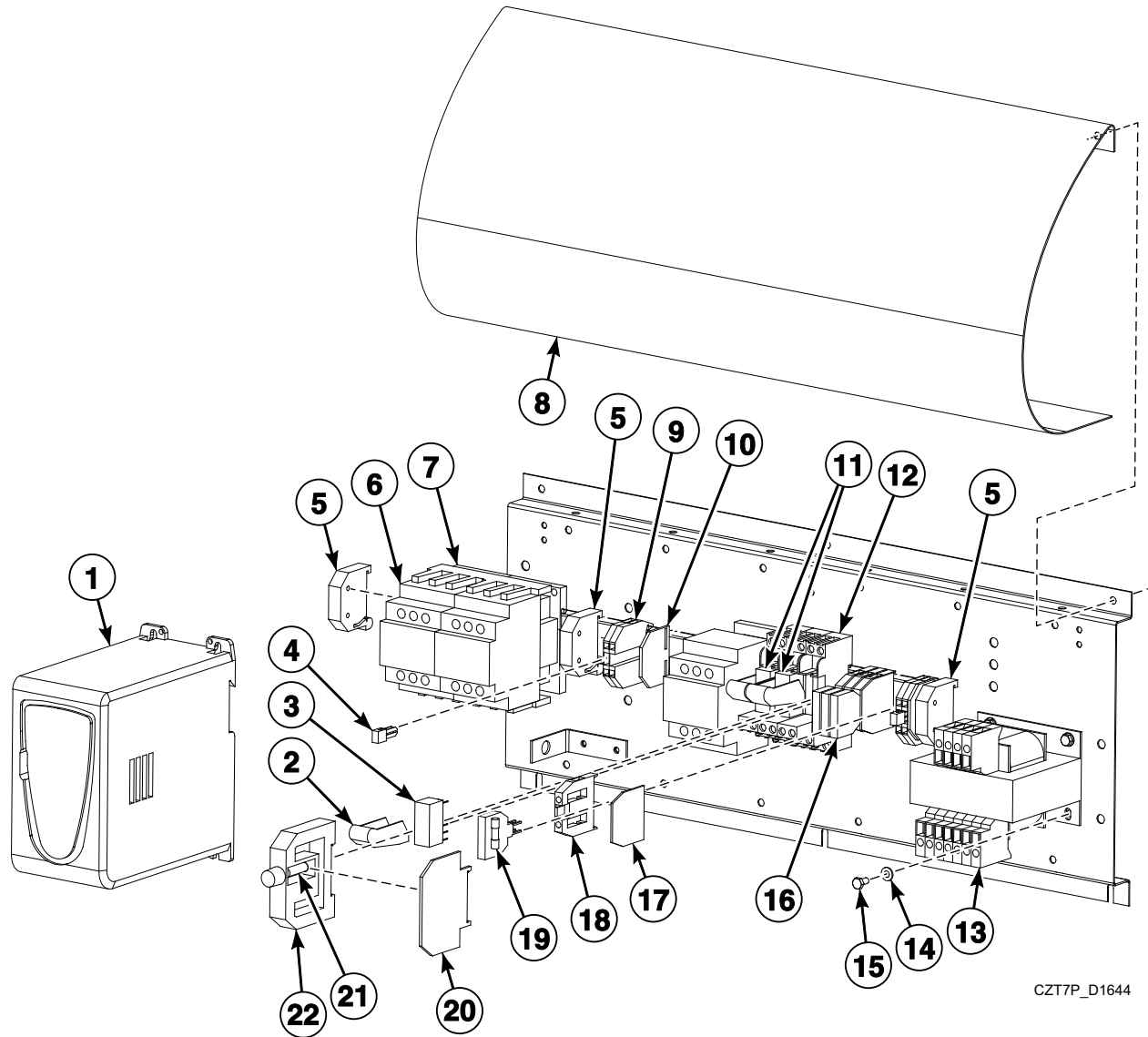


CZT6P_D1644

Electric Box Components - Electric Models

REF	PART NO.	DESCRIPTION	COMMENTS
	SP552248	Autotransformer	440-480V/50 or 60 Hz/3 AC
1	569856	Contactactor	
2	SP346000209101	End Stop	
3	569858	Mechanical Interlock Unit	Need to use with 569859 Set for Reversing Contactors
4	530518	Electric Box Cover	
5	SP358251506220	Fuse	6A
	SP358251601312	Fuse Isolator	
6	569856	Contactactor	400V 9kW; 400V 13.5kW; 440V 13kW
	569857	Contactactor	230V 13.5kW need to use with 569856
7	SP514021	Transformer	208-440 Volt
8	SP311125000004	Washer	
9	SP309084000410	Bolt	
10	SP524654	Fuse Plug	
11	SP524655	Cover	
12	SP524653	Fuse Clip	
13	SP345805005020	Fuse	250 Volt; T500mA
	SPPRI401001021	Fuse	250 Volt; F4A
14	SP346000014010	Cover	
15	SP514133	Fuse	500 Volt, F500mA; 440 Volt; 380-415 Volt
16	SP346000004010	Fuse Case	

Electric Box Components - Gas and Steam Models

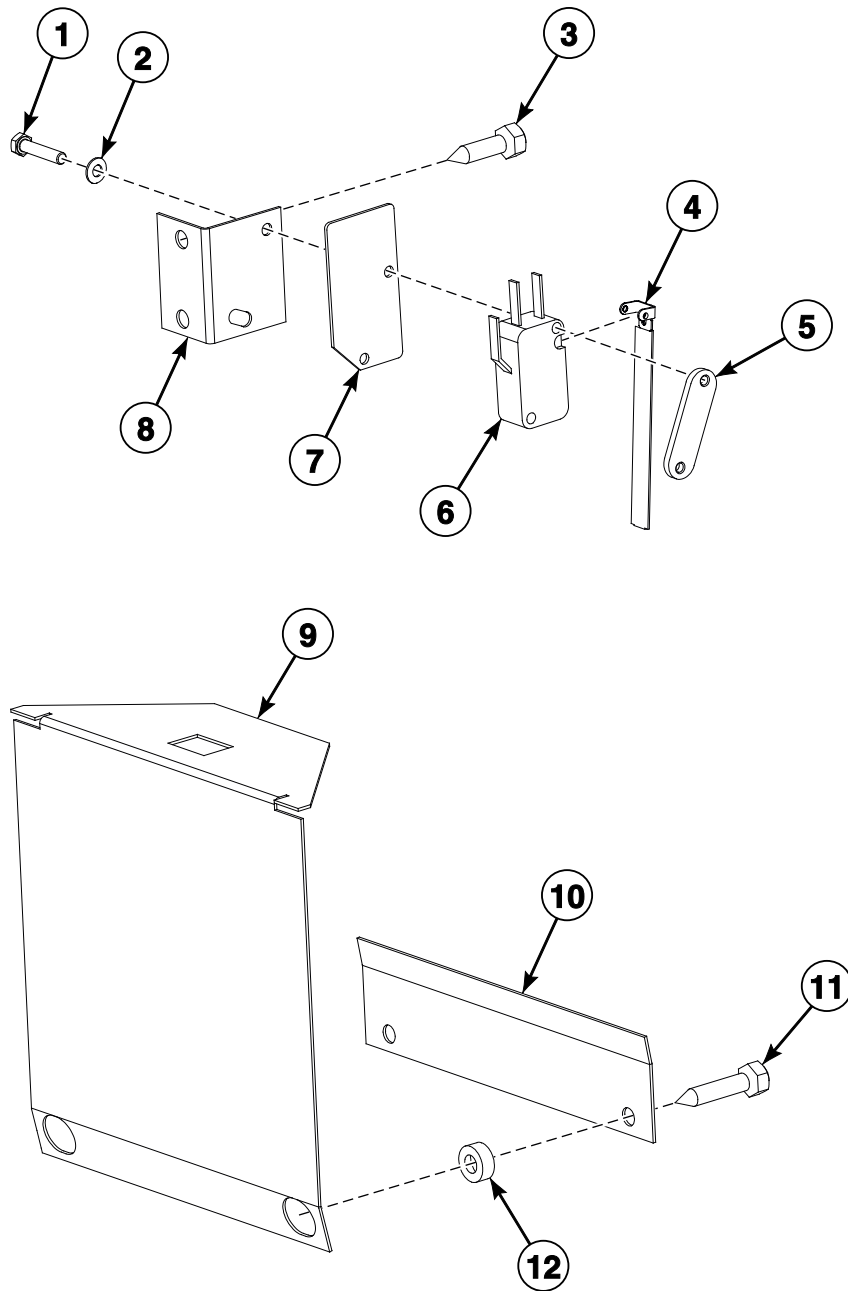


Electric Box Components - Gas and Steam Models

REF	PART NO.	DESCRIPTION	COMMENTS
	SP552248	Autotransformer	440-480V/50 or 60Hz 3 AC
1	SP557962	Frequency Inverter	
2	SP514135	Relay Clamp	Gas models
3	SP514134	Relay	220VAC; Gas models
4	SP346000280402	Interconnection	
5	SP346000209101	End Stop	
6	569856	Contactactor	
	SP520195	Resistance Bleeder	Reversing
7	569858	Mechanical Interlock Unit	Need to use with 569859 Set for Reversing Contactors
8	530518	Electric Box Cover	
9	SP346000280101	Clamp	
10	SP346000280301	Cover	
11	SP514057	Relay	24VAC; Gas models
12	SP506586	Relay Case	Gas models
13	SP514021	Transformer	14.2V plus 24V; 208-440 Volt
	SP516648	Transformer	380-415 Volt without N
14	SP311125000004	Washer	
15	SP309084000410	Bolt	
16	SP524654	Fuse Plug	
17	SP524655	Cover	
18	SP524653	Fuse Clip	
19	SPPRI401001021	Fuse	250 Volt F4A
	SP345805005020	Fuse	250 Volt T500mA
	SPPRI401020021	Fuse	1.6A
20	SP346000014010	Cover	
21	SP514133	Fuse	500 Volt, F500mA; 440 Volt; 380-415 Volt
	SP345805163032	Fuse	1A
22	SP346000004010	Fuse Case	

Under Pressure Clutch

Gas, Steam and Electric Models

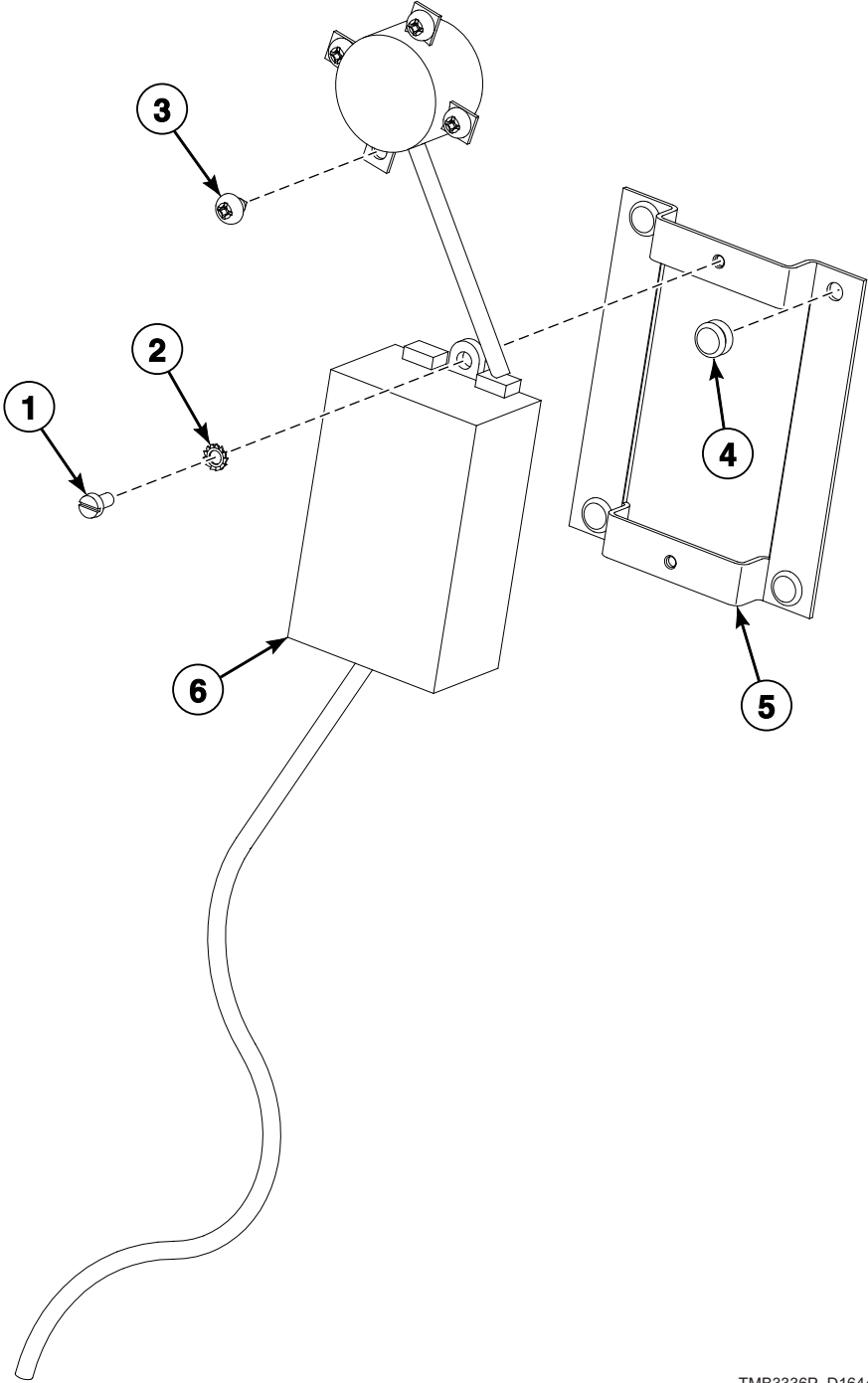


TMB3370P_D1644

Under Pressure Clutch

REF	PART NO.	DESCRIPTION	COMMENTS
	SP520870	Underpressure Clutch Assembly	Includes items 1-12
1	SP516623	Bolt	
2	SP311125000003	Washer	
3	SP518623	Bolt	
4	SP517441	Microswitch Lever Assembly	
5	SP235119001815	Nut	
6	SPPRI610028017	Microswitch	
7	SP101154	Isolation Plate	
8	SP520803	Microswitch Bracket	
9	SP520805	Clutch	
10	SP520808	Stop End	
11	SP520871	Screw	
12	SP520804	Distance Ring	

Humidity Sensor

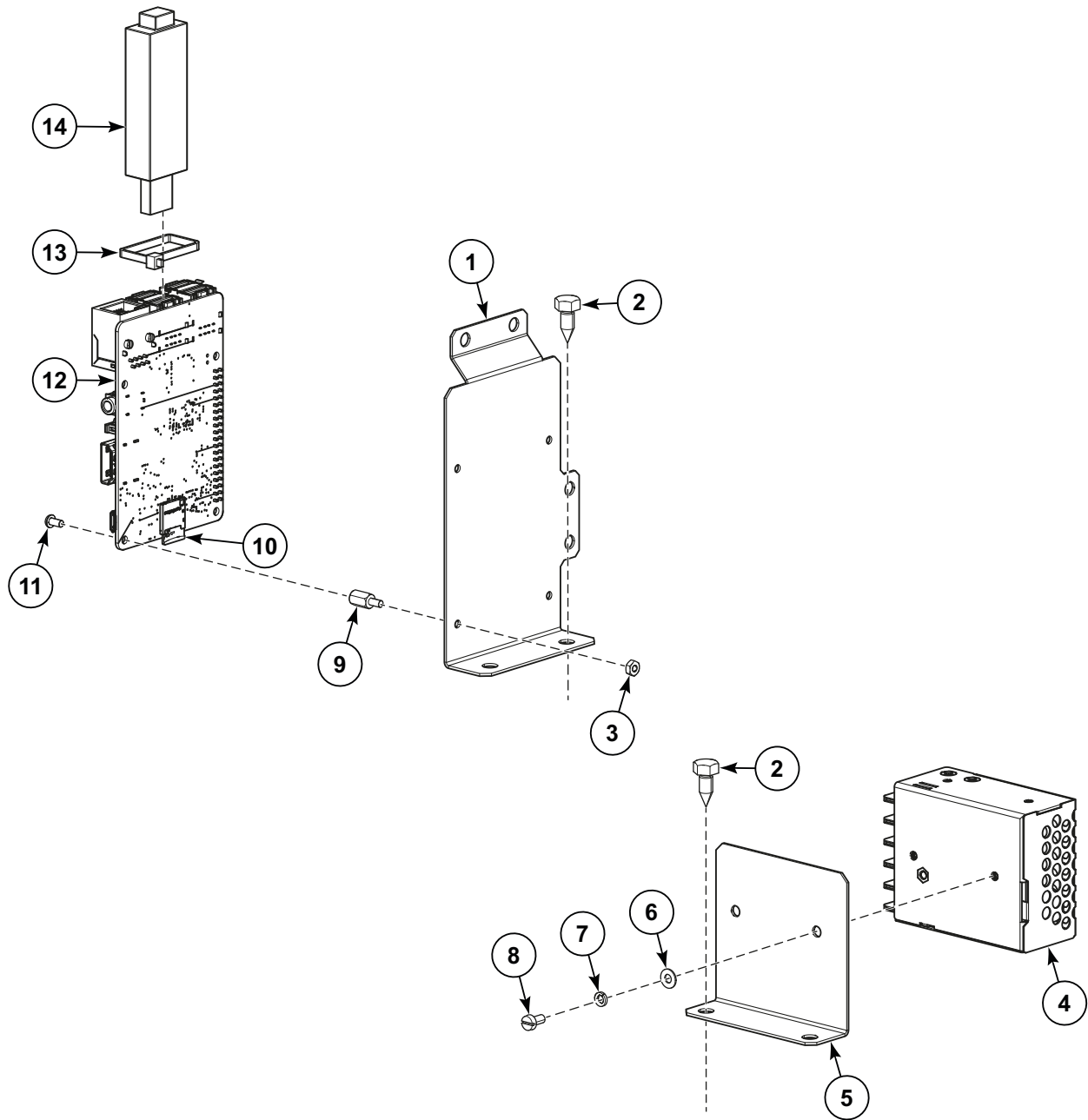


TMB3336P_D1644

Humidity Sensor

REF	PART NO.	DESCRIPTION	COMMENTS
	SP532002	Dust Cap Humidity Sensor	
	SP518562	Humidity Sensor Assembly	Includes items 1-6
1	SP309084000306	Bolt	
2	SP311679800003	Washer	
3	SP309798500306	Screw	
4	SP313250004075	Rivet	
5	SP518563	Sensor Holder	
6	SP102456	Humidity Sensor	

WiFi Connection

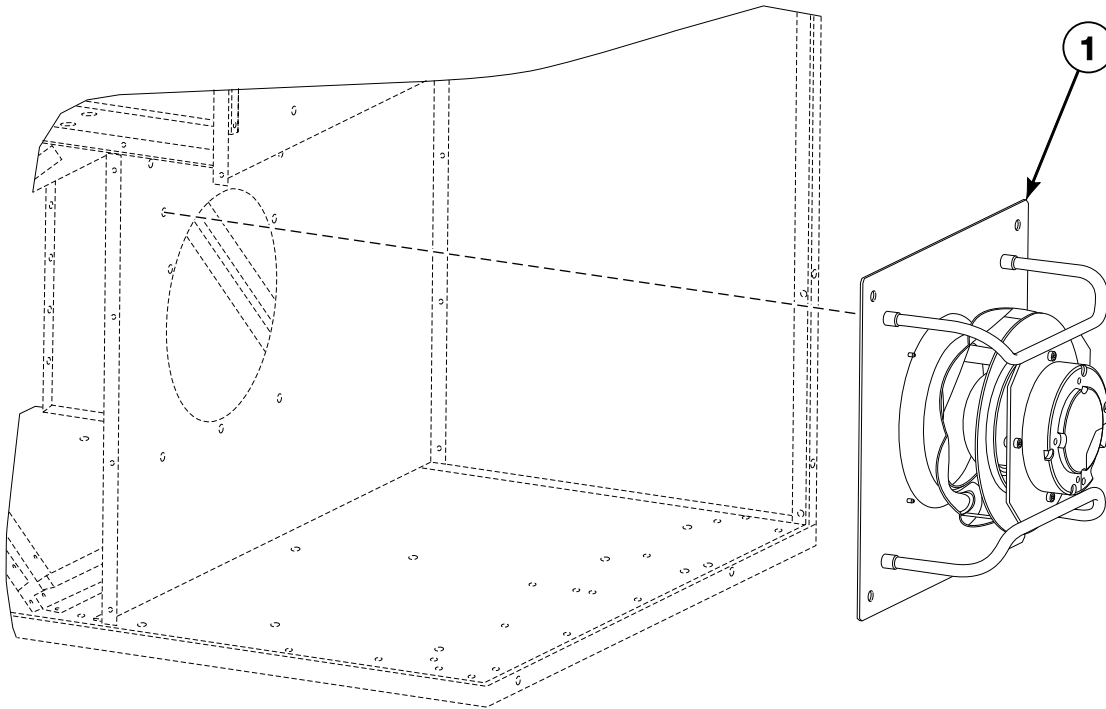


CZT446P_D1644

WiFi Connection

REF	PART NO.	DESCRIPTION	COMMENTS
	573395	WiFi Service kit	Includes items 1-14, items 575872, 575873, 575866 and Flash Memory with Firmware
	575872	Power Supply Cable	
	575873	WiFi Cable	
	575866	Power Supply Harness	Micro USB-B
1	573393	Control Board Holder	
2	SP100218	Screw	ST4.8x13
3	573392	Nut	M2.5
4	575864	Power Supply	
5	573394	Power Supply Holder	
6	SP311125000003	Washer	M3
7	SP311127000003	Washer	M3
8	SP309084000306	Bolt	M3x6
9	573390	Spacer	M2.5x8
10	553442	MicroSD Card	16GB
11	573391	Bolt	M2.5x5
12	553440	Control Board	
13	SP345000626088	Binding Strip	
14	529102	Converter	USB RS485 - Nano

Ventilator - Heat Pump Models



TMB3354P_D1644

Ventilator - Heat Pump Models

REF	PART NO.	DESCRIPTION	COMMENTS
	SP534930	Temperature Sensor	
1	SP552675	Ventilator	

Parts Index

A

Access Cover	
SP530796	29, 31
SP557136	29
Adhesive	
SP245704003021	35
Adjustable Foot	
SPPRI504000001	29
Autotransformer	
SP552201	61
SP552248	61, 63, 65

B

Back Seal	
SP527801	29, 31
Base	
SP541489	49
Bearing	
SP326000600300	57
SP514005	57
SP514007	57
Bearing Bracket	
SP512366	57
Bearing Flange	
SP514483	57
Belt	
SP515257	57
SP518647	57
Binding Strip	
SP345000626088	71
Blank Plate Kit	
SP102019	39
Bolt	
SPPRI202001001	39, 45
SP309084000306	69, 71
SP309084000410	61, 63, 65
SP309084000412	51, 53
SP309084000416	47
SP309084000420	51
SP309798524408	41
SP309933000416	11, 21, 25, 29, 31
SP309933000516	39, 55
SP309933000616	37, 53, 57
SP309933000625	49, 59
SP309933000630	29, 31
SP309933001025	57
SP309933001050	57
SP309933001120	57
SP309933100625	51
SP309933240412	5, 11, 23, 25, 29, 31
SP309966240410	5
SP506012	47, 53
SP510954	59
SP515075	5
SP516623	67
SP516693	29, 31
SP518556	57
SP518623	67
SP518719	29, 31

SP524367	35
SP525028	33
SP525101	35
SP533726	49
SP534908	55
SP537864	47
SP545529	29, 31
573391	71

Box	
SP556044	51
Box Assembly	
SP556043	51
Bracket	
SP541436	49
Burner Tube	
SP552515	39, 41
Bushing	
SP101405	47, 59
SP101406	47, 51, 53
SP101408	47, 51
SP273121011001	29, 31
SP273121013002	29, 31

C

Cabinet	
SP552660	47
Cable	
SP521061	9, 11, 23, 25
Chain	
SP521266	7
Clamp	
SP346000280101	65
SP529013	55
Clip	
SP502214	51
Clutch	
SP520805	67
Coil	
SP516717	45
Coin Meter	
SP100642	15
SP100866	15
SP100867	15
SP100868	15
SP100869	15
SP100870	15
SP100871	15
SP100887	15
SP100888	15
SP100891	15
SP100892	15
SP100893	15
SP100895	15
SP100896	15
SP100898	15
SP100900	15
SP100902	15
SP101155	15
SP101228	15
SP101437	15
SP101450	15

N/A items do not appear in index.

SP101499	15	SP560096	17
SP101535	15	SP560097	17
SP101536	15	SP560098	17
SP101586	15	SP560099	17
SP101612	15	SP560746	17
SP101632	15	SP560793	17
SP101797	15	SP561379	17
SP102084	15	SP564823	17
SP102371	15	516848	19
SP102407	15	516908	19
SP102452	15	516909	19
SP102473	15	516913	19
SP102546	15	516914	19
SP516632	15	529159	19
SP516636	15	569920	19
SP516638	15	569923	19
SP516639	15	569926	19
SP516737	15	569929	19
SP516804	15	569932	19
SP516807	15	569935	19
SP516875	15	569938	19
SP516921	15	569941	19
SP516950	15	569944	19
SP516967	15	569947	19
SP516969	15	569950	19
SP516976	15	569953	19
SP516977	15	569956	19
SP516980	15	569963	19
SP516984	15	569966	19
SP516991	15	569969	19
SP516994	17	569972	19
SP516999	17	569975	19
SP529106	17	569981	19
SP529108	17	569986	19
SP529110	17	572303	19
SP529113	17	572306	19
SP529114	17	572309	19
SP529115	17	572312	19
SP529119	17	572315	19
SP529124	17	572319	19
SP534187	17	572322	19
SP534289	17	572325	19
SP534297	17	572337	19
SP537775	17	572338	19
SP537776	17	572340	19
SP537778	17	572344	19
SP537779	17	572360	19
SP537787	17	572385	19
SP537788	17	572390	19
SP537825	17	579810	19
SP537828	17	579814	19
SP537829	17	579820	19
SP537859	17		
SP537913	17	Coin Meter Bracket	
SP552901	17	SP556081	11
SP552951	17	Coin Vault	
SP552952	17	SP321848140028	29, 31
SP552998	17	573350	29, 31
SP553007	17	Coin Vault Assembly	
SP553008	17	573370	29, 31
SP553140	17	Coin Vault Cover	
SP553152	17	SP515291	5
SP555667	17	Coin Vault Frame	
SP556109	17	SP501514	5
SP556113	17	Coin Vault Frame Bracket	
SP556114	17	SP524394	5
SP556153	17	Connector	
SP559709	17	345000180901	39
SP560095	17		

N/A items do not appear in index.

Drum	
577764	33
577767	33
Drum Assembly	
577702	33
577724	33
Drum Cross	
SP514957	33
Dust Cap Humidity Sensor	
SP532002	69

E

Elbow	
SP527236	53
572350	41
572352	41
Elbow Bracket Assembly	
SP556943	53
Electric Box Cover	
530518	61, 63, 65
Electrode Bracket	
SP512141	39
Emergency Stop Connector	
SP528311	13, 21
Emergency Stop Knob	
SP528310	13, 21
End Stop	
SP346000209101	61, 63, 65
Exhaust Assembly	
SP534910	55
Exhaust Bracket	
SP530689	55
Exhaust Cover	
SP545533	29, 31

F

Fan	
SP528481	47
Fan Assembly	
SP541496	47
Fan Cover	
SP541484	47
Fan Holder	
SP541495	47
Fan Housing Weldment	
575503	59
Fan Motor	
SP523622	59
SP523625	59
Filling Hose Pipe	
SPPRI505000054	53
SP101621	53
Filter	
SP512324	29, 31
SP519027	45
SP552251	51
Filter Assembly	
SP560162	29
Filter Panel Assembly	
SP530630	7

N/A items do not appear in index.

SP530631	7
SP530633	7
SP530634	7
SP555961	7
SP555962	7
SP559827	7
SP559828	7
Fine Filter	
SP560160	29
Flame Detection Cable	
SP516057	39
Flange	
SP102018	39
SP514062	39
Flange Bearing Body	
SP514011	57
SP514012	57
Flap Assembly	
SP534902	55
Flap Stop	
SP534900	55
Frequency Inverter	
SP557962	65
571478	51
Front Panel Assembly	
SP530620	5
SP530621	5
SP530622	5
SP530623	5
SP545542	5
SP545543	5
SP555996	5
SP555997	5
SP555998	5
SP559831	5
SP559832	5
SP559833	5
Front Seal	
SP518505	29, 31
Fuse	
SPPRI401001021	61, 63, 65
SPPRI401020021	65
SP345805005020	61, 63, 65
SP345805163032	65
SP358251506220	61, 63
SP514133	61, 63, 65
SP557786	37
Fuse Case	
SP346000004010	61, 63, 65
Fuse Clip	
SP524653	61, 63, 65
Fuse Isolator	
SP358251601312	61, 63
Fuse Plug	
SP524654	61, 63, 65

G

Gas Heater Box	
SP512130	39
569440	41
Gas Valve	
SP102000	39
SP520281	39
572351	41

Gas Valve Cable SP357500459412	39
Gas Valve Wiring 520098	39
Glue SP534969	35

H

Heat Pump	
SP556082	47
SP556083	47
SP556084	47
SP556085	47
SP556090	47
SP556091	47
SP556092	47
SP556093	47
SP556659	47
SP556660	47
SP556663	47
SP556664	47
Heater Box SP528941	37
Heating Element SP510984	37
SP510985	37
Heating Element Bracket SP527900	37
Holder	
569446	41
571880	41
571884	41
Hose	
SPPRI540000014	53
SP273454410020	39
Hose Clamp SPPRI240000002	53
Hose Pipe SP101745	53
Humidity Sensor SP102456	69
Humidity Sensor Assembly SP518562	69
Humidity Sensor Cover SP551869	47

I

Ignition Cable SP516060	39
Ignition Electrode 575643	39, 41
Ignition Unit SP357456010080	39
Inlet Nozzle SP520950	59
Insulation SP552666	53
Interconnection SP346000280402	65

Isolation Plate SP101154	29, 31, 67
-----------------------------------	------------

K

Key SP505449	57
-----------------------	----

L

Label SP562956	13
Latch SP514530	5, 35
Lath	
SP524582	35
SP556553	35
SP559706	35
Lock	
SPPRI610000007	7, 9, 13, 23, 27
SP521221	7
Lock Hook	
SPPRI610001007	7, 9, 13, 23, 27
SP534645	29, 31
Lower Door Hinge	
SP525104	35
SP556554	35
SP559704	35
Lower Rear Cover SP530779	31

M

Magnet 564203	35
Main Switch	
SPPRI404000097	29, 31
SPPRI404000098	31
SPPRI404000099	31
SPPRI404000100	31
Main Switch Knob SPPRI404000095	29, 31
Mechanical Interlock Unit 569858	61, 63, 65
Memory	
SP526001	9, 11, 21, 25
102460	11, 21, 25
103460	9
545264	11, 21, 25
545265	11, 21, 25
545266	11, 21, 25
545267	11, 21, 25
545268	9
MicroSD Card 553442	71
Microswitch	
SPPRI610011077	29, 31
SPPRI610028017	67
SP506045	29, 31
SP517484	29, 31
Microswitch Bracket SP520803	67

N/A items do not appear in index.

Microswitch Lever Assembly	
SP517441	67
Motor	
SP523724	57
SP523725	57
Motor Bracket	
SP515418	57
SP518517	57
Motor Pulley	
SP527723	57
SP528922	57
SP530720	57
SP530721	57

N

Nozzle	
SP512067	39
SP556922	53
Nozzle Adapter	
SP556916	53
Nozzle Bracket Assembly	
SP556919	53
Nozzle Fitting Adapter	
SP556915	53
Nozzle Holder Assembly	
SP556920	53
Nut	
SPPRI610005007	9, 13, 21, 27
SPPRI610006007	9, 13, 23, 27
SP101415	47, 59
SP101416	47, 51, 53
SP101418	47, 51
SP235119001815	67
SP310934000003	9
SP310934000004	9, 11, 21, 25
SP310934000006	49
SP310934000010	29, 33, 57
SP310934000020	49
SP310934100006	51
SP310934240004	35
SP310934240005	39, 41, 45
SP310985000006	29, 31, 57
SP310985000010	57
SP310985000012	57
SP514193	13, 23, 27, 29, 31
SP534929	55
SP545530	29, 31

O

Orifice	
517222	39, 43
517223	39, 43
517224	39, 43
517225	39, 43
517226	39, 43
517227	39, 43
517241	39, 43
517243	39, 43
517245	39, 43
517246	39, 43
517250	39, 43
517251	39, 43

517252	39, 43
517253	39, 43
517257	39, 43
517258	39, 43
517327	39, 43
517328	39, 43
517329	39, 43
517330	39, 43
517331	39, 43
517337	39, 43
520236	39, 43
520237	39, 43
520399	39, 43
525465	39, 43
525466	39, 43
530819	39, 43
530820	39, 43
575530	43

Outer Door Gasket	
SP519933	35
Overlay	
SP553415	25
SP556099	11, 23, 25
SP559870	11, 23, 25
SP559871	11, 23, 25
SP559900	11, 23, 25
SP560140	9

P

Pin Insertion	
SP520408	7
Plug	
SPPRI505000064	59
SP273127001798	55
SP345900025012	7
SP520297	37
SP534904	55
Power Supply	
575864	71
Power Supply Cable	
575872	71
Power Supply Harness	
575866	71
Power Supply Holder	
573394	71

R

Reinforcement Bracket	
SP512365	57
Relay	
SP514057	61, 65
SP514134	65
Relay Case	
SP506586	61, 65
Relay Clamp	
SP514135	61, 65
Resistance Bleeder	
SP520195	65
Retaining Ring	
SP515517	57

N/A items do not appear in index.

Rinsing System Bracket SP556954	53
Rivet SP313250004075	11, 21, 25, 69
Rod SP517486	29, 31

S

Safety Thermostat SP514016	59
SP514127	37, 39, 41, 45
Screw SP100218	11, 23, 25, 29, 31, 39, 41, 55, 59, 71
SP309798100313	37
SP309798500306	59, 69
SP517238	39, 41, 45
SP520407	7
SP520871	11, 23, 25, 67
SP529206	49
572361	41
573392	71
Sensor Holder SP518563	69
Shim SP529082	13, 21, 27
Side Panel SP541424	47
SP541425	47
SP556005	47
SP556007	47
SP556649	47
SP556650	47
Sliding Board SP514480	57
Spacer SP515521	57
SP520940	59
573390	71
Spring SPPRI611000009.....	29, 31
Steam Exchanger SP530409	45
Steam Filter SP405054057006	45
Steam Valve SP516718	45
Steam Valve Body SP514166	45
Stop End SP520808	67
Stop Pin SP520201	35
Support Plate SP515514	57
Switch SP100388	29, 31
Switch Panel SP520890	31
SP520891	29
Switching Unit SP528312	13, 21
Swivel Wheel Assembly SP541494	49

SP551864.....	49
---------------	----

T

Temperature Sensor SP516092.....	37, 39, 41
SP534930.....	59, 73
Tension Assembly SP514479.....	57
SP528928.....	57
Tension Rod SP534704.....	57
Thermostat Bracket SP520227.....	45
SP541457.....	49
Transformer SP514021.....	61, 63, 65
SP516648.....	65
Tube SP144151508341.....	55
SP314G00017524.....	45
SP512142.....	39
SP517236.....	45
SP534914.....	55
571881	41
571928	41
Tube Insert SPX01140400514.....	45

U

Underpressure Clutch Assembly SP520870.....	67
Upper Cover SP534602.....	29, 31
SP557135.....	29
Upper Door Hinge SP525105.....	35
SP556555.....	35
SP559705.....	35
Upper Rear Cover SP530798.....	31
SP556533.....	31

V

Valve SP556959.....	53
Valve Bracket SP512144.....	39
Valve Bracket Assembly SP556946.....	53
Valve Cover Assembly SP556947.....	53
Ventilator SP520945.....	59
SP552675.....	73

N/A items do not appear in index.

W

Washer

SPPRI522000012	7, 13, 21, 27
SP311125000003	9, 29, 31, 39, 67, 71
SP311125000004	5, 9, 11, 21, 25, 29, 31, 41, 47, 51, 53, 61, 63, 65
SP311125000005	39, 45
SP311125000006	37, 49, 53, 57
SP311125000010	9, 29, 33, 57
SP311125000013	57
SP311125000020	13, 21, 27
SP311125100006	51
SP311127000003	29, 31, 71
SP311127000004	5, 9, 11, 21, 25, 29, 31, 41, 47, 51, 53
SP311127000005	39, 45
SP311127000006	37, 53
SP311127000010	57
SP311127240003	9
SP311679800003	9, 69
SP311679800004	11, 21, 25, 51
SP311679824006	49, 51
SP311902100006	47, 57, 59
SP311902100008	59
SP311902100010	57
SP311902100012	57
SP510697	33
SP512233	33
SP514906	5
SP516669	37, 39, 41, 55
SP524366	5
SP545531	29, 31
517426	33

WiFi Cable

575873	71
--------------	----

WiFi Service kit

573395	71
--------------	----
