

Washer-Extractor

Barrier Washer
110 and 1100 Models
Refer to Page 5 for Model Numbers

Table of Contents

Title	Page
Parts Ordering Information.....	3
Serial Plate Location	3
Model Identification	5
Outer Frame - Models Without Recycle (Drawing 1 of 2)	6
Outer Frame - Models Without Recycle (Drawing 2 of 2)	8
Outer Frame - Models With Recycle (Drawing 1 of 2)	10
Outer Frame - Models With Recycle (Drawing 2 of 2)	12
Upper Frame (Drawing 1 of 2)	14
Upper Frame (Drawing 2 of 2)	16
Cabinet 1 (Drawing 1 of 3)	18
Cabinet 1 (Drawing 2 of 3)	20
Cabinet 1 (Drawing 3 of 3)	22
Cabinet 2.....	24
Spring Hinge	26
Vibration Switch	28
External Tub.....	30
Temperature Sensor	32
Tub Position Detector	34
Trunnion.....	36
Outer Door - Vertical	38
Outer Door Securing	40
Drum and Inner Door	42
Inner Door	44
Door Lock - Vertical	46
Drive (Drawing 1 of 2)	48
Drive (Drawing 2 of 2)	50
Motor.....	52
Brake.....	54
Soap Hoppers	56
Filling System - Models With Soap Hopper.....	58
Filling System - Models Without Soap Hopper.....	60
Steam Heating	62
Second Display	64
Standard Outlet Valve.....	66
Second Outlet Valve - 5 Inch	68
Standard Outlet Valve - 3 Inch.....	70
Recycle System (Drawing 1 of 3).....	72
Recycle System (Drawing 2 of 3).....	74
Recycle System (Drawing 3 of 3).....	76
Pneumatic System Board (Drawing 1 of 2).....	78
Pneumatic System Board (Drawing 2 of 2).....	80

© Copyright 2019, Alliance Laundry Systems LLC

All rights reserved. No part of the contents of this book may be reproduced or transmitted in any form or by any means without the expressed written consent of the publisher.

Pneumatic System Board - Standard.....	82
Pneumatic System Board - Second Outlet Valve	84
Pneumatic System Board - Recycle System.....	86
Wash Bath Sample	88
Electric Heating - 72 kW and 96kW	90
Transformator 1	92
Box of Electrical Components (Drawing 1 of 2)	94
Box of Electrical Components (Drawing 2 of 2)	96
Frequency Inverter.....	98
Electrical Components Box Door (Drawing 1 of 2).....	100
Electrical Components Box Door (Drawing 2 of 2).....	102
Weighing System	104
Single Ended Beam Load Cell	106
Automatic Relubrication	108
End of Cycle Light (Drawing 1 of 2)	110
End of Cycle Light (Drawing 2 of 2)	112
Liquid Soap Supply System - Pumps.....	114
Parts Index.....	117

Parts Ordering Information

If literature or replacement parts are required, contact the source from whom the machine was purchased or contact Alliance Laundry Systems at (920) 748-3950 for the name and address of the nearest authorized parts distributor.

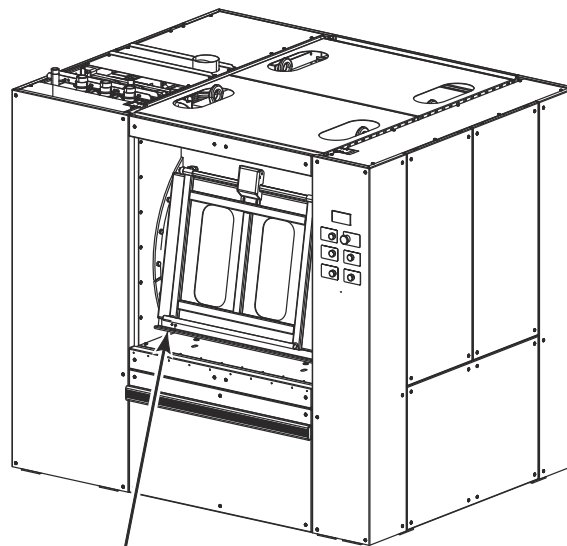
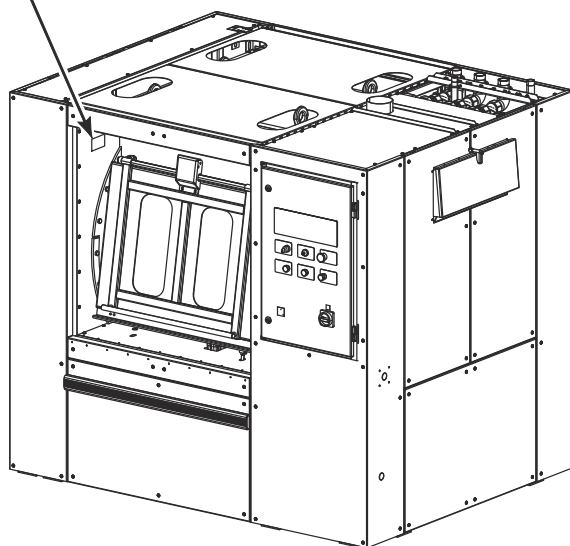
For technical assistance, call the number listed below:

(920) 748-3121 Ripon, Wisconsin

Serial Plate Location

When calling or writing about your product, be sure to mention model and serial numbers. Model and serial numbers are located on serial plate(s).

Serial Plate



Serial Plate

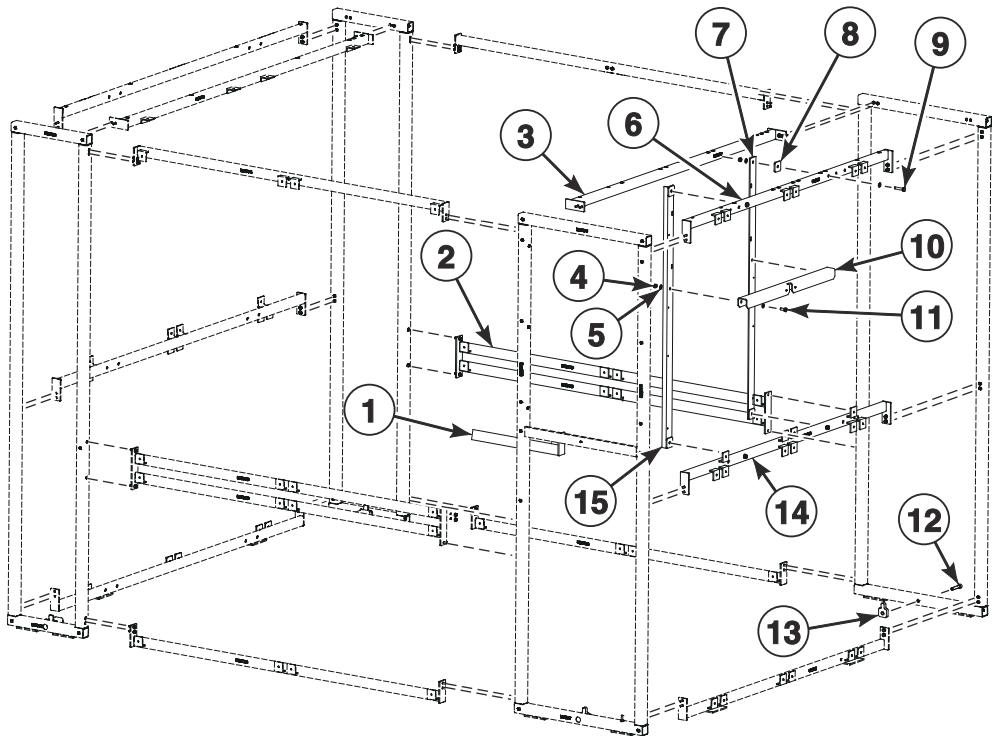
CZB145N_D2415

Model Identification

Information in this manual is applicable to these washer-extractor models:

IB1100_MICRO_STARTING_110M001000	PBC11XW_STARTING_110M001000
IBC11XW_STARTING_110M001000	PBG1100W_STARTING_110M001000
IBG1100W_STARTING_110M001000	PBH11XW_STARTING_110M001000
IBH11XW_STARTING_110M001000	PBU1100W_STARTING_110M001000
IBU1100W_STARTING_110M001000	PBU11XW_STARTING_110M001000
IBU11XW_STARTING_110M001000	PBX11XW_STARTING_110M001000
IBX11XW_STARTING_110M001000	SB1100_MICRO_STARTING_110M001000
LBC11XW_STARTING_110M001000	SBC11XW_STARTING_110M001000
LBH11XW_STARTING_110M001000	SBG1100W_STARTING_110M001000
LBU11XW_STARTING_110M001000	SBH11XW_STARTING_110M001000
LBX11XW_STARTING_110M001000	SBU1100W_STARTING_110M001000
LM1100_GRAPHITRONIC_STARTING_110M001000	SBU11XW_STARTING_110M001000
LMA1100_GRAPHITRONIC_STARTING_110M001000	SBX11XW_STARTING_110M001000
LMA1100_MICRO_STARTING_110M001000	UB1100_MICRO_STARTING_110M001000
MB110_GRAPHITRONIC_STARTING_110M001000	UBC11XW_STARTING_110M001000
NBC11XW_STARTING_110M001000	UBG1100W_STARTING_110M001000
NBH11XW_STARTING_110M001000	UBH11XW_STARTING_110M001000
NBU11XW_STARTING_110M001000	UBU1100W_STARTING_110M001000
NBX11XW_STARTING_110M001000	UBU11XW_STARTING_110M001000
	UBX11XW_STARTING_110M001000

Outer Frame - Models Without Recycle (Drawing 1 of 2)

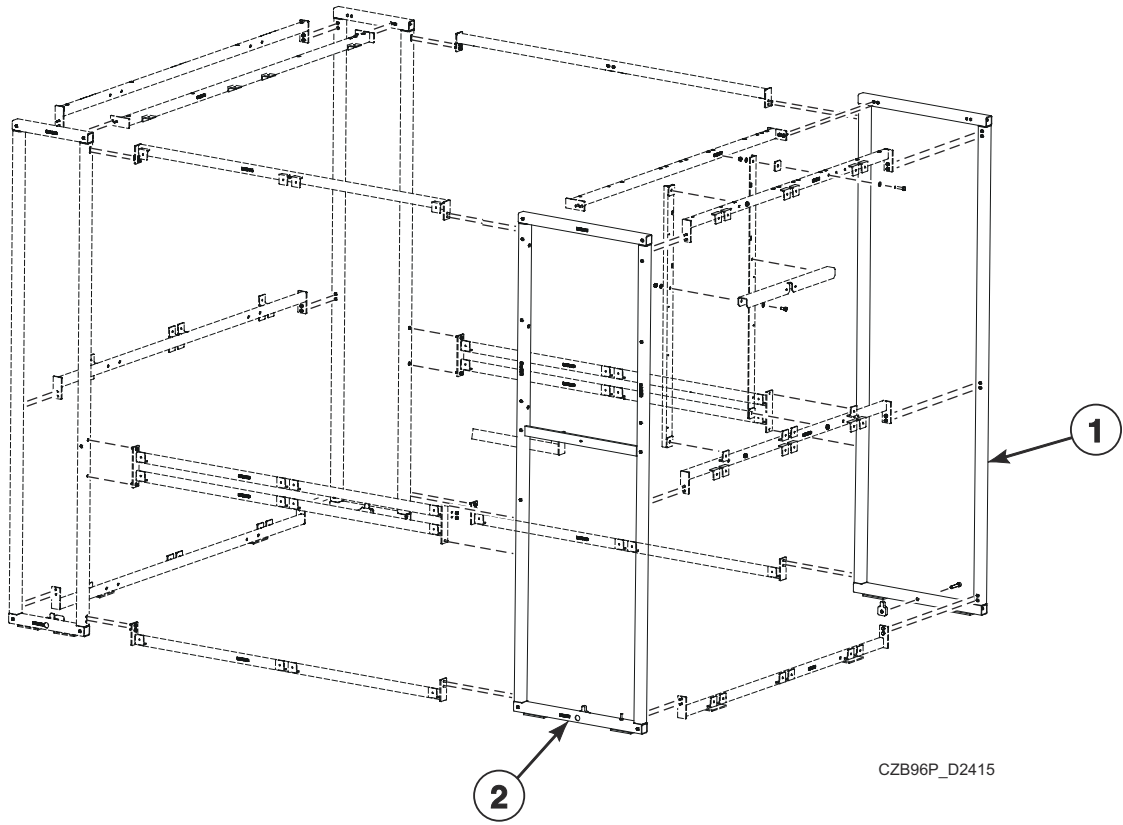


CZB94P_D2415

Outer Frame - Models Without Recycle (Drawing 1 of 2)

REF	PART NO.	DESCRIPTION	COMMENTS
	SP536760	Outer Frame	
1	SP536765	Connecting Part	
2	SP536767	Connecting Part	
3	SP536315	Connecting Part	
4	SP310934000008	Nut	M8
5	SP311125000008	Washer	8.4
6	SP536310	Connecting Part	
7	SP536769	Soap Hopper Profile	Right
8	SP536324	Washer	
9	SP309933000840	Bolt	M8-40
10	SP536496	Side Panel Support	
11	SP309933000820	Bolt	M8-20
12	SP530020	Bolt	M10-50
13	SP536343	Distance Part	
14	SP536305	Connecting Part	
15	SP536768	Soap Hopper Profile	Left

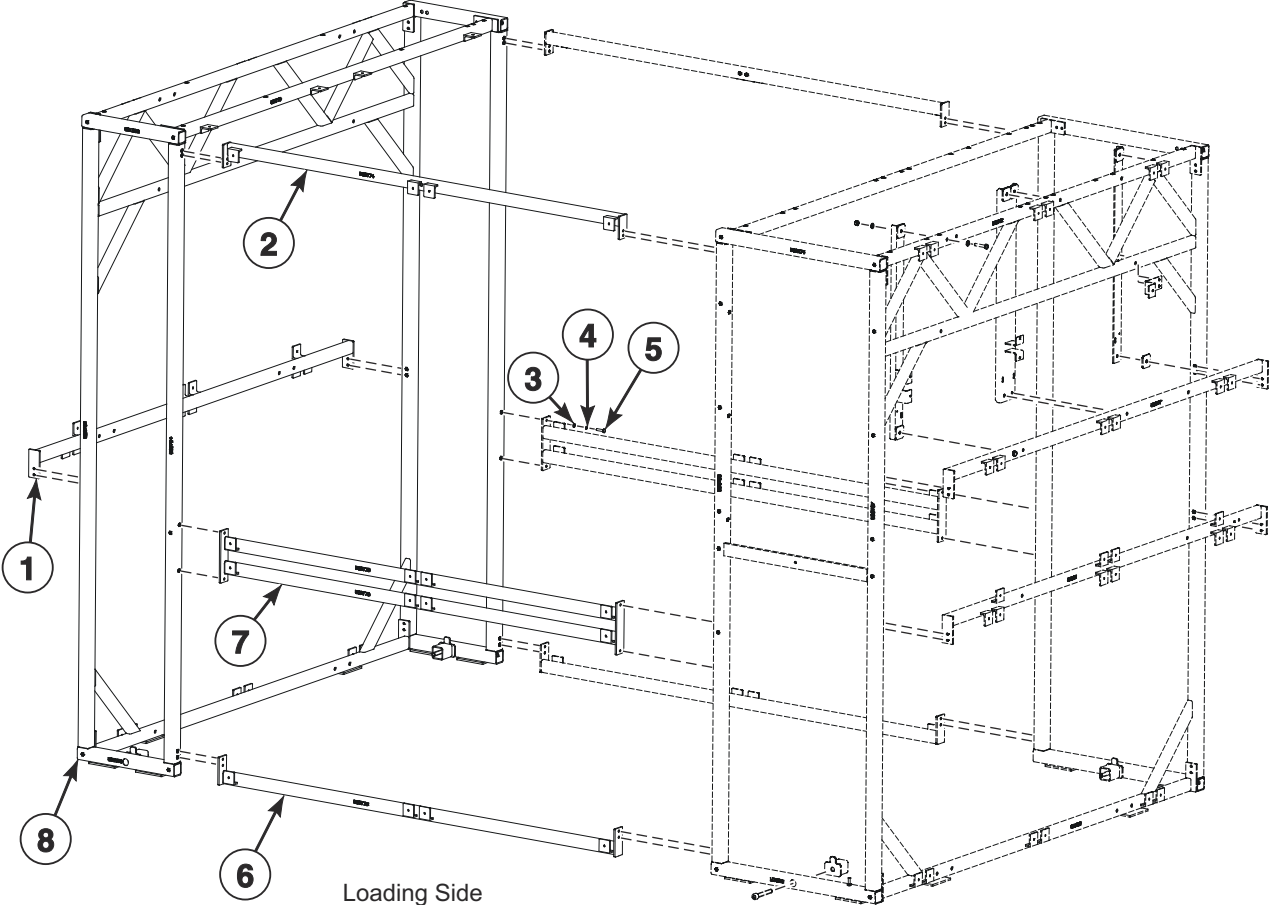
Outer Frame - Models Without Recycle (Drawing 2 of 2)



Outer Frame - Models Without Recycle (Drawing 2 of 2)

REF	PART NO.	DESCRIPTION	COMMENTS
1	SP536763	Back Frame	Right
2	SP536764	Front Frame	Right

Outer Frame - Models With Recycle (Drawing 1 of 2)



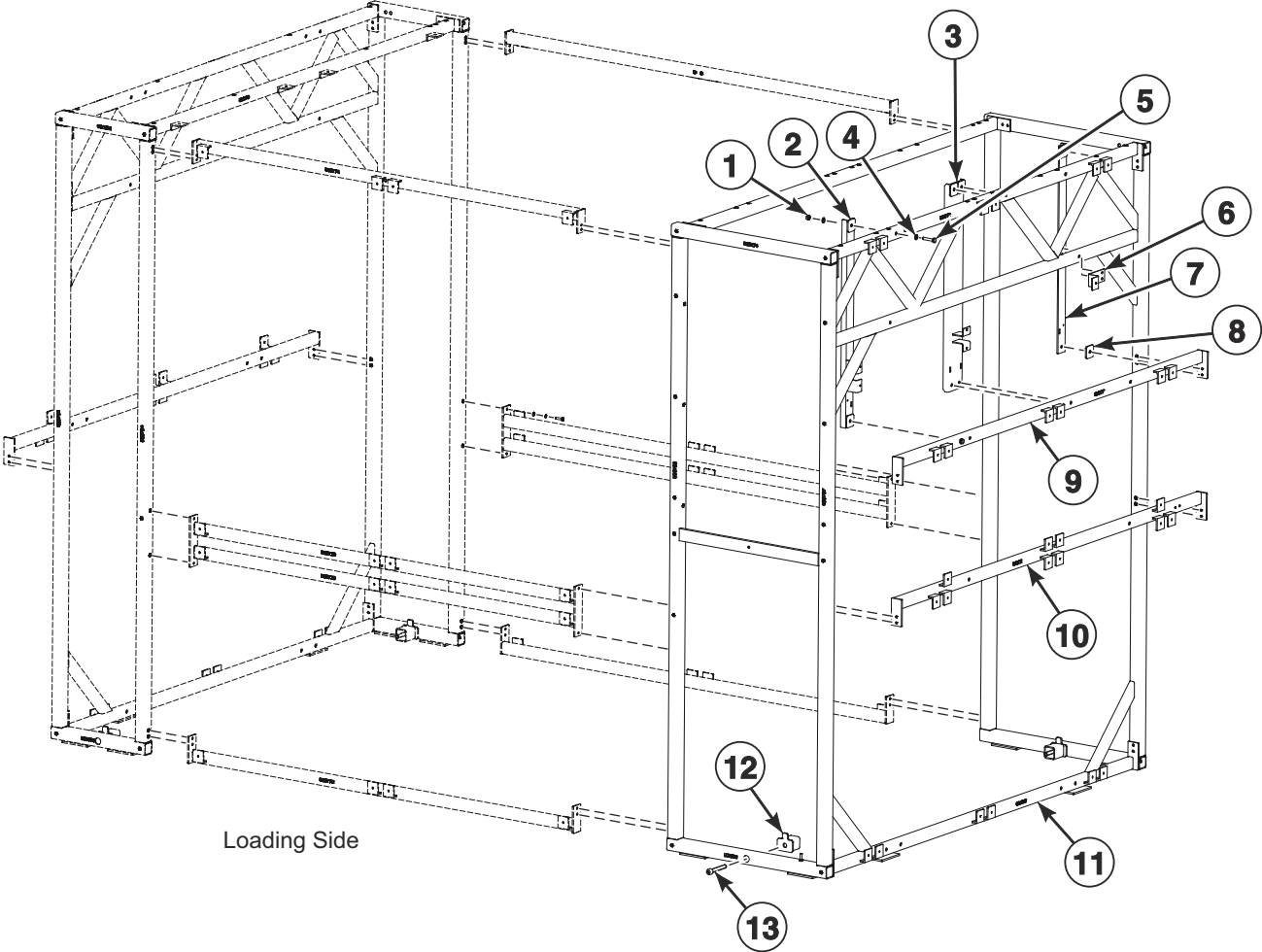
CFD3038P_D2415

Outer Frame - Models With Recycle (Drawing 1 of 2)

REF	PART NO.	DESCRIPTION	COMMENTS
	SP536760	Outer Frame	
1	SP536290	Connecting Part	
2	SP536766	Connecting Part	
3	SP311125000006	Washer	6.4
4	SP311127000006	Washer	6
5	SP309933000625	Bolt	M6-25
6	SP536765	Connecting Part	
7	SP536767	Connecting Part	
8	N/A	Frame	

N/A = Part no longer available

Outer Frame - Models With Recycle (Drawing 2 of 2)



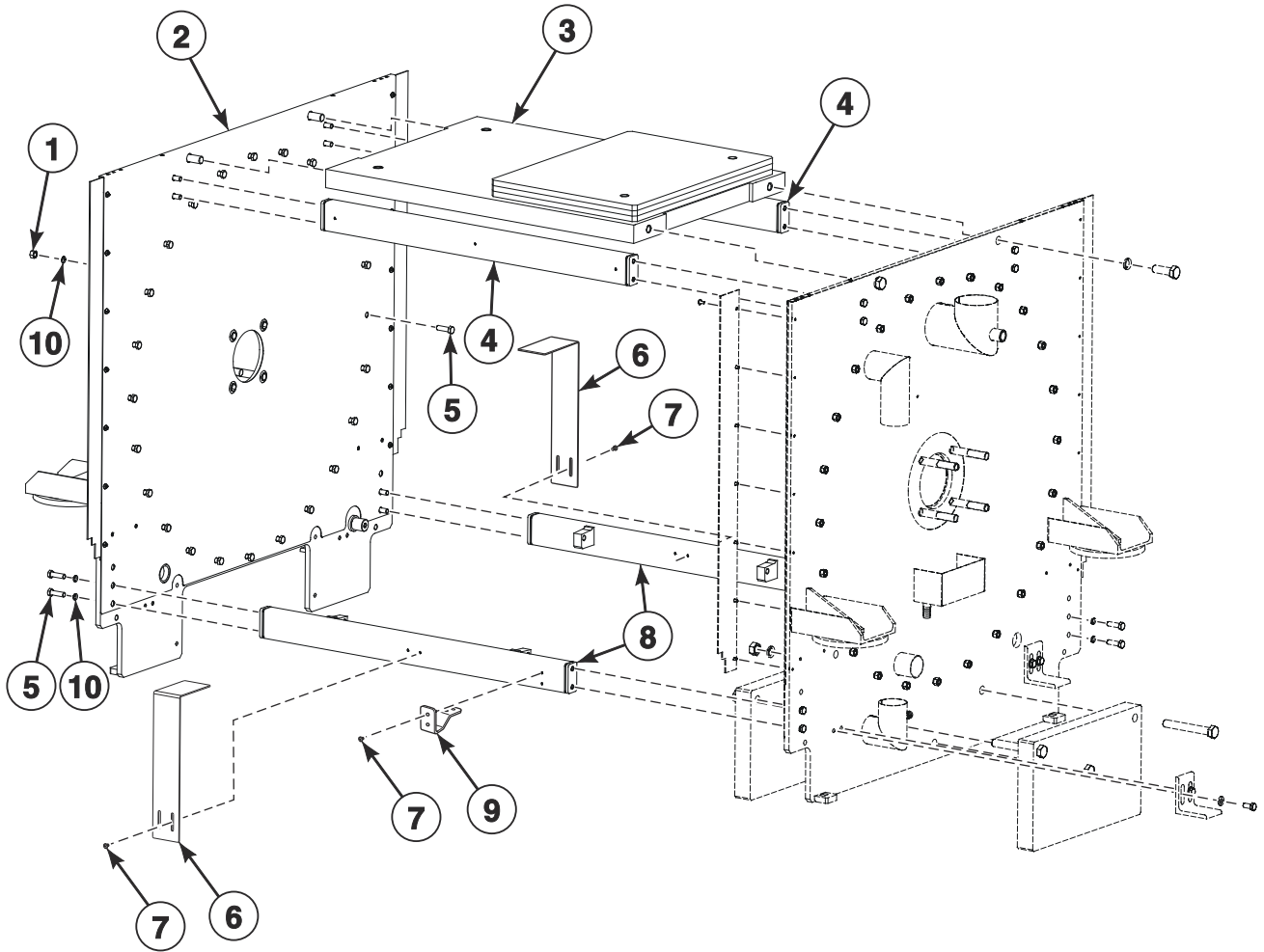
CFD3039P_D2415

Outer Frame - Models With Recycle (Drawing 2 of 2)

REF	PART NO.	DESCRIPTION	COMMENTS
1	SP310934000008	Nut	M8
2	SP536768	Soap Hopper Profile	Left
3	N/A	Cross Beam	
4	SP311125000008	Washer	8.4
5	SP309933000840	Bolt	M8-40
6	N/A	Support	
7	SP536769	Soap Hopper Profile	Right
8	SP536324	Washer	
9	N/A	Connecting Part	
10	SP536305	Connecting Part	
11	N/A	Frame	
12	SP536343	Distance Part	
13	N/A	Bolt	

N/A = Part no longer available

Upper Frame (Drawing 1 of 2)



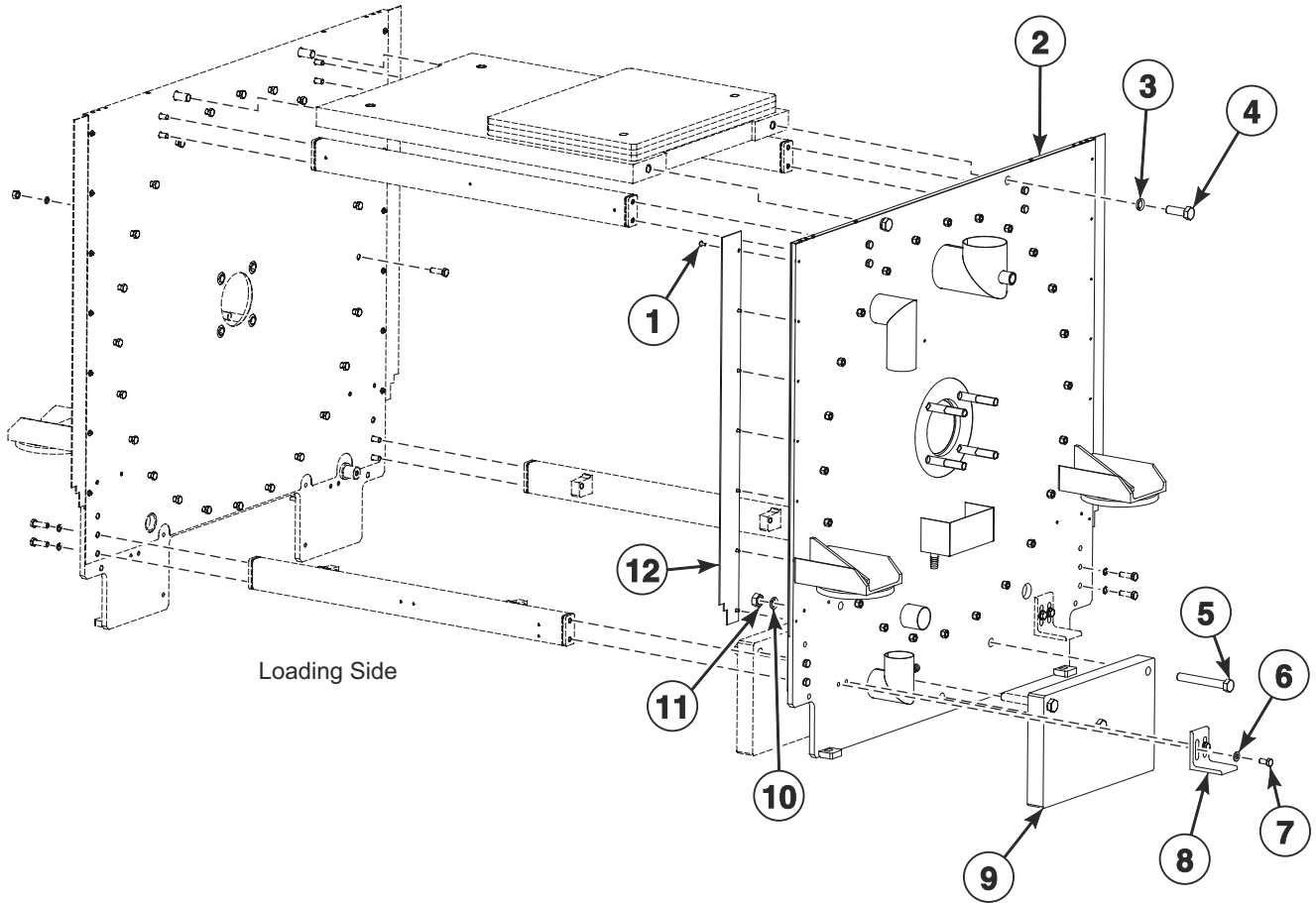
Loading Side

CZB62P_D2415

Upper Frame (Drawing 1 of 2)

REF	PART NO.	DESCRIPTION	COMMENTS
	SP539115	Upper Frame	
1	SP310934000012	Nut	M12
2	SP539116	Side Panel	Left
3	SP539118	Middle Weight	
4	SP539119	Middle Partition	
5	SP309933001250	Bolt	M12x50
6	539834	Cover Support	
7	SP537854	Bolt	M6x14
8	SP539120	Middle Partition	
9	536510	Air Trap Bracket	
10	SP311127000012	Washer	12

Upper Frame (Drawing 2 of 2)

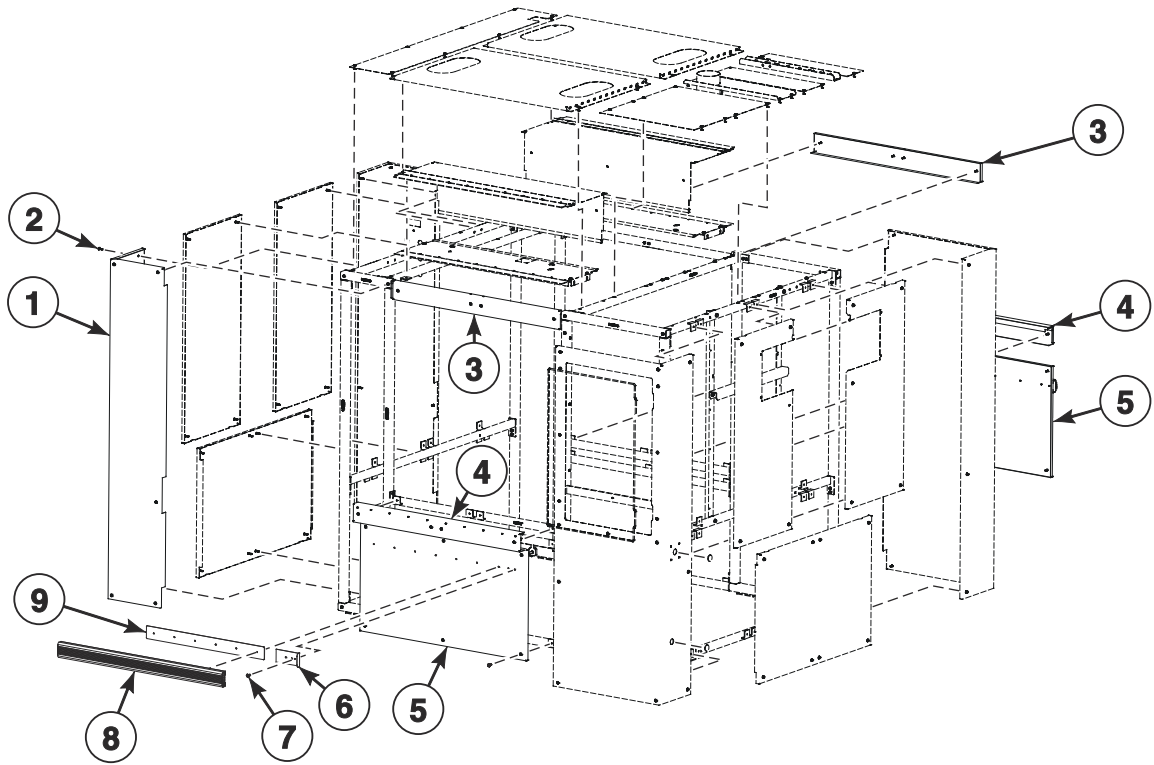


CFD3041P_D2415

Upper Frame (Drawing 2 of 2)

REF	PART NO.	DESCRIPTION	COMMENTS
1	SP537854	Bolt	M6x14
2	SP539117	Side Panel	Right
3	SPF02105002515	Washer	20
4	SP309912121265	Bolt	M20x65
5	SP309931020150	Bolt	M20x150
6	SP311125999913	Washer	13
7	SP309933001225	Bolt	M12x25
8	SP536605	L Profile	100x100x10; Models through Serial No. 110M001035HU
9	SP539121	Sideboard Weight	
10	SP311127000020	Washer	20
11	SP310934000020	Nut	M20
12	SP536606	Side Safety Rubber	

Cabinet 1 (Drawing 1 of 3)

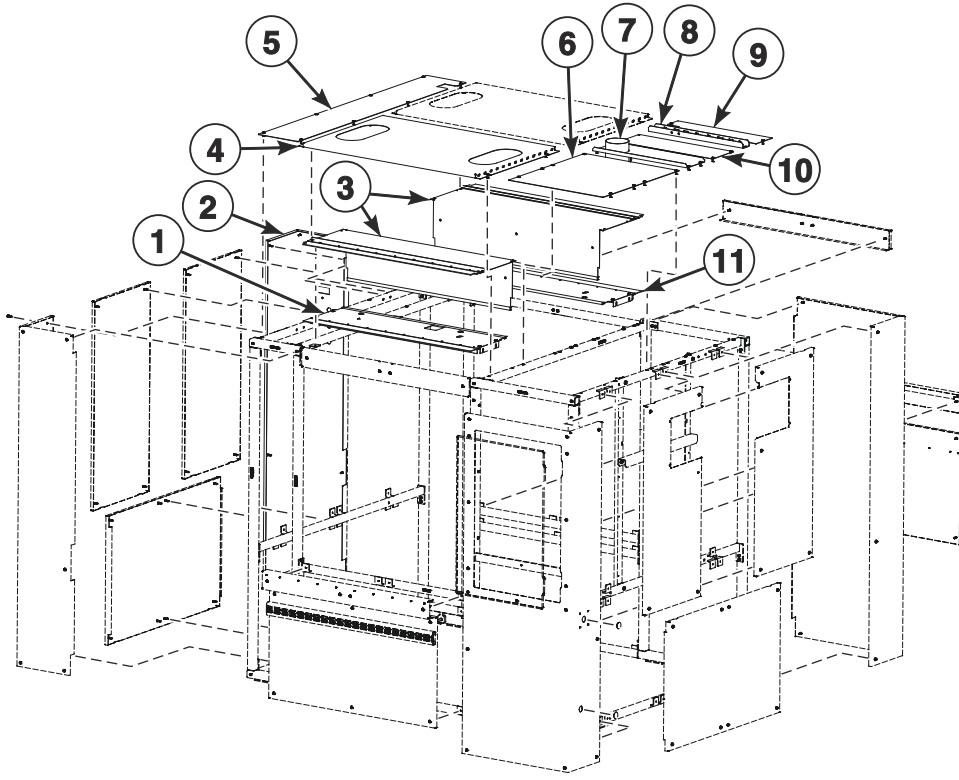


CZB67P_D2415

Cabinet 1 (Drawing 1 of 3)

REF	PART NO.	DESCRIPTION	COMMENTS
	SP536780	Cover	
	SP539115	Upper Frame	
1	SP536782	Front Panel	Left
2	SP537864	Bolt	M6x16
3	SP536793	Front Panel	Upper
4	SP536790	Front Panel	Middle
5	SP559074	Front Panel	Does not include bumper
	SP536787	Front Panel	Includes bumper
6	SPF02113200614	Side Bar	
7	506627	Rivet	With bumper; 4x12
	SP313250004075	Rivet	Without bumper; 4x7.5
8	SP321000135460	Bumper Profile	L=1.292m
9	536789	Bumper Reinforcement	

Cabinet 1 (Drawing 2 of 3)



Loading Side

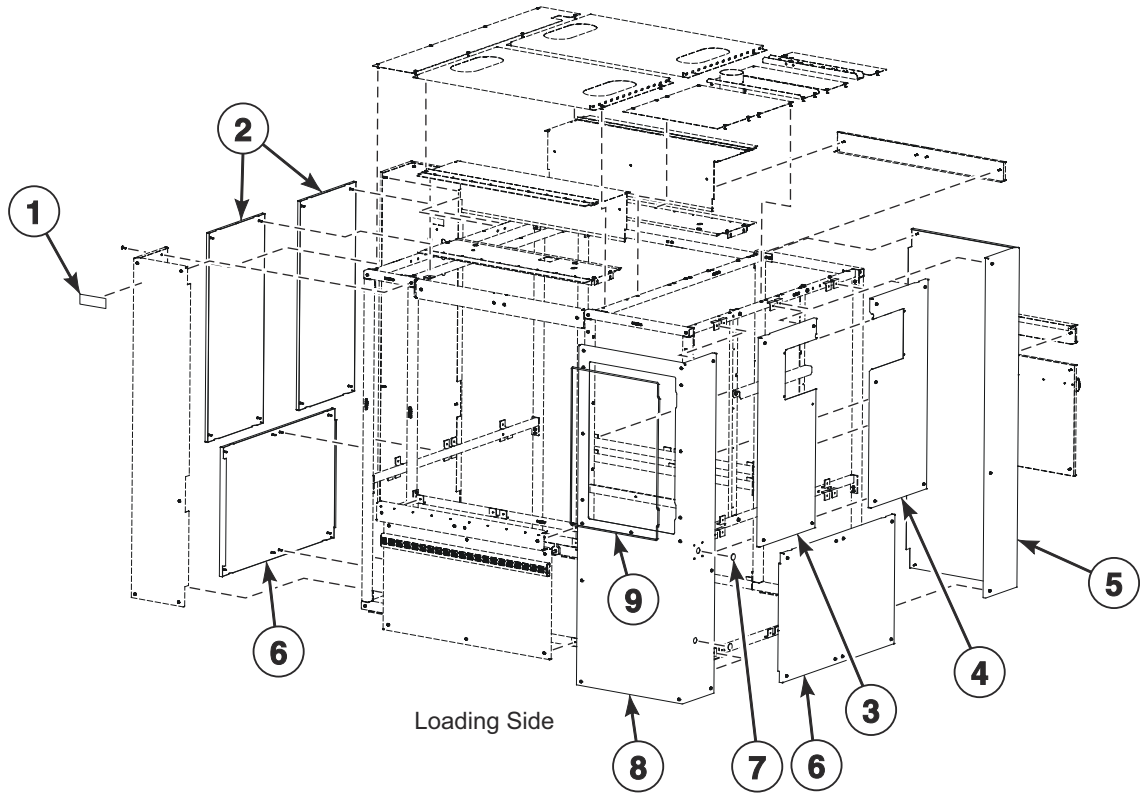
CZB107P_D2415

Cabinet 1 (Drawing 2 of 3)

REF	PART NO.	DESCRIPTION	COMMENTS
1	N/A	Door Cover	
2	SP536784	Back Panel	Two doors and two displays with one control; Left
	SP536785	Back Panel	Two doors and two controls with one display; Left
	SP536786	Back Panel	One door; Left
3	SP539830	Door Cover	Upper; Requires SP539833 Safety Rubber
4	SP536798	Cover	Upper
5	SP536363	Pulley Panel	
6	SP536364	Ceiling Cover	
7	SP536365	Ceiling Cover	
8	SP536367	Ceiling Cover	
9	SP536368	Ceiling Cover	
10	SP536366	Ceiling Cover	
11	SP539825	Door Cover	Requires SP539829 Safety Rubber

N/A = Part no longer available

Cabinet 1 (Drawing 3 of 3)

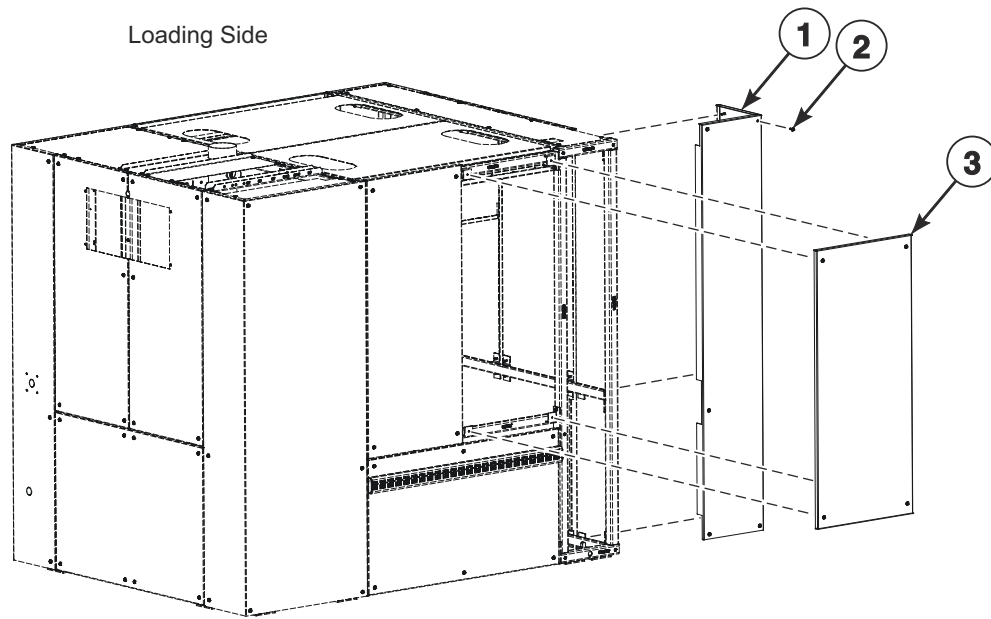


CZB59P_D2415

Cabinet 1 (Drawing 3 of 3)

REF	PART NO.	DESCRIPTION	COMMENTS
1	567887	Logo Label	MB and PB models
	SP532265	Nameplate	LB and LM models
	F8443105	Nameplate	UB models; Logo
	RSP70472001	Logo Label	IB models
	2250043500	Logo Label	SB models
	SP534353	Nameplate	MB and PB models; Logo; Maxi Wash
	SP534364	Nameplate	LB and LM models; Logo; Technitramo
2	SP536795	Side Panel	Upper
3	SP536796	Side Panel	Soap hopper left cover; Upper
4	SP536797	Side Panel	Soap hopper right cover; Upper
5	SP536783	Back Panel	Right
6	SP536794	Front Panel	Lower
7	SPPRI505000064	Plug	
8	SP536781	Front Panel	Right
9	SPPRI505000058	Profiled Sealing	

Cabinet 2

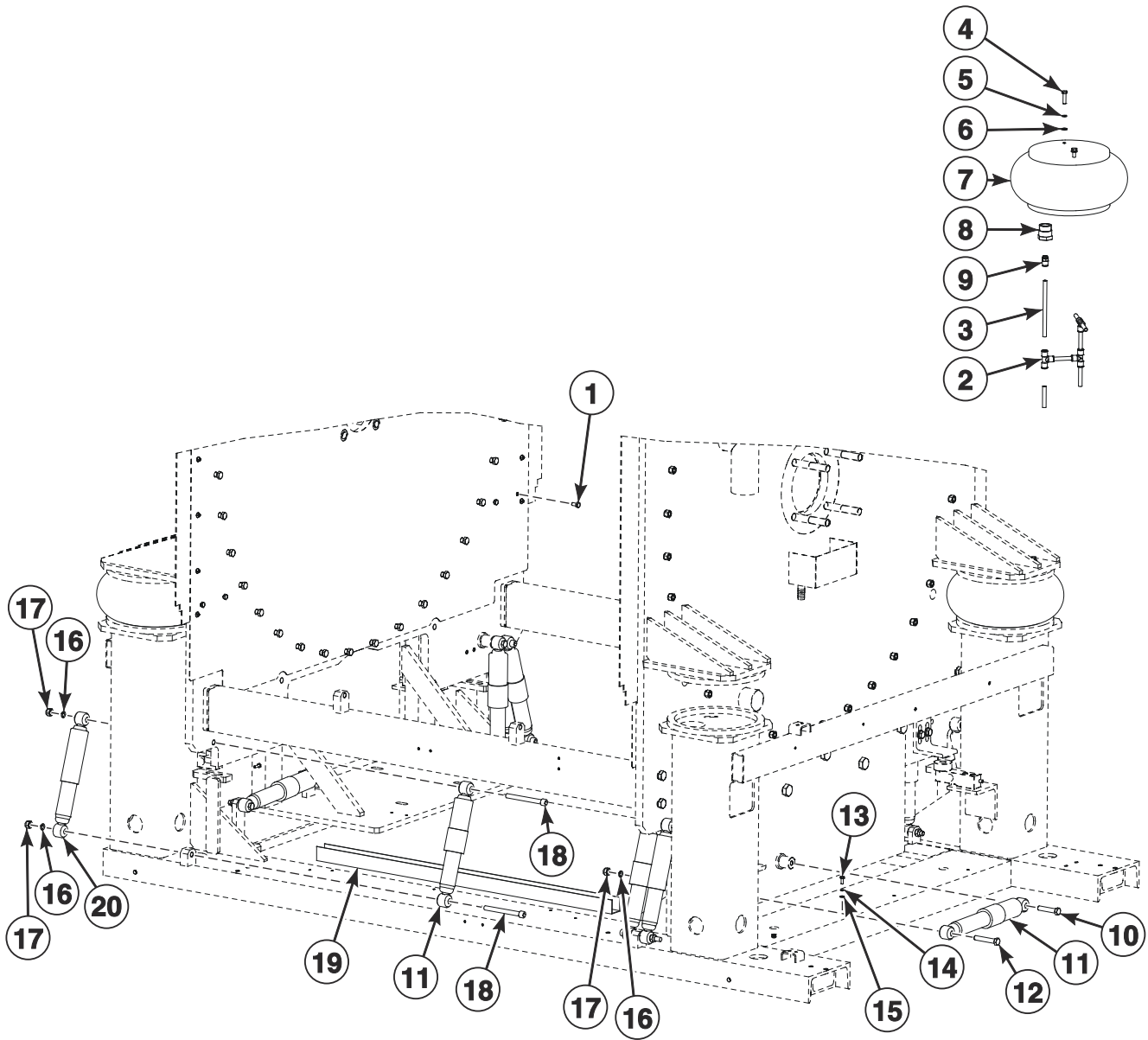


CZB110P_D2415

Cabinet 2

REF	PART NO.	DESCRIPTION	COMMENTS
1	SP536784	Back Panel	Two doors and two displays with one control; Left
	SP536785	Back Panel	Two doors and two controls with one display; Left
	SP536786	Back Panel	One door; Left
2	SP537864	Bolt	M6x16
3	SP536799	Door Cover	One door

Spring Hinge

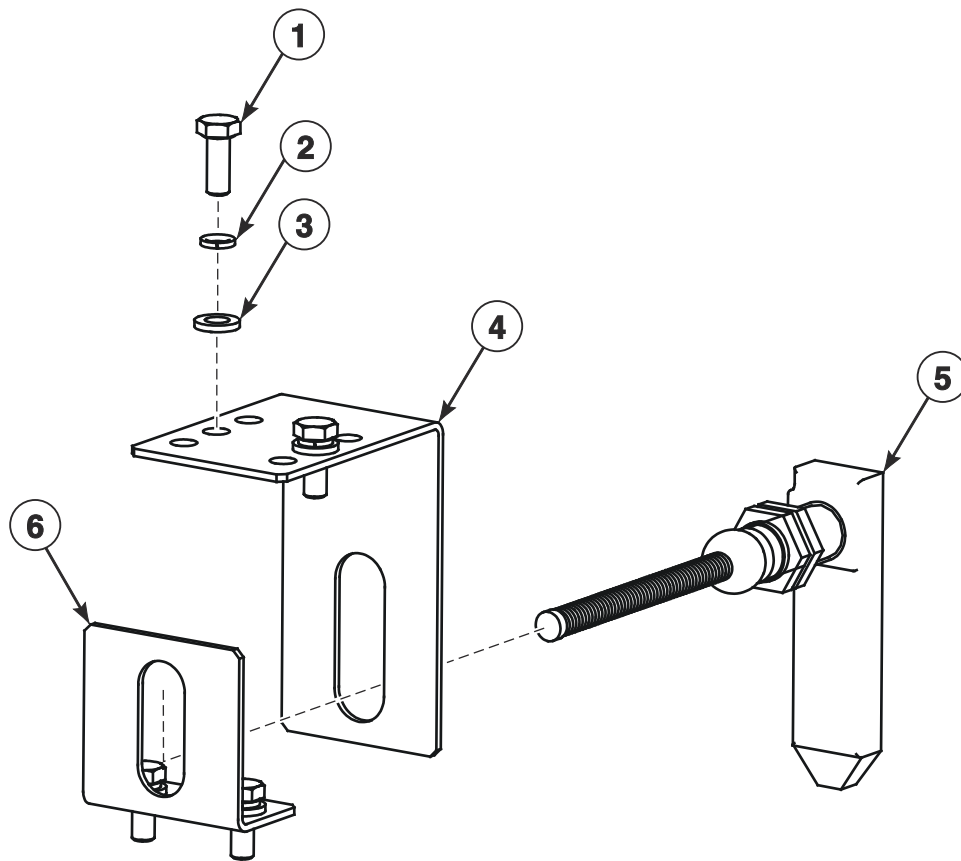


CZB64P_D2415

Spring Hinge

REF	PART NO.	DESCRIPTION	COMMENTS
	SP536551	Complete Suspension	
	283296215119	Tape	
1	SP309933240815	Bolt	M8x16
2	SP527559	Connection Tee	10-10
3	SP523144	Hose	10x7
4	SP309933000830	Bolt	M8x30
5	SP311127000008	Washer	8
6	SP311125000008	Washer	8.4
7	SP102445	Air Spring	
8	SP513089	Adapter	G3/4 inch - G1/4 inch x 40
9	SP525528	Fitting Adapter	10-G1/4
10	N/A	Bolt	
11	SP516886	Damper	F4
12	N/A	Bolt	
13	SP311125000006	Washer	6.4
14	SP311127000006	Washer	6
15	SP309933000616	Bolt	M6x16
16	SP311125000013	Washer	13
17	SP310985000012	Nut	M12
18	SP309933001270	Bolt	M12x70
	SP309933001260	Bolt	M12x60
19	SPPRI407000109	Cable Channel	
20	SP516890	Damper	5

Vibration Switch

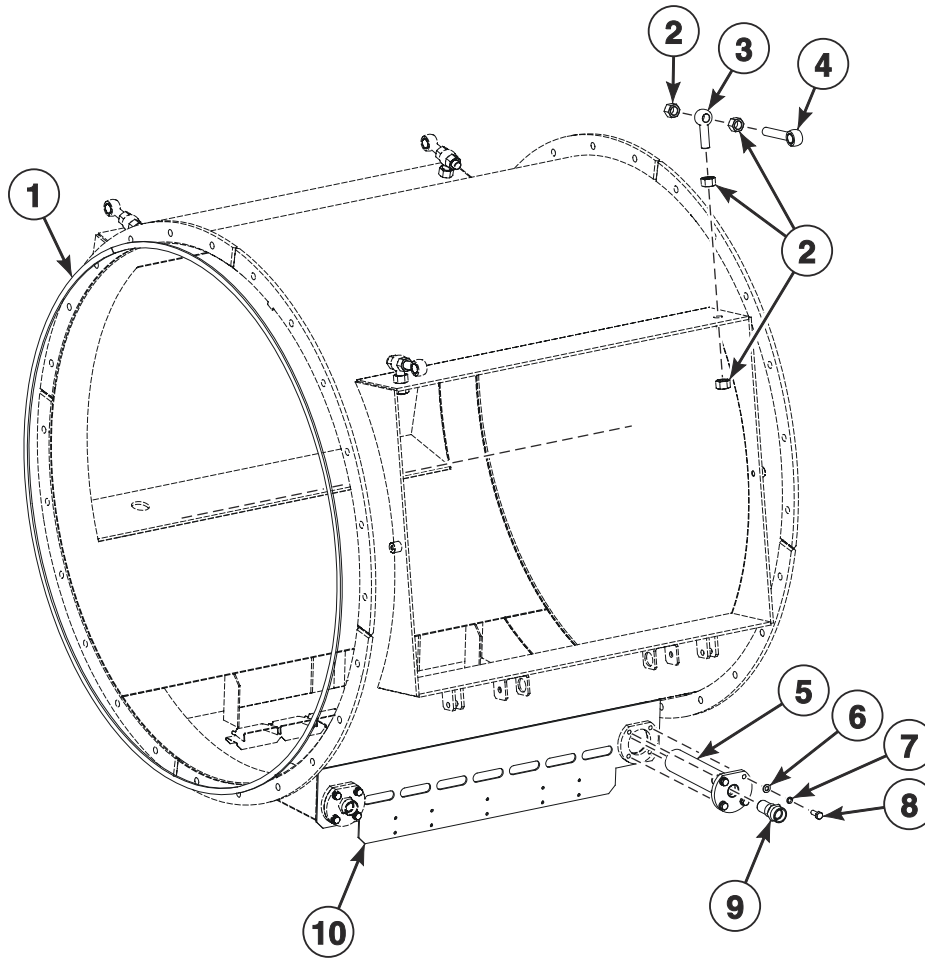


CFD2659P_D2415

Vibration Switch

REF	PART NO.	DESCRIPTION	COMMENTS
1	SP309933000616	Bolt	
2	SP311127000006	Washer	
3	SP311125000006	Washer	
4	SP536491	Vibration Switch Holder	
5	SPPRI345000068	Vibration Switch	
6	SP536492	Vibration Switch Counterpart	

External Tub

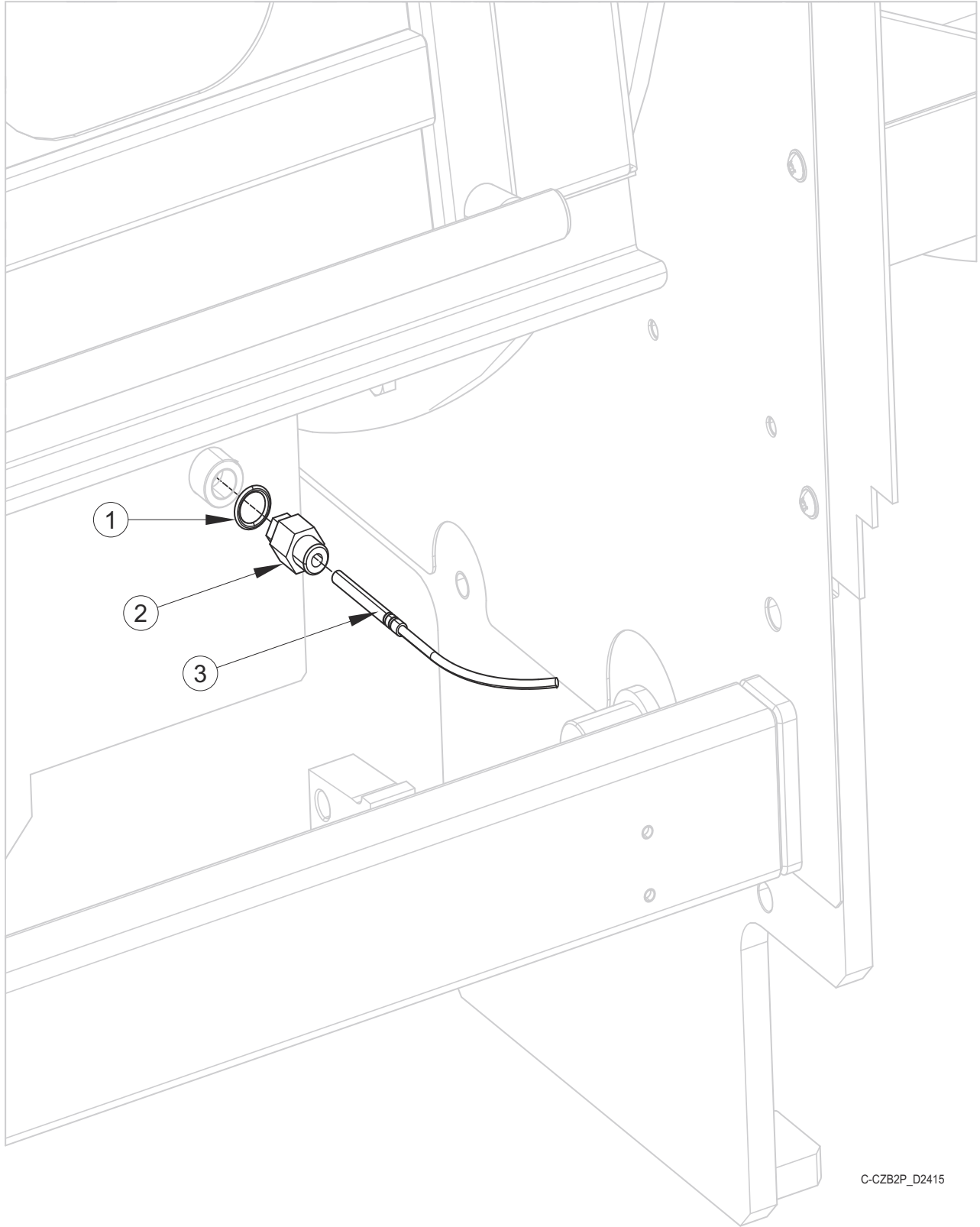


CZB99P_D2415

External Tub

REF	PART NO.	DESCRIPTION	COMMENTS
	SP536700	External Tub	Electric heating/steam heating combination
	SP536701	External Tub	Steam heating
	SP536702	External Tub	Electric heating
	SP536703	External Tub	One door; Electric heating/steam heating combination
	SP536704	External Tub	One door; Steam heating
	SP536705	External Tub	One door; Electric heating
1	SP510986	Seal	
2	SP535942	Nut	M16
3	SP532898	Eyebolt	M16x60
4	SP536002	Door Bolt	
5	SP508251	Heating Tube	Tube with flange; Steam heating
	SP511949	Heating Plug	
6	SP311125240008	Washer	8
7	SP311127240008	Washer	8
8	SP309933000820	Bolt	M8x20; Steam heating
	SP309933240815	Bolt	M8x16; Electrical heating
9	SP508253	Steam Nozzle	
10	SP536706	External Tub	Welded; Electric heating/steam heating combination
	SP536707	External Tub	Welded; Steam heating; Models through 110M001020DD
	SP536708	External Tub	Welded; Electric heating; Models through 110M001020DD
	SP536709	External Tub	Welded; One door; Electric heating/steam heating combination
	SP536710	External Tub	Welded; One door; Steam heating; Models through 110M001020DD
	SP536711	External Tub	Welded; One door; Electric heating; Models through 110M001020DD

Temperature Sensor

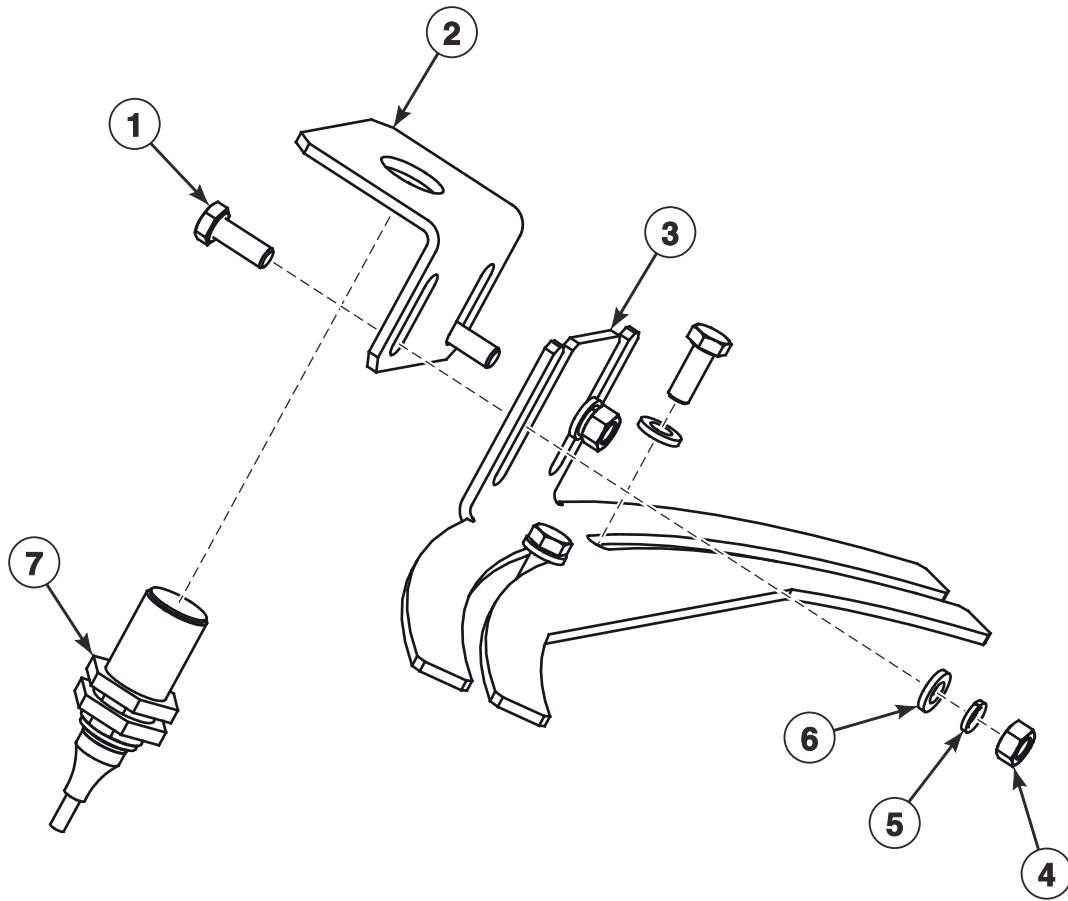


C-CZB2P_D2415

Temperature Sensor

REF	PART NO.	DESCRIPTION	COMMENTS
1	SPPRI524000001	Sealing Ring	
2	SPPRI614000047	Thermostat Sensor Holder	
3	SP503839	Temperature Sensor	

Tub Position Detector

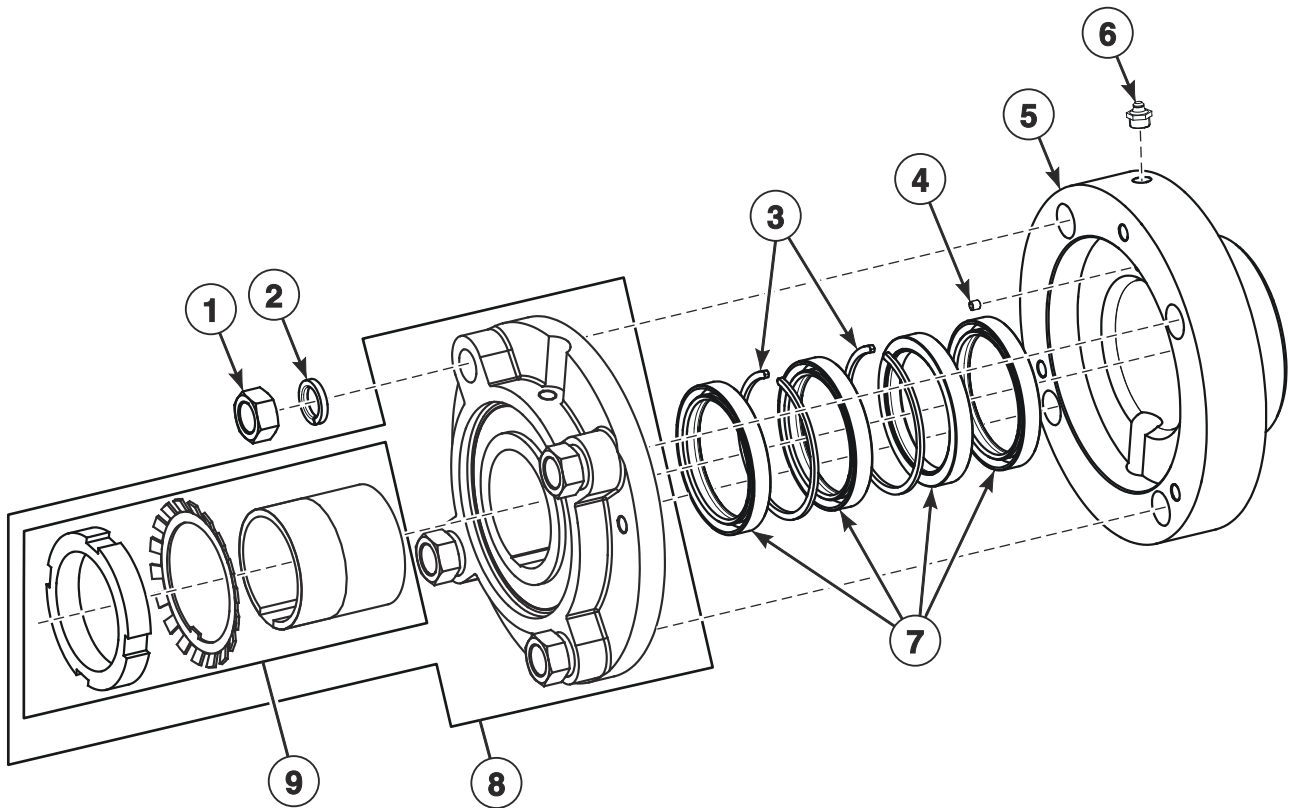


CFD2661P_D2415

Tub Position Detector

REF	PART NO.	DESCRIPTION	COMMENTS
1	SP309933000616	Bolt	M6x16
2	SP520324	Sensor Holder	
3	SP520323	Sensor Holder Base	
4	SP310934000006	Nut	M6
5	SP311127000006	Washer	6
6	SP311125000006	Washer	6.4
7	SP516025	Inductive Sensor	

Trunnion

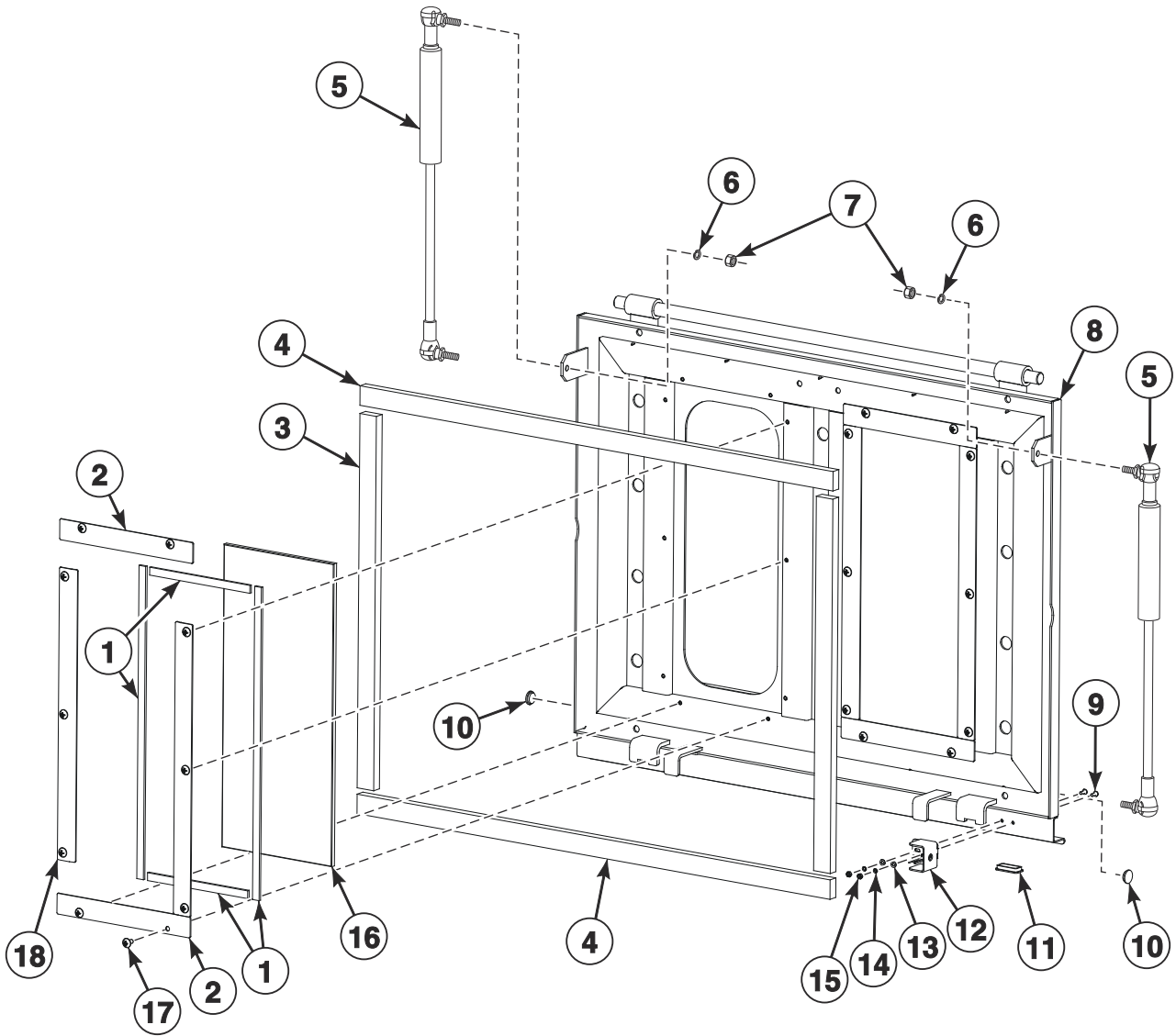


CFD3227P_D2415

Trunnion

REF	PART NO.	DESCRIPTION	COMMENTS
	SP536555	Trunnion	
1	SP310934000020	Nut	M20
2	SP311127000020	Washer	Spring; 20
3	SP536593	Distance Ring	2 pieces required
4	SP309916000606	Screw	M6x6
5	SP535624	Location Inset	
6	SP536591	Grease Nipple	
7	SP516887	Seal	80/100 x 13/72; Four pieces required
8	SP535928	Bearing and Flange	UKFC 216; Includes ring, washer and nut
9	SP516895	Ring	H2316; Includes washer and nut

Outer Door - Vertical

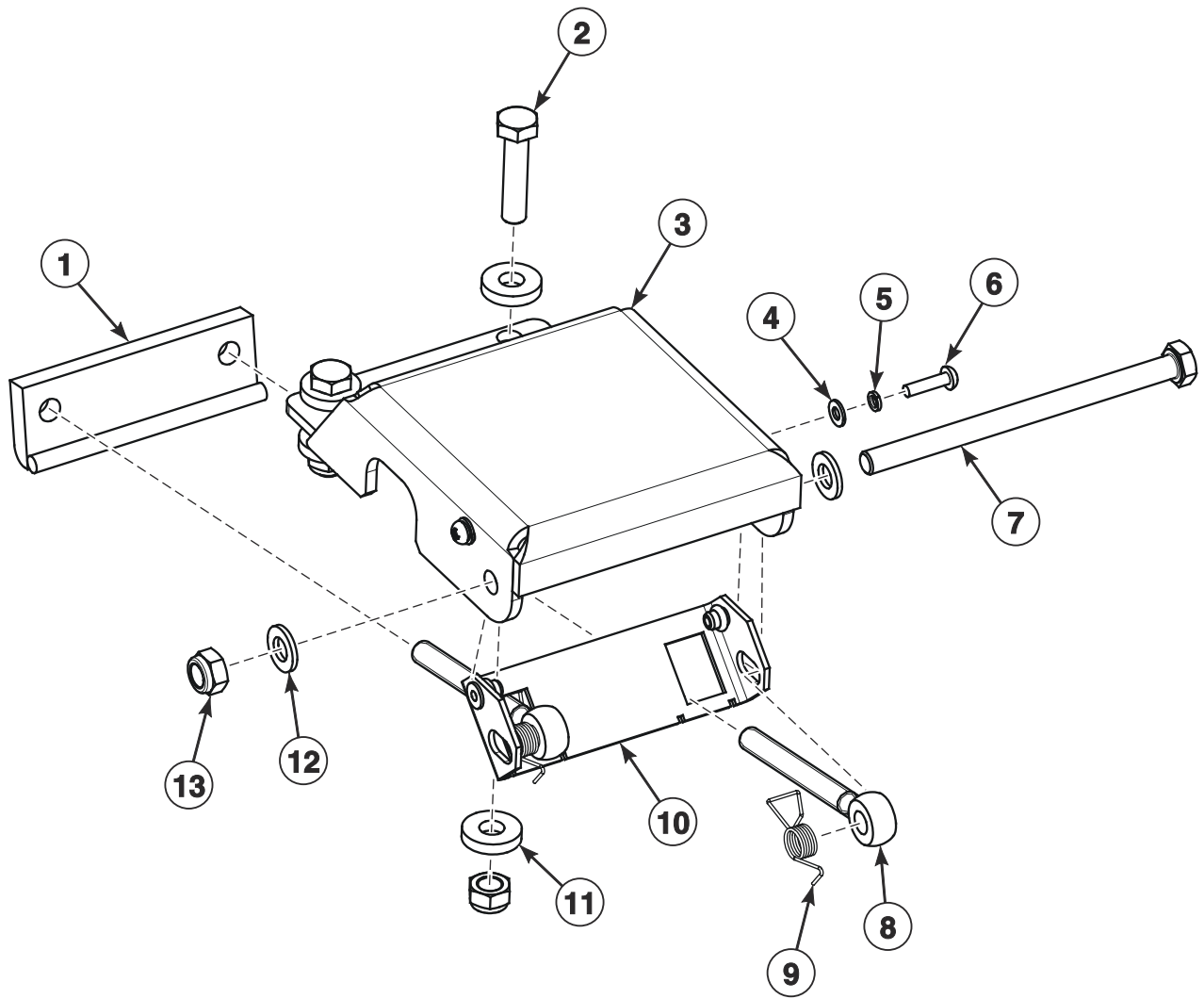


CZB5P_D2415

Outer Door - Vertical

REF	PART NO.	DESCRIPTION	COMMENTS
	SP536150	Outer Door	
1	SP510986	Seal	L=485mm
2	SP536167	Seal Cover	
3	SP536165	Door Seal	
4	SP536166	Door Seal	
5	SP535934	Gas Spring	450N
6	SP311125240008	Washer	8.4
7	SP310934000008	Nut	M8
8	SP536151	Outer Door	Welded
9	SP515075	Bolt	M4x10
10	SP536164	Plug	22 x 0.8-3
11	SP536179	Plug	40x20
12	SP536161	Complete Box	
13	SP311125240004	Washer	4.3
14	SP311127240004	Washer	4
15	SP310934240004	Nut	M4
16	SP530939	Window	
17	SP309595240612	Bolt	M6x12
18	SP536168	Seal Cover	

Outer Door Securing

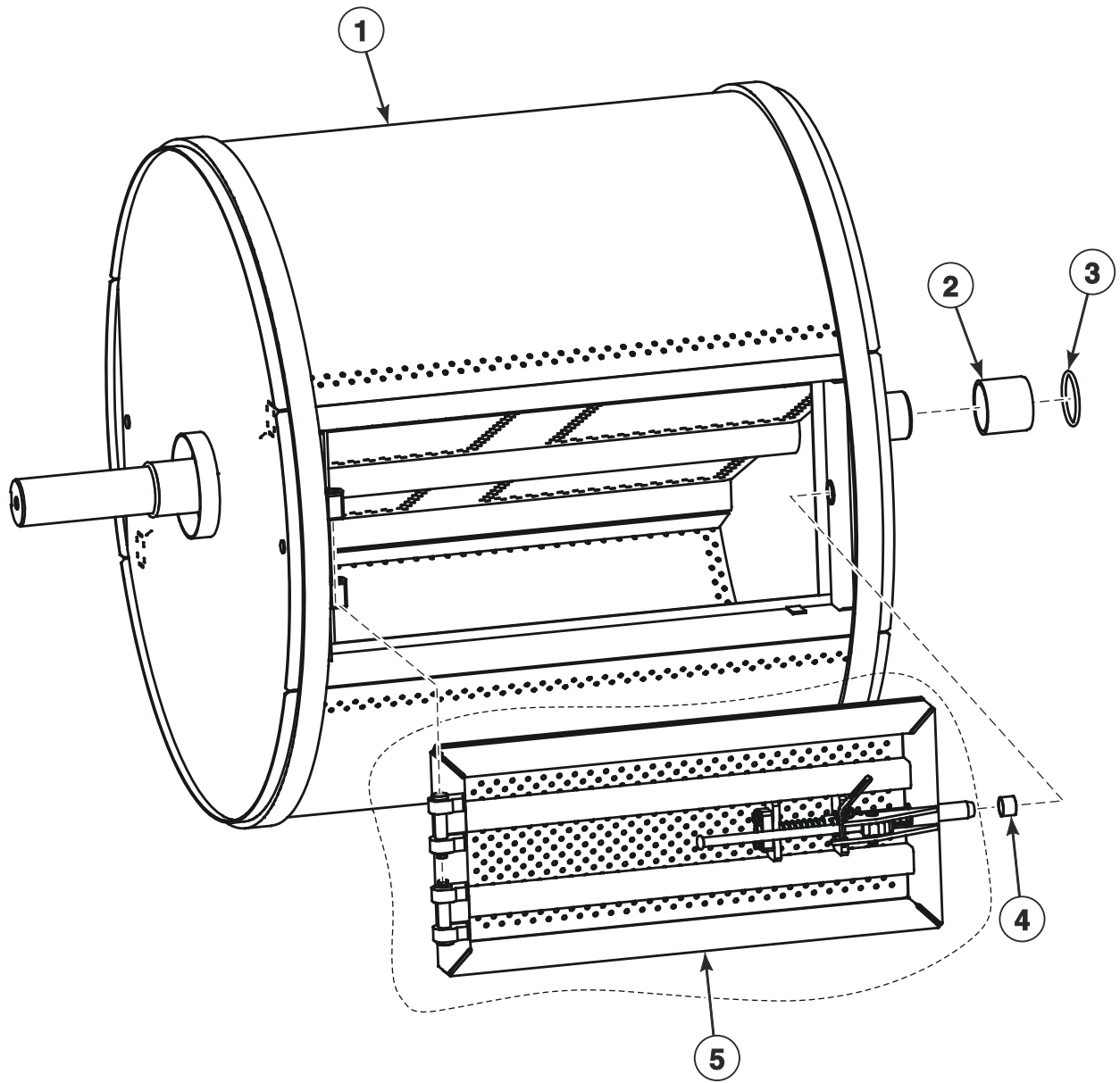


CFD2665P_D2415

Outer Door Securing

REF	PART NO.	DESCRIPTION	COMMENTS
	SP530850	Door Lock	
1	SP530854	Overseal	
2	SP506699	Bolt	M8x35
3	SP530851	Holder	
4	SP311125240004	Washer	4
5	SP311127240004	Washer	4
6	SP309798524416	Bolt	M4x16
7	SP309931008120	Bolt	M8x120
8	567202	Bolt	M8x60
9	SP530859	Spring	
10	SP530848	End Stop	
11	SP530858	Washer	
12	SP311125240008	Washer	8.4
13	SP526792	Nut	M8

Drum and Inner Door

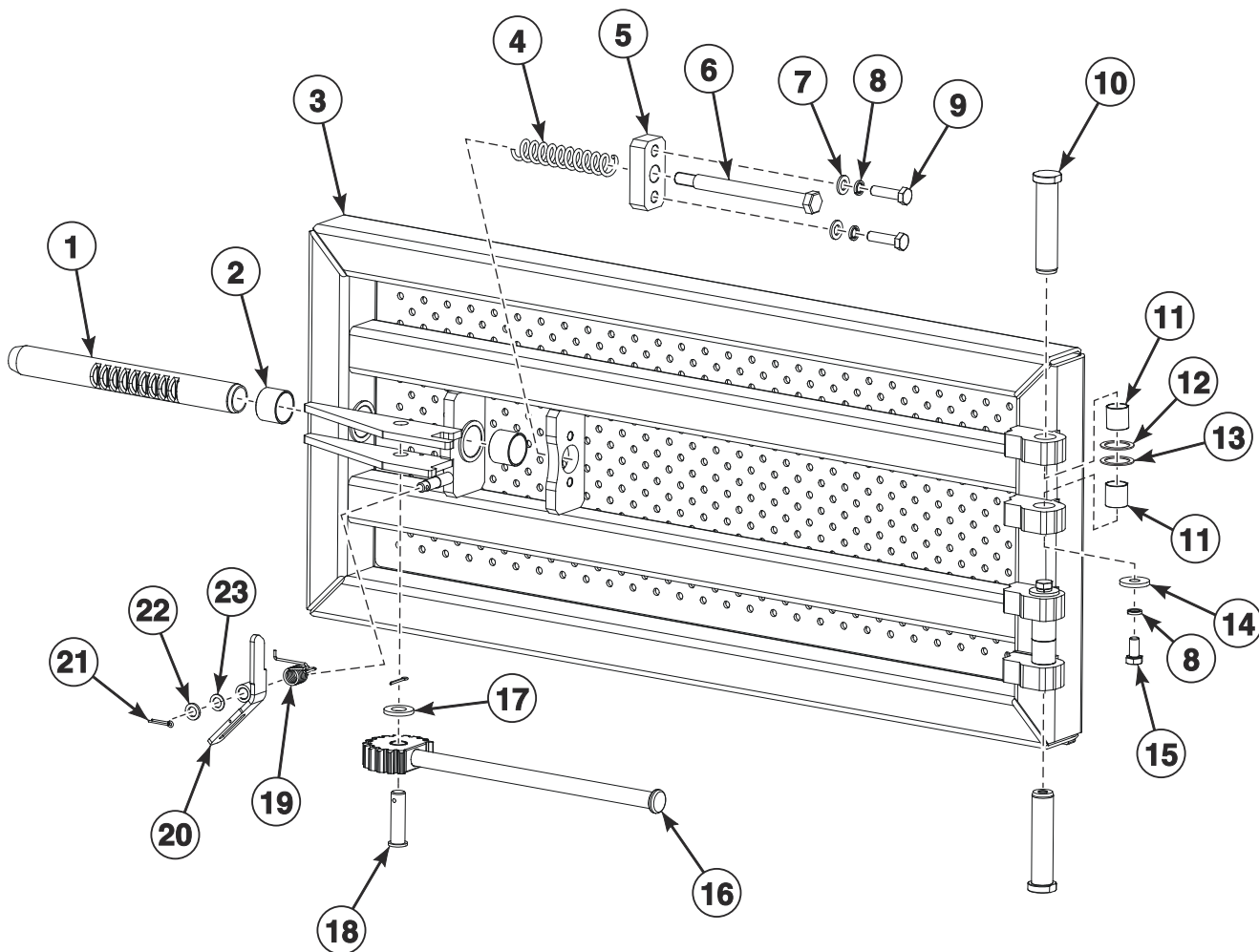


CFD2666P_D2415

Drum and Inner Door

REF	PART NO.	DESCRIPTION	COMMENTS
	SP536735	Complete Drum	Two chambers
	SP536740	Complete Drum	Three chambers
1	SP536736	Drum	Welded; Two chambers
	SP536741	Drum	Welded; Three chambers
2	SP535627	Shaft Slide Casing	
3	SP535604	O-Ring	70x6
4	SP536132	Sliding Sleeve	
5	SP536200	Inner Door	

Inner Door

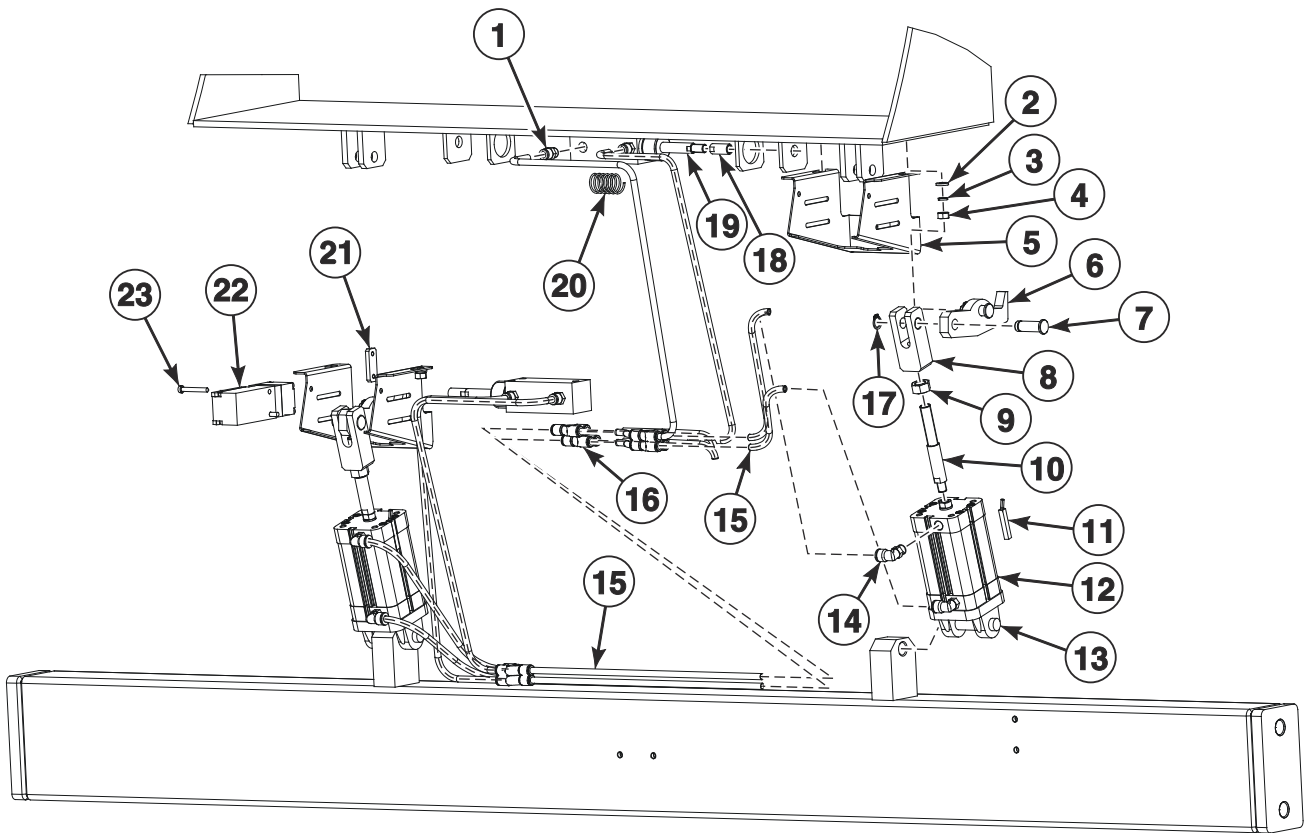


CFD3228P_D2415

Inner Door

REF	PART NO.	DESCRIPTION	COMMENTS
	SP536200	Inner Door	
1	SP536239	Door Slider	
2	SP536132	Sliding Sleeve	
3	SP536201	Inner Door	
4	SP536237	Locking Spring	TL3x19.4x103
5	SP536235	Spring End Stop	
6	SP536236	Bolt	
7	SP311125240008	Washer	8.4
8	SP311127240008	Washer	8
9	SP309933240830	Bolt	M8x30
10	SP536247	Inner Door Pin	
11	SP536133	Sliding Sleeve	
12	539146	Washer	
13	557324	Washer	
14	SP536248	Washer	
15	SP309933240815	Bolt	M8x16
16	SP536225	Handle	
17	SP536249	Washer	
18	SP536240	Pin	
19	SP536238	Safety Spring	
20	SP536220	Safety Lock	
21	SP536241	Split Pin	3.2x20
22	SP535798	Washer	T2 mm
23	SP535797	Washer	T1 mm

Door Lock - Vertical

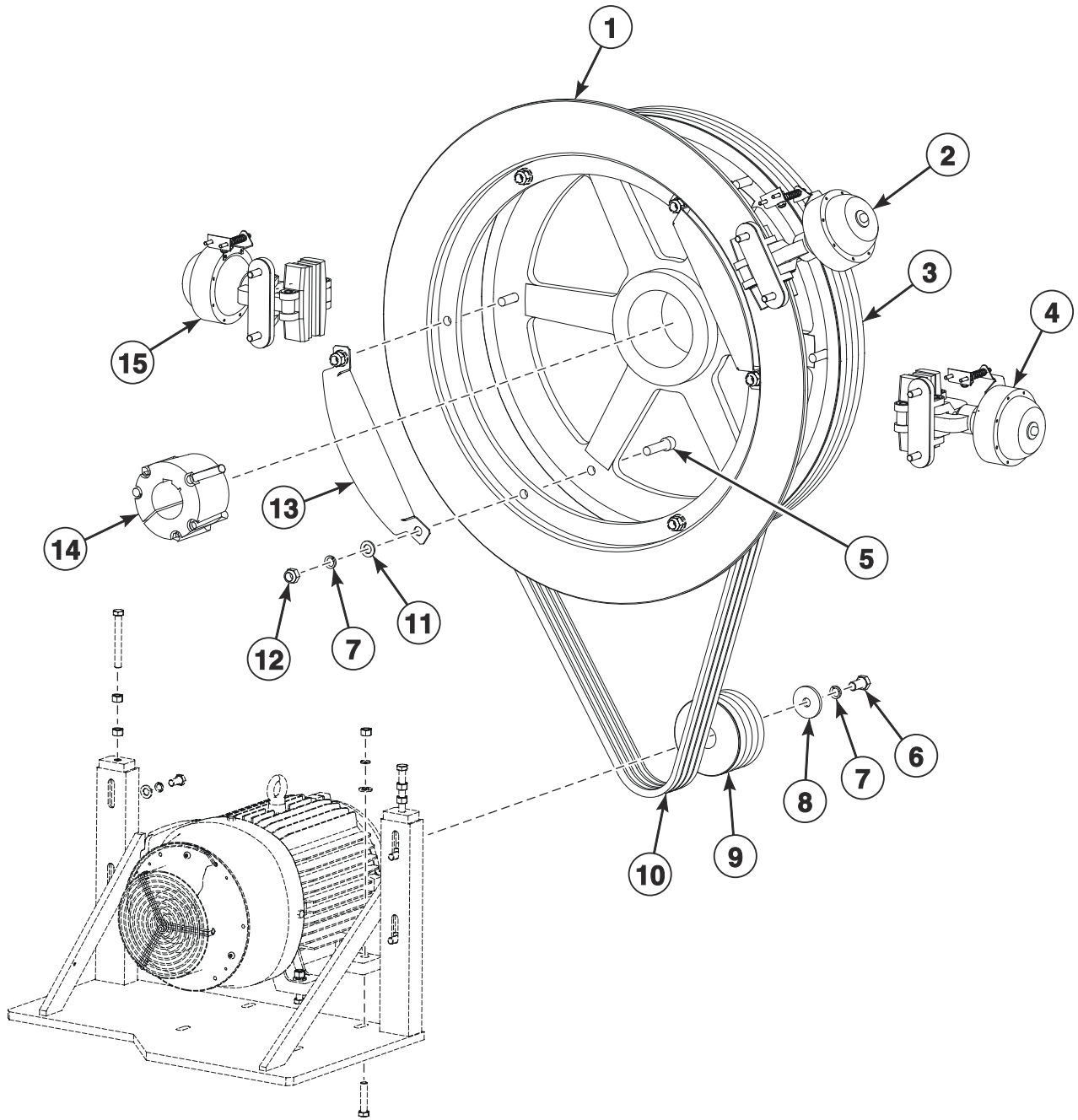


CFD2669P_D2415

Door Lock - Vertical

REF	PART NO.	DESCRIPTION	COMMENTS
1	SP319428330006	Pipe Nipple	L6; G1/8
2	SP311125000006	Washer	6.4
3	SP311127000006	Washer	6
4	SP310934000006	Nut	M6
5	SP535608	Closure Guard	
6	SP536451	Hook Closure	
7	SP535607	Hook Closure Pin	
8	SP536450	Cylinder Clevis	
9	SP310934000010	Nut	M10
10	SP536452	Cylinder Extension	
11	SP506596	Sensor	PEC; 2m cable; Models through 100M000005RE
	SP526440	Sensor	PEC; 2m cable; Models starting 110M000006RT
12	SP519197	Pneumatic Cylinder	
13	SP519196	Back Clamp	40
14	SP319428330060	Pipe Nipple	L6; G1/8
15	SP319300006001	Hose	6x1
16	SP405113000006	Coupling	Y6
17	SP307732030010	Safety Ring	10mm
18	SP536453	Cylinder Extension	2
19	SP516892	Pneumatic Cylinder	
20	SP535643	Cylinder Spring	
21	SP513110	Plate Nut	
22	SP516677	Door Switch	
23	SP503816	Bolt	M4x30

Drive (Drawing 1 of 2)

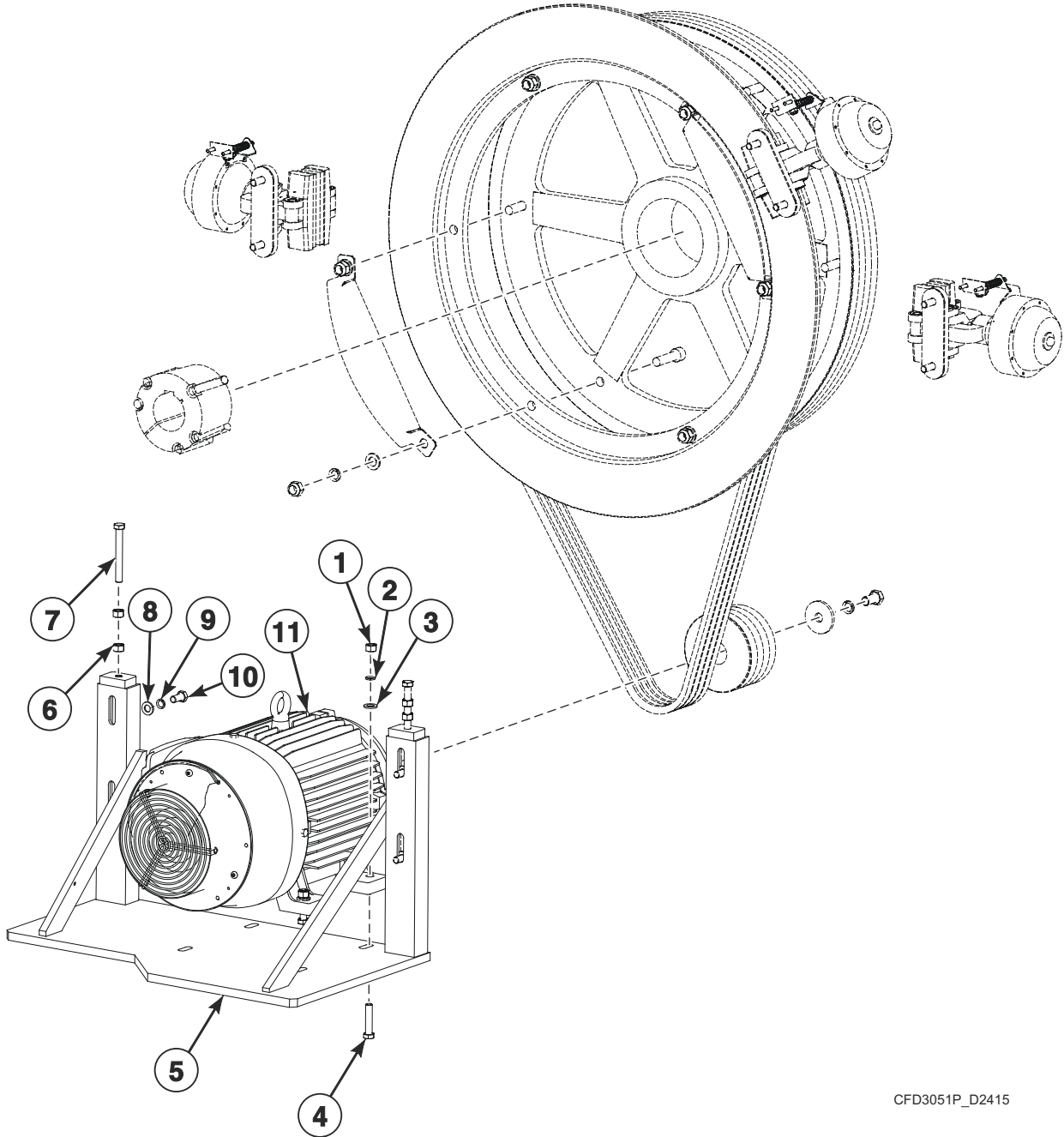


CFD3050P_D2415

Drive (Drawing 1 of 2)

REF	PART NO.	DESCRIPTION	COMMENTS
	SP530890	Complete Drive	Models through April 29, 2015
	SP559127	Complete Drive	Models starting April 30, 2015
1	SP508276	Brake Wheel	
2	536425	Brake	Position
3	SP508277	Pulley	Models through April 29, 2015
	SP559123	Pulley	Models starting April 30, 2015
4	SP512193	Brake	Assembly; Left
5	SP309912121660	Bolt	M16x60
6	SP552885	Bolt	M16x40
7	SP311127000016	Washer	16
8	SP511924	Washer	
9	SP530892	Pulley	
10	SP506555	Belt	
11	SP311125000017	Washer	17
12	SP310985000016	Nut	M16
13	SP510542	Sensor	
14	SP516700	Clamping Sleeve	4040/70 (T31184); Models through April 29, 2015
15	SP530937	Brake	Assembly; Right

Drive (Drawing 2 of 2)

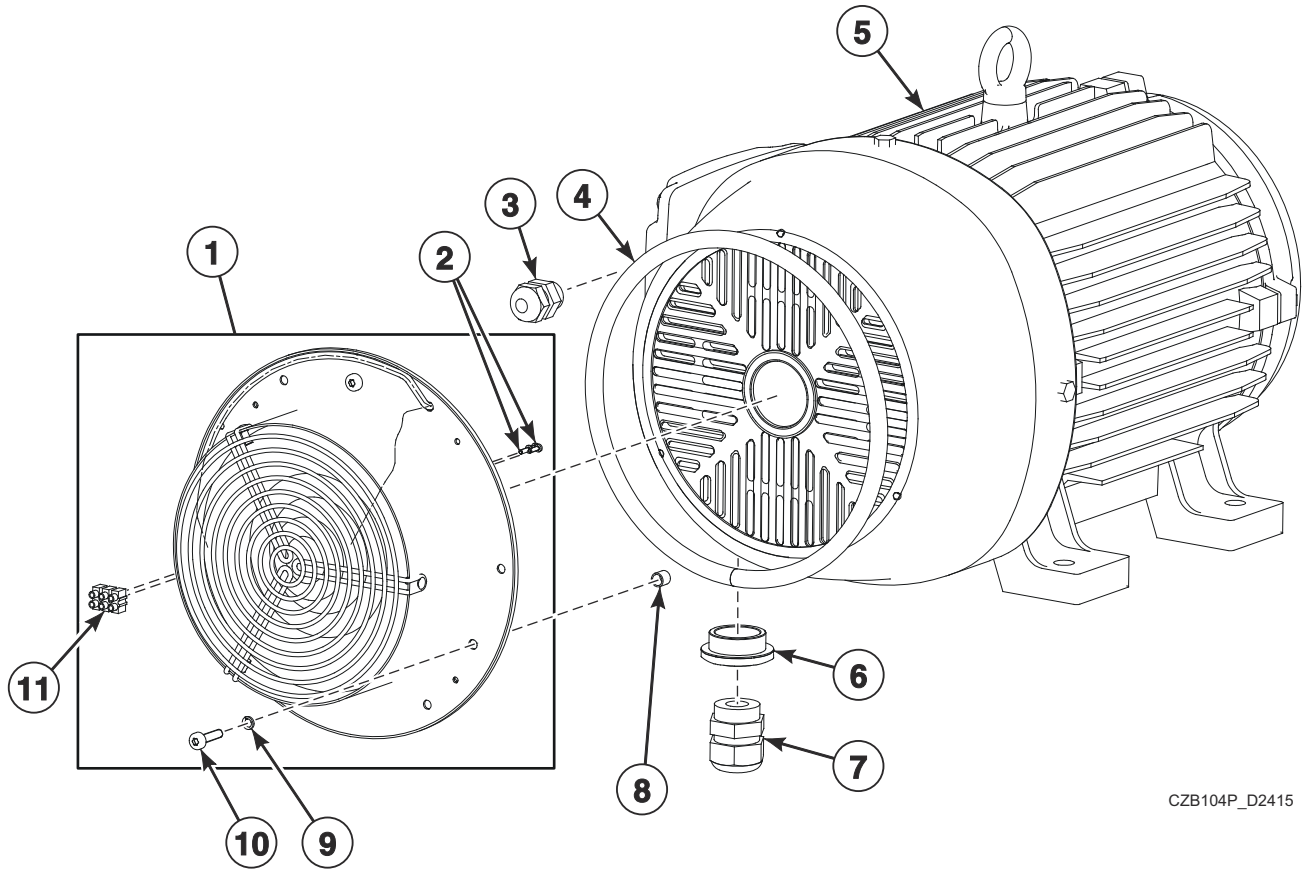


CFD3051P_D2415

Drive (Drawing 2 of 2)

REF	PART NO.	DESCRIPTION	COMMENTS
1	SP310934000012	Nut	M12
2	SP311127000012	Washer	12
3	SP311125000013	Washer	13
4	SP309933001260	Bolt	M12x60
5	SP539136	Holder	
6	SP310934000012	Nut	M12
7	SP309933001299	Bolt	M12x100
8	SP311125000013	Washer	13
9	SP311127000012	Washer	12
10	SP309933001225	Bolt	M12x25
11	SP530891	Motor	

Motor

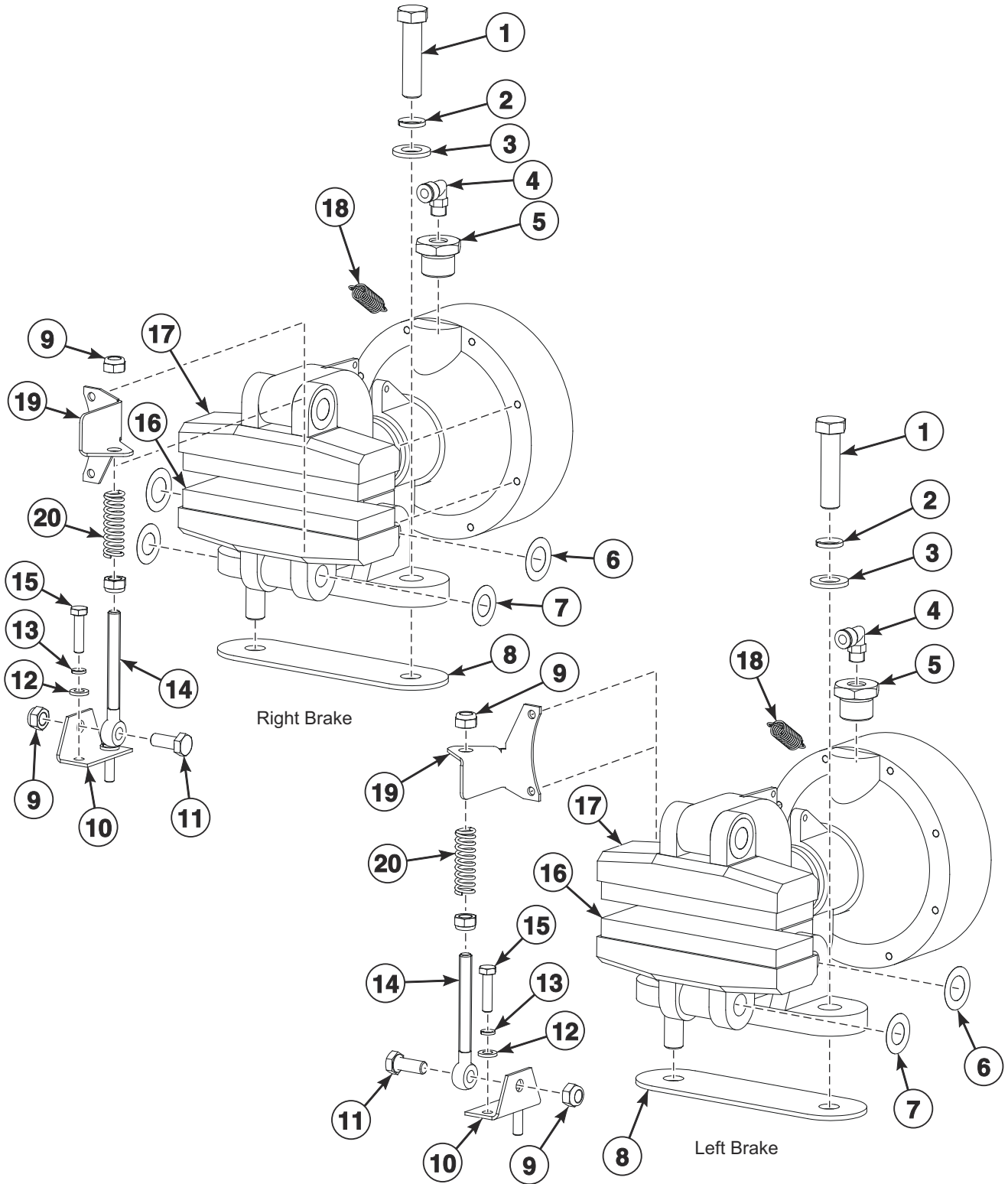


CZB104P_D2415

Motor

REF	PART NO.	DESCRIPTION	COMMENTS
	SP530891	Motor	
1	SP512195	Fan	
2	SP309084000310	Bolt	M3x10
3	SP101407	Bushing	M20
4	SP511867	Seal	
5	SP530893	Motor	
6	SP552258	Cable Bushing Reduction	M40 / M32
7	SP101409	Bushing	M32
8	SP511866	Washer	
9	SP311127000006	Washer	6
10	SP309933000618	Bolt	M6x18
11	SP506575	Terminal Board	

Brake

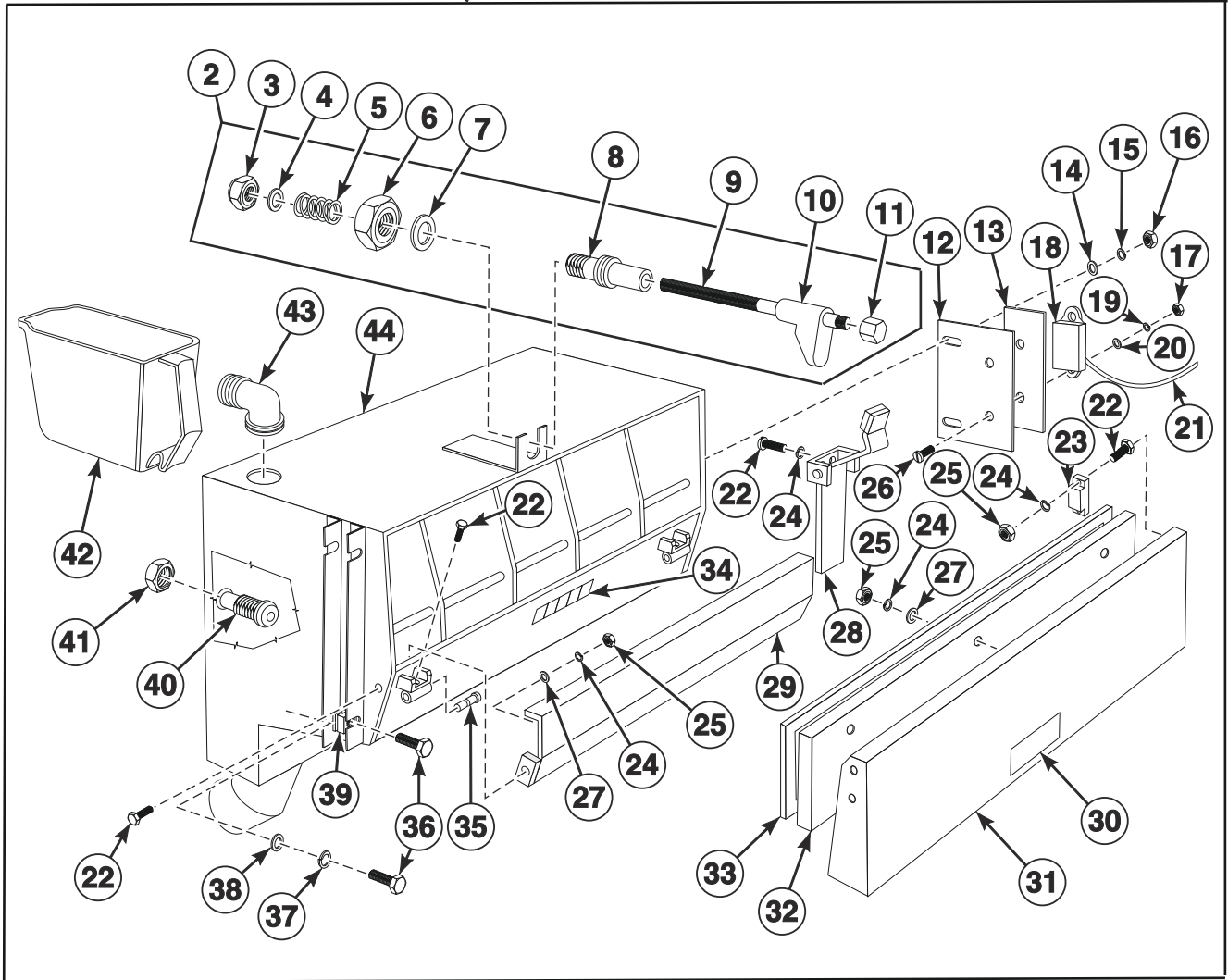
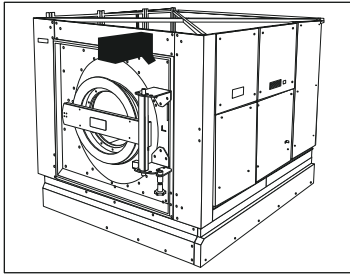


CFD2673P_D2415

Brake

REF	PART NO.	DESCRIPTION	COMMENTS
	283296215119	Tape	
	SP512193	Brake	Assembly; Left; 4 springs
	SP530937	Brake	Assembly; Right; 4 springs
	536425	Brake	Position; 8 springs
	566477	Brake Spring	Located under the head cover; As many as 8 springs may be used; The number of springs determines the brake force
	566478	Brake Spring	Brake pad spring fitter; 2 used
1	SP309933001240	Bolt	M12x40
2	SP311127000012	Washer	12
3	SP311125000013	Washer	13
4	SP319428330060	Pipe Nipple	L6-G1/8
5	SP508274	Adapter	1/2 inch-G1/8 inch
6	SP530933	Washer	16x28x01
7	SP530936	Washer	14x26x01
8	SP511923	Washer	
9	SP310985000008	Nut	M8
10	SP511818	Jaw Holder	
11	SP309933000820	Bolt	M8x20
12	SP311125000006	Washer	6/6.4/12/1.6
13	SP311127000006	Washer	M6
14	SP510922	Bolt	M8x80
15	SP309933000616	Bolt	M6x16
16	SP510964	Brake Block	
17	SP512194	Brake Modification	
18	SP530949	Brake Arm Spring	
19	SP530932	Holder	
20	SP315235031015	Spring	

Soap Hoppers



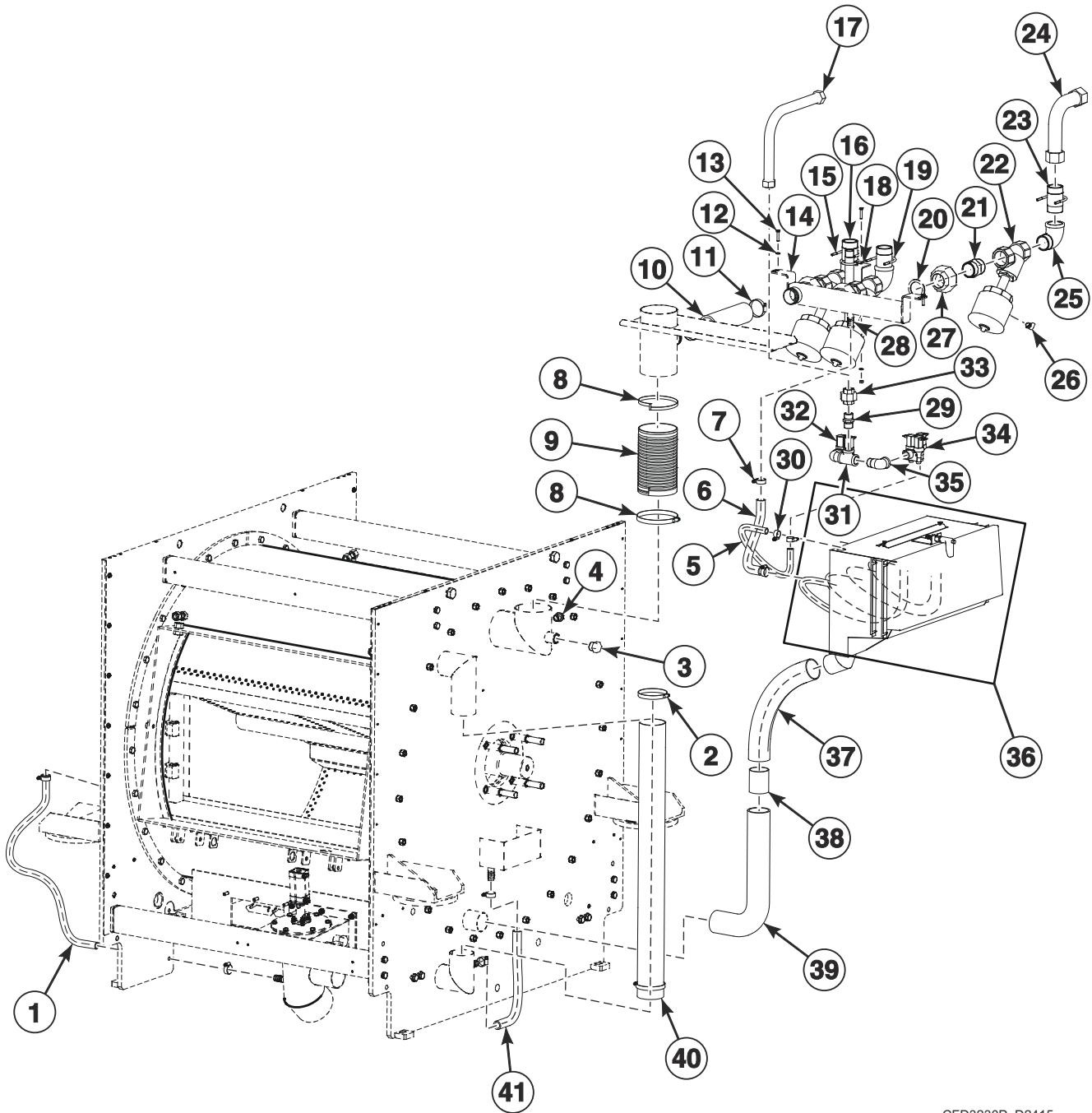
CFD2674P_D2415

Soap Hoppers

REF	PART NO.	DESCRIPTION	COMMENTS
1	SP508393	Complete Soap Hopper	
2	SPF02110200014	Soap Hopper Lock	
3	SP310985000006	Nut	M6
4	SP311125000006	Washer	6.4
5	SP120102302325	Spring	
6	SP310934000012	Nut	M12
7	SP311127000012	Washer	12
8	SP223110200115	Pin	
9	SP223110200415	Bolt	
10	SP321848480023	Safety Lever	
11	SP310917240006	Nut	M6
12	SPF02110001214	Holder	
13	SPF02110001314	Insulation	
14	SP311125000004	Washer	4.3
15	SP311127000004	Washer	4
16	SP310934000004	Nut	M4
17	SP310934000003	Nut	
18	SPPRI346000032	Magnetic Switch	
19	SP311127000003	Washer	3
20	SP311125000003	Washer	3.2
21	SP283362004915	Insulation Tube	
22	SP309933240408	Bolt	M4x8
23	SPPRI346000031	Magnetic Switch Magnet	
24	SP311127240004	Washer	4
25	SP310934240004	Nut	M4
26	SP309084000310	Bolt	M3x10
27	SP311125240004	Washer	4.3
28	SP235110200014	Soap Hopper Level	
29	SP235110001413	Cover	
30	N/A	Label	Do not open during the wash cycle
31	SP223110600013	Soap Hopper Cover	Includes item 30
	SP223110700013	Complete Soap Hopper Cover	
32	SP235111200013	Cover Insert	
33	SP273442021020	Seal	
34	SP548000091014	Label	
35	SP235110001215	Door Pin	
36	SP309933000620	Bolt	M6x20
37	SP311127000006	Washer	6
38	SP311902100006	Washer	M6
39	SP510923	Nut	M6
40	570375	Nozzle	
41	570374	Nut	
42	SP321848223000	Vessel	
43	SPPRI504000069	Elbow	
44	SP511927	Soap Hopper	

N/A = Part no longer available

Filling System - Models With Soap Hopper

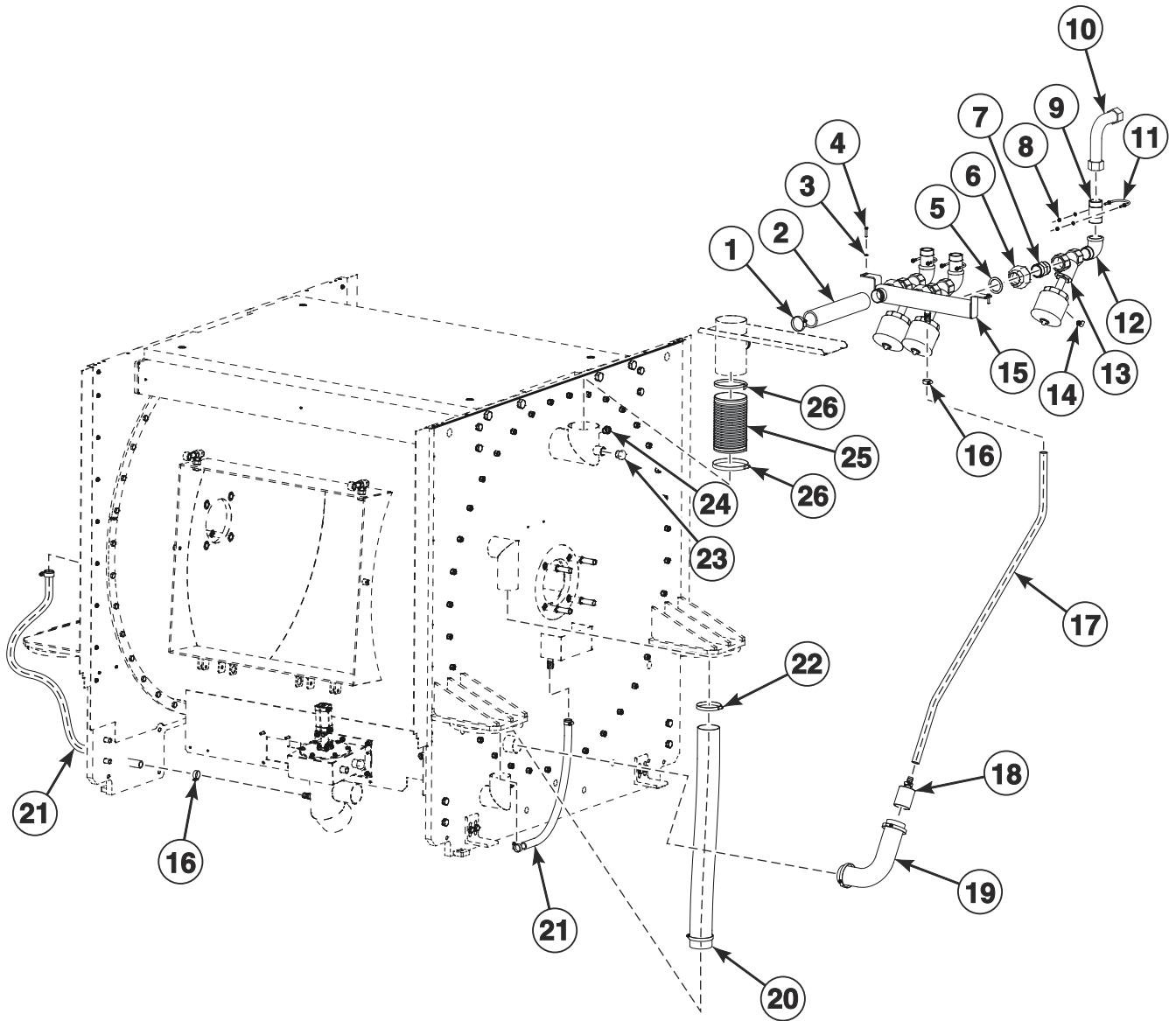


CFD3230P_D2415

Filling System - Models With Soap Hopper

REF	PART NO.	DESCRIPTION	COMMENTS
	283296215119	Tape	
1	SPPRI540001019	Hose	L
2	SPPRI240000021	Hose Clamp	60-80mm
3	SP319428324805	Plug	G3/4 inch
4	SP510940	Plug	G1/2 inch
5	SPPRI540000014	Hose	Used with multi-way valves
6	SPPRI540001019	Hose	Soap hopper input
7	SPPRI240000003	Hose Clamp	20-32mm
8	SPPRI240000015	Hose Clamp	
9	SP536596	Drum Exhaust Hose	
10	SP510838	Hose	Exhaust
11	SPPRI240000017	Hose Clamp	40-60mm
12	SP311125000006	Washer	6.4
13	SP309933000630	Bolt	M6x30
14	SP536480	Water Input Box	
15	SP511884	Stirrup	R25-FS120
16	SP536486	Water Inlet	3/4 inch
17	SP520252	Hose	
18	SP536488	Water Tube Holder	
19	SP508310	Clip	R18-FS120
20	SP555026	Seal	
21	SP536516	Insert	G1 1/2 inch
22	SP506599	Valve	
23	SP536487	Insert Extension	G1 1/2 inch
24	SP533036	Filling Hose Pipe	
25	SP536518	Elbow	G1 1/2 inch
26	SP503883	Pipe Nipple	L6-G1/4 inch
27	SP536520	Fitting Adapter	G1 1/2 inch; Includes seal
28	SP310934000006	Nut	M6
29	SP536515	Insert	G3/4 inch
30	SPPRI240000002	Hose Clamp	12-22mm
31	SP536521	Tee	G3/4 inch
32	SPPRI340020035	2-Way Valve	
33	SP536519	Fitting Adapter	G3/4 inch; Includes seal
34	SPPRI340030038	3-Way Valve	
35	SP536517	Elbow	G3/4 inch
36	SP508393	Complete Soap Hopper	
37	SP273396307058	Hose	
38	SP536638	Tube	
39	SPPRI505000034	Elbow	
40	SP510965	Hose	
41	SPPRI540001019	Hose	R

Filling System - Models Without Soap Hopper

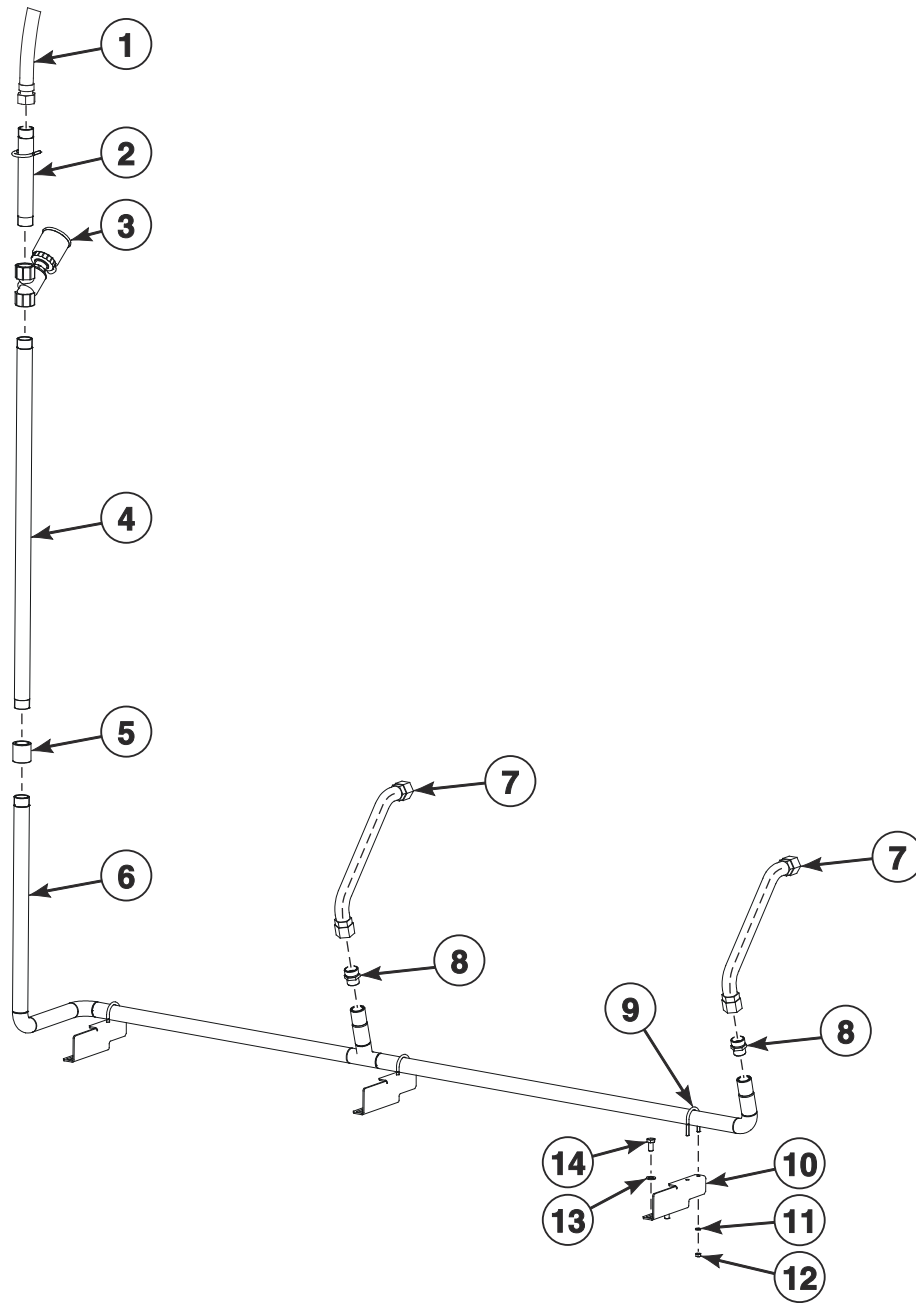


CFD3238P_D2415

Filling System - Models Without Soap Hopper

REF	PART NO.	DESCRIPTION	COMMENTS
	283296215119	Tape	
1	SPPRI240000017	Hose Clamp	40-60mm
2	SP510838	Hose	Exhaust
3	SP311125000006	Washer	6.4
4	SP309933000630	Bolt	M6x30
5	SP555026	Seal	
6	SP536520	Fitting Adapter	G1 1/2 inch; Includes seal
7	SP536516	Insert	G1 1/2 inch
8	SP310934000006	Nut	M6
9	SP536487	Insert Extension	G1 1/2 inch
10	SP520252	Hose	
11	SP511884	Stirrup	R25
12	SP536518	Elbow	G1 1/2 inch
13	SP506599	Valve	
14	SP503883	Pipe Nipple	L6 - G 1/4 inch
15	SP536480	Water Input Box	
16	SPPRI240000003	Hose Clamp	20-32mm
17	SPPRI540001019	Hose	Soap hopper input
18	SP539849	Reducing Clasp	
19	SPPRI505000034	Elbow	
20	SP510965	Hose	
21	SPPRI540001019	Hose	
22	SPPRI240000021	Hose Clamp	60-80mm
23	SP319428324805	Plug	G 3/4 inch
24	SP510940	Plug	G 1/2 inch
25	SP536596	Drum Exhaust Hose	
26	SPPRI240000015	Hose Clamp	

Steam Heating



CZB100P_D2415

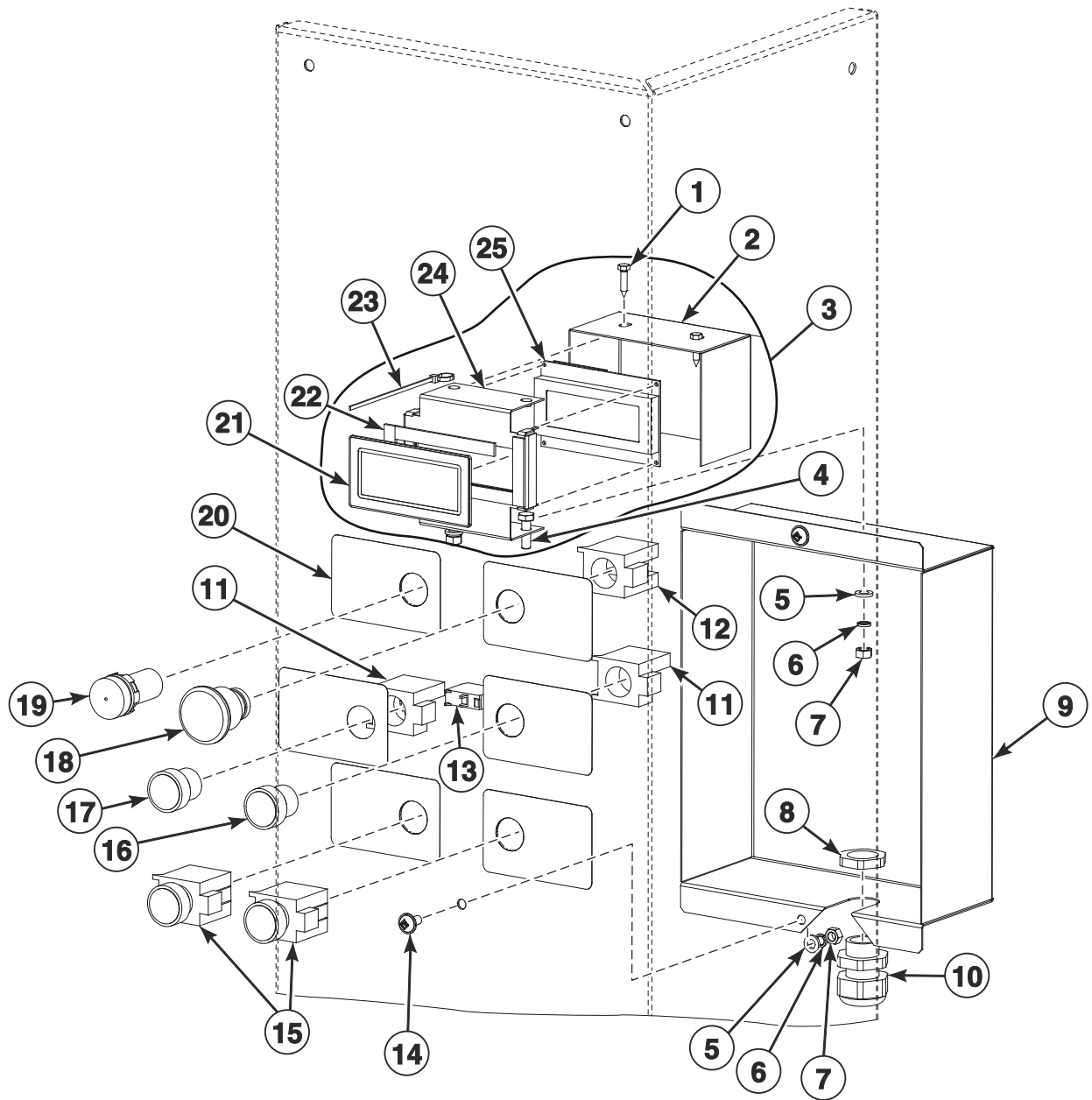
Steam Heating

REF	PART NO.	DESCRIPTION	COMMENTS
	283296215119	Tape	
	SP539140	Complete Steam Heating	
	570109	Steam Kit	Standard outlet valve; Electric heating with preparation for steam heating, through Serial No. 110M00xxxxXX; Electric heating without preparation for steam heating starting Serial No. Refer to NOTE*
	570110	Steam Kit	Second outlet valve; Electric heating with preparation for steam heating, through Serial No. 110M00xxxxXX; Electric heating without preparation for steam heating starting Serial No. Refer to NOTE*
	570111	Steam Kit	Models starting 3/8/18
1	SP273454900001	Hose	
2	SP536461	Steam Tube	
3	SP506600	Valve	G1 inch
4	SP539142	Steam Tube	
5	SP536469	Insert Tube	
6	SPF02116001814	Reduction	
7	SP536460	Steam Tube Holder	
8	SP311125000006	Washer	6.4
9	SP310934000006	Nut	M6
10	SP311125000010	Washer	10.5
11	SP309933001020	Bolt	M10x20
12	SP508310	Clip	R18
13	SP535941	Steam Hose	
14	SP539141	Steam Pipe	
15	N/A	Welded Steam Pipeline	
16	SP319428330060	Pipe Nipple	L6-1/8
17	SP319300006001	Hose	PUN 6x1

N/A = Part no longer available

* NOTE: For machines with electric heating within the Serial No. range 110M001021FF - through 3/7/18

Second Display

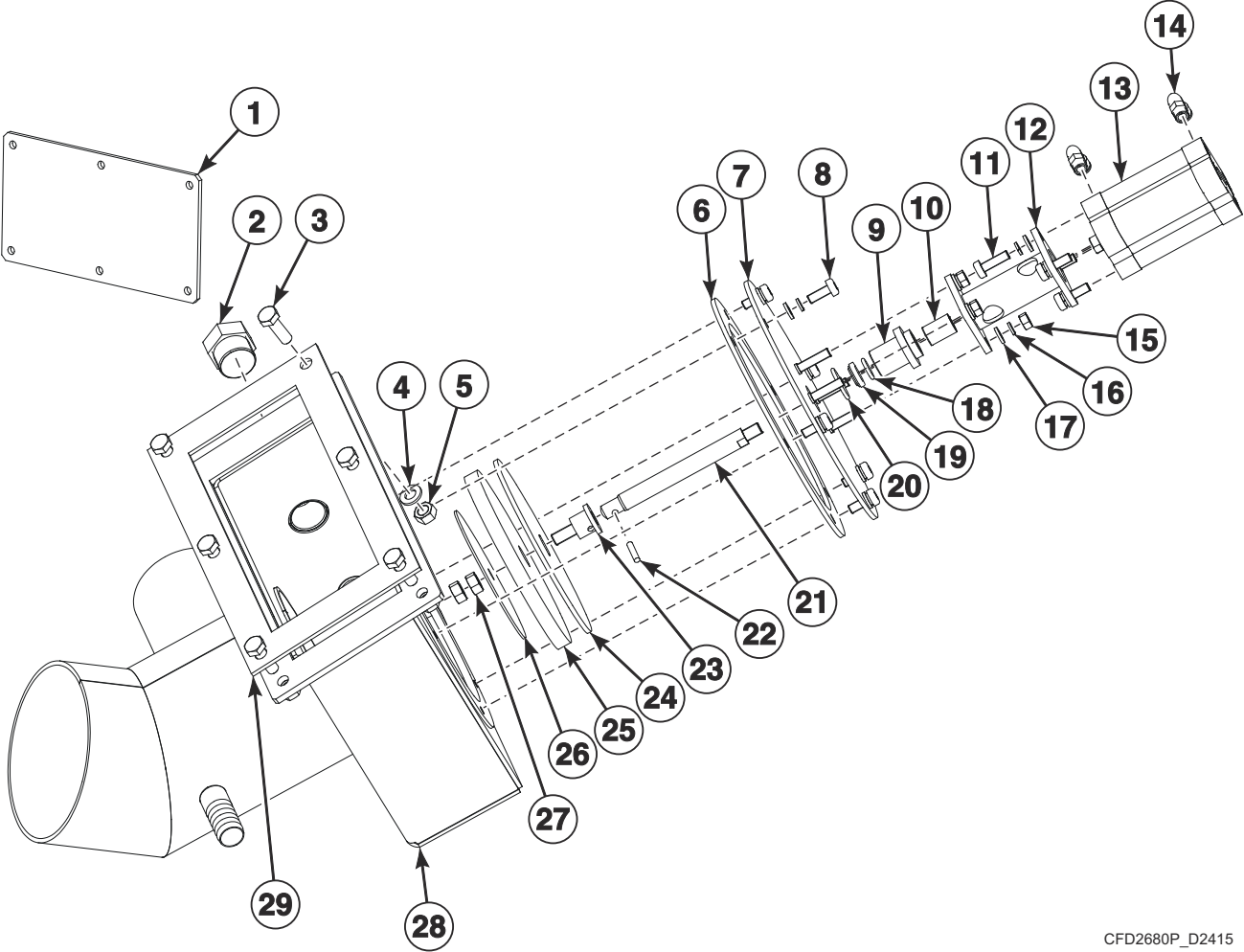


CFD2679P_D2415

Second Display

REF	PART NO.	DESCRIPTION	COMMENTS
1	SP518623	Bolt	Hexagonal; ST4.2x9.5
2	SP530927	Second Display Cover	
3	SP530930	Complete Second Display	
4	SP309933240620	Bolt	M6x20
5	SP311125240006	Washer	6.4
6	SP311127240006	Washer	6
7	SP310934240006	Nut	M6
8	SPPRI350001056	Nut	
9	SP535625	Electrical Box	
10	SPPRI350000056	Cable Bushing	
11	SP102255	Contact Block	
12	SP102260	Contact Block	
13	SP516065	Contact	1 NO
14	SP309595240612	Bolt	M6x12
15	SP347000002003	Pushbutton	
16	SP102254	Pushbutton	Black
17	SP516064	Pushbutton	Gray
18	SP102259	Emergency Stop Button	
19	SP347000000174	Control Light	Red
20	SP516021	Label	
21	SP530926	Label	Second display
22	SP517232	Seal	
23	SP345000626088	Binding Strip	
24	SP530928	Second Display Holder	
25	SP526798	LCD Display	

Standard Outlet Valve

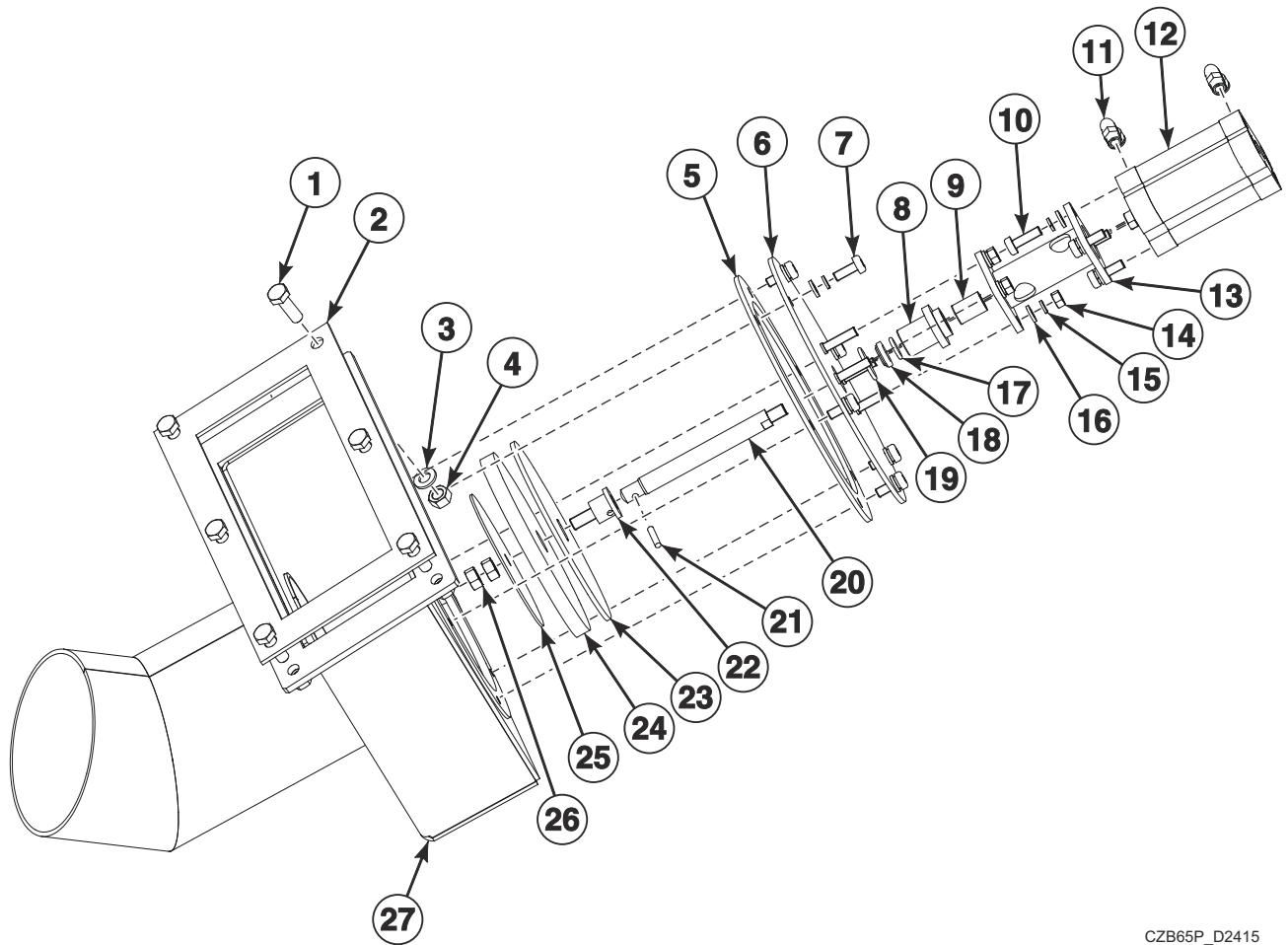


CFD2680P_D2415

Standard Outlet Valve

REF	PART NO.	DESCRIPTION	COMMENTS
	SP513126	Complete Outlet Valve	Standard
1	SP508373	Cover Plate	Used in place of outlet valve
2	SPXM1100017014	Plug	Not used in outlet valve 3
3	SP309933240825	Bolt	M8x25
4	SP311125240008	Washer	8
5	SP310985000008	Nut	M8
6	SP508213	Upper Flange Seal	
7	SP505946	Valve Cover	
8	SP309933240616	Bolt	M6x16
9	SP515788	Case Body	
10	SP506521	Bearing	
11	SP309912000620	Bolt	M6x20
12	SP508202	Column	
13	SP506505	Pneumatic Cylinder	
14	SP319428330060	Pipe Nipple	L6 - G1/8
15	SP310934240006	Nut	M6
16	SP311127240006	Washer	6
17	SP311125240006	Washer	6
18	SP506519	O-Ring	D19.6x2.3
19	SP516633	Wiper	
20	SP506517	O-Ring	D11.6x2.3
21	SP505945	Cover Bar	
22	SP508374	Pin	
23	SP505950	Joint	
24	SP505948	Plate	
25	SP508205	Outlet Valve Seal	
26	SP505949	Plate	
27	SP310934240008	Nut	M8
28	SP513128	Valve Body	
29	SP508214	Side Flange Seal	

Second Outlet Valve - 5 Inch

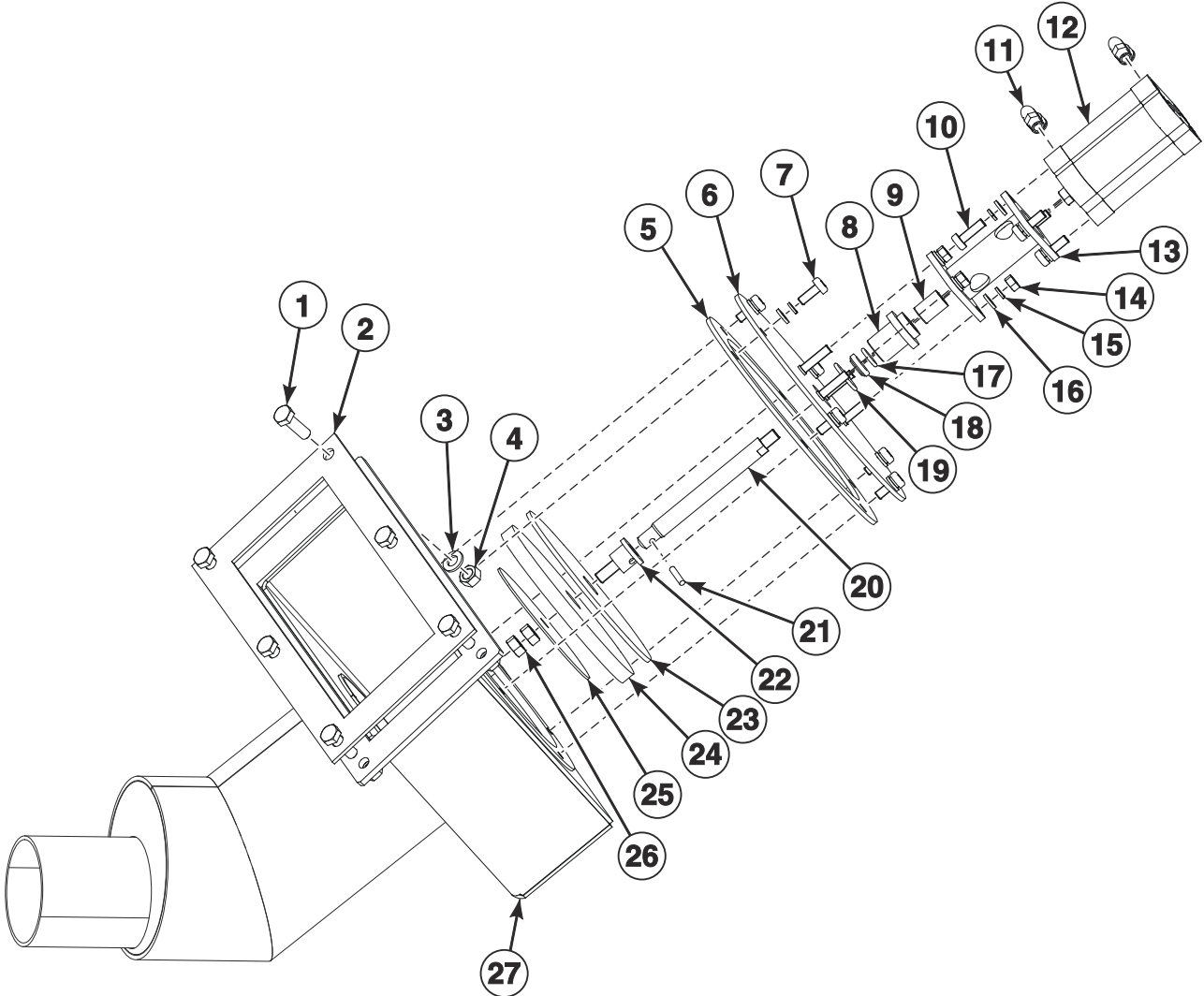


CZB65P_D2415

Second Outlet Valve - 5 Inch

REF	PART NO.	DESCRIPTION	COMMENTS
	SP513127	Complete Outlet Valve	5 inch
1	SP309933240825	Bolt	M8x25
2	SP508214	Side Flange Seal	
3	SP311125240008	Washer	8
4	SP310985000008	Nut	M8
5	SP508213	Upper Flange Seal	
6	SP505946	Valve Cover	
7	SP309933240616	Bolt	M6x16
8	SP515788	Case Body	
9	SP506521	Bearing	
10	SP309912000620	Bolt	M6x20
11	SP319428330060	Pipe Nipple	L6-G1/8
12	SP506505	Pneumatic Cylinder	
13	SP508202	Column	
14	SP310934240006	Nut	M6
15	SP311127240006	Washer	6
16	SP311125240006	Washer	6
17	SP506519	O-Ring	D19.6x2.3
18	SP516633	Wiper	
19	SP506517	O-Ring	D11.6x2.3
20	SP505945	Cover Bar	
21	SP508374	Pin	
22	SP505950	Joint	
23	SP505948	Plate	
24	SP508205	Outlet Valve Seal	
25	SP505949	Plate	
26	SP310934240008	Nut	M8
27	SP513129	Valve Body	5 inch

Standard Outlet Valve - 3 Inch

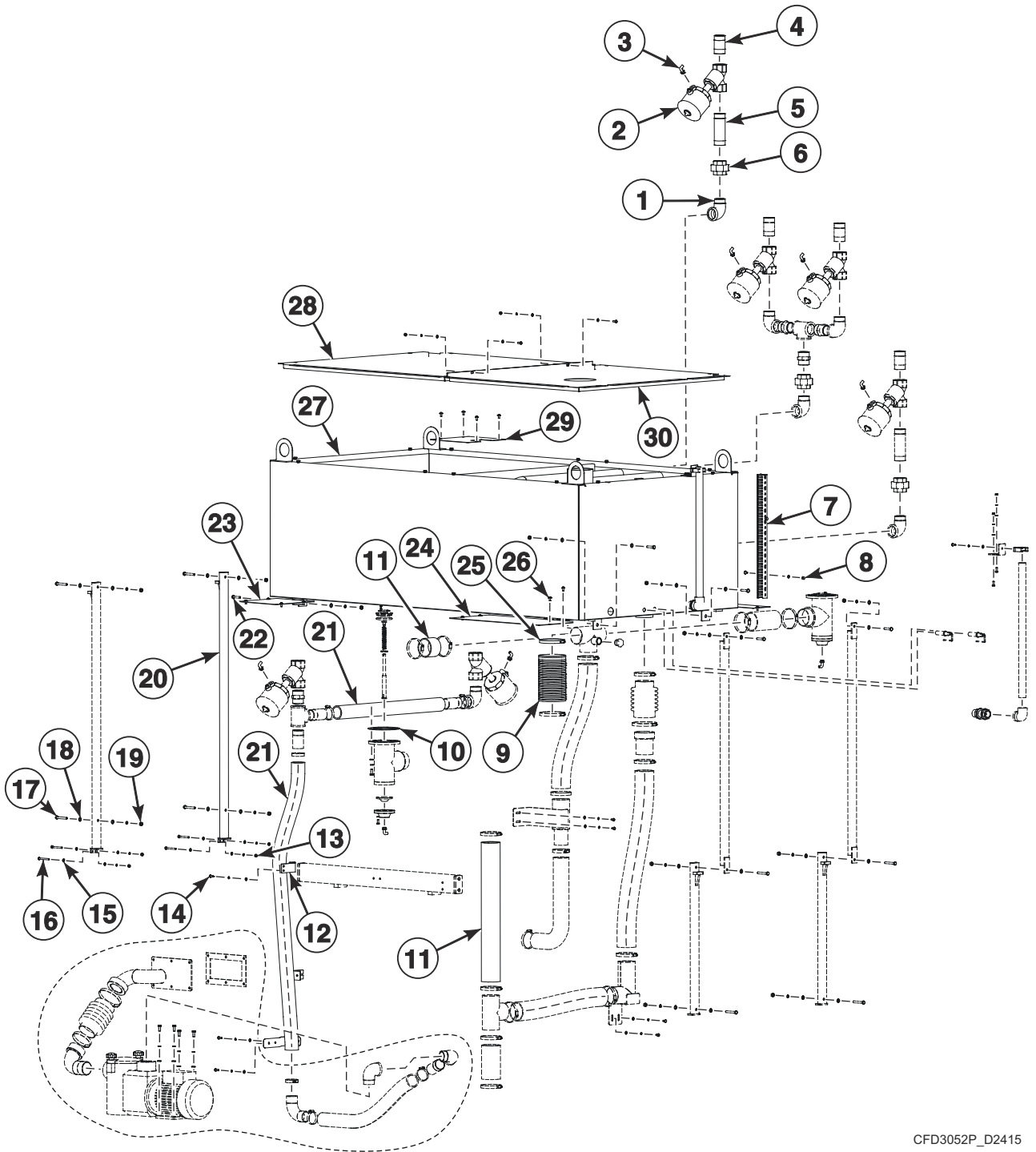


CZB66P_D2415

Standard Outlet Valve - 3 Inch

REF	PART NO.	DESCRIPTION	COMMENTS
	SP519080	Complete Outlet Valve	Recycle; 3 inch
1	SP309933240825	Bolt	M8x25
2	SP508214	Side Flange Seal	
3	SP311125240008	Washer	8
4	SP310985000008	Nut	M8
5	SP508213	Upper Flange Seal	
6	SP505946	Valve Cover	
7	SP309933240616	Bolt	M6x16
8	SP515788	Case Body	
9	SP506521	Bearing	
10	SP309912000620	Bolt	M6x20
11	SP319428330060	Pipe Nipple	L6-G1/8
12	SP506505	Pneumatic Cylinder	
13	SP508202	Column	
14	SP310934240006	Nut	M6
15	SP311127240006	Washer	6
16	SP311125240006	Washer	6
17	SP506519	O-Ring	D19.6x2.3
18	SP516633	Wiper	
19	SP506517	O-Ring	D11.6x2.3
20	SP505945	Cover Bar	
21	SP508374	Pin	
22	SP505950	Joint	
23	SP505948	Plate	1
24	SP508205	Outlet Valve Seal	
25	SP505949	Plate	2
26	SP310934240008	Nut	M8
27	SP519081	Valve Body	Recycle; 3 inch

Recycle System (Drawing 1 of 3)

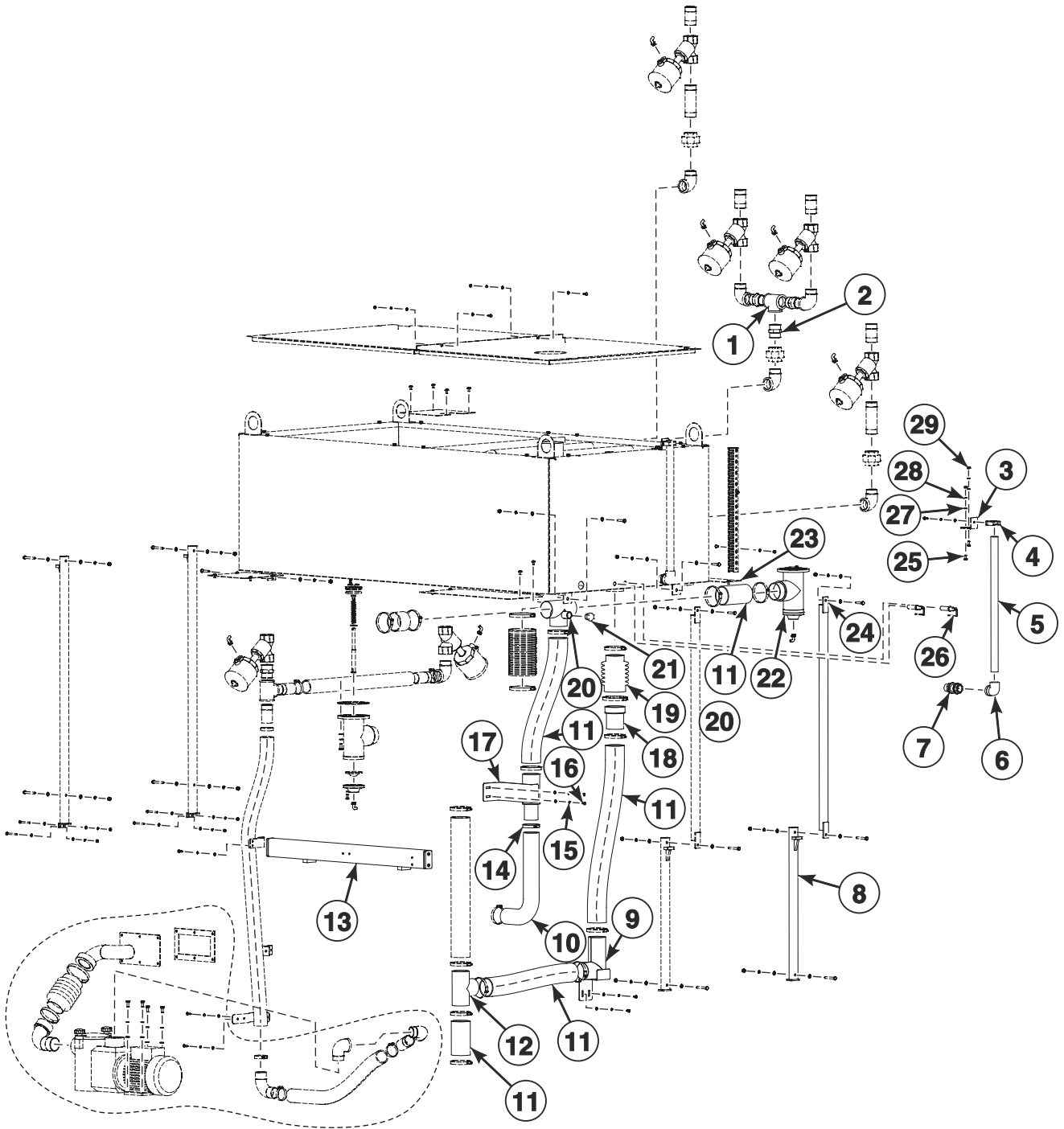


CFD3052P_D2415

Recycle System (Drawing 1 of 3)

REF	PART NO.	DESCRIPTION	COMMENTS
	SP536885	Complete Recycle System	
1	SP536518	Elbow	G1 1/2 inch
2	SP506599	Valve	
3	SP503883	Pipe Nipple	L6 G1/4 inch
4	SP536487	Insert Extension	G1 1/2 inch
5	SP550545	Extension Insert	G1 1/2 inch
6	SP536520	Fitting Adapter	G1 1/2 inch; Includes seal
7	SP366610025375	Cable Channel	
8	SP310917240006	Nut	M6
9	SP536596	Drum Exhaust Hose	
10	SP550501	Recycle Valve Seal	
11	SP510965	Hose	Recycle
12	SP539781	Support	
13	SP310934000006	Nut	M6
14	SP309933000616	Bolt	M6-16
15	SP311125000006	Washer	6.4
16	SP309933000660	Bolt	M6-60
17	SP509976	Bolt	M8-60
18	SP311127000008	Washer	8
19	SP310934000008	Nut	M8
20	SP536333	Complete Profile	
21	SP510838	Hose	
22	SP309933000840	Bolt	M8-40
23	SP550552	Vessel	
24	SP550550	Vessel	
25	SPPRI240000015	Hose Clamp	100-120
26	SP309595240612	Bolt	M6x12
27	SP536886	Recycle Tank	
28	SP550554	Tank Cover	
29	SP550553	Vessel	
30	SP550555	Tank Cover	

Recycle System (Drawing 2 of 3)



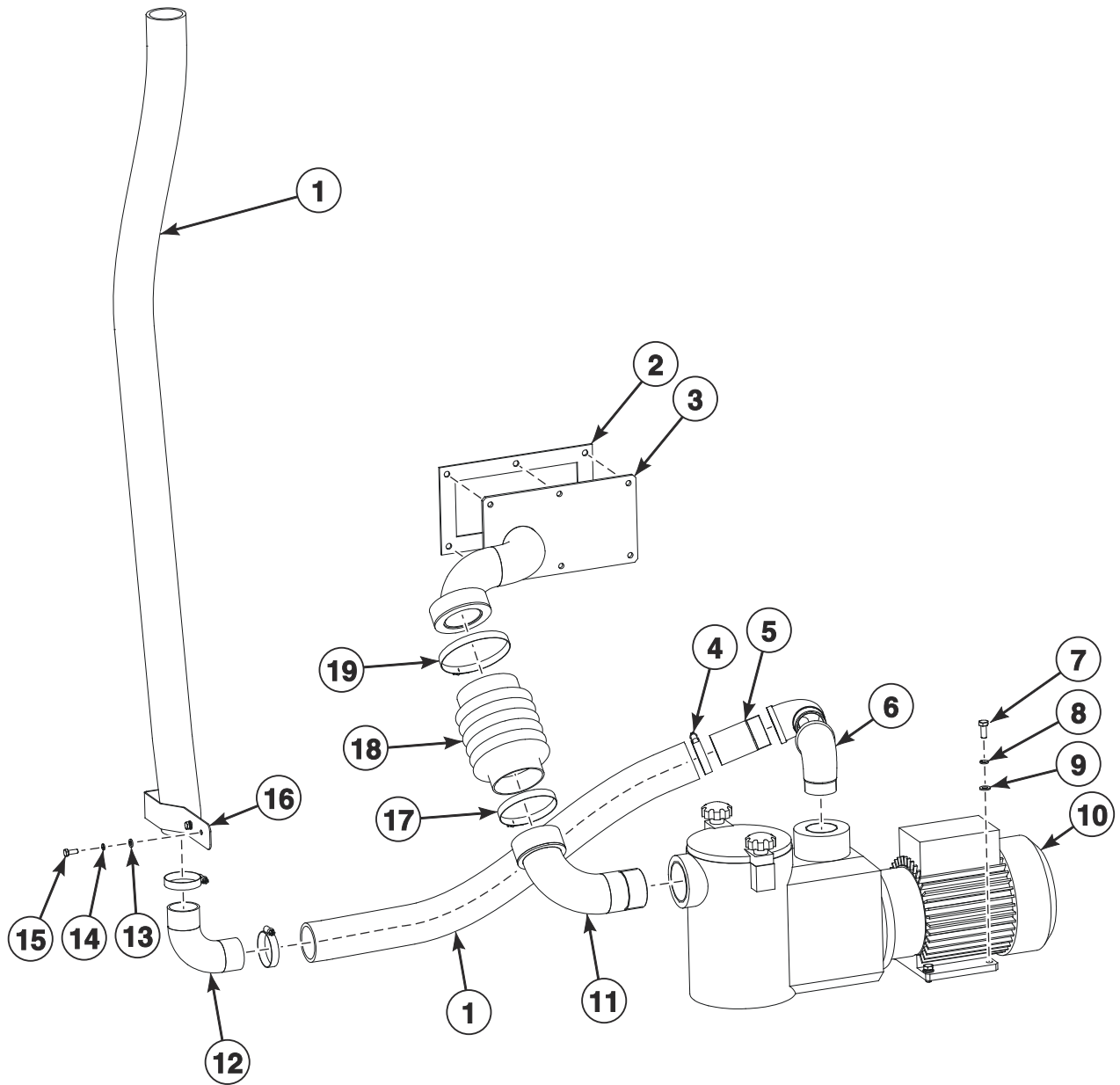
CFD3053P_D2415

Recycle System (Drawing 2 of 3)

REF	PART NO.	DESCRIPTION	COMMENTS
	283296215119	Tape	
1	SP536855	Tee	1 1/2 inch
2	SP536516	Insert	G1 1/2 inch
3	SP536821	Clamp Holder	
4	SP536853	Tube Holder	
5	SP536854	Level Indicator Tube	
6	SP536851	Elbow	
7	SP536850	Fitting Adapter	
8	SP536896	Complete Profile	
9	SP536860	Recycle Adapter	
10	SPPRI505000087	Drain Hose Pipe	
11	SP510965	Hose	Recycle
12	SP536849	Tee	76.1 x 2 mm
13	N/A	Middle Partition	
14	SPPRI240000021	Hose Clamp	60-80
15	SP311127000006	Washer	6
16	SP309933000612	Bolt	M6-12
17	SP536861	Recycle Adapter	
18	SP536859	Recycle Adapter	
19	SP223101401114	Hose	
20	SP536858	Tee	
21	SPXM1100017014	Plug	3/4 inch
22	SP536802	Complete Recycle Valve	
23	SP550551	Vessel	
24	SP536894	Complete Profile	
25	SP309933240616	Bolt	M6-16
26	SP524676	Level Switch	
27	SP311125240006	Washer	6.4
28	SP311127240006	Washer	6
29	SP310934240006	Nut	M6

N/A = Part no longer available

Recycle System (Drawing 3 of 3)



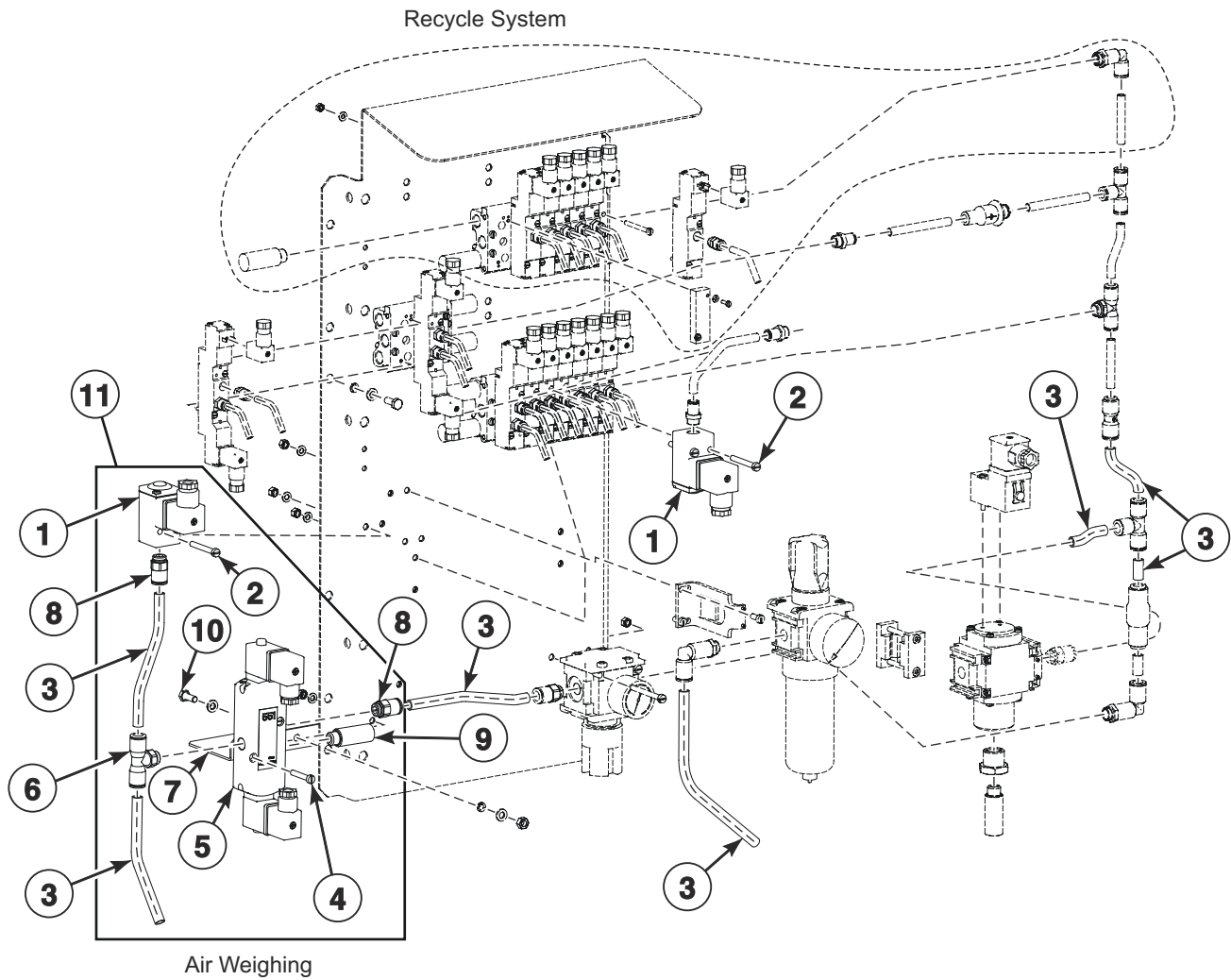
CFD2683P_D2415

Recycle System (Drawing 3 of 3)

REF	PART NO.	DESCRIPTION	COMMENTS
1	SP510838	Hose	Pump
2	SP508214	Side Flange Seal	
3	SP536843	Complete Recycle Board	
4	SPPRI240000017	Hose Clamp	40-60
5	SP536817	Insertion	REC 05
6	SP536518	Elbow	G1 1/2 inch
7	SP309933000820	Bolt	M8-20
8	SP311127000008	Washer	8
9	SP311125000008	Washer	8.4
10	SP532827	Pump	
11	SP536840	Complete Part Input	
12	SP550547	Pump Elbow	
13	SP311125000006	Washer	6.4
14	SP311127000006	Washer	6
15	SP309933000616	Bolt	M6-16
16	SP539537	Air Trap Support	
17	SPPRI240000007	Hose Clamp	70-90
18	SP223101401114	Hose	
19	SPPRI240000005	Hose Clamp	

Pneumatic System Board (Drawing 1 of 2)

Models Through Serial No. 110M001041KS



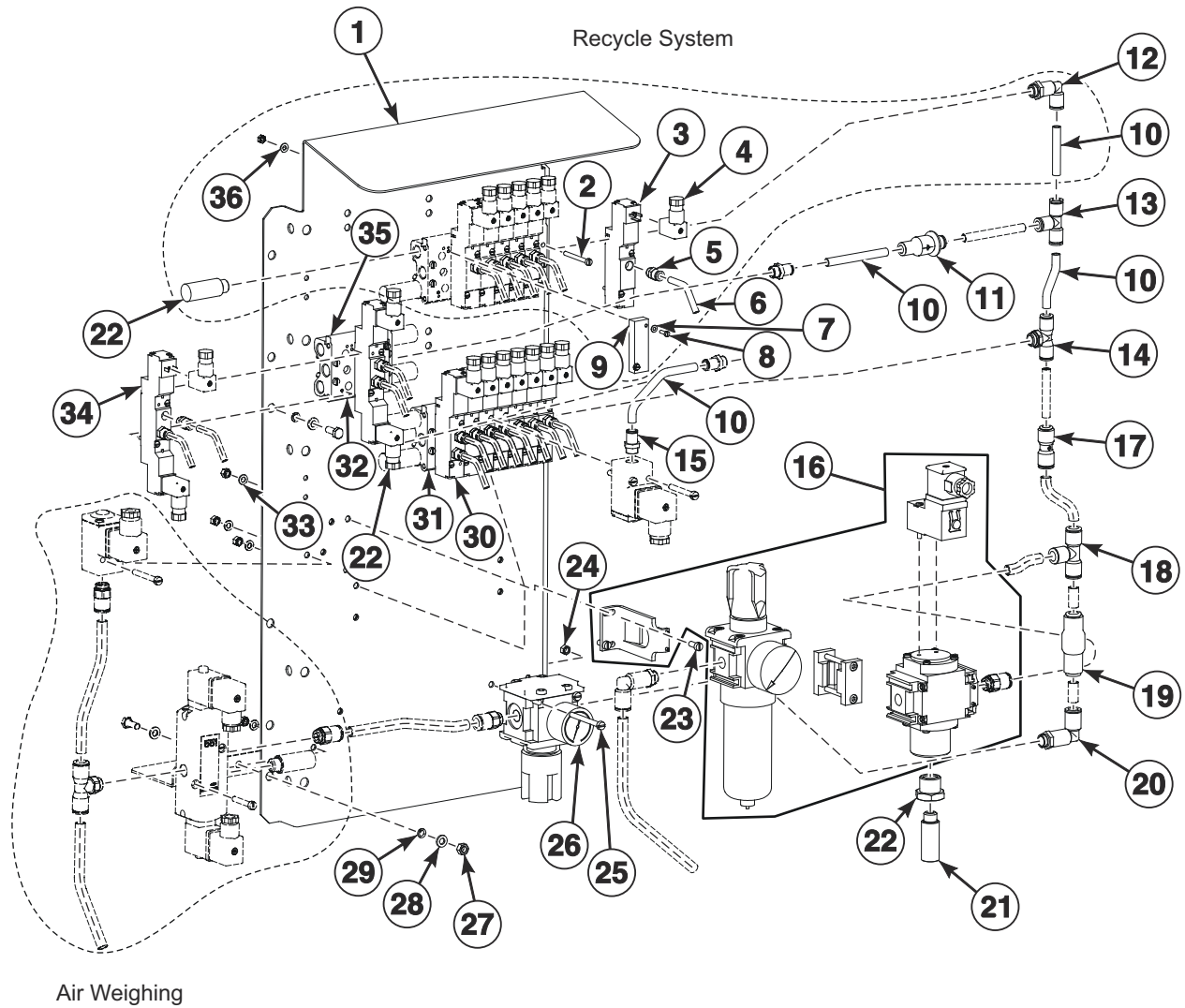
CFD3054P_D2415

Pneumatic System Board (Drawing 1 of 2)

REF	PART NO.	DESCRIPTION	COMMENTS
	283296215119	Tape	
	SP536663	Pneumatic Installation Components	
1	SP506590	Pressure Switch	G 1/4; 250V AC/DC
2	SP309084000540	Bolt	M5x40
3	SP523144	Hose	
4	SP309084000530	Bolt	M5x30
5	SP525527	Valve	3/2 W1; G1/4; 230V AC; 50/60Kz
6	SP527564	Fitting Adapter	T 10-G1/4
7	SP536493	Pneumatic Assembly Holder	
8	SP525528	Fitting Adapter	10-G1/4
9	SP326346000407	Sound Damper	G1/4
10	SP309933000616	Bolt	M6x16
11	527568	Air Weighing Assembly	Models through Serial No. 110M001035HU

Pneumatic System Board (Drawing 2 of 2)

Models Through Serial No. 110M001041KS



CFD3055P_D2415

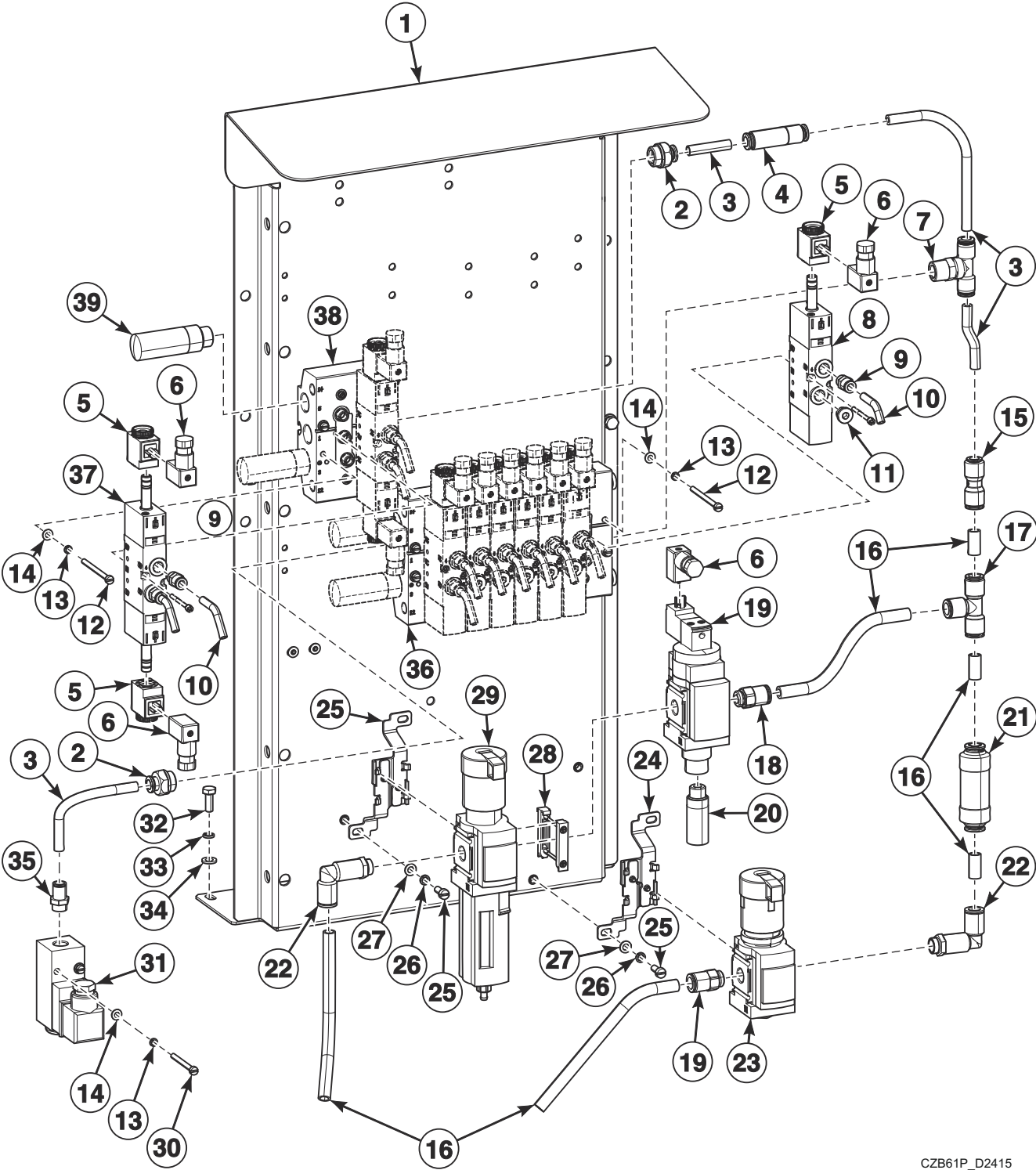
Pneumatic System Board (Drawing 2 of 2)

REF	PART NO.	DESCRIPTION	COMMENTS
1	SP536497	Pneumatic Assembly Plate	
2	SP512134	Bolt	M4x40
3	SP536502	Electromagnetic Valve	MEBH-3/2; G1/8 inch; P-B; 230VAC; Festo; Includes SP536509 Electromagnetic Coil
4	SP536505	Valve Connector	Used with Festo valve
5	SP319428330006	Pipe Nipple	6-G 1/8
6	SP319300006001	Hose	6x1
7	SP311125000003	Washer	M3
8	SP309084000310	Bolt	M3x10
9	SP536508	Topper	PRSB-ME-1/8
10	SP319300008125	Hose	8x1.25
11	SP517235	Non-Return Valve	8
12	SP319428330800	Pipe Nipple	L8-G 1/4
13	SP506053	Coupling	T8-8
14	SP517234	Fitting Adapter	T8-G 1/4
15	SP319428330008	Pipe Nipple	8-G 1/4
16	573218	Pressure Regulator Grip	
17	SP527561	Adapter	8/10
18	SP527559	Connection Tee	T10-10
19	SP525529	Non-Return Valve	10
20	SP523141	Fitting Adapter	L10-G 1/4
21	SP326346000407	Sound Damper	G1/4
22	SP500982	Fitting Adapter	1/2 inch - 1/4 inch
23	SP309084000512	Bolt	M5x12
24	SP310934240005	Nut	M5
25	N/A	Bolt	M5x65
26	573219	Regulator	G 1/4
27	SP310934000006	Nut	M6
28	SP311125000006	Washer	M6
29	SP311127000006	Washer	M6
30	SP536503	Electromagnetic Valve	MEBH-5/2; G1/8 inch; P-B; 230VAC; Festo; Includes SP536509 Electromagnetic Coil
	SP536509	Electromagnetic Coil	Used with Festo electromagnetic valve
31	SP536507	Connecting Block	PRS-ME-1/8-7
32	SP536506	Connecting Block	PRS-ME-1/8-3
33	SP311125000005	Washer	M5
34	SP536504	Electromagnetic Valve	JMEBH-5/2; G1/8 inch; P-B; 230AC; Festo
35	SP310934000004	Nut	M4
36	SP311125000004	Washer	4.3

N/A = Part no longer available

Pneumatic System Board - Standard

Models Starting Serial No. 110M001042KS



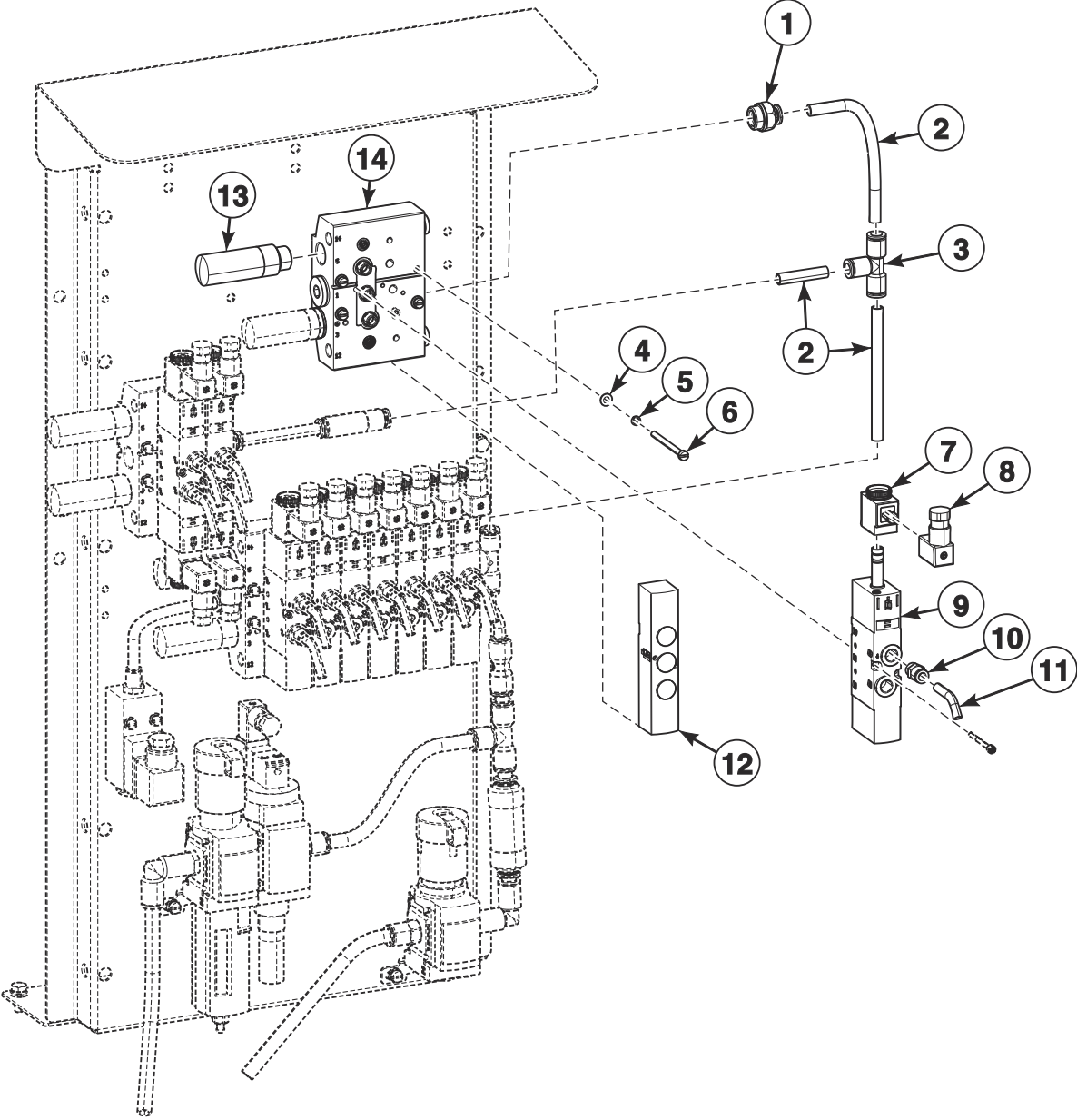
CZB61P_D2415

Pneumatic System Board - Standard

REF	PART NO.	DESCRIPTION	COMMENTS
	283296215119	Tape	
1	570064	Pneumatic Assembly Plate	
2	570822	Fitting Adapter	8-G 3/8 inch
3	SP319300008125	Hose	8x1.25
4	570813	Non-Return Valve	8
5	570808	Electromagnetic Coil	
6	SP536505	Valve Connector	
7	570824	Fitting Adapter	T-G 3/8 inch-8
8	566598	Valve	Electromagnetic
9	SP319428330006	Pipe Nipple	6-G 1/8
10	SP319300006001	Hose	6x1
11	566599	Bolt	
12	570821	Bolt	M4x50
13	SP311127000004	Washer	4
14	SP311125000004	Washer	4.3
15	SP527561	Adapter	8/10
16	SP523144	Hose	10x1.5
17	SP527559	Connection Tee	T10-10
18	SP525528	Fitting Adapter	10-G 1/4 inch
19	570802	Switching Valve	G 1/4 inch
20	570814	Sound Damper	
21	570812	Non-Return Valve	10
22	SP523141	Fitting Adapter	L10; G 1/4 inch
23	570803	Reduction Valve	G 1/4 inch
24	570804	Pressure Regulator Grip	
25	SP309084000512	Bolt	M5x12
26	SP311127000005	Washer	5
27	SP311125000005	Washer	5.3
28	570805	Module Coupling	
29	570801	Filter Pressure Regulator	Includes filter
30	SP512134	Bolt	M4x40
31	570806	Pressure Switch	G 1/4
32	SP311125240006	Washer	6.4
33	SP311127240006	Washer	6
34	SP309933240616	Bolt	M6x16
35	SP319428330008	Pipe Nipple	8-G 1/4 inch
36	570809	Connecting Block	
37	566600	Valve	Electromagnetic
38	570810	Connecting Block	
39	570823	Sound Damper	

Pneumatic System Board - Second Outlet Valve

Models Starting Serial No. 110M001042KS



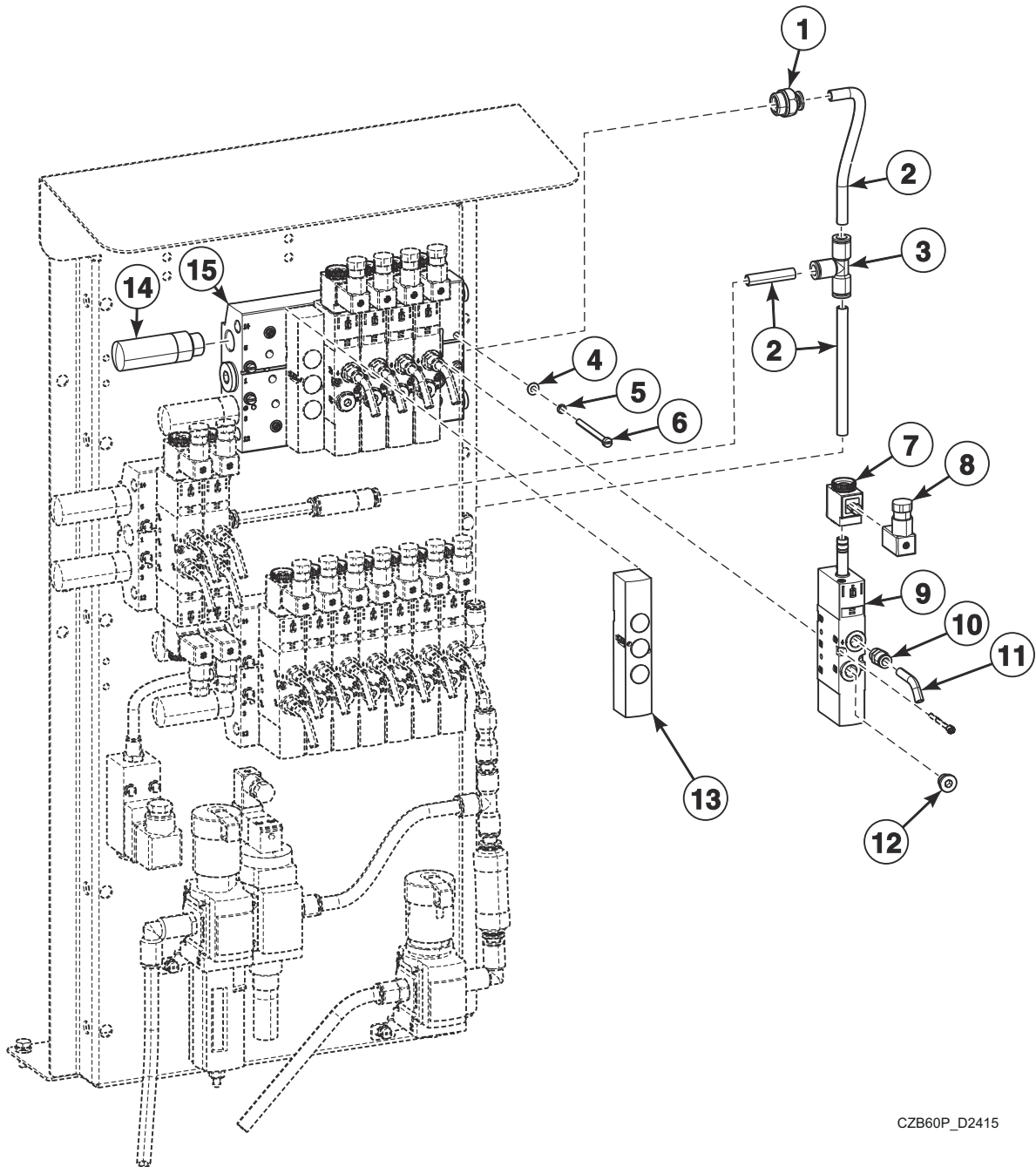
CZB68P_D2415

Pneumatic System Board - Second Outlet Valve

REF	PART NO.	DESCRIPTION	COMMENTS
	570061	Pneumatic System	Assembly, Includes items 1-14
	283296215119	Tape	
1	570822	Fitting Adapter	8-G 3/8 inch
2	SP319300008125	Hose	8x1.25
3	SP506053	Coupling	T8-8
4	SP311125000004	Washer	4.3
5	SP311127000004	Washer	4
6	570821	Bolt	M4x50
7	570808	Electromagnetic Coil	
8	SP536505	Valve Connector	
9	566598	Valve	Electromagnetic
10	SP319428330006	Pipe Nipple	6-G 1/8
11	SP319300006001	Hose	6x1
12	570811	Blanking Plate	
13	570823	Sound Damper	
14	570810	Connecting Block	

Pneumatic System Board - Recycle System

Models Starting Serial No. 110M001042KS

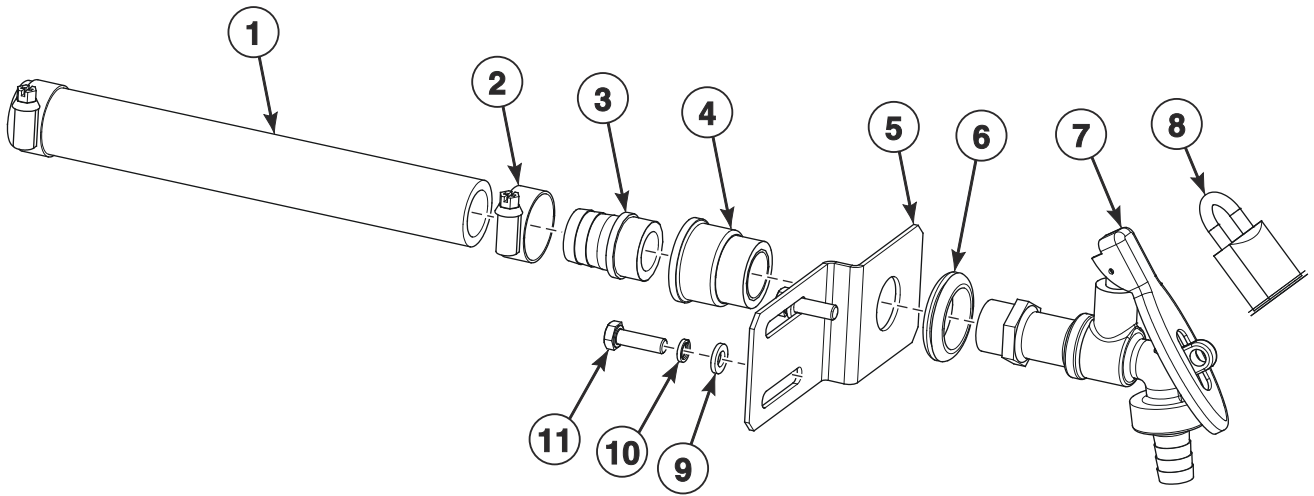


CZB60P_D2415

Pneumatic System Board - Recycle System

REF	PART NO.	DESCRIPTION	COMMENTS
	570060	Pneumatic System	Assembly, Includes items 1-15
	283296215119	Tape	
1	570822	Fitting Adapter	8-G 3/8 inch
2	SP319300008125	Hose	8x1.25
3	SP506053	Coupling	T8-8
4	SP311125000004	Washer	4.3
5	SP311127000004	Washer	4
6	570821	Bolt	M4x50
7	570808	Electromagnetic Coil	
8	SP536505	Valve Connector	
9	566598	Valve	Electromagnetic
10	SP319428330006	Pipe Nipple	6-G 1/8
11	SP319300006001	Hose	6x1
12	566599	Bolt	
13	570811	Blanking Plate	
14	570823	Sound Damper	
15	570809	Connecting Block	

Wash Bath Sample

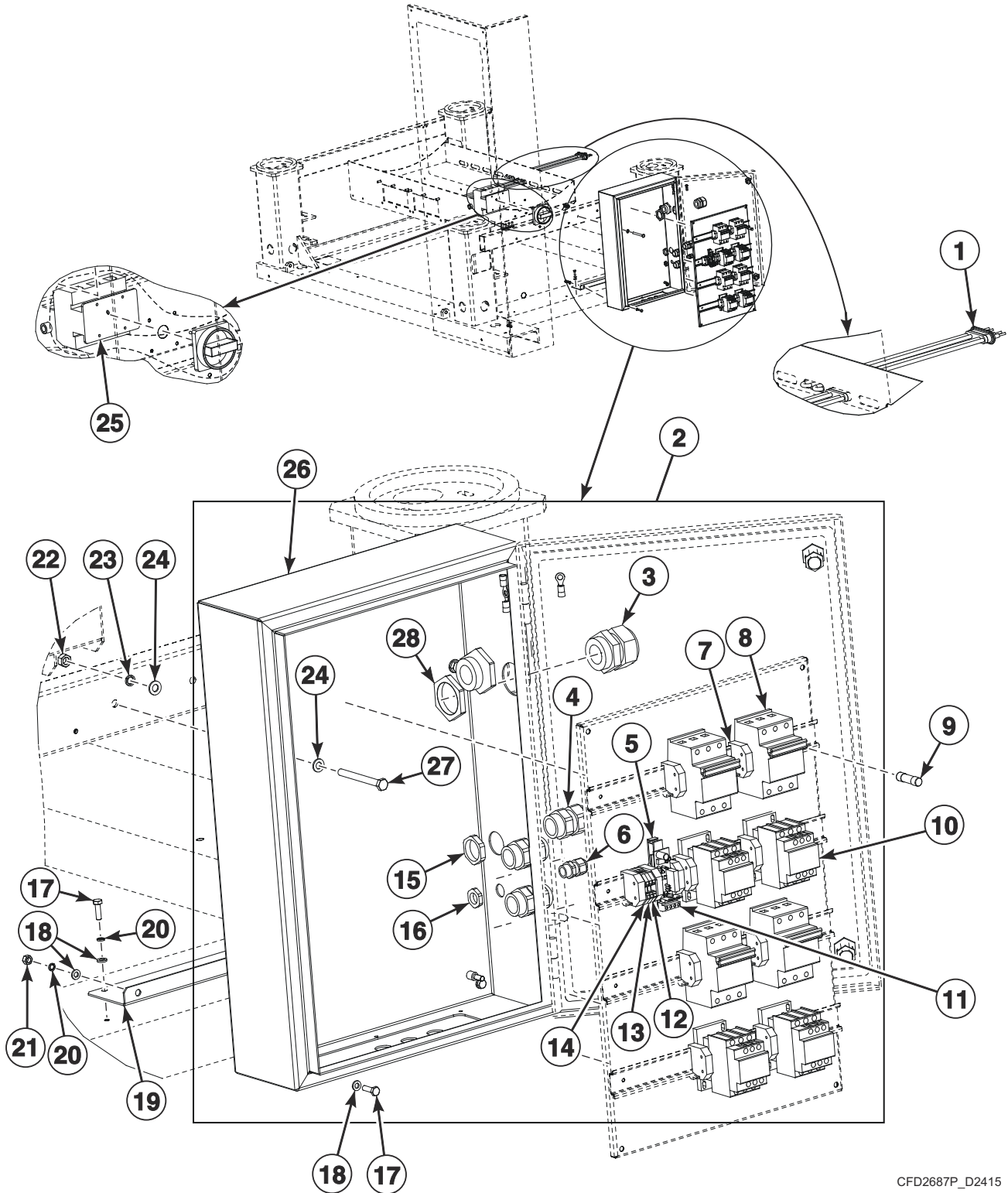


CFD2685P_D2415

Wash Bath Sample

REF	PART NO.	DESCRIPTION	COMMENTS
	SP525462	Wash Bath Sample Valve	
1	SPPRI540001019	Hose	
2	SPPRI240000003	Hose Clamp	
3	SP235134107315	Pipe Coupling	
4	SP523729	Pipe Coupling	Brass; Reduced G3/4 inch x 1/2 inch
5	SP525471	Valve Holder	
6	SPPRI501000071	Cable Bushing	
7	SP523728	Valve	Lockable; 1/2 inch
8	SP523167	Padlock	
9	SP311125000006	Washer	
10	SP311127240006	Washer	6
11	SP309933000618	Bolt	M6x18

Electric Heating - 72 kW and 96kW

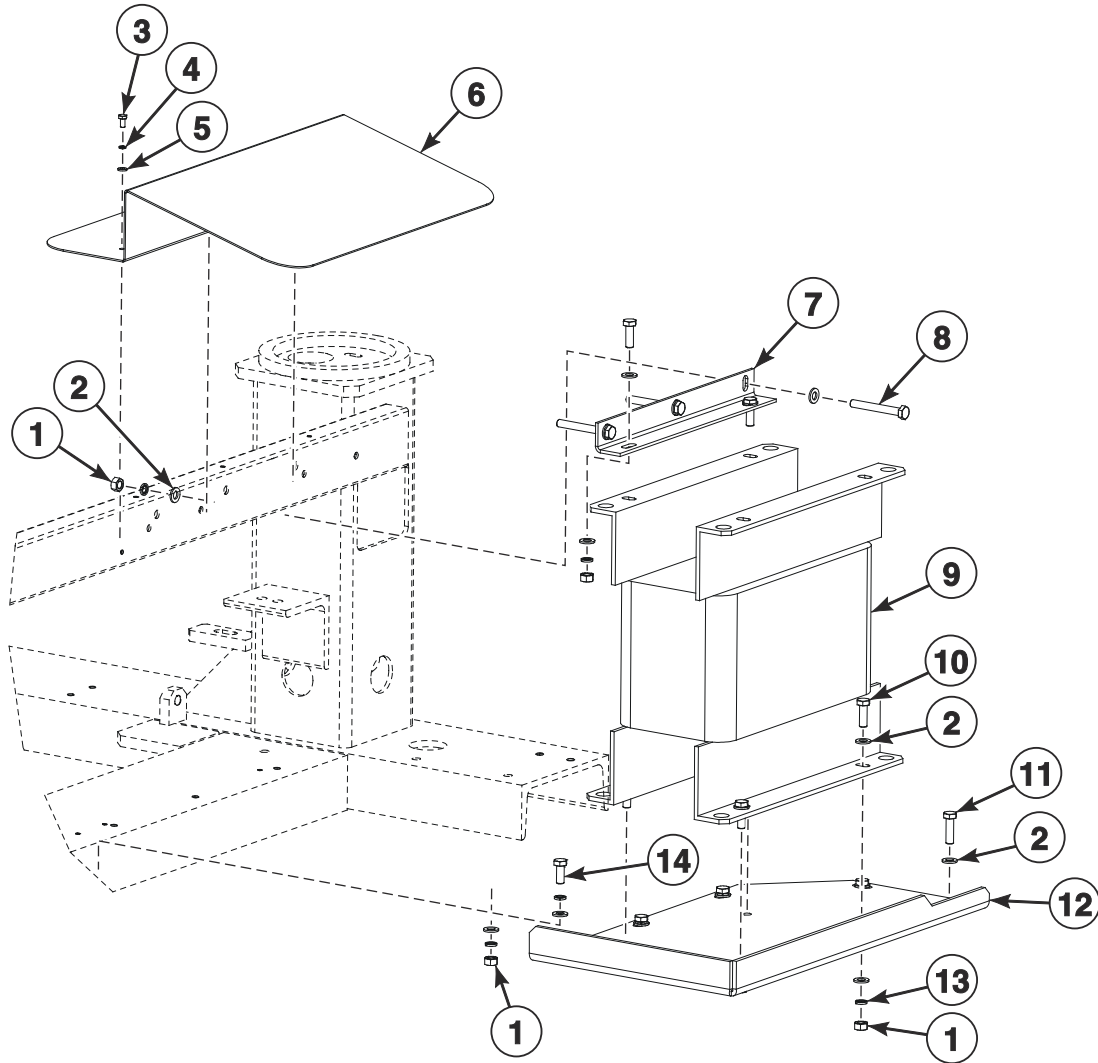


CFD2687P_D2415

Electric Heating - 72 kW and 96kW

REF	PART NO.	DESCRIPTION	COMMENTS
	SP530887	Electric Heating	72kW
	SP530888	Electric Heating	96kW; Models through April 30, 2015
1	SP530877	Heating Element	8000W
2	SP528069	Heating Switchboard	72kW
	SP528070	Heating Switchboard	96kW; Models through April 30, 2015
3	SP101410	Cable Bushing	M40
4	SPPRI350000057	Cable Bushing	PG21
5	SP358126300000	Electrical Time Switch	
6	SPPRI350000045	Cable Bushing	PG9
7	SP346000209101	End Stop	
8	SP358251601311	Fuse Disconnecter	
9	SP358503700020	Fuse Insert	
10	SPPRI345002019	Contactors	Models through April 30, 2015
11	SP346000280301	Cover	
12	SP346000280101	Clamp	
13	SP346000280104	Clamp	
14	SP346000280107	Clamp	
15	SPPRI350001057	Nut	PG21
16	SPPRI350001045	Nut	PG9
17	SP309933000618	Bolt	M6x18
18	SP311125000006	Washer	M6
19	SP536494	Switchboard Holder	
20	SP311127000006	Washer	6
21	SP310934000006	Nut	M6
22	SP310934000008	Nut	M8
23	SP311127000008	Washer	8
24	SP311125000008	Washer	M8
25	SP504589	Main Switch	
26	SP506482	Distribution Board	
27	SP309933000880	Bolt	M8x80
28	SP101420	Nut	M40

Transformer 1

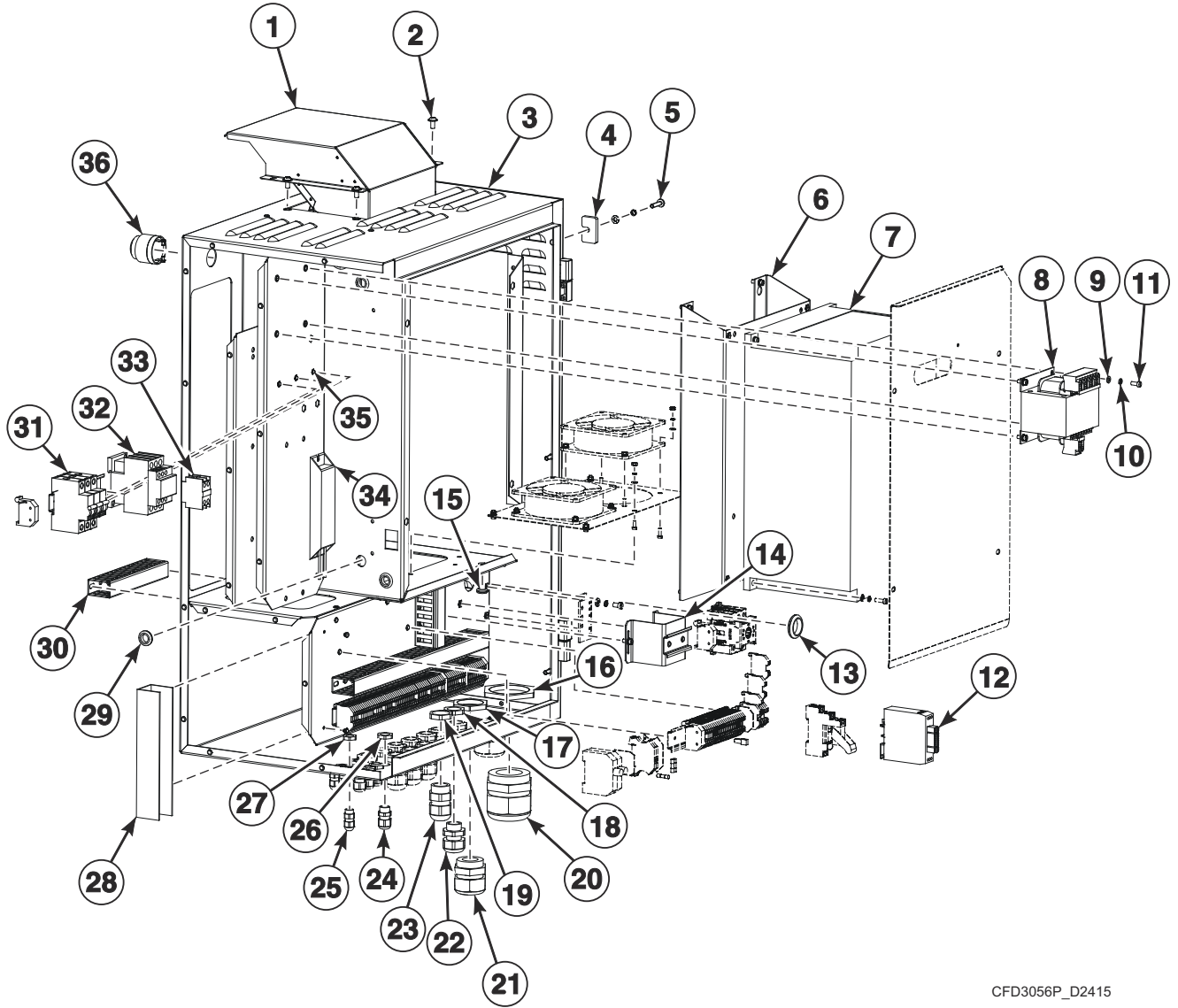


CFD2688P_D2415

Transformer 1

REF	PART NO.	DESCRIPTION	COMMENTS
	SP555057	Complete Transformer	Models starting 110M001024FU
	SP539147	Complete Transformer	Models through 110M001023FK
1	SP310934000010	Nut	M10
2	SP311125000010	Washer	10.5
3	SP309933000612	Bolt	M6x12
4	SP311127240006	Washer	6; Models starting 110M001024FU
5	SP311125000006	Washer	6.4
6	SP555058	Transformer Cover	Models starting 110M001024FU
	SP539148	Transformer Cover	Models through 110M001023FK
7	SP554866	Support	Models starting 110M001024FU
8	SP309933001080	Bolt	M10x80; Models starting 110M001024FU
9	SP516725	Autotransformer	200-230/400V
10	SP309933001030	Bolt	M10x30
11	SP309933001035	Bolt	M10x35
12	SP554865	Transformer Board	Models starting 110M001024FU
	SP539166	Complete Transformer Profile	Models through 110M001023FK
13	SP311127000010	Washer	10
14	SP309933001025	Bolt	M10x25

Box of Electrical Components (Drawing 1 of 2)

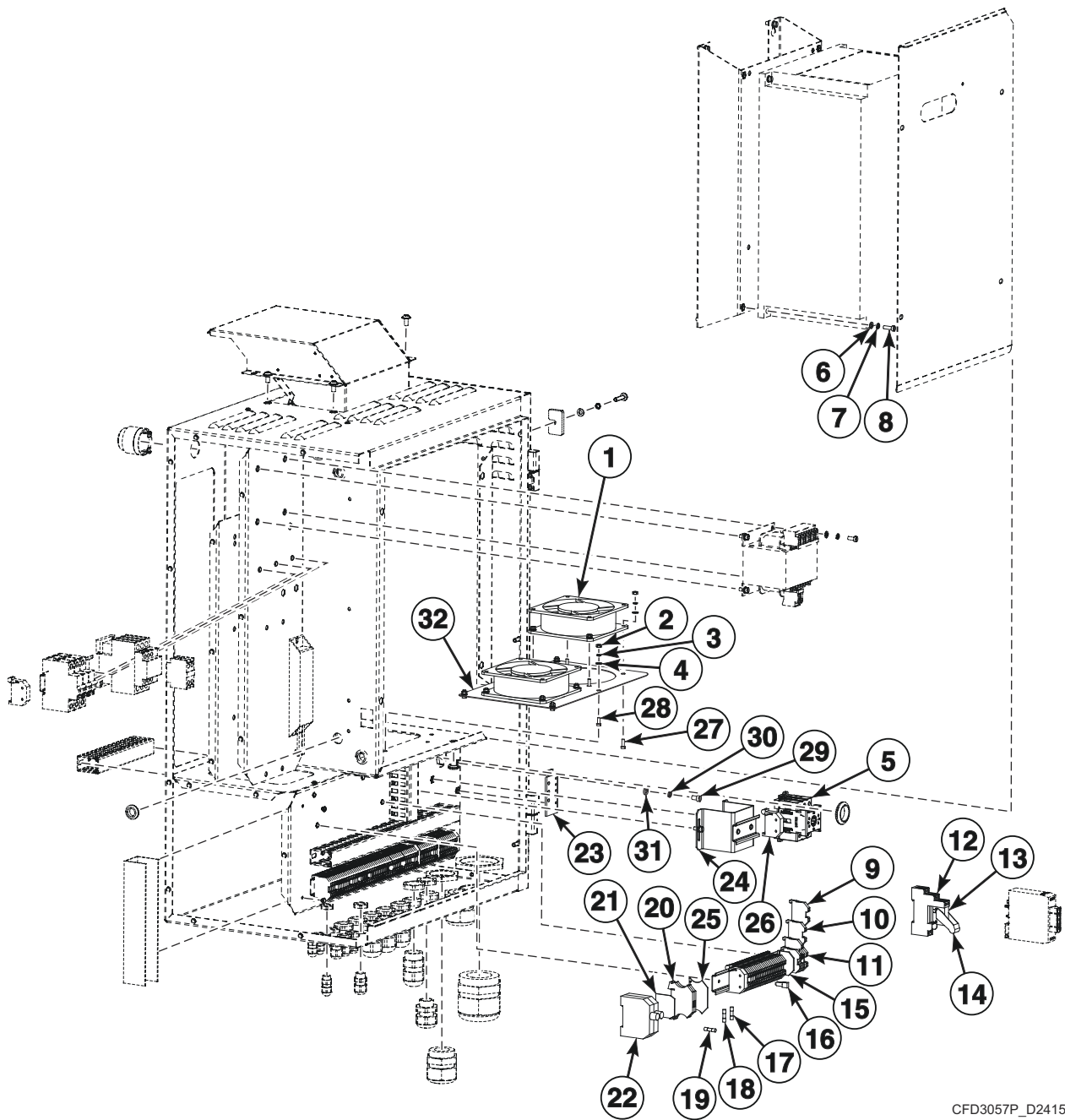


CFD3056P_D2415

Box of Electrical Components (Drawing 1 of 2)

REF	PART NO.	DESCRIPTION	COMMENTS
	SP513136	Complete Switchboard	
1	SP512177	Complete Flue	
2	SP537864	Bolt	M6x12
3	SP513134	Switchboard Assembly	
4	SP536511	Electric Box Trent	
5	SP309933000625	Bolt	M6x25
6	SP526712	Inverter Plinth	200-240V
	SP506038	Filter	380-480V; Models starting 110M001022FK
7	SP557968	Frequency Inverter	FR-A7XX; Models through 110M001021FF
	SP557968	Frequency Inverter	FR-A8XX; Models starting 110M001022FK; Requires SP557996 Fan
	567203	Frequency Inverter	380-480V; Models starting 110M001022FK
8	SP101643	Transformer	
9	SP311125000005	Washer	5
10	SP311127000005	Washer	5
11	SP309084000512	Bolt	M5x12
12	SP516968	Amplifier	
13	SPPRI501000071	Cable Bushing	25
14	SP346000210113	Rail	
15	SP273121009002	Cable Passage	9x2
16	SP516176	Nut	M63
17	SP101420	Nut	M40.2
18	SPPRI350001056	Nut	PG16
19	SPPRI350001057	Nut	PG21
20	SP516175	Cable Bushing	M63
21	SP101410	Cable Bushing	M40
22	SPPRI350000056	Cable Bushing	PG16
23	SPPRI350000057	Cable Bushing	PG21
24	SPPRI350000045	Cable Bushing	PG9
25	SP347800170099	Cable Bushing	PG7
26	SPPRI350001045	Nut	PG9
27	SP347800169744	Nut	PG7
28	SPPRI407000109	Cable Channel	
29	SP273121013002	Bushing	12x2
30	SP366610025375	Cable Channel	
31	SPPRI401014021	Circuit Breaker	32A
32	SPPRI345002019	Contactor	LC1-D32M7
	SPPRI345001019	Contactor	LC1-D40M7
33	SPPRI345013045	Contact Block	
34	SP516746	Brake Resistor	
35	SP313250004125	Rivet	4x12.5; Includes crank
36	SP516844	Buzzer	

Box of Electrical Components (Drawing 2 of 2)

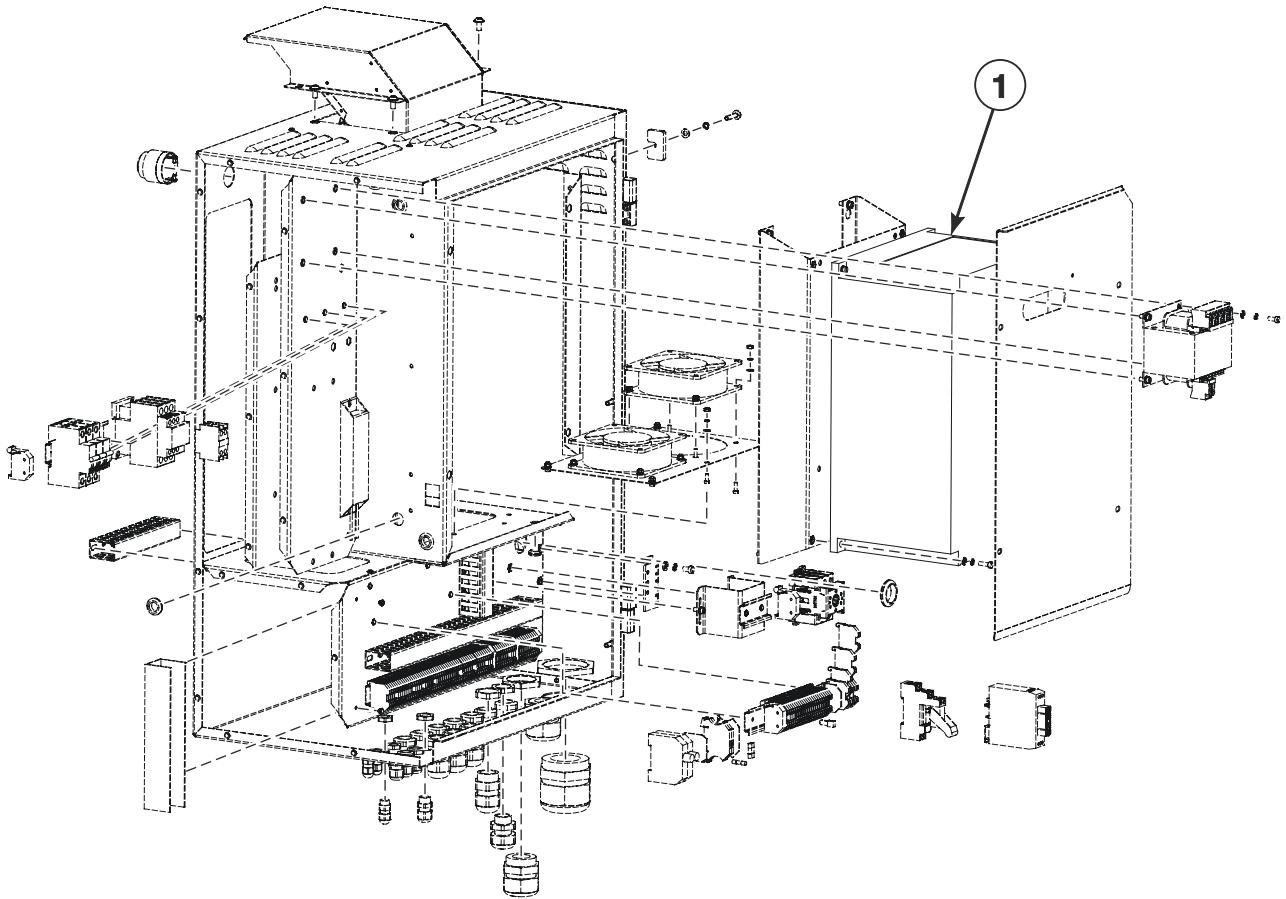


CFD3057P_D2415

Box of Electrical Components (Drawing 2 of 2)

REF	PART NO.	DESCRIPTION	COMMENTS
	SP358251601311	Fuse Disconnecter	
	SP358503750020	Fuse	50A
	SP358503740020	Fuse	63A
	SPPRI401014021	Circuit Breaker	32A
	SP516725	Autotransformer	200-230/400V
	SP516193	Label	Converter 400V
1	SP337503380200	Fan	
2	SP310934000004	Nut	M4
3	SP311127000004	Washer	4
4	SP311125000004	Washer	4
5	SP514180	Main Switch	400V
	SP514181	Main Switch	230V
6	SP311125000006	Washer	6
7	SP311127000006	Washer	6
8	SP309933000625	Bolt	M6x25
9	SP346000280107	Clamp	280-107
10	SP346000280104	Clamp	280-104
11	SP346000280101	Clamp	280-101
12	SP506586	Relay Case	
13	SP514134	Relay	220VAC
14	SP514135	Relay Clamp	
15	SP346000280301	Cover	280-301
16	SP346000280402	Interconnection	280-402
17	SP344000010000	Fuse	1A/500V
18	SPPRI401020021	Fuse	1,6A/500V
19	SP358251632225	Fuse	2.5A/500V
20	SP524653	Fuse Clip	
21	SP346000014010	Cover	
22	SP346000004010	Fuse Case	
23	SPF02145101314	Earthing Block	
24	SP513062	Electric Box Bridge	
25	SP524655	Cover	
26	SP346000209101	End Stop	249-117
27	SP309084000412	Bolt	M4x12
28	SP309084000410	Bolt	M4x10
29	SP309084100610	Bolt	M6x10
30	SP311679824006	Washer	6
31	SP311125100006	Washer	6.4
32	SP512170	Fan Inset	

Frequency Inverter

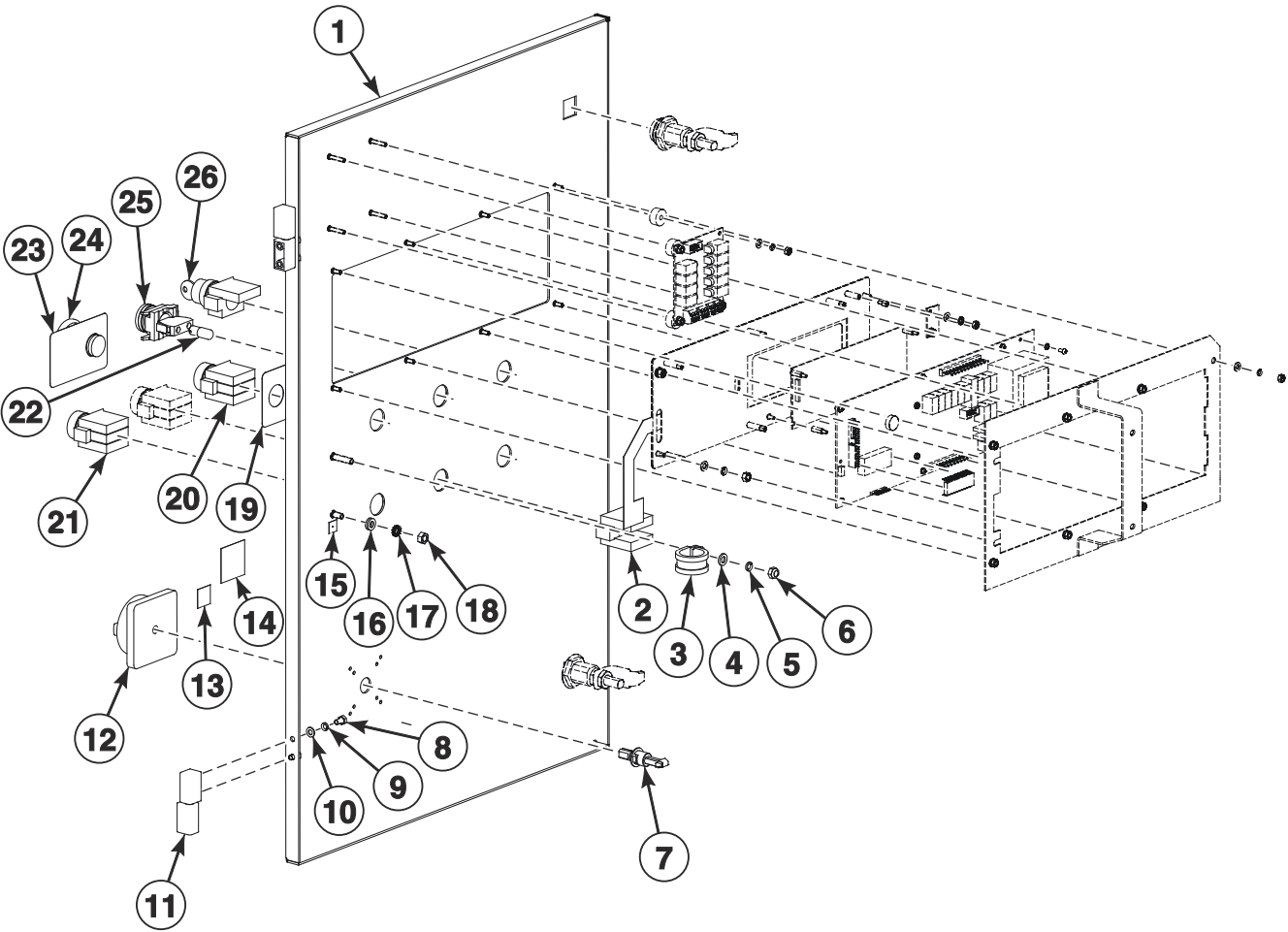


CZB35P_D2415

Frequency Inverter

REF	PART NO.	DESCRIPTION	COMMENTS
	SP520045	Communication Cable	
1	569731	Frequency Inverter Kit	Includes SP557968 Frequency Inverter FR-A8XX, SP557996 Fan, memory and instructions; Used to replace SP525907 Frequency Inverter FR-A7XX on models through 110M001021FF
	SP557968	Frequency Inverter	Models starting 110M001022FK; FR-A8XX; Includes SP557996 Fan
	SP567203	Frequency Inverter Reducer	Models starting 110M001022FK; 380-480V

Electrical Components Box Door (Drawing 1 of 2)

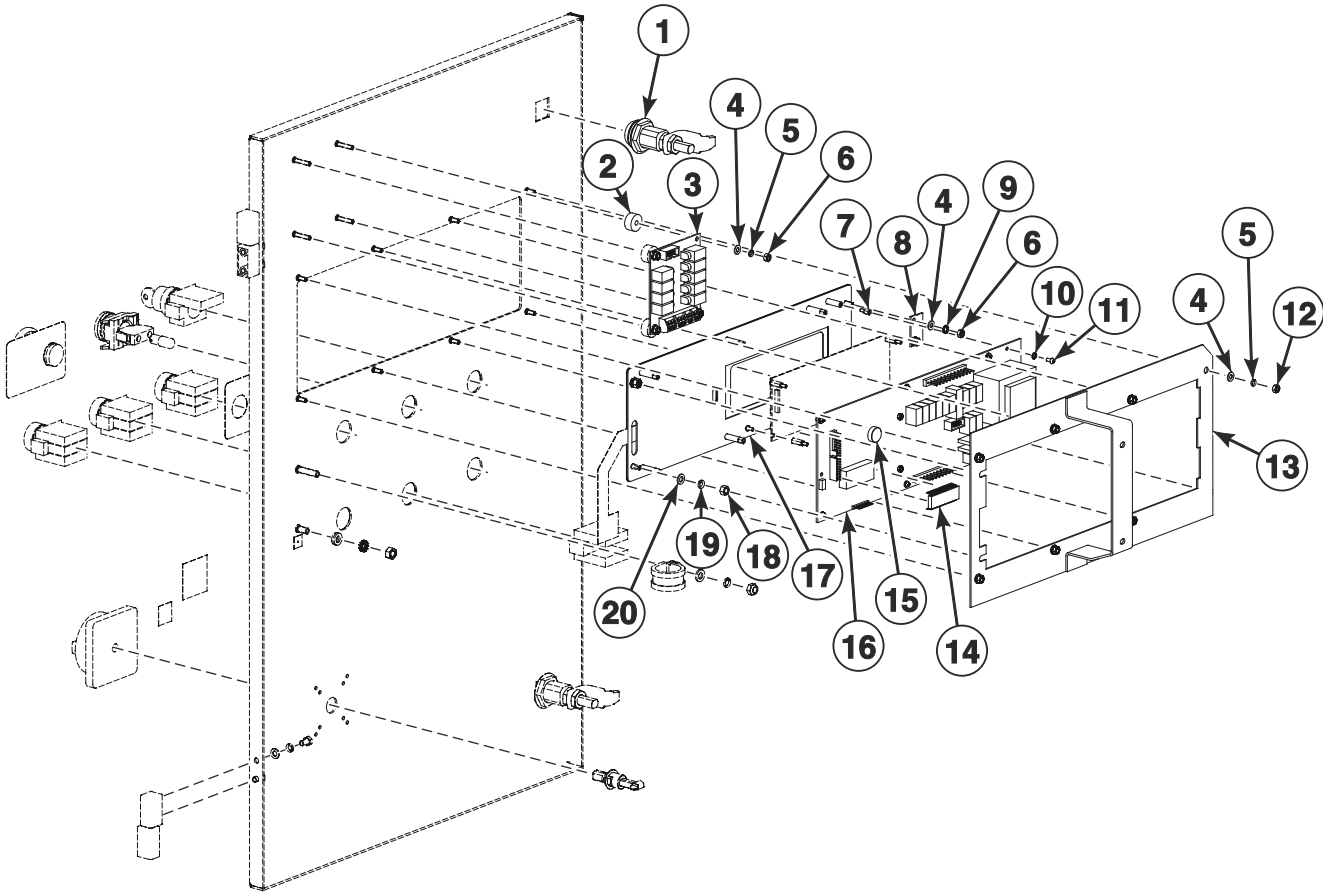


CFD3058P_D2415

Electrical Components Box Door (Drawing 1 of 2)

REF	PART NO.	DESCRIPTION	COMMENTS
	SP513074	Complete Switchboard Door	
1	SP513057	Switchboard Door	
2	SP102260	Contact Block	
3	SP510876	Cable Clamp	
4	SP311125000006	Washer	6
5	SP311127000006	Washer	6
6	SP310985000006	Nut	M6
7	SP514178	Shaft	57mm
8	SP521260	Bolt	M5x8
9	SP311127000005	Washer	
10	SP311125000005	Washer	5.3
11	SP521222	Hinge	
12	SPPRI404000095	Main Switch Knob	
13	SP530764	Label	Main switch
14	SP230200007514	Label	Lightning
15	SPPRI551000001	Earthing Index Plate	
16	SP311125240006	Washer	6.4
17	SP311679824006	Washer	6
18	SP310934240006	Nut	M6
19	SP516021	Label	
20	SP347000002003	Pushbutton	
21	SP516064	Pushbutton	Gray
22	SP514177	Bulb	Neon
23	SPPRI551000006	Label	Central stop
24	SP102259	Emergency Stop Button	
25	SP514176	LED Signal	White
26	SPPRI348000113	Change Over Switch	

Electrical Components Box Door (Drawing 2 of 2)



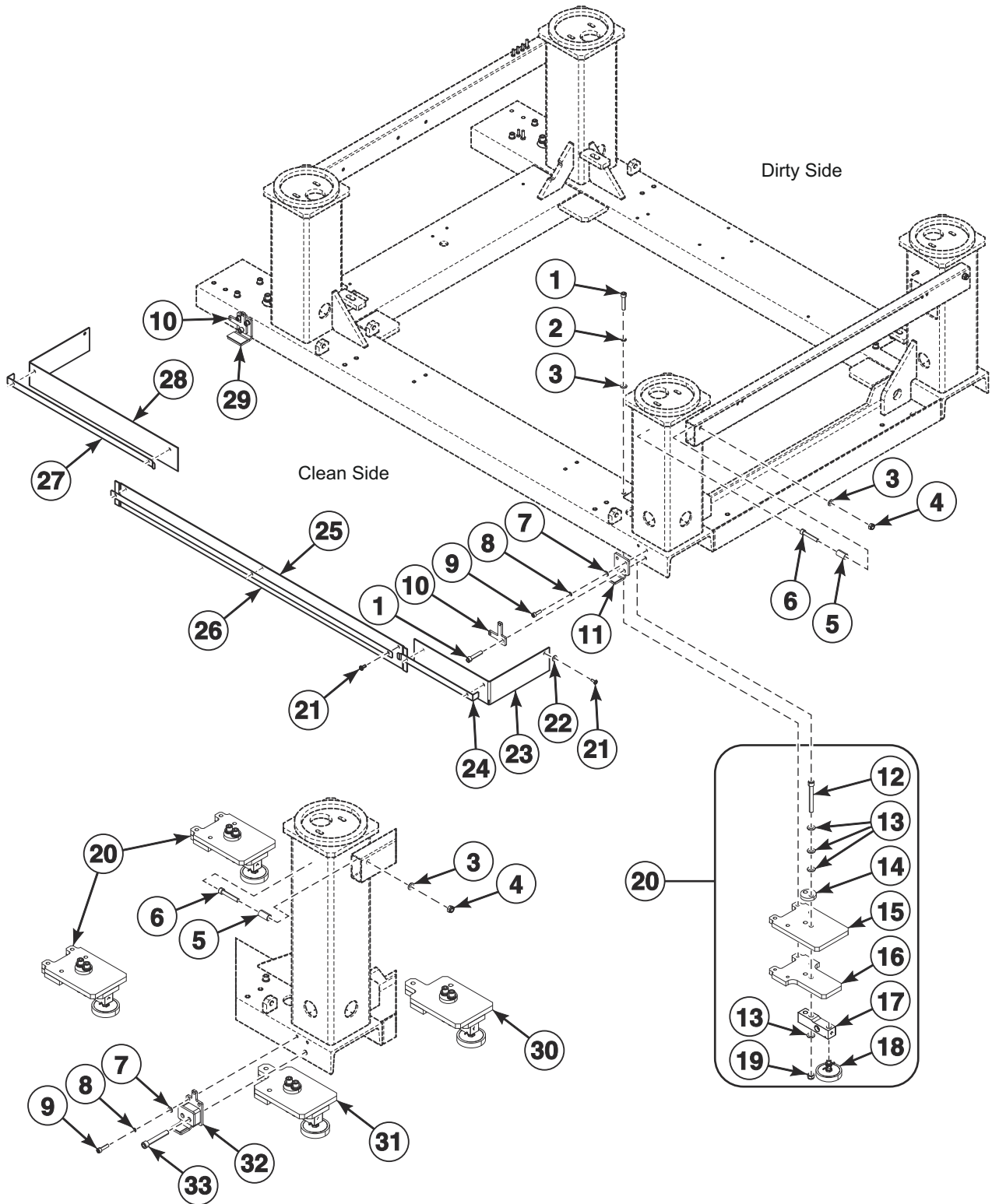
CFD3059P_D2415

Electrical Components Box Door (Drawing 2 of 2)

REF	PART NO.	DESCRIPTION	COMMENTS
1	SPPRI610000046	Locker	
2	SPPRI543000005	Distance Tube	
3	SP520139	Relay Board Extension	
4	SP311125000004	Washer	4.3
5	SP311127000004	Washer	4
6	SP310934000004	Nut	M4
7	SP521444	Spacer	M3x5x3
8	SPPRI185000228	Keyboard	Z-Profile
9	SP311679800004	Washer	4
10	SP311679824003	Washer	3
11	SP309798500306	Bolt	M3x6
12	SP310934000004	Nut	M4
13	SP531250	Control Panel Reinforcement	
14	SP526001	Memory	
15	SP524671	Water Level Switch	
16	SP526008	Control Board	Blue
17	SP520681	Keyboard	MB and PB models
	SP525909	Keyboard	LB, LM, LM Non-Brand and NB models
	SP554984	Keyboard	UB models
	SP554985	Keyboard	IB and SB models
18	SP310934000005	Nut	M5
19	SP311127000005	Washer	5
20	SP311125000005	Washer	5

Weighing System

Models Starting Serial No. 110M001036KB



CZB125P_D2415

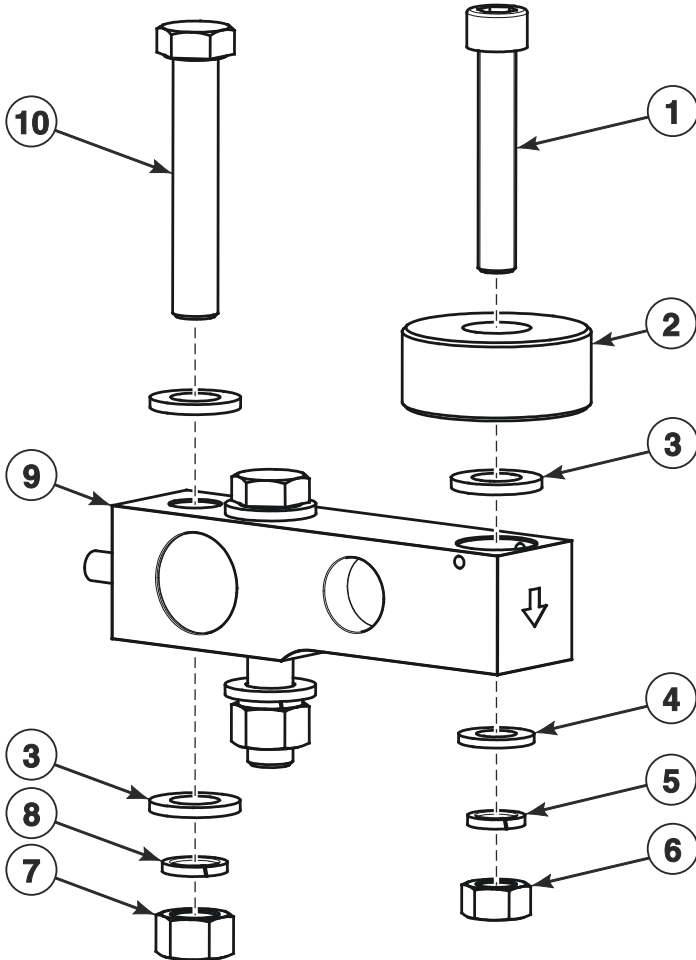
Weighing System

REF	PART NO.	DESCRIPTION	COMMENTS
	567346	Weighing System Kit	
	567395	Anchoring Plate	
1	SP530020	Bolt	M10x50
2	SP311127000010	Washer	10
3	SP311125000010	Washer	10.5
4	SP310985000010	Nut	M10
5	567342	Distance Tube	
6	SP530097	Bolt	M10x60
7	SP311125000008	Washer	8.4
8	SP311127000008	Washer	8
9	SP525282	Bolt	M8x25
10	568623	Distance Part	
11	568614	Cabinet Holder	Complete; Right
12	538768	Bolt	M12x100
13	SP311125000013	Washer	13
14	568617	Pin	
15	568618	Plate	
16	568616	Plate	
17	SP529101	Load Sensor	
18	SP516956	Adjustable Foot	
19	SP310985000012	Nut	M12
20	569005	Weighing System	
21	SP537864	Bolt	M6x16
22	SP311902100006	Washer	M6
23	568606	Frame	Short; Right
24	568608	Shim	Short; Right
25	568622	Frame	
26	568621	Shim	
27	568609	Shim	Long; Left
28	568605	Frame	Long; Left
29	568613	Cabinet Holder	Complete; Left
30	N/A	Weighing System	
31	N/A	Weighing System	
32	N/A	Cabinet Holder	
33	N/A	Bolt	

N/A = Part no longer available

Single Ended Beam Load Cell

Models Through Serial No. 110M001035HU

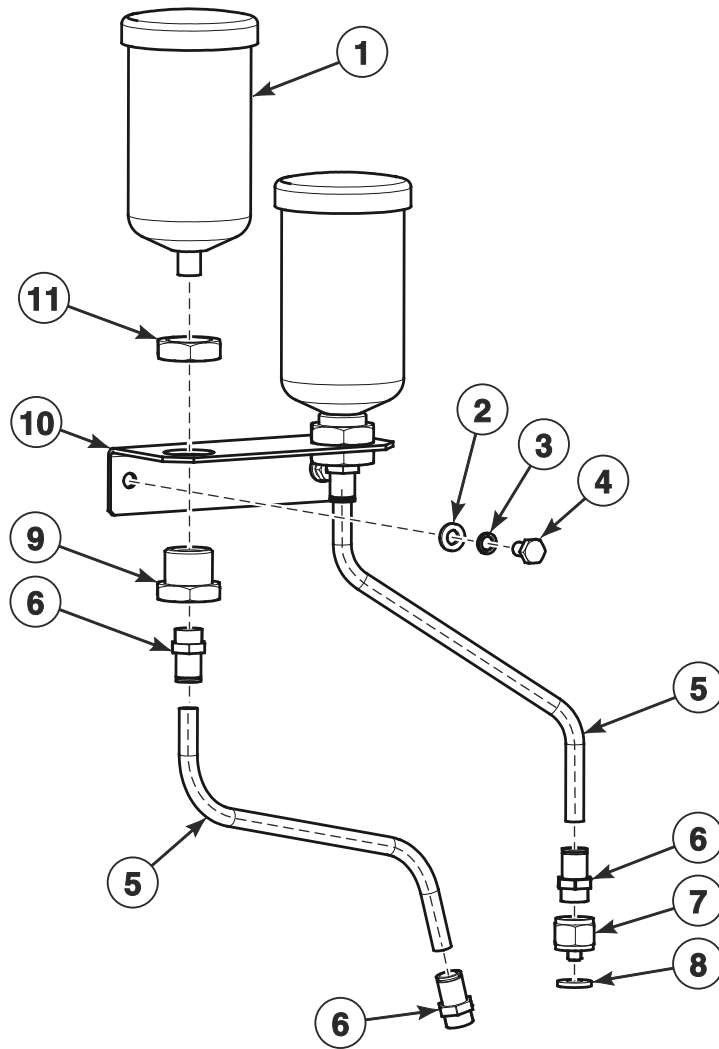


CFD2692P_D2415

Single Ended Beam Load Cell

REF	PART NO.	DESCRIPTION	COMMENTS
	SP536676	Complete Weighing System	
1	SP530097	Bolt	M10x60
2	SP536594	Tensometer Stop End	
3	SP311125000013	Washer	13
4	SP311125000010	Washer	10.5
5	SP311127000010	Washer	10
6	SP310934000010	Nut	M10
7	SP310934000012	Nut	M12
8	SP311127000012	Washer	12
9	SP529101	Load Sensor	
10	SP309933001270	Bolt	M12x70

Automatic Relubrication



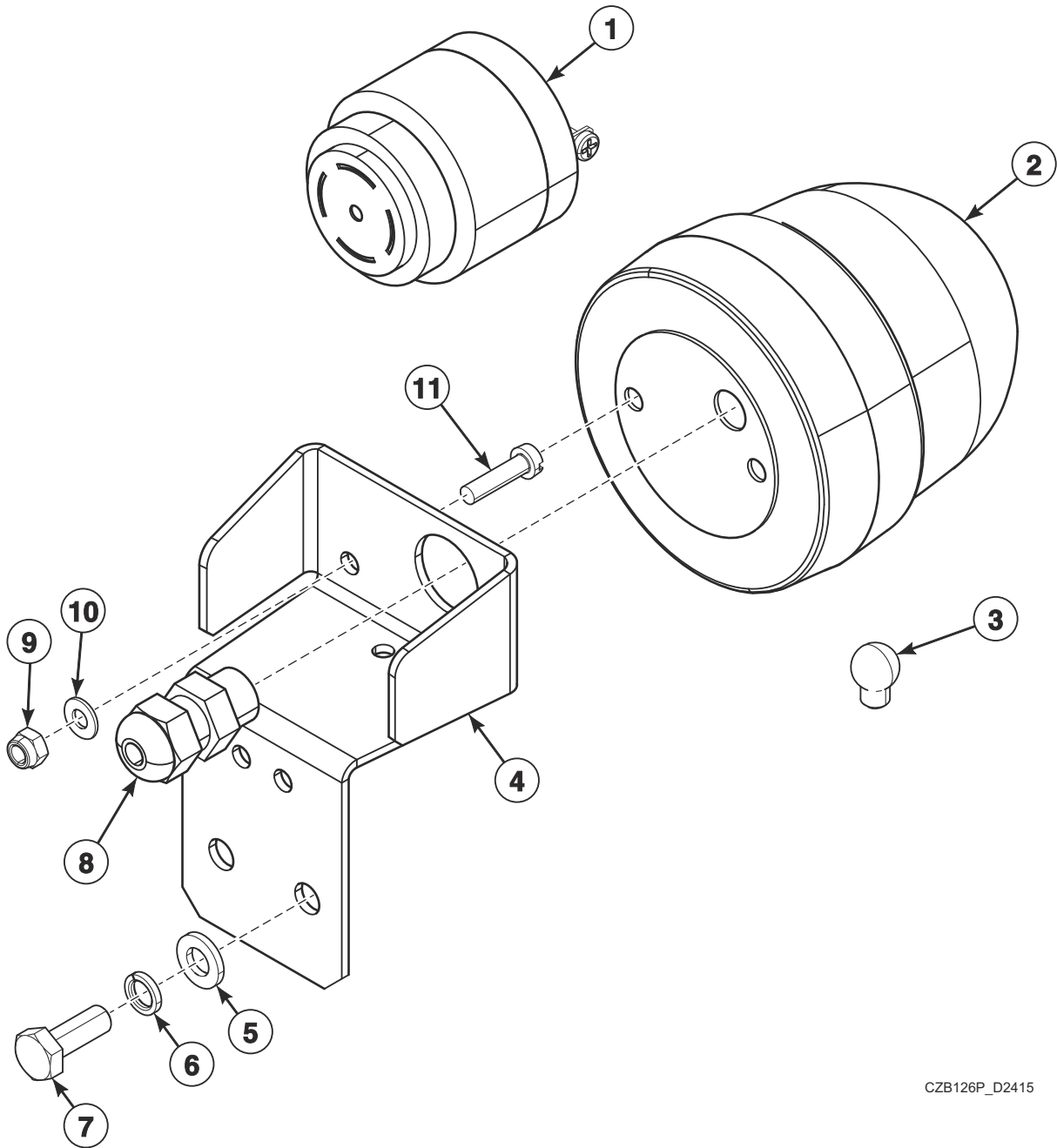
CZB102P_D2415

Automatic Relubrication

REF	PART NO.	DESCRIPTION	COMMENTS
	SP530873	Complete Automatic Relubrication System	
1	SP530868	Lubricator	
2	SP31112500006	Washer	6/6.4
3	SP31112700006	Washer	6/6.1
4	SP309933000610	Bolt	M6x10
5	SP319300008125	Hose	8x1.25
6	SP319428330008	Pipe Nipple	8-G1/4
7	SP530869	Fitting Adapter	M6/G1/4 inch
8	SPPRI521002001	Washer	15x7x2
9	SP500982	Fitting Adapter	1/2 inch - 1/4 inch
10	SP530865	Lubricator Holder	
11	SP500983	Nut	1/2 inch

End of Cycle Light (Drawing 1 of 2)

Models Starting Serial No. 110M00xxxxXX



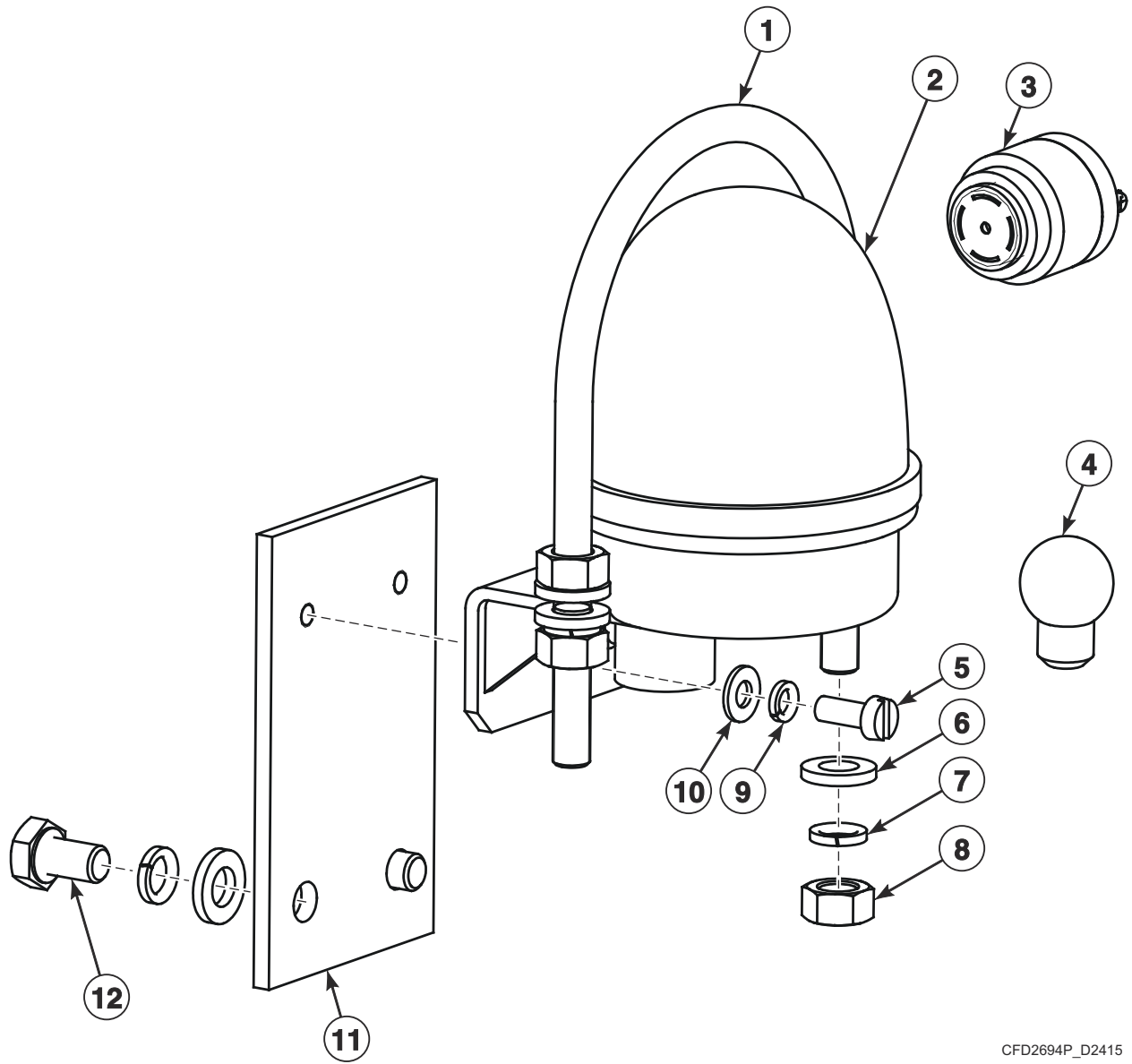
CZB126P_D2415

End of Cycle Light (Drawing 1 of 2)

REF	PART NO.	DESCRIPTION	COMMENTS
	SP525460	End of Cycle Indicator	Assembly
	528389	Cable	
1	SP516844	Buzzer	
2	564690	End of Cycle Beacon	
3	SP514132	Bulb	
4	536490	Holder	
5	SP311125000006	Washer	6.4
6	SP311127000006	Washer	6
7	SP309933000616	Bolt	M6x16
8	SP101405	Bushing	
9	SP514193	Nut	M4
10	SP311125000004	Washer	4.3
11	SP309084000416	Bolt	M4x16

End of Cycle Light (Drawing 2 of 2)

Models Through Serial No. 110M00xxxxXX

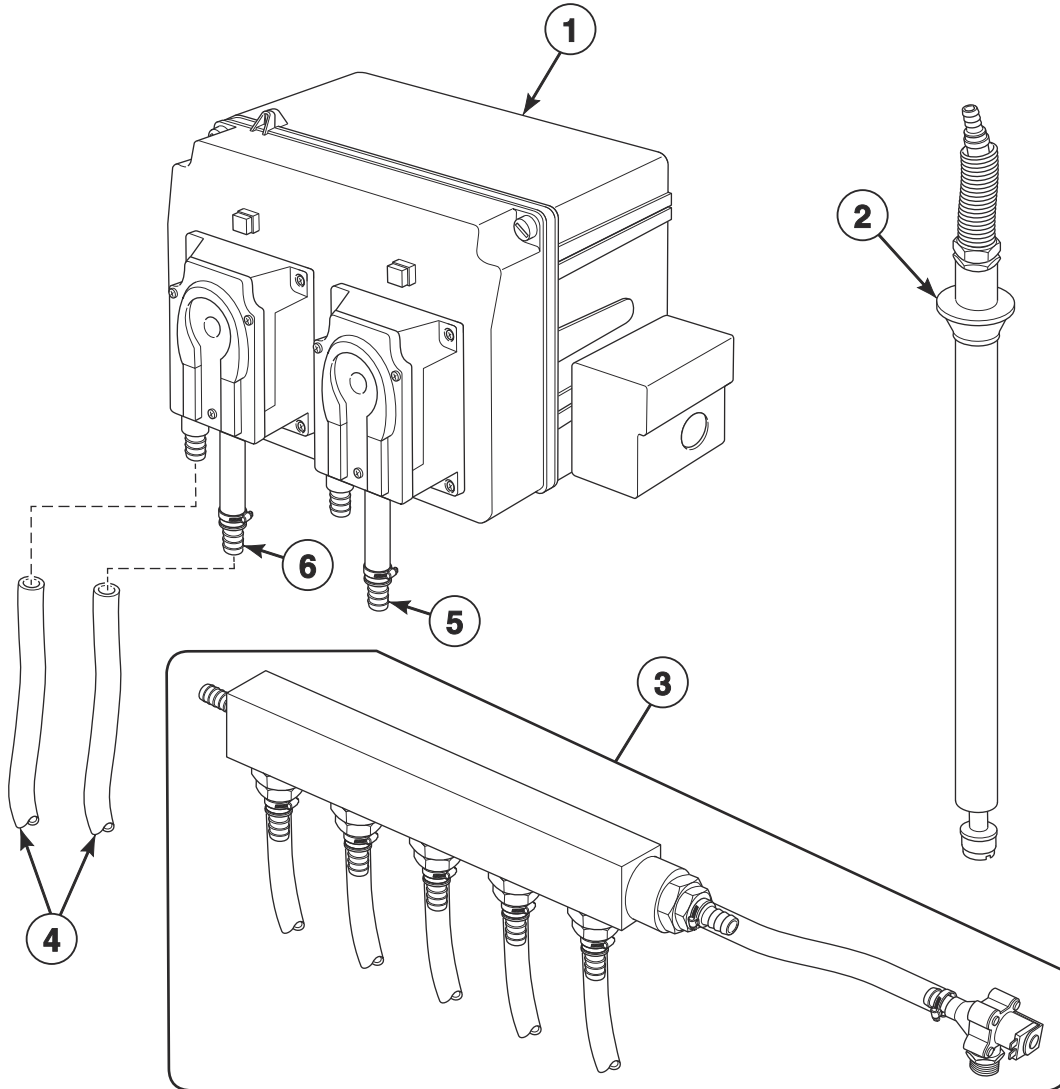


CFD2694P_D2415

End of Cycle Light (Drawing 2 of 2)

REF	PART NO.	DESCRIPTION	COMMENTS
	SP525460	End of Cycle Indicator	
	SP525461	End of Cycle Indicator	One door
1	SP525474	Stirrup	
2	SP514131	Beacon	
3	SP516844	Buzzer	
4	SP514132	Bulb	
5	SP309084000410	Bolt	M4
6	SP311125000006	Washer	6
7	SP311127000006	Washer	6
8	SP310985000006	Nut	M6
9	SP311127000004	Washer	4
10	SP311125000004	Washer	4
11	SP525473	Holder	
12	SP309933000610	Bolt	M6

Liquid Soap Supply System - Pumps



CZB8P_D2415

Liquid Soap Supply System - Pumps

REF	PART NO.	DESCRIPTION	COMMENTS
	MB90-Z40	Supply Pump Kit	For two pumps
	MB90-Z41	Supply Pump Kit	For three pumps
	MB90-Z42	Supply Pump Kit	For four pumps
	MB90-Z43	Supply Pump Kit	For five pumps
	MB90-Z44	Supply Pump Kit	For six pumps
1	529742	Pump	Two
	529743	Pump	Three
	529744	Pump	Four
	529745	Pump	Five
	529746	Pump	Six
2	529787	Suction Tube	
3	SP501975	Manifold Flush Kit	240VAC; 1-5 pumps
	SP501973	Manifold Flush Kit	240VAC; 1-5 pumps
	SP501974	Manifold Flush Kit	Extension kit; 6-10 pumps includes 1 piece, 1 piece needed; 11-15 pump includes includes 1 piece, 2 pieces needed
4	SPPRI540020005	Hose	d10/14
5	529747	Hose	Spare hose for pump
6	547808	Connection	

Parts Index

A

Adapter	
SP508274	55
SP513089	27
SP527561	81, 83
Adjustable Foot	
SP516956	105
Air Spring	
SP102445	27
Air Trap Bracket	
536510	15
Air Trap Support	
SP539537	77
Air Weighing Assembly	
527568	79
Amplifier	
SP516968	95
Anchoring Plate	
567395	105
Autotransformator	
SP516725	93, 97

B

Back Clamp	
SP519196	47
Back Frame	
SP536763	9
Back Panel	
SP536783	23
SP536784	21, 25
SP536785	21, 25
SP536786	21, 25
Beacon	
SP514131	113
Bearing	
SP506521	67, 69, 71
Bearing and Flange	
SP535928	37
Belt	
SP506555	49
Binding Strip	
SP345000626088	65
Blanking Plate	
570811	85, 87
Bolt	
SP223110200415	57
SP309084000310	53, 57, 81
SP309084000410	97, 113
SP309084000412	97
SP309084000416	111
SP309084000512	81, 83, 95
SP309084000530	79
SP309084000540	79
SP309084100610	97
SP309595240612	39, 65, 73
SP309798500306	103
SP309798524416	41
SP309912000620	67, 69, 71

SP309912121265	17
SP309912121660	49
SP309931008120	41
SP309931020150	17
SP309933000610	109, 113
SP309933000612	75, 93
SP309933000616	27, 29, 35, 55, 73, 77, 79, 111
SP309933000618	53, 89, 91
SP309933000620	57
SP309933000625	11, 95, 97
SP309933000630	59, 61
SP309933000660	73
SP309933000820	7, 31, 55, 77
SP309933000830	27
SP309933000840	7, 13, 73
SP309933000880	91
SP309933001020	63
SP309933001025	93
SP309933001030	93
SP309933001035	93
SP309933001080	93
SP309933001225	17, 51
SP309933001240	55
SP309933001250	15
SP309933001260	27, 51
SP309933001270	27, 107
SP309933001299	51
SP309933240408	57
SP309933240616	67, 69, 71, 75, 83
SP309933240620	65
SP309933240815	27, 31, 45
SP309933240825	67, 69, 71
SP309933240830	45
SP503816	47
SP506699	41
SP509976	73
SP510922	55
SP512134	81, 83
SP515075	39
SP518623	65
SP521260	101
SP525282	105
SP530020	7, 105
SP530097	105, 107
SP535940	13
SP536236	45
SP537854	15, 17
SP537864	19, 25, 95, 105
SP552885	49
538768	105
566599	83, 87
567202	41
570821	83, 85, 87
Brake	
SP512193	49, 55
SP530937	49, 55
536425	49, 55
Brake Arm Spring	
SP530949	55
Brake Block	
SP510964	55
Brake Modification	
SP512194	55
Brake Resistor	
SP516746	95

N/A items do not appear in index.

Brake Spring	
566477	55
566478	55
Brake Wheel	
SP508276	49
Bulb	
SP514132	111, 113
SP514177	101
Bumper Profile	
SP321000135460	19
Bumper Reinforcement	
536789	19
Bushing	
SP101405	111
SP101407	53
SP101409	53
SP273121013002	95
Buzzer	
SP516844	95, 111, 113

C

Cabinet Holder	
568613	105
568614	105
Cable	
528389	111
Cable Bushing	
SPPRI350000045	91, 95
SPPRI350000056	65, 95
SPPRI350000057	91, 95
SPPRI501000071	89, 95
SP101410	91, 95
SP347800170099	95
SP516175	95
Cable Bushing Reduction	
SP552258	53
Cable Channel	
SPPRI407000109	27, 95
SP366610025375	73, 95
Cable Clamp	
SP510876	101
Cable Passage	
SP273121009002	95
Case Body	
SP515788	67, 69, 71
Ceiling Cover	
SP536364	21
SP536365	21
SP536366	21
SP536367	21
SP536368	21
Change Over Switch	
SPPRI348000113	101
Circuit Breaker	
SPPRI401014021	95, 97
Clamp	
SP346000280101	91, 97
SP346000280104	91, 97
SP346000280107	91, 97
Clamp Holder	
SP536821	75
Clamping Sleeve	
SP516700	49

Clip	
SP508310	59, 63
Closure Guard	
SP535608	47
Column	
SP508202	67, 69, 71
Communication Cable	
SP520045	99
Complete Automatic Relubrication System	
SP530873	109
Complete Box	
SP536161	39
Complete Drive	
SP530890	49
SP559127	49
Complete Drum	
SP536735	43
SP536740	43
Complete Flue	
SP512177	95
Complete Outlet Valve	
SP513126	67
SP513127	69
SP519080	71
Complete Part Input	
SP536840	77
Complete Profile	
SP536333	73
SP536894	75
SP536896	75
Complete Recycle Board	
SP536843	77
Complete Recycle System	
SP536885	73
Complete Recycle Valve	
SP536802	75
Complete Second Display	
SP530930	65
Complete Soap Hopper	
SP508393	57, 59
Complete Soap Hopper Cover	
SP223110700013	57
Complete Steam Heating	
SP539140	63
Complete Suspension	
SP536551	27
Complete Switchboard	
SP513136	95
Complete Switchboard Door	
SP513074	101
Complete Transformer	
SP539147	93
SP555057	93
Complete Transformer Profile	
SP539166	93
Complete Weighing System	
SP536676	107
Connecting Block	
SP536506	81
SP536507	81
570809	83, 87
570810	83, 85
Connecting Part	
SP536290	11

N/A items do not appear in index.

SP536305	7, 13
SP536310	7
SP536315	7
SP536765	7, 11
SP536766	11
SP536767	7, 11
SP539755	13
Connection	
547808	115
Connection Tee	
SP527559	27, 81, 83
Contact	
SP516065	65
Contact Block	
SPPRI345013045	95
SP102255	65
SP102260	65, 101
Contactors	
SPPRI345001019	95
SPPRI345002019	91, 95
Control Board	
SP526008	103
Control Light	
SP347000000174	65
Control Panel Reinforcement	
SP531250	103
Coupling	
SP405113000006	47
SP506053	81, 85, 87
Cover	
SP235110001413	57
SP346000014010	97
SP346000280301	91, 97
SP524655	97
SP536780	19
SP536798	21
Cover Bar	
SP505945	67, 69, 71
Cover Insert	
SP235111200013	57
Cover Plate	
SP508373	67
Cover Support	
539834	15
Cylinder Clevis	
SP536450	47
Cylinder Extension	
SP536452	47
SP536453	47
Cylinder Spring	
SP535643	47

D

Damper	
SP516886	27
SP516890	27
Distance Part	
SP536343	7, 13
568623	105
Distance Ring	
SP536593	37

Distance Tube	
SPPRI543000005	103
567342	105
Distribution Board	
SP506482	91
Door Bolt	
SP536002	31
Door Cover	
SP536799	25
SP539825	21
SP539830	21
Door Lock	
SP530850	41
Door Pin	
SP235110001215	57
Door Seal	
SP536165	39
SP536166	39
Door Slider	
SP536239	45
Door Switch	
SP516677	47
Drain Hose Pipe	
SPPRI5050000087	75
Drum	
SP536736	43
SP536741	43
Drum Exhaust Hose	
SP536596	59, 61, 73

E

Earthing Bloc	
SPF02145101314	97
Earthing Index Plate	
SPPRI551000001	101
Elbow	
SPPRI504000069	57
SPPRI505000034	59, 61
SP536517	59
SP536518	59, 61, 73, 77
SP536851	75
Electric Box Bridge	
SP513062	97
Electric Box Trent	
SP536511	95
Electric Heating	
SP530887	91
SP530888	91
Electrical Box	
SP535625	65
Electrical Time Switch	
SP358126300000	91
Electromagnetic Coil	
SP536509	81
570808	83, 85, 87
Electromagnetic Valve	
SP536502	81
SP536503	81
SP536504	81
Emergency Stop Button	
SP102259	65, 101

N/A items do not appear in index.

End of Cycle Beacon 564690	111
End of Cycle Indicator SP525460	111, 113
SP525461	113
End Stop SP346000209101	91, 97
SP530848	41
Extension Insert SP550545	73
External Tub SP536700	31
SP536701	31
SP536702	31
SP536703	31
SP536704	31
SP536705	31
SP536706	31
SP536707	31
SP536708	31
SP536709	31
SP536710	31
SP536711	31
Eyebolt SP532898	31

F

Fan SP337503380200	97
SP512195	53
Fan Inset SP512170	97
Filling Hose Pipe SP533036	59
Filter SP506038	95
Filter Pressure Regulator 570801	83
Fitting Adapter SP500982	81, 109
SP517234	81
SP523141	81, 83
SP525528	27, 79, 83
SP527564	79
SP530869	109
SP536519	59
SP536520	59, 61, 73
SP536850	75
570822	83, 85, 87
570824	83
Frame 568605	105
568606	105
568622	105
Frequency Inverter SP557968	95, 99
567203	95
Frequency Inverter Kit 569731	99
Frequency Inverter Reducer SP525906	99
Front Frame SP536764	9

Front Panel SP536781	23
SP536782	19
SP536787	19
SP536790	19
SP536793	19
SP536794	23
SP559074	19

Fuse SPPRI401020021	97
SP344000010000	97
SP358251632225	97
SP358503740020	97
SP358503750020	97

Fuse Case SP346000004010	97
-----------------------------------	----

Fuse Clip SP524653	97
-----------------------------	----

Fuse Disconnecter SP358251601311	91, 97
---	--------

Fuse Insert SP358503700020	91
-------------------------------------	----

G

Gas Spring SP535934	39
------------------------------	----

Grease Nipple SP536591	37
---------------------------------	----

H

Handle SP536225	45
--------------------------	----

Heating Element SP530877	91
-----------------------------------	----

Heating Plug SP511949	31
--------------------------------	----

Heating Switchboard SP528069	91
SP528070	91

Heating Tube SP508251	31
--------------------------------	----

Hinge SP521222	101
-------------------------	-----

Holder SPF02110001214	57
SP525473	113
SP530851	41
SP530932	55
SP539136	51
536490	111

Hook Closure SP536451	47
--------------------------------	----

Hook Closure Pin SP535607	47
------------------------------------	----

Hose SPPRI540000014	59
SPPRI540001019	59, 61, 89
SPPRI540020005	115
SP223101401114	75, 77
SP273396307058	59
SP273454900001	63

N/A items do not appear in index.

SP31930006001	47, 63, 81, 83, 85, 87
SP31930008125	81, 83, 85, 87, 109
SP510838	59, 61, 73, 77
SP510965	59, 61, 73, 75
SP520252	59, 61
SP523144	27, 79, 83
529747	115
Hose Clamp	
SPPRI240000002	59
SPPRI240000003	59, 61, 89
SPPRI240000005	77
SPPRI240000007	77
SPPRI240000015	59, 61, 73
SPPRI240000017	59, 61, 77
SPPRI240000021	59, 61, 75

I

Inductive Sensor	
SP516025	35
Inner Door	
SP536200	43, 45
SP536201	45
Inner Door Pin	
SP536247	45
Insert	
SP536515	59
SP536516	59, 61, 75
Insert Extension	
SP536487	59, 61, 73
Insert Tube	
SP536469	63
Insertion	
SP536817	77
Insulation	
SPF02110001314	57
Insulation Tube	
SP283362004915	57
Interconnection	
SP346000280402	97
Inverter Plinth	
SP526712	95

J

Jaw Holder	
SP511818	55
Joint	
SP505950	67, 69, 71

K

Keyboard	
SPPRI185000228	103
SP520681	103
SP525909	103
SP554984	103
SP554985	103

L

L Profile	
SP536605	17
Label	
SPPRI551000006	101
SP230200007514	101
SP516021	65, 101
SP516193	97
SP530764	101
SP530926	65
SP548000091014	57
LCD Display	
SP526798	65
LED Signal	
SP514176	101
Level Indicator Tube	
SP536854	75
Level Switch	
SP524676	75
Load Sensor	
SP529101	105, 107
Location Inset	
SP535624	37
Locker	
SPPRI610000046	103
Locking Spring	
SP536237	45
Logo Label	
RSP70472001	23
2250043500	23
567887	23
Lubricator	
SP530868	109
Lubricator Holder	
SP530865	109

M

Magnetic Switch	
SPPRI346000032	57
Magnetic Switch Magnet	
SPPRI346000031	57
Main Switch	
SP504589	91
SP514180	97
SP514181	97
Main Switch Knob	
SPPRI404000095	101
Manifold Flush Kit	
SP501973	115
SP501974	115
SP501975	115
Memory	
SP526001	103
Middle Partition	
SP539119	15
SP539120	15
Middle Weight	
SP539118	15
Module Coupling	
570805	83

N/A items do not appear in index.

Motor	
SP530891	51, 53
SP530893	53

N

Nameplate	
F8443105	23
SP532265	23
SP534353	23
SP534364	23
Non-Return Valve	
SP517235	81
SP525529	81
570812	83
570813	83
Nozzle	
570375	57
Nut	
SPPRI350001045	91, 95
SPPRI350001056	65, 95
SPPRI350001057	91, 95
SP101420	91, 95
SP310917240006	57, 73
SP310934000003	57
SP310934000004	57, 81, 97, 103
SP310934000005	103
SP310934000006	35, 47, 59, 61, 63, 73, 81, 91
SP310934000008	7, 13, 39, 73, 91
SP310934000010	47, 93, 107
SP310934000012	15, 51, 57, 107
SP310934000020	17, 37
SP310934240004	39, 57
SP310934240005	81
SP310934240006	65, 67, 69, 71, 75, 101
SP310934240008	67, 69, 71
SP310985000006	57, 101, 113
SP310985000008	55, 67, 69, 71
SP310985000010	105
SP310985000012	27, 105
SP310985000016	49
SP347800169744	95
SP500983	109
SP510923	57
SP514193	111
SP516176	95
SP526792	41
SP535942	31
570374	57

O

O-Ring	
SP506517	67, 69, 71
SP506519	67, 69, 71
SP535604	43
Outer Door	
SP536150	39
SP536151	39
Outer Frame	
SP536760	7, 11
Outlet Valve Seal	
SP508205	67, 69, 71
Overseal	
SP530854	41

N/A items do not appear in index.

P

Padlock	
SP523167	89
Pin	
SP223110200115	57
SP508374	67, 69, 71
SP536240	45
568617	105
Pipe Coupling	
SP235134107315	89
SP523729	89
Pipe Nipple	
SP319428330006	47, 81, 83, 85, 87
SP319428330008	81, 83, 109
SP319428330060	47, 55, 63, 67, 69, 71
SP319428330800	81
SP503883	59, 61, 73
Plate	
SP505948	67, 69, 71
SP505949	67, 69, 71
568616	105
568618	105
Plate Nut	
SP513110	47
Plug	
SPPRI505000064	23
SPXM1100017014	67, 75
SP319428324805	59, 61
SP510940	59, 61
SP536164	39
SP536179	39
Pneumatic Assembly Holder	
SP536493	79
Pneumatic Assembly Plate	
SP536497	81
570064	83
Pneumatic Cylinder	
SP506505	67, 69, 71
SP516892	47
SP519197	47
Pneumatic Installation Components	
SP536663	79
Pneumatic System	
570060	87
570061	85
Pressure Regulator Grip	
570804	83
573218	81
Pressure Switch	
SP506590	79
570806	83
Profiled Sealing	
SPPRI505000058	23
Pulley	
SP508277	49
SP530892	49
SP559123	49
Pulley Panel	
SP536363	21
Pump	
SP532827	77
529742	115
529743	115
529744	115

529745	115
529746	115
Pump Elbow	
SP550547	77
Pushbutton	
SP102254	65
SP347000002003	65, 101
SP516064	65, 101

R

Rail	
SP346000210113	95
Recycle Adapter	
SP536859	75
SP536860	75
SP536861	75
Recycle Tank	
SP536886	73
Recycle Valve Seal	
SP550501	73
Reducing Clasp	
SP539849	61
Reduction	
SPF02116001814	63
Reduction Valve	
570803	83
Regulator	
573219	81
Relay	
SP514134	97
Relay Board Extension	
SP520139	103
Relay Case	
SP506586	97
Relay Clamp	
SP514135	97
Ring	
SP516895	37
Rivet	
SP313250004075	19
SP313250004125	95
506627	19

S

Safety Lever	
SP321848480023	57
Safety Lock	
SP536220	45
Safety Ring	
SP307732030010	47
Safety Spring	
SP536238	45
Screw	
SP309916000606	37
Seal	
SP273442021020	57
SP510986	31, 39
SP511867	53
SP516887	37
SP517232	65

SP555026	59, 61
Seal Cover	
SP536167	39
SP536168	39
Sealing Ring	
SPPRI524000001	33
Second Display Cover	
SP530927	65
Second Display Holder	
SP530928	65
Sensor	
SP506596	47
SP510542	49
SP526440	47
Sensor Holder	
SP520324	35
Sensor Holder Base	
SP520323	35
Shaft	
SP514178	101
Shaft Slide Casing	
SP535627	43
Shim	
568608	105
568609	105
568621	105
Side Bar	
SPF02113200614	19
Side Flange Seal	
SP508214	67, 69, 71, 77
Side Panel	
SP536795	23
SP536796	23
SP536797	23
SP539116	15
SP539117	17
Side Panel Support	
SP536496	7
Side Safety Rubber	
SP536606	17
Sideboard Weight	
SP539121	17
Sliding Sleeve	
SP536132	43, 45
SP536133	45
Soap Hopper	
SP511927	57
Soap Hopper Cover	
SP223110600013	57
Soap Hopper Level	
SP235110200014	57
Soap Hopper Lock	
SPF02110200014	57
Soap Hopper Profile	
SP536768	7, 13
SP536769	7, 13
Sound Damper	
SP326346000407	79, 81
570814	83
570823	83, 85, 87
Spacer	
SP521444	103
Split Pin	
SP536241	45

N/A items do not appear in index.

Spring	
SP120102302325	57
SP315235031015	55
SP530859	41
Spring End Stop	
SP536235	45
Steam Hose	
SP535941	63
Steam Kit	
570109	63
570110	63
570111	63
Steam Nozzle	
SP508253	31
Steam Pipe	
SP539141	63
Steam Tube	
SP536461	63
SP539142	63
Steam Tube Holder	
SP536460	63
Stirrup	
SP511884	59, 61
SP525474	113
Suction Tube	
529787	115
Supply Pump Kit	
MB90-Z40	115
MB90-Z41	115
MB90-Z42	115
MB90-Z43	115
MB90-Z44	115
Support	
SP539781	73
SP554866	93
Switchboard Assembly	
SP513134	95
Switchboard Door	
SP513057	101
Switchboard Holder	
SP536494	91
Switching Valve	
570802	83

T

Tank Cover	
SP550554	73
SP550555	73
Tape	
283296215119	27, 55, 59, 61, 63, 75, 79, 83, 85, 87
Tee	
SP536521	59
SP536849	75
SP536855	75
SP536858	75
Temperature Sensor	
SP503839	33
Tensometer Stop End	
SP536594	107
Terminal Board	
SP506575	53

Thermostat Sensor Holder	
SPPRI614000047	33
Topper	
SP536508	81
Transformer Board	
SP554865	93
Transformer Cover	
SP539148	93
SP555058	93
Transformer	
SP101643	95
Trunnion	
SP536555	37
Tube	
SP536638	59
Tube Holder	
SP536853	75

U

Upper Flange Seal	
SP508213	67, 69, 71
Upper Frame	
SP539115	15, 19

V

Valve	
SP506599	59, 61, 73
SP506600	63
SP523728	89
SP525527	79
566598	83, 85, 87
566600	83
Valve Body	
SP513128	67
SP513129	69
SP519081	71
Valve Connector	
SP536505	81, 83, 85, 87
Valve Cover	
SP505946	67, 69, 71
Valve Holder	
SP525471	89
Valve, 2-Way	
SPPRI340020035	59
Valve, 3-Way	
SPPRI340030038	59
Vessel	
SP321848223000	57
SP550550	73
SP550551	75
SP550552	73
SP550553	73
Vibration Switch	
SPPRI345000068	29
Vibration Switch Counterpart	
SP536492	29
Vibration Switch Holder	
SP536491	29

N/A items do not appear in index.

W

Wash Bath Sample Valve	
SP525462	89
Washer	
SPF02105002515	17
SPPRI521002001	109
SP311125000003	57, 81
SP311125000004	57, 81, 83, 85, 87, 97, 103, 111, 113
SP311125000005	81, 83, 95, 101, 103
SP311125000006	11, 27, 29, 35, 47, 55, 57, 59, 61, 63, 73, 77, 81, 89, 91, 93, 97, 101, 109, 111, 113
SP311125000008	7, 13, 27, 77, 91, 105
SP311125000010	63, 93, 105, 107
SP311125000013	27, 51, 55, 105, 107
SP311125000017	49
SP311125100006	97
SP311125240004	39, 41, 57
SP311125240006	65, 67, 69, 71, 75, 83, 101
SP311125240008	31, 39, 41, 45, 67, 69, 71
SP311125999913	17
SP311127000003	57
SP311127000004	57, 83, 85, 87, 97, 103, 113
SP311127000005	83, 95, 101, 103
SP311127000006	11, 27, 29, 35, 47, 53, 55, 57, 75, 77, 81, 91, 97, 101, 109, 111, 113
SP311127000008	27, 73, 77, 91, 105
SP311127000010	93, 105, 107
SP311127000012	15, 51, 55, 57, 107
SP311127000016	49
SP311127000020	17, 37
SP311127240004	39, 41, 57
SP311127240006	65, 67, 69, 71, 75, 83, 89, 93
SP311127240008	31, 45
SP311679800004	103
SP311679824003	103
SP311679824006	97, 101
SP311902100006	57, 105
SP511866	53
SP511923	55
SP511924	49
SP530858	41
SP530933	55
SP530936	55
SP535797	45
SP535798	45
SP536248	45
SP536249	45
SP536324	7, 13
539146	45
557324	45
Water Inlet	
SP536486	59
Water Input Box	
SP536480	59, 61
Water Level Switch	
SP524671	103
Water Tube Holder	
SP536488	59
Weighing System	
569005	105
Weighing System Kit	
567346	105

Window	
SP530939	39
Wiper	
SP516633	67, 69, 71

N/A items do not appear in index.

