

Washer-Extractor

Barrier Washer
180 and 1800 Models
Refer to Page 5 for Model Numbers



Table of Contents

Title	Page
Parts Ordering Information.....	3
Serial Plate Location	3
Model Identification	5
Outer Frame - Models Without Recycle (Drawing 1 of 2)	6
Outer Frame - Models Without Recycle (Drawing 2 of 2)	8
Outer Frame - Models With Recycle (Drawing 1 of 2)	10
Outer Frame - Models With Recycle (Drawing 2 of 2)	12
Upper Frame (Drawing 1 of 2)	14
Upper Frame (Drawing 2 of 2)	16
Cabinet 1 (Drawing 1 of 3)	18
Cabinet 1 (Drawing 2 of 3)	20
Cabinet 1 (Drawing 3 of 3)	22
Cabinet 2.....	24
Spring Hinge	26
Vibration Switch	28
External Tub.....	30
Temperature Sensor	32
Tub Position Detector	34
Trunnion.....	36
Outer Door - Vertical	38
Outer Door - Horizontal.....	40
Outer Door Securing	42
Drum and Inner Door	44
Inner Door	46
Door Lock - Vertical	48
Door Lock - Horizontal	50
Drive (Drawing 1 of 2).....	52
Drive (Drawing 2 of 2).....	54
Motor	56
Brake.....	58
Soap Hoppers	60
Filling System - Models With Soap Hopper.....	62
Filling System - Models Without Soap Hopper.....	64
Steam Heating	66
Second Display	68
Standard Outlet Valve.....	70
Second Outlet Valve - 5 Inch	72
Second Outlet Valve - 3 Inch	74
Recycle System (Drawing 1 of 3).....	76
Recycle System (Drawing 2 of 3).....	78
Recycle System (Drawing 3 of 3).....	80

© Copyright 2019, Alliance Laundry Systems LLC

All rights reserved. No part of the contents of this book may be reproduced or transmitted in any form or by any means without the expressed written consent of the publisher.

Pneumatic System Board (Drawing 1 of 2).....	82
Pneumatic System Board (Drawing 2 of 2).....	84
Pneumatic System Board - Standard.....	86
Pneumatic System Board - Second Outlet Valve	88
Pneumatic System Board - Recycle System.....	90
Wash Bath Sample	92
Transformer	94
Box of Electrical Components (Drawing 1 of 2)	96
Box of Electrical Components (Drawing 2 of 2)	98
Frequency Inverter	100
Electrical Components Box Door (Drawing 1 of 2).....	102
Electrical Components Box Door (Drawing 2 of 2).....	104
Weighing System	106
Single Ended Beam Load Cell	108
Automatic Relubrication	110
End of Cycle Light (Drawing 1 of 2)	112
End of Cycle Light (Drawing 2 of 2)	114
Liquid Soap Supply System - Pumps.....	116
Parts Index.....	119

Parts Ordering Information

If literature or replacement parts are required, contact the source from whom the machine was purchased or contact Alliance Laundry Systems at (920) 748-3950 for the name and address of the nearest authorized parts distributor.

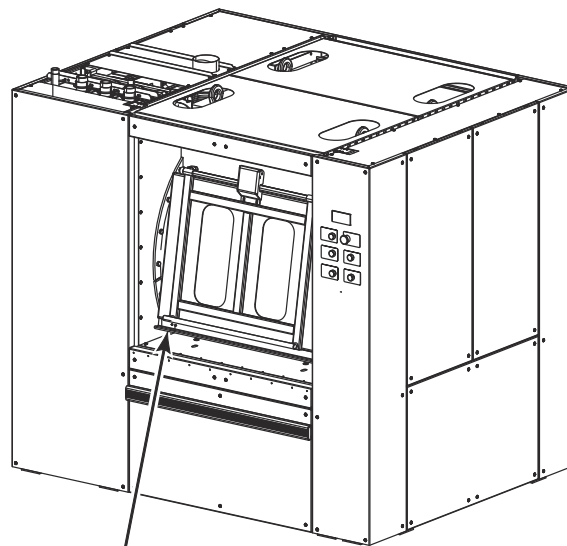
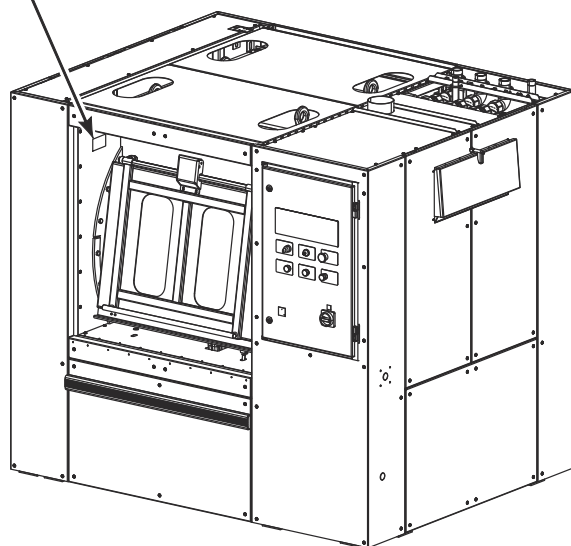
For technical assistance, call the number listed below:

(920) 748-3121 Ripon, Wisconsin

Serial Plate Location

When calling or writing about your product, be sure to mention model and serial numbers. Model and serial numbers are located on serial plate(s).

Serial Plate



Serial Plate

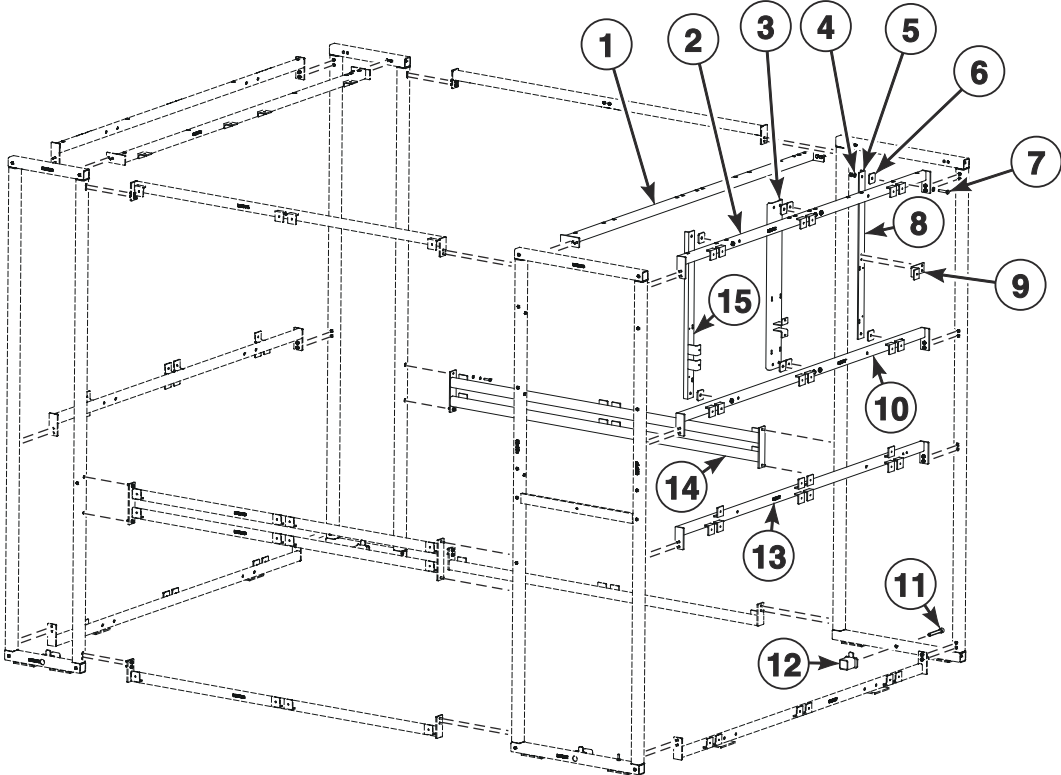
CZB145N_D2417

Model Identification

Information in this manual is applicable to these washer-extractor models:

IB1800_MICRO_STARTING_180M001000	PBC18XW_STARTING_180M001000
IBC18XW_STARTING_180M001000	PBG1800W_STARTING_180M001000
IBG1800W_STARTING_180M001000	PBH18XW_STARTING_180M001000
IBH18XW_STARTING_180M001000	PBU1800W_STARTING_180M001000
IBU1800W_STARTING_180M001000	PBU18XW_STARTING_180M001000
IBU18XW_STARTING_180M001000	PBX18XW_STARTING_180M001000
IBX18XW_STARTING_180M001000	SB1800_MICRO_STARTING_180M001000
LBC18XW_STARTING_180M001000	SBC18XW_STARTING_180M001000
LBH18XW_STARTING_180M001000	SBG1800W_STARTING_180M001000
LBU18XW_STARTING_180M001000	SBH18XW_STARTING_180M001000
LBX18XW_STARTING_180M001000	SBU1800W_STARTING_180M001000
LM1800_GRAPHITRONIC_STARTING_180M001000	SBU18XW_STARTING_180M001000
LMA1800_GRAPHITRONIC_STARTING_180M001000	SBX18XW_STARTING_180M001000
LMA1800_MICRO_STARTING_180M001000	UB1800_MICRO_STARTING_180M001000
M180_GRAPHITRONIC_STARTING_180M001000	UBC18XW_STARTING_180M001000
MB180_GRAPHITRONIC_STARTING_180M001000	UBG1800W_STARTING_180M001000
NBC18XW_STARTING_180M001000	UBH18XW_STARTING_180M001000
NBH18XW_STARTING_180M001000	UBU1800W_STARTING_180M001000
NBU18XW_STARTING_180M001000	UBU18XW_STARTING_180M001000
NBX18XW_STARTING_180M001000	UBX18XW_STARTING_180M001000

Outer Frame - Models Without Recycle (Drawing 1 of 2)

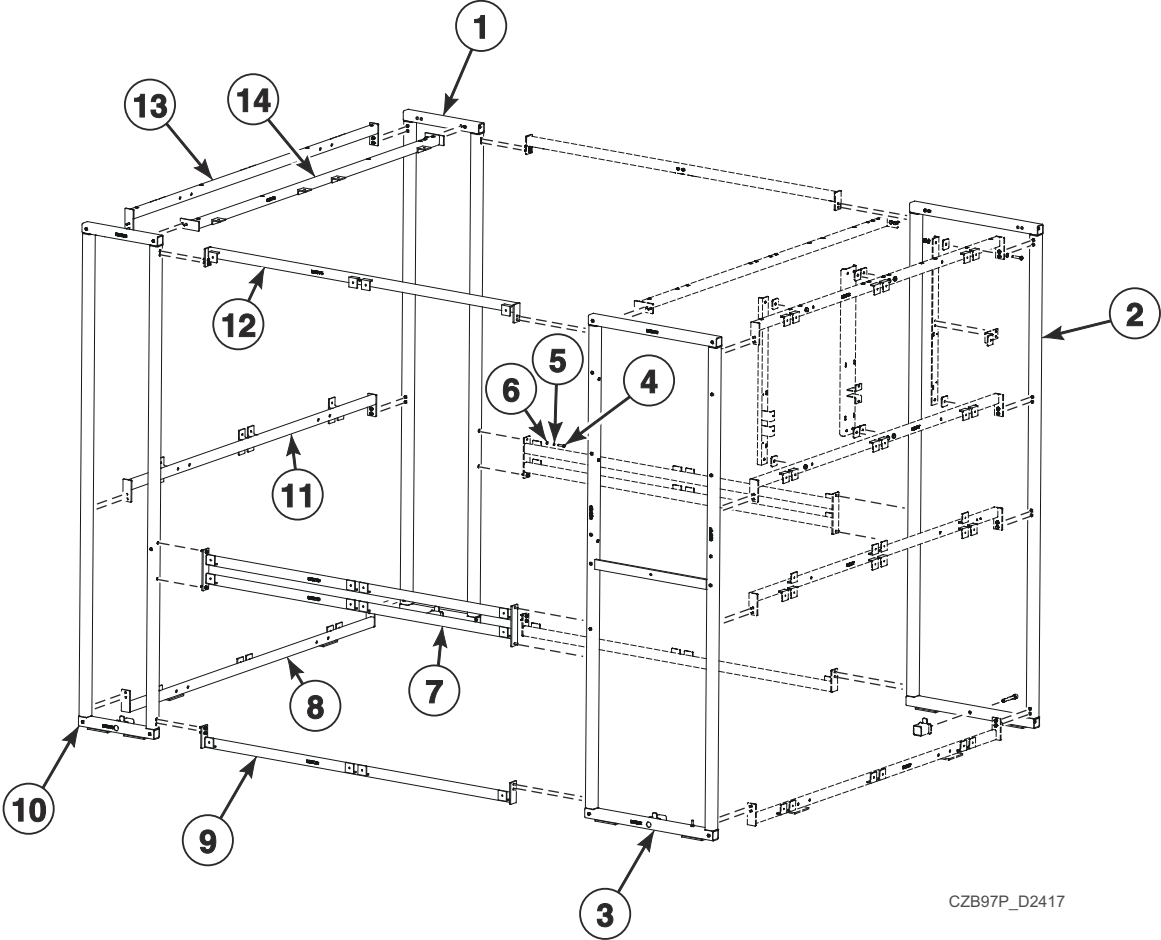


CZB95P_D2417

Outer Frame - Models Without Recycle (Drawing 1 of 2)

REF	PART NO.	DESCRIPTION	COMMENTS
	SP539740	Outer Frame	
1	SP539754	Connecting Part	
2	SP539749	Connecting Part	
3	SP539758	Cross Beam	
4	SP310934000008	Nut	M8
5	SP311125000008	Washer	8.4
6	SP536324	Washer	
7	SP309933000840	Bolt	M8-40
8	SP539757	Soap Hopper Profile	Right
9	SP539781	Support	
10	SP539755	Connecting Part	
11	SP535940	Bolt	M12-80
12	SP539543	Distance Part	
13	SP539748	Connecting Part	
14	SP539752	Connecting Part	
15	SP539756	Soap Hopper Profile	Left

Outer Frame - Models Without Recycle (Drawing 2 of 2)

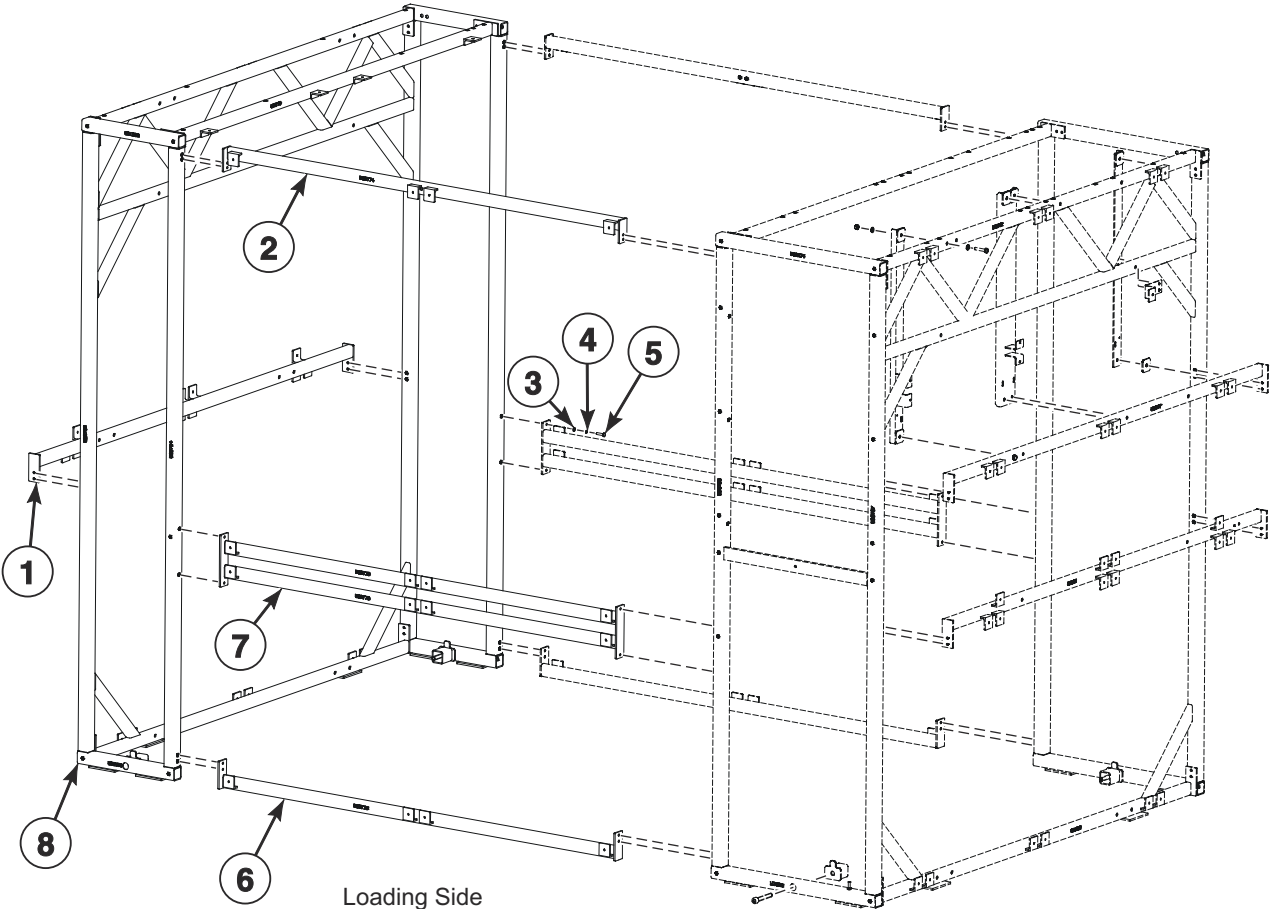


CZB97P_D2417

Outer Frame - Models Without Recycle (Drawing 2 of 2)

REF	PART NO.	DESCRIPTION	COMMENTS
1	SP539741	Back Frame	Left
2	SP539743	Back Frame	Right
3	SP539744	Front Frame	Right
4	SP309933000625	Bolt	M6-25
5	SP311127000006	Washer	6
6	SP311125000006	Washer	6.4
7	SP539752	Connecting Part	
8	SP539746	Connecting Part	
9	SP539750	Connecting Part	
10	SP539742	Front Frame	Left
11	SP539745	Connecting Part	
12	SP539751	Connecting Part	
13	SP539747	Connecting Part	
14	SP539753	Connecting Part	

Outer Frame - Models With Recycle (Drawing 1 of 2)

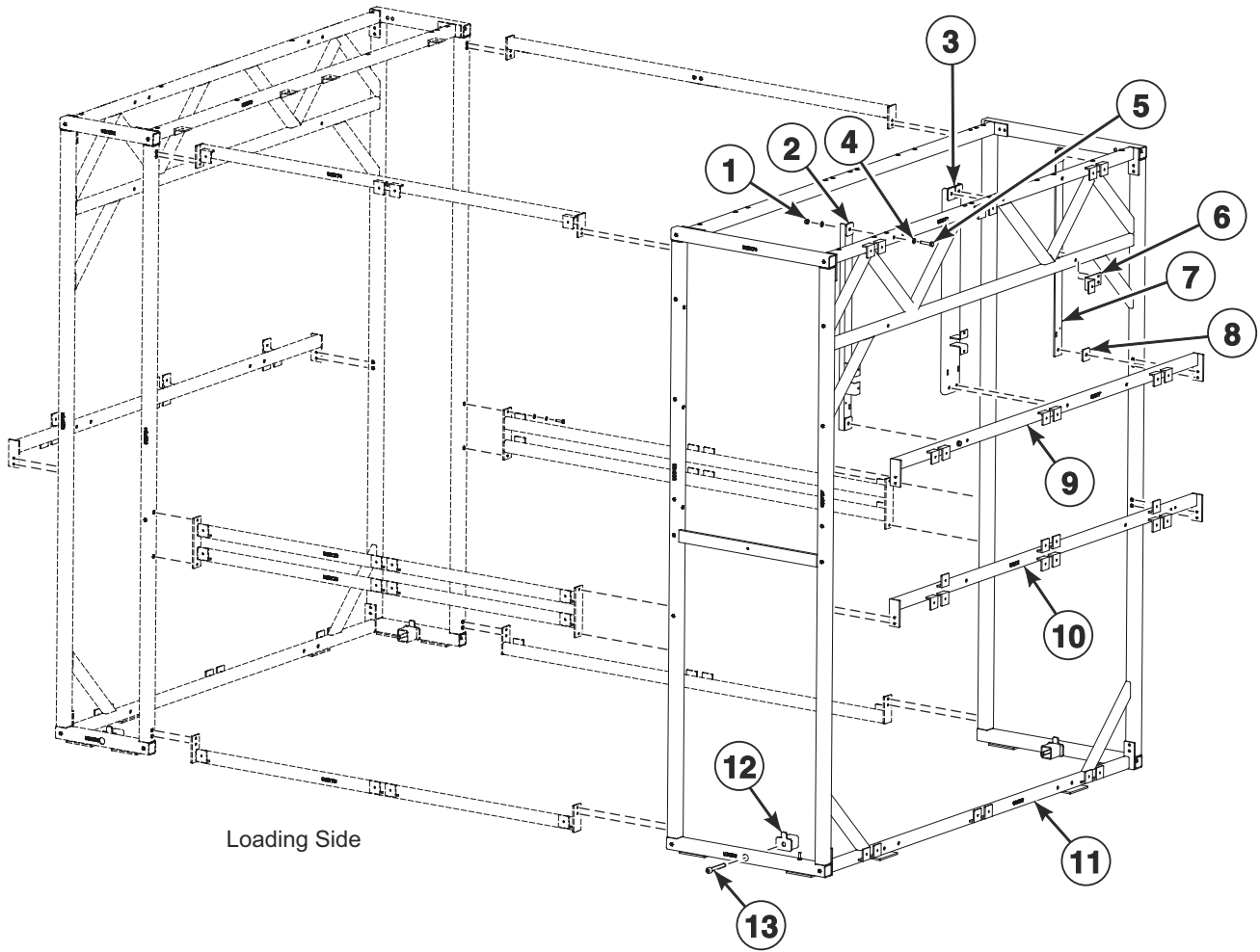


CFD3038P_D2417

Outer Frame - Models With Recycle (Drawing 1 of 2)

REF	PART NO.	DESCRIPTION	COMMENTS
	SP536945	Outer Frame	
1	SP539745	Connecting Part	
2	SP539751	Connecting Part	
3	SP311125000006	Washer	6.4
4	SP311127000006	Washer	6
5	SP309933000625	Bolt	M6-25
6	SP539750	Connecting Part	
7	SP539752	Connecting Part	
8	SP536946	Frame	Left

Outer Frame - Models With Recycle (Drawing 2 of 2)

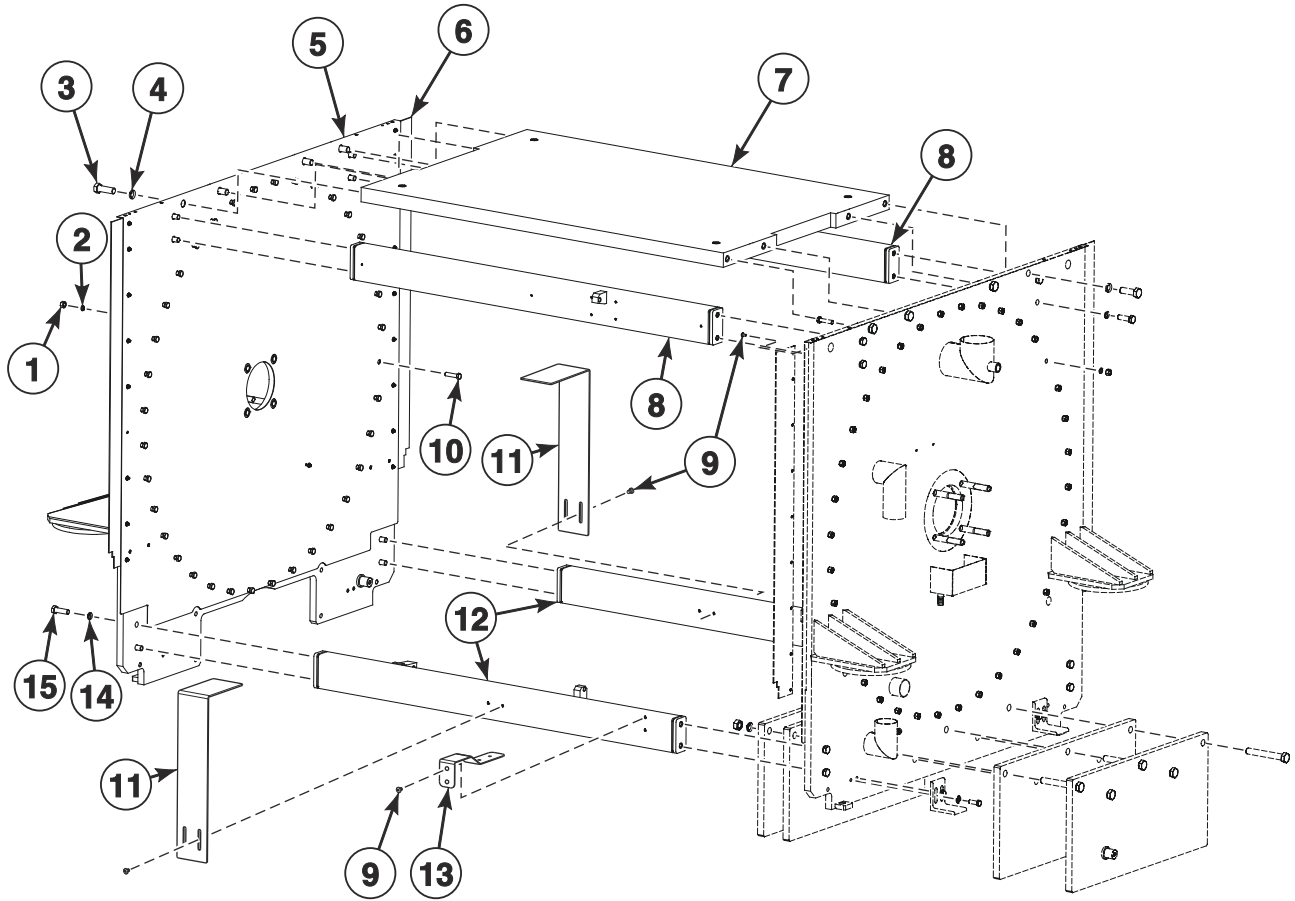


CFD3039P_D2417

Outer Frame - Models With Recycle (Drawing 2 of 2)

REF	PART NO.	DESCRIPTION	COMMENTS
1	SP310934000008	Nut	M8
2	SP539756	Soap Hopper Profile	Left
3	SP539758	Cross Beam	
4	SP311125000008	Washer	8.4
5	SP309933000840	Bolt	M8-40
6	SP539781	Support	
7	SP539757	Soap Hopper Profile	Right
8	SP536324	Washer	
9	SP539755	Connecting Part	
10	SP539748	Connecting Part	
11	SP536947	Frame	Right
12	SP539543	Distance Part	
13	SP535940	Bolt	M12-80

Upper Frame (Drawing 1 of 2)

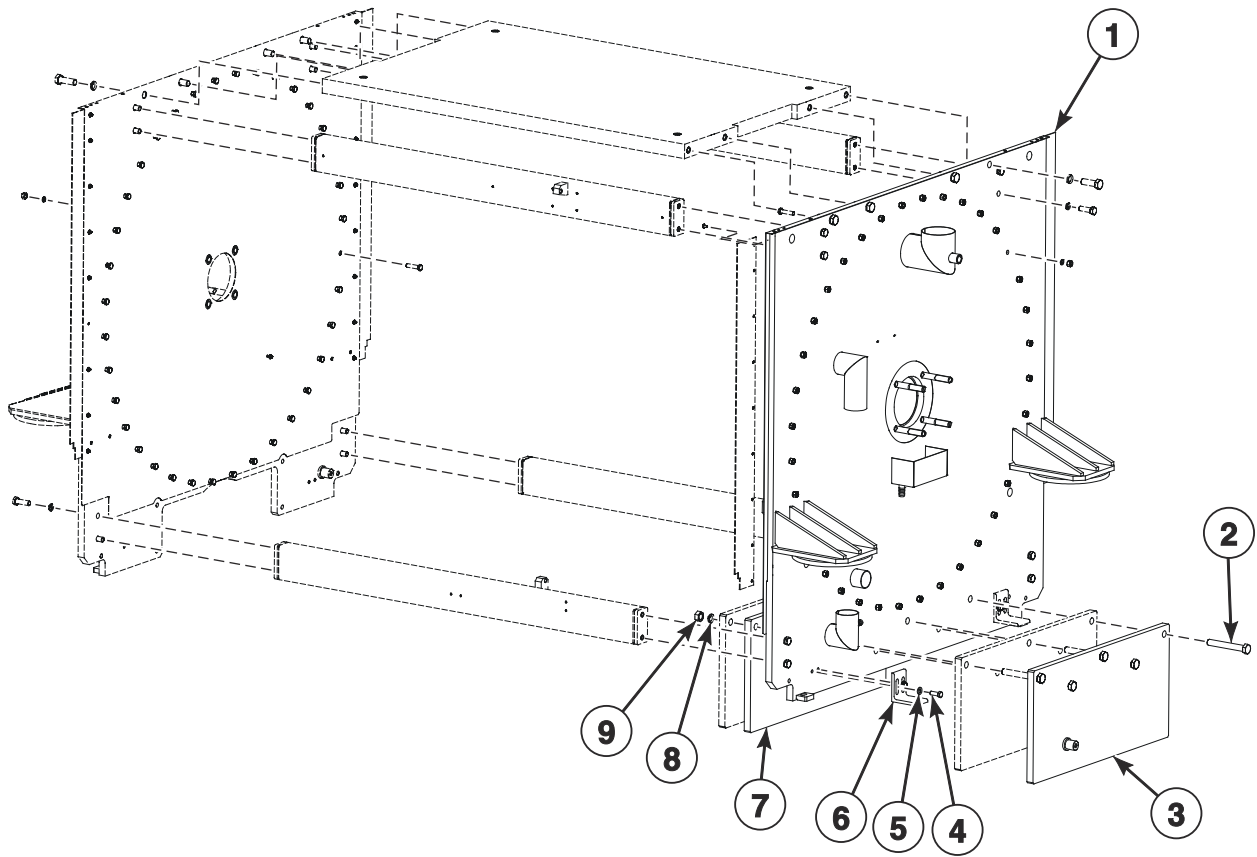


CZB63P_D2417

Upper Frame (Drawing 1 of 2)

REF	PART NO.	DESCRIPTION	COMMENTS
	SP539670	Upper Frame	Vertical door
	SP550587	Upper Frame	Horizontal door
1	SP310934000012	Nut	M12
2	SP311127000012	Washer	12
3	SP309912121265	Bolt	M20x65
4	SPF02105002515	Washer	20
5	SP539671	Side Panel	Left
6	SP539678	Side Safety Rubber	
7	SP536577	Middle Weight	
8	SP539673	Middle Partition	Vertical door
	SP550564	Middle Partition	Horizontal door; Loading side (dirty side)
	SP550577	Middle Partition	Horizontal door; Unloading side (clean side)
9	SP537854	Bolt	M6x14
10	SP309933001250	Bolt	M12x50
11	539536	Cover Support	
12	SP539674	Middle Partition	Vertical door
	SP550579	Middle Partition	Horizontal door; Loading side (dirty side)
	SP550580	Middle Partition	Horizontal door; Unloading side (clean side)
13	539537	Air Trap Bracket	
14	SP311127000016	Washer	16
15	SP309933001650	Bolt	M16x50

Upper Frame (Drawing 2 of 2)

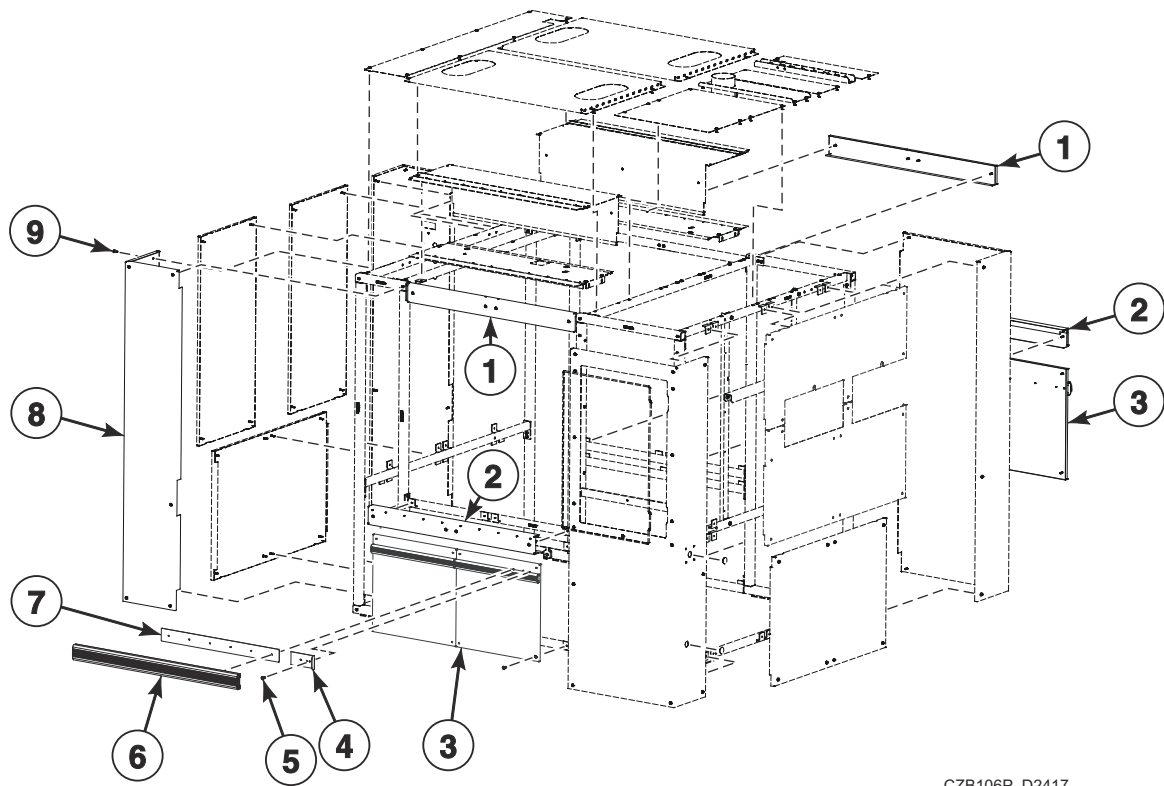


CFD3043P_D2417

Upper Frame (Drawing 2 of 2)

REF	PART NO.	DESCRIPTION	COMMENTS
1	SP539672	Side Panel	Right
2	SP309931020150	Bolt	M20x150
3	SP539677	Sideboard Weight	
4	SP309933001235	Bolt	M12x35
5	SP311125999913	Washer	13
6	SP536605	L Profile	100x100x10; Models through Serial No. 180M001064HW
7	SP536588	Sideboard Weight	
8	SP311127000020	Washer	20
9	SP310934000020	Nut	M20

Cabinet 1 (Drawing 1 of 3)

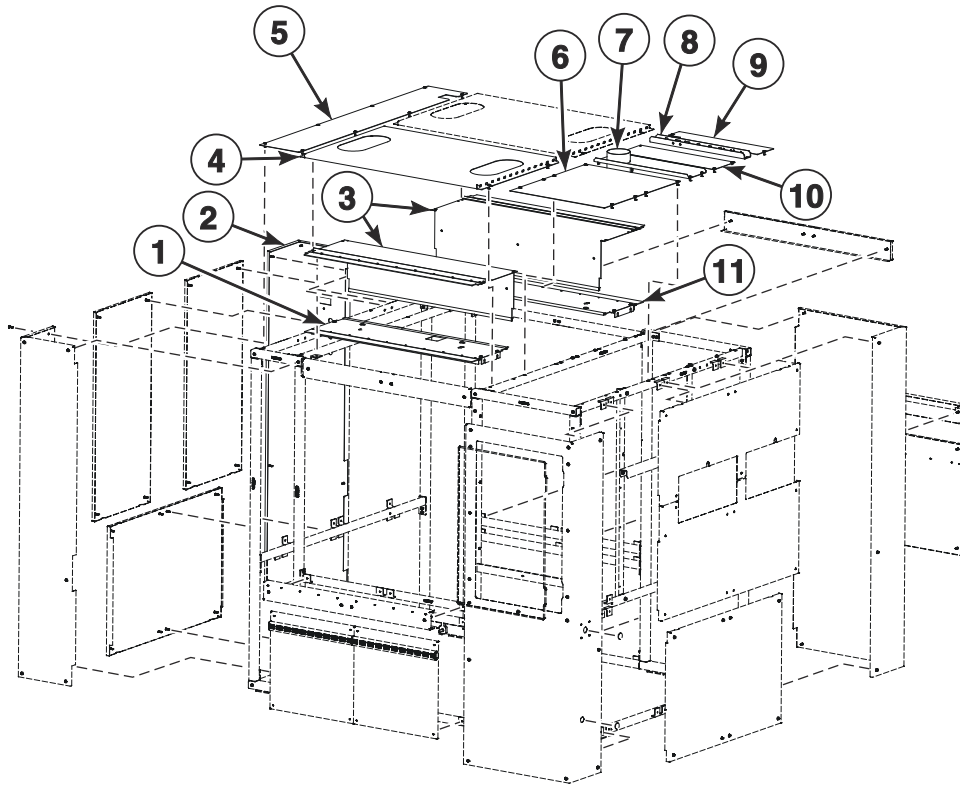


CZB106P_D2417

Cabinet 1 (Drawing 1 of 3)

REF	PART NO.	DESCRIPTION	COMMENTS
	SP539785	Cover	Vertical door
	SP550588	Cover	Horizontal door
	SP539670	Upper Frame	Vertical door
	SP550587	Upper Frame	Horizontal door
1	SP539799	Front Panel	Upper
2	SP539798	Front Panel	Middle
3	SP559076	Front Panel	Does not include bumper
	SP539797	Front Panel	Includes bumper
4	SPF02113200614	Side Bar	
5	506627	Rivet	With bumper; 4x12
	SP313250004075	Rivet	Without bumper; 4x7.5
6	SP321000135460	Bumper Profile	L=0.74m
7	539812	Bumper Reinforcement	
8	SP539792	Front Panel	Left
9	SP537864	Bolt	M6x16

Cabinet 1 (Drawing 2 of 3)



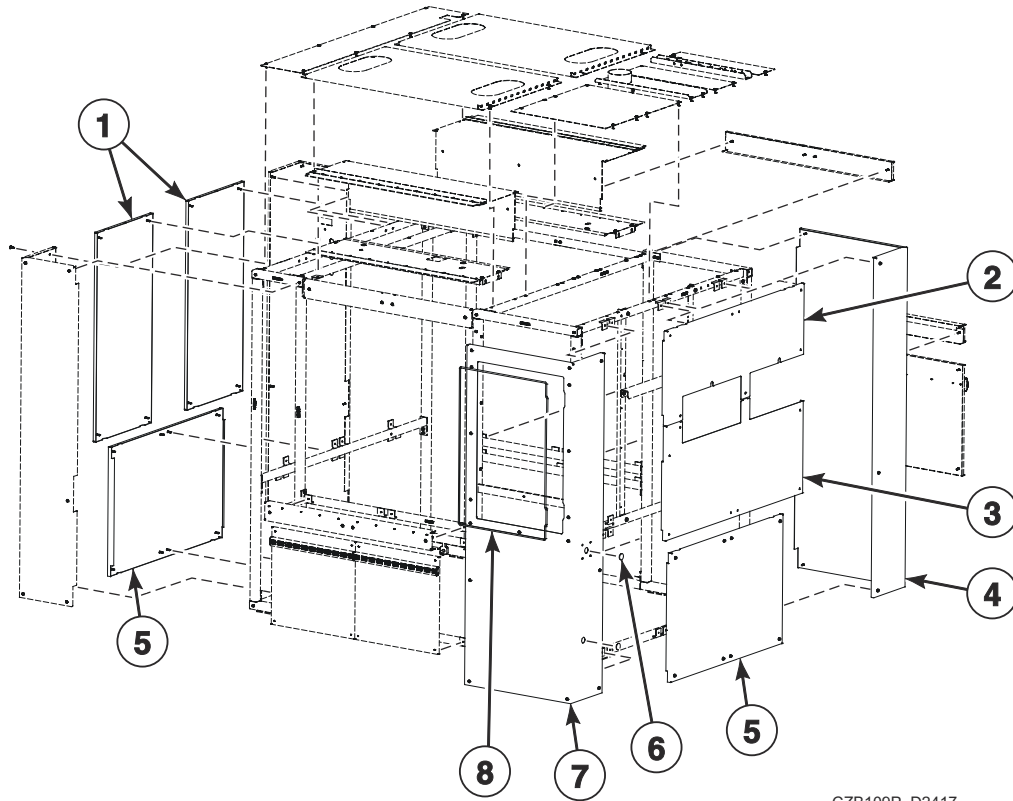
CZB108P_D2417

Cabinet 1 (Drawing 2 of 3)

REF	PART NO.	DESCRIPTION	COMMENTS
1	N/A	Door Cover	
2	SP539794	Back Panel	Two doors and two displays with one control; Left
	SP539795	Back Panel	Two doors and two controls with one display; Left
	SP539796	Back Panel	One door; Left
3	SP539818	Door Cover	Vertical door; Upper; Requires SP539822 Safety Rubber
	SP550571	Door Cover	Horizontal door; Upper; Requires SP539822 Safety Rubber
4	SP539808	Cover	Upper
5	SP539804	Pulley Panel	
6	SP539805	Ceiling Cover	
7	SP536365	Ceiling Cover	
8	SP536367	Ceiling Cover	
9	SP536368	Ceiling Cover	
10	SP539806	Ceiling Cover	
11	SP539815	Door Cover	Vertical door; Requires SP539821 Safety Rubber
	SP550567	Door Cover	Horizontal door; Requires SP539821 Safety Rubber

N/A = Part no longer available

Cabinet 1 (Drawing 3 of 3)

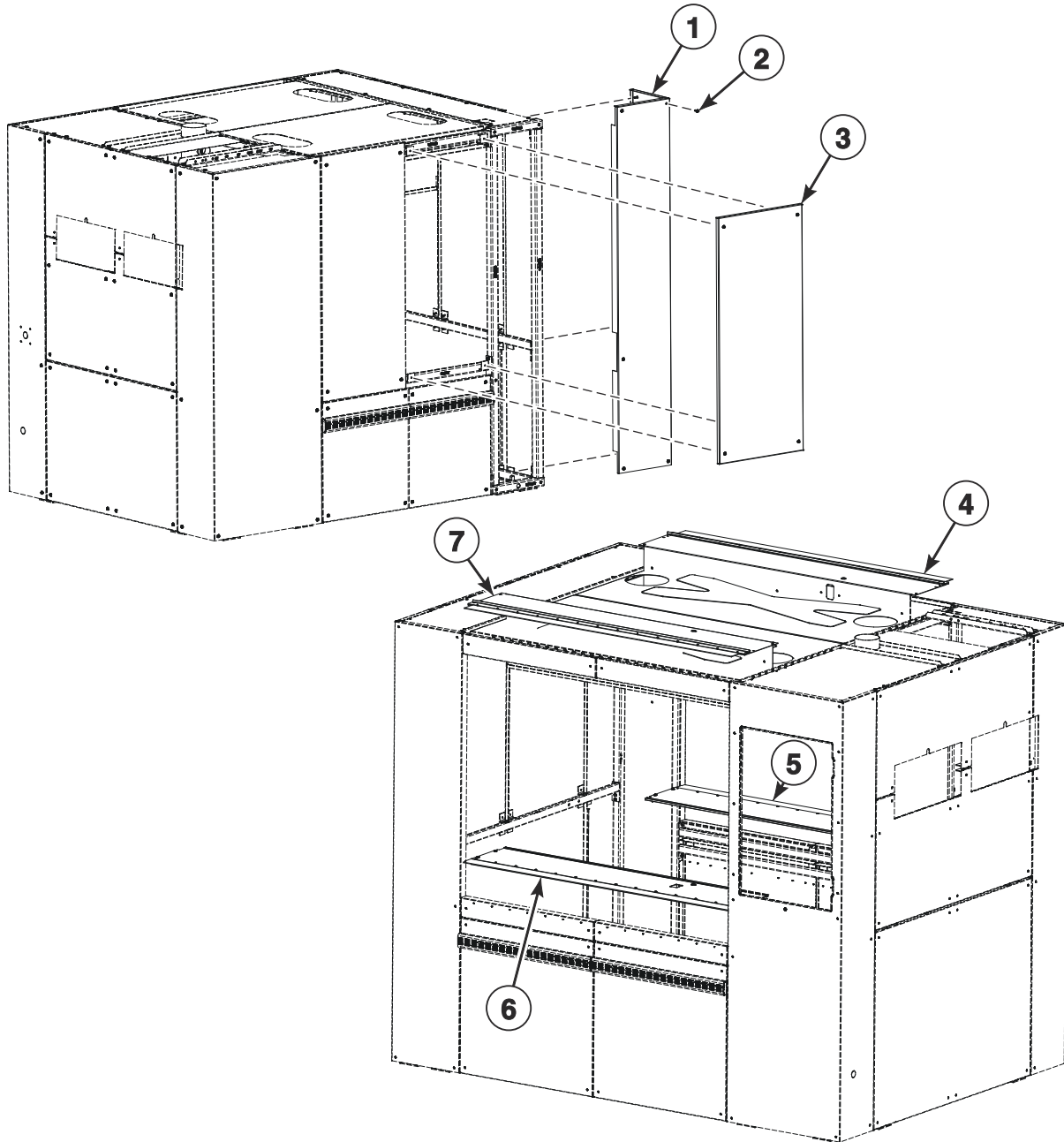


CZB109P_D2417

Cabinet 1 (Drawing 3 of 3)

REF	PART NO.	DESCRIPTION	COMMENTS
	567887	Logo Label	MB and PB models
	SP532265	Nameplate	LB and LM models
	F8443105	Nameplate	UB models; Logo
	RSP70472001	Logo Label	IB models
	2250043500	Logo Label	SB models
	SP534353	Nameplate	MB and PB models; Maxi Wash; Logo
	SP534364	Nameplate	LB and LM models; Technitramo; Logo
1	SP539801	Side Panel	Upper
2	SP539803	Side Panel	Soap hopper right cover; Upper
3	SP539802	Side Panel	Soap hopper left cover; Upper
4	SP539810	Back Panel	Right
	SP539793	Back Panel	Right; Models with soap hopper
5	SP539800	Front Panel	Lower
6	SPPRI505000064	Plug	
7	SP539791	Front Panel	Right
8	SPPRI505000058	Profiled Sealing	

Cabinet 2

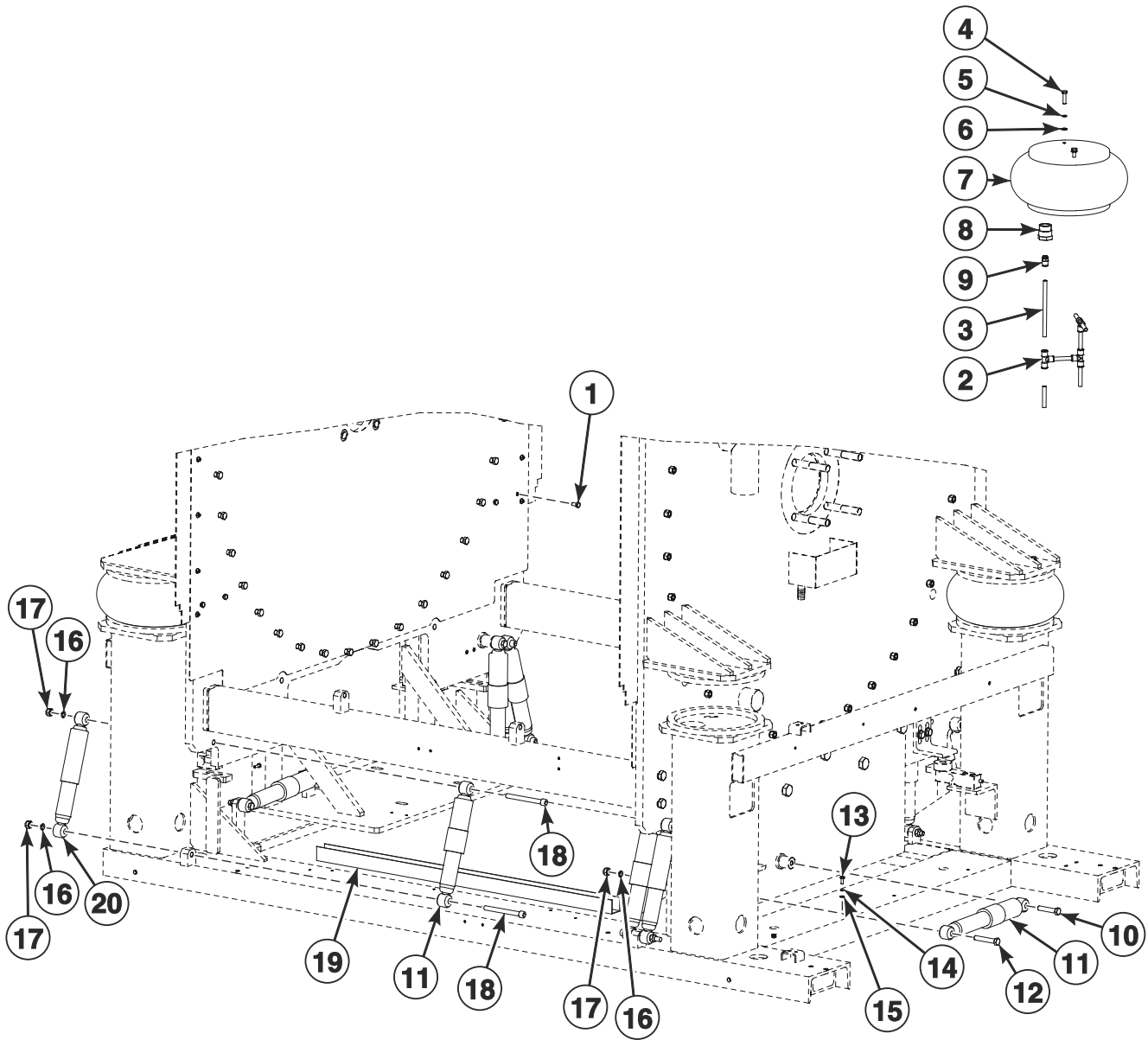


CZB111P_D2417

Cabinet 2

REF	PART NO.	DESCRIPTION	COMMENTS
1	SP539794	Back Panel	Two doors and two displays with one control; Left
	SP539795	Back Panel	Two doors and two controls with one display; Left
	SP539796	Back Panel	One door; Left
2	SP537864	Bolt	M6x16
3	SP539809	Door Cover	One door
4	SP550573	Upper Door Cover	Horizontal door; Requires SP539822 Safety Rubber
5	SP550569	Lower Door Cover	Horizontal door; Requires SP539821 Safety Rubber
6	SP539815	Door Cover	Lower; Requires SP539821 Safety Rubber
	SP550567	Door Cover	Horizontal door; Requires SP539821 Safety Rubber
7	SP539818	Door Cover	Vertical door; Upper; Requires SP539822 Safety Rubber
	SP550571	Door Cover	Horizontal door; Upper; Requires SP539822 Safety Rubber

Spring Hinge

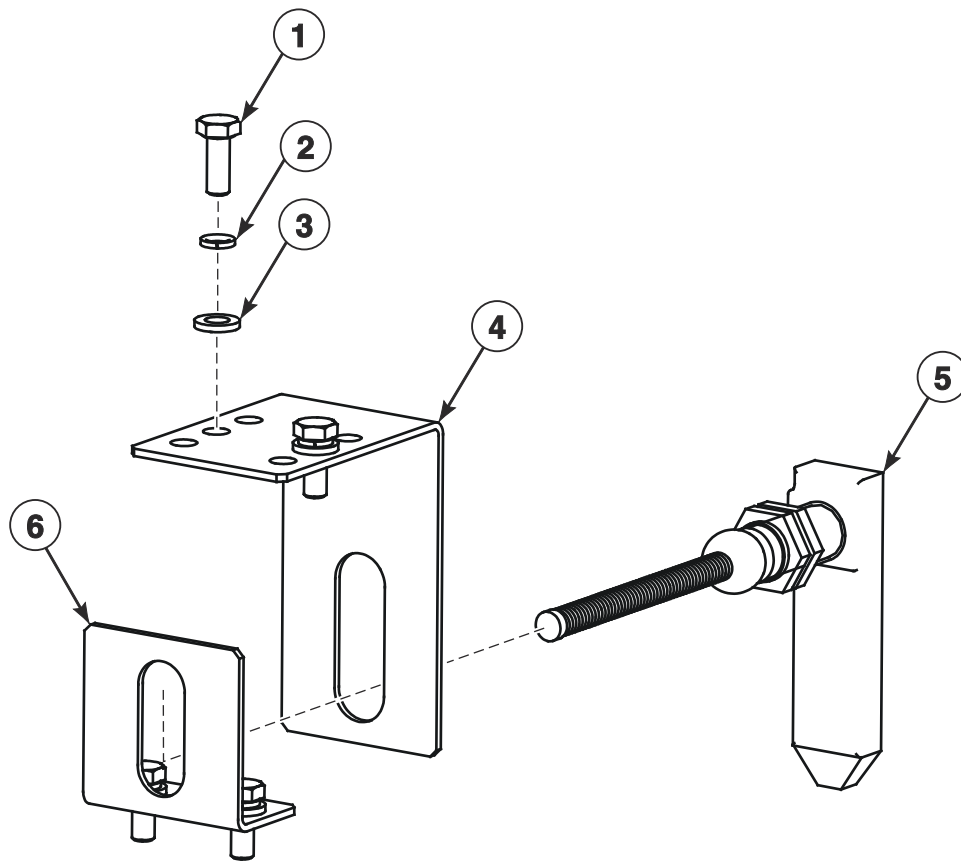


CZB64P_D2417

Spring Hinge

REF	PART NO.	DESCRIPTION	COMMENTS
	283296215119	Tape	
	SP536554	Complete Suspension	
1	SP309933240815	Bolt	M8x16
2	SP527559	Connection Tee	10-10
3	SP523144	Hose	10x7
4	SP309933000830	Bolt	M8x30
5	SP311127000008	Washer	8
6	SP311125000008	Washer	8.4
7	SP516901	Air Spring	
8	SP535931	Adapter	G1 inch - G1/4 inch x 40
9	SP525528	Fitting Adapter	10-G1/4
10	SP309933001260	Bolt	M12x60
11	SP516886	Damper	F4
12	SP309933001270	Bolt	M12x70
13	SP311125000006	Washer	6.4
14	SP311127000006	Washer	6
15	SP309933000616	Bolt	M6x16
16	SP311125000013	Washer	13
17	SP310985000012	Nut	M12
18	SP514661	Bolt	M12x20
	SP309933001260	Bolt	M12x60
19	SPPRI407000109	Cable Channel	
20	SP516890	Damper	5

Vibration Switch

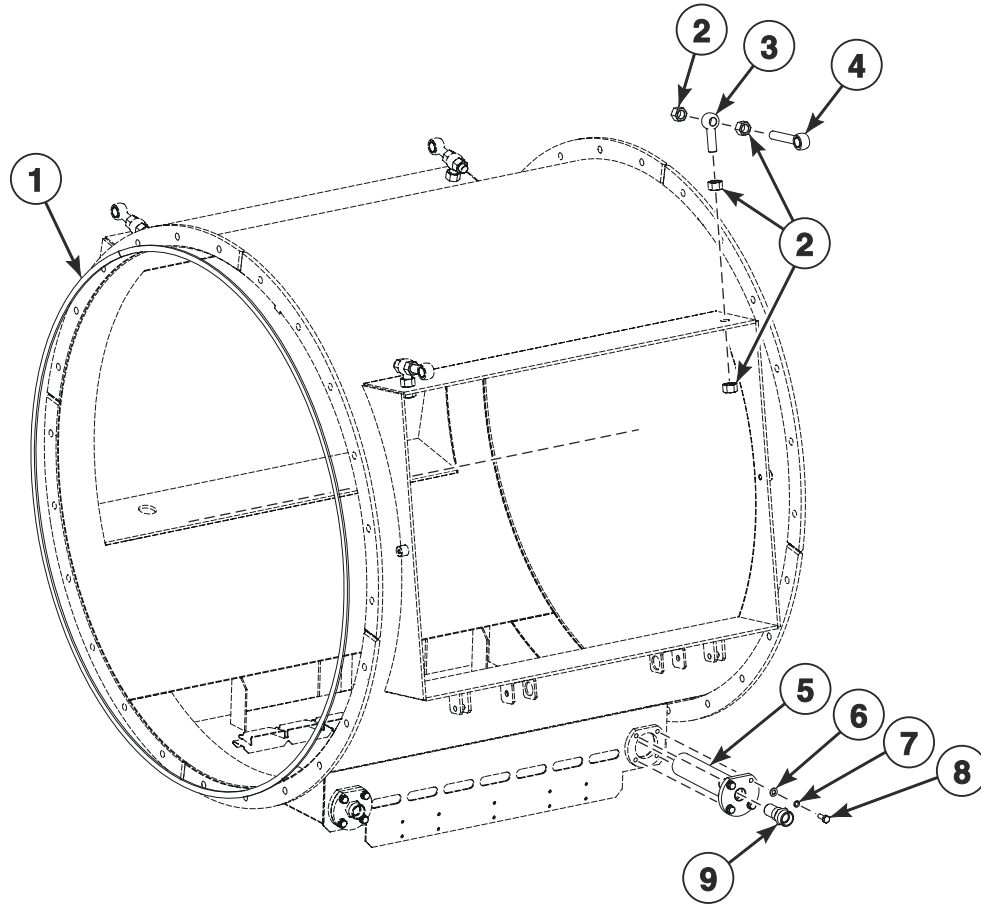


CFD2659P_D2417

Vibration Switch

REF	PART NO.	DESCRIPTION	COMMENTS
1	SP309933000616	Bolt	
2	SP311127000006	Washer	
3	SP311125000006	Washer	
4	SP536491	Vibration Switch Holder	
5	SPPRI345000068	Vibration Switch	
6	SP536492	Vibration Switch Counterpart	

External Tub

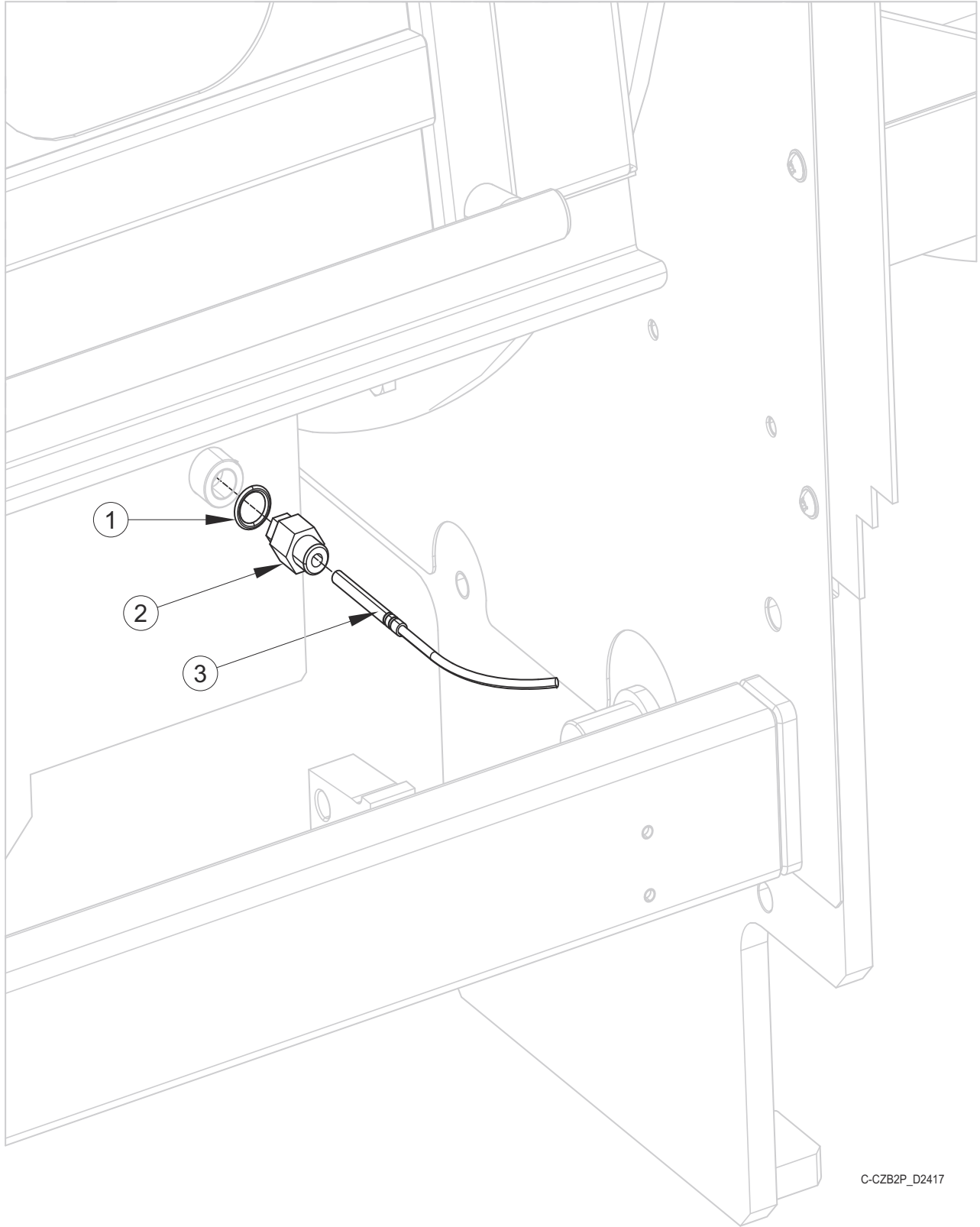


CZB99P_D2417

External Tub

REF	PART NO.	DESCRIPTION	COMMENTS
	SP555194	External Tub	Electric heating/steam heating combination
	SP539630	External Tub	Steam heating
	SP555195	External Tub	Electric heating
	SP555196	External Tub	One door; Electric heating/steam heating combination
	SP539640	External Tub	One door; Steam heating
	SP555197	External Tub	One door; Electric heating
	SP557265	External Tub	Horizontal door; Electric heating/steam heating combination
	SP557255	External Tub	Horizontal door; Steam heating
	SP557266	External Tub	Horizontal door; Electric heating
1	SP510986	Seal	
2	SP535942	Nut	M16
3	SP532898	Eyebolt	M16x60
4	SP536002	Door Bolt	
5	SP508251	Heating Tube	Tube with flange; Steam heating
	SP511949	Heating Plug	
6	SP311125240008	Washer	8
7	SP311127240008	Washer	8
8	SP309933000820	Bolt	M8x20; Steam heating
	SP309933240815	Bolt	M8x16; Electrical heating
9	SP508253	Steam Nozzle	
10	SP539631	External Tub	Welded; Electric heating/steam heating combination
	SP539632	External Tub	Welded; One door; Electric heating/steam heating combination
	SP557256	External Tub	Welded; Horizontal door; Electric heating/steam heating combination

Temperature Sensor

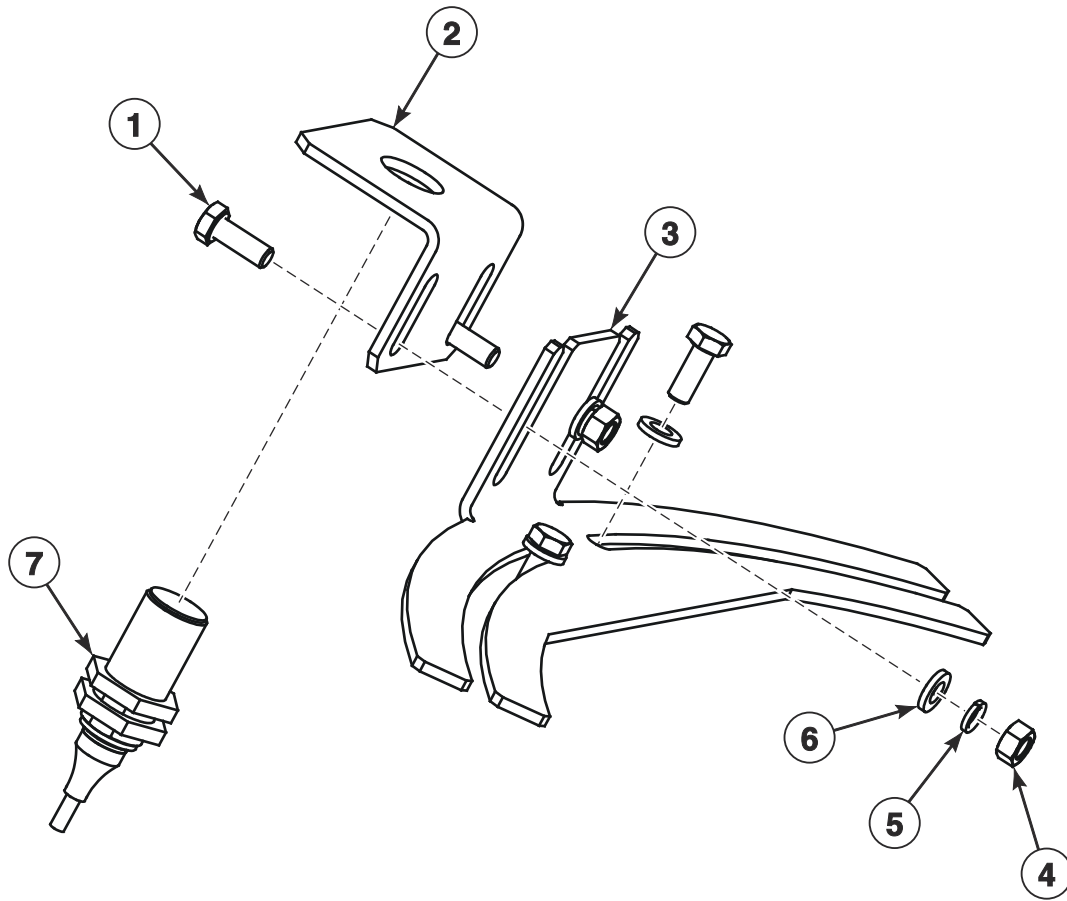


C-CZB2P_D2417

Temperature Sensor

REF	PART NO.	DESCRIPTION	COMMENTS
1	SPPRI524000001	Sealing Ring	
2	SPPRI614000047	Thermostat Sensor Holder	
3	SP503839	Temperature Sensor	

Tub Position Detector

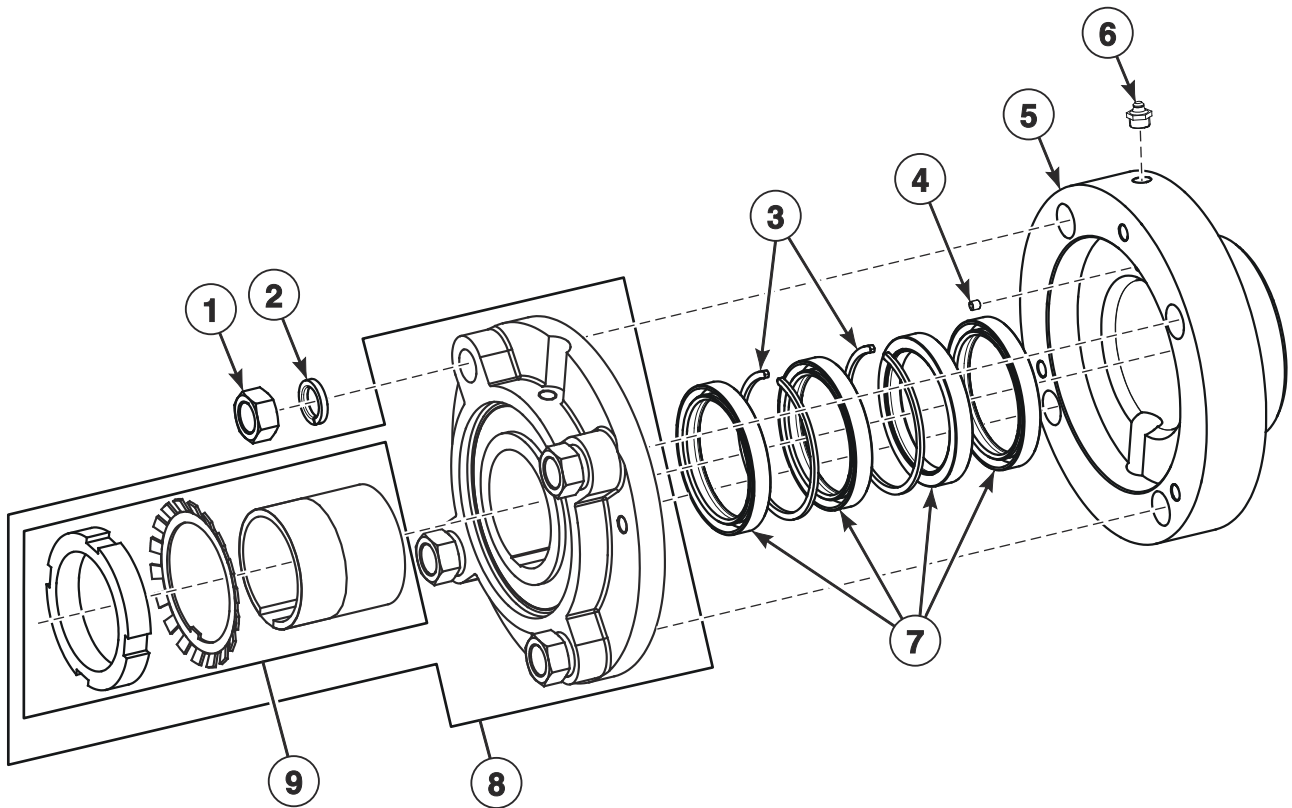


CFD2661P_D2417

Tub Position Detector

REF	PART NO.	DESCRIPTION	COMMENTS
1	SP309933000616	Bolt	M6x16
2	SP520324	Sensor Holder	
3	SP520323	Sensor Holder Base	
4	SP310934000006	Nut	M6
5	SP311127000006	Washer	6
6	SP311125000006	Washer	6.4
7	SP516025	Inductive Sensor	

Trunnion

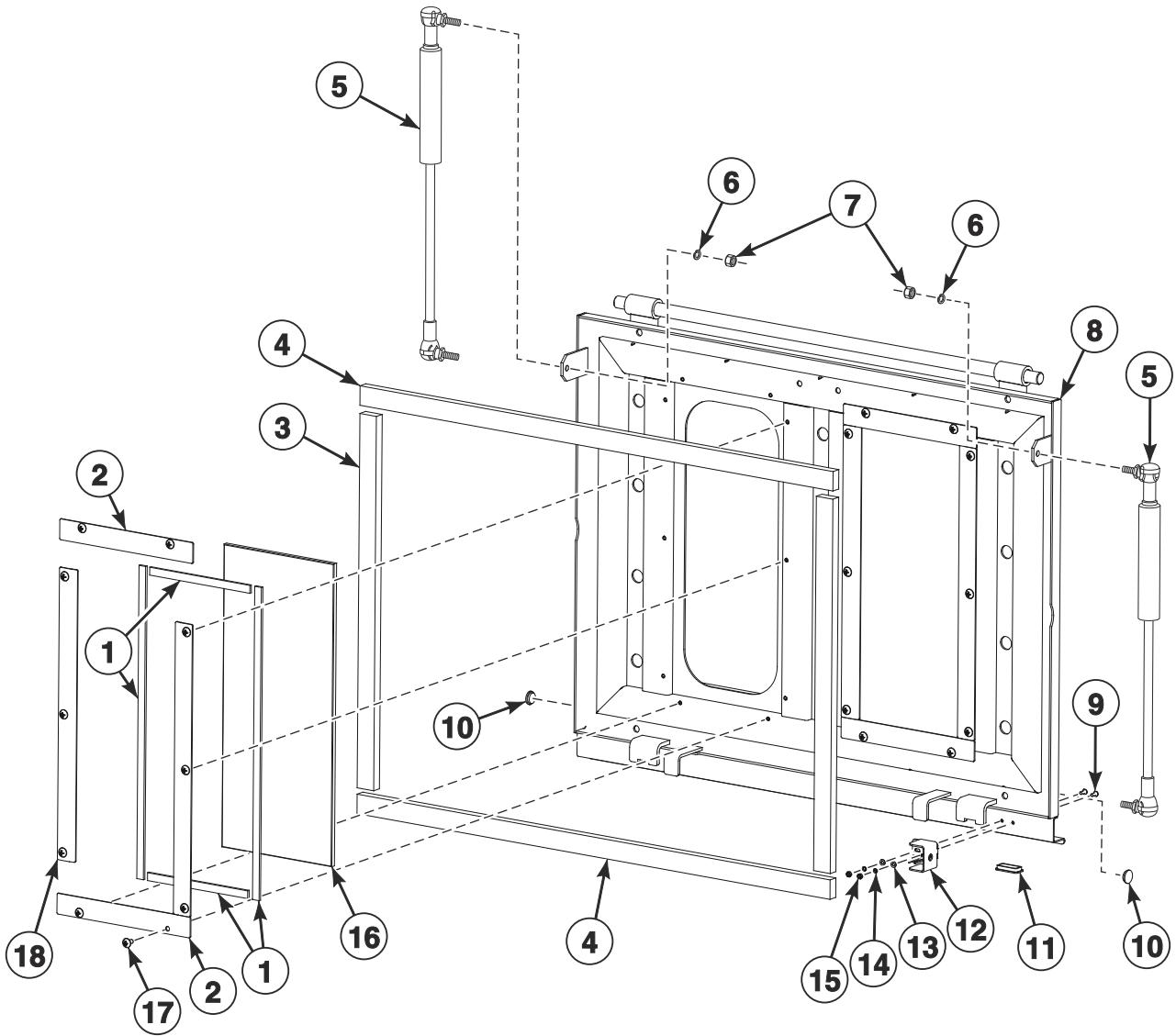


CFD3227P_D2417

Trunnion

REF	PART NO.	DESCRIPTION	COMMENTS
	SP536553	Trunnion	
1	SP310934000020	Nut	M20
2	SP311127000020	Washer	Spring; 20
3	SP536592	Distance Ring	2 pieces required
4	SP309916000606	Screw	M6x6
5	SP535626	Location Inset	
6	SP536591	Grease Nipple	
7	SP516888	Seal	100/125 x 12/72; 4 pieces required
8	SP535930	Bearing and Flange	UKFC 218; Includes ring, washer and nut
9	SP516896	Ring	H2318; Includes washer and nut

Outer Door - Vertical

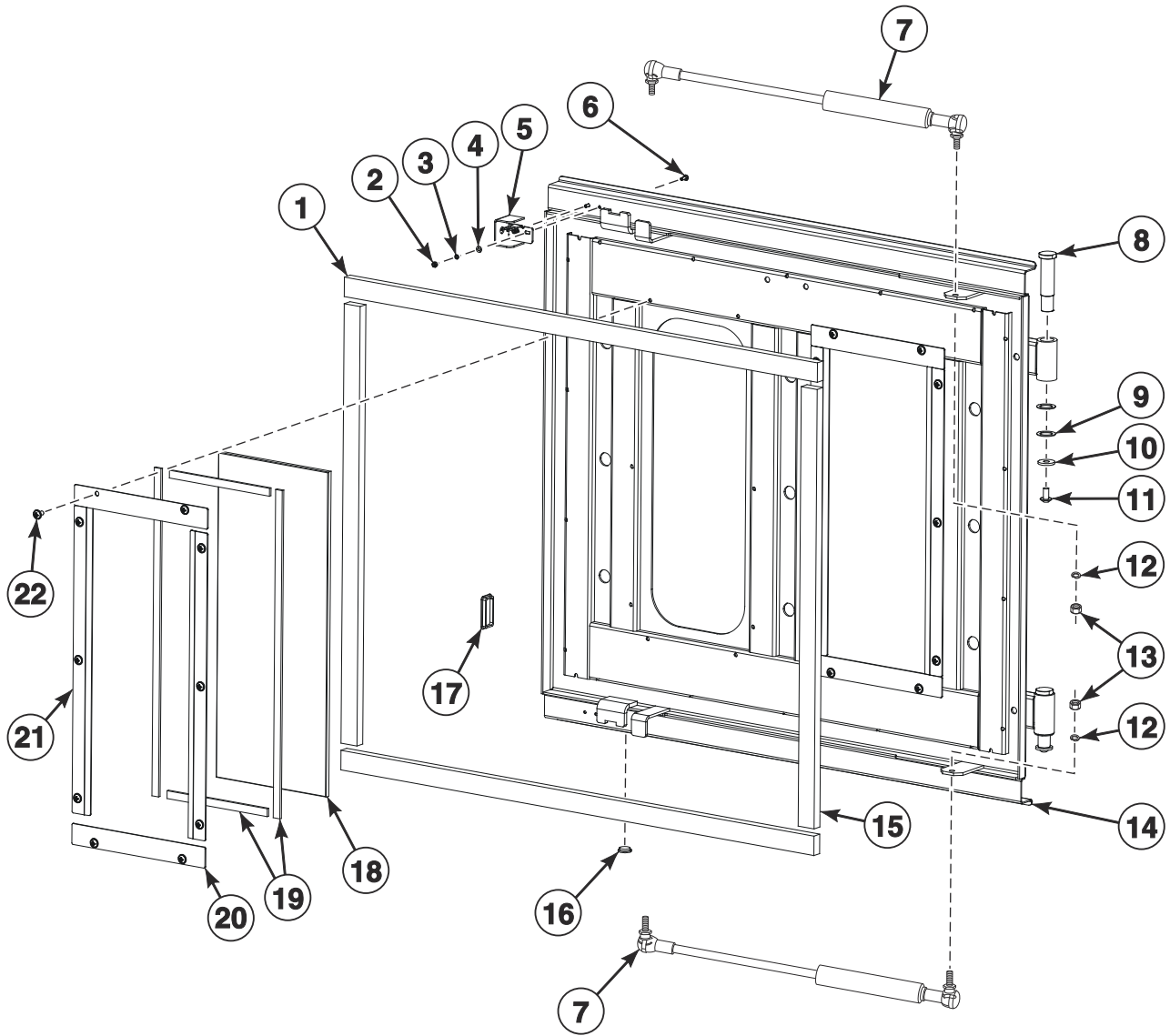


CZB5P_D2417

Outer Door - Vertical

REF	PART NO.	DESCRIPTION	COMMENTS
	SP539355	Outer Door	
1	SP510986	Seal	L=505mm; L=185mm
2	SP536167	Seal Cover	
3	SP539361	Door Seal	
4	SP536166	Door Seal	
5	SP535935	Gas Spring	600N
6	SP311125240008	Washer	8.4
7	SP310934000008	Nut	M8
8	SP539356	Outer Door	Welded
9	SP515075	Bolt	M4x10
10	SP536164	Plug	22 x 0.8-3
11	SP539370	Plug	50x25
12	SP536161	Complete Box	
13	SP311125240004	Washer	4.3
14	SP311127240004	Washer	4
15	SP310934240004	Nut	M4
16	SP530940	Window	
17	SP309595240612	Bolt	M6x12
18	SP539360	Seal Cover	

Outer Door - Horizontal

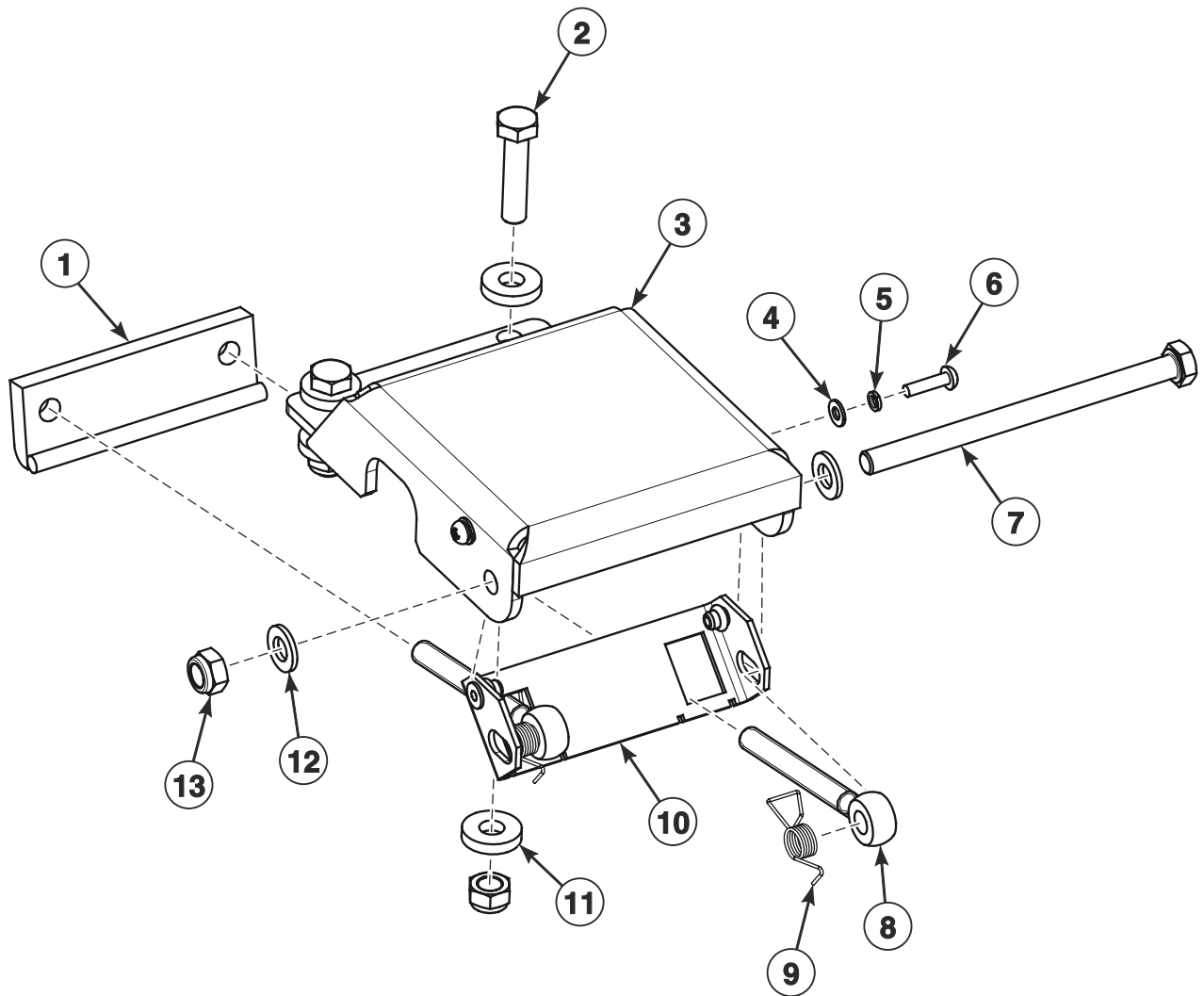


CZB6P_D2417

Outer Door - Horizontal

REF	PART NO.	DESCRIPTION	COMMENTS
	SP550557	Outer Door	Loading side (dirty side)
	SP550566	Outer Door	Unloading side (clean side)
1	SP536166	Door Seal	
2	SP310934240004	Nut	M4
3	SP311127240004	Washer	4
4	SP311125240004	Washer	4.3
5	SP550584	Complete Box	Unloading side (clean side)
	SP536161	Complete Box	Loading side (dirty side)
6	SP515075	Bolt	M4x10
7	SP559084	Gas Spring	250N
8	SP539964	Pin	
9	SP539965	Washer	
10	SP536248	Washer	
11	SP309159324816	Bolt	M8x16
12	SP311125240008	Washer	8.4
13	SP310934000008	Nut	M8
14	SP550558	Outer Door	Horizontal door; Welded
15	SP539361	Door Seal	
16	SP536164	Plug	22 x 0.8-3
17	SP539370	Plug	50x25
18	SP530940	Window	
19	SP510986	Seal	L=505mm; L=185mm
20	SP536167	Seal Cover	
21	SP539360	Seal Cover	
22	SP309595240612	Bolt	M6x12

Outer Door Securing

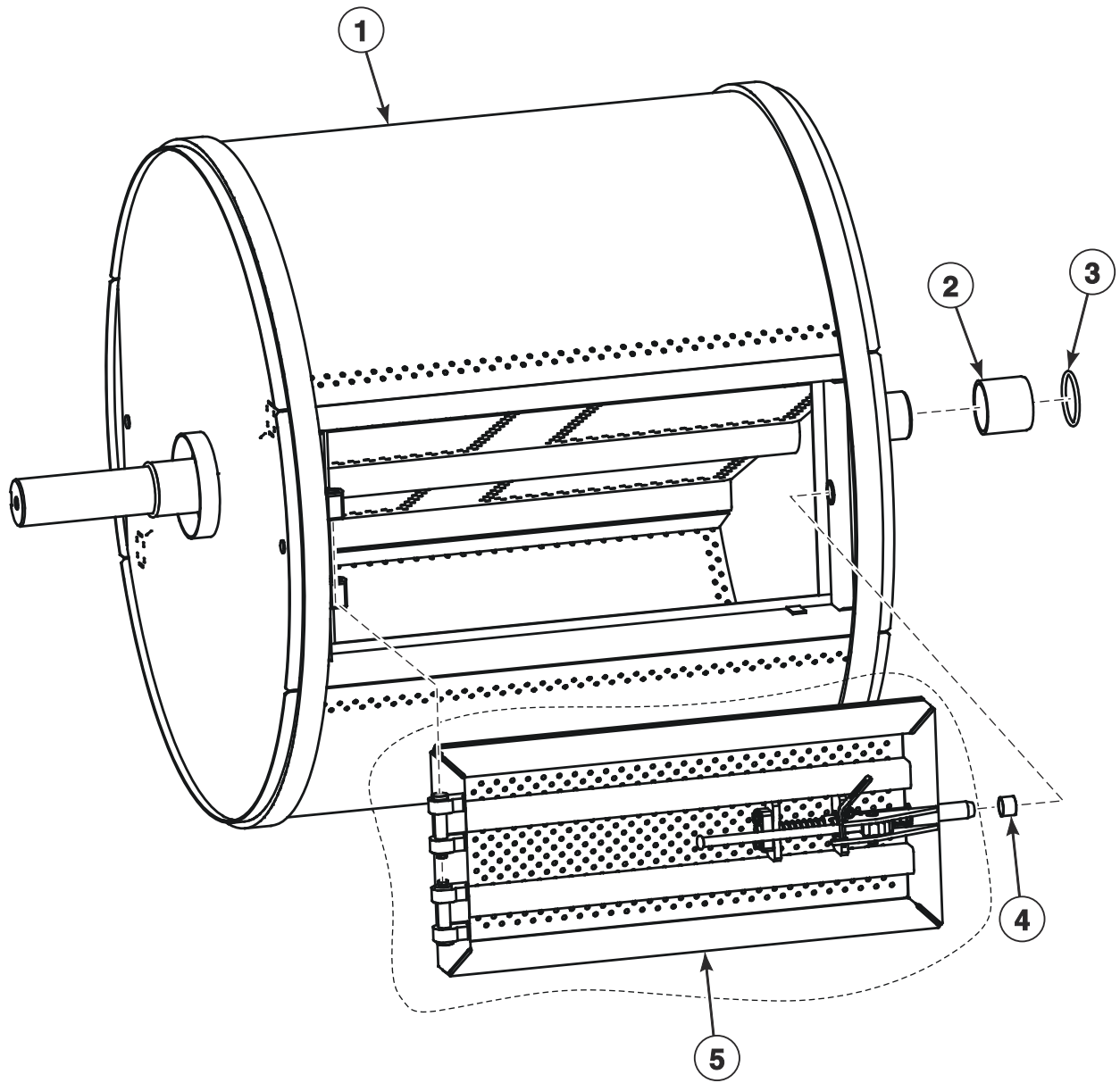


CFD2665P_D2417

Outer Door Securing

REF	PART NO.	DESCRIPTION	COMMENTS
	SP530861	Door Lock	
1	SP530854	Overseal	
2	SP506699	Bolt	M8x35
3	SP530860	Holder	
4	SP311125240004	Washer	4
5	SP311127240004	Washer	4
6	SP309798524416	Bolt	M4x16
7	SP309931008120	Bolt	M8x120
8	567202	Bolt	M8x60
9	SP530859	Spring	
10	SP530848	End Stop	
11	SP530858	Washer	
12	SP311125240008	Washer	8.4
13	SP526792	Nut	M8

Drum and Inner Door

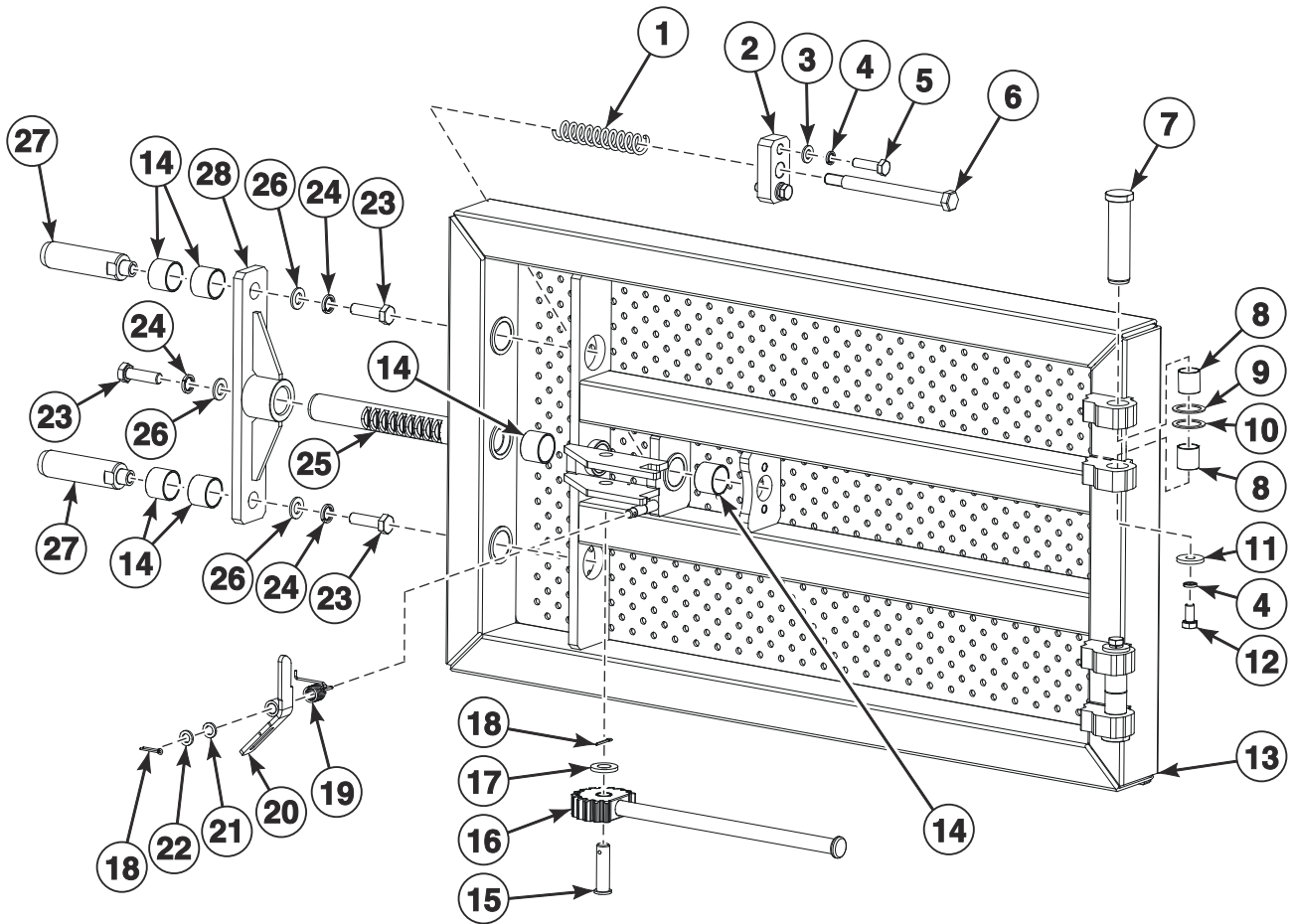


CFD2666P_D2417

Drum and Inner Door

REF	PART NO.	DESCRIPTION	COMMENTS
	SP539700	Complete Drum	Three chambers
1	SP539701	Drum	Welded; Three chambers
2	SP535628	Shaft Slide Casing	
3	SP535629	O-Ring	80x6
4	SP536132	Sliding Sleeve	
5	SP539320	Inner Door	

Inner Door

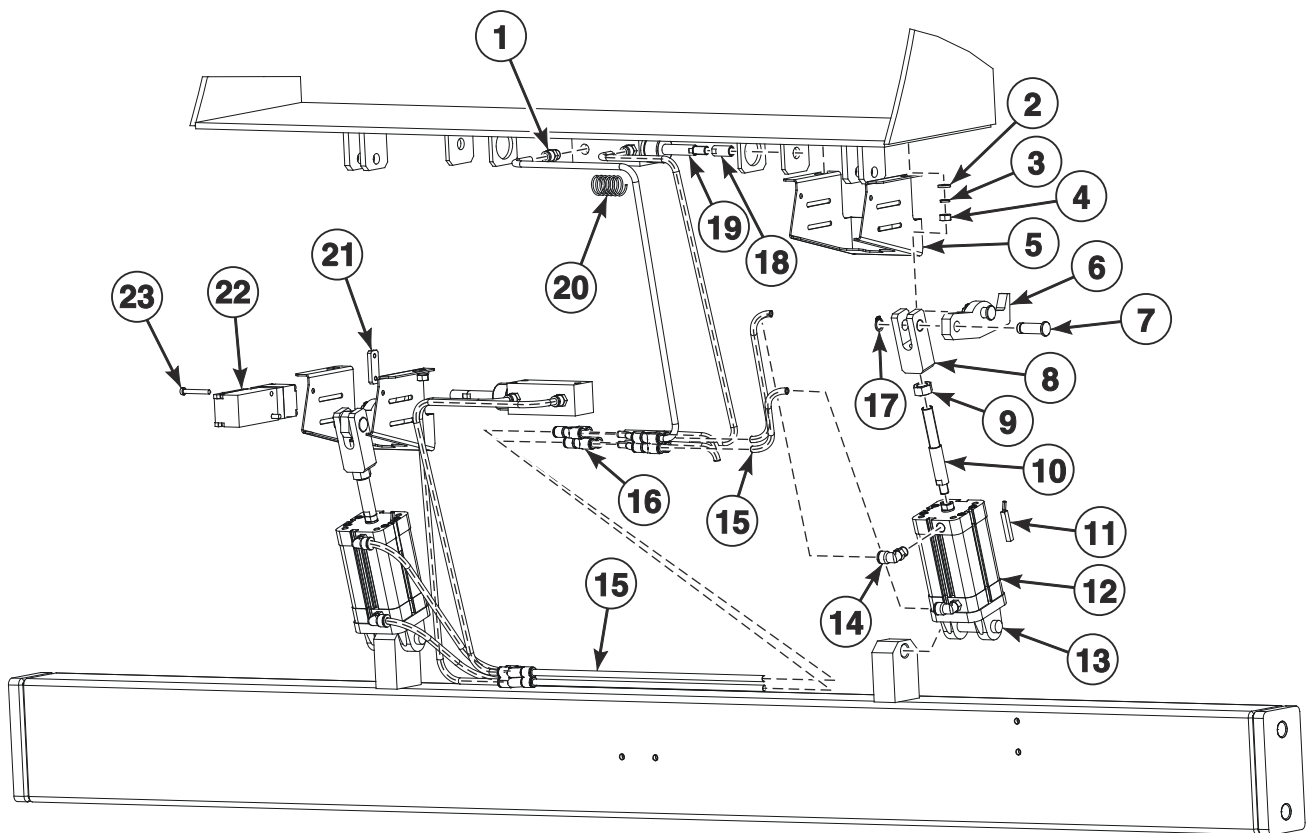


CZB7P_D2417

Inner Door

REF	PART NO.	DESCRIPTION	COMMENTS
	SP539320	Inner Door	
1	SP536237	Locking Spring	TL3x19.4x103
2	SP536235	Spring End Stop	
3	SP311125240008	Washer	8.4
4	SP311127240008	Washer	8
5	SP309933240830	Bolt	M8x30
6	SP536236	Bolt	
7	SP539350	Inner Door Pin	
8	SP536133	Sliding Sleeve	Includes 1 piece
9	539146	Washer	
10	557325	Washer	
11	SP536248	Washer	
12	SP309933240815	Bolt	M8x16
13	SP539321	Inner Door	
14	SP536132	Sliding Sleeve	Includes 1 piece
15	SP536240	Pin	
16	SP536225	Handle	
17	SP536249	Washer	
18	SP536241	Split Pin	3.2x20
19	SP536238	Safety Spring	
20	SP536220	Safety Lock	
21	SP535797	Washer	T1 mm
22	SP535798	Washer	T2 mm
23	SP309933241035	Bolt	M10x35
24	SP311127240010	Washer	10
25	SP539346	Door Slider	
26	SP526196	Washer	10.5
27	SP539347	Side Mounting Pin	
28	SP539340	Door Adapter	

Door Lock - Vertical

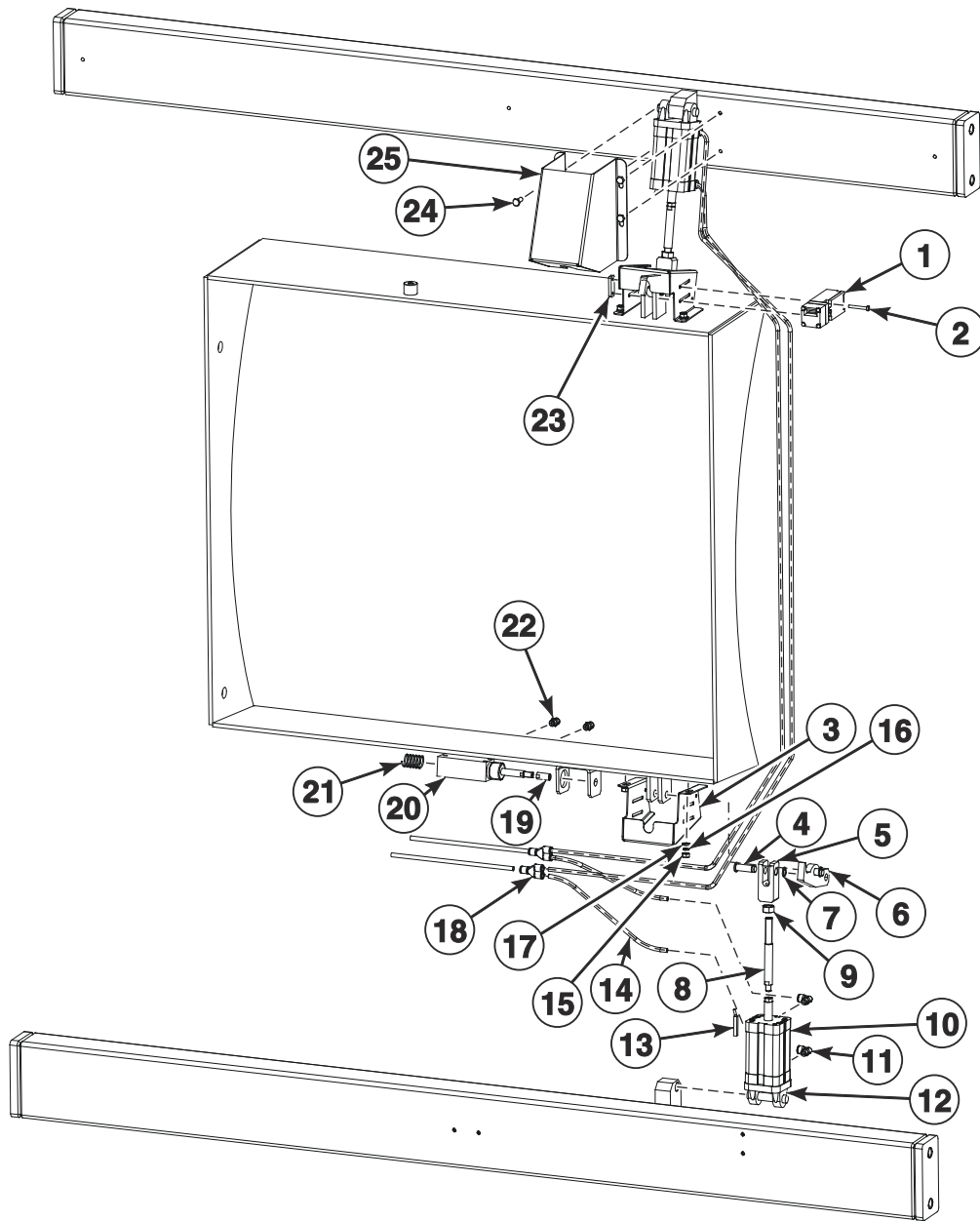


CFD2669P_D2417

Door Lock - Vertical

REF	PART NO.	DESCRIPTION	COMMENTS
1	SP319428330006	Pipe Nipple	L6; G1/8
2	SP311125000006	Washer	6.4
3	SP311127000006	Washer	6
4	SP310934000006	Nut	M6
5	SP535608	Closure Guard	
6	SP536451	Hook Closure	
7	SP535607	Hook Closure Pin	
8	SP536450	Cylinder Clevis	
9	SP310934000010	Nut	M10
10	SP536452	Cylinder Extension	
11	SP506596	Sensor	PEC; 2m cable; Models through 180M000170RA
	SP526440	Sensor	PEC; 2m cable; Models starting 180M000172RN
12	SP519197	Pneumatic Cylinder	
13	SP519196	Back Clamp	40
14	SP319428330060	Pipe Nipple	L6; G1/8
15	SP319300006001	Hose	6x1
16	SP405113000006	Coupling	Y6
17	SP307732030010	Safety Ring	10mm
18	SP536453	Cylinder Extension	2
19	SP516892	Pneumatic Cylinder	
20	SP535643	Cylinder Spring	
21	SP513110	Plate Nut	
22	SP516677	Door Switch	
23	SP503816	Bolt	M4x30

Door Lock - Horizontal

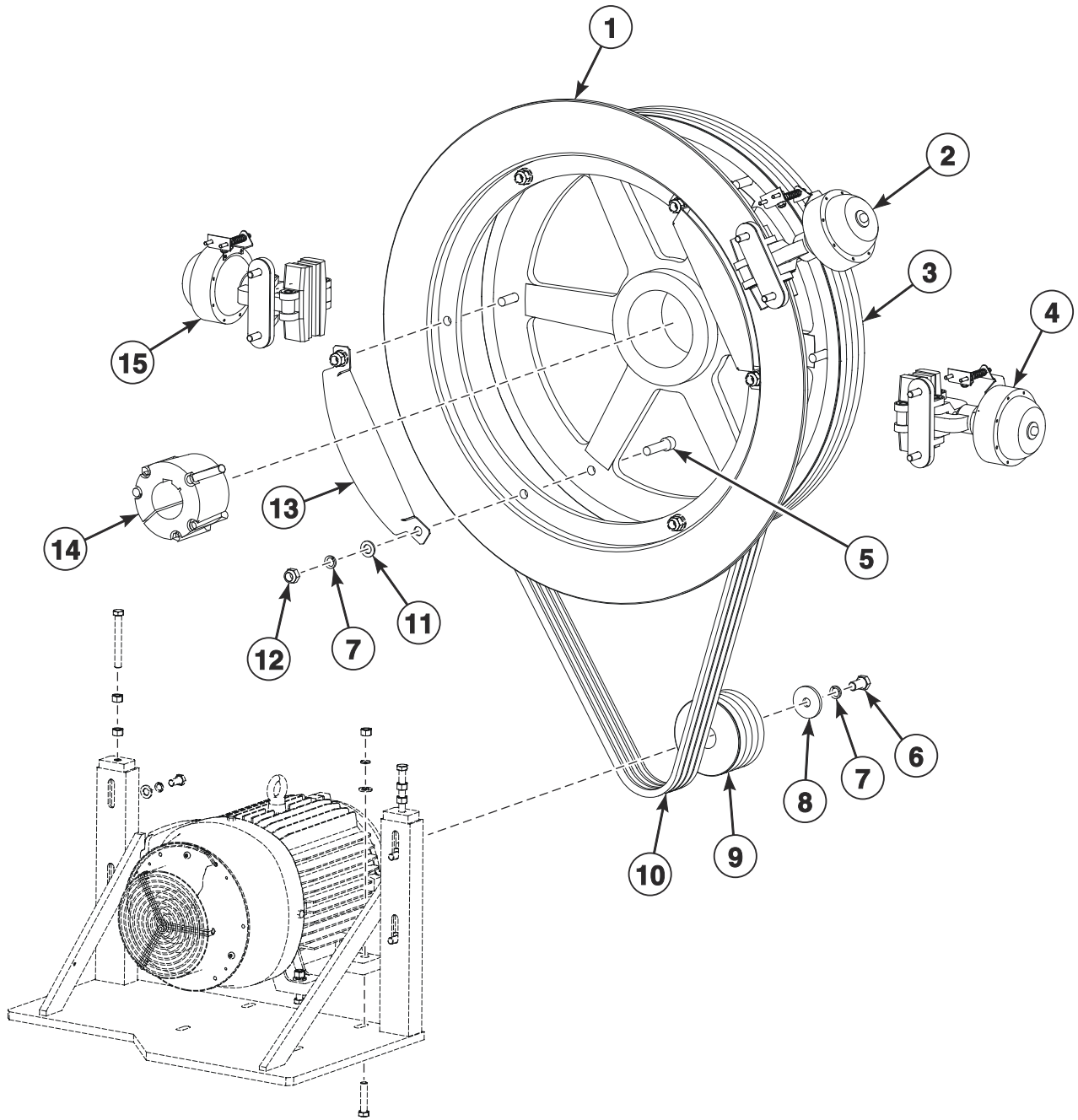


CFD2670P_D2417

Door Lock - Horizontal

REF	PART NO.	DESCRIPTION	COMMENTS
1	SP503816	Bolt	M4x30
2	SP516677	Door Switch	
3	SP535608	Closure Guard	
	SP550583	Closure Guard	Horizontal door
4	SP535607	Hook Closure Pin	
5	SP536450	Cylinder Clevis	
6	SP536451	Hook Closure	
7	SP307732030010	Safety Ring	10mm
8	SP550582	Cylinder Extension	
9	SP310934000010	Nut	M10
10	SP519197	Pneumatic Cylinder	
11	SP319428330060	Pipe Nipple	L6; G1/8
12	SP519196	Back Clamp	40
13	SP506596	Sensor	PEC; 2m cable; Models through 180M000170RA
	SP526440	Sensor	PEC; 2m cable; Models starting 180M000172RN
14	SP319300006001	Hose	6x1
15	SP310934000006	Nut	M6
16	SP311127000006	Washer	6
17	SP311125000006	Washer	6.4
18	SP405113000006	Coupling	Y6
19	SP536453	Cylinder Extension	2
20	SP516892	Pneumatic Cylinder	
21	SP535643	Cylinder Spring	
22	SP319428330006	Pipe Nipple	L6; G1/8
23	SP513110	Plate Nut	
24	SP309933000616	Bolt	M6x16
25	SP550578	Pneumatic Cylinder Cover	

Drive (Drawing 1 of 2)

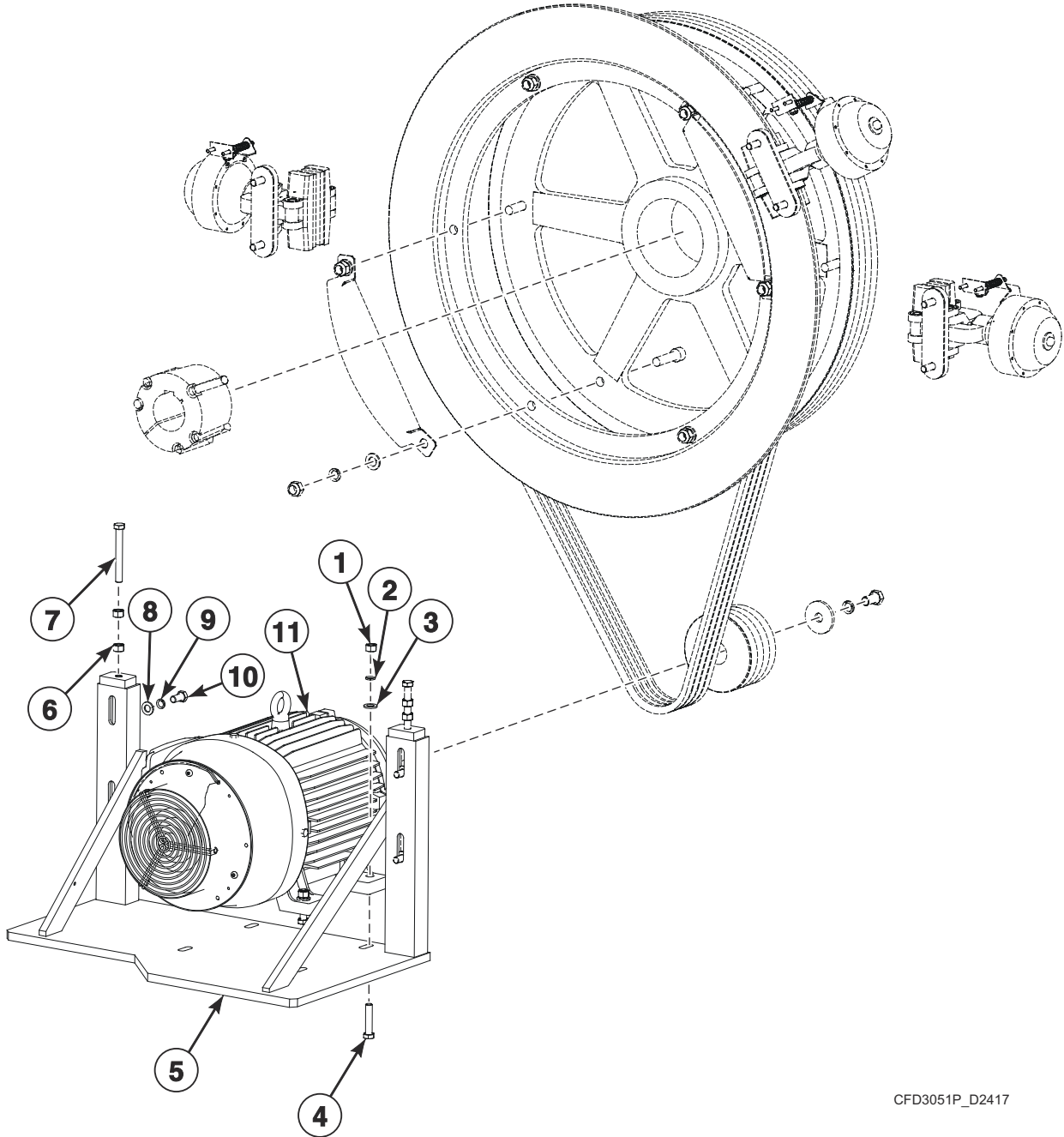


CFD3050P_D2417

Drive (Drawing 1 of 2)

REF	PART NO.	DESCRIPTION	COMMENTS
	SP512200	Complete Drive	Models through April 29, 2015
	SP559129	Complete Drive	Models starting April 30, 2015
1	SP508276	Brake Wheel	
2	536425	Brake	Position
3	SP517237	Pulley	Models through April 29, 2015
	SP559125	Pulley	Models starting April 30, 2015
4	SP512193	Brake	Assembly; Left
5	SP309912121680	Bolt	M16x80
6	SP552885	Bolt	M16x40
7	SP311127000016	Washer	16
8	SP511924	Washer	
9	SP517239	Pulley	
10	SP512189	Belt	
11	SP311125000017	Washer	17
12	SP310985000016	Nut	M16
13	SP510542	Sensor	
14	SP512188	Clamping Sleeve	4040/80 (T31186); Models through April 29, 2015
15	SP530937	Brake	Assembly; Right

Drive (Drawing 2 of 2)

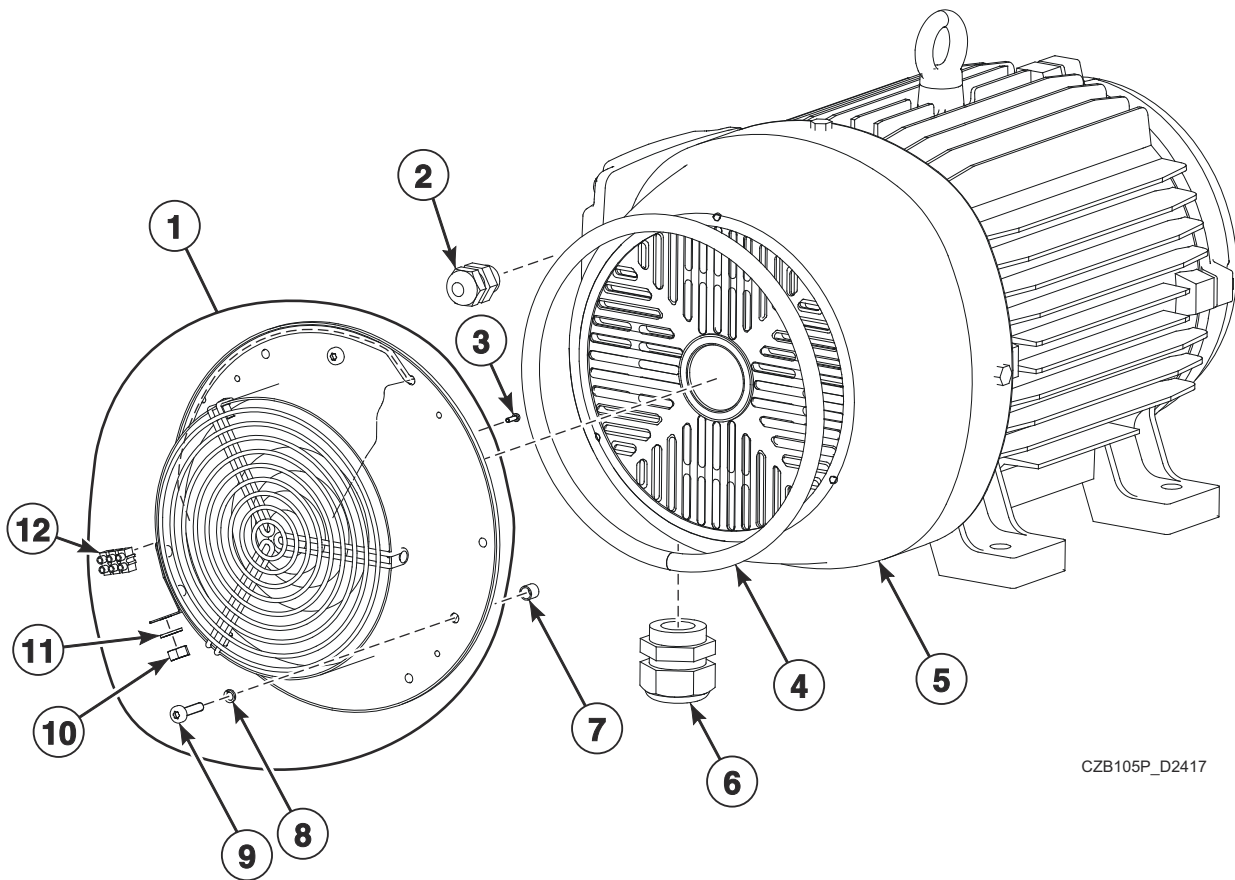


CFD3051P_D2417

Drive (Drawing 2 of 2)

REF	PART NO.	DESCRIPTION	COMMENTS
1	SP310934000012	Nut	M12
2	SP311127000012	Washer	12
3	SP311125000013	Washer	13
4	SP309933001260	Bolt	M12x60
5	SP539724	Holder	
6	SP310934000012	Nut	M12
7	SP309933001299	Bolt	M12x100
8	SP311125000017	Washer	17
9	SP311127000016	Washer	16
10	SP309933001650	Bolt	M16x50
11	SP512192	Motor	

Motor

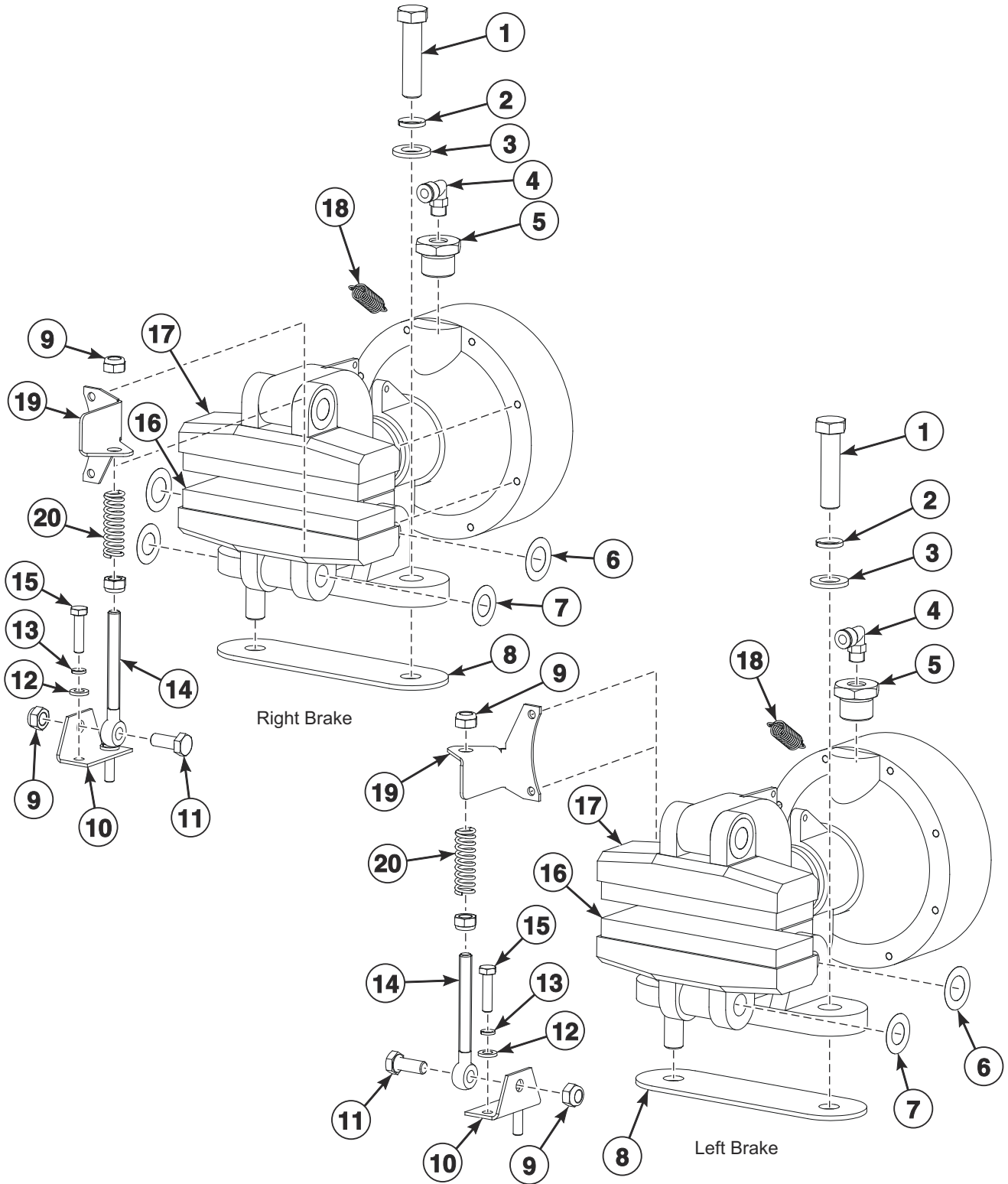


CZB105P_D2417

Motor

REF	PART NO.	DESCRIPTION	COMMENTS
	SP512192	Motor	
1	SP516188	Fan	
2	SP101407	Bushing	M20
3	SP309084000310	Bolt	M3x10
4	SP511867	Seal	
5	SP513122	Motor	
6	SP101410	Cable Bushing	M40
7	SP511866	Washer	
8	SP311127000006	Washer	6
9	SP309933000618	Bolt	M6x18
10	SP310934000008	Nut	M8
11	SP311125000008	Washer	8.4
12	SP506575	Terminal Board	

Brake

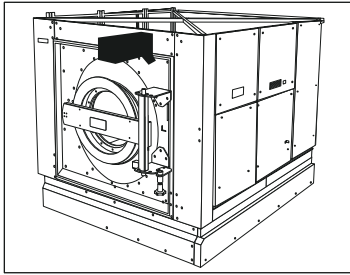


CFD2673P_D2417

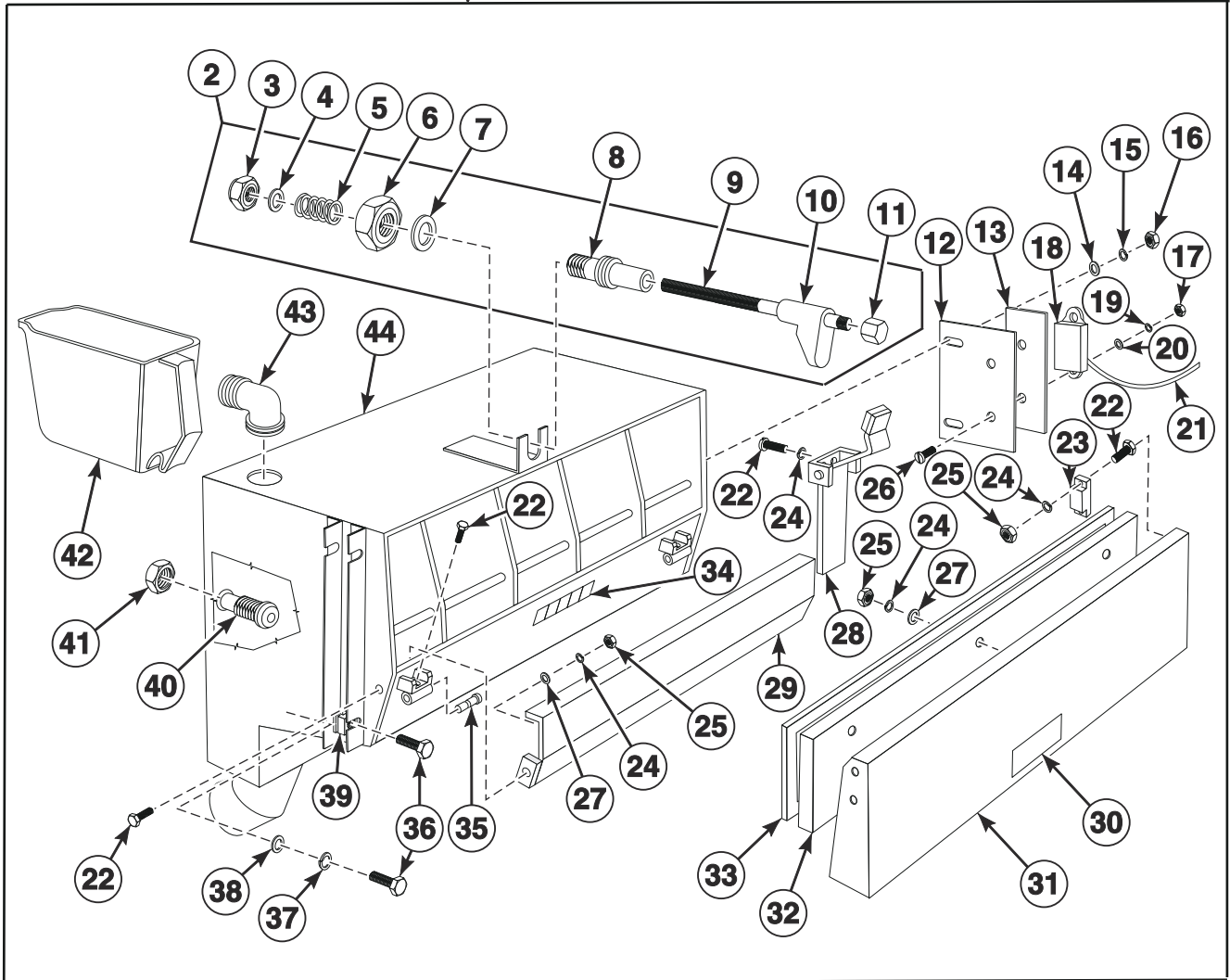
Brake

REF	PART NO.	DESCRIPTION	COMMENTS
	283296215119	Tape	
	SP512193	Brake	Assembly; Left; 4 springs
	SP530937	Brake	Assembly; Right; 4 springs
	536425	Brake	Assembly; Position; 8 springs
	566477	Brake Spring	Located under the head cover; As many as 8 springs may be used; The number of springs determines the brake force
	566478	Brake Spring	Brake pad spring fitter; 2 used
1	SP309933001240	Bolt	M12x40
2	SP311127000012	Washer	12
3	SP311125000013	Washer	13
4	SP319428330060	Pipe Nipple	L6-G1/8
5	SP508274	Adapter	1/2 inch-G1/8 inch
6	SP530933	Washer	16x28x01
7	SP530936	Washer	14x26x01
8	SP511923	Washer	
9	SP310985000008	Nut	M8
10	SP511818	Jaw Holder	
11	SP309933000820	Bolt	M8x20
12	SP311125000006	Washer	6/6.4/12/1.6
13	SP311127000006	Washer	M6
14	SP510922	Bolt	M8x80
15	SP309933000616	Bolt	M6x16
16	SP510964	Brake Block	
17	SP512194	Brake Modification	
18	SP530949	Brake Arm Spring	
19	SP530932	Holder	
20	SP315235031015	Spring	

Soap Hoppers



1



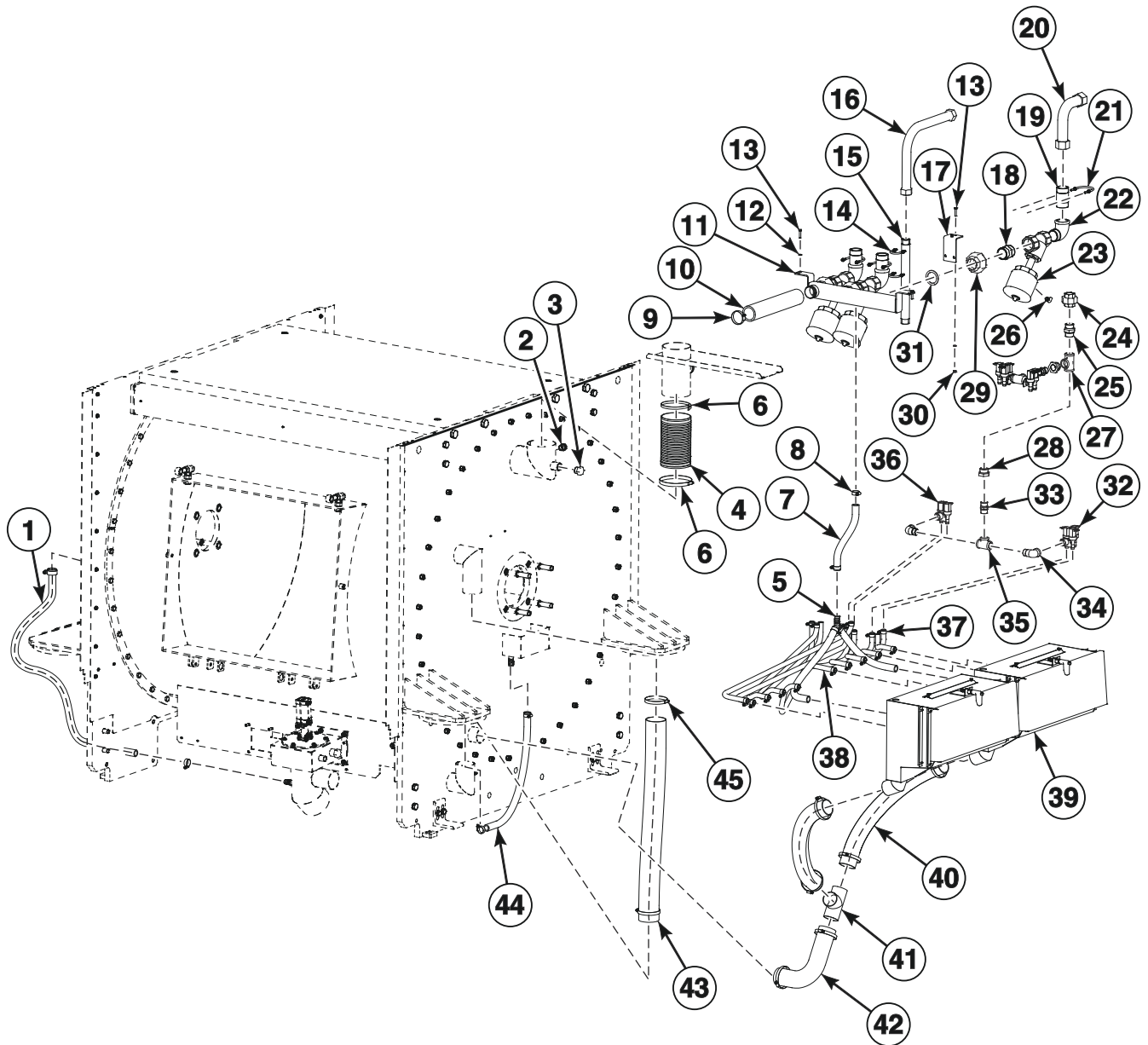
CFD2674P_D2417

Soap Hoppers

REF	PART NO.	DESCRIPTION	COMMENTS
1	SP508393	Complete Soap Hopper	
2	SPF02110200014	Soap Hopper Lock	
3	SP310985000006	Nut	M6
4	SP311125000006	Washer	6.4
5	SP120102302325	Spring	
6	SP310934000012	Nut	M12
7	SP311127000012	Washer	12
8	SP223110200115	Pin	
9	SP223110200415	Bolt	
10	SP321848480023	Safety Lever	
11	SP310917240006	Nut	M6
12	SPF02110001214	Holder	
13	SPF02110001314	Insulation	
14	SP311125000004	Washer	4.3
15	SP311127000004	Washer	4
16	SP310934000004	Nut	M4
17	SP310934000003	Nut	
18	SPPRI346000032	Magnetic Switch	
19	SP311127000003	Washer	3
20	SP311125000003	Washer	3.2
21	SP283362004915	Insulation Tube	
22	SP309933240408	Bolt	M4x8
23	SPPRI346000031	Magnetic Switch Magnet	
24	SP311127240004	Washer	4
25	SP310934240004	Nut	M4
26	SP309084000310	Bolt	M3x10
27	SP311125240004	Washer	4.3
28	SP235110200014	Soap Hopper Level	
29	SP235110001413	Cover	
30	N/A	Label	Do not open during the wash cycle
31	SP223110600013	Soap Hopper Cover	Includes item 30
	SP223110700013	Complete Soap Hopper Cover	
32	SP235111200013	Cover Insert	
33	SP273442021020	Seal	
34	SP548000091014	Label	
35	SP235110001215	Door Pin	
36	SP309933000620	Bolt	M6x20
37	SP311127000006	Washer	6
38	SP311902100006	Washer	M6
39	SP510923	Nut	M6
40	570375	Nozzle	
41	570374	Nut	
42	SP321848223000	Vessel	
43	SPPRI504000069	Elbow	
44	SP511927	Soap Hopper	

N/A = Part no longer available

Filling System - Models With Soap Hopper

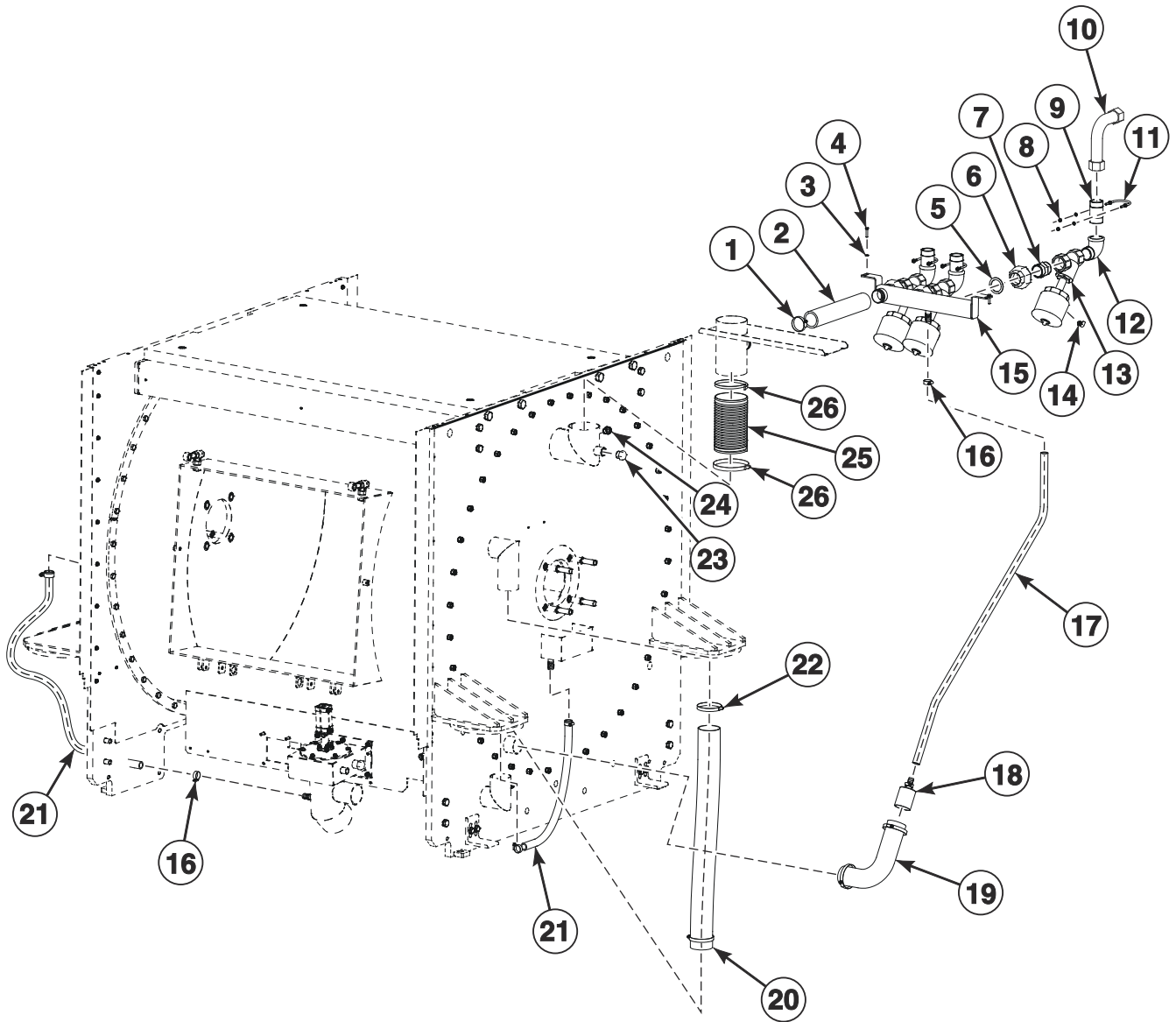


CFD3231P_D2417

Filling System - Models With Soap Hopper

REF	PART NO.	DESCRIPTION	COMMENTS
	283296215119	Tape	
1	SPPRI540001019	Hose	L
2	SP510940	Plug	G1/2 inch
3	SP319428324805	Plug	G3/4 inch
4	SP536596	Drum Exhaust Hose	
5	SP321848000019	Clutch	YS 19
6	SPPRI240000015	Hose Clamp	
7	SPPRI540001019	Hose	Soap hopper input
8	SPPRI240000003	Hose Clamp	20-32mm
9	SPPRI240000017	Hose Clamp	40-60mm
10	SP510838	Hose	Exhaust
11	SP536480	Water Input Box	
12	SP311125000006	Washer	6.4
13	SP309933000630	Bolt	M6x30
14	SP508310	Clip	R18-FS120
15	SP539841	Water Inlet	1 inch
16	SPPRI505003055	Inlet Hose	
17	SP536488	Water Tube Holder	
18	SP536516	Insert	G1 1/2 inch
19	SP536487	Insert Extension	G1 1/2 inch
20	SP520252	Hose	
21	SP511884	Stirrup	R25-FS120
22	SP536518	Elbow	G1 1/2 inch
23	SP506599	Valve	
24	SP536523	Fitting Adapter	G1 inch; Includes seals
25	SP536522	Insertion	G1 inch
26	SP503883	Pipe Nipple	L6 - G1/4 inch
27	SP536525	Tee	G1 inch
28	SP536524	Adapter	G1 inch x G3/4 inch
29	SP536520	Fitting Adapter	G1 1/2 inch; Includes seal
30	SP310934000006	Nut	M6
31	SP555026	Seal	
32	SPPRI340030038	3-Way Valve	
33	SP536515	Insert	G3/4 inch
34	SP536517	Elbow	G3/4 inch
35	SP536521	Tee	G3/4 inch
36	SPPRI340020035	2-Way Valve	
37	SPPRI240000002	Hose Clamp	12-22mm
38	SPPRI540000014	Hose	Used with multi-way valves
39	SP508393	Complete Soap Hopper	
40	SP273396307058	Hose	
41	SP536852	Tee	60.3x2mm
42	SPPRI505000034	Elbow	
43	SP510965	Hose	
44	SPPRI540001019	Hose	R
45	SPPRI240000021	Hose Clamp	60-80mm

Filling System - Models Without Soap Hopper

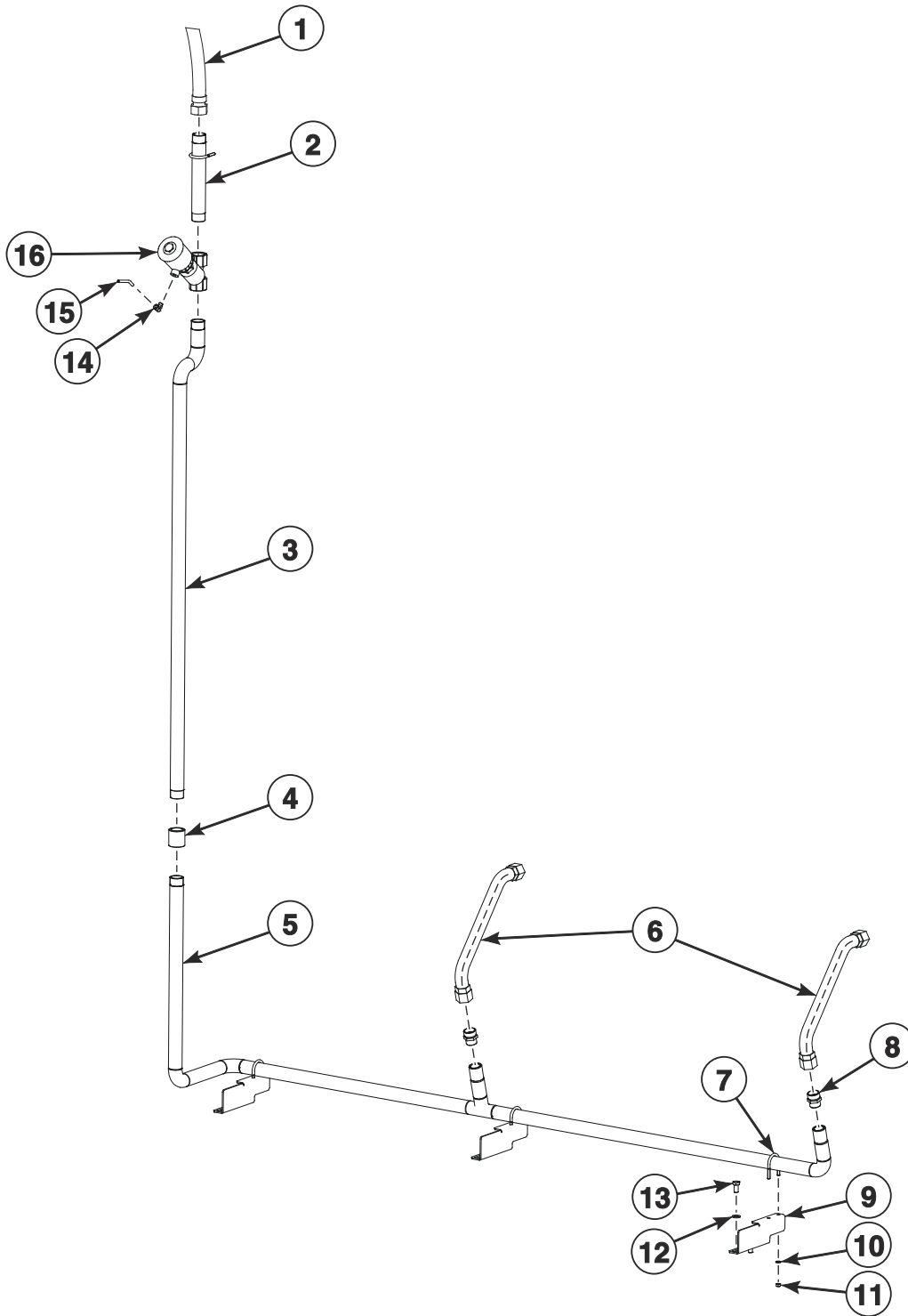


CFD3238P_D2417

Filling System - Models Without Soap Hopper

REF	PART NO.	DESCRIPTION	COMMENTS
	283296215119	Tape	
1	SPPRI240000017	Hose Clamp	40-60mm
2	SP510838	Hose	Exhaust
3	SP311125000006	Washer	6.4
4	SP309933000630	Bolt	M6x30
5	SP555026	Seal	
6	SP536520	Fitting Adapter	G1 1/2 inch; Includes seal
7	SP536516	Insert	G1 1/2 inch
8	SP310934000006	Nut	M6
9	SP536487	Insert Extension	G1 1/2 inch
10	SP520252	Hose	
11	SP511884	Stirrup	R25
12	SP536518	Elbow	G1 1/2 inch
13	SP506599	Valve	
14	SP503883	Pipe Nipple	L6 - G 1/4 inch
15	SP536480	Water Input Box	
16	SPPRI240000003	Hose Clamp	20-32mm
17	SPPRI540001019	Hose	Soap hopper input
18	SP539849	Reducing Clasp	
19	SPPRI505000034	Elbow	
20	SP510965	Hose	
21	SPPRI540001019	Hose	
22	SPPRI240000021	Hose Clamp	60-80mm
23	SP319428324805	Plug	G 3/4 inch
24	SP510940	Plug	G 1/2 inch
25	SP536596	Drum Exhaust Hose	
26	SPPRI240000015	Hose Clamp	

Steam Heating

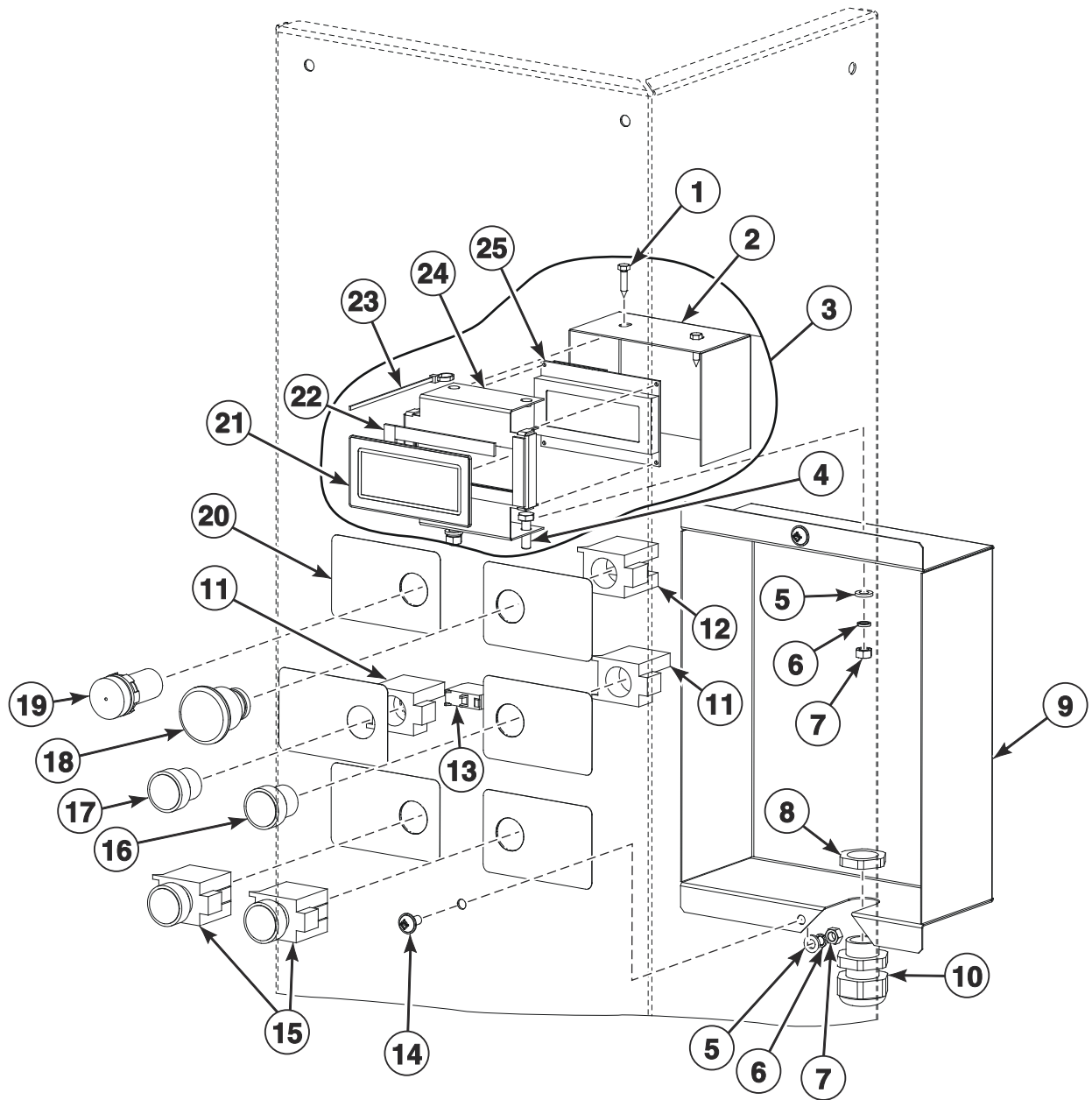


CZB101P_D2417

Steam Heating

REF	PART NO.	DESCRIPTION	COMMENTS
	283296215119	Tape	
	539730	Complete Steam Heating	
1	SP273454900001	Hose	
2	SP536461	Steam Tube	
3	SP539732	Welded Steam Pipeline	
4	SP536469	Insert Tube	
5	SP539731	Steam Pipe	
6	SP535941	Steam Hose	
7	SP508310	Clip	R18
8	SPF02116001814	Reduction	
9	SP536460	Steam Tube Holder	
10	SP311125000006	Washer	6.4
11	SP310934000006	Nut	M6
12	SP311125000010	Washer	10.5
13	SP309933001020	Bolt	M10x20
14	SP319428330060	Pipe Nipple	L6-1/8
15	SP319300006001	Hose	PUN 6x1
16	SP506600	Valve	G1 inch

Second Display

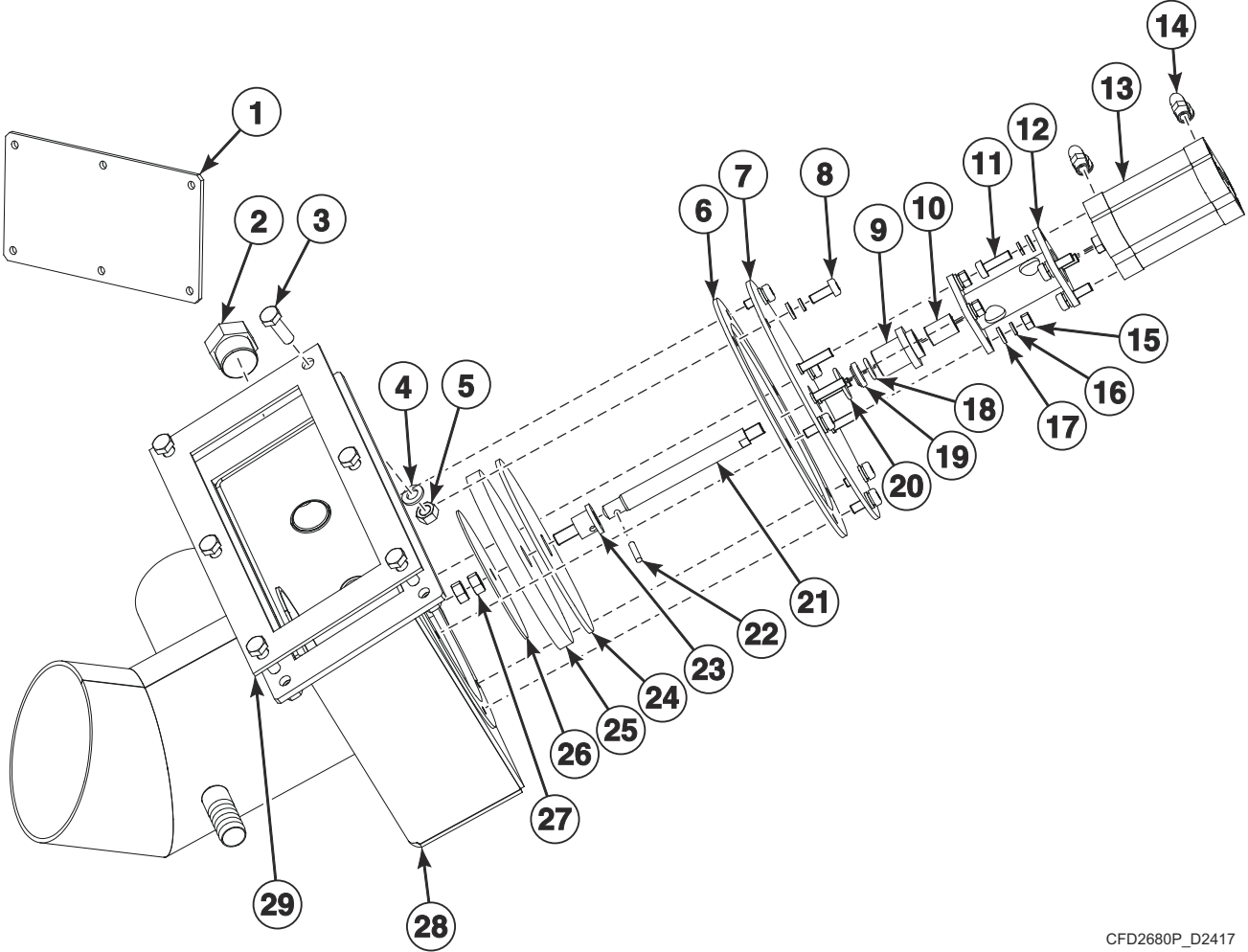


CFD2679P_D2417

Second Display

REF	PART NO.	DESCRIPTION	COMMENTS
1	SP518623	Bolt	Hexagonal; ST4.2x9.5
2	SP530927	Second Display Cover	
3	SP530930	Complete Second Display	
4	SP309933240620	Bolt	M6x20
5	SP311125240006	Washer	6.4
6	SP311127240006	Washer	6
7	SP310934240006	Nut	M6
8	SPPRI350001056	Nut	
9	SP535625	Electrical Box	
10	SPPRI350000056	Cable Bushing	
11	SP102255	Contact Block	
12	SP102260	Contact Block	
13	SP516065	Contact	1 NO
14	SP309595240612	Bolt	M6x12
15	SP347000002003	Pushbutton	
16	SP102254	Pushbutton	Black
17	SP516064	Pushbutton	Gray
18	SP102259	Emergency Stop Button	
19	SP347000000174	Control Light	Red
20	SP516021	Label	
21	SP530926	Label	Second display
22	SP517232	Seal	
23	SP345000626088	Binding Strip	
24	SP530928	Second Display Holder	
25	SP526798	LCD Display	

Standard Outlet Valve

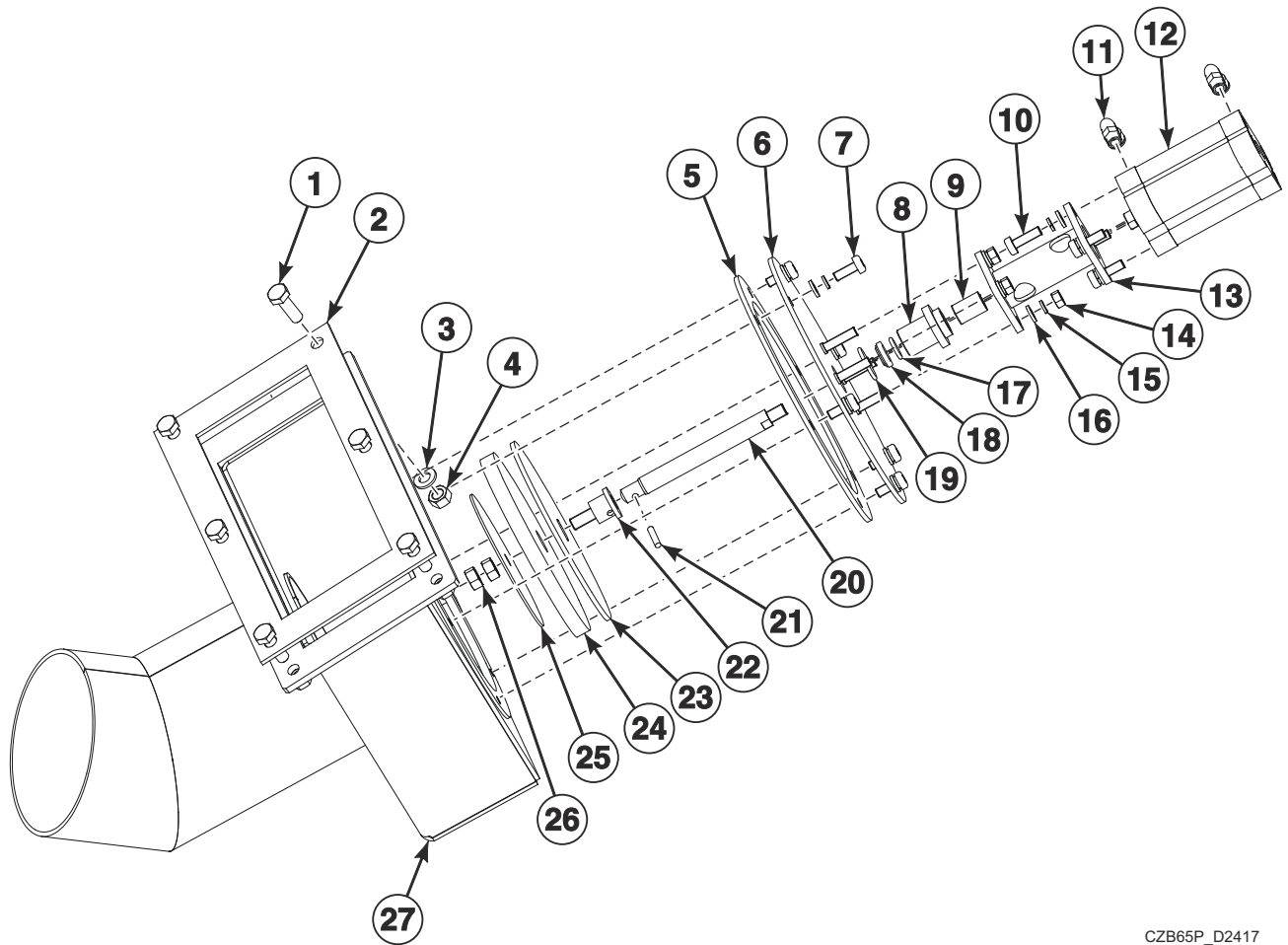


CFD2680P_D2417

Standard Outlet Valve

REF	PART NO.	DESCRIPTION	COMMENTS
	SP513126	Complete Outlet Valve	Standard
1	SP508373	Cover Plate	Used in place of outlet valve
2	SPXM1100017014	Plug	Not used in outlet valve 3
3	SP309933240825	Bolt	M8x25
4	SP311125240008	Washer	8
5	SP310985000008	Nut	M8
6	SP508213	Upper Flange Seal	
7	SP505946	Valve Cover	
8	SP309933240616	Bolt	M6x16
9	SP515788	Case Body	
10	SP506521	Bearing	
11	SP309912000620	Bolt	M6x20
12	SP508202	Column	
13	SP506505	Pneumatic Cylinder	
14	SP319428330060	Pipe Nipple	L6 - G1/8
15	SP310934240006	Nut	M6
16	SP311127240006	Washer	6
17	SP311125240006	Washer	6
18	SP506519	O-Ring	D19.6x2.3
19	SP516633	Wiper	
20	SP506517	O-Ring	D11.6x2.3
21	SP505945	Cover Bar	
22	SP508374	Pin	
23	SP505950	Joint	
24	SP505948	Plate	
25	SP508205	Outlet Valve Seal	
26	SP505949	Plate	
27	SP310934240008	Nut	M8
28	SP513128	Valve Body	
29	SP508214	Side Flange Seal	

Second Outlet Valve - 5 Inch

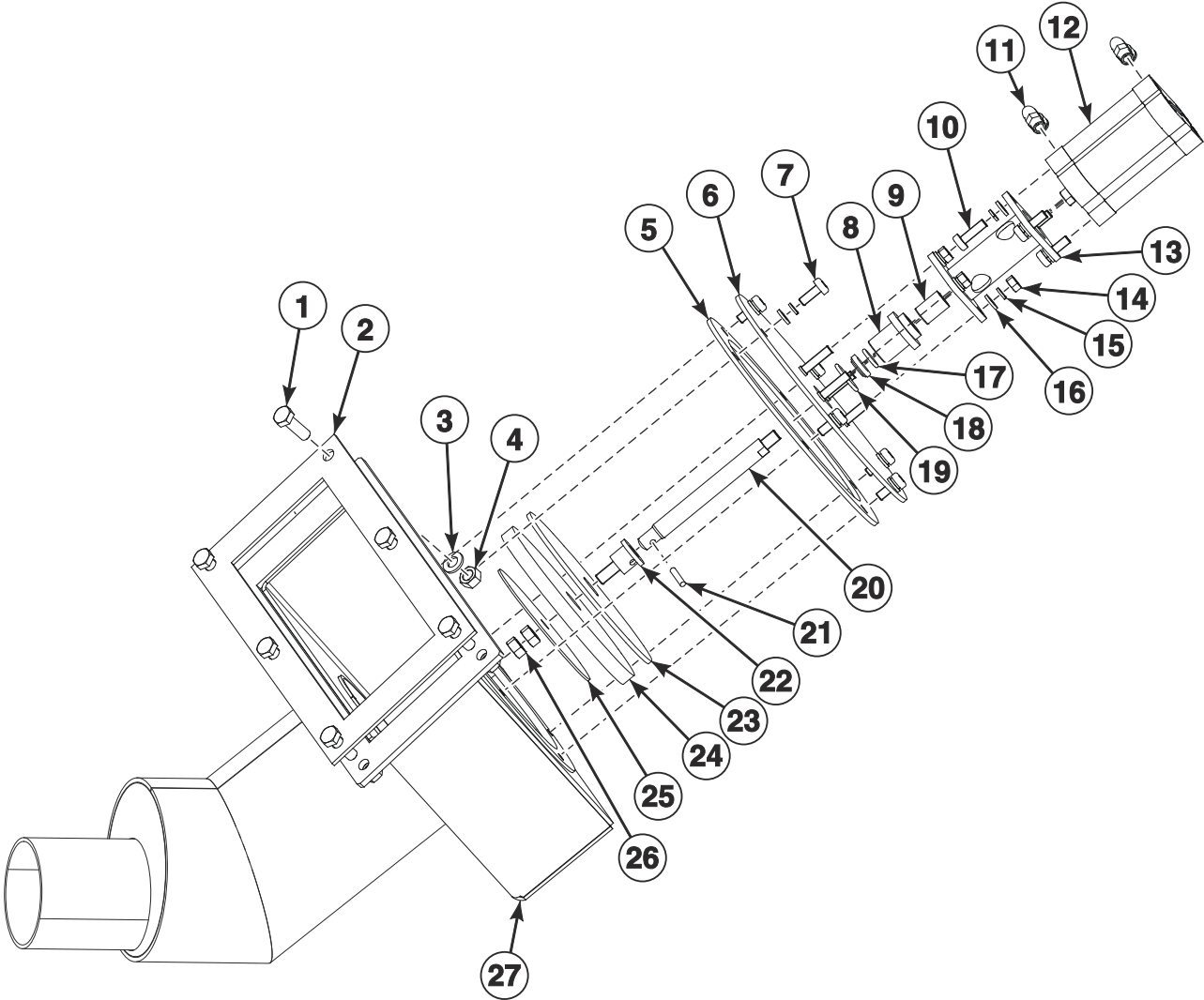


CZB65P_D2417

Second Outlet Valve - 5 Inch

REF	PART NO.	DESCRIPTION	COMMENTS
	SP513127	Complete Outlet Valve	5 inch
1	SP309933240825	Bolt	M8x25
2	SP508214	Side Flange Seal	
3	SP311125240008	Washer	8
4	SP310985000008	Nut	M8
5	SP508213	Upper Flange Seal	
6	SP505946	Valve Cover	
7	SP309933240616	Bolt	M6x16
8	SP515788	Case Body	
9	SP506521	Bearing	
10	SP309912000620	Bolt	M6x20
11	SP319428330060	Pipe Nipple	L6-G1/8
12	SP506505	Pneumatic Cylinder	
13	SP508202	Column	
14	SP310934240006	Nut	M6
15	SP311127240006	Washer	6
16	SP311125240006	Washer	6
17	SP506519	O-Ring	D19.6x2.3
18	SP516633	Wiper	
19	SP506517	O-Ring	D11.6x2.3
20	SP505945	Cover Bar	
21	SP508374	Pin	
22	SP505950	Joint	
23	SP505948	Plate	
24	SP508205	Outlet Valve Seal	
25	SP505949	Plate	
26	SP310934240008	Nut	M8
27	SP513129	Valve Body	5 inch

Second Outlet Valve - 3 Inch

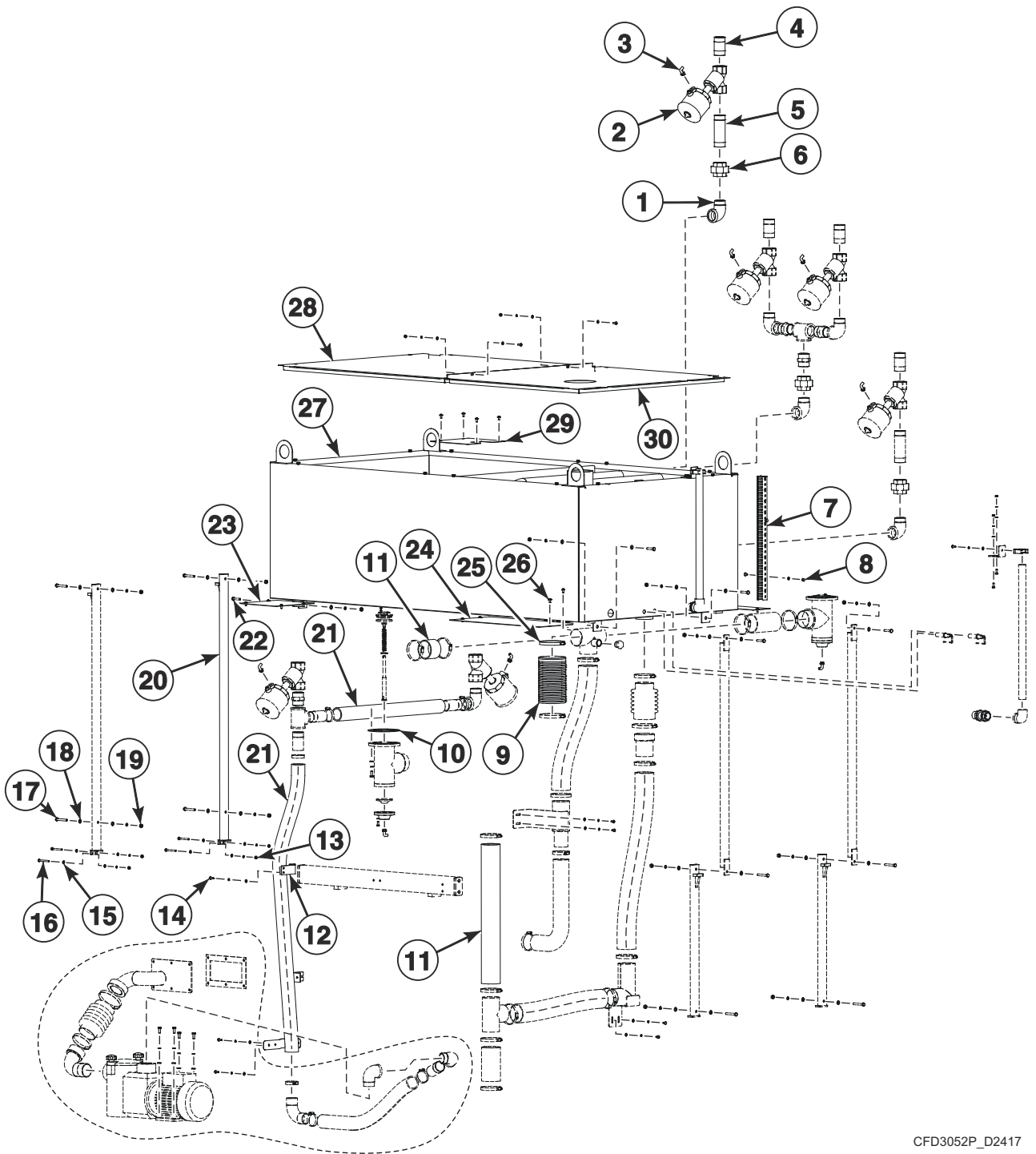


CZB66P_D2417

Second Outlet Valve - 3 Inch

REF	PART NO.	DESCRIPTION	COMMENTS
	SP519080	Complete Outlet Valve	Recycle; 3 inch
1	SP309933240825	Bolt	M8x25
2	SP508214	Side Flange Seal	
3	SP311125240008	Washer	8
4	SP310985000008	Nut	M8
5	SP508213	Upper Flange Seal	
6	SP505946	Valve Cover	
7	SP309933240616	Bolt	M6x16
8	SP515788	Case Body	
9	SP506521	Bearing	
10	SP309912000620	Bolt	M6x20
11	SP319428330060	Pipe Nipple	L6-G1/8
12	SP506505	Pneumatic Cylinder	
12	SP508202	Column	
14	SP310934240006	Nut	M6
15	SP311127240006	Washer	6
16	SP311125240006	Washer	6
17	SP506519	O-Ring	D19.6x2.3
18	SP516633	Wiper	
19	SP506517	O-Ring	D11.6x2.3
20	SP505945	Cover Bar	
21	SP508374	Pin	
22	SP505950	Joint	
23	SP505948	Plate	1
24	SP508205	Outlet Valve Seal	
25	SP505949	Plate	2
26	SP310934240008	Nut	M8
27	SP519081	Valve Body	Recycle; 3 inch

Recycle System (Drawing 1 of 3)



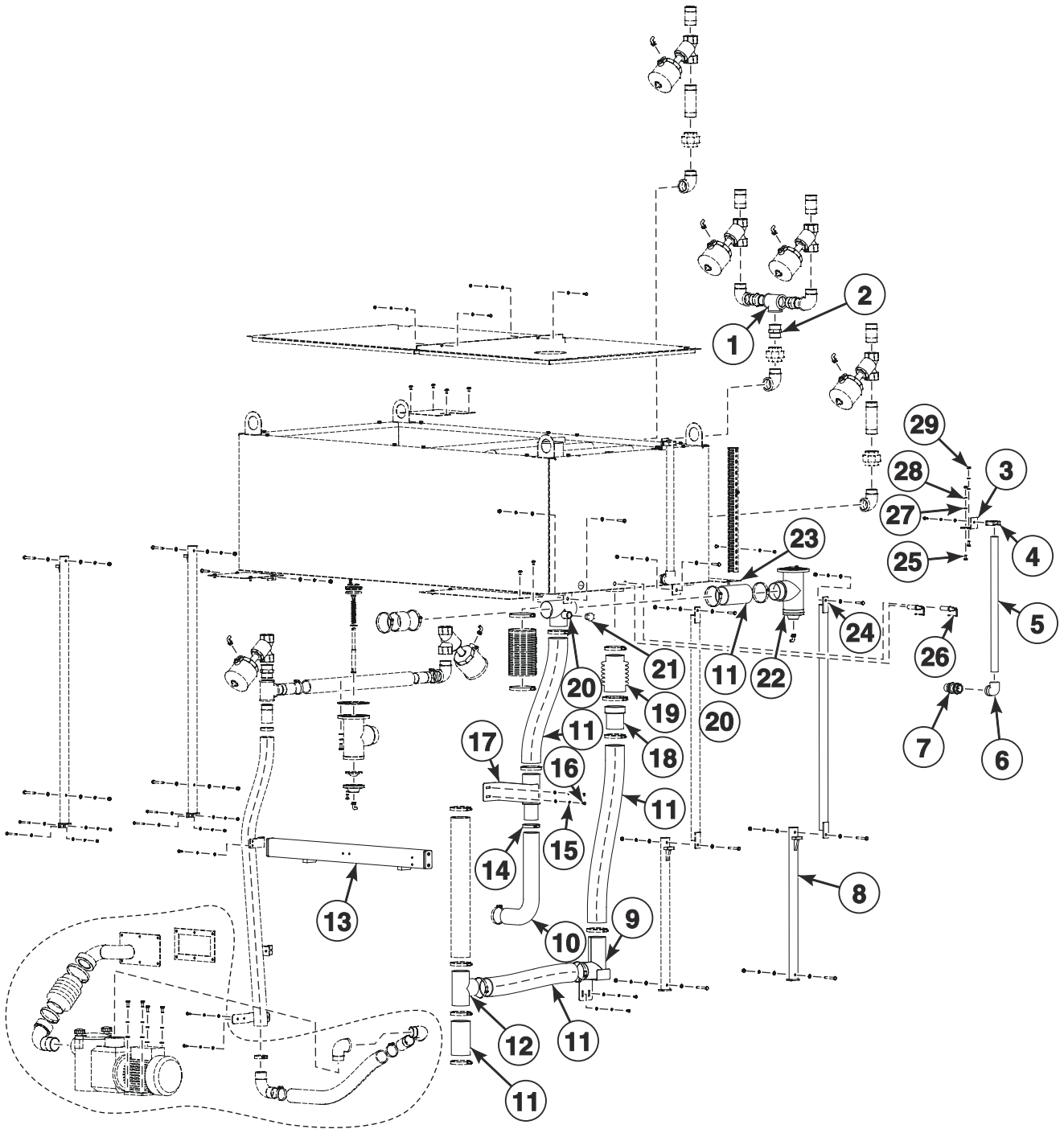
CFD3052P_D2417

Recycle System (Drawing 1 of 3)

REF	PART NO.	DESCRIPTION	COMMENTS
	536920	Complete Recycle System	
1	SP536518	Elbow	G1 1/2 inch
2	SP506599	Valve	
3	SP503883	Pipe Nipple	L6 G1/4 inch
4	SP536487	Insert Extension	G1 1/2 inch
5	N/A	Extension Insert	
6	SP536520	Fitting Adapter	G1 1/2 inch; Includes seal
7	N/A	Cable Channel	
8	N/A	Nut	
9	SP536596	Drum Exhaust Hose	
10	N/A	Recycle Valve Seal	
11	SP510965	Hose	Recycle
12	N/A	Support	
13	SP310934000006	Nut	M6
14	N/A	Bolt	
15	SP311125000006	Washer	6.4A
16	SP309933000660	Bolt	M6-60
17	SP509976	Bolt	M8-60
18	SP311127000008	Washer	8
19	SP310934000008	Nut	M8
20	SP536938	Complete Profile	
21	SP510838	Hose	
22	SP309933000840	Bolt	M8-40
23	N/A	Vessel	
24	N/A	Vessel	
25	SPPRI240000015	Hose Clamp	100-120
26	N/A	Bolt	
27	536921	Recycle Tank	
28	N/A	Tank Cover	
29	N/A	Vessel	
30	N/A	Tank Cover	

N/A = Part no longer available

Recycle System (Drawing 2 of 3)



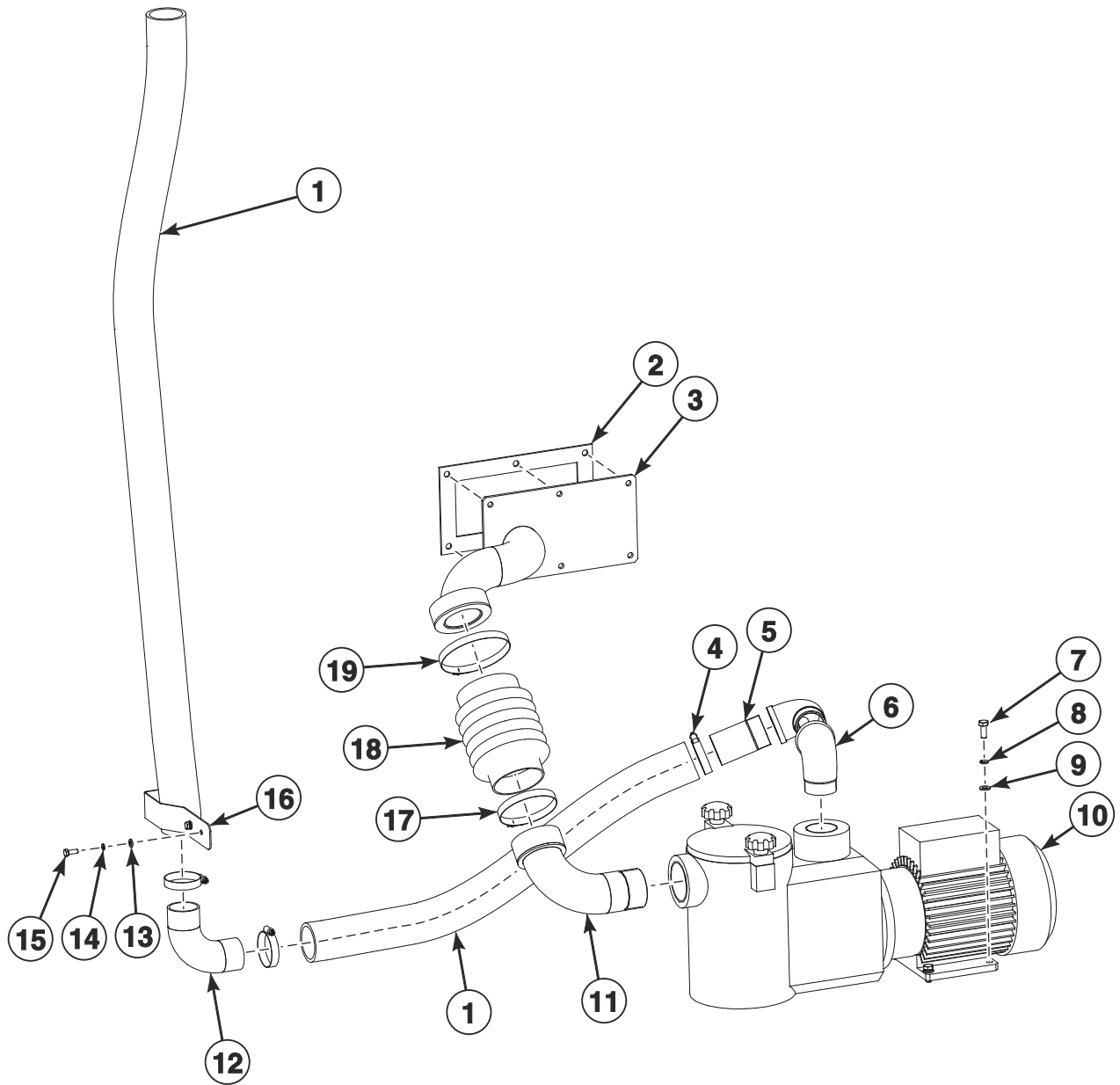
CFD3053P_D2417

Recycle System (Drawing 2 of 3)

REF	PART NO.	DESCRIPTION	COMMENTS
	283296215119	Tape	
1	SP536855	Tee	1 1/2 inch
2	SP536516	Insert	G1 1/2 inch
3	SP536821	Clamp Holder	
4	SP536853	Tube Holder	
5	SP536854	Level Indicator Tube	
6	SP536851	Elbow	
7	SP536850	Fitting Adapter	
8	SP536942	Complete Profile	
9	SP536860	Recycle Adapter	
10	SPPRI505000087	Drain Hose Pipe	
11	SP510965	Hose	Recycle
12	SP536849	Tee	76.1 x 2 mm
13	N/A	Middle Partition	
14	SPPRI240000021	Hose Clamp	60-80
15	SP311127000006	Washer	6
16	SP309933000612	Bolt	M6-12
17	SP536861	Recycle Adapter	
18	SP536859	Recycle Adapter	
19	SP223101401114	Hose	
20	SP536858	Tee	
21	SPXM1100017014	Plug	3/4 inch
22	SP536802	Complete Recycle Valve	
23	N/A	Vessel	
24	SP536940	Complete Profile	
25	SP309933240616	Bolt	M6-16
26	SP524676	Level Switch	
27	SP311125240006	Washer	6.4
28	SP311127240006	Washer	6
29	SP310934240006	Nut	M6

N/A = Part no longer available

Recycle System (Drawing 3 of 3)



CFD2683P_D2417

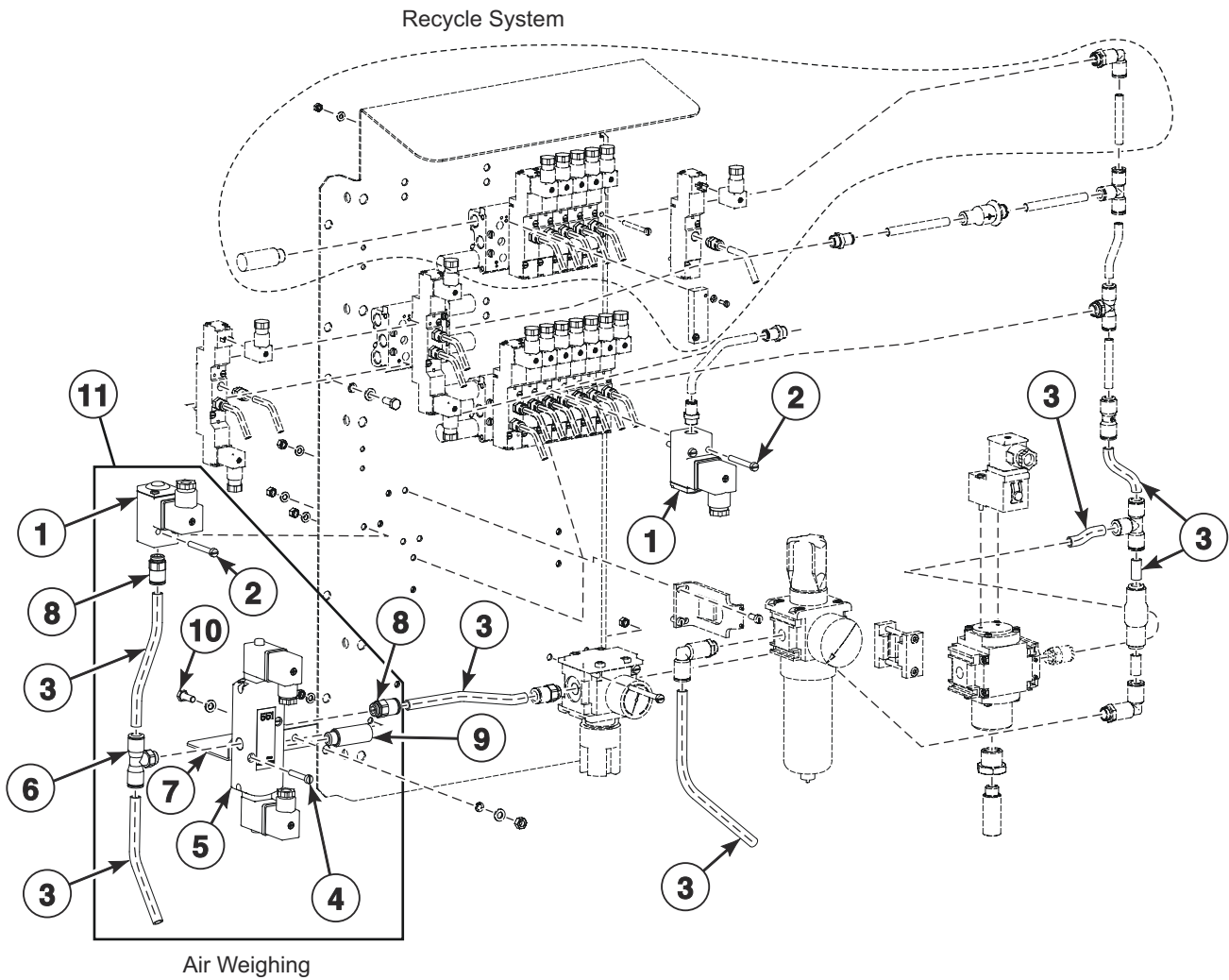
Recycle System (Drawing 3 of 3)

REF	PART NO.	DESCRIPTION	COMMENTS
1	SP510838	Hose	Pump
2	SP508214	Side Flange Seal	
3	SP536843	Complete Recycle Board	
4	SPPRI240000017	Hose Clamp	40-60
5	SP536817	Insertion	REC 05
6	SP536518	Elbow	G1 1/2 inch
7	SP309933000820	Bolt	M8-20
8	SP311127000008	Washer	8
9	SP311125000008	Washer	8.4
10	SP532827	Pump	
11	SP536840	Complete Part Input	
12	N/A	Pump Elbow	
13	N/A	Washer	
14	N/A	Washer	
15	N/A	Bolt	
16	N/A	Air Trap Support	
17	SPPRI240000007	Hose Clamp	70-90
18	SP223101401114	Hose	
19	N/A	Hose Clamp	

N/A = Part no longer available

Pneumatic System Board (Drawing 1 of 2)

Models Through Serial No. 180M001082KS



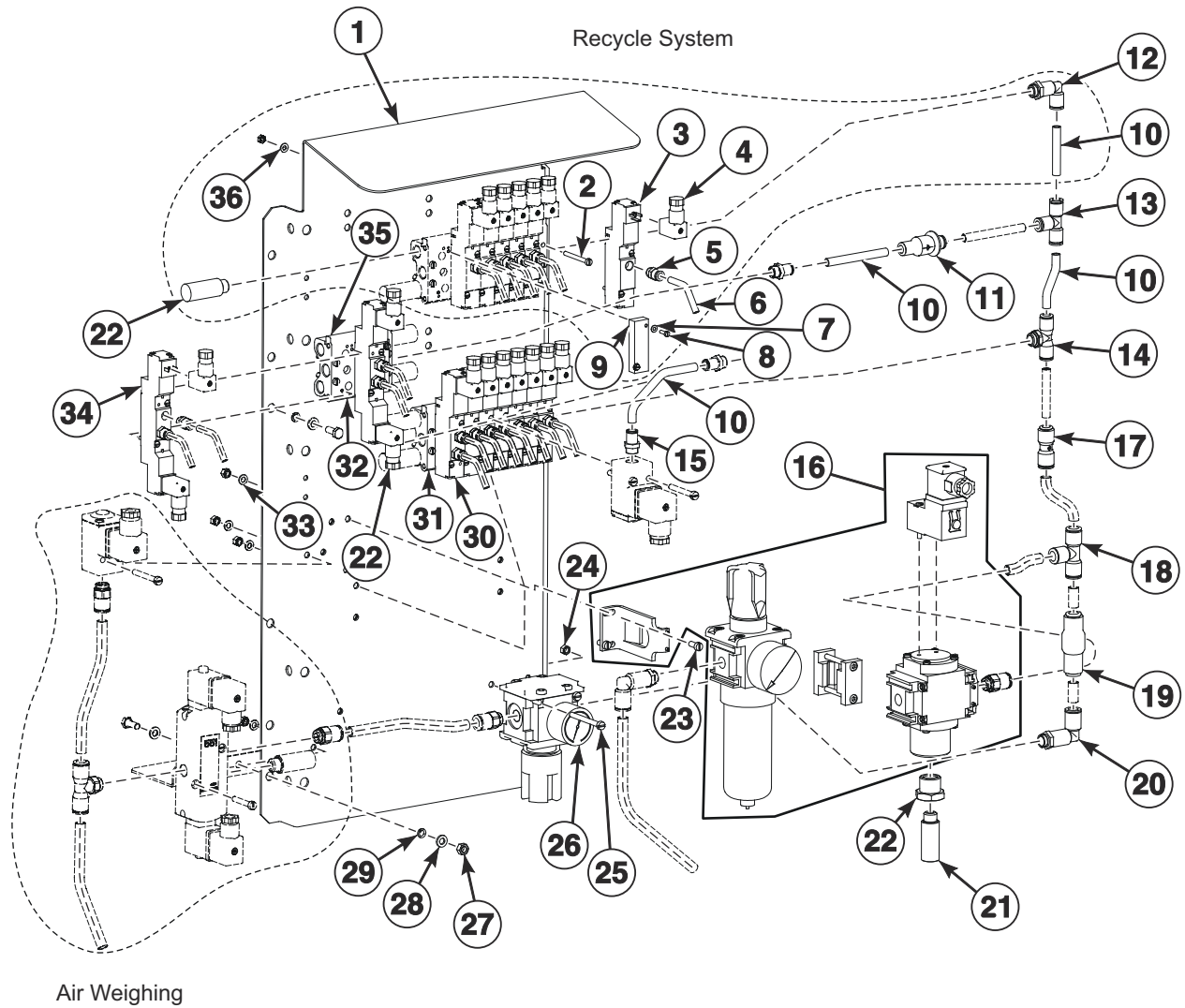
CFD3054P_D2417

Pneumatic System Board (Drawing 1 of 2)

REF	PART NO.	DESCRIPTION	COMMENTS
	283296215119	Tape	
	SP536663	Pneumatic Installation Components	
1	570806	Pressure Switch	G 1/4; 250V AC/DC
2	SP309084000540	Bolt	M5x40
3	SP523144	Hose	
4	SP309084000530	Bolt	M5x30
5	SP525527	Valve	3/2 W1; G1/4; 230V AC; 50/60Kz
6	SP527564	Fitting Adapter	T 10-G1/4
7	SP536493	Pneumatic Assembly Holder	
8	SP525528	Fitting Adapter	10-G1/4
9	SP326346000407	Sound Damper	G1/4
10	SP309933000616	Bolt	M6x16
11	527568	Air Weighing Assembly	Models through Serial No. 180M001064HW

Pneumatic System Board (Drawing 2 of 2)

Models Through Serial No. 180M001082KS



CFD3055P_D2417

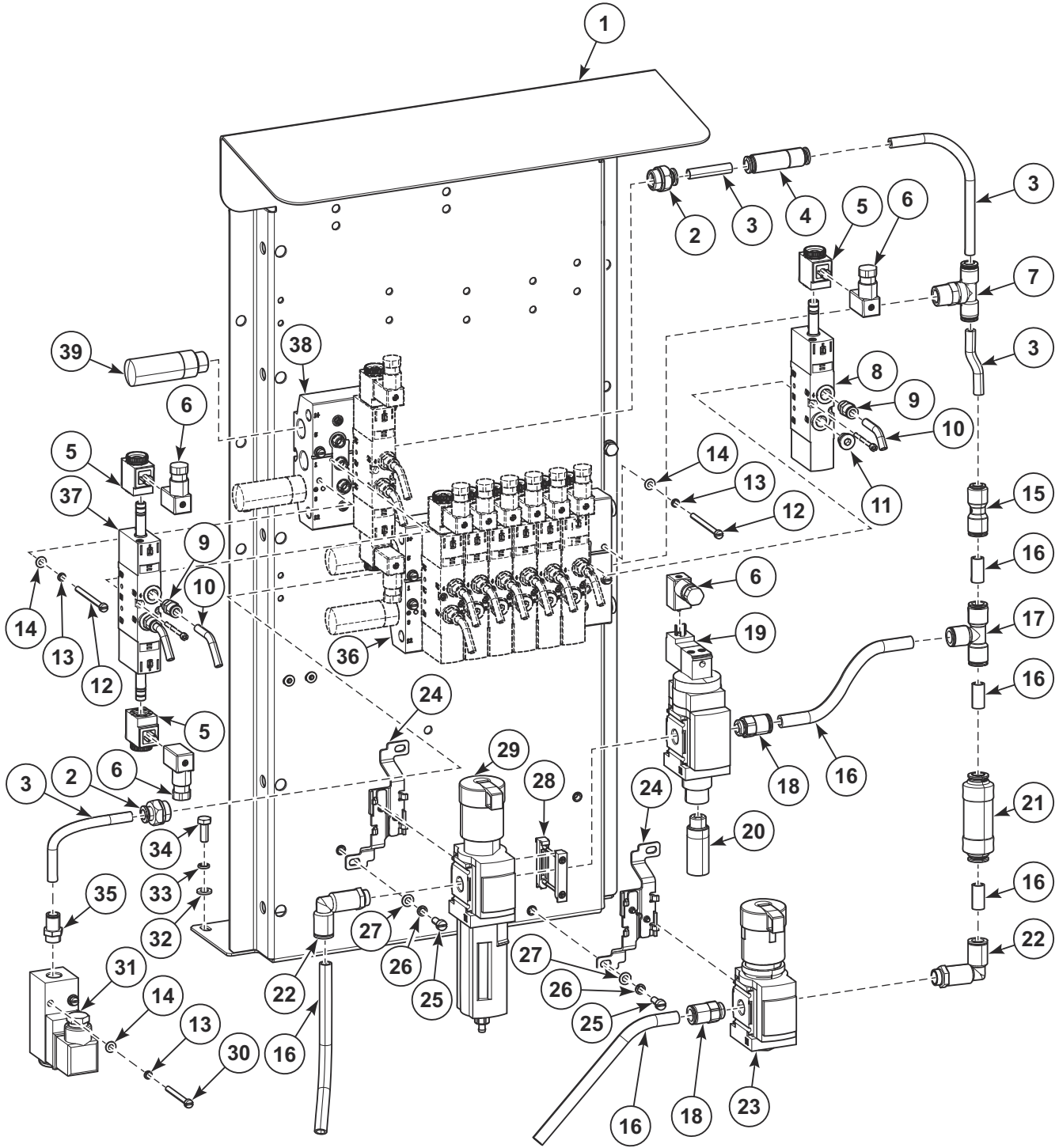
Pneumatic System Board (Drawing 2 of 2)

REF	PART NO.	DESCRIPTION	COMMENTS
1	SP536497	Pneumatic Assembly Plate	
2	SP512134	Bolt	M4x40
3	SP536502	Electromagnetic Valve	MEBH-3/2; G1/8 inch; P-B; 230VAC; Festo; Includes SP536509 Electromagnetic Coil
4	SP536505	Valve Connector	Used with Festo valve
5	SP319428330006	Pipe Nipple	6-G 1/8
6	SP319300006001	Hose	6x1
7	SP311125000003	Washer	M3
8	SP309084000310	Bolt	M3x10
9	SP536508	Topper	PRSB-ME-1/8
10	SP319300008125	Hose	8x1.25
11	SP517235	Non-Return Valve	8
12	SP319428330800	Pipe Nipple	L8-G 1/4
13	SP506053	Coupling	T8-8
14	SP517234	Fitting Adapter	T8-G 1/4
15	SP319428330008	Pipe Nipple	8-G 1/4
16	573218	Pressure Regulator Grip	
17	SP527561	Adapter	8/10
18	SP527559	Connection Tee	T10-10
19	SP525529	Non-Return Valve	10
20	SP523141	Fitting Adapter	L10-G 1/4
21	SP326346000407	Sound Damper	G1/4
22	SP500982	Fitting Adapter	1/2 inch - 1/4 inch
23	SP309084000512	Bolt	M5x12
24	SP310934240005	Nut	M5
25	N/A	Bolt	M5x65
26	573219	Regulator	G 1/4
27	SP310934000006	Nut	M6
28	SP311125000006	Washer	M6
29	SP311127000006	Washer	M6
30	SP536503	Electromagnetic Valve	MEBH-5/2; G1/8 inch; P-B; 230VAC; Festo; Includes SP536509 Electromagnetic Coil
	SP536509	Electromagnetic Coil	Used with Festo electromagnetic valve
31	SP536507	Connecting Block	PRS-ME-1/8-7
32	SP536506	Connecting Block	PRS-ME-1/8-3
33	SP311125000005	Washer	M5
34	SP536504	Electromagnetic Valve	JMEBH-5/2; G1/8 inch; P-B; 230AC; Festo
35	SP310934000004	Nut	M4
36	SP311125000004	Washer	4.3

N/A = Part no longer available

Pneumatic System Board - Standard

Models Starting Serial No. 180M001083KS



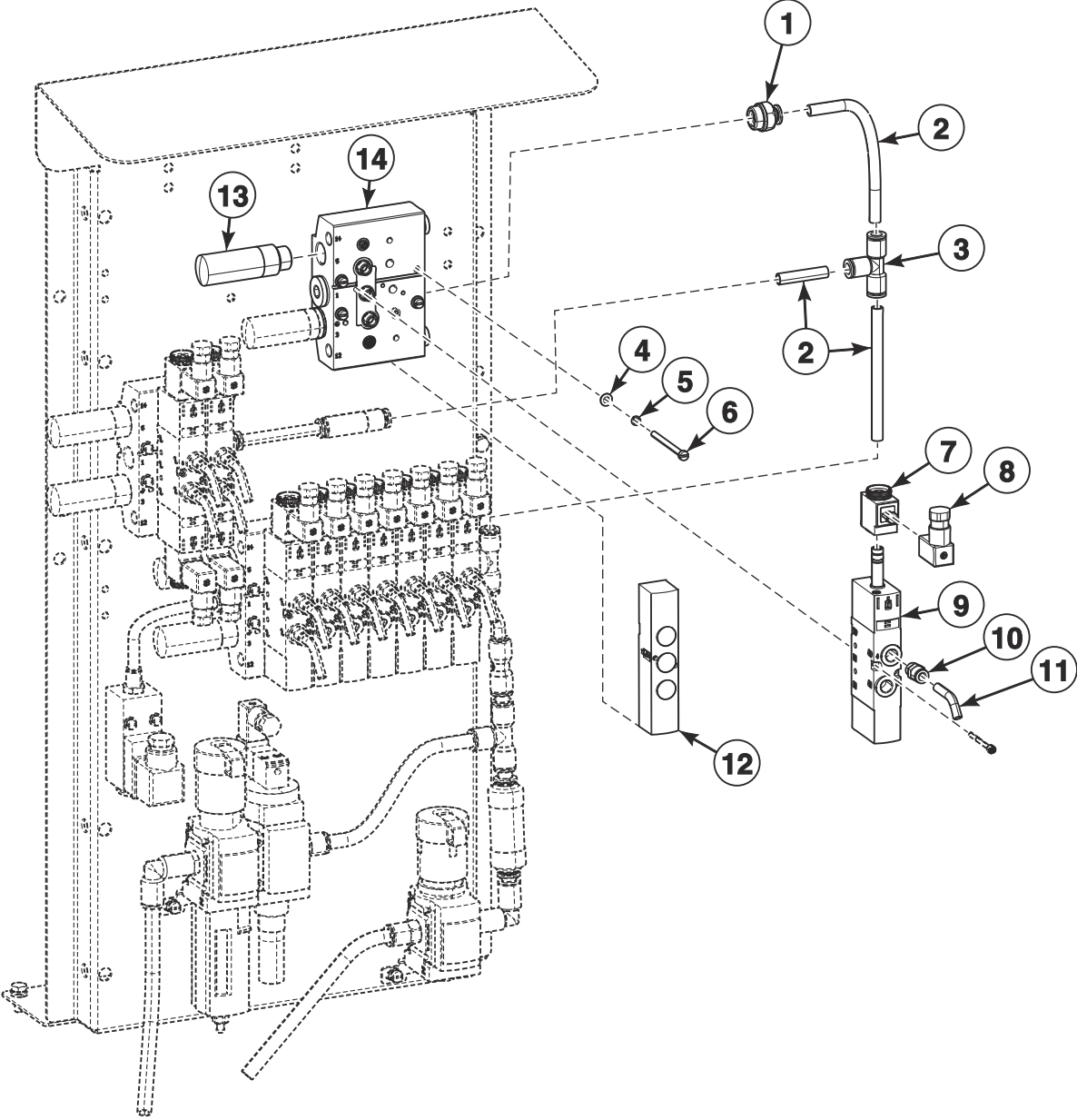
CZB61P_D2417

Pneumatic System Board - Standard

REF	PART NO.	DESCRIPTION	COMMENTS
	283296215119	Tape	
1	570064	Pneumatic Assembly Plate	
2	570822	Fitting Adapter	8-G 3/8 inch
3	SP319300008125	Hose	8x1.25
4	570813	Non-Return Valve	8
5	570808	Electromagnetic Coil	
6	SP536505	Valve Connector	
7	570824	Fitting Adapter	T-G 3/8 inch-8
8	566598	Valve	Electromagnetic
9	SP319428330006	Pipe Nipple	6-G 1/8
10	SP319300006001	Hose	6x1
11	566599	Bolt	
12	570821	Bolt	M4x50
13	SP311127000004	Washer	4
14	SP311125000004	Washer	4.3
15	SP527561	Adapter	8/10
16	SP523144	Hose	10x1.5
17	SP527559	Connection Tee	T10-10
18	SP525528	Fitting Adapter	10-G 1/4 inch
19	570802	Switching Valve	G 1/4 inch
20	570814	Sound Damper	
21	570812	Non-Return Valve	10
22	SP523141	Fitting Adapter	L10; G 1/4 inch
23	570803	Reduction Valve	G 1/4 inch
24	570804	Pressure Regulator Grip	
25	SP309084000512	Bolt	M5x12
26	SP311127000005	Washer	5
27	SP311125000005	Washer	5.3
28	570805	Module Coupling	
29	570801	Filter Pressure Regulator	Includes filter
30	SP512134	Bolt	M4x40
31	570806	Pressure Switch	G 1/4
32	SP311125240006	Washer	6.4
33	SP311127240006	Washer	6
34	SP309933240616	Bolt	M6x16
35	SP319428330008	Pipe Nipple	8-G 1/4 inch
36	570809	Connecting Block	
37	566600	Valve	Electromagnetic
38	570810	Connecting Block	
39	570823	Sound Damper	

Pneumatic System Board - Second Outlet Valve

Models Starting Serial No. 180M001083KS



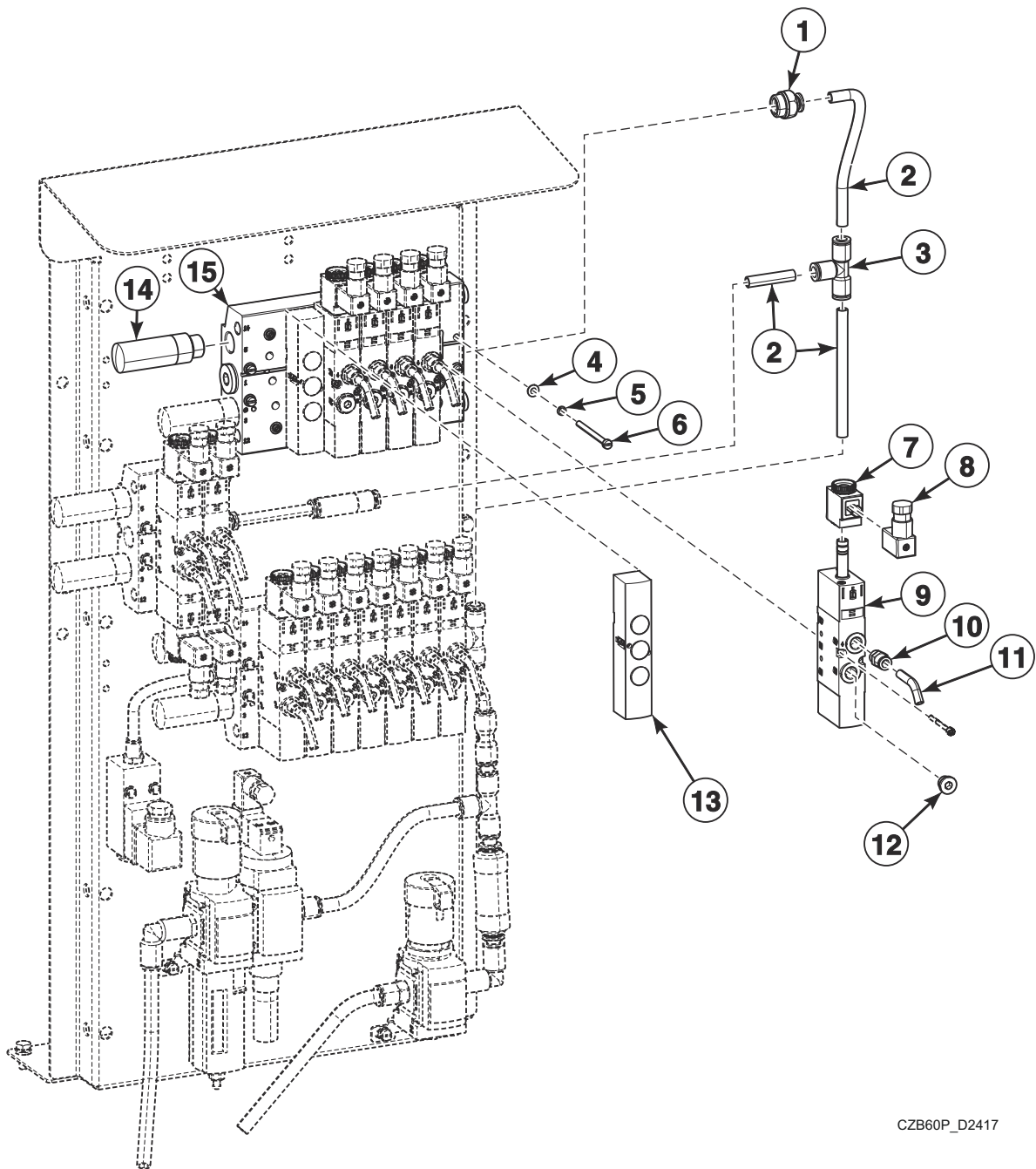
CZB68P_D2417

Pneumatic System Board - Second Outlet Valve

REF	PART NO.	DESCRIPTION	COMMENTS
	570061	Pneumatic System	Assembly, Includes items 1-14
	283296215119	Tape	
1	570822	Fitting Adapter	8-G 3/8 inch
2	SP319300008125	Hose	8x1.25
3	SP506053	Coupling	T8-8
4	SP311125000004	Washer	4.3
5	SP311127000004	Washer	4
6	570821	Bolt	M4x50
7	570808	Electromagnetic Coil	
8	SP536505	Valve Connector	
9	566598	Valve	Electromagnetic
10	SP319428330006	Pipe Nipple	6-G 1/8
11	SP319300006001	Hose	6x1
12	570811	Blanking Plate	
13	570823	Sound Damper	
14	570810	Connecting Block	

Pneumatic System Board - Recycle System

Models Starting Serial No. 180M001083KS

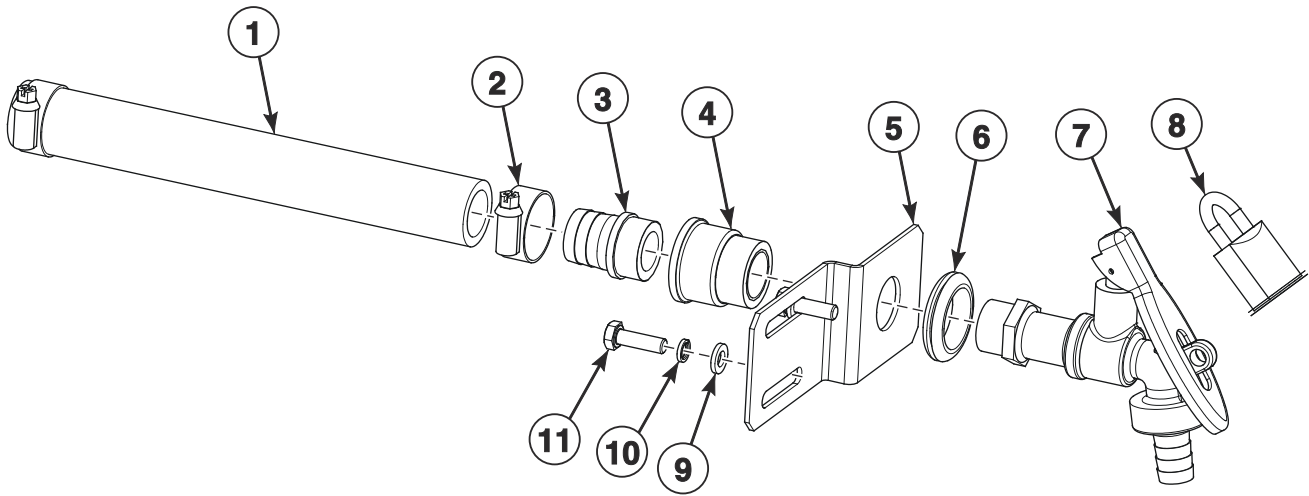


CZB60P_D2417

Pneumatic System Board - Recycle System

REF	PART NO.	DESCRIPTION	COMMENTS
	570060	Pneumatic System	Assembly, Includes items 1-15
	283296215119	Tape	
1	570822	Fitting Adapter	8-G 3/8 inch
2	SP319300008125	Hose	8x1.25
3	SP506053	Coupling	T8-8
4	SP311125000004	Washer	4.3
5	SP311127000004	Washer	4
6	570821	Bolt	M4x50
7	570808	Electromagnetic Coil	
8	SP536505	Valve Connector	
9	566598	Valve	Electromagnetic
10	SP319428330006	Pipe Nipple	6-G 1/8
11	SP319300006001	Hose	6x1
12	566599	Bolt	
13	570811	Blanking Plate	
14	570823	Sound Damper	
15	570809	Connecting Block	

Wash Bath Sample

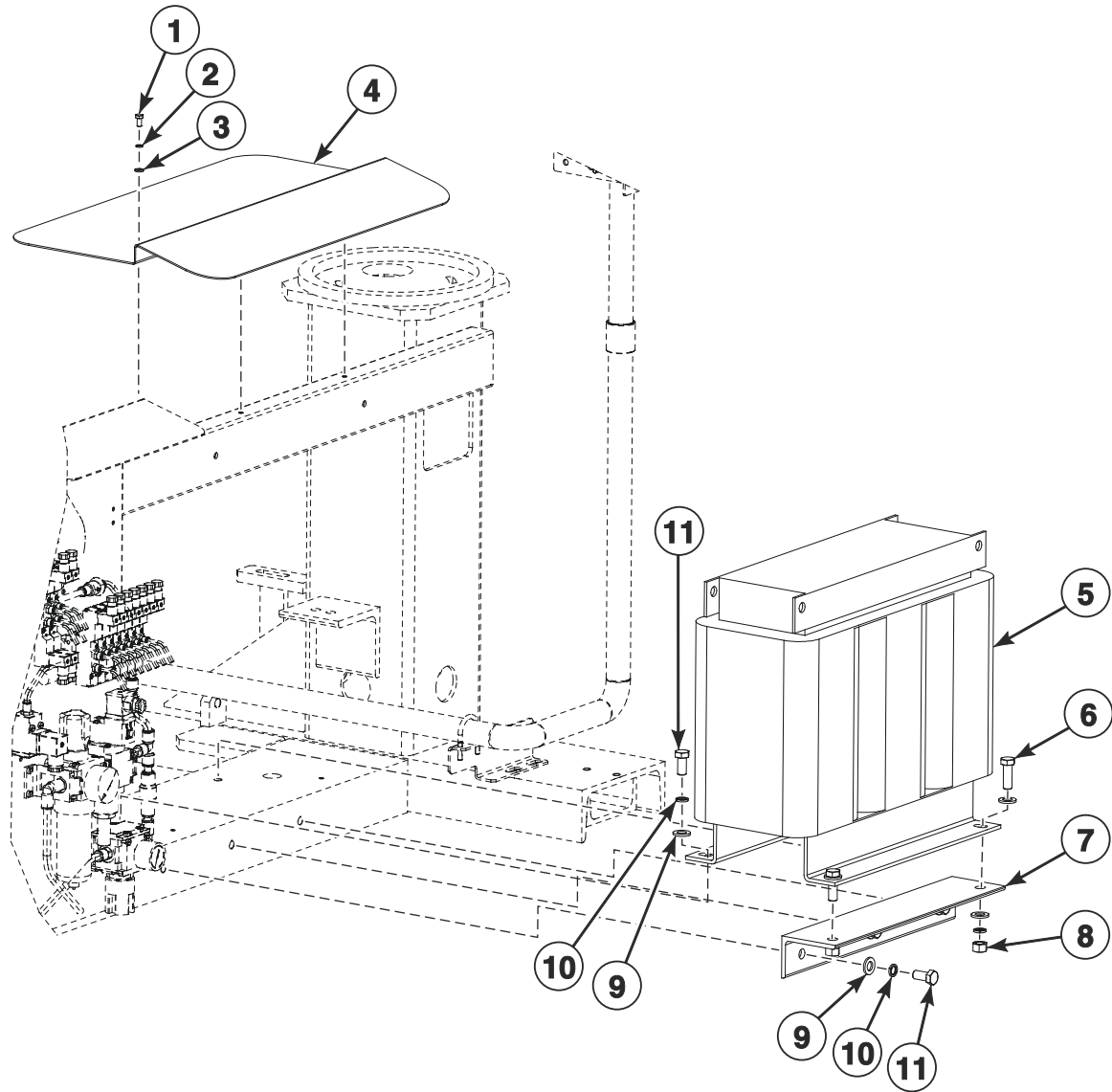


CFD2685P_D2417

Wash Bath Sample

REF	PART NO.	DESCRIPTION	COMMENTS
	SP525462	Wash Bath Sample Valve	
1	SPPRI540001019	Hose	
2	SPPRI240000003	Hose Clamp	
3	SP235134107315	Pipe Coupling	
4	SP523729	Pipe Coupling	Brass; Reduced G3/4 inch x 1/2 inch
5	SP525471	Valve Holder	
6	SPPRI501000071	Cable Bushing	
7	SP523728	Valve	Lockable; 1/2 inch
8	SP523167	Padlock	
9	SP311125000006	Washer	
10	SP311127240006	Washer	6
11	SP309933000618	Bolt	M6x18

Transformer

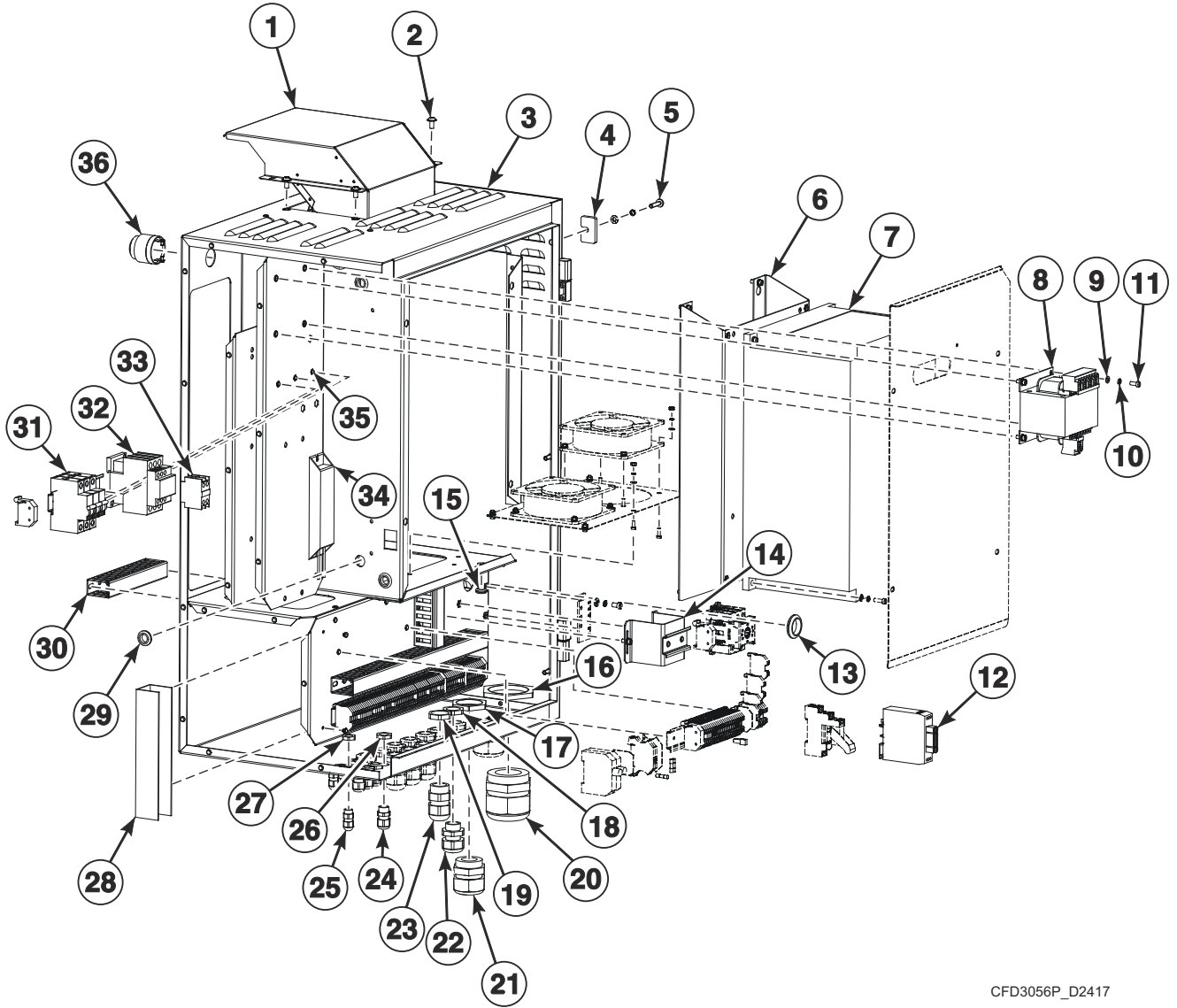


CFD2689P_D1649

Transformer

REF	PART NO.	DESCRIPTION	COMMENTS
	SP539164	Complete Transformer	
1	SP309933000612	Bolt	M6x12
2	SP311127240006	Washer	6
3	SP311125000006	Washer	6.4
4	SP557282	Transformer Cover	
5	SP516724	Autotransformer	200-230/400V
6	SP309933001235	Bolt	M12x35
7	SP557281	Transformer Holder	
8	SP310934000012	Nut	M12
9	SP311125000013	Washer	13
10	SP311127000012	Washer	12
11	SP309933001225	Bolt	M12x25

Box of Electrical Components (Drawing 1 of 2)

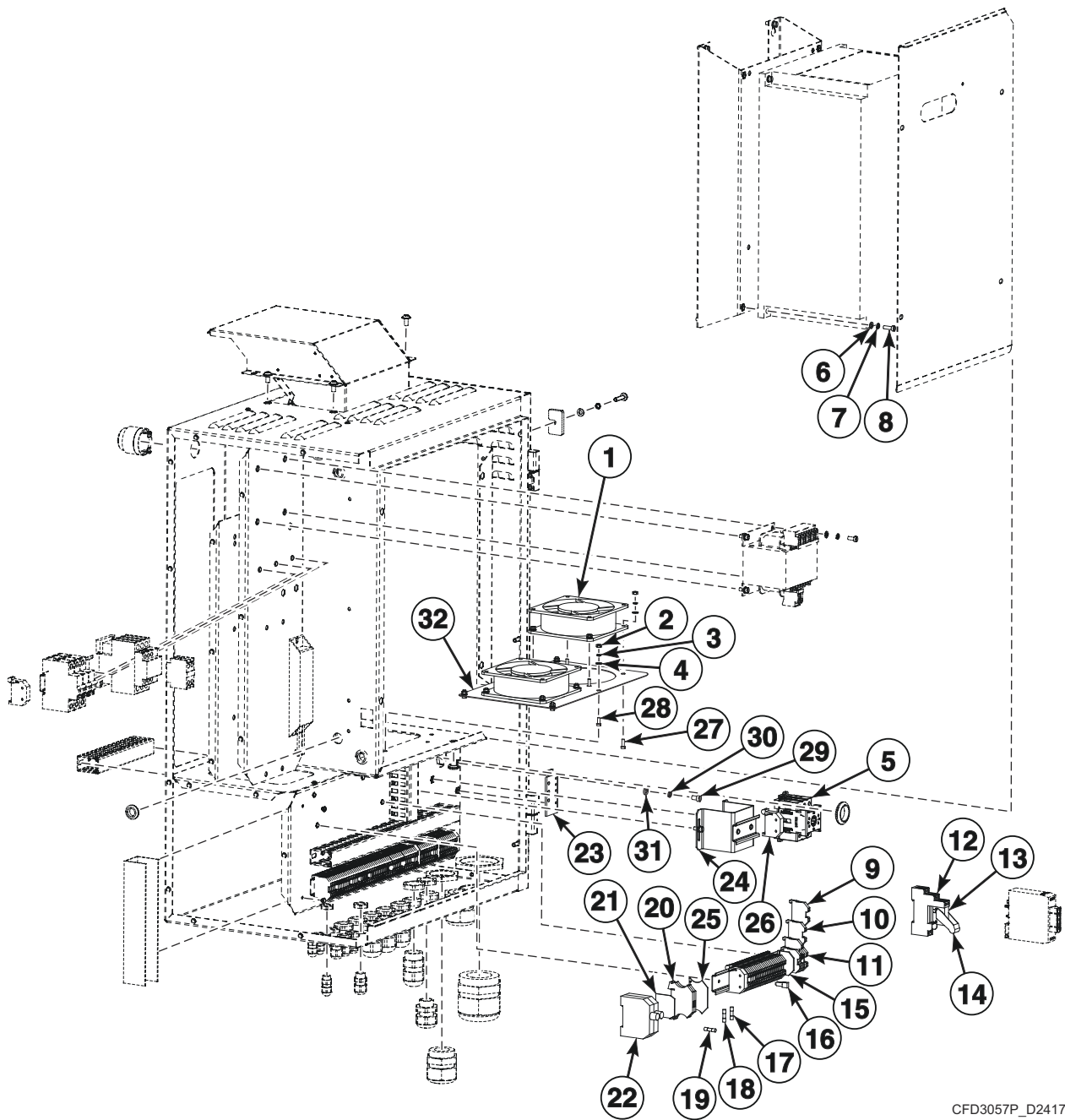


CFD3056P_D2417

Box of Electrical Components (Drawing 1 of 2)

REF	PART NO.	DESCRIPTION	COMMENTS
	SP513137	Complete Switchboard	
1	SP512177	Complete Flue	
2	SP537864	Bolt	M6x12
3	SP513134	Switchboard Assembly	
4	SP536511	Electric Box Trent	
5	SP309933000625	Bolt	M6x25
6	SP526712	Inverter Plinth	200-240V
	101979	Filter	380-480V; Models starting 180M001039FF
7	SP525908	Frequency Inverter	FR-A7XX; Models through 180M001038FF
	SP557970	Frequency Inverter	FR-A8XX; Models starting 180M001039FF; Requires SP557996 Fan
8	SP101643	Transformer	
9	SP311125000005	Washer	5
10	SP311127000005	Washer	5
11	SP309084000512	Bolt	M5x12
12	SP516968	Amplifier	
13	SPPRI501000071	Cable Bushing	25
14	SP346000210113	Rail	
15	SP273121009002	Cable Passage	9x2
16	SP516176	Nut	M63
17	SP101420	Nut	M40.2
18	SPPRI350001056	Nut	PG16
19	SPPRI350001057	Nut	PG21
20	SP516175	Cable Bushing	M63
21	SP101410	Cable Bushing	M40
22	SPPRI350000056	Cable Bushing	PG16
23	SPPRI350000057	Cable Bushing	PG21
24	SPPRI350000045	Cable Bushing	PG9
25	SP347800170099	Cable Bushing	PG7
26	SPPRI350001045	Nut	PG9
27	SP347800169744	Nut	PG7
28	SPPRI407000109	Cable Channel	
29	SP273121013002	Bushing	12x2
30	SP366610025375	Cable Channel	
31	SPPRI401014021	Circuit Breaker	32A
32	SPPRI345002019	Contactor	LC1-D32M7
	SPPRI345001019	Contactor	LC1-D40M7
33	SPPRI345013045	Contact Block	
34	SP516746	Brake Resistor	
35	SP313250004125	Rivet	4x12.5; Includes crank
36	SP516844	Buzzer	

Box of Electrical Components (Drawing 2 of 2)

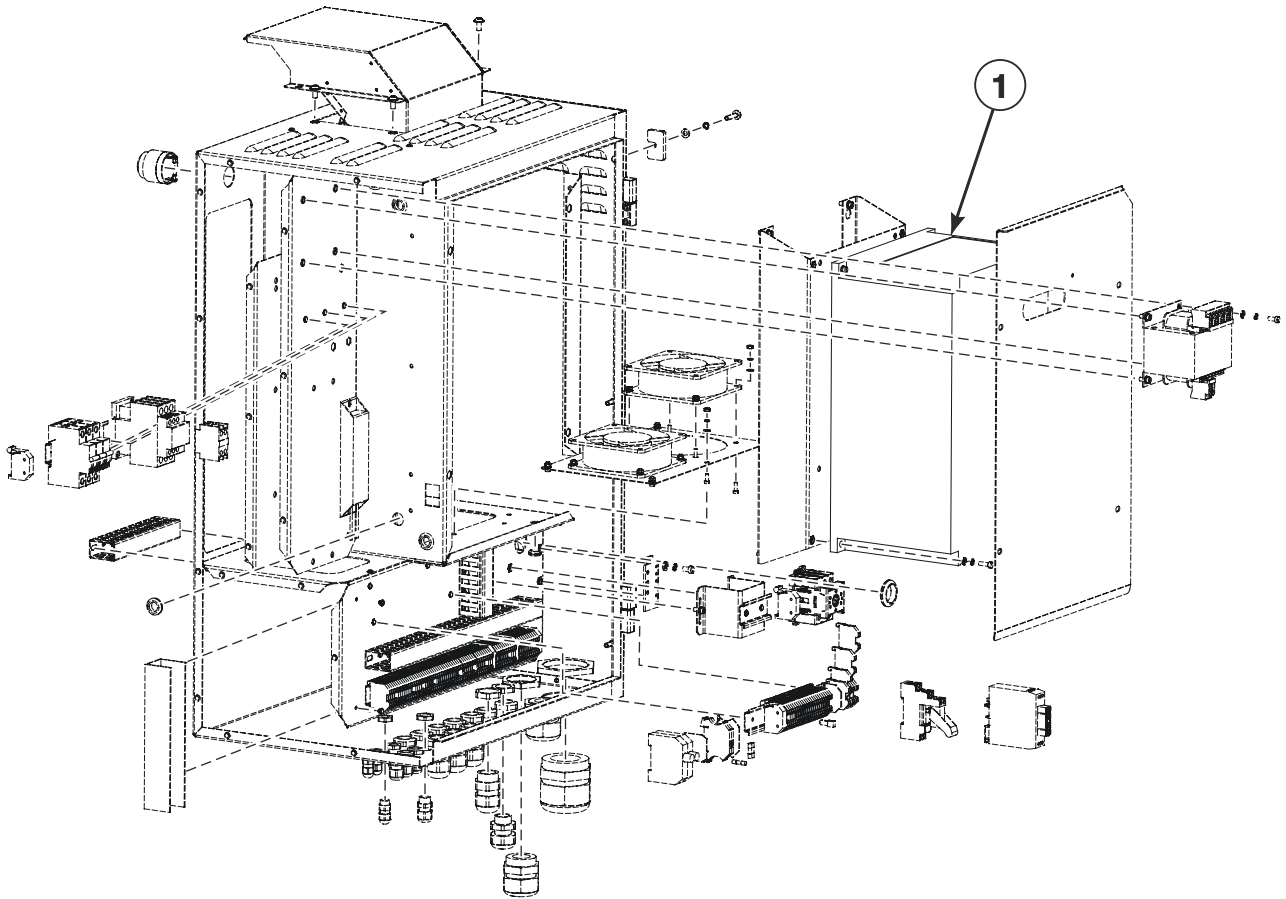


CFD3057P_D2417

Box of Electrical Components (Drawing 2 of 2)

REF	PART NO.	DESCRIPTION	COMMENTS
	SP358251601311	Fuse Disconnecter	
	SP358503750020	Fuse	50A
	SP358503740020	Fuse	63A
	SPPRI401014021	Circuit Breaker	32A
	SP516724	Autotransformer	200-230/400V
	SP516193	Label	Converter 400V
1	SP337503380200	Fan	
2	SP310934000004	Nut	M4
3	SP311127000004	Washer	4
4	SP311125000004	Washer	4
5	SP514180	Main Switch	400V
	SP514182	Main Switch	230V
6	SP311125000006	Washer	6
7	SP311127000006	Washer	6
8	SP309933000625	Bolt	M6x25
9	SP346000280107	Clamp	280-107
10	SP346000280104	Clamp	280-104
11	SP346000280101	Clamp	280-101
12	SP506586	Relay Case	
13	SP514134	Relay	220VAC
14	SP514135	Relay Clamp	
15	SP346000280301	Cover	280-301
16	SP346000280402	Interconnection	280-402
17	SP344000010000	Fuse	1A/500V
18	SPPRI401020021	Fuse	1.6A/500V
19	SP358251632225	Fuse	2.5A/500V
20	SP524653	Fuse Clip	
21	SP346000014010	Cover	
22	SP346000004010	Fuse Case	
23	SPF02145101314	Earthing Block	
24	SP513062	Electric Box Bridge	
25	SP524655	Cover	
26	SP346000209101	End Stop	249-117
27	SP309084000412	Bolt	M4x12
28	SP309084000410	Bolt	M4x10
29	SP309084100610	Bolt	M6x10
30	SP311679824006	Washer	6
31	SP311125100006	Washer	6.4
32	SP512170	Fan Inset	

Frequency Inverter

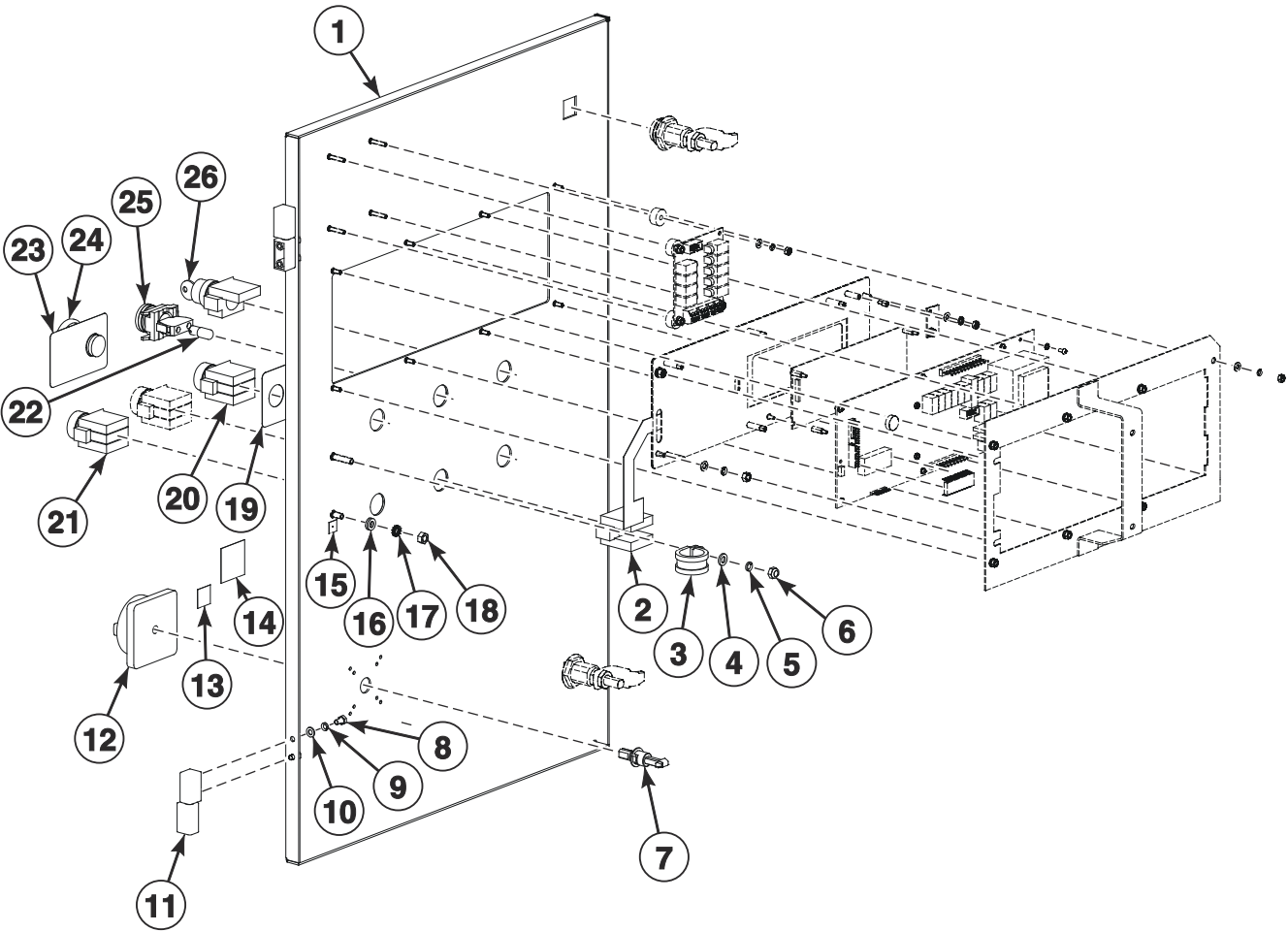


CZB35P_D2417

Frequency Inverter

REF	PART NO.	DESCRIPTION	COMMENTS
	SP520045	Communication Cable	
1	569732	Frequency Inverter Kit	Includes SP557970 Frequency Inverter FR-A8XX, SP557996 Fan, memory and instructions; Used to replace SP525908 Frequency Inverter FR-A7XX on models through 180M001038FF
	SP557970	Frequency Inverter	FR-A8XX; Models starting 180M001039F; Includes SP557996 Fan

Electrical Components Box Door (Drawing 1 of 2)

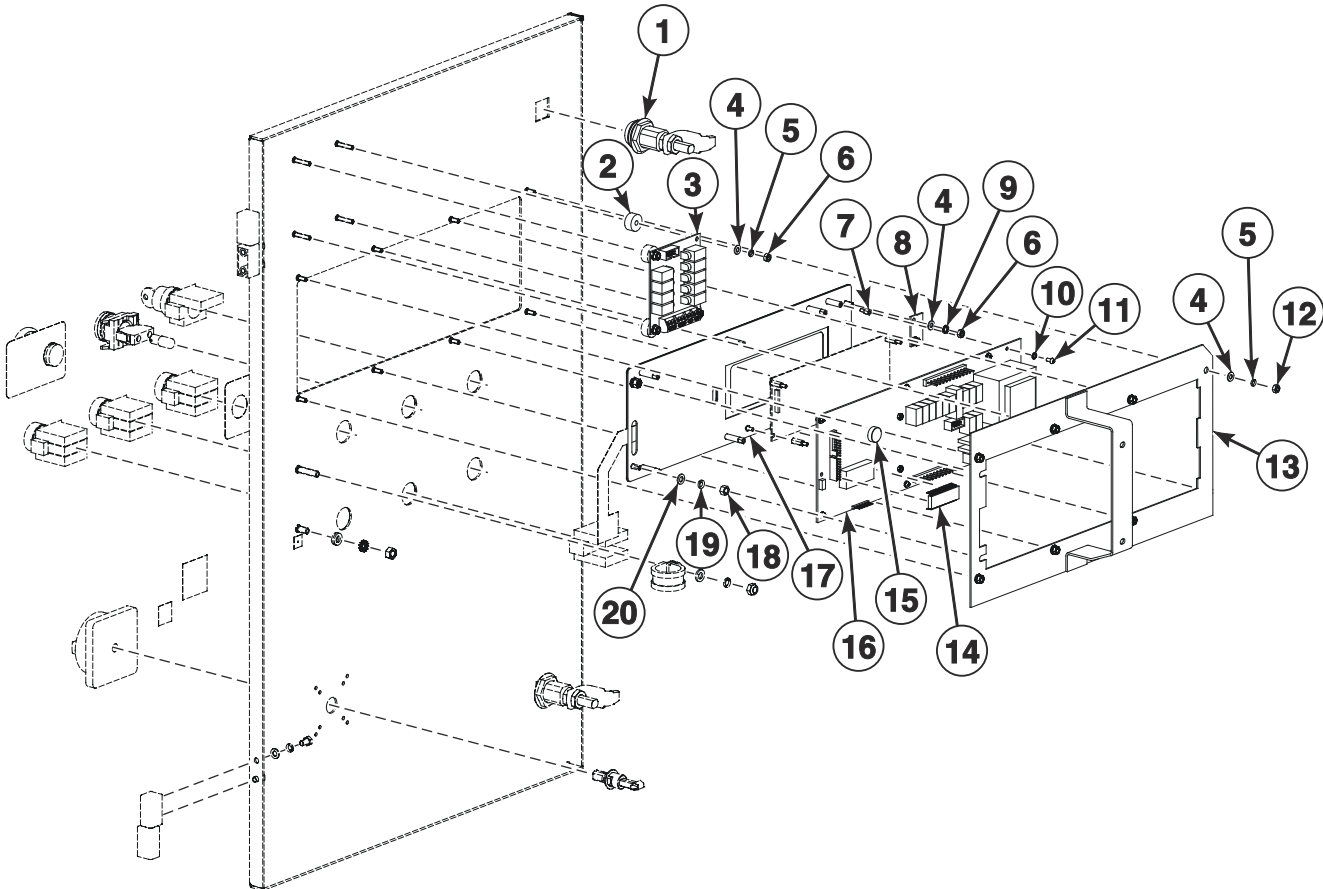


CFD3058P_D2417

Electrical Components Box Door (Drawing 1 of 2)

REF	PART NO.	DESCRIPTION	COMMENTS
	SP513074	Complete Switchboard Door	
1	SP513057	Switchboard Door	
2	SP102260	Contact Block	
3	SP510876	Cable Clamp	
4	SP311125000006	Washer	6
5	SP311127000006	Washer	6
6	SP310985000006	Nut	M6
7	SP514178	Shaft	57mm
8	SP521260	Bolt	M5x8
9	SP311127000005	Washer	
10	SP311125000005	Washer	5.3
11	SP521222	Hinge	
12	SPPRI404000095	Main Switch Knob	
13	SP530764	Label	Main switch
14	SP230200007514	Label	Lightning
15	SPPRI551000001	Earthing Index Plate	
16	SP311125240006	Washer	6.4
17	SP311679824006	Washer	6
18	SP310934240006	Nut	M6
19	SP516021	Label	
20	SP347000002003	Pushbutton	
21	SP516064	Pushbutton	Gray
22	SP514177	Bulb	Neon
23	SPPRI551000006	Label	Central stop
24	SP102259	Emergency Stop Button	
25	SP514176	LED Signal	White
26	SPPRI348000113	Change Over Switch	

Electrical Components Box Door (Drawing 2 of 2)



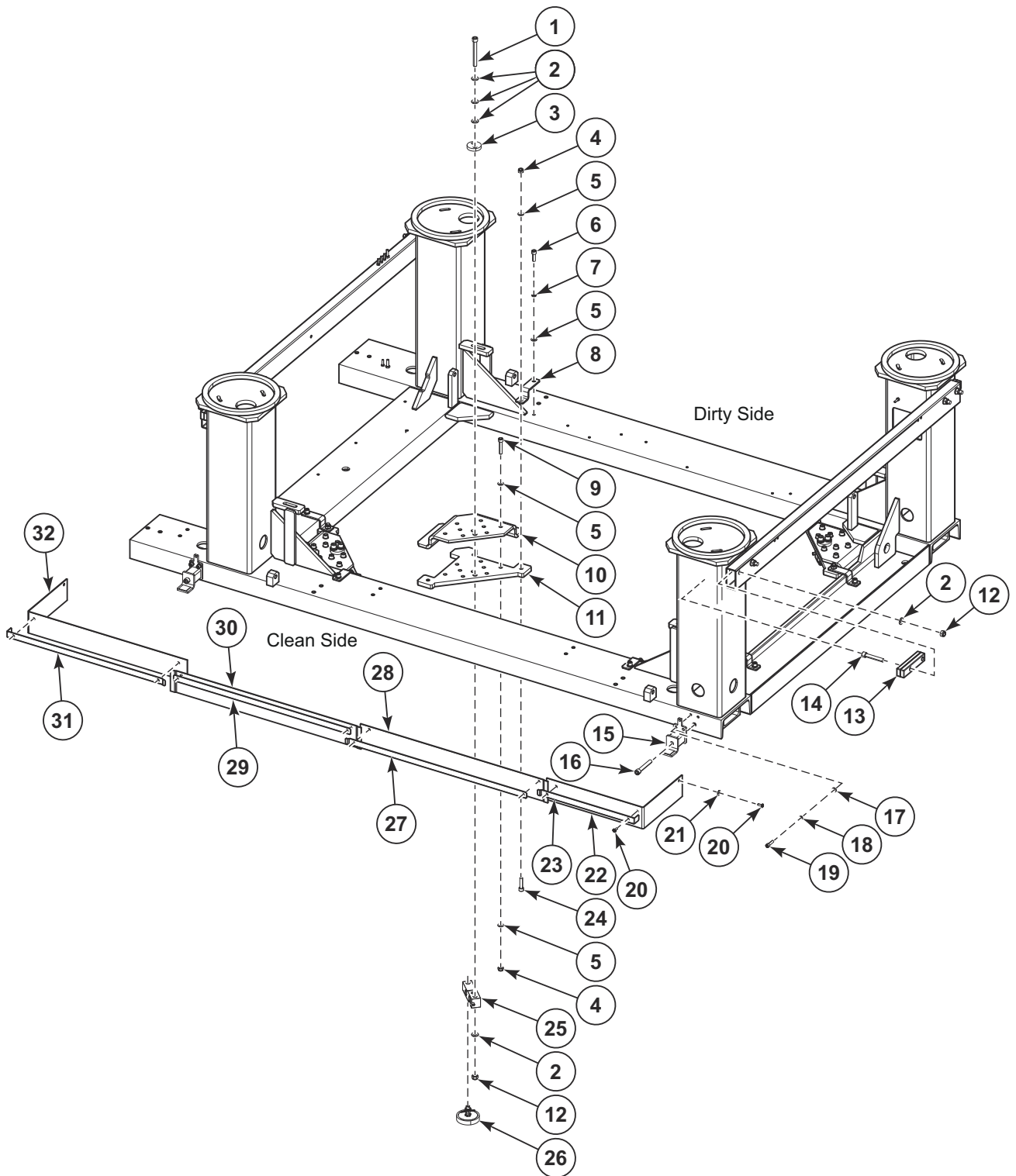
CFD3059P_D2417

Electrical Components Box Door (Drawing 2 of 2)

REF	PART NO.	DESCRIPTION	COMMENTS
1	SPPRI610000046	Locker	
2	SPPRI543000005	Distance Tube	
3	SP520139	Relay Board Extension	
4	SP311125000004	Washer	4.3
5	SP311127000004	Washer	4
6	SP310934000004	Nut	M4
7	SP521444	Spacer	M3x5x3
8	SPPRI185000228	Keyboard	Z-Profile
9	SP311679800004	Washer	4
10	SP311679824003	Washer	3
11	SP309798500306	Bolt	M3x6
12	SP310934000004	Nut	M4
13	SP531250	Control Panel Reinforcement	
14	SP526001	Memory	
15	SP524671	Water Level Switch	
16	SP516696	Control Board	Green; Models through Serial No. 180M000145LJ
	SP526008	Control Board	Blue; Models through Serial No. 180M000149L
17	SP520681	Keyboard	MB and PB models
	SP525909	Keyboard	LB, LM, LM Non-Brand and NB models
	SP554984	Keyboard	UB models
	SP554985	Keyboard	IB and SB models
18	SP310934000005	Nut	M5
19	SP311127000005	Washer	5
20	SP311125000005	Washer	5

Weighing System

Models Starting Serial No. 180M001065HW



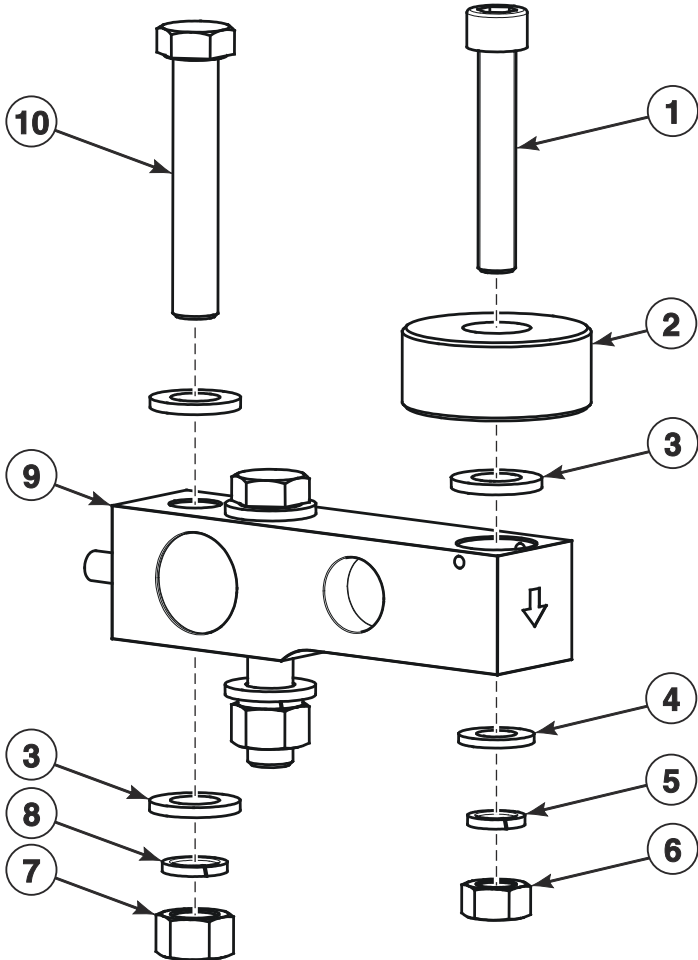
C-CZB3P_D2417

Weighing System

REF	PART NO.	DESCRIPTION	COMMENTS
	569012	Weighing System	Complete; Includes items 4, 5, 9, 11 and 24-26
	567390	Weighing System Kit	
	567394	Anchoring Plate	
1	568527	Bolt	M12x90
2	SP311125000013	Washer	13
3	568617	Pin	
4	SP310985000010	Nut	M10
5	SP311125000010	Washer	10.5
6	SP309912001030	Bolt	M10x30
7	SP311127000010	Washer	10
8	569013	Holder	
9	568528	Bolt	M10x45
10	569010	Plate	
11	569011	Plate	
12	SP310985000012	Nut	M12
13	569016	Distance Plate	Weldment; Used with or without 570055 Distance Plate and 570062 Distance Plate as needed
	570055	Distance Plate	T=2mm
	570062	Distance Plate	T=1mm
14	SP551431	Bolt	M12x70
15	568645	Cabinet Holder	Complete
16	SP535940	Bolt	M12x80
17	SP311125000008	Washer	8.4
18	SP311127000008	Washer	8
19	SP525282	Bolt	M8x25
20	SP537864	Bolt	M6x16
21	SP311902100006	Washer	M6
22	568638	Frame	Short; Right
23	568639	Shim	Short; Right
24	SP309912001040	Bolt	M10x40
25	SP529101	Load Sensor	
26	SP516956	Adjustable Foot	
27	568644	Shim	Middle; Right
28	568643	Frame	Middle; Right
29	568641	Frame	Middle; Left
30	568642	Shim	Middle; Left
31	568609	Shim	Long; Left
32	568605	Frame	Long; Left

Single Ended Beam Load Cell

Models Through Serial No. 180M00164HW

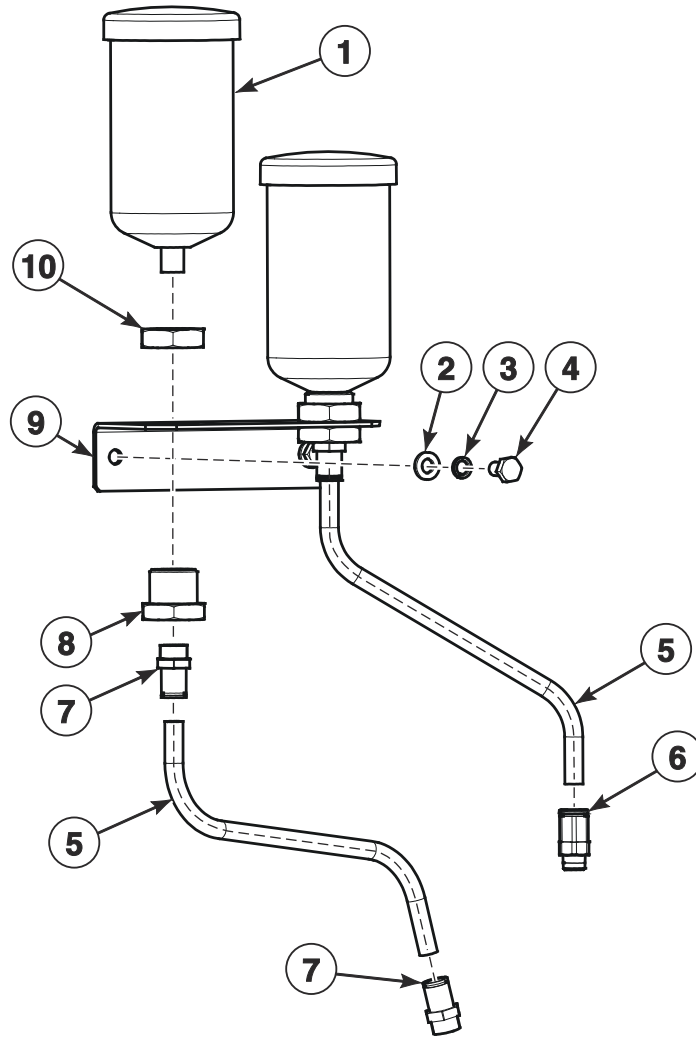


CFD2692P_D2417

Single Ended Beam Load Cell

REF	PART NO.	DESCRIPTION	COMMENTS
	SP536676	Complete Weighing System	
1	SP530097	Bolt	M10x60
2	SP536594	Tensometer Stop End	
3	SP311125000013	Washer	13
4	SP311125000010	Washer	10.5
5	SP311127000010	Washer	10
6	SP310934000010	Nut	M10
7	SP310934000012	Nut	M12
8	SP311127000012	Washer	12
9	SP529101	Load Sensor	
10	SP309933001270	Bolt	M12x70

Automatic Relubrication



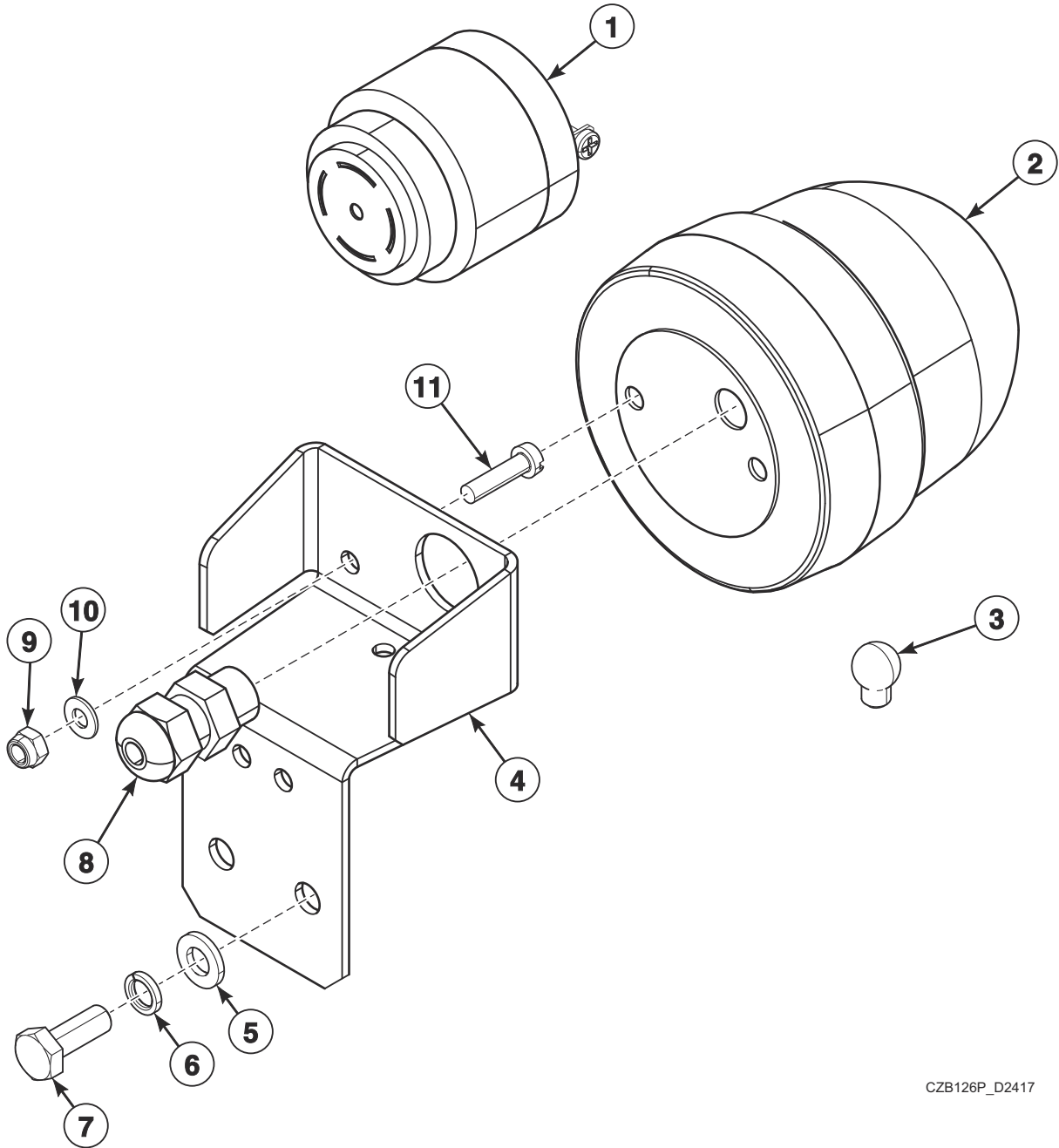
CZB103P_D2417

Automatic Relubrication

REF	PART NO.	DESCRIPTION	COMMENTS
	SP530874	Complete Automatic Relubrication System	
1	SP530868	Lubricator	
2	SP311125000006	Washer	6/6.4
3	SP311127000006	Washer	6/6.1
4	SP309933000610	Bolt	M6x10
5	SP319300008125	Hose	8x1.25
6	SP530872	Fitting Adapter	8-G1/8
7	SP319428330008	Pipe Nipple	8-G1/4
8	SP500982	Fitting Adapter	1/2 inch - 1/4 inch
9	SP530865	Lubricator Holder	
10	SP500983	Nut	1/2 inch

End of Cycle Light (Drawing 1 of 2)

Models Starting Serial No. 180M001065HW



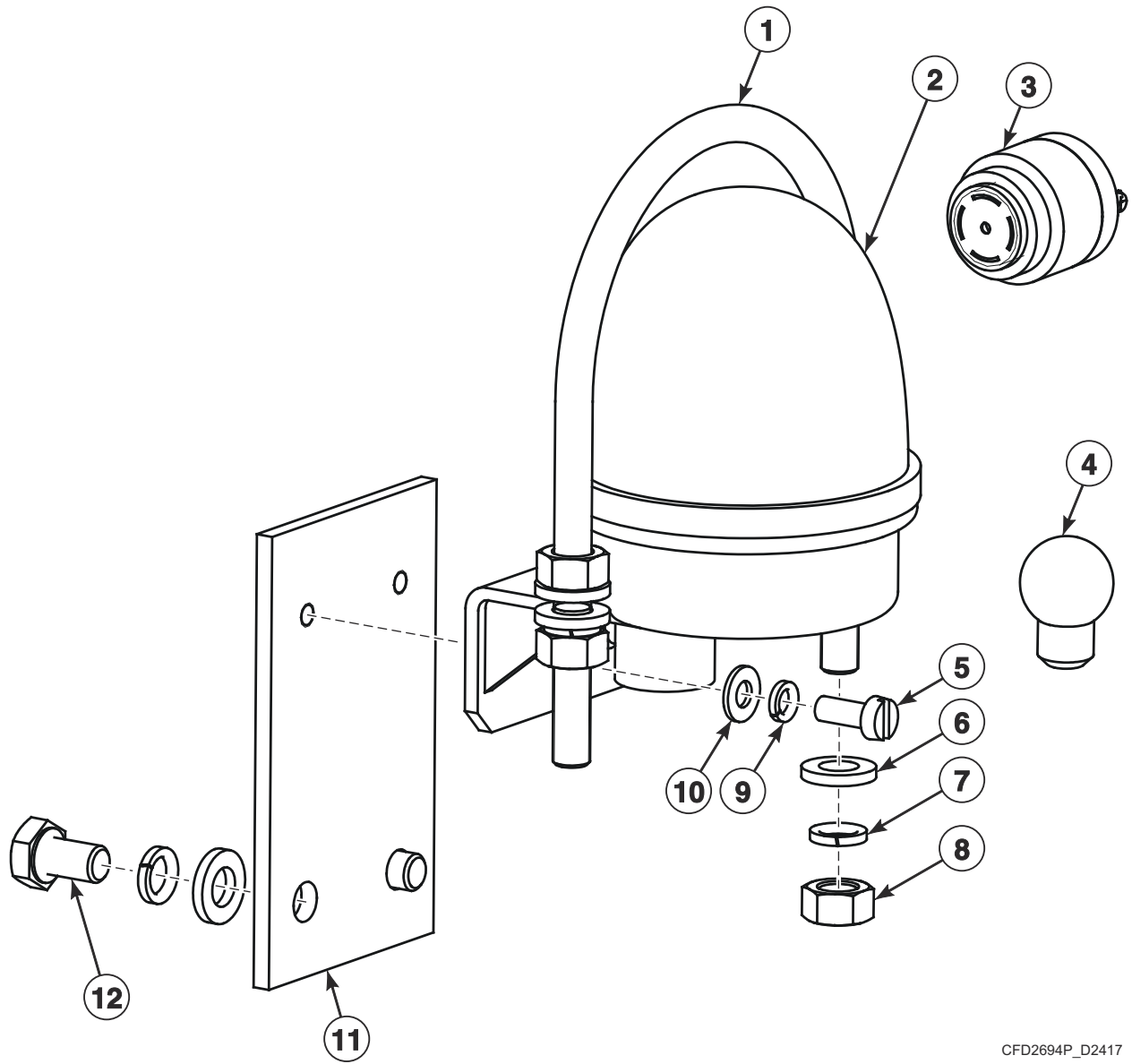
CZB126P_D2417

End of Cycle Light (Drawing 1 of 2)

REF	PART NO.	DESCRIPTION	COMMENTS
	569006	End of Cycle Light	Assembly
	528389	Cable	
1	SP516844	Buzzer	
2	564690	End of Cycle Beacon	
3	SP514132	Bulb	
4	536490	Holder	
5	SP311125000006	Washer	6.4
6	SP311127000006	Washer	6
7	SP309933000616	Bolt	M6x16
8	SP101405	Bushing	
9	SP514193	Nut	M4
10	SP311125000004	Washer	4.3
11	SP309084000416	Bolt	M4x16

End of Cycle Light (Drawing 2 of 2)

Models Through Serial No. 180M001064HW

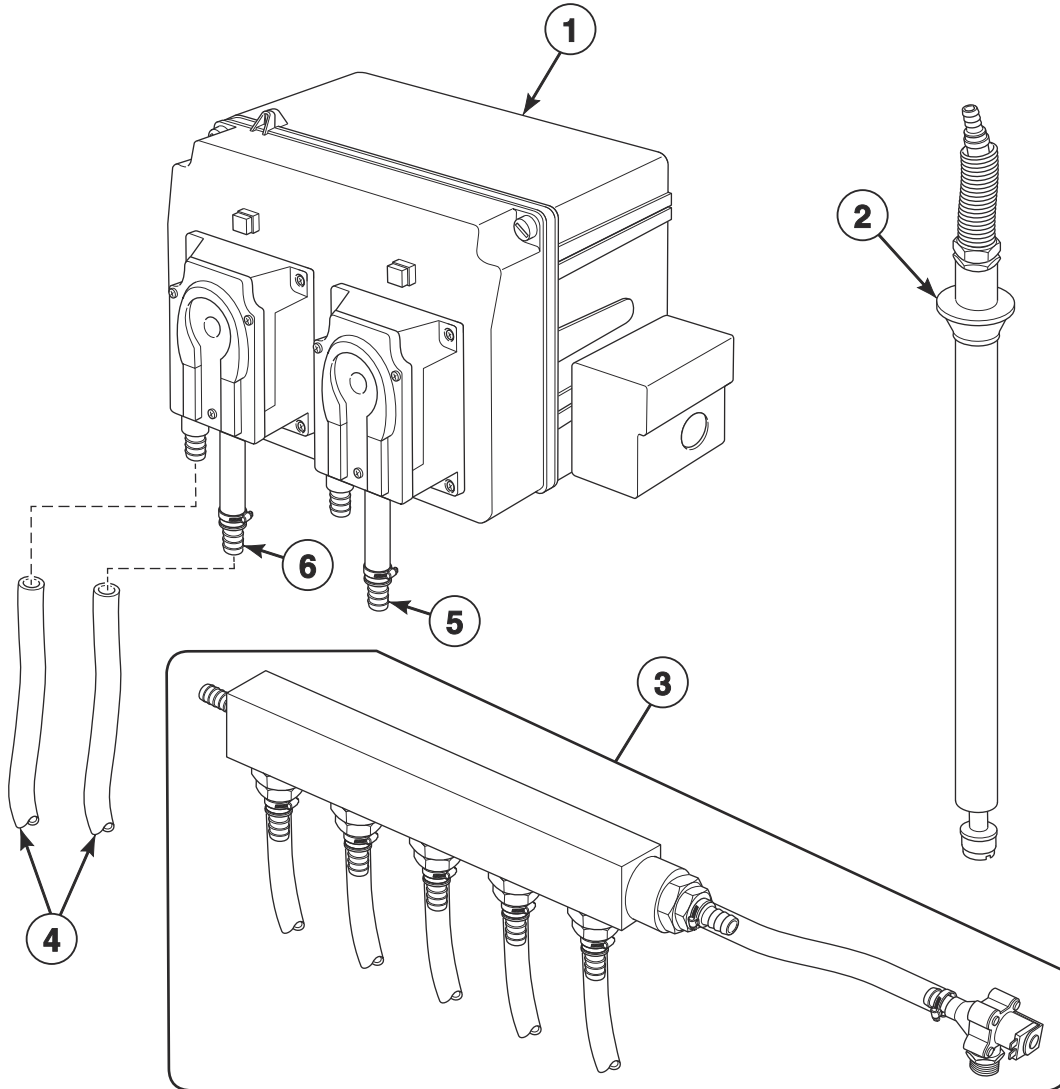


CFD2694P_D2417

End of Cycle Light (Drawing 2 of 2)

REF	PART NO.	DESCRIPTION	COMMENTS
	SP525460	End of Cycle Indicator	
	SP525461	End of Cycle Indicator	One door
1	SP525474	Stirrup	
2	SP514131	Beacon	
3	SP516844	Buzzer	
4	SP514132	Bulb	
5	SP309084000410	Bolt	M4
6	SP311125000006	Washer	6
7	SP311127000006	Washer	6
8	SP310985000006	Nut	M6
9	SP311127000004	Washer	4
10	SP311125000004	Washer	4
11	SP525473	Holder	
12	SP309933000610	Bolt	M6

Liquid Soap Supply System - Pumps



CZB8P_D2417

Liquid Soap Supply System - Pumps

REF	PART NO.	DESCRIPTION	COMMENTS
	MB90-Z40	Supply Pump Kit	For two pumps
	MB90-Z41	Supply Pump Kit	For three pumps
	MB90-Z42	Supply Pump Kit	For four pumps
	MB90-Z43	Supply Pump Kit	For five pumps
	MB90-Z44	Supply Pump Kit	For six pumps
1	529742	Pump	Two
	529743	Pump	Three
	529744	Pump	Four
	529745	Pump	Five
	529746	Pump	Six
2	529787	Suction Tube	
3	SP501975	Manifold Flush Kit	240VAC; 1-5 pumps
	SP501973	Manifold Flush Kit	240VAC; 1-5 pumps
	SP501974	Manifold Flush Kit	Extension kit; 6-10 pumps includes 1 piece, 1 piece needed; 11-15 pump includes includes 1 piece, 2 pieces needed
4	SPPRI540020005	Hose	d10/14
5	529747	Hose	Spare hose for pump
6	547808	Connection	

Parts Index

A

Adapter	
SP508274	59
SP527561	85, 87
SP535931	27
SP536524	63
Adjustable Foot	
SP516956	107
Air Spring	
SP516901	27
Air Trap Bracket	
539537	15
Air Weighing Assembly	
527568	83
Amplifier	
SP516968	97
Anchoring Plate	
567394	107
Autotransformator	
SP516724	95, 99

B

Back Clamp	
SP519196	49, 51
Back Frame	
SP539741	9
SP539743	9
Back Panel	
SP539793	23
SP539794	21, 25
SP539795	21, 25
SP539796	21, 25
SP539810	23
Beacon	
SP514131	115
Bearing	
SP506521	71, 73, 75
Bearing and Flange	
SP535930	37
Belt	
SP512189	53
Binding Strip	
SP345000626088	69
Blanking Plate	
570811	89, 91
Bolt	
SP223110200415	61
SP309084000310	57, 61, 85
SP309084000410	99, 115
SP309084000412	99
SP309084000416	113
SP309084000512	85, 87, 97
SP309084000530	83
SP309084000540	83
SP309084100610	99
SP309159324816	41
SP309595240612	39, 41, 69
SP309798500306	105

SP309798524416	43
SP309912000620	71, 73, 75
SP309912001030	107
SP309912001040	107
SP309912121265	15
SP309912121680	53
SP309931008120	43
SP309931020150	17
SP309933000610	111, 115
SP309933000612	79, 95
SP309933000616	27, 29, 35, 51, 59, 83, 113
SP309933000618	57, 93
SP309933000620	61
SP309933000625	9, 11, 97, 99
SP309933000630	63, 65
SP309933000660	77
SP309933000820	31, 59, 81
SP309933000830	27
SP309933000840	7, 13, 77
SP309933001020	67
SP309933001225	95
SP309933001235	17, 95
SP309933001240	59
SP309933001250	15
SP309933001260	27, 55
SP309933001270	27, 109
SP309933001299	55
SP309933001650	15, 55
SP309933240408	61
SP309933240616	71, 73, 75, 79, 87
SP309933240620	69
SP309933240815	27, 31, 47
SP309933240825	71, 73, 75
SP309933240830	47
SP309933241035	47
SP503816	49, 51
SP506699	43
SP509976	77
SP510922	59
SP512134	85, 87
SP514661	27
SP515075	39, 41
SP518623	69
SP521260	103
SP525282	107
SP530097	109
SP535940	7, 13, 107
SP536236	47
SP537854	15
SP537864	19, 25, 97, 107
SP551431	107
SP552885	53
566599	87, 91
567202	43
568527	107
568528	107
570821	87, 89, 91
Brake	
SP512193	53, 59
SP530937	53, 59
536425	53, 59
Brake Arm Spring	
SP530949	59
Brake Block	
SP510964	59

N/A items do not appear in index.

Brake Modification	
SP512194	59
Brake Resistor	
SP516746	97
Brake Spring	
566477	59
566478	59
Brake Wheel	
SP508276	53
Bulb	
SP514132	113, 115
SP514177	103
Bumper Profile	
SP321000135460	19
Bumper Reinforcement	
539812	19
Bushing	
SP101405	113
SP101407	57
SP273121013002	97
Buzzer	
SP516844	97, 113, 115

C

Cabinet Holder	
568645	107
Cable	
528389	113
Cable Bushing	
SPPRI350000045	97
SPPRI350000056	69, 97
SPPRI350000057	97
SPPRI501000071	93, 97
SP101410	57, 97
SP347800170099	97
SP516175	97
Cable Channel	
SPPRI407000109	27, 97
SP366610025375	97
Cable Clamp	
SP510876	103
Cable Passage	
SP273121009002	97
Case Body	
SP515788	71, 73, 75
Ceiling Cover	
SP536365	21
SP536367	21
SP536368	21
SP539805	21
SP539806	21
Change Over Switch	
SPPRI348000113	103
Circuit Breaker	
SPPRI401014021	97, 99
Clamp	
SP346000280101	99
SP346000280104	99
SP346000280107	99
Clamp Holder	
SP536821	79
Clamping Sleeve	
SP512188	53

N/A items do not appear in index.

Clip	
SP508310	63, 67
Closure Guard	
SP535608	49, 51
SP550583	51
Clutch	
SP321848000019	63
Column	
SP508202	71, 73, 75
Communication Cable	
SP520045	101
Complete Automatic Relubrication System	
SP530874	111
Complete Box	
SP536161	39, 41
SP550584	41
Complete Drive	
SP512200	53
SP559129	53
Complete Drum	
SP539700	45
Complete Flue	
SP512177	97
Complete Outlet Valve	
SP513126	71
SP513127	73
SP519080	75
Complete Part Input	
SP536840	81
Complete Profile	
SP536938	77
SP536940	79
SP536942	79
Complete Recycle Board	
SP536843	81
Complete Recycle System	
536920	77
Complete Recycle Valve	
SP536802	79
Complete Second Display	
SP530930	69
Complete Soap Hopper	
SP508393	61, 63
Complete Soap Hopper Cover	
SP223110700013	61
Complete Steam Heating	
539730	67
Complete Suspension	
SP536554	27
Complete Switchboard	
SP513137	97
Complete Switchboard Door	
SP513074	103
Complete Transformer	
SP539164	95
Complete Weighing System	
SP536676	109
Connecting Block	
SP536506	85
SP536507	85
570809	87, 91
570810	87, 89
Connecting Part	
SP539745	9, 11

SP539746	9
SP539747	9
SP539748	7, 13
SP539749	7
SP539750	9, 11
SP539751	9, 11
SP539752	7, 9, 11
SP539753	9
SP539754	7
SP539755	7, 13
Connection	
547808	117
Connection Tee	
SP527559	27, 85, 87
Contact	
SP516065	69
Contact Block	
SPPRI345013045	97
SP102255	69
SP102260	69, 103
Contacto	
SPPRI345001019	97
SPPRI345002019	97
Control Board	
SP516696	105
SP526008	105
Control Light	
SP347000000174	69
Control Panel Reinforcement	
SP531250	105
Coupling	
SP405113000006	49, 51
SP506053	85, 89, 91
Cover	
SP235110001413	61
SP346000014010	99
SP346000280301	99
SP524655	99
SP539785	19
SP539808	21
SP550588	19
Cover Bar	
SP505945	71, 73, 75
Cover Insert	
SP235111200013	61
Cover Plate	
SP508373	71
Cover Support	
539536	15
Cross Beam	
SP539758	7, 13
Cylinder Clevis	
SP536450	49, 51
Cylinder Extension	
SP536452	49
SP536453	49, 51
SP550582	51
Cylinder Spring	
SP535643	49, 51

D

Damper	
SP516886	27

SP516890	27
Distance Part	
SP539543	7, 13
Distance Plate	
569016	107
570055	107
570062	107
Distance Ring	
SP536592	37
Distance Tube	
SPPRI543000005	105
Door Adapter	
SP539340	47
Door Bolt	
SP536002	31
Door Cover	
SP539809	25
SP539815	21, 25
SP539818	21, 25
SP550567	21, 25
SP550571	21, 25
Door Lock	
SP530861	43
Door Pin	
SP235110001215	61
Door Seal	
SP536166	39, 41
SP539361	39, 41
Door Slider	
SP539346	47
Door Switch	
SP516677	49, 51
Drain Hose Pipe	
SPPRI505000087	79
Drum	
SP539701	45
Drum Exhaust Hose	
SP536596	63, 65, 77

E

Earthing Bloc	
SPF02145101314	99
Earthing Index Plate	
SPPRI551000001	103
Elbow	
SPPRI504000069	61
SPPRI505000034	63, 65
SP536517	63
SP536518	63, 65, 77, 81
SP536851	79
Electric Box Bridge	
SP513062	99
Electric Box Trent	
SP536511	97
Electrical Box	
SP535625	69
Electromagnetic Coil	
SP536509	85
570808	87, 89, 91
Electromagnetic Valve	
SP536502	85
SP536503	85

N/A items do not appear in index.

SP536504	85
Emergency Stop Button	
SP102259	69, 103
End of Cycle Beacon	
564690	113
End of Cycle Indicator	
SP525460	115
SP525461	115
End of Cycle Light	
569006	113
End Stop	
SP346000209101	99
SP530848	43
External Tub	
SP539630	31
SP539631	31
SP539632	31
SP539640	31
SP555194	31
SP555195	31
SP555196	31
SP555197	31
SP557255	31
SP557256	31
SP557265	31
SP557266	31
Eyebolt	
SP532898	31

F

Fan	
SP337503380200	99
SP516188	57
Fan Inset	
SP512170	99
Filter	
101979	97
Filter Pressure Regulator	
570801	87
Fitting Adapter	
SP500982	85, 111
SP517234	85
SP523141	85, 87
SP525528	27, 83, 87
SP527564	83
SP530872	111
SP536520	63, 65, 77
SP536523	63
SP536850	79
570822	87, 89, 91
570824	87
Frame	
SP536946	11
SP536947	13
568605	107
568638	107
568641	107
568643	107
Frequency Inverter	
SP525908	97
SP557970	97, 101
Frequency Inverter Kit	
569732	101

Front Frame	
SP539742	9
SP539744	9
Front Panel	
SP539791	23
SP539792	19
SP539797	19
SP539798	19
SP539799	19
SP539800	23
SP559076	19
Fuse	
SPPRI401020021	99
SP344000010000	99
SP358251632225	99
SP358503740020	99
SP358503750020	99
Fuse Case	
SP346000004010	99
Fuse Clip	
SP524653	99
Fuse Disconnecter	
SP358251601311	99

G

Gas Spring	
SP535935	39
SP559084	41
Grease Nipple	
SP536591	37

H

Handle	
SP536225	47
Heating Plug	
SP511949	31
Heating Tube	
SP508251	31
Hinge	
SP521222	103
Holder	
SPF02110001214	61
SP525473	115
SP530860	43
SP530932	59
SP539724	55
536490	113
569013	107
Hook Closure	
SP536451	49, 51
Hook Closure Pin	
SP535607	49, 51
Hose	
SPPRI540000014	63
SPPRI540001019	63, 65, 93
SPPRI540020005	117
SP223101401114	79, 81
SP273396307058	63
SP273454900001	67
SP319300006001	49, 51, 67, 85, 87, 89, 91
SP319300008125	85, 87, 89, 91, 111

N/A items do not appear in index.

SP510838	63, 65, 77, 81
SP510965	63, 65, 77, 79
SP520252	63, 65
SP523144	27, 83, 87
529747	117
Hose Clamp	
SPPRI240000002	63
SPPRI240000003	63, 65, 93
SPPRI240000007	81
SPPRI240000015	63, 65, 77
SPPRI240000017	63, 65, 81
SPPRI240000021	63, 65, 79

I

Inductive Sensor	
SP516025	35
Inlet Hose	
SPPRI505003055	63
Inner Door	
SP539320	45, 47
SP539321	47
Inner Door Pin	
SP539350	47
Insert	
SP536515	63
SP536516	63, 65, 79
Insert Extension	
SP536487	63, 65, 77
Insert Tube	
SP536469	67
Insertion	
SP536522	63
SP536817	81
Insulation	
SPF02110001314	61
Insulation Tube	
SP283362004915	61
Interconnection	
SP346000280402	99
Inverter Plinth	
SP526712	97

J

Jaw Holder	
SP511818	59
Joint	
SP505950	71, 73, 75

K

Keyboard	
SPPRI185000228	105
SP520681	105
SP525909	105
SP554984	105
SP554985	105

L

L Profile	
SP536605	17
Label	
SPPRI551000006	103
SP230200007514	103
SP516021	69, 103
SP516193	99
SP530764	103
SP530926	69
SP548000091014	61
LCD Display	
SP526798	69
LED Signal	
SP514176	103
Level Indicator Tube	
SP536854	79
Level Switch	
SP524676	79
Load Sensor	
SP529101	107, 109
Location Inset	
SP535626	37
Locker	
SPPRI610000046	105
Locking Spring	
SP536237	47
Logo Label	
RSP70472001	23
2250043500	23
567887	23
Lower Door Cover	
SP550569	25
Lubricator	
SP530868	111
Lubricator Holder	
SP530865	111

M

Magnetic Switch	
SPPRI346000032	61
Magnetic Switch Magnet	
SPPRI346000031	61
Main Switch	
SP514180	99
SP514182	99
Main Switch Knob	
SPPRI404000095	103
Manifold Flush Kit	
SP501973	117
SP501974	117
SP501975	117
Memory	
SP526001	105
Middle Partition	
SP539673	15
SP539674	15
SP550564	15
SP550577	15
SP550579	15

N/A items do not appear in index.

SP550580	15
Middle Weight	
SP536577	15
Module Coupling	
570805	87
Motor	
SP512192	55, 57
SP513122	57

N

Nameplate	
F8443105	23
SP532265	23
SP534353	23
SP534364	23
Non-Return Valve	
SP517235	85
SP525529	85
570812	87
570813	87
Nozzle	
570375	61
Nut	
SPPRI350001045	97
SPPRI350001056	69, 97
SPPRI350001057	97
SP101420	97
SP310917240006	61
SP310934000003	61
SP310934000004	61, 85, 99, 105
SP310934000005	105
SP310934000006	35, 49, 51, 63, 65, 67, 77, 85
SP310934000008	7, 13, 39, 41, 57, 77
SP310934000010	49, 51, 109
SP310934000012	15, 55, 61, 95, 109
SP310934000020	17, 37
SP310934240004	39, 41, 61
SP310934240005	85
SP310934240006	69, 71, 73, 75, 79, 103
SP310934240008	71, 73, 75
SP310985000006	61, 103, 115
SP310985000008	59, 71, 73, 75
SP310985000010	107
SP310985000012	27, 107
SP310985000016	53
SP347800169744	97
SP500983	111
SP510923	61
SP514193	113
SP516176	97
SP526792	43
SP535942	31
570374	61

O

O-Ring	
SP506517	71, 73, 75
SP506519	71, 73, 75
SP535629	45
Outer Door	
SP539355	39
SP539356	39

SP550557	41
SP550558	41
SP550566	41
Outer Frame	
SP536945	11
SP539740	7
Outlet Valve Seal	
SP508205	71, 73, 75
Overseal	
SP530854	43

P

Padlock	
SP523167	93
Pin	
SP223110200115	61
SP508374	71, 73, 75
SP536240	47
SP539964	41
568617	107
Pipe Coupling	
SP235134107315	93
SP523729	93
Pipe Nipple	
SP319428330006	49, 51, 85, 87, 89, 91
SP319428330008	85, 87, 111
SP319428330060	49, 51, 59, 67, 71, 73, 75
SP319428330800	85
SP503883	63, 65, 77
Plate	
SP505948	71, 73, 75
SP505949	71, 73, 75
569010	107
569011	107
Plate Nut	
SP513110	49, 51
Plug	
SPPRI505000064	23
SPXM1100017014	71, 79
SP319428324805	63, 65
SP510940	63, 65
SP536164	39, 41
SP539370	39, 41
Pneumatic Assembly Holder	
SP536493	83
Pneumatic Assembly Plate	
SP536497	85
570064	87
Pneumatic Cylinder	
SP506505	71, 73, 75
SP516892	49, 51
SP519197	49, 51
Pneumatic Cylinder Cover	
SP550578	51
Pneumatic Installation Components	
SP536663	83
Pneumatic System	
570060	91
570061	89
Pressure Regulator Grip	
570804	87
573218	85

N/A items do not appear in index.

Pressure Switch	
570806	83, 87
Profiled Sealing	
SPPRI505000058	23
Pulley	
SP517237	53
SP517239	53
SP559125	53
Pulley Panel	
SP539804	21
Pump	
SP532827	81
529742	117
529743	117
529744	117
529745	117
529746	117
Pushbutton	
SP102254	69
SP347000002003	69, 103
SP516064	69, 103

R

Rail	
SP346000210113.....	97
Recycle Adapter	
SP536859	79
SP536860	79
SP536861	79
Recycle Tank	
536921	77
Reducing Clasp	
SP539849	65
Reduction	
SPF02116001814	67
Reduction Valve	
570803	87
Regulator	
573219	85
Relay	
SP514134	99
Relay Board Extension	
SP520139	105
Relay Case	
SP506586	99
Relay Clamp	
SP514135	99
Ring	
SP516896	37
Rivet	
SP313250004075	19
SP313250004125	97
506627	19

S

Safety Lever	
SP321848480023	61
Safety Lock	
SP536220	47

Safety Ring	
SP307732030010.....	49, 51
Safety Spring	
SP536238.....	47
Screw	
SP309916000606.....	37
Seal	
SP273442021020.....	61
SP510986.....	31, 39, 41
SP511867.....	57
SP516888.....	37
SP517232.....	69
SP555026.....	63, 65
Seal Cover	
SP536167.....	39, 41
SP539360.....	39, 41
Sealing Ring	
SPPRI524000001.....	33
Second Display Cover	
SP530927.....	69
Second Display Holder	
SP530928.....	69
Sensor	
SP506596.....	49, 51
SP510542.....	53
SP526440.....	49, 51
Sensor Holder	
SP520324.....	35
Sensor Holder Base	
SP520323.....	35
Shaft	
SP514178.....	103
Shaft Slide Casing	
SP535628.....	45
Shim	
568609	107
568639	107
568642	107
568644	107
Side Bar	
SPF02113200614.....	19
Side Flange Seal	
SP508214.....	71, 73, 75, 81
Side Mounting Pin	
SP539347.....	47
Side Panel	
SP539671.....	15
SP539672.....	17
SP539801.....	23
SP539802.....	23
SP539803.....	23
Side Safety Rubber	
SP539678.....	15
Sideboard Weight	
SP536588.....	17
SP539677.....	17
Sliding Sleeve	
SP536132.....	45, 47
SP536133.....	47
Soap Hopper	
SP511927.....	61
Soap Hopper Cover	
SP223110600013.....	61
Soap Hopper Level	
SP235110200014.....	61

N/A items do not appear in index.

Soap Hopper Lock SPF02110200014	61
Soap Hopper Profile SP539756	7, 13
SP539757	7, 13
Sound Damper SP326346000407	83, 85
570814	87
570823	87, 89, 91
Spacer SP521444	105
Split Pin SP536241	47
Spring SP120102302325	61
SP315235031015	59
SP530859	43
Spring End Stop SP536235	47
Steam Hose SP535941	67
Steam Nozzle SP508253	31
Steam Pipe SP539731	67
Steam Tube SP536461	67
Steam Tube Holder SP536460	67
Stirrup SP511884	63, 65
SP525474	115
Suction Tube 529787	117
Supply Pump Kit MB90-Z40	117
MB90-Z41	117
MB90-Z42	117
MB90-Z43	117
MB90-Z44	117
Support SP539781	7, 13
Switchboard Assembly SP513134	97
Switchboard Door SP513057	103
Switching Valve 570802	87

T

Tank Cover SP550549	77
Tape 283296215119	27, 59, 63, 65, 67, 79, 83, 87, 89, 91
Tee SP536521	63
SP536525	63
SP536849	79
SP536852	63
SP536855	79
SP536858	79

Temperature Sensor SP503839	33
Tensometer Stop End SP536594	109
Terminal Board SP506575	57
Thermostat Sensor Holder SPPRI614000047	33
Topper SP536508	85
Transformer Cover SP557282	95
Transformer Holder SP557281	95
Transformer SP101643	97
Trunnion SP536553	37
Tube Holder SP536853	79

U

Upper Door Cover SP550573	25
Upper Flange Seal SP508213	71, 73, 75
Upper Frame SP539670	15, 19
SP550587	15, 19

V

Valve SP506599	63, 65, 77
SP506600	67
SP523728	93
SP525527	83
566598	87, 89, 91
566600	87
Valve Body SP513128	71
SP513129	73
SP519081	75
Valve Connector SP536505	85, 87, 89, 91
Valve Cover SP505946	71, 73, 75
Valve Holder SP525471	93
Valve, 2-Way SPPRI340020035	63
Valve, 3-Way SPPRI340030038	63
Vessel SP321848223000	61
SP550553	77
Vibration Switch SPPRI345000068	29
Vibration Switch Counterpart SP536492	29

N/A items do not appear in index.

Vibration Switch Holder	
SP536491	29

W

Wash Bath Sample Valve	
SP525462	93

Washer	
SPF02105002515	15
SP311125000003	61, 85
SP311125000004	61, 85, 87, 89, 91, 99, 105, 113, 115
SP311125000005	85, 87, 97, 103, 105
SP311125000006	9, 11, 27, 29, 35, 49, 51, 59, 61, 63, 65, 67, 77, 85, 93, 95, 99, 103, 111, 113, 115
SP311125000008	7, 13, 27, 57, 81, 107
SP311125000010	67, 107, 109
SP311125000013	27, 55, 59, 95, 107, 109
SP311125000017	53, 55
SP311125100006	99
SP311125240004	39, 41, 43, 61
SP311125240006	69, 71, 73, 75, 79, 87, 103
SP311125240008	31, 39, 41, 43, 47, 71, 73, 75
SP311125999913	17
SP311127000003	61
SP311127000004	61, 87, 89, 91, 99, 105, 115
SP311127000005	87, 97, 103, 105
SP311127000006	9, 11, 27, 29, 35, 49, 51, 57, 59, 61, 79, 85, 99, 103, 111, 113, 115
SP311127000008	27, 77, 81, 107
SP311127000010	107, 109
SP311127000012	15, 55, 59, 61, 95, 109
SP311127000016	15, 53, 55
SP311127000020	17, 37
SP311127240004	39, 41, 43, 61
SP311127240006	69, 71, 73, 75, 79, 87, 93, 95
SP311127240008	31, 47
SP311127240010	47
SP311679800004	105
SP311679824003	105
SP311679824006	99, 103
SP311902100006	61, 107
SP511866	57
SP511923	59
SP511924	53
SP526196	47
SP530858	43
SP530933	59
SP530936	59
SP535797	47
SP535798	47
SP536248	41, 47
SP536249	47
SP536324	7, 13
SP539965	41
539146	47
557325	47

Water Inlet	
SP539841	63

Water Input Box	
SP536480	63, 65

Water Level Switch	
SP524671	105

Water Tube Holder	
SP536488	63

Weighing System	
569012	107

Weighing System Kit	
567390	107

Welded Steam Pipeline	
SP539732	67

Window	
SP530940	39, 41

Wiper	
SP516633	71, 73, 75

N/A items do not appear in index.

