

Tumble Dryers

190 Liters (9 Kilograms) Capacity
With Full/Flex Control

Refer to Page 3 for Model Numbers

Table of Contents

| Title | Page |
|------------------------------------------------------------------------------------------|------|
| Parts Ordering Information | 2 |
| Serial Plate Location..... | 2 |
| Model Identification..... | 3 |
| Front Panel Assembly..... | 4 |
| Flex/Full Control Components | 6 |
| Cabinet - Heat Pump Models..... | 8 |
| Cabinet - Gas and Electric Models (Drawing 1 of 2)..... | 10 |
| Cabinet - Gas and Electric Models (Drawing 2 of 2)..... | 12 |
| Drum Assembly | 14 |
| Door Assembly | 16 |
| Electric Heating Components | 18 |
| Gas Heating Components - Gas Models Through Serial No. 9T011519QD (Drawing 1 of 2) | 20 |
| Gas Heating Components - Gas Models Through Serial No. 9T011519QD (Drawing 2 of 2) | 22 |
| Gas Heating Components - Gas Models Starting Serial No. 9T011520QD (Drawing 1 of 2)..... | 24 |
| Gas Heating Components - Gas Models Starting Serial No. 9T011520QD (Drawing 2 of 2)..... | 26 |
| Heat Pump (Drawing 1 of 2) | 28 |
| Heat Pump (Drawing 2 of 2) | 30 |
| Heat Pump Rinsing System | 32 |
| Ventilator - Heat Pump Models..... | 34 |
| Ventilator - Gas and Electric Models | 36 |
| Exhaust - Gas Models | 38 |
| Exhaust - Electric and Gas Models..... | 40 |
| Drive System | 42 |
| Electric Box Components - Heat Pump Models..... | 44 |
| Electric Box Components - Electric Models..... | 46 |
| Electric Box Components - Gas Models | 48 |
| Under Pressure Clutch | 50 |
| Humidity Sensor | 52 |
| Parts Index..... | 55 |

© Copyright 2022, Alliance Laundry Systems LLC

All rights reserved. No part of the contents of this book may be reproduced or transmitted in any form or by any means without the expressed written consent of the publisher.

Parts Ordering Information

If literature or replacement parts are required, contact the source from whom the machine was purchased or contact Alliance Laundry Systems at (920) 748-3950 for the name and address of the nearest authorized parts distributor.

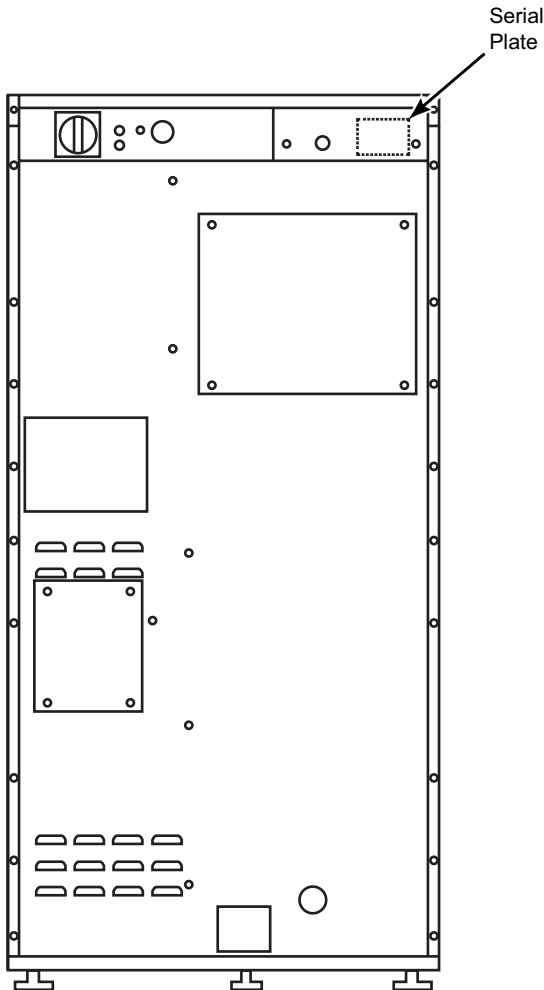
For technical assistance, call the number listed below:

(920) 748-3121 Ripon, Wisconsin

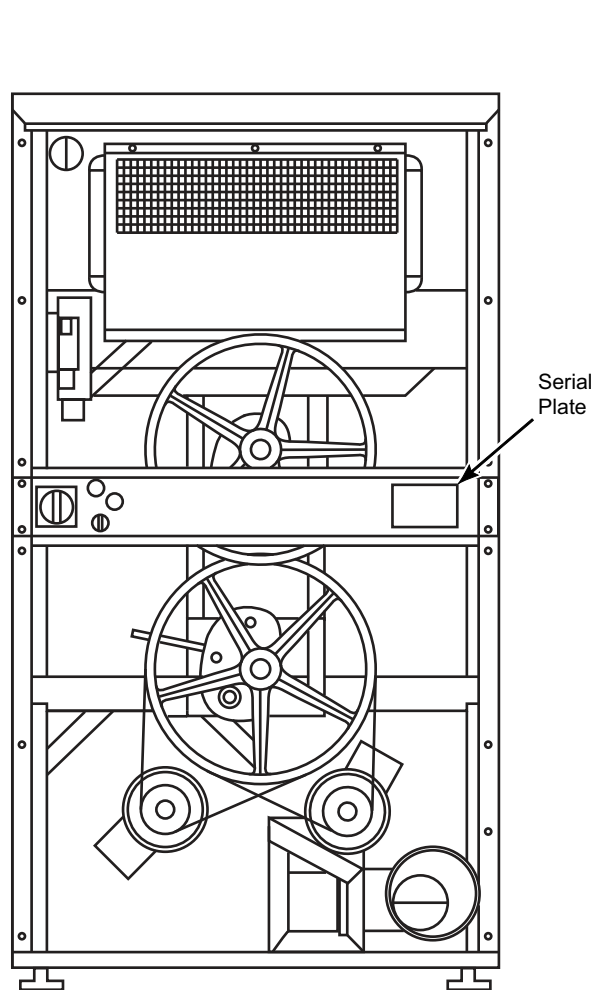
Serial Plate Location

When calling or writing about your product, be sure to mention model and serial numbers. Model and serial numbers are located on serial plate(s) as shown.

HEAT PUMP



GAS AND ELECTRIC



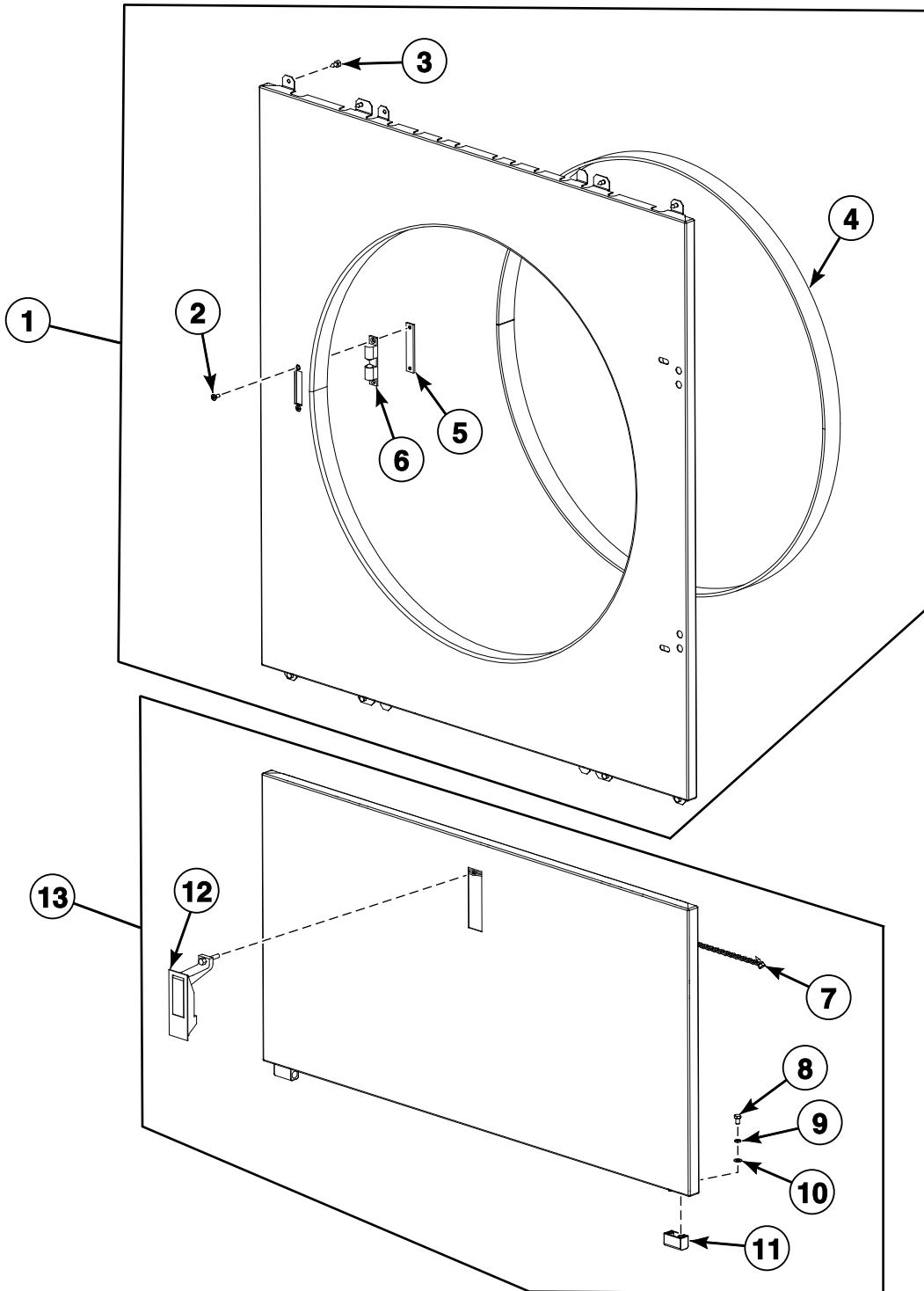
TMB3402P D2450

Model Identification

Information in this manual is applicable to these tumbler models:

| | | | | |
|-----------|----------------------|----------|-------------|-------------|
| DT190AE | LC190EF | NX190EF | SC190EF | T9_FULL |
| DT190AG | LC190FF | NX190FF | SC190FF | T9HP_FULL |
| DT190AH | LC190HF | NX190HF | SC190HF | UC190EF |
| DT190BG | LC190LF | NX190LF | SC190LF | UC190FF |
| I190_FLEX | LC190MF | NX190MF | SC190MF | UC190HF |
| IC190EF | LC190NF | NX190NF | SC190NF | UC190LF |
| IC190FF | LC190TF | NX190TF | SC190TF | UC190MF |
| IC190HF | LH190EF | PC190EF | SDR190 | UC190NF |
| IC190LF | LH190FF | PC190FF | SE190HF | UC190TF |
| IC190MF | LH190HF | PC190HF | SGHP190F | UDR190 |
| IC190NF | LH190LF | PC190LF | SH190EF | UE190HF |
| IC190TF | LH190MF | PC190MF | SH190FF | UGHP190F |
| IDR190 | LH190NF | PC190NF | SH190HF | UH190EF |
| IE190HF | LH190TF | PC190TF | SH190LF | UH190FF |
| IGHP190F | LS195 | PE190HF | SH190MF | UH190HF |
| IH190EF | LS195HP_PROFESSIONAL | PGDE190F | SH190NF | UH190LF |
| IH190FF | LU190EF | PGDG190F | SH190TF | UH190MF |
| IH190HF | LU190FF | PGDL190F | SHP190_FULL | UH190NF |
| IH190LF | LU190HF | PGHP190F | SQHP190F | UH190TF |
| IH190MF | LU190LF | PH190EF | SR190EF | UHP190_FULL |
| IH190NF | LU190MF | PH190FF | SR190FF | UR190EF |
| IH190TF | LX190EF | PH190HF | SR190LF | UR190FF |
| IHP190 | LX190FF | PH190LF | SR190MF | UR190LF |
| IR190EF | LX190HF | PH190MF | SR190NF | UR190MF |
| IR190FF | LX190LF | PH190NF | SR190TF | UR190NF |
| IR190LF | LX190MF | PH190TF | SU190EF | UR190TF |
| IR190MF | LX190NF | PU190EF | SU190FF | UU190EF |
| IR190NF | LX190TF | PU190FF | SU190HF | UU190FF |
| IR190TF | NC190EF | PU190HF | SU190MF | UU190HF |
| IU190EF | NC190FF | PU190LF | SUHP190F | UU190MF |
| IU190FF | NC190HF | PU190MF | SX190EF | UUHP190F |
| IU190HF | NC190LF | PU190NF | SX190FF | UX190EF |
| IU190MF | NC190MF | PU190SF | SX190HF | UX190FF |
| IUHP190F | NC190NF | PU190TF | SX190LF | UX190HF |
| IX190EF | NC190TF | PU190WF | SX190MF | UX190LF |
| IX190FF | NH190EF | PUDE190F | SX190NF | UX190MF |
| IX190HF | NH190FF | PUDG190F | SX190TF | UX190NF |
| IX190LF | NH190HF | PUDL190F | | UX190TF |
| IX190MF | NH190LF | PUHP190F | | |
| IX190NF | NH190MF | PX190EF | | |
| IX190TF | NH190NF | PX190FF | | |
| | NH190TF | PX190HF | | |
| | NU190EF | PX190LF | | |
| | NU190FF | PX190MF | | |
| | NU190HF | PX190NF | | |
| | NU190MF | PX190TF | | |

Front Panel Assembly

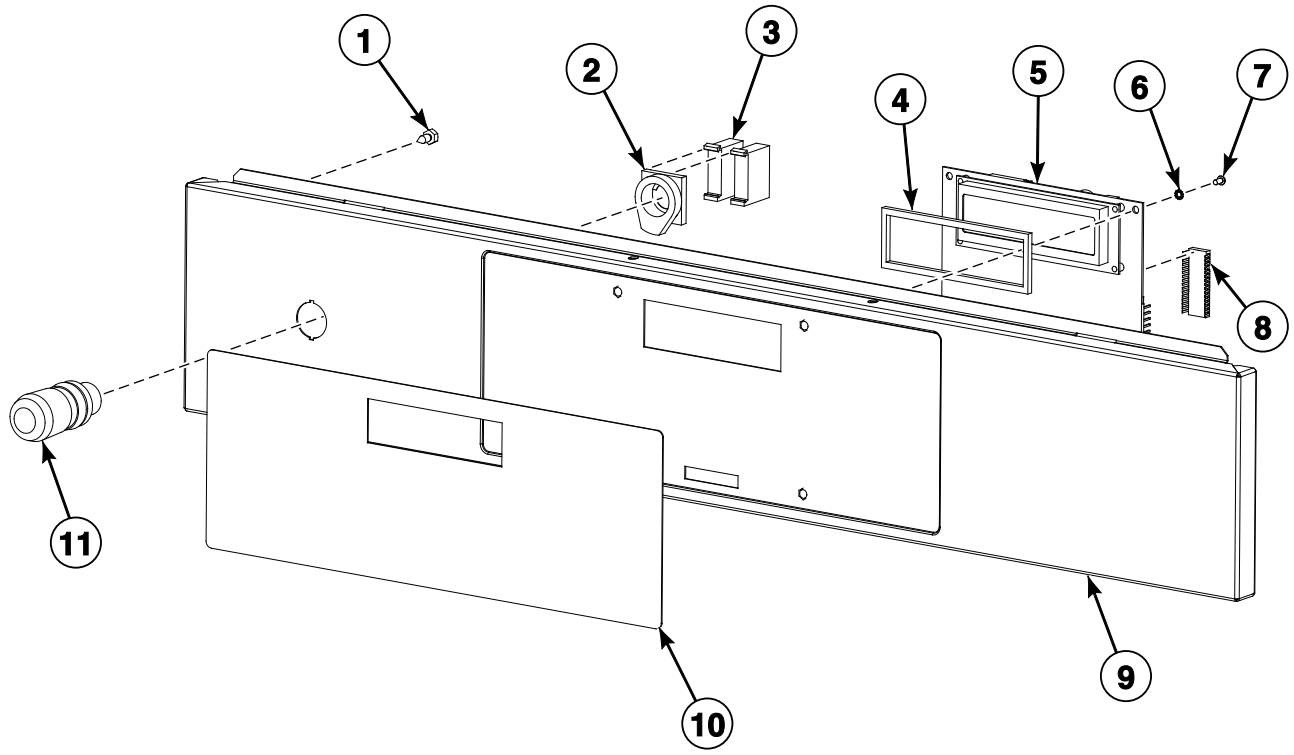


TMB3323P_D2450

Front Panel Assembly

| REF | PART NO. | DESCRIPTION | COMMENTS |
|-----|----------------|-----------------------|------------------------------------------------------------------------------------------------------------------------------------------------|
| 1 | SP559713 | Upper Panel Assembly | U models; Includes items 2-6; Imitation stainless steel; I models starting Serial No. 9T011535QD; S models starting 1/1/2021 |
| | SP559716 | Upper Panel Assembly | Includes items 2-6; White; I models through Serial No. 9T011534QD; S models through 12/31/2020 |
| | SP559715 | Upper Panel Assembly | L, N, P and T models; Includes items 2-6; Gray |
| | SP559714 | UpperPanel Assembly | Includes items 2-6; Stainless steel |
| | SP559717 | Upper Panel Assembly | U models; Includes items 2-6; Right door; Coin; Imitation stainless steel; I models starting Serial No. 9T011535QD; S models starting 1/1/2021 |
| | SP559720 | Upper Panel Assembly | Includes items 2-6; Right door; Coin; White; I models through Serial No. 9T011534QD; S models through 12/31/2020 |
| | SP559719 | Upper Panel Assembly | L, N, P and T models; Includes items 2-6; Right door; Coin; Gray |
| | SP559718 | Upper Panel Assembly | Includes items 2-6; Right door; Coin; Stainless steel |
| | SP559721 | Upper Panel Assembly | U models; Includes items 2-6; Left door; Coin; Imitation stainless steel; I models starting Serial No. 9T011535QD; S models starting 1/1/2021 |
| | SP559724 | Upper Panel Assembly | Includes items 2-6; Left door; Coin; White; I models through Serial No. 9T011534QD; S models through 12/31/2020 |
| | SP559723 | Upper Panel Assembly | L, N, P and T models; Includes items 2-6; Left door; Coin; Gray |
| | SP559722 | Upper Panel Assembly | Includes items 2-6; Left door; Coin; Stainless steel |
| 2 | SP309966240410 | Bolt | |
| 3 | SP100218 | Screw | |
| 4 | SP517404 | Seal | |
| 5 | SP514906 | Washer | |
| 6 | SP514530 | Latch | |
| 7 | SP521266 | Chain | |
| 8 | SP521260 | Bolt | |
| 9 | SP311127000005 | Washer | |
| 10 | SP311125000005 | Washer | |
| 11 | SP521222 | Hinge | |
| 12 | SP521221 | Lock | |
| 13 | SP521113 | Filter Panel Assembly | U models; Includes items 7-12; Imitation stainless steel; I models starting Serial No. 9T011535QD; S models starting 1/1/2021 |
| | SP559711 | Filter Panel Assembly | Includes items 7-12; White; I models through Serial No. 9T011534QD; S models through 12/31/2020 |
| | SP555953 | Filter Panel Assembly | L, N, P and T models; Includes items 7-12; Gray |
| | SP521261 | Filter Panel Assembly | Includes items 7-12; Stainless steel |

Flex/Full Control Components

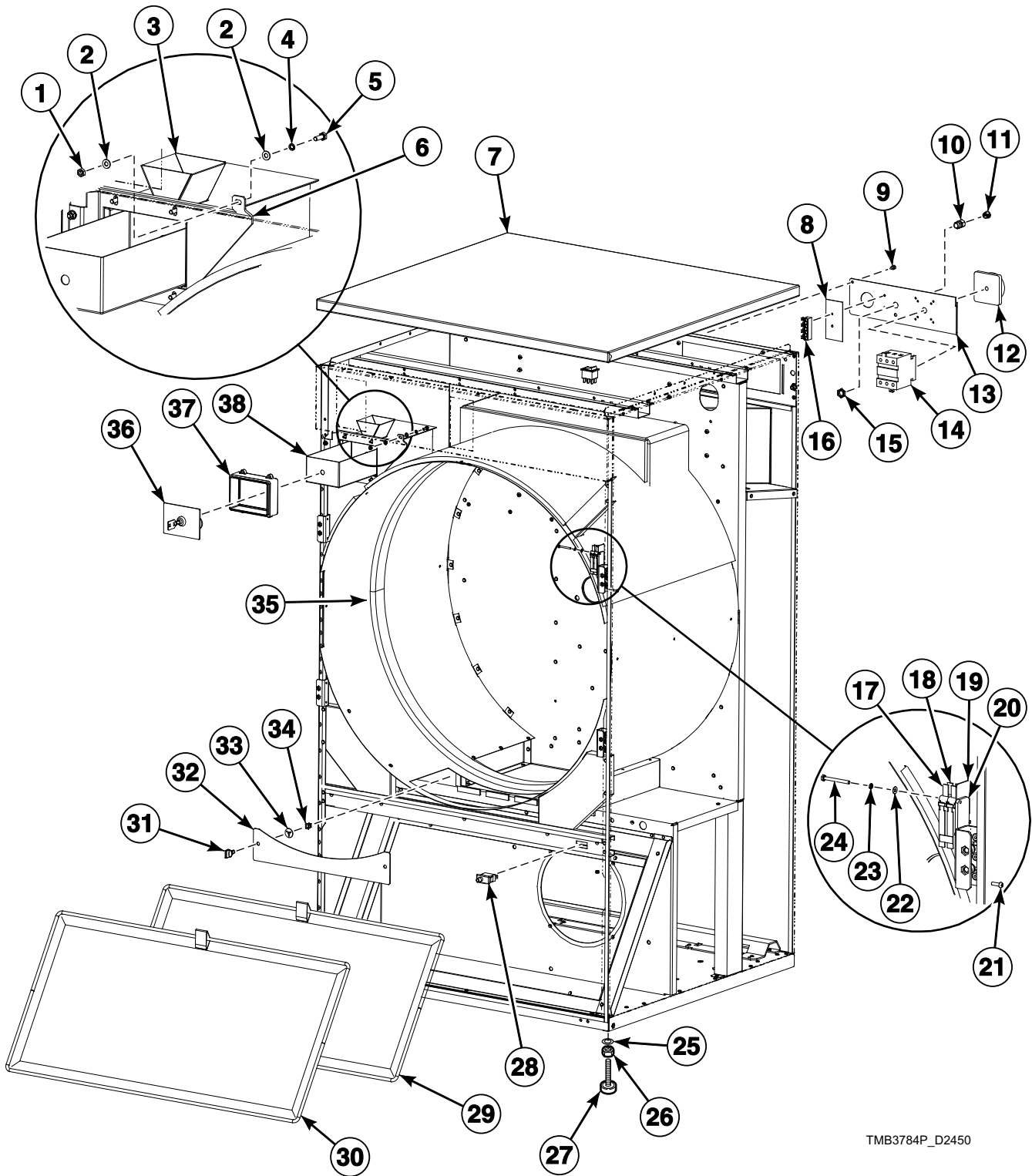


TMB3325P_D2450

Flex/Full Control Components

| REF | PART NO. | DESCRIPTION | COMMENTS |
|-----------|----------------|--------------------------|---------------------------------------------------------------------------------------------------------------------------------------------|
| | SP559874 | Control Panel Assembly | U models; Includes items 1-11; Stainless steel |
| | SP559875 | Control Panel Assembly | I models; Includes items 1-11; Stainless steel; L and N models through 12/31/2020 |
| | 574507 | Control Panel Assembly | I models; Includes items 1-11; Imitation stainless steel; Starting Serial No. 9T011535QD |
| | 575459 | Control Panel Assembly | L and N models; Includes items 1-11; Stainless steel; Starting January 1, 2021 |
| | 571904 | Control Panel Assembly | L and N models; Includes items 1-11; Gray; Starting January 1, 2020 |
| | SP559876 | Control Panel Assembly | S models; Includes items 1-11; Stainless steel |
| | SP559873 | Control Panel Assembly | S models through 12/31/20; Includes items 1-11; White |
| | 575439 | Control Panel Assembly | S models starting 1/1/2021; Includes items 1-11; Imitation stainless steel |
| | SP559766 | Control Panel Assembly | P and T models; Includes items 1-11; Stainless steel |
| | SP556621 | Control Panel Assembly | U models; Includes items 1-11; Imitation stainless steel |
| | SP559768 | Control Panel Assembly | I and LS195HP_PROFESSIONAL models; Includes items 1-11; White; Through Serial No.9T011534QD |
| | SP559767 | Control Panel Assembly | P and T models; Includes items 1-11; Gray |
| | SP559769 | Control Panel Assembly | P and T models; Includes items 1-11; Black; Through Serial No.9T011534QD |
| 1 | SP100218 | Screw | |
| 2 | SP528311 | Emergency Stop Connector | |
| 3 | SP528312 | Switching Unit | |
| 4 | SP101275 | Gasket | |
| 5 | SP102457 | Control Board | S and U models; Green |
| | SP556608 | Control Board | All other models; Gray |
| 6 | SP311679800003 | Washer | |
| 7 | SP309798500306 | Bolt | |
| 8 | SP526001 | Memory | Empty without software version |
| | 102471 | Memory | Models without heat pump; Includes SP526001 Memory and EN, CZ, DE, FR, NL, ES, IT, DK, NO software language version |
| | 102472 | Memory | Models without heat pump; Includes SP526001 Memory and EN, CZ, RU, SL, HR, HU, PL, BG, RO, TR software language version |
| | 545269 | Memory | Models with heat pump; Includes SP526001 Memory and EN, CZ, DE, FR, NL, ES, IT, DK, NO software language version |
| | 545270 | Memory | Models with heat pump; Includes SP526001 Memory and EN, CZ, RU, SL, HR, HU, PL, BG, RO, TR software language version |
| | 572334 | Memory | Models with heat pump and frequency inverter; Includes SP526001 Memory and EN, CZ, DE, FR, NL, ES, IT, DK, NO Software language version |
| | 572335 | Memory | Models with heat pump and frequency inverter; Includes SP526001 Memory and EN, CZ, RU, SL, HR, HU, PL, BG, RO, TR software language version |
| 9 | SP556623 | Control Panel | U models; Imitation stainless steel; I models starting Serial No. 9T011535QD; S models starting 1/1/2021 |
| | 556631 | Control Panel | Model LS195HP_PROFESSIONAL; White; I models through Serial No. 9T011535QD |
| | 556629 | Control Panel | L, N, P and T models; Gray |
| | 556630 | Control Panel | P and T models; Black |
| | 559764 | Control Panel | Stainless steel |
| 10 | SP559863 | Overlay | U models |
| | SP559864 | Overlay | I, LS195HP_PROFESSIONAL and S models |
| | SP556100 | Overlay | L, N, P and T models |
| 11 | SP528310 | Emergency Stop Knob | |

Cabinet - Heat Pump Models

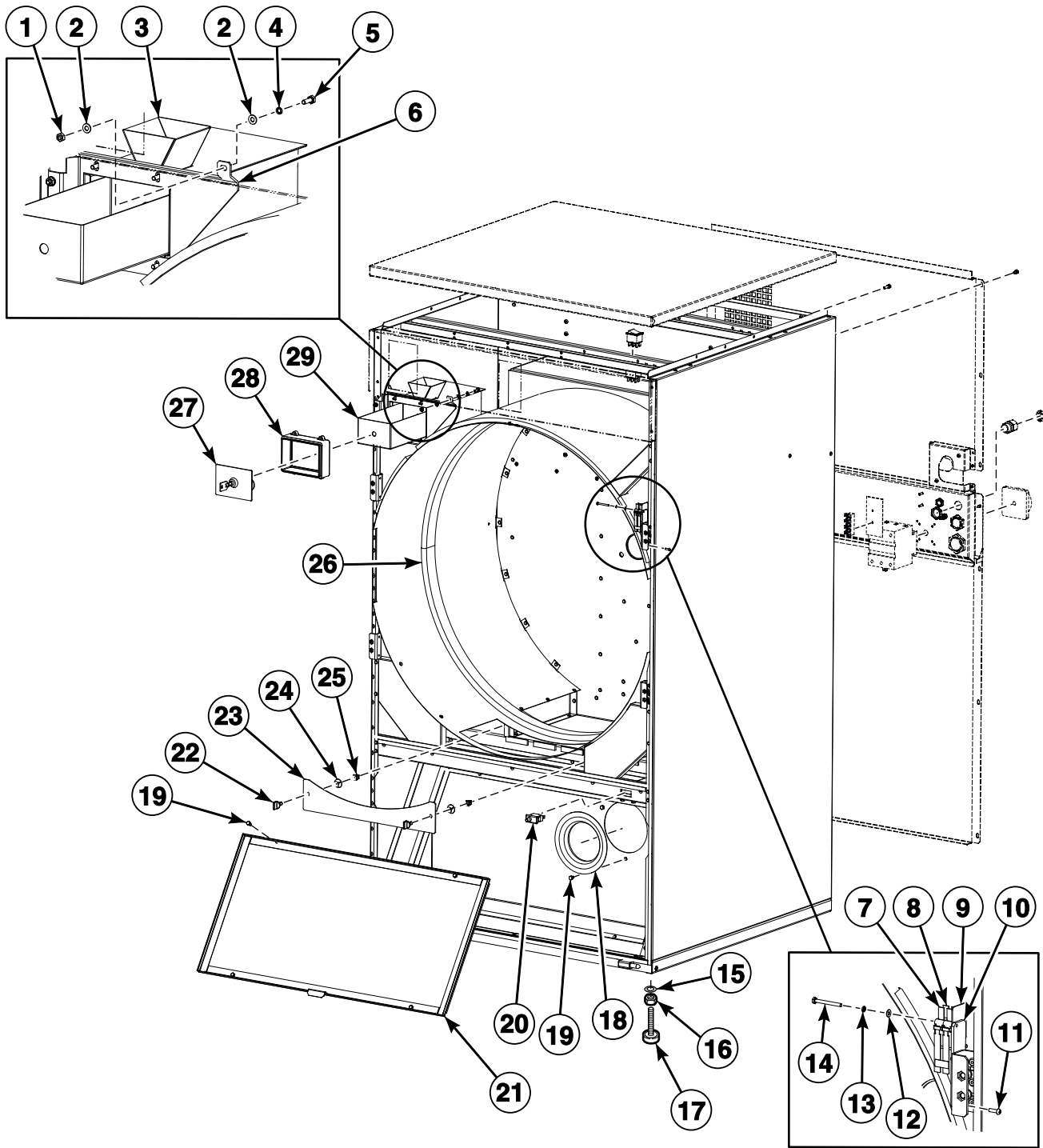


TMB3784P_D2450

Cabinet - Heat Pump Models

| REF | PART NO. | DESCRIPTION | COMMENTS |
|-----|----------------|----------------------|----------------------------------------------------------------------------------------------------------|
| | SP520404 | Door Switch Assembly | Includes items 17-24 |
| | SP521325 | Coin Vault Assembly | Includes items 1-6 and 36-38 |
| | SP521274 | Filter | |
| | SP100388 | Switch | |
| | SP560161 | Filter Assembly | Includes items 29 and 30 |
| 1 | SP310934000004 | Nut | |
| 2 | SP311125000004 | Washer | |
| 3 | SP521329 | Coin Vault Box | |
| 4 | SP311127000004 | Washer | |
| 5 | SP309933240412 | Bolt | |
| 6 | SP559746 | Coin Vault Bracket | |
| 7 | SP521153 | Upper Cover | U models; Imitation stainless steel; I models starting Serial No. 9T011535QD; S models starting 1/1/2021 |
| | SP559708 | Upper Cover | I models through Serial No. 9T011534QD; S models through 12/31/2020; White |
| | SP556012 | Upper Cover | LS195HP_Professional, L, N, P and T models; Gray |
| | SP521247 | Upper Cover | Stainless steel |
| 8 | SPPRI350012007 | Isolation Paper | |
| 9 | SP100218 | Screw | |
| 10 | SP101405 | Bushing | |
| 11 | SPPRI505003064 | Plug | |
| 12 | SPPRI404000095 | Main Switch Knob | |
| 13 | SP520816 | Main Switch Panel | |
| 14 | SPPRI404000097 | Main Switch | Main heating |
| 15 | SP101415 | Nut | |
| 16 | SPPRI350000007 | Terminal Board | |
| 17 | SPPRI610011077 | Microswitch | |
| 18 | SP517484 | Microswitch | |
| 19 | SP101154 | Isolation Plate | |
| 20 | SP520403 | Door Switch Holder | |
| 21 | SP518719 | Bolt | |
| 22 | SP311125000003 | Washer | |
| 23 | SP311127000003 | Washer | |
| 24 | SP516693 | Bolt | |
| 25 | SP311125000010 | Washer | |
| 26 | SP310934000010 | Nut | |
| 27 | SPPRI504000001 | Adjustable Foot | |
| 28 | SP506045 | Microswitch | |
| 29 | SP560157 | Fine Filter | |
| 30 | SP560126 | Filter | |
| 31 | SP545529 | Bolt | |
| 32 | SP541312 | Exhaust Lid | |
| 33 | SP545531 | Washer | |
| 34 | SP545530 | Nut | |
| 35 | SP518505 | Front Seal | |
| 36 | SP515291 | Coin Vault Cover | |
| 37 | SP501514 | Coin Vault Frame | |
| 38 | SP321848140028 | Coin Vault | |

Cabinet - Gas and Electric Models (Drawing 1 of 2)

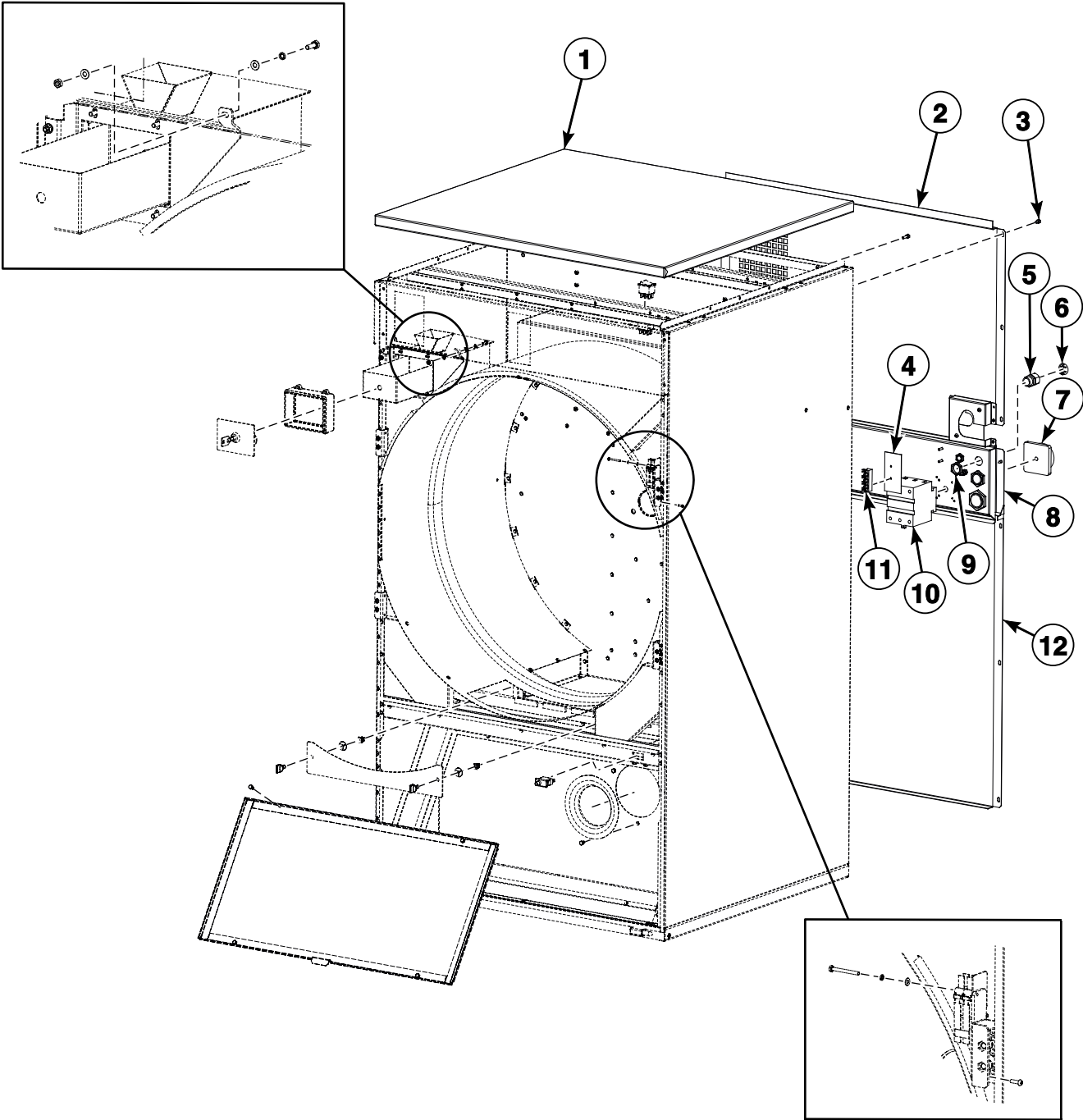


TMB3785P_D2450

Cabinet - Gas and Electric Models (Drawing 1 of 2)

| REF | PART NO. | DESCRIPTION | COMMENTS |
|-----|----------------|----------------------|------------------------------|
| | SP520404 | Door Switch Assembly | Includes items 7-14 |
| | SP521325 | Coin Vault Assembly | Includes items 1-6 and 27-29 |
| | SP523615 | Filter | Includes item 21 |
| | SP100388 | Switch | |
| 1 | SP310934000004 | Nut | |
| 2 | SP311125000004 | Washer | |
| 3 | SP521329 | Coin Vault Box | |
| 4 | SP311127000004 | Washer | |
| 5 | SP309933240412 | Bolt | |
| 6 | SP559746 | Coin Vault Bracket | |
| 7 | SPPRI610011077 | Microswitch | |
| 8 | SP517484 | Microswitch | |
| 9 | SP101154 | Isolation Plate | |
| 10 | SP520403 | Door Switch Holder | |
| 11 | SP518719 | Bolt | |
| 12 | SP311125000003 | Washer | |
| 13 | SP311127000003 | Washer | |
| 14 | SP516693 | Bolt | |
| 15 | SP311125000010 | Washer | |
| 16 | SP310934000010 | Nut | |
| 17 | SPPRI504000001 | Adjustable Foot | |
| 18 | SP521268 | Inlet | |
| 19 | SP100218 | Screw | |
| 20 | SP506045 | Microswitch | |
| 21 | SP521274 | Filter | |
| 22 | SP545529 | Bolt | |
| 23 | SP541312 | Exhaust Lid | |
| 24 | SP545531 | Washer | |
| 25 | SP545530 | Nut | |
| 26 | SP518505 | Front Seal | |
| 27 | SP515291 | Coin Vault Cover | |
| 28 | SP501514 | Coin Vault Frame | |
| 29 | SP321848140028 | Coin Vault | |

Cabinet - Gas and Electric Models (Drawing 2 of 2)

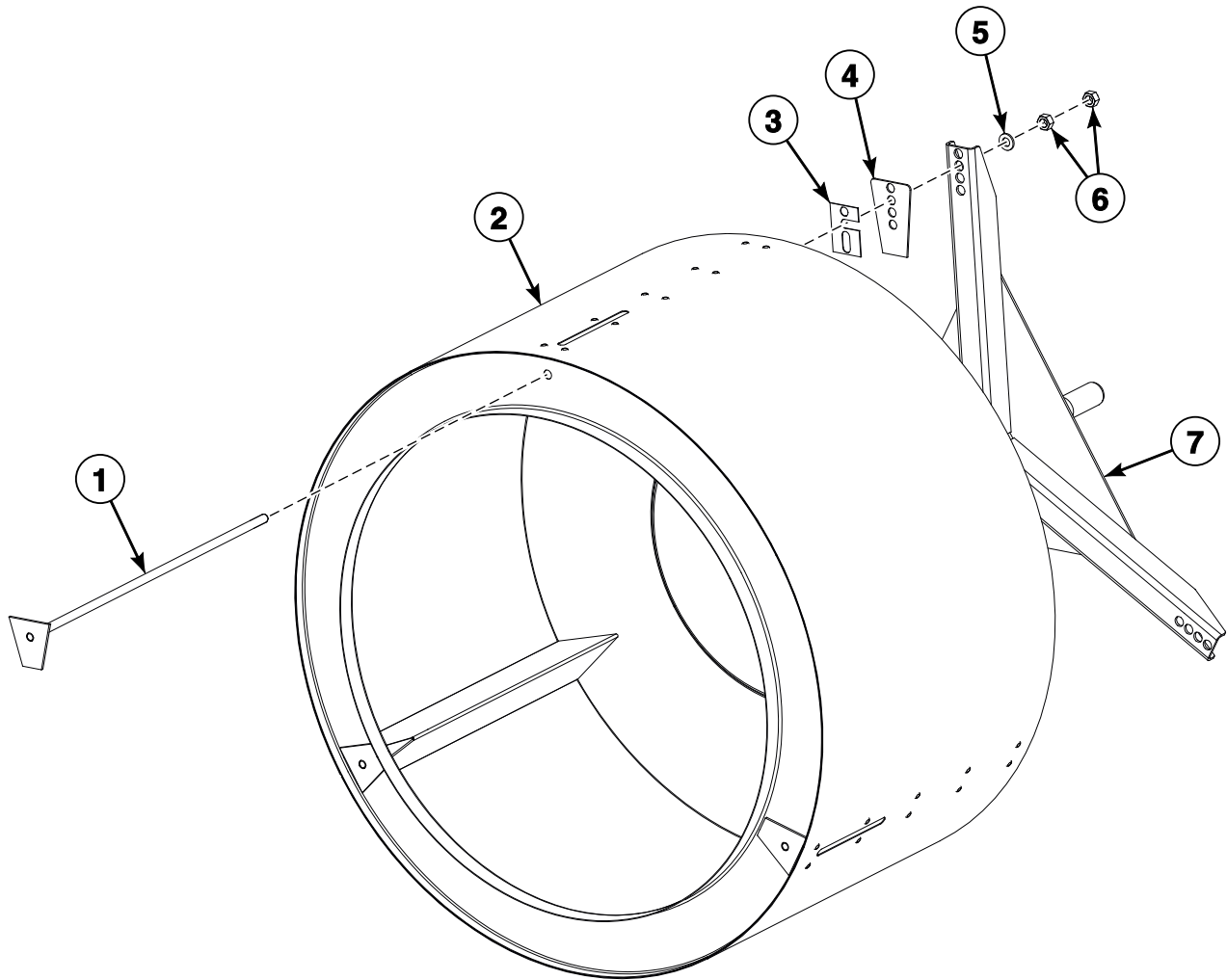


TMB3362PA_D2450

Cabinet - Gas and Electric Models (Drawing 2 of 2)

| REF | PART NO. | DESCRIPTION | COMMENTS |
|-----|----------------|--------------------------|----------------------------------------------------------------------------------------------------------------|
| 1 | SP556012 | Upper Cover | L, N, P and T models; Gray |
| | SP521247 | Upper Cover | Stainless steel |
| | SP521153 | Upper Cover | U models; I models starting Serial No.9T011535QD; Imitation stainless steel; S models starting 1/1/2021; White |
| | SP559708 | Upper Cover | I models through Serial No.9T011534QD; S models through 12/31/2020 |
| 2 | SP524288 | Rear Upper Cover | Electric models |
| | SP556539 | Rear Upper Cover | Gas models |
| 3 | SP100218 | Screw | |
| 4 | SPPRI350012007 | Isolation Paper | |
| 5 | SP101407 | Bushing | Gas models |
| | SP101405 | Bushing | External payment system |
| | SP101408 | Bushing | Electric models |
| | SP101409 | Bushing | Electric models |
| 6 | SPPRI505003064 | Plug | Not for external payment systems |
| | SP345900025012 | Plug | #20 |
| | SP345900032132 | Plug | #25 |
| | SP345900043132 | Plug | #32 |
| 7 | SPPRI404000095 | Main Switch Knob | |
| 8 | SP524286 | Rear Reinforcement Panel | |
| 9 | SP101417 | Nut | Gas models |
| | SP101415 | Nut | External payment system |
| | SP101418 | Nut | Electric models |
| | SP101419 | Nut | Electric models |
| 10 | SPPRI404000097 | Main Switch | Gas models; 9 kW, 380-415V or 440V and 12 kW, 380-415V or 440V |
| | SPPRI404000098 | Main Switch | Electric models; Electric; 9 kW, 208-240V |
| | SPPRI404000099 | Main Switch | Electric models; Electric; 12 kW, 208-240V |
| | SP506407 | Main Switch | Fourth pole; Gas models |
| 11 | SPPRI350000007 | Terminal Board | |
| 12 | SP521181 | Rear Lower Cover | |

Drum Assembly

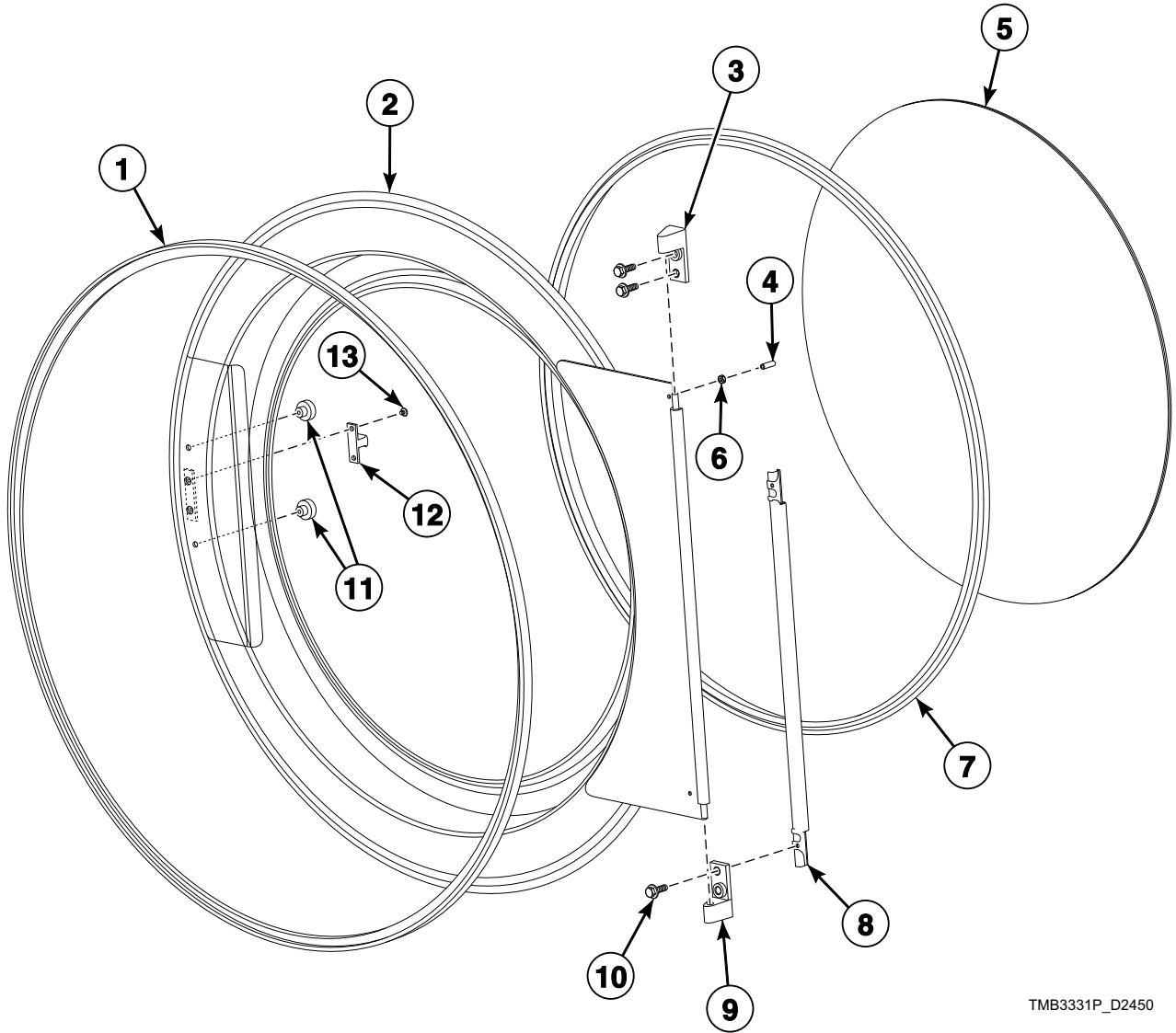


TMB3330P_D2450

Drum Assembly

| REF | PART NO. | DESCRIPTION | COMMENTS |
|-----|----------------|---------------|-------------------------------------|
| | 573272 | Drum Assembly | Galvanized; Includes items 1-7 |
| | 573273 | Drum Assembly | Stainless Steel; Includes items 1-7 |
| 1 | SP521128 | Bolt | |
| 2 | 573274 | Drum | Galvanized |
| | 577727 | Drum | Stainless Steel |
| 3 | SP512233 | Washer | 1mm |
| | 517426 | Washer | 0,5mm |
| 4 | SP510697 | Washer | |
| 5 | SP311125000010 | Washer | |
| 6 | SP310934000010 | Nut | |
| 7 | SP521020 | Drum Cross | |

Door Assembly



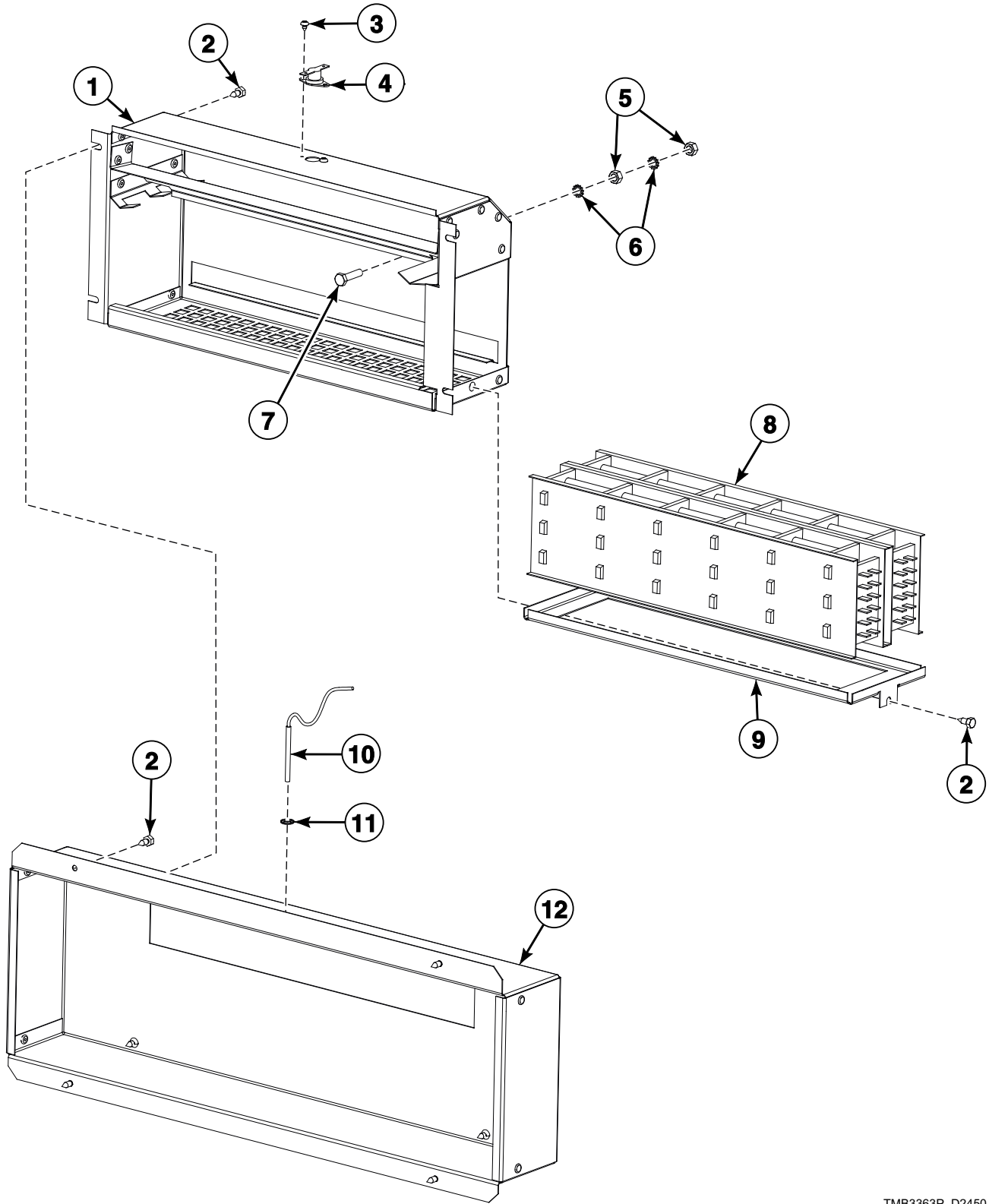
TMB3331P_D2450

Door Assembly

| REF | PART NO. | DESCRIPTION | COMMENTS |
|-----------|----------------|-------------------|---------------------------------------------------------------------------------------------------------------------------------------------------------------|
| | SP534969 | Glue | Use with item 5 |
| | SP245704003021 | Adhesive | Use with item 4 |
| | SP524359 | Door Assembly | I, L, N, S and U models; Gas and electric; Black; Includes items 1-13; I models starting Serial No. 9T011535QD; S and U models starting Serial No. 9T012834UD |
| | SP556558 | Door Assembly | P and T models; Gas and electric; Includes items 1-13; Silver; Through Serial No. 9T011244MQ |
| | 559702 | Door Assembly | P, S, T and U models; Gas and electric; Includes items 1-13; Metallic gray; Starting Serial No. 9T011245MQ; S and U models through Serial No. 9T012833UD |
| | SP556559 | Door Assembly | I, L and N models; S and U models starting Serial No. 9T012834UD; Heat pump; Includes items 1-13; Black |
| | SP559703 | Door Assembly | P, S, T and U models; Heat pump; Includes items 1-13; Metallic gray; S and U models through Serial No. 9T012833UD |
| | SP556561 | Door Assembly | P and T models; Heat pump; Includes items 1-13; Silver; Through Serial No. 9T011244MQ |
| 1 | SP534873 | Door Ring | |
| 2 | SP524364 | Door | I, L, N, S and U models; Black |
| | SP559701 | Door | U models; Metallic gray |
| | SP556552 | Door | P and T models; Silver |
| 3 | SP525105 | Upper Door Hinge | I, L, N, S and U models; Black |
| | SP559705 | Upper Door Hinge | U models; Metallic gray |
| | SP556555 | Upper Door Hinge | P and T models; Silver |
| 4 | SP520201 | Stop Pin | |
| 5 | SP512053 | Door Glass | |
| 6 | SP310934240004 | Nut | |
| 7 | SP519933 | Outer Door Gasket | |
| 8 | SP524582 | Lath | I, L, N, S and U models; Black |
| | SP559706 | Lath | U models; Metallic gray |
| | SP556553 | Lath | P and T models; Silver |
| 9 | SP525104 | Lower Door Hinge | I, L, N, S and U models; Black |
| | SP559704 | Lower Door Hinge | U models; Metallic gray |
| | SP556554 | Lower Door Hinge | P and T models; Silver |
| 10 | SP525101 | Bolt | |
| 11 | SP556557 | Magnet | |
| 12 | SP514530 | Latch | |
| 13 | SP524367 | Bolt | |

Electric Heating Components

Electric Models

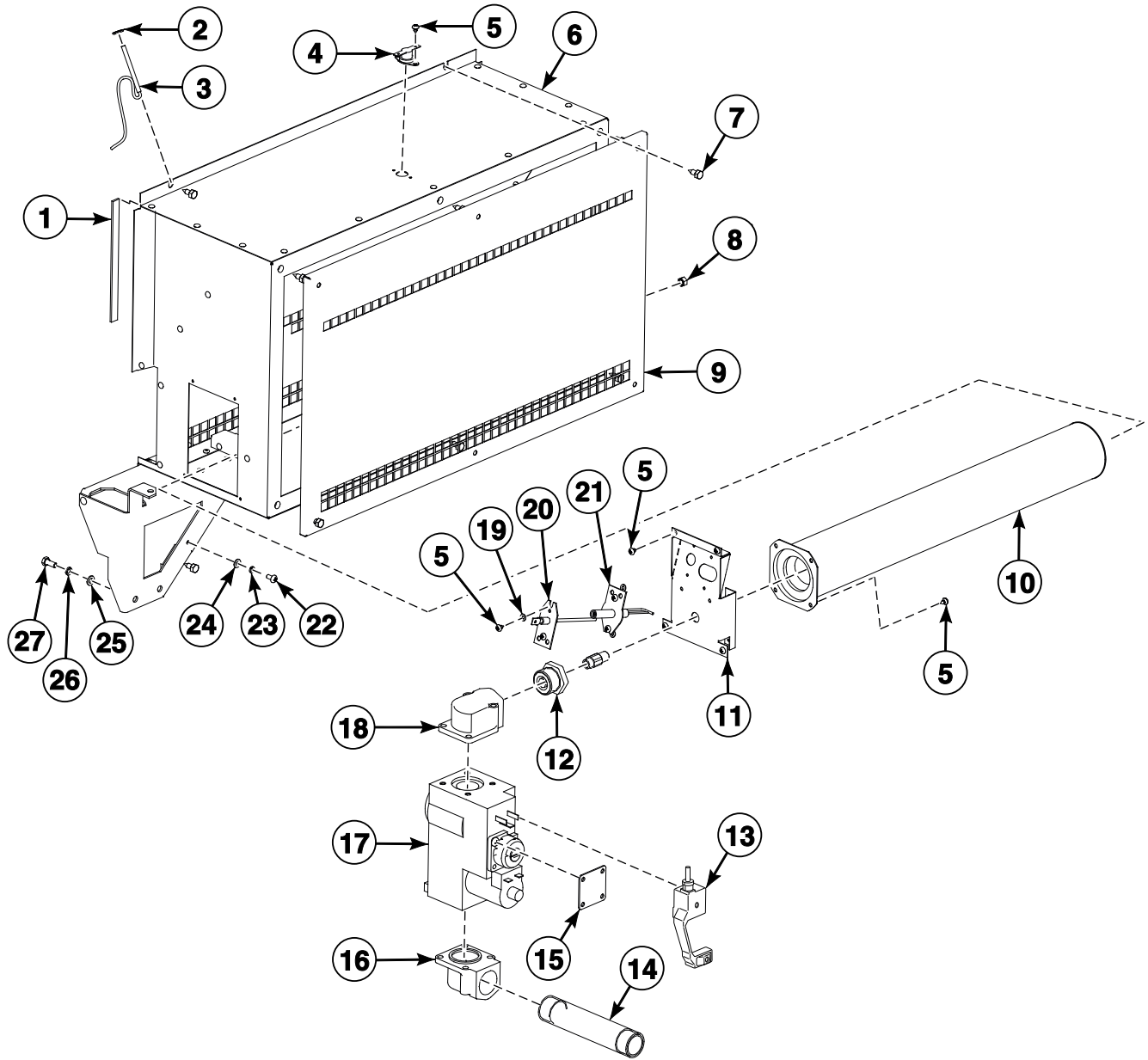


TMB3363P_D2450

Electric Heating Components

| REF | PART NO. | DESCRIPTION | COMMENTS |
|-----------|----------------|----------------------------|----------------------------|
| | SP521332 | Heating Component Assembly | 12 kW; Includes items 1-12 |
| | SP521372 | Heating Component Assembly | 9 kW; Includes items 1-12 |
| | SP556010 | Heating Component Assembly | 6 kW; Includes items 1-12 |
| 1 | SP528901 | Heater Box | |
| 2 | SP100218 | Screw | |
| 3 | SP517238 | Screw | |
| 4 | SP514127 | Safety Thermostat | |
| 5 | SP310934100006 | Nut | |
| 6 | SP311679824006 | Washer | |
| 7 | SP309933100625 | Bolt | |
| 8 | SP510984 | Heating Element | 6 kW |
| | SP510985 | Heating Element | 4.5 kW |
| | SP557786 | Fuse | |
| 9 | SP521334 | Trolley | |
| 10 | SP516092 | Temperature Sensor | |
| 11 | SP516669 | Washer | |
| 12 | SP525075 | Cover | |

Gas Heating Components - Gas Models Through Serial No. 9T011519QD (Drawing 1 of 2)



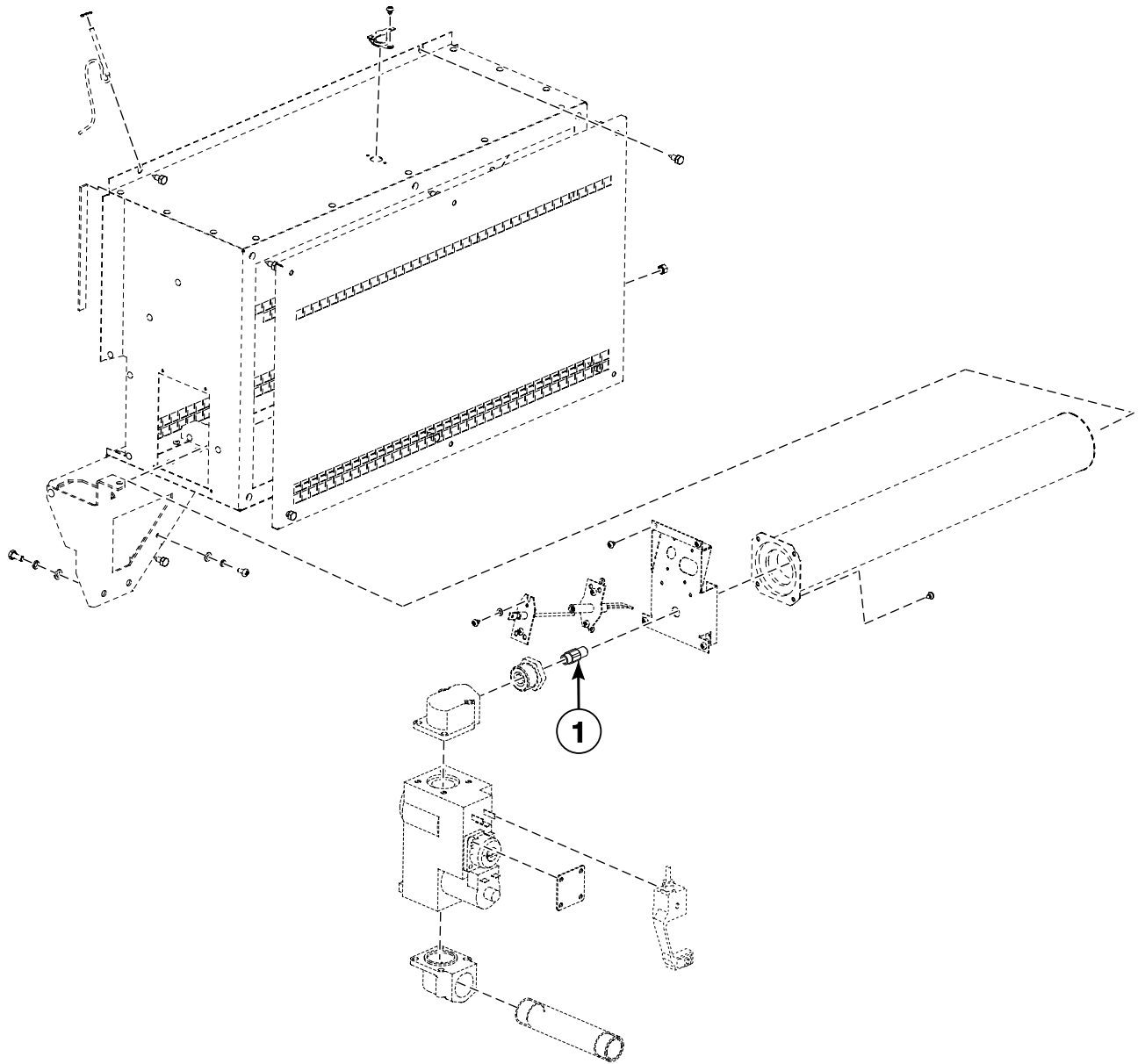
CZT2P_D2450

Gas Heating Components - Gas Models Through Serial No. 9T011519QD (Drawing 1 of 2)

| REF | PART NO. | DESCRIPTION | COMMENTS |
|-----|----------------|-----------------------|----------------------------|
| | SP273454410020 | Hose | |
| | SP516144 | Flame Detection Cable | Use with item 20 |
| | SP516143 | Ignition Cable | Use with item 21 |
| | 520098 | Gas Valve Wiring | 60 Hertz; Use with item 17 |
| 1 | SP517232 | Seal | |
| 2 | SP516669 | Washer | |
| 3 | SP516092 | Temperature Sensor | |
| 4 | SP514127 | Safety Thermostat | |
| 5 | SP517238 | Screw | |
| 6 | SP523780 | Gas Heater Box | |
| 7 | SP100218 | Screw | |
| 8 | SP310934240005 | Nut | |
| 9 | SP525524 | Rear Cover | |
| 10 | SP552515 | Burner Tube | |
| 11 | SP525442 | Electrode Bracket | |
| 12 | SP512067 | Nozzle | |
| 13 | 345000180901 | Connector | 50 Hertz; Use with item 17 |
| | 345000160645 | Contact | 50 Hertz; Use with item 17 |
| | SP357500459412 | Gas Valve Cable | 50 Hertz; Use with item 17 |
| 14 | SP519198 | Tube | |
| 15 | SP102019 | Blank Plate Kit | Without regulator |
| 16 | N/A | Flange | |
| 17 | SP102000 | Gas Valve | 50 Hertz |
| | SP520281 | Gas Valve | 60 Hertz |
| 18 | SP102018 | Flange | |
| 19 | SP311125000003 | Washer | |
| 20 | SP102002 | Detection Electrode | |
| 21 | 575643 | Ignition Electrode | |
| 22 | SP309798524408 | Bolt | |
| 23 | SP311127240004 | Washer | |
| 24 | SP311125240004 | Washer | |
| 25 | SP311125000005 | Washer | |
| 26 | SP311127000005 | Washer | |
| 27 | SPPRI202001001 | Bolt | |

N/A = Part no longer available

Gas Heating Components - Gas Models Through Serial No. 9T011519QD (Drawing 2 of 2)

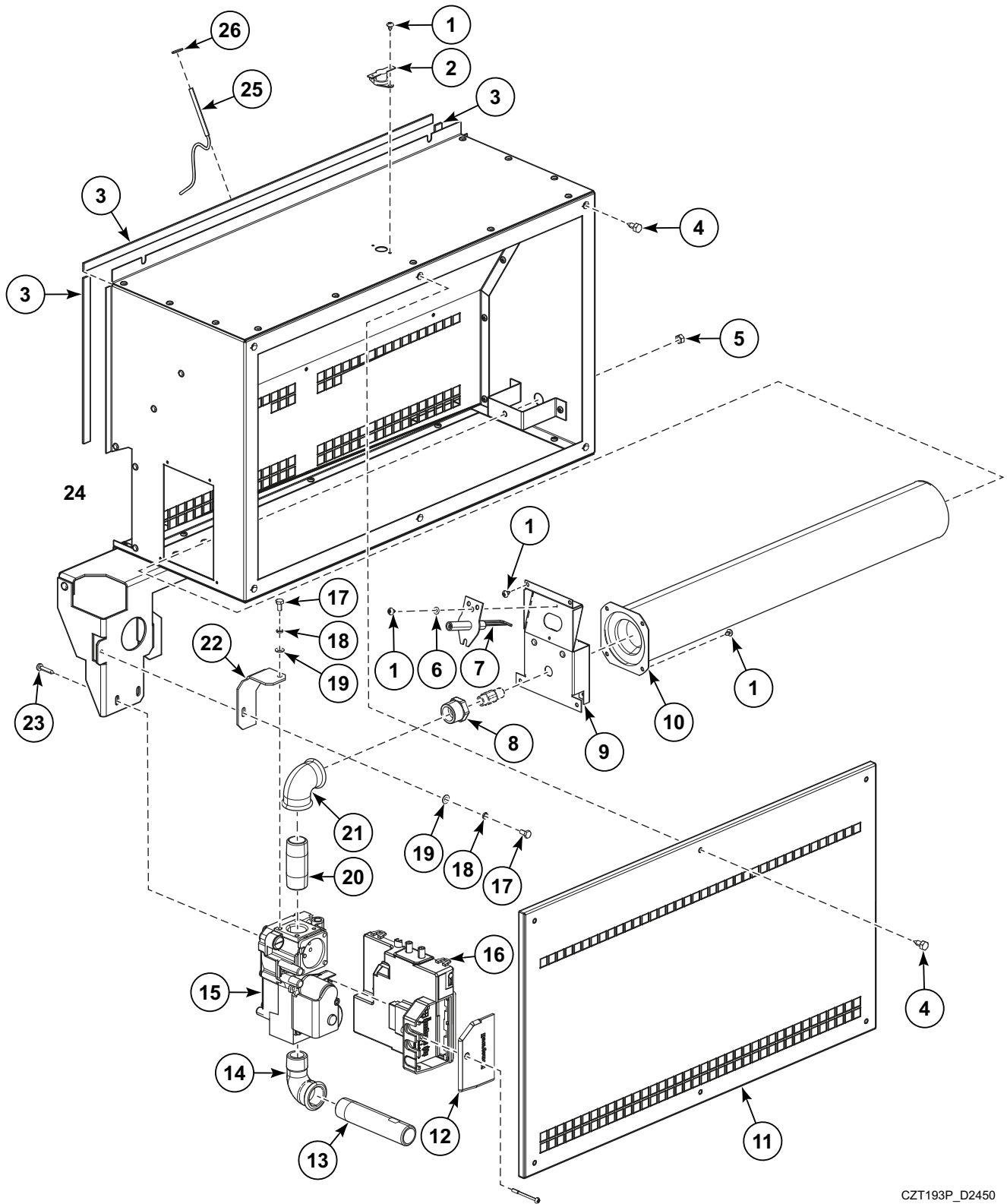


CZT2PA_D2450

Gas Heating Components - Gas Models Through Serial No. 9T011519QD (Drawing 2 of 2)

| REF | PART NO. | DESCRIPTION | COMMENTS |
|-----|----------|-------------|----------|
| 1 | 525466 | Orifice | 130 |
| | 525465 | Orifice | 165 |
| | 517241 | Orifice | 170 |
| | 517327 | Orifice | 175 |
| | 517328 | Orifice | 185 |
| | 517243 | Orifice | 190 |
| | 517222 | Orifice | 200 |
| | 520399 | Orifice | 210 |
| | 517223 | Orifice | 215 |
| | 517329 | Orifice | 220 |
| | 517224 | Orifice | 235 |
| | 517245 | Orifice | 245 |
| | 530819 | Orifice | 250 |
| | 517246 | Orifice | 260 |
| | 517250 | Orifice | 290 |
| | 517251 | Orifice | 300 |
| | 517252 | Orifice | 310 |
| | 517253 | Orifice | 325 |
| | 517225 | Orifice | 350 |
| | 517257 | Orifice | 360 |
| | 517258 | Orifice | 365 |
| | 517226 | Orifice | 380 |
| | 530820 | Orifice | 385 |
| | 517227 | Orifice | 420 |
| | 517330 | Orifice | 435 |
| | 517331 | Orifice | 445 |
| | 517337 | Orifice | 530 |
| | 520237 | Orifice | 650 |
| | 520236 | Orifice | 700 |

Gas Heating Components - Gas Models Starting Serial No. 9T011520QD (Drawing 1 of 2)

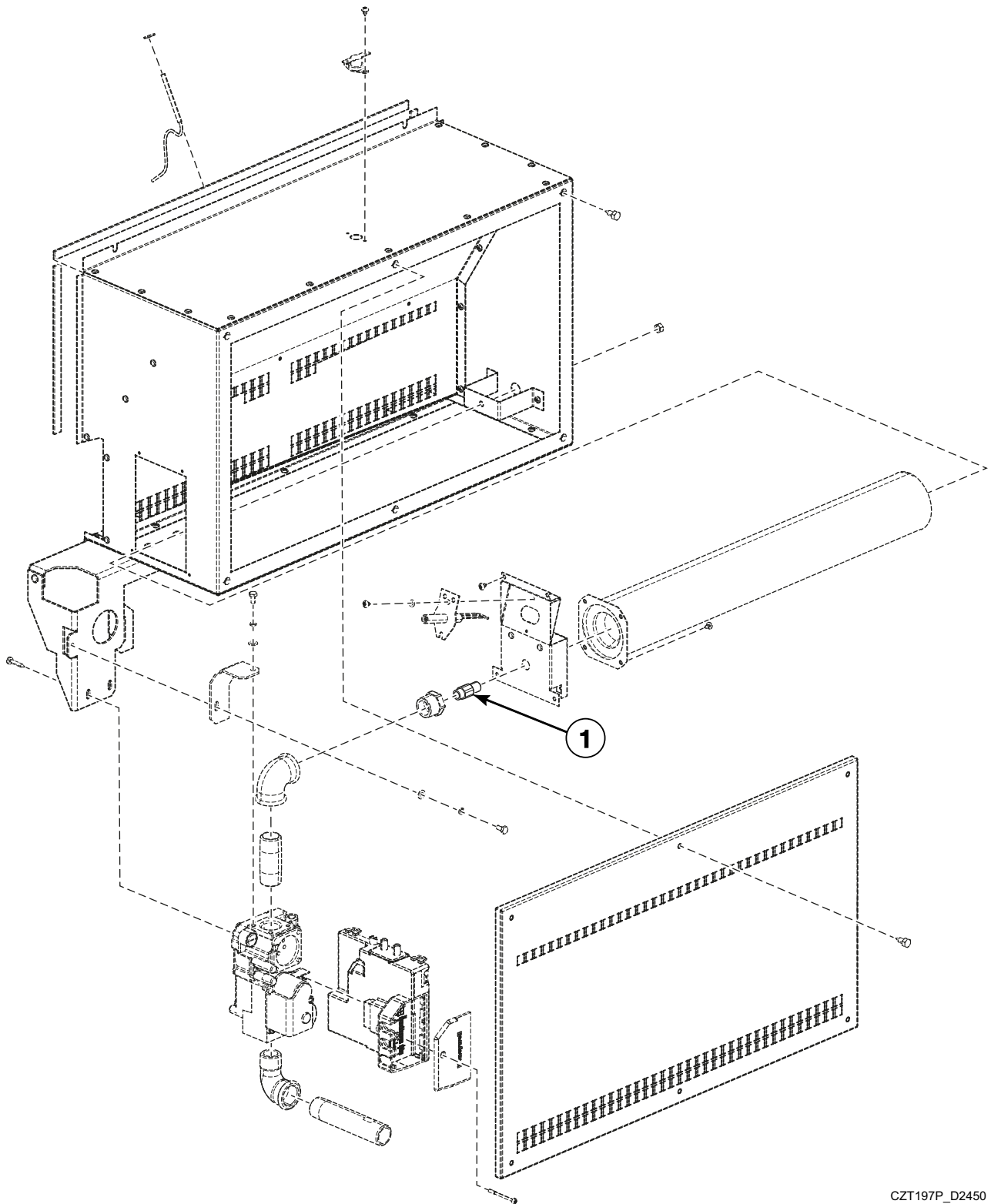


CZT193P_D2450

Gas Heating Components - Gas Models Starting Serial No. 9T011520QD (Drawing 1 of 2)

| REF | PART NO. | DESCRIPTION | COMMENTS |
|-----|----------------|----------------------|------------|
| 1 | SP517238 | Screw | ST 3.6x6.5 |
| 2 | SP514127 | Safety Thermostat | |
| 3 | SP517232 | Seal | |
| 4 | SP100218 | Screw | ST4.8x13 |
| 5 | SP310934240005 | Nut | M5 |
| 6 | SP311125000003 | Washer | 3.2 |
| 7 | 575643 | Ignition Electrode | |
| 8 | 571884 | Holder | |
| 9 | 571920 | Holder | |
| 10 | SP552515 | Burner Tube | |
| 11 | SP525524 | Rear Cover | |
| 12 | SP537625 | Terminal Board Cover | |
| 13 | 571928 | Tube | 1/2 inch |
| 14 | 572352 | Elbow | 1/2 inch |
| 15 | 572351 | Gas Valve | |
| 16 | 571938 | Control Unit | |
| 17 | SP309933240412 | Bolt | M4x12 |
| 18 | SP311127000004 | Washer | M4 |
| 19 | SP311125000004 | Washer | 4.3 |
| 20 | 571881 | Tube | 1/2 inch |
| 21 | 572350 | Elbow | 1/2 inch |
| 22 | 571937 | Holder | |
| 23 | 572361 | Screw | ST3.9x13 |
| 24 | 571918 | Gas Heater Box | |
| 25 | SP516092 | Temperature Sensor | |
| 26 | SP516669 | Washer | 2 pcs |

Gas Heating Components - Gas Models Starting Serial No. 9T011520QD (Drawing 2 of 2)



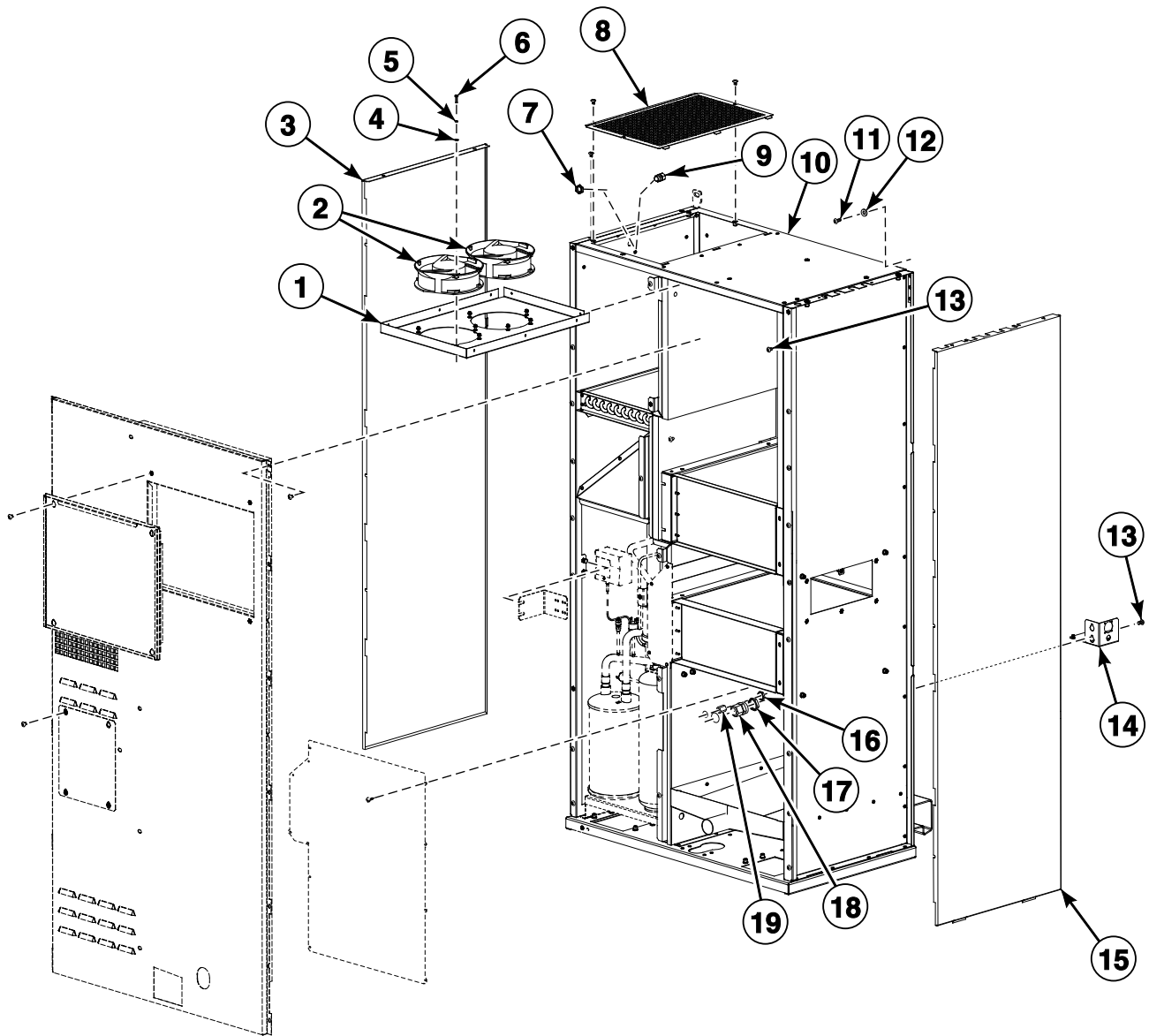
CZT197P_D2450

Gas Heating Components - Gas Models Starting Serial No. 9T011520QD (Drawing 2 of 2)

| REF | PART NO. | DESCRIPTION | COMMENTS |
|-----|----------|-------------|----------|
| 1 | 525466 | Orifice | 130 |
| | 525465 | Orifice | 165 |
| | 517241 | Orifice | 170 |
| | 517327 | Orifice | 175 |
| | 517328 | Orifice | 185 |
| | 517243 | Orifice | 190 |
| | 517222 | Orifice | 200 |
| | 520399 | Orifice | 210 |
| | 517223 | Orifice | 215 |
| | 517329 | Orifice | 220 |
| | 517224 | Orifice | 235 |
| | 517245 | Orifice | 245 |
| | 530819 | Orifice | 250 |
| | 517246 | Orifice | 260 |
| | 517250 | Orifice | 290 |
| | 517251 | Orifice | 300 |
| | 517252 | Orifice | 310 |
| | 517253 | Orifice | 325 |
| | 517225 | Orifice | 350 |
| | 517257 | Orifice | 360 |
| | 517258 | Orifice | 365 |
| | 517226 | Orifice | 380 |
| | 530820 | Orifice | 385 |
| | 517227 | Orifice | 420 |
| | 517330 | Orifice | 435 |
| | 517331 | Orifice | 445 |
| | 517337 | Orifice | 530 |
| | 520237 | Orifice | 650 |
| | 520236 | Orifice | 700 |

Heat Pump (Drawing 1 of 2)

Heat Pump Models



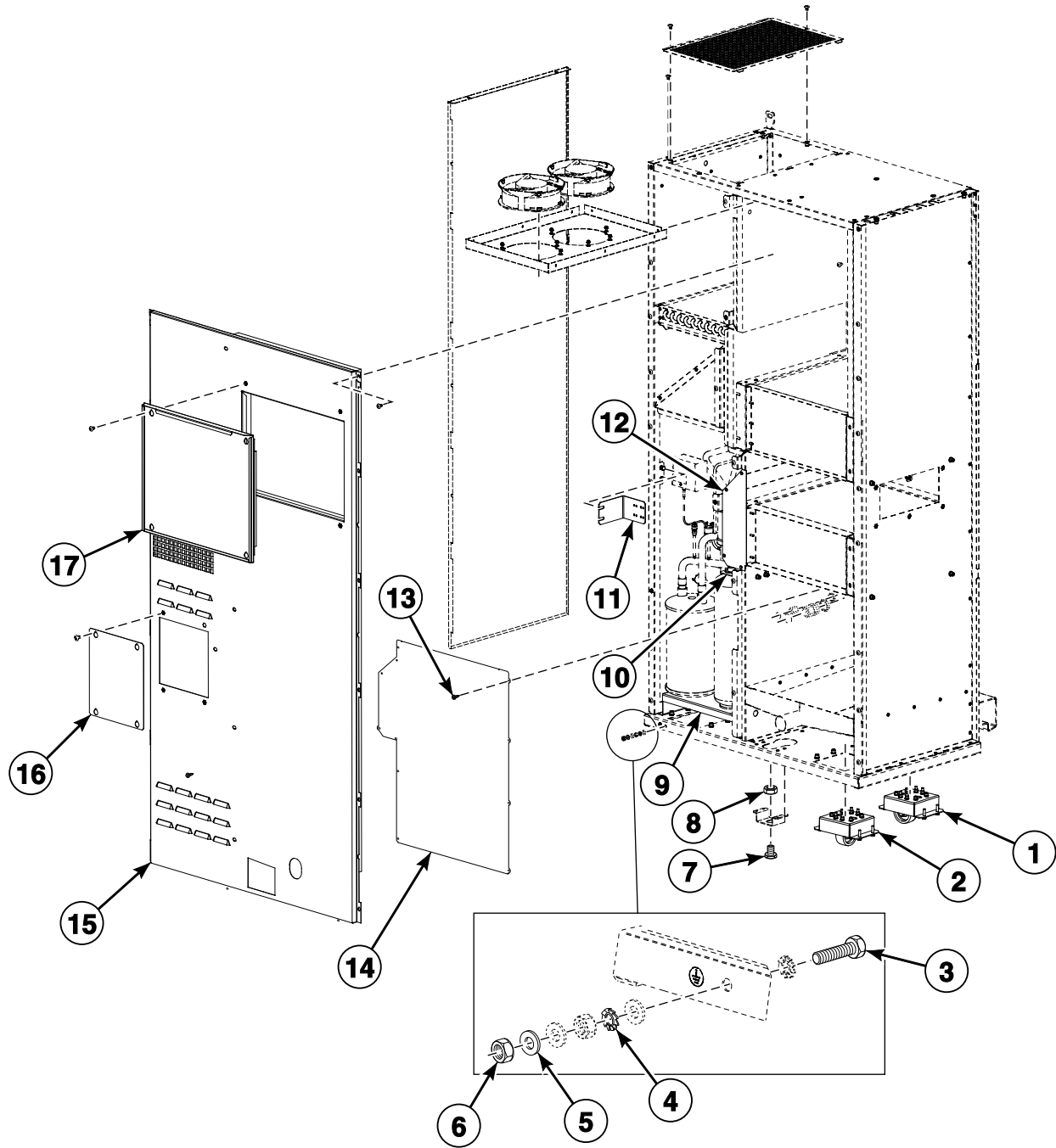
TMB3438P_D2450

Heat Pump (Drawing 1 of 2)

| REF | PART NO. | DESCRIPTION | COMMENTS |
|-----|----------------|-----------------------|---------------------------------------------------------------------------------------------------------------------------------------------------------------------------------------------------|
| | SP556086 | Heat Pump | U models; With rinsing system; 380-415 Volt/50 Hertz/3 Phase Plus N or 440 Volt/60 Hertz/3 Phase; Imitation stainless steel; I models starting Serial No. 9T011535QD; S models starting 1/1/21 |
| | SP556088 | Heat Pump | U models; With rinsing system; 230 Volt/50 Hertz/3 Phase; Imitation stainless steel; I models starting Serial No. 9T011535QD; S models starting 1/1/21 |
| | SP556094 | Heat Pump | U models; Without rinsing system; 380-415 Volt/50 Hertz/3 Phase Plus N or 440 Volt/60 Hertz/3 Phase; Imitation stainless steel; I models starting Serial No. 9T011535QD; S models starting 1/1/21 |
| | SP556096 | Heat Pump | U models; Without rinsing system; 230 Volt/50 Hertz/3 Phase; Imitation stainless steel; I models starting Serial No. 9T011535QD; S models starting 1/1/21 |
| | SP556665 | Heat Pump | Model LS195HP_PROFESSIONAL; With rinsing system; 230 Volt/50 Hertz/3 Phase; White; I models through Serial No. 9T011534QD; S models through 12/31/2020 |
| | SP556666 | Heat Pump | Model LS195HP_PROFESSIONAL; With rinsing system; 380-415 Volt/50 Hertz/3 Phase plus N or 440 Volt/60 Hertz/3 Phase; White; I models through Serial No. 9T011534QD; S models through 12/31/2020 |
| | SP556661 | Heat Pump | Model LS195HP_PROFESSIONAL; Without rinsing system; 230 Volt/50 Hertz/3 Phase; White; I models through Serial No. 9T011534QD; S models through 12/31/2020 |
| | SP556662 | Heat Pump | Model LS195HP_PROFESSIONAL; Without rinsing system; 380-415 Volt/50 Hertz/3 Phase plus N or 440 Volt/60 Hertz/3 Phase; White; I models through Serial No. 9T011534QD; S models through 12/31/2020 |
| | SP556087 | Heat Pump | P and T models; With rinsing system; 380-415 Volt/50 Hertz/3 Phase plus N or 440 Volt/60 Hertz/3 Phase; Gray; N models |
| | SP556089 | Heat Pump | P and T models; With rinsing system; 230 Volt/50 Hertz/3 Phase; Gray; N models |
| | SP556095 | Heat Pump | P and T models; Without rinsing system; 380-415 Volt/50 Hertz/3 Phase plus N or 440 Volt/60 Hertz/3 Phase; Gray; N models |
| | SP556097 | Heat Pump | P and T models; Without rinsing system; 230 Volt/50 Hertz/3 Phase; Gray; N models |
| | SP541496 | Fan Assembly | Includes items 1, 2 and 4-6 |
| 1 | SP541495 | Fan Holder | |
| 2 | SP528481 | Fan | |
| 3 | SP541463 | Side Panel | U models; Left; Imitation stainless steel; I models starting Serial No. 9T011535QD; S models starting 1/1/21 |
| | SP556651 | Side Panel | Model LS195HP_PROFESSIONAL; Left; White; I models through Serial No. 9T011534QD; S models through 12/31/2020 |
| | SP556006 | Side Panel | L, N, P and T models; Left; Gray |
| 4 | SP311125000004 | Washer | |
| 5 | SP311127000004 | Washer | |
| 6 | SP309084000416 | Bolt | |
| 7 | SP101415 | Nut | |
| 8 | SP541484 | Fan Cover | |
| 9 | SP101405 | Bushing | |
| 10 | SP541459 | Cabinet | |
| 11 | SP537864 | Bolt | |
| 12 | SP311902100006 | Washer | |
| 13 | SP506012 | Bolt | |
| 14 | SP551869 | Humidity Sensor Cover | |
| 15 | SP541464 | Side Panel | U models; Right; Imitation stainless steel; I models starting Serial No. 9T011535QD; S models starting 1/1/21 |
| | SP556652 | Side Panel | Model LS195HP_PROFESSIONAL; Right; White; I models through Serial No. 9T011534QD; S models through 12/31/2020 |
| | SP556008 | Side Panel | L, N, P and T models; Right; Gray |
| 16 | SP101416 | Nut | |
| 17 | SP101418 | Nut | |
| 18 | SP101408 | Bushing | |
| 19 | SP101406 | Bushing | |

Heat Pump (Drawing 2 of 2)

Heat Pump Models



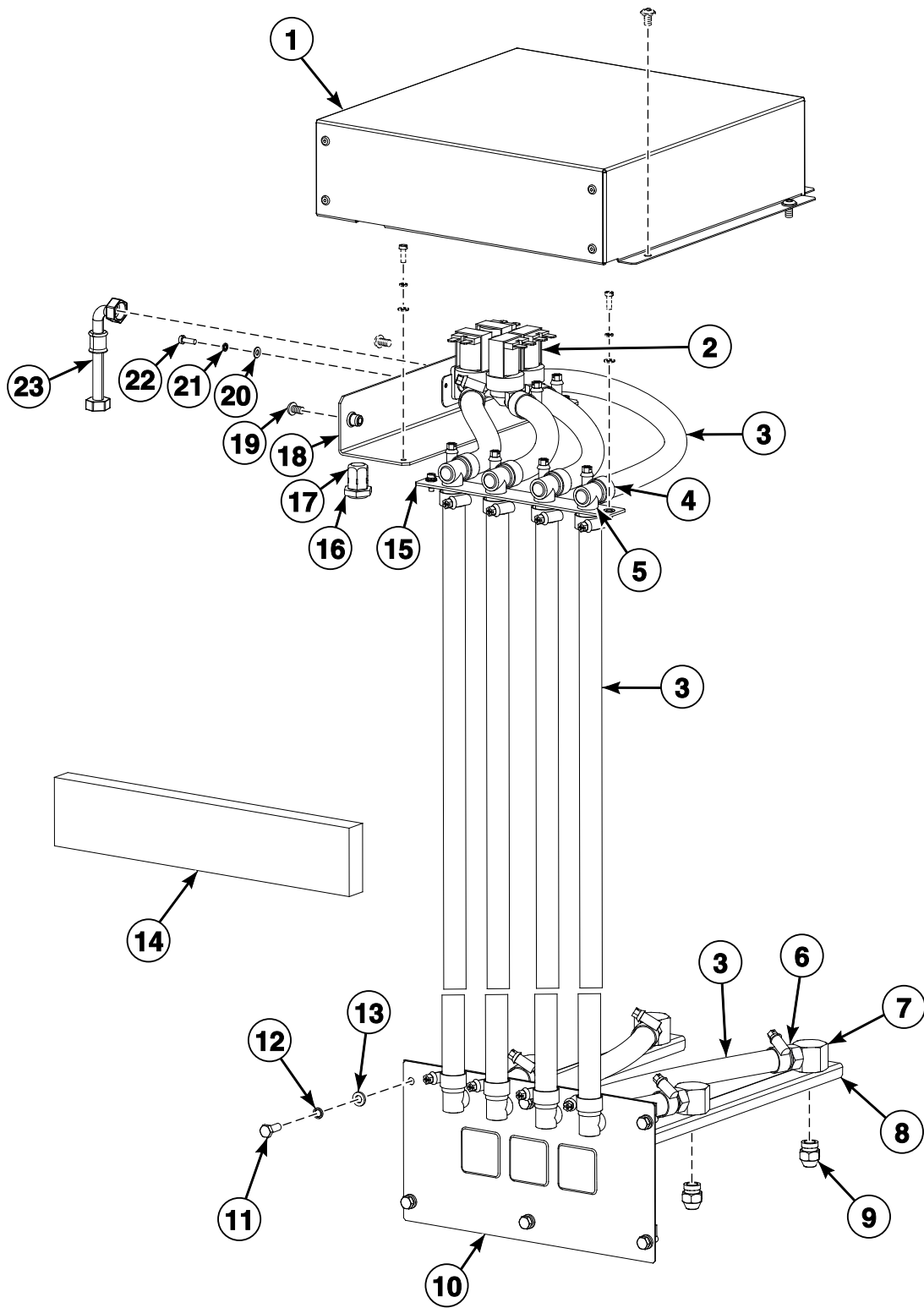
TMB3439P_D2450

Heat Pump (Drawing 2 of 2)

| REF | PART NO. | DESCRIPTION | COMMENTS |
|-----|----------------|-----------------------|--------------------------------|
| | SPPRI704000053 | Sealant | Silicone |
| 1 | SP541494 | Swivel Wheel Assembly | |
| 2 | SP551864 | Swivel Wheel Assembly | |
| 3 | SP309933000625 | Bolt | |
| 4 | SP311679824006 | Washer | |
| 5 | SP311125000006 | Washer | |
| 6 | SP310934000006 | Nut | |
| 7 | SP533726 | Bolt | |
| 8 | SP310934000020 | Nut | |
| 9 | SP541489 | Base | |
| 10 | SP541436 | Bracket | |
| 11 | SP541457 | Thermostat Bracket | |
| 12 | SP541314 | Cover | Through Serial No. 9T009484FS |
| 13 | SP529206 | Screw | M4x11 |
| 14 | SP566259 | Cover | Starting Serial No. 9T009485FS |
| 15 | SP541468 | Cover | Through Serial No. 9T009484FS |
| | SP566304 | Cover | Starting Serial No. 9T009485FS |
| 16 | SP551860 | Cover | |
| 17 | SP541434 | Cover | |

Heat Pump Rinsing System

Heat Pump Models

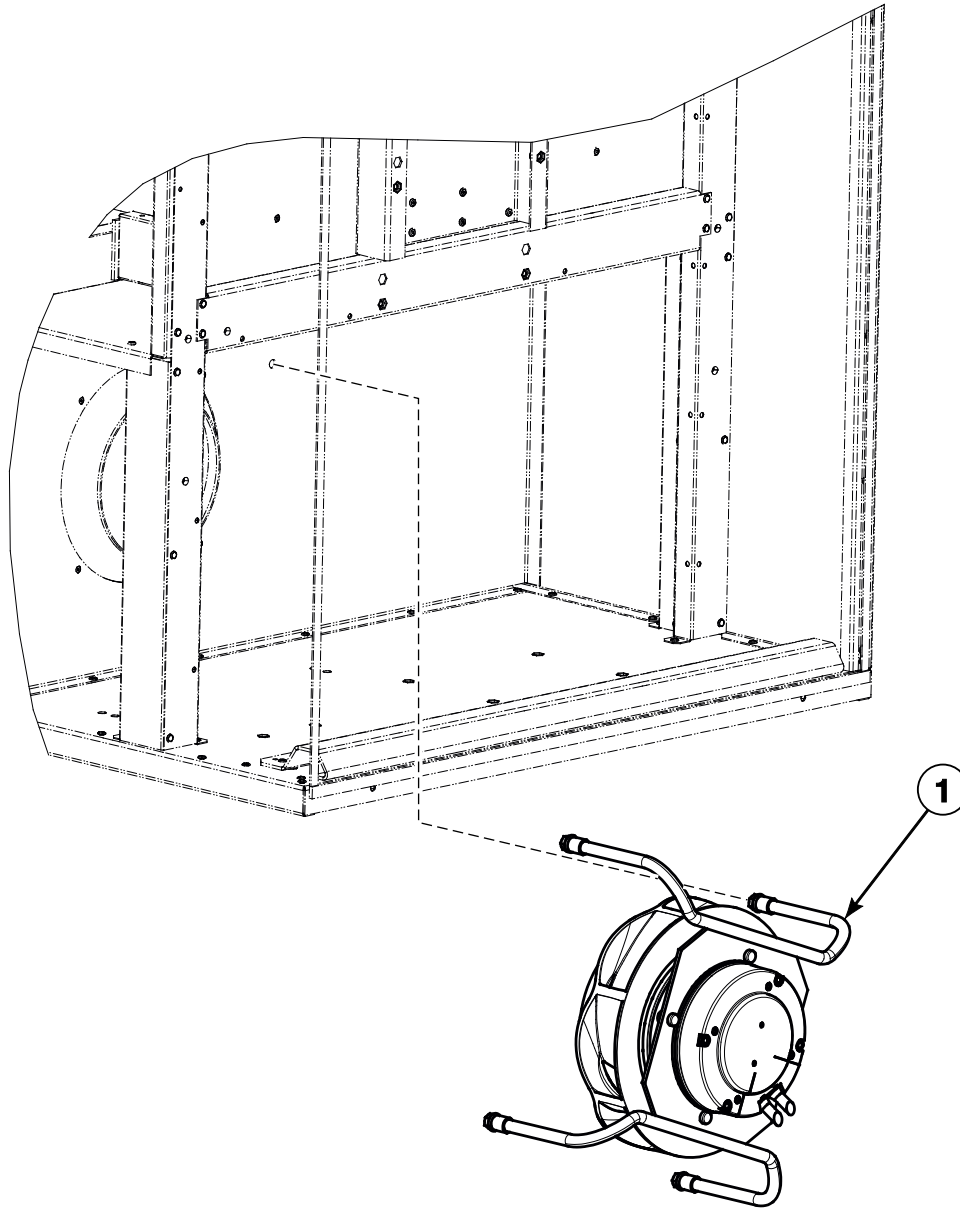


CZT1P_D2450

Heat Pump Rinsing System

| REF | PART NO. | DESCRIPTION | COMMENTS |
|-----|----------------|-------------------------|--------------------|
| | SP556920 | Nozzle Holder Assembly | |
| 1 | SP556947 | Valve Cover Assembly | |
| 2 | SP556959 | Valve | 4-way |
| 3 | SPPRI540000014 | Hose | |
| | SP101745 | Hose Pipe | For water approval |
| 4 | SPPRI240000002 | Hose Clamp | |
| 5 | SP527236 | Elbow | |
| 6 | SP556916 | Nozzle Adapter | |
| 7 | SP556915 | Nozzle Fitting Adapter | |
| 8 | SP556919 | Nozzle Bracket Assembly | |
| 9 | SP556922 | Nozzle | |
| 10 | SP556954 | Rinsing System Bracket | |
| 11 | SP309933000616 | Bolt | |
| 12 | SP311125000006 | Washer | |
| 13 | SP311127000006 | Washer | |
| 14 | SP552666 | Insulation | |
| 15 | SP556943 | Elbow Bracket Assembly | |
| 16 | SP101416 | Nut | |
| 17 | SP101406 | Bushing | |
| 18 | SP556946 | Valve Bracket Assembly | |
| 19 | SP506012 | Bolt | |
| 20 | SP311127000004 | Washer | |
| 21 | SP311125000004 | Washer | |
| 22 | SP309084000412 | Bolt | |
| 23 | SPPRI505000054 | Filling Hose Pipe | |
| | SP101621 | Filling Hose Pipe | For water approval |

Ventilator - Heat Pump Models

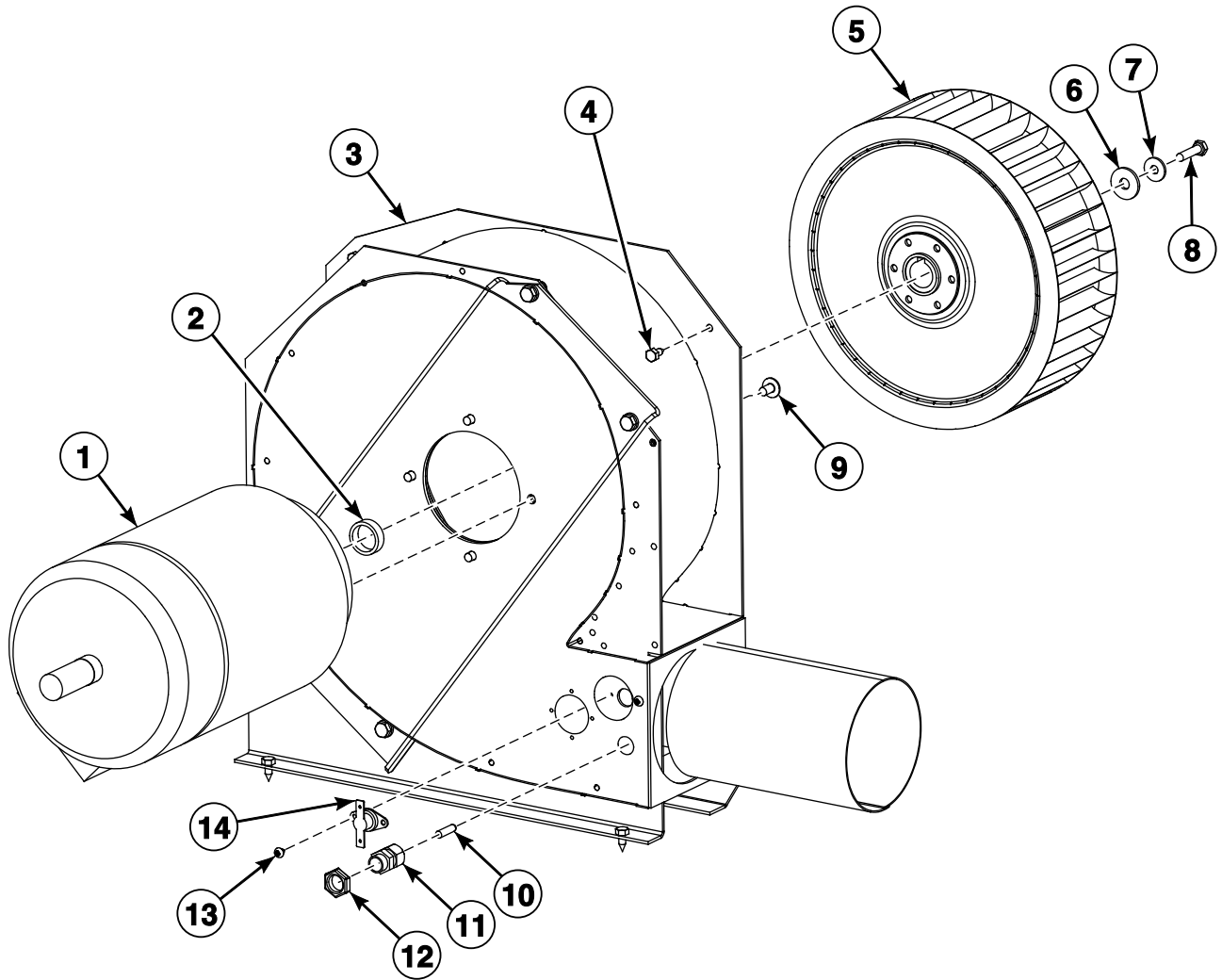


TMB3356P_D2450

Ventilator - Heat Pump Models

| REF | PART NO. | DESCRIPTION | COMMENTS |
|-----|----------|--------------------|----------|
| | SP534930 | Temperature Sensor | |
| 1 | SP552675 | Ventilator | |

Ventilator - Gas and Electric Models



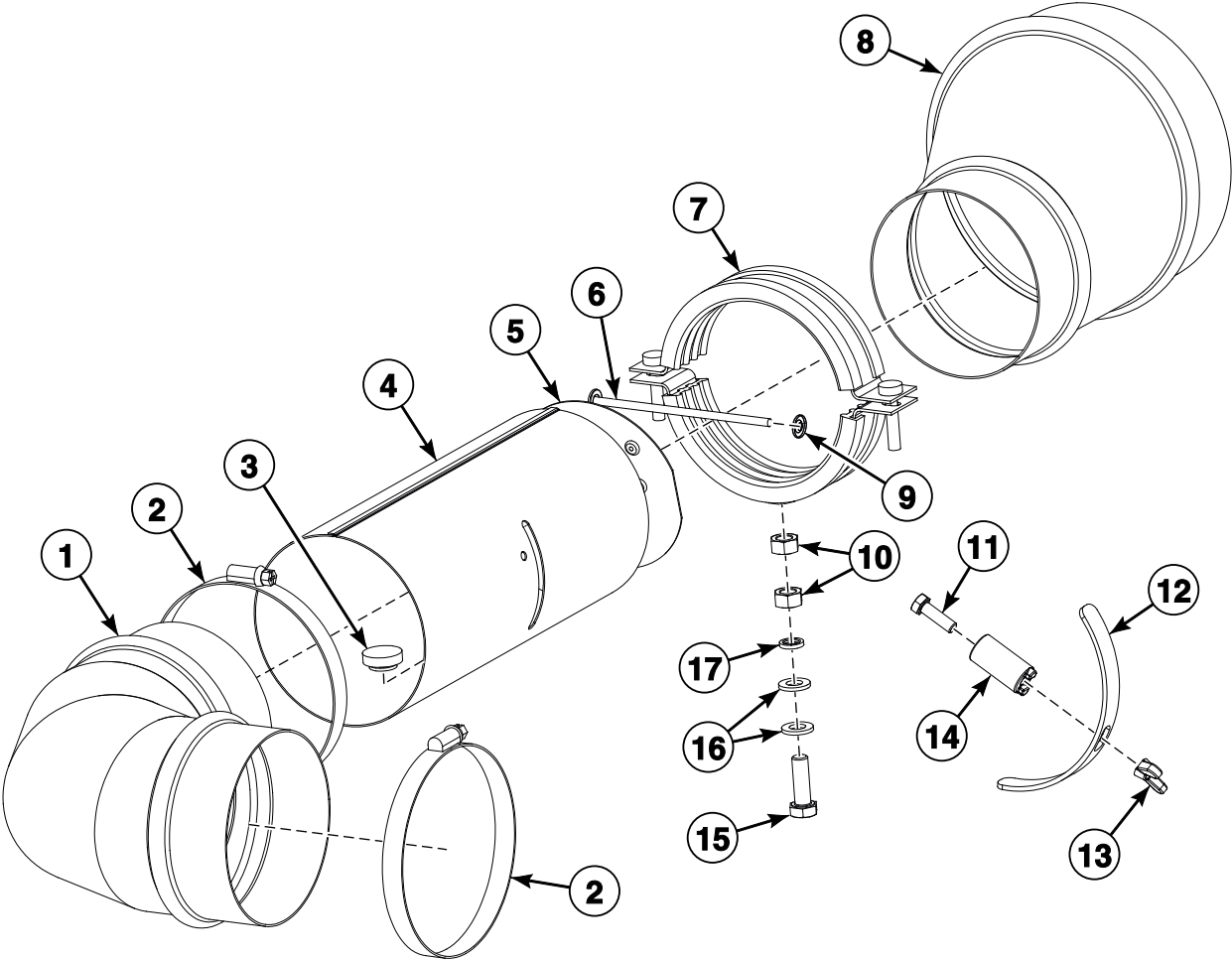
TMB3426P_D2450

Ventilator - Gas and Electric Models

| REF | PART NO. | DESCRIPTION | COMMENTS |
|-----------|----------------|---------------------|-------------------------------------------|
| | SP534967 | Ventilator Assembly | 3 Phase reversing; Includes items 1-14 |
| | SP534968 | Ventilator Assembly | 1 Phase reversing; Includes items 1-14 |
| | SP545521 | Ventilator Assembly | 3 Phase nonreversing; Includes items 1-14 |
| | SP545522 | Ventilator Assembly | 1 Phase nonreversing; Includes items 1-14 |
| | SP284000012003 | Tape | |
| 1 | SP518640 | Motor | 1 Phase reversing |
| | SP545526 | Motor | 1 Phase nonreversing |
| | SP518639 | Motor | 3 Phase reversing |
| | SP545525 | Motor | 3 Phase nonreversing |
| 2 | SP520940 | Spacer | |
| 3 | SP527868 | Ventilator Box | |
| 4 | SP100218 | Screw | |
| 5 | SP102413 | Ventilator | |
| 6 | SP311902100008 | Washer | |
| 7 | SP311902100006 | Washer | |
| 8 | SP309933000625 | Bolt | |
| 9 | SP510954 | Bolt | M6x16; Nonreversing |
| | SP309595240612 | Bolt | M6x12; Reversing |
| 10 | SP534930 | Temperature Sensor | |
| 11 | SP101405 | Bushing | |
| 12 | SP101415 | Nut | |
| 13 | SP517238 | Screw | |
| 14 | SP514016 | Safety Thermostat | |

Exhaust - Gas Models

Models through the End of May 2016

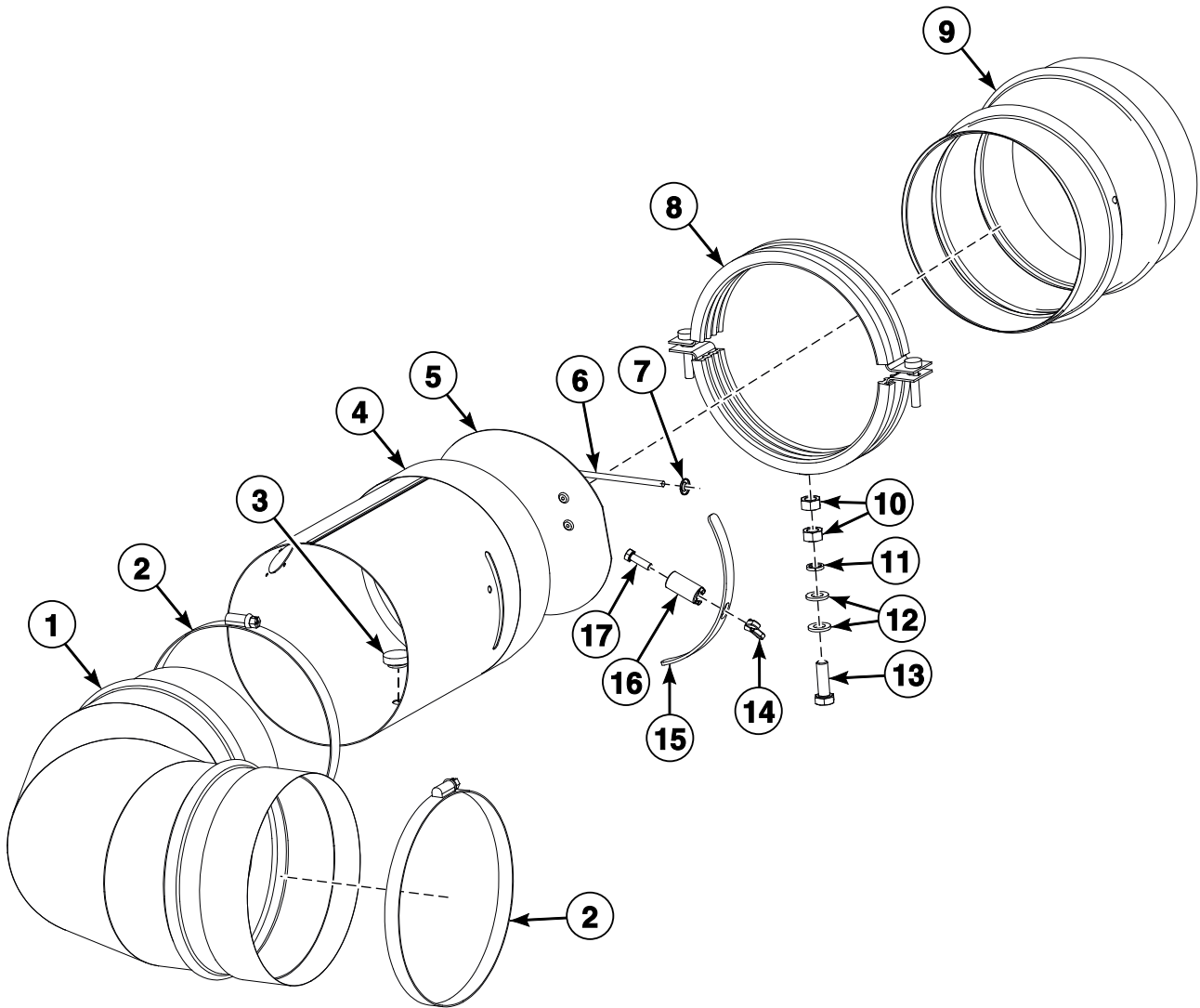


TMB3366P_D2450

Exhaust - Gas Models

| REF | PART NO. | DESCRIPTION | COMMENTS |
|-----|----------------|------------------|------------------------------------------------------|
| | SP534877 | Exhaust Assembly | L, P and T models; Nonreversing; Includes items 1-17 |
| 1 | SP521215 | Elbow | |
| 2 | SPPRI240000005 | Hose Clamp | |
| 3 | SP273127001798 | Plug | |
| 4 | SP534879 | Damper Tube | |
| 5 | SP534901 | Clutch | |
| 6 | SP534880 | Bar | |
| 7 | SP521283 | Clamp Ring | |
| 8 | SP521217 | Reduction | |
| 9 | SP516669 | Washer | |
| 10 | SP310934000008 | Nut | |
| 11 | SP309933000516 | Bolt | |
| 12 | SP534882 | Plug | |
| 13 | SP534929 | Nut | |
| 14 | SP534900 | Flap Stop | |
| 15 | SP309933000825 | Bolt | |
| 16 | SP311125000008 | Washer | |
| 17 | SP311127000008 | Washer | |

Exhaust - Electric and Gas Models

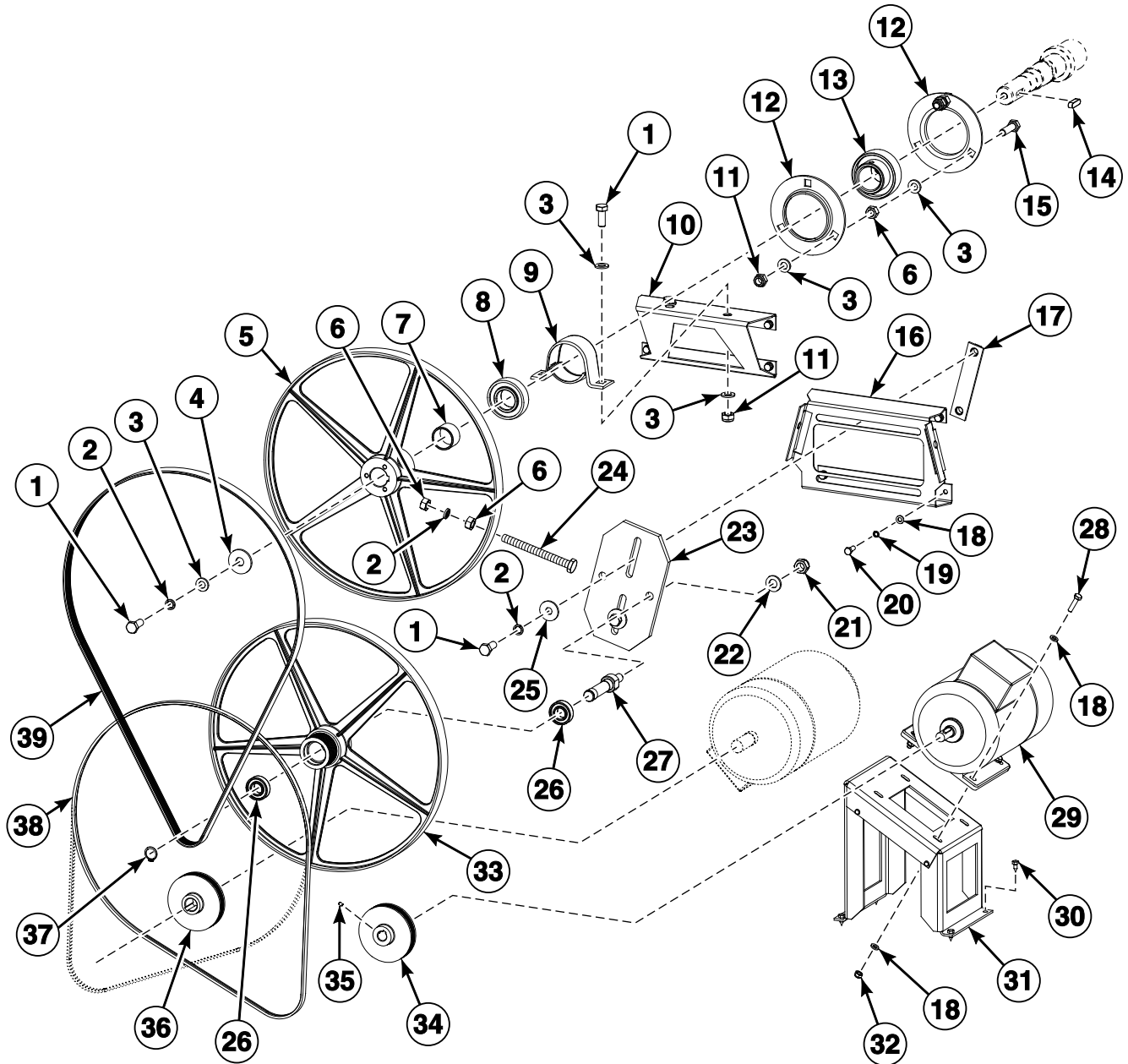


TMB3367P_D2450

Exhaust - Electric and Gas Models

| REF | PART NO. | DESCRIPTION | COMMENTS |
|-----|----------------|------------------|---------------------|
| | SP534906 | Exhaust Assembly | Includes items 1-17 |
| 1 | SP527871 | Elbow | |
| 2 | SP529013 | Clamp | |
| 3 | SP273127001798 | Plug | |
| 4 | SP534905 | Tube | |
| 5 | SP534902 | Flap Assembly | |
| 6 | SP534908 | Bar | |
| 7 | SP516669 | Washer | |
| 8 | SP527877 | Clamp Ring | |
| 9 | SP527879 | Reducer | |
| 10 | SP310934000008 | Nut | |
| 11 | SP311127000008 | Washer | |
| 12 | SP311125000008 | Washer | |
| 13 | SP309933000825 | Bolt | |
| 14 | SP534929 | Nut | |
| 15 | SP534904 | Plug | |
| 16 | SP534900 | Flap Stop | |
| 17 | SP309933000516 | Bolt | |

Drive System

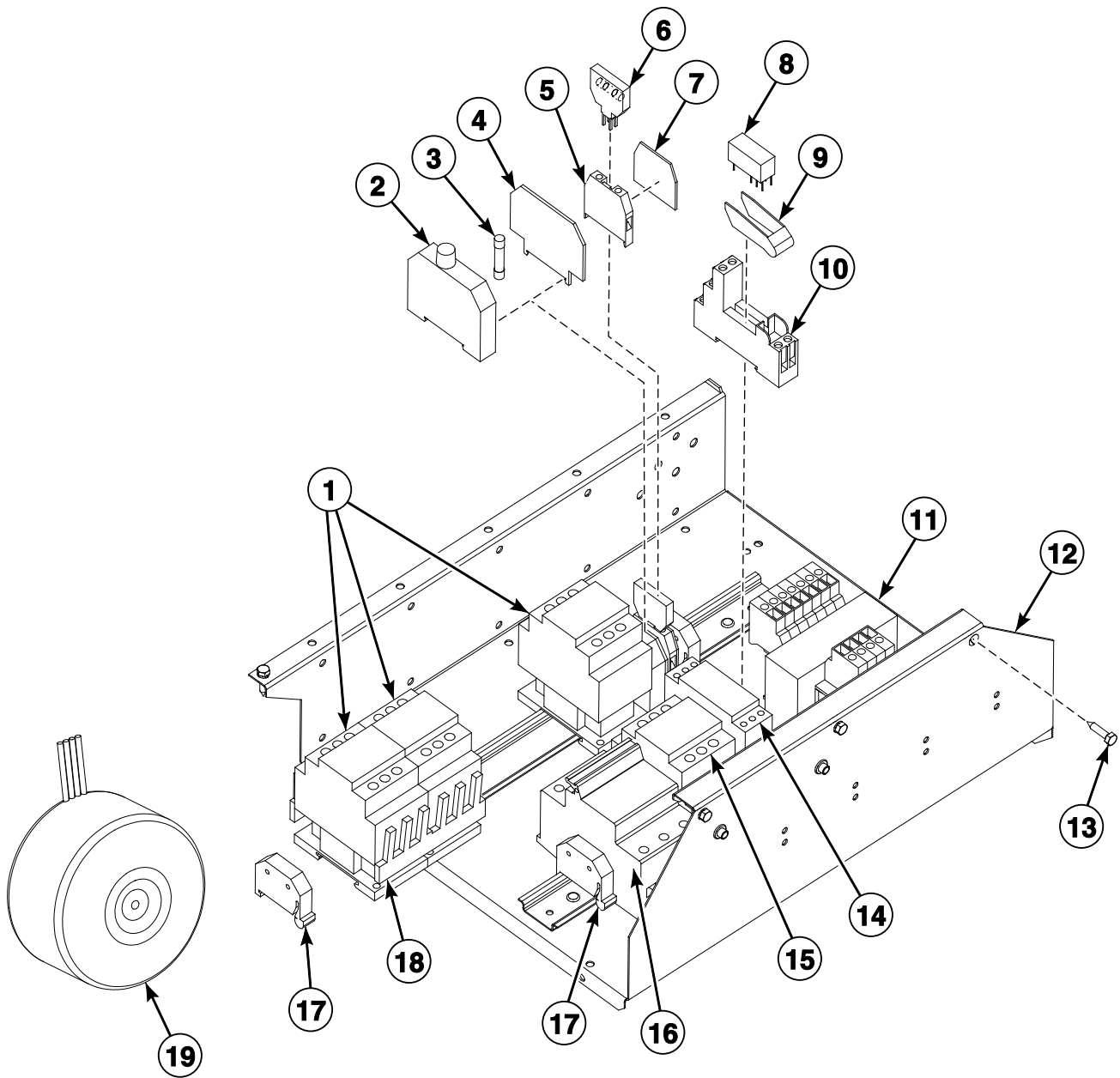


TMB3334P_D2450

Drive System

| REF | PART NO. | DESCRIPTION | COMMENTS |
|-----|----------------|---------------------|--------------------------------------------------------|
| | SP528927 | Tension Assembly | Reversing; Includes items 1, 2, 6, 16-27, 33 and 37 |
| | SP545520 | Tension Assembly | Nonreversing; Includes items 1, 2, 6, 16-27, 33 and 37 |
| 1 | SP309933001025 | Bolt | |
| 2 | SP311127000010 | Washer | |
| 3 | SP311125000010 | Washer | |
| 4 | SP311902100012 | Washer | |
| 5 | SP518646 | Double Drum Pulley | |
| 6 | SP310934000010 | Nut | |
| 7 | SP518529 | Distance Ring | |
| 8 | SP514007 | Bearing | |
| 9 | SP515571 | Bearing House | |
| 10 | SP521152 | Bearing Bracket | |
| 11 | SP310985000010 | Nut | |
| 12 | SP514011 | Flange Bearing Body | |
| 13 | SP514005 | Bearing | |
| 14 | SP505449 | Key | |
| 15 | SP309933001035 | Bolt | |
| 16 | SP521171 | Tensioning Bracket | |
| 17 | SP521232 | Support Plate | |
| 18 | SP311125000006 | Washer | |
| 19 | SP311127000006 | Washer | |
| 20 | SP309933000616 | Bolt | |
| 21 | SP310985000012 | Nut | |
| 22 | SP311125000013 | Washer | |
| 23 | SP521172 | Tensioning Board | |
| 24 | SP309933001120 | Bolt | |
| 25 | SP311902100010 | Washer | |
| 26 | SP326000600300 | Bearing | |
| 27 | SP534704 | Tension Rod | |
| 28 | SP309933000625 | Bolt | |
| 29 | SP523621 | Motor | 3 Phase; Reversing |
| | SP523724 | Motor | 1 Phase; Reversing |
| | SP528147 | Motor | 250 Volt/50 Hertz/1 Phase; Reversing |
| 30 | SP309933000616 | Bolt | |
| 31 | SP521240 | Motor Bracket | |
| 32 | SP310985000006 | Nut | |
| 33 | SP534703 | Double Pulley | Reversing |
| | SP534984 | Double Pulley | Nonreversing |
| 34 | SP530720 | Motor Pulley | 50 Hertz; Reversing |
| | SP530721 | Motor Pulley | 60 Hertz; Reversing |
| 35 | SP309916000408 | Bolt | |
| 36 | SP527723 | Motor Pulley | 50 Hertz; Nonreversing |
| | SP528922 | Motor Pulley | 60 Hertz; Nonreversing |
| 37 | SP515517 | Retaining Ring | |
| 38 | SP528926 | Belt | |
| 39 | SP518647 | Belt | |

Electric Box Components - Heat Pump Models

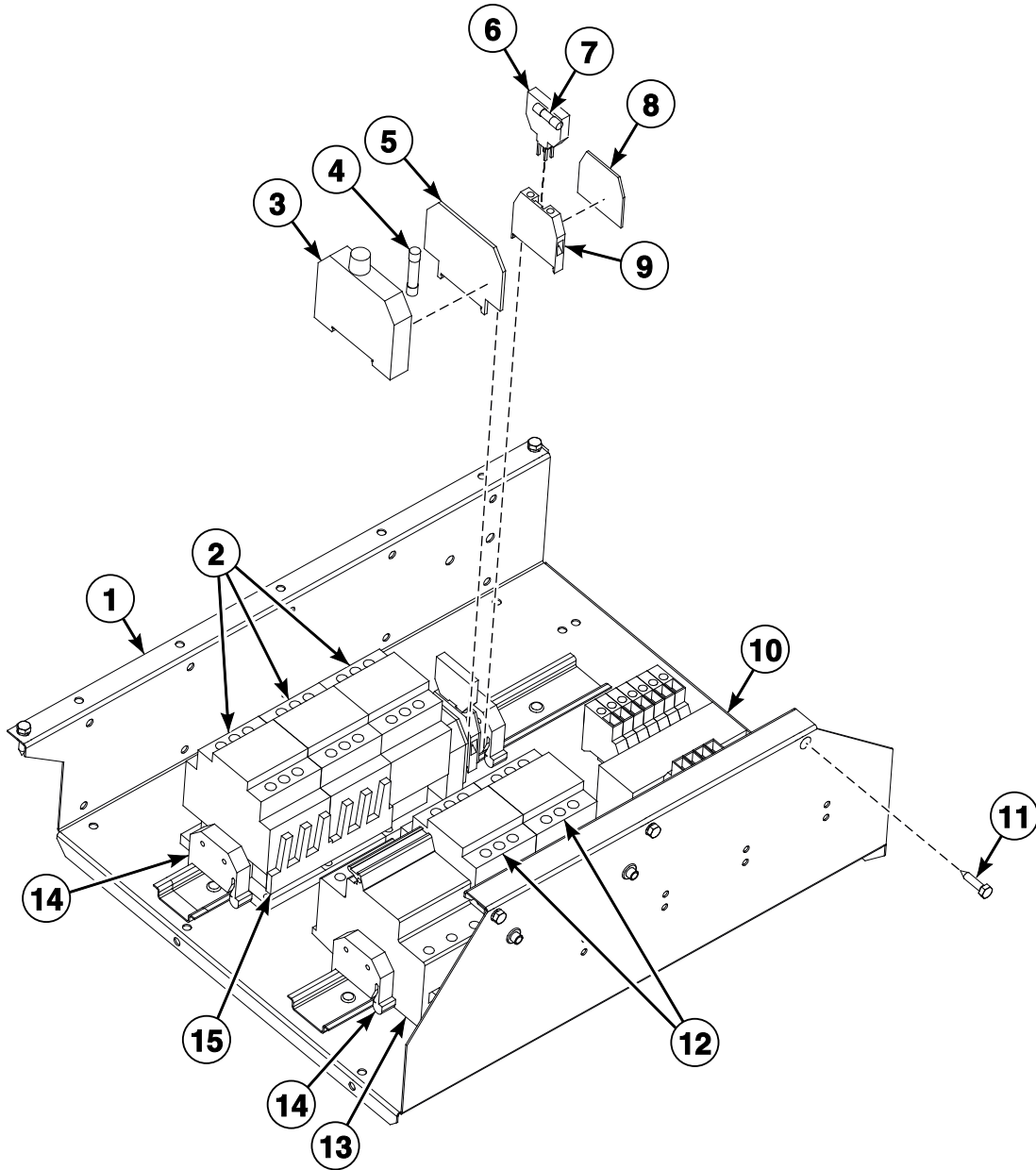


TMB3335P_D2450

Electric Box Components - Heat Pump Models

| REF | PART NO. | DESCRIPTION | COMMENTS |
|-----|----------------|---------------------------|--------------------------------------------------------------|
| | SP552248 | Autotransformer | 440-480 Volt/50 or 60 Hertz/3 Phase |
| | SPPRI401001021 | Fuse | 250 Volt |
| | SP345805005020 | Fuse | 500mA 250 Volt |
| 1 | 569856 | Contactora | 9 kW 380-415 or 440 Volt; 12 kW 208-240, 380-415 or 440 Volt |
| 2 | SP346000004010 | Fuse Case | 500mA 500Volt; 380-415 or 440 Volt |
| 3 | SP514133 | Fuse | |
| 4 | SP346000014010 | Cover | |
| 5 | SP524653 | Fuse Clip | |
| 6 | SP524654 | Fuse Plug | |
| 7 | SP524655 | Cover | |
| 8 | SP514057 | Relay | |
| 9 | SP514135 | Relay Clamp | |
| 10 | SP506586 | Relay Case | |
| 11 | SP514021 | Transformer | 208-440 Volt |
| 12 | 575429 | Electric Box | |
| 13 | SP100218 | Screw | |
| 14 | SP552311 | Control Relay | |
| 15 | 569856 | Contactora | |
| | 569857 | Contactora | 9 kW 208-240 Volt |
| 16 | SP358251601312 | Fuse Isolator | |
| 17 | SP346000209101 | End Stop | |
| 18 | 569858 | Mechanical Interlock Unit | Need to use with 569859 Set for Reversing Contactors |
| 19 | SP552201 | Autotransformer | 230 or 400-440 Volt |

Electric Box Components - Electric Models

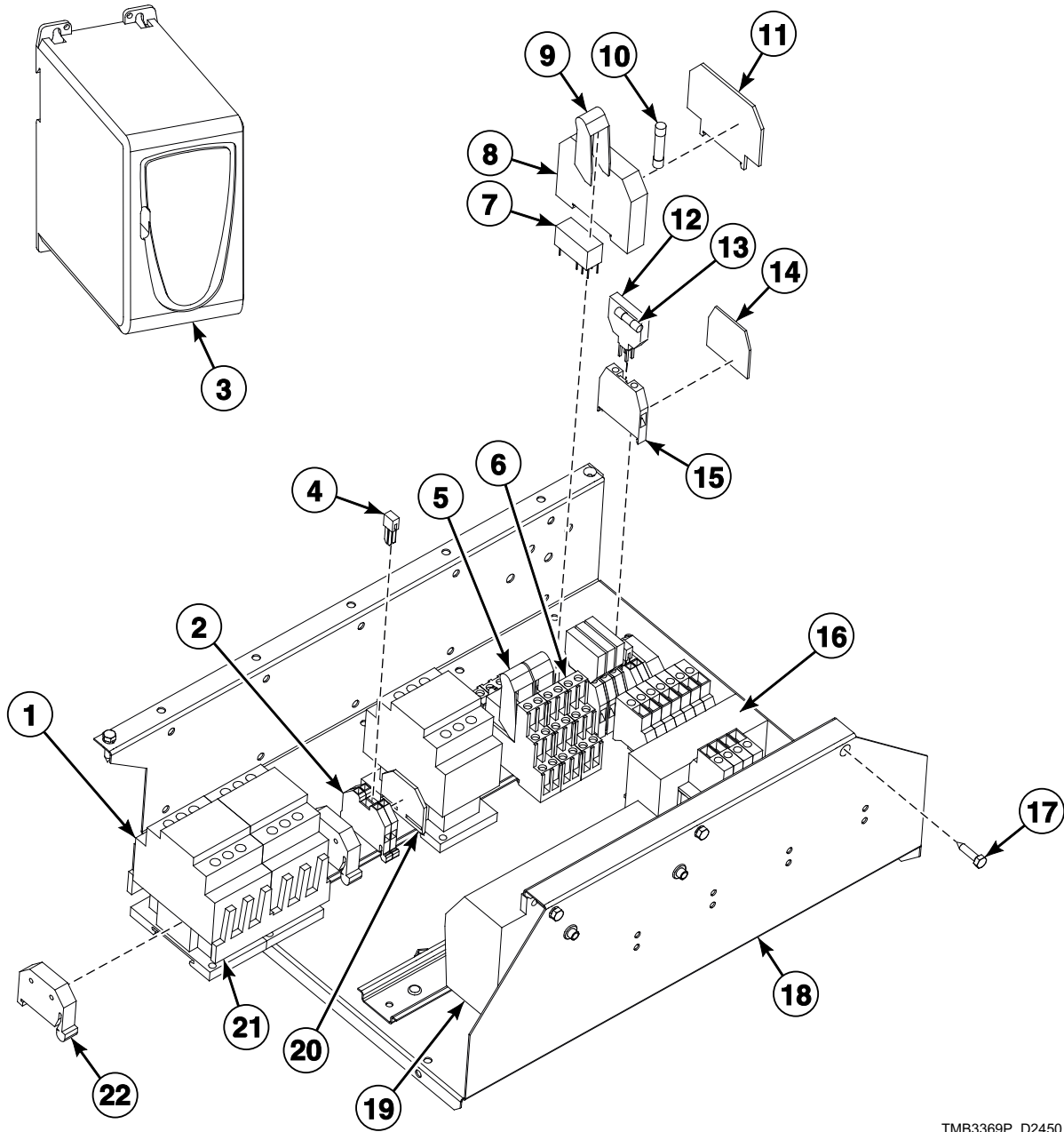


TMB3368P_D2450

Electric Box Components - Electric Models

| REF | PART NO. | DESCRIPTION | COMMENTS |
|-----|----------------|---------------------------|---------------------------------------------------------------|
| | SP552248 | Autotransformer | |
| 1 | SP521243 | Electric Box | |
| 2 | 569856 | Contactora | |
| 3 | SP34600004010 | Fuse Case | |
| 4 | SP514133 | Fuse | |
| 5 | SP346000014010 | Cover | |
| 6 | SP524654 | Fuse Plug | |
| 7 | SPPRI401001021 | Fuse | |
| | SP345805005020 | Fuse | |
| 8 | SP524655 | Cover | |
| 9 | SP524653 | Fuse Clip | |
| 10 | SP514021 | Transformer | |
| 11 | SP100218 | Screw | |
| 12 | 569856 | Contactora | 9 kW 380-415V or 440V and 12 kW 380-415V, 208-240V or 440V |
| | 569857 | Contactora | 9 kW 208-240V |
| 13 | SP358251601312 | Fuse Isolator | |
| 14 | SP346000209101 | End Stop | |
| 15 | 569858 | Mechanical Interlock Unit | Need to use with 569859 Set for Reversing Contactors |

Electric Box Components - Gas Models



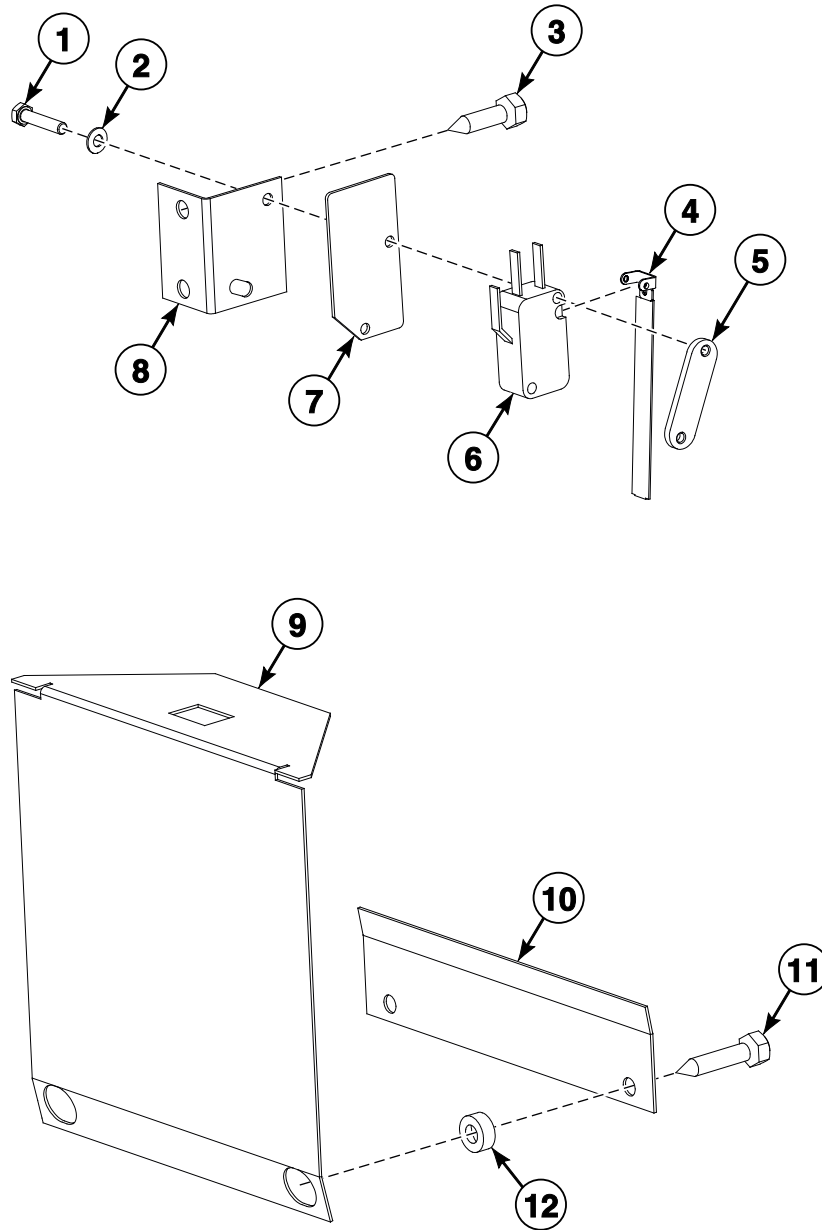
TMB3369P_D2450

Electric Box Components - Gas Models

| REF | PART NO. | DESCRIPTION | COMMENTS |
|-----|----------------|---------------------------|------------------------------------------------------|
| | SP552248 | Autotransformer | |
| 1 | 569856 | Contactora | |
| | SP520195 | Resistance Bleeder | |
| 2 | SP346000280101 | Clamp | |
| 3 | SP557962 | Frequency Inverter | |
| 4 | SP346000280402 | Interconnection | |
| 5 | SP514057 | Relay | 24VAC |
| 6 | SP506586 | Relay Case | |
| 7 | SP514134 | Relay | 220VAC |
| 8 | SP346000004010 | Fuse Case | |
| 9 | SP514135 | Relay Clamp | |
| 10 | SP514133 | Fuse | |
| | SP345805163032 | Fuse | |
| 11 | SP346000014010 | Cover | |
| 12 | SP524654 | Fuse Plug | |
| 13 | SPPRI401001021 | Fuse | |
| | SP345805005020 | Fuse | |
| | SPPRI401020021 | Fuse | |
| 14 | SP524655 | Cover | |
| 15 | SP524653 | Fuse Clip | |
| 16 | SP514021 | Transformer | 14.2V + 24V, 208-440V |
| | SP516648 | Transformer | 380-415V, without N |
| 17 | SP100218 | Screw | |
| 18 | SP521244 | Electrical Box | |
| 19 | SP357456010080 | Ignition Unit | |
| 20 | SP346000280301 | Cover | |
| 21 | 569858 | Mechanical Interlock Unit | Need to use with 569859 Set for Reversing Contactors |
| 22 | SP346000209101 | End Stop | |

Under Pressure Clutch

Gas and Electric Models

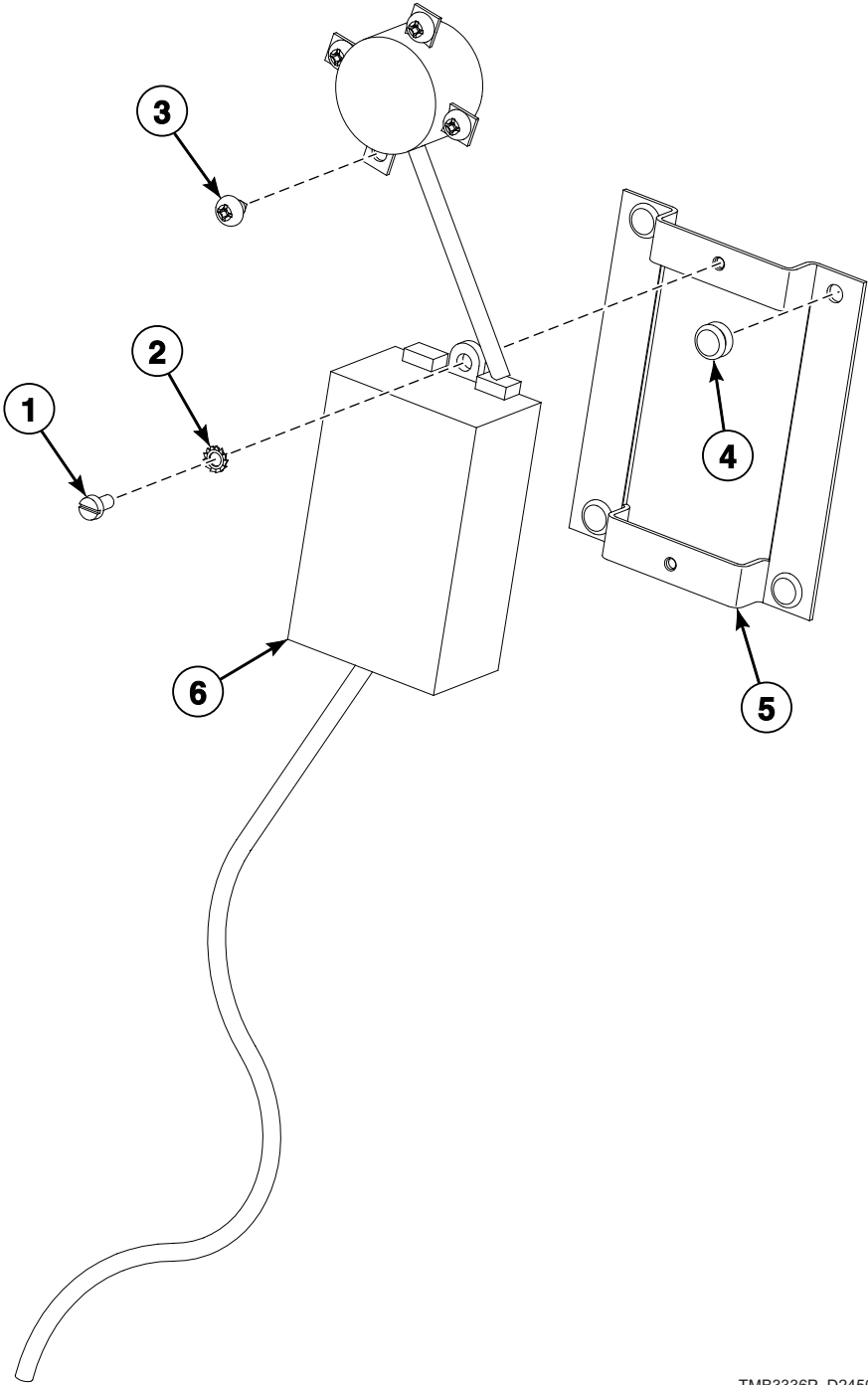


TMB3370P_D2450

Under Pressure Clutch

| REF | PART NO. | DESCRIPTION | COMMENTS |
|-----|----------------|-------------------------------|---------------------|
| | SP525467 | Underpressure Clutch Assembly | Includes items 1-12 |
| 1 | SP516623 | Bolt | |
| 2 | SP311125000003 | Washer | |
| 3 | SP518623 | Bolt | |
| 4 | SP517441 | Microswitch Lever Assembly | |
| 5 | SP235119001815 | Nut | |
| 6 | SPPRI610028017 | Microswitch | |
| 7 | SP101154 | Isolation Plate | |
| 8 | SP520803 | Microswitch Bracket | |
| 9 | SP525468 | Clutch | |
| 10 | SP520808 | Stop End | |
| 11 | SP520871 | Screw | |
| 12 | SP520804 | Distance Ring | |

Humidity Sensor



TMB3336P_D2450

Humidity Sensor

| REF | PART NO. | DESCRIPTION | COMMENTS |
|-----|----------------|--------------------------|-------------------|
| | SP532002 | Dust Cap Humidity Sensor | |
| | SP524351 | Humidity Sensor Kit | Includes item 1-6 |
| 1 | SP309084000306 | Bolt | |
| 2 | SP311679800003 | Washer | |
| 3 | SP517238 | Screw | |
| 4 | SP313250004063 | Rivet | |
| 5 | SP518563 | Sensor Holder | |
| 6 | SP102456 | Humidity Sensor | |

Parts Index

A

| | |
|----------------------|------------|
| Adhesive | |
| SP245704003021 | 17 |
| Adjustable Foot | |
| SPPRI504000001 | 9, 11 |
| Autotransformer | |
| SP552201 | 45 |
| SP552248 | 45, 47, 49 |

B

| | |
|----------------------|------------|
| Bar | |
| SP534880 | 39, 41 |
| Base | |
| SP541489 | 31 |
| Bearing | |
| SP326000600300 | 43 |
| SP514005 | 43 |
| SP514007 | 43 |
| Bearing Bracket | |
| SP521152 | 43 |
| Bearing House | |
| SP515571 | 43 |
| Belt | |
| SP518647 | 43 |
| SP528926 | 43 |
| Blank Plate Kit | |
| SP102019 | 21 |
| Bolt | |
| SPPRI202001001 | 21 |
| SP309084000306 | 53 |
| SP309084000412 | 33 |
| SP309084000416 | 29 |
| SP309595240612 | 37 |
| SP309798500306 | 7 |
| SP309798524408 | 21 |
| SP309916000408 | 43 |
| SP309933000516 | 39, 41 |
| SP309933000616 | 33, 43 |
| SP309933000625 | 31, 37, 43 |
| SP309933000825 | 39, 41 |
| SP309933001025 | 43 |
| SP309933001035 | 43 |
| SP309933001120 | 43 |
| SP309933100625 | 19 |
| SP309933240412 | 9, 11, 25 |
| SP309966240410 | 5 |
| SP506012 | 29, 33 |
| SP510954 | 37 |
| SP516623 | 51 |
| SP516693 | 9, 11 |
| SP518623 | 51 |
| SP518719 | 9, 11 |
| SP521128 | 15 |
| SP521260 | 5 |
| SP524367 | 17 |
| SP525101 | 17 |
| SP533726 | 31 |
| SP537864 | 29 |
| SP545529 | 9, 11 |

| | |
|----------------|---------------|
| Bracket | |
| SP541436 | 31 |
| Burner Tube | |
| SP552515 | 21, 25 |
| Bushing | |
| SP101405 | 9, 13, 29, 37 |
| SP101406 | 29, 33 |
| SP101407 | 13 |
| SP101408 | 13, 29 |
| SP101409 | 13 |

C

| | |
|------------------------|------------|
| Cabinet | |
| SP541459 | 29 |
| Chain | |
| SP521266 | 5 |
| Clamp | |
| SP346000280101 | 49 |
| SP529013 | 41 |
| Clamp Ring | |
| SP521283 | 39 |
| SP527877 | 41 |
| Clutch | |
| SP525468 | 51 |
| SP534901 | 39 |
| Coin Vault | |
| SP321848140028 | 9, 11 |
| Coin Vault Assembly | |
| SP521325 | 9, 11 |
| Coin Vault Box | |
| SP521329 | 9, 11 |
| Coin Vault Bracket | |
| SP559746 | 9, 11 |
| Coin Vault Cover | |
| SP515291 | 9, 11 |
| Coin Vault Frame | |
| SP501514 | 9, 11 |
| Connector | |
| 345000180901 | 21 |
| Contact | |
| 345000160645 | 21 |
| Contacto | |
| 569856 | 45, 47, 49 |
| 569857 | 45, 47 |
| Control Board | |
| SP102457 | 7 |
| SP556608 | 7 |
| Control Panel | |
| SP556623 | 7 |
| 556629 | 7 |
| 556630 | 7 |
| 556631 | 7 |
| 559764 | 7 |
| Control Panel Assembly | |
| SP556621 | 7 |
| SP559766 | 7 |
| SP559767 | 7 |
| SP559768 | 7 |
| SP559769 | 7 |
| SP559873 | 7 |

N/A items do not appear in index.

| | |
|----------------|------------|
| SP559874 | 7 |
| SP559875 | 7 |
| SP559876 | 7 |
| 571904 | 7 |
| 574507 | 7 |
| 575439 | 7 |
| 575459 | 7 |
| Control Relay | |
| SP552311 | 45 |
| Control Unit | |
| 571938 | 25 |
| Cover | |
| SP346000014010 | 45, 47, 49 |
| SP346000280301 | 49 |
| SP524655 | 45, 47 |
| SP525075 | 19 |
| SP541314 | 31 |
| SP541434 | 31 |
| SP541468 | 31 |
| SP551860 | 31 |
| SP566259 | 31 |
| SP566304 | 31 |
| Cover Lid | |
| SP524655 | 49 |

D

| | |
|----------------------|-------|
| Damper Tube | |
| SP534879 | 39 |
| Detection Electrode | |
| SP102002 | 21 |
| Distance Ring | |
| SP518529 | 43 |
| SP520804 | 51 |
| Door | |
| SP524364 | 17 |
| SP556552 | 17 |
| SP559701 | 17 |
| Door Assembly | |
| SP524359 | 17 |
| SP556558 | 17 |
| SP556559 | 17 |
| SP556561 | 17 |
| SP559703 | 17 |
| 559702 | 17 |
| Door Glass | |
| SP512053 | 17 |
| Door Ring | |
| SP534873 | 17 |
| Door Switch Assembly | |
| SP520404 | 9, 11 |
| Door Switch Holder | |
| SP520403 | 9, 11 |
| Double Drum Pulley | |
| SP518646 | 43 |
| Double Pulley | |
| SP534703 | 43 |
| SP534984 | 43 |
| Drum | |
| 573274 | 15 |
| 577727 | 15 |
| Drum Assembly | |
| 573272 | 15 |
| 573273 | 15 |

| | |
|--------------------------|----|
| Drum Cross | |
| SP521020 | 15 |
| Dust Cap Humidity Sensor | |
| SP532002 | 53 |

E

| | |
|--------------------------|------------|
| Elbow | |
| SP521215 | 39 |
| SP527236 | 33 |
| SP527871 | 41 |
| 572350 | 25 |
| 572352 | 25 |
| Elbow Bracket Assembly | |
| SP556943 | 33 |
| Electric Box | |
| SP521243 | 47 |
| 575429 | 45 |
| Electrical Box | |
| SP521244 | 49 |
| Electrode Bracket | |
| SP525442 | 21 |
| Emergency Stop Connector | |
| SP528311 | 7 |
| Emergency Stop Knob | |
| SP528310 | 7 |
| End Stop | |
| SP346000209101 | 45, 47, 49 |
| Exhaust Assembly | |
| SP534877 | 39 |
| SP534906 | 41 |
| Exhaust Lid | |
| SP541312 | 9, 11 |

F

| | |
|-----------------------|-------|
| Fan | |
| SP528481 | 29 |
| Fan Assembly | |
| SP541496 | 29 |
| Fan Cover | |
| SP541484 | 29 |
| Fan Holder | |
| SP541495 | 29 |
| Filling Hose Pipe | |
| SPPRI505000054 | 33 |
| SP101621 | 33 |
| Filter | |
| SP521274 | 9, 11 |
| SP523615 | 11 |
| SP560126 | 9 |
| Filter Assembly | |
| SP560161 | 9 |
| Filter Panel Assembly | |
| SP521113 | 5 |
| SP521261 | 5 |
| SP555953 | 5 |
| SP559711 | 5 |
| Fine Filter | |
| SP560157 | 9 |
| Flame Detection Cable | |
| SP516144 | 21 |

N/A items do not appear in index.

| | |
|----------------------|------------|
| Flange | |
| SP102018 | 21 |
| Flange Bearing Body | |
| SP514011 | 43 |
| Flap Assembly | |
| SP534902 | 41 |
| Flap Stop | |
| SP534900 | 39, 41 |
| Frequency Inverter | |
| SP557962 | 49 |
| Front Seal | |
| SP518505 | 9, 11 |
| Fuse | |
| SPPRI401001021 | 45, 47, 49 |
| SPPRI401020021 | 49 |
| SP345805005020 | 45, 47, 49 |
| SP345805163032 | 49 |
| SP514133 | 45, 47, 49 |
| SP557786 | 19 |
| Fuse Case | |
| SP346000004010 | 45, 47, 49 |
| Fuse Clip | |
| SP524653 | 45, 47, 49 |
| Fuse Isolator | |
| SP358251601312 | 45, 47 |
| Fuse Plug | |
| SP524654 | 45, 47, 49 |

G

| | |
|----------------------|----|
| Gas Heater Box | |
| SP523780 | 21 |
| 571918 | 25 |
| Gas Valve | |
| SP102000 | 21 |
| SP520281 | 21 |
| 572351 | 25 |
| Gas Valve Cable | |
| SP357500459412 | 21 |
| Gas Valve Wiring | |
| 520098 | 21 |
| Gasket | |
| SP101275 | 7 |
| Glue | |
| SP534969 | 17 |

H

| | |
|----------------|----|
| Heat Pump | |
| SP556086 | 29 |
| SP556087 | 29 |
| SP556088 | 29 |
| SP556089 | 29 |
| SP556094 | 29 |
| SP556095 | 29 |
| SP556096 | 29 |
| SP556097 | 29 |
| SP556661 | 29 |
| SP556662 | 29 |
| SP556665 | 29 |
| SP556666 | 29 |
| Heater Box | |
| SP528901 | 19 |

| | |
|----------------------------|----|
| Heating Component Assembly | |
| SP521332 | 19 |
| SP521372 | 19 |
| SP556010 | 19 |
| Heating Element | |
| SP510984 | 19 |
| SP510985 | 19 |
| Hinge | |
| SP521222 | 5 |
| Holder | |
| 571884 | 25 |
| 571920 | 25 |
| 571937 | 25 |
| Hose | |
| SPPRI540000014 | 33 |
| SP273454410020 | 21 |
| Hose Clamp | |
| SPPRI240000002 | 33 |
| SPPRI240000005 | 39 |
| Hose Pipe | |
| SP101745 | 33 |
| Humidity Sensor | |
| SP102456 | 53 |
| Humidity Sensor Cover | |
| SP551869 | 29 |
| Humidity Sensor Kit | |
| SP524351 | 53 |

I

| | |
|----------------------|-----------|
| Ignition Cable | |
| SP516143 | 21 |
| Ignition Electrode | |
| 575643 | 21, 25 |
| Ignition Unit | |
| SP357456010080 | 49 |
| Inlet | |
| SP521268 | 11 |
| Insulation | |
| SP552666 | 33 |
| Interconnection | |
| SP346000280402 | 49 |
| Isolation Paper | |
| SPPRI350012007 | 9, 13 |
| Isolation Plate | |
| SP101154 | 9, 11, 51 |

K

| | |
|----------------|----|
| Key | |
| SP505449 | 43 |

L

| | |
|----------------|-------|
| Latch | |
| SP514530 | 5, 17 |
| Lath | |
| SP524582 | 17 |
| SP556553 | 17 |
| SP559706 | 17 |

N/A items do not appear in index.

| | |
|------------------|----|
| Lock | |
| SP521221 | 5 |
| Lower Door Hinge | |
| SP525104 | 17 |
| SP556554 | 17 |
| SP559704 | 17 |

M

| | |
|----------------------------|------------|
| Magnet | |
| SP556557 | 17 |
| Main Switch | |
| SPPRI404000097 | 9, 13 |
| SPPRI404000098 | 13 |
| SPPRI404000099 | 13 |
| SP506407 | 13 |
| Main Switch Knob | |
| SPPRI404000095 | 9, 13 |
| Main Switch Panel | |
| SP520816 | 9 |
| Mechanical Interlock Unit | |
| 569858 | 45, 47, 49 |
| Memory | |
| SP526001 | 7 |
| 102471 | 7 |
| 102472 | 7 |
| 545269 | 7 |
| 545270 | 7 |
| 572334 | 7 |
| 572335 | 7 |
| Microswitch | |
| SPPRI610011077 | 9, 11 |
| SPPRI610028017 | 51 |
| SP506045 | 9, 11 |
| SP517484 | 9, 11 |
| Microswitch Bracket | |
| SP520803 | 51 |
| Microswitch Lever Assembly | |
| SP517441 | 51 |
| Motor | |
| SP518639 | 37 |
| SP518640 | 37 |
| SP523621 | 43 |
| SP523724 | 43 |
| SP528147 | 43 |
| SP545525 | 37 |
| SP545526 | 37 |
| Motor Bracket | |
| SP521240 | 43 |
| Motor Pulley | |
| SP527723 | 43 |
| SP528922 | 43 |
| SP530720 | 43 |
| SP530721 | 43 |

N

| | |
|----------------|----|
| Nozzle | |
| SP512067 | 21 |
| SP556922 | 33 |
| Nozzle Adapter | |
| SP556916 | 33 |

| | |
|-------------------------|---------------|
| Nozzle Bracket Assembly | |
| SP556919 | 33 |
| Nozzle Fitting Adapter | |
| SP556915 | 33 |
| Nozzle Holder Assembly | |
| SP556920 | 33 |
| Nut | |
| SP101415 | 9, 13, 29, 37 |
| SP101416 | 29, 33 |
| SP101417 | 13 |
| SP101418 | 13, 29 |
| SP101419 | 13 |
| SP235119001815 | 51 |
| SP310934000004 | 9, 11 |
| SP310934000006 | 31 |
| SP310934000008 | 39, 41 |
| SP310934000010 | 9, 11, 15, 43 |
| SP310934000020 | 31 |
| SP310934100006 | 19 |
| SP310934240004 | 17 |
| SP310934240005 | 21, 25 |
| SP310985000006 | 43 |
| SP310985000010 | 43 |
| SP310985000012 | 43 |
| SP534929 | 39, 41 |
| SP545530 | 9, 11 |

O

| | |
|-------------------|--------|
| Orifice | |
| 517222 | 23, 27 |
| 517223 | 23, 27 |
| 517224 | 23, 27 |
| 517225 | 23, 27 |
| 517226 | 23, 27 |
| 517227 | 23, 27 |
| 517241 | 23, 27 |
| 517243 | 23, 27 |
| 517245 | 23, 27 |
| 517246 | 23, 27 |
| 517250 | 23, 27 |
| 517251 | 23, 27 |
| 517252 | 23, 27 |
| 517253 | 23, 27 |
| 517257 | 23, 27 |
| 517258 | 23, 27 |
| 517327 | 23, 27 |
| 517328 | 23, 27 |
| 517329 | 23, 27 |
| 517330 | 23, 27 |
| 517331 | 23, 27 |
| 517337 | 23, 27 |
| 520236 | 23, 27 |
| 520237 | 23, 27 |
| 520399 | 23, 27 |
| 525465 | 23, 27 |
| 525466 | 23, 27 |
| 530819 | 23, 27 |
| 530820 | 23, 27 |
| Outer Door Gasket | |
| SP519933 | 17 |
| Overlay | |
| SP556100 | 7 |
| SP559863 | 7 |
| SP559864 | 7 |

N/A items do not appear in index.

P

| | |
|----------------------|--------|
| Plug | |
| SPPRI505003064 | 9, 13 |
| SP273127001798 | 39, 41 |
| SP345900025012 | 13 |
| SP345900032132 | 13 |
| SP345900043132 | 13 |
| SP534882 | 39 |
| SP534904 | 41 |

R

| | |
|--------------------------|--------|
| Rear Cover | |
| SP525524 | 21, 25 |
| Rear Lower Cover | |
| SP521181 | 13 |
| Rear Reinforcement Panel | |
| SP524286 | 13 |
| Rear Upper Cover | |
| SP524288 | 13 |
| Reducer | |
| SP527879 | 41 |
| Reduction | |
| SP521217 | 39 |
| Relay | |
| SP514057 | 45, 49 |
| SP514134 | 49 |
| Relay Case | |
| SP506586 | 45, 49 |
| Relay Clamp | |
| SP514135 | 45, 49 |
| Resistance Bleeder | |
| SP520195 | 49 |
| Retaining Ring | |
| SP515517 | 43 |
| Rinsing System Bracket | |
| SP556954 | 33 |
| Rivet | |
| SP313250004063 | 53 |

S

| | |
|----------------------------------------------------------|--------------------|
| Safety Thermostat | |
| SP514016 | 37 |
| SP514127 | 19, 21, 25 |
| Screw | |
| SP100218 ... 5, 7, 9, 11, 13, 19, 21, 25, 37, 45, 47, 49 | |
| SP517238 | 19, 21, 25, 37, 53 |
| SP520871 | 51 |
| SP529206 | 31 |
| 572361 | 25 |
| Seal | |
| SP517232 | 21, 25 |
| SP517404 | 5 |
| Sealant | |
| SPPRI704000053 | 31 |
| Sensor Holder | |
| SP518563 | 53 |
| Side Panel | |
| SP541463 | 29 |

| | |
|-----------------------|-------|
| SP541464 | 29 |
| SP556006 | 29 |
| SP556008 | 29 |
| SP556651 | 29 |
| SP556652 | 29 |
| Spacer | |
| SP520940 | 37 |
| Stop End | |
| SP520808 | 51 |
| Stop Pin | |
| SP520201 | 17 |
| Support Plate | |
| SP521232 | 43 |
| Switch | |
| SP100388 | 9, 11 |
| Switching Unit | |
| SP528312 | 7 |
| Swivel Wheel Assembly | |
| SP541494 | 31 |
| SP551864 | 31 |

T

| | |
|----------------------|------------|
| Tape | |
| SP284000012003 | 37 |
| Temperature Sensor | |
| SP516092 | 19, 21, 25 |
| SP534930 | 35, 37 |
| Tension Assembly | |
| SP528927 | 43 |
| SP545520 | 43 |
| Tension Rod | |
| SP534704 | 43 |
| Tensioning Board | |
| SP521172 | 43 |
| Tensioning Bracket | |
| SP521171 | 43 |
| Terminal Board | |
| SPPRI350000007 | 9, 13 |
| Terminal Board Cover | |
| SP537625 | 25 |
| Thermostat Bracket | |
| SP541457 | 31 |
| Transformer | |
| SP514021 | 45, 47, 49 |
| SP516648 | 49 |
| Trolley | |
| SP521334 | 19 |
| Tube | |
| SP519198 | 21 |
| SP534905 | 41 |
| 571881 | 25 |
| 571928 | 25 |

U

| | |
|-------------------------------|-------|
| Underpressure Clutch Assembly | |
| SP525467 | 51 |
| Upper Cover | |
| SP521153 | 9, 13 |
| SP521247 | 9, 13 |
| SP556012 | 9, 13 |

N/A items do not appear in index.

| | |
|----------------------|-------|
| SP559708 | 9, 13 |
| Upper Door Hinge | |
| SP525105 | 17 |
| SP556555 | 17 |
| SP559705 | 17 |
| Upper Panel Assembly | |
| SP559713 | 5 |
| SP559714 | 5 |
| SP559715 | 5 |
| SP559716 | 5 |
| SP559717 | 5 |
| SP559718 | 5 |
| SP559719 | 5 |
| SP559720 | 5 |
| SP559721 | 5 |
| SP559722 | 5 |
| SP559723 | 5 |
| SP559724 | 5 |

| | |
|---------------|--------------------|
| SP514906..... | 5 |
| SP516669..... | 19, 21, 25, 39, 41 |
| SP545531..... | 9, 11 |
| 517426 | 15 |

V

| | |
|--------------------------|----|
| Valve | |
| SP556959 | 33 |
| Valve Bracket Assembly | |
| SP556946 | 33 |
| Valve Cover Assembly | |
| SP556947 | 33 |
| Ventilator | |
| SP102413 | 37 |
| SP552675 | 35 |
| Ventilator Assembly | |
| SP534968 | 37 |
| SP545521 | 37 |
| SP545522 | 37 |
| Ventilator Assembly..... | 37 |
| Ventilator Box | |
| SP527868 | 37 |

W

| | |
|---------------------|-------------------|
| Washer | |
| SP311125000003..... | 9, 11, 21, 25, 51 |
| SP311125000004..... | 9, 11, 25, 29, 33 |
| SP311125000005..... | 5, 21 |
| SP311125000006..... | 31, 33, 43 |
| SP311125000008..... | 39, 41 |
| SP311125000010..... | 9, 11, 15, 43 |
| SP311125000013..... | 43 |
| SP311125240004..... | 21 |
| SP311127000003..... | 9, 11 |
| SP311127000004..... | 9, 11, 25, 29, 33 |
| SP311127000005..... | 5, 21 |
| SP311127000006..... | 33, 43 |
| SP311127000008..... | 39, 41 |
| SP311127000010..... | 43 |
| SP311127240004..... | 21 |
| SP311679800003..... | 7, 53 |
| SP311679824006..... | 19, 31 |
| SP311902100006..... | 29, 37 |
| SP311902100008..... | 37 |
| SP311902100010..... | 43 |
| SP311902100012..... | 43 |
| SP510697 | 15 |
| SP512233 | 15 |

N/A items do not appear in index.