

Tumble Dryer

195 Liters (9 Kilograms) Capacity

Refer to Page 5 for Model Numbers

Parts

Table of Contents

Title	Page
Parts Ordering Information	3
Serial Plate Location	3
Model Identification	5
Front Panel Assembly - Electric Models	6
Filter Panel Assembly - Heat Pump Models	8
Control Panel for OPL - Electric Models	10
Control Panel for OPL - Electric Models	12
Control Panel - Easy Control for Coin Meter Electric Models	14
Control Panel - Easy Control for Coin Meter Electric Models	16
Control Panel - Easy Control for Central Payment System Electric Models	18
Control Panel - Easy Control for Central Payment System Electric Models	20
Control Panel - Easy Control for Central Payment System	22
Control Panel - Easy Control for OPL Heat Pump Models	24
Control Panel - Easy Control for OPL Heat Pump Models	26
Control Panel - Easy Control for Coin Meter Heat Pump Models	28
Control Panel - Easy Control for Coin Meter Heat Pump Models	30
Control Panel - Easy Control for Central Payment System Heat Pump Models	32
Control Panel - Easy Control for Central Payment System Heat Pump Models	34
Control Panel - Easy Control for Central Payment System	36
Control Panel - Easy Control for Central Payment System	38
Coin Meter - Electric Models (Drawing 1 of 3)	40
Coin Meter - Electric Models (Drawing 2 of 3)	42
Coin Meter - Electric Models (Drawing 3 of 3)	44
Coin Meter - Heat Pump Models (Drawing 1 of 3)	46
Coin Meter - Heat Pump Models (Drawing 2 of 3)	48
Coin Meter - Heat Pump Models (Drawing 3 of 3)	50
Coin Meter Box	52
Cabinet - Electric Models	54
Cabinet - Electric Models	56
Cabinet - Heat Pump Models	58
Cabinet - Heat Pump Models	60
Top Cover - Electric Models	62
Top Cover - Electric Models	64
Top Cover - Heat Pump Models	66
Top Cover - Heat Pump Models	68
Drum Assembly	70
Drum Assembly	72
Door	74
Heating Components 1 - Electric Models	76

© Copyright 2023, Alliance Laundry Systems LLC

All rights reserved. No part of the contents of this book may be reproduced or transmitted in any form or by any means without the expressed written consent of the publisher.

Heating Components 2 - Electric Models	78
Heating Components 2 - Electric Models	80
Heating Components 3 - Electric Models	82
Heating Components 3 - Electric Models	84
Heating Components 1 - Heat Pump Models	86
Heating Components 2 - Heat Pump Models	88
Heating Components 2 - Heat Pump Models	90
Heat Pump.....	92
Differential Pressure Switch.....	94
Ventilator.....	96
Humidity Sensor - Optional.....	98
Humidity Sensor - Optional.....	100
Exhaust.....	102
Drive	104
Elevated Base Frame - Optional	106
Harnesses.....	108
Parts Index.....	109

Parts Ordering Information

If literature or replacement parts are required, contact the source from whom the machine was purchased or contact Alliance Laundry Systems at (920) 748-3950 for the name and address of the nearest authorized parts distributor.

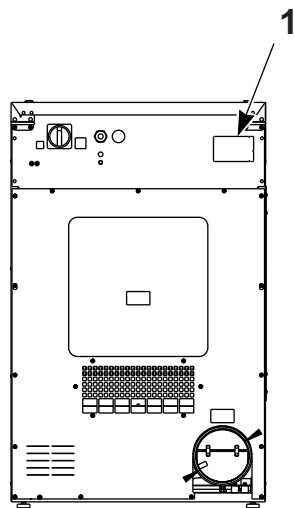
For technical assistance, call the number listed below:

(920) 748-3121 Ripon, Wisconsin

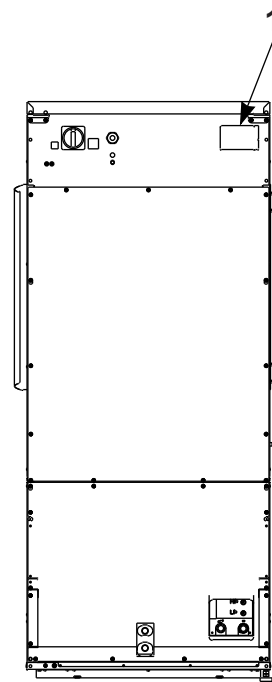
Serial Plate Location

When calling or writing about your product, be sure to mention model and serial numbers. Model and serial numbers are located on serial plate(s).

Models with Electric Heating



Models with Heat Pump



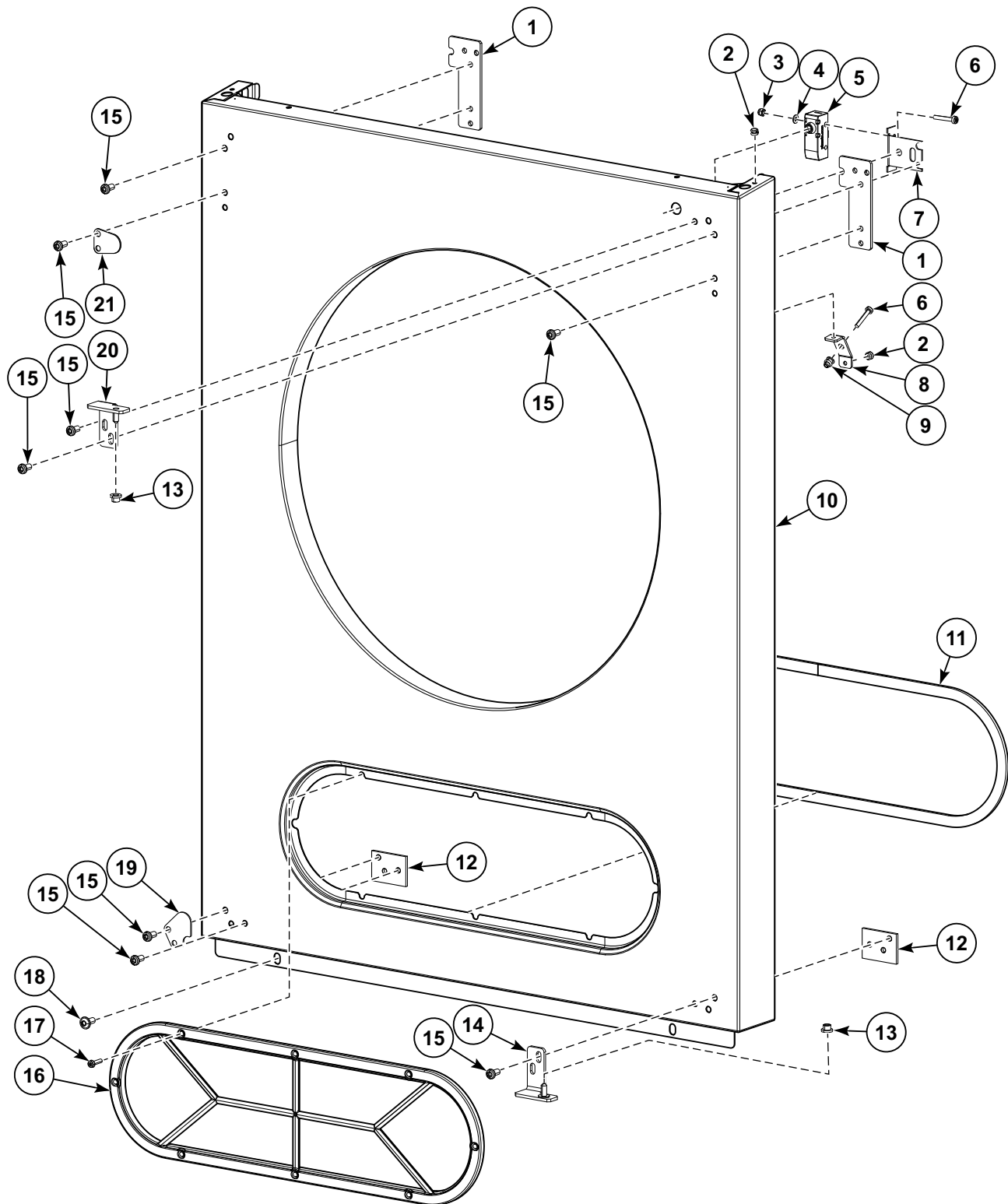
TMB2706N

Model Identification

Information in this manual is applicable to these tumbler models:

EC_HYDROS_ST12	LSX195	PC195EE
EC_HYDROS_ST12HP	LSX195HP	PC195FE
IDR195	NC195EE	PC195HE
IHP195	NC195FE	PC195ME
IC195EE	NC195HE	PE195EE
IC195FE	NC195ME	PE195FE
IC195HE	NE195EE	PE195HE
IC195ME	NE195FE	PE195ME
IE195EE	NE195HE	PX195EE
IE195FE	NE195ME	PX195FE
IE195HE	NX195EE	PX195HE
IE195ME	NX195FE	PX195ME
IX195EE	NX195HE	TX9
IX195FE	NX195ME	TX9HP
IX195HE		T10VP
IX195ME		

Front Panel Assembly - Electric Models

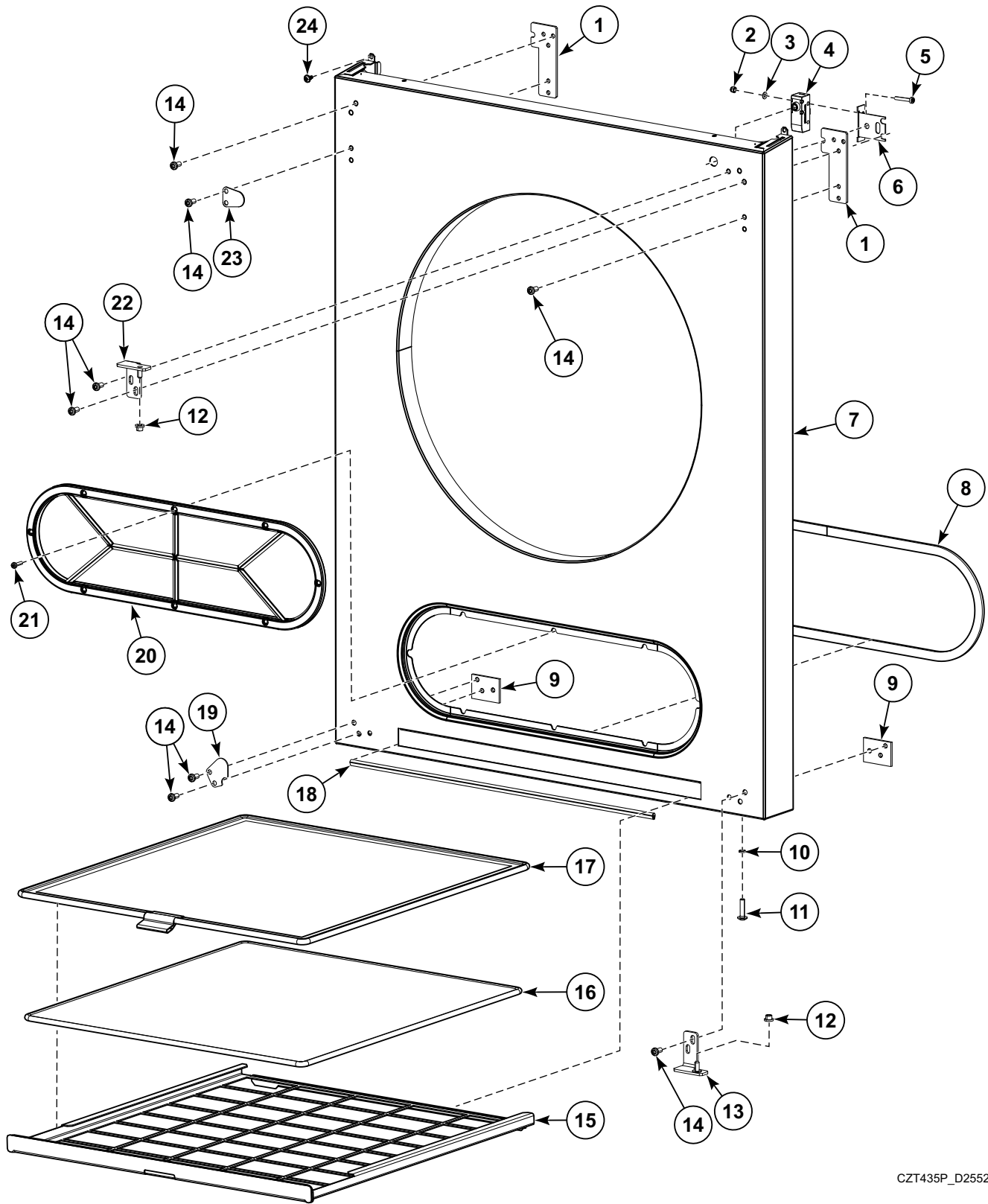


CZT155P_D2552

Front Panel Assembly - Electric Models

REF	PART NO.	DESCRIPTION	COMMENTS
1	572684	Washer	
2	SP313250004063	Rivet	4x6.3
3	SP514193	Nut	M4
4	SP311125000004	Washer	M4
5	564511	Microswitch	
6	SP550482	Bolt	M4x25
7	572718	Microswitch Holder	
8	562969	Front Panel Holder	
9	SP313251002104	Nut	M4
10	572702	Front Panel	OPL; Central payment sytem; Gray
	572703	Front Panel	OPL; Central payment sytem; Stainless
	572686	Front Panel	Coin; Prep for Coin; Gray
	572687	Front Panel	Coin; Prep for Coin; Stainless
11	566363	Filter Sealing	
12	560234	Washer	
13	560238	Housing	
14	560239	Bottom Hinge	
15	560300	Bolt	M6x12
16	560254	Filter	
17	SP550482	Bolt	M4x25
18	SP537854	Bolt	M6x14
19	568703	Lower Plate	
20	560240	Upper Hinge	
21	572685	Upper Plate	

Filter Panel Assembly - Heat Pump Models



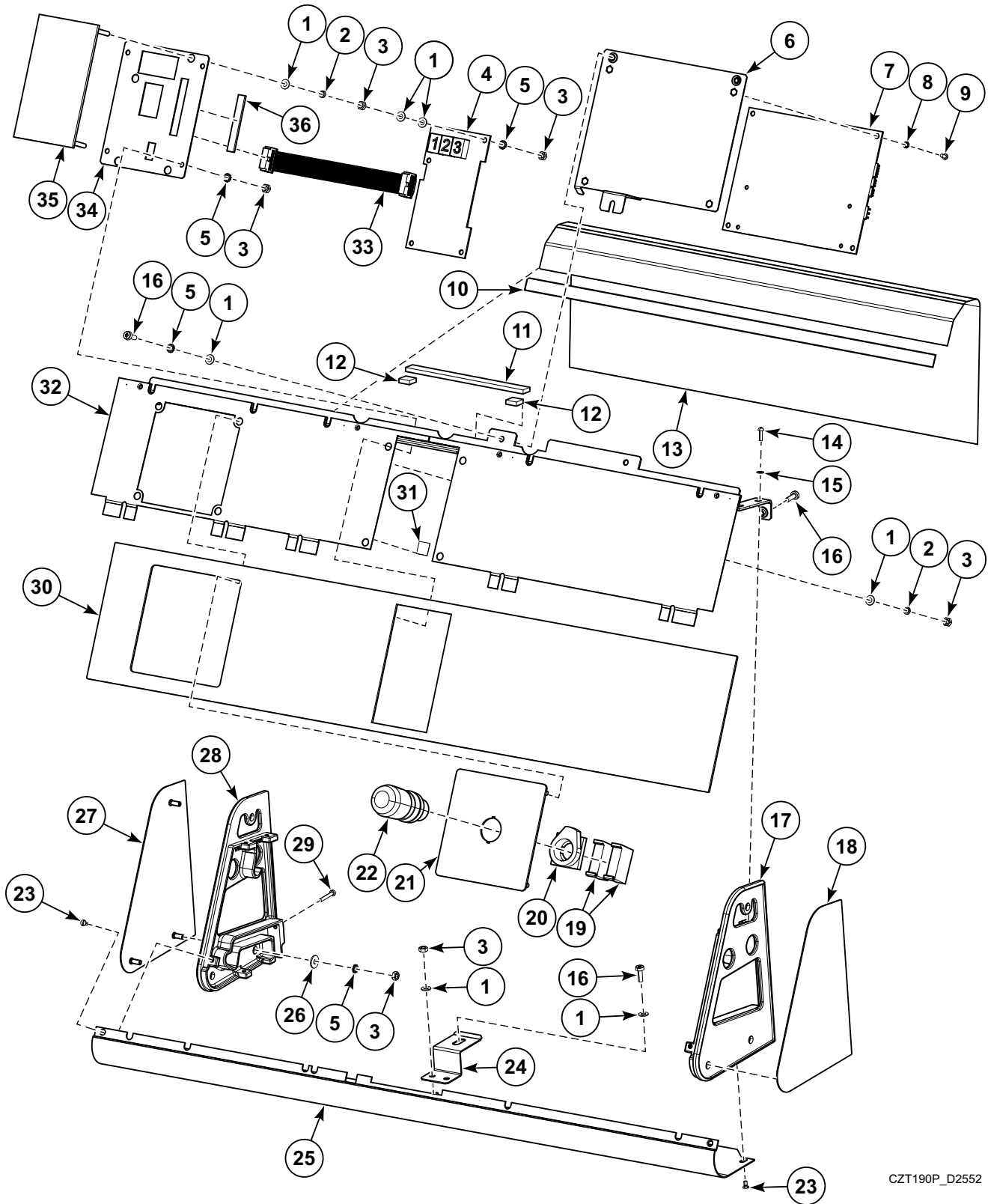
CZT435P_D2552

Filter Panel Assembly - Heat Pump Models

REF	PART NO.	DESCRIPTION	COMMENTS
1	572684	Washer	
2	SP514193	Nut	M4
3	SP311125000004	Washer	M4
4	564511	Microswitch	
5	SP550482	Bolt	M4x25
6	572718	Microswitch Holder	
7	572700	Front Panel	OPL; Central payment sytem; Gray
	572701	Front Panel	OPL; Central payment sytem; Stainless
	572680	Front Panel	Coin; Prep for Coin; Gray
	572681	Front Panel	Coin; Prep for Coin; Stainless
8	566363	Filter Sealing	
9	560234	Washer	
10	SP311127000006	Washer	M6
11	535479	Bolt	M6x25
12	560238	Housing	
13	560239	Bottom Hinge	
14	560300	Bolt	M6x12
15	566245	Filters Drawer Assembly	
16	566242	Filter Assembly	
17	562991	Filter Assembly	
18	SPPRI505000058	Profiled Sealing	
19	568703	Lower Plate	
20	560254	Filter	
21	SP550482	Bolt	M4x25
22	560240	Upper Hinge	
23	572685	Upper Plate	
24	SP529206	Screw	M4x11

Control Panel for OPL - Electric Models

Models through Serial No. N9TX000950QM



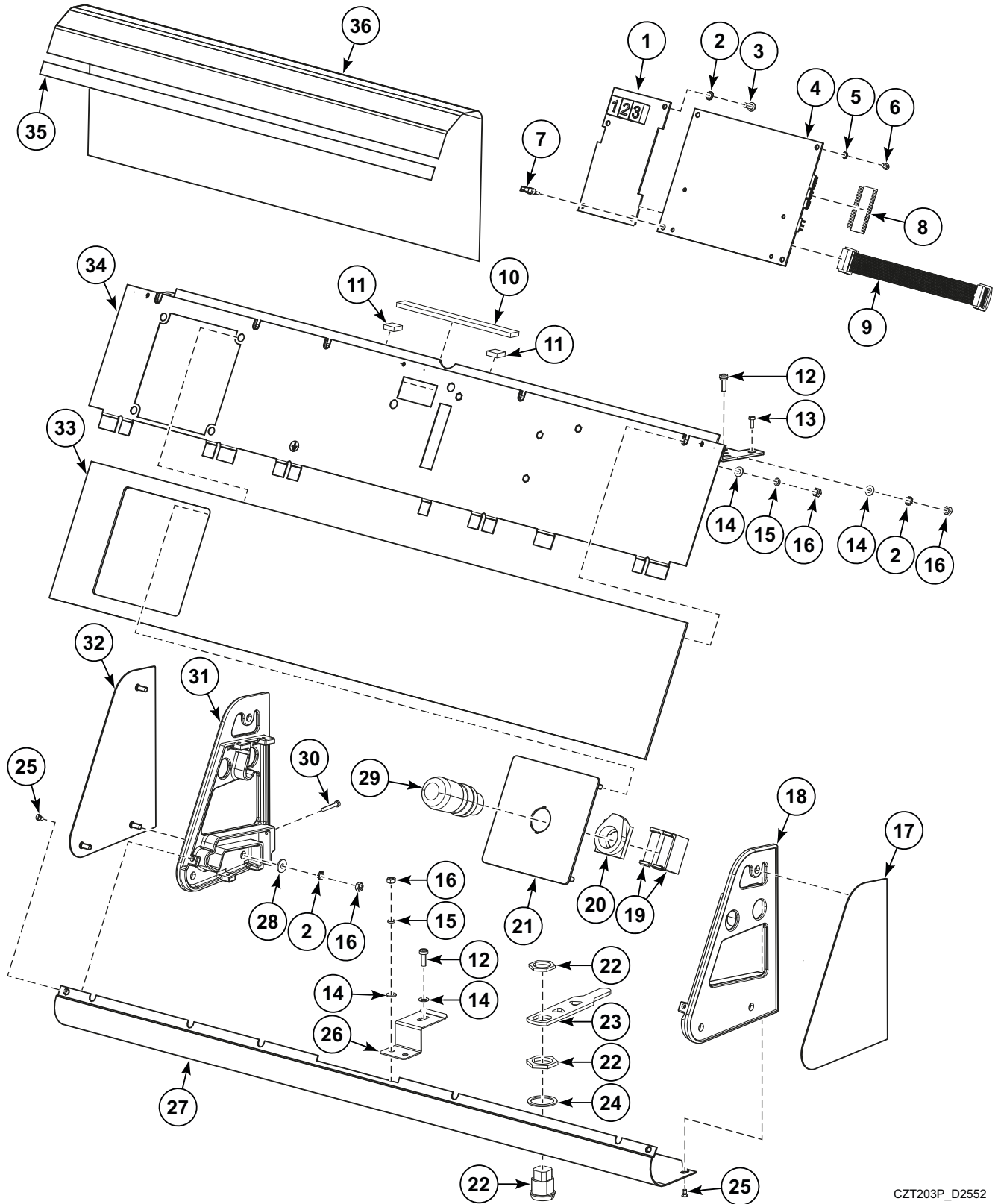
CZT190P_D2552

Control Panel for OPL - Electric Models

REF	PART NO.	DESCRIPTION	COMMENTS
1	SP311125000004	Washer	M4
2	SP311127000004	Washer	4
3	SP310934000004	Nut	M4
4	553416	Display Board	Blue
5	SP311679800004	Washer	4
6	572871	Control Holder	
7	SP102458	Control	
8	SP311679800003	Washer	M3
9	SP309798500306	Bolt	M3x6
10	SP537896	Adhesive	
11	SP510986	Seal	134mm
12	SP510986	Seal	12mm
13	SPPRI543000004	Cover	
14	SP518719	Bolt	M3x10
15	SP311125000003	Washer	3.2
16	SP555504	Bolt	M4x12
17	SP533339	Side Board	Right
18	SP547506	Side Sheet Metal	Right
19	SP528312	Switching Unit	
20	SP528311	Emergency Stop Connector	
21	SP547565	Coin Meter Cover	
22	SP528310	Emergency Stop Knob	Used with 571497 Emergency Stop Wiring
23	SP309963000306	Bolt	M3x6
24	568660	Fix Sheet	
25	572869	Lower Lath	
26	SP311902100004	Washer	M4
27	SP547507	Side Sheet Metal	Left
28	SP533338	Side Board	Left
29	SP309084000320	Bolt	M3x20
30	572863	Control Panel	
31	SPPRI551000001	Earthing Index Plate	
32	572866	Control Holder	
33	SP521061	Cable	
34	572865	Fixed Sheet	
35	SP556099	Overlay	
36	SP284000012003	Tape	0.05m

Control Panel for OPL - Electric Models

Models starting Serial No.9TX000951QM



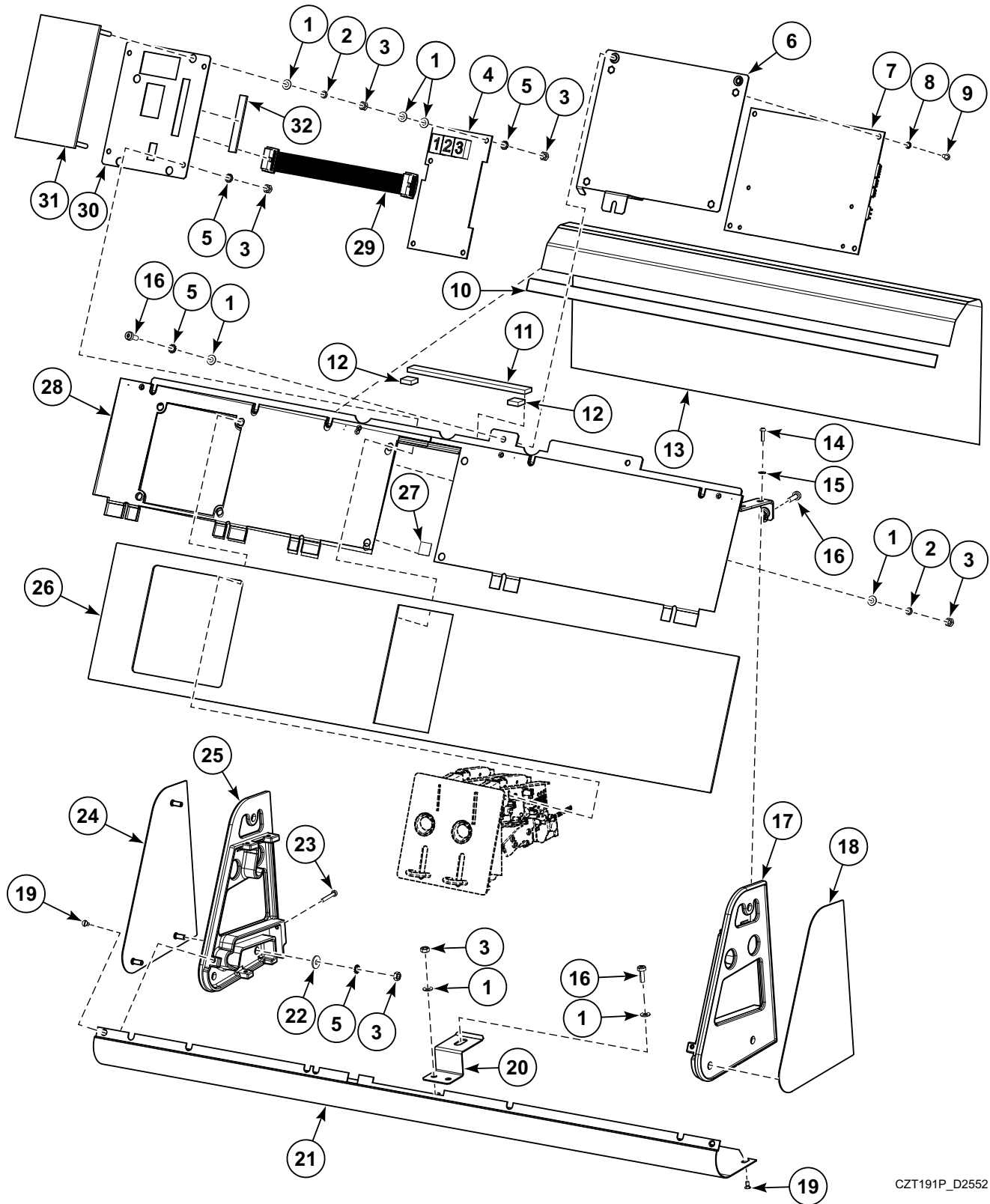
CZT203P_D2552

Control Panel for OPL - Electric Models

REF	PART NO.	DESCRIPTION	COMMENTS
1	553416	Display Board	LSX, NC, NE, NX, PC, PE, PX and TX models; Blue
	SP560706	Display Board	IC, IE, IDR and IX models; Red
2	SP311679800004	Washer	4
3	SP515075	Bolt	M4x10
4	SP102458	Control	
5	SP311679800003	Washer	M3
6	SP309798500306	Bolt	M3x6
7	SPPRI326002004	Holder	
8	SP526001	Memory	
9	SP521061	Cable	
10	SP510986	Seal	134mm
11	SP510986	Seal	12mm
12	SP555504	Bolt	M4x12
13	577761	Bolt	3x8
14	SP311125000004	Washer	M4
15	SP311127000004	Washer	4
16	SP310934000004	Nut	M4
17	SP547506	Side Sheet Metal	Right
18	570392	Side Board	Right
19	SP528312	Switching Unit	
20	SP528311	Emergency Stop Connector	
21	SP547565	Coin Meter Cover	LSX, NC, NE, NX, PC, PE, PX and TX models
	SP558929	Coin Meter Cover	IC, IE, IDR and IX models; Black
22	SP547527	Lock	
23	570250	Lock Lever	
24	SPPRI522000012	Washer	21x27x1
25	577762	Bolt	3x8
26	568660	Fix Sheet	
27	571993	Lower Lath	
28	SP311902100004	Washer	M4
29	SP528310	Emergency Stop Knob	Used with 571497 Emergency Stop Wiring
30	577763	Bolt	3x20
31	570391	Side Board	Left
32	SP547507	Side Sheet Metal	Left
33	570290	Overlay	PC, PE, PX and TX models
	570291	Overlay	IC, IE, IDR, IX, LSX, NC, NE and NX models
34	570294	Control Holder	
35	SP537896	Adhesive	
36	SPPRI543000004	Cover	

Control Panel - Easy Control for Coin Meter Electric Models

Models through Serial No. N9TX000950QM



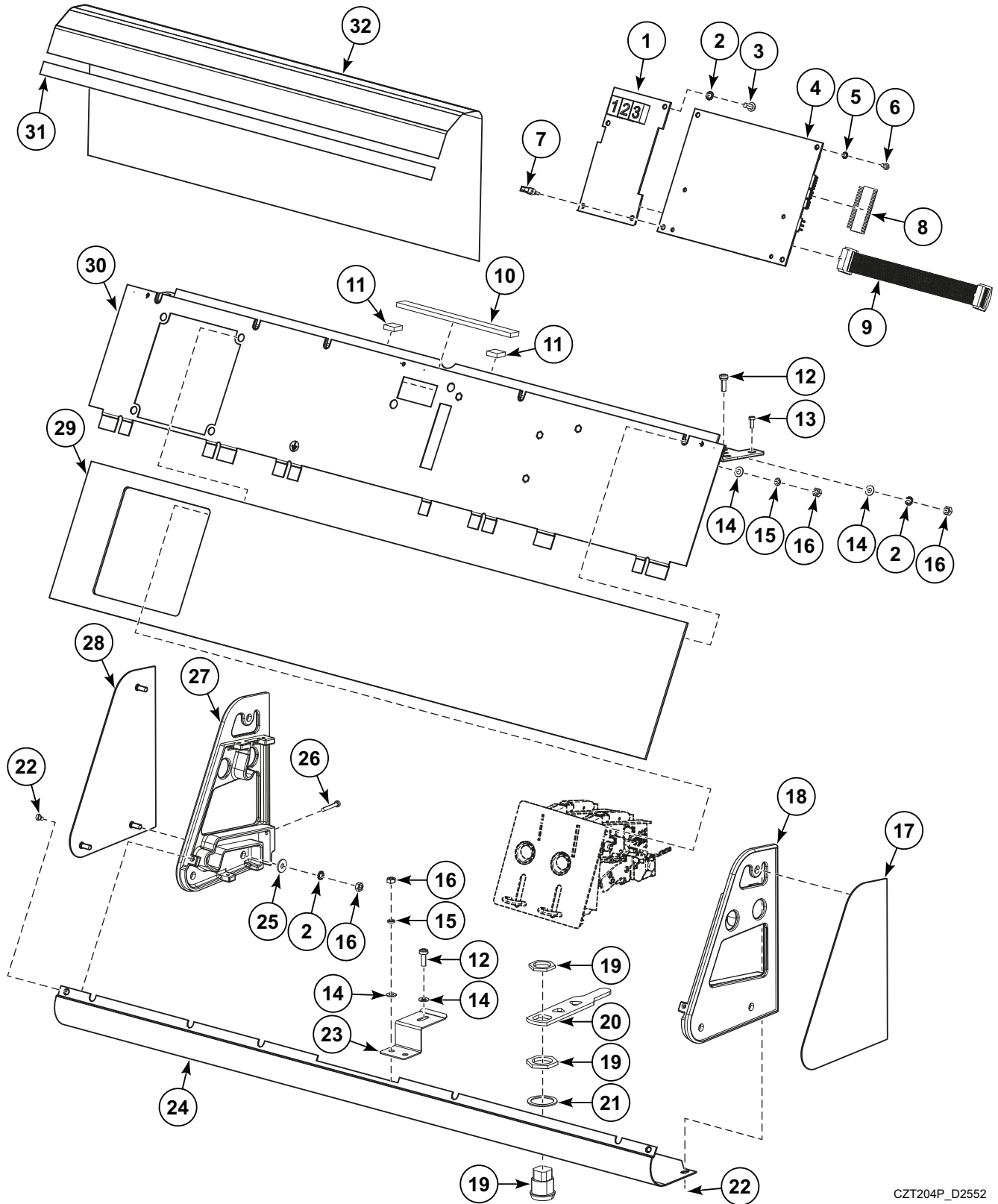
CZT191P_D2552

Control Panel - Easy Control for Coin Meter Electric Models

REF	PART NO.	DESCRIPTION	COMMENTS
1	SP311125000004	Washer	M4
2	SP311127000004	Washer	4
3	SP310934000004	Nut	M4
4	553416	Display Board	Blue
5	SP311679800004	Washer	4
6	572871	Control Holder	
7	SP102458	Control	
8	SP311679800003	Washer	M3
9	SP309798500306	Bolt	M3x6
10	SP537896	Adhesive	
11	SP510986	Seal	134mm
12	SP510986	Seal	12mm
13	SPPRI543000004	Cover	
14	SP518719	Bolt	M3x10
15	SP311125000003	Washer	3.2
16	SP555504	Bolt	M4x12
17	SP533339	Side Board	Right
18	SP547506	Side Sheet Metal	Right
19	SP309963000306	Bolt	M3x6
20	568660	Fix Sheet	
21	572869	Lower Lath	
22	SP311902100004	Washer	M4
23	SP309084000320	Bolt	M3x20
24	SP547507	Side Sheet Metal	Left
25	SP533339	Side Board	Left
26	572863	Control Panel	
27	SPPRI551000001	Earthing Index Plate	
28	572866	Control Holder	
29	SP521061	Cable	
30	572865	Fixed Sheet	
31	SP556099	Overlay	
32	SP284000012003	Tape	0.05m

Control Panel - Easy Control for Coin Meter Electric Models

Models starting Serial No.9TX000951QM



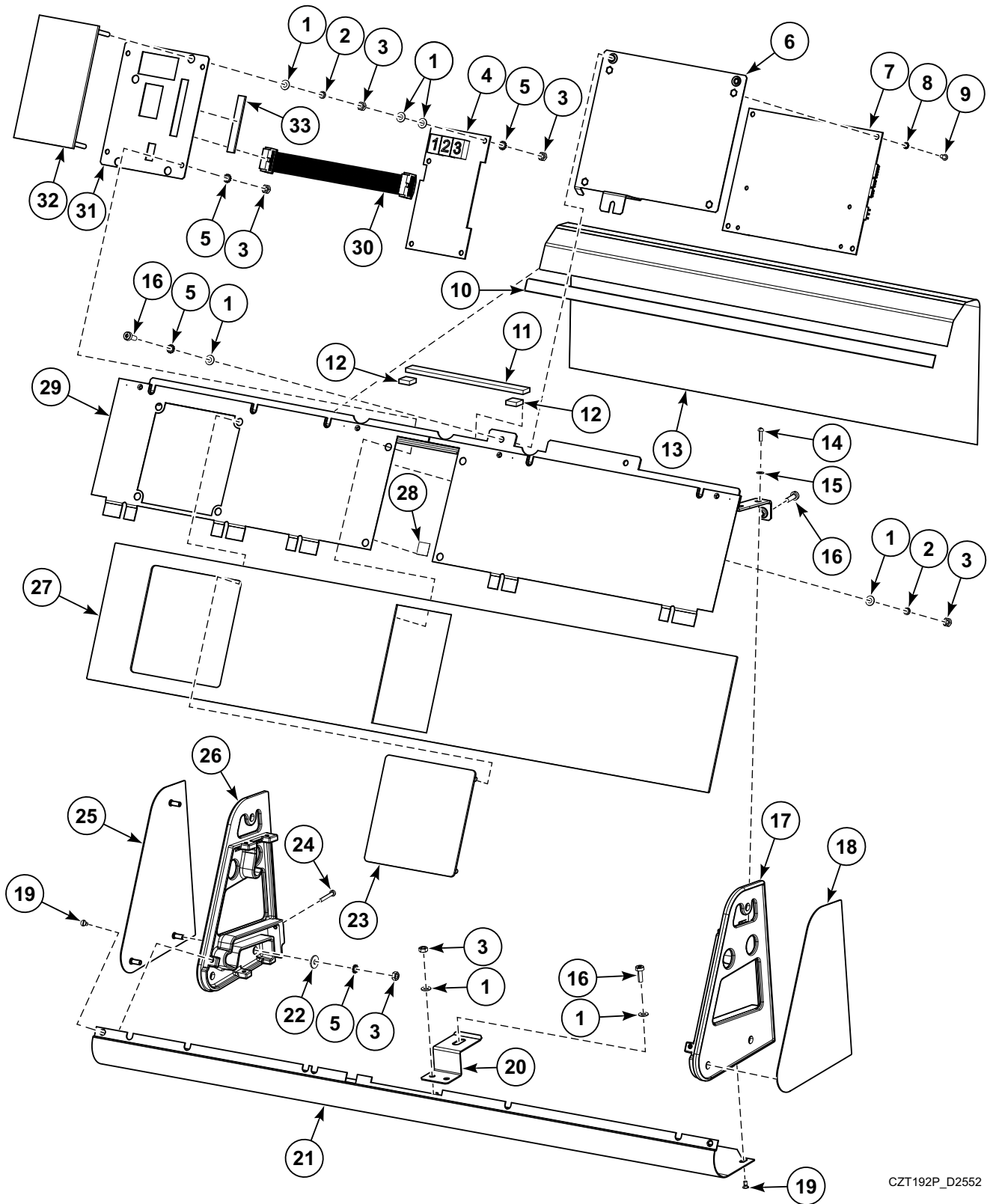
CZT204P_D2552

Control Panel - Easy Control for Coin Meter Electric Models

REF	PART NO.	DESCRIPTION	COMMENTS
1	553416	Display Board	LSX, NC, NE, NX, PC, PE, PX and TX models; Blue
	SP560706	Display Board	IC, IE, IDR and IX models; Red
2	SP311679800004	Washer	4
3	SP515075	Bolt	M4x10
4	SP102458	Control	
5	SP311679800003	Washer	M3
6	SP309798500306	Bolt	M3x6
7	SPPRI326002004	Holder	
8	SP526001	Memory	
9	SP521061	Cable	
10	SP510986	Seal	134mm
11	SP510986	Seal	12mm
12	SP555504	Bolt	M4x12
13	577761	Bolt	3x8
14	SP311125000004	Washer	M4
15	SP311127000004	Washer	4
16	SP310934000004	Nut	M4
17	SP547506	Side Sheet Metal	Right
18	570392	Side Board	Right
19	SP547527	Lock	
20	570250	Lock Lever	
21	SPPRI522000012	Washer	21x27x1
22	577762	Bolt	3x8
23	568660	Fix Sheet	
24	571993	Lower Lath	
25	SP311902100004	Washer	M4
26	577763	Bolt	3x20
27	570391	Side Board	Left
28	SP547507	Side Sheet Metal	Left
29	570290	Overlay	PC, PE, PX and TX models
	570291	Overlay	IC, IDR, IE, IX, LSX, NC, NE and NX models
30	570294	Control Holder	
31	SP537896	Adhesive	
32	SPPRI543000004	Cover	

Control Panel - Easy Control for Central Payment System Electric Models

Models through Serial No. N9TX000950QM



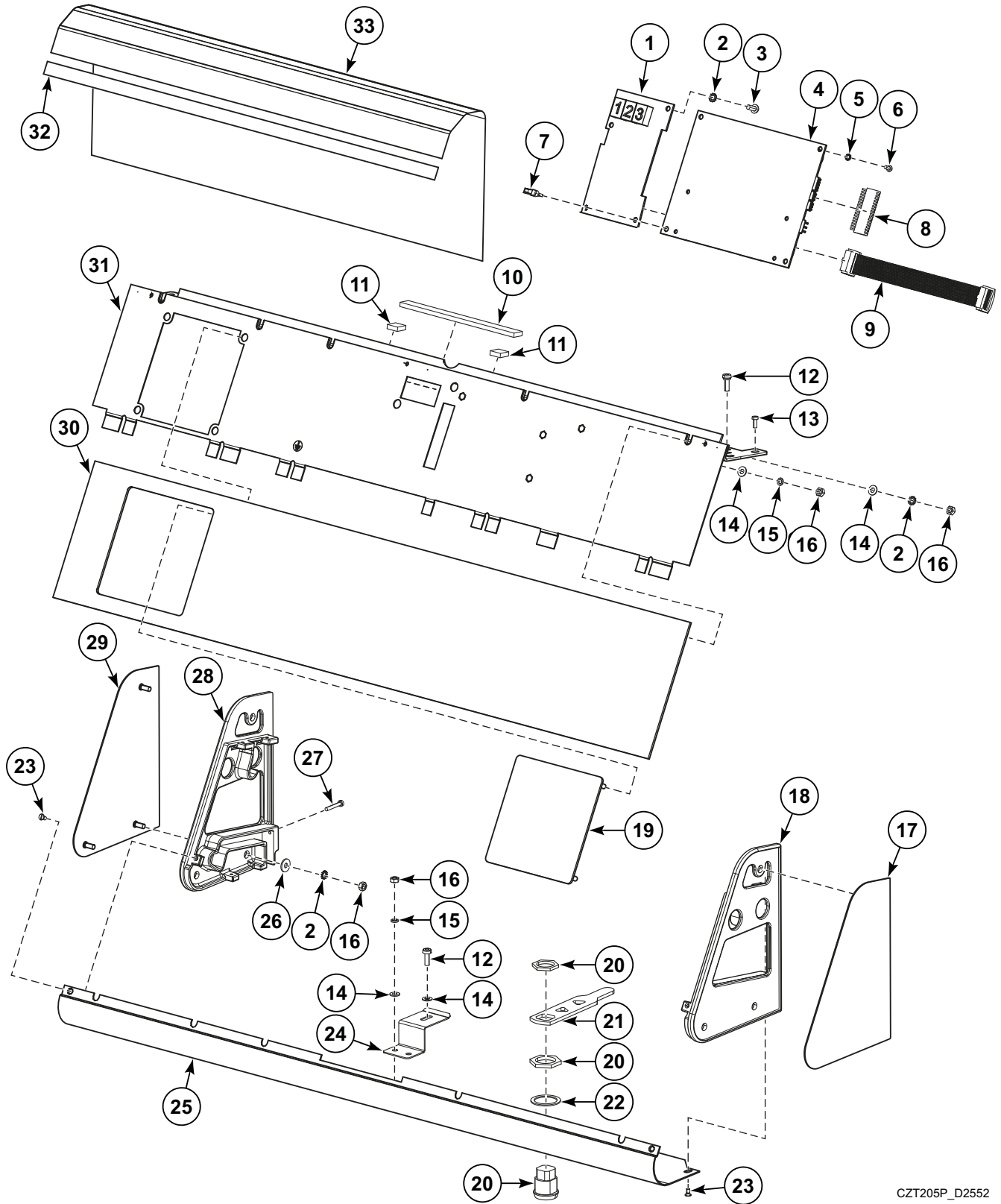
CZT192P_D2552

Control Panel - Easy Control for Central Payment System Electric Models

REF	PART NO.	DESCRIPTION	COMMENTS
1	SP31112500004	Washer	M4
2	SP31112700004	Washer	4
3	SP31093400004	Nut	M4
4	553416	Display Board	Blue
5	SP311679800004	Washer	4
6	572871	Control Holder	
7	SP102458	Control	
8	SP311679800003	Washer	M3
9	SP309798500306	Bolt	M3x6
10	SP537896	Adhesive	
11	SP510986	Seal	134mm
12	SP510986	Seal	12mm
13	SPPRI543000004	Cover	
14	SP518719	Bolt	M3x10
15	SP311125000003	Washer	3.2
16	SP555504	Bolt	M4x12
17	SP533339	Side Board	Right
18	SP547506	Side Sheet Metal	Right
19	SP309963000306	Bolt	M3x6
20	568660	Fix Sheet	
21	572869	Lower Lath	
22	SP311902100004	Washer	M4
23	SP550149	Cover Plate	
24	SP309084000320	Bolt	M3x20
25	SP547507	Side Sheet Metal	Left
26	SP533339	Side Board	Left
27	572863	Control Panel	
28	SPPRI551000001	Earthing Index Plate	
29	572866	Control Holder	
30	SP521061	Cable	
31	572865	Fixed Sheet	
32	SP556099	Overlay	
33	SP284000012003	Tape	0.05m

Control Panel - Easy Control for Central Payment System Electric Models

Models starting Serial No.9TX000951QM



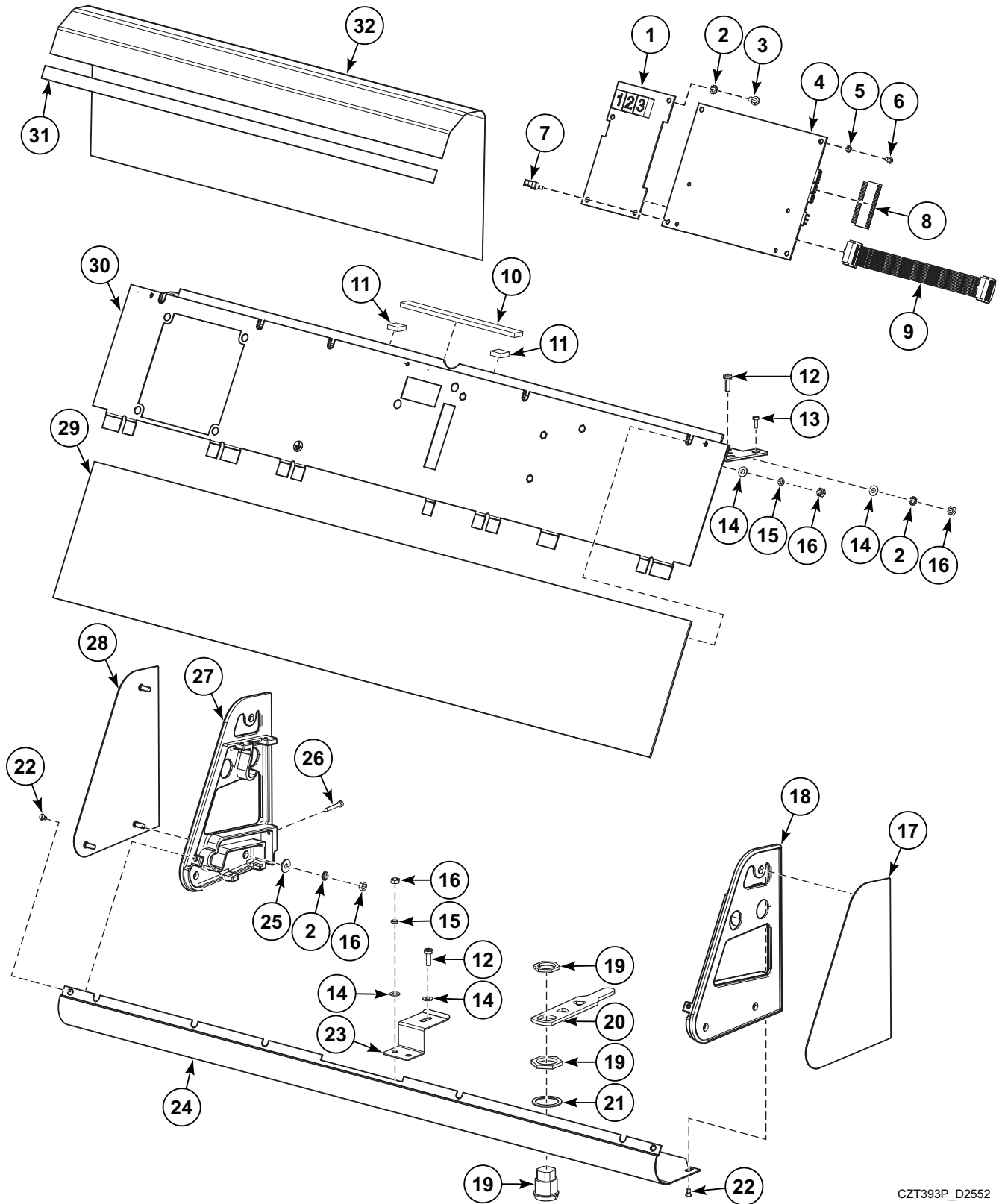
CZT205P_D2552

Control Panel - Easy Control for Central Payment System Electric Models

REF	PART NO.	DESCRIPTION	COMMENTS
1	553416	Display Board	LSX, NC, NE, NX, PC, PE, PX and TX models; Blue
	SP560706	Display Board	IC, IDR, IE and IX models; Red
2	SP311679800004	Washer	4
3	SP515075	Bolt	M4x10
4	SP102458	Control	
5	SP311679800003	Washer	M3
6	SP309798500306	Bolt	M3x6
7	SPPRI326002004	Holder	
8	SP526001	Memory	
9	SP521061	Cable	
10	SP510986	Seal	134mm
11	SP510986	Seal	12mm
12	SP555504	Bolt	M4x12
13	577761	Bolt	3x8
14	SP311125000004	Washer	M4
15	SP311127000004	Washer	4
16	SP310934000004	Nut	M4
17	SP547506	Side Sheet Metal	Right
18	570392	Side Board	Right
19	SP550149	Cover Plate	LSX, NC, NE, NX, PC, PE, PX and TX models
	SP558930	Cover Plate	IC, IDR, IE and IX models; Black
20	SP547527	Lock	
21	570250	Lock Lever	
22	SPPRI522000012	Washer	21x27x1
23	577762	Bolt	3x8
24	568660	Fix Sheet	
25	571993	Lower Lath	
26	SP311902100004	Washer	M4
27	577763	Bolt	3x20
28	570391	Side Board	Left
29	SP547507	Side Sheet Metal	Left
30	570290	Overlay	PC, PE, PX and TX models
	570291	Overlay	IC, IDR, IE, IX, LSX, NC, NE and NX models
31	570294	Control Holder	
32	SP537896	Adhesive	
33	SPPRI543000004	Cover	

Control Panel - Easy Control for Central Payment System

Model EC_HYDROS_ST12



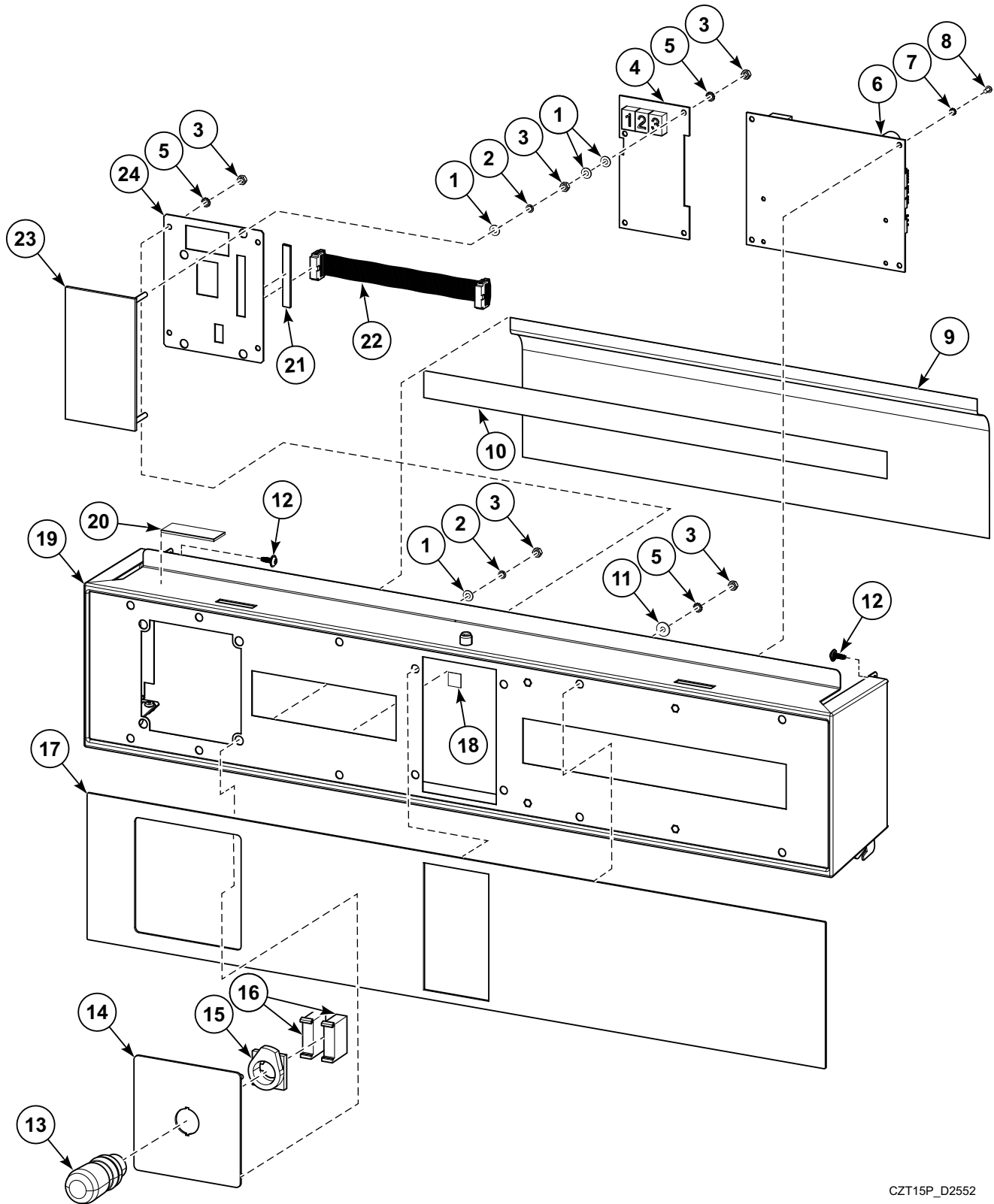
CZT393P_D2552

Control Panel - Easy Control for Central Payment System

REF	PART NO.	DESCRIPTION	COMMENTS
1	553416	Display Board	Blue
2	SP311679800004	Washer	4
3	SP309798524408	Bolt	M4x8
4	SP102458	Control	
5	SP311679800003	Washer	M3
6	SP309798500306	Bolt	M3x6
7	SPPRI326002004	Holder	
8	SP526001	Memory	
9	SP521061	Cable	
10	SP510986	Seal	134mm
11	SP510986	Seal	12mm
12	SP550482	Bolt	M4x25
13	577761	Bolt	3x8
14	SP311125000004	Washer	M4
15	SP311127000004	Washer	4
16	SP310934000004	Nut	M4
17	SP547506	Side Sheet Metal	Right
18	570392	Side Board	Right
19	SP547527	Lock	
20	570250	Lock Lever	
21	SPPRI522000012	Washer	21x27x1
22	577762	Bolt	3x8
23	568660	Fix Sheet	
24	571993	Lower Lath	
25	SP311902100004	Washer	M4
26	577763	Bolt	3x20
27	570391	Side Board	Left
28	SP547507	Side Sheet Metal	Left
29	575601	Overlay	
30	570294	Control Holder	
31	SP537896	Adhesive	
32	SPPRI543000004	Cover	

Control Panel - Easy Control for OPL Heat Pump Models

Models through Serial No. 9TX002546SB



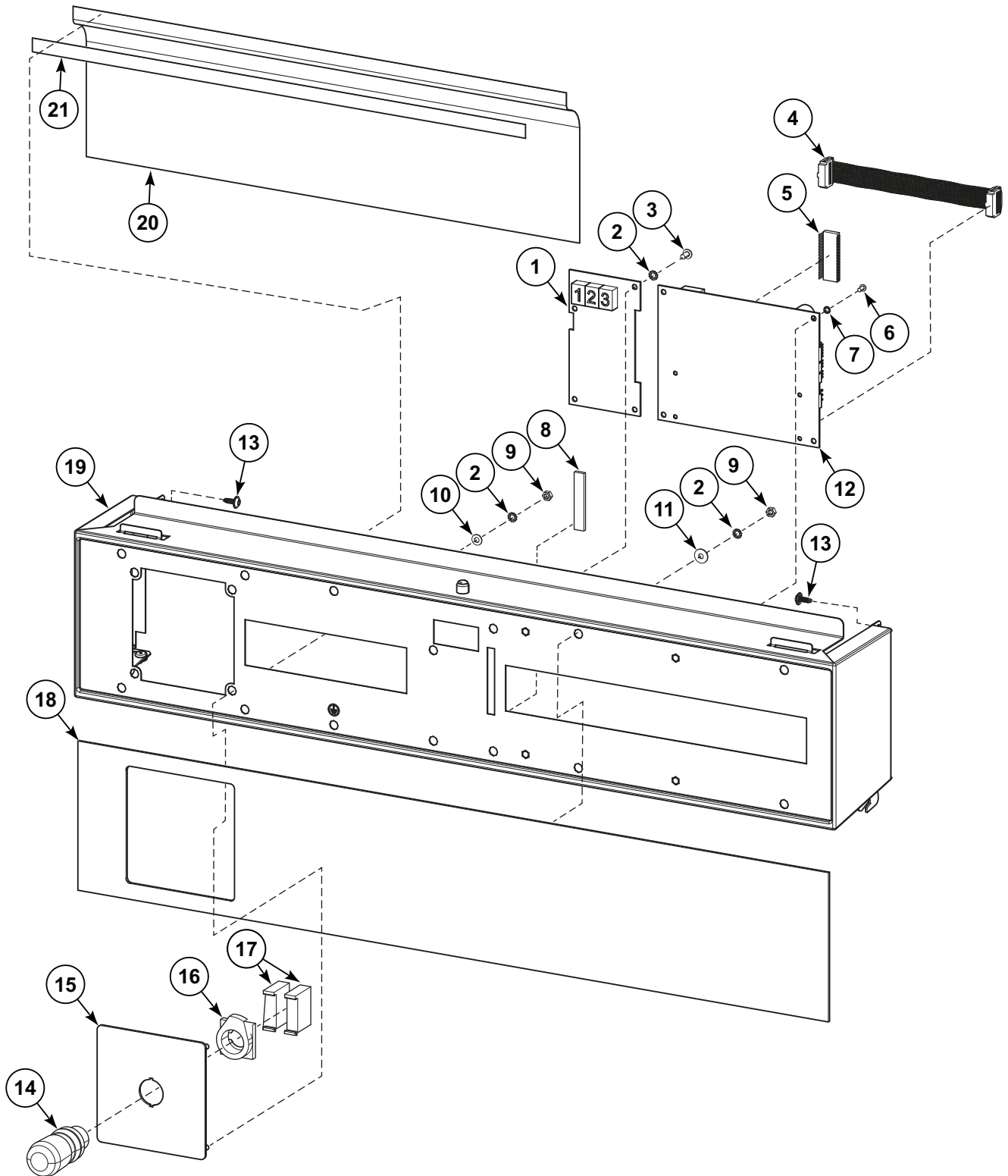
CZT15P_D2552

Control Panel - Easy Control for OPL Heat Pump Models

REF	PART NO.	DESCRIPTION	COMMENTS
1	SP311125000004	Washer	M4
2	SP311127000004	Washer	4
3	SP310934000004	Nut	M4
4	553416	Display Board	Blue
5	SP311679800004	Washer	4
6	SP102458	Control	
7	SP311679800003	Washer	M3
8	SP309798500306	Bolt	M3x6
9	SPPRI543000004	Cover	
10	SP537896	Adhesive	
11	SP311902100004	Washer	M4
12	SP529206	Screw	M4x11
13	SP528310	Emergency Stop Knob	Used with 571497 Emergency Stop Wiring
14	SP547565	Coin Meter Cover	
15	SP528311	Emergency Stop Connector	
16	SP528312	Switching Unit	
17	572863	Control Panel	
18	SPPRI551000001	Earthing Index Plate	
19	572874	Control Panel Assembly	Gray
	572883	Control Panel Assembly	Stainless
20	SPMEC001410	Self-Adhesive Pad	
21	SP284000012003	Tape	0.05m
22	SP521061	Cable	
23	SP556099	Overlay	
24	572865	Fixed Sheet	

Control Panel - Easy Control for OPL Heat Pump Models

Models starting Serial No. 9TX002547SB



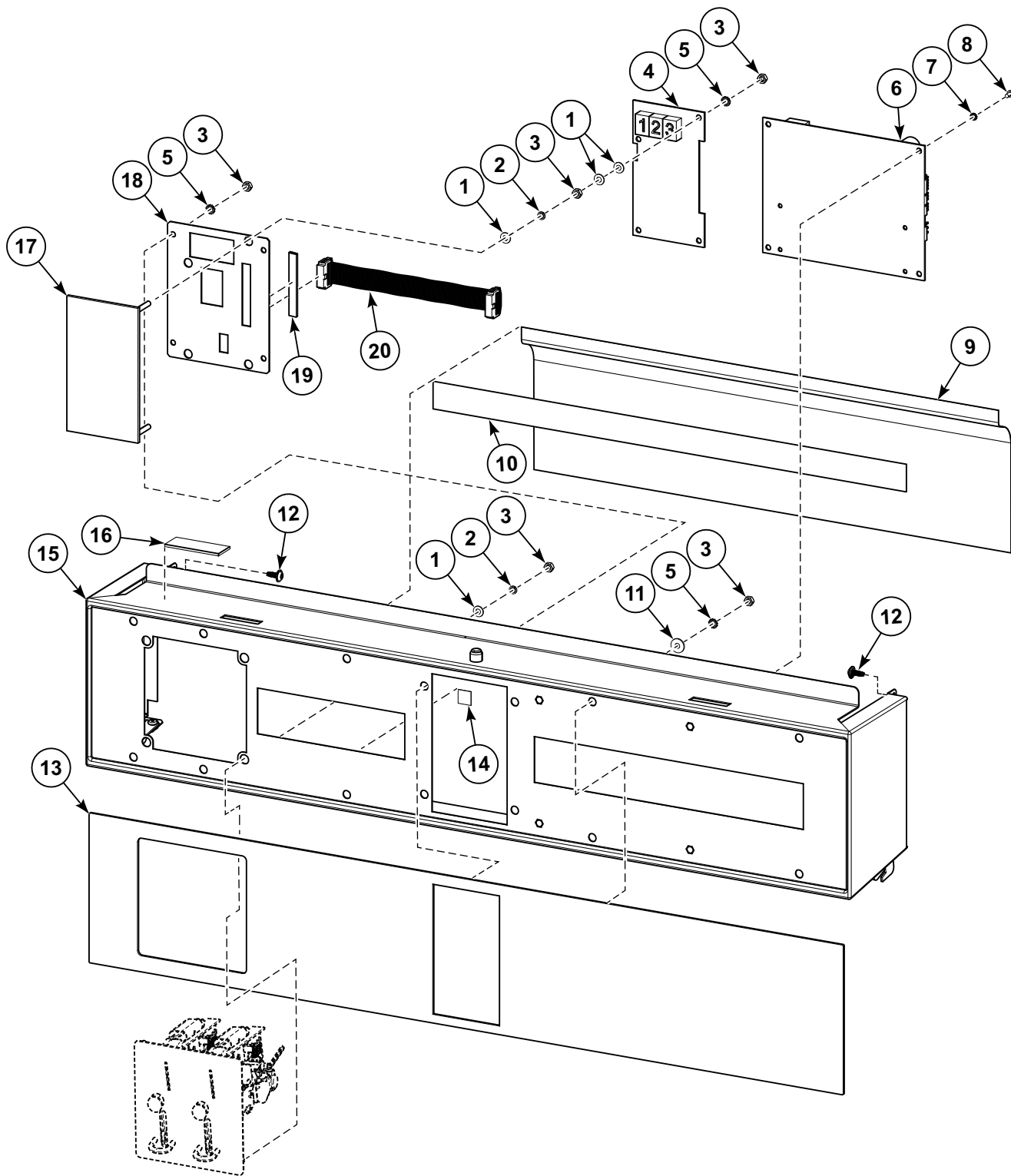
CZT213P_D2552

Control Panel - Easy Control for OPL Heat Pump Models

REF	PART NO.	DESCRIPTION	COMMENTS
1	553416	Display Board	LSX, NC, NE, NX, PC, PE, PX and TX models; Blue
	SP560706	Display Board	IC, IE, IHP and IX models; Red
2	SP311679800004	Washer	4
3	SP309798524408	Bolt	M4x8
4	SP521061	Cable	
5	SP526001	Memory	
6	SP309798500306	Bolt	M3x6
7	SP311679800003	Washer	M3
8	SP284000012003	Tape	0.05m
9	SP310934000004	Nut	M4
10	SP311125000004	Washer	M4
11	SP311902100004	Washer	M4
12	SP102458	Control	
13	SP529206	Screw	M4x11
14	SP528310	Emergency Stop Knob	Used with 571497 Emergency Stop Wiring
15	SP547565	Coin Meter Cover	LSX, NC, NE, NX, PC, PE, PX and TX models
	SP558929	Coin Meter Cover	IC, IE, IHP and IX models; Black
16	SP528311	Emergency Stop Connector	
17	SP528312	Switching Unit	
18	570290	Overlay	PC, PE, PX and TX models
	570291	Overlay	IC, IE, IHP, IX, LSX, NC, NE and NX models
19	575423	Control Panel Assembly	Gray
	576171	Control Panel Assembly	Stainless
20	SPPRI543000004	Cover	
21	SP537896	Adhesive	

Control Panel - Easy Control for Coin Meter Heat Pump Models

Models through Serial No. 9TX002546SB



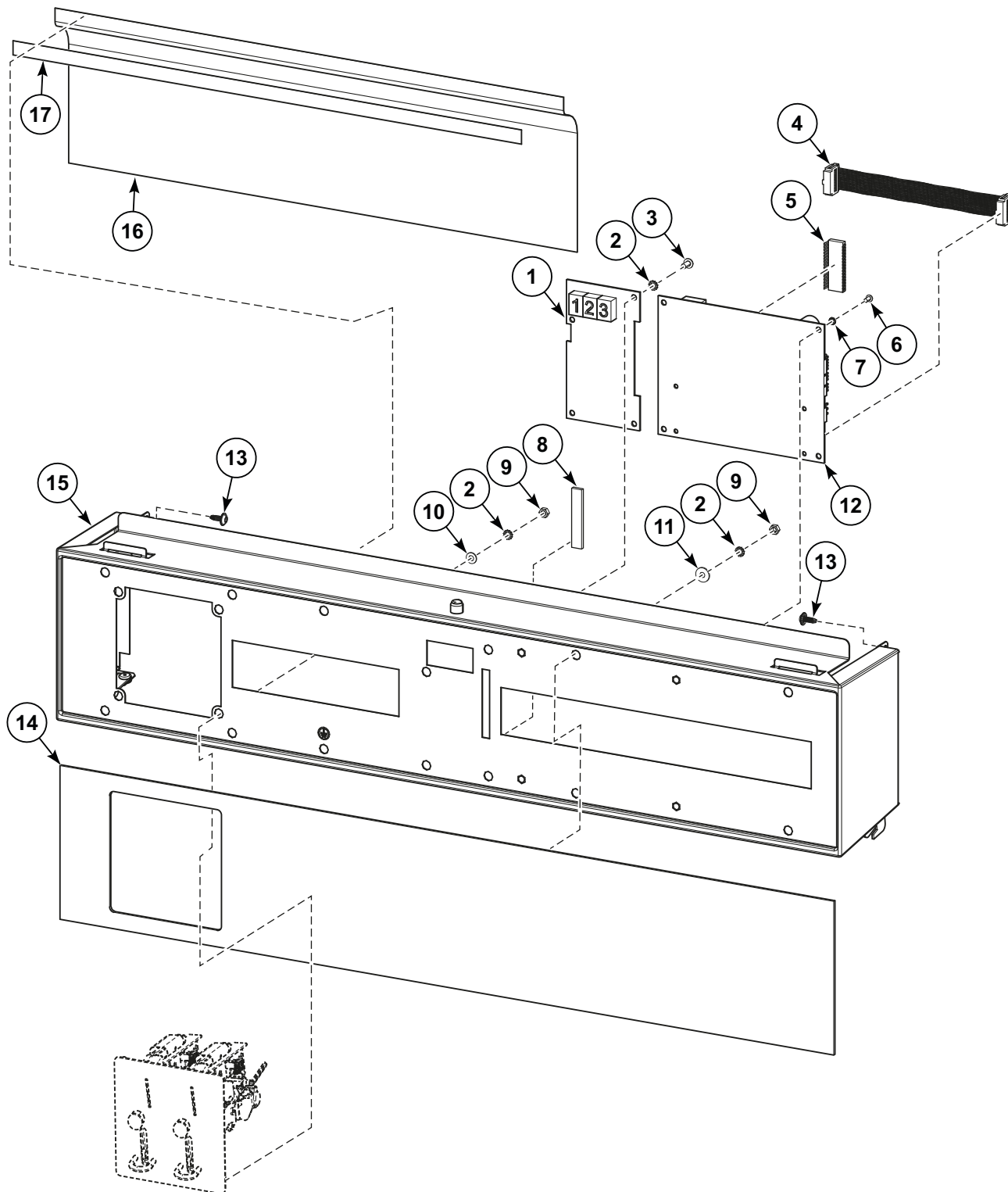
CZT17P_D2552

Control Panel - Easy Control for Coin Meter Heat Pump Models

REF	PART NO.	DESCRIPTION	COMMENTS
1	SP311125000004	Washer	M4
2	SP311127000004	Washer	4
3	SP310934000004	Nut	M4
4	553416	Display Board	Blue
5	SP311679800004	Washer	4
6	SP102458	Control	
7	SP311679800003	Washer	M3
8	SP309798500306	Bolt	M3x6
9	SPPRI543000004	Cover	
10	SP537896	Adhesive	
11	SP311902100004	Washer	M4
12	SP529206	Screw	M4x11
13	572863	Control Panel	
14	SPPRI551000001	Earthing Index Plate	
15	572874	Control Panel Assembly	Gray
	572883	Control Panel Assembly	Stainless
16	SPMEC001410	Self-Adhesive Pad	
17	SP556099	Overlay	
18	572865	Fixed Sheet	
19	SP284000012003	Tape	0.05m
20	SP521061	Cable	

Control Panel - Easy Control for Coin Meter Heat Pump Models

Models starting Serial No. 9TX002547SB



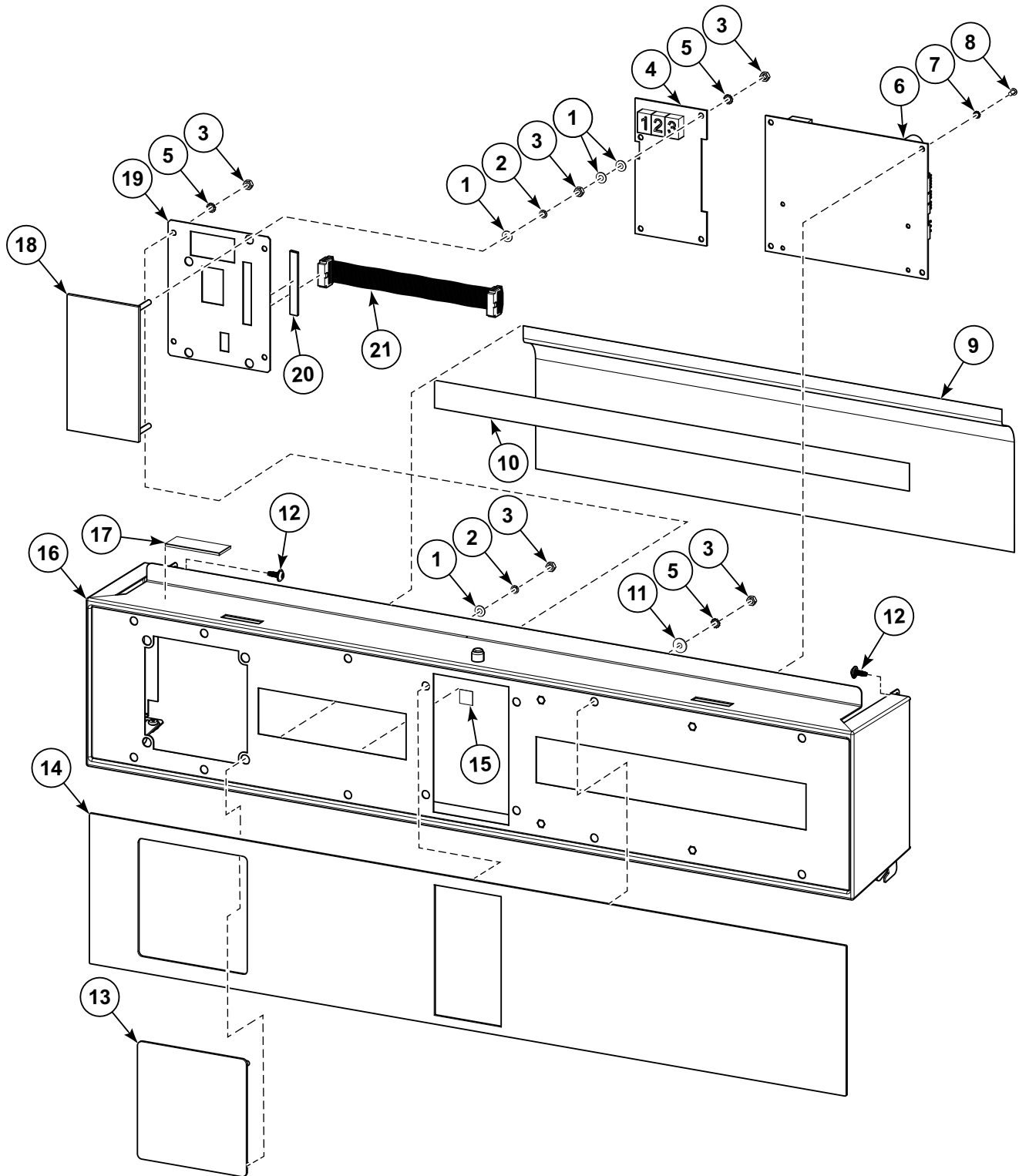
CZT214P_D2552

Control Panel - Easy Control for Coin Meter Heat Pump Models

REF	PART NO.	DESCRIPTION	COMMENTS
1	553416	Display Board	LSX, NC, NE NX, PC, PE, PX and TX models; Blue
	SP560706	Display Board	IC, IE, IHP and IX models; Red
2	SP311679800004	Washer	4
3	SP309798524408	Bolt	M4x8
4	SP521061	Cable	
5	SP526001	Memory	
6	SP309798500306	Bolt	M3x6
7	SP311679800003	Washer	M3
8	SP284000012003	Tape	0.05m
9	SP310934000004	Nut	M4
10	SP311125000004	Washer	M4
11	SP311902100004	Washer	M4
12	SP102458	Control	
13	SP529206	Screw	M4x11
14	570290	Overlay	PC, PE, PX and TX models
	570291	Overlay	IC, IE, IHP, IX, LSX, NC, NE and NX models
15	575423	Control Panel Assembly	Gray
	576171	Control Panel Assembly	Stainless
16	SPPRI543000004	Cover	
17	SP537896	Adhesive	

Control Panel - Easy Control for Central Payment System Heat Pump Models

Models through Serial No. 9TX002546SB



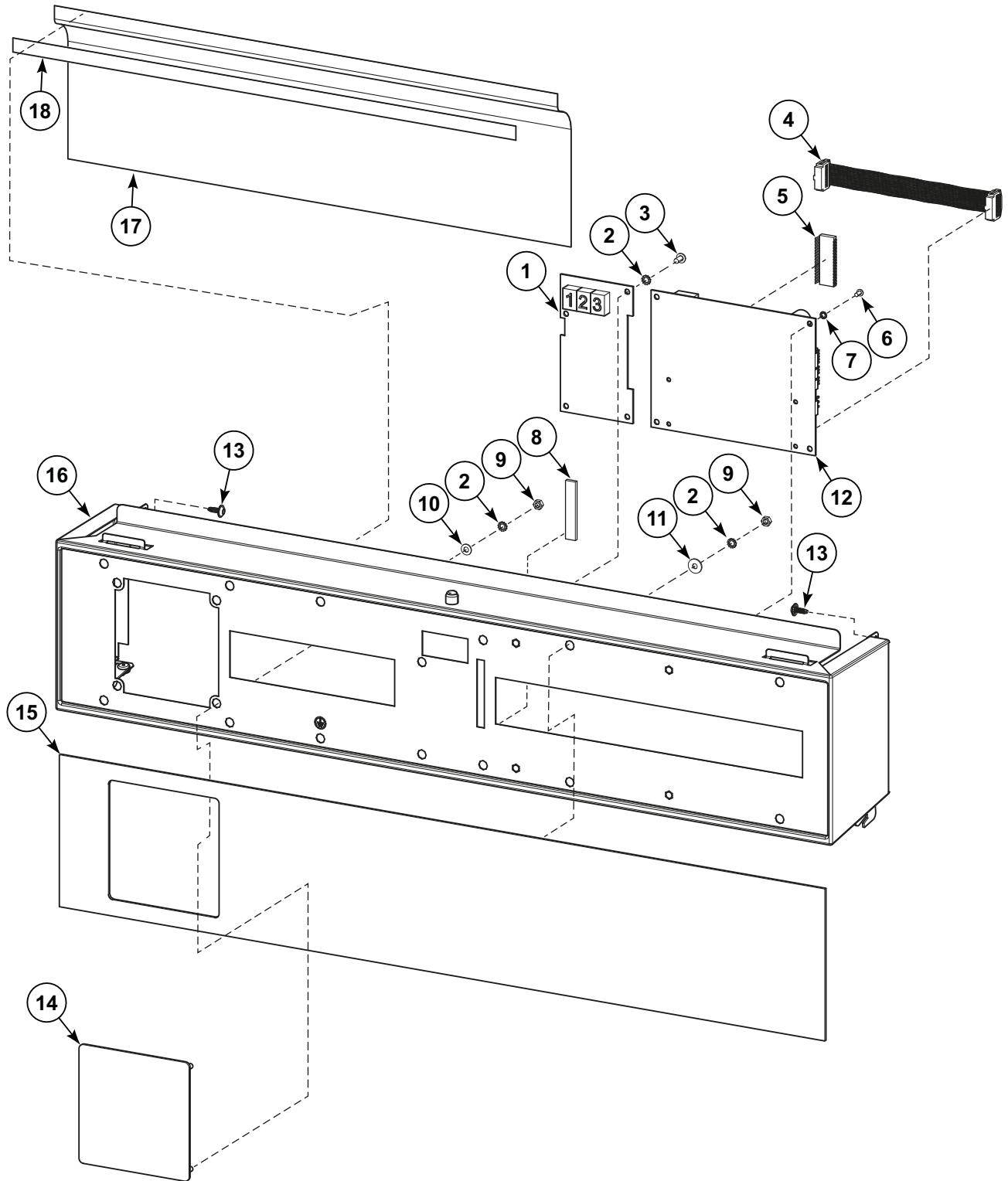
CZT16P_D2552

Control Panel - Easy Control for Central Payment System Heat Pump Models

REF	PART NO.	DESCRIPTION	COMMENTS
1	SP311125000004	Washer	M4
2	SP311127000004	Washer	4
3	SP310934000004	Nut	M4
4	553416	Display Board	Blue
5	SP311679800004	Washer	4
6	SP102458	Control	
7	SP311679800003	Washer	M3
8	SP309798500306	Bolt	M3x6
9	SPPRI543000004	Cover	
10	SP537896	Adhesive	
11	SP311902100004	Washer	M4
12	SP529206	Screw	M4x11
13	SP550149	Cover Plate	
14	572863	Control Panel	
15	SPPRI551000001	Earthing Index Plate	
16	572874	Control Panel Assembly	Gray
	572883	Control Panel Assembly	Stainless
17	SPMEC001410	Self-Adhesive Pad	
18	SP556099	Overlay	
19	572865	Fixed Sheet	
20	SP284000012003	Tape	0.05m
21	SP521061	Cable	

Control Panel - Easy Control for Central Payment System Heat Pump Models

Models starting Serial No. 9TX002547SB



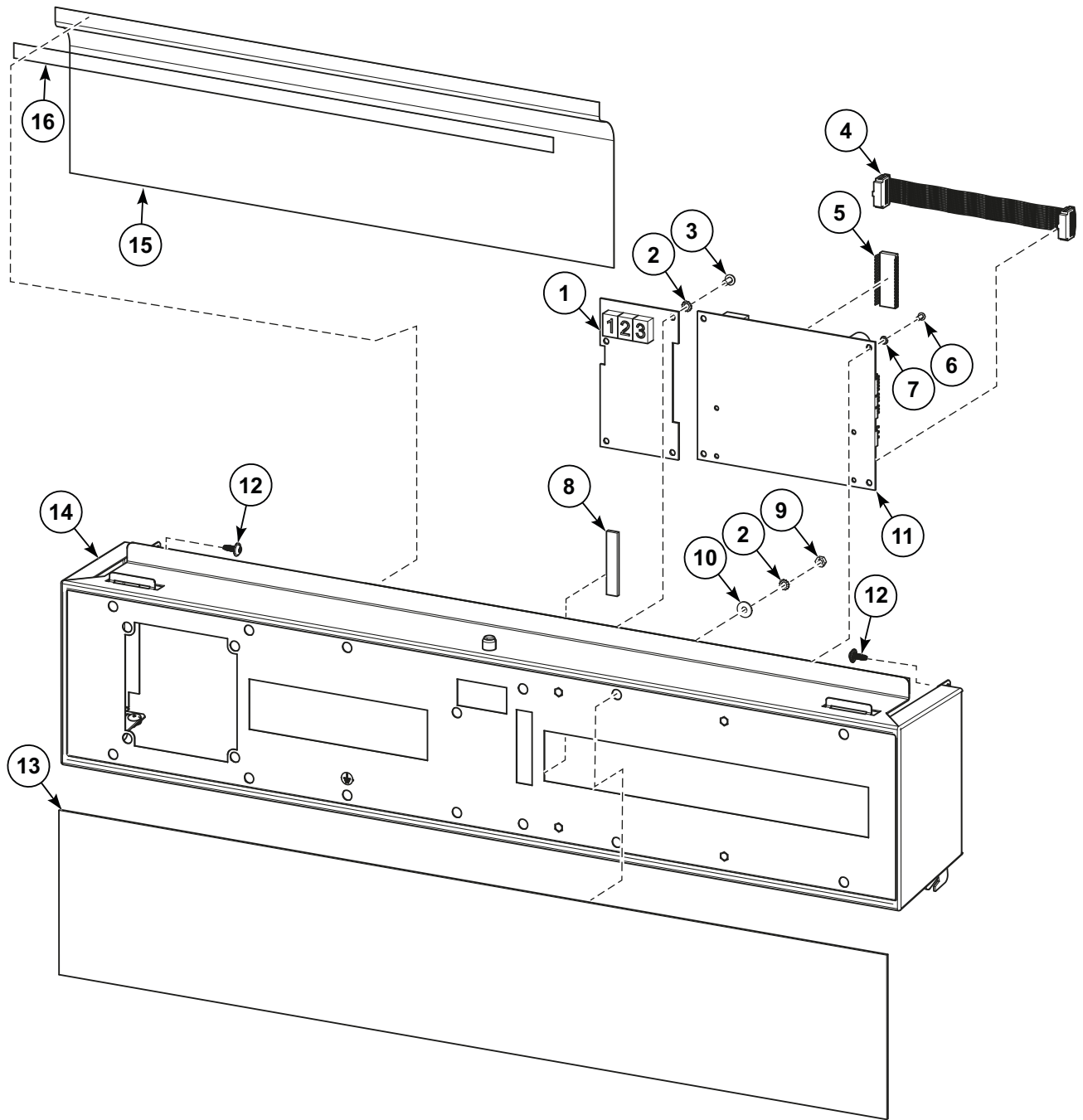
CZT215P_D2552

Control Panel - Easy Control for Central Payment System Heat Pump Models

REF	PART NO.	DESCRIPTION	COMMENTS
1	553416	Display Board	LSX, NC, NE, NX, PC, PE, PX and TX models; Blue
	SP560706	Display Board	IC, IE, IHP and IX models; Red
2	SP311679800004	Washer	4
3	SP309798524408	Bolt	M4x8
4	SP521061	Cable	
5	SP526001	Memory	
6	SP309798500306	Bolt	M3x6
7	SP311679800003	Washer	M3
8	SP284000012003	Tape	0.05m
9	SP310934000004	Nut	M4
10	SP311125000004	Washer	M4
11	SP311902100004	Washer	M4
12	SP102458	Control	
13	SP529206	Screw	M4x11
14	SP550149	Cover Plate	LSX, NC, NE, NX, PC, PE, PX and TX models
	SP558930	Cover Plate	IC, IE, IHP and IX models; Black
15	570290	Overlay	PC, PE, PX and TX models
	570291	Overlay	IC, IE, IHP, IX, LSX, NC, NE and NX models
16	575423	Control Panel Assembly	Gray
	576171	Control Panel Assembly	Stainless
17	SPPRI543000004	Cover	
18	SP537896	Adhesive	

Control Panel - Easy Control for Central Payment System

Model EC_HYDROS_ST12HP



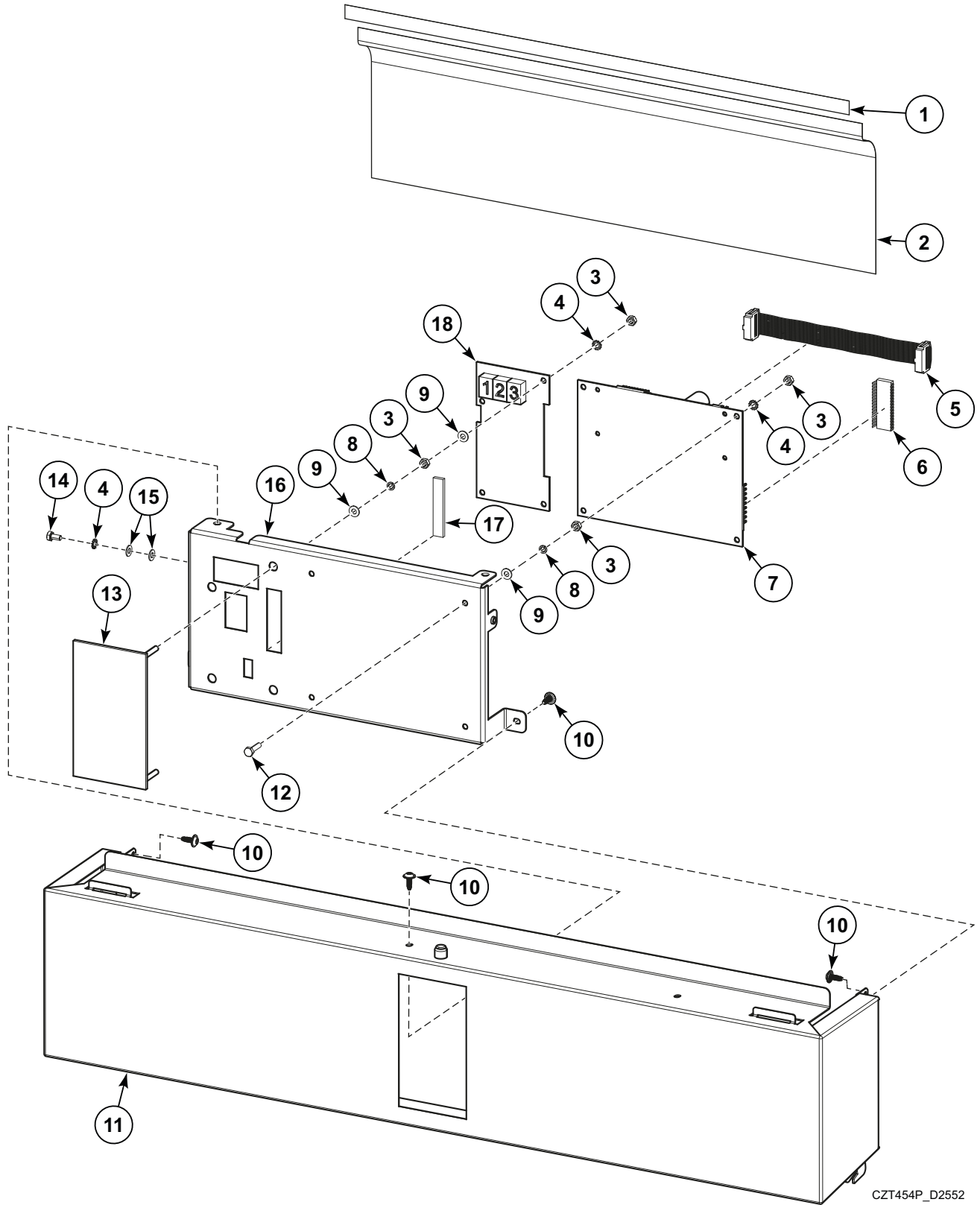
CZT394P_D2552

Control Panel - Easy Control for Central Payment System

REF	PART NO.	DESCRIPTION	COMMENTS
1	553416	Display Board	Blue
2	SP311679800004	Washer	4
3	SP309798524408	Bolt	M4x8
4	SP521061	Cable	
5	SP526001	Memory	
6	SP309798500306	Bolt	M3x6
7	SP311679800003	Washer	M3
8	SP284000012003	Tape	0.05m
9	SP310934000004	Nut	M4
10	SP311902100004	Washer	M4
11	SP529112	Control	
12	SP529206	Screw	M4x11
13	575601	Overlay	
14	575423	Control Panel Assembly	Gray
	576171	Control Panel Assembly	Stainless
15	SPPRI543000004	Cover	
16	SP537896	Adhesive	

Control Panel - Easy Control for Central Payment System

Model T10VP

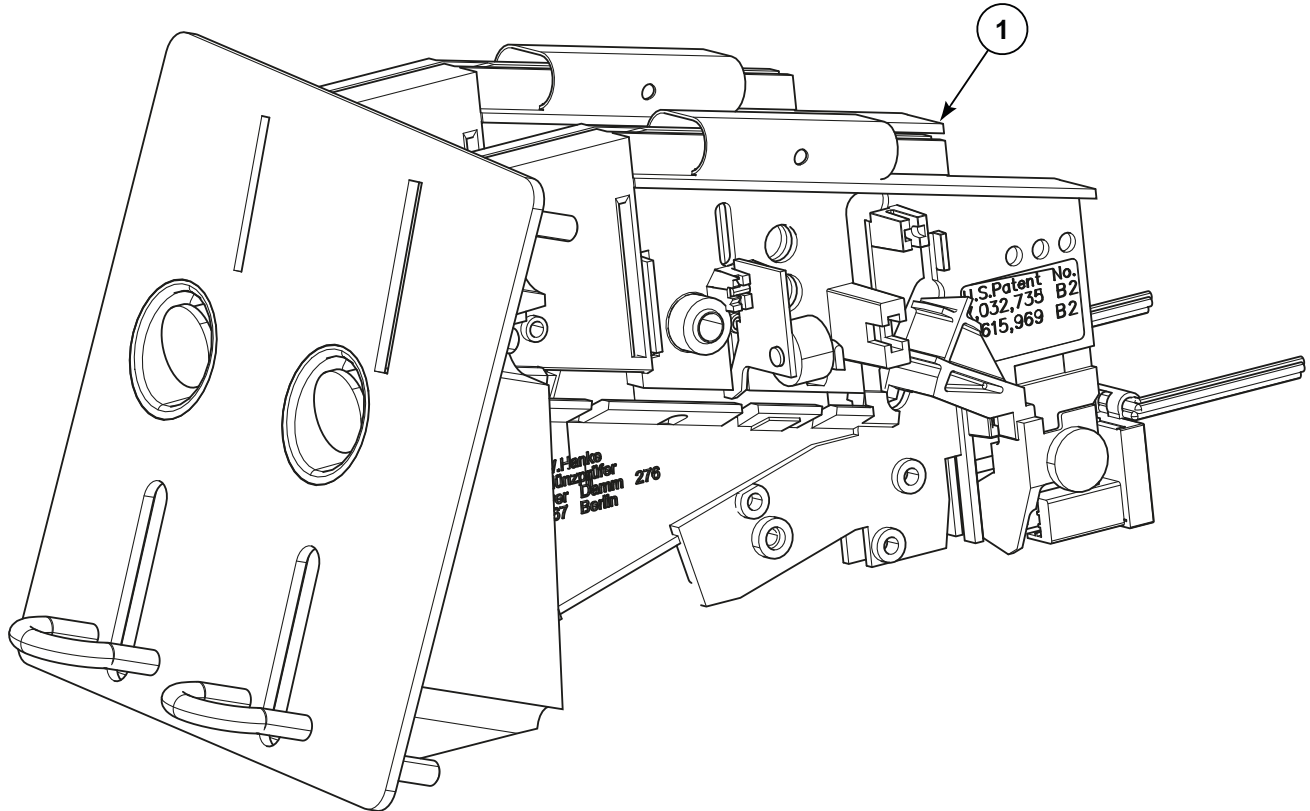


CZT454P_D2552

Control Panel - Easy Control for Central Payment System

REF	PART NO.	DESCRIPTION	COMMENTS
1	SP537896	Adhesive	
2	SPPRI543000004	Cover	
3	SP310934000004	Nut	M4
4	SP311679800004	Washer	M4
5	SP521061	Cable	
6	SP526001	Memory	
7	SP102458	Control	
8	SP311127000004	Washer	M4
9	SP311125000004	Washer	M4
10	SP529206	Screw	M4x11
11	575519	Control Panel Assembly	Black
12	SP309933000416	Bolt	M4x16
13	SP553415	Overlay	
14	SP309933240408	Bolt	M4x8
15	SP311125240004	Washer	M4
16	575518	Control Holder	
17	SP284000012003	Tape	0.05m
18	553416	Display Board	Blue

Coin Meter - Electric Models (Drawing 1 of 3)

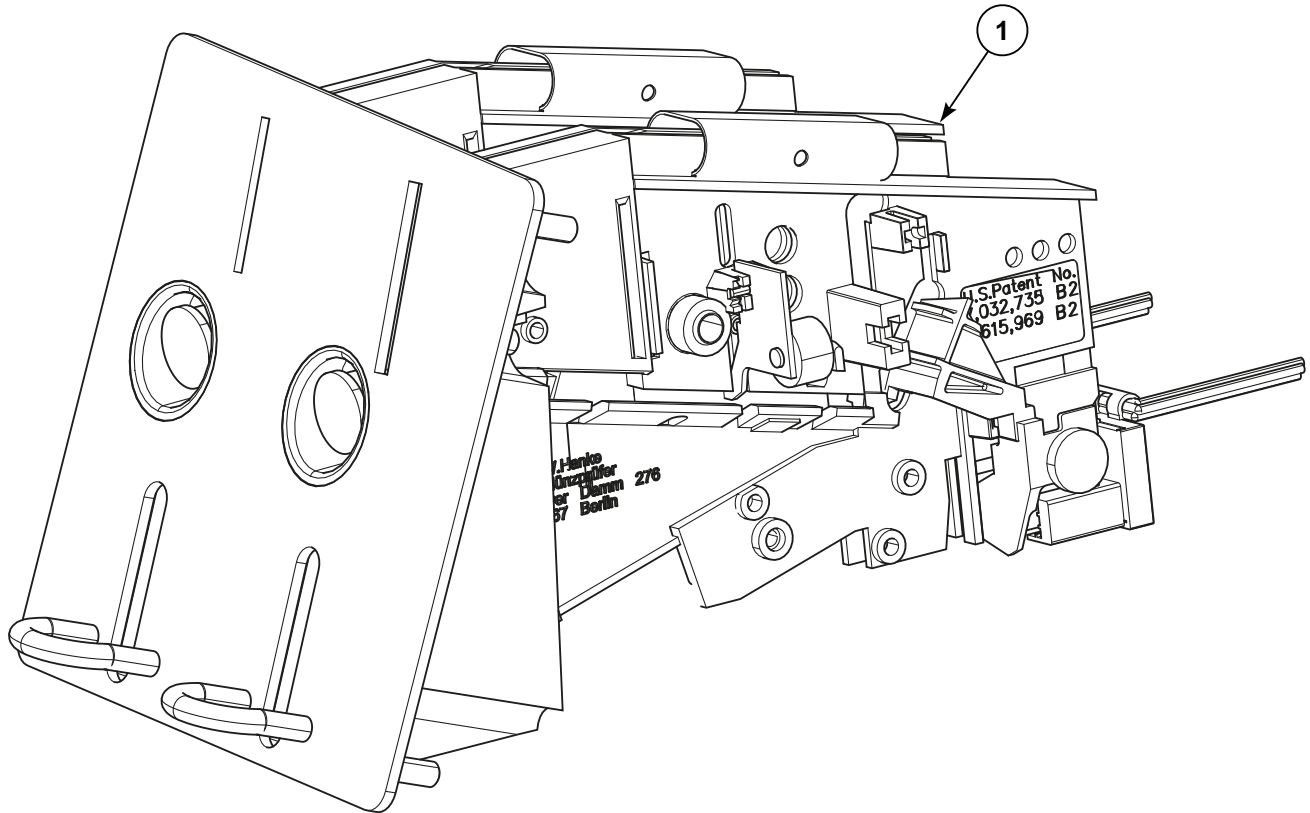


CZT185P_D2552

Coin Meter - Electric Models (Drawing 1 of 3)

REF	PART NO.	DESCRIPTION	COMMENTS
1	SP547601	Coin Meter	5K Primus jeton
	SP547602	Coin Meter	7K Primus jeton
	SP547603	Coin Meter	10K Primus jeton
	SP547604	Coin Meter	12K Primus jeton
	SP547605	Coin Meter	15K Primus jeton
	SP547606	Coin Meter	D jeton
	SP547648	Coin Meter	0.05EUR
	SP547638	Coin Meter	0.2EUR
	SP547616	Coin Meter	0.5EUR
	SP547614	Coin Meter	1EUR
	SP547647	Coin Meter	2EUR
	SP547622	Coin Meter	0.2EUR + 0.5EUR
	SP547639	Coin Meter	0.2EUR + 1EUR
	SP547617	Coin Meter	0.5EUR + 1EUR
	SP547656	Coin Meter	0.5EUR + 2EUR
	SP547631	Coin Meter	1EUR + 2EUR
	SP547652	Coin Meter	7K + D jeton
	SP547666	Coin Meter	7K jeton and 2EUR
	SP547665	Coin Meter	D jeton and 2EUR
	SP547600	Coin Meter	1AUD + 20C
	SP547607	Coin Meter	1POND + 20PC
	SP547608	Coin Meter	1POND + 50PC
	SP547609	Coin Meter	100YEN
	SP547610	Coin Meter	500JPY + 100JPY
	SP547611	Coin Meter	5DKK
	SP547612	Coin Meter	20DKK
	SP547613	Coin Meter	5ILS + 1ILS
	SP547615	Coin Meter	1MYR
	SP547618	Coin Meter	1DKK + 5DKK
	SP547619	Coin Meter	10NOK + 20NOK
	SP547620	Coin Meter	2DKK + 5DKK
	SP547621	Coin Meter	5NOK
	SP547623	Coin Meter	1NZD + 2NZD
	SP547624	Coin Meter	10 NOK
	SP547625	Coin Meter	10NT + 50NT
	SP547626	Coin Meter	2DKK
	SP547627	Coin Meter	Lucky Winner jeton
	SP547628	Coin Meter	10TWD
	SP547629	Coin Meter	10CZK + 20CZK
	SP547630	Coin Meter	7K Equipos Par Lavar jeton
	569921	Coin Meter	0.2GBP, 0.5GBP, 1GBP, 2GBP, 0.1EUR, 0.2EUR,0.5EUR, 1EUR, 2EUR, Electronic EMPv7
	SP547634	Coin Meter	500WON
	SP547635	Coin Meter	0.25USD
	SP547636	Coin Meter	1AUD + 2AUD
	SP547637	Coin Meter	5DK + 10DK
	SP547640	Coin Meter	Sun Wash jeton

Coin Meter - Electric Models (Drawing 2 of 3)



CZT185P_D2552

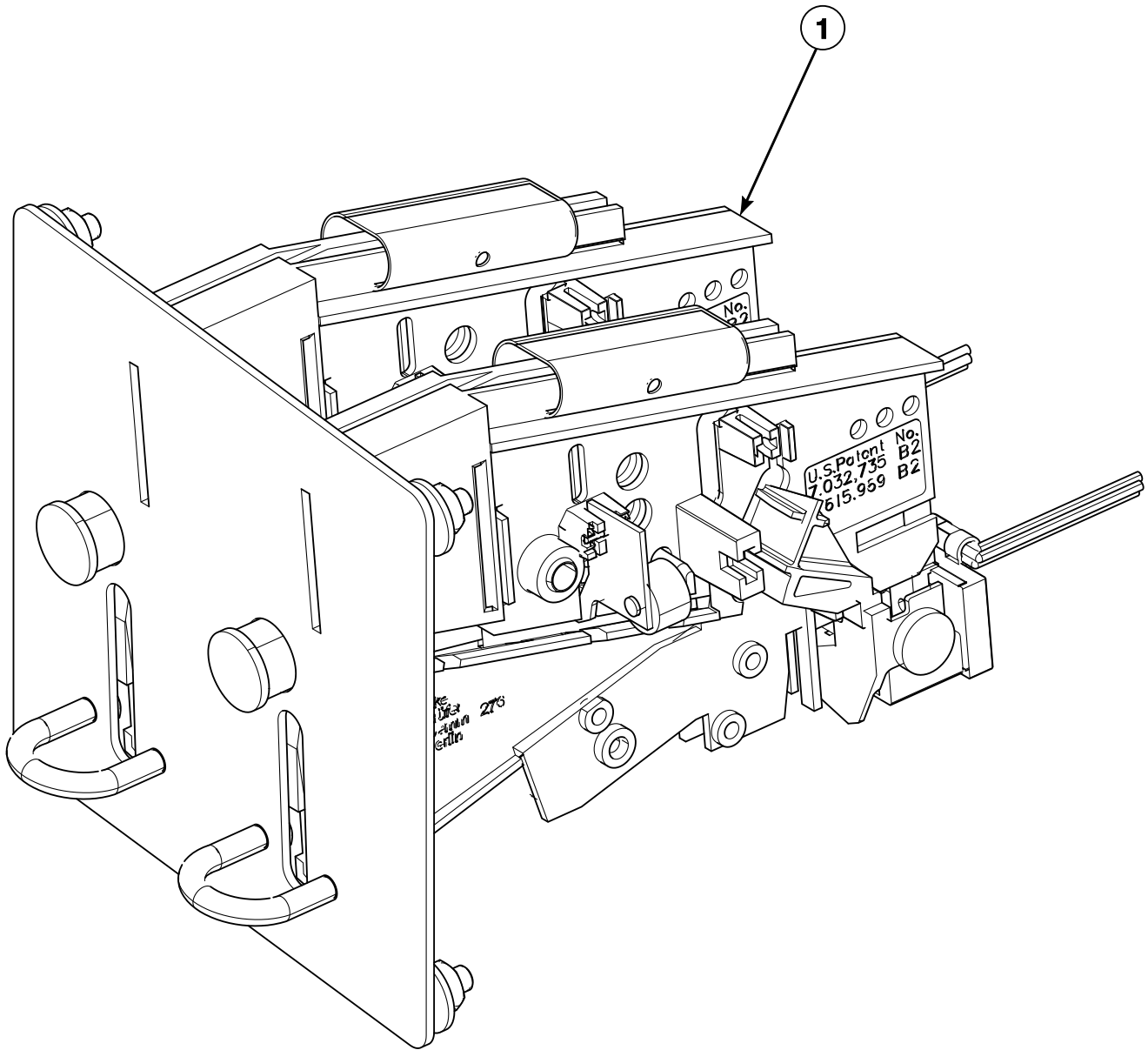
Coin Meter - Electric Models (Drawing 2 of 3)

REF	PART NO.	DESCRIPTION	COMMENTS
1	SP547641	Coin Meter	2DK + 10DK
	SP547642	Coin Meter	1AUD
	SP547643	Coin Meter	1CHF
	SP547644	Coin Meter	5NOK + 10NOK
	SP547645	Coin Meter	1 TopMos jeton + 1LEV jeton
	SP547646	Coin Meter	1 Vendo jeton
	SP547649	Coin Meter	1 jeton
	569951	Coin Meter	0.5MAD, 1MAD, 2MAD, 5MAD, 10MAD; Electronic EMPv7
	SP547651	Coin Meter	20 penny
	SP547653	Coin Meter	1 Wascator jeton, jeton diameter 22.2 mm
	SP547654	Coin Meter	1 Unibel jeton, jeton diameter 18.55 mm
	SP547657	Coin Meter	50HUF + 100HUF
	SP547658	Coin Meter	1 jeton without coining, jeton diameter 20 mm
	SP547659	Coin Meter	1 Volund jeton, jeton diameter 22.5 mm
	SP547660	Coin Meter	1 Wascator jeton, jeton diameter 19 mm
	SP547661	Coin Meter	1 Miele jeton
	SP547662	Coin Meter	1 jeton without coining, jeton diameter 26 mm
	SP547663	Coin Meter	Three-groove jeton; jeton diameter 27 mm
	SP547664	Coin Meter	Three-groove jeton; jeton diameter 24.9 mm
	SP537996	Coin Meter	Top-Mosr jeton
	SP547667	Coin Meter	Milano Italy jeton
	SP547668	Coin Meter	5PLN + 1PLN
	SP547669	Coin Meter	Two-grooves jeton; jeton diameter 27 mm
	SP547670	Coin Meter	A.S.A.R.D. jeton, jeton diameter 25.8 mm
	SP547671	Coin Meter	20CZK
	SP547672	Coin Meter	Jeton ASARD, jeton diameter 22.3 mm
	SP547673	Coin Meter	Jeton Laundromatic Belgium, jeton diameter 22.3 mm
	SP547674	Coin Meter	1SGD
	SP547675	Coin Meter	Jeton Asard Wascator, jeton diameter 19.9
	SP555502	Coin Meter	Easy Games jeton
	SP555543	Coin Meter	Brev.C jeton
	SP555546	Coin Meter	50 Malaysian cent
	SP555549	Coin Meter	Flat Polis jeton
	SP555550	Coin Meter	Butzi Wash jeton
	SP555578	Coin Meter	1 New Singapore Dollar
	SP555558	Coin Meter	Copper without grooves jeton
	569939	Coin Meter	0.1SGD, 0.2SGD, 0.5SGD, 1SGD; Electronic EMPv7
	SP555666	Coin Meter	2x50 Malaysian cent
	569933	Coin Meter	0.1EUR, 0.2EUR, 0.5EUR, 1EUR, 2EUR; Electronic EMPv7
	SP555559	Coin Meter	Speedy Matic jeton
	SP555579	Coin Meter	Was-Salon Lavoir jeton
	569948	Coin Meter	5CZK, 10CZK, 20CZK, 50CZK; Electronic EMPv7
	SP560744	Coin Meter	Electronic for Dobi Ekspress jeton
	569964	Coin Meter	0.2GBP, 0.5GBP, 1GBP, 2GBP, 0.1EUR, 0.2EUR, 0.5EUR, 1EUR, 2EUR, jeton "KWL Aqua", jeton "Gettone"; Electronic EMPv7
	SP560089	Coin Meter	STD 118-1 jeton

Coin Meter - Electric Models (Drawing 3 of 3)

REF	PART NO.	DESCRIPTION	COMMENTS
1	SP560082	Coin Meter	5k IPSO jeton
	SP560083	Coin Meter	7k IPSO jeton
	SP560084	Coin Meter	10k IPSO jeton
	SP560085	Coin Meter	12k IPSO jeton
	SP560086	Coin Meter	15k IPSO jeton
	561378	Coin Meter	10 Moroccan Dirham
	569918	Coin Meter	0.25USD, 1USD, 0.25CAD, 1CAD, 2CAD; Electronic EMPv7
	560073	Coin Meter	0.25 USD/1 USD
	569930	Coin Meter	1CNY, 0.1MYR, 0.2MYR, 0.5MYR; Electronic EMPv7
	569927	Coin Meter	0.2AUD, 1AUD, 2AUD, 0.2NZD, 1NZD, 2NZD, 5HKD, 10HKD, 500KRW; Electronic EMPv7
	561496	Coin Meter	Jeton Grupo Azkoyen CDS Automaten
	569936	Coin Meter	1PHP, 5PHP, 10PHP; Electronic EMPv7
	569942	Coin Meter	0.1MYR, 0.2MYR, 0.5MYR, 0.5SGD, 1SGD; Electronic EMPv7
	569945	Coin Meter	1HRK, 2HRK, 5HRK; Electronic EMPv7
	569924	Coin Meter	1DKK, 2DKK, 5DKK, 10DKK, 20DKK, 1NOK, 5NOK, 10NOK, 20NOK, 0.2EUR, 0.5EUR, 1EUR, 2EUR; Electronic EMPv7
	SP564484	Coin Meter	Jeton 118-5
	SP564486	Coin Meter	Jeton Barisart (LDL)
	569961	Coin Meter	0.1EUR, 0.2EUR, 0.5EUR, 1EUR, 2EUR, jeton IPSO 5K; Electronic EMPv7
	564489	Coin Meter	Jeton Sporong
	569970	Coin Meter	0.5MYR, jeton "DOBI PAPA"; Electronic EMPv7
	553150	Coin Meter	Jeton with hole
	553151	Coin Meter	Jeton Deton Wash
	569901	Coin Meter	Brass jeton
	569912	Coin Meter	Jeton Wassalon lavoir
	569954	Coin Meter	1PLN, 2PLN, 5PLN, 0.1EUR, 0.2EUR, 0.5EUR, 1EUR, 2EUR, 10ISK, 50ISK, 100ISK; Electronic EMPv7
	569967	Coin Meter	0.1EUR, 0.2EUR, 0.5EUR, 1EUR, 2EUR, jeton G-FIS "LAVOIR BIANCA"; Electronic EMPv7
	569973	Coin Meter	1AUD, 2AUD, jeton "No Cash Value"; Electronic EMPv7
	569979	Coin Meter	0.5MYR, jeton "BUBBLELAB"; Electronic EMPv7
	569987	Coin Meter	Jeton HAUCK 2018
	572358	Coin Meter	1THB, 2THB, 5THB, 10THB; 1TK, 2TK Jeton; Electronic EMPv7
	572383	Coin Meter	I, N and P models; 0.2CHF, 0.5CHF, 1CHF, 2CHF; TK1, TK2; Electronic EMPv7
	572391	Coin Meter	I, N and P models; 0.25CAD
	579808	Coin Meter	1AED; TK1, TK2 Jeton; Electronic EMPv7
	579819	Coin Meter	2PLN+5 PLN

Coin Meter - Heat Pump Models (Drawing 1 of 3)

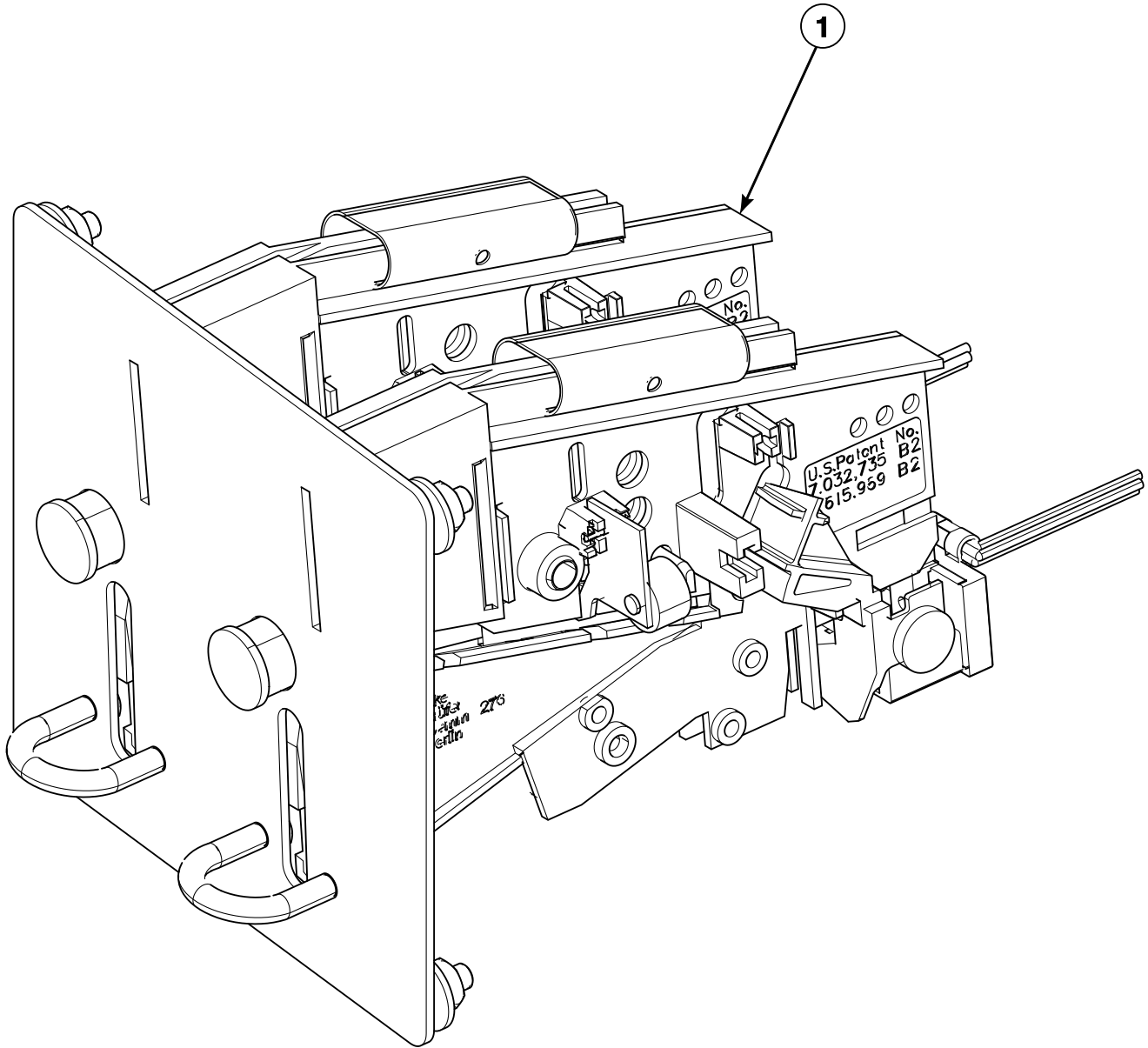


CZW233P_D2552

Coin Meter - Heat Pump Models (Drawing 1 of 3)

REF	PART NO.	DESCRIPTION	COMMENTS
1	569922	Coin Meter	0.2GBP, 0.5GBP, 1GBP, 2GBP, 0.1GBP, 0.1EUR, 0.2EUR, 0.5EUR, 1EUR, 2EUR, Electronic EMPv7
	SP558958	Coin Meter	0.25USD
	SP558959	Coin Meter	0.5EUR and 1EUR
	SP560310	Coin Meter	1EUR
	SP560311	Coin Meter	0.5EUR
	SP560312	Coin Meter	1EUR and 2EUR
	SP559933	Coin Meter	5K Primus jeton
	SP559934	Coin Meter	10K Primus jeton
	569965	Coin Meter	0.2GBP, 0.5GBP, 1GBP, 2GBP, 0.1EUR, 0.2EUR, 0.5EUR, 1EUR, 2EUR, jeton "KWL Aqua", jeton "Gettone"; Electronic EMPv7
	SP559938	Coin Meter	STD 118-1 jeton
	SP560309	Coin Meter	7K Primus jeton
	SP560405	Coin Meter	12K Primus jeton
	SP560406	Coin Meter	15K Primus jeton
	SP560407	Coin Meter	2EUR
	SP560408	Coin Meter	0.2EUR and 0.5EUR
	SP560409	Coin Meter	0.2EUR
	SP560410	Coin Meter	1EUR and 0.2EUR
	SP560411	Coin Meter	2EUR and 0.5EUR
	SP560412	Coin Meter	1AUD and 0.2AUD
	SP560413	Coin Meter	1GBP and 20PC
	SP560414	Coin Meter	10GBP and 50PC
	SP560415	Coin Meter	100JPY
	SP560416	Coin Meter	500JPY and 100JPY
	SP560417	Coin Meter	1AUD and 2AUD
	SP560418	Coin Meter	1AUD
	SP560419	Coin Meter	20PC
	SP560420	Coin Meter	50 Malaysian cent
	SP560421	Coin Meter	1SGD; New Singaporean dollar
	SP560422	Coin Meter	2MYR and 0.5MYR
	SP560423	Coin Meter	1SGD
	SP560424	Coin Meter	1NZD and 2NZD
	SP560425	Coin Meter	Easy Games jeton
	SP560426	Coin Meter	Flat Polis jeton
	SP560427	Coin Meter	Butzi Wash jeton
	SP560428	Coin Meter	Speedy Matic jeton
	SP560429	Coin Meter	Laundromatic Belgium jeton; Diameter 22.3mm
	569940	Coin Meter	0.1SGD, 0.2SGD, 0.5SGD, 1SGD; Electronic EMPv7
	569934	Coin Meter	0.1EUR, 0.2EUR, 0.5EUR, 1EUR, 2EUR; Electronic EMPv7
	SP560432	Coin Meter	500WON
	SP560745	Coin Meter	Dobi ekspres jeton
	SP560751	Coin Meter	Lucky winner jeton
	SP559969	Coin Meter	Gettone jeton
	SP559949	Coin Meter	10 Taiwan dollar
	SP560090	Coin Meter	5k IPSO jeton
	SP560091	Coin Meter	7k IPSO jeton
	SP560092	Coin Meter	10k IPSO jeton
	SP560093	Coin Meter	12k IPSO jeton
	SP560094	Coin Meter	15k IPSO jeton
	SP560100	Coin Meter	Electrolux Asard jeton

Coin Meter - Heat Pump Models (Drawing 2 of 3)

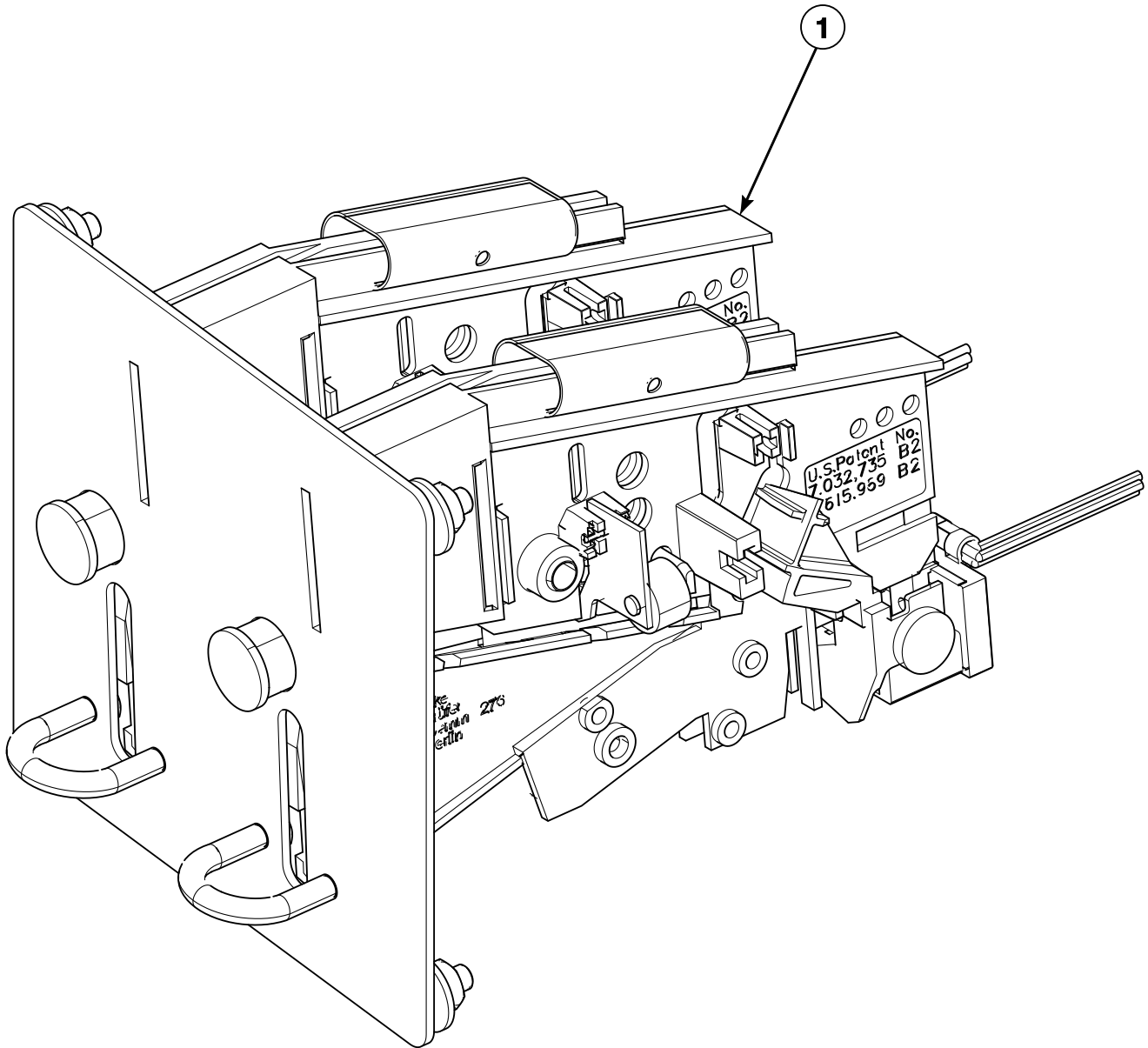


CZW233P_D2552

Coin Meter - Heat Pump Models (Drawing 2 of 3)

REF	PART NO.	DESCRIPTION	COMMENTS
1	SP560075	Coin Meter	5+1 Shekel
	SP560071	Coin Meter	1HKD
	569968	Coin Meter	0.1EUR, 0.2EUR, 0.5EUR, 1EUR, 2EUR / jeton G-Fis Lavoir Bianca 20x1.8; Electronic EMPv7
	569946	Coin Meter	1HRK, 2HRK, 5HRK; Electronic EMPv7
	569974	Coin Meter	1AUD, 2AUD / jeton No Cash Value 28.6x1.58; Electronic EMPv7
	561497	Coin Meter	Jeton Prinz Firbitex
	563405	Coin Meter	Token Ldl Chamberland Washing Machine
	569943	Coin Meter	0.1MYR, 0.2MYR, 0.5MYR, 0.5SGD, 1SGD; Electronic EMPv7
	569925	Coin Meter	1DKK, 2DKK, 5DKK, 10DKK, 20DKK, 1NOK, 5NOK, 10NOK, 20NOK, 0.2EUR, 0.5EUR, 1EUR, 2EUR; Electronic EMPv7
	564485	Coin Meter	Token 118-5
	564487	Coin Meter	Token Barisart (Ldl)
	569971	Coin Meter	0.5MYR, jeton "DOBI PAPA"; Electronic EMPv7
	553156	Coin Meter	Token Rotondi
	569905	Coin Meter	Brass jeton
	569911	Coin Meter	0.5CHF, 2CHF
	569919	Coin Meter	0.25USD, 1USD, 0.25CAD, 1CAD, 2CAD; Electronic EMPv7
	569928	Coin Meter	0.2AUD, 1AUD, 2AUD, 0.2NZD, 1NZD, 2NZD, 5HKD, 10HKD, 500KRW; Electronic EMPv7
	569931	Coin Meter	1CNY, 0.1MYR, 0.2MYR, 0.5MYR; Electronic EMPv7
	569937	Coin Meter	1PHP, 5PHP, 10PHP; Electronic EMPv7
	569949	Coin Meter	5CZK, 10CZK, 20CZK, 50CZK; Electronic EMPv7
	569952	Coin Meter	0.5MAD, 1MAD, 2MAD, 5MAD, 10MAD; Electronic EMPv7
	569955	Coin Meter	1PLN, 2PLN, 5PLN, 0.1EUR, 0.2EUR, 0.5EUR, 1EUR, 2EUR, 10ISK, 50ISK, 100ISK; Electronic EMPv7
	569962	Coin Meter	0.1EUR, 0.2EUR, 0.5EUR, 1EUR, 2EUR, jeton IPSO 5K; Electronic EMPv7
	569980	Coin Meter	0.5MYR, jeton "BUBBLELAB"; Electronic EMPv7
	569988	Coin Meter	Jeton HAUCK 2018
	569993	Coin Meter	Jeton 08 MS
569995	Coin Meter	Jeton D	

Coin Meter - Heat Pump Models (Drawing 3 of 3)

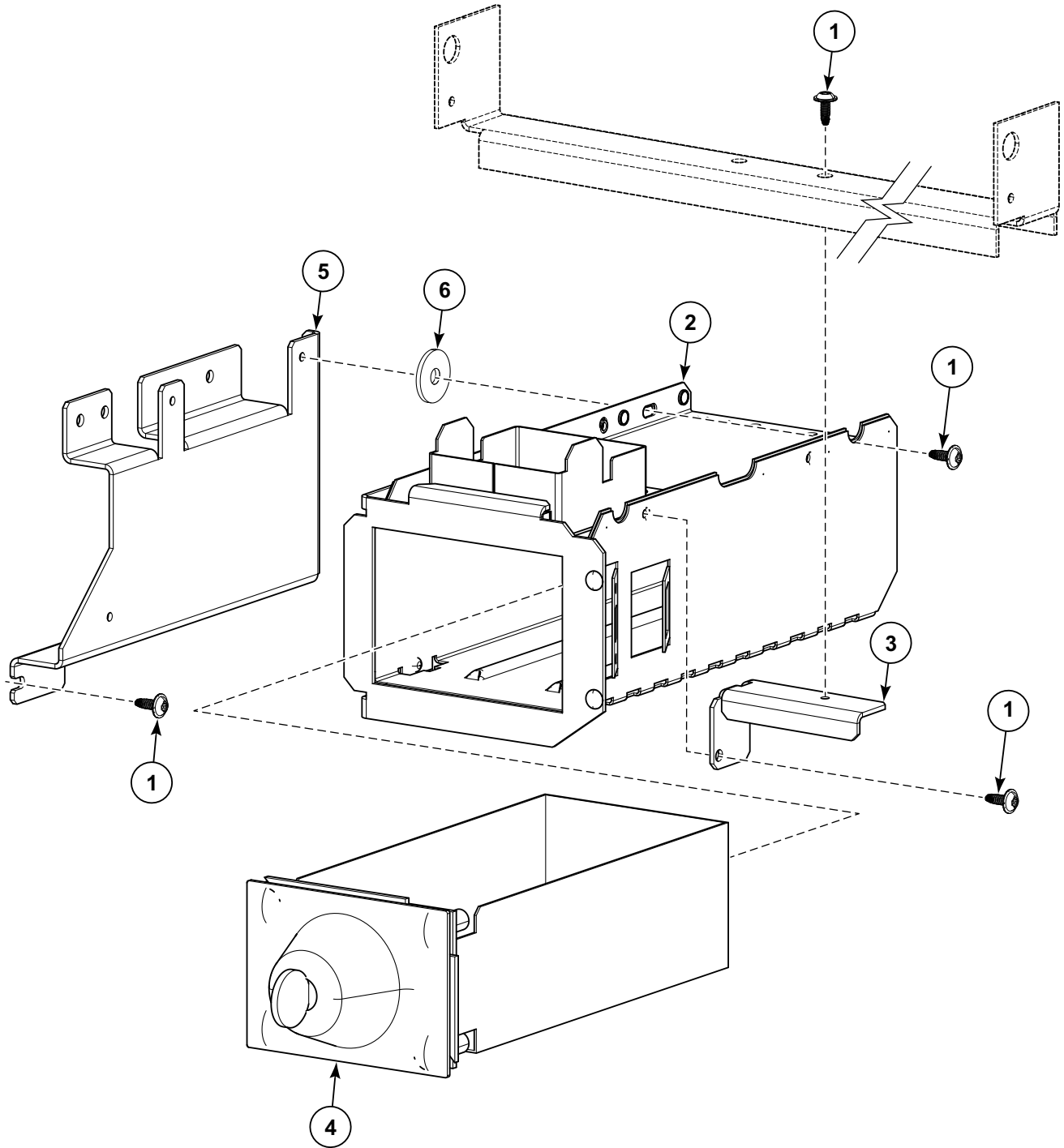


CZW233P_D2552

Coin Meter - Heat Pump Models (Drawing 3 of 3)

REF	PART NO.	DESCRIPTION	COMMENTS
1	569999	Coin Meter	10+50 TWD
	570000	Coin Meter	100+500 ISK
	572302	Coin Meter	Token 118-16
	572305	Coin Meter	1ILS, 2ILS, 5ILS, 10ILS; Electronic EMPv7
	572308	Coin Meter	1ZAR, 2ZAR, 5ZAR; Electronic EMPv7
	572311	Coin Meter	5RUB, 10RUB; Electronic EMPv7
	572314	Coin Meter	50CLP, 100CLP, 500CLP; Electronic EMPv7
	572318	Coin Meter	100JPY, 500JPY, 10TWD, 50TWD; Electronic EMPv7
	572321	Coin Meter	0.5GEL, 1GEL, 2GEL; Electronic EMPv7
	572324	Coin Meter	0.2EUR, 0.5EUR, 1EUR, 2EUR, Jeton 7K; Electronic EMPv7
	572327	Coin Meter	20HUF, 50HUF, 100HUF, 200HUF; Electronic EMPv7
	572343	Coin Meter	Token WH121
	569988	Coin Meter	Token WH121
	572355	Coin Meter	Token Nr. 1699360
	572359	Coin Meter	1THB, 2THB, 5THB, 10THB; 1TK, 2TK Jeton; Electronic EMPv7
	572384	Coin Meter	I, N and P models; 0.2CHF, 0.5CHF, 1CHF, 2CHF; TK1, Tk2; Electronic EMPv7
	572389	Coin Meter	I, N and P models; 0.25CAD
	575276	Coin Meter	0.25USD + 1USD
	575277	Coin Meter	0.25CAD + 1CAD
	579809	Coin Meter	1AED; TK1, TK2; Electronic EMPv7
579818	Coin Meter	2PLN + 5PLN	

Coin Meter Box



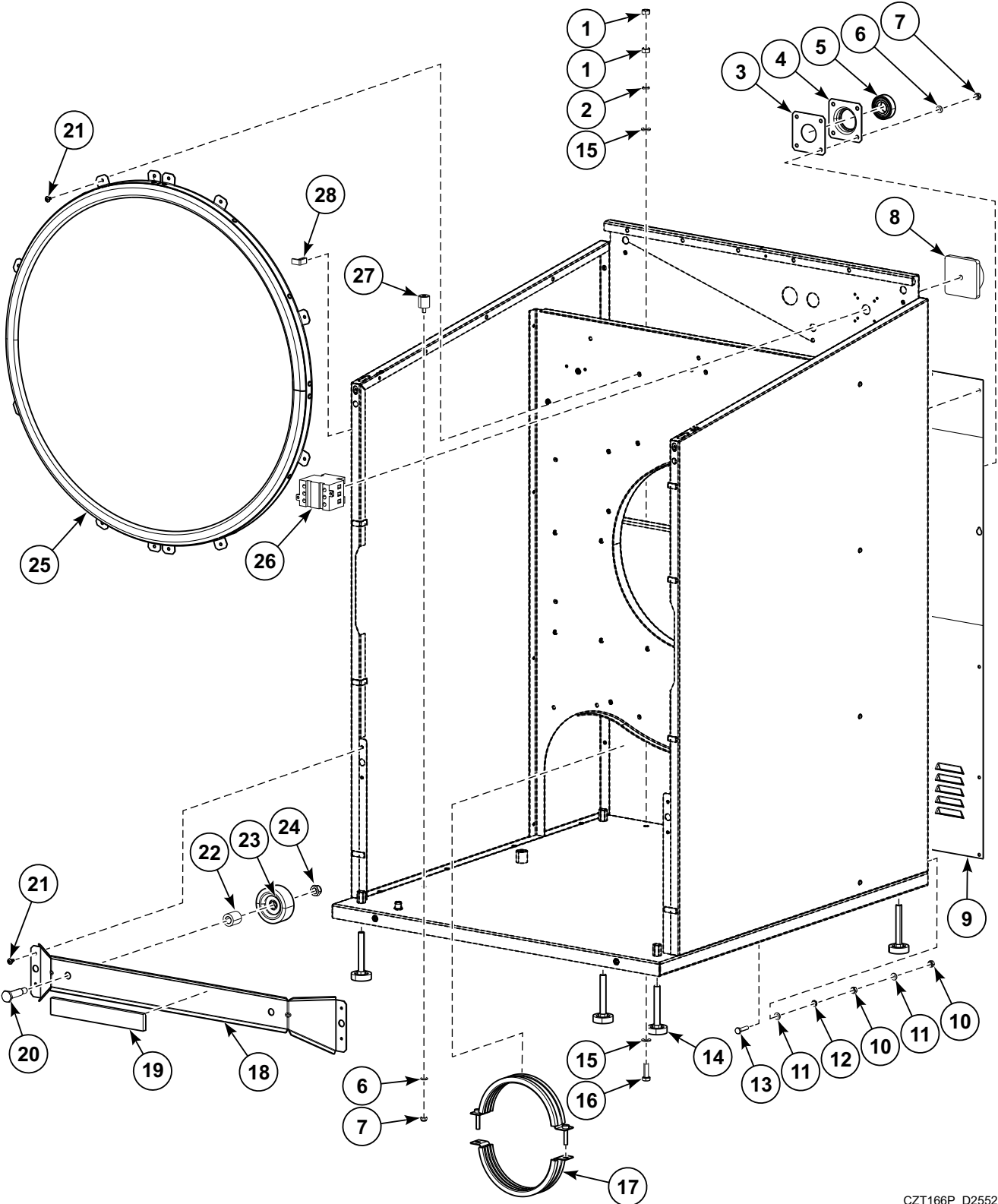
CZT187P_D2552

Coin Meter Box

REF	PART NO.	DESCRIPTION	COMMENTS
1	SP529206	Screw	M4x11
2	572889	Coin Meter Case	
3	572688	Coin Meter Holder	
4	SP102532	Coin Meter Box	
5	568676	Coin Meter Holder	
6	SP530884	Washer	M6

Cabinet - Electric Models

Models through Serial No. 9TX003462SY



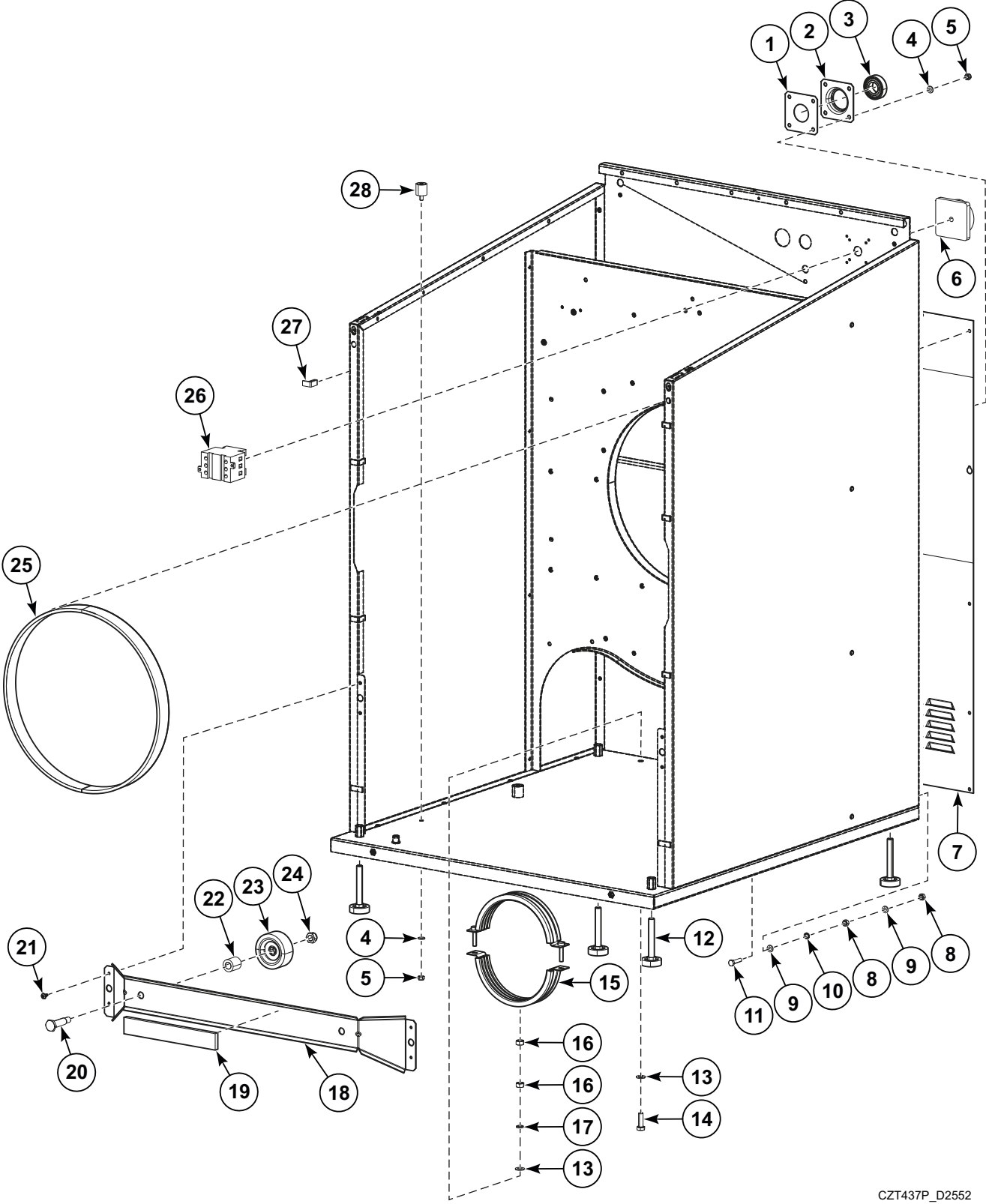
CZT166P_D2552

Cabinet - Electric Models

REF	PART NO.	DESCRIPTION	COMMENTS
1	SP310934000008	Nut	M8
2	SP311127000008	Washer	8
3	560298	Bearing Cover	
4	560274	Bearing Holder	
5	566253	Bearing	
6	SP311125000006	Washer	6
7	SP310985000006	Nut	M6
8	SPPRI404000095	Main Switch Knob	
9	566227	Rear Panel	
10	SP310934100006	Nut	M6
11	SP311125100006	Washer	6.4
12	SP311679824006	Washer	6.4
13	SP309933100625	Bolt	M6x25
14	566207	Adjustable Foot	
15	SP311125000008	Washer	M8
16	SP309933000825	Bolt	M8x25
17	SP527877	Clamp Ring	
18	560187	Rollers Support	
19	566321	Spacer	
20	560250	Bolt	M10-12x37
21	SP529206	Screw	M4x11
22	560253	Roller Spacer	
23	70610901	Roller Bearing	
24	SP310985000010	Nut	M10
25	560289	Seal Assembly	
26	SPPRI404000097	Main Switch	25A; for 380-415V+N used with SP506407 Main Switch Fourth pole 25A
	SPPRI404000098	Main Switch	32A
27	566220	Spring	
28	SP517232	Seal	

Cabinet - Electric Models

Models starting Serial No. 9TX003463SZ



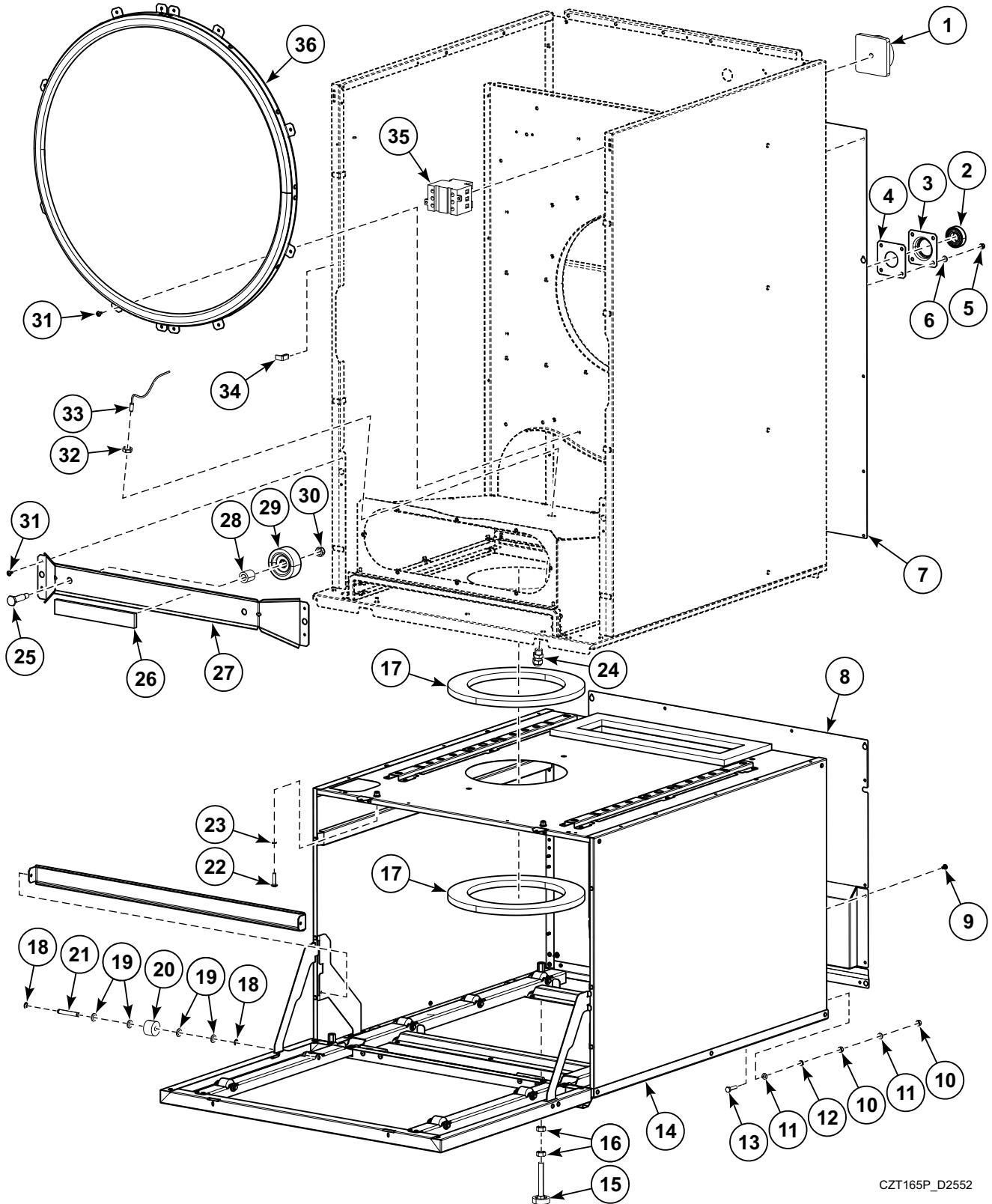
CZT437P_D2552

Cabinet - Electric Models

REF	PART NO.	DESCRIPTION	COMMENTS
1	560298	Bearing Cover	
2	575430	Bearing Holder	
3	70448701	Support Bearing	
4	SP311125000006	Washer	6
5	SP310985000006	Nut	M6
6	SPPRI404000095	Main Switch Knob	
7	566227	Rear Panel	
8	SP310934100006	Nut	M6
9	SP311125100006	Washer	6.4
10	SP311679824006	Washer	6.4
11	SP309933100625	Bolt	M6x25
12	566207	Adjustable Foot	
13	SP311125000008	Washer	M8
14	SP309933000825	Bolt	M8x25
15	SP527877	Clamp Ring	
16	SP310934000008	Nut	M8
17	SP311127000008	Washer	8
18	560187	Rollers Support	
19	566321	Spacer	
20	575491	Bolt	M10-12x22
21	SP529206	Screw	M4x11
22	575489	Roller Spacer	
23	70610901	Roller Bearing	
24	SP310985000010	Nut	M10
25	575470	Seal	Order also 510942 Adhesive
26	SPPRI404000097	Main Switch	25A; for 380-415V+N used with SP506407 Main Switch Fourth pole 25A
	SPPRI404000098	Main Switch	32A
27	SP517232	Seal	
28	566220	Spring	

Cabinet - Heat Pump Models

Models through Serial No. 9TX003462SY



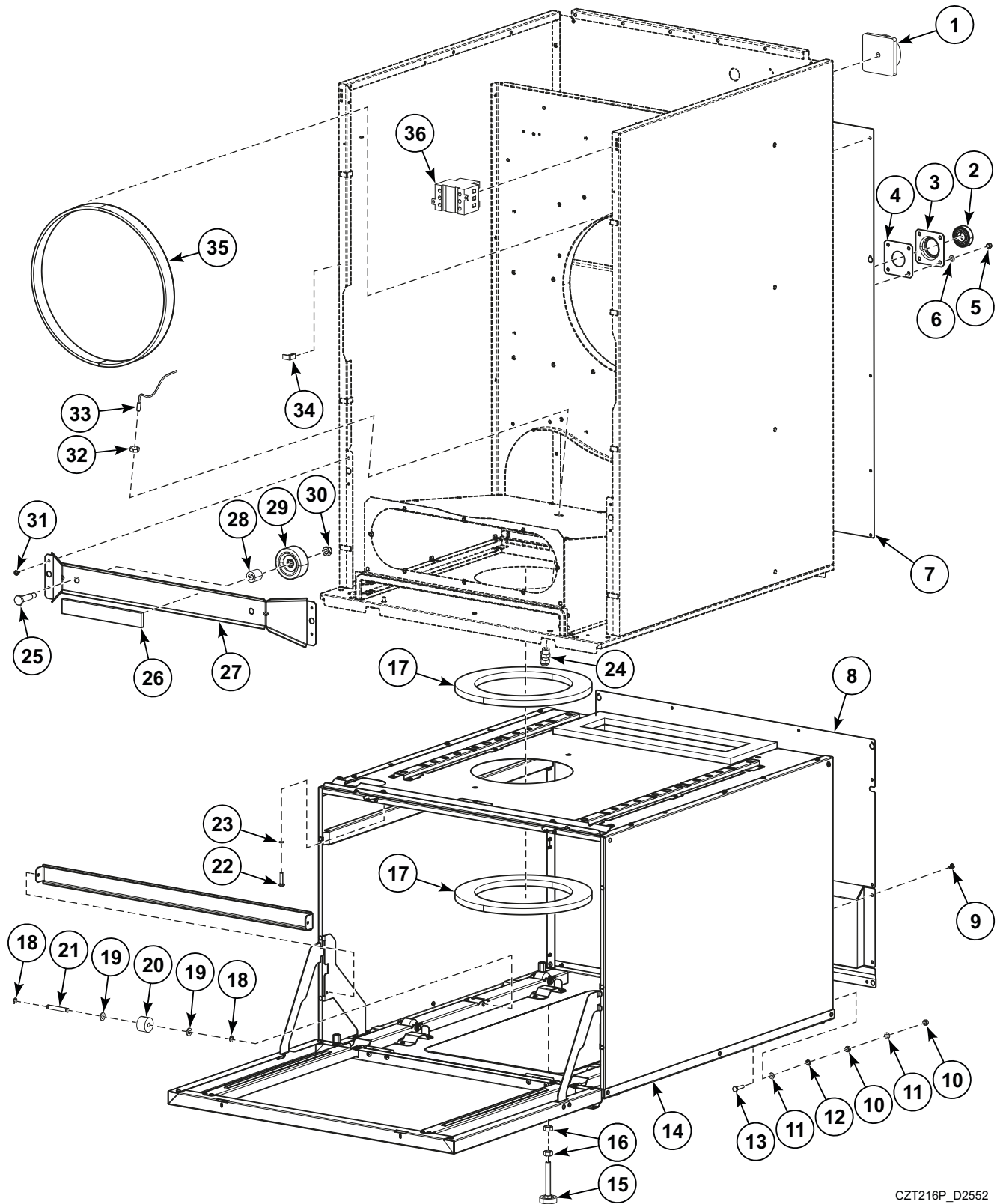
CZT165P_D2552

Cabinet - Heat Pump Models

REF	PART NO.	DESCRIPTION	COMMENTS
1	SPPRI404000095	Main Switch Knob	
2	566253	Bearing	
3	560274	Bearing Holder	
4	560298	Bearing Cover	
5	SP310985000006	Nut	M6
6	SP311125000006	Washer	6
7	560267	Rear Panel	
8	568767	Rear Panel	
9	SP529206	Screw	M4x11
10	SP310934100006	Nut	M6
11	SP311125100006	Washer	6.4
12	SP311679824006	Washer	6.4
13	SP309933100625	Bolt	M6x25
14	562948	Heat Pump Box	Gray
	566295	Heat Pump Box	Stainless
15	566207	Adjustable Foot	
16	SP310934000010	Nut	M10
17	562951	Seal	
18	SPPRI242000006	Retaining Ring	6
19	SP311125000008	Washer	M8
20	563039	wheel	
21	563034	Pin	
22	SP535479	Bolt	M6x25
23	SP311127240006	Washer	M6
24	SP101405	Bushing	M12
25	560250	Bolt	M10-12x37
26	566321	Spacer	
27	560187	Rollers Support	
28	566220	Spring	
29	70610901	Roller Bearing	
30	SP310985000010	Nut	M10
31	SP529206	Screw	M4x11
32	SP101415	Nut	M12
33	SP534930	Temperature Sensor	
34	SP517232	Seal	
35	SPPRI404000097	Main Switch	25A; for 380-415V+N used with SP506407 Main Switch Fourth pole 25A
36	560289	Seal Assembly	

Cabinet - Heat Pump Models

Models starting Serial No. 9TX003463SZ



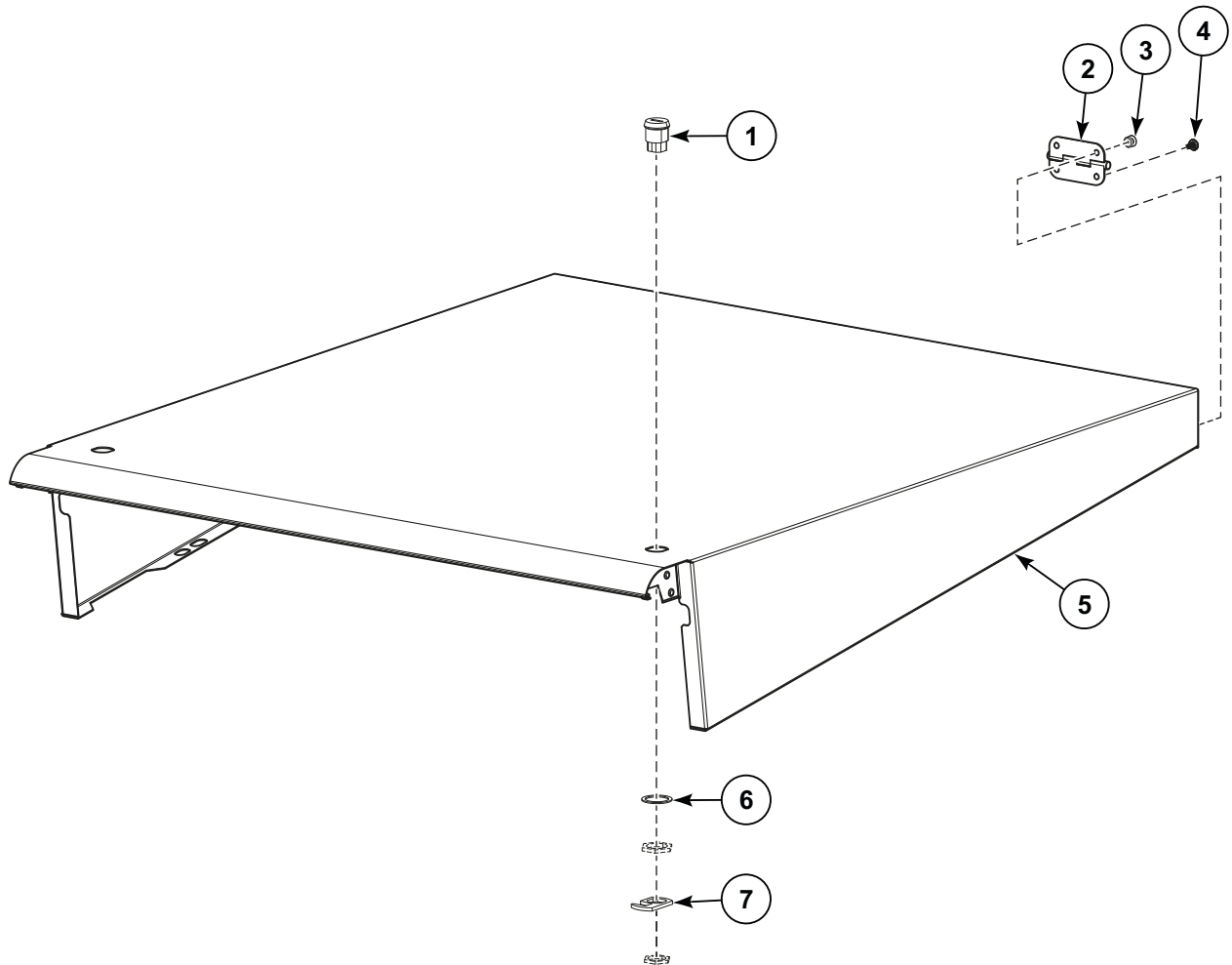
CZT216P_D2552

Cabinet - Heat Pump Models

REF	PART NO.	DESCRIPTION	COMMENTS
1	SPPRI404000095	Main Switch Knob	
2	70448701	Support Bearing	
3	575430	Bearing Holder	
4	560298	Bearing Cover	
5	SP310985000006	Nut	M6
6	SP311125000006	Washer	6
7	560267	Rear Panel	
8	568767	Rear Panel	
9	SP529206	Screw	M4x11
10	SP310934100006	Nut	M6
11	SP311125100006	Washer	6.4
12	SP311679824006	Washer	6.4
13	SP309933100625	Bolt	M6x25
14	562948	Heat Pump Box	Gray
	566295	Heat Pump Box	Stainless
15	566207	Adjustable Foot	
16	SP310934000010	Nut	M10
17	562951	Seal	
18	SPPRI242000006	Retaining Ring	6
19	SP311125000008	Washer	M8
20	563039	wheel	
21	563034	Pin	
22	SP535479	Bolt	M6x25
23	SP311127240006	Washer	M6
24	SP101405	Bushing	M12
25	575491	Bolt	M10-12x22
26	566321	Spacer	
27	560187	Rollers Support	
28	575489	Roller Spacer	
29	70610901	Roller Bearing	
30	SP310985000010	Nut	M10
31	SP529206	Screw	M4x11
32	SP101415	Nut	M12
33	SP534930	Temperature Sensor	
34	SP517232	Seal	
35	575470	Seal	Order also 510942 Adhesive
36	SPPRI404000097	Main Switch	25A; for 380-415V+N used with SP506407 Main Switch Fourth pole 25A

Top Cover - Electric Models

Models through Serial No.9TX000950QM



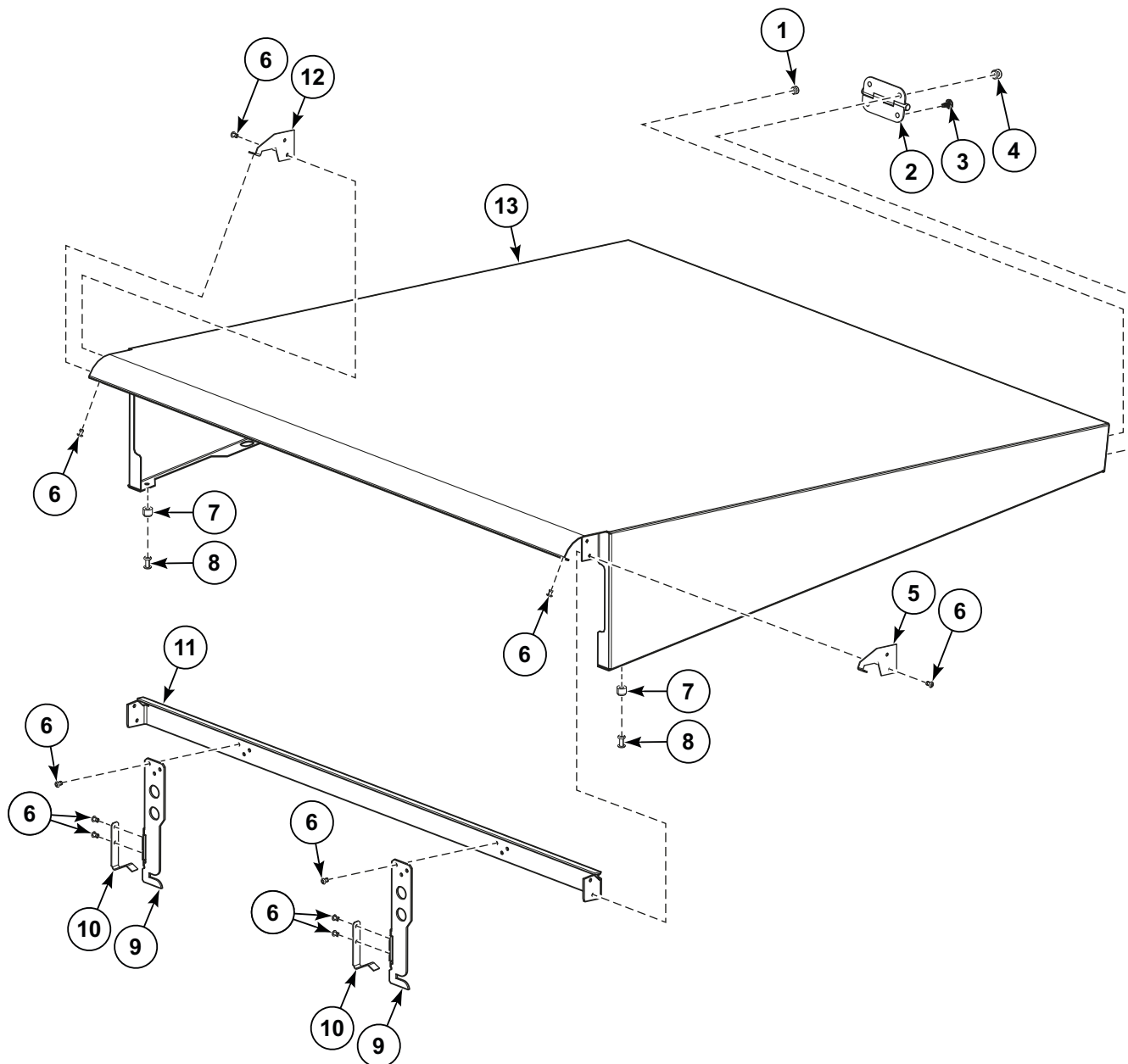
CZT189P_D2552

Top Cover - Electric Models

REF	PART NO.	DESCRIPTION	COMMENTS
	563060	Top Cover Assembly	Includes items 1-7
1	SP547527	Lock	Includes nuts
2	SP516832	Hinge	
3	SP313250048103	Rivet	4.8x10.3
4	SP529206	Screw	4x11
5	563059	Top Cover	
6	SPPRI522000012	Washer	21x27x1
7	SPPRI610002007	Hook Lock	

Top Cover - Electric Models

Models starting Serial No.9TX000951QM



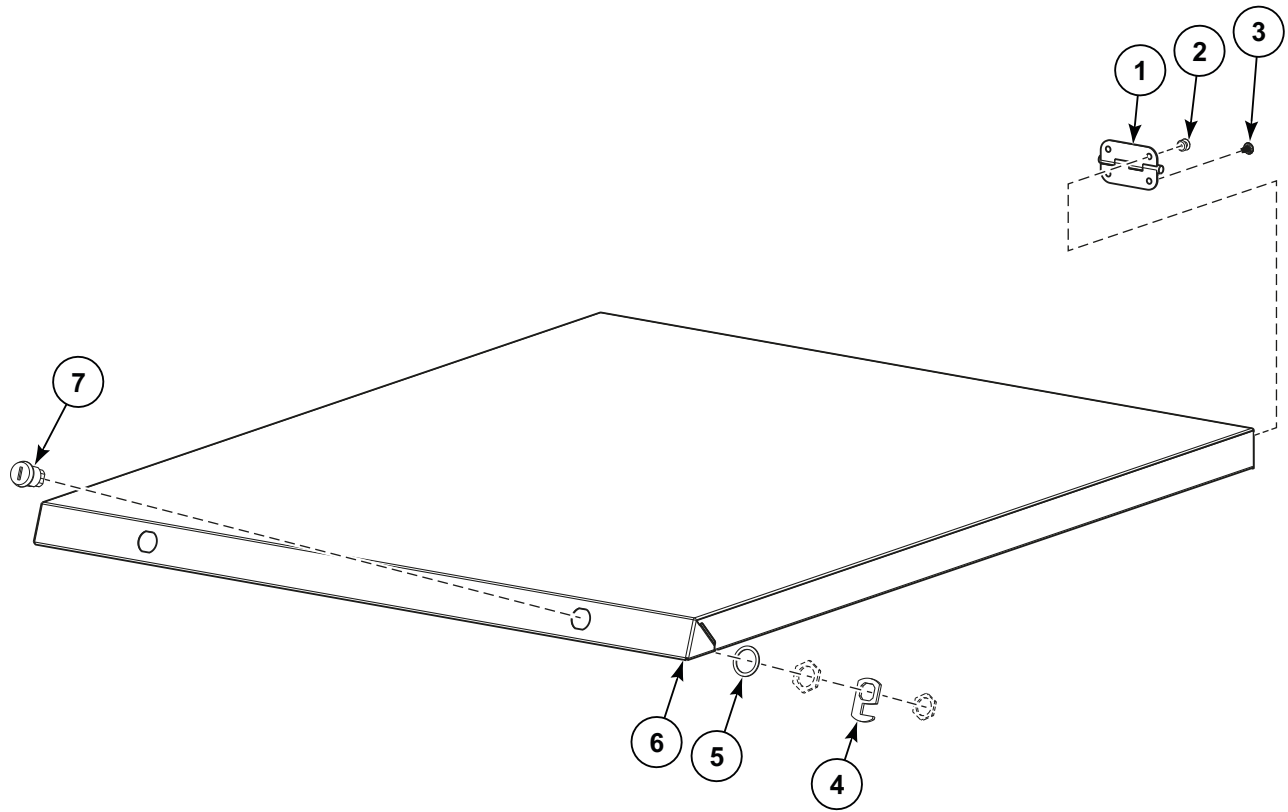
CZT209P_D2552

Top Cover - Electric Models

REF	PART NO.	DESCRIPTION	COMMENTS
	571997	Top Cover Assembly	Includes items 1-13
1	SP313250004063	Rivet	4x8
2	SP516832	Hinge	
3	SP529206	Screw	4x11
4	SP313250048103	Rivet	4.8x10.3
5	533329	Cover Fixation	Right
6	SP313250032008	Rivet	3.2x8
7	SP520408	Pin Insertion	
8	SP547779	Rivet	4x16.7
9	570253	Hook Lever	
10	570254	Hook	
11	571994	Hook Lever Holder	
12	533328	Cover Fixation	Left
13	571996	Top Cover	

Top Cover - Heat Pump Models

Models through Serial No. 9TX002546SB



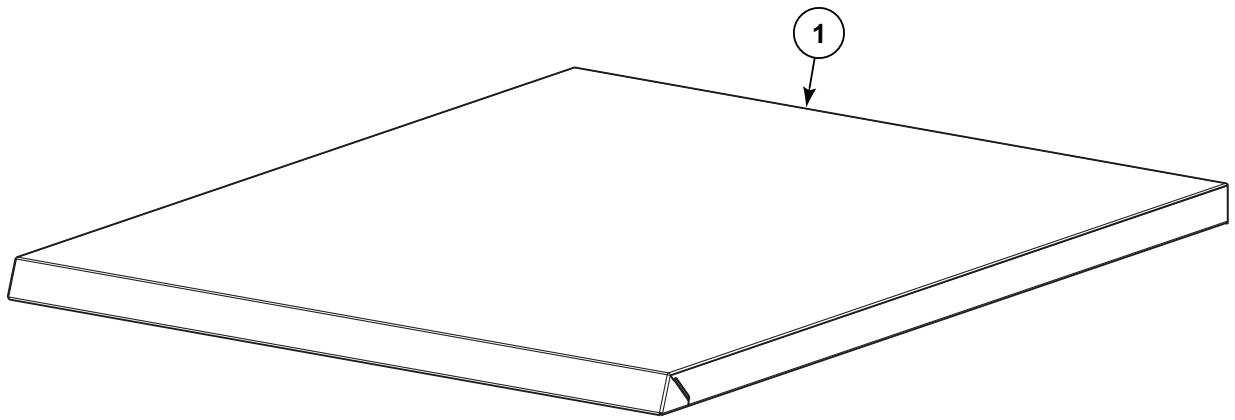
CZT183P_D2552

Top Cover - Heat Pump Models

REF	PART NO.	DESCRIPTION	COMMENTS
	563051	Top Cover Assembly	Stainless; includes items 1-7
1	SP516832	Hinge	
2	SP313250048103	Rivet	4.8x10.3
3	SP529206	Screw	4x11
4	SPPRI610002007	Hook Lock	
5	SPPRI522000012	Washer	21x27x1
6	563050	Top Cover	
7	SP547527	Lock	Includes nuts

Top Cover - Heat Pump Models

Models starting Serial No. 9TX002547SB



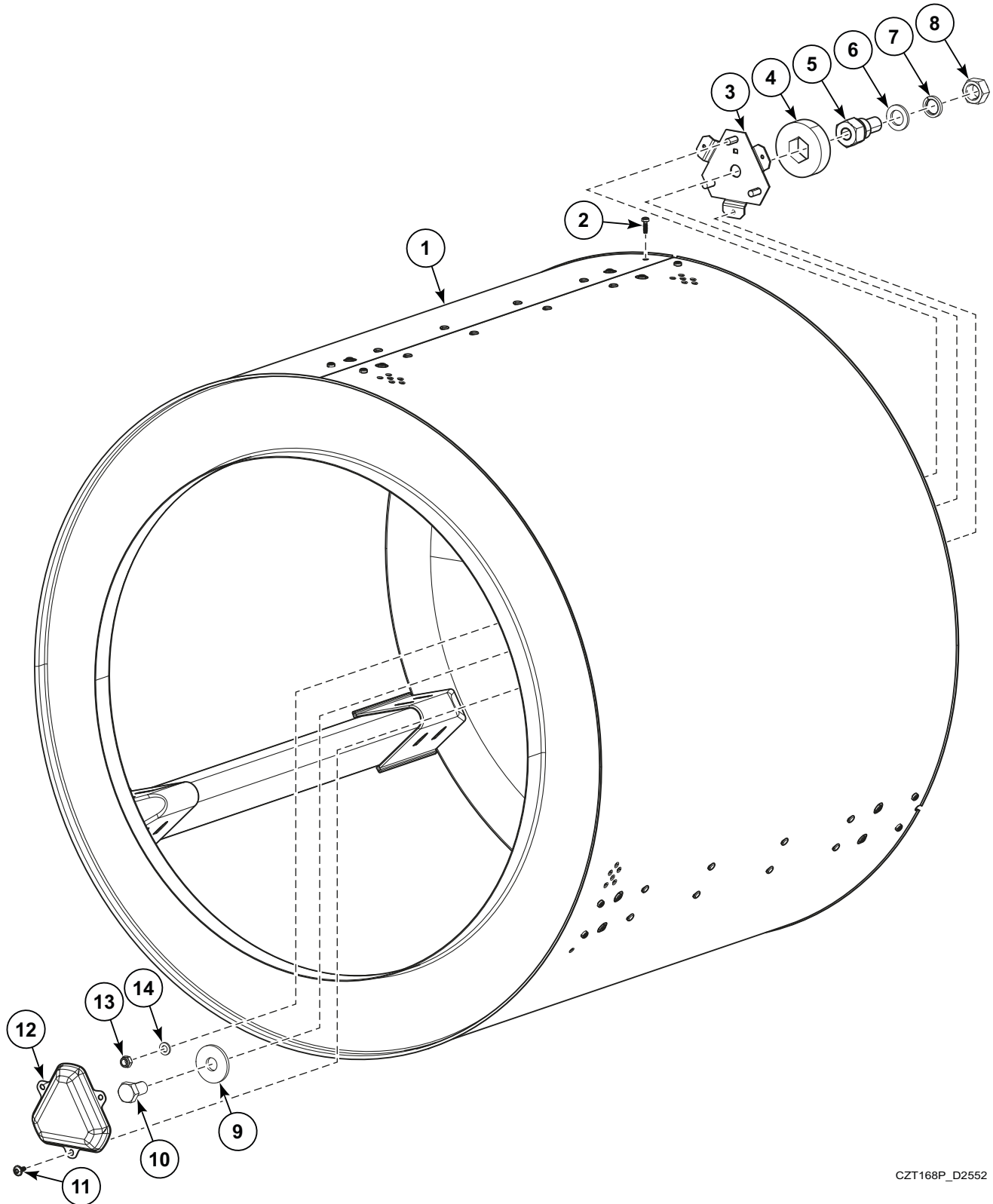
CZT217P_D2552

Top Cover - Heat Pump Models

REF	PART NO.	DESCRIPTION	COMMENTS
1	575421	Top Cover Assembly	Gray

Drum Assembly

Models through Serial No. 9TX003462SY



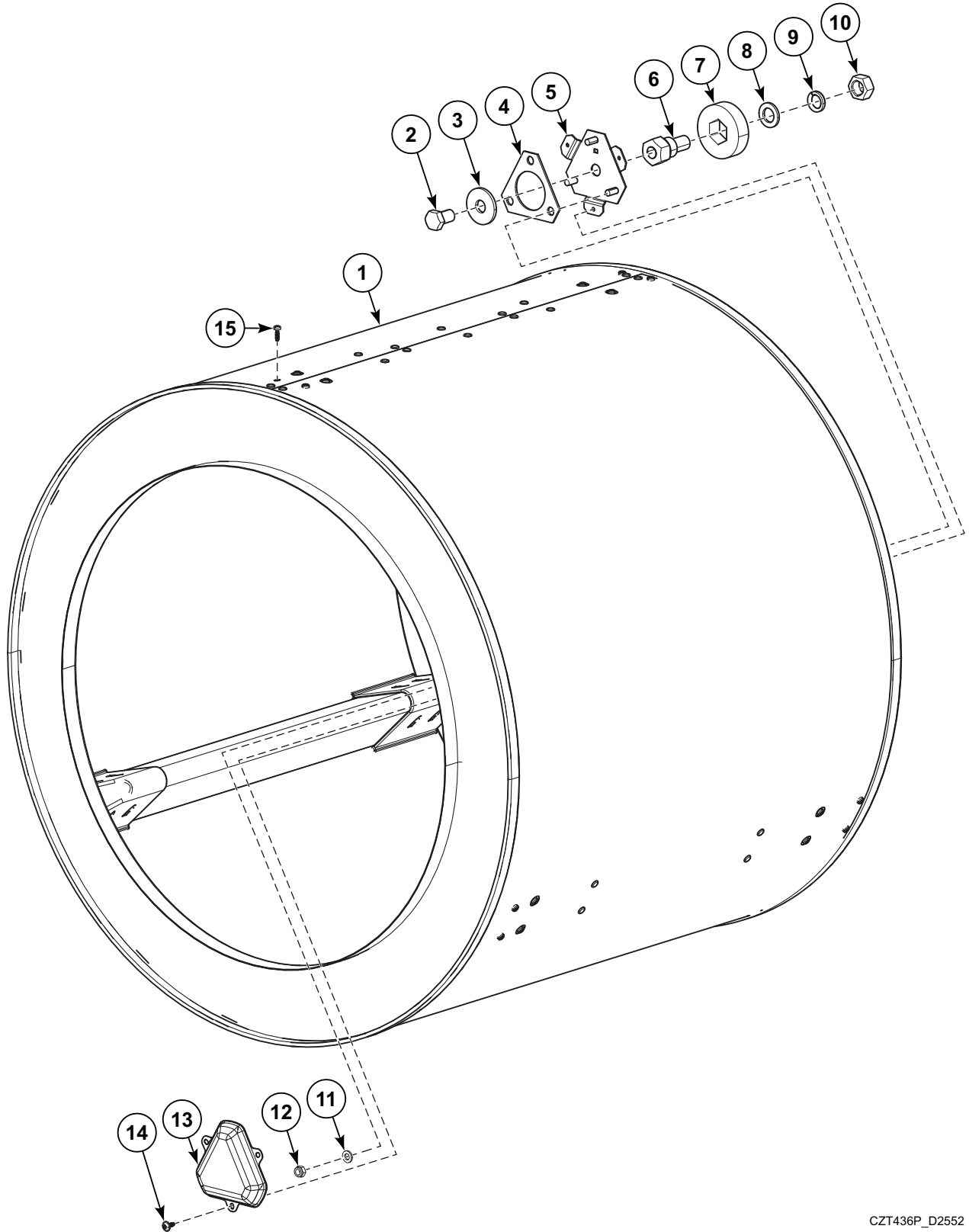
CZT168P_D2552

Drum Assembly

REF	PART NO.	DESCRIPTION	COMMENTS
1	575515	Drum Kit	Converts machine to drum configuration used starting Serial No. 9TX003463SZ; Drum and items 2-14 included
2	SP526497	Screw	
3	560262	Drum Mounting Assembly	
4	566355	Bearing Sealing	
5	560260	Shaft	
6	566339	Washer	
7	SP311127000014	Washer	
8	SP310936000014	Nut	M14x1.5
9	SP311902100012	Washer	M12
10	SP309933241220	Bolt	M12x20
11	SP529206	Screw	M4x11
12	560265	Drum Fixation Cover	
13	SP310985000006	Nut	M6
14	SP311125000006	Washer	M6

Drum Assembly

Models starting Serial No. 9TX003463SZ and 9TX003505UB

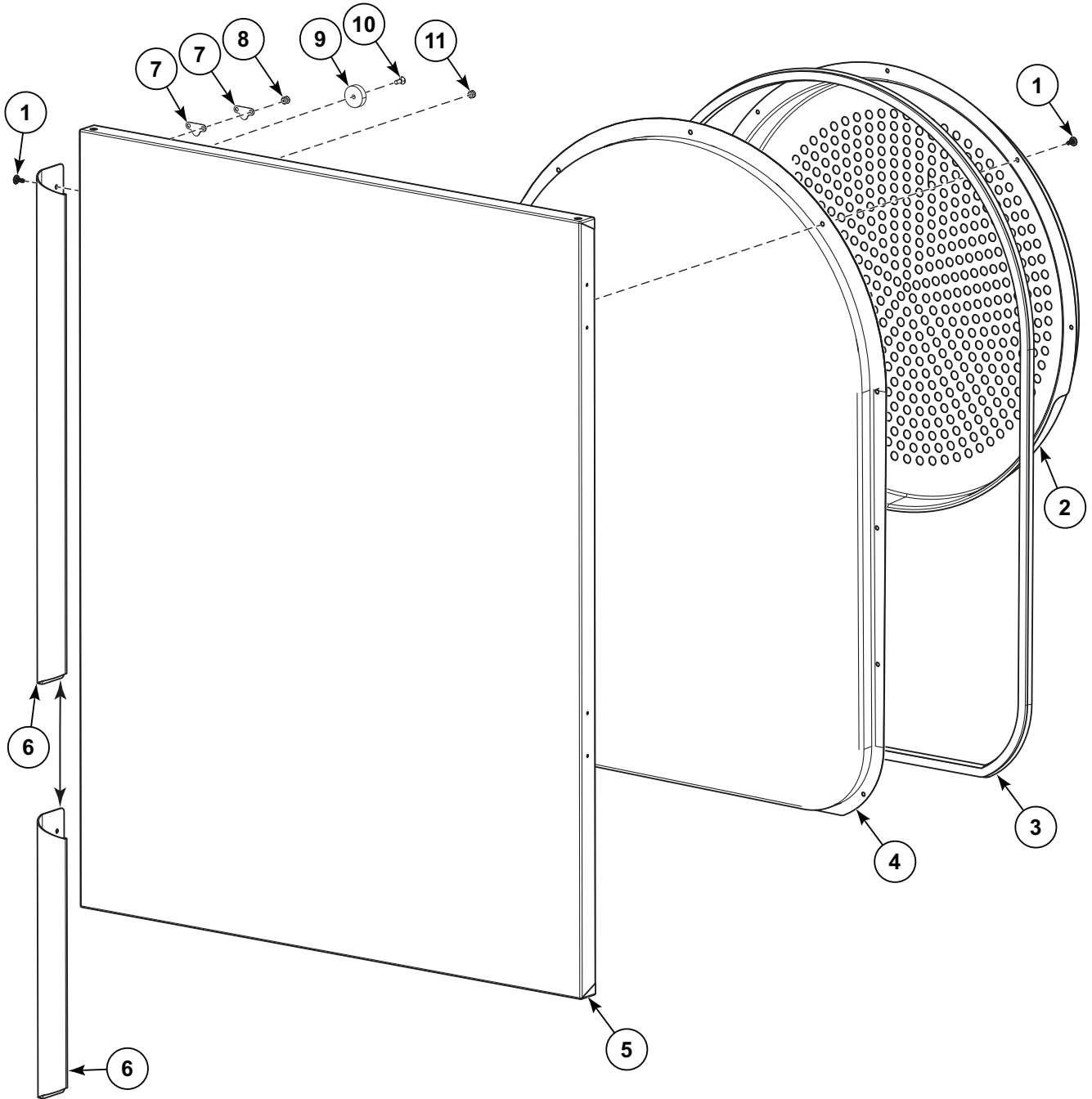


CZT436P_D2552

Drum Assembly

REF	PART NO.	DESCRIPTION	COMMENTS
	575473	Drum Assembly	Galvanized; Includes items 1-15 (excl.4); Starting Serial No. 9TX003505UB
	575486	Drum Assembly	Stainless; Includes items 1-15; Starting Serial No. 9TX003463SZ
1	575468	Drum	Galvanized; Starting Serial No. 9TX003505UB
	575484	Drum	Stainless; Starting Serial No. 9TX003463SZ
2	SP309933241220	Bolt	M12x20
3	SP311902100012	Washer	M12
4	575516	Spacer	2mm; used for Stainless only
5	560262	Drum Mounting Assembly	
6	560260	Shaft	
7	566355	Bearing Sealing	
8	566339	Washer	
9	SP311127000014	Washer	
10	SP310936000014	Nut	M14x1.5
11	SP311125000006	Washer	M6
12	SP310985000006	Nut	M6
13	560265	Drum Fixation Cover	Used with Stainless Drum
	575498	Drum Fixation Cover	Used with Galvanized Drum
14	SP529206	Screw	M4x11
15	SP526497	Screw	

Door

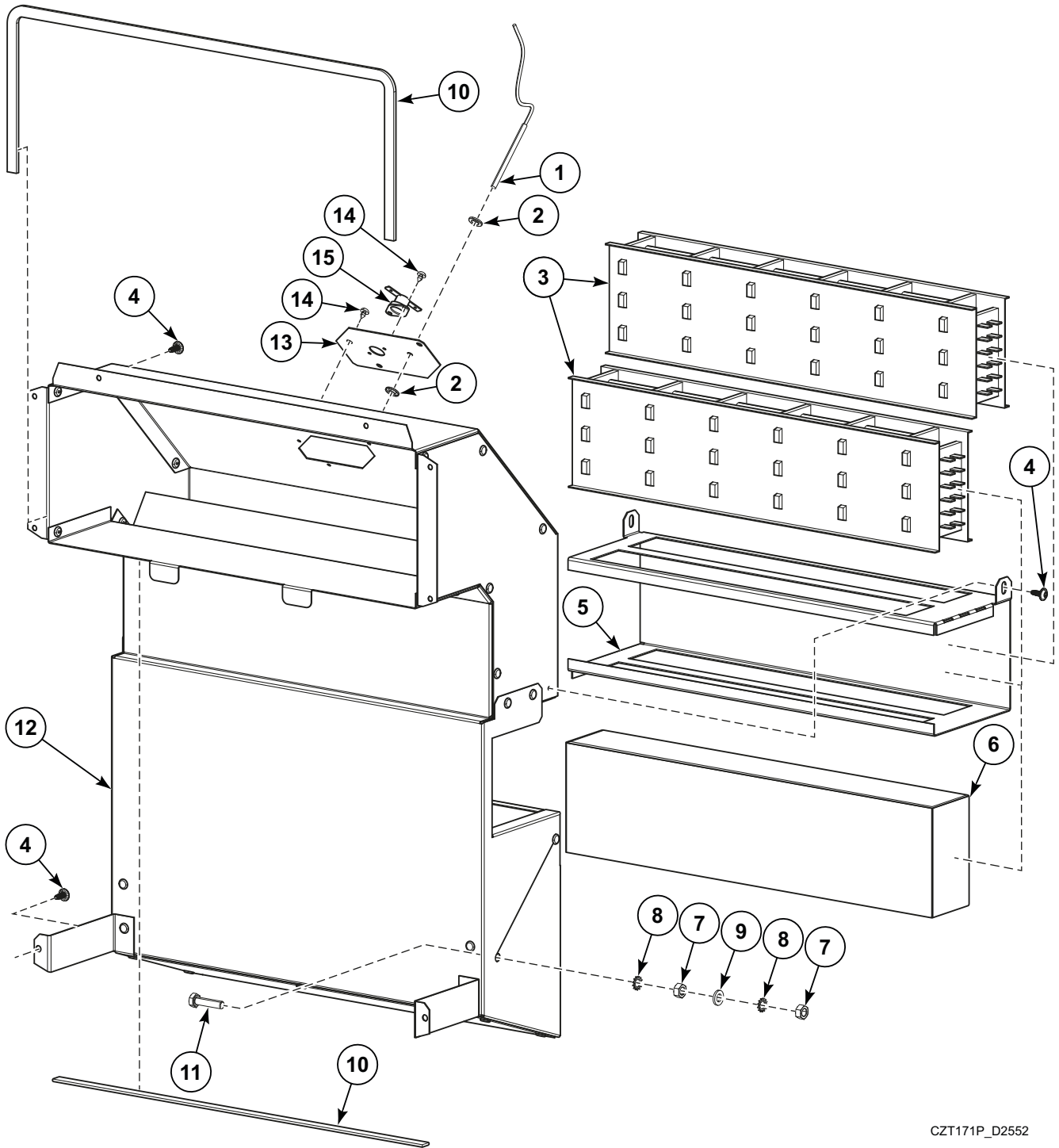


CZT223P_D2552

Door

REF	PART NO.	DESCRIPTION	COMMENTS
	570722	Door Assembly	Gray; Includes items 1-11; Through Serial No. 9TX003020SF
	575416	Door Assembly	Gray; Includes items 1-11; Starting Serial No. 9TX003021SF
	570723	Door Assembly	Stainless; Includes items 1-11
1	SP529206	Screw	M4x11
2	560201	Door Air Outlet	Gray; Through Serial No. 9TX003020SF
	576196	Door Air Outlet	Gray; Starting Serial No. 9TX003021SF
	566282	Door Air Outlet	Stainless
3	560270	Door Sealing	
4	560202	Door Panel	Gray
	566283	Door Panel	Stainless
5	570720	Door	Gray; Through Serial No. 9TX003020SF
	575417	Door	Gray; Starting Serial No. 9TX003021SF
	570721	Door	Stainless
6	560207	Handle	Long; Through Serial No. 9TX003020SF
	575420	Handle	Short; Starting Serial No. 9TX003021SF
7	560292	Washer	Used for Microswitch
8	505479	Rivet	4x8
9	566215	Magnet	
10	SP309963240412	Bolt	M4x12
11	556546	Rivet	4x8

Heating Components 1 - Electric Models



CZT171P_D2552

Heating Components 1 - Electric Models

REF	PART NO.	DESCRIPTION	COMMENTS
1	516092	Temperature Sensor	
2	SP516669	Washer	4
3	SP510985	Heating Element	4.5K, 230/400V; 2pcs used for 9kW
	SP510984	Heating Element	6kW, 230/400V; 1pc used for 6kW,2pcs used for 12kW
4	SP529206	Screw	M4x11
5	563006	Drawer	
6	SP520297	Plug	Used for 6kW
7	SP310934100006	Nut	M6
8	SP311679800006	Washer	M6
9	SP311125100006	Washer	6.4
10	SP517232	Seal	2.1m
11	SP309933100625	Bolt	M6x25
12	563005	Heating Box Assembly	
13	566219	Temperature Sensor Bracket	
14	SP517238	Screw	ST 3.5x6.5
15	SP514127	Safety Thermostat	

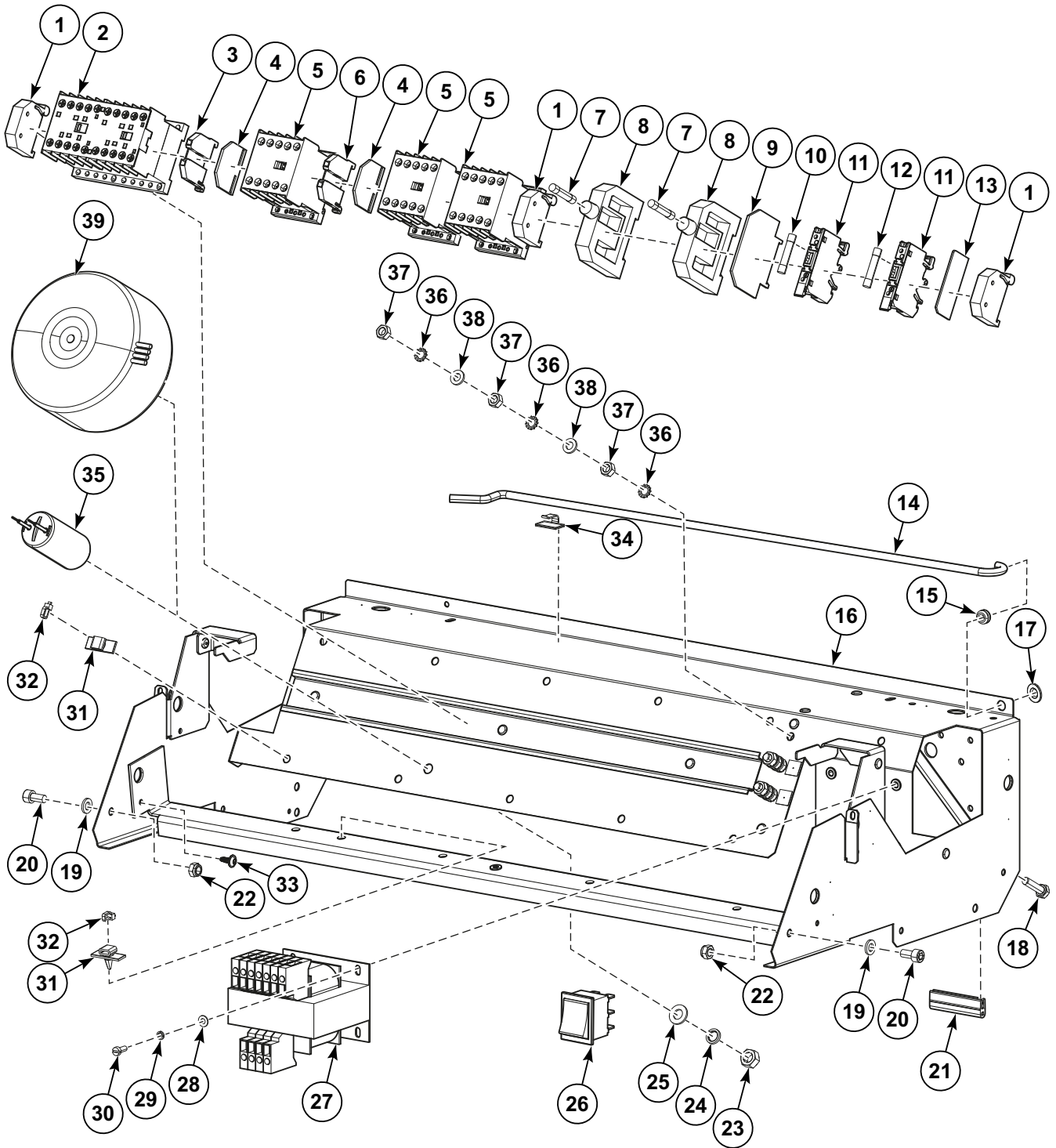
Heating Components 2 - Electric Models

Models through Serial No. 9TX003530UD

6kW, 9kW, 12kW/380-415V

6kW, 9kW, 12kW/440V

6kW/220-240V



CZT200P_D2552

Heating Components 2 - Electric Models

REF	PART NO.	DESCRIPTION	COMMENTS
1	SP346000209101	End Stop	
2	564506	Contactora	
3	SP346000280101	Clamp	
4	SP346000280301	Cover	
5	564505	Contactora	
6	SP346000280104	Clamp	Blue
7	345805063032	Fuse	T0.5A/250V, 6.3x32mm; T500mA; 220-240V; 2pcs
	SP514133	Fuse	F0.5A/250V, 6.3x32mm; F500mA; 380-415V; 2pcs
8	SP346000004010	Fuse Case	
9	SP346000014010	Cover	
10	SPPRI401001021	Fuse	4A; 5x20mm
11	552482	Fuse Housing	
12	SP345805005020	Fuse	0.5A; 5x20mm; T500mA/250V
13	552483	End Cover	
14	SP533341	Upper Lid Prop	
15	SP273121005052	Cable Passage	
16	562967	Panel Holder	Models through Serial No.9TX000950QM
	571998	Panel Holder	Models within Serial No.9TX000951QM and 9TX003530UD
17	SPPRI247000014	Washer	6
18	SP309933100625	Bolt	M6x25
19	SP311125000006	Washer	M6
20	SP506431	Bolt	M6x12
21	SP529068	Edge Protection	
22	SP310985000006	Nut	M6
23	SP310934000008	Nut	M8
24	SP311127000008	Washer	8
25	SP311125000008	Washer	M8
26	SP100388	Switch	
27	SP514021	Transformer	
28	SP311125000004	Washer	M4
29	SP311127000004	Washer	4
30	SP309084000410	Bolt	M4x10
31	SP528313	Cable Holder	
32	SP345000626088	Binding Strip	
33	SP529206	Screw	M4x11
34	SPPRI551016250	Hook	
35	568667	Condensator	
36	SP311679824006	Washer	M6
37	SP310934100006	Nut	M6
38	SP311125240006	Washer	6
39	SP552201	Autotransformer	440V

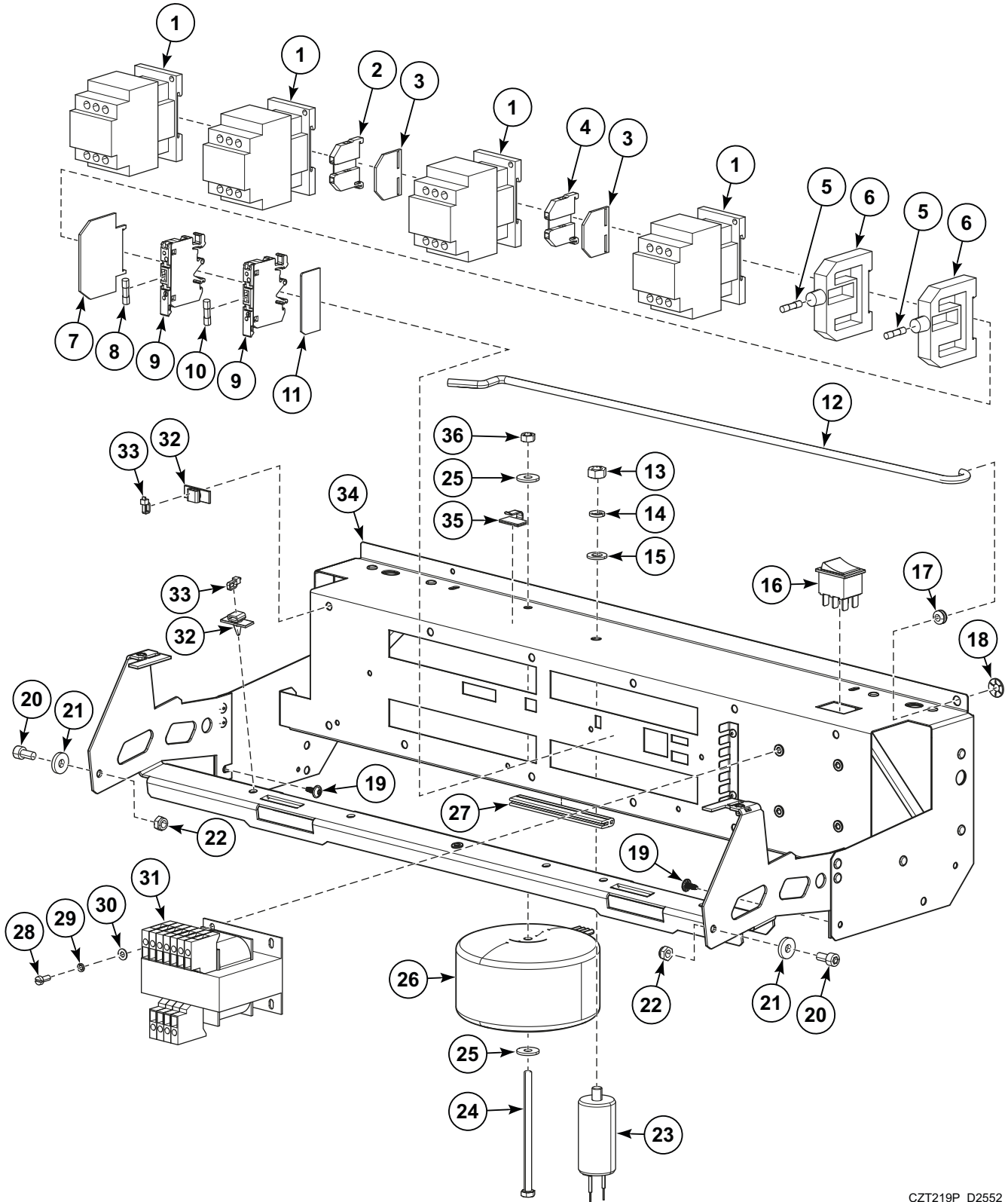
Heating Components 2 - Electric Models

Models starting Serial No. 9TX003531UD

6kW, 9kW, 12kW/380-415V

6kW, 9kW, 12kW/440V

6kW/220-240V



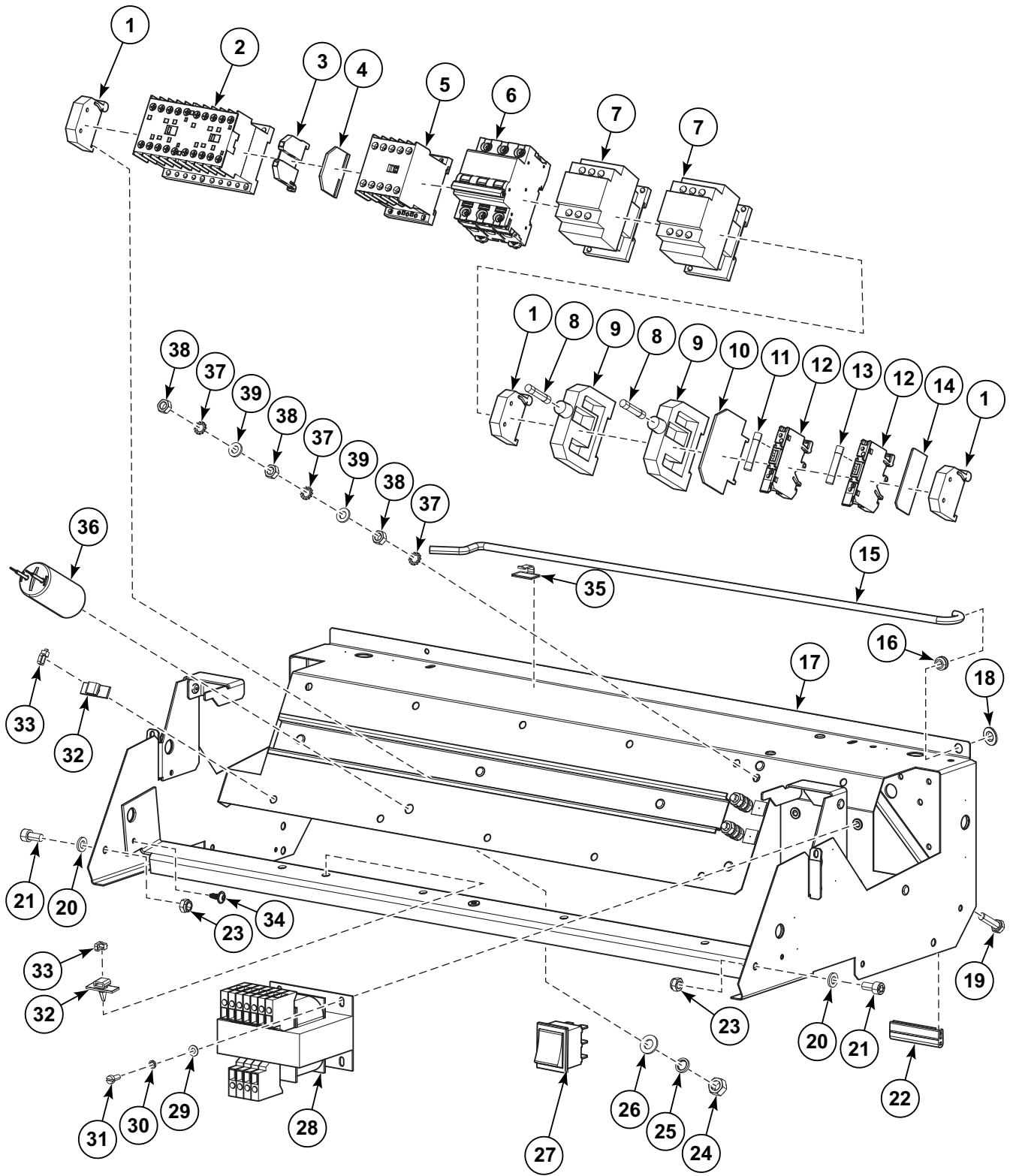
CZT219P_D2552

Heating Components 2 - Electric Models

REF	PART NO.	DESCRIPTION	COMMENTS
1	569856	Contactors	
2	SP346000280101	Clamp	
3	SP346000280301	Cover	
4	SP346000280104	Clamp	Blue
5	345805063032	Fuse	T0.5A/250V, 6.3x32mm; T500mA; 220-240V; 2pcs
	SP514133	Fuse	F0.5A/250V, 6.3x32mm; F500mA; 380-415V; 2pcs
6	SP346000004010	Fuse Case	
7	SP346000014010	Cover	
8	SPPRI401001021	Fuse	4A; 5x20mm
9	552482	Fuse Housing	
10	SP345805005020	Fuse	0.5A; 5x20mm; T500mA/250V
11	552483	End Cover	
12	SP533341	Upper Lid Prop	
13	SP310934000008	Nut	M8
14	SP311127000008	Washer	8
15	SP311125000008	Washer	M8
16	SP100388	Switch	
17	SP273121005052	Cable Passage	
18	SPPRI247000014	Washer	6
19	SP529206	Screw	M4x11
20	SP506431	Bolt	M6x12
21	SP311734900006	Washer	M6
22	SP310985000006	Nut	M6
23	568667	Condensator	
24	525283	Bolt	M6x100
25	SP311902100006	Washer	6
26	SP552201	Autotransformer	440V
27	SP529068	Edge Protection	
28	SP309084000410	Bolt	M4x10
29	SP311127000004	Washer	4
30	SP311125000004	Washer	M4
31	SP514021	Transformer	
32	SP528313	Cable Holder	
33	SP345000626088	Binding Strip	
34	577794	Panel Holder	
35	SPPRI551016250	Hook	
36	SP310934100006	Nut	M6

Heating Components 3 - Electric Models

Models through Serial No. 9TX003530UD
9kW, 12kW/220-240V



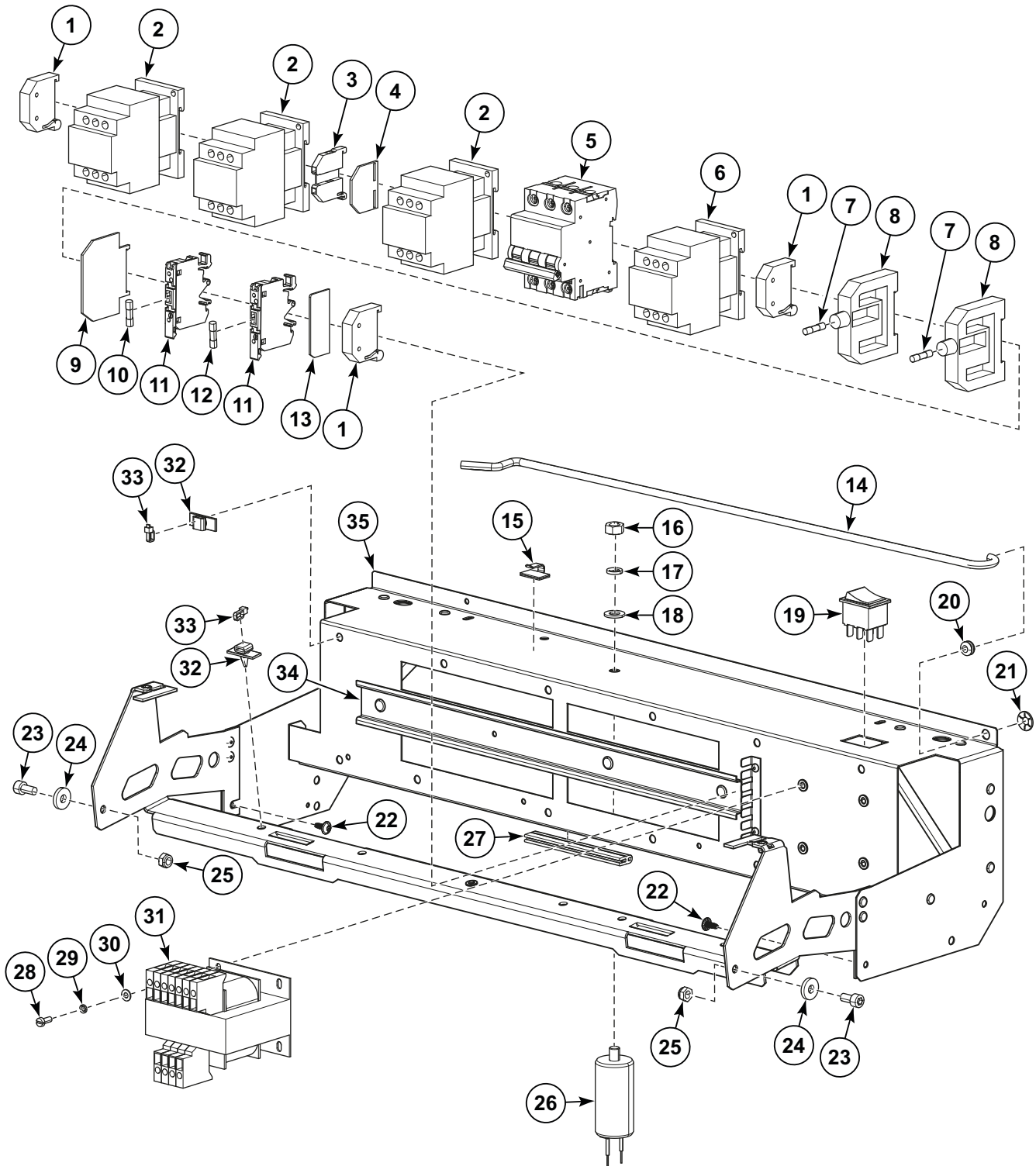
CZT201P_D2552

Heating Components 3 - Electric Models

REF	PART NO.	DESCRIPTION	COMMENTS
1	SP346000209101	End Stop	
2	564506	Contactora	
3	SP346000280101	Clamp	
4	SP346000280301	Cover	
5	564505	Contactora	
6	SP347800243480	Circuit Breaker	
7	SP516038	Contactora	
8	345805063032	Fuse	T0.5A/250V, 6.3x32mm; T500mA; 220-240V; 2pcs
9	SP346000004010	Fuse Case	
10	SP346000014010	Cover	
11	SPPRI401001021	Fuse	4A; 5x20mm
12	552482	Fuse Housing	
13	SP345805005020	Fuse	0.5A; 5x20mm; T500mA/250V
14	552483	End Cover	
15	SP533341	Upper Lid Prop	
16	SP273121005052	Cable Passage	
17	562967	Panel Holder	Models through Serial No.9TX000950QM
	571998	Panel Holder	Models within Serial No.9TX00951QM and 9TX003530UD
18	SPPRI247000014	Washer	6
19	SP309933100625	Bolt	M6x25
20	SP311125000006	Washer	M6
21	SP506431	Bolt	M6x12
22	SP529068	Edge Protection	
23	SP310985000006	Nut	M6
24	SP310934000008	Nut	M8
25	SP311127000008	Washer	8
26	SP311125000008	Washer	M8
27	SP100388	Switch	
28	SP514021	Transformer	
29	SP311125000004	Washer	M4
30	SP311127000004	Washer	4
31	SP309084000410	Bolt	M4x10
32	SP528313	Cable Holder	
33	SP345000626088	Binding Strip	
34	SP529206	Screw	M4x11
35	SPPRI551016250	Hook	
36	568667	Condensator	
37	SP311679824006	Washer	M6
38	SP310934100006	Nut	M6
39	SP311125240006	Washer	6

Heating Components 3 - Electric Models

Models starting Serial No. 9TX003531UD
9kW, 12kW/220-240V

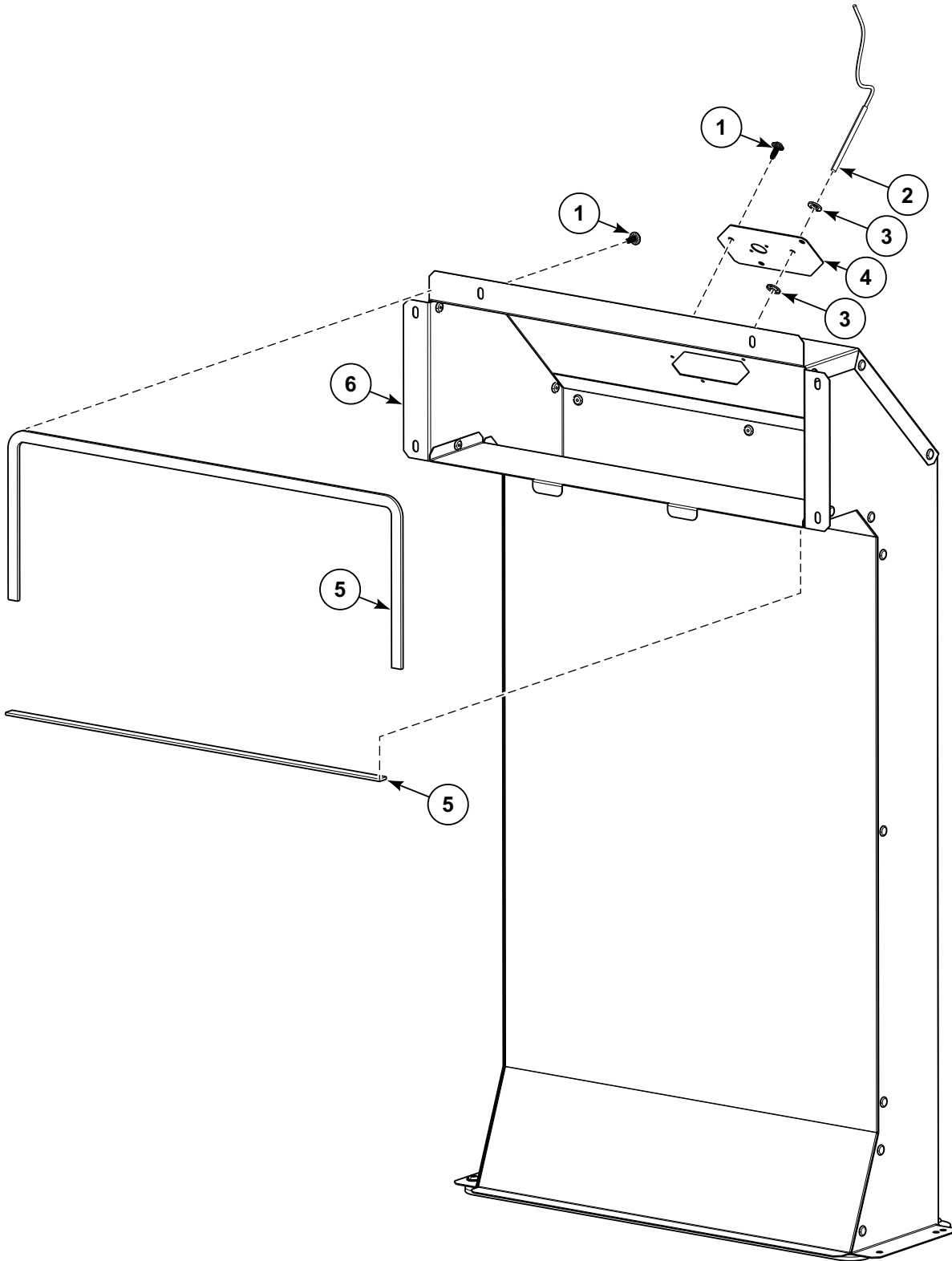


CZT221P_D2552

Heating Components 3 - Electric Models

REF	PART NO.	DESCRIPTION	COMMENTS
1	SP346000209101	End Stop	
2	569856	Contactora	
3	SP346000280101	Clamp	
4	SP346000280301	Cover	
5	SP347800243480	Circuit Breaker	
6	569857	Contactora	
7	345805063032	Fuse	T0.5A/250V, 6.3x32mm; T500mA; 220-240V; 2pcs
8	SP346000004010	Fuse Case	
9	SP346000014010	Cover	
10	SPPRI401001021	Fuse	4A; 5x20mm
11	552482	Fuse Housing	
12	SP345805005020	Fuse	0.5A; 5x20mm; T500mA/250V
13	552483	End Cover	
14	SP533341	Upper Lid Prop	
15	SPPRI551016250	Hook	
16	SP310934000008	Nut	M8
17	SP311127000008	Washer	8
18	SP311125000008	Washer	M8
19	SP100388	Switch	
20	SP273121005052	Cable Passage	
21	SPPRI247000014	Washer	6
22	SP529206	Screw	M4x11
23	SP506431	Bolt	M6x12
24	SP311734900006	Washer	M6
25	SP310985000006	Nut	M6
26	568667	Condensator	
27	SP529068	Edge Protection	
28	SP309084000410	Bolt	M4x10
29	SP311127000004	Washer	4
30	SP311125000004	Washer	M4
31	SP514021	Transformer	
32	SP528313	Cable Holder	
33	SP345000626088	Binding Strip	
34	SP520552	Bar	L400mm
35	577794	Panel Holder	

Heating Components 1 - Heat Pump Models



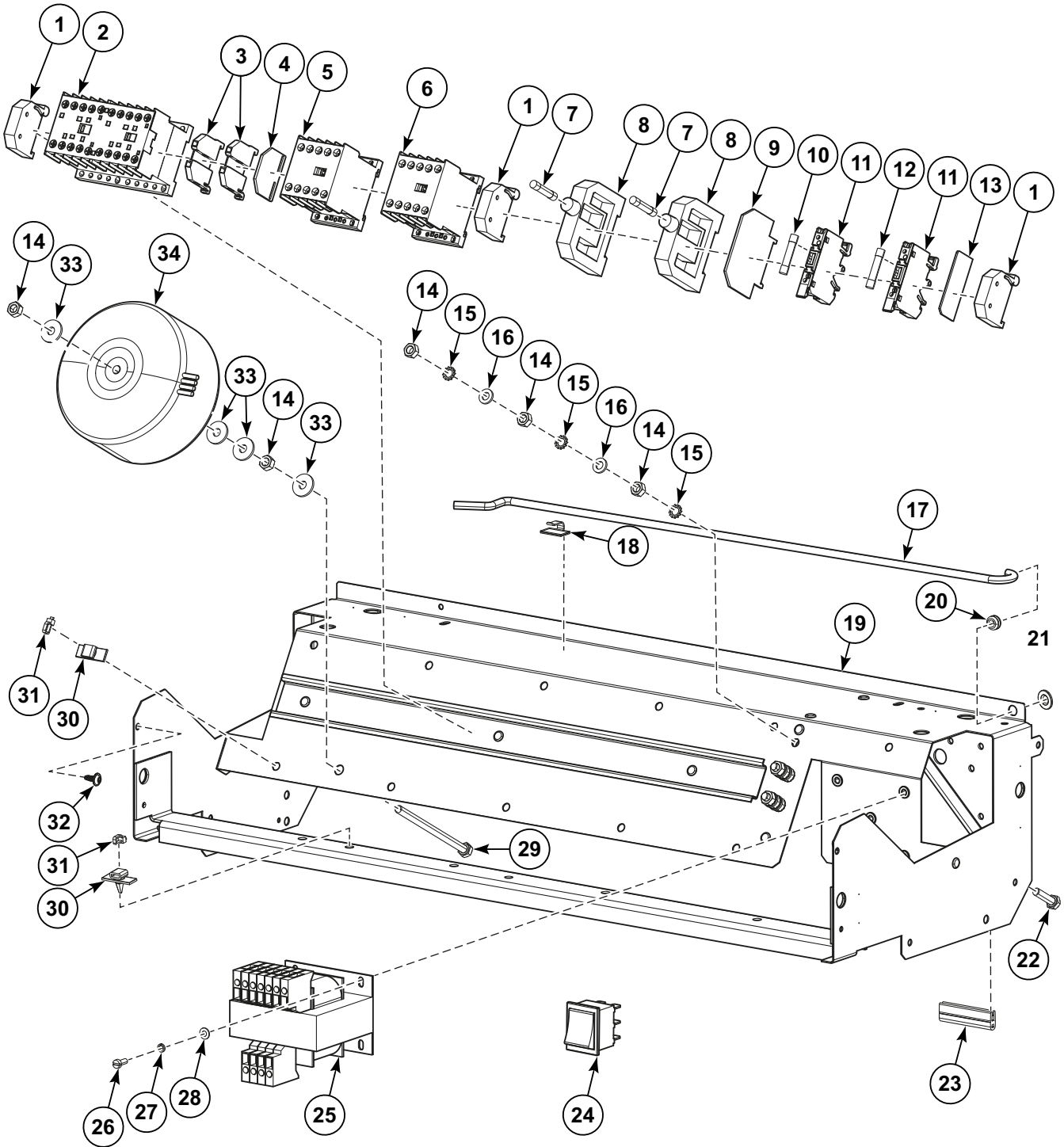
CZT184P_D2552

Heating Components 1 - Heat Pump Models

REF	PART NO.	DESCRIPTION	COMMENTS
1	SP529206	Screw	M4x11
2	516092	Temperature Sensor	
3	SP516669	Washer	4
4	566219	Temperature Sensor Bracket	
5	SP517232	Seal	2.1m
6	562994	Tunnel Assembly	

Heating Components 2 - Heat Pump Models

Models through Serial No. 9TX003530UD
220-240V
380-415V



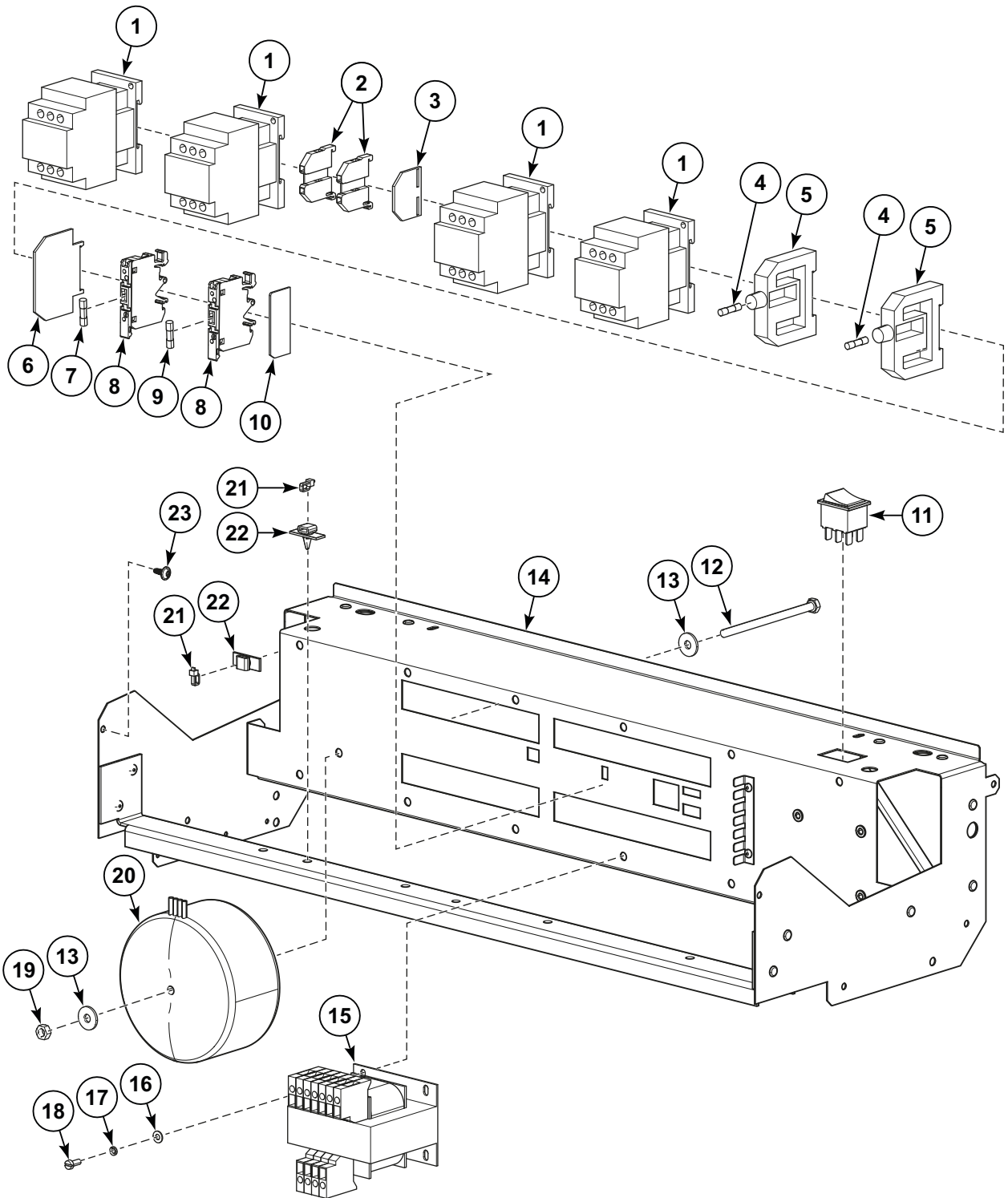
CZT202P_D2552

Heating Components 2 - Heat Pump Models

REF	PART NO.	DESCRIPTION	COMMENTS
1	SP346000209101	End Stop	
2	564506	Contactora	
3	SP346000280101	Clamp	
4	SP346000280301	Cover	
5	564505	Contactora	
6	564661	Contactora	
7	345805063032	Fuse	T0.5A/250V, 6.3x32mm; T500mA; 220-240V; 2pcs
	SP514133	Fuse	F0.5A/250V, 6.3x32mm; F500mA; 380-415V; 2pcs
8	SP346000004010	Fuse Case	
9	SP346000014010	Cover	
10	SPPRI401001021	Fuse	4A; 5x20mm
11	552482	Fuse Housing	
12	SP345805005020	Fuse	0.5A; 5x20mm; T500mA/250V
13	552483	End Cover	
14	SP310934100006	Nut	M6
15	SP311679824006	Washer	M6
16	SP311125240006	Washer	6
17	SP533341	Upper Lid Prop	
18	SPPRI551016250	Hook	
19	563067	Panel Holder	
20	SP273121005052	Cable Passage	
21	SPPRI247000014	Washer	6
22	SP309933100625	Bolt	M6x25
23	SP529068	Edge Protection	
24	SP100388	Switch	
25	SP514021	Transformer	
26	SP309084000410	Bolt	M4x10
27	SP311127000004	Washer	4
28	SP311125000004	Washer	M4
29	525283	Bolt	M6x100
30	SP528313	Cable Holder	
31	SP345000626088	Binding Strip	
32	SP529206	Screw	M4x11
33	SP311902100006	Washer	M6
34	SP552201	Autotransformer	

Heating Components 2 - Heat Pump Models

Models starting Serial No. 9TX003531UD
220-240V
380-415V



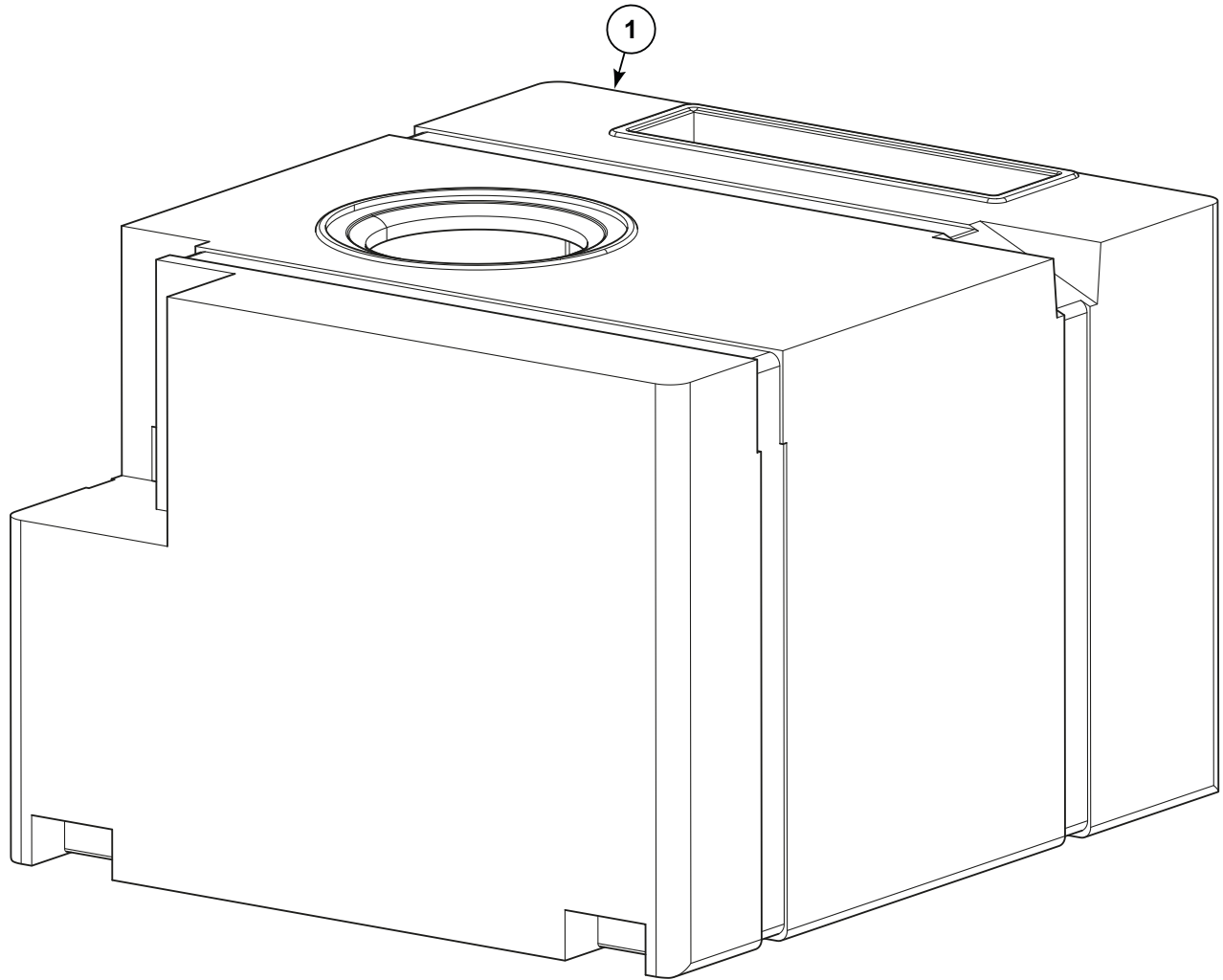
CZT222P_D2552

Heating Components 2 - Heat Pump Models

REF	PART NO.	DESCRIPTION	COMMENTS
1	569856	Contactora	
2	SP346000280101	Clamp	
3	SP346000280301	Cover	
4	345805063032	Fuse	T0.5A/250V, 6.3x32mm; T500mA; 220-240V; 2pcs
	SP514133	Fuse	F0.5A/250V, 6.3x32mm; F500mA; 380-415V; 2pcs
5	SP346000004010	Fuse Case	
6	SP346000014010	Cover	
7	SPPRI401001021	Fuse	4A; 5x20mm
8	552482	Fuse Housing	
9	SP345805005020	Fuse	0.5A; 5x20mm; T500mA/250V
10	552483	End Cover	
11	SP100388	Switch	
12	525283	Bolt	M6x100
13	SP311902100006	Washer	M6
14	577796	Panel Holder	
15	SP514021	Transformer	
16	SP311125000004	Washer	M4
17	SP311127000004	Washer	4
18	SP309084000410	Bolt	M4x10
19	SP310934100006	Nut	M6
20	SP552201	Autotransformer	
21	SP345000626088	Binding Strip	
22	SP528313	Cable Holder	
23	SP529206	Screw	M4x11

Heat Pump

Heat Pump Models



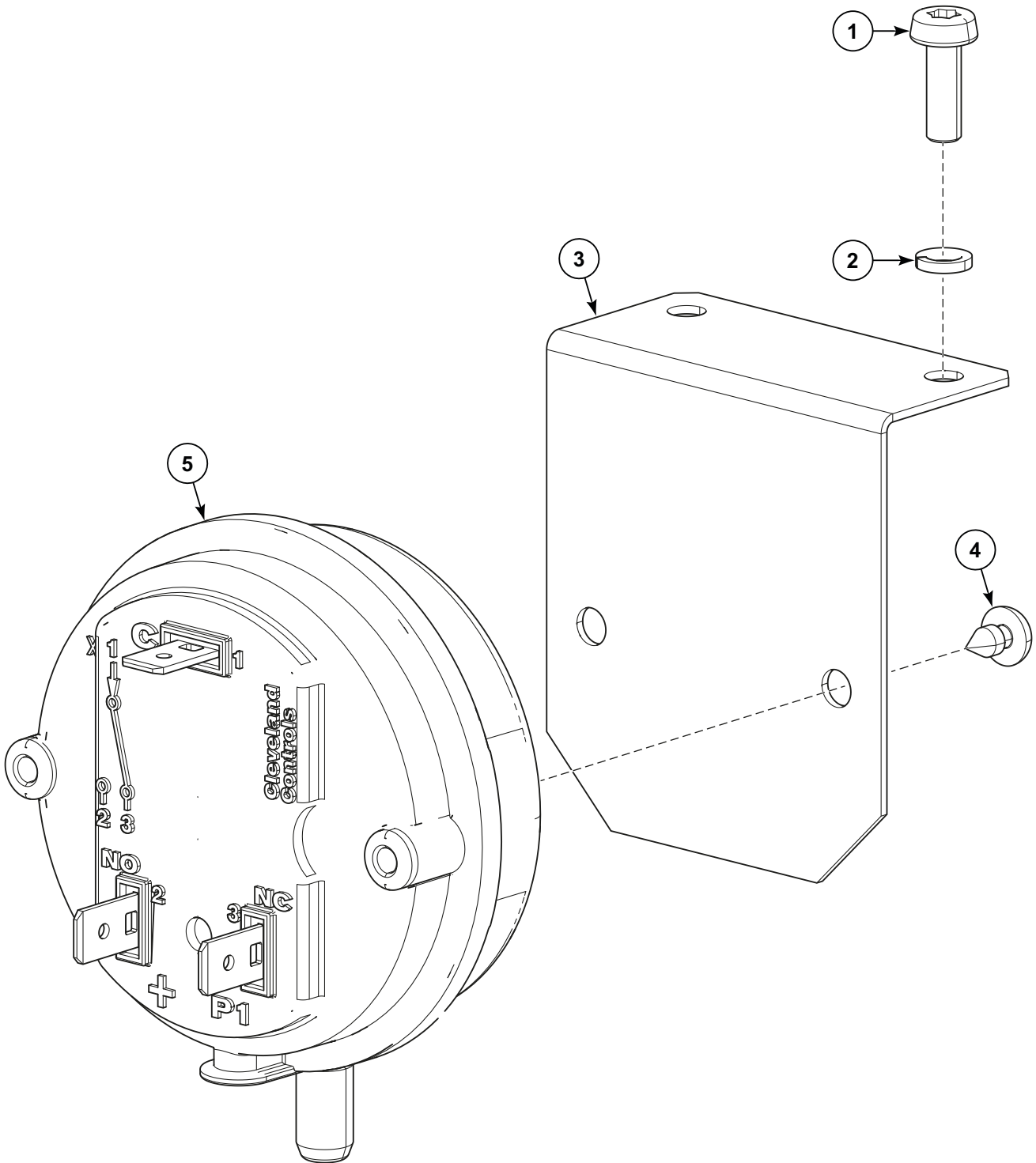
CZT172P_D2552

Heat Pump

REF	PART NO.	DESCRIPTION	COMMENTS
1	566255	Heat Pump	

Differential Pressure Switch

Electric Models



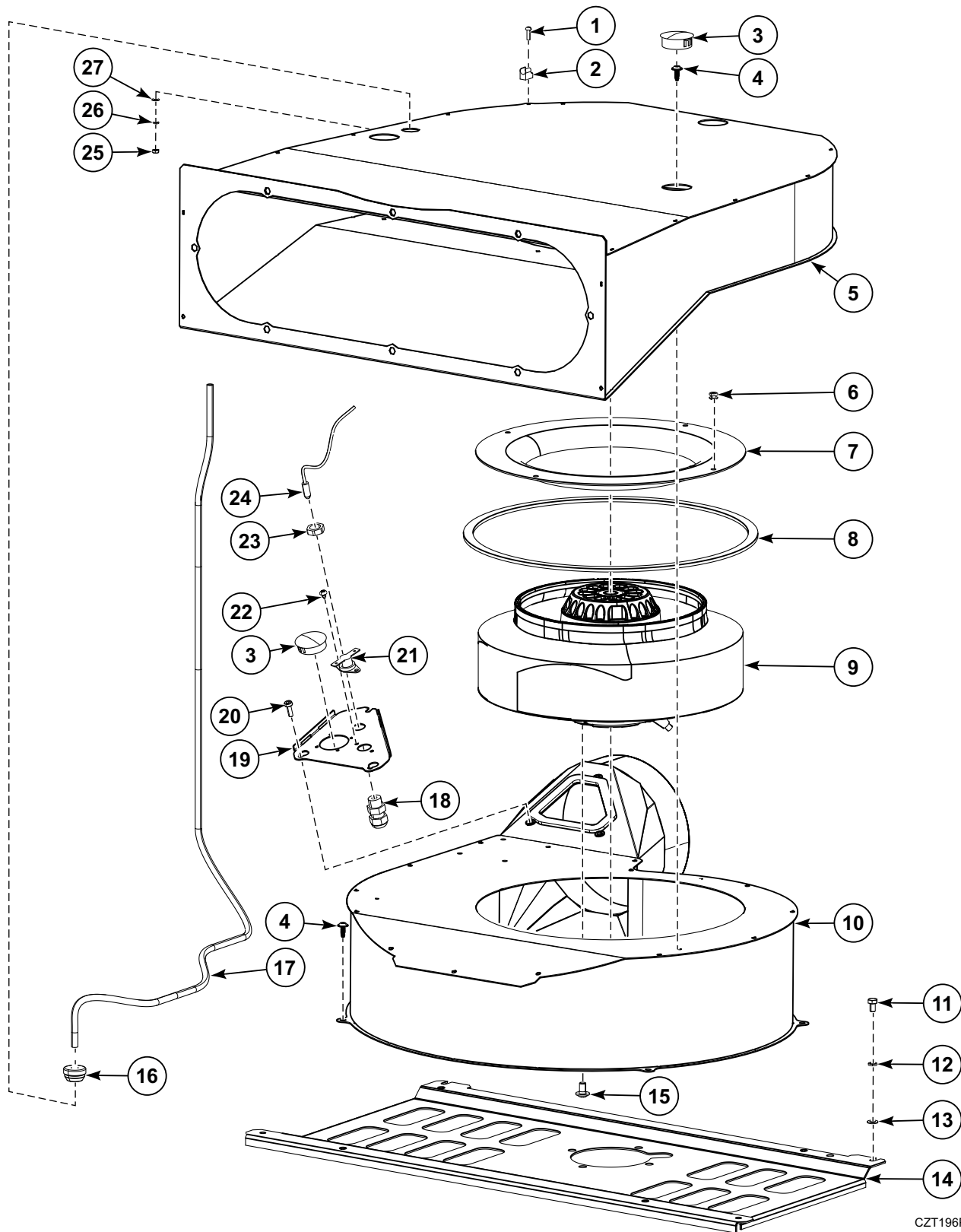
CZT448P_D2552

Differential Pressure Switch

REF	PART NO.	DESCRIPTION	COMMENTS
1	SP555504	Bolt	M4x12
2	SP311127000004	Washer	4
3	575488	Switch Holder	
4	SP517238	Screw	ST3.5x6.5
5	575487	Differential Pressure Switch	

Ventilator

Electric Models



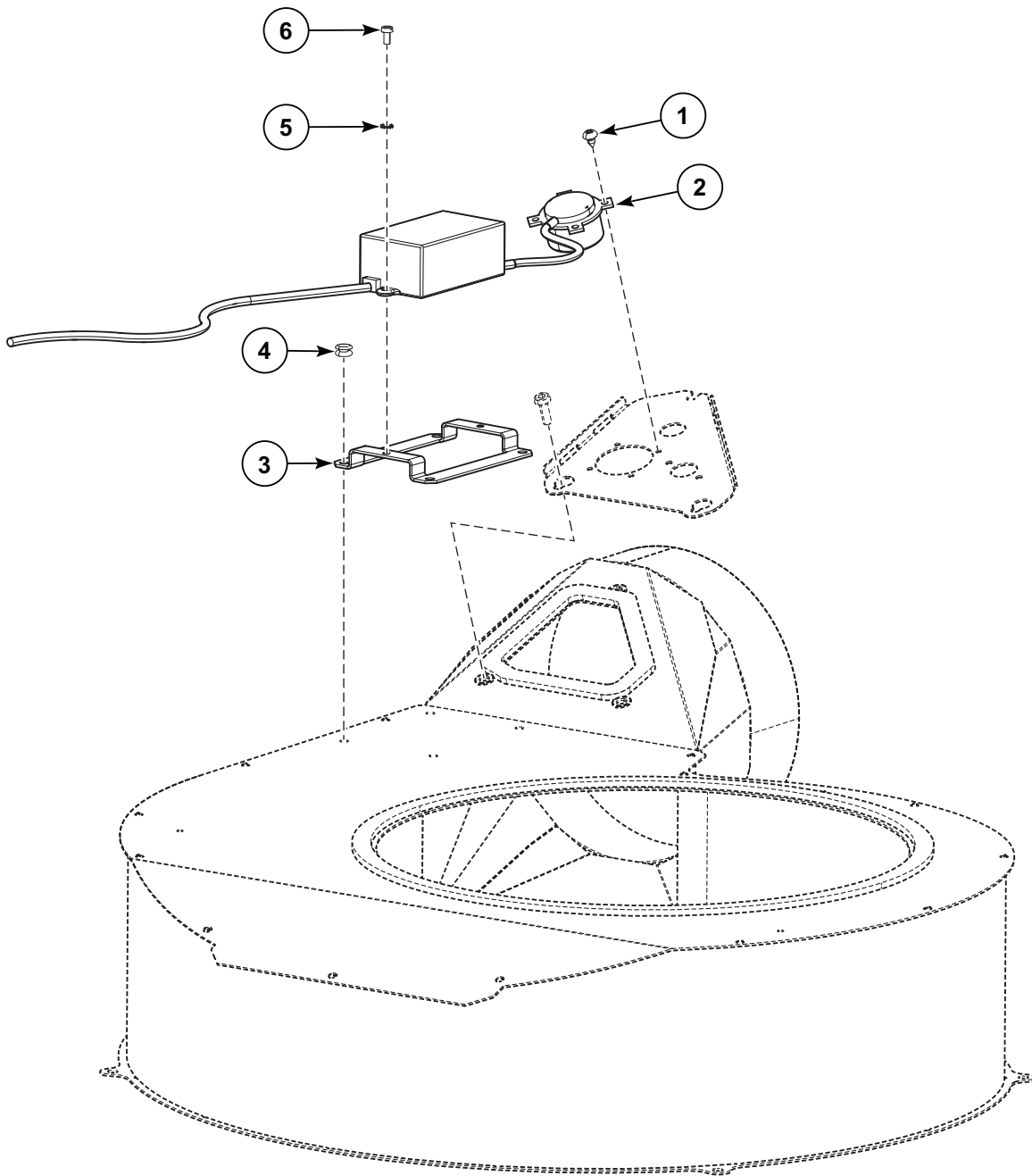
CZT196P_D2552

Ventilator

REF	PART NO.	DESCRIPTION	COMMENTS
1	SP518719	Bolt	
2	SP504566	Clamp	
3	SPPRI505000064	Plug	30.9x11.5
4	SP529206	Screw	
5	566246	Ventilator Upper Box	
6	SP313250004063	Rivet	4x6.3
7	566217	Inlet Nozzle	
8	SP517232	Seal	
9	566218	Ventilator	
10	566248	Ventilator Spiral	
11	521260	Bolt	M5x8
12	SP311127000005	Washer	M5
13	SP311125000005	Washer	M5
14	560269	Ventilator Base	
15	SP506012	Bolt	M6x10
16	SP526439	Temperature Sensor Seal	
17	SP319300006001	Hose	1,11m
18	SP101405	Bushing	M12
19	570705	Sensors Bracket	
20	SP555504	Bolt	M4x12
21	SP514016	Safety Thermostat	
22	SP517238	Screw	ST 3.5x6.5
23	SP101415	Nut	M12
24	SP534930	Temperature Sensor	
25	SP311125000003	Washer	M3
26	SP311127000003	Washer	3
27	SP310934000003	Nut	M3

Humidity Sensor - Optional

Electric Models



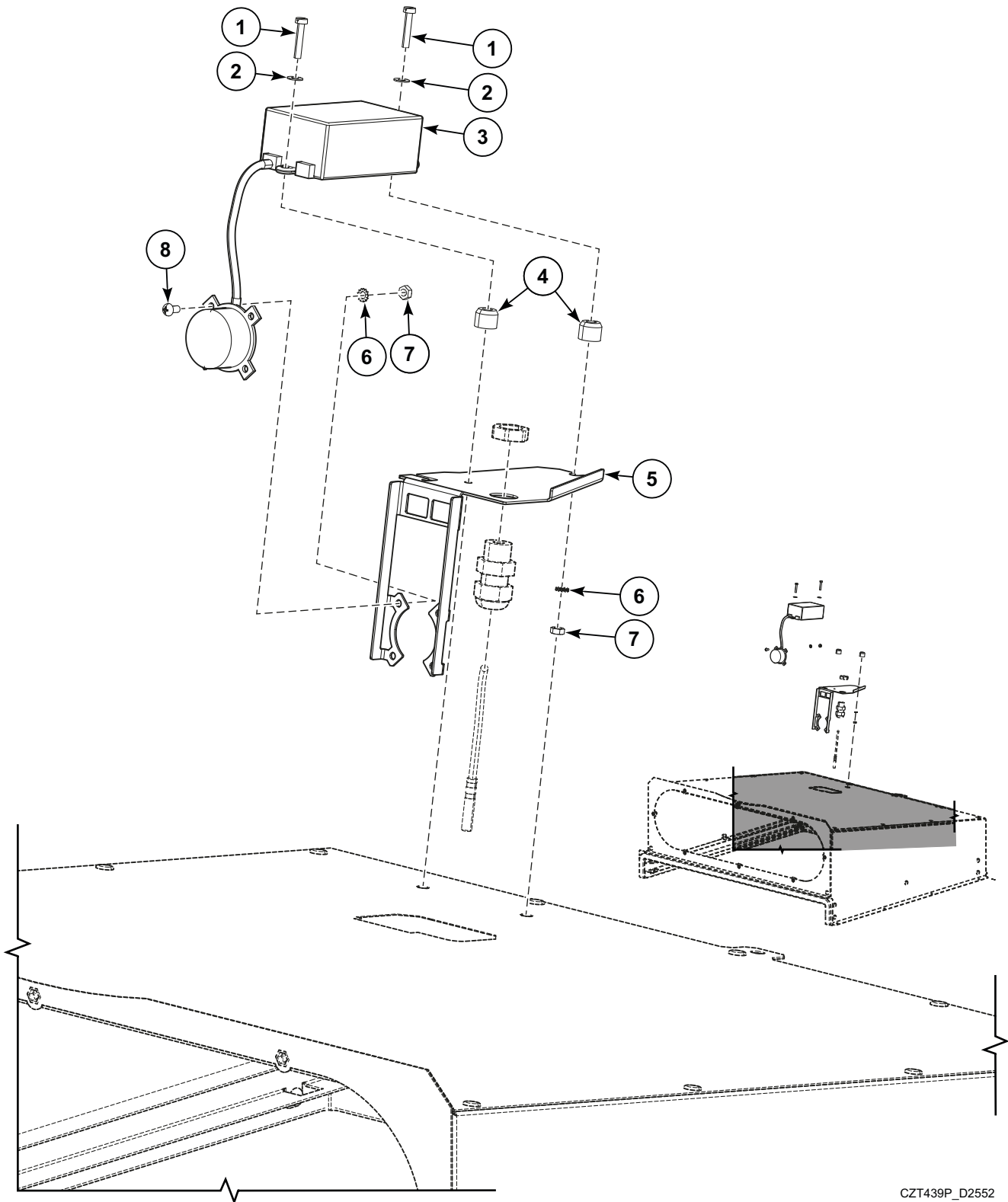
CZT186P_D2552

Humidity Sensor - Optional

REF	PART NO.	DESCRIPTION	COMMENTS
1	SP309798500306	Bolt	M3x6
2	SP102456	Humidity Sensor	
3	SP518563	Sensor Holder	
4	SP313250004075	Rivet	4x7.5
5	SP311679800003	Washer	M3
6	SP309084000306	Bolt	M3x6

Humidity Sensor - Optional

Heat Pump Models



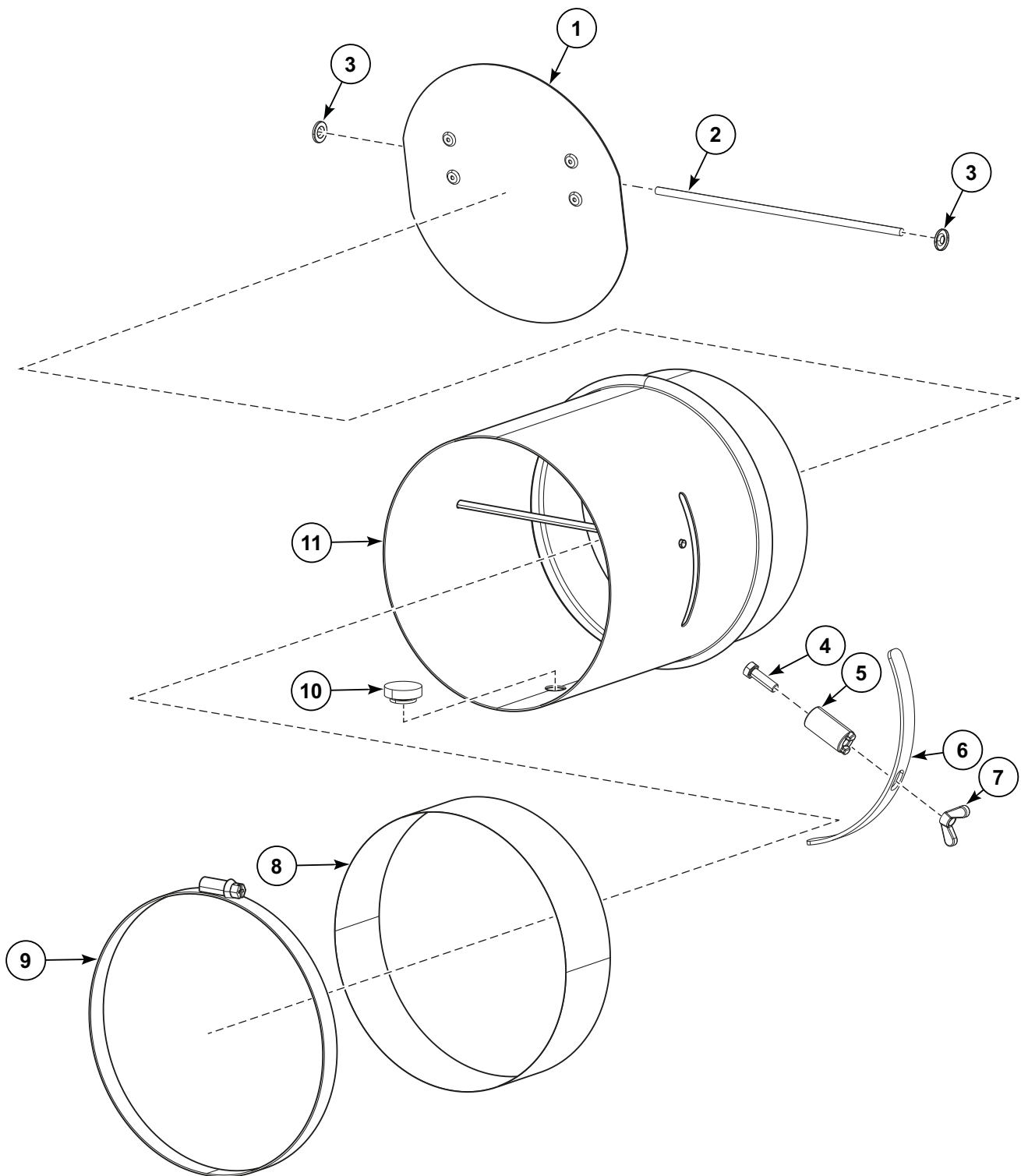
CZT439P_D2552

Humidity Sensor - Optional

REF	PART NO.	DESCRIPTION	COMMENTS
1	SP309084000316	Bolt	M3x16
2	SP311125000003	Washer	M3
3	SP102456	Humidity Sensor	
4	SP520408	Pin Insertion	
5	570711	Sensor Holder	
6	SP311679824003	Washer	M3
7	SP310934000003	Nut	M3
8	SP309798500306	Bolt	M3x6

Exhaust

Electric Models

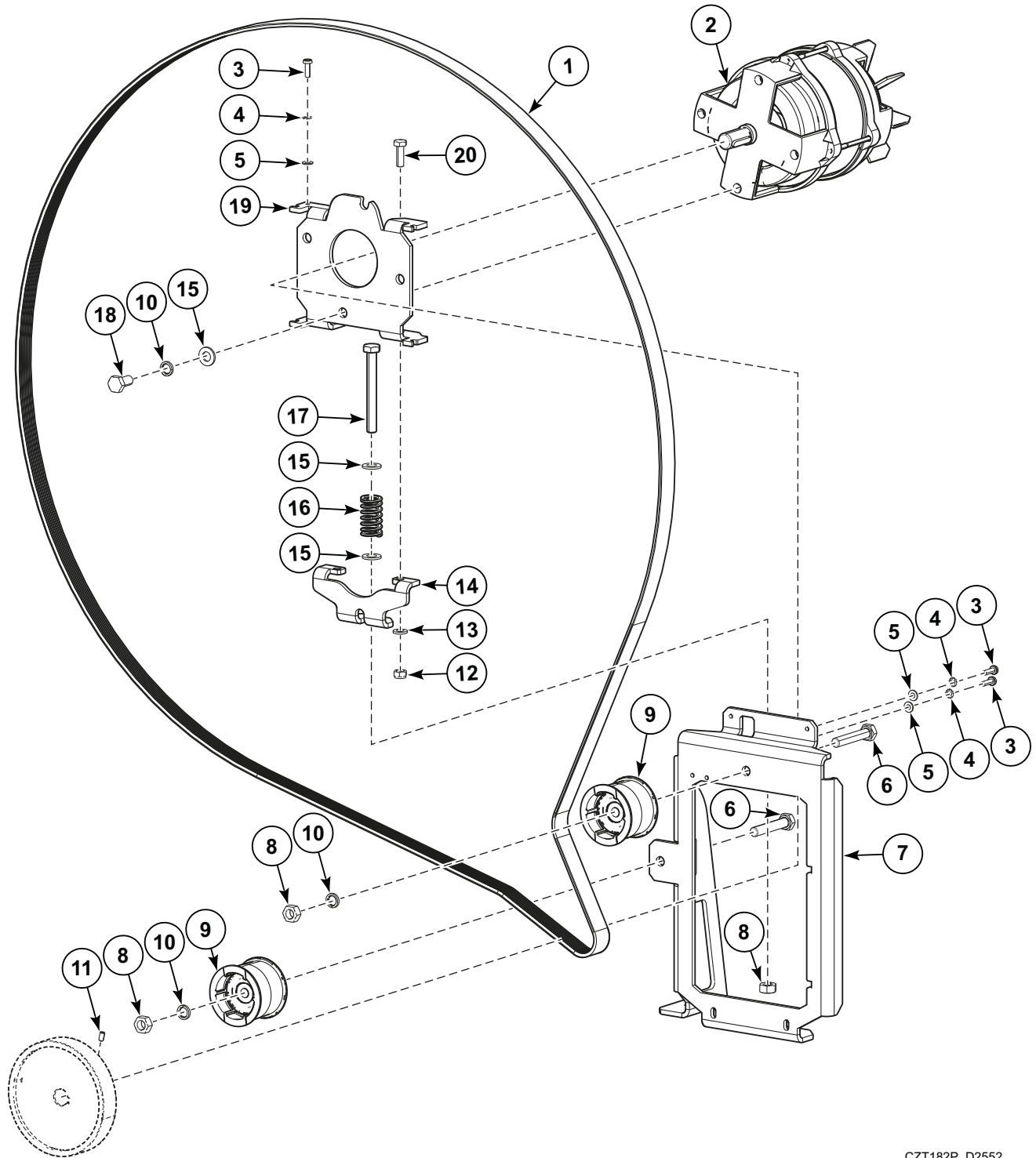


CZT175P_D2552

Exhaust

REF	PART NO.	DESCRIPTION	COMMENTS
	566279	Exhaust Assembly	Includes items 1-11
1	SP534902	Flap Assembly	
2	SP534908	Bar	
3	SP516669	Washer	4
4	SP309933000516	Bolt	M5x6
5	SP534900	Flap Stop	
6	SP534904	Plug	
7	SP534929	Nut	M5
8	521107	Aluminium Slip Glue	
9	SP529013	Clamp	
10	SP273127001798	Plug	
11	566229	Tube	

Drive



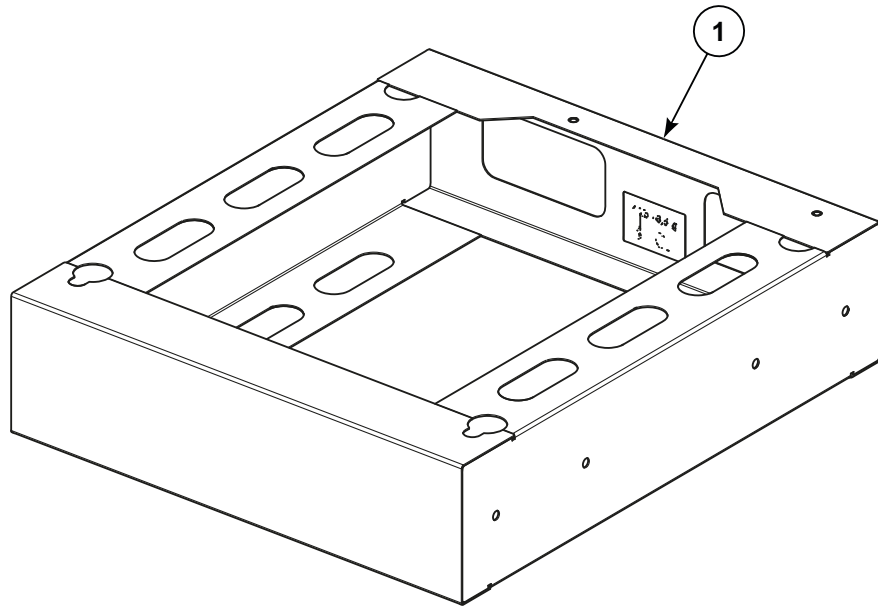
CZT182P_D2552

Drive

REF	PART NO.	DESCRIPTION	COMMENTS
1	560266	Belt	
2	568158	Motor and Pulley	200V/50Hz; Includes 564660 Motor, 345000350715 Connector and 345000926883 Pin
	568160	Motor and Pulley	200V/60Hz; Includes 564660 Motor, 345000350715 Connector and 345000926883 Pin
	568157	Motor and Pulley	400V/50Hz; Includes 564660 Motor, 345000350715 Connector and 345000926883 Pin
	568159	Motor and Pulley	400V/60Hz; Includes 564660 Motor, 345000350715 Connector and 345000926883 Pin
3	SP555504	Bolt	M4x12
4	SP311679800004	Washer	4
5	SP311125100004	Washer	4
6	SP309933000845	Bolt	M8x45
7	568760	Motor Holder	
8	SP310934000008	Nut	M8
9	70050402	Idler Wheel Assembly	
10	SP311127000008	Washer	8
11	SP309916000408	Bolt	M4x8
12	SP310985000006	Nut	M6
13	SP311125000006	Washer	6
14	568762	Tension Part	
15	SP311125000008	Washer	M8
16	568765	Spring	M4x12
17	SP309933000870	Bolt	M8x70
18	506433	Bolt	M8x16
19	568761	Tension Part	
20	SP309933000618	Bolt	M6x18

Elevated Base Frame - Optional

Electric Models



CZT212P_D2552

Elevated Base Frame - Optional

REF	PART NO.	DESCRIPTION	COMMENTS
1	576649	Elevated Base Frame	135 mm
	576650	Elevated Base Frame	200 mm

Harnesses

PART NO.	DESCRIPTION	COMMENTS
571488	Main Wiring	Models with Electric heating
571489	Main Wiring	Models with Heat pump
571497	Emergency Stop Wiring	
SP516186	Emergency Stop Interconnection	
569719	Motor Cable	2.3m
SP557975	Extend Coin Wiring	
516196	External Payment Wiring	
564678	Power Wiring	Models with Electric heating; 1.5mm ² ; 6kW / 220-230V, 6kW / 380-415V+N, 6kW / 380-415V-N; 9kW / 220-230V, 9kW / 380-415V+N, 9kW / 380-415V-N; 12kW / 220-230V, 12kW / 380-415V+N, 12kW / 380-415V-N
564687	Heating Wiring	Models with Electric heating; 1.5mm ² ; 6kW / 380-415+N, 6kW / 380-415V-N; 9kW / 380-415V+N, 9kW / 380-415V-N; 12kW / 380-415V+N, 12kW / 380-415V-N
564679	Power Wiring	Models with Electric heating; 2.5mm ² ; 6kW / 220-230V, 9kW / 220-230V, 12kW / 220-230V
564688	Heating Wiring	Models with Electric heating; 2.5mm ² ; 6kW / 220-230V, 9kW / 220-230V, 12kW / 220-230V

Parts Index

A

Adhesive	
SP537896 .. 11, 13, 15, 17, 19, 21, 23, 25, 27, 29, 31, 33,	35, 37, 39
Adjustable Foot	
566207	55, 57, 59, 61
Aluminium Slip Glue	
521107	103
Autotransformer	
SP552201	79, 81, 89, 91

B

Bar	
SP520552	85
Bearing	
566253	55, 59
Bearing Cover	
560298	55, 57, 59, 61
Bearing Holder	
560274	55, 59
575430	57, 61
Bearing Sealing	
566355	71, 73
Belt	
560266	105
Binding Strip	
SP345000626088	79, 81, 83, 85, 89, 91
Bolt	
P309933240408	39
SP309084000306	99
SP309084000316	101
SP309084000320	11, 15, 19
SP309084000410	79, 81, 83, 85, 89, 91
SP309798500306 .. 11, 13, 15, 17, 19, 21, 23, 25, 27, 29,	31, 33, 35, 37, 99, 101
SP309798524408	23, 27, 31, 35, 37
SP309916000408	105
SP309933000416	39
SP309933000516	103
SP309933000618	105
SP309933000825	55, 57
SP309933000845	105
SP309933000870	105
SP309933100625	55, 57, 59, 61, 77, 79, 83, 89
SP309933241220	71, 73
SP309963000306	11, 15, 19
SP309963240412	75
SP506012	97
SP506431	79, 81, 83, 85
SP515075	13, 17, 21
SP518719	11, 15, 19, 97
SP534908	103
SP535479	59, 61
SP537854	7
SP550482	7, 9, 23
SP555504	11, 13, 15, 17, 19, 21, 95, 97, 105
506433	105
521260	97
525283	81, 89, 91

535479	9
560250	55, 59
560300	7, 9
575491	57, 61
577761	13, 17, 21, 23
577762	13, 17, 21, 23
577763	13, 17, 21, 23
Bottom Hinge	
560239	7, 9
Bushing	
SP101405	59, 61, 97

C

Cable	
SP521061... 11, 13, 15, 17, 19, 21, 23, 25, 27, 29, 31, 33,	35, 37, 39
Cable Holder	
SP528313	79, 81, 83, 85, 89, 91
Cable Passage	
SP273121005052	79, 81, 83, 85, 89
Circuit Breaker	
SP347800243480	83, 85
Clamp	
SP346000280101	79, 81, 83, 85, 89, 91
SP346000280104	79, 81
SP504566	97
SP529013	103
Clamp Ring	
SP527877	55, 57
Coin Meter	
SP537996	43
SP547600	41
SP547601	41
SP547602	41
SP547603	41
SP547604	41
SP547605	41
SP547606	41
SP547607	41
SP547608	41
SP547609	41
SP547610	41
SP547611	41
SP547612	41
SP547613	41
SP547614	41
SP547615	41
SP547616	41
SP547617	41
SP547618	41
SP547619	41
SP547620	41
SP547621	41
SP547622	41
SP547623	41
SP547624	41
SP547625	41
SP547626	41
SP547627	41
SP547628	41
SP547629	41
SP547630	41

N/A items do not appear in index.

SP547631	41	SP560094	47
SP547634	41	SP560100	47
SP547635	41	SP560309	47
SP547636	41	SP560310	47
SP547637	41	SP560311	47
SP547638	41	SP560312	47
SP547639	41	SP560405	47
SP547640	41	SP560406	47
SP547641	43	SP560407	47
SP547642	43	SP560408	47
SP547643	43	SP560409	47
SP547644	43	SP560410	47
SP547645	43	SP560411	47
SP547646	43	SP560412	47
SP547647	41	SP560413	47
SP547648	41	SP560414	47
SP547649	43	SP560415	47
SP547651	43	SP560416	47
SP547652	41	SP560417	47
SP547653	43	SP560418	47
SP547654	43	SP560419	47
SP547656	41	SP560420	47
SP547657	43	SP560421	47
SP547658	43	SP560422	47
SP547659	43	SP560423	47
SP547660	43	SP560424	47
SP547661	43	SP560425	47
SP547662	43	SP560426	47
SP547663	43	SP560427	47
SP547664	43	SP560428	47
SP547665	41	SP560429	47
SP547666	41	SP560432	47
SP547667	43	SP560744	43
SP547668	43	SP560745	47
SP547669	43	SP560751	47
SP547670	43	SP564484	45
SP547671	43	SP564486	45
SP547672	43	553150	45
SP547673	43	553151	45
SP547674	43	553156	49
SP547675	43	560073	45
SP555502	43	561378	45
SP555543	43	561496	45
SP555546	43	561497	49
SP555549	43	563405	49
SP555550	43	564485	49
SP555558	43	564487	49
SP555559	43	564489	45
SP555578	43	569901	45
SP555579	43	569905	49
SP558958	47	569911	49
SP558959	47	569912	45
SP559933	47	569918	45
SP559934	47	569919	49
SP559938	47	569921	41
SP559949	47	569922	47
SP559969	47	569924	45
SP560071	49	569925	49
SP560075	49	569927	45
SP560082	45	569928	49
SP560083	45	569930	45
SP560084	45	569931	49
SP560085	45	569933	43
SP560086	45	569934	47
SP560089	43	569936	45
SP560090	47	569937	49
SP560091	47	569939	43
SP560092	47	569940	47
SP560093	47	569942	45

N/A items do not appear in index.

Drum Assembly	
575473	73
575486	73
Drum Fixation Cover	
560265	71, 73
575498	73
Drum Kit	
575515	71
Drum Mounting Assembly	
560262	71, 73

E

Earthing Index Plate	
SPPRI551000001	11, 15, 19, 25, 29, 33
Edge Protection	
SP529068	79, 81, 83, 85, 89
Elevated Base Frame	
576649	107
576650	107
Emergency Stop Connector	
SP528311	11, 13, 25, 27
Emergency Stop Interconnection	
SP516186	108
Emergency Stop Knob	
SP102459	11, 25
SP528310	13, 27
Emergency Stop Wiring	
571497	108
End Cover	
552483	79, 81, 83, 85, 89, 91
End Stop	
SP346000209101	79, 83, 85, 89
Exhaust Assembly	
566279	103
Extend Coin Wiring	
SP557975	108
External Payment Wiring	
516196	108

F

Filter	
560254	7, 9
Filter Assembly	
562991	9
566242	9
Filter Sealing	
566363	7, 9
Filters Drawer Assembly	
566239	9
Fix Sheet	
568660	11, 13, 15, 17, 19, 21, 23
Fixed Sheet	
572865	11, 15, 19, 25, 29, 33
Flap Assembly	
SP534902	103
Flap Stop	
SP534900	103
Front Panel	
572680	9
572681	9

N/A items do not appear in index.

572686	7
572687	7
572700	9
572701	9
572702	7
572703	7

Front Panel Holder	
562969	7

Fuse	
SPPRI401001021	79, 81, 83, 85, 89, 91
SP345805005020	79, 81, 83, 85, 89, 91
SP514133	79, 81, 89, 91
345805063032	79, 81, 83, 85, 89, 91
Fuse Case	
SP346000004010	79, 81, 83, 85, 89, 91
Fuse Housing	
552482	79, 81, 83, 85, 89, 91

H

Handle	
560207	75
575420	75
Heat Pump	
566255	93
Heat Pump Box	
562948	59, 61
566295	59, 61
Heating Box Assembly	
563005	77
Heating Element	
SP510984	77
SP510985	77
Heating Wiring	
564687	108
564688	108
Hinge	
SP516832	63, 65, 67
Holder	
SPPRI326002004	13, 17, 21, 23
Hook	
SPPRI551016250	79, 81, 83, 85, 89
570254	65
Hook Lever	
570253	65
Hook Lever Holder	
571994	65
Hook Lock	
SPPRI610002007	63, 67
Hose	
SP319300006001	97
Housing	
560238	7, 9
Humidity Sensor	
SP102456	99, 101

I

Idler Wheel Assembly	
70050402	105
Inlet Nozzle	
566217	97

L

Lock	
SP547527	13, 17, 21, 23, 63, 67
Lock Lever	
570250	13, 17, 21, 23
Lower Lath	
571993	13, 17, 21, 23
572869	11, 15, 19
Lower Plate	
568703	7, 9

M

Magnet	
566215	75
Main Switch	
SPPRI404000097	55, 57, 59, 61
SPPRI404000098	55, 57
Main Switch Knob	
SPPRI404000095	55, 57, 59, 61
Main Wiring	
571488	108
571489	108
Memory	
SP526001	13, 17, 21, 23, 27, 31, 35, 37, 39
Microswitch Holder	
572718	7, 9
Motor and Pulley	
568157	105
568158	105
568159	105
568160	105
Motor Cable	
569719	108
Motor Holder	
568760	105

N

Nut	
SP101415	59, 61, 97
SP310934000003	97, 101
SP310934000004 ..	11, 13, 15, 17, 19, 21, 23, 25, 27,
29,	31, 33, 35, 37, 39
SP310934000008	55, 57, 79, 81, 83, 85, 105
SP310934000010	59, 61
SP310934100006 ..	55, 57, 59, 61, 77, 79, 81, 83, 89,
91	
SP310936000014	71, 73
SP310985000006 ..	55, 57, 59, 61, 71, 73, 79, 81, 83,
85,	105
SP310985000010	55, 57, 59, 61
SP313251002104	7
SP514193	7, 9
SP534929	103

O

Overlay	
SP521061	11, 15, 19, 25, 29, 33

SP553415	39
570290	17, 21, 27, 31, 35
570291	17, 21
575601	23, 37
Ovrelay	
570291	27, 31, 35

P

Panel Holder	
562967	79, 83
563067	89
571998	79, 83
577794	81, 85
577796	91
Pin	
563034	59, 61
Pin Insertion	
SP520408	65, 101
Plug	
SPPRI505000064	97
SP273127001798	103
SP520297	77
SP534904	103
Power Wiring	
564678	108
564679	108
Profiled Sealing	
SPPRI505000058	9

R

Rear Panel	
560267	59, 61
566227	55, 57
568767	59, 61
Retaining Ring	
SPPRI242000006	59, 61
Rivet	
SP313250004063	7, 65, 97
SP313250004075	99
SP313250032008	65
SP313250048103	63, 65, 67
SP547779	65
505479	75
556546	75
Roller Bearing	
70610901	55, 57, 59, 61
Roller Spacer	
560253	55
575489	57, 61
Rollers Support	
560187	55, 57, 59, 61

S

Safety Thermostat	
SP514016	97
SP514127	77
Screw	
SP517238	77, 95, 97
SP526497	71, 73

N/A items do not appear in index.

SP5292069, 25, 27, 29, 31, 33, 35, 37, 39, 53, 55, 57, 59, 61, 63, 65, 67, 71, 73, 75, 77, 79, 81, 83, 85, 87, 89,	91, 97
Seal	
SP510986	13, 17, 21, 23
SP517232	55, 57, 59, 61, 77, 87, 97
562951	59, 61
575470	57, 61
Seal Assembly	
560289	55, 59
Self-Adhesive Pad	
SPMEC001410	25, 29, 33
Sensor Holder	
SP518563	99
570711	101
Sensors Bracket	
570705	97
Shaft	
560260	71, 73
Side Board	
SP533338	11
SP533339	11, 15, 19
570391	13, 17, 21, 23
570392	13, 17, 21, 23
Side Sheet Metal	
SP547506	11, 13, 15, 17, 19, 21, 23
SP547507	11, 13, 15, 17, 19, 21, 23
Spacer	
566321	55, 57, 59, 61
575516	73
Spring	
566220	55, 57, 59
568765	105
SP510986	
SP510986	11, 15, 19
Support Bearing	
70448701	57, 61
Switch	
SP100388	79, 81, 83, 85, 89, 91
Switch Holder	
575488	95
Switching Unit	
SP528312	11, 13, 25, 27

T

Tape	
SP284000012003 ..	11, 15, 19, 25, 27, 29, 31, 33, 35, 37,
	39
Temperature Sensor	
SP534930	59, 61, 97
516092	77, 87
Temperature Sensor Bracket	
566219	77, 87
Temperature Sensor Seal	
SP526439	97
Tension Part	
568761	105
568762	105
Top Cover	
563050	67
563059	63
571996	65

Top Cover Assembly	
563051	67
563060	63, 65
575421	69
Transformer	
SP514021	79, 81, 83, 85, 89, 91
Tube	
566229	103
Tunnel Assembly	
562994	87

U

Upper Hinge	
560240	7, 9
Upper Lid Prop	
SP533341	79, 81, 83, 85, 89
Upper Plate	
572685	7, 9

V

Ventilator	
566218	97
Ventilator Base	
560269	97
Ventilator Spiral	
566248	97
Ventilator Upper Box	
566246	97

W

Washer	
SPPRI247000014	79, 81, 83, 85, 89
SPPRI522000012	13, 17, 21, 23, 63, 67
SP311125000003	11, 15, 19, 97, 101
SP311125000004 ..	7, 9, 11, 13, 15, 17, 19, 21, 23, 25, 27,
	29, 31, 33, 35, 39, 79, 81, 83, 85, 89, 91
SP311125000005	97
SP311125000006 ..	55, 57, 59, 61, 71, 73, 79, 83, 105
SP311125000008 ..	55, 57, 59, 61, 79, 81, 83, 85, 105
SP311125100004	105
SP311125100006	55, 57, 59, 61, 77
SP311125240004	39
SP311125240006	79, 83, 89
SP311127000003	97
SP311127000004 ...	11, 13, 15, 17, 19, 21, 23, 25, 29, 33,
	39, 79, 81, 83, 85, 89, 91, 95
SP311127000005	97
SP311127000006	9
SP311127000008	55, 57, 79, 81, 83, 85, 105
SP311127000014	71, 73
SP311127240006	59, 61
SP311679800003 ...	11, 13, 15, 17, 19, 21, 23, 25, 27, 29,
	31, 33, 35, 37, 99
SP311679800004 ...	11, 13, 15, 17, 19, 21, 23, 25, 27, 29,
	31, 33, 35, 37, 39, 105
SP311679800006	77
SP311679824003	101
SP311679824006	55, 57, 59, 61, 79, 83, 89
SP311734900006	81, 85
SP311902100004 ...	11, 13, 15, 17, 19, 21, 23, 25, 27,

N/A items do not appear in index.

29,	31, 33, 35, 37
SP311902100006.....	81, 89, 91
SP311902100012.....	71, 73
SP516669	77, 87, 103
SP530884	53
560234	7, 9
560292	75
564511	7, 9
566339	71, 73
572684	7, 9
Wheel	
563039	59, 61
