

SQ Combo Wash and Dry

Cabinet Freestanding

135 Models

Refer to Page 3 for Model Numbers



Table of Contents

Title	Page
Parts Ordering Information.....	2
Serial Plate Location	2
Model Identification	3
Decals	4
Upper Frame	6
Lower Frame	8
Gas Heating (Drawing 1 of 2)	10
Gas Heating (Drawing 2 of 2)	12
Control Panel	14
Filter box	16
Electrobox	18
Rear Electrobox	20
Rear Electrobox	22
Coin Meter (Drawing 1 of 2).....	24
Coin Meter (Drawing 2 of 2).....	26
Cabinet.....	28
Washing unit	30
Drain System	32
Two Water Inlet System.....	34
Door	36
Door	38
Drive.....	40
Ventilator.....	42
Liquid Soap Supply System	44
Wire Harnesses	46
Parts Index.....	47

© Copyright 2022, Alliance Laundry Systems LLC

All rights reserved. No part of the contents of this book may be reproduced or transmitted in any form or by any means without the expressed written consent of the publisher.

Parts Ordering Information

If literature or replacement parts are required, contact the source from whom the machine was purchased or contact Alliance Laundry Systems at (920) 748-3950 for the name and address of the nearest authorized parts distributor.

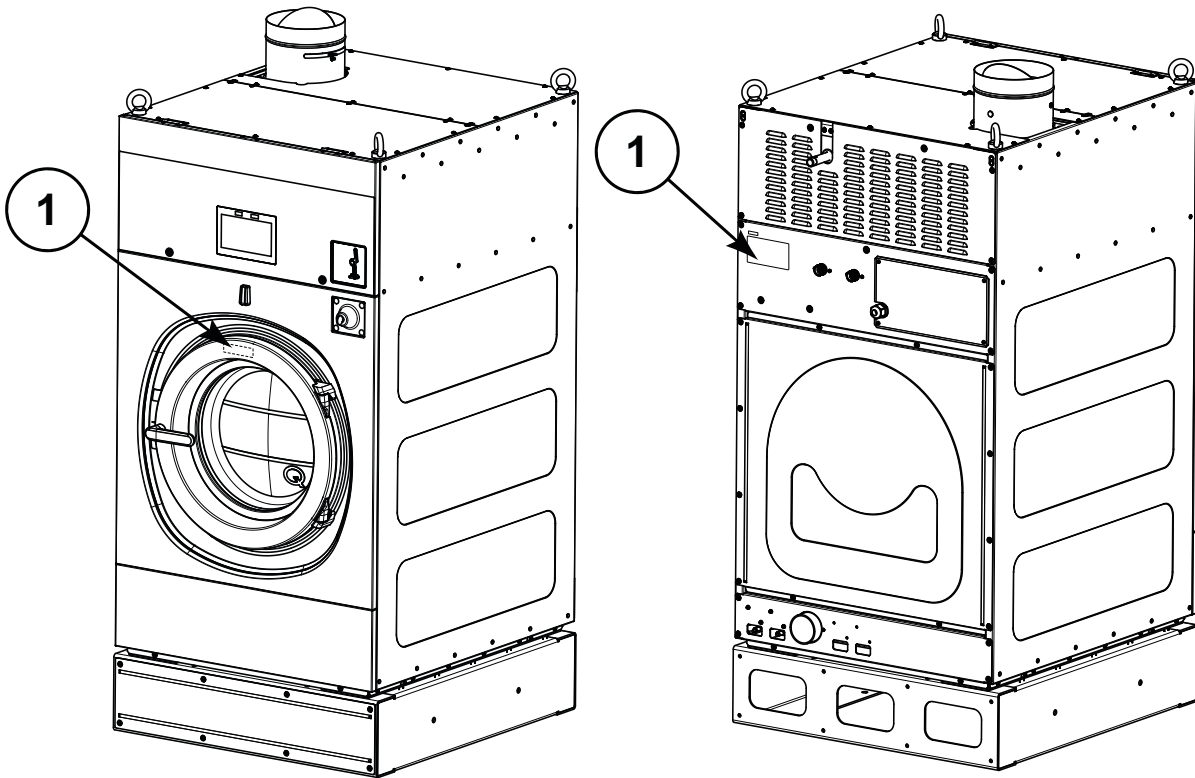
For technical assistance, call the number listed below:

(920) 748-3121 Ripon, Wisconsin

Serial Plate Location

When calling or writing about your product, be sure to mention model and serial numbers. Model and serial numbers are located on serial plate(s).

1. Machine Serial Plate Location (Located inside the door)



CZW163N_D2574

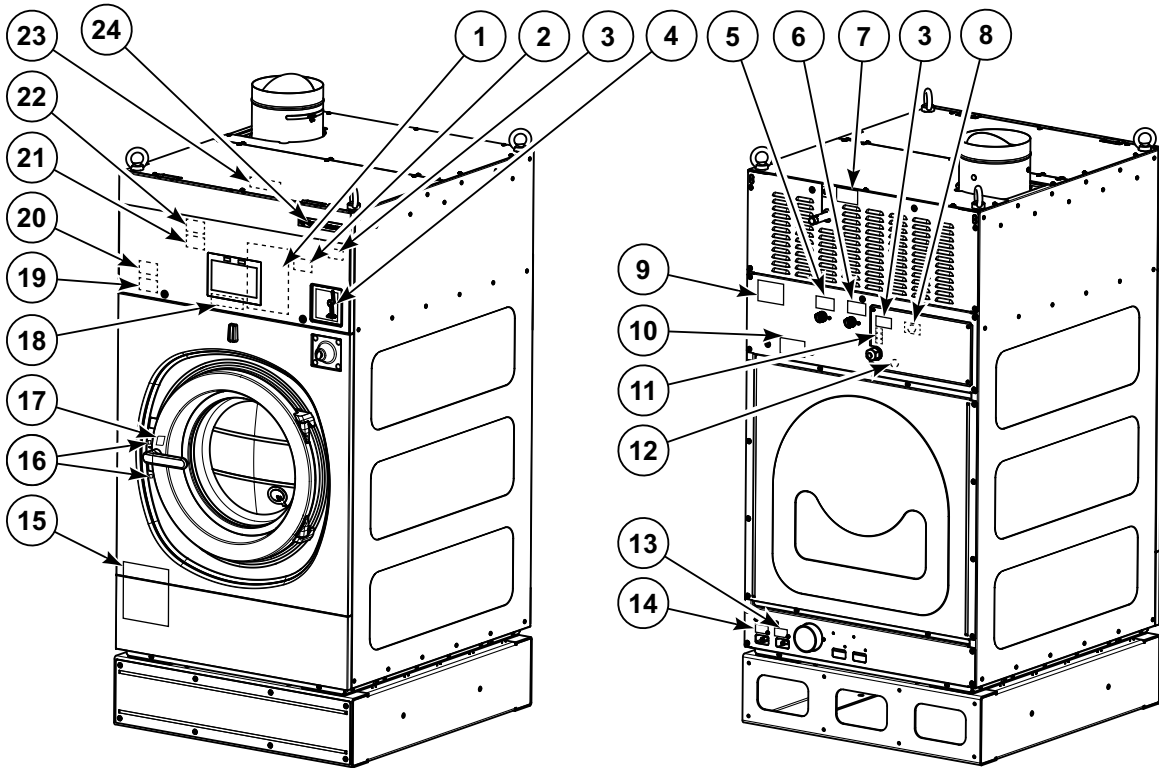
Model Identification

Information in this manual is applicable to these ironer models:

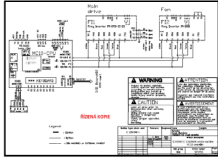
SZX135

SZ135

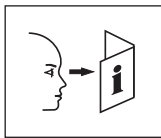
Decals



Pos ①



Pos ②



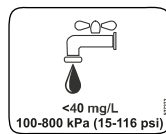
Pos ③



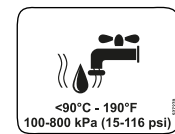
Pos ④



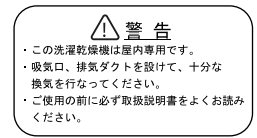
Pos ⑤



Pos ⑥



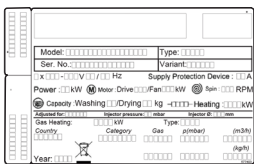
Pos ⑦



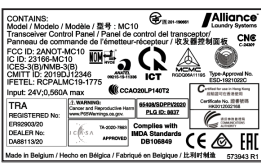
Pos ⑧



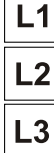
Pos ⑨



Pos ⑩



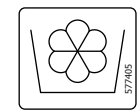
Pos ⑪



Pos ⑫



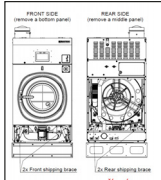
Pos ⑬



Pos ⑭



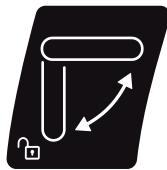
Pos ⑮



Pos ⑯



Pos ⑰



Pos ⑱



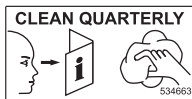
Pos ⑲



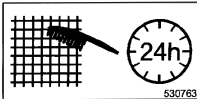
Pos ⑳



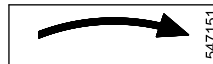
Pos ㉑



Pos ㉒



Pos ㉓



Pos ㉔

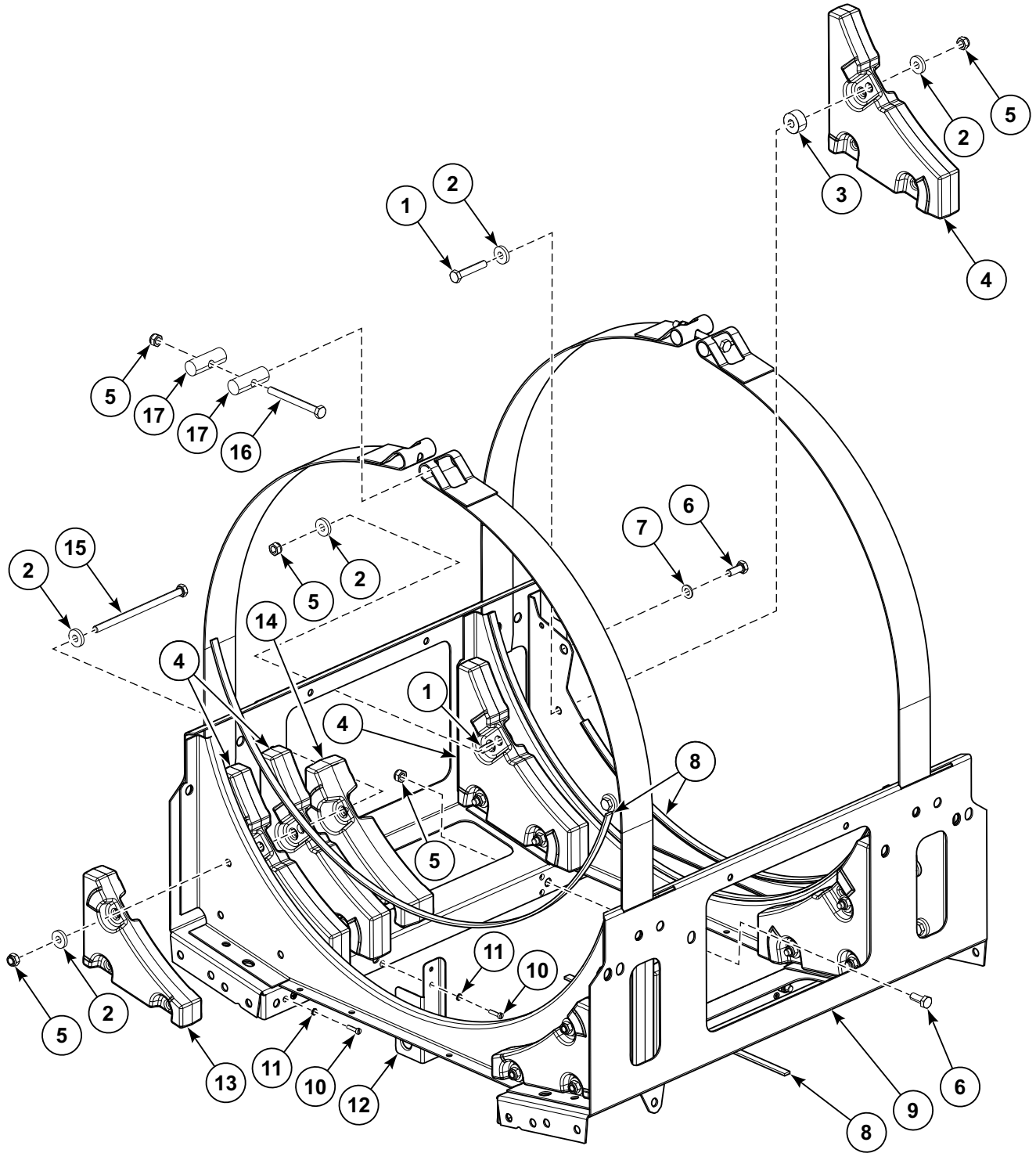


CZW392P_D2574

Decals

REF	PART NO.	DESCRIPTION	COMMENTS
1	575755	Schematic diagram	
2	570313	Label	
3	SP230200007514	Label	
4	576392	Sticker of Coinmeter	Japanese version
5	SP527272	Index Plate	
6	SP527270	Index Plate	
7	577406	Warning Sticker	Japanese version
	579435	Warning Sticker	International version
8	SPPRI551000001	Earthing Index Plate	
9	577403	Serial Plate	
10	573943	Label	
11	SPPRI551001001	Label	
12	SPPRI551006001	Label	
13	577405	Softener Sticker	
14	577404	Detergent Sticker	
15	576954	Shipping Brace Instruction	
16	579419	Sticker	
17	579418	Sticker of Door	
18	573942	Label	
19	SP548011071014	Label	
20	SP548011072014	Label	
21	534663	Sticker	
22	530763	Sticker Filter Cleaning	
23	547151	Label	
24	F8664901	Decal	

Upper Frame

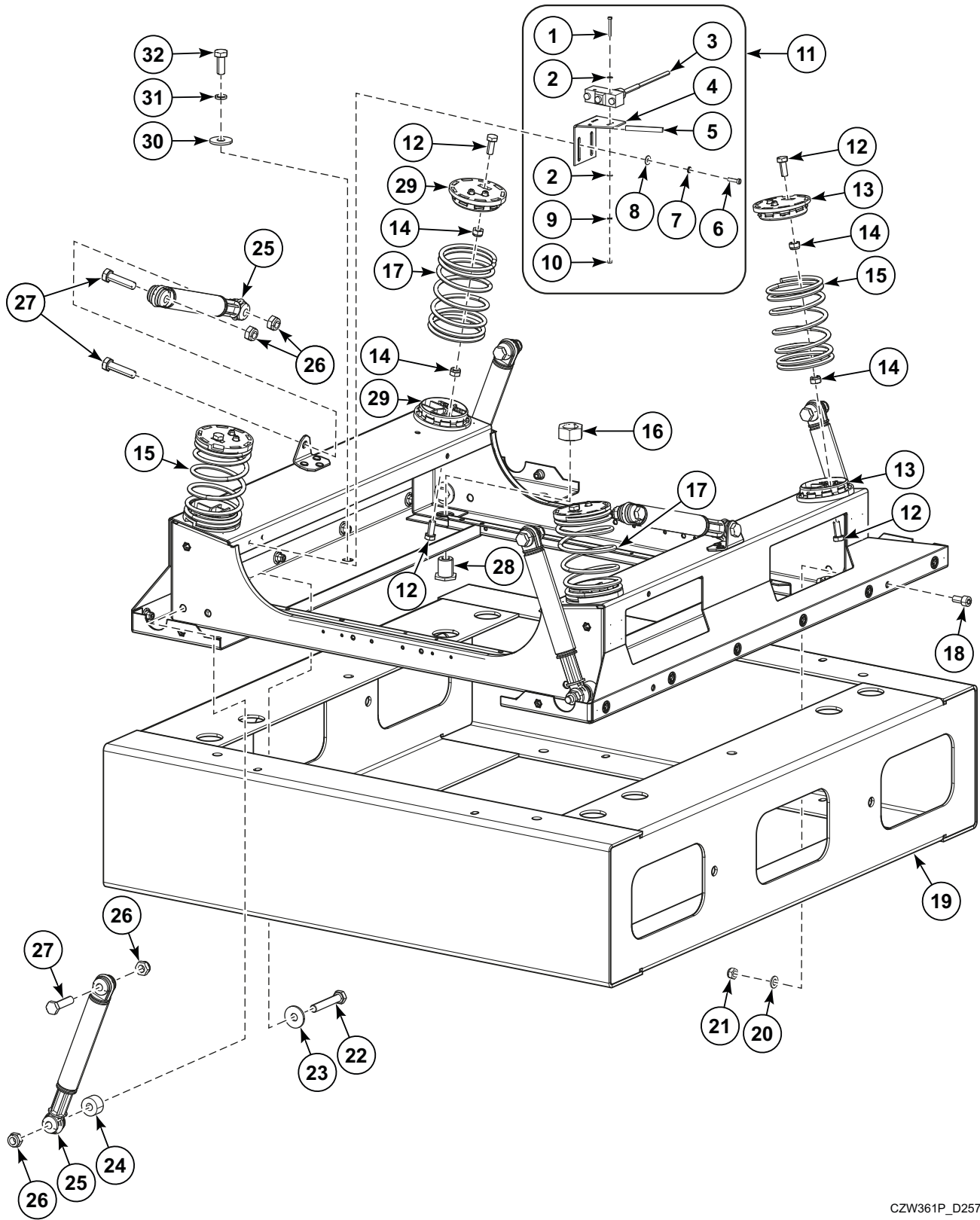


CZW116P_D2574

Upper Frame

REF	PART NO.	DESCRIPTION	COMMENTS
	SP245704003021	Adhesive	Used with external tub for fastening into frame
1	SP309933000845	Bolt	M8x45
2	SP525284	Washer	M8
3	SP515274	Distance Case	
4	SP533784	Lower Weight	
5	SP310985000008	Nut	M8
6	SP309933000820	Bolt	M8x20
7	SP311125000008	Washer	8.4
8	SP517232	Seal	
9	SP533776	Upper Frame	
10	SP309084000416	Bolt	M4x16
11	SP311679800004	Washer	M4
12	SP533388	Oscillation Limiter	
13	SP533737	Lower Weight	
14	SP533753	Lower Weight	
15	SP533717	Bolt	M8x150
16	SP309933000880	Bolt	M8x80
17	SP533738	Cover Strip Pin	

Lower Frame

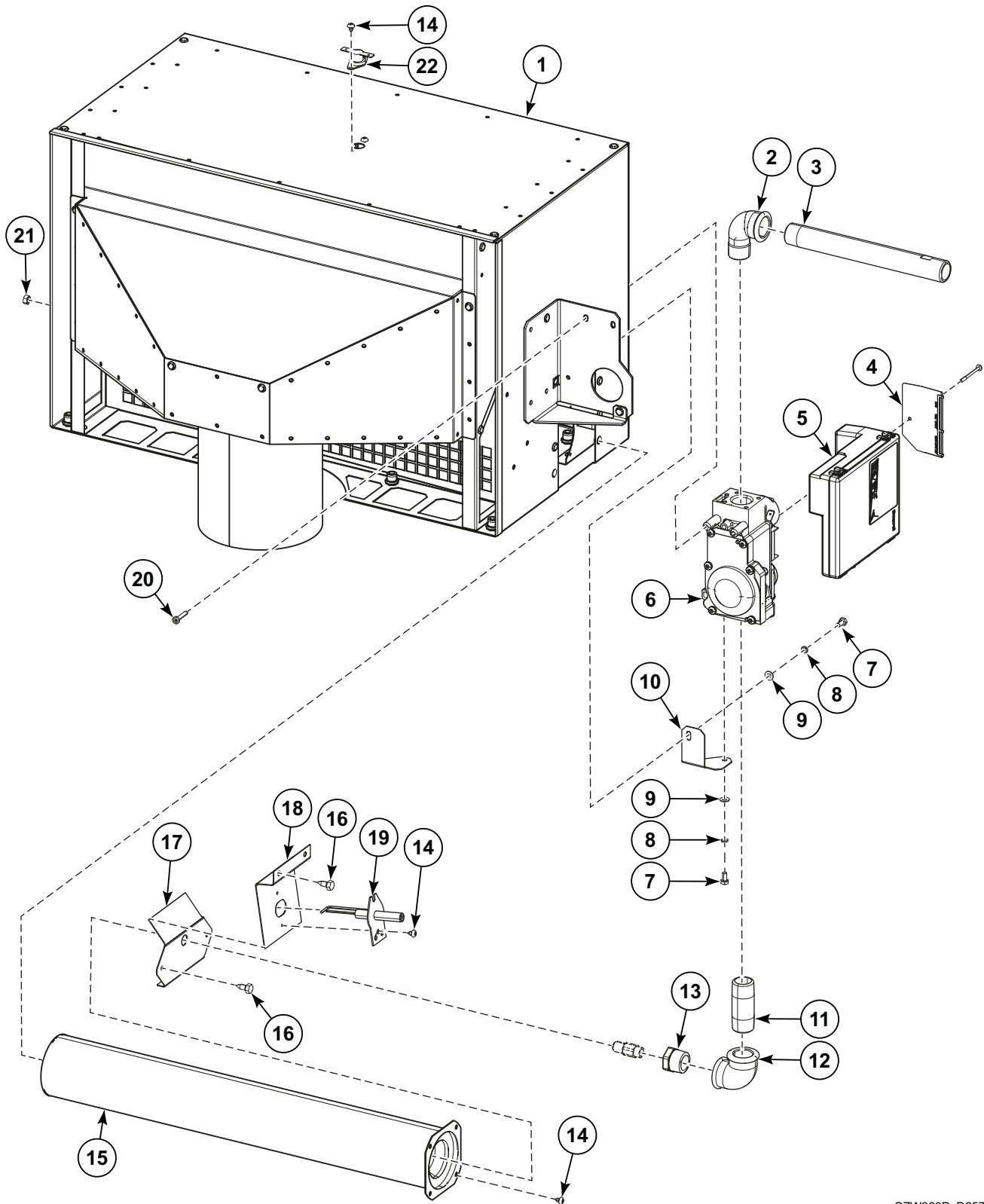


CZW361P_D2574

Lower Frame

REF	PART NO.	DESCRIPTION	COMMENTS
1	SP309084240325	Bolt	M3x25
2	SP311125000003	Washer	3.2
3	SP528309	Microswitch	Includes spring
4	SP533387	Vibration Switch Holder	
5	SPPRI505000058	Profiled Sealing	
6	SP309084000416	Bolt	M4x16
7	SP311679800004	Washer	M4
8	SP311902100004	Washer	M4 - 4.3/12/1
9	SP311679800003	Washer	M3
10	SP310934000003	Nut	M3
11	SP533391	Vibration Switch Assembly	Includes items 1-10
12	SP309933000820	Bolt	M8x20
13	SP534977	Spring Holder	Right
14	SP310985000008	Nut	M8
15	SP533768	Spring	Right
16	SP310934000020	Nut	M20
17	SP533769	Spring	Left
18	SP309912000815	Bolt	M8x16
19	576520	Elevated Base Frame	
20	SP311125000008	Washer	M8
21	SP310985000008	Nut	M8
22	573288	Cover Plate	
23	SP506432	Bolt	M10x60
24	SP311902100010	Washer	M10
25	555658	Bolt	M6x16
26	SP533727	Roller	
27	533716	Damper	4 required
28	SP310985000010	Nut	M10
29	SP527420	Bolt	M10x40
30	510847	Nut	M6
31	SP533726	Bolt	
32	SP534978	Spring Holder	Left
33	SP311902100010	Washer	
34	SP311127000010	Washer	
35	SP309933001025	Bolt	M10x35

Gas Heating (Drawing 1 of 2)

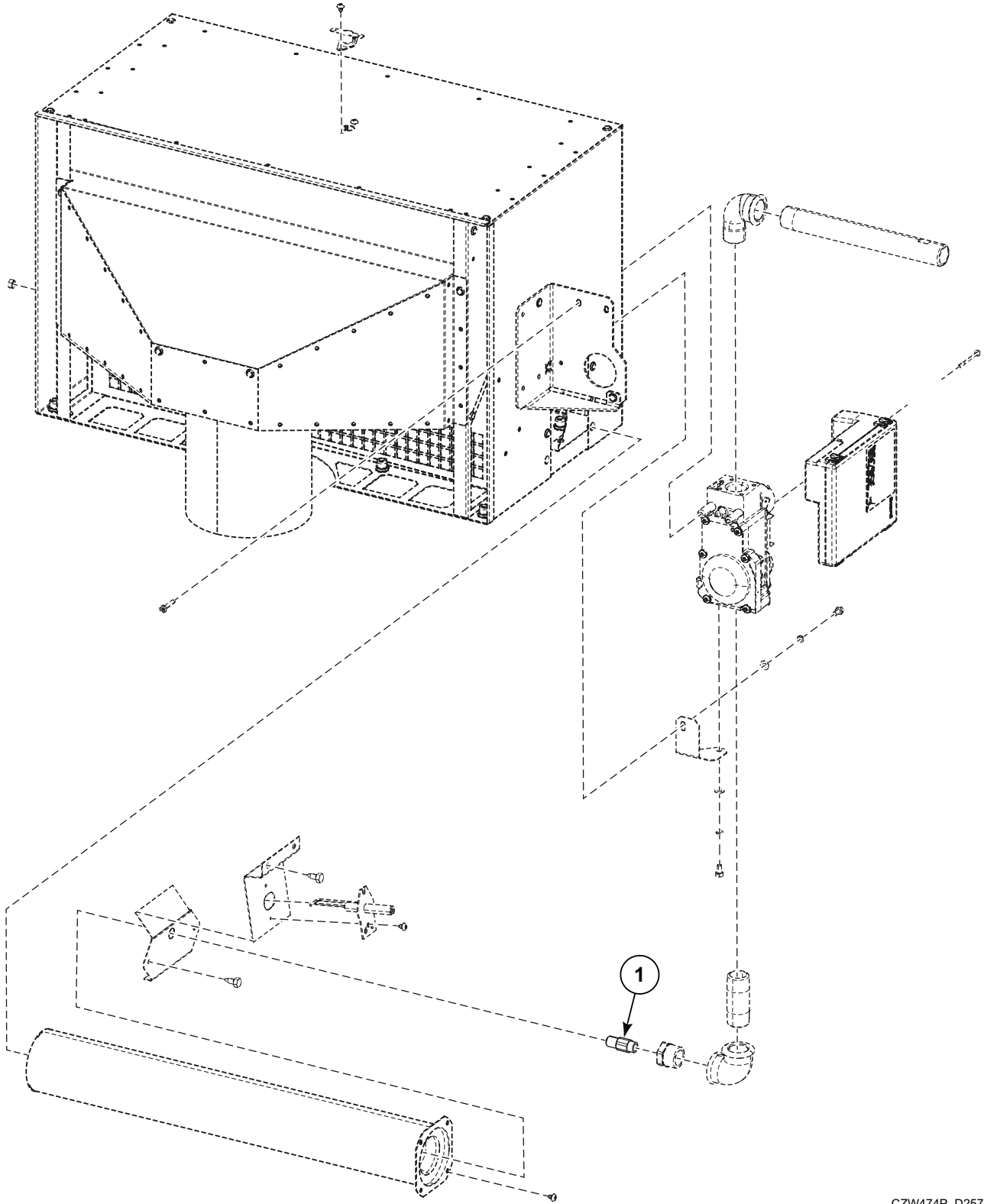


CZW363P_D2574

Gas Heating (Drawing 1 of 2)

REF	PART NO.	DESCRIPTION	COMMENTS
	577647	Gas Conversion Kit	Includes 575478 Label, 517225 Orifice
1	576620	Gas Heater Box	
2	572352	Elbow	1/2 inch
3	569444	Tube	1/2 inch
4	537625	Cover	
5	571938	Control Unit	
6	572351	Gas Valve	
7	SP309798524408	Bolt	M4x8
8	SP311127000004	Washer	M4
9	SP311125000004	Washer	4.3
10	569446	Holder	
11	571881	Tube	1/2 inch
12	572350	Elbow	1/2 inch
13	571884	Injector holder	
14	SP517238	Screw	ST 3.6x6.5
15	SP552515	Burner Tube	
16	SP100218	Screw	ST4.8x13
17	SP512139	Cover	
18	571880	Holder	
19	SP357375100500	Ignition Electrode	
20	572361	Screw	ST3.9x13
21	577645	Nut	M5
22	SP514127	Safety Thermostat	

Gas Heating (Drawing 2 of 2)

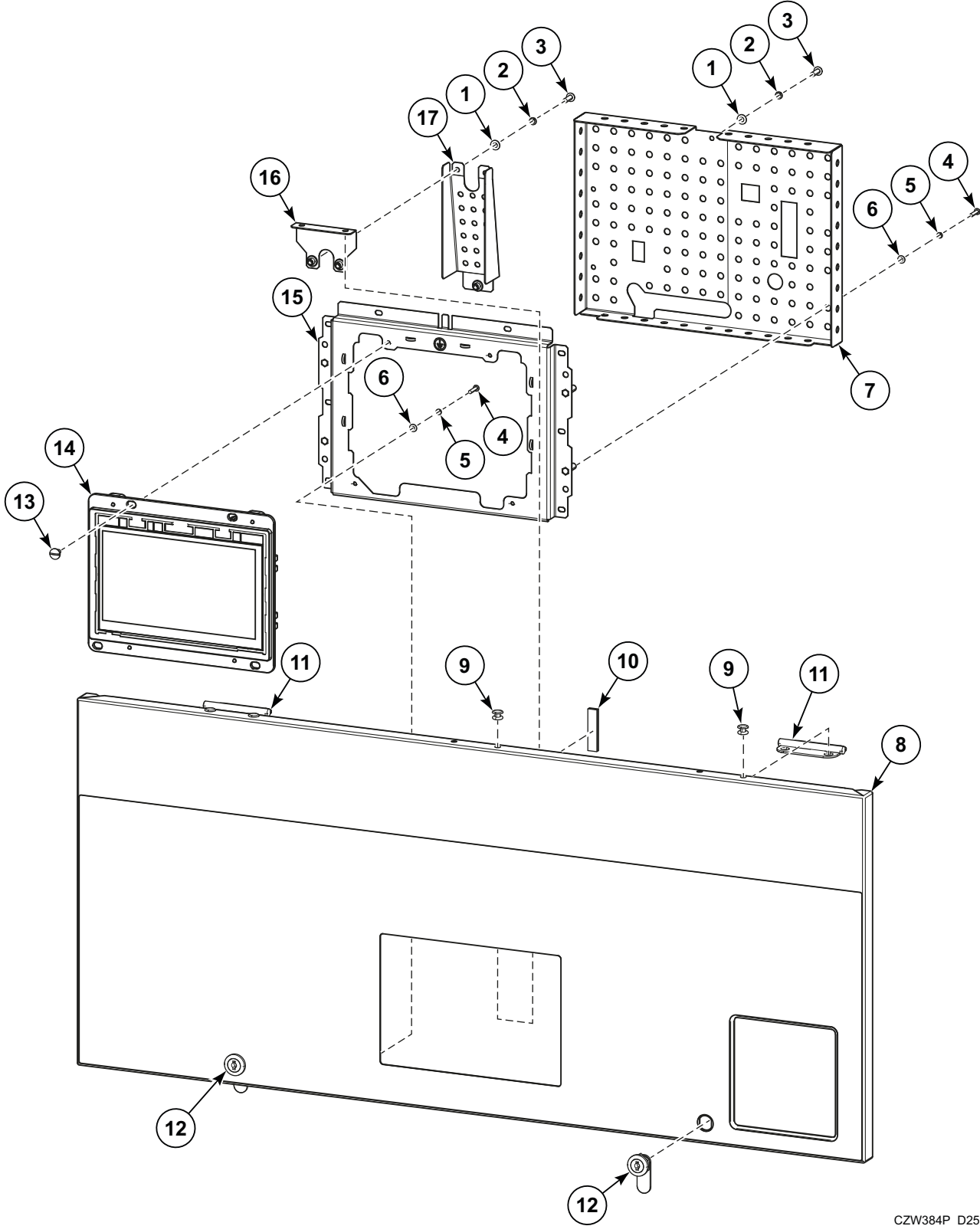


CZW474P_D2574

Gas Heating (Drawing 2 of 2)

REF	PART NO.	DESCRIPTION	COMMENTS
1	517223	Orifice	215
	517225	Orifice	350

Control Panel

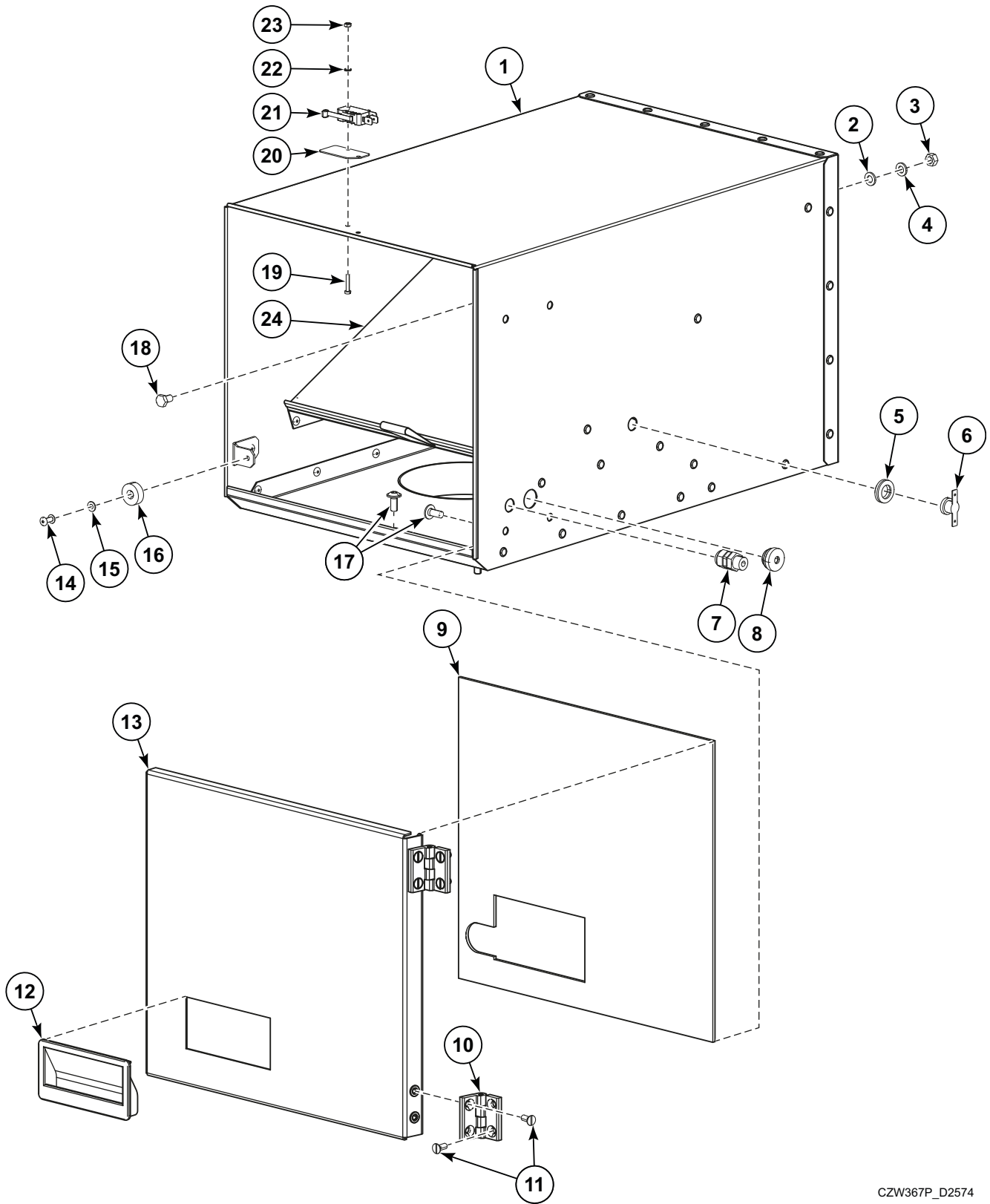


CZW384P_D2574

Control Panel

REF	PART NO.	DESCRIPTION	COMMENTS
1	SP311125000004	Washer	M4
2	SP311127000004	Washer	M4
3	SP309798524412	Bolt	
4	SP309798500314	Bolt	
5	SP311127000003	Washer	
6	SP311125000003	Washer	
7	577634	Programmer Cover	
8	576345	Control Panel Overlay	Japanese version
	579430	Control Panel Overlay	International version
9	SP313250048103	Rivet	
10	SP517232	Seal	
11	SP516832	Hinge	
12	567818	Lock	
13	309500240408	Screw	M4x8
14	575632	Touchable Control	
15	572551	CPU Holder	
16	577638	Cover Support	
17	577637	Cable Cover	

Filter box

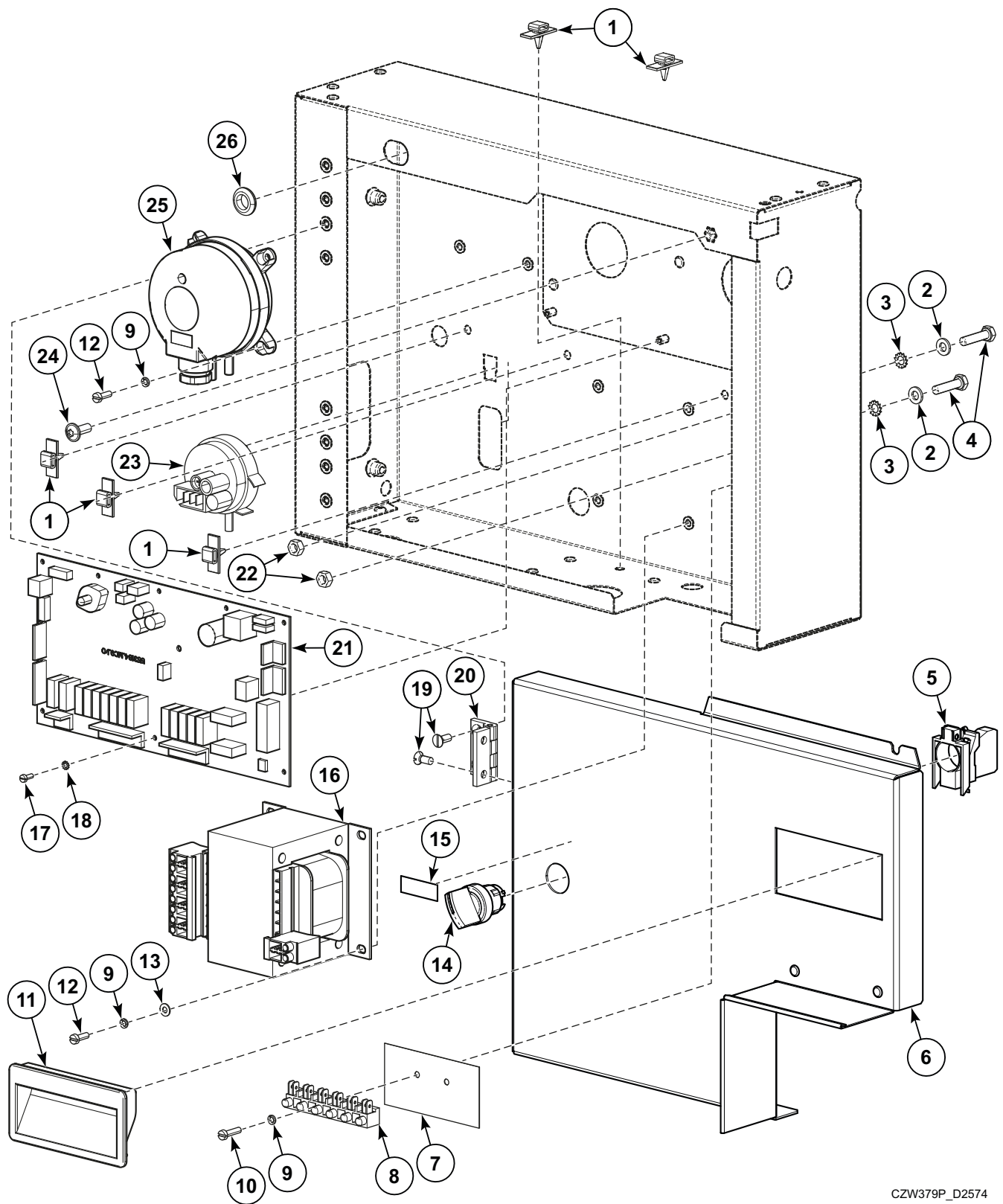


CZW367P_D2574

Filter box

REF	PART NO.	DESCRIPTION	COMMENTS
1	576374	Filter Body	
2	SP311125000006	Washer	
3	SP310934000006	Nut	M6
4	SP311127000006	Washer	
5	SP273121015002	Cable Passage	
6	SP514016	Safety Thermostat	
7	SP101405	Bushing	
8	SP526439	Temperature Sensor Seal	
9	576385	Door Seal	
10	SP549056	Hinge	
11	SP309963240512	Bolt	M5x12
12	SP518707	Handle	
13	576377	Filter Door	
14	SP313250004125	Rivet	
15	SP311125000004	Washer	
16	573849	Magnet	
17	SP537854	Bolt	
18	SP309933240612	Bolt	M6x12
19	SP309084240316	Bolt	
20	SP101154	Isolation Plate	
21	SPPRI610034077	Microswitch	
22	SP311679800003	Washer	
23	SP310934000003	Nut	
24	576371	Filter	

Electrobox

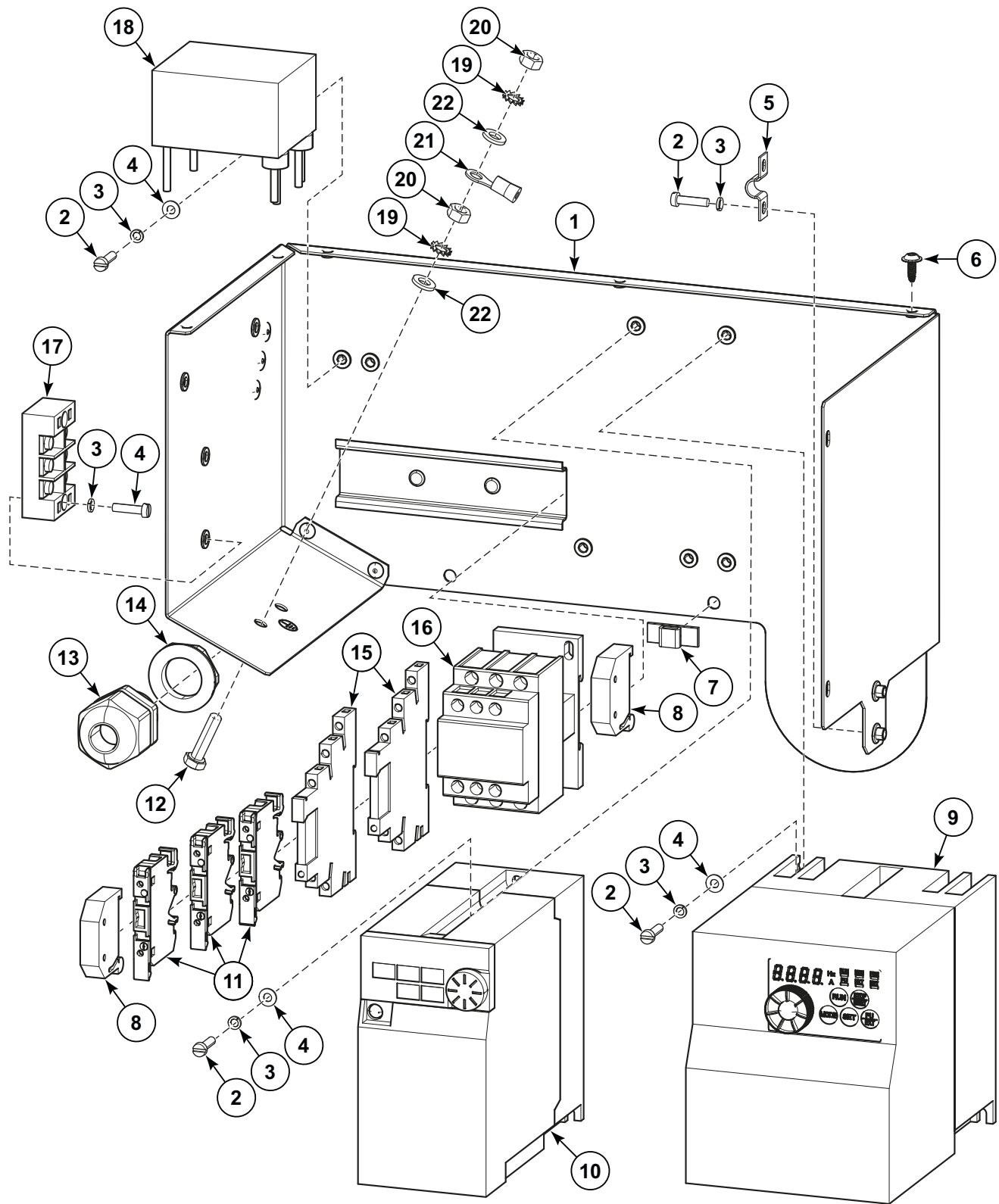


CZW379P_D2574

Electrobox

REF	PART NO.	DESCRIPTION	COMMENTS
	SP245704003021	Adhesive	Used with SP309084000420 Bolt
1	SP528313	Cable Holder	
2	SP311125100006	Washer	
3	SP311679824006	Washer	M6
4	SP309933100625	Bolt	M6x25
5	SP102255	Contact Block	Japanese version
6	577617	Door Assembly	
7	SPPRI350012007	Isolation Paper	
8	SPPRI350015007	Terminal Board	
9	SP311127000004	Washer	M4
10	SP309084000420	Bolt	M4x20
11	SP518707	Handle	
12	SP309084000412	Bolt	M4x12
13	SP311125000004	Washer	
14	102257	Turn Button	Japanese version
15	579451	Sticker	Japanese version
16	SP101643	Transformer	
17	SP309798500306	Bolt	M3x6
18	SP311679800003	Washer	M3
19	SP309963240512	Bolt	M5x12
20	SP549056	Hinge	Black
21	553184	Control Board	
22	SP310934100006	Nut	M6
23	570315	Water Level Switch	
24	555658	Bolt	M6x16
25	SP553992	Differential Pressure Switch	
26	SP273121011001	Bushing	

Rear Electrobox



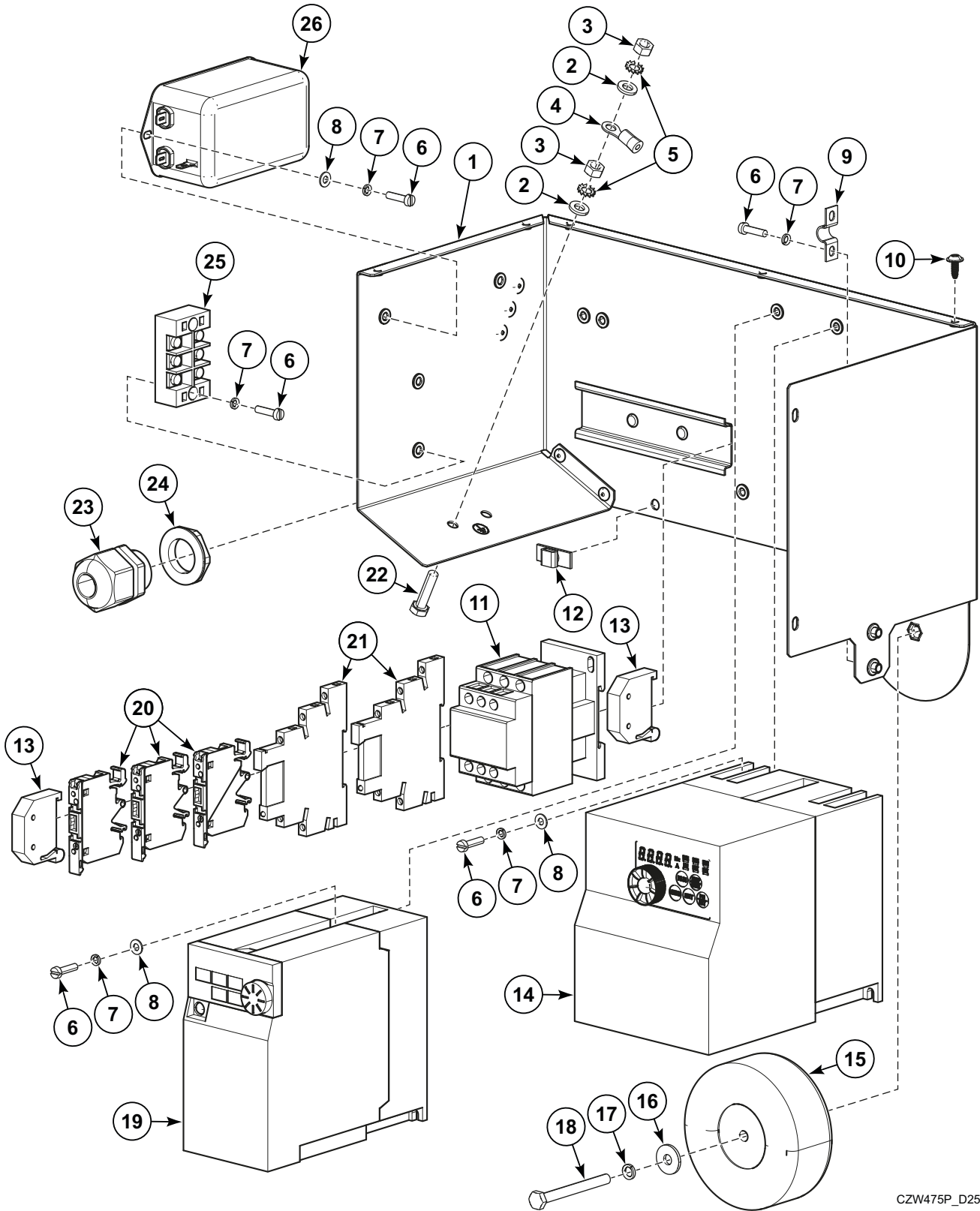
CZW387P_D2574

Rear Electrobox

REF	PART NO.	DESCRIPTION	COMMENTS
1	576490	Electrobox	Rear
2	SP309084000416	Bolt	M4x16
3	SP311127000004	Washer	
4	SP311125000004	Washer	
5	SP528392	Cable Clamp	
6	SP529206	Screw	
7	SP528313	Cable Holder	
8	SP346000209101	End Stop	
9	571472	Frequency Inverter	
10	575765	Frequency Inverter	
11	552482	Fuse Housing	
12	SP309933100625	Bolt	M6x25
13	SP101408	Bushing	
14	SP101418	Nut	
15	SP552468	Relay	
16	514042	Power Harness	
17	577632	Terminal Block	
18	SP552251	Filter	
19	SP311679824006	Washer	
20	SP310934100006	Nut	M6
21	569872	Cable Eye	
22	SP311125100006	Washer	

Rear Electrobox

IEC Execution

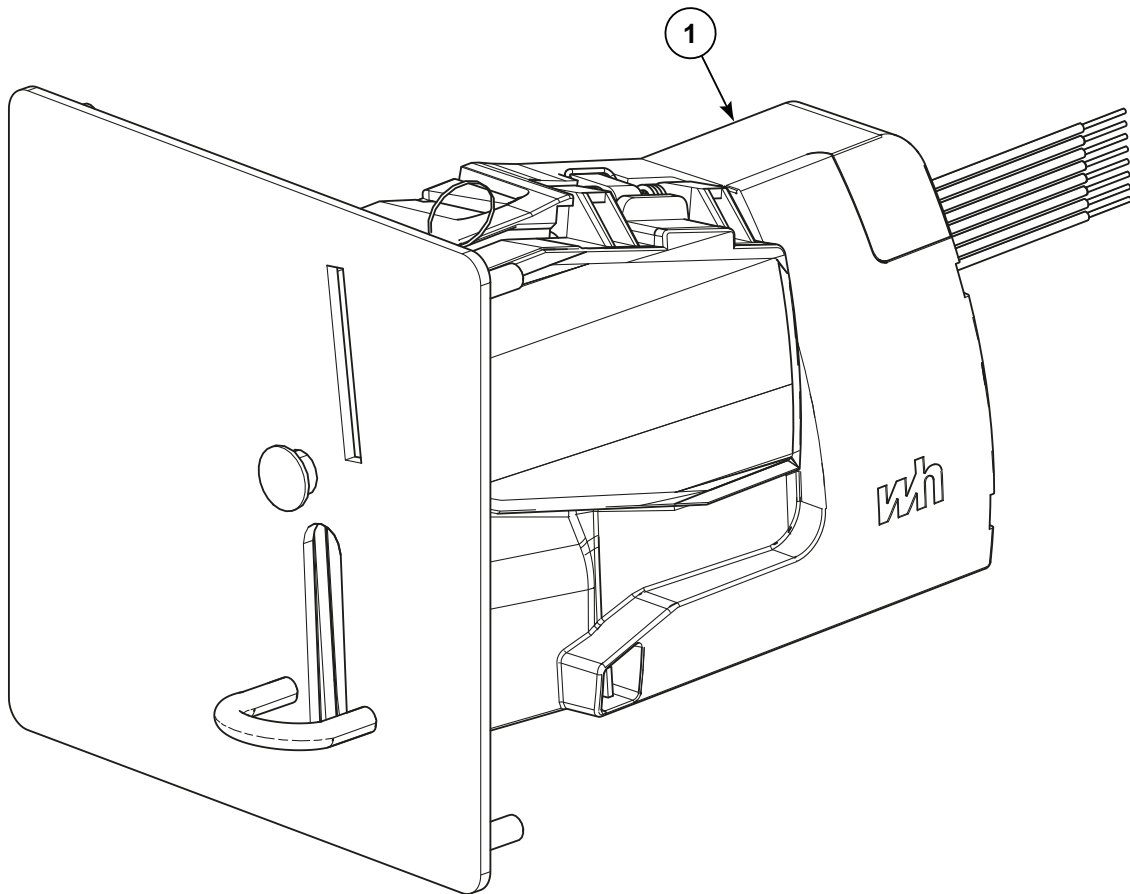


CZW475P_D2574

Rear Electrobox

REF	PART NO.	DESCRIPTION	COMMENTS
1	576490	Electrobox	Rear
2	SP311125100006	Washer	
3	SP310934100006	Nut	M6
4	569872	Grounding Interconnection	
5	SP311679824006	Washer	
6	SP309084000416	Bolt	M4x16
7	SP311127000004	Washer	
8	SP311125000004	Washer	M4
9	SP528392	Cable Clamp	
10	SP529206	Screw	
11	514042	Power Harness	
12	SP528313	Cable Holder	
13	SP346000209101	End Stop	
14	571472	Frequency Inverter	
15	571455	DC Choke	
16	SP311902100006	Washer	
17	SP311127000006	Washer	
18	SP309933000660	Bolt	M6x60
19	575765	Frequency Inverter	
20	552482	Fuse Housing	
21	SP552468	Relay	
22	SP309933100625	Bolt	M6x25
23	SP101408	Bushing	
24	SP101418	Nut	
25	577632	Terminal Block	
26	805633	Line Filter	

Coin Meter (Drawing 1 of 2)

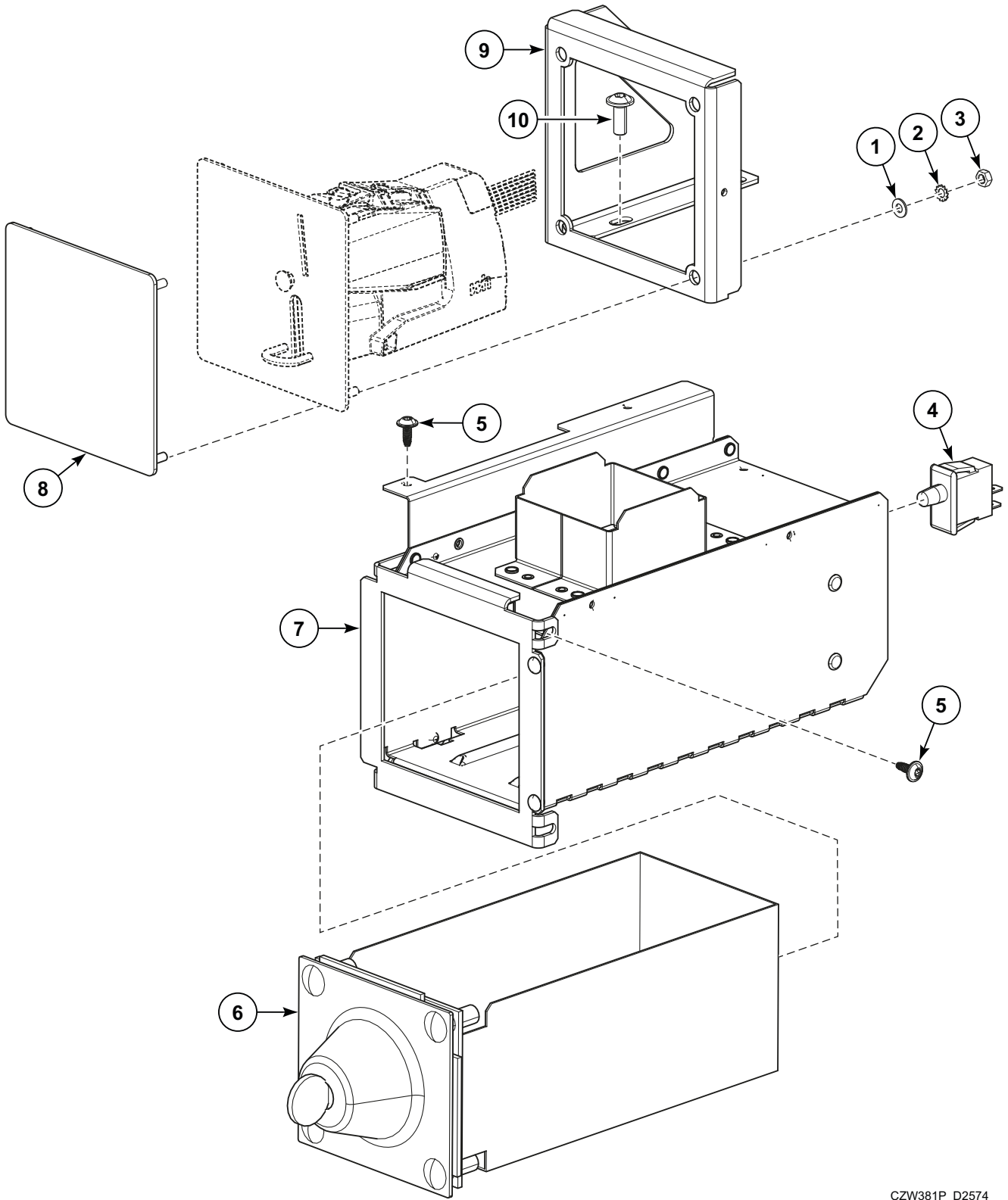


CZW380P_D2574

Coin Meter (Drawing 1 of 2)

REF	PART NO.	DESCRIPTION	COMMENTS
1	572318	Coin Meter	

Coin Meter (Drawing 2 of 2)

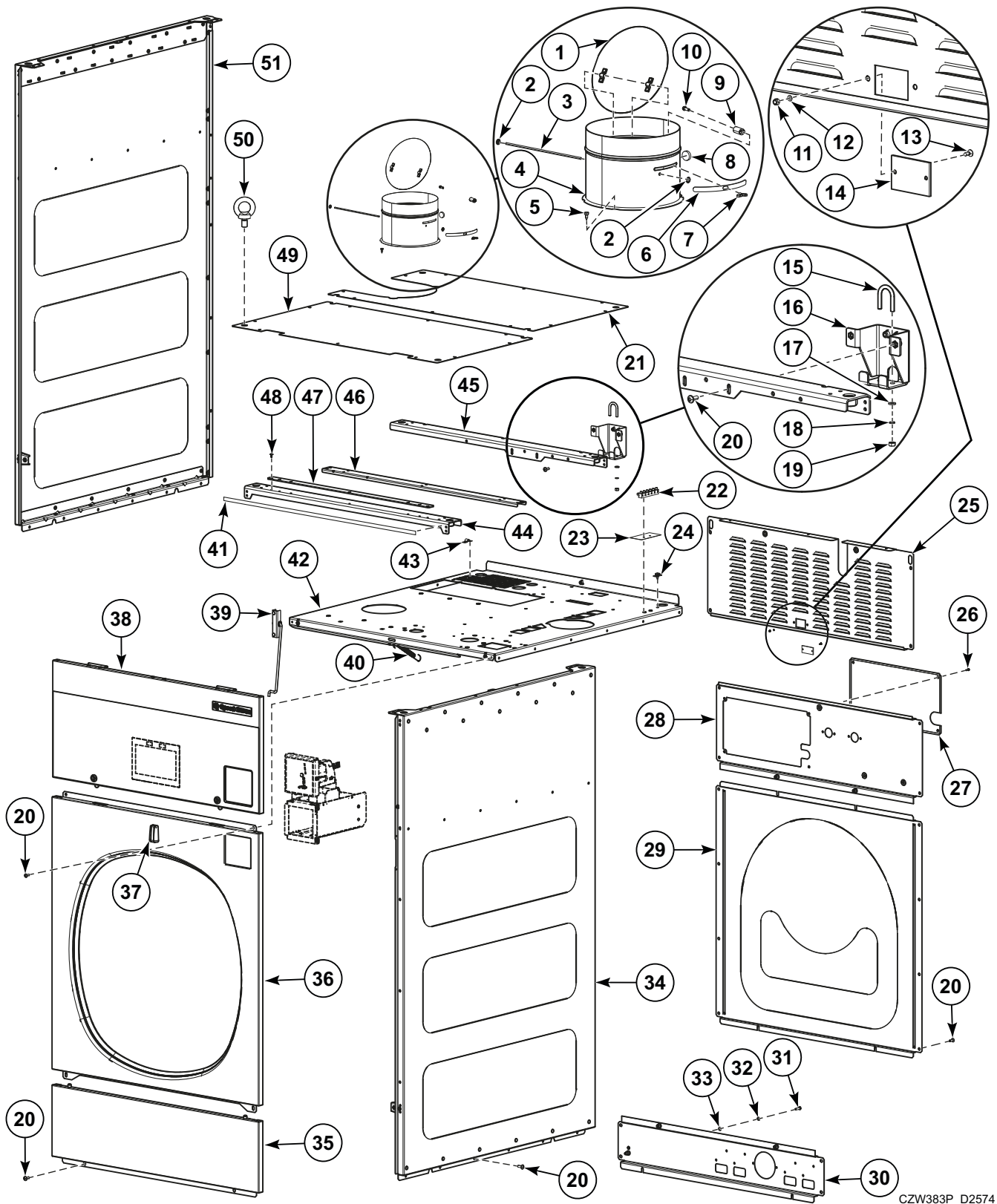


CZW381P_D2574

Coin Meter (Drawing 2 of 2)

REF	PART NO.	DESCRIPTION	COMMENTS
1	SP311125000004	Washer	M4
2	SP311679800004	Washer	M4
3	SP310934000004	Nut	M4
4	SP506045	Microswitch	
5	SP529206	Screw	
6	579401	Coin Meter Box	
7	576366	Coin Meter Case	
8	SP550149	Cover Plate	Prep for Coin Meter; International version
9	577629	Coin Meter Holder	
10	SP555658	Bolt	M6x16

Cabinet

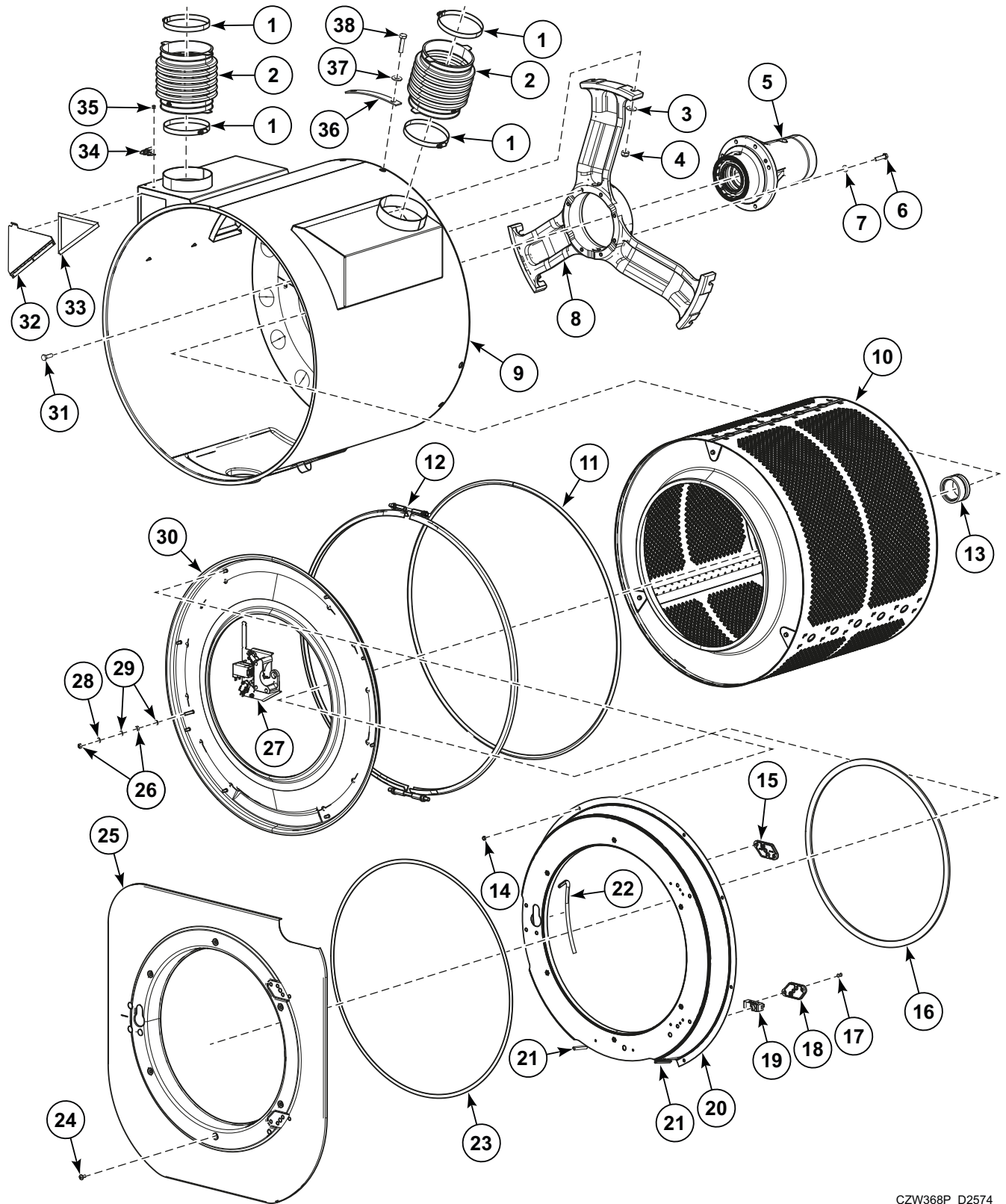


CZW383P_D2574

Cabinet

REF	PART NO.	DESCRIPTION	COMMENTS
	579404	Thermostat Cover	Used with SP537896 Adhesive
	SP537896	Adhesive	
1	SP534917	Flap Stop	
2	SP516669	Washer	
3	SP534921	Bar	
4	577602	Tube With Flap	
5	SP100218	Screw	
6	SP534919	Plug	
7	SP534929	Nut	
8	SP273127001798	Plug	
9	SP534900	Flap Stop	
10	SP309933000516	Bolt	M5x16
11	SP514193	Nut	
12	SP311125000004	Washer	
13	SP309966240410	Bolt	
14	SP507635	Transparent Cover	
15	577644	Metal Stirrup	
16	577642	Gas Pipe Holder	
17	SP311125000006	Washer	
18	SP311127000006	Washer	
19	SP310934000006	Nut	M6
20	555658	Bolt	M6x16
21	576533	Top Cover	Rear
22	SPPRI350015007	Terminal Board	
23	SPPRI350012007	Isolation Paper	
24	SP528313	Cable Holder	
25	579405	Top Rear Cover	
26	SP555504	Bolt	
27	576491	Electrical Box Lid	
28	576489	Rear Panel	
29	576486	Rear Middle Panel	
30	576485	Rear Lower Panel	
31	SP309933000620	Bolt	M6x20
32	SP311679824006	Washer	
33	SP311125240006	Washer	
34	576473	Side Panel	Right
35	576467	Front Bottom Panel	
36	576476	Front Top Panel	
37	576573	Folding Hook	
38	576345	Control Panel	
39	576382	Holder Support Complete	
40	SP505372	Spring	
41	SP284000012003	Tape	745mm
42	576475	Plate Holder	
43	SP528392	Cable Clamp	
44	576482	Upper partition	Front
45	576531	Upper partition	Rear
46	576532	Reinforcement	
47	576535	Washer	
48	SP529206	Screw	
49	576534	Top Cover	Front
50	576580	Eye Bolt	
51	576464	Side Panel	Left

Washing unit

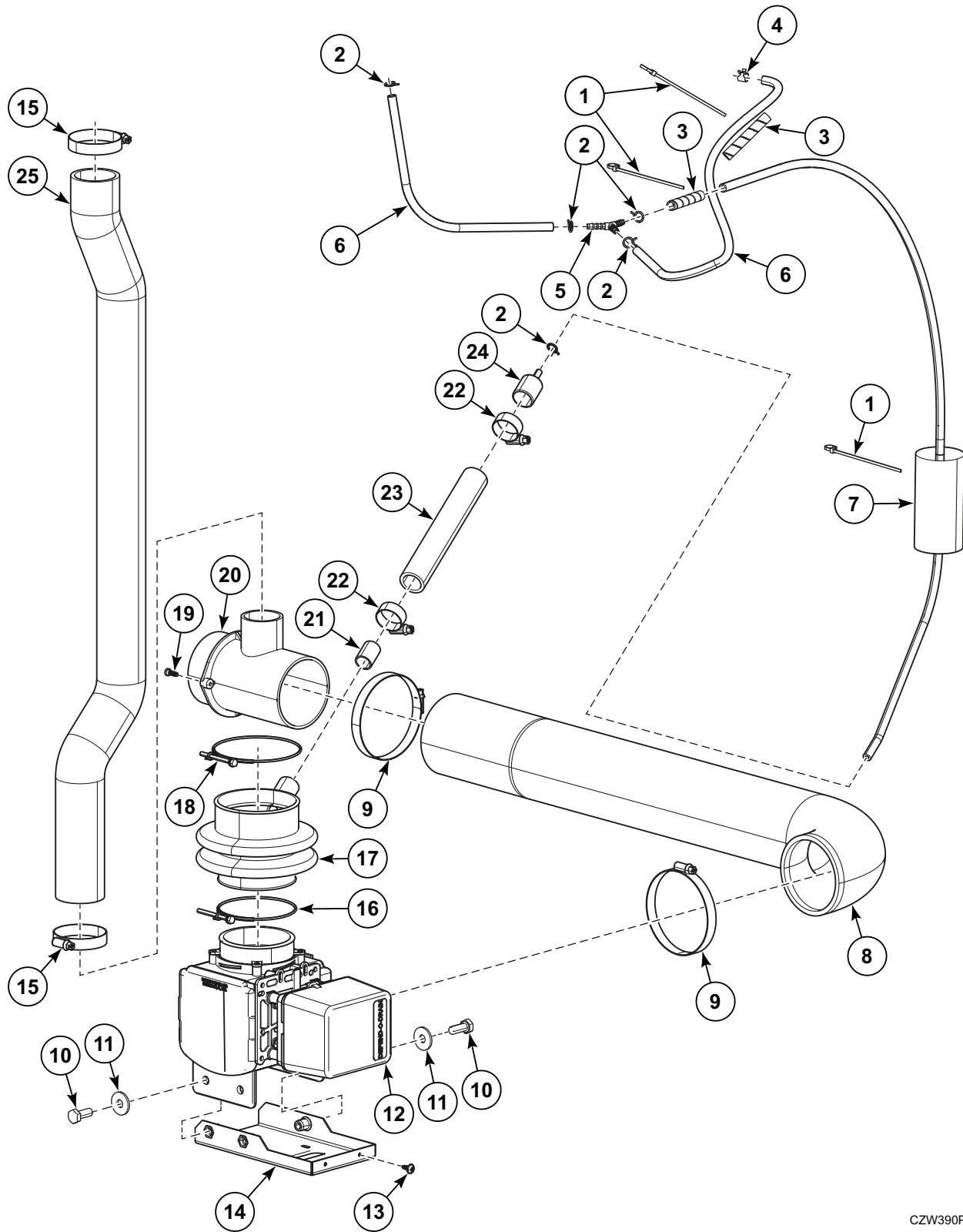


CZW368P_D2574

Washing unit

REF	PART NO.	DESCRIPTION	COMMENTS
1	540240120240	Clamp	
2	576504	Air Hose	
3	SP311737000010	Washer	M10
4	SP310985000010	Nut	M10
5	SP537756	Bearing Housing	
6	SP309933000835	Bolt	M8
7	SP311125000008	Washer	
8	SP537730	Cross Piece	
9	573972	External Tub	
10	573974	Washing Drum	
11	SP537739	Seal	
12	537737	Clip	2 required
13	SP537843	Shaft Ring	
14	SP310985000006	Nut	M6
15	SP537849	Hinge Spacer	
16	SP522450	Profile	
17	SP547779	Rivet	
18	SP537849	Hinge Spacer	
19	571634	Microswitch	
20	568906	Door Lock Holder	
21	SPPRI505000058	Profiled Sealing	
22	SPPRI505000058	Profiled Sealing	
23	SP284000012003	Tape	
24	SP537854	Bolt	
25	576495	Front Panel	
26	SP310934240006	Nut	M6
27	SP568970	Door Lock Assembly	
28	SP311125240006	Washer	
29	SP311679800006	Washer	
30	576497	External Tub Front Plate	
31	SP309933240825	Bolt	
32	576501	Service Doors	
33	SP284000012003	Tape	
34	576570	Toggle Latch	
35	505479	Rivet	
36	SP537885	Washer	
37	SP311737000010	Washer	
38	SP527420	Bolt	

Drain System

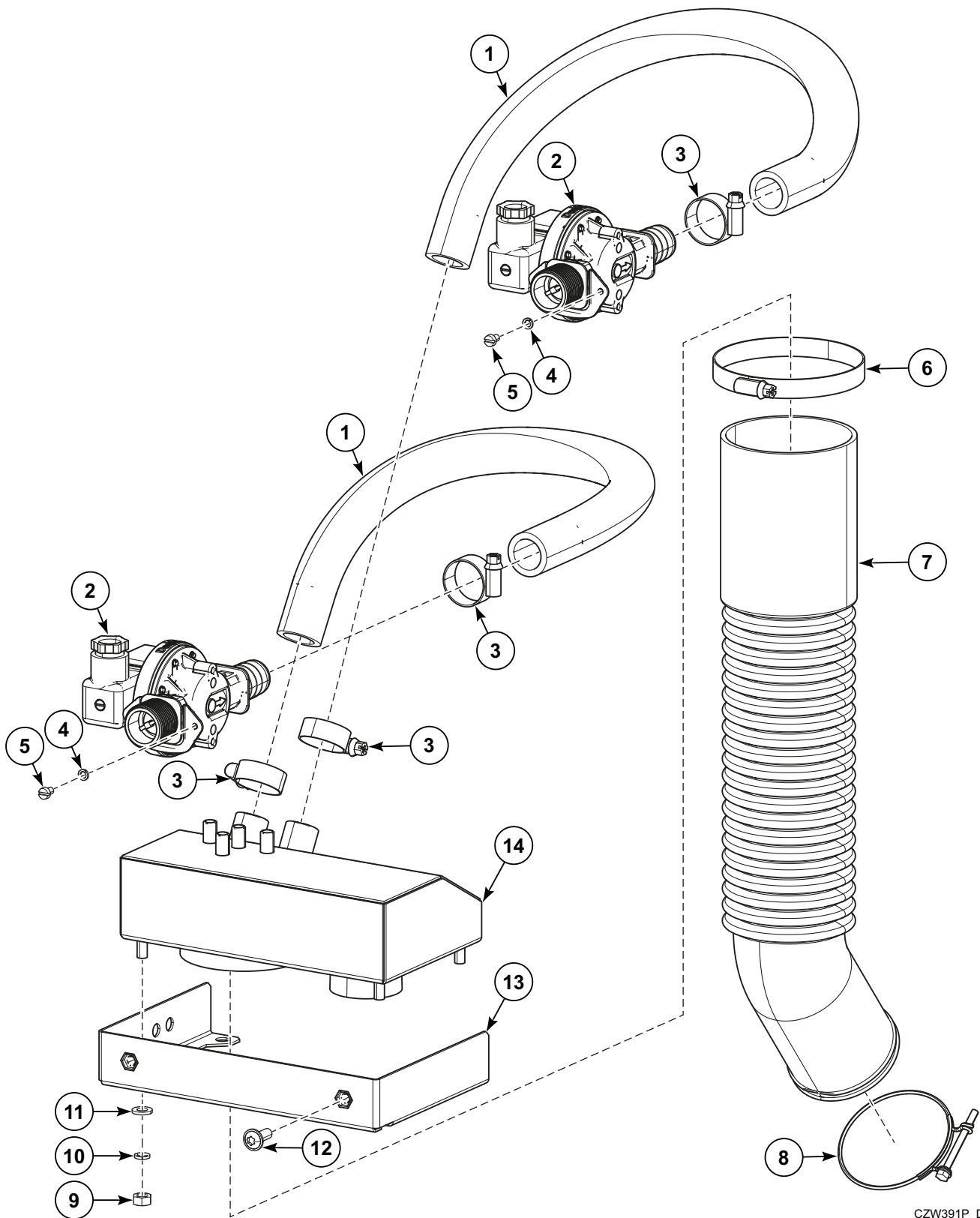


CZW390P_D2574

Drain System

REF	PART NO.	DESCRIPTION	COMMENTS
1	SP345000626088	Binding Strip	
2	SPPRI241000017	Hose Clamp	
3	SP283449080200	Spiral	
4	SP540183	Spring Clamp	
5	SPPRI503000028	Y-Piece	
6	SPPRI540001003	Water Level Switch Hose	
7	SP100188	Foam Roller	
8	SP547963	Drain Elbow	
9	SPPRI240000007	Hose Clamp	
10	SP309933000820	Bolt	M8x20
11	SP311902100008	Washer	M8
12	SP526460	Drain Valve	
13	SP529206	Screw	
14	SP526512	Drain Valve Holder	
15	SPPRI241000017	Hose Clamp	
16	576096	Single Wire Clamp	
17	SP526492	Drain Hose Pipe	
18	SP526532	Hose Clamp	
19	SP526497	Screw	
20	SP526454	T-Part	
21	SP500125	Reinforcement Tube	
22	SPPRI240000003	Hose Clamp	
23	SPPRI503002049	Hose	
24	SPPRI503000027	Air Trap Reduction	
25	SP526480	Overflow Tube	

Two Water Inlet System



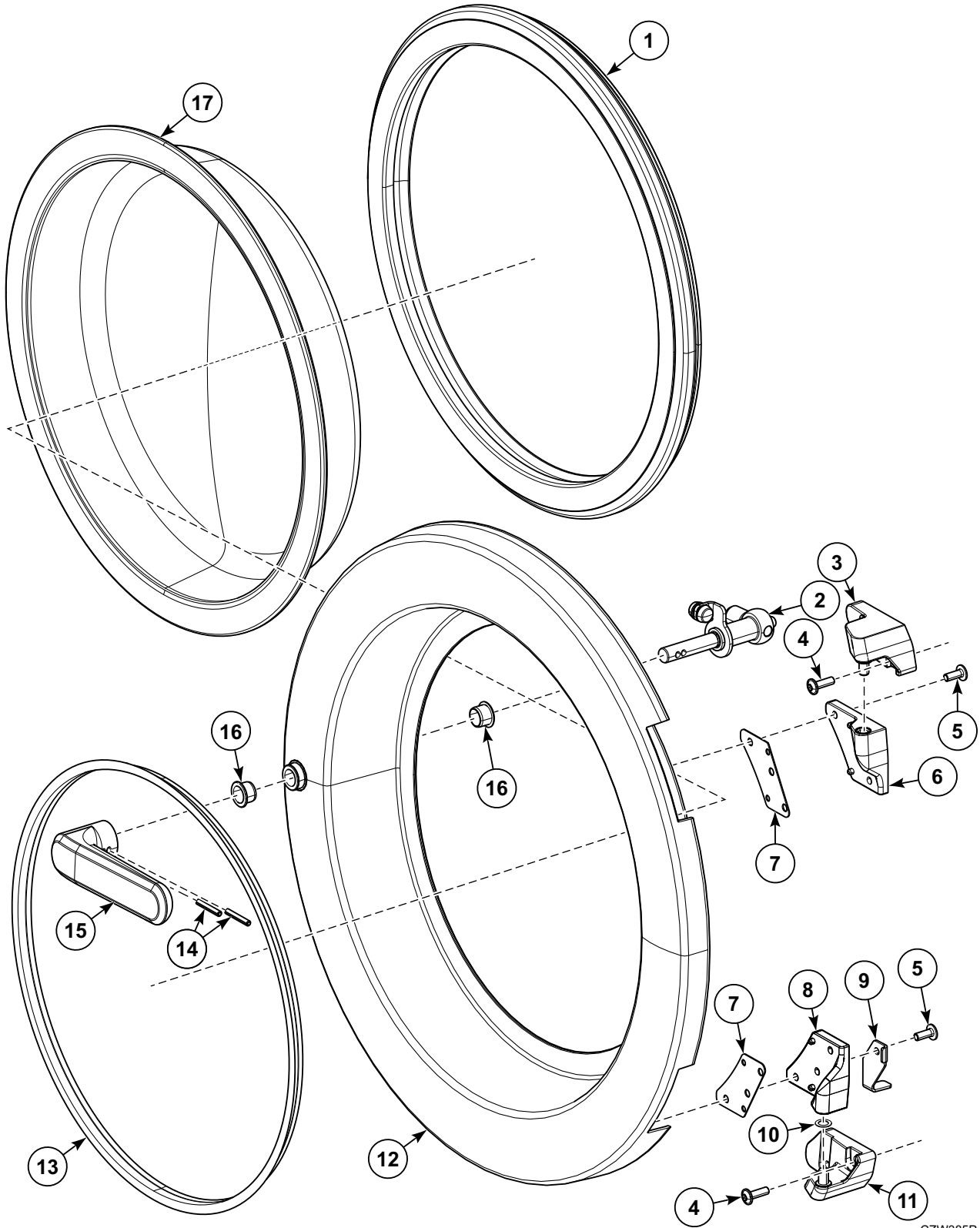
CZW391P_D2574

Two Water Inlet System

REF	PART NO.	DESCRIPTION	COMMENTS
1	SPPRI540001019	Hose	
2	SP567064	1-Way Valve	
3	SPPRI240000003	Hose Clamp	
4	SP311127000004	Washer	M4
5	SP309084000406	Bolt	M4x6
6	SPPRI240000007	Hose Clamp	
7	SP526506	Filling Elbow Pipe	
8	SP526491	Hose Clamp	
9	SP310934000006	Nut	M6
10	SP311127000006	Washer	M6
11	SP311125000006	Washer	M6
12	SP555658	Bolt	M6x16
13	576527	Holder of Mixer	
14	576523	Mixer	

Door

Models Through 31 December 2021



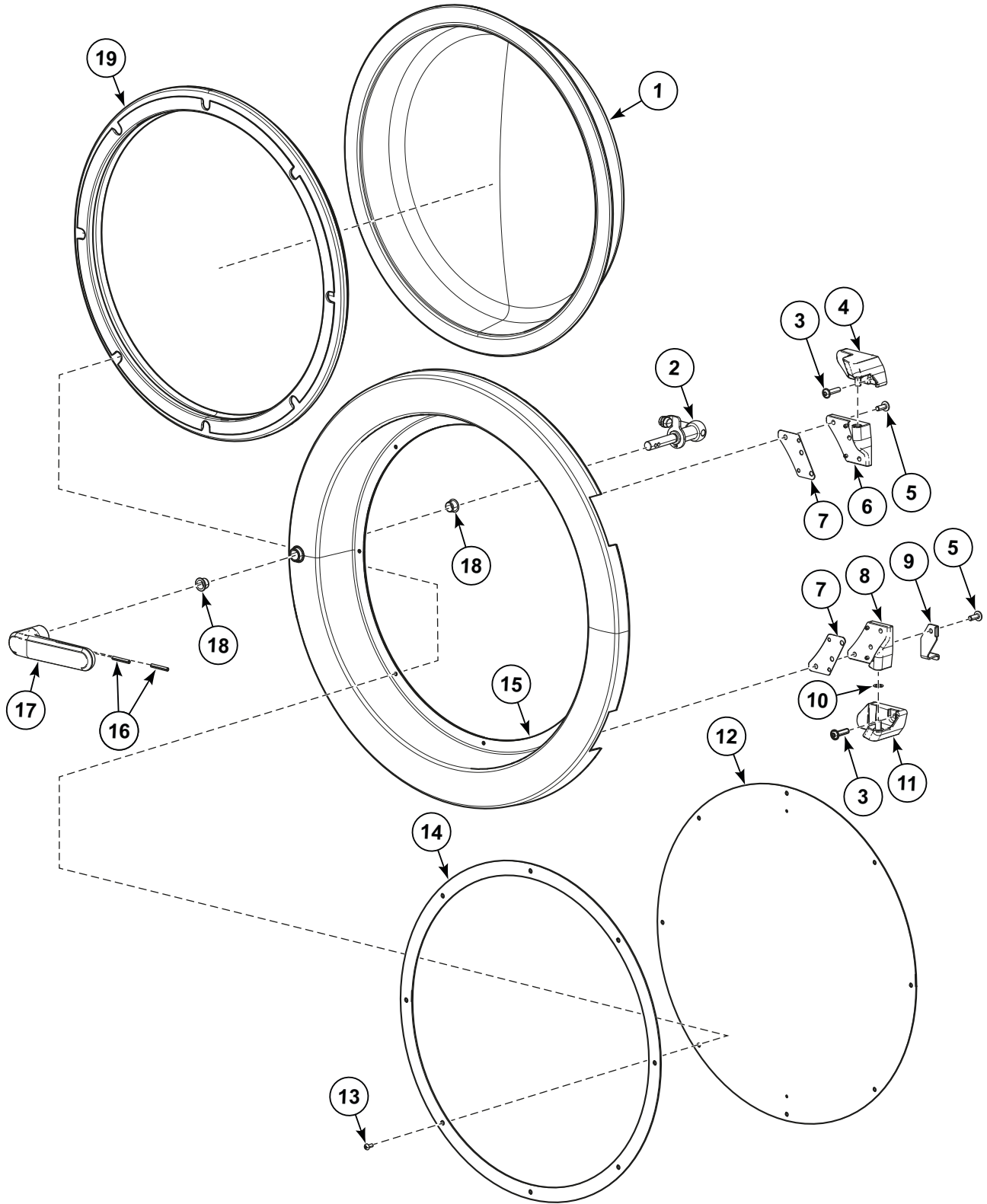
CZW385P_D2574

Door

REF	PART NO.	DESCRIPTION	COMMENTS
	576397	Door Assembly	Gray, Included items 1-17
1	569353	Door Seal	
2	573906	Door Level	
3	568979	Fixed Hinge	Upper
4	SP535479	Bolt	M6x25
5	SP537864	Bolt	M6x16
6	575960	Upper Hinge	
7	SP535421	Hinge Spacer	
8	575963	Lower Hinge	
9	571633	Door Frame Sheet	
10	571642	Washer	
11	568982	Fixed Hinge	Lower
12	SP553526	Door	Gray
13	569402	Trim	
14	SP554970	Pin	
15	569695	Handle	Gray
16	SP529739	Casing	
17	576398	Door Glass	

Door

Models Starting 1 January 2022

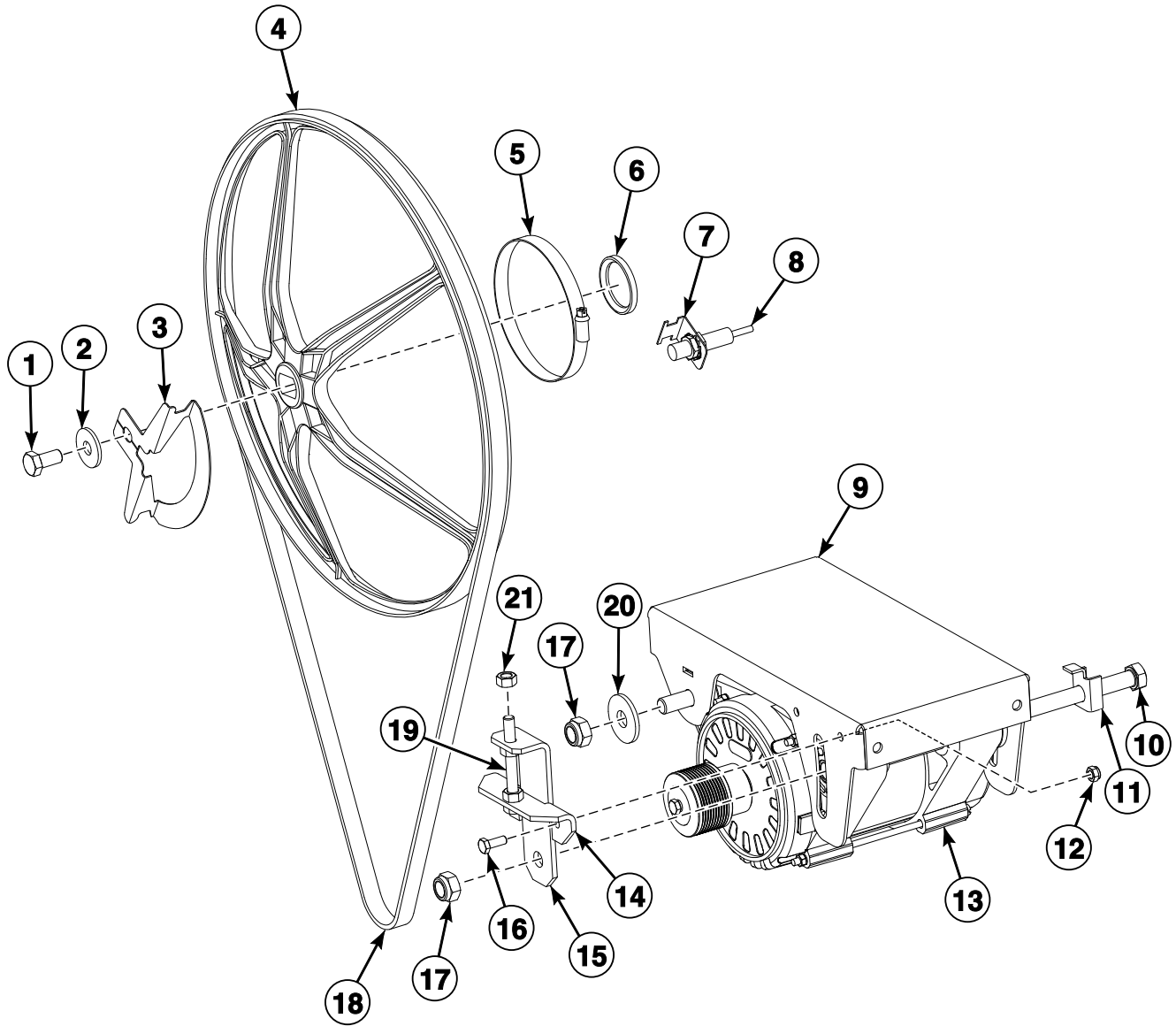


CZW472P_D2574

Door

REF	PART NO.	DESCRIPTION	COMMENTS
	579420	Door Assembly	Gray, Included items 1-19
1	SP535417	Door Glass	
2	573906	Door Level	
3	SP535479	Bolt	M6x25
4	568979	Fixed Hinge	Upper
5	SP537864	Bolt	M6x16
6	575960	Upper Hinge	
7	SP535421	Hinge Spacer	
8	575963	Lower Hinge	
9	571633	Door Frame Sheet	
10	571642	Washer	
11	568982	Fixed Hinge	Lower
12	579424	Door Plexiglass	
13	SP515075	Bolt	M4x10
14	579426	Door Annulus	
15	579413	Door	Gray
16	SP554970	Pin	
17	569695	Handle	Gray
18	SP529739	Casing	
19	579422	Door Seal	

Drive

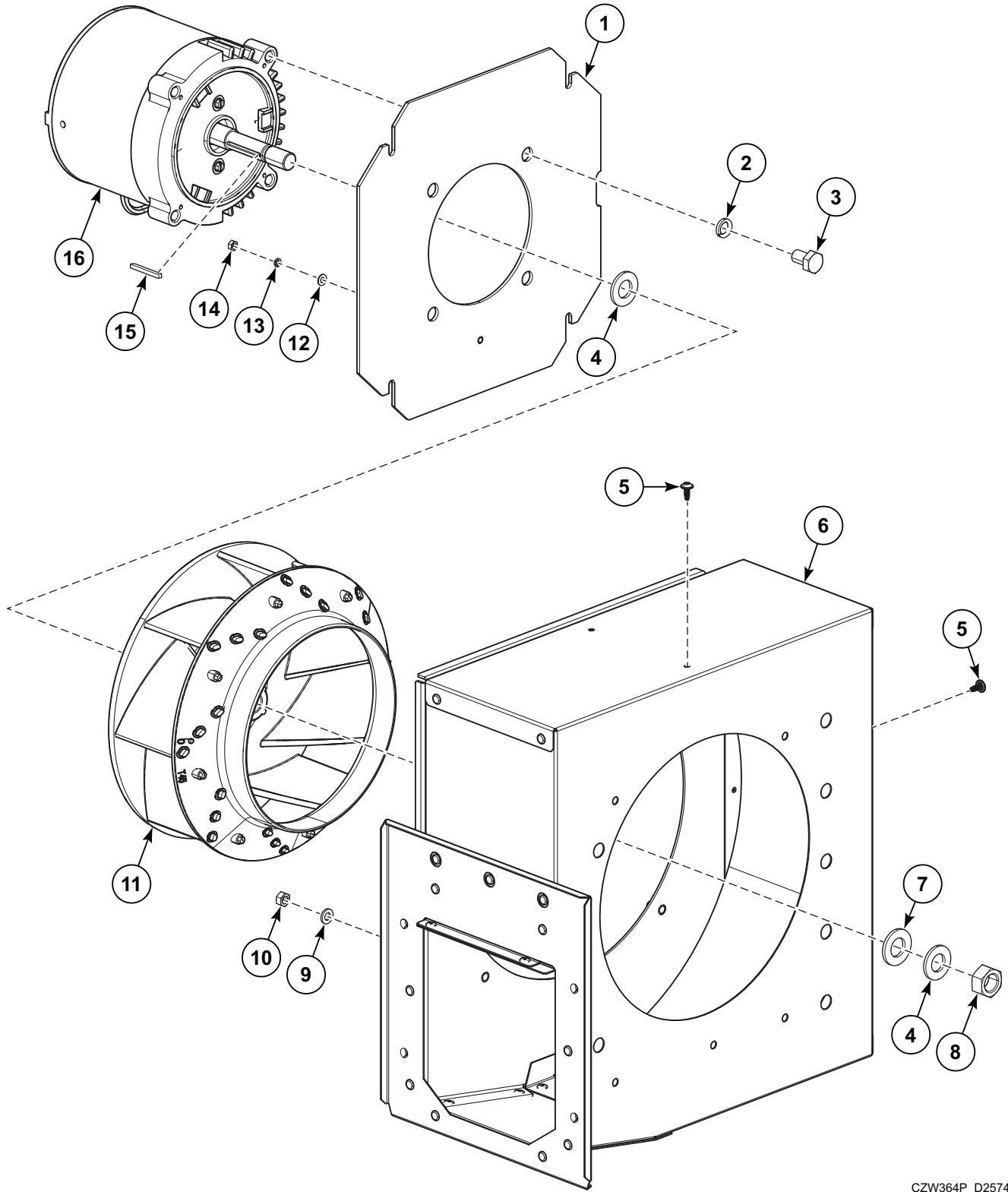


CFD2853P_D2574

Drive

REF	PART NO.	DESCRIPTION	COMMENTS
1	SP309933001020	Bolt	M10x20
2	SP311902100010	Washer	
3	SP555545	Speed Sensor Plate	
4	SP509819	Drum V-Pulley	
5	SPPRI240000005	Hose Clamp	
6	SP556149	Pulley Ring	
7	SP555547	Speed Sensor Holder	
8	SP557701	Speed Sensor	
9	SP533781	Motor Holder	
10	SP533394	Bolt	M12x220
11	SP533742	Cage	
12	SP310985000006	Nut	M6
13	571447	Motor and Pulley	1.5kW, 230V/75Hz; Includes 568373 Motor
14	SP533326	Tensioning Angle Piece	
15	SP533327	Tensioning Angle Piece	
16	SP309933000616	Bolt	M6x16
17	SP310985000012	Nut	M12
18	SP533157	Belt	
19	SP309933000870	Bolt	M8x70
20	SP311902100012	Washer	12
21	SP310934000008	Nut	M8

Ventilator

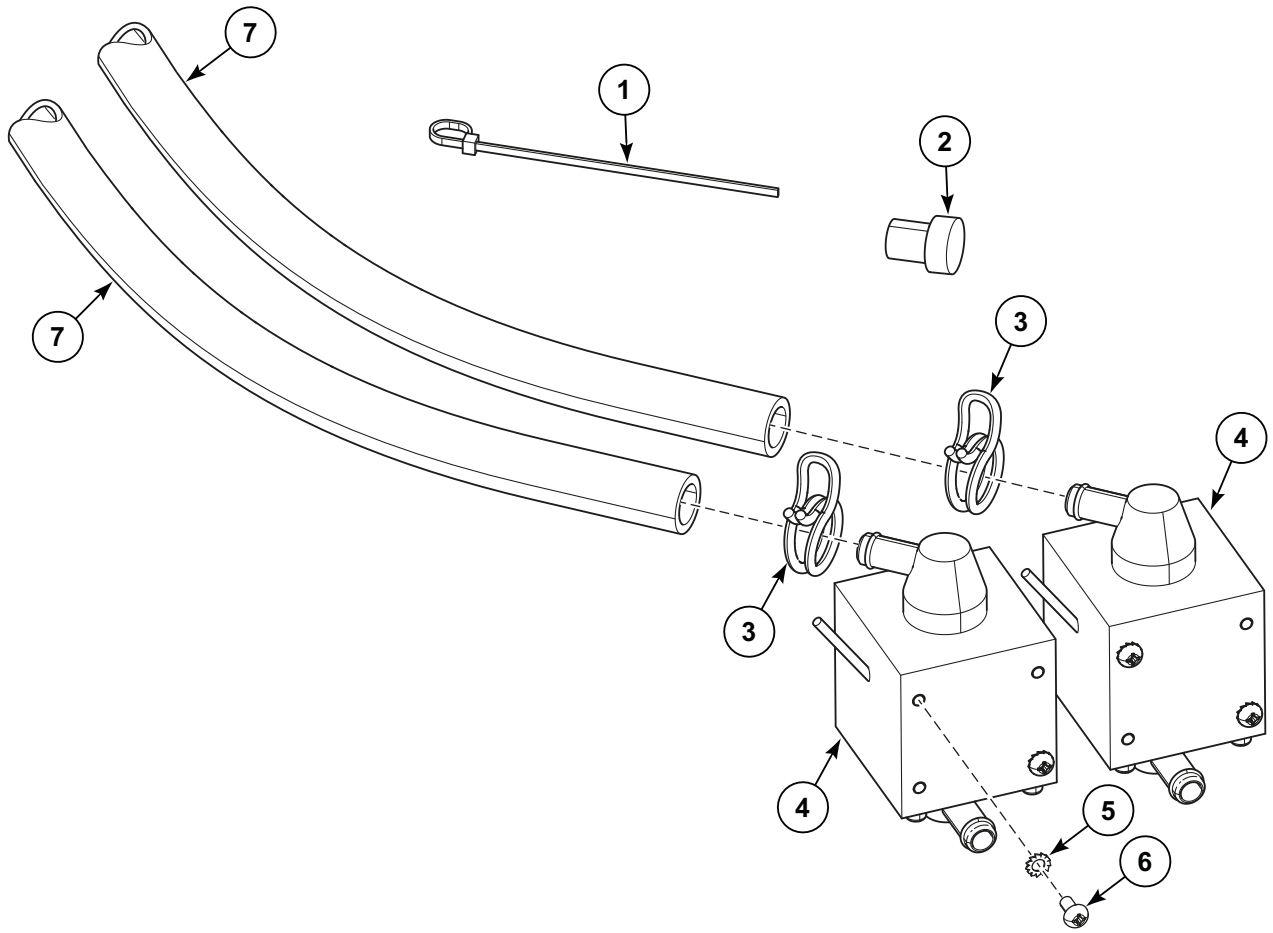


CZW364P_D2574

Ventilator

REF	PART NO.	DESCRIPTION	COMMENTS
	575766	Fan Motor Cable	
1	577633	Motor Plate	
2	SP311127000010	Washer	
3	100387	Screw	
4	SP311127000014	Washer	
5	SP100218	Screw	
6	577608	Ventilator Box	
7	SP311125000014	Washer	
8	SP310936000014	Nut	
9	SP311125000006	Washer	
10	SP310934000006	Nut	M6
11	70302201P	Blower Assembly	
12	SP311125000004	Washer	M4
13	SP311127000004	Washer	
14	SP310934000004	Nut	
15	70144101	Key	
16	44354901	Motor	

Liquid Soap Supply System



CZW386P_D2574

Liquid Soap Supply System

REF	PART NO.	DESCRIPTION	COMMENTS
	577408	Pump Connection Kit	Includes items 4-6 and 577404 Detergent Sticker, 577405 Softener Sticker
1	SP503817	Binding Strip	
2	576591	Hose Plug	
3	576582	Wire Hose Clamp	
4	576590	Pump	
5	SP311679800004	Washer	
6	SP309798524408	Bolt	
7	576581	Transparent Hose	

Wire Harnesses

PART NO.	DESCRIPTION	COMMENTS
575762	Main Wiring	
569749	Door Lock Wiring	
569751	Door Lock Wiring	Door Lock Short wiring; doorlock switch connection
571466	Door Close Switch Cable	
520032	Emergency Stop Wiring	
520033	Interconnect Of Emergency Stop	
575767	Coinmeter Blocking Wiring	
528325	Communication Cable	
571487	Ignition Cable	
575770	Liquid Soap Pump Cable	
102345	Communication Cable	Freq. Inverter
575766	Fan Motor Cable	
528080	Frame GND interconnection	
575769	GND Wires	CPU Panel
569737	Interconnection Flat Cable	

Parts Index

A

Adhesive	
SP245704003021	7, 19
SP537896	29
Air Hose	
576504	31
Air Trap Reduction	
SPPRI503000027	33

B

Bar	
SP534921	29
Bearing Housing	
SP537756	31
Belt	
SP533157	41
Binding Strip	
SP345000626088	33
SP503817	45
Blower Assembly	
70302201P	43
Bolt	
SP309084000406	35
SP309084000412	19
SP309084000416	7, 9, 21, 23
SP309084000420	19
SP309084240316	17
SP309084240325	9
SP309798500306	19
SP309798500314	15
SP309798524408	11, 45
SP309798524412	15
SP309912000815	9
SP309933000516	29
SP309933000616	41
SP309933000620	29
SP309933000660	23
SP309933000820	7, 9, 33
SP309933000835	31
SP309933000845	7
SP309933000870	41
SP309933000880	7
SP309933001020	41
SP309933001025	9
SP309933100625	19, 21, 23
SP309933240612	17
SP309933240825	31
SP309963240512	17, 19
SP309966240410	29
SP506432	9
SP515075	39
SP527420	9, 31
SP533394	41
SP533717	7
SP533726	9
SP535479	37, 39
SP537854	17, 31
SP537864	37, 39
SP555504	29
SP555658	27, 35

555658	9, 19, 29
Burner Tube	
SP552515	11
Bushing	
SP101405	17
SP101408	21, 23
SP273121011001	19

C

Cable Clamp	
SP528392	21, 23, 29
Cable Cover	
577637	15
Cable Eye	
569872	21
Cable Holder	
SP528313	19, 21, 23, 29
Cable Passage	
SP273121015002	17
Cage	
SP533742	41
Casing	
SP529739	37, 39
Clamp	
540240120240	31
Clip	
537737	31
Coin Meter	
572318	25
Coin Meter Box	
579401	27
Coin Meter Case	
576366	27
Coin Meter Holder	
577629	27
Coinmeter Blocking Wiring	
575767	46
Communication Cable	
102345	46
528325	46
Contact Block	
SP102255	19
Control Board	
553184	19
Control Panel	
576345	29
Control Panel Overlay	
576345	15
579430	15
Control Unit	
571938	11
Cover	
SP512139	11
537625	11
Cover Plate	
SP550149	27
573288	9

N/A items do not appear in index.

Cover Strip Pin SP533738	7
Cover Support 577638	15
CPU Holder 572551	15
Cross Piece SP537730	31

D

Damper 533716	9
DC Choke 571455	23
Decal F8664901	5
Detergent Sticker 577404	5
Differential Pressure Switch SP553992	19
Distance Case SP515274	7
Door SP553526	37
579413	39
Door Annulus 579426	39
Door Assembly 576397	37
577617	19
579420	39
Door Close Switch Cable 571466	46
Door Frame Sheet 571633	37, 39
Door Glass SP535417	39
576398	37
Door Level 573906	37, 39
Door Lock Assembly SP568970	31
Door Lock Holder 568906	31
Door Lock Wiring 569749	46
569751	46
Door Plexiglass 579424	39
Door Seal 569353	37
576385	17
579422	39
Drain Elbow SP547963	33
Drain Hose Pipe SP526492	33
Drain Valve SP526460	33
Drain Valve Holder SP526512	33

Drum V-Pulley SP509819	41
---------------------------------	----

E

Earthing Index Plate SPPRI55100001	5
Elbow 572350	11
572352	11
Electrical Box Lid 576491	29
Electrobox 576490	21, 23
Elevated Base Frame 576520	9
Emergency Stop Wiring 520032	46
End Stop SP346000209101	21, 23
External Tub 573972	31
External Tub Front Plate 576497	31
Eye Bolt 576580	29

F

Fan Motor Cable 575766	43, 46
Filling Elbow Pipe SP526506	35
Filter SP552251	21
576371	17
Filter Body 576374	17
Filter Door 576377	17
Fixed Hinge 568979	37, 39
568982	37, 39
Flap Stop SP534900	29
SP534917	29
Foam Roller SP100188	33
Folding Hook 576573	29
Frame GND interconnection 528080	46
Frequency Inverter 571472	21, 23
575765	21, 23
Front Bottom Panel 576467	29
Front Panel 576495	31
Front Top Panel 576476	29

N/A items do not appear in index.

Fuse Housing 552482	21, 23
------------------------------	--------

G

Gas Conversion Kit 577647	11
Gas Heater Box 576620	11
Gas Pipe Holder 577642	29
Gas Valve 572351	11
GND Wires 575769	46
Grounding Interconnection 569872	23

H

Handle SP518707	17, 19
569695	37, 39
Hinge SP516832	15
SP549056	17, 19
Hinge Spacer SP535421	37, 39
SP537849	31
Holder 569446	11
571880	11
Holder of Mixer 576527	35
Holder Support Complete 576382	29
Hose SPPRI503002049	33
SPPRI540001019	35
Hose Clamp SPPRI240000003	33, 35
SPPRI240000005	41
SPPRI240000007	33, 35
SPPRI241000017	33
SP526491	35
SP526532	33
Hose Plug 576591	45

I

Ignition Cable 571487	46
Ignition Electrode SP357375100500	11
Index Plate SP527270	5
SP527272	5
Injector holder 571884	11

Interconnect Of Emergency Stop 520033	46
Interconnection Flat Cable 569737	46
Isolation Paper SPPRI350012007	19, 29
Isolation Plate SP101154	17

K

Key 70144101	43
-----------------------	----

L

Label SPPRI551001001	5
SPPRI551006001	5
SP230200007514	5
SP548011071014	5
SP548011072014	5
547151	5
570313	5
573942	5
573943	5
Line Filter 805633	23
Liquid Soap Pump Cable 575770	46
Lock 567818	15
Lower Hinge 575963	37, 39
Lower Weight SP533737	7
SP533784	7
Lower weight SP533753	7

M

Magnet 573849	17
Main Wiring 575762	46
Metal Stirrup 577644	29
Microswitch SPPRI610034077	17
SP506045	27
SP528309	9
571634	31
Mixer 576523	35
Motor 44354901	43
Motor and Pulley 571447	41
Motor Holder SP533781	41

N/A items do not appear in index.

Motor Plate	
577633	43

N

Nut	
SP101418	21, 23
SP310934000003	9, 17
SP310934000004	27, 43
SP310934000006	17, 29, 35, 43
SP310934000008	41
SP310934000020	9
SP310934100006	19, 21, 23
SP310934240006	31
SP310936000014	43
SP310985000006	31, 41
SP310985000008	7, 9
SP310985000010	9, 31
SP310985000012	41
SP514193	29
SP534929	29
510847	9
577645	11

O

Orifice	
517223	13
517225	13
Oscillation Limiter	
SP533388	7
Overflow Tube	
SP526480	33

P

Pin	
SP554970	37, 39
Plate Holder	
576475	29
Plug	
SP273127001798	29
SP534919	29
Power Harness	
514042	21, 23
Profile	
SP522450	31
Profiled Sealing	
SPPRI505000058	9, 31
Programmer Cover	
577634	15
Pulley Ring	
SP556149	41
Pump	
576590	45
Pump Connection Kit	
577408	45

R

Rear Lower Panel	
576485	29
Rear Middle Panel	
576486	29
Rear Panel	
576489	29
Reinforcement	
576532	29
Reinforcement Tube	
SP500125.....	33
Relay	
SP552468.....	21, 23
Rivet	
SP313250004125.....	17
SP313250048103.....	15
SP547779.....	31
505479	31
Roller	
SP533727	9

S

Safety Thermostat	
SP514016.....	17
SP514127.....	11
Schematic diagram	
575755	5
Screw	
SP100218.....	11, 29, 43
SP517238.....	11
SP526497.....	33
SP529206.....	21, 23, 27, 29, 33
100387	43
309500240408	15
572361	11
Seal	
SP517232.....	7, 15
SP537739.....	31
Serial Plate	
577403	5
Service Doors	
576501	31
Shaft Ring	
SP537843.....	31
Shipping Brace Instruction	
576954	5
Side Panel	
576464	29
576473	29
Single Wire Clamp	
576096	33
Softener Sticker	
577405	5
Speed Sensor	
SP557701.....	41
Speed Sensor Holder	
SP555547.....	41
Speed Sensor Plate	
SP555545.....	41

N/A items do not appear in index.

Spiral	SP283449080200	33
Spring	SP505372	29
	SP533768	9
	SP533769	9
Spring Clamp	SP540183	33
Spring Holder	SP534977	9
	SP534978	9
Stick of Coinmeter	576392	5
Sticker	534663	5
	579419	5
	579451	19
Sticker Filter Cleaning	530763	5
Sticker of Door	579418	5

T

Tape	SP284000012003	29, 31
Temperature Sensor Seal	SP526439	17
Tensioning Angle Piece	SP533326	41
	SP533327	41
Terminal Block	577632	21, 23
Terminal Board	SPPRI350015007	19, 29
Thermostat Cover	579404	29
Toggle Latch	576570	31
Top Cover	576533	29
	576534	29
Top Rear Cover	579405	29
Touchable Control	575632	15
T-Part	SP526454	33
Transformer	SP101643	19
Transparent Cover	SP507635	29
Transparent Hose	576581	45
Trim	569402	37
Tube	569444	11
	571881	11
Tube With Flap	577602	29
Turn Button	102257	19

U

Upper Frame	SP533776	7
Upper Hinge	575960	37, 39
Upper partition	576482	29
	576531	29

V

Ventilator Box	577608	43
Vibration Switch Assembly	SP533391	9
Vibration Switch Holder	SP533387	9

W

Warning Sticker	577406	5
	579435	5
Washer	SP311125000003	9, 15
	SP311125000004	11, 15, 17, 19, 21, 23, 27, 29, 43
	SP311125000006	17, 29, 35, 43
	SP311125000008	7, 9, 31
	SP311125000014	43
	SP311125100006	19, 21, 23
	SP311125240006	29, 31
	SP311127000003	15
	SP311127000004	11, 15, 19, 21, 23, 35, 43
	SP311127000006	17, 23, 29, 35
	SP311127000010	9, 43
	SP311127000014	43
	SP311679800003	9, 17, 19
	SP311679800004	7, 9, 27, 45
	SP311679800006	31
	SP311679824006	19, 21, 23, 29
	SP311737000010	31
	SP311902100004	9
	SP311902100006	23
	SP311902100008	33
	SP311902100010	9, 41
	SP311902100012	41
	SP516669	29
	SP525284	7
	SP537885	31
	571642	37, 39
	576535	29
Washing Drum	573974	31
Water Level Switch	570315	19
Water Level Switch Hose	SPPRI540001003	33
Wire Hose Clamp	576582	45

N/A items do not appear in index.

Y

Y-Piece	
SPPRI503000028	33

Numerics

1-Way Valve	
SP567064	35
