

SQ Combo Wash and Dry

Cabinet Freestanding

240 Models

Refer to Page 4 for Model Numbers



Part No. D2575
July 2021

TABLE OF CONTENTS

Title	Page
Parts Ordering Information.....	3
Serial Plate Location.....	3
Model Identification.....	3
Decals.....	4
Upper Frame.....	6
Lower Frame.....	8
Gas Heating.....	10
Control Panel.....	12
Filter Box.....	14
Electrobox.....	16
Rear Electrobox.....	18
Coin Meter (Drawing 1 of 2).....	20
Coin Meter (Drawing 2 of 2).....	22
Cabinet.....	24
Washing Unit.....	26
Drain System.....	28
Two Water Inlet System.....	30
Door.....	32
Drive.....	34
Ventilator.....	36
Liquid Soap Supply System.....	38
Wire Harnesses.....	41

© Copyright 2019, Alliance Laundry Systems LLC
All rights reserved. No part of the contents of this book may be reproduced or transmitted in any form or by any means without the expressed written consent of the publisher.

Parts Ordering Information

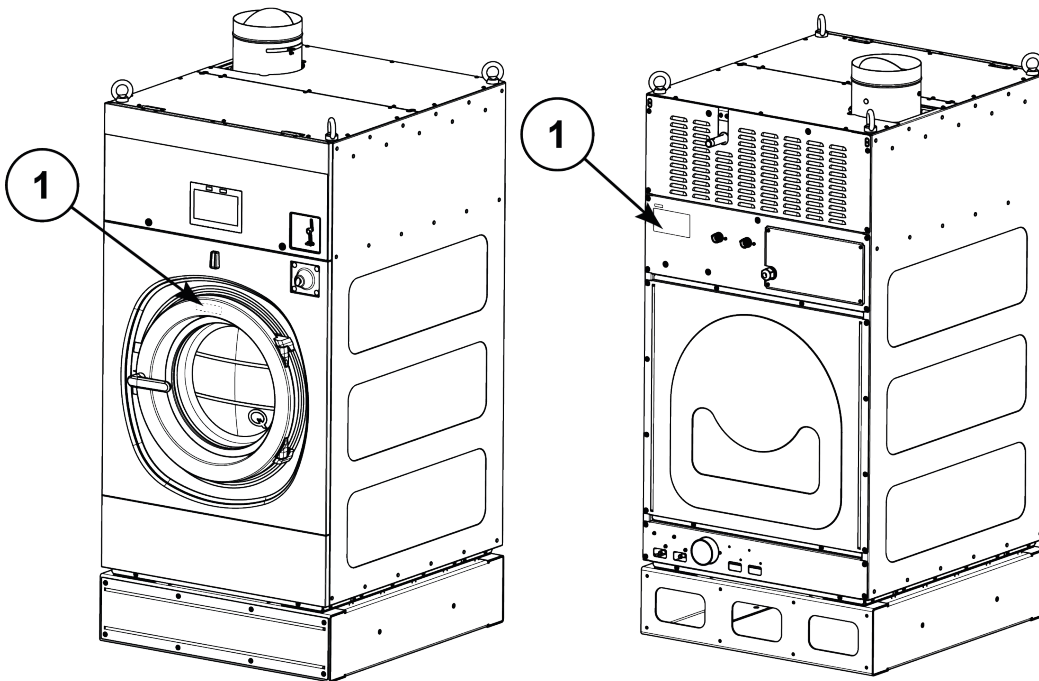
If literature or replacement parts are required, contact the source from whom the machine was purchased or contact Alliance Laundry Systems at (920) 748-3950 for the name and address of the nearest authorized parts distributor.

For technical assistance, call the number listed below:

(920) 748-3121 Ripon, Wisconsin

Serial Plate Location

When calling or writing about your product, be sure to mention model and serial numbers. Model and serial numbers are located on serial plate(s).



1. Machine Serial Plate Location (Located inside the door)

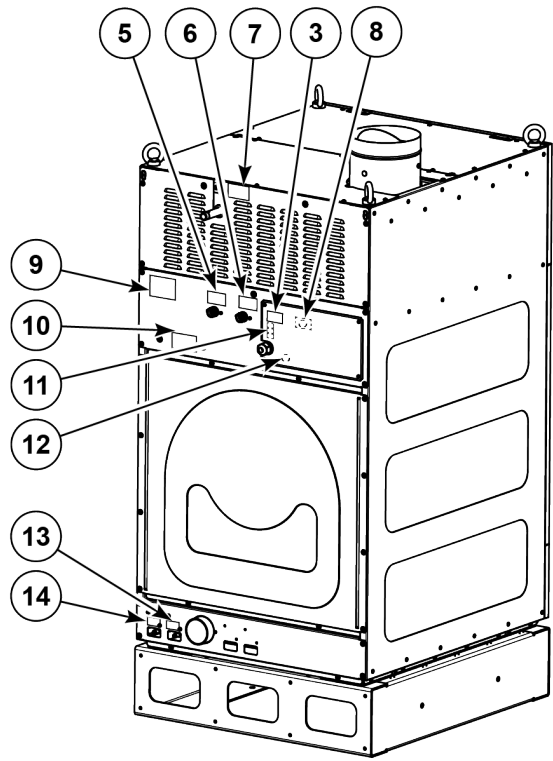
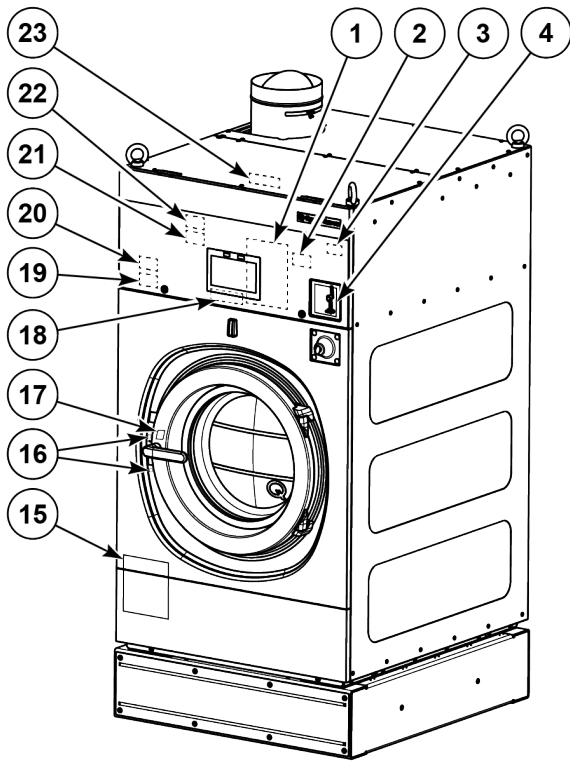
CZW163N

Model Identification

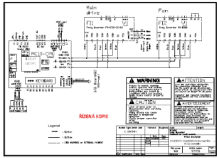
Information in this manual is applicable to these machine models:

SZX240
SZ240

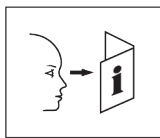
Decals



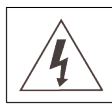
Pos ①



Pos ②



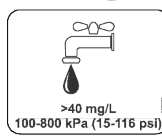
Pos ③



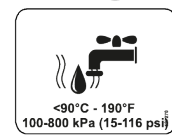
Pos ④



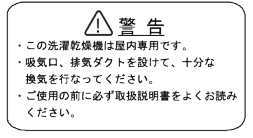
Pos ⑤



Pos ⑥



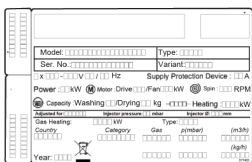
Pos ⑦



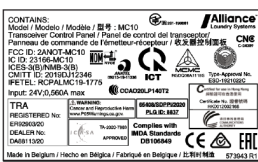
Pos ⑧



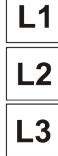
Pos ⑨



Pos ⑩



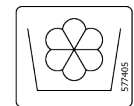
Pos ⑪



Pos ⑫



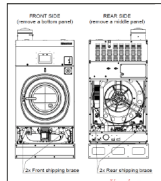
Pos ⑬



Pos ⑭



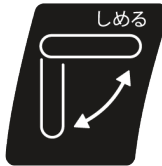
Pos ⑮



Pos ⑯



Pos ⑰



Pos ⑱



Pos ⑲



Pos ⑳



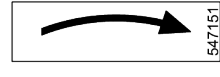
Pos ㉑



Pos ㉒



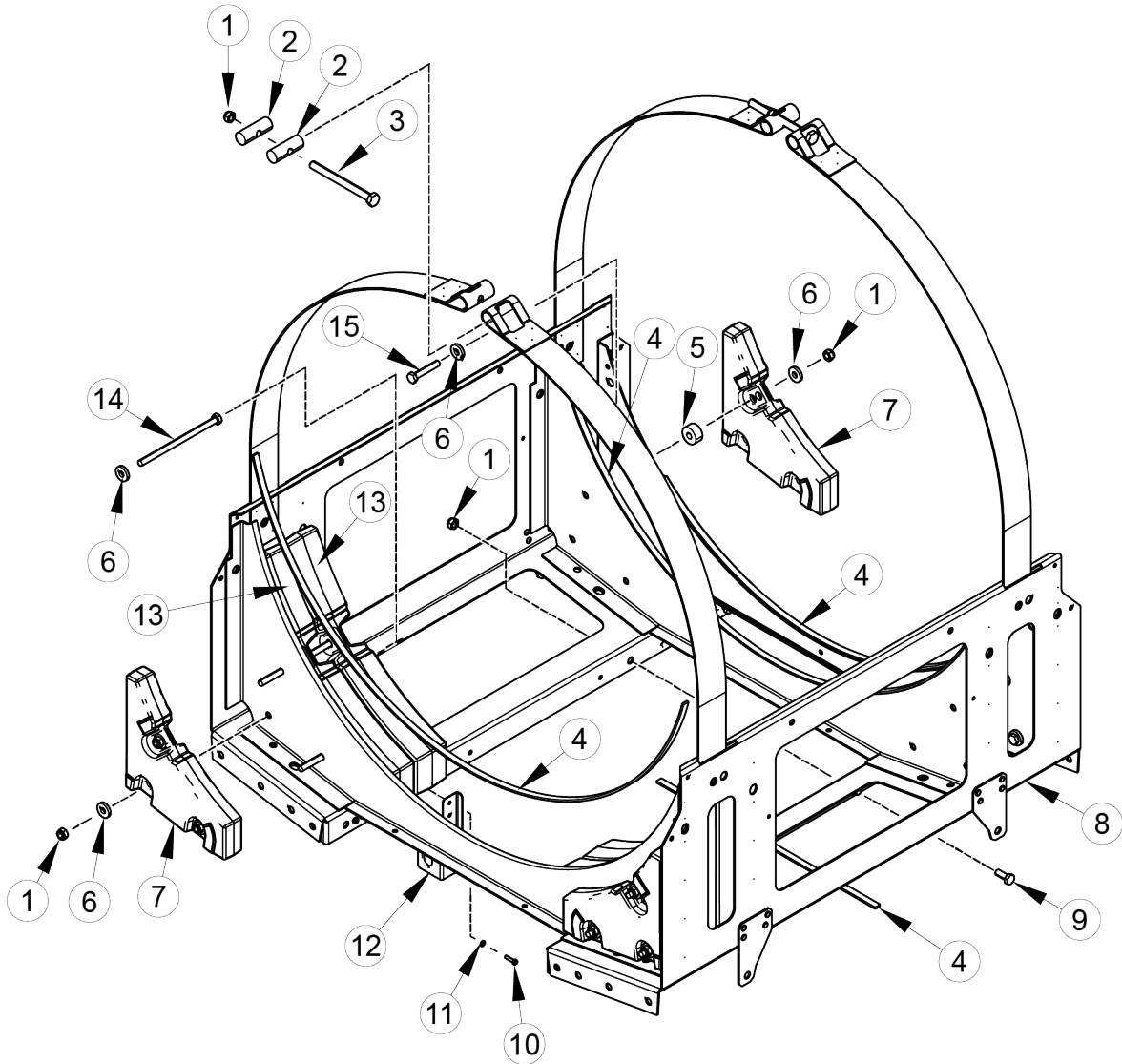
Pos ㉓



Decals

REF	PART NO.	DESCRIPTION	COMMENTS
1	575755	Schematic diagram	
2	570313	Label	
3	SP230200007514	Label	
4	576392	Sticker of Coinmeter	
5	SP527272	Index Plate	
6	SP527270	Index Plate	
7	577406	Warning Sticker	
8	SPPRI551000001	Earthing Index Plate	
9	577403	Serial Plate	
10	573943	Label	
11	SPPRI551001001	Label	
12	SPPRI551006001	Label	
13	577405	Softener Sticker	
14	577404	Detergent Sticker	
15	576954	Shipping Brace Instruction	
16	576391	Sticker	SZ135
	576393	Sticker	SZ240
17	577407	Sticker of Door	
18	573942	Label	
19	SP548011071014	Label	
20	SP548011072014	Label	
21	534663	Sticker	
22	530763	Sticker Filter Cleaning	
23	547151	Label	

Upper Frame

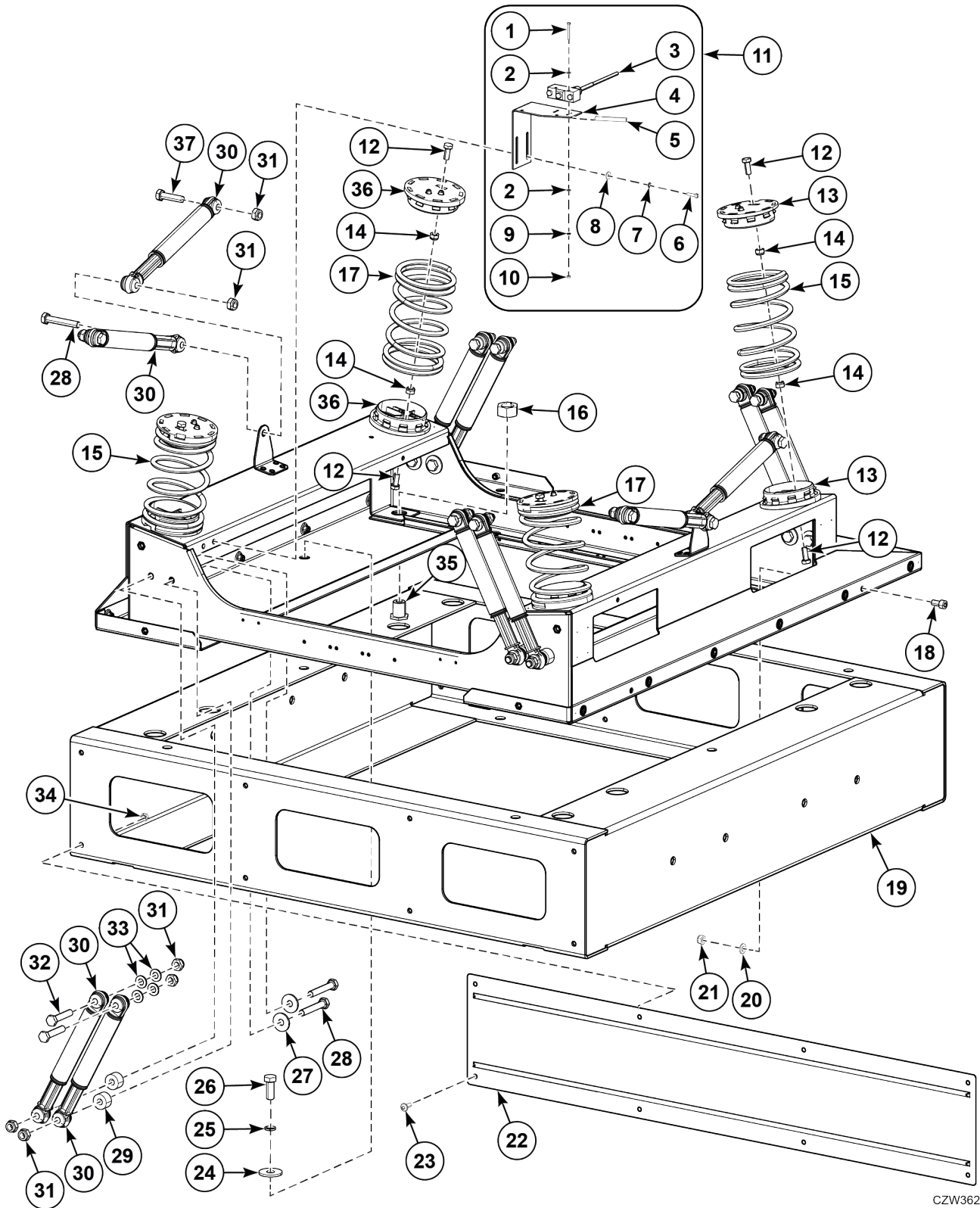


C-CZW55P

Upper Frame

REF	PART NO.	DESCRIPTION	COMMENTS
1	SP310985000008	Nut	M8
2	SP533738	Cover Strip Pin	
3	SP527093	Bolt	M8x100
4	SP517232	Seal	
5	SP515274	Distance Case	
6	SP525284	Washer	M8
7	SP533784	Lower Weight	
8	SP533806	Upper Frame	
9	SP309933000820	Bolt	M8x20
10	SP309084000416	Bolt	M4x16
11	SP311679800004	Washer	M4
12	SP533388	Oscillation Limiter	
13	SP533814	Lower Weight	
14	SP533717	Bolt	M8x150
15	SP309933000845	Bolt	M8x45

Lower frame

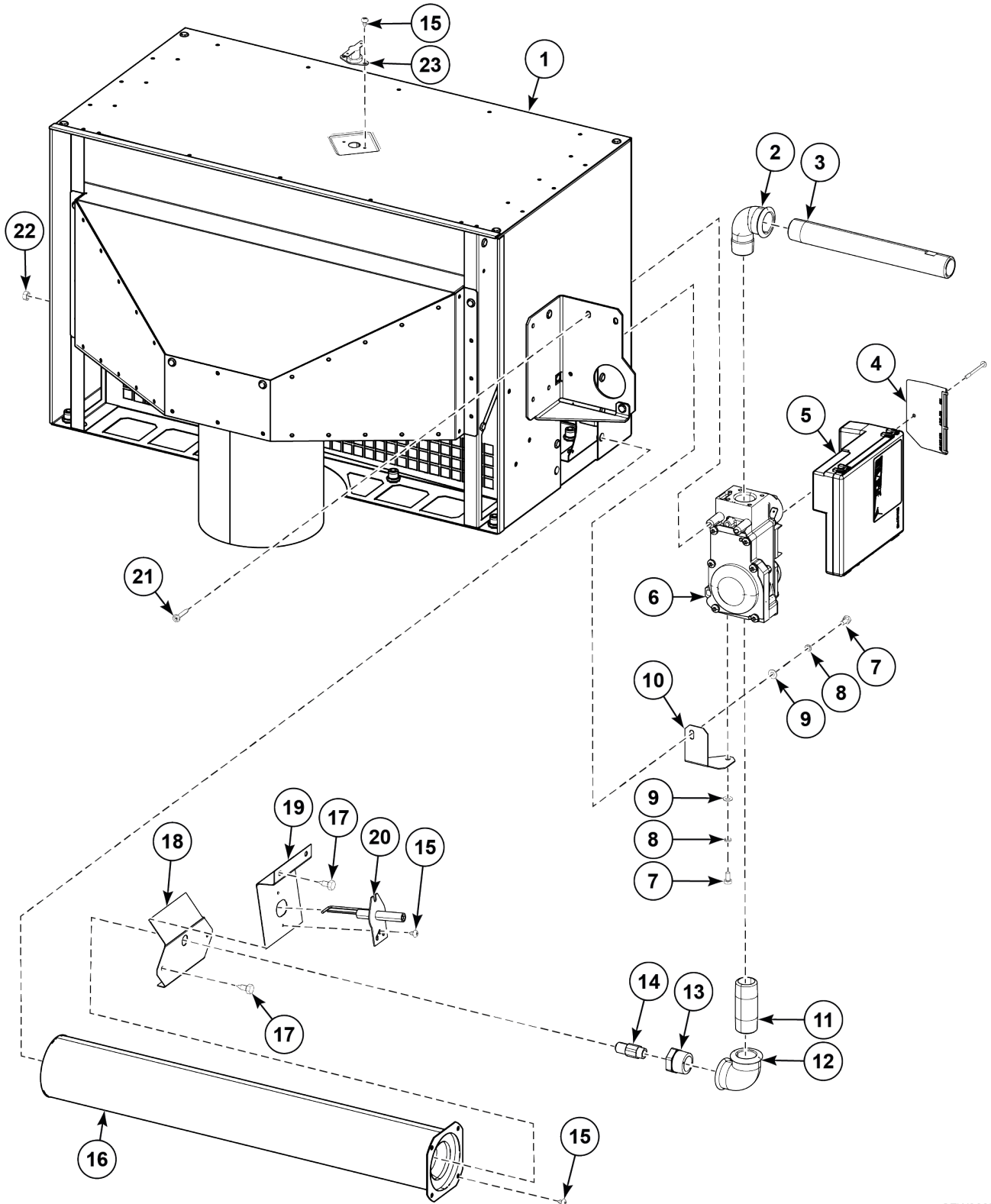


CZW362P

Lower Frame

REF	PART NO.	DESCRIPTION	COMMENTS
1	SP309084240325	Bolt	M3x25
2	SP311125000003	Washer	3.2
3	SP528309	Microswitch	Includes spring
4	SP547759	Vibration Switch Holder	
5	SPPRI505000058	Profiled Sealing	
6	SP309084000416	Bolt	M4x16
7	SP311679800004	Washer	M4
8	SP311902100004	Washer	M4 - 4.3/12/1
9	SP311679800003	Washer	M3
10	SP310934000003	Nut	M3
11	SP547758	Vibration Switch Assembly	Includes items 1-10
12	SP309933000820	Bolt	M8x20
13	SP533872	Spring Holder	Right
14	SP310985000008	Nut	M8
15	SP533870	Spring	Right
16	SP310934000020	Nut	M20
17	SP533871	Spring	Left
18	SP309912000815	Bolt	M8x16
19	576567	Elevated Base Frame	
20	SP311125000008	Washer	M8
21	SP310985000008	Nut	M8
22	573289	Cover Plate	
23	SP555658	Bolt	M6x16
24	SP311902100012	Washer	
25	SP311127000012	Washer	
26	SP309933001225	Bolt	M12x35
27	SP311902100010	Washer	M10
28	SP506432	Bolt	M10x60
29	SP533727	Roller	
30	533716	Damper	12 required
31	SP310985000010	Nut	M10
32	SP309931001050	Bolt	M10x50
33	SP311125000010	Washer	M10
34	510847	Nut	M6
35	SP533726	Bolt	
36	SP533873	Spring Holder	Left
37	SP527420	Bolt	M10x40

Gas Heating

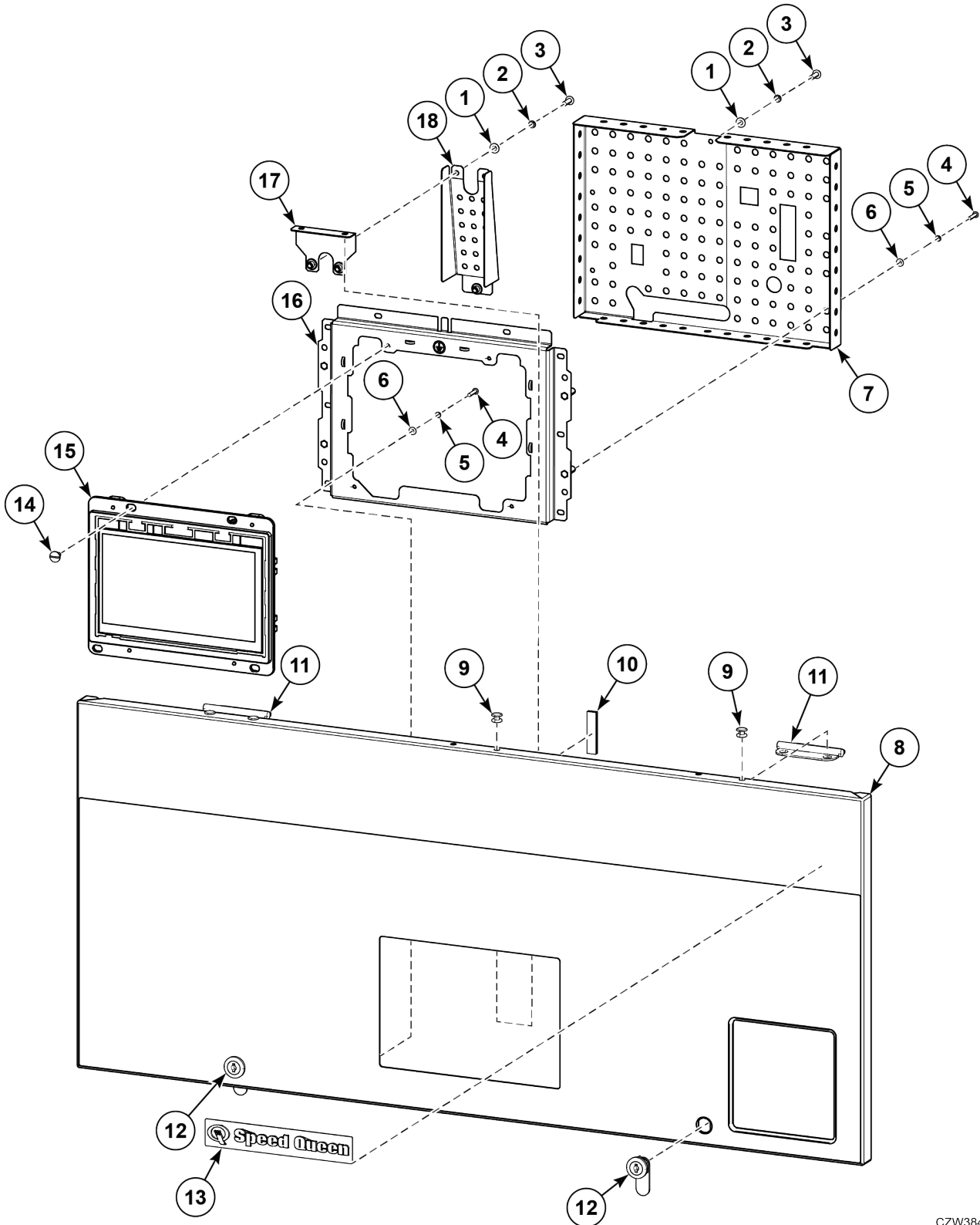


CZW363P

Gas Heating

REF	PART NO.	DESCRIPTION	COMMENTS
1	576621	Gas Heater Box	
2	572352	Elbow	1/2 inch
3	569445	Tube	1/2 inch
4	537625	Cover	
5	571938	Control Unit	
6	572351	Gas Valve	
7	SP309798524408	Bolt	M4x8
8	SP311127000004	Washer	M4
9	SP311125000004	Washer	4.3
10	569446	Holder	
11	571881	Tube	1/2 inch
12	572350	Elbow	1/2 inch
13	571884	Injector holder	
14	517245	Injector	
15	SP517238	Screw	ST 3.6x6.5
16	SP552515	Burner Tube	
17	SP100218	Screw	ST4.8x13
18	SP512139	Cover	
19	571880	Holder	
20	SP357375100500	Ignition Electrode	
21	572361	Screw	ST3.9x13
22	577645	Nut	M5
23	SP514127	Safety Thermostat	

Control Panel

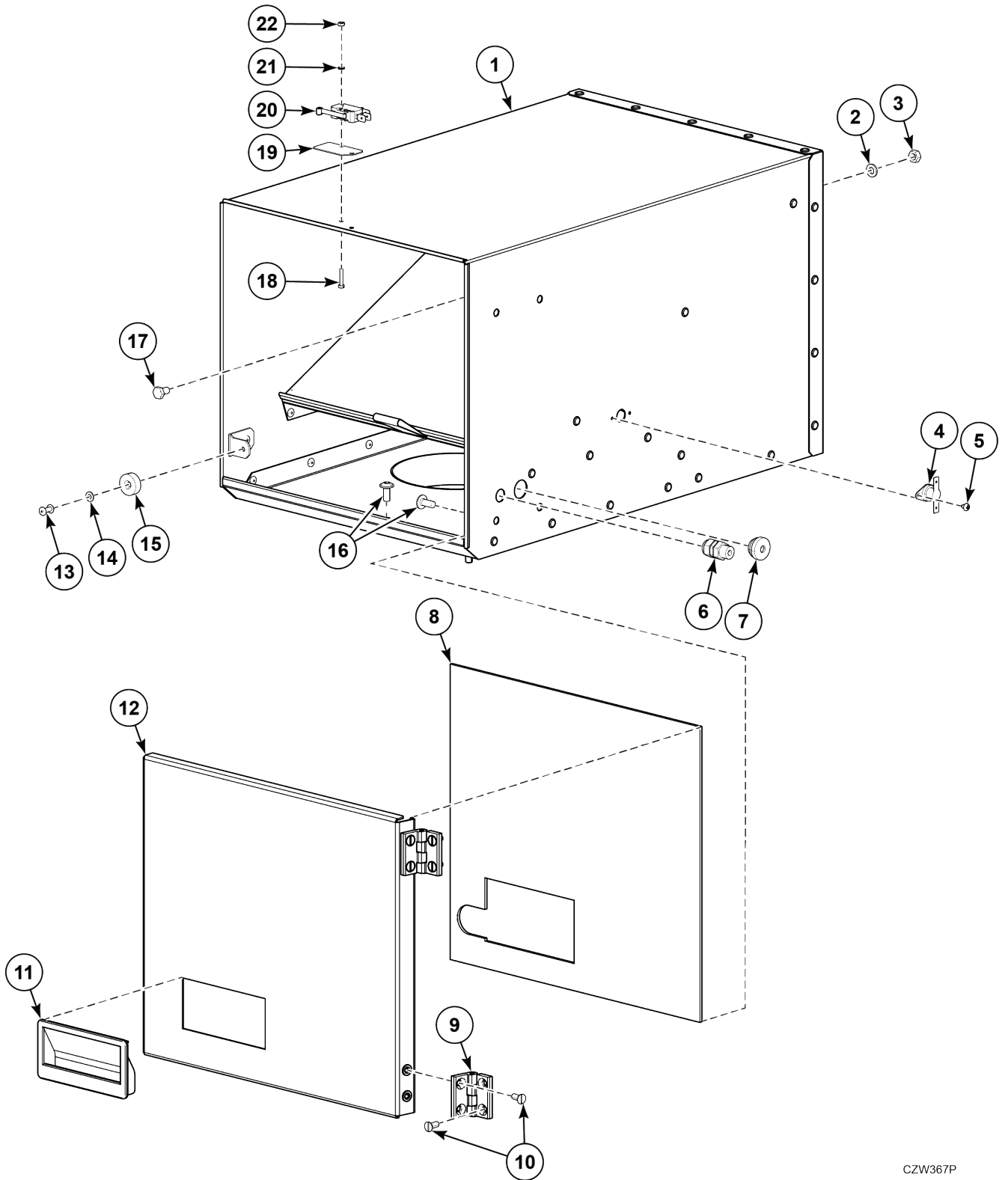


CZW384P

Control Panel

REF	PART NO.	DESCRIPTION	COMMENTS
1	SP311125000004	Washer	
2	SP311127000004	Washer	
3	SP309798524412	Bolt	
4	SP309798500314	Bolt	
5	SP311127000003	Washer	
6	SP311125000003	Washer	
7	577634	Programmer Cover	
8	576342	Control Panel	
9	SP313250048103	Rivet	
10	SP517232	Seal	
11	SP516832	Hinge	
12	567818	Lock	
13	F8664901	Decal	
14	309500240408	Screw	
15	575632	Touchable Control	
16	572551	CPU Holder	
17	577638	Cover Support	
18	577637	Cable Cover	

Filter Box

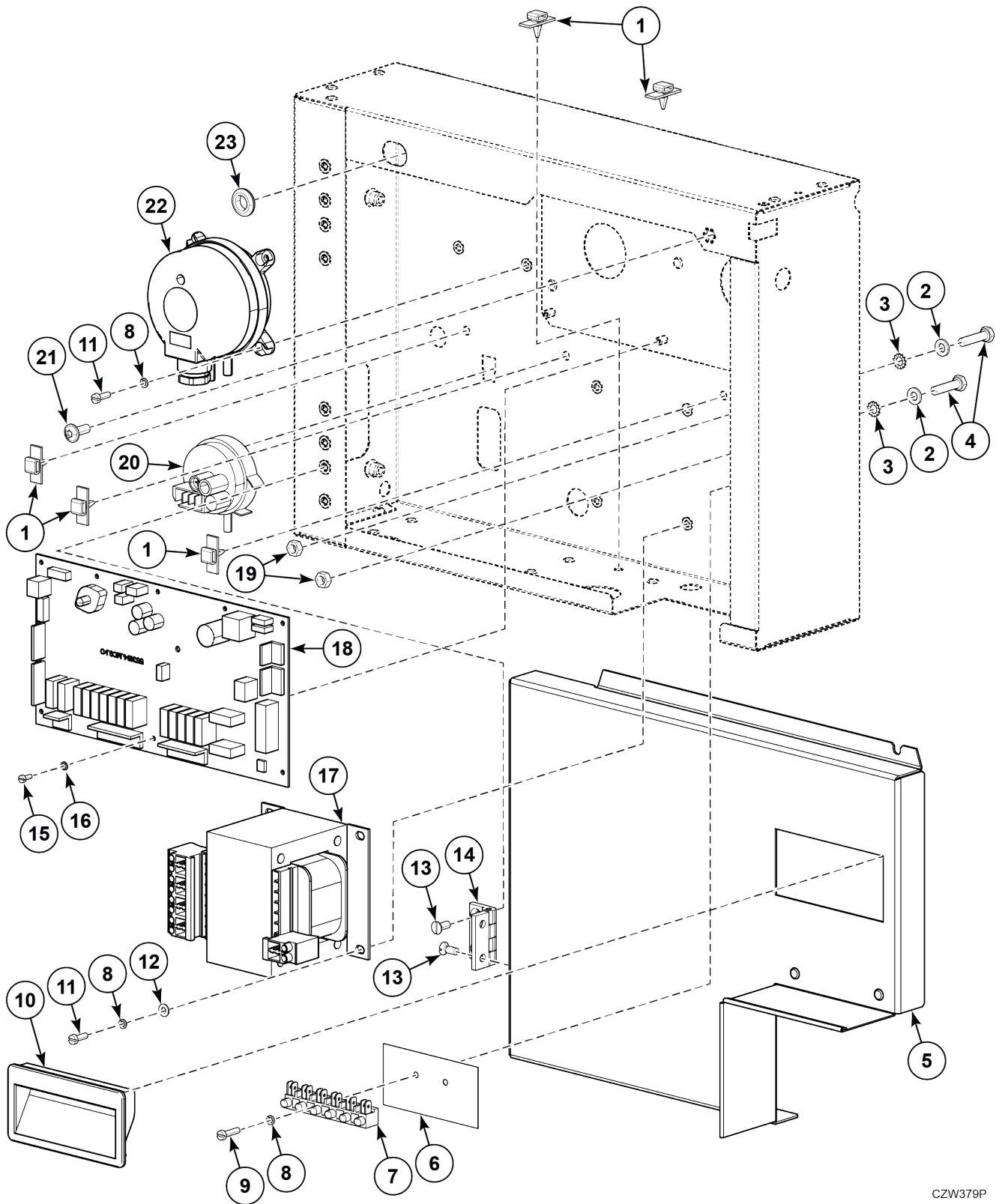


CZW367P

Filter Box

REF	PART NO.	DESCRIPTION	COMMENTS
1	576358	Filter Body	
2	SP311125000006	Washer	
3	SP310934000006	Nut	M6
4	SP514016	Safety Thermostat	
5	SP517238	Screw	
6	SP101405	Bushing	
7	SP526439	Temperature Sensor Seal	
8	576386	Door Seal	
9	SP549056	Hinge	
10	SP309963240512	Bolt	M5x12
11	SP518707	Handle	
12	576361	Filter Door	
13	SP313250004125	Rivet	
14	SP311125000004	Washer	
15	573849	Magnet	
16	SP537854	Bolt	
17	SP309933240612	Bolt	M6x12
18	SP309084240316	Bolt	
19	SP101154	Isolation Plate	
20	SPPRI610034077	Microswitch	
21	SP311679800003	Washer	
22	SP310934000003	Nut	

Electrobox

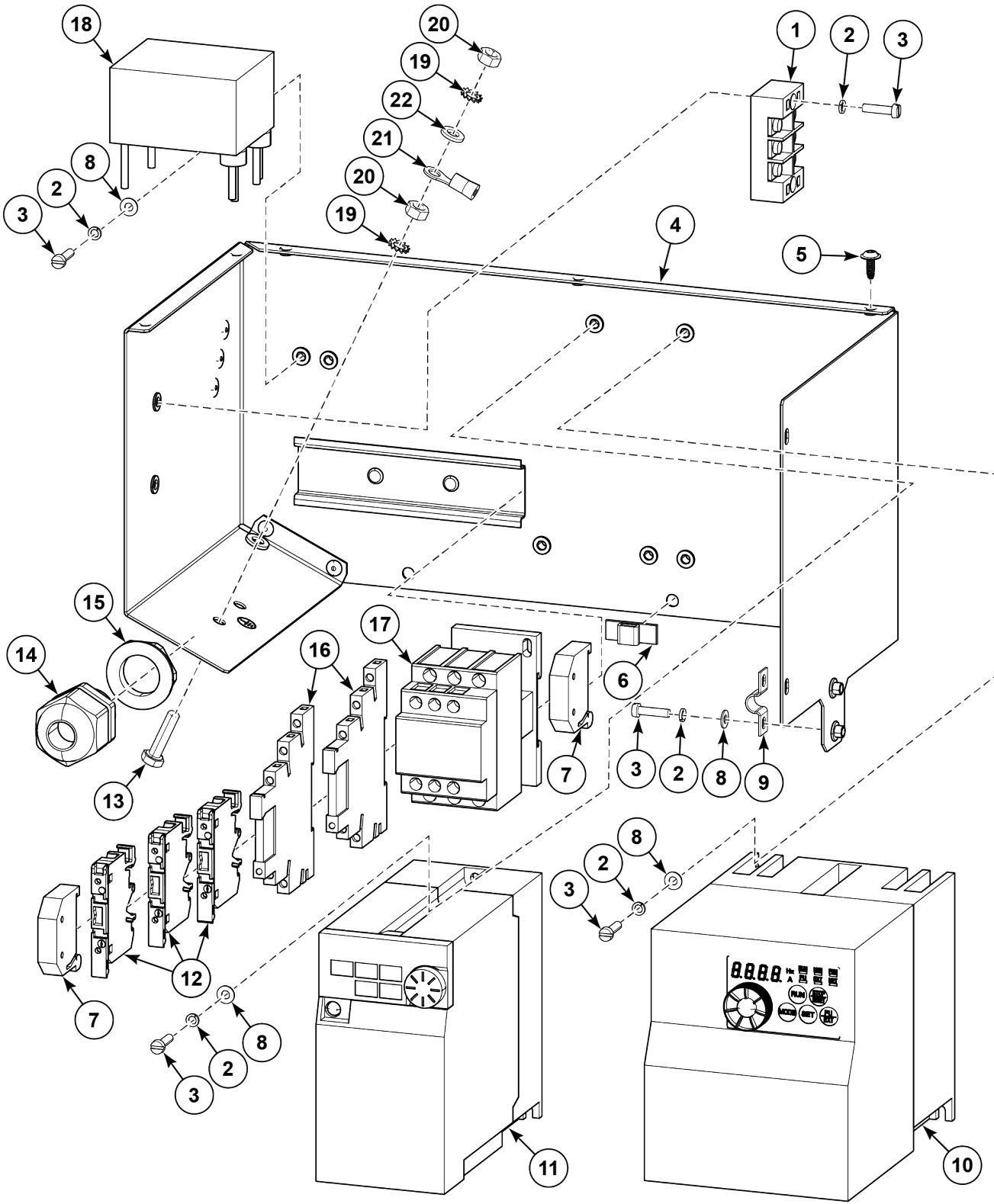


CZW379P

Electrobox

REF	PART NO.	DESCRIPTION	COMMENTS
1	SP528313	Cable Holder	
2	SP311125100006	Washer	
3	SP311679824006	Washer	M6
4	SP309933100625	Bolt	M6x25
5	577618	Door Assembly	
6	SPPRI350012007	Isolation Paper	
7	SPPRI350015007	Terminal Board	
8	SP311127000004	Washer	M4
9	SP309084000420	Bolt	M4x20
10	SP518707	Handle	
11	SP309084000412	Bolt	M4x12
12	SP311125000004	Washer	
13	SP309963240512	Bolt	M5x12
14	SP549056	Hinge	Black
15	SP309798500306	Bolt	M3x6
16	SP311679800003	Washer	M3
17	SP101643	Transformer	
18	553184	Control Board	
19	SP310934100006	Nut	M6
20	570315	Water Level Switch	
21	555658	Bolt	M6x16
22	SP553992	Differential Pressure Switch	
23	SP273121011001	Bushing	

Rear Electrobox

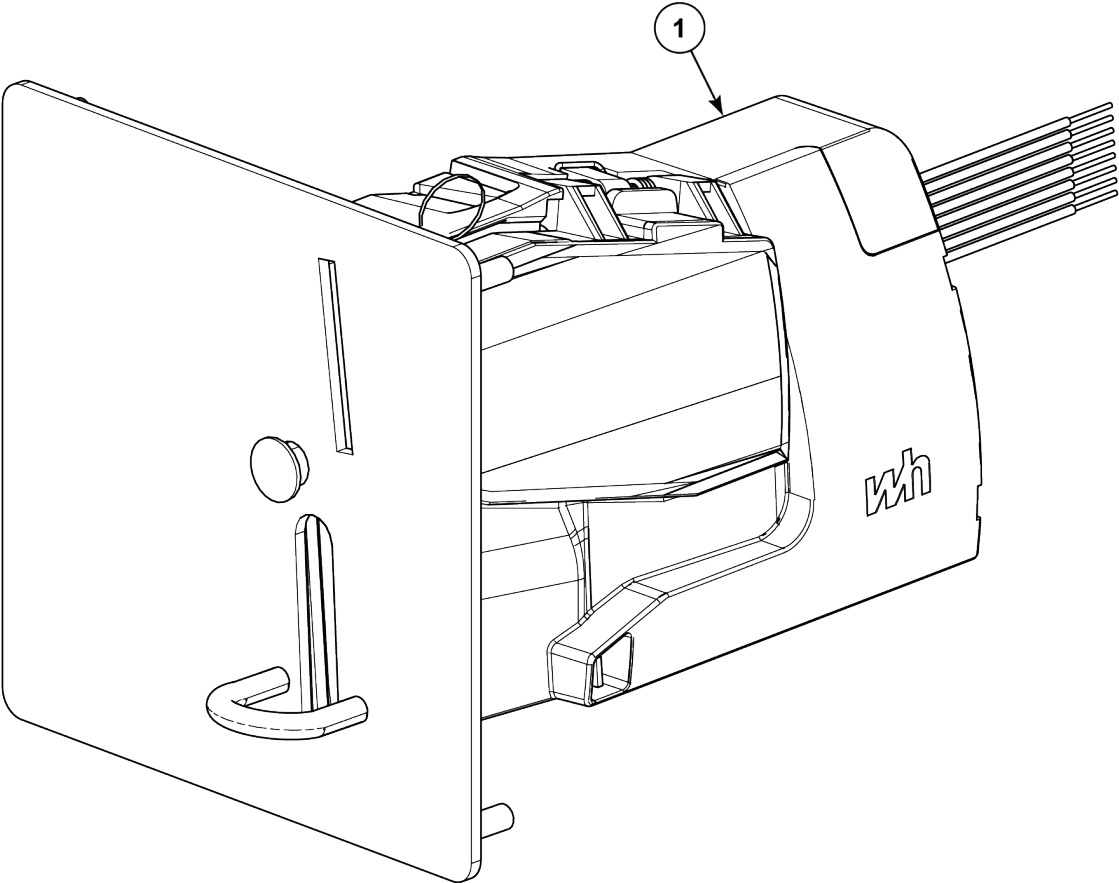


CZW387P

Rear Electrobox

REF	PART NO.	DESCRIPTION	COMMENTS
	SP245704003021	Adhesive	
1	577632	Terminal Block	
2	SP311127000004	Washer	
3	SP309084000420	Bolt	M4x20
4	576558	Electrobox	Rear
5	SP529206	Screw	
6	SP528313	Cable Holder	
7	SP346000209101	End Stop	
8	SP311125000004	Washer	
9	SP528392	Cable Clamp	
10	571473	Frequency Inverter	
11	575765	Frequency Inverter	
12	552482	Fuse Housing	
13	SP309933100625	Bolt	
14	SP101408	Bushing	
15	SP101418	Nut	
16	SP552468	Relay	
17	514042	Power Harness	
18	SP552251	Filter	
19	SP311679824006	Washer	
20	SP310934100006	Nut	M6
21	SP345000165034	Cable Eye	
22	SP311125100006	Washer	

Coin Meter (Drawing 1 of 2)

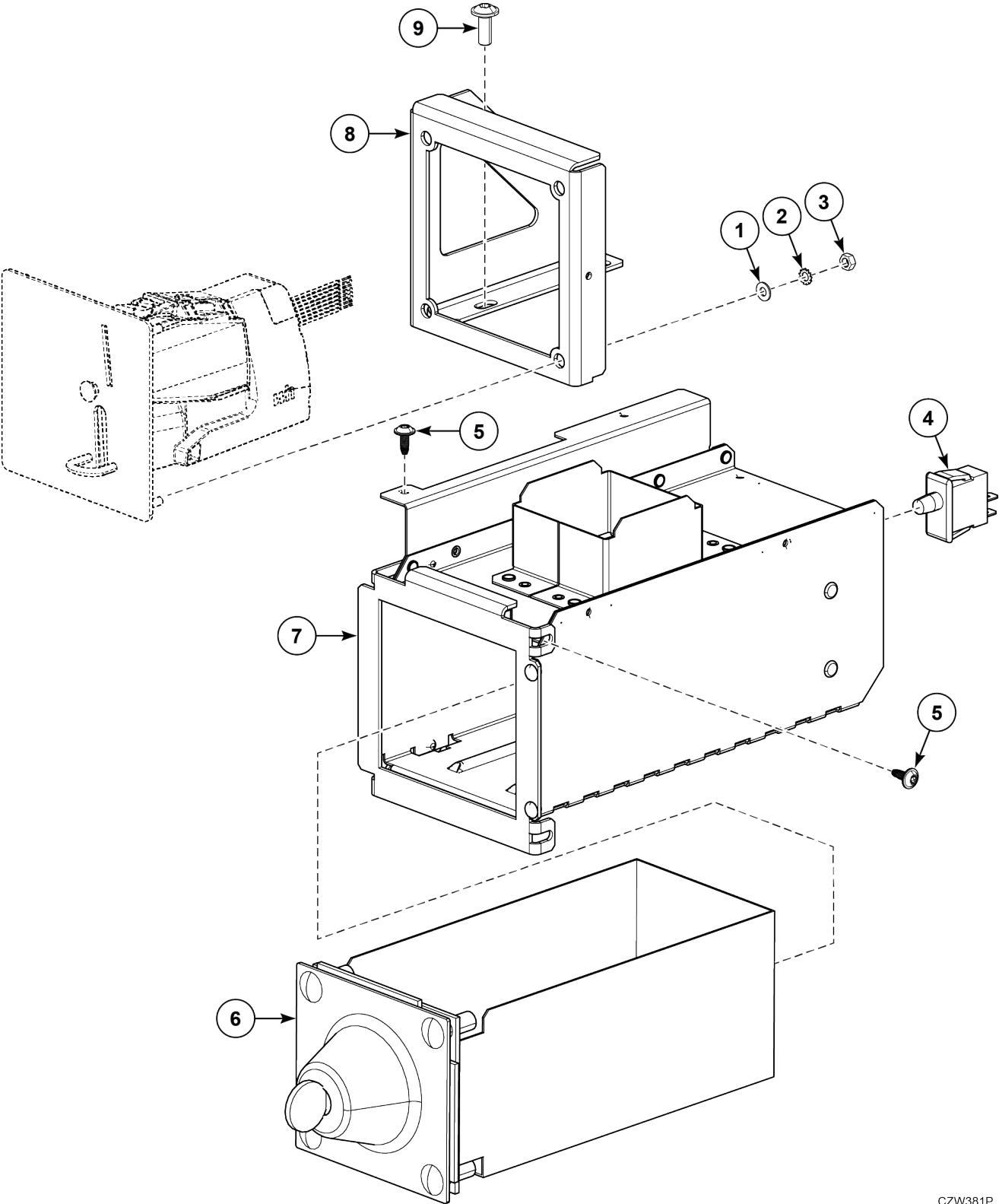


CZW38P

Coin Meter (Drawing 1 of 2)

REF	PART NO.	DESCRIPTION	COMMENTS
1	572318	Coin Meter	

Coin Meter (Drawing 2 of 2)

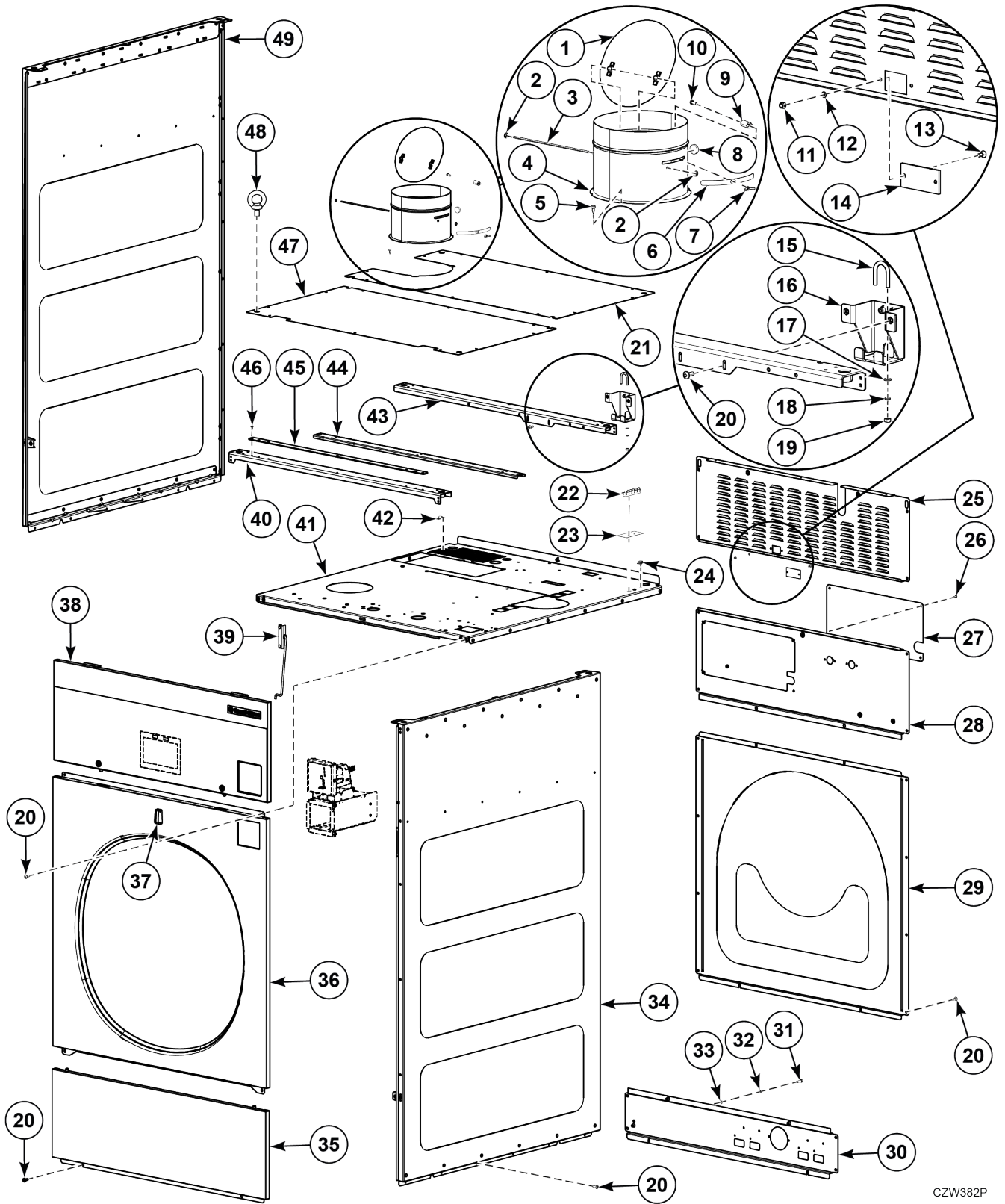


CZW381P

Coin Meter (Drawing 2 of 2)

REF	PART NO.	DESCRIPTION	COMMENTS
1	SP311125000004	Washer	
2	SP311679800004	Washer	
3	SP310934000004	Nut	
4	SP506045	Microswitch	
5	SP529206	Screw	
6	579401	Coin Meter Box	
7	576366	Coin Meter Case	
8	577629	Coin Meter Holder	
9	SP555658	Bolt	

Cabinet

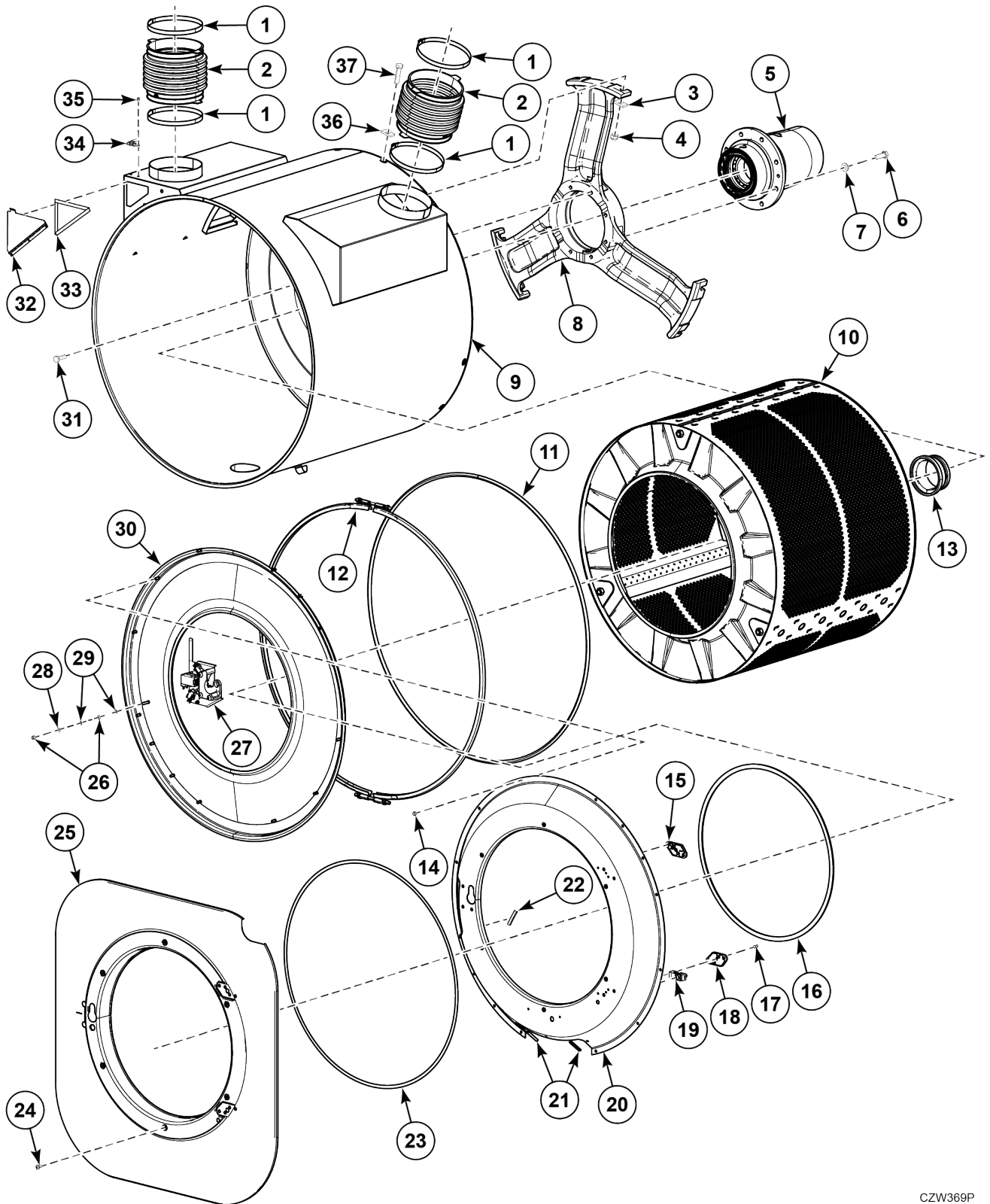


CZW382P

Cabinet

REF	PART NO.	DESCRIPTION	COMMENTS
	579404	Thermostat Cover	
	SP537896	Adhesive	
1	SP534917	Flap Stop	
2	SP516669	Washer	
3	SP534921	Bar	
4	577602	Tube With Flap	
5	SP100218	Screw	
6	SP534919	Plug	
7	SP534929	Nut	
8	SP273127001798	Plug	
9	SP534900	Flap Stop	
10	SP309933000516	Bolt	M5x16
11	SP514193	Nut	
12	SP311125000004	Washer	
13	SP309966240410	Bolt	
14	SP507635	Transparent Cover	
15	577644	Metal Stirrup	
16	577642	Gas Pipe Holder	
17	SP311125000006	Washer	
18	SP311127000006	Washer	
19	SP310934000006	Nut	M6
20	555658	Bolt	M6x16
21	576564	Top Cover	
22	SPPRI350015007	Terminal Board	
23	SPPRI350012007	Isolation Paper	
24	SP528313	Cable Holder	
25	579406	Top Rear Cover	
26	SP555504	Bolt	
27	576561	Electrical Box Lid	
28	576560	Rear Panel	
29	576562	Rear Middle Panel	
30	576555	Rear Lower Panel	
31	SP309933000620	Bolt	M6x20
32	SP311679824006	Washer	
33	SP311125240006	Washer	
34	576542	Side Panel	Right
35	576549	Front Bottom Panel	
36	576547	Front Top Panel	
37	576573	Folding Hook	
38	576342	Control Panel	
39	576382	Holder Suport Complete	
40	576553	Upper partition	Front
41	576546	Plate Holder	
42	SP528392	Cable Clamp	
43	576551	Upper partition	Rear
44	576563	Reinforcement	
45	576556	Washer	
46	SP529206	Screw	
47	576565	Top Cover	Front
48	576580	Eye Bolt	
49	576540	Side Panel	Left

Washing Unit

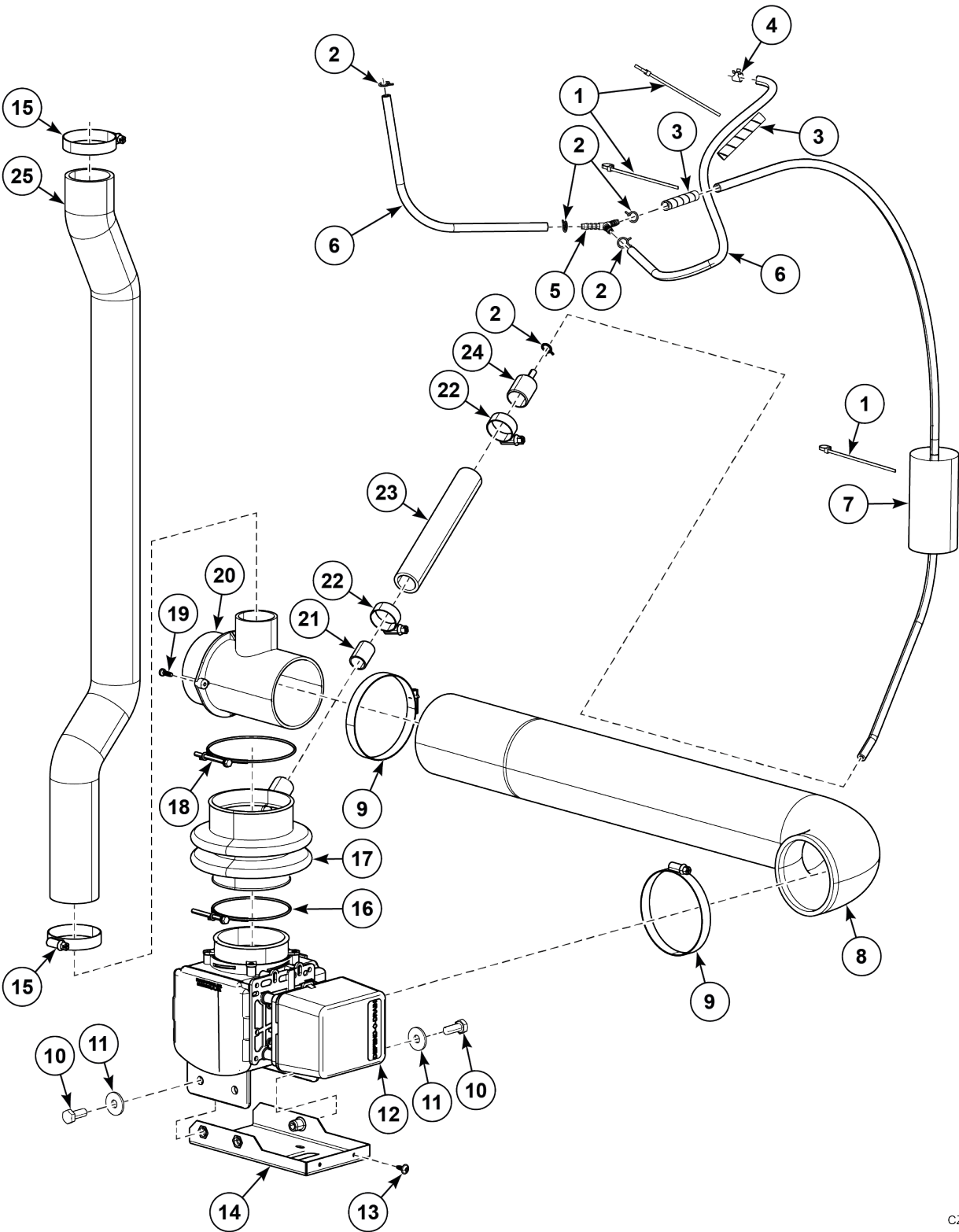


CZW369P

Washing Unit

REF	PART NO.	DESCRIPTION	COMMENTS
1	SP529013	Hose Clamp	
2	576505	Air Hose	
3	SP537898	Washer	
4	SP310985000012	Nut	M12
5	SP537868	Bearing Housing	
6	SP309933001235	Bolt	M12
7	SP311125000013	Washer	
8	SP537824	Cross Piece	
9	573960	External Tub	
10	576350	Washing Drum	
11	SP537821	Seal	
13	SP552982	Shaft Ring	
14	SP310985000006	Nut	M6
15	SP537849	Hinge Spacer	
16	SP522450	Profile	
17	SP547779	Rivet	
18	SP537849	Hinge Spacer	
19	571634	Microswitch	
20	568931	Door Lock Holder	
21	SPPRI505000058	Profiled Sealing	
22	SPPRI505000058	Profiled Sealing	
23	SP284000012003	Tape	
24	SP537854	Bolt	
25	576515	Front Panel	
26	SP310934240006	Nut	M6
27	SP568970	Door Lock Assembly	
28	SP311125240006	Washer	
29	SP311679800006	Washer	
30	576513	External Tub Front Plate	
31	SP309933241035	Bolt	
32	576501	Service Doors	
33	SP284000012003	Tape	
34	576570	Toggle Latch	
35	505479	Rivet	
36	SP537898	Washer	
37	SP309933001250	Bolt	

Drain System

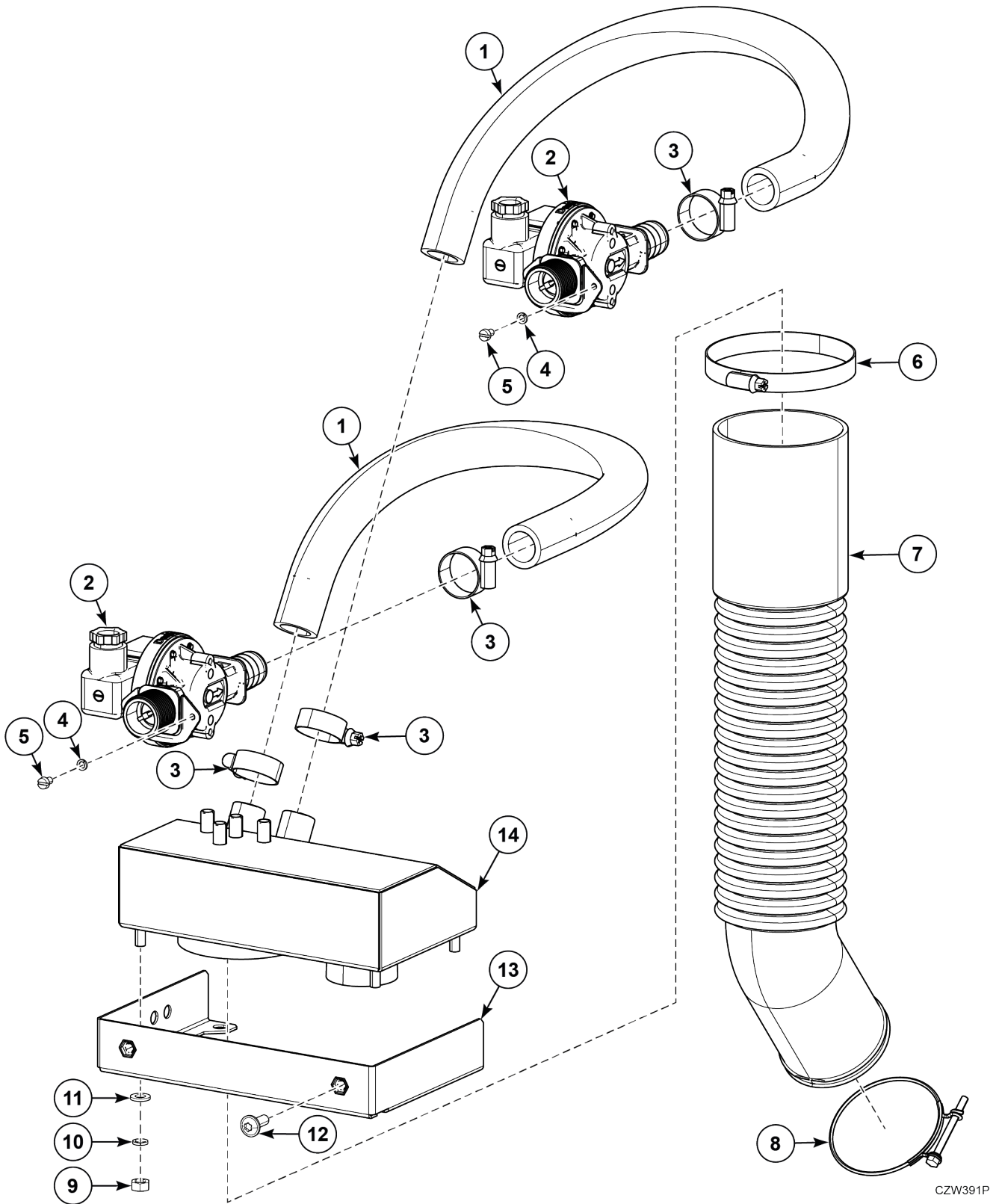


CZW390P

Drain System

REF	PART NO.	DESCRIPTION	COMMENTS
1	SP345000626088	Binding Strip	
2	SPPRI241000017	Hose Clamp	
3	SP283449080200	Spiral	
4	SP540183	Spring Clamp	
5	SPPRI503000028	Y-Piece	
6	SPPRI540001003	Water Level Switch Hose	
7	SP100188	Foam Roller	
8	SP554117	Drain Elbow	
9	SPPRI240000007	Hose Clamp	
10	SP309933000820	Bolt	M8x20
11	SP311902100008	Washer	M8
12	SP526460	Drain Valve	
13	SP529206	Screw	
14	SP526513	Drain Valve Holder	
15	SPPRI241000017	Hose Clamp	
16	576096	Single Wire Clamp	
17	SP526492	Drain Hose Pipe	
18	SP526532	Hose Clamp	
19	SP526497	Screw	
20	SP526454	T-Part	
21	SP500125	Reinforcement Tube	
22	SPPRI240000003	Hose Clamp	
23	SPPRI503002049	Hose	
24	SPPRI503000027	Air Trap Reduction	
25	SP547897	Overflow Tube	

Two Water Inlet System

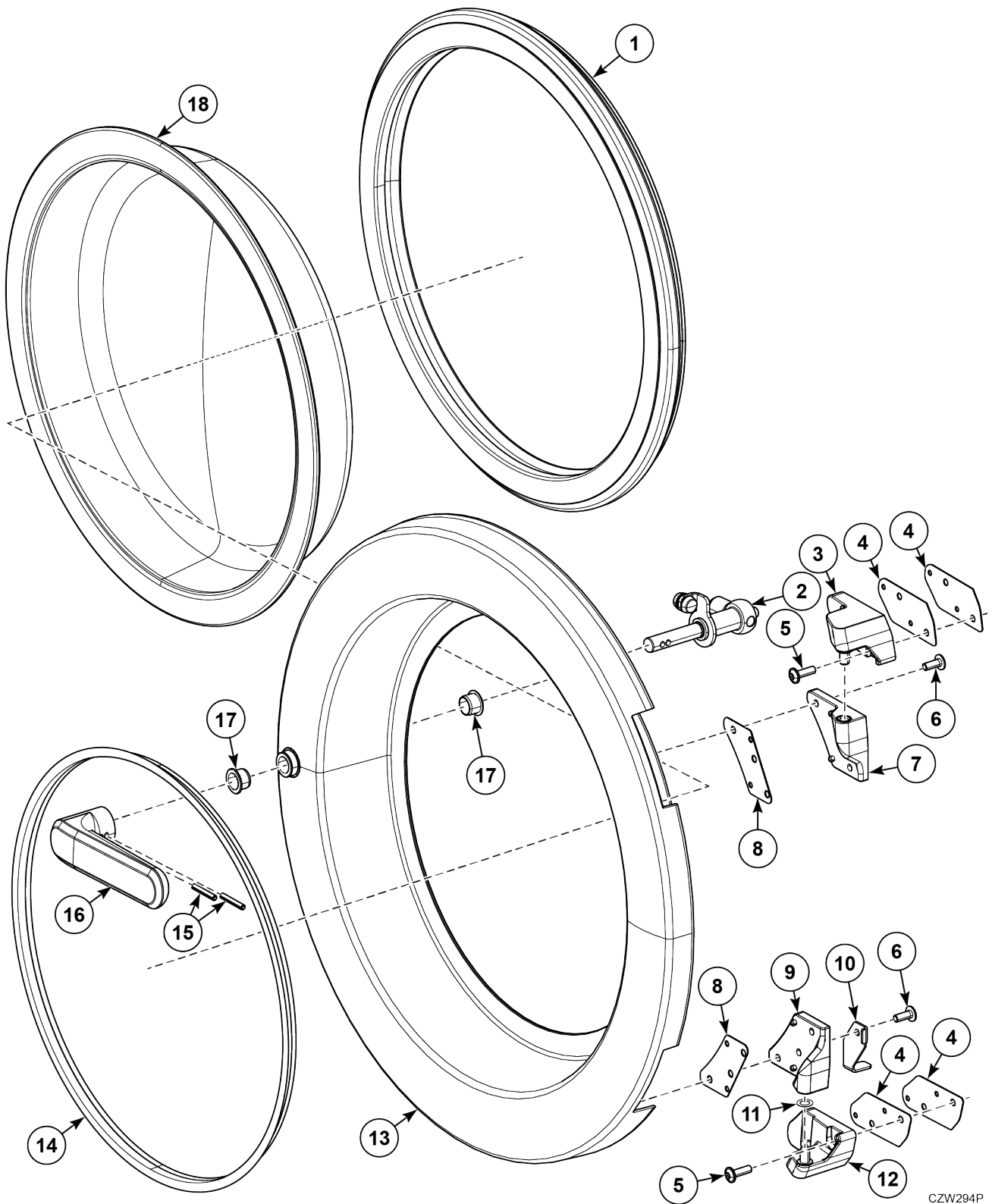


CZW391P

Two Water Inlet System

REF	PART NO.	DESCRIPTION	COMMENTS
1	SPPRI540001019	Hose	
2	SP567064	1-Way Valve	
3	SPPRI240000003	Hose Clamp	
4	SP311127000004	Washer	M4
5	SP309084000406	Bolt	M4x6
6	SPPRI240000007	Hose Clamp	
7	SP526506	Filling Elbow Pipe	
8	SP526491	Hose Clamp	
9	SP310934000006	Nut	M6
10	SP311127000006	Washer	M6
11	SP311125000006	Washer	M6
12	SP555658	Bolt	M6x16
13	576527	Holder of Mixer	
14	576523	Mixer	

Door

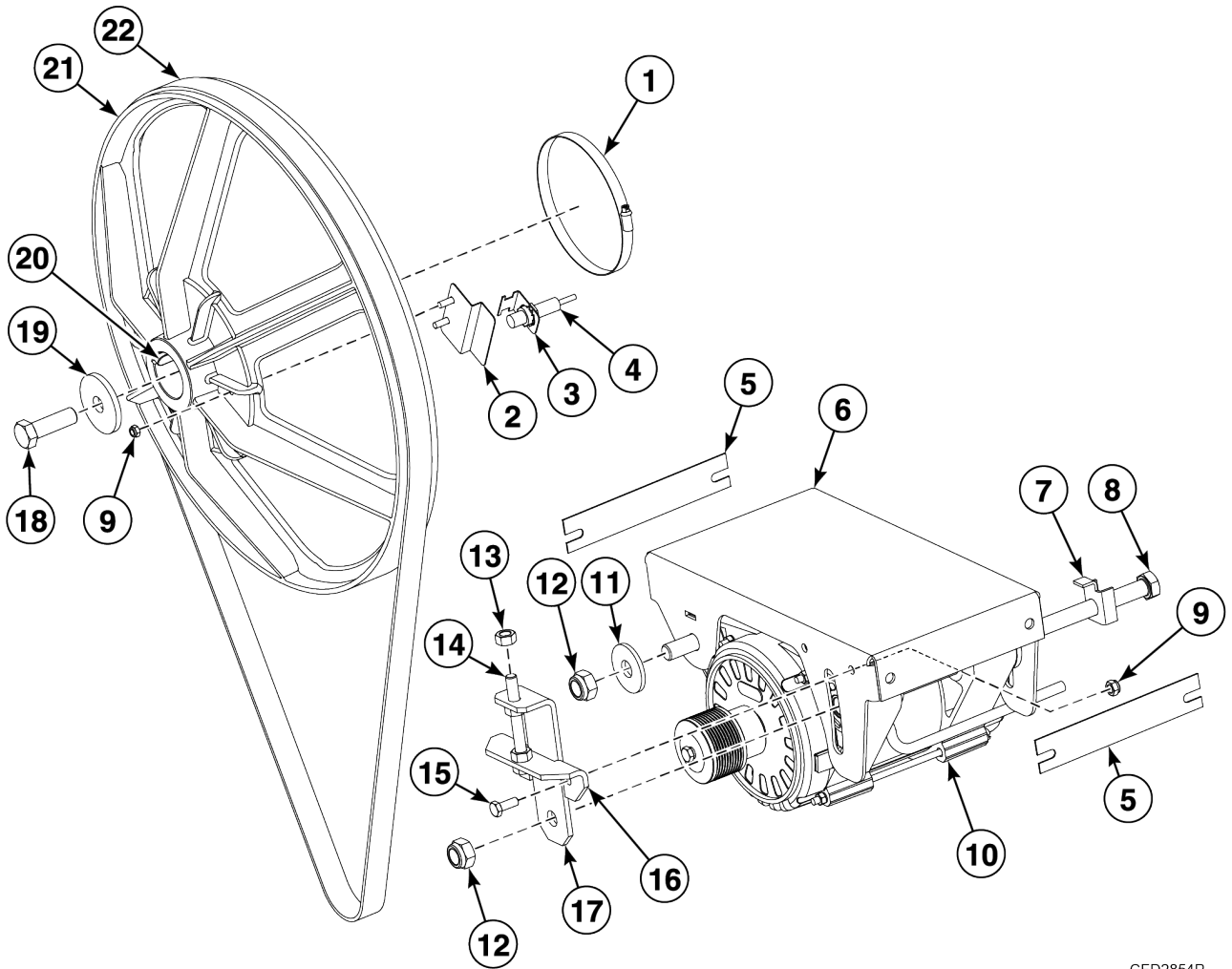


CZW294P

Door

REF	PART NO.	DESCRIPTION	COMMENTS
	576395	Door Assembly	Gray, Included items 1-18
1	569352	Door Seal	
2	573906	Door Level	
3	568979	Fixed Upper Hinge	
4	568804	Shim	
5	SP535479	Bolt	M6x25
6	SP537864	Bolt	M6x16
7	575960	Upper Hinge	
8	SP535421	Hinge Spacer	
9	575963	Lower Hinge	
10	571636	Door Frame Sheet	
11	571642	Washer	
12	568982	Fixed Hinge	Lower
13	SP553527	Door	Gray
14	569403	Trim	
15	SP554970	Pin	
16	569695	Handle	Gray
17	SP529739	Casing	
18	576396	Door Glass	

Drive

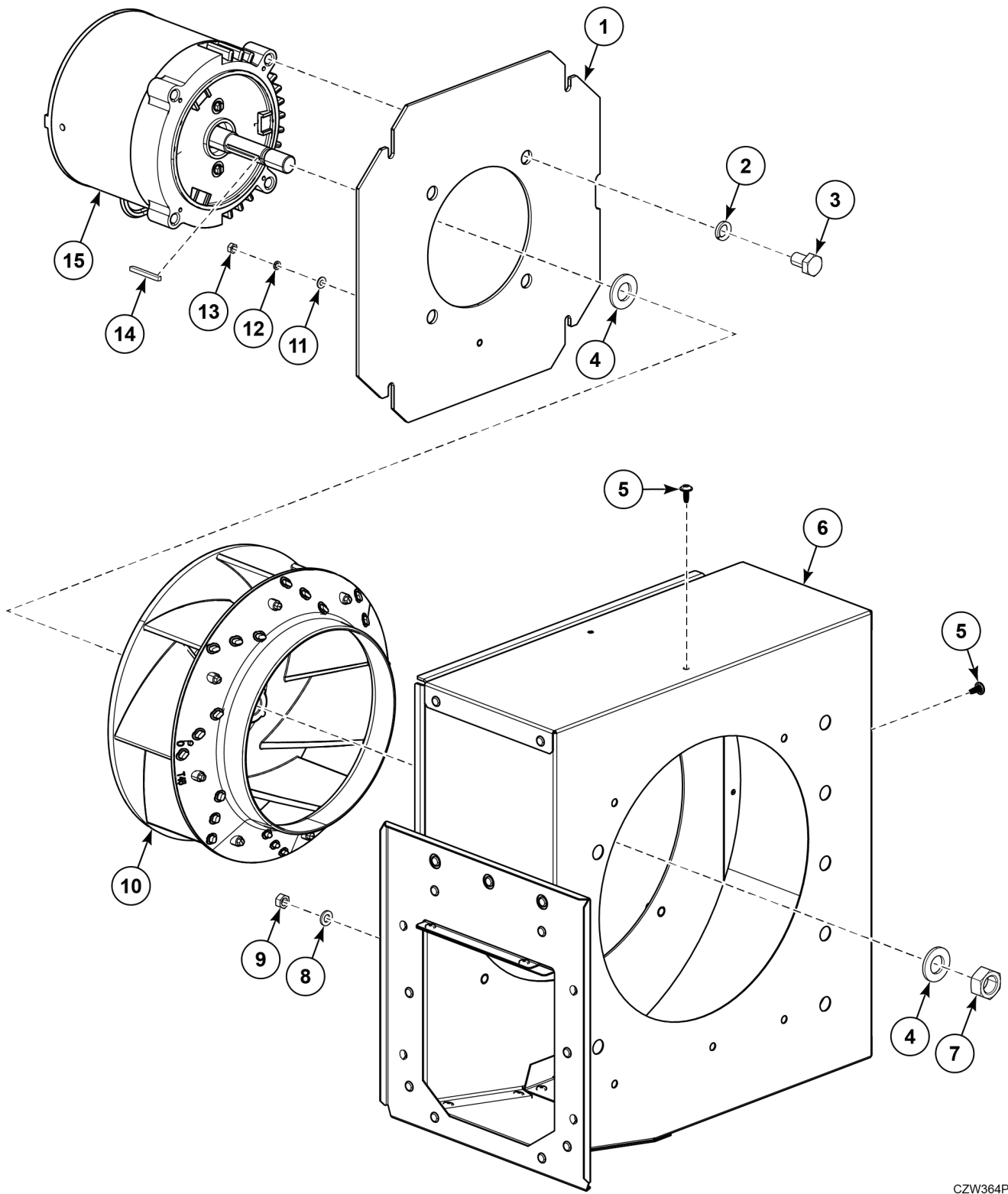


CFD2854P

Drive

REF	PART NO.	DESCRIPTION	COMMENTS
1	SP529013	Clamp	
2	SP555542	Speed Sensor Plate	
3	SP555547	Speed Sensor Holder	
4	SP557701	Speed Sensor	
5	SP550033	Shim	
6	SP533811	Motor Holder	
7	SP533742	Cage	
8	SP547780	Bolt	M12x240
9	SP310985000006	Nut	M6
10	SP555588	Motor and Pulley	3kW, 230V/75Hz; Includes 528425 Motor
11	SP311902100012	Washer	12
12	SP310985000012	Nut	M12
13	SP310934000008	Nut	M8
14	SP309933000880	Bolt	M8x80
15	SP309933000616	Bolt	M6x16
16	SP533326	Tensioning Angle Piece	Fixed
17	SP547705	Tensioning Angle Piece	Movable
18	SP309933001630	Bolt	M16x30
19	SP511924	Washer	
20	SP308726014050	Feather	
21	SP547706	V-Pulley Drum	
	PRI702000010	Lubrication Grease	Used with SP547706 V-Pulley Drum
22	SP547781	Belt	

Ventilator

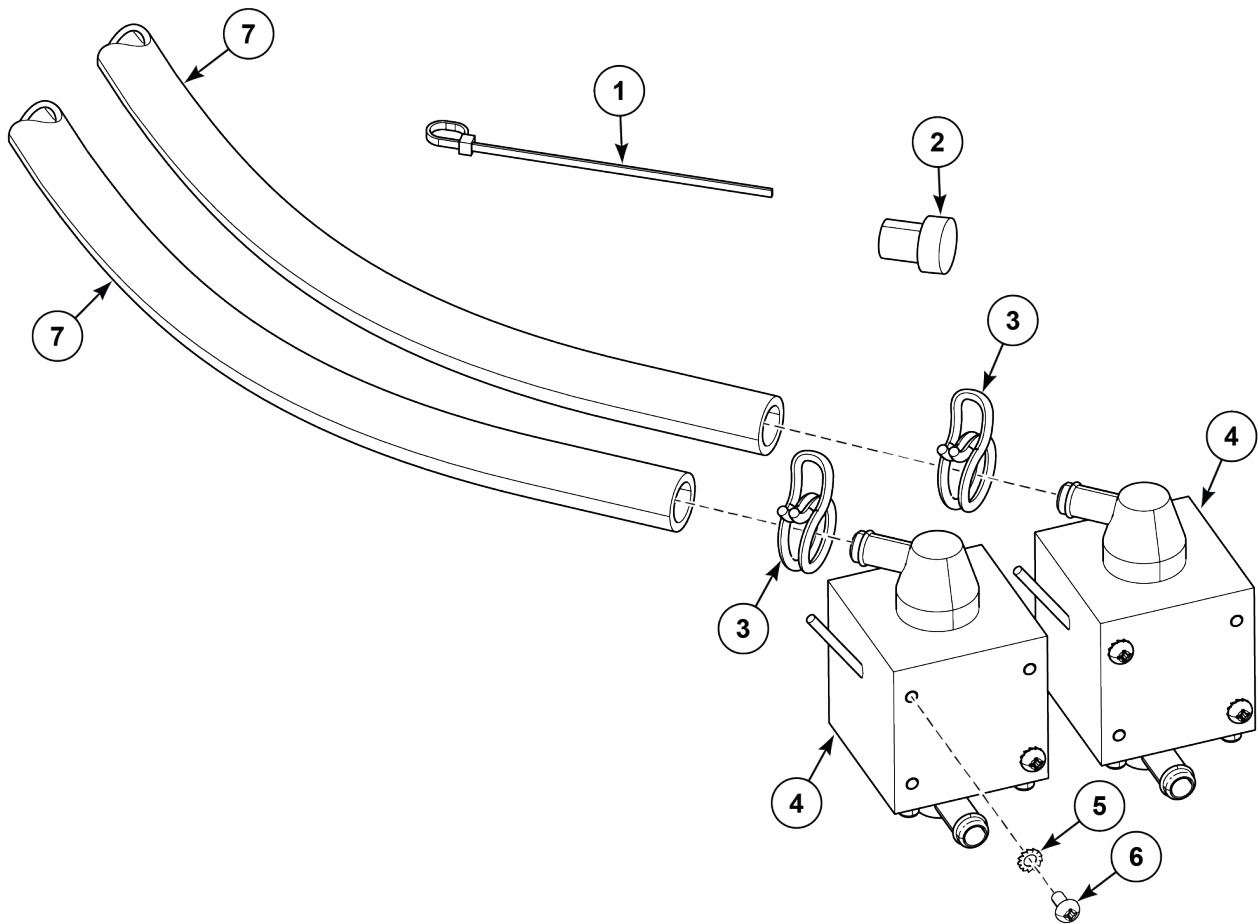


CZW364P

Ventilator

REF	PART NO.	DESCRIPTION	COMMENTS
1	577633	Motor Plate	
2	SP311127000010	Washer	
3	100387	Screw	
4	SP311125000014	Washer	
5	SP100218	Screw	
6	577608	Ventilator Box	
7	SP310936000014	Nut	
8	SP311125000006	Washer	
9	SP310934000006	Nut	M6
10	70302201P	Blower Assembly	
11	SP311125000004	Washer	
12	SP311127000004	Washer	
13	SP310934000004	Nut	
14	70144101	Key	
15	44354901	Motor	
	575766	Fan Motor Cable	

Liquid Soap Supply System



CZW386P

Liquid Soap Supply System

REF	PART NO.	DESCRIPTION	COMMENTS
1	SP503817	Binding Strip	
2	576591	Hose Plug	
3	576582	Wire Hose Clamp	
4	576590	Pump	
5	SP311679800004	Washer	
6	SP309798524408	Bolt	
7	576581	Transparent Hose	

Wire Harnesses

PART NO.	DESCRIPTION	COMMENTS
575762	Main Wiring	
569749	Door Lock Wiring	
569751	Door Lock Wiring	Door Lock Short wiring; doorlock switch connection
571466	Door Close Switch Cable	
520032	Emergency Stop Wiring	
520033	Interconnect Of Emergency Stop	
575767	Coinmeter Blocking Wiring	
528325	Communication Cable	
571487	Ignition Cable	
575770	Liquid Soap Pump Cable	
102345	Communication Cable	Freq. Inverter
575766	Fan Motor Cable	
528080	Frame GND interconnection	
575769	GND Wires	CPU Panel
569737	Interconnection Flat Cable	