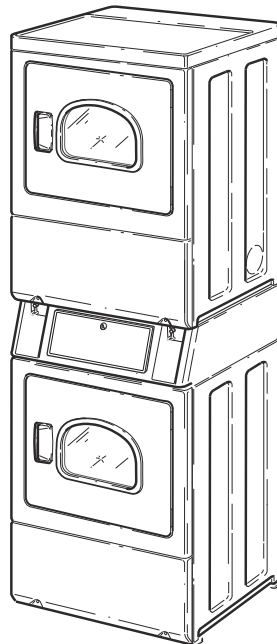


Commercial Dryers

Metered and Nonmetered
Refer to Page 3 for Model Numbers



DRY727C_515155

Table of Contents

Title	Page
Parts Ordering Information.....	2
Serial Plate Location	2
Model Identification	3
Control Panel and Controls - Nonmetered.....	4
Control and Control Panel - Coin Slide Models	6
Control Panel and Controls - Coin Drop and Card Models	8
Non-Electronic Coin Drop - Coin Drop Models	10
Electronic Coin Drop - Coin Drop Models	12
Control Cabinet Controls - Coin Drop Models.....	14
Integrated Card Reader Installed and Ready - All Integrated Card Reader Models.....	16
Loading Door without Window	18
Loading Door with Window	20
Access Panel, Front Panel and Seal	22
Front Panel Assembly	24
Motor, Exhaust Fan and Belt	26
Thermostat and Thermistor.....	28
Front Bulkhead, Air Duct, Felt Seal and Cylinder	30
Rear Bulkhead, Felt Seal, Cylinder Roller and Terminal Block.....	32
Heater Duct and Element Assembly - Electric Models.....	34
Heater Duct Assembly - Gas Models.....	36
Gas Valve, Igniter and Gas Conversion Kits.....	38
Cabinet and Exhaust Duct	40
Base.....	42
Cabinet Top	44
Power Cord.....	46
Terminal Block and Terminals	48
Terminals	50
Terminals and Terminal Extractor Tools	52
Wire Harnesses and Wires - Nonmetered and Coin Slide Models	54
Wire Harnesses and Wires	56
Wire Harnesses and Wires - Coin Drop, Card Reader and OPL Models (Drawing 1 of 2).....	58
Wire Harnesses and Wires - Coin Drop, Card Reader and OPL Models (Drawing 2 of 2).....	60
Parts Index.....	63

© Copyright 2019, Alliance Laundry Systems LLC

All rights reserved. No part of the contents of this book may be reproduced or transmitted in any form or by any means without the expressed written consent of the publisher.

Parts Ordering Information

If literature or replacement parts are required, contact the source from whom the machine was purchased or contact Alliance Laundry Systems at (920) 748-3950 for the name and address of the nearest authorized parts distributor.

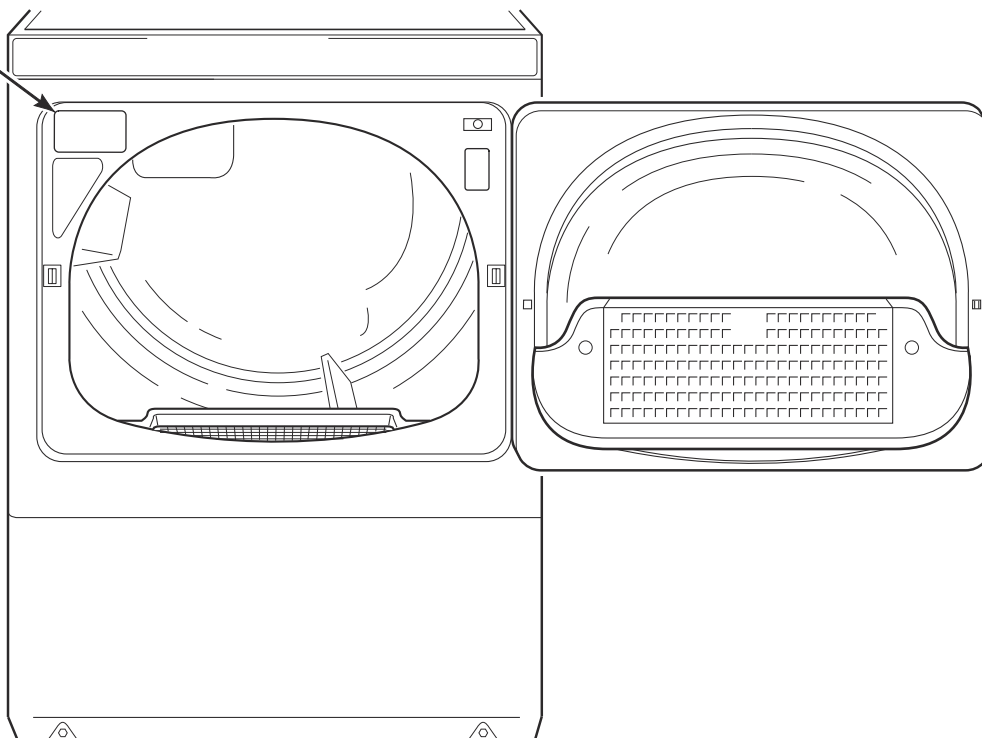
For technical assistance, call the number listed below:

(920) 748-3121 Ripon, Wisconsin

Serial Plate Location

When calling or writing about your product, be sure to mention model and serial numbers. Model and serial numbers are located on serial plate(s) as shown.

Serial Plate



DRY2283P_515155

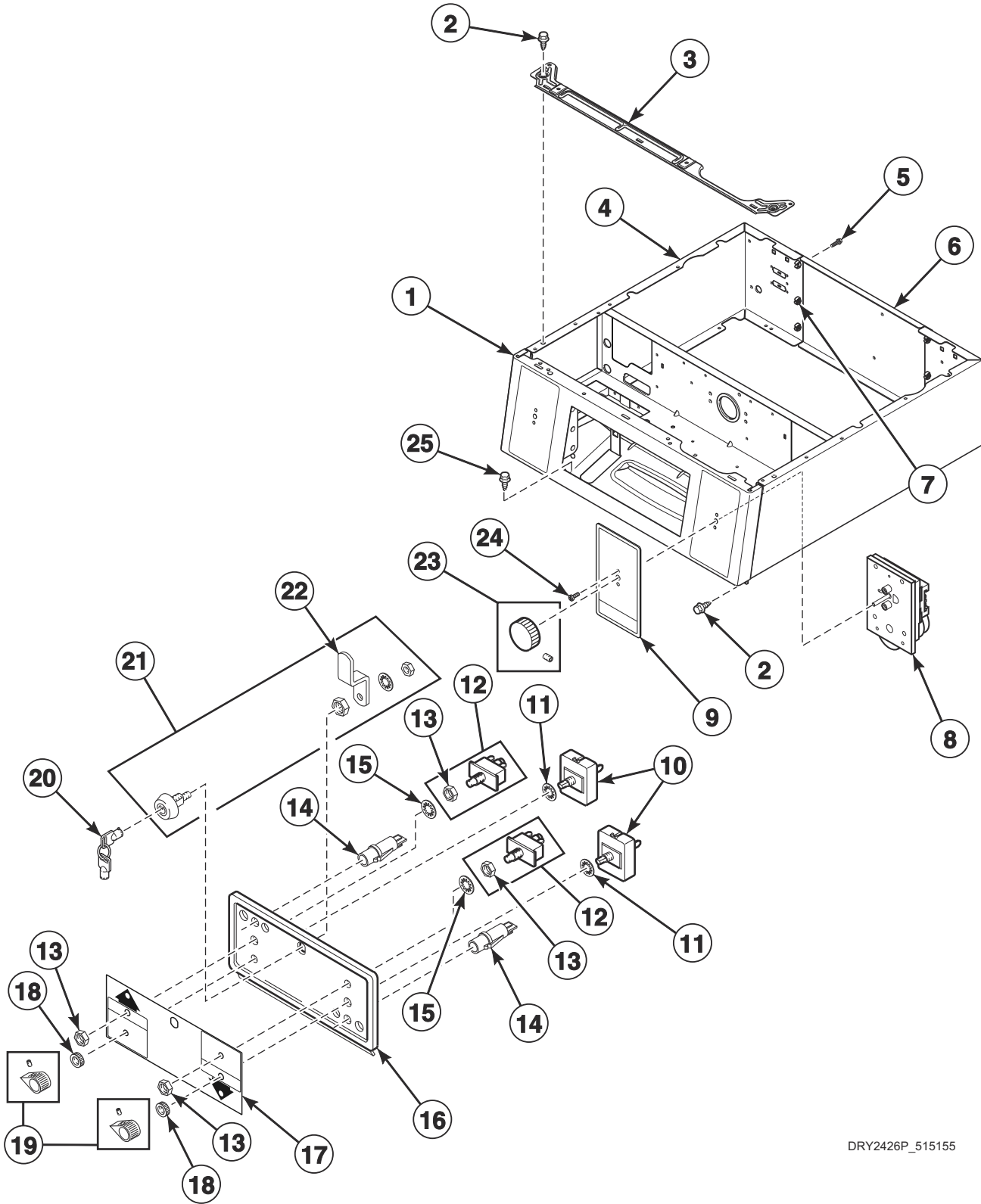
Model Identification

Information in this manual is applicable to these dryer models:

BSGBXAGW303AW01	SSEBXAGS301UQ01
HSEBDAGW291CW01	SSEBXAGS301UW01
HSEBEAGW291CW01	SSEBXAGW131DW01
HSEBXAGW131DW01	SSEBXAGW541DW01
HSEBXAGW171FW28	SSEMNAGS301NW01
HSEBXAGW541DW01	SSEMNAGS301UW01
HSEBYAGW281CW01	SSEMNAGS431AW01
HSEBYAGW291CW01	SSESXAGS301UW01
HSGBDAGW091CW01	SSESXAGW301NQ01
HSGBEAGW091CW01	SSESXAGW301NW01
HSGBXAGW091CW01	SSESXAGW431AW01
HSGBYAGW091CW01	SSGBXAGS301EW01
HSGSXAGW091CW01	SSGBXAGW301AW01
NSEBXAGW301NW22	SSGSXAGS301EW01
NSESXAGW301NW22	SSGSXAGW301AW01
NSGBXAGW301NW22	SSGSXAGW301BW01
NSGSXAGW301NW22	TSEBXAGW301NW22

Control Panel and Controls - Nonmetered

Models SSEMNAGS301NW01, SSEMNAGS301UW01 and SSEMNAGS431AW01



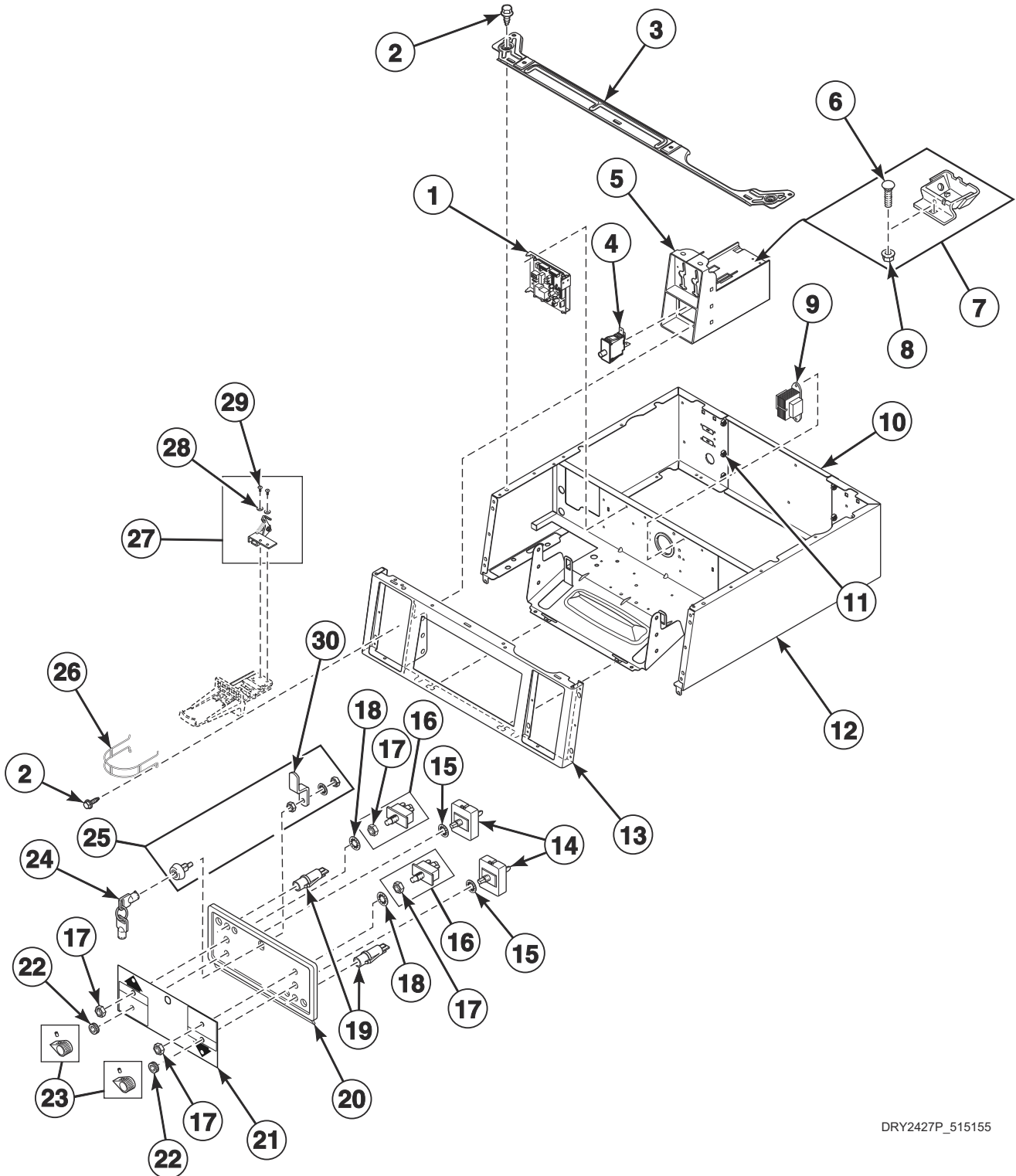
DRY2426P_515155

Control Panel and Controls - Nonmetered

REF	PART NO.	DESCRIPTION	COMMENTS
1	D514711W	Control Panel	White
2	D503688	Screw	
3	804018	Shield Bracket	
4	804112W	Wrapper Assembly	White
5	70240301	Screw	6 required
6	803998	Rear Access Panel	
7	70030501	Expansion Clip	6 required
8	D510525P	Timer	
9	D514710	Timer Overlay	
10	61512	Fabric Selector Switch	
11	91176	Washer	
12	55882	Switch Assembly	Includes item 13
13	52947	Nut	
14	32464	Light	120 Volt
	32519	Light	240 Volt
15	25820	Washer	
16	D500228W	Control Panel and Bracket Assembly	White
17	D514371	Overlay	
18	24205	Nut	
19	39897	Switch Knob	
20	54612	Key	800
21	27260P	Lock Kit	Includes item 22
22	804338	Lock Cam	
23	54678	Timer Knob	
24	27328	Screw	
25	D502431	Screw	

Control and Control Panel - Coin Slide Models

Models HSGSXAGW091CW01, NSESXAGW301NW22, NSGSXAGW301NW22, SSESXAGS301UW01, SSESXAGW301NQ01, SSESXAGW301NW01, SSESXAGW431AW01, SSGSXAGS301EW01, SSGSXAGW301AW01 and SSGSXAGW301BW01



DRY2427P_515155

Control and Control Panel - Coin Slide Models

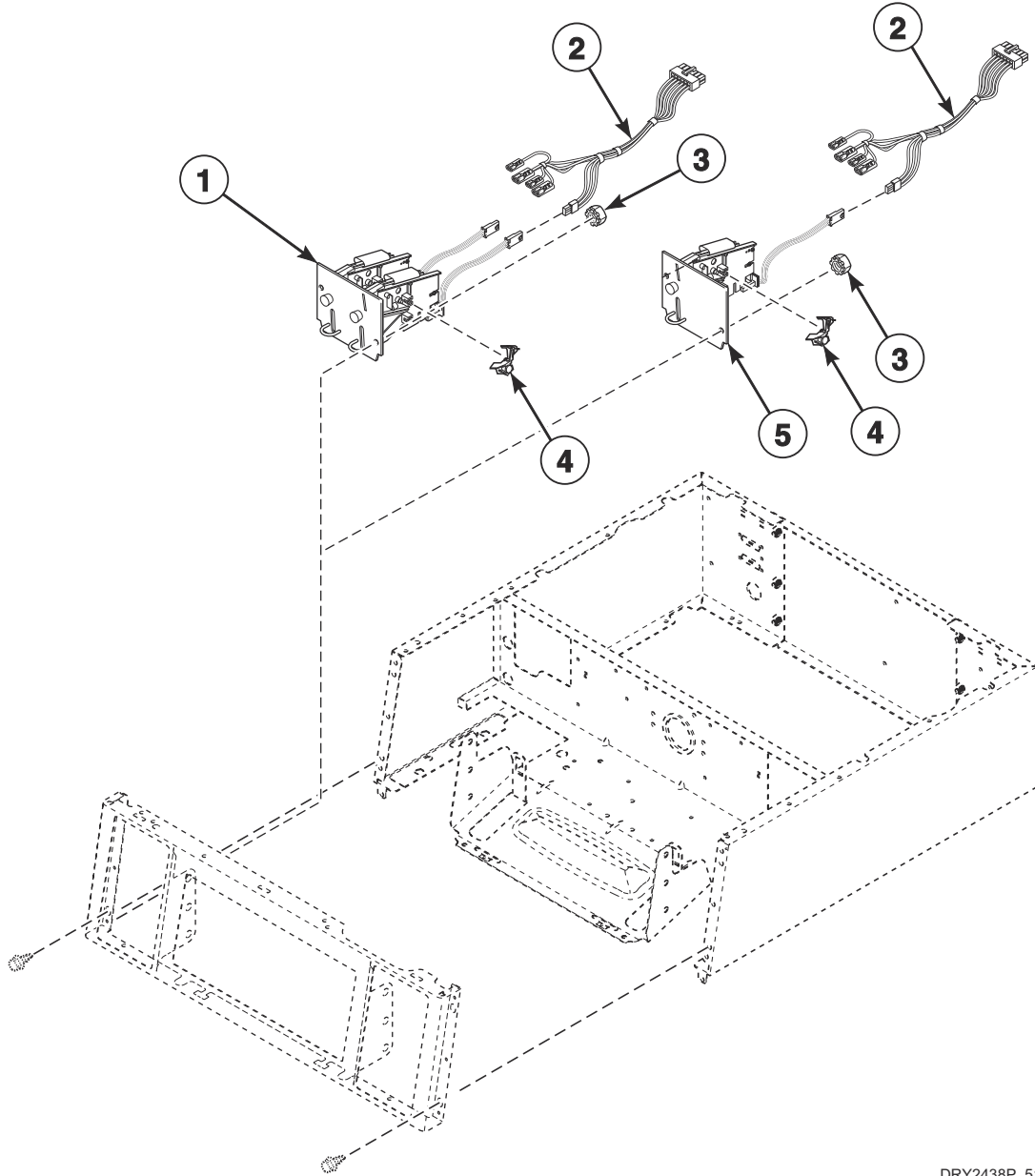
REF	PART NO.	DESCRIPTION	COMMENTS
	70240301	Screw	6 required; Use with item 11
	29651	Bolt	4 required; Use to attach item 13 to item 12
	44087201	Nut	4 required; Use to attach item 13 to item 12
1	D513139P	Control Assembly	
2	D503688	Screw	
3	804018	Shield Bracket	
4	D512973	Switch	
5	804011W	Meter Case Assembly	White
	804011Q	Meter Case Assembly	Bisque
6	29651	Bolt	
7	523P3	Coin Funnel Kit	Includes items 6 and 8
8	29796	Nut	
9	201587P	Transformer	Model HSGSXAGW091CW01
	201616P	Transformer	All other models
10	803998	Rear Access Panel	
11	70030501	Expansion Clip	6 required
12	804104W	Wrapper Assembly	White
	804104Q	Wrapper Assembly	Bisque
13	D514724W	Control Panel	White
	D514724Q	Control Panel	Bisque
14	D511711	Temperature Selector Switch	
15	91176	Washer	
16	55882	Switch Assembly	Includes item 17
17	52947	Nut	
18	25820	Washer	
19	801431	Light	
20	D500228W	Control Panel and Bracket Assembly	White
	D500228Q	Control Panel and Bracket Assembly	Bisque
21	D514667	Overlay	Model HSGSXAGW091CW01
	D514671	Control Overlay	Models NSESXAGW301NW22 and NSGSXAGW301NW22
	D514371	Overlay	All other models
22	24205	Nut	
23	39897	Switch Knob	
24	54612	Key	800
25	27260P	Lock Kit	Includes item 30
26	D514726	Coin Slide Guard	
27	201915	Slide Extension Kit	Includes items 28 and 29
28	03815	Washer	
29	27328	Screw	
30	804338	Lock Cam	

Control Panel and Controls - Coin Drop and Card Models

REF	PART NO.	DESCRIPTION	COMMENTS
	D513820	Wire Harness Assembly	Models BSGBXAGW303AW01, NSGBXAGW301NW22 and SSGBXAGW301AW01
1	M413507	Jumper Configuration Assembly	Models BSGBXAGW303AW01, HSEBXAGW541DW01, NSEBXAGW301NW22, NSGBXAGW301NW22, SSEBXAGS301UQ01, SSEBXAGS301UW01, SSEBXAGW541DW01, SSGBXAGS301EW01, SSGBXAGW301AW01 and TSEBXAGW301NW22
2	D503688	Screw	
3	210018P	Transformer	Models HSEBDAGW291CW01 and HSGBDAGW091CW01
	201375P	Transformer	Some models may have jumper wire attached to transformer. Discard jumper wire when replacing transformer; Models HSEBEAGW291CW01, HSEBXAGW131DW01, HSEBXAGW171FW28, HSEBYAGW281CW01, HSEBYAGW291CW01, HSGBEAGW091CW01, HSGBXAGW091CW01, HSGBYAGW091CW01 and SSEBXAGW131DW01
	803527P	Transformer	All other models
4	210100	Resistor	
5	804018	Shield Bracket	
6	D514273P	Control Assembly	Model BSGBXAGW303AW01
	D511867P	Control Assembly	All other models
7	D513778Q	Control Panel and Bracket Assembly	Bisque; Model SSEBXAGS301UQ01
	D513778W	Control Panel and Bracket Assembly	White; All other models
8	D514672	Overlay	Models NSEBXAGW301NW22, NSGBXAGW301NW22 and TSEBXAGW301NW22
	D514665	Overlay	Models SSEBXAGW131DW01, SSEBXAGW541DW01 and SSGBXAGW301AW01
	D514666	Graphic Overlay	Models SSEBXAGS301UQ01, SSEBXAGS301UW01 and SSGBXAGS301EW01
	D515058	Control Overlay	Model BSGBXAGW303AW01
	D514668	Control Overlay	All other models
9	805914	Label	Model TSEBXAGW301NW22
10	D501524	Screw	
11	54612	Key	800
12	27260P	Lock Kit	Includes item 13
13	804338	Lock Cam	

Non-Electronic Coin Drop - Coin Drop Models

Models BSGBXAGW303AW01, HSEBDAGW291CW01, HSEBEAGW291CW01, HSEBXAGW131DW01, HSEBXAGW171FW28, HSEBXAGW541DW01, HSGBDAGW091CW01, HSGBEAGW091CW01, HSGBXAGW091CW01, NSEBXAGW301NW22, NSGBXAGW301NW22, SSEBXAGS301UQ01, SSEBXAGS301UW01, SSEBXAGW131DW01, SSEBXAGW541DW01, SSGBXAGS301EW01, SSGBXAGW301AW01 and TSEBXAGW301NW22



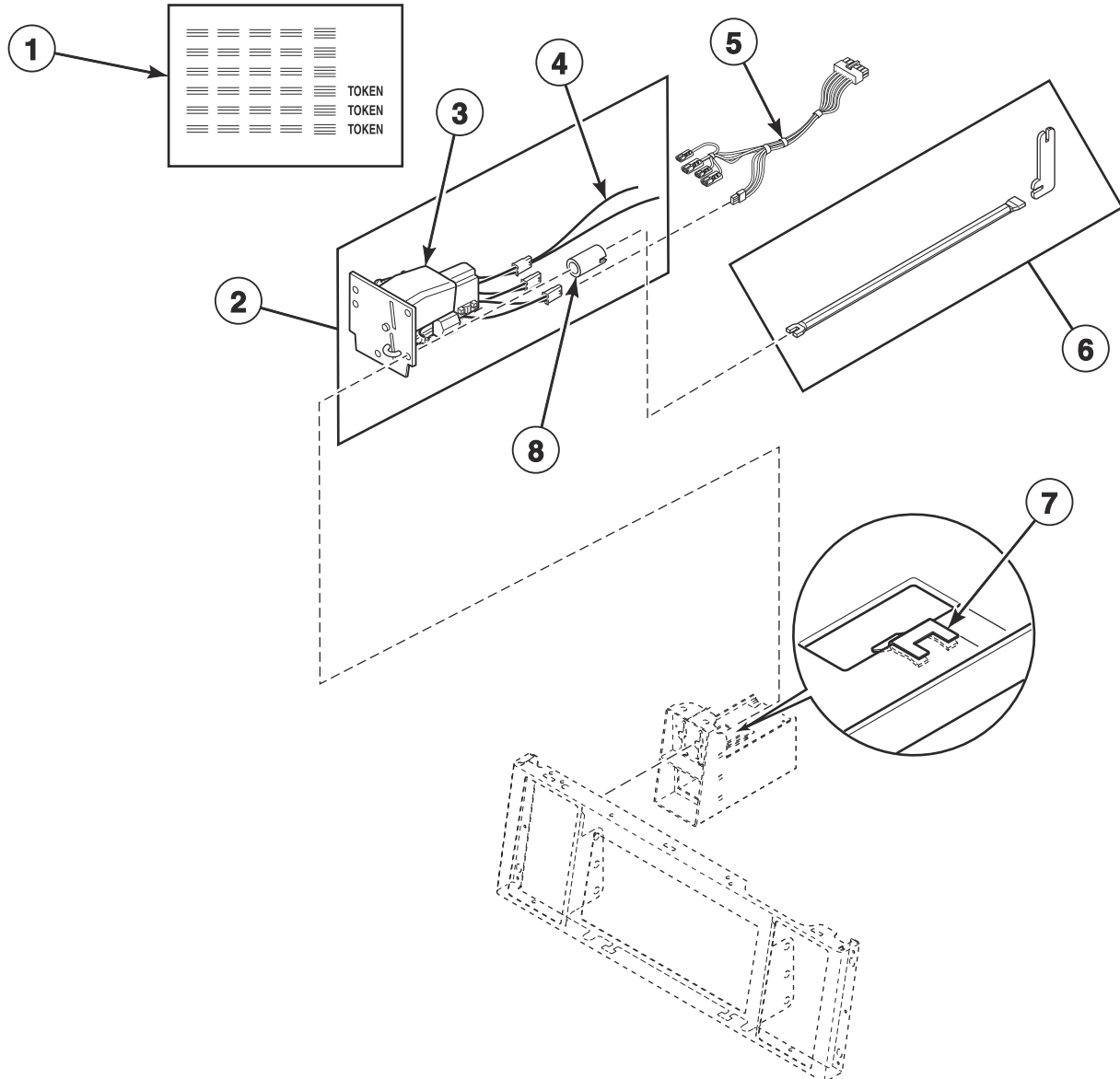
DRY2438P_515155

Non-Electronic Coin Drop - Coin Drop Models

REF	PART NO.	DESCRIPTION	COMMENTS
1	70441602	Coin Drop Assembly	Canada; .25 and 1.00
	38467	Coin Drop Assembly	Australia; .20 and 1.00
	38472	Coin Drop Assembly	England; 20p and 1 pound
	38519	Coin Drop Assembly	Japan; 100 yen and 500 yen
	38521	Coin Drop Assembly	Korea; 100 won and 500 won
	39157	Coin Drop Assembly	Israel; 1 shekel and 5 shekel
2	802905	Harness Assembly	Dual coin
3	29786	Nut	
4	201595P	Wire Guard	Anti-stringing security device
5	38462P	Coin Drop Assembly	Token; 118-1 mzp; .880 diameter x .079 thick; Brass
	38463	Coin Drop Assembly	Token; 118-5 mzp; .990 diameter x .081 thick; Silver
	38464P	Coin Drop Assembly	Canada; .25
	38475	Coin Drop Assembly	Japan; 100 yen
	CK077	Coin Drop Kit	Taiwan; 10 NT
	70441601P	Coin Drop	United States; \$.25
	38963P	Coin Drop	Token 118-16 not available; Replacement for 38963P Coin Drop only
	CK114	Coin Drop Assembly	Singapore; Old 1.00
	CK123	Coin Drop Kit	Singapore; New 1.00
	70482401	Coin Drop Assembly	Dual; New Zealand; 1.00 and 2.00

Electronic Coin Drop - Coin Drop Models

Models BSGBXAGW303AW01, HSEBDAGW291CW01, HSEBEAGW291CW01, HSEBXAGW131DW01, HSEBXAGW171FW28, HSEBXAGW541DW01, HSGBDAGW091CW01, HSGBEAGW091CW01, HSGBXAGW091CW01, NSEBXAGW301NW22, NSGBXAGW301NW22, SSEBXAGS301UQ01, SSEBXAGS301UW01, SSEBXAGW131DW01, SSEBXAGW541DW01, SSGBXAGS301EW01, SSGBXAGW301AW01 and TSEBXAGW301NW22



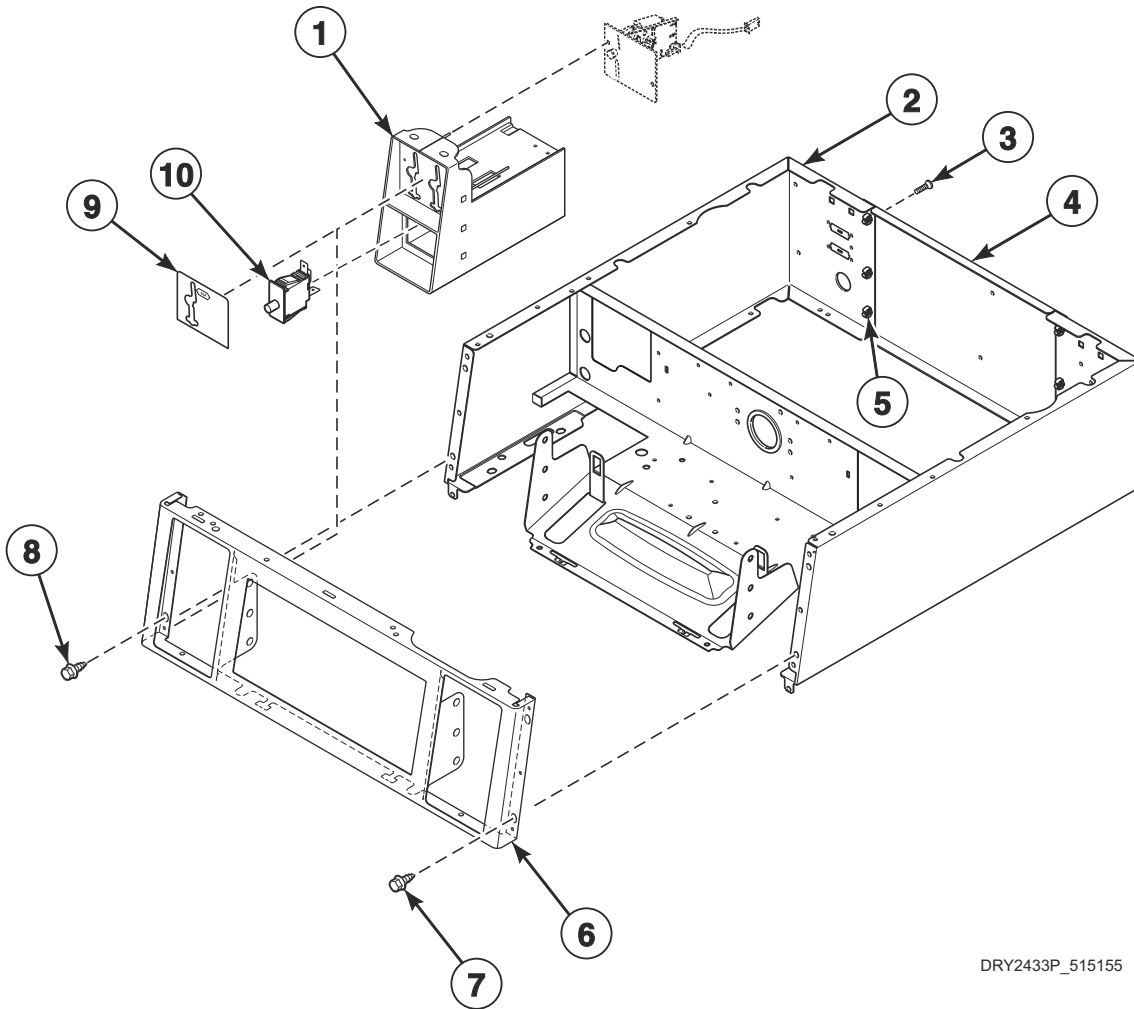
DRY2435P_515155

Electronic Coin Drop - Coin Drop Models

REF	PART NO.	DESCRIPTION	COMMENTS
1	38725	Coin Identification Paper	
2	CK099	Electronic Coin Drop Kit	Australia, New Zealand, Hong Kong and South Korea; Includes items 1, 3-5, 7 and 8
	CK100	Electronic Coin Drop Kit	Euro and Great Britain; Includes items 1, 3-5, 7 and 8
	CK101	Electronic Coin Drop Kit	Euro, Denmark and Norway; Includes items 1, 3-5, 7 and 8
	CK103	Electronic Coin Drop Kit	Euro, Lithuania and Latvia; Includes items 1, 3-5, 7 and 8
	CK106	Electronic Coin Drop Kit	Malaysia, China and Russia; Includes items 1, 3-5, 7 and 8
	CK108	Electronic Coin Drop Kit	South Africa; Includes items 1, 3-5, 7 and 8
	CK109	Electronic Coin Drop Kit	Euro; Includes items 1, 3-5, 7 and 8
	CK110	Electronic Coin Drop Kit	Mexico, Ecuador and United States; Includes items 1, 3-5, 7 and 8
	CK113	Electronic Coin Drop Kit	Japan and Taiwan; Includes items 1, 3-5, 7 and 8
	CK115	Electronic Coin Drop Kit	United States and Canada; Includes items 1, 3-5, 7 and 8
	CK120	Electronic Coin Drop Kit	Chile; Includes items 1-3 and 5-7
	CK121	Electronic Coin Drop Kit	Singapore; Includes items 1-3 and 5-7
3	70294103P	Electronic Coin Drop Assembly	Euro and Great Britain
	70294104	Electronic Coin Drop Assembly	Euro, Denmark and Norway
	70294107	Electronic Coin Drop Assembly	Euro, Lithuania and Latvia
	70294109	Electronic Coin Drop Assembly	Malaysia, China and Russia
	70294110	Electronic Coin Drop Assembly	South Africa
	70294111	Electronic Coin Drop Assembly	Euro
	70294106	Electronic Coin Drop Assembly	Mexico, Ecuador and United States
	70294122	Electronic Coin Drop Assembly	Euro, Great Britain and token
	70294120	Electronic Coin Drop Assembly	Chile
	70294121	Electronic Coin Drop Assembly	Singapore
4	201104	Coin Drop Wire Harness	For use with items 2 and 3
5	802905	Harness Assembly	Electronic coin drop requires this harness. If unit is not factory-equipped with this harness, it must be ordered separately.
6	CK096	Mounting Tool Kit	For use with items 2 and 3
7	201572	Clip	
8	201216	Nut	

Control Cabinet Controls - Coin Drop Models

Models BSGBXAGW303AW01, HSEBDAGW291CW01, HSEBEAGW291CW01, HSEBXAGW131DW01, HSEBXAGW171FW28, HSEBXAGW541DW01, HSGBDAGW091CW01, HSGBEAGW091CW01, HSGBXAGW091CW01, NSEBXAGW301NW22, NSGBXAGW301NW22, SSEBXAGS301UQ01, SSEBXAGS301UW01, SSEBXAGW131DW01, SSEBXAGW541DW01, SSGBXAGS301EW01, SSGBXAGW301AW01 and TSEBXAGW301NW22



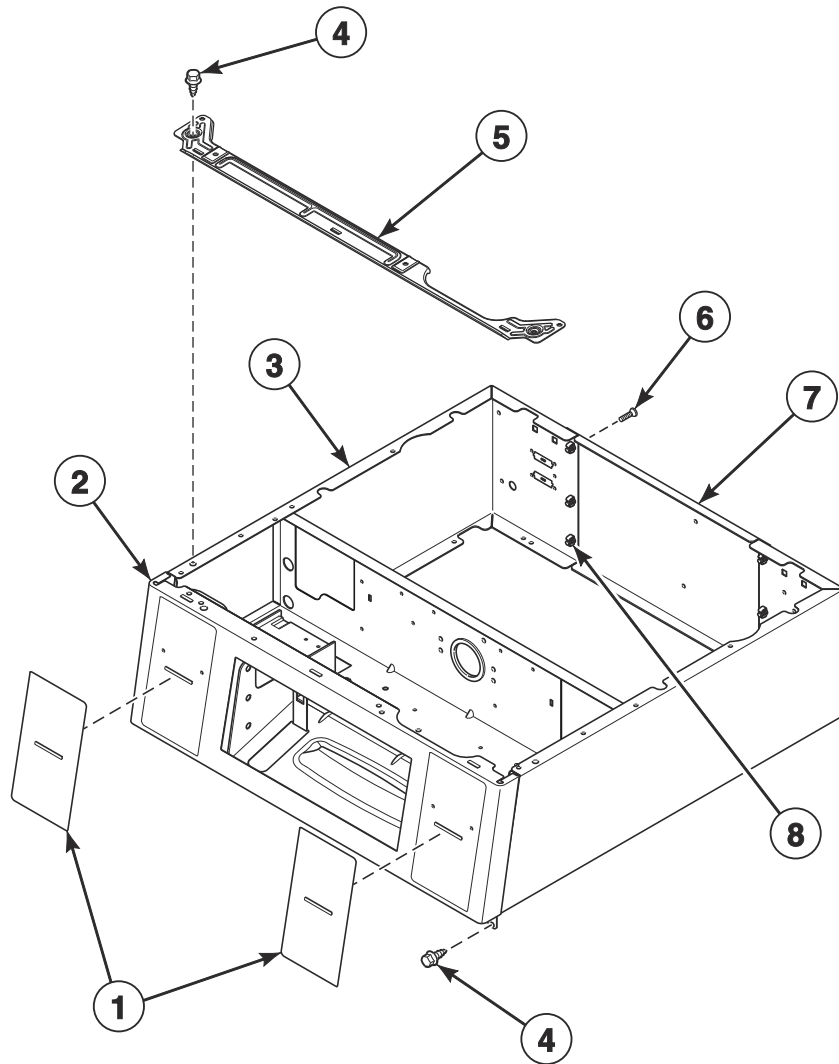
DRY2433P_515155

Control Cabinet Controls - Coin Drop Models

REF	PART NO.	DESCRIPTION	COMMENTS
1	807396W	Meter Case Assembly	White
	804009Q	Meter Case Assembly	Bisque
2	804104W	Wrapper Assembly	White
	804104Q	Wrapper Assembly	Bisque
3	70240301	Screw	6 required
4	803998	Rear Access Panel	
5	70030501	Expansion Clip	6 required
6	803964W	Control Panel	White
	803964Q	Control Panel	Bisque
7	D503688	Screw	
8	29786	Nut	4 required
9	38717	Single Overlay	For use with non-electronic coin drops
	201091	Overlay	For use with electronic coin drops
	39073	Dual Overlay	
10	D512973	Switch	

Integrated Card Reader Installed and Ready - All Integrated Card Reader Models

Models HSEBYAGW281CW01, HSEBYAGW291CW01 and HSGBYAGW091CW01



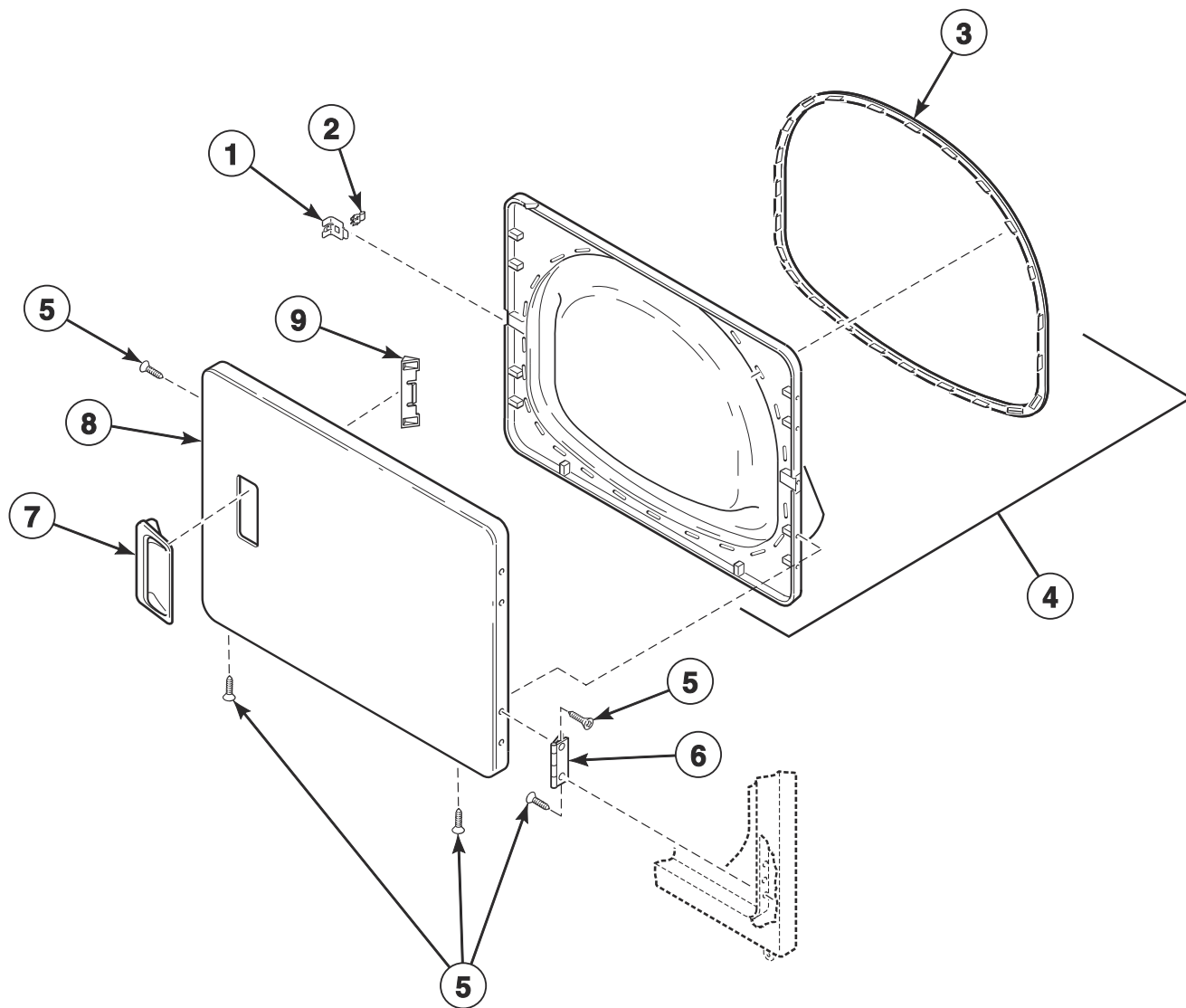
DRY2439P_515155

Integrated Card Reader Installed and Ready - All Integrated Card Reader Models

REF	PART NO.	DESCRIPTION	COMMENTS
1	D514873	Overlay	
2	804147WP	Security Cabinet Front Assembly	White
3	804112W	Wrapper Assembly	White
4	D503688	Screw	
5	804018	Shield Bracket	
6	70240301	Screw	6 required
7	803998	Rear Access Panel	
8	70030501	Expansion Clip	6 required

Loading Door without Window

Models SSEBXAGS301UQ01, SSEBXAGS301UW01, SSEMNAGS301NW01, SSEMNAGS301UW01, SSEMNAGS431AW01, SSESXAGS301UW01, SSGBXAGS301EW01 and SSGSXAGS301EW01



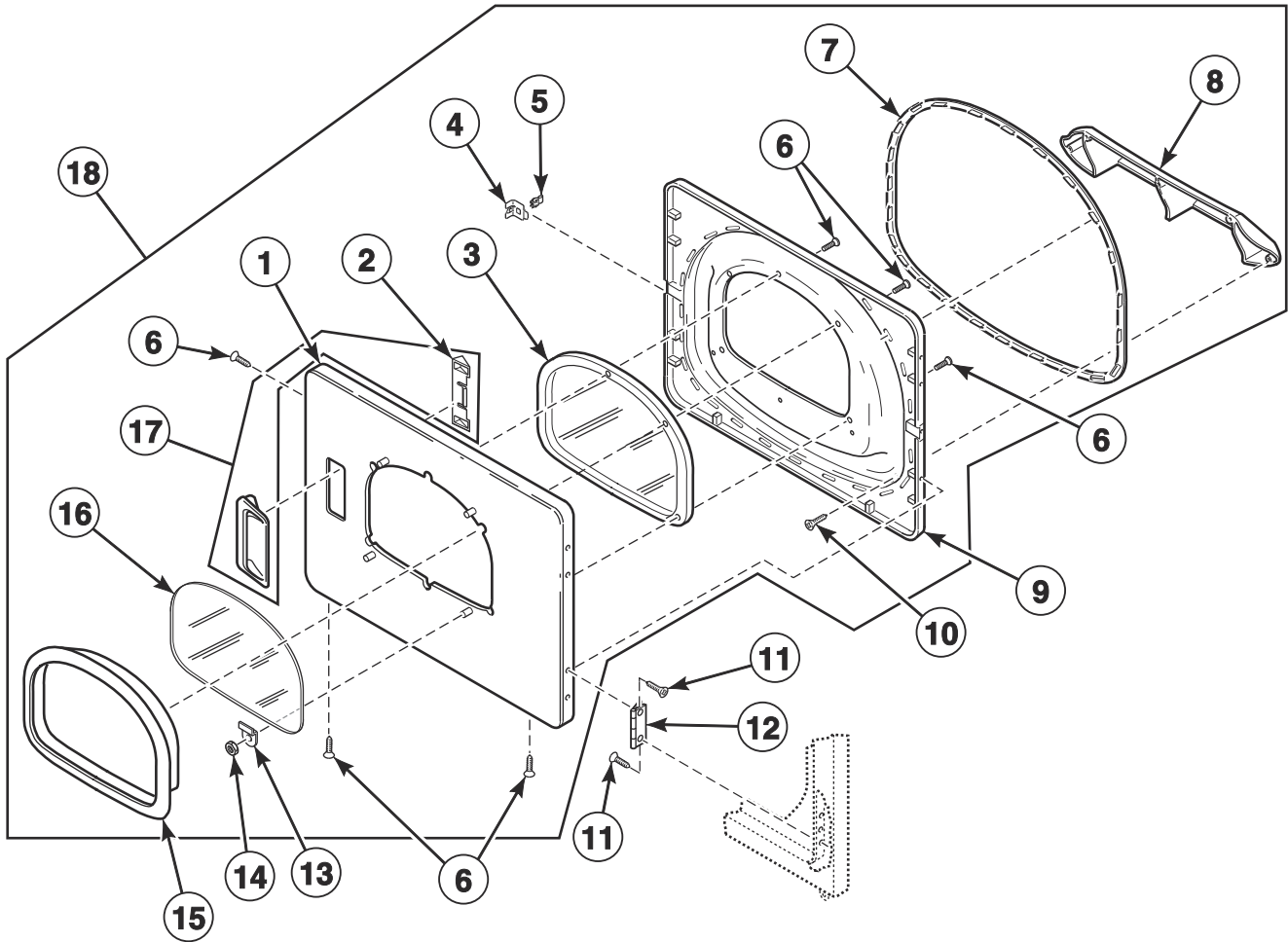
DRY1775P_515155

Loading Door without Window

REF	PART NO.	DESCRIPTION	COMMENTS
1	D510127	Door Strike Mount	
2	D510181	Door Strike	
3	D510147P	Liner Door Seal	
4	D510163WP	Liner, Seal and Grill Assembly	Includes item 3
5	D505295	Screw	
6	D511036	Hinge	
7	D510103WP	Door Pull and Wedge Kit	White; Includes item 9
	D510103QP	Door Pull and Wedge Kit	Bisque; Includes item 9
8	D510013WP	Dryer Door	White
	D510013QP	Dryer Door	Bisque
9	D510129W	Door Handle Wedge	

Loading Door with Window

All Models Except SSEBXAGS301UQ01, SSEBXAGS301UW01, SSEMNAGS301NW01, SSEMNAGS301UW01, SSEMNAGS431AW01, SSESXAGS301UW01, SSGBXAGS301EW01 and SSGSXAGS301EW01

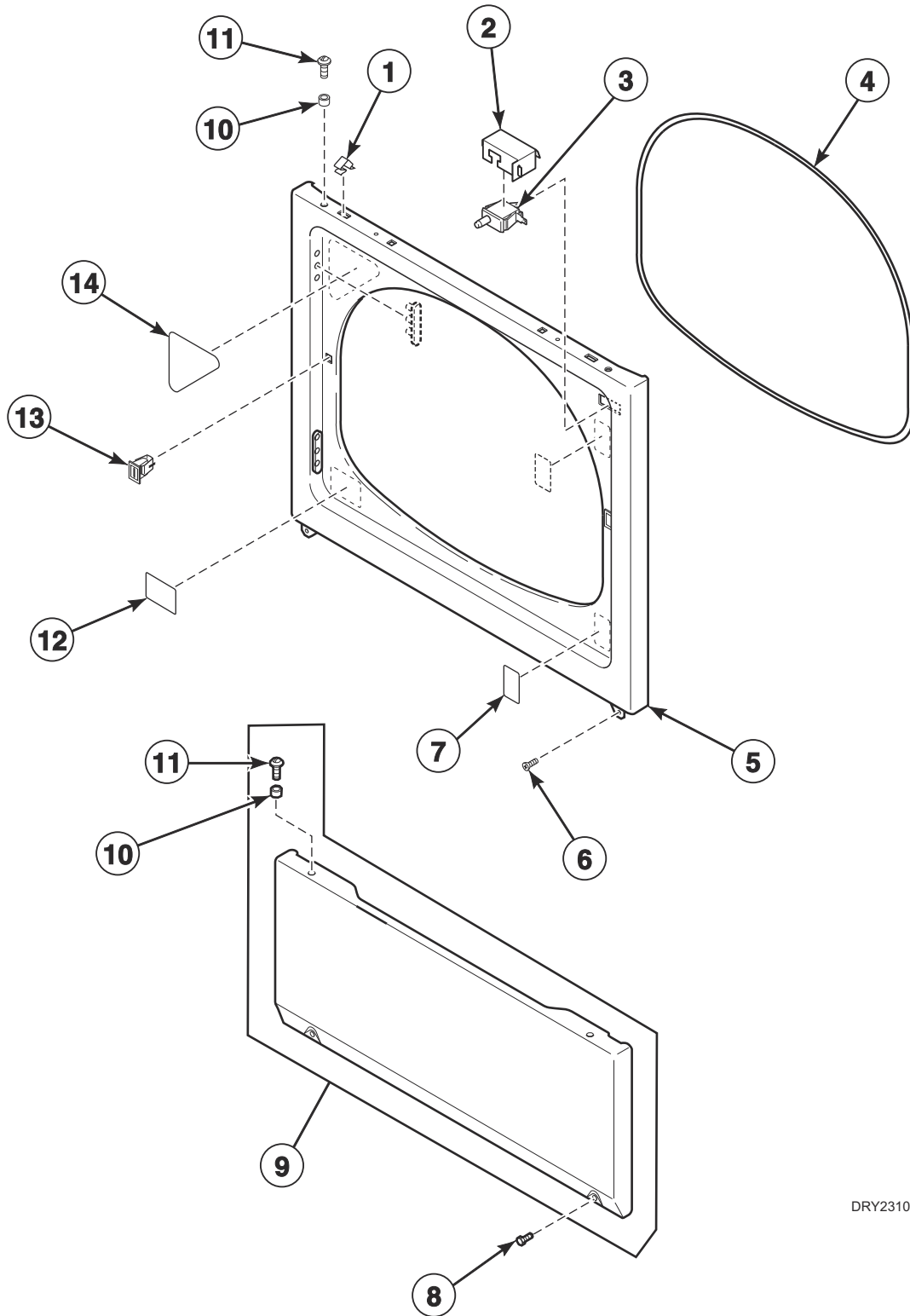


DRY2296P_515155

Loading Door with Window

REF	PART NO.	DESCRIPTION	COMMENTS
1	D516737W	Door Assembly	Models HSEBDAGW291CW01, HSEBEAGW291CW01, HSEBYAGW281CW01 and HSEBYAGW291CW01
	D510082QP	Dryer Door	Bisque; Model SSESXAGW301NQ01
	D510082WP	Dryer Door	White; All other models
2	D510103WP	Door Pull and Wedge Kit	Gray
	D510129W	Door Handle Wedge	White
3	D503982P	Dryer Door Window	
4	D510127	Door Strike Mount	
5	D510181	Door Strike	
6	D500226	Screw	
7	D510147P	Liner Door Seal	
8	D503870LG	Door Liner Grill	Models HSEBDAGW291CW01, HSEBEAGW291CW01, HSEBYAGW281CW01 and HSEBYAGW291CW01
	D503870W	Door Liner Grill	All other models
9	D516737W	Door Assembly	Includes item 7; Models HSEBDAGW291CW01, HSEBEAGW291CW01, HSEBYAGW281CW01 and HSEBYAGW291CW01
	D510098W	Liner and Seal Assembly	Includes item 7; All other models
10	D505870	Screw	
11	D505295	Screw	
12	D511036	Hinge	
13	D513958	Window Clip	Models HSEBDAGW291CW01, HSEBEAGW291CW01, HSEBYAGW281CW01 and HSEBYAGW291CW01
14	44071201	Nut	Models HSEBDAGW291CW01, HSEBEAGW291CW01, HSEBYAGW281CW01 and HSEBYAGW291CW01
15	D516737W	Door Assembly	Models HSEBDAGW291CW01, HSEBEAGW291CW01, HSEBYAGW281CW01 and HSEBYAGW291CW01
	D503981Q	Window Trim	Bisque; Model SSESXAGW301NQ01
	D503981W	Window Trim	White; All other models
16	D516737W	Door Assembly	Models HSEBDAGW291CW01, HSEBEAGW291CW01, HSEBYAGW281CW01 and HSEBYAGW291CW01
17	D510103WP	Door Pull and Wedge Kit	White; Includes item 2
	D510103QP	Door Pull and Wedge Kit	Bisque; Includes item 2
18	D511636QP	Door and Liner Assembly	Bisque; Includes items 1-10, 13 and 14; Model SSESXAGW301NQ01
	D516737W	Door Assembly	White; Includes items 1-3, 6, 8-12, 15 and 17; All other models except HSEBDAGW291CW01, HSEBEAGW291CW01, HSEBYAGW281CW01 and HSEBYAGW291CW01

Access Panel, Front Panel and Seal



DRY2310P_515155

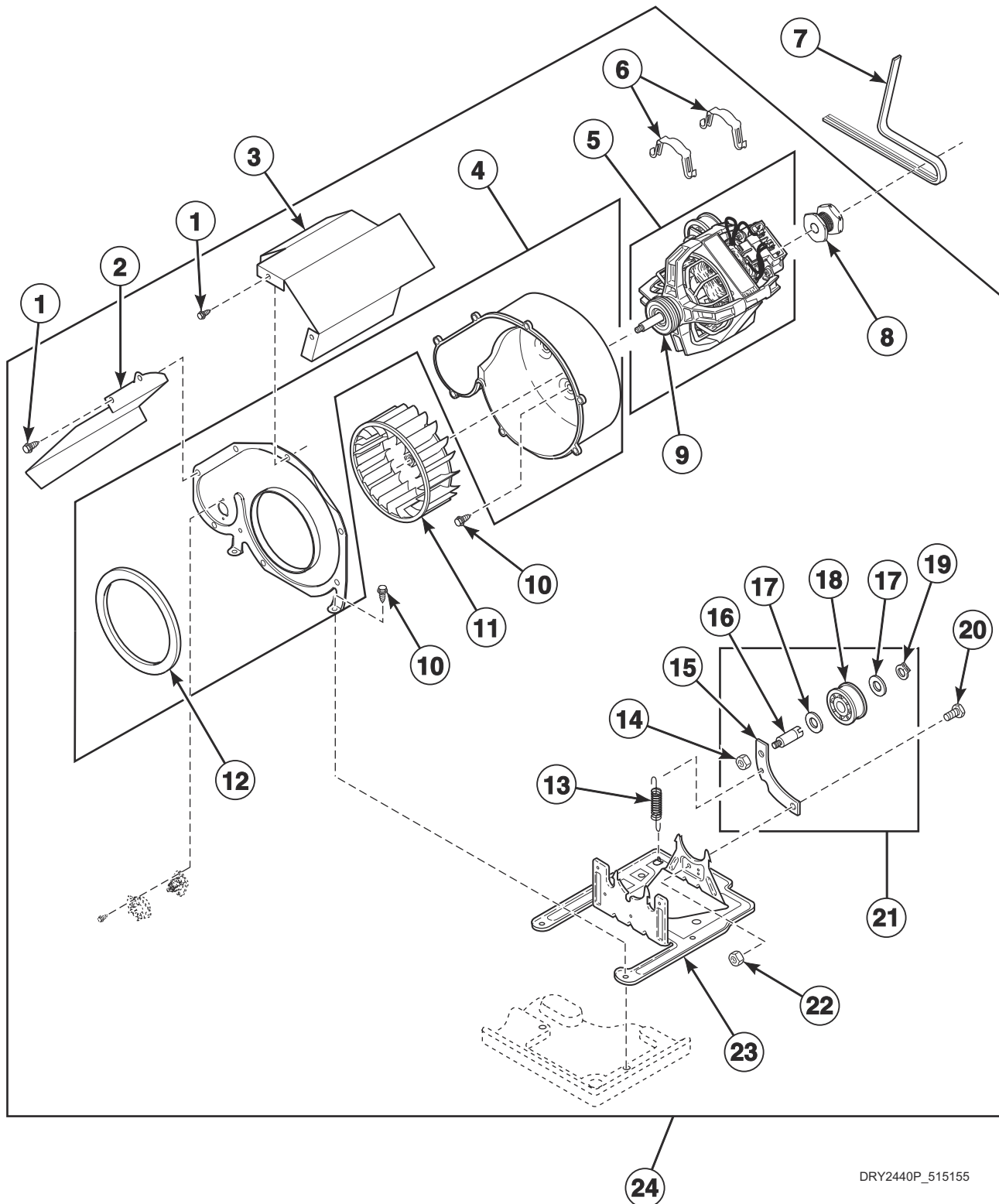
Access Panel, Front Panel and Seal

REF	PART NO.	DESCRIPTION	COMMENTS
1	28835	Speed Clip	
2	D514327	Drip Shield	Models BSGBXAGW303AW01, SSEMNAGS431AW01, SSESXAGW431AW01, SSGBXAGW301AW01, SSGSXAGS301EW01, SSGSXAGW301AW01 and SSGSXAGW301BW01
3	D512973	Switch	
4	D511056	Front Panel Seal	
5	D510066WP	Front Panel	White
	D510066QP	Front Panel	Bisque
6	D503688	Screw	
7	D512263	Warning Label	Models BSGBXAGW303AW01, SSEMNAGS431AW01, SSESXAGW431AW01, SSGBXAGW301AW01 and SSGSXAGW301AW01
8	33562	Screw	Slotted hex head
	62853	Screw	Torx head; Optional for added security
9	D514250WP	Access Panel Assembly	Models HSEBDAGW291CW01, HSEBEAGW291CW01, HSEBYAGW281CW01 and HSEBYAGW291CW01
	D514250Q	Access Panel Assembly	Bisque; Models SSEBXAGS301UQ01 and SSESXAGW301NQ01
	D514250WP	Access Panel Assembly	White; All other models
10	56079	Panel Locator	
11	39733	Screw	
12	D502804	Lint Filter Label	Models BSGBXAGW303AW01, SSEMNAGS431AW01, SSESXAGW431AW01, SSGBXAGW301AW01 and SSGSXAGW301AW01
13	D510177	Door Catch Assembly	
14	D500253	Caution Label	English/French; Models HSEBDAGW291CW01, HSEBEAGW291CW01, HSEBYAGW281CW01, HSEBYAGW291CW01, HSGBDAGW091CW01, HSGBEAGW091CW01, HSGBXAGW091CW01, HSGBYAGW091CW01 and HSGSXAGW091CW01
	D502825	Warning Label	Spanish; Model SSGSXAGW301BW01
	D514226	Warning Label	Brazilian Portuguese; Models HSEBXAGW131DW01, HSEBXAGW541DW01, SSEBXAGW131DW01 and SSEBXAGW541DW01
	D514863	Front Panel Label	Chinese; Model HSEBXAGW171FW28
	D500281	Warning/Caution Label	English; All other models

Front Panel Assembly

REF	PART NO.	DESCRIPTION	COMMENTS
1	D513781WP	Front Panel Assembly	

Motor, Exhaust Fan and Belt

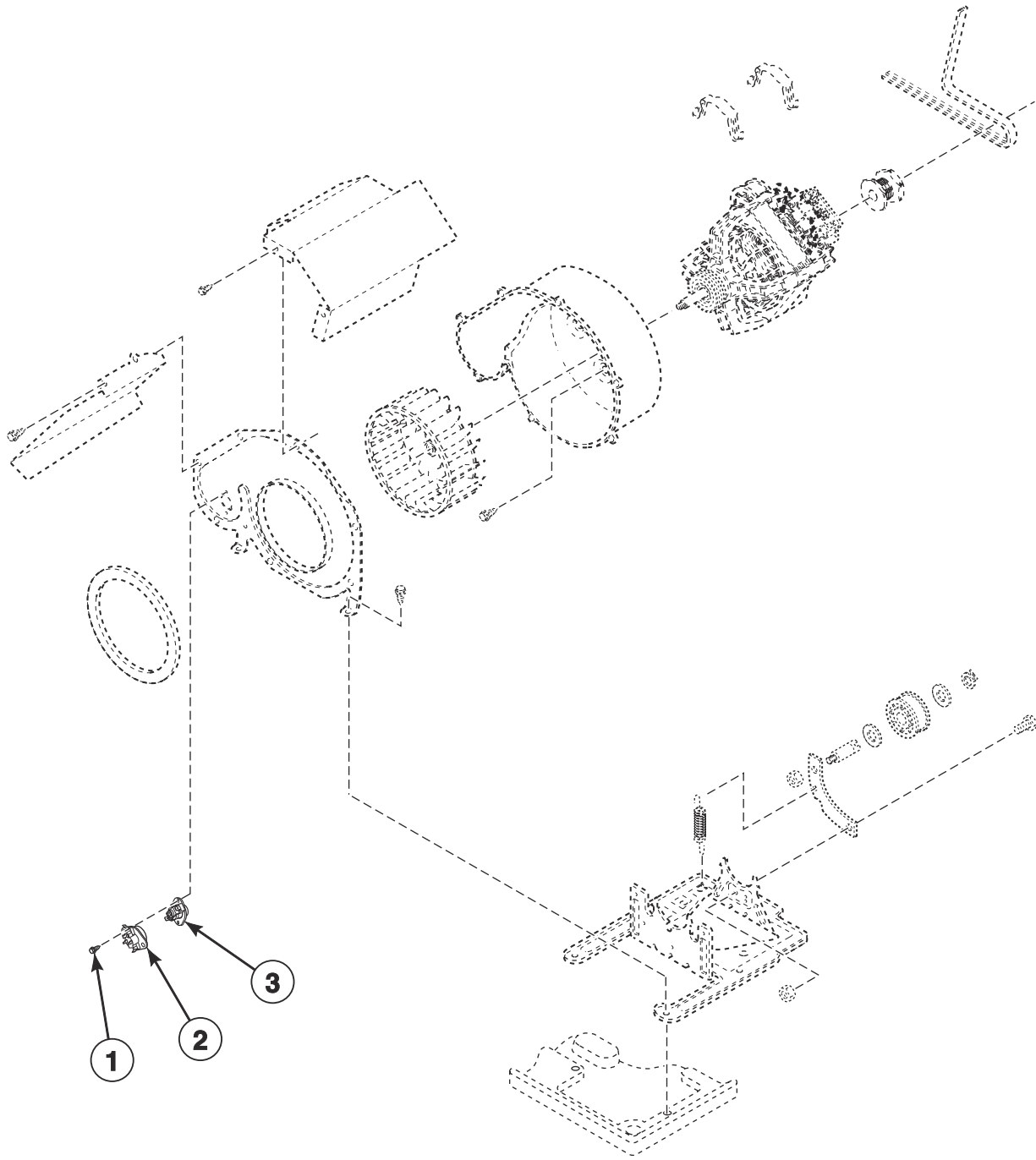


DRY2440P_515155

Motor, Exhaust Fan and Belt

REF	PART NO.	DESCRIPTION	COMMENTS
	27604P	Anti-Seize Compound	Apply to motor shaft when installing blower fan assembly
1	31260	Screw	
2	D514325	Thermostat Shield	Models BSGBXAGW303AW01, SSEMNAGS431AW01 and SSESXAGW431AW01
3	D514602	Motor Shield	Models BSGBXAGW303AW01, SSEMNAGS431AW01, SSESXAGW431AW01, SSGBXAGW301AW01 and SSGSXAGW301AW01
4	D511969WP	Blower Housing	Includes items 1 and 12
5	D511629P	Motor and Pulley Assembly	120 Volt/60 Hertz; Apply anti-seize compound to motor shaft when installing blower fan assembly; Includes item 9; Models HSEBDAGW291CW01, HSEBEAGW291CW01, HSEBXAGW131DW01, HSEBXAGW171FW28, HSEBYAGW281CW01, HSEBYAGW291CW01, HSGBDAGW091CW01, HSGBEAGW091CW01, HSGBXAGW091CW01, HSGBYAGW091CW01, HSGSXAGW091CW01 and SSEBXAGW131DW01
	D505869P	Motor and Pulley Assembly	240 Volt/60 Hertz; Apply anti-seize compound to motor shaft when installing blower fan assembly; Includes item 9; Models HSEBXAGW541DW01 and SSEBXAGW541DW01
	D505843P	Motor and Pulley Assembly	240 Volt/50 Hertz; Apply anti-seize compound to motor shaft when installing blower fan assembly; Includes item 9; All other models
6	D510180	Motor Mount Clamp	
7	D511255P	Cylinder Belt	
8	D500011	Motor Pulley	60 Hertz; Models HSEBDAGW291CW01, HSEBEAGW291CW01, HSEBXAGW131DW01, HSEBXAGW171FW28, HSEBXAGW541DW01, HSEBYAGW281CW01, HSEBYAGW291CW01, HSGBDAGW091CW01, HSGBEAGW091CW01, HSGBXAGW091CW01, HSGBYAGW091CW01, HSGSXAGW091CW01, SSEBXAGW131DW01 and SSEBXAGW541DW01
	D500222	Motor Pulley	50 Hertz; All other models
9	590P3	Motor Hub Ring Kit	
10	D503688	Screw	
11	D510139P	Blower Fan Assembly	Apply anti-seize compound to motor shaft when installing blower fan assembly
12	D510238P	Blower Housing Seal	
13	D510185	Idler Spring	
14	56156	Nut	
15	D516310	Idler Lever	
16	56461P	Shaft	
17	52549	Washer	
18	D510142P	Idler Wheel and Bearing Assembly	
19	23748	Retaining Ring	
20	D500824	Screw	
21	D516792	Idler Lever and Wheel Assembly	Includes items 14-19
22	52566	Nut	
23	D510060	Motor Mount	
24	D510717P	Blower and Fan Kit	Includes items 1-6 and 8-23

Thermostat and Thermistor

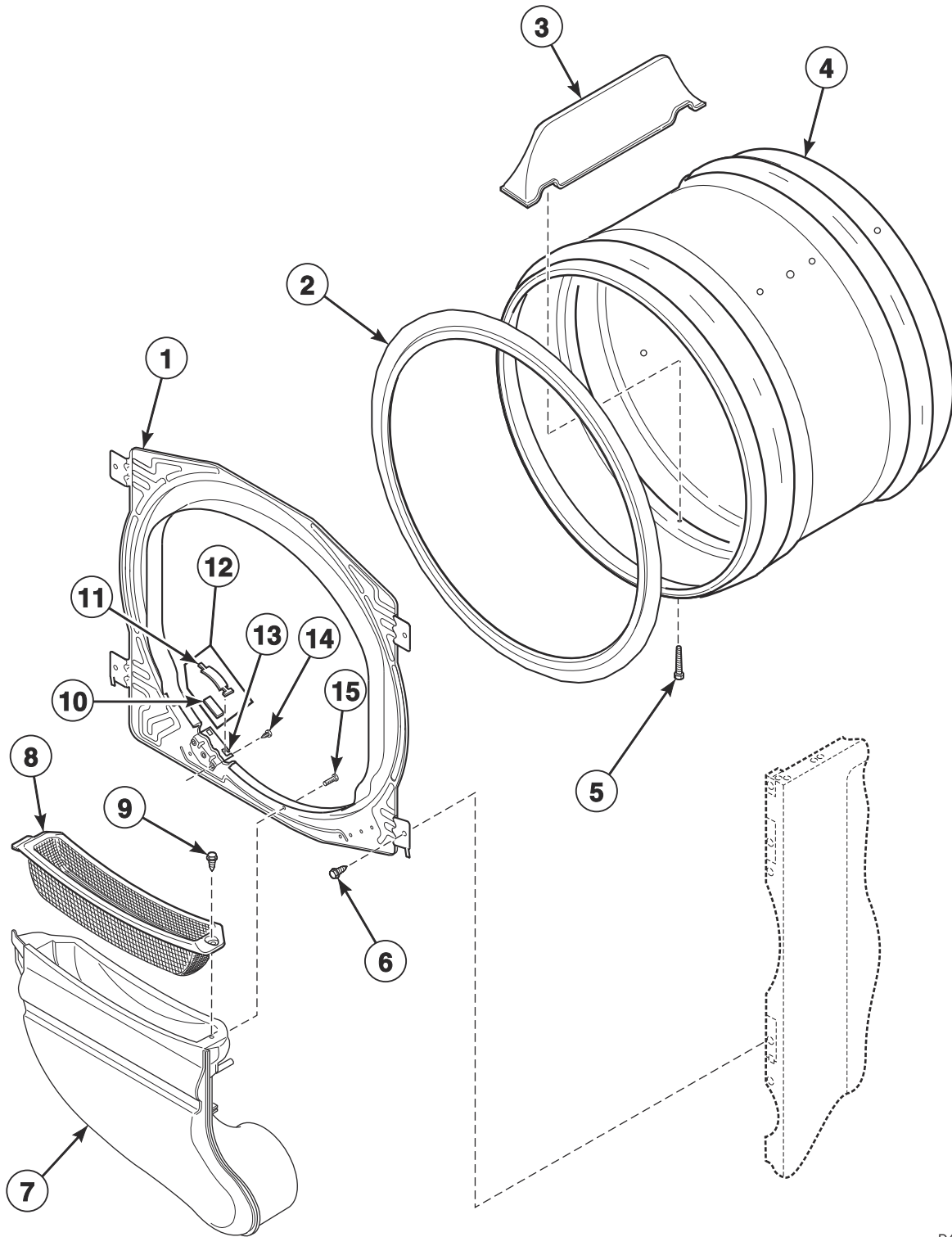


DRY2440PA_515155

Thermostat and Thermistor

REF	PART NO.	DESCRIPTION	COMMENTS
1	D502535	Screw	
2	D511887	Thermostat	Tan/White; Models SSEMNAGS301NW01, SSEMNAGS301UW01 and SSEMNAGS431AW01
	D510523	Thermistor Assembly	Black; Models HSEBDAGW291CW01, HSEBEAGW291CW01, HSEBXAGW131DW01, HSEBXAGW171FW28, HSEBXAGW541DW01, HSEBYAGW281CW01, HSEBYAGW291CW01, HSGBDAGW091CW01, HSGBEAGW091CW01, HSGBXAGW091CW01, HSGBYAGW091CW01, HSGSXAGW091CW01, SSEBXAGW131DW01 and SSEBXAGW541DW01
	D502366	Thermistor Assembly	50 Hertz; All other models
3	M411941	Manual Reset Thermostat	Models BSGBXAGW303AW01, SSEMNAGS431AW01, SSESXAGW431AW01, SSGBXAGW301AW01 and SSGSXAGW301AW01

Front Bulkhead, Air Duct, Felt Seal and Cylinder

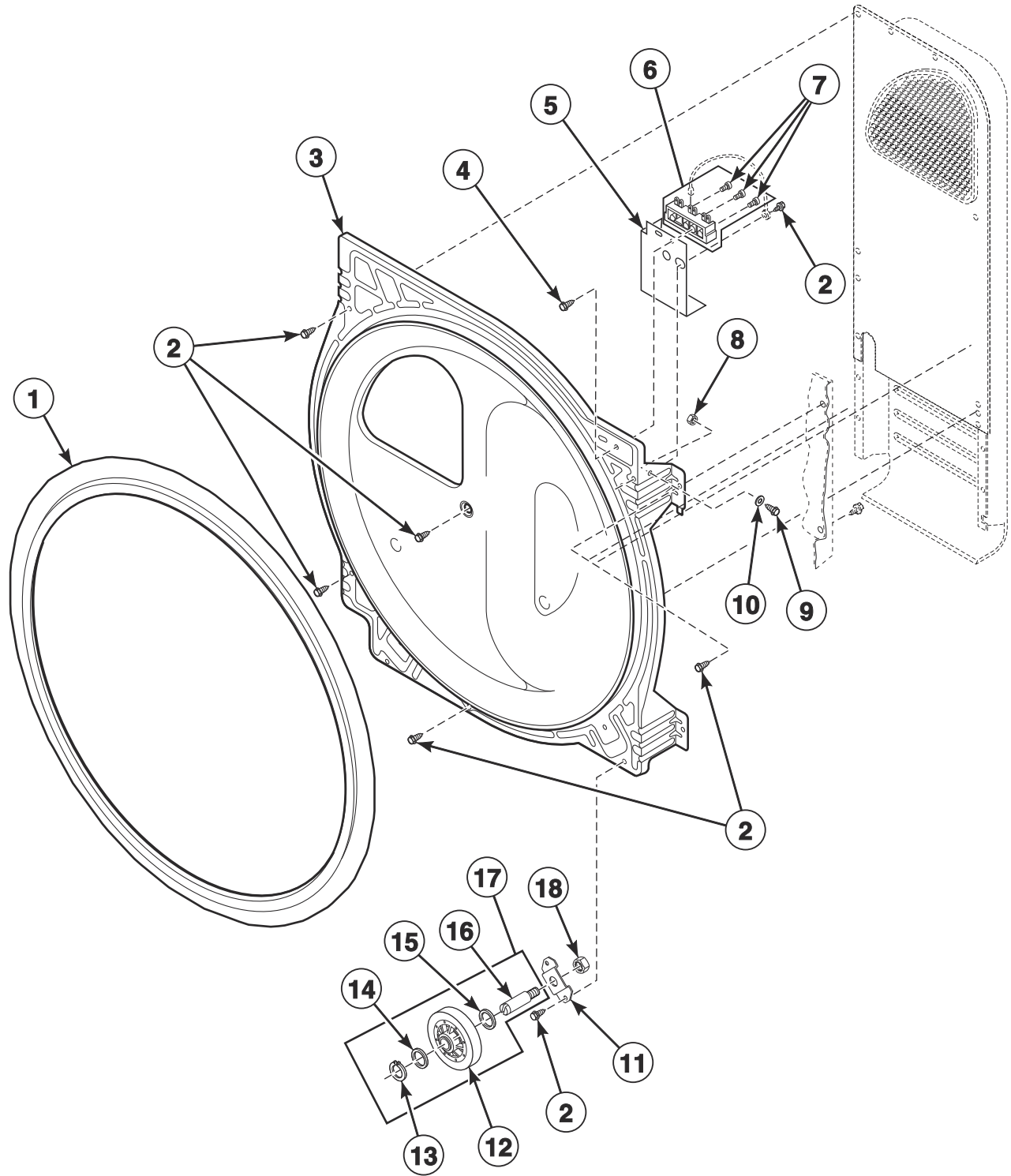


D402P_515155

Front Bulkhead, Air Duct, Felt Seal and Cylinder

REF	PART NO.	DESCRIPTION	COMMENTS
	F8211201	Electrical Shock Label	Model HSEBXAGW171FW28
	F8615701	Pinch Warning Label	Model HSEBXAGW171FW28
1	D510061	Front Bulkhead Assembly	Galvanized
2	D510207P	Cylinder Seal Assembly	
	D511637P	Adhesive	Apply to cylinder seal
	RB170001	Seal Kit	Includes 2 cylinder seals, D510238P Blower Housing Seal and adhesive
3	D510102LG	Cylinder Baffle	Models HSEBDAGW291CW01, HSEBEAGW291CW01, HSEBYAGW281CW01 and HSEBYAGW291CW01
	D510102W	Cylinder Baffle	All other models
4	D510265LGP	Cylinder Assembly	Models HSEBDAGW291CW01, HSEBEAGW291CW01, HSEBYAGW281CW01 and HSEBYAGW291CW01
	D510265WP	Cylinder Assembly	Galvanized; Includes item 3; All other models
5	62588	Screw	
6	D503688	Screw	
7	D515805LG	Air Duct Assembly	Models HSEBDAGW291CW01, HSEBEAGW291CW01, HSEBYAGW281CW01 and HSEBYAGW291CW01
	D510151W	Air Duct Assembly	All other models
8	D503980LG	Lint Filter	Models HSEBDAGW291CW01, HSEBEAGW291CW01, HSEBYAGW281CW01 and HSEBYAGW291CW01
	D503980W	Lint Filter	All other models
9	D501285	Screw	
10	D510189	Felt Pad	
11	D513710	Cylinder Glide	
12	RB170003	Glide Kit	Includes 2 of items 10 and 11
13	D510145	Cylinder Glide Bracket	
14	52864	Screw	
15	D505295	Screw	

Rear Bulkhead, Felt Seal, Cylinder Roller and Terminal Block

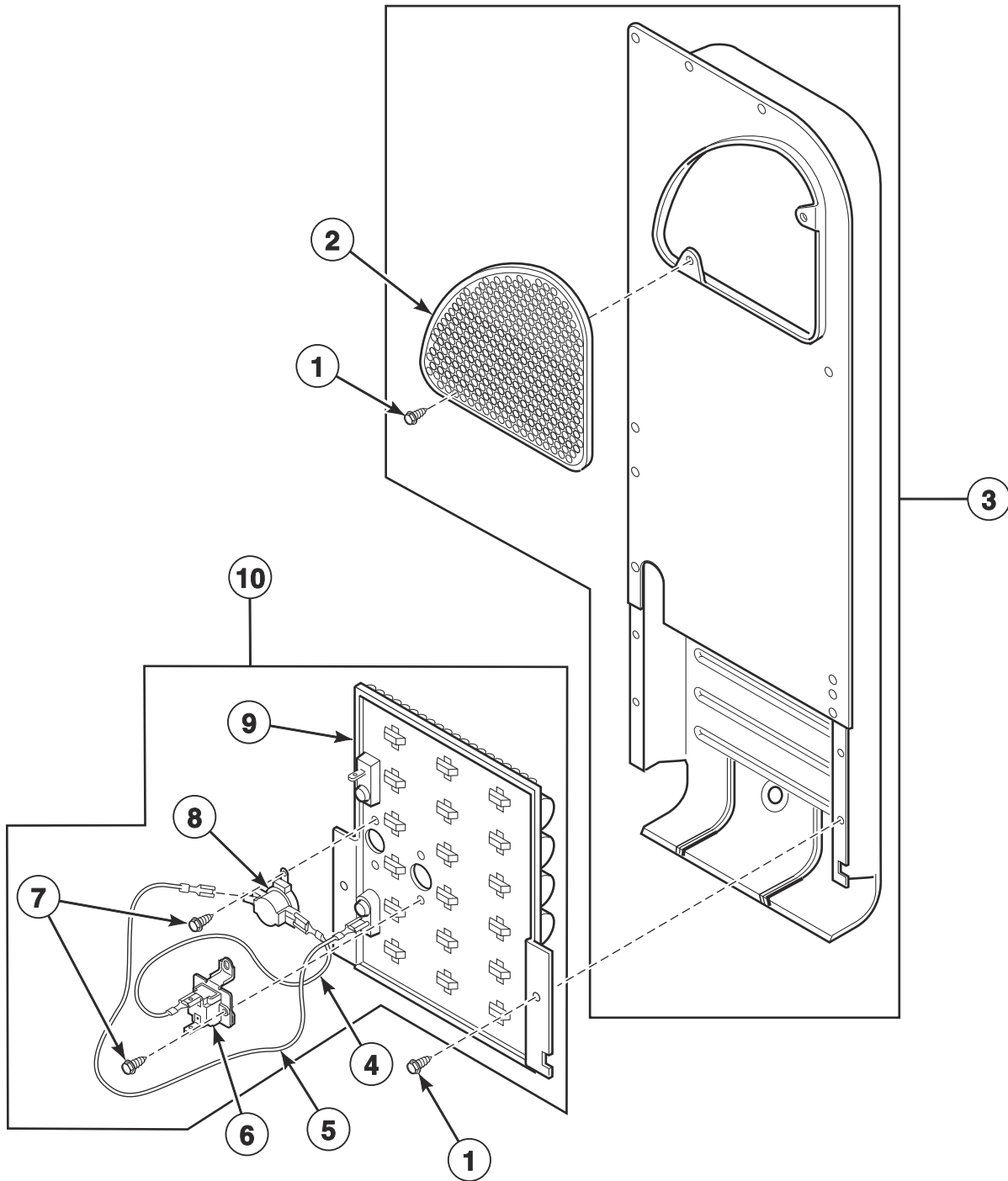


DRY1774P_515155

Rear Bulkhead, Felt Seal, Cylinder Roller and Terminal Block

REF	PART NO.	DESCRIPTION	COMMENTS
1	D510207P	Cylinder Seal Assembly	
	D511637P	Adhesive	Apply to cylinder seal
	RB170001	Seal Kit	Includes 2 cylinder seals, D510238P Blower Housing Seal and adhesive
2	D503688	Screw	
3	D511082P	Rear Bulkhead Assembly	Galvanized; Includes item 1
4	D501285	Screw	All models except HSGBDAGW091CW01, HSGBEAGW091CW01, HSGBXAGW091CW01, HSGBYAGW091CW01, HSGSXAGW091CW01, NSGBXAGW301NW22, NSGSXAGW301NW22, SSGBXAGS301EW01, SSGSXAGS301EW01 and SSGSXAGW301BW01
5	D514330	Terminal Block Shield	Models BSGBXAGW303AW01, SSEMNAGS431AW01, SSESXAGW431AW01, SSGBXAGW301AW01 and SSGSXAGW301AW01
	D510237	Terminal Block Shield	Electric models
6	D510190P	Terminal Block Assembly	Includes 3 of item 7
7	61199	Screw	
8	28447	Nut	
9	28448	Screw	
10	28449	Washer	
11	D510100	Cylinder Roller Bracket	
12	D510708P	Cylinder Roller	
13	23748	Retaining Ring	
14	52549	Washer	
15	D504082	Washer	
16	56461P	Shaft	
17	RB170002	Roller Kit	Includes items 12-16
18	56156	Nut	

Heater Duct and Element Assembly - Electric Models

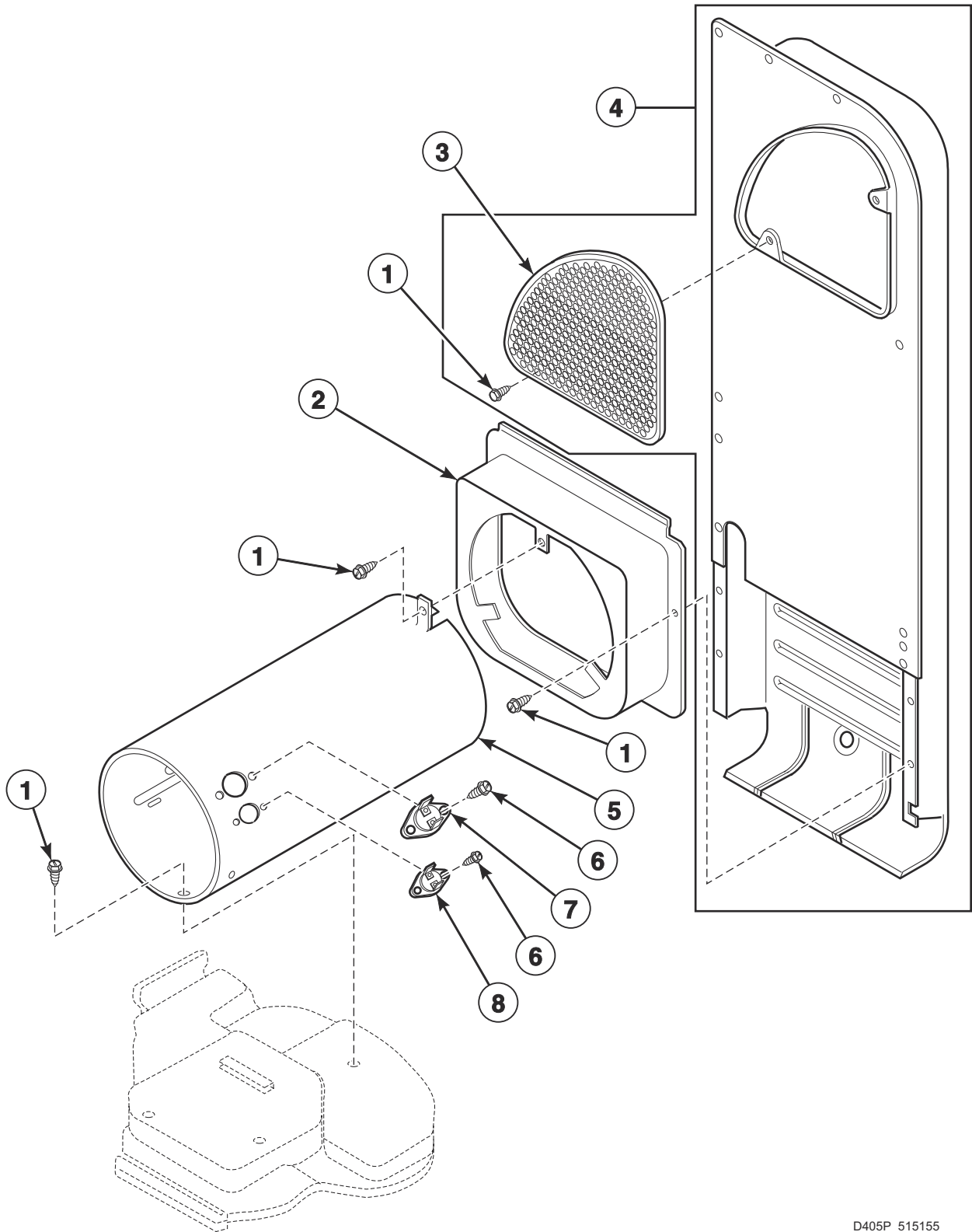


DRY1789P_515155

Heater Duct and Element Assembly - Electric Models

REF	PART NO.	DESCRIPTION	COMMENTS
1	D503688	Screw	
2	D500820	Outlet Cover	
	D515573	Outlet Cover	Black
3	D510025P	Heater Duct Assembly	Includes items 1 and 2
4	D510528	Wire Assembly	Orange; Thermostat jumper; Attaches to heater assembly
5	D510527	Wire Assembly	Black; Fuse jumper; Attaches to heater assembly
6	D511412	Thermal Fuse Assembly	
7	23222	Screw	
8	D510701	Limit Thermostat	
9	D510327P	Heater Assembly	240 Volt/50 Hertz; 4 kW; Models SSEMNAGS431AW01 and SSESXAGW431AW01
	D510330P	Heater Assembly	208 Volt/60 Hertz; 4.25 kW; Models HSEBDAGW291CW01, HSEBEAGW291CW01 and HSEBYAGW291CW01
	D510329P	Heater Assembly	240 Volt/60 Hertz; 5.35 kW; Models HSEBXAGW131DW01, HSEBXAGW171FW28, HSEBXAGW541DW01, SSEBXAGW131DW01 and SSEBXAGW541DW01
	D510324P	Heater Assembly	240 Volt/60 Hertz; 5 kW; Model HSEBYAGW281CW01
	D510326P	Heater Assembly	240 Volt/50 Hertz; 4.8 kW; All other models
10	965P3	Heater Kit	208 Volt/60 Hertz; 4.25 kW; Includes items 4-9; Models HSEBDAGW291CW01, HSEBEAGW291CW01 and HSEBYAGW291CW01
	61930	Heater Kit Assembly	240 Volt/50 Hertz; 4 kW; Models SSEMNAGS431AW01 and SSESXAGW431AW01
	964P3	Heater Kit	240 Volt/60 Hertz; 5.35 kW; Models HSEBXAGW131DW01, HSEBXAGW171FW28, HSEBXAGW541DW01, SSEBXAGW131DW01 and SSEBXAGW541DW01
	61927	Heater Kit Assembly	240 Volt/60 Hertz; 5 kW; Model HSEBYAGW281CW01
	61929	Heater Kit Assembly	240 Volt/50 Hertz; 4.8 kW; All other models

Heater Duct Assembly - Gas Models

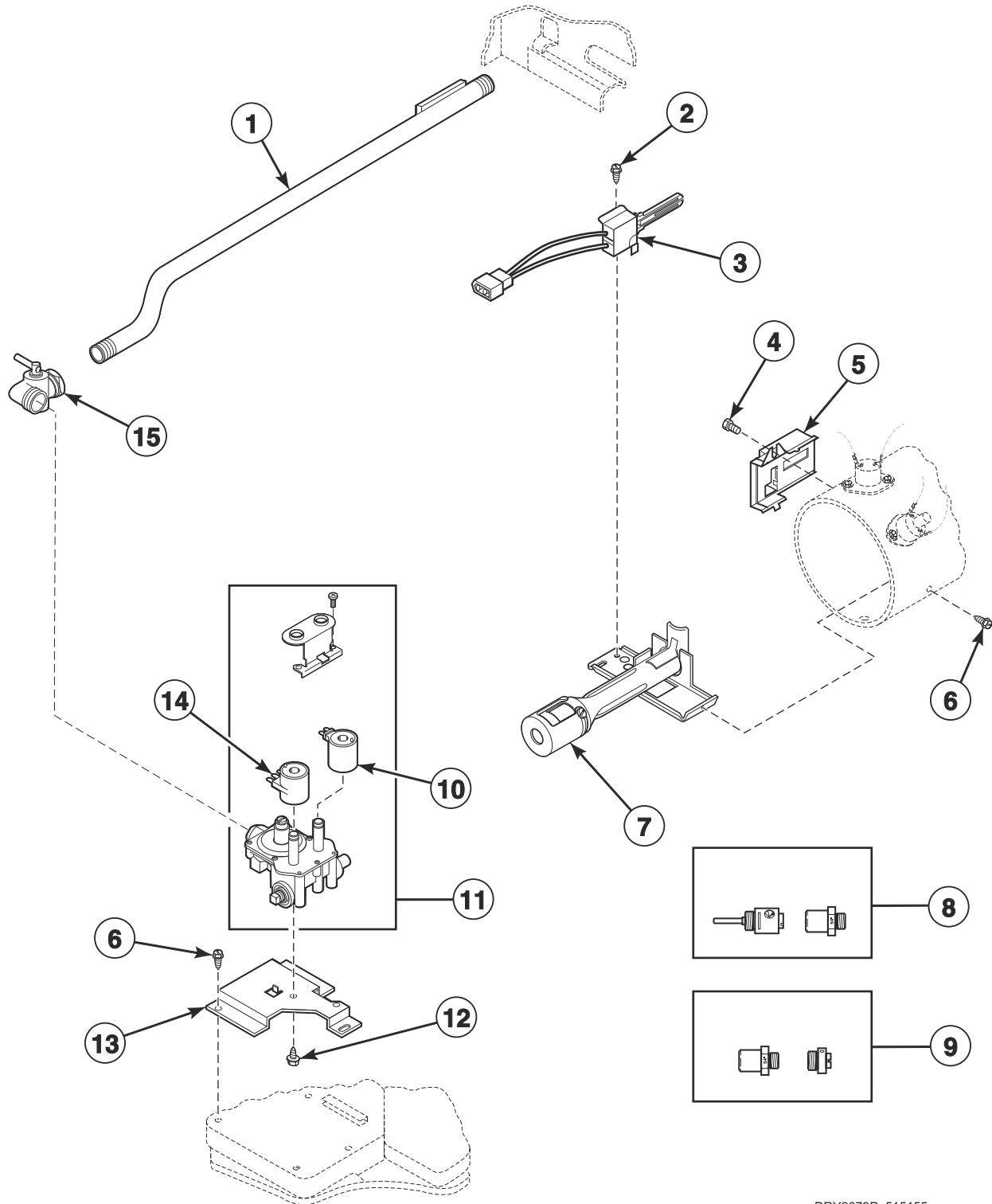


D405P_515155

Heater Duct Assembly - Gas Models

REF	PART NO.	DESCRIPTION	COMMENTS
1	D503688	Screw	
2	D510101	Heat Duct Shroud	
3	D500820	Outlet Cover	
	D515573	Outlet Cover	Black
4	D510025P	Heater Duct Assembly	Includes items 1 and 3
5	D510132	Combustion Duct	Models HSGBDAGW091CW01, HSGBEAGW091CW01, HSGBXAGW091CW01, HSGBYAGW091CW01 and HSGSXAGW091CW01
	D510131	Combustion Duct	All other models
6	51782	Screw	
7	D510702	Limit Thermostat	Black; Auto reset
8	D510703	Thermostat	Manual reset; Models HSGBDAGW091CW01, HSGBEAGW091CW01, HSGBXAGW091CW01, HSGBYAGW091CW01 and HSGSXAGW091CW01

Gas Valve, Igniter and Gas Conversion Kits

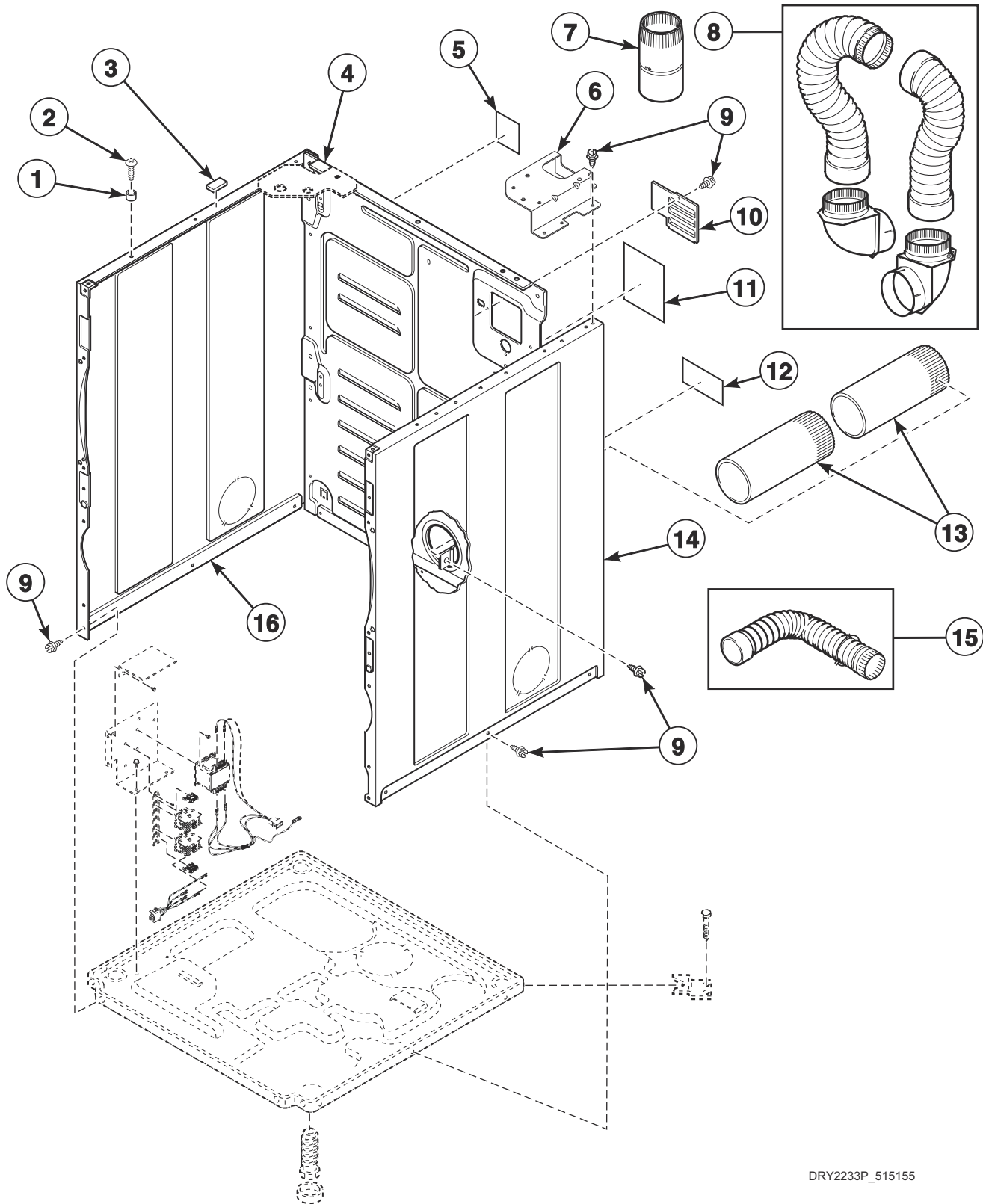


DRY2079P_515155

Gas Valve, Igniter and Gas Conversion Kits

REF	PART NO.	DESCRIPTION	COMMENTS
1	D510204	Lead-In Pipe Assembly	
2	51782	Screw	
3	D510184P	Igniter and Bracket Assembly	
4	23222	Screw	
5	D510213	Sensor	
6	D503688	Screw	
7	D510149P	Burner Assembly	
8	458P3	L.P. Conversion Kit	Used to convert dryers from N.G. or Mixed Gas to L.P. for 25,000 Btu
9	459P3	N.G. Conversion Kit	Used to convert dryers from L.P. to N.G. or Mixed Gas for 25,000 Btu; All models except NSGBXAGW301NW22, SSGBXAGS301EW01 and SSGSXAGS301EW01
10	59063B	Secondary Coil	50 Hertz; Models BSGBXAGW303AW01, NSGBXAGW301NW22, NSGSXAGW301NW22, SSGBXAGS301EW01, SSGBXAGW301AW01, SSGSXAGS301EW01, SSGSXAGW301AW01 and SSGSXAGW301BW01
	58804B	Secondary Coil	60 Hertz; All other models
11	60443P	Valve Assembly	50 Hertz; 25,000 Btu; Includes items 10 and 14; Models BSGBXAGW303AW01, NSGBXAGW301NW22, NSGSXAGW301NW22, SSGBXAGS301EW01, SSGBXAGW301AW01, SSGSXAGS301EW01, SSGSXAGW301AW01 and SSGSXAGW301BW01
	60353P	Gas Valve Assembly	60 Hertz; 25,000 Btu; Includes items 10 and 14; All other models
12	56124	Screw	
13	D510128	Gas Valve Mounting Bracket	
14	59063A	Booster and Holding Coil	50 Hertz; Models BSGBXAGW303AW01, NSGBXAGW301NW22, NSGSXAGW301NW22, SSGBXAGS301EW01, SSGBXAGW301AW01, SSGSXAGS301EW01, SSGSXAGW301AW01 and SSGSXAGW301BW01
	58804A	Booster and Holding Coil	60 Hertz; All other models
15	D510205	Elbow Shut-Off Valve	

Cabinet and Exhaust Duct

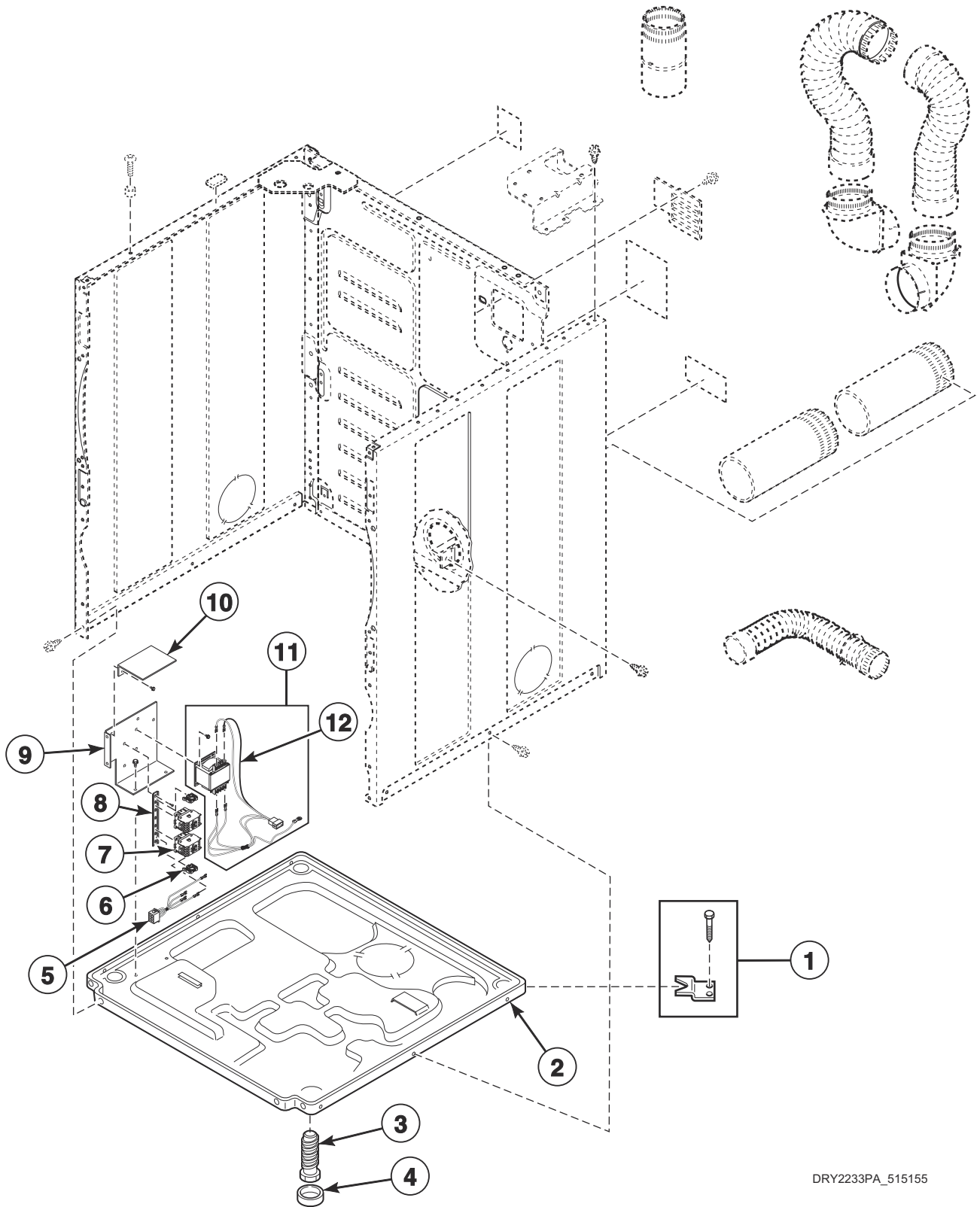


DRY2233P_515155

Cabinet and Exhaust Duct

REF	PART NO.	DESCRIPTION	COMMENTS
	122P4P	Porcelain Touch-Up Paint	White
	370P4P	Porcelain Touch-Up Paint	Bisque
	D513372	Label	Models HSEBDAGW291CW01, HSEBEAGW291CW01, HSEBYAGW281CW01 and HSEBYAGW291CW01
1	56079	Panel Locator	
2	39733	Screw	
3	56128	Bumper Pad	
4	D514632P	Cabinet Rear Panel	
5	D511004	Gas Clearance Label	
6	547P3	Coin Cabinet Hardware Kit	
7	58786	Damper	Use when connecting to a manifold vent system
8	521P3	Flexible Venting Kit	
9	D503688	Screw	
10	D510903	Access Panel Plate	
11	D511005	Electric Clearance Label	Models HSEBXAGW171FW28, NSEBXAGW301NW22, NSESXAGW301NW22, SSEMNAGS301NW01, SSESXAGW301NQ01, SSESXAGW301NW01 and TSEBXAGW301NW22
12	D500497	Exhaust Warning Label	Models BSGBXAGW303AW01, HSEBDAGW291CW01, HSEBEAGW291CW01, HSEBYAGW281CW01, HSEBYAGW291CW01, HSGBEAGW091CW01, HSGBXAGW091CW01, HSGBYAGW091CW01, HSGSXAGW091CW01, NSEBXAGW301NW22, NSESXAGW301NW22, SSEMNAGS301NW01, SSEMNAGS431AW01, SSESXAGW301NQ01, SSESXAGW301NW01, SSESXAGW431AW01, SSGBXAGW301AW01, SSGSXAGW301AW01, SSGSXAGW301BW01 and TSEBXAGW301NW22
13	D516196	Exhaust Duct	Each dryer requires 2 pieces
14	D510002WP	Cabinet Side Panel	White; Right
	D510002QP	Cabinet Side Panel	Bisque; Right
15	528P3	Directional Exhaust Kit	Used to vent dryer out the sides or bottom
16	D510001WP	Cabinet Side Panel	White; Left
	D510001QP	Cabinet Side Panel	Bisque; Left

Base

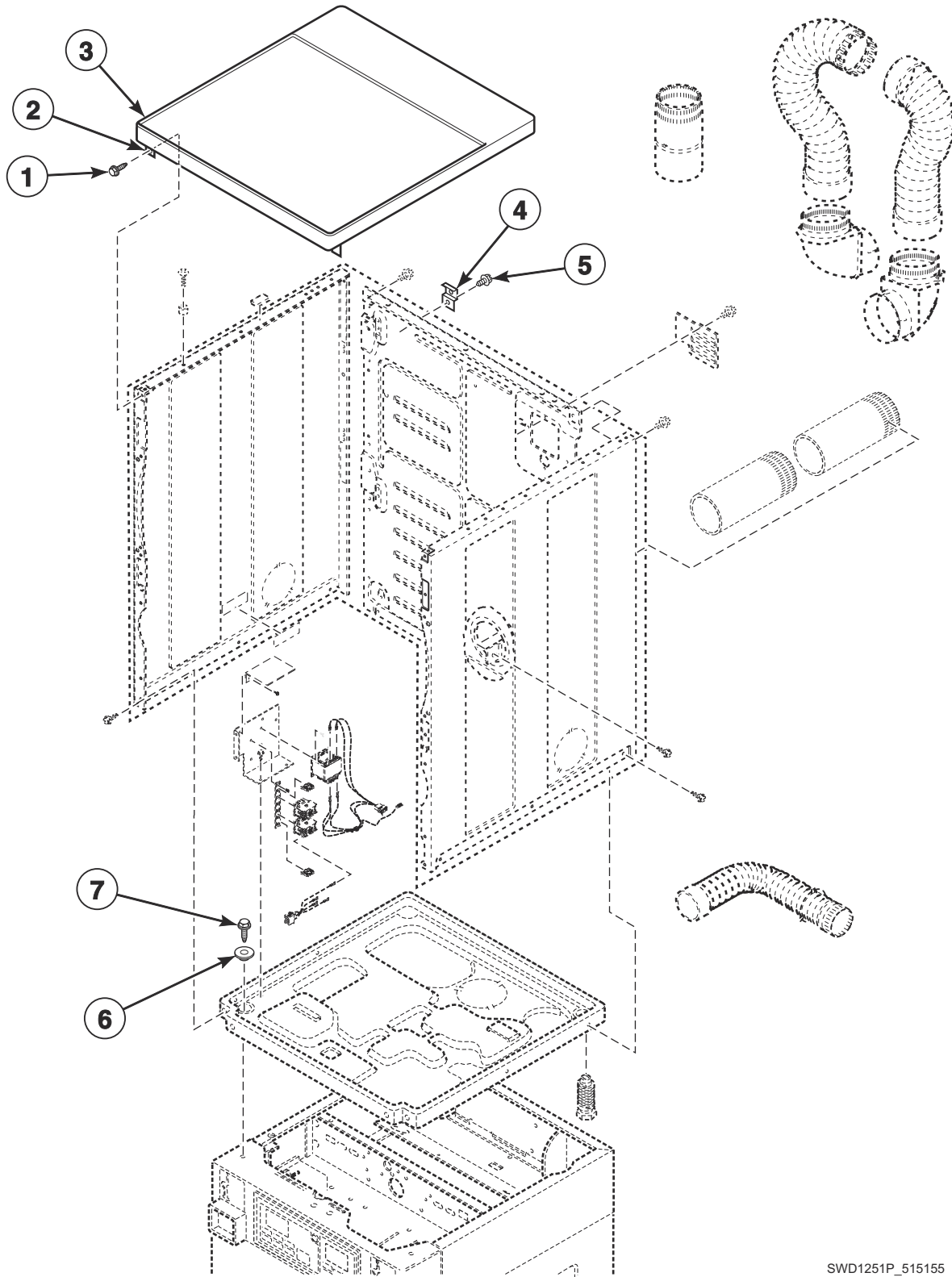


DRY2233PA_515155

Base

REF	PART NO.	DESCRIPTION	COMMENTS
1	526P3	Hold Down Kit	For mobile home installations
2	D514245	Dryer Base	
3	D510135	Leveling Leg	
4	D501855	Rubber Foot	
5	D511327	Harness Assembly	Model SSGBXAGS301EW01
6	70121001	End Stop	Model SSGBXAGS301EW01
7	70323701P	Contacto	Model SSGBXAGS301EW01
8	M412693	Din Rail	Model SSGBXAGS301EW01
9	D511859	Contacto Bracket	Models BSGBXAGW303AW01, NSGBXAGW301NW22, NSGSXAGW301NW22, SSGBXAGS301EW01, SSGBXAGW301AW01, SSGSXAGS301EW01, SSGSXAGW301AW01 and SSGSXAGW301BW01
10	801101	Card Reader Shield	Model SSGBXAGS301EW01
11	D511658P	Transformer Kit	Models BSGBXAGW303AW01, NSGBXAGW301NW22, NSGSXAGW301NW22, SSGBXAGS301EW01, SSGBXAGW301AW01, SSGSXAGS301EW01, SSGSXAGW301AW01 and SSGSXAGW301BW01
12	D511303	Wire Harness Assembly	Transformer adapter; Includes D502592 Fuse (3.15 Amp, 250 Volt); Models BSGBXAGW303AW01, NSGBXAGW301NW22, NSGSXAGW301NW22, SSGBXAGS301EW01, SSGBXAGW301AW01, SSGSXAGS301EW01, SSGSXAGW301AW01 and SSGSXAGW301BW01

Cabinet Top



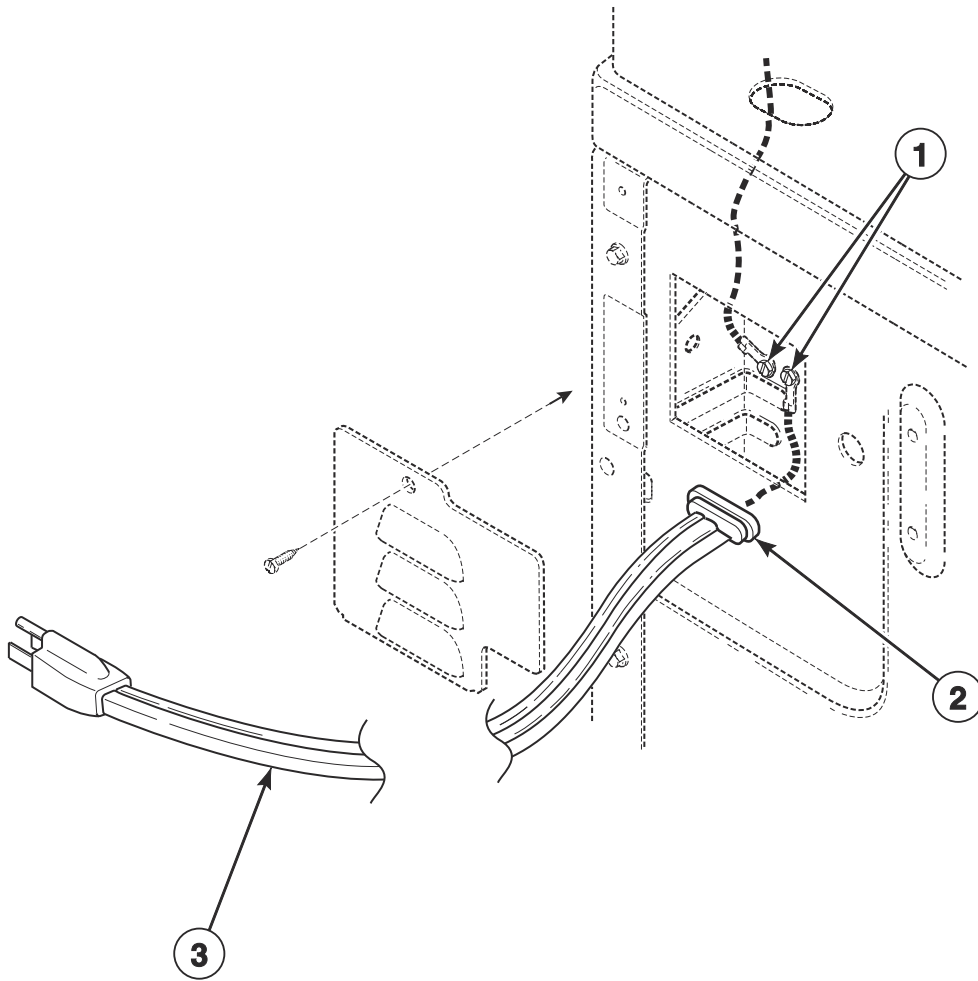
SWD1251P_515155

Cabinet Top

REF	PART NO.	DESCRIPTION	COMMENTS
1	D503661	Screw	
2	D510146	Bracket	
3	D510032WP	Top Kit	White
	D510032QP	Top Kit	Bisque
4	D510136	Top Hinge	
5	D503688	Screw	
6	D501307	Washer	
7	36048	Screw	

Power Cord

Models BSGBXAGW303AW01, HSGBDAGW091CW01, HSGBEAGW091CW01, HSGBXAGW091CW01, HSGBYAGW091CW01, HSGSXAGW091CW01, NSGBXAGW301NW22, NSGSXAGW301NW22, SSEBXAGS301UQ01, SSEBXAGS301UW01, SSEMNAGS301UW01, SSEMNAGS431AW01, SSESXAGS301UW01, SSESXAGW431AW01, SSGBXAGS301EW01, SSGBXAGW301AW01, SSGSXAGS301EW01, SSGSXAGW301AW01 and SSGSXAGW301BW01

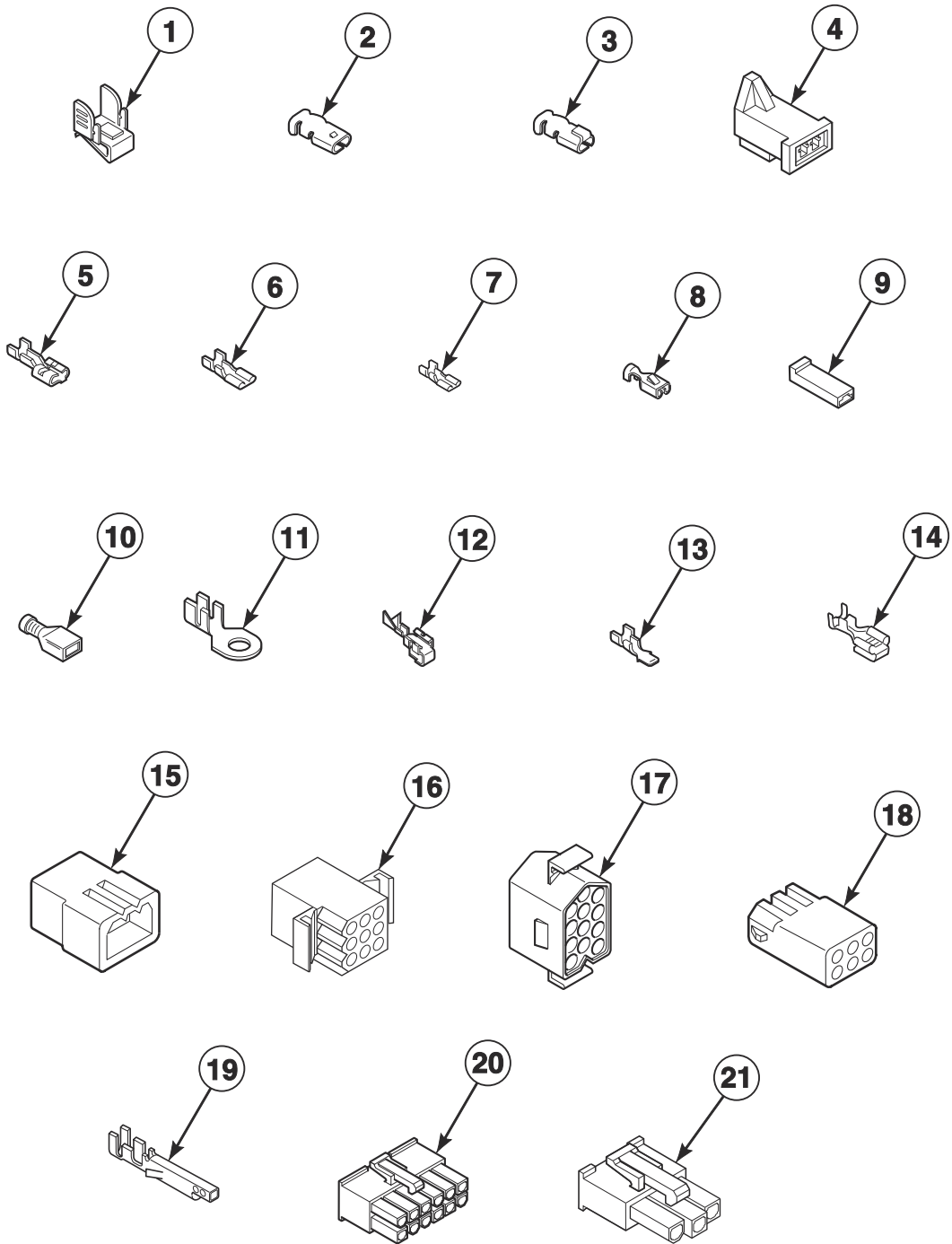


D408PE3A_515155

Power Cord

REF	PART NO.	DESCRIPTION	COMMENTS
	D502496	Strain Relief Adapter	
1	20530	Screw	
2	60298	Strain Relief	Models BSGBXAGW303AW01, SSGBXAGW301AW01 and SSGSXAGW301AW01
	52151	Strain Relief	Models HSGBDAGW091CW01, HSGBEAGW091CW01, HSGBXAGW091CW01, HSGBYAGW091CW01 and HSGSXAGW091CW01
	D502500	Strain Relief	Models SSGBXAGS301EW01 and SSGSXAGS301EW01
	52113	Strain Relief	Models NSGBXAGW301NW22, NSGSXAGW301NW22, SSEBXAGS301UQ01, SSEBXAGS301UW01, SSEMAGS301UW01, SSEMAGS431AW01, SSESXAGS301UW01 and SSESXAGW431AW01
	38384	Strain Relief	Model SSGSXAGW301BW01
3	61605P	Lead-In Cord Kit	Models SSEMAGS431AW01 and SSESXAGW431AW01
	D512019	Lead-In Cord	Models BSGBXAGW303AW01, SSGBXAGW301AW01 and SSGSXAGW301AW01
	D503597	Lead-In Cord Assembly	Models NSGBXAGW301NW22, NSGSXAGW301NW22, SSEBXAGS301UQ01, SSEBXAGS301UW01, SSEMAGS301UW01 and SSESXAGS301UW01
	D506081	Power Cord Assembly	Models SSGBXAGS301EW01 and SSGSXAGS301EW01
	58992	Power Cord Assembly	Models HSGBDAGW091CW01, HSGBEAGW091CW01, HSGBXAGW091CW01, HSGBYAGW091CW01 and HSGSXAGW091CW01
	D505945	Power Cord Assembly	Model SSGSXAGW301BW01

Terminal Block and Terminals

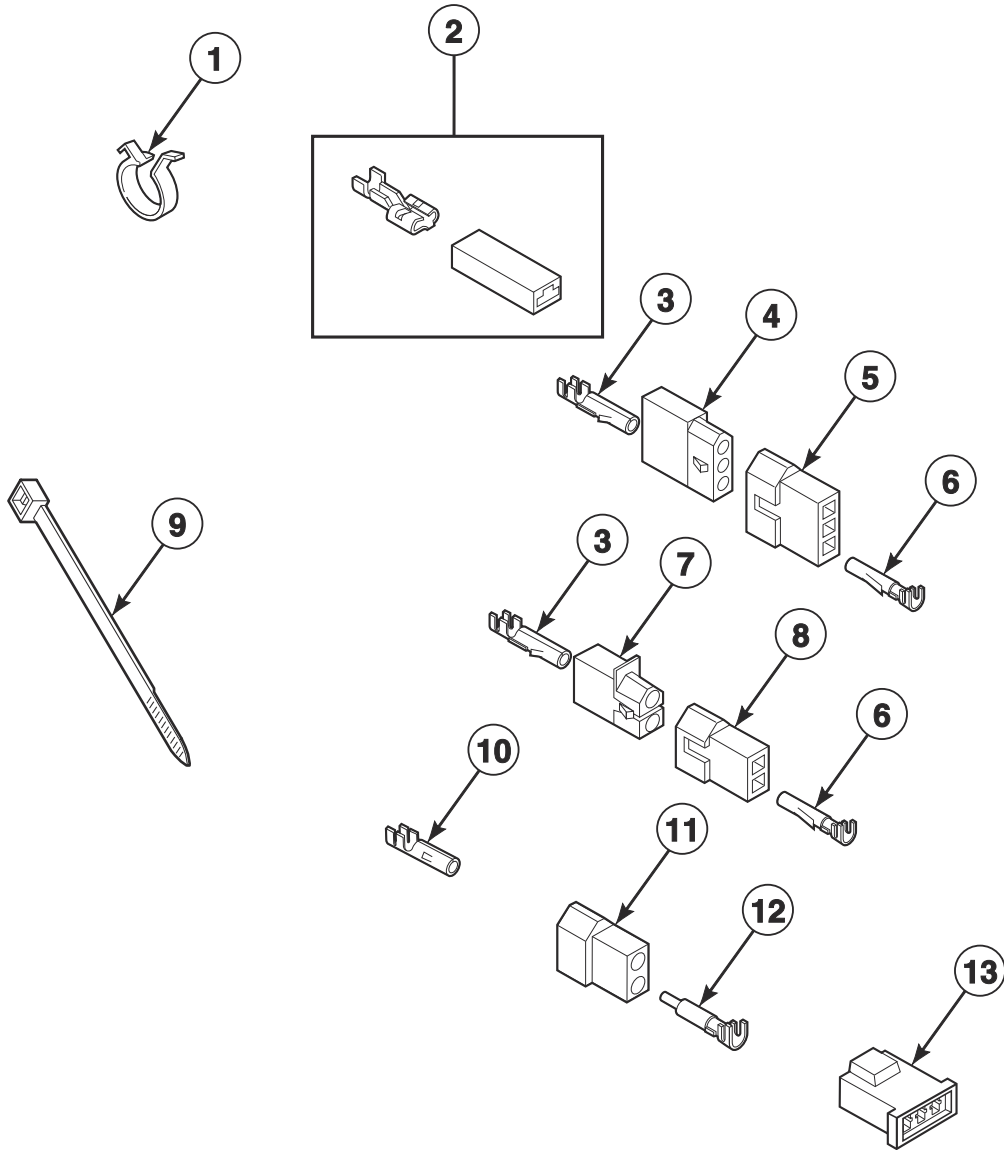


DRY2441P_515155

Terminal Block and Terminals

REF	PART NO.	DESCRIPTION	COMMENTS
1	00161	Grounding Clip	
2	00189	Female Spade Terminal	1/8 inch
3	00361	Female Piggyback Terminal	
4	58799	2 Circuit Connector	
5	00223	Female Spade Terminal	1/4 inch; (1) 18 gauge wire
	00121	Female Spade Terminal	1/4 inch; (2) 18 gauge wires or (1) 12 gauge wire
	00245	Spade Terminal	1/4 inch; (1) 22 gauge wire
6	00124	Female Spade Terminal	3/16 inch; (1) 18 gauge wire; .020 tab
	00156	Female Spade Terminal	3/16 inch; Thermostat wire; .032 tab
	00112	Female Spade Terminal	3/16 inch; .020 tab
7	00347	Terminal	
8	00115	Female Spade Terminal	1/4 inch; (1) 18 gauge wire
9	90789	Receptacle Housing	
10	00359	Insulated Female Spade Terminal	1/4 inch
	00165	Insulated Female Terminal	3/16 inch
11	00110	Ring Terminal	No. 10; (1) 18 gauge wire
	00111	Ring Terminal	No. 10; (2) 18 gauge wires or (1) 12 gauge wire
12	00114	Female Spade Terminal	1/4 inch; Double connector
13	00139	Male Tab Terminal	1/4 inch; (2) 18 gauge wires or (1) 12 gauge wire
14	00344	Female Tab Terminal	1/4 inch
15	26302	1 Circuit Plug	
	23033	9 Circuit Plug	
	23041	6 Circuit Plug	
16	26163	9 Circuit Receptacle	
	56855	12 Circuit Receptacle	
17	54522	Plug	
18	26301	1 Circuit Receptacle	
	26708	6 Circuit Receptacle	
19	00252	Terminal	
20	34596	10 Circuit Receptacle	
	D501333	12 Circuit Receptacle	
21	36170	3 Circuit Receptacle	

Terminals

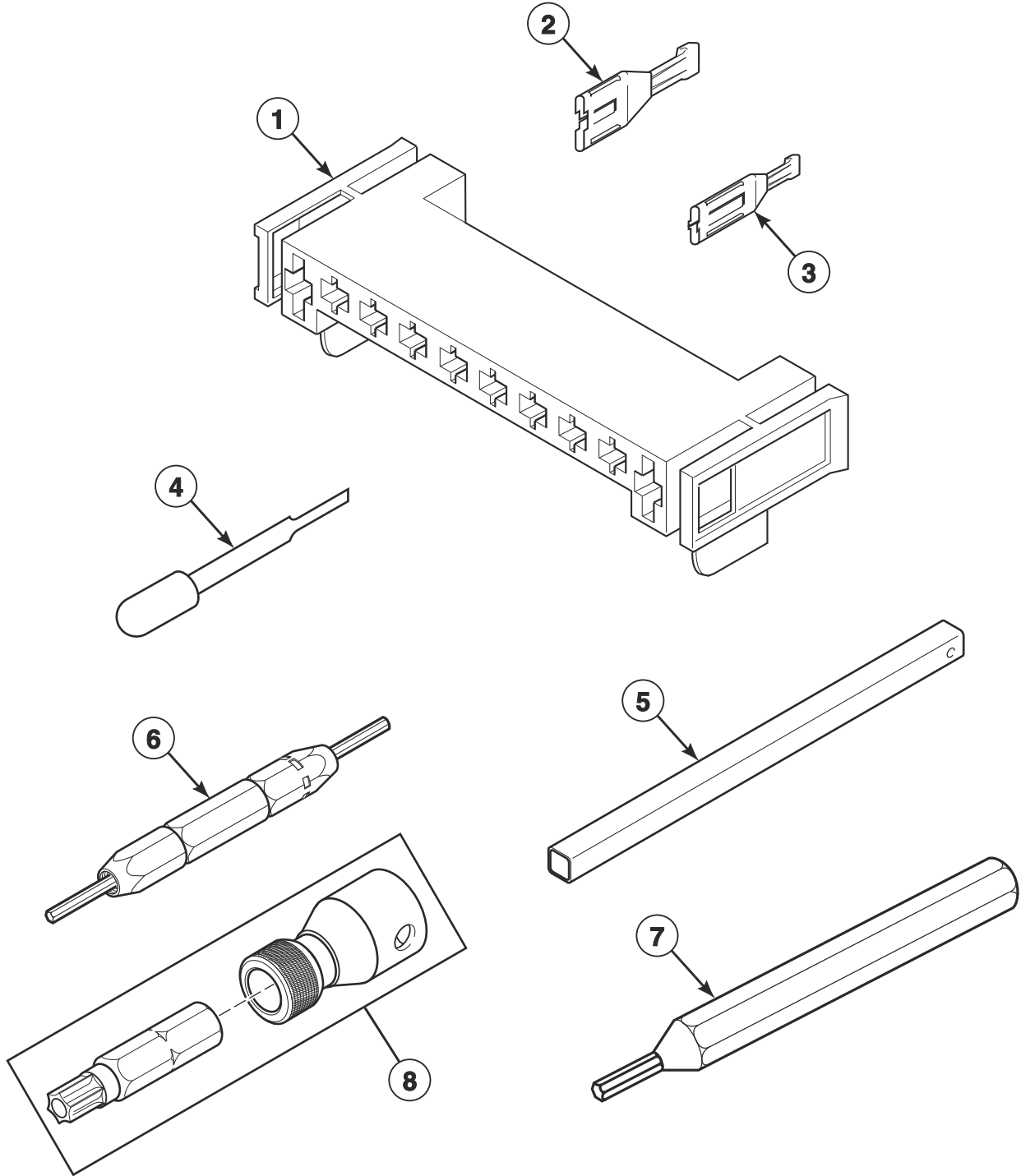


DRY1769P_515155

Terminals

REF	PART NO.	DESCRIPTION	COMMENTS
1	D504034	Wire Clip	11/16 inch
	687500	Wire Clip	1 inch
2	00360	Insulated Female Spade Terminal	(1) 12 gauge wire or (2) 18 gauge wires
3	00117	Female Pin Terminal	
4	56265	2 Circuit Receptacle	
	23039	3 Circuit Receptacle	
5	23040	Plug	
6	00116	Male Pin Terminal	
7	56451	2 Circuit Receptacle	
8	56448	2 Circuit Plug	
9	55881	Harness Strap	
	38663	Wire Tie	
10	00128	Female Pin Terminal	1/8 inch; 10-14 gauge wire
	00130	Female Pin Terminal	1/8 inch; 16-18 gauge wire
11	56266	2 Circuit Plug	
12	00129	Male Pin Terminal	.12 insulation diameter
	00127	Male Pin Terminal	.18 insulation diameter
13	58800	3 Circuit Connector	

Terminals and Terminal Extractor Tools



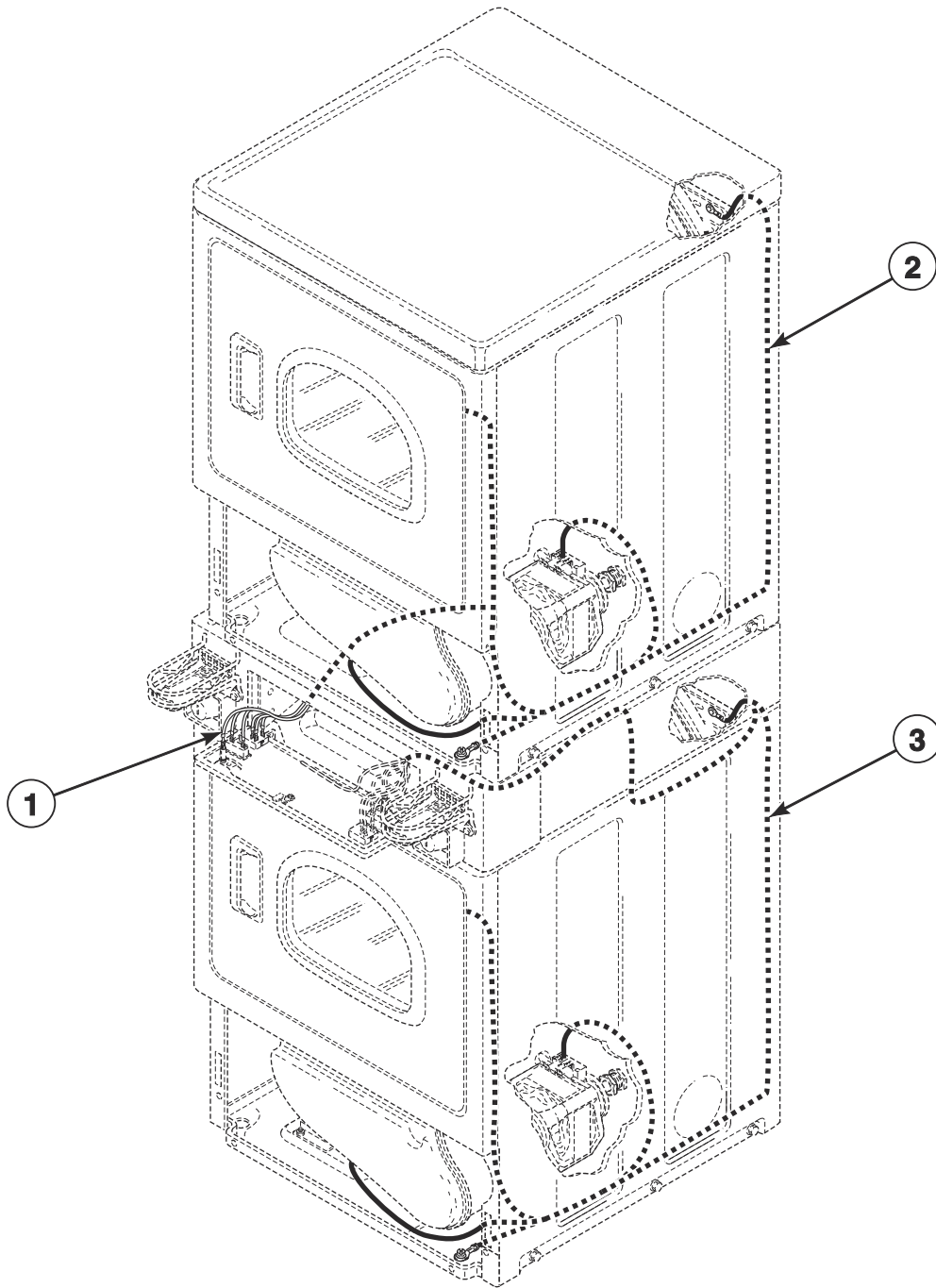
DRY2081P_515155

Terminals and Terminal Extractor Tools

REF	PART NO.	DESCRIPTION	COMMENTS
1	D500338	10 Position Housing	
2	00255	Female Terminal	1/4 inch; (1) 12 gauge wire
	00256	Female Terminal	1/4 inch; (1) or (2) 18 gauge wires
3	00188	Female Terminal	For 1 or 2 wire application
4	283P4	Terminal Extractor Tool	For use on Molex connectors
5	310P4	Ratchet Extension Tool	1/4 inch; For coin drop installation
6	190P4	Extractor Tool	For use on electric dryer models
7	128P4	Extractor Tool	For use on gas dryer models
8	281P4	Torx Bit	T15 Tamper Resistant Bit
	282P4	Torx Bit	Use with 62853 Screw on access panel; T25 Tamper Resistant Bit
	292P4	Torx Bit	T20 Standard Bit
	93501	Torx Drive Tool	T10 Standard Bit

Wire Harnesses and Wires - Nonmetered and Coin Slide Models

Models HSGSXAGW091CW01, NSGSXAGW301NW22, SSEMNAGS301NW01, SSEMNAGS301UW01, SSEMNAGS431AW01, SSESXAGS301UW01, SSESXAGW301NQ01, SSESXAGW301NW01, SSESXAGW431AW01, SSGSXAGS301EW01, SSGSXAGW301AW01 and SSGSXAGW301BW01



DRY2287P_515155

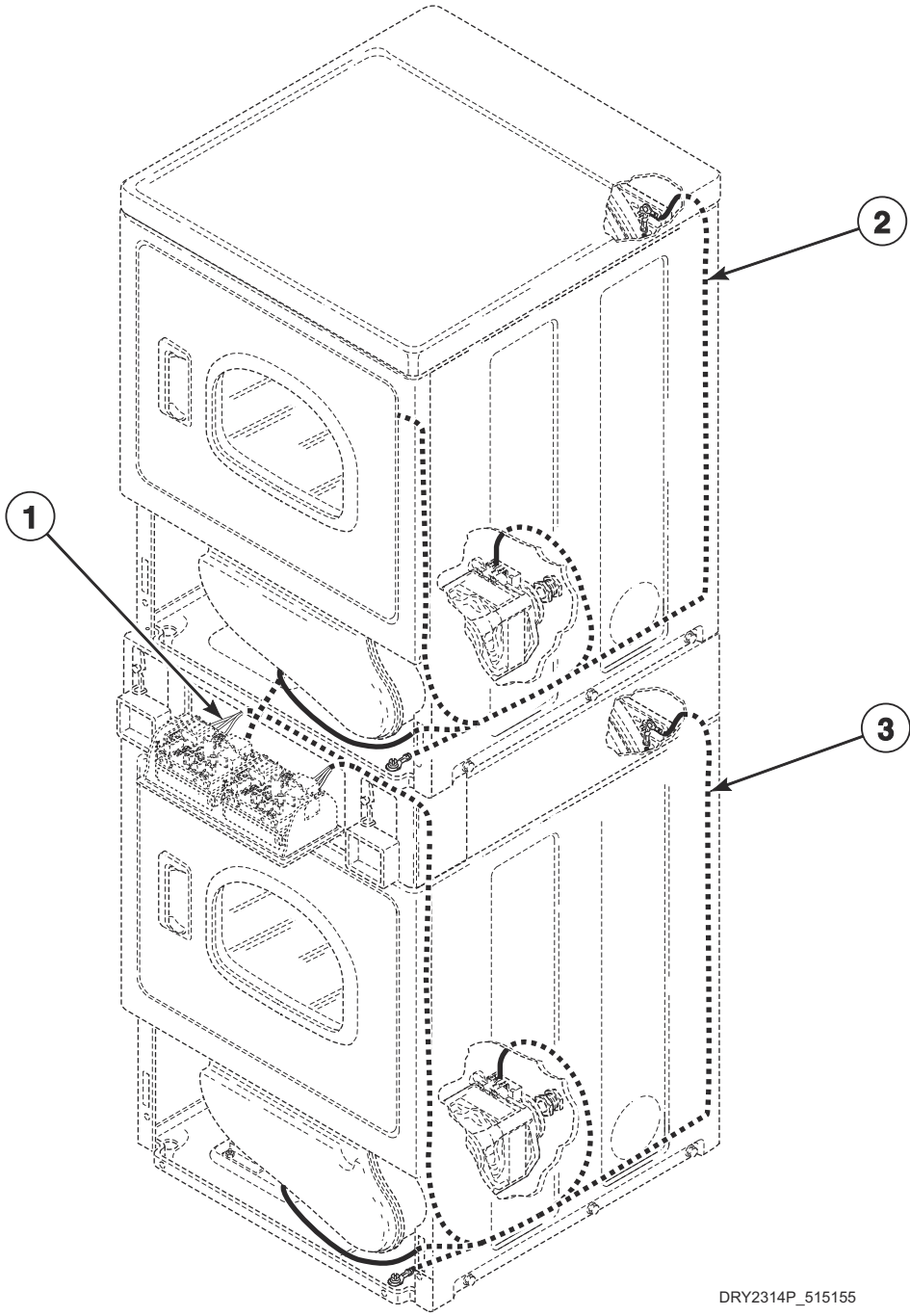
Wire Harnesses and Wires - Nonmetered and Coin Slide Models

REF	PART NO.	DESCRIPTION	COMMENTS
	45380	12 Gauge Wire	Orange; Order wire by the foot; Order terminals and connectors as required
	45001	18 Gauge Wire	Black; Order wire by the foot; Order terminals and connectors as required
1	D510654P	Security Cabinet Wire Harness Assembly	2 required; Models SSEMAGS301NW01, SSEMAGS301UW01 and SSEMAGS431AW01
2	D513828	Electronic Harness	Models SSESXAGS301UW01, SSESXAGW301NQ01, SSESXAGW301NW01 and SSESXAGW431AW01
	D513833	Electronic Harness	Model HSGSXAGW091CW01
	D513837	Wire Harness Assembly	Model SSGSXAGW301AW01
	D513841	Wire Harness Assembly	Models NSGSXAGW301NW22, SSGSXAGS301EW01 and SSGSXAGW301BW01
	D510468P	Wire Harness Assembly	Models SSEMAGS301NW01, SSEMAGS301UW01 and SSEMAGS431AW01
3	D513830	Electronic Harness	Models SSESXAGS301UW01, SSESXAGW301NQ01, SSESXAGW301NW01 and SSESXAGW431AW01
	D513838	Wire Harness Assembly	Models SSEMAGS301NW01, SSEMAGS301UW01 and SSEMAGS431AW01
	D513835	Electronic Harness	Model HSGSXAGW091CW01
	D513843	Wire Harness Assembly	Models NSGSXAGW301NW22, SSGSXAGS301EW01 and SSGSXAGW301BW01
	D513839	Wire Harness Assembly	Model SSGSXAGW301AW01

NOTE: Individual wires are not available separately. Order complete harness, or order wire by the foot. When applying terminals to wires, it is recommended that the terminals be soldered to the wires.

Wire Harnesses and Wires

Model SSGBXAGS301EW01



DRY2314P_515155

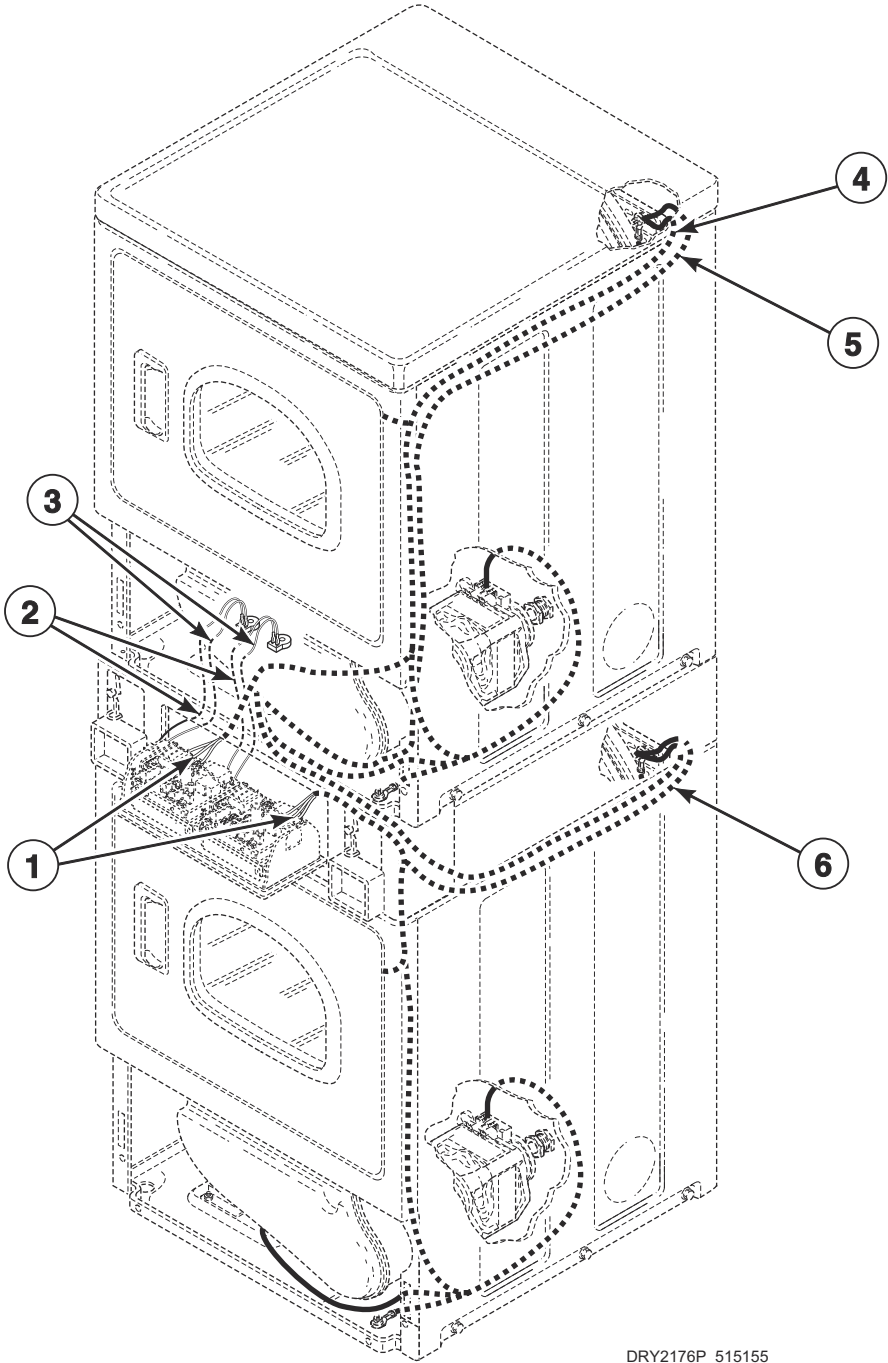
Wire Harnesses and Wires

REF	PART NO.	DESCRIPTION	COMMENTS
	45380	12 Gauge Wire	Orange; Order wire by the foot; Order terminals and connectors as required
	45001	18 Gauge Wire	Black; Order wire by the foot; Order terminals and connectors as required
1	D511757	Wire Harness Assembly	
2	D513825	Wire Harness Assembly	Upper
3	D513827	Wire Harness Assembly	Lower

NOTE: Individual wires are not available separately. Order complete harness, or order wire by the foot. When applying terminals to wires, it is recommended that the terminals be soldered to the wires.

Wire Harnesses and Wires - Coin Drop, Card Reader and OPL Models (Drawing 1 of 2)

Models BSGBXAGW303AW01, HSGBDAGW091CW01, HSGBEAGW091CW01, HSGBXAGW091CW01, HSGBYAGW091CW01, NSGBXAGW301NW22, SSEBXAGS301UQ01, SSEBXAGS301UW01 and SSGBXAGW301AW01



DRY2176P_515155

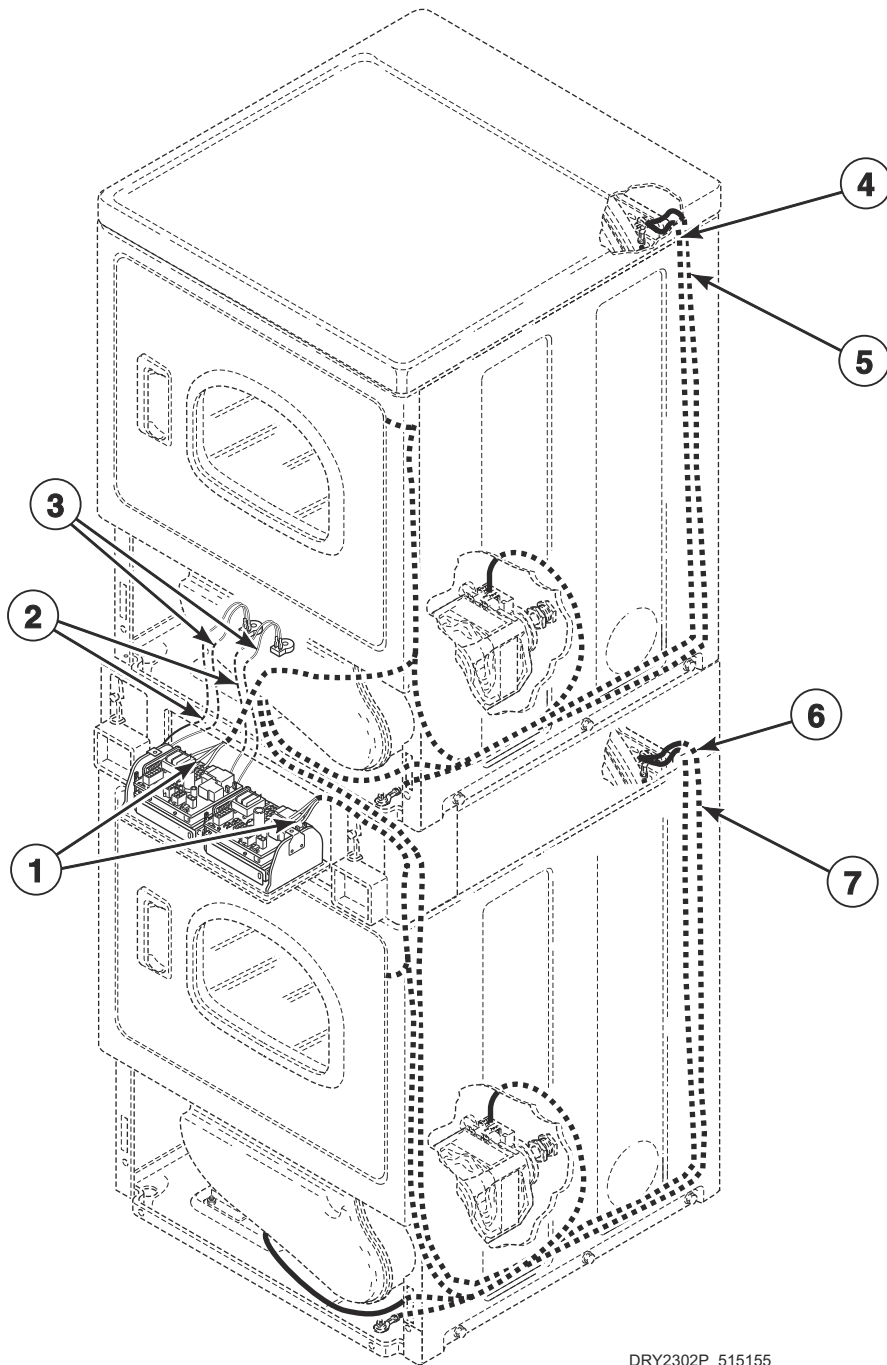
Wire Harnesses and Wires - Coin Drop, Card Reader and OPL Models (Drawing 1 of 2)

REF	PART NO.	DESCRIPTION	COMMENTS
	45380	12 Gauge Wire	Orange; Order wire by the foot; Order terminals and connectors as required
	45001	18 Gauge Wire	Black; Order wire by the foot; Order terminals and connectors as required
	D513246P	Jumper Assembly	Connect one jumper assembly to each pair of resistors per control; Models BSGBXAGW303AW01, NSGBXAGW301NW22, SSEBXAGS301UQ01 and SSGBXAGW301AW01
1	D512422P	Wire Harness Assembly	
2	D512273P	Wire Configuration Assembly	
3	D512275P	Wire Configuration Assembly	
4	D513833	Electronic Harness	Models HSGBDAGW091CW01, HSGBEAGW091CW01, HSGBXAGW091CW01 and HSGBYAGW091CW01
	D513828	Electronic Harness	Models SSEBXAGS301UQ01 and SSEBXAGS301UW01
	D513837	Wire Harness Assembly	Models BSGBXAGW303AW01 and SSGBXAGW301AW01
	D513841	Wire Harness Assembly	Model NSGBXAGW301NW22
5	D513848	Wire Harness Assembly	Models HSGBDAGW091CW01, HSGBEAGW091CW01, HSGBXAGW091CW01 and HSGBYAGW091CW01
6	D513830	Electronic Harness	Models SSEBXAGS301UQ01 and SSEBXAGS301UW01
	D513835	Electronic Harness	Models HSGBDAGW091CW01, HSGBEAGW091CW01, HSGBXAGW091CW01 and HSGBYAGW091CW01
	D513839	Wire Harness Assembly	Models BSGBXAGW303AW01 and SSGBXAGW301AW01
	D513843	Wire Harness Assembly	Model NSGBXAGW301NW22

NOTE: Individual wires are not available separately. Order complete harness, or order wire by the foot. When applying terminals to wires, it is recommended that the terminals be soldered to the wires.

Wire Harnesses and Wires - Coin Drop, Card Reader and OPL Models (Drawing 2 of 2)

Models HSEBDAGW291CW01, HSEBEAGW291CW01, HSEBXAGW131DW01, HSEBXAGW171FW28, HSEBXAGW541DW01, HSEBYAGW281CW01, HSEBYAGW291CW01, NSEBXAGW301NW22, NSESXAGW301NW22, SSEBXAGW131DW01, SSEBXAGW541DW01 and TSEBXAGW301NW22



DRY2302P_515155

Wire Harnesses and Wires - Coin Drop, Card Reader and OPL Models (Drawing 2 of 2)

REF	PART NO.	DESCRIPTION	COMMENTS
	45380	12 Gauge Wire	Orange; Order wire by the foot; Order terminals and connectors as required
	45001	18 Gauge Wire	Black; Order wire by the foot; Order terminals and connectors as required
	D513246P	Jumper Assembly	Connect one jumper assembly to each pair of resistors per control
1	D512422P	Wire Harness Assembly	Models HSEBDAGW291CW01, HSEBEAGW291CW01, HSEBXAGW131DW01, HSEBXAGW171FW28, HSEBXAGW541DW01, HSEBYAGW281CW01, HSEBYAGW291CW01 and NSEBXAGW301NW22
2	D512273P	Wire Configuration Assembly	
3	D512275P	Wire Configuration Assembly	
4	D514094	Electronic Harness	Upper; Models HSEBDAGW291CW01, HSEBEAGW291CW01, HSEBXAGW131DW01, HSEBYAGW281CW01, HSEBYAGW291CW01 and SSEBXAGW131DW01
	D513828	Electronic Harness	Upper; Models HSEBXAGW171FW28, HSEBXAGW541DW01, NSEBXAGW301NW22, NSEBXAGW301NW22, SSEBXAGW541DW01 and TSEBXAGW301NW22
5	D514080	Wire Harness Assembly	Models HSEBDAGW291CW01, HSEBEAGW291CW01, HSEBYAGW281CW01 and HSEBYAGW291CW01
6	D514082	Wire Harness Assembly	Models HSEBDAGW291CW01, HSEBEAGW291CW01, HSEBYAGW281CW01 and HSEBYAGW291CW01
7	D514096	Electronic Harness	Lower; Models HSEBDAGW291CW01, HSEBEAGW291CW01, HSEBXAGW131DW01, HSEBXAGW541DW01, HSEBYAGW281CW01, HSEBYAGW291CW01 and SSEBXAGW131DW01
	D513830	Electronic Harness	Lower; Models HSEBXAGW171FW28, NSEBXAGW301NW22, NSEBXAGW301NW22, SSEBXAGW541DW01 and TSEBXAGW301NW22

NOTE: Individual wires are not available separately. Order complete harness, or order wire by the foot. When applying terminals to wires, it is recommended that the terminals be soldered to the wires.

Parts Index

A

Access Panel Assembly	
D514250Q.....	23
D514250WP.....	23
Access Panel Plate	
D510903.....	41
Adhesive	
D511637P.....	31, 33
Air Duct Assembly	
D510151W.....	31
D515805LG.....	31
Anti-Seize Compound	
27604P.....	27

B

Blower and Fan Kit	
D510717P.....	27
Blower Fan Assembly	
D510139P.....	27
Blower Housing	
D511969WP.....	27
Blower Housing Seal	
D510238P.....	27
Bolt	
29651.....	7
Booster and Holding Coil	
58804A.....	39
59063A.....	39
Bracket	
D510146.....	45
Bumper Pad	
56128.....	41
Burner Assembly	
D510149P.....	39

C

Cabinet Rear Panel	
D514632P.....	41
Cabinet Side Panel	
D510001QP.....	41
D510001WP.....	41
D510002QP.....	41
D510002WP.....	41
Card Reader Shield	
801101.....	43
Caution Label	
D500253.....	23
Clip	
201572.....	13
Coin Cabinet Hardware Kit	
547P3.....	41
Coin Drop	
38963P.....	11
70441601P.....	11

Coin Drop Assembly	
CK114.....	11
38462P.....	11
38463.....	11
38464P.....	11
38467.....	11
38472.....	11
38475.....	11
38519.....	11
38521.....	11
39157.....	11
70441602.....	11
70482401.....	11
Coin Drop Kit	
CK077.....	11
CK123.....	11
Coin Drop Wire Harness	
201104.....	13
Coin Funnel Kit	
523P3.....	7
Coin Identification Paper	
38725.....	13
Coin Slide Guard	
D514726.....	7
Combustion Duct	
D510131.....	37
D510132.....	37
Connector, 2 Circuit	
58799.....	49
Connector, 3 Circuit	
58800.....	51
Contactora	
70323701P.....	43
Contactora Bracket	
D511859.....	43
Control Assembly	
D511867P.....	9
D513139P.....	7
D514273P.....	9
Control Overlay	
D514668.....	9
D514671.....	7
D515058.....	9
Control Panel	
D514711W.....	5
D514724Q.....	7
D514724W.....	7
803964Q.....	15
803964W.....	15
Control Panel and Bracket Assembly	
D500228Q.....	7
D500228W.....	5, 7
D513778Q.....	9
D513778W.....	9
Cylinder Assembly	
D510265LGP.....	31
D510265WP.....	31
Cylinder Baffle	
D510102LG.....	31
D510102W.....	31
Cylinder Belt	
D511255P.....	27

N/A items do not appear in index.

Cylinder Glide	
D513710	31
Cylinder Glide Bracket	
D510145	31
Cylinder Roller	
D510708P	33
Cylinder Roller Bracket	
D510100	33
Cylinder Seal Assembly	
D510207P	31, 33

D

Damper	
58786	41
Din Rail	
M412693	43
Directional Exhaust Kit	
528P3	41
Door and Liner Assembly	
D511636QP	21
Door Assembly	
D516737W	21
Door Catch Assembly	
D510177	23
Door Handle Wedge	
D510129W	19, 21
Door Liner Grill	
D503870LG	21
D503870W	21
Door Pull and Wedge Kit	
D510103QP	19, 21
D510103WP	19, 21
Door Strike	
D510181	19, 21
Door Strike Mount	
D510127	19, 21
Drip Shield	
D514327	23
Dryer Base	
D514245	43
Dryer Door	
D510013QP	19
D510013WP	19
D510082QP	21
D510082WP	21
Dryer Door Window	
D503982P	21
Dual Overlay	
39073	15

E

Elbow Shut-Off Valve	
D510205	39
Electric Clearance Label	
D511005	41
Electrical Shock Label	
F8211201	31
Electronic Coin Drop Assembly	
70294103P	13
70294104	13

N/A items do not appear in index.

70294106	13
70294107	13
70294109	13
70294110	13
70294111	13
70294120	13
70294121	13
70294122	13

Electronic Coin Drop Kit

CK099	13
CK100	13
CK101	13
CK103	13
CK106	13
CK108	13
CK109	13
CK110	13
CK113	13
CK115	13
CK120	13
CK121	13

Electronic Harness

D513828	55, 59, 61
D513830	55, 59, 61
D513833	55, 59
D513835	55, 59
D514094	61
D514096	61

End Stop

70121001	43
----------------	----

Exhaust Duct

D516196	41
---------------	----

Exhaust Warning Label

D500497	41
---------------	----

Expansion Clip

70030501	5, 7, 15, 17
----------------	--------------

Extractor Tool

128P4	53
190P4	53

F

Fabric Selector Switch

61512	5
-------------	---

Felt Pad

D510189	31
---------------	----

Female Piggyback Terminal

00361	49
-------------	----

Female Pin Terminal

00117	51
00128	51
00130	51

Female Spade Terminal

00112	49
00114	49
00115	49
00121	49
00124	49
00156	49
00189	49
00223	49

Female Tab Terminal

00344	49
-------------	----

Female Terminal

00188	53
-------------	----

00255	53
00256	53
Flexible Venting Kit	
521P3	41
Front Bulkhead Assembly	
D510061	31
Front Panel	
D510066QP	23
D510066WP	23
Front Panel Assembly	
D513781WP	25
Front Panel Label	
D514863	23
Front Panel Seal	
D511056	23

G

Gas Clearance Label	
D511004	41
Gas Valve Assembly	
60353P	39
Gas Valve Mounting Bracket	
D510128	39
Glide Kit	
RB170003	31
Graphic Overlay	
D514666	9
Grounding Clip	
00161	49

H

Harness Assembly	
D511327	43
802905	11, 13
Harness Strap	
55881	51
Heat Duct Shroud	
D510101	37
Heater Assembly	
D510324P	35
D510326P	35
D510327P	35
D510329P	35
D510330P	35
Heater Duct Assembly	
D510025P	35, 37
Heater Kit	
964P3	35
965P3	35
Heater Kit Assembly	
61927	35
61929	35
61930	35
Hinge	
D511036	19, 21
Hold Down Kit	
526P3	43
Housing, 10 Position	
D500338	53

I

Idler Lever	
D516310	27
Idler Lever and Wheel Assembly	
D516792	27
Idler Spring	
D510185	27
Idler Wheel and Bearing Assembly	
D510142P	27
Igniter and Bracket Assembly	
D510184P	39
Insulated Female Spade Terminal	
00359	49
00360	51
Insulated Female Terminal	
00165	49

J

Jumper Assembly	
D513246P	59, 61
Jumper Configuration Assembly	
M413507	9

K

Key	
54612	5, 7, 9

L

Label	
D513372	41
805914	9
Lead-In Cord	
D512019	47
Lead-In Cord Assembly	
D503597	47
Lead-In Cord Kit	
61605P	47
Lead-In Pipe AssemblyD	
510204	39
Leveling Leg	
D510135	43
Light	
32464	5
32519	5
801431	7
Limit Thermostat	
D510701	35
D510702	37
Liner and Seal Assembly	
D510098W	21
Liner Door Seal	
D510147P	19, 21
Liner, Seal and Grill Assembly	
D510163WP	19

N/A items do not appear in index.

Lint Filter	
D503980LG.....	31
D503980W.....	31
Lint Filter Label	
D502804.....	23
Lock Cam	
804338.....	5, 7, 9
Lock Kit	
27260P.....	5, 7, 9
L.P. Conversion Kit	
458P3.....	39

M

Male Pin Terminal	
00116.....	51
00127.....	51
00129.....	51
Male Tab Terminal	
00139.....	49
Manual Reset Thermostat	
M411941.....	29
Meter Case Assembly	
804009Q.....	15
804011Q.....	7
804011W.....	7
807396W.....	15
Motor and Pulley Assembly	
D505843P.....	27
D505869P.....	27
D511629P.....	27
Motor Hub Ring Kit	
590P3.....	27
Motor Mount	
D510060.....	27
Motor Mount Clamp	
D510180.....	27
Motor Pulley	
D500011.....	27
D500222.....	27
Motor Shield	
D514602.....	27
Mounting Tool Kit	
CK096.....	13

N

Nut	
201216.....	13
24205.....	5, 7
28447.....	33
29786.....	11, 15
29796.....	7
44071201.....	21
44087201.....	7
52566.....	27
52947.....	5, 7
56156.....	27, 33
N.G. Conversion Kit	
459P3.....	39

O

Outlet Cover	
D500820.....	35, 37
D515573.....	35, 37
Overlay	
D514371.....	5, 7
D514665.....	9
D514667.....	7
D514672.....	9
D514873.....	17
201091.....	15

P

Panel Locator	
56079.....	23, 41
Pinch Warning Label	
F8615701.....	31
Plug	
23040.....	51
54522.....	49
Plug, 1 Circuit	
26302.....	49
Plug, 2 Circuit	
56266.....	51
56448.....	51
Plug, 6 Circuit	
23041.....	49
Plug, 9 Circuit	
23033.....	49
Porcelain Touch-Up Paint	
122P4P.....	41
370P4P.....	41
Power Cord Assembly	
D505945.....	47
D506081.....	47
58992.....	47

R

Ratchet Extension Tool	
310P4.....	53
Rear Access Panel	
803998.....	5, 7, 15, 17
Rear Bulkhead Assembly	
D511082P.....	33
Receptacle Housing	
90789.....	49
Receptacle, 1 Circuit	
26301.....	49
Receptacle, 10 Circuit	
34596.....	49
Receptacle, 12 Circuit	
D501333.....	49
56855.....	49
Receptacle, 2 Circuit	
56265.....	51
56451.....	51
Receptacle, 3 Circuit	
23039.....	51

N/A items do not appear in index.

36170	49
Receptacle, 6 Circuit 26708	49
Receptacle, 9 Circuit 26163	49
Resistor 210100	9
Retaining Ring 23748	27, 33
Ring Terminal 00110	49
00111	49
Roller Kit RB170002	33
Rubber Foot D501855	43

S

Screw	
D500226	21
D500824	27
D501285	31, 33
D501524	9
D502431	5
D502535	29
D503661	45
D503688	5, 7, 9, 15, 17, 23, 27, 31, 33, 35, 37, 39, 41, 45
D505295	19, 21, 31
D505870	21
20530	47
23222	35, 39
27328	5, 7
28448	33
31260	27
33562	23
36048	45
39733	23, 41
500226	21
51782	37, 39
52864	31
56124	39
61199	33
62588	31
62853	23
70240301	5, 7, 15, 17
Seal Kit RB170001	31, 33
Secondary Coil 58804B	39
59063B	39
Security Cabinet Front Assembly 804147WP	17
Security Cabinet Wire Harness Assembly D510654P	55
Sensor D510213	39
Shaft 56461P	27, 33
Shield Bracket 804018	5, 7, 9, 17
Single Overlay 38717	15

Slide Extension Kit 201915	7
Spade Terminal 00245	49
Speed Clip 28835	23
Strain Relief D502500	47
38384	47
52113	47
52151	47
60298	47
Strain Relief Adapter D502496	47
Switch D512973	7, 15, 23
Switch Assembly 55882	5, 7
Switch Knob 39897	5, 7

T

Temperature Selector Switch D511711	7
Terminal 00252	49
00347	49
Terminal Block Assembly D510190P	33
Terminal Block Shield D510237	33
D514330	33
Terminal Extractor Tool 283P4	53
Thermal Fuse Assembly D511412	35
Thermistor Assembly D502366	29
D510523	29
Thermostat D510703	37
D511887	29
Thermostat Shield D514325	27
Timer D510525P	5
Timer Knob 54678	5
Timer Overlay D514710	5
Top Hinge D510136	45
Top Kit D510032QP	45
D510032WP	45
Torx Bit 281P4	53
282P4	53
292P4	53
Torx Drive Tool 93501	53

N/A items do not appear in index.

Transformer	
201375P	9
201587P	7
201616P	7
210018P	9
803527P	9
Transformer Kit	
D511658P	43

Wire, 12 Gauge	
45380	55, 57, 59, 61
Wire, 18 Gauge	
45001	55, 57, 59, 61
Wrapper Assembly	
804104Q	7, 15
804104W	7, 15
804112W	5, 17

V

Valve Assembly	
60443P	39

W

Warning Label	
D502825	23
D512263	23
D514226	23
Warning/Caution Label	
D500281	23
Washer	
D501307	45
D504082	33
03815	7
25820	5, 7
28449	33
52549	27, 33
91176	5, 7
Window Clip	
D513958	21
Window Trim	
D503981Q	21
D503981W	21
Wire Assembly	
D510527	35
D510528	35
Wire Clip	
D504034	51
687500	51
Wire Configuration Assembly	
D512273P	59, 61
D512275P	59, 61
Wire Guard	
201595P	11
Wire Harness Assembly	
D510468P	55
D511303	43
D511757	57
D512422P	59, 61
D513820	9
D513825	57
D513827	57
D513837	55, 59
D513838	55
D513839	55, 59
D513841	55, 59
D513843	55, 59
D513848	59
D514080	61
D514082	61
Wire Tie	
38663	51

N/A items do not appear in index.