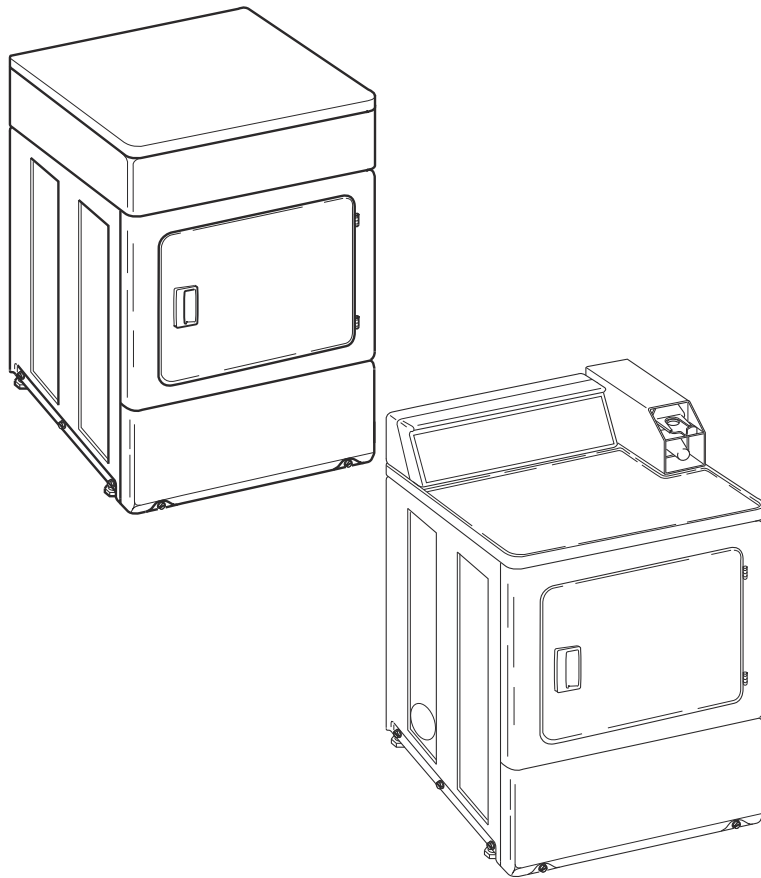


Commercial Dryers

Metered and Nonmetered
Refer to Page 5 for Model Numbers



DRY692C_516442

Table of Contents

Title	Page
Parts Ordering Information.....	3
Serial Plate Location	3
Model Identification.....	5
Control Panel, Control Hood and Controls - Nonmetered Rear Control Models.....	6
Control Panel and Control Hood - Coin Slide Rear Control Models.....	8
Control Panel and Controls - Rear Control Coin Drop Models.....	10
Control, Meter Case and Service Door - Coin Slide Rear Control Models.....	12
Coin Slide Extension Through Serial No. 1211 - Coin Slide Rear Control Models	14
Coin Slide Extension Starting Serial No. 1211 - Coin Slide Rear Control Models	16
Non-Electronic Coin Drop - Rear Control Models	18
Electronic Coin Drop - Rear Control Models	20
Meter Case - Rear Control Coin Drop Models	22
Cabinet Top - Rear Control Models	24
Control Panel and Controls - Front Control Coin Drop and Card Models	26
Non-Electronic Coin Drop - Front Control Models.....	28
Electronic Coin Drop - Front Control Models	30
Control Cabinet Controls - Front Control Coin Drop Models.....	32
Cabinet Top - Front Control Coin Slide Ready, Coin Drop Ready, Coin Drop Installed and Card Reader Ready Models	34
Control Cabinet - Front Control Non-Vend Models	36
Loading Door with Window	38
Loading Door without Window (Drawing 1 of 2).....	40
Loading Door without Window (Drawing 2 of 2).....	42
Access Panel, Front Panel and Seal	44
Motor and Belt.....	46
Exhaust Fan and Idler Assembly	48
Thermistor and Thermostat.....	50
Front Bulkhead, Air Duct, Felt Seal and Cylinder with Light	52
Front Bulkhead and Air Duct without Light.....	54
Felt Seal and Cylinder without Light	56
Rear Bulkhead, Felt Seal and Cylinder Roller	58
Terminal Block - Gas and 1 Phase Electric Models	60
Terminal Block - 3 Phase Electric Models.....	62
Heater Duct Assembly - 3 Phase	64
Heater Duct and Element Assembly - 1 Phase.....	66
Heater Duct Assembly	68
Gas Valve	70
Burner Orifice Spuds - For Higher Elevations.....	72
Igniter and Gas Conversion Kits	74
Cabinet, Exhaust Duct and Base	76
Contactor and Transformer.....	78

© Copyright 2019, Alliance Laundry Systems LLC

All rights reserved. No part of the contents of this book may be reproduced or transmitted in any form or by any means without the expressed written consent of the publisher.

Power Cord	80
Strain Relief	82
Terminal Block and Terminals	84
Terminals	86
Motor Connection Block and Tools	88
Wire Harnesses and Wires - Through Serial No. 1401	90
Wire Harnesses and Wires - Starting Serial No. 1401	92
Wire Harnesses and Wires - Front Control Models Starting Serial No. 0904 and Continuing Through Serial No. 1401	94
Wire Harnesses and Wires - Front Control Models Starting Serial No. 1401	96
Wire Harnesses and Wires - Front Control Models Starting Serial No. 0904 and Continuing Through Serial No. 1303025314	98
Wire Harnesses and Wires - Front Control Models Starting Serial No. 13030252315	100
Wire Harnesses and Wires - Rear Control Models Through Serial No. 1207	102
Wire Harnesses and Wires - Rear Control Models Starting Serial No. 1207 (Drawing 1 of 2)	104
Wire Harnesses and Wires - Rear Control Models Starting Serial No. 1207 (Drawing 2 of 2)	106
Parts Index	109

Parts Ordering Information

If literature or replacement parts are required, contact the source from whom the machine was purchased or contact Alliance Laundry Systems at (920) 748-3950 for the name and address of the nearest authorized parts distributor.

For technical assistance, call the number listed below:

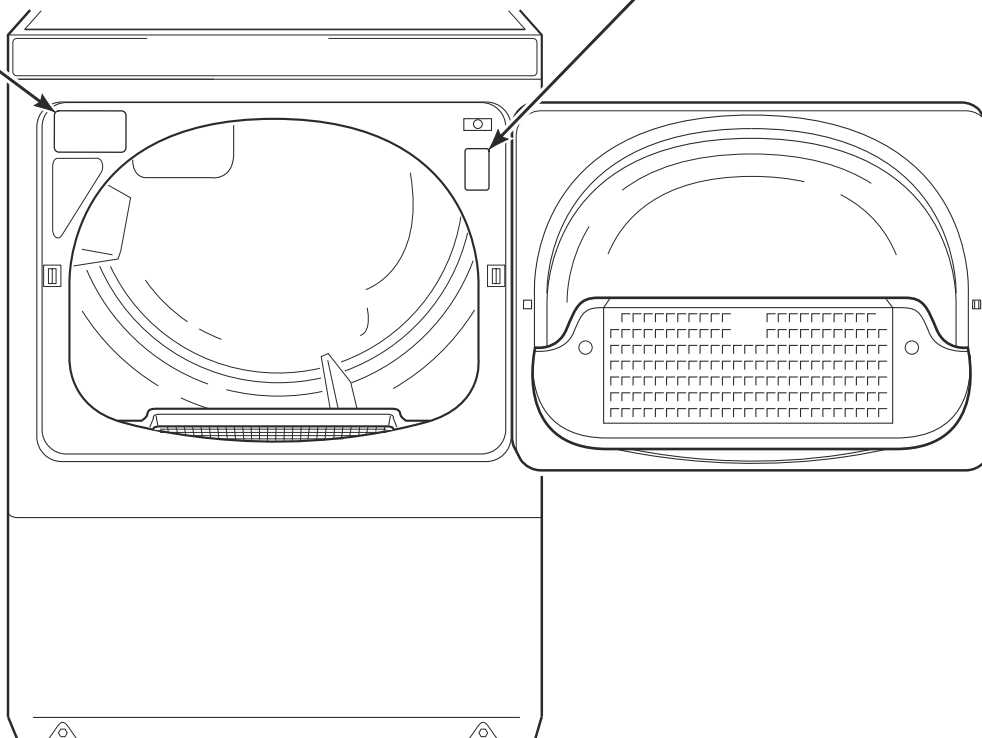
(920) 748-3121 Ripon, Wisconsin

Serial Plate Location

When calling or writing about your product, be sure to mention model and serial numbers. Model and serial numbers are located on serial plate(s) as shown.

SERIAL PLATE
(Models starting Serial No. 1206025810)

SERIAL PLATE
(Models through Serial No. 1206025809)



DRY2283P_516442

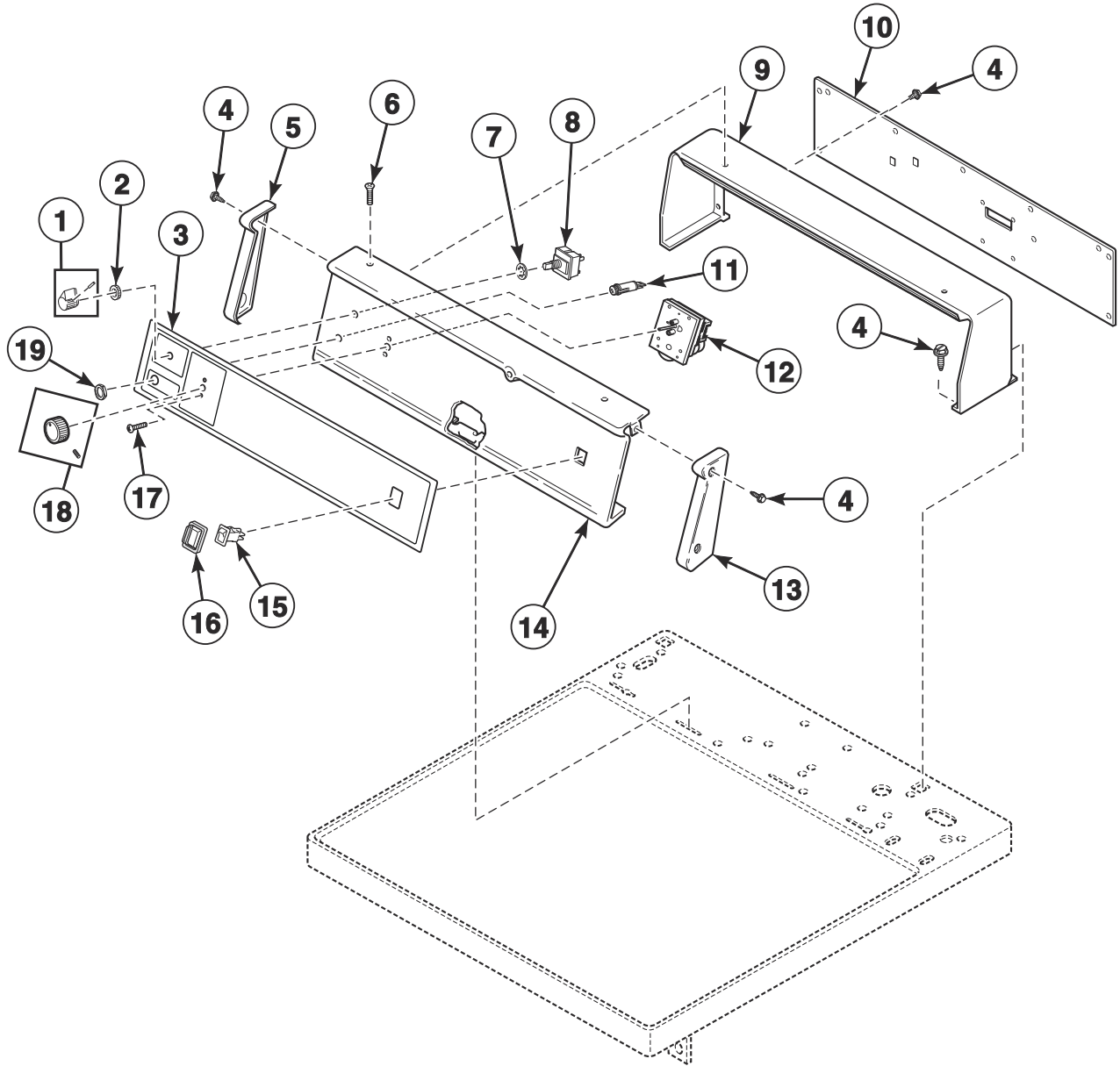
Model Identification

Information in this manual is applicable to these dryer models:

BDEBEFGS171CN01
BDEBEFGS171CW01
BDEBLFGS431AW01
BDEMNRGS431AW01
BDGBEFGS111CN01
BDGBEFGS111CW01
BDGBLFGS301AW01
BDGBLFGW541NW01
BDGBXRGs301AW01
BDGMNRGS301AW01
HDEBXFGS131DW01
HDEBXFGS541DW01
HDEBXRGs171FW28
HDGBXFGS121DW01
HDGBXFGS541DW01
JDEBEFGW301EW01
JDEBGFGW301EW01
JDEBGFSW301EN01
JDGBEFGW301EW01
JDGBGFGW301EW01
JDGBGFSW301EN01
KU3MNFCS401NN01
NDEBXRGs301NW22
SDEBXFGS131DW01
SDEBXFGS541DW01
SDEBXRGs301NW22
SDESXRGs151CW02
SDESXRGs171CW02
SDESXRGs541NW22
SDGBXFGS121DW01
SDGBXFGS541DW01
SDLSXRGs541NQ23
SDLSXRGs541NW23

Control Panel, Control Hood and Controls - Nonmetered Rear Control Models

Models BDEMNRGS431AW01 and BDGMNRGS301AW01



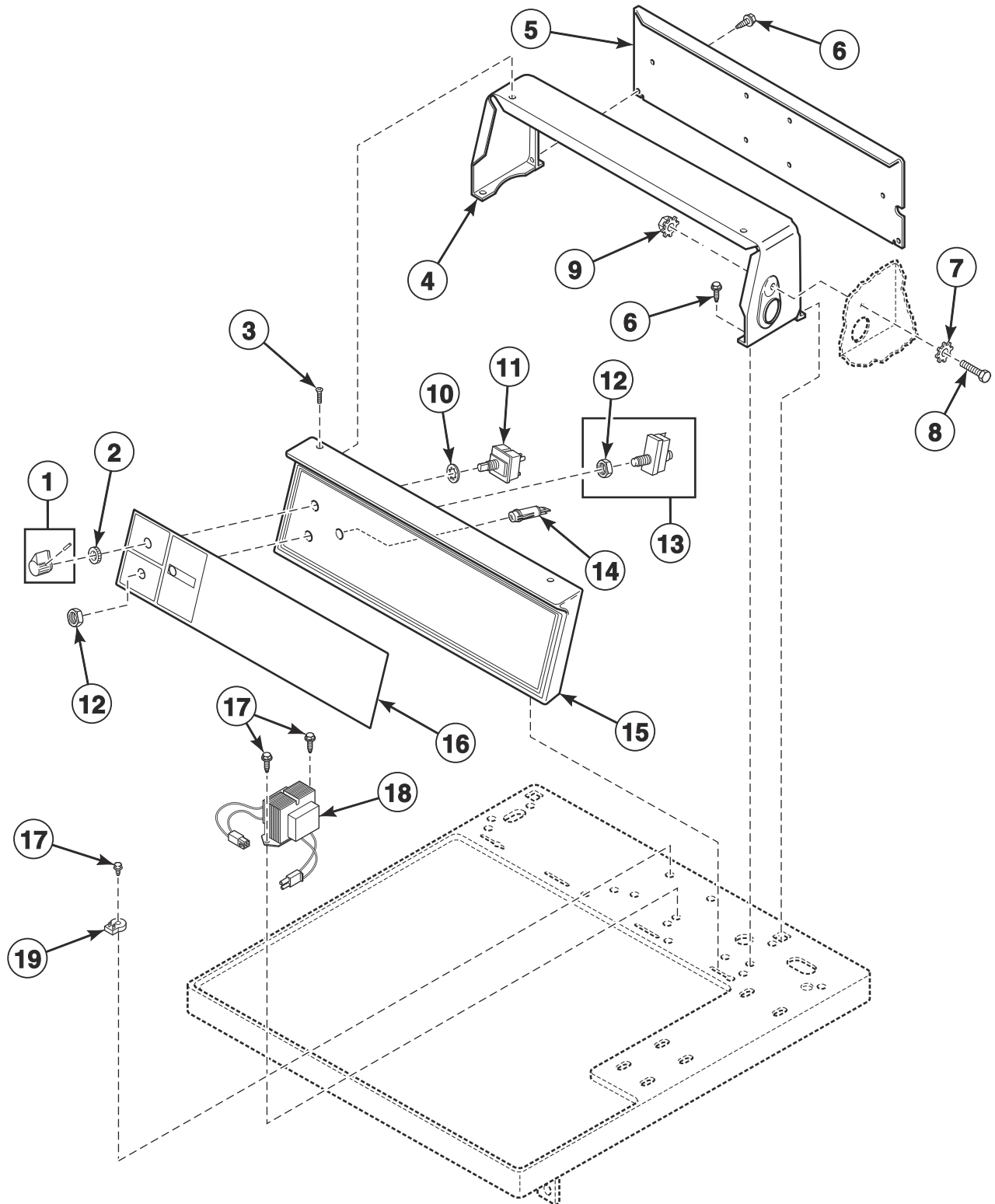
DRY2099P_516442

Control Panel, Control Hood and Controls - Nonmetered Rear Control Models

REF	PART NO.	DESCRIPTION	COMMENTS
1	39897	Switch Knob	
2	24205	Nut	
3	D512927	Control Panel Overlay	
4	D501086	Screw	
5	210109W	End Cap	Left
6	52864	Screw	Phillips head
	35528	Screw	Torx head
7	91176	Washer	
8	61512	Fabric Selector Switch	
9	D511253W	Control Hood	White
	D511253L	Control Hood	Almond
	D511253Q	Control Hood	Bisque
10	D511254	Rear Panel	
11	32519	Light	
12	D510525P	Timer	240 Volt/50 Hertz
13	210108W	End Cap	Right
14	D512533W	Control Panel Assembly	White
	D512533Q	Control Panel Assembly	Bisque
15	70455101	Rocker Switch	Refer to instructions supplied with part for proper installation
16	D512870P	Push-to-Start Switch Boot	
17	27328	Screw	
18	54678	Timer Knob	
19	52947	Nut	

Control Panel and Control Hood - Coin Slide Rear Control Models

Models SDESXRG151CW02, SDESXRG171CW02, SDESXRG541NW22,
SDLSXRG541NQ23 and SDLSXRG541NW23



DRY2055P_516442

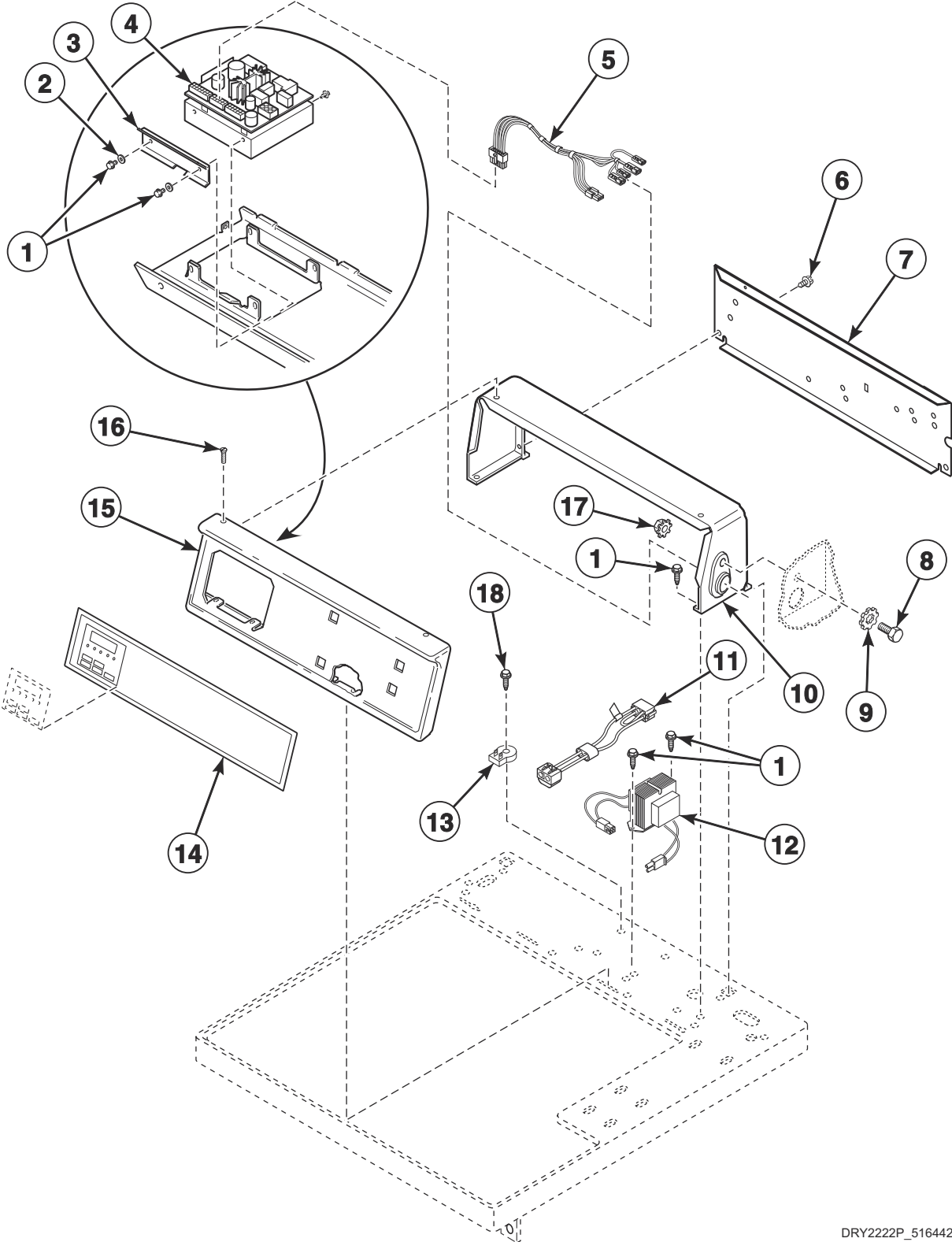
Control Panel and Control Hood - Coin Slide Rear Control Models

REF	PART NO.	DESCRIPTION	COMMENTS
1	39897	Switch Knob	
2	24205	Nut	
3	52864	Screw	
	35528	Screw	Optional for added security
4	D502567W	Control Hood	White
	D502567L	Control Hood	Almond
	D502567Q	Control Hood	Bisque
5	D505798	Hood Back Plate	
6	D501086	Screw	
7	M400017	Washer	
8	02916	Screw	
9	29786	Nut	
10	91176	Washer	
11	D511711	Temperature Selector Switch	
12	52947	Nut	
13	55882	Switch Assembly	Includes item 12
14	801431	Light	
15	D501738W	Control Panel and Bracket Assembly	White
	N/A	Control Panel and Bracket Assembly	Almond
	D501738Q	Control Panel and Bracket Assembly	Bisque
16	D512489	Control Panel Overlay	
17	D503661	Screw	
18	201616P	Transformer	
19	210100	Resistor	

N/A = Part no longer available

Control Panel and Controls - Rear Control Coin Drop Models

Models BDGBXRG301AW01, HDEBXRG301FW28, NDEBXRG301NW22 and SDEBXRG301NW22



DRY2222P_516442

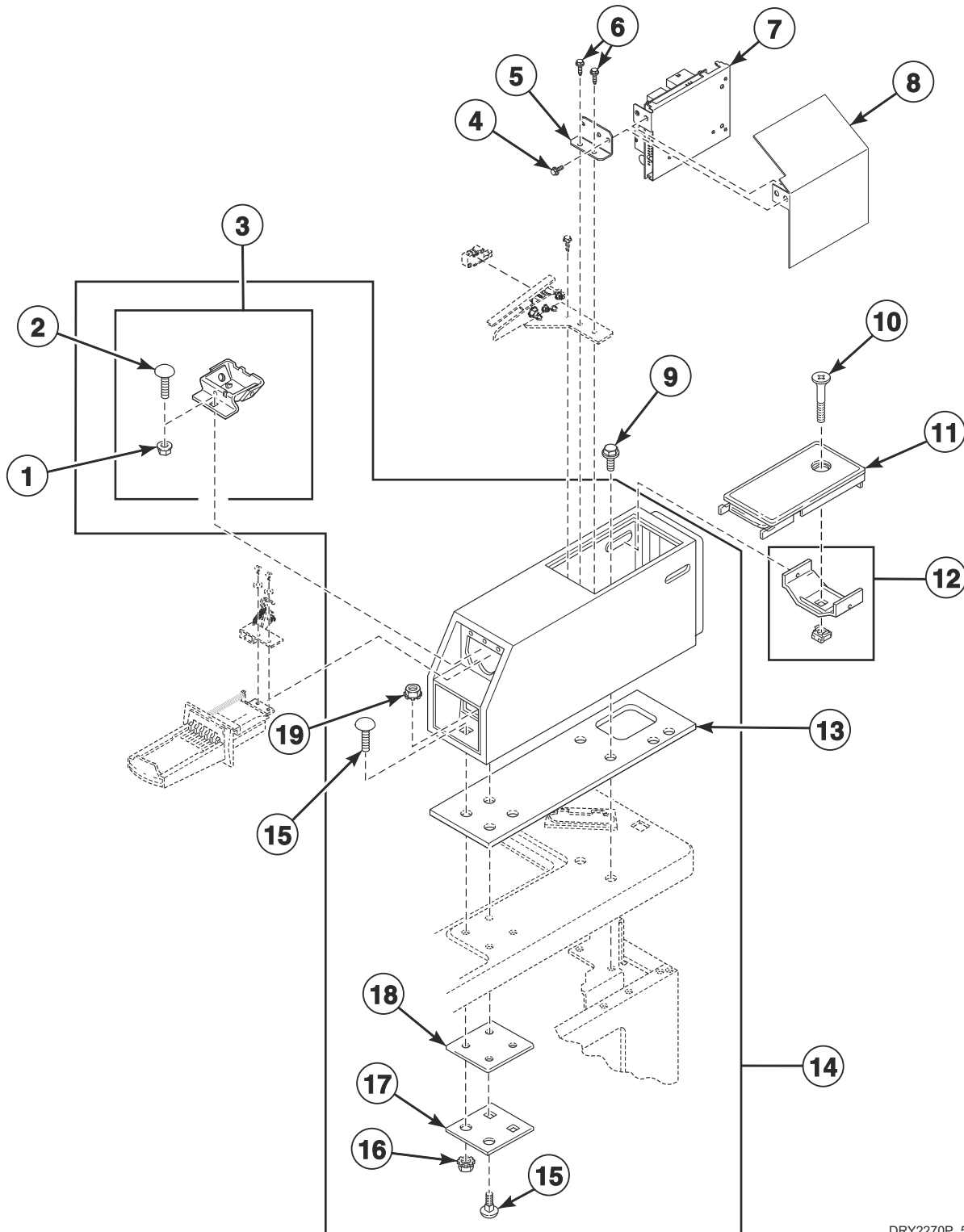
Control Panel and Controls - Rear Control Coin Drop Models

REF	PART NO.	DESCRIPTION	COMMENTS
	905P3	Security Kit	Hood lock
1	D503688	Screw	
2	200608	Washer	
3	D510083	Control Shield	
4	D511867P	Control Assembly	
5	802905	Harness Assembly	Coin drop
6	D501086	Screw	
7	N/A	Hood Back Panel	Model BDGBXRG301AW01
	D505798	Hood Back Plate	All other models
8	02916	Screw	
9	M400017	Washer	
10	D502567W	Control Hood	White
	D502567L	Control Hood	Almond
	D502567Q	Control Hood	Bisque
11	M413507	Jumper Configuration Assembly	Attaches to 210019 Transformer; Models BDGBXRG301AW01, NDEBXRG301NW22 and SDEBXRG301NW22
12	803527P	Transformer	Model BDGBXRG301AW01
	201375P	Transformer	Some models may have jumper wire attached to transformer. Discard jumper wire when replacing transformer; Model HDEBXRG301FW28
	210018P	Transformer	All other models
13	210100	Resistor	
14	D513036	MDC Overlay	Model BDGBXRG301AW01
	D511431	MDC Overlay	Model HDEBXRG301FW28
	D511429	MDC Overlay	All other models
15	D510067W	Control Panel	White
	D510067L	Control Panel	Almond
	D510067Q	Control Panel	Bisque
16	52864	Screw	Phillips head
	35528	Screw	Torx head
17	52566	Nut	
18	D503661	Screw	

N/A = Part no longer available

Control, Meter Case and Service Door - Coin Slide Rear Control Models

Models NDEBXRGS301NW22, SDEBXRGS301NW22, SDESXRGS151CW02, SDESXRGS171CW02, SDESXRGS541NW22,
SDLSXRGS541NQ23 and SDLSXRGS541NW23



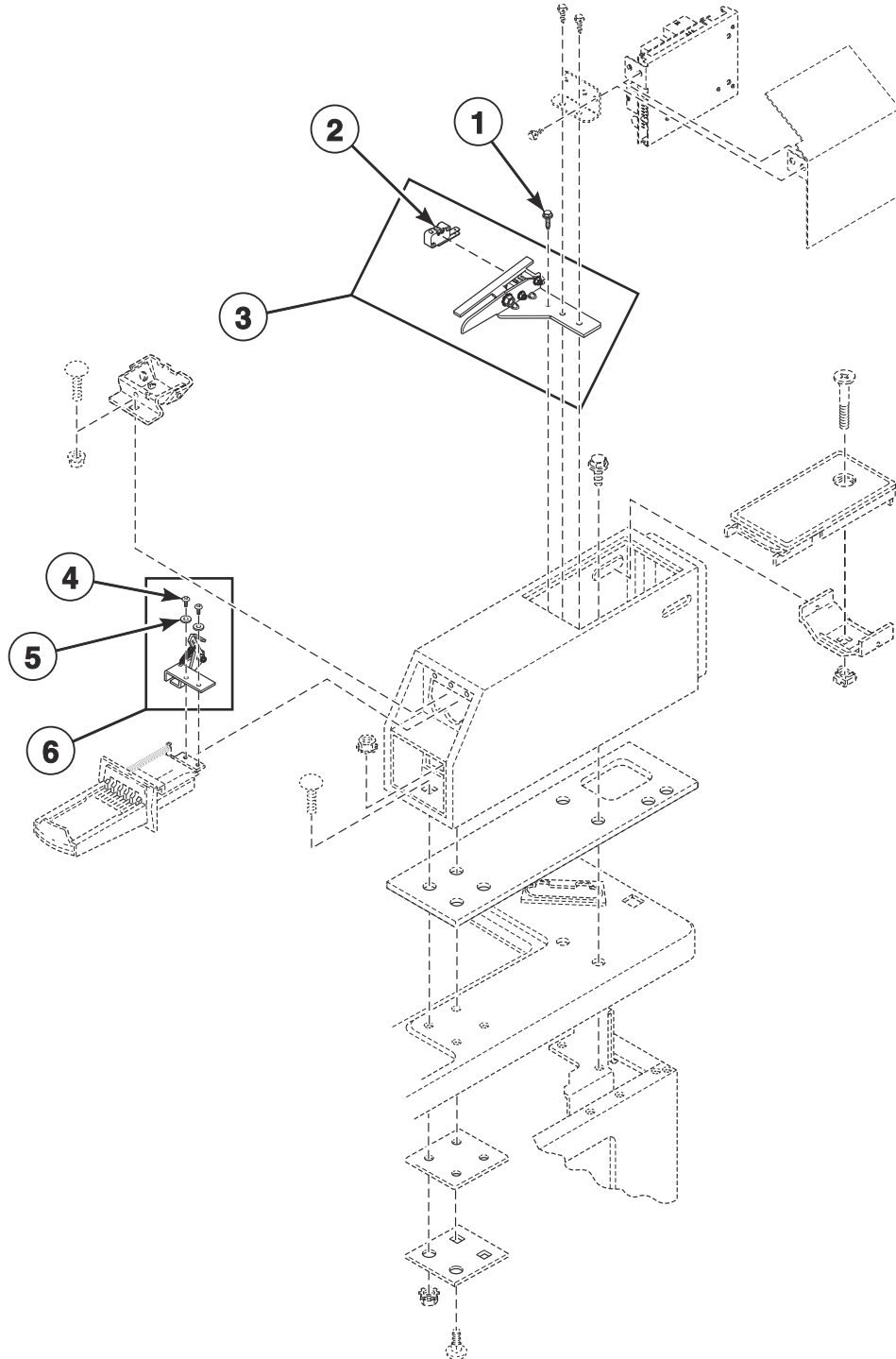
DRY2270P_516442

Control, Meter Case and Service Door - Coin Slide Rear Control Models

REF	PART NO.	DESCRIPTION	COMMENTS
1	29796	Nut	
2	29651	Bolt	
3	523P3	Coin Funnel Kit	
4	D501524	Screw	
5	201581	Chassis Mounting Bracket	
6	D503688	Screw	
7	D513139P	Control Assembly	
8	D510083	Control Shield	Models NDEBXRGS301NW22 and SDEBXRGS301NW22
	D512304	Control Shield	All other models
9	36048	Screw	
10	D503673	Screw	
11	39874WP	Service Door Assembly	White
	39874QP	Service Door Assembly	Bisque
12	204616	Meter Case Locking Bracket Kit	
13	26354	Meter Case Gasket	
14	202877W	Meter Case Assembly	White; Includes items 3, 13 and 15-19; Models NDEBXRGS301NW22 and SDEBXRGS301NW22
	807402W	Meter Case Assembly	White; Includes items 3, 13 and 15-19; Models SDESXRGS151CW02 and SDESXRGS171CW02
	807398W	Meter Case Kit	White; Includes items 3, 13 and 15-19; All other models
	201010QP	Meter Case Kit	Bisque; Includes items 3, 13 and 15-19; All other models
15	203798	Bolt	
16	29786	Nut	
17	35525	Meter Case Lockdown Bracket	
18	35526	Meter Case Bracket Gasket	
19	802337	Nut	

Coin Slide Extension Through Serial No. 1211 - Coin Slide Rear Control Models

Models SDESXRG541NW22, SDLSXRG541NQ23 and SDLSXRG541NW23



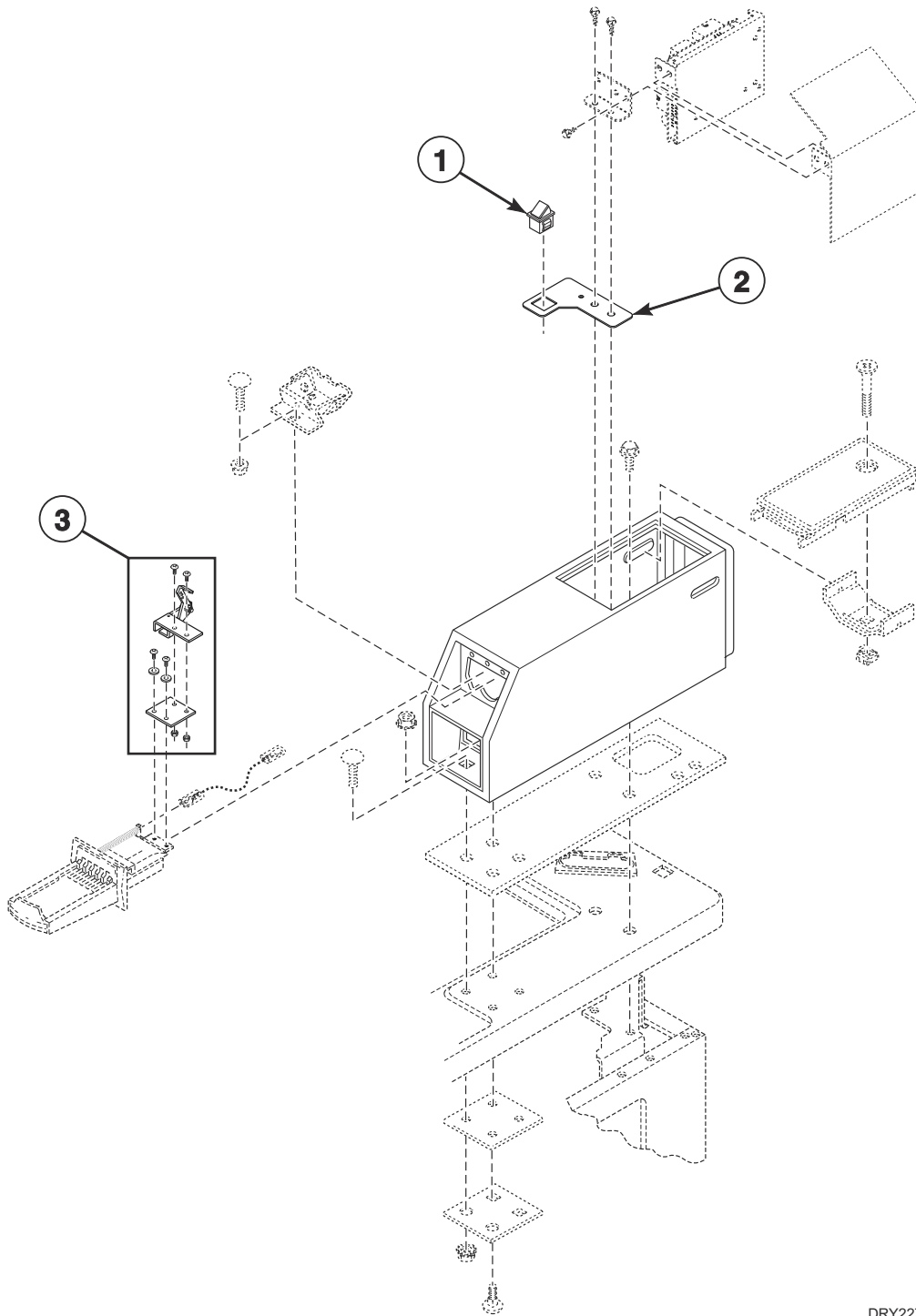
DRY2270PA_516442

Coin Slide Extension Through Serial No. 1211 - Coin Slide Rear Control Models

REF	PART NO.	DESCRIPTION	COMMENTS
1	51782	Screw	
2	201952	Switch	
3	201917P	Switch Mount Assembly	Includes item 2; Some models may have a 3/16 inch spade terminal on the coin slide switch; When replacing switch mount assembly on these models, the control wire harness must also be replaced
4	27328	Screw	
5	03815	Washer	
6	D514228	Coin Slide Extension Kit	

Coin Slide Extension Starting Serial No. 1211 - Coin Slide Rear Control Models

Models SDESXRG151CW02, SDESXRG171CW02, SDESXRG541NW22,
SDLSXRG541NQ23 and SDLSXRG541NW23



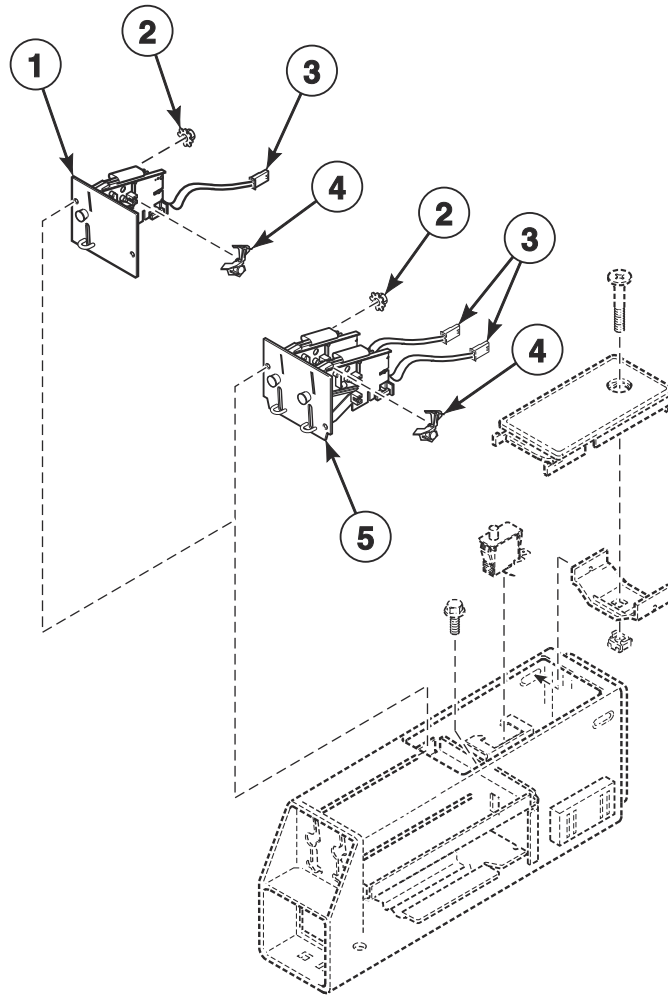
DRY2275P_516442

Coin Slide Extension Starting Serial No. 1211 - Coin Slide Rear Control Models

REF	PART NO.	DESCRIPTION	COMMENTS
1	431159	Switch	
2	803662	Bracket	
3	200913	Coin Slide Extension Kit	Includes spring and items 1 and 2
	804794	Spring	

Non-Electronic Coin Drop - Rear Control Models

Models BDGBXRGS301AW01 and HDEBXRGS171FW28



DRY2094P_516442

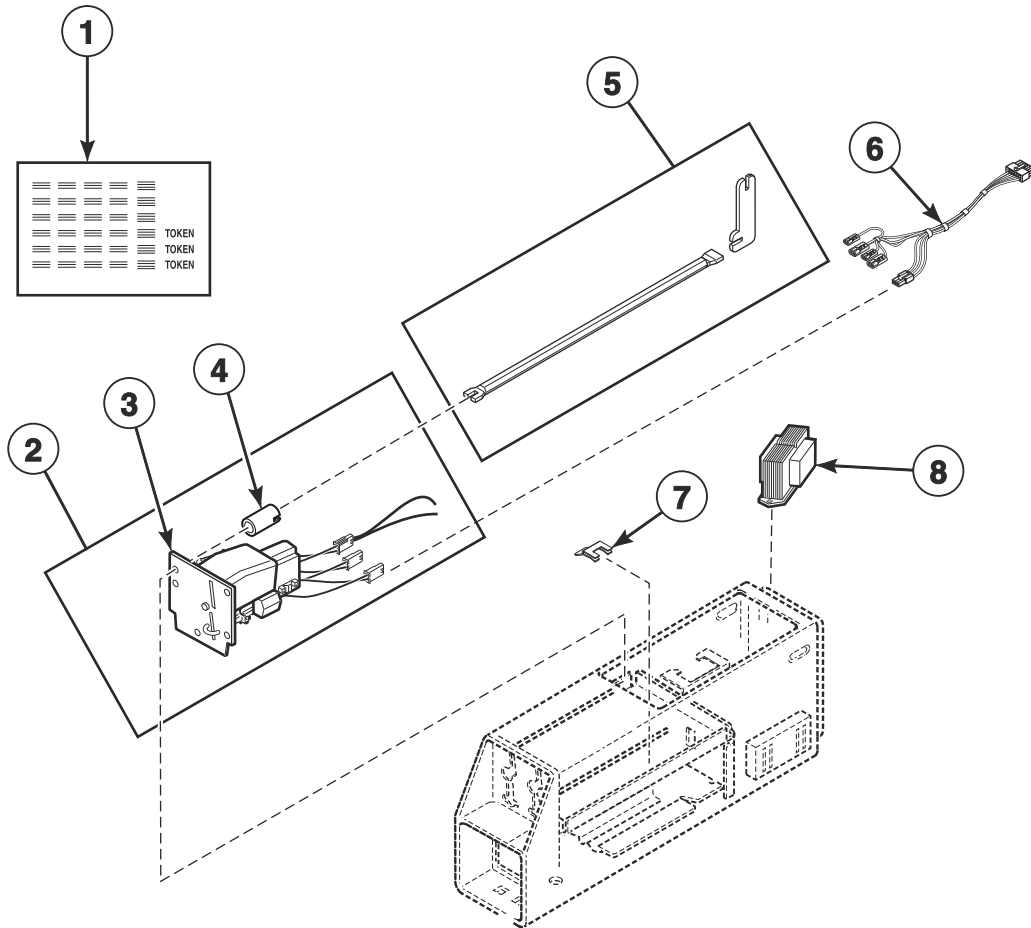
Non-Electronic Coin Drop - Rear Control Models

REF	PART NO.	DESCRIPTION	COMMENTS
1	38462P	Coin Drop Assembly	Token; 118-1 mzp; .880 diameter x .079 thick; Brass
	38463	Coin Drop Assembly	Token; 118-5 mzp; .990 diameter x .081 thick; Silver
	38464P	Coin Drop Assembly	Canada; .25
	38475	Coin Drop Assembly	Japan; 100 yen
	CK077	Coin Drop Kit	Taiwan; 10 NT
	70441601P	Coin Drop	U.S.; \$.25
	38963P	Coin Drop	Token 118-16 not available; Replacement for 38963P Coin Drop only
	CK114	Coin Drop Assembly	Singapore; Old 1.00
	CK123	Coin Drop Kit	Singapore; New 1.00
2	29786	Nut	
3	200674P	Opto Coupler	
4	201595P	Wire Guard	Anti-stringing security device; Add to coin drops beginning January 2005
5	70441602	Coin Drop Assembly	Canada; .25 and 1.00
	38467	Coin Drop Assembly	Australia; .20 and 1.00
	N/A	Coin Drop Assembly	Belgium, Denmark, France, Italy and Taiwan coins
	38472	Coin Drop Assembly	England; 20 pence and 1 pound
	38519	Coin Drop Assembly	Japan; 100 and 500 yen
	38521	Coin Drop Assembly	Korea; 100 and 500 won
	N/A	Coin Drop Assembly	New Zealand; .20 and 1.00
	70482401	Coin Drop Assembly	New Zealand; 1.00 and 2.00
39157	Coin Drop Assembly	Israel; 1 and 5 shekel	

N/A = Part no longer available

Electronic Coin Drop - Rear Control Models

Models BDGBXRGS301AW01 and HDEBXRGS171FW28



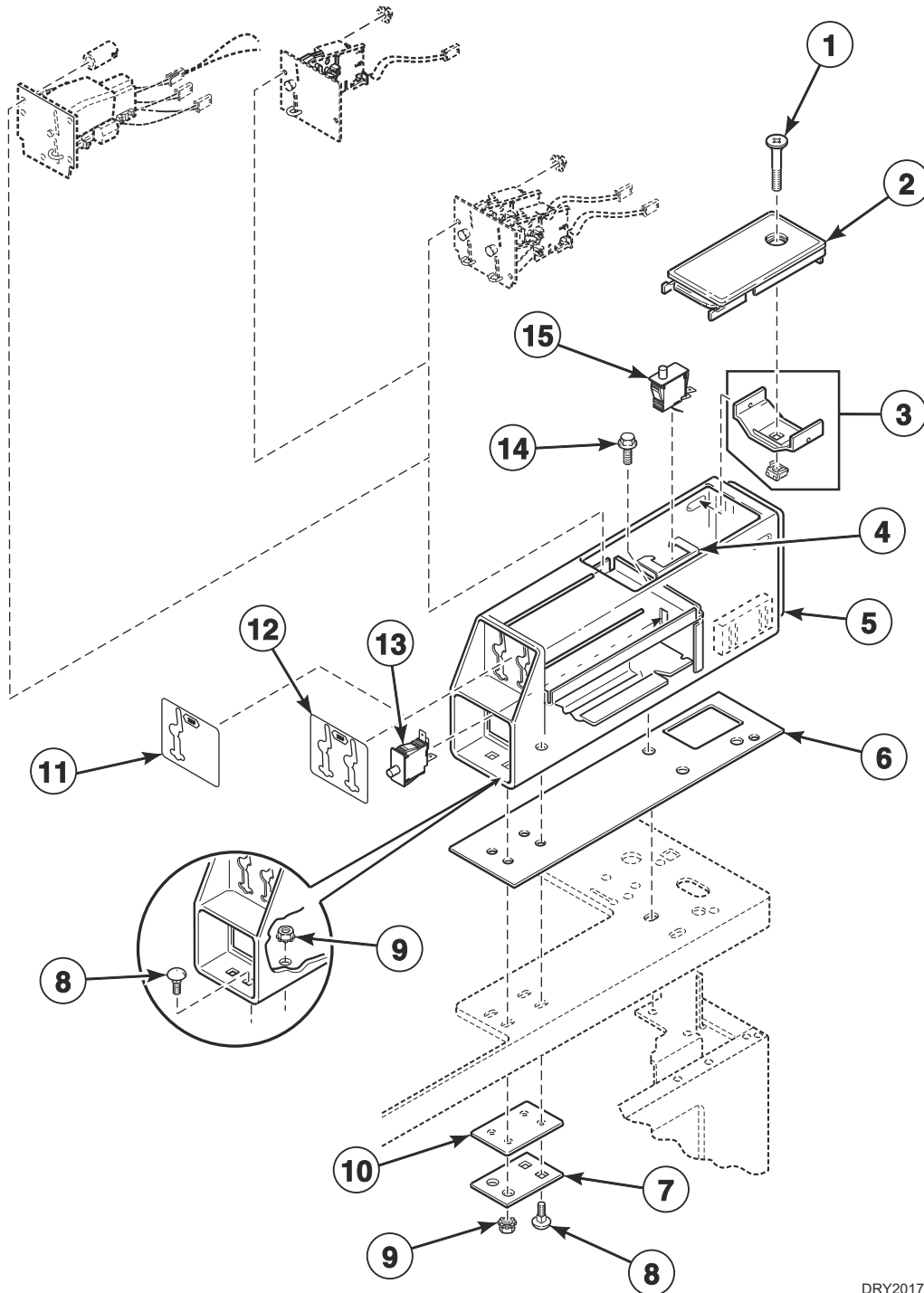
DRY2156P_516442

Electronic Coin Drop - Rear Control Models

REF	PART NO.	DESCRIPTION	COMMENTS
1	38725	Coin Identification Paper	For use with items 2 and 3
2	CK099	Electronic Coin Drop Kit	Includes items 3-4; Australia, New Zealand, Hong Kong and South Korea coins
	CK100	Electronic Coin Drop Kit	Includes items 3-4; Euro and Great Britain coins
	CK101	Electronic Coin Drop Kit	Includes items 3-4; Euro, Denmark and Norway coins
	CK103	Electronic Coin Drop Kit	Includes items 3-4; Euro, Lithuania and Latvia coins
	CK106	Electronic Coin Drop Kit	Includes items 3-4; Malaysia, Russia, China and Singapore coins
	CK108	Electronic Coin Drop Kit	Includes items 3-4; South Africa coins
	CK109	Electronic Coin Drop Kit	Includes items 3-4; Euro coins
	CK110	Electronic Coin Drop Kit	Includes items 3-4; Mexico, Ecuador and United States coins
	CK113	Electronic Coin Drop Kit	Includes items 3-4; Japan and Taiwan coins
	CK115	Electronic Coin Drop Kit	Includes items 3-4; United States and Canada coins
	CK120	Electronic Coin Drop Kit	Includes items 3-4; Chile coins
	CK121	Electronic Coin Drop Kit	Includes items 3-4; Singapore coins
3	70294103P	Electronic Coin Drop Assembly	Euro and Great Britain coins
	70294104	Electronic Coin Drop Assembly	Euro, Denmark and Norway coins
	70294106	Electronic Coin Drop Assembly	Mexico, Ecuador and United States coins
	70294107	Electronic Coin Drop Assembly	Euro, Lithuania and Latvia coins
	70294109	Electronic Coin Drop Assembly	Malaysia, Russia, China and Singapore coins
	70294110	Electronic Coin Drop Assembly	South Africa coins
	70294111	Electronic Coin Drop Assembly	Euro coins
	70294120	Electronic Coin Drop Assembly	Chile coins
	70294121	Electronic Coin Drop Assembly	Singapore coins
4	201216	Nut	For use with items 2 and 3
5	CK096	Mounting Tool Kit	For use with items 2 and 3
6	802905	Harness Assembly	Electronic coin drop requires this harness. If unit is not factory-equipped with this harness, it must be ordered separately.
7	201572	Clip	For use with items 2 and 3
8	201375P	Transformer	Electronic coin drop requires this transformer. If unit is not factory-equipped with this transformer, it must be ordered separately.

Meter Case - Rear Control Coin Drop Models

Models BDGBXRG301AW01 and HDEBXRG171FW28

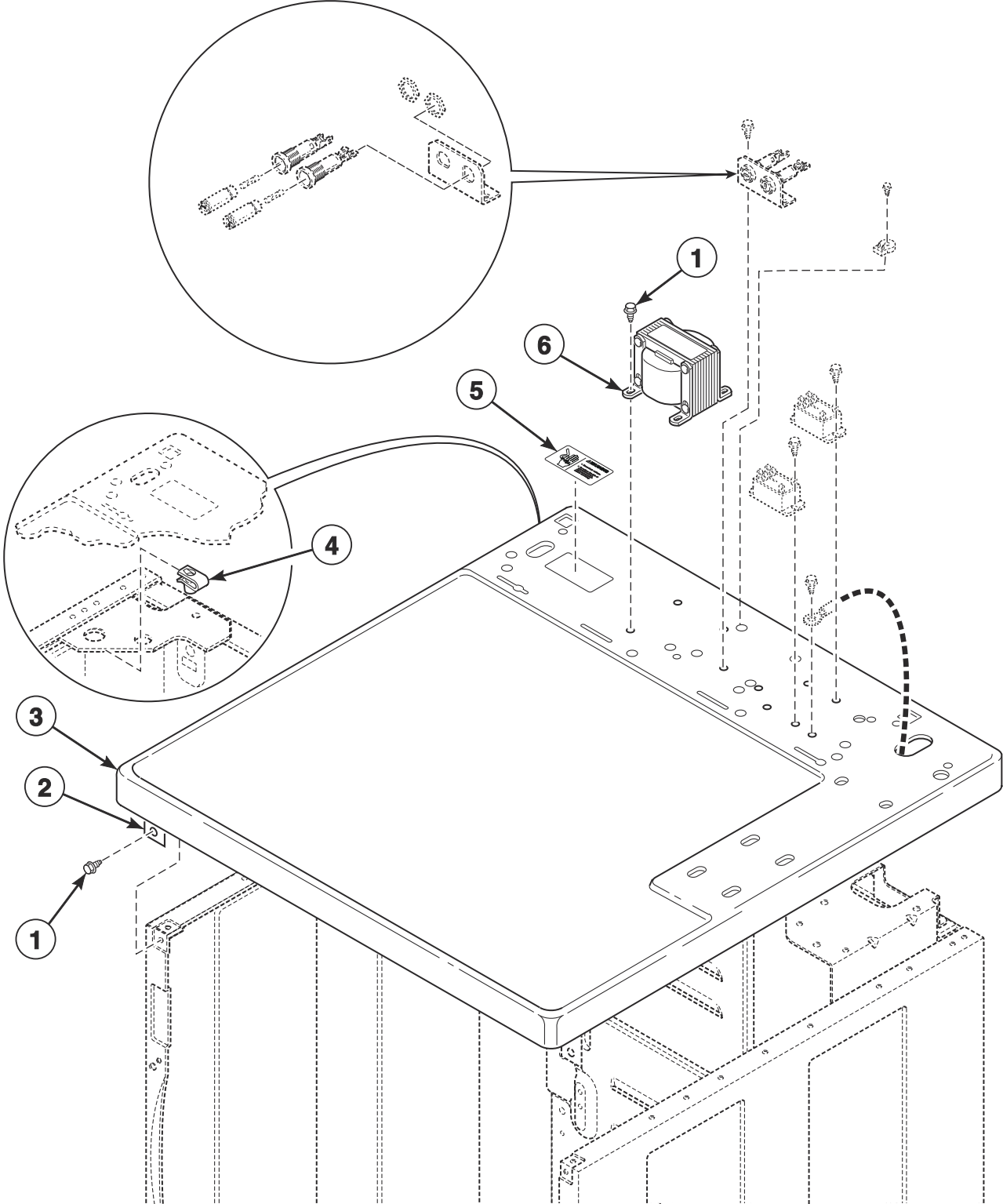


DRY2017P_516442

Meter Case - Rear Control Coin Drop Models

REF	PART NO.	DESCRIPTION	COMMENTS
1	D503673	Screw	
2	39874WP	Service Door Assembly	White
	39874LP	Service Door Assembly	Almond
	39874QP	Service Door Assembly	Bisque
3	204616	Meter Case Locking Bracket Kit	
4	38087	Door Switch Bracket	Model BDGBXRGS301AW01
5	202877W	Meter Case Assembly	White
	38724L	Meter Case Assembly	Almond
	38724Q	Meter Case Assembly	Bisque
6	26354	Meter Case Gasket	
7	35525	Meter Case Lockdown Bracket	
8	203798	Bolt	
9	29786	Nut	
10	35526	Meter Case Bracket Gasket	
11	38717	Single Overlay	For non-electronic coin drops
	201091	Overlay	For electronic coin drops
12	39073	Dual Overlay	
13	D512973	Switch	Used through Serial No. 1810000001
	70529301	Switch	Used through Serial No. 1810000001
14	36048	Screw	
15	D512973	Switch	Used through Serial No. 1810000001

Cabinet Top - Rear Control Models

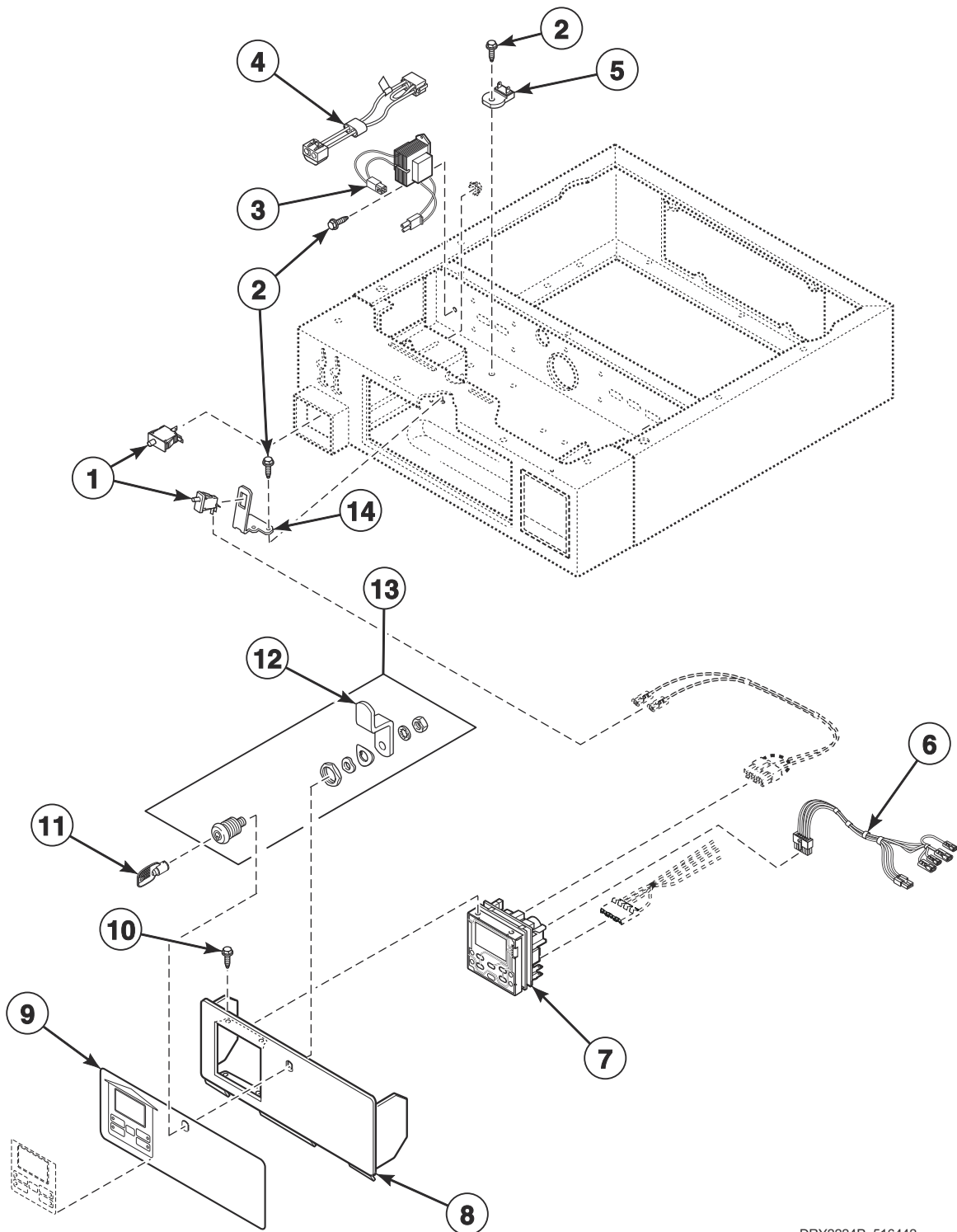


DRY2157P_516442

Cabinet Top - Rear Control Models

REF	PART NO.	DESCRIPTION	COMMENTS
1	D503688	Screw	
2	D510146	Bracket	
3	D511530WP	Top Panel Kit	White; Models BDEMNRGS431AW01 and BDGMNRGS301AW01
	D511530LP	Top Panel Kit	Almond; Models BDEMNRGS431AW01 and BDGMNRGS301AW01
	D511527WP	Top Kit	White; All other models
	D511527LP	Top Kit	Almond; All other models
	D511527QP	Top Kit	Bisque; All other models
4	27222	Nut	
5	D505281	Disconnect Power Warning Label	
6	803527P	Transformer	Models NDEBXRGS301NW22 and SDEBXRGS301NW22
	201587P	Transformer	Models SDESXRGS151CW02 and SDESXRGS171CW02

Control Panel and Controls - Front Control Coin Drop and Card Models



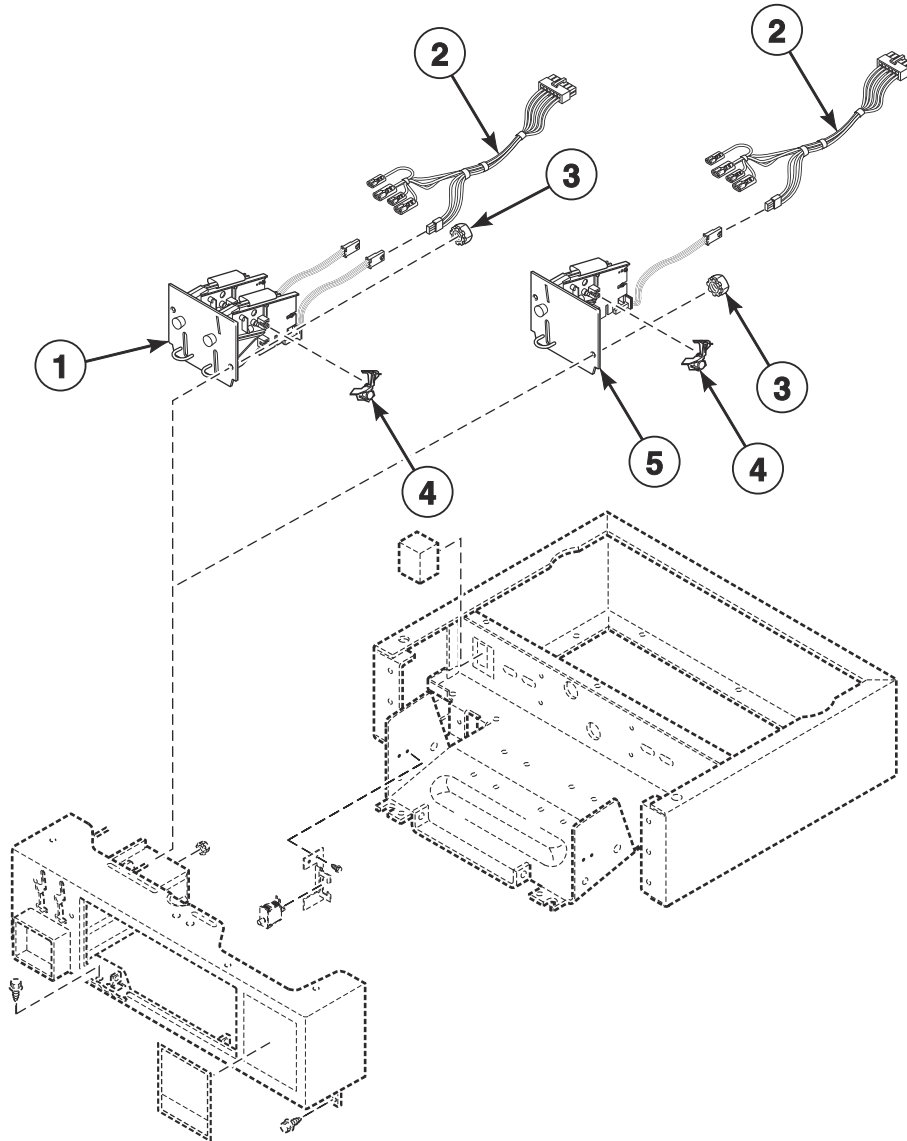
DRY2224P_516442

Control Panel and Controls - Front Control Coin Drop and Card Models

REF	PART NO.	DESCRIPTION	COMMENTS
1	D512973	Switch	
2	D503688	Screw	
3	201375P	Transformer	Some models may have jumper wire attached to transformer. Discard jumper wire when replacing transformer; Models BDEBEFGS171CN01, BDEBEFGS171CW01, BDGBEFGS111CN01, BDGBEFGS111CW01, HDEBXFGS131DW01, HDGBXFGS121DW01, SDEBXFGS131DW01 and SDGBXFGS121DW01
	803527P	Transformer	All other models
4	M413507	Jumper Configuration Assembly	Models HDEBXFGS541DW01, HDGBXFGS541DW01, JDEBEFGW301EW01, JDGBEFGW301EW01, SDEBXFGS541DW01 and SDGBXFGS541DW01
5	210100	Resistor	
6	802905	Harness Assembly	Coin drop; Models HDEBXFGS541DW01, HDGBXFGS541DW01, JDEBEFGW301EW01, JDGBEFGW301EW01, SDEBXFGS541DW01 and SDGBXFGS541DW01
7	D511867P	Control Assembly	
8	D510077W	Control Panel and Bracket Assembly	White
	D510077B	Control Panel and Bracket Assembly	Black
9	D513248	Graphic Overlay	Models JDEBEFGW301EW01 and JDGBEFGW301EW01
	D511573	Graphic Overlay	Models SDEBXFGS131DW01, SDEBXFGS541DW01, SDGBXFGS121DW01 and SDGBXFGS541DW01
	D512102	Graphic Overlay	Models HDEBXFGS131DW01, HDEBXFGS541DW01, HDGBXFGS121DW01 and HDGBXFGS541DW01
	D513392	Graphic Overlay	Models BDEBEFGS171CN01, BDEBEFGS171CW01, BDGBEFGS111CN01 and BDGBEFGS111CW01
	D512726	Graphic Overlay	All other models
10	D501524	Screw	
11	54612	Key	800
12	27261	Lock Cam	
13	27260P	Lock Kit	Includes item 10
14	800379	Audit Switch Bracket	

Non-Electronic Coin Drop - Front Control Models

Models BDEBEFGS171CN01, BDEBEFGS171CW01, BDGBEFGS111CN01, BDGBEFGS111CW01, HDEBXFGS131DW01, HDEBXFGS541DW01, HDGBXFGS121DW01, HDGBXFGS541DW01, JDEBEFGW301EW01, JDGBEFGW301EW01, SDEBXFGS131DW01, SDEBXFGS541DW01, SDGBXFGS121DW01 and SDGBXFGS541DW01



DRY2096P_516442

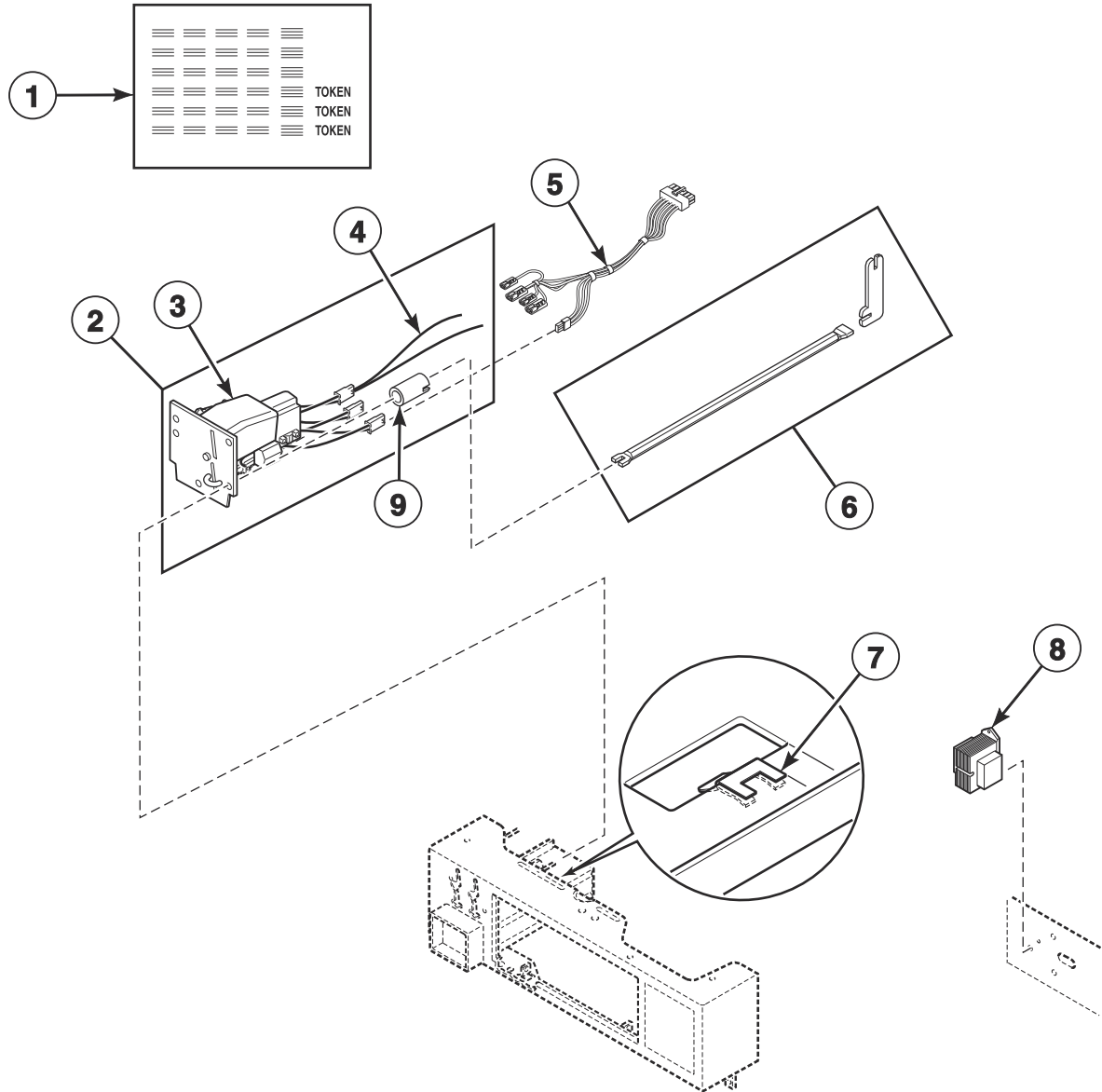
Non-Electronic Coin Drop - Front Control Models

REF	PART NO.	DESCRIPTION	COMMENTS
1	N/A	Coin Drop Assembly	Belgium, Denmark, France, Italy and Taiwan coins
	70441602	Coin Drop Assembly	Canada; .25 and 1.00
	38467	Coin Drop Assembly	Australia; .20 and 1.00
	38472	Coin Drop Assembly	England; 20 pence and 1 pound
	38519	Coin Drop Assembly	Japan; 100 and 500 yen
	38521	Coin Drop Assembly	Korea; 100 and 500 won
	N/A	Coin Drop Assembly	New Zealand; .20 and 1.00
	70482401	Coin Drop Assembly	New Zealand; 1.00 and 2.00
	39157	Coin Drop Assembly	Israel; 1 and 5 shekel
2	802905	Harness Assembly	Coin drop; Models HDEBXFGS131DW01, HDEBXFGS541DW01, HDGBXFGS121DW01, HDGBXFGS541DW01, JDEBEFGW301EW01, JDGBEFGW301EW01, SDEBXFGS131DW01, SDEBXFGS541DW01, SDGBXFGS121DW01 and SDGBXFGS541DW01
3	29786	Nut	
4	201595P	Wire Guard	Anti-stringing security device; Add to coin drops beginning January 2005
5	38462P	Coin Drop Assembly	Token; 118-1 mzp
	38463	Coin Drop Assembly	Token; 118-5 mzp
	38464P	Coin Drop Assembly	Canada; .25
	38475	Coin Drop Assembly	Japan; 100 yen
	CK077	Coin Drop Kit	Taiwan; 10 NT
	70441601P	Coin Drop	U.S.; \$.25
	38963P	Coin Drop	Token 118-16 not available; Replacement for 38963P Coin Drop only
	CK114	Coin Drop Assembly	Singapore; Old 1.00
	CK123	Coin Drop Kit	Singapore; New 1.00

N/A = Part no longer available

Electronic Coin Drop - Front Control Models

Models BDEBEFGS171CN01, BDEBEFGS171CW01, BDGBEFGS111CN01, BDGBEFGS111CW01, HDEBXFGS131DW01, HDEBXFGS541DW01, HDGBXFGS121DW01, HDGBXFGS541DW01, JDEBEFGW301EW01, JDGBEFGW301EW01, SDEBXFGS131DW01, SDEBXFGS541DW01, SDGBXFGS121DW01 and SDGBXFGS541DW01



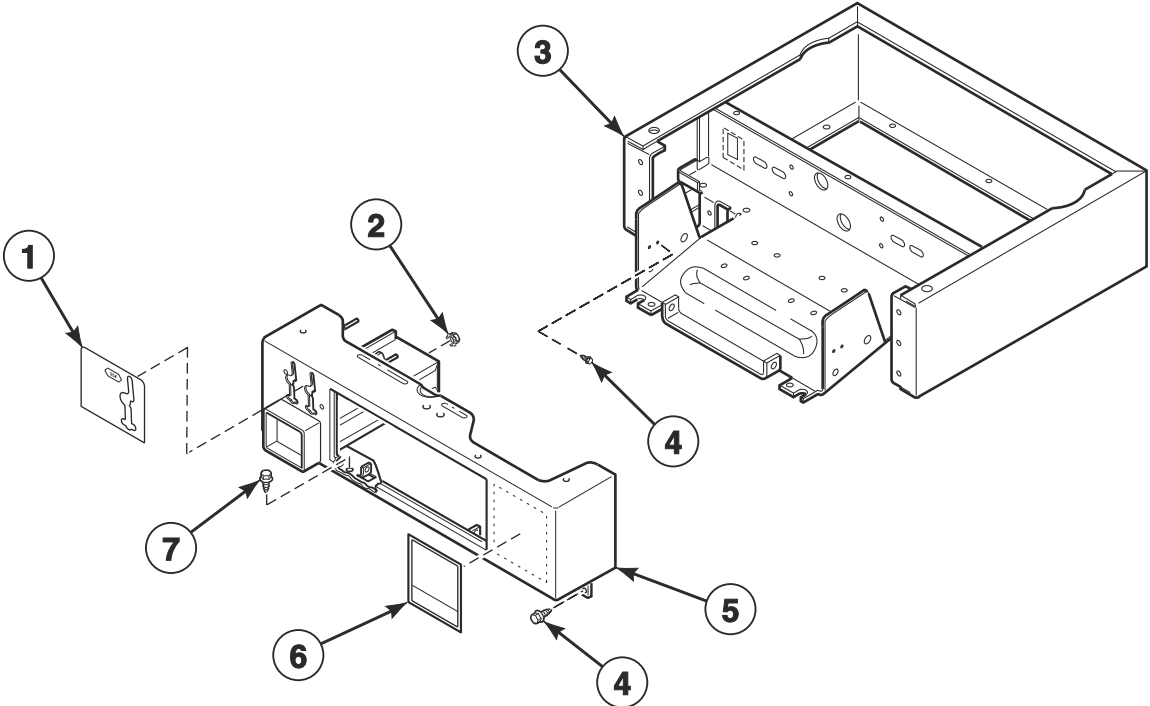
DRY2159P_516442

Electronic Coin Drop - Front Control Models

REF	PART NO.	DESCRIPTION	COMMENTS
1	38725	Coin Identification Paper	For use with items 2 and 3
2	CK099	Electronic Coin Drop Kit	Includes items 3-5; Australia, New Zealand, Hong Kong and South Korea coins
	CK100	Electronic Coin Drop Kit	Includes items 3-5; Euro and Great Britain coins
	CK101	Electronic Coin Drop Kit	Includes items 3-5; Euro, Denmark and Norway coins
	CK103	Electronic Coin Drop Kit	Includes items 3-5; Euro, Lithuania and Latvia coins
	CK106	Electronic Coin Drop Kit	Includes items 3-5; Malaysia, Russia, China and Singapore coins
	CK108	Electronic Coin Drop Kit	Includes items 3-5; South Africa coins
	CK109	Electronic Coin Drop Kit	Includes items 3-5; Euro coins
	CK113	Electronic Coin Drop Kit	Includes items 3-5; Japan and Taiwan coins
	CK115	Electronic Coin Drop Kit	Includes items 3-5; United States and Canada coins
	CK120	Electronic Coin Drop Kit	Includes items 3-5; Chile coins
	CK121	Electronic Coin Drop Kit	Includes items 3-5; Singapore coins
3	70294103P	Electronic Coin Drop Assembly	Euro and Great Britain coins
	70294104	Electronic Coin Drop Assembly	Euro, Denmark and Norway coins
	70294107	Electronic Coin Drop Assembly	Euro, Lithuania and Latvia coins
	70294109	Electronic Coin Drop Assembly	Malaysia, Russia, China and Singapore coins
	70294110	Electronic Coin Drop Assembly	South Africa coins
	70294111	Electronic Coin Drop Assembly	Euro coins
	70294120	Electronic Coin Drop Assembly	Chile coins
	70294121	Electronic Coin Drop Assembly	Singapore coins
4	201104	Coin Drop Wire Harness	For use with items 2 and 3; All models except BDEBEFGS171CN01, BDEBEFGS171CW01, BDGBEFGS111CN01, BDGBEFGS111CW01, HDEBXFGS131DW01, HDEBXFGS541DW01, HDGBXFGS121DW01, HDGBXFGS541DW01, SDEBXFGS131DW01, SDEBXFGS541DW01, SDGBXFGS121DW1, SDGBXFGS541DW01 and JDEBEFGW301EW01 starting Serial No. 0904
5	802905	Harness Assembly	Electronic coin drop requires this harness. If unit is not factory-equipped with this harness, it must be ordered separately.
6	CK096	Mounting Tool Kit	For use with items 2 and 3
7	201572	Clip	For use with items 2 and 3
8	201375P	Transformer	Electronic coin drop requires this transformer. If unit is not factory-equipped with this transformer, it must be ordered separately.
9	201216	Nut	Slotted nut; Use with front assemblies with guide rods; Models through Serial No. 1007022688
	29786	Nut	Hex nut; Use with front assemblies without guide rods; Models starting Serial No. 1007022689

Control Cabinet Controls - Front Control Coin Drop Models

Models BDEBEFGS171CN01, BDEBEFGS171CW01, BDGBEFGS111CN01, BDGBEFGS111CW01, HDEBXFGS131DW01, HDEBXFGS541DW01, HDGBXFGS121DW01, HDGBXFGS541DW01, JDEBEFGW301EW01, JDGBEFGW301EW01, SDEBXFGS131DW01, SDEBXFGS541DW01, SDGBXFGS121DW01 and SDGBXFGS541DW01



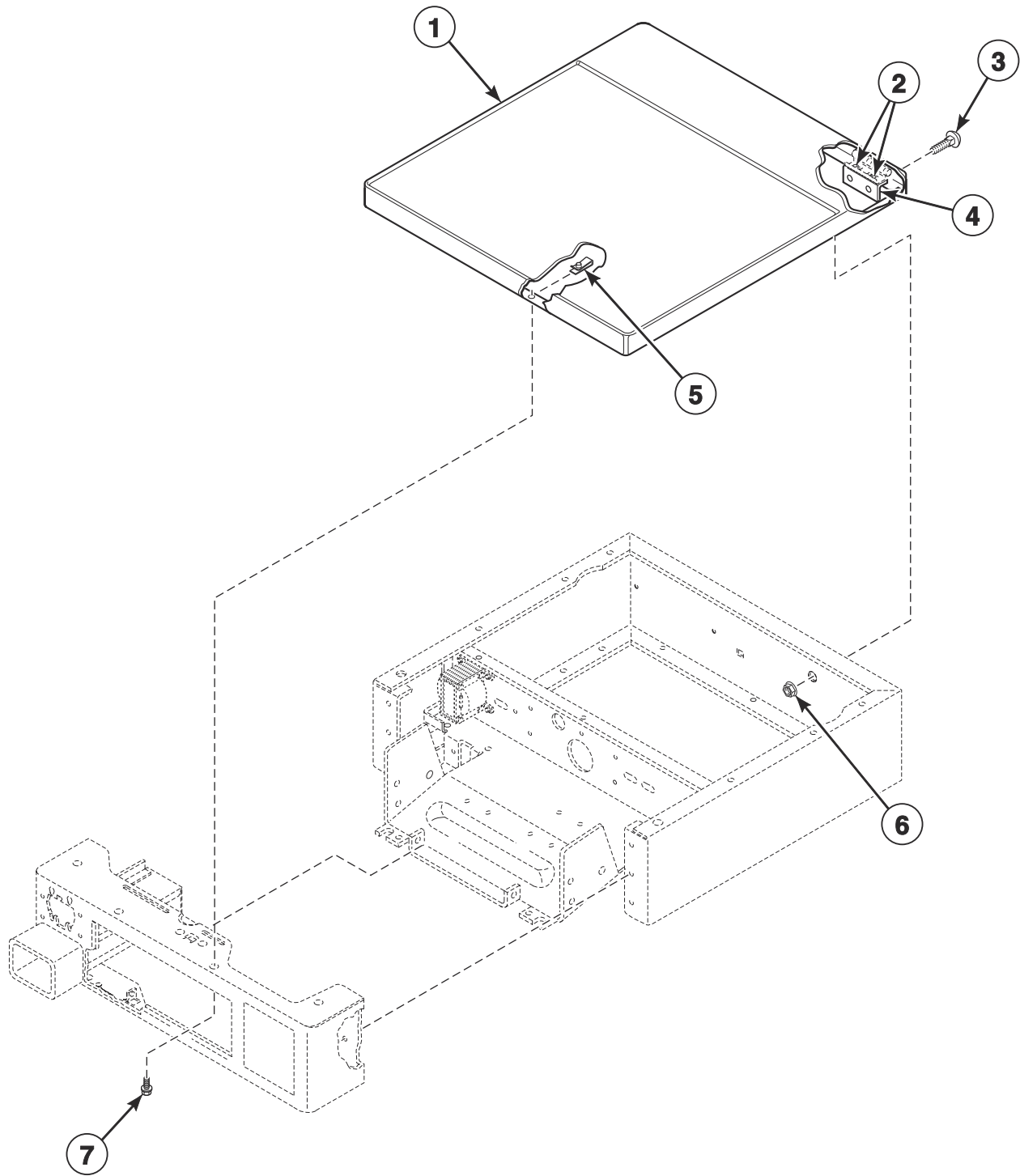
DRY2453P_516442

Control Cabinet Controls - Front Control Coin Drop Models

REF	PART NO.	DESCRIPTION	COMMENTS
1	803476	Single Drop Overlay	Models JDEBEFGW301EW01 and JDGBEFGW301EW01
	201091	Overlay	Models BDEBEFGS171CN01, BDEBEFGS171CW01, BDGBEFGS111CN01 and BDGBEFGS111CW01
2	80077	Nut	
3	D505753WP	Wrapper and Channel Assembly	White
	D505753QP	Wrapper and Channel Assembly	Bisque
	D505753BP	Wrapper and Channel Assembly	Black
4	M405188	Screw	Models BDEBEFGS171CN01 and BDGBEFGS111CN01
	D503688	Screw	All other models
5	D511633WP	Security Cabinet Front Assembly	White
	D511633LP	Security Cabinet Front Assembly	Almond
	D511633QP	Security Cabinet Front Assembly	Bisque
	D511633B	Security Cabinet Front Assembly	Black
6	D504585	Instruction Overlay	Models BDEBEFGS171CN01, BDEBEFGS171CW01, BDGBEFGS111CN01 and BDGBEFGS111CW01
	803322	Nameplate Overlay	Models JDEBEFGW301EW01 and JDGBEFGW301EW01
	D511903	Instruction Label	Models HDEBXFGS131DW01, HDEBXFGS541DW01, HDGBXFGS121DW01, HDGBXFGS541DW01, SDEBXFGS131DW01, SDEBXFGS541DW01, SDGBXFGS121DW01 and SDGBXFGS541DW01
7	D502431	Screw	

Cabinet Top - Front Control Coin Slide Ready, Coin Drop Ready, Coin Drop Installed and Card Reader Ready Models

Models BDEBEFGS171CN01, BDEBEFGS171CW01, BDGBEFGS111CN01, BDGBEFGS111CW01, HDEBXFGS131DW01, HDEBXFGS541DW01, HDGBXFGS121DW01, HDGBXFGS541DW01, JDEBEFGW301EW01, JDGBEFGW301EW01, SDEBXFGS131DW01, SDEBXFGS541DW01, SDGBXFGS121DW01 and SDGBXFGS541DW01



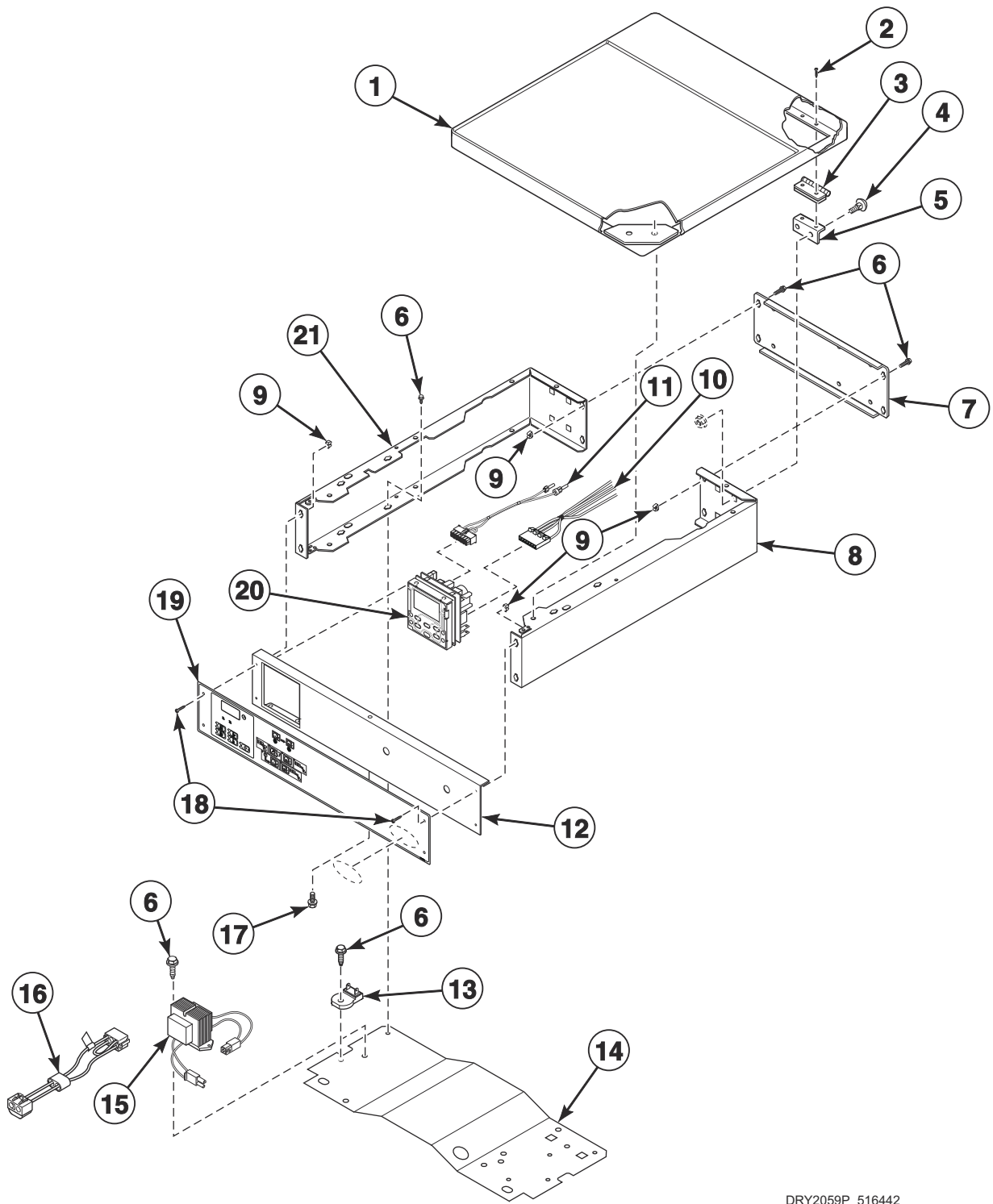
DRY1805P_516442

Cabinet Top - Front Control Coin Slide Ready, Coin Drop Ready, Coin Drop Installed and Card Reader Ready Models

REF	PART NO.	DESCRIPTION	COMMENTS
1	803144P	Top Kit	Stainless steel; Models BDEBEFGS171CN01 and BDGBEFGS111CN01 starting Serial No. 1005018720; Includes items 3-6 and 4 each 22649 Screw, 51236 Nut
	D512967	Stainless Steel Top	Stainless steel; Models BDEBEFGS171CN01 and BDGEBEFGS111CN01 through Serial No. 1005018719; All other models
	802247WP	Top and Gusset Assembly	White; All other models
	D510032LP	Top Kit	Almond; All other models
	802247QP	Top and Gusset Assembly	Bisque; All other models
2	685847	Pop Rivet	
3	29651	Bolt	
4	D504228	Top Mounting Bracket	
5	36020	Nut	
6	44087201	Nut	
7	23008	Screw	

Control Cabinet - Front Control Non-Vend Models

Models BDEBLFGS431AW01, BDGBLFGS301AW01, BDGBLFGW541NW01, JDEBFGFW301EW01, JDEBGFWS301EN01, JDGBFGW301EW01 and JDGBGFWS301EN01



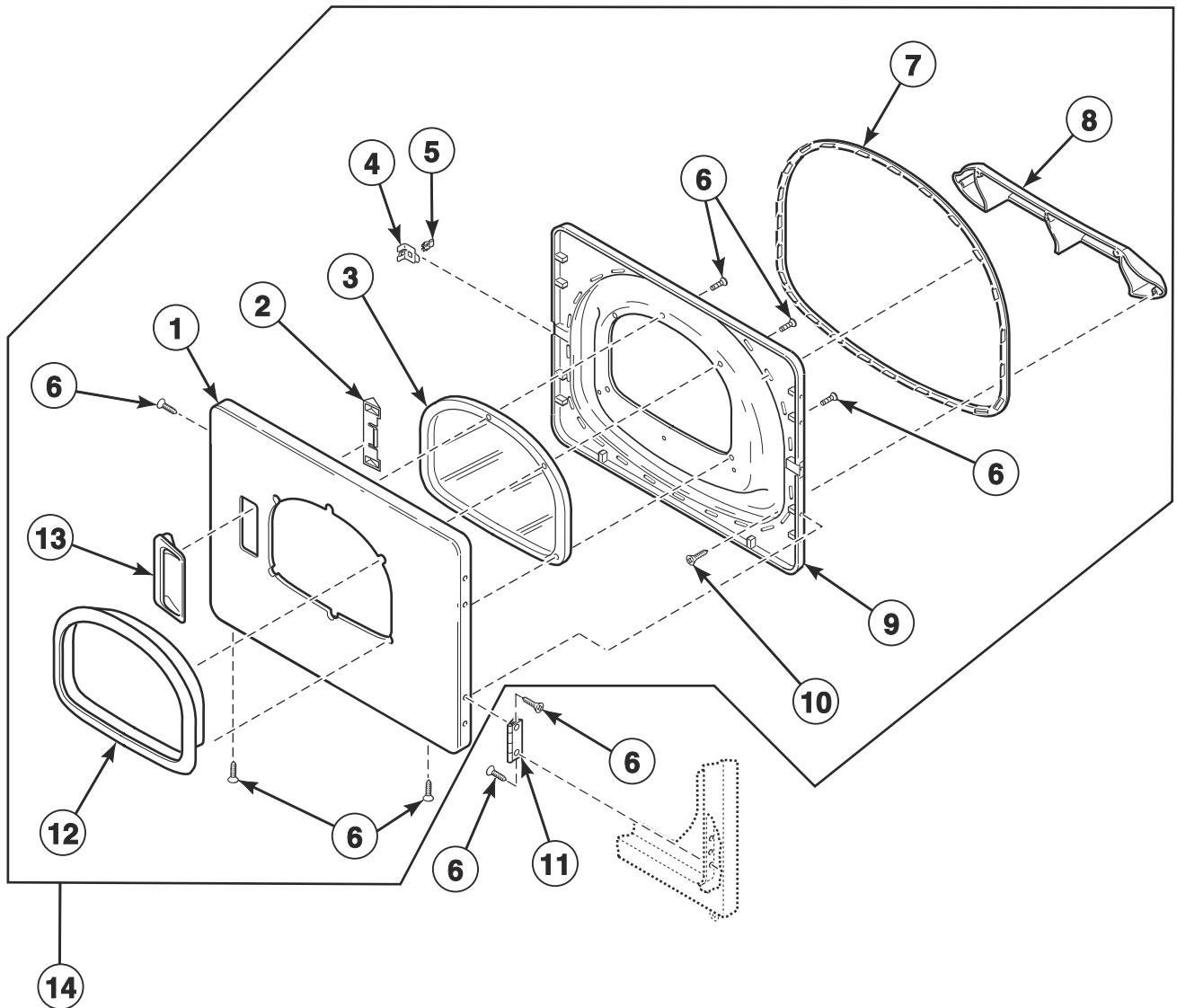
DRY2059P_516442

Control Cabinet - Front Control Non-Vend Models

REF	PART NO.	DESCRIPTION	COMMENTS
1	D512967	Stainless Steel Top	Stainless steel
	802247WP	Top and Gusset Assembly	White
	D510032LP	Top Kit	Almond
	802247QP	Top and Gusset Assembly	Bisque
2	685847	Pop Rivet	
3	D511036	Hinge	
4	29651	Bolt	
5	D504228	Top Mounting Bracket	
6	D503688	Screw	
7	801058	Rear Control Cabinet	
8	800915W	Right Control Cabinet Side	White
	800915L	Right Control Cabinet Side	Almond
	800915Q	Right Control Cabinet Side	Bisque
	800915B	Right Control Cabinet Side	Black
9	70030501	Expansion Clip	
10	D511478	Central Pay Harness	
11	800680	Diagnostic Wire Harness Assembly	
12	D511648W	Control Panel	White
	D511648B	Control Panel	Black
13	210100	Resistor	
14	801777	Control Cabinet Bottom	
15	803527P	Transformer	
16	M413507	Jumper Configuration Assembly	Attaches to 210019P Transformer
17	23008	Screw	
18	800930	Screw	
19	D513247	Graphic Overlay	Models JDEBGF301EW01, JDEBGF301EN01, JDGBGF301EW01 and JDGBGF301EN01
	D513481	Graphic Overlay	Models BDEBLF301AW01, BDGBLF301AW01 and BDGBLF301NW01
20	D511867P	Control Assembly	
21	800900WP	Left Control Cabinet Side	White
	800900LP	Left Control Cabinet Side	Almond
	800900QP	Left Control Cabinet Side	Bisque
	800900B	Left Control Cabinet Side	Black

Loading Door with Window

Models BDGBLFGW541NW01, JDEBEFGW301EW01, JDEBFGW301EW01, JDEBGFWSW301EN01, JDGBEFGW301EW01, JDGBFGW301EW01 and JDGBGFWSW301EN01



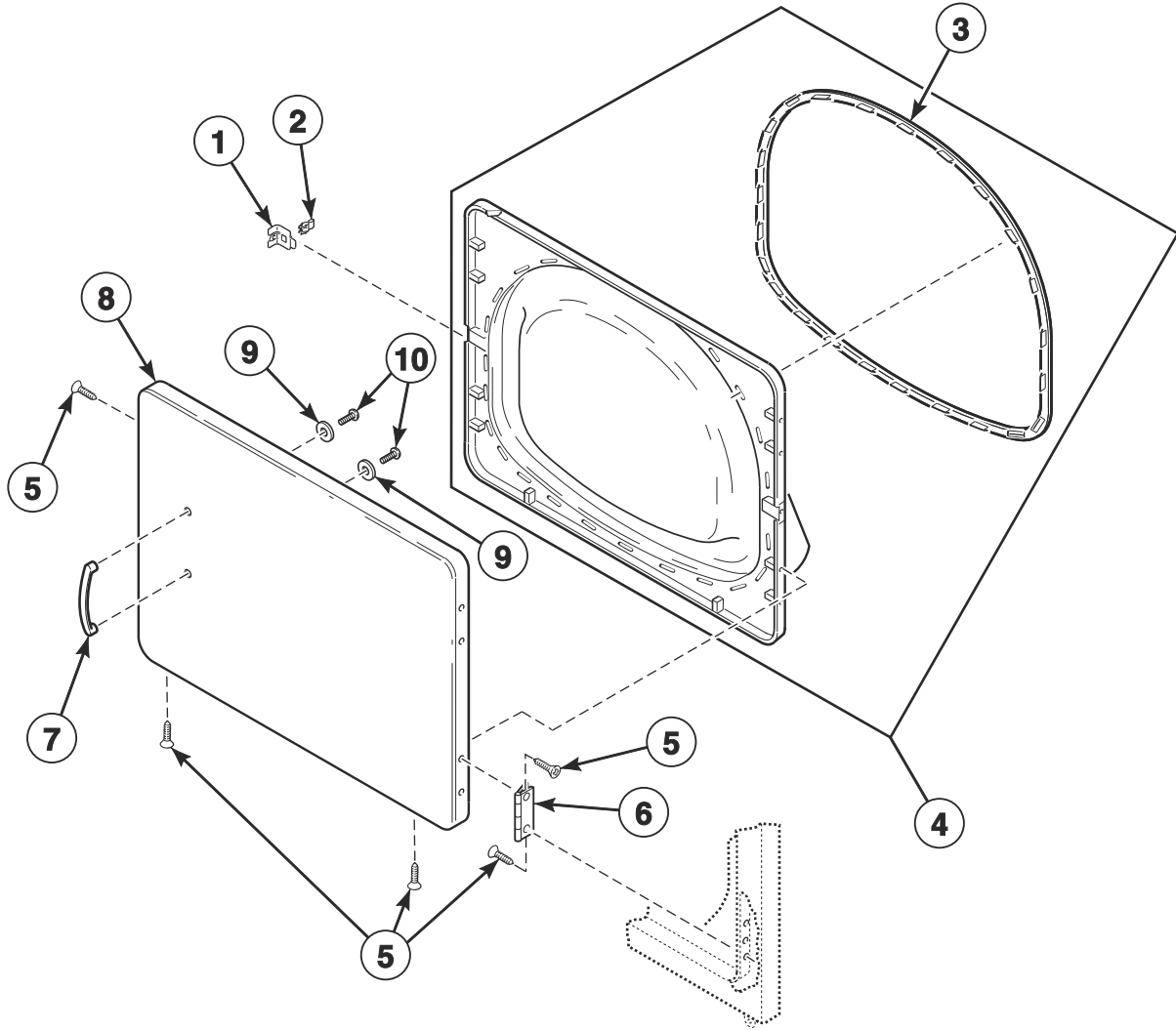
D427P_516442

Loading Door with Window

REF	PART NO.	DESCRIPTION	COMMENTS
1	D513225	Dryer Door	Light gray; Models JDEBGFSW301EN01 and JDGBGFSW301EN01
	D510082WP	Dryer Door	White; All other models
2	D510129W	Door Handle Wedge	
3	D503982P	Dryer Door Window	
4	D510127	Door Strike Mount	
5	D510181	Door Strike	
6	D500226	Screw	
7	D510147P	Liner Door Seal	
8	D503870W	Door Liner Grill	
9	D516510WP	Door Assembly	Gray; Models JDEBGFSW301EN01 and JDGBGFSW301EN01
	D510098W	Liner and Seal Assembly	Includes item 7; All other models
10	D505870	Screw	
11	D511036	Hinge	
12	D512633	Window Trim	Gray; Models JDEBGFSW301EN01 and JDGBGFSW301EN01
	D503981W	Window Trim	White; All other models
13	D512947	Door Pull	Light Gray; Models JDEBGFSW301EN01 and JDGBGFSW301EN01
	D510103WP	Door Pull and Wedge Kit	White; Includes item 2; All other models
14	D516737W	Door Assembly	White; Includes items 1-10, 12 and 13; Models JDEBEFGW301EW01, JDEBGFGW301EW01, JDGBEFGW301EW01 and JDGBGFGW301EW01

Loading Door without Window (Drawing 1 of 2)

Model KU3MNFCS401NN01



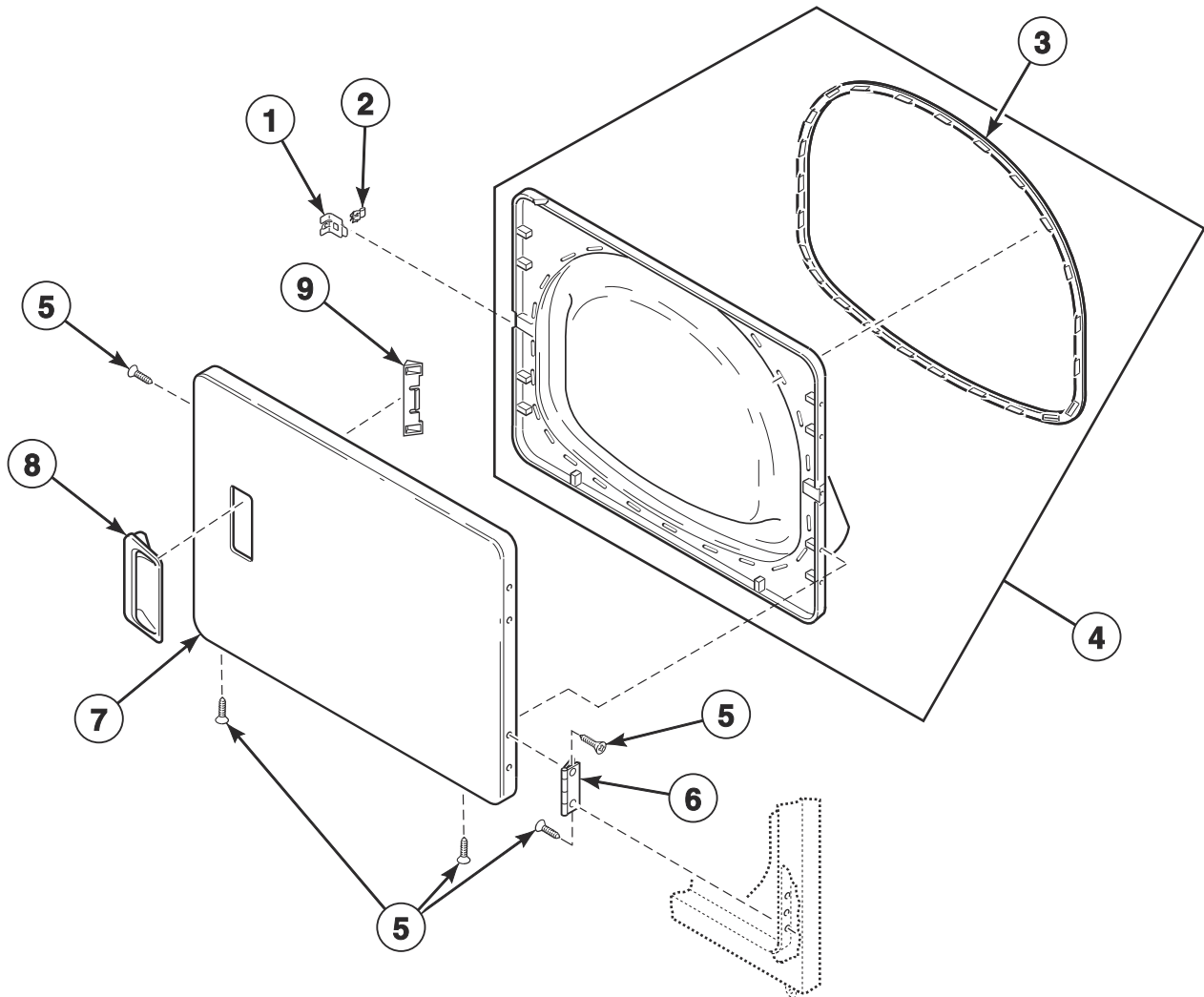
DRY2236P_516442

Loading Door without Window (Drawing 1 of 2)

REF	PART NO.	DESCRIPTION	COMMENTS
1	D510127	Door Strike Mount	
2	D510181	Door Strike	
3	D510147P	Liner Door Seal	
4	D513531	Door Liner and Seal Assembly	
5	D500226	Screw	
6	D511036	Hinge	
7	D512620P	Door Pull Kit	Includes items 9 and 10
8	D512704	Dryer Door	
9	29260	Washer	
10	D512631	Screw	

Loading Door without Window (Drawing 2 of 2)

Models BDEBEFGS171CN01, BDEBEFGS171CW01, BDEBLFGS431AW01, BDEMNRGS431AW01, BDGBEFGS111CN01, BDGBEFGS111CW01, BDGBLFGS301AW01, BDGBXRGS301AW01, BDGMNRGS301AW01, HDEBXFGS131DW01, HDEBXFGS541DW01, HDEBXRGS171FW28, HDGBXFGS121DW01, HDGBXFGS541DW01, NDEBXRGS301NW22, SDEBXFGS131DW01, SDEBXFGS541DW01, SDEBXRGS301NW22, SDESXRGS151CW02, SDESXRGS171CW02, SDESXRGS541NW22, SDGBXFGS121DW01, SDGBXFGS541DW01, SDLSXRGS541NQ23 and SDLSXRGS541NW23

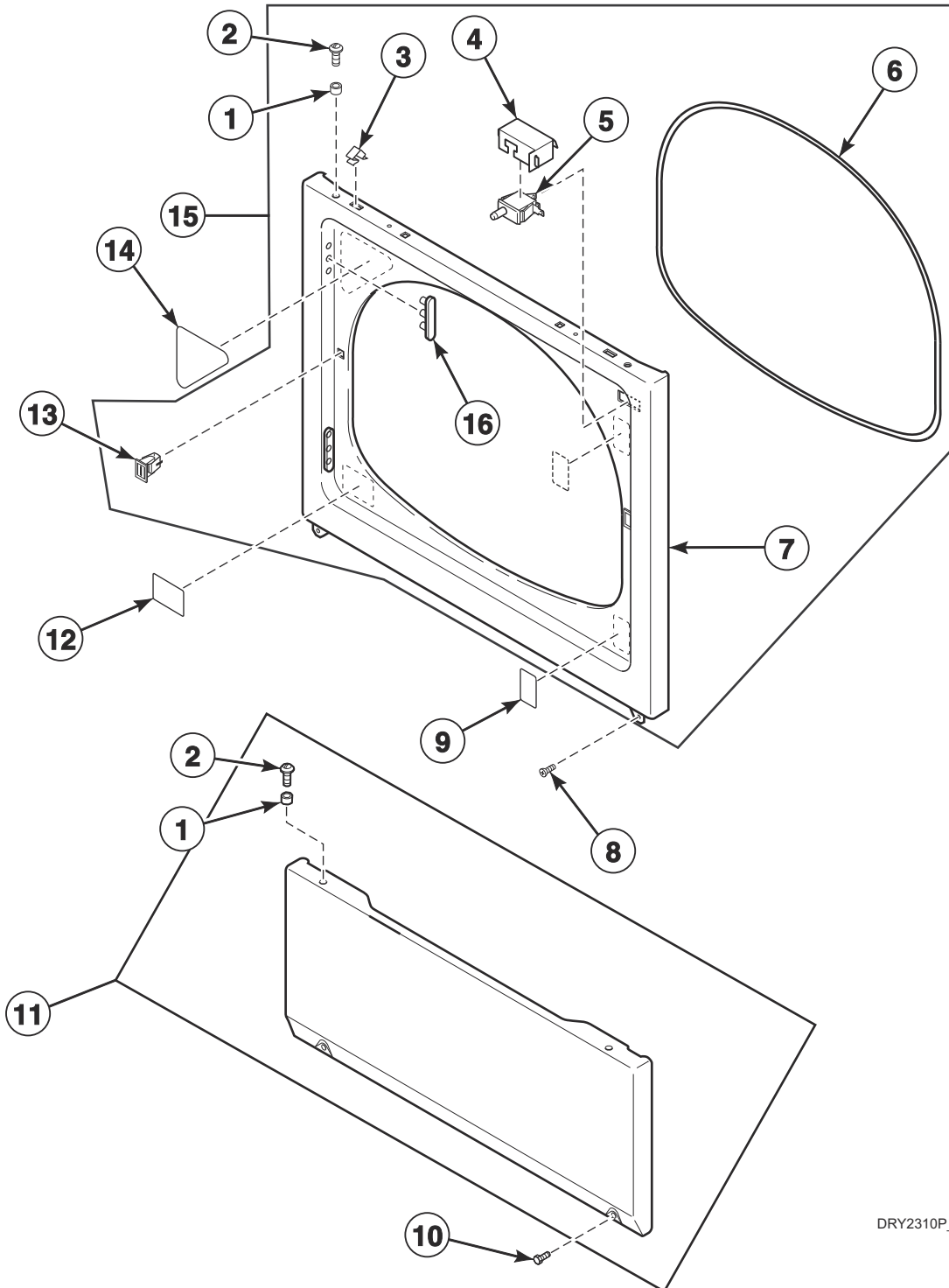


DRY1857P_516442

Loading Door without Window (Drawing 2 of 2)

REF	PART NO.	DESCRIPTION	COMMENTS
1	D510127	Door Strike Mount	
2	D510181	Door Strike	
3	D510147P	Liner Door Seal	
4	D510289LG	Door Liner and Seal Assembly	Gray; Models SDESXRGS151CW02 and SDESXRGS171CW02
	D516510WP	Door Assembly	Gray; Model BDGBEFGS111CN01; Models BDEBEFGS171CN01 and BDEBEFGS171CW01 starting Serial No. 1303025315
	D510163WP	Liner, Seal and Grill Assembly	White; Includes item 3; Models BDEBEFGS171CN01 and BDEBEFGS171CW01 through Serial No. 1303025314; All other models
5	D500226	Screw	
6	D511036	Hinge	
7	D510013WP	Dryer Door	White
	D510013GP	Dryer Door	Gray
	D510013LP	Dryer Door	Almond
	D510013QP	Dryer Door	Bisque
	D512969	Dryer Door	Stainless steel; Includes item 9
8	D510103WP	Door Pull and Wedge Kit	White; Includes item 9
	D510103LP	Door Pull and Wedge Kit	Almond; Includes item 9
	D510103QP	Door Pull and Wedge Kit	Bisque; Includes item 9
	D512947	Door Pull	Light gray
9	D510129W	Door Handle Wedge	

Access Panel, Front Panel and Seal

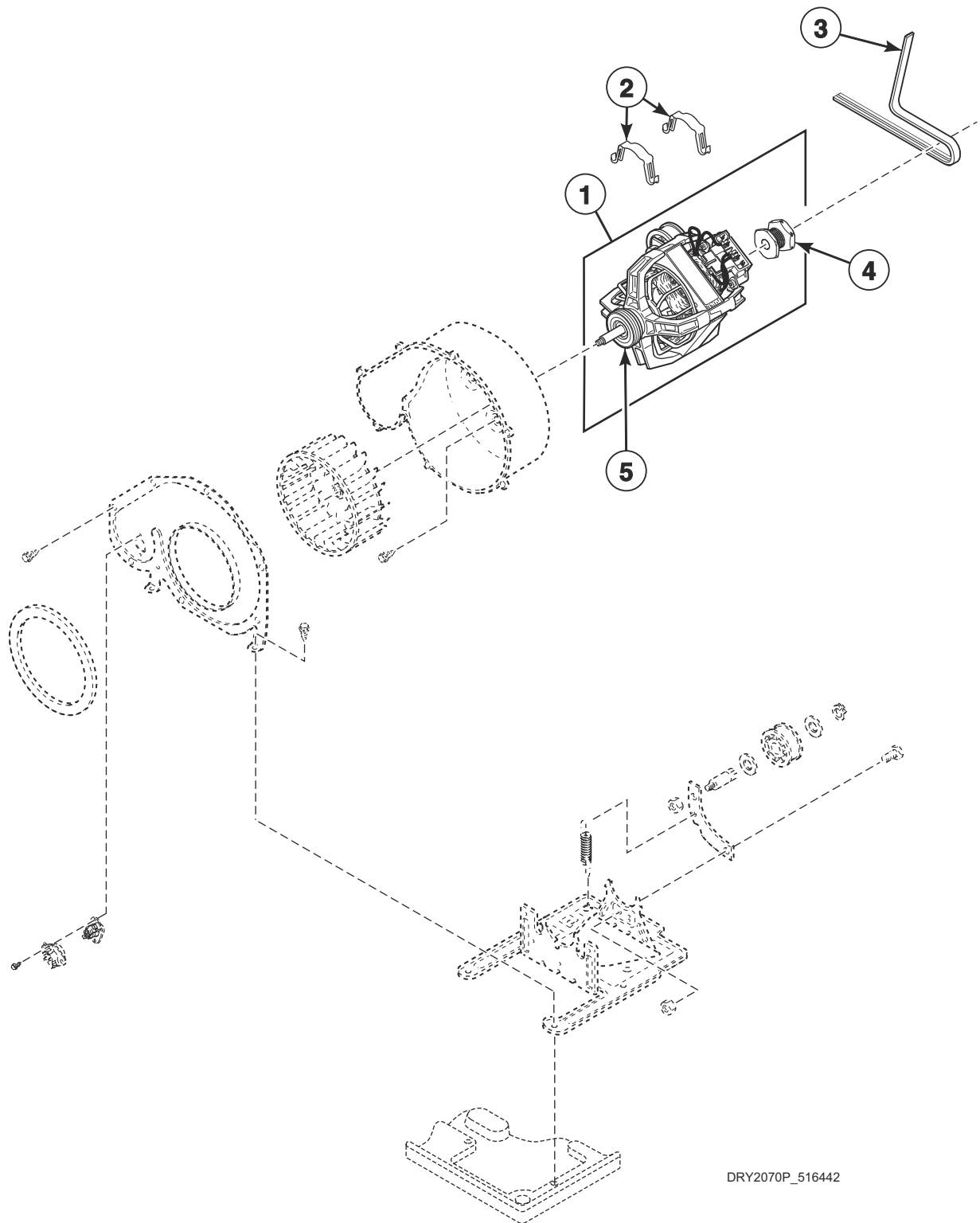


DRY2310P_516442

Access Panel, Front Panel and Seal

REF	PART NO.	DESCRIPTION	COMMENTS
1	56079	Panel Locator	
2	39733	Screw	Use with painted front panel
	D512921	Screw	Use with stainless steel front panel
3	28835	Speed Clip	
4	D514327	Drip Shield	Model BDGBXRG301AW01
5	D512973	Switch	
6	D511056	Front Panel Seal	
7	D512542	Front Panel	Stainless steel
	D510066WP	Front Panel	White
	D510066GP	Front Panel	Gray
	D510066LP	Front Panel	Almond
	D510066QP	Front Panel	Bisque
8	M405188	Screw	Use with stainless steel side panels
	D503688	Screw	Use with painted side panels
9	D512263	Warning Label	Models BDEBLFGS431AW01, BDEMNRGS431AW01, BDGBLFGS301AW01, BDGBXRG301AW01 and BDGMNRGS301AW01
10	33562	Screw	
	62853	Screw	Optional for added security
11	D514251	Access Panel Assembly	Stainless steel; Model BDEBEFGS171CN01 through Serial No. 1303025314; Models BDGBEFGS111CN01, JDEBGF301EN01 and JDGBGFSW301EN01
	D514251	Access Panel Assembly	Stainless steel; Model BDEBEFGS171CN01; Starting Serial No. 1303025315
	D513521	Access Panel	Model KU3MNFCS401NN01
	D514250WP	Access Panel Assembly	White
	D514252Q	Access Panel and Guard Assembly	Bisque; Models BDEBEFGS171CN01 and BDEBEFGS171CW01 starting Serial No. 1303025315
	D514252G	Access Panel with Guard Assembly	Gray; Models BDEBEFGS171CN01 and BDEBEFGS171CW01; Starting Serial No. 1303025315
	D514250G	Access Panel Assembly	Gray; Models BDEBEFGS171CN01 and BDEBEFGS171CW01 through Serial No. 1303025314; All other models
	D510069LP	Access Panel	Almond; Models BDEBEFGS171CN01 and BDEBEFGS171CW01 through Serial No. 1303025314; All other models
	D514250Q	Access Panel Assembly	Bisque; Models BDEBEFGS171CN01 and BDEBEFGS171CW01 through Serial No. 1303025314; All other models
12	D502804	Lint Filter Label	Models BDEBLFGS431AW01, BDEMNRGS431AW01, BDGBLFGS301AW01, BDGBXRG301AW01 and BDGMNRGS301AW01
13	D510177	Door Catch Assembly	
14	D500253	Caution Label	Models BDEBEFGS171CN01, BDEBEFGS171CW01, BDGBEFGS111CN01 and BDGBEFGS111CW01
	D514226	Warning Label	Models HDEBXFGS131DW01, HDEBXFGS541DW01, HDGBXFGS121DW01, HDGBXFGS541DW01, SDEBXFGS131DW01, SDEBXFGS541DW01, SDGBXFGS121DW01 and SDGBXFGS541DW01
	D500281	Warning/Caution Label	All other models
15	D513781WP	Front Panel Assembly	Models BDGBLFGW541NW01, JDEBEFGW301EW01, JDEBGF301EW01, JDEBGF301EN01, JDGBEFGW301EW01, JDGBGF301EW01 and JDGBGF301EN01
16	D510186	Hinge Hole Plug	

Motor and Belt

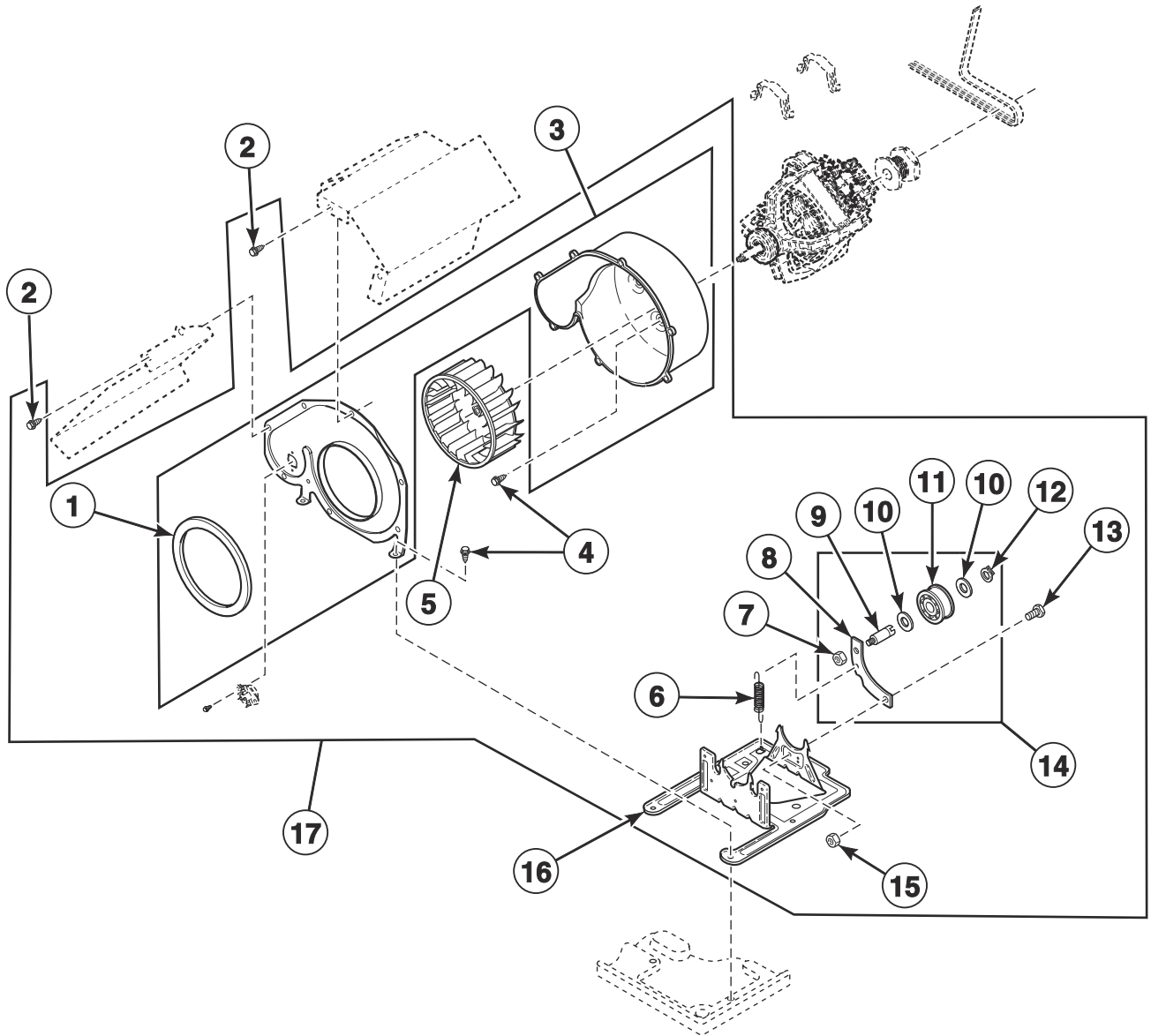


DRY2070P_516442

Motor and Belt

REF	PART NO.	DESCRIPTION	COMMENTS
	27604P	Anti-Seize Compound	Apply to motor shaft when installing blower fan assembly
1	D511629P	Motor and Pulley Assembly	120 Volt/60 Hertz; Includes items 5 and 6; Apply anti-seize compound to motor shaft when installing blower fan assembly; Models BDEBEFGS171CN01, BDEBEFGS171CW01, BDGBEFGS111CN01, BDGBEFGS111CW01, HDEBXFGS131DW01, HDEBXRGS171FW28, HDGBXFGS121DW01, SDEBXFGS131DW01, SDESXRGS151CW02, SDESXRGS171CW02 and SDGBXFGS121DW01
	D505869P	Motor and Pulley Assembly	240 Volt/60 Hertz; Includes items 5 and 6; Apply anti-seize compound to motor shaft when installing blower fan assembly; Models BDGBLFGW541NW01, HDEBXFGS541DW01, HDGBXFGS541DW01, SDEBXFGS541DW01, SDESXRGS541NW22, SDGBXFGS541DW01, SDLSXRGS541NQ23 and SDLSXRGS541NW23
	D505843P	Motor and Pulley Assembly	240 Volt/50 Hertz; Includes items 5 and 6; Apply anti-seize compound to motor shaft when installing blower fan assembly; All other models
2	D510180	Motor Mount Clamp	
3	D511255P	Cylinder Belt	
4	D500011	Motor Pulley	Use with Motor and Pulley Assemblies; 60 Hertz; Models BDEBEFGS171CN01, BDEBEFGS171CW01, BDGBEFGS111CN01, BDGBEFGS111CW01, BDGBLFGW541NW01, HDEBXFGS131DW01, HDEBXFGS541DW01, HDEBXRGS171FW28, HDGBXFGS121DW01, HDGBXFGS541DW01, SDEBXFGS131DW01, SDEBXFGS541DW01, SDESXRGS151CW02, SDESXRGS171CW02, SDESXRGS541NW22, SDGBXFGS121DW01, SDGBXFGS541DW01, SDLSXRGS541NQ23 and SDLSXRGS541NW23
	D500222	Motor Pulley	Use with Motor and Pulley Assembly; 50 Hertz; All other models
5	590P3	Motor Hub Ring Kit	

Exhaust Fan and Idler Assembly

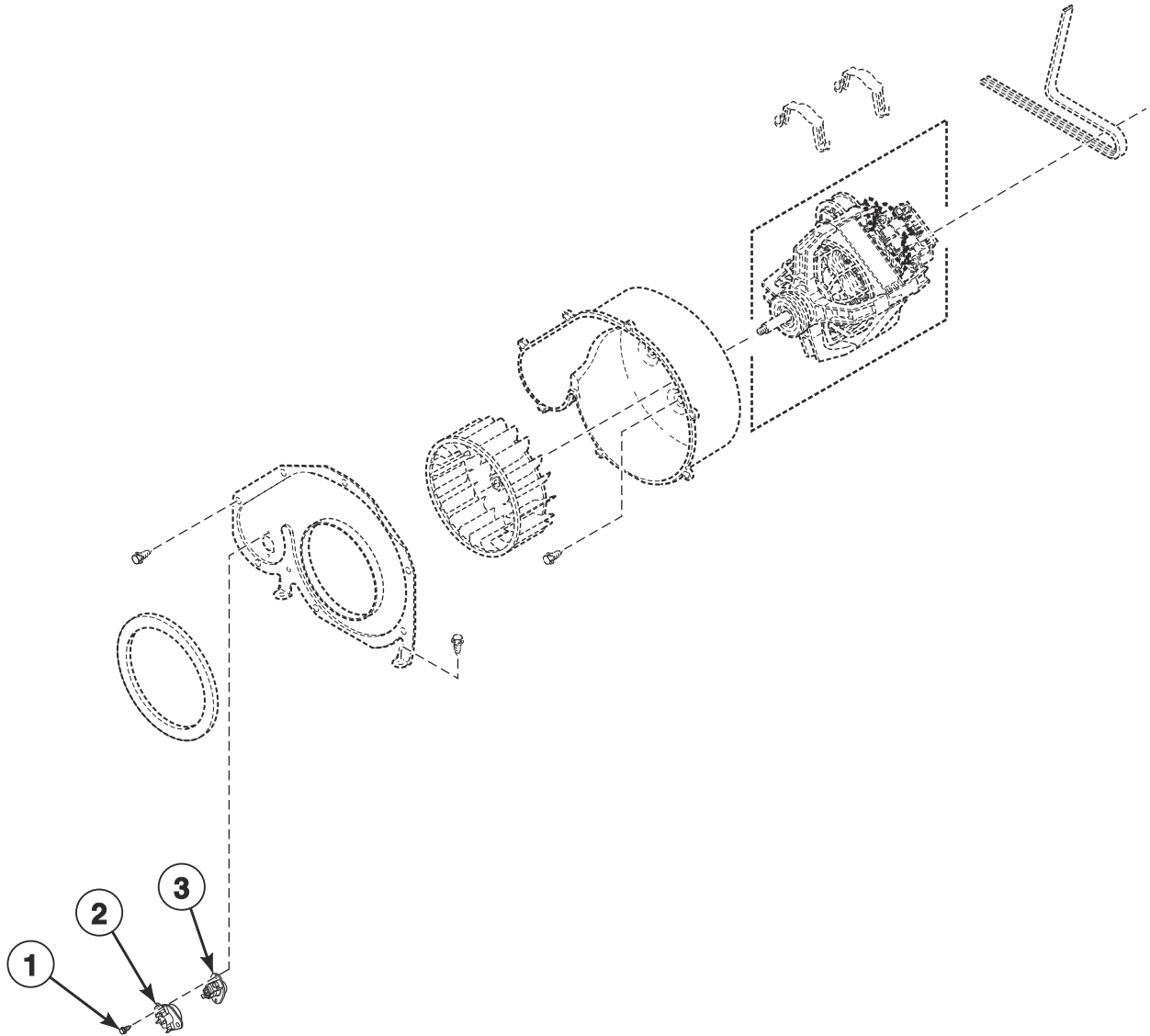


DRY2312P_516442

Exhaust Fan and Idler Assembly

REF	PART NO.	DESCRIPTION	COMMENTS
	27604P	Anti-Seize Compound	Apply to motor shaft when installing blower fan assembly
1	D510238P	Blower Housing Seal	
2	31260	Screw	
3	D511969WP	Blower Housing	White; Includes items 1 and 2
	D511969LG	Blower Housing	Gray; Includes items 1 and 2
4	D503688	Screw	
5	D510139P	Blower Fan Assembly	Apply anti-seize compound to motor shaft when installing blower fan assembly
6	D510185	Idler Spring	
7	56156	Nut	
8	D516310	Idler Lever	
9	56461P	Shaft	
10	52549	Washer	
11	D510142P	Idler Wheel and Bearing Assembly	
12	23748	Retaining Ring	
13	D500824	Screw	
14	D516792	Idler Lever and Wheel Assembly	Includes items 7-12
15	52566	Nut	
16	D510060	Motor Mount	
17	D510717P	Blower and Fan Kit	Includes items 1-16, motor mount clamp, motor hub rings and motor and pulley assembly; Models BDEBEFGS171CN01, BDEBEFGS171CW01, BDGBEFGS111CN01, BDGBEFGS111CW01, HDEBXFGS131DW01, HDEBXRGS171FW28, HDGBXFGS121DW01, SDEBXFGS131DW01 and SDGBXFGS121DW01

Thermistor and Thermostat



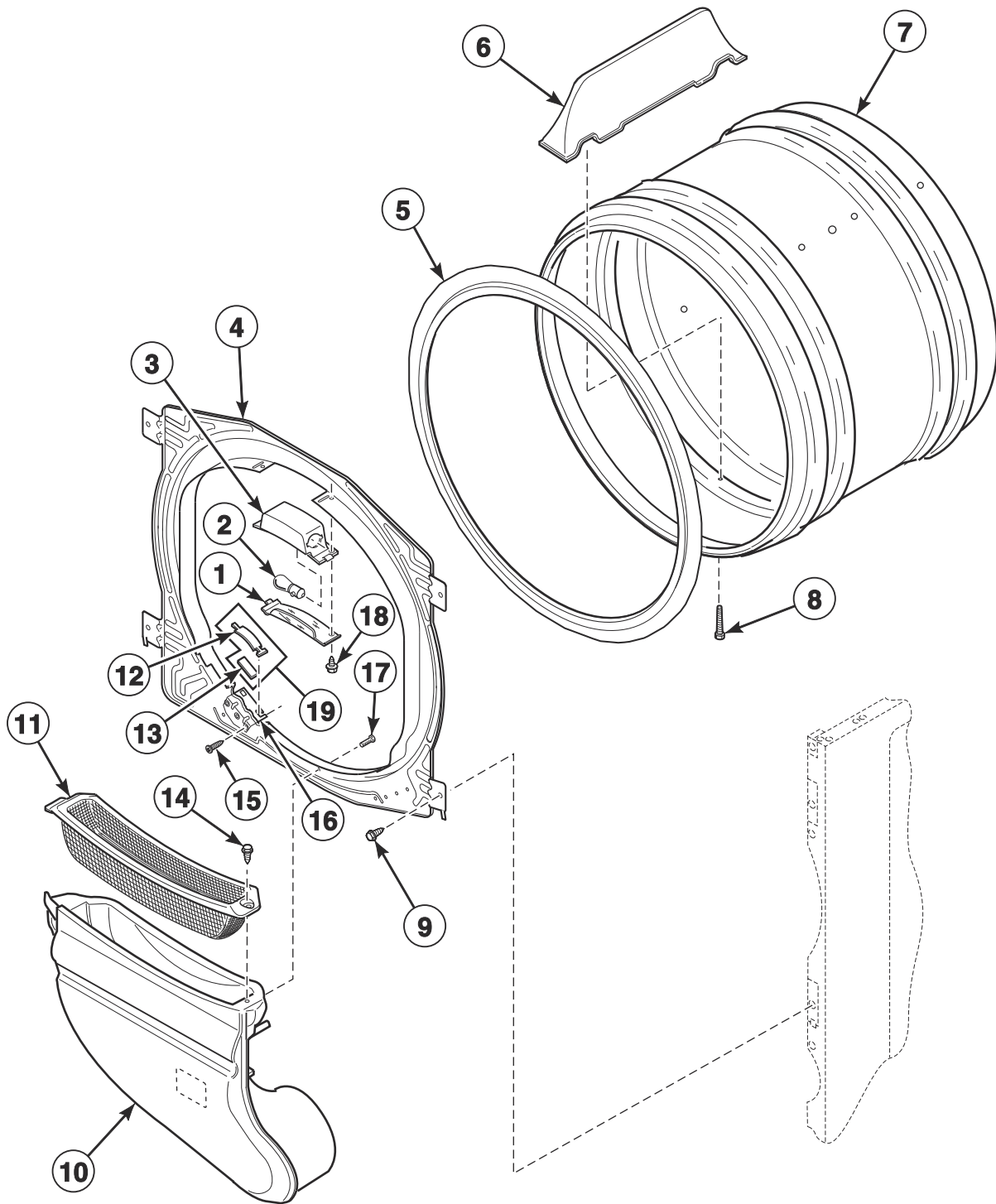
DRY1850P_516442

Thermistor and Thermostat

REF	PART NO.	DESCRIPTION	COMMENTS
1	D502535	Screw	
2	D511887	Thermostat	Tan/white; Models BDEMNRGS431AW01, BDGMNRGS301AW01 and KU3MNFCS401NN01
	M414704	Thermistor	Models NDEBXRGS301NW22 and SDEBXRGS301NW22
	D510523	Thermistor Assembly	Models BDEBEFGS171CN01, BDEBEFGS171CW01, BDGBEFGS111CN01, BDGBEFGS111CW01, HDEBXFGS131DW01, HDEBXFGS541DW01, HDEBXRGS171FW28, HDGBXFGS121DW01, HDGBXFGS541DW01, SDEBXFGS131DW01, SDEBXFGS541DW01, SDESXRGS151CW02, SDESXRGS171CW02, SDESXRGS541NW22, SDGBXFGS121DW01, SDGBXFGS541DW01, SDLSXRGS541NQ23 and SDLSXRGS541NW23
	D502366	Thermistor Assembly	Models BDEBLFGS431AW01, BDGBLFGS301AW01, BDGBLFGW541NW01, BDGBXRGS301AW01, JDEBEFGW301EW01, JDEBFGW301EW01, JDEBGFSW301EN01, JDGBEFGW301EW01, JDGBGFGW301EW01 and JDGBGFSW301EN01
3	M411941	Manual Reset Thermostat	Models BDGBLFGS301AW01, BDGBLFGW541NW01 and BDGBXRGS301AW01

Front Bulkhead, Air Duct, Felt Seal and Cylinder with Light

Model KU3MNFCS401NN01



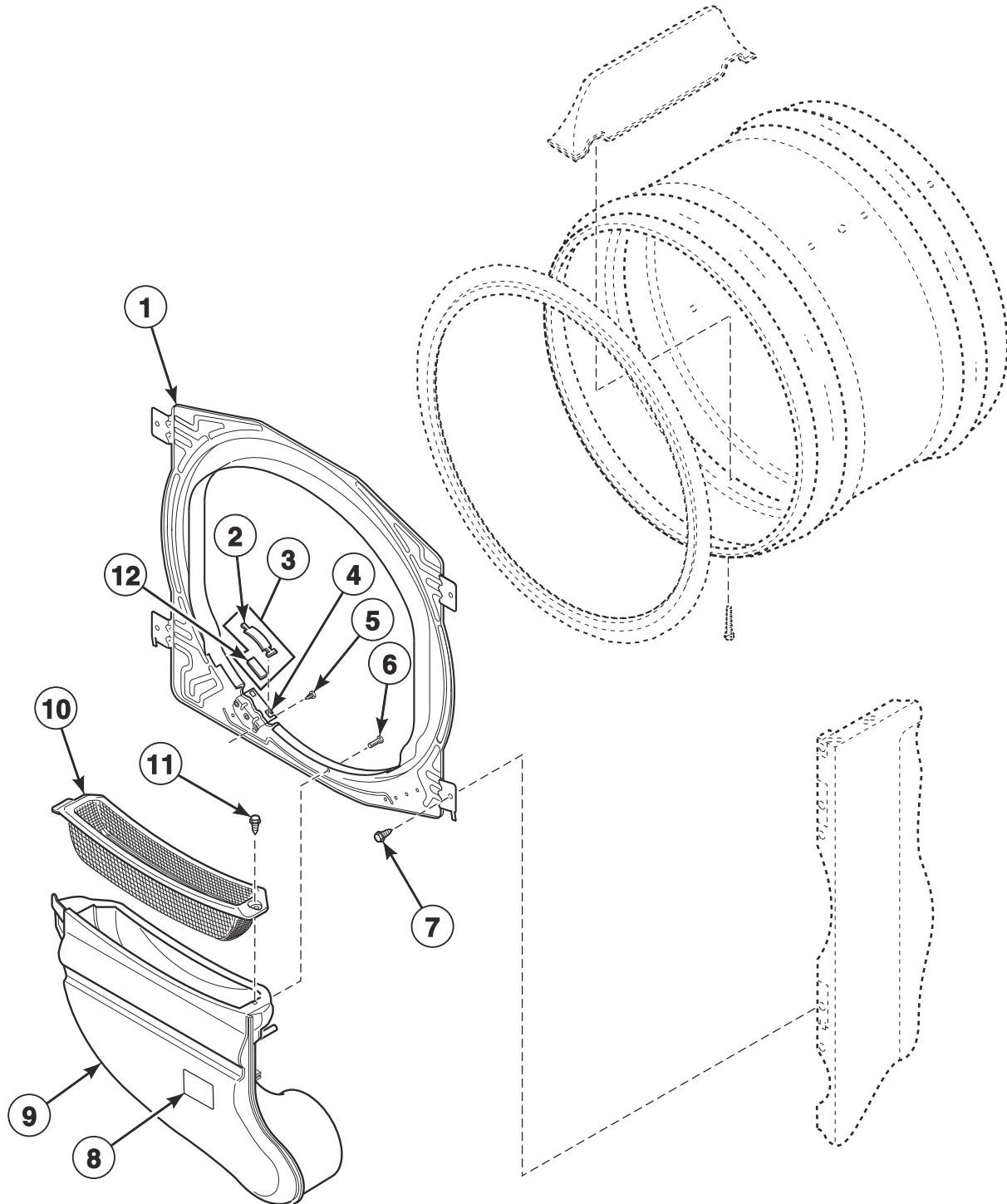
DRY2136P_516442

Front Bulkhead, Air Duct, Felt Seal and Cylinder with Light

REF	PART NO.	DESCRIPTION	COMMENTS
1	D512106	Cylinder Light Lens	
2	D503579	Drum Light Lamp	240 Volt
3	D517422	Cylinder Light Assembly	240 Volt
4	D512476	Front Bulkhead Assembly	Galvanized; Includes items 3, 5, 13, 14 and 16; 240 Volt Cylinder Light Assemblies and Lamps must be ordered separately
5	D510207P	Cylinder Seal Assembly	Apply adhesive when installing
	D511637P	Adhesive	Apply to cylinder seal
	RB170001	Seal Kit	Includes 2 cylinder seals, D510238P Blower Housing Seal and Adhesive
6	D510102DG	Cylinder Baffle	Gray
7	D510265DGP	Cylinder Assembly	Galvanized; Includes 3 of item 6 and 6 of item 8
8	62588	Screw	
9	M405188	Screw	
10	D510151DG	Air Duct Assembly	Gray
11	D503980DG	Lint Filter	Gray
12	D513710	Cylinder Glide	
13	D510189	Felt Pad	
14	D501285	Screw	
15	D501086	Screw	
16	D510145	Cylinder Glide Bracket	
17	D500226	Screw	
18	D500227	Screw	
19	RB170003	Glide Kit	Includes items 12 and 13

Front Bulkhead and Air Duct without Light

All Models Except KU3MNFCS401NN01



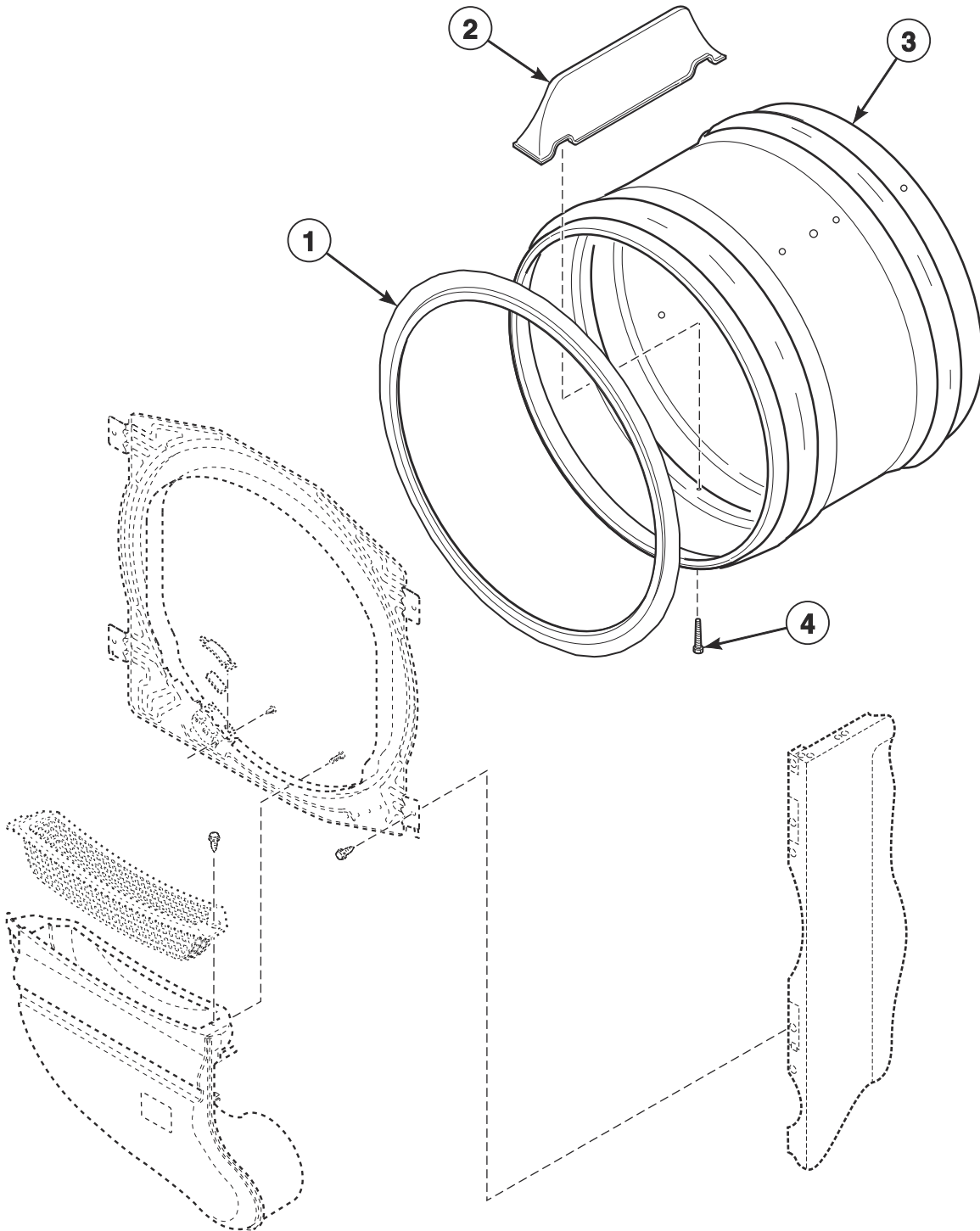
DRY1910P_516442

Front Bulkhead and Air Duct without Light

REF	PART NO.	DESCRIPTION	COMMENTS
1	D510266P	Front Bulkhead Assembly	Unpainted; Includes items 3-5 and felt seal
2	D513710	Cylinder Glide	
3	RB170003	Glide Kit	Includes items 2 and 12
4	D510145	Cylinder Glide Bracket	
5	D52864	Screw	
6	D500226	Screw	
7	D503688	Screw	
8	D500314	Warning Label	Models BDEBEFGS171CN01, BDEBEFGS171CW01, BDGBEFGS111CN01 and BDGBEFGS111CW01
	F8211201	Electrical Shock Label	Models HDEBXFGS131DW01, HDEBXFGS541DW01, HDGBXFGS121DW01, HDGBXFGS541DW01, JDEBEFGW301EW01, JDEBGFGW301EW01, JDEBGFSW301EN01, JDGBEFGW301EW01, JDGBGFGW301EW01, JDGBGFSW301EN01, NDEBXRGS301NW22, SDEBXFGS131DW01, SDEBXFGS541DW01, SDEBXRGS301NW22, SDGBXFGS121DW01 and SDGBXFGS541DW01
	F8615701	Pinch Warning Label	Models HDEBXFGS131DW01, HDEBXFGS541DW01, HDGBXFGS121DW01, HDGBXFGS541DW01, JDEBEFGW301EW01, JDEBGFGW301EW01, JDEBGFSW301EN01, JDGBEFGW301EW01, JDGBGFGW301EW01, JDGBGFSW301EN01, NDEBXRGS301NW22, SDEBXFGS131DW01, SDEBXFGS541DW01, SDEBXRGS301NW22, SDGBXFGS121DW01 and SDGBXFGS541DW01
	D500049	Warning Label	All other models
9	D515805LG	Air Duct Assembly	Light gray; Models BDEBEFGS171CN01, BDEBEFGS171CW01, SDESXRGs151CW02 and SDESXRGs171CW02 starting Serial No. 1303025315
	D510151W	Air Duct Assembly	White; Models BDEBEFGS171CN01 and BDEBEFGS171CW01 through Serial No. 1303025314; All other models
10	D503980LG	Lint Filter	Light gray; Models BDEBEFGS171CN01, BDEBEFGS171CW01, SDESXRGs151CW02 and SDESXRGs171CW02 starting Serial No. 1303025315
	D503980W	Lint Filter	White; Models BDEBEFGS171CN01 and BDEBEFGS171CW01 through Serial No. 1303025314; All other models
11	D501285	Screw	
12	D510189	Felt Pad	

Felt Seal and Cylinder without Light

All Models Except KU3MNFCS401NN01

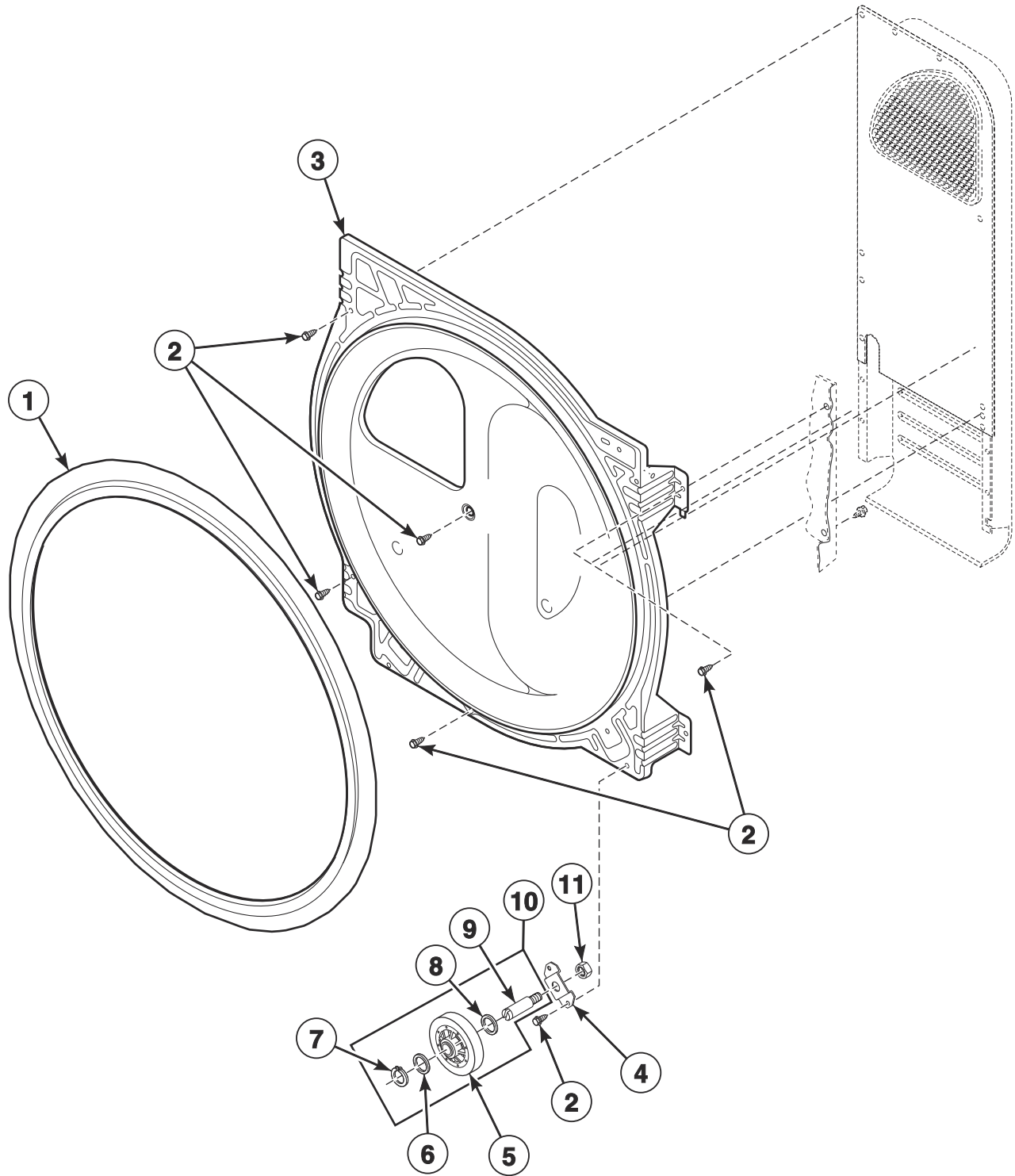


DRY1910PA_516442

Felt Seal and Cylinder without Light

REF	PART NO.	DESCRIPTION	COMMENTS
1	D510207P	Cylinder Seal Assembly	Apply adhesive when installing
	D511637P	Adhesive	Apply to cylinder seal
	RB170001	Seal Kit	Includes 2 cylinder seals, D510238P Blower Housing Seal and Adhesive
2	D510102LG	Cylinder Baffle	Light gray; Models BDEBEFGS171CN01 and BDEBEFGS171CW01 starting Serial No. 1303025315
	D510102W	Cylinder Baffle	White; Models BDEBEFGS171CN01 and BDEBEFGS171CW01 through Serial No. 1303025314; All other models
3	D510265LGP	Cylinder Assembly	Galvanized; Includes item 2 in light gray; Models BDEBEFGS171CN01 and BDEBEFGS171CW01 starting Serial No. 1303025315
	D510265WP	Cylinder Assembly	Galvanized; Includes item 2 in white; Models BDEBEFGS171CN01 and BDEBEFGS171CW01 through Serial No. 1303025314; All other models
	D505929LGP	Cylinder Assembly	Stainless steel; Includes item 2 in light gray
4	62588	Screw	

Rear Bulkhead, Felt Seal and Cylinder Roller



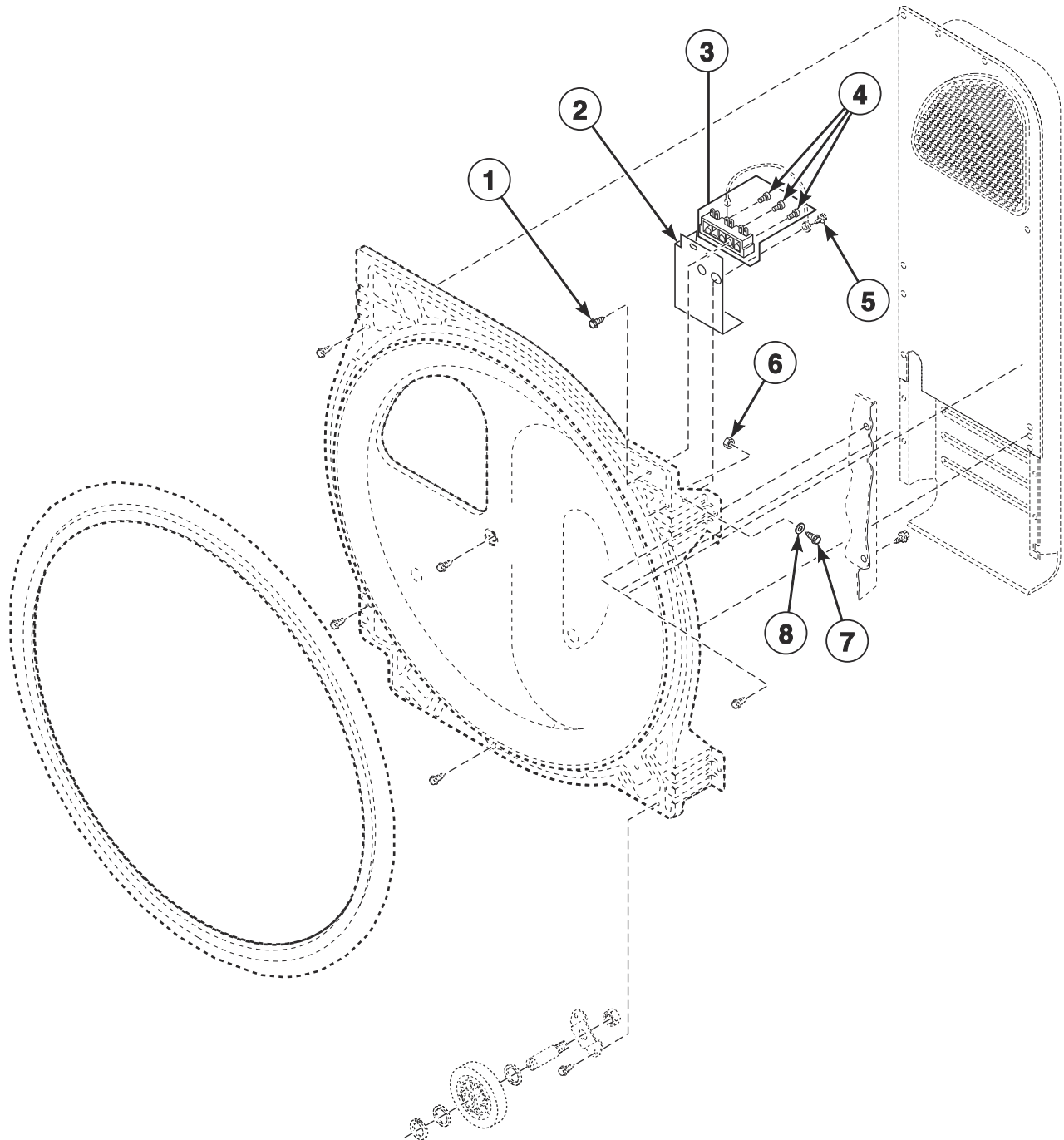
DRY2138P_516442

Rear Bulkhead, Felt Seal and Cylinder Roller

REF	PART NO.	DESCRIPTION	COMMENTS
1	D510207P	Cylinder Seal Assembly	Apply adhesive when installing
	D511637P	Adhesive	Apply to cylinder seal
	RB170001	Seal Kit	Includes 2 cylinder seals, D510238P Blower Housing Seal and Adhesive
2	D503688	Screw	
3	D512698	Rear Bulkhead	Polished; Model KU3MNFCS401NN01
	D505246	Rear Bulkhead Assembly	Stainless steel; Includes item 1; All other models
	D511082P	Rear Bulkhead Assembly	Galvanized; Includes item 1; All other models
4	D510100	Cylinder Roller Bracket	
5	D510708P	Cylinder Roller	
6	52549	Washer	
7	23748	Retaining Ring	
8	D504082	Washer	
9	56461P	Shaft	
10	RB170002	Roller Kit	Includes items 5-9
11	56156	Nut	

Terminal Block - Gas and 1 Phase Electric Models

All Models Except KU3MNFCS401NN01



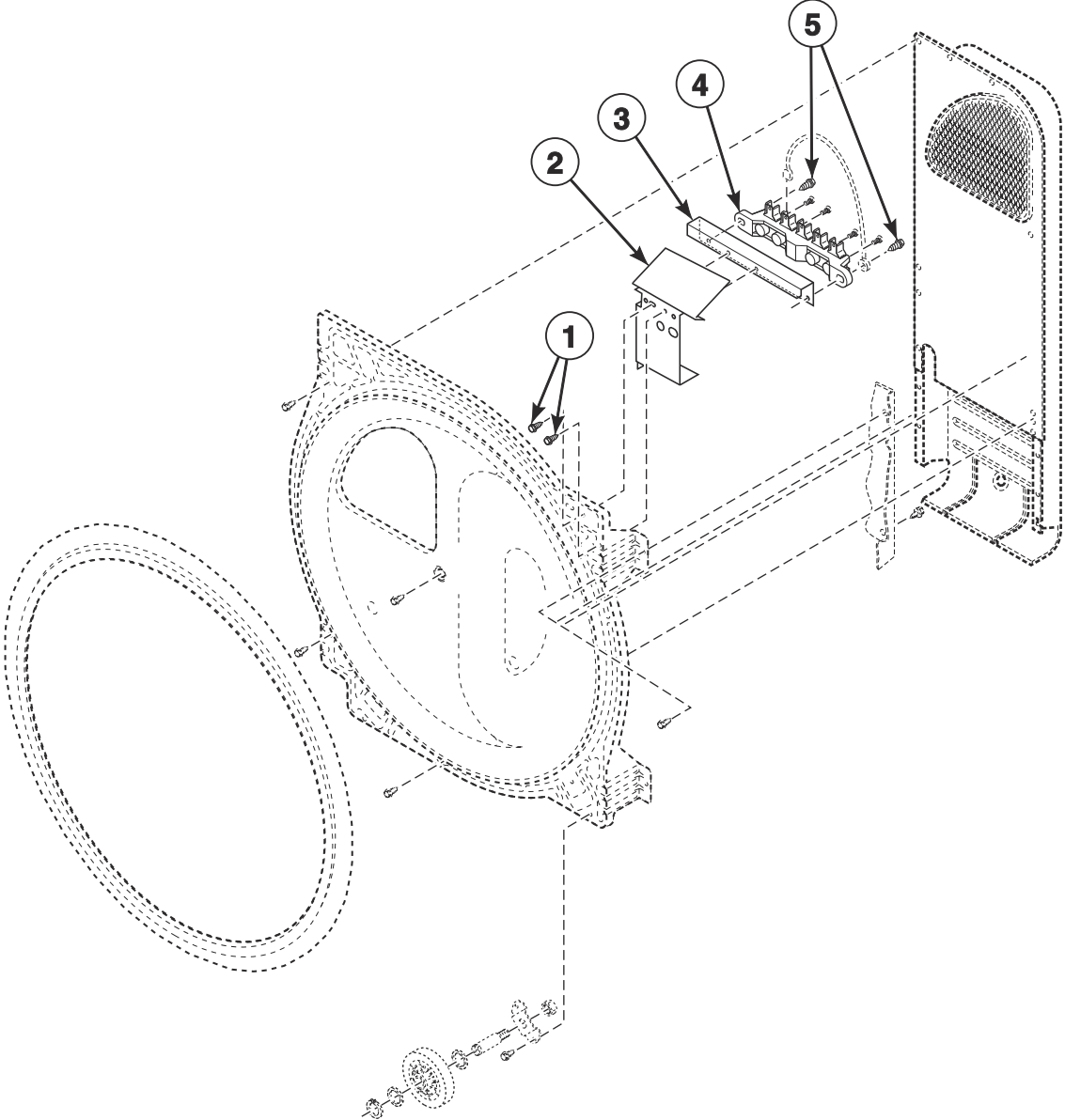
DRY1774P_516442

Terminal Block - Gas and 1 Phase Electric Models

REF	PART NO.	DESCRIPTION	COMMENTS
1	D501285	Screw	
2	D505768	Terminal Block Shield	Models HDEBXRGS171FW28, JDEBEFGW301EW01, JDEBGFGW301EW01, JDEBGFSW301EN01, JDGBEFGW301EW01, JDGBGFGW301EW01, JDGBGFSW301EN01, SDLSXRGS541NQ23 and SDLSXRGS541NW23
	D510237	Terminal Block Shield	All other models; Through Serial No. 1903000001
3	D510190P	Terminal Block Assembly	Includes 3 of item 7; All models except JDEBGFGW301EW01, JDEBGFSW301EN01, SDLSXRGS541NQ23 and SDLSXRGS541NW23
4	61199	Screw	
5	D503688	Screw	
6	28447	Nut	
7	28448	Screw	
8	28449	Washer	

Terminal Block - 3 Phase Electric Models

Model KU3MNFCS401NN01



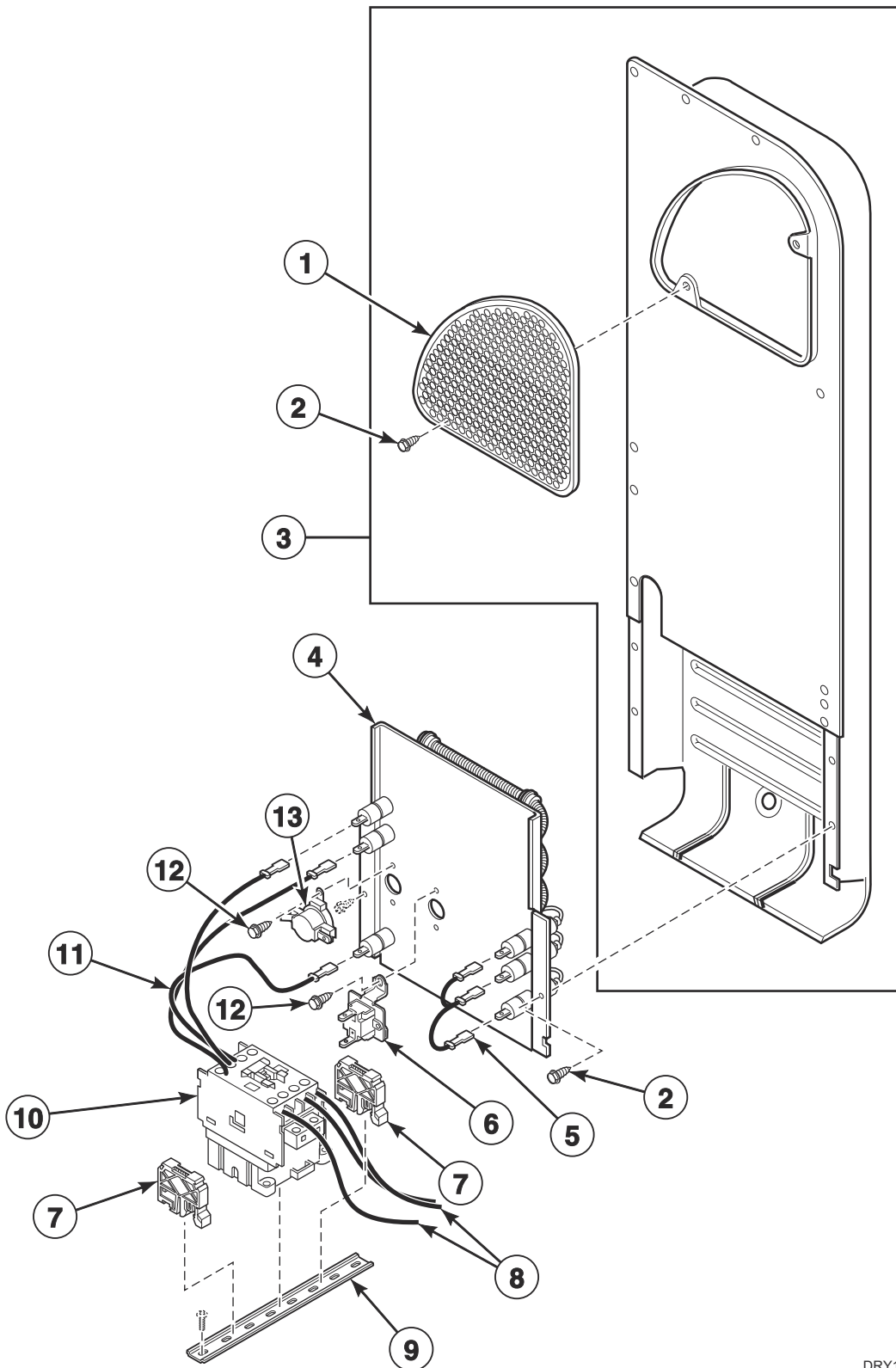
DRY9B_516442

Terminal Block - 3 Phase Electric Models

REF	PART NO.	DESCRIPTION	COMMENTS
1	D501285	Screw	
2	D505768	Terminal Block Shield	
3	D505875	Terminal Block Support Bracket	
4	D505876	Terminal Block Assembly	
5	D503661	Screw	

Heater Duct Assembly - 3 Phase

Model KU3MNFCS401NN01



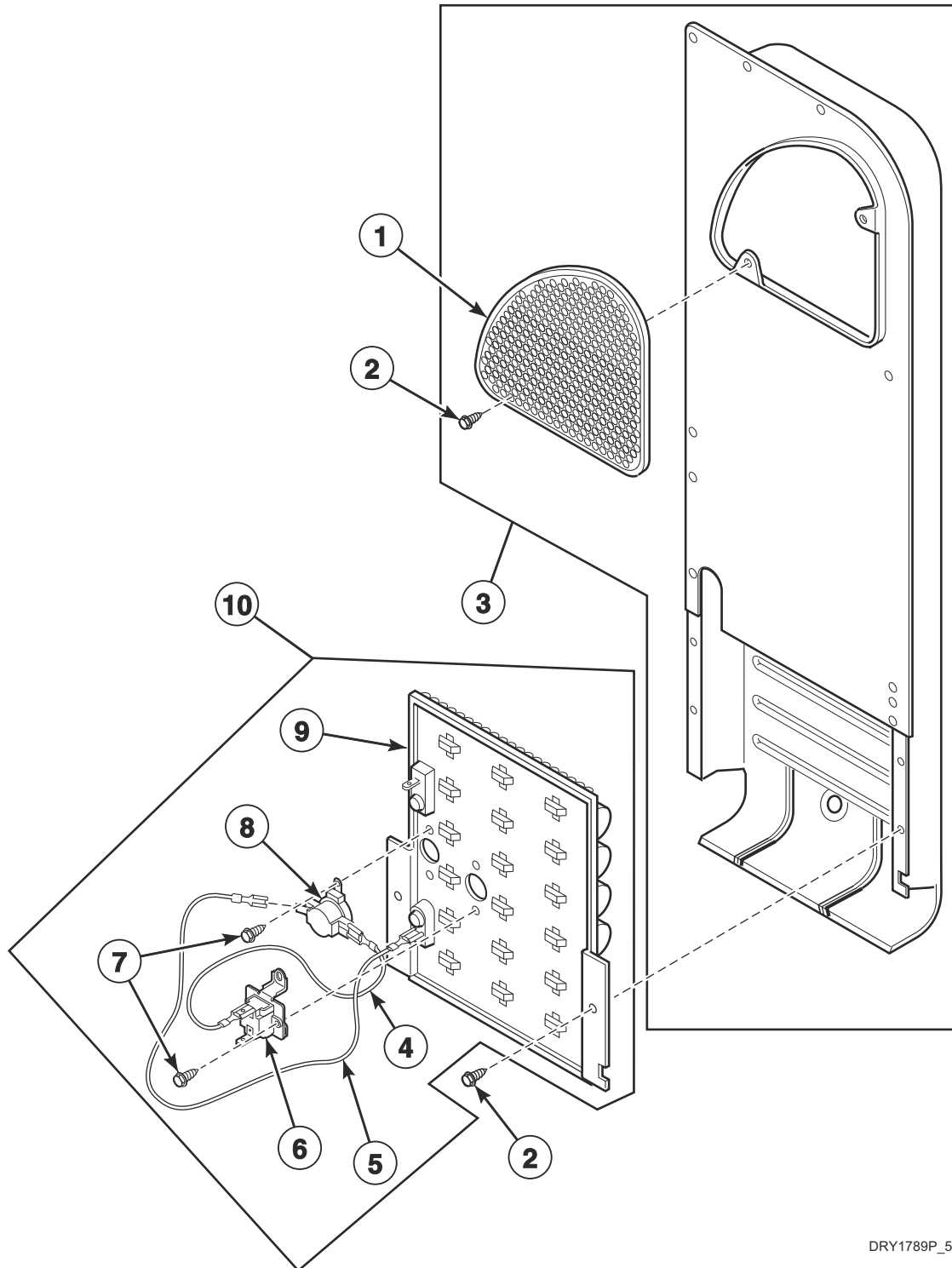
DRY1807P_516442

Heater Duct Assembly - 3 Phase

REF	PART NO.	DESCRIPTION	COMMENTS
	756P3	Conversion Kit	400 Volt, 4 wire WYE to 240 Volt, 3 wire Delta
1	D500820	Outlet Cover	
2	D503688	Screw	
3	D510025P	Heater Duct Assembly	Includes items 1 and 2
4	D511014P	Heater	400 Volt/3 Phase
5	D511270	Jumper Wire Assembly	3 Phase
6	D511412	Thermal Fuse Assembly	
7	70121001	End Stop	
8	D511112P	Block to Relay Harness	Terminal block to contactor
9	M412693	Din Rail	
10	F330177P	Contactor	
11	D511114P	Relay to Heater Harness	Contactor to heater
12	23222	Screw	
13	D510701	Limit Thermostat	

Heater Duct and Element Assembly - 1 Phase

All Electric Models Except KU3MNFCS401NN01



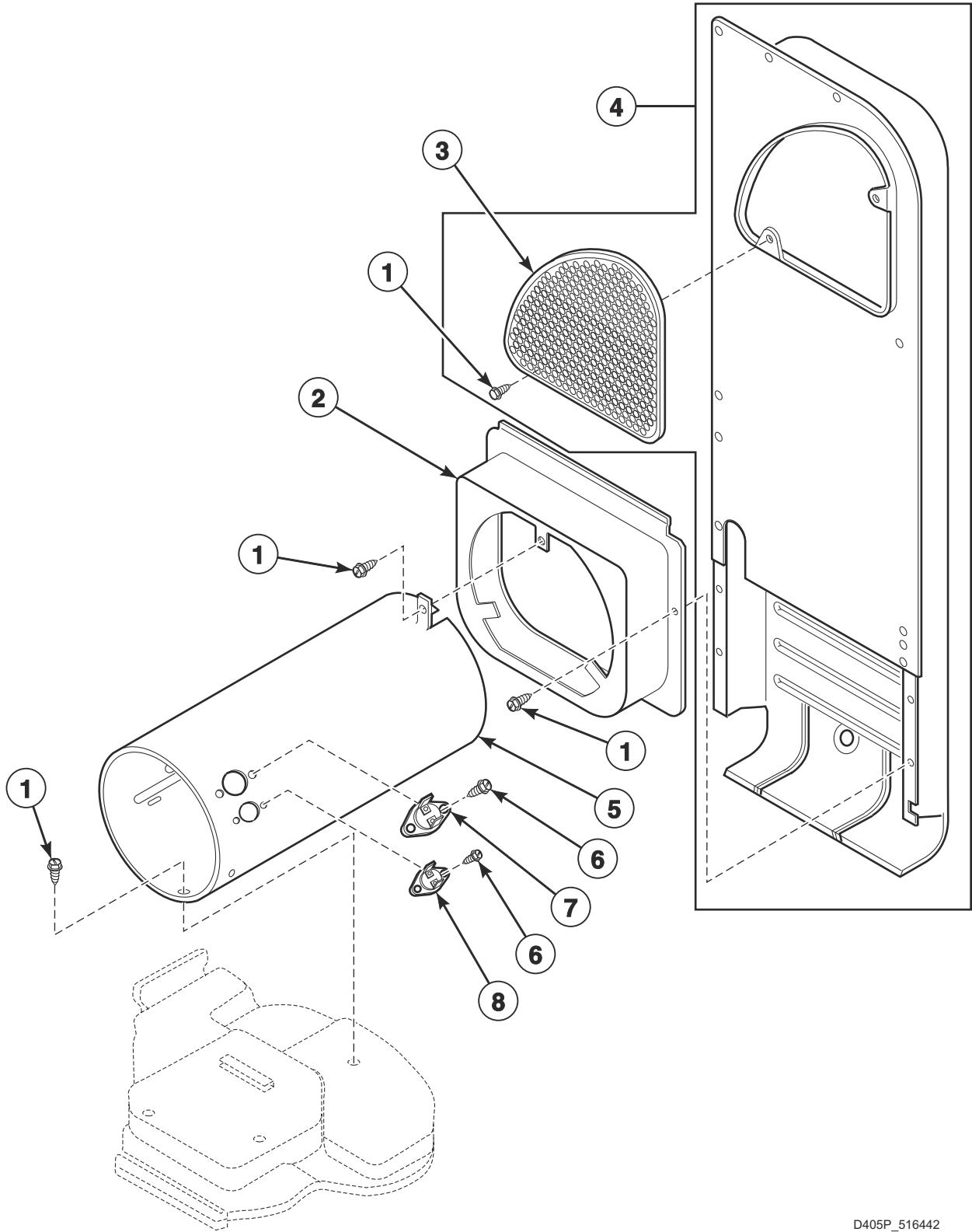
DRY1789P_516442

Heater Duct and Element Assembly - 1 Phase

REF	PART NO.	DESCRIPTION	COMMENTS
1	D500820	Outlet Cover	
2	D503688	Screw	
3	D510025P	Heater Duct Assembly	Includes items 1 and 2
4	D510528	Wire Assembly	Orange; Thermostat jumper; Attaches to heater assembly
5	D510527	Wire Assembly	Black; Fuse jumper; Attaches to heater assembly
6	D511412	Thermal Fuse Assembly	
7	23222	Screw	
8	D510701	Limit Thermostat	
9	D510324P	Heater Assembly	5 kW; 240 Volt/60 Hertz; Models BDEBEFGS171CN01, BDEBEFGS171CW01, SDESXRGS171CW02 and SDESXRGS541NW22
	D510327P	Heater Assembly	4 kW; 240 Volt/50 Hertz; Models BDEBLFGS431AW01 and BDEMNRGS431AW01
	D510330P	Heater Assembly	4.25 kW; 208 Volt/60 Hertz; Model SDESXRGS151CW02
	D510329P	Heater Assembly	5.35 kW; 240 Volt/60 Hertz; Models HDEBXFGS131DW01, HDEBXFGS541DW01, HDEBXRGS171FW28, SDEBXFGS131DW01 and SDEBXFGS541DW01
	D510326P	Heater Assembly	4.8 kW; 240 Volt/50 Hertz; All other models
10	61930	Heater Kit Assembly	4 kW; 240 Volt/50 Hertz; Includes items 4-9; Models BDEBLFGS431AW01 and BDEMNRGS431AW01
	61927	Heater Kit Assembly	5 kW; 240 Volt/60 Hertz; Includes items 4-9; Models BDEBEFGS171CN01, BDEBEFGS171CW01, NDEBXRGS301NW22, SDEBXRGS301NW22, SDESXRGS151CW02, SDESXRGS171CW02 and SDESXRGS541NW22
	964P3	Heater Kit	5.35 kW; 240 Volt/60 Hertz; Models HDEBXFGS131DW01, HDEBXFGS541DW01, HDEBXRGS171FW28, SDEBXFGS131DW01 and SDEBXFGS541DW01
	61929	Heater Kit Assembly	4.8 kW; 240 Volt/50 Hertz; Includes items 4-9; Models JDEBEFGW301EW01, JDEBFGW301EW01 and JDEBGFWS301EN01

Heater Duct Assembly

Gas Models



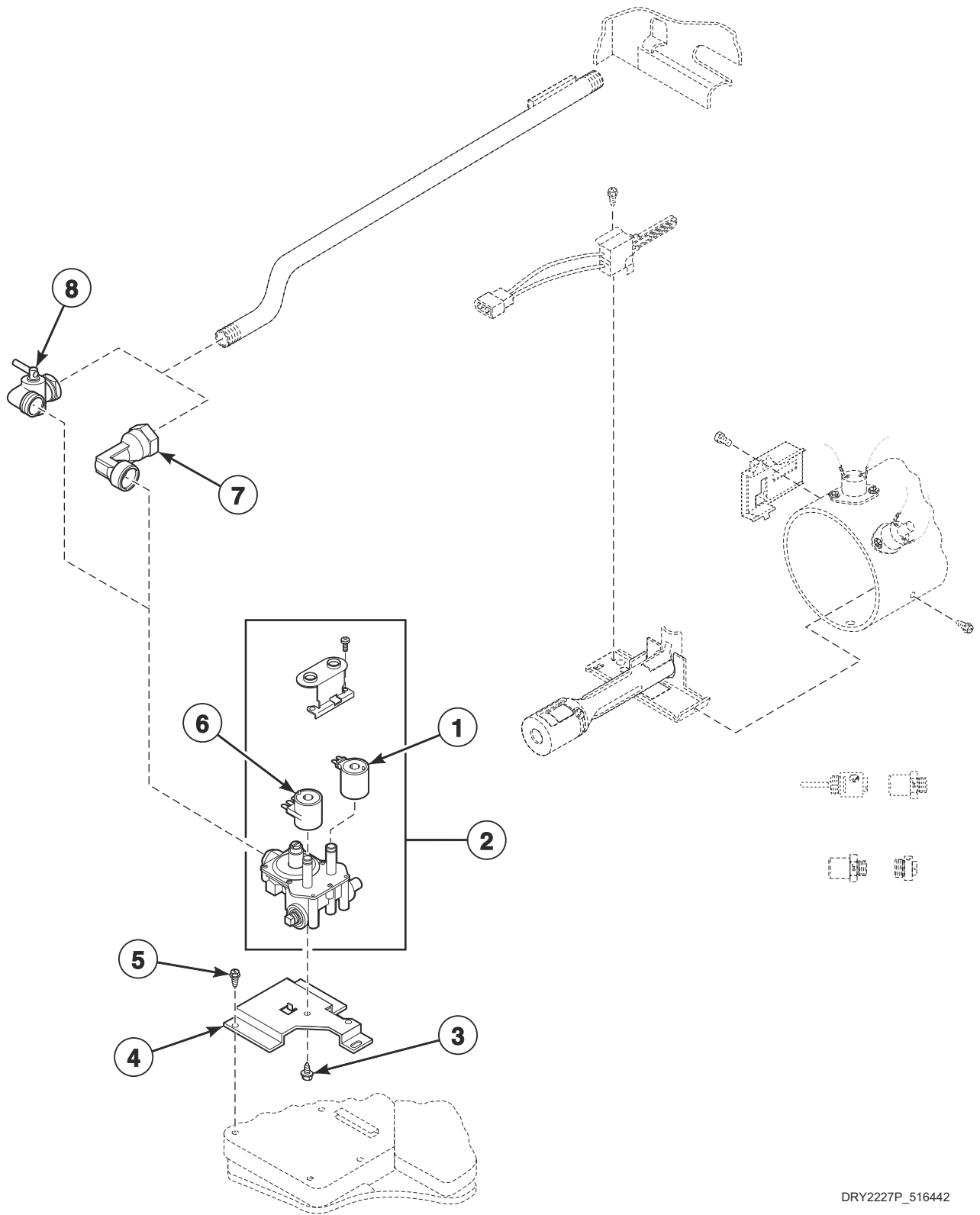
D405P_516442

Heater Duct Assembly

REF	PART NO.	DESCRIPTION	COMMENTS
1	D503688	Screw	
2	D510101	Heat Duct Shroud	
3	D500820	Outlet Cover	
4	D510025P	Heater Duct Assembly	Includes items 1 and 3
5	D510132	Combustion Duct	Models BDGBEFGS111CN01 and BDGBEFGS111CW01 starting serial no. 0803010126; Models HDGBXFGS121DW01, HDGBXFGS541DW01, SDGBXFGS121DW01 and SDGBXFGS541DW01
	D510131	Combustion Duct	Models BDGBXRG301AW01 and BDGMNRGS301AW01 through serial no. 0803010125; Models BDGBLFGS301AW01, BDGBLFGW541NW01, JDGBEFGW301EW01, JDGBGFGW301EW01, JDGBGFSW301EN01, SDLSXRG541NQ23 and SDLSXRG541NW23
6	51782	Screw	
7	D510702	Limit Thermostat	Black
8	D510703	Thermostat	Models HDGBXFGS121DW01, HDGBXFGS541DW01, SDGBXFGS121DW01 and SDGBXFGS541DW01; Models BDGBEFGS111CN01 and BDGBEFGS111CW01 starting serial no. 0803010126

Gas Valve

Gas Models



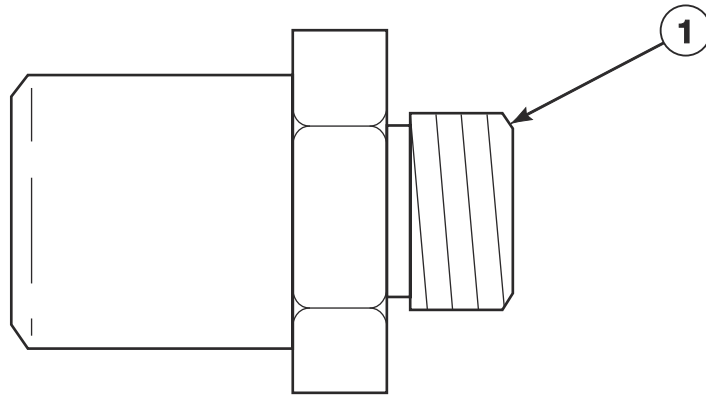
DRY2227P_516442

Gas Valve

REF	PART NO.	DESCRIPTION	COMMENTS
1	58804B	Secondary Coil	60 Hertz; Models BDGBEFGS111CN01, BDGBEFGS111CW01, BDGBLFGW541NW01, SDLSXRG541NQ23 and SDLSXRG541NW23
	59063B	Secondary Coil	50 Hertz; All other models
2	60353P	Gas Valve Assembly	60 Hertz; 25,000 Btu; Models BDGBEFGS111CN01, BDGBEFGS111CW01, BDGBLFGW541NW01, SDLSXRG541NQ23 and SDLSXRG541NW23
	D510506P	Gas Valve Assembly	60 Hertz; 22,500 Btu; Models HDGBXFGS121DW01, HDGBXFGS541DW01, SDGBXFGS121DW01 and SDGBXFGS541DW01
	60443P	Valve Assembly	50 Hertz; 25,000 Btu; All other models
3	56124	Screw	
4	D510128	Gas Valve Mounting Bracket	
5	D503688	Screw	
6	58804A	Booster and Holding Coil	60 Hertz; Models BDGBEFGS111CN01, BDGBEFGS111CW01, BDGBLFGW541NW01, HDGBXFGS121DW01, HDGBXFGS541DW01, SDGBXFGS121DW01, SDGBXFGS541DW01, SDLSXRG541NQ23 and SDLSXRG541NW23
	59063A	Booster and Holding Coil	50 Hertz; All other models
7	D513072	Elbow	Models SDLSXRG541NQ23 and SDLSXRG541NW23
8	D510205	Elbow Shut-Off Valve	All models except SDLSXRG541NQ23 and SDLSXRG541NW23

Burner Orifice Spuds - For Higher Elevations

Gas Models



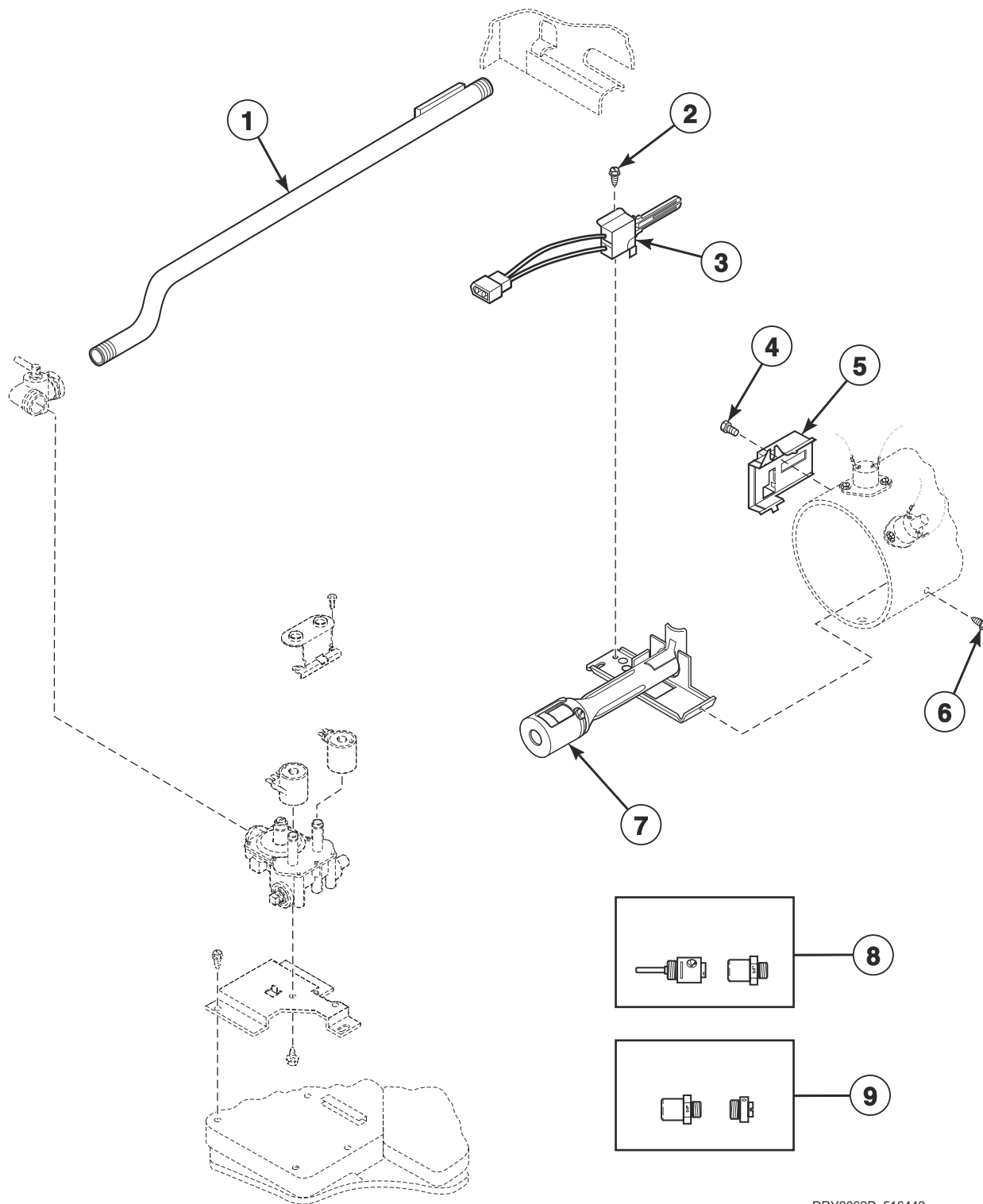
DRY2266P_516442

Burner Orifice Spuds - For Higher Elevations

REF	PART NO.	DESCRIPTION	COMMENTS
1	58755	L.P. Orifice	Liquid Petroleum Gas (L.P.); Models HDGBXFGS121DW01, HDGBXFGS541DW01, SDGBXFGS121DW01 and SDGBXFGS541DW01; HDGBXFGS121DW01, HDGBXFGS541DW01, SDGBXFGS121DW01, SDGBXFGS541DW01, SDLSXRG541NQ23 and SDLSXRG541NW23 22,500 Btu; 3000-7999 feet (915-2439 m); All other models; 25,000 Btu; 7500-10,999 feet (2290-3354 m)
	D503786	L.P. Orifice	L.P.; Models HDGBXFGS121DW01, HDGBXFGS541DW01, SDGBXFGS121DW01 and SDGBXFGS541DW01 HDGBXFGS121DW01, HDGBXFGS541DW01, SDGBXFGS121DW01, SDGBXFGS541DW01, SDLSXRG541NQ23 and SDLSXRG541NW23 22,500 Btu; 8000 feet (2440 m) and higher; All other models; 25,000 Btu; 11,000 feet (3355 m) and higher
	D503778	N.G. Orifice	Natural Gas (N.G.); Models HDGBXFGS121DW01, HDGBXFGS541DW01, SDGBXFGS121DW01 and SDGBXFGS541DW01 22,500 Btu; 3,000-5999 feet (915-1829 m); All other models; 25,000 Btu; 5500-6999 feet (1680-2134 m)
	58719	Screw Orifice	N.G.; Models HDGBXFGS121DW01, HDGBXFGS541DW01, SDGBXFGS121DW01 and SDGBXFGS541DW01 22,500 Btu; 6000-7999 feet (1830-2439 m); All other models; 25,000 Btu; 7000-8999 feet (2135-2744 m)
	D503779	N.G. Orifice	N.G.; Models HDGBXFGS121DW01, HDGBXFGS541DW01, SDGBXFGS121DW01 and SDGBXFGS541DW01 22,500 Btu; 8000-8999 feet (2440-2739 m); All other models; 25,000 Btu; 9000-10,499 feet (2745-3199 m)
	D503780	N.G. Orifice	N.G.; Models HDGBXFGS121DW01, HDGBXFGS541DW01, SDGBXFGS121DW01 and SDGBXFGS541DW01 22,500 Btu; 9000-9999 feet (2740-3049 m); All other models; 25,000 Btu; 10,500 feet (3200 m) and higher
	D503781	N.G. Orifice	N.G.; 22,500 Btu; 10,000 feet (3050 m) and higher; Models HDGBXFGS121DW01, HDGBXFGS541DW01, SDGBXFGS121DW01 and SDGBXFGS541DW01
	D503776	N.G. Orifice	N.G.; 25,000 Btu; 2000-2999 feet (610-914 m); All models except HDGBXFGS121DW01, HDGBXFGS541DW01, SDGBXFGS121DW01 and SDGBXFGS541DW01
	D510517	N.G. Orifice	N.G.; 25,000 Btu; 3000-5499 feet (915-1679 m); All models except HDGBXFGS121DW01, HDGBXFGS541DW01, SDGBXFGS121DW01 and SDGBXFGS541DW01

Igniter and Gas Conversion Kits

Gas Models

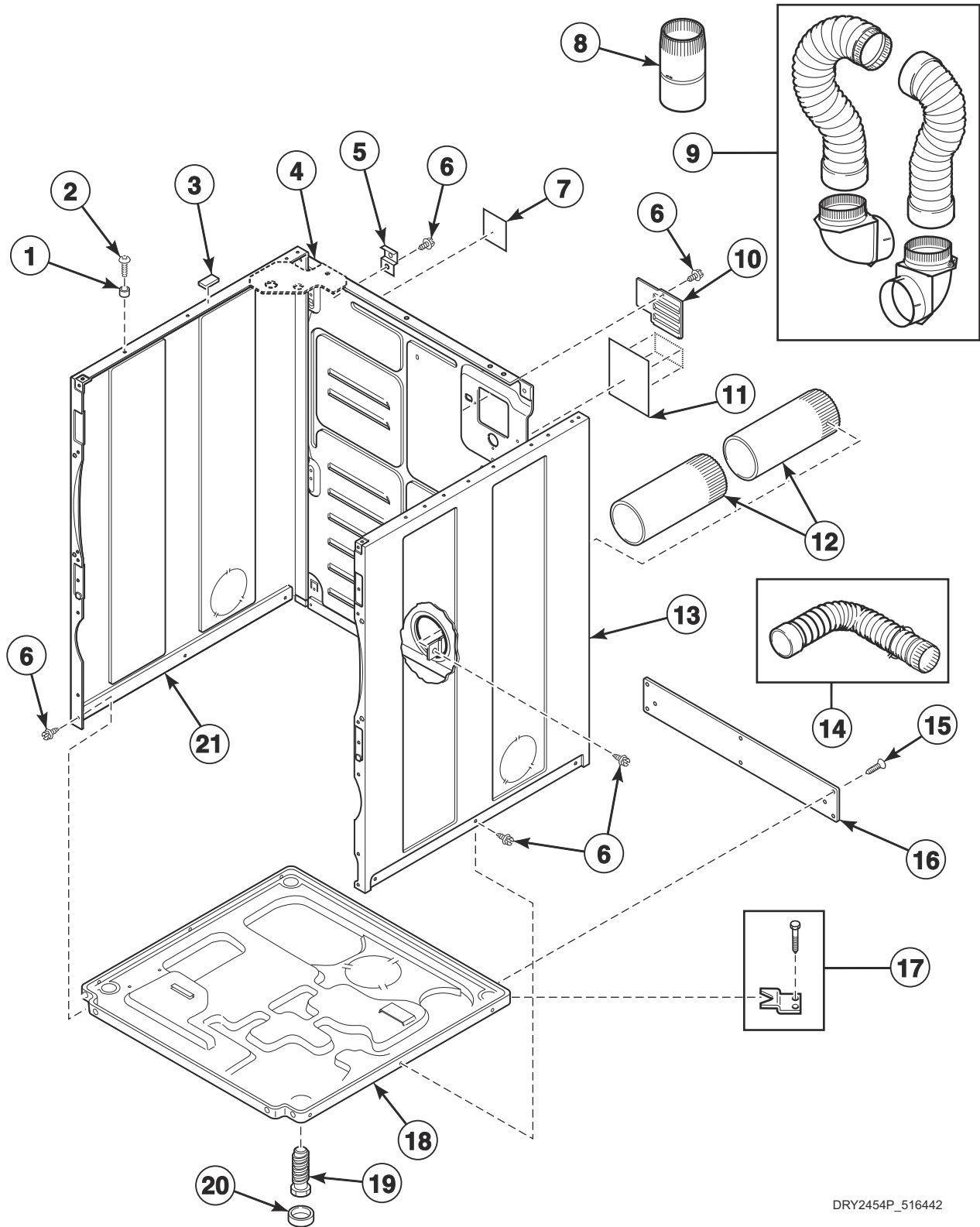


DRY2062P_516442

Igniter and Gas Conversion Kits

REF	PART NO.	DESCRIPTION	COMMENTS
1	D510204	Lead-In Pipe Assembly	
2	51782	Screw	
3	D510184P	Igniter and Bracket Assembly	
4	23222	Screw	
5	D510213	Sensor	
6	D503688	Screw	
7	D510149P	Burner Assembly	
8	600P3	L.P. Conversion Kit	Used to convert dryers from Natural Gas (N.G.) or Mixed Gas to Liquid Petroleum Gas (L.P.) for 25,000 Btu; Models JDGBEFGW301EW01, JDGBGFGW301EW01 and JDGBGFSW301EN01
	458P3	L.P. Conversion Kit	Used to convert dryers from N.G. or Mixed Gas to L.P. for 25,000 Btu; Models BDGBEFGS111CN01, BDGBEFGS111CW01, BDGBLFGS301AW01, BDGBLFGW541NW01, BDGBXRG301AW01, BDGMNRGS301AW01, HDGBXFGS121DW01, HDGBXFGS541DW01, SDGBXFGS121DW01 and SDGBXFGS541DW01
9	459P3	N.G. Conversion Kit	Used to convert dryers from L.P. to N.G. or Mixed Gas for 25,000 Btu; All models except JDGBEFGW301EW01, JDGBGFGW301EW01 and JDGBGFSW301EN01

Cabinet, Exhaust Duct and Base



DRY2454P_516442

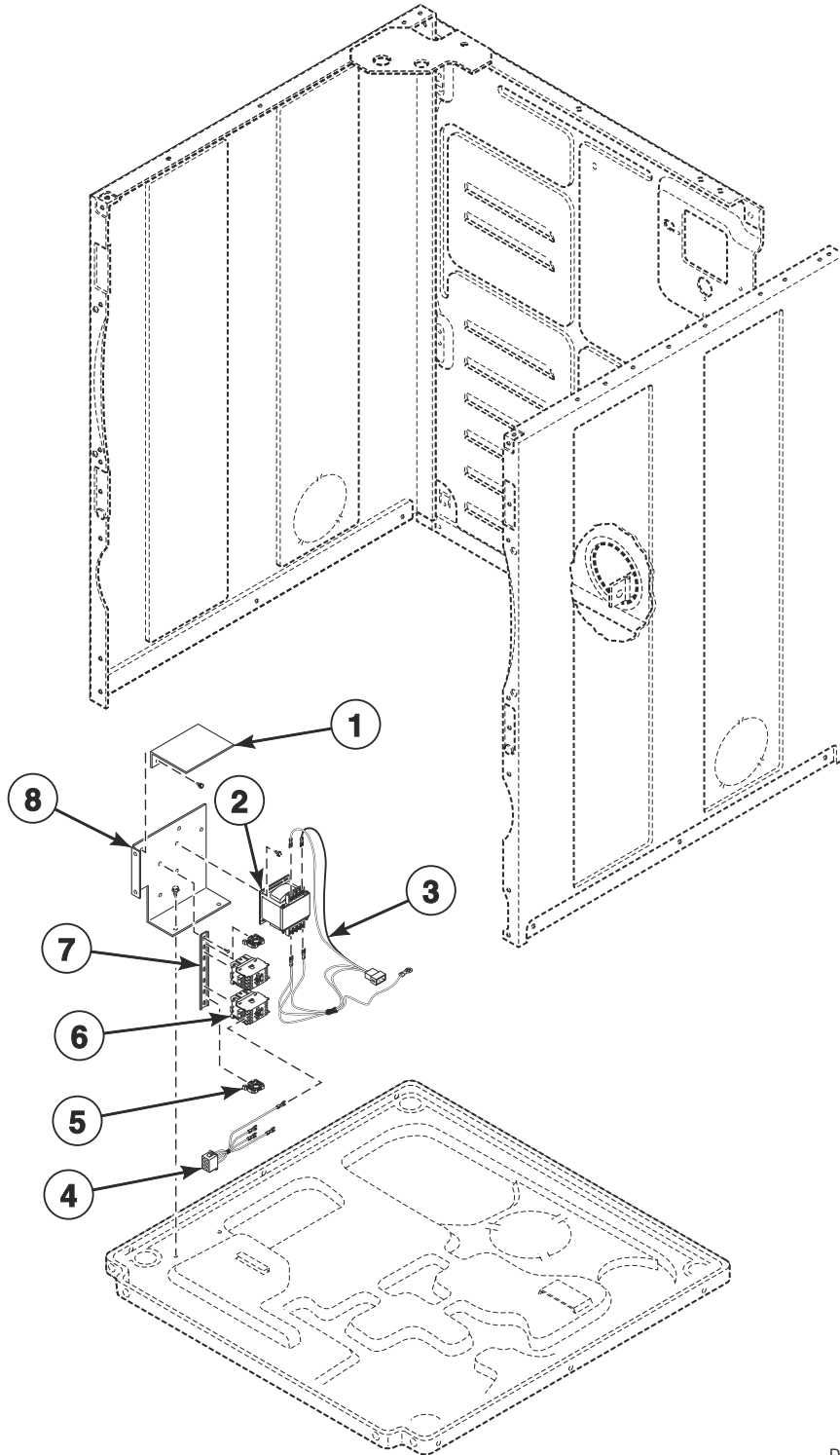
Cabinet, Exhaust Duct and Base

REF	PART NO.	DESCRIPTION	COMMENTS
	122P4P	Porcelain Touch-Up Paint	White
	370P4P	Porcelain Touch-Up Paint	Bisque
	215P4P	Porcelain Touch-Up Paint	Almond
1	56079	Panel Locator	
2	D512921	Screw	Use with stainless steel panels
	39733	Screw	Use with painted panels
3	56128	Bumper Pad	
4	D514632P	Cabinet Rear Panel	
5	D510136	Top Hinge	Rear control models; Model KU3MNFCS401NN01
6	D503688	Screw	
7	D502791	Venting Instruction Label	
8	58786	Damper	Use when connecting to a manifold vent system
9	521P3	Flexible Venting Kit	
10	D510903	Access Panel Plate	
11	D511005	Electric Clearance Label	Electric models
12	D516196	Exhaust Duct	Each dryer requires 2 pieces
13	D510002GP	Cabinet Side Panel	Gray; Right
	D510002WP	Cabinet Side Panel	White; Right
	D510002LP	Cabinet Side Panel	Almond; Right
	D510002QP	Cabinet Side Panel	Bisque; Right
	D512539	Cabinet Side Panel	Stainless steel; Right
14	528P3	Directional Exhaust Kit	Used to vent dryer out the sides or bottom
15	M405188	Screw	Model KU3MNFCS401NN01
16	D513527	Bracket	Model KU3MNFCS401NN01
17	526P3	Hold Down Kit	For mobile home installations
18	D514245	Dryer Base	
19	D510135	Leveling Leg	
20	D501855	Rubber Foot	
21	D510001GP	Cabinet Side Panel	Gray; Left
	D512538	Cabinet Side Panel	Stainless steel; Left
	D510001WP	Cabinet Side Panel	White; Left
	D510001LP	Cabinet Side Panel	Almond; Left
	D510001QP	Cabinet Side Panel	Bisque; Left
	D512951	Cabinet Side Panel	Stainless steel; Left

N/A = Part no longer available

Contactor and Transformer

Models BDGBLFGS301AW01, BDGBLFGW541NW01, BDGBXRG301AW01, BDGMNRGS301AW01,
HDGBXFGS541DW01, JDGBEFGW301EW01, JDGBFGW301EW01, JDGBGFSW301EN01,
SDGBXFGS541DW01 and SDLSXRG301ENQ23

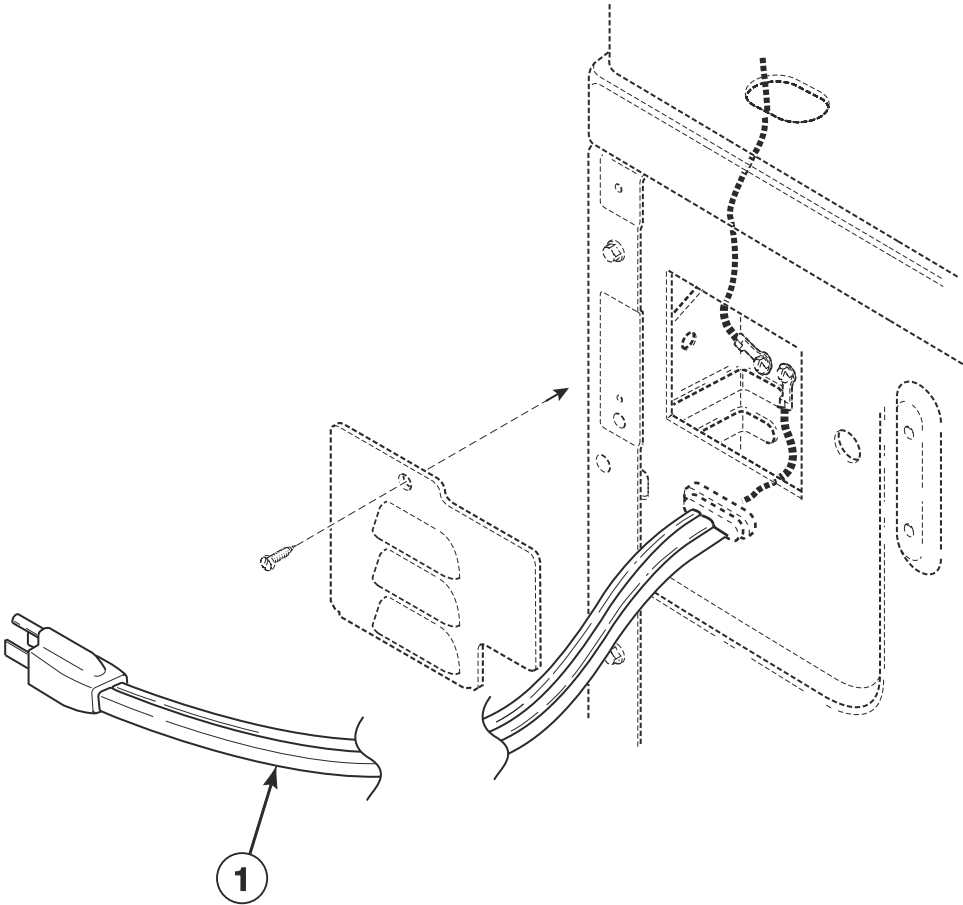


DRY2098P_516442

Contactor and Transformer

REF	PART NO.	DESCRIPTION	COMMENTS
1	801101	Card Reader Shield	Models JDGBEFGW301EW01, JDGBGFGW301EW01 and JDGBGFSW301EN01
2	D511658P	Transformer Kit	Includes item 3
3	D511303	Wire Harness Assembly	To transformer; Includes 502592 Fuse (3.15 Amp, 250 Volt)
4	D511327	Harness Assembly	Models JDGBEFGW301EW01, JDGBGFGW301EW01 and JDGBGFSW301EN01
5	70121001	End Stop	Models JDGBEFGW301EW01, JDGBGFGW301EW01 and JDGBGFSW301EN01
6	70323701P	Contactor	Models JDGBEFGW301EW01, JDGBGFGW301EW01 and JDGBGFSW301EN01
7	M412693	Din Rail	Models JDGBEFGW301EW01, JDGBGFGW301EW01 and JDGBGFSW301EN01
8	D511859	Contactor Bracket	

Power Cord

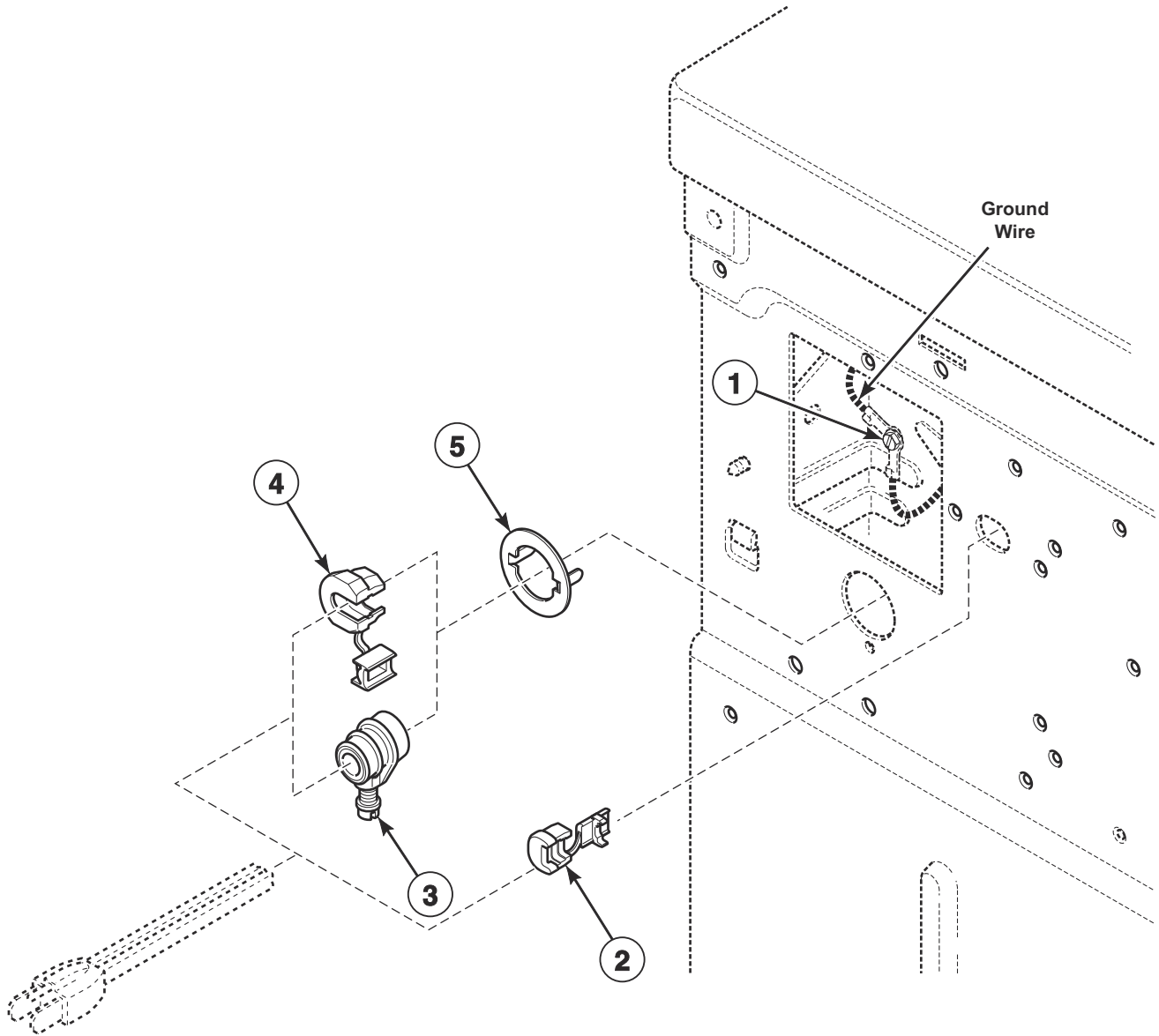


DRY1856P_516442

Power Cord

REF	PART NO.	DESCRIPTION	COMMENTS
1	D510505P	Lead-In Cord Assembly	Models BDEBEFGS171CN01, BDEBEFGS171CW01, SDESXRGs151CW02 and SDESXRGs171CW02
	61605P	Lead-In Cord Kit	Includes item 2; Models BDEBLFGS431AW01 and BDEMNRGS431AW01
	D512019	Lead-In Cord	Models BDGBLFGS301AW01, BDGBXRGs301AW01 and BDGMNRGS301AW01
	56222	Lead-In Cord	Models BDGBEFGS111CN01 and BDGBEFGS111CW01
	D506081	Power Cord Assembly	Models JDGBEFGW301EW01, JDGBGFGW301EW01 and JDGBGFSW301EN01
	59373	Lead-In Cord	Models BDGBLFGW541NW01, NDEBXRGs301NW22, SDEBXRGs301NW22, SDLSXRGs541NQ23 and SDLSXRGs541NW23
	D514222	Lead-In Cord Assembly	Models HDGBXFGS121DW01 and SDGBXFGS121DW01
	D514289	Lead-In Cord Assembly	Models HDGBXFGS541DW01 and SDGBXFGS541DW01

Strain Relief

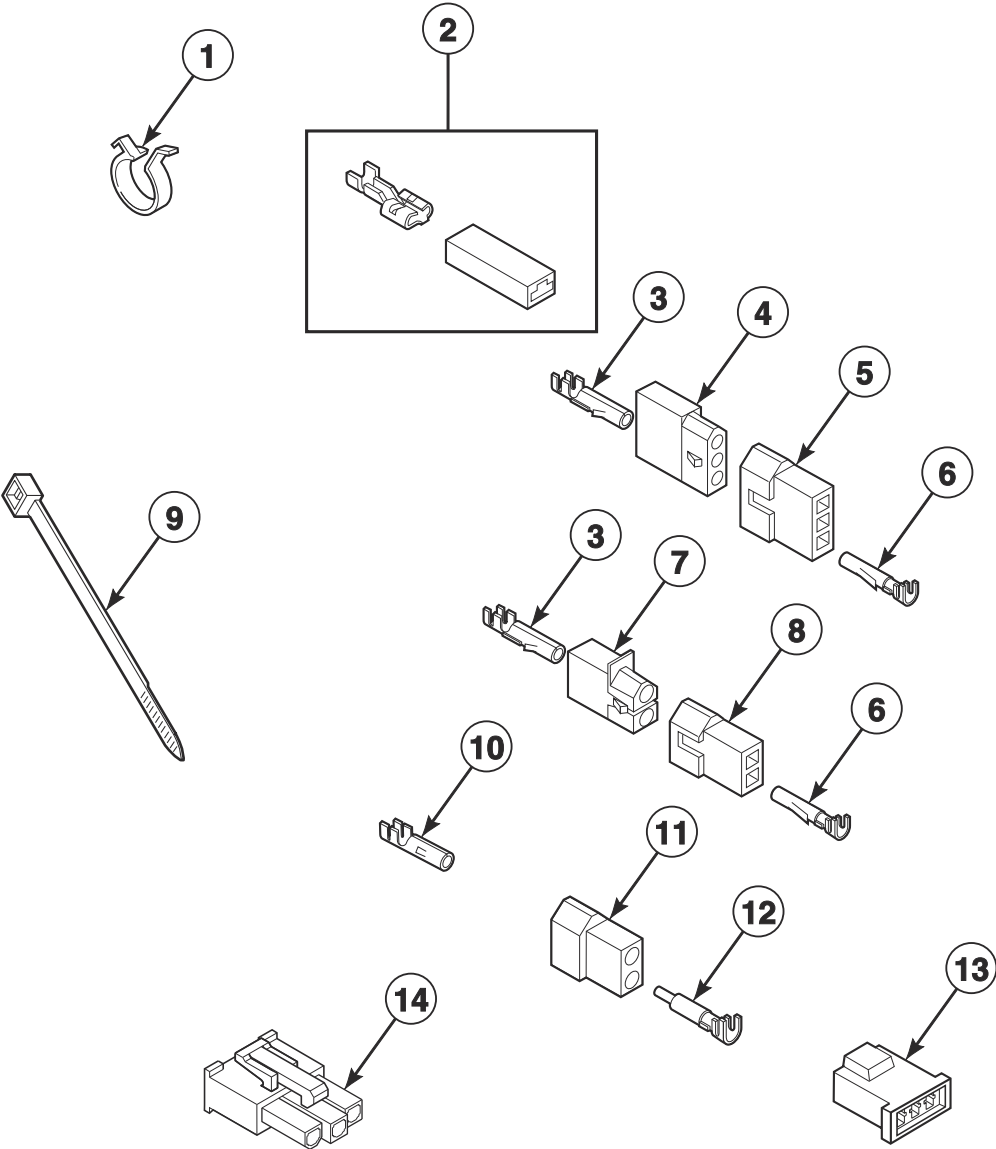


SWD1230P_516442

Strain Relief

REF	PART NO.	DESCRIPTION	COMMENTS
1	D513071	Screw	Models BDGBEFGS111CN01, JDEBGF301EN01 and JDGBGF301EN01
	20530	Screw	All other models
2	38384	Strain Relief	Models BDGBEFGS111CN01, BDGBEFGS111CW01, HDGBXFGS121DW01, HDGBXFGS541DW01, SDGBXFGS121DW01 and SDGBXFGS541DW01
3	D502500	Strain Relief	Models JDGBEFGW301EW01, JDGBGF301EW01 and JDGBGF301EN01
4	52113	Strain Relief	Models BDEBLFGS431AW01, BDEMNRGS431AW01, BDGBLFGW541NW01, SDLSXRG541NQ23 and SDLSXRG541NW23
	60298	Strain Relief	Models BDGBLFGS301AW01, BDGBXRG301AW01 and BDGMNRGS301AW01
5	D502496	Strain Relief Adapter	Use with 59373 Lead-In Cord, D502786 Power Cord Assembly, D503597 Lead-In Cord Assembly, D506081 Power Cord Assembly and D512019 Lead-In Cord

Terminal Block and Terminals

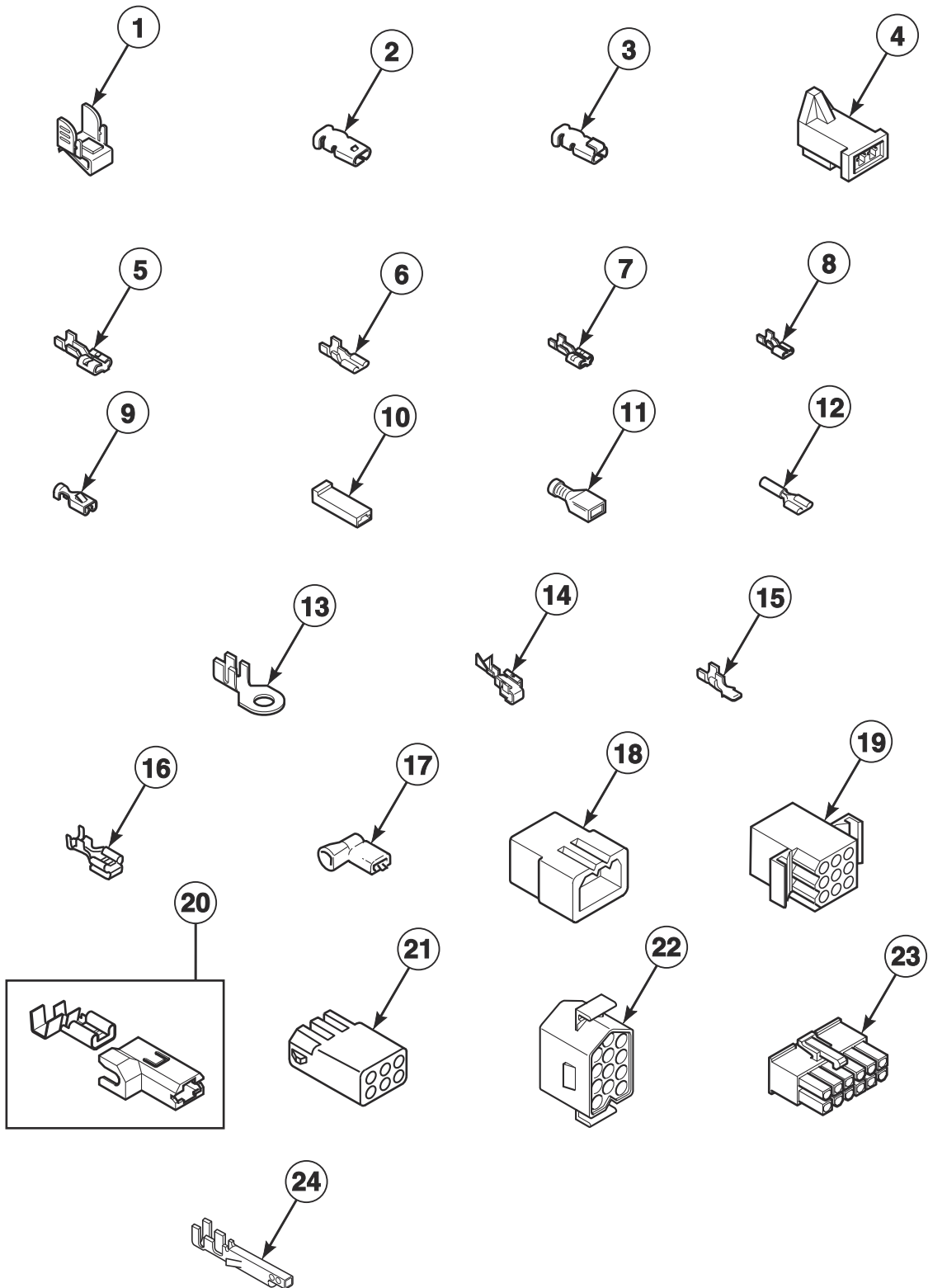


DRY2064P_516442

Terminal Block and Terminals

REF	PART NO.	DESCRIPTION	COMMENTS
1	D504034	Wire Clip	11/16 inch
	687500	Wire Clip	1 inch
2	00360	Insulated Female Spade Terminal	(1) 12 gauge wire or (2) 18 gauge wires
3	00117	Female Pin Terminal	
4	23039	3 Circuit Receptacle	
	56265	2 Circuit Receptacle	
5	23040	Plug	3 circuit
6	00116	Male Pin Terminal	
7	56451	2 Circuit Receptacle	
8	56448	2 Circuit Plug	
9	55881	Harness Strap	
10	00130	Female Pin Terminal	1/8 inch; 16-18 gauge wire
	00128	Female Pin Terminal	1/8 inch; 10-14 gauge wire
11	56266	2 Circuit Plug	
12	00127	Male Pin Terminal	.18 insulation diameter
	00129	Male Pin Terminal	.12 insulation diameter
13	58800	3 Circuit Connector	
14	36170	3 Circuit Receptacle	

Terminals



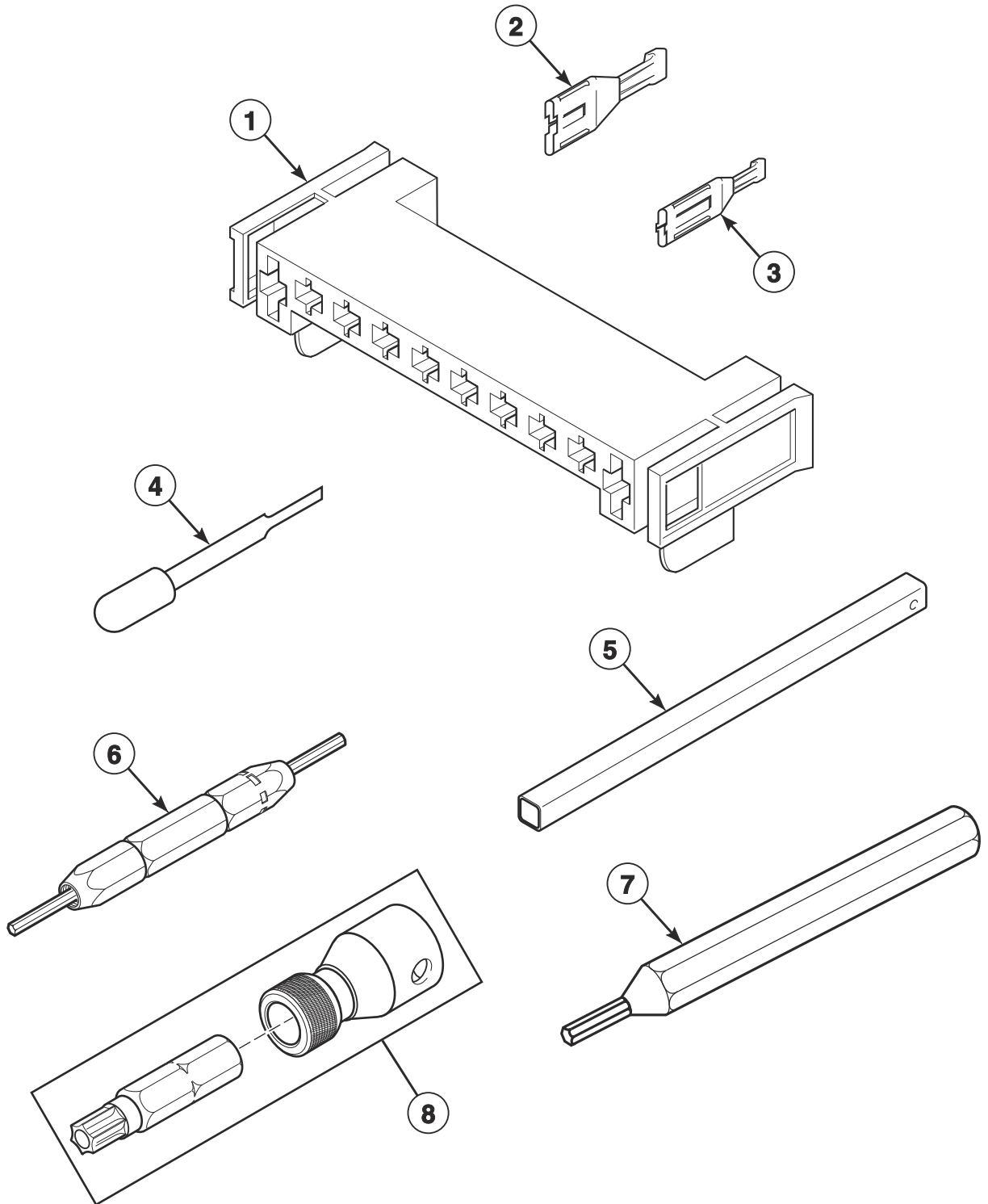
DRY2065P_516442

Terminals

REF	PART NO.	DESCRIPTION	COMMENTS
1	00161	Grounding Clip	
2	00189	Female Spade Terminal	
3	00361	Female Piggyback Terminal	
4	58799	2 Circuit Connector	
5	00223	Female Spade Terminal	1/4 inch; (1) 18 gauge wire
	00121	Female Spade Terminal	1/4 inch; (2) 18 gauge wires or (1) 12 gauge wire
	00245	Spade Terminal	1/4 inch; (1) 22 gauge wire
6	00124	Female Spade Terminal	3/16 inch; (1) 18 gauge wire; .020 tab
	00156	Female Spade Terminal	3/16 inch; Thermostat wire; .032 tab
	N/A	Female Spade Terminal	3/16 inch; (2) 18 gauge wires; .020 tab
7	00222	Female Spade Terminal	1/4 inch
8	00347	Terminal	
9	00115	Female Spade Terminal	1/4 inch; (1) 18 gauge wire
	N/A	Female Spade Terminal	1/4 inch; (2) 18 gauge wires or (1) 12 gauge wire
10	90789	Receptacle Housing	
11	00359	Insulated Female Spade Terminal	1/4 inch
	00165	Insulated Female Terminal	3/16 inch
12	N/A	Pre-Insulated Spade Terminal	1/4 inch; 18 gauge wire
	N/A	Pre-Insulated Spade Terminal	1/4 inch; 12 gauge wire
13	00110	Ring Terminal	(1) 18 gauge wire
	00111	Ring Terminal	(2) 18 gauge wires or (1) 12 gauge wire
	00319	Ring Terminal	(2) 18 gauge wires or (1) 14 gauge wire
14	00114	Female Spade Terminal	1/4 inch; Double connector
15	00139	Male Tab Terminal	1/4 inch; (2) 18 gauge wires or (1) 12 gauge wire
16	00344	Female Tab Terminal	
17	N/A	Flag Insulated Terminal	
18	26302	1 Circuit Plug	
	23033	9 Circuit Plug	
	23041	6 Circuit Plug	
19	26163	9 Circuit Receptacle	
	56855	12 Circuit Receptacle	
20	00221	Insulated Female Flag Terminal	1/4 inch
21	26708	6 Circuit Receptacle	
	26301	1 Circuit Receptacle	
22	54522	Plug	
23	D501333	12 Circuit Receptacle	
	34596	10 Circuit Receptacle	
24	00252	Terminal	

N/A = Part no longer available

Motor Connection Block and Tools



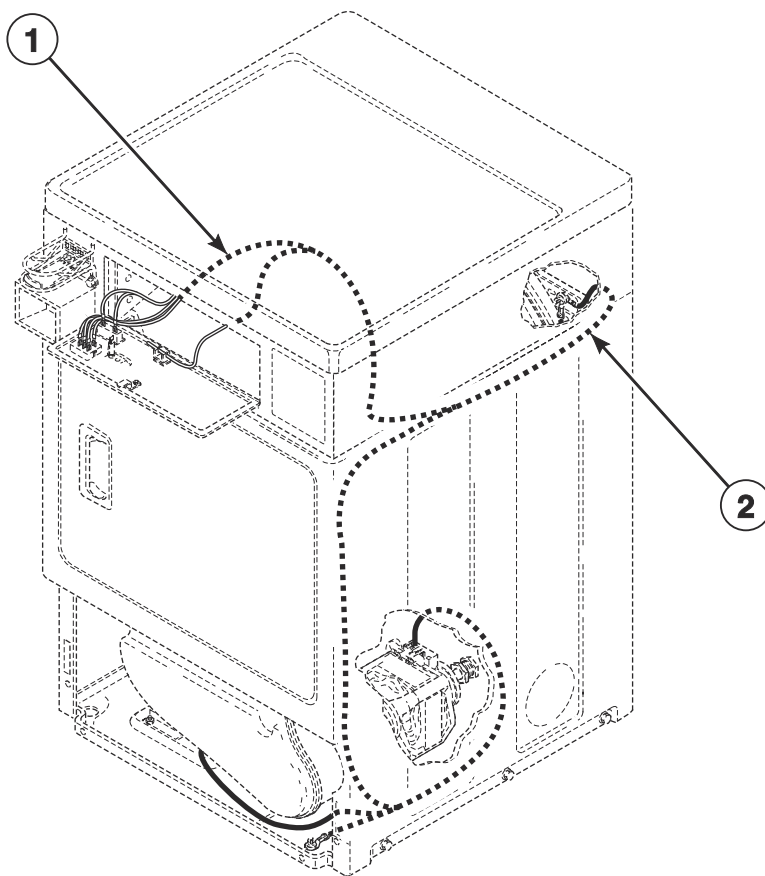
DRY2066P_516442

Motor Connection Block and Tools

REF	PART NO.	DESCRIPTION	COMMENTS
1	D500338	10 Position Housing	
2	00255	Female Terminal	1/4 inch; For (1) 12 gauge wire
	00256	Female Terminal	1/4 inch; For (1) or (2) 18 gauge wires
3	00188	Female Terminal	For 1 or 2 wire application
4	283P4	Terminal Extractor Tool	For use on Molex connectors
5	310P4	Ratchet Extension Tool	1/4 inch; For coin drop installation
6	190P4	Extractor Tool	For use on electric dryer terminals
7	128P4	Extractor Tool	For use on gas dryer terminals
8	281P4	Torx Bit	T15 Tamper Resistant Bit
	282P4	Torx Bit	Use with 62853 Screw on access panel; T25 Tamper Resistant Bit
	292P4	Torx Bit	T20 Standard Bit
	93501	Torx Drive Tool	T10 Standard Bit

Wire Harnesses and Wires - Through Serial No. 1401

Models JDGBEFGW301EW01, JDGBGFGW301EW01, JDGBGFSW301EN01 and KU3MNFCS401NN01



DRY1915P_516442

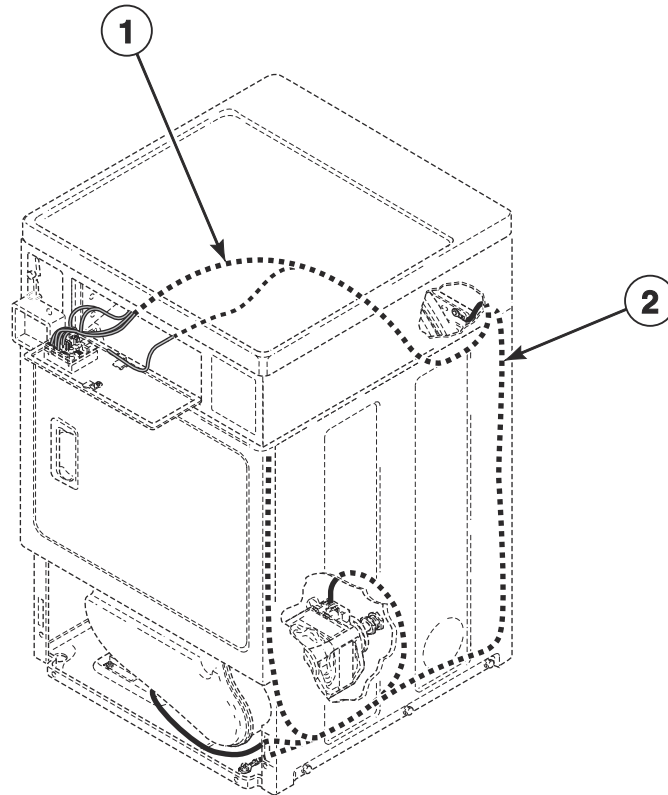
Wire Harnesses and Wires - Through Serial No. 1401

REF	PART NO.	DESCRIPTION	COMMENTS
	45380	12 Gauge Wire	Orange; Order wire by foot; Order terminals and connectors as required
	45001	18 Gauge Wire	Black; Order wire by foot; Order terminals and connectors as required
1	D511823P	Security Cabinet Harness	Models JDGBFGW301EW01 and JDGBGFSW301EN01
2	D512955P	Front Control Harness	Models JDGBFGW301EW01 and JDGBGFSW301EN01
	D511755	Wire Harness Assembly	Model JDGBEFGW301EW01
	D513529	Wire Harness Assembly	Model KU3MNFCS401NN01

NOTE: Individual wires are not available separately. Order complete harness, or order wire by the foot. When applying terminals to wires, it is recommended that the terminals be soldered to the wires.

Wire Harnesses and Wires - Starting Serial No. 1401

Models JDGBEFGW301EW01, JDGBGFGW301EW01, JDGBGFSW301EN01 and KU3MNFCS401NN01



DRY2286P_516442

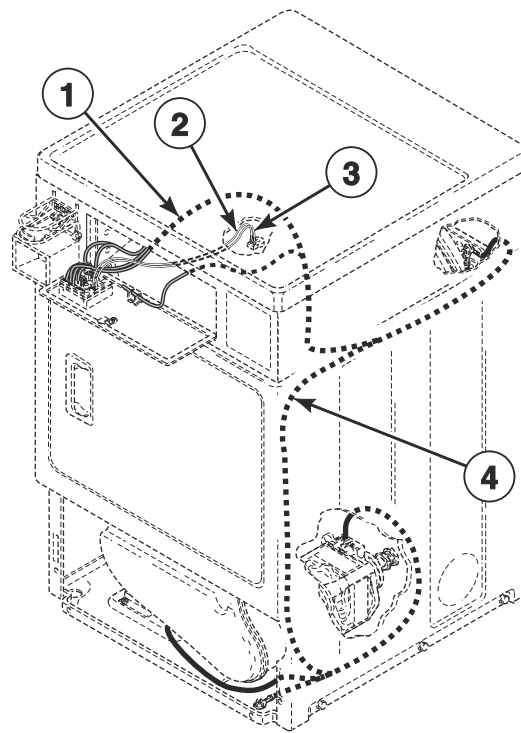
Wire Harnesses and Wires - Starting Serial No. 1401

REF	PART NO.	DESCRIPTION	COMMENTS
	45380	12 Gauge Wire	Orange; Order wire by foot; Order terminals and connectors as required
	45001	18 Gauge Wire	Black; Order wire by foot; Order terminals and connectors as required
1	D511823P	Security Cabinet Harness	Models JDGBFGW301EW01 and JDGBGFSW301EN01
2	D513813	Security Cabinet Harness	Models JDGBFGW301EW01 and JDGBGFSW301EN01
	D511755	Wire Harness Assembly	Model JDGBEFGW301EW01
	D513529	Wire Harness Assembly	Model KU3MNFCS401NN01

NOTE: Individual wires are not available separately. Order complete harness, or order wire by the foot. When applying terminals to wires, it is recommended that the terminals be soldered to the wires.

Wire Harnesses and Wires - Front Control Models Starting Serial No. 0904 and Continuing Through Serial No. 1401

Models BDEBLFGS431AW01, BDGBEFGS111CN01, BDGBEFGS111CW01, BDGBLFGS301AW01, BDGBLFGW541NW01, HDGBXFGS121DW01, HDGBXFGS541DW01, JDEBEFGW301EW01, JDEBFGW301EW01, JDEBGFWSW301EN01, SDGBXFGS121DW01 and SDGBXFGS541DW01



DRY2165P_516442

Wire Harnesses and Wires - Front Control Models Starting Serial No. 0904 and Continuing Through Serial No. 1401

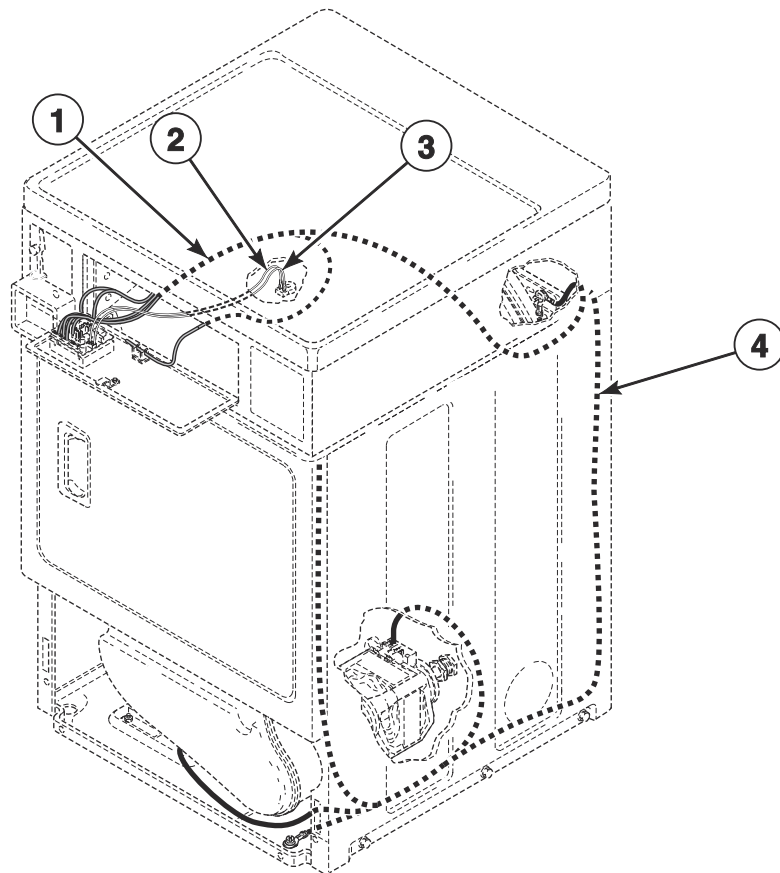
REF	PART NO.	DESCRIPTION	COMMENTS
	45380	12 Gauge Wire	Orange; Order wire by foot; Order terminals and connectors as required
	45001	18 Gauge Wire	Black; Order wire by foot; Order terminals and connectors as required
	D513246P	Jumper Assembly	For models with two resistors, connect jumper wire to each resistor; Models BDEBLFGS431AW01, BDGBLFGS301AW01 and BDGBLFGW541NW01
1	D512422P	Wire Harness Assembly	
2	D512273P	Wire Configuration Assembly	
3	D512275P	Wire Configuration Assembly	
4	D511795P	Electronic Harness	Models BDGBEFGS111CN01, BDGBEFGS111CW01, HDGBXFGS121DW01 and SDGBXFGS121DW01
	D511794P	Electronic Harness	Model JDEBEFGW301EW01
	D513483	Electronic Harness	Models BDGBLFGS301AW01 and BDGBLFGW541NW01
	D513270P	Wire Harness Assembly	Models BDEBLFGS431AW01, JDEBGFGW301EW01 and JDEBGFSW301EN01
	D512291	Wire Harness Assembly	Models HDGBXFGS541DW01 and SDGBXFGS541DW01

NOTE: Individual wires are not available separately. Order complete harness, or order wire by the foot. When applying terminals to wires, it is recommended that the terminals be soldered to the wires.

NOTE: Some models built after Serial No. 0904 may come equipped with one harness. If replacement of harness is necessary, replace with harness listed for model on *Wire Harnesses and Wires - Front Control Models Through Serial No. 0904*.

Wire Harnesses and Wires - Front Control Models Starting Serial No. 1401

Models BDEBLFGS431AW01, BDGBEFGS111CN01, BDGBEFGS111CW01, BDGBLFGS301AW01, BDGBLFGW541NW01, HDGBXFGS121DW01, HDGBXFGS541DW01, JDEBEFGW301EW01, JDEBGFGW301EW01, JDEBGFSW301EN01, SDGBXFGS121DW01 and SDGBXFGS541DW01



DRY2285P_516442

Wire Harnesses and Wires - Front Control Models Starting Serial No. 1401

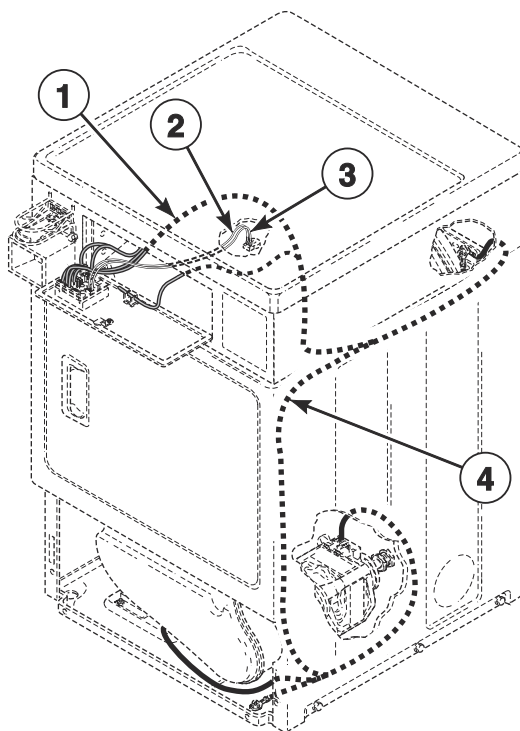
REF	PART NO.	DESCRIPTION	COMMENTS
	45380	12 Gauge Wire	Orange; Order wire by foot; Order terminals and connectors as required
	45001	18 Gauge Wire	Black; Order wire by foot; Order terminals and connectors as required
	D513246P	Jumper Assembly	For models with two resistors, connect jumper wire to each resistor; Models BDEBLFGS431AW01, BDGBLFGS301AW01 and BDGBLFGW541NW01
1	D512422P	Wire Harness Assembly	
2	D512273P	Wire Configuration Assembly	
3	D512275P	Wire Configuration Assembly	
4	D513835	Electronic Harness	Models BDGBEFGS111CN01, BDGBEFGS111CW01, HDGBXFGS121DW01 and SDGBXFGS121DW01
	D513830	Electronic Harness	Model JDEBEFGW301EW01
	D513817	Electronic Harness	Models BDGBLFGS301AW01 and BDGBLFGW541NW01
	D513840	Wire Harness Assembly	Models BDEBLFGS431AW01, JDEBGFGW301EW01 and JDEBGFSW301EN01
	D513843	Wire Harness Assembly	Models HDGBXFGS541DW01 and SDGBXFGS541DW01

NOTE: Individual wires are not available separately. Order complete harness, or order wire by the foot. When applying terminals to wires, it is recommended that the terminals be soldered to the wires.

NOTE: Some models built after Serial No. 0904 may come equipped with one harness. If replacement of harness is necessary, replace with harness listed for model on *Wire Harnesses and Wires - Front Control Models Through Serial No. 0904*.

Wire Harnesses and Wires - Front Control Models Starting Serial No. 0904 and Continuing Through Serial No. 1303025314

Models BDEBEFGS171CN01 and BDEBEFGS171CW01



DRY2165P_516442

Wire Harnesses and Wires - Front Control Models Starting Serial No. 0904 and Continuing Through Serial No. 1303025314

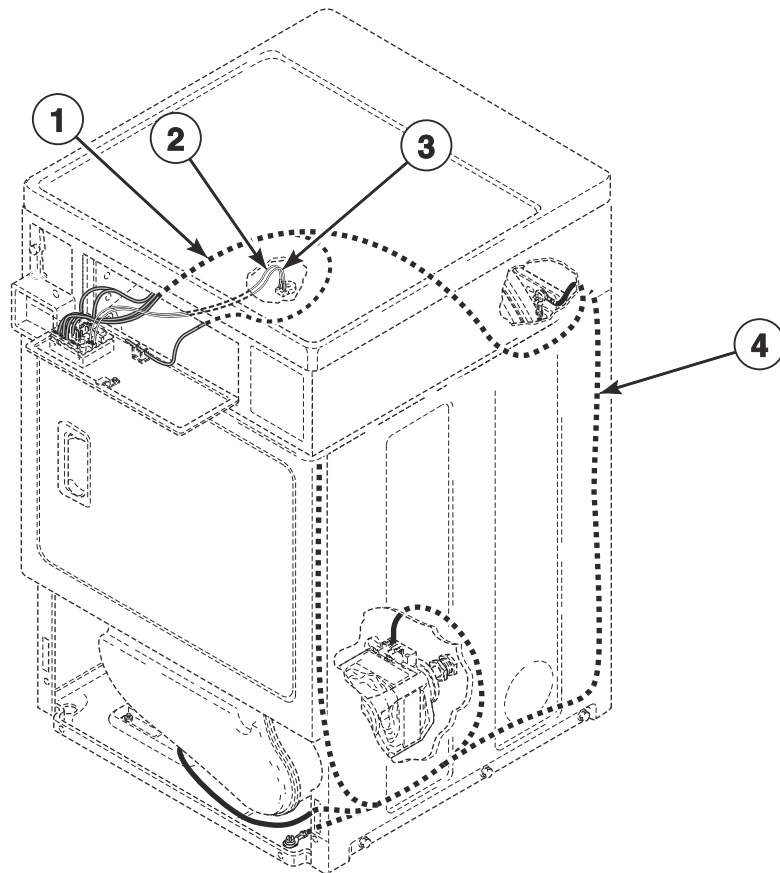
REF	PART NO.	DESCRIPTION	COMMENTS
	45380	12 Gauge Wire	Orange; Order wire by foot; Order terminals and connectors as required
	45001	18 Gauge Wire	Black; Order wire by foot; Order terminals and connectors as required
1	D512422P	Wire Harness Assembly	
2	D512273P	Wire Configuration Assembly	
3	D512275P	Wire Configuration Assembly	
4	D511794P	Electronic Harness	

NOTE: Individual wires are not available separately. Order complete harness, or order wire by the foot. When applying terminals to wires, it is recommended that the terminals be soldered to the wires.

NOTE: Some models built after Serial No. 0904 may come equipped with one harness. If replacement of harness is necessary, replace with harness listed for model on *Wire Harnesses and Wires - Front Control Models Through Serial No. 0904*.

Wire Harnesses and Wires - Front Control Models Starting Serial No. 13030252315

Models BDEBEFGS171CN01, BDEBEFGS171CW01, HDEBXFGS131DW01, HDEBXFGS541DW01,
SDEBXFGS131DW01 and SDEBXFGS541DW01



DRY2285P_516442

Wire Harnesses and Wires - Front Control Models Starting Serial No. 13030252315

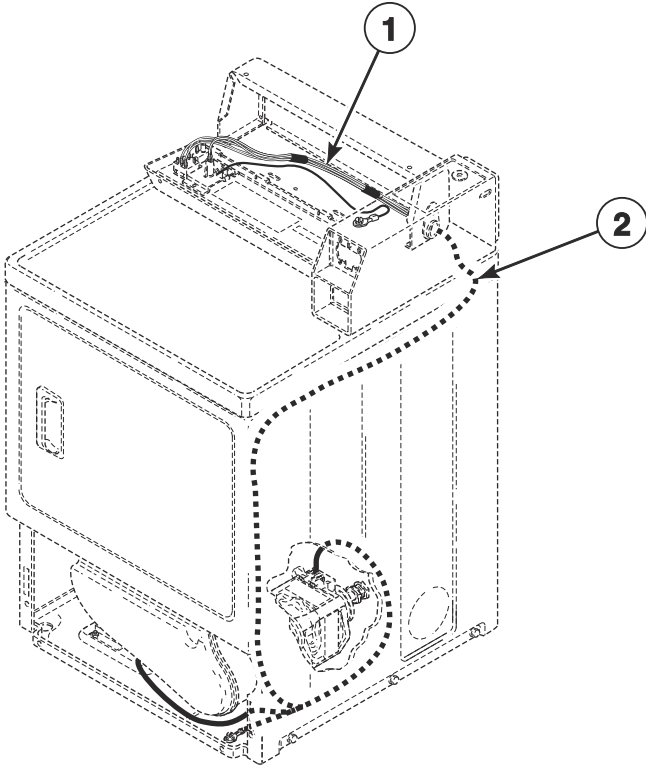
REF	PART NO.	DESCRIPTION	COMMENTS
	45380	12 Gauge Wire	Orange; Order wire by foot; Order terminals and connectors as required
	45001	18 Gauge Wire	Black; Order wire by foot; Order terminals and connectors as required
1	D512422P	Wire Harness Assembly	
2	D512273P	Wire Configuration Assembly	
3	D512275P	Wire Configuration Assembly	
4	D514096	Electronic Harness	

NOTE: Individual wires are not available separately. Order complete harness, or order wire by the foot. When applying terminals to wires, it is recommended that the terminals be soldered to the wires.

NOTE: Some models built after Serial No. 0904 may come equipped with one harness. If replacement of harness is necessary, replace with harness listed for model on *Wire Harnesses and Wires - Front Control Models Through Serial No. 0904*.

Wire Harnesses and Wires - Rear Control Models Through Serial No. 1207

Models SDLSXRG541NQ23 and SDLSXRG541NW23



DRY2039P_516442

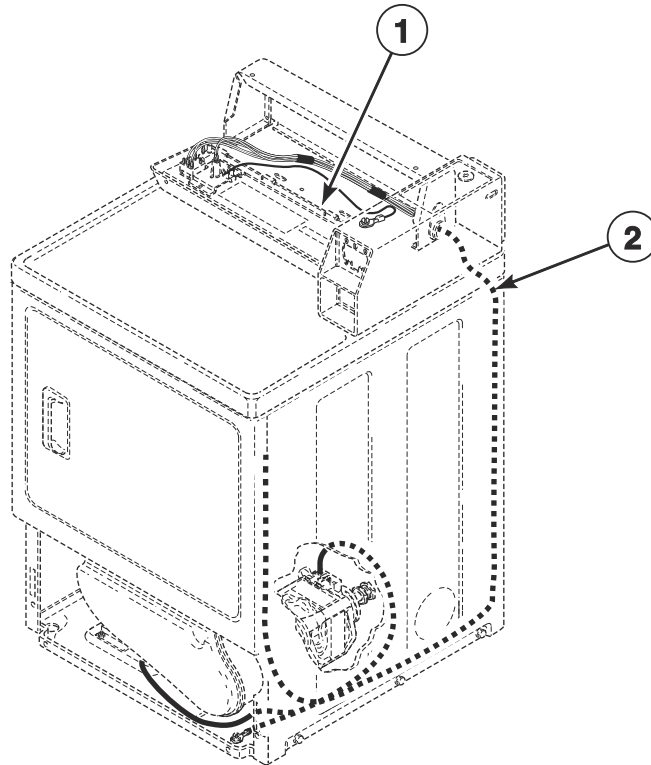
Wire Harnesses and Wires - Rear Control Models Through Serial No. 1207

REF	PART NO.	DESCRIPTION	COMMENTS
	45380	12 Gauge Wire	Orange; Order wire by foot; Order terminals and connectors as required
	45001	18 Gauge Wire	Black; Order wire by foot; Order terminals and connectors as required
1	D512140	Wire Harness Assembly	Some models have a 3/16 inch spade terminal on the coin slide switch; When replacing harness on these models, the switch mount assembly must also be replaced
2	D512283	Wire Harness Assembly	

NOTE: Individual wires are not available separately. Order complete harness, or order wire by the foot. When applying terminals to wires, it is recommended that the terminals be soldered to the wires.

Wire Harnesses and Wires - Rear Control Models Starting Serial No. 1207 (Drawing 1 of 2)

Models BDEMNRGS431AW01, BDGMNRGS301AW01, NDEBXRGS301NW22, SDEBXRGS301NW22, SDESXRGS151CW02, SDESXRGS171CW02, SDESXRGS541NW22, SDLSXRGS541NQ23 and SDLSXRGS541NW23



DRY2271P_516442

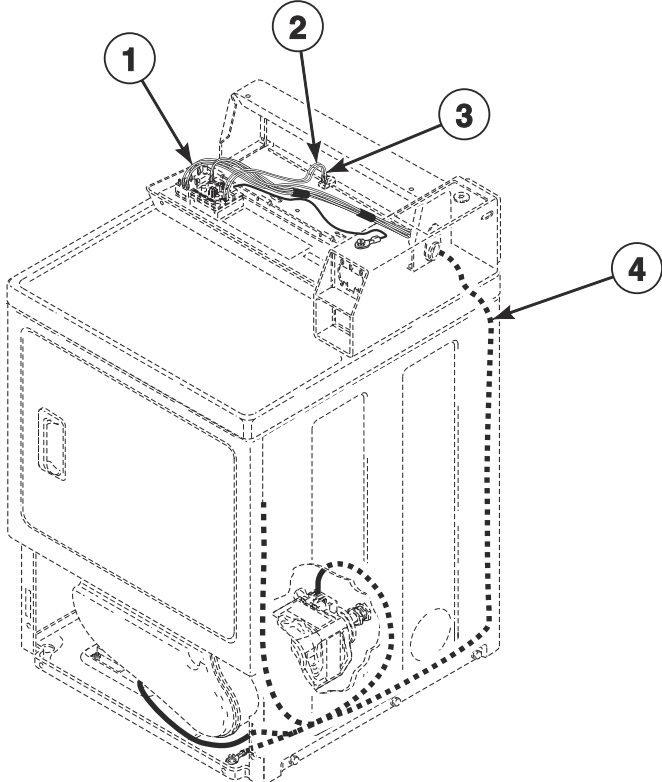
Wire Harnesses and Wires - Rear Control Models Starting Serial No. 1207 (Drawing 1 of 2)

REF	PART NO.	DESCRIPTION	COMMENTS
	45380	12 Gauge Wire	Orange; Order wire by foot; Order terminals and connectors as required
	45001	18 Gauge Wire	Black; Order wire by foot; Order terminals and connectors as required
1	D512510	Hood Harness	Models BDEMNRGS431AW01 and BDGMNRGS301AW01
	D512140	Wire Harness Assembly	Some models have a 3/16 inch spade terminal on the coin slide switch; When replacing harness on these models, the switch mount assembly must also be replaced; All other models
2	D513668	Electronic Harness	Models SDESXRG5151CW02, SDESXRG5171CW02 and SDESXRG5541NW22
	D513679	Wire Harness Assembly	Model BDGMNRGS301AW01
	D513670	Wire Harness Assembly	Model BDEMNRGS431AW01
	D513673	Electronic Harness	Models SDLSXRG5541NQ23 and SDLSXRG5541NW23
	D510550	Ground Wire Assembly	Models NDEBXRG5301NW22 and SDEBXRG5301NW22

NOTE: Individual wires are not available separately. Order complete harness, or order wire by the foot. When applying terminals to wires, it is recommended that the terminals be soldered to the wires.

Wire Harnesses and Wires - Rear Control Models Starting Serial No. 1207 (Drawing 2 of 2)

Models BDGBXRG301AW01 and HDEBXRG3171FW28



DRY2272P_516442

Wire Harnesses and Wires - Rear Control Models Starting Serial No. 1207 (Drawing 2 of 2)

REF	PART NO.	DESCRIPTION	COMMENTS
	45380	12 Gauge Wire	Orange; Order wire by foot; Order terminals and connectors as required
	45001	18 Gauge Wire	Black; Order wire by foot; Order terminals and connectors as required
	D513246P	Jumper Assembly	For models with two resistors, connect jumper wire to each resistor; Model BDGBXRGS301AW01
1	D512422P	Wire Harness Assembly	
2	D512273P	Wire Configuration Assembly	
3	D512275P	Wire Configuration Assembly	
	D513668	Electronic Harness	Model HDEBXRGS171FW28
	D513671	Electronic Harness	Model BDGBXRGS301AW01

NOTE: Individual wires are not available separately. Order complete harness, or order wire by the foot. When applying terminals to wires, it is recommended that the terminals be soldered to the wires.

NOTE: Some models built after Serial No. 0904 may come equipped with one harness. If replacement of harness is necessary, replace with harness listed for model on *Wire Harnesses and Wires - Rear Control Models Through Serial No. 0904*.

Parts Index

A

Access Panel	
D510069LP	45
D513521	45
Access Panel and Guard Assembly	
D514252Q	45
Access Panel Assembly	
D514250G	45
D514250Q	45
D514250WP	45
D514251	45
Access Panel Plate	
D510903	77
Access Panel with Guard Assembly	
D514252G	45
Adhesive	
D511637P	53, 57, 59
Air Duct Assembly	
D510151DG	53
D510151W	55
D515805LG	55
Anti-Seize Compound	
27604P	47, 49
Audit Switch Bracket	
800379	27

B

Block to Relay Harness	
D511112P	65
Blower and Fan Kit	
D510717P	49
Blower Fan Assembly	
D510139P	49
Blower Housing	
D511969LG	49
D511969WP	49
Blower Housing Seal	
D510238P	49
Bolt	
203798	13, 23
29651	13, 35, 37
Booster and Holding Coil	
58804A	71
59063A	71
Bracket	
D510146	25
D513527	77
803662	17
Bumper Pad	
56128	77
Burner Assembly	
D510149P	75

C

Cabinet Rear Panel	
D514632P	77
Cabinet Side Panel	
D510001GP	77
D510001LP	77
D510001QP	77
D510001WP	77
D510002GP	77
D510002LP	77
D510002QP	77
D510002WP	77
D512538	77
D512539	77
D512951	77
Card Reader Shield	
801101	79
Caution Label	
D500253	45
Central Pay Harness	
D511478	37
Chassis Mounting Bracket	
201581	13
Clip	
201572	21, 31
Coin Drop	
38963P	19, 29
70441601P	19, 29
Coin Drop Assembly	
CK114	19, 29
38462P	19, 29
38463	19, 29
38464P	19, 29
38467	19, 29
38472	19, 29
38475	19, 29
38519	19, 29
38521	19, 29
39157	19, 29
70441602	19, 29
70482401	19, 29
Coin Drop Kit	
CK077	19, 29
CK123	19, 29
Coin Drop Wire Harness	
201104	31
Coin Funnel Kit	
523P3	13
Coin Identification Paper	
38725	21, 31
Coin Slide Extension Kit	
D514228	15
200913	17
Combustion Duct	
D510131	69
D510132	69
Connector, 2 Circuit	
58799	87
Connector, 3 Circuit	
58800	85

N/A items do not appear in index.

Contactors	
F330177P	65
70323701P	79
Contactors Bracket	
D511859	79
Control Assembly	
D511867P	11, 27, 37
D513139P	13
Control Cabinet Bottom	
801777	37
Control Hood	
D502567L	9, 11
D502567Q	9, 11
D502567W	9, 11
D511253L	7
D511253Q	7
D511253W	7
Control Panel	
D510067L	11
D510067Q	11
D510067W	11
D511648B	37
D511648W	37
Control Panel and Bracket Assembly	
D501738Q	9
D501738W	9
D510077B	27
D510077W	27
Control Panel Assembly	
D512533Q	7
D512533W	7
Control Panel Overlay	
D512489	9
D512927	7
Control Shield	
D510083	11, 13
D512304	13
Conversion Kit	
756P3	65
Cylinder Assembly	
D505929LGP	57
D510265DGP	53
D510265LGP	57
D510265WP	57
Cylinder Baffle	
D510102DG	53
D510102LG	57
D510102W	57
Cylinder Belt	
D511255P	47
Cylinder Glide	
D513710	53, 55
Cylinder Glide Bracket	
D510145	53, 55
Cylinder Light Assembly	
D517422	53
Cylinder Light Lens	
D512106	53
Cylinder Roller	
D510708P	59
Cylinder Roller Bracket	
D510100	59
Cylinder Seal Assembly	
D510207P	53, 57, 59

D

Damper	
58786	77
Diagnostic Wire Harness Assembly	
800680	37
Din Rail	
M412693	65, 79
Directional Exhaust Kit	
528P3	77
Disconnect Power Warning Label	
D505281	25
Door Assembly	
D516510WP	39, 43
D516737W	39
Door Catch Assembly	
D510177	45
Door Handle Wedge	
D510129W	39, 43
Door Liner and Seal Assembly	
D510289LG	43
D513531	41
Door Liner Grill	
D503870W	39
Door Pull	
D512947	39, 43
Door Pull and Wedge Kit	
D510103LP	43
D510103QP	43
D510103WP	39, 43
Door Pull Kit	
D512620P	41
Door Strike	
D510181	39, 41, 43
Door Strike Mount	
D510127	39, 41, 43
Door Switch Bracket	
38087	23
Drip Shield	
D514327	45
Drum Light Lamp	
D503579	53
Dryer Base	
D514245	77
Dryer Door	
D510013GP	43
D510013LP	43
D510013QP	43
D510013WP	43
D510082WP	39
D512704	41
D512969	43
D513225	39
Dryer Door Window	
D503982P	39
Dual Overlay	
39073	23

E

Elbow	
D513072	71

N/A items do not appear in index.

Elbow Shut-Off Valve	
D510205	71
Electric Clearance Label	
D511005	77
Electrical Shock Label	
F8211201	55
Electronic Coin Drop Assembly	
70294103P	21, 31
70294104	21, 31
70294106	21
70294107	21, 31
70294109	21, 31
70294110	21, 31
70294111	21, 31
70294120	21, 31
70294121	21, 31
Electronic Coin Drop Kit	
CK099	21, 31
CK100	21, 31
CK101	21, 31
CK103	21, 31
CK106	21, 31
CK108	21, 31
CK109	21, 31
CK110	21
CK113	21, 31
CK115	21, 31
CK120	21, 31
CK121	21, 31
Electronic Harness	
D511794P	95, 99
D511795P	95
D513483	95
D513668	105, 107
D513671	107
D513673	105
D513817	97
D513830	97
D513835	97
D514096	101
End Cap	
210108W	7
210109W	7
End Stop	
70121001	65, 79
Exhaust Duct	
D516196	77
Expansion Clip	
70030501	37
Extractor Tool	
128P4	89
190P4	89

F

Fabric Selector Switch	
61512	7
Felt Pad	
D510189	53, 55
Female Piggyback Terminal	
00361	87
Female Pin Terminal	
00117	85
00128	85
00130	85

Female Spade Terminal	
00114	87
00115	87
00121	87
00124	87
00156	87
00189	87
00222	87
00223	87
Female Tab Terminal	
00344	87
Female Terminal	
00188	89
00255	89
00256	89
Flexible Venting Kit	
521P3	77
Front Bulkhead Assembly	
D510266P	55
D512476	53
Front Control Harness	
D512955P	91
Front Panel	
D510066GP	45
D510066LP	45
D510066QP	45
D510066WP	45
D512542	45
Front Panel Assembly	
D513781WP	45
Front Panel Seal	
D511056	45

G

Gas Valve Assembly	
D510506P	71
60353P	71
Gas Valve Mounting Bracket	
D510128	71
Glide Kit	
RB170003	53, 55
Graphic Overlay	
D511573	27
D512102	27
D512726	27
D513247	37
D513248	27
D513392	27
D513481	37
Ground Wire Assembly	
D510550	105
Grounding Clip	
00161	87

H

Harness Assembly	
D511327	79
802905	11, 21, 27, 29, 31
Harness Strap	
55881	85

N/A items do not appear in index.

Heat Duct Shroud D510101	69
Heater D511014P	65
Heater Assembly D510324P	67
D510326P	67
D510327P	67
D510329P	67
D510330P	67
Heater Duct Assembly D510025P	65, 67, 69
Heater Kit 964P3	67
Heater Kit Assembly 61927	67
61929	67
61930	67
Hinge D511036	37, 39, 41, 43
Hinge Hole Plug D510186	45
Hold Down Kit 526P3	77
Hood Back Plate D505798	9, 11
Hood Harness D512510	105
Housing, 10 Position D500338	89

I

Idler Lever D516310	49
Idler Lever and Wheel Assembly D516792	49
Idler Spring D510185	49
Idler Wheel and Bearing Assembly D510142P	49
Igniter and Bracket Assembly D510184P	75
Instruction Label D511903	33
Instruction Overlay D504585	33
Insulated Female Flag Terminal 00221	87
Insulated Female Spade Terminal 00359	87
00360	85
Insulated Female Terminal 00165	87

J

Jumper Assembly D513246P	95, 97, 107
Jumper Configuration Assembly M413507	11, 27, 37

Jumper Wire Assembly D511270	65
---------------------------------------	----

K

Key 54612	27
--------------------	----

L

Lead-In Cord D512019	81
56222	81
59373	81
Lead-In Cord Assembly D510505P	81
D514222	81
D514289	81
Lead-In Cord Kit 61605P	81
Lead-In Pipe Assembly D510204	75
Left Control Cabinet Side 800900B	37
800900LP	37
800900QP	37
800900WP	37
Leveling Leg D510135	77
Light 32519	7
801431	9
Limit Thermostat D510701	65, 67
D510702	69
Liner and Seal Assembly D510098W	39
Liner Door Seal D510147P	39, 41, 43
Liner, Seal and Grill Assembly D510163WP	43
Lint Filter D503980DG	53
D503980LG	55
D503980W	55
Lint Filter Label D502804	45
Lock Cam 27261	27
Lock Kit 27260P	27
L.P. Conversion Kit 458P3	75
600P3	75
L.P. Orifice D503786	73
58755	73

N/A items do not appear in index.

M

Male Pin Terminal	
00116	85
00127	85
00129	85
Male Tab Terminal	
00139	87
Manual Reset Thermostat	
M411941	51
MDC Overlay	
D511429	11
D511431	11
D513036	11
Meter Case Assembly	
202877W	13, 23
38724L	23
38724Q	23
807402W	13
Meter Case Bracket Gasket	
35526	13, 23
Meter Case Gasket	
26354	13, 23
Meter Case Kit	
201010QP	13
807398W	13
Meter Case Lockdown Bracket	
35525	13, 23
Meter Case Locking Bracket Kit	
204616	13, 23
Motor and Pulley Assembly	
D505843P	47
D505869P	47
D511629P	47
Motor Hub Ring Kit	
590P3	47
Motor Mount	
D510060	49
Motor Mount Clamp	
D510180	47
Motor Pulley	
D500011	47
D500222	47
Mounting Tool Kit	
CK096	21, 31

N

Nameplate Overlay	
803322	33
Nut	
201216	21, 31
24205	7, 9
27222	25
28447	61
29786	9, 13, 19, 23, 29, 31
29796	13
36020	35
44087201	35
52566	11, 49
52947	7, 9
56156	49, 59
80077	33

802337	13
N.G. Conversion Kit	
459P3	75
N.G. Orifice	
D503776	73
D503778	73
D503779	73
D503780	73
D503781	73
D510517	73

O

Opto Coupler	
200674P	19
Outlet Cover	
D500820	65, 67, 69
Overlay	
201091	23, 33

P

Panel Locator	
56079	45, 77
Pinch Warning Label	
F8615701	55
Plug	
23040	85
54522	87
Plug, 1 Circuit	
26302	87
Plug, 2 Circuit	
56266	85
56448	85
Plug, 6 Circuit	
23041	87
Plug, 9 Circuit	
23033	87
Pop Rivet	
685847	35, 37
Porcelain Touch-Up Paint	
122P4P	77
215P4P	77
370P4P	77
Power Cord Assembly	
D506081	81
Push-to-Start Switch Boot	
D512870P	7

R

Ratchet Extension Tool	
310P4	89
Rear Bulkhead	
D512698	59
Rear Bulkhead Assembly	
D505246	59
D511082P	59
Rear Control Cabinet	
801058	37

N/A items do not appear in index.

Rear Panel		02916	9, 11
D511254	7	20530	83
Receptacle Housing		23008	35, 37
90789	87	23222	65, 67, 75
Receptacle, 1 Circuit		27328	7, 15
26301	87	28448	61
Receptacle, 10 Circuit		31260	49
34596	87	33562	45
Receptacle, 12 Circuit		35528	7, 9, 11
D501333	87	36048	13, 23
56855	87	39733	45, 77
Receptacle, 2 Circuit		51782	15, 69, 75
56265	85	52864	7, 9, 11
56451	85	56124	71
Receptacle, 3 Circuit		61199	61
23039	85	62588	53, 57
36170	85	62853	45
Receptacle, 6 Circuit		800930	37
26708	87	Screw Orifice	
Receptacle, 9 Circuit		58719	73
26163	87	Seal Kit	
Relay to Heater Harness		RB170001	53, 57, 59
D51114P	65	Secondary Coil	
Resistor		58804B	71
210100	9, 11, 27, 37	59063B	71
Retaining Ring		Security Cabinet Front Assembly	
23748	49, 59	D511633B	33
Right Control Cabinet Side		D511633LP	33
800915B	37	D511633QP	33
800915L	37	D511633WP	33
800915Q	37	Security Cabinet Harness	
800915W	37	D511823P	91, 93
Ring Terminal		Security Cabinetl Harness	
00110	87	D513813	93
00111	87	Security Kit	
00319	87	905P3	11
Rocker Switch		Sensor	
70455101	7	D510213	75
Roller Kit		Service Door Assembly	
RB170002	59	39874LP	23
Rubber Foot		39874QP	13, 23
D501855	77	39874WP	13, 23

S

Screw		Shaft	
D500226	39, 41, 43, 53, 55	56461P	49, 59
D500227	53	Single Drop Overlay	
D500824	49	803476	33
D501086	7, 9, 11, 53	Single Overlay	
D501285	53, 55, 61, 63	38717	23
D501524	13, 27	Spade Terminal	
D502431	33	00245	87
D502535	51	Speed Clip	
D503661	9, 11, 63	28835	45
D503673	13, 23	Spring	
D503688	11, 13, 25, 27, 33, 37, 45, 49, 55, 59, 61, 65, 67, 69, 71, 75, 77	804794	17
D505870	39	Stainless Steel Top	
D512631	41	D512967	35, 37
D512921	45, 77	Strain Relief	
D513071	83	D502500	83
D52864	55	38384	83
M405188	33, 45, 53, 77	52113	83
		60298	83
		Strain Relief Adapter	
		D502496	83
		Switch	
		D512973	23, 27, 45

N/A items do not appear in index.

201952	15
431159	17
70529301	23
Switch Assembly	
55882	9
Switch Knob	
39897	7, 9
Switch Mount Assembly	
201917P	15

T

Temperature Selector Switch	
D511711	9
Terminal	
00252	87
00347	87
Terminal Block Assembly	
D505876	63
D510190P	61
Terminal Block Shield	
D505768	61, 63
D510237	61
Terminal Block Support Bracket	
D505875	63
Terminal Extractor Tool	
283P4	89
Thermal Fuse Assembly	
D511412	65, 67
Thermistor	
M414704	51
Thermistor Assembly	
D502366	51
D510523	51
Thermostat	
D510703	69
D511887	51
Timer	
D510525P	7
Timer Knob	
54678	7
Top and Gusset Assembly	
802247QP	35, 37
802247WP	35, 37
Top Hinge	
D510136	77
Top Kit	
D510032LP	35, 37
D511527LP	25
D511527QP	25
D511527WP	25
803144P	35
Top Mounting Bracket	
D504228	35, 37
Top Panel Kit	
D511530LP	25
D511530WP	25
Torx Bit	
281P4	89
282P4	89
292P4	89
Torx Drive Tool	
93501	89

Transformer	
201375P	11, 21, 27, 31
201587P	25
201616P	9
210018P	11
803527P	11, 25, 27, 37
Transformer Kit	
D511658P	79

V

Valve Assembly	
60443P	71
Venting Instruction Label	
D502791	77

W

Warning Label	
D500049	55
D500314	55
D512263	45
D514226	45
Warning/Caution Label	
D500281	45
Washer	
D504082	59
M400017	9, 11
03815	15
200608	11
28449	61
29260	41
52549	49, 59
91176	7, 9
Window Trim	
D503981W	39
D512633	39
Wire Assembly	
D510527	67
D510528	67
Wire Clip	
D504034	85
687500	85
Wire Configuration Assembly	
D512273P	95, 97, 99, 101, 107
D512275P	95, 97, 99, 101, 107
Wire Guard	
201595P	19, 29
Wire Harness Assembly	
D511303	79
D511755	91, 93
D512140	103, 105
D512283	103
D512291	95
D512422P	95, 97, 99, 101, 107
D513270P	95
D513529	91, 93
D513670	105
D513679	105
D513840	97
D513843	97
Wire, 12 Gauge	
45380	91, 93, 95, 97, 99, 101, 103, 105, 107

N/A items do not appear in index.

Wire, 18 Gauge
45001 91, 93, 95, 97, 99, 101, 103, 105, 107

Wrapper and Channel Assembly
D505753BP 33
D505753QP 33
D505753WP 33
