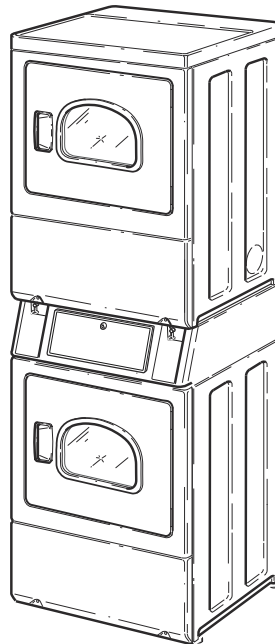


Commercial Dryers

Metered and Nonmetered
Models Through Serial No. 1912999999

Refer to Page 3 for Model Numbers



DRY727C_D517196

Table of Contents

Title	Page
Parts Ordering Information.....	2
Serial Plate Location	2
Model Identification	3
Control Panel and Controls - Coin Drop and Card Models	4
Control Cabinet Controls - Coin Drop Models.....	6
Non-Electronic Coin Drop	8
Electronic Coin Drop	10
Control Cabinet Controls - Card Ready Models.....	12
Control Panel and Controls - Nonmetered	14
Control and Control Panel - Coin Slide Models	16
Coin Slide Extension Kit.....	18
Loading Door Without Window	20
Loading Door With Window	22
Access Panel, Front Panel and Seal	24
Motor, Exhaust Fan and Belt	26
Front Bulkhead, Air Duct, Felt Seal and Cylinder	28
Rear Bulkhead, Felt Seal, Cylinder Roller and Terminal Block.....	30
Heater Duct and Element Assembly - Electric Model Dryers.....	32
Heater Duct Assembly - Gas Model Dryers	34
Gas Valve, Igniter and Gas Conversion Kits Gas Models Through Serial No. 1908000001	36
Gas Valve, Igniter and Gas Conversion Kits Gas Models Starting Serial No. 1908000001	38
Burner Orifice Spuds - For Higher Elevations.....	40
Cabinet, Exhaust Duct and Base	42
Cabinet Top	44
Power Cord	46
Terminal Block and Terminals	48
Terminals	50
Terminals and Terminal Extractor Tools	52
Wires and Wire Harnesses	54
Label Location on Rear of Cabinet	56
Parts Index.....	59

© Copyright 2023, Alliance Laundry Systems LLC

All rights reserved. No part of the contents of this book may be reproduced or transmitted in any form or by any means without the expressed written consent of the publisher.

Parts Ordering Information

If literature or replacement parts are required, contact the source from whom the machine was purchased or contact Alliance Laundry Systems at (920) 748-3950 for the name and address of the nearest authorized parts distributor.

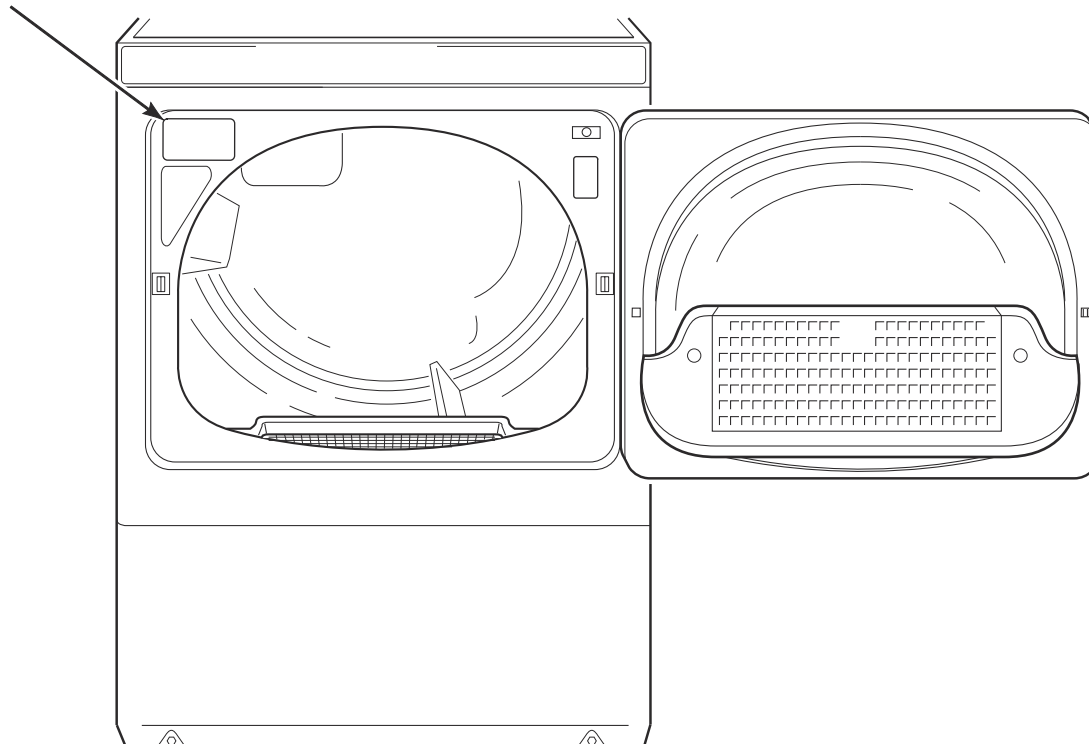
For technical assistance, call the number listed below:

(920) 748-3121 Ripon, Wisconsin

Serial Plate Location

When calling or writing about your product, be sure to mention model and serial numbers. Model and serial numbers are located on serial plate(s) as shown.

Serial Plate



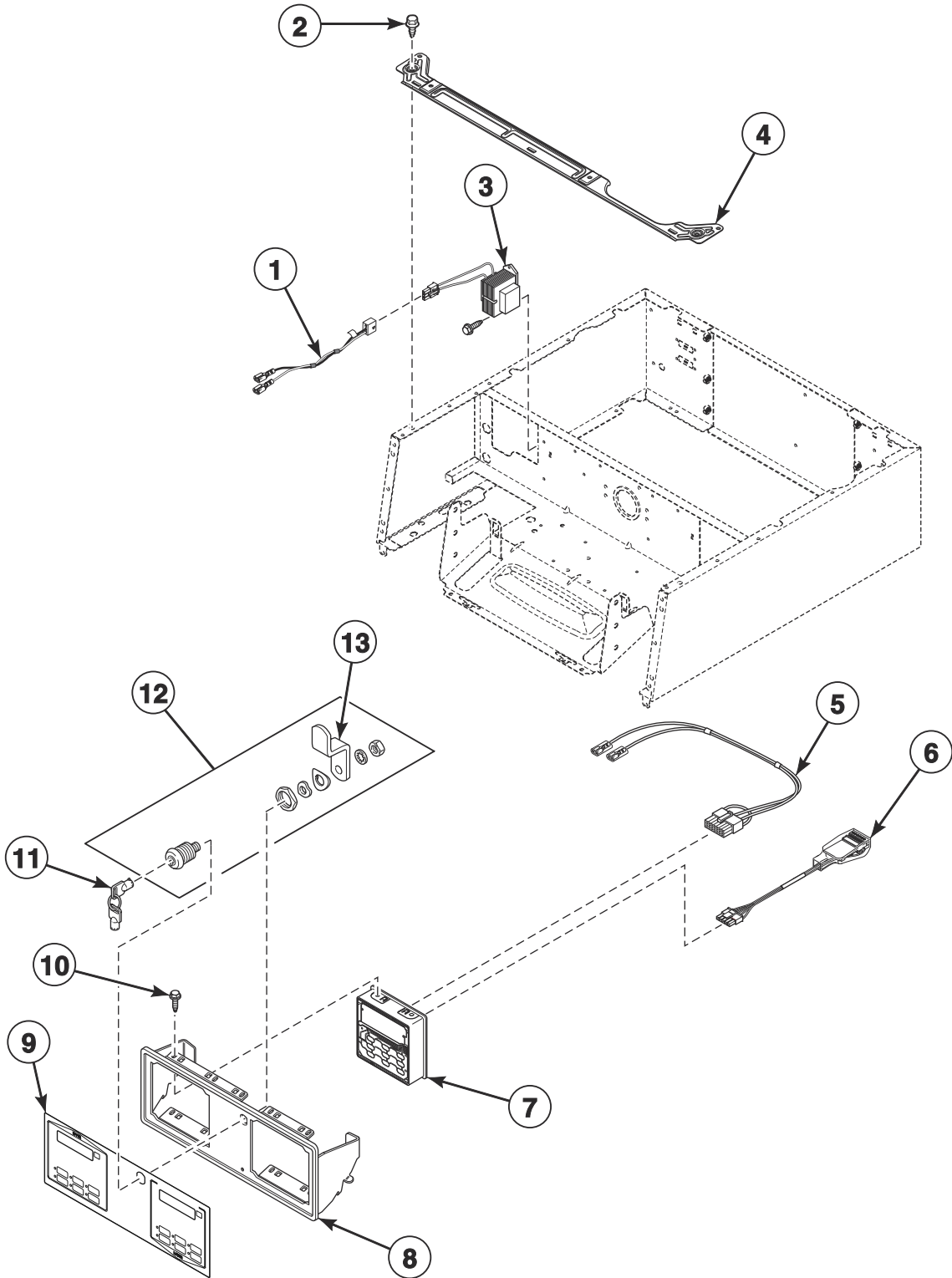
DRY2283P_D517196

Model Identification

Information in this manual is applicable to these dryer models:

HSEBCAGW173TW01	SSEBCAGS153TW01
HSEBDAGW293CW01	SSEBCAGS173TW01
HSEBEAGW293CW01	SSEBCAGW153TW01
HSEBYAGW173TW01	SSEBCAGW173TW01
HSEBYAGW283CW01	SSEBXAGS173TW01
HSEBYAGW293CW01	SSEBYAGS153TW01
HSESXAGW173TW01	SSEBYAGS173TW01
HSGBBCAGW113TW01	SSEBYAGW173TW01
HSGBDAGW093CW01	SSEMNAGS153TW01
HSGBEAGW093CW01	SSEMNAGS173TW01
HSGBXAGW093CW01	SSESXAGS153TW01
HSGBYAGW093CW01	SSESXAGS173TW01
HSGBYAGW113TW01	SSESXAGW173TW01
HSGSXAGW093CW01	SSGBCAGS113TW01
HSGSXAGW113TW01	SSGBCAGW113TW01
KSEBXAGS175TW01	SSGBXAGS113TW01
KSEMNAGS173TW01	SSGBXAGW113TW01
KSESXAGS173TW01	SSGBYAGS113TW01
KSGBXAGS115TW01	SSGBYAGW113TW01
KSGMNAGS113TW01	SSGMNAGS113TW01
KSGSXAGS113TW01	SSGSXAGS113TQ01
	SSGSXAGS113TW01
	SSGSXAGW113TW01
	USEMNAGS173TW01
	USGMNAGS113TW01

Control Panel and Controls - Coin Drop and Card Models

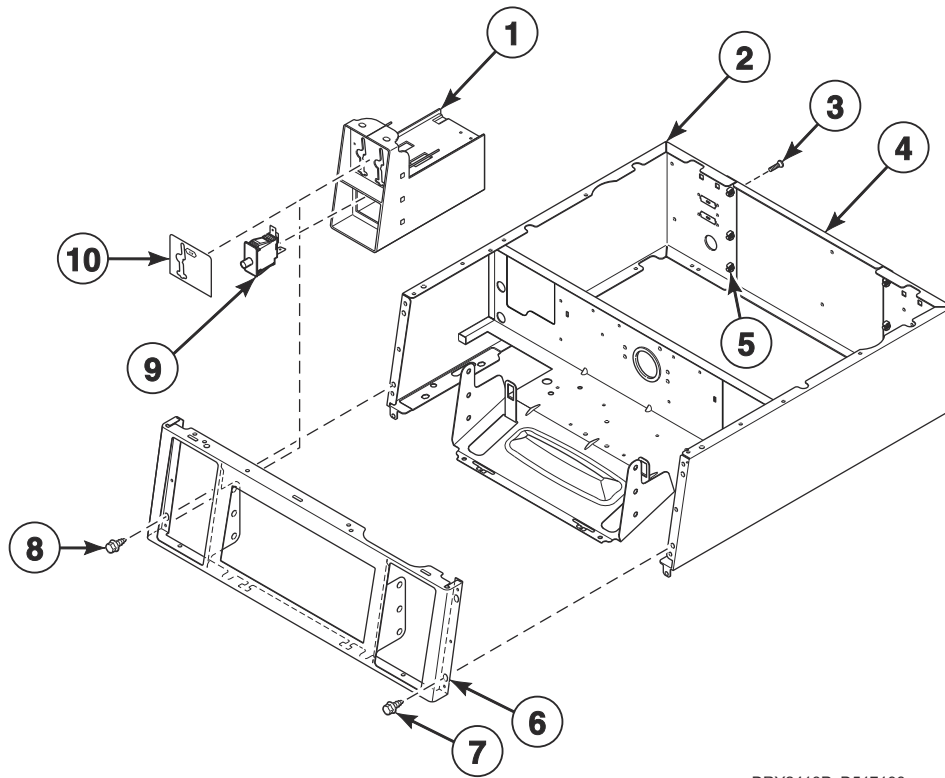


DRY2407P_D517196

Control Panel and Controls - Coin Drop and Card Models

REF	PART NO.	DESCRIPTION	COMMENTS
1	804795	Transformer Harness	Models HSGBCAGW113TW01, HSGBDAGW093CW01, HSGBEAGW093CW01, HSGBXAGW093CW01, HSGBYAGW093CW01, HSGBYAGW113TW01, KSGBXAGS115TW01, SSGBCAGS113TW01, SSGBCAGW113TW01, SSGBXAGS113TW01, SSGBXAGW113TW01, SSGBYAGS113TW01 and SSGBYAGW113TW01
	D514072	Transformer Harness	All other models
2	D503688	Screw	
3	202757	Transformer	
4	804018	Shield Bracket	
5	202868	Wiring Harness Assembly	Models HSEBYAGW173TW01, HSEBYAGW283CW01, HSEBYAGW293CW01, HSGBYAGW093CW01, HSGBYAGW113TW01, SSEBYAGS153TW01, SSEBYAGS173TW01, SSEBYAGW173TW01, SSGBYAGS113TW01 and SSGBYAGW113TW01
6	203361P	Machine ID Control Assembly	Model or serial number is required when ordering
7	D515807P	Control Assembly	
8	D513778W	Control Panel and Bracket Assembly	
9	D515542	Control Overlay	Models HSEBCAGW173TW01, HSEBDAGW293CW01, HSEBEAGW293CW01, HSEBYAGW173TW01, HSEBYAGW283CW01, HSEBYAGW293CW01, HSGBCAGW113TW01, HSGBDAGW093CW01, HSGBEAGW093CW01, HSGBXAGW093CW01, HSGBYAGW093CW01 and HSGBYAGW113TW01
	D517899	Control Overlay	Models KSEBXAGS175TW01 and KSGBXAGS115TW01
	D515540	Control Overlay	All other models
10	D501524	Screw	
11	54612	Key	800
12	27260P	Lock Kit	Includes item 13
13	804338	Lock Cam	

Control Cabinet Controls - Coin Drop Models



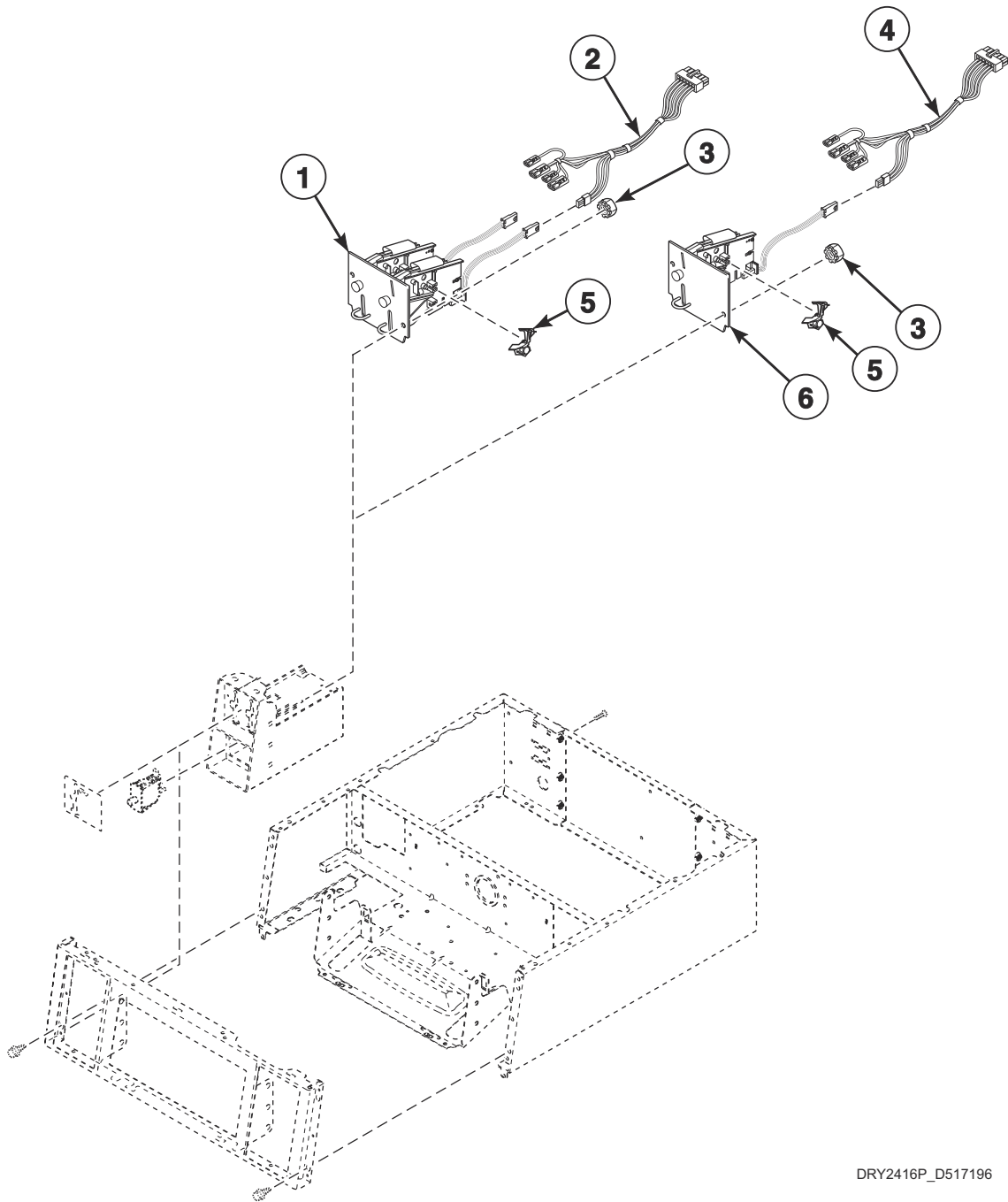
DRY2418P_D517196

Control Cabinet Controls - Coin Drop Models

REF	PART NO.	DESCRIPTION	COMMENTS
	44087201	Nut	4 required; Use with item 8
1	807396W	Meter Case Assembly	White; Requires high capacity coin vault
2	804104W	Wrapper Assembly	White
3	70240301	Screw	6 required
4	803998	Rear Access Panel	
5	70030501	Expansion Clip	6 required
6	803964W	Control Panel	White
7	D503688	Screw	
8	29651	Bolt	4 required
9	D512973	Switch	
10	38717	Single Overlay	For use with non-electronic coin drops
	201091	Overlay	For use with electronic coin drops
	39073	Dual Overlay	

Non-Electronic Coin Drop

Coin Drop Models



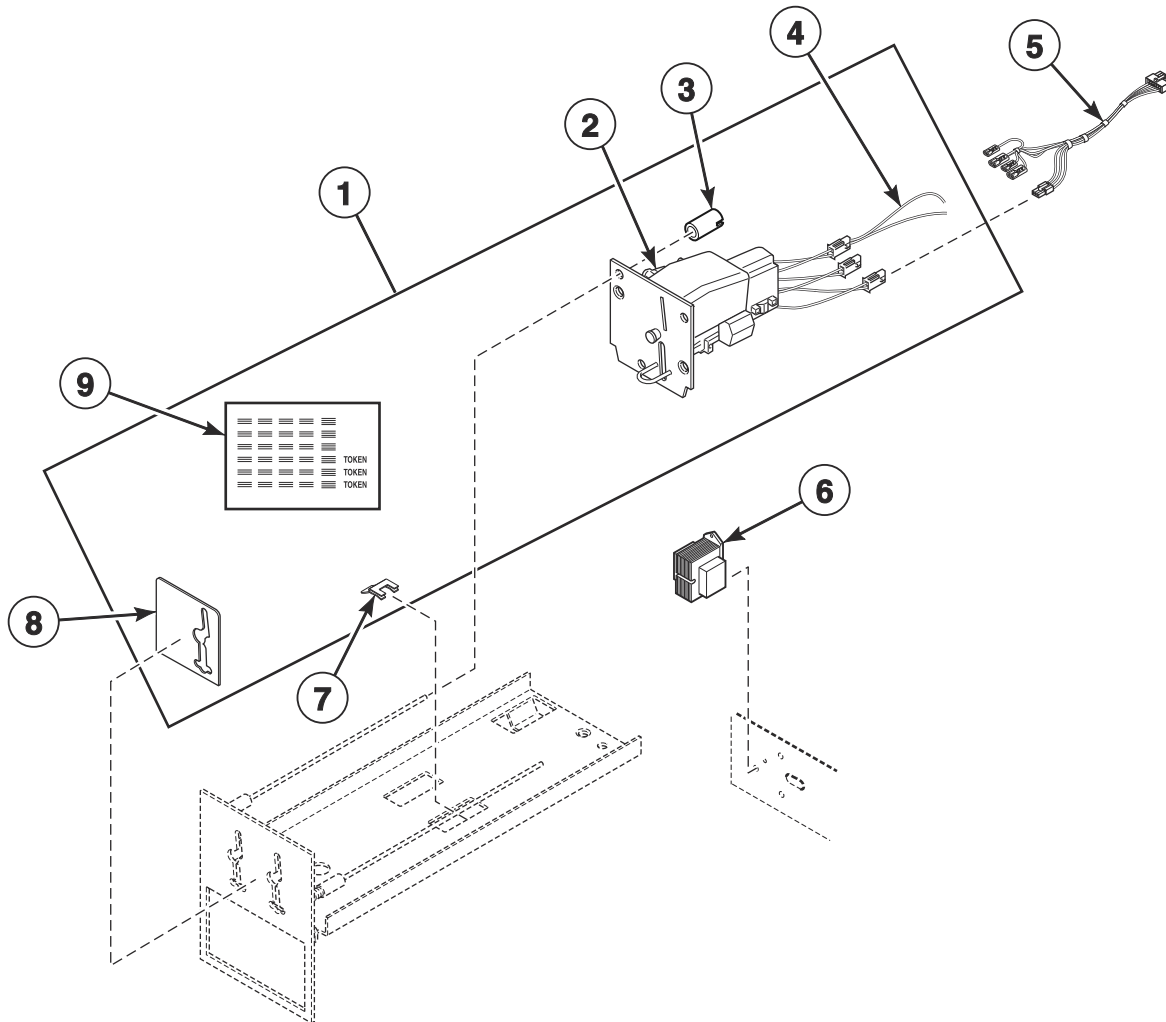
DRY2416P_D517196

Non-Electronic Coin Drop

REF	PART NO.	DESCRIPTION	COMMENTS
1	70441602	Coin Drop Assembly	Canada; 0.25 and 1.00
	70441603	Coin Drop	U.S.A.; \$0.25 and \$1.00
2	202871	Dual Coin Harness Assembly	
3	29786	Nut	
4	202870	Single Coin Harness Assembly	
5	201595P	Wire Guard	Anti-stringing security device
6	38462P	Coin Drop Assembly	Token; 118-1 mzp; .880 diameter x .079 thick; Brass
	38463	Coin Drop Assembly	Token; 118-5 mzp; .990 diameter x .081 thick; Silver
	38464P	Coin Drop Assembly	Canada; 0.25
	70441601P	Coin Drop	USA; \$0.25
	38963P	Coin Drop	Token 118-16 not available

Electronic Coin Drop

Coin Models



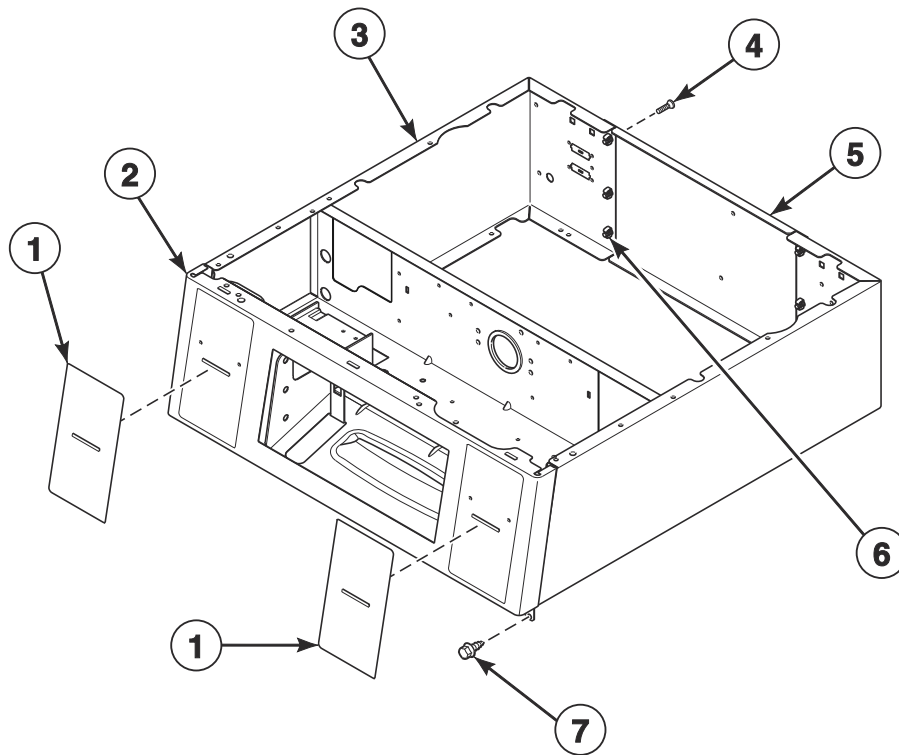
FLW1005P_D517196

Electronic Coin Drop

REF	PART NO.	DESCRIPTION	COMMENTS
1	CK110	Electronic Coin Drop Kit	Includes items 2-4 and 7-9; Mexico, Ecuador and United States coins
	CK115	Electronic Coin Drop Kit	Includes items 2-4 and 7-9; United States and Canada coins
2	70513306	Electronic Coin Drop Assembly	Mexico, Ecuador and United States coins
	70294122	Electronic Coin Drop Assembly	Great Britain and token coins
3	201216	Nut	
	29786	Nut	Use on front control models with no guide rods
4	201104	Coin Drop Wire Harness	
5	802905	Harness Assembly	Electronic coin drop requires this harness. If unit is not factory-equipped with this harness, it must be ordered separately.
6	201375P	Transformer	Electronic coin drop requires this transformer. If unit is not factory-equipped with this transformer, it must be ordered separately.
7	201572	Clip	
8	201091	Overlay	
9	38725	Coin Identification Paper	

Control Cabinet Controls - Card Ready Models

Models HSEBYAGW173TW01, HSEBYAGW283CW01, HSEBYAGW293CW01, HSGBYAGW093CW01, HSGBYAGW113TW01, SSEBYAGS153TW01, SSEBYAGS173TW01, SSEBYAGW173TW01, SSGBYAGS113TW01 and SSGBYAGW113TW01



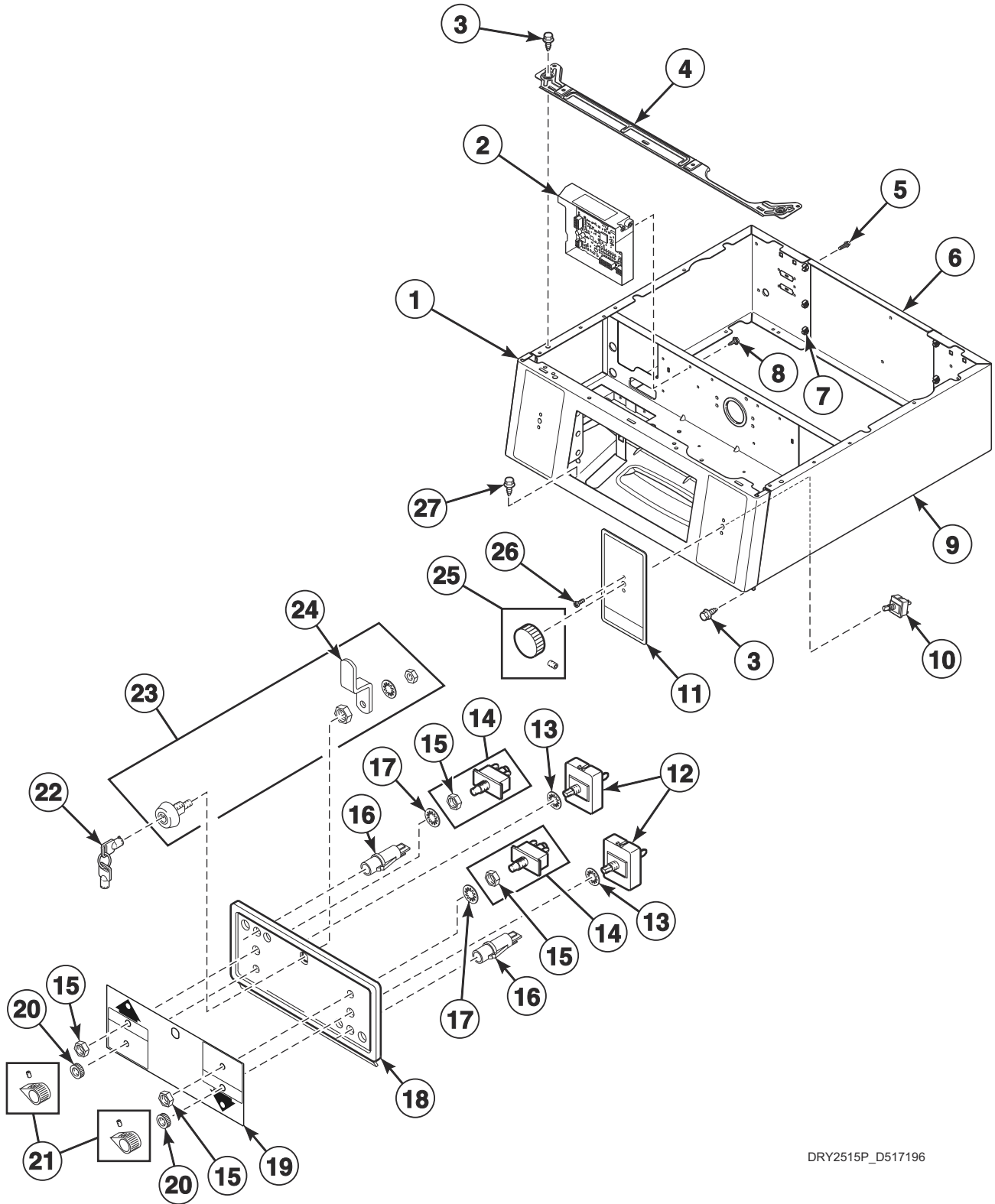
DRY2409P_D517196

Control Cabinet Controls - Card Ready Models

REF	PART NO.	DESCRIPTION	COMMENTS
1	D514873	Overlay	Models HSEBYAGW173TW01, HSEBYAGW283CW01, HSEBYAGW293CW01, HSGBYAGW093CW01 and HSGBYAGW113TW01
	D514391	Card Insert Overlay	All other models
2	804147WP	Security Cabinet Front Assembly	
3	804112W	Wrapper Assembly	
4	70240301	Screw	6 required
5	803998	Rear Access Panel	
6	70030501	Expansion Clip	6 required
7	D503688	Screw	

Control Panel and Controls - Nonmetered

Models KSEMNAGS173TW01, KSGMNAGS113TW01, SSEMNAGS153TW01, SSEMNAGS173TW01, SSGMNAGS113TW01, USEMNAGS173TW01 and USGMNAGS113TW01



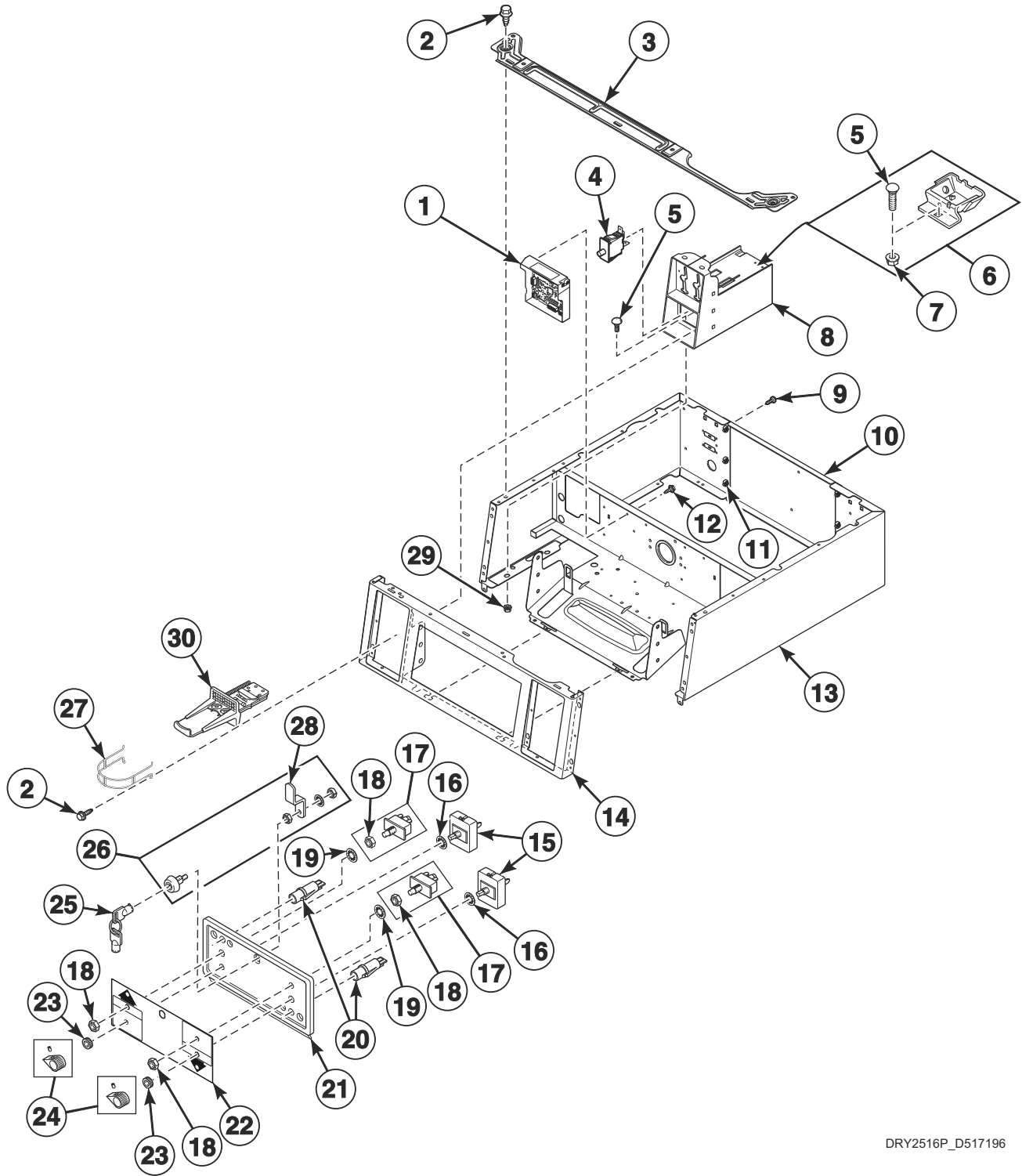
DRY2515P_D517196

Control Panel and Controls - Nonmetered

REF	PART NO.	DESCRIPTION	COMMENTS
1	D514711W	Control Panel	White
2	D514218	Control Assembly	
3	D503688	Screw	
4	804018	Shield Bracket	
5	70240301	Screw	6 required
6	803998	Rear Access Panel	
7	70030501	Expansion Clip	6 required
8	804608	Screw	
9	804112W	Wrapper Assembly	White
10	201686	Cycle Selector Switch	
11	D515998	Timer Overlay	
12	D511711	Temperature Selector Switch	
13	91029	Washer	
14	55882	Switch Assembly	Includes item 15
15	52947	Nut	
16	801431	Light	
17	F430339	Washer	
18	D500228W	Control Panel and Bracket Assembly	White
19	D514670	Overlay	Models USEMNAGS173TW01 and USGMNAGS113TW01
	D512678	Overlay	Models KSEMNAGS173TW01 and KSGMNAGS113TW01
	D514371	Overlay	All other models
20	24205	Nut	
21	39897	Switch Knob	
22	54612	Key	800
23	27260P	Lock Kit	Includes items 24
24	804338	Lock Cam	
25	54678	Timer Knob	
26	27328	Screw	
27	D502431	Screw	

Control and Control Panel - Coin Slide Models

Models HSESXAGW173TW01, HSGSXAGW093CW01, HSGSXAGW113TW01, KSESXAGS173TW01, KSGSXAGS113TW01, SSESXAGS153TW01, SSESXAGS173TW01, SSESXAGW173TW01, SSGSXAGS113TQ01, SSGSXAGS113TW01 and SSGSXAGW113TW01



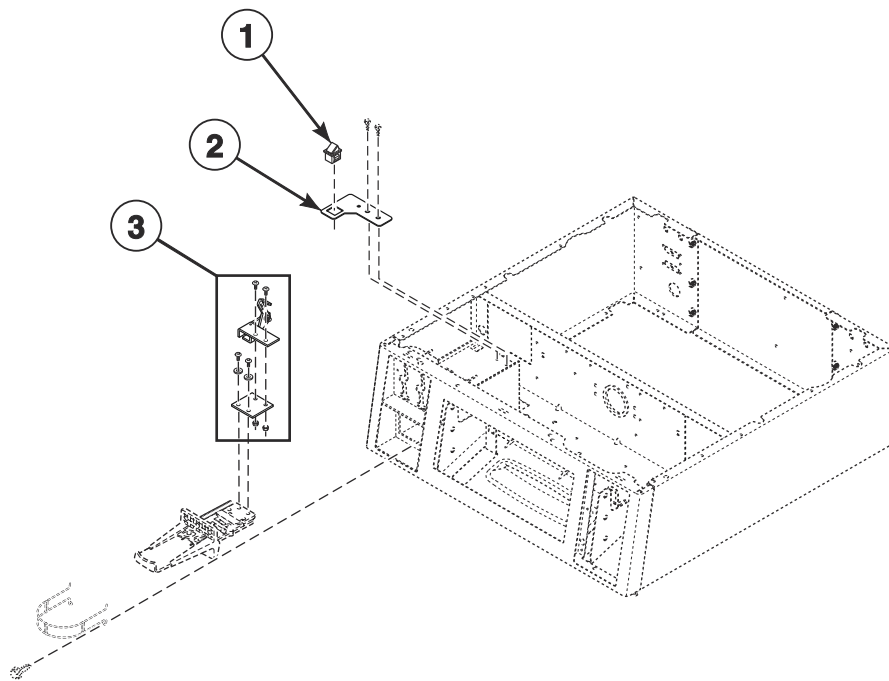
DRY2516P_D517196

Control and Control Panel - Coin Slide Models

REF	PART NO.	DESCRIPTION	COMMENTS
1	D514218	Control Assembly	
2	D503688	Screw	
3	804018	Shield Bracket	
4	D512973	Switch	
5	29651	Bolt	
6	523P3	Coin Funnel Kit	Includes items 5 and 7
7	29796	Nut	
8	807255W	Meter Case Assembly	White; Requires high capacity coin vault
	804011Q	Meter Case Assembly	Bisque; Requires high capacity coin vault
9	70240301	Screw	6 required
10	803998	Rear Access Panel	
11	70030501	Expansion Clip	6 required
12	804608	Screw	
13	804104W	Wrapper Assembly	White
	804104Q	Wrapper Assembly	Bisque
14	D514724W	Control Panel	White
	D514724Q	Control Panel	Bisque
15	D511711	Temperature Selector Switch	
16	91029	Washer	
17	55882	Switch Assembly	Includes item 18
18	52947	Nut	
19	F430339	Washer	
20	801431	Light	
21	D500228W	Control Panel and Bracket Assembly	White
	D500228Q	Control Panel and Bracket Assembly	Bisque
22	D512678	Overlay	Models KSEXAGS173TW01 and KSGSXAGS113TW01
	D514667	Overlay	Models HSEXAGW173TW01, HSGSXAGW093CW01 and HSGSXAGW113TW01
	D514371	Overlay	All other models
23	24205	Nut	
24	39897	Switch Knob	
25	54612	Key	800
26	27260P	Lock Kit	Includes item 28
27	D514726	Coin Slide Guard	
28	804338	Lock Cam	
29	44087201	Nut	4 required
30	CK001	Coin Slide Kit	U.S.A.
	CK009	Coin Slide Kit	STD-118-1 Token
	CK010P	Coin Slide Kit	STD-118-5 Token
	CK011	Coin Slide Kit	STD-118-10 Token
	CK014	Coin Slide Kit	U.S.A.
	CK017	Coin Slide Kit	Chilly Willy
	CK027	Slide	Tokette

Coin Slide Extension Kit

Models HSESXAGW173TW01, HSGSXAGW093CW01, HSGSXAGW113TW01, KSESXAGS173TW01, KSGSXAGS113TW01, SSESXAGS153TW01, SSESXAGS173TW01, SSESXAGW173TW01, SSGSXAGS113TQ01, SSGSXAGS113TW01 and SSGSXAGW113TW01



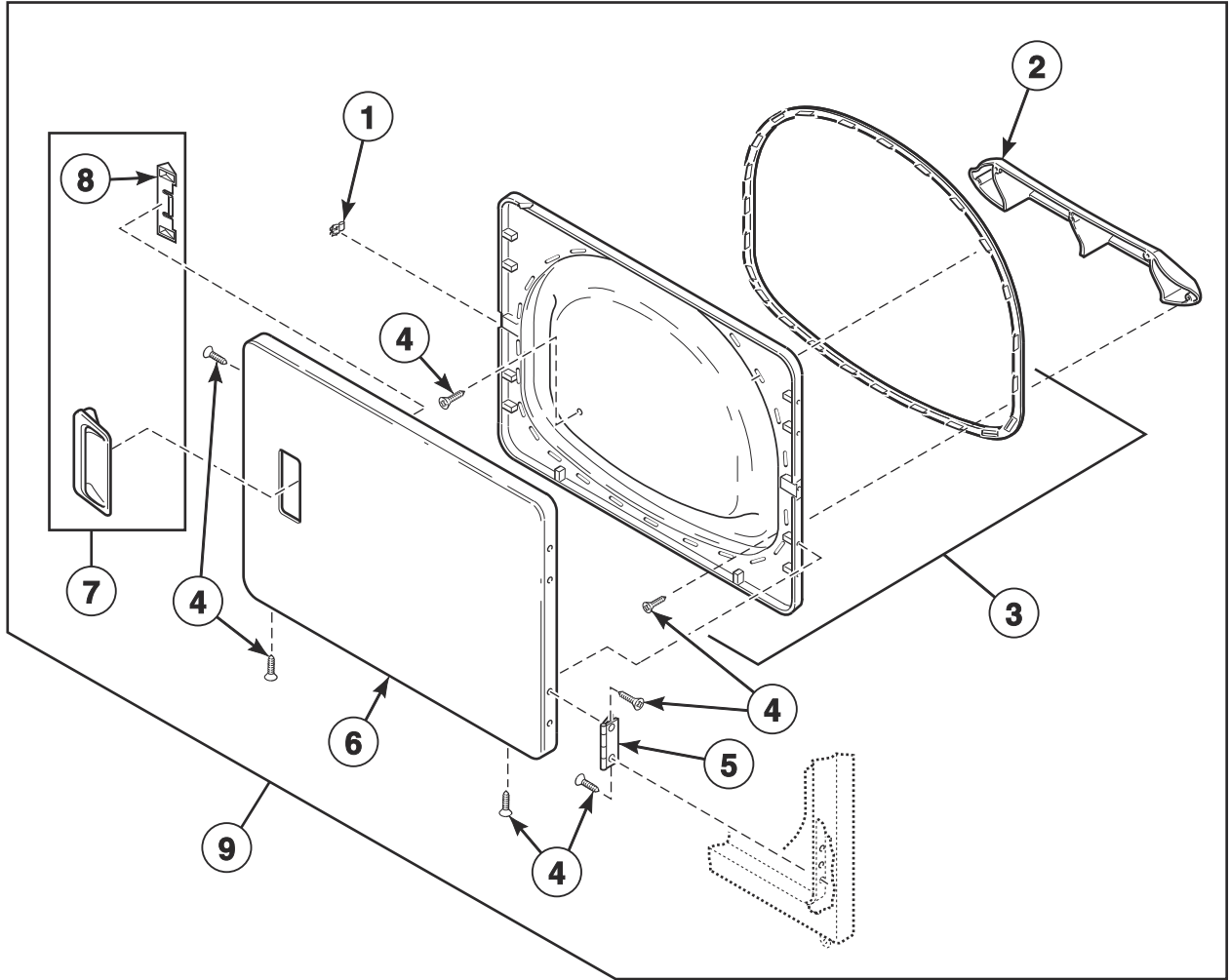
DRY2428P_D517196

Coin Slide Extension Kit

REF	PART NO.	DESCRIPTION	COMMENTS
1	D514105	Switch	
2	803662	Bracket	
3	D514228	Coin Slide Extension Kit	Includes items 1 and 2

Loading Door Without Window

Models KSEBXAGS175TW01, KSEMNAAGS173TW01, KSESXAGS173TW01, KSGBXAGS115TW01, KSGMNAAGS113TW01, KSGSXAGS113TW01, SSEBCAGS153TW01, SSEBCAGS173TW01, SSEBXAGS173TW01, SSEBYAGS153TW01, SSEBYAGS173TW01, SSEMNAAGS153TW01, SSEMNAAGS173TW01, SSEXAGS153TW01, SSEXAGS173TW01, SSGBCAGS113TW01, SSGBXAGS113TW01, SSGBYAGS113TW01, SSGMNAAGS113TW01, SSGSXAGS113TQ01, SSGSXAGS113TW01, USEMNAAGS173TW01 and USGMNAAGS113TW01



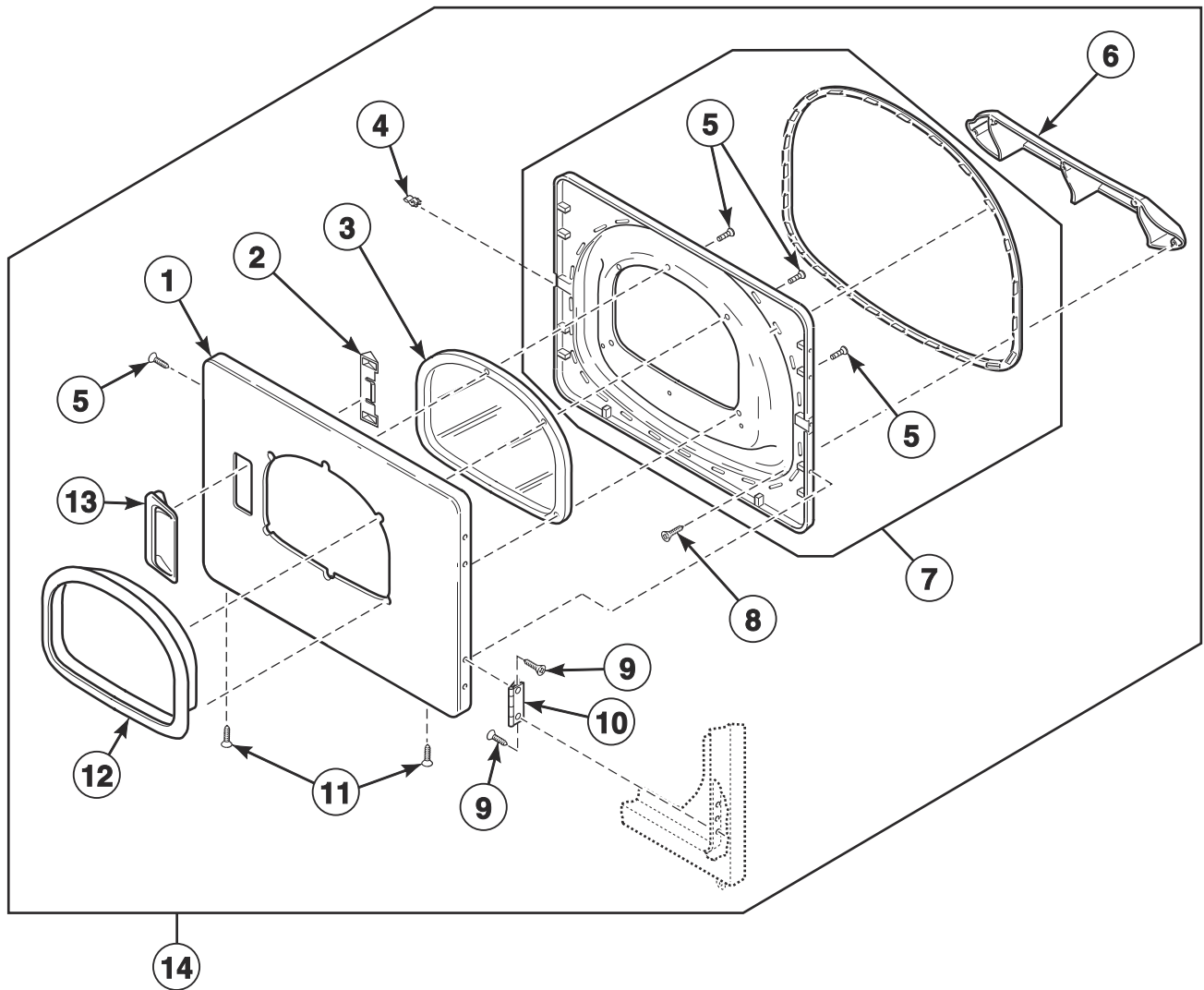
DRY2500P_D517196

Loading Door Without Window

REF	PART NO.	DESCRIPTION	COMMENTS
1	D510181	Door Strike	
2	D503870W	Door Liner Grill	
3	D516508	Door Liner Assembly	Includes door seal
4	D500226	Screw	
5	D511036	Hinge	
6	D515960W	Dryer Door	White
	D515960Q	Dryer Door	Bisque
7	D510103WP	Door Pull and Wedge Kit	White; Includes item 8
	D510103QP	Door Pull and Wedge Kit	Bisque; Includes item 8
8	D510129W	Door Handle Wedge	
9	D516510W	Door Assembly	White; Includes items 1-8
	D516510Q	Door Assembly	Bisque; Includes items 1-8

Loading Door With Window

Models HSEBCAGW173TW01, HSEBDAGW293CW01, HSEBEAGW293CW01, HSEBYAGW173TW01, HSEBYAGW283CW01, HSEBYAGW293CW01, HSESXAGW173TW01, HSGBCAGW113TW01, HSGBDAGW093CW01, HSGBEAGW093CW01, HSGBXAGW093CW01, HSGBYAGW093CW01, HSGBYAGW113TW01, HSGSXAGW093CW01, HSGSXAGW113TW01, SSEBCAGW153TW01, SSEBCAGW173TW01, SSEBYAGW173TW01, SSEBXAGW173TW01, SSGBCAGW113TW01, SSGBXAGW113TW01, SSGBYAGW113TW01 and SSGSXAGW113TW01

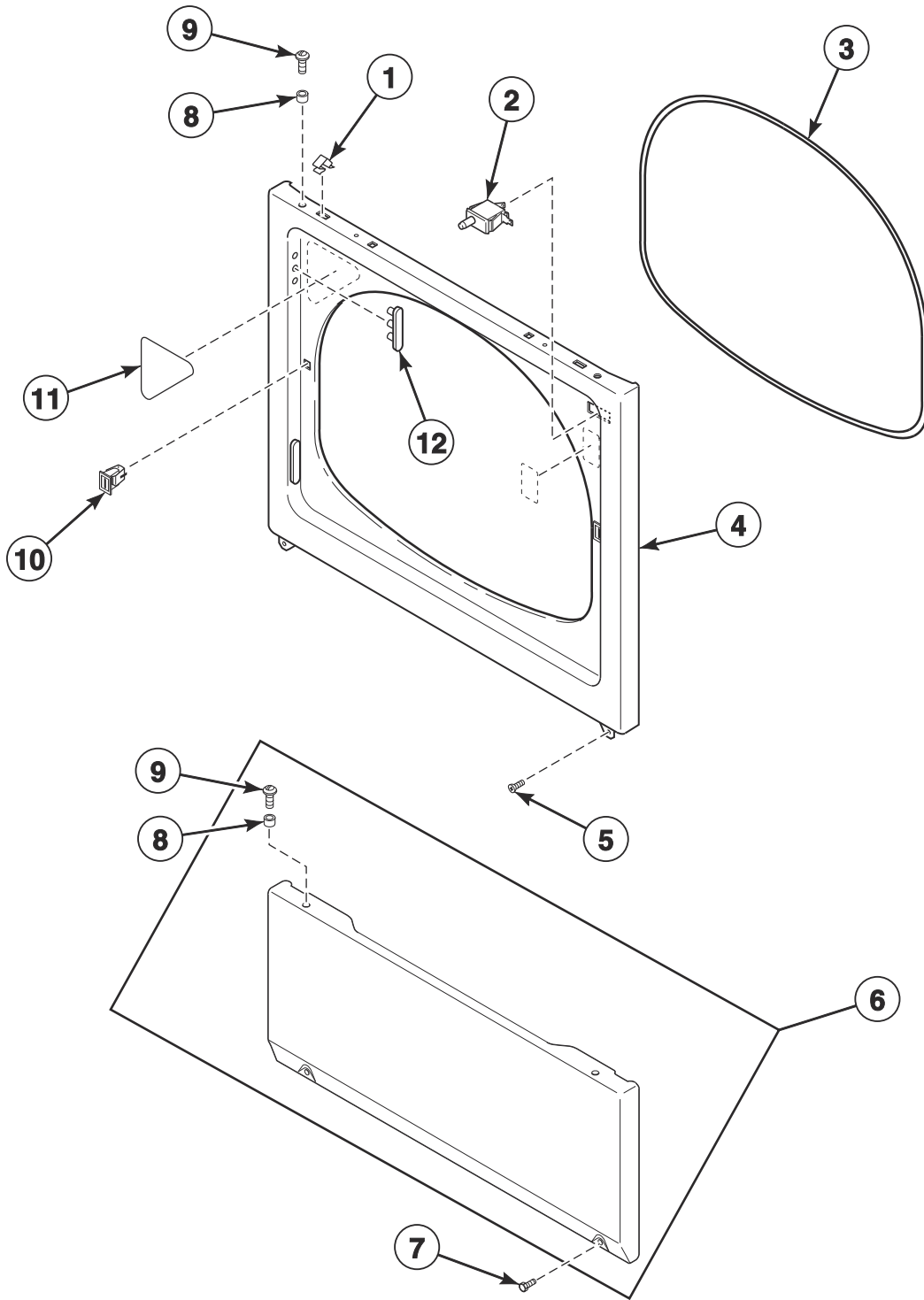


SWD1308P_D517196

Loading Door With Window

REF	PART NO.	DESCRIPTION	COMMENTS
1	D515961W	Dryer Door	
2	D510129W	Door Handle Wedge	
3	D515681	Dryer Door Window	
4	D510181	Door Strike	
5	D515967	Screw	
6	D503870W	Door Liner Grill	
7	D516509	Liner and Seal Assembly	Includes door seal
8	D505870	Screw	
9	D505295	Screw	
10	D511036	Hinge	
11	D500226	Screw	
12	D515956W	Window Trim	
13	D510103WP	Door Pull and Wedge Kit	Includes item 2
14	D516737W	Door Assembly	White; Includes items 1-13

Access Panel, Front Panel and Seal

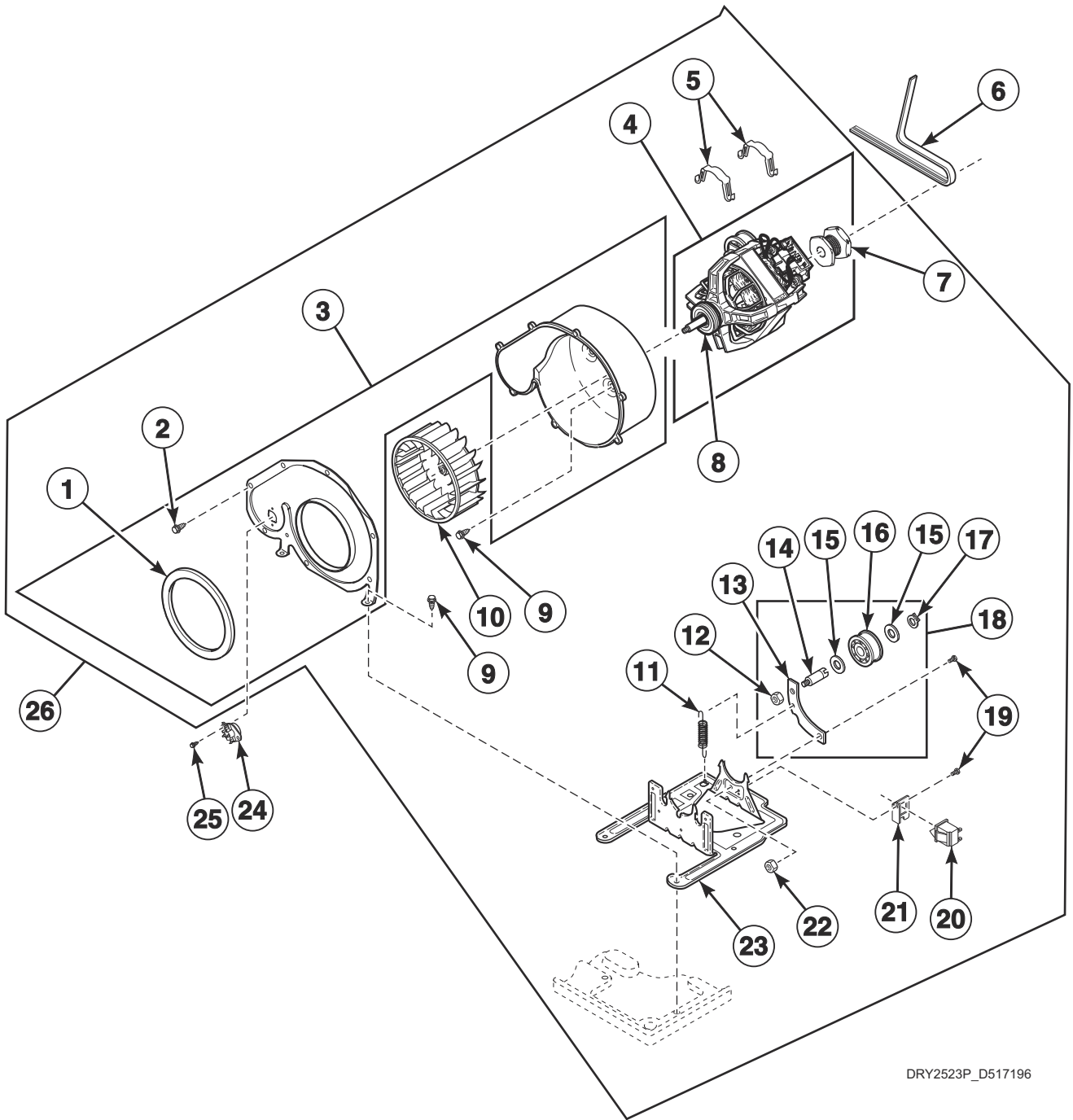


DRY1824P_D517196

Access Panel, Front Panel and Seal

REF	PART NO.	DESCRIPTION	COMMENTS
1	28835	Speed Clip	1 per side
2	D512973	Switch	
3	D511056	Front Panel Seal	
4	D510066WP	Front Panel	White
	D510066QP	Front Panel	Bisque
5	D503688	Screw	
6	D514250WP	Access Panel Assembly	White
	D514250Q	Access Panel Assembly	Bisque
7	33562	Screw	Slotted hex head
	62853	Screw	Torx head; Optional for added security
8	56079	Panel Locator	1 per side
9	39733	Screw	1 per side
10	D510177	Door Catch Assembly	
11	D500281	Warning/Caution Label	
12	D510186	Hinge Hole Plug	

Motor, Exhaust Fan and Belt

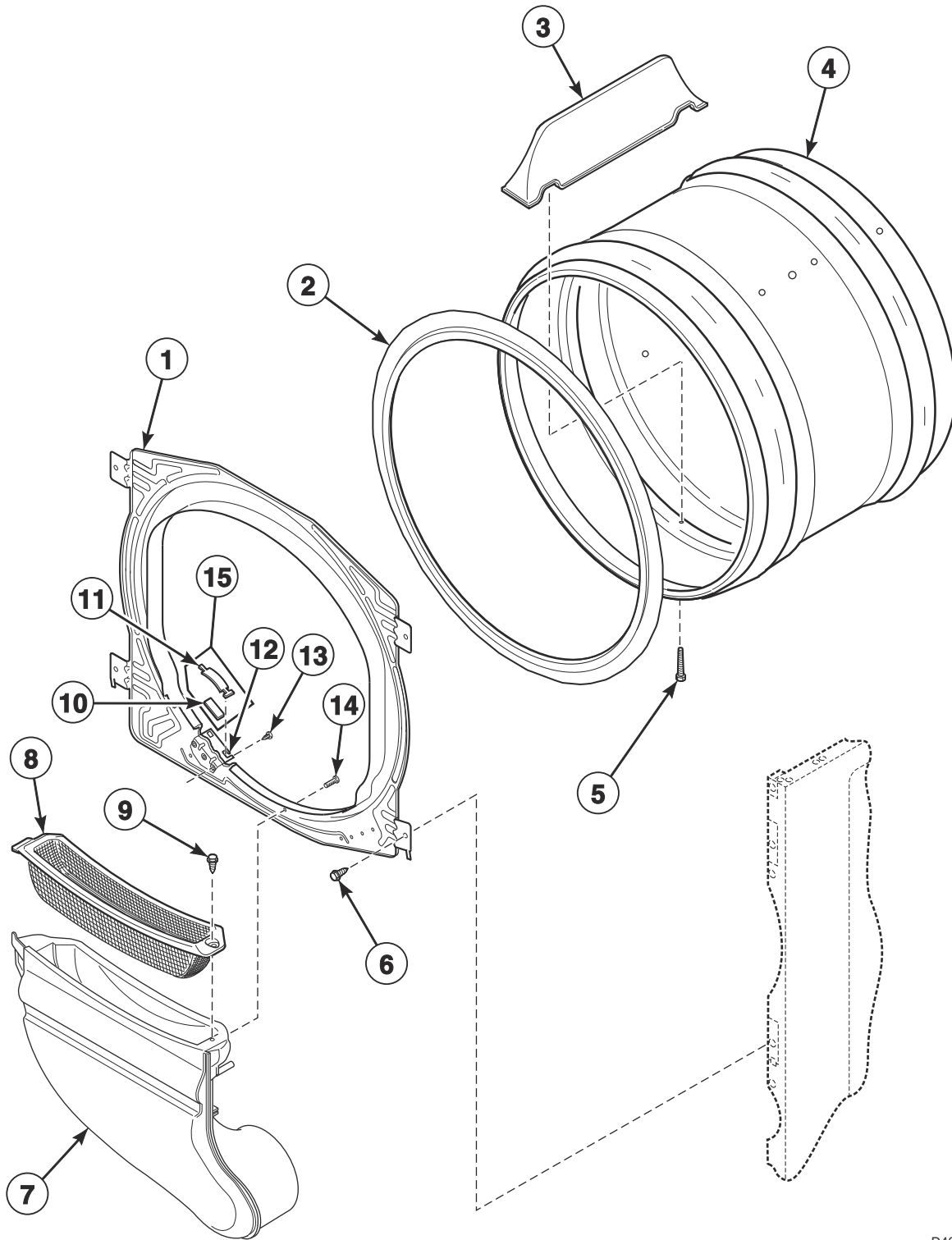


DRY2523P_D517196

Motor, Exhaust Fan and Belt

REF	PART NO.	DESCRIPTION	COMMENTS
	27604P	Anti-Seize Compound	Apply to motor shaft when installing blower fan assembly
1	D510238P	Blower Housing Seal	
2	31260	Screw	
3	D511969WP	Blower Housing	Includes items 1 and 2
4	D511629P	Motor and Pulley Assembly	120 Volt/60 Hertz; Apply anti-seize compound to motor shaft when installing blower fan assembly; Includes items 7 and 8
5	D510180	Motor Mount Clamp	
6	D511255P	Cylinder Belt	
7	D500011	Motor Pulley	60 Hertz
8	590P3	Motor Hub Ring Kit	
9	D503688	Screw	
10	D510139P	Blower Fan Assembly	Apply anti-seize compound to motor shaft when installing blower fan assembly
11	D510185	Idler Spring	
12	56156	Nut	
13	D516310	Idler Lever	
14	56461P	Shaft	
15	52549	Washer	
16	D510142P	Idler Wheel and Bearing Assembly	
17	23748	Retaining Ring	
18	D516792	Idler Lever and Wheel Assembly	Includes items 12-17
19	D500824	Screw	
20	D516391	Switch	Starting Serial No. 1903000001
21	D516311	Motor Switch Bracket	Starting Serial No. 1903000001
22	52566	Nut	
23	D518517	Motor Mount	
24	D510523	Thermistor Assembly	Black
25	D502535	Screw	
26	D510717P	Blower and Fan Kit	Includes items 1-5, 7-19, 22 and 23

Front Bulkhead, Air Duct, Felt Seal and Cylinder

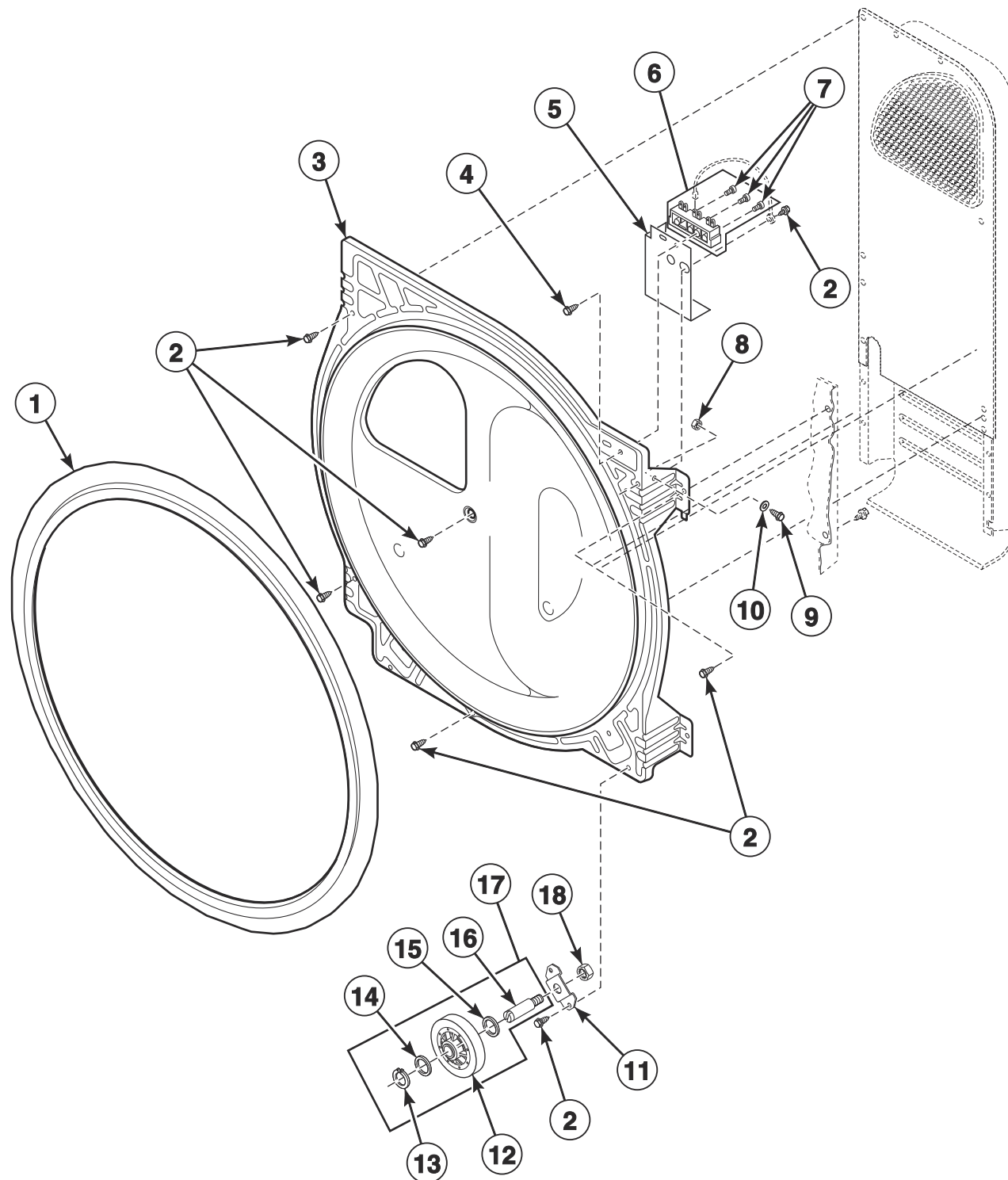


D402P_D517196

Front Bulkhead, Air Duct, Felt Seal and Cylinder

REF	PART NO.	DESCRIPTION	COMMENTS
1	D510266P	Front Bulkhead Assembly	Unpainted; Includes items 2 and 10-13
2	D510207P	Cylinder Seal Assembly	
	D511637P	Adhesive	Apply to cylinder seal
	RB170001	Seal Kit	Includes 2 cylinder seals, 510238P Blower Housing Seal and 511637P Adhesive
3	D510102W	Cylinder Baffle	
4	D510265WP	Cylinder Assembly	Galvanized
5	62588	Screw	
6	M405188	Screw	Use with stainless steel side panels
	D503688	Screw	Use with painted side panels
7	D518433	Air Duct Assembly	
8	D503980W	Lint Filter	
9	D501285	Screw	
10	D510189	Felt Pad	1 per side
11	D513710	Cylinder Glide	1 per side
12	D510145	Cylinder Glide Bracket	1 per side
13	D503688	Screw	2 per side
14	D500226	Screw	
15	RB170003	Glide Kit	Includes 2 of items 10 and 11

Rear Bulkhead, Felt Seal, Cylinder Roller and Terminal Block

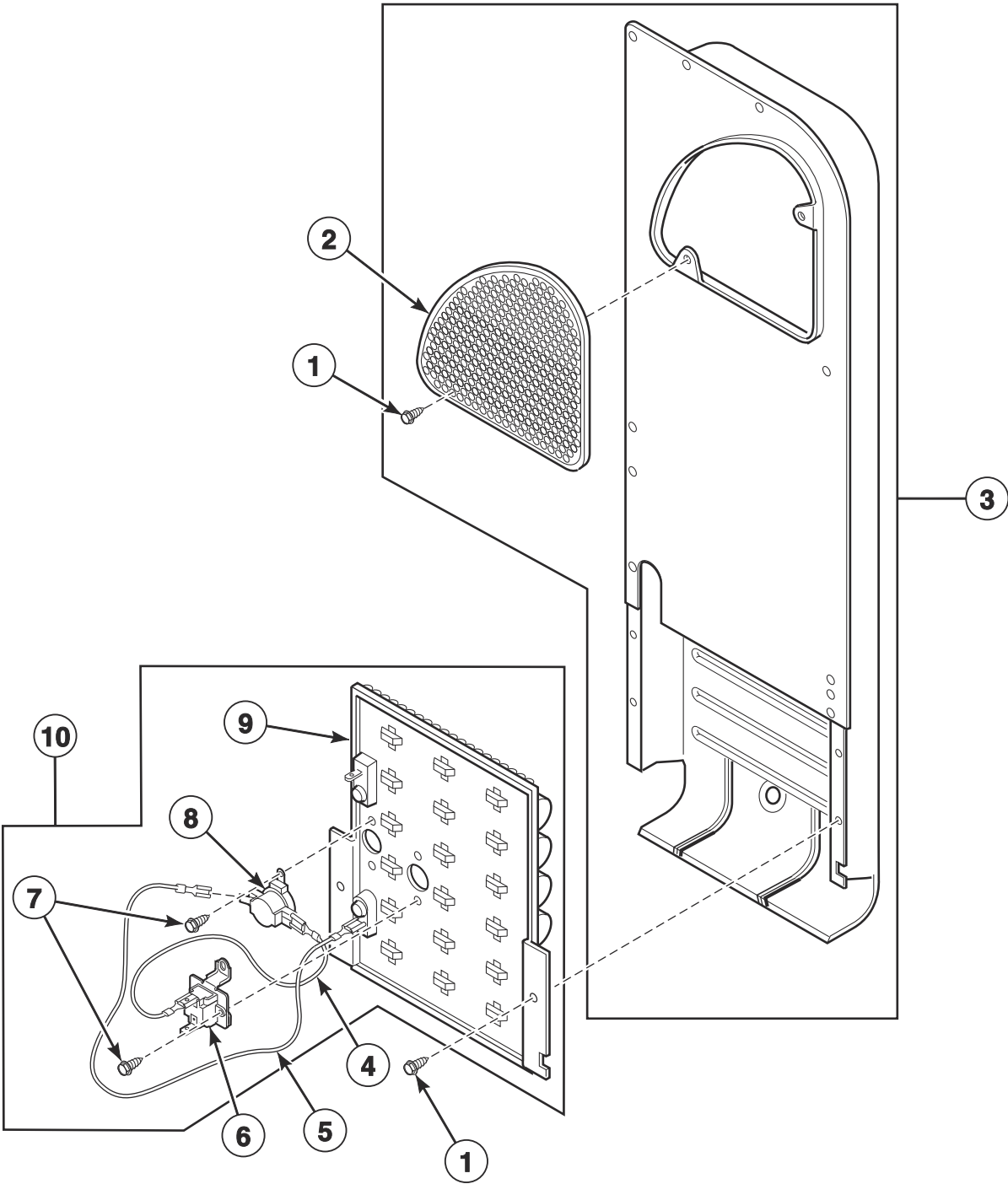


DRY1774P_D517196

Rear Bulkhead, Felt Seal, Cylinder Roller and Terminal Block

REF	PART NO.	DESCRIPTION	COMMENTS
1	D510207P	Cylinder Seal Assembly	
	D511637P	Adhesive	Apply to cylinder seal
	RB170001	Seal Kit	Includes 2 cylinder seals, D510238P Blower Housing Seal and D511637P Adhesive
2	D503688	Screw	
3	D511082P	Rear Bulkhead Assembly	Galvanized; Includes item 1
4	D501285	Screw	Electric models
5	D510237	Terminal Block Shield	Electric models; Through Serial No. 1903000001
6	D510190P	Terminal Block Assembly	Electric models; Includes 3 of item 7
7	61199	Screw	
8	28447	Nut	
9	28448	Screw	
10	28449	Washer	
11	D510100	Cylinder Roller Bracket	
12	D510708P	Cylinder Roller	
13	23748	Retaining Ring	
14	52549	Washer	
15	D504082	Washer	
16	56461P	Shaft	
17	RB170002	Roller Kit	Includes items 12-16
18	56156	Nut	

Heater Duct and Element Assembly - Electric Model Dryers

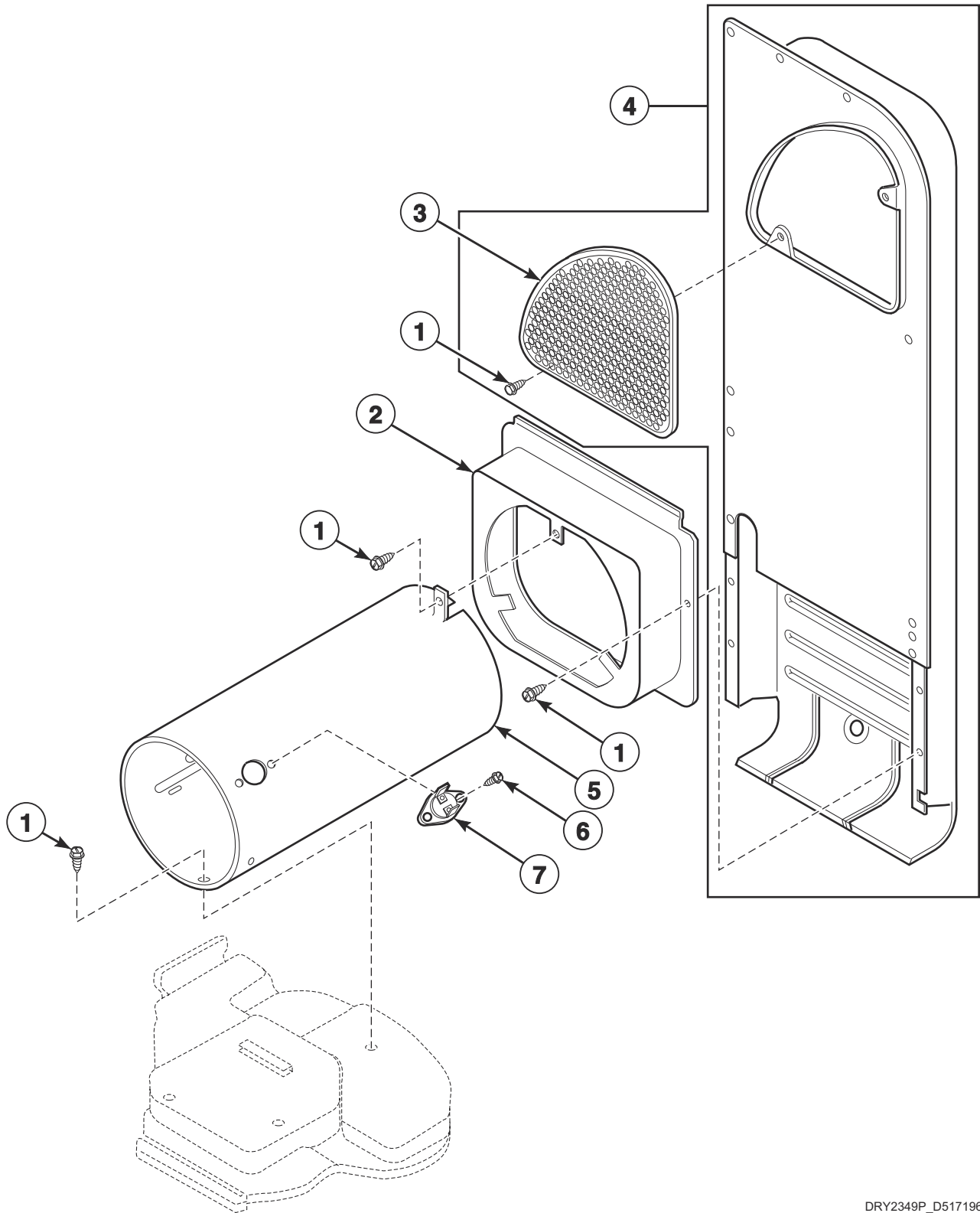


DRY1789P_D517196

Heater Duct and Element Assembly - Electric Model Dryers

REF	PART NO.	DESCRIPTION	COMMENTS
1	D503688	Screw	
2	D500820	Outlet Cover	Aluminized steel
	D518524	Outlet Cover	Black; Nitrocarburized
3	D510025P	Heater Duct Assembly	Includes items 1 and 2
4	D518256	Wire Assembly	Orange; Thermostat jumper; Attaches to heater assembly
5	D518255	Wire Assembly	Black; Fuse jumper; Attaches to heater assembly
6	D518542	Thermal Fuse Assembly	
7	23222	Screw	
8	D510701	Limit Thermostat	
9	D510325P	Heater	4.75 kW; 208 Volt; Models SSEBCAGS153TW01, SSEBCAGW153TW01, SSEBYAGS153TW01, SSEMNAGS153TW01 and SSESXAGS153TW01
	D510324P	Heater Assembly	5 kW; 240 Volt; Model HSEBYAGW283CW01
	D510330P	Heater Assembly	4.25 kW; 208 Volt; Models HSEBDAGW293CW01, HSEBEAGW293CW01 and HSEBYAGW293CW01
	D510329P	Heater Assembly	5.35 kW; 240 Volt; All other models
10	61927	Heater Kit Assembly	5 kW; 240 Volt; Model HSEBYAGW283CW01
	965P3	Heater Kit	4.25 kW; 208 Volt; Models HSEBDAGW293CW01, HSEBEAGW293CW01 and HSEBYAGW293CW01
	61928	Heater Kit Assembly	4.75 kW; 208 Volt; Models SSEBCAGS153TW01, SSEBCAGW153TW01, SSEBYAGS153TW01, SSEMNAGS153TW01 and SSESXAGS153TW01
	61928	Heater Kit Assembly	4.75 kW; 208 Volt; Optional conversion; All other models
	964P3	Heater Kit	5.35 kW; 240 Volt; Includes factory installed heater; All other models

Heater Duct Assembly - Gas Model Dryers

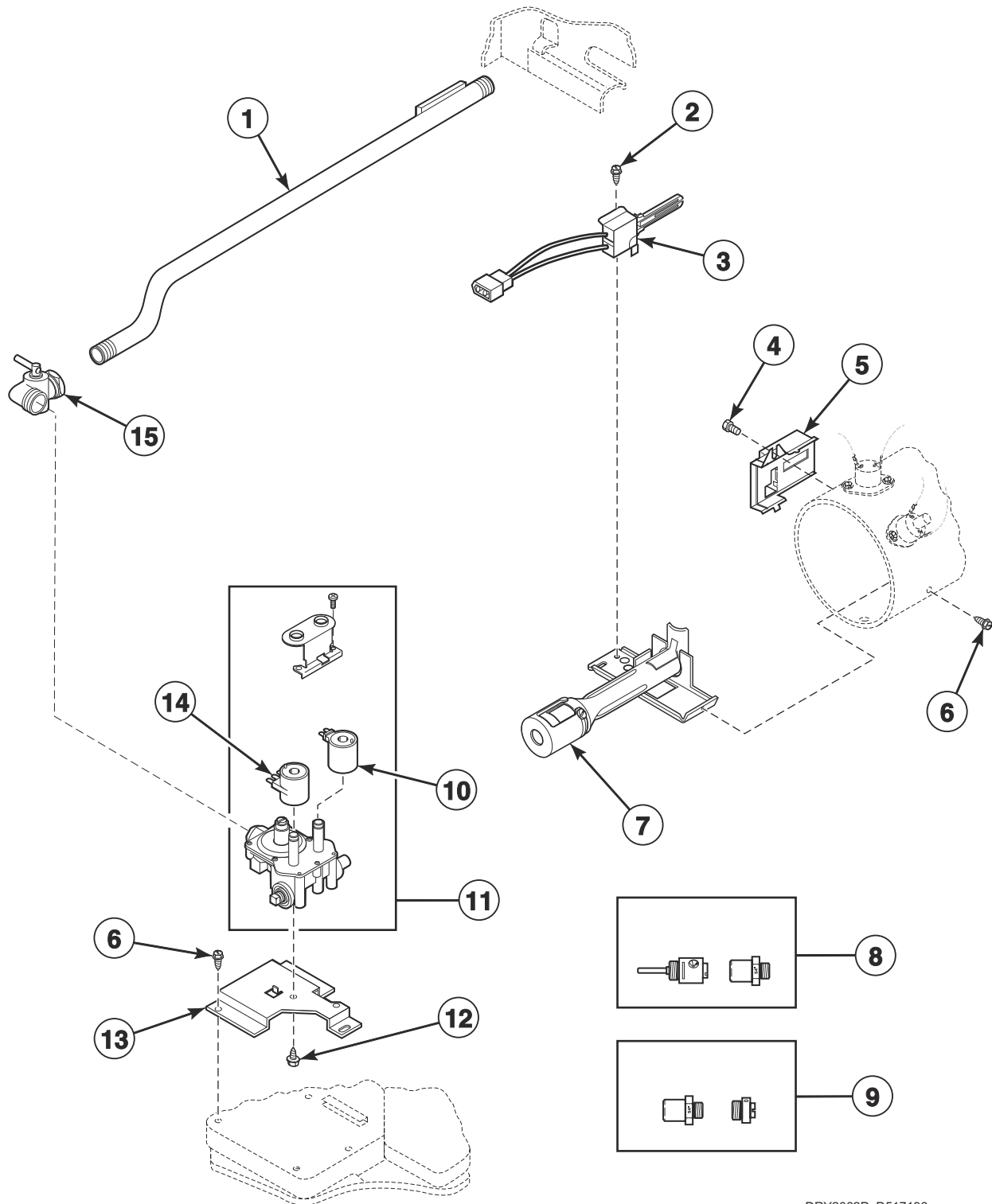


DRY2349P_D517196

Heater Duct Assembly - Gas Model Dryers

REF	PART NO.	DESCRIPTION	COMMENTS
1	D503688	Screw	
2	D510101	Heat Duct Shroud	
3	D500820	Outlet Cover	Aluminized steel
	D518524	Outlet Cover	Black; Nitrocarburized
4	D510025P	Heater Duct Assembly	Includes items 1 and 3
5	D510131	Combustion Duct	
6	51782	Screw	
7	D510702	Limit Thermostat	Black; Auto reset

Gas Valve, Igniter and Gas Conversion Kits Gas Models Through Serial No. 190800001



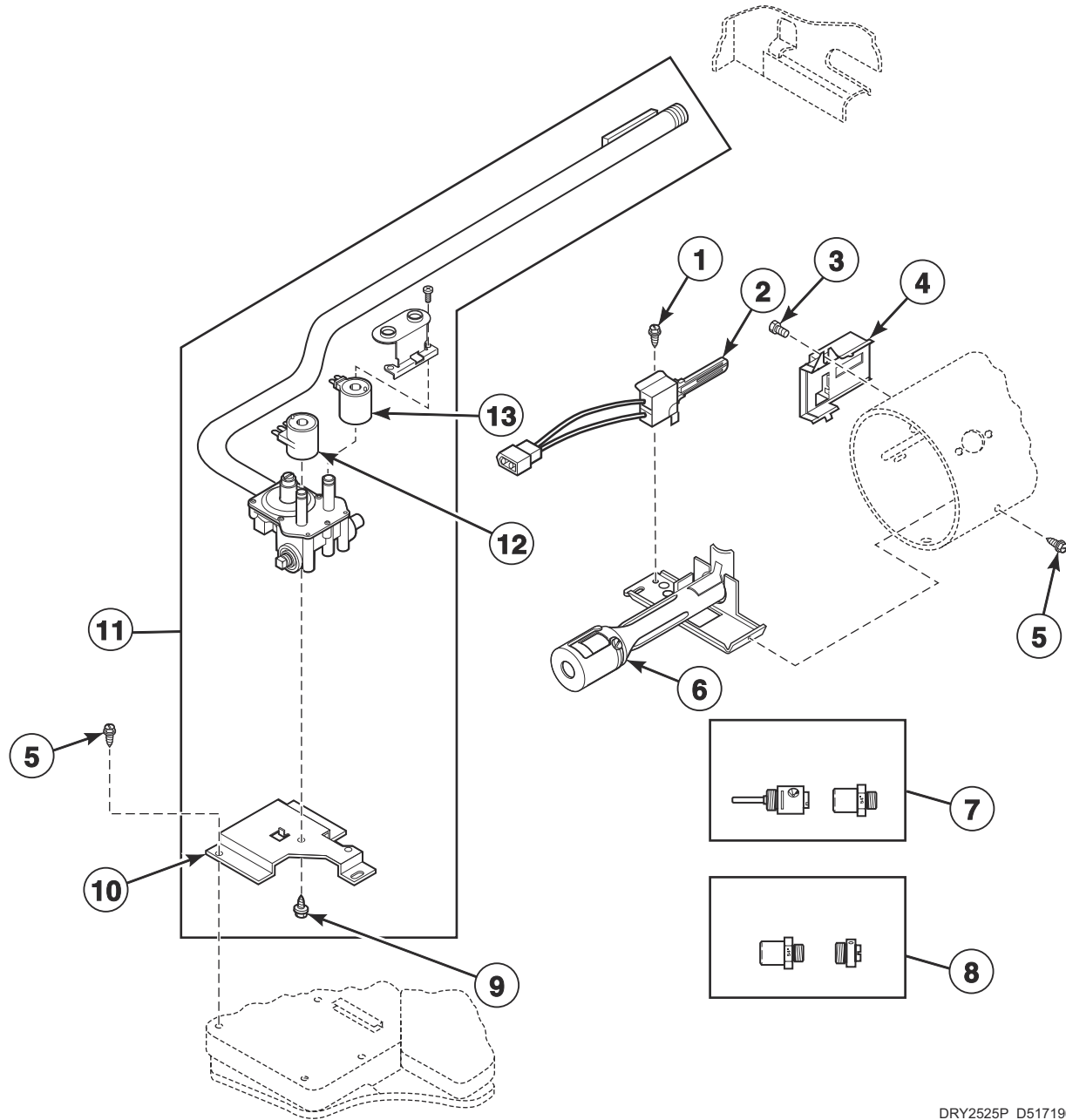
DRY2062P_D517196

Gas Valve, Igniter and Gas Conversion Kits Gas Models Through Serial No. 1908000001

REF	PART NO.	DESCRIPTION	COMMENTS
1	D510204	Lead-In Pipe Assembly	
2	51782	Screw	
3	D510184P	Igniter and Bracket Assembly	
4	23222	Screw	
5	D510213	Sensor	
6	D503688	Screw	
7	D510149P	Burner Assembly	
8	458P3	L.P. Conversion Kit	Used to convert dryers from Natural Gas (N.G.) or Mixed Gas to Liquid Petroleum Gas (L.P.); For 25,000 Btu
9	459P3	N.G. Conversion Kit	Used to convert dryers from L.P. to N.G. or Mixed Gas; For 25,000 Btu
10	58804B	Secondary Coil	
11	60353P	Gas Valve Assembly	60 Hertz; 25,000 Btu; N.G.; Includes items 10 and 14
12	56124	Screw	
13	D510128	Gas Valve Mounting Bracket	
14	58804A	Booster and Holding Coil	
15	D510205	Elbow Shut-Off Valve	

Gas Valve, Igniter and Gas Conversion Kits

Gas Models Starting Serial No. 1908000001



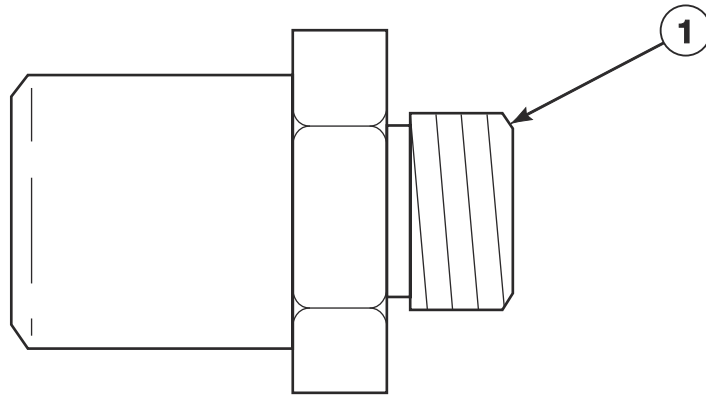
DRY2525P_D517196

Gas Valve, Igniter and Gas Conversion Kits Gas Models Starting Serial No. 1908000001

REF	PART NO.	DESCRIPTION	COMMENTS
1	51782	Screw	
2	D510184P	Igniter and Bracket Assembly	
3	23222	Screw	
4	D510213	Sensor	
5	D503688	Screw	
6	D510149P	Burner Assembly	
7	458P3	L.P. Conversion Kit	Used to convert dryers from Natural Gas (N.G.) or Mixed Gas to Liquid Petroleum Gas (L.P.); For 25,000 Btu
8	459P3	N.G. Conversion Kit	Used to convert dryers from L.P. to N.G. or Mixed Gas; For 25,000 Btu
9	56124	Screw	
10	D510128	Gas Valve Mounting Bracket	
11	D517606	Gas Valve, Bracket and Pipe Assembly	60 Hertz; 25,000 Btu; N.G.; Includes items 9-13
12	58804A	Booster and Holding Coil	
13	58804B	Secondary Coil	

Burner Orifice Spuds - For Higher Elevations

Gas Models

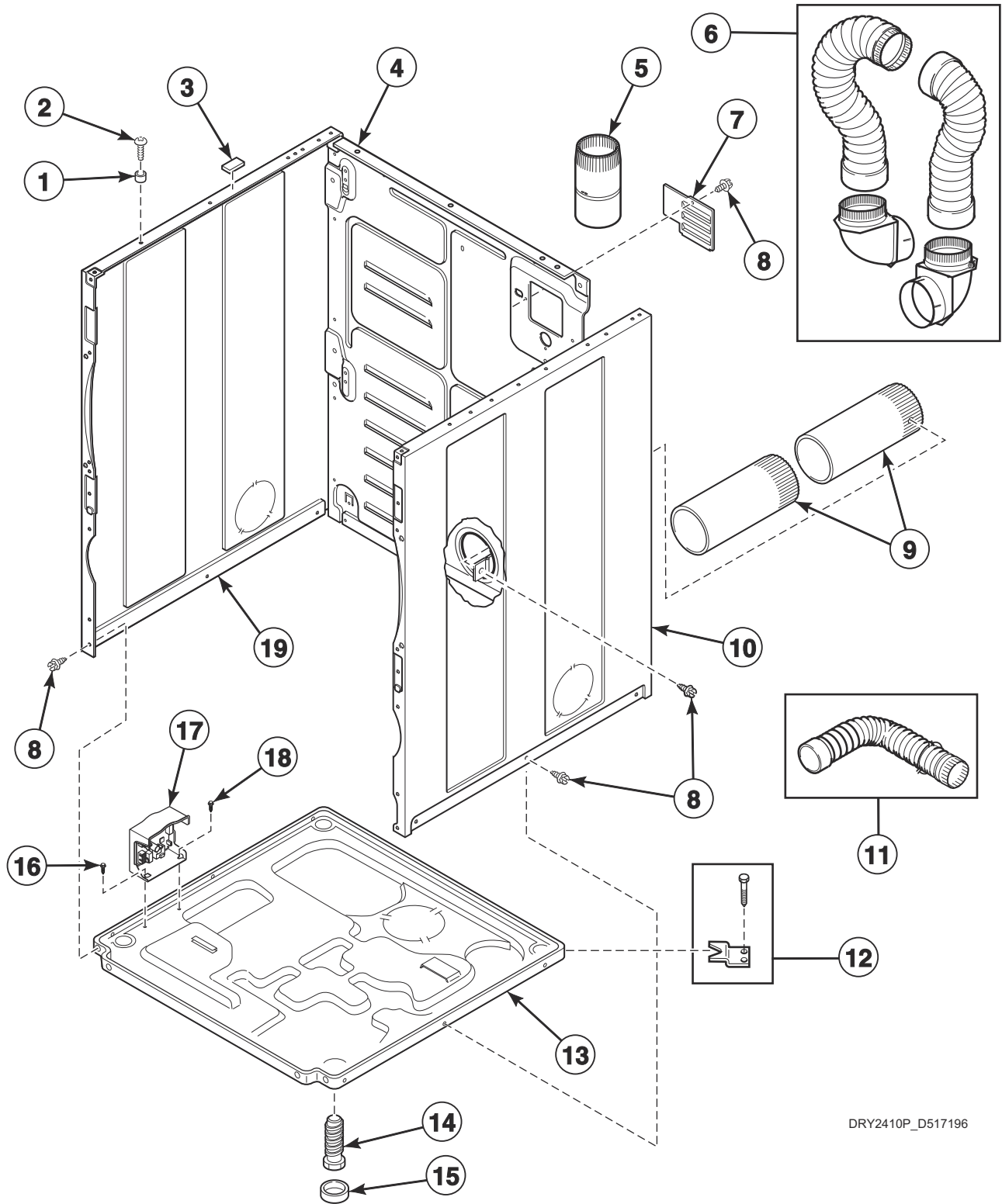


DRY2266P_D517196

Burner Orifice Spuds - For Higher Elevations

REF	PART NO.	DESCRIPTION	COMMENTS
1	58755	L.P. Orifice	Liquid Petroleum Gas (L.P.); 7500-10999 feet (2290-3354 m)
	D503786	L.P. Orifice	L.P.; 11000 feet (3355 m) and higher
	D503776	N.G. Orifice	Natural Gas (N.G.); 2000-2999 feet (610-914 m)
	D510517	N.G. Orifice	N.G.; 3000-5499 feet (915-1679 m)
	D503778	N.G. Orifice	N.G.; 5500-6999 feet (1680-2134 m)
	58719	Screw Orifice	N.G.; 7000-8999 feet (2135-2744 m)
	D503779	N.G. Orifice	N.G.; 9000-10499 feet (2745-3199 m)
	D503780	N.G. Orifice	N.G.; 10500 feet (3200 m) and higher

Cabinet, Exhaust Duct and Base

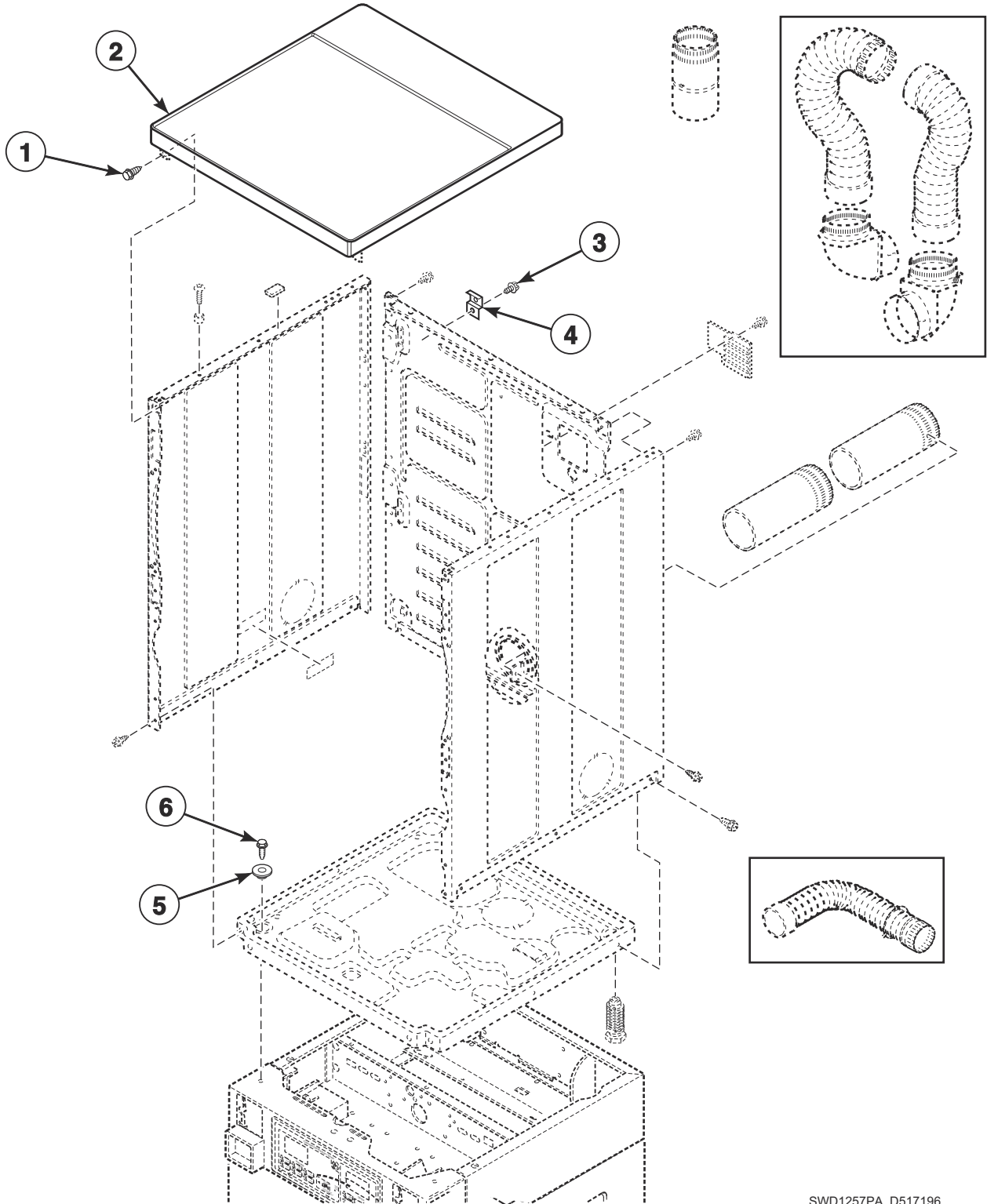


DRY2410P_D517196

Cabinet, Exhaust Duct and Base

REF	PART NO.	DESCRIPTION	COMMENTS
	370P4P	Porcelain Touch-Up Paint	Bisque
	122P4P	Porcelain Touch-Up Paint	White
1	56079	Panel Locator	
2	39733	Screw	
3	56128	Bumper Pad	
4	D514632P	Cabinet Rear Panel	
5	58786	Damper	Use when connecting to a manifold vent system.
6	521P3	Flexible Venting Kit	
7	D510903	Access Panel Plate	
8	D503688	Screw	
9	D516196	Exhaust Duct	
10	D510002QP	Cabinet Side Panel	Bisque; Right
	D510002WP	Cabinet Side Panel	White; Right
11	528P3	Directional Exhaust Kit	Used to vent dryer out the sides or bottom
12	526P3	Hold Down Kit	For mobile home installations
13	D514245	Dryer Base	
14	D510135	Leveling Leg	
15	D501855	Rubber Foot	
16	D514428	Screw	
17	D513797P	Output Control Assembly	
18	804667	Screw	
19	D510001QP	Cabinet Side Panel	Bisque; Left
	D510001WP	Cabinet Side Panel	White; Left

Cabinet Top



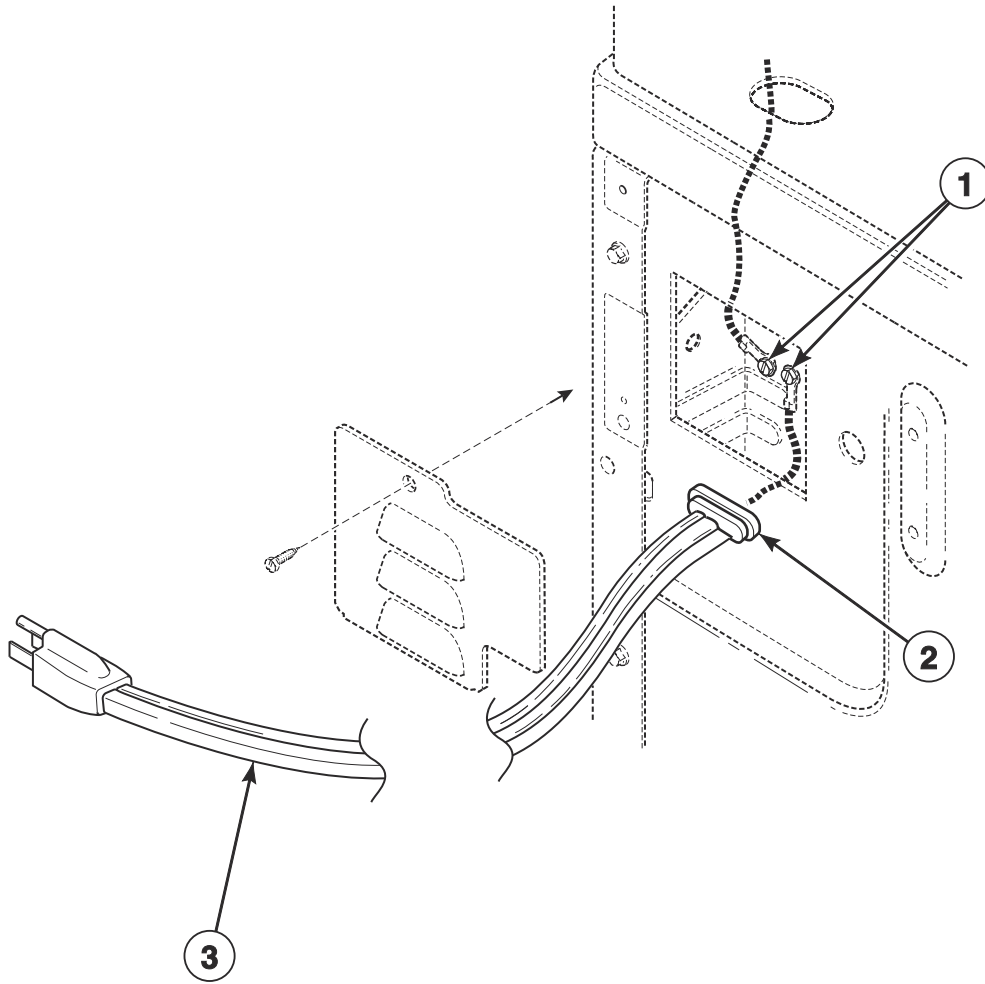
SWD1257PA_D517196

Cabinet Top

REF	PART NO.	DESCRIPTION	COMMENTS
1	D503661	Screw	
2	D510032QP	Top Kit	Bisque
	D510032WP	Top Kit	White
3	D503688	Screw	
4	D510136	Top Hinge	
5	D501307	Washer	
6	36048	Screw	

Power Cord

Gas Models

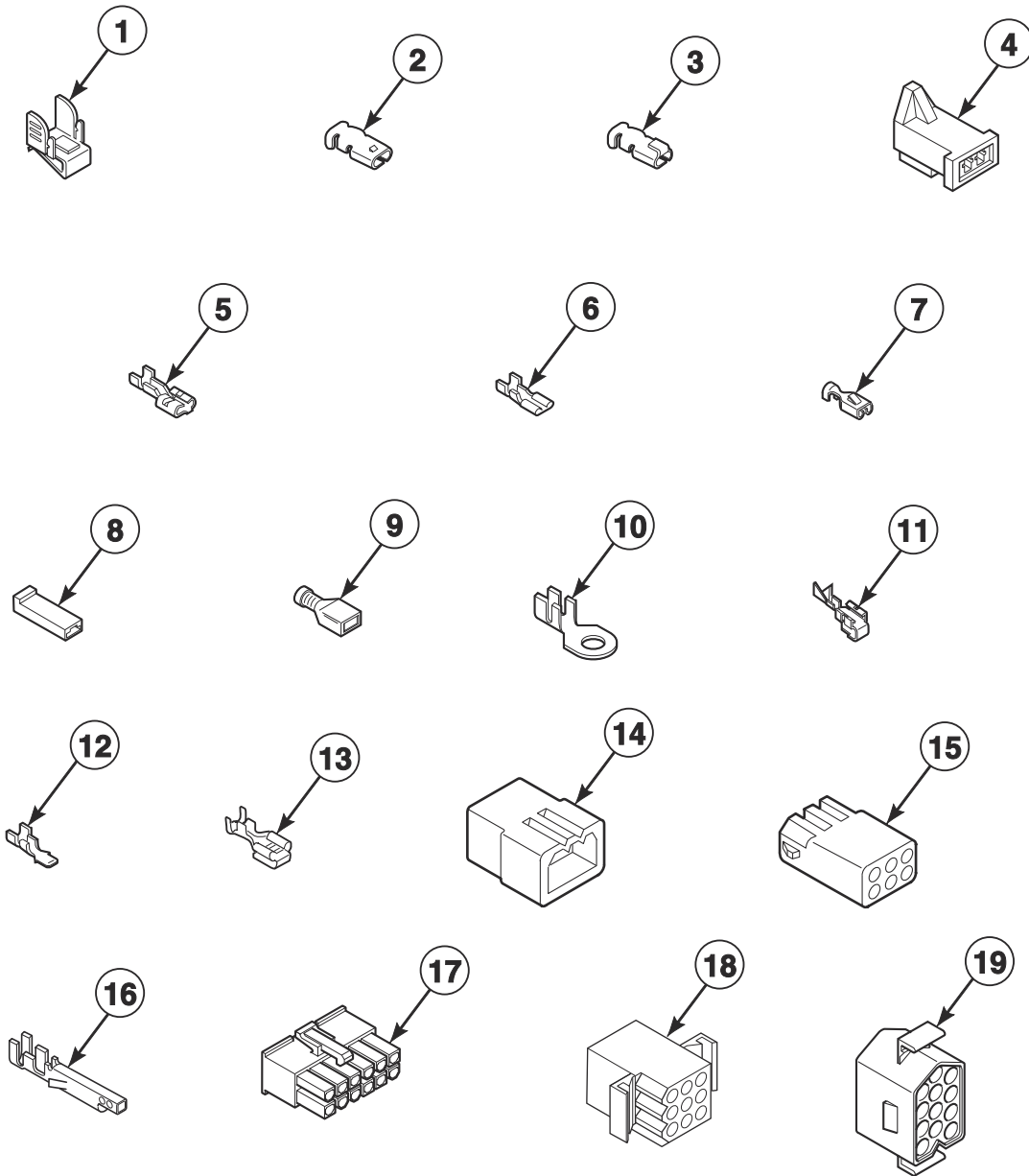


DRY1879P_D517196

Power Cord

REF	PART NO.	DESCRIPTION	COMMENTS
1	20530	Screw	
2	38384	Strain Relief	
3	D518387	Lead-In Cord	

Terminal Block and Terminals

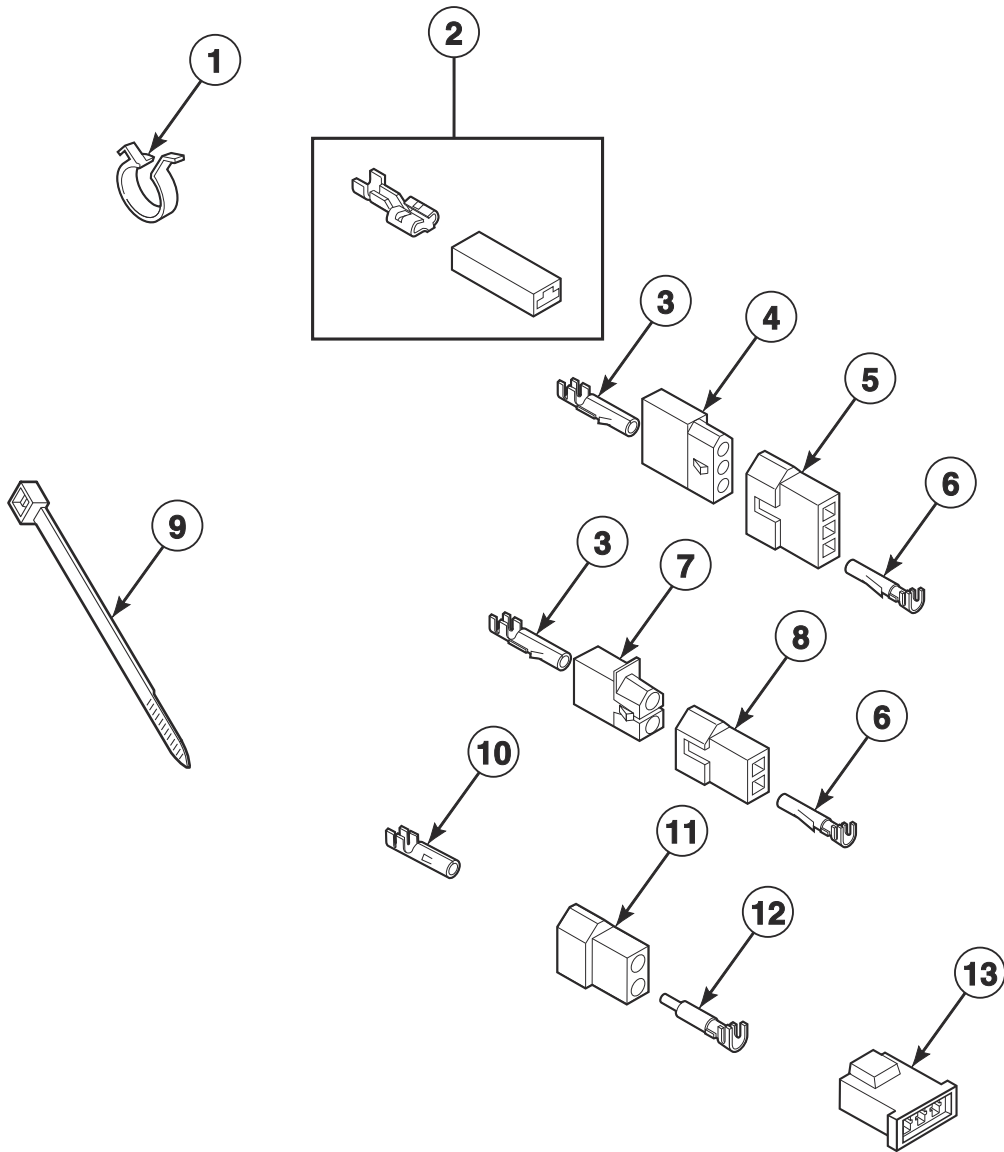


DRY2411P_D517196

Terminal Block and Terminals

REF	PART NO.	DESCRIPTION	COMMENTS
1	00161	Grounding Clip	
2	00189	Female Spade Terminal	1/8 inch
3	00361	Female Piggyback Terminal	
4	58799	2 Circuit Connector	
5	00223	Female Spade Terminal	1/4 inch; (1) 18 gauge wire
	00121	Female Spade Terminal	1/4 inch; (2) 18 gauge wires or (1) 12 gauge wire
	00245	Spade Terminal	1/4 inch; (1) 22 gauge wire
6	00124	Female Spade Terminal	3/16 inch; (1) 18 gauge wire; .020 tab
7	00115	Female Spade Terminal	1/4 inch; (1) 18 gauge wire
8	90789	Receptacle Housing	
9	00359	Insulated Female Spade Terminal	1/4 inch
10	00110	Ring Terminal	No. 10; (1) 18 gauge wire
11	00114	Female Spade Terminal	1/4 inch; Double connector
12	00139	Male Tab Terminal	1/4 inch; (2) 18 gauge wires or (1) 12 gauge wire
13	00344	Female Tab Terminal	1/4 inch
14	23033	9 Circuit Plug	
	44370401	1 Circuit Plug Housing	
15	26708	6 Circuit Receptacle	
	26301	1 Circuit Receptacle	
16	00252	Terminal	
17	34596	10 Circuit Receptacle	
	D501333	12 Circuit Receptacle	
18	56855	12 Circuit Receptacle	
19	54522	Plug	

Terminals

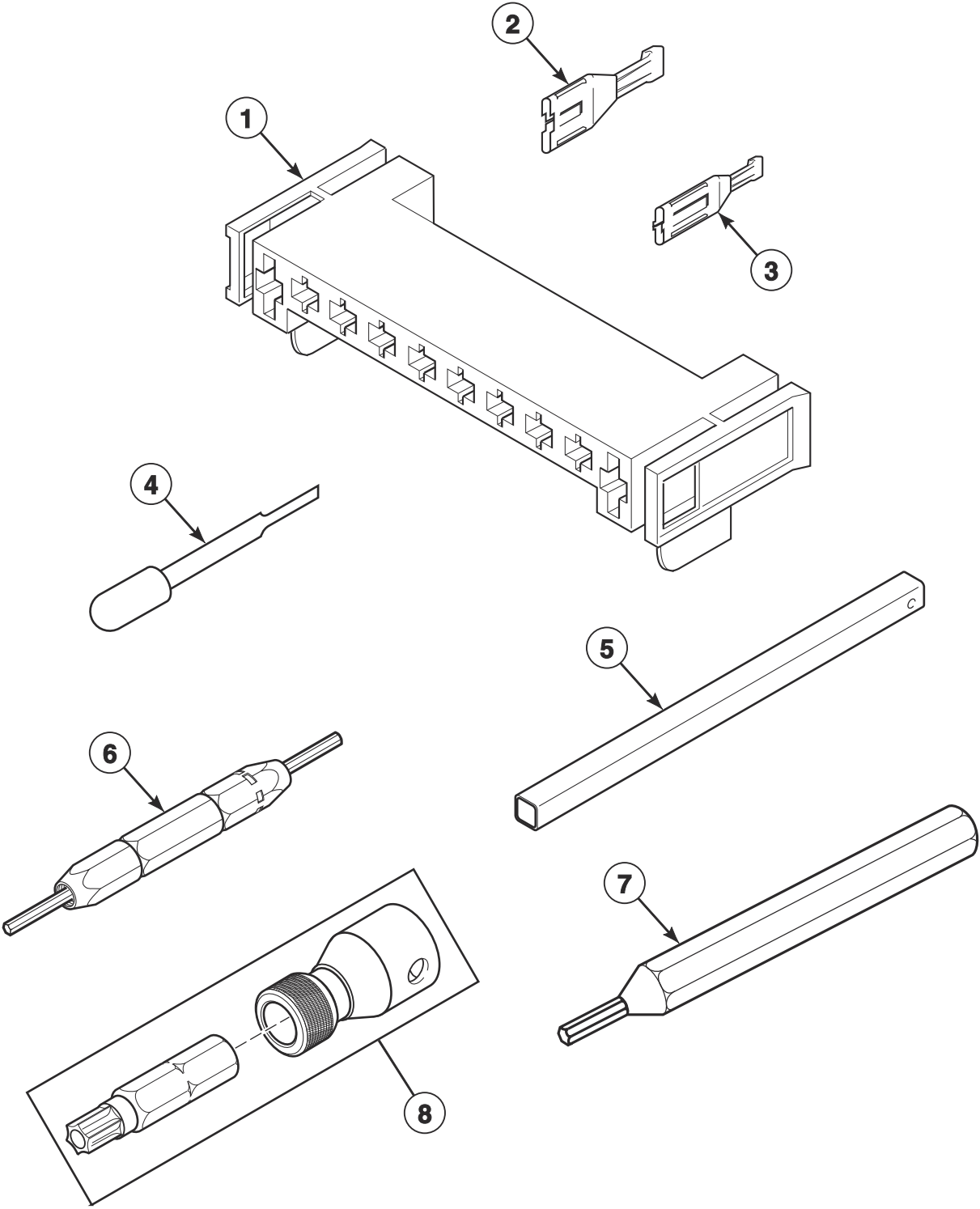


DRY1769P_D517196

Terminals

REF	PART NO.	DESCRIPTION	COMMENTS
1	D504034	Wire Clip	11/16 inch
	687500	Wire Clip	1 inch
2	00360	Insulated Female Spade Terminal	(1) 12 gauge wire or (2) 18 gauge wires
3	00117	Female Pin Terminal	
4	23039	3 Circuit Receptacle	
5	23040	Plug	
6	00116	Male Pin Terminal	
7	56451	2 Circuit Receptacle	
8	56448	2 Circuit Plug	
9	55881	Harness Strap	
10	00130	Female Pin Terminal	1/8 inch; 16-18 gauge wire
	00128	Female Pin Terminal	1/8 inch; 10-14 gauge wire
11	56266	2 Circuit Plug	
12	00127	Male Pin Terminal	1/8 inch
13	58800	3 Circuit Connector	

Terminals and Terminal Extractor Tools

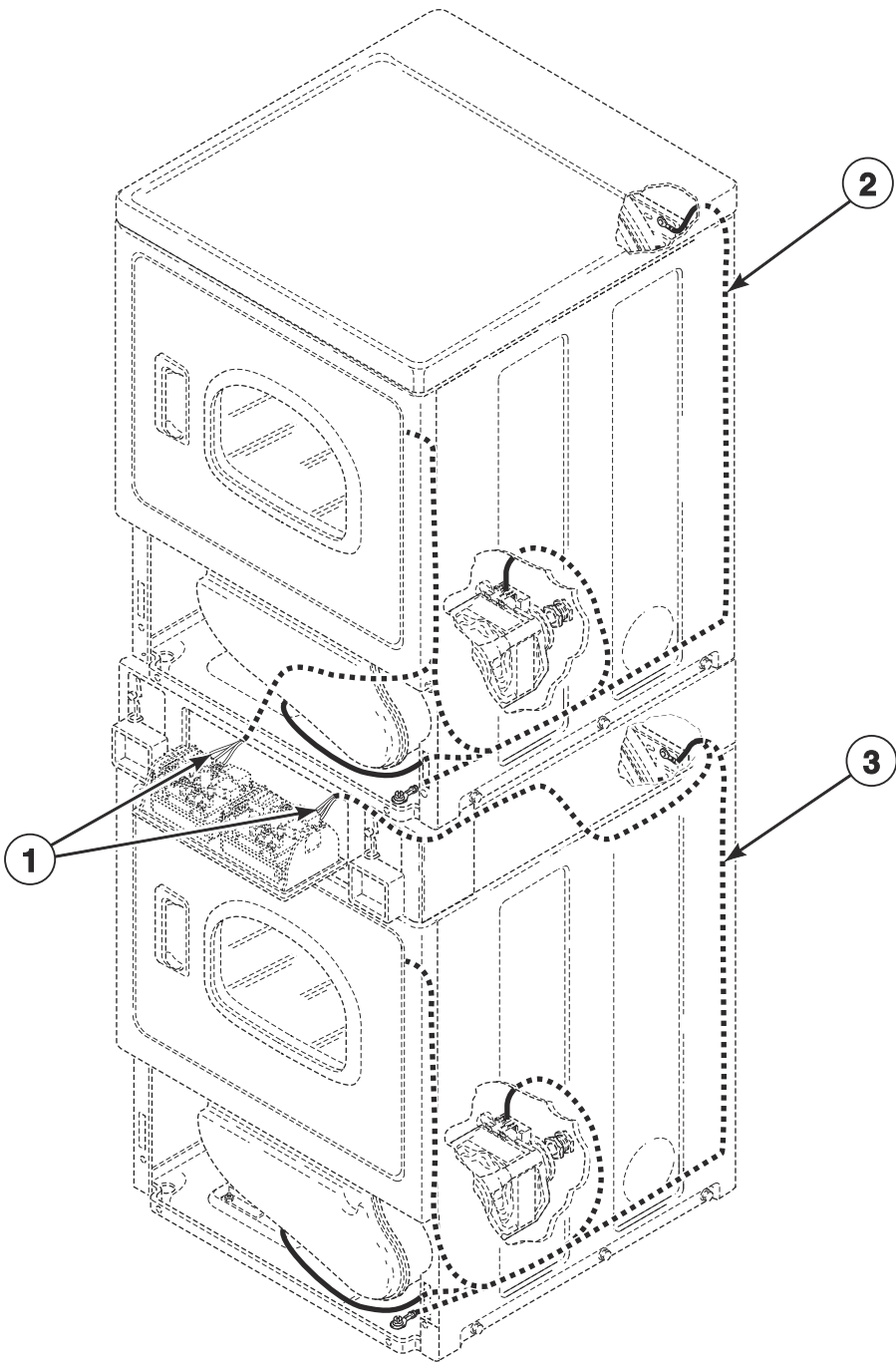


DRY2066P_D517196

Terminals and Terminal Extractor Tools

REF	PART NO.	DESCRIPTION	COMMENTS
1	D500338	10 Position Housing	
2	00255	Female Terminal	1/4 inch; (1) 12 gauge wire; Electric models
	00256	Female Terminal	1/4 inch; (1) or (2) 18 gauge wires
3	00188	Female Terminal	For 1 or 2 wire application
4	283P4	Terminal Extractor Tool	For use on Molex connectors
5	310P4	Ratchet Extension Tool	1/4 inch; For coin drop installation
6	190P4	Extractor Tool	For use on electric dryer terminals
7	128P4	Extractor Tool	For use on gas dryer terminals
8	281P4	Torx Bit	T15 Tamper Resistant Bit
	282P4	Torx Bit	Use with 62853 Screw on access panel; T25 Tamper Resistant Bit
	292P4	Torx Bit	T20 Standard Bit
	93501	Torx Drive Tool	T10 Standard Bit

Wires and Wire Harnesses



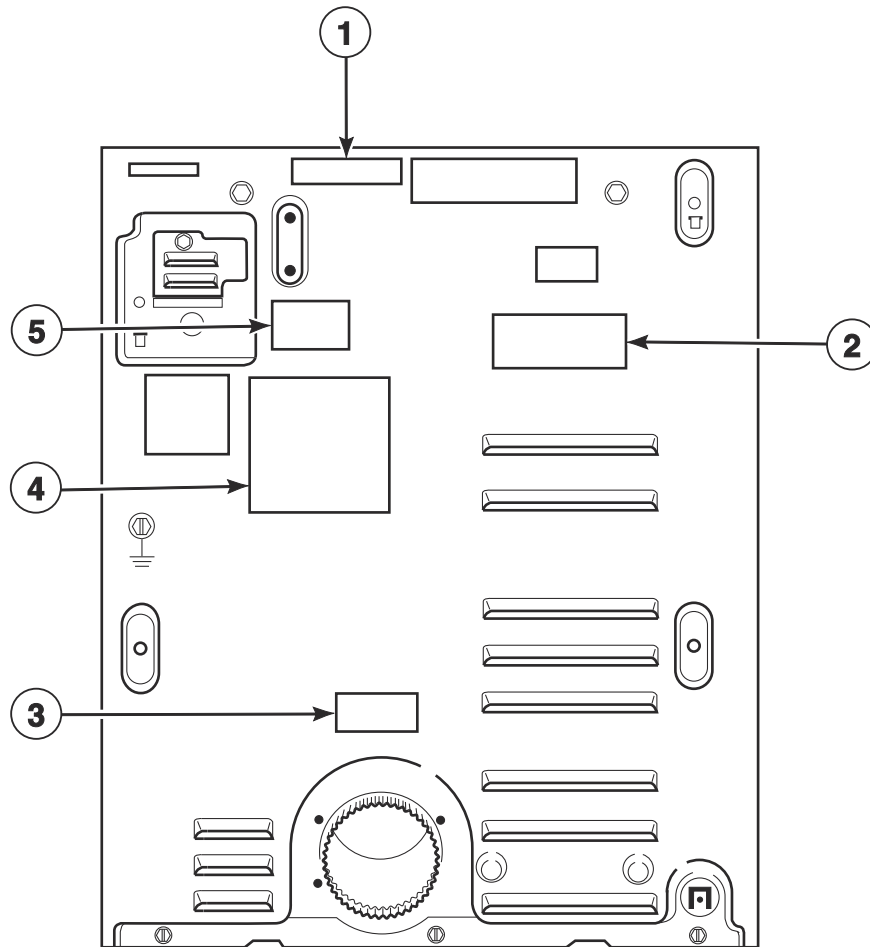
DRY2413P_D517196

Wires and Wire Harnesses

REF	PART NO.	DESCRIPTION	COMMENTS
	45001	18 Gauge Wire	Black; Order wire by the foot; Order terminals and connectors as required
	45380	12 Gauge Wire	Orange; Order wire by the foot; Order terminals and connectors as required
	D514076	Control Harness	Models KSEMNAGS173TW01, KSGMNAGS113TW01, SSEMNAGS153TW01, SSEMNAGS173TW01, SSGMNAGS113TW01, USEMNAGS173TW01 and USGMNAGS113TW01
	D515609	Control Harness	Models HSEXAGW173TW01, HSGSXAGW093CW01, HSGSXAGW113TW01, KSEXAGS173TW01, KGSXAGS113TW01, SSEXAGS153TW01, SSEXAGS173TW01, SSEXAGW173TW01, SSGSXAGS113TQ01, SSGSXAGS113TW01 and SSGSXAGW113TW01
	D518536	Gas Power Harness	Upper; Models HSGBDAGW093CW01, HSGBEAGW093CW01, HSGBXAGW093CW01, HSGBYAGW093CW01 and HSGSXAGW093CW01
	D514085	Power Harness	Lower; Models HSGBDAGW093CW01, HSGBEAGW093CW01, HSGBXAGW093CW01, HSGBYAGW093CW01 and HSGSXAGW093CW01 through 12/31/21
	D518655	Power Harness	Lower; Models HSGBDAGW093CW01, HSGBEAGW093CW01, HSGBXAGW093CW01, HSGBYAGW093CW01 and HSGSXAGW093CW01 starting 1/1/22
	D514044	Power Harness	Upper; Models HSEBDAGW293CW01, HSEBEAGW293CW01, HSEBYAGW283CW01 and HSEBYAGW293CW01 through 12/31/21
	D518656	Power Harness	Upper; Models HSEBDAGW293CW01, HSEBEAGW293CW01, HSEBYAGW283CW01 and HSEBYAGW293CW01 starting 1/1/22
	D514042	Power Harness	Lower; Models HSEBDAGW293CW01, HSEBEAGW293CW01, HSEBYAGW283CW01 and HSEBYAGW293CW01 through 12/31/21
	D518654	Power Harness	Lower; Models HSEBDAGW293CW01, HSEBEAGW293CW01, HSEBYAGW283CW01 and HSEBYAGW293CW01 starting 1/1/22
1	D513991	Security Cabinet Harness	
2	D517238	Upper Electric Harness	Electric models
	D517094	Upper Gas Harness	Gas models
3	D517240	Electronic Harness	Lower; Electric models
	D517095	Gas Harness	Lower; Gas models

NOTE: Individual wires are not available separately. Order complete harness, or order wire by the foot. When applying terminals to wires, it is recommended that the terminals be soldered to the wires.

Label Location on Rear of Cabinet



DRY2303P_D517196

Label Location on Rear of Cabinet

REF	PART NO.	DESCRIPTION	COMMENTS
1	D505281	Disconnect Power Warning Label	
2	D502791	Venting Instruction Label	
3	D500497	Exhaust Warning Label	
4	D511004	Gas Clearance Label	Gas models
	D511005	Electric Clearance Label	Electric models
5	803260	Warning Label	

Parts Index

A

Access Panel Assembly	
D514250Q.....	25
D514250WP.....	25
Access Panel Plate	
D510903.....	43
Adhesive	
D511637P.....	29, 31
Air Duct Assembly	
D518433.....	29
Anti-Seize Compound	
27604P.....	27

B

Blower and Fan Kit	
D510717P.....	27
Blower Fan Assembly	
D510139P.....	27
Blower Housing	
D511969WP.....	27
Blower Housing Seal	
D510238P.....	27
Bolt	
29651.....	7, 17
Booster and Holding Coil	
58804A.....	37, 39
Bracket	
803662.....	19
Bumper Pad	
56128.....	43
Burner Assembly	
D510149P.....	37, 39

C

Cabinet Rear Panel	
D514632P.....	43
Cabinet Side Panel	
D510001QP.....	43
D510001WP.....	43
D510002QP.....	43
D510002WP.....	43
Card Insert Overlay	
D514391.....	13
Clip	
201572.....	11
Coin Drop	
38963P.....	9
70441601P.....	9
70441603.....	9
Coin Drop Assembly	
38462P.....	9
38463.....	9
38464P.....	9
70441602.....	9

Coin Drop Wire Harness	
201104.....	11
Coin Funnel Kit	
523P3.....	17
Coin Identification Paper	
38725.....	11
Coin Slide Extension Kit	
D514228.....	19
Coin Slide Guard	
D514726.....	17
Coin Slide Kit	
CK001.....	17
CK009.....	17
CK010P.....	17
CK011.....	17
CK014.....	17
CK017.....	17
Combustion Duct	
D510131.....	35
Connector, 2 Circuit	
58799.....	49
Connector, 3 Circuit	
58800.....	51
Control Assembly	
D514218.....	15, 17
D515807P.....	5
Control Harness	
D514076.....	55
D515609.....	55
Control Overlay	
D515540.....	5
D515542.....	5
D517899.....	5
Control Panel	
D514711W.....	15
D514724Q.....	17
D514724W.....	17
803964W.....	7
Control Panel and Bracket Assembly	
D500228Q.....	17
D500228W.....	15, 17
D513778W.....	5
Cycle Selector Switch	
201686.....	15
Cylinder Assembly	
D510265WP.....	29
Cylinder Baffle	
D510102W.....	29
Cylinder Belt	
D511255P.....	27
Cylinder Glide	
D513710.....	29
Cylinder Glide Bracket	
D510145.....	29
Cylinder Roller	
D510708P.....	31
Cylinder Roller Bracket	
D510100.....	31
Cylinder Seal Assembly	
D510207P.....	29, 31

N/A items do not appear in index.

D

Damper	
58786	43
Directional Exhaust Kit	
528P3	43
Disconnect Power Warning Label	
D505281	57
Door Assembly	
D516510Q	21
D516510W	21
D516737W	23
Door Catch Assembly	
D510177	25
Door Handle Wedge	
D510129W	21, 23
Door Liner Assembly	
D516508	21
Door Liner Grill	
D503870W	21, 23
Door Pull and Wedge Kit	
D510103QP	21
D510103WP	21, 23
Door Strike	
D510181	21, 23
Dryer Base	
D514245	43
Dryer Door	
D515960Q	21
D515960W	21
D515961W	23
Dryer Door Window	
D515681	23
Dual Coin Harness Assembly	
202871	9
Dual Overlay	
39073	7

E

Elbow Shut-Off Valve	
D510205	37
Electric Clearance Label	
D511005	57
Electronic Coin Drop Assembly	
70294122	11
70513306	11
Electronic Coin Drop Kit	
CK110	11
CK115	11
Electronic Harness	
D517240	55
Exhaust Duct	
D516196	43
Exhaust Warning Label	
D500497	57
Expansion Clip	
70030501	7, 13, 15, 17
Extractor Tool	
128P4	53
190P4	53

F

Felt Pad	
D510189	29
Female Piggyback Terminal	
00361	49
Female Pin Terminal	
00117	51
00128	51
00130	51
Female Spade Terminal	
00114	49
00115	49
00121	49
00124	49
00189	49
00223	49
Female Tab Terminal	
00344	49
Female Terminal	
00188	53
00255	53
00256	53
Flexible Venting Kit	
521P3	43
Front Bulkhead Assembly	
D510266P	29
Front Panel	
D510066QP	25
D510066WP	25
Front Panel Seal	
D511056	25

G

Gas Clearance Label	
D511004	57
Gas Harness	
D517095	55
Gas Power Harness	
D518536	55
Gas Valve Assembly	
60353P	37
Gas Valve Mounting Bracket	
D510128	37, 39
Gas Valve, Bracket and Pipe Assembly	
D517606	39
Glide Kit	
RB170003	29
Grounding Clip	
00161	49

H

Harness Assembly	
802905	11
Harness Strap	
55881	51
Heat Duct Shroud	
D510101	35

N/A items do not appear in index.

Heater	
D510325P	33
Heater Assembly	
D510324P	33
D510329P	33
D510330P	33
Heater Duct Assembly	
D510025P	33, 35
Heater Kit	
964P3	33
965P3	33
Heater Kit Assembly	
61927	33
61928	33
Hinge	
D511036	21, 23
Hinge Hole Plug	
D510186	25
Hold Down Kit	
526P3	43
Housing, 10 Position	
D500338	53

I

Idler Lever	
D516310	27
Idler Lever and Wheel Assembly	
D516792	27
Idler Spring	
D510185	27
Idler Wheel and Bearing Assembly	
D510142P	27
Igniter and Bracket Assembly	
D510184P	37, 39
Insulated Female Spade Terminal	
00359	49
00360	51

K

Key	
54612	5, 15, 17

L

Lead-In Cord	
D518387	47
Lead-In Pipe Assembly	
D510204	37
Leveling Leg	
D510135	43
Light	
801431	15, 17
Limit Thermostat	
D510701	33
D510702	35
Liner and Seal Assembly	
D516509	23

Lint Filter	
D503980W	29
Lock Cam	
804338	5, 15, 17
Lock Kit	
27260P	5, 15, 17
L.P. Conversion Kit	
458P3	37, 39
L.P. Orifice	
D503786	41
58755	41

M

Machine ID Control Assembly	
203361P	5
Male Pin Terminal	
00116	51
00127	51
Male Tab Terminal	
00139	49
Meter Case Assembly	
804011Q	17
807255W	17
807396W	7
Motor and Pulley Assembly	
D511629P	27
Motor Hub Ring Kit	
590P3	27
Motor Mount	
D518517	27
Motor Mount Clamp	
D510180	27
Motor Pulley	
D500011	27
Motor Switch Bracket	
D516311	27

N

Nut	
201216	11
24205	15, 17
28447	31
29786	9, 11
29796	17
44087201	7, 17
52566	27
52947	15, 17
56156	27, 31
N.G. Conversion Kit	
459P3	37, 39
N.G. Orifice	
D503776	41
D503778	41
D503779	41
D503780	41
D510517	41

N/A items do not appear in index.

O

Outlet Cover	
D500820	33, 35
D518524	33, 35
Output Control Assembly	
D513797P	43
Overlay	
D512678	15, 17
D514371	15, 17
D514667	17
D514670	15
D514873	13
201091	7, 11

P

Panel Locator	
56079	25, 43
Plug	
23040	51
54522	49
Plug Housing, 1 Circuit	
44370401	49
Plug, 2 Circuit	
56266	51
56448	51
Plug, 9 Circuit	
23033	49
Porcelain Touch-Up Paint	
122P4P	43
370P4P	43
Power Harness	
D514042	55
D514044	55
D514085	55
D518654	55
D518655	55
D518656	55

R

Ratchet Extension Tool	
310P4	53
Rear Access Panel	
803998	7, 13, 15, 17
Rear Bulkhead Assembly	
D511082P	31
Receptacle Housing	
90789	49
Receptacle, 1 Circuit	
26301	49
Receptacle, 10 Circuit	
34596	49
Receptacle, 12 Circuit	
D501333	49
56855	49
Receptacle, 2 Circuit	
56451	51
Receptacle, 3 Circuit	
23039	51

Receptacle, 6 Circuit	
26708	49
Retaining Ring	
23748	27, 31
Ring Terminal	
00110	49
Roller Kit	
RB170002	31
Rubber Foot	
D501855	43

S

ScREW	
804667	43
Screw	
D500226	21, 23, 29
D500824	27
D501285	29, 31
D501524	5
D502431	15
D502535	27
D503661	45
D503688	5, 7, 13, 15, 25, 27, 29, 31, 33, 35, 37, 39, 43, 45
D505295	23
D505870	23
D514428	43
D515967	23
M405188	29
20530	47
23222	33, 37, 39
27328	15
28448	31
31260	27
33562	25
36048	45
39733	25, 43
503688	17
51782	35, 37, 39
56124	37, 39
61199	31
62588	29
62853	25
70240301	7, 13, 15, 17
804608	15, 17
Screw Orifice	
58719	41
Seal Kit	
RB170001	29, 31
Secondary Coil	
58804B	37, 39
Security Cabinet Front Assembly	
804147WP	13
Security Cabinet Harness	
D513991	55
Sensor	
D510213	37, 39
Shaft	
56461P	27, 31
Shield Bracket	
804018	5, 15, 17
Single Coin Harness Assembly	
202870	9

N/A items do not appear in index.

Single Overlay 38717	7
Slide CK027	17
Spade Terminal 00245	49
Speed Clip 28835	25
Strain Relief 38384	47
Switch D512973	7, 17, 25
D514105	19
D516391	27
Switch Assembly 55882	15, 17
Switch Knob 39897	15, 17

T

Temperature Selector Switch D511711	15, 17
Terminal 00252	49
Terminal Block Assembly D510190P	31
Terminal Block Shield D510237	31
Terminal Extractor Tool 283P4	53
Thermal Fuse Assembly D518542	33
Thermistor Assembly D510523	27
Timer Knob 54678	15
Timer Overlay D515998	15
Top Hinge D510136	45
Top Kit D510032QP	45
D510032WP	45
Torx Bit 281P4	53
282P4	53
292P4	53
Torx Drive Tool 93501	53
Transformer 201375P	11
202757	5
Transformer Harness D514072	5
804795	5

U

Upper Electric Harness D517238	55
---	----

Upper Gas Harness D517094	55
------------------------------------	----

V

Venting Instruction Label D502791	57
--	----

W

Warning Label 803260	57
Warning/Caution Label D500281	25
Washer D501307	45
D504082	31
F430339	15, 17
28449	31
52549	27, 31
91029	15, 17
Window Trim D515956W	23
Wire Assembly D518255	33
D518256	33
Wire Clip D504034	51
687500	51
Wire Guard 201595P	9
Wire, 12 Gauge 45380	55
Wire, 18 Gauge 45001	55
Wiring Harness Assembly 202868	5
Wrapper Assembly 804104Q	17
804104W	7, 17
804112W	13, 15

N/A items do not appear in index.

