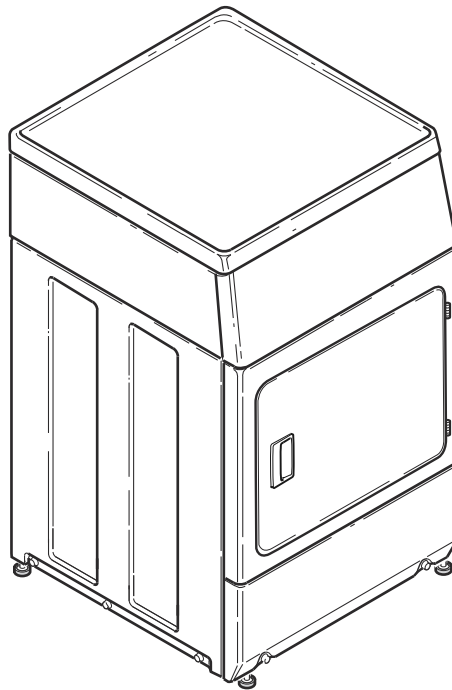


Commercial Dryers

Metered and Nonmetered
Models Starting Serial No. 2001000001

Refer to Page 3 for Model Numbers



DRY721C_D518057

Alliance[™]
Laundry Systems

www.alliancelaundry.com

Part No. D518057R3
December 2022

Table of Contents

| Title | Page |
|--|------|
| Parts Ordering Information..... | 2 |
| Serial Plate Location | 2 |
| Model Identification | 3 |
| Control and Control Panel - Rear Control Coin Drop Models | 4 |
| Control and Control Panel - Rear Control Card Ready Models | 6 |
| Network Board Assembly..... | 8 |
| Meter Case - Rear Control Coin Drop Models | 10 |
| Non-Electronic Coin Drop - Rear Control Coin Drop Models..... | 12 |
| Electronic Coin Drop - Rear Control Coin Drop Models..... | 14 |
| Cabinet Top - Rear Control Models | 16 |
| Control Panel and Controls - Coin Drop and Card Front Control Models (Drawing 1 of 2)..... | 18 |
| Control Panel and Controls - Coin Drop and Card Front Control Models (Drawing 2 of 2)..... | 20 |
| Control Cabinet Controls - Front Control Coin Drop Models..... | 22 |
| Non-Electronic Coin Drop - Front Control Models..... | 24 |
| Electronic Coin Drop - Front Control Models | 26 |
| Control Cabinet Controls - Front Control Card Ready Models..... | 28 |
| Cabinet Top - Front Control Models..... | 30 |
| Loading Door | 32 |
| Access Panel, Front Panel and Seal | 34 |
| Motor, Exhaust Fan and Belt | 36 |
| Front Bulkhead, Air Duct and Felt Seal..... | 38 |
| Cylinder Assembly | 40 |
| Rear Bulkhead, Felt Seal, Cylinder Roller and Terminal Block..... | 42 |
| Heater Duct and Element Assembly - Electric Model Dryers..... | 44 |
| Heater Duct Assembly - Gas Model Dryers | 46 |
| Gas Valve, Igniter and Gas Conversion Kits..... | 48 |
| Burner Orifice Spuds - For Higher Elevations..... | 50 |
| Cabinet, Exhaust Duct and Base | 52 |
| Power Cord (Drawing 1 of 2) | 54 |
| Power Cord (Drawing 2 of 2) | 56 |
| Terminal Block and Terminals (Drawing 1 of 2)..... | 58 |
| Terminal Block and Terminals (Drawing 2 of 2)..... | 60 |
| Terminals and Terminal Extractor Tools | 62 |
| Wire Harnesses and Wires - Front Control Models (Drawing 1 of 2)..... | 64 |
| Wire Harnesses and Wires - Front Control Models (Drawing 2 of 2)..... | 66 |
| Wire Harnesses and Wires - Rear Control Models | 68 |
| Label Location on Rear of Cabinet | 70 |
| Parts Index..... | 73 |

© Copyright 2022, Alliance Laundry Systems LLC

All rights reserved. No part of the contents of this book may be reproduced or transmitted in any form or by any means without the expressed written consent of the publisher.

Parts Ordering Information

If literature or replacement parts are required, contact the source from whom the machine was purchased or contact Alliance Laundry Systems at (920) 748-3950 for the name and address of the nearest authorized parts distributor.

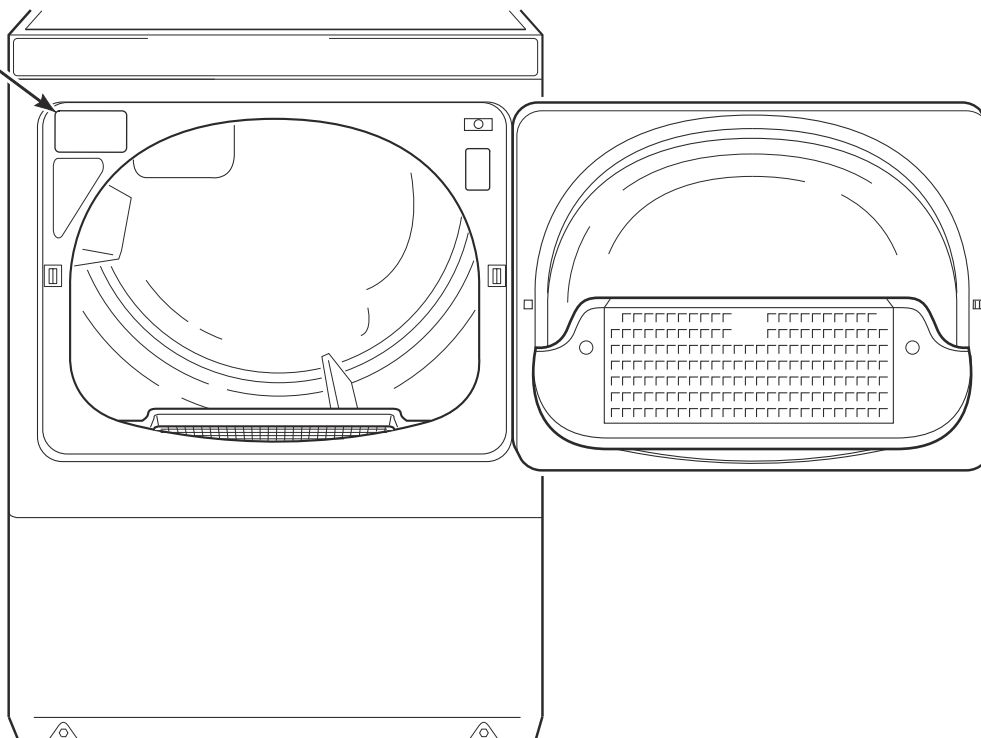
For technical assistance, call the number listed below:

(920) 748-3121 Ripon, Wisconsin

Serial Plate Location

When calling or writing about your product, be sure to mention model and serial numbers. Model and serial numbers are located on serial plate(s) as shown.

SERIAL PLATE



DRY2283P_D518057

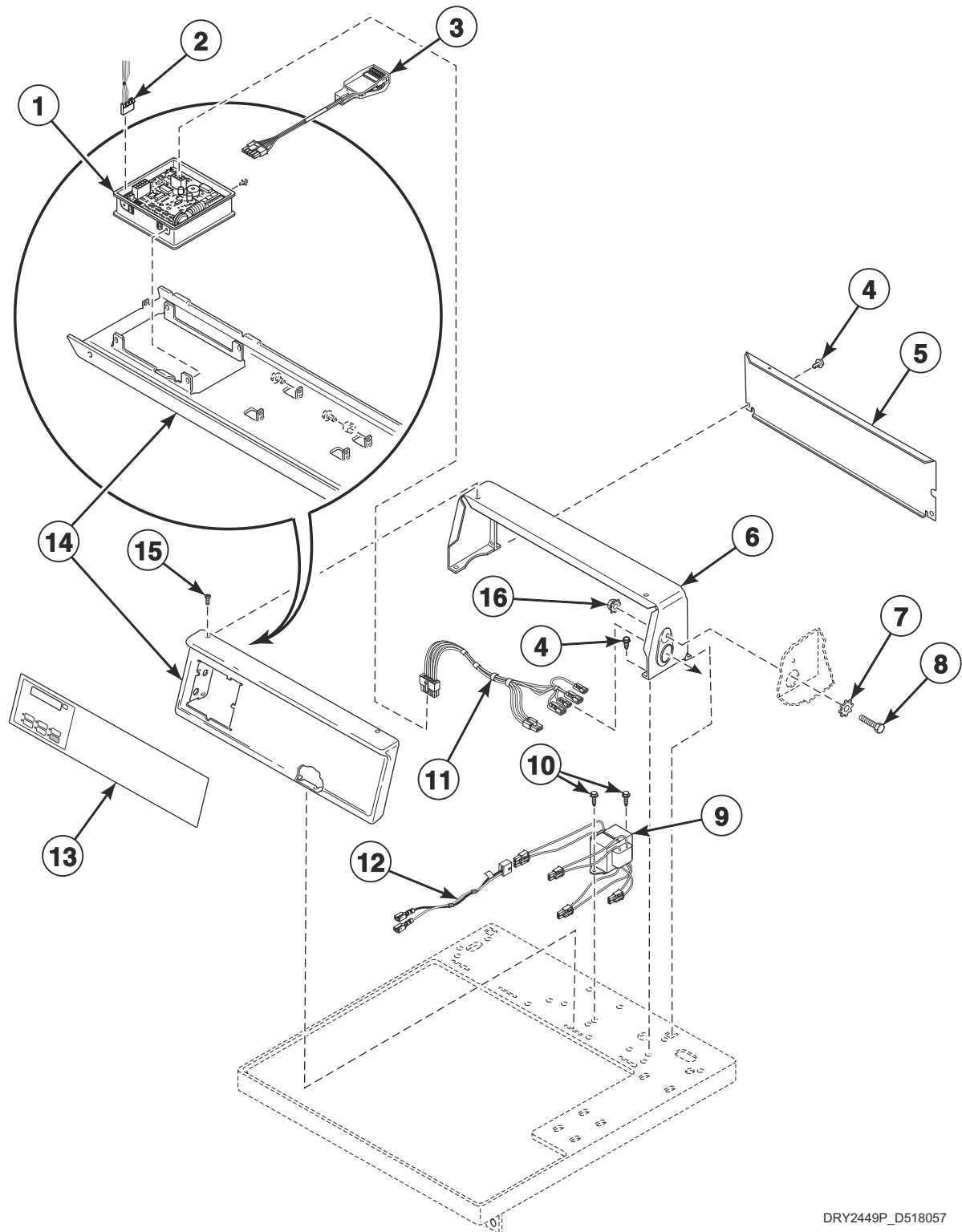
Model Identification

Information in this manual is applicable to these dryer models:

| | |
|-----------------|-----------------|
| NDENXAGS543MW01 | SDGNCAGS113TW01 |
| NDLNXAGS123MW01 | SDGNCAGS116TW01 |
| SDENCAGS173TW01 | SDGNCRGS113TW01 |
| SDENCAGS176TW01 | SDGNCRGS116TW01 |
| SDENCRGS153TW01 | SDGNXRGs113TW01 |
| SDENCRGS173TW01 | SDGNXRGs116TW01 |
| SDENCRGS176TW01 | SDGNYAGS113TW01 |
| SDENXAGS543MW01 | SDGNYAGS116TW01 |
| SDENXRGs173TW01 | SDGNYRGs113TW01 |
| SDENXRGs176TW01 | SDGNYRGs116TW01 |
| SDENYAGS153TW01 | SDGWCAGS113TW41 |
| SDENYAGS173TW01 | SDGWCRGS113TW42 |
| SDENYAGS176TW01 | SDGWXAGS113TW01 |
| SDENYRGs153TW01 | SDGWXRGs113TW02 |
| SDENYRGs173TW01 | SDGWYAGS113TW01 |
| SDENYRGs176TW01 | SDGWYAGS113TW41 |
| SDEWCAGS173TW41 | SDGWYRGs113TW01 |
| SDEWCRGS153TW42 | SDGWYRGs113TW41 |
| SDEWCRGS173TW42 | SDLNXAGS123MW01 |
| SDEWXAGS173TW01 | |
| SDEWYAGS153TW01 | |
| SDEWYAGS153TW41 | |
| SDEWYAGS173TW01 | |
| SDEWYAGS173TW41 | |
| SDEWYRGs153TW01 | |
| SDEWYRGs153TW41 | |
| SDEWYRGs173TW01 | |
| SDEWYRGs173TW41 | |

Control and Control Panel - Rear Control Coin Drop Models

Models SDENCAGS176TW01, SDENCRGS153TW01, SDENCRGS173TW01, SDENCRGS176TW01, SDENXRGS173TW01, SDENXRGS176TW01, SDEWCRGS153TW42, SDEWCRGS173TW42, SDGNCAGS116TW01, SDGNCRGS113TW01, SDGNCRGS116TW01, SDGNXRGS113TW01, SDGNXRGS116TW01, SDGWCRGS113TW42 and SDGWXRGS113TW02



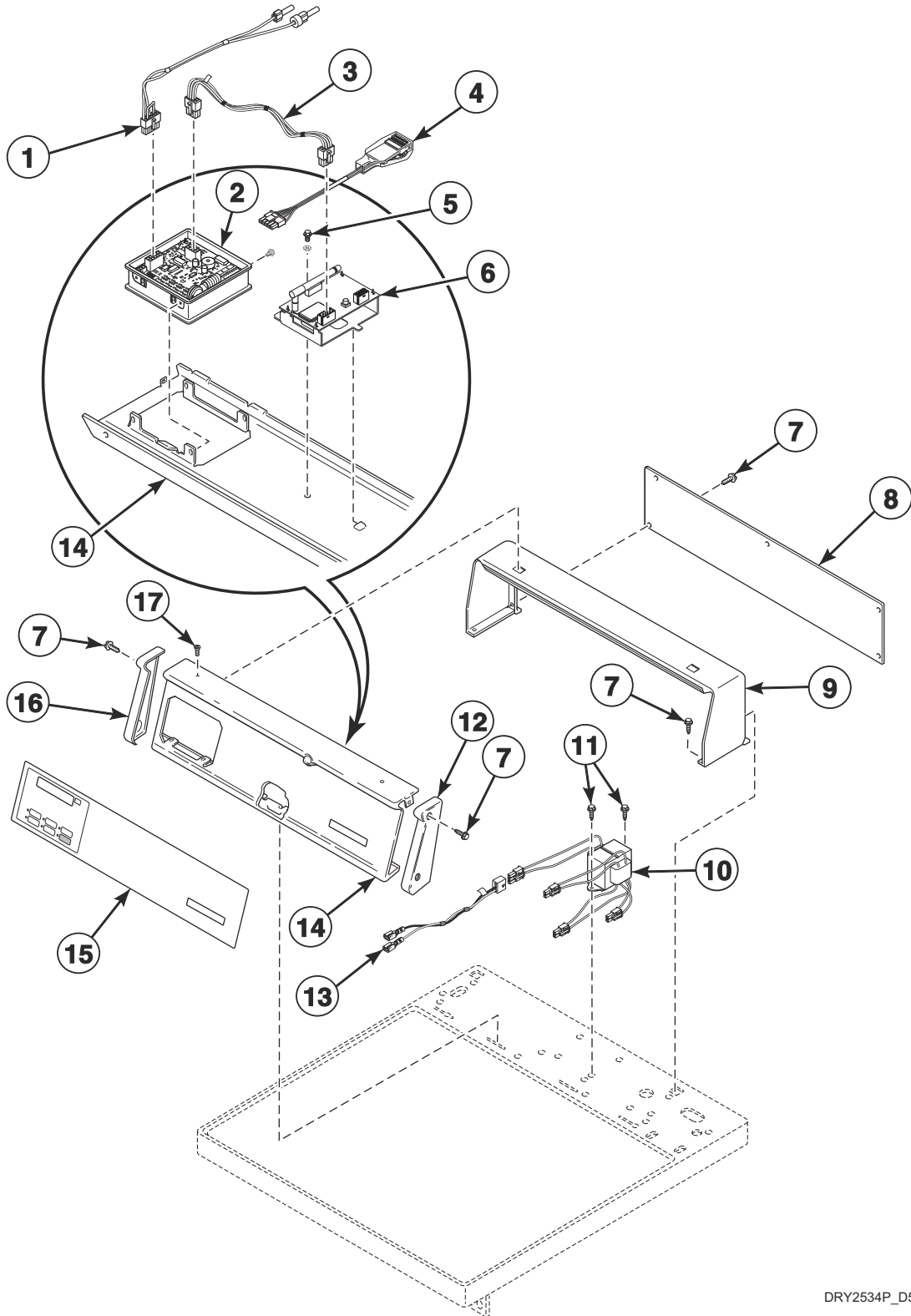
DRY2449P_D518057

Control and Control Panel - Rear Control Coin Drop Models

| REF | PART NO. | DESCRIPTION | COMMENTS |
|-----------|----------|------------------------------|---|
| | 203328 | Network Retrofit Kit | Wired |
| | 204689 | Wireless Network Kit | |
| | 203346 | USB IR Interface Kit | |
| | NK220 | Network Controller Kit | Wired |
| | NK320 | Ethernet Gateway Kit | Wireless |
| | NK330 | USB Gateway Kit | Wireless |
| | 905P3 | Security Kit | Secures front panel to rear panel |
| | 205067 | Payment Center Kit | Includes printer |
| | 205068 | Payment Center Kit | |
| 1 | D518647 | Control Assembly | Models SDENCRGS176TW01, SDENXRGS176TW01, SDGNCRGS116TW01 and SDGNXRGS116TW01 |
| | D517522 | Control Assembly | All other models |
| 2 | D511478 | Central Pay Harness | |
| 3 | 203361P | Machine ID Control Assembly | Model or serial number is required when ordering |
| 4 | 804608 | Screw | |
| 5 | 804886 | Hood Back Panel | |
| 6 | D502567W | Control Hood | |
| 7 | M400017 | Washer | |
| 8 | 02916 | Screw | |
| 9 | 202757 | Transformer | Models SDENCRGS176TW01, SDENXRGS173TW01, SDENXRGS176TW01, SDGNCRGS116TW01, SDGNXRGS113TW01, SDGNXRGS116TW01 and SDGWXRGS113TW02 |
| 10 | D503688 | Screw | Models SDENXRGS173TW01, SDENXRGS176TW01, SDGNXRGS113TW01, SDGNXRGS116TW01 and SDGWXRGS113TW02 |
| 11 | 202870 | Single Coin Harness Assembly | Models SDENCRGS153TW01, SDENCRGS173TW01, SDEWCRGS153TW42, SDEWCRGS173TW42, SDGNCRGS113TW01 and SDGWCRGS113TW42 |
| | 204914 | Single Coin Harness Assembly | Models SDENCAGS176TW01, SDENCRGS176TW01, SDGNCRGS116TW01 and SDGNCRGS116TW01 |
| | 202871 | Dual Coin Harness Assembly | Models SDENXRGS173TW01, SDENXRGS176TW01, SDGNXRGS113TW01, SDGNXRGS116TW01 and SDGWXRGS113TW02 |
| 12 | D514073 | Transformer Harness | Models SDENCRGS176TW01, SDENXRGS173TW01 and SDENXRGS176TW01 |
| | 804832 | Harness | Models SDGNCRGS116TW01, SDGNXRGS113TW01, SDGNXRGS116TW01 and SDGWXRGS113TW02 |
| 13 | D518077 | Control Overlay | Models SDENCRGS176TW01, SDENXRGS176TW01, SDGNCRGS116TW01 and SDGNXRGS116TW01 |
| | D514367 | Control Overlay | All other models |
| 14 | 807812W | Control Panel | Models SDENCRGS176TW01, SDENXRGS176TW01, SDGNCRGS116TW01 and SDGNXRGS116TW01 |
| | D510067W | Control Panel | All other models |
| 15 | 52864 | Screw | Phillips head |
| | 35528 | Screw | Torx head |
| 16 | 52566 | Nut | |

Control and Control Panel - Rear Control Card Ready Models

Models SDENYRGS153TW01, SDENYRGS173TW01, SDENYRGS176TW01, SDEWYRGS153TW01, SDEWYRGS153TW41, SDEWYRGS173TW01, SDEWYRGS173TW41, SDGNYRGS113TW01, SDGNYRGS116TW01, SDGWYRGS113TW01 and SDGWYRGS113TW41



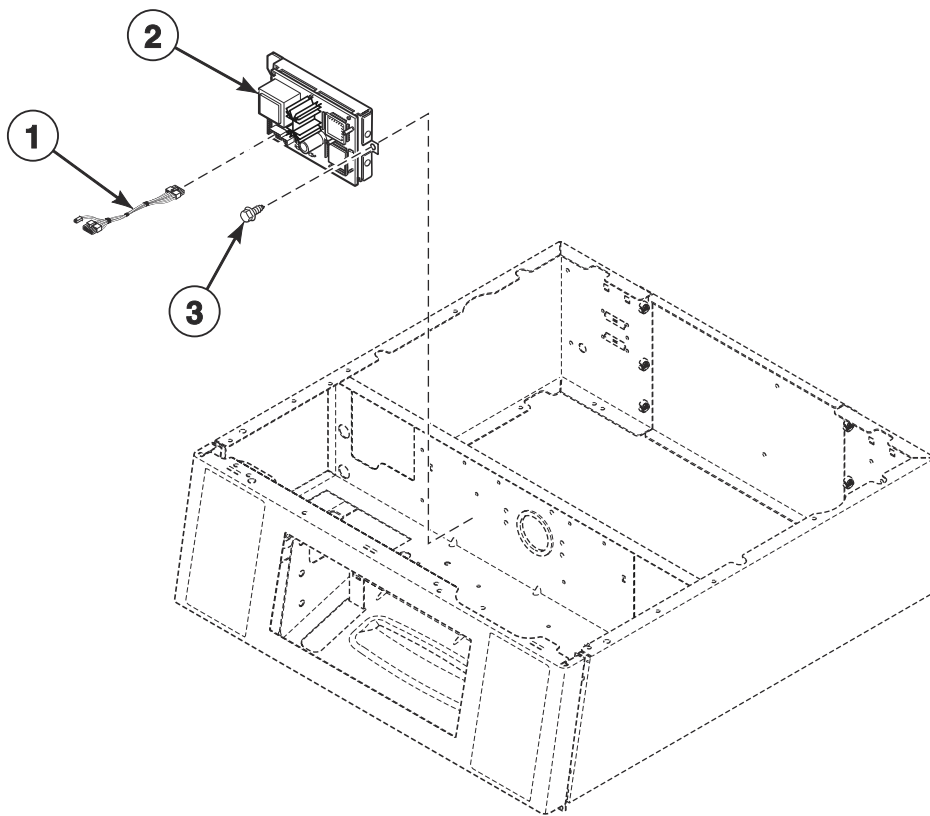
DRY2534P_D518057

Control and Control Panel - Rear Control Card Ready Models

| REF | PART NO. | DESCRIPTION | COMMENTS |
|-----------|----------|-----------------------------|--|
| | 203328 | Network Retrofit Kit | Wired |
| | 203346 | USB IR Interface Kit | |
| | NK220 | Network Controller Kit | Wired |
| | NK320 | Ethernet Gateway Kit | Wireless |
| | NK330 | USB Gateway Kit | Wireless |
| | 205067 | Payment Center Kit | Includes printer |
| | 205068 | Payment Center Kit | |
| 1 | 202869 | Wiring Harness Assembly | |
| 2 | D518647 | Control Assembly | Models SDENYRGS176TW01 and SDGNRYRGS116TW01 |
| | D517522 | Control Assembly | All other models |
| 3 | F8674006 | Wireless Network Harness | Models SDEWYRGS153TW01, SDEWYRGS153TW41, SDEWYRGS173TW01, SDEWYRGS173TW41, SDGWYRGS113TW01 and SDGWYRGS113TW41 |
| 4 | 203361P | Machine ID Control Assembly | Model or serial number is required when ordering |
| 5 | 804608 | Screw | Models SDEWYRGS153TW01, SDEWYRGS153TW41, SDEWYRGS173TW01, SDEWYRGS173TW41, SDGWYRGS113TW01 and SDGWYRGS113TW41 |
| 6 | 204689 | Wireless Network Kit | Models SDEWYRGS153TW01, SDEWYRGS153TW41, SDEWYRGS173TW01, SDEWYRGS173TW41, SDGWYRGS113TW01 and SDGWYRGS113TW41 |
| 7 | D501086 | Screw | |
| 8 | 804884 | Rear Panel | |
| 9 | D511253W | Control Hood | |
| 10 | 202757 | Transformer | |
| 11 | D503688 | Screw | |
| 12 | 210108W | End Cap | Right |
| 13 | D514073 | Transformer Harness | Models SDENYRGS153TW01, SDENYRGS173TW01, SDEWYRGS153TW01, SDEWYRGS153TW41, SDEWYRGS173TW01 and SDEWYRGS173TW41 |
| | 804832 | Harness | Models SDGNRYRGS113TW01, SDGNRYRGS116TW01, SDGWYRGS113TW01 and SDGWYRGS113TW41 |
| 14 | D511055W | Control Panel | Models SDENYRGS153TW01, SDENYRGS173TW01 and SDGNRYRGS113TW01 |
| | D510220W | Control Panel | Models SDEWYRGS153TW01, SDEWYRGS153TW41, SDEWYRGS173TW01, SDEWYRGS173TW41, SDGWYRGS113TW01 and SDGWYRGS113TW41 |
| | 807774W | Control Panel | Models SDENYRGS176TW01 and SDGNRYRGS116TW01 |
| 15 | D518078 | Control Overlay | Models SDENYRGS176TW01 and SDGNRYRGS116TW01 |
| | D514368 | Control Overlay | All other models |
| 16 | 210109W | End Cap | Left |
| 17 | 52864 | Screw | Phillips head |
| | 35528 | Screw | Torx head |

Network Board Assembly

Models SDENCAGS176TW01, SDENCRGS176TW01, SDENXRGs176TW01, SDENYAGS176TW01,
SDENYRGS176TW01, SDGNCAGS116TW01, SDGNCRGS116TW01, SDGNXRGs116TW01,
SDGNYAGS116TW01 and SDGNYRGS116TW01



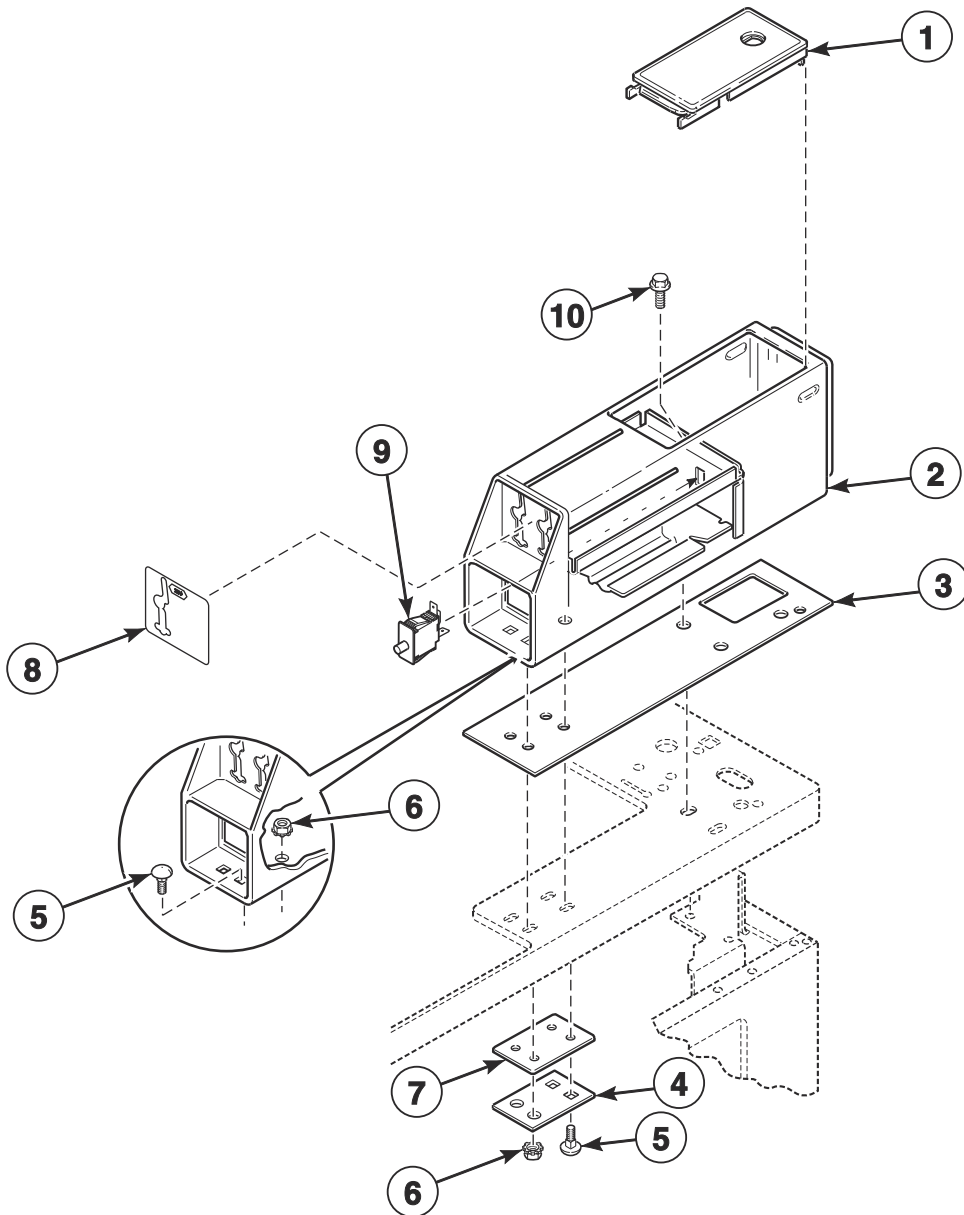
FLW1813P_D518057

Network Board Assembly

| REF | PART NO. | DESCRIPTION | COMMENTS |
|-----|----------|-----------------------------|----------|
| 1 | F8713906 | Serial Pay Harness | |
| 2 | 807714 | Serial Pay Control Assembly | |
| 3 | D503661 | Screw | |

Meter Case - Rear Control Coin Drop Models

Models SDENCRGS153TW01, SDENCRGS173TW01, SDENCRGS176TW01, SDENXRGs173TW01, SDENXRGs176TW01, SDEWCRGS153TW42, SDEWCRGS173TW42, SDGNCRGS113TW01, SDGNCRGS116TW01, SDGNXRGs113TW01, SDGNXRGs116TW01, SDGWCRGS113TW42 and SDGWXRGs113TW02



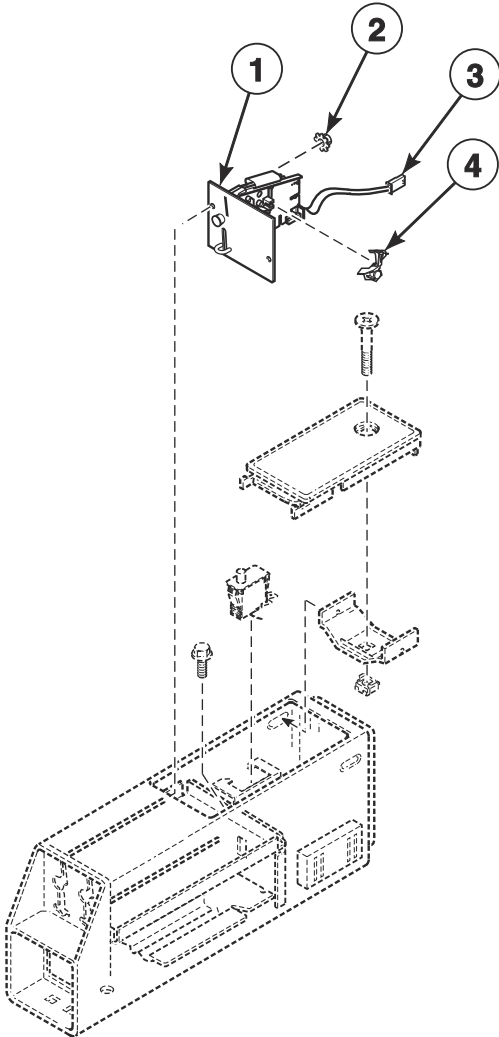
DRY2529P_D518057

Meter Case - Rear Control Coin Drop Models

| REF | PART NO. | DESCRIPTION | COMMENTS |
|-----|----------|-----------------------------|---|
| 1 | 39874WP | Service Door Assembly | White |
| 2 | 807401W | Meter Case Assembly Kit | High capacity |
| | 803578P | Coin Box Extension Kit | Use with high capacity meter case to extend shorter 7 inch coin boxes |
| | 202877W | Meter Case Assembly | Standard capacity |
| 3 | 26354 | Meter Case Gasket | |
| 4 | 35525 | Meter Case Lockdown Bracket | |
| 5 | 203798 | Bolt | |
| 6 | 29786 | Nut | |
| 7 | 35526 | Meter Case Bracket Gasket | |
| 8 | 38717 | Single Overlay | |
| 9 | 70529301 | Switch | |
| 10 | 36048 | Screw | |

Non-Electronic Coin Drop - Rear Control Coin Drop Models

Models SDENCRGS153TW01, SDENCRGS173TW01, SDENCRGS176TW01, SDENXRG173TW01, SDENXRG176TW01, SDEWCRGS153TW42, SDEWCRGS173TW42, SDGNCRGS113TW01, SDGNCRGS116TW01, SDGNXRG113TW01, SDGNXRG116TW01, SDGWCRGS113TW42 and SDGWXRG113TW02



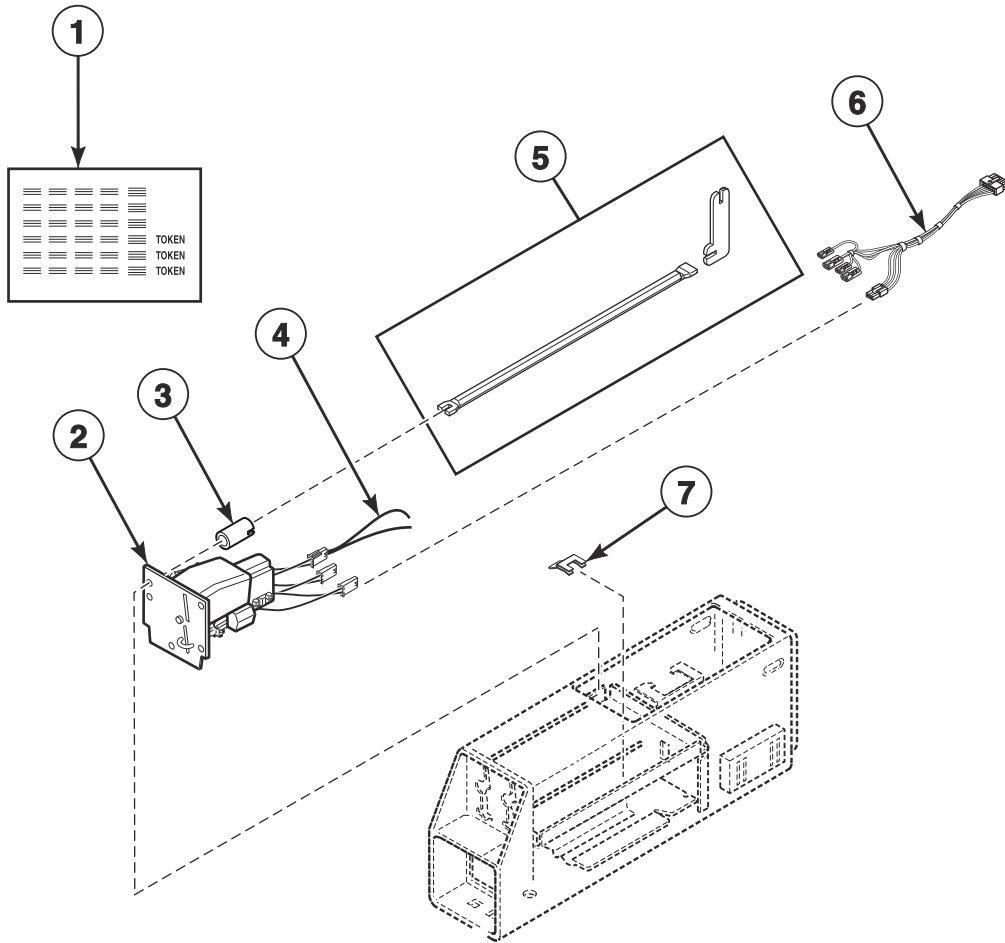
DRY2170P_D518057

Non-Electronic Coin Drop - Rear Control Coin Drop Models

| REF | PART NO. | DESCRIPTION | COMMENTS |
|-----|-----------|--------------------|--|
| 1 | 38462P | Coin Drop Assembly | Token; 118-1 mzp |
| | 38463 | Coin Drop Assembly | Token; 118-5 mzp |
| | 70441601P | Coin Drop | U.S.; \$.25 |
| | 38963P | Coin Drop | Token 118-16 not available; Replacement for 38963P Coin Drop only |
| 2 | 29786 | Nut | |
| 3 | 200674P | Opto Coupler | |
| 4 | 201595P | Wire Guard | Anti-stringing security device |

Electronic Coin Drop - Rear Control Coin Drop Models

Models SDENCRGS153TW01, SDENCRGS173TW01, SDENCRGS176TW01, SDENXRGs173TW01, SDENXRGs176TW01, SDEWCRGS153TW42, SDEWCRGS173TW42, SDGNCRGS113TW01, SDGNCRGS116TW01, SDGNXRGs113TW01, SDGNXRGs116TW01, SDGWCRGS113TW42 and SDGWXRGs113TW02



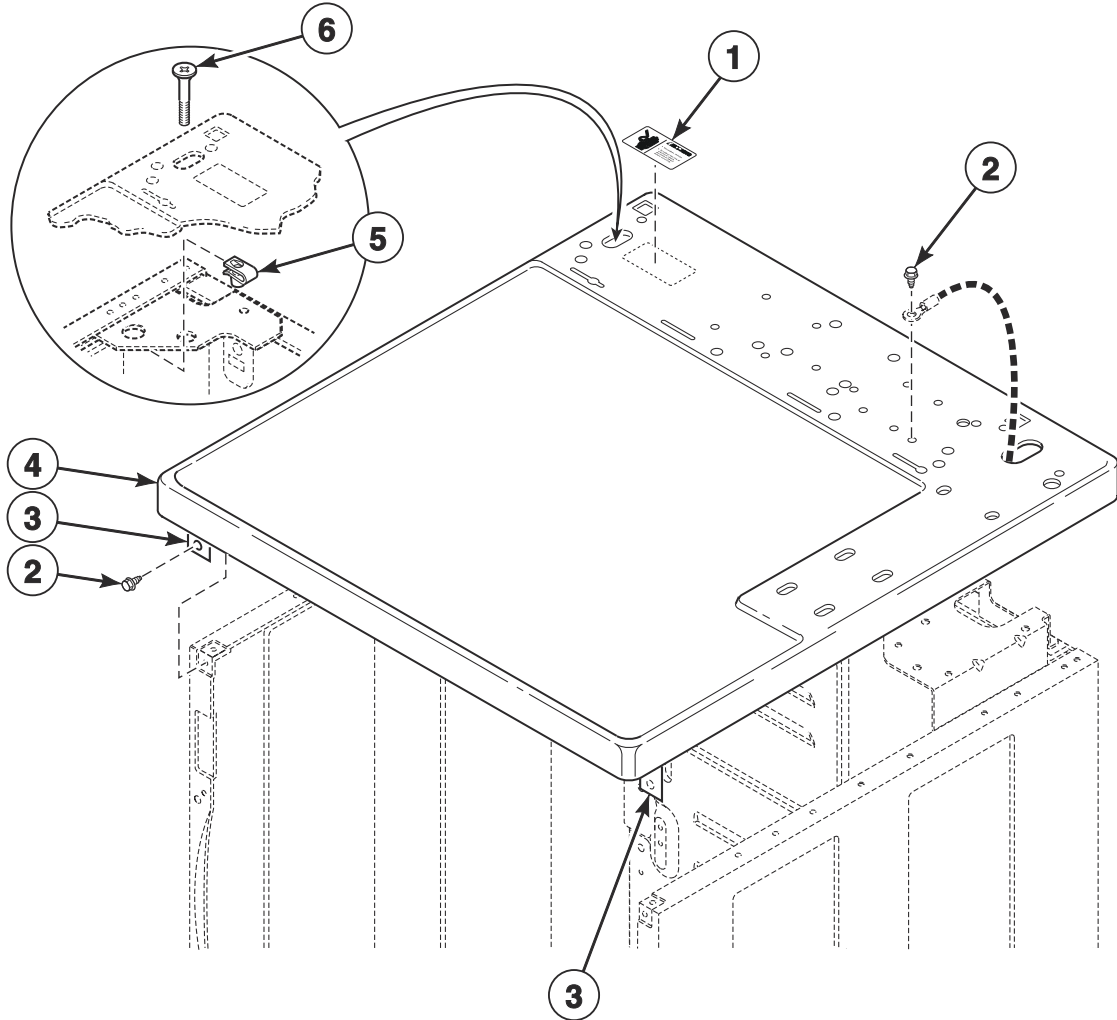
DRY2368P_D518057

Electronic Coin Drop - Rear Control Coin Drop Models

| REF | PART NO. | DESCRIPTION | COMMENTS |
|-----|----------|------------------------------|---|
| 1 | 38725 | Coin Identification Paper | For use with item 2 |
| 2 | CK113 | Electronic Coin Drop Kit | Japan and Taiwan coins |
| | CK115 | Electronic Coin Drop Kit | United States and Canada coins |
| 3 | 201216 | Nut | For use with item 2 |
| 4 | 201104 | Coin Drop Wire Harness | For use with item 2 |
| 5 | CK096 | Mounting Tool Kit | For use with item 2 |
| 6 | 802905 | Harness Assembly | If adding electronic coin drop this harness must be used; Models SDENCRGS153TW01, SDENCRGS173TW01, SDEWCRGS153TW42, SDEWCRGS173TW42, SDGNCRGS113TW01 and SDGWCRGS113TW42 |
| | 204914 | Single Coin Harness Assembly | If adding electronic coin drop this harness must be used; Models SDENCRGS176TW01 and SDGNCRGS116TW01 |
| | 204915 | Dual Coin Harness Assembly | If adding electronic coin drop this harness must be used; Models SDENXRGS176TW01 and SDGNXRGS116TW01 |
| 7 | 201572 | Clip | For use with item 2 |

Cabinet Top - Rear Control Models

Models SDENCRGS153TW01, SDENCRGS173TW01, SDENCRGS176TW01, SDENXRGs173TW01, SDENXRGs176TW01, SDENYRGs153TW01, SDENYRGs173TW01, SDENYRGs176TW01, SDEWCRGS153TW42, SDEWCRGS173TW42, SDEWYRGs153TW01, SDEWYRGs153TW41, SDEWYRGs173TW01, SDEWYRGs173TW41, SDGNCRGS113TW01, SDGNCRGS116TW01, SDGNXRGs113TW01, SDGNXRGs116TW01, SDGNYRGs113TW01, SDGNYRGs116TW01, SDGWCRGS113TW42, SDGWXRGs113TW02, SDGWYRGs113TW01 and SDGWYRGs113TW41



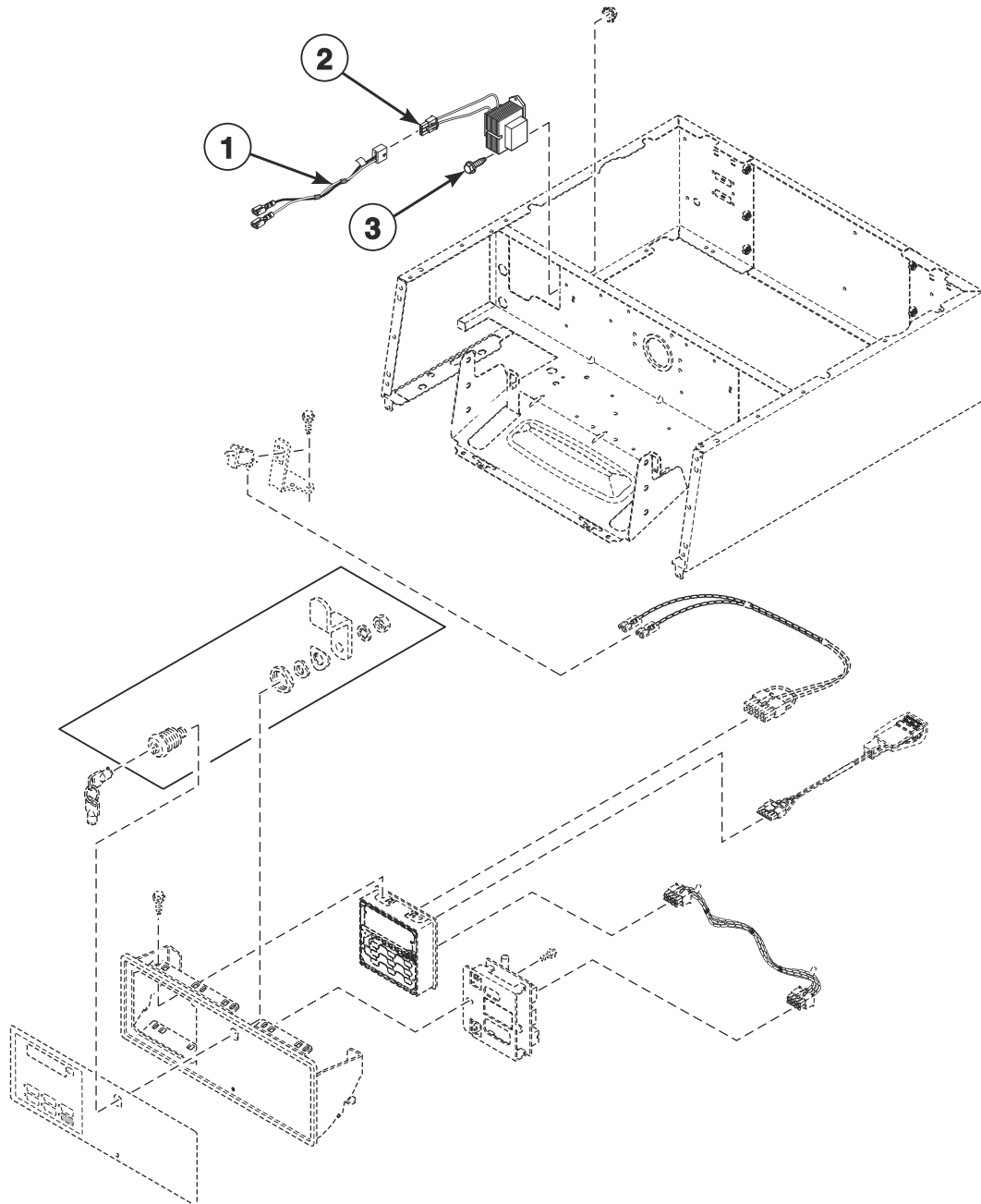
DRY1894P_D518057

Cabinet Top - Rear Control Models

| REF | PART NO. | DESCRIPTION | COMMENTS |
|-----|-----------|--------------------------------|---|
| 1 | D500316 | Warning Label | English/French; Model SDENYRGS173TW01 |
| | D505281 | Disconnect Power Warning Label | All other models |
| 2 | D503688 | Screw | |
| 3 | D510146 | Bracket | |
| 4 | D511530WP | Top Panel Kit | White; Includes item 3; Models SDENYRGS153TW01, SDENYRGS173TW01, SDENYRGS176TW01, SDEWYRGS153TW01, SDEWYRGS153TW41, SDEWYRGS173TW01, SDEWYRGS173TW41, SDGNYRGS113TW01, SDGNYRGS116TW01, SDGWYRGS113TW01 and SDGWYRGS113TW41 |
| | D511527WP | Top Kit | White; Includes item 3; All other models |
| 5 | 27222 | Nut | |
| 6 | D503673 | Screw | |

Control Panel and Controls - Coin Drop and Card Front Control Models (Drawing 1 of 2)

Models NDENXAGS543MW01, NDLNXAGS123MW01, SDENCAGS173TW01, SDENCAGS176TW01, SDENXAGS543MW01, SDENYAGS153TW01, SDENYAGS173TW01, SDENYAGS176TW01, SDEWCAGS173TW41, SDEWXAGS173TW01, SDEWYAGS153TW01, SDEWYAGS153TW41, SDEWYAGS173TW01, SDEWYAGS173TW41, SDGNCAGS113TW01, SDGNCAGS116TW01, SDGNYAGS113TW01, SDGNYAGS116TW01, SDGWCAGS113TW41, SDGWXAGS113TW01, SDGWYAGS113TW01, SDGWYAGS113TW41 and SDLNXAGS123MW01



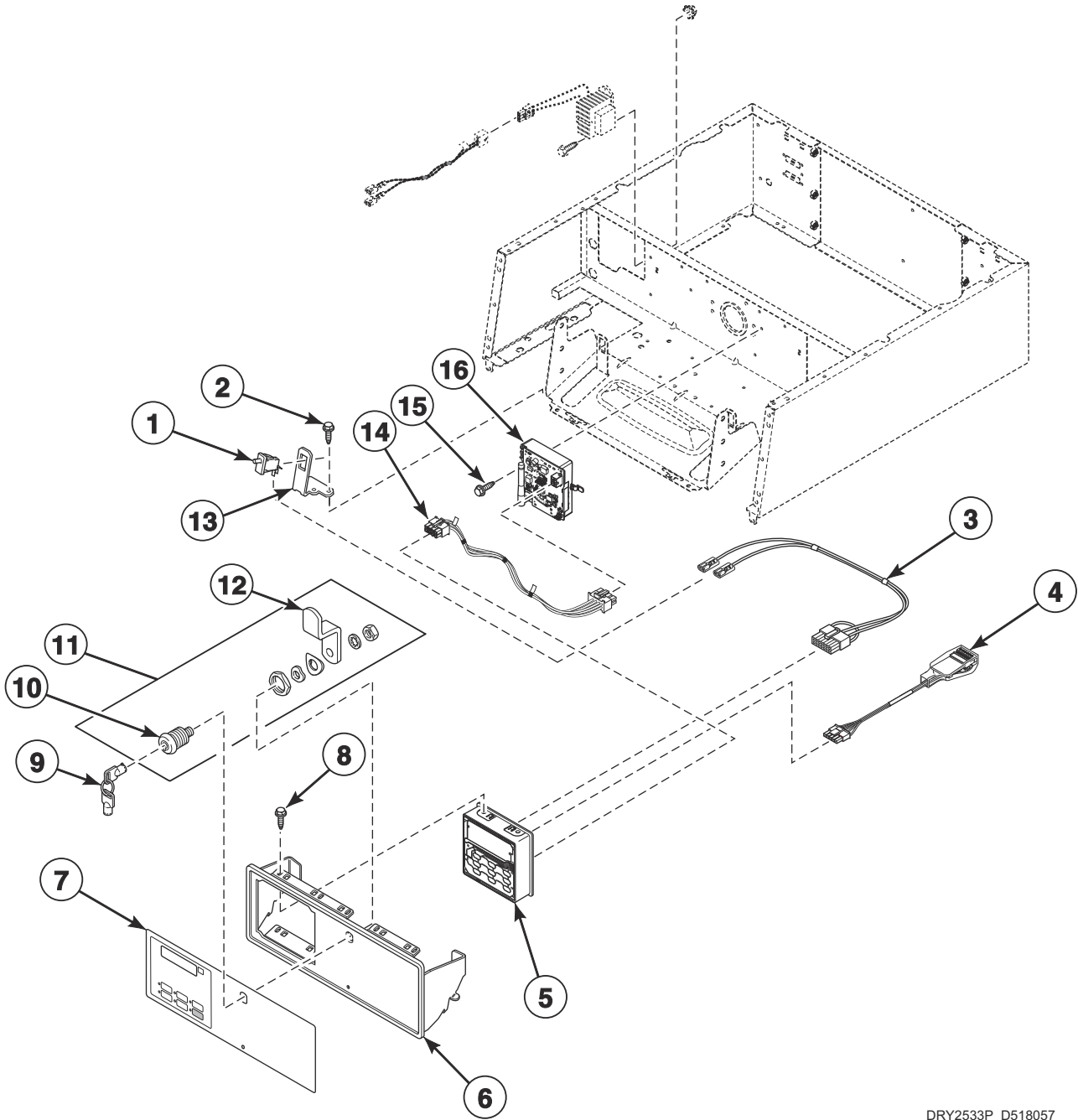
DRY2369P_D518057

Control Panel and Controls - Coin Drop and Card Front Control Models (Drawing 1 of 2)

| REF | PART NO. | DESCRIPTION | COMMENTS |
|----------|----------|------------------------|-----------------|
| | 203328 | Network Retrofit Kit | Wired |
| | 203346 | USB IR Interface Kit | |
| | NK220 | Network Controller Kit | Wired |
| | NK320 | Ethernet Gateway Kit | Wireless |
| | NK330 | USB Gateway Kit | Wireless |
| 1 | D514072 | Transformer Harness | Electric models |
| | 804795 | Transformer Harness | Gas models |
| 2 | 202757 | Transformer | |
| 3 | D503688 | Screw | |

Control Panel and Controls - Coin Drop and Card Front Control Models (Drawing 2 of 2)

Models NDENXAGS543MW01, NDLNXAGS123MW01, SDENCAGS173TW01, SDENCAGS176TW01, SDENXAGS543MW01, SDENYAGS153TW01, SDENYAGS173TW01, SDENYAGS176TW01, SDEWCAGS173TW41, SDEWXAGS173TW01, SDEWYAGS153TW01, SDEWYAGS153TW41, SDEWYAGS173TW01, SDEWYAGS173TW41, SDGNCAGS113TW01, SDGNCAGS116TW01, SDGNYAGS113TW01, SDGNYAGS116TW01, SDGWCAGS113TW41, SDGWXAGS113TW01, SDGWYAGS113TW01, SDGWYAGS113TW41 and SDLNXAGS123MW01



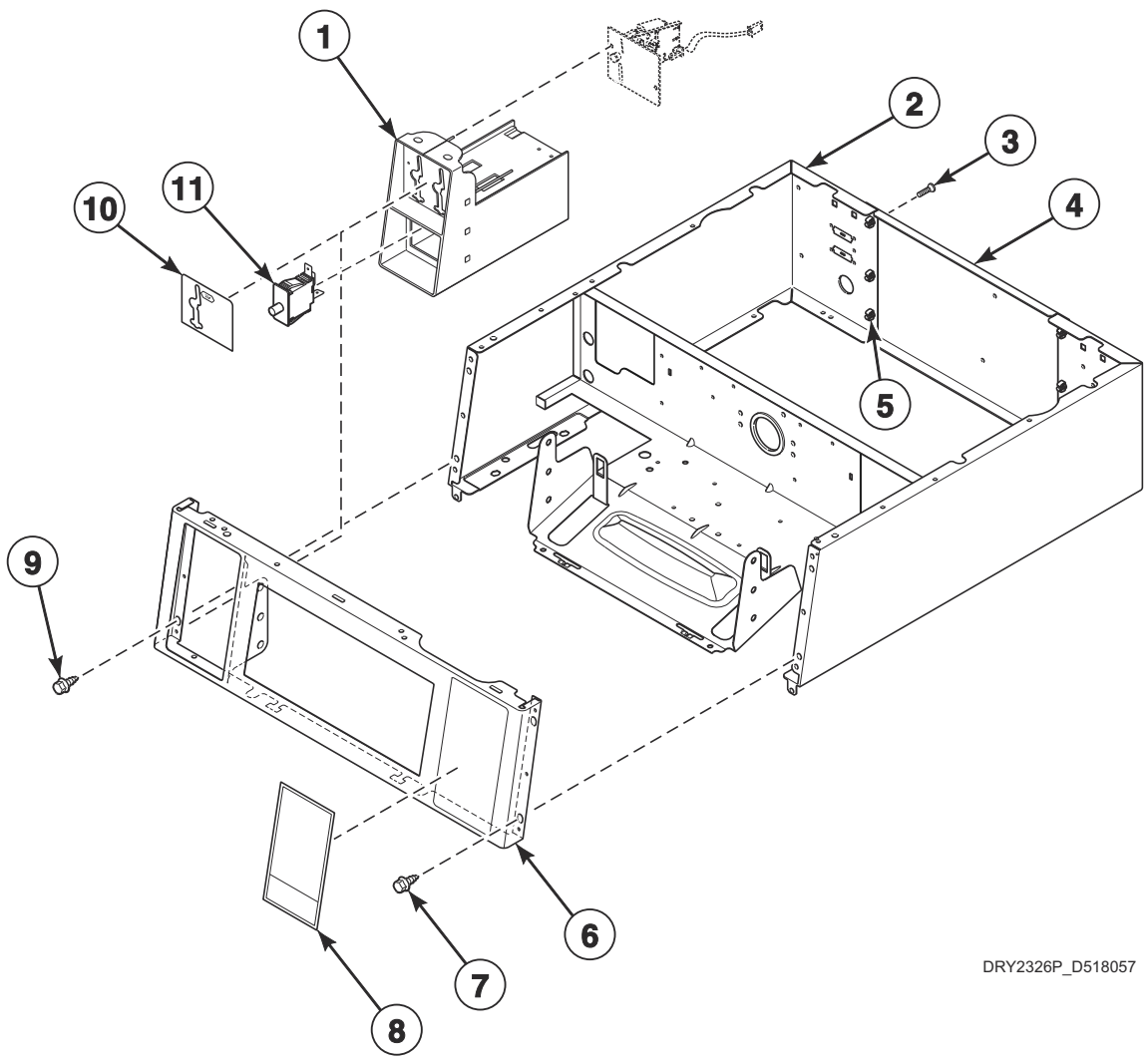
DRY2533P_D518057

Control Panel and Controls - Coin Drop and Card Front Control Models (Drawing 2 of 2)

| REF | PART NO. | DESCRIPTION | COMMENTS |
|-----|----------|------------------------------------|--|
| 1 | D512973 | Switch | |
| 2 | D503688 | Screw | |
| 3 | 202868 | Wiring Harness Assembly | Models NDENXAGS543MW01, SDENYAGS153TW01, SDENYAGS173TW01, SDENYAGS176TW01, SDEWYAGS153TW01, SDEWYAGS153TW41, SDEWYAGS173TW01, SDEWYAGS173TW41, SDGNYAGS113TW01, SDGNYAGS116TW01, SDGWYAGS113TW01 and SDGWYAGS113TW41 |
| 4 | 203361P | Machine ID Control Assembly | Model or serial number is required when ordering |
| 5 | D518647 | Control Assembly | Models SDENCAGS176TW01, SDENYAGS176TW01, SDGNCAGS116TW01 and SDGNYAGS116TW01 |
| | D517522 | Control Assembly | All other models |
| 6 | 807641W | Control Panel and Bracket Assembly | Models SDENCAGS176TW01, SDENYAGS176TW01, SDGNCAGS116TW01 and SDGNYAGS116TW01 |
| | D513777W | Control Panel and Bracket Assembly | White; All other models |
| 7 | D518059 | Control Overlay | Models SDENCAGS176TW01, SDENYAGS176TW01, SDGNCAGS116TW01 and SDGNYAGS116TW01 |
| | D518405 | Control Overlay | Models NDENXAGS543MW01 and NDLNXAGS123MW01 |
| | D514480 | Control Overlay | Models SDENXAGS543MW01 and SDLNXAGS123MW01 |
| | D514369 | Control Overlay | All other models |
| 8 | D501524 | Screw | |
| 9 | 54612 | Key | 800 |
| 10 | 807761 | Lock Assembly | Models SDENCAGS176TW01, SDENYAGS176TW01, SDGNCAGS116TW01 and SDGNYAGS116TW01 |
| 11 | 27260P | Lock Kit | |
| 12 | 807760 | Lock Cam | Models SDENCAGS176TW01, SDENYAGS176TW01, SDGNCAGS116TW01 and SDGNYAGS116TW01 |
| | 804338 | Lock Cam | All other models |
| 13 | 800379 | Audit Switch Bracket | |
| 14 | F8674006 | Wireless Network Harness | Models SDEWCAGS173TW41, SDEWXAGS173TW01, SDEWYAGS153TW01, SDEWYAGS153TW41, SDEWYAGS173TW01, SDEWYAGS173TW41, SDGWCAGS113TW41, SDGWXAGS113TW01, SDGWYAGS113TW01 and SDGWYAGS113TW41 |
| 15 | 804608 | Screw | Models SDEWYAGS153TW01, SDEWYAGS173TW01 and SDGWYAGS113TW01 |
| 16 | 204689 | Wireless Network Kit | Models SDEWCAGS173TW41, SDEWXAGS173TW01, SDEWYAGS153TW01, SDEWYAGS153TW41, SDEWYAGS173TW01, SDEWYAGS173TW41, SDGWCAGS113TW41, SDGWXAGS113TW01, SDGWYAGS113TW01 and SDGWYAGS113TW41 |

Control Cabinet Controls - Front Control Coin Drop Models

Models NDENXAGS543MW01, NDLNXAGS123MW01, SDENCAGS173TW01, SDENCAGS176TW01, SDENXAGS543MW01, SDEWCAGS173TW41, SDEWXAGS173TW01, SDGNCAGS113TW01, SDGNCAGS116TW01, SDGWCAGS113TW41, SDGWXAGS113TW01 and SDLNXAGS123MW01



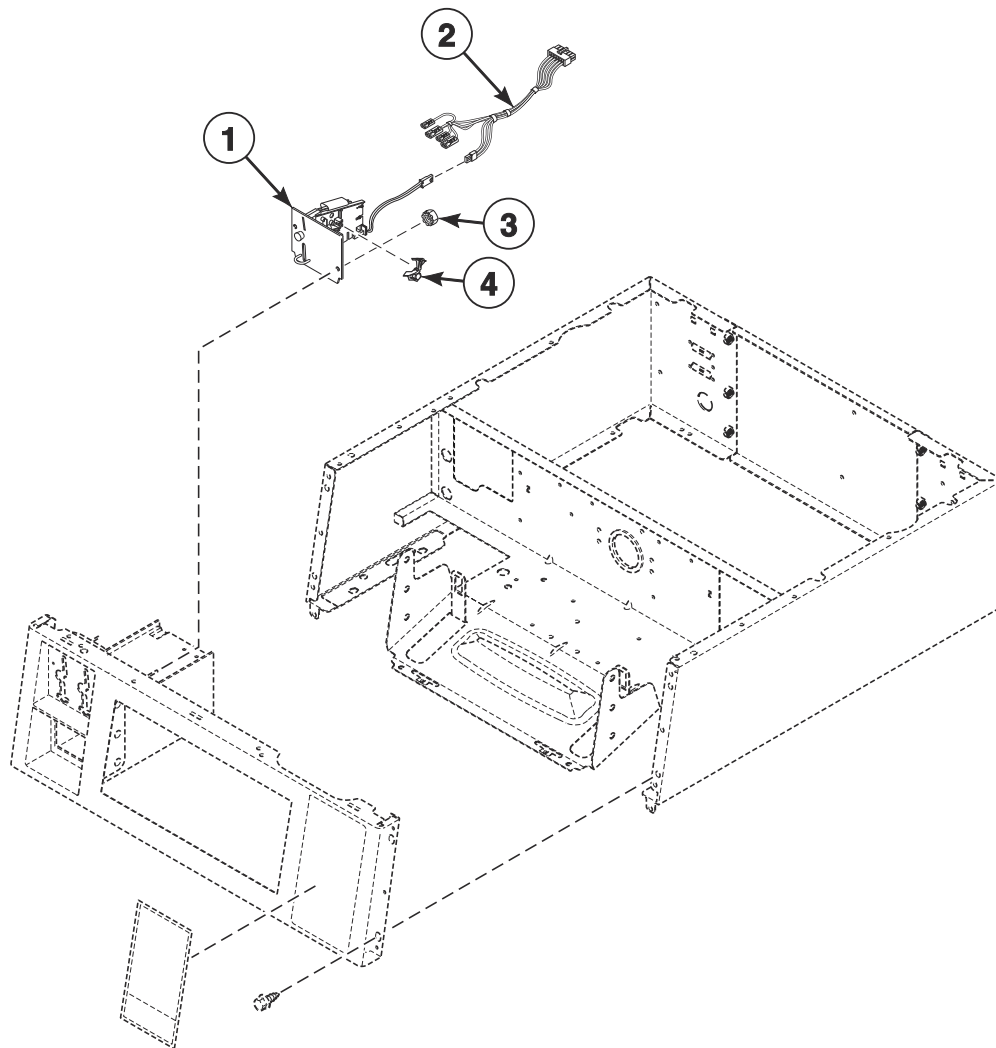
DRY2326P_D518057

Control Cabinet Controls - Front Control Coin Drop Models

| REF | PART NO. | DESCRIPTION | COMMENTS |
|-----|----------|------------------------------|--|
| | 44087201 | Nut | 2 required; Use with item 9 |
| 1 | 807396W | Meter Case Assembly | |
| 2 | 804104W | Wrapper Assembly | |
| 3 | 70240301 | Screw | 6 required |
| 4 | 807646 | Rear Access Panel | |
| 5 | 70030501 | Expansion Clip | 6 required |
| 6 | 803962WP | Control Panel | |
| 7 | D503688 | Screw | |
| 8 | D518482 | Operating Instructions Label | Models SDENCAGS176TW01 and SDGNCAGS116TW01 |
| | D514393 | Operating Instructions Label | All other models |
| 9 | 29651 | Bolt | 2 required |
| 10 | 38717 | Single Overlay | |
| 11 | 70529301 | Switch | |

Non-Electronic Coin Drop - Front Control Models

Models SDENCAGS173TW01, SDENCAGS176TW01, SDEWCAGS173TW41, SDEWXAGS173TW01, SDGNCAGS113TW01, SDGNCAGS116TW01, SDGWCAGS113TW41 and SDGWXAGS113TW01



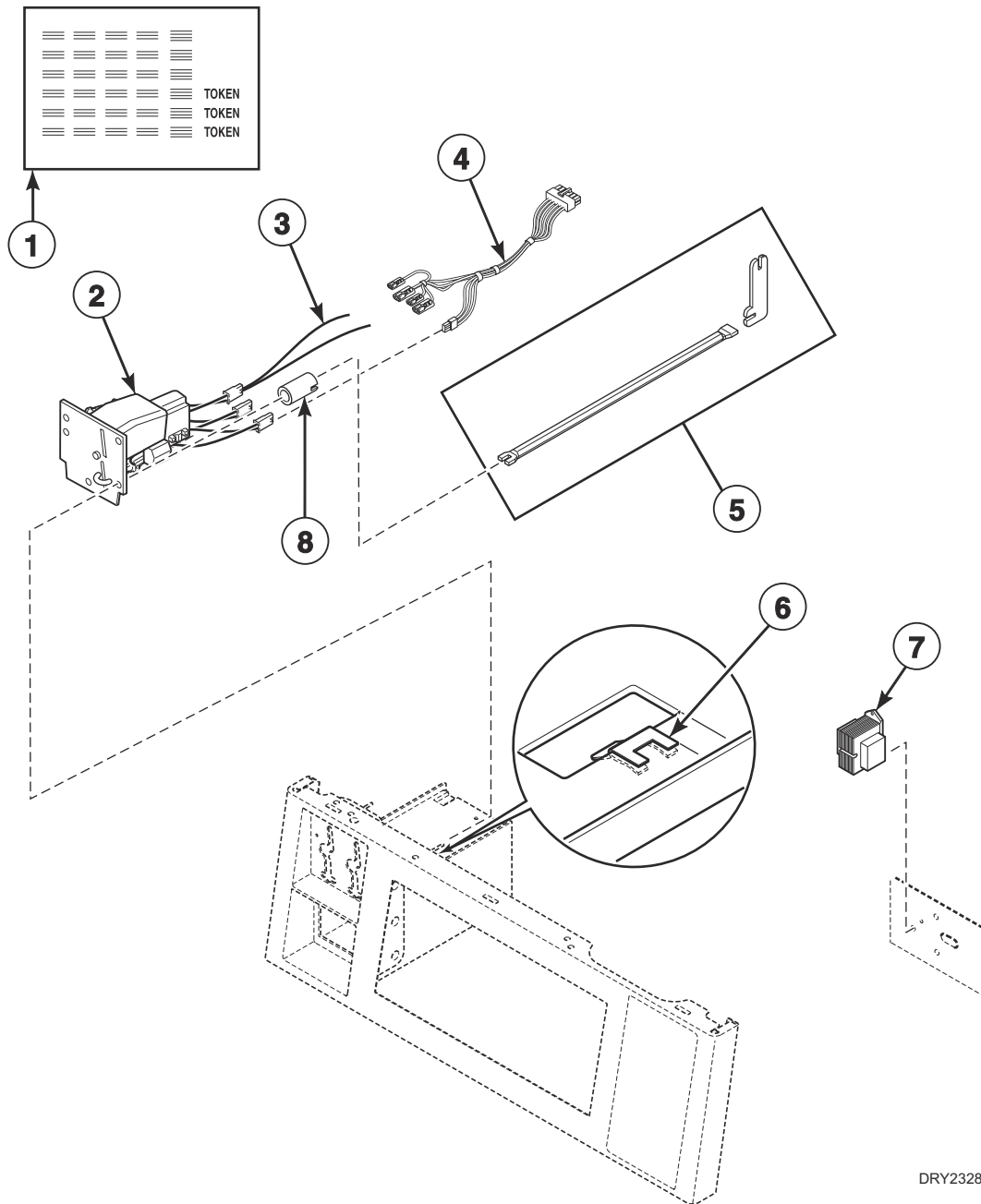
DRY2327P_D518057

Non-Electronic Coin Drop - Front Control Models

| REF | PART NO. | DESCRIPTION | COMMENTS |
|-----|-----------|------------------------------|---|
| 1 | 38462P | Coin Drop Assembly | Token; 118-1 mzp |
| | 38463 | Coin Drop Assembly | Token; 118-5 mzp |
| | 70441601P | Coin Drop | U.S.; \$.25 |
| | 38963P | Coin Drop | Token 118-16 not available; Replacement for 38963P Coin Drop only |
| 2 | 202870 | Single Coin Harness Assembly | |
| 3 | 29786 | Nut | |
| 4 | 201595P | Wire Guard | Anti-stringing security device |

Electronic Coin Drop - Front Control Models

Models SDENCAGS173TW01, SDENCAGS176TW01, SDEWCAGS173TW41, SDEWXAGS173TW01, SDGNCAGS113TW01, SDGNCAGS116TW01, SDGWCAGS113TW41 and SDGWXAGS113TW01



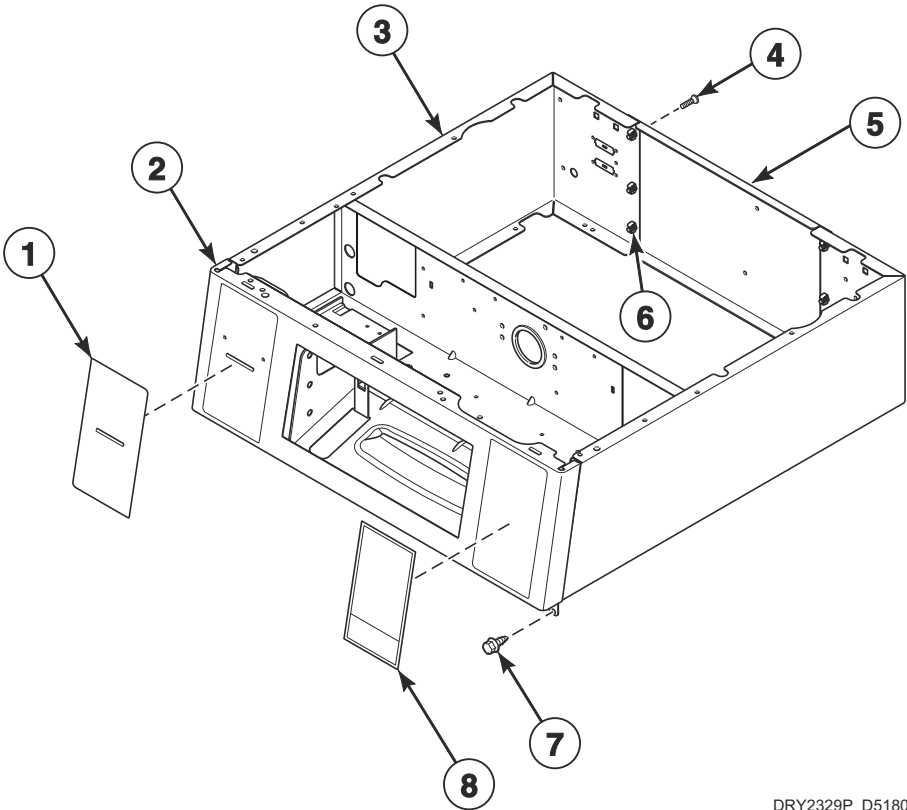
DRY2328P_D518057

Electronic Coin Drop - Front Control Models

| REF | PART NO. | DESCRIPTION | COMMENTS |
|-----|----------|------------------------------|--|
| 1 | 38725 | Coin Identification Paper | |
| 2 | CK113 | Electronic Coin Drop Kit | Japan and Taiwan coins |
| | CK115 | Electronic Coin Drop Kit | United States and Canada coins |
| 3 | 201104 | Coin Drop Wire Harness | |
| 4 | 204914 | Single Coin Harness Assembly | If adding electronic coin drop this harness must be used; Model SDENCAGS176TW01 |
| | 202870 | Single Coin Harness Assembly | If adding electronic coin drop this harness must be used; All other models |
| 5 | CK096 | Mounting Tool Kit | |
| 6 | 201572 | Clip | |
| 7 | 202757 | Transformer | If adding electronic coin drop this transformer must be used |
| 8 | 29786 | Nut | Hex nut; Use on front assemblies without guide rods |

Control Cabinet Controls - Front Control Card Ready Models

Models SDENYAGS153TW01, SDENYAGS173TW01, SDENYAGS176TW01, SDEWYAGS153TW01, SDEWYAGS153TW41, SDEWYAGS173TW01, SDEWYAGS173TW41, SDGNCAGS116TW01, SDGNYAGS113TW01, SDGNYAGS116TW01, SDGWYAGS113TW01 and SDGWYAGS113TW41



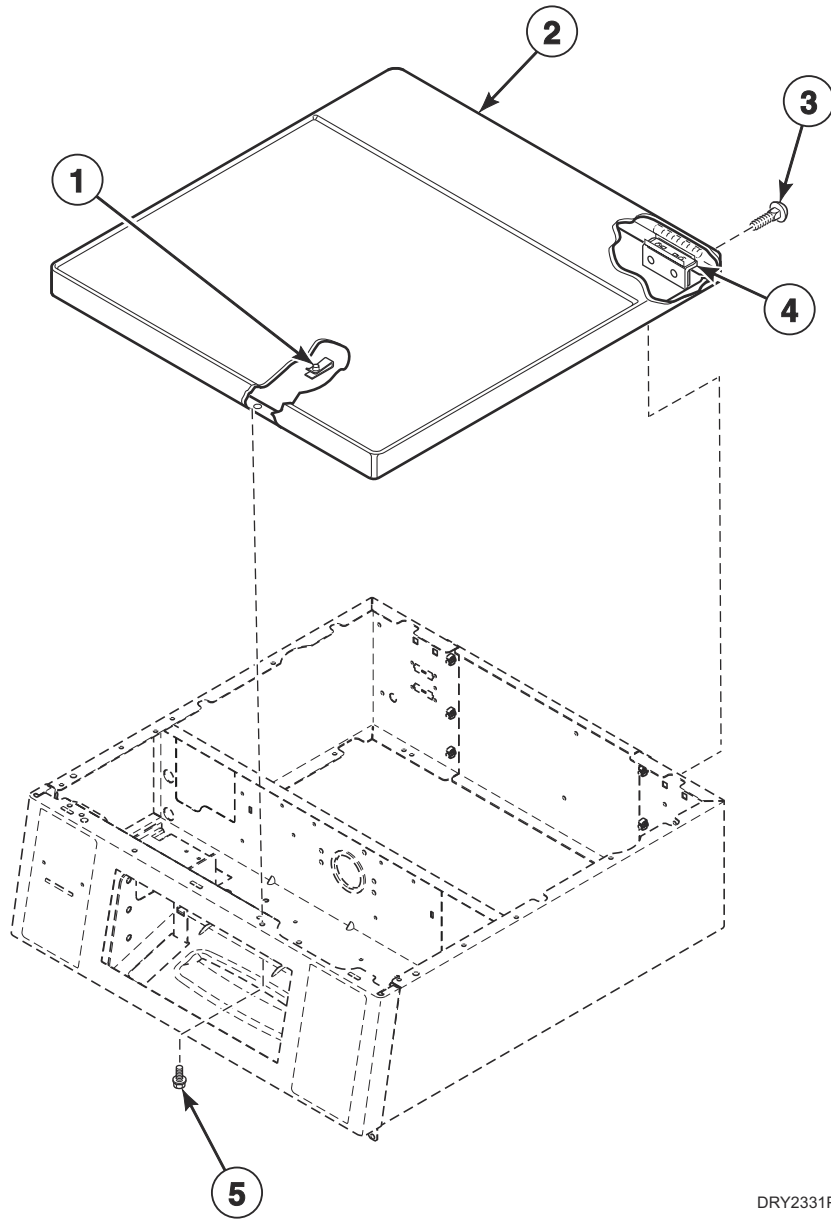
DRY2329P_D518057

Control Cabinet Controls - Front Control Card Ready Models

| REF | PART NO. | DESCRIPTION | COMMENTS |
|-----|----------|------------------------------|--|
| 1 | D514391 | Card Insert Overlay | |
| 2 | 804149WP | Security Cabinet Assembly | White |
| 3 | 804112W | Wrapper Assembly | White |
| 4 | 70240301 | Screw | 6 required |
| 5 | 807646 | Rear Access Panel | |
| 6 | 70030501 | Expansion Clip | 6 required |
| 7 | D503688 | Screw | |
| 8 | D518482 | Operating Instructions Label | Models SDENYAGS176TW01 and SDGNYAGS116TW01 |
| | D517764 | Operating Instructions Label | All other models |

Cabinet Top - Front Control Models

Models NDENXAGS543MW01, NDLNXAGS123MW01, SDENCAGS173TW01, SDENCAGS176TW01, SDENXAGS543MW01, SDENYAGS153TW01, SDENYAGS173TW01, SDENYAGS176TW01, SDEWCAGS173TW41, SDEWXAGS173TW01, SDEWYAGS153TW01, SDEWYAGS153TW41, SDEWYAGS173TW01, SDEWYAGS173TW41, SDGNCAGS113TW01, SDGNCAGS116TW01, SDGNYAGS113TW01, SDGNYAGS116TW01, SDGWCAGS113TW41, SDGWXAGS113TW01, SDGWYAGS113TW01, SDGWYAGS113TW41 and SDLNXAGS123MW01

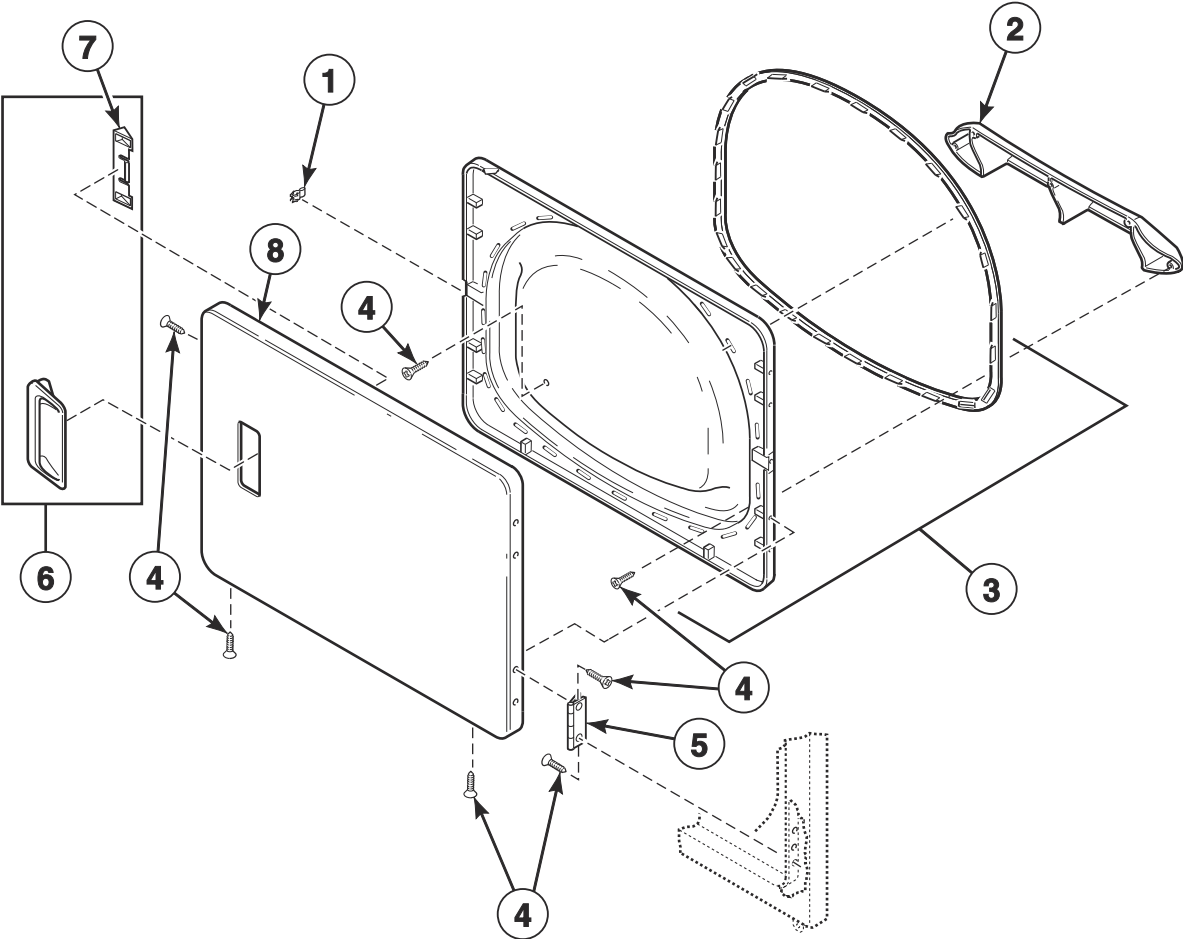


DRY2331P_D518057

Cabinet Top - Front Control Models

| REF | PART NO. | DESCRIPTION | COMMENTS |
|-----|----------|----------------------|----------|
| 1 | 36020 | Nut | |
| 2 | 803868WP | Top Panel | White |
| 3 | 29651 | Bolt | |
| 4 | D504228 | Top Mounting Bracket | |
| 5 | 23008 | Screw | |

Loading Door

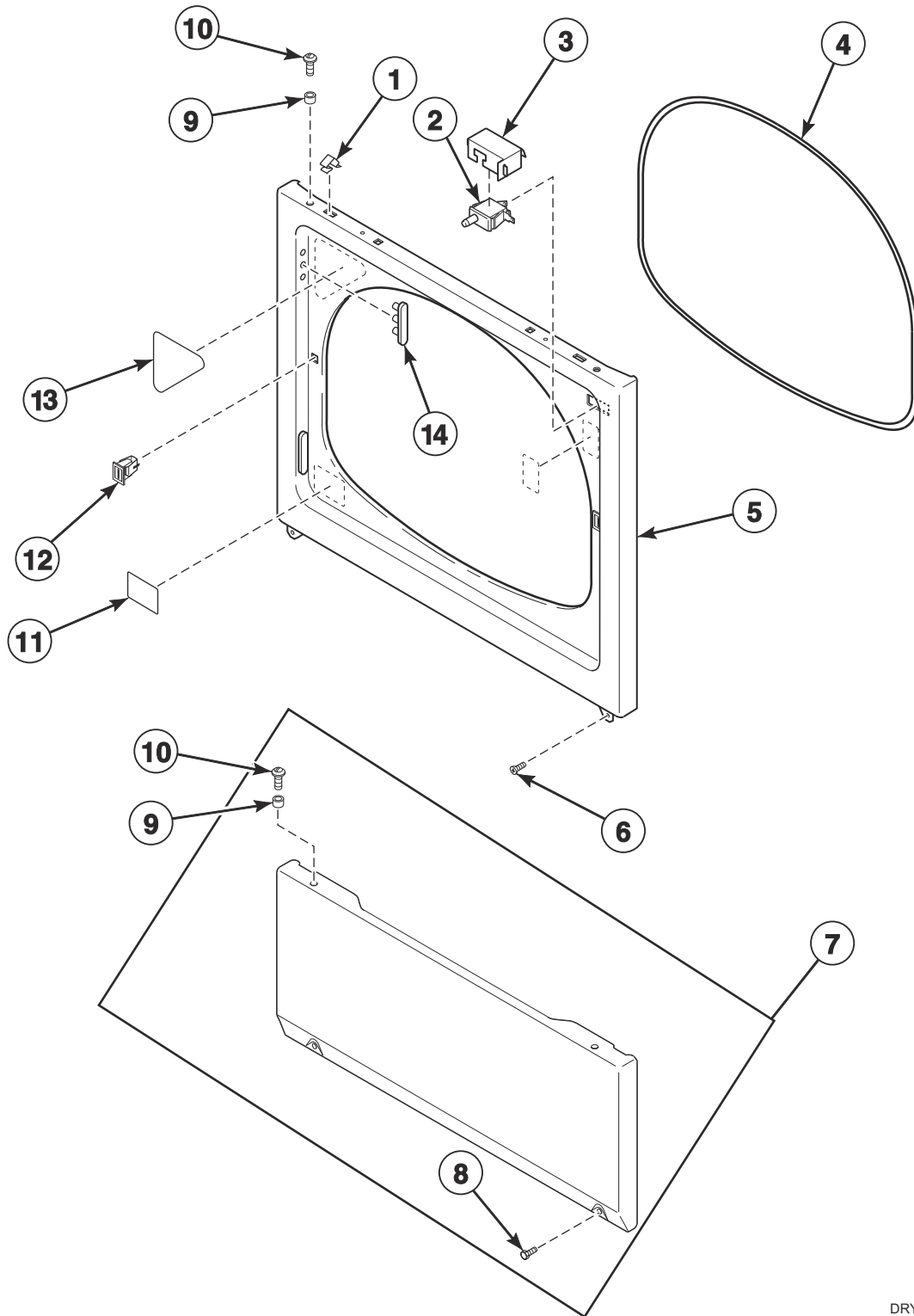


DRY2500P_D518057

Loading Door

| REF | PART NO. | DESCRIPTION | COMMENTS |
|-----|-----------|-------------------------|------------------------|
| 1 | D510181 | Door Strike | |
| 2 | D503870W | Door Liner Grill | |
| 3 | D516510WP | Door Assembly | Model SDENYRGS173TW01 |
| | D516508 | Door Liner Assembly | All other models |
| 4 | D500226 | Screw | |
| 5 | D511036 | Hinge | |
| 6 | D510103WP | Door Pull and Wedge Kit | Includes item 9; White |
| 7 | D510129W | Door Handle Wedge | |
| 8 | D510013WP | Dryer Door | White |

Access Panel, Front Panel and Seal

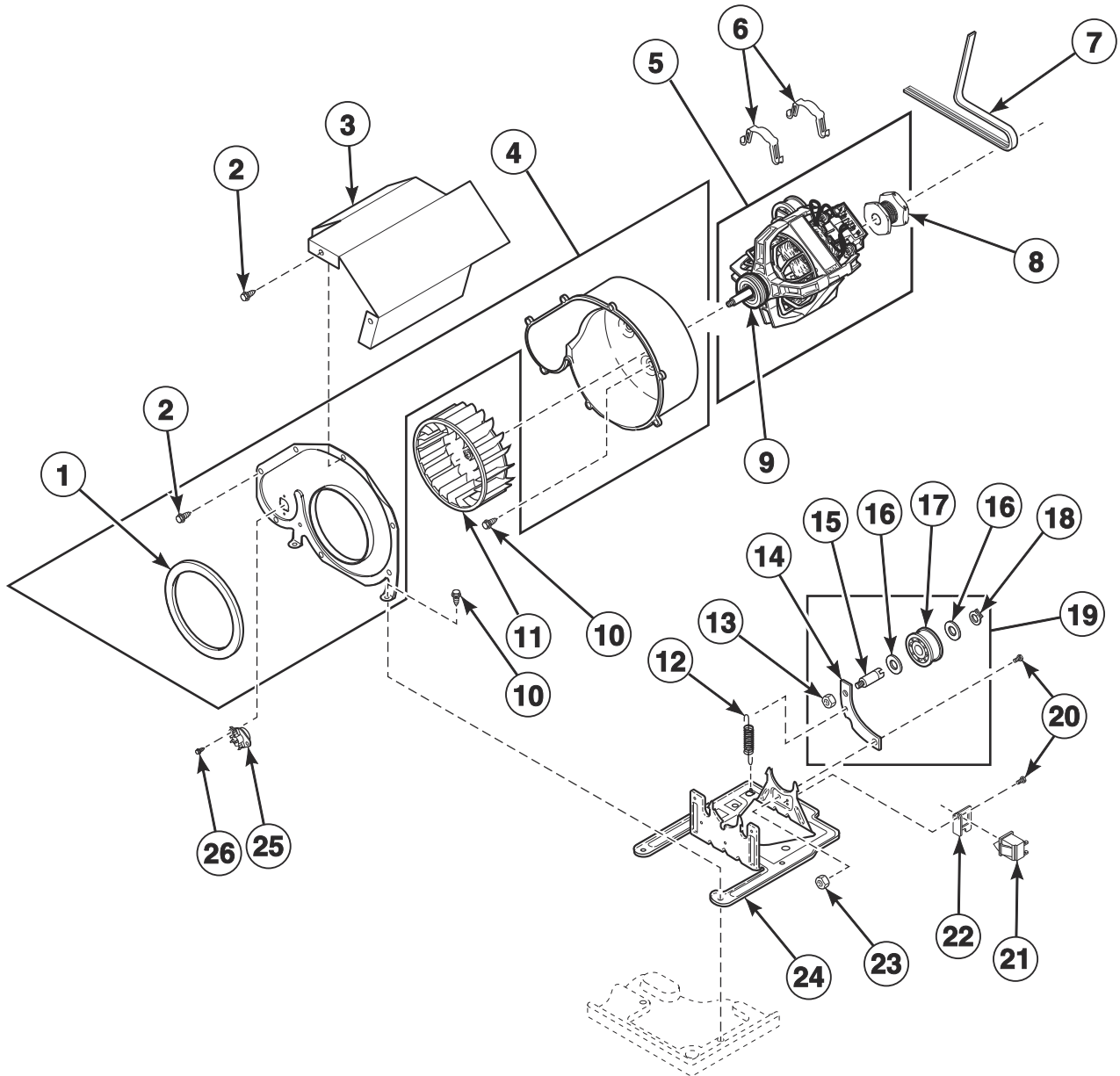


DRY2564P

Access Panel, Front Panel and Seal

| REF | PART NO. | DESCRIPTION | COMMENTS |
|-----|-----------|-----------------------|--|
| 1 | 28835 | Speed Clip | 1 per side |
| 2 | D512973 | Switch | |
| 3 | D514327 | Drip Shield | Models NDENXAGS543MW01, NDLNXAGS123MW01, SDENXAGS543MW01 and SDLNXAGS123MW01 |
| 4 | D511056 | Front Panel Seal | |
| 5 | D510066WP | Front Panel | White |
| 6 | D503688 | Screw | |
| 7 | D514250WP | Access Panel Assembly | White |
| 8 | 33562 | Screw | Slotted hex head |
| | 62853 | Screw | Torx head; Optional for added security |
| 9 | 56079 | Panel Locator | 1 per side |
| 10 | 39733 | Screw | 1 per side |
| 11 | 502781 | Lint Filter Label | |
| 12 | D510177 | Door Catch Assembly | |
| 13 | D516512 | Warning/Caution Label | Model SDENYRGS173TW01 |
| | D500281 | Warning/Caution Label | All other models |

Motor, Exhaust Fan and Belt

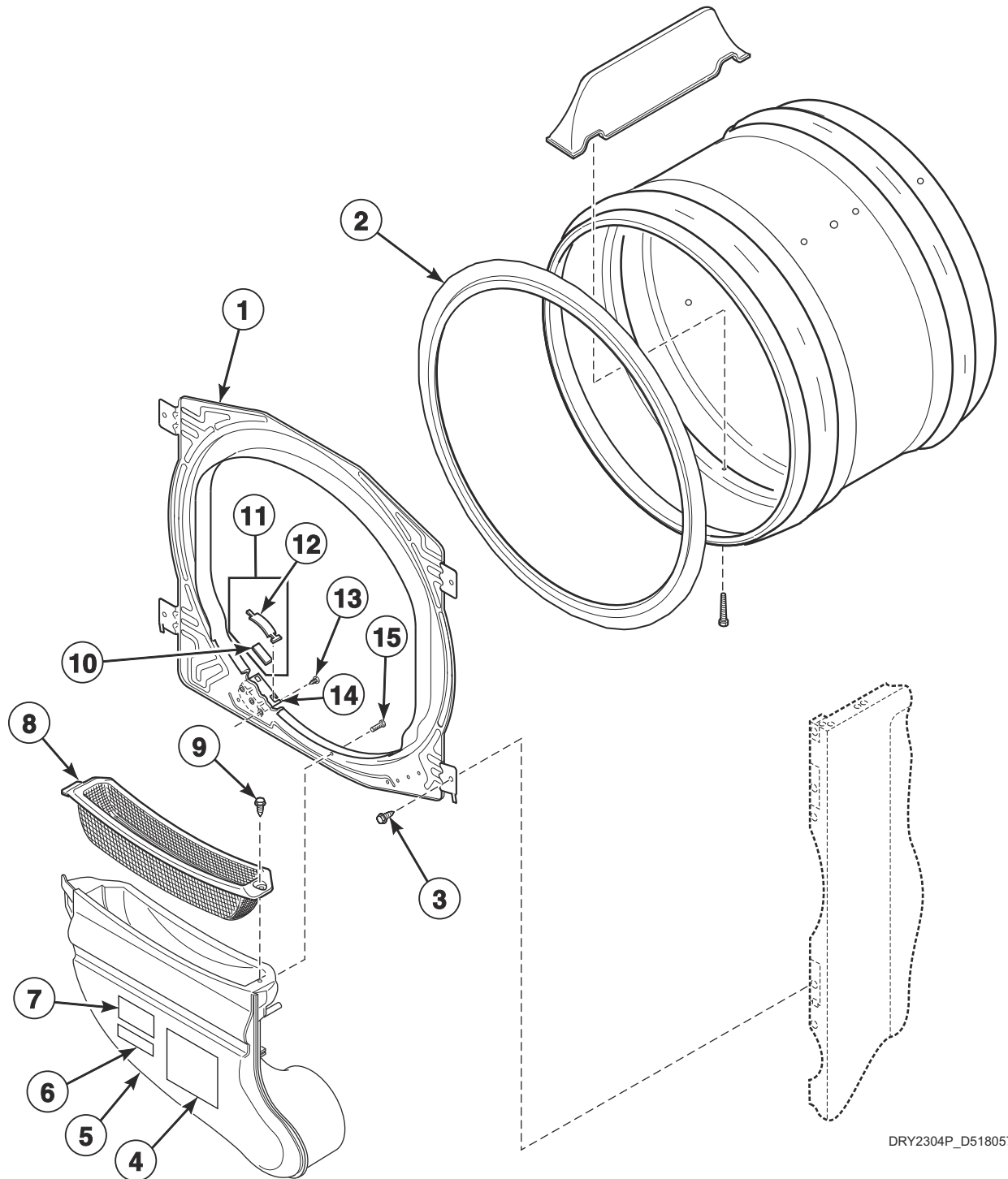


DRY2562P

Motor, Exhaust Fan and Belt

| REF | PART NO. | DESCRIPTION | COMMENTS |
|-----|-----------|----------------------------------|---|
| | 27604P | Anti-Seize Compound | Apply to motor shaft when installing blower fan assembly |
| 1 | D510238P | Blower Housing Seal | |
| 2 | 31260 | Screw | |
| 3 | D514602 | Motor Shield | Models NDENXAGS543MW01, NDLNXAGS123MW01, SDENXAGS543MW01 and SDLNXAGS123MW01 |
| 4 | D511969WP | Blower Housing | Includes items 1 and 2 |
| 5 | D511629P | Motor and Pulley Assembly | 120 Volt/60 Hertz; Apply anti-seize compound to motor shaft when installing blower fan assembly; Includes items 7 and 8 |
| | D505869P | Motor and Pulley Assembly | Models NDENXAGS543MW01 and SDENXAGS543MW01 |
| 6 | D510180 | Motor Mount Clamp | |
| 7 | D511255P | Cylinder Belt | |
| 8 | D500011 | Motor Pulley | 60 Hertz |
| 9 | 590P3 | Motor Hub Ring Kit | |
| 10 | D503688 | Screw | |
| 11 | D510139P | Blower Fan Assembly | Apply anti-seize compound to motor shaft when installing blower fan assembly |
| 12 | D510185 | Idler Spring | |
| 13 | 44087301 | Nut | |
| 14 | D516310 | Idler Lever | |
| 15 | 56461P | Shaft | |
| 16 | 52549 | Washer | |
| 17 | D510142P | Idler Wheel and Bearing Assembly | |
| 18 | 23748 | Retaining Ring | |
| 19 | D516792 | Idler Lever and Wheel Assembly | Includes items 12-17 |
| 20 | D500824 | Screw | |
| 21 | D516391 | Switch | |
| 22 | D516311 | Motor Switch Bracket | |
| 23 | 52566 | Nut | |
| 24 | D518517 | Motor Mount | |
| 25 | D510523 | Thermistor Assembly | Black |
| 26 | D502535 | Screw | |

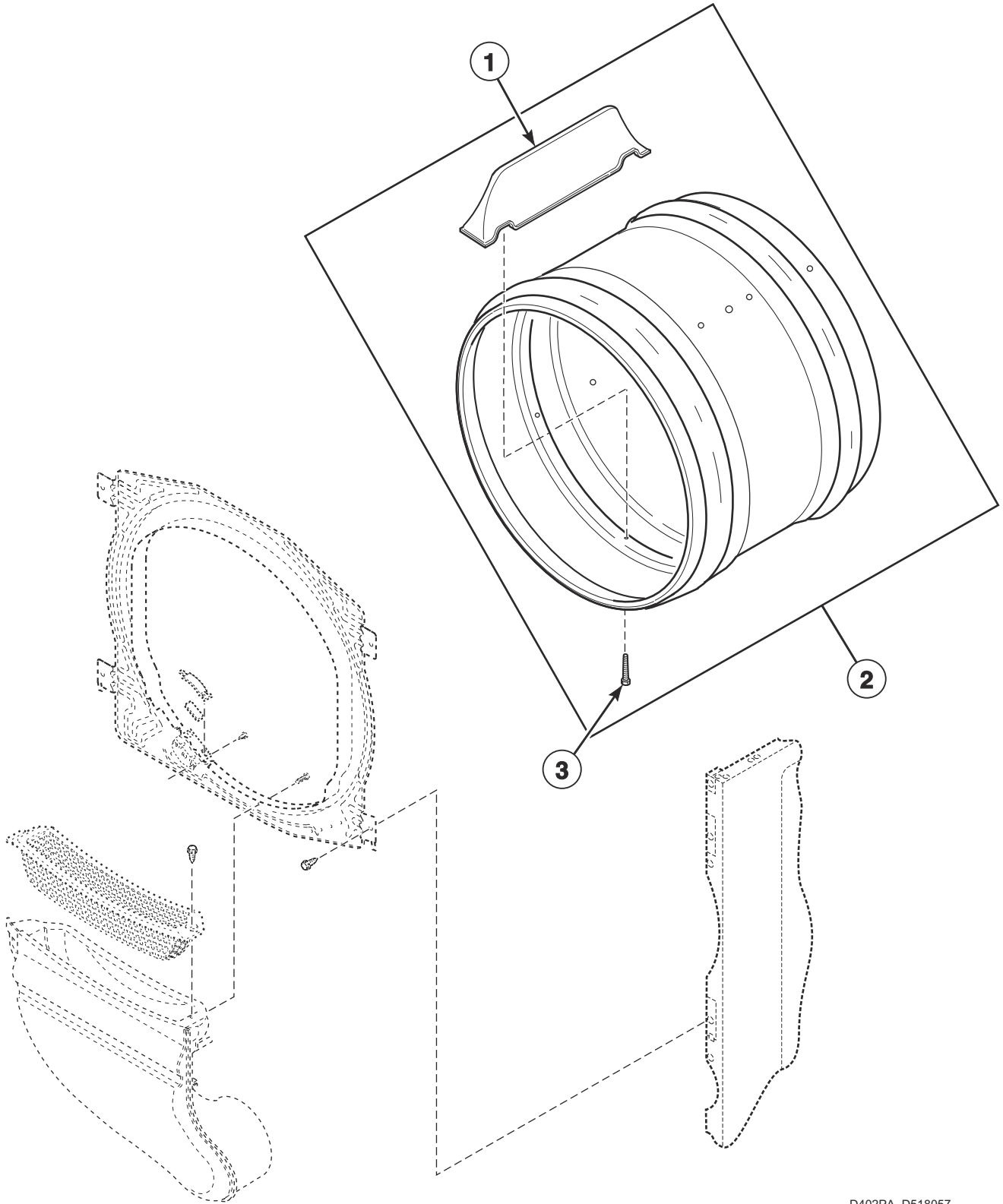
Front Bulkhead, Air Duct and Felt Seal



Front Bulkhead, Air Duct and Felt Seal

| REF | PART NO. | DESCRIPTION | COMMENTS |
|-----|-----------|-------------------------|--|
| 1 | D510266P | Front Bulkhead Assembly | Unpainted; Includes item 2 and 7-10 |
| 2 | D510207P | Cylinder Seal Assembly | |
| | D511637P | Adhesive | Apply to cylinder seal |
| | RB170001 | Seal Kit | Includes 2 cylinder seals, D510238P Blower Housing Seal and Adhesive |
| 3 | D505295 | Screw | Use with painted side panels |
| 4 | D511004 | Gas Clearance Label | Gas models |
| 5 | D518431 | Air Duct Assembly | Models NDENXAGS543MW01, NDLNXAGS123MW01, SDENXAGS543MW01 and SDLNXAGS123MW01 |
| | D518433 | Air Duct Assembly | All other models |
| 6 | 61294 | Fuse Notice Label | Electric models |
| 7 | D500049 | Warning Label | |
| | F8614201 | Shock Warning Label | |
| | F8615701 | Pinch Warning Label | |
| 8 | D503980LG | Lint Filter | |
| 9 | D501285 | Screw | |
| 10 | D510189 | Felt Pad | 1 per side |
| 11 | RB170003 | Glide Kit | Includes items 7 and 9; Quantity: 2 of each item |
| 12 | D513710 | Cylinder Glide | 1 per side |
| 13 | 52864 | Screw | 2 per side |
| 14 | D510145 | Cylinder Glide Bracket | 1 per side |
| 15 | D505295 | Screw | 1 per side |

Cylinder Assembly

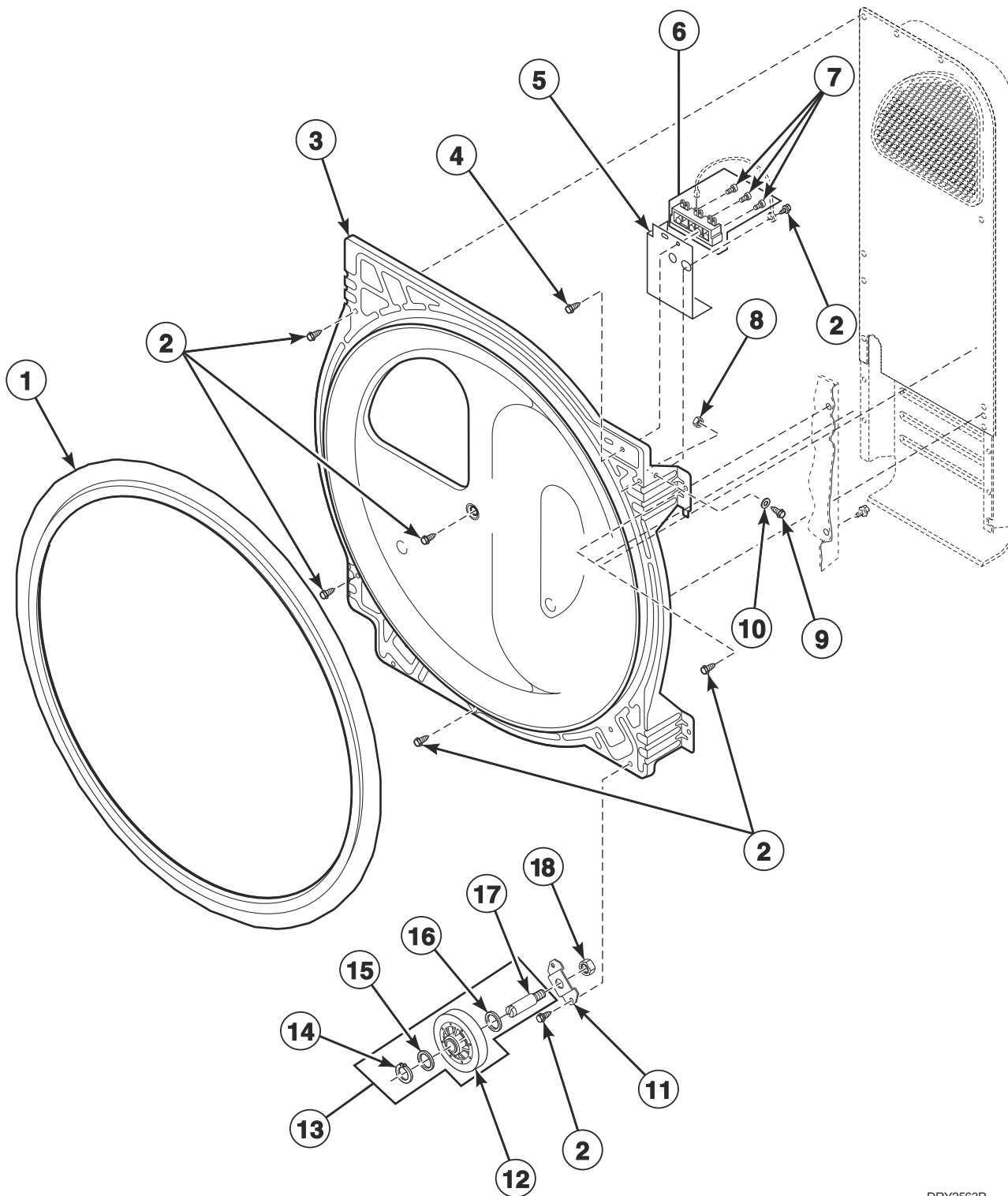


D402PA_D518057

Cylinder Assembly

| REF | PART NO. | DESCRIPTION | COMMENTS |
|-----|-----------|-------------------|---|
| 1 | D510102W | Cylinder Baffle | White |
| 2 | D510265WP | Cylinder Assembly | Galvanized; Includes 3 of item 1 and 6 of item 3; White baffles |
| 3 | 62588 | Screw | |

Rear Bulkhead, Felt Seal, Cylinder Roller and Terminal Block

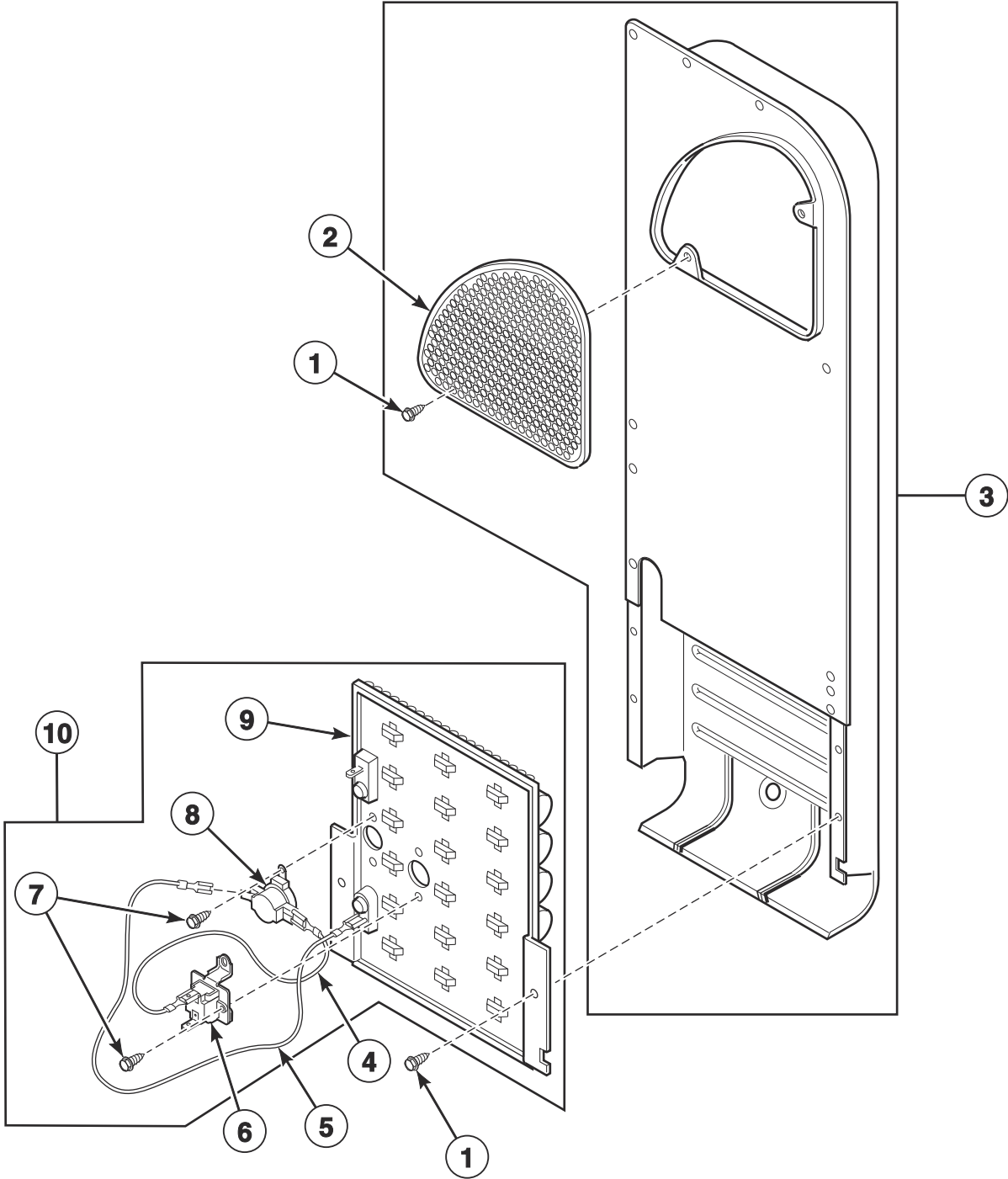


DRY2563P

Rear Bulkhead, Felt Seal, Cylinder Roller and Terminal Block

| REF | PART NO. | DESCRIPTION | COMMENTS |
|-----|----------|-------------------------|--|
| 1 | D510207P | Cylinder Seal Assembly | |
| | D511637P | Adhesive | Apply to cylinder seal |
| | RB170001 | Seal Kit | Includes 2 cylinder seals, D510238P Blower Housing Seal and Adhesive |
| 2 | D503688 | Screw | |
| 3 | D511082P | Rear Bulkhead Assembly | Galvanized; Includes item 1 |
| 4 | D501285 | Screw | Electric models |
| 5 | D517715 | Terminal Block Shield | Models NDENXAGS543MW01 and SDENXAGS543MW01 |
| 6 | D510190P | Terminal Block Assembly | Includes 3 of item 7; Electric models |
| 7 | 61199 | Screw | |
| 8 | 28447 | Nut | |
| 9 | 28448 | Screw | |
| 10 | 28449 | Washer | |
| 11 | D510100 | Cylinder Roller Bracket | |
| 12 | D510708P | Cylinder Roller | |
| 13 | RB170002 | Roller Kit | Includes items 12 and 14-17 |
| 14 | 23748 | Retaining Ring | |
| 15 | 52549 | Washer | |
| 16 | D504082 | Washer | |
| 17 | 56461P | Shaft | |
| 18 | 44087301 | Nut | |

Heater Duct and Element Assembly - Electric Model Dryers

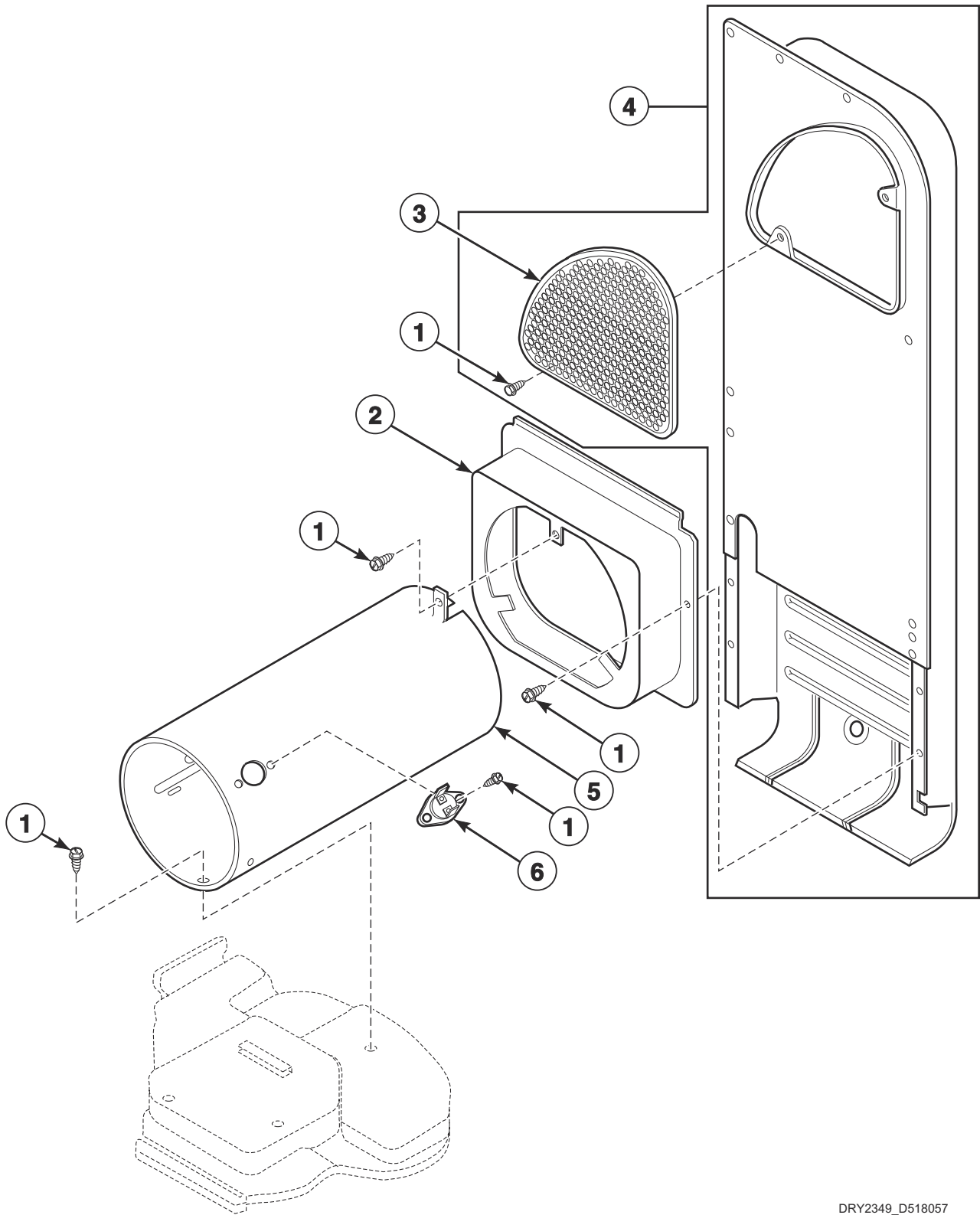


DRY1789P_D518057

Heater Duct and Element Assembly - Electric Model Dryers

| REF | PART NO. | DESCRIPTION | COMMENTS |
|-----|----------|-----------------------|---|
| 1 | D503688 | Screw | |
| 2 | D500820 | Outlet Cover | |
| | D518524 | Outlet Cover | Black |
| 3 | D518526 | Heater Duct Assembly | Includes items 1 and 2; Model SDENYRGS173TW01 |
| | D510025P | Heater Duct Assembly | Includes items 1 and 2 |
| 4 | D518256 | Wire Assembly | Orange; Thermostat jumper; Attaches to heater assembly |
| 5 | D518255 | Wire Assembly | Black; Fuse jumper; Attaches to heater assembly |
| 6 | D518542 | Thermal Fuse Assembly | |
| 7 | 23222 | Screw | |
| 8 | D510701 | Limit Thermostat | |
| 9 | D510325P | Heater | 4.75 kW; 208 Volt; Models SDENCRGS153TW01, SDENYAGS153TW01, SDENYRGS153TW01, SDEWCRGS153TW42, SDEWYAGS153TW01, SDEWYAGS153TW41, SDEWYRGS153TW01 and SDEWYRGS153TW41 |
| | D510329P | Heater Assembly | 5.35 kW; 240 Volt; All other models |
| 10 | 61928 | Heater Kit Assembly | 4.75 kW; 208 Volt; Includes items 4-9 |
| | 964P3 | Heater Kit | 5.35 kW; 240 Volt; Includes items 4-9 |

Heater Duct Assembly - Gas Model Dryers



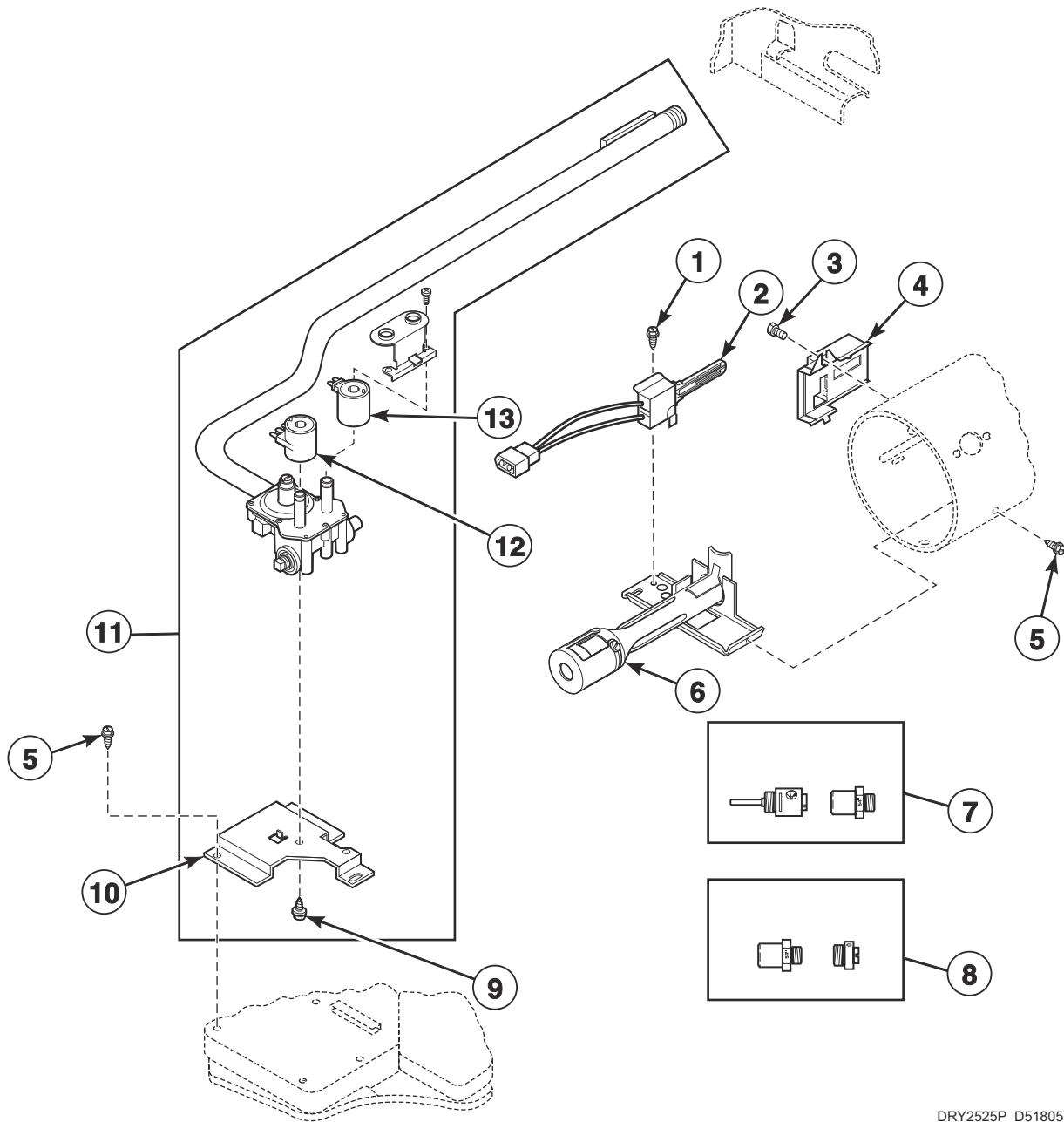
DRY2349_D518057

Heater Duct Assembly - Gas Model Dryers

| REF | PART NO. | DESCRIPTION | COMMENTS |
|-----|----------|--------------------------|---|
| 1 | 51782 | Screw | |
| 2 | D510101 | Heat Duct Shroud | |
| 3 | D500820 | Outlet Cover | |
| | D518524 | Outlet Cover | Black |
| 4 | D510025P | Heater Duct Assembly | Includes items 1 and 3 |
| 5 | D518633 | Combustion Duct Assembly | Models NDLNAGS123MW01 and SDLNAGS123MW01 |
| | D510131 | Combustion Duct | All other models |
| 6 | D510702 | Limit Thermostat | Black; Auto reset |

Gas Valve, Igniter and Gas Conversion Kits

Gas Models



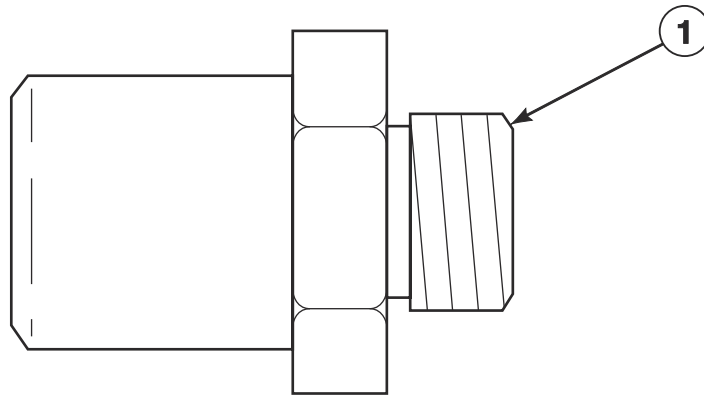
DRY2525P_D518057

Gas Valve, Igniter and Gas Conversion Kits

| REF | PART NO. | DESCRIPTION | COMMENTS |
|-----|----------|--------------------------------------|---|
| 1 | 51782 | Screw | |
| 2 | D510184P | Igniter and Bracket Assembly | |
| 3 | 23222 | Screw | |
| 4 | D510213 | Sensor | |
| 5 | D503688 | Screw | |
| 6 | D510149P | Burner Assembly | |
| 7 | 458P3 | L.P. Conversion Kit | Used to convert dryers from Natural Gas (N.G.) or Mixed Gas to Liquid Petroleum Gas (L.P.) for 25,000 Btu |
| 8 | 459P3 | N.G. Conversion Kit | Used to convert dryers from L.P. to N.G. or Mixed Gas for 25,000 Btu |
| 9 | 56124 | Screw | |
| 10 | D510128 | Gas Valve Mounting Bracket | |
| 11 | D517606 | Gas Valve, Bracket and Pipe Assembly | 60 Hertz; 25,000 Btu; N.G.; Includes items 9, 10, 12 and 13 |
| 12 | 58804A | Booster and Holding Coil | |
| 13 | 58804B | Secondary Coil | |

Burner Orifice Spuds - For Higher Elevations

Gas Models

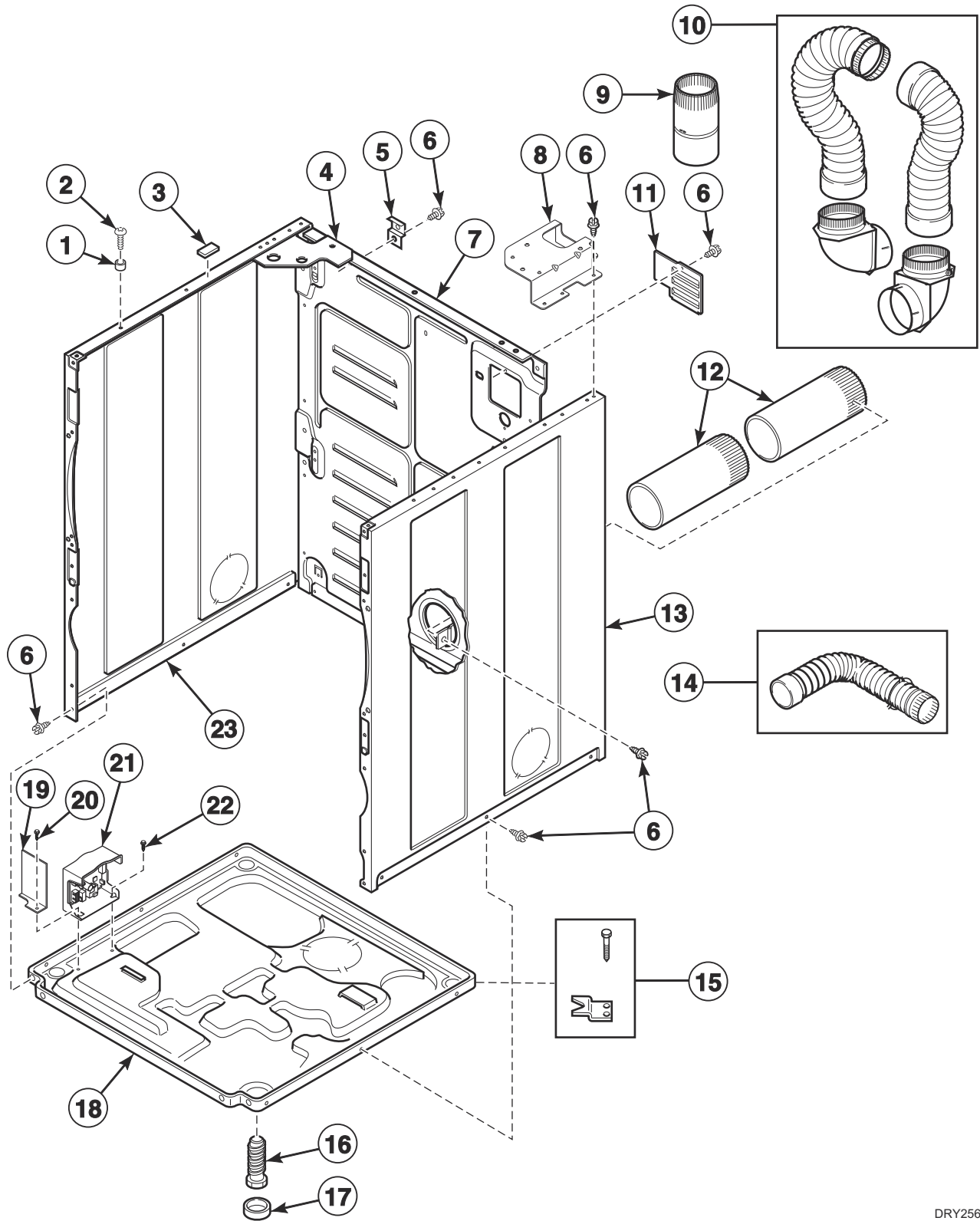


DRY2266P_D518057

Burner Orifice Spuds - For Higher Elevations

| REF | PART NO. | DESCRIPTION | COMMENTS |
|-----|----------|---------------|--|
| 1 | 58755 | L.P. Orifice | Liquid Petroleum Gas (L.P.); 7500-10999 feet (2290-3354 m) |
| | D503786 | L.P. Orifice | L.P.; 11000 feet (3355 m) and higher |
| | D503776 | N.G. Orifice | Natural Gas (N.G.); 2000-2999 feet (610-914 m) |
| | D510517 | N.G. Orifice | N.G.; 3000-5499 feet (915-1679 m) |
| | D503778 | N.G. Orifice | N.G.; 5500-6999 feet (1680-2134 m) |
| | 58719 | Screw Orifice | N.G.; 7000-8999 feet (2135-2744 m) |
| | D503779 | N.G. Orifice | N.G.; 9000-10499 feet (2745-3199 m) |
| | D503780 | N.G. Orifice | N.G.; 10500 feet (3200 m) and higher |

Cabinet, Exhaust Duct and Base



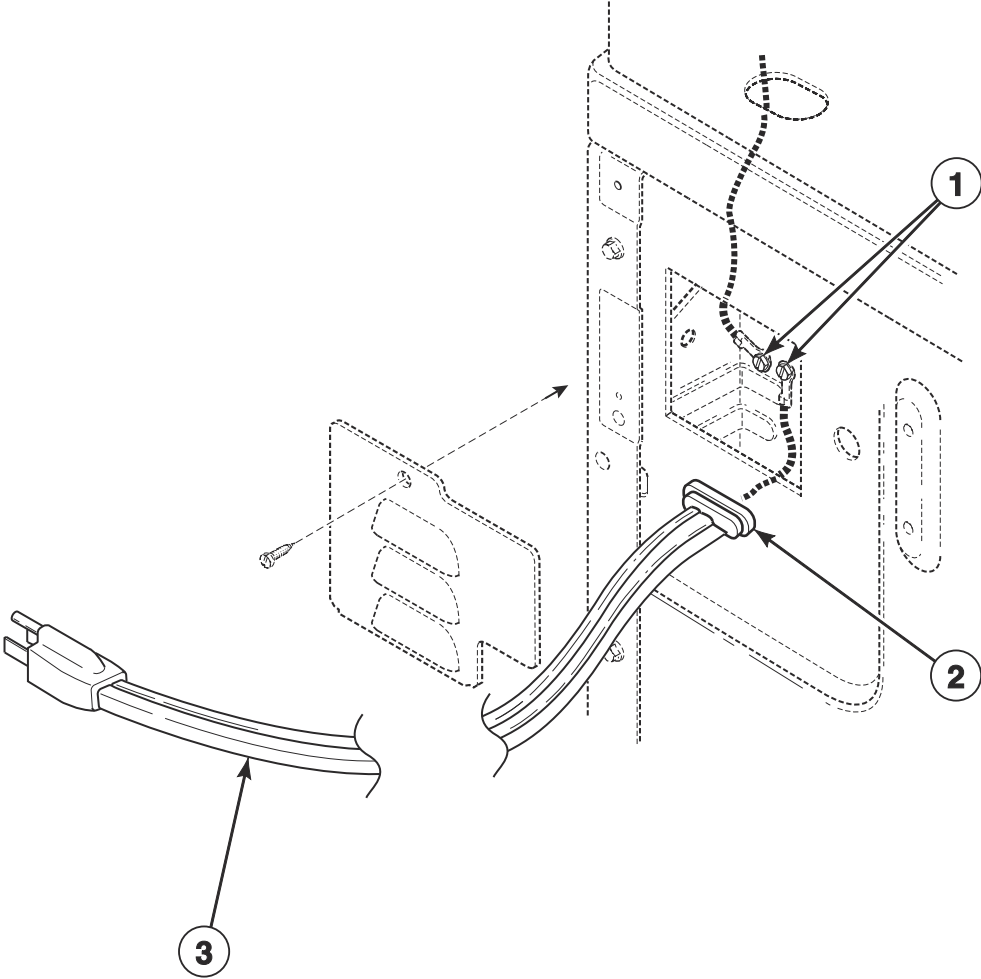
DRY2561P

Cabinet, Exhaust Duct and Base

| REF | PART NO. | DESCRIPTION | COMMENTS |
|-----|-----------|---------------------------|--|
| 1 | 56079 | Panel Locator | |
| 2 | 39733 | Screw | |
| 3 | 56128 | Bumper Pad | |
| 4 | D510337 | Frame Gusset | |
| 5 | D510136 | Top Hinge | |
| 6 | D503688 | Screw | |
| 7 | D517566 | Cabinet Rear Panel | |
| 8 | 547P3 | Coin Cabinet Hardware Kit | |
| 9 | 58786 | Damper | Use when connecting to a manifold vent system |
| 10 | 521P3 | Flexible Venting Kit | |
| 11 | D514356 | Access Plate Cover | Models NDENXAGS543MW01 and SDENXAGS543MW01 |
| | D510903 | Access Panel Plate | All other models |
| 12 | D516196 | Exhaust Duct | Each dryer requires 2 pieces |
| 13 | D510002WP | Cabinet Side Panel | White; Right |
| 14 | 528P3 | Directional Exhaust Kit | Used to vent dryer out the sides or bottom |
| 15 | 526P3 | Hold Down Kit | For mobile home installations |
| 16 | D510135 | Leveling Leg | |
| 17 | D501855 | Rubber Foot | |
| 18 | D514245 | Dryer Base | |
| 19 | D514420 | Output Board Shield | Models NDENXAGS543MW01, NDLNXAGS123MW01, SDENXAGS543MW01 and SDLNXAGS123MW01 |
| 20 | D514428 | Screw | |
| 21 | D517319 | Output Control Assembly | Models NDENXAGS543MW01, NDLNXAGS123MW01, SDENXAGS543MW01 and SDLNXAGS123MW01 |
| | D517191P | Output Control Assembly | All other models |
| 22 | 804667 | Screw | |
| 23 | D510001WP | Cabinet Side Panel | White; Left |

Power Cord (Drawing 1 of 2)

Gas Models



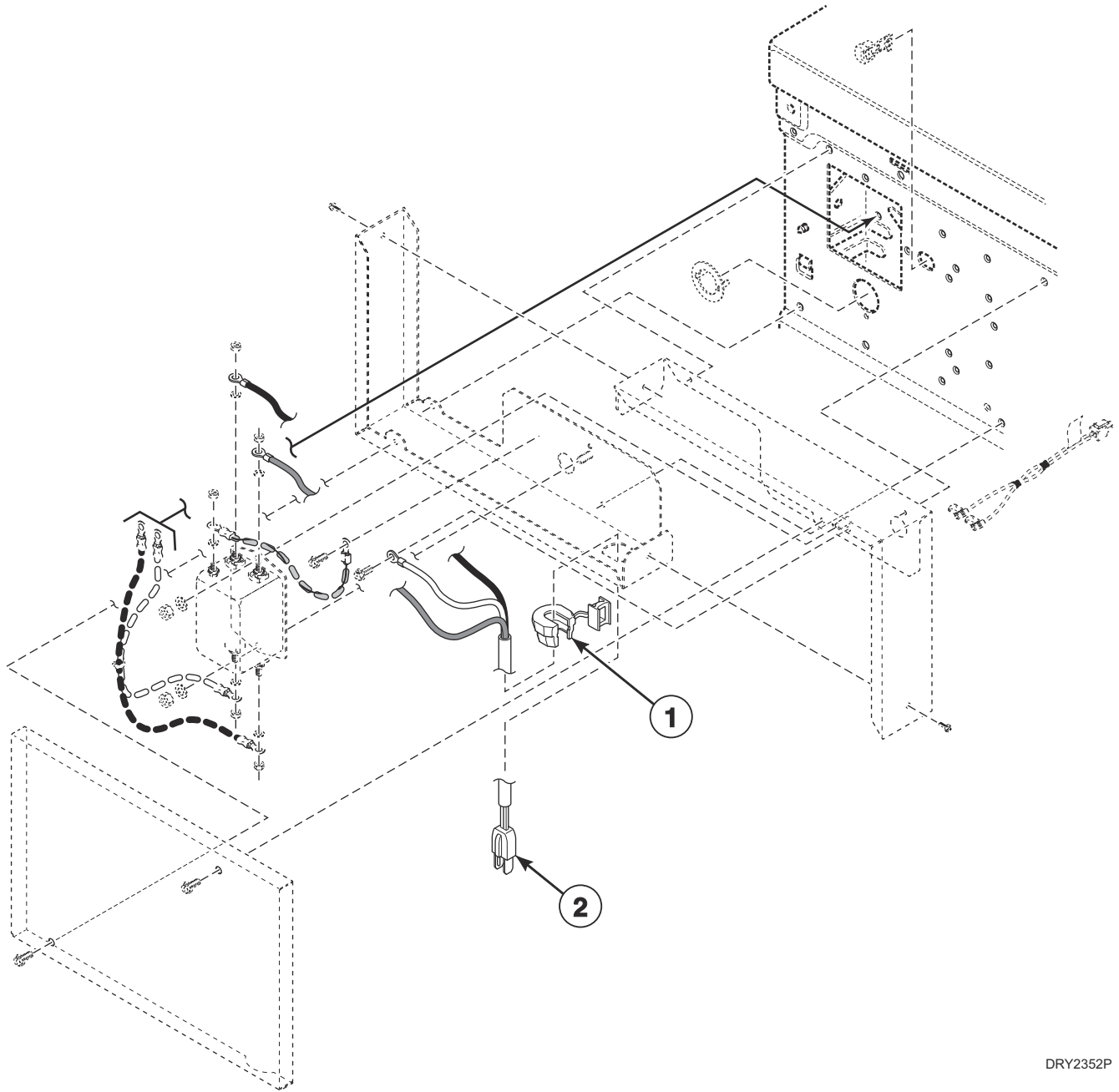
DRY1879P_D518057

Power Cord (Drawing 1 of 2)

| REF | PART NO. | DESCRIPTION | COMMENTS |
|-----|----------|---------------|----------|
| 1 | 20530 | Screw | |
| 2 | D517490 | Strain Relief | |
| 3 | 202777 | Lead-In Cord | |

Power Cord (Drawing 2 of 2)

Models NDENXAGS543MW01 and SDENXAGS543MW01

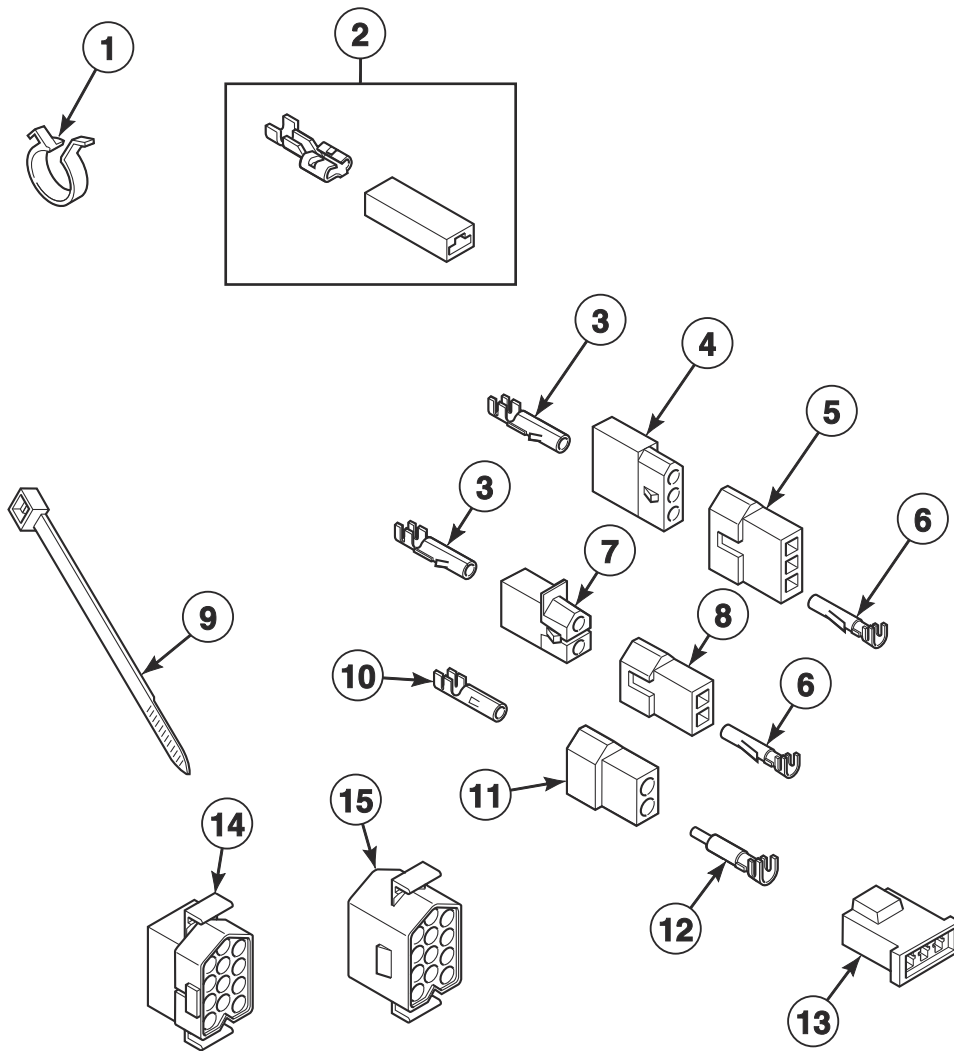


DRY2352P

Power Cord (Drawing 2 of 2)

| REF | PART NO. | DESCRIPTION | COMMENTS |
|-----|----------|-----------------------|----------|
| | 20530 | Screw | |
| 1 | D517492 | Strain Relief | |
| 2 | D516747 | Lead-In Cord Assembly | |

Terminal Block and Terminals (Drawing 1 of 2)

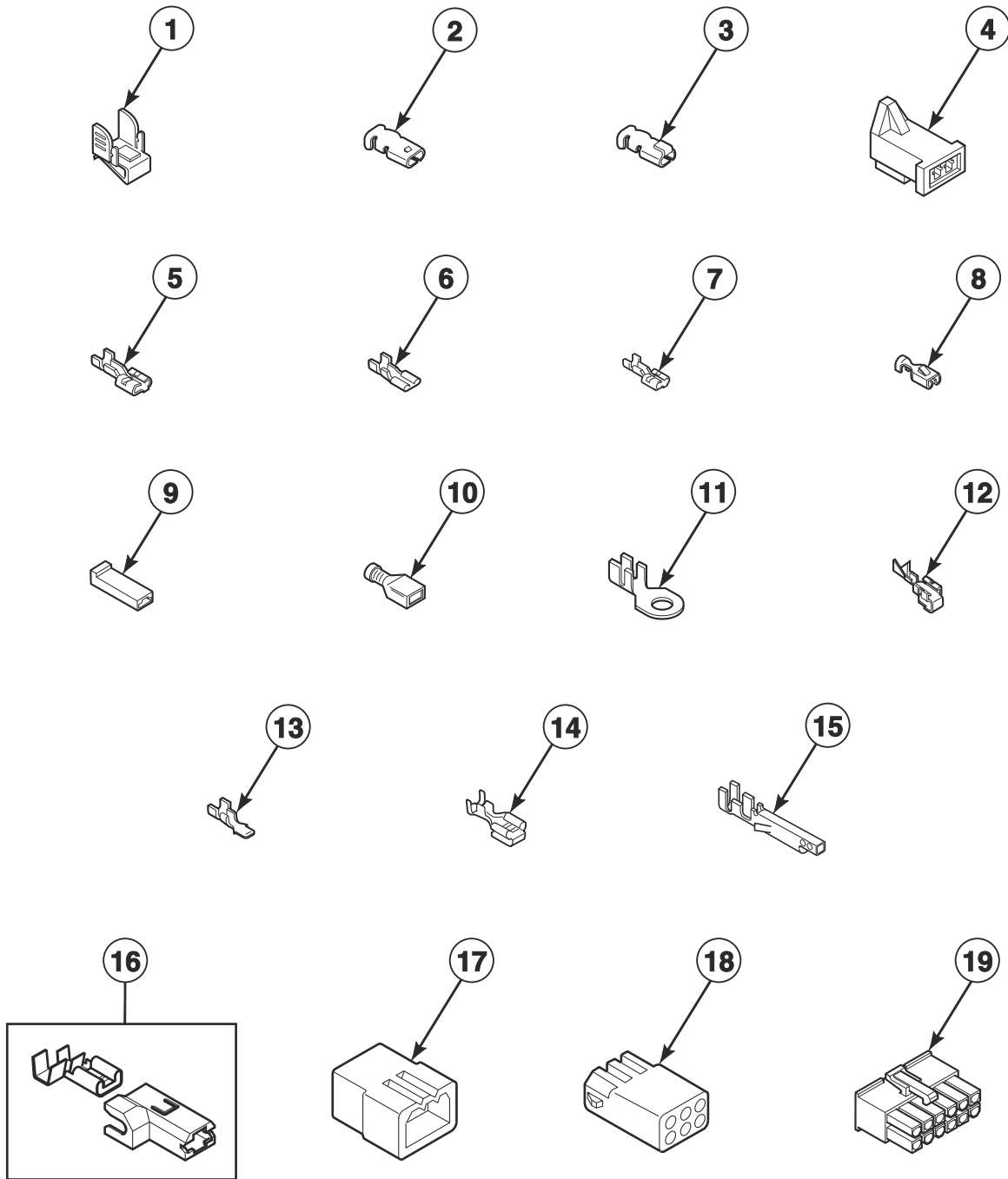


DRY2038P_D518057

Terminal Block and Terminals (Drawing 1 of 2)

| REF | PART NO. | DESCRIPTION | COMMENTS |
|-----|----------|---------------------------------|---|
| 1 | D504034 | Wire Clip | 11/16 inch |
| | 687500 | Wire Clip | 1 inch |
| 2 | 00360 | Insulated Female Spade Terminal | (1) 12 gauge wire or (2) 18 gauge wires |
| 3 | 00117 | Female Pin Terminal | |
| 4 | 23039 | 3 Circuit Receptacle | |
| 5 | 23040 | Plug | 3 circuit |
| 6 | 00116 | Male Pin Terminal | |
| 7 | 56451 | 2 Circuit Receptacle | |
| 8 | 56448 | 2 Circuit Plug | |
| 9 | 55881 | Harness Strap | |
| 10 | 00128 | Female Pin Terminal | 1/8 inch; 10-14 gauge wire |
| | 00130 | Female Pin Terminal | 1/8 inch; 16-18 gauge wire |
| 11 | 56266 | 2 Circuit Plug | |
| 12 | 00127 | Male Pin Terminal | 1/8 inch; 10-14 gauge wire |
| | 00129 | Male Pin Terminal | 1/8 inch; 16-18 gauge wire |
| 13 | 58800 | 3 Circuit Connector | |
| 14 | 54522 | Plug | |
| 15 | 56855 | 12 Circuit Receptacle | |

Terminal Block and Terminals (Drawing 2 of 2)

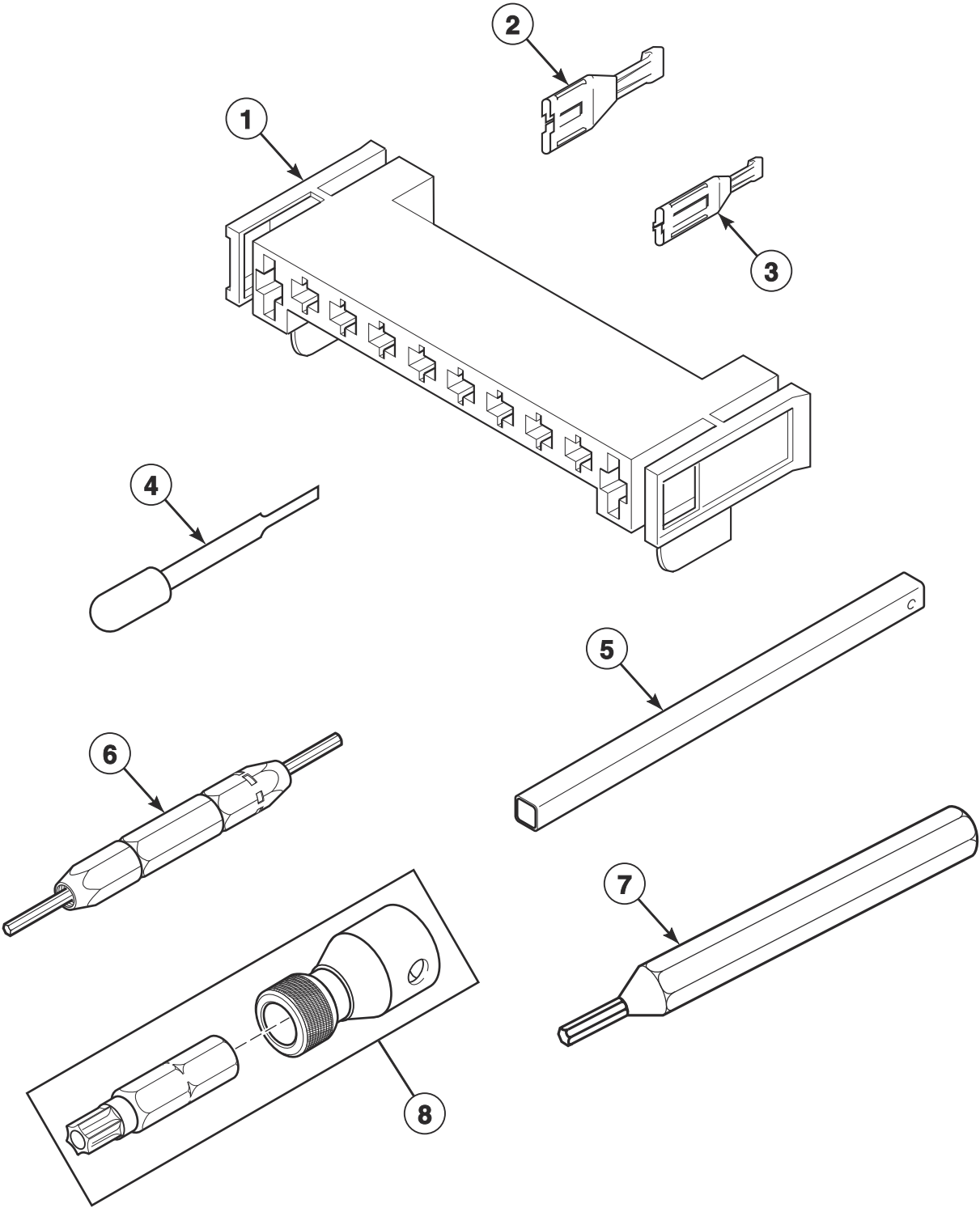


DRY2338P_D518057

Terminal Block and Terminals (Drawing 2 of 2)

| REF | PART NO. | DESCRIPTION | COMMENTS |
|-----|----------|---------------------------------|---|
| 1 | 00161 | Grounding Clip | |
| 2 | 00189 | Female Spade Terminal | 1/8 inch |
| 3 | 00361 | Female Piggyback Terminal | |
| 4 | 58799 | 2 Circuit Connector | |
| 5 | 00223 | Female Spade Terminal | 1/4 inch; (1) 18 gauge wire |
| | 00121 | Female Spade Terminal | 1/4 inch; (2) 18 gauge wires or (1) 12 gauge wire |
| | 00245 | Spade Terminal | 1/4 inch; (1) 22 gauge wire |
| 6 | 00124 | Female Spade Terminal | 3/16 inch; (1) 18 gauge wire; .020 tab |
| 7 | 00222 | Female Spade Terminal | 1/4 inch |
| 8 | 00115 | Female Spade Terminal | 1/4 inch; (1) 18 gauge wire |
| 9 | 90789 | Receptacle Housing | |
| 10 | 00359 | Insulated Female Spade Terminal | 1/4 inch |
| 11 | 00110 | Ring Terminal | No. 10; (1) 18 gauge wire |
| 12 | 00114 | Female Spade Terminal | 1/4 inch; Double connector |
| 13 | 00139 | Male Tab Terminal | 1/4 inch; (2) 18 gauge wires or (1) 12 gauge wire |
| 14 | 00344 | Female Tab Terminal | 1/4 inch |
| 15 | 00252 | Terminal | |
| 16 | 00221 | Insulated Female Flag Terminal | |
| 17 | 23033 | 9 Circuit Plug | |
| | 44370401 | 1 Circuit Plug Housing | |
| 18 | 26708 | 6 Circuit Receptacle | |
| | 26301 | 1 Circuit Receptacle | |
| 19 | 34596 | 10 Circuit Receptacle | |
| | D501333 | 12 Circuit Receptacle | |

Terminals and Terminal Extractor Tools



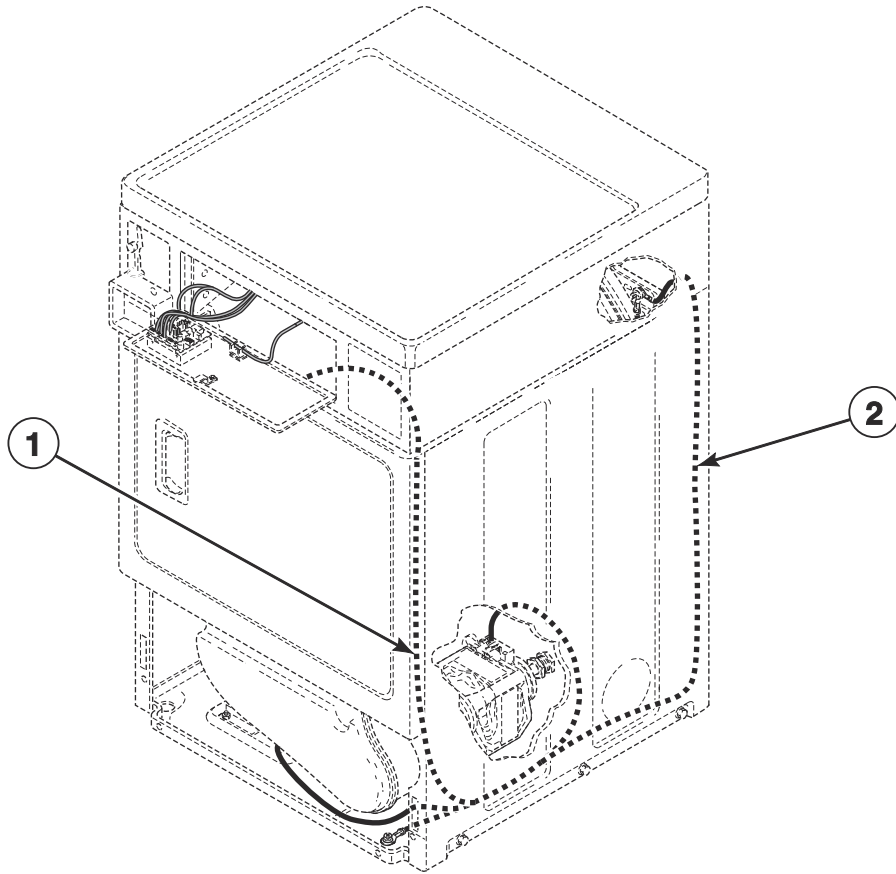
DRY2066P_D518057

Terminals and Terminal Extractor Tools

| REF | PART NO. | DESCRIPTION | COMMENTS |
|-----|----------|-------------------------|--|
| 1 | D500338 | 10 Position Housing | |
| 2 | 00255 | Female Terminal | 1/4 inch; (1) 12 gauge wire |
| | 00256 | Female Terminal | 1/4 inch; (1) or (2) 18 gauge wires |
| 3 | 00188 | Female Terminal | For 1 or 2 wire application |
| 4 | 283P4 | Terminal Extractor Tool | For use on Molex connectors |
| 5 | 310P4 | Ratchet Extension Tool | 1/4 inch; For coin drop installation |
| 6 | 190P4 | Extractor Tool | For use on electric dryer terminals |
| 7 | 128P4 | Extractor Tool | For use on gas dryer terminals |
| 8 | 281P4 | Torx Bit | T15 Tamper Resistant Bit |
| | 282P4 | Torx Bit | Use with 62853 Screw on access panel; T25 Tamper Resistant Bit |
| | 292P4 | Torx Bit | T20 Standard Bit |
| | 93501 | Torx Drive Tool | T10 Standard Bit |

Wire Harnesses and Wires - Front Control Models (Drawing 1 of 2)

Models NDLNAGS123MW01, SDGNCAGS113TW01, SDGNCAGS116TW01, SDGNYAGS113TW01, SDGNYAGS116TW01, SDGWCAGS113TW41, SDGWCAGS113TW41, SDGWXAGS113TW01, SDGWYAGS113TW01, SDGWYAGS113TW41 and SDLNAGS123MW01



DRY2372P_D518057

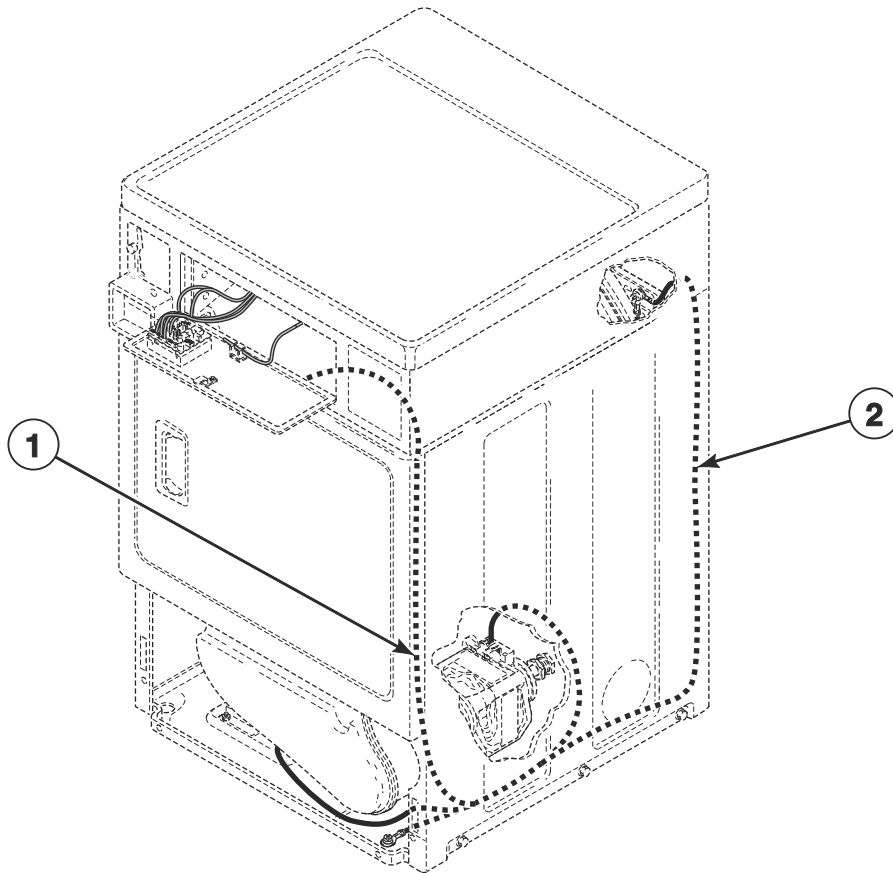
Wire Harnesses and Wires - Front Control Models (Drawing 1 of 2)

| REF | PART NO. | DESCRIPTION | COMMENTS |
|-----|----------|-----------------------|--|
| | 45001 | 18 Gauge Wire | Black; Order wire by foot; Order terminals and connectors as required |
| | 45380 | 12 Gauge Wire | Orange; Order wire by foot; Order terminals and connectors as required |
| | D517236 | Broken Belt Harness | |
| 1 | D512422P | Wire Harness Assembly | |
| 2 | D517973 | Gas Harness | Models SDGNCAGS116TW01 and SDGNYAGS116TW01 |
| | D517479 | Gas Harness | All other models |

NOTE: Individual wires are not available separately. Order complete harness, or order wire by the foot. When applying terminals to wires, it is recommended that the terminals be soldered to the wires.

Wire Harnesses and Wires - Front Control Models (Drawing 2 of 2)

Models NDNLXAGS123MW01, SDENCAGS173TW01, SDENCAGS176TW01, SDENYAGS153TW01, SDENYAGS173TW01, SDENYAGS176TW01, SDEWCAGS173TW41, SDEWXAGS173TW01, SDEWYAGS153TW01, SDEWYAGS153TW41, SDEWYAGS173TW01, SDEWYAGS173TW41 and SDLNXAGS123MW01



DRY2372P_D518057

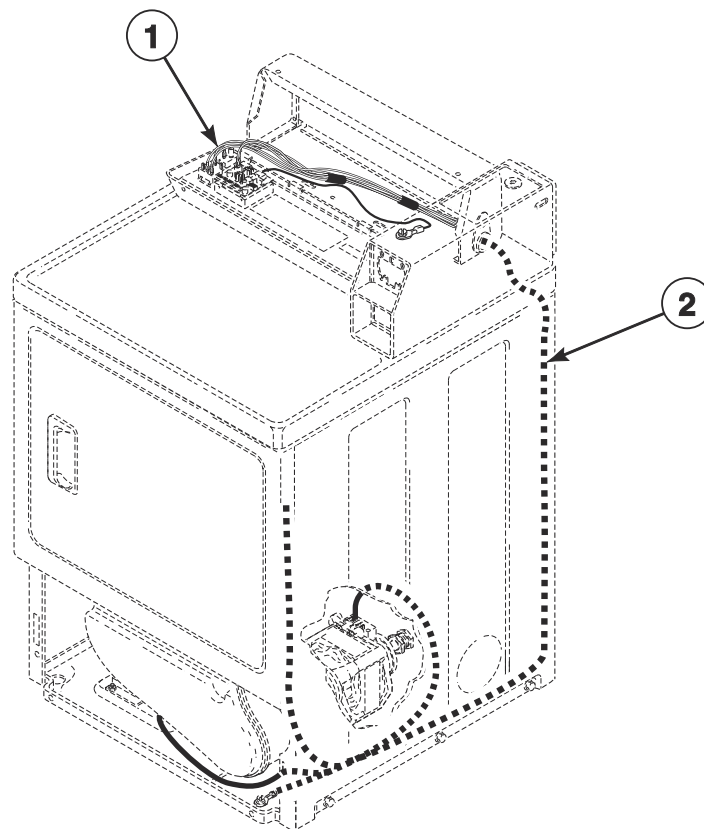
Wire Harnesses and Wires - Front Control Models (Drawing 2 of 2)

| REF | PART NO. | DESCRIPTION | COMMENTS |
|-----|----------|-----------------------|--|
| | 45001 | 18 Gauge Wire | Black; Order wire by foot; Order terminals and connectors as required |
| | 45380 | 12 Gauge Wire | Orange; Order wire by foot; Order terminals and connectors as required |
| | D517236 | Broken Belt Harness | |
| 1 | D512422P | Wire Harness Assembly | |
| 2 | D517972 | Electric Harness | Models SDENCAGS176TW01 and SDENYAGS176TW01 |
| | D517478 | Electric Harness | All other models |

NOTE: Individual wires are not available separately. Order complete harness, or order wire by the foot. When applying terminals to wires, it is recommended that the terminals be soldered to the wires.

Wire Harnesses and Wires - Rear Control Models

Models SDENCRGS153TW01, SDENCRGS173TW01, SDENCRGS176TW01, SDENXRG173TW01, SDENXRG176TW01, SDENYRG153TW01, SDENYRG173TW01, SDENYRG176TW01, SDEWCRGS173TW42, SDEWYRG153TW01, SDEWYRG153TW41, SDEWYRG173TW01, SDEWYRG173TW41, SDGNCRGS113TW01, SDGNCRGS116TW01, SDGNXRG113TW01, SDGNXRG116TW01, SDGNYRG113TW01, SDGNYRG116TW01, SDGWCRGS113TW42, SDGWXRG113TW02, SDGWYRG113TW01 and SDGWYRG113TW41



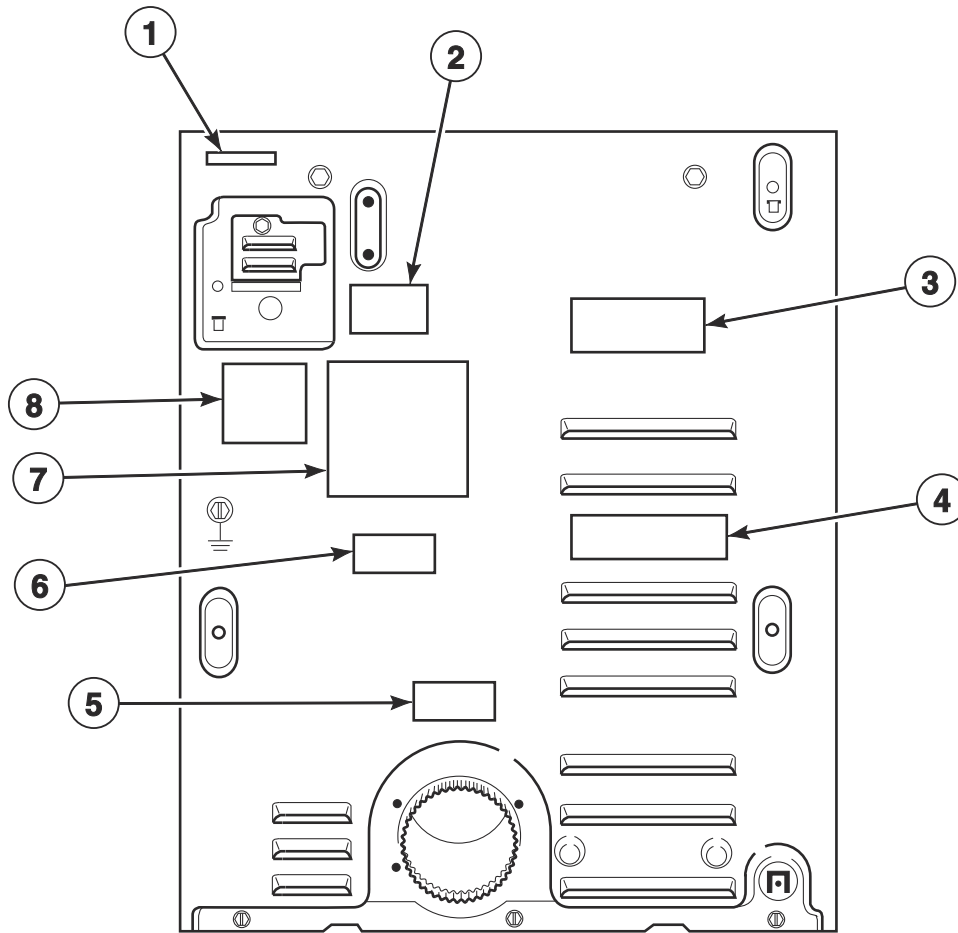
DRY2373P_D518057

Wire Harnesses and Wires - Rear Control Models

| REF | PART NO. | DESCRIPTION | COMMENTS |
|----------|----------|-----------------------|--|
| | 45001 | 18 Gauge Wire | Black; Order wire by foot; Order terminals and connectors as required |
| | 45380 | 12 Gauge Wire | Orange; Order wire by foot; Order terminals and connectors as required |
| | D517236 | Broken Belt Harness | |
| | D516367 | Gas Valve Harness | |
| 1 | D512422P | Wire Harness Assembly | |
| 2 | D517969 | Gas Harness | Models SDGNCRGS116TW01, SDGNXRGs116TW01 and SDGNYRGS116TW01 |
| | D517475 | Gas Harness | All other models |
| | D517968 | Electric Harness | Models SDENCRGS176TW01, SDENXRGs176TW01 and SDENYRGS176TW01 |
| | D517474 | Electric Harness | All other models |

NOTE: Individual wires are not available separately. Order complete harness, or order wire by the foot. When applying terminals to wires, it is recommended that the terminals be soldered to the wires.

Label Location on Rear of Cabinet



DRY2565P

Label Location on Rear of Cabinet

| REF | PART NO. | DESCRIPTION | COMMENTS |
|-----|----------|---------------------------|---|
| 1 | D506072 | Terminal Block Label | Models NDENXAGS543MW01 and SDENXAGS543MW01 |
| 2 | 807561 | Warning Label | Model SDENYRGS173TW01 |
| | 803260 | Warning Label | All other models |
| 3 | D502791 | Venting Instruction Label | |
| 4 | D517312 | Voltage Warning Label | 208 Volt |
| | D505215 | Gas Label | |
| 5 | 44321601 | Warning Label | Icon |
| | D502507 | Exhaust Warning Label | Icon |
| 6 | D500497 | Exhaust Warning Label | |
| 7 | D511005 | Electric Clearance Label | English; Electric models; Models NDENXAGS543MW01 and SDENXAGS543MW01 |
| | D511004 | Gas Clearance Label | Gas models; Models NDLNAGS123MW01 and SDLNAGS123MW01 |
| | D505984 | Clearance Warning Label | English/French; Electric models; Models NDENXAGS543MW01 and SDENXAGS543MW01 |
| 8 | D516073 | Notice Label | Read instructions |

Parts Index

A

| | |
|--|--------|
| Access Panel Assembly D514250WP | 35 |
| Access Panel Plate D510903 | 53 |
| Access Plate Cover D514356 | 53 |
| Adhesive D511637P | 39, 43 |
| Air Duct Assembly D518431 | 39 |
| D518433 | 39 |
| Anti-Seize Compound 27604P | 37 |
| Audit Switch Bracket 800379 | 21 |

B

| | |
|--|------------|
| Blower Fan Assembly D510139P | 37 |
| Blower Housing D511969WP | 37 |
| Blower Housing Seal D510238P | 37 |
| Bolt 203798 | 11 |
| 29651 | 23, 31 |
| Booster and Holding Coil 58804A | 49 |
| Bracket D510146 | 17 |
| Broken Belt Harness D517236 | 65, 67, 69 |
| Bumper Pad 56128 | 53 |
| Burner Assembly D510149P | 49 |

C

| | |
|--|--------|
| Cabinet Rear Panel D517566 | 53 |
| Cabinet Side Panel D510001WP | 53 |
| D510002WP | 53 |
| Card Insert Overlay D514391 | 29 |
| Central Pay Harness D511478 | 5 |
| Clearance Warning Label D505984 | 71 |
| Clip 201572 | 15, 27 |
| Coin Box Extension Kit 803578P | 11 |

| | |
|--|----------|
| Coin Cabinet Hardware Kit 547P3 | 53 |
| Coin Drop 38963P | 13, 25 |
| 70441601P | 13, 25 |
| Coin Drop Assembly 38462P | 13, 25 |
| 38463 | 13, 25 |
| Coin Drop Wire Harness 201104 | 15, 27 |
| Coin Identification Paper 38725 | 15, 27 |
| Combustion Duct D510131 | 47 |
| Combustion Duct Assembly D518633 | 47 |
| Connector, 2 Circuit 58799 | 61 |
| Connector, 3 Circuit 58800 | 59 |
| Control Assembly D517522 | 5, 7, 21 |
| D518647 | 5, 7, 21 |
| Control Hood D502567W | 5 |
| D511253W | 7 |
| Control Overlay D514367 | 5 |
| D514368 | 7 |
| D514369 | 21 |
| D514480 | 21 |
| D518059 | 21 |
| D518077 | 5 |
| D518078 | 7 |
| D518405 | 21 |
| Control Panel D510067W | 5 |
| D510220W | 7 |
| D511055W | 7 |
| 803962WP | 23 |
| 807774W | 7 |
| 807812W | 5 |
| Control Panel and Bracket Assembly D513777W | 21 |
| 807641W | 21 |
| Cylinder Assembly D510265WP | 41 |
| Cylinder Baffle D510102W | 41 |
| Cylinder Belt D511255P | 37 |
| Cylinder Glide D513710 | 39 |
| Cylinder Glide Bracket D510145 | 39 |
| Cylinder Roller D510708P | 43 |
| Cylinder Roller Bracket D510100 | 43 |
| Cylinder Seal Assembly D510207P | 39, 43 |

N/A items do not appear in index.

D

| | |
|--------------------------------|----|
| Damper | |
| 58786 | 53 |
| Directional Exhaust Kit | |
| 528P3 | 53 |
| Disconnect Power Warning Label | |
| D505281 | 17 |
| Door Assembly | |
| D516510WP | 33 |
| Door Catch Assembly | |
| D510177 | 35 |
| Door Handle Wedge | |
| D510129W | 33 |
| Door Liner Assembly | |
| D516508 | 33 |
| Door Liner Grill | |
| D503870W | 33 |
| Door Pull and Wedge Kit | |
| D510103WP | 33 |
| Door Strike | |
| D510181 | 33 |
| Drip Shield | |
| D514327 | 35 |
| Dryer Base | |
| D514245 | 53 |
| Dryer Door | |
| D510013WP | 33 |
| Dual Coin Harness Assembly | |
| 202871 | 5 |
| 204915 | 15 |

E

| | |
|--------------------------|----------|
| Electric Clearance Label | |
| D511005 | 71 |
| Electric Harness | |
| D517474 | 69 |
| D517478 | 67 |
| D517968 | 69 |
| D517972 | 67 |
| Electronic Coin Drop Kit | |
| CK113 | 15, 27 |
| CK115 | 15, 27 |
| End Cap | |
| 210108W | 7 |
| 210109W | 7 |
| Ethernet Gateway Kit | |
| NK320 | 5, 7, 19 |
| Exhaust Duct | |
| D516196 | 53 |
| Exhaust Warning Label | |
| D500497 | 71 |
| D502507 | 71 |
| Expansion Clip | |
| 70030501 | 23, 29 |
| Extractor Tool | |
| 128P4 | 63 |
| 190P4 | 63 |

F

| | |
|---------------------------|----|
| Felt Pad | |
| D510189 | 39 |
| Female Piggyback Terminal | |
| 00361 | 61 |
| Female Pin Terminal | |
| 00117 | 59 |
| 00128 | 59 |
| 00130 | 59 |
| Female Spade Terminal | |
| 00114 | 61 |
| 00115 | 61 |
| 00121 | 61 |
| 00124 | 61 |
| 00189 | 61 |
| 00222 | 61 |
| 00223 | 61 |
| Female Tab Terminal | |
| 00344 | 61 |
| Female Terminal | |
| 00188 | 63 |
| 00255 | 63 |
| 00256 | 63 |
| Flexible Venting Kit | |
| 521P3 | 53 |
| Frame Gusset | |
| D510337 | 53 |
| Front Bulkhead Assembly | |
| D510266P | 39 |
| Front Panel | |
| D510066WP | 35 |
| Front Panel Seal | |
| D511056 | 35 |
| Fuse Notice Label | |
| 61294 | 39 |

G

| | |
|--------------------------------------|--------|
| Gas Clearance Label | |
| D511004 | 39, 71 |
| Gas Harness | |
| D517475 | 69 |
| D517479 | 65 |
| D517969 | 69 |
| D517973 | 65 |
| Gas Label | |
| D505215 | 71 |
| Gas Valve Harness | |
| D516367 | 69 |
| Gas Valve Mounting Bracket | |
| D510128 | 49 |
| Gas Valve, Bracket and Pipe Assembly | |
| D517606 | 49 |
| Glide Kit | |
| RB170003 | 39 |
| Grounding Clip | |
| 00161 | 61 |

H

| | |
|----------------------|--------|
| Harness | |
| 804832 | 5, 7 |
| Harness Assembly | |
| 802905 | 15 |
| Harness Strap | |
| 55881 | 59 |
| Heat Duct Shroud | |
| D510101 | 47 |
| Heater | |
| D510325P | 45 |
| Heater Assembly | |
| D510329P | 45 |
| Heater Duct Assembly | |
| D510025P | 45, 47 |
| D518526 | 45 |
| Heater Kit | |
| 964P3 | 45 |
| Heater Kit Assembly | |
| 61928 | 45 |
| Hinge | |
| D511036 | 33 |
| Hold Down Kit | |
| 526P3 | 53 |
| Hood Back Panel | |
| 804886 | 5 |
| Housing, 10 Position | |
| D500338 | 63 |

I

| | |
|----------------------------------|----|
| Idler Lever | |
| D516310 | 37 |
| Idler Lever and Wheel Assembly | |
| D516792 | 37 |
| Idler Spring | |
| D510185 | 37 |
| Idler Wheel and Bearing Assembly | |
| D510142P | 37 |
| Igniter and Bracket Assembly | |
| D510184P | 49 |
| Insulated Female Flag Terminal | |
| 00221 | 61 |
| Insulated Female Spade Terminal | |
| 00359 | 61 |
| 00360 | 59 |

K

| | |
|-------------|----|
| Key | |
| 54612 | 21 |

L

| | |
|-----------------------|----|
| Lead-In Cord | |
| 202777 | 55 |
| Lead-In Cord Assembly | |
| D516747 | 57 |

| | |
|---------------------|----|
| Leveling Leg | |
| D510135 | 53 |
| Limit Thermostat | |
| D510701 | 45 |
| D510702 | 47 |
| Lint Filter | |
| D503980LG | 39 |
| Lint Filter Label | |
| 502781 | 35 |
| Lock Assembly | |
| 807761 | 21 |
| Lock Cam | |
| 804338 | 21 |
| 807760 | 21 |
| Lock Kit | |
| 27260P | 21 |
| L.P. Conversion Kit | |
| 458P3 | 49 |
| L.P. Orifice | |
| D503786 | 51 |
| 58755 | 51 |

M

| | |
|-----------------------------|----------|
| Machine ID Control Assembly | |
| 203361P | 5, 7, 21 |
| Male Pin Terminal | |
| 00116 | 59 |
| 00127 | 59 |
| 00129 | 59 |
| Male Tab Terminal | |
| 00139 | 61 |
| Meter Case Assembly | |
| 202877W | 11 |
| 807396W | 23 |
| Meter Case Assembly Kit | |
| 807401W | 11 |
| Meter Case Bracket Gasket | |
| 35526 | 11 |
| Meter Case Gasket | |
| 26354 | 11 |
| Meter Case Lockdown Bracket | |
| 35525 | 11 |
| Motor and Pulley Assembly | |
| D505869P | 37 |
| D511629P | 37 |
| Motor Hub Ring Kit | |
| 590P3 | 37 |
| Motor Mount | |
| D518517 | 37 |
| Motor Mount Clamp | |
| D510180 | 37 |
| Motor Pulley | |
| D500011 | 37 |
| Motor Shield | |
| D514602 | 37 |
| Motor Switch Bracket | |
| D516311 | 37 |
| Mounting Tool Kit | |
| CK096 | 15, 27 |

N/A items do not appear in index.

N

| | |
|---------------------------------------|----------------|
| Network Controller Kit NK220 | 5, 7, 19 |
| Network Retrofit Kit 203328 | 5, 7, 19 |
| Notice Label D516073 | 71 |
| Nut | |
| 201216 | 15 |
| 27222 | 17 |
| 28447 | 43 |
| 29786 | 11, 13, 25, 27 |
| 36020 | 31 |
| 44087201 | 23 |
| 44087301 | 37, 43 |
| 52566 | 5, 37 |
| N.G. Conversion Kit 459P3 | 49 |
| N.G. Orifice | |
| D503776 | 51 |
| D503778 | 51 |
| D503779 | 51 |
| D503780 | 51 |
| D510517 | 51 |

O

| | |
|--------------------------------------|--------|
| Operating Instructions Label | |
| D514393 | 23 |
| D517764 | 29 |
| D518482 | 23, 29 |
| Opto Coupler 200674P | 13 |
| Outlet Cover | |
| D500820 | 45, 47 |
| D518524 | 45, 47 |
| Output Board Shield D514420 | 53 |
| Output Control Assembly | |
| D517191P | 53 |
| D517319 | 53 |

P

| | |
|---|--------|
| Panel Locator 56079 | 35, 53 |
| Payment Center Kit | |
| 205067 | 5, 7 |
| 205068 | 5, 7 |
| Pinch Warning Label F8615701 | 39 |
| Plug | |
| 23040 | 59 |
| 54522 | 59 |
| Plug Housing, 1 Circuit 44370401 | 61 |
| Plug, 2 Circuit | |
| 56266 | 59 |
| 56448 | 59 |
| Plug, 9 Circuit 23033 | 61 |

N/A items do not appear in index.

R

| | |
|--|--------|
| Ratchet Extension Tool 310P4 | 63 |
| Rear Access Panel 807646 | 23, 29 |
| Rear Bulkhead Assembly D511082P | 43 |
| Rear Panel | |
| 804884 | 7 |
| Receptacle Housing 90789 | 61 |
| Receptacle, 1 Circuit 26301 | 61 |
| Receptacle, 10 Circuit 34596 | 61 |
| Receptacle, 12 Circuit | |
| D501333 | 61 |
| 56855 | 59 |
| Receptacle, 2 Circuit 56451 | 59 |
| Receptacle, 3 Circuit 23039 | 59 |
| Receptacle, 6 Circuit 26708 | 61 |
| Retaining Ring 23748 | 37, 43 |
| Ring Terminal 00110 | 61 |
| Roller Kit RB170002 | 43 |
| Rubber Foot D501855 | 53 |

S

| | |
|---------------|---|
| Screw | |
| D500226 | 33 |
| D500824 | 37 |
| D501086 | 7 |
| D501285 | 39, 43 |
| D501524 | 21 |
| D502535 | 37 |
| D503661 | 9 |
| D503673 | 17 |
| D503688 | 5, 7, 17, 19, 21, 23, 29, 35, 37, 43, 45, 49, 53 |
| D505295 | 39 |
| D514428 | 53 |
| 02916 | 5 |
| 20530 | 55, 57 |
| 23008 | 31 |
| 23222 | 45, 49 |
| 28448 | 43 |
| 31260 | 37 |
| 33562 | 35 |
| 35528 | 5, 7 |
| 36048 | 11 |
| 39733 | 35, 53 |
| 51782 | 47, 49 |
| 52864 | 5, 7, 39 |
| 56124 | 49 |
| 61199 | 43 |

| | |
|------------------------------|-----------|
| 62588 | 41 |
| 62853 | 35 |
| 70240301 | 23, 29 |
| 804608 | 5, 7, 21 |
| 804667 | 53 |
| Screw Orifice | |
| 58719 | 51 |
| Seal Kit | |
| RB170001 | 39, 43 |
| Secondary Coil | |
| 58804B | 49 |
| Security Cabinet Assembly | |
| 804149WP | 29 |
| Security Kit | |
| 905P3 | 5 |
| Sensor | |
| D510213 | 49 |
| Serial Pay Control Assembly | |
| 807714 | 9 |
| Serial Pay Harness | |
| F8713906 | 9 |
| Service Door Assembly | |
| 39874WP | 11 |
| Shaft | |
| 56461P | 37, 43 |
| Shock Warning Label | |
| F8614201 | 39 |
| Single Coin Harness Assembly | |
| 202870 | 5, 25, 27 |
| 204914 | 5, 15, 27 |
| Single Overlay | |
| 38717 | 11, 23 |
| Spade Terminal | |
| 00245 | 61 |
| Speed Clip | |
| 28835 | 35 |
| Strain Relief | |
| D517490 | 55 |
| D517492 | 57 |
| Switch | |
| D512973 | 21, 35 |
| D516391 | 37 |
| 70529301 | 11, 23 |

T

| | |
|-------------------------|----|
| Terminal | |
| 00252 | 61 |
| Terminal Block Assembly | |
| D510190P | 43 |
| Terminal Block Label | |
| D506072 | 71 |
| Terminal Block Shield | |
| D517715 | 43 |
| Terminal Extractor Tool | |
| 283P4 | 63 |
| Thermal Fuse Assembly | |
| D518542 | 45 |
| Thermistor Assembly | |
| D510523 | 37 |
| Top Hinge | |
| D510136 | 53 |

| | |
|----------------------|--------------|
| Top Kit | |
| D511527WP | 17 |
| Top Mounting Bracket | |
| D504228 | 31 |
| Top Panel | |
| 803868WP | 31 |
| Top Panel Kit | |
| D511530WP | 17 |
| Torx Bit | |
| 281P4 | 63 |
| 282P4 | 63 |
| 292P4 | 63 |
| Torx Drive Tool | |
| 93501 | 63 |
| Transformer | |
| 202757 | 5, 7, 19, 27 |
| Transformer Harness | |
| D514072 | 19 |
| D514073 | 5, 7 |
| 804795 | 19 |

U

| | |
|----------------------|----------|
| USB Gateway Kit | |
| NK330 | 5, 7, 19 |
| USB IR Interface Kit | |
| 203346 | 5, 7, 19 |

V

| | |
|---------------------------|----|
| Venting Instruction Label | |
| D502791 | 71 |
| Voltage Warning Label | |
| D517312 | 71 |

W

| | |
|-----------------------|------------|
| Warning Label | |
| D500049 | 39 |
| D500316 | 17 |
| 44321601 | 71 |
| 803260 | 71 |
| 807561 | 71 |
| Warning/Caution Label | |
| D500281 | 35 |
| D516512 | 35 |
| Washer | |
| D504082 | 43 |
| M400017 | 5 |
| 28449 | 43 |
| 52549 | 37, 43 |
| Wire Assembly | |
| D518255 | 45 |
| D518256 | 45 |
| Wire Clip | |
| D504034 | 59 |
| 687500 | 59 |
| Wire Guard | |
| 201595P | 13, 25 |
| Wire Harness Assembly | |
| D512422P | 65, 67, 69 |

N/A items do not appear in index.

| | |
|--------------------------|------------|
| Wireless Network Harness | |
| F8674006 | 7, 21 |
| Wireless Network Kit | |
| 204689 | 5, 7, 21 |
| Wire, 12 Gauge | |
| 45380 | 65, 67, 69 |
| Wire, 18 Gauge | |
| 45001 | 65, 67, 69 |
| Wiring Harness Assembly | |
| 202868 | 21 |
| 202869 | 7 |
| Wrapper Assembly | |
| 804104W | 23 |
| 804112W | 29 |
