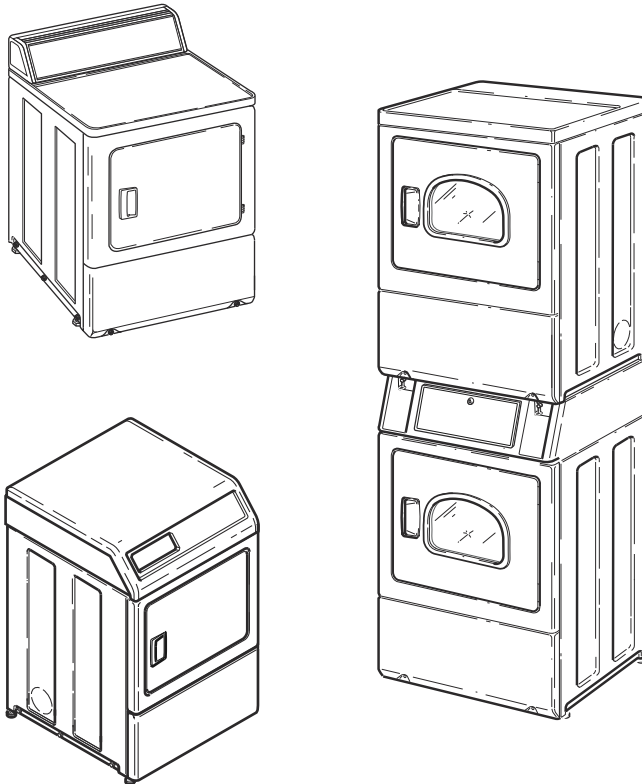


# Dryers

Homestyle

Models Starting Serial No. 2001000001

Refer to Page 3 for Model Numbers



DRY726C\_D518383



# Table of Contents

Title	Page
Parts Ordering Information.....	2
Serial Plate Location .....	2
Model Identification .....	3
Control Panel and Controls - Rear Control .....	4
Control Panel and Controls - Front Control.....	6
Control Panel and Controls - Stacked Models .....	8
Loading Door - With Window .....	10
Loading Door - Without Window .....	12
Access Panel, Front Panel and Seal .....	14
Motor, Exhaust Fan and Belt .....	16
Front Bulkhead and Cylinder .....	18
Air Duct .....	20
Lint Filter .....	22
Rear Bulkhead, Felt Seal, Cylinder Roller and Terminal Block.....	24
Heater Duct and Element Assembly .....	26
Heater Duct Assembly .....	28
Gas Valve, Igniter and Gas Conversion Kits.....	30
Cabinet, Exhaust Duct and Base - Single Dryers .....	32
Cabinet, Exhaust Duct and Base - Stacked Dryers (Drawing 1 of 2).....	34
Cabinet, Exhaust Duct and Base - Stacked Dryers (Drawing 2 of 2).....	36
Lead-In Cord .....	38
Power Cord and Junction Box .....	40
Terminal Block and Terminals .....	42
Terminals .....	44
Terminals and Terminal Extractor Tools .....	46
Wire Harnesses and Wires - Gas Stack Models.....	48
Wire Harnesses and Wires - Electric Stack Models.....	50
Wire Harnesses and Wires - Gas Front Control Single Models.....	52
Wire Harnesses and Wires - Electric Front Control Single Models.....	54
Wire Harnesses and Wires - Rear Control Single Models .....	56
Parts Index.....	59

© Copyright 2022, Alliance Laundry Systems LLC

All rights reserved. No part of the contents of this book may be reproduced or transmitted in any form or by any means without the expressed written consent of the publisher.

## Parts Ordering Information

If literature or replacement parts are required, contact the source from whom the machine was purchased or contact Alliance Laundry Systems at (920) 748-3950 for the name and address of the nearest authorized parts distributor.

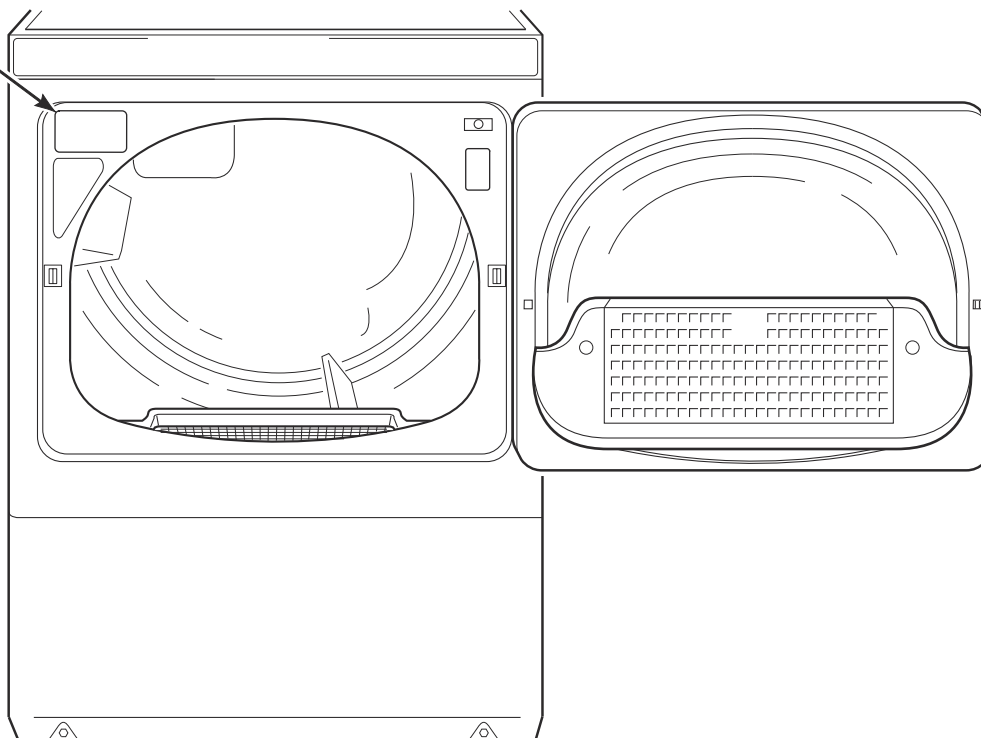
For technical assistance, call the number listed below:

(920) 748-3121 Ripon, Wisconsin

## Serial Plate Location

When calling or writing about your product, be sure to mention model and serial numbers. Model and serial numbers are located on serial plate(s) as shown.

SERIAL PLATE



DRY2283P\_D518383

## Model Identification

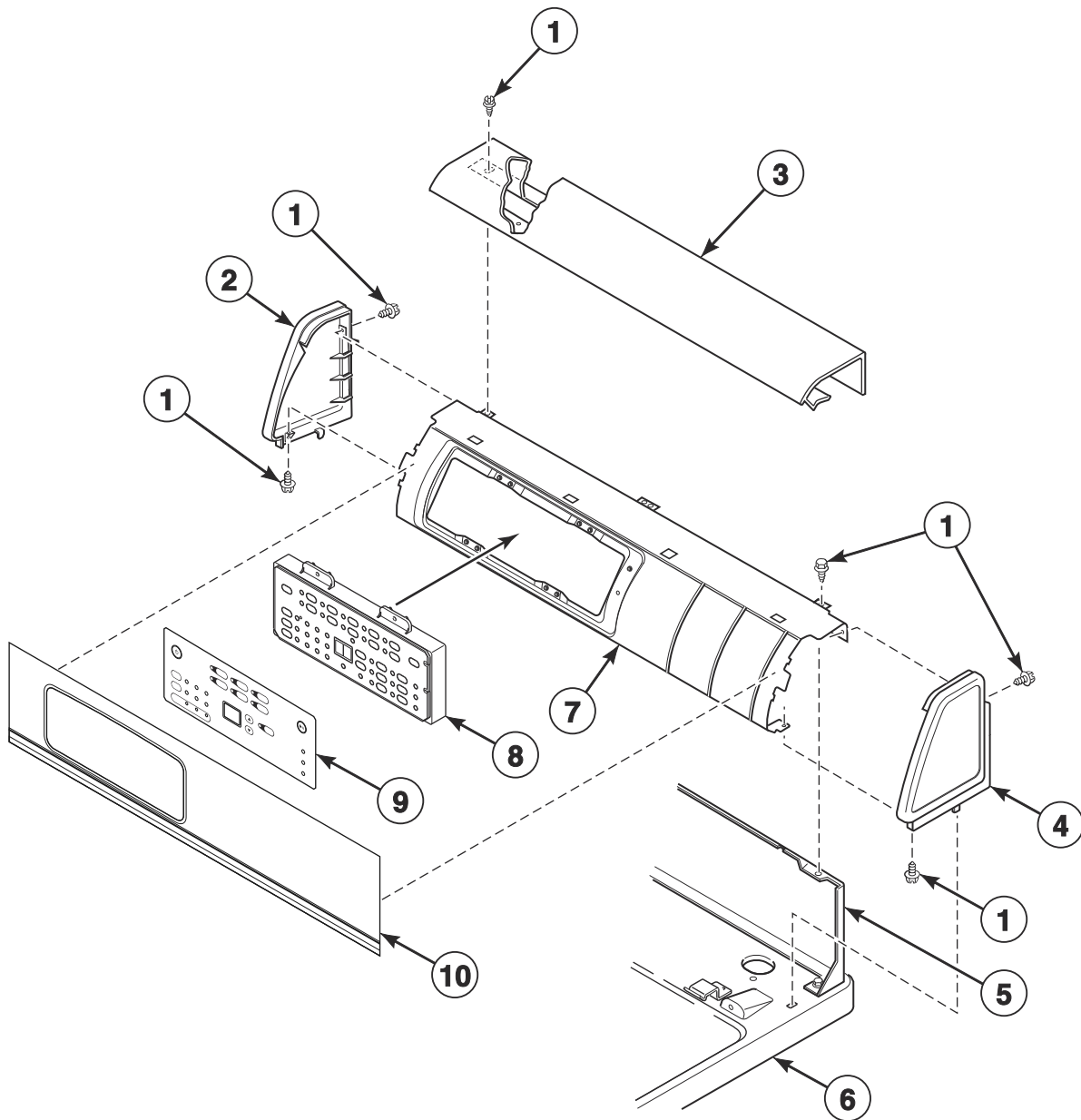
Information in this manual is applicable to these dryer models:

FDEE5BGS543MW01  
FDEE7BGS173MW01  
FDGE5BGS113MW01  
FDLE5BGS123MW01  
LDEE5BGS173TW01  
LDEE5BGS543MW01  
LDEE5FGS173TW01  
LDEE5RGS173TW01  
LDEE7RGS173TW01  
LDGE5BGS113TW01  
LDGE5FGS113TW01  
LDGE7RGS113TW01

LDLE5BGS123MW01  
LDLE5BGS303LW01  
LDLE5BGS303NW26  
LDLE7RGS303NW26  
LSEE5AGS173TW01  
LSEE5AGW173TW01  
LSGE5AGS113TW01  
LSGE5AGW113TW01  
LSLE5AGS303NW22  
LSLE5AGS303NW35  
LSLE5AGW543ZW01

UDEE5BGS173CW01  
UDGE5BGS113TW01  
YDEE5BGS173CW01  
YDEE7RGS173CW01  
YDEE7RGS173TW01  
YDGE5BGS113CW01  
YDGE7RGS113CW01  
YSEE5AGS173TW01  
YSGE5AGS113TW01

# Control Panel and Controls - Rear Control

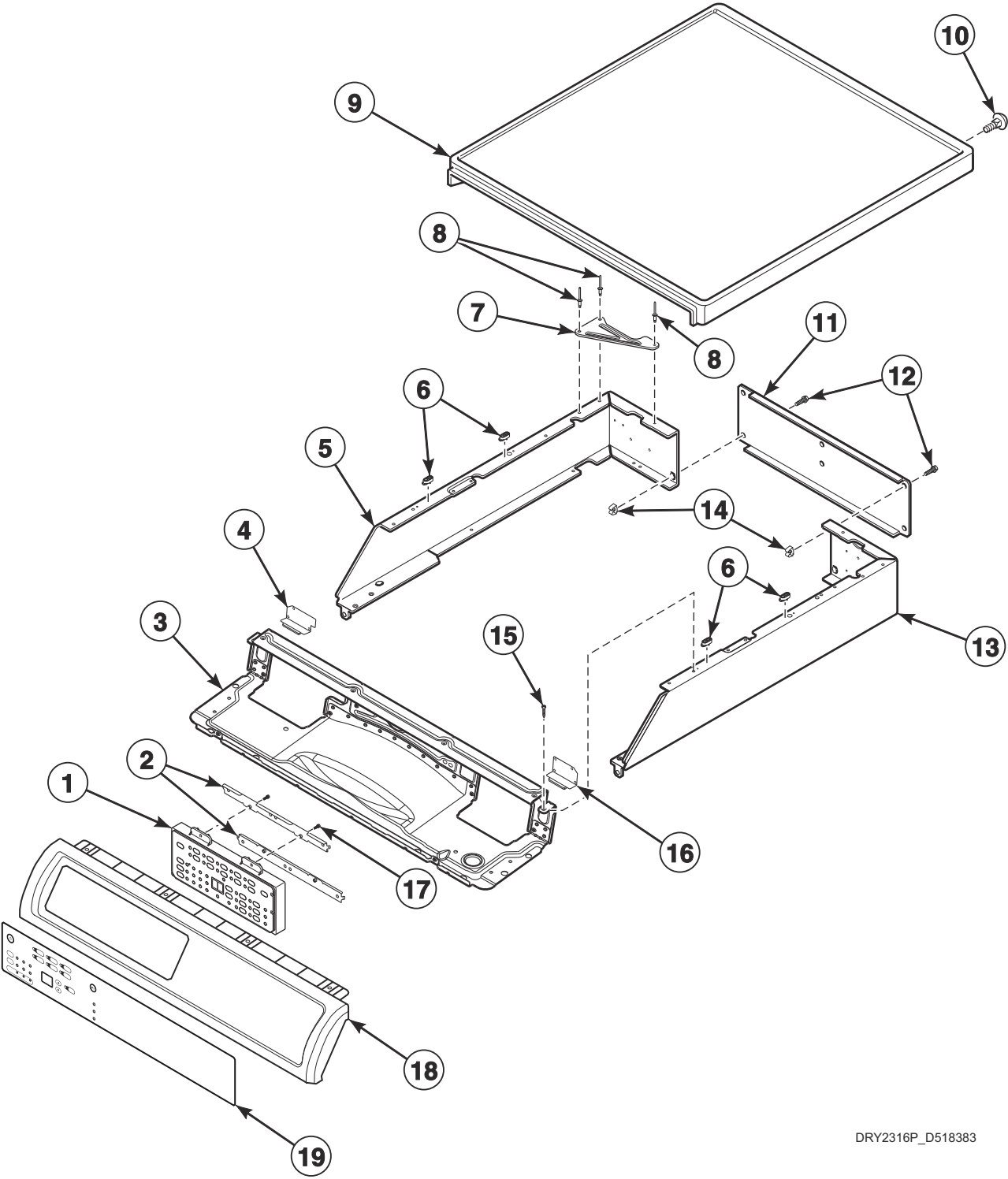


DRY2323P\_D518383

## Control Panel and Controls - Rear Control

REF	PART NO.	DESCRIPTION	COMMENTS
1	D501086	Screw	
2	D504009WP	End Panel	Left
3	D505808W	Top Cover	
4	D504008WP	End Panel	Right
5	804169	Hood Back Panel	
6	D510029WP	Top Panel Kit	
7	804836	Control Support Panel	
8	D517584	Control Assembly	Includes item 9; Model LDEE5RGS173TW01
	D517582	Control Assembly	Includes item 9; All other models
9	D514191	Control Overlay	Models LDLE7RGS303NW26, YDEE7RGS173CW01 and YDGE7RGS113CW01
	D514189	Control Overlay	Models LDEE7RGS173TW01, LDGE7RGS113TW01 and YDEE7RGS173TW01
	D514188	Control Overlay	Model LDEE5RGS173TW01
10	805448	Graphic Panel	Models YDEE7RGS173CW01, YDEE7RGS173TW01 and YDGE7RGS113CW01
	805406	Graphic Panel	Models LDEE7RGS173TW01, LDGE7RGS113TW01 and LDLE7RGS303NW26

# Control Panel and Controls - Front Control



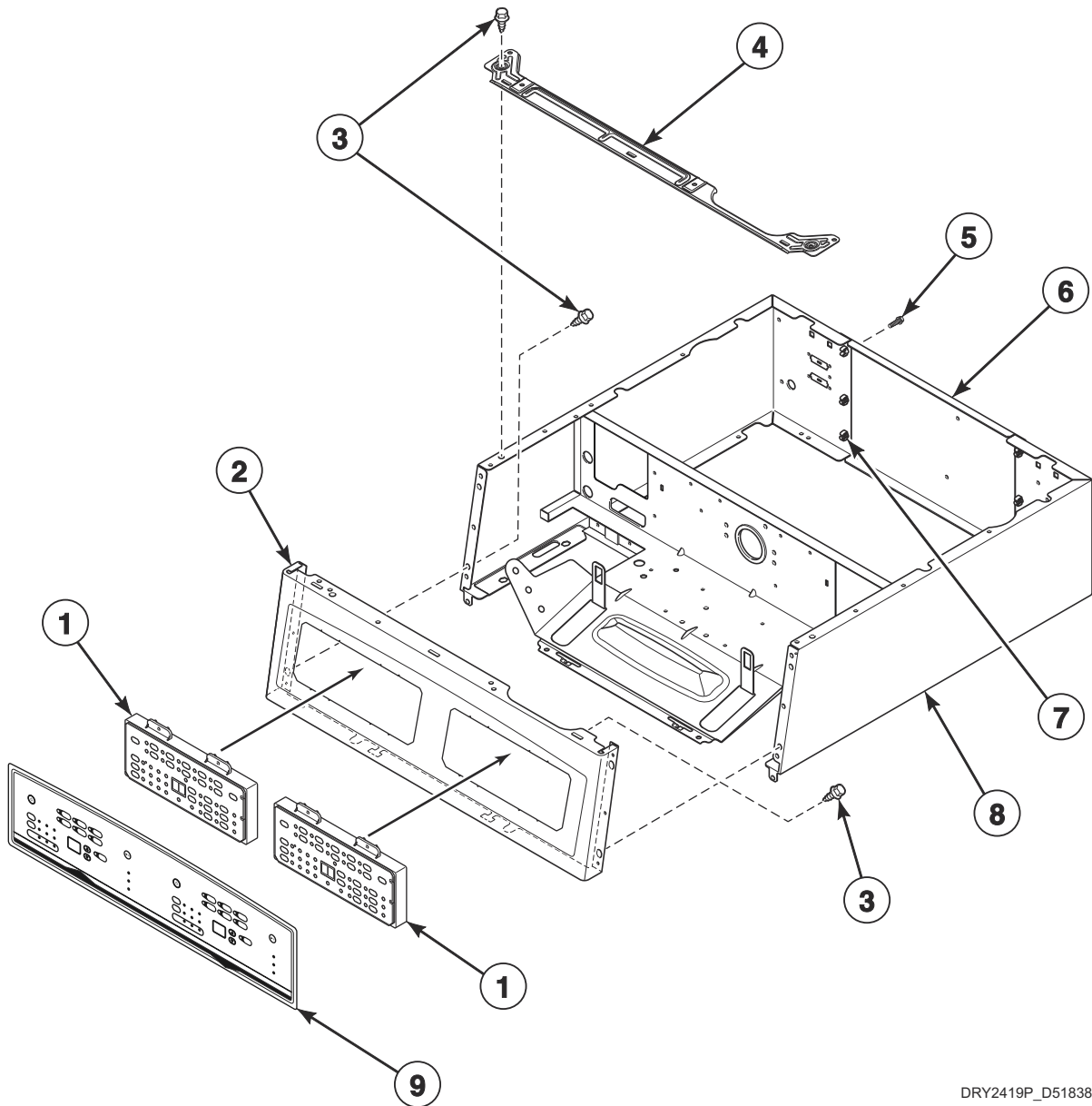
DRY2316P\_D518383



## Control Panel and Controls - Front Control

REF	PART NO.	DESCRIPTION	COMMENTS
	804859	Rear Control Cabinet	Models LDEE5FGS173TW01 and LDGE5FGS113TW01
1	D517582	Control Assembly	Model FDEE7BGS173MW01
	D517584	Control Assembly	All other models
2	804611	Control Bracket	2 required
3	804613	Top Panel Brace Assembly	
4	804741	Control Access Panel	Left; Models FDEE7BGS173MW01, LDEE5BGS173TW01, LDEE5FGS173TW01, UDEE5BGS173CW01 and YDEE5BGS173CW01
5	804627W	Control Wrapper	Left
	800900WP	Left Control Cabinet Side	Models LDEE5FGS173TW01 and LDGE5FGS113TW01
6	803761	Top Panel Guide	4 required; Use 39733 Screw to attach
7	805345	Rear Wrapper Brace	
8	685847	Pop Rivet	
9	804685WP	Top Panel	White
10	D503661	Screw	2 required
11	804614	Rear Access Panel	
12	70240301	Screw	4 required
13	804630W	Control Wrapper	Right
	800915W	Right Control Cabinet Side	Models LDEE5FGS173TW01 and LDGE5FGS113TW01
14	70030501	Expansion Clip	
15	D503688	Screw	
16	804793	Control Access Panel	Right; Models FDEE7BGS173MW01, LDEE5BGS173TW01, LDEE5FGS173TW01, UDEE5BGS173CW01 and YDEE5BGS173CW01
17	804608	Screw	
18	804960	Control Panel Assembly	Models FDEE5BGS543MW01, FDLE5BGS123MW01, LDEE5BGS543MW01, LDLE5BGS123MW01, LDLE5BGS303LW01 and LDLE5BGS303NW26
	807887	Control Panel	Models LDEE5FGS173TW01 and LDGE5FGS113TW01
	804659W	Control Panel Assembly	Use 804667 Screw to attach; All other models
19	D514482	Control Overlay	Models FDGE5BGS113MW01, LDLE5BGS303NW26, UDEE5BGS173CW01, YDEE5BGS173CW01 and YDGE5BGS113CW01
	D518712	Control Overlay	Models FDEE5BGS543MW01 and FDLE5BGS123MW01
	D514482	Control Overlay	Models LDEE5BGS543MW01 and LDLE5BGS123MW01
	D514925	Control Overlay	Models LDEE5BGS173TW01, LDGE5BGS113TW01, LDLE5BGS303LW01 and UDGE5BGS113TW01
	D518270	Control Overlay	Models LDEE5FGS173TW01 and LDGE5FGS113TW01
	D517780	Control Overlay	Model FDEE7BGS173MW01

# Control Panel and Controls - Stacked Models



DRY2419P\_D518383

## Control Panel and Controls - Stacked Models

REF	PART NO.	DESCRIPTION	COMMENTS
1	D517584	Control Assembly	
2	803960W	Control Panel	
3	D503688	Screw	
4	804018	Shield Bracket	
5	70240301	Screw	
6	807646	Rear Access Panel	
7	70030501	Expansion Clip	
8	804112W	Wrapper Assembly	
9	D514889	Control Overlay	

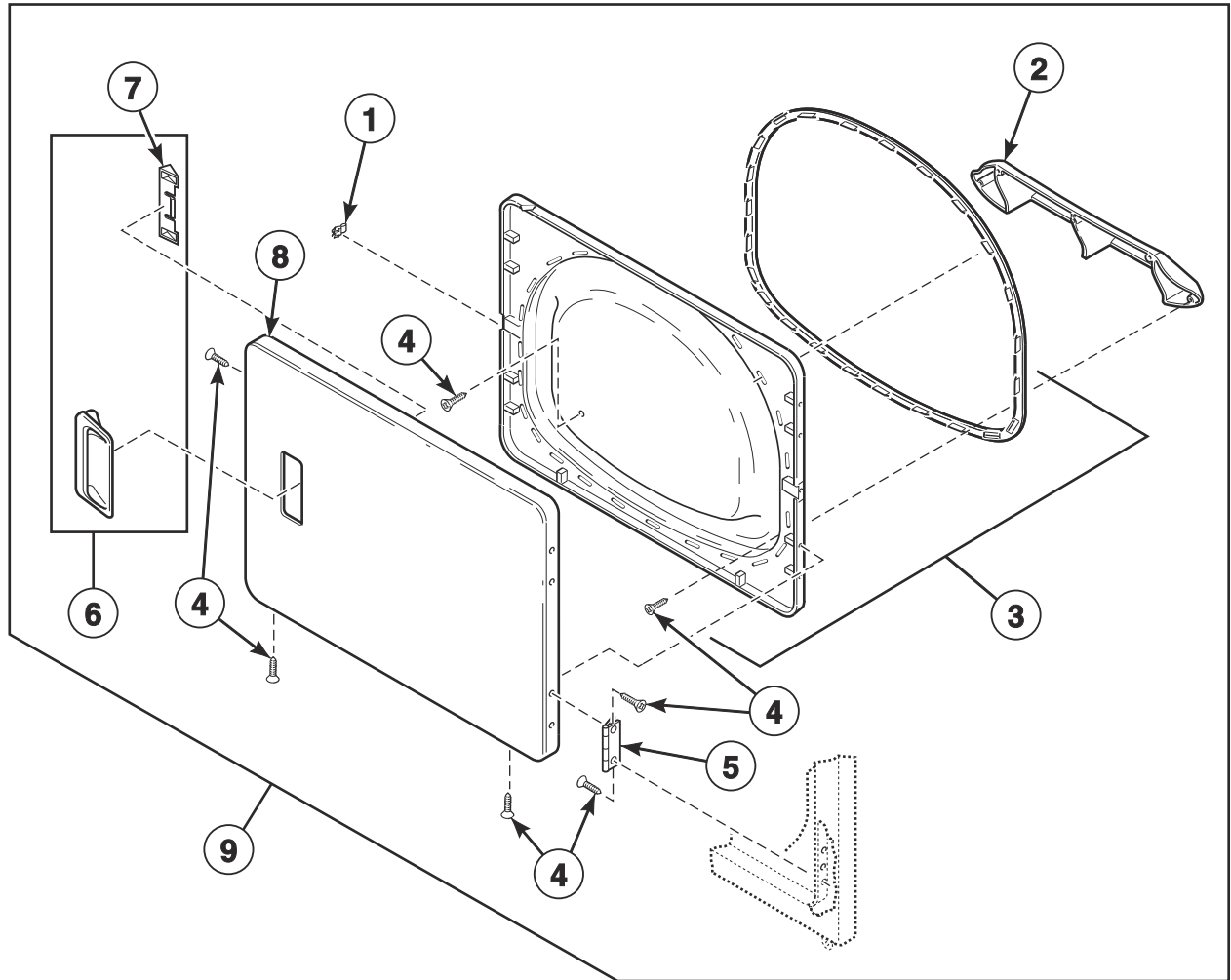


## Loading Door - With Window

REF	PART NO.	DESCRIPTION	COMMENTS
1	D515961W	Dryer Door	
2	D510129W	Door Handle Wedge	
3	D515681	Dryer Door Window	
4	D510181	Door Strike	
5	D515967	Screw	
6	D503870W	Door Liner Grill	Models LSGE5AGW113TW01 and LSLE5AGW543ZW01
	D503870LG	Door Liner Grill	All other models
7	D516509	Liner and Seal Assembly	Includes seal
8	D505870	Screw	
9	D500226	Screw	
10	D511036	Hinge	
11	D515956W	Window Trim	
12	D510103WP	Door Pull and Wedge Kit	White; Includes item 2
13	D516737W	Door Assembly	White; Includes items 1-12

# Loading Door - Without Window

All Models Except LSEE5AGW173TW01, LSGE5AGW113TW01 and  
LSLE5AGW543ZW01

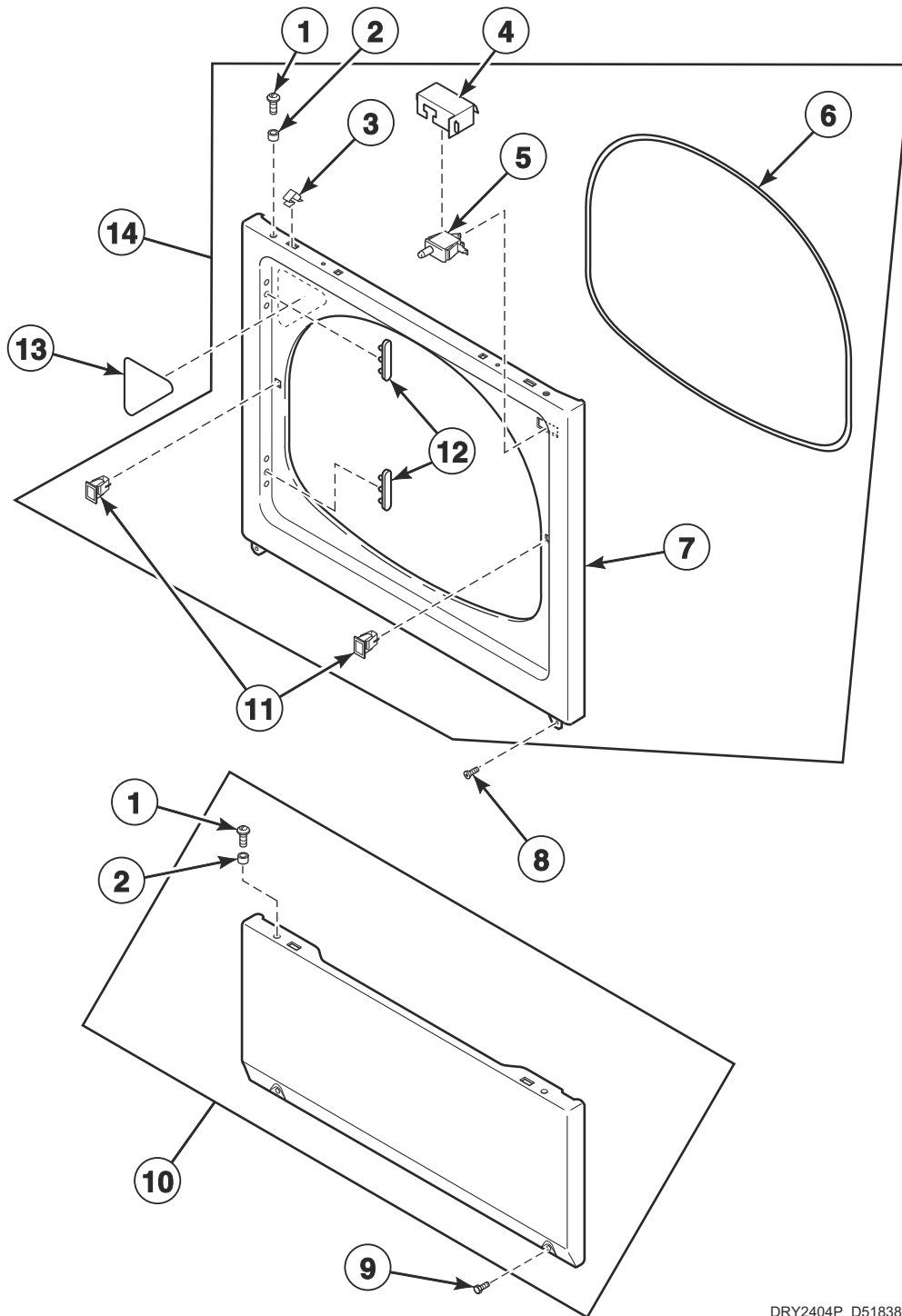


DRY2500P\_D518383

## Loading Door - Without Window

REF	PART NO.	DESCRIPTION	COMMENTS
1	D510181	Door Strike	
2	D503870W	Door Liner Grill	
3	D516508	Door Liner Assembly	Includes door seal
4	D500226	Screw	
5	D511036	Hinge	
6	D510103WP	Door Pull and Wedge Kit	White; Includes item 7
7	D510129W	Door Handle Wedge	
8	D510013WP	Dryer Door	White
9	D516510W	Door Assembly	Includes items 1-8

# Access Panel, Front Panel and Seal



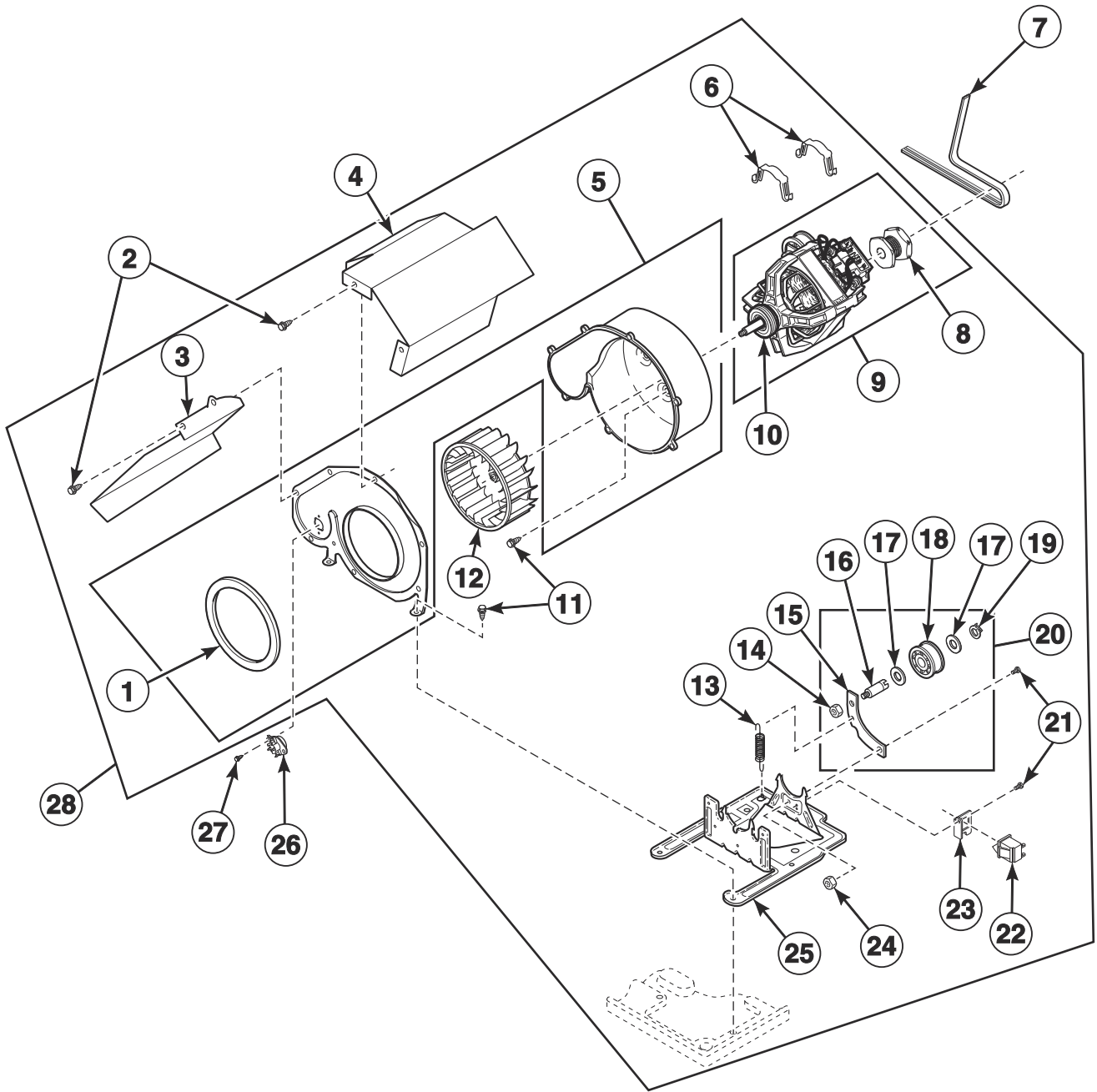
DRY2404P\_D518383



## Access Panel, Front Panel and Seal

REF	PART NO.	DESCRIPTION	COMMENTS
1	39733	Screw	
2	56079	Panel Locator	
3	28835	Speed Clip	
4	D514327	Drip Shield	Models FDEE5BGS543MW01, FDLE5BGS123MW01, LDEE5BGS543MW01, LDLE5BGS123MW01, LDLE5BGS303LW01, LDLE5BGS303NW26, LDLE7RGS303NW26 and LSLE5AGW543ZW01
5	D512973	Switch	
6	D511056	Front Panel Seal	
7	D510066WP	Front Panel	White
8	D503688	Screw	
9	33562	Screw	
10	D514250WP	Access Panel Assembly	White
11	D510177	Door Catch Assembly	
12	D510186	Hinge Hole Plug	
13	D516512	Warning/Caution Label	English
	D516513	Caution Label	French
	D516514	Warning Label	Spanish
	D516515	Warning/Caution Label	Portuguese/European
	D514867	Warning Label	
14	D513781WP	Front Panel Assembly	Models LSEE5AGW173TW01 and LSGE5AGW113TW01; Includes items 1-3, 5-7, 11, 12 and D516737W Door Assembly

# Motor, Exhaust Fan and Belt

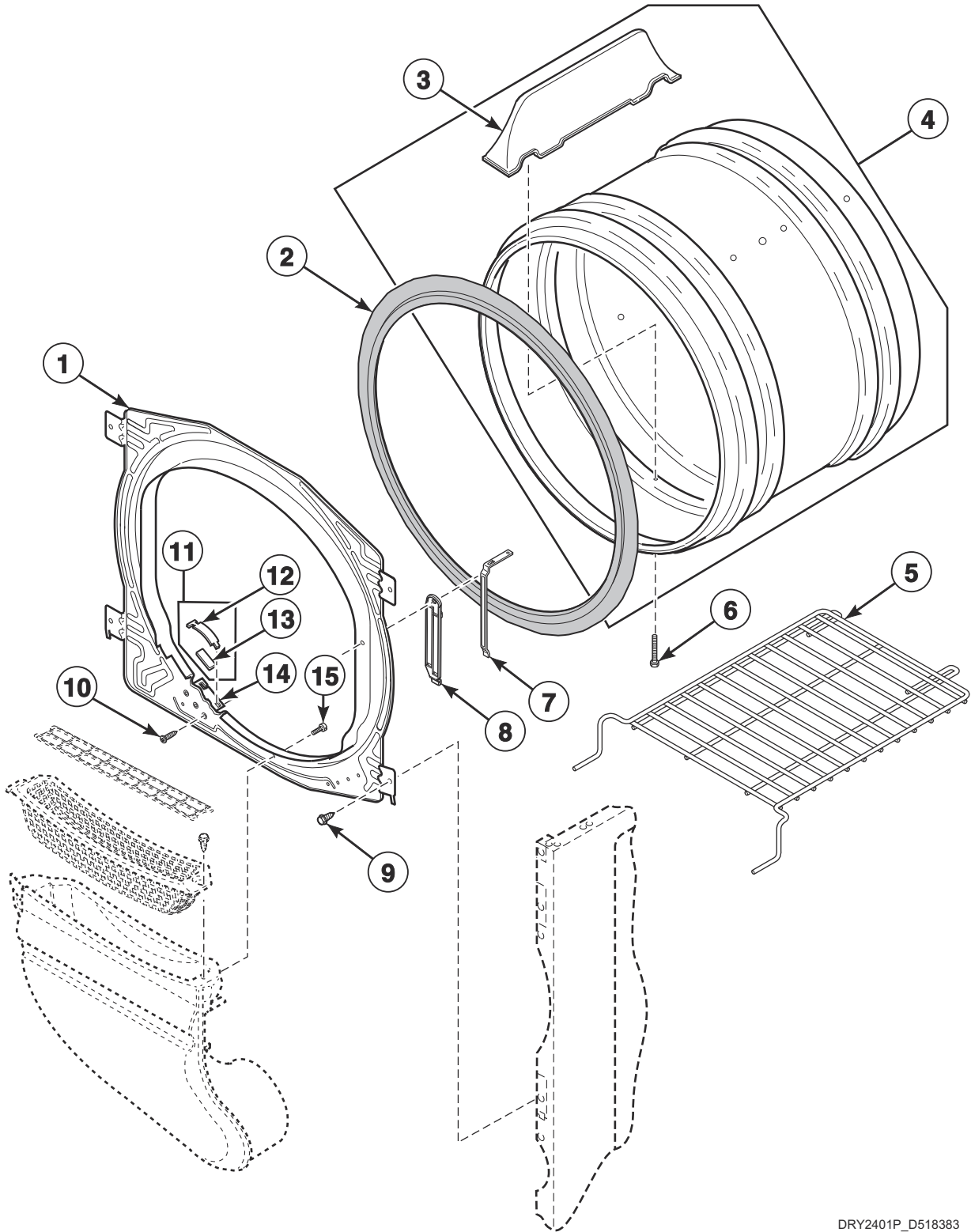


DRY2519P\_D518383

## Motor, Exhaust Fan and Belt

REF	PART NO.	DESCRIPTION	COMMENTS
	27604P	Anti-Seize Compound	
1	D510238P	Blower Housing Seal	
2	31260	Screw	
3	D514325	Thermostat Shield	Models LDLE5BGS303LW01, LDLE5BGS303NW26, LDLE7RGS303NW26 and LSLE5AGW543ZW01
4	D514602	Motor Shield	Models FDEE5BGS543MW01, FDLE5BGS123MW01, LDEE5BGS543MW01, LDLE5BGS123MW01, LDLE5BGS303LW01, LDLE5BGS303NW26, LDLE7RGS303NW26 and LSLE5AGW543ZW01
5	D511969WP	Blower Housing	Includes items 1 and 2
6	D510180	Motor Mount Clamp	
7	D511255P	Cylinder Belt	
8	D500011	Motor Pulley	60 Hertz
9	D505869P	Motor and Pulley Assembly	240 Volt/60 Hertz; Includes items 8 and 10; Models FDEE5BGS543MW01, LDEE5BGS543MW01 and LSLE5AGW543ZW01
	D505843P	Motor and Pulley Assembly	240 Volt/50 Hertz; Includes items 8 and 10; Models LDLE5BGS303LW01, LDLE5BGS303NW26, LDLE7RGS303NW26, LSLE5AGS303NW22 and LSLE5AGS303NW35
	D511629P	Motor and Pulley Assembly	120 Volt/60 Hertz; Includes items 8 and 10; All other models
10	590P3	Motor Hub Ring Kit	
11	D503688	Screw	
12	D510139P	Blower Fan Assembly	
13	D510185	Idler Spring	
14	56156	Nut	
15	D516310	Idler Lever	
16	56461P	Shaft	
17	52549	Washer	
18	D510142P	Idler Wheel and Bearing Assembly	
19	23748	Retaining Ring	
20	D516792	Idler Lever and Wheel Assembly	Includes items 14-19
21	D500824	Screw	
22	D516391	Switch	All models except LDLE5BGS303LW01, LDLE5BGS303NW26, LDLE7RGS303NW26, LSLE5AGS303NW22, LSLE5AGS303NW35 and LSLE5AGW543ZW01
23	D516311	Motor Switch Bracket	All models except LDLE5BGS303LW01, LDLE5BGS303NW26, LDLE7RGS303NW26, LSLE5AGS303NW22, LSLE5AGS303NW35 and LSLE5AGW543ZW01
24	52566	Nut	
25	D518517	Motor Mount	
26	D502366	Thermistor Assembly	Models LDLE5BGS303LW01, LDLE5BGS303NW26, LDLE7RGS303NW26, LSLE5AGS303NW22 and LSLE5AGS303NW35
	D510523	Thermistor Assembly	Black; All other models
27	D502535	Screw	
28	D510717P	Blower and Fan Kit	Includes items 1, 2, 5, 6 and 8-25

# Front Bulkhead and Cylinder



DRY2401P\_D518383

## Front Bulkhead and Cylinder

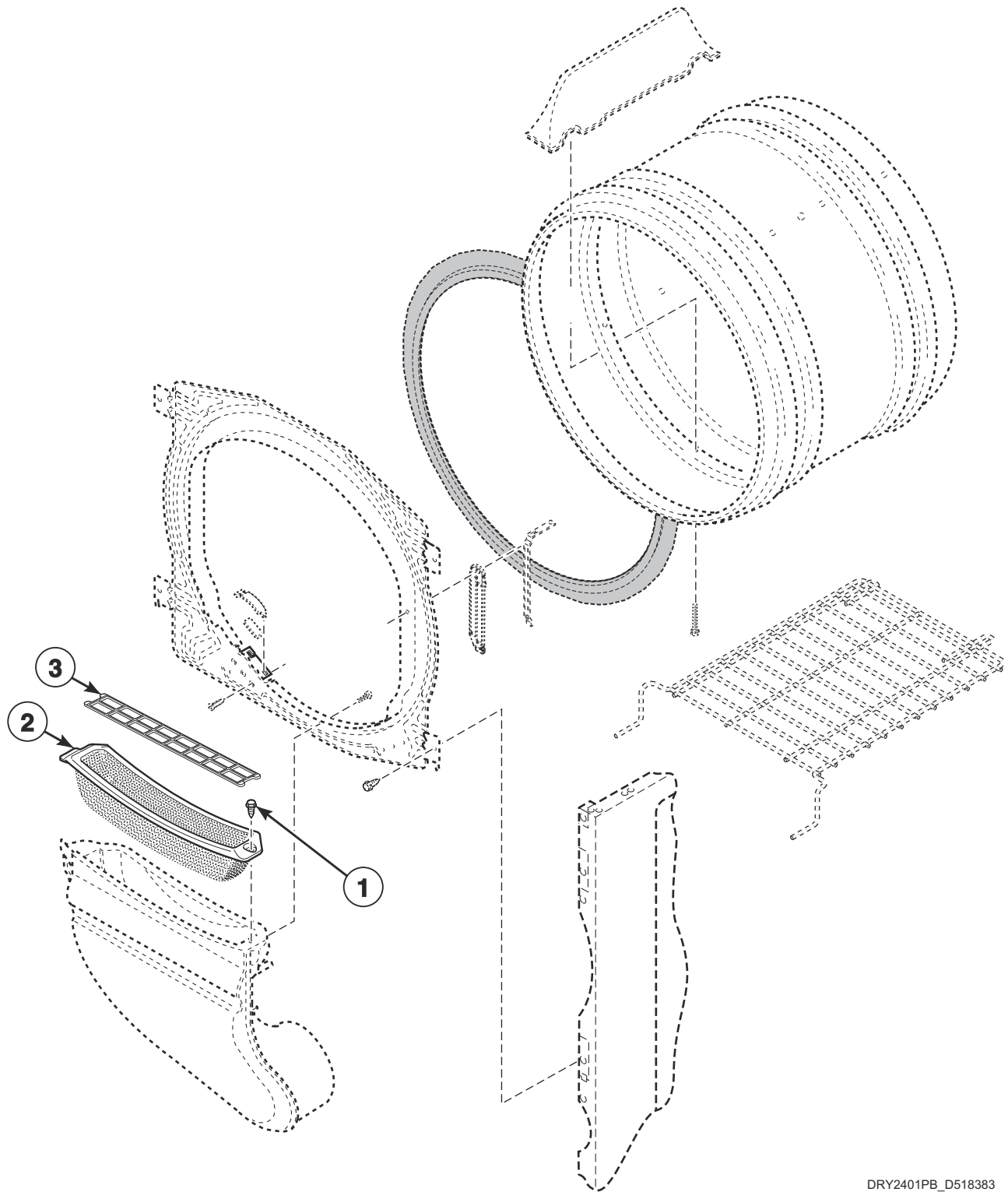
REF	PART NO.	DESCRIPTION	COMMENTS
1	D515532	Front Bulkhead Assembly	
2	D510207P	Cylinder Seal Assembly	
	D511637P	Adhesive	For cylinder seal
	RB170001	Seal Kit	Includes 2 cylinder seals, D510238P Blower Housing Seal and Adhesive
3	D510102W	Cylinder Baffle	3 required; White
4	D510265WP	Cylinder Assembly	Galvanized; Includes item 3; White baffles
5	D512082P	Drying Rack	
6	62588	Screw	
7	D513737	Bar Sensor	2 required
8	D513738	Moisture Sensor Base	
9	D503688	Screw	
10	52864	Screw	
11	RB170003	Glide Kit	Includes 2 of items 12 and 13
12	D513710	Cylinder Glide	2 required
13	D510189	Felt Pad	2 required
14	D510145	Cylinder Glide Bracket	2 required
15	D500226	Screw	



# Air Duct

REF	PART NO.	DESCRIPTION	COMMENTS
	F8211201	Electrical Shock Label	Icon
	F8615701	Pinch Warning Label	Icon
	44324001	Warning Label	English/French
1	D518433	Air Duct Assembly	Models FDEE7BGS173MW01, FDGE5BGS113MW01, LDEE5BGS173TW01, LDEE5FGS173TW01, LDEE5RGS173TW01, LDEE7RGS173TW01, LDGE5BGS113TW01, LDGE5FGS113TW01, LDGE7RGS113TW01, LDLE5BGS303LW01, LDLE5BGS303NW26, LDLE7RGS303NW26, LSEE5AGS173TW01, LSEE5AGW173TW01, LSGE5AGS113TW01, LSGE5AGW113TW01, LSLE5AGS303NW22, LSLE5AGS303NW35, LSLE5AGW543ZW01, UDEE5BGS173CW01, UDGE5BGS113TW01, YDEE7RGS173CW01, YDEE7RGS173TW01, YDGE5BGS113CW01, YDGE7RGS113CW01, YSEE5AGS173TW01 and YSGE5AGS113TW01
	D518431	Air Duct Assembly	Models FDEE5BGS543MW01, FDLE5BGS123MW01, LDEE5BGS543MW01 and LDLE5BGS123MW01

# Lint Filter



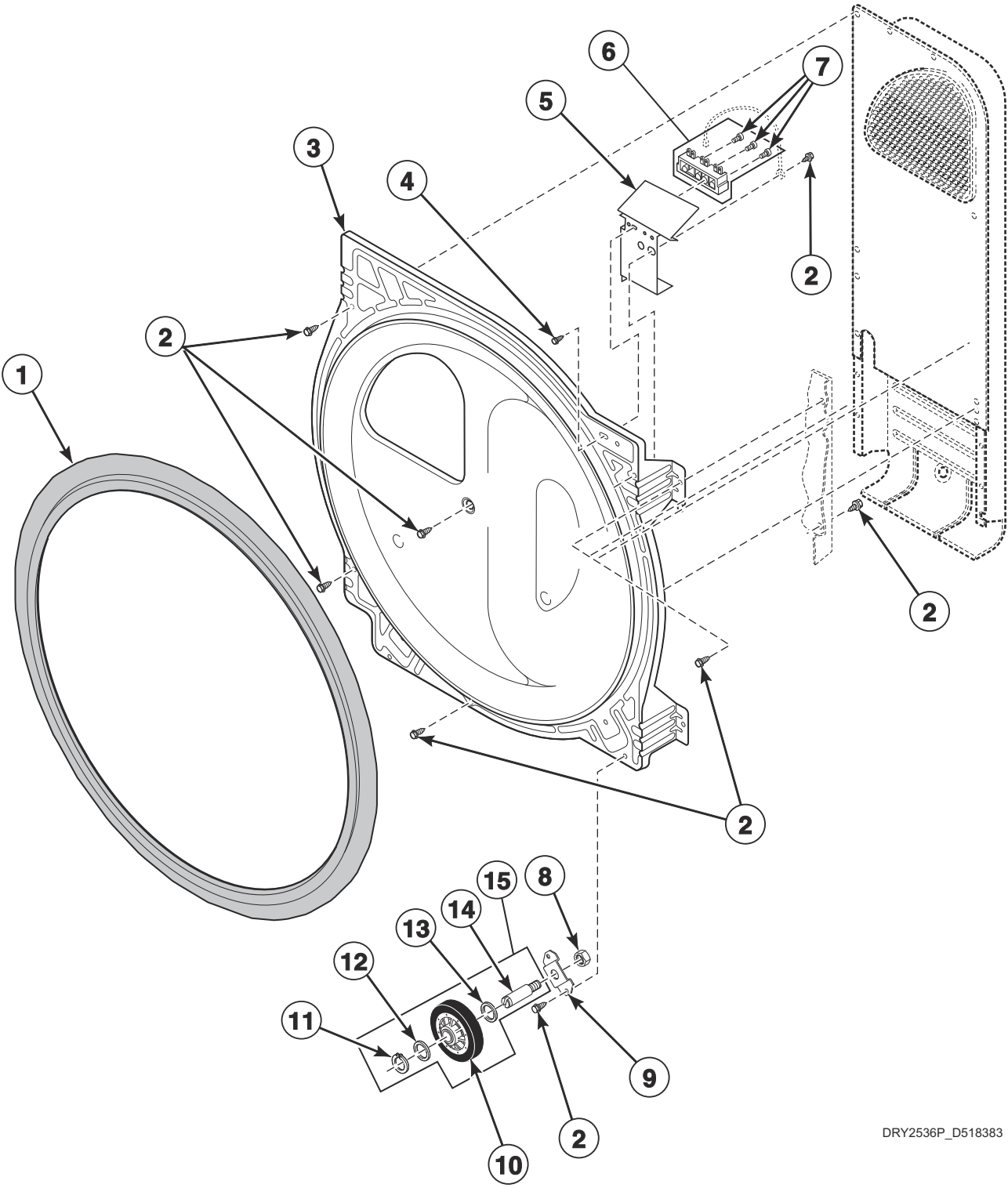
DRY2401PB\_D518383



# Lint Filter

REF	PART NO.	DESCRIPTION	COMMENTS
	F8211201	Electrical Shock Label	Icon
	F8615701	Pinch Warning Label	Icon
	44324001	Warning Label	English/French
<b>1</b>	D501285	Screw	
<b>2</b>	D503980W	Lint Filter	
<b>3</b>	D510502W	Lint Filter Cover	

# Rear Bulkhead, Felt Seal, Cylinder Roller and Terminal Block



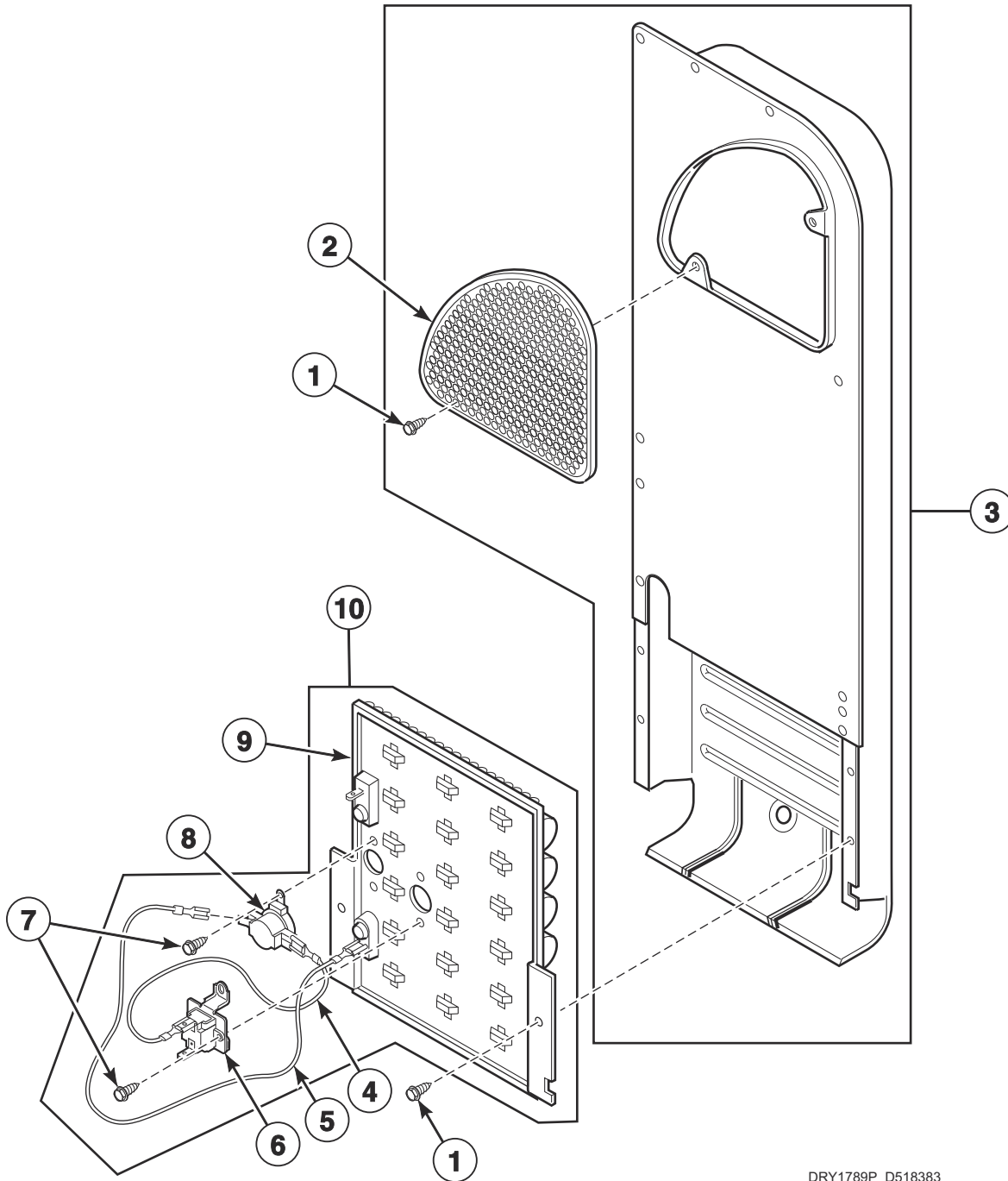
DRY2536P\_D518383

## Rear Bulkhead, Felt Seal, Cylinder Roller and Terminal Block

REF	PART NO.	DESCRIPTION	COMMENTS
1	D510207P	Cylinder Seal Assembly	
	D511637P	Adhesive	For cylinder seal
	RB170001	Seal Kit	Includes 2 cylinder seals, D510238P Blower Housing Seal and Adhesive
2	D503688	Screw	
3	D511082P	Rear Bulkhead Assembly	Galvanized; Includes item 1
4	44023301	Screw	Electric models
5	D517715	Terminal Block Shield	Models FDEE5BGS543MW01, LDEE5BGS543MW01 and LSLE5AGS303NW22
6	D510190P	Terminal Block Assembly	Includes 3 of item 7; Electric models
7	61199	Screw	
8	56156	Nut	
9	D510100	Cylinder Roller Bracket	
10	D510708P	Cylinder Roller	2 required; One per side
11	23748	Retaining Ring	
12	52549	Washer	
13	D504082	Washer	
14	56461P	Shaft	
15	RB170002	Roller Kit	Includes items 10-14

# Heater Duct and Element Assembly

Electric Models



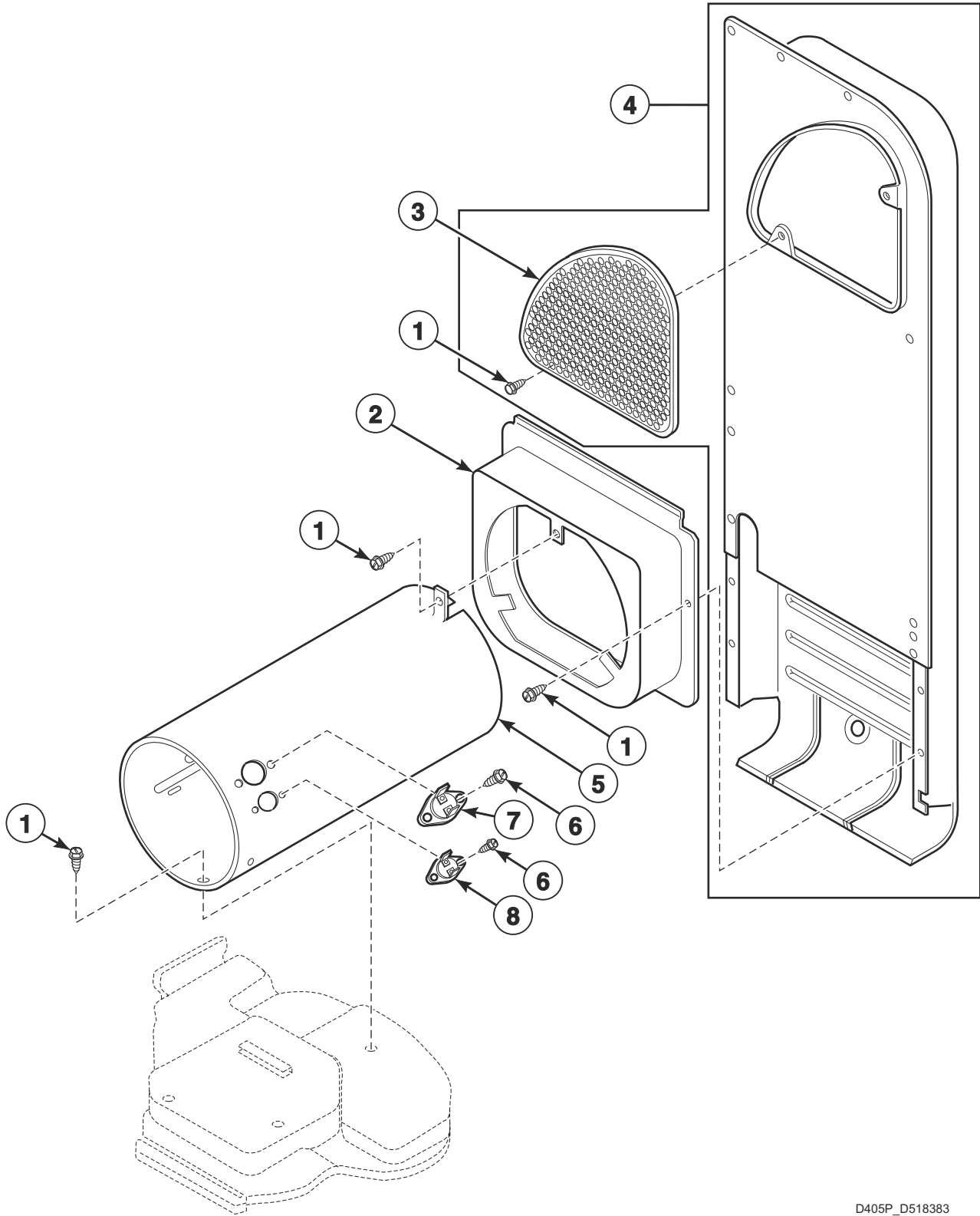
DRY1789P\_D518383

## Heater Duct and Element Assembly

REF	PART NO.	DESCRIPTION	COMMENTS
1	D503688	Screw	2 required
2	D500820	Outlet Cover	
	D518524	Outlet Cover	Black
3	D510025P	Heater Duct Assembly	Includes items 1 and 2
4	D518256	Wire Assembly	Orange; Thermostat jumper; Attaches to heater assembly
5	D518255	Wire Assembly	Black; Fuse jumper; Attaches to heater assembly
6	D518542	Thermal Fuse Assembly	
7	23222	Screw	
8	D510701	Limit Thermostat	
9	D510324P	Heater Assembly	5 kW; 240 Volt; Models UDEE5BGS173CW01, YDEE5BGS173CW01 and YDEE7RGS173CW01
	D510329P	Heater Assembly	5.35 kW; 240 Volt; All other models
10	61928	Heater Kit Assembly	4.75 kW; 208 Volt; Optional; Includes items 4-9
	61927	Heater Kit Assembly	5 kW; 240 Volt; Includes items 4-9
	965P3	Heater Kit	4.25 kW; 208 Volt; Optional; Includes items 4-9
	964P3	Heater Kit	5.35 kW; 240 Volt; Includes items 4-9

# Heater Duct Assembly

Gas Models



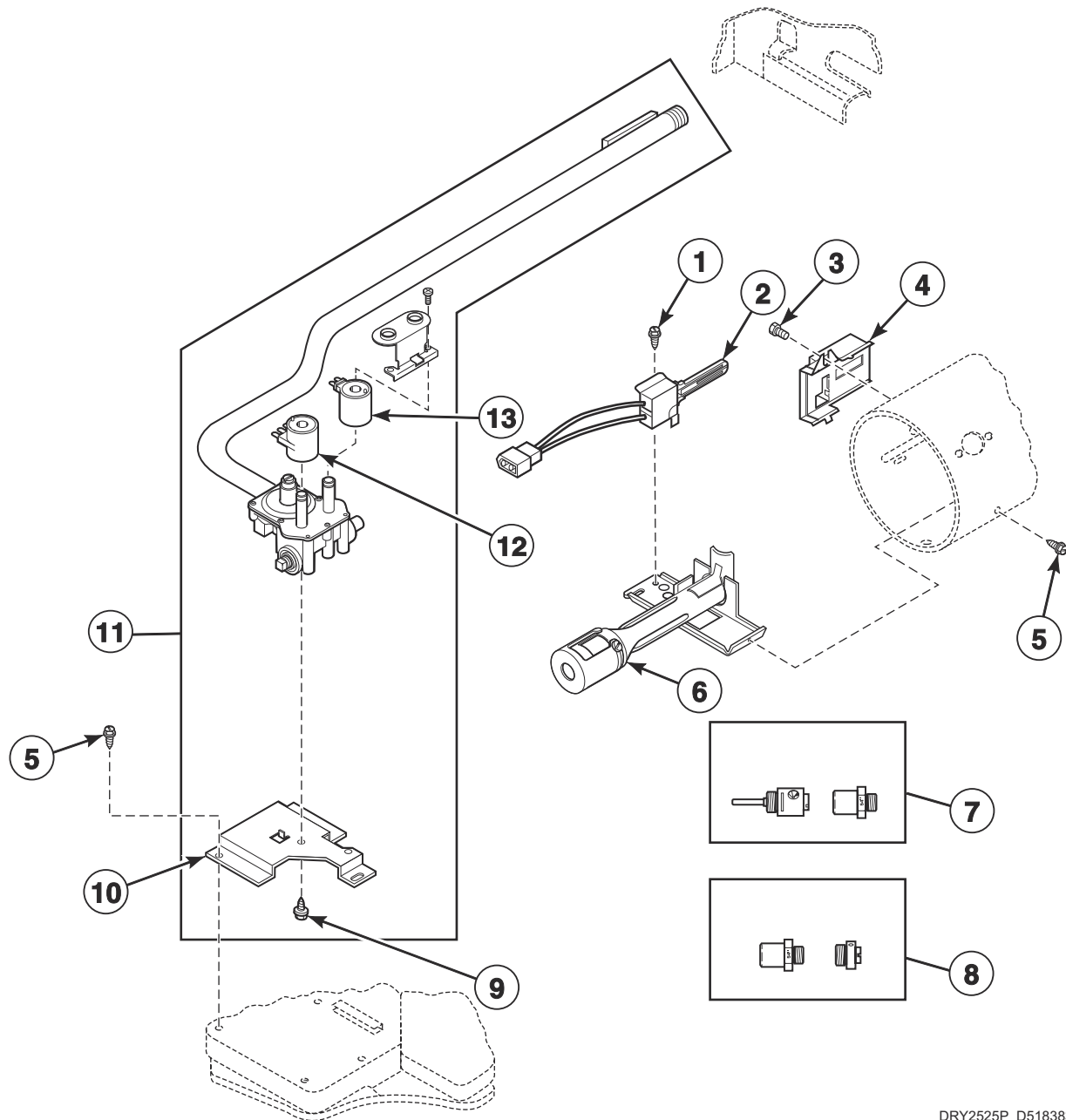
D405P\_D518383

# Heater Duct Assembly

REF	PART NO.	DESCRIPTION	COMMENTS
1	D503688	Screw	2 required
2	D510101	Heat Duct Shroud	
3	D500820	Outlet Cover	
	D518524	Outlet Cover	Black
4	D510025P	Heater Duct Assembly	Includes items 1 and 3
5	D510132	Combustion Duct	Models LDLE5BGS303LW01, LDLE5BGS303NW26, LDLE7RGS303NW26, LSLE5AGS303NW22, LSLE5AGS303NW35 and LSLE5AGW543ZW01
	D510131	Combustion Duct	All other models
6	51782	Screw	
7	D510702	Limit Thermostat	Black; Auto reset
8	D510703	Thermostat	Manual reset; Models LDLE5BGS303LW01, LDLE5BGS303NW26, LDLE7RGS303NW26, LSLE5AGS303NW22, LSLE5AGS303NW35 and LSLE5AGW543ZW01

# Gas Valve, Igniter and Gas Conversion Kits

Gas Models



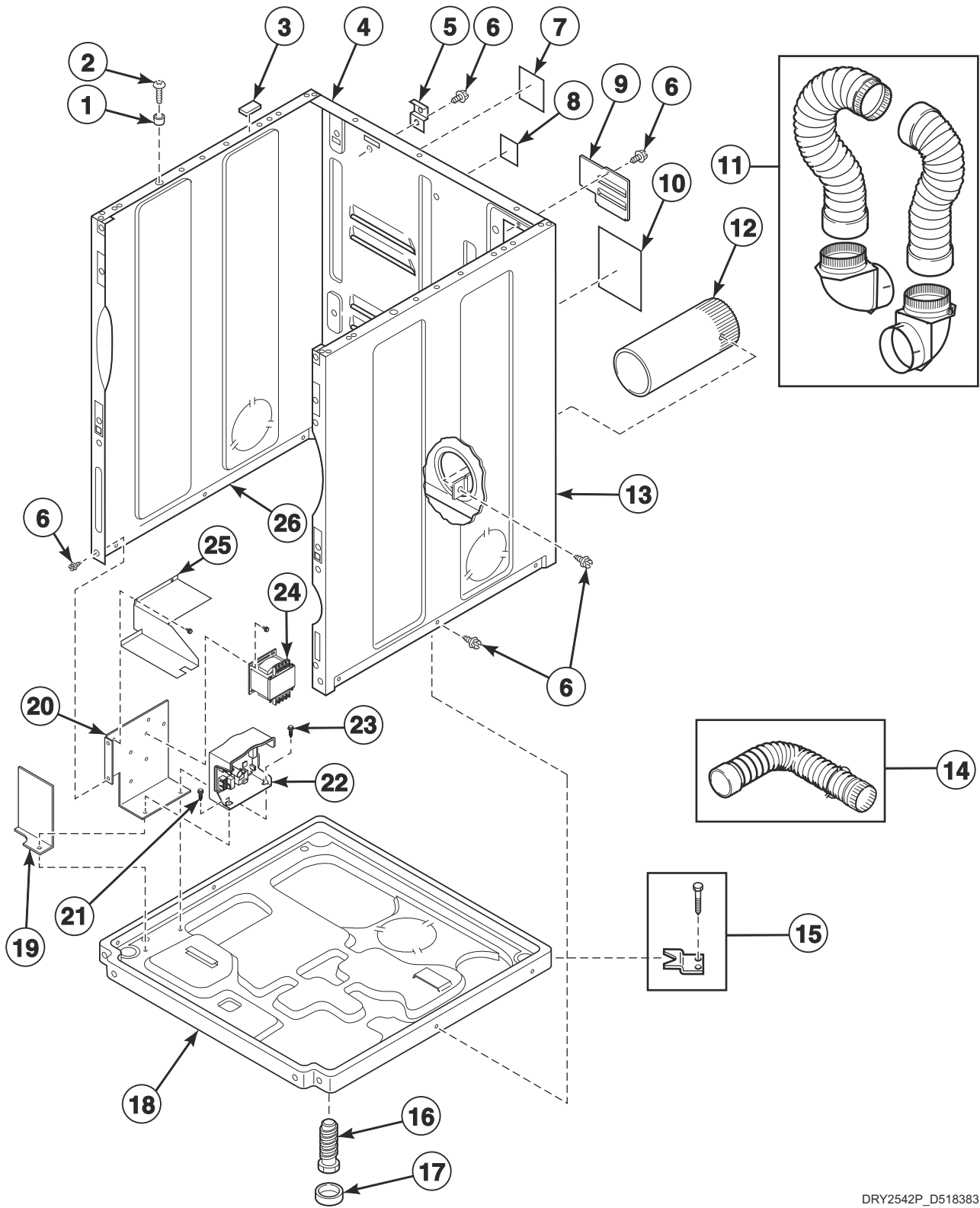
DRY2525P\_D518383



## Gas Valve, Igniter and Gas Conversion Kits

REF	PART NO.	DESCRIPTION	COMMENTS
1	51782	Screw	
2	D510184P	Igniter and Bracket Assembly	
3	23222	Screw	
4	D510213	Sensor	
5	D503688	Screw	
6	D510149P	Burner Assembly	
7	649P3	L.P. Conversion Kit	Used to convert dryers from Natural Gas (N.G.) or Mixed Gas to Liquid Petroleum Gas (L.P.); 22,500 Btu
8	650P3	N.G. Conversion Kit	Used to convert dryers from L.P. to N.G. or Mixed Gas; 22,500 Btu
9	56124	Screw	
10	D510128	Gas Valve Mounting Bracket	
11	D517612	Gas Valve, Bracket and Pipe Assembly	60 Hertz; 22,500 BTU; L.P.; Includes items 9, 10, 12 and 13; Model LSLE5AGW543ZW01
	D517611	Gas Valve, Bracket and Pipe Assembly	50 Hertz; 20,000 BTU; L.P.; Includes items 9, 10, 12 and 13; Models LDLE5BGS303LW01, LDLE5BGS303NW26, LDLE7RGS303NW26, LSLE5AGS303NW22 and LSLE5AGS303NW35
	D517609	Gas Valve, Bracket and Pipe Assembly	60 Hertz; 22,500 BTU; N.G.; Includes items 9, 10, 12 and 13; All other models
12	58804A	Booster and Holding Coil	
13	58804B	Secondary Coil	

# Cabinet, Exhaust Duct and Base - Single Dryers

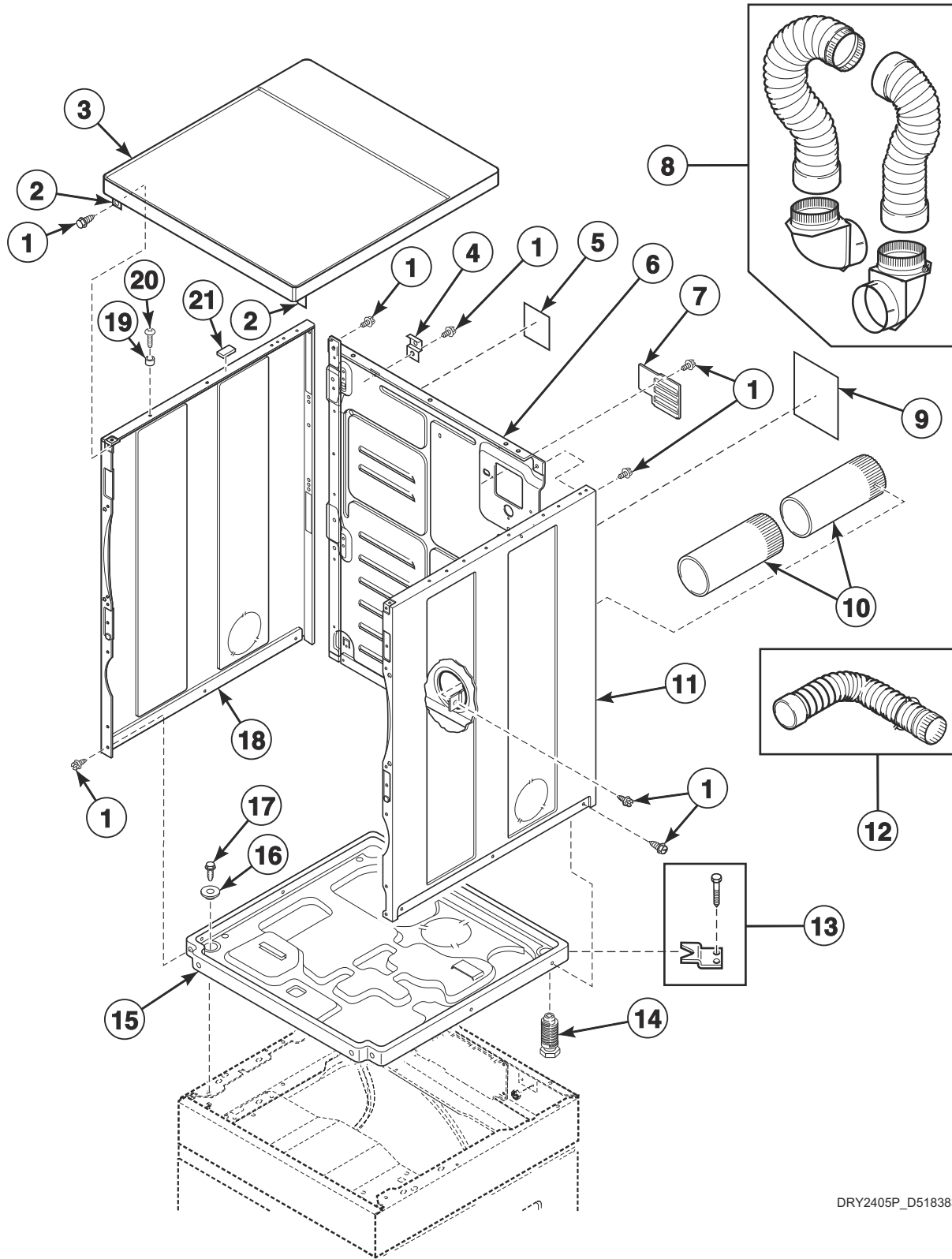


DRY2542P\_D518383

## Cabinet, Exhaust Duct and Base - Single Dryers

REF	PART NO.	DESCRIPTION	COMMENTS
	122P4P	Porcelain Touch-Up Paint	White
1	56079	Panel Locator	
2	39733	Screw	
3	56128	Bumper Pad	
4	D517566	Cabinet Rear Panel	
5	D510136	Top Hinge	
6	D503688	Screw	
7	D511004	Gas Clearance Label	Gas models
8	807561	Warning Label	
9	D514356	Access Cover Plate	Models FDEE5BGS543MW01, LDEE5BGS543MW01, LDLE5BGS303LW01, LDLE5BGS303NW26 and LDLE7RGS303NW26
	D510903	Access Panel Plate	All other models
10	D505984	Clearance Warning Label	Models FDEE7BGS173MW01, UDEE5BGS173CW01, YDEE5BGS173CW01 and YDEE7RGS173CW01
	D511005	Electric Clearance Label	Models FDEE7BGS173MW01, LDEE5BGS173TW01, LDEE5FGS173TW01, LDEE7RGS173TW01, LDLE5BGS303NW26 and YDEE7RGS173TW01
11	521P3	Flexible Venting Kit	
12	D516196	Exhaust Duct	
13	D510002WP	Cabinet Side Panel	White; Right
14	528P3	Directional Exhaust Kit	Used to vent dryer out the sides or bottom
15	526P3	Hold Down Kit	For mobile home installations
16	D510135	Leveling Leg	
17	D501855	Rubber Foot	
18	D514245	Dryer Base	
19	D514420	Output Board Shield	Models FDEE5BGS543MW01, FDLE5BGS123MW01, LDEE5BGS543MW01, LDLE5BGS123MW01, LDLE5BGS303LW01, LDLE5BGS303NW26 and LDLE7RGS303NW26
20	D511859	Contacto Bracket	Models LDLE5BGS303LW01 and LDLE7RGS303NW26
21	D514428	Screw	
22	D517319	Output Control Assembly	Models FDEE5BGS543MW01, FDLE5BGS123MW01, LDEE5BGS543MW01, LDLE5BGS123MW01, LDLE5BGS303NW26 and LDLE7RGS303NW26
	D517191P	Output Control Assembly	All other models
23	804667	Screw	
24	D518062	Bracket Assembly	Models LDLE5BGS303LW01, LDLE5BGS303NW26 and LDLE7RGS303NW26
25	D514334	Transformer Shield	Models LDLE5BGS303LW01, LDLE5BGS303NW26 and LDLE7RGS303NW26
26	D510001WP	Cabinet Side Panel	White; Left

# Cabinet, Exhaust Duct and Base - Stacked Dryers (Drawing 1 of 2)

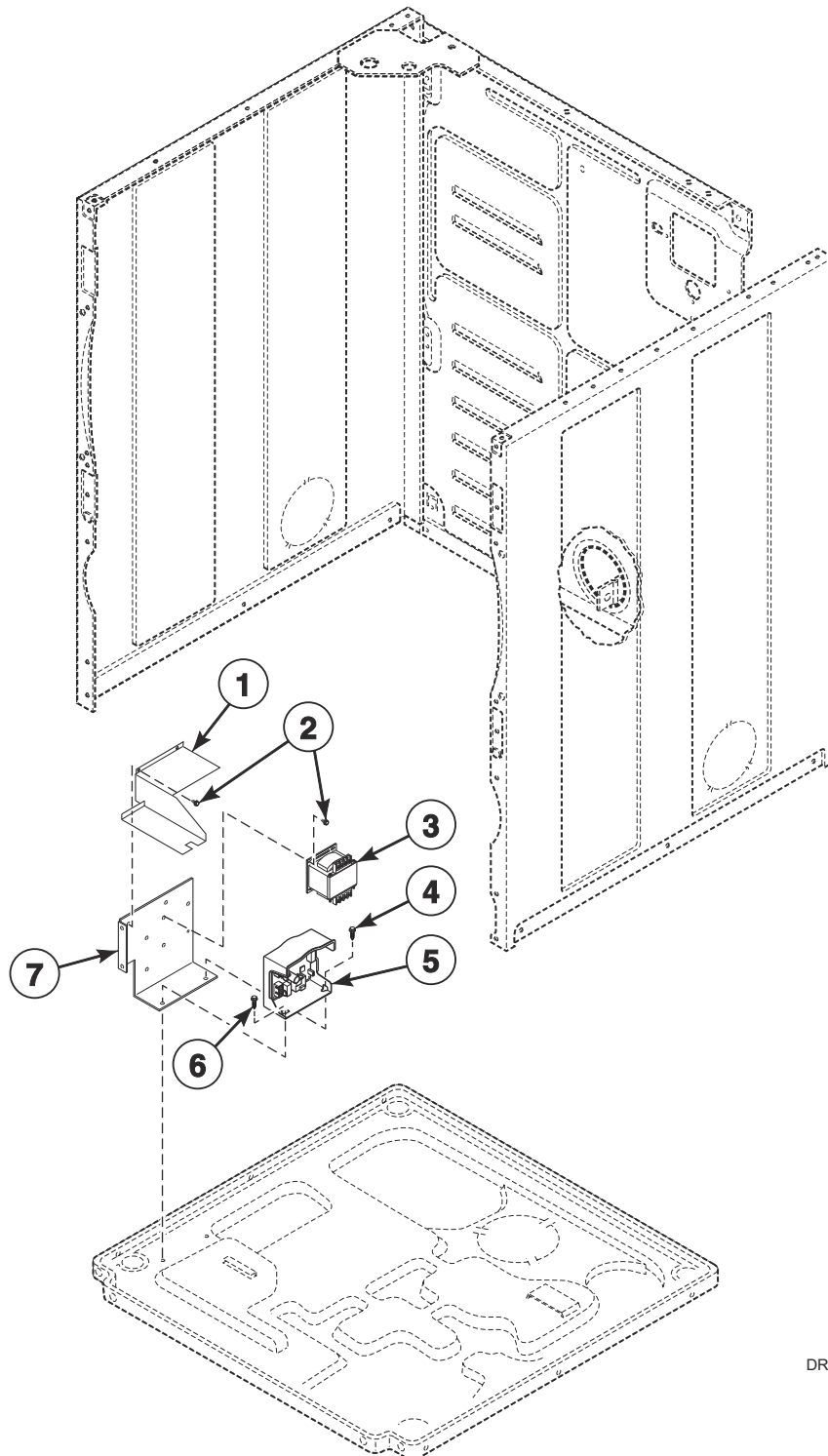


DRY2405P\_D518383

## Cabinet, Exhaust Duct and Base - Stacked Dryers (Drawing 1 of 2)

REF	PART NO.	DESCRIPTION	COMMENTS
	122P4P	Porcelain Touch-Up Paint	White
	807561	Warning Label	White
1	D503688	Screw	
2	D510146	Bracket	
3	D510032WP	Top Kit	White
4	D510136	Top Hinge	
5	D511004	Gas Clearance Label	Models LSGE5AGS113TW01, LSGE5AGW113TW01 and YSGE5AGS113TW01
6	D517566	Cabinet Rear Panel	
7	D510903	Access Panel Plate	
	807646	Rear Access Panel	Models LSEE5AGS173TW01, LSEE5AGW173TW01, LSGE5AGS113TW01, LSGE5AGW113TW01 and LSLE5AGS303NW22
8	521P3	Flexible Venting Kit	
9	D511005	Electric Clearance Label	Models LSEE5AGS173TW01, LSEE5AGW173TW01 and YSEE5AGS173TW01
	F8211201	Electrical Shock Label	Model LSLE5AGW543ZW01
10	D516196	Exhaust Duct	
11	D510002WP	Cabinet Side Panel	White; Right
12	528P3	Directional Exhaust Kit	Used to vent dryer out the sides
13	526P3	Hold Down Kit	For mobile home installations
14	D510135	Leveling Leg	
15	D514245	Dryer Base	
16	26509	Washer	
17	36048	Screw	
18	D510001WP	Cabinet Side Panel	White; Left
19	56079	Panel Locator	
20	39733	Screw	
21	56128	Bumper Pad	

# Cabinet, Exhaust Duct and Base - Stacked Dryers (Drawing 2 of 2)



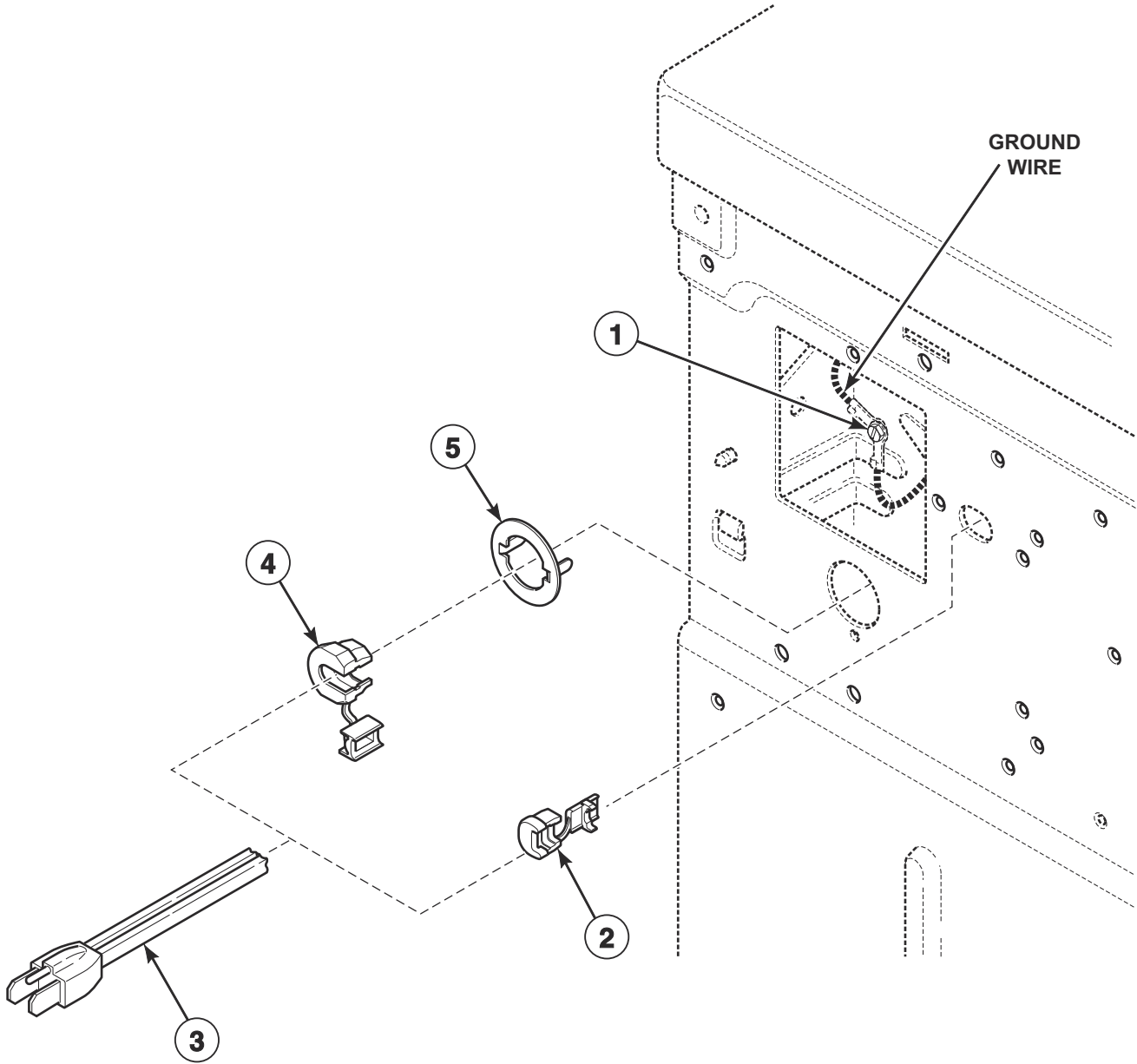
DRY2415P\_D518383

## Cabinet, Exhaust Duct and Base - Stacked Dryers (Drawing 2 of 2)

REF	PART NO.	DESCRIPTION	COMMENTS
1	D514334	Transformer Shield	Models LSLE5AGS303NW22, LSLE5AGS303NW35 and LSLE5AGW543ZW01
2	D503688	Screw	
3	D518062	Bracket Assembly	Models LSLE5AGS303NW22, LSLE5AGS303NW35 and LSLE5AGW543ZW01
4	804667	Screw	
5	D517319	Output Control Assembly	Model LSLE5AGW543ZW01
	D517191P	Output Control Assembly	All other models
6	D514428	Screw	
7	D511859	Contactoer Bracket	Model LSLE5AGW543ZW01
	D518062	Bracket Assembly	Models LSLE5AGS303NW22 and LSLE5AGS303NW35

# Lead-In Cord

Models FDEE5BGS543MW01, FDGE5BGS113MW01, FDLE5BGS123MW01, LDEE5BGS543MW01, LDGE5BGS113TW01, LDGE5FGS113TW01, LDGE7RGS113TW01, LDLE5BGS123MW01, LSGE5AGS113TW01, LSGE5AGW113TW01, LSLE5AGS303NW22, LSLE5AGS303NW35, UDEE5BGS173CW01, UDGE5BGS113TW01, YDEE5BGS173CW01, YDEE7RGS173CW01, YDGE5BGS113CW01, YDGE7RGS113CW01 and YSGE5AGS113TW01



SWD1222P\_D518383

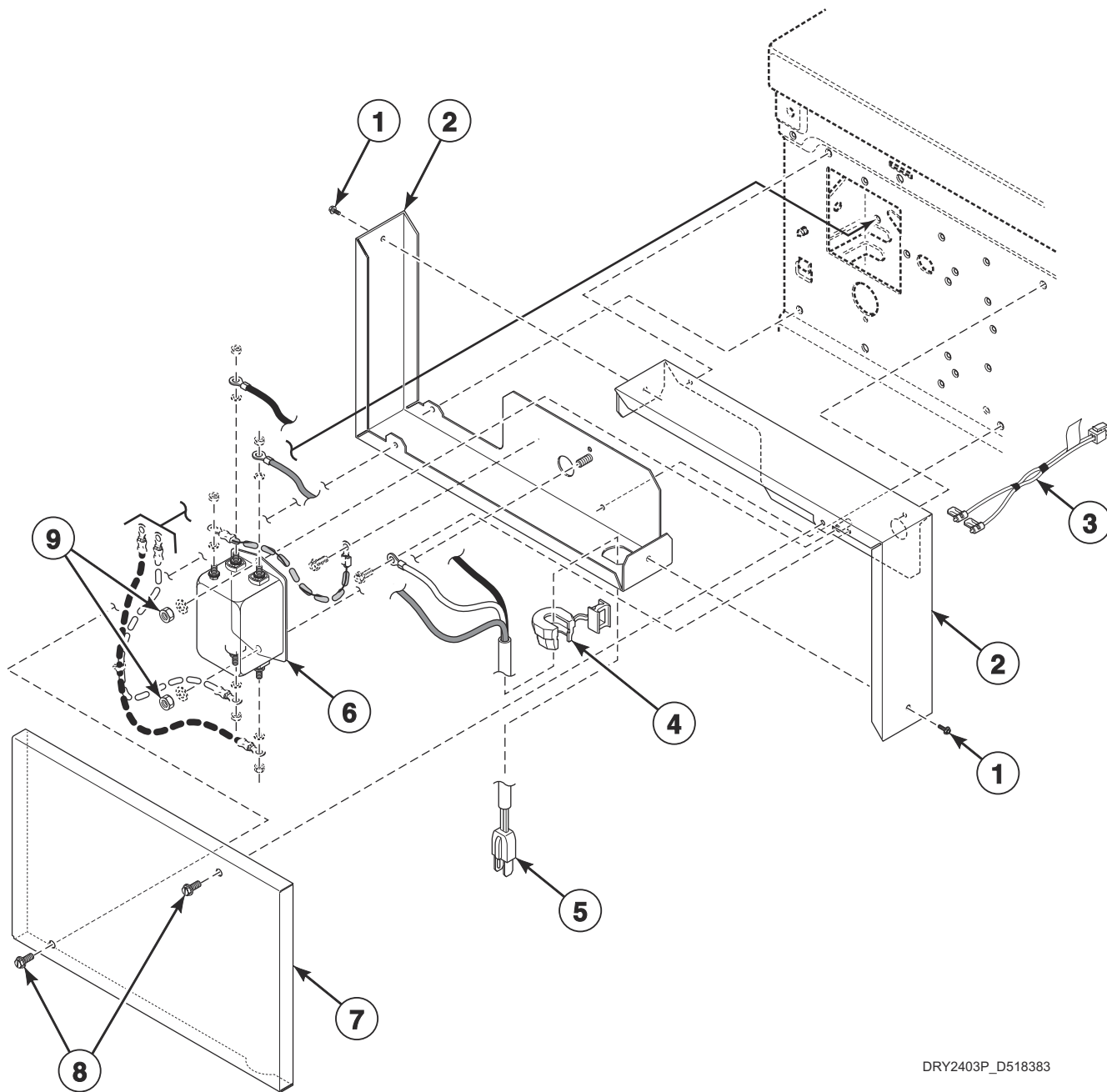


## Lead-In Cord

REF	PART NO.	DESCRIPTION	COMMENTS
1	20530	Screw	
2	D517490	Strain Relief	Models FDGE5BGS113MW01, FDLE5BGS123MW01, LDGE5BGS113TW01, LDGE5FGS113TW01, LDGE7RGS113TW01, LDLE5BGS123MW01, LSGE5AGS113TW01, LSGE5AGW113TW01, UDGE5BGS113TW01, YDGE5BGS113CW01, YDGE7RGS113CW01 and YSGE5AGS113TW01
	D517491	Strain Relief	Model LSLE5AGS303NW35
	517492	Strain Relief	Models FDEE5BGS543MW01 and LDEE5BGS543MW01
3	203344	Lead-In Cord	Model LSLE5AGS303NW22
	D510505P	Lead-In Cord Assembly	Models UDEE5BGS173CW01, YDEE5BGS173CW01 and YDEE7RGS173CW01
	D506081	Power Cord Assembly	Model LSLE5AGS303NW35
	D517577	Lead-In Cord	Model LSLE5AGS303NW35
	D516747	Lead-In Cord Assembly	Models FDEE5BGS543MW01 and LDEE5BGS543MW01
	202777	Lead-In Cord	All other models
4	60298	Strain Relief	Model LSLE5AGS303NW22
5	D502496	Strain Relief Adapter	Model LSLE5AGS303NW22

# Power Cord and Junction Box

Models FDEE5BGS543MW01, LDEE5BGS543MW01, LDLE5BGS303LW01, LDLE5BGS303NW26, LDLE7RGS303NW26 and LSLE5AGW543ZW01

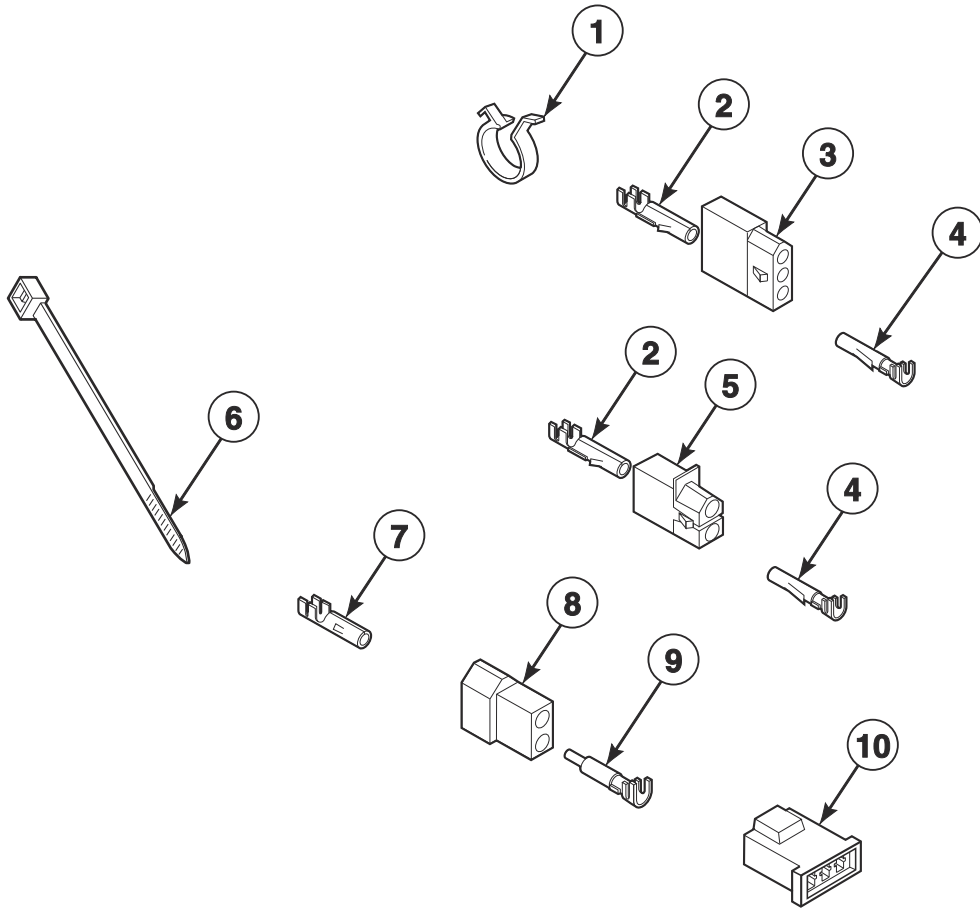


DRY2403P\_D518383

## Power Cord and Junction Box

REF	PART NO.	DESCRIPTION	COMMENTS
	20530	Screw	
	D503688	Screw	
	D514379P	Junction Box Seal	2 required
	D514390	Junction Box Assembly	
<b>1</b>	61199	Screw	
<b>2</b>	D516152	Junction Box Assembly	
<b>3</b>	804396	Filter Harness	
<b>4</b>	D517491	Strain Relief	
<b>5</b>	D517578	Lead-In Cord	Model LSLE5AGW543ZW01
	D515467	Lead-In Cord Assembly	Model LDLE5BGS303LW01
	D516747	Lead-In Cord Assembly	Models FDEE5BGS543MW01 and LDEE5BGS543MW01
	203344	Lead-In Cord	Models LDLE5BGS303NW26 and LDLE7RGS303NW26
<b>6</b>	804864	Line Filter	
<b>7</b>	D514363	Junction Box Cover	
<b>8</b>	D503661	Screw	2 required
<b>9</b>	29787	Nut	2 required

# Terminal Block and Terminals

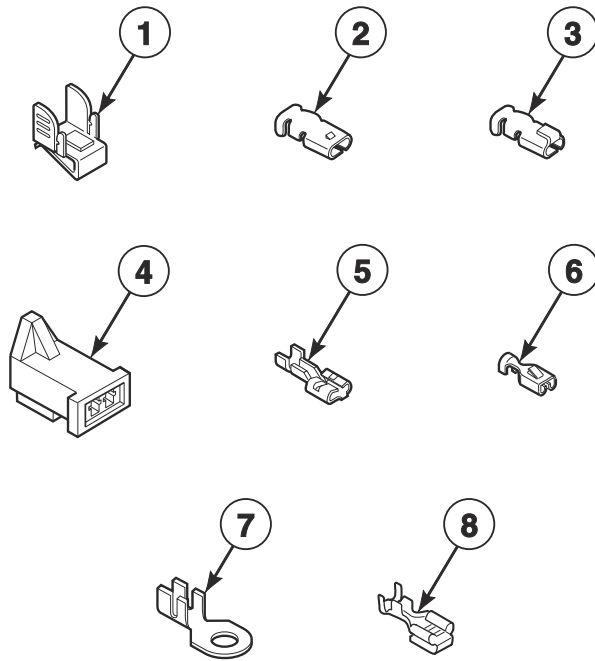


DRY1764P\_D518383

## Terminal Block and Terminals

REF	PART NO.	DESCRIPTION	COMMENTS
1	D504034	Wire Clip	11/16 inch
	687500	Wire Clip	1 inch
2	00117	Female Pin Terminal	
	00129	Male Pin Terminal	1/8 inch
3	23039	3 Circuit Receptacle	
4	00116	Male Pin Terminal	
	00128	Female Pin Terminal	1/8 inch
5	56451	2 Circuit Receptacle	
	56855	12 Circuit Receptacle	
6	55881	Harness Strap	
7	00130	Female Pin Terminal	1/8 inch
8	56266	2 Circuit Plug	
9	00127	Male Pin Terminal	1/8 inch
10	58800	3 Circuit Connector	

# Terminals

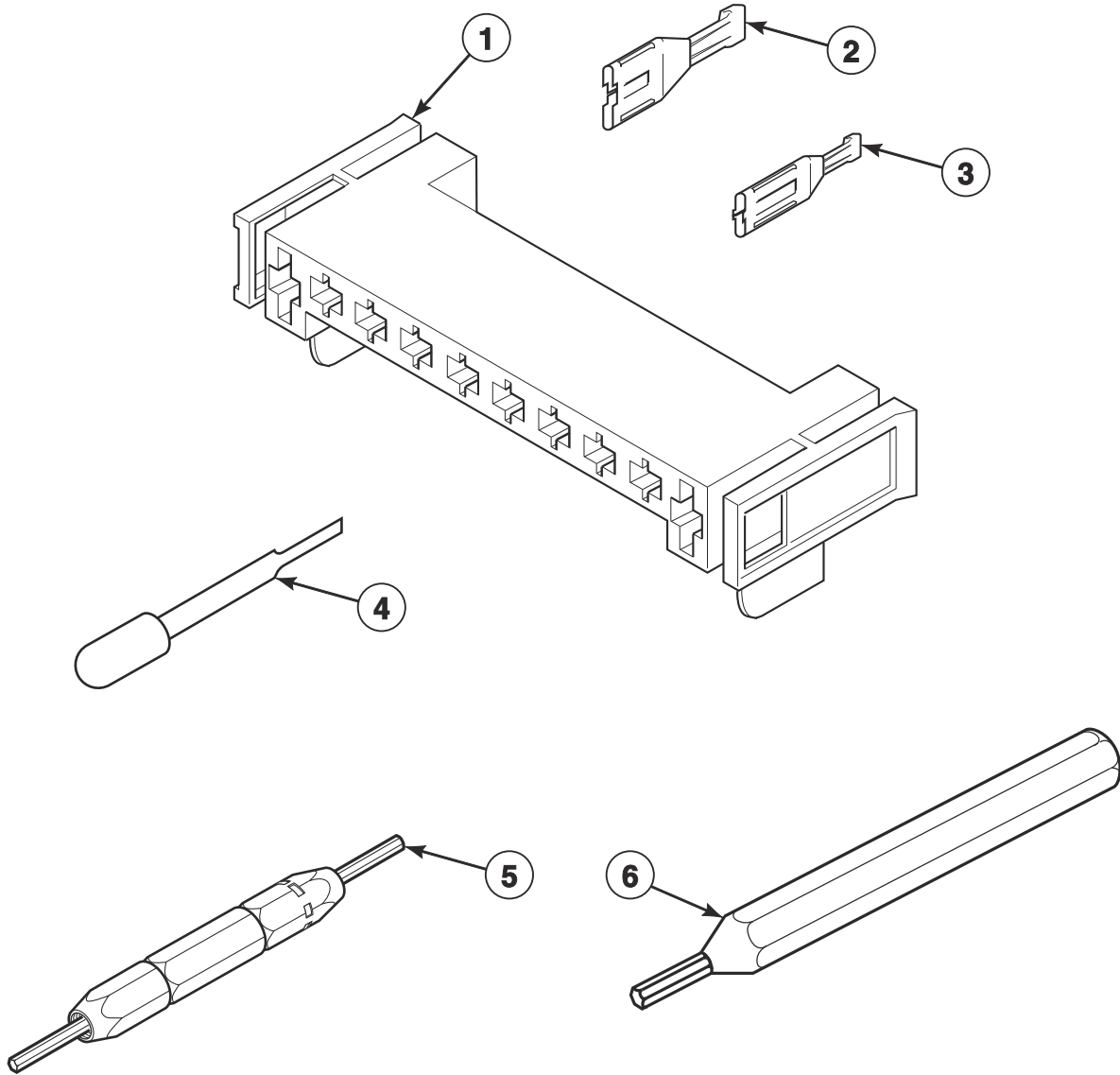


DRY2406P\_D518383

# Terminals

REF	PART NO.	DESCRIPTION	COMMENTS
1	00161	Grounding Clip	
2	00189	Female Spade Terminal	1/8 inch
3	00361	Female Piggyback Terminal	
4	58799	2 Circuit Connector	
5	00223	Female Spade Terminal	1/4 inch; (1) 18 gauge wire
	00121	Female Spade Terminal	1/4 inch; (2) 18 gauge wires or (1) 12 gauge wire
6	00321	Female Spade Terminal	1/4 inch; (2) 18 gauge wires or (1) 12 gauge wire
7	00110	Ring Terminal	No. 10; (1) 18 gauge wire
8	00344	Female Tab Terminal	1/4 inch

# Terminals and Terminal Extractor Tools



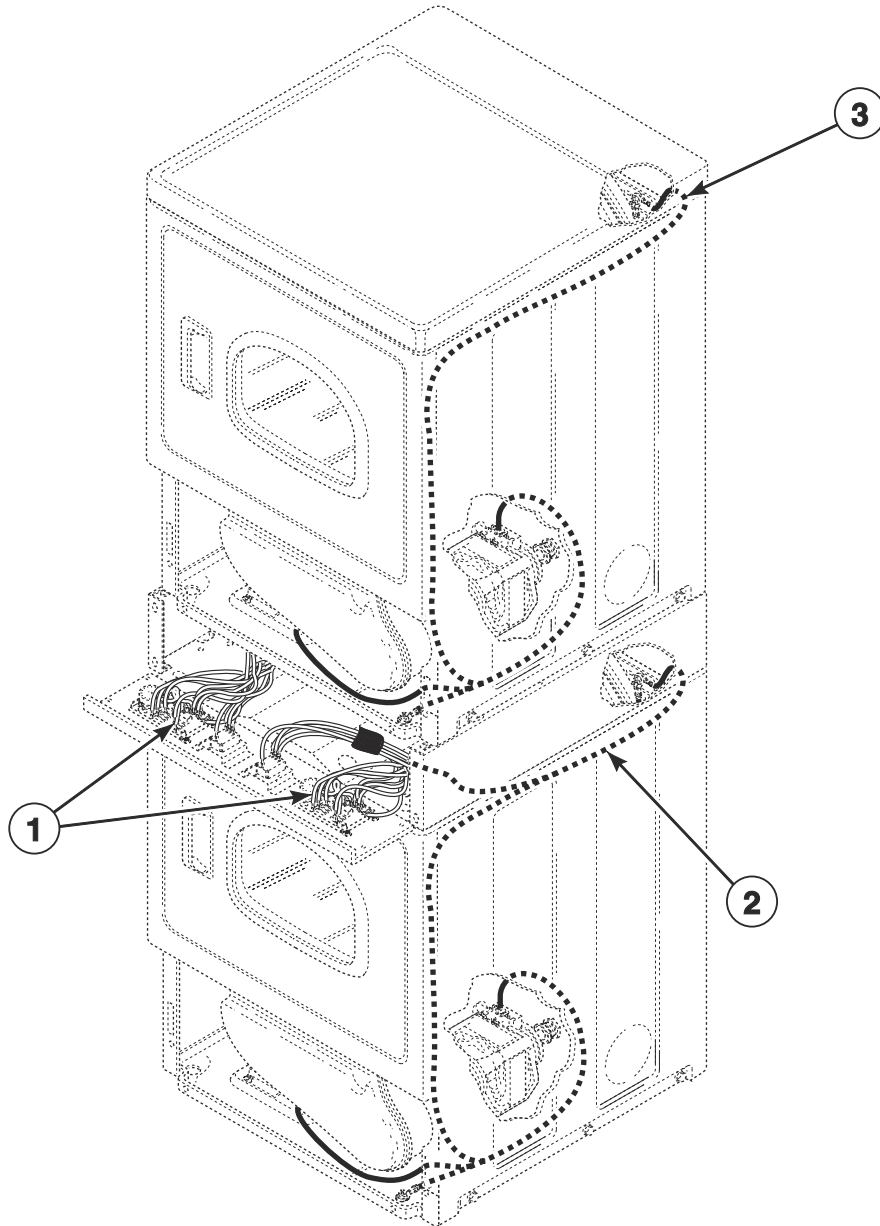
DRY1767P\_D518383



## Terminals and Terminal Extractor Tools

REF	PART NO.	DESCRIPTION	COMMENTS
1	D500338	10 Position Housing	
2	00255	Female Terminal	1/4 inch; (1) 12 gauge wire
	00256	Female Terminal	1/4 inch; (1) or (2) 18 gauge wires
3	00188	Female Terminal	For 1 or 2 wire application
4	283P4	Terminal Extractor Tool	For use on Molex connectors
5	190P4	Extractor Tool	For use on electric dryer terminals
6	128P4	Extractor Tool	For use on gas dryer terminals

# Wire Harnesses and Wires - Gas Stack Models



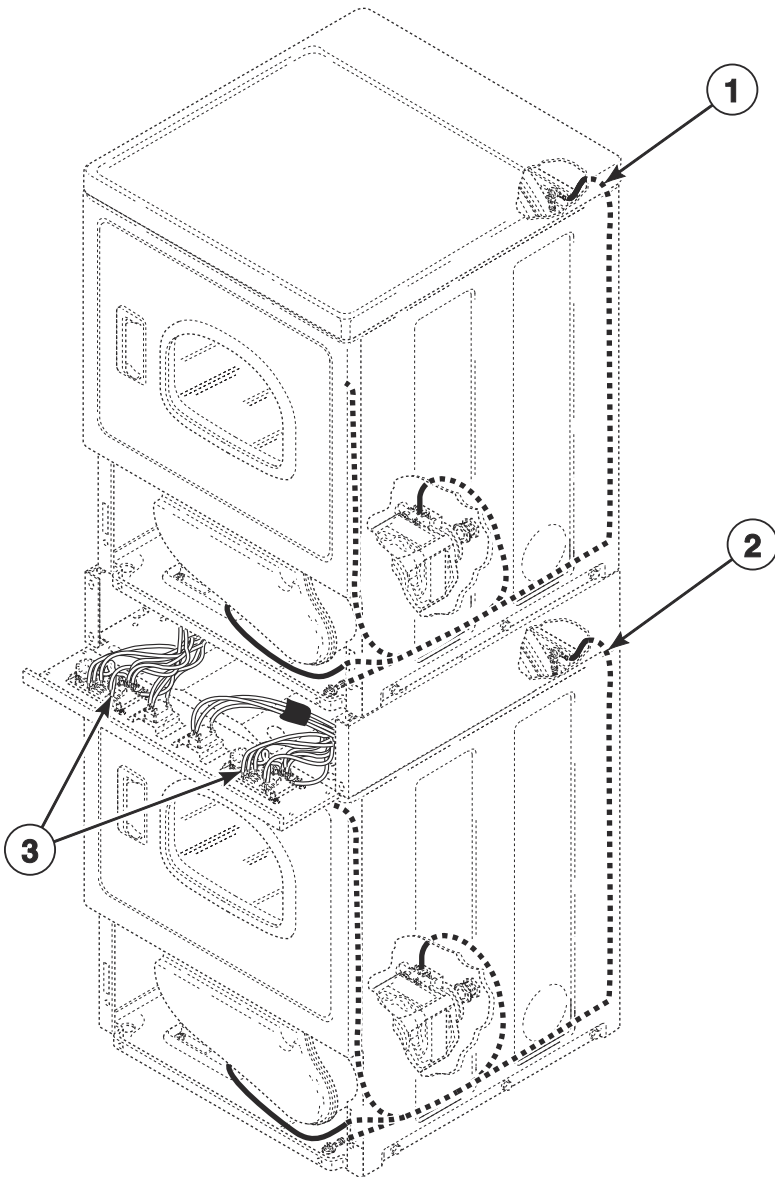
DRY2269P\_D518383

## Wire Harnesses and Wires - Gas Stack Models

REF	PART NO.	DESCRIPTION	COMMENTS
	45380	12 Gauge Wire	Orange; Order wire by the foot; Order terminals and connectors as required
	45001	18 Gauge Wire	Black; Order wire by the foot; Order terminals and connectors as required
	D517236	Broken Belt Harness	All models except LSLE5AGS303NW22, LSLE5AGS303NW35 and LSLE5AGW543ZW01 starting Serial No. 1903000001
	D516367	Gas Valve Harness	120 Volt; Models LSGE5AGS113TW01, LSGE5AGW113TW01 and YSGE5AGS113TW01
	D517702	Gas Valve Harness	240 Volt; Without fuse; Models LSLE5AGS303NW22, LSLE5AGS303NW35 and LSLE5AGW543ZW01
<b>1</b>	D513991	Security Cabinet Harness	
<b>2</b>	D517479	Gas Harness	Lower
<b>3</b>	D517477	Gas Harness	Upper

**NOTE: Individual wires are not available separately. Order complete wire harness, or order wire by the foot. When applying terminals to wires, it is recommended that the terminals be soldered to the wires.**

# Wire Harnesses and Wires - Electric Stack Models



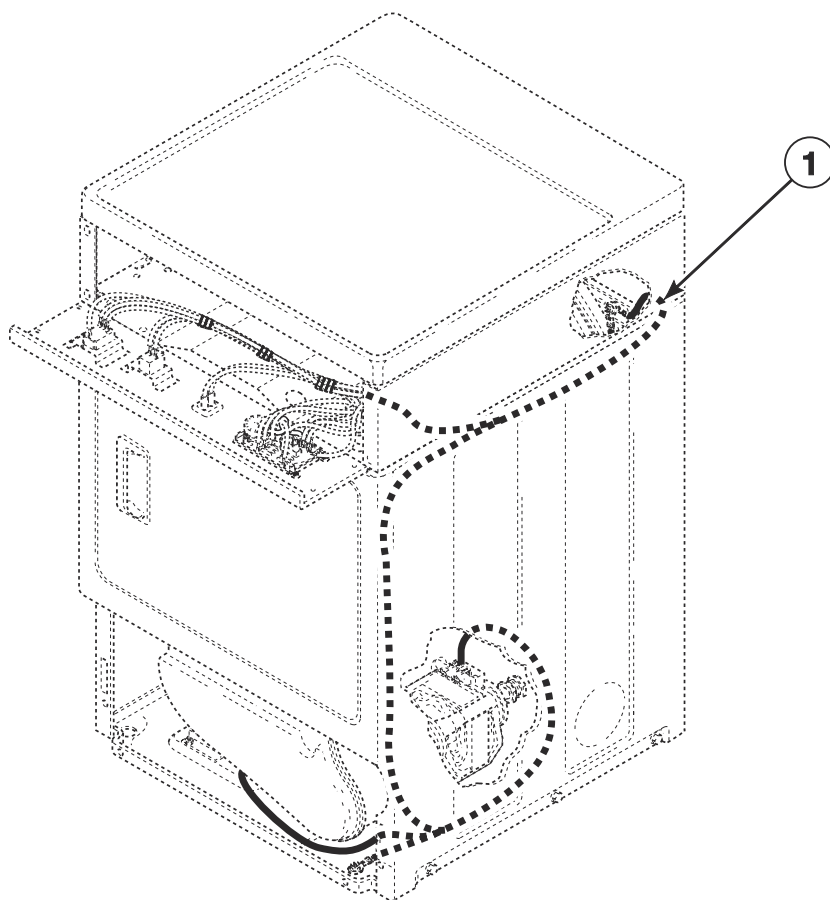
DRY2289P\_D518383

## Wire Harnesses and Wires - Electric Stack Models

REF	PART NO.	DESCRIPTION	COMMENTS
	45380	12 Gauge Wire	Orange; Order wire by the foot; Order terminals and connectors as required
	45001	18 Gauge Wire	Black; Order wire by the foot; Order terminals and connectors as required
	D517236	Broken Belt Harness	
<b>1</b>	D517476	Upper Electric Harness	
<b>2</b>	D517478	Electric Harness	Lower
<b>3</b>	D513991	Security Cabinet Harness	

**NOTE: Individual wires are not available separately. Order complete wire harness, or order wire by the foot. When applying terminals to wires, it is recommended that the terminals be soldered to the wires.**

# Wire Harnesses and Wires - Gas Front Control Single Models



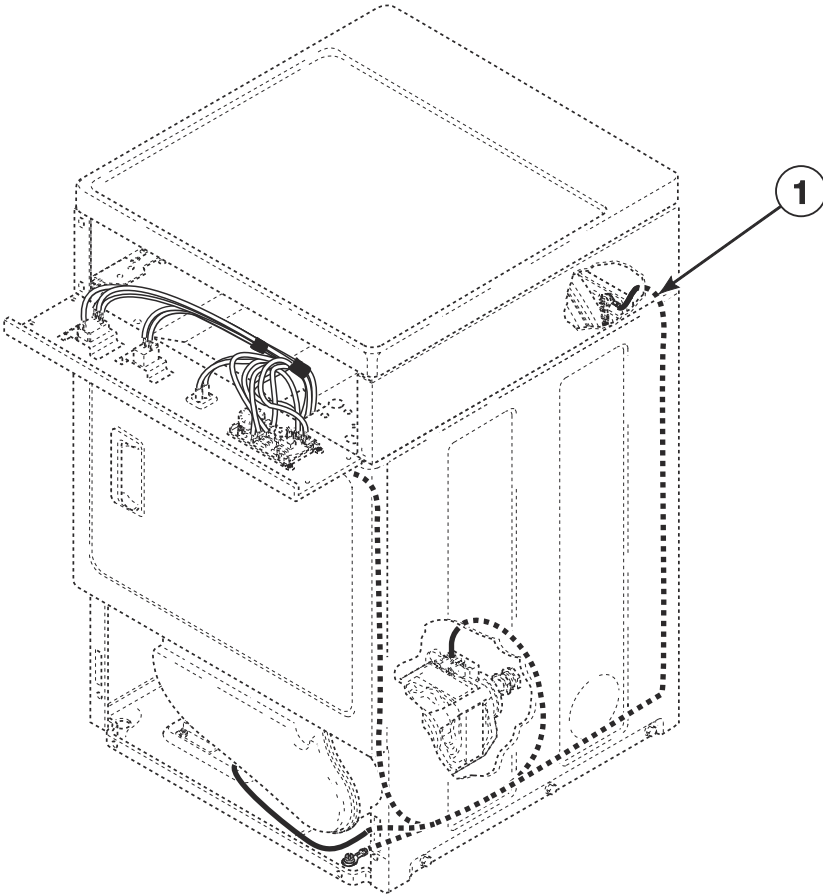
DRY2046P\_D518383

## Wire Harnesses and Wires - Gas Front Control Single Models

REF	PART NO.	DESCRIPTION	COMMENTS
	45380	12 Gauge Wire	Orange; Order wire by the foot; Order terminals and connectors as required
	45001	18 Gauge Wire	Black; Order wire by the foot; Order terminals and connectors as required
	D517236	Broken Belt Harness	All models except LDGE5FGS113TW01, LDLE5BGS303LW01 and LDLE5BGS303NW26
	D516367	Gas Valve Harness	120 Volt; Models FDGE5BGS113MW01, FDLE5BGS123MW01, LDGE5BGS113TW01, LDGE5FGS113TW01, LDLE5BGS123MW01, UDGE5BGS113TW01 and YDGE5BGS113CW01
	D517702	Gas Valve Harness	240 Volt; Without fuse; Models LDLE5BGS303LW01 and LDLE5BGS303NW26
<b>1</b>	D517479	Gas Harness	

**NOTE: Individual wires are not available separately. Order complete wire harness, or order wire by the foot. When applying terminals to wires, it is recommended that the terminals be soldered to the wires.**

# Wire Harnesses and Wires - Electric Front Control Single Models



DRY2290P\_D518383

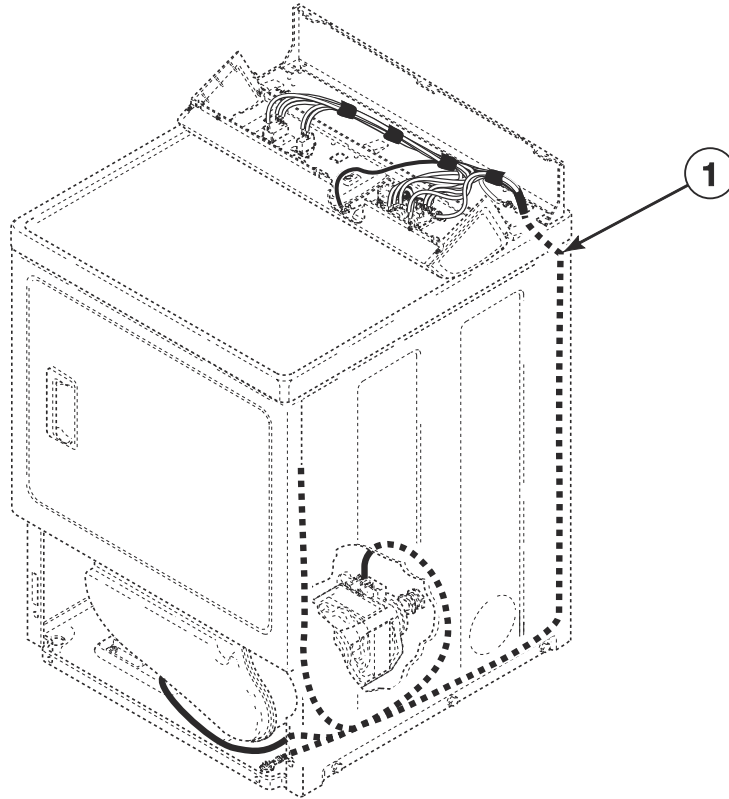


## Wire Harnesses and Wires - Electric Front Control Single Models

REF	PART NO.	DESCRIPTION	COMMENTS
	45380	12 Gauge Wire	Orange; Order wire by the foot; Order terminals and connectors as required
	45001	18 Gauge Wire	Black; Order wire by the foot; Order terminals and connectors as required
	D513991	Security Cabinet Harness	
	D517236	Broken Belt Harness	
1	D517478	Electric Harness	

**NOTE: Individual wires are not available separately. Order complete wire harness, or order wire by the foot. When applying terminals to wires, it is recommended that the terminals be soldered to the wires.**

# Wire Harnesses and Wires - Rear Control Single Models



DRY2268P\_D518383

## Wire Harnesses and Wires - Rear Control Single Models

REF	PART NO.	DESCRIPTION	COMMENTS
	45380	12 Gauge Wire	Orange; Order wire by the foot; Order terminals and connectors as required
	45001	18 Gauge Wire	Black; Order wire by the foot; Order terminals and connectors as required
	D517236	Broken Belt Harness	All models except LDLE7RGS303NW26
	D516367	Gas Valve Harness	120 Volt; Models LDGE7RGS113TW01 and YDGE7RGS113CW01
	D517702	Gas Valve Harness	240 Volt; Without fuse; Model LDLE7RGS303NW26
1	D517475	Gas Harness	Models LDGE7RGS113TW01, LDLE7RGS303NW26 and YDGE7RGS113CW01
	D517474	Electric Harness	Models LDEE5RGS173TW01, LDEE7RGS173TW01, YDEE7RGS173CW01 and YDEE7RGS173TW01

**NOTE: Individual wires are not available separately. Order complete wire harness, or order wire by the foot. When applying terminals to wires, it is recommended that the terminals be soldered to the wires.**



# Parts Index

## A

Access Cover Plate D514356 .....	33
Access Panel Assembly D514250WP .....	15
Access Panel Plate D510903 .....	33, 35
Adhesive D511637P .....	19, 25
Air Duct Assembly D518431 .....	21
D518433 .....	21
Anti-Seize Compound 27604P .....	17

## B

Bar Sensor D513737 .....	19
Blower and Fan Kit D510717P .....	17
Blower Fan Assembly D510139P .....	17
Blower Housing D511969WP .....	17
Blower Housing Seal D510238P .....	17
Booster and Holding Coil 58804A .....	31
Bracket D510146 .....	35
Bracket Assembly D514351 .....	37
D518062 .....	33, 37
Broken Belt Harness D517236 .....	49, 51, 53, 55, 57
Bumper Pad 56128 .....	33, 35
Burner Assembly D510149P .....	31

## C

Cabinet Rear Panel D517566 .....	33, 35
Cabinet Side Panel D510001WP .....	33, 35
D510002WP .....	33, 35
Caution Label D516513 .....	15
Clearance Warning Label D505984 .....	33
Combustion Duct D510131 .....	29
D510132 .....	29

Connector, 2 Circuit 58799 .....	45
Connector, 3 Circuit 58800 .....	43
Contactora Bracket D511859 .....	33, 37
Control Access Panel 804741 .....	7
804793 .....	7
Control Assembly D517582 .....	5, 7
D517584 .....	5, 7, 9
Control Bracket 804611 .....	7
Control Overlay D514188 .....	5
D514189 .....	5
D514191 .....	5
D514482 .....	7
D514889 .....	9
D514925 .....	7
D517780 .....	7
D518270 .....	7
D518712 .....	7
Control Panel 803960W .....	9
807887 .....	7
Control Panel Assembly 804659W .....	7
804960 .....	7
Control Support Panel 804836 .....	5
Control Wrapper 804627W .....	7
804630W .....	7
Cylinder Assembly D510265WP .....	19
Cylinder Baffle D510102W .....	19
Cylinder Belt D511255P .....	17
Cylinder Glide D513710 .....	19
Cylinder Glide Bracket D510145 .....	19
Cylinder Roller D510708P .....	25
Cylinder Roller Bracket D510100 .....	25
Cylinder Seal Assembly D510207P .....	19, 25

## D

Directional Exhaust Kit 528P3 .....	33, 35
Door Assembly D516510W .....	13
D516737W .....	11

N/A items do not appear in index.

Door Catch Assembly D510177 .....	15
Door Handle Wedge D510129W .....	11, 13
Door Liner Assembly D516508 .....	13
Door Liner Grill D503870LG .....	11
D503870W .....	11, 13
Door Pull and Wedge Kit D510103WP .....	11, 13
Door Strike D510181 .....	11, 13
Drip Shield D514327 .....	15
Dryer Base D514245 .....	33, 35
Dryer Door D510013WP .....	13
D515961W .....	11
Dryer Door Window D515681 .....	11
Drying Rack D512082P .....	19

## E

Electric Clearance Label D511005 .....	33, 35
Electric Harness D517474 .....	57
D517478 .....	51, 55
Electrical Shock Label F8211201 .....	21, 23, 35
End Panel D504008W .....	5
D504009WP .....	5
Exhaust Duct D516196 .....	33, 35
Expansion Clip 70030501 .....	7, 9
Extractor Tool 128P4 .....	47
190P4 .....	47

## F

Felt Pad D510189 .....	19
Female Piggyback Terminal 00361 .....	45
Female Pin Terminal 00117 .....	43
00128 .....	43
00130 .....	43
Female Spade Terminal 00121 .....	45
00189 .....	45
00223 .....	45
00321 .....	45
Female Tab Terminal 00344 .....	45

N/A items do not appear in index.

Female Terminal 00188 .....	47
00255 .....	47
00256 .....	47
Filter Harness 804396 .....	41
Flexible Venting Kit 521P3 .....	33, 35
Front Bulkhead Assembly D515532 .....	19
Front Panel D510066WP .....	15
Front Panel Assembly D513781WP .....	15
Front Panel Seal D511056 .....	15

## G

Gas Clearance Label D511004 .....	33, 35
Gas Harness D517475 .....	57
D517477 .....	49
D517479 .....	49, 53
Gas Valve Harness D516367 .....	49, 53, 57
D517702 .....	49, 53, 57
Gas Valve Mounting Bracket D510128 .....	31
Gas Valve, Bracket and Pipe Assembly D517609 .....	31
D517611 .....	31
D517612 .....	31
Glide Kit RB170003 .....	19
Graphic Panel 805406 .....	5
805448 .....	5
Grounding Clip 00161 .....	45

## H

Harness Strap 55881 .....	43
Heat Duct Shroud D510101 .....	29
Heater Assembly D510324P .....	27
D510329P .....	27
Heater Duct Assembly D510025P .....	27, 29
Heater Kit 964P3 .....	27
965P3 .....	27
Heater Kit Assembly 61927 .....	27
61928 .....	27
Hinge D511036 .....	11, 13

Hinge Hole Plug D510186 .....	15
Hold Down Kit 526P3.....	33, 35
Hood Back Panel 804169 .....	5
Housing, 10 Position D500338 .....	47

## I

Idler Lever D516310 .....	17
Idler Lever and Wheel Assembly D516792 .....	17
Idler Spring D510185 .....	17
Idler Wheel and Bearing Assembly D510142P .....	17
Igniter and Bracket Assembly D510184P .....	31

## J

Junction Box Assembly D514390 .....	41
D516152 .....	41
Junction Box Cover D514363 .....	41
Junction Box Seal D514379P .....	41

## L

Lead-In Cord D517577 .....	39
D517578 .....	41
202777 .....	39
203344 .....	39, 41
Lead-In Cord Assembly D510505P .....	39
D515467 .....	41
D516747 .....	39, 41
Left Control Cabinet Side 800900WP .....	7
Leveling Leg D510135 .....	33, 35
Limit Thermostat D510701 .....	27
D510702 .....	29
Line Filter 804864 .....	41
Liner and Seal Assembly D516509 .....	11
Lint Filter D503980W .....	23
Lint Filter Cover D510502W .....	23
L.P. Conversion Kit 649P3.....	31

## M

Male Pin Terminal 00116.....	43
00127 .....	43
00129 .....	43
Moisture Sensor Base D513738.....	19
Motor and Pulley Assembly D505843P .....	17
D505869P .....	17
D511629P.....	17
Motor Hub Ring Kit 590P3.....	17
Motor Mount D518517 .....	17
Motor Mount Clamp D510180.....	17
Motor Pulley D500011 .....	17
Motor Shield D514602.....	17
Motor Switch Bracket D516311 .....	17

## N

Nut 29787 .....	41
52566 .....	17
56156 .....	17, 25
N.G. Conversion Kit 650P3.....	31

## O

Outlet Cover D500820 .....	27, 29
D518524 .....	27, 29
Output Board Shield D514420.....	33
Output Control Assembly D517191P .....	33, 37
D517319.....	33, 37

## P

Panel Locator 56079 .....	15, 33, 35
Pinch Warning Label F8615701 .....	21, 23
Plug, 2 Circuit 56266 .....	43
Pop Rivet 685847 .....	7
Porcelain Touch-Up Paint 122P4P.....	33, 35
Power Cord Assembly D506081.....	39

N/A items do not appear in index.

---

## R

Rear Access Panel	
804614 .....	7
807646 .....	9, 35
Rear Bulkhead Assembly	
D511082P .....	25
Rear Control Cabinet	
804859 .....	7
Rear Wrapper Brace	
805345 .....	7
Receptacle, 12 Circuit	
56855 .....	43
Receptacle, 2 Circuit	
56451 .....	43
Receptacle, 3 Circuit	
23039 .....	43
Retaining Ring	
23748 .....	17, 25
Right Control Cabinet Side	
800915W .....	7
Ring Terminal	
00110 .....	45
Roller Kit	
RB170002 .....	25
Rubber Foot	
D501855 .....	33

---

## S

Screw	
D500226 .....	11, 13, 19
D500824 .....	17
D501086 .....	5
D501285 .....	23
D502535 .....	17
D503661 .....	7, 41
D503688 .....	7, 9, 15, 17, 19, 25, 27, 29, 31, 33, 35, 37, 41
D505870 .....	11
D514428 .....	33, 37
D515967 .....	11
20530 .....	39, 41
23222 .....	27, 31
31260 .....	17
33562 .....	15
36048 .....	35
39733 .....	15, 33, 35
44023301 .....	25
51782 .....	29, 31
52864 .....	19
56124 .....	31
61199 .....	25, 41
62588 .....	19
70240301 .....	7, 9
804608 .....	7
804667 .....	33, 37
Seal Kit	
RB170001 .....	19, 25
Secondary Coil	
58804B .....	31
Security Cabinet Harness	
D513991 .....	49, 51, 55

N/A items do not appear in index.

Sensor	
D510213 .....	31
Shaft	
56461P .....	17, 25
Shield Bracket	
804018 .....	9
Speed Clip	
28835 .....	15
Strain Relief	
D517490 .....	39
D517491 .....	39, 41
517492 .....	39
60298 .....	39
Strain Relief Adapter	
D502496 .....	39
Switch	
D512973 .....	15
D516391 .....	17

---

## T

Terminal Block Assembly	
D510190P .....	25
Terminal Block Shield	
D517715 .....	25
Terminal Extractor Tool	
283P4 .....	47
Thermal Fuse Assembly	
D518542 .....	27
Thermistor Assembly	
D502366 .....	17
D510523 .....	17
Thermostat	
D510703 .....	29
Thermostat Shield	
D514325 .....	17
Top Cover	
D505808W .....	5
Top Hinge	
D510136 .....	33, 35
Top Kit	
D510032WP .....	35
Top Panel	
804685WP .....	7
Top Panel Brace Assembly	
804613 .....	7
Top Panel Guide	
803761 .....	7
Top Panel Kit	
D510029WP .....	5
Transformer Shield	
D514334 .....	33, 37

---

## U

Upper Electric Harness	
D517476 .....	51



---

## W

Warning Label	
D514867 .....	15
D516514 .....	15
44324001 .....	21, 23
807561 .....	33, 35
Warning/Caution Label	
D516512 .....	15
Washer	
D504082 .....	25
26509 .....	35
52549 .....	17, 25
Window Trim	
D515956W .....	11
Wire Assembly	
D518255 .....	27
D518256 .....	27
Wire Clip	
D504034 .....	43
687500 .....	43
Wire, 12 Gauge	
45380 .....	49, 51, 53, 55, 57
Wire, 18 Gauge	
45001 .....	49, 51, 53, 55, 57
Wrapper Assembly	
804112W .....	9

---

