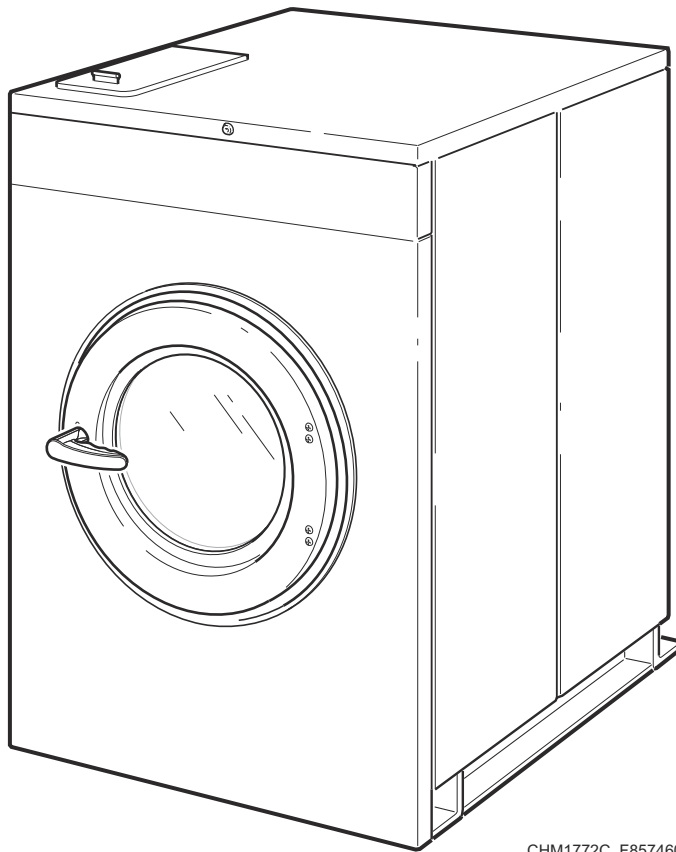


Washer-Extractor

Cabinet Hardmount

Design 1

Refer to Page 3 for Model Numbers



CHM1772C_F8574601

Table of Contents

Title	Page
Parts Ordering Information.....	2
Serial Plate Location	2
Model Identification	3
Product Overview - M9, M30, Galaxy 400, Galaxy 600, Quantum Silver and Quantum Gold OPL.....	4
Product Overview for M4, Galaxy 200 and Quantum Standard.....	6
Decals	8
Control Module - 2 Speed OPL Models	10
Control Module - F and V-Speed OPL Models	12
Control Module - 2 Speed Vend Models	14
Control Module - F and V-Speed Vend Models	16
Flush Mount Coin Meter Assembly - Single Drop	18
Flush Mount Coin Meter Assembly - Dual Drop.....	20
Electronic Coin Meter Assembly	22
Optional Coin Box	24
Card Reader	26
Front Panel, Control Panel and Overlays - Coin Models	28
Front Panel and Control Panel - Card Ready and OPL Models.....	30
Panels	32
Door	34
Door Lock.....	36
Basket.....	38
Trunnion.....	40
Shell and Frame.....	42
Drain Plumbing	44
Drain Valve Assembly - 20 and 30 Pound Models.....	46
Drain Valve Assembly - 40 and 60 Pound Models.....	48
Steam Filter (Optional) and Water Supply Hose.....	50
Fill Plumbing Assembly (Drawing 1 of 2)	52
Fill Plumbing Assembly (Drawing 2 of 2)	54
Pulley and Belt.....	56
Motor Pulley and Support	58
Motor - 20 and 30 Pound Models.....	60
Motor - 40 and 60 Pound Models.....	62
Electric Heat Option	64
Steam Heat Option	66
Parts Index.....	69

© Copyright 2021, Alliance Laundry Systems LLC

All rights reserved. No part of the contents of this book may be reproduced or transmitted in any form or by any means without the expressed written consent of the publisher.

Parts Ordering Information

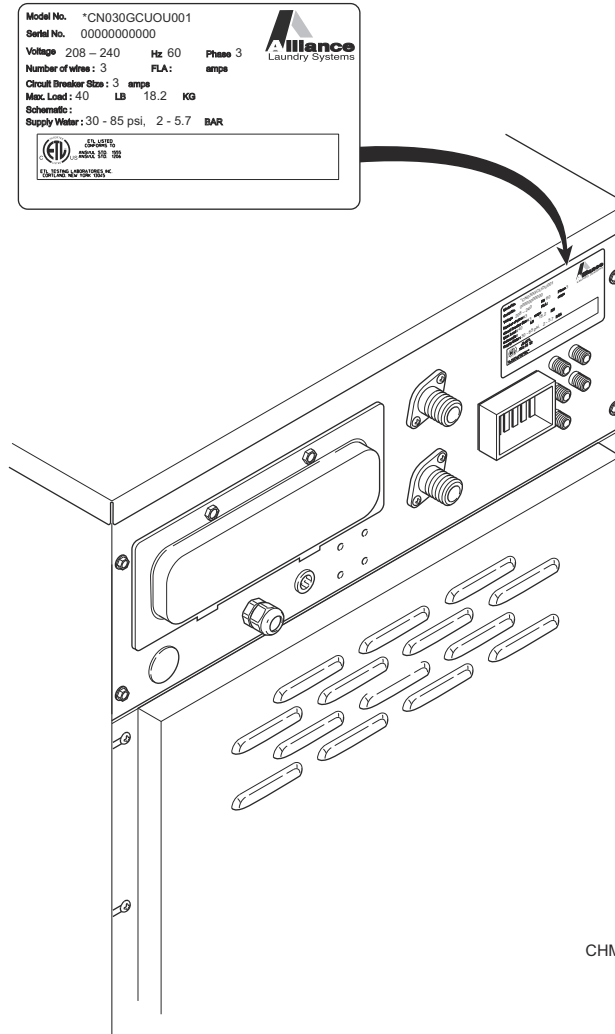
If literature or replacement parts are required, contact the source from whom the machine was purchased or contact Alliance Laundry Systems at (920) 748-3950 for the name and address of the nearest authorized parts distributor.

For technical assistance, call the number listed below:

(920) 748-3121 Ripon, Wisconsin

Serial Plate Location

When calling or writing about your product, be sure to mention model and serial numbers. Model and serial numbers are located on serial plate(s) as shown.



CHM3025P_F8574601

Model Identification

Information in this manual is applicable to these washer-extractor models:

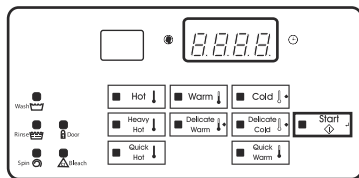
HCL020KD2	HCN030KC2	HCU020KCF	SCL020KNV	UCL020KN2
HCL020KDF	HCN030KCF	HCU020KCV	SCL030KN2	UCL020KNF
HCL020KDV	HCN030KCV	HCU020KE2	SCL030KNF	UCL020KNV
HCL020KEV	HCN030KD2	HCU020KEV	SCL030KNV	UCL030KN2
HCL030KCV	HCN030KDF	HCU020KL2	SCL040KN2	UCL030KNF
HCL030KD2	HCN030KDV	HCU020KLF	SCL040KNF	UCL030KNV
HCL030KDF	HCN030KE2	HCU020KLV	SCL040KNV	UCL040KN2
HCL030KDV	HCN030KEF	HCU020KXV	SCL060KN2	UCL040KNF
HCL030KEF	HCN030KEV	HCU020KY2	SCL060KNF	UCL040KNV
HCL030KEV	HCN030KXF	HCU020KYF	SCL060KNV	UCL060KN2
HCL040KCV	HCN030KY2	HCU020KYV	SCN020KN2	UCL060KNF
HCL040KD2	HCN030KYF	HCU030KCF	SCN020KNF	UCL060KNV
HCL040KDF	HCN030KYV	HCU030KCV	SCN020KNV	UCN020KN2
HCL040KDV	HCN040KC2	HCU030KE2	SCN030KN2	UCN020KNF
HCL040KEV	HCN040KCF	HCU030KEV	SCN030KNF	UCN020KNV
HCL060KD2	HCN040KCV	HCU030KLV	SCN030KNV	UCN030KN2
HCL060KDF	HCN040KD2	HCU030KY2	SCN040KN2	UCN030KNF
HCL060KDV	HCN040KDF	HCU030KYF	SCN040KNF	UCN030KNV
HCL060KEV	HCN040KDV	HCU030KYV	SCN040KNV	UCN040KN2
HCN020KC2	HCN040KEF	HCU040KCF	SCN060KN2	UCN040KNF
HCN020KCF	HCN040KEV	HCU040KCV	SCN060KNF	UCN040KNV
HCN020KCV	HCN040KXF	HCU040KE2	SCN060KNV	UCN060KN2
HCN020KD2	HCN040KY2	HCU040KEV	SCU020KN2	UCN060KNF
HCN020KDF	HCN040KYF	HCU040KLV	SCU020KNF	UCN060KNV
HCN020KDV	HCN040KYV	HCU040KXF	SCU030KN2	UCU020KN2
HCN020KEF	HCN060KC2	HCU040KXV	SCU030KNF	UCU020KNF
HCN020KEV	HCN060KCF	HCU040KY2	SCU030KNV	UCU020KNV
HCN020KX2	HCN060KCV	HCU040KYF	SCU040KN2	UCU030KN2
HCN020KXF	HCN060KD2	HCU040KYV	SCU040KNF	UCU030KNF
HCN020KY2	HCN060KDF	HCU060KCF	SCU040KNV	UCU030KNV
HCN020KYF	HCN060KDV	HCU060KCV	SCU060KN2	UCU040KN2
HCN020KYV	HCN060KE2	HCU060KEV	SCU060KNF	UCU040KNF
	HCN060KEF	HCU060KLV	SCU060KNV	UCU040KNV
	HCN060KEV	HCU060KY2	SCZ020KN2	UCU060KN2
	HCN060KXF	HCU060KYF		UCU060KNF
	HCN060KY2	HCU060KYV		UCU060KNV
	HCN060KYF			
	HCN060KYV			

Product Overview - M9, M30, Galaxy 400, Galaxy 600, Quantum Silver and Quantum Gold OPL

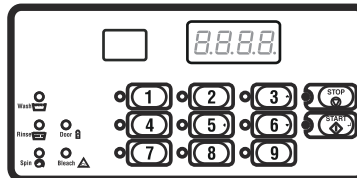
Model No. *CN030GC2U0U001
 Serial No. 00000000000
 Voltage 208 – 240 Hz 60 Phase 3
 Number of wires : 3 FLA: amps
 Circuit Breaker Size : 3 amps
 Max. Load : 40 LB 18.2 KG
 Schematic :
 Supply Water: 30 - 85 psi, 2 - 5.7 BAR

Alliance
Laundry Systems

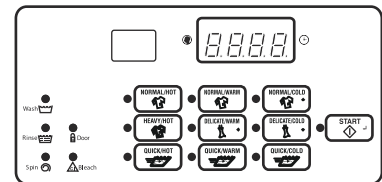
ETL LISTED
CONFORMS TO
ANSI/UL STD. 1555
US ANSI/UL STD. 1206
ETL TESTING LABORATORIES, INC.
CORTLAND, NEW YORK 13045



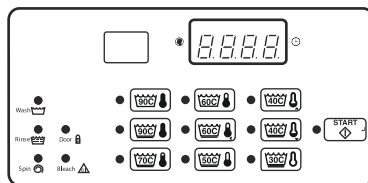
Galaxy 400 Coin



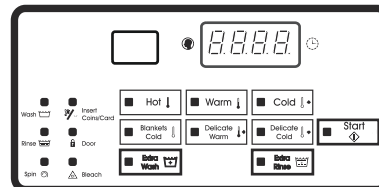
M9/Galaxy 400 OPL/Quantum Silver OPL



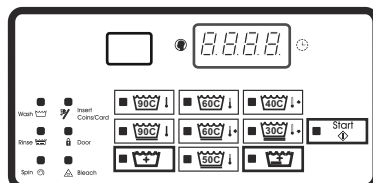
Quantum Silver Coin (Domestic)



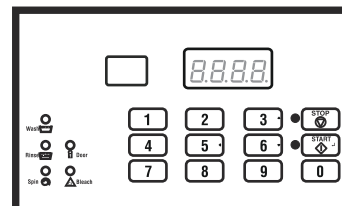
Quantum Silver Coin (International)



Galaxy 600 Coin (Domestic)



Galaxy 600 Coin (International)



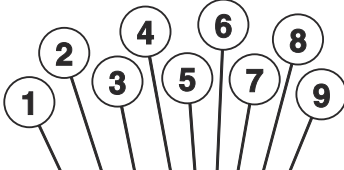
M30/Quantum Gold OPL

CHM3026P_F8574601

Product Overview - M9, M30, Galaxy 400, Galaxy 600, Quantum Silver and Quantum Gold OPL

REF	PART NO.	DESCRIPTION	COMMENTS
1	-	Product Family	CC HC IC NC SC UC
2	-	Market	B (Brazil CE) D (Daiwa) L (International ETL(c)) N (Domestic ETL(c)) U (International CE) Y (Australia) Z (No Agency International)
3	-	Capacity (Pounds)	020 030 040 060 080 100 125
4	-	Control	G J L H K W
5	-	Actuation	C (Drop Coin Meter) D (Digital Coin Meter) E (Electronic World Drop) L (Prep for Remote/Central Pay) N (Non-Coin OPL) X (Prep for Coin Meter) Y (Prep for Card Reader)
6	-	Speed	2 (2 Speed) F (F-Speed) V (V-Speed)
7	-	Voltage	B (120/60/1/2) C (380-415/50/3/4) F (440-480/60/3/3) J (200/50/3/3) N (440-480/50/60/3) O (208/220-240/60/3/3) P (380-415/50/60/3) Q (200-208/220-240/50/60/3) R (380-415/440-480/50/60/3) X (200-208/220-240/50/60/1/3) Y (208/220-240/60/1/2)
8	-	Side Panel	U (Standard) 1 (Stainless Steel)
9	-	Design	1 2 3

Product Overview for M4, Galaxy 200 and Quantum Standard

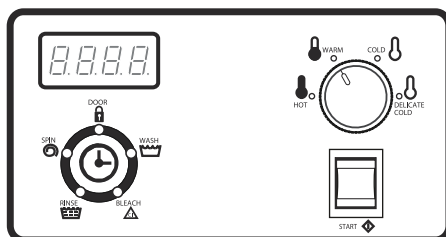


Model No. *CN030GC2U0U001
 Serial No. 0000000000

Voltage 208 – 240 Hz 60 Phase 3
 Number of wires :3 FLA : amps
 Circuit Breaker Size : 3 amps
 Max. Load : 40 LB 18.2 KG
 Schematic :
 Supply Water : 30 - 85 psi, 2 - 5.7 BAR

Alliance
 Laundry Systems

ETL LISTED
 CONFORMS TO
 ANSI/UL STD. 1955
 US ANSI/UL STD. 1200
 ETL TESTING LABORATORIES, INC.
 CORTLAND, NEW YORK 13045



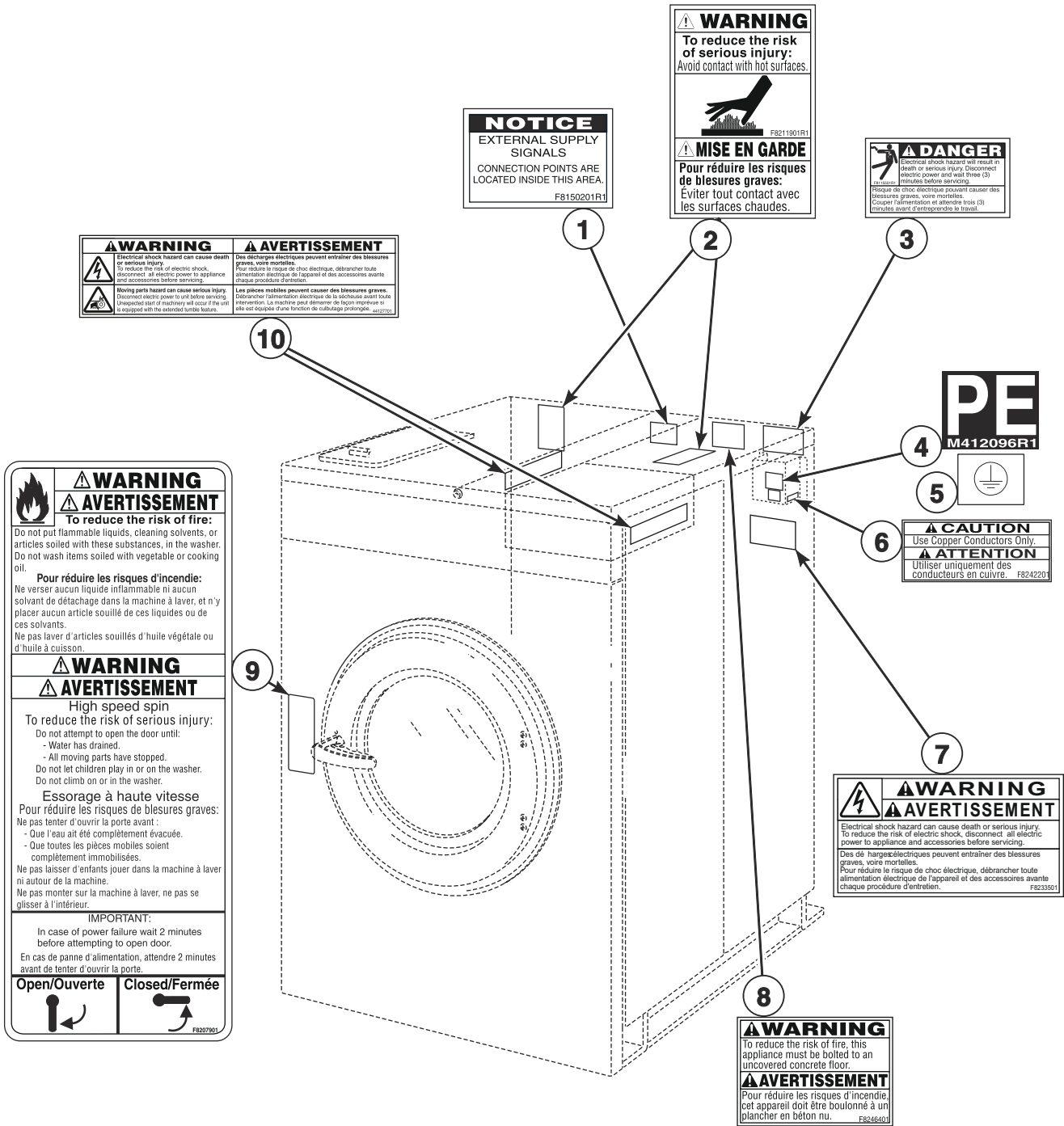
M4/Galaxy 200/Quantum Standard

CHM3218P_F8574601

Product Overview for M4, Galaxy 200 and Quantum Standard

REF	PART NO.	DESCRIPTION	COMMENTS
1	-	Product Family	CC HC IC NC SC UC
2	-	Market	B (Brazil CE) D (Daiwa) L (International ETL(c)) N (Domestic ETL(c)) U (International CE) Y (Australia) Z (No Agency International)
3	-	Capacity (Pounds)	020 030 040 060 080 100 125
4	-	Control	G J L H K W
5	-	Actuation	C (Drop Coin Meter) D (Digital Coin Meter) E (Electronic World Drop) L (Prep for Remote/Central Pay) N (Non-Coin OPL) X (Prep for Coin Meter) Y (Prep for Card Reader)
6	-	Speed	2 (2 Speed) F (F-Speed) V (V-Speed)
7	-	Voltage	B (120/60/1/2) C (380-415/50/3/4) F (440-480/60/3/3) J (200/50/3/3) N (440-480/50/60/3) O (208/220-240/60/3/3) P (380-415/50/60/3) Q (200-208/220-240/50/60/3) R (380-415/440-480/50/60/3) X (200-208/220-240/50/60/1/3) Y (208/220-240/60/1/2)
8	-	Side Panel	U (Standard) 1 (Stainless Steel)
9	-	Design	1 2 3

Decals

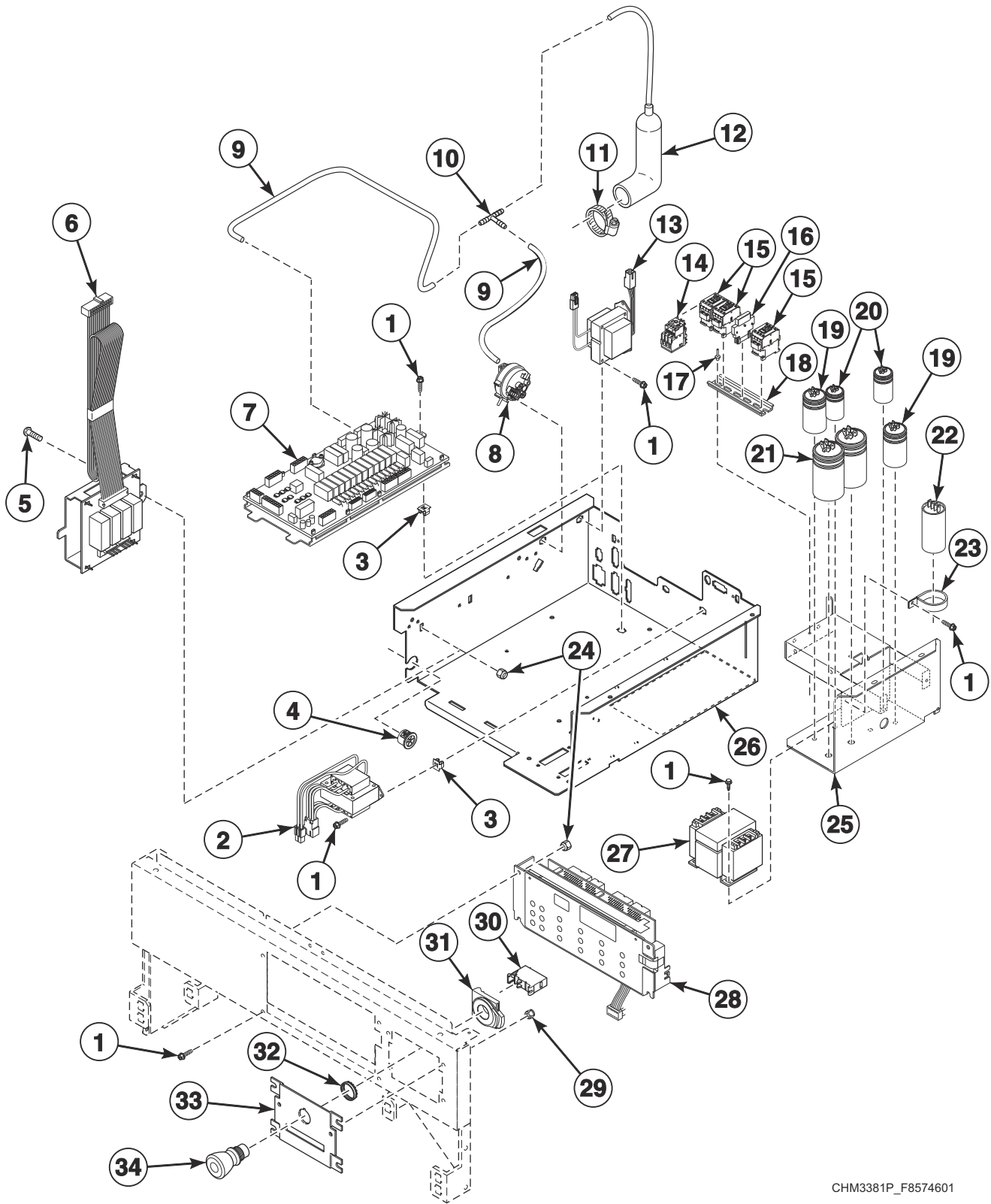


CHM3027P_F8574601

Decals

REF	PART NO.	DESCRIPTION	COMMENTS
1	F8150201	External Supply Connection Decal	
2	F8614301	Hot Surface Warning Label	
3	F8115501	Electric Shock Danger Label	
4	M412096	Earth Terminal Sticker	
5	F230739	Ground Decal	
6	F8242201	Use Copper Conductors Only Caution Label	
7	F8233501	Warning Label	
8	F8246401	Mount on Concrete Warning Label	
9	F8207901	Warning Label	
10	44324001	Warning Label	

Control Module - 2 Speed OPL Models

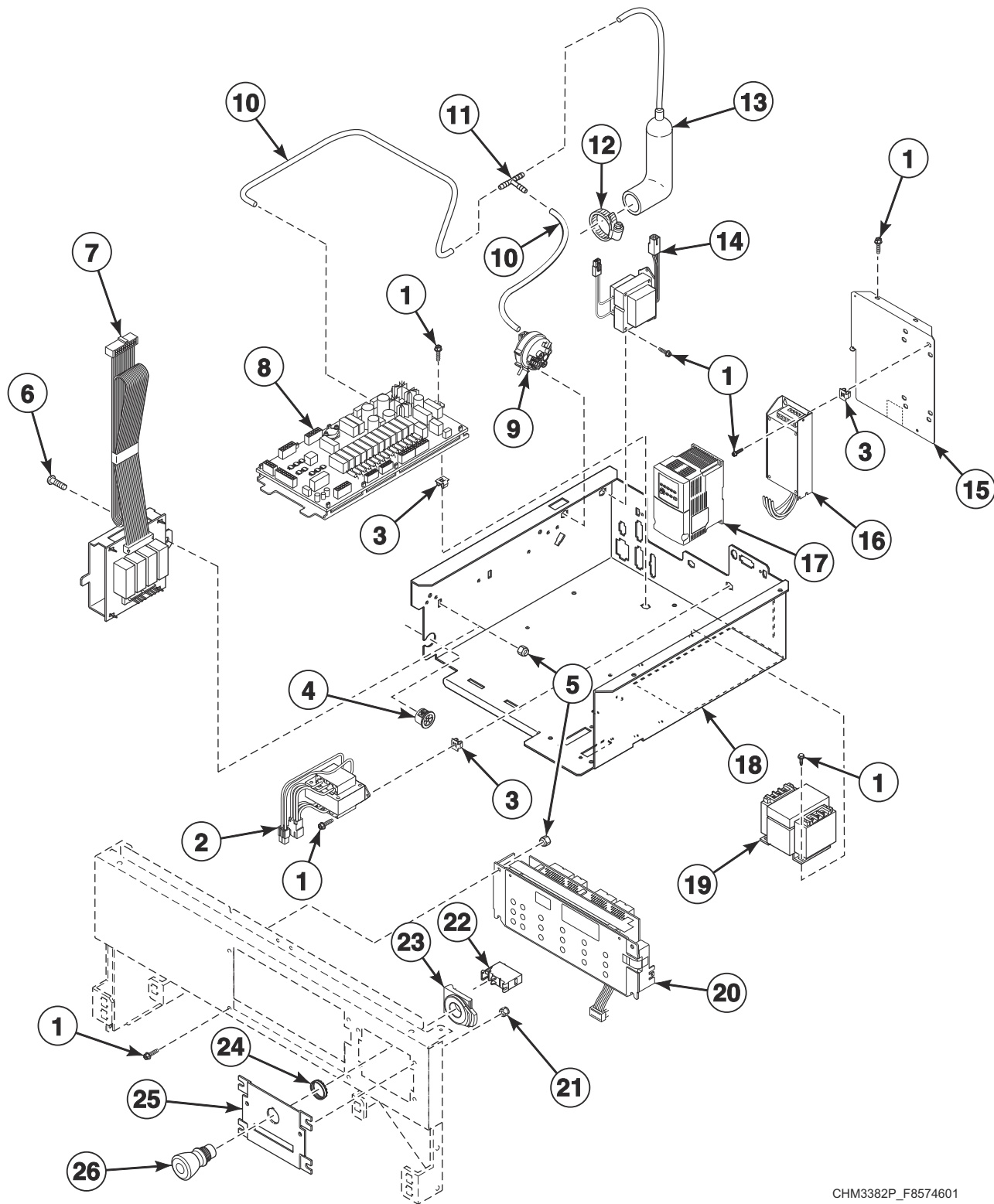


CHM3381P_F8574601

Control Module - 2 Speed OPL Models

REF	PART NO.	DESCRIPTION	COMMENTS
	F8028701	Output/Logic Harness	
	F8060501	Emergency Stop Harness	
	F8028101P	Machine Size Configuration Harness	20 pound models
	F8028103P	Machine Size Configuration Harness	30 pound models
	F8028104P	Machine Size Configuration Harness	40 pound models
	F8028105P	Machine Size Configuration Harness	60 pound models
	203346	USB IR Interface Kit	
	F8191201P	External Supply Harness	
	F937P3	External Supply Kit	Includes items 1, 6, 13, F8191201P External Supply Harness and screws
	M413506	Jumper Harness Assembly	208 Volt
	M413507	Jumper Configuration Assembly	240 Volt
1	F8206901	Screw	
2	803527P	Transformer	
3	70030501	Expansion Clip	
4	44071501	Snap Bushing	
5	F430903	Screw	
6	F8189401P	Auxiliary Control Assembly	
7	F980P3	Control Assembly Kit	Includes item 10 and F8108001 Output Assembly
	802493	Fuse	2.5 Amp
8	F8223001P	Water Pressure Switch	
9	F8153901	Tubing	
10	F8246601	Tee	Electric and steam heat
	F8431001	Hose Barb Connector	All other models
11	F200222	Hose Clamp	No. 12
12	F020014200	Air Trap Hose	
13	201616P	Transformer	External supply
14	F8176101P	Overload Contactor	
15	F330177P	Contact	
16	F330186P	Interlock Contactor	
17	70058501	Pop Rivet	
18	F8200101	DIN Rail	
19	F8411901	Capacitor	50 MFD; 20 pound models Y-voltage, 1 used; 40 pound models Y-voltage, 2 used
	F370221	Capacitor	100 MFD; 20 pound models; B-voltage, 1 used
20	F8411701	Capacitor	20 MFD; 30 pound models Y-voltage, 4 used; 40 pound models Y-voltage, 2 used
	F8411801	Capacitor	25 MFD; 20 pound models; Y-voltage, 2 used
21	F370218P	Capacitor	160 MFD; 40 pound models; Y-voltage, 2 used
	F370220	Capacitor	130 MFD; 20 pound models B-voltage, 2 used; 30 pound models Y-voltage, 1 used
22	F340002	Motor Switch	50 Amp
23	F0340722-00	Switch Clamp	
24	F430232	Nut	
25	F8199601	Capacitor Tray Assembly	20 pound models; B and Y-voltage
	F8199901	Capacitor Tray Assembly	All other models; B and Y-voltage
	F8343401	Contact Tray Assembly	C, F, J and O-voltage
26	F8205901	Control Tray Assembly	
27	F360157P	Transformer	
28	F983P3	Control Kit	Includes F8028701 Output/Logic Harness
29	F431017	Nut	
30	F8069502	Contact	
31	F200233401P	Contact Block Switch	Includes item 30 and F8538101 Contact Base
	F8538101	Contact Base	
32	24205	Nut	
33	F8201301	Emergency Stop Plate	
34	F200233500	Emergency Stop Pushbutton	

Control Module - F and V-Speed OPL Models

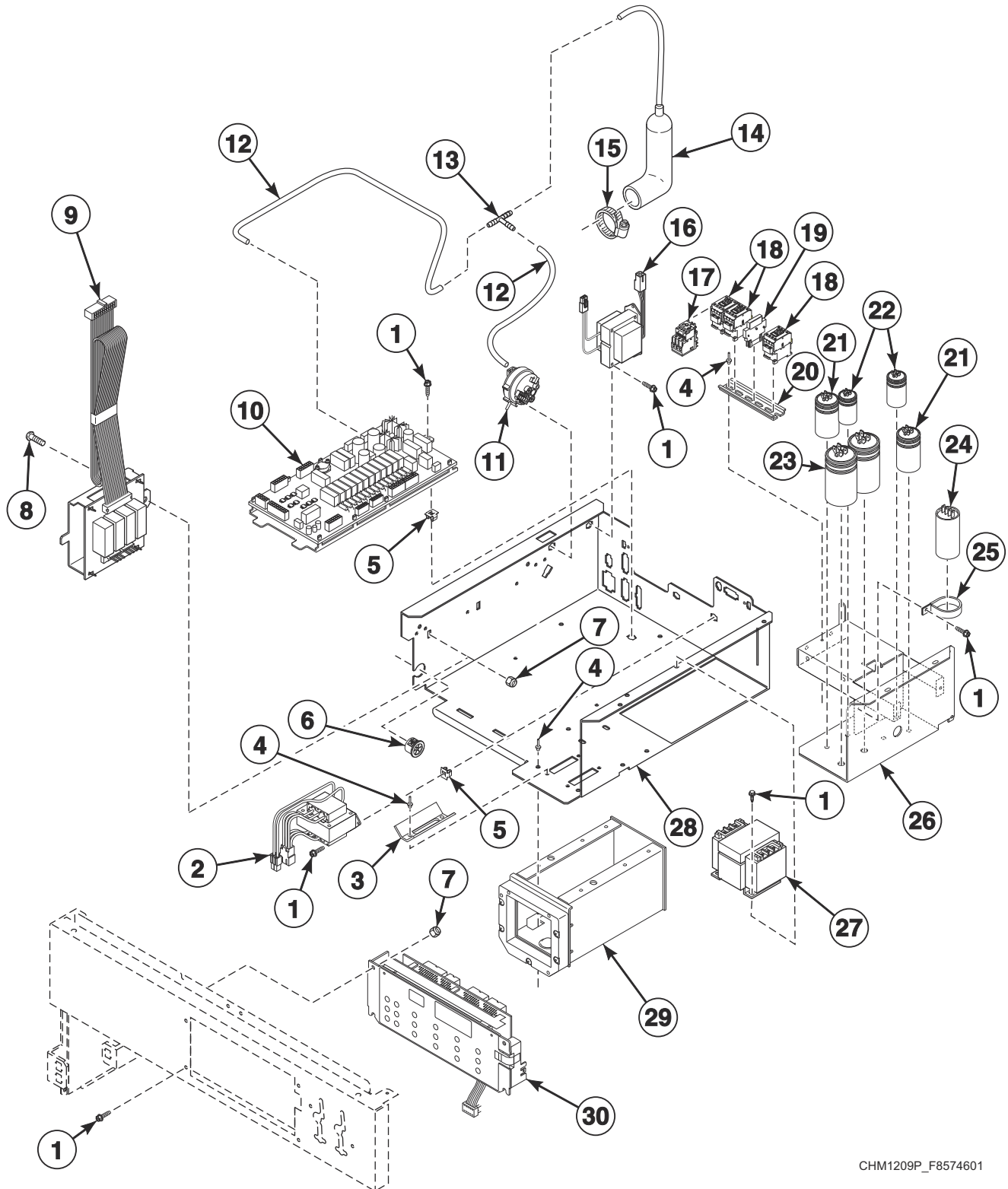


CHM3382P_F8574601

Control Module - F and V-Speed OPL Models

REF	PART NO.	DESCRIPTION	COMMENTS
	F8028701	Output/Logic Harness	
	F8060501	Emergency Stop Harness	
	F8261501P	Control Tray Harness	
	F8028101P	Machine Size Configuration Harness	20 pound models
	F8028103P	Machine Size Configuration Harness	30 pound models
	F8028104P	Machine Size Configuration Harness	40 pound models
	F8028105P	Machine Size Configuration Harness	60 pound models
	F8028219P	Temperature Configuration Harness	
	203346	USB IR Interface Kit	
	F8191201P	External Supply Harness	
	F937P3	External Supply Kit	Includes items 1, 8, F8191201P External Supply Harness and screws
	M413506	Jumper Harness Assembly	208 Volt
	M413507	Jumper Configuration Assembly	240 Volt
1	F8206901	Screw	
2	803527P	Transformer	
3	70030501	Expansion Clip	
4	44071501	Snap Bushing	
5	F430232	Nut	
6	F430903	Screw	
7	F8189401P	Auxiliary Control Assembly	
8	F980P3	Control Assembly Kit	Includes item 11 and F8108001 Output Assembly
	802493	Fuse	2.5 Amp
9	F8223001P	Water Pressure Switch	
10	F8153901	Tubing	
11	F8246601	Tee	
12	F200222	Hose Clamp	No. 12
13	F020014200	Air Trap Hose	
14	201616P	Transformer	External supply
15	F8195803	Support Bracket	
16	F8053901P	EMI Filter	240 Volt; International models only
	F8053902	EMI Filter	480 Volt; International models only
17	F8169401	PowerFlex 40 Drive	20 pound models; Models through 2/28/10; Q and X-voltage
	F8169402	PowerFlex 40 Drive	20 pound models; Models through 2/28/10; N, P and R-voltage
	F8169403	PowerFlex 40 Drive	30 pound models; Models through 2/28/10; Q and X-voltage
	F8169404	PowerFlex 40 Drive	30 pound models; Models through 2/28/10; N, P and R-voltage
	F8169405	PowerFlex 40 Drive	40 pound models; Models through 3/8/10; Q and X-voltage
	F8169406	PowerFlex 40 Drive	40 pound models; Models through 3/8/10; N, P and R-voltage
	F8169407	PowerFlex 40 Drive	60 pound models; Models through 3/8/10; Q and X-voltage
	F8169408	PowerFlex 40 Drive	60 pound models; Models through 3/8/10; N, P and R-voltage
	F8169434	PowerFlex 40 Drive	20 pound models; Models starting 3/1/10; Q and X-voltage
	F8169435	PowerFlex 40 Drive	20 pound models; Models starting 3/1/10; N, P and R-voltage
	F8169436	PowerFlex 40 Drive	30 pound models; Models starting 3/1/10; Q and X-voltage
	F8169437	PowerFlex 40 Drive	30 pound models; Models starting 3/1/10; N, P and R-voltage
	F8169438	PowerFlex 40 Drive	40 pound models; Models starting 3/9/10; Q and X-voltage
	F8169439	PowerFlex 40 Drive	40 pound models; Models starting 3/9/10; N, P and R-voltage
	F8169440	PowerFlex 40 Drive	60 pound models; Models starting 3/9/10; Q and X-voltage
	F8169441	PowerFlex 40 Drive	60 pound models; Models starting 3/9/10; N, P and R-voltage
18	F8205902	Control Tray Assembly	20 and 30 pound models
	F8205903	Control Tray Assembly	40 and 60 pound models
19	F360157P	Transformer	B-voltage
20	F983P3	Control Kit	F-speed models; Includes F8028701 Output/Logic Harness
	F988P3	Front End Control Kit	V-speed models; Includes F8028701 Output/Logic Harness
21	F431017	Nut	
22	F8069502	Contact	
23	F200233401P	Contact Block Switch	Includes item 22 and F8538101 Contact Base
	F8538101	Contact Base	
24	24205	Nut	
25	F8201301	Emergency Stop Plate	
26	F200233500	Emergency Stop Pushbutton	

Control Module - 2 Speed Vend Models

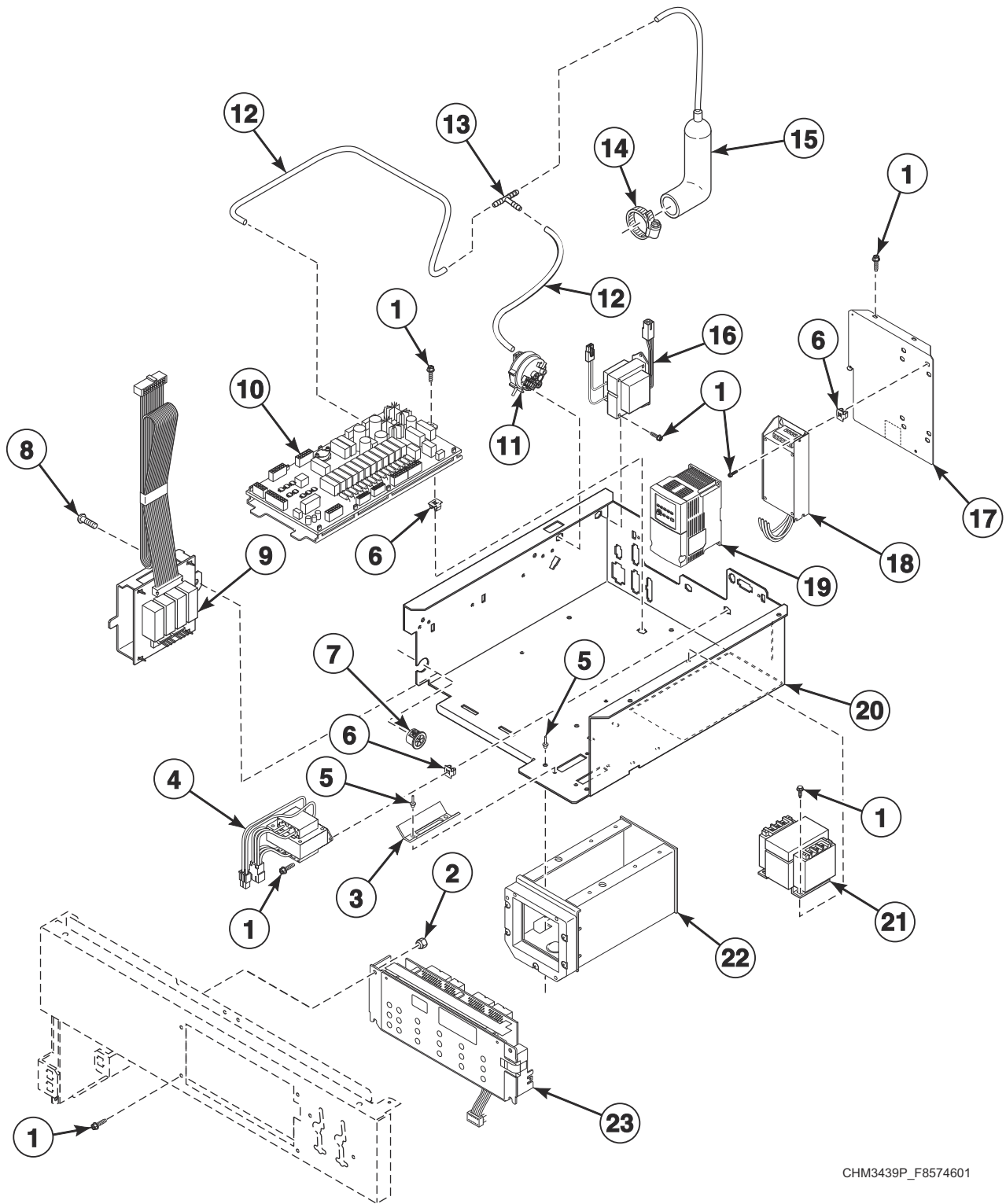


CHM1209P_F8574601

Control Module - 2 Speed Vend Models

REF	PART NO.	DESCRIPTION	COMMENTS
	F8028701	Output/Logic Harness	
	F8028101P	Machine Size Configuration Harness	20 pound models
	F8028103P	Machine Size Configuration Harness	30 pound models
	F8028104P	Machine Size Configuration Harness	40 pound models
	F8028105P	Machine Size Configuration Harness	60 pound models
	F8028219P	Temperature Configuration Harness	
	F8191203P	External Supply Harness	20 and 30 pound models
	F8191201P	External Supply Harness	40 and 60 pound models
	F937P3	External Supply Kit	Includes items 1, 2, 9, F8191201 External Supply Harness and Screws
	203346	USB IR Interface Kit	
	M413506	Jumper Harness Assembly	208 Volt
	M413507	Jumper Configuration Assembly	240 Volt
1	F8206901	Screw	
2	803527P	Transformer	
3	F8170801	Coin Chute	
4	70058501	Pop Rivet	
5	70030501	Expansion Clip	
6	44071501	Snap Bushing	
7	F430232	Nut	
8	F430903	Screw	
9	F8189401P	Auxiliary Control Assembly	
10	F980P3	Control Assembly Kit	Includes item 11 and F8108001 Output Assembly
	802493	Fuse	2.5 Amp
11	F8223001P	Water Pressure Switch	
12	F8153901	Tubing	
13	F8246601	Tee	Electric and steam heat
	F8431001	Hose Barb Connector	All other models
14	F020014200	Air Trap Hose	
15	F200222	Hose Clamp	No. 12
16	201616P	Transformer	External Supply
17	F8176101P	Overload Contactor	
18	F330177P	Contacto	
19	F330186P	Interlock Contactor	
20	F8200101	DIN Rail	
21	F8411901	Capacitor	50 MFD; 20 pound models Y-voltage, 1 used; 40 pound models Y-voltage, 2 used
	F370221	Capacitor	100 MFD; 20 pound models; B-voltage, 1 used
22	F8411701	Capacitor	20 MFD; 30 pound models Y-voltage, 4 used; 40 pound models Y-voltage, 2 used
	F8411801	Capacitor	25 MFD; 20 pound models; Y-voltage, 2 used
23	F370218P	Capacitor	160 MFD; 40 pound models; Y-voltage, 2 used
	F370220	Capacitor	130 MFD; 20 pound models B-voltage, 2 used; 30 pound models Y-voltage, 1 used
24	F340002	Motor Switch	50 Amp
25	F0340722-00	Switch Clamp	
26	F8199601	Capacitor Tray Assembly	20 pound models; B and Y-voltage
	F8199901	Capacitor Tray Assembly	All other models; B and Y-voltage
	F8343401	Contacto Tray Assembly	C, F, J and O-voltage
27	F360157P	Transformer	
28	F8205902	Control Tray Assembly	20 and 30 pound models; Includes items 3 and 25
	F8205903	Control Tray Assembly	40 and 60 pound models; Includes items 3 and 25
29	F8182501	Coin Vault Assembly	20 and 30 pound models
	F8182601	Coin Vault Assembly	40 and 60 pound models
30	F987P3	Control Kit	HCL and HCU models; Includes F8028101P Machine Size Configuration Harness
	F990P3	Control Kit	HCU models; Includes F8028101P Machine Size Configuration Harness

Control Module - F and V-Speed Vend Models

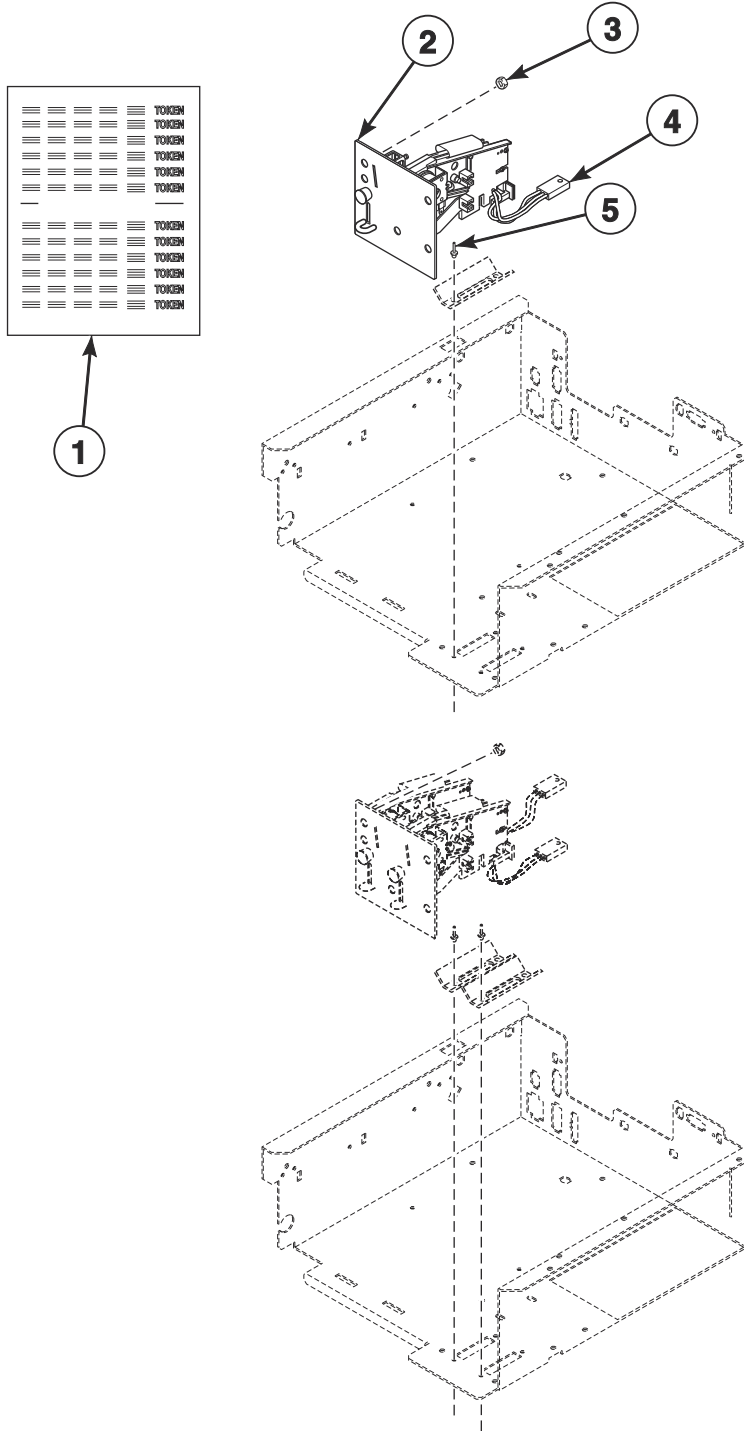


CHM3439P_F8574601

Control Module - F and V-Speed Vend Models

REF	PART NO.	DESCRIPTION	COMMENTS
	F8028701	Output/Logic Harness	
	F8261501P	Control Tray Harness	40 and 60 pound models
	F8028101P	Machine Size Configuration Harness	20 pound models
	F8028103P	Machine Size Configuration Harness	30 pound models
	F8028104P	Machine Size Configuration Harness	40 pound models
	F8028105P	Machine Size Configuration Harness	60 pound models
	F8028219P	Temperature Configuration Harness	
	F8191203P	External Supply Harness	20 and 30 pound models
	F8191201P	External Supply Harness	40 and 60 pound models
	F937P3	External Supply Kit	Includes items 1, 2, 9, F8191201 External Supply Harness and Screws
	203346	USB IR Interface Kit	
	M413506	Jumper Harness Assembly	208 Volt
	M413507	Jumper Configuration Assembly	240 Volt
1	F8206901	Screw	
2	F430232	Nut	
3	F8170801	Coin Chute	
4	803527P	Transformer	
5	70058501	Pop Rivet	
6	70030501	Expansion Clip	
7	44071501	Snap Bushing	
8	F430903	Screw	
9	F8189401P	Auxiliary Control Assembly	
10	F980P3	Control Assembly Kit	Includes item 11 and F8108001 Output Assembly
	802493	Fuse	2.5 Amp
11	F8223001P	Water Pressure Switch	
12	F8153901	Tubing	
13	F8246601	Tee	Electric and steam heat
	F8431001	Hose Barb Connector	All other models
14	F200222	Hose Clamp	No. 12
15	F020014200	Air Trap Hose	
16	201616P	Transformer	External Supply
17	F8195803	Support Bracket	
18	F8053901P	EMI Filter	200 Volt
	F8053902	EMI Filter	400 Volt
19	F8169401	PowerFlex 40 Drive	20 pound models; Models through 2/28/10; Q and X-voltage
	F8169402	PowerFlex 40 Drive	20 pound models; Models through 2/28/10; N, P and R-voltage
	F8169403	PowerFlex 40 Drive	30 pound models; Models through 2/28/10; Q and X-voltage
	F8169404	PowerFlex 40 Drive	30 pound models; Models through 2/28/10; N, P and R-voltage
	F8169405	PowerFlex 40 Drive	40 pound models; Models through 3/8/10; Q and X-voltage
	F8169406	PowerFlex 40 Drive	40 pound models; Models through 3/8/10; N, P and R-voltage
	F8169407	PowerFlex 40 Drive	60 pound models; Models through 3/8/10; Q and X-voltage
	F8169408	PowerFlex 40 Drive	60 pound models; Models through 3/8/10; N, P and R-voltage
	F8169434	PowerFlex 40 Drive	20 pound models; Models starting 3/1/10; Q and X-voltage
	F8169435	PowerFlex 40 Drive	20 pound models; Models starting 3/1/10; N, P and R-voltage
	F8169436	PowerFlex 40 Drive	30 pound models; Models starting 3/1/10; Q and X-voltage
	F8169437	PowerFlex 40 Drive	30 pound models; Models starting 3/1/10; N, P and R-voltage
	F8169438	PowerFlex 40 Drive	40 pound models; Models starting 3/9/10; Q and X-voltage
	F8169439	PowerFlex 40 Drive	40 pound models; Models starting 3/9/10; N, P and R-voltage
	F8169440	PowerFlex 40 Drive	60 pound models; Models starting 3/9/10; Q and X-voltage
	F8169441	PowerFlex 40 Drive	60 pound models; Models starting 3/9/10; N, P and R-voltage
20	F8205902	Control Tray Assembly	20 and 30 pound models; Includes items 5 and 19
	F8205903	Control Tray Assembly	40 and 60 pound models; Includes items 5 and 19
21	F360157P	Transformer	B-voltage
22	F8182501	Coin Vault Assembly	20 and 30 pound models
	F8182601	Coin Vault Assembly	40 and 60 pound models
23	F990P3	Control Kit	HCN F-speed models; Includes F8028701 Output/Logic Harness
	F991P3	Control Kit	HCL and HCU F-speed models; Includes F8028701 Output/Logic Harness
	F986P3	Front End Control Kit	HCN V-speed models; Includes F8028701 Output/Logic Harness
	F987P3	Control Kit	HCL and HCU V-speed models; Includes F8028701 Output/Logic Harness

Flush Mount Coin Meter Assembly - Single Drop



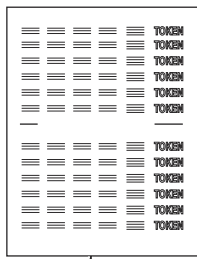
CHM3088P_F8574601

Flush Mount Coin Meter Assembly - Single Drop

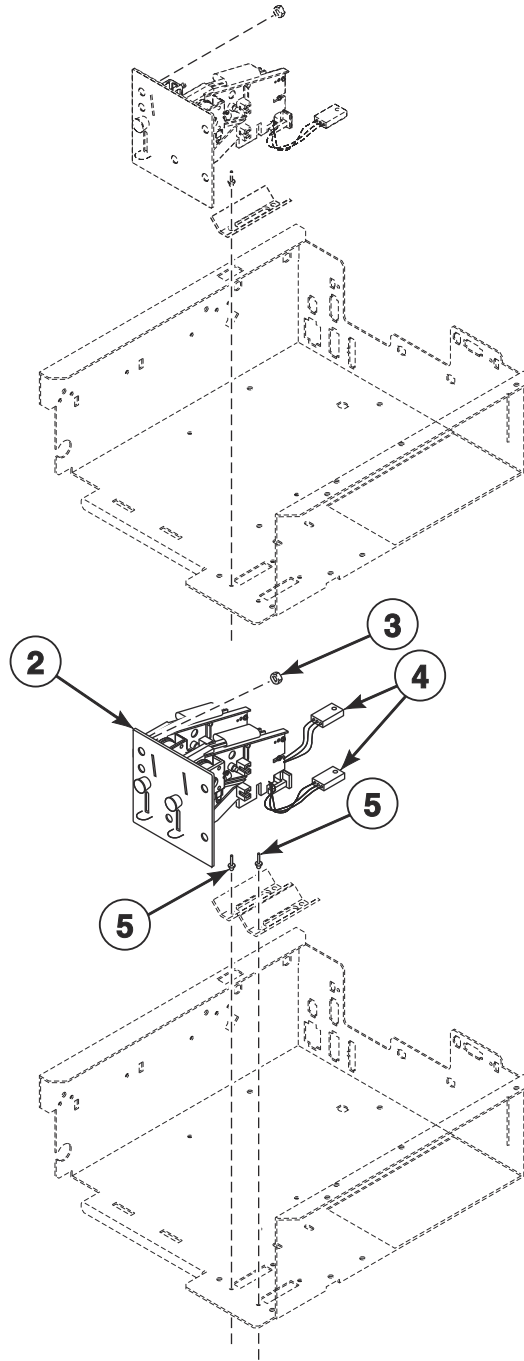
REF	PART NO.	DESCRIPTION	COMMENTS
	F200010000P	Coin Meter Assembly	U.S. \$.25; Includes items 2 and 3
	F200010006	Coin Meter Assembly	.800 token; Includes items 2 and 3
	F200010007	Coin Meter Assembly	.880 token; Includes items 2 and 3
	F200010009	Coin Meter Assembly	.990 token; Includes items 2 and 3
	F200010011	Coin Meter Assembly	Jeton WH121 token; Includes items 2 and 3
	F200010012	Coin Meter Assembly	Jeton .08 token; Includes items 2 and 3
1	38725	Coin Identification Paper	
2	38464P	Coin Drop Assembly	Canada .25
	N/A	Coin Drop Assembly	Australia .20
	N/A	Coin Drop Assembly	Belgium 5 franc
	N/A	Coin Drop Assembly	Denmark 2 krone
	N/A	Coin Drop Assembly	United Kingdom 20 pence
	N/A	Coin Drop Assembly	France 2 franc
	N/A	Coin Drop Assembly	Hong Kong 5 dollar
	N/A	Coin Drop Assembly	Italy 500 lira
	N/A	Coin Drop Assembly	Japan 100 yen
	N/A	Coin Drop Assembly	Korea 500 won
	N/A	Coin Drop Assembly	South Africa 2 rand
	N/A	Coin Drop Assembly	Spain 100 peseta
	N/A	Coin Drop Assembly	Thailand 10 baht
	N/A	Coin Drop Assembly	.886 token
	N/A	Coin Drop Assembly	1.000 token
	N/A	Coin Drop Assembly	Jeton 08 token
	70441601P	Coin Drop	U.S. \$.25
	N/A	Coin Drop Assembly	.800 token
	38462P	Coin Drop Assembly	Token; 118-1; .880 diameter x .079 thick; Brass
	38463	Coin Drop Assembly	Token; 118-5; .990 diameter x .081 thick; Silver
	N/A	Coin Drop Assembly	Jeton WH121 token
	N/A	Coin Meter	Jeton .08 token
3	685846	Nut	
4	200674P	Opto Coupler	
5	70058501	Pop Rivet	

N/A = Part no longer available

Flush Mount Coin Meter Assembly - Dual Drop



1



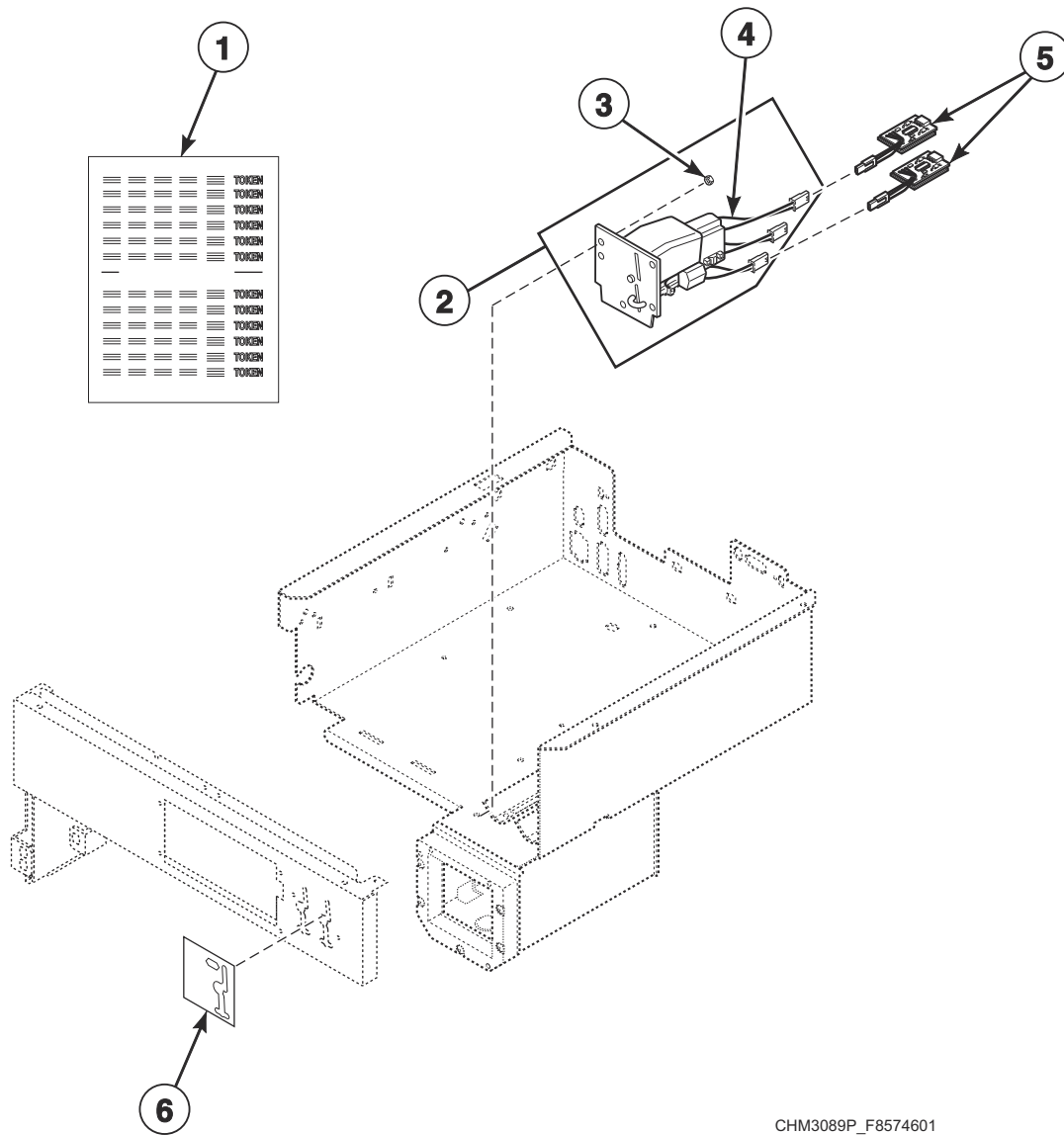
CHM3088PA_F8574601

Flush Mount Coin Meter Assembly - Dual Drop

REF	PART NO.	DESCRIPTION	COMMENTS
	F200010001	Coin Meter Assembly	Australia .20 and 1.00; Includes items 2 and 3
	F200010002	Coin Meter Assembly	100 and 500 yen; Includes items 2 and 3
	F200010003	Coin Meter Assembly	Canada .25 and 1.00; Includes items 2 and 3
	F200010004	Coin Meter Assembly	New Zealand .20 and 1.00; Includes items 2 and 3
	F200010005P	Coin Meter Assembly	U.S. \$.25 and \$1.00; Includes items 2 and 3
	F200010008	Coin Meter Assembly	.50 and 2.00 euro; Includes items 2 and 3
	F200010010	Coin Meter Assembly	10 and 50 Taiwan; Includes items 2 and 3
1	38725	Coin Identification Paper	
2	N/A	Coin Meter	10 and 50 Taiwan
	N/A	Coin Meter	Belgium 5 and 20 franc
	N/A	Coin Meter	Denmark 1 and 5 krone
	N/A	Coin Meter	Denmark 5 and 10 krone
	38472	Coin Drop Assembly	United Kingdom 20 pence and 1 pound
	N/A	Coin Meter	.20 and .50 euro
	210195	Coin Drop Assembly	.20 and 1.00 euro
	210196	Coin Drop Assembly	.50 and 1.00 euro
	N/A	Coin Meter	2 and 5 franc
	N/A	Coin Meter	2 and 10 franc
	39157	Coin Drop Assembly	Israel 1 and 5 shekel
	38521	Coin Drop Assembly	Korea 100 and 500 won
	N/A	Coin Meter	Spain 100 and 500 peseta
	N/A	Coin Drop Assembly	Australia .20 and 1.00
	N/A	Coin Drop Assembly	Japan 100 and 500 yen
	N/A	Coin Drop Assembly	Canada .25 and 1.00
	N/A	Coin Drop Assembly	New Zealand .20 and 1.00
	70256402P	Coin Drop	U.S. \$.25 and \$1.00
	F0160737-00	Coin Meter	.50 and 2.00 euro
	70281102	Coin Drop Assembly	Taiwan 10 and 50 dollar
	N/A	Coin Meter	Taiwan 5 and 10 dollar
3	685846	Nut	
4	200674P	Opto Coupler	
5	70058501	Pop Rivet	

N/A = Part no longer available

Electronic Coin Meter Assembly

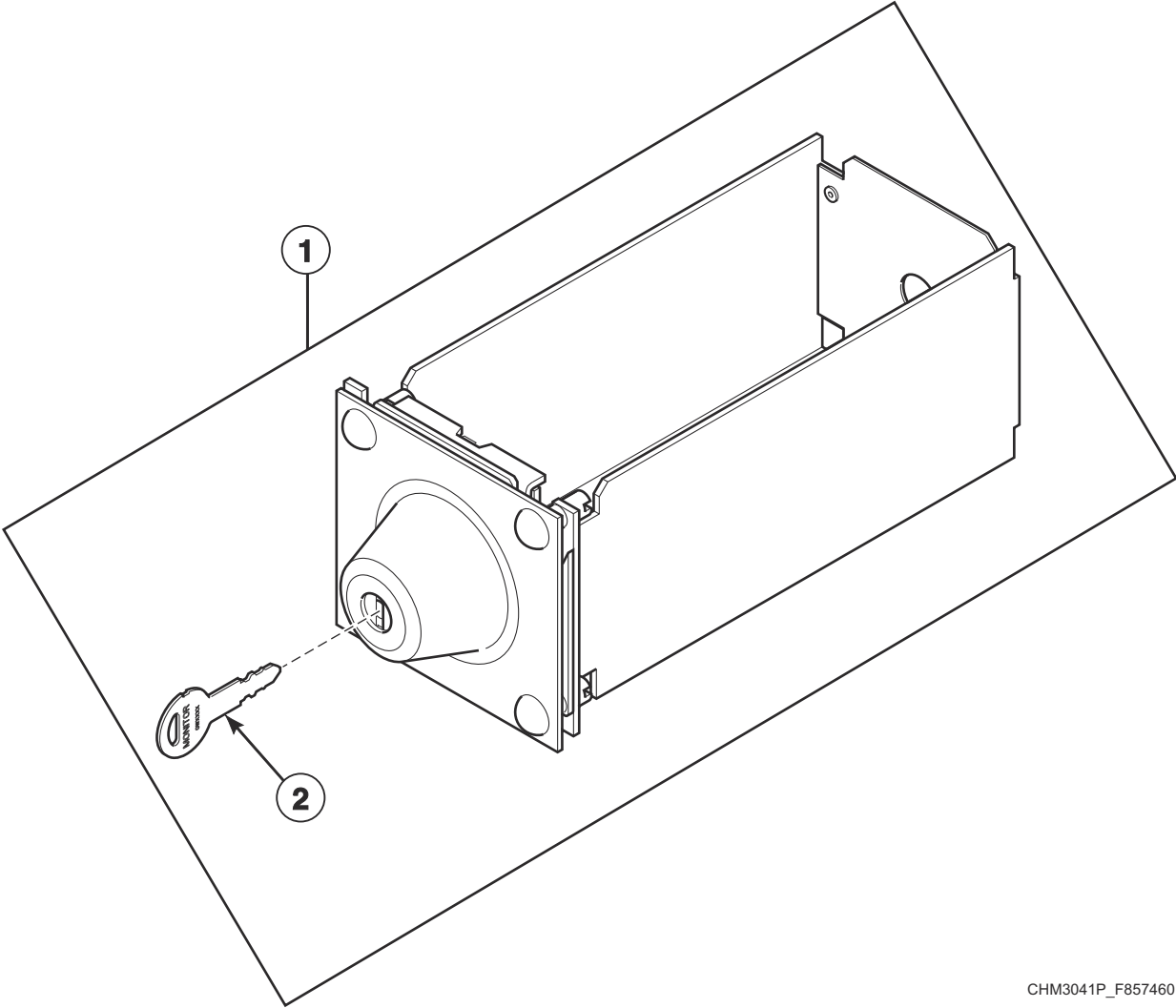


CHM3089P_F8574601

Electronic Coin Meter Assembly

REF	PART NO.	DESCRIPTION	COMMENTS
	CK500	Electronic Coin Drop Kit	Includes item 2
1	38725	Coin Identification Paper	
2	F200021600P	Coin Meter Assembly	U.S., Canada, Japan and Taiwan; Includes items 3 and 4; Requires CK500 Electronic Coin Drop Kit for installation
3	685846	Nut	
4	70513311	Electronic Coin Drop Assembly	China, Russia and Malaysia; Includes items 3 and 4; Requires CK500 Electronic Coin Drop Kit for installation
	CK115	Electronic Coin Drop Kit	U.S. and Canada; Includes item 1; Requires CK500 Electronic Coin Drop Kit for installation
	CK113	Electronic Coin Drop Kit	Japan and Taiwan; Includes item 1; Requires CK500 Electronic Coin Drop Kit for installation
	CK099	Electronic Coin Drop Kit	Australia, Hong Kong, South Korea and Malaysia; Includes item 1; Requires CK500 Electronic Coin Drop Kit for installation
	70294103P	Electronic Coin Drop Assembly	United Kingdom and euro
	CK100	Electronic Coin Drop Kit	United Kingdom and euro; Includes item 1; Requires CK500 Electronic Coin Drop Kit for installation
	70294104	Electronic Coin Drop Assembly	Denmark, Norway and Euro
	CK101	Electronic Coin Drop Kit	Denmark, Norway and euro; Includes item 1; Requires CK500 Electronic Coin Drop Kit for installation
	70294106	Electronic Coin Drop Assembly	U.S., Mexico and Ecuador
	CK110	Electronic Coin Drop Kit	U.S., Mexico and Ecuador; Includes item 1; Requires CK500 Electronic Coin Drop Kit for installation
	70294107	Electronic Coin Drop Assembly	Euro, Latvia and Lithuania
	CK103	Electronic Coin Drop Kit	Euro, Latvia and Lithuania; Includes item 1; Requires CK500 Electronic Coin Drop Kit for installation
	70294109	Electronic Coin Drop Assembly	China, Russia and Malaysia
	CK106	Electronic Coin Drop Kit	China, Russia and Malaysia; Includes item 1; Requires CK500 Electronic Coin Drop Kit for installation
	70294111	Electronic Coin Drop Assembly	Euro
	CK109	Electronic Coin Drop Kit	Euro; Includes item 1; Requires CK500 Electronic Coin Drop Kit for installation
	70294119	Electronic Coin Drop Assembly	Thailand
	CK119	Electronic Coin Drop Kit	Thailand; Includes item 1; Requires CK500 Electronic Coin Drop Kit for installation
	70294120	Electronic Coin Drop Assembly	Chile
	CK120	Electronic Coin Drop Kit	Chile; Includes item 1; Requires CK500 Electronic Coin Drop Kit for installation
	70294121	Electronic Coin Drop Assembly	Singapore
	CK121	Electronic Coin Drop Kit	Singapore; Includes item 1; Requires CK500 Electronic Coin Drop Kit for installation
	70482401	Coin Drop Assembly	New Zealand
	CK122	Coin Drop Kit	New Zealand; Includes item 1; Requires CK500 Electronic Coin Drop Kit for installation
5	F8034701P	Pulse Expander Assembly	
6	70295301	Overlay	Gray
	70295101	Overlay	Black

Optional Coin Box



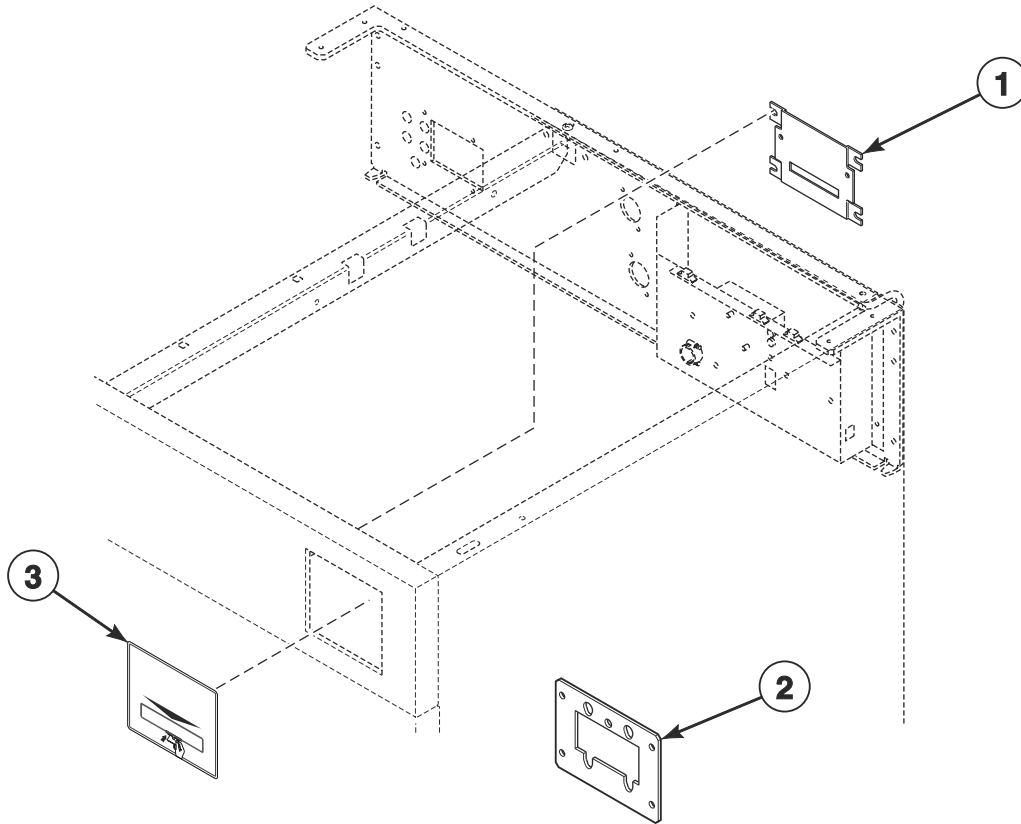
CHM3041P_F8574601

Optional Coin Box

REF	PART NO.	DESCRIPTION	COMMENTS
1	F160672	Coin Box	UG21; 20 and 30 pound models
	F8182001	Coin Drawer Assembly	40 and 60 pound models
2	F160420	Key	GW0023

Card Reader

KY Models

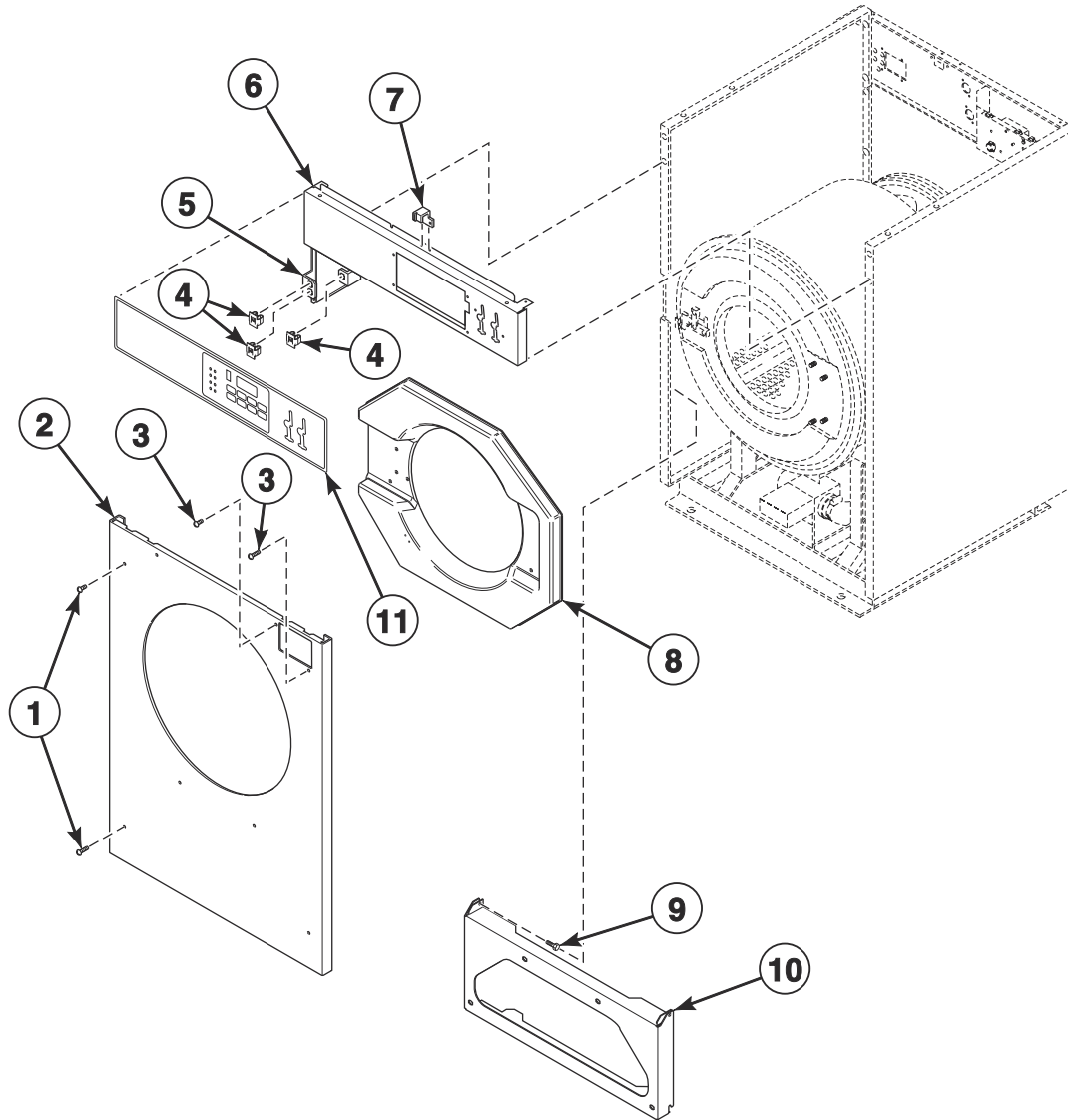


CHM3434P_F8574601

Card Reader

REF	PART NO.	DESCRIPTION	COMMENTS
1	F8201501	Card Plate Assembly	
2	70208801	Mounting Plate	
3	70334301	Card Reader Overlay	

Front Panel, Control Panel and Overlays - Coin Models

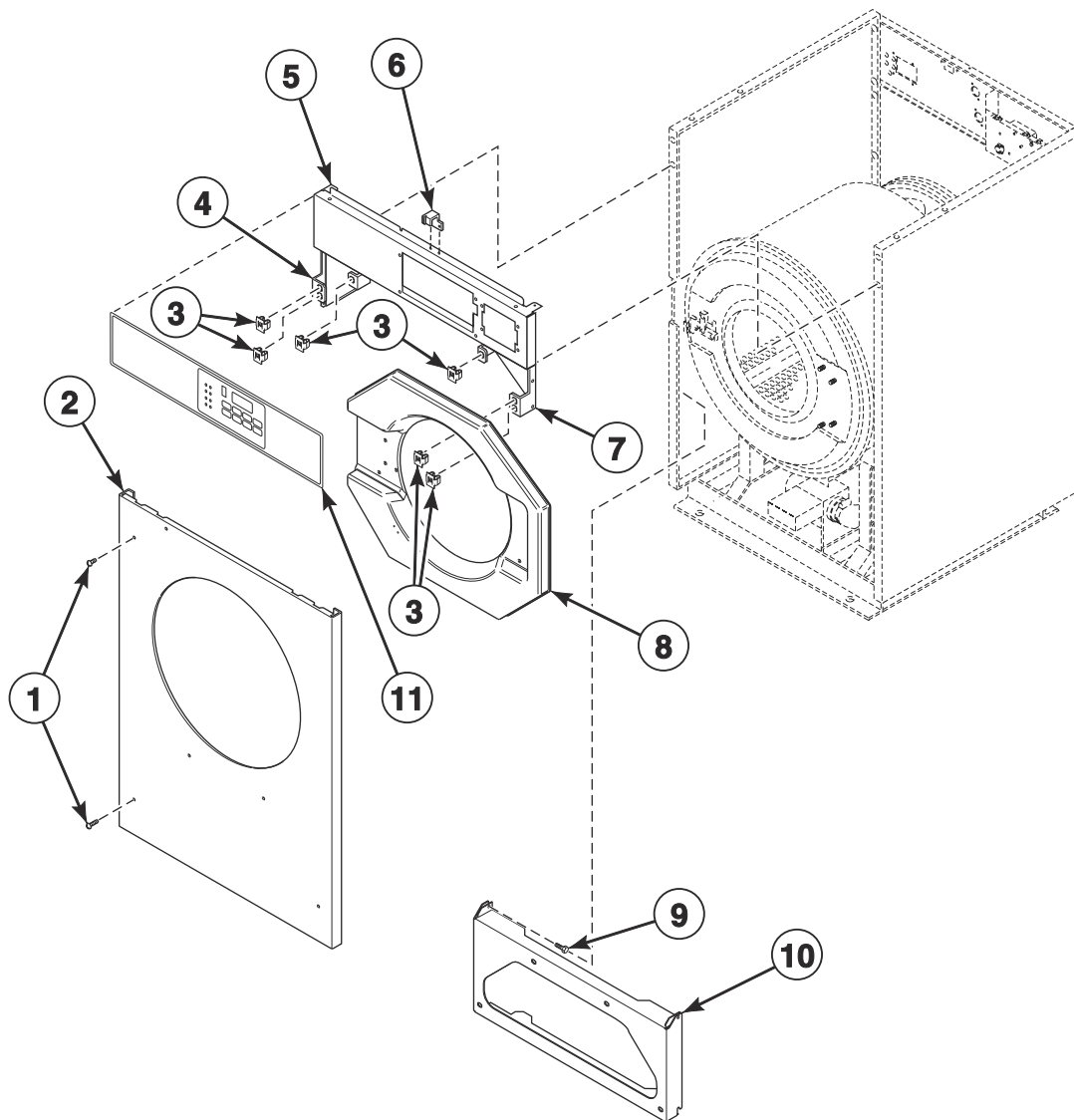


CHM3196P_F8574601

Front Panel, Control Panel and Overlays - Coin Models

REF	PART NO.	DESCRIPTION	COMMENTS
1	F8117601	Screw	
2	F8171301	Front Panel	20 pound models; Stainless steel
	F8173001	Front Panel	30 pound models; Stainless steel
	F8173101P	Front Panel	40 pound models; Stainless steel
	F8173201P	Front Panel	60 pound models; Stainless steel
3	801019	Screw	
4	70030501	Expansion Clip	
5	F8186702	Gusset Plate	Left
6	F8038502	Control Panel Assembly	20 pound models
	F8038602	Control Panel Assembly	30 pound models
	F8038702	Control Panel Assembly	40 pound models
	F8038802	Control Panel Assembly	60 pound models
7	F8201001	Top Cover Latch	
8	F8658701	Door Bezel	Black
	F170416-2	Door Bezel	20 pound models; Pantone 403; Models through 1/10/10
	F8658801	Door Bezel	20 pound models; Gray; Models starting 1/11/10
	F170417-1	Door Bezel	Black
	F8658901	Door Bezel	30 pound models; Gray
	F8659101	Door Bezel	Black
	F0170426-30	Door Bezel	40 and 60 pound models; Gray
9	F430174	Screw	
10	F8173801	Front Cabinet Brace	20 pound models
	F8173901	Front Cabinet Brace	30 pound models
	F8174001	Front Cabinet Brace	40 pound models
	F8174101	Lower Cabinet Brace	60 pound models
11	F8295501	Control Panel Overlay	HC 20 pound coin models; Single coin drop
	F8295502	Control Panel Overlay	HC 20 pound coin models; Dual coin drop
	F8295601	Control Panel Overlay	HC 30 pound coin models; Single coin drop
	F8295602	Control Panel Overlay	HC 30 pound coin models; Dual coin drop
	F8295701	Control Panel Overlay	HC 40 pound coin models; Single coin drop
	F8295702	Control Panel Overlay	HC 40 pound coin models; Dual coin drop
	F8295801	Control Panel Overlay	HC 60 pound coin models; Single coin drop
	F8295802	Control Panel Overlay	HC 60 pound coin models; Dual coin drop

Front Panel and Control Panel - Card Ready and OPL Models

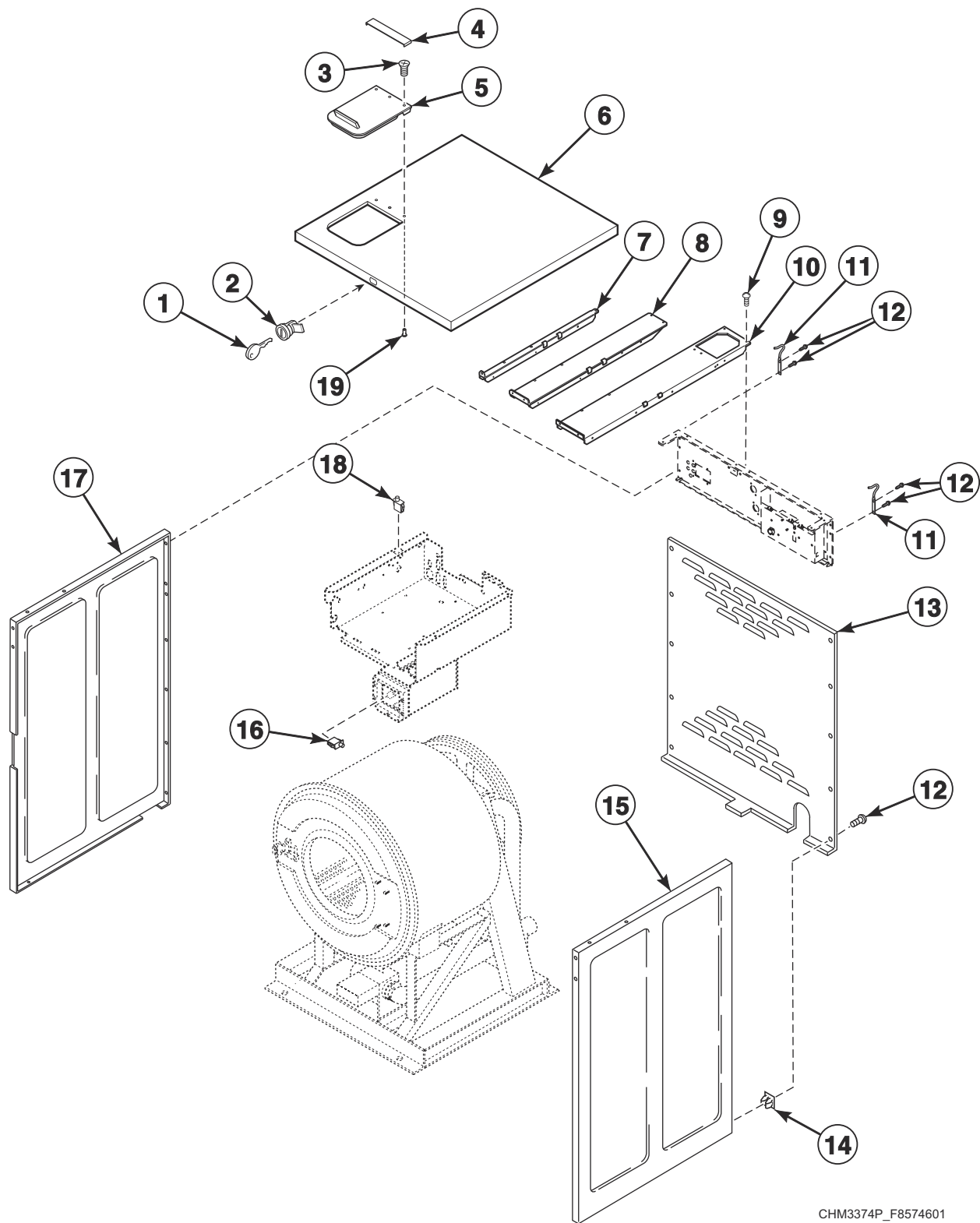


CHM3197P_F8574601

Front Panel and Control Panel - Card Ready and OPL Models

REF	PART NO.	DESCRIPTION	COMMENTS
1	F8117601	Screw	
2	F8171302P	Front Panel	20 pound models; Stainless steel
	F8173002P	Front Panel	30 pound models; Stainless steel
	F8173102P	Front Panel	40 pound models; Stainless steel
	F8173202P	Front Panel	60 pound models; Stainless steel
3	70030501	Expansion Clip	
4	F8186702	Gusset Plate	Left
5	F8038504	Control Panel Assembly	20 pound models
	F8038604	Control Panel Assembly	30 pound models
	F8038704	Control Panel Assembly	40 pound models
	F8038804	Control Panel Assembly	60 pound models
6	F8201001	Top Cover Latch	
7	F8186701	Gusset Plate	Right
8	F8658701	Door Bezel	SC and UC 20 pound models; Black
	F170416-2	Door Bezel	HC 20 pound models; Pantone 403; Models through 1/10/10
	F8658801	Door Bezel	HC 20 pound models; Gray; Models starting 1/11/10
	F170417-1	Door Bezel	SC and UC 30 pound models; Black
	F8658901	Door Bezel	HC 30 pound models; Gray
	F8659101	Door Bezel	SC and UC 40 and 60 pound models; Black
	F0170426-30	Door Bezel	HC 40 and 60 pound models; Gray
9	F430174	Screw	
10	F8173801	Front Cabinet Brace	20 pound models
	F8173901	Front Cabinet Brace	30 pound models
	F8174001	Front Cabinet Brace	40 pound models
	F8174101	Lower Cabinet Brace	60 pound models
11	F8295503	Overlay	HC 20 pound KY models
	F8295603	Overlay	HC 30 pound KY models
	F8295703	Overlay	HC 40 pound KY models
	F8295803	Overlay	HC 60 pound KY models
	F8296001	Control Panel Overlay	SC 20 pound models
	F8296101	Control Panel Overlay	SC 30 pound models
	F8296201	Control Panel Overlay	SC 40 pound models
	F8296301	Control Panel Overlay	SC 60 pound models
	F8226301	Control Panel Overlay	UC 20 pound models
	F8226401	Control Panel Overlay	UC 30 pound models
	F8226501	Control Panel Overlay	UC 40 pound models
	F8226601	Control Panel Overlay	UC 60 pound models

Panels

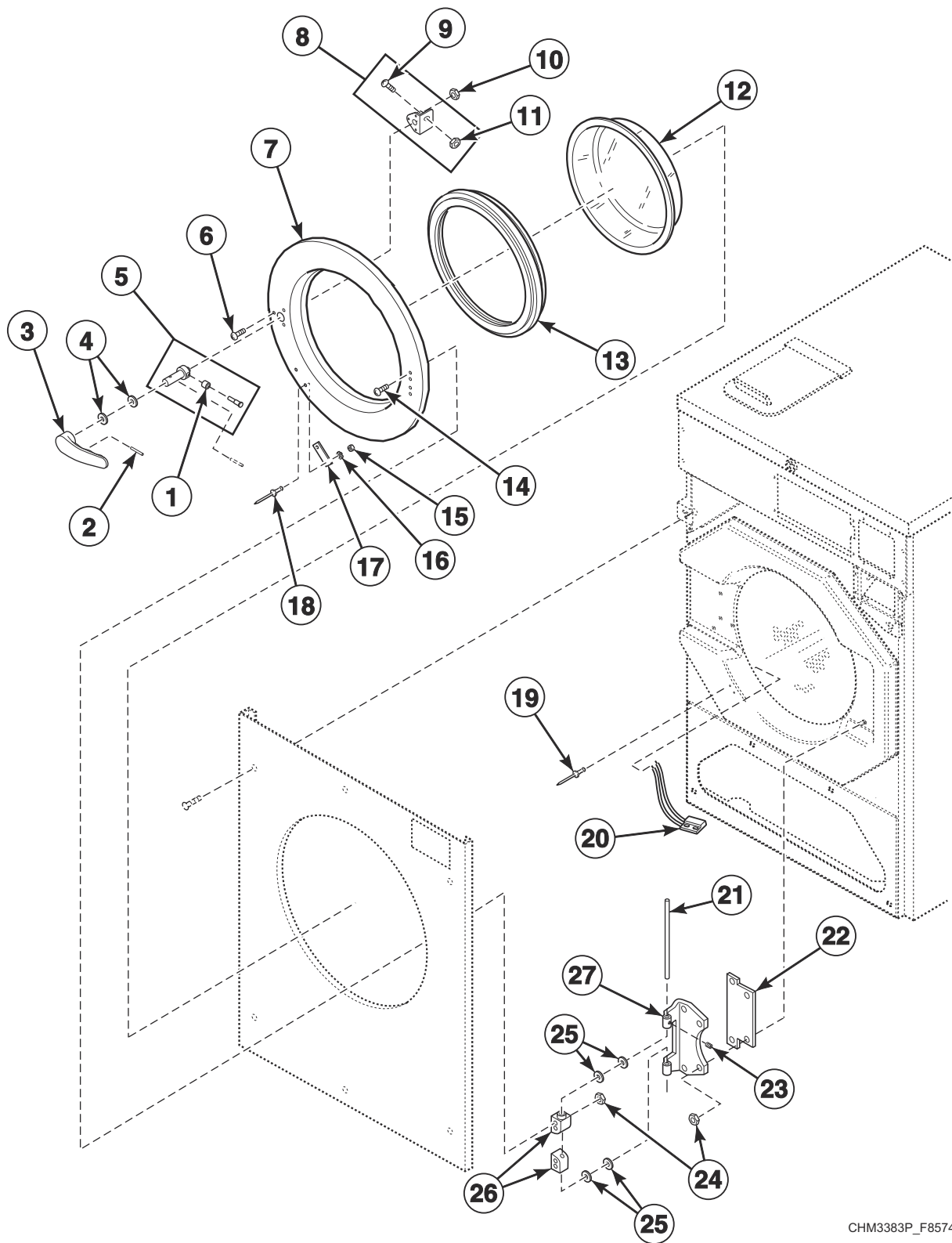


CHM3374P_F8574601

Panels

REF	PART NO.	DESCRIPTION	COMMENTS
1	70155603	Key	RL003
2	44089303P	Panel Lock	
3	F8230601	Screw	
4	F8091701	Lid Clamp	
5	F8048101	Dispenser Lid	Gray
6	F8040201	Top Cover	20 pound models
	F8017401	Top Cover	30 pound models
	F8040301	Top Cover	40 pound models
	F8040401P	Top Cover	60 pound models
7	F8043501	Top Cabinet Brace	20 pound models
8	F8043701	Top Cabinet Brace	30 pound models
9	F430174	Screw	
10	F8043801	Top Cabinet Brace	40 pound models
	F8043901	Top Cabinet Brace	60 pound models
11	F8258601	Top Cover Hinge	
12	F8206901	Screw	
13	F8176201P	Rear Panel	20 pound models
	F8176301	Rear Panel	30 pound models
	F8177701P	Rear Panel	40 pound models
	F8177501P	Rear Panel	60 pound models
14	70030501	Expansion Clip	
15	F8042901P	Right Side Panel	20 pound models; Vinyl
	F8043101P	Right Side Panel	30 pound models; Vinyl
	F8043201P	Right Side Panel	40 pound models; Vinyl
	F8043301P	Right Side Panel	60 pound models; Vinyl
16	70413301	Pushbutton Switch	Coin models
17	F8042902P	Left Side Panel	20 pound models; Vinyl
	F8043102P	Left Side Panel	30 pound models; Vinyl
	F8043202P	Left Side Panel	40 pound models; Vinyl
	F8043302P	Left Side Panel	60 pound models; Vinyl
18	70413301	Pushbutton Switch	
19	F8230501	Bolt	

Door

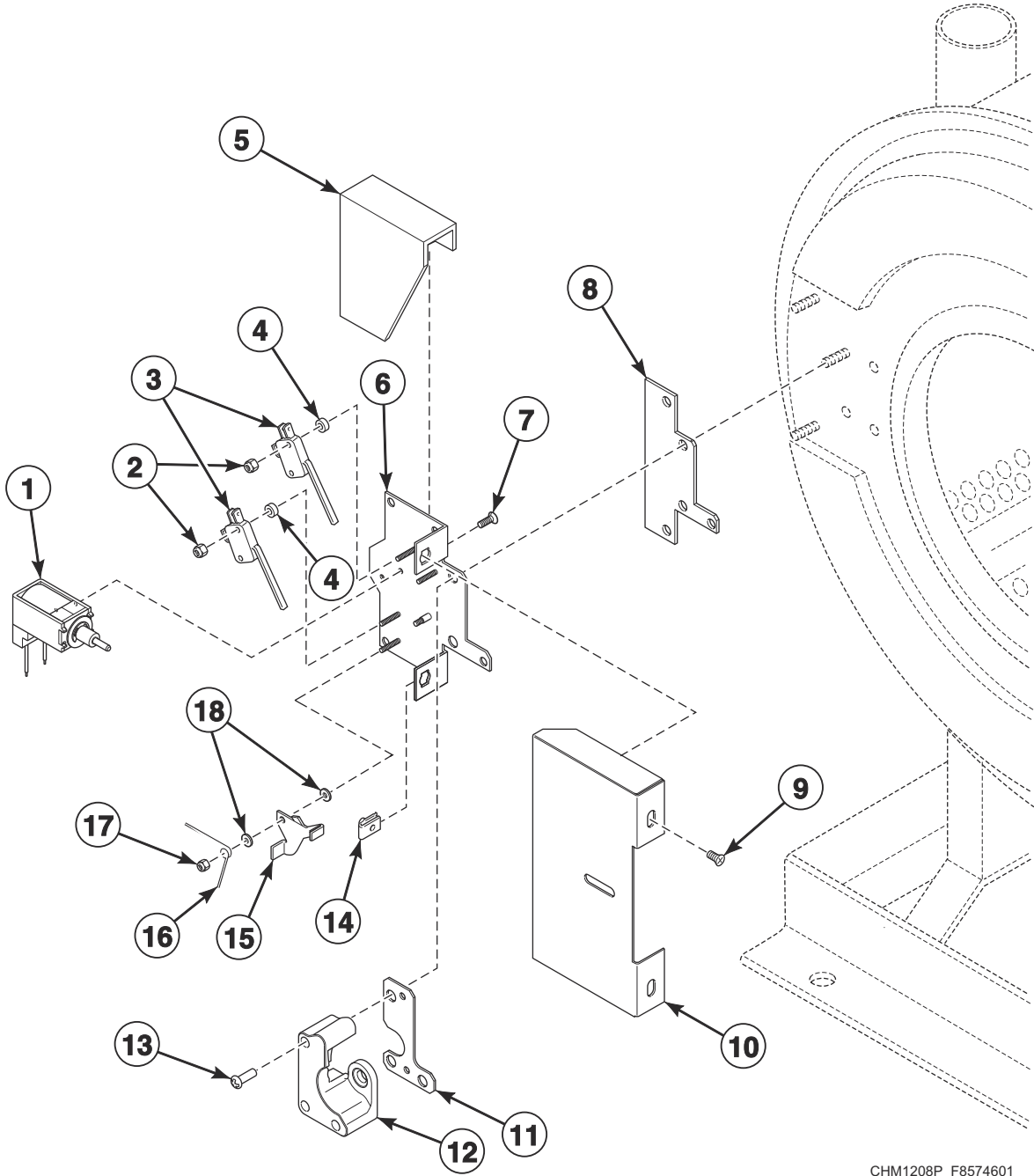


CHM3383P_F8574601

Door

REF	PART NO.	DESCRIPTION	COMMENTS
	F8187202	Door Assembly	20 pound SC and UC models; Includes items 1-8 and 20-27
	F8187203	Door Assembly	20 pound HC models; Includes items 1-8 and 20-27
	F8187302	Door Assembly	30 pound SC and UC models; Includes items 1-8 and 20-27
	F8187303	Door Assembly	30 pound HC models; Includes items 1-8 and 20-27
	F8187402	Door Assembly	40 and 60 pound SC and UC models; Includes items 1-8 and 20-27
	F8187403	Door Assembly	40 and 60 pound HC models; Includes items 1-8 and 20-27
1	F8221701	Bearing Sleeve	
2	F431222	Spring Pin	
3	F8199401P	Door Handle	SC and UC models; Black
	F8199501	Door Handle	HC models; Gray
4	F431916	Washer	
5	F8221403	Door Latch Arm Assembly	
6	F8535501	Screw	
	F8508101	Bolt	Chrome
7	F0602431-02	Door	20 pound models
	F0602837-02	Door	30 pound models
	F8507501P	Door	20 pound models; Chrome
	F8507601	Door	30 pound models; Chrome
	F602842-2	Door	40 and 60 pound models
	F8507701	Door	40 and 60 pound models; Chrome
8	F8567501	Door Handle Spacer Kit	Includes items 9 and 11
9	F430532	Screw	
10	F430232	Nut	
11	F431041	Nut	
12	F290205P	Door Glass Kit	20 pound SC and UC models; 20 pound HC models through 1/10/10
	F8675701	Door Glass	20 pound HC models; Models starting 1/11/10
	F8485301P	Door Glass	30 pound SC and UC models; 30 pound HC models through 1/10/10
	F8485305	Door Glass	30 pound HC models; Models starting 1/11/10
	F8485401P	Door Glass	40 and 60 pound SC and UC models; 40 and 60 pound HC models through 1/10/10
	F8485405	Door Glass	40 and 60 pound HC models; Models starting 1/11/10
13	F20000202	Door Gasket	20 pound models
	F8111602	Door Gasket	30 pound models
	F8111502	Door Gasket	40 and 60 pound models
14	F430974	Bolt	
	F8508101	Bolt	Chrome
15	F431022	Nut	
16	F431113	Washer	
17	F8390801	Magnet	
18	F431223	Pop Rivet	
19	F8245101	Blind Rivet	
20	F8066802	Reed Switch Assembly	
21	F602813-2	Rod	20 and 30 pound models
	F602813-3	Rod	40 pound models
22	F200131000P	Door Hinge Shim Kit	
23	F430536	Screw	
24	F430215	Nut	
25	F431929	Washer	
26	F150271	Door Mount	
27	F190216P	Door Hinge	

Door Lock



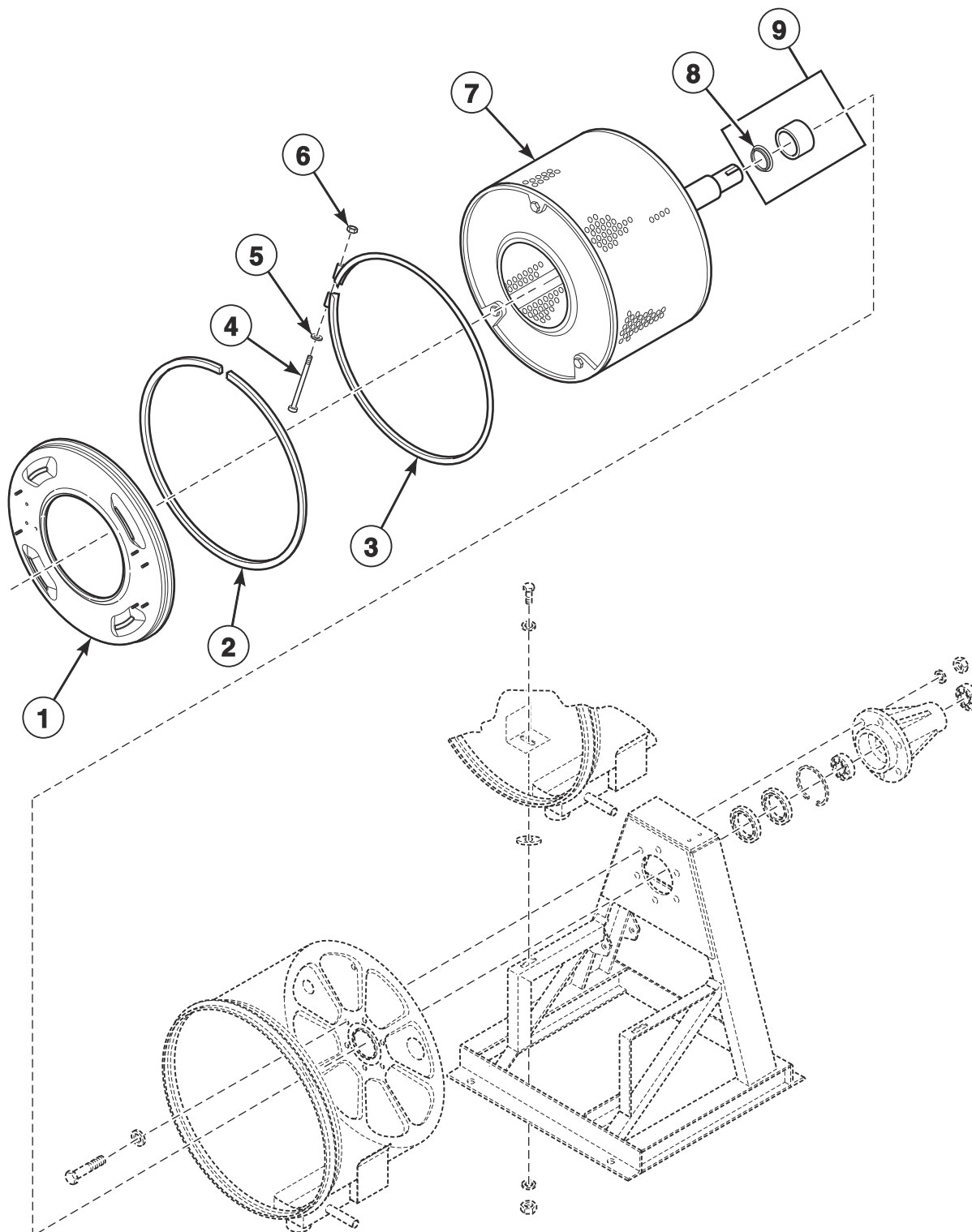
CHM1208P_F8574601

Door Lock

REF	PART NO.	DESCRIPTION	COMMENTS
	F8626501	Door Lock Assembly Kit	Includes F8339902 External Door Lock Harness; Models through 10/31/10
	F8340501	Door Lock Assembly	Includes F8340001 External Door Lock Harness; Models starting 11/1/10
	N/A	External Door Lock Harness	Includes F8224201 Solenoid; Models through 10/31/10; Order F977P3 Door Lock Solenoid Replacement Kit
	F8340001	External Door Lock Harness	Models starting 11/1/10
1	F977P3	Door Lock Solenoid Replacement Kit	Includes F8340101 Solenoid; Models through 10/31/10
	F8626501	Door Lock Assembly Kit	Includes items 12, F8567501 Door Handle Spacer Kit, F8221401 Door Latch Arm Assembly, F431222 Spring Pin, F8340501 Door Lock Assembly and F8359401 Harness; Models starting 11/1/10
2	F430225	Nut	
3	F200203200	Door Lock Microswitch	
4	F320200	Door Lock Splash Shield	
5	F431901	Spacer	
6	F8223202	Door Lock Plate Assembly	
7	F430977	Screw	
8	F8059701	Door Lock Plate Shim	Models through 9/25/09
	F8344401	Door Lock Plate Shim	Models starting 9/26/09
9	F430956	Screw	
10	F8245001	Door Lock Cover	
11	F8453401	Door Shim	
12	F8223601	Door Lock Catch	Models through 10/31/10
	F8344501	Door Lock Catch	Models starting 11/1/10
13	F8270701	Bolt	
14	F430264	Nut	
15	F8223401	Door Lock Switch Lever	
16	F8070301	Torsion/Door Lock Spring	
17	F430232	Nut	
18	F431902	Washer	

N/A = Part no longer available

Basket

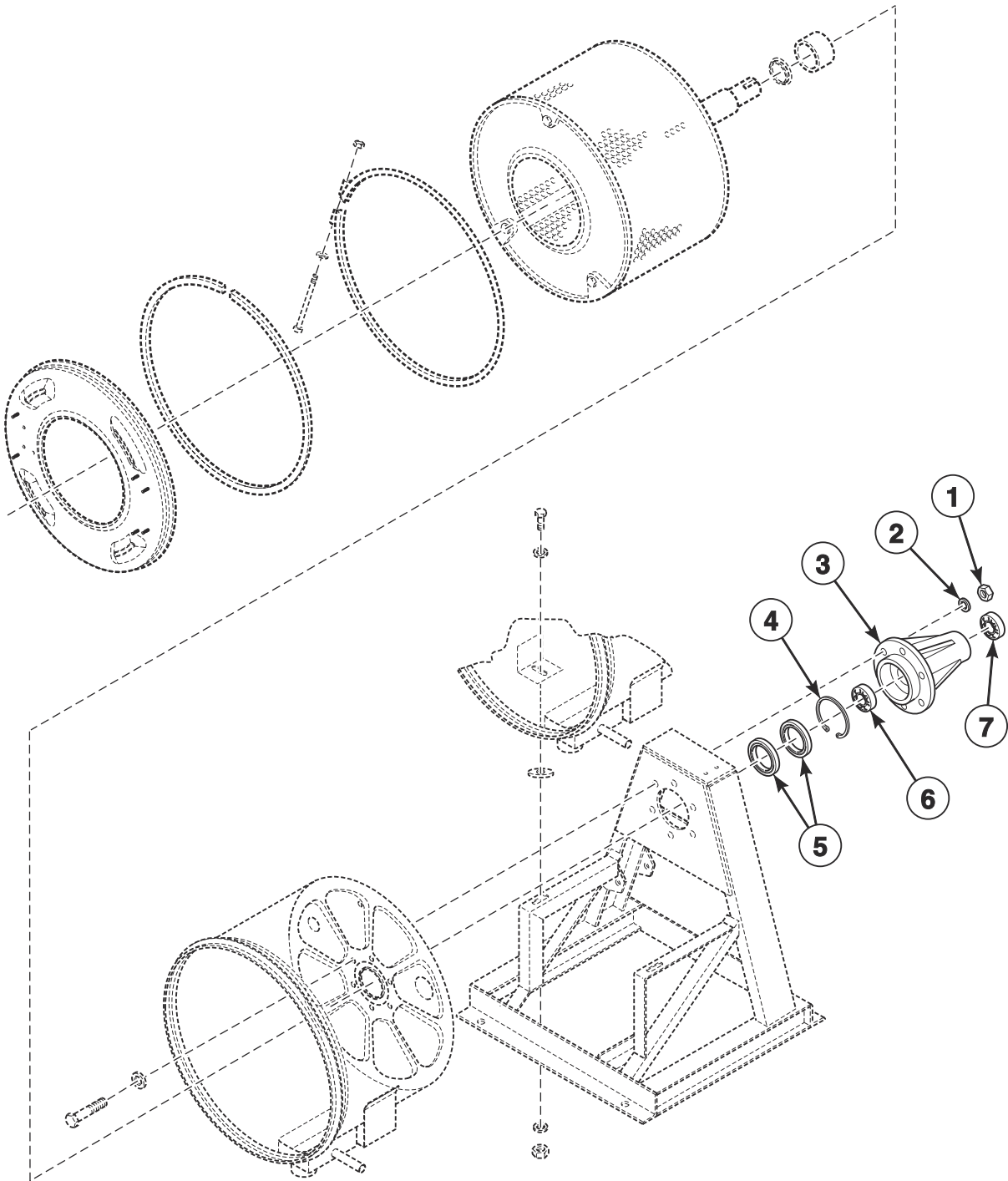


CHM3153P_F8574601

Basket

REF	PART NO.	DESCRIPTION	COMMENTS
	389P4	Basket Tool Kit	Purchase; Use with F935P3, F936P3, F938P3 and F939P3 Pressfit Upgrade Kits; Requires F460129P Bearing Puller Tool
	390P4-1	Basket Rental Tool Kit	Use with F935P3, F936P3, F938P3 and F939P3 Pressfit Upgrade Kits; Requires F460129P Bearing Puller Tool
	F460129P	Basket Puller Tool	
1	F8229401	Shell Front Assembly	20 pound models
	F8229501	Shell Front Assembly	30 pound models
	F8229601	Shell Front Assembly	40 pound models
	F8229701	Shell Front Assembly	60 pound models
2	F8513501	Shell Front Gasket Kit	
3	F8537801	Shell Band Kit	20 pound models
	F8388002	Clamp Ring Assembly	30 pound models
	F8537803	Shell Band Kit	40 pound models
	F8537804	Shell Band Kit	60 pound models
4	F430518	Screw	
5	F430317	Washer	
6	F430215	Nut	
7	F935P3	Pressfit Upgrade Kit	20 pound models; Models through 3/31/10; Includes items 8, 9, F8347801 Basket Assembly and F747001 Trunion Kit
	F936P3	Pressfit Upgrade Kit	30 pound models; Models through 3/31/10; Includes items 8, 9, F8347901 Basket Assembly and F747002 Trunion Kit
	F938P3	Pressfit Upgrade Kit	40 pound models; Models through 3/31/10; Includes items 8, 9, F8336301 Basket Assembly and F747003 Trunion Kit
	F939P3	Pressfit Upgrade Kit	60 pound models; Models through 3/31/10; Includes items 8, 9, F8336501 Basket Assembly and F747005 Trunion Kit
	F8391301P	Basket Assembly	20 pound models; Models that have been upgraded with F935P3 Pressfit Upgrade Kit or models starting 4/1/10; Includes items 8 and 9
	F8347901P	Basket Assembly	30 pound models; Models that have been upgraded with F936P3 Pressfit Upgrade Kit or models starting 4/1/10; Includes items 8 and 9
	F8391701P	Basket Assembly	40 pound models; Models that have been upgraded with F938P3 Pressfit Upgrade Kit or models starting 4/1/10; Includes items 8 and 9
	F8502801P	Basket Assembly	60 pound models; Replaces F8391901P Basket Assembly; Models that have been upgraded with F939P3 Pressfit Upgrade Kit or models starting 4/1/10; Includes items 8 and 9
	8	F8336801	Excluder Seal
F8336901		Excluder Seal	30 pound models; Models that have been upgraded with F936P3 Pressfit Upgrade Kit or models starting 4/1/10
F8337001		Excluder Seal	40 pound models; Models that have been upgraded with F938P3 Pressfit Upgrade Kit or models starting 4/1/10
F8337101		Excluder Seal	60 pound models; Models that have been upgraded with F939P3 Pressfit Upgrade Kit or models starting 4/1/10
9	F8312001P	Shaft Seal Sleeve	20 pound models; Models that have not been upgraded with F935P3 Pressfit Upgrade Kit or models through 3/31/10
	F8312004P	Shaft Seal Sleeve	30 pound models; Models that have not been upgraded with F936P3 Pressfit Upgrade Kit or models through 3/31/10
	F8312006P	Shaft Seal Sleeve	40 pound models; Models that have not been upgraded with F938P3 Pressfit Upgrade Kit or models through 3/31/10
	F8343914	Shaft Seal Sleeve	60 pound models; Models that have not been upgraded with F939P3 Pressfit Upgrade Kit or models through 3/31/10
10	F8343901P	Shaft Seal Sleeve Kit	20 pound models; Models that have been upgraded with F935P3 Pressfit Upgrade Kit or models starting 4/1/10; Includes items 8 and 9
	F8343904P	Shaft Seal Sleeve Kit	30 pound models; Models that have been upgraded with F936P3 Pressfit Upgrade Kit or models starting 4/1/10; Includes items 8 and 9
	F8343906P	Shaft Seal Sleeve Kit	40 pound models; Models that have been upgraded with F938P3 Pressfit Upgrade Kit or models starting 4/1/10; Includes items 8 and 9
	F8343909P	Shaft Seal Sleeve Kit	60 pound models

Trunnion

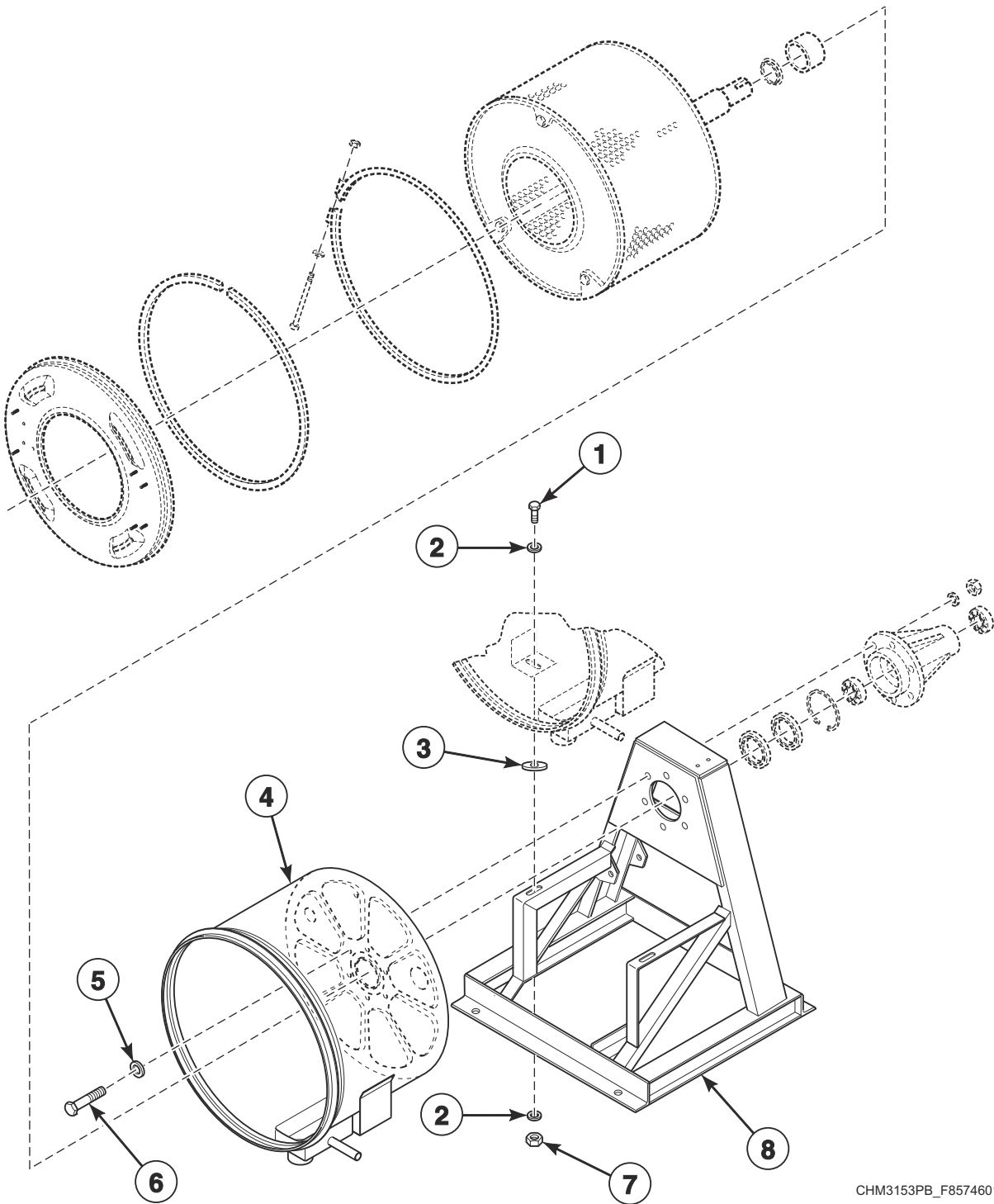


CHM3153PA_F8574601

Trunnion

REF	PART NO.	DESCRIPTION	COMMENTS
1	F430239	Nut	20 pound models
	F430240	Nut	All other models
2	F431128	Washer	20 pound models
	F431131	Washer	All other models
3	F747001	Trunnion Kit	20 pound models; Includes items 5-7
	F747002	Trunnion Kit	30 pound models; Includes items 5-7
	F747003	Trunnion Kit	40 pound models; Includes items 5-7
	F747005	Trunnion Kit	60 pound models; Includes items 5-7
4	F8344901	Retaining Ring	20 pound models; Models that have been upgraded with F935P3 Pressfit Upgrade Kit or models starting 4/1/10
	F8345001	Retaining Ring	30 pound models; Models that have been upgraded with F936P3 Pressfit Upgrade Kit or models starting 4/1/10
	F8337801	Retaining Ring	40 pound models; Models that have been upgraded with F938P3 Pressfit Upgrade Kit or models starting 4/1/10
	F8337901	Retaining Ring	60 pound models; Models that have been upgraded with F939P3 Pressfit Upgrade Kit or models starting 4/1/10
5	F8203801	Triple Lip Seal	20 pound models
	F8203802	Triple Lip Seal	30 pound models
	F8203803	Triple Lip Seal	40 pound models
	F8203806	Triple Lip Seal	60 pound models
6	F100137P	Bearing	6308 2RS C3; Front; 20 and 40 pound models
	F100123P	Bearing	6309 2RS C3; Front; 30 pound models
	F100135	Bearing	6313 2RS C3; Front; 60 pound models
7	F100136P	Bearing	6307 2RS C3; Rear; 20 pound models
	F100108	Bearing	6208 2RS C3; Rear; 30 pound models
	F100134	Bearing	6310 2RS C3; Rear; 40 and 60 pound models

Shell and Frame

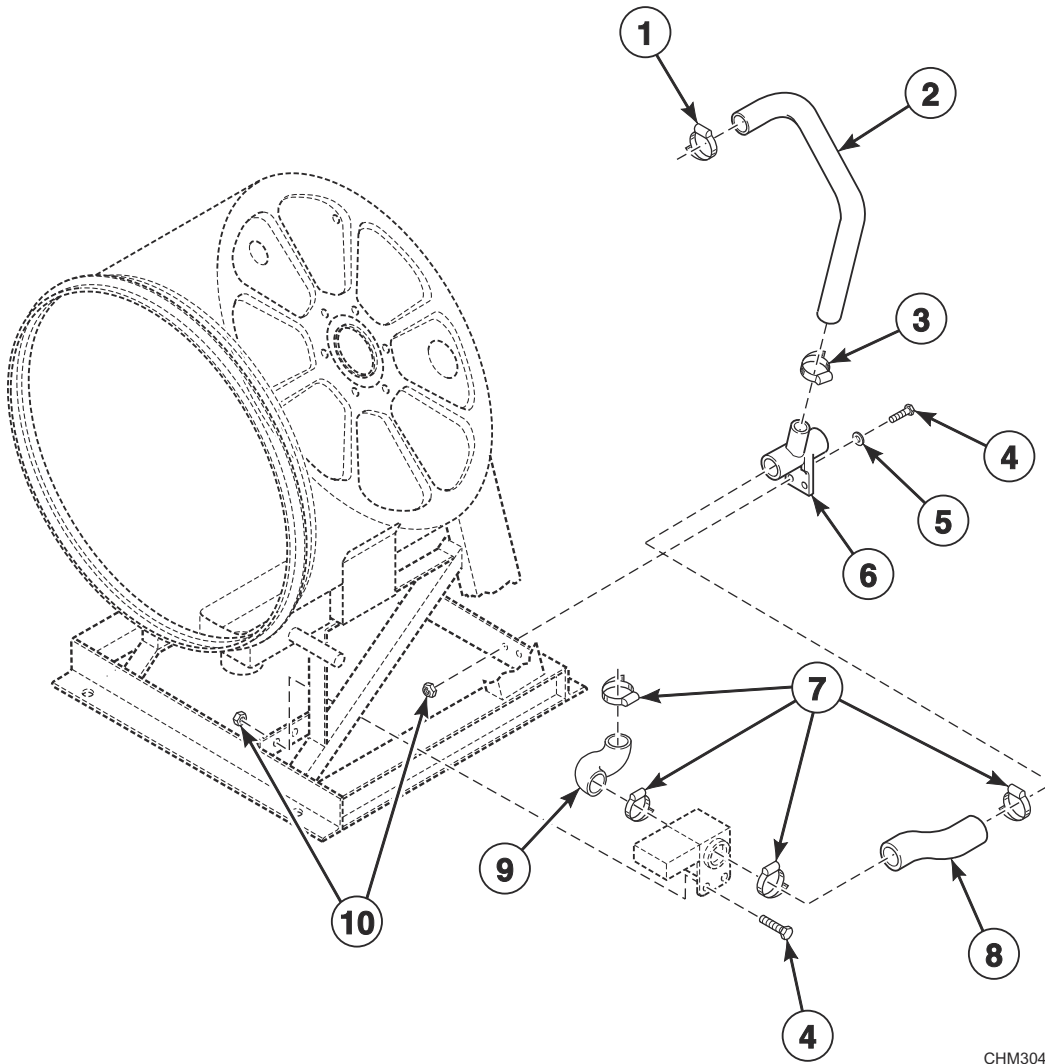


CHM3153PB_F8574601

Shell and Frame

REF	PART NO.	DESCRIPTION	COMMENTS
1	F430942	Screw	
2	M400081	Washer	
3	F430303	Washer	
4	F8179201	Shell Weldment	20 pound vended models; Standard
	F8179202	Shell Weldment	20 pound OPL models; Electric heat
	F8179203	Shell Weldment	20 pound OPL models; Standard
	F8179301	Shell Weldment	30 pound vended models; Standard
	F8179302	Shell Weldment	30 pound OPL models; Electric heat
	F8179303	Shell Weldment	30 pound OPL models; Standard
	F8179401	Shell Weldment	40 pound vended models; Standard
	F8179402	Shell Weldment	40 pound OPL models; Electric heat
	F8179403	Shell Weldment	40 pound OPL models; Standard
	F8179501	Shell Weldment	60 pound vended models; Standard
	F8179502	Shell Weldment	60 pound OPL models; Electric heat
	F8179503	Shell Weldment	60 pound OPL models; Standard
	5	F431128	Washer
F431131		Washer	All other models
6	F430949	Screw	20 pound models
	F8442702	Screw	All other models
7	F430218	Nut	
8	F8195901	Frame Weldment	20 pound models
	F8196001	Frame Weldment	30 pound models
	F8196101	Frame Weldment	40 pound models
	F8199101	Frame Weldment	60 pound models

Drain Plumbing

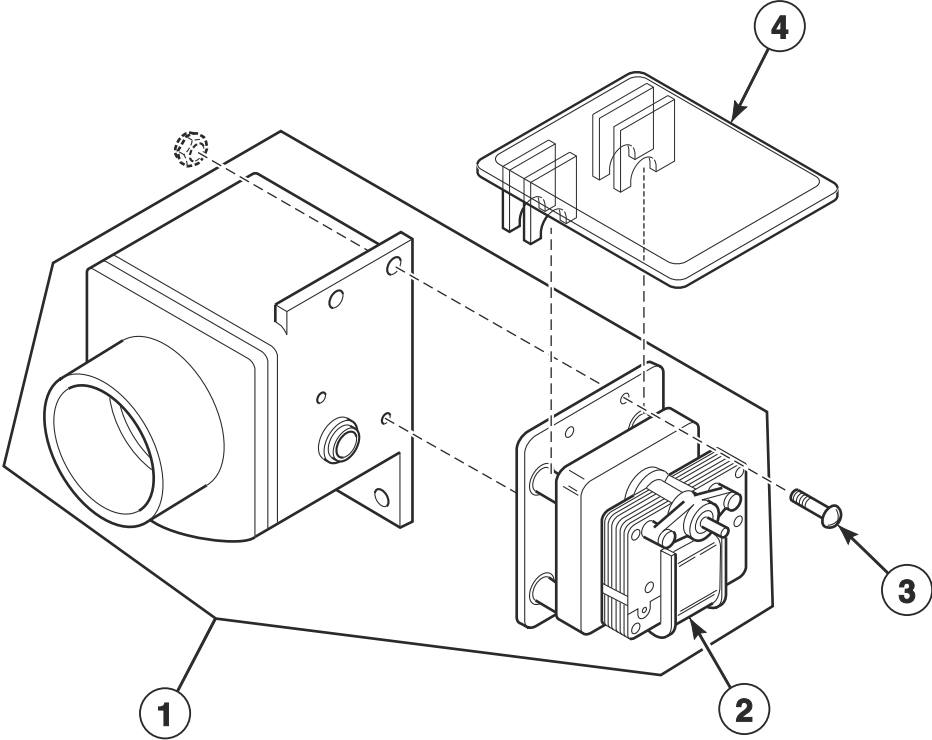


CHM3046P_F8574601

Drain Plumbing

REF	PART NO.	DESCRIPTION	COMMENTS
1	F200213	Hose Clamp	No. 40
2	F150308	Overflow Hose	20 and 30 pound models
	F0200238-00	Overflow Hose	40 pound models
	F8337701	Overflow Hose	40 pound models; Electric heat
	F150417	Overflow Hose	60 pound models
3	F200215	Hose Clamp	40 pound models
	F200213	Hose Clamp	No. 40; All other models
4	F430107	Screw	
5	F430317	Washer	
6	F150318	Drain Connect Tee	20 and 30 pound models
	F150398	Drain Tee	40 and 60 pound models
7	F200213	Hose Clamp	No. 40; 20 and 30 pound models
	F200201	Hose Clamp	No. 56; 40 and 60 pound models
8	F8233101	Drain Hose	Rear; 20 pound models
	F8233102	Drain Hose	Rear; 30 pound models
	F8231901	Drain Hose	Rear; 40 pound models
	F8231902	Drain Hose	Rear; 60 pound models
9	F8233001	Drain Hose	Front; 20 and 30 pound models
	F8232901	Drain Hose	Front; 40 and 60 pound models
10	F430215	Nut	

Drain Valve Assembly - 20 and 30 Pound Models

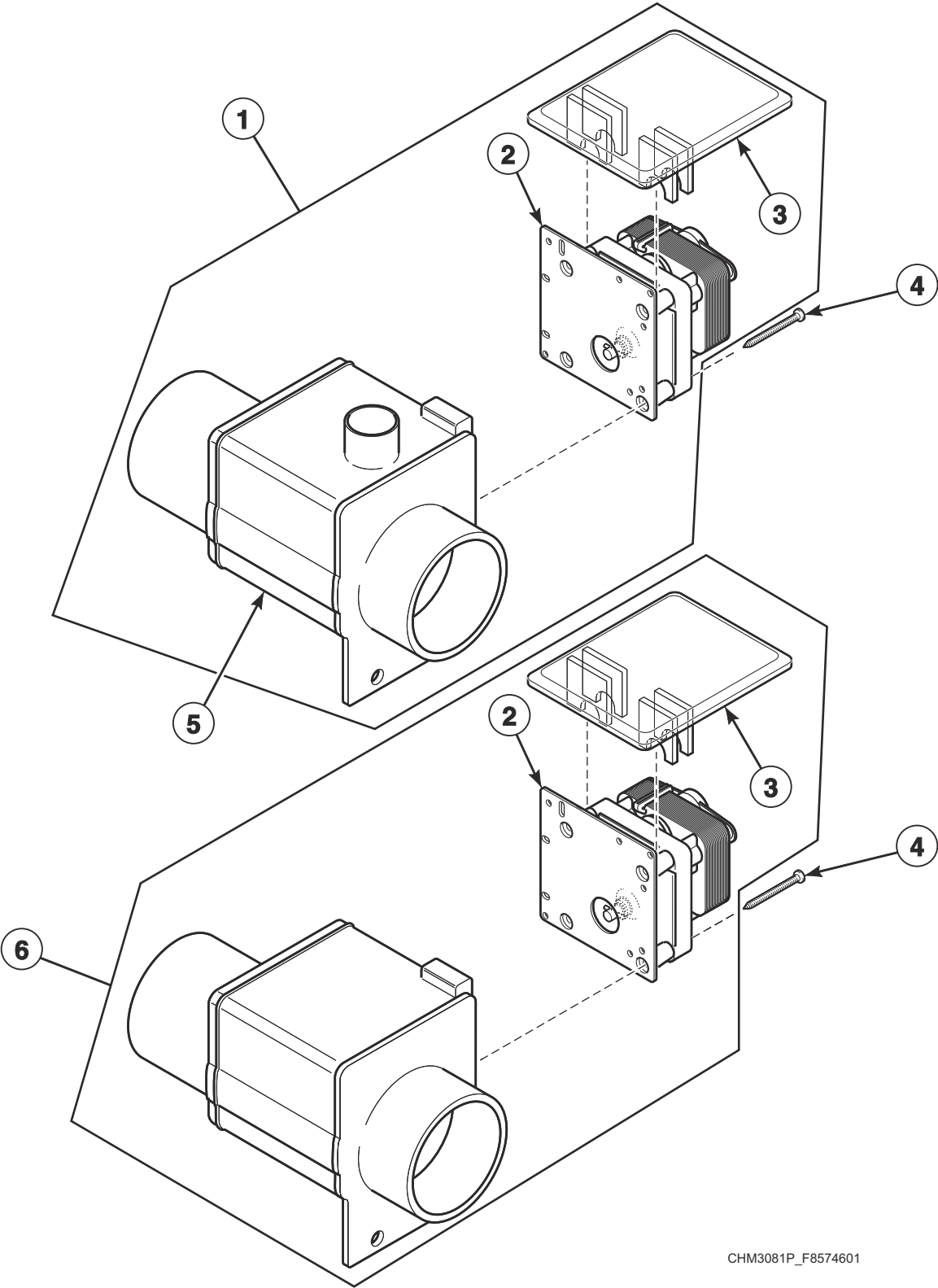


CHM2450P_F8574601

Drain Valve Assembly - 20 and 30 Pound Models

REF	PART NO.	DESCRIPTION	COMMENTS
	F8504601	Spring	Use with item 1
1	803292P	Gravity Drain Valve	220 Volt
2	F380933P	Drain Valve Motor	Round shaft; 220 Volt
	F8577201	Drain Valve Kit	Keyed shaft; 220 Volt
3	F200182700	Bolt	
4	F200133600	Drain Valve Cover	

Drain Valve Assembly - 40 and 60 Pound Models

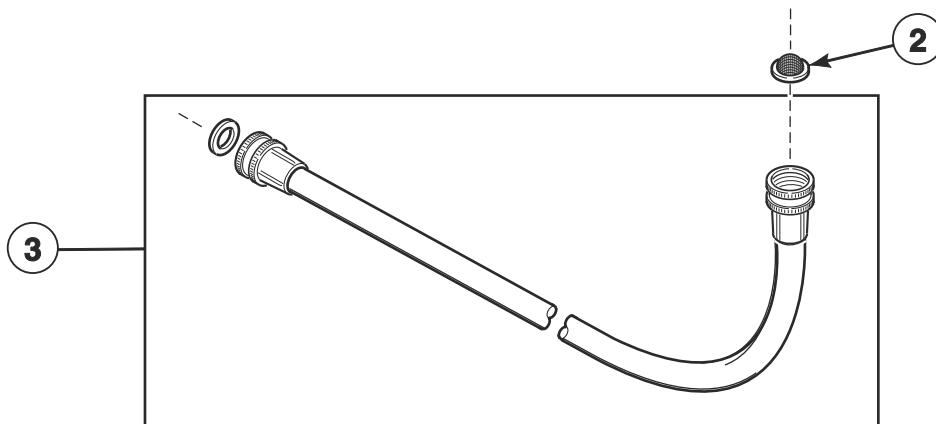
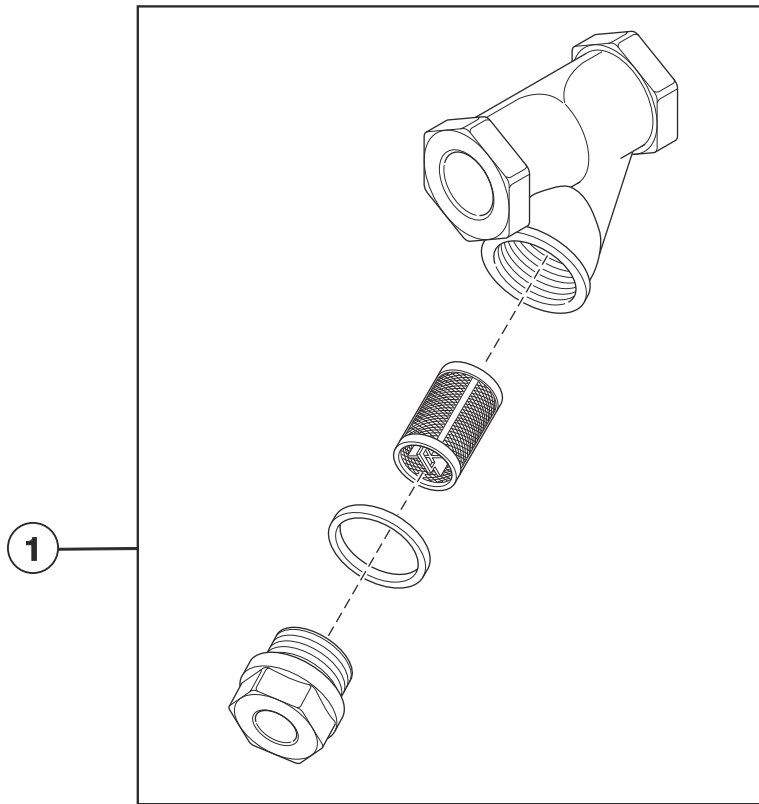


CHM3081P_F8574601

Drain Valve Assembly - 40 and 60 Pound Models

REF	PART NO.	DESCRIPTION	COMMENTS
	F8504701	Spring	Use with F038062900 Drain Valve
1	F200166400	Drain Valve Kit	220 Volt; Models with heat
2	F380933P	Drain Valve Motor	Round shaft; 220 Volt
	F8577201	Drain Valve Kit	Keyed shaft; 220 Volt
3	F200133600	Drain Valve Cover	
4	F200182700	Bolt	
5	F8406303	Drain Valve	220 Volt; Models with heat
6	F200166402	Drain Valve Kit	240 Volt; Includes F8406301 Drain Valve

Steam Filter (Optional) and Water Supply Hose

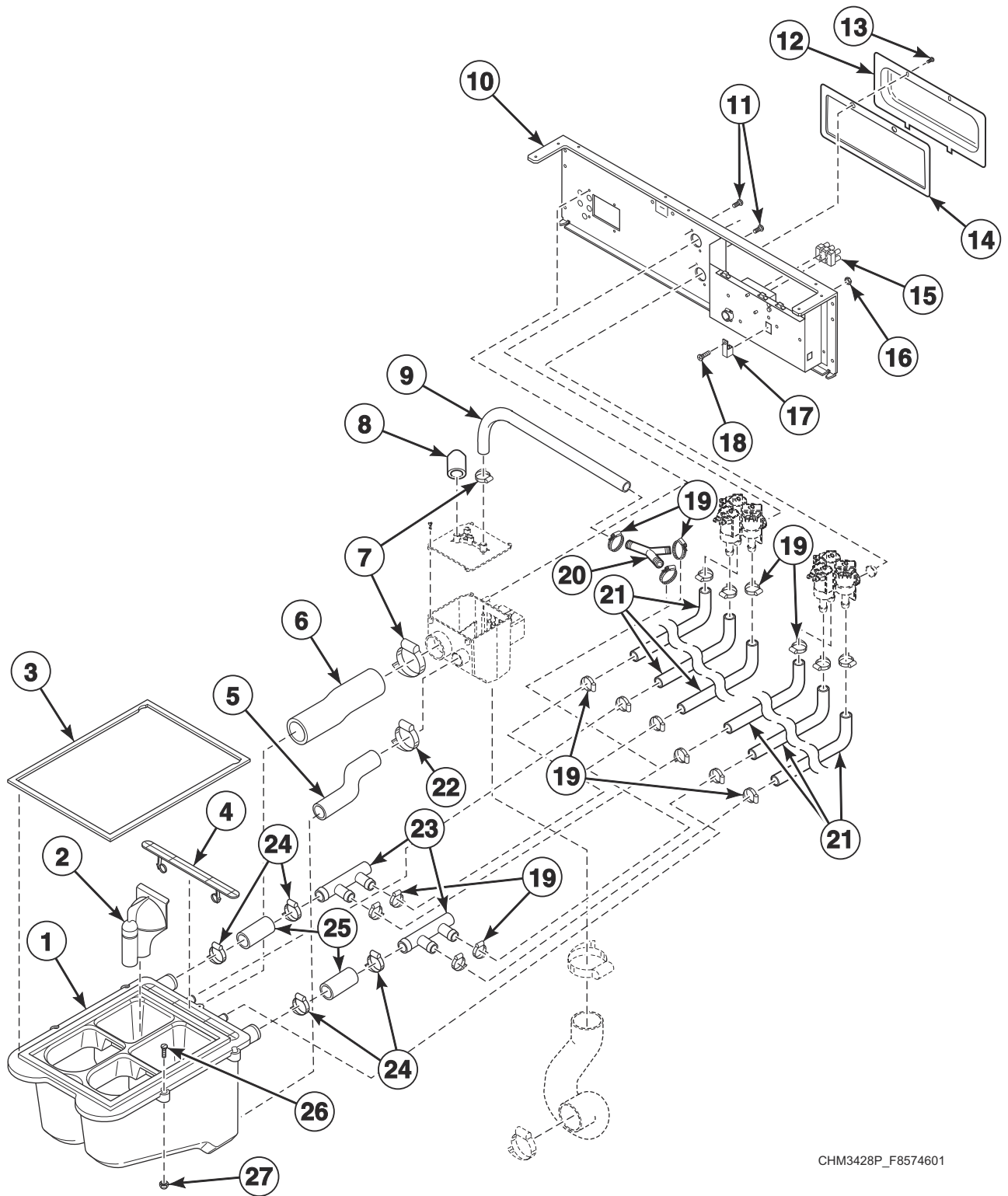


CHM3049P_F8574601

Steam Filter (Optional) and Water Supply Hose

REF	PART NO.	DESCRIPTION	COMMENTS
1	F270307	Steam Filter	1/2 inch
	F270308	Steam Filter	3/4 inch
2	803615	Washer	Filter
3	F200116	Water Hose	3/8 inch; Standard thread
	F200108P	Water Hose	1/2 inch; Standard or metric thread
	F8544601	Fill Hose Kit	Metric thread

Fill Plumbing Assembly (Drawing 1 of 2)

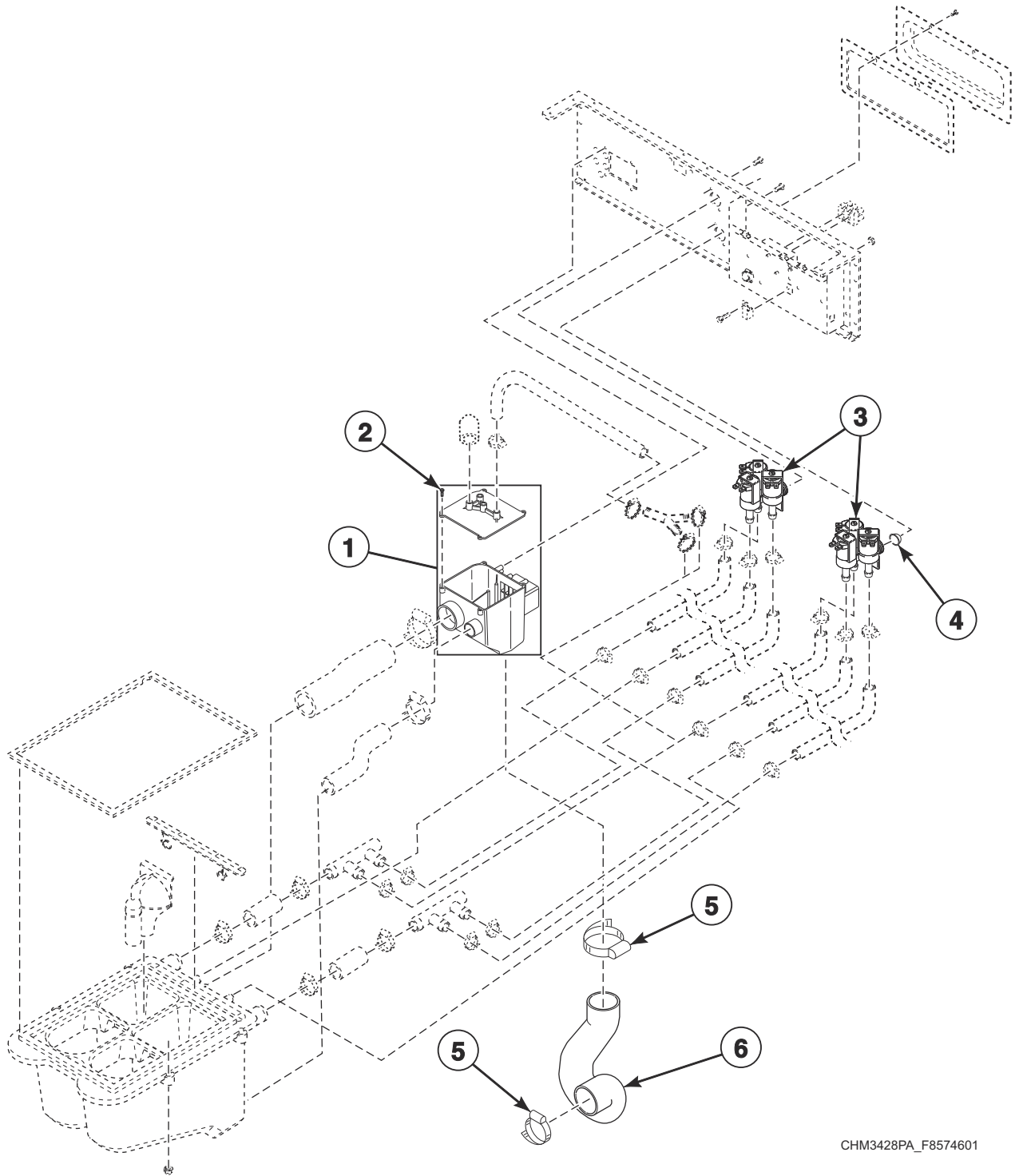


CHM3428P_F8574601

Fill Plumbing Assembly (Drawing 1 of 2)

REF	PART NO.	DESCRIPTION	COMMENTS
1	F8047401	Dispenser Assembly	Models through 10/15/12; Includes items 2 and 4
	F8047402	Dispenser Assembly	Models starting 10/16/12; Includes items 2 and 4
2	F8047901	Siphon Cover	
3	F8308301	Dispenser Gasket	
4	F8047801	Access Cover	
5	F8043401	Dispenser Overflow Hose	20 pound models
	F8043403	Dispenser Overflow Hose	30 pound models
	F8043404	Dispenser Overflow Hose	40 pound models
	F8043405	Supply Overflow Hose	60 pound models
6	F8042801	Vacuum Supply Hose	20 pound models
	F8042803	Vacuum Supply Hose	30 pound models
	F8042804	Vacuum Supply Hose	40 pound models
	F8042805	Vacuum Supply Hose	60 pound models
7	F200213	Hose Clamp	No. 40
8	F8197701	Cap	
9	F0200244-01	Vacuum Breaker Hose	60 pound models
	F0200244-02	Vacuum Breaker Hose	All other models
10	F8039901	Valve Panel	20 pound models
	F8017501	Valve Panel	30 pound models
	F8039601	Valve Panel	40 pound models
	F8039801	Valve Panel	60 pound models
11	F8230301	Screw	
12	F8206901	Screw	
13	F8177001	Terminal Tray Cover	
14	F8230001	Terminal Tray Cover Gasket	
15	430642	Terminal Block	Includes screws
16	F430232	Nut	
17	M411283	Ground Lug Connector	
18	F430909	Screw	
19	36801	Hose Clamp	No. 8
20	F422816	Y Connector	
21	F8232004	Hose	20 pound models
	F8232001	Hose	30 pound models
	F8232002	Hose	40 and 60 pound models
22	20211	Hose Clamp	No. 17
23	F8333201	Manifold	
24	F200222	Hose Clamp	No. 12
25	F606816-1	Hose	
26	F8535601	Screw	
27	F0431807-00	Nut	

Fill Plumbing Assembly (Drawing 2 of 2)

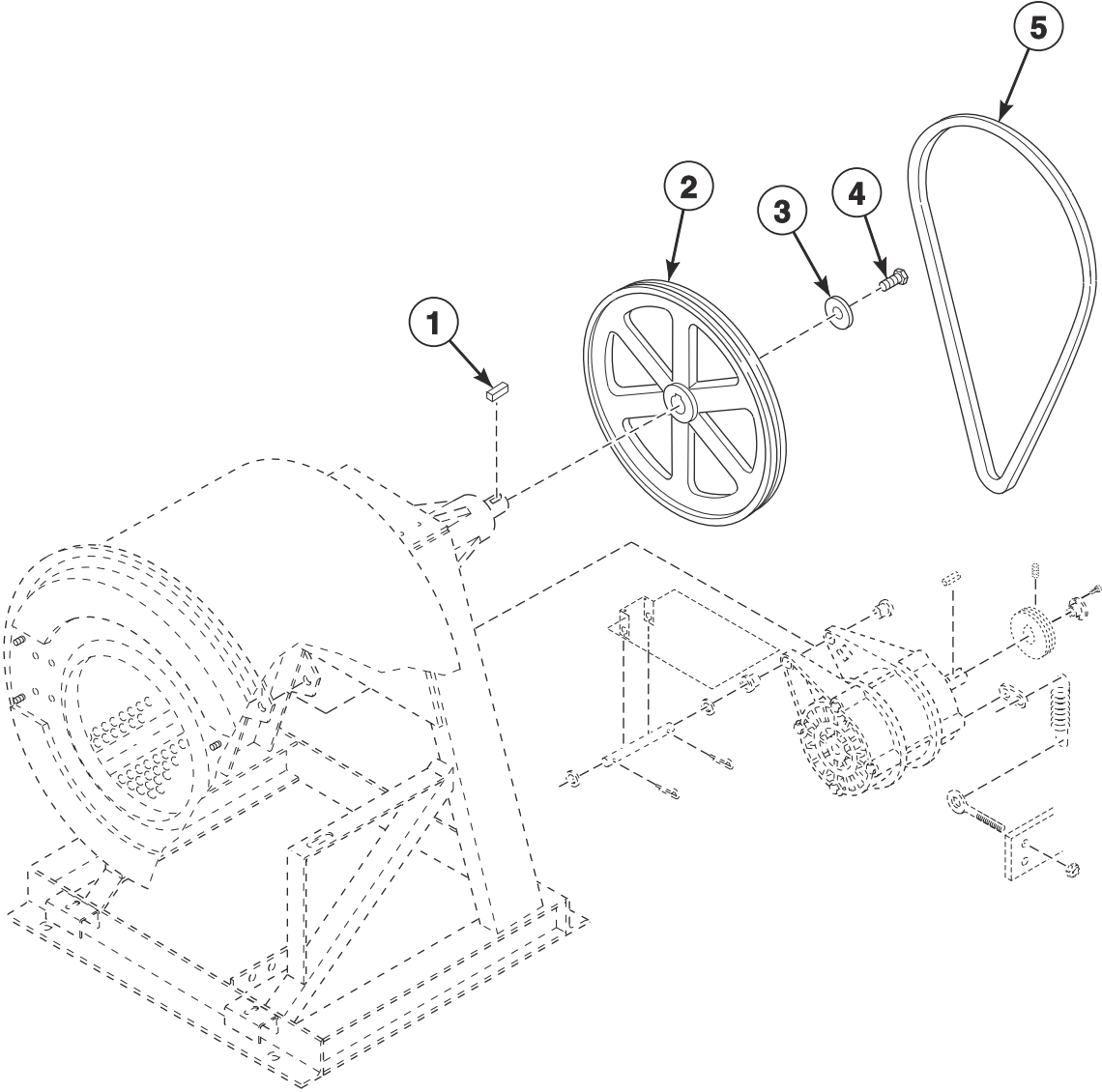


CHM3428PA_F8574601

Fill Plumbing Assembly (Drawing 2 of 2)

REF	PART NO.	DESCRIPTION	COMMENTS
	G582P3	Diaphragm and Guide Kit	Use with F8286401P 3-Way Valve and F8286402P 3-Way Valve
	F8402201	Regulator	Use with F8286401P 3-Way Valve
1	F8048601	Vacuum Breaker Assembly	
2	800548	Screw	
3	F8286401P	3-Way Valve	240 Volt/50 or 60 Hertz; U.S.
	F8286402P	3-Way Valve	240 Volt/50 or 60 Hertz; Metric
4	803615	Washer	Filter
5	F200213	Hose Clamp	No. 40
6	F8042201	P-Trap Hose	20 pound models
	F8042202	P-Trap Hose	30 and 40 pound models
	F8042301	P-Trap Hose	60 pound models

Pulley and Belt

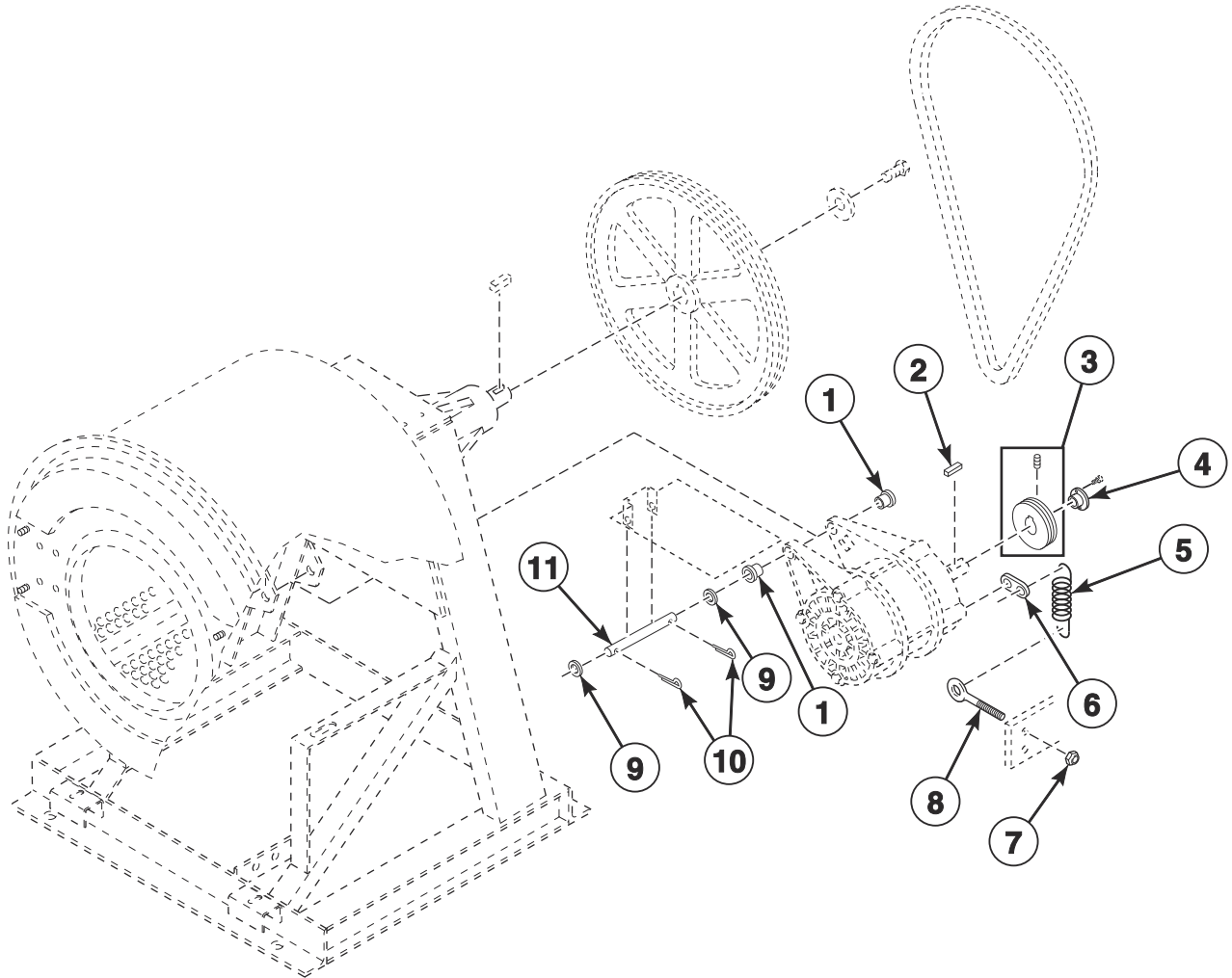


CHM3050P_F8574601

Pulley and Belt

REF	PART NO.	DESCRIPTION	COMMENTS
1	F430801	Key	
2	F280168	Pulley	20 pound models; 13V1800
	F280172	Sheave Pulley	30 pound models; 13V2200
	F280197	Pulley	40 pound models; 23V2200
	F200299700	Basket Pulley	60 pound models; X-voltage
	F280173	Pulley	60 pound models; All other voltages; 23V2400
3	F431115	Washer	
4	F430100	Screw	
5	F280343	Belt	3V730; 20 pound 2 speed models; C-voltage
	F280337	Belt	3V710; 20 pound 2 speed models; B, O and Y-voltage
	F8382801	Belt	690J4; 20 pound F and V-speed models; X-voltage
	F280321	Belt	3V800; 30 pound 2 speed models; C, F, O and Y-voltage
	F280368P	Belt	785J4; 30 pound F and V-speed models; X-voltage
	F280341	Belt	3V850; 40 pound 2 speed models; C-voltage
	F280342	Belt	3V830; 40 pound 2 speed models; F, O and Y-voltage
	F280369P	Belt	820J6; 40 pound F and V-speed models; X-voltage
	F280373	Belt	3V90.65; 60 pound 2 speed models; C-voltage
	F280304	Belt	3V900; 60 pound 2 speed models; F, O and Y-voltage
	F280366P	Belt	870J6; 60 pound F and V-speed models; R and X-voltage

Motor Pulley and Support

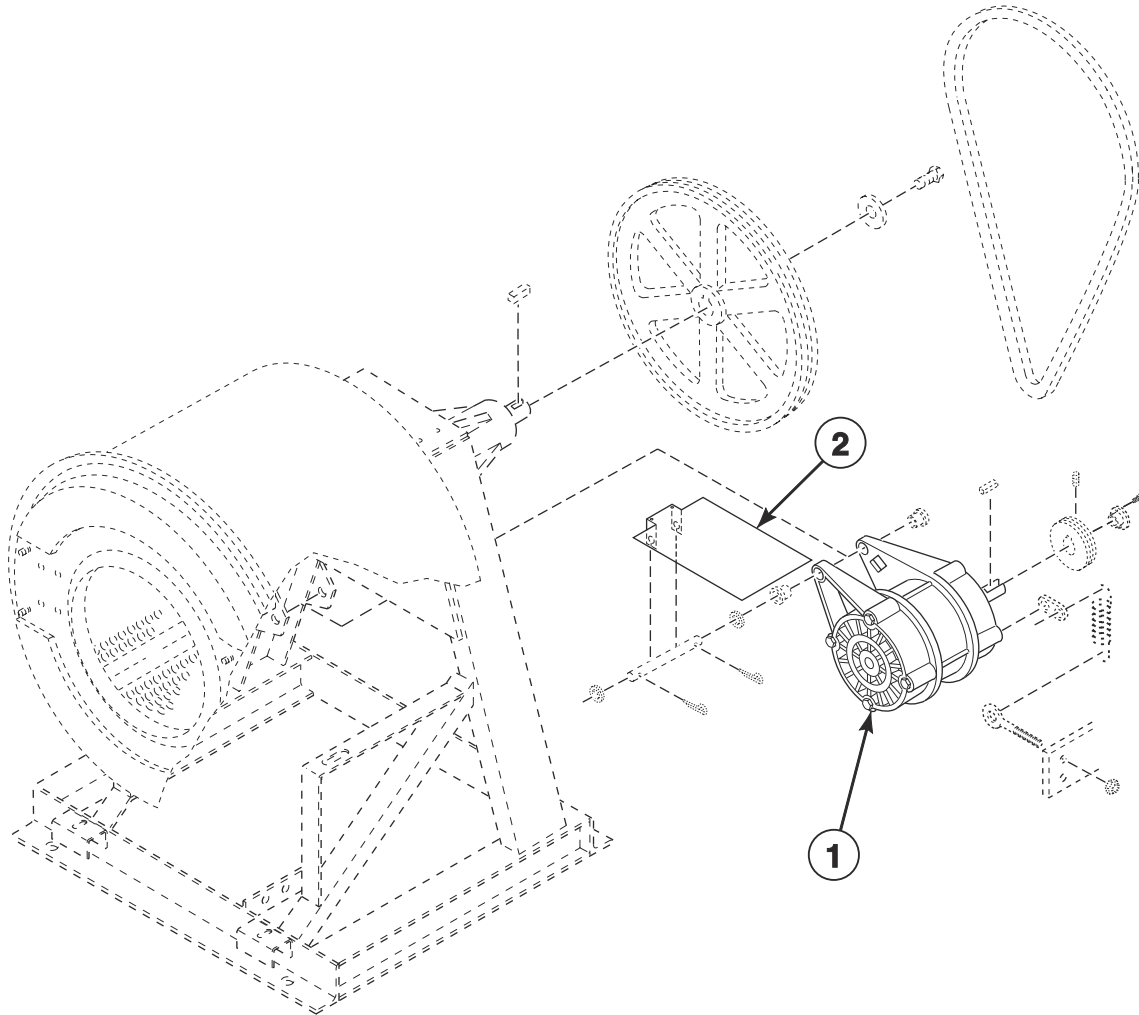


CHM3050PA_F8574601

Motor Pulley and Support

REF	PART NO.	DESCRIPTION	COMMENTS
1	F200186100	Motor Support Bushing	
2	F430801	Key	30 pound models
	F430802	Key	All other models
3	F280427P	Pulley	1GR3V3.15JA; Requires JA bushing; 20 pound 2 speed models; C-voltage
	F280170	Sheave Pulley	1GR3V2.65; 20 pound 2 speed models; B, O and Y-voltage
	H87520334	Sheave	1GR3V3.35JA; Requires JA bushing; 30 pound 2 speed models; C-voltage
	F280284	Pulley	1GR3V2.9; 30 pound 2 speed models; F and O-voltage
	F280281	Motor Pulley	1GR3V3.0; 30 pound 2 speed models; Y-voltage
	F280172	Sheave Pulley	1GRV3V22.00; 30 pound 2 speed models; C, F, O and Y-voltage
	F280197	Pulley	2GRV3V22.00; 40 pound 2 speed models; C, F, O and Y-voltage
	F280105P	Pulley	2GR3V3.35SH; Requires SH bushing; 40 pound 2 speed models; C-voltage
	F0280385-00	Sheave	2GR3V3.00; 40 and 60 pound 2 speed models; F, O and Y-voltage
	F280422P	Pulley	2GR3V3.365SH; Requires SH bushing; 60 pound 2 speed models; C-voltage
	F280173	Pulley	60 pound 2 speed models; F and O-voltage
	F280287P	Sheave Kit	F and V-speed models; X-voltage
4	H87529111P	Bushing	JA 5/8; 20 and 30 pound models; C-voltage
	F280298P	Pulley Bushing	JA 7/8; F and V-speed models; Q, R and X-voltage
	M412995P	Bushing	SH 7/8; 40 and 60 pound models; C-voltage
5	F310148	Tension Spring	40 and 60 pound models; X-voltage
	F310124	Extension Spring	40 and 60 pound models except X-voltage; All other models
6	F633374	Spring Clip	
7	F430218	Nut	
8	F430537	Screw	40 and 60 pound models; X-voltage
9	901690	Washer	
10	F430401	Cotter Pin	
11	F602844	Motor Support Rod	20 pound models; 30 pound models except X-voltage
	F603059	Motor Support Rod	30 pound models X-voltage; 40 pound models
	F603897	Motor Support Rod	60 pound models

Motor - 20 and 30 Pound Models



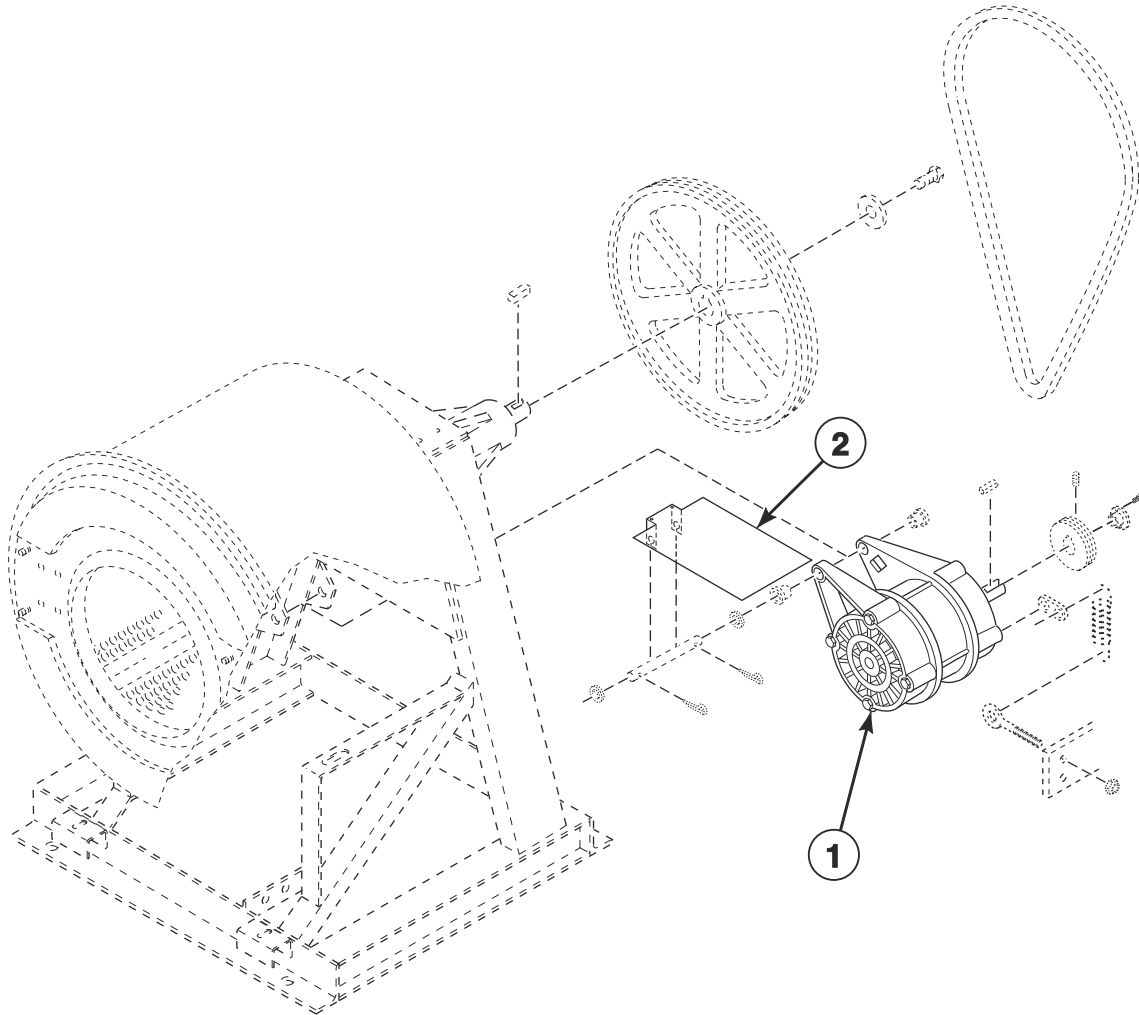
CHM3050PB_F8574601

Motor - 20 and 30 Pound Models

REF	PART NO.	DESCRIPTION	COMMENTS
1	F8597402P	Motor	20 pound 2 speed models; Replaces F8329601P and F220110 Motor; B-voltage; Includes motor support bushing
	F8329401P	Motor	20 pound 2 speed models; Replaces F022032500P and F220325-H Motors; C and F-voltage; Includes motor support bushing
	F8329301P	Motor	20 pound 2 speed models; Replaces F022039600 and F220396-H Motors; J, K and O-voltage; Includes motor support bushing
	F8411501	Motor Conversion Kit	20 pound 2 speed models before 6/2009; Replaces F022012800P Motor; Y-voltage
	F8597401P	Motor	20 pound 2 speed models after 5/2009; Models converted with F8411501 Motor Conversion Kit; Y-voltage; Replaces F8597401 Motor
	F8328901P	Motor Conversion Kit	20 pound F and V-speed models; Replaces F220393 Motor; X-voltage; Includes motor support bushing; **
	F022012800P	Motor	Use with F220128-H Motor; 20 pound 2 speed models; Y-voltage; Includes F200186100 Motor Support Bushing replaced by F8329501P Motor
	F8597104P	Motor	30 pound 2 speed models; Replaces F022038800 and F220388-H Motors; C and F-voltage; Includes motor support bushing
	F8597103P	Motor	30 pound 2 speed models; Replaces F022038700 and F220387-H Motors; J, K and O-voltage; Includes motor support bushing
	F8329001P	Motor Conversion Kit	30 pound F and V-speed models; Replaces F220395 Motor; X-voltage; Includes motor support bushing; **
	F8597501P	Motor	30 pound 2 speed models; Replaces F8597501, F022012400 and F220124-H Motors; Y-voltage; Includes motor support bushing
2	F200216900	Motor Drip Shield	2 speed models

**** NOTE: AC drive parameters must be compatible with the motor and motor pulley. Please request the AC drive parameter illustration for parameter verification when ordering a motor.**

Motor - 40 and 60 Pound Models



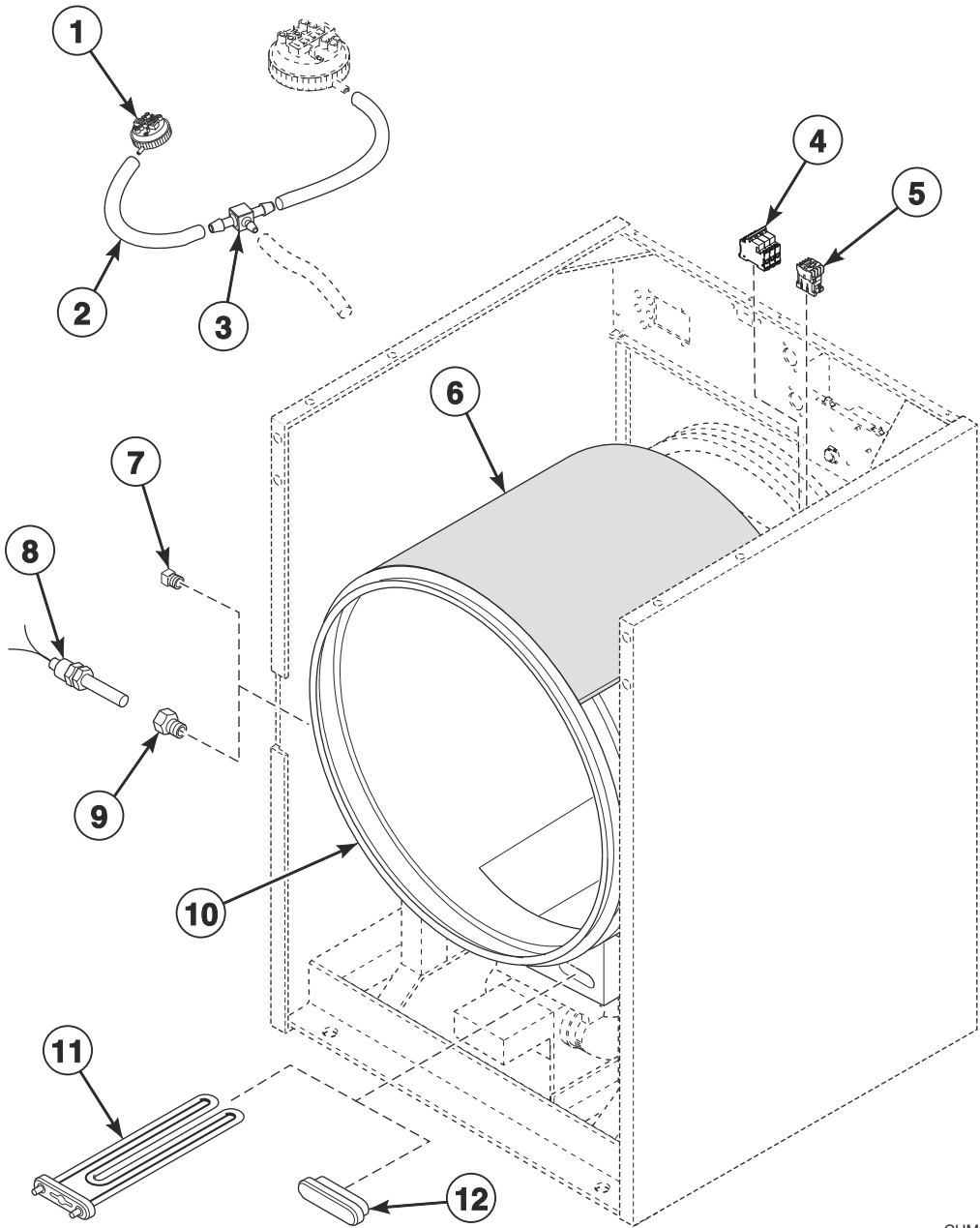
CHM3050PB_F8574601

Motor - 40 and 60 Pound Models

REF	PART NO.	DESCRIPTION	COMMENTS
1	F8597802P	Motor	40 pound 2 speed models; Replaces F8597802P, F022032600 and F220326-H Motors; C and F-voltage; Includes motor support bushing
	F8597801P	Motor	40 pound 2 speed models; Replaces F0220321-00 Motor on models through 7/25/10; All other models starting 7/26/10; O-voltage; Includes motor support bushing; Replaces F8597801 Motor
	F8597502P	Motor	40 pound 2 speed models; Replaces F0220120-01P Motor on models through 12/31/10; All other models starting 1/1/11; Y-voltage; Includes motor support bushing; Replaces F8330201 and F8330201P Motor
	F8329101P	Motor Conversion Kit	40 pound F and V-speed models; Replaces F220394 Motor; X-voltage; Includes motor support bushing; **
	F8597803P	Motor	60 pound 2 speed models; Replaces F8330301P and F022032200 Motor; O-voltage; Includes motor support bushing
	F8597804P	Motor	60 pound 2 speed models; C-voltage; Includes motor support bushing
	F8329201P	Motor Conversion Kit	60 pound F and V-speed models; Replaces F220234 Motor; X-voltage; Includes motor support bushing; **
2	F200216900	Motor Drip Shield	40 pound 2 speed models except Y-voltage; 60 pound F and V-speed models
	F200280700	Motor Drip Shield	40 pound models Y-voltage; 60 pound 2 speed models

**** NOTE: AC drive parameters must be compatible with the motor and motor pulley. Please request the AC drive parameter illustration for parameter verification when ordering a motor.**

Electric Heat Option

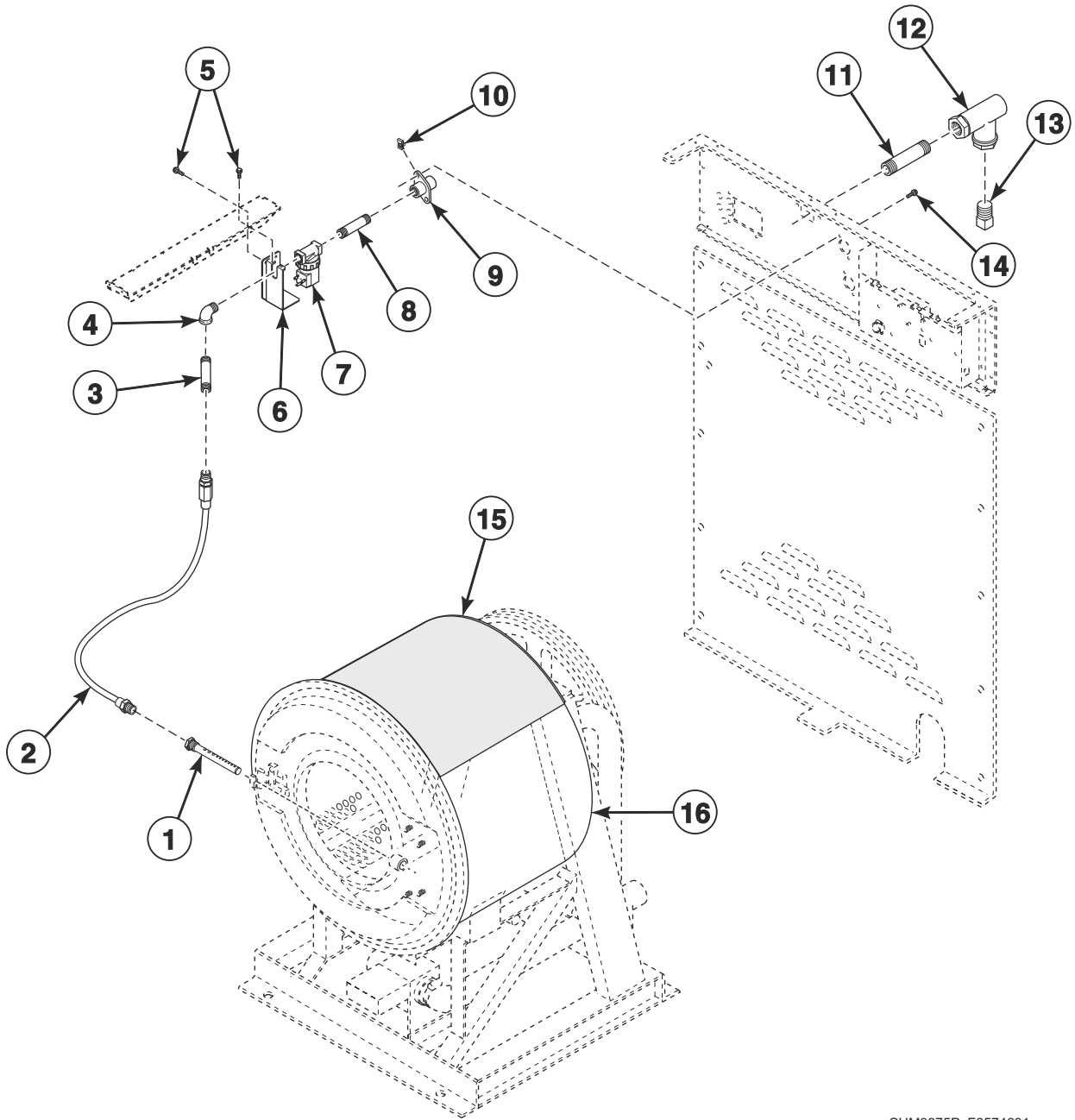


CHM3319P_F8574601

Electric Heat Option

REF	PART NO.	DESCRIPTION	COMMENTS
	F8056001	Jumper Wire	P-voltage models require 5; N-voltage models require 3
1	F8223001P	Water Pressure Switch	Heat safety
2	F8153901	Tubing	
3	F8246601	Tee	
4	70256901P	Circuit Breaker	
5	F330188P	Contactator	
6	F410300	Pipe Insulation	
7	F421507	Plug	
8	F370609	Thermistor Sensor	
9	F421936	Reducer Bushing	
10	F8179202	Shell Weldment	20 pound models
	F8179302	Shell Weldment	30 pound models
	F8179402	Shell Weldment	40 pound models
	F8179502	Shell Weldment	60 pound models
11	F360205P	Element	2.6 kW; 3 used in 20 and 30 pound models; 6 used in 40 and 60 pound models
12	F360202	Heating Element Plug	

Steam Heat Option



CHM3375P_F8574601

Steam Heat Option

REF	PART NO.	DESCRIPTION	COMMENTS
	F953P3	Steam Heat Kit	Includes items 1, 2, 4, 6-9, 11-15, F8116301 Coupling, F8362701 Coupling, 70139601 Pipe Nipple, F421703 Street Elbow, F8115601 Cord Din Set Assembly, hardware and labels
	F380984P	Steam Valve Repair Kit	Use with item 5
	F8514601P	Coil	Use with F8322801 Valve
	F8382301	DIN Valve Adapter Kit	Use with F8322801 Valve
	F8379501P	Valve Kit	Use with F8322801 Valve
1	F8368201	Steam Injector Tube Assembly	
2	F200197	Steam Hose	
3	F8110601	Nipple	60 pound models
4	H86070034	Street Elbow	
5	430497	Screw	
6	F8490301	Steam Bracket	
7	F8322801P	Valve	Replaces F380787P Steam Valve; Includes F8514601 Coil; For models that have been upgraded with F8521801 Din Valve Kit
	F8521501	DIN Valve Kit	Replaces F380787P Steam Valve; Includes F8322801 Valve, F8382301 DIN Valve Adapter Kit and F8514601 Coil
8	70263801	Pipe Nipple	
9	F8154501	Coupling	
10	70030401	Nut	
11	431486	Pipe Nipple	
12	F270307	Steam Filter	
13	F420409	Plug	
14	20253	Screw	
15	F410300	Pipe Insulation	
16	F8179202	Shell Weldment	20 pound models
	F8179302	Shell Weldment	30 pound models
	F8179402	Shell Weldment	40 pound models
	F8179502	Shell Weldment	60 pound models

Parts Index

A

Access Cover	
F8047801	53
Air Trap Hose	
F020014200	11, 13, 15, 17
Auxiliary Control Assembly	
F8189401P	11, 13, 15, 17

B

Basket Assembly	
F8347901P	39
F8391301P	39
F8391701P	39
F8502801P	39
Basket Puller Tool	
F460129P	39
Basket Pulley	
F200299700	57
Basket Rental Tool Kit	
390P4-1	39
Basket Tool Kit	
389P4	39
Bearing	
F100108	41
F100123P	41
F100134	41
F100135	41
F100136P	41
F100137P	41
Bearing Sleeve	
F8221701	35
Belt	
F280304	57
F280321	57
F280337	57
F280341	57
F280342	57
F280343	57
F280366P	57
F280368P	57
F280369P	57
F280373	57
F8382801	57
Blind Rivet	
F8245101	35
Bolt	
F200182700	47, 49
F430974	35
F8230501	33
F8270701	37
F8508101	35
Bushing	
H87529111P	59
M412995P	59

C

Cap	
F8197701	53
Capacitor	
F370218P	11, 15
F370220	11, 15
F370221	11, 15
F8411701	11, 15
F8411801	11, 15
F8411901	11, 15
Capacitor Tray Assembly	
F8199601	11, 15
F8199901	11, 15
Card Plate Assembly	
F8201501	27
Card Reader Overlay	
70334301	27
Circuit Breaker	
70256901P	65
Clamp Ring Assembly	
F8388002	39
Coil	
F8514601P	67
Coin Box	
F160672	25
Coin Chute	
F8170801	15, 17
Coin Drawer Assembly	
F8182001	25
Coin Drop	
70256402P	21
70441601P	19
Coin Drop Assembly	
210195	21
210196	21
38462P	19
38463	19
38464P	19
38472	21
38521	21
39157	21
70281102	21
70482401	23
Coin Drop Kit	
CK122	23
Coin Identification Paper	
38725	19, 21, 23
Coin Meter	
F0160737-00	21
Coin Meter Assembly	
F200010000P	19
F200010001	21
F200010002	21
F200010003	21
F200010004	21
F200010005P	21
F200010006	19
F200010007	19
F200010008	21
F200010009	19

N/A items do not appear in index.

F200010010	21
F200010011	19
F200010012	19
F200021600P	23
Coin Vault Assembly	
F8182501	15, 17
F8182601	15, 17
Control Tray Harness	
F8261501P	13, 17
Contact	
F8069502	11, 13
Contact Base	
F8538101	11, 13
Contact Block Switch	
F200233401P	11, 13
Contactors	
F330177P	11, 15
F330188P	65
Contactors Tray Assembly	
F8343401	11, 15
Control Assembly Kit	
F980P3	11, 13, 15, 17
Control Kit	
F983P3	11, 13
F987P3	15, 17
F990P3	15, 17
F991P3	17
Control Panel Assembly	
F8038502	29
F8038504	31
F8038602	29
F8038604	31
F8038702	29
F8038704	31
F8038802	29
F8038804	31
Control Panel Overlay	
F8226301	31
F8226401	31
F8226501	31
F8226601	31
F8295501	29
F8295502	29
F8295601	29
F8295602	29
F8295701	29
F8295702	29
F8295801	29
F8295802	29
F8296001	31
F8296101	31
F8296201	31
F8296301	31
Control Tray Assembly	
F8205901	11
F8205902	13, 15, 17
F8205903	13, 15, 17
Cotter Pin	
F430401	59
Coupling	
F8154501	67

D

Diaphragm and Guide Kit	
G582P3	55
DIN Rail	
F8200101	11, 15
DIN Valve Adapter Kit	
F8382301	67
DIN Valve Kit	
F8521501	67
Dispenser Assembly	
F8047401	53
F8047402	53
Dispenser Gasket	
F8308301	53
Dispenser Lid	
F8048101	33
Dispenser Overflow Hose	
F8043401	53
F8043403	53
F8043404	53
Door	
F0602431-02	35
F0602837-02	35
F602842-2	35
F8507501P	35
F8507601	35
F8507701	35
Door Assembly	
F8187202	35
F8187203	35
F8187302	35
F8187303	35
F8187402	35
F8187403	35
Door Bezel	
F0170426-30	29, 31
F170416-2	29, 31
F170417-1	29, 31
F8658701	29, 31
F8658801	29, 31
F8658901	29, 31
F8659101	29, 31
Door Gasket	
F200000202	35
F8111502	35
F8111602	35
Door Glass	
F8485301P	35
F8485305	35
F8485401P	35
F8485405	35
F8675701	35
Door Glass Kit	
F290205P	35
Door Handle	
F8199401P	35
F8199501	35
Door Handle Spacer Kit	
F8567501	35
Door Hinge	
F190216P	35
Door Hinge Shim Kit	
F200131000P	35

N/A items do not appear in index.

Door Latch Arm Assembly	
F8221403	35
Door Lock Assembly	
F8340501	37
Door Lock Assembly Kit	
F8626501	37
Door Lock Catch	
F8223601	37
F8344501	37
Door Lock Cover	
F8245001	37
Door Lock Microswitch	
F200203200	37
Door Lock Plate Assembly	
F8223202	37
Door Lock Plate Shim	
F8059701	37
F8344401	37
Door Lock Solenoid Replacement Kit	
F977P3	37
Door Lock Splash Shield	
F320200	37
Door Lock Switch Lever	
F8223401	37
Door Mount	
F150271	35
Door Shim	
F8453401	37
Drain Connect Tee	
F150318	45
Drain Hose	
F8231901	45
F8231902	45
F8232901	45
F8233001	45
F8233101	45
F8233102	45
Drain Tee	
F150398	45
Drain Valve	
F8406303	49
Drain Valve Cover	
F200133600	47, 49
Drain Valve Kit	
F200166400	49
F200166402	49
F8577201	47, 49
Drain Valve Motor	
F380933P	47, 49

E

Earth Terminal Sticker	
M412096	9
Electric Shock Danger Label	
F8115501	9
Electronic Coin Drop Assembly	
70294103P	23
70294104	23
70294106	23
70294107	23
70294109	23
70294111	23

70294119	23
70294120	23
70294121	23
70513311	23
Electronic Coin Drop Kit	
CK099	23
CK100	23
CK101	23
CK103	23
CK106	23
CK109	23
CK110	23
CK113	23
CK115	23
CK119	23
CK120	23
CK121	23
CK500	23
Element	
F360205P	65
Emergency Stop Harness	
F8060501	11, 13
Emergency Stop Plate	
F8201301	11, 13
Emergency Stop Pushbutton	
F200233500	11, 13
EMI Filter	
F8053901P	13, 17
F8053902	13, 17
Excluder Seal	
F8336801	39
F8336901	39
F8337001	39
F8337101	39
Expansion Clip	
70030501	11, 13, 15, 17, 29, 31, 33
Extension Spring	
F310124	59
External Door Lock Harness	
F8340001	37
External Supply Connection Decal	
F8150201	9
External Supply Harness	
F8191201P	11, 13, 15, 17
F8191203P	15, 17
External Supply Kit	
F937P3	11, 13, 15, 17

F

Fill Hose Kit	
F8544601	51
Frame Weldment	
F8195901	43
F8196001	43
F8196101	43
F8199101	43
Front Cabinet Brace	
F8173801	29, 31
F8173901	29, 31
F8174001	29, 31
Front End Control Kit	
F986P3	17
F988P3	13

N/A items do not appear in index.

Front Panel	
F8171301	29
F8171302P	31
F8173001	29
F8173002P	31
F8173101P	29
F8173102P	31
F8173201P	29
F8173202P	31
Fuse	
802493	11, 13, 15, 17

G

Gravity Drain Valve	
803292	47
Ground Decal	
F230739	9
Ground Lug Connector	
M411283	53
Gusset Plate	
F8186701	31
F8186702	29, 31

H

Heating Element Plug	
F360202	65
Hose	
F606816-1	53
F8232001	53
F8232002	53
F8232004	53
Hose Barb Connector	
F8431001	11, 15, 17
Hose Clamp	
F200201	45
F200213	45, 53, 55
F200215	45
F200222	11, 13, 15, 17, 53
20211	53
36801	53
Hot Surface Warning Label	
F8614301	9

I

Interlock Contactor	
F330186P	11, 15

J

Jumper Configuration Assembly	
M413507	11, 13, 15, 17
Jumper Harness Assembly	
M413506	11, 13, 15, 17
Jumper Wire	
F8056001	65

K

Key	
F160420	25
F430801	57, 59
F430802	59
70155603	33

L

Left Side Panel	
F8042902P	33
F8043102P	33
F8043202P	33
F8043302P	33
Lid Clamp	
F8091701	33
Lower Cabinet Brace	
F8174101	29, 31

M

Machine Size Configuration Harness	
F8028101P	11, 13, 15, 17
F8028103P	11, 13, 15, 17
F8028104P	11, 13, 15, 17
F8028105P	11, 13, 15, 17
Magnet	
F8390801	35
Manifold	
F8333201	53
Motor	
F022012800P	61
F8329301P	61
F8329401P	61
F8597103P	61
F8597104P	61
F8597401P	61
F8597402P	61
F8597501P	61
F8597502P	63
F8597801P	63
F8597802P	63
F8597803P	63
F8597804P	63
Motor Conversion Kit	
F8328901P	61
F8329001P	61
F8329101P	63
F8329201P	63
F8411501	61
Motor Drip Shield	
F200216900	61, 63
F200280700	63
Motor Pulley	
F280281	59
Motor Support Bushing	
F200186100	59
Motor Support Rod	
F602844	59
F603059	59
F603897	59

N/A items do not appear in index.

Motor Switch	
F340002	11, 15
Mount on Concrete Warning Label	
F8246401	9
Mounting Plate	
70208801	27

N

Nipple	
F8110601	67
Nut	
F0431807-00	53
F430215	35, 39, 45
F430218	43, 59
F430225	37
F430232	11, 13, 15, 17, 35, 37, 53
F430239	41
F430240	41
F430264	37
F431017	11, 13
F431022	35
F431041	35
24205	11, 13
685846	19, 21, 23
70030401	67

O

Opto Coupler	
200674P	19, 21
Output/Logic Harness	
F8028701	11, 13, 15, 17
Overflow Hose	
F0200238-00	45
F150308	45
F150417	45
F8337701	45
Overlay	
F8295503	31
F8295603	31
F8295703	31
F8295803	31
70295101	23
70295301	23
Overload Contactor	
F8176101P	11, 15

P

Panel Lock	
44089303P	33
Pipe Insulation	
F410300	65, 67
Pipe Nipple	
431486	67
70263801	67
Plug	
F420409	67
F421507	65
Pop Rivet	
F431223	35

70058501	11, 15, 17, 19, 21
PowerFlex 40 Drive	
F8169401	13, 17
F8169402	13, 17
F8169403	13, 17
F8169404	13, 17
F8169405	13, 17
F8169406	13, 17
F8169407	13, 17
F8169408	13, 17
F8169434	13, 17
F8169435	13, 17
F8169436	13, 17
F8169437	13, 17
F8169438	13, 17
F8169439	13, 17
F8169440	13, 17
F8169441	13, 17
Pressfit Upgrade Kit	
F935P3	39
F936P3	39
F938P3	39
F939P3	39
P-Trap Hose	
F8042201	55
F8042202	55
F8042301	55
Pulley	
F280105P	59
F280168	57
F280173	57, 59
F280197	57, 59
F280284	59
F280422P	59
F280427P	59
Pulley Bushing	
F280298P	59
Pulse Expander Assembly	
F8034701P	23
Pushbutton Switch	
70413301	33

R

Rear Panel	
F8176201P	33
F8176301	33
F8177501P	33
F8177701P	33
Reducer Bushing	
F421936	65
Reed Switch Assembly	
F8066802	35
Regulator	
F8402201	55
Retaining Ring	
F8337801	41
F8337901	41
F8344901	41
F8345001	41
Right Side Panel	
F8042901P	33
F8043101P	33
F8043201P	33
F8043301P	33

N/A items do not appear in index.

Rod	
F602813-2	35
F602813-3	35

S

Screw	
F430100	57
F430107	45
F430174	29, 31, 33
F430518	39
F430532	35
F430536	35
F430537	59
F430903	11, 13, 15, 17
F430909	53
F430942	43
F430949	43
F430956	37
F430977	37
F8117601	29, 31
F8206901	11, 13, 15, 17, 33, 53
F8230301	53
F8230601	33
F8442702	43
F8535501	35
F8535601	53
20253	67
430497	67
800548	55
801019	29
Shaft Seal Sleeve	
F8312001P	39
F8312004P	39
F8312006P	39
F8343914	39
Shaft Seal Sleeve Kit	
F8343901P	39
F8343904P	39
F8343906P	39
F8343909P	39
Sheave	
F0280385-00	59
H87520334	59
Sheave Kit	
F280287P	59
Sheave Pulley	
F280170	59
F280172	57, 59
Shell Band Kit	
F8537801	39
F8537803	39
F8537804	39
Shell Front Assembly	
F8229401	39
F8229501	39
F8229601	39
F8229701	39
Shell Front Gasket Kit	
F8513501	39
Shell Weldment	
F8179201	43
F8179202	43, 65, 67
F8179203	43
F8179301	43
F8179302	43, 65, 67

F8179303	43
F8179401	43
F8179402	43, 65, 67
F8179403	43
F8179501	43
F8179502	43
F8179503	43

Siphon Cover	
F8047901	53
Snap Bushing	
44071501	11, 13, 15, 17
Spacer	
F431901	37
Spring	
F8504601	47
F8504701	49
Spring Clip	
F633374	59
Spring Pin	
F431222	35
Steam Bracket	
F8490301	67
Steam Filter	
F270307	51, 67
F270308	51
Steam Heat Kit	
F953P3	67
Steam Hose	
F200197	67
Steam Injector Tube Assembly	
F8368201	67
Steam Valve Repair Kit	
F380984P	67
Street Elbow	
H86070034	67
Supply Overflow Hose	
F8043405	53
Support Bracket	
F8195803	13, 17
Switch Clamp	
F0340722-00	11, 15

T

Tee	
F8246601	11, 13, 15, 17, 65
Temperature Configuration Harness	
F8028219P	13, 15, 17
Tension Spring	
F310148	59
Terminal Block	
430642	53
Terminal Tray Cover	
F8177001	53
Terminal Tray Cover Gasket	
F8230001	53
Thermistor Sensor	
F370609	65
Top Cabinet Brace	
F8043501	33
F8043701	33
F8043801	33
F8043901	33

N/A items do not appear in index.

Top Cover	
F8017401	33
F8040201	33
F8040301	33
F8040401P	33
Top Cover Hinge	
F8258601	33
Top Cover Latch	
F8201001	29, 31
Torsion/Door Lock Spring	
F8070301	37
Transformer	
F360157P	11, 13, 15, 17
201616P	11, 13, 15, 17
210019P	11
803527P	13, 15, 17
Triple Lip Seal	
F8203801	41
F8203802	41
F8203803	41
F8203806	41
Trunnion Kit	
F747001	41
F747002	41
F747003	41
F747005	41
Tubing	
F8153901	11, 13, 15, 17, 65

U

USB IR Interface Kit	
203346	11, 13, 15, 17
Use Copper Conductors Only Caution Label	
F8242201	9

V

Vacuum Breaker Assembly	
F8048601	55
Vacuum Breaker Hose	
F0200244-01	53
F0200244-02	53
Vacuum Supply Hose	
F8042801	53
F8042803	53
F8042804	53
F8042805	53
Valve	
F8322801P	67
Valve Kit	
F8379501P	67
Valve Panel	
F8017501	53
F8039601	53
F8039801	53
F8039901	53
Valve, 3-Way	
F8286401P	55
F8286402P	55

W

Warning Label	
F8207901	9
F8233501	9
44324001	9
Washer	
F430303	43
F430317	39, 45
F431113	35
F431115	57
F431128	41, 43
F431131	41, 43
F431902	37
F431916	35
F431929	35
M400081	43
803615	51, 55
901690	59
Water Hose	
F200108P	51
F200116	51
Water Pressure Switch	
F8223001P	11, 13, 15, 17, 65

Y

Y Connector	
F422816	53

N/A items do not appear in index.

