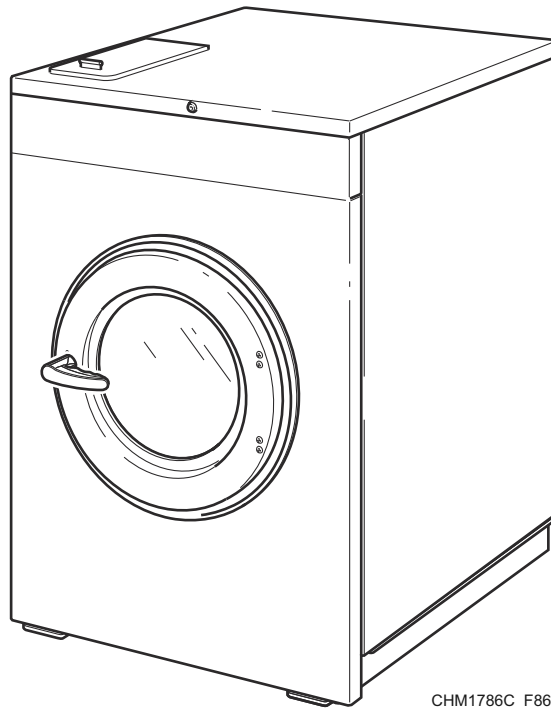


# Washer-Extractor

Cabinet Hardmount

Design 2 and 3 Models

Refer to Page 3 for Model Numbers



CHM1786C\_F8639901



# Table of Contents

Title	Page
Parts Ordering Information.....	2
Serial Plate Location .....	2
Model Identification .....	3
Product Overview for Quantum Gold .....	4
Decals .....	6
Control Module (Drawing 1 of 2) .....	8
Control Module (Drawing 2 of 2) .....	10
Flush Mount Coin Meter Assembly - Single Drop .....	12
Flush Mount Coin Meter Assembly - Dual Drop.....	14
Electronic Coin Meter Assembly .....	16
Card Reader .....	18
Optional Coin Box.....	20
Front Panel, Control Panel and Control Panel Overlays - Coin and Remote Central Pay Models .....	22
Front Panel, Control Panel and Control Panel Overlays - Card Ready Models.....	24
Panels .....	26
Door - 20 Pound Models .....	28
Door - 30 Pound Models .....	30
Door - 40 and 60 Pound Models .....	32
Door Lock.....	34
Shell Front and Basket.....	36
Bearing Housing .....	38
Shell and Frame.....	40
Drain Plumbing .....	42
Drain Valve Assembly - 20 and 30 Pound Models.....	44
Drain Valve Assembly - 40 and 60 Pound Models.....	46
Steam Filter (Optional) and Water Supply Hose .....	48
Fill Plumbing Assembly.....	50
Double Check Valve .....	52
Motor, Pulley and Belt (Drawing 1 of 3) .....	54
Motor, Pulley and Belt (Drawing 2 of 3) .....	56
Motor, Pulley and Belt (Drawing 3 of 3) .....	58
Steam Heat Option .....	60
Electric Heat Option .....	62
Parts Index.....	65

© Copyright 2018, Alliance Laundry Systems LLC

All rights reserved. No part of the contents of this book may be reproduced or transmitted in any form or by any means without the expressed written consent of the publisher.

# Parts Ordering Information

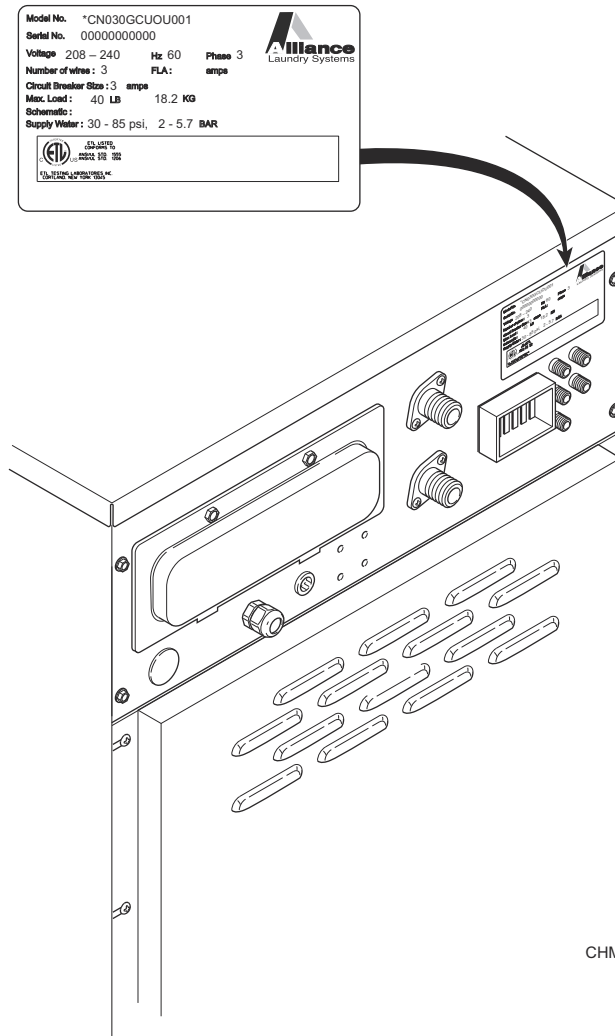
If literature or replacement parts are required, contact the source from whom the machine was purchased or contact Alliance Laundry Systems at (920) 748-3950 for the name and address of the nearest authorized parts distributor.

For technical assistance, call the number listed below:

(920) 748-3121 Ripon, Wisconsin

# Serial Plate Location

When calling or writing about your product, be sure to mention model and serial numbers. Model and serial numbers are located on serial plate(s) as shown.



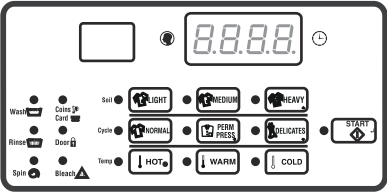
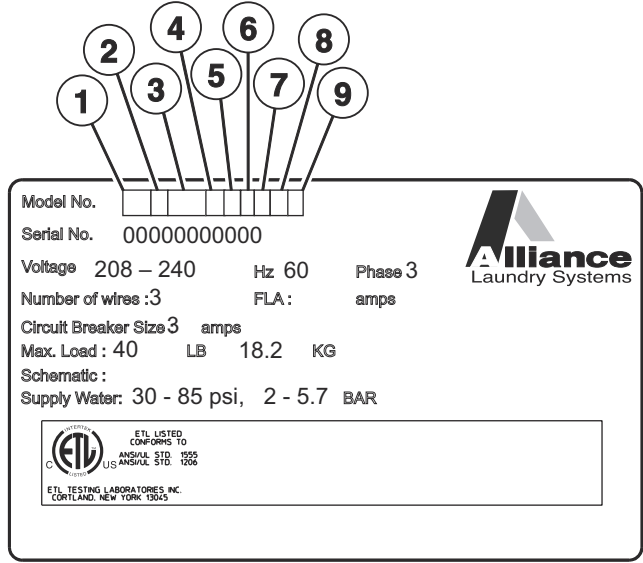
CHM3025P\_F8639901

## Model Identification

Information in this manual is applicable to these washer-extractor models:

HC040LDF	SCH020LCF	SCL020LCF	SCN020LCF	SCU020LCV
HCD020LDF	SCH020LDF	SCL020LCV	SCN020LCV	SCU020LDV
HCD020LDV	SCH020LDV	SCL020LDF	SCN020LDF	SCU020LEV
HCD030LDF	SCH020LEF	SCL020LDV	SCN020LDV	SCU020LLF
HCD030LDV	SCH020LEV	SCL020LEF	SCN020LEF	SCU020LLV
HCD040LDF	SCH020LLV	SCL020LEV	SCN020LEV	SCU020LXV
HCD040LDV	SCH020LXF	SCL020LLV	SCN020LXF	SCU020LYV
HCD060LDF	SCH020LXV	SCL020LXF	SCN020LXV	SCU030LCV
HCD060LDV	SCH020LYF	SCL020LXV	SCN020LYF	SCU030LDV
SCB040LCF	SCH020LYV	SCL020LYF	SCN020LYV	SCU030LEF
SCB040LCV	SCH030LCF	SCL020LYV	SCN030LCF	SCU030LEV
SCB040LDV	SCH030LCV	SCL030LCF	SCN030LCV	SCU030LLF
SCB040LEF	SCH030LEF	SCL030LCV	SCN030LDF	SCU030LLV
SCB040LEV	SCH030LEV	SCL030LEF	SCN030LEF	SCU030LXV
SCB040LLF	SCH030LXF	SCL030LEV	SCN030LDV	SCU030LYV
SCB040LXV	SCH030LXV	SCL030LXF	SCN030LEV	SCU040LCV
SCB040LYV	SCH030LYF	SCL030LXV	SCN030LXF	SCU040LDV
SCD020LDF	SCH030LYV	SCL030LYF	SCN030LXV	SCU040LEF
SCD020LDV	SCH040LCF	SCL030LYV	SCN030LYF	SCU040LEV
SCD030LDF	SCH040LCV	SCL040LCF	SCN030LYV	SCU040LLF
SCD030LDV	SCH040LEF	SCL040LCV	SCN040LCF	SCU040LLV
SCD040LDF	SCH040LEV	SCL040LEF	SCN040LCV	SCU040LXV
SCD040LDV	SCH040LLF	SCL040LEV	SCN040LDF	SCU040LYV
SCD060LDF	SCH040LXF	SCL040LLF	SCN040LDV	SCU060LCV
SCD060LDV	SCH040LXV	SCL040LXF	SCN040LEF	SCU060LDV
	SCH040LYF	SCL040LXV	SCN040LEV	SCU060LEV
	SCH040LYV	SCL040LYF	SCN040LLF	SCU060LLF
	SCH060LCF	SCL040LYV	SCN040LXF	SCU060LLV
	SCH060LCV	SCL060LCF	SCN040LXV	SCU060LXV
	SCH060LEF	SCL060LCV	SCN040LYF	SCU060LYV
	SCH060LEV	SCL060LEF	SCN040LYV	SCY020LEV
	SCH060LLF	SCL060LEV	SCN060LCF	SCY030LDF
	SCH060LXF	SCL060LLF	SCN060LCV	SCY030LEV
	SCH060LXV	SCL060LXF	SCN060LDF	SCY040LDF
	SCH060LYV	SCL060LXV	SCN060LDV	SCY040LEV
		SCL060LYV	SCN060LEF	SCY060LEV
			SCN060LEV	
			SCN060LXF	
			SCN060LXV	
			SCN060LYF	
			SCN060LYV	

# Product Overview for Quantum Gold



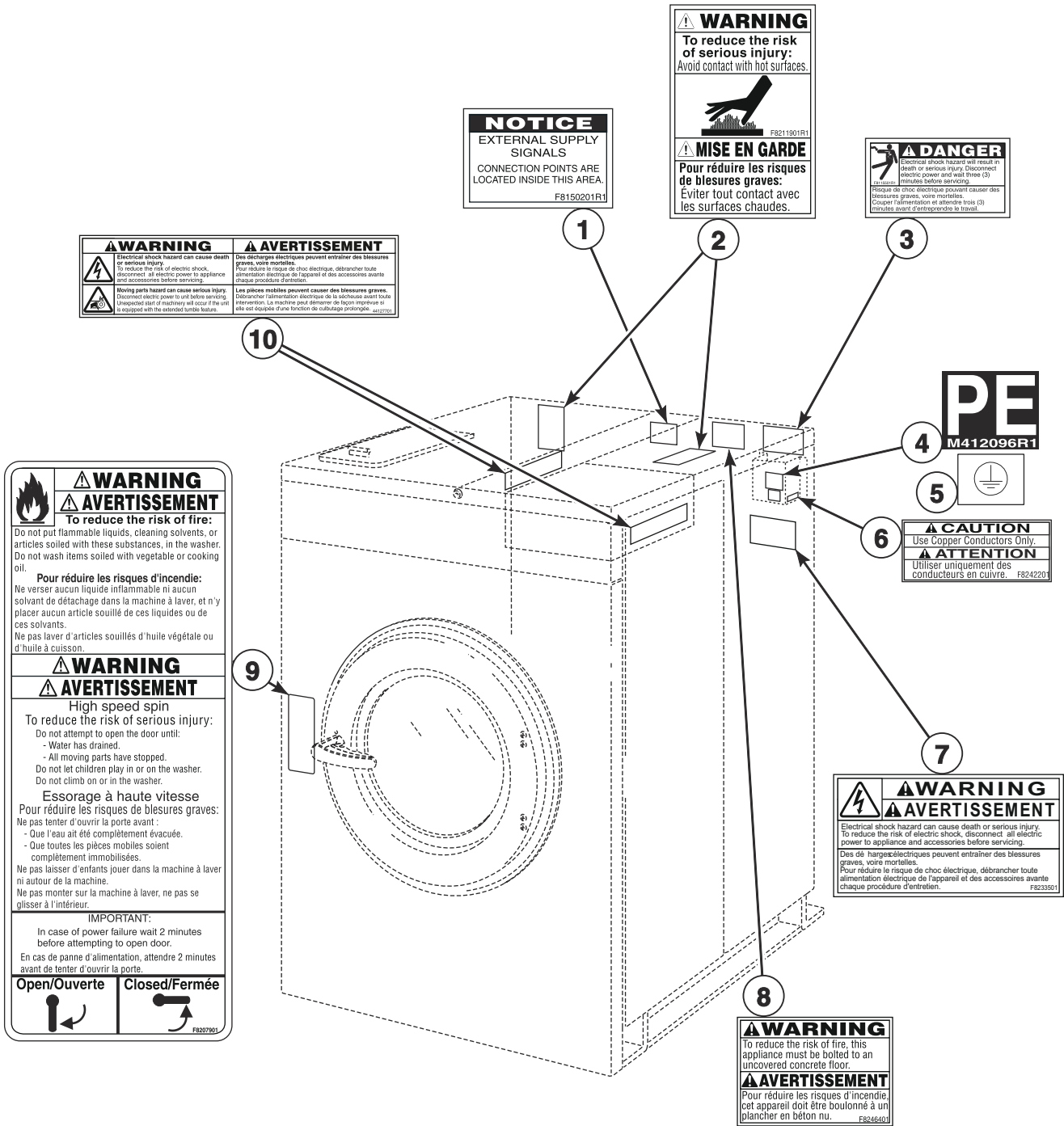
Quantum Gold

CHM3481P\_F8639901

# Product Overview for Quantum Gold

REF	PART NO.	DESCRIPTION	COMMENTS
1	-	Product Family	CC HC IC SC UC YC
2	-	Market	B (Brazil CE) D (Daiwa) H (China-ROHS ETL) L (International ETL(c)) N (Domestic ETL(c)) U (International CE/ECA) W (WRAS CE) Y (Australia) Z (No Agency International)
3	-	Capacity (Pounds)	020 030 040 060 080 100
4	-	Control	G H J K L W Z
5	-	Actuation	C (Drop Coin Meter) D (Digital Coin Meter) E (Electronic World Drop) L (Prep for Remote/Central Pay) N (Non-Coin OPL) X (Prep for Coin Meter) Y (Prep for Card Reader)
6	-	Speed	F (F-Speed) V (V-Speed)
7	-	Voltage	B (120/60/1/2) N (440-480/50/60/3) P (380-415/50/60/3) Q (200-208/220-240/50/60/3) X (200-208/220-240/50/60/1/3)
8	-	Side Panel	B (Chrome Door/Stainless Steel Sides) C (Chrome Door) U (Standard) 1 (Stainless Steel)
9	-	Design	2 3

# Decals



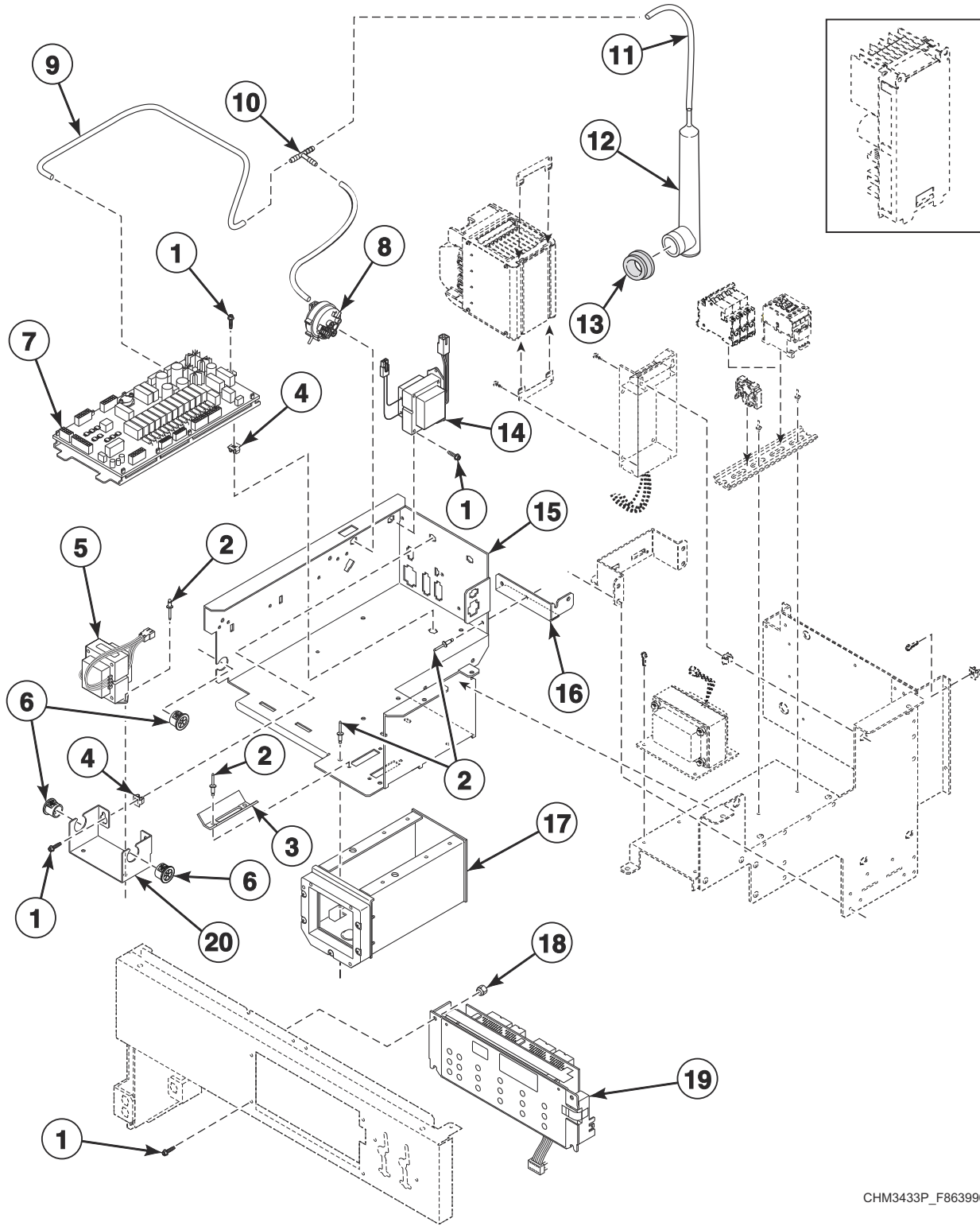
CHM3027P\_F8639901



# Decals

REF	PART NO.	DESCRIPTION	COMMENTS
1	F8150201	External Supply Connection Decal	
2	F8614301	Hot Surface Warning Label	
3	F8115501	Electric Shock Danger Label	
4	M412096	Earth Terminal Sticker	
5	F230739	Ground Decal	
6	F8242201	Use Copper Conductors Only Caution Label	
7	F8233501	Warning Label	
8	F8246401	Mount On Concrete Warning Label	
9	F8207901	Warning Label	
10	44324001	Warning Label	

# Control Module (Drawing 1 of 2)

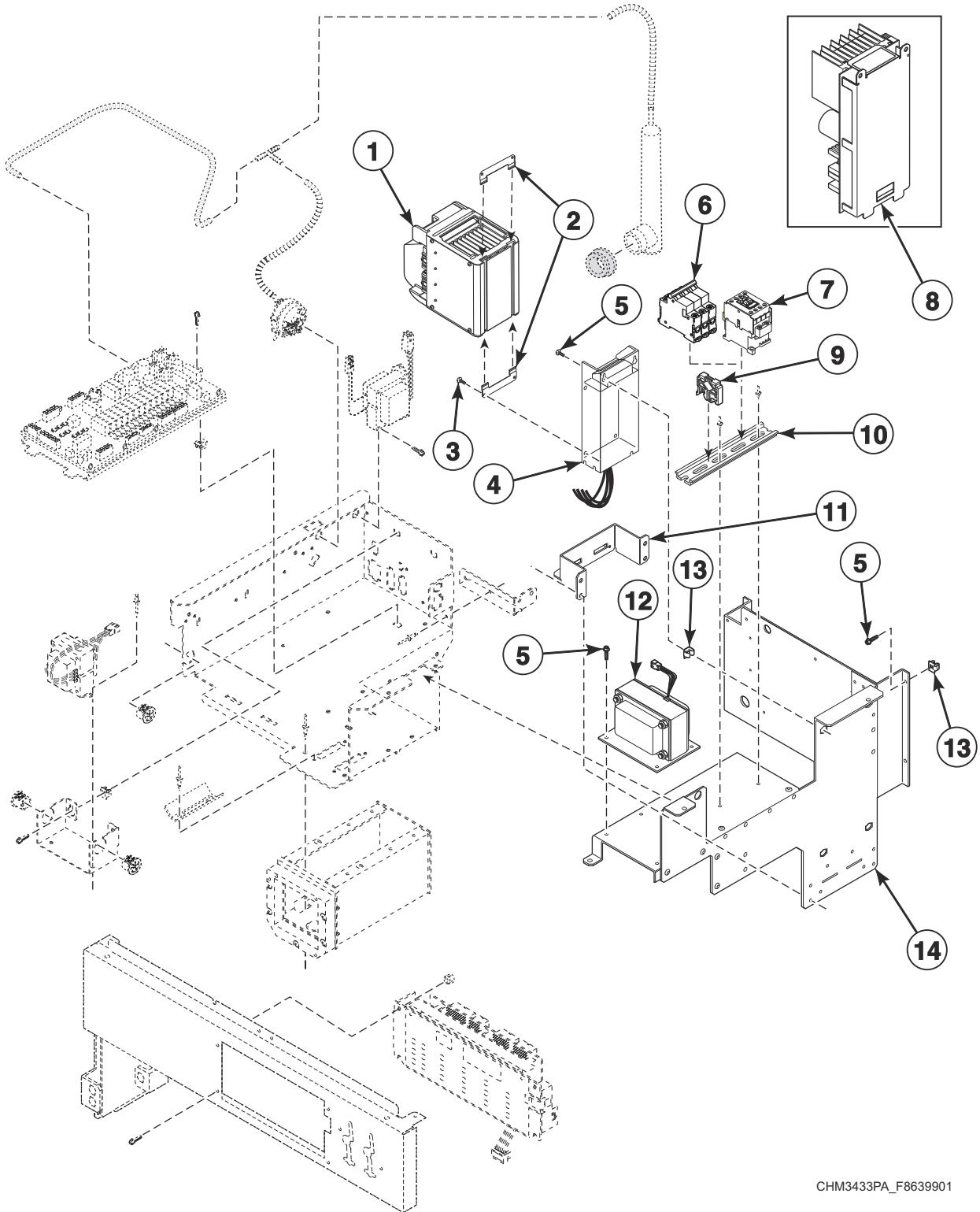


CHM3433P\_F8639901

## Control Module (Drawing 1 of 2)

REF	PART NO.	DESCRIPTION	COMMENTS
	F8028701	Output/Logic Harness	
	F8028101P	Machine Size Configuration Harness	20 pound models
	F8028103P	Machine Size Configuration Harness	30 pound models
	F8028104P	Machine Size Configuration Harness	40 pound models
	F8028105P	Machine Size Configuration Harness	60 pound models
	F8261501P	Control Tray Harness	40 and 60 pound models
	M413506	Jumper Harness Assembly	208 Volt
	M413507	Jumper Configuration Assembly	240 Volt
	F8191201P	External Supply Harness	
	F937P3	External Supply Kit	Includes items 1, 14, 430497 Screw, F8136601 Screw, F8161701 Label, F8189401 Control Assembly and F8191201P External Supply Harness
	203346	USB IR Interface Kit	
<b>1</b>	F8206901	Screw	
<b>2</b>	70058501	Pop Rivet	
<b>3</b>	F8170801	Coin Chute	
<b>4</b>	70030501	Expansion Clip	
<b>5</b>	803527P	Transformer	
<b>6</b>	44071501	Snap Bushing	
<b>7</b>	F980P3	Control Assembly Kit	Includes item 10 and F8108001 Output Assembly
	802493	Fuse	2.5 Amp
	802492	Fuse	5 Amp
<b>8</b>	F8404401	Water Pressure Switch	Electric and steam heat
<b>9</b>	F8153901	Tubing	
<b>10</b>	F8246601	Tee	Electric and steam heat
	F8431001	Hose Barb Connector	Standard
<b>11</b>	F8405301	Hose	
<b>12</b>	30907	Pressure Bulb	
<b>13</b>	F8433001	Grommet	
<b>14</b>	201616P	Transformer	External supply
<b>15</b>	F8359702	Control Tray Assembly	20 and 30 pound models; Design 2; Includes items 3 and 17
	F8359707	Control Tray Assembly	20 and 30 pound models; Design 3; Includes items 3 and 17
	F8359704	Control Tray Assembly	All other models; Includes items 3, 15 and 17
<b>16</b>	F8375201	Tray Support Bracket	
<b>17</b>	F8182501	Coin Vault Assembly	20 and 30 pound models; Design 2
	F8182601	Coin Vault Assembly	All other models
<b>18</b>	F430232	Nut	
<b>19</b>	F103P3	Front End Control Kit	F-speed models; Includes F8028701 Output/Logic Harness
	F102P3	Front End Control Kit	V-speed models; Includes F828701 Output/Logic Harness
<b>20</b>	F8599801	Bracket	

# Control Module (Drawing 2 of 2)

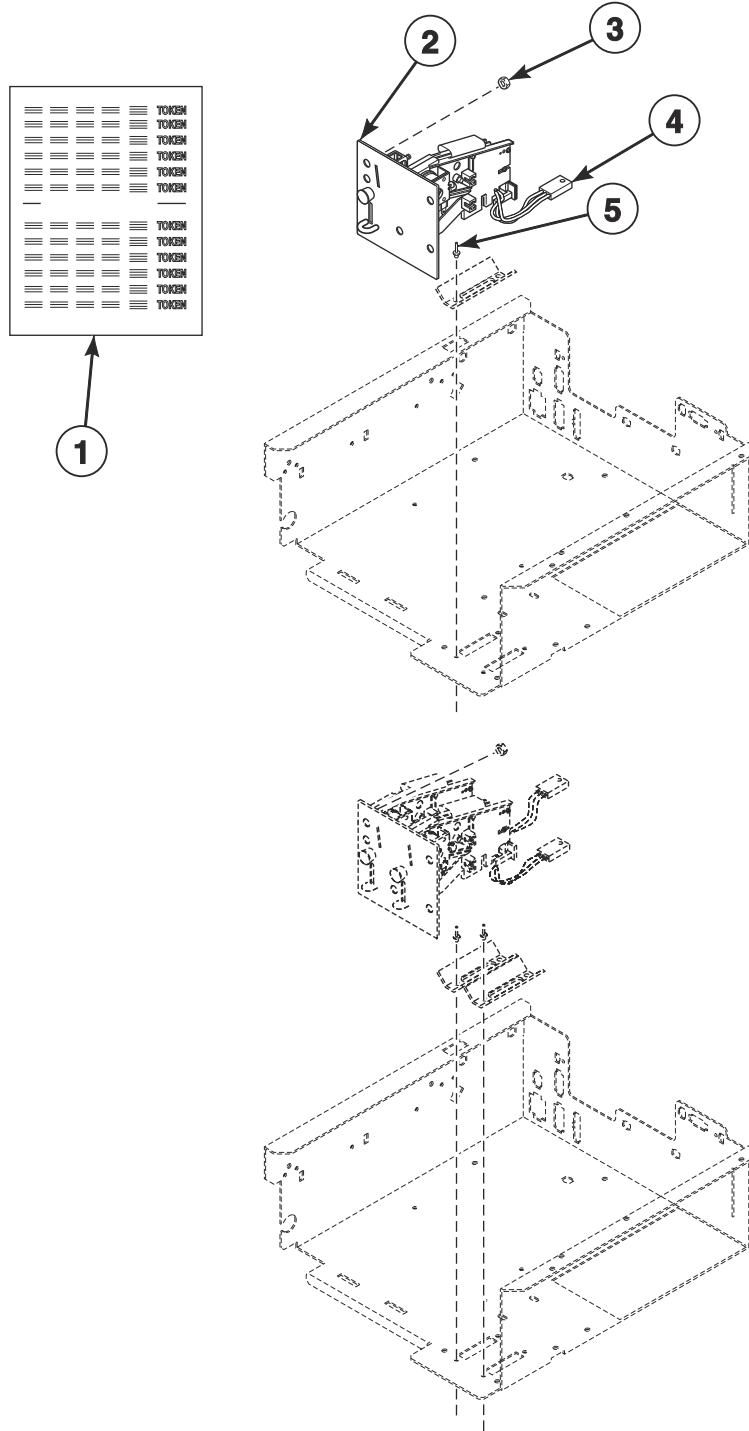


CHM3433PA\_F8639901

## Control Module (Drawing 2 of 2)

REF	PART NO.	DESCRIPTION	COMMENTS
	F8385102	Communication Harness	
	F8028701	Output/Logic Harness	
	F8028101P	Machine Size Configuration Harness	20 pound models
	F8028103P	Machine Size Configuration Harness	30 pound models
	F8028104P	Machine Size Configuration Harness	40 pound models
	F8028105P	Machine Size Configuration Harness	60 pound models
	F8261501P	Control Tray Harness	40 and 60 pound models
	M413506	Jumper Harness Assembly	208 Volt
	M413507	Jumper Configuration Assembly	240 Volt
	F8191201P	External Supply Harness	
	203346	USB IR Interface Kit	
<b>1</b>	F8303601P	Drive Assembly	N and P-voltage; 5 hp
	F8204701P	Drive Assembly	60 pound models; Q and X-voltage; 3 hp
<b>2</b>	F8322401	Drive Mounting Bracket	Use with item 1
<b>3</b>	D503688	Screw	
<b>4</b>	F8053901P	EMI Filter	240 Volt; International models only
	F8053902	EMI Filter	480 Volt; International models only
<b>5</b>	F8206901	Screw	
<b>6</b>	70256901P	Circuit Breaker	Electric and steam heat
<b>7</b>	F330177P	Contacto	
<b>8</b>	F8327301P	Drive Assembly	20, 30 and 40 pound models; B, Q and X-voltage; 2 hp
<b>9</b>	F8449801	End Stop	
<b>10</b>	F8385301	DIN Rail	
<b>11</b>	F8310101	Lower Drive Mounting Bracket	Use with item 8
<b>12</b>	F8401301	Transformer	
<b>13</b>	70030501	Expansion Clip	
<b>14</b>	F8359801	Drive Tray Assembly	20 pound models
	F8359802	Drive Tray Assembly	30 pound models
	F8359803	Drive Tray Assembly	40 and 60 pound models

# Flush Mount Coin Meter Assembly - Single Drop



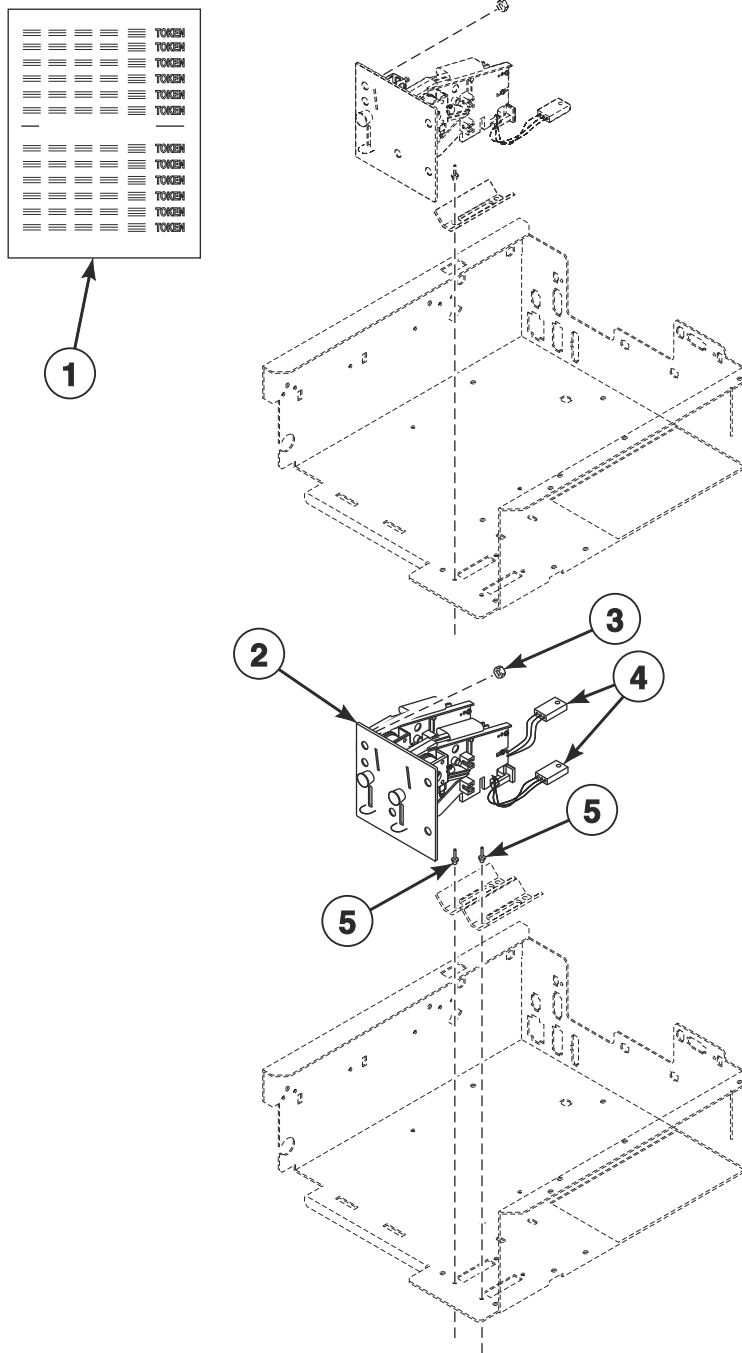
CHM3088P\_F8639901

## Flush Mount Coin Meter Assembly - Single Drop

REF	PART NO.	DESCRIPTION	COMMENTS
	F200010000P	Coin Meter Assembly	U.S. \$.25; Includes items 2 and 3
	F200010006	Coin Meter Assembly	.800 token; Includes items 2 and 3
	F200010007	Coin Meter Assembly	.880 token; Includes items 2 and 3
	F200010009	Coin Meter Assembly	.990 token; Includes items 2 and 3
	F200010011	Coin Meter Assembly	Jeton WH121 token; Includes items 2 and 3
	F200010012	Coin Meter Assembly	Jeton .08 token; Includes items 2 and 3
<b>1</b>	38725	Coin Identification Paper	
<b>2</b>	38464P	Coin Drop Assembly	Canada .25
	N/A	Coin Drop Assembly	Australia .20
	N/A	Coin Drop Assembly	Belgium 5 franc
	N/A	Coin Drop Assembly	Denmark 2 krone
	N/A	Coin Drop Assembly	United Kingdom 20 pence
	N/A	Coin Drop Assembly	France 2 franc
	N/A	Coin Drop Assembly	Hong Kong 5 dollar
	N/A	Coin Drop Assembly	Italy 500 lirraiget
	N/A	Coin Drop Assembly	Japan 100 yen
	N/A	Coin Drop Assembly	Korea 500 won
	N/A	Coin Drop Assembly	South Africa 2 rand
	N/A	Coin Drop Assembly	Spain 100 peseta
	N/A	Coin Drop Assembly	Thailand 10 baht
	N/A	Coin Drop Assembly	.886 token
	N/A	Coin Drop Assembly	1.000 token
	N/A	Coin Drop Assembly	Jeton 08 token
	70441601P	Coin Drop	U.S. \$.25
	N/A	Coin Drop Assembly	.800 token
	38462P	Coin Drop Assembly	Token; 118-1; .880 diameter x .079 thick; Brass
	38463	Coin Drop Assembly	Token; 118-5; .990 diameter x .081 thick; Silver
	N/A	Coin Drop Assembly	Jeton WH121 token
	N/A	Coin Meter	Jeton .08 token
<b>3</b>	685846	Nut	
<b>4</b>	200674P	Opto Coupler	
<b>5</b>	70058501	Pop Rivet	

**N/A = Part no longer available**

# Flush Mount Coin Meter Assembly - Dual Drop



CHM3088PA\_F8639901

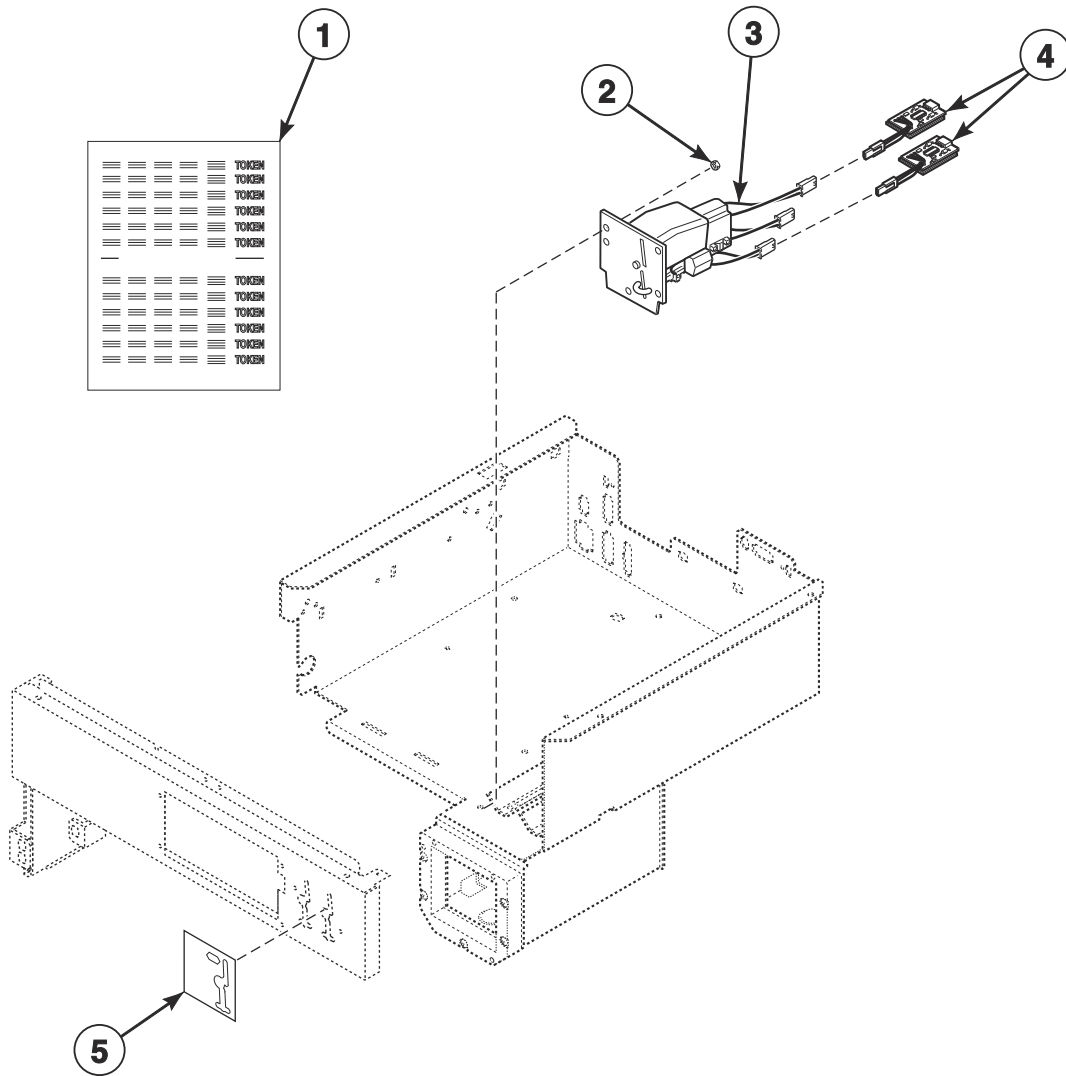


## Flush Mount Coin Meter Assembly - Dual Drop

REF	PART NO.	DESCRIPTION	COMMENTS
	F200010001	Coin Meter Assembly	Australia .20 and 1.00; Includes items 2 and 3
	F200010002	Coin Meter Assembly	100 and 500 yen; Includes items 2 and 3
	F200010003	Coin Meter Assembly	Canada .25 and 1.00; Includes items 2 and 3
	F200010004	Coin Meter Assembly	New Zealand .20 and 1.00; Includes items 2 and 3
	F200010005	Coin Meter Assembly	U.S. \$.25 and \$1.00; Includes items 2 and 3
	F200010008	Coin Meter Assembly	.50 and 2.00 euro; Includes items 2 and 3
	F200010010	Coin Meter Assembly	10 and 50 Taiwan; Includes items 2 and 3
<b>1</b>	38725	Coin Identification Paper	
<b>2</b>	N/A	Coin Meter	10 and 50 Taiwan
	N/A	Coin Meter	Belgium 5 and 20 franc
	N/A	Coin Meter	Denmark 1 and 5 krone
	N/A	Coin Meter	Denmark 5 and 10 krone
	38472	Coin Drop Assembly	United Kingdom 20 pence and 1 pound
	N/A	Coin Meter	.20 and .50 euro
	210195	Coin Drop Assembly	.20 and 1.00 euro
	210196	Coin Drop Assembly	.50 and 1.00 euro
	N/A	Coin Meter	2 and 5 franc
	N/A	Coin Meter	2 and 10 franc
	39157	Coin Drop Assembly	Israel 1 and 5 shekel
	38521	Coin Drop Assembly	Korea 100 and 500 won
	N/A	Coin Meter	Spain 100 and 500 peseta
	N/A	Coin Drop Assembly	Australia .20 and 1.00
	N/A	Coin Drop Assembly	Japan 100 and 500 yen
	N/A	Coin Drop Assembly	Canada .25 and 1.00
	N/A	Coin Drop Assembly	New Zealand .20 and 1.00
	70256402P	Coin Drop	U.S. \$.25 and \$1.00
	F0160737-00	Coin Meter	.50 and 2.00 euro
	70281102	Coin Drop Assembly	10 and 50 Taiwan dollar
	N/A	Coin Meter	Taiwan 5 and 10 dollar
<b>3</b>	685846	Nut	
<b>4</b>	200674P	Opto Coupler	
<b>5</b>	70058501	Pop Rivet	

**N/A = Part no longer available**

# Electronic Coin Meter Assembly



CHM3089P\_F8639901

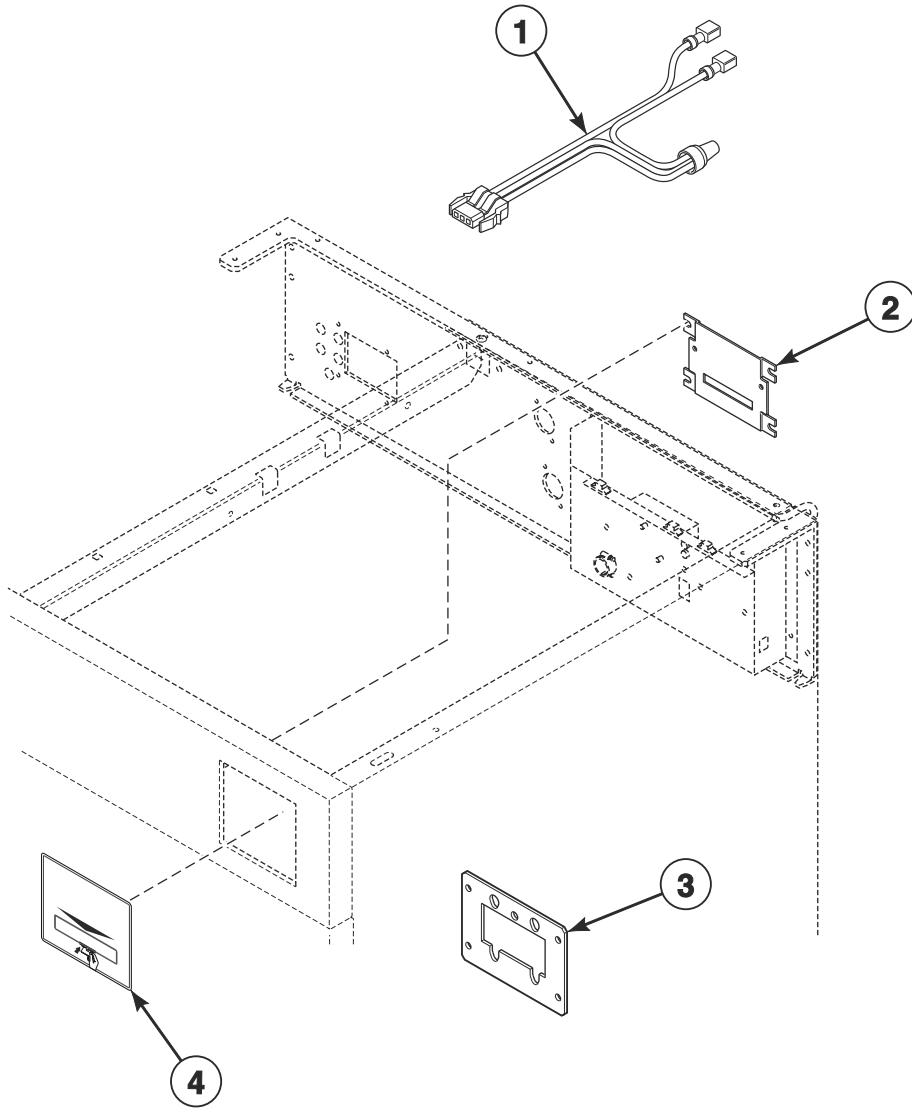
# Electronic Coin Meter Assembly

REF	PART NO.	DESCRIPTION	COMMENTS
1	38725	Coin Identification Paper	
2	685846	Nut	
3	CK115	Electronic Coin Drop Kit	U.S. and Canada; Includes item 1*
	70294105P	Electronic Coin Drop Assembly	Australia, New Zealand, Hong Kong and South Korea
	CK099	Electronic Coin Drop Kit	Australia, New Zealand, Hong Kong and South Korea; Includes item 1*
	70294103P	Electronic Coin Drop Assembly	United Kingdom and Euro
	CK100	Electronic Coin Drop Kit	United Kingdom and Euro; Includes item 1*
	70294104	Electronic Coin Drop Assembly	Denmark, Norway and Euro
	CK101	Electronic Coin Drop Kit	Denmark, Norway and Euro; Includes item 1*n
	70294106	Electronic Coin Drop Assembly	U.S., Mexico and Ecuador
	CK110	Electronic Coin Drop Kit	U.S., Mexico and Ecuador; Includes item 1*
	70294111	Electronic Coin Drop Assembly	Euro
	CK109	Electronic Coin Drop Kit	Euro; Includes item 1*
	70294119	Electronic Coin Drop Assembly	Thailand
	CK119	Electronic Coin Drop Kit	Thailand; Includes item 1*
	70281102	Coin Drop Assembly	Taiwan
	CK107	Coin Drop Kit	Taiwan; Includes item 1*
	70513308	Electronic Coin Drop Assembly	South Africa
	CK108	Electronic Coin Drop Kit	South Africa; Includes item 1*
	70447301	Coin Drop Assembly	Australia \$1.00, \$2.00
	CK111	Coin Drop Kit	Australia \$1.00, \$2.00; Includes item 1*
	70513310	Electronic Coin Drop Assembly	Japan and Taiwan
	CK113	Electronic Coin Drop Kit	Japan and Taiwan; Includes item 1*
	70513311	Electronic Coin Drop Assembly	China and Malaysia; Includes item 1*
	CK116	Electronic Coin Drop Kit	China and Malaysia; Includes item 1*
	70513312	Electronic Coin Drop Assembly	Russian
	CK117	Electronic Coin Drop Kit	Russian; Includes item 1*
	70513313	Electronic Coin Drop Assembly	Philippine
	CK118	Electronic Coin Drop Kit	Philippine; Includes item 1*
	70513315	Electronic Coin Drop Assembly	Chile
	CK120	Electronic Coin Drop Kit	Chile; Includes item 1*
	70513316	Electronic Coin Drop Assembly	Singapore .10, .20, .50, 1.00
	CK121	Electronic Coin Drop Kit	Singapore .10, .20, .50, 1.00; Includes item 1*
	70482401	Coin Drop Assembly	New Zealand
	CK122	Coin Drop Kit	New Zealand; Includes item 1*
	70506901	Coin Drop Assembly	Singapore \$1.00SGD
	CK123	Coin Drop Kit	Singapore \$1.00SGD; Includes item 1*
4	F8034701P	Pulse Expander Assembly	
5	70295101	Overlay	Black
	70295301	Overlay	Gray

\* NOTE: Requires CK500 Electronic Coin Drop Kit for installation.

# Card Reader

LY Models

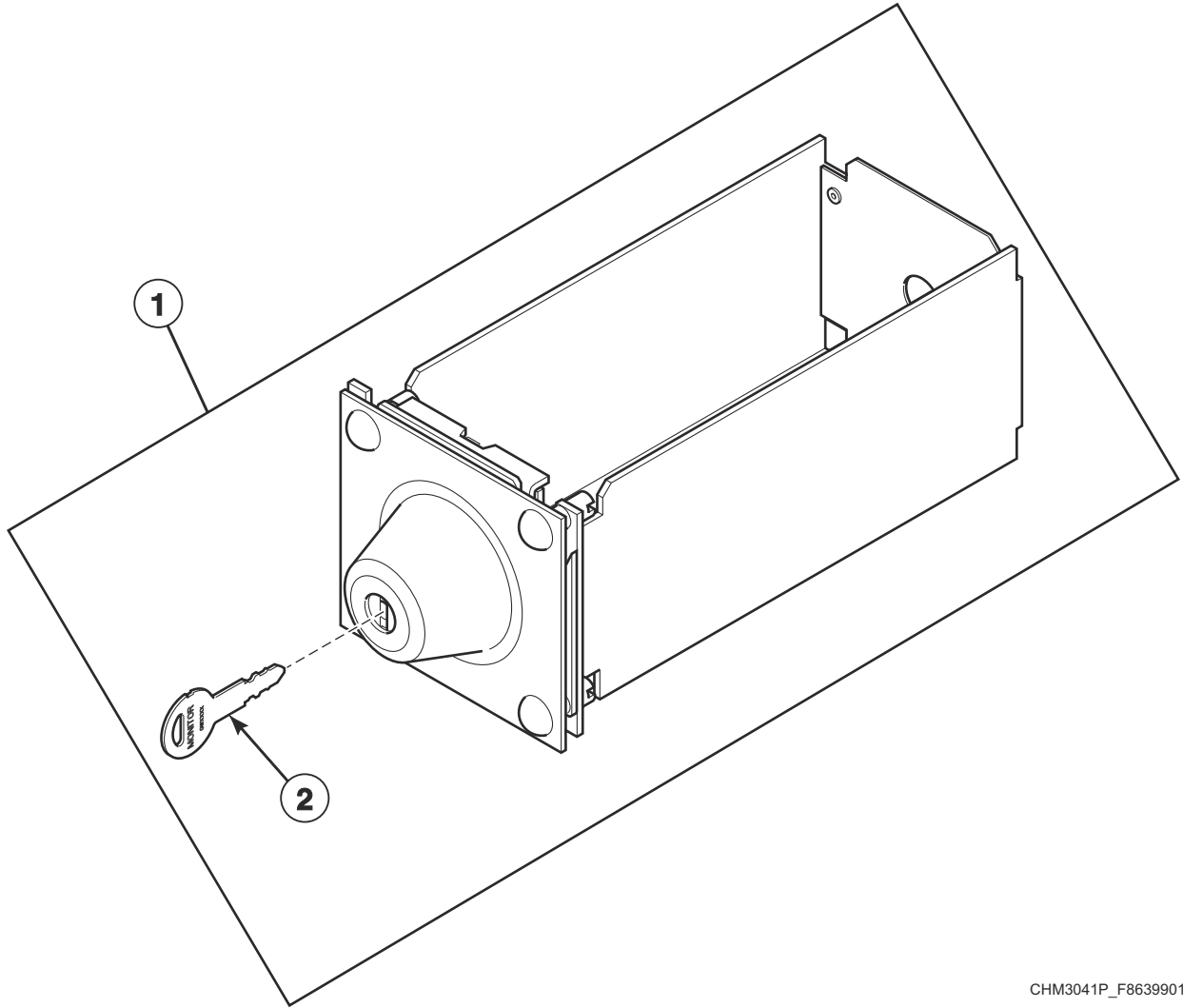


CHM3216P\_F8639901

# Card Reader

REF	PART NO.	DESCRIPTION	COMMENTS
	D511476	Jumper Harness	
1	F8191402	Vault/FBS Jumper Harness	Access
2	F8201501	Card Plate Assembly	
3	70208801	Mounting Plate	
4	70334201	Card Reader Overlay	Black
	70523601	Card Reader Overlay	Chinese

# Optional Coin Box

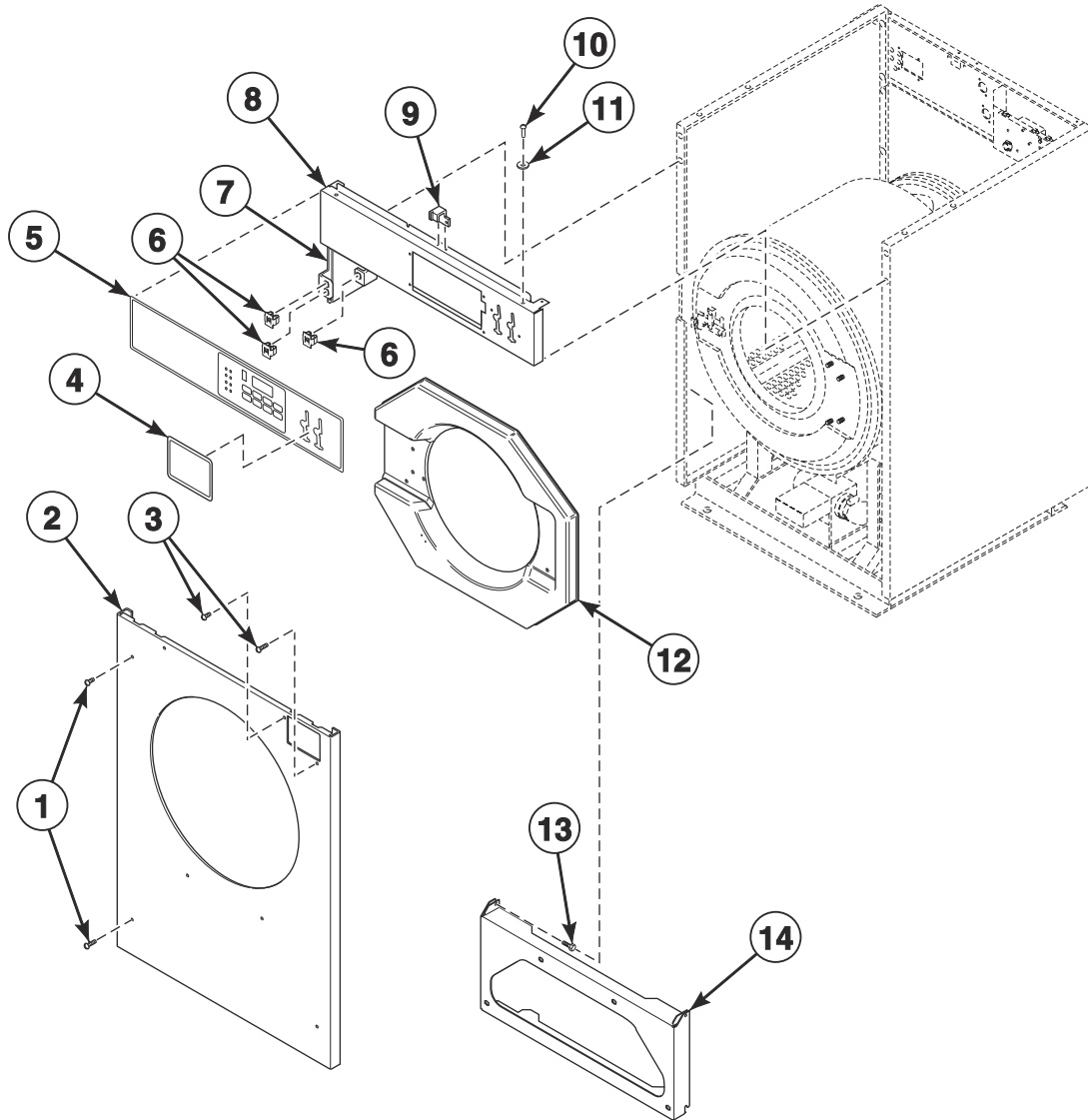


CHM3041P\_F8639901

## Optional Coin Box

REF	PART NO.	DESCRIPTION	COMMENTS
1	F160672	Coin Box	20 and 30 pound models; Design 2; GW0023
	F8182001	Coin Drawer Assembly	20 and 30 pound Design 3 models; 40 and 60 pound models
2	F160420	Key	GW0023

# Front Panel, Control Panel and Control Panel Overlays - Coin and Remote Central Pay Models



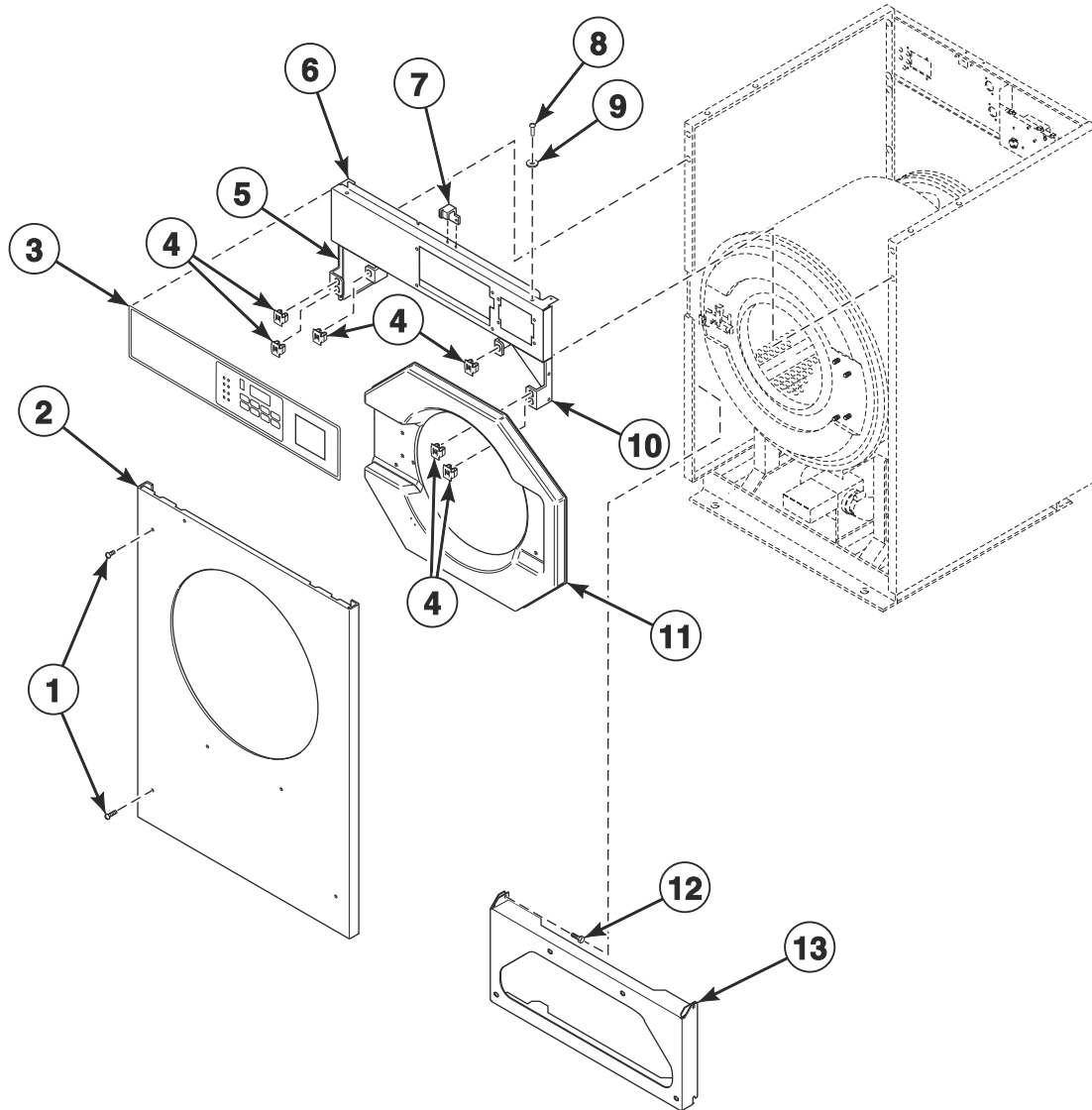
CHM3455P\_F8639901



## Front Panel, Control Panel and Control Panel Overlays - Coin and Remote Central Pay Models

REF	PART NO.	DESCRIPTION	COMMENTS
1	F8117601	Screw	
2	F8171301	Front Panel	20 pound models; Design 2; Stainless steel; Vertical brush
	F8492301	Front Panel	20 pound models; Design 3; Stainless steel; Vertical brush
	F8492307	Front Panel	20 pound models; Design 3; Stainless steel; Horizontal brush
	F8173001	Front Panel	30 pound models; Design 2; Stainless steel; Vertical brush
	F8173003	Front Panel	30 pound models; Design 3; Stainless steel; Vertical brush
	F8173009	Front Panel	30 pound models; Stainless steel; Horizontal brush
	F8173101P	Front Panel	40 pound models; Stainless steel; Vertical brush
	F8173107	Front Panel	40 pound models; Stainless steel; Horizontal brush
	F8173201P	Front Panel	60 pound models; Stainless steel; Vertical brush
	F8173207	Front Panel	60 pound models; Stainless steel; Horizontal brush
3	801019	Screw	
4	39564	Coin Drop Overlay	LF and LV models; Black
5	F8226902	Control Panel Overlay	HCD020 models; Dual coin drop
	F8227002	Overlay	HCD030 and SCD030 models; Dual coin drop
	F8227102	Overlay	HCB040, HCD040 and SCD040 models; Dual coin drop
	F8227202	Overlay	HCD060 and SCD060 models; Dual coin drop
	F8445801	Overlay	SCH020, SCL020, SCN020, SCU020 and SCY020 models; Single coin drop
	F8577101	Control Panel Overlay	SCD020 models; Dual coin drop
	F8445802	Overlay	SCH020, SCL020, SCN020, SCU020 and SCY020 models; Dual coin drop
	F8445901	Overlay	SCH030, SCL030, SCN030, SCU030 and SCY030 models; Single coin drop
	F8445902	Overlay	SCH030, SCL030, SCN030, SCU030 and SCY030 models; Dual coin drop
	F8446001	Overlay	SCB040, SCH040, SCL040, SCN040, SCU040 and SCY040 models; Single coin drop
	F8446002	Overlay	SCB040, SCH040, SCL040, SCN040, SCU040 and SCY040 models; Dual coin drop
	F8446101	Overlay	SCH060, SCL060, SCN060, SCU060 and SCY060 models; Single coin drop
	F8446102	Overlay	SCH060, SCL060, SCN060, SCU060 and SCY060 models; Dual coin drop
	F8590201	Overlay	SCH020, SCL020, SCN020 and SCU020 models; Single coin drop; Chinese
	F8587801	Overlay	SCH030, SCL030, SCN030 and SCU030 models; Single coin drop; Chinese
	F8587901	Overlay	SCH040, SCL040, SCN040 and SCU040 models; Single coin drop; Chinese
	F8590202	Overlay	SCH020, SCL020, SCN020 and SCU020 models; Dual coin drop; Chinese
	F8587802	Overlay	SCH030, SCL030, SCN030 and SCU030 models; Dual coin drop; Chinese
	F8587902	Overlay	SCH040, SCL040, SCN040 and SCU040 models; Dual coin drop; Chinese
	6	70030501	Expansion Clip
7	F8186702	Gusset Plate	
8	F8038502	Control Panel Assembly	20 pound models
	F8038602	Control Panel Assembly	30 pound models
	F8038702	Control Panel Assembly	40 pound models
	F8038802	Control Panel Assembly	60 pound models
9	F8201001	Top Cover Latch	
10	70412601	Pop Rivet	
11	F8201101	Washer	
12	F170416-1	Door Bezel	20 pound SC models; Black
	F170416-3	Door Bezel	20 pound HC models; Pantone 424
	F170417-1	Door Bezel	30 pound SC models; Black
	F170417-3	Door Bezel	30 pound HC models; Pantone 424
	F0170426-00	Door Bezel	40 and 60 pound SC models; Black
	F0170426-30	Door Bezel	40 and 60 pound HC models; Pantone 424
13	F430174	Screw	
14	F8173801	Front Cabinet Brace	20 pound models
	F8173901	Front Cabinet Brace	30 pound models
	F8174001	Front Cabinet Brace	40 pound models
	F8174101	Lower Cabinet Brace	60 pound models

# Front Panel, Control Panel and Control Panel Overlays - Card Ready Models

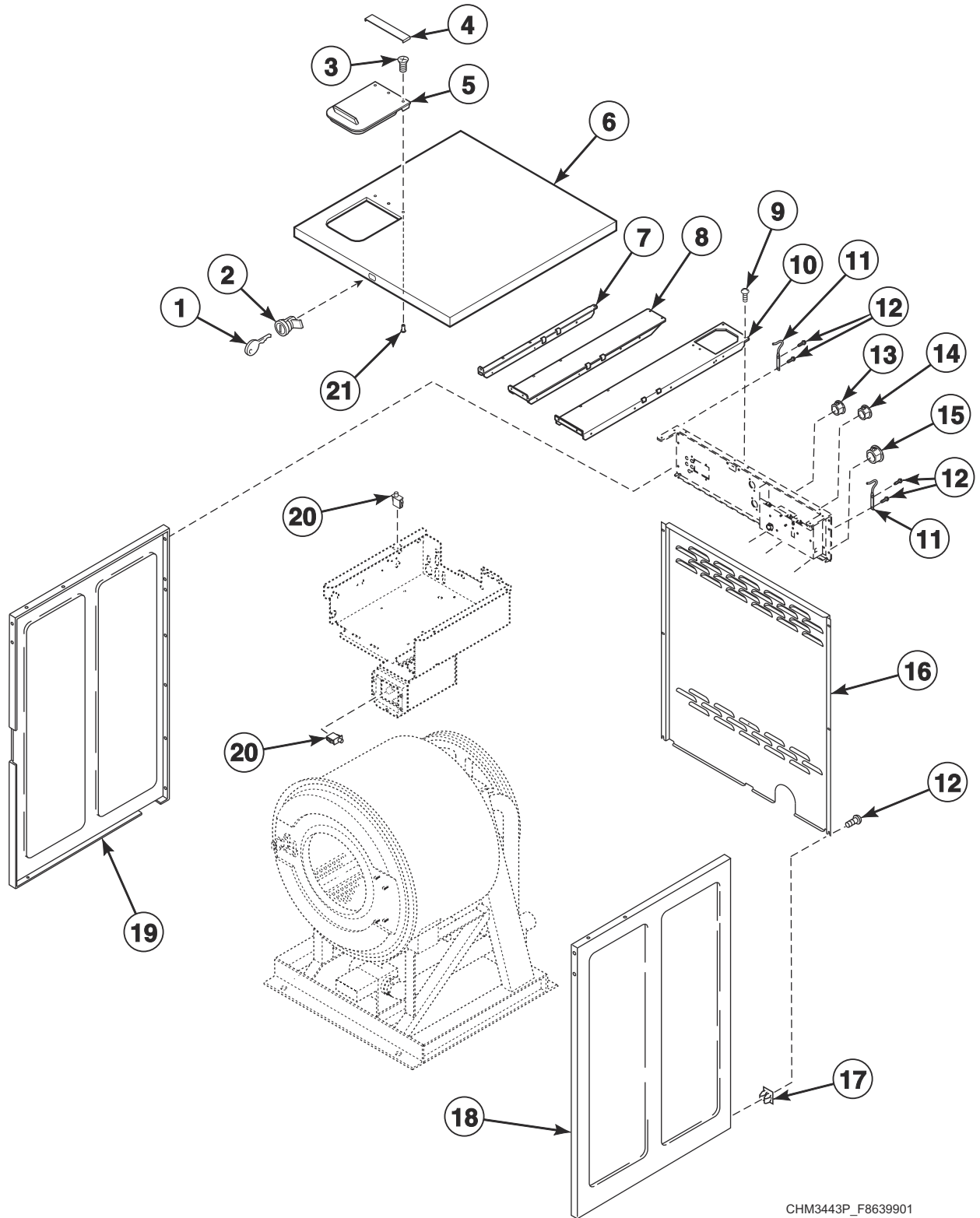


CHM3456P\_F8639901

## Front Panel, Control Panel and Control Panel Overlays - Card Ready Models

REF	PART NO.	DESCRIPTION	COMMENTS
1	F8117601	Screw	
2	F8492302	Front Panel	20 pound models; Design 2; Stainless steel; Vertical brush
	F8492308	Front Panel	20 pound models; Design 3; Stainless steel; Horizontal brush
	F8173002P	Front Panel	30 pound models; Stainless steel; Vertical brush
	F8173008	Front Panel	30 pound models; Stainless steel; Horizontal brush
	F8173102P	Front Panel	40 pound models; Stainless steel; Vertical brush
	F8173108	Front Panel	40 pound models; Stainless steel; Horizontal brush
	F8173202P	Front Panel	60 pound models; Stainless steel; Vertical brush
	F8173208	Front Panel	60 pound models; Stainless steel; Horizontal brush
3	F8445803	Overlay	20 pound models
	F8445903	Overlay	30 pound models
	F8446003	Overlay	40 pound models
	F8446103	Overlay	60 pound models
	F8590203	Overlay	20 pound models; Chinese
	F8587803	Overlay	30 pound models; Chinese
	F8587903	Overlay	SCH040, SCL040, SCN040 and SCU040 models; Chinese
4	70030501	Expansion Clip	
5	F8186702	Gusset Plate	Left
6	F8038504	Control Panel Assembly	20 pound models
	F8038604	Control Panel Assembly	30 pound models
	F8038704	Control Panel Assembly	40 pound models
	F8038804	Control Panel Assembly	60 pound models
7	F8201001	Top Cover Latch	
8	70412601	Pop Rivet	
9	F8201101	Washer	
10	F8186701	Gusset Plate	Right
11	F170416-1	Door Bezel	20 pound models; Black
	F170417-1	Door Bezel	30 pound models; Black
	F0170426-00	Door Bezel	40 and 60 pound models; Black
12	F430174	Screw	
13	F8173801	Front Cabinet Brace	20 pound models
	F8173901	Front Cabinet Brace	30 pound models
	F8174001	Front Cabinet Brace	40 pound models
	F8174101	Lower Cabinet Brace	60 pound models

# Panels

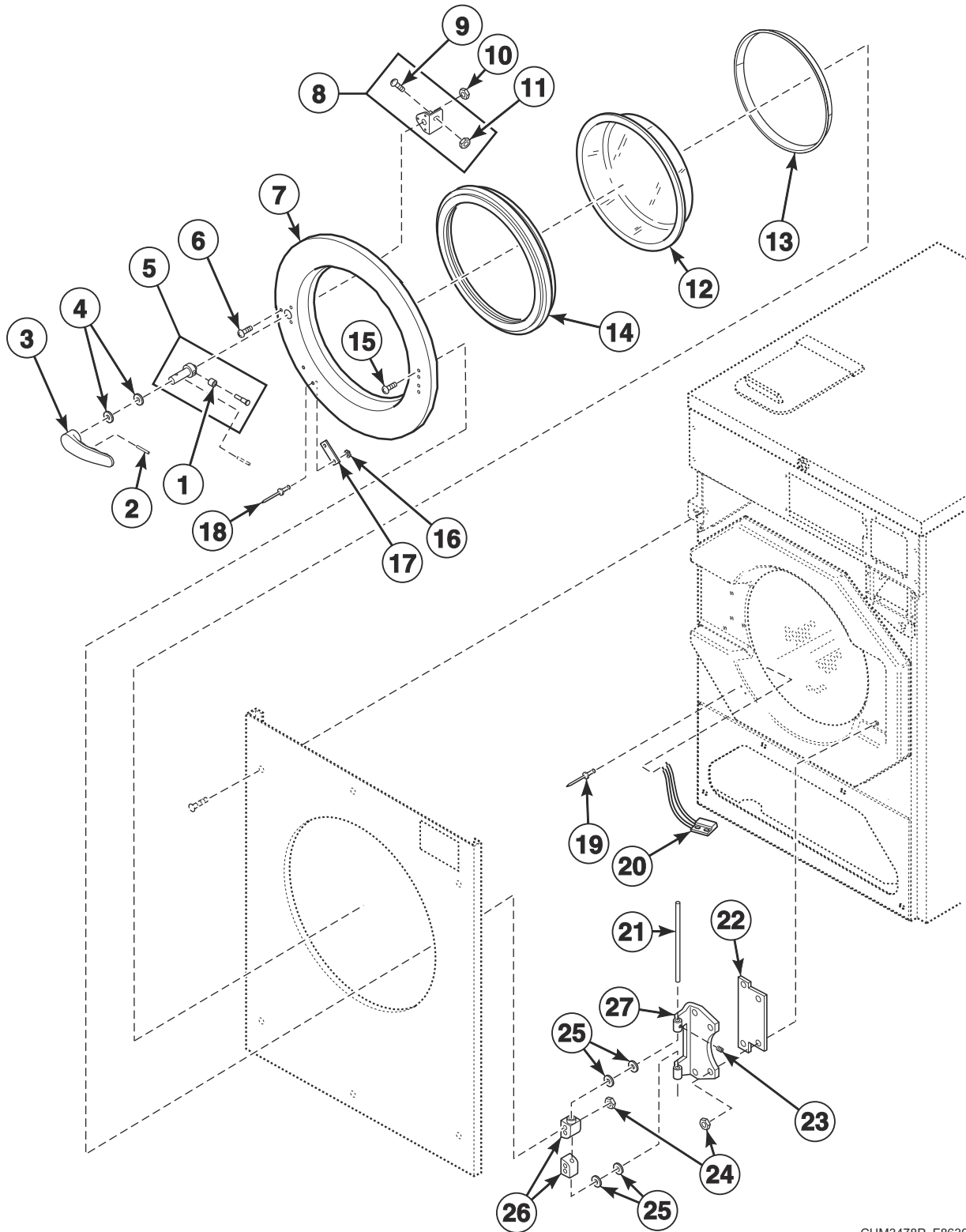


CHM3443P\_F8639901

# Panels

REF	PART NO.	DESCRIPTION	COMMENTS
1	70155603	Key	RL003
2	44089303P	Panel Lock	
3	F8230601	Screw	
4	F8091701	Lid Clamp	
5	F8048101	Dispenser Lid	Gray
6	F8040201	Top Cover	20 pound models
	F8017401	Top Cover	30 pound models
	F8040301	Top Cover	40 pound models
	F8040401P	Top Cover	60 pound models
7	F8043501	Top Cabinet Brace	20 pound models
8	F8043701	Top Cabinet Brace	30 pound models
9	431287	Screw	
10	F8043801	Top Cabinet Brace	40 pound models
	F8043901	Top Cabinet Brace	60 pound models
11	F8258601	Top Cover Hinge	
12	F8206901	Screw	
13	M400985	Plug	
14	F8223901	Plug	
15	F8223801	Hole Plug	
16	F8362401	Rear Panel	20 pound models; Design 2
	F8492501	Rear Panel	20 pound models; Design 3
	F8352801	Rear Panel	30 pound models
	F8365201	Rear Panel	40 pound models
	F8367101	Rear Panel	60 pound models
17	70030501	Expansion Clip	
18	F8399201	Right Side Panel	20 pound models; Design 2; Vinyl
	F8399203	Right Side Panel	20 pound models; Design 2; Stainless steel
	F8492401	Right Side Panel	20 pound models; Design 3; Vinyl
	F8399301	Right Side Panel	30 pound models; Vinyl
	F8399303	Right Side Panel	30 pound models; Stainless steel
	F8492403	Right Side Panel	20 pound models; Design 3; Stainless steel
	F8399401	Right Side Panel	40 pound models; Vinyl
	F8399403	Right Side Panel	40 pound models; Stainless steel
	F8399501	Right Side Panel	60 pound models; Vinyl
	F8399503	Right Side Panel	60 pound models; Stainless steel
19	F8399202	Left Side Panel	20 pound models; Design 2; Vinyl
	F8399204	Left Side Panel	20 pound models; Design 2; Stainless steel
	F8492402	Left Side Panel	20 pound models; Design 3; Vinyl
	F8399302	Left Side Panel	30 pound models; Vinyl
	F8399304	Left Side Panel	30 pound models; Stainless steel
	F8492404	Left Side Panel	20 pound models; Design 3; Stainless steel
	F8399402	Left Side Panel	40 pound models; Vinyl
	F8399404	Left Side Panel	40 pound models; Stainless steel
	F8399502P	Left Side Panel	60 pound models; Vinyl
F8399504	Left Side Panel	60 pound models; Stainless steel	
20	70413301	Pushbutton Switch	
21	F8230501	Bolt	

# Door - 20 Pound Models

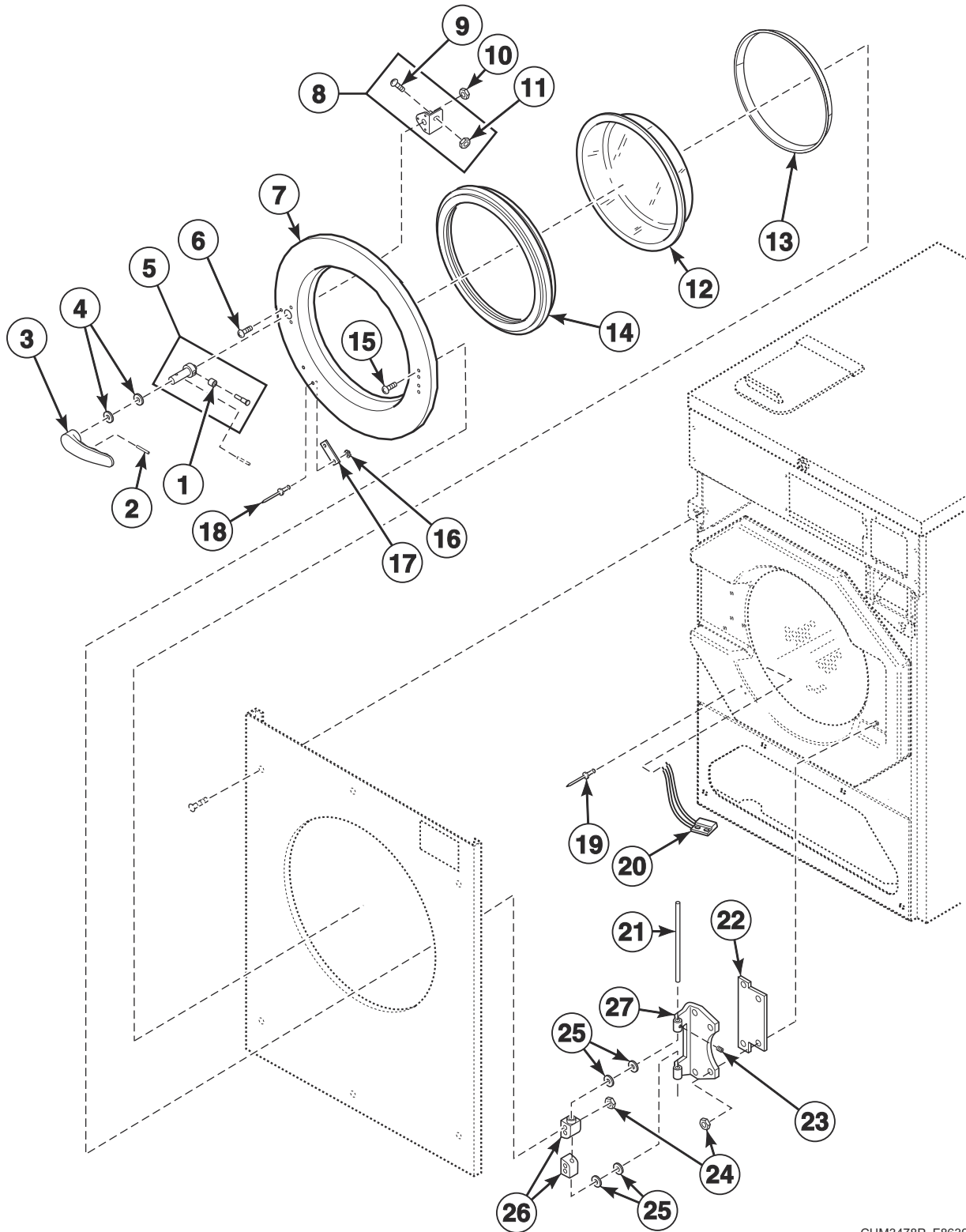


CHM3478P\_F8639901

## Door - 20 Pound Models

REF	PART NO.	DESCRIPTION	COMMENTS
	F8187204	Door Assembly	HC models; Includes items 1-18 and 21-27
	F8187202	Door Assembly	SC models; Includes items 1-18 and 21-27
	F8187205	Door Assembly	SC models; Chrome; Includes items 1-18 and 21-27
1	F8221701	Bearing Sleeve	
2	F431222	Spring Pin	
3	F8199401P	Door Handle	Black
4	F431916	Washer	
5	F8221401	Door Latch Arm Assembly	
6	F8535501	Screw	
7	F0602431-02	Door	
	F8507501P	Door	Chrome
8	F8567501	Door Handle Spacer Kit	Includes items 9 and 11
9	F430532	Screw	
10	F430232	Nut	
11	F431041	Nut	
12	F8341701	Door Glass	HC models
	F290205P	Door Glass Kit	SC models
13	F8583201	Door Glass Trim	
14	F200000202	Door Gasket	Black
15	F430974	Bolt	
	F8508101	Bolt	Polished
16	F431113	Washer	
17	F8390801	Magnet	
18	F431223	Pop Rivet	
19	F8245101	Blind Rivet	
20	F8066802	Reed Switch Assembly	
21	F602813-2	Rod	
22	F200131000P	Door Hinge Shim Kit	
23	F430536	Screw	
24	F430215	Nut	
25	F431929	Washer	
26	F150271	Door Mount	
27	F190216P	Door Hinge	

# Door - 30 Pound Models



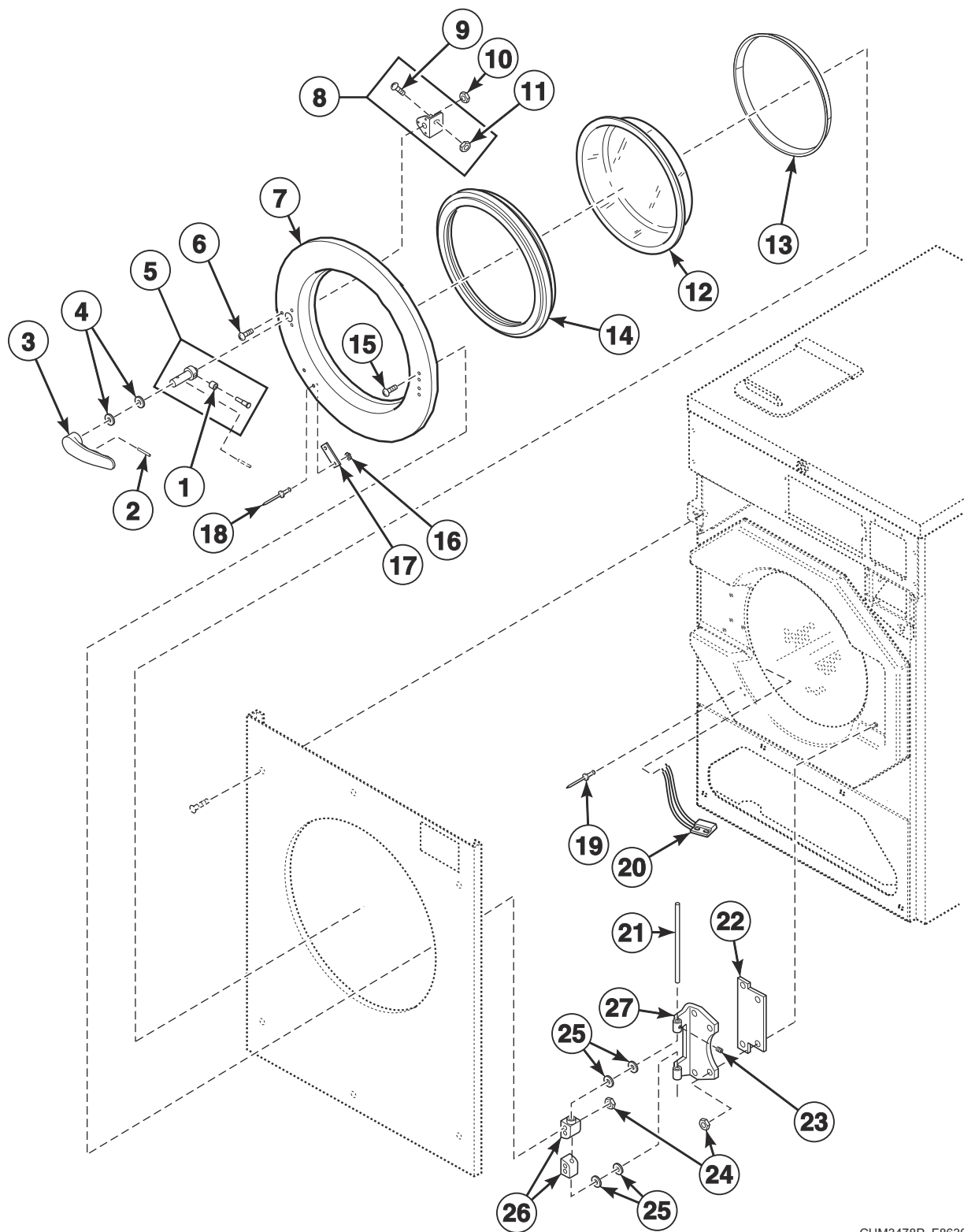
CHM3478P\_F8639901



## Door - 30 Pound Models

REF	PART NO.	DESCRIPTION	COMMENTS
	F8187304	Door Assembly	HC models; Includes items 1-18 and 21-27
	F8187302	Door Assembly	SC models; Includes items 1-18 and 21-27
	F8187305	Door Assembly	SC models; Chrome; Includes items 1-18 and 21-27
1	F8221701	Bearing Sleeve	
2	F431222	Spring Pin	
3	F8199401P	Door Handle	Black
4	F431916	Washer	
5	F8221401	Door Latch Arm Assembly	
6	F8535501	Screw	
7	F0602837-02	Door	
	F8507601	Door	Chrome
8	F8567501	Door Handle Spacer Kit	Includes items 9 and 11
9	F430533	Screw	
10	F430232	Nut	
11	F431041	Nut	
12	F8485301P	Door Glass	
13	F8583202	Door Glass Trim	
14	F8111602	Door Gasket	Black
15	F430974	Bolt	
	F8508101	Bolt	Polished
16	F431113	Washer	
17	F8390801	Magnet	
18	F431223	Pop Rivet	
19	F8245101	Blind Rivet	
20	F8066802	Reed Switch Assembly	
21	F602813-2	Rod	
22	F200131000P	Door Hinge Shim Kit	
23	F430536	Screw	
24	F430215	Nut	
25	F431929	Washer	
26	F150271	Door Mount	
27	F190216P	Door Hinge	

# Door - 40 and 60 Pound Models

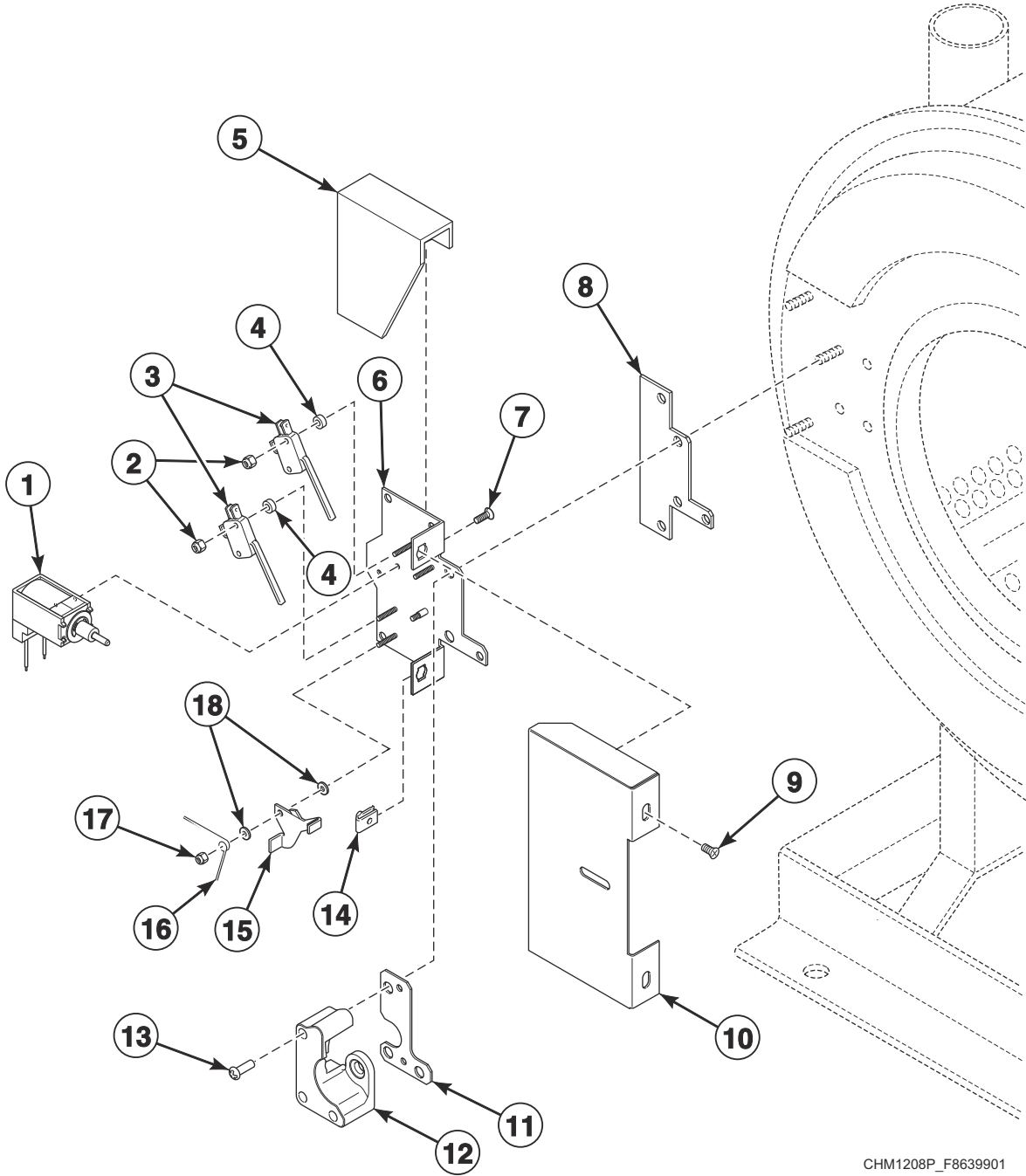


CHM3478P\_F8639901

## Door - 40 and 60 Pound Models

REF	PART NO.	DESCRIPTION	COMMENTS
	F8187404	Door Assembly	HC models; Includes items 1-18 and 21-27
	F8187402	Door Assembly	SC models; Includes items 1-18 and 21-27
	F8187405	Door Assembly	SC models; Chrome; Includes items 1-18 and 21-27
1	F8221701	Bearing Sleeve	
2	F431222	Spring Pin	
3	F8199401P	Door Handle	Black
4	F431916	Washer	
5	F8221401	Door Latch Arm Assembly	
6	F8535501	Screw	
7	F602842-2	Door	Vertical brush
	F8507702	Door	Horizontal brush
	F8507701	Door	Chrome
8	F8567501	Door Handle Spacer Kit	Includes items 9 and 11
9	F430533	Screw	
10	F430232	Nut	
11	F431041	Nut	
12	F8485401P	Door Glass	
13	F8583203	Door Glass Trim	
14	F8111502	Door Gasket	Black
15	F430974	Bolt	
	F8508101	Bolt	Polished
16	F431113	Washer	
17	F8390801	Magnet	
18	F431223	Pop Rivet	
19	F8245101	Blind Rivet	
20	F8066802	Reed Switch Assembly	
21	F602813-3	Rod	
22	F200131000P	Door Hinge Shim Kit	
23	F430536	Screw	
24	F430215	Nut	
25	F431929	Washer	
26	F150271	Door Mount	
27	F190216P	Door Hinge	

# Door Lock

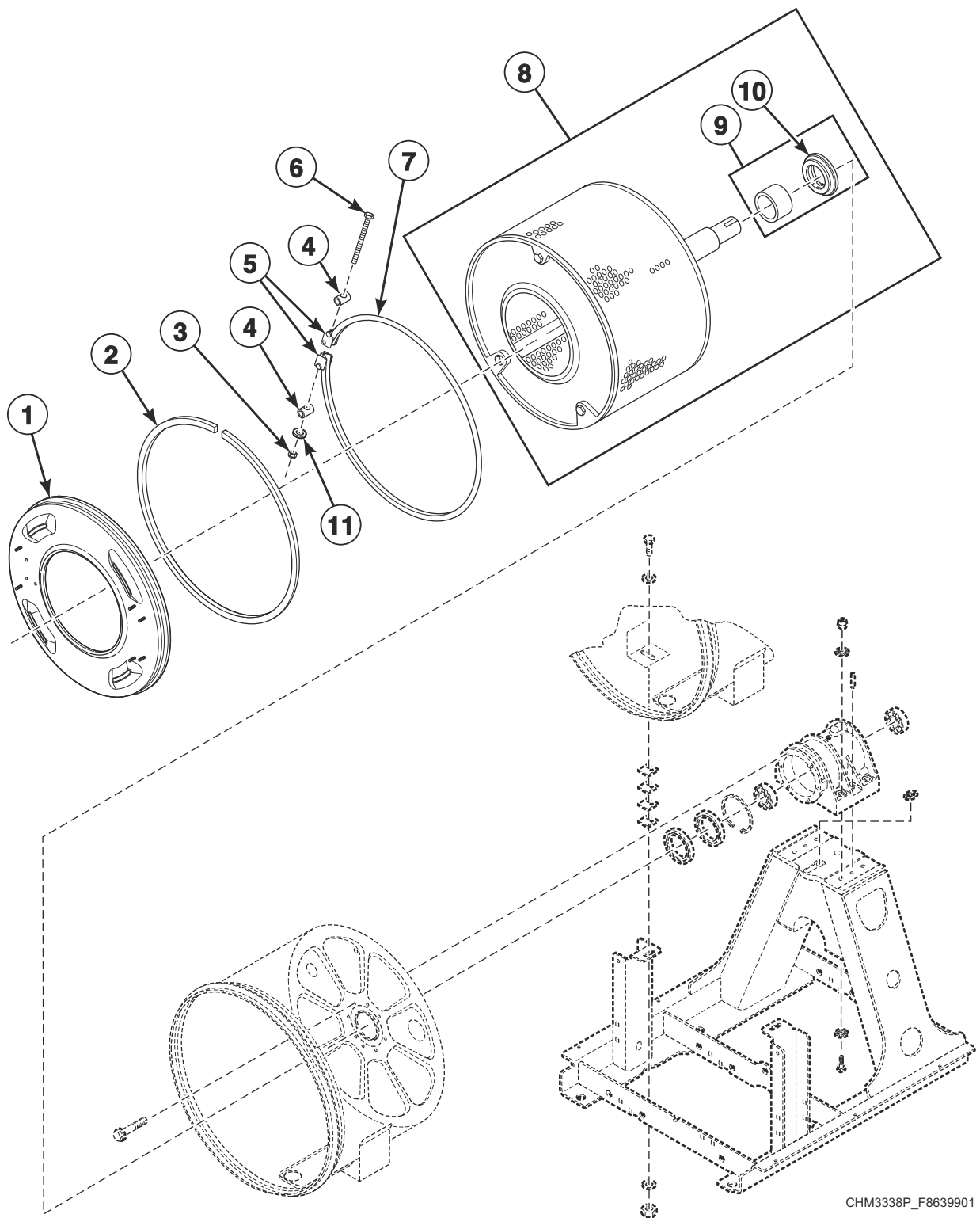


CHM1208P\_F8639901

# Door Lock

REF	PART NO.	DESCRIPTION	COMMENTS
	F8340501	Door Lock Assembly	
	F977P3	Door Lock Solenoid Replacement Kit	Includes F8340101 Solenoid
	F8340001	External Door Lock Harness	
<b>1</b>	F8630601	Solenoid	
<b>2</b>	F430225	Nut	
<b>3</b>	F200203200	Door Lock Microswitch	
<b>4</b>	F431901	Spacer	
<b>5</b>	F320200	Door Lock Splash Shield	
<b>6</b>	F8223202	Door Lock Plate Assembly	
<b>7</b>	F430977	Screw	
<b>8</b>	F8344401	Door Lock Plate Shim	
<b>9</b>	F430956	Screw	
<b>10</b>	F8245001	Door Lock Cover	
<b>11</b>	F8484401	Shim	Models through 9/9/14 with F8567501 Door Handle Spacer
<b>12</b>	F8344501	Door Lock Catch	
<b>13</b>	F8270701	Bolt	
<b>14</b>	F430264	Nut	
<b>15</b>	F8223401	Door Lock Switch Lever	
<b>16</b>	F8070301	Torsion/Door Lock Spring	
<b>17</b>	F430232	Nut	
<b>18</b>	F431902	Washer	

# Shell Front and Basket

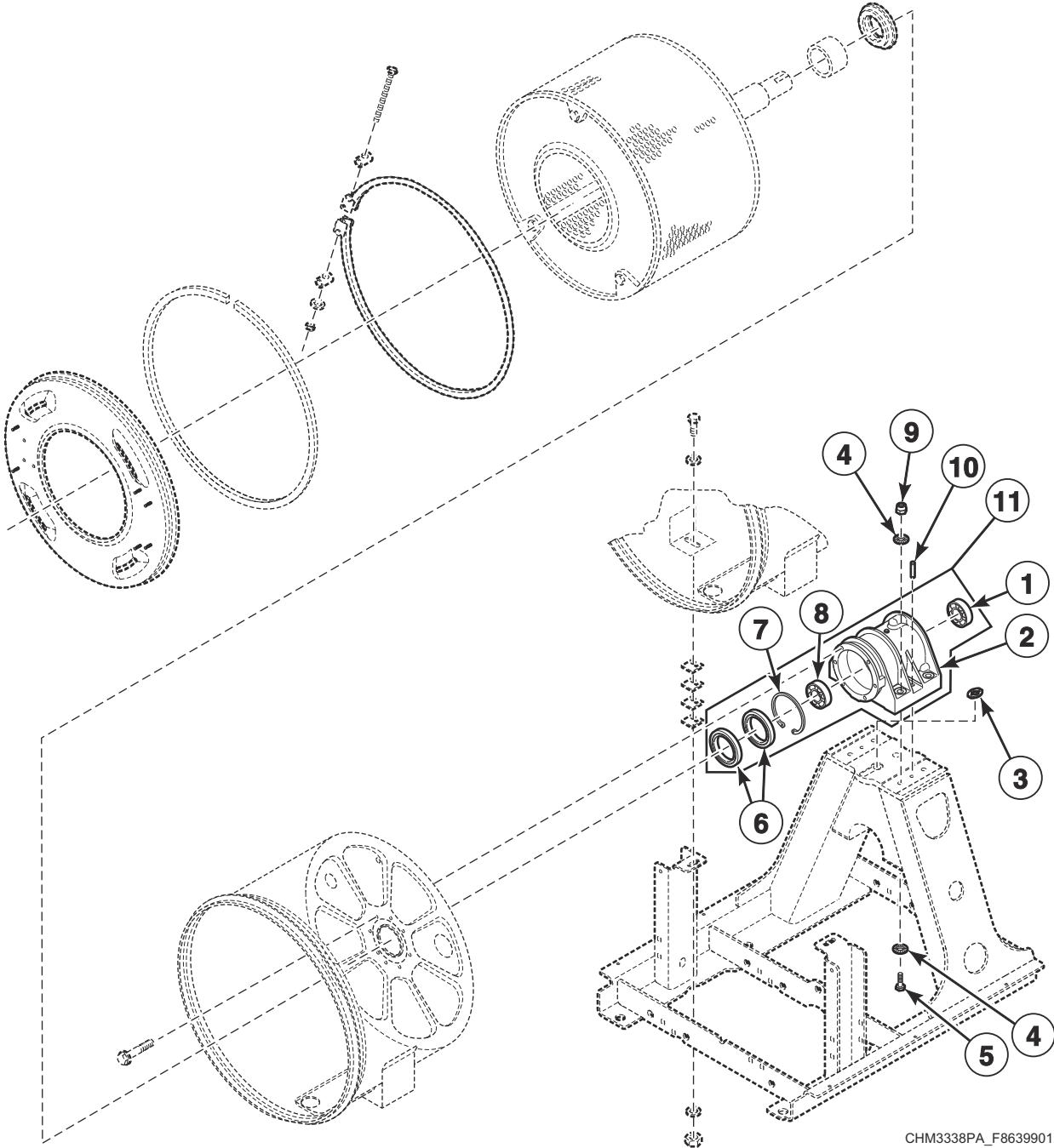


CHM3338P\_F8639901

# Shell Front and Basket

REF	PART NO.	DESCRIPTION	COMMENTS
	F980204341	Basket and Bearing Assembly	20 pound models; Viton; Includes item 8 and F8271602 Bearing House Assembly
	F980204342	Basket and Bearing Assembly	30 pound models; Viton; Includes item 8 and F8271702 Bearing House Assembly
	F980204343	Basket and Bearing Assembly	40 pound models; Viton; Includes item 8 and F8271802 Bearing House Assembly
	F980204344	Basket and Bearing Assembly	60 pound models; Viton; Includes item 8 and F8271902 Bearing House Assembly
	F460129P	Basket Puller Tool	
	F8608502P	Basket Pulley Puller Tool	
	389P4	Basket Tool Kit	Purchase; Requires F460129P Basket Puller Tool
	390P4-1	Basket Rental Tool Kit	Requires F460129P Basket Puller Tool
	F8388001	Clamp Ring Assembly	20 pound models; Includes items 5 and F602297 Outer Shell Band
	F8388002	Clamp Ring Assembly	30 pound models; Includes items 5 and F631838 Outer Shell Band
	F8388003	Clamp Ring Assembly	40 pound models; Includes items 5 and F603108 Outer Shell Band
	F8388004	Clamp Ring Assembly	60 pound models; Includes items 5 and F603207 Outer Shell Band
<b>1</b>	F8229401	Shell Front Assembly	20 pound models
	F8229501	Shell Front Assembly	30 pound models
	F8229601	Shell Front Assembly	40 pound models
	F8229701	Shell Front Assembly	60 pound models
<b>2</b>	F8513501	Shell Front Gasket Kit	
<b>3</b>	F430218	Nut	
<b>4</b>	F8302701	Pin	
<b>5</b>	F8302401	Clamp Ring Bracket	
<b>6</b>	800462	Screw	
<b>7</b>	F8537801	Shell Band Kit	20 pound models
	F8537802	Shell Band Kit	30 pound models
	F8537803	Shell Band Kit	40 pound models
	F8537804	Shell Band Kit	60 pound models
<b>8</b>	F8391301P	Basket Assembly	20 pound models; Includes items 9 and 10; Standard
	F8391303	Basket Assembly	20 pound models; Viton
	F8391501P	Basket Assembly	30 pound models; Includes items 9 and 10; Standard
	F8391503	Basket Assembly	30 pound models; Viton
	F8391701P	Basket Assembly	40 pound models; Includes items 9 and 10; Standard
	F8391703	Basket Assembly	40 pound models; Viton
	F8502801	Basket Assembly	60 pound models; Replaces F8391901P Basket Assembly; Includes items 9 and 10; Standard
	F8502804	Basket Assembly	60 pound models; Viton
<b>9</b>	F8343901P	Shaft Seal Sleeve Kit	20 pound models; Includes item 10
	F8343904P	Shaft Seal Sleeve Kit	30 pound models; Includes item 10
	F8343906P	Shaft Seal Sleeve Kit	40 pound models; Includes item 10
	F8343909P	Shaft Seal Sleeve Kit	60 pound models; Includes item 10; Use with F8391901P Basket Assembly
	F8343914	Shaft Seal Sleeve	60 pound models; Use with F8502801 Basket Assembly
<b>10</b>	F8336801	Excluder Seal	20 pound models
	F8336802	Excluder Seal	20 pound models; Viton
	F8336901	Excluder Seal	30 pound models
	F8336902	Excluder Seal	30 pound models; Viton
	F8337001	Excluder Seal	40 pound models
	F8337002	Excluder Seal	40 pound models; Viton
	F8337101	Excluder Seal	60 pound models
	F8527701	Excluder Seal	60 pound models; Viton
<b>11</b>	M400081	Washer	

# Bearing Housing



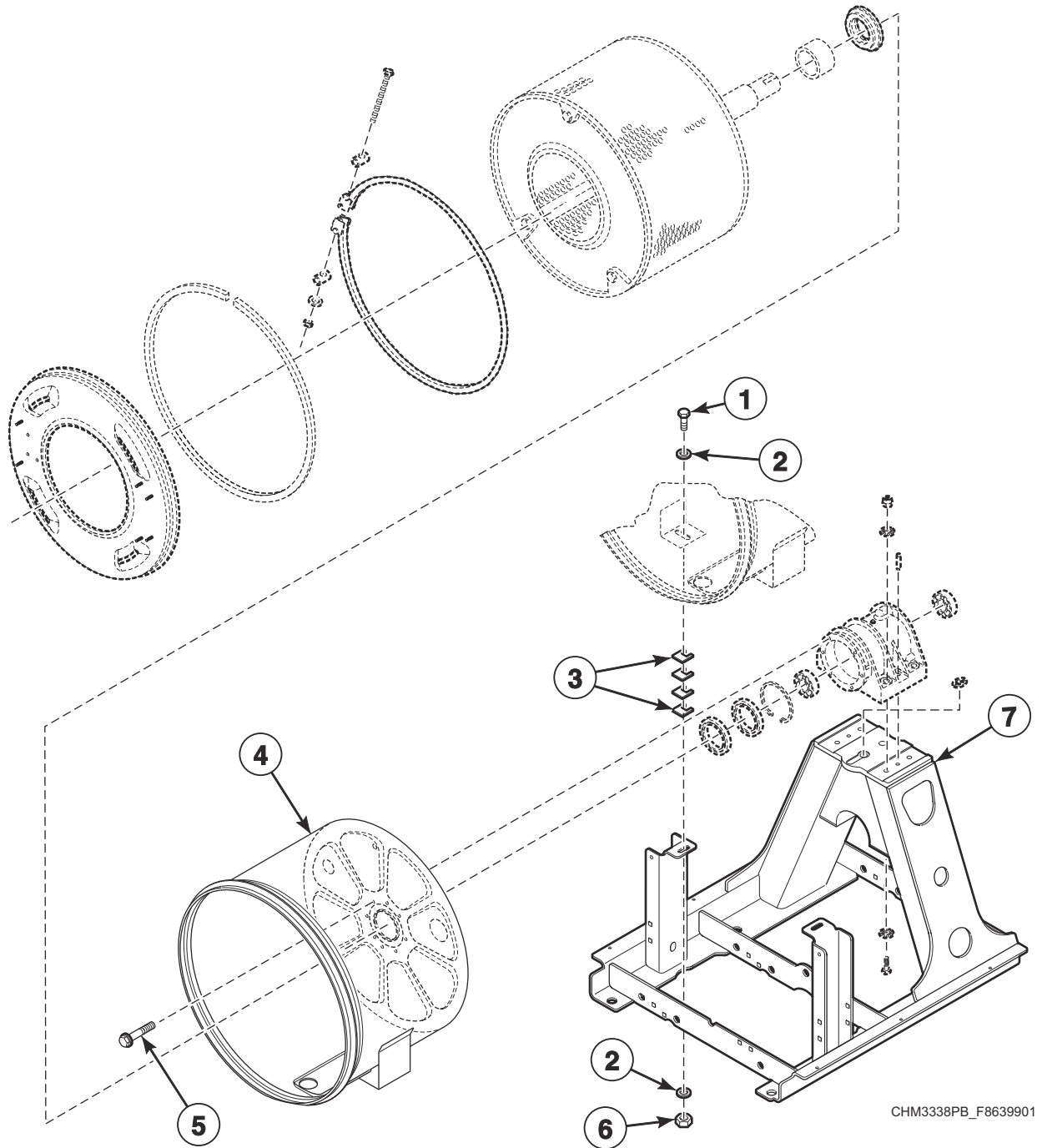
CHM3338PA\_F8639901



# Bearing Housing

REF	PART NO.	DESCRIPTION	COMMENTS
	F980204341	Basket and Bearing Assembly	20 pound models; Viton; Includes item 11 and F8391303 Basket Assembly
	F980204342	Basket and Bearing Assembly	30 pound models; Viton; Includes item 11 and F8391503 Basket Assembly
	F980204343	Basket and Bearing Assembly	40 pound models; Viton; Includes item 11 and F8391703 Basket Assembly
	F980204344	Basket and Bearing Assembly	60 pound models; Viton; Includes item 11 and F8502804 Basket Assembly
	389P4	Basket Tool Kit	Purchase; Requires F460129P Basket Puller Tool
	F8608502P	Basket Pulley Puller Tool	
	390P4-1	Basket Rental Tool Kit	Requires F460129P Basket Puller Tool
1	F100137P	Bearing	20 and 40 pound models; 6308 2RS C3; Front
	F100123P	Bearing	30 pound models; 6309 2RS C3; Front
	F100135	Bearing	60 pound models; 6313 2RS C3; Front
2	F8247902	Bearing Housing	20 pound models
	F8246802	Bearing Housing	30 pound models
	F8249902	Bearing Housing	40 pound models
	F8250902	Bearing Housing	60 pound models
3	F8350301	Seal Scupper Pad	20 and 30 pound models
	F8350302	Seal Scupper Pad	40 pound models
	F8350303	Seal Scupper Pad	60 pound models
4	F8366601	Washer	20 pound models
	F430339	Washer	All other models
5	F8368701	Screw	20 pound models
	F8368801	Screw	All other models
6	F8203801	Triple Lip Seal	20 pound models; Standard
	F8203813	Triple Lip Seal	20 pound models; Viton
	F8203802	Triple Lip Seal	30 pound models; Standard
	F8203814	Triple Lip Seal	30 pound models; Viton
	F8203803	Triple Lip Seal	40 pound models; Standard
	F8203815	Triple Lip Seal	40 pound models; Viton
	F8203806	Triple Lip Seal	60 pound models; Standard
	F8203808	Radial Seal	60 pound models; Viton
7	F8344901	Retaining Ring	20 pound models
	F8345001	Retaining Ring	30 pound models
	F8337801	Retaining Ring	40 pound models
	F8337901	Retaining Ring	60 pound models
8	F100136P	Bearing	20 pound models; 6307 2RS C3; Rear
	F100108	Bearing	30 pound models; 6208 2RS C3; Rear
	F100134	Bearing	40 and 60 pound models; 6310 2RS C3; Rear
9	F8387601	Nut	20 pound models
	F8387701	Nut	All other models
10	F8388101	Dowel Pin	20 pound models
	F8388201	Dowel Pin	All other models
11	F8271601P	Bearing Housing Assembly	20 pound models; Standard
	F8271602	Bearing Housing Assembly	20 pound models; Viton
	F8271701P	Bearing Housing Assembly	30 pound models; Standard
	F8271702	Bearing Housing Assembly	30 pound models; Viton
	F8271801P	Bearing Housing Assembly	40 pound models; Standard
	F8271802	Bearing Housing Assembly	40 pound models; Viton
	F8271901P	Bearing Housing Assembly	60 pound models; Standard
	F8271902	Bearing Housing Assembly	60 pound models; Viton

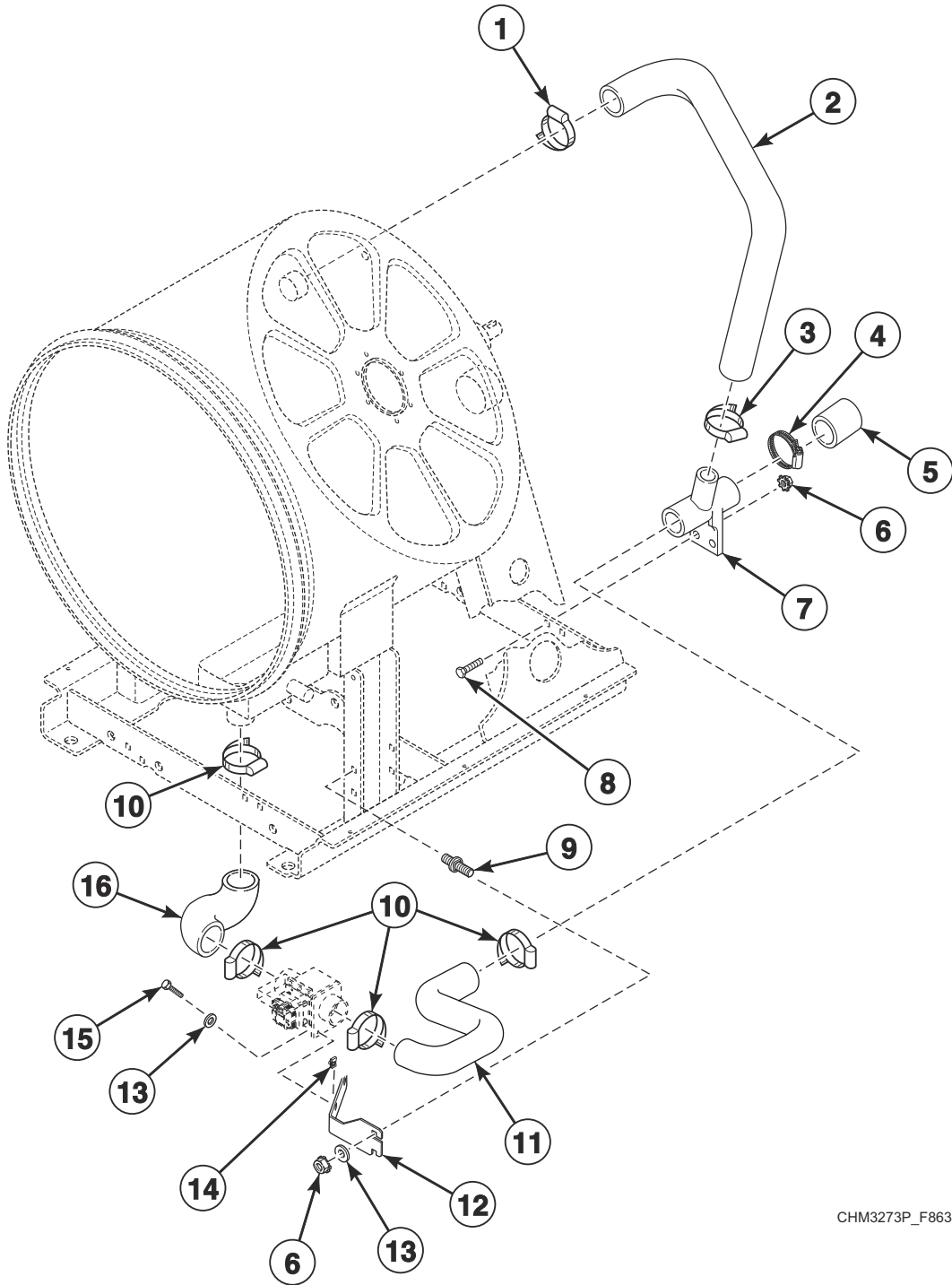
# Shell and Frame



## Shell and Frame

REF	PART NO.	DESCRIPTION	COMMENTS
	1111P	Concrete Kit	5/8 inch
	F8433301	Frame Template	20 pound models
	F8433401	Frame Template	30 pound models
	F8433501	Frame Template	40 pound models
	F8433601	Frame Template	60 pound models
<b>1</b>	F8621601	Screw	
<b>2</b>	M400081	Washer	
<b>3</b>	F8402701	Washer	
<b>4</b>	F8360601	Shell Weldment	20 pound models; Standard
	F8360602	Shell Weldment	20 pound models; Steam and electric heat
	F8360701	Shell Weldment	30 pound models; Standard
	F8360702	Shell Weldment	30 pound models; Steam and electric heat
	F8360801	Shell Weldment	40 pound models; Standard
	F8360802	Shell Weldment	40 pound models; Steam and electric heat
	F8360901	Shell Weldment	60 pound models; Standard
	F8360902	Shell Weldment	60 pound models; Steam and electric heat
<b>5</b>	F8442702	Screw	
<b>6</b>	44087301	Nut	
<b>7</b>	F8247002	Frame Weldment	20 pound models
	F8248002	Frame Weldment	30 pound models
	F8249001	Frame Weldment	40 pound models
	F8250002	Frame Weldment	60 pound models

# Drain Plumbing

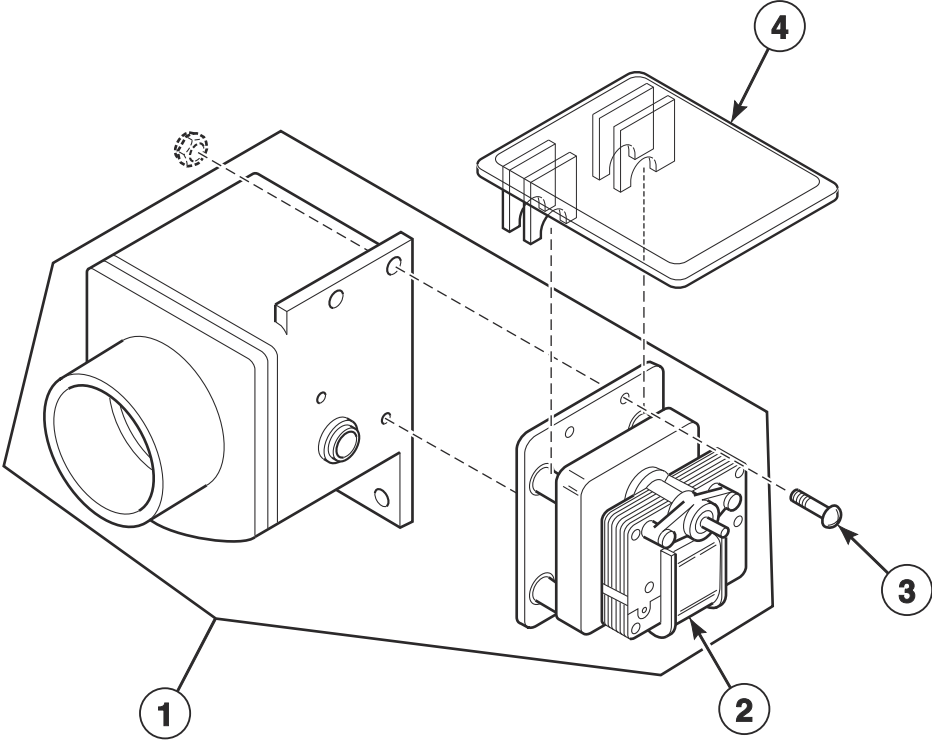


CHM3273P\_F8639901

## Drain Plumbing

REF	PART NO.	DESCRIPTION	COMMENTS
1	F200213	Hose Clamp	No. 40
2	F8367901	Overflow Hose	20 pound models
	F8368001	Overflow Hose	30 pound models
	F8367201	Overflow Hose	40 and 60 pound models
3	F200215	Hose Clamp	No. 28; 40 pound models
	F200213	Hose Clamp	No. 40; All other models
4	F200201	Hose Clamp	No. 56; 40 and 60 pound models
5	F200165100	Drain Hose	40 and 60 pound models
6	44087201	Nut	
7	F150318	Drain Connect Tee	20 and 30 pound models
	F150398	Drain Tee	40 and 60 pound models
8	F430522	Bolt	20 and 30 pound models
	F8402801	Bolt	40 and 60 pound models
9	70334702	Stud	
10	F200213	Hose Clamp	No. 40; 20 and 30 pound models
	F200201	Hose Clamp	No. 56; 40 and 60 pound models
11	F8365601	Rear Drain Hose	20 pound models
	F8365602	Rear Drain Hose	30 pound models
	F8231904	Rear Drain Hose	40 pound models
	F8231905	Rear Drain Hose	60 pound models
12	F8365401	Bracket	20 pound models
	F8365402	Bracket	30 pound models
	F8434601	Bracket	40 pound models
	F8434701	Bracket	60 pound models
13	M405535	Washer	
14	70030401	Nut	
15	202175	Screw	
16	F8261303	Drain Hose	20 and 30 pound models; Electric heat
	F8261302	Drain Hose	20 and 30 pound models
	F8232901	Drain Hose	40 and 60 pound models
	F8464701	Drain Hose	40 and 60 pound models; Electric heat

# Drain Valve Assembly - 20 and 30 Pound Models

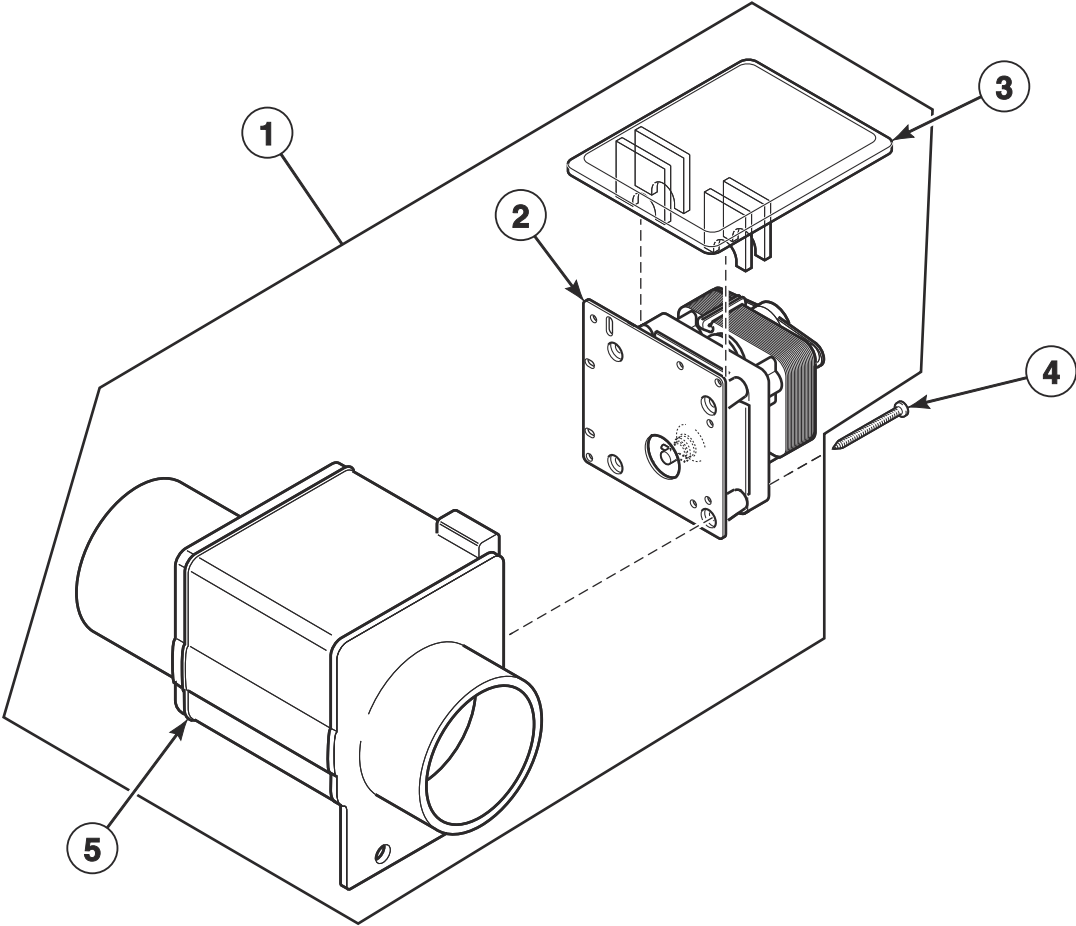


CHM2450P\_F8639901

## Drain Valve Assembly - 20 and 30 Pound Models

REF	PART NO.	DESCRIPTION	COMMENTS
	F8504601	Spring	
1	803292	Gravity Drain Valve	220 Volt
2	F380933P	Drain Valve Motor	Round shaft; 220 Volt
	F8618901P	Drain Valve Motor	Keyed shaft; 220 Volt
3	F200182700	Bolt	
4	F200133600	Drain Valve Cover	

# Drain Valve Assembly - 40 and 60 Pound Models



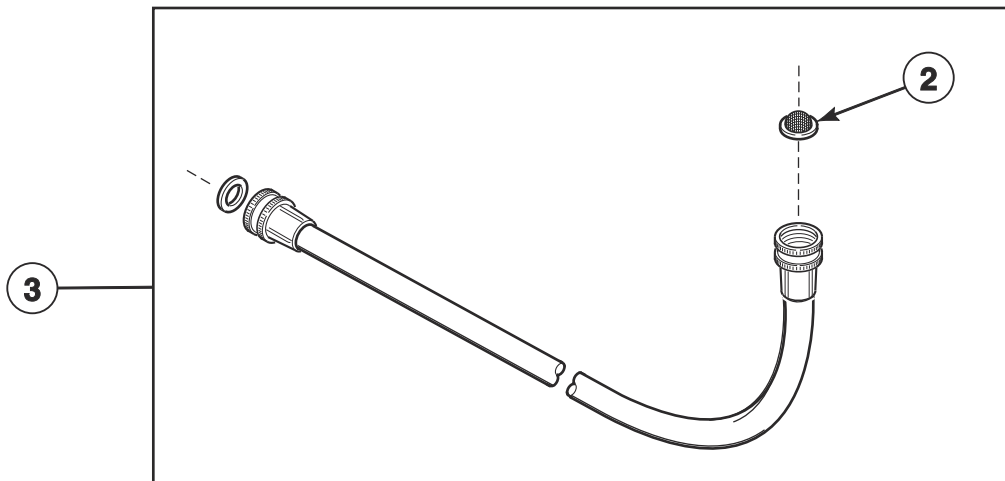
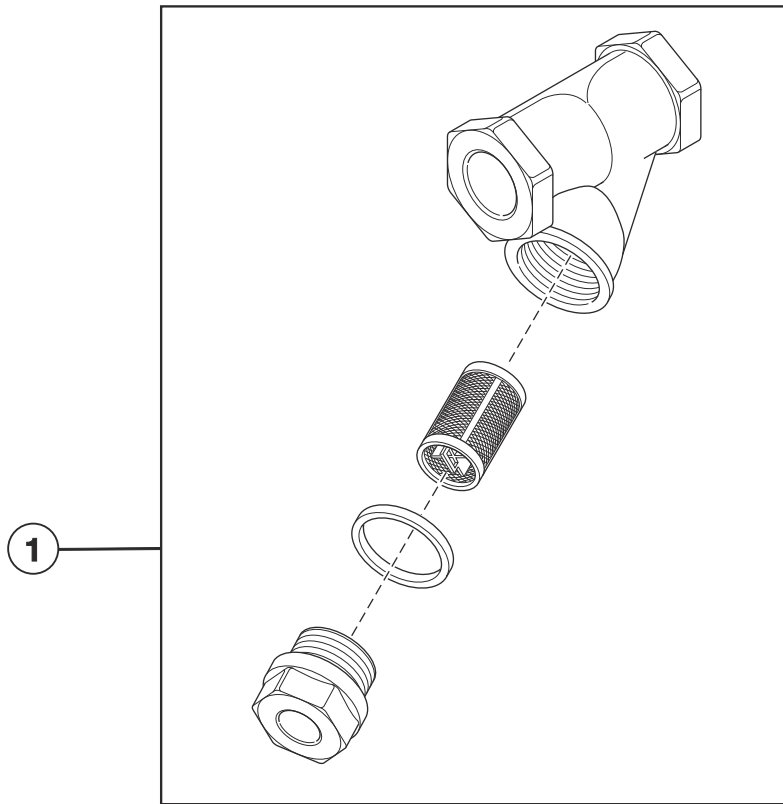
CHM3380P\_F8639901



## Drain Valve Assembly - 40 and 60 Pound Models

REF	PART NO.	DESCRIPTION	COMMENTS
	F8562001	Drain Seal Kit	Use with F8406307 Drain Valve
	F200215	Hose Clamp	No. 28
1	F8577201	Drain Valve Kit	240 Volt; Both RH and LH valves are compatible
2	F380933P	Drain Valve Motor	Round shaft; 220 Volt
	F8618901P	Drain Valve Motor	Keyed shaft; 220 Volt
3	F200133600	Drain Valve Cover	
4	F200182700	Bolt	
5	F8602602	Drain Valve	240 Volt

# Steam Filter (Optional) and Water Supply Hose

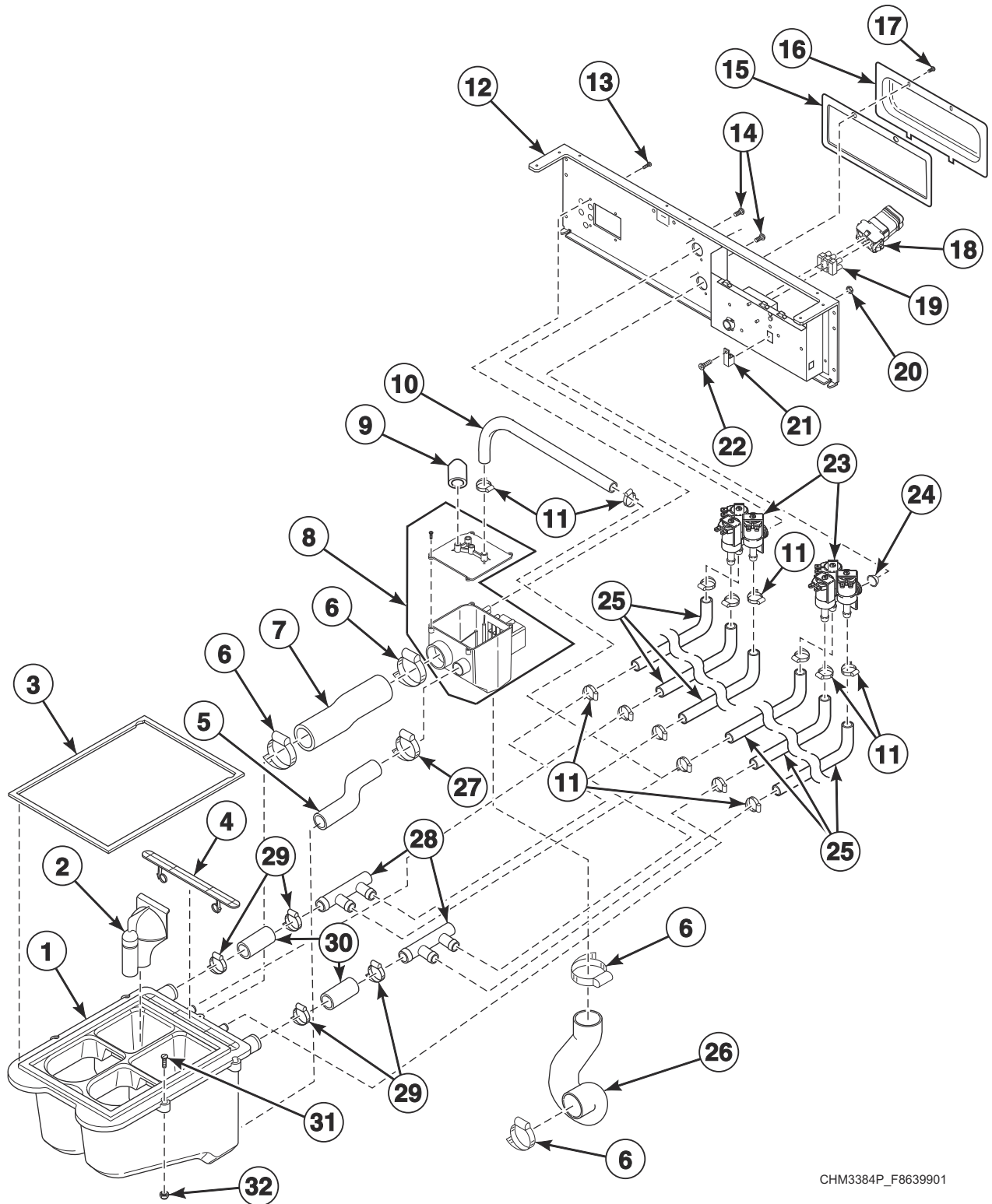


CHM3049P\_F8639901

## Steam Filter (Optional) and Water Supply Hose

REF	PART NO.	DESCRIPTION	COMMENTS
1	F270307	Steam Filter	1/2 inch
2	803615	Washer	Filter
3	F8665601	Water Hose Kit	Includes item 2; 3/8 inch; Standard thread; Red (hot)
	F8665603	Water Hose Kit	Includes item 2; 3/8 inch; Standard thread; Blue (cold)
	F8665602	Water Hose Kit	Includes item 2; 3/8 inch; Metric thread; Red (hot)
	F8665604	Water Hose Kit	Includes item 2; 3/8 inch; Metric thread; Blue (cold)
	F8544601	Fill Hose Kit	WRAS models; Includes F8301201 Double Check Valve and F8665602 Water Hose Kit

# Fill Plumbing Assembly



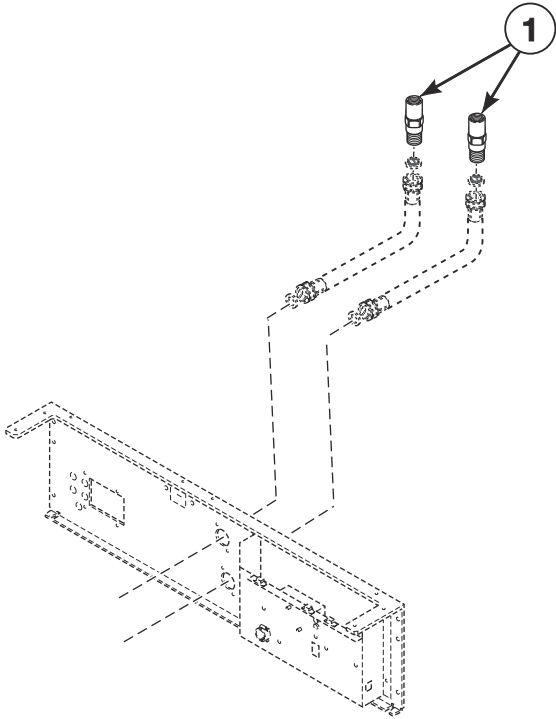
CHM3384P\_F8639901

## Fill Plumbing Assembly

REF	PART NO.	DESCRIPTION	COMMENTS
	G582P3	Diaphragm and Guide Kit	Use with F8286401P 3-Way Valve and F8286402P 3-Way Valve
1	F8047401	Dispenser Assembly	Models through 10/15/12; Includes items 2 and 4
	F8047402	Dispenser Assembly	Models starting 10/16/12; Includes items 2 and 4
2	F8047901	Siphon Cover	
3	F8308301	Dispenser Gasket	
4	F8047801	Access Cover	
5	F8043401	Dispenser Overflow Hose	20 pound models
	F8043403	Dispenser Overflow Hose	30 pound models
	F8043404	Dispenser Overflow Hose	40 pound models
	F8043405	Supply Overflow Hose	60 pound models
6	F200213	Hose Clamp	No. 40
7	F8042801	Vacuum Supply Hose	20 pound models
	F8042803	Vacuum Supply Hose	30 pound models
	F8042804	Vacuum Supply Hose	40 pound models
	F8042805	Vacuum Supply Hose	60 pound models
8	F8048601	Vacuum Breaker Assembly	
9	F8197701	Cap	Vinyl
10	F0200244-01	Vacuum Breaker Hose	60 pound models
	F0200244-02	Vacuum Breaker Hose	All other models
11	36801	Hose Clamp	No. 8
12	F8398701	Valve Panel	20 pound models
	F8398801	Valve Panel	30 pound models
	F8398901	Valve Panel	40 pound models
	F8399001	Valve Panel	60 pound models
13	800548	Screw	
14	F8230301	Screw	
15	F8230001	Terminal Tray Cover Gasket	
16	F8177001	Terminal Tray Cover	
17	F8206901	Screw	
18	F8454401	Filter	B, N and P-voltage
	F8454601	Harness	B, N and P-voltage
19	430642	Terminal Block	Includes screws
20	F430232	Nut	
21	M411283	Ground Lug Connector	
22	F430909	Screw	
23	F8286401P	3-Way Valve	240 Volt/50 or 60 Hertz; U.S.
	F8286402P	3-Way Valve	240 Volt/50 or 60 Hertz; Metric
	F8402201	Regulator	Use with F8286401P 3-Way Valve
24	803615	Washer	Filter
25	F8232004	Hose	20 pound models
	F8232001	Hose	30 pound models
	F8232002	Hose	40 and 60 pound models
26	F8042201	P-Trap Hose	20 pound models
	F8042202	P-Trap Hose	30 pound models
	F8042204	P-Trap Hose	40 pound models
	F8042301	P-Trap Hose	40 and 60 pound models
27	20211	Hose Clamp	No. 17
28	F8333201	Manifold	
29	F200222	Hose Clamp	No. 12
30	F606816-1	Hose	
31	F8535601	Screw	
32	F0431807-00	Nut	

# Double Check Valve

WRAS Compliant Models



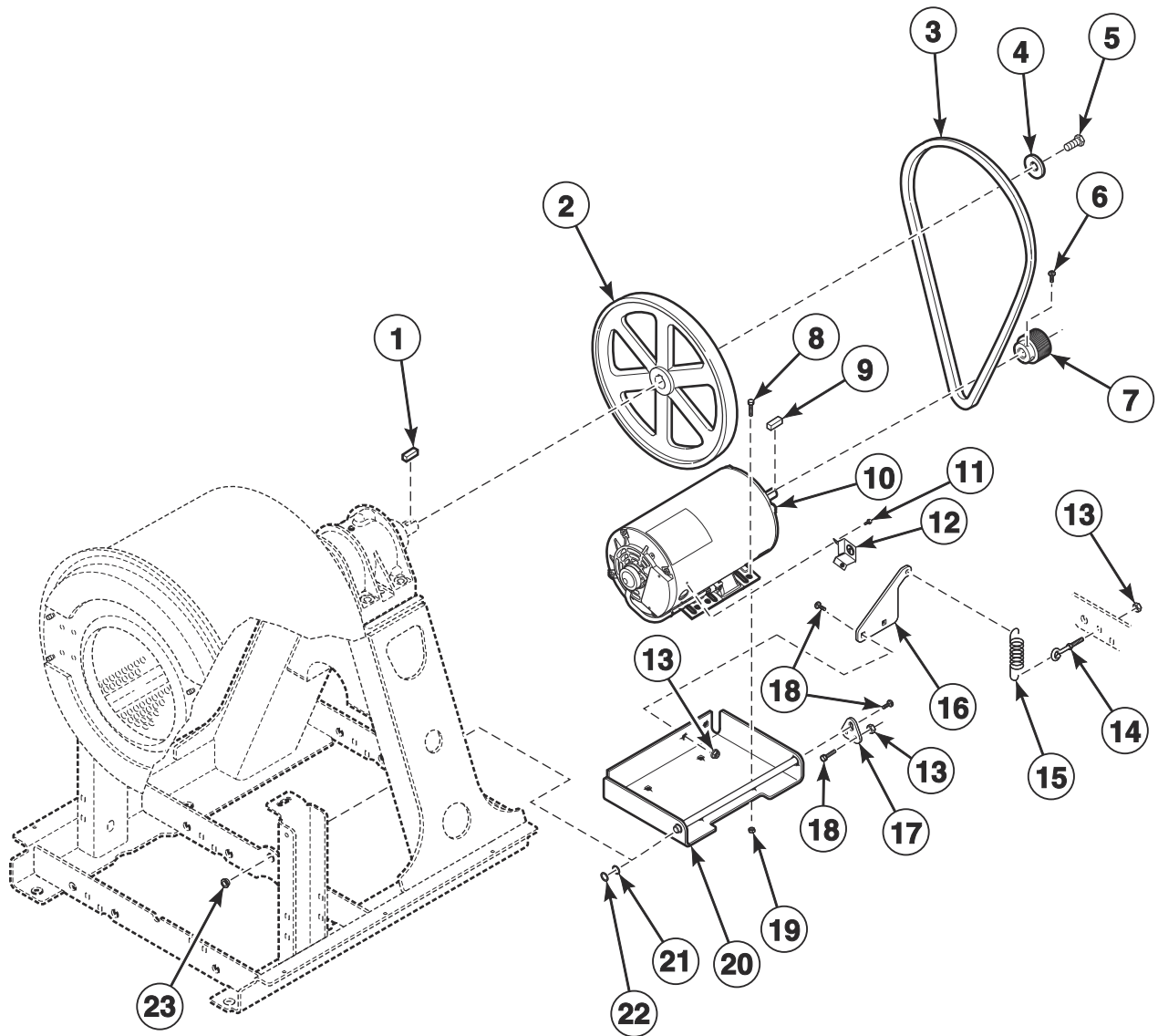
CHM3393P\_F8639901

# Double Check Valve

REF	PART NO.	DESCRIPTION	COMMENTS
1	F8301201	Double Check Valve	

# Motor, Pulley and Belt (Drawing 1 of 3)

20 Pound Models with N and P-Voltage, 30, 40 and 60 Pound Models Through September 30, 2014



CHM3385P\_F8639901



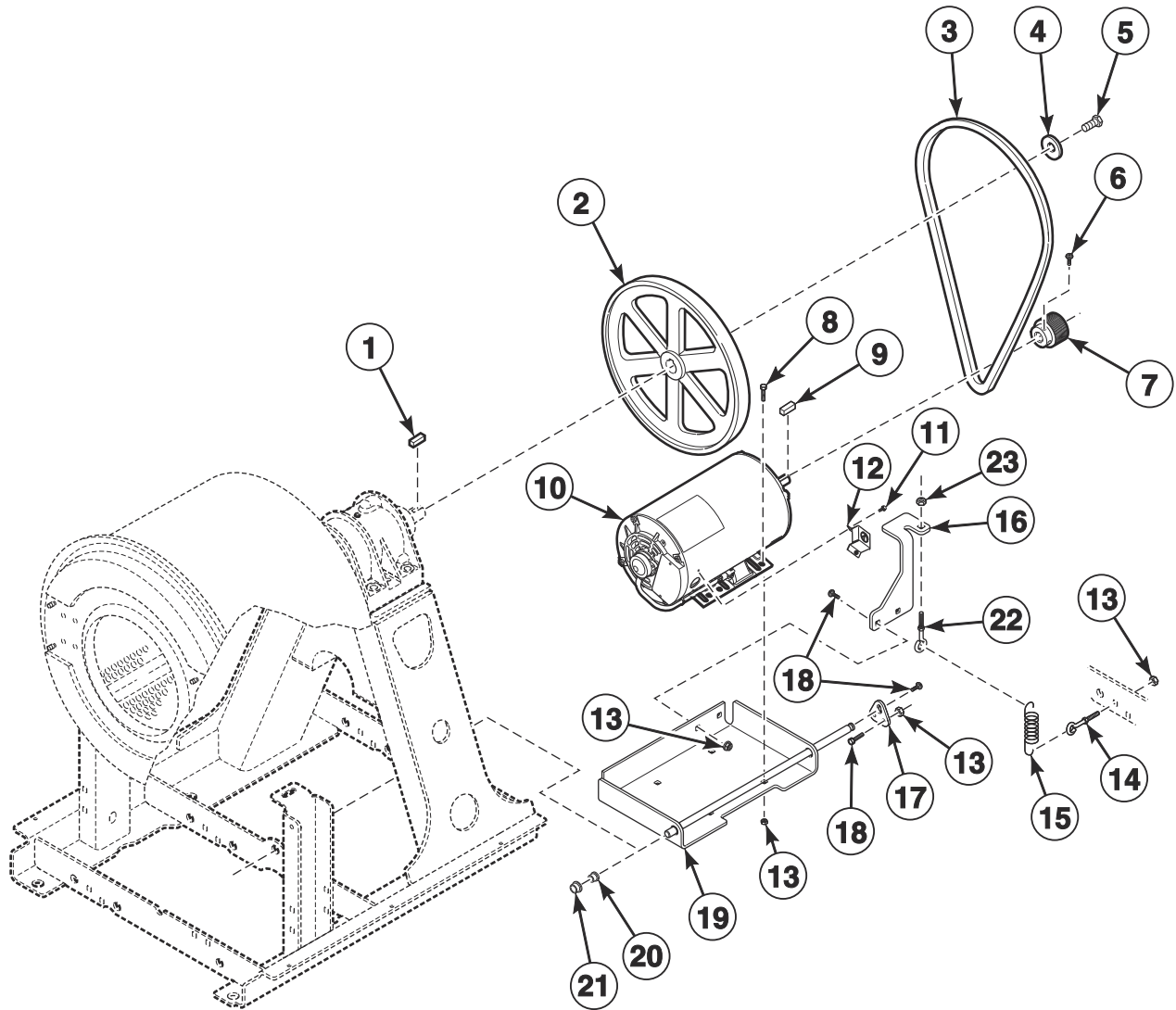
## Motor, Pulley and Belt (Drawing 1 of 3)

REF	PART NO.	DESCRIPTION	COMMENTS
	F8396601	Motor Harness	30 and 40 pound models N and P-voltage; 20 and 60 pound models
	F8384901	Motor Harness	30 and 40 pound models; B, X and Q-voltage
1	F430801	Key	
2	F150270	Basket Pulley	20 pound models
	F150269	Basket Pulley	30 and 40 pound models
	F200299700	Basket Pulley	60 pound models
3	F200201700P	Belt	20 pound models
	F8382803	Belt	30 pound models
	F8382804	Belt	40 pound models
	F8382805	Belt	60 pound models
4	F431115	Washer	
5	F8574001	Screw	
6	M400077	Screw	
7	F8362501	Motor Pulley	
8	800461	Screw	
9	H8752006H	Key	
10	F8335001P	Motor	20, 30 and 40 pound models
	F8335101P	Motor	60 pound models
11	23222	Screw	
12	70321701	Motor Conduit Mounting Bracket	
13	44087201	Nut	
14	F8351902	Eye Bolt	
15	F310124	Extension Spring	
16	F8363901	Spring Plate	
17	F8441101	Motor Rod Plate	
18	F8402801	Bolt	
19	F8387601	Nut	
20	F8441601	Motor Bracket Weldment	20 and 30 pound models
	F8562501	Motor Isolation Kit	20 and 30 pound models; Includes F8535001 Motor Plate and F8535201 Isolator; Use with 2 hp motors
	F8562502	Motor Isolation Kit	40 and 60 pound models; Includes F8535002 Motor Plate and F8535201 Isolator; Use with 2 and 3 hp motors
21	F8441901	O-Ring	
22	F8333301	Flanged Bushing	
23	F8451601	Spacer	

**\*\* NOTE: AC drive parameters must be compatible with the motor and motor pulley. Please request the AC drive parameter illustration for parameter verification when ordering a motor.**

# Motor, Pulley and Belt (Drawing 2 of 3)

20 Pound Models with N and P-Voltage; 30, 40 and 60 Pound Models Starting October 1, 2014



CHM3446P\_F8639901

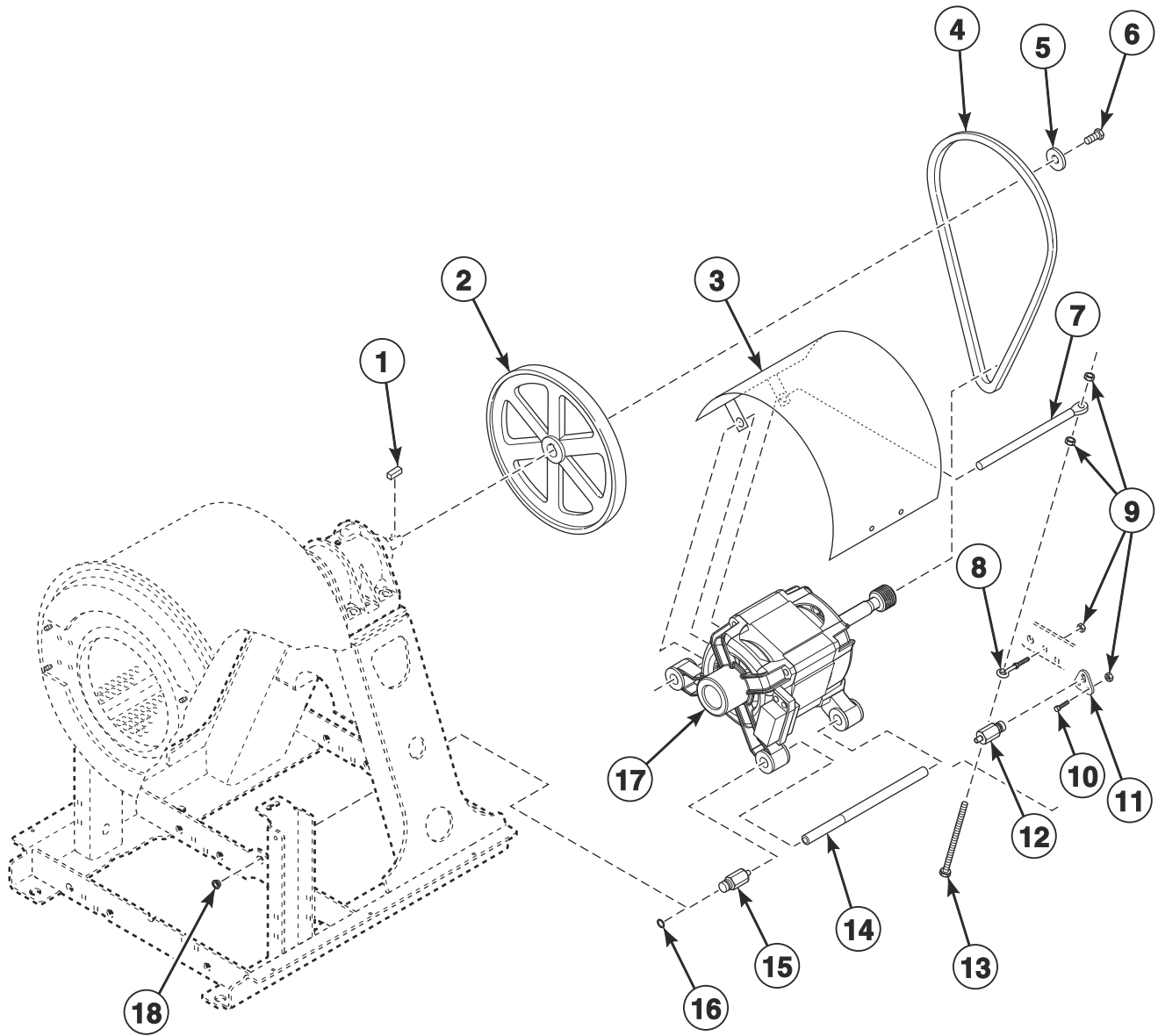
## Motor, Pulley and Belt (Drawing 2 of 3)

REF	PART NO.	DESCRIPTION	COMMENTS
	F8562501	Motor Isolation Kit	20 and 30 pound models; Includes F8535001 Motor Plate and F8535201 Isolator; Use with 2 hp motor
	F8562502	Motor Isolation Kit	40 and 60 pound models; Includes F8535002 Motor Plate and F8535201 Isolator; Use with 2 hp motor
	F8396601	Motor Harness	30 and 40 pound models N and P-voltage; 20 and 60 pound models
	F8384901	Motor Harness	30 and 40 pound models; Q and X-voltage
<b>1</b>	F430801	Key	
<b>2</b>	F150270	Basket Pulley	20 pound models
	F150269	Basket Pulley	30 and 40 pound models
	F200299700	Basket Pulley	60 pound models
<b>3</b>	F200201700P	Belt	20 pound models
	F8382803	Belt	30 pound models
	F8382804	Belt	40 pound models
	F8382805	Belt	60 pound models
<b>4</b>	F431115	Washer	
<b>5</b>	F8574001	Screw	
<b>6</b>	M400077	Screw	
<b>7</b>	F8362501	Motor Pulley	
<b>8</b>	F8402801	Bolt	
<b>9</b>	H8752006H	Key	
<b>10</b>	F8335001P	Motor	20, 30 and 40 pound models
	F8335101P	Motor	60 pound models
<b>11</b>	23222	Screw	
<b>12</b>	70321701	Motor Conduit Mounting Bracket	
<b>13</b>	44087201	Nut	
<b>14</b>	F8351902	Eye Bolt	
<b>15</b>	F310124	Extension Spring	
<b>16</b>	F8525801	Spring Plate	
<b>17</b>	F8441101	Motor Rod Plate	
<b>18</b>	F8402801	Bolt	
<b>19</b>	F8441603	Motor Bracket Weldment	20 and 30 pound models
	F8441604	Motor Bracket Weldment	40 and 60 pound models
<b>20</b>	F8535202	Flanged Isolator	
<b>21</b>	F8333302	Flanged Bushing	
<b>22</b>	F8319503	Eye Bolt	
<b>23</b>	44087301	Nut	

**\*\* NOTE: AC drive parameters must be compatible with the motor and motor pulley. Please request the AC drive parameter illustration for parameter verification when ordering a motor.**

# Motor, Pulley and Belt (Drawing 3 of 3)

20 Pound Models with B, Q and X-Voltage



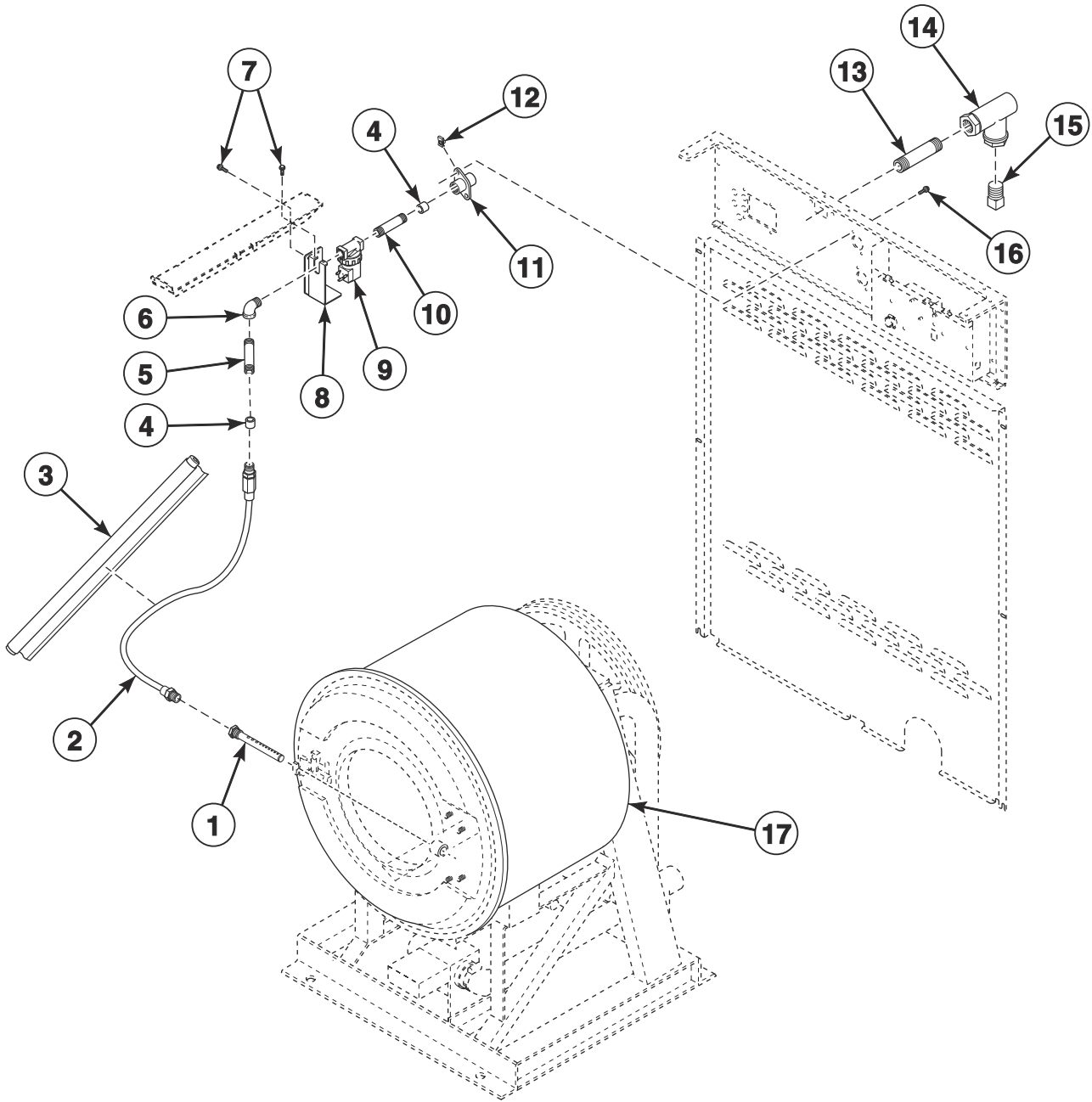
CHM3450P\_F8639901

## Motor, Pulley and Belt (Drawing 3 of 3)

REF	PART NO.	DESCRIPTION	COMMENTS
	F8384801	Motor Harness	
1	F430801	Key	
2	F150270	Basket Pulley	
3	F200216900	Motor Drip Shield	
4	F8382801	Belt	
5	F431115	Washer	
6	F8574001	Screw	
7	F8361301	Spring Mount Rod	
8	F8404501	Eye Bolt	
9	44087201	Nut	
10	F8402801	Bolt	
11	F8441101	Motor Rod Plate	
12	F8387101	Motor Rod Extension	
13	F8406601	Screw	
14	801062	Motor Mount Rod	
15	F8562504	Motor Isolation Kit	Includes F8387104 Motor Rod Adapter and F8535201 Isolator
16	F8333302	Flanged Bushing	
17	801194P	Induction Motor	Includes pulley
18	F8451601	Spacer	

**\*\* NOTE: AC drive parameters must be compatible with the motor and motor pulley. Please request the AC drive parameter illustration for parameter verification when ordering a motor.**

# Steam Heat Option

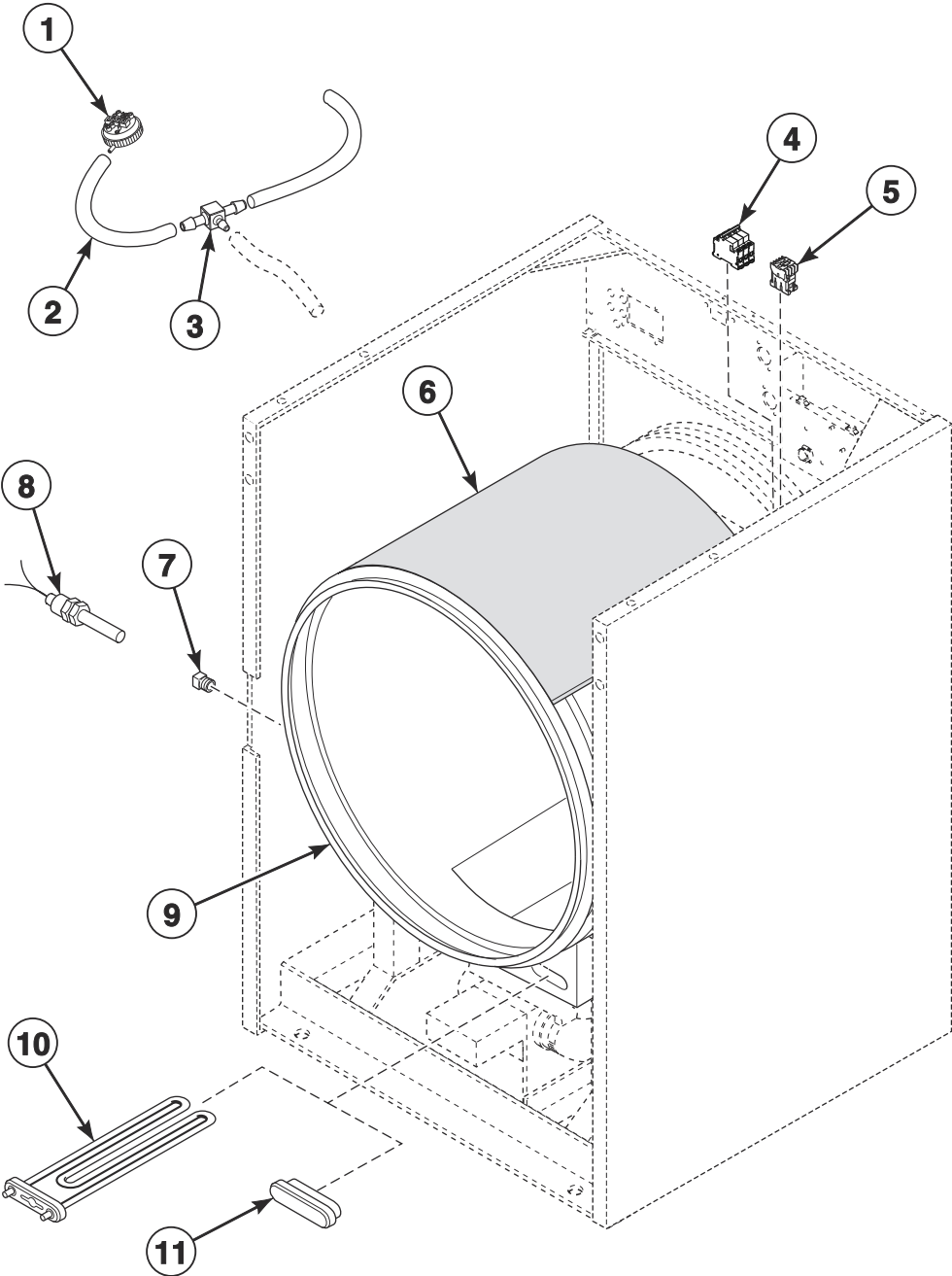


CHM3404P\_F8639901

## Steam Heat Option

REF	PART NO.	DESCRIPTION	COMMENTS
	F953P3	Steam Heat Kit	Includes items 1-11, 12-16, labels and harness
	F380984P	Steam Valve Repair Kit	Use with item 9
	F8514601P	Coil	Use with F8322801 Valve
	F8382301	DIN Valve Adapter Kit	Use with F8322801 Valve
	F8379501P	Valve Kit	Use with F8322801 Valve
<b>1</b>	F8368201	Steam Injector Tube Assembly	
<b>2</b>	F200197	Steam Hose	60 pound models
<b>3</b>	F8233700	Pipe Insulation	36 inches
	F8233703	Insulation	9 inches
	F8233705	Pipe Insulation	18 inches
<b>4</b>	F8116301	Coupling	60 pound models
<b>5</b>	70263801	Pipe Nipple	
<b>6</b>	H86070034	Street Elbow	
<b>7</b>	430497	Screw	
<b>8</b>	F8490301	Steam Bracket	
<b>9</b>	F8322801P	Valve	Includes F8514601 Coil; For models that have been upgraded with F8521501 DIN Valve Kit
	F8521501	DIN Valve Kit	Includes F8322801 Steam Valve, F8382301 DIN Valve Adapter Kit and F8514601 Coil
<b>10</b>	70139601	Pipe Nipple	60 pound models
<b>11</b>	F8362701	Coupling	
<b>12</b>	70030401	Nut	
<b>13</b>	431486	Pipe Nipple	
<b>14</b>	F270307	Steam Filter	
<b>15</b>	F420409	Plug	
<b>16</b>	20253	Screw	
<b>17</b>	F8360602	Shell Weldment	20 pound models
	F8360702	Shell Weldment	30 pound models
	F8360802	Shell Weldment	40 pound models
	F8360902	Shell Weldment	60 pound models

# Electric Heat Option



CHM3429P\_F8639901



## Electric Heat Option

REF	PART NO.	DESCRIPTION	COMMENTS
	F8056001	Jumper Wire	P-voltage models require 5; N-voltage models require 3
1	F8404401	Water Pressure Switch	
2	F8153901	Tubing	
3	F8246601	Tee	
4	70256901P	Circuit Breaker	
5	F330188P	Contactator	
6	F410300	Pipe Insulation	
7	F200202600	Plug	
8	F370609	Thermistor Sensor	
9	F8360602	Shell Weldment	20 pound models
	F8360702	Shell Weldment	30 pound models
	F8360802	Shell Weldment	40 pound models
	F8360902	Shell Weldment	60 pound models
10	F360205P	Element	2.6 kW; 3 used in 20 and 30 pound models; 6 used in 40 and 60 pound models
11	F360202	Heating Element Plug	



# Parts Index

## A

Access Cover	
F8047801 .....	51

## B

Basket and Bearing Assembly	
F980204341 .....	37, 39
F980204342 .....	37, 39
F980204343 .....	37, 39
F980204344 .....	37, 39
Basket Assembly	
F8391301P .....	37
F8391303 .....	37
F8391501P .....	37
F8391503 .....	37
F8391701P .....	37
F8391703 .....	37
F8502801 .....	37
F8502804 .....	37
Basket Puller Tool	
F460129P .....	37
Basket Pulley	
F150269 .....	55, 57
F150270 .....	55, 57, 59
F200299700 .....	55, 57
Basket Pulley Puller Tool	
F8608502P .....	37, 39
Basket Rental Tool Kit	
390P4-1 .....	37, 39
Basket Tool Kit	
389P4 .....	37, 39
Bearing	
F100108 .....	39
F100123P .....	39
F100134 .....	39
F100135 .....	39
F100136P .....	39
F100137P .....	39
Bearing Housing	
F8246802 .....	39
F8247902 .....	39
F8249902 .....	39
F8250902 .....	39
Bearing Housing Assembly	
F8271601P .....	39
F8271602 .....	39
F8271701P .....	39
F8271702 .....	39
F8271801P .....	39
F8271802 .....	39
F8271901P .....	39
F8271902 .....	39
Bearing Sleeve	
F8221701 .....	29, 31, 33
Belt	
F200201700P .....	55, 57
F8382801 .....	59
F8382803 .....	55, 57
F8382804 .....	55, 57

F8382805 .....	55, 57
Blind Rivet	
F8245101 .....	29, 31, 33
Bolt	
F200182700 .....	45, 47
F430522 .....	43
F430974 .....	29, 31, 33
F8230501 .....	27
F8270701 .....	35
F8402801 .....	43, 55, 57, 59
F8508101 .....	29, 31, 33
Bracket	
F8365401 .....	43
F8365402 .....	43
F8434601 .....	43
F8434701 .....	43
F8599801 .....	9

## C

Cap	
F8197701 .....	51
Card Plate Assembly	
F8201501 .....	19
Card Reader Overlay	
70334201 .....	19
70523601 .....	19
Circuit Breaker	
70256901P .....	11, 63
Clamp Ring Assembly	
F8388001 .....	37
F8388002 .....	37
F8388003 .....	37
F8388004 .....	37
Clamp Ring Bracket	
F8302401 .....	37
Coil	
F8514601P .....	61
Coin Box	
F160672 .....	21
Coin Chute	
F8170801 .....	9
Coin Drawer Assembly	
F8182001 .....	21
Coin Drop	
70256402P .....	15
70441601P .....	13
Coin Drop Assembly	
210195 .....	15
210196 .....	15
38462P .....	13
38463 .....	13
38464P .....	13
38472 .....	15
38521 .....	15
39157 .....	15
70281102 .....	15, 17
70447301 .....	17
70482401 .....	17
70506901 .....	17

N/A items do not appear in index.

Coin Drop Kit	
CK107 .....	17
CK111 .....	17
CK122 .....	17
CK123 .....	17
Coin Drop Overlay	
39564 .....	23
Coin Identification Paper	
38725 .....	13, 15, 17
Coin Meter	
F0160737-00 .....	15
Coin Meter Assembly	
F200010000P .....	13
F200010001 .....	15
F200010002 .....	15
F200010003 .....	15
F200010004 .....	15
F200010005 .....	15
F200010006 .....	13
F200010007 .....	13
F200010008 .....	15
F200010009 .....	13
F200010010 .....	15
F200010011 .....	13
F200010012 .....	13
Coin Vault Assembly	
F8182501 .....	9
F8182601 .....	9
Communication Harness	
F8385102 .....	11
Concrete Kit	
1111P .....	41
Contactora	
F330177P .....	11
F330188P .....	63
Control Assembly Kit	
F980P3 .....	9
Control Panel Assembly	
F8038502 .....	23
F8038504 .....	25
F8038602 .....	23
F8038604 .....	25
F8038702 .....	23
F8038704 .....	25
F8038802 .....	23
F8038804 .....	25
Control Panel Overlay	
F8226902 .....	23
F8577101 .....	23
Control Tray Assembly	
F8359702 .....	9
F8359704 .....	9
F8359707 .....	9
Control Tray Harness	
F8261501P .....	9, 11
Coupling	
F8116301 .....	61
F8362701 .....	61

## D

Diaphragm and Guide Kit	
G582P3 .....	51
DIN Rail	
F8385301 .....	11

DIN Valve Adapter Kit	
F8382301 .....	61
DIN Valve Kit	
F8521501 .....	61
Dispenser Assembly	
F8047401 .....	51
F8047402 .....	51
Dispenser Gasket	
F8308301 .....	51
Dispenser Lid	
F8048101 .....	27
Dispenser Overflow Hose	
F8043401 .....	51
F8043403 .....	51
F8043404 .....	51
Door	
F0602431-02 .....	29
F0602837-02 .....	31
F602842-2 .....	33
F8507501P .....	29
F8507601 .....	31
F8507701 .....	33
F8507702 .....	33
Door Assembly	
F8187202 .....	29
F8187204 .....	29
F8187205 .....	29
F8187302 .....	31
F8187304 .....	31
F8187305 .....	31
F8187402 .....	33
F8187404 .....	33
F8187405 .....	33
Door Bezel	
F0170426-00 .....	23, 25
F0170426-10 .....	23
F170416-1 .....	23, 25
F170416-3 .....	23
F170417-1 .....	23, 25
F170417-3 .....	23
Door Gasket	
F200000202 .....	29
F8111502 .....	33
F8111602 .....	31
Door Glass	
F8341701 .....	29
F8485301P .....	31
F8485401P .....	33
Door Glass Kit	
F290205P .....	29
Door Glass Trim	
F8583201 .....	29
F8583202 .....	31
F8583203 .....	33
Door Handle	
F8199401P .....	29, 31, 33
Door Handle Spacer Kit	
F8567501 .....	29, 31, 33
Door Hinge	
F190216P .....	29, 31, 33
Door Hinge Shim Kit	
F200131000P .....	29, 31, 33
Door Latch Arm Assembly	
F8221401 .....	29, 31, 33
Door Lock Assembly	
F8340501 .....	35

N/A items do not appear in index.

Door Lock Catch	
F8344501 .....	35
Door Lock Cover	
F8245001 .....	35
Door Lock Microswitch	
F200203200 .....	35
Door Lock Plate Assembly	
F8223202 .....	35
Door Lock Plate Shim	
F8344401 .....	35
Door Lock Solenoid Replacement Kit	
F977P3 .....	35
Door Lock Splash Shield	
F320200 .....	35
Door Lock Switch Lever	
F8223401 .....	35
Door Mount	
F150271 .....	29, 31, 33
Double Check Valve	
F8301201 .....	53
Dowel Pin	
F8388101 .....	39
F8388201 .....	39
Drain Connect Tee	
F150318 .....	43
Drain Hose	
F200165100 .....	43
F8232901 .....	43
F8261302 .....	43
F8261303 .....	43
F8464701 .....	43
Drain Seal Kit	
F8562001 .....	47
Drain Tee	
F150398 .....	43
Drain Valve	
F8602602 .....	47
Drain Valve Cover	
F200133600 .....	45, 47
Drain Valve Kit	
F8577201 .....	47
Drain Valve Motor	
F380933P .....	45, 47
F8618901P .....	45, 47
Drive Assembly	
F8204701P .....	11
F8303601P .....	11
F8327301P .....	11
Drive Mounting Bracket	
F8322401 .....	11
Drive Tray Assembly	
F8359801 .....	11
F8359802 .....	11
F8359803 .....	11

## E

Earth Terminal Sticker	
M412096 .....	7
Electric Shock Danger Label	
F8115501 .....	7
Electronic Coin Drop Assembly	
70294103P .....	17

70294104 .....	17
70294105P .....	17
70294106 .....	17
70294111 .....	17
70294119 .....	17
70513308 .....	17
70513310 .....	17
70513311 .....	17
70513312 .....	17
70513313 .....	17
70513315 .....	17
70513316 .....	17
Electronic Coin Drop Kit	
CK099 .....	17
CK100 .....	17
CK101 .....	17
CK108 .....	17
CK109 .....	17
CK110 .....	17
CK113 .....	17
CK115 .....	17
CK116 .....	17
CK117 .....	17
CK118 .....	17
CK119 .....	17
CK120 .....	17
CK121 .....	17
Element	
F360205P .....	63
EMI Filter	
F8053901P .....	11
F8053902 .....	11
End Stop	
F8449801 .....	11
Excluder Seal	
F8336801 .....	37
F8336802 .....	37
F8336901 .....	37
F8336902 .....	37
F8337001 .....	37
F8337002 .....	37
F8337101 .....	37
F8527701 .....	37
Expansion Clip	
70030501 .....	9, 11, 23, 25, 27
Extension Spring	
F310124 .....	55, 57
External Door Lock Harness	
F8340001 .....	35
External Supply Connection Decal	
F8150201 .....	7
External Supply Harness	
F8191201P .....	9, 11
External Supply Kit	
F937P3 .....	9
Eye Bolt	
F8319503 .....	57
F8351902 .....	55, 57
F8404501 .....	59

## F

Fill Hose Kit	
F8544601 .....	49

N/A items do not appear in index.

Filter	
F8454401 .....	51
Flanged Bushing	
F8333301 .....	55
F8333302 .....	57, 59
Flanged Isolator	
F8535202 .....	57
Frame Template	
F8433301 .....	41
F8433401 .....	41
F8433501 .....	41
F8433601 .....	41
Frame Weldment	
F8247002 .....	41
F8248002 .....	41
F8249001 .....	41
F8250002 .....	41
Front Cabinet Brace	
F8173801 .....	23, 25
F8173901 .....	23, 25
F8174001 .....	23, 25
Front End Control Kit	
F102P3 .....	9
F103P3 .....	9
Front Panel	
F8171301 .....	23
F8173001 .....	23
F8173002P .....	25
F8173003 .....	23
F8173008 .....	25
F8173009 .....	23
F8173101P .....	23
F8173102P .....	25
F8173107 .....	23
F8173108 .....	25
F8173201P .....	23
F8173202P .....	25
F8173207 .....	23
F8173208 .....	25
F8492301 .....	23
F8492302 .....	25
F8492307 .....	23
F8492308 .....	25
Fuse	
802492 .....	9
802493 .....	9

## G

Gravity Drain Valve	
803292 .....	45
Grommet	
F8433001 .....	9
Ground Decal	
F230739 .....	7
Ground Lug Connector	
M411283 .....	51
Gusset Plate	
F8186701 .....	25
F8186702 .....	23, 25

## H

Harness	
F8454601 .....	51
Heating Element Plug	
F360202 .....	63
Hole Plug	
F8223801 .....	27
Hose	
F606816-1 .....	51
F8232001 .....	51
F8232002 .....	51
F8232004 .....	51
F8405301 .....	9
Hose Barb Connector	
F8431001 .....	9
Hose Clamp	
F200201 .....	43
F200213 .....	43, 51
F200215 .....	43, 47
F200222 .....	51
20211 .....	51
36801 .....	51
Hot Surface Warning Label	
F8614301 .....	7

## I

Induction Motor	
801194P .....	59

## J

Jumper Configuration Assembly	
M413507 .....	9, 11
Jumper Harness	
D511476 .....	19
Jumper Harness Assembly	
M413506 .....	9, 11
Jumper Wire	
F8056001 .....	63

## K

Key	
F160420 .....	21
F430801 .....	55, 57, 59
H8752006H .....	55, 57
70155603 .....	27

## L

Left Side Panel	
F8399202 .....	27
F8399204 .....	27
F8399302 .....	27
F8399304 .....	27
F8399402 .....	27
F8399404 .....	27

N/A items do not appear in index.

F8399502P .....	27
F8399504 .....	27
F8492402 .....	27
F8492404 .....	27
Lid Clamp	
F8091701 .....	27
Lower Cabinet Brace	
F8174101 .....	23, 25
Lower Drive Mounting Bracket	
F8310101 .....	11

## M

Machine Size Configuration Harness	
F8028101P .....	9, 11
F8028103P .....	9, 11
F8028104P .....	9, 11
F8028105P .....	9, 11
Magnet	
F8390801 .....	29, 31, 33
Manifold	
F8333201 .....	51
Motor	
F8335001P .....	55, 57
F8335101P .....	55, 57
Motor Bracket Weldment	
F8441601 .....	55
F8441603 .....	57
F8441604 .....	57
Motor Conduit Mounting Bracket	
70321701 .....	55, 57
Motor Drip Shield	
F200216900 .....	59
Motor Harness	
F8384801 .....	59
F8384901 .....	55, 57
F8396601 .....	55, 57
Motor Isolation Kit	
F8562501 .....	55, 57
F8562502 .....	55, 57
F8562504 .....	59
Motor Mount Rod	
801062 .....	59
Motor Pulley	
F8362501 .....	55, 57
Motor Rod Extension	
F8387101 .....	59
Motor Rod Plate	
F8441101 .....	55, 57, 59
Mount On Concrete Warning Label	
F8246401 .....	7
Mounting Plate	
70208801 .....	19

## N

Nut	
F0431807-00 .....	51
F430215 .....	29, 31, 33
F430218 .....	37
F430225 .....	35
F430232 .....	9, 29, 31, 33, 35, 51

F430264 .....	35
F431041 .....	29, 31, 33
F8387601 .....	39, 55
F8387701 .....	39
44087201 .....	43, 55, 57, 59
44087301 .....	41, 57
685846 .....	13, 15, 17
70030401 .....	43, 61

## O

Opto Coupler	
200674P .....	13, 15
O-Ring	
F8441901 .....	55
Output/Logic Harness	
F8028701 .....	9, 11
Overflow Hose	
F8367201 .....	43
F8367901 .....	43
F8368001 .....	43
Overlay	
F8227002 .....	23
F8227102 .....	23
F8227202 .....	23
F8445801 .....	23
F8445802 .....	23
F8445803 .....	25
F8445901 .....	23
F8445902 .....	23
F8445903 .....	25
F8446001 .....	23
F8446002 .....	23
F8446003 .....	25
F8446101 .....	23
F8446102 .....	23
F8446103 .....	25
F8587801 .....	23
F8587802 .....	23
F8587803 .....	25
F8587901 .....	23
F8587902 .....	23
F8587903 .....	25
F8590201 .....	23
F8590202 .....	23
F8590203 .....	25
70295101 .....	17
70295301 .....	17

## P

Panel Lock	
44089303P .....	27
Pin	
F8302701 .....	37
Pipe Insulation	
F410300 .....	63
F8233700 .....	61
F8233705 .....	61
Pipe Nipple	
431486 .....	61
70139601 .....	61
70263801 .....	61

N/A items do not appear in index.

Plug	
F200202600	63
F420409	61
F8223901	27
M400985	27
Pop Rivet	
F431223	29, 31, 33
70058501	9, 13, 15
70412601	23, 25
Pressure Bulb	
30907	9
P-Trap Hose	
F8042201	51
F8042202	51
F8042204	51
F8042301	51
Pulse Expander Assembly	
F8034701P	17
Pushbutton Switch	
70413301	27

## R

Radial Seal	
F8203808	39
Rear Drain Hose	
F8231904	43
F8231905	43
F8365601	43
F8365602	43
Rear Panel	
F8352801	27
F8362401	27
F8365201	27
F8367101	27
F8492501	27
Reed Switch Assembly	
F8066802	29, 31, 33
Regulator	
F8402201	51
Retaining Ring	
F8337801	39
F8337901	39
F8344901	39
F8345001	39
Right Side Panel	
F8399201	27
F8399203	27
F8399301	27
F8399303	27
F8399401	27
F8399403	27
F8399501	27
F8399503	27
F8492401	27
F8492403	27
Rod	
F602813-2	29, 31
F602813-3	33

## S

Screw	
D503688	11

N/A items do not appear in index.

F430174	23, 25
F430532	29
F430533	31, 33
F430536	29, 31, 33
F430909	51
F430956	35
F430977	35
F8117601	23, 25
F8206901	9, 11, 27, 51
F8230301	51
F8230601	27
F8368701	39
F8368801	39
F8406601	59
F8442702	41
F8535501	29, 31, 33
F8535601	51
F8574001	55, 57, 59
F8621601	41
M400077	55, 57
202175	43
20253	61
23222	55, 57
430497	61
431287	27
800461	55
800462	37
800548	51
801019	23
Seal Scupper Pad	
F8350301	39
F8350302	39
F8350303	39
Shaft Seal Sleeve	
F8343914	37
Shaft Seal Sleeve Kit	
F8343901P	37
F8343904P	37
F8343906P	37
F8343909P	37
Shell Band Kit	
F8537801	37
F8537802	37
F8537803	37
F8537804	37
Shell Front Assembly	
F8229401	37
F8229501	37
F8229601	37
F8229701	37
Shell Front Gasket Kit	
F8513501	37
Shell Weldment	
F8360601	41
F8360602	41, 61, 63
F8360701	41
F8360702	41, 61, 63
F8360801	41
F8360802	41, 61, 63
F8360901	41
F8360902	41, 61, 63
Shim	
F8484401	35
Siphon Cover	
F8047901	51
Snap Bushing	
44071501	9



Solenoid	
F8630601 .....	35
Spacer	
F431901 .....	35
F8451601 .....	55, 59
Spring	
F8504601 .....	45
Spring Mount Rod	
F8361301 .....	59
Spring Pin	
F431222 .....	29, 31, 33
Spring Plate	
F8363901 .....	55
F8525801 .....	57
Steam Bracket	
F8490301 .....	61
Steam Filter	
F270307 .....	49, 61
Steam Heat Kit	
F953P3 .....	61
Steam Hose	
F200197 .....	61
Steam Injector Tube Assembly	
F8368201 .....	61
Steam Valve Repair Kit	
F380984P .....	61
Street Elbow	
H86070034 .....	61
Stud	
70334702 .....	43
Supply Overflow Hose	
F8043405 .....	51

## T

Tee	
F8246601 .....	9, 63
Terminal Block	
430642 .....	51
Terminal Tray Cover	
F8177001 .....	51
Terminal Tray Cover Gasket	
F8230001 .....	51
Thermistor Sensor	
F370609 .....	63
Top Cabinet Brace	
F8043501 .....	27
F8043701 .....	27
F8043801 .....	27
F8043901 .....	27
Top Cover	
F8017401 .....	27
F8040201 .....	27
F8040301 .....	27
F8040401P .....	27
Top Cover Hinge	
F8258601 .....	27
Top Cover Latch	
F8201001 .....	23, 25
Torsion/Door Lock Spring	
F8070301 .....	35
Transformer	
F8401301 .....	11

201616P .....	9
803527P .....	9
Tray Support Bracket	
F8375201 .....	9
Triple Lip Seal	
F8203801 .....	39
F8203802 .....	39
F8203803 .....	39
F8203806 .....	39
F8203813 .....	39
F8203814 .....	39
F8203815 .....	39
Tubing	
F8153901 .....	9, 63

## U

USB IR Interface Kit	
203346 .....	9, 11
Use Copper Conductors Only Caution Label	
F8242201 .....	7

## V

Vacuum Breaker Hose	
F0200244-01 .....	51
F0200244-02 .....	51
Vacuum Supply Hose	
F8042801 .....	51
F8042803 .....	51
F8042804 .....	51
F8042805 .....	51
Valve	
F8322801P .....	61
Valve Kit	
F8379501P .....	61
Valve Panel	
F8398701 .....	51
F8398801 .....	51
F8398901 .....	51
F8399001 .....	51
Valve, 3-Way	
F8286401P .....	51
F8286402P .....	51
Vault/FBS Jumper Harness	
F8191402 .....	19

## W

Warning Label	
F8207901 .....	7
F8233501 .....	7
44324001 .....	7
Washer	
F430339 .....	39
F431113 .....	29, 31, 33
F431115 .....	55, 57, 59
F431902 .....	35
F431916 .....	29, 31, 33
F431929 .....	29, 31, 33
F8201101 .....	23, 25
F8366601 .....	39

N/A items do not appear in index.

F8402701 .....	41
M400081 .....	37, 41
M405535 .....	43
803615 .....	49, 51
Water Hose Kit	
F8665601 .....	49
F8665602 .....	49
F8665603 .....	49
F8665604 .....	49
Water Pressure Switch	
F8404401 .....	9, 63

---