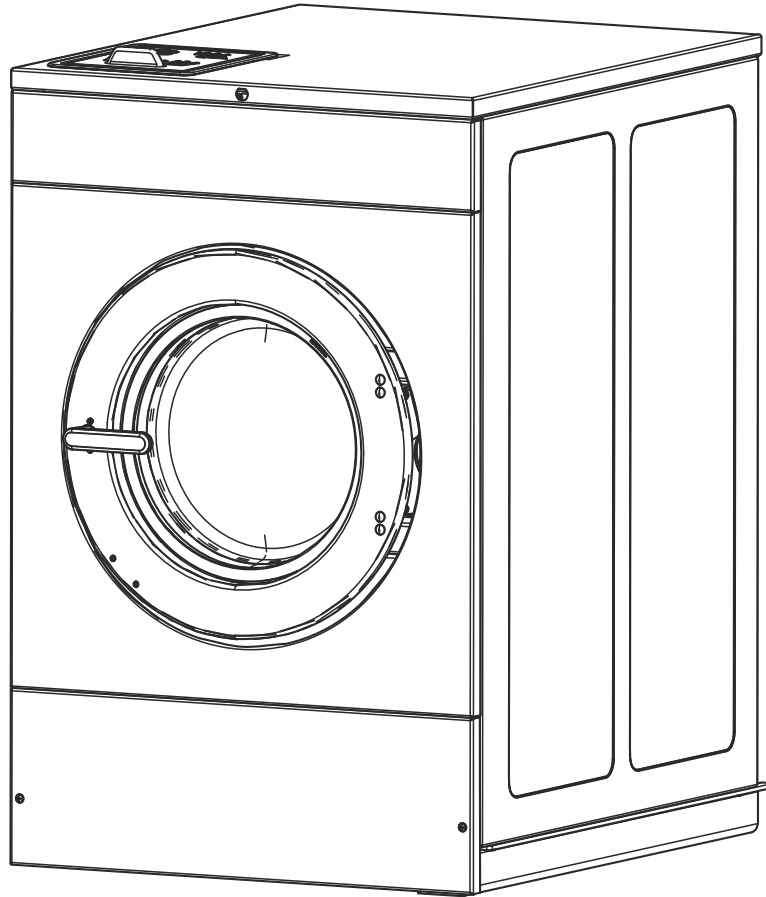


Washer-Extractor

Cabinet Hardmount

Design 4, 6 and 7

Refer to Page 3 for Model Numbers



C-CHM2C3_F8668301

Table of Contents

Title	Page
Parts Ordering Information.....	2
Serial Plate Location	2
Model Identification	3
Product Overview - M4, Galaxy 200 and Quantum Standard	4
Labels	6
Control Module and Front Tray Assembly	8
Control Tray Assembly.....	10
Inverter Drive Box - 20 and 30 Pound Models with B Voltage	12
Inverter Drive Box - 20 and 30 Pound Models with N, P, Q, W, X and Y Voltage.....	14
Inverter Drive Box - 40 Pound Models with B Voltage	16
Inverter Drive Box - 40 Pound Models with N, P, Q, W, X and Y Voltage.....	18
Inverter Drive Box - 60 Pound Models with Q and X Voltage	20
Inverter Drive Box - 60 Pound Models with N and P Voltage.....	22
External Supply Kit.....	24
Inverter Drive	26
Front Panels and Control Panel - Design 4	28
Front Panels and Control Panel - Design 6	30
Front Panels and Control Panel - Design 7	32
Rear and Top Panels	34
Side Panels.....	36
Door - 20 Pound Models - Design 4.....	38
Door - 20 Pound Models - Design 6.....	40
Door - 30 Pound Models - Design 4.....	42
Door - 30 Pound Models - Design 6.....	44
Door - 40 and 60 Pound Models - Design 4.....	46
Door - 40 and 60 Pound Models - Design 6.....	48
Door Lock.....	50
Shell Front, Basket and Shell.....	52
Bearing Housing	54
Drain Plumbing	56
Pump Drain Plumbing - 20, 30 and 40 Pound Models.....	58
Fill Plumbing - 20 Pound Models	60
Fill Plumbing - 30 Pound Models	62
Fill Plumbing - 40 Pound Models	64
Fill Plumbing - 60 Pound Models - Standard	66
Fill Plumbing - 60 Pound Models - Metric	68
Motor, Pulley and Belt - 20 and 30 Pound Models.....	70
Motor, Pulley and Belt - 40 and 60 Pound Models.....	72
Electric Heating.....	74
Steam Heating - 40 and 60 Pound Models	76
Special Tools and Kits	78
Parts Index.....	81

© Copyright 2022, Alliance Laundry Systems LLC

All rights reserved. No part of the contents of this book may be reproduced or transmitted in any form or by any means without the expressed written consent of the publisher.

Parts Ordering Information

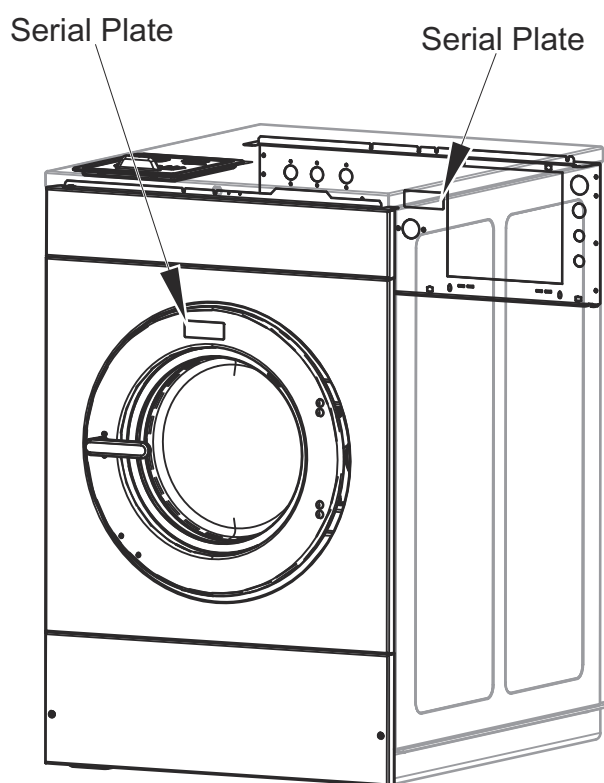
If literature or replacement parts are required, contact the source from whom the machine was purchased or contact Alliance Laundry Systems at (920) 748-3950 for the name and address of the nearest authorized parts distributor.

For technical assistance, call the number listed below:

(920) 748-3121 Ripon, Wisconsin

Serial Plate Location

When calling or writing about your product, be sure to mention model and serial numbers. Model and serial numbers are located on serial plate(s) as shown.



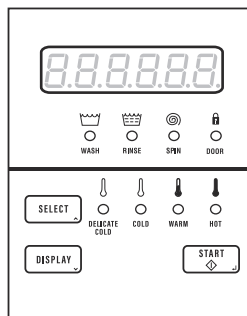
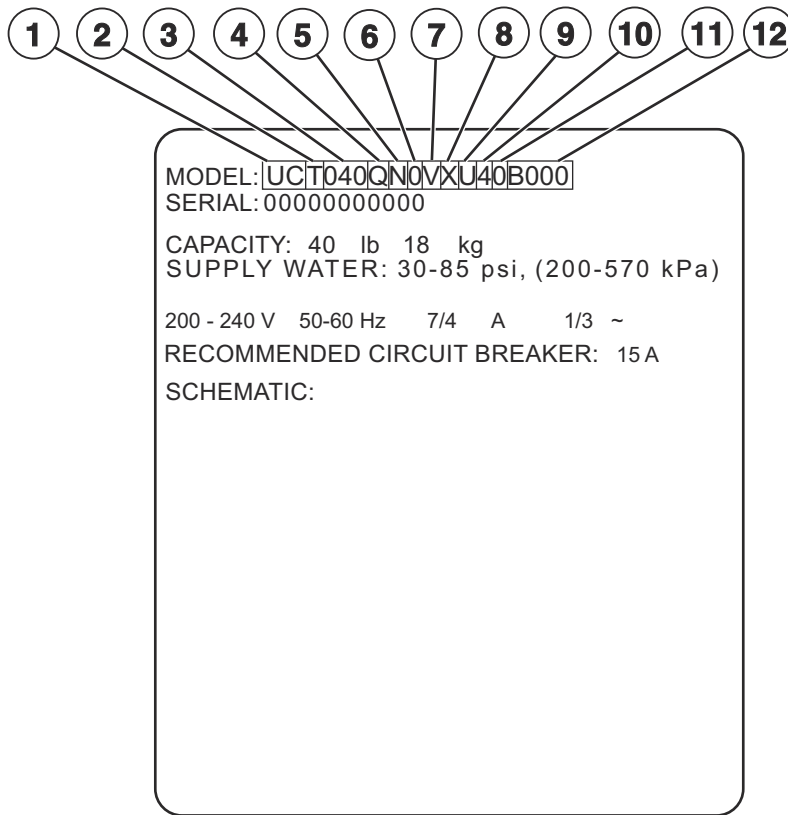
C-CHM2C2_F8668301

Model Identification

Information in this manual is applicable to these washer-extractor models:

HCA020FN	SCA020FN	UCA020FN
HCA030FN	SCA030FN	UCA030FN
HCA040FN	SCA040FN	UCA040FN
HCA060FN	SCA060FN	UCA060FN
HCD020FN	SCD020FN	UCD020FN
HCD030FN	SCD030FN	UCD030FN
HCE020FN	SCE020FN	UCE020FN
HCE030FN	SCE030FN	UCE030FN
HCE040FN	SCE040FN	UCE040FN
HCE060FN	SCE060FN	UCE060FN
HCG020FN	SCG020FN	UCG020FN
HCG030FN	SCG030FN	UCG030FN
HCG040FN	SCG040FN	UCG040FN
HCG060FN	SCG060FN	UCG060FN
HCH020FN	SCH020FN	UCH020FN
HCH030FN	SCH030FN	UCH030FN
HCH040FN	SCH040FN	UCH040FN
HCH060FN	SCH060FN	UCH060FN
HCJ020FN	SCJ020FN	UCJ020FN
HCJ030FN	SCJ030FN	UCJ030FN
HCJ040FN	SCJ040FN	UCJ040FN
HCJ060FN	SCJ060FN	UCJ060FN
HCL020FN	SCK020FN	UCT020FN
HCL030FN	SCK030FN	UCT030FN
HCL040FN	SCK040FN	UCT040FN
HCL060FN	SCK060FN	UCT060FN
HCT020FN	SCL020FN	UCU020FN
HCT030FN	SCL030FN	UCU030FN
HCT040FN	SCL040FN	UCU040FN
HCT060FN	SCL060FN	UCU060FN
HCU020FN	SCT020FN	
HCU030FN	SCT030FN	
HCU040FN	SCT040FN	
HCU060FN	SCT060FN	
	SCU020FN	
	SCU030FN	
	SCU040FN	
	SCU060FN	

Product Overview - M4, Galaxy 200 and Quantum Standard



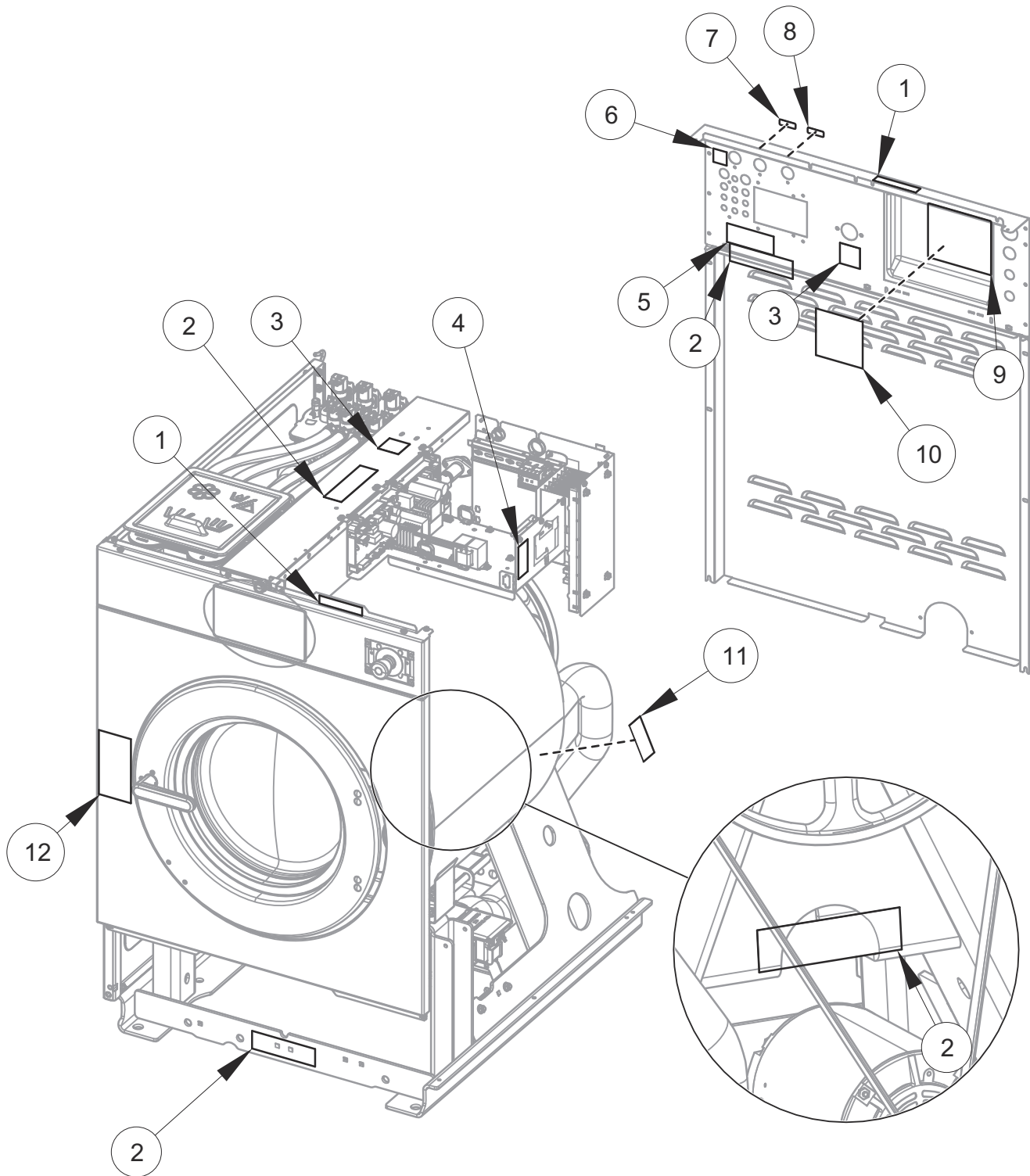
M4, Galaxy 200 and Quantum Standard

CHM3485P_F8668301

Product Overview - M4, Galaxy 200 and Quantum Standard

REF	PART NO.	DESCRIPTION	COMMENTS
1	-	Product Family	HC SC UC
2	-	Market Approvals	A (Australia ICE) D (Brazil IEC) G (International) H (China-ROHS IEC) J (Japan-PSE IEC) K (Korea IEC) L (Thailand-TISI IEC) T (North America) U (International CE/EAC)
3	-	Capacity (Dry Weight in Pounds)	020 030 040 060
4	-	Control	F
5	-	Actuation	N (Non-Coin OPL)
6	-	Coin Meter	0 (Standard)
7	-	Speed	F (F-Speed) V (V-Speed)
8	-	Voltage	B (120/60/1) N (440-480/50-60/3)) P (380-415/50-60/3) Q (200-240/50-60/3) W (200-240/50/1/3) X (200-240/50-60/1/3) Y (200-240/60/1/3)
9	-	Panel	B (Chrome Door) C (Chrome Door) U (Vinyl) 1 (Stainless Steel Side)
10	-	Design	4 6 7
11	-	Heat	0 (Standard) D (Steam) E (Electric Heat) P (Prep for Steam)
12	-	Features and Options	

Labels

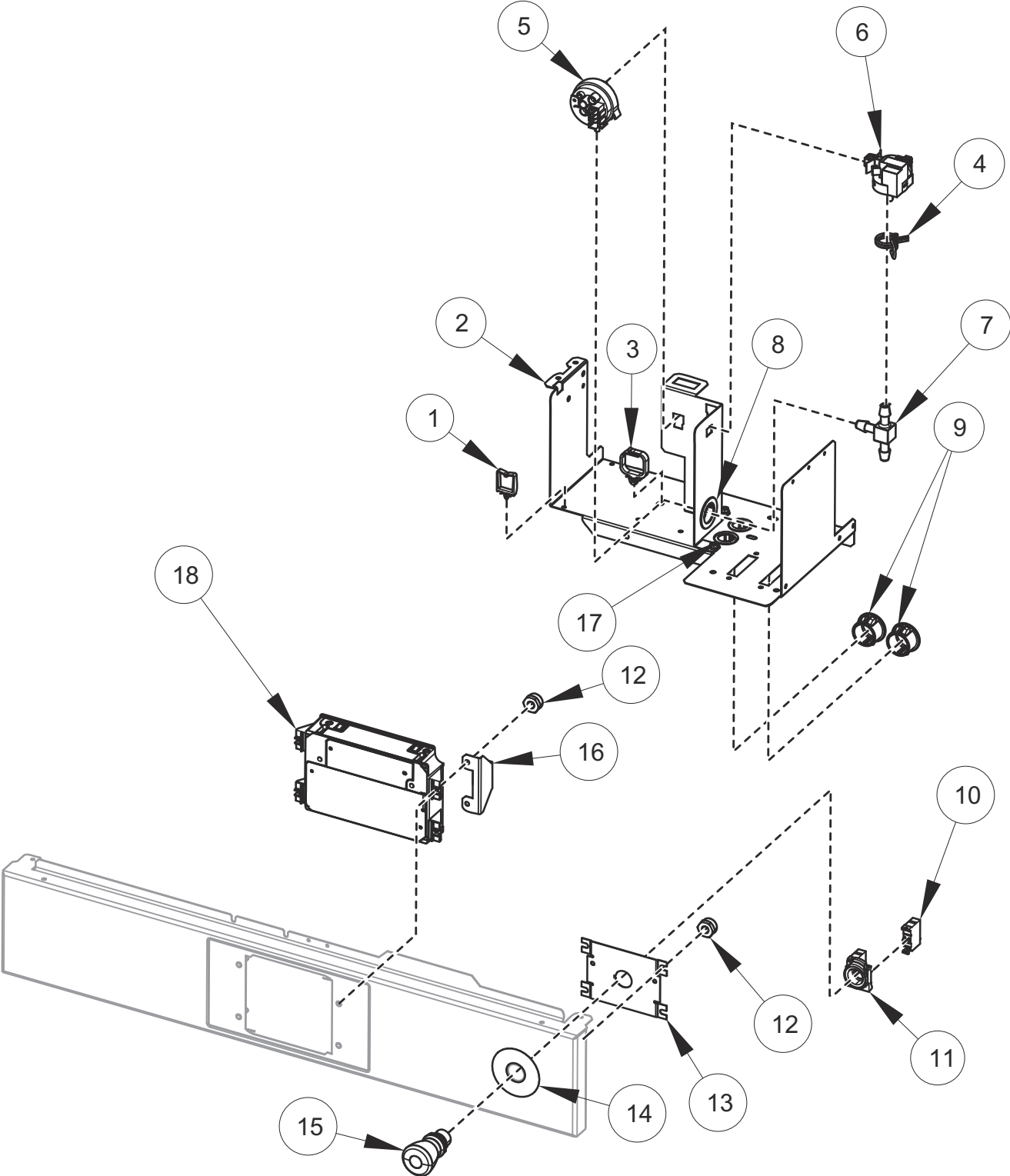


C-CHM2P20_F8668301

Labels

REF	PART NO.	DESCRIPTION	COMMENTS
1	F8614501	Danger Label	English/Quebec/French
2	44324001	Warning Label	Pinch/Shock; English/French
	F8614201	Shock Warning Label	Icon
	F8615701	Pinch Warning Label	Icon
3	F8614301	Hot Surface Warning Label	English/Quebec/French
	F8609001	Hot Surface Warning Label	Icon
4	F8601301	Label	Warning; Underground components
5	F8609401	Label	Notice; Chemical connection
6	203853	Label	ROHS (China)
7	F8611301	Label	Hot water; Icon
8	F8611401	Label	Cold water; Icon
9	F8611601	Warning Label	Warning; English/Quebec/French
10	F8602401	Label	Notice; Large expansion board
11	70538401	Pinch Warning Label	English/French
	F8615701	Pinch Warning Label	Icon
12	F8614801	Label	Warning fire/injury; English/Quebec/French

Control Module and Front Tray Assembly

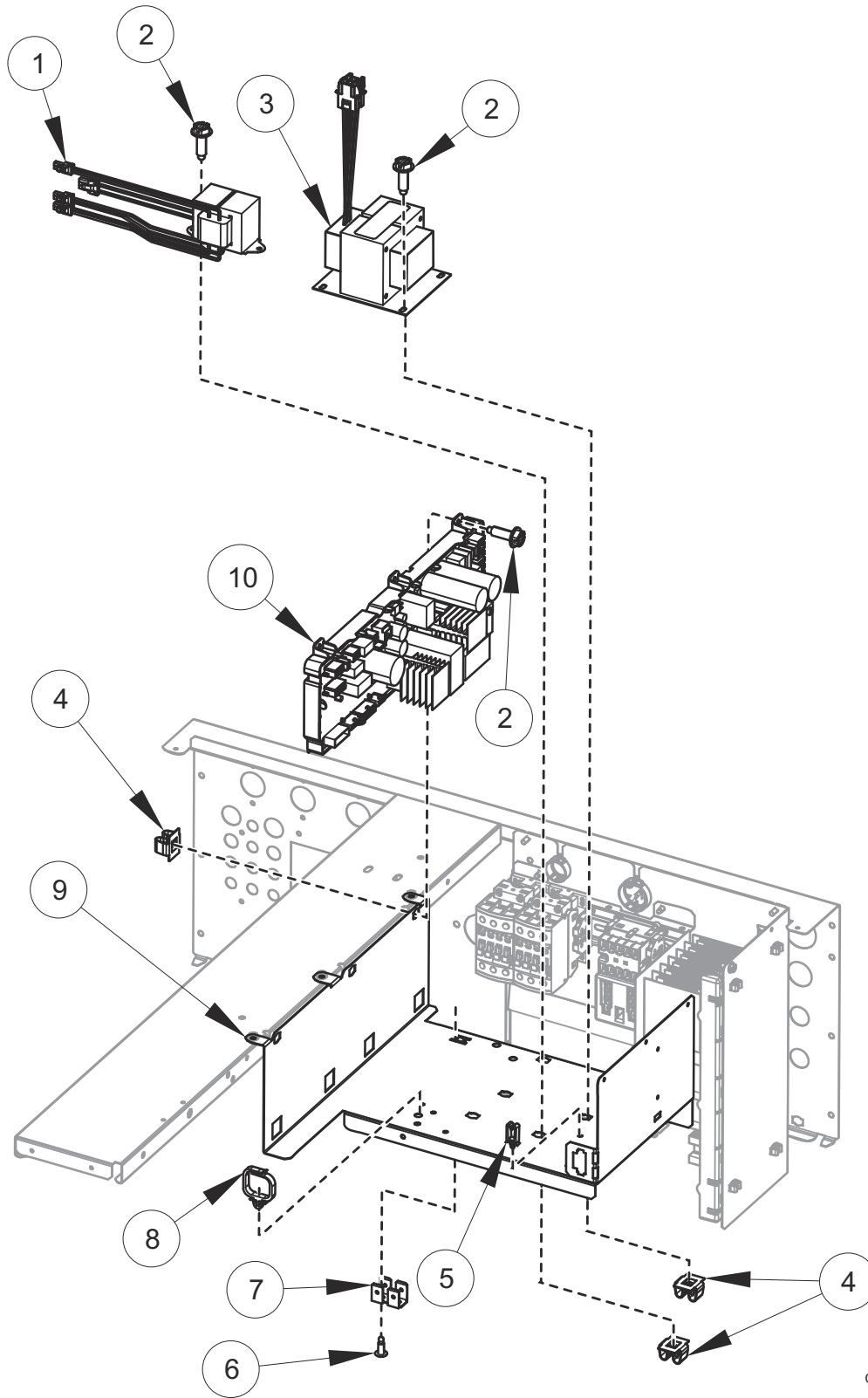


C-CHM5P6_F8668301

Control Module and Front Tray Assembly

REF	PART NO.	DESCRIPTION	COMMENTS
	44374701	App Pay Overlay Kit	
	203361P	Machine ID Control Assembly	
	F8567307	Front Tray Assembly	20 pound models; Includes items 1-3, 6, 8, 9, 17 and 70413301 Pushbutton Switch
	F8567310	Front Tray Assembly	20 pound models; Steam or electric heat; Includes items 1-9, 17 and 70413301 Pushbutton Switch
	F8567308	Front Tray Assembly	30 pound models; Includes items 1-3, 6, 8, 9, 17 and 70413301 Pushbutton Switch
	F8567311	Front Tray Assembly	30 pound models; Steam or electric heat; Includes items 1-9, 17 and 70413301 Pushbutton Switch
	F8567309	Front Tray Assembly	40 and 60 pound models; Includes items 1-3, 6, 8, 9, 17 and 70413301 Pushbutton Switch
	F8567312	Front Tray Assembly	40 and 60 pound models; Steam or electric heat; Includes items 1-9, 17 and 70413301 Pushbutton Switch
	F8519301	Harness	Tray power harness; Design 4
	F8519502	Harness	Design 4
	F8519602	Harness	Design 4
	F8519603	Harness	Access; Right Control; Design 6
	F8519501	Harness	Communication; 20 and 30 pound models; Design 6
	F8519502	Harness	Communication; 40 and 60 pound models; Design 6
	F8519401	Emergency Stop Harness	20 and 30 pound models
	F8519402	Emergency Stop Harness	40 and 60 pound models
1	70366201	Wire Clip	
2	F8531002	Front Tray Assembly	
3	F8449501	Wire Clip	
4	39282	Hose Clamp	
5	F8609101	Water Level Pressure Switch	Steam or electric heat
	F8405303	Tubing	Electric heat
6	F8623401	Pressure Sensor	
	F8405302	Tubing	Electric heat
7	203464	Barbed Tee	Steam or electric heat
8	M402542	Snap Bushing	
9	M411826	Snap Bushing	
10	F8069501	Contact Switch	
11	F8538101	Contact Base	
12	685846	Nut	
13	F8201301	Emergency Stop Plate	
14	44012901	Emergency Stop Label	
15	F200233500	Emergency Stop Pushbutton	
16	F8590701	Bracket	
17	F140938	Snap Bushing	
18	F8494701	Control Assembly	

Control Tray Assembly

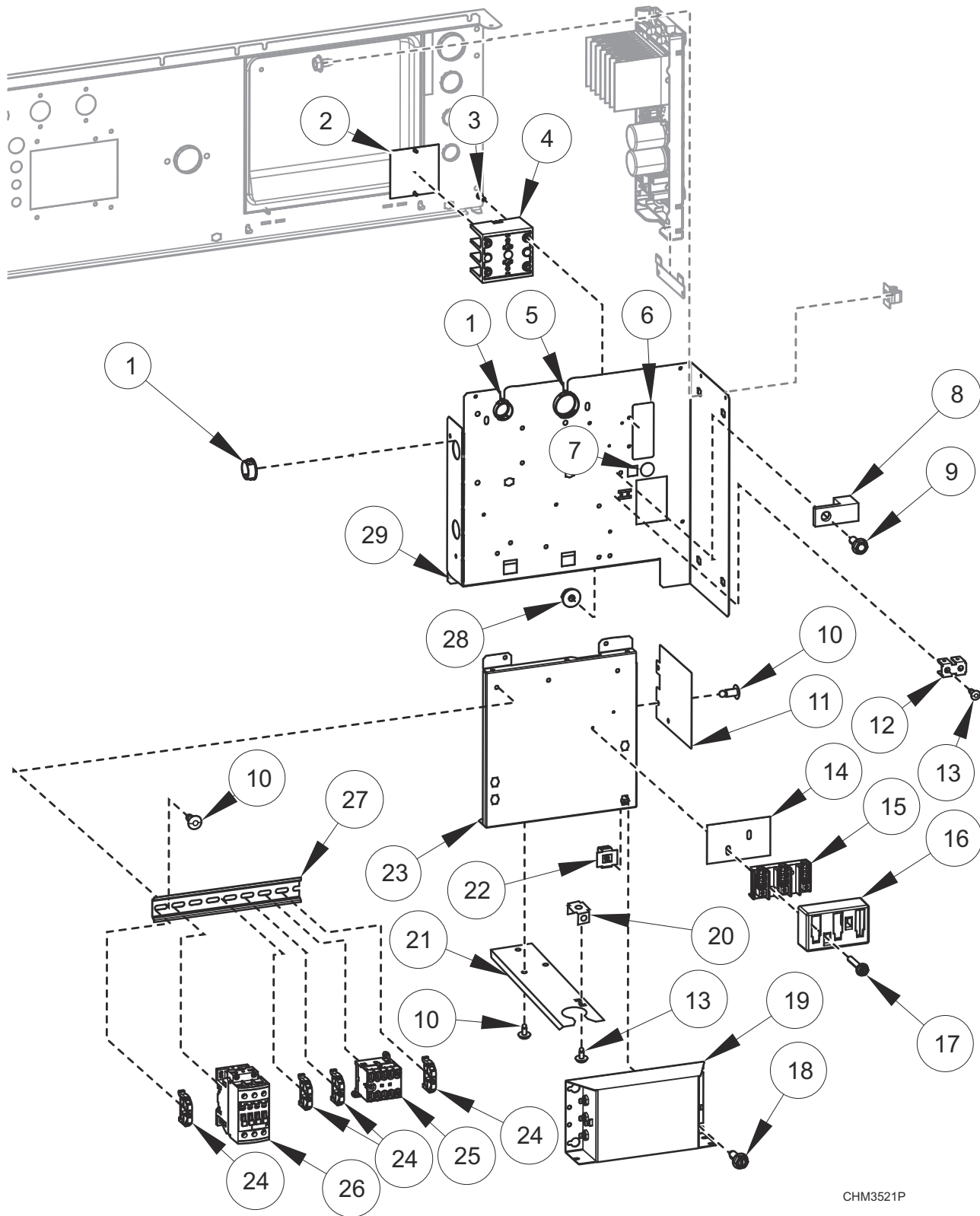


C-CHM5P5_F8668301

Control Tray Assembly

REF	PART NO.	DESCRIPTION	COMMENTS
	44374701	App Pay Overlay Kit	
	F8662403	Wireless Kit	HC and UC 20 and 30 pound models through January 2019; SC 20 and 30 pound models through April 2019
	F8676001	Wireless Kit	HC and UC 20 and 30 pound models starting February 2019; SC 20 and 30 pound models starting May 2019
	F8676101	Wireless Kit	HC and UC 40 and 60 pound models starting February 2019; SC 40 and 60 pound models starting May 2019
1	202757	Transformer	B voltage with external supply
	202758	Transformer	N, P, Q, W, X and Y voltage with external supply
2	F8206901	Screw	
3	F8491101	Transformer	N and P voltage
4	70030501	Expansion Clip	
5	70347601	Wire Clip	External supply
6	M400003	Pop Rivet	
7	00622SG	Terminal	
8	F8449501	Wire Clip	
9	F8530701	Control Tray	
10	F8494101P	Input and Output Control Assembly	

Inverter Drive Box - 20 and 30 Pound Models with B Voltage

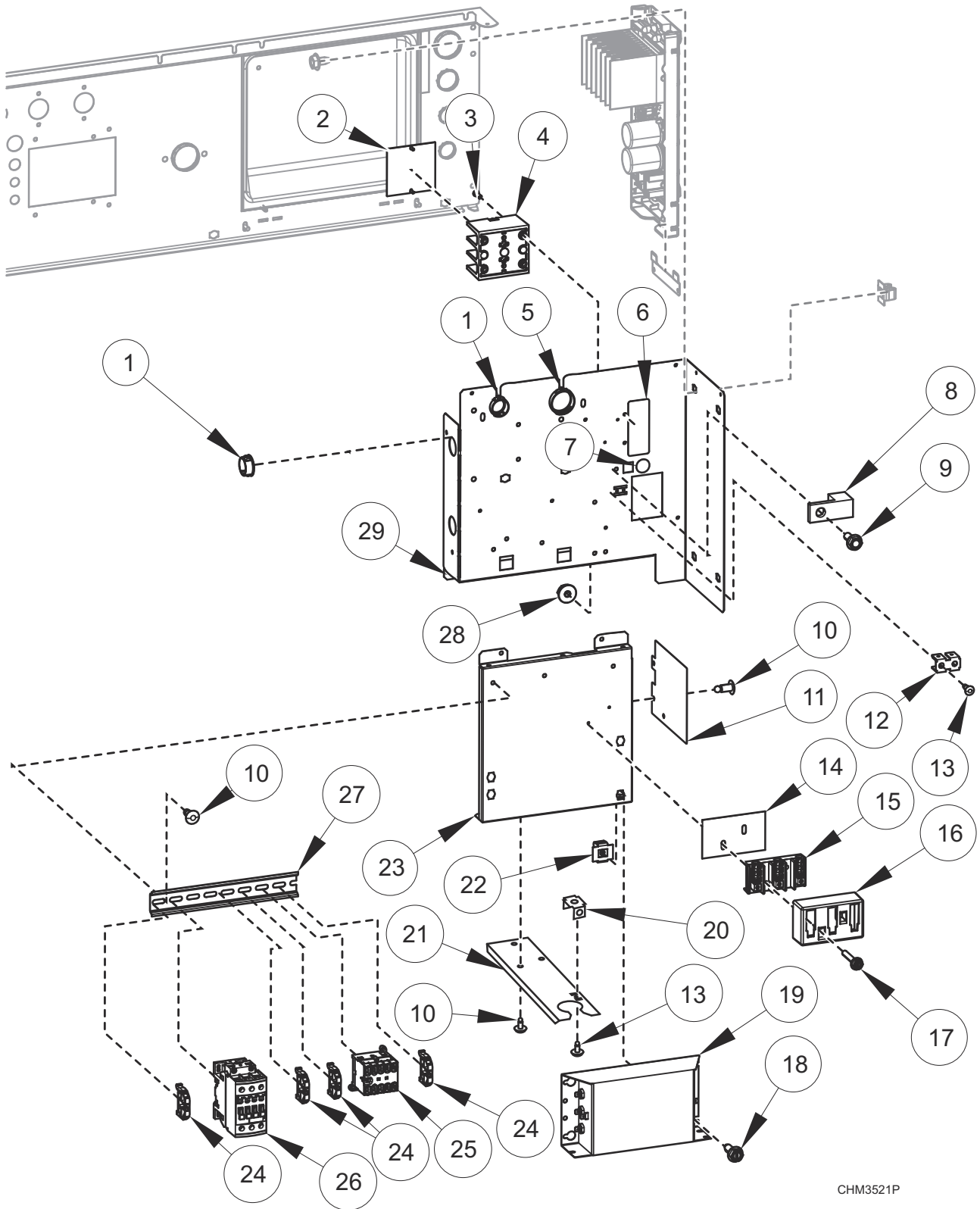


CHM3521P

Inverter Drive Box - 20 and 30 Pound Models with B Voltage

REF	PART NO.	DESCRIPTION	COMMENTS
	F8567001	Drive Panel Base Assembly	Includes items 10-13, 21, 25 and 27
	F8518405	Harness	PowerTB1
	F8518604	Harness	Power drive; IEC
	F8528001	Harness	TB filter; IEC
	F8528002	Harness	PDB filter; IEC; Electric heat
	F8528004	Harness	TB Filter
	F8528006	Harness	TB2 Filter
	F8619101	Power Harness	Power contactor; Electric heat
	F8619102	Harness	Power contactor; IEC; Electric heat
	F8662801	Filter Kit	Includes items 1, 14-20, harnesses and labels
1	F140938	Snap Bushing	
2	44014901P	Power Distribution Block Cover	Electric heat
3	39733	Screw	Electric heat
4	M413865	Power Distribution Block	Electric heat
5	70346501	Bushing	
6	44286801	Label	Power input; L1, N
7	D516100	Label	
8	M411283	Ground Lug Connector	
9	685837	Screw	
10	70058501	Pop Rivet	
11	F8616901	Drive Shield	
12	00622SG	Terminal	
13	M400003	Pop Rivet	
14	M413862	Insulator	
15	430642	Terminal Block	
16	70333001	Terminal Block Shield	
17	51783	Screw	
18	F8206901	Screw	
19	F8591601	EMI Filter	IEC
20	00621SG	Male Tab Terminal	IEC models
21	F8744301	Harness Support Bracket	IEC models
22	70030501	Expansion Clip	
23	F8530901	Contactory Tray	
24	F8449801	End Stop	
25	70482601	Contactory	5.5kW/500V; 24VDC
26	70482701	Contactory	50A; 24VDC
27	M412689	DIN Rail	7.5 mm x 35 mm x 8.364 inch
28	44088001	Nut	
29	F8530801	Drive Terminal Tray	

Inverter Drive Box - 20 and 30 Pound Models with N, P, Q, W, X and Y Voltage

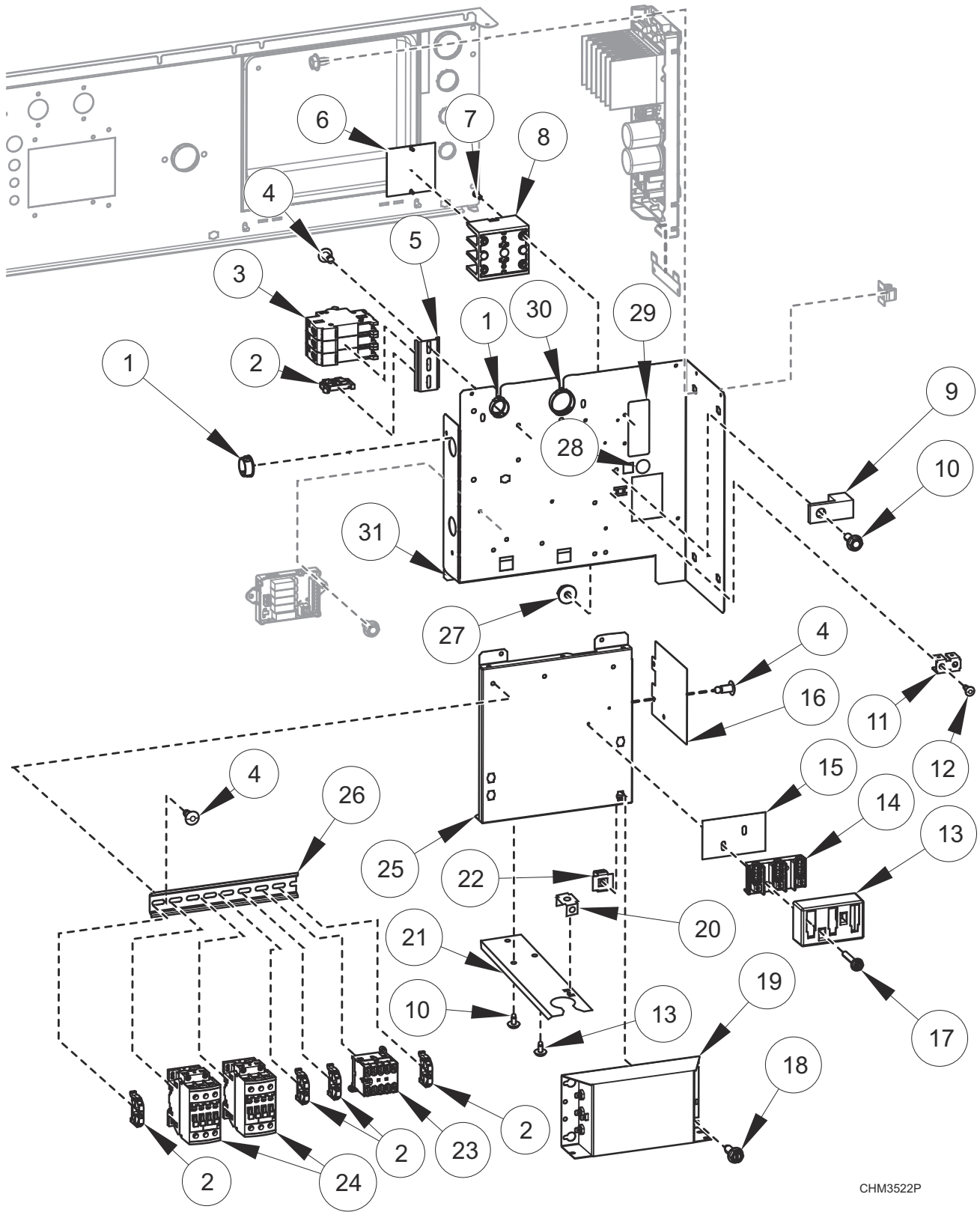


CHM3521P

Inverter Drive Box - 20 and 30 Pound Models with N, P, Q, W, X and Y Voltage

REF	PART NO.	DESCRIPTION	COMMENTS
	F8567001	Drive Panel Base Assembly	Includes items 10-13, 21, 25 and 27
	F8518401	Harness	Power TB1; W, X and Y voltage
	F8518501	Harness	Power TB1; N and P voltage
	F8518502	Harness	Power PDB; N and P voltage; Electric heat
	F8518402	Harness	Power PDB; Q voltage; Electric heat
	F8518404	Harness	Power filter; IEC; Q, W, X, and Y voltage
	F8518504	Harness	Power filter; IEC; N and P voltage
	F8518605	Harness	Power drive; IEC; Q, W, X, and Y voltage
	F8528001	Harness	TB filter; IEC
	F8528002	Harness	PDB filter; IEC; Electric heat
	F8528005	Harness	TB2 Filter; IEC; N, P, Q, W, X, and Y voltage
	F8619101	Power Harness	Power contactor; Electric heat
	F8619102	Harness	Power contactor; IEC; Electric heat
	F8662809	Filter Kit	Includes items 1, 14-20, harnesses and labels; Q voltage; Electric heat
	F8662810	Filter Kit	Includes items 1, 14-20, harnesses and labels; N and P voltage; Electric heat
	F8662803	Filter Kit	Includes items 1, 14-20, harnesses and labels; W, X and Y voltage
	F8662805	Filter Kit	Includes items 1, 14-20, harnesses and labels; N and P voltage
1	F140938	Snap Bushing	
2	44014901P	Power Distribution Block Cover	Electric heat
3	39733	Screw	Electric heat
4	M413865	Power Distribution Block	Electric heat
5	70346501	Bushing	
6	44286803	Label	Power input; L1, L2, L3; N and P voltage
	44286804	Wire Label	Power input; L1, L2/N; L1, L2, L3; W, X and Y voltage
7	D516100	Label	
8	M411283	Ground Lug Connector	
9	685837	Screw	
10	70058501	Pop Rivet	
11	F8616901	Drive Shield	
12	00622SG	Terminal	
13	M400003	Pop Rivet	
14	M413862	Insulator	
15	430642	Terminal Block	
16	70333001	Terminal Block Shield	
17	51783	Screw	
18	F8206901	Screw	
19	F8591801	EMI Filter	IEC; Q, W, X and Y voltage
	F8637501	EMI Filter	IEC; N and P voltage
20	00621SG	Male Tab Terminal	IEC models
21	F8744301	Harness Support Bracket	IEC models
22	70030501	Expansion Clip	
23	F8530901	Contactors Tray	
24	F8449801	End Stop	
25	70482601	Contactors	5.5kW/500V; 24VDC
26	70482701	Contactors	50A; 24VDC
27	M412689	DIN Rail	7.5 mm x 35 mm x 8.364 inch
28	44088001	Nut	
29	F8530801	Drive Terminal Tray	

Inverter Drive Box - 40 Pound Models with B Voltage

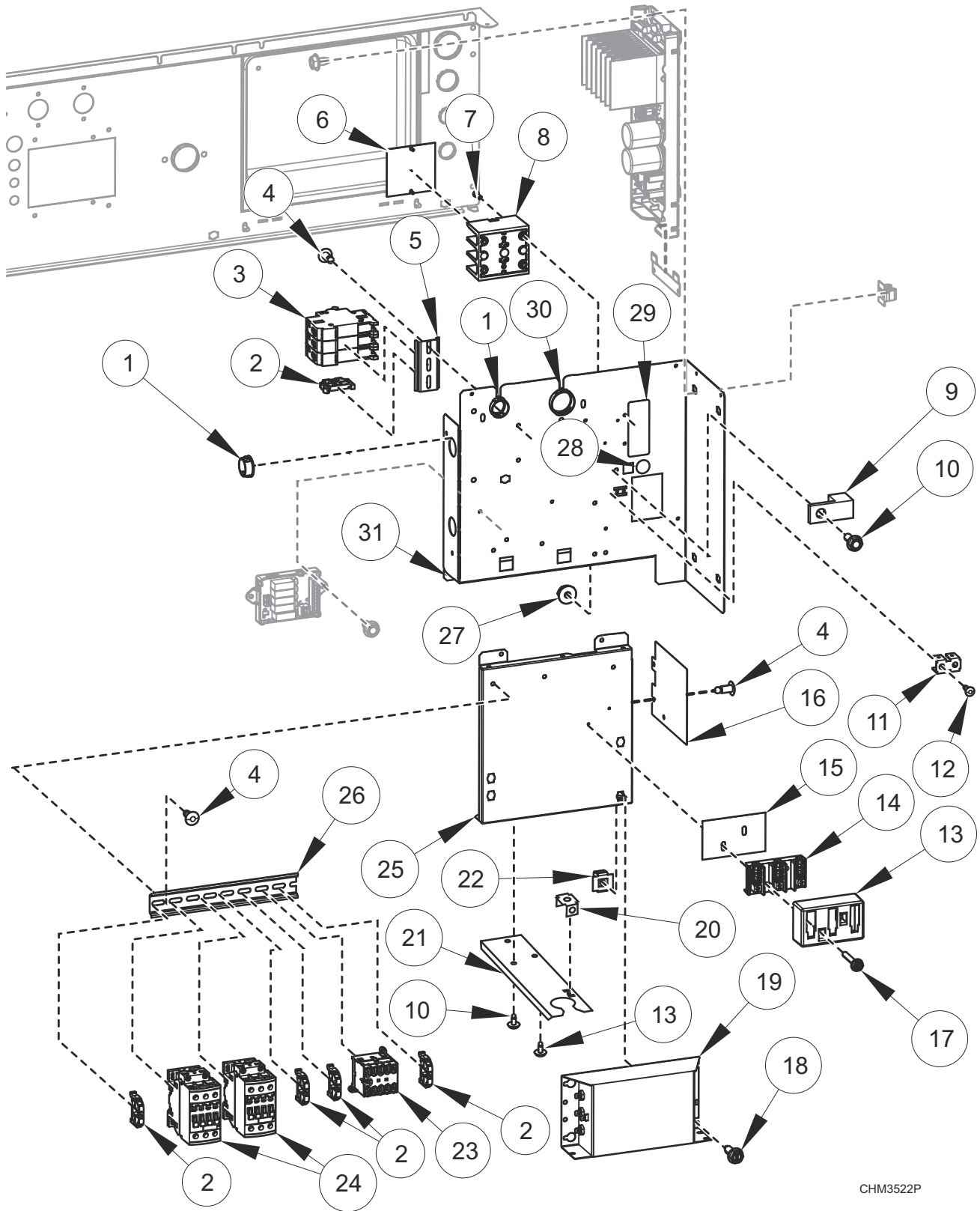


CHM3522P

Inverter Drive Box - 40 Pound Models with B Voltage

REF	PART NO.	DESCRIPTION	COMMENTS
	F8567001	Drive Panel Base Assembly	Includes items 4, 11, 12, 16, 23, 24 and 29
	F8567002	Drive Panel Base Assembly	Electric heat; Includes items 4, 5, 11, 12, 16, 23, 24 and 29
	F8583501	Jumper	Circuit breaker jumper; Electric heat
	F8518405	Harness	Power TB1
	F8518604	Harness	Power drive; IEC
	F8528001	Harness	TB filter; IEC
	F8528003	Harness	CB filter; IEC; Electric heat
	F8528004	Harness	TB Filter
	F8528006	Harness	TB2 Filter
	F8619101	Power Harness	Power contactor; Electric heat
	F8619102	Harness	Power contactor; IEC; Electric heat
	F8662802	Filter Kit	Includes items 1, 14, 15, 17-20, harnesses and labels
1	F140938	Snap Bushing	
2	F8449801	End Stop	
3	70488101	Circuit Breaker	3P; 25A; Electric heat
4	70058501	Pop Rivet	
5	B12315401	DIN Rail	7.5 mm x 35 mm x 72 mm; Electric heat
6	44014901P	Power Distribution Block Cover	Electric heat
7	39733	Screw	Electric heat
8	M413865	Power Distribution Block	Electric heat
9	M411283	Ground Lug Connector	
10	685837	Screw	
11	00622SG	Terminal	
12	M400003	Pop Rivet	
13	70333001	Terminal Block Shield	
14	430642	Terminal Block	
15	M413862	Insulator	
16	F8616901	Drive Shield	
17	51783	Screw	
18	F8206901	Screw	
19	F8591601	EMI Filter	IEC
20	00621SG	Male Tab Terminal	IEC models
21	F8744301	Harness Support Bracket	IEC models
22	70030501	Expansion Clip	
23	70482601	Contactora	5.5kW/500V; 24VDC
24	70482701	Contactora	50A; 24VDC
25	F8530901	Contactora Tray	
26	M412689	DIN Rail	7.5 mm x 35 mm x 8.364 inch
27	44088001	Nut	
28	D516100	Label	
29	44286801	Label	Power input; L1, N
30	70346501	Bushing	
31	F8530801	Drive Terminal Tray	

Inverter Drive Box - 40 Pound Models with N, P, Q, W, X and Y Voltage

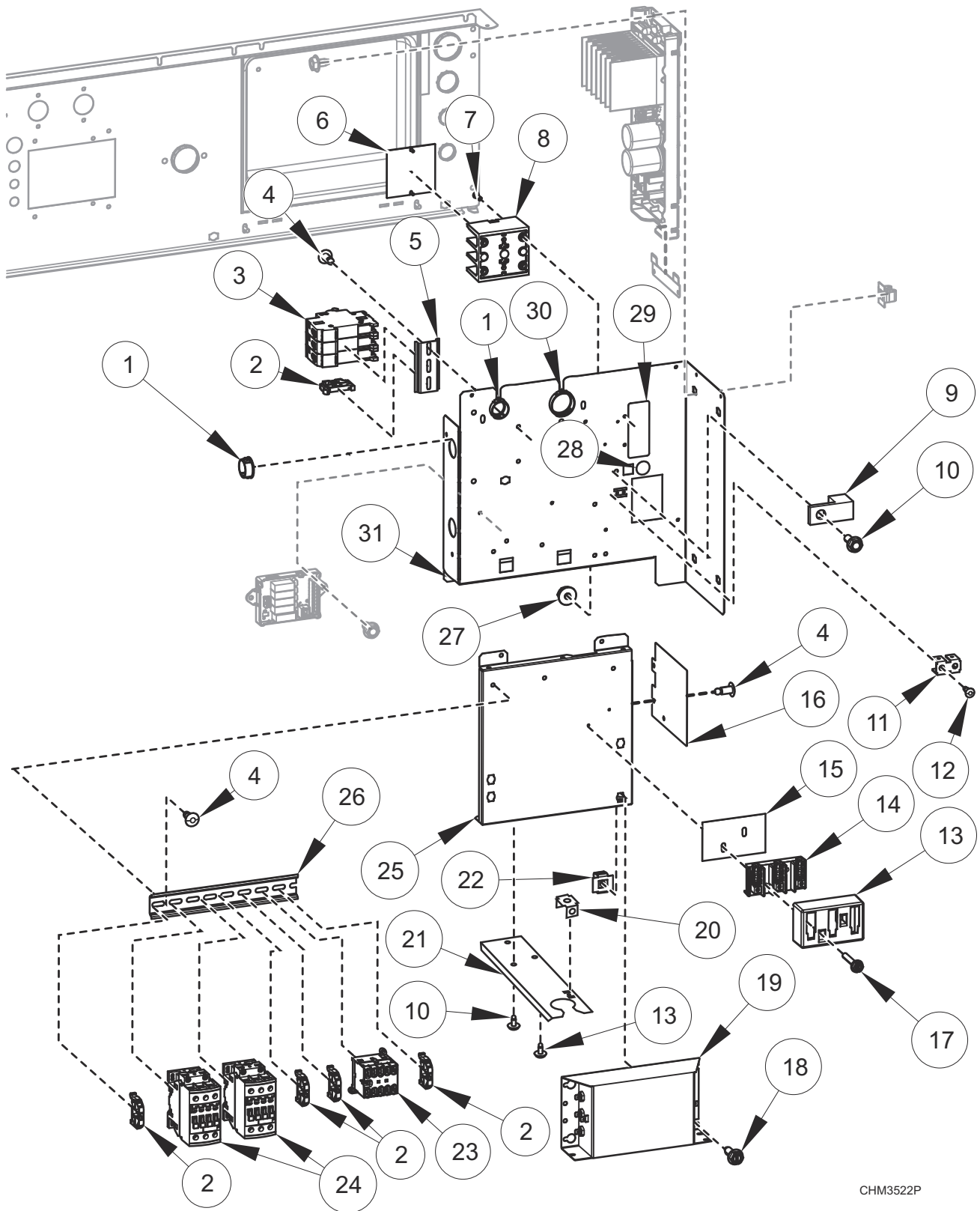


CHM3522P

Inverter Drive Box - 40 Pound Models with N, P, Q, W, X and Y Voltage

REF	PART NO.	DESCRIPTION	COMMENTS
	F8567001	Drive Panel Base Assembly	Includes items 4, 11, 12, 16, 23, 24 and 29
	F8567002	Drive Panel Base Assembly	Electric heat; Includes items 4, 5, 11, 12, 16, 23, 24 and 29
	F8583501	Jumper	Circuit breaker jumper; Electric heat
	F8518401	Harness	Power TB1; W, X and Y voltage
	F8518501	Harness	Power TB1; N and P voltage
	F8518503	Harness	Power CB; N and P voltage; Electric heat
	F8518403	Harness	Power CB; Q voltage; Electric heat
	F8518404	Harness	Power filter; IEC; Q, W, X, and Y voltage
	F8518504	Harness	Power filter; IEC; N and P voltage
	F8518605	Harness	Power drive; IEC; Q, W, X, and Y voltage
	F8518606	Harness	Power drive; IEC; N, P, Q, W, X, and Y voltage
	F8528001	Harness	TB filter; IEC
	F8528003	Harness	CB filter; IEC; Electric heat
	F8528005	Harness	TB2 Filter; IEC; N, P, Q, W, X, and Y voltage
	F8619101	Power Harness	Power contactor; Electric heat
	F8619102	Harness	Power contactor; IEC; Electric heat
	F8662811	Filter Kit	Includes items 1, 14, 15, 17-20, harnesses and labels; Q voltage; Electric heat
	F8662812	Filter Kit	Includes items 1, 14, 15, 17-20, harnesses and labels; N and P voltage; Electric heat
	F8662804	Filter Kit	Includes items 1, 14, 15, 17-20, harnesses and labels; W, X and Y voltage
	F8662806	Filter Kit	Includes items 1, 14, 15, 17-20, harnesses and labels; N and P voltage
1	F140938	Snap Bushing	
2	F8449801	End Stop	
3	70488101	Circuit Breaker	3P; 25A; Electric heat
4	70058501	Pop Rivet	
5	B12315401	DIN Rail	7.5 mm x 35 mm x 72 mm; Electric heat
6	44014901P	Power Distribution Block Cover	Electric heat
7	39733	Screw	Electric heat
8	M413865	Power Distribution Block	Electric heat
9	M411283	Ground Lug Connector	
10	685837	Screw	
11	00622SG	Terminal	
12	M400003	Pop Rivet	
13	70333001	Terminal Block Shield	
14	430642	Terminal Block	
15	M413862	Insulator	
16	F8616901	Drive Shield	
17	51783	Screw	
18	F8206901	Screw	
19	F8591801	EMI Filter	IEC; Q, W, X and Y voltage
	F8637501	EMI Filter	IEC; N and P voltage
20	00621SG	Male Tab Terminal	IEC models
21	F8744301	Harness Support Bracket	IEC models
22	70030501	Expansion Clip	
23	70482601	Contactors	5.5kW/500V; 24VDC
24	70482701	Contactors	50A; 24VDC
25	F8530901	Contactors Tray	
26	M412689	DIN Rail	7.5 mm x 35 mm x 8.364 inch
27	44088001	Nut	
28	D516100	Label	
29	44286803	Label	Power input; L1, L2, L3; N and P voltage
	44286804	Wire Label	Power input; L1, L2/N; L1, L2, L3; W, X and Y voltage
30	70346501	Bushing	
31	F8530801	Drive Terminal Tray	

Inverter Drive Box - 60 Pound Models with Q and X Voltage

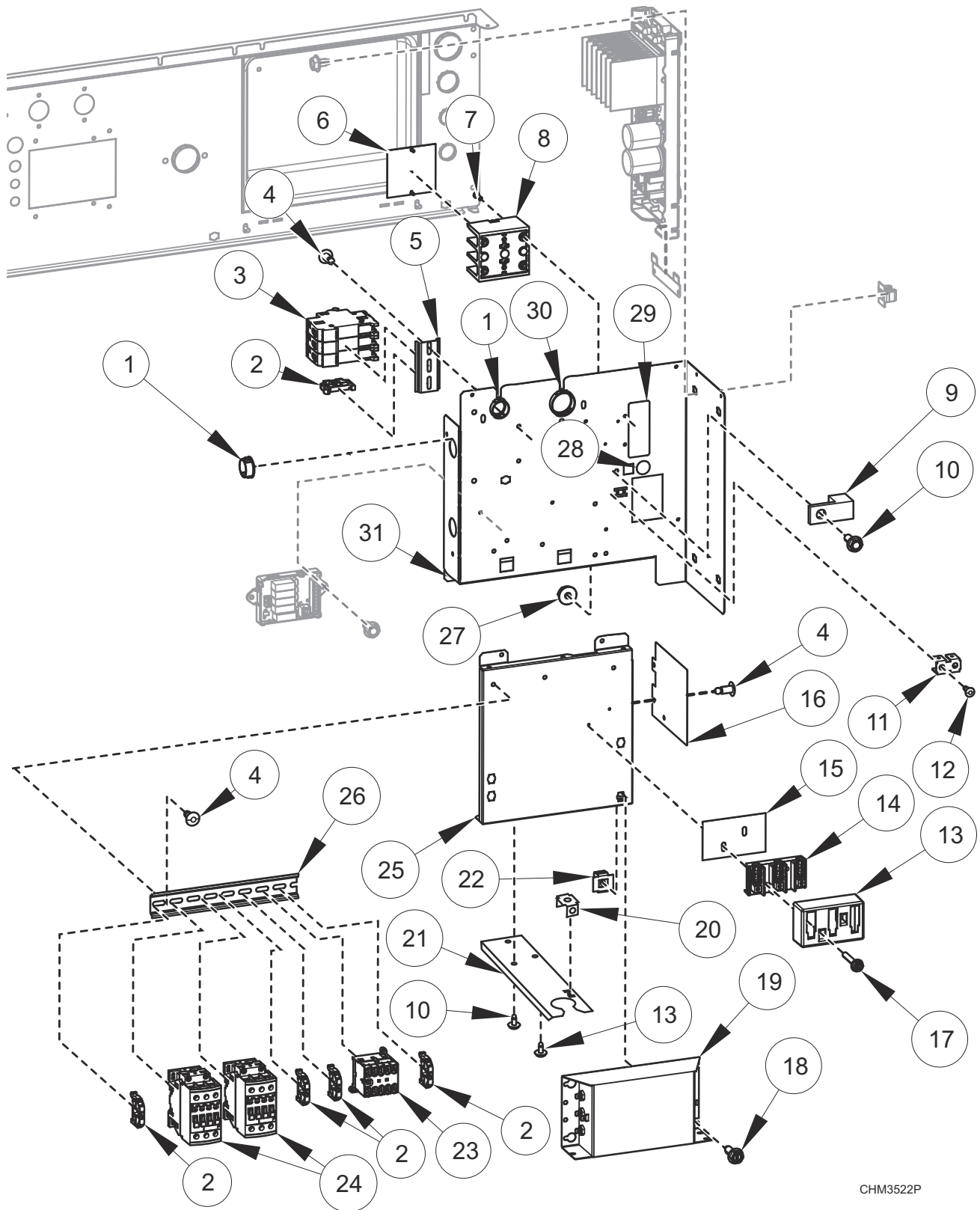


CHM3522P

Inverter Drive Box - 60 Pound Models with Q and X Voltage

REF	PART NO.	DESCRIPTION	COMMENTS
	F8567003	Drive Panel Base Assembly	Includes items 4, 11, 12, 16, 23, 24 and 29
	F8567004	Drive Panel Base Assembly	Electric heat; Includes items 4, 5, 11, 12, 16, 23, 24 and 29
	F8583501	Jumper	Circuit breaker jumper; Electric heat
	F8518401	Harness	Power TB1; X voltage
	F8518403	Harness	Power CB; Q voltage; Electric heat
	F8518404	Harness	Power filter; IEC
	F8518605	Harness	Power drive; IEC
	F8518606	Harness	Power drive; IEC
	F8528001	Harness	TB filter; IEC
	F8528003	Harness	CB filter; IEC; Electric heat
	F8528005	Harness	TB2 Filter; IEC
	F8619101	Power Harness	Power contactor; Electric heat
	F8619102	Harness	Power contactor; IEC; Electric heat
	F8662811	Filter Kit	Includes items 1, 14, 15, 17-20, harnesses and labels; Q voltage; Electric heat
	F8662804	Filter Kit	Includes items 1, 14, 15, 17-20, harnesses and labels; X voltage
1	F140938	Snap Bushing	
2	F8449801	End Stop	
3	70488101	Circuit Breaker	3P; 25A; Electric heat
4	70058501	Pop Rivet	
5	B12315401	DIN Rail	7.5 mm x 35 mm x 72 mm; Electric heat
6	44014901P	Power Distribution Block Cover	Electric heat
7	39733	Screw	Electric heat
8	M413865	Power Distribution Block	Electric heat
9	M411283	Ground Lug Connector	
10	685837	Screw	
11	00622SG	Terminal	
12	M400003	Pop Rivet	
13	70333001	Terminal Block Shield	
14	430642	Terminal Block	
15	M413862	Insulator	
16	F8616901	Drive Shield	
17	51783	Screw	
18	F8206901	Screw	
19	F8591801	EMI Filter	IEC
20	00621SG	Male Tab Terminal	IEC models
21	F8744301	Harness Support Bracket	IEC models
22	70030501	Expansion Clip	
23	70482601	Contactator	5.5kW/500V; 24VDC
24	70482701	Contactator	50A; 24VDC
25	F8530901	Contactator Tray	
26	M412689	DIN Rail	7.5 mm x 35 mm x 8.364 inch
27	44088001	Nut	
28	D516100	Label	
29	44286804	Wire Label	Power input; L1, L2/N; L1, L2, L3; X voltage
30	70346501	Bushing	
31	F8530803	Drive Terminal Tray	

Inverter Drive Box - 60 Pound Models with N and P Voltage

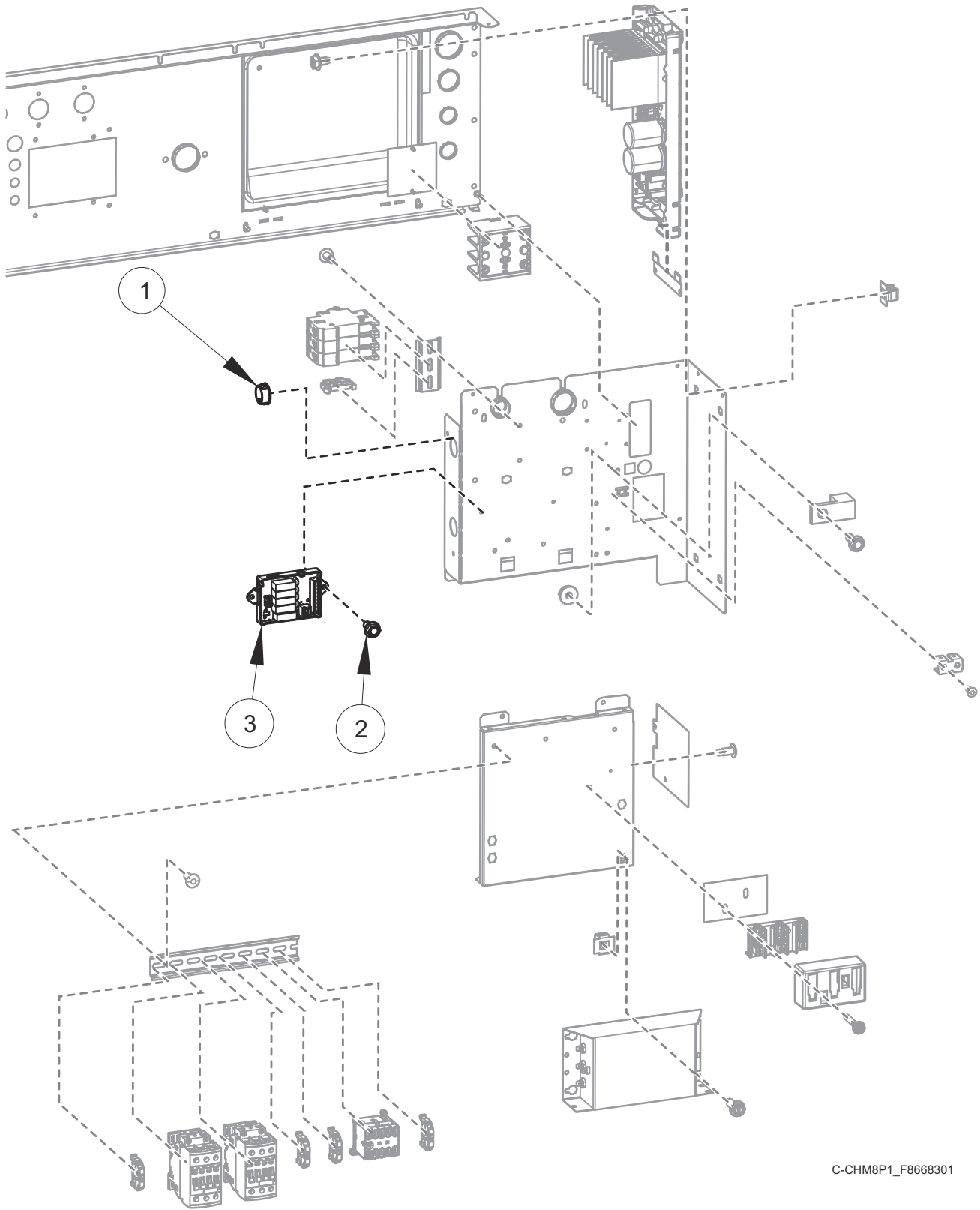


CHM3522P

Inverter Drive Box - 60 Pound Models with N and P Voltage

REF	PART NO.	DESCRIPTION	COMMENTS
	F8567003	Drive Panel Base Assembly	Includes items 4, 11, 12, 16, 23, 24 and 29
	F8567004	Drive Panel Base Assembly	Electric heat; Includes items 4, 5, 11, 12, 16, 23, 24 and 29
	F8583501	Jumper	Circuit breaker jumper; Electric heat
	F8518501	Harness	Power TB1
	F8518503	Harness	Power CB; Electric heat
	F8518504	Harness	Power filter; IEC
	F8518606	Harness	Power drive; IEC
	F8528001	Harness	TB filter; IEC
	F8528003	Harness	CB filter; IEC; Electric heat
	F8528005	Harness	TB2 Filter; IEC
	F8619101	Power Harness	Power contactor; Electric heat
	F8619102	Harness	Power contactor; IEC; Electric heat
	F8662812	Filter Kit	Includes items 1, 14, 15, 17-20, harnesses and labels; Electric heat
	F8662806	Filter Kit	Includes items 1, 14, 15, 17-20, harnesses and labels
1	F140938	Snap Bushing	
2	F8449801	End Stop	
3	70488101	Circuit Breaker	3P; 25A; Electric heat
4	70058501	Pop Rivet	
5	B12315401	DIN Rail	7.5 mm x 35 mm x 72 mm; Electric heat
6	44014901P	Power Distribution Block Cover	Electric heat
7	39733	Screw	Electric heat
8	M413865	Power Distribution Block	Electric heat
9	M411283	Ground Lug Connector	
10	685837	Screw	
11	00622SG	Terminal	
12	M400003	Pop Rivet	
13	70333001	Terminal Block Shield	
14	430642	Terminal Block	
15	M413862	Insulator	
16	F8616901	Drive Shield	
17	51783	Screw	
18	F8206901	Screw	
19	F8637501	EMI Filter	IEC
20	00621SG	Male Tab Terminal	IEC models
21	F8744301	Harness Support Bracket	IEC models
22	70030501	Expansion Clip	
23	70482601	Contactors	5.5kW/500V; 24VDC
24	70482701	Contactors	50A; 24VDC
25	F8530901	Contactors Tray	
26	M412689	DIN Rail	7.5 mm x 35 mm x 8.364 inch
27	44088001	Nut	
28	D516100	Label	
29	44286803	Label	Power input; L1, L2, L3
30	70346501	Bushing	
31	F8530803	Drive Terminal Tray	

External Supply Kit

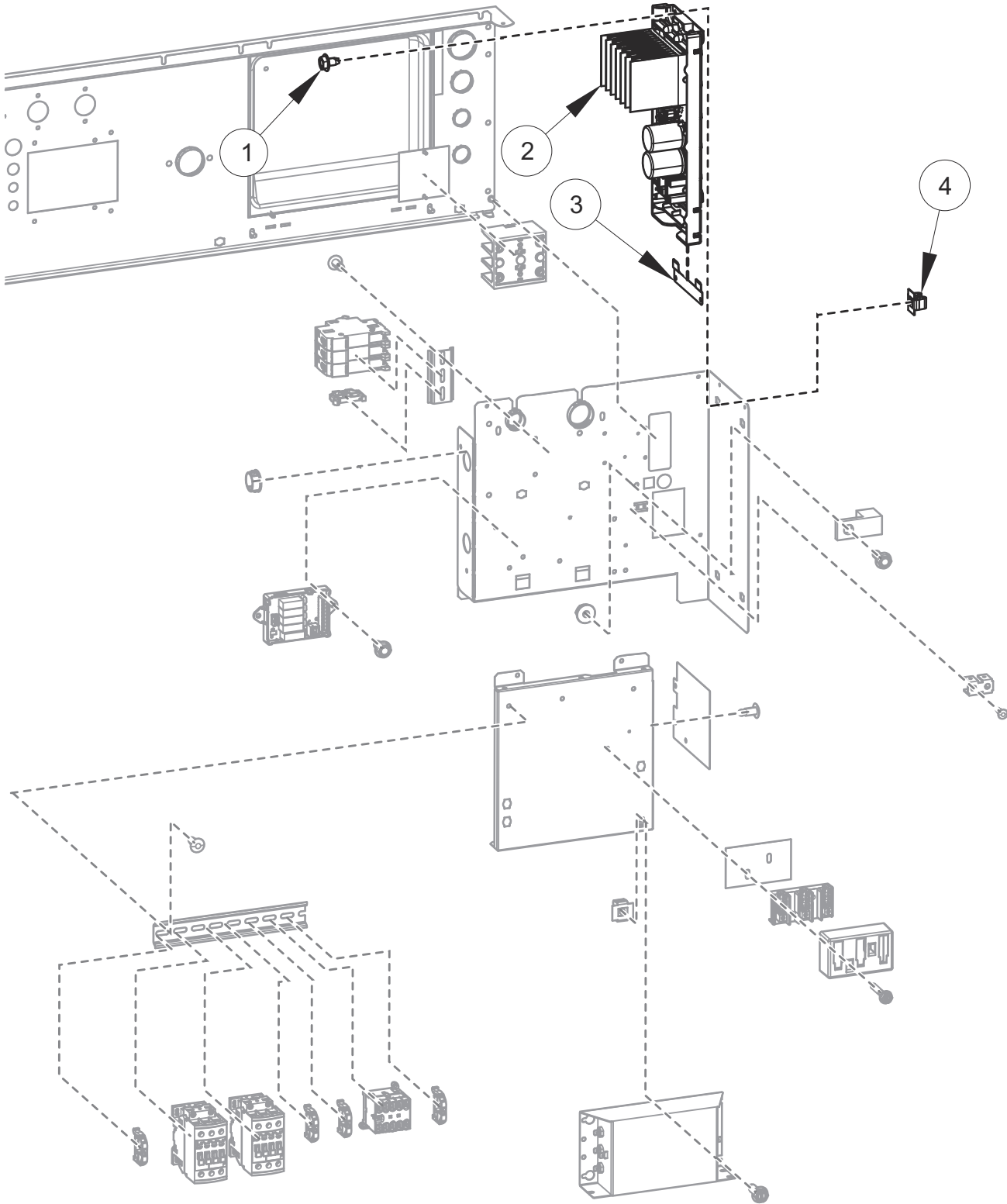


C-CHM8P1_F8668301

External Supply Kit

REF	PART NO.	DESCRIPTION	COMMENTS
	F8662505	External Supply Kit	20 and 30 pound models with B voltage; Includes items 1-3, 202757 Transformer, F8520601 Harness, F8528203 Harness, hardware and labels; 4 out
	F8662506	External Supply Kit	40 pound models with B voltage; Includes items 1-3, 202757 Transformer, F8520601 Harness, F8528203 Harness, hardware and labels; 4 out
	F8662507	External Supply Kit	20 and 30 pound models with N, P, Q and X voltage; Includes items 1-3, 202758 Transformer, F8520601 Harness, F8528204 Harness, hardware and labels; 4 out
	F8662508	External Supply Kit	40 and 60 pound models with N, P, Q and X voltage; Includes items 1-3, F8520602 Harness, F8528204 Harness, hardware and labels; 4 out
	F8520603	Harness	Communication; 20 and 30 pound models
	F8520602	Harness	Communication; 40 and 60 pound models
	F8528203	Harness	Power; B voltage
	F8528204	Harness	Power; N, P, Q, W, X and Y voltage
1	F140938	Snap Bushing	
2	430497	Screw	
3	804528	Chemical Injection Control	5 output
	70493102	Connector	9 pin; H2

Inverter Drive

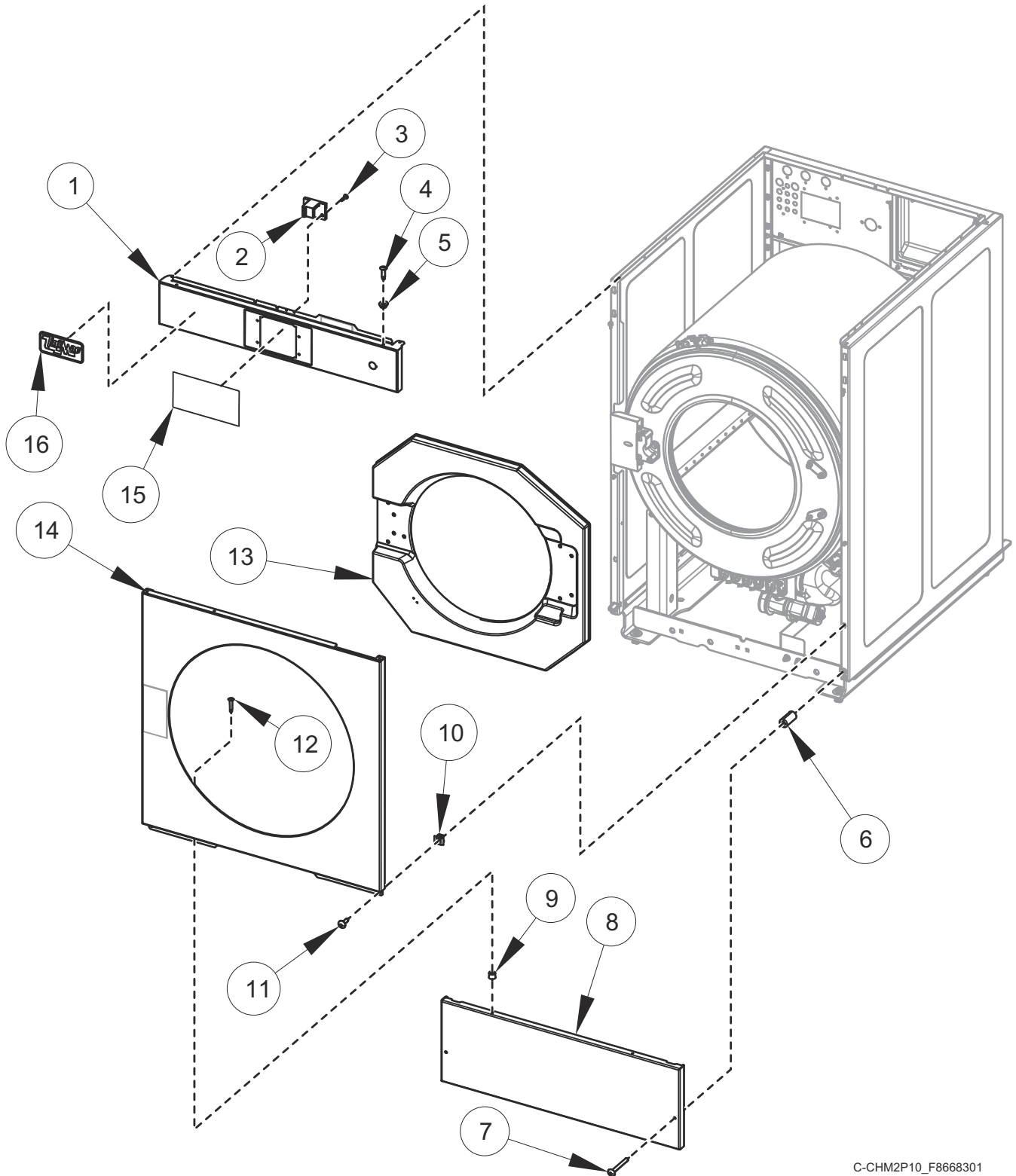


C-CHM2P22_F8668301

Inverter Drive

REF	PART NO.	DESCRIPTION	COMMENTS
	F8519202	Drive Communication Harness	20 and 30 pound models; 40 and 60 pound models with N and P voltage; Electric heat
	F8519203	Drive Communication Harness	40 and 60 pound models with Q voltage; Electric heat
	F8519201	Drive Communication Harness	Standard
	F8519204	Drive Communication Harness	Steam heat
	F8518605	Harness	Power drive; 20, 30 and 40 pound models with Q, W, X and Y voltage; IEC
	F8518607	Harness	power drive; 60 pound models with Q and X voltage; IEC
	F8518606	Harness	Power drive; N and P voltage; IEC
	F8518602	Drive Power Harness	Q, W, X and Y voltage
	F8518603	Drive Power Harness	N and P voltage
	F8518601	Drive Power Harness	B voltage
1	D503688	Screw	
2	F8496001	Drive Assembly	20, 30 and 40 pound models; N and P-voltage; 2 hp; 480 Volt
	F8495401P	Drive Assembly	20, 30 and 40 pound models; B, Q, W X and Y-voltage; 2 hp; 120/240 Volt
	F8496301P	Drive Assembly	60 pound models; Q and X-voltage; 3 hp; 240 Volt
	F8496901	Drive Assembly	60 pound models; N and P-voltage; 5 hp; 480 Volt
3	F8322401	Drive Mounting Bracket	2 required for N and P voltage
4	70030501	Expansion Clip	

Front Panels and Control Panel - Design 4

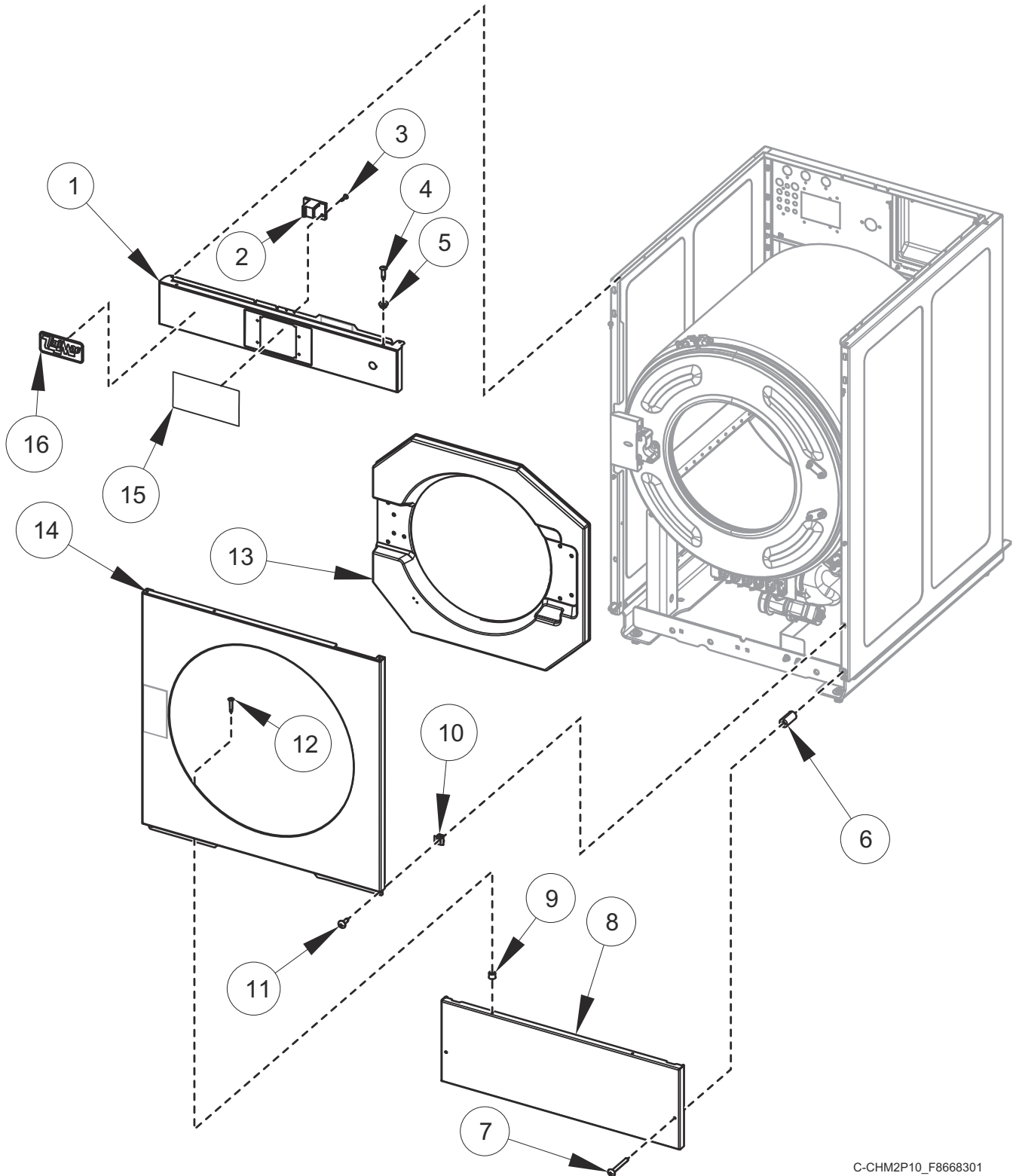


C-CHM2P10_F8668301

Front Panels and Control Panel - Design 4

REF	PART NO.	DESCRIPTION	COMMENTS
1	F8523705	Control Panel Assembly	UC 20 pound models; Includes F8590801 Stud
	F8523805	Control Panel Assembly	UC 30 pound models; Includes F8590801 Stud
	F8523905	Control Panel Assembly	UC 40 pound models; Includes F8590801 Stud
	F8553705	Control Panel Assembly	UC 60 pound models; Includes F8590801 Stud
	F8523704	Control Panel Assembly	HC and SC 20 pound models; Includes F8590801 Stud
	F8523804	Control Panel Assembly	HC and SC 30 pound models; Includes F8590801 Stud
	F8523904	Control Panel Assembly	HC and SC 40 pound models; Includes F8590801 Stud
	F8553704	Control Panel Assembly	HC and SC 60 pound models; Includes F8590801 Stud
2	F8201001	Top Cover Latch	
3	F431215	Pop Rivet	
4	70412601	Pop Rivet	
5	F8201101	Washer	
6	F8609701	Access Panel Retaining Spacer	
7	F8589501	Screw	
8	F8524001	Access Panel	20 pound models
	F8524101	Access Panel	30 pound models
	F8524201	Access Panel	40 pound models
	F8553901	Access Panel	60 pound models
9	56079	Panel Locator	
10	70030501	Expansion Clip	
11	F8117601	Screw	
12	M412763	Rivet	
13	F8658801	Door Bezel	HC and UC 20 pound models
	F8658901	Door Bezel	HC and UC 30 pound models
	F0170426-30	Door Bezel	HC and UC 40 and 60 pound models
	F8658701	Door Bezel	SC 20 pound models
	F170417-1	Door Bezel	SC 30 pound models
	F8659101	Door Bezel	SC 40 and 60 pound models
14	F8524302	Front Panel	20 pound models
	F8524402	Front Panel	30 pound models
	F8524502	Front Panel	40 pound models
	F8554002	Front Panel	60 pound models
15	F8641501	Overlay	UC models
	F8579701	Overlay	SC models
	F8593801	Overlay	HC models
16	F8443105	Nameplate	UC 20 and 30 pound models
	F8443106	Nameplate	UC 40 and 60 pound models

Front Panels and Control Panel - Design 6

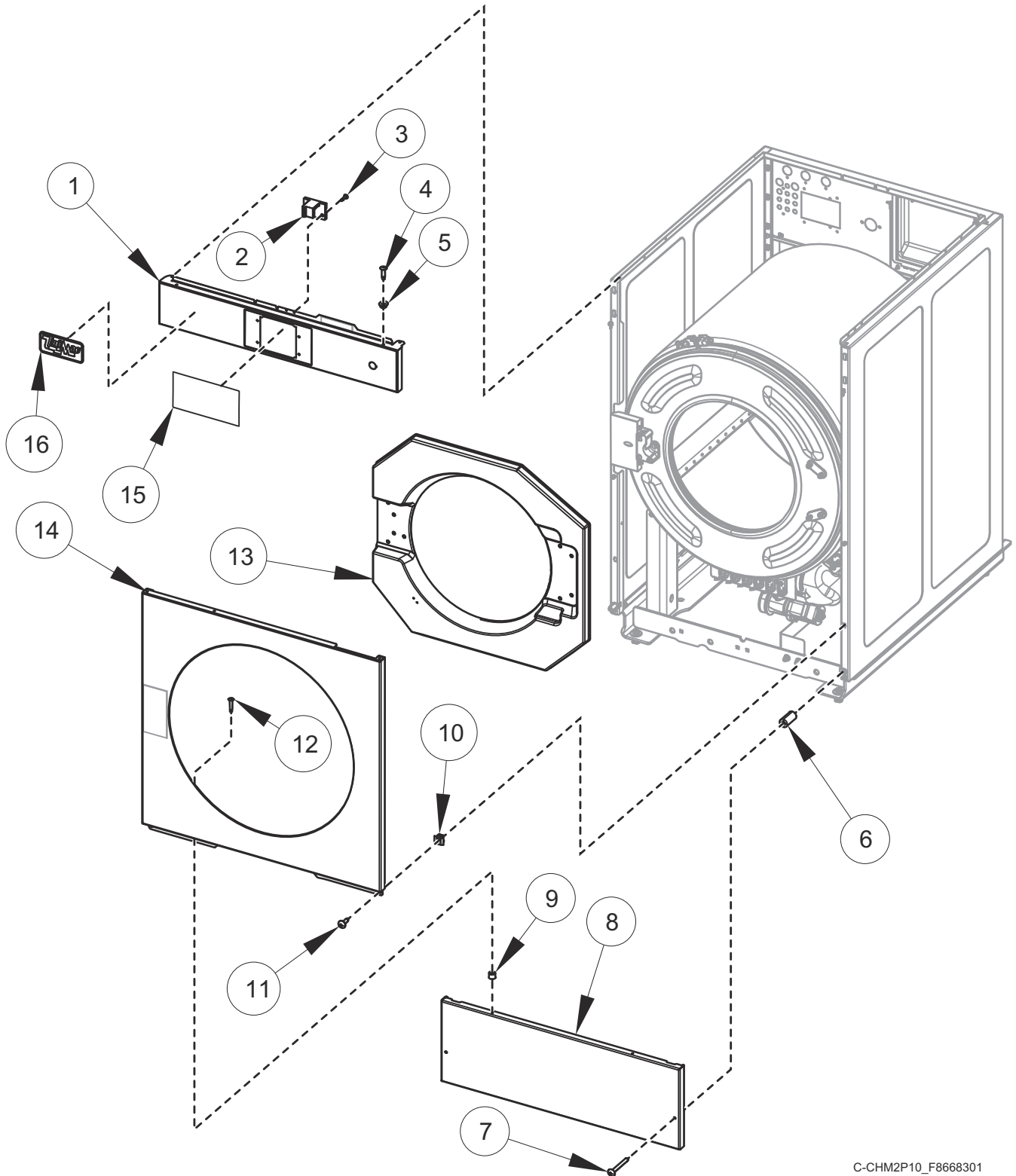


C-CHM2P10_F8668301

Front Panels and Control Panel - Design 6

REF	PART NO.	DESCRIPTION	COMMENTS
	F8698801	Instruction Label	SC models; English/Spanish
	F8698901	Instruction Label	SC models; Icon
	F8699702	Basket Capacity Label	SC 20 pound models
	F8699703	Basket Capacity Label	SC 30 pound models
	F8699704	Basket Capacity Label	SC 40 pound models
	F8699706	Basket Capacity Label	SC 60 pound models
7	F8589501	Screw	
	F8697203	Control Panel Assembly	HC 30 pound models; Includes F8590801 Stud
	F8697303	Control Panel Assembly	HC 40 pound models; Includes F8590801 Stud
	F8697403	Control Panel Assembly	HC 60 pound models; Includes F8590801 Stud
2	F8201001	Top Cover Latch	
3	F431215	Pop Rivet	
4	70412601	Pop Rivet	
5	F8201101	Washer	
6	F8609701	Access Panel Retaining Spacer	
7	F8589501	Screw	
8	F8524001	Access Panel	20 pound models
	F8524101	Access Panel	30 pound models
	F8524201	Access Panel	40 pound models
	F8553901	Access Panel	60 pound models
9	56079	Panel Locator	
10	70030501	Expansion Clip	
11	F8117601	Screw	
12	M412763	Rivet	
13	F8658801	Door Bezel	HC and UC 20 pound models
	F8658901	Door Bezel	HC and UC 30 pound models
	F0170426-30	Door Bezel	HC and UC 40 and 60 pound models
	F8658701	Door Bezel	SC 20 pound models
	F170417-1	Door Bezel	SC 30 pound models
	F8659101	Door Bezel	SC 40 and 60 pound models
14	F8524302	Front Panel	20 pound models
	F8524402	Front Panel	30 pound models
	F8524502	Front Panel	40 pound models
	F8554002	Front Panel	60 pound models
15	F8694201	Overlay	HC 20 pound models
	F8694301	Overlay	HC 30 pound models
	F8694401	Overlay	HC 40 pound models
	F8694501	Overlay	HC 60 pound models
	F8695901	Overlay	SC 20, 30 and 40 pound models
	F8696001	Overlay	SC 60 pound models
	F8696501	Overlay	UC models
16	F8688801	Nameplate	SC models

Front Panels and Control Panel - Design 7

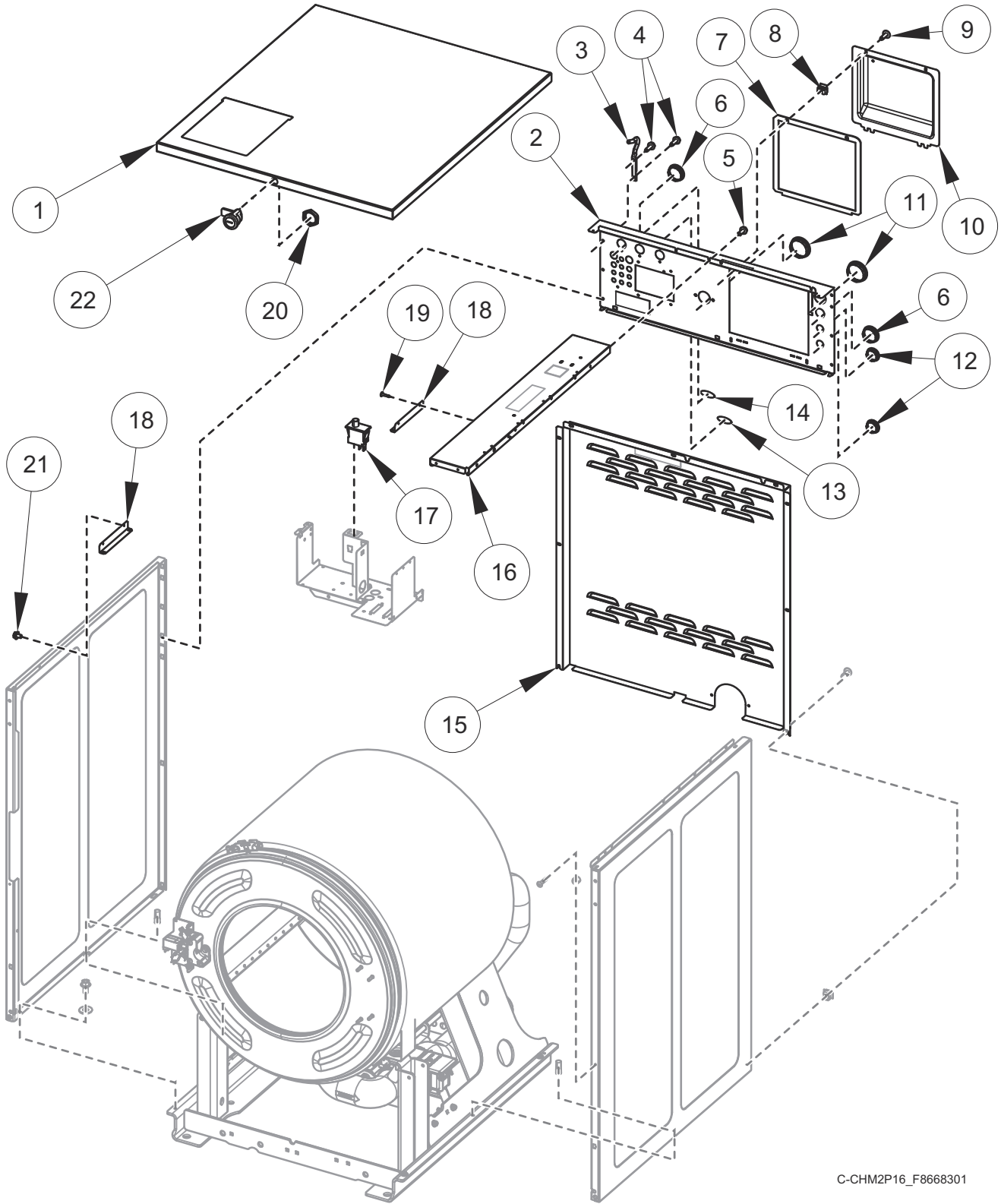


C-CHM2P10_F8668301

Front Panels and Control Panel - Design 7

REF	PART NO.	DESCRIPTION	COMMENTS
	F8698801	Instruction Label	SC models; English/Spanish
	F8698901	Instruction Label	SC models; Icon
	F8699702	Basket Capacity Label	SC 20 pound models
	F8699703	Basket Capacity Label	SC 30 pound models
	F8699704	Basket Capacity Label	SC 40 pound models
	F8699706	Basket Capacity Label	SC 60 pound models
7	F8589501	Screw	
	F8697203	Control Panel Assembly	HC 30 pound models; Includes F8590801 Stud
	F8697303	Control Panel Assembly	HC 40 pound models; Includes F8590801 Stud
	F8697403	Control Panel Assembly	HC 60 pound models; Includes F8590801 Stud
2	F8201001	Top Cover Latch	
3	F431215	Pop Rivet	
4	70412601	Pop Rivet	
5	F8201101	Washer	
6	F8609701	Access Panel Retaining Spacer	
7	F8589501	Screw	
8	F8524001	Access Panel	20 pound models
	F8524101	Access Panel	30 pound models
	F8524201	Access Panel	40 pound models
	F8553901	Access Panel	60 pound models
9	56079	Panel Locator	
10	70030501	Expansion Clip	
11	F8117601	Screw	
12	M412763	Rivet	
13	F8658801	Door Bezel	HC and UC 20 pound models
	F8658901	Door Bezel	HC and UC 30 pound models
	F0170426-30	Door Bezel	HC and UC 40 and 60 pound models
	F8658701	Door Bezel	SC 20 pound models
	F170417-1	Door Bezel	SC 30 pound models
	F8659101	Door Bezel	SC 40 and 60 pound models
14	F8524302	Front Panel	20 pound models with T in the 3rd position
	F8524402	Front Panel	30 pound models with T in the 3rd position
	F8524502	Front Panel	40 pound models with T in the 3rd position
	F8554002	Front Panel	60 pound models with T in the 3rd position
	F8524304	Front Panel	20 pound models with A, D, G, H, J, L, or U in the 3rd position
	F8524404	Front Panel	30 pound models with A, D, G, H, J, L, or U in the 3rd position
	F8524504	Front Panel	30 pound models with A, D, G, H, J, L, or U in the 3rd position
	F8554002	Front Panel	30 pound models with A, D, G, H, J, L, or U in the 3rd position
15	F8694201	Overlay	HC 20 pound models
	F8694301	Overlay	HC 30 pound models
	F8694401	Overlay	HC 40 pound models
	F8694501	Overlay	HC 60 pound models
	F8695901	Overlay	SC 20, 30 and 40 pound models
	F8696001	Overlay	SC 60 pound models
	F8696501	Overlay	UC models
16	F8688801	Nameplate	SC models

Rear and Top Panels

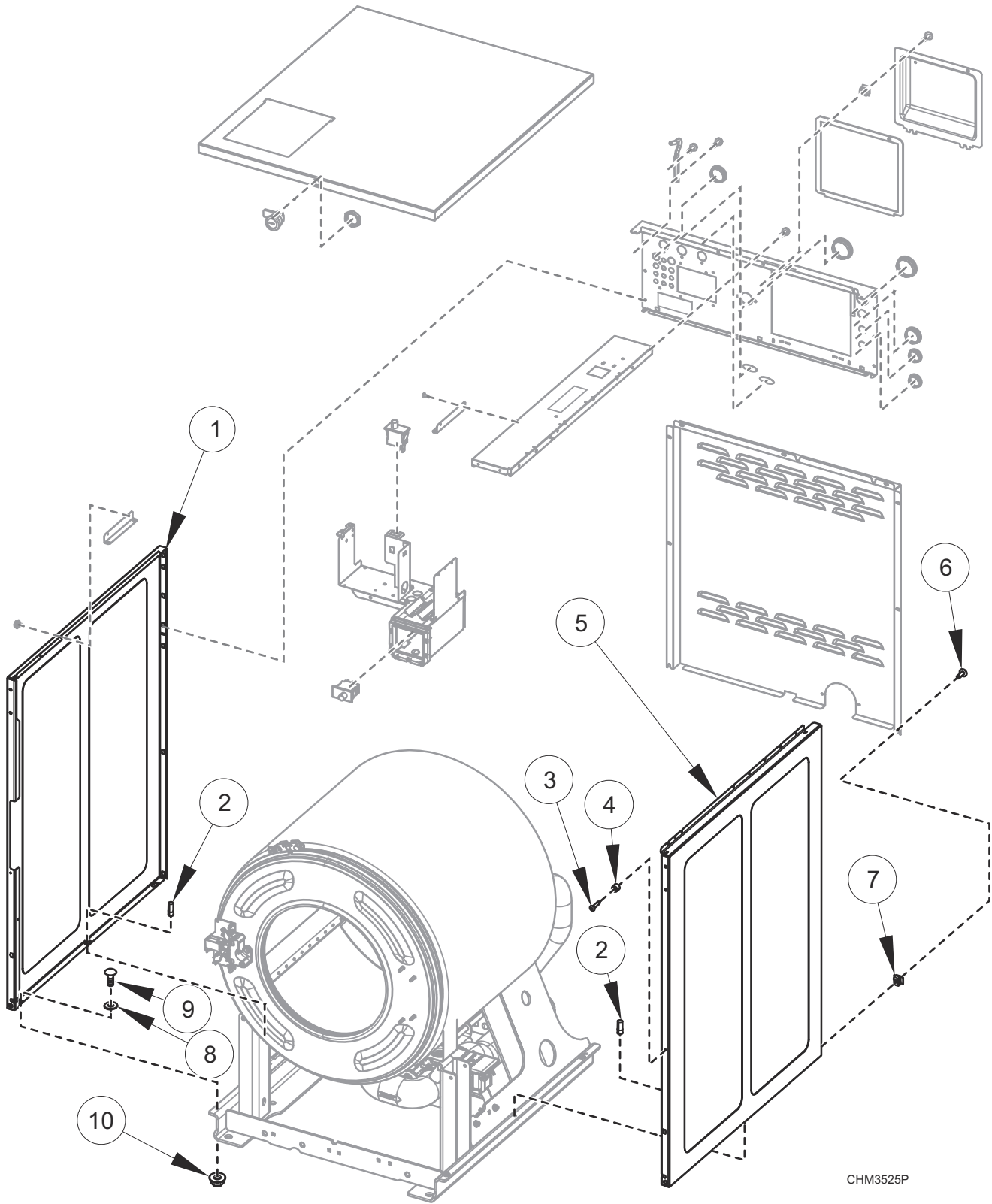


C-CHM2P16_F8668301

Rear and Top Panels

REF	PART NO.	DESCRIPTION	COMMENTS
1	F8525401	Top Cover	20 pound models
	F8525501	Top Cover	30 pound models
	F8525601	Top Cover	40 pound models
	F8554301	Top Cover	60 pound models
2	F8513101	Valve Panel	20 pound models
	F8513201	Valve Panel	30 pound models
	F8513301	Valve Panel	40 pound models
	F8554401	Valve Panel	60 pound models
3	F8258601	Top Cover Hinge	
4	F8206901	Screw	
5	33562	Screw	
6	F8223901	Plug	
7	F8542601	Gasket	
8	70030501	Expansion Clip	
9	F8117601	Screw	
10	F8518301	Terminal Tray Cover	
11	F8223801	Hole Plug	
12	M400985	Plug	
13	F8611301	Label	Hot water
14	F8611401	Label	Cold water
15	F8527001	Rear Panel	20 pound models
	F8527101	Rear Panel	30 pound models
	F8527201	Rear Panel	40 pound models
	F8554501	Rear Panel	60 pound models
16	F8527301	Cabinet Brace	20 pound models
	F8527401	Cabinet Brace	30 pound models
	F8527501	Cabinet Brace	40 pound models
	F8553201	Cabinet Brace	60 pound models
17	70413301	Pushbutton Switch	
18	F8525701	Dispenser Bracket	
19	F431215	Pop Rivet	
20	44088801	Nut	
21	51780	Screw	
22	44089303P	Panel Lock	
	70155603	Key	

Side Panels

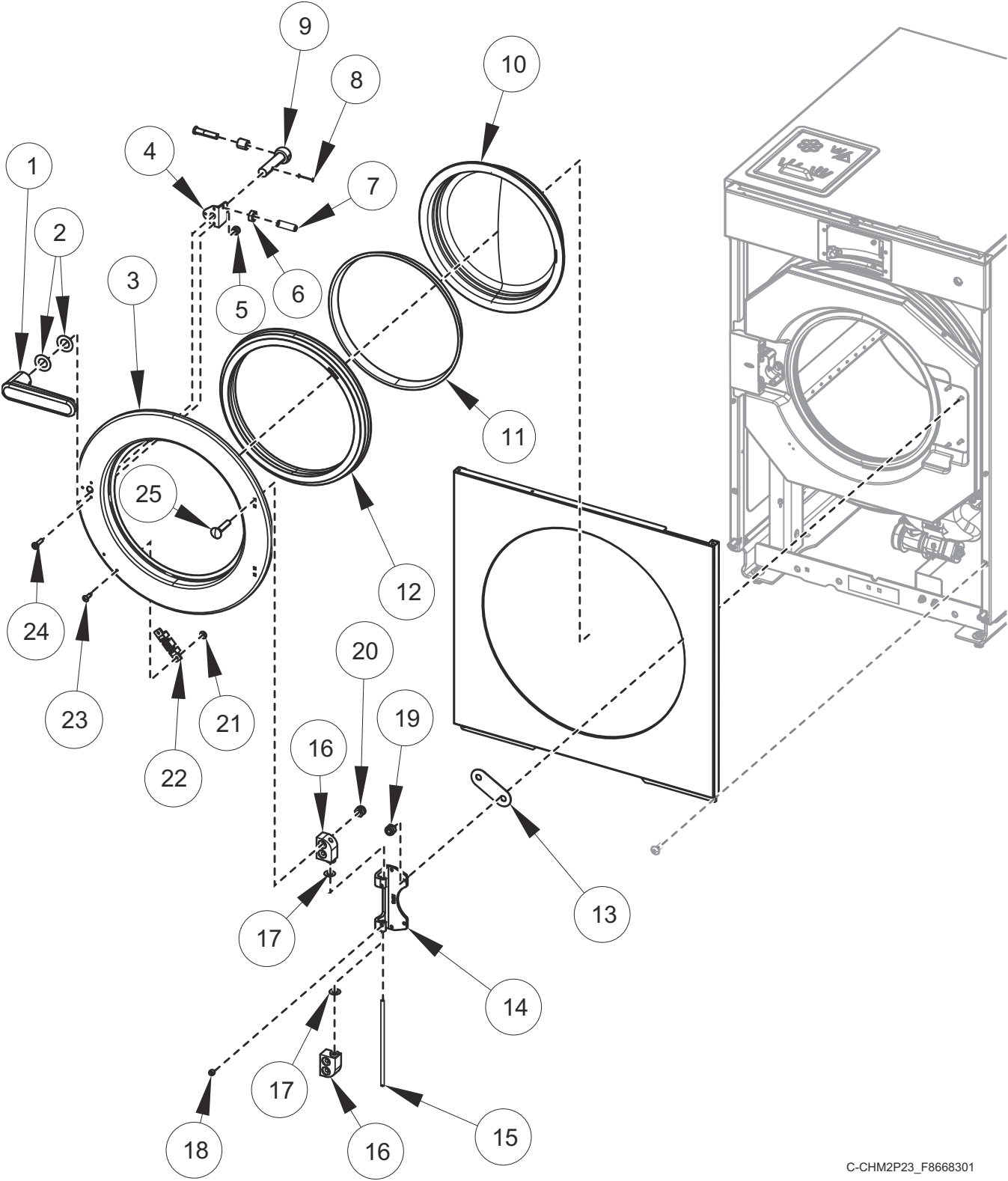


CHM3525P

Side Panels

REF	PART NO.	DESCRIPTION	COMMENTS
1	F8524602	Side Panel	20 pound models; Left
	F8524604	Side Panel	20 pound models; Left; Stainless steel all markets through December 7, 2021; T market models starting December 8, 2021; models with 0 in 5th position of serial number starting December 8, 2021
	F8524702	Side Panel	30 pound models; Left
	F8524704	Side Panel	30 pound models; Left; Stainless steel all markets through December 7, 2021; T market models starting December 8, 2021; models with 0 in 5th position of serial number starting December 8, 2021
	F8524802	Side Panel	40 pound models; Left
	F8524804	Side Panel	40 pound models; Left; Stainless steel all markets through December 7, 2021; T market models starting December 8, 2021; models with 0 in 5th position of serial number starting December 8, 2021
	F8554204	Side Panel	60 pound models; Left
	F8554202	Side Panel	60 pound models; Left; Stainless steel all markets through December 7, 2021; T market models starting December 8, 2021; models with 0 in 5th position of serial number starting December 8, 2021
	F8525606	Side Panel	20 pound models; Left; Painted; All markets except T with 6 in 5th position of serial number starting December 8, 2021
	F8524706	Side Panel	30 pound models; Left; Painted; All markets except T with 6 in 5th position of serial number starting December 8, 2021
	F8524806	Side Panel	40 pound models; Left; Painted; All markets except T with 6 in 5th position of serial number starting December 8, 2021
	F8554206	Side Panel	60 pound models; Left; Painted; All markets except T with 6 in 5th position of serial number starting December 8, 2021
	2	F8502101	Pin
3	M412763	Rivet	
4	56079	Panel Locator	
5	F8524601	Side Panel	20 pound models; Right
	F8524603	Side Panel	20 pound models; Right; Stainless steel all markets through December 7, 2021; T market models starting December 8, 2021; models with 0 in 5th position of serial number starting December 8, 2021
	F8524701	Side Panel	30 pound models; Right
	F8524703	Side Panel	30 pound models; Right; Stainless steel all markets through December 7, 2021; T market models starting December 8, 2021; models with 0 in 5th position of serial number starting December 8, 2021
	F8524801	Side Panel	40 pound models; Right
	F8524803	Side Panel	40 pound models; Right; Stainless steel all markets through December 7, 2021; T market models starting December 8, 2021; models with 0 in 5th position of serial number starting December 8, 2021
	F8554203	Side Panel	60 pound models; Right
	F8554201	Side Panel	60 pound models; Right; Stainless steel all markets through December 7, 2021; T market models starting December 8, 2021; models with 0 in 5th position of serial number starting December 8, 2021
	F8525605	Side Panel	20 pound models; Right; Painted; All markets except T with 6 in 5th position of serial number starting December 8, 2021
	F8524705	Side Panel	30 pound models; Right; Painted; All markets except T with 6 in 5th position of serial number starting December 8, 2021
	F8524805	Side Panel	40 pound models; Right; Painted; All markets except T with 6 in 5th position of serial number starting December 8, 2021
	F8554205	Side Panel	60 pound models; Right; Painted; All markets except T with 6 in 5th position of serial number starting December 8, 2021
	6	F8117601	Screw
7	70030501	Expansion Clip	
8	M405535	Washer	
9	F8402801	Bolt	
10	44087201	Nut	

Door - 20 Pound Models - Design 4

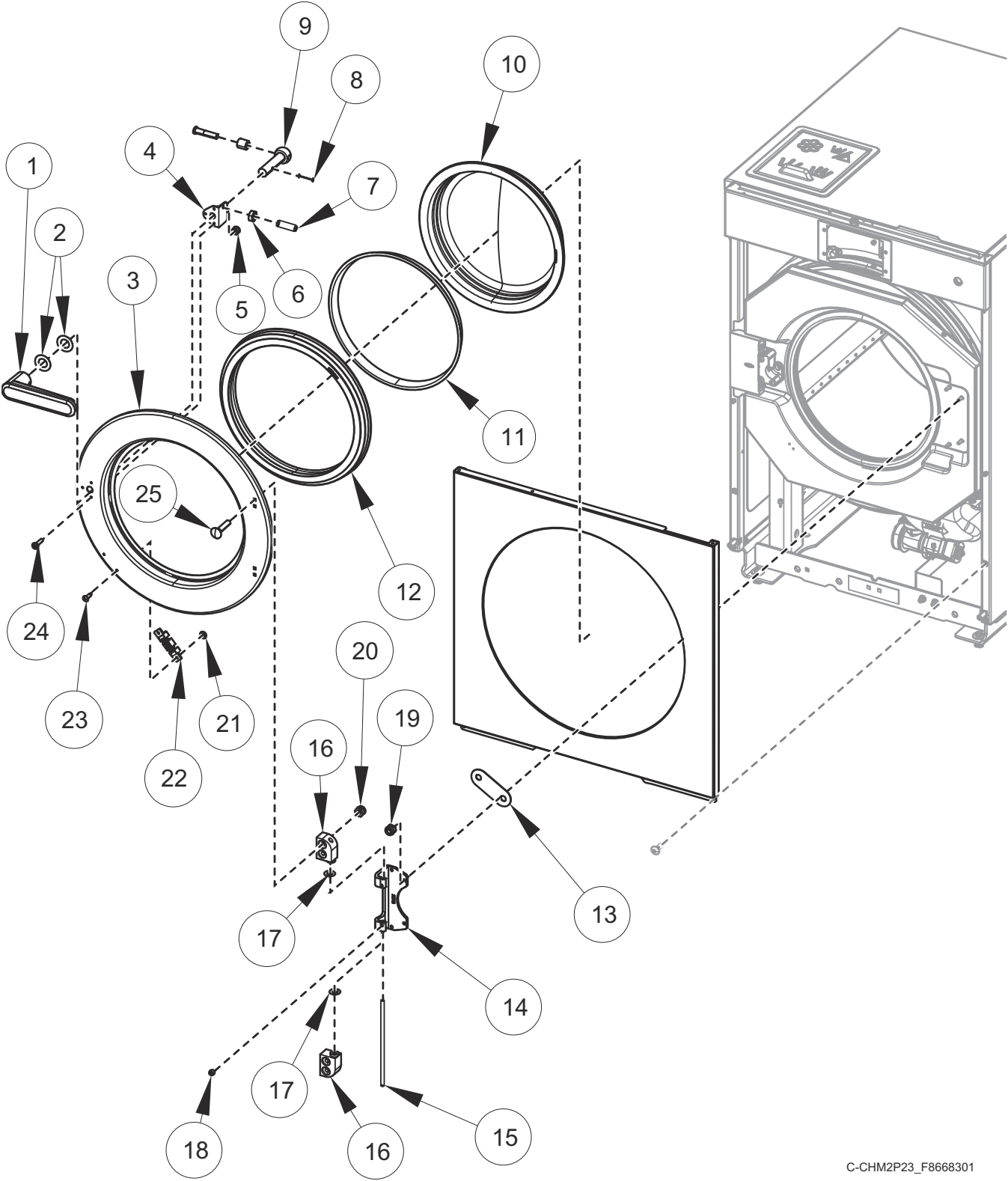


C-CHM2P23_F8668301

Door - 20 Pound Models - Design 4

REF	PART NO.	DESCRIPTION	COMMENTS
	F8617203	Door Assembly	HC models; Includes items 1-12, 14-18 and 20-25
	F8617204	Door Assembly	HC models; Chrome; Includes items 1-12, 14-18 and 20-25
	F8617206	Door Assembly	HC models; Chrome and green; Includes items 1-12, 14-18 and 20-25
	F8617205	Door Assembly	HC models; Green; Includes items 1-12, 14-18 and 20-25
	F8617201	Door Assembly	SC models; Includes items 1-12, 14-18 and 20-25
	F8617202	Door Assembly	SC models; Chrome; Includes items 1-12, 14-18 and 20-25
	F8617207	Door Assembly	UC models; Includes items 1-12, 14-18 and 20-25
	F8617208	Door Assembly	UC models; Chrome; Includes items 1-12, 14-18 and 20-25
1	F8544701	Door Handle	HC models
	F8199401P	Door Handle	SC models; Black
	F8435501	Door Handle	UC models
2	F431916	Washer	
3	F8507502	Door	
	F8507501P	Door	Chrome
4	F8567501	Door Handle Spacer Kit	Includes items 6 and 7
5	F430232	Nut	
6	F431041	Nut	
7	F430532	Screw	
8	F431222	Spring Pin	
9	F8221403	Door Latch Arm Assembly	Includes latch arm shaft, latch arm support and sleeve
10	F8675701P	Door Glass	HC models
	F290205P	Door Glass Kit	SC and UC models
11	F8583201	Door Glass Trim	Black
	F8583204	Door Glass Trim	Green; HC models
12	F200000202	Door Gasket	
13	F200131000P	Door Hinge Shim Kit	
14	F190216P	Door Hinge	
15	F602813-2	Rod	
16	F150271	Door Mount	
17	F431929	Washer	Non-ferrous
	F431147	Washer	
18	F430536	Screw	
19	C001236	Nut	
20	F430215	Nut	
21	F431133	Washer	
22	F8390801	Magnet	
23	F431223	Pop Rivet	
24	F8535501	Screw	
25	F430974	Bolt	
	F8508101	Bolt	Chrome

Door - 20 Pound Models - Design 6

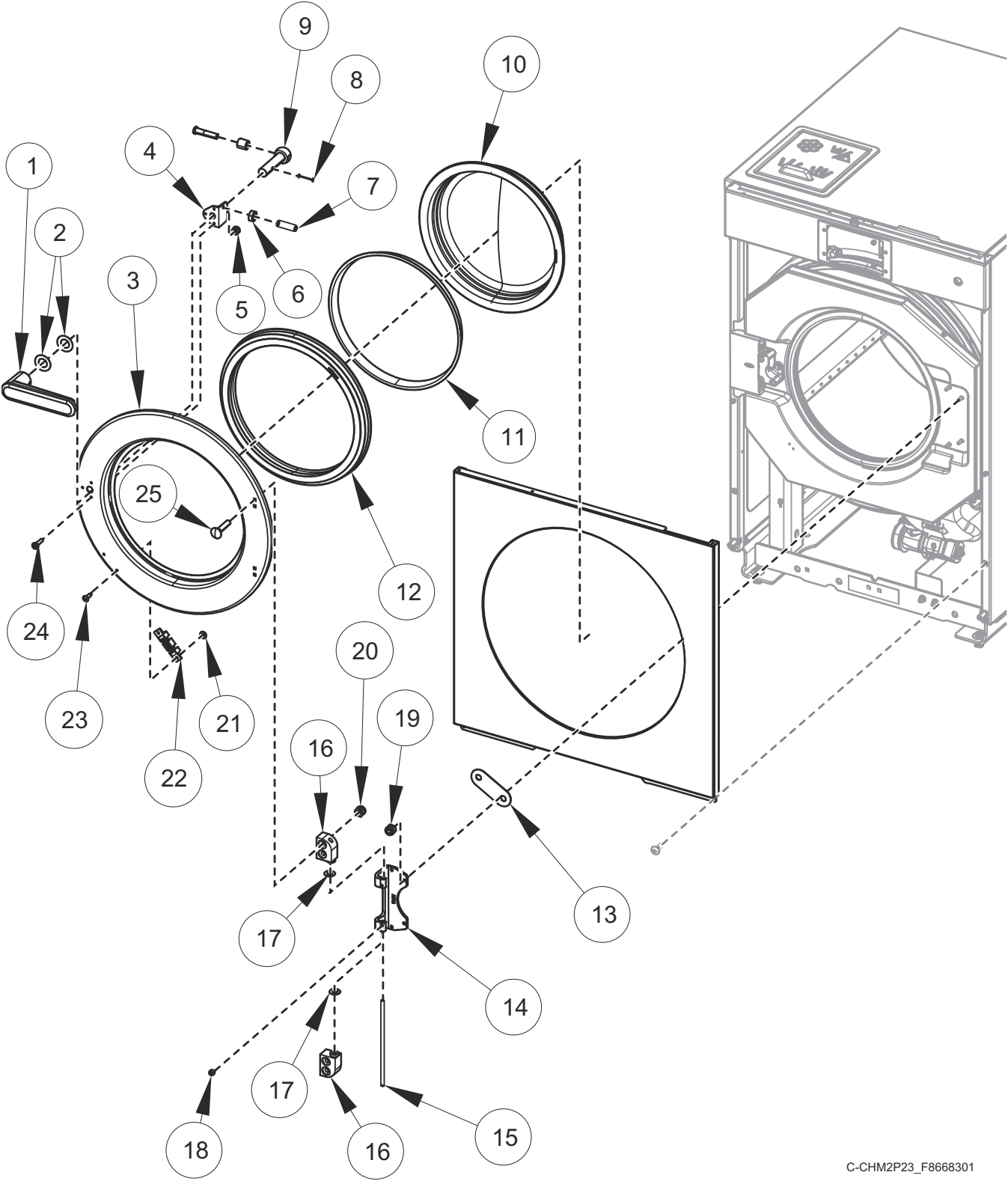


C-CHM2P23_F8668301

Door - 20 Pound Models - Design 6

REF	PART NO.	DESCRIPTION	COMMENTS
	F8617213	Door Assembly	HC models; Includes items 1-12, 14-18 and 20-25
	F8617214	Door Assembly	HC models; Chrome; Includes items 1-12, 14-18 and 20-25
	F8617215	Door Assembly	HC models; Green; Includes items 1-12, 14-18 and 20-25
	F8617216	Door Assembly	HC models; Chrome; Includes items 1-12, 14-18 and 20-25
	F8617211	Door Assembly	SC models; Includes items 1-12, 14-18 and 20-25
	F8617212	Door Assembly	SC models; Chrome; Includes items 1-12, 14-18 and 20-25
1	F8544701	Door Handle	HC models
	F8624603	Door Handle	SC models; Chrome
	F8435501	Door Handle	UC models
2	F431916	Washer	
3	F8507502	Door	
	F8507501P	Door	Chrome
4	F8567501	Door Handle Spacer Kit	Includes items 6 and 7
5	F430232	Nut	
6	F431041	Nut	
7	F430532	Screw	
8	F431222	Spring Pin	
9	F8221403	Door Latch Arm Assembly	Includes latch arm shaft, latch arm support and sleeve
10	F8675701P	Door Glass	HC models
	F290205P	Door Glass Kit	SC and UC models
11	F8583201	Door Glass Trim	Black
	F8583204	Door Glass Trim	Green; HC models
12	F200000202	Door Gasket	
13	F200131000P	Door Hinge Shim Kit	
14	F190216P	Door Hinge	
15	F602813-2	Rod	
16	F150271	Door Mount	
17	F431929	Washer	Non-ferrous
	F431147	Washer	
18	F430536	Screw	
19	C001236	Nut	
20	F430215	Nut	
21	F431133	Washer	
22	F8390801	Magnet	
23	F431223	Pop Rivet	
24	F8535501	Screw	
25	F430974	Bolt	
	F8508101	Bolt	Chrome

Door - 30 Pound Models - Design 4

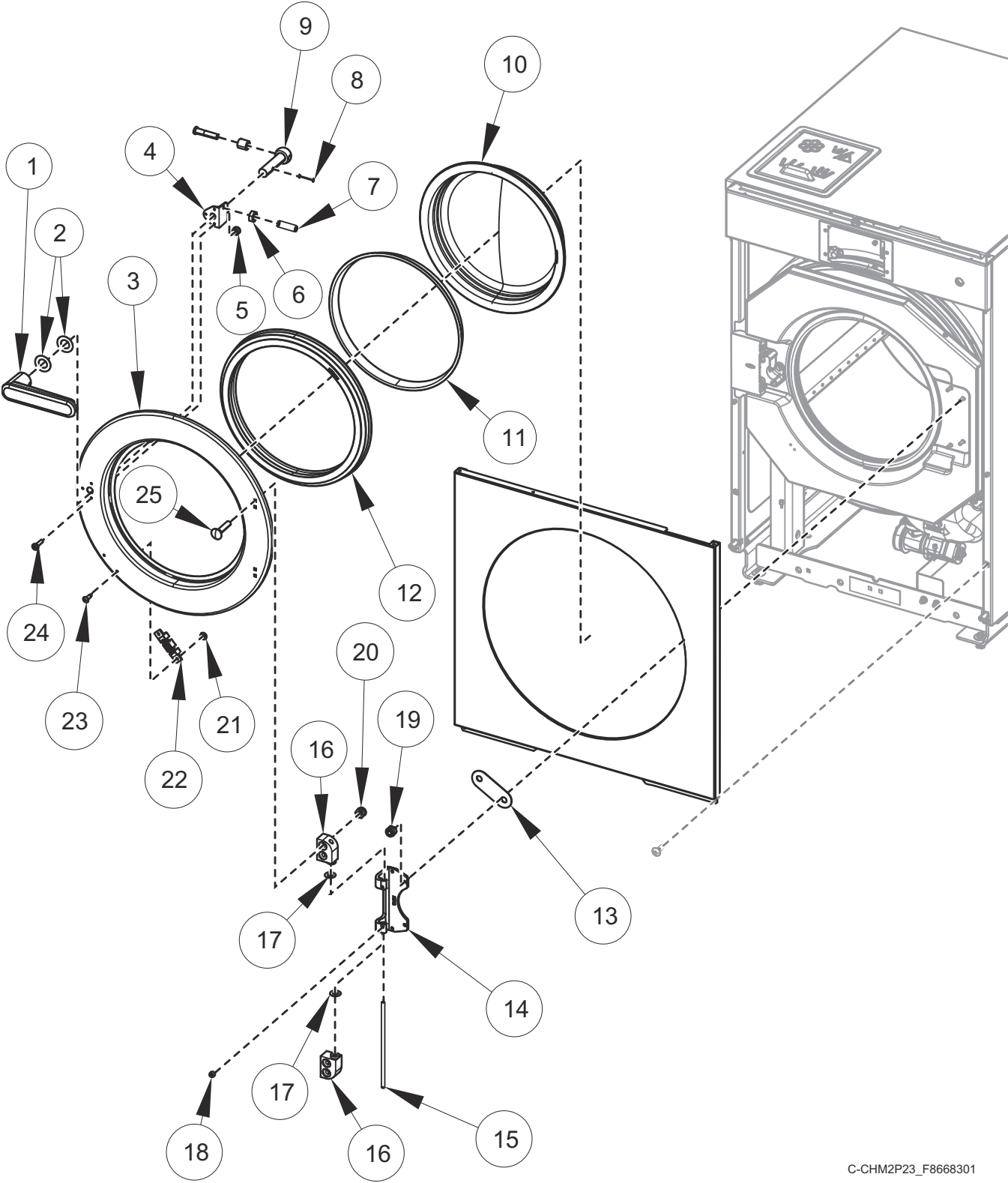


C-CHM2P23_F8668301

Door - 30 Pound Models - Design 4

REF	PART NO.	DESCRIPTION	COMMENTS
	F8617303	Door Assembly	HC models; Includes items 1-12, 14-18 and 20-25
	F8617304	Door Assembly	HC models; Chrome; Includes items 1-12, 14-18 and 20-25
	F8617306	Door Assembly	HC models; Chrome and green; Includes items 1-12, 14-18 and 20-25
	F8617305	Door Assembly	HC models; Green; Includes items 1-12, 14-18 and 20-25
	F8617301	Door Assembly	SC models; Includes items 1-12, 14-18 and 20-25
	F8617302	Door Assembly	SC models; Chrome; Includes items 1-12, 14-18 and 20-25
	F8617307	Door Assembly	UC models; Includes items 1-12, 14-18 and 20-25
	F8617308	Door Assembly	UC models; Chrome; Includes items 1-12, 14-18 and 20-25
1	F8544701	Door Handle	HC models
	F8199401P	Door Handle	SC models; Black
	F8435501	Door Handle	UC models
2	F431916	Washer	
3	F8507602	Door	
	F8752601	Door	Chrome
4	F8567501	Door Handle Spacer Kit	
5	F430232	Nut	
6	F431041	Nut	
7	F430533	Screw	
8	F431222	Spring Pin	
9	F8221403	Door Latch Arm Assembly	Includes latch arm shaft, latch arm support and sleeve
10	F8485305	Door Glass	HC models
	F8485301P	Door Glass	SC and UC models
11	F8583202	Door Glass Trim	Black
	F8583205	Door Glass Trim	Green; HC models
12	F8111602	Door Gasket	
13	F200131000P	Door Hinge Shim Kit	
14	F190216P	Door Hinge	
15	F602813-2	Rod	
16	F150271	Door Mount	
17	F431929	Washer	Non-ferrous
	F431147	Washer	
18	F430536	Screw	
19	C001236	Nut	
20	F430215	Nut	
21	F431133	Washer	
22	F8390801	Magnet	
23	F431223	Pop Rivet	
24	F8535501	Screw	
25	F430974	Bolt	
	F8508101	Bolt	Chrome

Door - 30 Pound Models - Design 6

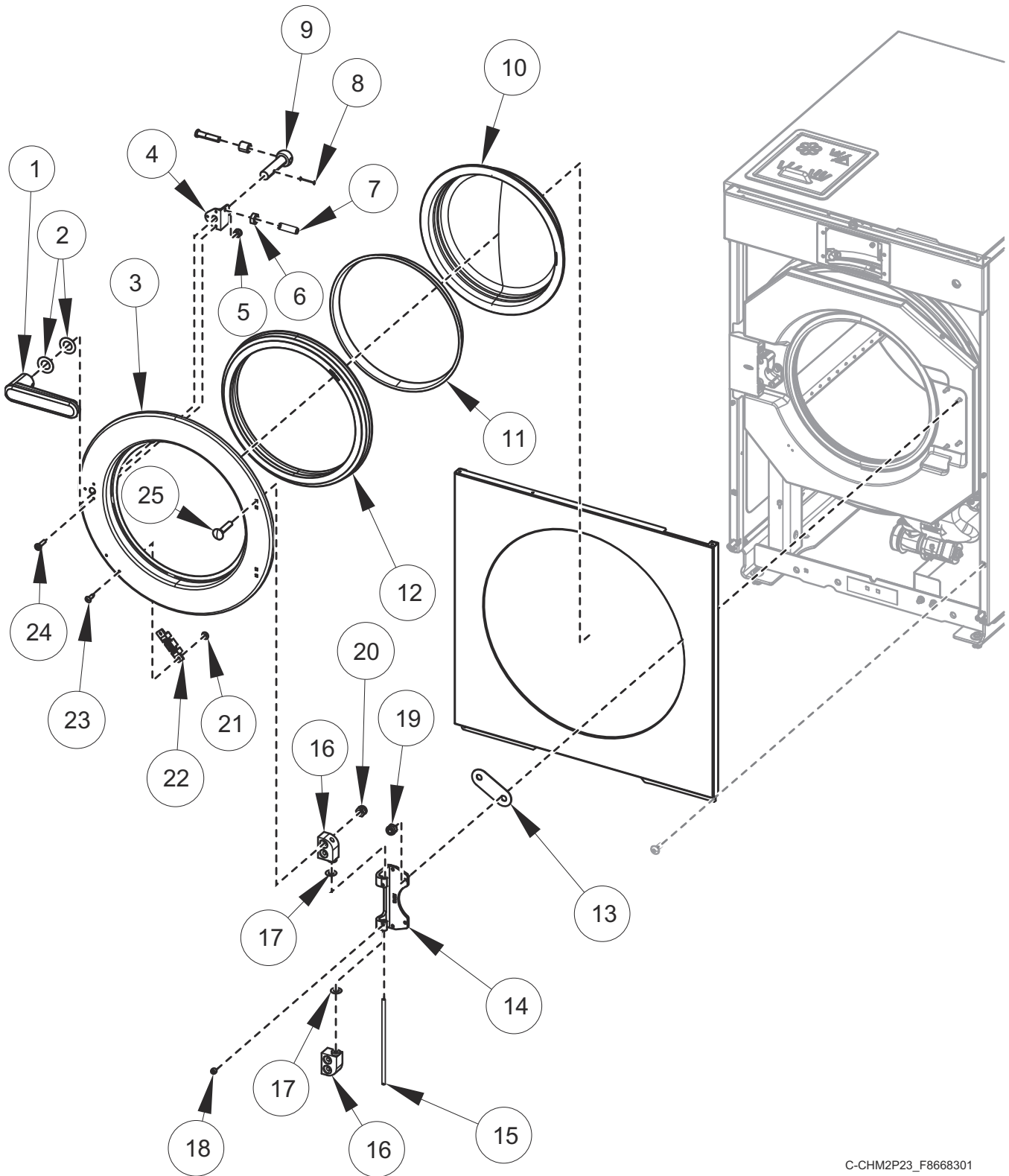


C-CHM2P23_F8668301

Door - 30 Pound Models - Design 6

REF	PART NO.	DESCRIPTION	COMMENTS
	F8617313	Door Assembly	HC models; Includes items 1-12, 14-18 and 20-25
	F8617314	Door Assembly	HC models; Black; Includes items 1-12, 14-18 and 20-25
	F8617315	Door Assembly	HC models; Black; Includes items 1-12, 14-18 and 20-25
	F8617316	Door Assembly	HC models; Black; Includes items 1-12, 14-18 and 20-25
	F8617311	Door Assembly	SC models; Includes items 1-12, 14-18 and 20-25
	F8617312	Door Assembly	SC models; Chrome; Includes items 1-12, 14-18 and 20-25
1	F8544701	Door Handle	HC models
	F8624603	Door Handle	SC models; Chrome
	F8435501	Door Handle	UC models
2	F431916	Washer	
3	F8507602	Door	
	F8752601	Door	Chrome
4	F8567501	Door Handle Spacer Kit	Includes items 6 and 7
5	F430232	Nut	
6	F431041	Nut	
7	F430533	Screw	
8	F431222	Spring Pin	
9	F8221403	Door Latch Arm Assembly	Includes latch arm shaft, latch arm support and sleeve
10	F8485305	Door Glass	HC models
	F8485301P	Door Glass	SC and UC models
11	F8583202	Door Glass Trim	Black
	F8583205	Door Glass Trim	Green; HC models
12	F8111602	Door Gasket	
13	F200131000P	Door Hinge Shim Kit	
14	F190216P	Door Hinge	
15	F602813-2	Rod	
16	F150271	Door Mount	
17	F431929	Washer	Non-ferrous
	F431147	Washer	
18	F430536	Screw	
19	C001236	Nut	
20	F430215	Nut	
21	F431133	Washer	
22	F8390801	Magnet	
23	F431223	Pop Rivet	
24	F8535501	Screw	
25	F430974	Bolt	
	F8508101	Bolt	Chrome

Door - 40 and 60 Pound Models - Design 4

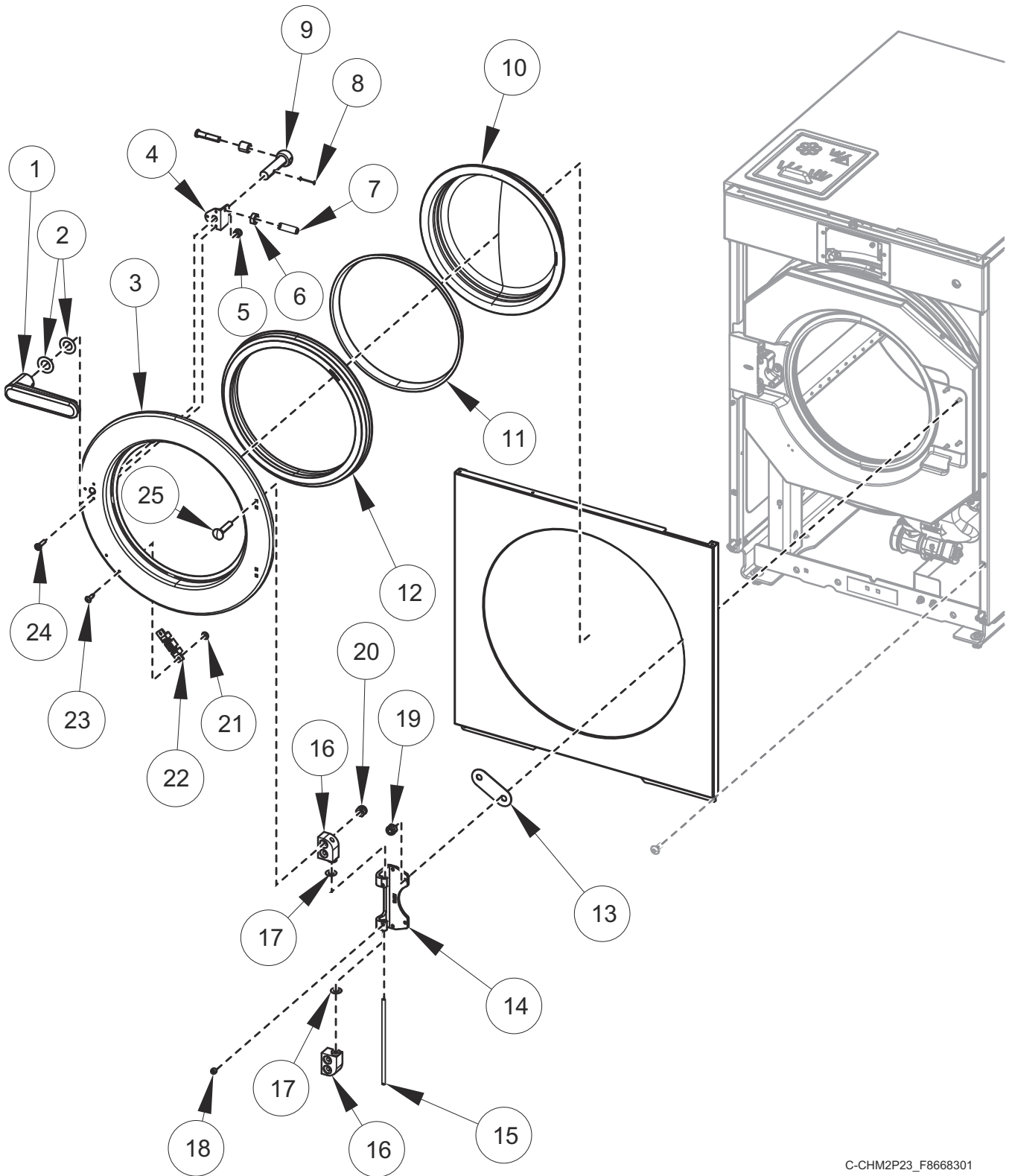


C-CHM2P23_F8668301

Door - 40 and 60 Pound Models - Design 4

REF	PART NO.	DESCRIPTION	COMMENTS
	F8617403	Door Assembly	HC models; Includes items 1-12, 14-18 and 20-25
	F8617404	Door Assembly	HC models; Chrome; Includes items 1-12, 14-18 and 20-25
	F8617406	Door Assembly	HC models; Chrome and green; Includes items 1-12, 14-18 and 20-25
	F8617405	Door Assembly	HC models; Green; Includes items 1-12, 14-18 and 20-25
	F8617401	Door Assembly	SC models; Includes items 1-12, 14-18 and 20-25
	F8617402	Door Assembly	SC models; Chrome; Includes items 1-12, 14-18 and 20-25
	F8617407	Door Assembly	UC models; Includes items 1-12, 14-18 and 20-25
	F8617408	Door Assembly	UC models; Chrome; Includes items 1-12, 14-18 and 20-25
1	F8544701	Door Handle	HC models
	F8199401P	Door Handle	SC models; Black
	F8435501	Door Handle	UC models
2	F431916	Washer	
3	F8507702	Door	
	F8507701	Door	Chrome
4	F8567501	Door Handle Spacer Kit	
5	F430232	Nut	
6	F431041	Nut	
7	F430533	Screw	
8	F431222	Spring Pin	
9	F8221403	Door Latch Arm Assembly	Includes latch arm shaft, latch arm support and sleeve
10	F8485405	Door Glass	HC models
	F8485401P	Door Glass	SC and UC models
11	F8583203	Door Glass Trim	Black
	F8583206	Door Glass Trim	Green; HC models
12	F8111502	Door Gasket	
13	F200131000P	Door Hinge Shim Kit	
14	F190216P	Door Hinge	
15	F602813-3	Rod	
16	F150271	Door Mount	
17	F431929	Washer	Non-ferrous
	F431147	Washer	
18	F430536	Screw	
19	C001236	Nut	
20	F430215	Nut	
21	F431133	Washer	
22	F8390801	Magnet	
23	F431223	Pop Rivet	
24	F8535501	Screw	
25	F430974	Bolt	
	F8508101	Bolt	Chrome

Door - 40 and 60 Pound Models - Design 6

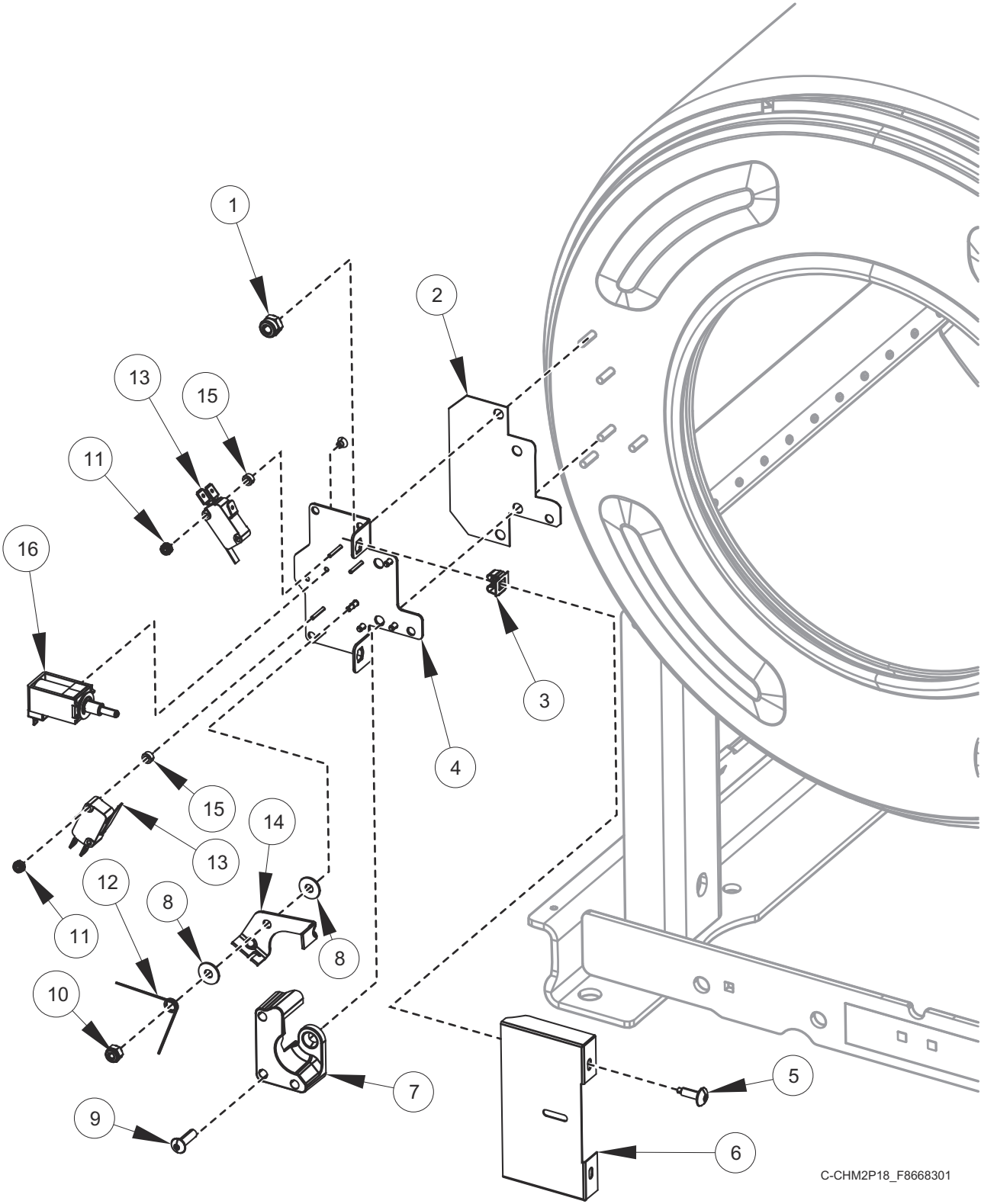


C-CHM2P23_F8668301

Door - 40 and 60 Pound Models - Design 6

REF	PART NO.	DESCRIPTION	COMMENTS
	F8617413	Door Assembly	HC models; Includes items 1-12, 14-18 and 20-25
	F8617414	Door Assembly	HC models; Chrome; Includes items 1-12, 14-18 and 20-25
	F8617415	Door Assembly	HC models; Green; Includes items 1-12, 14-18 and 20-25
	F8617416	Door Assembly	HC models; Chrome; Includes items 1-12, 14-18 and 20-25
	F8617411	Door Assembly	SC models; Includes items 1-12, 14-18 and 20-25
	F8617412	Door Assembly	SC models; Chrome; Includes items 1-12, 14-18 and 20-25
1	F8544701	Door Handle	HC models
	F8624603	Door Handle	SC models; Chrome
	F8435501	Door Handle	UC models
2	F431916	Washer	
3	F8507702	Door	
	F8507701	Door	Chrome
4	F8567501	Door Handle Spacer Kit	Includes items 6 and 7
5	F430232	Nut	
6	F431041	Nut	
7	F430533	Screw	
8	F431222	Spring Pin	
9	F8221403	Door Latch Arm Assembly	Includes latch arm shaft, latch arm support and sleeve
10	F8485405	Door Glass	HC models
	F8485401P	Door Glass	SC and UC models
11	F8583203	Door Glass Trim	Black
	F8583206	Door Glass Trim	Green; HC models
12	F8111502	Door Gasket	
13	F200131000P	Door Hinge Shim Kit	
14	F190216P	Door Hinge	
15	F602813-3	Rod	
16	F150271	Door Mount	
17	F431929	Washer	Non-ferrous
	F431147	Washer	
18	F430536	Screw	
19	C001236	Nut	
20	F430215	Nut	
21	F431133	Washer	
22	F8390801	Magnet	
23	F431223	Pop Rivet	
24	F8535501	Screw	
25	F430974	Bolt	
	F8508101	Bolt	Chrome

Door Lock

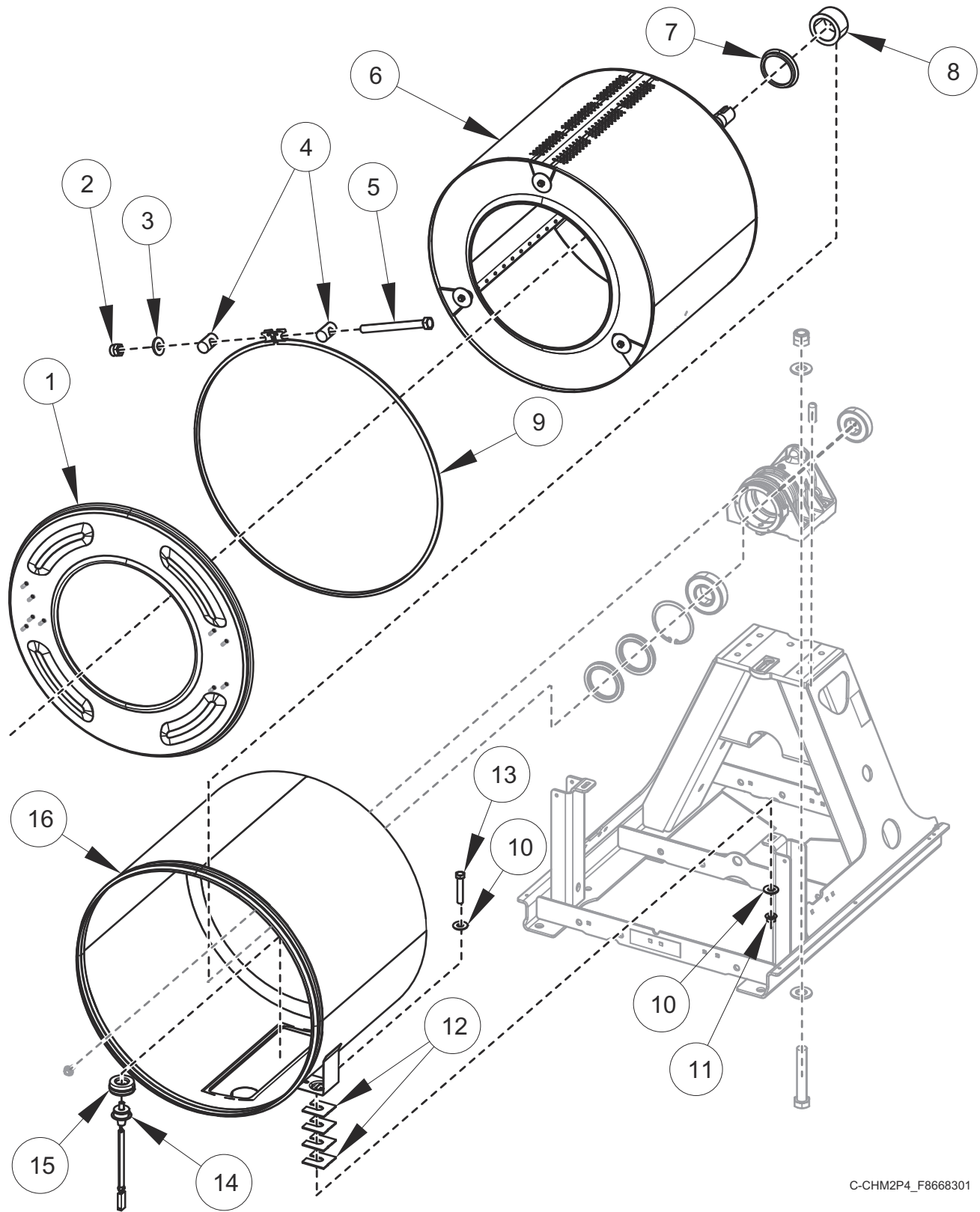


C-CHM2P18_F8668301

Door Lock

REF	PART NO.	DESCRIPTION	COMMENTS
	F8632401	Door Lock Assembly	Includes items 3, 4, 8 and 10-16
	F8520201	Door Lock Harness	20 and 30 pound models
	F8520202	Door Lock Harness	40 and 60 pound models
	F8066804	Reed Switch Assembly	
1	F431024	Nut	
2	F8344401	Door Lock Plate Shim	
3	70030501	Expansion Clip	
4	F8223202	Door Lock Plate Assembly	
5	F8117601	Screw	
6	F8245001	Door Lock Cover	
7	F8344501	Door Lock Catch	
8	F8193101	Washer	
9	F8270701	Bolt	
10	F430232	Nut	
11	F430225	Nut	
12	F8070301	Torsion/Door Lock Spring	
13	F200203200	Door Lock Microswitch	
14	F8223401	Door Lock Switch Lever	
15	F431901	Spacer	
16	F977P3	Door Lock Solenoid Replacement Kit	

Shell Front, Basket and Shell

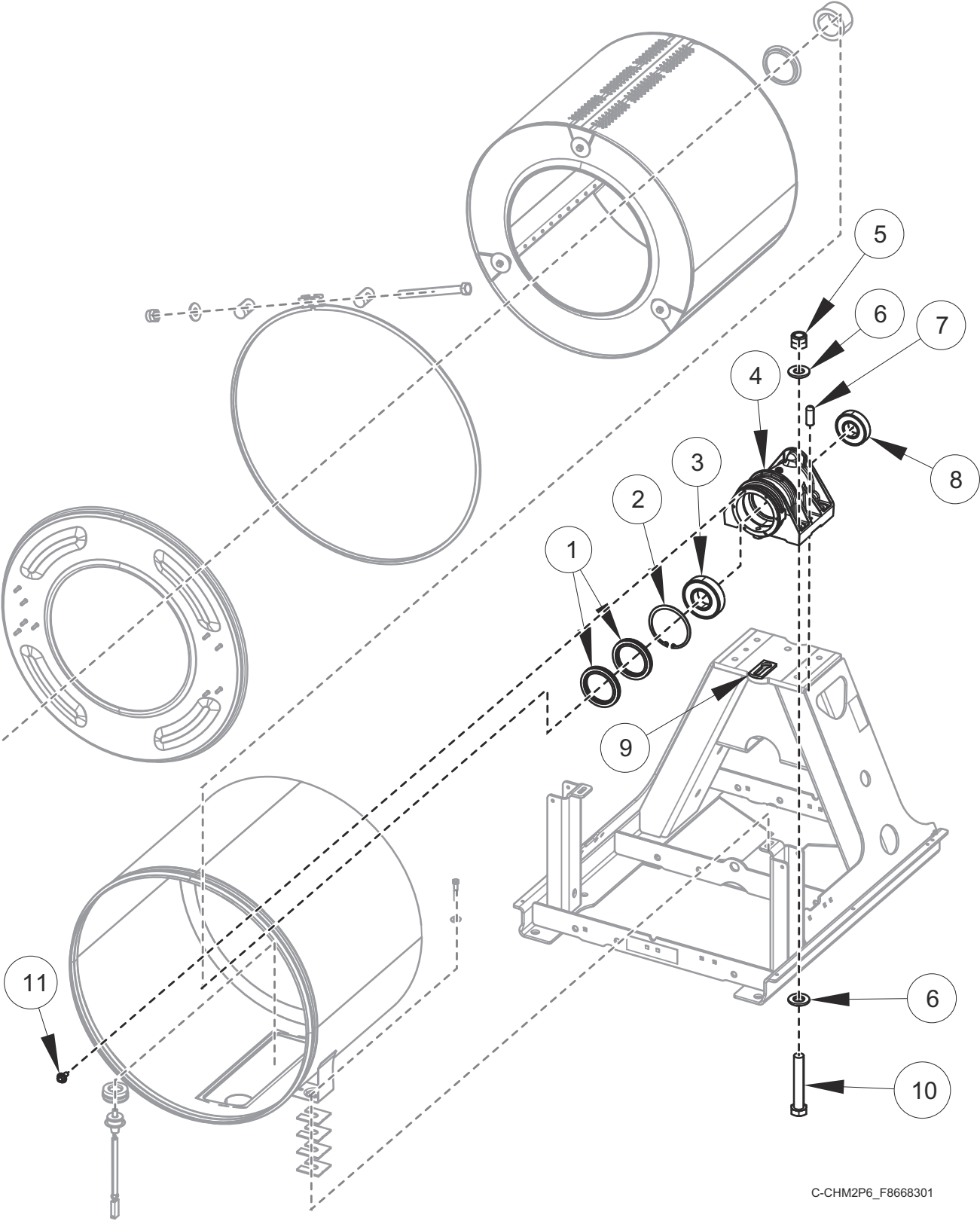


C-CHM2P4_F8668301

Shell Front, Basket and Shell

REF	PART NO.	DESCRIPTION	COMMENTS
	F8598301	Harness	Thermistor; 20 and 30 pound models
	F8598302	Harness	Thermistor; 20 and 30 pound models
1	F8222301	Shell Front	20 pound models
	F8222401	Shell Front	30 pound models
	F8222501	Shell Front	40 pound models
	F8222601	Shell Front	60 pound models
2	F430218	Nut	
3	M400080	Washer	
4	F8302701	Pin	
5	F8673701	Screw	
6	F8391304	Basket	20 pound models; Viton
	F8391302	Basket	20 pound models; Rain
	F8391504	Basket	30 pound models; Viton
	F8391502	Basket	30 pound models; Rain
	F8391704	Basket	40 pound models; Viton
	F8391702	Basket	40 pound models; Rain
	F8502805	Basket	60 pound models; Viton
	F8502802	Basket	60 pound models; Rain
7	F8337002	Excluder Seal	
8	F8343906P	Shaft Seal Sleeve Kit	
9	F8537801	Shell Band Kit	20 pound models; Includes items 2-5
	F8537802	Shell Band Kit	30 pound models; Includes items 2-5
	F8537803	Shell Band Kit	40 pound models; Includes items 2-5
	F8537804	Shell Band Kit	60 pound models; Includes items 2-5
10	M400081	Washer	
11	44087301	Nut	
12	F8402701	Washer	
13	F8621601	Screw	
14	F8538801	Thermistor	
15	2251000400	Temperature Probe Grommet	
16	F8512102	Shell	20 pound models; Electric and dual heat
	F8514002	Shell	30 pound models; Electric and dual heat
	F8512202	Shell	40 pound models; Electric and dual heat
	F8543702	Shell	60 pound models; Electric and dual heat
	F8512202	Shell	40 pound models; Steam Heat
	F8543702	Shell	60 pound models; Steam Heat
	F8512103	Shell	20 pound models; Standard
	F8514003	Shell	30 pound models; Standard
	F8512203	Shell	40 pound models; Standard
	F8543703	Shell	60 pound models; Standard

Bearing Housing

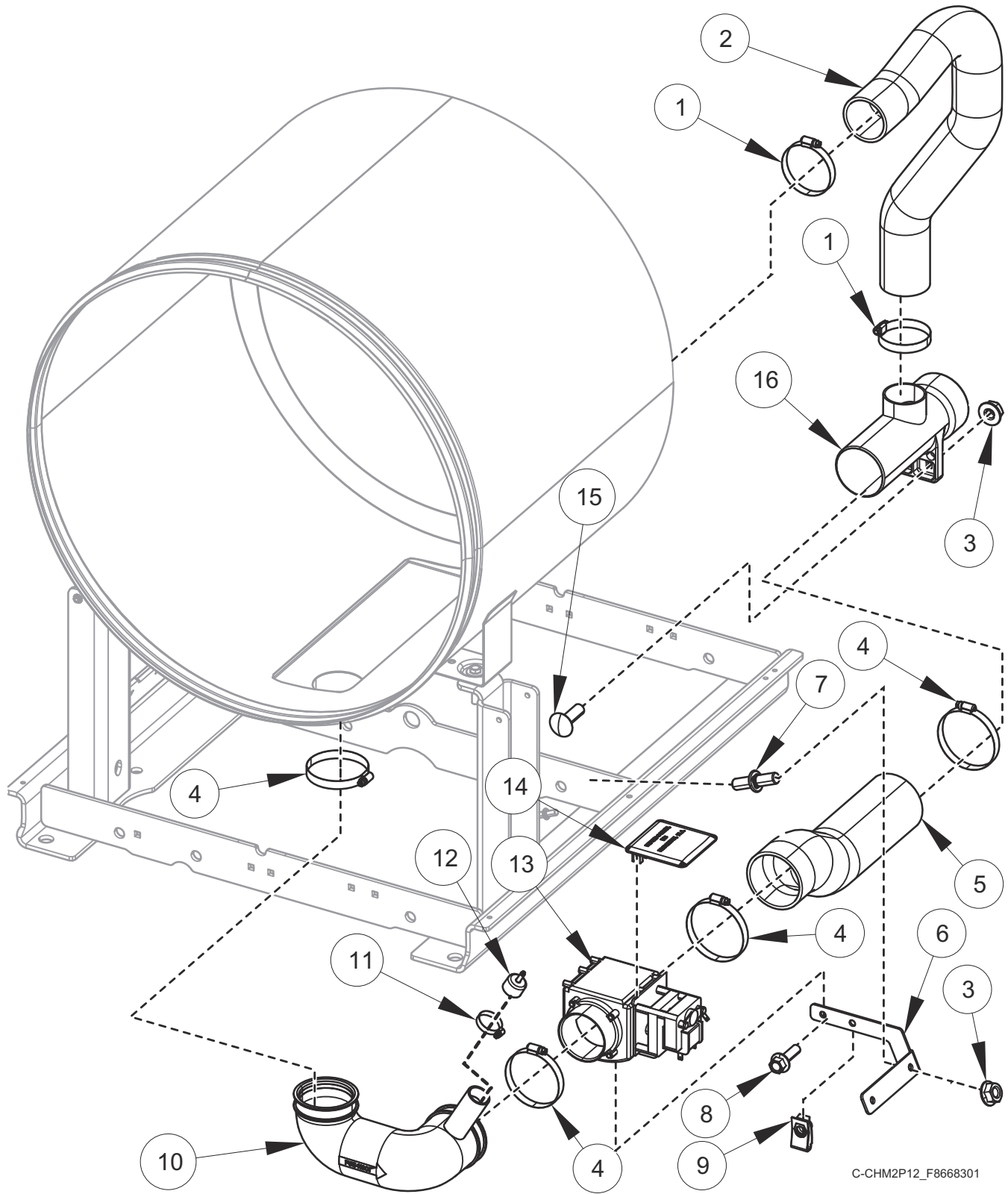


C-CHM2P6_F8668301

Bearing Housing

REF	PART NO.	DESCRIPTION	COMMENTS
	F8271601P	Bearing Housing Assembly	20 pound models; Includes items 1-4 and 8; Standard
	F8271602	Bearing Housing Assembly	20 pound models; Includes items 1-4 and 8; Viton
	F8271701P	Bearing Housing Assembly	30 pound models; Includes items 1-4 and 8; Standard
	F8271702	Bearing Housing Assembly	30 pound models; Includes items 1-4 and 8; Viton
	F8271801P	Bearing Housing Assembly	40 pound models; Includes items 1-4 and 8; Standard
	F8271802	Bearing Housing Assembly	40 pound models; Includes items 1-4 and 8; Viton
	F8271901P	Bearing Housing Assembly	60 pound models; Includes items 1-4 and 8; Standard
	F8271902	Bearing Housing Assembly	60 pound models; Includes items 1-4 and 8; Viton
1	F8203801	Triple Lip Seal	20 pound models; Standard
	F8203813	Triple Lip Seal	20 pound models; Viton
	F8203802	Triple Lip Seal	30 pound models; Standard
	F8203814	Triple Lip Seal	30 pound models; Viton
	F8203803	Triple Lip Seal	40 pound models; Standard
	F8203815	Triple Lip Seal	40 pound models; Viton
	F8203806	Triple Lip Seal	60 pound models; Standard
	F8203816	Radial Lip Seal	60 pound models; Viton
2	F8344901	Retaining Ring	20 pound models
	F8345001	Retaining Ring	30 pound models
	F8337801	Retaining Ring	40 pound models
	F8337901	Retaining Ring	60 pound models
3	F100137P	Bearing	20 pound models
	F100123P	Bearing	30 pound models
	F100134	Bearing	40 pound models
	F100135	Bearing	60 pound models
4	F8247902	Bearing Housing	20 pound models
	F8246802	Bearing Housing	30 pound models
	F8249902	Bearing Housing	40 pound models
	F8250902	Bearing Housing	60 pound models
5	F8387701	Nut	
6	F430339	Washer	
7	F8388201	Dowel Pin	
8	F100136P	Bearing	20 pound models
	F100108	Bearing	30 pound models
	F100137P	Bearing	40 pound models
	F100134	Bearing	60 pound models
9	F8350302	Seal Scupper Pad	
10	F8368801	Screw	
11	F8442702	Screw	

Drain Plumbing

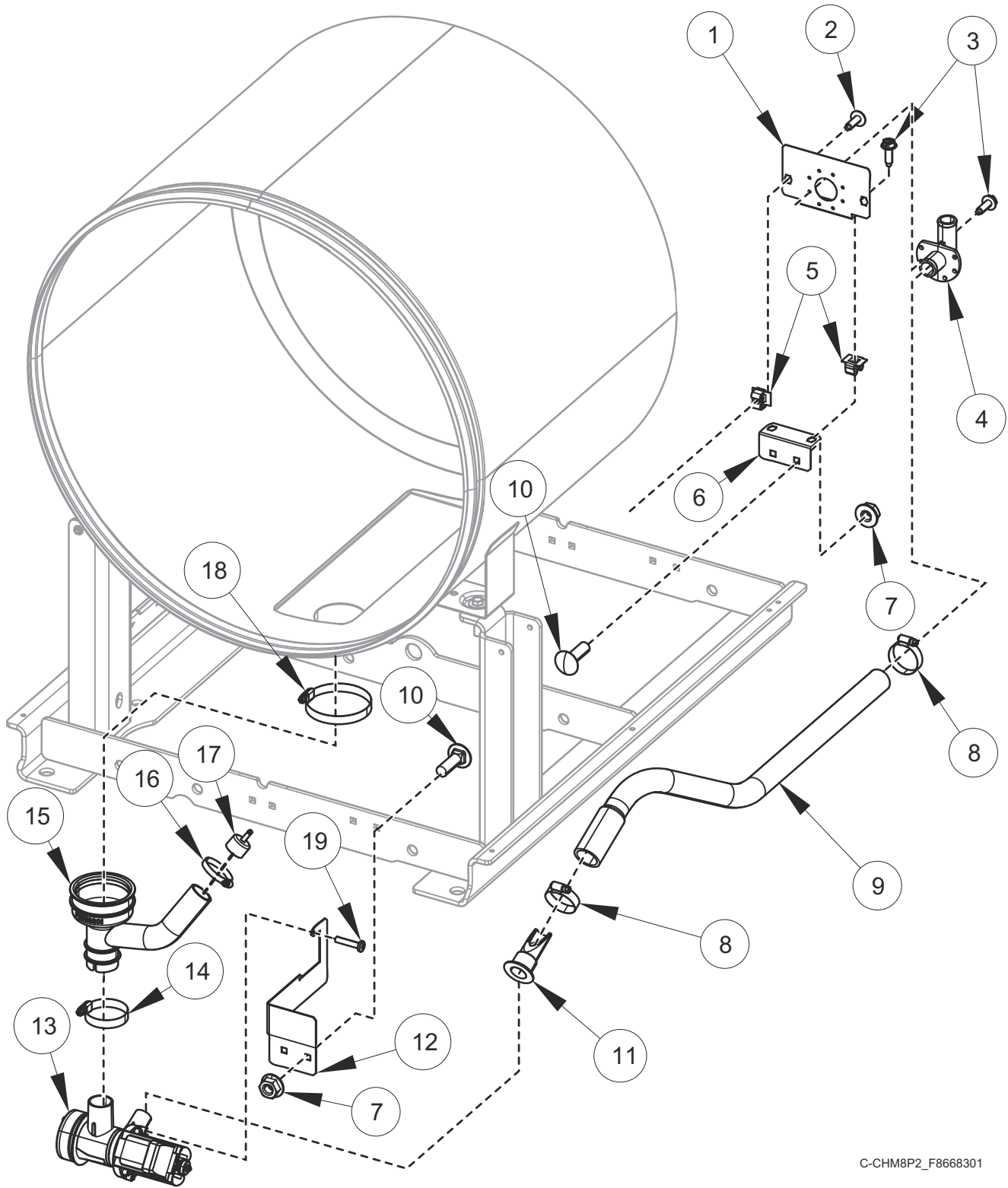


C-CHM2P12_F8668301

Drain Plumbing

REF	PART NO.	DESCRIPTION	COMMENTS
	F8520001	Drain Valve Harness	20 and 30 pound models
	F8520002	Drain Valve Harness	40 and 60 pound models
1	F200213	Hose Clamp	
2	F8522401	Overflow Hose	20 pound models
	F8521201	Overflow Hose	30 pound models
	F8522501	Overflow Hose	40 and 60 pound models
3	44087201	Nut	
4	F200201	Hose Clamp	
5	F8587301	Rear Drain Hose	20 pound models
	F8543001	Rear Drain Hose	30 pound models
	F8543201	Rear Drain Hose	40 pound models
	F8543501	Rear Drain Hose	60 pound models
6	F8587701	Drain Valve Bracket	20 pound models
	F8543101	Drain Valve Bracket	30 pound models
	F8543301	Drain Valve Bracket	40 pound models
	F8543401	Drain Valve Bracket	60 pound models
7	70334702	Stud	
8	202175	Screw	
9	70030401	Nut	
10	F8542002	Drain Hose	20 pound models
	F8541901	Drain Hose	30, 40 and 60 pound models
	F8542001	Drain Hose	40 and 60 pound models; Steam and electric heat
11	36802	Hose Clamp	
12	F8579301	Pressure Cap	
13	F200166302	Drain Valve Kit	3 inch; 120 Volt; Left; NO; Includes item 14
	F8406308	Drain Valve	3 inch; 120 Volt; Right; NO
	F200166402	Drain Valve Kit	3 inch; 230 Volt; Left; NO; Includes item 14
	F8577201	Drain Valve Kit	3 inch; 230 Volt; Right; NO; Includes item 14
14	F200133600	Drain Valve Cover	
15	F8402801	Bolt	
16	F8752101	Drain Tee	

Pump Drain Plumbing - 20, 30 and 40 Pound Models



C-CHM8P2_F8668301

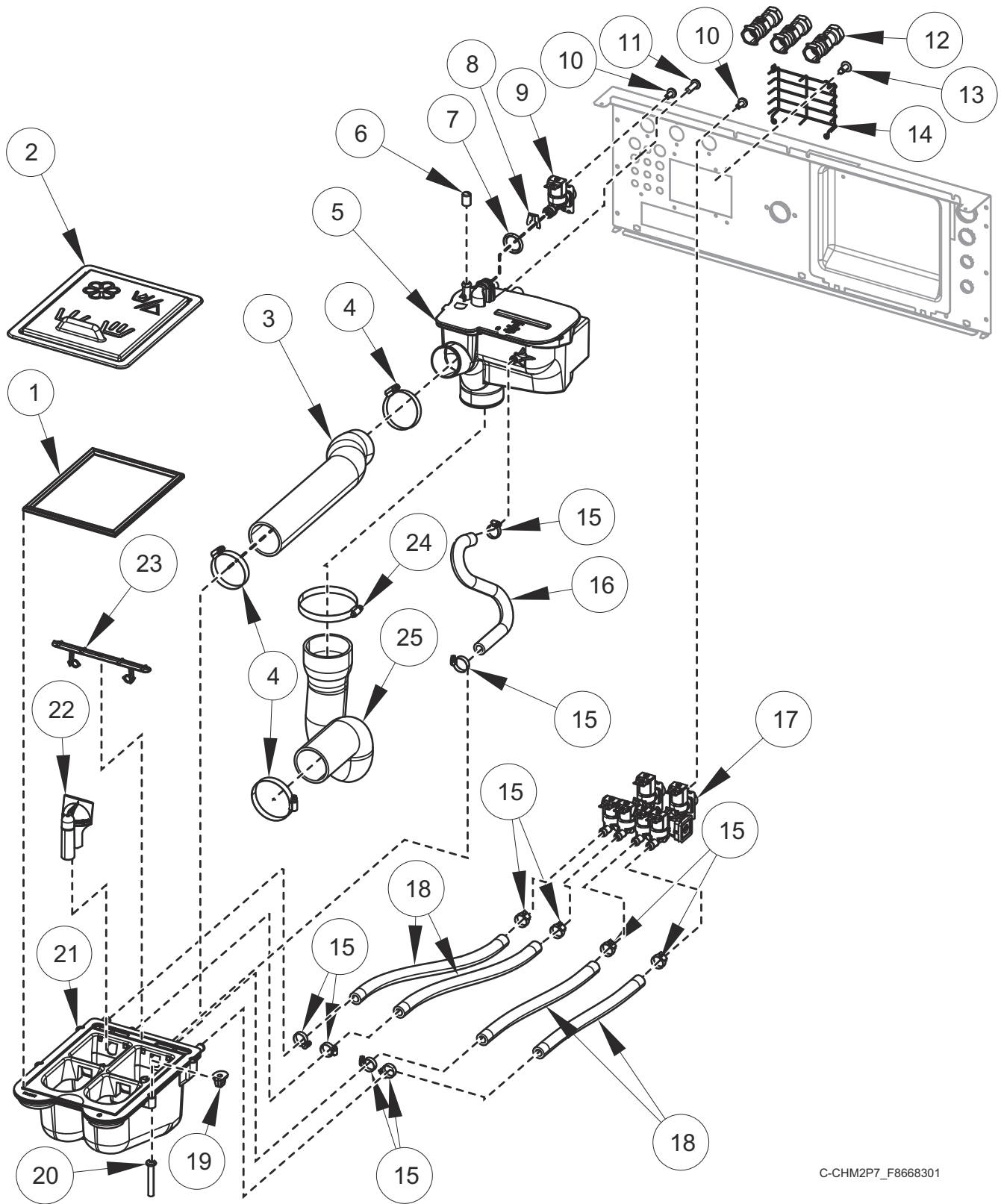
Pump Drain Plumbing - 20, 30 and 40 Pound Models

REF	PART NO.	DESCRIPTION	COMMENTS
	27154	Drain Hose	Hose to standpipe
	F150352	Overflow Plug	20 pound models
	F8520001	Drain Valve Harness	20 and 30 pound models
	F8520002	Drain Valve Harness	40 pound models
1	F8571301	Bracket	Upper; Elbow mount
2	F8117601	Screw	
3	F8206901	Screw	
4	35766	Drain Hose Elbow	
5	70030501	Expansion Clip	
6	F8571401	Bracket	Lower; Elbow mount
7	44087201	Nut	
8	F200204	Hose Clamp	
9	F8537001	Pump Drain Rear Hose	20 pound models
	F8557001	Pump Drain Rear Hose	30 pound models
	F8557201	Pump Drain Rear Hose	40 pound models
10	F8402801	Bolt	
11	800310	Backflow Preventer	
12	F8536901	Pump Drain Bracket	20 pound models
	F8557101	Pump Drain Bracket	30 pound models
	F8557301	Pump Drain Bracket	40 pound models
13	805723	Pump Drain and Bracket Assembly	120 Volt/60 Hertz; Green
	805613	Pump Drain and Bracket Assembly	208-240 Volt/60 Hertz; Red
	804038	Pump Drain and Bracket Assembly	220-240 Volt/50 Hertz; Blue
14	F200215	Hose Clamp	
15	F8556601	Pump Drain Hose	
16	36802	Hose Clamp	
17	F8579301	Pressure Cap	
18	F200219	Hose Clamp	
19	F8658501	Screw	

Fill Plumbing - 20 Pound Models

REF	PART NO.	DESCRIPTION	COMMENTS
	F8047403	Dispenser	Includes Items 21-23
	F8520101	Fill Valve Harness	
	F8665601	Water Hose Kit	Standard thread; Red (hot); Includes 20290 Washer and 803615 Washer Filter
	F8665603	Water Hose Kit	Standard thread; Blue (cold); Includes 20290 Washer and 803615 Washer Filter
	F8665602	Water Hose Kit	Metric thread; Red (hot); Includes 20290 Washer and 803615 Washer Filter
	F8665604	Water Hose Kit	Metric thread; Blue (cold); Includes 20290 Washer and 803615 Washer Filter
	F8671201	Fill Hose Kit	WRAS; Includes item 12 and F8665602 Water Hose Kit
	F8671202	Fill Hose Kit	WRAS; Includes item 12 and F8665604 Water Hose Kit
	F8671101	Fill Hose Kit	Australian watermark; Includes F8665602 Water Hose Kit and B12543901 Check Valve
	F8671102	Fill Hose Kit	Australian watermark; Includes F8665604 Water Hose Kit and B12543901 Check Valve
1	B12568601	Dispenser Gasket	
2	F8563204	Dispenser Cover	Black; Icons and text
	F8563203	Dispenser Cover	Gray; Icons and text
	F8563202	Dispenser Cover	Black; Icons
	F8563201	Dispenser Cover	Gray; Icons
3	F8529401	Supply Vacuum Hose	
4	F200213	Hose Clamp	
5	F8517503	Vacuum Breaker Assembly	With inlet and fill
	F8517502	Vacuum Breaker Assembly	With inlet
	F8517501	Vacuum Breaker Assembly	With fill
	F8517504	Vacuum Breaker Assembly	
6	F8197701	Cap	WRAS
7	F8569101	O-Ring	
8	F8566801	Clip	
9	F8565201	Valve	Standard
	F8565202	Valve	Metric
10	F8230301	Screw	
11	800548	Screw	
12	F8301201	Double Check Valve	WRAS
13	70058501	Pop Rivet	
14	F8589601	Vacuum Breaker Guard	
15	36801	Hose Clamp	
16	F8616401	Rear Vent Hose	
17	F8529701	Manifold Valve	Standard
	F8529702P	Manifold Valve	Metric
18	F8232007	Hose	
19	F0431807-00	Nut	
20	F8535601	Screw	
21	F8437902	Dispenser Weldment	
22	F8047901	Siphon Cover	
23	F8047801	Access Cover	
24	F200201	Hose Clamp	
25	F8529601	P-Trap Hose	

Fill Plumbing - 30 Pound Models

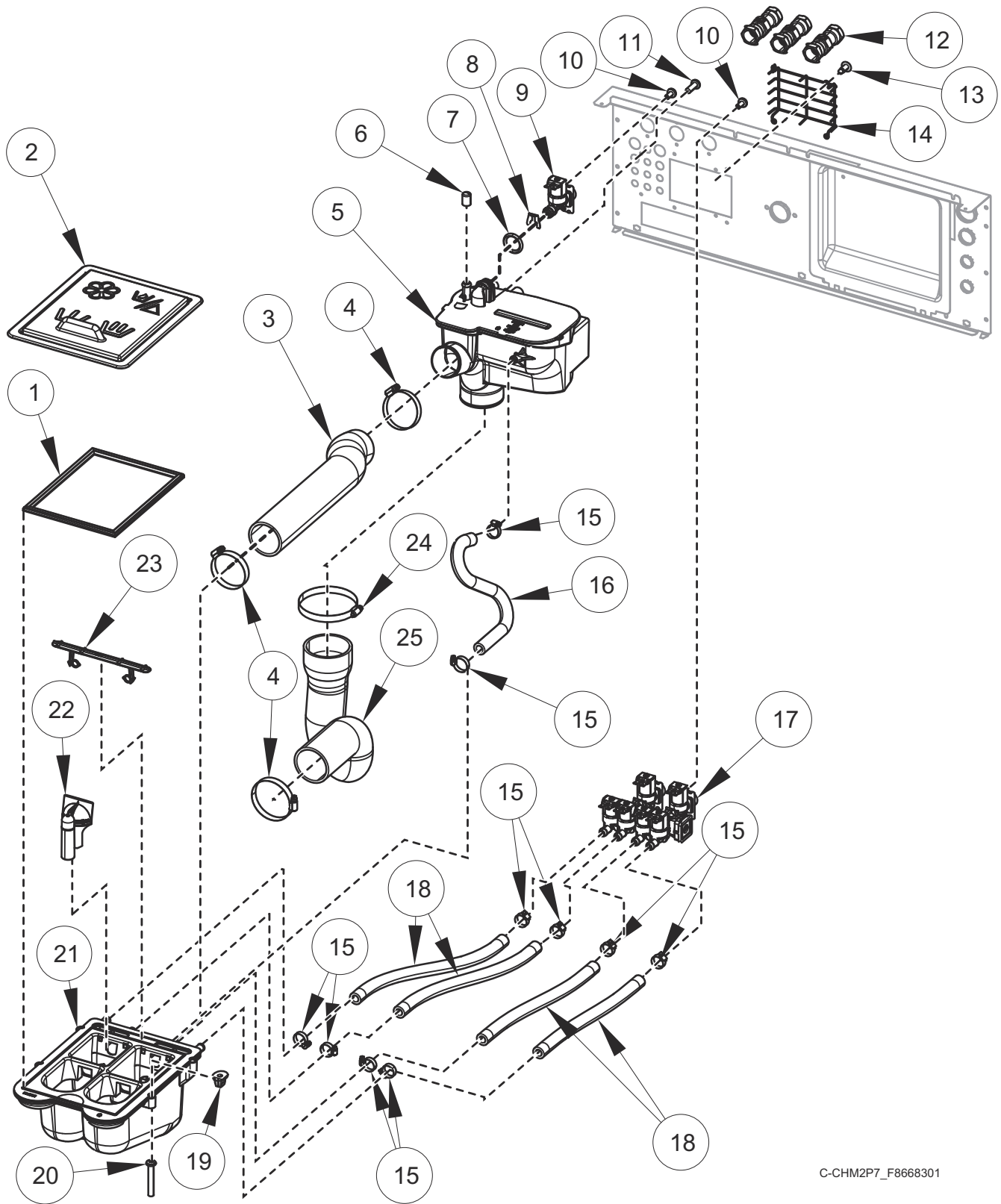


C-CHM2P7_F8668301

Fill Plumbing - 30 Pound Models

REF	PART NO.	DESCRIPTION	COMMENTS
	F8047403	Dispenser	Includes Items 21-23
	F8520101	Fill Valve Harness	
	F8665601	Water Hose Kit	Standard thread; Red (hot); Includes 20290 Washer and 803615 Washer Filter
	F8665603	Water Hose Kit	Standard thread; Blue (cold); Includes 20290 Washer and 803615 Washer Filter
	F8665602	Water Hose Kit	Metric thread; Red (hot); Includes 20290 Washer and 803615 Washer Filter
	F8665604	Water Hose Kit	Metric thread; Blue (cold); Includes 20290 Washer and 803615 Washer Filter
	F8671201	Fill Hose Kit	WRAS; Includes item 12 and F8665602 Water Hose Kit
	F8671202	Fill Hose Kit	WRAS; Includes item 12 and F8665604 Water Hose Kit
	F8671101	Fill Hose Kit	Australian watermark; Includes F8665602 Water Hose Kit and B12543901 Check Valve
	F8671102	Fill Hose Kit	Australian watermark; Includes F8665604 Water Hose Kit and B12543901 Check Valve
1	B12568601	Dispenser Gasket	
2	F8563204	Dispenser Cover	Black; Icons and text
	F8563203	Dispenser Cover	Gray; Icons and text
	F8563202	Dispenser Cover	Black; Icons
	F8563201	Dispenser Cover	Gray; Icons
3	F8529402	Supply Vacuum Hose	
4	F200213	Hose Clamp	
5	F8517503	Vacuum Breaker Assembly	With inlet and fill
	F8517502	Vacuum Breaker Assembly	With inlet
	F8517501	Vacuum Breaker Assembly	With fill
	F8517504	Vacuum Breaker Assembly	
6	F8197701	Cap	WRAS
7	F8569101	O-Ring	
8	F8566801	Clip	
9	F8565201	Valve	Standard
	F8565202	Valve	Metric
10	F8230301	Screw	
11	800548	Screw	
12	F8301201	Double Check Valve	WRAS
13	70058501	Pop Rivet	
14	F8589601	Vacuum Breaker Guard	
15	36801	Hose Clamp	
16	F8616402	Rear Vent Hose	
17	F8529701	Manifold Valve	Standard
	F8529702P	Manifold Valve	Metric
18	F8232011	Hose	
19	F0431807-00	Nut	
20	F8535601	Screw	
21	F8437902	Dispenser Weldment	
22	F8047901	Siphon Cover	
23	F8047801	Access Cover	
24	F200201	Hose Clamp	
25	F8529602	P-Trap Hose	

Fill Plumbing - 40 Pound Models

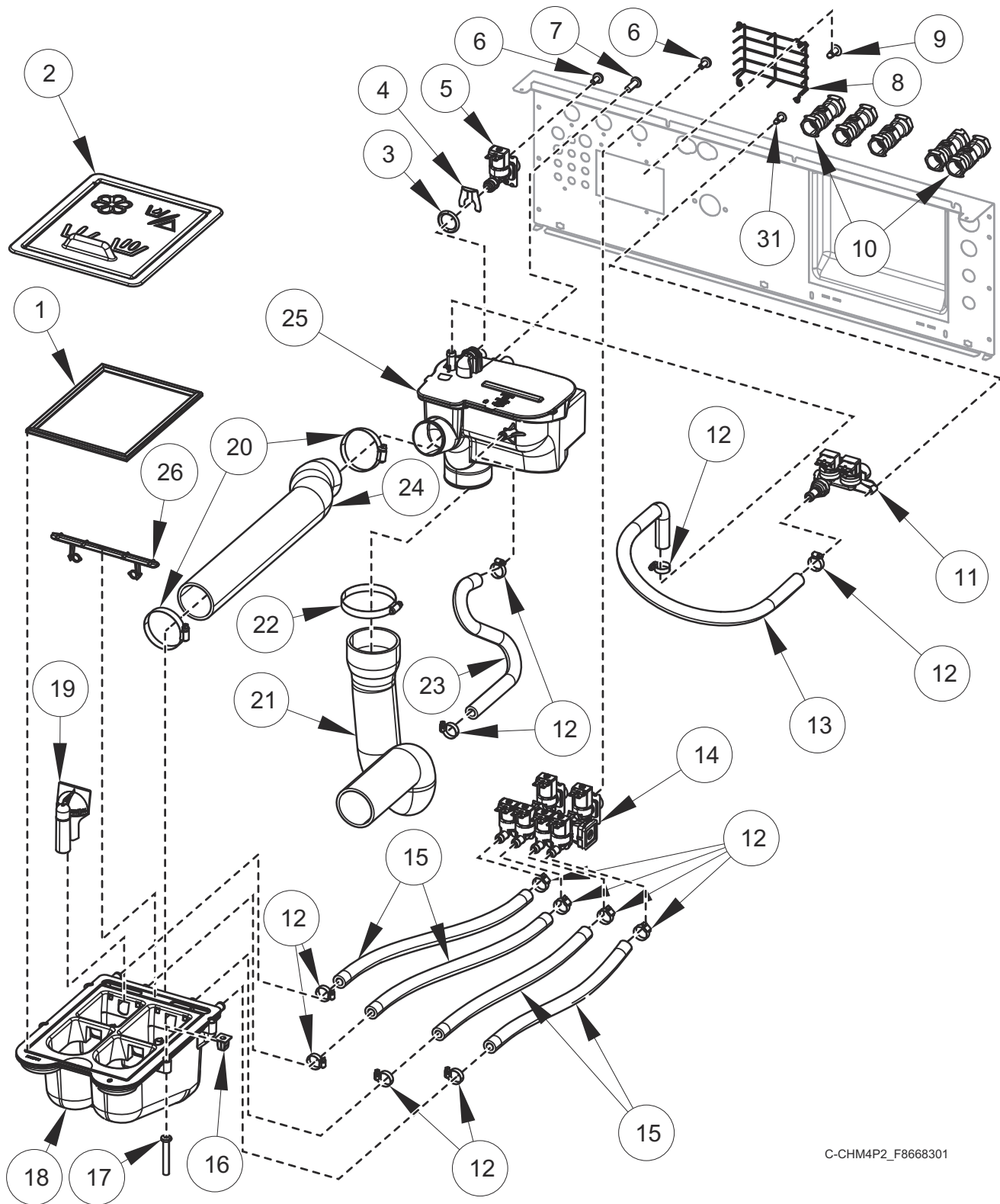


C-CHM2P7_F8668301

Fill Plumbing - 40 Pound Models

REF	PART NO.	DESCRIPTION	COMMENTS
	F8047403	Dispenser	Includes Items 21-23
	F8520101	Fill Valve Harness	
	F8665601	Water Hose Kit	Standard thread; Red (hot); Includes 20290 Washer and 803615 Washer Filter
	F8665603	Water Hose Kit	Standard thread; Blue (cold); Includes 20290 Washer and 803615 Washer Filter
	F8665602	Water Hose Kit	Metric thread; Red (hot); Includes 20290 Washer and 803615 Washer Filter
	F8665604	Water Hose Kit	Metric thread; Blue (cold); Includes 20290 Washer and 803615 Washer Filter
	F8671201	Fill Hose Kit	WRAS; Includes item 12 and F8665602 Water Hose Kit
	F8671202	Fill Hose Kit	WRAS; Includes item 12 and F8665604 Water Hose Kit
	F8671101	Fill Hose Kit	Australian watermark; Includes F8665602 Water Hose Kit and B12543901 Check Valve
	F8671102	Fill Hose Kit	Australian watermark; Includes F8665604 Water Hose Kit and B12543901 Check Valve
1	B12568601	Dispenser Gasket	
2	F8563204	Dispenser Cover	Black; Icons and text
	F8563203	Dispenser Cover	Gray; Icons and text
	F8563202	Dispenser Cover	Black; Icons
	F8563201	Dispenser Cover	Gray; Icons
3	F8529403	Supply Vacuum Hose	
4	F200213	Hose Clamp	
5	F8517503	Vacuum Breaker Assembly	With inlet and fill
	F8517502	Vacuum Breaker Assembly	With inlet
	F8517501	Vacuum Breaker Assembly	With fill
	F8517504	Vacuum Breaker Assembly	
6	F8197701	Cap	WRAS
7	F8569101	O-Ring	
8	F8566801	Clip	
9	F8565201	Valve	Standard
	F8565202	Valve	Metric
10	F8230301	Screw	
11	800548	Screw	
12	F8301201	Double Check Valve	WRAS
13	70058501	Pop Rivet	
14	F8589601	Vacuum Breaker Guard	
15	36801	Hose Clamp	
16	F8616402	Rear Vent Hose	
17	F8529701	Manifold Valve	Standard
	F8529702P	Manifold Valve	Metric
18	F8232010	Hose	
19	F0431807-00	Nut	
20	F8535601	Screw	
21	F8437902	Dispenser Weldment	
22	F8047901	Siphon Cover	
23	F8047801	Access Cover	
24	F200201	Hose Clamp	
25	F8529603	P-Trap Hose	

Fill Plumbing - 60 Pound Models - Standard

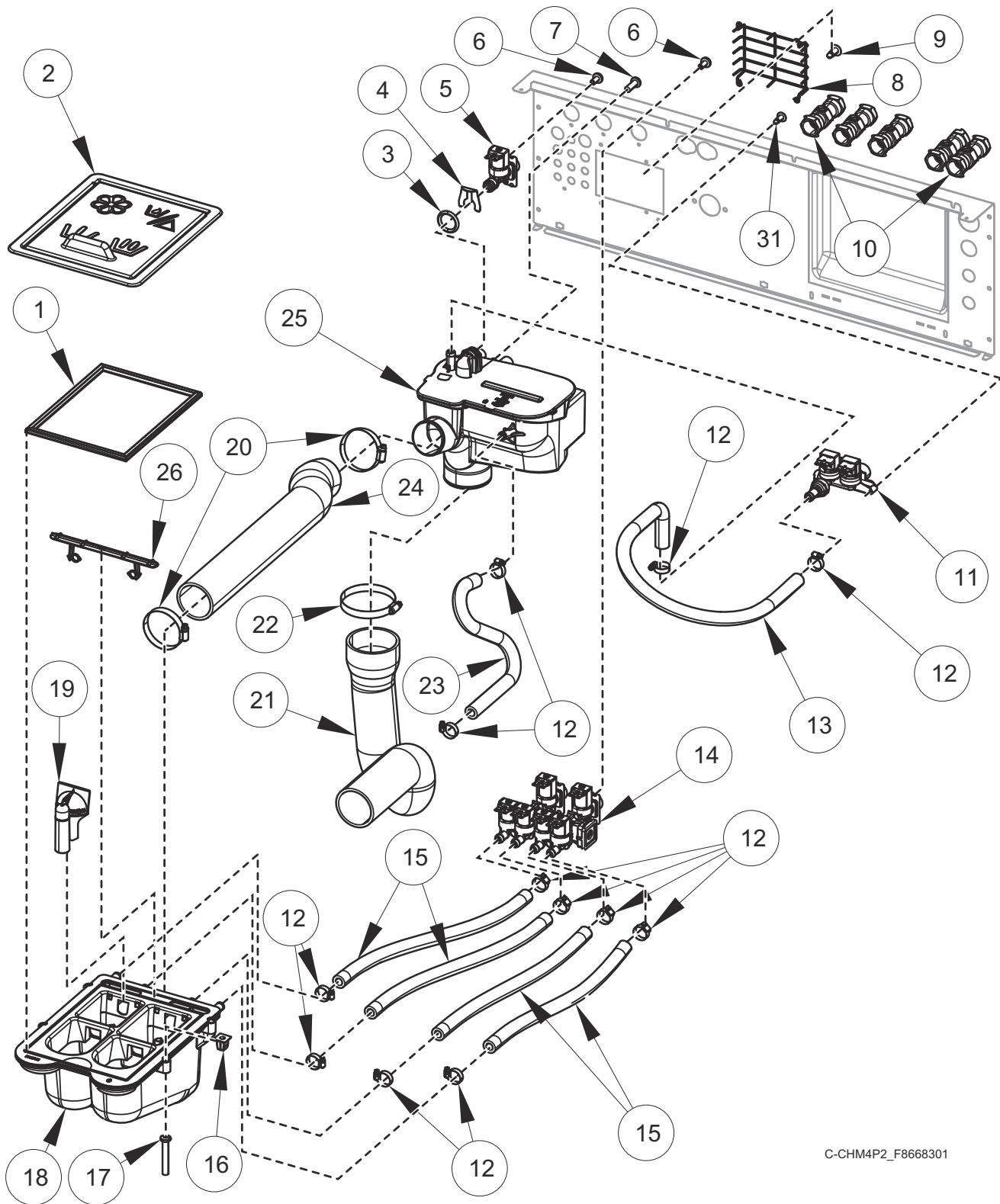


C-CHM4P2_F8668301

Fill Plumbing - 60 Pound Models - Standard

REF	PART NO.	DESCRIPTION	COMMENTS
	F8047403	Dispenser	Includes Items 18, 19 and 26
	F8520102	Fill Valve Harness	
	223/00243/00	Y-Connector	
	F8665601	Water Hose Kit	Red (hot); Includes 20290 Washer and 803615 Washer Filter
	F8665603	Water Hose Kit	Blue (cold); Includes 20290 Washer and 803615 Washer Filter
	F8671201	Fill Hose Kit	WRAS; Includes item 11 and F8665602 Water Hose Kit
	F8671202	Fill Hose Kit	WRAS; Includes item 11 and F8665604 Water Hose Kit
	F8671101	Fill Hose Kit	Australian watermark; Includes F8665602 Water Hose Kit and B12543901 Check Valve
	F8671102	Fill Hose Kit	Australian watermark; Includes F8665604 Water Hose Kit and B12543901 Check Valve
1	B12568601	Dispenser Gasket	
2	F8563204	Dispenser Cover	Black; Icons and text
	F8563203	Dispenser Cover	Gray; Icons and text
	F8563202	Dispenser Cover	Black; Icons
	F8563201	Dispenser Cover	Gray; Icons
3	F8569101	O-Ring	
4	F8566801	Clip	
5	F8565201	Valve	3/4 inch
6	F8230301	Screw	
7	800548	Screw	
8	F8589601	Vacuum Breaker Guard	
9	70058501	Pop Rivet	
10	F8301201	Double Check Valve	WRAS
11	F8434003	Mixing Valve	
12	36801	Hose Clamp	
13	F8598501	Auxiliary Fill Hose	
14	F8529701	Manifold Valve	
15	F8232012	Hose	
16	F0431807-00	Nut	
17	F8535601	Screw	
18	F8437902	Dispenser Weldment	
19	F8047901	Siphon Cover	
20	F200213	Hose Clamp	
21	F8529604	P-Trap Hose	
22	F200201	Hose Clamp	
23	F8616404	Rear Vent Hose	
24	F8529404	Supply Vacuum Hose	
25	F8517503	Vacuum Breaker Assembly	With inlet and fill
	F8517502	Vacuum Breaker Assembly	With inlet; WRAS
	F8517501	Vacuum Breaker Assembly	With fill
	F8517504	Vacuum Breaker Assembly	WRAS
26	F8047801	Access Cover	

Fill Plumbing - 60 Pound Models - Metric

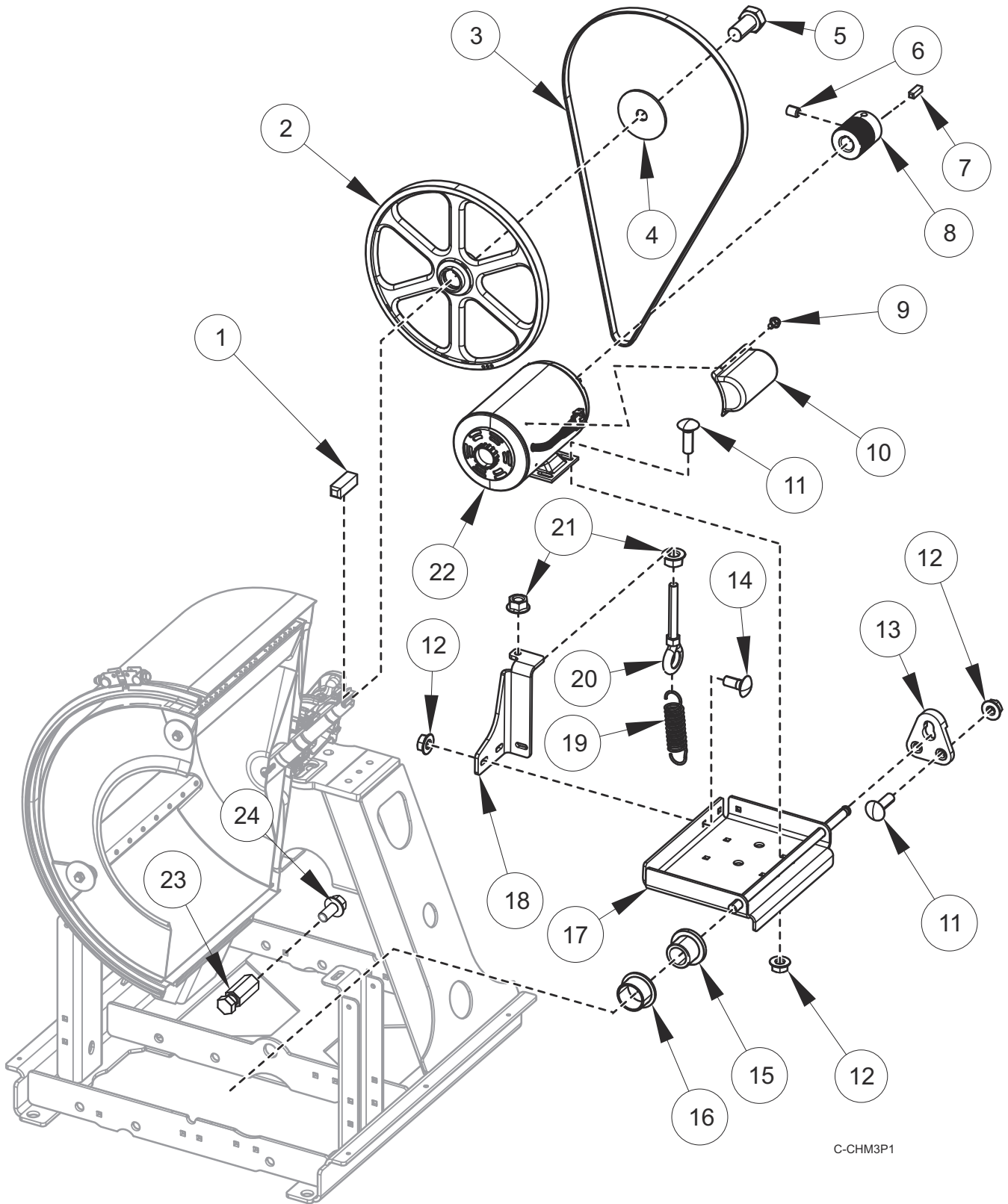


C-CHM4P2_F8668301

Fill Plumbing - 60 Pound Models - Metric

REF	PART NO.	DESCRIPTION	COMMENTS
	F8047403	Dispenser	Includes Items 18, 19 and 26
	F8520102	Fill Valve Harness	
	223/00243/00	Y-Connector	
	F8665602	Water Hose Kit	Red (hot); Includes 20290 Washer and 803615 Washer Filter
	F8665604	Water Hose Kit	Blue (cold); Includes 20290 Washer and 803615 Washer Filter
	F8671201	Fill Hose Kit	WRAS; Includes item 11 and F8665602 Water Hose Kit
	F8671202	Fill Hose Kit	WRAS; Includes item 11 and F8665604 Water Hose Kit
	F8671101	Fill Hose Kit	Australian watermark; Includes F8665602 Water Hose Kit and B12543901 Check Valve
	F8671102	Fill Hose Kit	Australian watermark; Includes F8665604 Water Hose Kit and B12543901 Check Valve
1	B12568601	Dispenser Gasket	
2	F8563204	Dispenser Cover	Black; Icons and text
	F8563203	Dispenser Cover	Gray; Icons and text
	F8563202	Dispenser Cover	Black; Icons
	F8563201	Dispenser Cover	Gray; Icons
3	F8569101	O-Ring	
4	F8566801	Clip	
5	F8565202	Valve	3/4 inch
6	F8230301	Screw	
7	800548	Screw	
8	F8589601	Vacuum Breaker Guard	
9	70058501	Pop Rivet	
10	F8301201	Double Check Valve	WRAS
11	F8434004	Mixing Valve	
12	36801	Hose Clamp	
13	F8598501	Auxiliary Fill Hose	
14	F8529702P	Manifold Valve	
15	F8232012	Hose	
16	F0431807-00	Nut	
17	F8535601	Screw	
18	F8437902	Dispenser Weldment	
19	F8047901	Siphon Cover	
20	F200213	Hose Clamp	
21	F8529604	P-Trap Hose	
22	F200201	Hose Clamp	
23	F8616404	Rear Vent Hose	
24	F8529404	Supply Vacuum Hose	
25	F8517503	Vacuum Breaker Assembly	With inlet and fill
	F8517502	Vacuum Breaker Assembly	With inlet; WRAS
	F8517501	Vacuum Breaker Assembly	With fill
	F8517504	Vacuum Breaker Assembly	WRAS
26	F8047801	Access Cover	

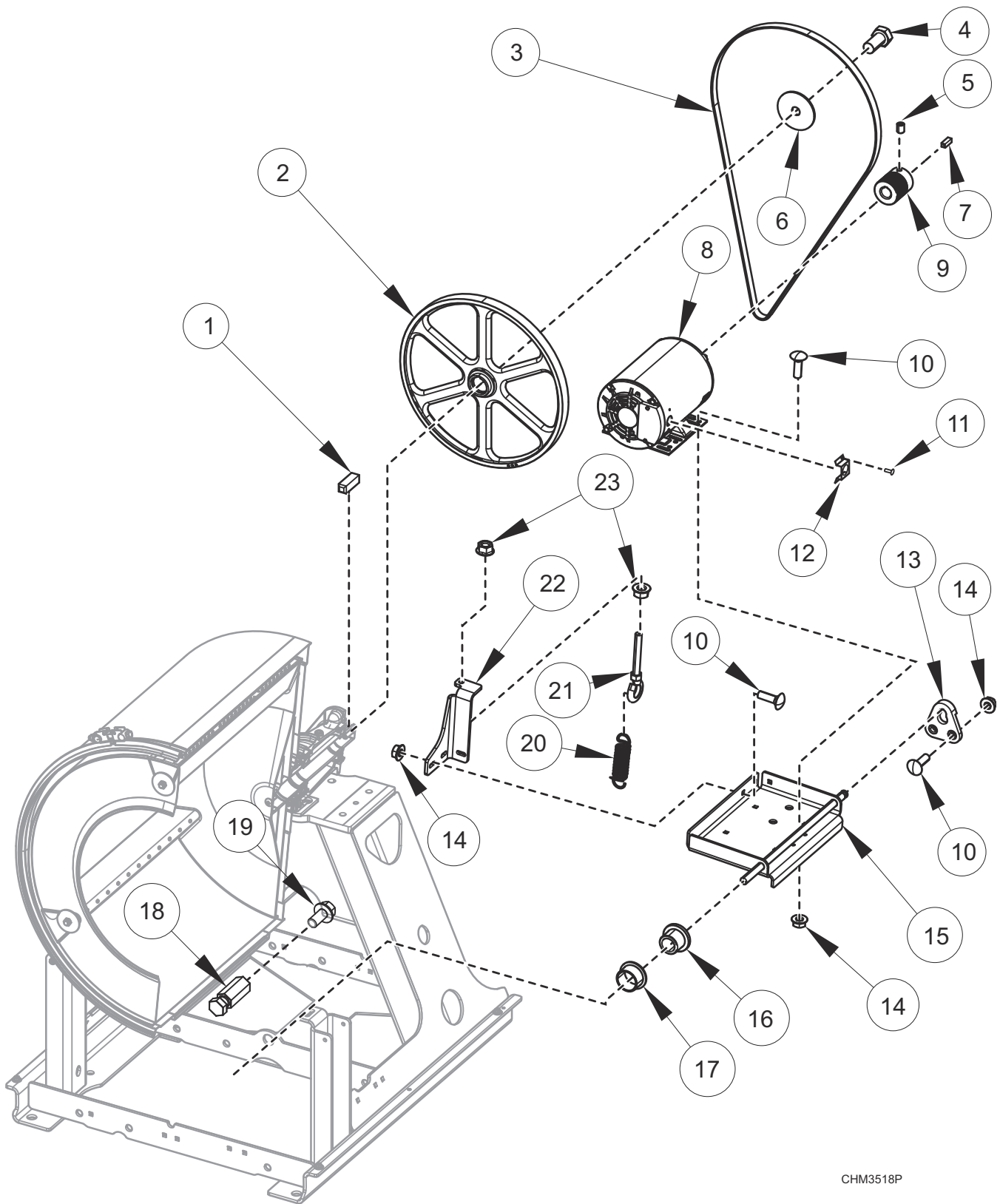
Motor, Pulley and Belt - 20 and 30 Pound Models



Motor, Pulley and Belt - 20 and 30 Pound Models

REF	PART NO.	DESCRIPTION	COMMENTS
	F8733806	Gasket	EMI 17.8 inch
	F8733801	Gasket	EMI 21 inch
	F8733802	Gasket	EMI 24 inch
	F8719402	Motor Harness	1 hp; 380-480 Volt; IEC shielded models starting September 2021
	F8519001	Motor Harness	1 hp; 120-240 Volt
	F8519006	Motor Harness	1 hp; 120-240 Volt; IEC models through August 2021
	F8519002	Motor Harness	1 hp; 380-480 Volt
	F8519007	Motor Harness	1 hp; 380-480 Volt; IEC models through August 2021
	F8719401	Motor Harness	1 hp; 120-240 Volt IEC shielded models starting September 2021
	F8748601	Spring Stud Kit	
1	F430801	Key	
2	F8511601	Basket Pulley	20 pound models
	F8511701	Basket Pulley	30 pound models
3	F8382811	Belt	20 pound models; Poly-V; 560J6
	F8382812	Belt	30 pound models; Poly-V; 690J6
4	F431115	Washer	
5	F8574001	Screw	
6	M400077	Screw	
7	H8752006H	Key	
8	F8525301	Motor Pulley	
9	23222	Screw	
10	70521901	Motor Conduit Mounting Bracket	models through August 2021
	F8732401	Motor Conduit Mounting Bracket	models starting September 2021
11	F8402801	Bolt	
12	44087201	Nut	
13	F8441101	Motor Rod Plate	
14	70062401	Bolt	
15	F8535202	Flanged Isolator	
16	F8333302	Flanged Bushing	
17	F8589001	Motor Bracket Weldment	
18	F8581201	Spring Bracket	
19	F310124	Extension Spring	
20	F8319503	Eye Bolt	
21	44087301	Nut	
22	F8509601P	Motor	1 hp; 230 Volt
	F8509701	Motor	1 hp; 460 Volt
23	F8634701	Stud	
24	70126104	Screw	

Motor, Pulley and Belt - 40 and 60 Pound Models

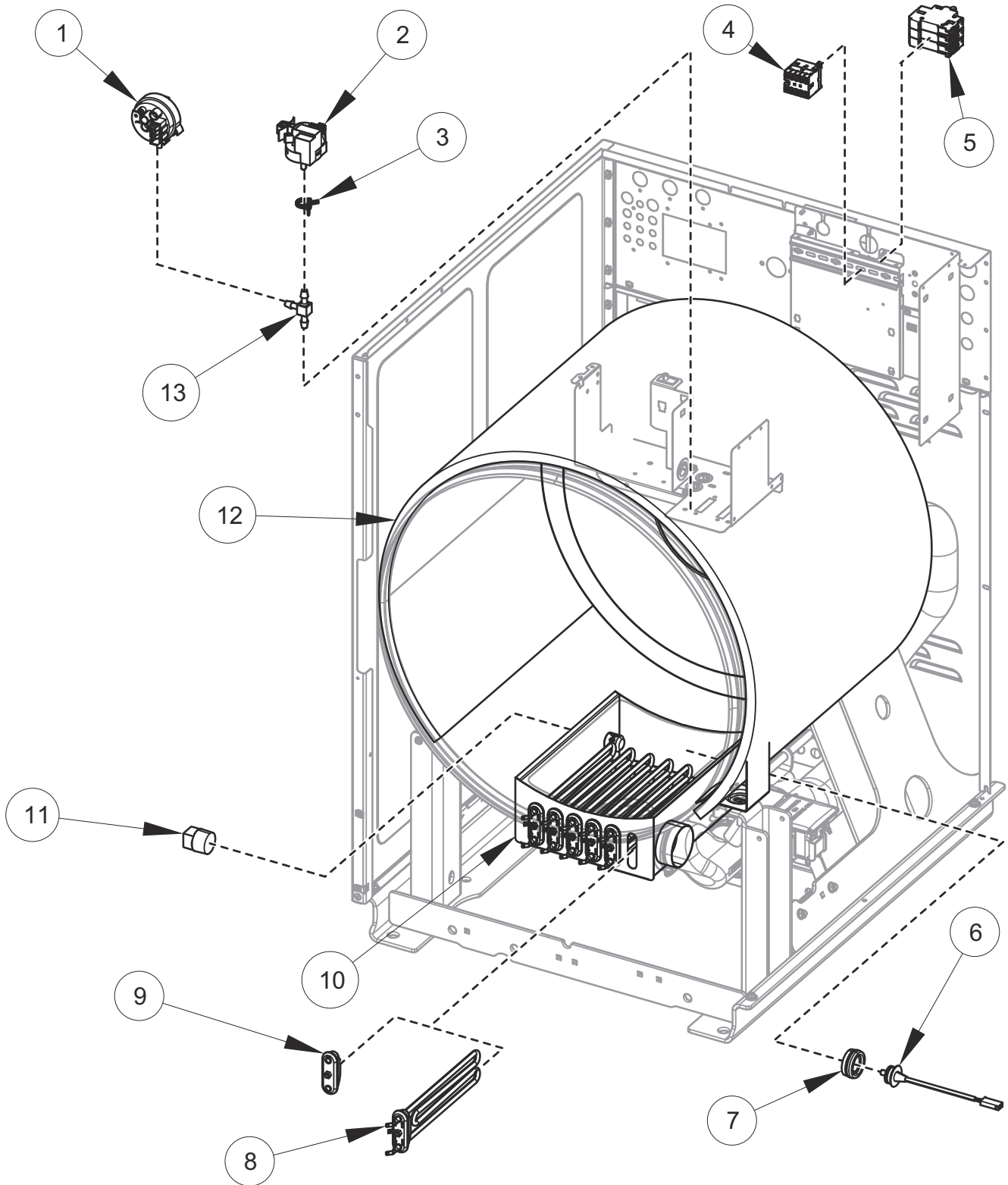


CHM3518P

Motor, Pulley and Belt - 40 and 60 Pound Models

REF	PART NO.	DESCRIPTION	COMMENTS
	F8519003	Motor Harness	2-3 hp; 240 Volt; B, Q, W, X and Y voltage
	F8719403	Motor Harness	2-3 hp; B, Q, W, X and Y voltage; IEC shielded models starting September 2021
	F8719404	Motor Harness	2-3 hp; N and P voltage; IEC shielded models starting September 2021
	F8519004	Motor Harness	2-3 hp; 480 Volt; N and P voltage
	F8519008	Motor Harness	B, Q, W, X and Y voltage; IEC models through August 2021
	F8519009	Motor Harness	N and P voltage; IEC models through August 2021
	F8733806	Gasket	EMI 17.8 in.
	F8733803	Gasket	EMI 25.6 in.
	F8733804	Gasket	EMI 29 in.
	F8748601	Spring Stud Kit	
1	F430801	Key	
2	F8511701	Basket Pulley	40 pound models
	F8511801	Basket Pulley	60 pound models
3	F8382813	Belt	40 pound models; Poly-V; 717J8
	F8382818	Belt	60 pound models; Poly-V; 765J10
4	F8574001	Screw	
5	M400077	Screw	
6	F431115	Washer	
7	H8752006H	Key	
8	F8564101P	Motor	2 hp; 230/460 Volt; 40 pound models
	F8564102P	Motor	3 hp; 230/460 Volt; 60 pound models
9	F8525301	Motor Pulley	40 pound models
	F8525302	Motor Pulley	60 pound models
10	F8402801	Bolt	
11	23222	Screw	
12	F8732801	Bracket	
13	F8441101	Motor Rod Plate	
14	44087201	Nut	
15	F8589002	Motor Bracket Weldment	
16	F8535202	Flanged Isolator	
17	F8333302	Flanged Bushing	
18	F8634701	Stud	
19	70126104	Screw	
20	F310124	Extension Spring	40 pound models
	F8440701	Extension Spring	60 pound models
21	F8319503	Eye Bolt	
22	F8581201	Spring Bracket	
23	44087301	Nut	

Electric Heating

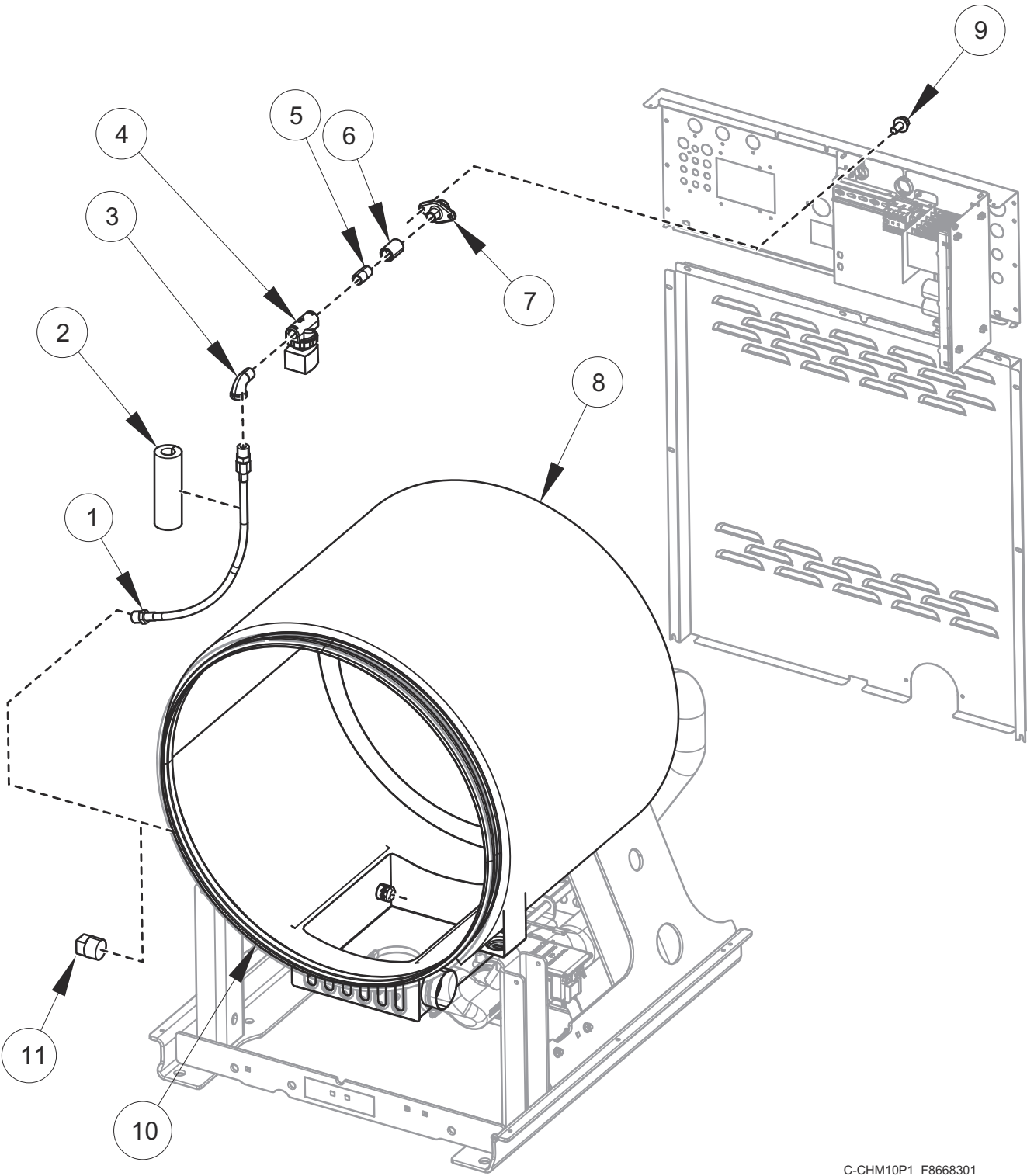


C-CHM8P6_F8668301

Electric Heating

REF	PART NO.	DESCRIPTION	COMMENTS
	F8619101	Power Harness	
	F8584801	Electric Heat Element Harness	3 element ground
	F8584802	Electric Heat Element Harness	6 element ground
	F8564001	Harness	Heater; 20 and 30 pound models; N and P Voltage
	F8564002	Harness	Heater; 20 and 30 pound models; Q Voltage
	F8564003	Harness	Heater; 40 and 60 pound models; N, P and Q Voltage
	F8598301	Harness	Thermistor; 20 and 30 pound models
	F8598302	Harness	Thermistor; 40 and 60 pound models
	F8568901	Jumper	40 and 60 pound models with N Voltage
	F8569001	Jumper	20 and 30 pound model with N and P Voltage; 40 and 60 pound models with P Voltage
1	F8609101	Water Level Pressure Switch	
2	F8623401	Pressure Sensor	
3	39282	Hose Clamp	
4	70482601	Contactator	
5	70488101	Circuit Breaker	
6	F8538801	Thermistor	
7	2251000400	Temperature Probe Grommet	
8	F8568401	Heating Element	2600W; 240 Volt
	F8568402	Heating Element	3400W; 277 Volt
	F8568301	Heating Element	4200W; 230 Volt
9	F360202	Heating Element Plug	
10	F8512102	Shell	20 pound models
	F8514002	Shell	30 pound models
	F8512202	Shell	40 pound models
	F8543702	Shell	60 pound models
11	F420408	Plug	20, 30 and 40 pound models
	F420409	Plug	60 pound models
12	F8209101	Insulation	20 pound models
	F8209102	Insulation	30 pound models
	F8209103	Insulation	40 pound models
	F8209104	Insulation	60 pound models
13	203464	Barbed Tee	

Steam Heating - 40 and 60 Pound Models

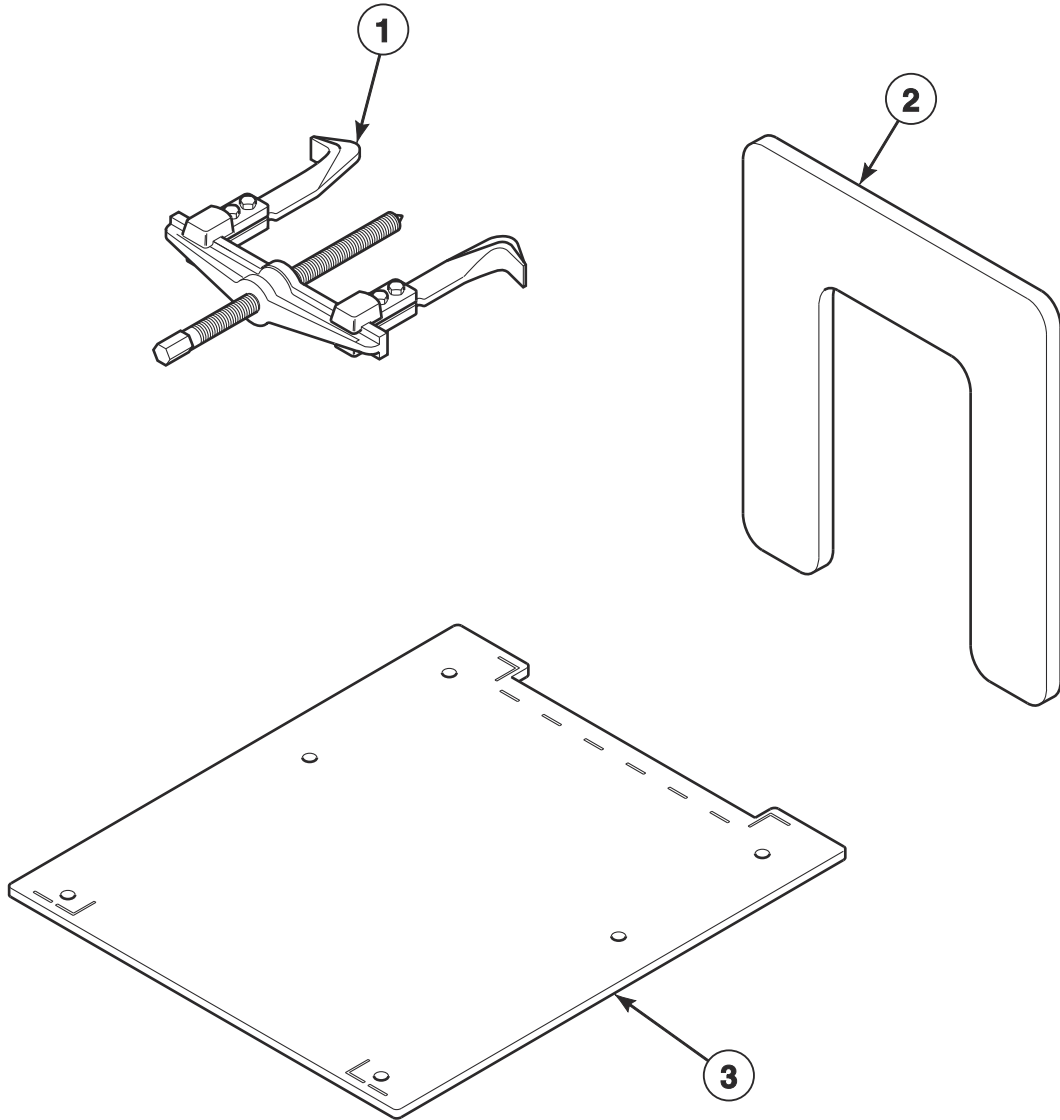


C-CHM10P1_F8668301

Steam Heating - 40 and 60 Pound Models

REF	PART NO.	DESCRIPTION	COMMENTS
	F8233704	Insulation	Steam pipe; 12 inches
	F8233708	Pipe Insulation	Steam pipe; 20 inches
	F8662602	Steam Kit	40 pound models; Includes Items 1-7, 9, 11, 901403 Nipple, F270307 Steam Filter, F8520704 Harness, insulation and labels
	F8662601	Steam Kit	60 pound models; Includes Items 1-7, 9, 11, 901403 Nipple, 7021401 Pipe Nipple, F270307 Steam Filter, F8520704 Harness, insulation and labels
	F270307	Steam Filter	1/2 inch
	F270308	Steam Filter	3/4 inch
	F8520704	Harness	Steam Valve
	F410300	Pipe Insulation	Steam pipe; 36 inches
1	F200153P	Steam Hose	40 pound models
	F200197	Steam Hose	60 pound models
2	F8233702	Insulation	Steam pipe; 6 inches
3	H86070034	Street Elbow	
4	F8322805	Valve	
	F8515001	Coil	
5	70435601	Pipe Nipple	
6	F8116301	Coupling	
7	F8362701	Coupling	
8	F8209103	Insulation	40 pound models
	F8209104	Insulation	60 pound models
9	70321501	Screw	
10	F8512202	Shell	40 pound models
	F8543702	Shell	60 pound models
11	F420409	Plug	40 pound models
	F420408	Plug	60 pound models

Special Tools and Kits



CHM3486P_F8668301

Special Tools and Kits

REF	PART NO.	DESCRIPTION	COMMENTS
	1111P	Concrete Kit	5/8 inch
	389P4	Basket Tool Kit	Purchase; Requires item 1
	390P4-1	Basket Rental Tool Kit	Purchase; Requires item 1
	203346	USB IR Interface Kit	
	204454	Ferrite	SCK models
1	F460129P	Basket Puller Tool	
2	F8608502P	Basket Pulley Puller Tool	Use with item 1
3	F8433301	Frame Template	20 pound models
	F8433401	Frame Template	30 pound models
	F8433501	Frame Template	40 pound models
	F8433601	Frame Template	60 pound models

Parts Index

A

Access Cover	
F8047801	61, 63, 65, 67, 69
Access Panel	
F8524001	29, 31, 33
F8524101	29, 31, 33
F8524201	29, 31, 33
F8553901	29, 31, 33
Access Panel Retaining Spacer	
F8609701	29, 31, 33
App Pay Overlay Kit	
44374701	9, 11
Auxiliary Fill Hose	
F8598501	67, 69

B

Backflow Preventer	
800310	59
Barbed Tee	
203464	9, 75
Basket	
F8391302	53
F8391304	53
F8391502	53
F8391504	53
F8391702	53
F8391704	53
F8502802	53
F8502805	53
Basket Capacity Label	
F8699702	31, 33
F8699703	31, 33
F8699704	31, 33
F8699706	31, 33
Basket Puller Tool	
F460129P	79
Basket Pulley	
F8511601	71
F8511701	71, 73
F8511801	73
Basket Pulley Puller Tool	
F8608502P	79
Basket Rental Tool Kit	
390P4-1	79
Basket Tool Kit	
389P4	79
Bearing	
F100108	55
F100123P	55
F100134	55
F100135	55
F100136P	55
F100137P	55
Bearing Housing	
F8246802	55
F8247902	55
F8249902	55
F8250902	55

Bearing Housing Assembly	
F8271601P	55
F8271602	55
F8271701P	55
F8271702	55
F8271801P	55
F8271802	55
F8271901P	55
F8271902	55
Belt	
F8382811	71
F8382812	71
F8382813	73
F8382818	73
Bolt	
F430974	39, 41, 43, 45, 47, 49
F8270701	51
F8402801	37, 57, 59, 71, 73
F8508101	39, 41, 43, 45, 47, 49
70062401	71
Bracket	
F8571301	59
F8571401	59
F8590701	9
F8732801	73
Bushing	
70346501	13, 15, 17, 19, 21, 23

C

Cabinet Brace	
F8527301	35
F8527401	35
F8527501	35
F8553201	35
Cap	
F8197701	61, 63, 65
Chemical Injection Control	
804528	25
Circuit Breaker	
70488101	17, 19, 21, 23, 75
Clip	
F8566801	61, 63, 65, 67, 69
Coil	
F8515001	77
Concrete Kit	
1111P	79
Connector	
70493102	25
Contact Base	
F8538101	9
Contact Switch	
F8069501	9
Contacto	
F330188P	75
70482601	13, 15, 17, 19, 21, 23
70482701	13, 15, 17, 19, 21, 23
Contacto	
F8530901	13, 15, 17, 19, 21, 23
Control Assembly	
F8494701	9

N/A items do not appear in index.

Control Panel Assembly	
F8523704	29
F8523705	29
F8523804	29
F8523805	29
F8523904	29
F8523905	29
F8553704	29
F8553705	29
F8697203	31, 33
F8697303	31, 33
F8697403	31, 33
Control Tray	
F8530701	11
Coupling	
F8116301	77
F8362701	77

D

Danger Label	
F8614501	7
DIN Rail	
B12315401	17, 19, 21, 23
M412689	13, 15, 17, 19, 21, 23
Dispenser	
F8047403	61, 63, 65, 67, 69
Dispenser Bracket	
F8525701	35
Dispenser Cover	
F8563201	61, 63, 65, 67, 69
F8563202	61, 63, 65, 67, 69
F8563203	61, 63, 65, 67, 69
F8563204	61, 63, 65, 67, 69
Dispenser Gasket	
B12568601	61, 63, 65, 67, 69
Dispenser Weldment	
F8437902	61, 63, 65, 67, 69
Door	
F8507501P	39, 41
F8507502	39, 41
F8507602	43, 45
F8507701	47, 49
F8507702	47, 49
F8752601	43, 45
Door Assembly	
F8617201	39
F8617202	39
F8617203	39
F8617204	39
F8617205	39
F8617206	39
F8617207	39
F8617208	39
F8617211	41
F8617212	41
F8617213	41
F8617214	41
F8617215	41
F8617216	41
F8617301	43
F8617302	43
F8617303	43
F8617304	43
F8617305	43
F8617306	43

F8617307	43
F8617308	43
F8617311	45
F8617312	45
F8617313	45
F8617314	45
F8617315	45
F8617316	45
F8617401	47, 49
F8617402	47, 49
F8617403	47
F8617404	47
F8617405	47
F8617406	47
F8617407	47
F8617408	47
F8617413	49
F8617414	49
F8617415	49
F8617416	49

Door Bezel	
F0170426-30	29, 31, 33
F170417-1	29, 31, 33
F8658701	29, 31, 33
F8658801	29, 31, 33
F8658901	29, 31, 33
F8659101	29, 31, 33

Door Gasket	
F20000202	39, 41
F8111502	47, 49
F8111602	43, 45

Door Glass	
F8485301P	43, 45
F8485305	43, 45
F8485401P	47, 49
F8485405	47, 49
F8675701P	39, 41

Door Glass Kit	
F290205P	39, 41

Door Glass Trim	
F8583201	39, 41
F8583202	43, 45
F8583203	47, 49
F8583204	39, 41
F8583205	43, 45
F8583206	47, 49

Door Handle	
F8199401P	39, 43, 47
F8435501	39, 41, 43, 45, 47, 49
F8544701	39, 41, 43, 45, 47, 49
F8624603	41, 45, 49

Door Handle Spacer Kit	
F8567501	39, 41, 43, 45, 47, 49

Door Hinge	
F190216P	39, 41, 43, 45, 47, 49

Door Hinge Shim Kit	
F200131000P	39, 41, 43, 45, 47, 49

Door Latch Arm Assembly	
F8221403	39, 41, 43, 45, 47, 49

Door Lock Assembly	
F8632401	51

Door Lock Catch	
F8344501	51

Door Lock Cover	
F8245001	51

N/A items do not appear in index.

Door Lock Harness	
F8520201	51
F8520202	51
Door Lock Microswitch	
F200203200	51
Door Lock Plate Assembly	
F8223202	51
Door Lock Plate Shim	
F83344401	51
Door Lock Solenoid Replacement Kit	
F977P3	51
Door Lock Switch Lever	
F8223401	51
Door Mount	
F150271	39, 41, 43, 45, 47, 49
Double Check Valve	
F8301201	61, 63, 65, 67, 69
Dowel Pin	
F8388201	55
Drain Hose	
F8541901	57
F8542001	57
F8542002	57
27154	59
Drain Hose Elbow	
35766	59
Drain Tee	
F8752101	57
Drain Valve	
F8406308	57
Drain Valve Bracket	
F8543101	57
F8543301	57
F8543401	57
F8587701	57
Drain Valve Cover	
F200133600	57
Drain Valve Harness	
F8520001	57, 59
F8520002	57, 59
Drain Valve Kit	
F200166302	57
F200166402	57
F8577201	57
Drive Assembly	
F8495401P	27
F8496001	27
F8496301P	27
F8496901	27
Drive Communication Harness	
F8519201	27
F8519202	27
F8519203	27
F8519204	27
Drive Mounting Bracket	
F8322401	27
Drive Panel Base Assembly	
F8567001	13, 15, 17, 19
F8567002	17, 19
F8567003	21, 23
F8567004	21, 23
Drive Power Harness	
F8518601	27
F8518602	27
F8518603	27

Drive Shield	
F8616901	13, 15, 17, 19, 21, 23
Drive Terminal Tray	
F8530801	13, 15, 17, 19
F8530803	21, 23

E

Electric Heat Element Harness	
F8584801	75
F8584802	75
Emergency Stop Harness	
F8549401	9
F8549402	9
Emergency Stop Label	
44012901	9
Emergency Stop Plate	
F8201301	9
Emergency Stop Pushbutton	
F200233500	9
EMI Filter	
F8591601	13, 17
F8591801	15, 19, 21
F8637501	15, 19, 23
End Stop	
F8449801	13, 15, 17, 19, 21, 23
Excluder Seal	
F8337002	53
Expansion Clip	
70030501	11, 13, 15, 17, 19, 21, 23, 27, 29, 31, 33, 35, 37, 51, 59
Extension Spring	
F310124	71, 73
F8440701	73
External Supply Kit	
F8662505	25
F8662506	25
F8662507	25
F8662508	25
Eye Bolt	
F8319503	71, 73

F

Ferrite	
204454	79
Fill Hose Kit	
F8671101	61, 63, 65, 67, 69
F8671102	61, 63, 65, 67, 69
F8671201	61, 63, 65, 67, 69
F8671202	61, 63, 65, 67, 69
Fill Valve Harness	
F8520101	61, 63, 65
F8520102	67, 69
Filter Kit	
F8662801	13
F8662802	17
F8662803	15
F8662804	19, 21
F8662805	15
F8662806	19, 23
F8662809	15
F8662810	15

N/A items do not appear in index.

F8662811	19, 21
F8662812	19, 23
Flanged Bushing	
F8333302	71, 73
Flanged Isolator	
F8535202	71, 73
Frame Template	
F8433301	79
F8433401	79
F8433501	79
F8433601	79
Front Panel	
F8524302	29, 31, 33
F8524304	33
F8524402	29, 31, 33
F8524404	33
F8524502	29, 31, 33
F8524504	33
F8554002	29, 31, 33
Front Tray Assembly	
F8531002	9
F8567307	9
F8567308	9
F8567309	9
F8567310	9
F8567311	9
F8567312	9

G

Gasket	
F8542601	35
F8733801	71
F8733802	71
F8733803	73
F8733804	73
F8733806	71, 73
Ground Lug Connector	
M411283	13, 15, 17, 19, 21, 23

H

Harness	
F8518401	15, 19, 21
F8518402	15
F8518403	19, 21
F8518404	15, 19, 21
F8518405	13, 17
F8518501	15, 19, 23
F8518502	15
F8518503	19, 23
F8518504	15, 19, 23
F8518604	13, 17
F8518605	15, 19, 21, 27
F8518606	19, 21, 23, 27
F8518607	27
F8519301	9
F8519501	9
F8519502	9
F8519602	9
F8519603	9
F8520602	25
F8520603	25
F8520704	77
F8528001	13, 15, 17, 19, 21, 23

F8528002	13, 15
F8528003	17, 19, 21, 23
F8528004	13, 17
F8528005	15, 19, 21, 23
F8528006	13, 17
F8528203	25
F8528204	25
F8564001	75
F8564002	75
F8564003	75
F8598301	53, 75
F8598302	53, 75
F8619102	13, 15, 17, 19, 21, 23

Harness Support Bracket	
F8744301	13, 15, 17, 19, 21, 23

Heating Element	
F8568301	75
F8568401	75
F8568402	75

Heating Element Plug	
F360202	75

Hole Plug	
F8223801	35

Hose	
F8232007	61
F8232010	65
F8232011	63
F8232012	67, 69

Hose Clamp	
F200201	57, 61, 63, 65, 67, 69
F200204	59
F200213	57, 61, 63, 65, 67, 69
F200215	59
F200219	59
36801	61, 63, 65, 67, 69
36802	57, 59
39282	9, 75

Hot Surface Warning Label	
F8609001	7
F8614301	7

I

Input and Output Control Assembly	
F8494101P	11

Instruction Label	
F8698801	31, 33
F8698901	31, 33

Insulation	
F8233702	77
F8233704	77
F86209101	75
F86209102	75
F86209103	75, 77
F86209104	75, 77

Insulator	
M413862	13, 15, 17, 19, 21, 23

J

Jumper	
F8568901	75
F8569001	75
F8583501	17, 19, 21, 23

N/A items do not appear in index.

K

Key	
F430801.....	71, 73
H8752006H.....	71, 73
70155603.....	35

L

Label	
D516100.....	13, 15, 17, 19, 21, 23
F8601301.....	7
F8602401.....	7
F8609401.....	7
F8611301.....	7, 35
F8611401.....	7, 35
F8614801.....	7
203853.....	7
44286801.....	13, 17
44286803.....	15, 19, 23

M

Machine ID Control Assembly	
203361P.....	9
Magnet	
F8390801.....	39, 41, 43, 45, 47, 49
Male Tab Terminal	
00621SG.....	15, 17, 19, 21, 23
Manifold Valve	
F8529701.....	61, 63, 65, 67
F8529702P.....	61, 63, 65, 69
Mixing Valve	
F8434003.....	67
F8434004.....	69
Motor	
F8509601P.....	71
F8509701.....	71
F8564101P.....	73
F8564102P.....	73
Motor Bracket Weldment	
F8589001.....	71
F8589002.....	73
Motor Conduit Mounting Bracket	
F8732401.....	71
70521901.....	71
Motor Harness	
F8519001.....	71
F8519002.....	71
F8519003.....	73
F8519004.....	73
F8519006.....	71
F8519007.....	71
F8519008.....	73
F8519009.....	73
F8719401.....	71
F8719402.....	71
F8719403.....	73
F8719404.....	73
Motor Pulley	
F8525301.....	71, 73
F8525302.....	73

Motor Rod Plate	
F8441101.....	71, 73

N

Nameplate	
F8443105.....	29
F8443106.....	29
F8688801.....	31, 33
Nut	
C001236.....	39, 41, 43, 45, 47, 49
F0431807-00.....	61, 63, 65, 67, 69
F430215.....	39, 41, 43, 45, 47, 49
F430218.....	53
F430225.....	51
F430232.....	39, 41, 43, 45, 47, 49, 51
F431024.....	51
F431041.....	39, 41, 43, 45, 47, 49
F8387701.....	55
44087201.....	37, 57, 59, 71, 73
44087301.....	53, 71, 73
44088001.....	13, 15, 17, 19, 21, 23
44088801.....	35
685846.....	9
70030401.....	57

O

O-Ring	
F8569101.....	61, 63, 65, 67, 69
Overflow Hose	
F8521201.....	57
F8522401.....	57
F8522501.....	57
Overflow Plug	
F150352.....	59
Overlay	
F8579701.....	29
F8593801.....	29
F8641501.....	29
F8694201.....	31, 33
F8694301.....	31, 33
F8694401.....	31, 33
F8694501.....	31, 33
F8695901.....	31, 33
F8696001.....	31, 33
F8696501.....	31, 33

P

Panel Locator	
56079.....	29, 31, 33, 37
Panel Lock	
44089303P.....	35
Pin	
F8302701.....	53
F8502101.....	37
Pinch Warning Label	
F8615701.....	7
70538401.....	7
Pipe Insulation	
F410300.....	77
F8233708.....	77

N/A items do not appear in index.

Pipe Nipple	
70435601	77
Plug	
F420408	75, 77
F420409	75, 77
F8223901	35
M400985	35
Pop Rivet	
F431215	29, 31, 33, 35
F431223	39, 41, 43, 45, 47, 49
M400003	11, 13, 15, 17, 19, 21, 23
70058501	13, 15, 17, 19, 21, 23, 61, 63, 65, 67, 69
70412601	29, 31, 33
Power Distribution Block	
M413865	13, 15, 17, 19, 21, 23
Power Distribution Block Cover	
44014901P	13, 15, 17, 19, 21, 23
Power Harness	
F8619101	13, 15, 17, 19, 21, 23, 75
Pressure Cap	
F8579301	57, 59
Pressure Sensor	
F8623401	9, 75
P-Trap Hose	
F8529601	61
F8529602	63
F8529603	65
F8529604	67, 69
Pump Drain and Bracket Assembly	
804038	59
805613	59
805723	59
Pump Drain Bracket	
F8536901	59
F8557101	59
F8557301	59
Pump Drain Hose	
F8556601	59
Pump Drain Rear Hose	
F8537001	59
F8557001	59
F8557201	59
Pushbutton Switch	
70413301	35

R

Radial Lip Seal	
F8203816	55
Rear Drain Hose	
F8543001	57
F8543201	57
F8543501	57
F8587301	57
Rear Panel	
F8527001	35
F8527101	35
F8527201	35
F8554501	35
Rear Vent Hose	
F8616401	61
F8616402	63, 65
F8616404	67, 69

Reed Switch Assembly	
F8066804	51
Retaining Ring	
F8337801	55
F8337901	55
F8344901	55
F8345001	55
Rivet	
M412763	29, 31, 33, 37
Rod	
F602813-2	39, 41, 43, 45, 47, 49

S

Screw	
D503688	27
F430532	39, 41
F430533	43, 45, 47, 49
F430536	39, 41, 43, 45, 47, 49
F8117601	29, 31, 33, 35, 37, 51, 59
F8206901	11, 13, 15, 17, 19, 21, 23, 35, 59
F8230301	61, 63, 65, 67, 69
F8368801	55
F8442702	55
F8535501	39, 41, 43, 45, 47, 49
F8535601	61, 63, 65, 67, 69
F8574001	71, 73
F8589501	29, 31, 33
F8621601	53
F8658501	59
F8673701	53
M400077	71, 73
202175	57
23222	71, 73
33562	35
39733	13, 15, 17, 19, 21, 23
403497	25
51780	35
51783	13, 15, 17, 19, 21, 23
685837	13, 15, 17, 19, 21, 23
70126104	71, 73
70321501	77
800548	61, 63, 65, 67, 69
Seal Scupper Pad	
F8350302	55
Shaft Seal Sleeve Kit	
F8343906P	53
Shell	
F8512102	53, 75
F8512103	53
F8512202	53, 75, 77
F8512203	53
F8514002	53, 75
F8514003	53
F8543702	53, 75, 77
F8543703	53
Shell Band Kit	
F8537801	53
F8537802	53
F8537803	53
F8537804	53
Shell Front	
F8222301	53
F8222401	53
F8222501	53
F8222601	53

N/A items do not appear in index.

Shock Warning Label	
F8614201	7
Side Panel	
F8524601	37
F8524602	37
F8524603	37
F8524604	37
F8524701	37
F8524702	37
F8524703	37
F8524704	37
F8524705	37
F8524706	37
F8524801	37
F8524802	37
F8524803	37
F8524804	37
F8524805	37
F8524806	37
F8525605	37
F8525606	37
F8554201	37
F8554202	37
F8554203	37
F8554204	37
F8554205	37
F8554206	37
Siphon Cover	
F8047901	61, 63, 65, 67, 69
Snap Bushing	
F140938	9, 13, 15, 17, 19, 21, 23, 25
M402542	9
M411826	9
Spacer	
F431901	51
Spring Bracket	
F8581201	71, 73
Spring Pin	
F431222	39, 41, 43, 45, 47, 49
Spring Stud Kit	
F8748601	71, 73
Steam Filter	
F270307	77
F270308	77
Steam Hose	
F200153P	77
F200197	77
Steam Kit	
F8662601	77
F8662602	77
Street Elbow	
H86070034	77
Stud	
F8634701	71, 73
70334702	57
Supply Vacuum Hose	
F8529401	61
F8529402	63
F8529403	65
F8529404	67, 69

T

Temperature Probe Grommet	
2251000400	53, 75

Terminal	
00621SG	13
00622SG	11, 13, 15, 17, 19, 21, 23
Terminal Block	
430642	13, 15, 17, 19, 21, 23
Terminal Block Shield	
70333001	13, 15, 17, 19, 21, 23
Terminal Tray Cover	
F8518301	35
Thermistor	
F8538801	53, 75
Top Cover	
F8525401	35
F8525501	35
F8525601	35
F8554301	35
Top Cover Hinge	
F8258601	35
Top Cover Latch	
F8201001	29, 31, 33
Torsion/Door Lock Spring	
F8070301	51
Transformer	
F8491101	11
202757	11
202758	11
Triple Lip Seal	
F8203801	55
F8203802	55
F8203803	55
F8203806	55
F8203813	55
F8203814	55
F8203815	55
Tubing	
F8405302	9
F8405303	9

U

USB IR Interface Kit	
203346	79

V

Vacuum Breaker Assembly	
F8517501	61, 63, 65, 67, 69
F8517502	61, 63, 65, 67, 69
F8517503	61, 63, 65, 67, 69
F8517504	61, 63, 65, 67, 69
Vacuum Breaker Guard	
F8589601	61, 63, 65, 67, 69
Valve	
F8322805	77
F8565201	61, 63, 65, 67
F8565202	61, 63, 65, 69
Valve Panel	
F8513101	35
F8513201	35
F8513301	35
F8554401	35

N/A items do not appear in index.

W

Warning Label	
F8611601	7
44324001	7
Washer	
F430339	55
F431115	71, 73
F431133	39, 41, 43, 45, 47, 49
F431147	39, 41, 43, 45, 47, 49
F431916	39, 41, 43, 45, 47, 49
F431929	39, 41, 43, 45, 47, 49
F8193101	51
F8201101	29, 31, 33
F8402701	53
M400080	53
M400081	53
M405535	37
Water Hose Kit	
F8665601	61, 63, 65, 67
F8665602	61, 63, 65, 69
F8665603	61, 63, 65, 67
F8665604	61, 63, 65, 69
Water Level Pressure Switch	
F8609101	9, 75
Wire Clip	
F8449501	9, 11
70347601	11
70366201	9
Wire Label	
44286804	15, 19, 21
Wireless Kit	
F8662403	11
F8676001	11
F8676101	11

Y

Y-Connector	
223/00243/00	67, 69
