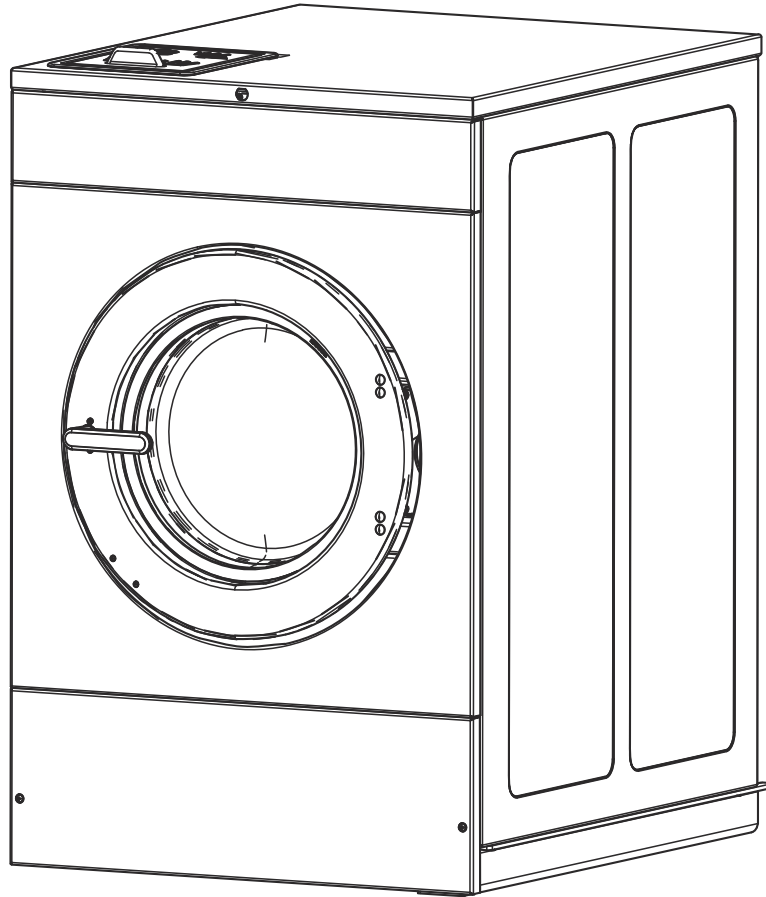


Washer-Extractor

Cabinet Hardmount

Design 4, 6 and 7

Refer to Page 3 for Model Numbers



C-CHM2C3_F8669201

Table of Contents

Title	Page
Parts Ordering Information.....	2
Serial Plate Location	2
Model Identification	3
Product Overview - Galaxy 200, Galaxy 400 OPL, Quantum Standard, Quantum Gold OPL, Easy Control, M4, M9 and M30	4
Labels	6
Control Module and Front Tray Assembly	8
Control Tray Assembly.....	10
Inverter Drive Box - Q and X Voltage.....	12
Inverter Drive Box - N and P Voltage.....	14
External Supply Kit.....	16
Inverter Drive	18
Front Panels and Control Panel - Design 4	20
Front Panels and Control Panel - Design 6	22
Front Panels and Control Panel - Design 7	24
Rear and Top Panels	26
Side Panels.....	28
Door - Design 4	30
Door - Design 6.....	32
Door - Design 6 and 7	34
Door Lock.....	36
Shell Front and Basket.....	38
Shell	40
Bearing Housing and Frame Shield	42
Drain Plumbing	44
Fill Plumbing	46
Motor, Pulley and Belt.....	48
Electric Heating	50
Steam Heating	52
Special Tools and Kits	54
Parts Index.....	57

© Copyright 2023, Alliance Laundry Systems LLC

All rights reserved. No part of the contents of this book may be reproduced or transmitted in any form or by any means without the expressed written consent of the publisher.

Parts Ordering Information

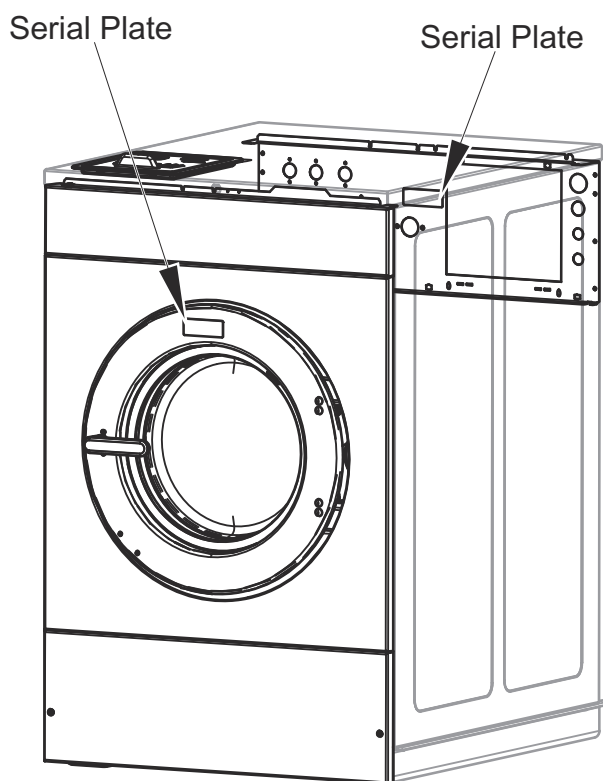
If literature or replacement parts are required, contact the source from whom the machine was purchased or contact Alliance Laundry Systems at (920) 748-3950 for the name and address of the nearest authorized parts distributor.

For technical assistance, call the number listed below:

(920) 748-3121 Ripon, Wisconsin

Serial Plate Location

When calling or writing about your product, be sure to mention model and serial numbers. Model and serial numbers are located on serial plate(s) as shown.



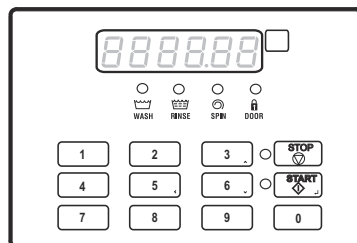
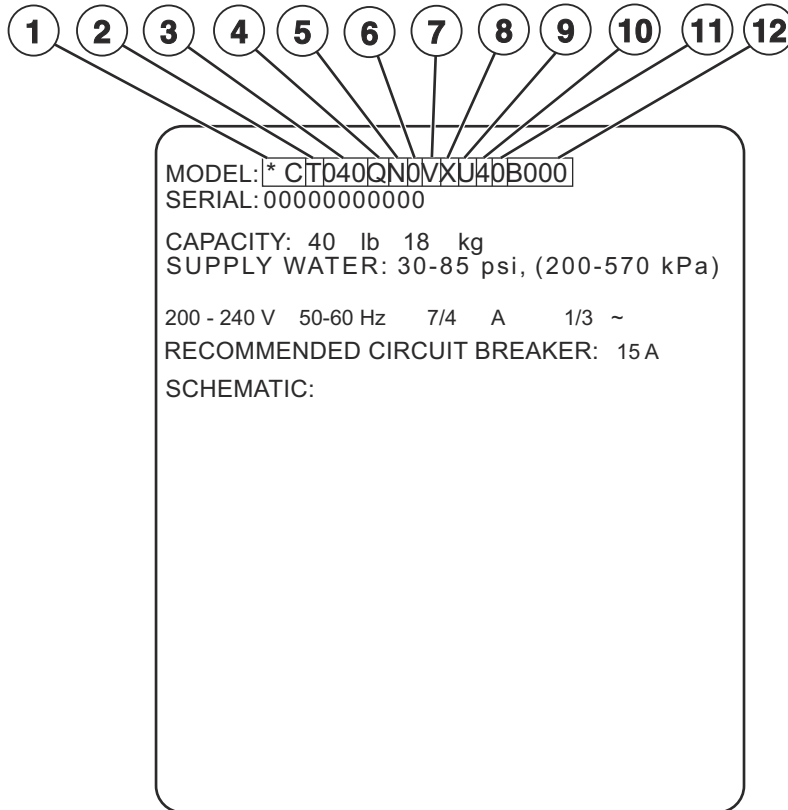
C-CHM2C2_F8669201

Model Identification

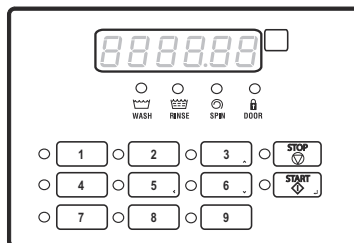
Information in this manual is applicable to these washer-extractor models:

BCA080QN	SCA080FN	UCA080FN	UCK080NN
BCA100QN	SCA080NN	UCA080NN	UCK080QN
BCG080QN	SCA080QN	UCA080QN	UCK100NN
BCG100QN	SCA100FN	UCA100FN	UCK100QN
BCK080QN	SCA100NN	UCA100NN	UCT080FN
BCK100QN	SCA100QN	UCA100QN	UCT080NN
BCL080QN	SCG080FN	UCG080FN	UCT080QN
BCL100QN	SCG080NN	UCG080NN	UCT100FN
BCT080QN	SCG080QN	UCG080QN	UCT100NN
BCT100QN	SCG100FN	UCG100FN	UCT100QN
HCA080FN	SCG100NN	UCG100NN	UCU080FN
HCA080QN	SCG100QN	UCG100QN	UCU080NN
HCA100FN	SCH080FN	UCH080FN	UCU080QN
HCA100QN	SCH080NN	UCH080NN	UCU100FN
HCG080FN	SCH100FN	UCH080QN	UCU100NN
HCG080QN	SCH100NN	UCH100FN	UCU100QN
HCG100FN	SCJ080FN	UCH100NN	
HCG100QN	SCJ080NN	UCH100QN	
HCH080FN	SCJ100FN	UCJ080FN	
HCH080QN	SCJ100NN	UCJ080NN	
HCH100FN	SCK080FN	UCJ080QN	
HCH100QN	SCK080NN	UCJ100FN	
HCJ080FN	SCK100FN	UCJ100NN	
HCJ080QN	SCK100NN	UCJ100QN	
HCJ100FN	SCT080FN		
HCJ100QN	SCT080NN		
HCT080FN	SCT080QN		
HCT080QN	SCT100FN		
HCT100FN	SCT100NN		
HCT100QN	SCT100QN		
HCU080FN	SCU080FN		
HCU080QN	SCU080NN		
HCU100FN	SCU100FN		
HCU100QN	SCU100NN		
PCA080QN			
PCA100QN			
PCG080QN			
PCG100QN			
PCK080QN			
PCK100QN			
PCL080QN			
PCL100QN			
PCT080QN			
PCT100QN			

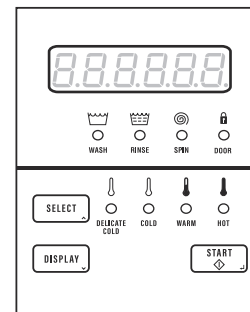
Product Overview - Galaxy 200, Galaxy 400 OPL, Quantum Standard, Quantum Gold OPL, Easy Control, M4, M9 and M30



M30 and Quantum Gold OPL



M9, Galaxy 400 OPL and
Easy Control



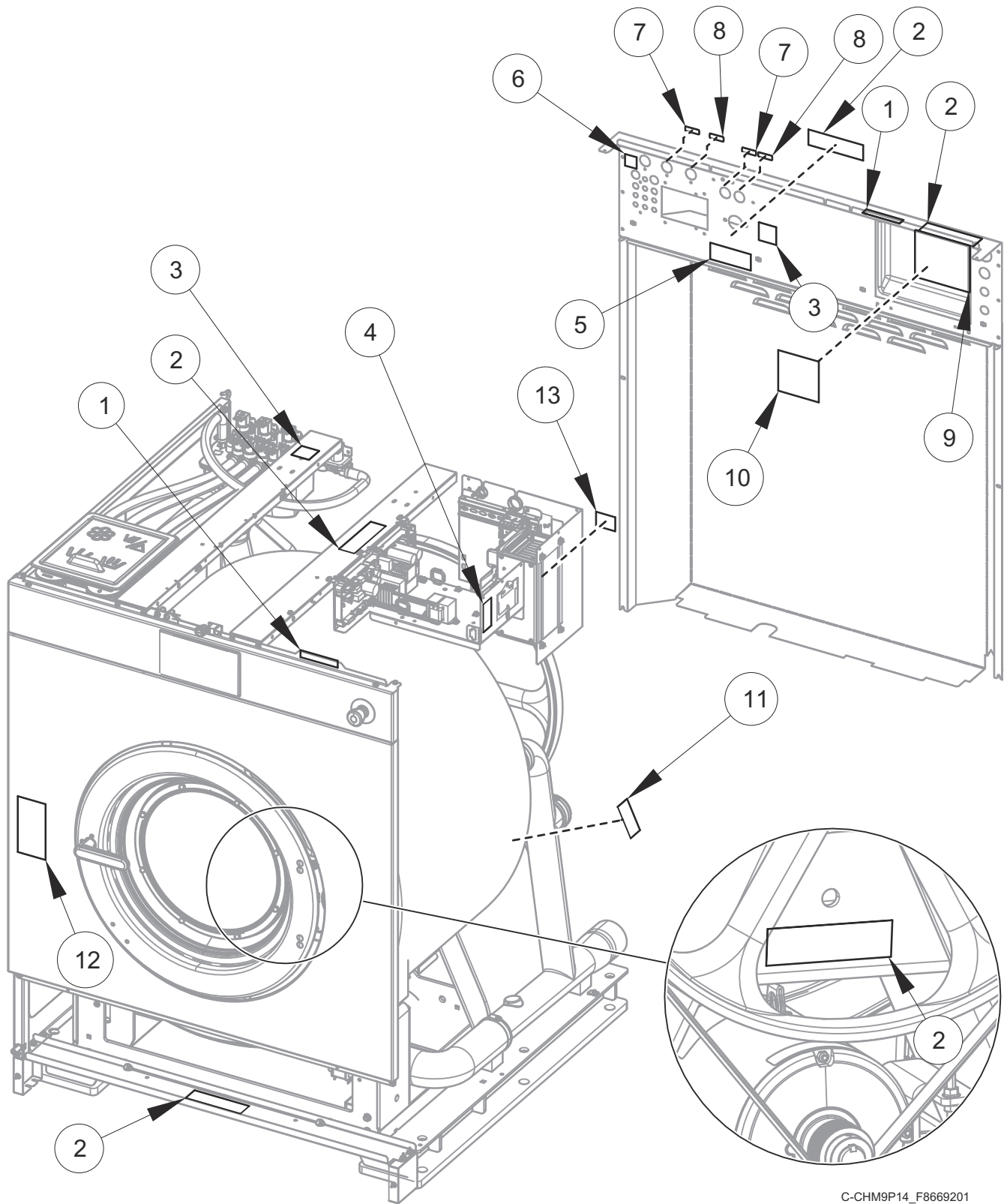
M4, Galaxy 200 and
Quantum Standard

CHM3509P_F8669201

Product Overview - Galaxy 200, Galaxy 400 OPL, Quantum Standard, Quantum Gold OPL, Easy Control, M4, M9 and M30

REF	PART NO.	DESCRIPTION	COMMENTS
1	-	Product Family	BC HC PC SC UC
2	-	Market Approvals	A (Australia ICE) D (Brazil IEC) G (International) H (China-ROHS IEC) J (Japan-PSE IEC) K (Korea IEC) L (Thailand-TISI IEC) T (North America) U (International CE/EAC)
3	-	Capacity (Dry Weight in Pounds)	080 100
4	-	Control	F N Q
5	-	Actuation	N (Non-Coin OPL)
6	-	Coin Meter	0 (Standard) 1 (CD Lock & Key)
7	-	Speed	F (F-Speed) V (V-Speed)
8	-	Voltage	B (120/60/1) N (440-480/50-60/3)) P (380-415/50-60/3) Q (200-240/50-60/3) W (200-240/50/1/3) X (200-240/50-60/1/3) Y (200-240/60/1/3)
9	-	Panel	B (Chrome Door) C (Chrome Door) U (Vinyl) 1 (Stainless Steel Side)
10	-	Design	4 6 7
11	-	Heat	0 (Standard) D (Steam) E (Electric Heat) P (Prep for Steam)
12	-	Features and Options	

Labels

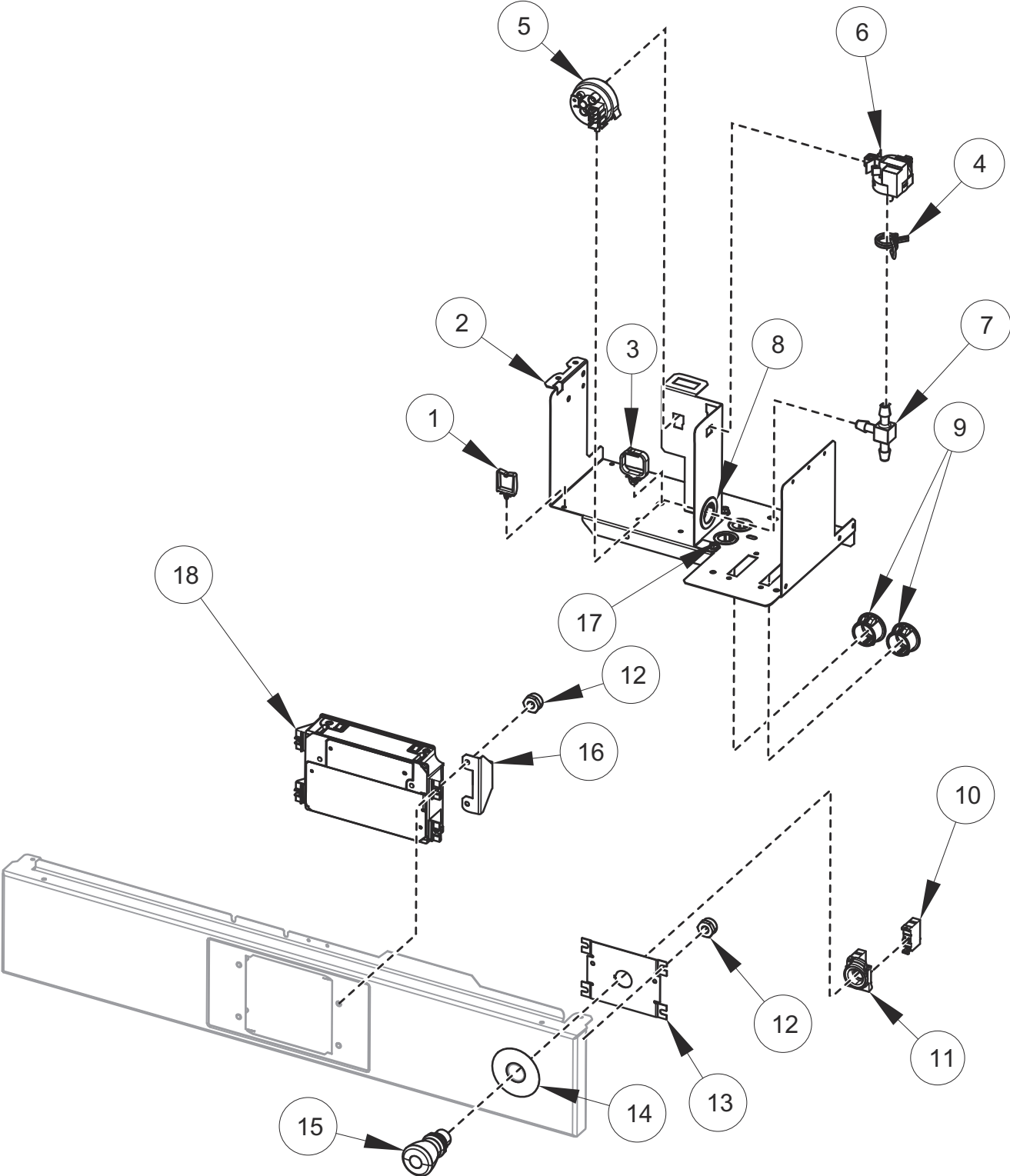


C-CHM9P14_F8669201

Labels

REF	PART NO.	DESCRIPTION	COMMENTS
1	F8614501	Danger Label	English/Quebec/French
2	44324001	Warning Label	Pinch/Shock; English/French
	F8614201	Shock Warning Label	Icon
	F8615701	Pinch Warning Label	Icon
3	F8614301	Hot Surface Warning Label	English/Quebec/French
	F8609001	Hot Surface Warning Label	Icon
4	F8601301	Label	Warning; Underground components
5	F8609401	Label	Notice; Chemical connection
6	203853	Label	ROHS (China)
7	F8611301	Label	Hot water; Icon
8	F8611401	Label	Cold water; Icon
9	F8611601	Warning Label	Warning; English/Quebec/French
10	F8602401	Label	Notice; Large expansion board
11	70538401	Pinch Warning Label	English/French
	F8615701	Pinch Warning Label	Icon
12	F8614801	Label	Warning fire/injury; English/Quebec/French
13	F8620801	Label	Warning current leakage

Control Module and Front Tray Assembly



C-CHM5P6_F8669201

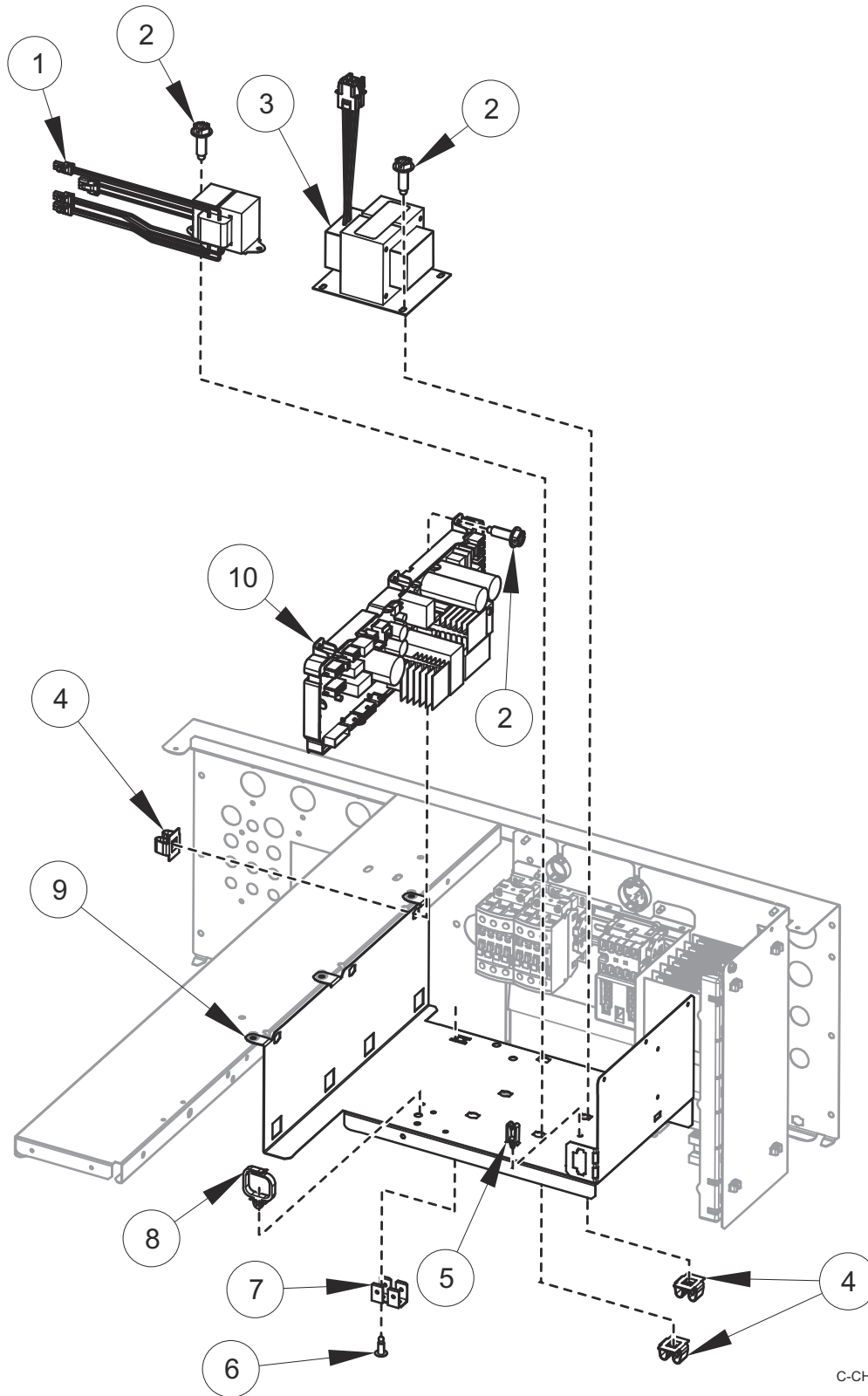
Control Module and Front Tray Assembly

REF	PART NO.	DESCRIPTION	COMMENTS
	44374701	App Pay Overlay Kit	
	203361P	Machine ID Control Assembly	Refer to NOTES
	F8567309	Front Tray Assembly	Includes items 1-3, 6, 8, 9,17 and 70413301 Pushbutton Switch
	F8567312	Front Tray Assembly	Steam or electric heat; Includes items 1-9, 17, 70413301 Pushbutton Switch
	F8519301	Harness	Tray power harness
	F8519502	Harness	Communication; Center control
	F8519602	Harness	Access; Center control
	F8519402	Emergency Stop Harness	
1	70366201	Wire Clip	
2	F8531002	Front Tray Assembly	
3	F8449501	Wire Clip	
4	39282	Hose Clamp	
5	F8609101	Water Level Pressure Switch	Steam or electric heat
	F8405303	Tubing	Electric heat
6	F8405302	Tubing	Electric heat
	F8623401	Pressure Sensor	
7	203464	Barbed Tee	Steam or electric heat
8	M402542	Snap Bushing	
9	M411826	Snap Bushing	
10	F8069501	Contact Switch	
11	F8538101	Contact Base	
12	685846	Nut	
13	F8201301	Emergency Stop Plate	
14	44012901	Emergency Stop Label	
15	F200233500	Emergency Stop Pushbutton	
16	F8590701	Bracket	Center control
17	F140938	Snap Bushing	
18	F8494701	Control Assembly	Models with F control; Refer to **NOTE
	F8493902	Control Assembly	Models with N or Q control; Refer to *NOTE

*** NOTE:** For models with N or Q in the 7th position of the model number: Service Application 7-16-434, available in related literature on Parts Connection, must be run when replacing 203361P Machine ID Control Assembly or F8493902 Control Assembly.

**** NOTE:** For models starting August 7, 2023 with F in the 7th position of the model number: If replacing 203361P Machine ID Control Assembly or F8494701 Control Assembly, ensure dip switch bank 2, switch 6 is set to ON and update the front end control firmware to version 3.0 or later.

Control Tray Assembly



C-CHM5P5_F8669201

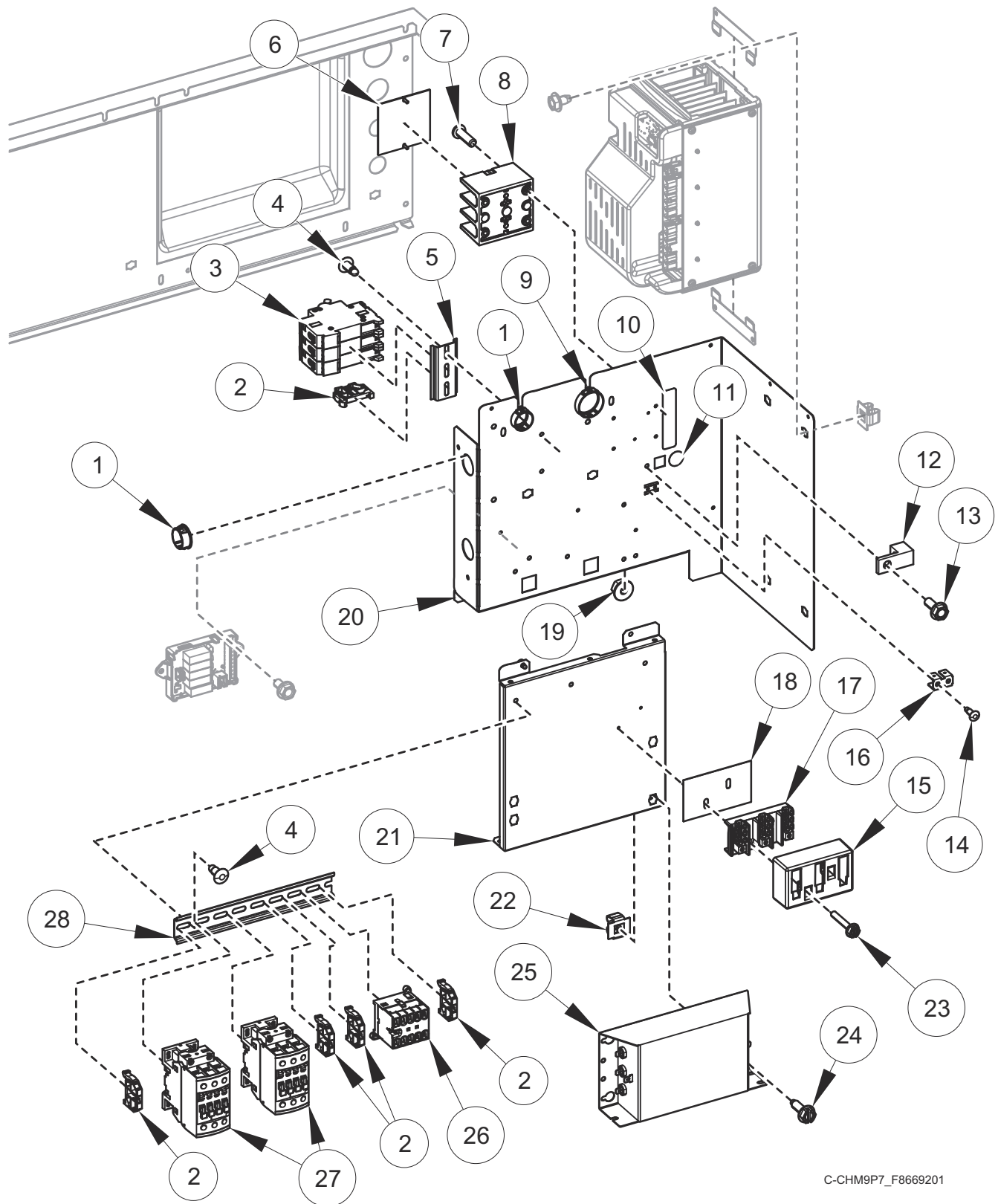
Control Tray Assembly

REF	PART NO.	DESCRIPTION	COMMENTS
	44374701	App Pay Overlay Kit	
	205223P	Gateway	
	205391P	Gateway	
	F8662404	Wireless Kit	HC and UC models through January 2019; SC models through April 2019
	F8676101	Wireless Kit	HC and UC models starting February 2019; SC models starting May 2019
1	202758	Transformer	
2	F8206901	Screw	
3	F8491101	Transformer	N and P voltage
4	70030501	Expansion Clip	
5	70347601	Wire Clip	Electric supply
6	M400003	Pop Rivet	
7	00622SG	Terminal	
8	F8449501	Wire Clip	
9	F8530701	Control Tray	
10	F8494101P	Input and Output Control Assembly	

Inverter Drive Box - Q and X Voltage

REF	PART NO.	DESCRIPTION	COMMENTS
	F8567003	Drive Panel Base Assembly	Includes items 4, 11, 12, 16, 23, 24 and 29
	F8567004	Drive Panel Base Assembly	Electric heat; Includes items 4, 5, 11, 12, 16, 23, 24 and 29
	F8583501	Jumper	Circuit breaker jumper; Electric heat
	F8518401	Harness	Power TB1; X voltage
	F8518403	Harness	Power CB; Q voltage; Electric heat
	F8518404	Harness	Power filter
	F8518606	Harness	Power drive
	F8528001	Harness	TB filter
	F8528003	Harness	CB filter; Electric heat
	F8528005	Harness	TB2 filter
	F8619101	Power Harness	Power contactor; Electric heat
	F8619102	Harness	Power contactor; Electric heat; IEC
	F8662813	Filter Kit	Includes items 1, 15, 17, 18, 22-25, harness and labels; Q voltage; Electric heat
	F8662808	Filter Kit	Includes items 1, 15, 17, 18, 22-25, harness and labels; X voltage
1	F140938	Snap Bushing	
2	F8449801	End Stop	
3	70488101	Circuit Breaker	3P; 25A; Electric heat
4	70058501	Pop Rivet	
5	B12315401	DIN Rail	7.5 mm x 35 mm x 72 mm; Electric heat
6	44014901P	Power Distribution Block Cover	Electric heat
7	39733	Screw	Electric heat
8	M413865	Power Distribution Block	Electric heat
9	70346501	Bushing	
10	44286803	Label	Power input; L1, L2, L3
	44286804	Wire Label	Power input; L1, L2/N; L1, L2, L3; X voltage
11	D516100	Label	
12	M411283	Ground Lug Connector	
13	685837	Screw	
14	M400003	Pop Rivet	
15	70333001	Terminal Block Shield	
16	00622SG	Terminal	
17	430642	Terminal Block	
18	M413862	Insulator	
19	44088001	Nut	
20	F8530803	Drive Terminal Tray	
21	F8530901	Contactors Tray	
22	70030501	Expansion Clip	
23	51783	Screw	
24	F8206901	Screw	
25	F8591801	EMI Filter	200/240 Volt; 1/3 Phase; 20 Amp
	F8637501	EMI Filter	380/480 Volt; 3 Phase; 12 Amp
26	70482601	Contactors	5.5kW/500V; 24VDC
27	70482701	Contactors	50A; 24VDC
28	M412689	DIN Rail	7.5 mm x 35 mm x 8.364 inch

Inverter Drive Box - N and P Voltage

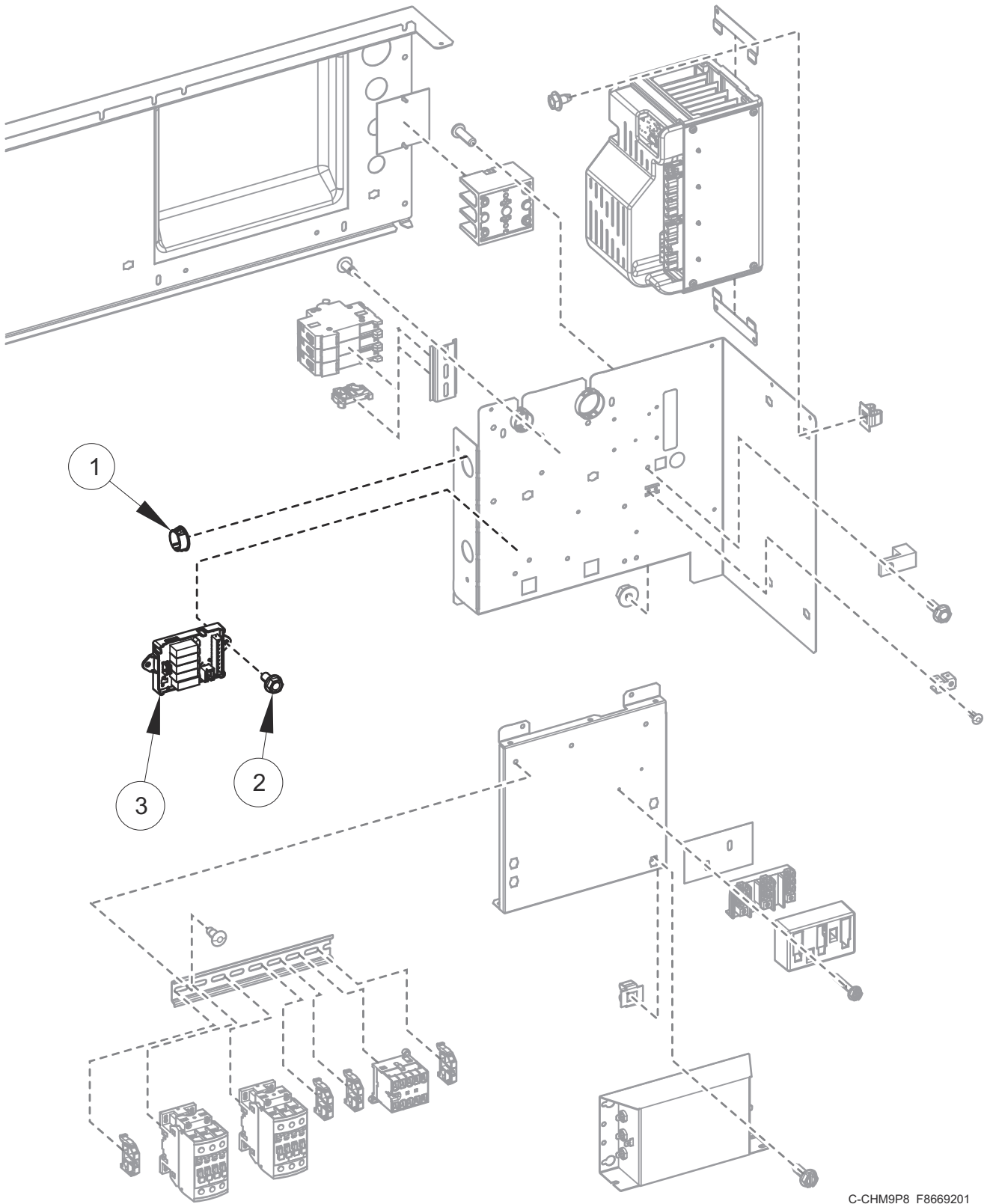


C-CHM9P7_F8669201

Inverter Drive Box - N and P Voltage

REF	PART NO.	DESCRIPTION	COMMENTS
	F8567003	Drive Panel Base Assembly	Includes items 4, 11, 12, 16, 23, 24 and 29
	F8567004	Drive Panel Base Assembly	Electric heat; Includes items 4, 5, 11, 12, 16, 23, 24 and 29
	F8583501	Jumper	Circuit breaker jumper; Electric heat
	F8518501	Harness	
	F8518403	Harness	Electric heat
	F8518503	Harness	Electric heat
	F8518504	Harness	Power filter
	F8518606	Harness	Power drive
	F8528001	Harness	TB filter
	F8528003	Harness	CB filter; Electric heat
	F8528005	Harness	TB2 filter
	F8619101	Power Harness	Power contactor; Electric heat
	F8619102	Harness	Power contactor; Electric heat
	F8662814	Filter Kit	Includes items 1, 15, 17, 18, 22-25, harness and labels; Electric heat
	F8662807	Filter Kit	Includes items 1, 15, 17, 18, 22-25, harness and labels
1	F140938	Snap Bushing	
2	F8449801	End Stop	
3	70488101	Circuit Breaker	3P; 25A; Electric heat
4	70058501	Pop Rivet	
5	B12315401	DIN Rail	7.5 mm x 35 mm x 72 mm; Electric heat
6	44014901P	Power Distribution Block Cover	Electric heat
7	39733	Screw	Electric heat
8	M413865	Power Distribution Block	Electric heat
9	70346501	Bushing	
10	44286803	Label	Power input; L1, L2, L3
11	D516100	Label	
12	M411283	Ground Lug Connector	
13	685837	Screw	
14	M400003	Pop Rivet	
15	70333001	Terminal Block Shield	
16	00622SG	Terminal	
17	430642	Terminal Block	
18	M413862	Insulator	
19	44088001	Nut	
20	F8530803	Drive Terminal Tray	
21	F8530901	Contactory Tray	
22	70030501	Expansion Clip	
23	51783	Screw	
24	F8206901	Screw	
25	F8591801	EMI Filter	200/240 Volt; 1/3 Phase; 20 Amp
	F8637501	EMI Filter	380/480 Volt; 3 Phase; 12 Amp
26	70482601	Contactory	5.5kW/500V; 24VDC
27	70482701	Contactory	50A; 24VDC
28	M412689	DIN Rail	7.5 mm x 35 mm x 8.364 inch

External Supply Kit

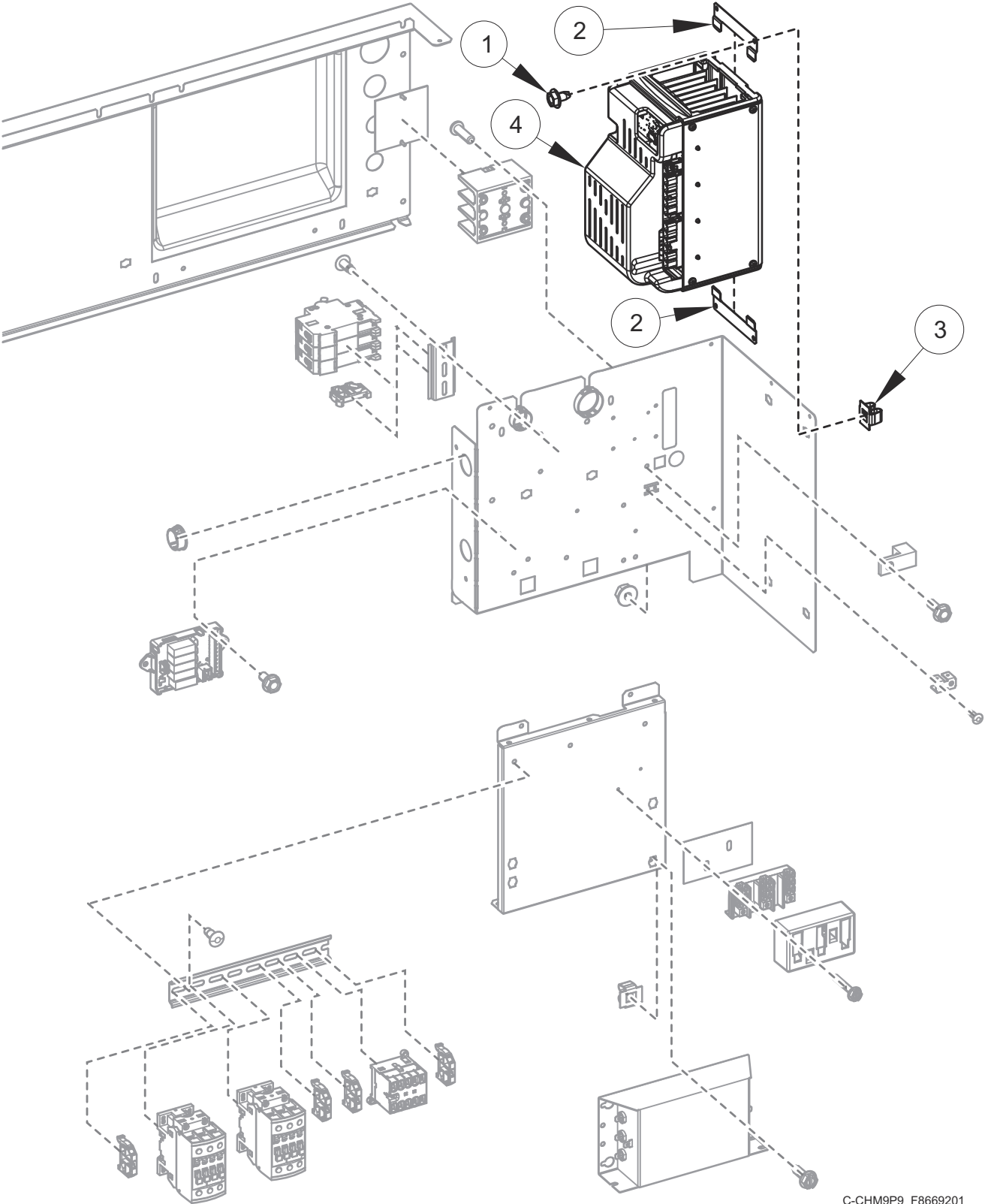


C-CHM9P8_F8669201

External Supply Kit

REF	PART NO.	DESCRIPTION	COMMENTS
	F8662508	External Supply Kit	Includes items 1-3, 202758 Transformer, F8520602 Harness, F8528204 Harness, hardware and labels; 4 out
	F8520604	Harness	Communication; Center control
	F8528204	Harness	Power
1	F140938	Snap Bushing	
2	430497	Screw	
3	804528	Chemical Injection Control	5 output
	70493102	Connector	9 pin; H2

Inverter Drive

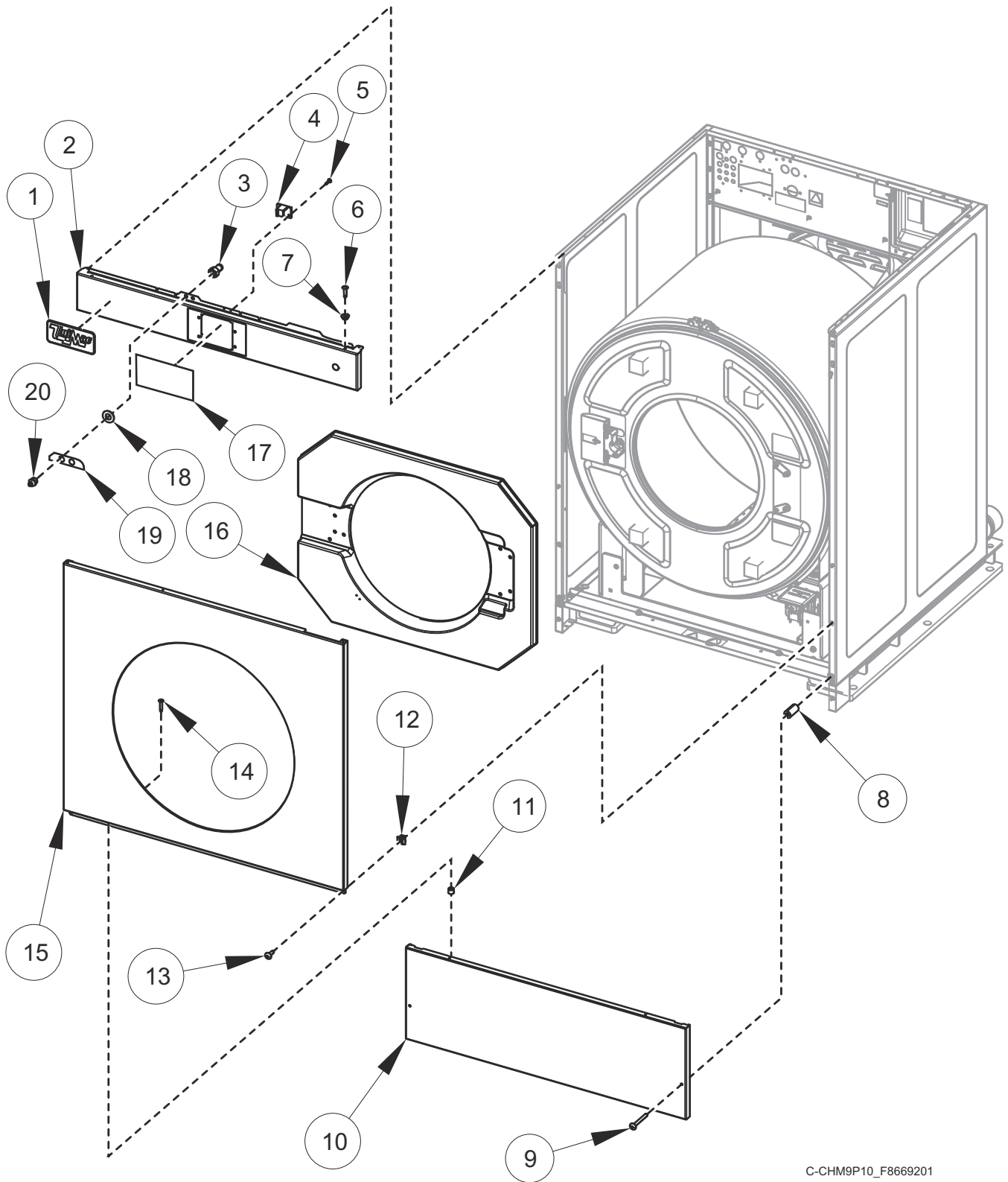


C-CHM9P9_F8669201

Inverter Drive

REF	PART NO.	DESCRIPTION	COMMENTS
	F8519202	Drive Communication Harness	Electric heat; N and P voltage
	F8519203	Drive Communication Harness	Electric heat; Q voltage
	F8519201	Drive Communication Harness	Standard
	F8519204	Drive Communication Harness	Steam heat
	F8518603	Drive Power Harness	2/3/5 hp; 480 Volt
1	D503688	Screw	
2	F8322401	Drive Mounting Bracket	
3	70030501	Expansion Clip	
4	F8496601	Drive Assembly	Q and X voltage; 5 hp; 240 Volt; Models through August 6, 2023
	F8496901	Drive Assembly	N and P voltage; 5 hp; 480 Volt; Models through August 6, 2023
	F8496603	Drive Assembly	Q and X voltage; 5 hp; 240 Volt; Models starting August 7, 2023
	F8496903	Drive Assembly	N and P voltage; 5 hp; 480 Volt; Models starting August 7, 2023

Front Panels and Control Panel - Design 4

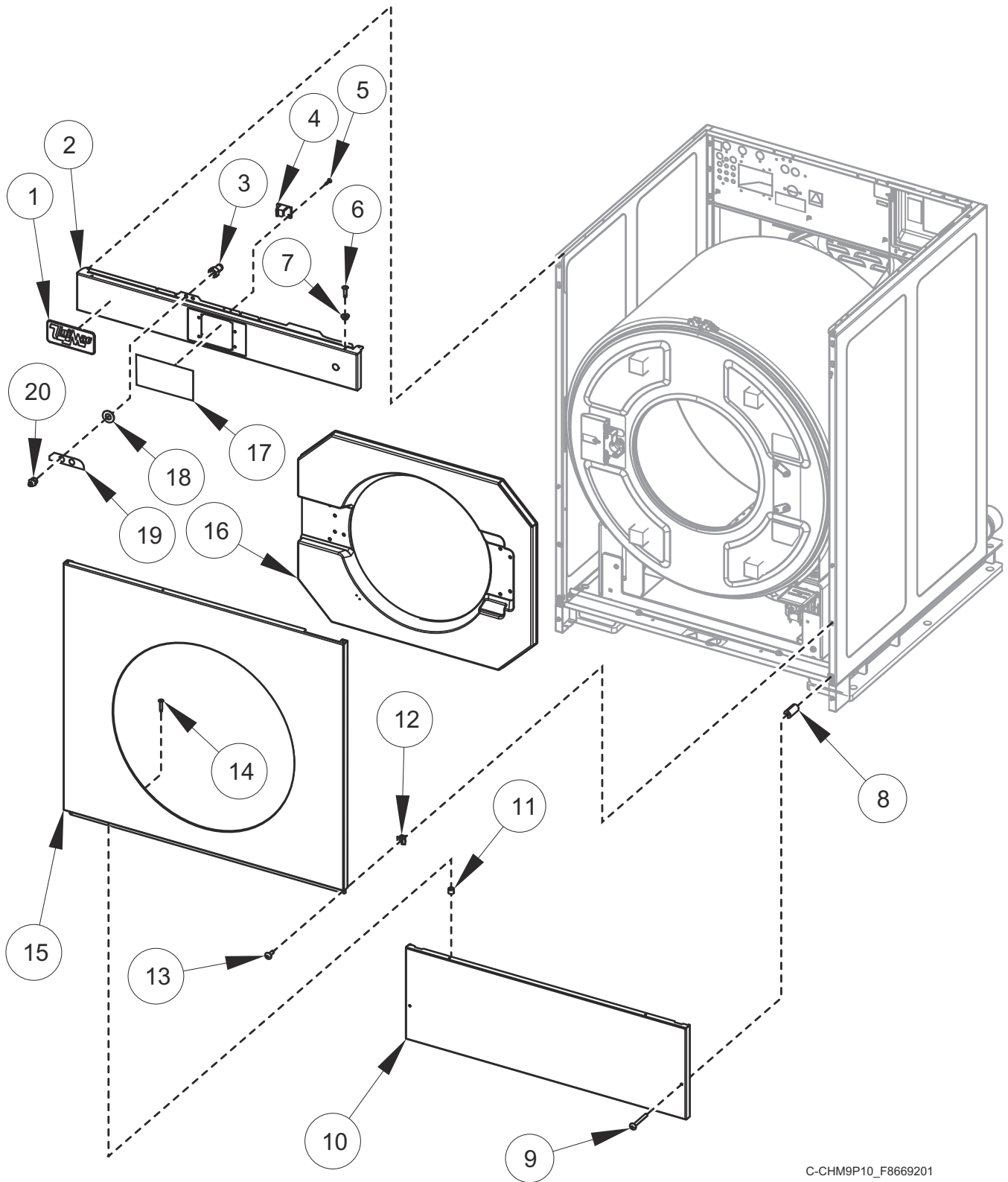


C-CHM9P10_F8669201

Front Panels and Control Panel - Design 4

REF	PART NO.	DESCRIPTION	COMMENTS
1	F8443107	Nameplate	UC models
2	F8552606	Control Panel Assembly	UC models with N and Q control
	F8553605	Control Panel Assembly	UC models with F control
	F8552604	Control Panel Assembly	SC models with F control
	F8552602	Control Panel Assembly	SC models with N or Q control; BC, HC and PC models with Q control
	F8553604	Control Panel Assembly	HC models with F control
3	F422114	Air Coupling	
	F8245713	Hose	
4	F8201001	Top Cover Latch	
5	F431215	Pop Rivet	
6	70412601	Pop Rivet	
7	F8201101	Washer	
8	F8609701	Access Panel Retaining Spacer	
9	F8589501	Screw	
10	F8552702	Access Panel	
11	56079	Panel Locator	
12	70030501	Expansion Clip	
13	F8117601	Screw	
14	M412763	Rivet	
15	F8552802	Front Panel	
16	F170419-3	Door Bezel	HC and UC models
	F8659301	Door Bezel	BC, PC and SC models
17	F8579701	Overlay	SC models with F control
	F8595101	Overlay	SC models with N or Q control
	F8593801	Overlay	HC models with F control
	F8611501	Overlay	HC models with Q control
	F8641501	Overlay	UC models with F control
	F8612801	Overlay	UC models with N control
	F8612701	Overlay	UC models with Q control
	F8704601	Overlay	PC models with Q control
	F8704701	Overlay	BC models with Q control
18	70292801	Washer	
19	F8613501	Label	Grease instruction notice
20	F190701	Grease Fitting	

Front Panels and Control Panel - Design 6

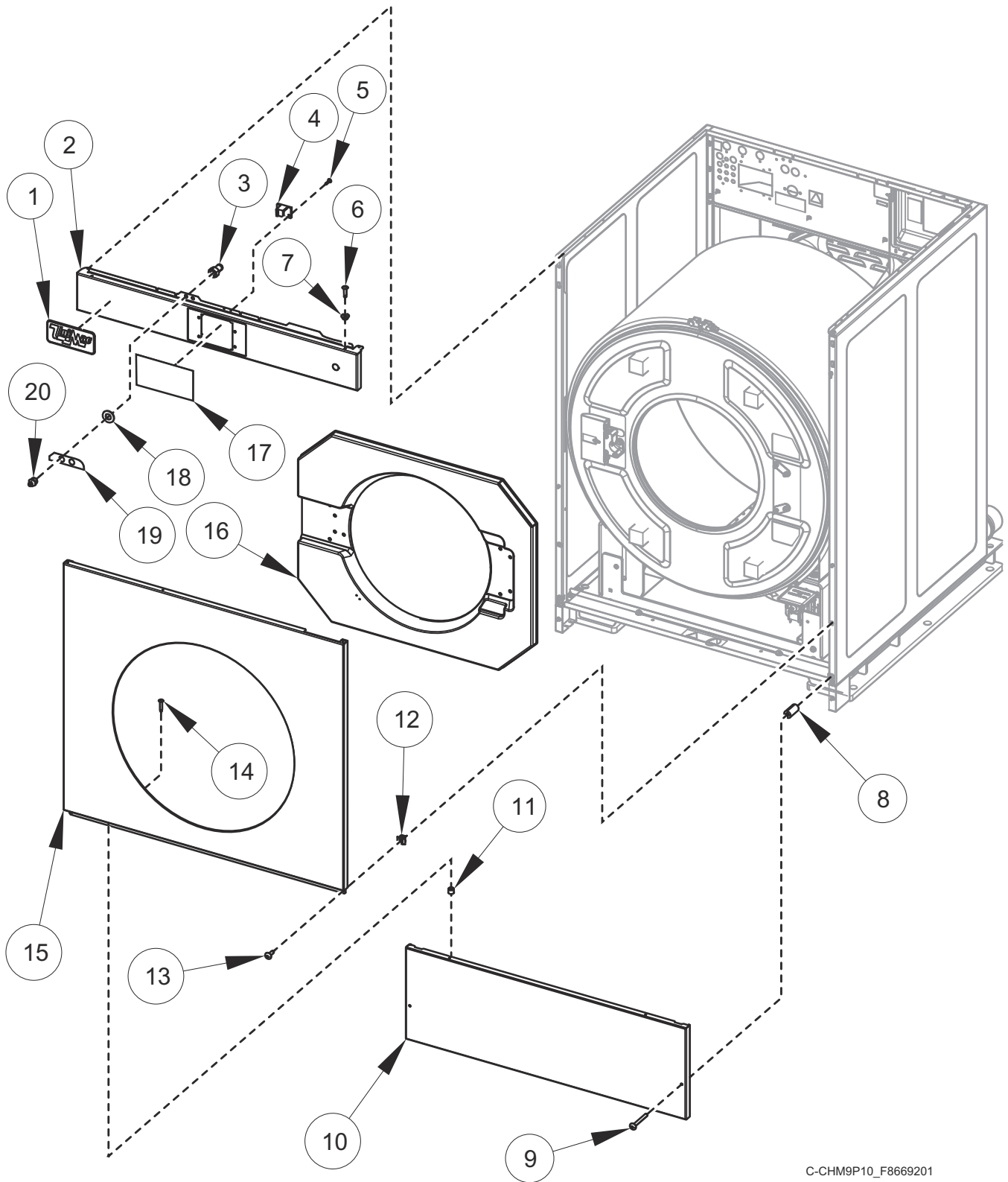


C-CHM9P10_F8669201

Front Panels and Control Panel - Design 6

REF	PART NO.	DESCRIPTION	COMMENTS
1	F8443107	Nameplate	UC models
	F8688901	Nameplate	SC models
2	F8552606	Control Panel Assembly	UC models with N and Q control
	F8553605	Control Panel Assembly	UC models with F control
	F8697503	Control Panel Assembly	HC and SC models with F control
	F8552602	Control Panel Assembly	SC models with N or Q control; HC models with Q control
3	F422114	Air Coupling	
	F8245713	Hose	
4	F8201001	Top Cover Latch	
5	F431215	Pop Rivet	
6	70412601	Pop Rivet	
7	F8201101	Washer	
8	F8609701	Access Panel Retaining Spacer	
9	F8589501	Screw	
10	F8552702	Access Panel	
11	56079	Panel Locator	
12	70030501	Expansion Clip	
13	F8117601	Screw	
14	M412763	Rivet	
15	F8686302	Front Panel	
16	F170419-3	Door Bezel	HC and UC models
	F8659301	Door Bezel	SC models
17	F8696001	Overlay	SC models with F control
	F8695801	Overlay	T market SC models with N or Q control
	F8713301	Overlay	A, G, H, J, K, and U market SC models with N or Q control
	F8694601	Overlay	HC models with F control
	F8695101	Overlay	HC models with Q control
	F8696501	Overlay	UC models with F control
	F8696701	Overlay	UC models with N control
	F8696601	Overlay	UC models with Q control
18	70292801	Washer	
19	F8613501	Label	Grease instruction notice
20	F190701	Grease Fitting	

Front Panels and Control Panel - Design 7

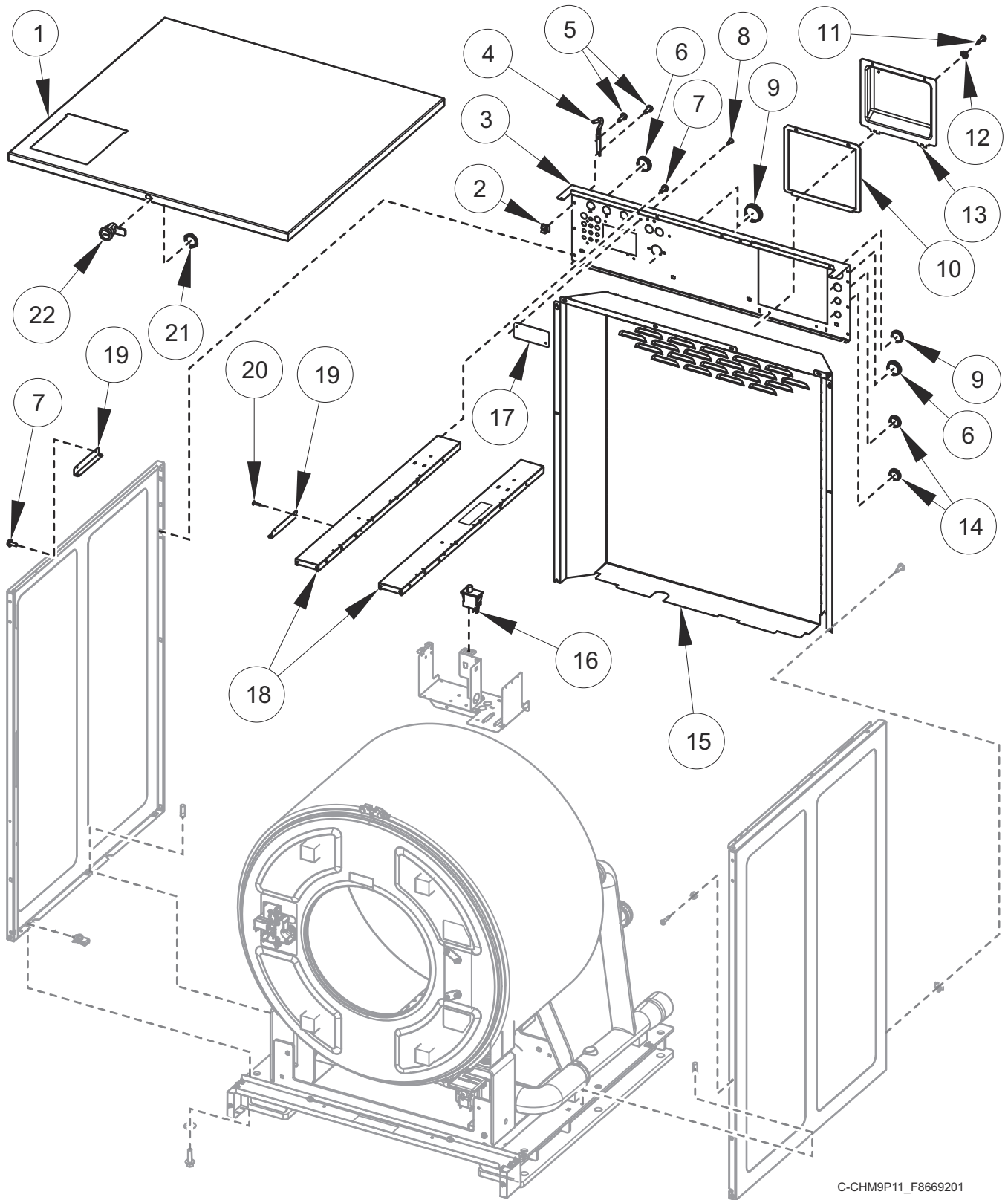


C-CHM9P10_F8669201

Front Panels and Control Panel - Design 7

REF	PART NO.	DESCRIPTION	COMMENTS
1	F8443107	Nameplate	UC models
	F8688901	Nameplate	SC models
2	F8552606	Control Panel Assembly	UC models with N and Q control
	F8553605	Control Panel Assembly	UC models with F control
	F8697503	Control Panel Assembly	HC and SC models with F control
	F8552602	Control Panel Assembly	SC models with N or Q control; HC models with Q control
3	F422114	Air Coupling	
	F8245713	Hose	
4	F8201001	Top Cover Latch	
5	F431215	Pop Rivet	
6	70412601	Pop Rivet	
7	F8201101	Washer	
8	F8609701	Access Panel Retaining Spacer	
9	F8589501	Screw	
10	F8552702	Access Panel	
11	56079	Panel Locator	
12	70030501	Expansion Clip	
13	F8117601	Screw	
14	M412763	Rivet	
15	F8686302	Front Panel	T market models
	F8552804	Front Panel	A, G, H, J, K, and U market models
16	F170419-3	Door Bezel	HC and UC models
	F8659301	Door Bezel	SC models
17	F8730001	Overlay	A, G, H, J, K, and U market SC models with N or Q control
	F8731801	Overlay	T market SC models with N or Q control
	F8611501	Overlay	HC models with Q control
	F8612801	Overlay	UC models with N control
	F8612701	Overlay	UC models with Q control
18	70292801	Washer	
19	F8613501	Label	Grease instruction notice
20	F190701	Grease Fitting	

Rear and Top Panels

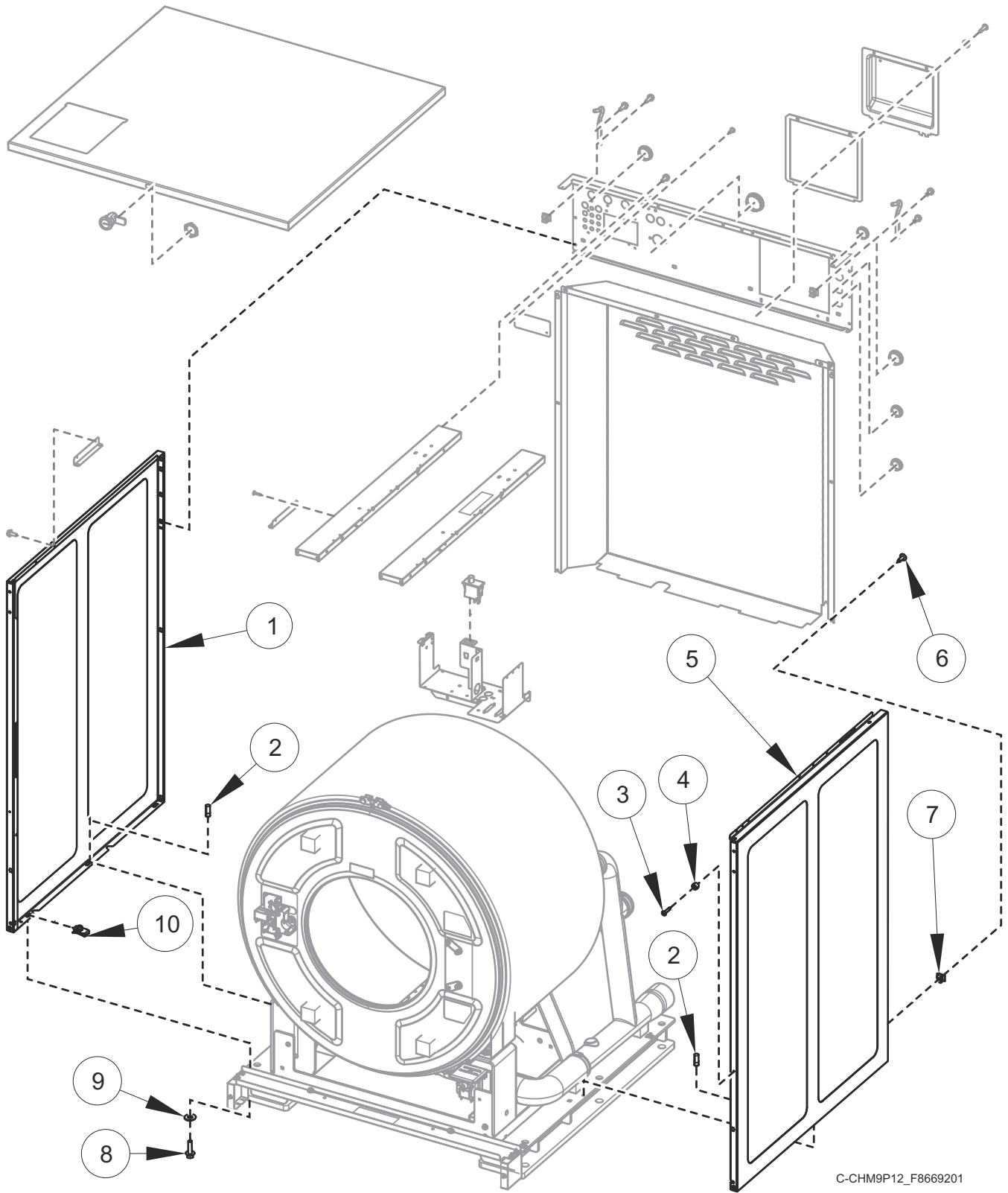


C-CHM9P11_F8669201

Rear and Top Panels

REF	PART NO.	DESCRIPTION	COMMENTS
1	F8553301	Top Cover	80 pound models
	F8553302	Top Cover	100 pound models
2	70030501	Expansion Clip	
3	F8553401	Valve Panel	
4	F8258601	Top Cover Hinge	
5	F8206901	Screw	
6	F8223901	Plug	
7	33562	Screw	
8	685847	Pop Rivet	
9	F8223801	Hole Plug	
10	F8542601	Gasket	
11	70412601	Pop Rivet	
12	804501	Washer	
13	F8518301	Terminal Tray Cover	
14	M400985	Plug	
15	F8555301	Rear Panel	
16	70413301	Pushbutton Switch	
17	F8586301	Fill Cover	
18	F8556901	Cabinet Brace	80 pound models
	F8556902	Cabinet Brace	100 pound models
19	F8525701	Dispenser Bracket	
20	F431215	Pop Rivet	
21	44088801	Nut	
22	44089303P	Panel Lock	
	70155603	Key	

Side Panels



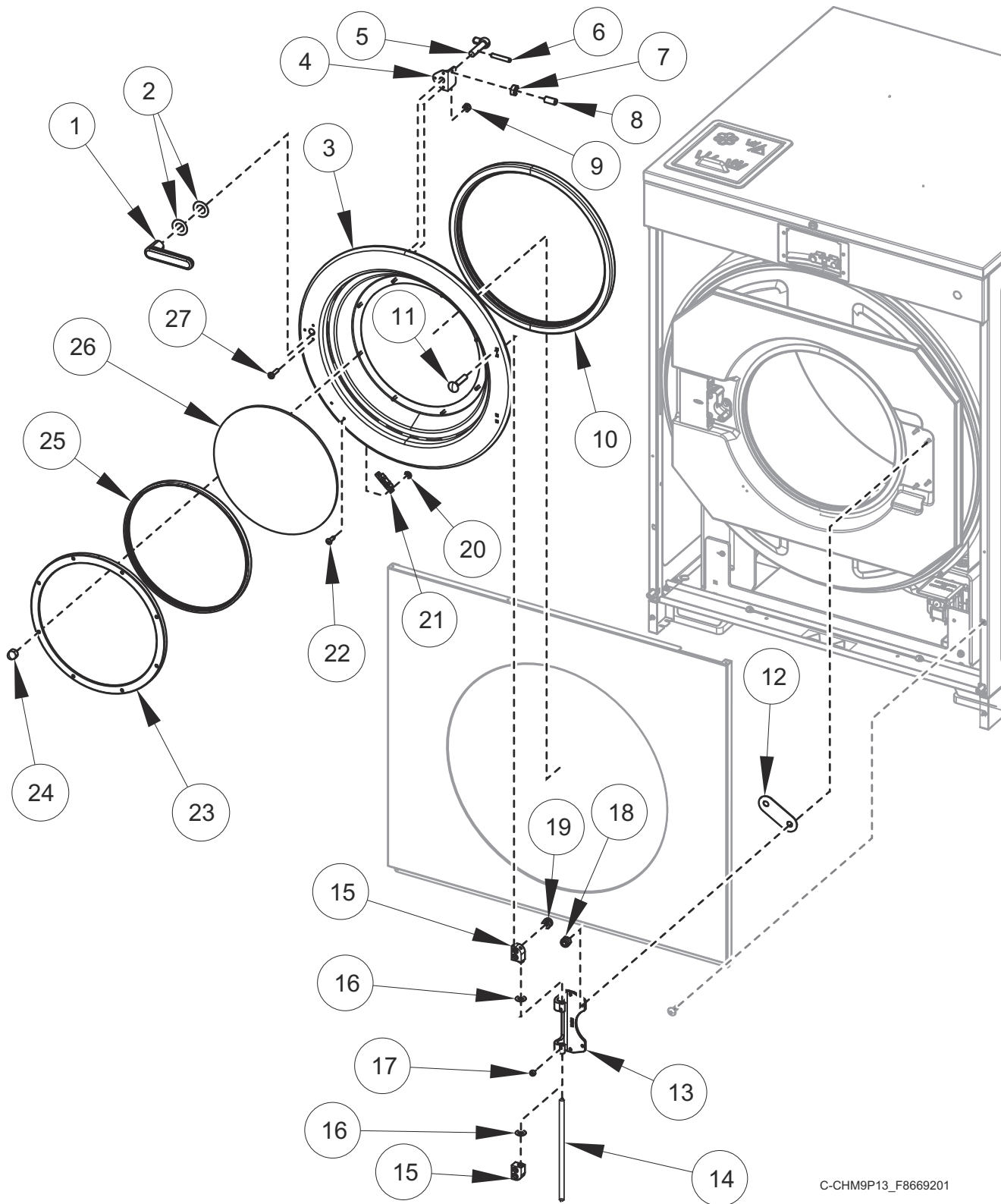
C-CHM9P12_F8669201

Side Panels

REF	PART NO.	DESCRIPTION	COMMENTS
1	F8553002	Side Panel	80 pound models; Left; Stainless steel
	F8553102	Side Panel	100 pound models; Left; Stainless steel
2	F8502101	Pin	
3	M412763	Rivet	
4	56079	Panel Locator	
5	F8553001	Side Panel	80 pound models; Right; Stainless steel
	F8553101	Side Panel	100 pound models; Right; Stainless steel
6	F8117601	Screw	
7	70030501	Expansion Clip	
8	202175	Screw	
9	M405535	Washer	
10	70030401	Nut	

Door - Design 4

Models through April 30, 2021



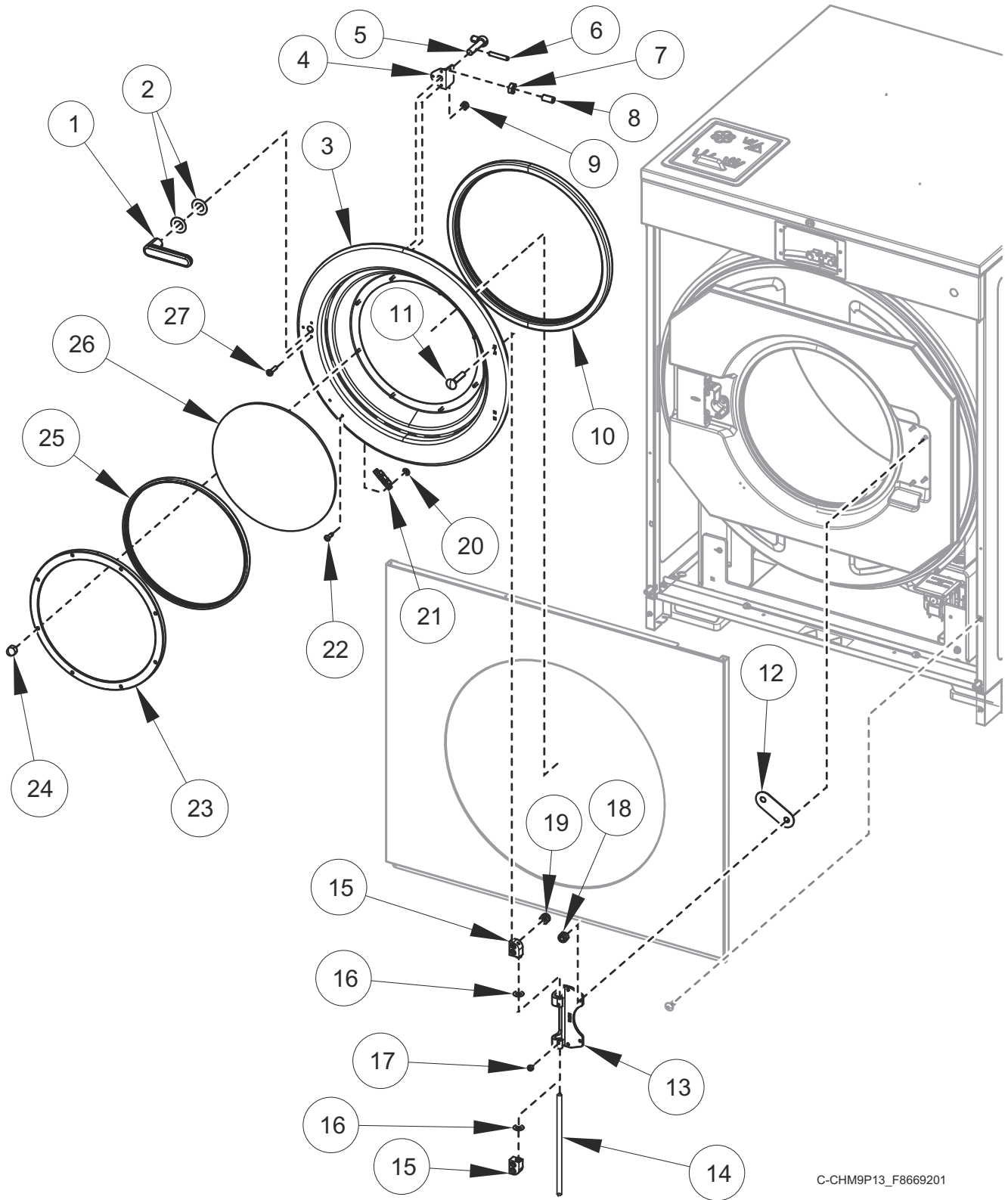
C-CHM9P13_F8669201

Door - Design 4

REF	PART NO.	DESCRIPTION	COMMENTS
	F8505102	Door Assembly	HC models; Includes items 1-11, 13-15 and 20-27
	F8505105	Door Assembly	HC models; Chrome; Includes items 1-11, 13-15 and 20-27
	F8505112	Door Assembly	HC models; Chrome and green; Includes items 1-11, 13-15 and 20-27
	F8505111	Door Assembly	HC models; Green; Includes items 1-11, 13-15 and 20-27
	F8505101	Door Assembly	BC, PC and SC models; Includes items 1-11, 13-15 and 20-27
	F8505104	Door Assembly	BC, PC and SC models; Chrome; Includes items 1-11, 13-15 and 20-27
	F8505107	Door Assembly	UC models; Includes items 1-11, 13-15 and 20-27
	F8505108	Door Assembly	UC models; Chrome; Includes items 1-11, 13-15 and 20-27
1	F8544701	Door Handle	HC models
	F8199401P	Door Handle	BC, PC and SC models; Black
	F8435501	Door Handle	UC models
2	F431916	Washer	
3	F8505001	Door	
	F8508801	Door	Chrome
4	F8567501	Door Handle Spacer Kit	
5	F8221403	Door Latch Arm Assembly	Includes latch arm shaft, latch arm support and sleeve
6	F431222	Spring Pin	
7	F431041	Nut	
8	F430532	Screw	
9	F430232	Nut	
10	F8440801P	Door Gasket	
11	F430974	Bolt	
	F8508101	Bolt	Chrome
12	F200131000P	Door Hinge Shim Kit	
13	F190216P	Door Hinge	
14	F602813-3	Rod	
15	F150271	Door Mount	
16	F431929	Washer	Non-ferrous
	F431147	Washer	
17	F430536	Screw	
18	C001236	Nut	
19	F430215	Nut	
20	F431133	Washer	
21	F8390801	Magnet	
22	F431223	Pop Rivet	
23	F8504903	Door Glass Retainer	
	F8504902	Door Glass Retainer	Chrome
24	F8549401	Nut	
25	F8499904	Door Glass Gasket	
26	F8342001	Door Glass	HC models
	F8342002	Door Glass	HC models; Green
	F290210P	Glass	BC, PC, SC and UC models
27	F8535501	Screw	

Door - Design 6

Models through serial no. 2208025604; Use with Design 4 starting May 1, 2021



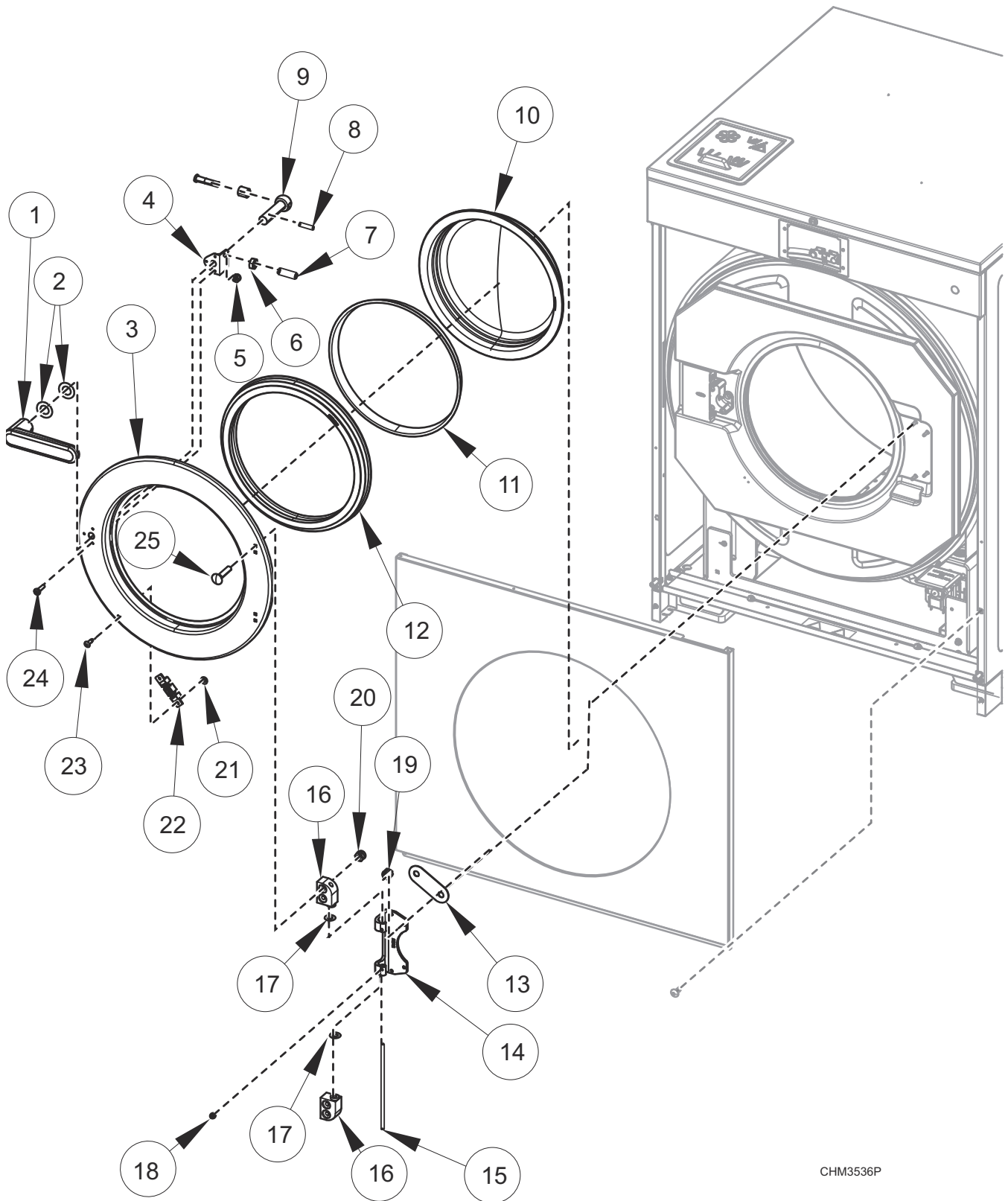
C-CHM9P13_F8669201

Door - Design 6

REF	PART NO.	DESCRIPTION	COMMENTS
	F8505102	Door Assembly	HC models; Includes items 1-11, 13-15 and 20-27
	F8505105	Door Assembly	HC models; Chrome; Includes items 1-11, 13-15 and 20-27
	F8505112	Door Assembly	HC models; Chrome and green; Includes items 1-11, 13-15 and 20-27
	F8505111	Door Assembly	HC models; Green; Includes items 1-11, 13-15 and 20-27
	F8505101	Door Assembly	SC models; Includes items 1-11, 13-15 and 20-27
	F8505104	Door Assembly	SC models; Chrome; Includes items 1-11, 13-15 and 20-27
	F8505107	Door Assembly	UC models; Includes items 1-11, 13-15 and 20-27
	F8505106	Door Assembly	HC models; Chrome and black; Includes items 1-11, 13-15 and 20-27
1	F8544701	Door Handle	HC models
	F8624603	Door Handle	BC, PC and SC models; Black
	F8435501	Door Handle	UC models
2	F431916	Washer	
3	F8505001	Door	
	F8508801	Door	Chrome
4	F8567501	Door Handle Spacer Kit	
5	F8221403	Door Latch Arm Assembly	Includes latch arm shaft, latch arm support and sleeve
6	F431222	Spring Pin	
7	F431041	Nut	
8	F430532	Screw	
9	F430232	Nut	
10	F8440801P	Door Gasket	
11	F430974	Bolt	
	F8508101	Bolt	Chrome
12	F200131000P	Door Hinge Shim Kit	
13	F190216P	Door Hinge	
14	F602813-3	Rod	
15	F150271	Door Mount	
16	F431929	Washer	Non-ferrous
	F431147	Washer	
17	F430536	Screw	
18	C001236	Nut	
19	F430215	Nut	
20	F431133	Washer	
21	F8390801	Magnet	
22	F431223	Pop Rivet	
23	F8504903	Door Glass Retainer	
	F8504902	Door Glass Retainer	Chrome
24	F8549401	Nut	
25	F8499904	Door Glass Gasket	
26	F8342001	Door Glass	HC models
	F8342002	Door Glass	HC models; Green
	F290210P	Glass	SC and UC models
27	F8535501	Screw	

Door - Design 6 and 7

Models starting serial no. 2208025605

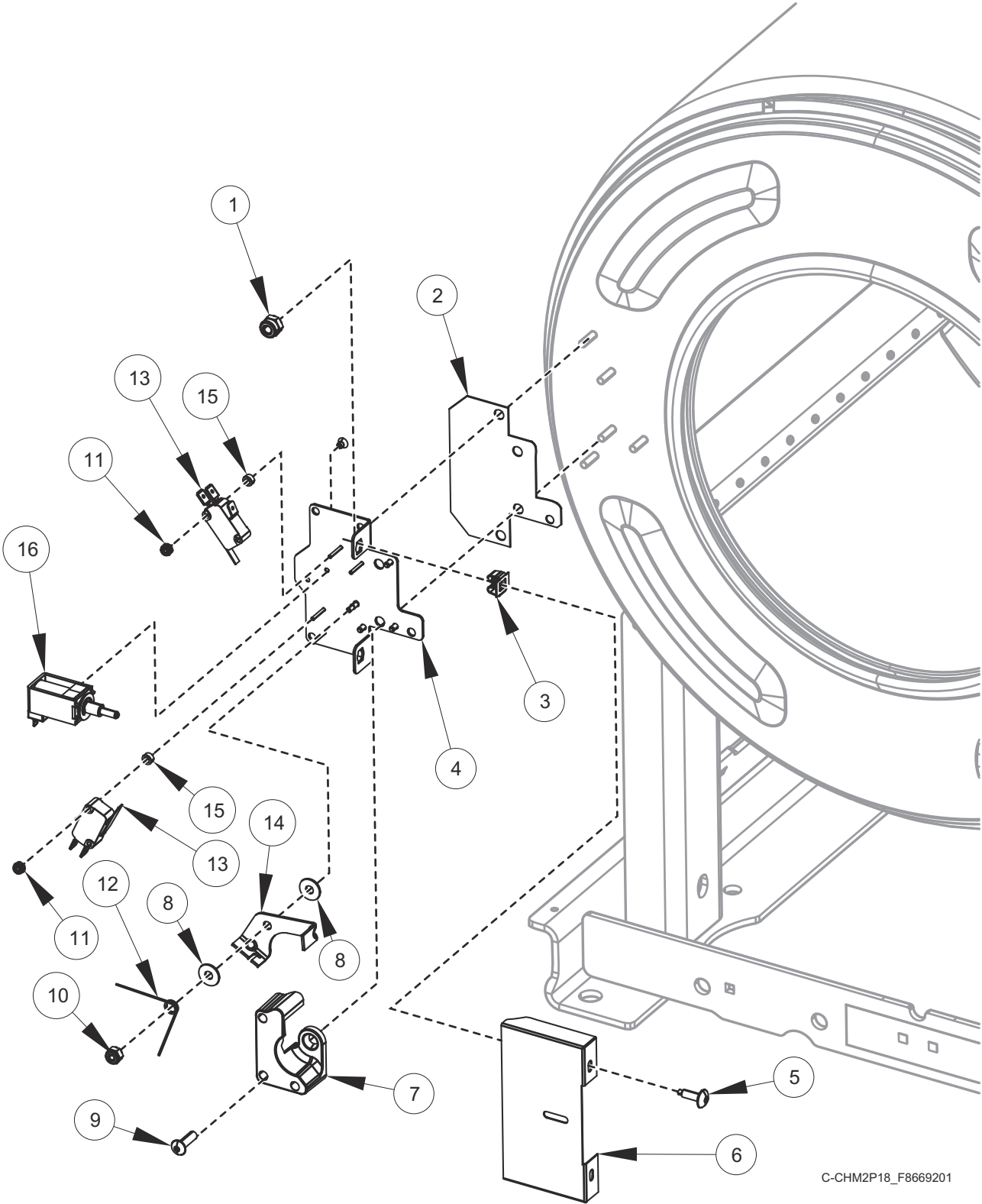


CHM3536P

Door - Design 6 and 7

REF	PART NO.	DESCRIPTION	COMMENTS
	F8698703	Door Assembly	HC models; Includes items 1-11, 13-15 and 20-27
	F8698704	Door Assembly	HC models; Chrome; Includes items 1-11, 13-15 and 20-27
	F8698706	Door Assembly	HC models; Chrome and green; Includes items 1-11, 13-15 and 20-27
	F8698705	Door Assembly	HC models; Green; Includes items 1-11, 13-15 and 20-27
	F8698701	Door Assembly	SC models; Includes items 1-11, 13-15 and 20-27
	F8698702	Door Assembly	SC models; Chrome; Includes items 1-11, 13-15 and 20-27
	F8698707	Door Assembly	UC models; Includes items 1-11, 13-15 and 20-27
	F8698708	Door Assembly	UC models; Chrome; Includes items 1-11, 13-15 and 20-27
1	F8544701	Door Handle	HC models
	F8624603	Door Handle	BC, PC and SC models; Black
	F8435501	Door Handle	UC models
2	F431916	Washer	
3	F8687102	Door	
4	F8567501	Door Handle Spacer Kit	
5	F430232	Nut	
6	F431041	Nut	
7	F430532	Screw	
8	F431222	Spring Pin	
9	F8221403	Door Latch Arm Assembly	Includes latch arm shaft, latch arm support and sleeve
10	535439P	Door Glass	
11	F8583207	Door Glass Trim	
12	F8636501	Door Gasket	
13	F200131000P	Door Hinge Shim Kit	
14	F190216P	Door Hinge	
15	F602813-3	Rod	
16	F150271	Door Mount	
17	F431929	Washer	Non-ferrous
	F431147	Washer	
18	F430536	Screw	
19	C001236	Nut	
20	F430215	Nut	
21	F431133	Washer	
22	F8390801	Magnet	
23	F431223	Pop Rivet	
24	F8535501	Screw	
25	F430974	Bolt	
	F8508101	Bolt	Chrome

Door Lock

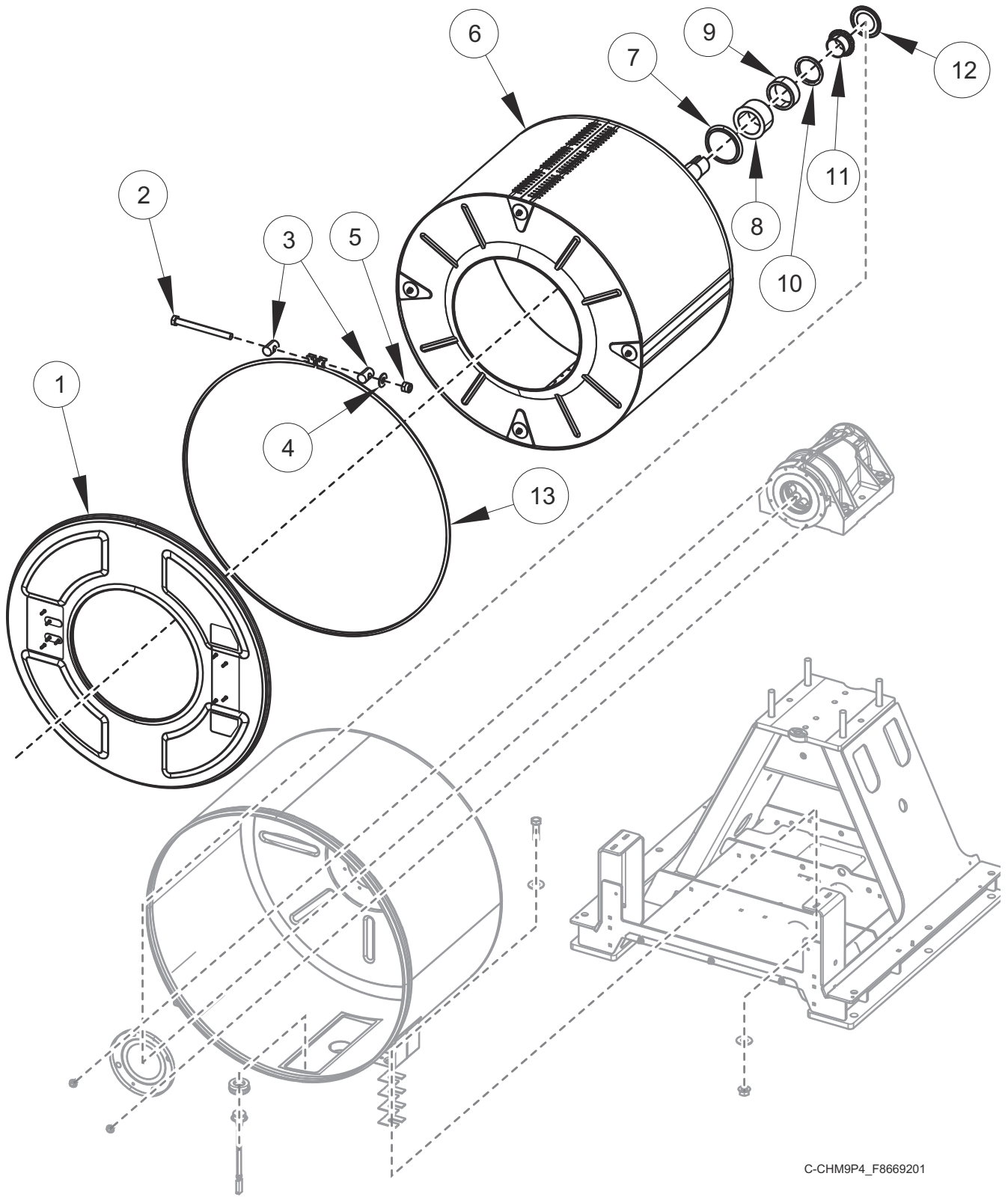


C-CHM2P18_F8669201

Door Lock

REF	PART NO.	DESCRIPTION	COMMENTS
	F8632401	Door Lock Assembly	Includes items 1-16 and F320200 Door Lock Splash
	F8520202	Door Lock Harness	
	F8066804	Reed Switch Assembly	
1	F431024	Nut	
2	F8344401	Door Lock Plate Shim	
3	70030501	Expansion Clip	
4	F8223202	Door Lock Plate Assembly	
5	F8117601	Screw	
6	F8245001	Door Lock Cover	
7	F8344501	Door Lock Catch	
8	F8193101	Washer	
9	F8270701	Bolt	
10	F430232	Nut	
12	F8070301	Torsion/Door Lock Spring	
13	F200203200	Door Lock Microswitch	
14	F8223401	Door Lock Switch Lever	
15	F431901	Spacer	
16	F977P3	Door Lock Solenoid Replacement Kit	

Shell Front and Basket

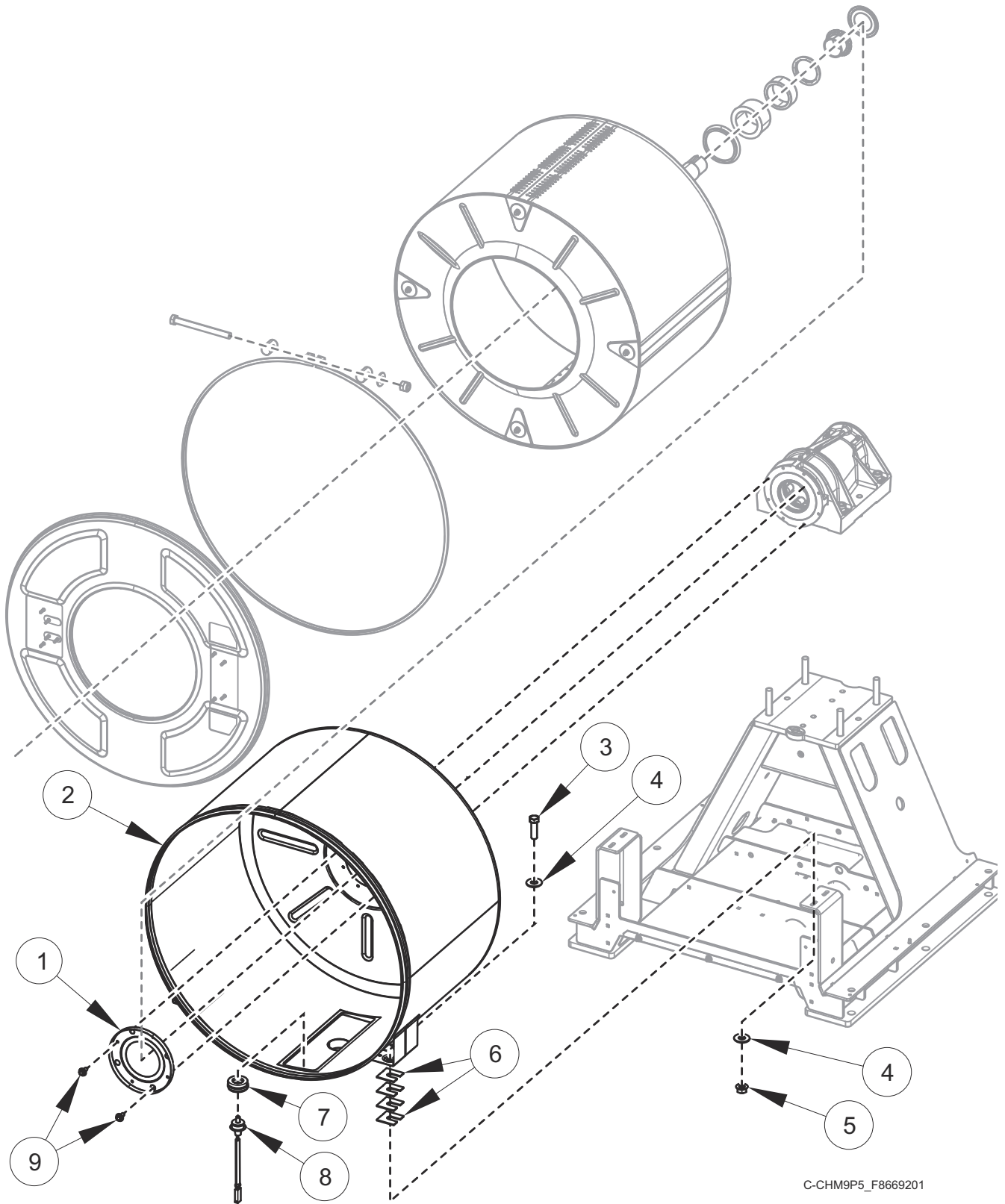


C-CHM9P4_F8669201

Shell Front and Basket

REF	PART NO.	DESCRIPTION	COMMENTS
1	F8222701	Shell Front	80 pound models
	F8229801	Shell Front Assembly	100 pound models
2	F8673701	Screw	
3	F8302701	Pin	
4	M400080	Washer	
5	F430218	Nut	
6	F8516901	Basket Assembly	80 pound models
	F8516904	Basket	80 pound models; Rain; Viton
	F8516903	Basket Assembly	80 pound models; Viton
	F8516902	Basket	80 pound models; Rain
	F8517003	Basket Assembly	100 pound models; Viton
	F8517004	Basket	100 pound models; Rain; Viton
	F8517001	Basket Assembly	100 pound models
	F8517002	Basket	100 pound models; Rain
7	F8337101	Excluder Seal	Standard
	F8527701	Excluder Seal	Viton
8	F8343911	Seal Sleeve	
9	F8280504	Bearing	
10	F8464901	Insertion Sleeve	
11	F8382501	Sleeve Adapter	
12	F8379301	Seal	
13	F8537808	Shell Band Kit	

Shell

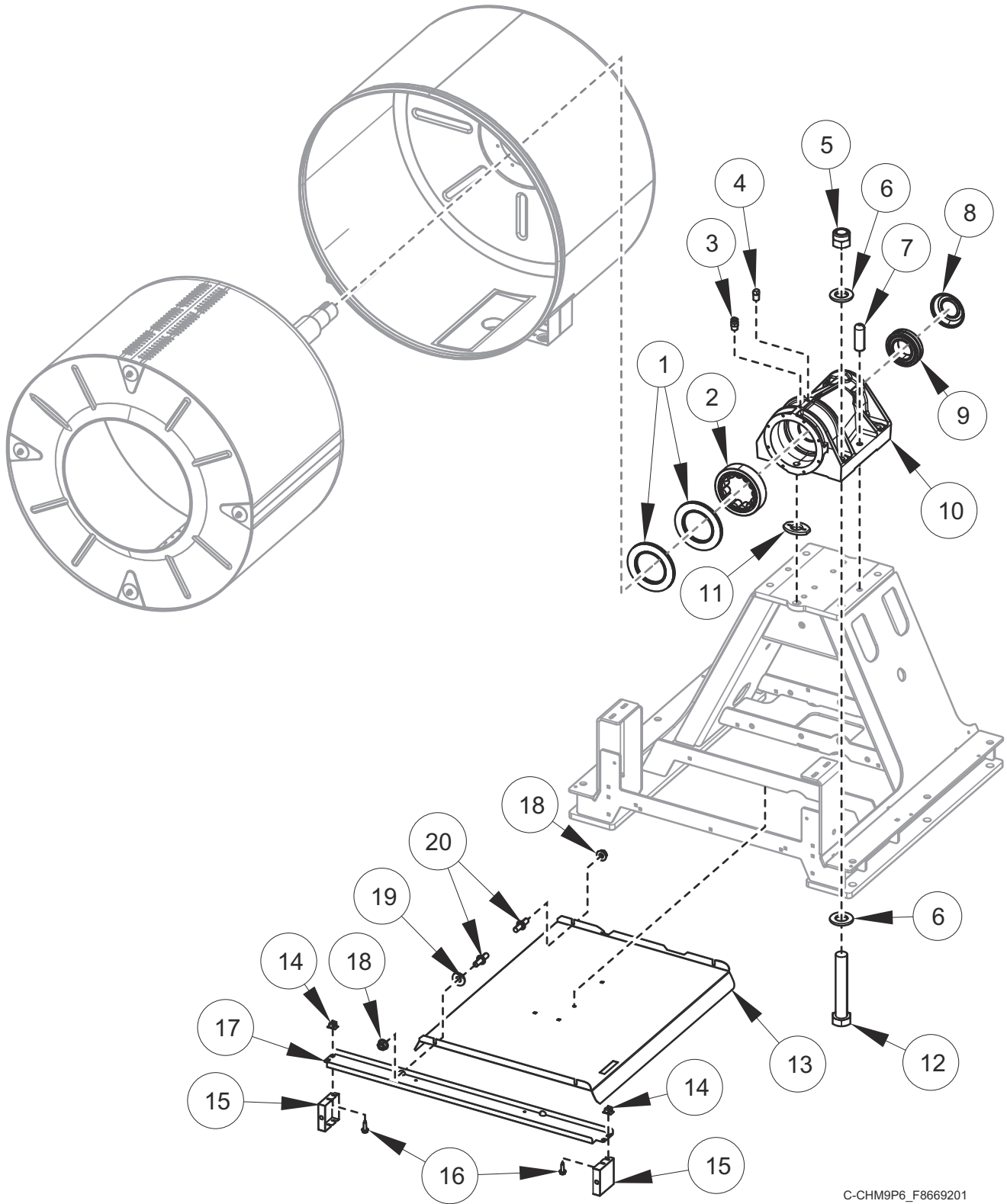


C-CHM9P5_F8669201

Shell

REF	PART NO.	DESCRIPTION	COMMENTS
1	F8550101	Seal Wear Plate	
2	F8543802	Shell	80 pound models; Electric and steam heat
	F8543902	Shell	100 pound models; Electric and steam heat
	F8543803	Shell	80 pound models
	F8543903	Shell	100 pound models
3	F430900	Screw	
4	M400081	Washer	
5	F430218	Nut	
6	F8402701	Washer	
7	2251000400	Temperature Probe Grommet	
8	F8538801	Thermistor	
9	F8442702	Screw	

Bearing Housing and Frame Shield

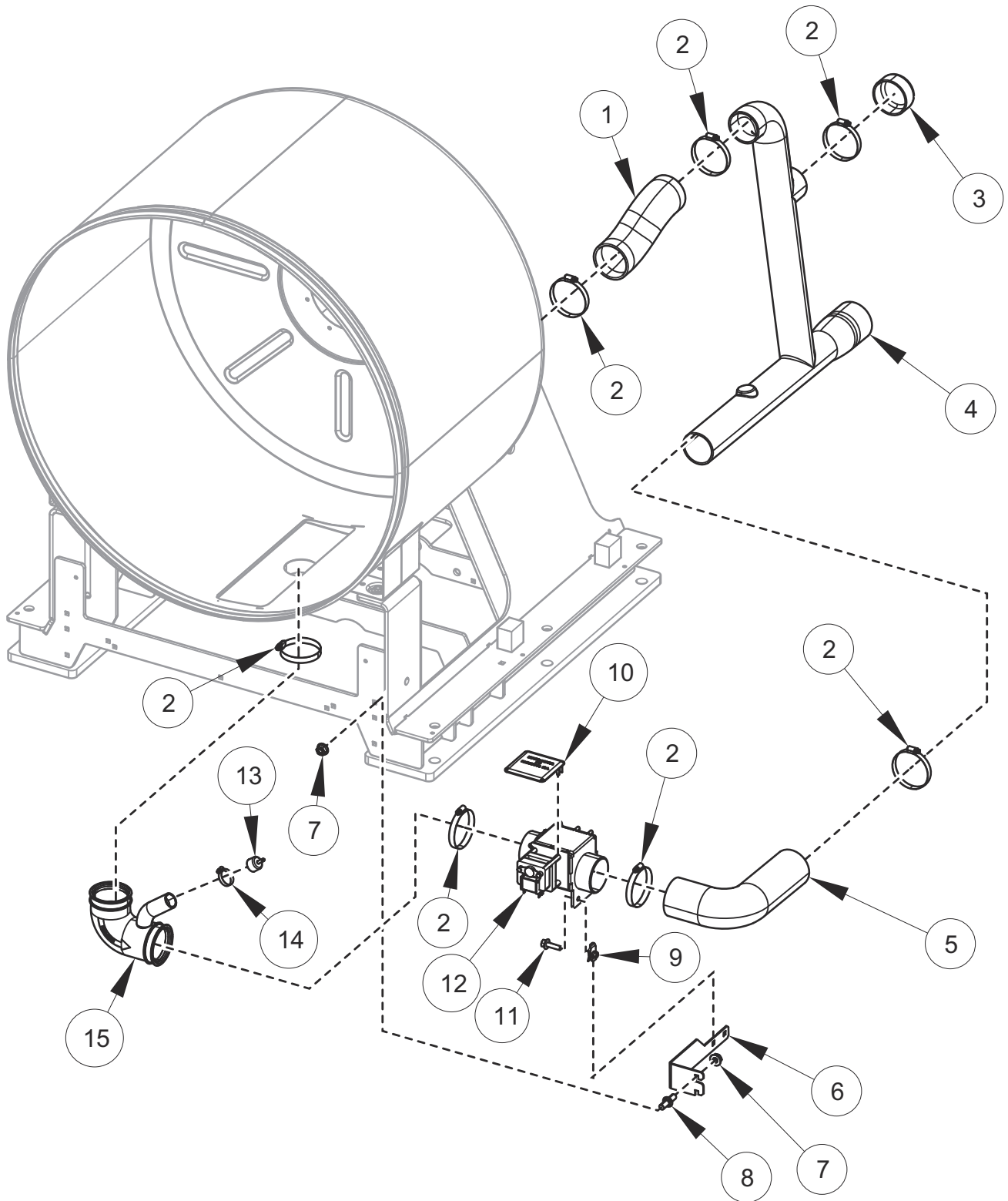


C-CHM9P6_F8669201

Bearing Housing and Frame Shield

REF	PART NO.	DESCRIPTION	COMMENTS
	F8474601	Bearing Housing Assembly	Includes items 1-4 and 8; Standard
	F8474602	Bearing Housing Assembly	Includes items 1-4 and 8; Viton
	F8503801	Bearings and Seals Kit	Standard NBR; Includes items 1, 2, 5-9, 12, F8337101 Excluder Seal, F8502305 Shell Band Gasket and F410102 Clear Sealant
	F8503701	Bearings and Seals Kit	Viton; Includes items 1, 2, 5-9, 12, F8527701 Excluder Seal, F8502305 Shell Band Gasket and F410102 Clear Sealant
1	F8203807	Radial Seal	Standard
	F8203808	Radial Seal	Viton
2	F8280504	Bearing	
3	J1408004	Connector	
4	M403052	Plug	
5	F430248	Nut	
6	F8171201	Washer	
7	F8406502	Dowel Pin	
8	F8528501	Radial Lip Seal	
9	F8375401	Bearing	
10	F8744801R	Bearing Housing	
11	F8452701	Seal Scupper Pad	
12	F8313701	Screw	
13	F8509501	Frame Shield	
14	70030501	Expansion Clip	
15	F8557401	False Side Panel	80 pound models
	F8557402	False Side Panel	100 pound models
16	F8206901	Screw	
17	F8577901	Frame Shield Extension	80 pound models
	F8577902	Frame Shield Extension	100 pound models
18	44087201	Nut	
19	M400080	Washer	
20	70334702	Stud	

Drain Plumbing

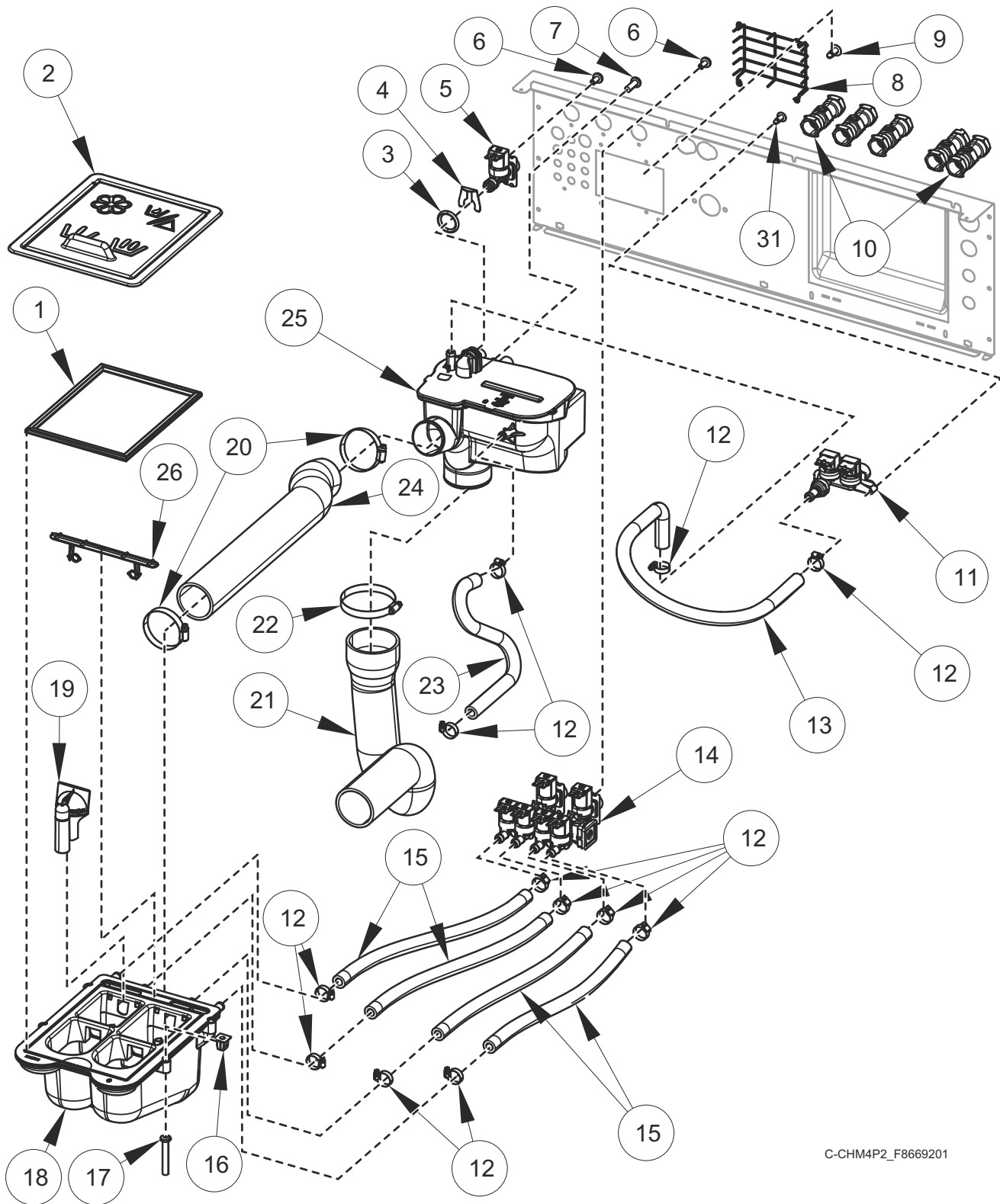


C-CHM9P1_F8669201

Drain Plumbing

REF	PART NO.	DESCRIPTION	COMMENTS
	F8520002	Drain Valve Harness	
	F200165100	Drain Hose	
1	F0150488-00	Overflow Hose	
2	F200201	Hose Clamp	
3	F0150502-00	Plug	
4	F8386807	Molded Drain	
5	C000412	Water Reuse Hose	
6	F8543601	Drain Valve Bracket	
7	44087201	Nut	
8	70334702	Stud	
9	70030401	Nut	
10	F200133600	Drain Valve Cover	
11	F8117601	Screw	
12	F8406308	Drain Valve	3 inch; 120 Volt; Right; NO
	F8577201	Drain Valve Kit	3 inch; 230 Volt; Right; NO; Includes item 10
	F200166302	Drain Valve Kit	3 inch; 120 Volt; Left; NO; Includes item 10
	F200166402	Drain Valve Kit	3 inch; 230 Volt; Left; NO; Includes item 10
13	F8579301	Pressure Cap	
14	36802	Hose Clamp	
15	F8542001	Drain Hose	
	F8542201	Drain Hose	Steam and electric heat

Fill Plumbing

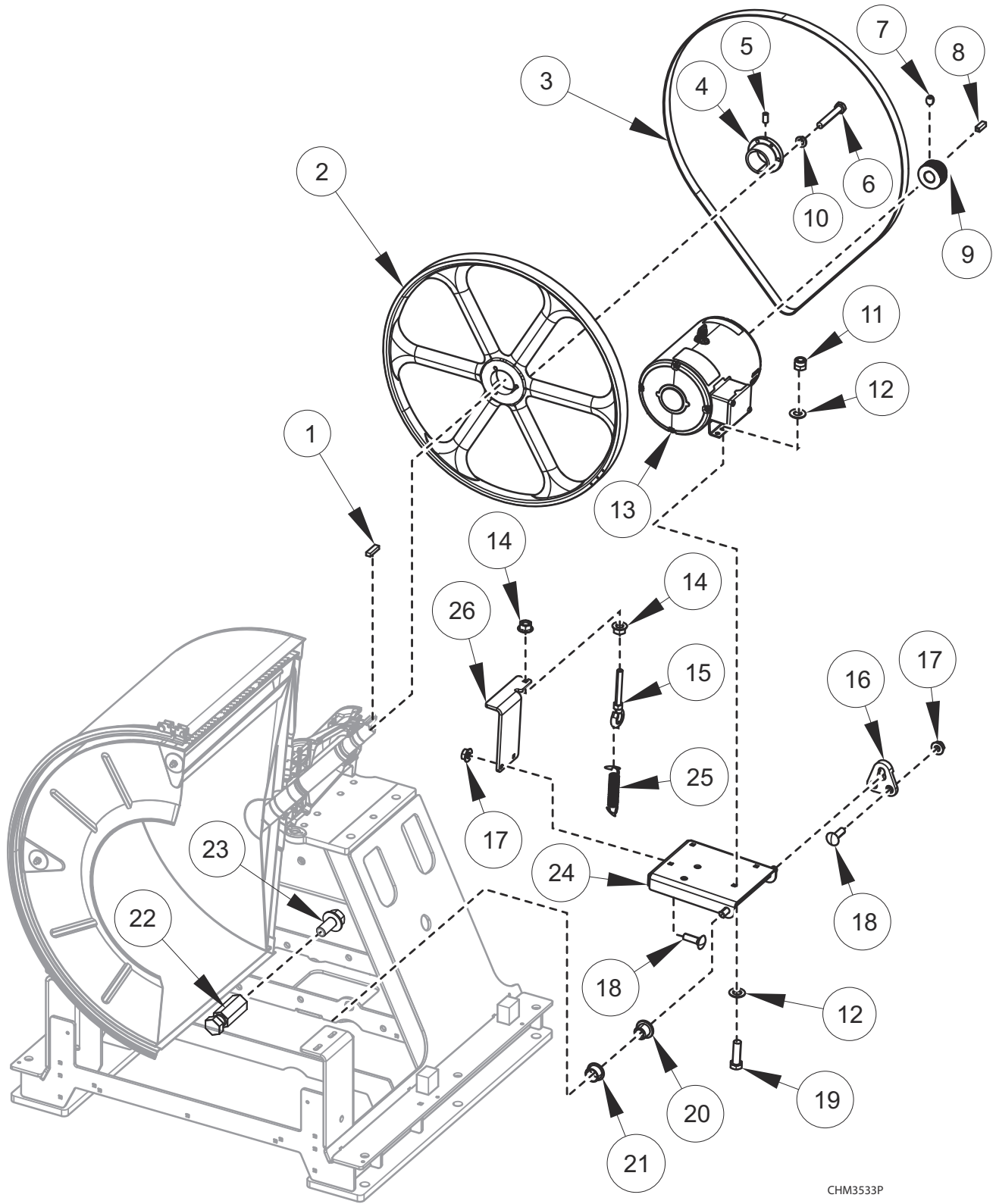


C-CHM4P2_F8669201

Fill Plumbing

REF	PART NO.	DESCRIPTION	COMMENTS
	F8047403	Dispenser	Includes Items 18, 19 and 26
	F8520102	Fill Valve Harness	
	223/00243/00	Y-Connector	Metric
	F8544601	Fill Hose Kit	WRAS; Includes item 11 and F8665602 Water Hose Kit
	F200164	Water Hose	Y fitting; 2 required; Standard
	F200166	Water Hose	Metric thread
	44069101	Hose Fitting	3/4 inch; Standard
1	B12568601	Dispenser Gasket	
2	F8563204	Dispenser Cover	Black; Icons and text
	F8563203	Dispenser Cover	Gray; Icons and text
	F8563202	Dispenser Cover	Black; Icons
	F8563201	Dispenser Cover	Gray; Icons
3	F8569101	O-Ring	
4	F8566801	Clip	
5	F8565201	Valve	3/4 inch; Standard
	F8565202	Valve	3/4 inch; Standard
6	F8230301	Screw	
7	800548	Screw	
8	F8589601	Vacuum Breaker Guard	
9	70058501	Pop Rivet	
10	F8301201	Double Check Valve	WRAS
11	70519801	Mixing Valve	Standard
	70519802	Mixing Valve	Metric
12	36801	Hose Clamp	
13	F8598801	Auxiliary Fill Hose	
14	F8529701	Manifold Valve	Standard
	F8529702P	Manifold Valve	Metric
15	F8232012	Hose	
16	F0431807-00	Nut	
17	F8535601	Screw	
18	F8437902	Dispenser Weldment	
19	F8047901	Siphon Cover	
20	F200213	Hose Clamp	
21	F8529605	P-Trap Hose	
22	F200201	Hose Clamp	
23	F8616405	Rear Vent Hose	
24	F8529405	Supply Vacuum Hose	80 pound models
	F8529406	Supply Vacuum Hose	100 pound models
25	F8517503	Vacuum Breaker Assembly	With inlet and fill
	F8517502	Vacuum Breaker Assembly	With inlet; WRAS
	F8517501	Vacuum Breaker Assembly	With fill
	F8517504	Vacuum Breaker Assembly	WRAS
26	F8047801	Access Cover	

Motor, Pulley and Belt

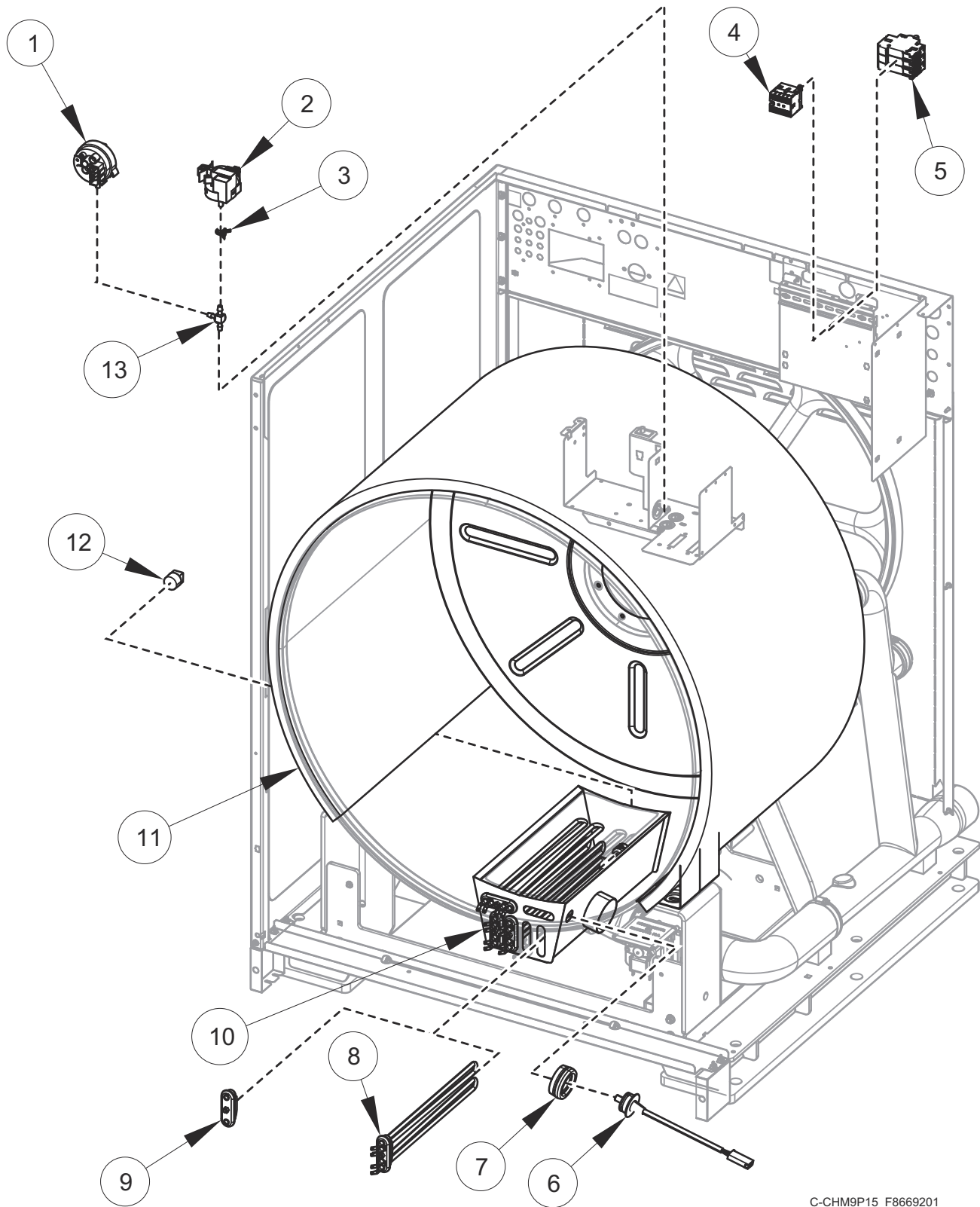


CHM3533P

Motor, Pulley and Belt

REF	PART NO.	DESCRIPTION	COMMENTS
	F8519005	Motor Harness	5 hp
	F8519010	Motor Harness	EMI filter
	F8748601	Spring Stud Kit	
1	44049002	Key	
2	F8381801	Sheave Pulley	
3	F8382819	Belt	80 pound models; Poly-V; 955J12
	70276205P	Belt	100 pound models
4	F8649401	Flanged Bushing	
5	44048902	Screw	
6	44079203	Screw	
7	M400077	Screw	
8	H8752006H	Key	
9	F8362601	Motor Pulley	80 pound models
	F8362602	Motor Pulley	100 pound models
10	M400013	Washer	
11	F8387601	Nut	
12	F8366601	Washer	
13	F8510001	Motor	5 hp; Models through August 6, 2023
	F8745701	Motor	5 hp; Models starting August 7, 2023
14	44087301	Nut	
15	F8319503	Eye Bolt	
16	F8542101	Drain Hose	
17	44087201	Nut	
18	F8402801	Bolt	
19	800461	Screw	
20	F8535202	Flanged Isolator	
21	F8333302	Flanged Bushing	
22	F8634701	Stud	
23	M405503	Bolt	
24	F8441805	Motor Bracket Weldment	
25	F8440701	Extension Spring	
26	F8342201	Motor Spring Bracket	

Electric Heating

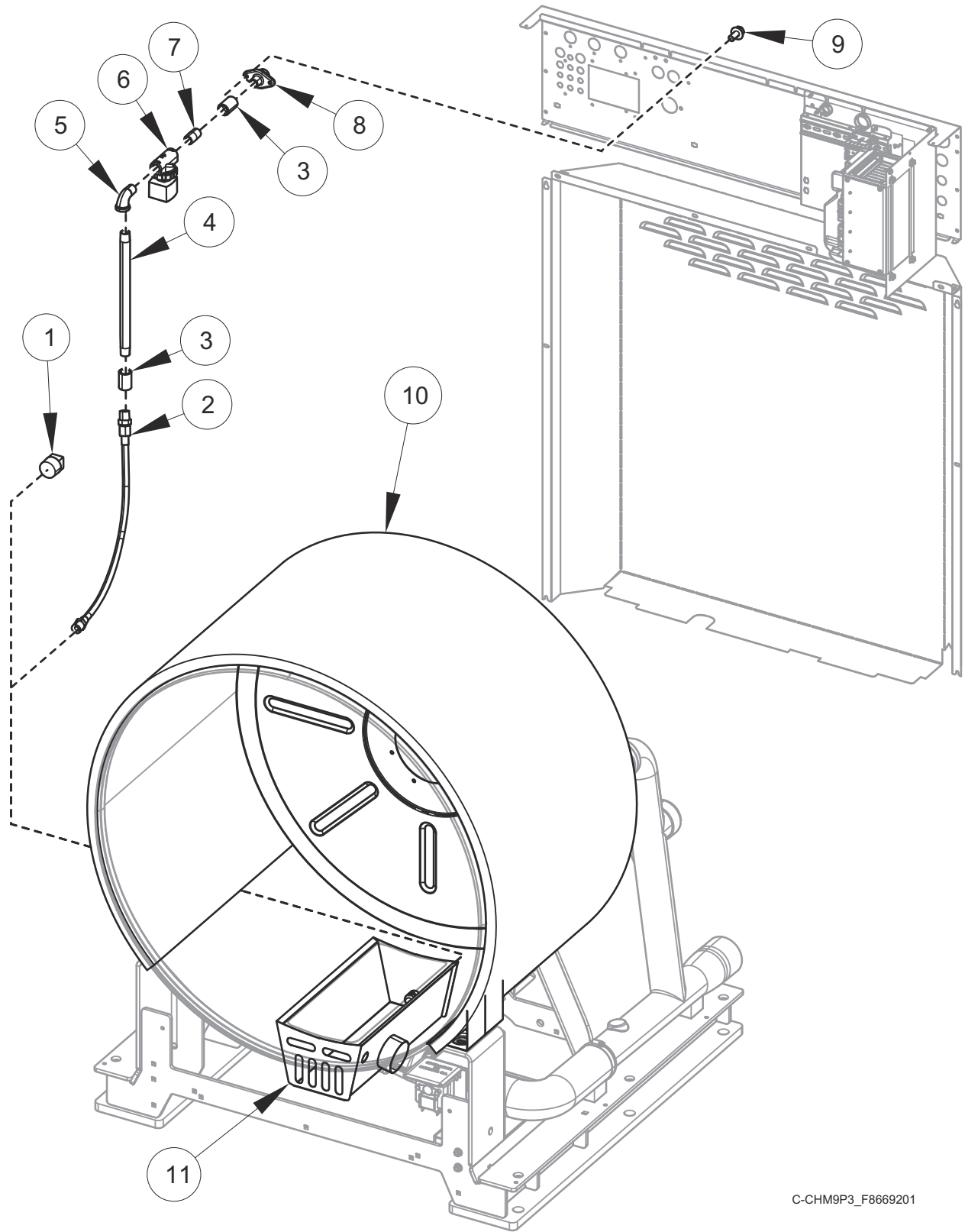


C-CHM9P15_F8669201

Electric Heating

REF	PART NO.	DESCRIPTION	COMMENTS
	F8584802	Electric Heat Element Harness	6 element and ground
	F8619101	Power Harness	
	F8528003	Harness	
	F8564004	Harness	N, P and Q voltage
	F8598302	Harness	Temperature
	F8568901	Jumper	N and P voltage
	F8583501	Jumper	N, P and Q voltage
1	F8609101	Water Level Pressure Switch	
2	F8623401	Pressure Sensor	
3	39282	Hose Clamp	
4	70482601	Contactora	
5	70488101	Circuit Breaker	
6	F8538801	Thermistor	
7	2251000400	Temperature Probe Grommet	
8	F8568301	Heating Element	4200W; 230 Volt
9	F360202	Heating Element Plug	
10	F8543802	Shell	80 pound models
	F8543902	Shell	100 pound models
11	F8209105	Shell Insulation	
12	F420408	Plug	
13	203464	Barbed Tee	

Steam Heating

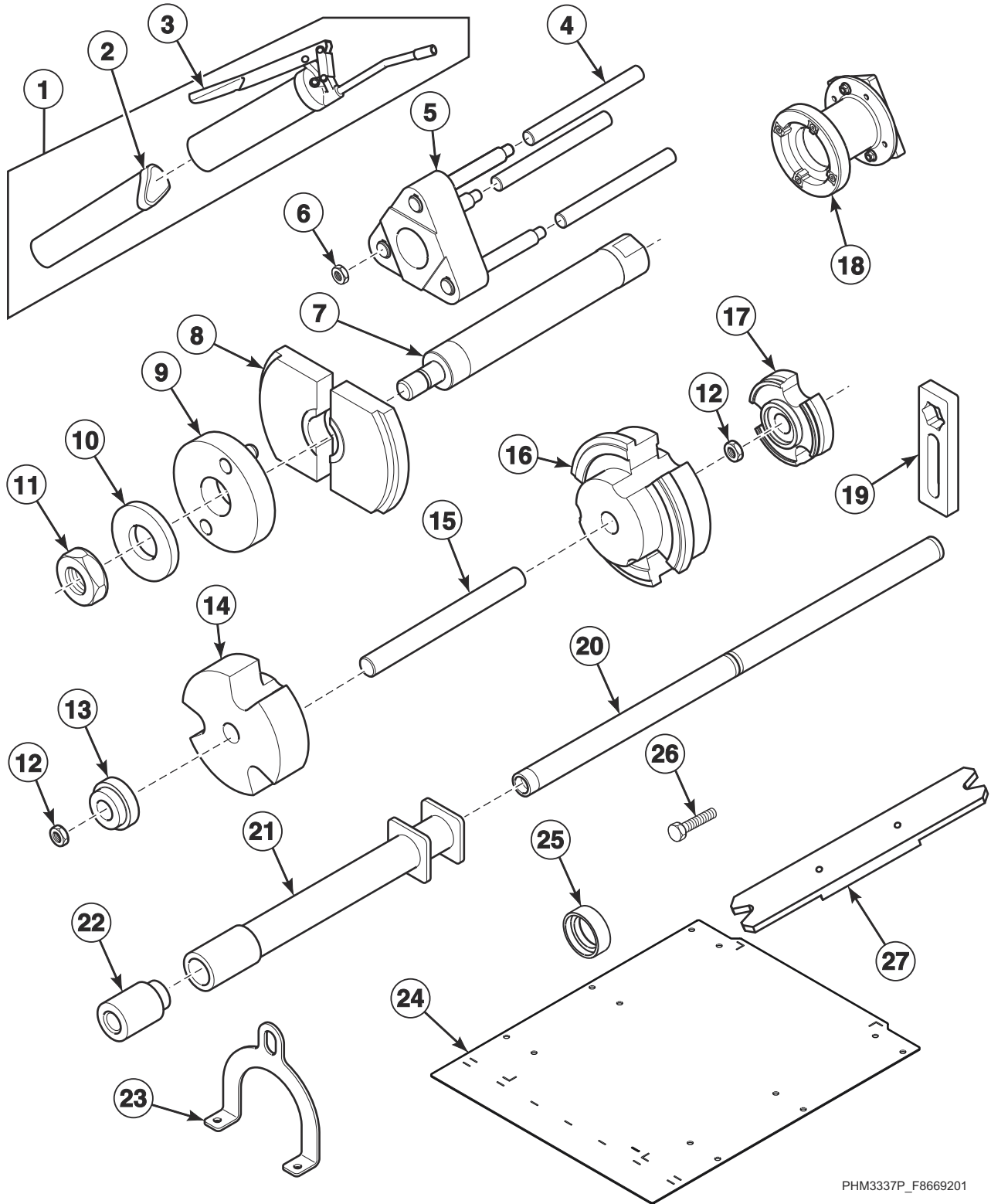


C-CHM9P3_F8669201

Steam Heating

REF	PART NO.	DESCRIPTION	COMMENTS
	F8662601	Steam Kit	Includes Items 1-9, 901403 Nipple, F270307 Steam Filter, F8520704 Harness, insulation and labels
	F270307	Steam Filter	1/2 inch
	F8520704	Harness	Steam valve
	F8564004	Harness	
	F8233702	Insulation	Steam pipe; 6 inches
	F8233704	Insulation	Steam pipe; 12 inches
	F8233708	Pipe Insulation	Steam pipe; 20 inches
	F410300	Pipe Insulation	Steam pipe; 36 inches
	F8379505	Valve Rebuild Kit	
1	F420408	Plug	
2	F200197	Steam Hose	
3	F8116301	Coupling	
4	70214101	Pipe Nipple	
5	H86070034	Street Elbow	
6	F8322805	Valve	
	F8515001	Coil	
7	70435601	Pipe Nipple	
8	F8362701	Coupling	
9	70321501	Screw	
10	F8209105	Shell Insulation	
11	F8543802	Shell	80 pound models
	F8543902	Shell	100 pound models

Special Tools and Kits



PHM3337P_F8669201

Special Tools and Kits

REF	PART NO.	DESCRIPTION	COMMENTS
	204454	Ferrite	EMI; UCK models
	1112P	Concrete Hardware Kit	
	203346	USB IR Interface Kit	
	F8599401	Bearing Seal Insertion and Removal Kit	Purchase; Includes items 1-26, 70350503 Wing Nut and F8313702 Screw
	F8599401-1	Bearing Seal Insertion and Removal Kit	Rental; Includes items 1-26, 70350503 Wing Nut and F8313702 Screw
1	F798700	Grease Gun Kit	Includes items 2 and 3
2	F210206P	Bearing Grease	
3	F210207P	Grease Gun	
4	F8599201	Rod	
5	F8560501	Shaft Support Assembly	
6	F8459101	Nut	
7	F8450401	Bearing Removal Shaft Assembly	
8	F8450601	Bearing Removal Plate	
9	F8455601	Bearing Removal Washer Assembly	
10	F8456101	Washer	
11	F8455801	Nut	
12	F8457701	Nut	
13	F8455701	Bearing Removal Plug	
14	F8515101	Bearing Seal Fixture	Front
15	F8452101	Threaded Rod	
16	F8515301	Seal Press Fixture	
17	F8515201	Bearing Seal Fixture	
18	F8530201	Bearing Sleeve Assembly	
19	F8562801	One Sided Disassembly Fixture	
20	F8534101	Guide Rod Assembly	
21	F8490701	Hammer	
22	F8514401	Hammer Tool Adapter	
23	F8451501	Bearing Housing Lifting Fixture	
24	F8413101	Frame Template	
25	F8537502	Excluder Seal Fixture	
26	M400063	Screw	
27	F8634802	Clamp	

Parts Index

A

Access Cover	
F8047801	47
Access Panel	
F8552702	21, 23, 25
Access Panel Retaining Spacer	
F8609701	21, 23, 25
Air Coupling	
F422114	21, 23, 25
App Pay Overlay Kit	
44374701	9, 11
Auxiliary Fill Hose	
F8598801	47

B

Barbed Tee	
203464	9, 51
Basket	
F8516901	39
F8516902	39
F8516904	39
F8517002	39
F8517004	39
Basket Assembly	
F8516903	39
F8517001	39
F8517003	39
Bearing	
F8280504	39, 43
F8375401	43
Bearing Grease	
F210206P	55
Bearing Housing	
F8744801R	43
Bearing Housing Assembly	
F8474601	43
F8474602	43
Bearing Housing Lifting Fixture	
F8451501	55
Bearing Removal Plate	
F8450601	55
Bearing Removal Plug	
F8455701	55
Bearing Removal Shaft Assembly	
F8450401	55
Bearing Removal Washer Assembly	
F8455601	55
Bearing Seal Fixture	
F8515101	55
F8515201	55
Bearing Seal Insertion and Removal Kit	
F8599401	55
Bearing Sleeve Assembly	
F8530201	55
Bearings and Seals Kit	
F8503701	43
F8503801	43

Belt	
F8382819	49
70276205P	49
Bolt	
F430974	31, 33, 35
F8270701	37
F8402801	49
F8508101	31, 33, 35
M405503	49
Bracket	
F8590701	9

C

Cabinet Brace	
F8556901	27
F8556902	27
Chemical Injection Control	
804528	17
Circuit Breaker	
70488101	13, 15, 51
Clamp	
F8634802	55
Clip	
F8566801	47
Coil	
F8515001	53
Concrete Hardware Kit	
1112P	55
Connector	
J1408004	43
70493102	17
Contact Base	
F8538101	9
Contact Switch	
F8069501	9
Contactory	
F330188P	51
70482601	13, 15
70482701	13, 15
Contactory Tray	
F8530901	13, 15
Control Assembly	
F8493902	9
F8494701	9
Control Panel Assembly	
F8552602	21, 23, 25
F8552604	21
F8552606	21, 23, 25
F8553604	21
F8553605	21, 23, 25
F8697503	23, 25
Control Tray	
F8530701	11
Coupling	
F8116301	53
F8362701	53

N/A items do not appear in index.

D

Danger Label			
F8614501	7		
DIN Rail			
B12315401	13, 15		
M412689	13, 15		
Dispenser			
F8047403	47		
Dispenser Bracket			
F8525701	27		
Dispenser Cover			
F8563201	47		
F8563202	47		
F8563203	47		
F8563204	47		
Dispenser Gasket			
B12568601	47		
Dispenser Weldment			
F8437902	47		
Door			
F8505001	31, 33		
F8508801	31, 33		
F8687102	35		
Door Assembly			
F8505101	31, 33		
F8505102	31, 33		
F8505104	31, 33		
F8505105	31, 33		
F8505106	33		
F8505107	31, 33		
F8505108	31		
F8505111	31, 33		
F8505112	31, 33		
F8698701	35		
F8698702	35		
F8698703	35		
F8698704	35		
F8698705	35		
F8698706	35		
F8698707	35		
F8698708	35		
Door Bezel			
F170419-3	21, 23, 25		
F8659301	21, 23, 25		
Door Gasket			
F8440801P	31, 33		
F8636501	35		
Door Glass			
F8342001	31, 33		
F8342002	31, 33		
535439P	35		
Door Glass Gasket			
F8499904	31, 33		
Door Glass Retainer			
F8504902	31, 33		
F8504903	31, 33		
Door Glass Trim			
F8583207	35		
Door Handle			
F8199401P	31		
F8435501	31, 33, 35		
F8544701	31, 33, 35		
F8624603	33, 35		
Door Handle Spacer Kit			
F8567501	31, 33, 35		
Door Hinge			
F190216P	31, 33, 35		
Door Hinge Shim Kit			
F200131000P	31, 33, 35		
Door Latch Arm Assembly			
F8221403	31, 33, 35		
Door Lock Assembly			
F8632401	37		
Door Lock Catch			
F8344501	37		
Door Lock Cover			
F8245001	37		
Door Lock Harness			
F8520202	37		
Door Lock Microswitch			
F200203200	37		
Door Lock Plate Assembly			
F8223202	37		
Door Lock Plate Shim			
F83344401	37		
Door Lock Solenoid Replacement Kit			
F977P3	37		
Door Lock Switch Lever			
F8223401	37		
Door Mount			
F150271	31, 33, 35		
Double Check Valve			
F8301201	47		
Dowel Pin			
F8406502	43		
Drain Hose			
F200165100	45		
F8542001	45		
F8542101	49		
F8542201	45		
Drain Valve			
F8406308	45		
Drain Valve Bracket			
F8543601	45		
Drain Valve Cover			
F200133600	45		
Drain Valve Harness			
F8520002	45		
Drain Valve Kit			
F200166302	45		
F200166402	45		
F8577201	45		
Drive Assembly			
F8496601	19		
F8496603	19		
F8496901	19		
F8496903	19		
Drive Communication Harness			
F8519201	19		
F8519202	19		
F8519203	19		
F8519204	19		
Drive Mounting Bracket			
F8322401	19		
Drive Panel Base Assembly			
F8567001	13		
F8567003	15		

N/A items do not appear in index.

F8567004.....	13, 15
Drive Power Harness	
F8518603.....	19
Drive Terminal Tray	
F8530803.....	13, 15

E

Electric Heat Element Harness	
F8584802.....	51
Emergency Stop Harness	
F8549402.....	9
Emergency Stop Label	
44012901.....	9
Emergency Stop Plate	
F8201301.....	9
Emergency Stop Pushbutton	
F200233500.....	9
EMI Filter	
F8591801.....	13, 15
F8637501.....	13, 15
End Stop	
F8449801.....	13, 15
Excluder Seal	
F8337101.....	39
F8527701.....	39
Excluder Seal Fixture	
F8537502.....	55
Expansion Clip	
70030501.....	11, 13, 15, 19, 21, 23, 25, 27, 29, 37, 43
Extension Spring	
F8440701.....	49
External Supply Kit	
F8662508.....	17
Eye Bolt	
F8319503.....	49

F

False Side Panel	
F8557401.....	43
F8557402.....	43
Ferrite	
204454.....	55
Fill Cover	
F8586301.....	27
Fill Hose Kit	
F8544601.....	47
Fill Valve Harness	
F8520102.....	47
Filter Kit	
F8662807.....	15
F8662808.....	13
F8662813.....	13
F8662814.....	15
Flanged Bushing	
F8649401.....	49
Flanged Isolator	
F8333302.....	49
F8535202.....	49

Frame Shield	
F8509501.....	43
Frame Shield Extension	
F8577901.....	43
F8577902.....	43
Frame Template	
F8413101.....	55
Front Panel	
F8552802.....	21
F8552804.....	25
F8686302.....	23, 25
Front Tray Assembly	
F8531002.....	9
F8567309.....	9
F8567312.....	9

G

Gasket	
F8542601.....	27
Gateway	
205223P.....	11
205391P.....	11
Glass	
F290210P.....	31, 33
Grease Fitting	
F190701.....	21, 23, 25
Grease Gun	
F210207P.....	55
Grease Gun Kit	
F798700.....	55
Ground Lug Connector	
M411283.....	13, 15
Guide Rod Assembly	
F8534101.....	55

H

Hammer	
F8490701.....	55
Hammer Tool Adapter	
F8514401.....	55
Harness	
F8518401.....	13
F8518403.....	13, 15
F8518404.....	13
F8518501.....	15
F8518503.....	15
F8518504.....	15
F8518606.....	13, 15
F8519301.....	9
F8519502.....	9
F8519602.....	9
F8520604.....	17
F8520704.....	53
F8528001.....	13, 15
F8528003.....	13, 15
F8528005.....	13, 15
F8528204.....	17
F8564001.....	51
F8564004.....	51, 53
F8598302.....	51
F8619102.....	13, 15

N/A items do not appear in index.

Heating Element F8568301	51
Heating Element Plug F360202	51
Hole Plug F8223801	27
Hose F8232012	47
F8245713	21, 23, 25
Hose Clamp F200201	45, 47
F200213	47
36801	47
36802	45
39282	9, 51
Hose Fitting 44069101	47
Hot Surface Warning Label F8609001	7
F8614301	7

I

Input and Output Control Assembly F8494101P	11
Insertion Sleeve F8464901	39
Insulation F8233702	53
F8233704	53
Insulator M413862	13, 15

J

Jumper F8568901	51
F8583501	13, 15, 51

K

Key H8752006H	49
44049002	49
70155603	27

L

Label D516100	13, 15
F8601301	7
F8602401	7
F8609401	7
F8611301	7
F8611401	7
F8613501	21, 23, 25
F8614801	7
F8620801	7
203853	7
44286803	13, 15

M

Machine ID Control Assembly 203361P	9
Magnet F8390801	31, 33, 35
Manifold Valve F8529701	47
F8529702P	47
Mixing Valve 70519801	47
70519802	47
Molded Drain F8386807	45
Motor F8510001	49
F8745701	49
Motor Bracket Weldment F8441805	49
Motor Harness F8519005	49
F8519010	49
Motor Pulley F8362601	49
F8362602	49
Motor Spring Bracket F8342201	49

N

Nameplate F8443107	21, 23, 25
F8688901	23, 25
Nut C001236	31, 33, 35
F0431807-00	47
F430215	31, 33, 35
F430218	39, 41
F430232	31, 33, 35, 37
F430248	43
F431024	37
F431041	31, 33, 35
F8387601	49
F8455801	55
F8457701	55
F8459101	55
F8549401	31, 33
44087201	43, 45, 49
44087301	49
44088001	13, 15
44088801	27
685846	9
70030401	29, 45

O

One Sided Disassembly Fixture F8562801	55
O-Ring F8569101	47
Overflow Hose F0150488-00	45

N/A items do not appear in index.

Overlay	
F8579701	21
F8593801	21
F8595101	21
F8611501	21, 25
F8612701	21, 25
F8612801	21, 25
F8641501	21
F8694601	23
F8695101	23
F8695801	23
F8696001	23
F8696501	23
F8696601	23
F8696701	23
F8704601	21
F8704701	21
F8713301	23
F8730001	25
F8731801	25

P

Panel Locator	
56079	21, 23, 25, 29
Panel Lock	
44089303P	27
Pin	
F8302701	39
F8502101	29
Pinch Warning Label	
F8615701	7
70538401	7
Pipe Insulation	
F410300	53
F8233708	53
Pipe Nipple	
70214101	53
70435601	53
Plug	
F0150502-00	45
F420408	51, 53
F8223901	27
M400985	27
M403052	43
Pop Rivet	
F431215	21, 23, 25, 27
F431223	31, 33, 35
M400003	11, 13, 15
685847	27
70058501	13, 15, 47
70412601	21, 23, 25
Power Distribution Block	
M413865	13, 15
Power Distribution Block Cover	
44014901P	13, 15
Power Harness	
F8619101	13, 15, 51
Pressure Cap	
F8579301	45
Pressure Sensor	
F8623401	9, 51
P-Trap Hose	
F8529605	47

Pushbutton Switch	
70413301	27

R

Radial Lip Seal	
F8528501	43
Radial Seal	
F8203807	43
F8203808	43
Rear Panel	
F8555301	27
Rear Vent Hose	
F8616405	47
Reed Switch Assembly	
F8066804	37
Rivet	
M412763	21, 23, 25, 29
70412601	27
Rod	
F602813-2	31, 33, 35
F8599201	55

S

Screw	
D503688	19
F430532	31, 33, 35
F430536	31, 33, 35
F430900	41
F8117601	21, 23, 25, 29, 37
F8206901	11, 13, 15, 27, 43
F8230301	47
F8313701	43
F8442702	41
F8535501	31, 33, 35
F8535601	47
F8589501	21, 23, 25
F8673701	39
M400063	55
M400077	49
202175	29, 45
33562	27
39733	13, 15
403497	17
44048902	49
44079203	49
51783	13, 15
685837	13, 15
70321501	53
800461	49
800548	47
Seal	
F8379301	39
Seal Press Fixture	
F8515301	55
Seal Scupper Pad	
F8452701	43
Seal Sleeve	
F8343911	39
Seal Wear Plate	
F8550101	41

N/A items do not appear in index.

Shaft Support Assembly	
F8560501	55
Sheave Pulley	
F8381801	49
Shell	
F8543802	41, 51, 53
F8543803	41
F8543902	41, 51, 53
F8543903	41
Shell Band Kit	
F8537808	39
Shell Front	
F8222701	39
Shell Front Assembly	
F8229801	39
Shell Insulation	
F8209105	51, 53
Shock Warning Label	
F8614201	7
Side Panel	
F8553001	29
F8553002	29
F8553101	29
F8553102	29
Siphon Cover	
F8047901	47
Sleeve Adapter	
F8382501	39
Snap Bushing	
F140938	9, 13, 15, 17
M402542	9
M411826	9
70346501	13, 15
Spacer	
F431901	37
Spring Pin	
F431222	31, 33, 35
Spring Stud Kit	
F8748601	49
Steam Filter	
F270307	53
Steam Hose	
F200197	53
Steam Kit	
F8662601	53
Street Elbow	
H86070034	53
Stud	
F8634701	49
70334702	43, 45
Supply Vacuum Hose	
F8529405	47
F8529406	47

T

Temperature Probe Grommet	
2251000400	41, 51
Terminal	
00622SG	11, 13, 15
Terminal Block	
430642	13, 15

Terminal Block Shield	
70333001	13, 15
Terminal Tray Cover	
F8518301	27
Thermistor	
F8538801	41, 51
Threaded Rod	
F8452101	55
Top Cover	
F8553301	27
F8553302	27
Top Cover Hinge	
F8258601	27
Top Cover Latch	
F8201001	21, 23, 25
Torsion/Door Lock Spring	
F8070301	37
Transformer	
F8491101	11
202758	11
Tubing	
F8405302	9
F8405303	9

U

USB IR Interface Kit	
203346	55

V

Vacuum Breaker Assembly	
F8517501	47
F8517502	47
F8517503	47
F8517504	47
Vacuum Breaker Guard	
F8589601	47
Valve	
F8322805	53
F8565201	47
F8565202	47
Valve Panel	
F8553401	27
Valve Rebuild Kit	
F8379505	53

W

Warning Label	
F8611601	7
44324001	7
Washer	
F431133	31, 33, 35
F431147	31, 33, 35
F431916	31, 33, 35
F431929	31, 33, 35
F8171201	43
F8193101	37
F8201101	21, 23, 25
F8366601	49

N/A items do not appear in index.

F8402701	41
F8456101	55
M400013	49
M400080	39, 43
M400081	41
M405535	29
70292801	21, 23, 25
804501	27
Water Hose	
F200164	47
F200166	47
Water Level Pressure Switch	
F8609101	51
Water Pressure Switch	
F8609101	9
Water Reuse Hose	
C000412	45
Wire Clip	
F8449501	9, 11
70347601	11
70366201	9
Wire Label	
44286804	13
Wireless Kit	
F8662404	11
F8676101	11

Y

Y-Connector	
223/00243/00	47
