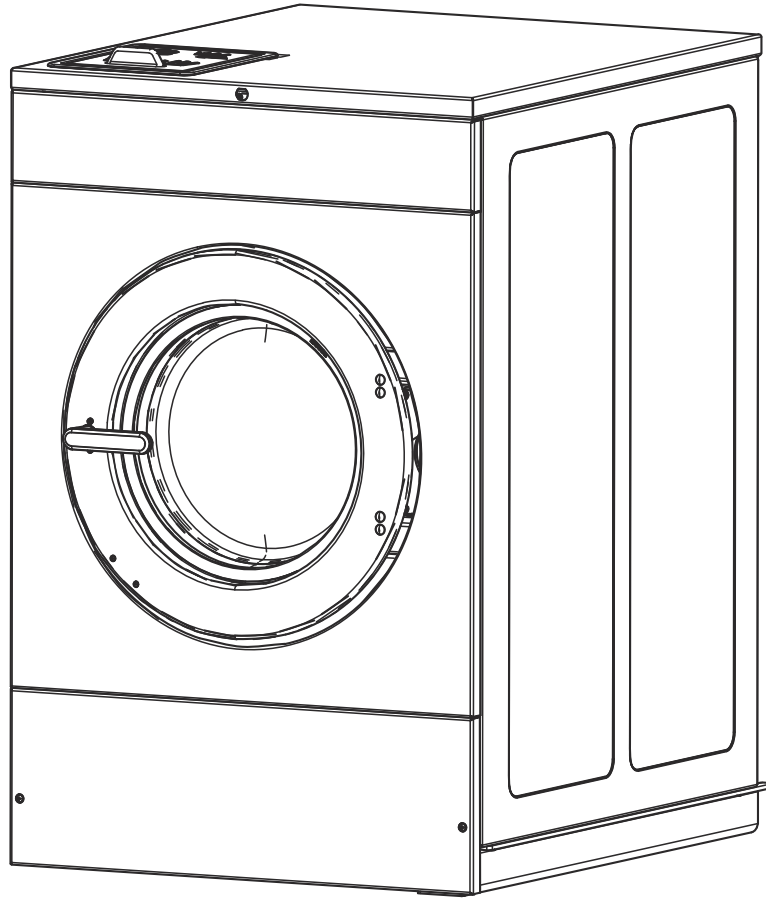


Washer-Extractor

Cabinet Hardmount

Design 4,6, and 7

Refer to Page 3 for Model Numbers



C-CHM2C3_F8669301

Table of Contents

Title	Page
Parts Ordering Information.....	2
Serial Plate Location	2
Model Identification	3
Product Overview - Galaxy 400/500 Vend, Galaxy 600 Domestic, Galaxy 600 Network Domestic, Quantum Silver, Quantum Gold Vend and Quantum Gold Vend Network	4
Labels	6
Control Module and Front Tray Assembly - Coin Models	8
Control Module and Front Tray Assembly - Card Reader and Central Pay Models	10
Control Module and Front Tray Assembly - FOB Models	12
Control Tray Assembly.....	14
Flush Mount Coin Meter Assembly - Single Drop	16
Flush Mount Coin Meter Assembly - Dual Drop.....	18
Electronic Coin Meter Assembly	20
Optional Coin Box	22
Inverter Drive Box - Q and X Voltage.....	24
Inverter Drive Box - N and P Voltage.....	26
External Supply Kit.....	28
Inverter Drive	30
Front Panels and Control Panel - HC Coin Models - Design 4	32
Front Panels and Control Panel - HC Coin Models - Design 6 and 7	34
Front Panels and Control Panel - SC Coin Models - Design 4	36
Front Panels and Control Panel - SCG and SCU Coin Models - Design 6 and 7	38
Front Panels and Control Panel - Card Ready and Central Pay Models - Design 4.....	40
Front Panels and Control Panel - Card Ready, Central Pay, and FOB Models - Design 6 and 7	42
Rear and Top Panels	44
Side Panels.....	46
Door - Design 4	48
Door - Design 6	50
Door - Design 6 and 7	52
Door Lock.....	54
Shell Front and Basket.....	56
Shell	58
Bearing Housing and Frame Shield	60
Drain Plumbing	62
Fill Plumbing	64
Motor, Pulley and Belt.....	66
Electric Heating	68
Steam Heating	70
Special Tools and Kits	72
Parts Index.....	75

© Copyright 2022, Alliance Laundry Systems LLC

All rights reserved. No part of the contents of this book may be reproduced or transmitted in any form or by any means without the expressed written consent of the publisher.

Parts Ordering Information

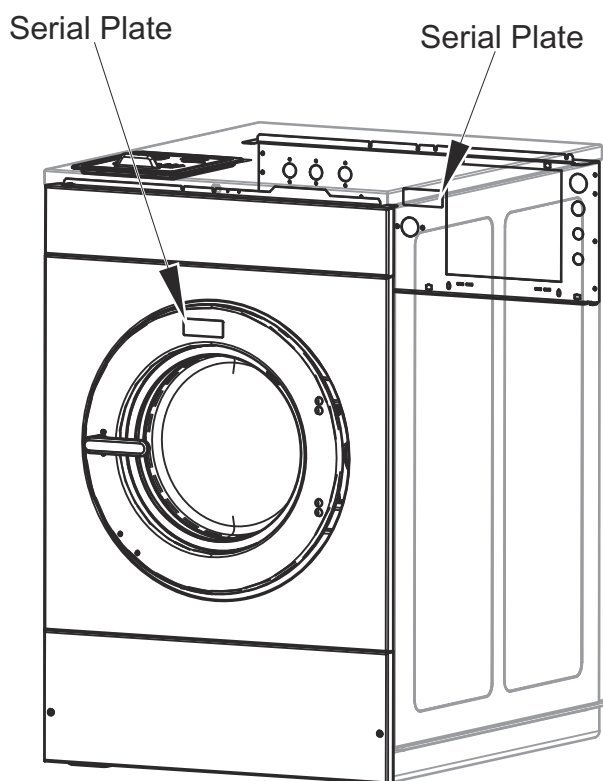
If literature or replacement parts are required, contact the source from whom the machine was purchased or contact Alliance Laundry Systems at (920) 748-3950 for the name and address of the nearest authorized parts distributor.

For technical assistance, call the number listed below:

(920) 748-3121 Ripon, Wisconsin

Serial Plate Location

When calling or writing about your product, be sure to mention model and serial numbers. Model and serial numbers are located on serial plate(s) as shown.



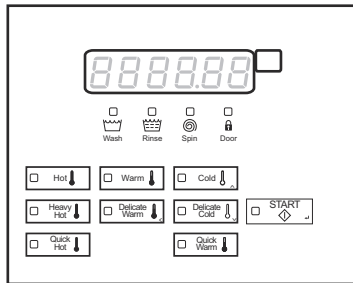
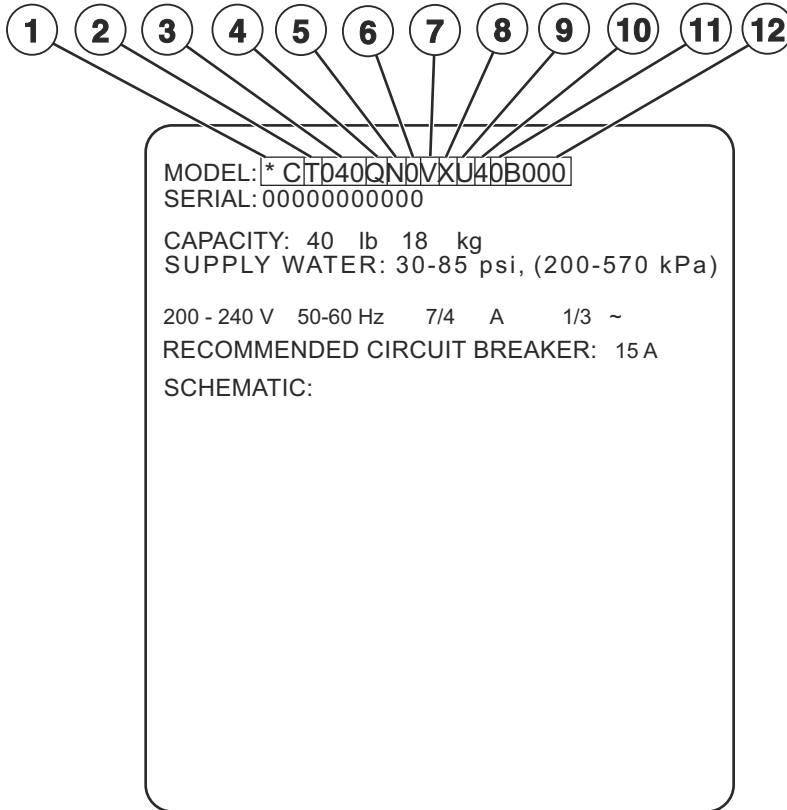
C-CHM2C2_F8669301

Model Identification

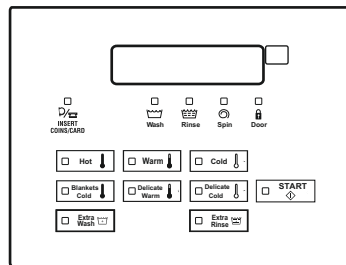
Information in this manual is applicable to these washer-extractor models:

HCT080NC	HCT100NC	SCG080NC	SCT080QC	SCU080NC
HCT080ND	HCT100ND	SCG080ND	SCT080QD	SCU080ND
HCT080NE	HCT100NE	SCG080NE	SCT080QE	SCU080NE
HCT080NF	HCT100NF	SCG080NF	SCT080QF	SCU080NF
HCT080NH	HCT100NH	SCG080NH	SCT080QH	SCU080NH
HCT080NL	HCT100NL	SCG080NL	SCT080QL	SCU080NL
HCT080NP	HCT100NP	SCG080NQ	SCT080QQ	SCU080NQ
HCT080NQ	HCT100NQ	SCG080NT	SCT080QT	SCU080NT
HCT080NT	HCT100NT	SCG080NV	SCT080QV	SCU080NV
HCT080NV	HCT100NV	SCG080NX	SCT080QX	SCU080NX
HCT080NX	HCT100NX	SCG080NY	SCT080QY	SCU080NY
HCT080NY	HCT100NY	SCG080WC	SCT100QC	SCU080WC
HCT080QC	HCT100QC	SCG080WD	SCT100QD	SCU080WD
HCT080QD	HCT100QD	SCG080WE	SCT100QE	SCU080WE
HCT080QE	HCT100QE	SCG080WF	SCT100QF	SCU080WF
HCT080QF	HCT100QF	SCG080WH	SCT100QH	SCU080WH
HCT080QH	HCT100QH	SCG080WL	SCT100QL	SCU080WL
HCT080QL	HCT100QL	SCG080WQ	SCT100QQ	SCU080WQ
HCT080QQ	HCT100QQ	SCG080WT	SCT100QT	SCU080WT
HCT080QT	HCT100QT	SCG080WV	SCT100QV	SCU080WV
HCT080QV	HCT100QV	SCG080WX	SCT100QX	SCU080WX
HCT080QX	HCT100QX	SCG080WY	SCT100QY	SCU080WY
HCT080QY	HCT100QY	SCG100NC		SCU100NC
HCT080WC	HCT100WC	SCG100ND		SCU100ND
HCT080WD	HCT100WD	SCG100NE		SCU100NE
HCT080WE	HCT100WE	SCG100NF		SCU100NF
HCT080WF	HCT100WF	SCG100NH		SCU100NH
HCT080WH	HCT100WH	SCG100NL		SCU100NL
HCT080WL	HCT100WL	SCG100NQ		SCU100NQ
HCT080WP	HCT100WP	SCG100NT		SCU100NT
HCT080WQ	HCT100WQ	SCG100NV		SCU100NV
HCT080WT	HCT100WT	SCG100NX		SCU100NX
HCT080WV	HCT100WV	SCG100NY		SCU100NY
HCT080WX	HCT100WX	SCG100WC		SCU100WC
HCT080WY	HCT100WY	SCG100WD		SCU100WD
		SCG100WE		SCU100WE
		SCG100WF		SCU100WF
		SCG100WH		SCU100WH
		SCG100WL		SCU100WL
		SCG100WQ		SCU100WQ
		SCG100WT		SCU100WT
		SCG100WV		SCU100WV
		SCG100WX		SCU100WX
		SCG100WY		SCU100WY

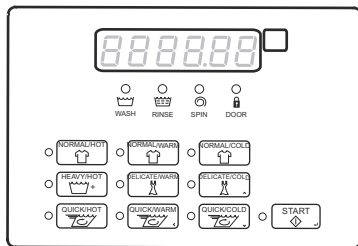
Product Overview - Galaxy 400/500 Vend, Galaxy 600 Domestic, Galaxy 600 Network Domestic, Quantum Silver, Quantum Gold Vend and Quantum Gold Vend Network



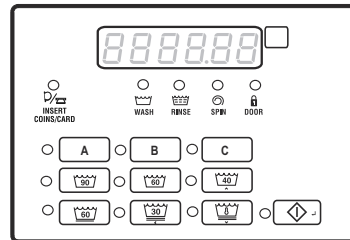
Galaxy 400 Vend (through April 2019)
 Galaxy 500 Vend (starting May 2019)



Galaxy 600 and Galaxy 600 Network Domestic



Quantum Silver



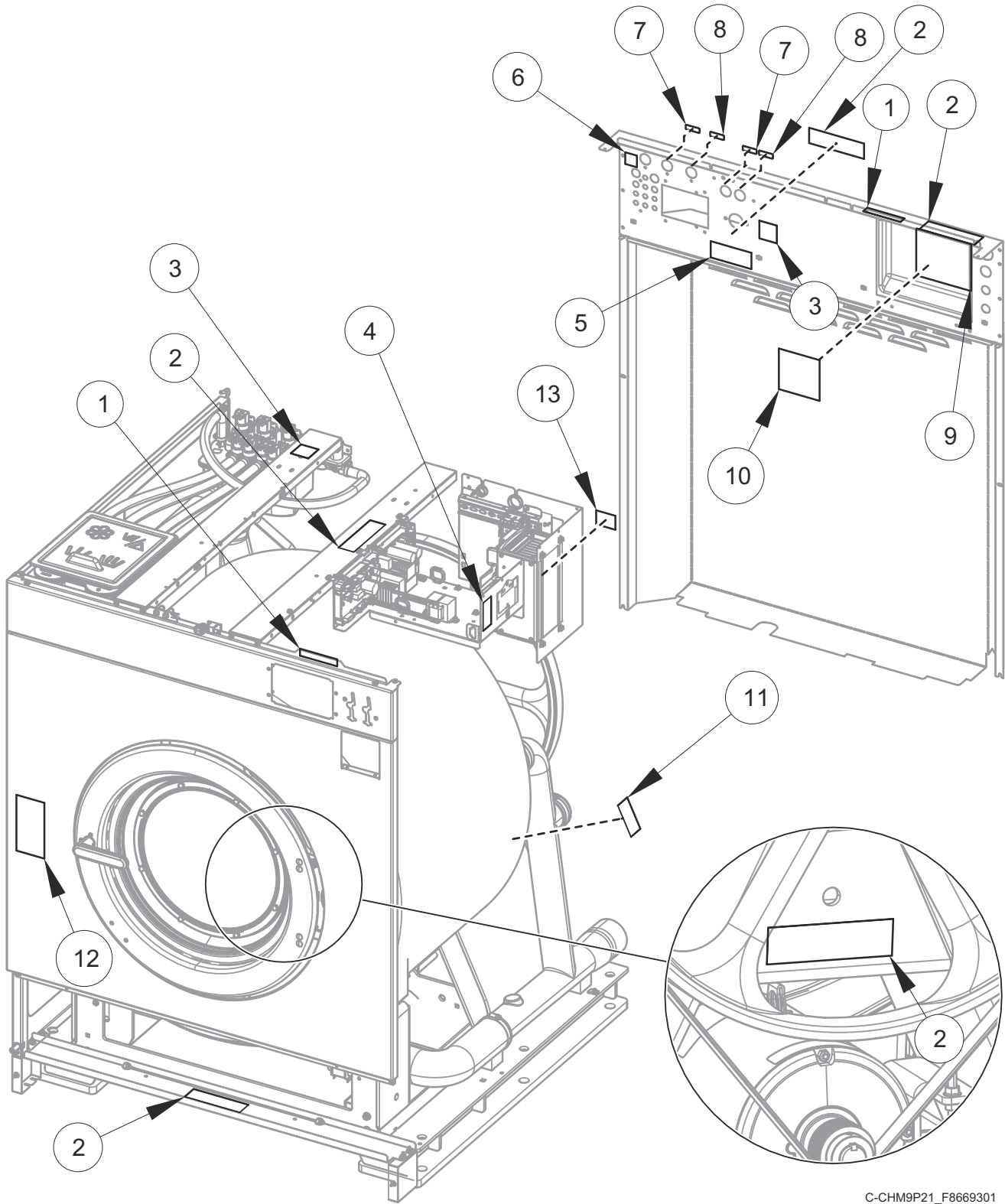
Quantum Gold Vend
 Quantum Gold Vend Network

CHM3515P_F8669301

Product Overview - Galaxy 400/500 Vend, Galaxy 600 Domestic, Galaxy 600 Network Domestic, Quantum Silver, Quantum Gold Vend and Quantum Gold Vend Network

REF	PART NO.	DESCRIPTION	COMMENTS
1	-	Product Family	HC SC
2	-	Market Approvals	A (Australia ICE) D (Brazil IEC) G (International) H (China-ROHS IEC) J (Japan-PSE IEC) K (Korea IEC) L (Thailand-TISI IEC) T (North America) U (International CE/EAC)
3	-	Capacity (Dry Weight in Pounds)	080 100
4	-	Control	N Q W
5	-	Actuation	L (Central Pay) X (Prep for Coin) Y (Prep for Card) C (Single Coin) D (Dual Coin) E (Electronic Drop) T (Token) F (Single Coin + CD Lock and Key) Q (Dual Coin + CD Lock and Key) H (Electronic Drop + CD Lock and Key) V (Token + CD Lock and Key) P (FOB)
6	-	Coin Meter	0 (Standard) 1 (CD Lock & Key)
7	-	Speed	F (F-Speed) V (V-Speed)
8	-	Voltage	B (120/60/1) W (200-240/50/1/3) Y (200-240/60/1/3) X (200-240/50-60/1/3) Q (200-240/50-60/3) P (380-415/50-60/3) N (440-480/50-60/3)
9	-	Panel	B (Chrome Door) C (Chrome Door) U (Vinyl) 1 (Stainless Steel Side)
10	-	Design	4
11	-	Heat	0 (Standard) D (Steam) E (Electric Heat) P (Prep for Steam)
12	-	Features and Options	

Labels

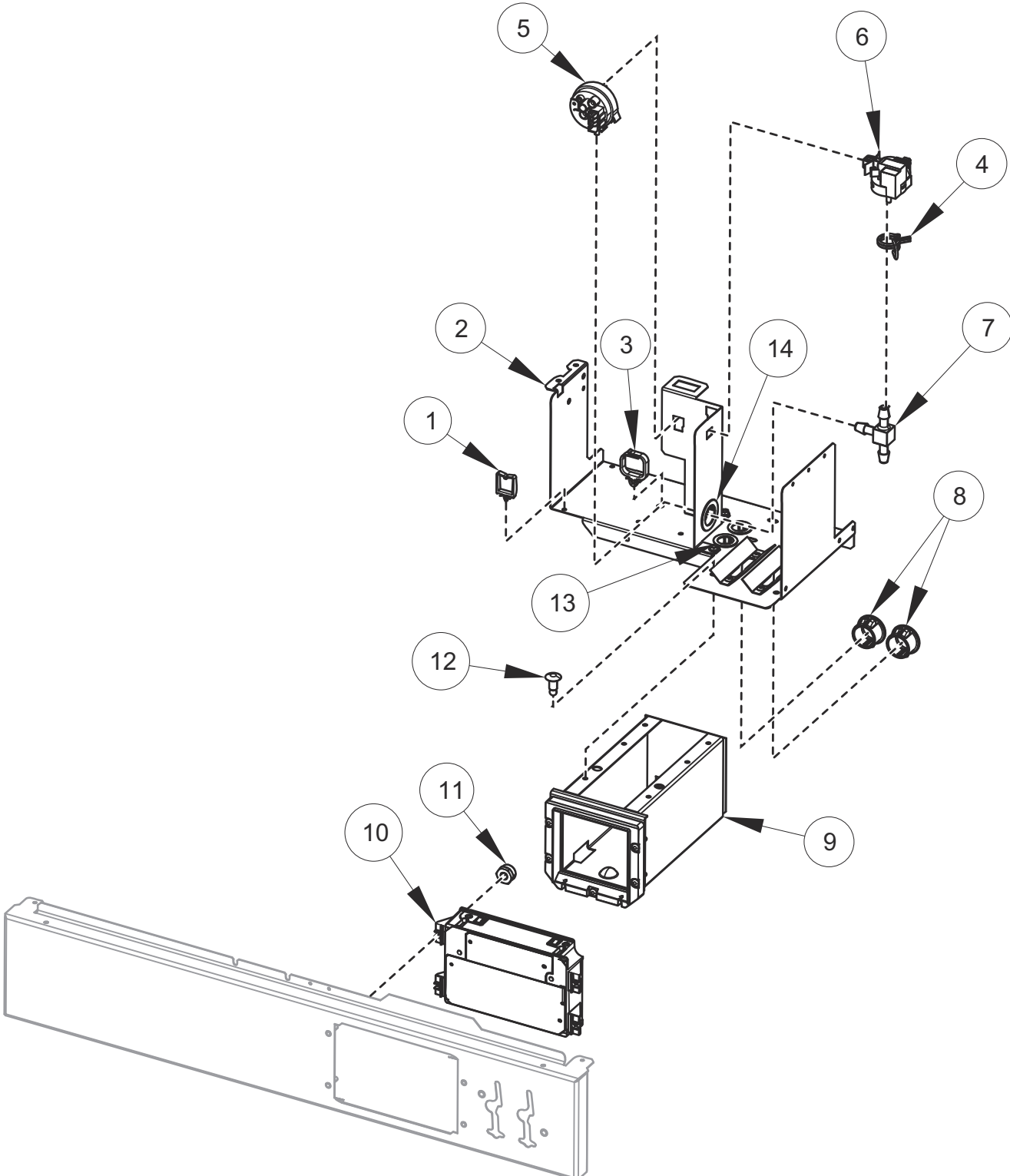


C-CHM9P21_F8669301

Labels

REF	PART NO.	DESCRIPTION	COMMENTS
1	F8614501	Danger Label	English/Quebec/French
2	44324001	Warning Label	Pinch/Shock; English/French
	F8614201	Shock Warning Label	Icon
	F8615701	Pinch Warning Label	Icon
3	F8614301	Hot Surface Warning Label	English/Quebec/French
	F8609001	Hot Surface Warning Label	Icon
4	F8601301	Label	Warning; Underground components
5	F8609401	Label	Notice; Chemical connection
6	203853	Label	ROHS (China)
7	F8611301	Label	Hot water; Icon
8	F8611401	Label	Cold water; Icon
9	F8611601	Warning Label	Warning; English/Quebec/French
10	F8602401	Label	Notice; Large expansion board
11	70538401	Pinch Warning Label	English/French
	F8615701	Pinch Warning Label	Icon
12	F8614801	Label	Warning fire/injury; English/Quebec/French
13	F8620801	Label	Warning current leakage

Control Module and Front Tray Assembly - Coin Models

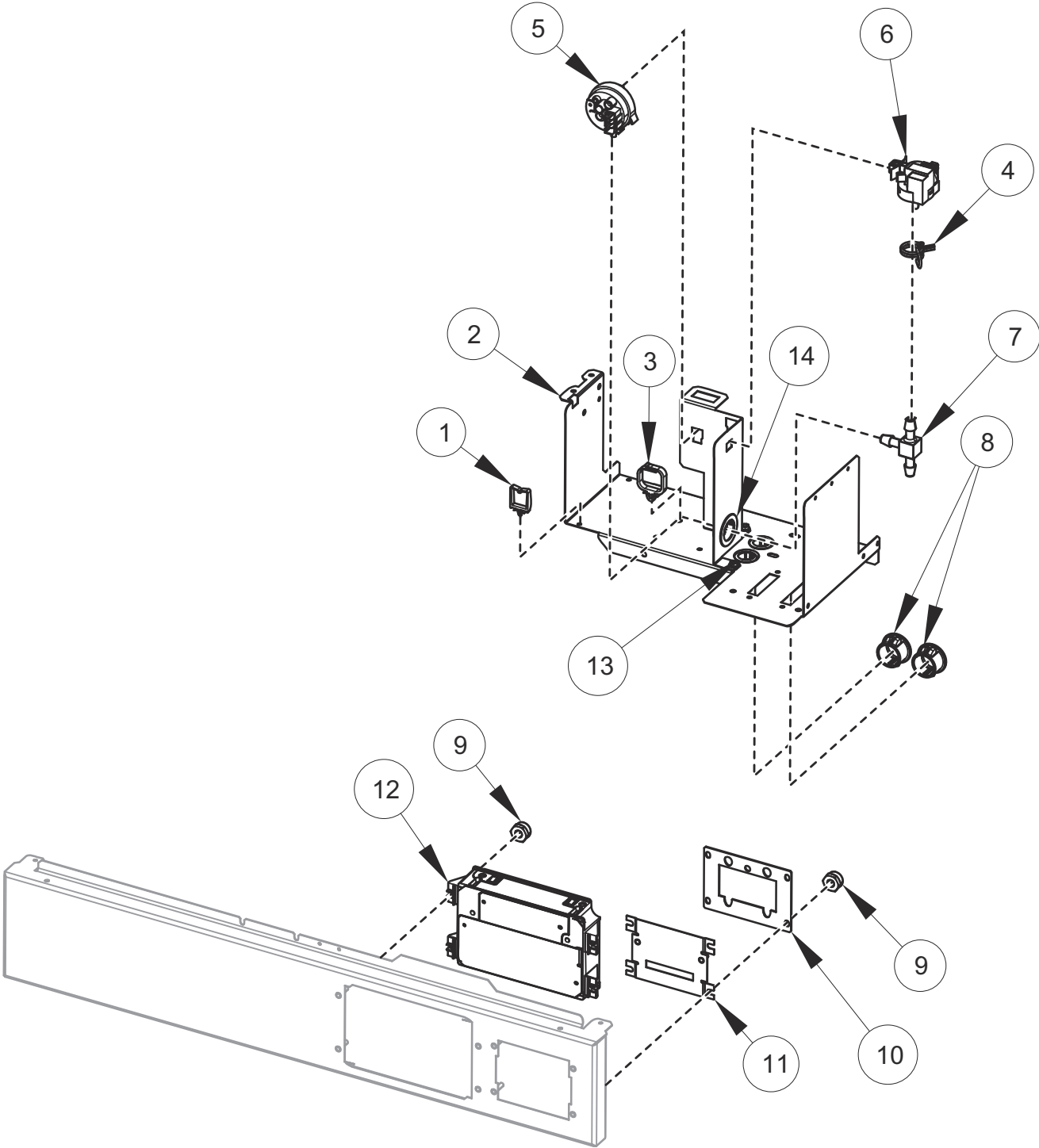


C-CHM5P1_F8669301

Control Module and Front Tray Assembly - Coin Models

REF	PART NO.	DESCRIPTION	COMMENTS
	44374701	App Pay Overlay Kit	
	203361P	Machine ID Control Assembly	
	F8567303	Front Tray Assembly	Includes items 1-3, 6, 8, 9, 12-14, 70413301 Pushbutton Switch and F8519701 Coin Vault Harness
	F8567306	Front Tray Assembly	Steam or electric heat; Includes items 1-9, 12-14, 70413301 Pushbutton Switch and F8519701 Coin Vault Harness
	F8519701	Coin Vault Harness	
	F8519301	Harness	Tray power harness
	F8519502	Harness	Communication
	F8519601	Harness	Coin access
	F8519403	Emergency Stop Bypass Harness	
1	70366201	Wire Clip	
2	F8531001	Front Tray Assembly	
3	F8449501	Wire Clip	
4	39282	Hose Clamp	
5	F8609101	Water Level Pressure Switch	Steam or electric heat
	F8405303	Tubing	Electric heat
6	F8623401	Pressure Sensor	
	F8405302	Tubing	Electric heat
7	203464	Barbed Tee	Steam or electric heat
8	M411826	Snap Bushing	
9	F8529101	Coin Vault Assembly	
10	F8493901P	Control Assembly	
11	685846	Nut	
12	70058501	Pop Rivet	
13	F140938	Snap Bushing	
14	M402542	Snap Bushing	

Control Module and Front Tray Assembly - Card Reader and Central Pay Models

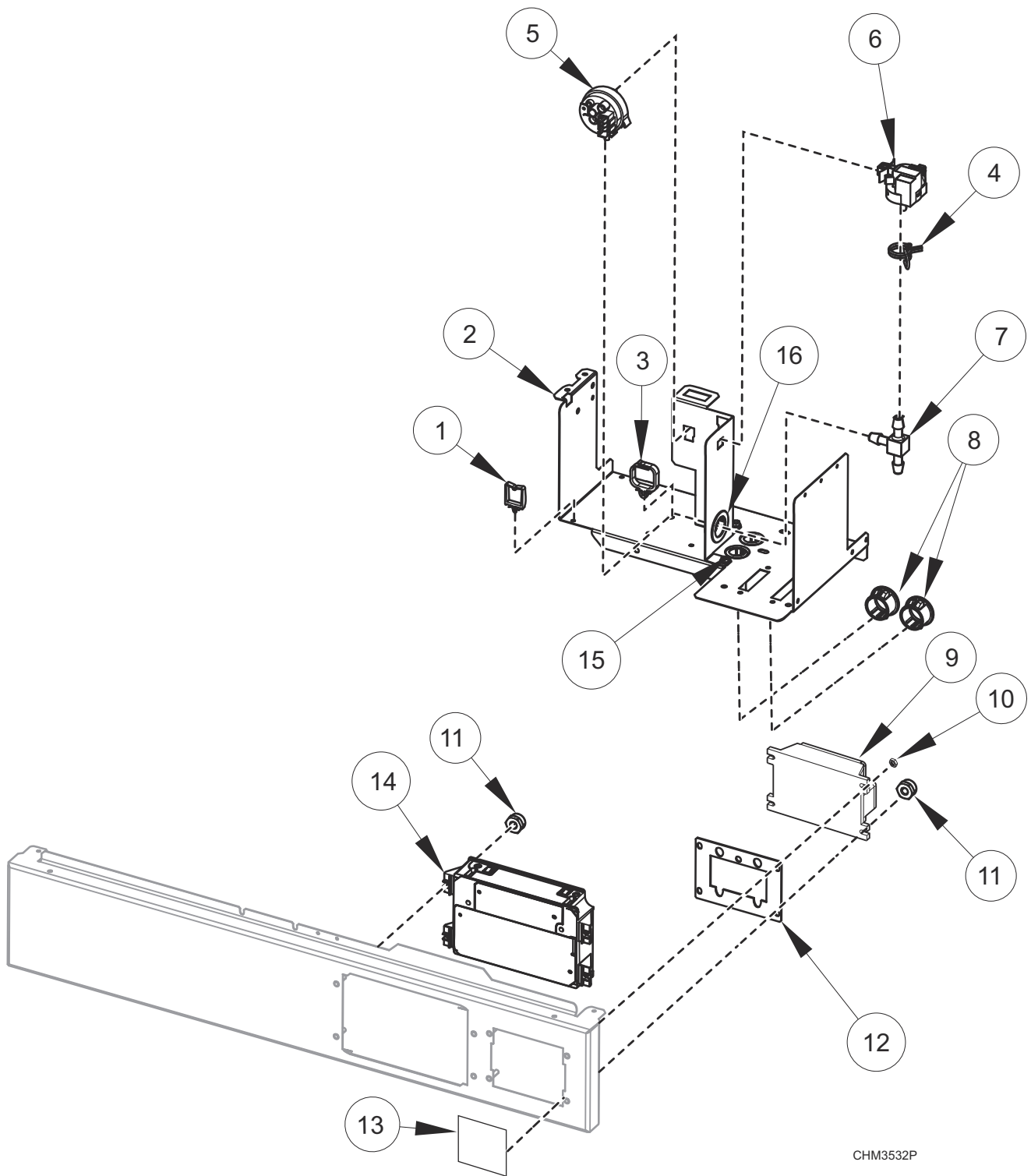


C-CHM5P3_F8669301

Control Module and Front Tray Assembly - Card Reader and Central Pay Models

REF	PART NO.	DESCRIPTION	COMMENTS
	44374701	App Pay Overlay Kit	
	F8673202	Central Pay Kit	Without external supply board; Includes item 13, 204094 Central Pay Assembly, 202758 Transformer, hardware and harnesses
	F8673204	Central Pay Kit	With external supply board; Includes item 13, 204094 Central Pay Assembly, hardware and harnesses
	203361P	Machine ID Control Assembly	
	F8567309	Front Tray Assembly	Includes items 1-3, 6, 8, 13, 14, 70413301 Pushbutton Switch
	F8567312	Front Tray Assembly	Steam or electric heat; Includes items 1-8, 13, 14, and 70413301 Pushbutton Switch
	44342801	Central Pay Harness	Tray power harness
	F8519301	Harness	Tray power harness
	F8519502	Harness	Communication
	F8519702	Coin Vault Bypass Harness	
	F8519601	Harness	Coin access
	F8519403	Emergency Stop Bypass Harness	
	F8555406	Connector	8 pin; Use with 204094 Central Pay Assembly
	205070	Payment Center Kit	H models
	205069	Payment Center Kit	H models; Includes printer
	205068	Payment Center Kit	S models
	205067	Payment Center Kit	S models; Includes printer
1	70366201	Wire Clip	
2	F8531001	Front Tray Assembly	
3	F8449501	Wire Clip	
4	39282	Hose Clamp	
5	F8609101	Water Level Pressure Switch	Steam or electric heat
	F8405303	Tubing	Electric heat
6	F8623401	Pressure Sensor	
	F8405302	Tubing	Electric heat
7	203464	Barbed Tee	Steam or electric heat
8	M411826	Snap Bushing	
9	685846	Nut	
10	70208801	Mounting Plate	
11	F8201501	Card Plate Assembly	
12	F8493901P	Control Assembly	
13	F140938	Snap Bushing	
14	M402542	Snap Bushing	

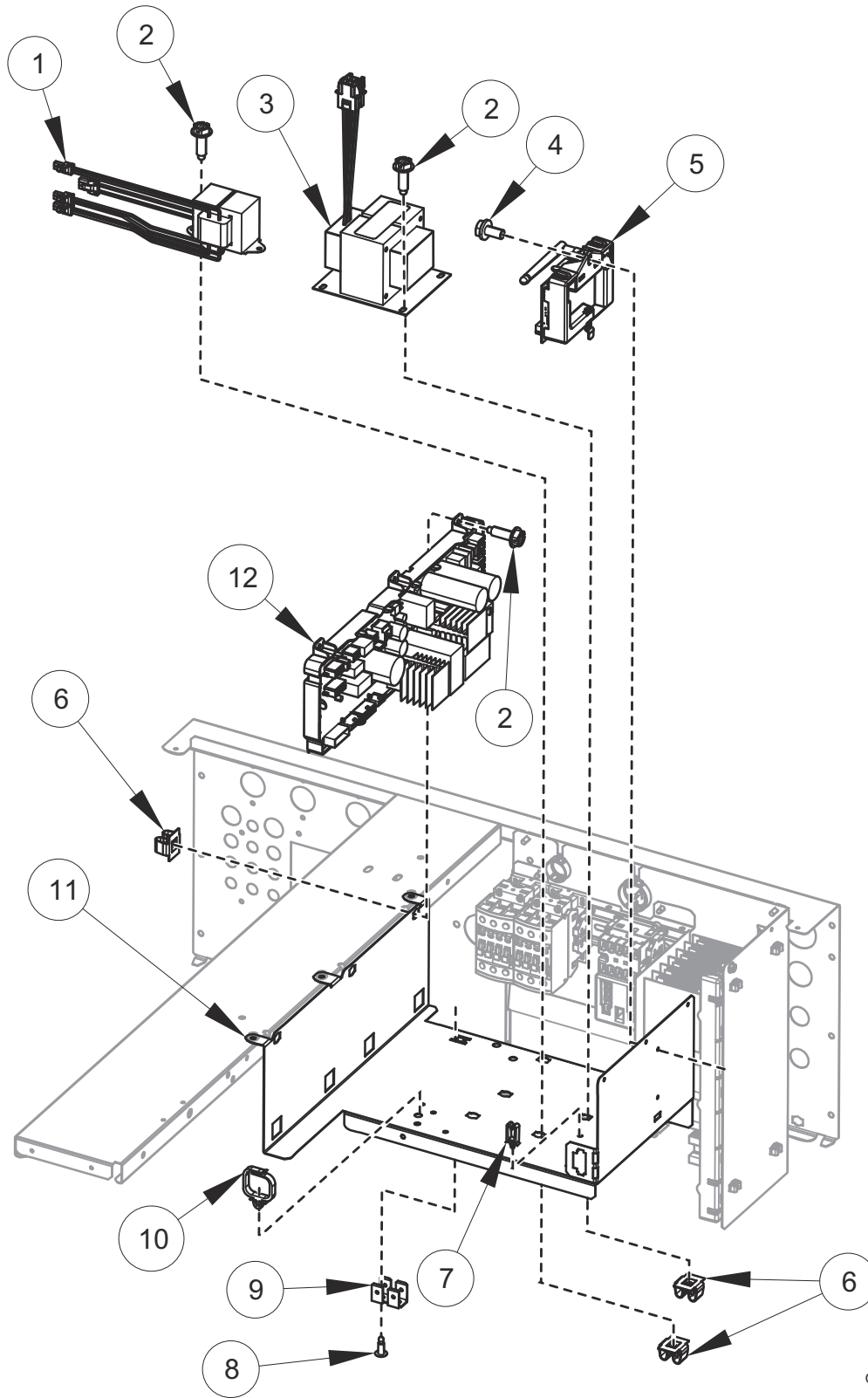
Control Module and Front Tray Assembly - FOB Models



Control Module and Front Tray Assembly - FOB Models

REF	PART NO.	DESCRIPTION	COMMENTS
	F8719301	Fob Communication Harness	
	44374701	App Pay Overlay Kit	
	F8673202	Central Pay Kit	Without external supply board; Includes item 13, 204094 Central Pay Assembly, 202758 Transformer, hardware and harnesses
	F8673204	Central Pay Kit	With external supply board; Includes item 13, 204094 Central Pay Assembly, hardware and harnesses
	203361P	Machine ID Control Assembly	
	F8567309	Front Tray Assembly	Includes items 1-3, 6, 8, 13, 14, 70413301 Pushbutton Switch
	F8567312	Front Tray Assembly	Steam or electric heat; Includes items 1-8, 13, 14, and 70413301 Pushbutton Switch
	44342801	Central Pay Harness	Tray power harness
	F8519301	Harness	Tray power harness
	F8519502	Harness	Communication
	F8519702	Coin Vault Bypass Harness	
	F8519601	Harness	Coin access
	F8519403	Emergency Stop Bypass Harness	
	F8555406	Connector	8 pin; Use with 204094 Central Pay Assembly
	205070	Payment Center Kit	
	205069	Payment Center Kit	Includes printer
1	70366201	Wire Clip	
2	F8531001	Front Tray Assembly	
3	F8449501	Wire Clip	
4	39282	Hose Clamp	
5	F8609101	Water Level Pressure Switch	Steam or electric heat
	F8405303	Tubing	Electric heat
6	F8623401	Pressure Sensor	
	F8405302	Tubing	Electric heat
7	203464	Barbed Tee	Steam or electric heat
8	M411826	Snap Bushing	
9	205135	Fob Reader Control Assembly	
10	70054	Nut	
11	685846	Nut	
12	70208801	Mounting Plate	
13	F8734201	Overlay	
	F8736501	Overlay	
14	F8493901P	Control Assembly	
15	F140938	Snap Bushing	
16	M402542	Snap Bushing	

Control Tray Assembly

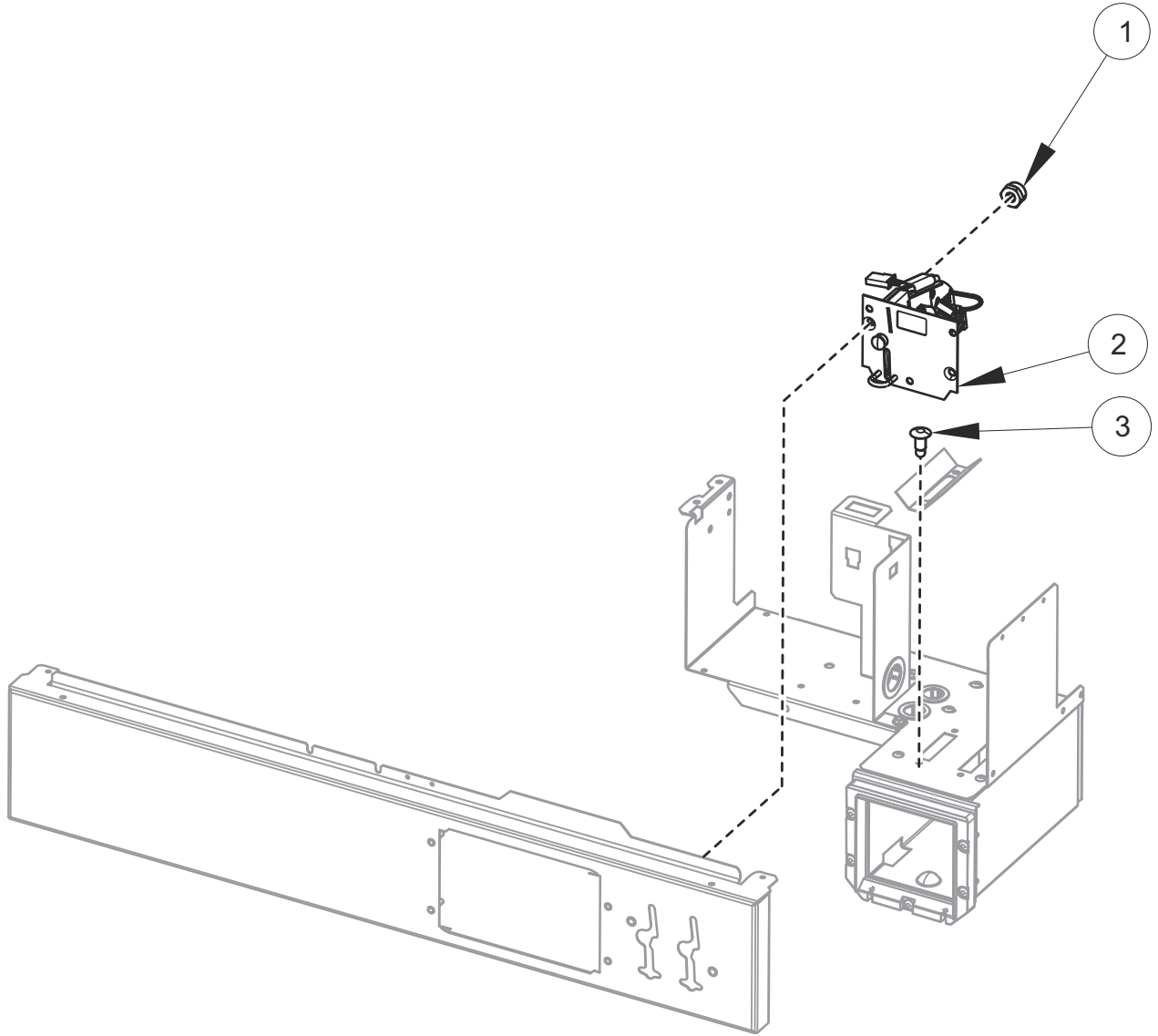


C-CHM5P2_F8669301

Control Tray Assembly

REF	PART NO.	DESCRIPTION	COMMENTS
	F8520404	Wireless Harness	SC models through April 2019; HC models through January 2019
	F8674004	Wireless Harness	SC models starting May 2019; HC models starting February 2019
	F8662402	Wireless Kit	SC models through April 2019; HC models through January 2019; Includes items 4, 5, F8520404 Wireless Harness and labels
	F8676101	Wireless Kit	SC models starting May 2019; HC models starting February 2019; Includes items 4, 5, F8674004 Wireless Harness and labels
	205223P	Gateway	
	205391P	Gateway	
1	202758	Transformer	External supply
2	F8206901	Screw	
3	F8491101	Transformer	N and P voltage
4	430497	Screw	
5	203532	Wireless Network Control Assembly	SC models through April 2019; HC models through January 2019
	807211	Wireless Network Control Assembly	SC models starting May 2019; HC models starting February 2019
6	70030501	Expansion Clip	
7	70347601	Wire Clip	External supply
8	M400003	Pop Rivet	
9	00622SG	Terminal	
10	F8449501	Wire Clip	
11	F8530701	Control Tray	
12	F8494101P	Input and Output Control Assembly	

Flush Mount Coin Meter Assembly - Single Drop

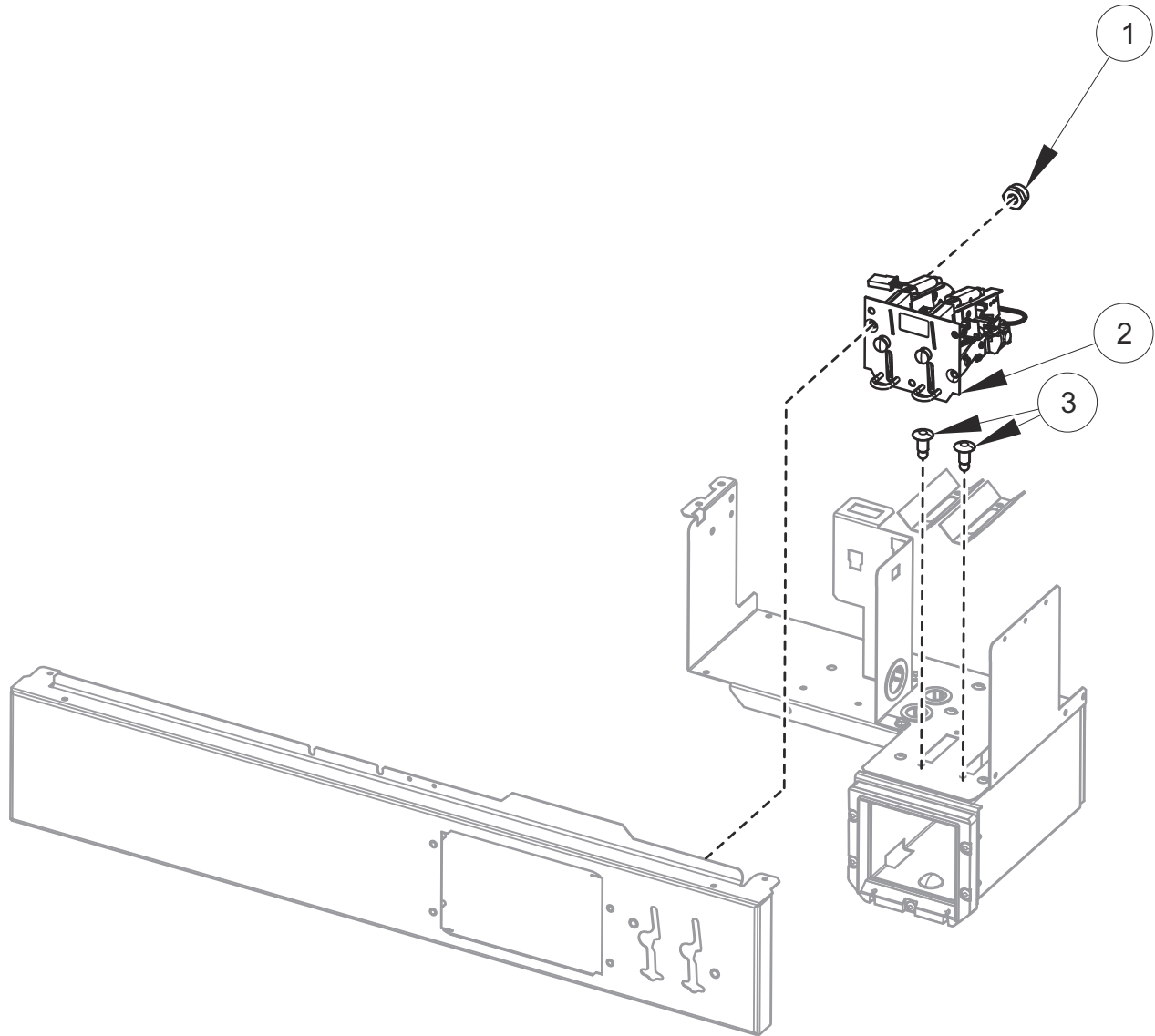


C-CHM6P7_F8669301

Flush Mount Coin Meter Assembly - Single Drop

REF	PART NO.	DESCRIPTION	COMMENTS
	44374701	App Pay Overlay Kit	
	38725	Coin Identification Paper	
	200674P	Opto Coupler	
1	685846	Nut	
2	70441601P	Coin Drop	U.S.A.; \$.25
	38475	Coin Drop Assembly	Japan; 100 yen
	38464P	Coin Drop Assembly	Canada; .25
	CK077	Coin Drop Kit	Taiwan; 10 NT
	70506901	Coin Drop Assembly	Singapore; \$1.00 NEW
	38462P	Coin Drop Assembly	Token; STD 118-1
	38463	Coin Drop Assembly	Token; STD 118-5
	38963P	Coin Drop	Token STD 118-16
	39748	Coin Drop	Jeton 08MS
	201141	Coin Drop Assembly	Token; Jeton wh121
	70471601	Coin Drop Assembly	Token; 7K
3	70058501	Pop Rivet	

Flush Mount Coin Meter Assembly - Dual Drop

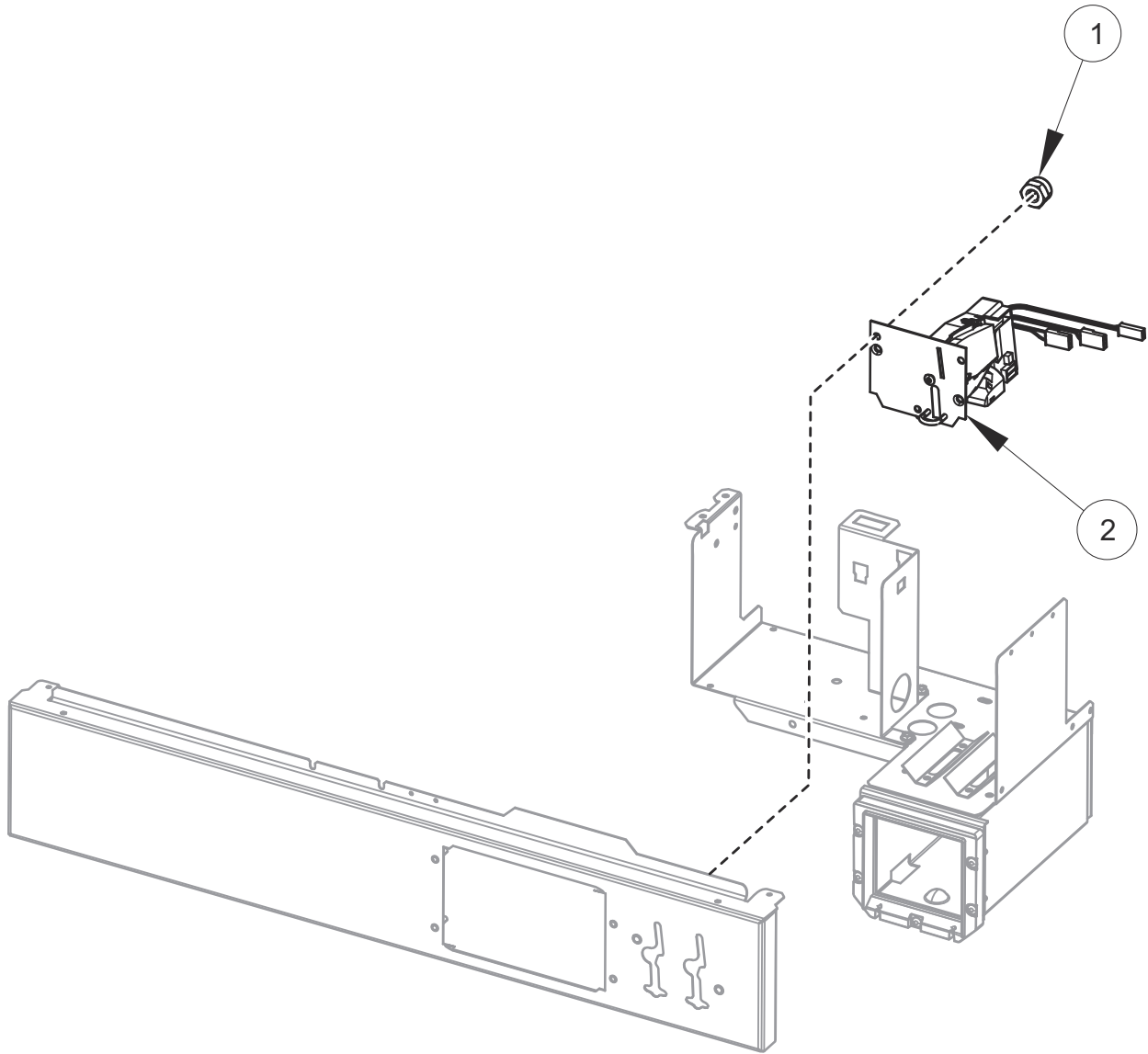


C-CHM6P8_F8669301

Flush Mount Coin Meter Assembly - Dual Drop

REF	PART NO.	DESCRIPTION	COMMENTS
	44374701	App Pay Overlay Kit	
	38725	Coin Identification Paper	
	200674P	Opto Coupler	
1	685846	Nut	
2	70441603	Coin Drop	U.S.A.; \$.25 and \$1.00
	38519	Coin Drop Assembly	Japan; 100 yen and 500 yen
	70441602	Coin Drop Assembly	Canada; .25 and \$1.00
	38467	Coin Drop Assembly	Australia; \$0.20 and \$1.00
	70447301	Coin Drop Assembly	Australia; \$1.00 and \$2.00
	70283102	Coin Drop Assembly	0.20 and 0.50 Euro
	210195	Coin Drop Assembly	0.20 and 1.00 Euro
	210196	Coin Drop Assembly	0.50 and 1.00 Euro
	F0160737-00	Coin Meter	0.50 and 2.00 Euro
	70281102	Coin Drop Assembly	Taiwan; 10 and 50 NT
	70482401	Coin Drop Assembly	New Zealand; \$1.00 and \$2.00
	CK503	Coin Drop Kit	U.S.A. and Canada; \$.25 and \$1.00
3	70058501	Pop Rivet	

Electronic Coin Meter Assembly

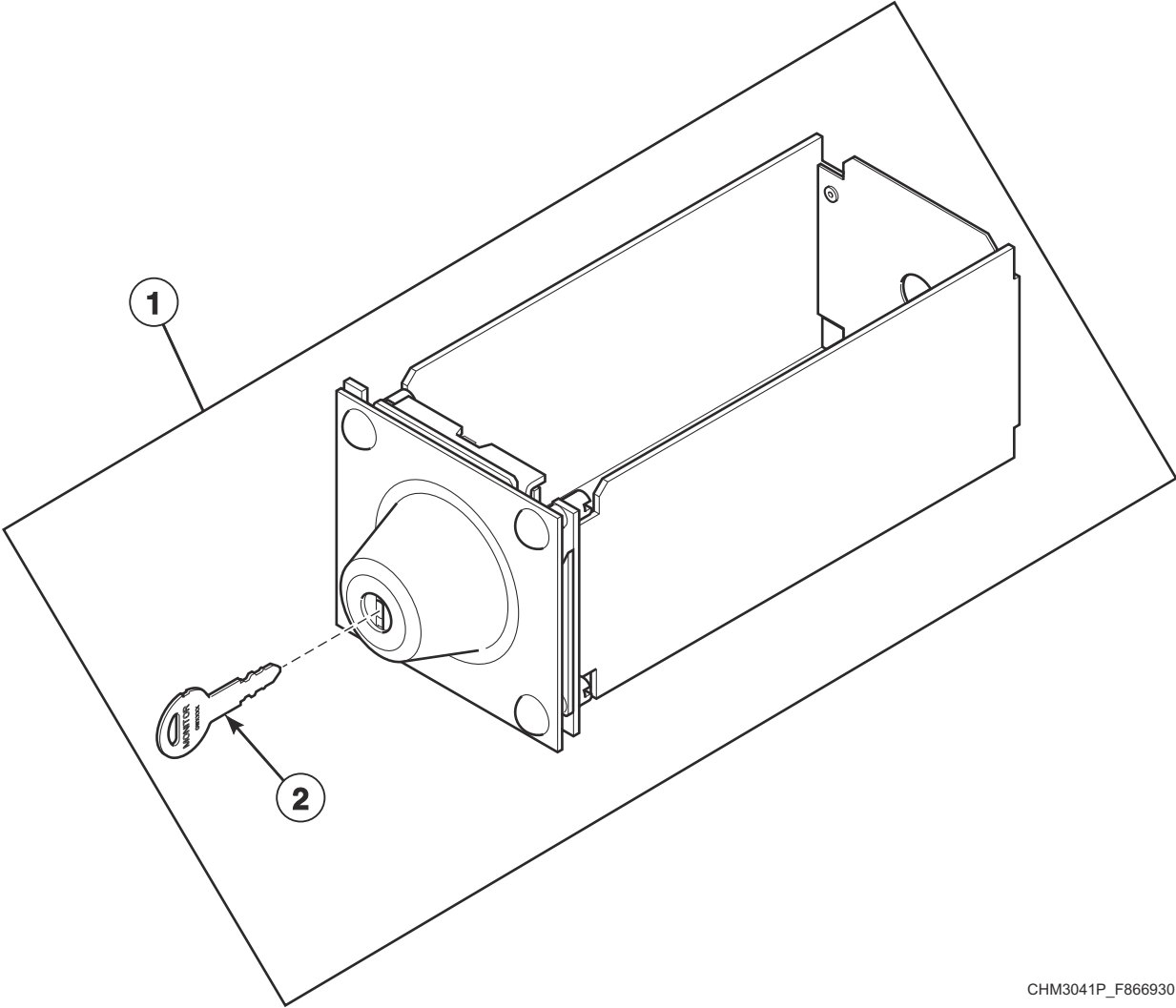


C-CHM6P6_F8669301

Electronic Coin Meter Assembly

REF	PART NO.	DESCRIPTION	COMMENTS
	44374701	App Pay Overlay Kit	
	38725	Coin Identification Paper	
	CK500	Electronic Coin Drop Kit	For use when installing Electronic Coin Drop Kits
	F8034701P	Pulse Expander Assembly	
1	F430215	Nut	
2	70513302	Electronic Coin Drop Assembly	Euro and Great Britain coins
	70513310	Electronic Coin Drop Assembly	Japan and Thailand coins
	70513304	Electronic Coin Drop Assembly	Australia, New Zealand, Hong Kong and South Korea coins
	70513303	Electronic Coin Drop Assembly	Denmark, Norway and Euro coins
	70513306	Electronic Coin Drop Assembly	Mexico, Ecuador and U.S.A. coins
	70294107	Electronic Coin Drop Assembly	Lithuania, Latvia and Euro coins
	70513311	Electronic Coin Drop Assembly	Chiang Malaysia coins
	70513308	Electronic Coin Drop Assembly	South African 1 and 5 rand coins
	70513309	Electronic Coin Drop Assembly	Euro coins
	70513312	Electronic Coin Drop Assembly	Russia coins
	70513313	Electronic Coin Drop Assembly	Philippines coins
	70513314	Electronic Coin Drop Assembly	Thailand coins
	70513315	Electronic Coin Drop Assembly	Chile coins
	70513316	Electronic Coin Drop Assembly	Singapore coins
	CK115	Electronic Coin Drop Kit	United States and Canada; Includes 38725 Coin Identification Paper
	CK099	Electronic Coin Drop Kit	Australia (default), New Zealand, Hong Kong, South Korea and Malaysia; Includes 38725 Coin Identification Paper
	CK100	Electronic Coin Drop Kit	United Kingdom (default) and Europe; Includes 38725 Coin Identification Paper
	CK101	Electronic Coin Drop Kit	Europe (default), Denmark and Norway; Includes 38725 Coin Identification Paper
	CK108	Electronic Coin Drop Kit	South Africa; Includes 38725 Coin Identification Paper
	CK109	Electronic Coin Drop Kit	Euro; Includes 38725 Coin Identification Paper
	CK110	Electronic Coin Drop Kit	Mexico (default), Ecuador and United States; Includes 38725 Coin Identification Paper
	CK113	Electronic Coin Drop Kit	Japan and Taiwan; Includes 38725 Coin Identification Paper
	CK116	Electronic Coin Drop Kit	Malaysia (default) and China; Includes 38725 Coin Identification Paper
	CK117	Electronic Coin Drop Kit	Russia; Includes 38725 Coin Identification Paper
	CK118	Electronic Coin Drop Kit	Philippine; Includes 38725 Coin Identification Paper
	CK119	Electronic Coin Drop Kit	Thailand; Includes 38725 Coin Identification Paper
	CK120	Electronic Coin Drop Kit	Chile; Includes 38725 Coin Identification Paper
	CK121	Electronic Coin Drop Kit	Singapore; Includes 38725 Coin Identification Paper
	CK122	Coin Drop Kit	New Zealand; 1.00 and 2.00; Includes 38725 Coin Identification Paper

Optional Coin Box

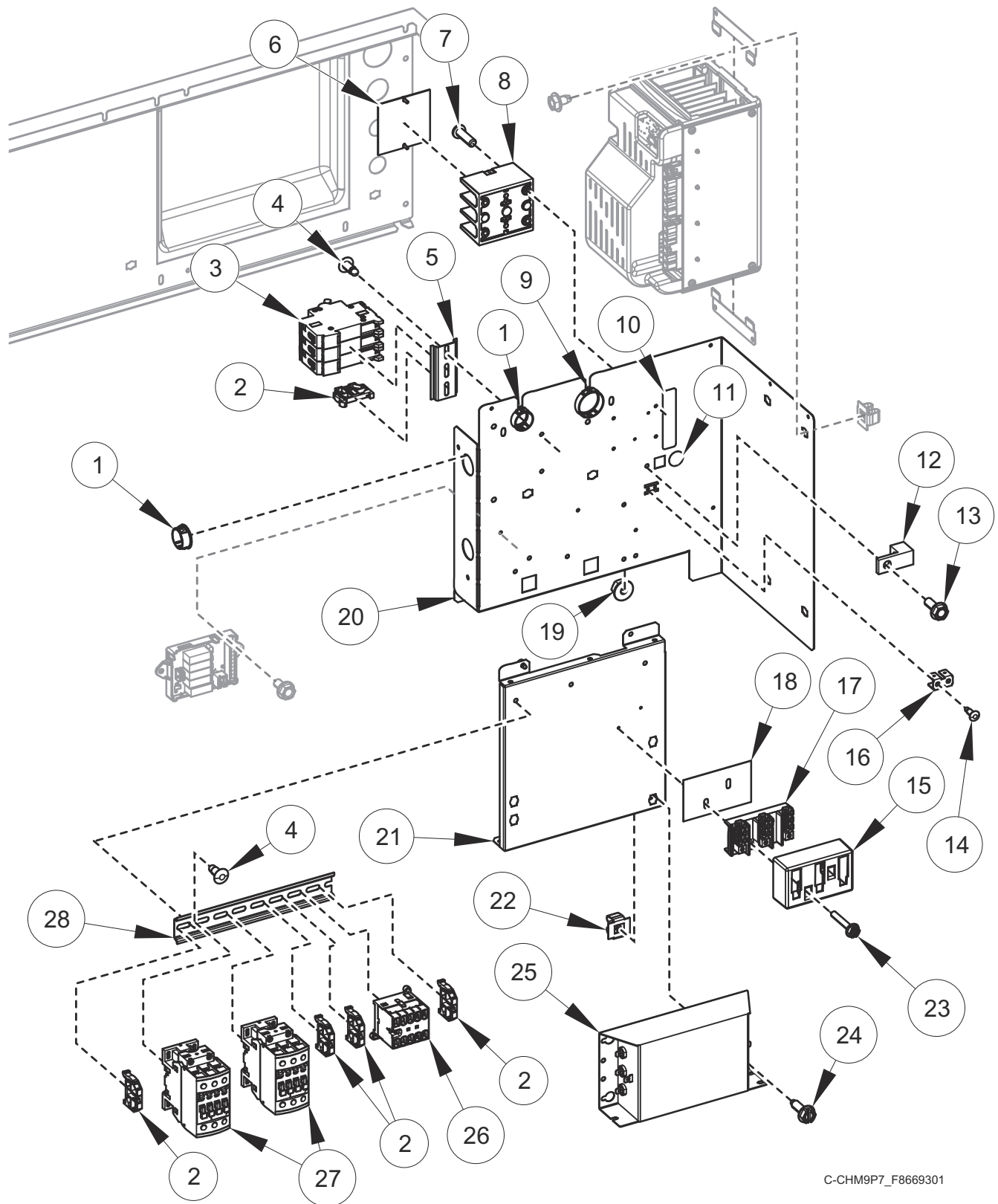


CHM3041P_F8669301

Optional Coin Box

REF	PART NO.	DESCRIPTION	COMMENTS
1	F8182001	Coin Drawer Assembly	
2	F160420	Key	GW0023

Inverter Drive Box - Q and X Voltage

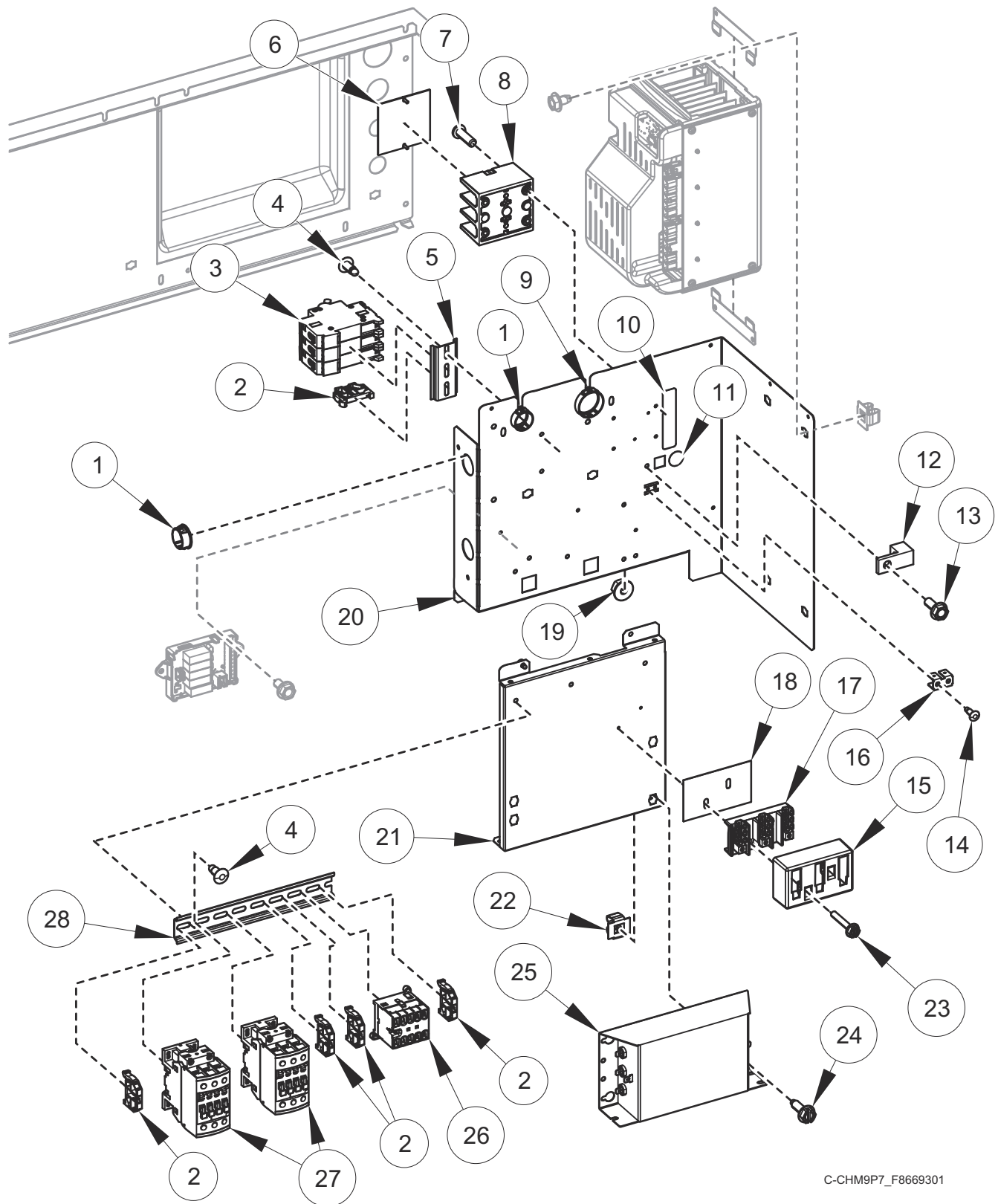


C-CHM9P7_F8669301

Inverter Drive Box - Q and X Voltage

REF	PART NO.	DESCRIPTION	COMMENTS
	F8567003	Drive Panel Base Assembly	Includes items 4, 11, 12, 16, 23, 24 and 29
	F8567004	Drive Panel Base Assembly	Includes items 4, 5, 11, 12, 16, 23, 24 and 29; Electric heat
	F8583501	Jumper	Circuit breaker jumper; Electric heat
	F8518401	Harness	Power TB1; X voltage
	F8518403	Harness	Power CB; Q voltage; Electric heat
	F8518404	Harness	Power filter
	F8518606	Harness	Power drive
	F8528001	Harness	TB filter
	F8528003	Harness	CB filter; Electric heat
	F8528005	Harness	TB2 filter
	F8619101	Power Harness	Power contactor; Electric heat
	F8619102	Harness	Power contactor; Electric heat; IEC
	F8662813	Filter Kit	Includes items 1, 15, 17, 18, 22-25, harness and labels; Q voltage; Electric heat
	F8662808	Filter Kit	Includes items 1, 15, 17, 18, 22-25, harness and labels; X voltage
1	F140938	Snap Bushing	
2	F8449801	End Stop	
3	70488101	Circuit Breaker	3P; 25A; Electric heat
4	70058501	Pop Rivet	
5	B12315401	DIN Rail	7.5 mm x 35 mm x 72 mm; Electric heat
6	44014901P	Power Distribution Block Cover	Electric heat
7	39733	Screw	Electric heat
8	M413865	Power Distribution Block	Electric heat
9	70346501	Bushing	
10	44286803	Label	Power input; L1, L2, L3
	44286804	Wire Label	Power input; L1, L2/N; L1, L2, L3; X voltage
11	D516100	Label	
12	M411283	Ground Lug Connector	
13	685837	Screw	
14	M400003	Pop Rivet	
15	70333001	Terminal Block Shield	
16	00622SG	Terminal	
17	430642	Terminal Block	
18	M413862	Insulator	
19	44088001	Nut	
20	F8530803	Drive Terminal Tray	
21	F8530901	Contactors Tray	
22	70030501	Expansion Clip	
23	51783	Screw	
24	F8206901	Screw	
25	F8591801	EMI Filter	200/240 Volt; 1/3 Phase; 20 Amp
	F8637501	EMI Filter	380/480 Volt; 3 Phase; 12 Amp
26	70482601	Contactors	5.5kW/500V; 24VDC
27	70482701	Contactors	50A; 24VDC
28	M412689	DIN Rail	7.5 mm x 35 mm x 8.364 inch

Inverter Drive Box - N and P Voltage

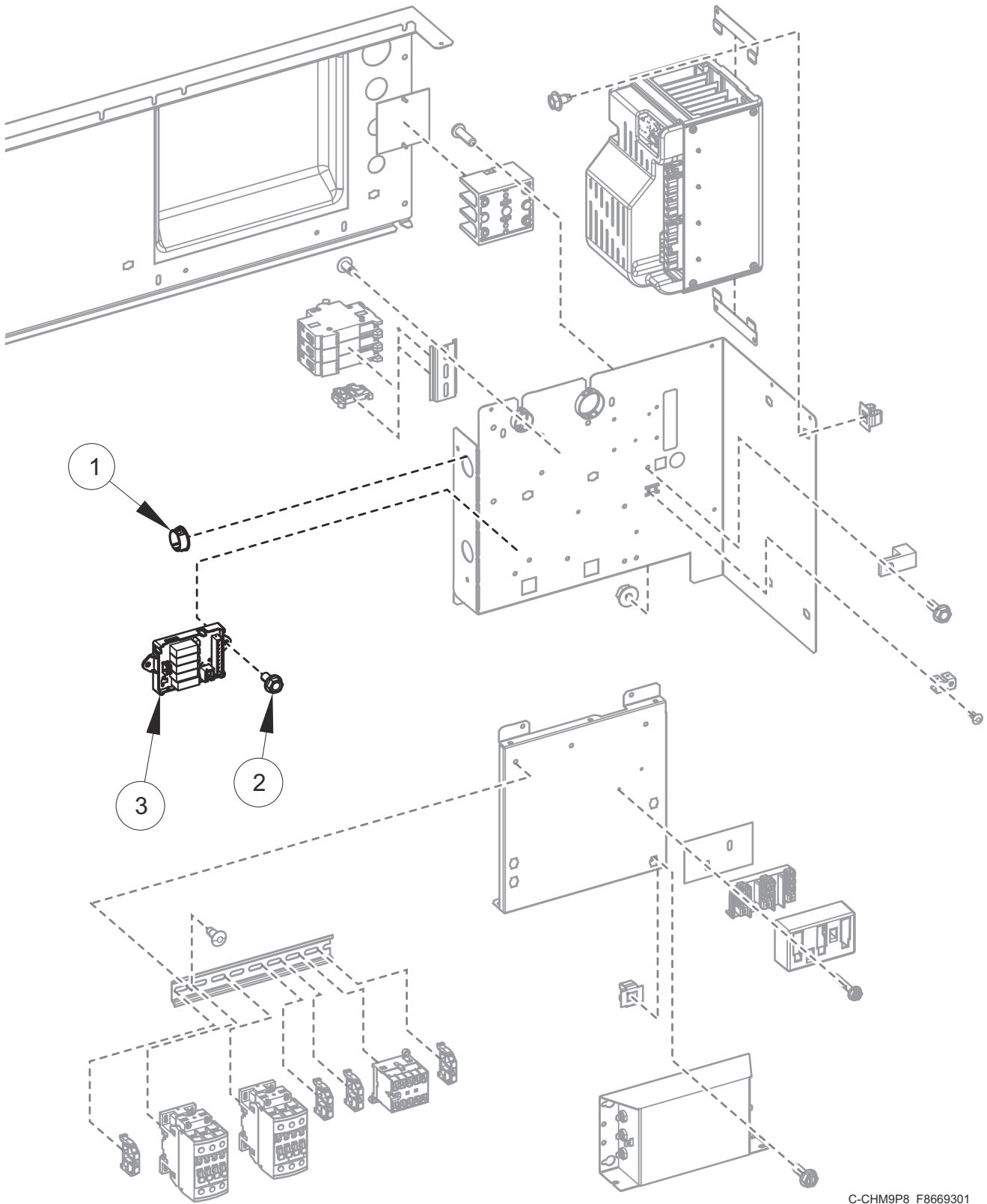


C-CHM9P7_F8669301

Inverter Drive Box - N and P Voltage

REF	PART NO.	DESCRIPTION	COMMENTS
	F8567003	Drive Panel Base Assembly	Includes items 4, 11, 12, 16, 23, 24 and 29
	F8567004	Drive Panel Base Assembly	Includes items 4, 5, 11, 12, 16, 23, 24 and 29; Electric heat
	F8583501	Jumper	Circuit breaker jumper; Electric heat
	F8518501	Harness	
	F8518403	Harness	Electric heat
	F8518503	Harness	Electric heat
	F8518504	Harness	Power filter
	F8518606	Harness	Power drive
	F8528001	Harness	TB filter
	F8528003	Harness	CB filter; Electric heat
	F8528005	Harness	TB2 filter
	F8619101	Power Harness	Power contactor; Electric heat
	F8619102	Harness	Power contactor; Electric heat
	F8662814	Filter Kit	Includes items 1, 15, 17, 18, 22-25, harness and labels; Electric heat
	F8662807	Filter Kit	Includes items 1, 15, 17, 18, 22-25, harness and labels
1	F140938	Snap Bushing	
2	F8449801	End Stop	
3	70488101	Circuit Breaker	3P; 25A; Electric heat
4	70058501	Pop Rivet	
5	B12315401	DIN Rail	7.5 mm x 35 mm x 72 mm; Electric heat
6	44014901P	Power Distribution Block Cover	Electric heat
7	39733	Screw	Electric heat
8	M413865	Power Distribution Block	Electric heat
9	70346501	Bushing	
10	44286803	Label	Power input; L1, L2, L3
11	D516100	Label	
12	M411283	Ground Lug Connector	
13	685837	Screw	
14	M400003	Pop Rivet	
15	70333001	Terminal Block Shield	
16	00622SG	Terminal	
17	430642	Terminal Block	
18	M413862	Insulator	
19	44088001	Nut	
20	F8530803	Drive Terminal Tray	
21	F8530901	Contactor Tray	
22	70030501	Expansion Clip	
23	51783	Screw	
24	F8206901	Screw	
25	F8591801	EMI Filter	200/240 Volt; 1/3 Phase; 20 Amp
	F8637501	EMI Filter	380/480 Volt; 3 Phase; 12 Amp
26	70482601	Contactor	5.5kW/500V; 24VDC
27	70482701	Contactor	50A; 24VDC
28	M412689	DIN Rail	7.5 mm x 35 mm x 8.364 inch

External Supply Kit

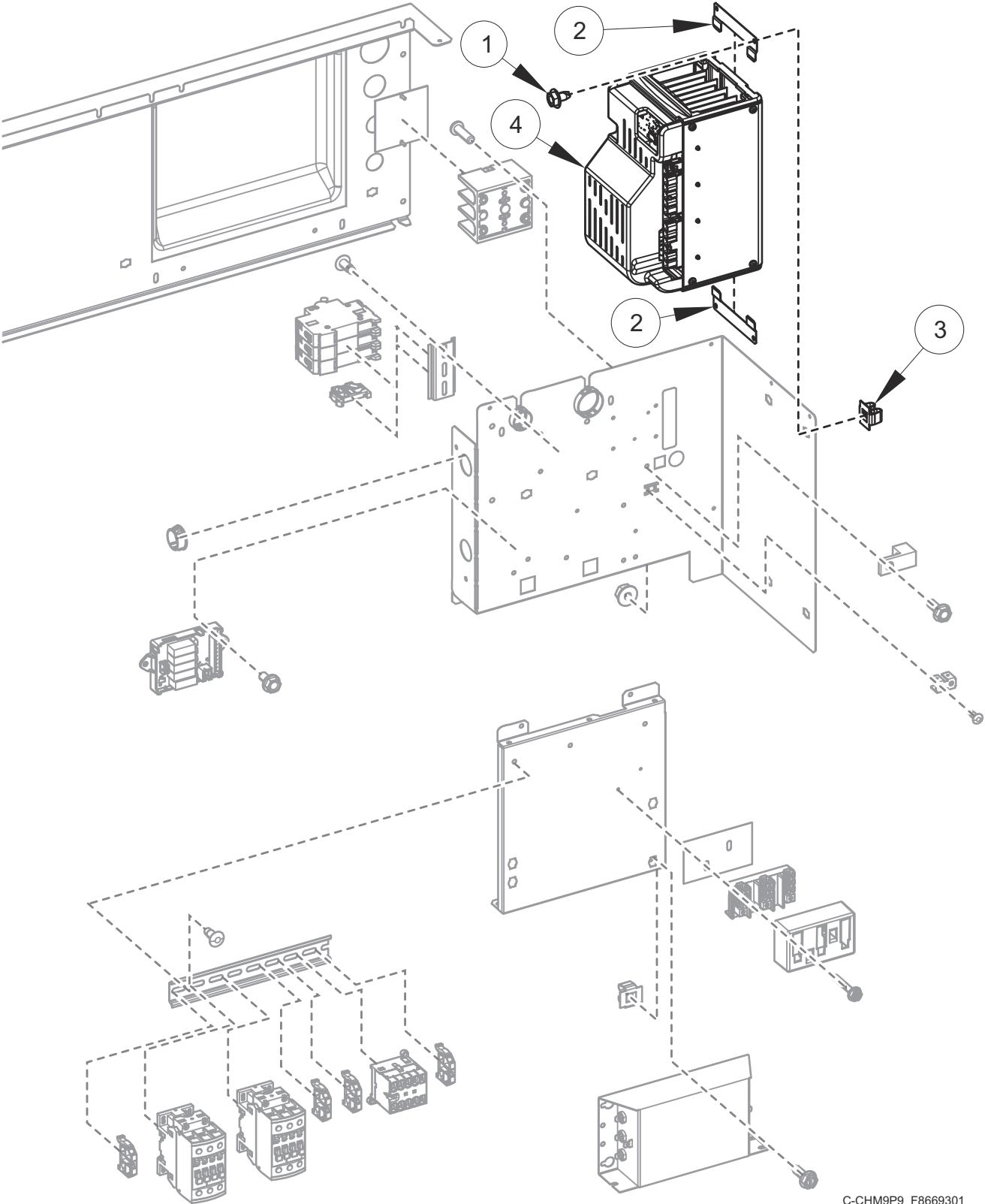


C-CHM9P8_F8669301

External Supply Kit

REF	PART NO.	DESCRIPTION	COMMENTS
	F8662508	External Supply Kit	Coin and central pay models; Includes items 1-3, 202758 Transformer, F8520602 Harness, F8528204 Harness, hardware and labels; 4 out
	F8662504	External Supply Kit	Card ready models; Includes items 1-3, F8520602 Harness, F8528204 Harness and labels; 4 out
	F8520602	Harness	Communication
	F8528204	Harness	Power
1	F140938	Snap Bushing	
2	430497	Screw	
3	804528	Chemical Injection Control	5 output
	70493102	Connector	9 pin; H2

Inverter Drive

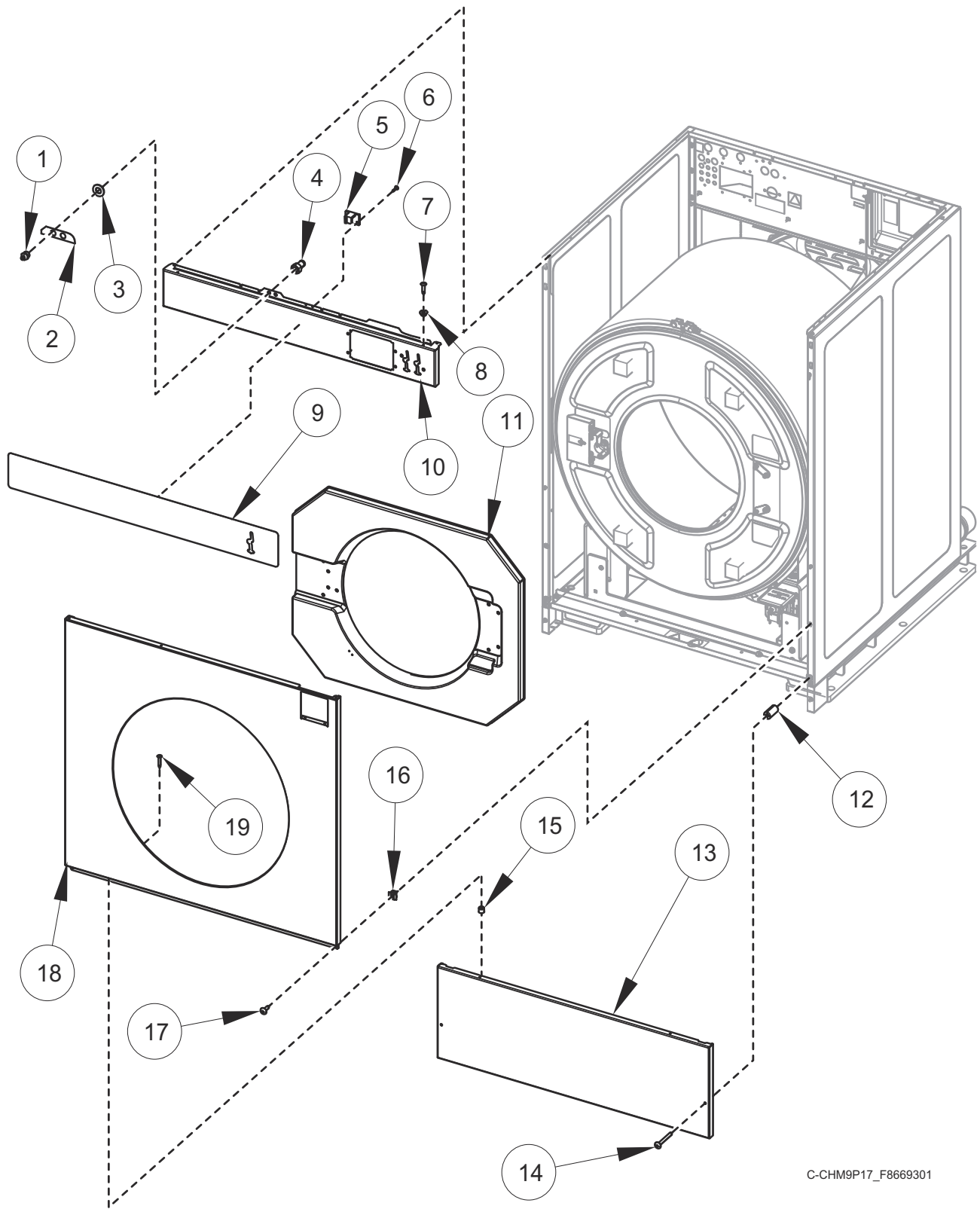


C-CHM9P9_F8669301

Inverter Drive

REF	PART NO.	DESCRIPTION	COMMENTS
	F8519202	Drive Communication Harness	Electric heat; N and P voltage
	F8519203	Drive Communication Harness	Electric heat; Q voltage
	F8519201	Drive Communication Harness	Standard
	F8519204	Drive Communication Harness	Steam heat
	F8518603	Drive Power Harness	2/3/5 hp; 480 Volt
1	D503688	Screw	
2	F8322401	Drive Mounting Bracket	
3	70030501	Expansion Clip	
4	F8496601	Drive Assembly	Q and X voltage; 5 hp; 240 Volt
	F8496901	Drive Assembly	N and P voltage; 5 hp; 480 Volt

Front Panels and Control Panel - HC Coin Models - Design 4

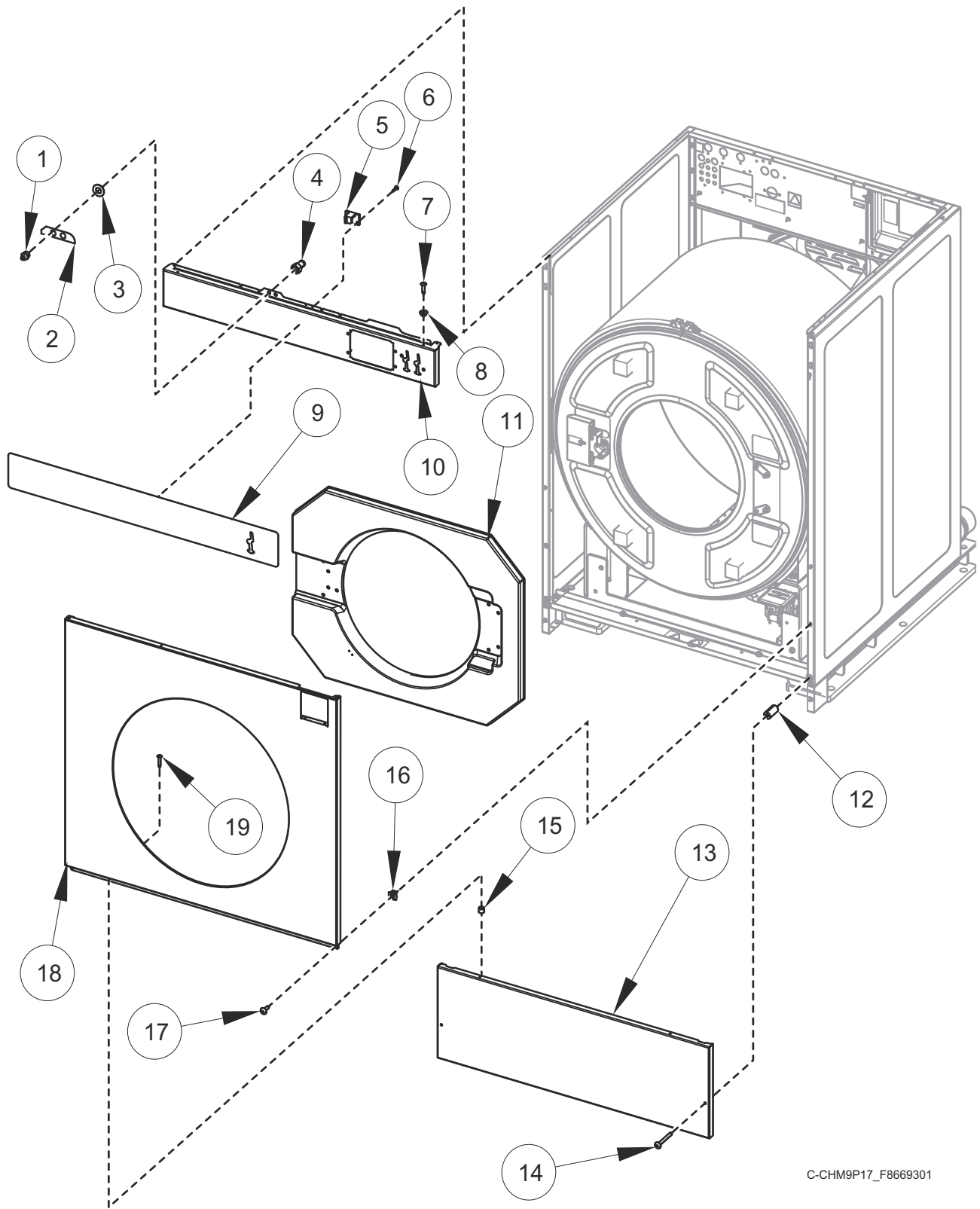


C-CHM9P17_F8669301

Front Panels and Control Panel - HC Coin Models - Design 4

REF	PART NO.	DESCRIPTION	COMMENTS
	F8535502	Screw	Attaches front panel to coin box
1	F190701	Grease Fitting	
2	F8613501	Label	Grease instruction notice
3	70292801	Washer	
4	F422114	Air Coupling	
	F8245713	Hose	
5	F8201001	Top Cover Latch	
6	F431215	Pop Rivet	
7	70412601	Pop Rivet	
8	F8201101	Washer	
9	F8591401	Overlay	80 pound models with N and W control; Single coin
	F8594901	Overlay	80 pound models with N and W control; Single coin; Cityscape
	F8594902	Overlay	80 pound models with N and W control; Dual coin; Cityscape
	F8595001	Overlay	100 pound models with N and W control; Single coin; Cityscape
	F8595002	Overlay	100 pound models with N and W control; Dual coin; Cityscape
	F8594301	Overlay	80 pound models with N and W control; Single coin; Citron
	F8594302	Overlay	80 pound models with N and W control; Dual coin; Citron
	F8594401	Overlay	100 pound models with N and W control; Single coin; Citron
	F8594402	Overlay	100 pound models with N and W control; Dual coin; Citron
	F8612501	Overlay	80 pound models with Q control; Single coin
	F8612502	Overlay	80 pound models with Q control; Dual coin
	F8612601	Overlay	100 pound models with Q control; Single coin
	F8612602	Overlay	100 pound models with Q control; Dual coin
10	F8552601	Control Panel Assembly	
11	F170419-3	Door Bezel	
12	F8609701	Access Panel Retaining Spacer	
13	F8552702	Access Panel	
14	F8589501	Screw	
15	56079	Panel Locator	
16	70030501	Expansion Clip	
17	F8117601	Screw	
18	F8552801	Front Panel	
19	M412763	Rivet	

Front Panels and Control Panel - HC Coin Models - Design 6 and 7

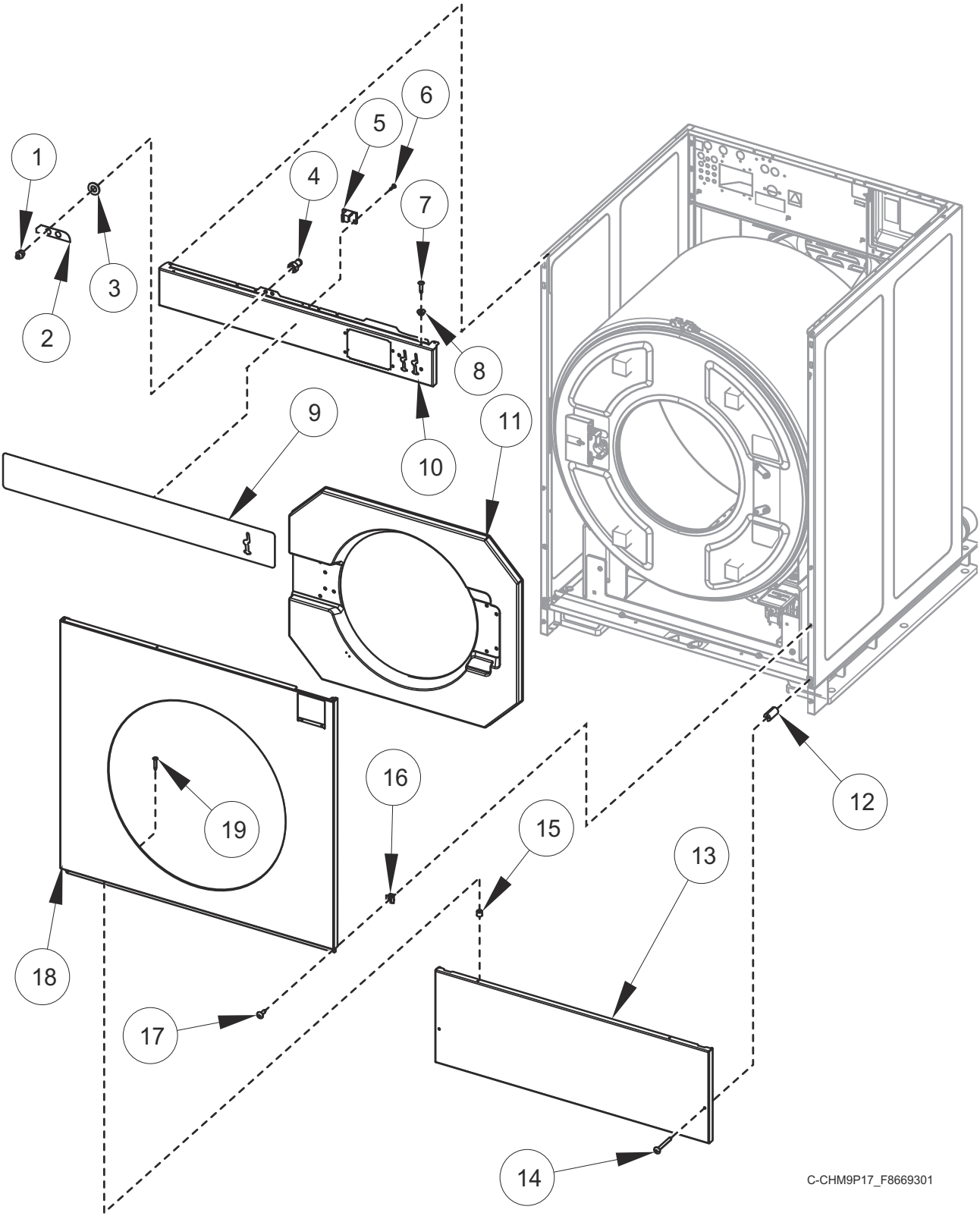


C-CHM9P17_F8669301

Front Panels and Control Panel - HC Coin Models - Design 6 and 7

REF	PART NO.	DESCRIPTION	COMMENTS
	F8535502	Screw	Attaches front panel to coin box
1	F190701	Grease Fitting	
2	F8613501	Label	Grease instruction notice
3	70292801	Washer	
4	F422114	Air Coupling	
	F8245713	Hose	
5	F8201001	Top Cover Latch	
6	F431215	Pop Rivet	
7	70412601	Pop Rivet	
8	F8201101	Washer	
9	F8693101	Overlay	Models with N and W control; Single coin; Cityscape; Design 6
	F8693102	Overlay	Models with N and W control; Dual coin; Cityscape; Design 6
	F8693601	Overlay	Models with N and W control; Single coin; Citron; Design 6
	F8693602	Overlay	Models with N and W control; Dual coin; Citron; Design 6
	F8692601	Overlay	Models with N and W control; Single coin; Design 6
	F8692602	Overlay	Models with N and W control; Dual coin; Design 6
	F8591401	Overlay	80 pound models with N and W control; Design 7; Single coin
	F8591501	Overlay	100 pound models with N and W control; Design 7; Single coin
	F8591402	Overlay	80 pound models with N and W control; Design 7; Dual coin
	F8591502	Overlay	100 pound models with N and W control; Design 7; Dual coin
	F8594301	Overlay	80 pound models with N and W control; Design 7; Single coin; Citron
	F8594401	Overlay	100 pound models with N and W control; Design 7; Single coin; Citron
	F8594302	Overlay	80 pound models with N and W control; Design 7; Dual coin; Citron
	F8594402	Overlay	100 pound models with N and W control; Design 7; Dual coin; Citron
	F8594901	Overlay	80 pound models with N and W control; Design 7; Single coin
	F8595001	Overlay	100 pound models with N and W control; Design 7; Single coin
	F8594902	Overlay	80 pound models with N and W control; Design 7; Dual coin
	F8595002	Overlay	100 pound models with N and W control; Design 7; Dual coin
10	F8697501	Control Panel Assembly	
11	F170419-3	Door Bezel	
12	F8609701	Access Panel Retaining Spacer	
13	F8552702	Access Panel	
14	F8589501	Screw	
15	56079	Panel Locator	
16	70030501	Expansion Clip	
17	F8117601	Screw	
18	F8686301	Front Panel	
19	M412763	Rivet	

Front Panels and Control Panel - SC Coin Models - Design 4

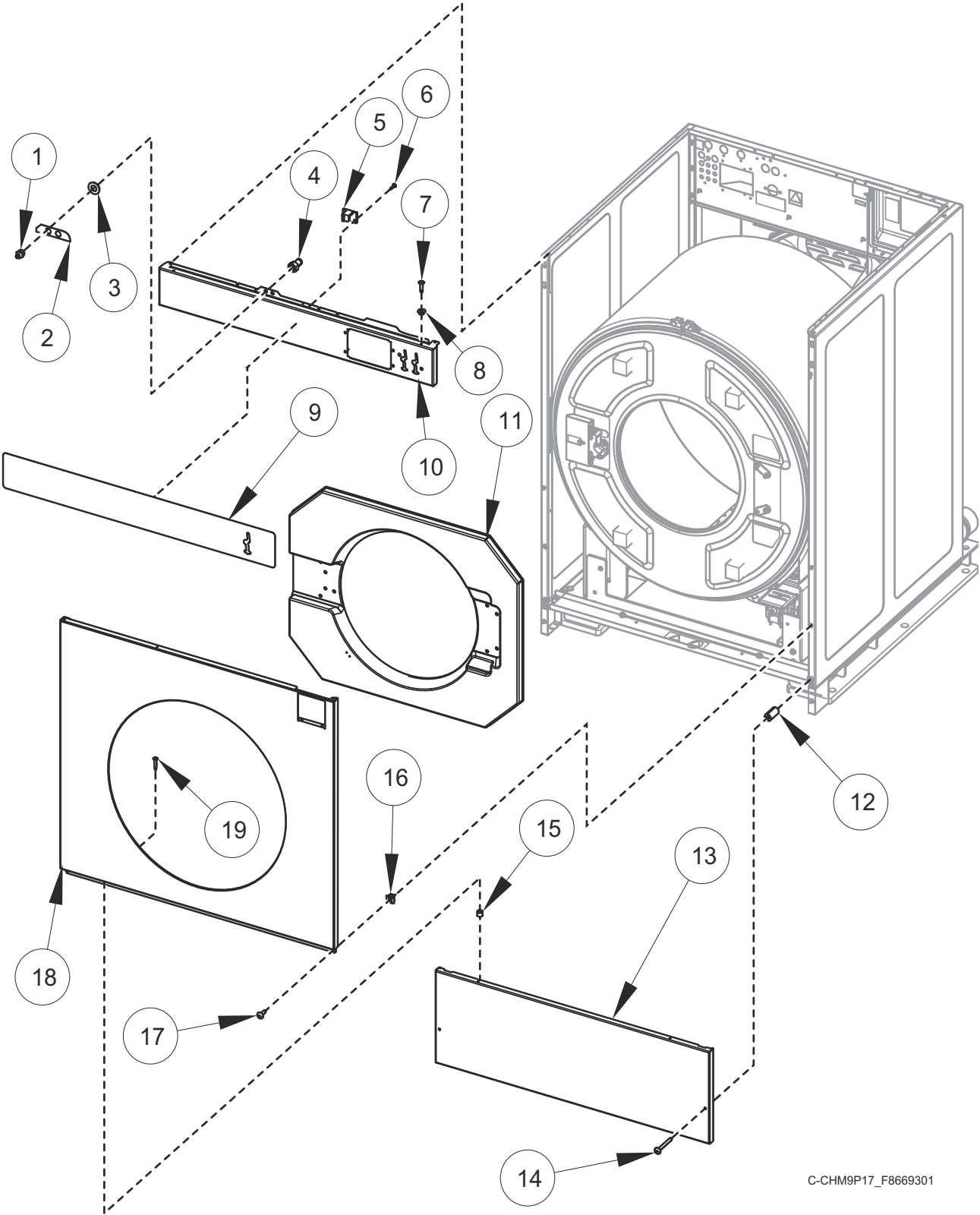


C-CHM9P17_F8669301

Front Panels and Control Panel - SC Coin Models - Design 4

REF	PART NO.	DESCRIPTION	COMMENTS
	F8535502	Screw	Attaches front panel to coin box
1	F190701	Grease Fitting	
2	F8613501	Label	Grease instruction notice
3	70292801	Washer	
4	F422114	Air Coupling	
	F8245713	Hose	
5	F8201001	Top Cover Latch	
6	F431215	Pop Rivet	
7	70412601	Pop Rivet	
8	F8201101	Washer	
9	F8657401	Overlay	SCT080Q models; Single coin
	F8657402	Overlay	SCT080Q models; Dual coin
	F8657501	Overlay	SCT100Q models; Single coin
	F8657502	Overlay	SCT100Q models; Dual coin
	70556801	Overlay	Secondary world drop; Right drop; Gray
	70556601	Overlay	Secondary world drop; Left drop; Gray
	F8656801	Overlay	SCG080 and SCU080 models; Single coin
	F8656802	Overlay	SCG080 and SCU080 models; Dual coin
	F8656805	Overlay	SCG080 and SCU080 models; World drop
	F8656901	Overlay	SCG100 and SCU100 models; Single coin
	F8656902	Overlay	SCG100 and SCU100 models; Dual coin
	F8656905	Overlay	SCG100 and SCU100 models; World drop
10	F8552601	Control Panel Assembly	
11	F8659301	Door Bezel	
12	F8609701	Access Panel Retaining Spacer	
13	F8552702	Access Panel	
14	F8589501	Screw	
15	56079	Panel Locator	
16	70030501	Expansion Clip	
17	F8117601	Screw	
18	F8552801	Front Panel	
19	M412763	Rivet	

Front Panels and Control Panel - SCG and SCU Coin Models - Design 6 and 7

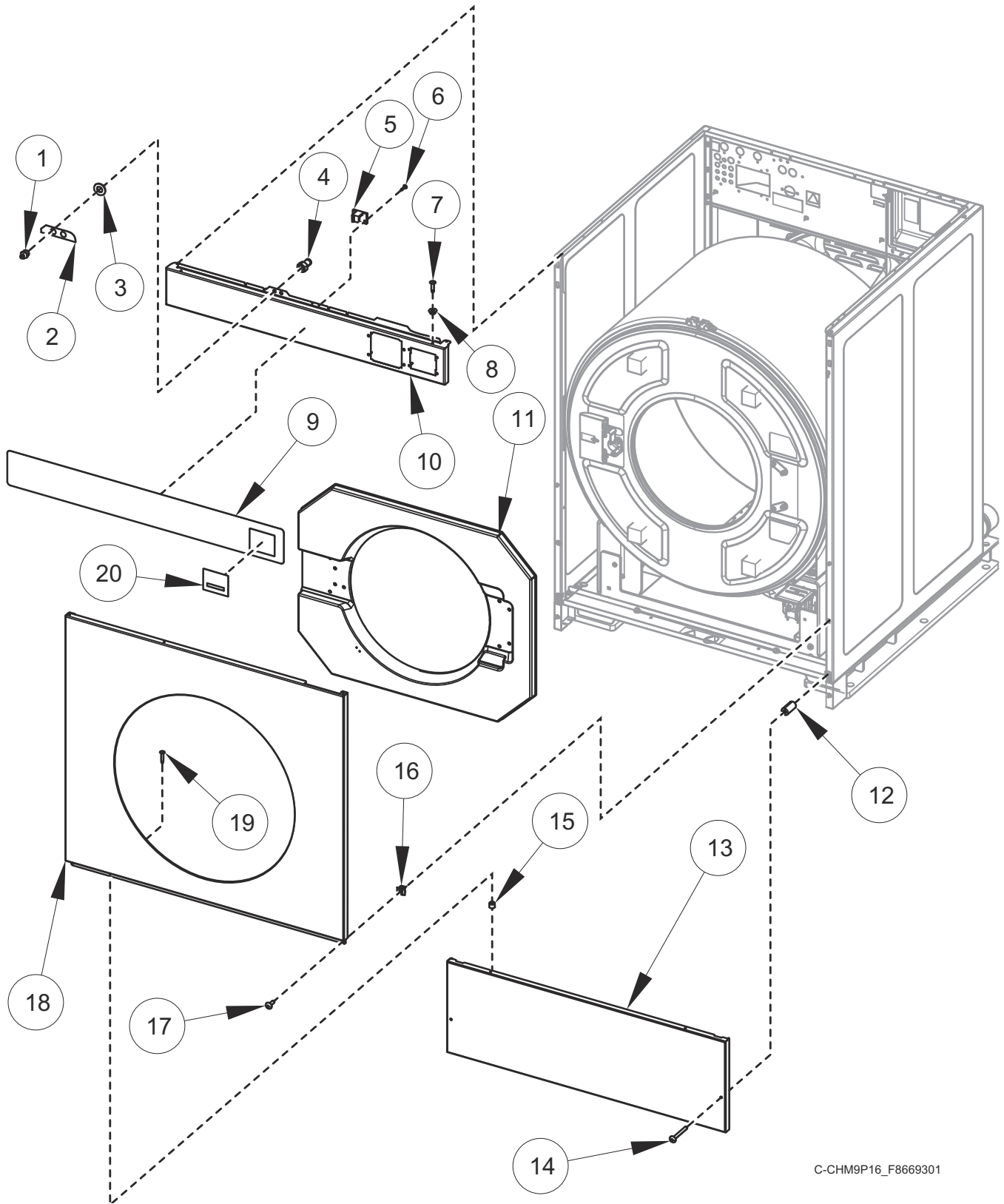


C-CHM9P17_F8669301

Front Panels and Control Panel - SCG and SCU Coin Models - Design 6 and 7

REF	PART NO.	DESCRIPTION	COMMENTS
	F8535502	Screw	Attaches front panel to coin box
	F8688901	Nameplate	
	F8698801	Instruction Label	English/Spanish
	F8698901	Instruction Label	Icon
	F8699708	Basket Capacity Label	80 pound models
	F8699710	Basket Capacity Label	100 pound models
1	F190701	Grease Fitting	
2	F8613501	Label	Grease instruction notice
3	70292801	Washer	
4	F422114	Air Coupling	
	F8245713	Hose	
5	F8201001	Top Cover Latch	
6	F431215	Pop Rivet	
7	70412601	Pop Rivet	
8	F8201101	Washer	
9	F8695601	Overlay	Design 6; Single coin
	F8695602	Overlay	Design 6; Dual coin
	F8695605	Overlay	Design 6; World drop
	F8656801	Overlay	80 pound models; Design 7; Single coin
	F8656901	Overlay	100 pound models; Design 7; Single coin
	F8656802	Overlay	80 pound models; Design 7; Dual coin
	F8656902	Overlay	100 pound models; Design 7; Dual coin
	F8656805	Overlay	80 pound models; Design 7; World drop
	F8656905	Overlay	100 pound models; Design 7; World drop
10	F8697501	Control Panel Assembly	
11	F8659301	Door Bezel	
12	F8609701	Access Panel Retaining Spacer	
13	F8552702	Access Panel	
14	F8589501	Screw	
15	56079	Panel Locator	
16	70030501	Expansion Clip	
17	F8117601	Screw	
18	F8686301	Front Panel	
19	M412763	Rivet	

Front Panels and Control Panel - Card Ready and Central Pay Models - Design 4

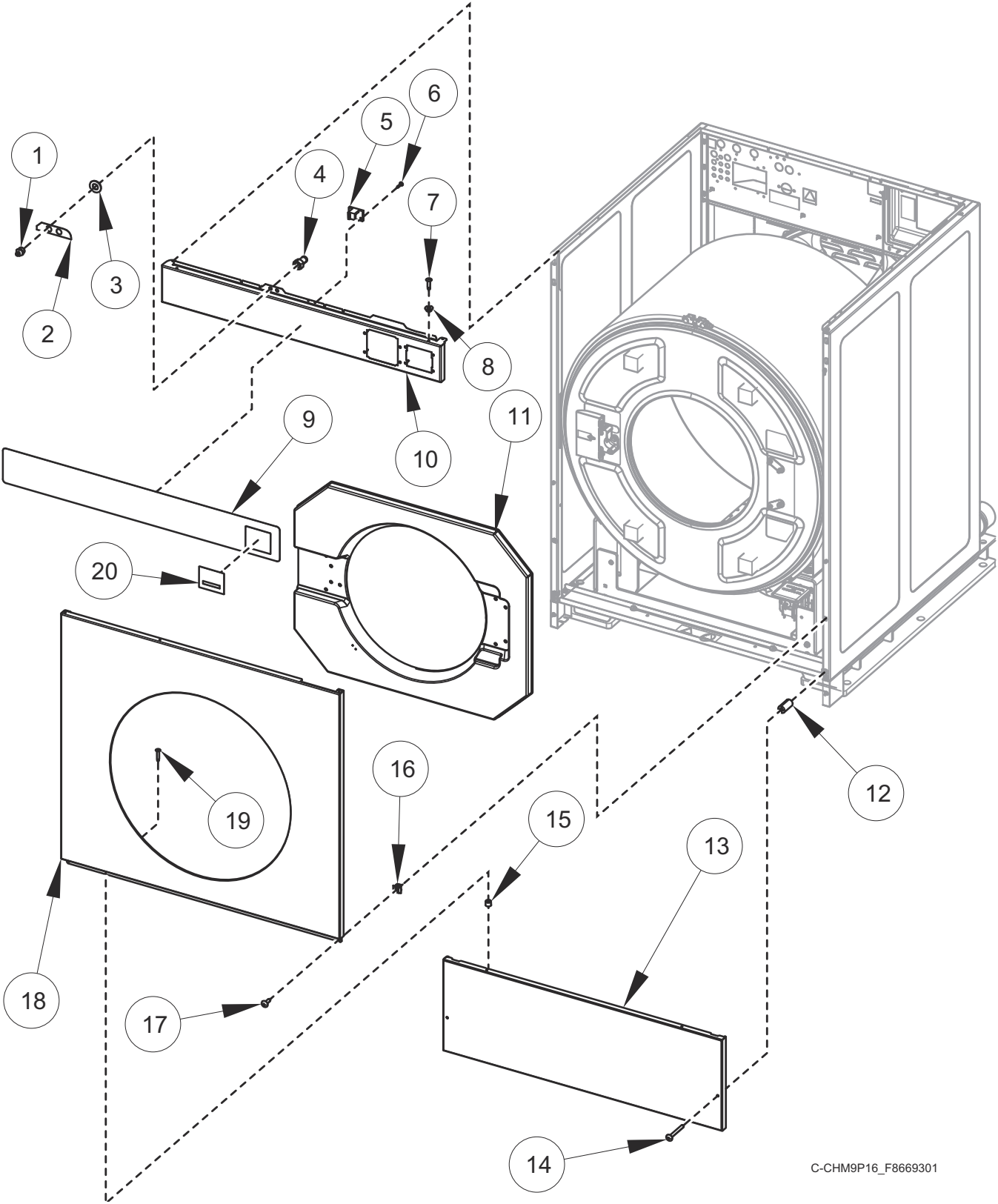


C-CHM9P16_F8669301

Front Panels and Control Panel - Card Ready and Central Pay Models - Design 4

REF	PART NO.	DESCRIPTION	COMMENTS
1	F190701	Grease Fitting	
2	F8613501	Label	Grease instruction notice
3	70292801	Washer	
4	F422114	Air Coupling	
	F8245713	Hose	
5	F8201001	Top Cover Latch	
6	F431215	Pop Rivet	
7	70412601	Pop Rivet	
8	F8201101	Washer	
9	F8656803	Overlay	SCG080 and SCU080 card ready models
	F8656804	Overlay	SCG080 and SCU080 central pay models
	F8594903	Overlay	Models HCT080NY and HCT080WY; Cityscape
	F8595003	Overlay	Models HCT100NY and HCT100WY; Cityscape
	F8594303	Overlay	Models HCT080NY and HCT080WY; Citron
	F8594403	Overlay	Models HCT100NY and HCT100WY; Citron
10	F8552604	Control Panel Assembly	
11	F170419-3	Door Bezel	HC models
	F8659301	Door Bezel	SC models
12	F8609701	Access Panel Retaining Spacer	
13	F8552702	Access Panel	
14	F8589501	Screw	
15	56079	Panel Locator	
16	70030501	Expansion Clip	
17	F8117601	Screw	
18	F8552802	Front Panel	
19	M412763	Rivet	
20	70556501	Overlay	HC card ready models; Gray
	70556502	Overlay	HC central pay models; Gray
	70557001	Overlay	SC card ready models; Black
	70557002	Overlay	SC central pay models; Black

Front Panels and Control Panel - Card Ready, Central Pay, and FOB Models - Design 6 and 7

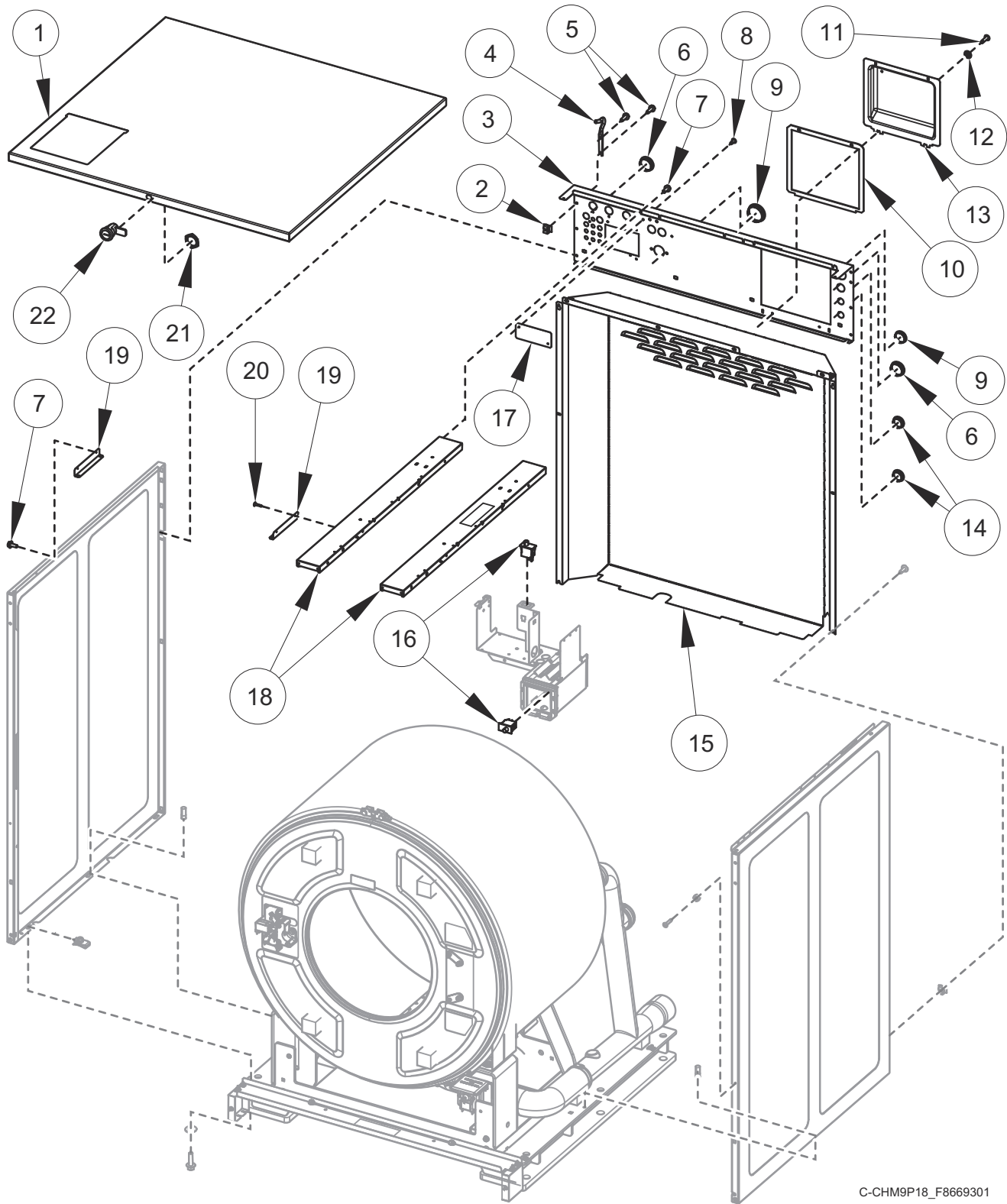


C-CHM9P16_F8669301

Front Panels and Control Panel - Card Ready, Central Pay, and FOB Models - Design 6 and 7

REF	PART NO.	DESCRIPTION	COMMENTS
1	F190701	Grease Fitting	
2	F8613501	Label	Grease instruction notice
3	70292801	Washer	
4	F422114	Air Coupling	
	F8245713	Hose	
5	F8201001	Top Cover Latch	
6	F431215	Pop Rivet	
7	70412601	Pop Rivet	
8	F8201101	Washer	
9	F8695603	Overlay	SCG and SCU card ready models; Design 6
	F8695604	Overlay	SCG and SCU central pay models; Design 6
	F8693103	Overlay	Models HCT080NY, HCT080WY, HCT100NY and HCT100WY; Cityscape; Design 6
	F8693603	Overlay	Models HCT080NY, HCT080WY, HCT100NY and HCT100WY; Citron; Design 6
	F8692603	Overlay	Models HCT080NY, HCT080WY, HCT100NY and HCT100WY; Design 6
	F8692103	Overlay	Models HCT080QY and HCT100QY; Design 6
	F8656803	Overlay	80 pound SCG and SCU card ready models; Design 7
	F8656903	Overlay	100 pound SCG and SCU card ready models; Design 7
	F8656804	Overlay	80 pound SCG and SCU central pay models; Design 7
	F8656904	Overlay	100 pound SCG and SCU central pay models; Design 7
	F8591403	Overlay	Models HCT080NY and HCT080WY; Design 7
	F8591503	Overlay	Models HCT100NY and HCT100WY; Design 7
	F8594303	Overlay	Models HCT080NY and HCT080WY; Design 7; Citron
	F8594403	Overlay	Models HCT100NY and HCT100WY; Design 7; Citron
	F8594903	Overlay	Models HCT080NY and HCT080WY; Design 7; Cityscape
F8595003	Overlay	Models HCT100NY and HCT100WY; Design 7; Cityscape	
10	F8697502	Control Panel Assembly	
11	F170419-3	Door Bezel	HC models
	F8659301	Door Bezel	SC models
12	F8609701	Access Panel Retaining Spacer	
13	F8552702	Access Panel	
14	F8589501	Screw	
15	56079	Panel Locator	
16	70030501	Expansion Clip	
17	F8117601	Screw	
18	F8686302	Front Panel	
19	M412763	Rivet	
20	70646001	Overlay	HC card ready models; Gray
	70646002	Overlay	HC central pay models; Gray
	F8696301	Overlay	SC card ready models; Black
	F8696302	Overlay	SC central pay models; Black

Rear and Top Panels

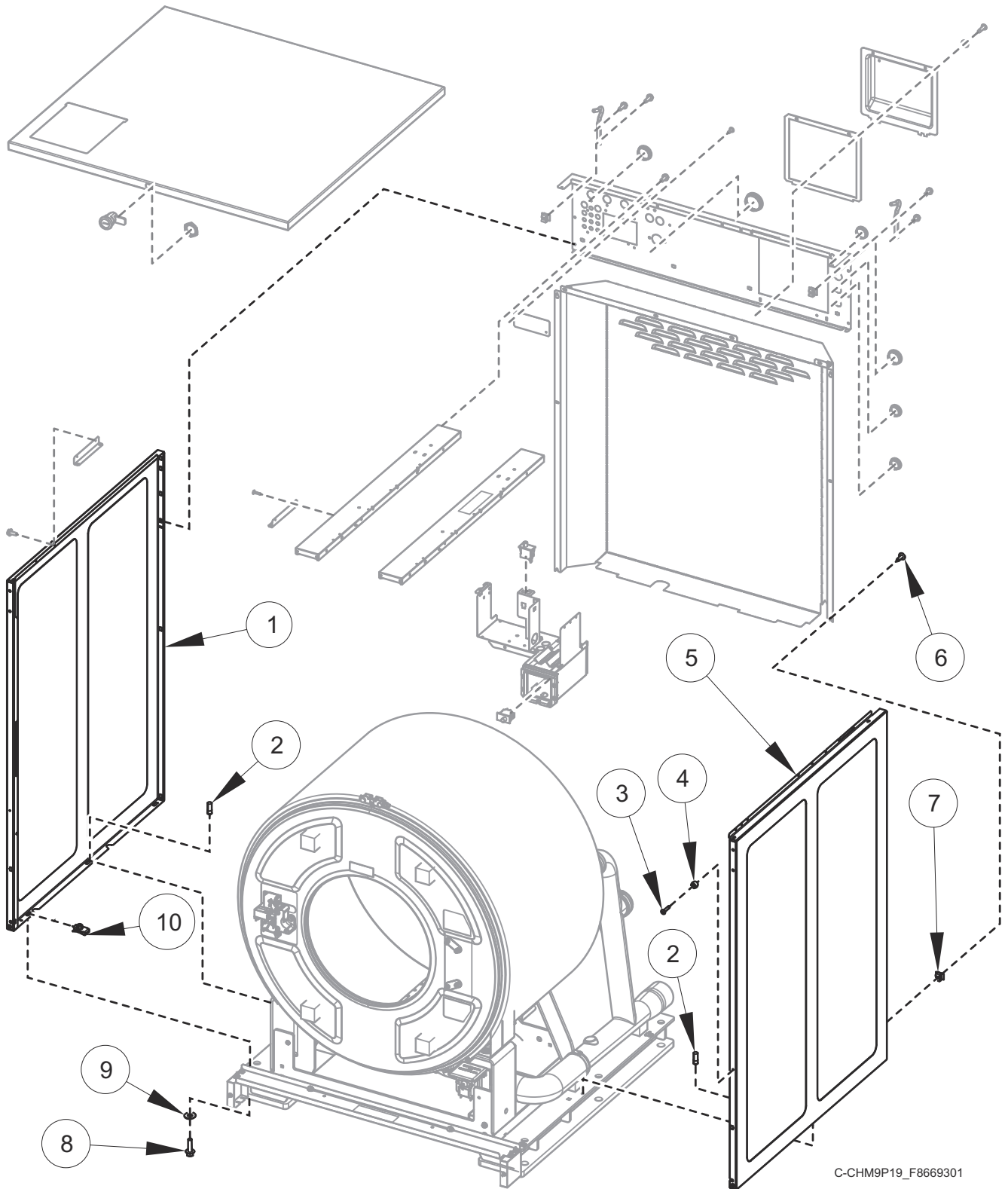


C-CHM9P18_F8669301

Rear and Top Panels

REF	PART NO.	DESCRIPTION	COMMENTS
1	F8553301	Top Cover	80 pound models
	F8553302	Top Cover	100 pound models
2	70030501	Expansion Clip	
3	F8553401	Valve Panel	
4	F8258601	Top Cover Hinge	
5	F8206901	Screw	
6	F8223901	Plug	
7	33562	Screw	
8	685847	Pop Rivet	
9	F8223801	Hole Plug	
10	F8542601	Gasket	
11	70412601	Pop Rivet	
12	804501	Washer	
13	F8518301	Terminal Tray Cover	
14	M400985	Plug	
15	F8555301	Rear Panel	
16	70413301	Pushbutton Switch	
17	F8586301	Fill Cover	
18	F8556901	Cabinet Brace	80 pound models
	F8556902	Cabinet Brace	100 pound models
19	F8525701	Dispenser Bracket	
20	F431215	Pop Rivet	
21	44088801	Nut	
22	44089303P	Panel Lock	
	70155603	Key	

Side Panels



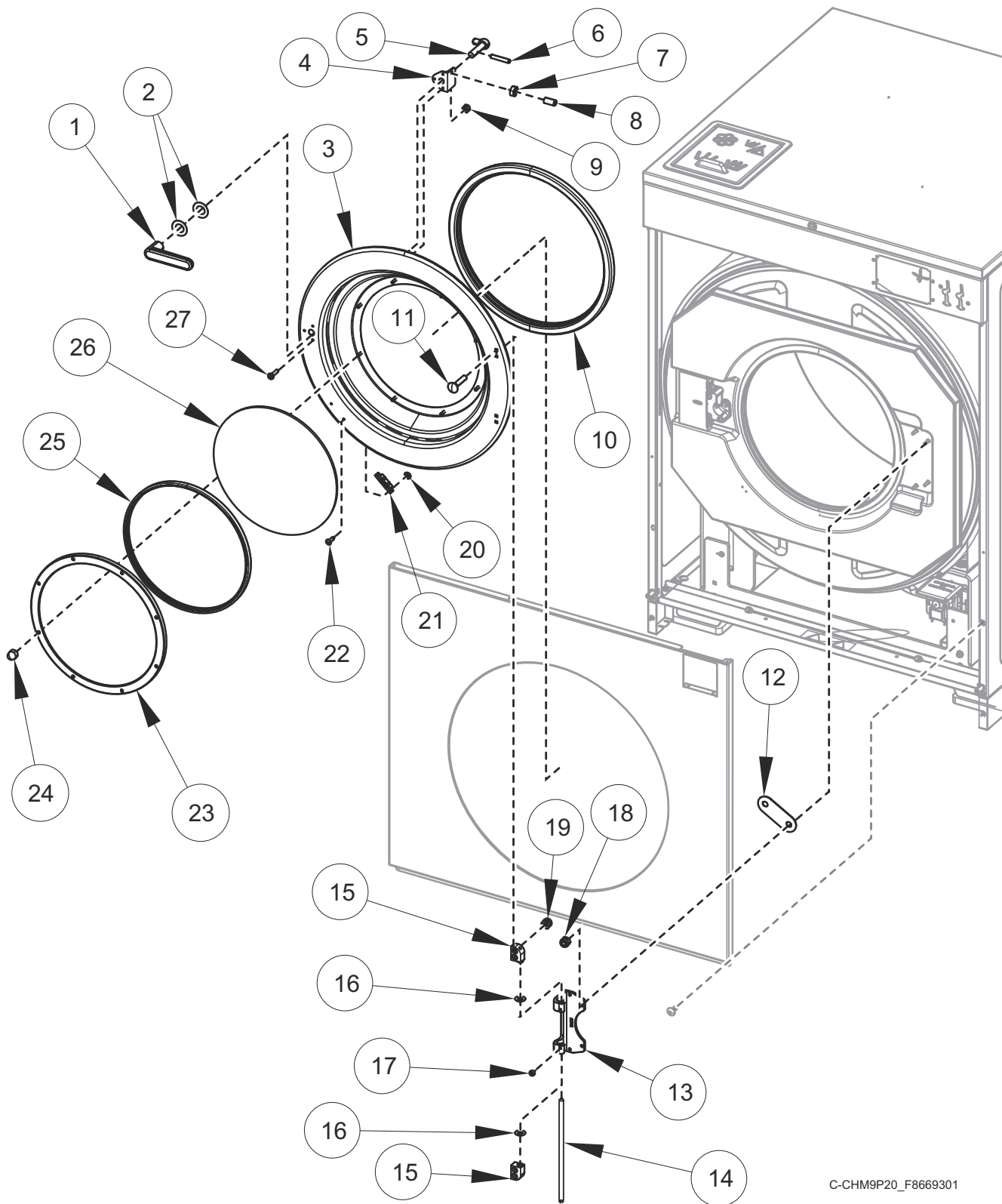
C-CHM9P19_F8669301

Side Panels

REF	PART NO.	DESCRIPTION	COMMENTS
1	F8553002	Side Panel	80 pound models; Left; Stainless steel
	F8553102	Side Panel	100 pound models; Left; Stainless steel
2	F8502101	Pin	
3	M412763	Rivet	
4	56079	Panel Locator	
5	F8553001	Side Panel	80 pound models; Right; Stainless steel
	F8553101	Side Panel	100 pound models; Right; Stainless steel
6	F8117601	Screw	
7	70030501	Expansion Clip	
8	202175	Screw	
9	M405535	Washer	
10	70030401	Nut	

Door - Design 4

Models through April 30, 2021



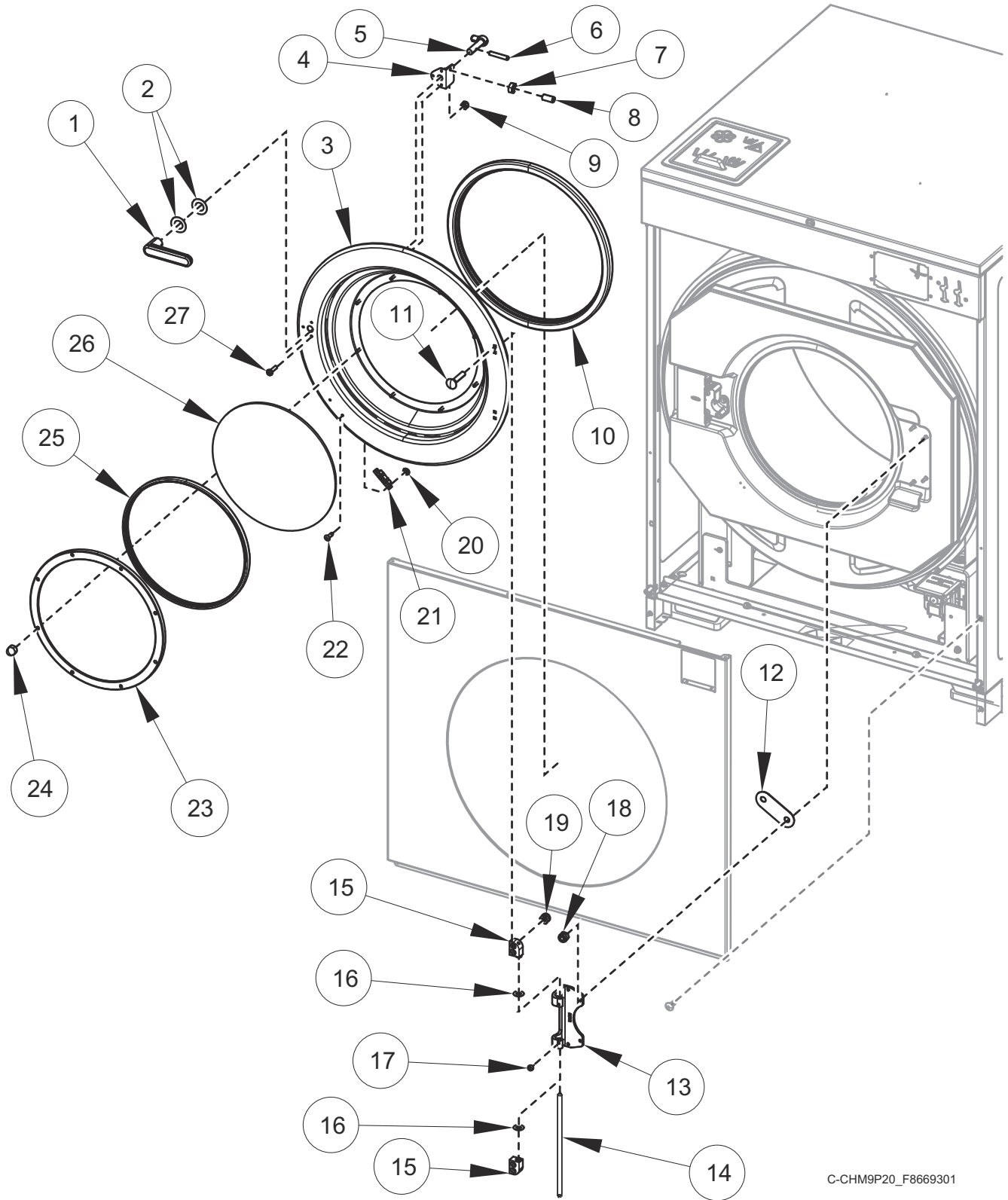
C-CHM9P20_F8669301

Door - Design 4

REF	PART NO.	DESCRIPTION	COMMENTS
	F8505102	Door Assembly	HC models; Includes items 1-11, 13-15 and 20-27
	F8505105	Door Assembly	HC models; Chrome; Includes items 1-11, 13-15 and 20-27
	F8505112	Door Assembly	HC models; Chrome and green; Includes items 1-11, 13-15 and 20-27
	F8505111	Door Assembly	HC models; Green; Includes items 1-11, 13-15 and 20-27
	F8505101	Door Assembly	SC models; Includes items 1-11, 13-15 and 20-27
	F8505104	Door Assembly	SC models; Chrome; Includes items 1-11, 13-15 and 20-27
1	F8544701	Door Handle	HC models
	F8199401P	Door Handle	SC models; Black
2	F431916	Washer	
3	F8505001	Door	
	F8508801	Door	Chrome
4	F8567501	Door Handle Spacer Kit	
5	F8221403	Door Latch Arm Assembly	Includes latch arm shaft, latch arm support and sleeve
6	F431222	Spring Pin	
7	F431041	Nut	
8	F430532	Screw	
9	F430232	Nut	
10	F8440801P	Door Gasket	
11	F430974	Bolt	
	F8508101	Bolt	Chrome
12	F200131000P	Door Hinge Shim Kit	
13	F190216P	Door Hinge	
14	F602813-3	Rod	
15	F150271	Door Mount	
16	F431929	Washer	Non-ferrous
	F431147	Washer	
17	F430536	Screw	
18	C001236	Nut	
19	F430215	Nut	
20	F431133	Washer	
21	F8390801	Magnet	
22	F431223	Pop Rivet	
23	F8504903	Door Glass Retainer	
	F8504902	Door Glass Retainer	Chrome
24	F8549401	Nut	
25	F8499904	Door Glass Gasket	
26	F8342001	Door Glass	HC models
	F8342002	Door Glass	HC models; Green
	F290210P	Glass	SC models
27	F8535501	Screw	

Door - Design 6

Use with Design 4 starting May 1, 2021; Models through serial no. 2208025605



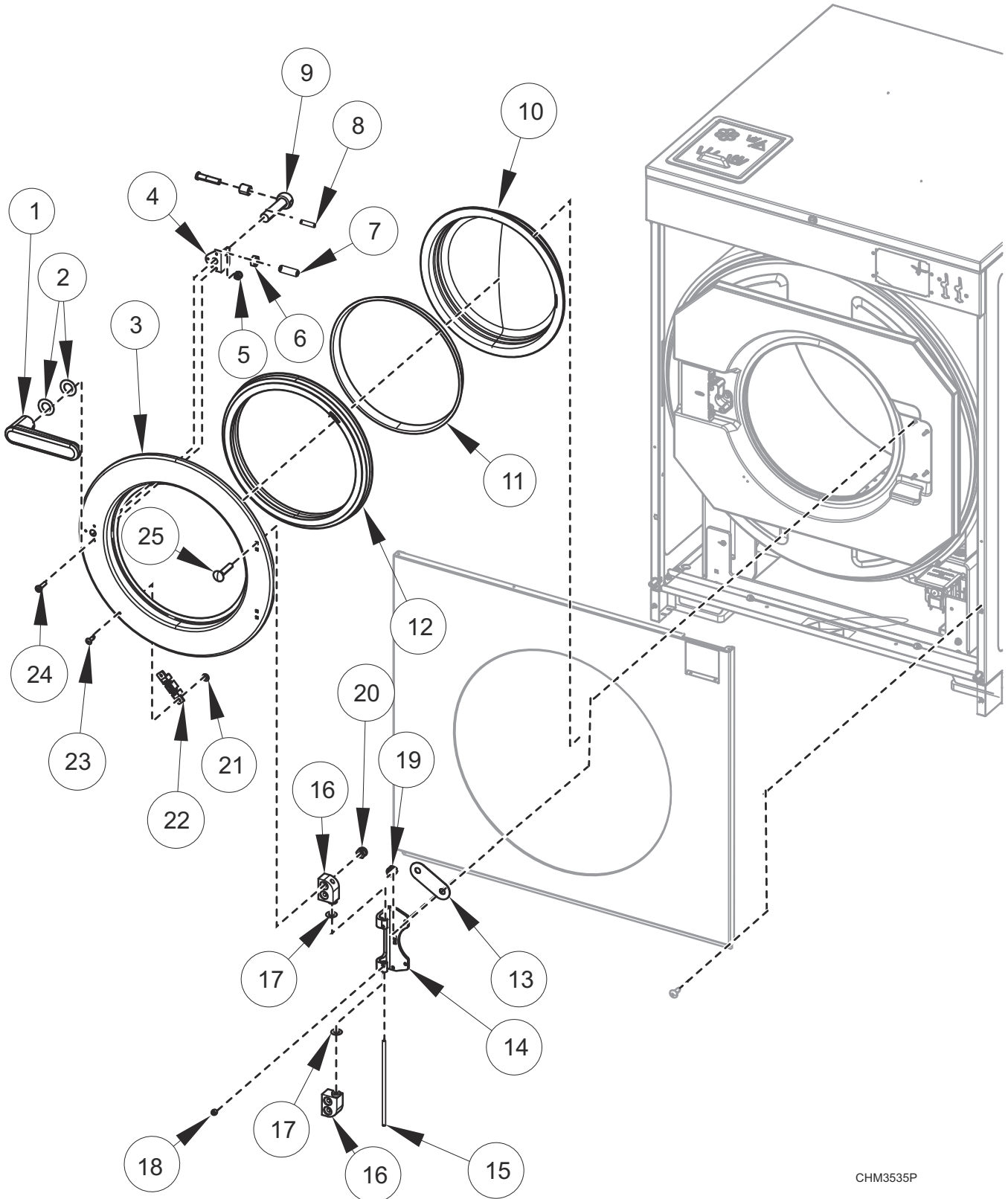
C-CHM9P20_F8669301

Door - Design 6

REF	PART NO.	DESCRIPTION	COMMENTS
	F8505102	Door Assembly	HC models; Includes items 1-11, 13-15 and 20-27
	F8505105	Door Assembly	HC models; Chrome; Includes items 1-11, 13-15 and 20-27
	F8505112	Door Assembly	HC models; Chrome and green; Includes items 1-11, 13-15 and 20-27
	F8505111	Door Assembly	HC models; Green; Includes items 1-11, 13-15 and 20-27
	F8505101	Door Assembly	SC models; Includes items 1-11, 13-15 and 20-27
	F8505104	Door Assembly	SC models; Chrome; Includes items 1-11, 13-15 and 20-27
1	F8544701	Door Handle	HC models
	F8624603	Door Handle	SC models; Black
2	F431916	Washer	
3	F8505001	Door	
	F8508801	Door	Chrome
4	F8567501	Door Handle Spacer Kit	
5	F8221403	Door Latch Arm Assembly	Includes latch arm shaft, latch arm support and sleeve
6	F431222	Spring Pin	
7	F431041	Nut	
8	F430532	Screw	
9	F430232	Nut	
10	F8440801P	Door Gasket	
11	F430974	Bolt	
	F8508101	Bolt	Chrome
12	F200131000P	Door Hinge Shim Kit	
13	F190216P	Door Hinge	
14	F602813-3	Rod	
15	F150271	Door Mount	
16	F431929	Washer	Non-ferrous
	F431147	Washer	
17	F430536	Screw	
18	C001236	Nut	
19	F430215	Nut	
20	F431133	Washer	
21	F8390801	Magnet	
22	F431223	Pop Rivet	
23	F8504903	Door Glass Retainer	
	F8504902	Door Glass Retainer	Chrome
24	F8549401	Nut	
25	F8499904	Door Glass Gasket	
26	F8342001	Door Glass	HC models
	F8342002	Door Glass	HC models; Green
	F290210P	Glass	SC models
27	F8535501	Screw	

Door - Design 6 and 7

Models starting serial no. 2208025605

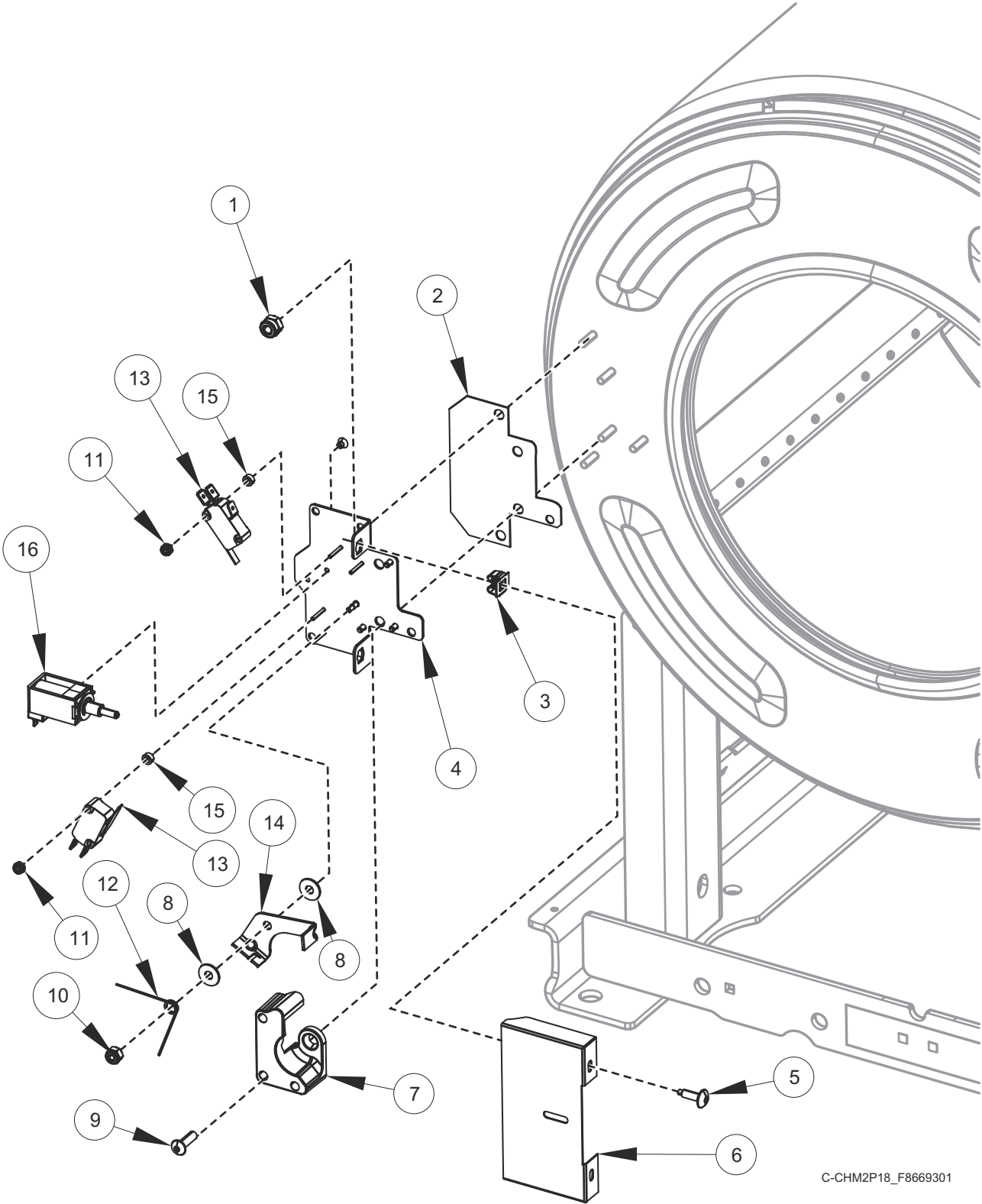


CHM3535P

Door - Design 6 and 7

REF	PART NO.	DESCRIPTION	COMMENTS
	F8698703	Door Assembly	HC models; Includes items 1-11, 13-15 and 20-27
	F8698704	Door Assembly	HC models; Chrome; Includes items 1-11, 13-15 and 20-27
	F8698706	Door Assembly	HC models; Chrome and green; Includes items 1-11, 13-15 and 20-27
	F8698705	Door Assembly	HC models; Green; Includes items 1-11, 13-15 and 20-27
	F8698701	Door Assembly	SC models; Includes items 1-11, 13-15 and 20-27
	F8698702	Door Assembly	SC models; Chrome; Includes items 1-11, 13-15 and 20-27
1	F8544701	Door Handle	HC models
	F8624603	Door Handle	SC models; Black
2	F431916	Washer	
3	F8687102	Door	
	F8687105	Door	Chrome
4	F8567501	Door Handle Spacer Kit	
5	F430232	Nut	
6	F431041	Nut	
7	F430532	Screw	
8	F431222	Spring Pin	
9	F8221403	Door Latch Arm Assembly	Includes latch arm shaft, latch arm support and sleeve
10	535439P	Door Glass	
11	F8583207	Door Glass Trim	
12	F8636501	Door Gasket	
13	F200131000P	Door Hinge Shim Kit	
14	F190216P	Door Hinge	
15	F602813-3	Rod	
16	F150271	Door Mount	
17	F431929	Washer	Non-ferrous
	F431147	Washer	
18	F430536	Screw	
19	C001236	Nut	
20	F430215	Nut	
21	F431133	Washer	
22	F8390801	Magnet	
23	F431223	Pop Rivet	
24	F8535501	Screw	
25	F430974	Bolt	
	F8508101	Bolt	Chrome

Door Lock

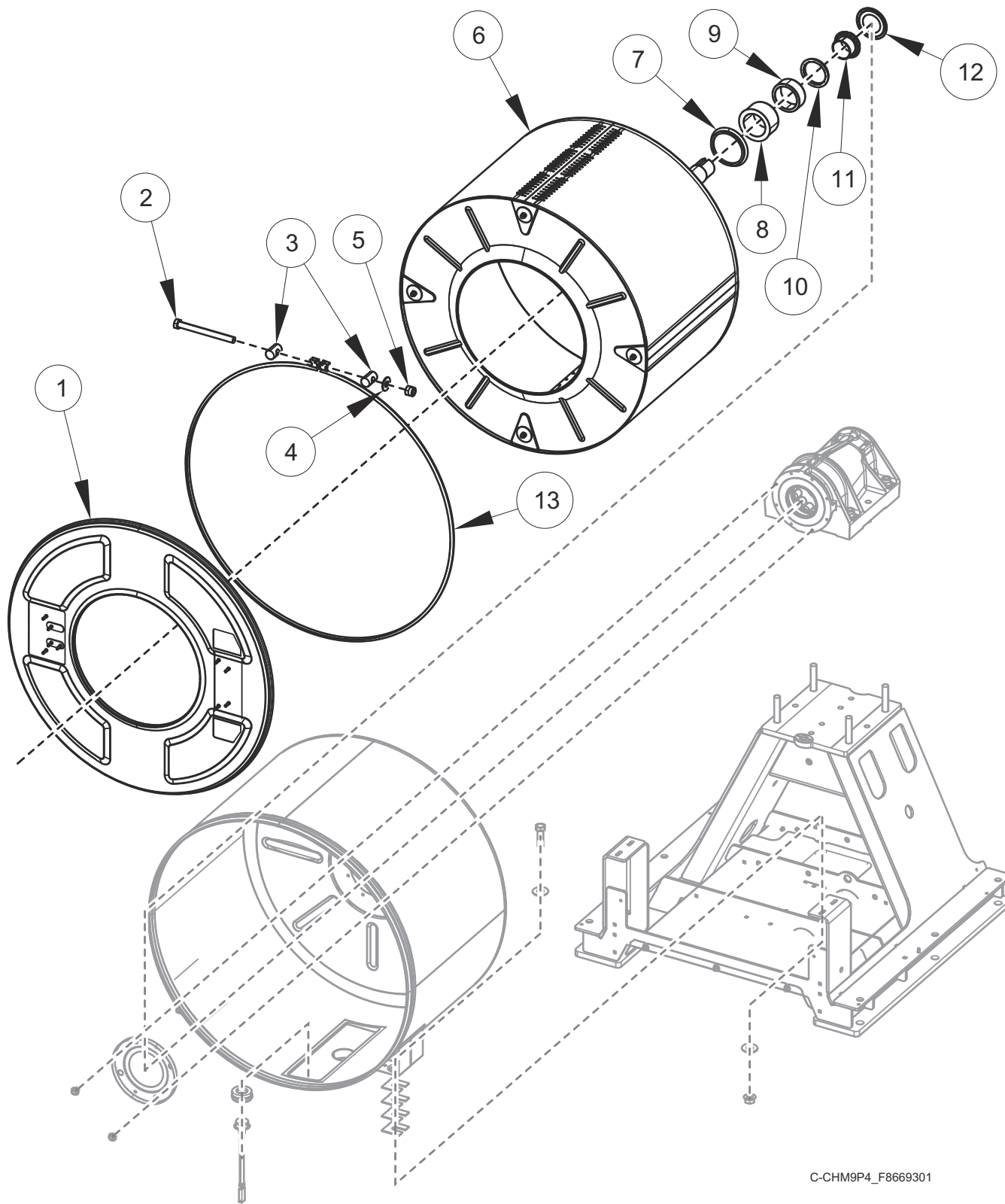


C-CHM2P18_F8669301

Door Lock

REF	PART NO.	DESCRIPTION	COMMENTS
	F8632401	Door Lock Assembly	Includes items 1-16 and F320200 Door Lock Splash
	F8520202	Door Lock Harness	
	F8066804	Reed Switch Assembly	
1	F431024	Nut	
2	F8344401	Door Lock Plate Shim	
3	70030501	Expansion Clip	
4	F8223202	Door Lock Plate Assembly	
5	F8117601	Screw	
6	F8245001	Door Lock Cover	
7	F8344501	Door Lock Catch	
8	F8193101	Washer	
9	F8270701	Bolt	
10	F430232	Nut	
12	F8070301	Torsion/Door Lock Spring	
13	F200203200	Door Lock Microswitch	
14	F8223401	Door Lock Switch Lever	
15	F431901	Spacer	
16	F977P3	Door Lock Solenoid Replacement Kit	

Shell Front and Basket

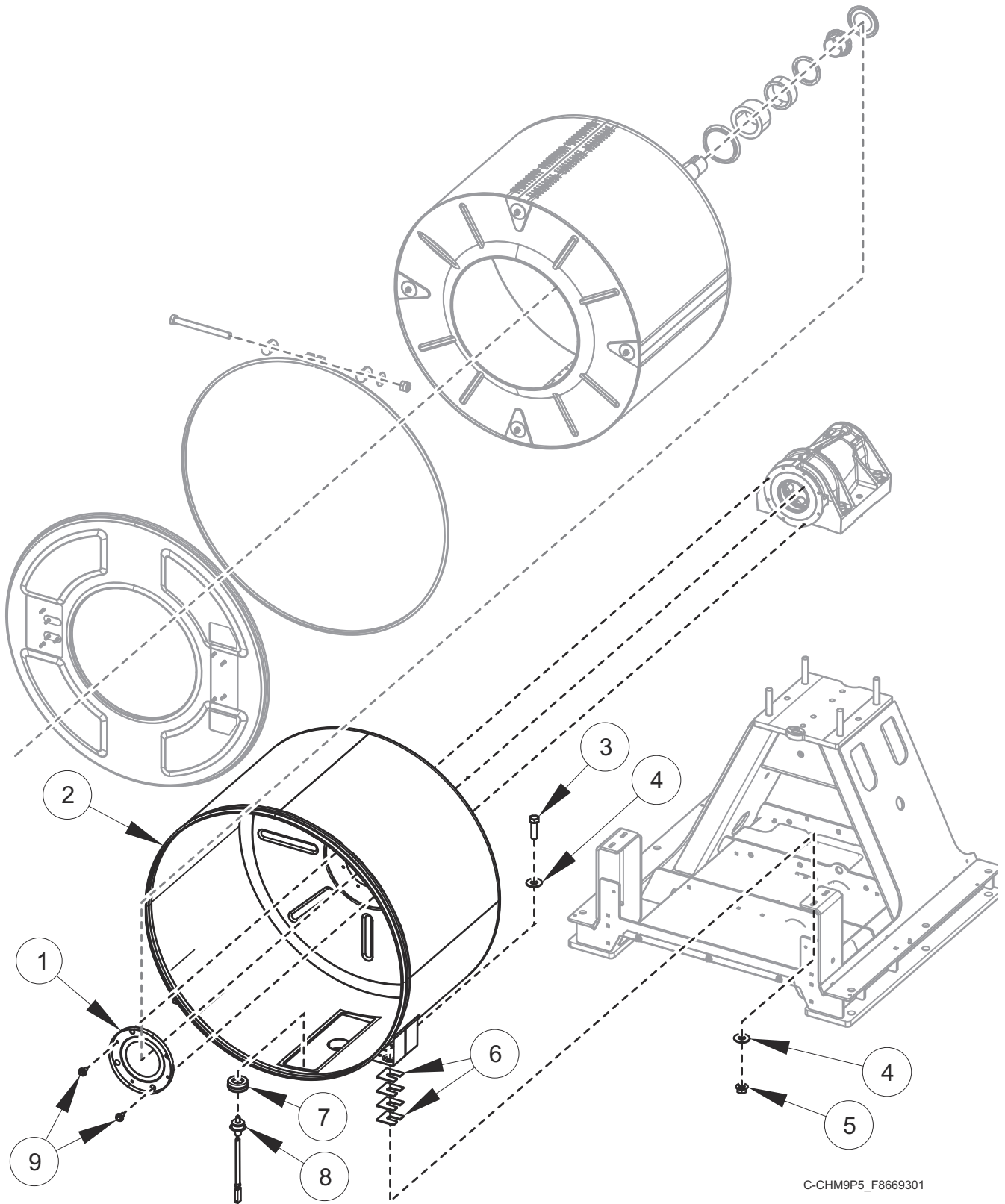


C-CHM9P4_F8669301

Shell Front and Basket

REF	PART NO.	DESCRIPTION	COMMENTS
1	F8222701	Shell Front	80 pound models
	F8229801	Shell Front Assembly	100 pound models
2	F8673701	Screw	
3	F8302701	Pin	
4	M400080	Washer	
5	F430218	Nut	
6	F8516901	Basket Assembly	80 pound models
	F8516904	Basket	80 pound models; Rain; Viton
	F8516903	Basket Assembly	80 pound models; Viton
	F8516902	Basket	80 pound models; Rain
	F8517003	Basket Assembly	100 pound models; Viton
	F8517004	Basket	100 pound models; Rain; Viton
	F8517001	Basket Assembly	100 pound models
	F8517002	Basket	100 pound models; Rain
7	F8337101	Excluder Seal	Standard
	F8527701	Excluder Seal	Viton
8	F8343911	Seal Sleeve	
9	F8280504	Bearing	
10	F8464901	Insertion Sleeve	
11	F8382501	Sleeve Adapter	
12	F8379301	Seal	
13	F8537808	Shell Band Kit	

Shell

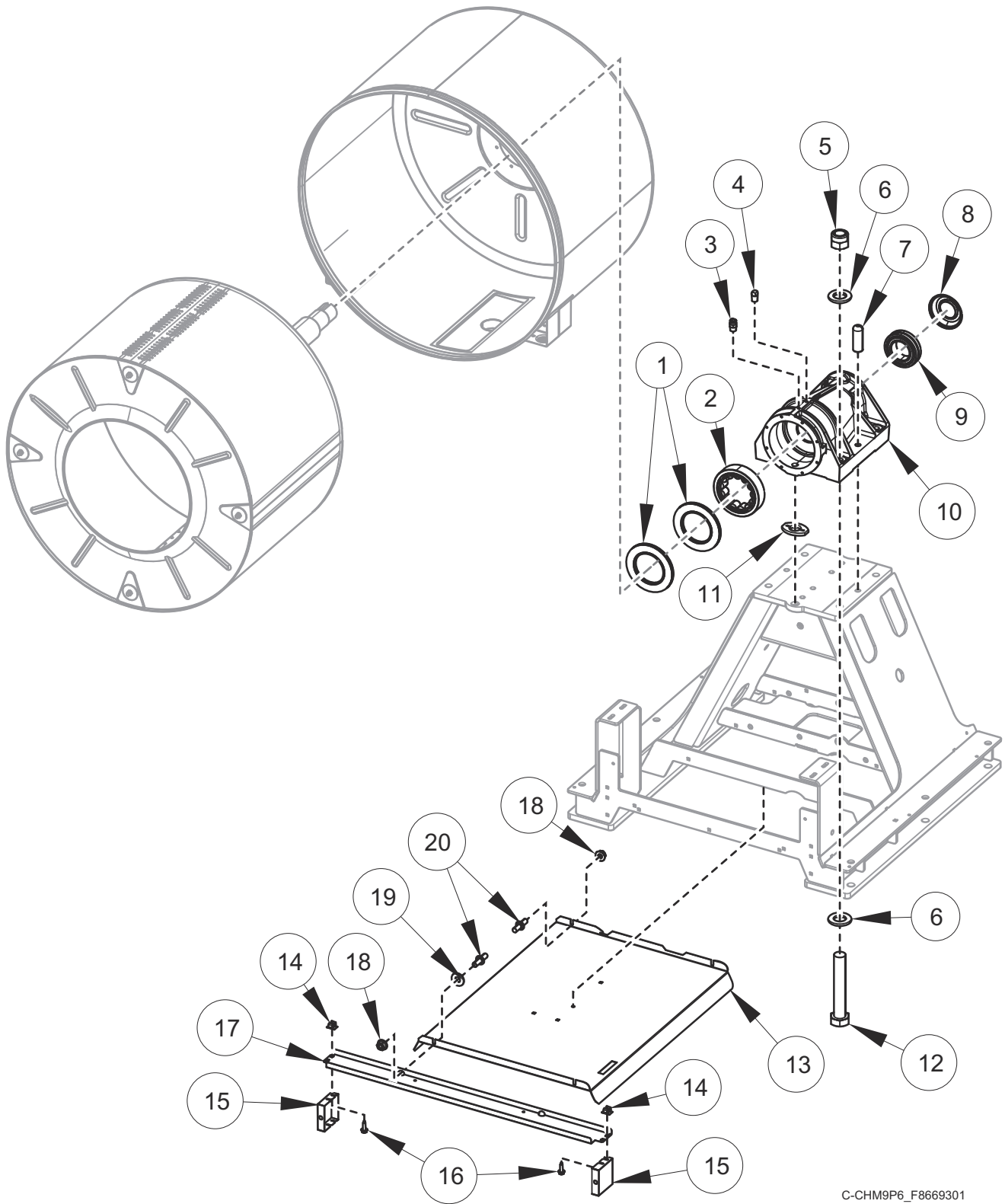


C-CHM9P5_F8669301

Shell

REF	PART NO.	DESCRIPTION	COMMENTS
1	F8550101	Seal Wear Plate	
2	F8543802	Shell	80 pound models; Electric and steam heat
	F8543902	Shell	100 pound models; Electric and steam heat
	F8543803	Shell	80 pound models
	F8543903	Shell	100 pound models
3	F430900	Screw	
4	M400081	Washer	
5	F430218	Nut	
6	F8402701	Washer	
7	2251000400	Temperature Probe Grommet	
8	F8538801	Thermistor	
9	F8442702	Screw	

Bearing Housing and Frame Shield

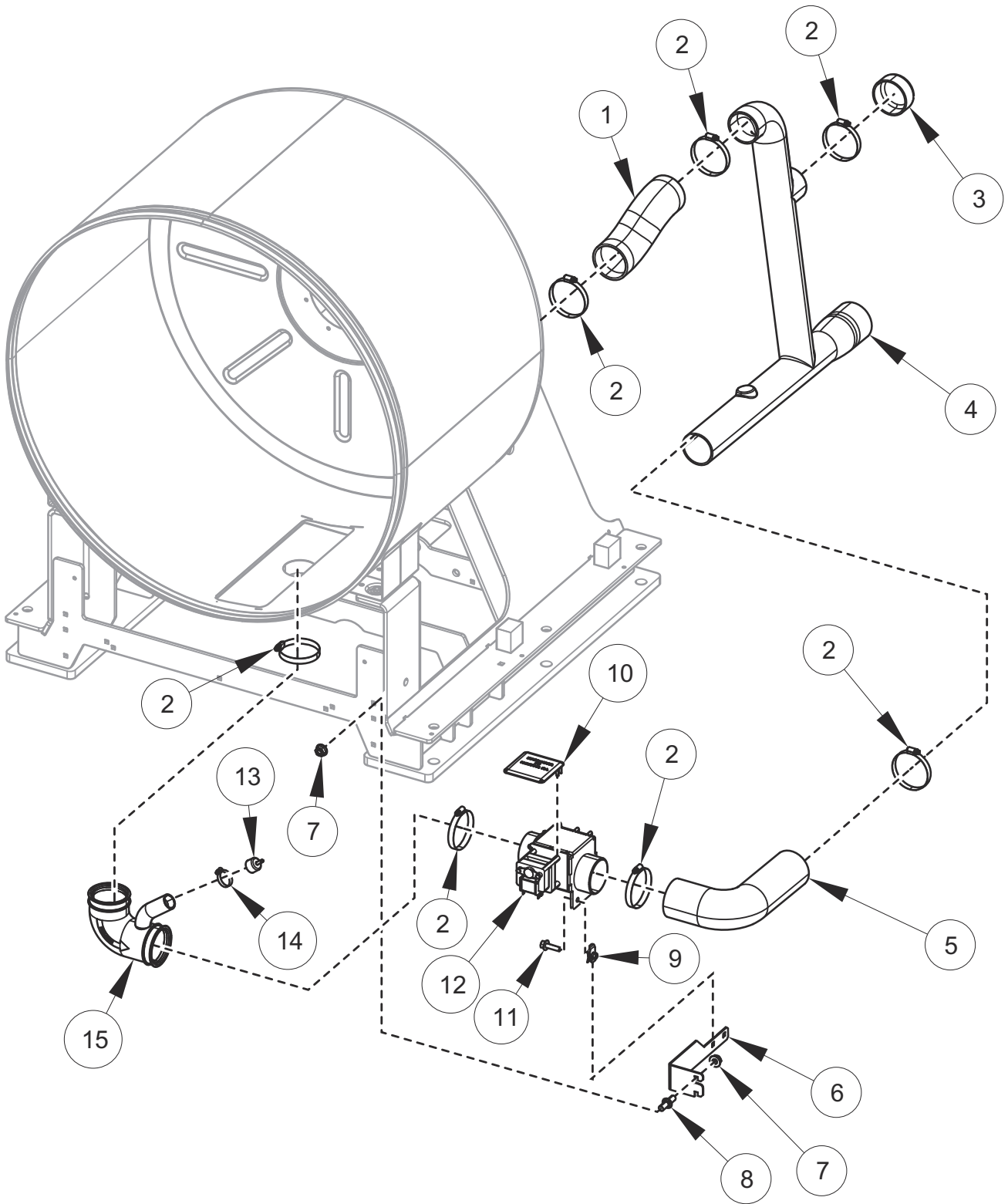


C-CHM9P6_F8669301

Bearing Housing and Frame Shield

REF	PART NO.	DESCRIPTION	COMMENTS
	F8474601	Bearing Housing Assembly	Includes items 1-4 and 8; Standard
	F8474602	Bearing Housing Assembly	Includes items 1-4 and 8; Viton
	F8503801	Bearings and Seals Kit	Standard NBR; Includes items 1, 2, 5-9, 12, F8527701 Excluder Seal, F8502305 Shell Band Gasket and F410102 Clear Sealant
	F8503701	Bearings and Seals Kit	Viton; Includes items 1, 2, 5-9, 12, F8527701 Excluder Seal, F8502305 Shell Band Gasket and F410102 Clear Sealant
1	F8203807	Radial Seal	Standard
	F8203808	Radial Seal	Viton
2	F8280504	Bearing	
3	J1408004	Connector	
4	M403052	Plug	
5	F430248	Nut	
6	F8171201	Washer	
7	F8406502	Dowel Pin	
8	F8528501	Radial Lip Seal	
9	F8375401	Bearing	
10	F8465001	Bearing Housing	
11	F8452701	Seal Scupper Pad	
12	F8313701	Screw	
13	F8509501	Frame Shield	
14	70030501	Expansion Clip	
15	F8557401	False Side Panel	80 pound models
	F8557402	False Side Panel	100 pound models
16	F8206901	Screw	
17	F8577901	Frame Shield Extension	80 pound models
	F8577902	Frame Shield Extension	100 pound models
18	44087201	Nut	
19	M400080	Washer	
20	70334702	Stud	

Drain Plumbing

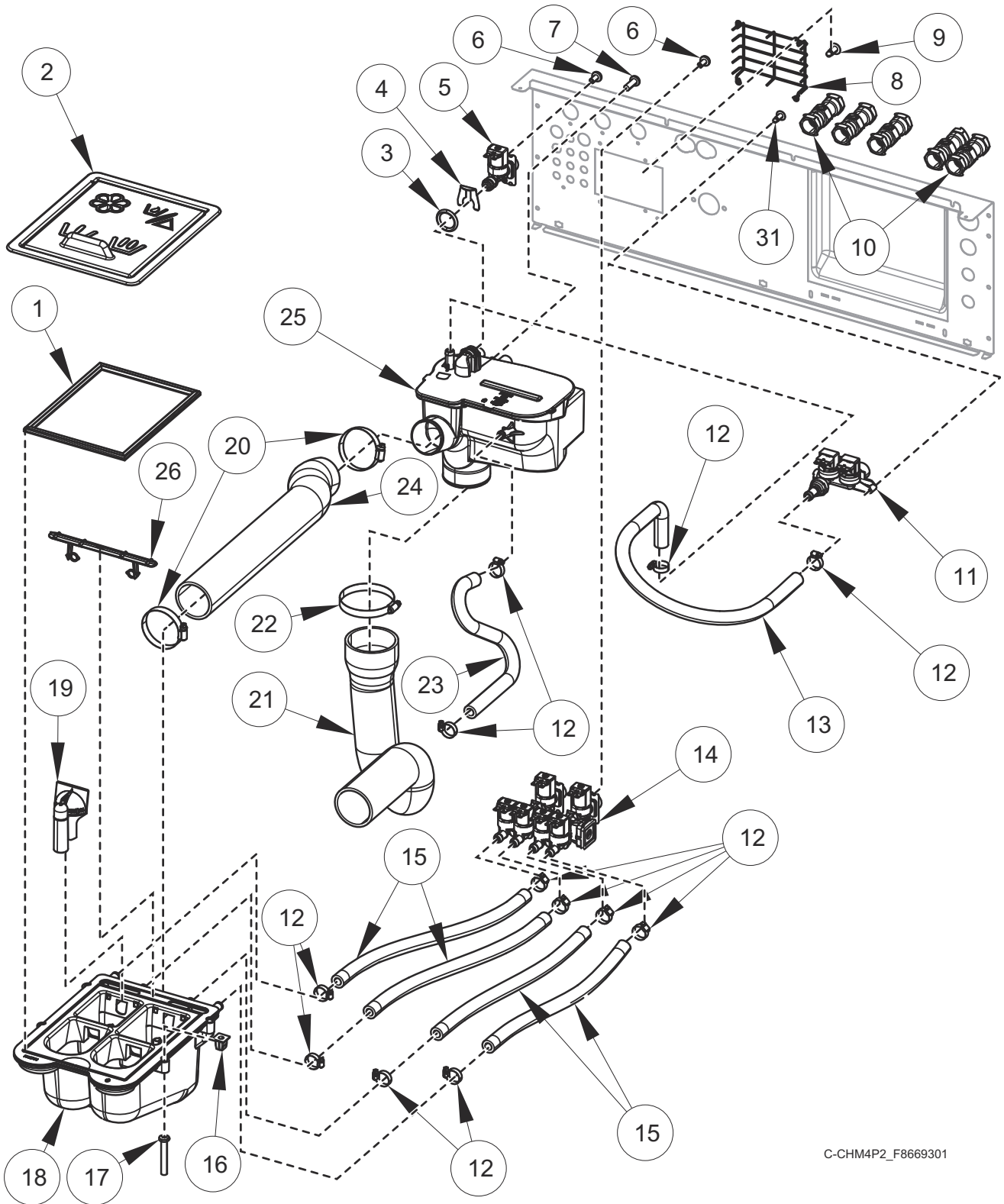


C-CHM9P1_F8669301

Drain Plumbing

REF	PART NO.	DESCRIPTION	COMMENTS
	F8520002	Drain Valve Harness	
	F200165100	Drain Hose	
1	F0150488-00	Overflow Hose	
2	F200201	Hose Clamp	
3	F0150502-00	Plug	
4	F8386807	Molded Drain	
5	C000412	Water Reuse Hose	
6	F8543601	Drain Valve Bracket	
7	44087201	Nut	
8	70334702	Stud	
9	70030401	Nut	
10	F200133600	Drain Valve Cover	
11	F8117601	Screw	
12	F8406308	Drain Valve	3 inch; 120 Volt; Right; NO
	F8577201	Drain Valve Kit	3 inch; 230 Volt; Right; NO; Includes item 10
	F200166302	Drain Valve Kit	3 inch; 120 Volt; Left; NO; Includes item 10
	F200166402	Drain Valve Kit	3 inch; 230 Volt; Left; NO; Includes item 10
13	F8579301	Pressure Cap	
14	36802	Hose Clamp	
15	F8542001	Drain Hose	
	F8542201	Drain Hose	Steam and electric heat

Fill Plumbing

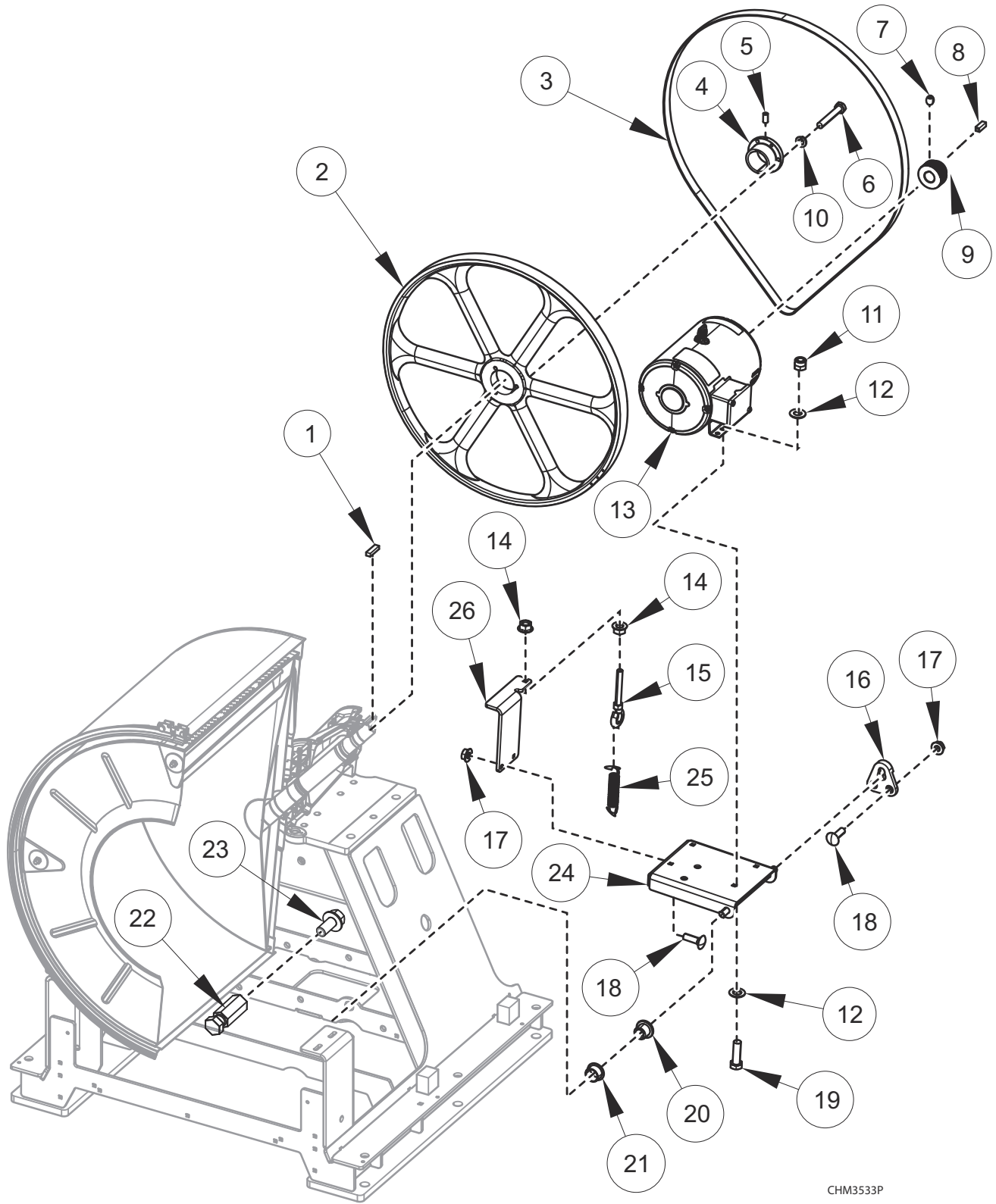


C-CHM4P2_F8669301

Fill Plumbing

REF	PART NO.	DESCRIPTION	COMMENTS
	F8047403	Dispenser	Includes Items 18, 19 and 26
	F8520102	Fill Valve Harness	
	223/00243/00	Y-Connector	Metric
	F8544601	Fill Hose Kit	WRAS; Includes item 11 and F8665602 Water Hose Kit
	F200164	Water Hose	Y fitting; 2 required; Standard
	F200166	Water Hose	Metric thread
	44069101	Hose Fitting	3/4 inch; Standard
1	B12568601	Dispenser Gasket	
2	F8563204	Dispenser Cover	Black; Icons
	F8563203	Dispenser Cover	Gray; Icons
	F8563202	Dispenser Cover	Black; Icons and text
	F8563201	Dispenser Cover	Gray; Icons and text
3	F8569101	O-Ring	
4	F8566801	Clip	
5	F8565201	Valve	3/4 inch; Standard
	F8565202	Valve	3/4 inch; Metric
6	F8230301	Screw	
7	800548	Screw	
8	F8589601	Vacuum Breaker Guard	
9	70058501	Pop Rivet	
10	F8301201	Double Check Valve	WRAS
11	70519801	Mixing Valve	Standard
	70519802	Mixing Valve	Metric
12	36801	Hose Clamp	
13	F8598801	Auxiliary Fill Hose	
14	F8529701	Manifold Valve	Standard
	F8529702P	Manifold Valve	Metric
15	F8232012	Hose	
16	F0431807-00	Nut	
17	F8535601	Screw	
18	F8437902	Dispenser Weldment	
19	F8047901	Siphon Cover	
20	F200213	Hose Clamp	
21	F8529605	P-Trap Hose	
22	F200201	Hose Clamp	
23	F8616405	Rear Vent Hose	
24	F8529405	Supply Vacuum Hose	80 pound models
	F8529406	Supply Vacuum Hose	100 pound models
25	F8517503	Vacuum Breaker Assembly	With inlet and fill
	F8517502	Vacuum Breaker Assembly	With inlet; WRAS
	F8517501	Vacuum Breaker Assembly	With fill
	F8517504	Vacuum Breaker Assembly	WRAS
26	F8047801	Access Cover	

Motor, Pulley and Belt

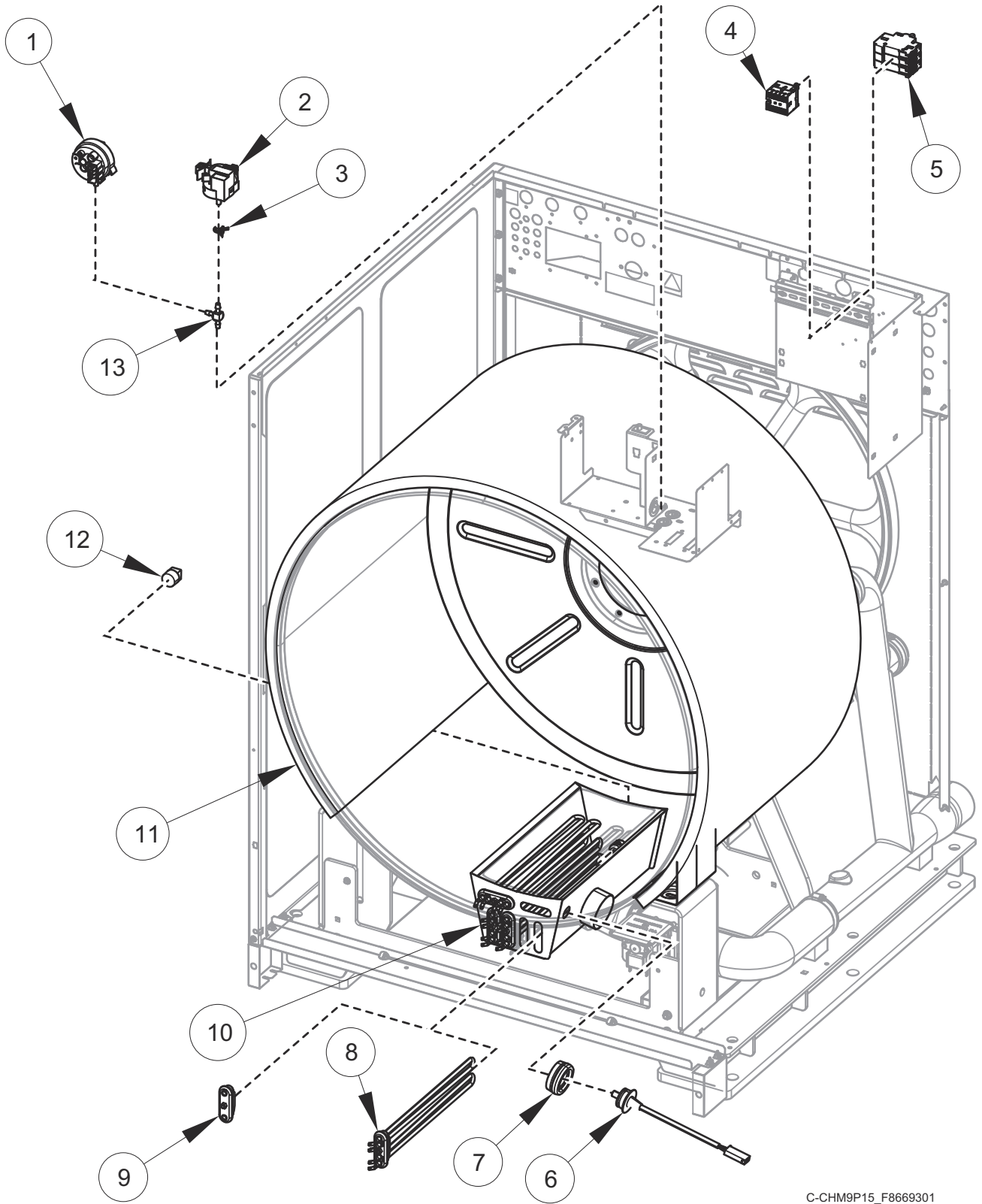


CHM3533P

Motor, Pulley and Belt

REF	PART NO.	DESCRIPTION	COMMENTS
	F8519005	Motor Harness	5 hp
	F8519010	Motor Harness	EMI filter
	F8748601	Spring Stud Kit	Used to replace F8351902 Eye Bolt and 44087201 Nut
1	44049002	Key	
2	F8381801	Sheave Pulley	
3	F8382819	Belt	80 pound models; Poly-V; 955J12
	70276205P	Belt	100 pound models
4	F8649401	Flanged Bushing	
5	44048902	Screw	
6	44079203	Screw	
7	M400077	Screw	
8	H8752006H	Key	
9	F8362601	Motor Pulley	80 pound models
	F8362602	Motor Pulley	100 pound models
10	M400013	Washer	
11	F8387601	Nut	
12	F8366601	Washer	
13	F8510001	Motor	5 hp
14	44087301	Nut	
15	F8319503	Eye Bolt	
16	F8542101	Drain Hose	
17	44087201	Nut	
18	F8402801	Bolt	
19	800461	Screw	
20	F8535202	Flanged Isolator	
21	F8333302	Flanged Bushing	
22	F8634701	Stud	
23	M405503	Bolt	
24	F8441805	Motor Bracket Weldment	
25	F8440701	Extension Spring	
26	F8342201	Motor Spring Bracket	

Electric Heating

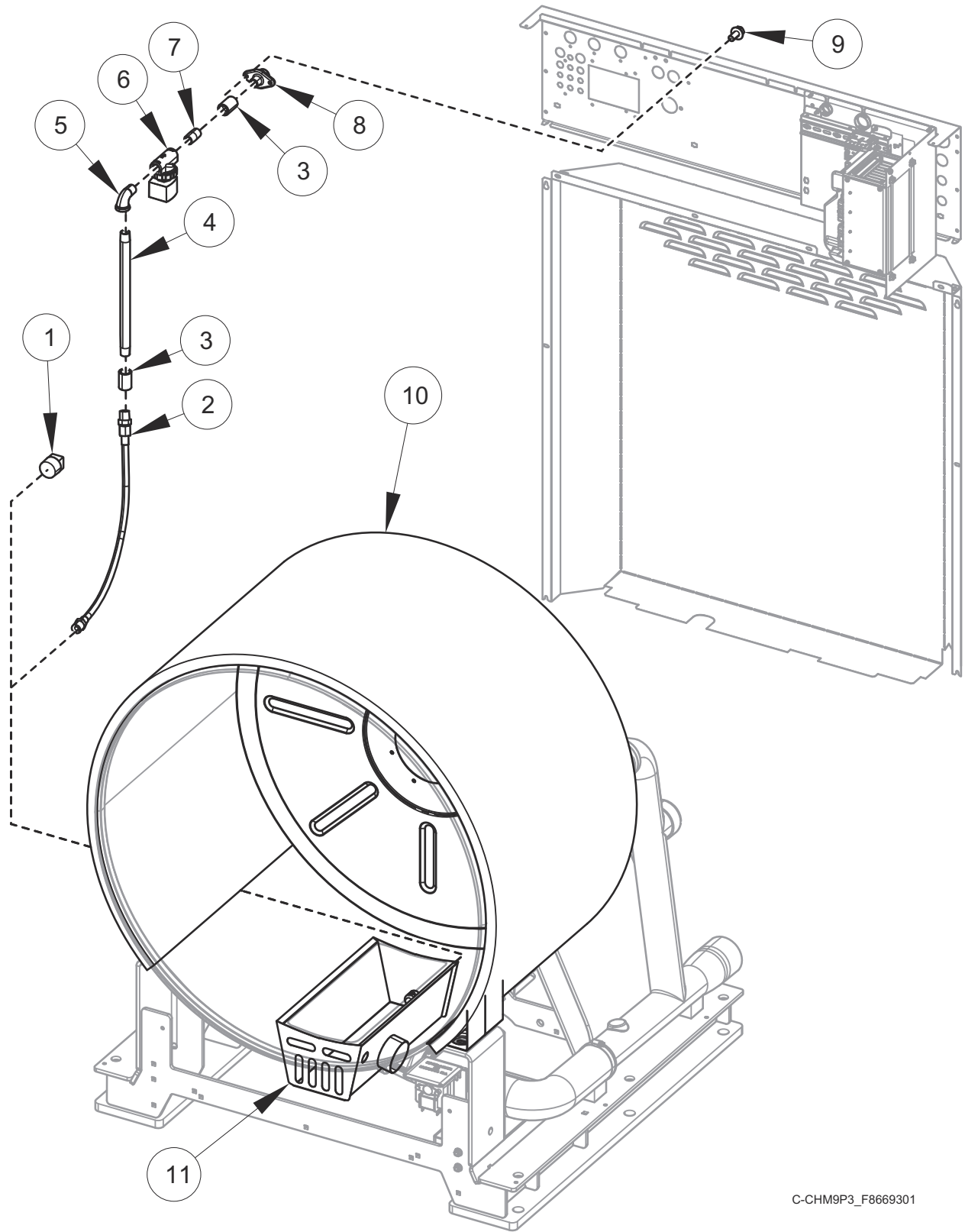


C-CHM9P15_F8669301

Electric Heating

REF	PART NO.	DESCRIPTION	COMMENTS
	F8584802	Electric Heat Element Harness	6 element and ground
	F8619101	Power Harness	
	F8528003	Harness	
	F8564004	Harness	N, P and Q voltage
	F8598302	Harness	Temperature
	F8568901	Jumper	N and P voltage
	F8583501	Jumper	N, P and Q voltage
1	F8609101	Water Level Pressure Switch	
2	39282	Hose Clamp	
3	F8623401	Pressure Sensor	
4	70482601	Contactora	
5	70488101	Circuit Breaker	
6	F8538801	Thermistor	
7	2251000400	Temperature Probe Grommet	
8	F8568301	Heating Element	4200W; 230 Volt
9	F360202	Heating Element Plug	
10	F8543802	Shell	80 pound models
	F8543902	Shell	100 pound models
11	F8209105	Shell Insulation	
12	F420408	Plug	
13	203464	Barbed Tee	

Steam Heating

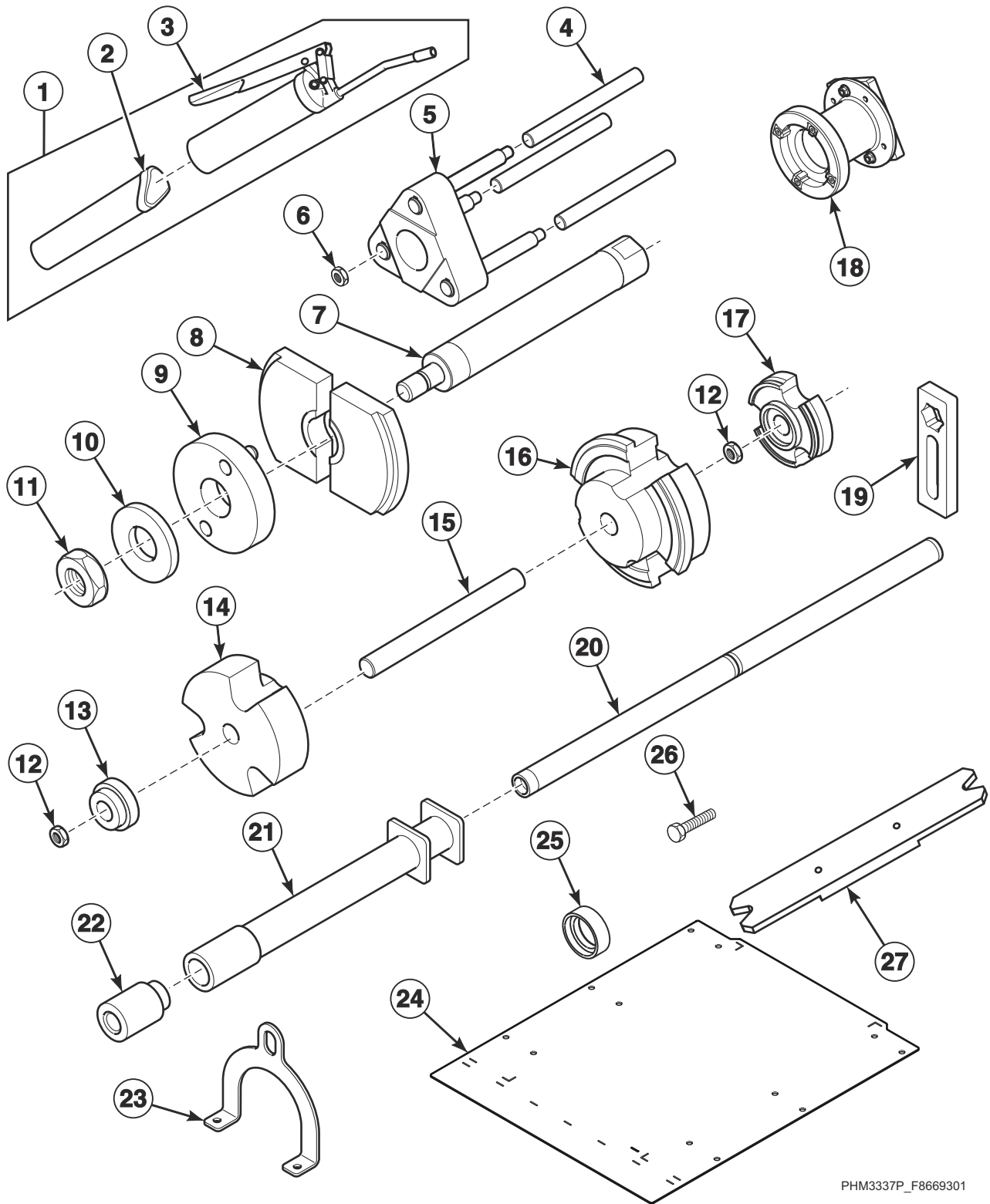


C-CHM9P3_F8669301

Steam Heating

REF	PART NO.	DESCRIPTION	COMMENTS
	F8662601	Steam Kit	Includes Items 1-9, 901403 Nipple, F270307 Steam Filter, F8520704 Harness, insulation and labels
	F270307	Steam Filter	1/2 inch
	F8520704	Harness	Steam valve
	F8564004	Harness	
	F8233702	Insulation	Steam pipe; 6 inches
	F8233704	Insulation	Steam pipe; 12 inches
	F8233708	Pipe Insulation	Steam pipe; 20 inches
	F410300	Pipe Insulation	Steam pipe; 36 inches
1	F420408	Plug	
2	F200197	Steam Hose	
3	F8116301	Coupling	
4	70214101	Pipe Nipple	
5	H86070034	Street Elbow	
6	F8322805	Valve	
	F8515001	Coil	
7	70435601	Pipe Nipple	
8	F8362701	Coupling	
9	70321501	Screw	
10	F8209105	Shell Insulation	
11	F8543802	Shell	80 pound models
	F8543902	Shell	100 pound models

Special Tools and Kits



PHM3337P_F8669301

Special Tools and Kits

REF	PART NO.	DESCRIPTION	COMMENTS
	1112P	Concrete Hardware Kit	
	203346	USB IR Interface Kit	
	F8599401	Bearing Seal Insertion and Removal Kit	Purchase; Includes items 4-21, 23, 25, 27, 70350503 Wing Nut and F8313702 Screw
	F8599401-1	Bearing Seal Insertion and Removal Kit	Rental; Includes items 4-21, 23, 25, 27, 70350503 Wing Nut and F8313702 Screw
1	F798700	Grease Gun Kit	Includes items 2 and 3
2	F210206P	Bearing Grease	
3	F210207P	Grease Gun	
4	F8599201	Rod	
5	F8560501	Shaft Support Assembly	
6	F8459101	Nut	
7	F8450401	Bearing Removal Shaft Assembly	
8	F8450601	Bearing Removal Plate	
9	F8455601	Bearing Removal Washer Assembly	
10	F8456101	Washer	
11	F8455801	Nut	
12	F8457701	Nut	
13	F8455701	Bearing Removal Plug	
14	F8515101	Bearing Seal Fixture	
15	F8452101	Threaded Rod	
16	F8515301	Seal Press Fixture	
17	F8515201	Bearing Seal Fixture	Rear
18	F8530201	Bearing Sleeve Assembly	
19	F8562801	One Sided Disassembly Fixture	
20	F8534101	Guide Rod Assembly	
21	F8490701	Hammer	
22	F8514401	Hammer Tool Adapter	
23	F8451501	Bearing Housing Lifting Fixture	
24	F8413101	Frame Template	
25	F8537502	Excluder Seal Fixture	
26	M400063	Screw	
27	F8634801	Clamp	

Parts Index

A

Access Cover F8047801	65
Access Panel F8552702	33, 35, 37, 39, 41, 43
Access Panel Retaining Spacer F8609701	33, 35, 37, 39, 41, 43
Air Coupling F422114	33, 35, 37, 39, 41, 43
App Pay Overlay Kit 44374701	9, 11, 13, 17, 19, 21
Auxiliary Fill Hose F8598801	65

B

Barbed Tee 203464	9, 11, 13, 69
Basket F8516901	57
F8516902	57
F8516904	57
F8517002	57
F8517004	57
Basket Assembly F8516903	57
F8517001	57
F8517003	57
Basket Capacity Label F8699708	39
F8699710	39
Bearing F8280504	57, 61
F8375401	61
Bearing Grease F210206P	73
Bearing Housing F8465001	61
Bearing Housing Assembly F8474601	61
F8474602	61
Bearing Housing Lifting Fixture F8451501	73
Bearing Removal Plate F8450601	73
Bearing Removal Plug F8455701	73
Bearing Removal Shaft Assembly F8450401	73
Bearing Removal Washer Assembly F8455601	73
Bearing Seal Fixture F8515101	73
F8515201	73
Bearing Seal Insertion and Removal Kit F8599401	73
F8599401-1	73

Bearing Sleeve Assembly F8530201	73
Bearings and Seals Kit F8503701	61
F8503801	61
Belt F8382819	67
70276205P	67
Bolt F430974	49, 51, 53
F8270701	55
F8402801	67
F8508101	49, 51, 53
M405503	67

C

Cabinet Brace F8556901	45
F8556902	45
Card Plate Assembly F8201501	11
Central Pay Harness 44342801	11, 13
Central Pay Kit F8673202	11, 13
F8673204	11, 13
Chemical Injection Control 804528	29
Circuit Breaker 70488101	25, 27, 69
Clamp F8634801	73
Clip F8566801	65
Coil F8515001	71
Coin Drawer Assembly F8182001	23
Coin Drop 38963P	17
39748	17
70441601P	17
70441603	19
Coin Drop Assembly 201141	17
210195	19
210196	19
38462P	17
38463	17
38464P	17
38467	19
38475	17
38519	19
70281102	19
70283102	19
70441602	19
70447301	19
70471601	17
70482401	19
70506901	17

N/A items do not appear in index.

Coin Drop Kit	
CK077	17
CK122	21
CK503	19
Coin Identification Paper	
38725	17, 19, 21
Coin Meter	
F0160737-00	19
Coin Vault Assembly	
F8529101	9
Coin Vault Bypass Harness	
F8519702	11, 13
Coin Vault Harness	
F8519701	9
Concrete Hardware Kit	
1112P	73
Connector	
F8555406	11, 13
J1408004	61
70493102	29
Contactora	
F330188P	69
70482601	25, 27
70482701	25, 27
Contactora Tray	
F8530901	25, 27
Control Assembly	
F8493901P	9, 11, 13
Control Panel Assembly	
F8552601	33, 37
F8552604	41
F8697501	35, 39
F8697502	43
Control Tray	
F8530701	15
Coupling	
F8116301	71
F8362701	71

D

Danger Label	
F8614501	7
DIN Rail	
B12315401	25, 27
M412689	25, 27
Dispenser	
F8047403	65
Dispenser Bracket	
F8525701	45
Dispenser Cover	
F8563201	65
F8563202	65
F8563203	65
F8563204	65
Dispenser Gasket	
B12568601	65
Dispenser Weldment	
F8437902	65
Door	
F8505001	49, 51
F8508801	49, 51
F8687102	53
F8687105	53

Door Assembly	
F8505101	49, 51
F8505102	49, 51
F8505104	49, 51
F8505105	49, 51
F8505111	49, 51
F8505112	49, 51
F8698701	53
F8698702	53
F8698703	53
F8698704	53
F8698705	53
F8698706	53
Door Bezel	
F170419-3	33, 35, 41, 43
F8659301	37, 39, 41, 43
Door Gasket	
F8440801P	49, 51
F8636501	53
Door Glass	
F8342001	49, 51
F8342002	49, 51
535439P	53
Door Glass Gasket	
F8499904	49, 51
Door Glass Retainer	
F8504902	49, 51
F8504903	49, 51
Door Glass Trim	
F8583207	53
Door Handle	
F8199401P	49
F8544701	49, 51, 53
F8624603	51, 53
Door Handle Spacer Kit	
F8567501	49, 51, 53
Door Hinge	
F190216P	49, 51, 53
Door Hinge Shim Kit	
F200131000P	49, 51, 53
Door Latch Arm Assembly	
F8221403	49, 51, 53
Door Lock Assembly	
F8632401	55
Door Lock Catch	
F8344501	55
Door Lock Cover	
F8245001	55
Door Lock Harness	
F8520202	55
Door Lock Microswitch	
F200203200	55
Door Lock Plate Assembly	
F8223202	55
Door Lock Plate Shim	
F83344401	55
Door Lock Solenoid Replacement Kit	
F977P3	55
Door Lock Switch Lever	
F8223401	55
Door Mount	
F150271	49, 51, 53
Double Check Valve	
F8301201	65

N/A items do not appear in index.

Dowel Pin	
F8406502	61
Drain Hose	
F200165100	63
F8542001	63
F8542101	67
F8542201	63
Drain Valve	
F8406308	63
Drain Valve Bracket	
F8543601	63
Drain Valve Cover	
F200133600	63
Drain Valve Harness	
F8520002	63
Drain Valve Kit	
F200166302	63
F200166402	63
F8577201	63
Drive Assembly	
F8496601	31
F8496901	31
Drive Communication Harness	
F8519201	31
F8519202	31
F8519203	31
F8519204	31
Drive Mounting Bracket	
F8322401	31
Drive Panel Base Assembly	
F8567001	25
F8567003	27
F8567004	25, 27
Drive Power Harness	
F8518603	31
Drive Terminal Tray	
F8530803	25, 27

E

Electric Heat Element Harness	
F8584802	69
Electronic Coin Drop Assembly	
70294107	21
70513302	21
70513303	21
70513304	21
70513306	21
70513309	21
70513310	21
70513311	21
70513312	21
70513313	21
70513314	21
70513315	21
70513316	21
Electronic Coin Drop Kit	
CK099	21
CK100	21
CK101	21
CK108	21
CK109	21
CK110	21
CK113	21
CK115	21

CK116	21
CK117	21
CK118	21
CK119	21
CK120	21
CK121	21
CK500	21
Emergency Stop Bypass Harness	
F8519403	11, 13
F8549403	9
EMI Filter	
F8591801	25, 27
F8637501	25, 27
End Stop	
F8449801	25, 27
Excluder Seal	
F8337101	57
F8527701	57
Excluder Seal Fixture	
F8537502	73
Expansion Clip	
70030501	15, 25, 27, 31, 33, 35, 37, 39, 41, 43, 45, 47, 55, 61
Extension Spring	
F8440701	67
External Supply Kit	
F8662504	29
F8662508	29
Eye Bolt	
F8319503	67

F

False Side Panel	
F8557401	61
F8557402	61
Fill Cover	
F8586301	45
Fill Hose Kit	
F8544601	65
Fill Valve Harness	
F8520102	65
Filter Kit	
F8662807	27
F8662808	25
F8662813	25
F8662814	27
Flanged Bushing	
F8649401	67
Flanged Isolator	
F8333302	67
F8535202	67
Fob Communication Harness	
F8719301	13
Fob Reader Control Assembly	
205135	13
Frame Shield	
F8509501	61
Frame Shield Extension	
F8577901	61
F8577902	61
Frame Template	
F8413101	73

N/A items do not appear in index.

Front Panel	
F8552801	33, 37
F8552802	41
F8686301	35, 39
F8686302	43
Front Tray Assembly	
F8531001	9, 11, 13
F8567303	9
F8567306	9
F8567309	11, 13
F8567312	11, 13

G

Gasket	
F8542601	45
Gateway	
205223P	15
205391P	15
Glass	
F290210P	49, 51
Grease Fitting	
F190701	33, 35, 37, 39, 41, 43
Grease Gun	
F210207P	73
Grease Gun Kit	
F798700	73
Ground Lug Connector	
M411283	25, 27
Guide Rod Assembly	
F8534101	73

H

Hammer	
F8490701	73
Hammer Tool Adapter	
F8514401	73
Harness	
F8518401	25
F8518403	25, 27
F8518404	25
F8518501	27
F8518503	27
F8518504	27
F8518606	25, 27
F8519301	9, 11, 13
F8519502	9, 11, 13
F8519601	9, 11, 13
F8520602	29
F8520704	71
F8528001	25, 27
F8528003	25, 27
F8528005	25, 27
F8528204	29
F8564001	69
F8564004	69, 71
F8598302	69
F8619102	25, 27
Heating Element	
F8568301	69
Heating Element Plug	
F360202	69

Hole Plug	
F8223801	45
Hose	
F8232012	65
F8245713	33, 35, 37, 39, 41, 43
Hose Clamp	
F200201	63, 65
F200213	65
36801	65
36802	63
39282	9, 11, 13, 69
Hose Fitting	
44069101	65
Hot Surface Warning Label	
F8609001	7
F8614301	7

I

Input and Output Control Assembly	
F8494101P	15
Insertion Sleeve	
F8464901	57
Instruction Label	
F8698801	39
F8698901	39
Insulation	
F8233702	71
F8233704	71
Insulator	
M413862	25, 27

J

Jumper	
F8568901	69
F8583501	25, 27, 69

K

Key	
F160420	23
H8752006H	67
44049002	67
70155603	45

L

Label	
D516100	25, 27
F8601301	7
F8602401	7
F8609401	7
F8611301	7
F8611401	7
F8613501	33, 35, 37, 39, 41, 43
F8614801	7
F8620801	7
203853	7
44286803	25, 27

N/A items do not appear in index.

M

Machine ID Control Assembly 203361P	9, 11, 13
Magnet F8390801	49, 51, 53
Manifold Valve F8529701	65
F8529702P	65
Mixing Valve 70519801	65
70519802	65
Molded Drain F8386807	63
Motor F8510001	67
Motor Bracket Weldment F8441805	67
Motor Harness F8519005	67
F8519010	67
Motor Pulley F8362601	67
F8362602	67
Motor Spring Bracket F8342201	67
Mounting Plate 70208801	11, 13

N

Nameplate F8688901	39
Nut C001236	49, 51, 53
F0431807-00	65
F430215	21, 49, 51, 53
F430218	57, 59
F430232	49, 51, 53, 55
F430248	61
F431024	55
F431041	49, 51, 53
F8387601	67
F8455801	73
F8457701	73
F8459101	73
F8549401	49, 51
44087201	61, 63, 67
44087301	67
44088001	25, 27
44088801	45
685846	9, 11, 13, 17, 19
70030401	47, 63
70054	13

O

One Sided Disassembly Fixture F8562801	73
Opto Coupler 200674P	17, 19

O-Ring F8569101	65
Overflow Hose F0150488-00	63
Overlay F8591401	33, 35
F8591402	35
F8591403	43
F8591501	35
F8591502	35
F8591503	43
F8594301	33, 35
F8594302	33, 35
F8594303	41, 43
F8594401	33, 35
F8594402	33, 35
F8594403	41, 43
F8594901	33, 35
F8594902	33, 35
F8594903	41, 43
F8595001	33, 35
F8595002	33, 35
F8595003	41, 43
F8612501	33
F8612502	33
F8612601	33
F8612602	33
F8656801	37, 39
F8656802	37, 39
F8656803	41, 43
F8656804	41, 43
F8656805	37, 39
F8656901	37, 39
F8656902	37, 39
F8656903	43
F8656904	43
F8656905	37, 39
F8657401	37
F8657402	37
F8657501	37
F8657502	37
F8692103	43
F8692601	35
F8692602	35
F8692603	43
F8693101	35
F8693102	35
F8693103	43
F8693601	35
F8693602	35
F8693603	43
F8695601	39
F8695602	39
F8695604	43
F8695605	39
F8696301	43
F8696302	43
F8734201	13
F8736501	13
70556501	41
70556502	41
70556601	37
70556801	37
70557001	41
70557002	41
70646001	43
70646002	43

N/A items do not appear in index.

P

Panel Locator	
56079	33, 35, 37, 39, 41, 43, 47
Panel Lock	
44089303P	45
Payment Center Kit	
205067	11
205068	11
205069	11, 13
205070	11, 13
Pin	
F8302701	57
F8502101	47
Pinch Warning Label	
F8615701	7
70538401	7
Pipe Insulation	
F410300	71
F8233708	71
Pipe Nipple	
70214101	71
70435601	71
Plug	
F0150502-00	63
F420408	69, 71
F8223901	45
M400985	45
M403052	61
Pop Rivet	
F431215	33, 35, 37, 39, 41, 43, 45
F431223	49, 51, 53
M400003	15, 25, 27
685847	45
70058501	9, 17, 19, 25, 27, 65
70412601	33, 35, 37, 39, 41, 43
Power Distribution Block	
M413865	25, 27
Power Distribution Block Cover	
44014901P	25, 27
Power Harness	
F8619101	25, 27, 69
Pressure Cap	
F8579301	63
Pressure Sensor	
F8623401	9, 11, 13, 69
P-Trap Hose	
F8529605	65
Pulse Expander Assembly	
F8034701P	21
Pushbutton Switch	
70413301	45

R

Radial Lip Seal	
F8528501	61
Radial Seal	
F8203807	61
F8203808	61
Rear Panel	
F8555301	45

Rear Vent Hose	
F8616405	65
Reed Switch Assembly	
F8066804	55
Rivet	
M412763	33, 35, 37, 39, 41, 43, 47
70412601	45
Rod	
F602813-2	49, 51, 53
F8599201	73

S

Screw	
D503688	31
F430532	49, 51, 53
F430536	49, 51, 53
F430900	59
F8117601	33, 35, 37, 39, 41, 43, 47, 55
F8206901	15, 25, 27, 45, 61
F8230301	65
F8313701	61
F8442702	59
F8535501	49, 51, 53
F8535502	33, 35, 37, 39
F8535601	65
F8589501	33, 35, 37, 39, 41, 43
F8673701	57
M400063	73
M400077	67
202175	47, 63
33562	45
39733	25, 27
403497	29
430497	15
44048902	67
44079203	67
51783	25, 27
685837	25, 27
70321501	71
800461	67
800548	65
Seal	
F8379301	57
Seal Press Fixture	
F8515301	73
Seal Scupper Pad	
F8452701	61
Seal Sleeve	
F8343911	57
Seal Wear Plate	
F8550101	59
Shaft Support Assembly	
F8560501	73
Sheave Pulley	
F8381801	67
Shell	
F8543802	59, 69, 71
F8543803	59
F8543902	59, 69, 71
F8543903	59
Shell Band Kit	
F8537808	57
Shell Front	
F8222701	57

N/A items do not appear in index.

Shell Front Assembly F8229801	57
Shell Insulation F8209105	69, 71
Shock Warning Label F8614201	7
Side Panel F8553001	47
F8553002	47
F8553101	47
F8553102	47
Siphon Cover F8047901	65
Sleeve Adapter F8382501	57
Snap Bushing F140938	9, 11, 13, 25, 27, 29
M402542	9, 11, 13
M411826	9, 11, 13
70346501	25, 27
Spacer F431901	55
Spring Pin F431222	49, 51, 53
Spring Stud Kit F8748601	67
Steam Filter F270307	71
Steam Hose F200197	71
Steam Kit F8662601	71
Street Elbow H86070034	71
Stud F8634701	67
70334702	61, 63
Supply Vacuum Hose F8529405	65
F8529406	65

T

Temperature Probe Grommet 2251000400	59, 69
Terminal 00622SG	15, 25, 27
Terminal Block 430642	25, 27
Terminal Block Shield 70333001	25, 27
Terminal Tray Cover F8518301	45
Thermistor F8538801	59, 69
Threaded Rod F8452101	73
Top Cover F8553301	45
F8553302	45
Top Cover Hinge F8258601	45

Top Cover Latch F8201001	33, 35, 37, 39, 41, 43
Torsion/Door Lock Spring F8070301	55
Transformer F8491101	15
202758	15
Tubing F8405302	9, 11, 13
F8405303	9, 11, 13

U

USB IR Interface Kit 203346	73
--------------------------------------	----

V

Vacuum Breaker Assembly F8517501	65
F8517502	65
F8517503	65
F8517504	65
Vacuum Breaker Guard F8589601	65
Valve F8322805	71
F8565201	65
F8565202	65
Valve Panel F8553401	45

W

Warning Label F8611601	7
44324001	7
Washer F431133	49, 51, 53
F431147	49, 51, 53
F431916	49, 51, 53
F431929	49, 51, 53
F8171201	61
F8193101	55
F8201101	33, 35, 37, 39, 41, 43
F8366601	67
F8402701	59
F8456101	73
M400013	67
M400080	57, 61
M400081	59
M405535	47
70292801	33, 35, 37, 39, 41, 43
804501	45
Water Hose F200164	65
F200166	65
Water Level Pressure Switch F8609101	9, 11, 13, 69
Water Reuse Hose C000412	63

N/A items do not appear in index.

Wire Clip	
F8449501	9, 11, 13, 15
70347601	15
70366201	9, 11, 13
Wire Label	
44286804	25
Wireless Harness	
F8520404	15
F8674004	15
Wireless Kit	
F8662402	15
F8676101	15
Wireless Network Control Assembly	
203532	15
807211	15

Y

Y-Connector	
223/00243/00	65
