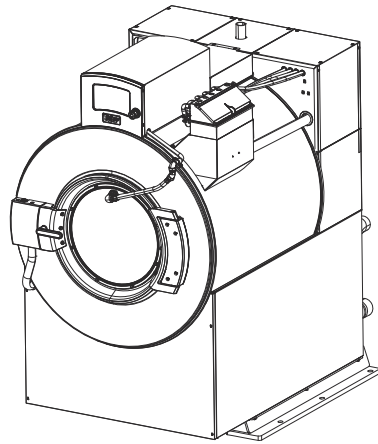


Washer-Extractor

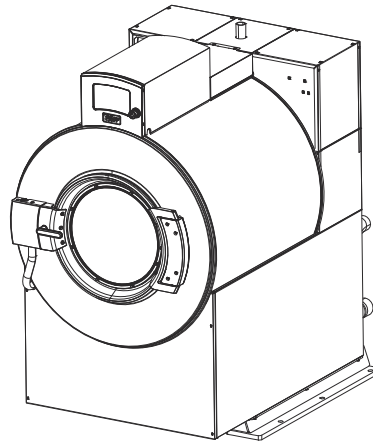
Pocket Hardmount

Refer to Page 3 for Model Numbers



C-PHM2P18

UniLinc Models



C-PHM2P19

M30 Models

PHM1432C_F8672401

Table of Contents

Title	Page
Parts Ordering Information.....	2
Serial Plate Location	2
Model Identification	3
Pocket Hardmount Washer-Extractor Product Overview	4
Labels	6
Control Module - Models with D3, D4, N1, and N2 in the 7th and 8th Positions.....	8
Control Module - Models with V3 and V4 in the 7th and 8th Positions	10
Inverter Drive Box (Drawing 1 of 2).....	12
Inverter Drive Box (Drawing 2 of 2).....	14
Vibration Switch and Temperature Probe	16
Panels	18
Front Bulkhead, Drive Box and Water Supply Box Panels	20
Front Bulkhead, Drive Box and Water Supply Box Trim	22
Rear Bulkhead	24
Spray Tube Assembly	26
Door	28
Door Lock.....	30
Shell Front and Basket.....	32
Shell Frame and Seal	34
Supply Dispenser	36
Chemical Injection.....	38
Water Supply Valve and Hoses to Supply Dispenser	40
Fill Plumbing Assembly	42
Spray Plumbing Assembly	44
Drain Plumbing	46
Motor and Pulley	48
Bearing Housing	50
Electric Heat Option	52
Steam Heat Option	54
Special Tools and Kits	56
Parts Index.....	59

© Copyright 2023, Alliance Laundry Systems LLC

All rights reserved. No part of the contents of this book may be reproduced or transmitted in any form or by any means without the expressed written consent of the publisher.

Parts Ordering Information

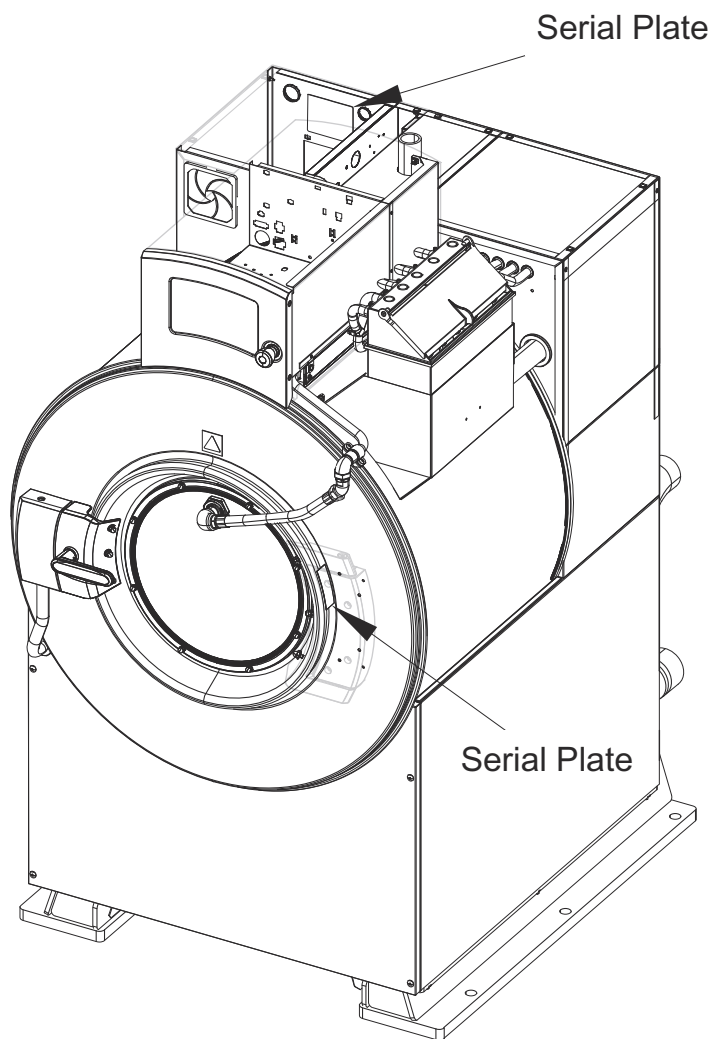
If literature or replacement parts are required, contact the source from whom the machine was purchased or contact Alliance Laundry Systems at (920) 748-3950 for the name and address of the nearest authorized parts distributor.

For technical assistance, call the number listed below:

(920) 748-3121 Ripon, Wisconsin

Serial Plate Location

When calling or writing about your product, be sure to mention model and serial numbers. Model and serial numbers are located on serial plate(s) as shown.



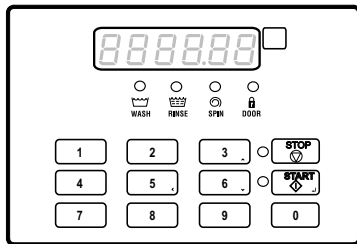
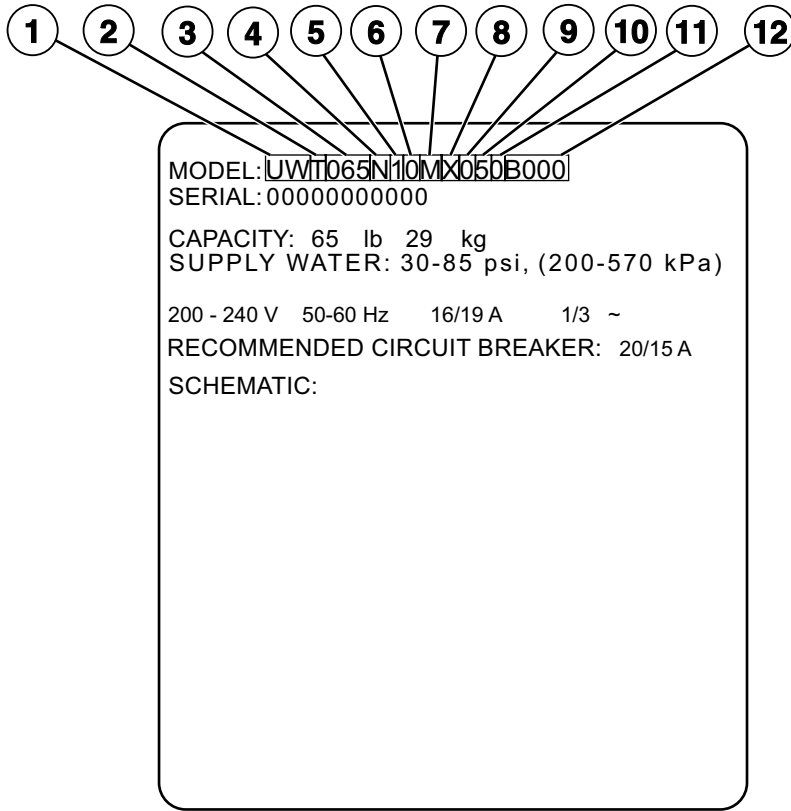
C-PHM2C2_F8672401

Model Identification

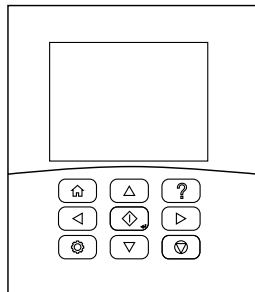
Information in this manual is applicable to these washer-extractor models:

UWG085D3	UWK085D3
UWG085D4	UWK085D4
UWG085N1	UWK085N1
UWG085N2	UWK085N2
UWG105D3	UWK085V3
UWG105D4	UWK085V4
UWG105N1	UWK105D3
UWG105N2	UWK105D4
UWH085D3	UWK105N1
UWH085D4	UWK105N2
UWH085N1	UWK105V3
UWH085N2	UWK105V4
UWH105D3	UWT085D3
UWH105D4	UWT085D4
UWH105N1	UWT085N1
UWH105N2	UWT085N2
UWJ085D3	UWT085V3
UWJ085D4	UWT085V4
UWJ085N1	UWT105D3
UWJ085N2	UWT105D4
UWJ085V3	UWT105N1
UWJ085V4	UWT105N2
UWJ105D3	UWT105V3
UWJ105D4	UWT105V4
UWJ105N1	UWU085D3
UWJ105N2	UWU085D4
UWJ105V3	UWU085N1
UWJ105V4	UWU085N2
	UWU085V3
	UWU085V4
	UWU105D3
	UWU105D4
	UWU105N1
	UWU105N2
	UWU105V3
	UWU105V4

Pocket Hardmount Washer-Extractor Product Overview



M30 Control



UniLinc Control



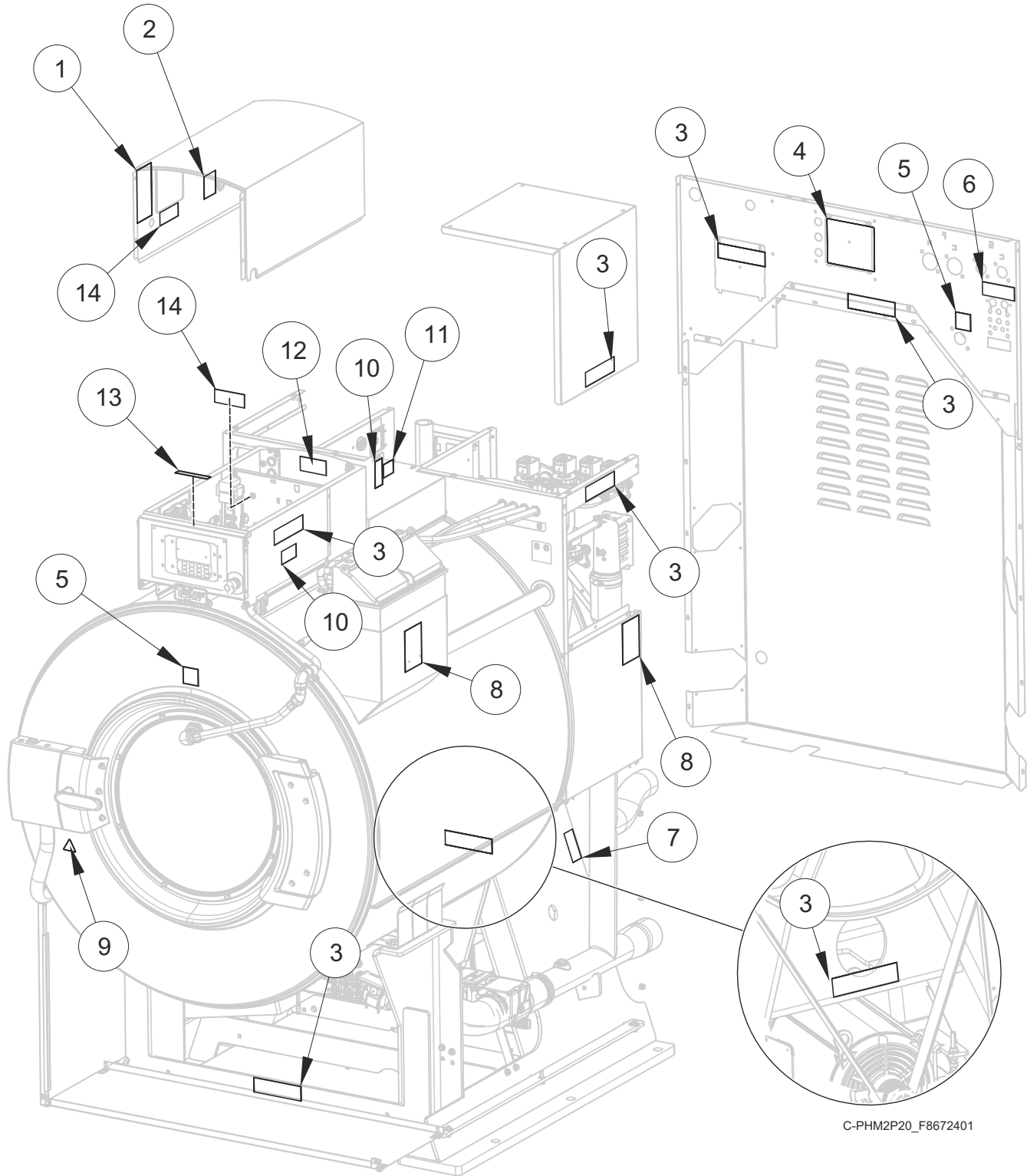
UniLinc Touch Control

PHM3341P

Pocket Hardmount Washer-Extractor Product Overview

REF	PART NO.	DESCRIPTION	COMMENTS
1	-	Product Family	UW
2	-	Market Approvals	G (UL International) H (China-ROHS) J (Japan) K (Korea) T (UL North America) U (CE/EAC)
3	-	Capacity (Dry Weight in Pounds)	045 065 085 105 130 160 200
4	-	Control	N (M30 Control) D (UniLinc Control) V (UniLinc Touch Control)
5	-	Spray/Dispenser Feature	1 (No spray but with dispenser) 2 (No spray or dispenser) 3 (With spray and dispenser) 4 (With spray but no dispenser)
6	-	Open Digit	0 (Standard)
7	-	Speed	L (Low-Speed - 100G) M (Medium-Speed - 200G) V (Variable-Speed - 300G or 400G)
8	-	Voltage	X (200-240/50-60/1/3) Q (200-240/50-60/3) P (380-415/50/60/3) N (440-480/50/60/3)
9	-	Open Digit	0 (Standard)
10	-	Design Series	5
11	-	Heat Feature	0 (Standard/prep for steam heat) D (Direct steam) E (Electric heat) T (Electric and steam heat)
12	-	Features and Options	

Labels

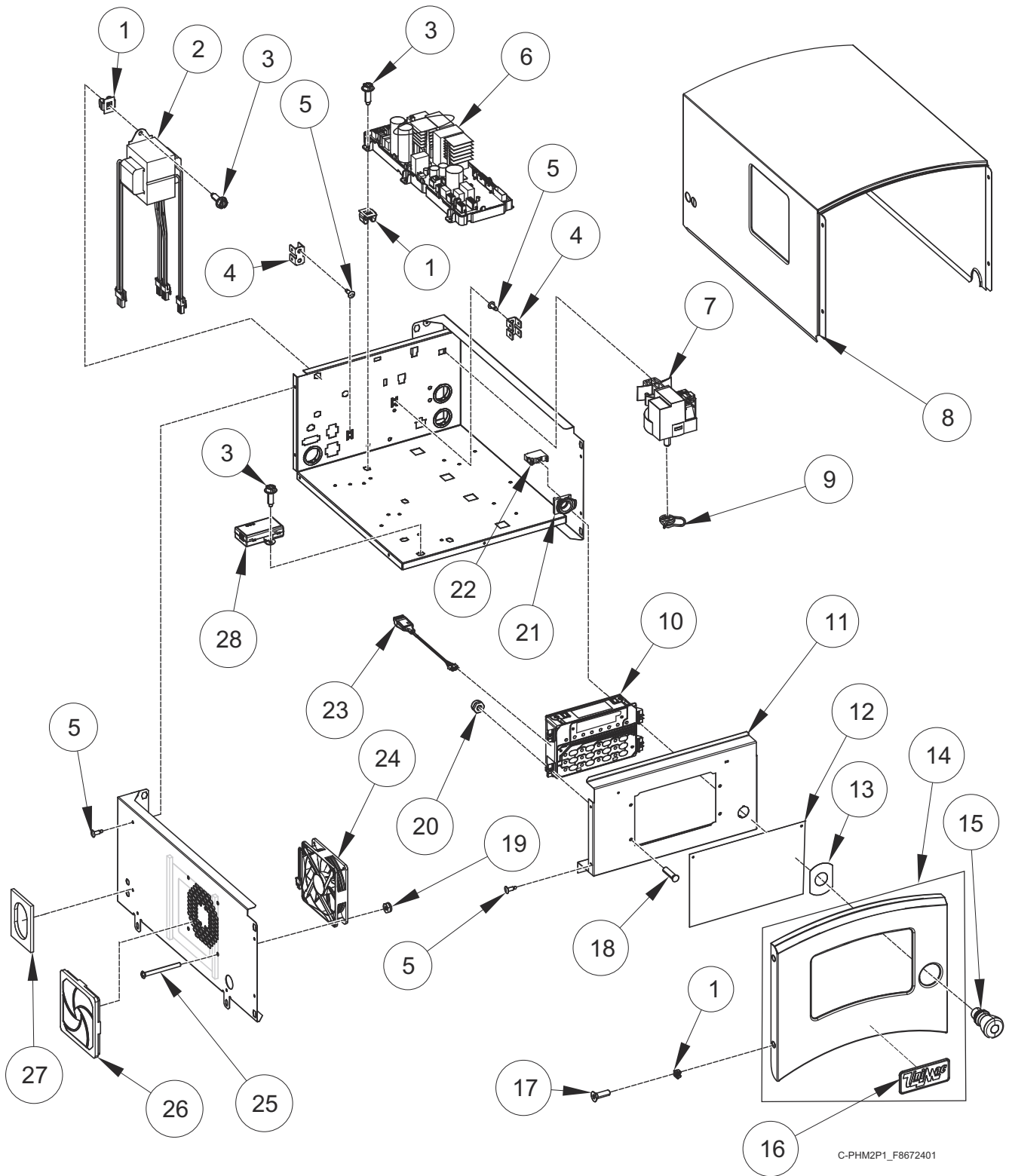


C-PHM2P20_F8672401

Labels

REF	PART NO.	DESCRIPTION	COMMENTS
1	F8614801	Label	Warning fire/injury; English/Quebec/French
2	F8613701	Label	Notice grease instruction; English/Quebec/French
3	44324001	Warning Label	
	F8614201	Shock Warning Label	Icon
	F8615701	Pinch Warning Label	Icon
4	F8611601	Warning Label	Warning; English/Quebec/French
5	F8614301	Hot Surface Warning Label	English/Quebec/French
	F8609001	Hot Surface Warning Label	Icon
6	F8609801	Label	Notice drill ports; English/Quebec/French
7	70538401	Pinch Warning Label	English/French
	F8615701	Pinch Warning Label	Icon
8	F8615901	Label	Warning chemical; English/Quebec/French
9	F8614201	Shock Warning Label	Icon
10	F8601301	Label	Warning underground components
11	F8620801	Label	Warning current leakage
12	F8614401	Shock Warning Label	English/French
	F8614201	Shock Warning Label	Icon
13	F8614501	Danger Label	English/Quebec/French
14	F8614601	Label	Warning; Notice clean filter; English/Quebec/French

Control Module - Models with D3, D4, N1, and N2 in the 7th and 8th Positions

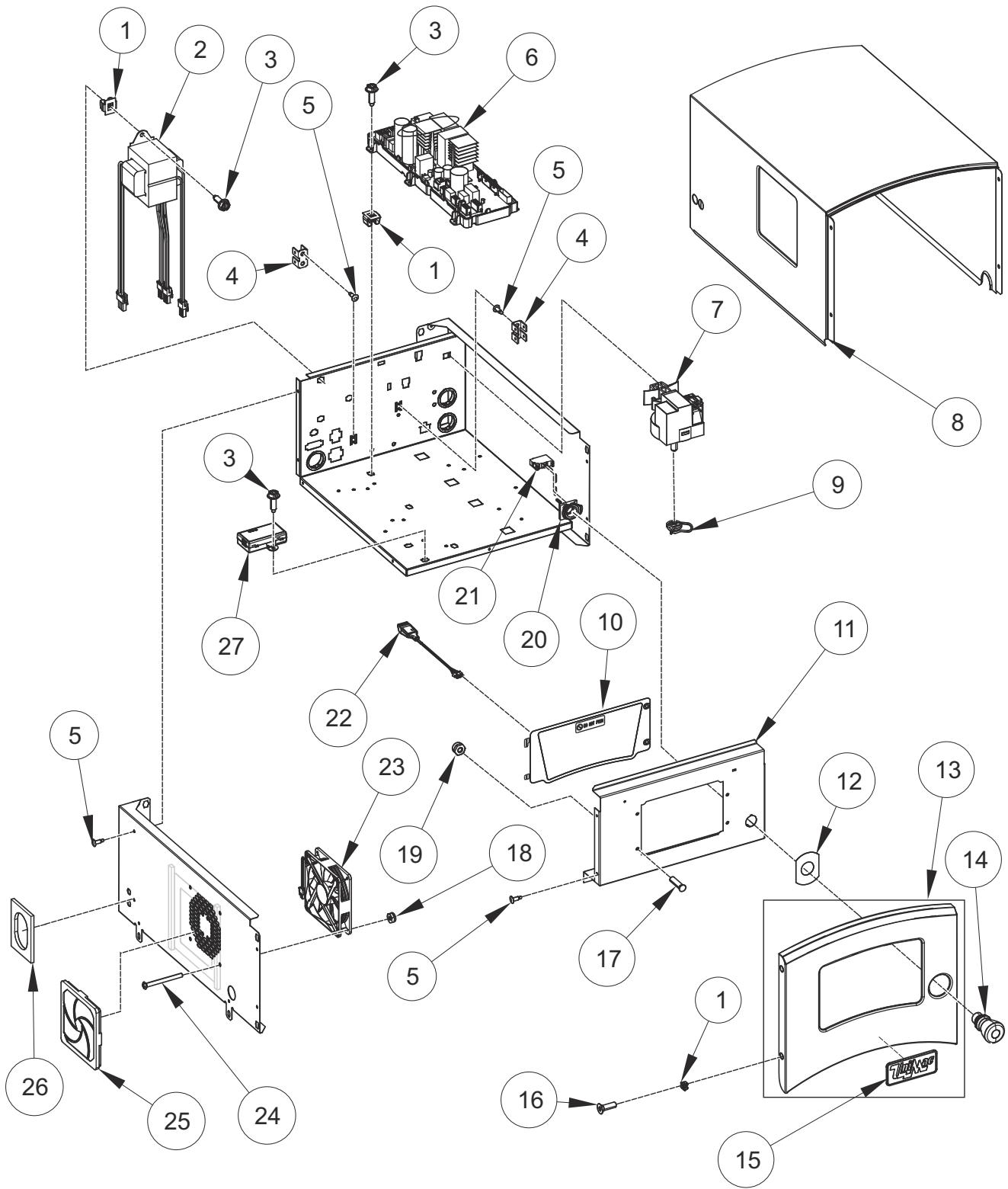


Control Module - Models with D3, D4, N1, and N2 in the 7th and 8th Positions

REF	PART NO.	DESCRIPTION	COMMENTS
	F8519404	E-Stop Harness	
	F8585001	Ethernet Cable	
	F8566502	Module Box Fan/Jog Harness	
	F8566201	Module Box Power Harness	
	F8520407	Wireless Harness	
	F8519503	Installation/Operation Communication Harness	
	F8555505	Module Box Assembly	Models with D3 and D4 in the 7th and 8th positions; Includes items 1-7, 9-11, 13, 15, 18, 20-26, 28, F190701 Grease Fitting, F422114 Connector, box panels, hardware and harnesses
	F8555506	Module Box Assembly	Models with N1 and N2 in the 7th and 8th positions; Includes items 1-7, 9-11, 13, 15, 18, 20-26, 28, F190701 Grease Fitting, F422114 Connector, box panels, hardware and harnesses
	F8598303	Harness	Thermistor
	F8566301	Harness	24VAC; Configuration Harness
	F8617901	Harness	USB Interface
1	70030501	Expansion Clip	
2	202758	Transformer	220/24V
3	F8206901	Screw	
4	00622SG	Terminal	Male
5	M400003	Pop Rivet	
6	F8494101P	Input and Output Control Assembly	
7	F8623401	Pressure Sensor	
8	F8412504	Module Box Top	
9	39282	Hose Clamp	
10	F8493902	Control Assembly	Models with N1 and N2 in the 7th and 8th positions; Refer to NOTE
	F8616203	Control Assembly	Models with D3 and D4 in the 7th and 8th positions; Refer to NOTE
11	F8555703	Control Plate	Models with N1 and N2 in the 7th and 8th positions
	F8555701	Control Plate	Models with D3 and D4 in the 7th and 8th positions
12	F8612901	Control Decal	Models with N1 and N2 in the 7th and 8th positions
	F8665501	Control Decal	Models with D3 and D4 in the 7th and 8th positions
13	44012902	Emergency Stop Label	
14	F8664202	Module Box Front Panel Assembly	Includes F8410305 Module Box Front Panel and F8443105 Nameplate
15	F200233500	Emergency Stop Pushbutton	
16	F8443105	Nameplate	
17	F8413701	Screw	
18	F8590801	Stud	
19	F430231	Nut	
20	685846	Nut	
21	F8538101	Contact Base	
22	F8069501	Contact Switch	
23	203361P	Machine ID Control Assembly	Refer to NOTE
24	F8623601	Fan	
25	F8151201	Screw	
26	F8578501	Filter Retainer Guard	
27	F8617601	Seal Pad	
28	203440	USB-Serial Interface Assembly	

NOTE: Service Application 7-16-434, available in related literature on Parts Connection, must be run when replacing F8493902 Control Assembly, F8616203 Control Assembly, or 203361P Machine ID Control Assembly.

Control Module - Models with V3 and V4 in the 7th and 8th Positions



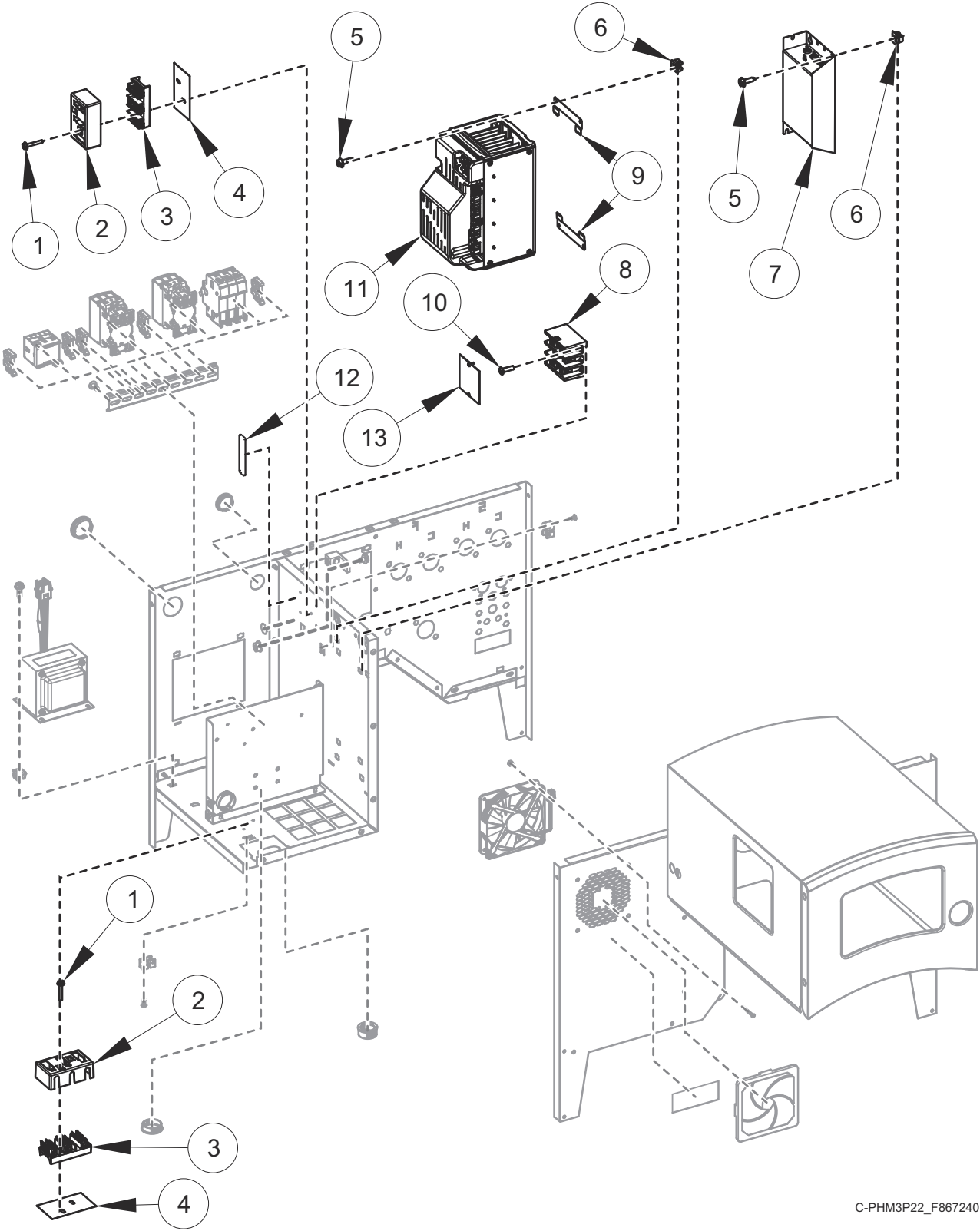
PHM3342P

Control Module - Models with V3 and V4 in the 7th and 8th Positions

REF	PART NO.	DESCRIPTION	COMMENTS
	F8519404	E-Stop Harness	
	F8585001	Ethernet Cable	
	F8566502	Module Box Fan/Jog Harness	
	F8566203	Module Box Power Harness	
	F8520407	Wireless Harness	
	F8519503	Installation/Operation Communication Harness	
	F8598303	Harness	Thermistor
	F8566301	Harness	24VAC; Configuration Harness
	F8617901	Harness	USB Interface
1	70030501	Expansion Clip	
2	202758	Transformer	220/24V
3	F8206901	Screw	
4	00622SG	Terminal	Male
5	M400003	Pop Rivet	
6	F8494101P	Input and Output Control Assembly	
7	F8623401	Pressure Sensor	
8	F8412504	Module Box Top	
9	39282	Hose Clamp	
10	F8746104	Control Assembly	Refer to NOTE
11	F8555704	Control Plate	
	F8555701	Control Plate	
12	44012902	Emergency Stop Label	
13	F8664205	Module Box Front Panel Assembly	Includes F8746002 Module Box Front Panel and F8443105 Nameplate
14	F200233500	Emergency Stop Pushbutton	
15	F8443105	Nameplate	
16	F8413701	Screw	
17	F8590801	Stud	
18	F430231	Nut	
19	685846	Nut	
20	F8538101	Contact Base	
21	F8069501	Contact Switch	
22	203361P	Machine ID Control Assembly	Refer to NOTE
23	F8623601	Fan	
24	F8151201	Screw	
25	F8578501	Filter Retainer Guard	
26	F8617601	Seal Pad	
27	203440	USB-Serial Interface Assembly	

NOTE: Service Application 7-16-434, available in related literature on Parts Connection, must be run when replacing F8746104 Control Assembly or 203361P Machine ID Control Assembly.

Inverter Drive Box (Drawing 1 of 2)

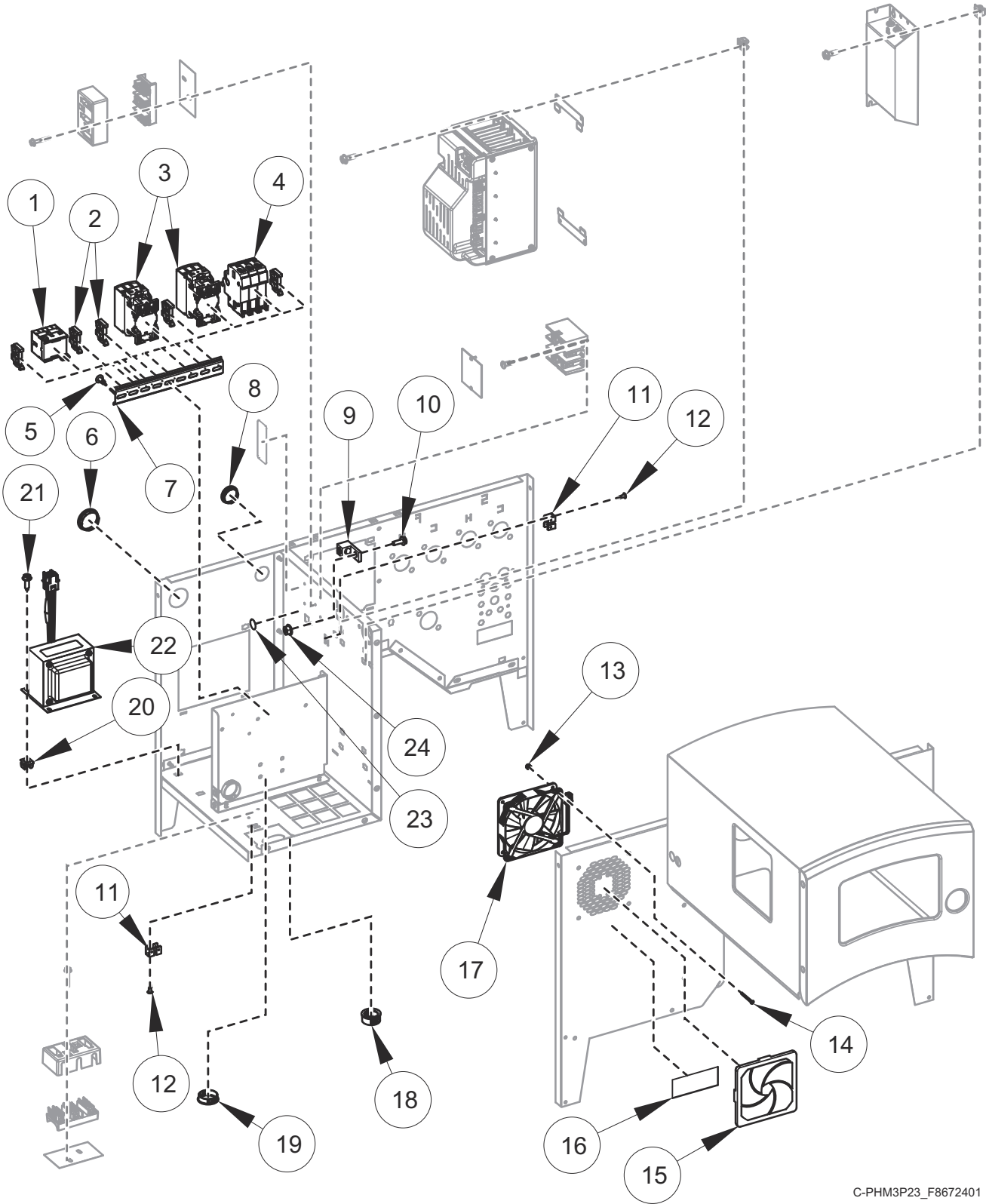


C-PHM3P22_F8672401

Inverter Drive Box (Drawing 1 of 2)

REF	PART NO.	DESCRIPTION	COMMENTS
	F8565601	Power Harness	N and P-voltage
	F8565401	Control Power Harness	Q-voltage
	F8567903	Power Harness	N, P and Q-voltage
	F8565801	Power Harness	UWU models with N, P and Q-voltage
	F8567904	Power Harness	UWU models with N, P and Q-voltage with electric heat
	F8567902	Power Harness	UWG, UWH, UWJ, UWK, UWT models with N, P and Q-voltage
	F8567901	Power Harness	UWG, UWH, UWJ, UWK, UWT models with N, P and Q-voltage
	F8566601	Drive Jog Harness	
	F8662106	Filter Kit	N and P-voltage; Includes items 1-6, F8548208 Filter, F8322401 Drive Mounting Bracket, M411283 Ground Lug Connector, harnesses and hardware
	F8662105	Filter Kit	Q-voltage; Includes items 1-6, F8548204 Filter, F8322401 Drive Mounting Bracket, M411283 Ground Lug Connector, harnesses and hardware
	F8662108	Filter Kit	N and P-voltage with heat; Includes item 5, 6, F8548208 Filter, F8322401 Drive Mounting Bracket, harnesses and hardware
	F8662107	Filter Kit	Q-voltage with heat; Includes item 5, 6, F8548208 Filter, F8322401 Drive Mounting Bracket, harnesses and hardware
1	51783	Screw	
2	70333001	Terminal Block Shield	
3	430642	Terminal Block	
4	M413862	Insulator	
5	F8206901	Screw	
6	70030501	Expansion Clip	
7	F8548204	Filter	EMC; 3PH; 230V; 10 HP
	F8548203	Filter	EMC; 3PH; 230V; 7.5 HP
	F8548208	Filter	EMC; 3PH; 460V; 10 HP
8	M413865	Power Distribution Block	
9	F8574301	Drive Mounting Bracket	7.5 HP; Use with item 11
	F8574302	Drive Mounting Bracket	10 HP; Use with item 11
	F8322401	Drive Mounting Bracket	Use with items 7 and 11
10	39733	Screw	
11	F8548113	Drive	7.5 HP; 230 Volt
	F8548118	Drive	7.5 HP; 460 Volt
	F8548114	Drive	10 HP; 230 Volt
	F8548119	Drive	10 HP; 460 Volt
12	44286803	Label	
13	44014901P	Power Distribution Block Cover	

Inverter Drive Box (Drawing 2 of 2)

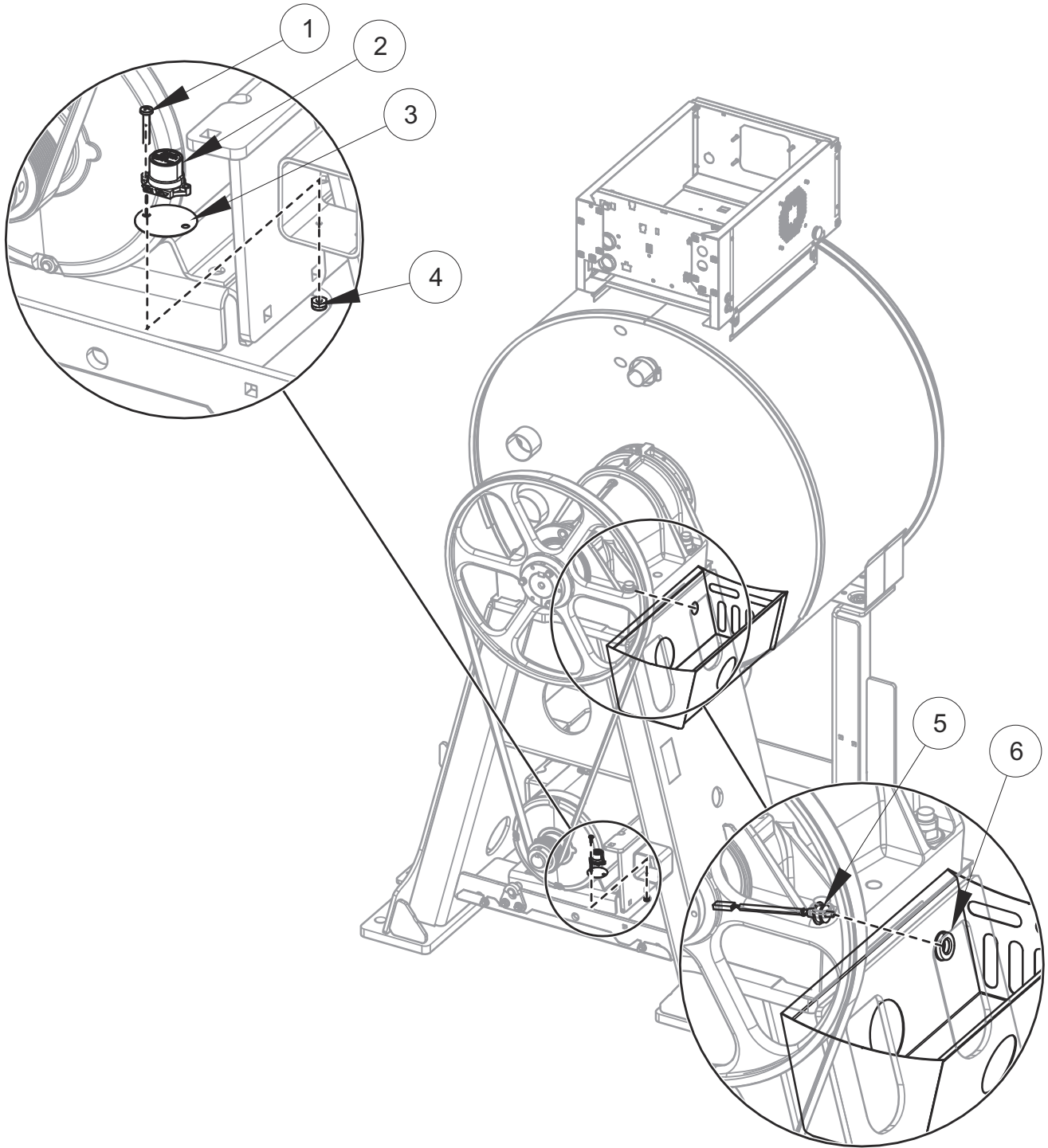


C-PHM3P23_F8672401

Inverter Drive Box (Drawing 2 of 2)

REF	PART NO.	DESCRIPTION	COMMENTS
1	70482601	Contactora	5.5kW; 500V: AC3; 24VDC
2	F8449801	End Stop	
3	70482701	Contactora	Electric heat; 50A; 24VDC
4	70488101	Circuit Breaker	3P; 25A
5	70058501	Pop Rivet	
6	F8223801	Hole Plug	
7	F8134101	DIN Rail	
8	F8223901	Plug	
9	M411283	Ground Lug Connector	
10	685837	Screw	
11	00622SG	Terminal	Ground
12	M400003	Pop Rivet	
13	F430231	Nut	
14	F8151201	Screw	
15	F8578501	Filter Retainer Guard	
16	F8614601	Label	Warning
17	F8623601	Fan	
18	44071501	Snap Bushing	
19	70346501	Bushing	
20	70030501	Expansion Clip	
21	F8206901	Screw	
22	F8512001	Transformer	230/400/460V
23	D516100	Label	
24	44088001	Nut	

Vibration Switch and Temperature Probe

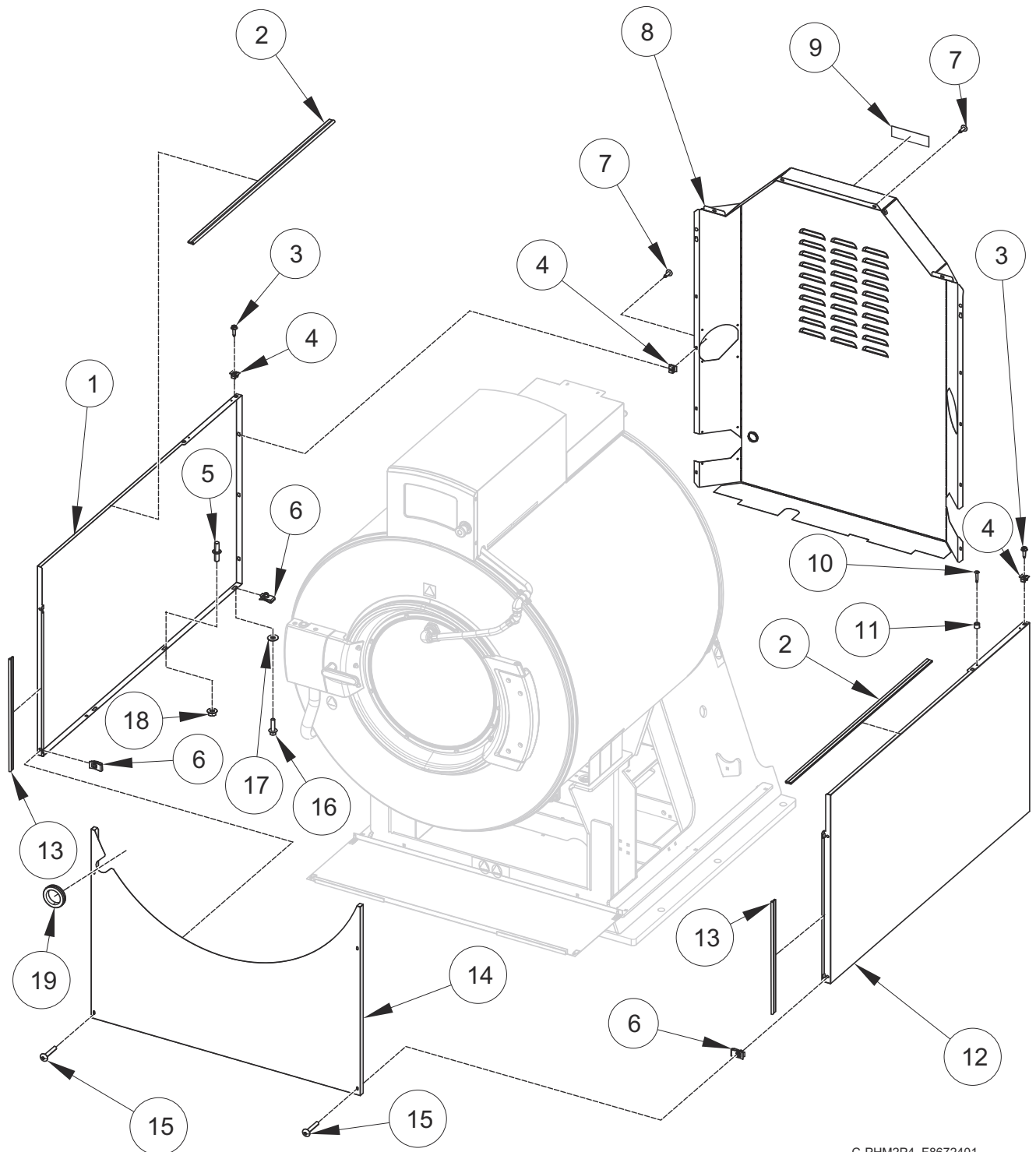


C-PHM3P25_F8672401

Vibration Switch and Temperature Probe

REF	PART NO.	DESCRIPTION	COMMENTS
1	M401938	Screw	
2	F8204001	Vibration Switch	
3	F8337301	Vibration Switch Shield	
4	F430225	Nut	
5	F8538801	Thermistor	
6	2251000400	Temperature Probe Grommet	

Panels

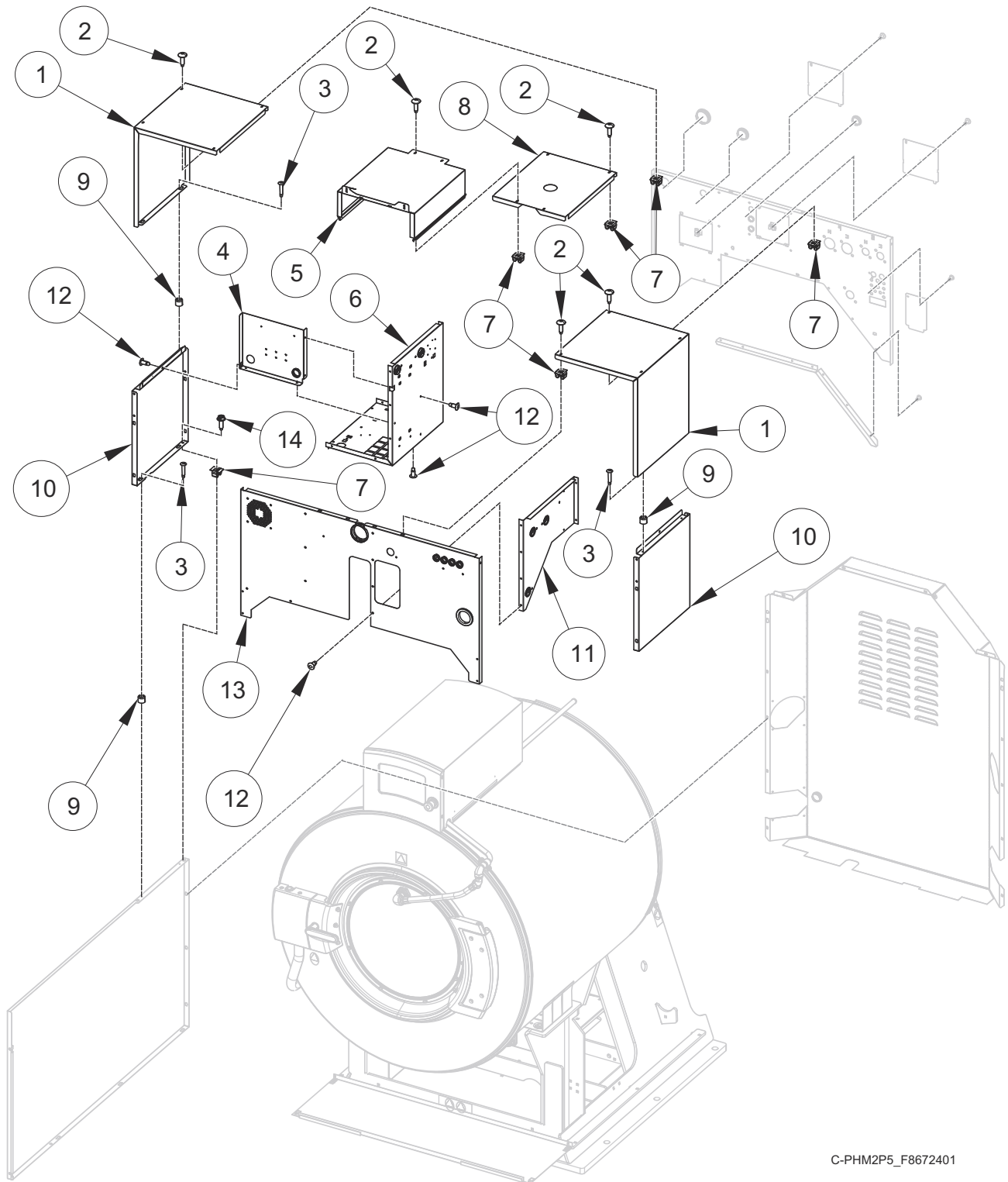


C-PHM2P4_F8672401

Panels

REF	PART NO.	DESCRIPTION	COMMENTS
1	F8480902	Left Side Panel	85 pound models
	F8480904	Left Side Panel	105 pound models
2	F8412802	Trim	85 pound models
	F8412804	Trim	105 pound models
3	F8206901	Screw	
4	70030501	Expansion Clip	
5	70334702	Stud	
6	70030401	Nut	
7	F8117601	Screw	
8	F8481701	Belt Guard Assembly	Single drain
	F8481702	Belt Guard Assembly	Dual drain
9	44324001	Warning Label	English/French; Pinch/shock
	F8614201	Shock Warning Label	Icon
	F8615701	Pinch Warning Label	Icon
10	M412763	Rivet	
11	56079	Panel Locator	
12	F8480901	Right Side Panel	85 pound models
	F8480903	Right Side Panel	105 pound models
13	F8412801	Trim	
14	F8481301	Front Panel	
15	F8560601	Screw	
16	202175	Screw	
17	M405535	Washer	
18	44087201	Nut	
19	F170604	Grommet	

Front Bulkhead, Drive Box and Water Supply Box Panels

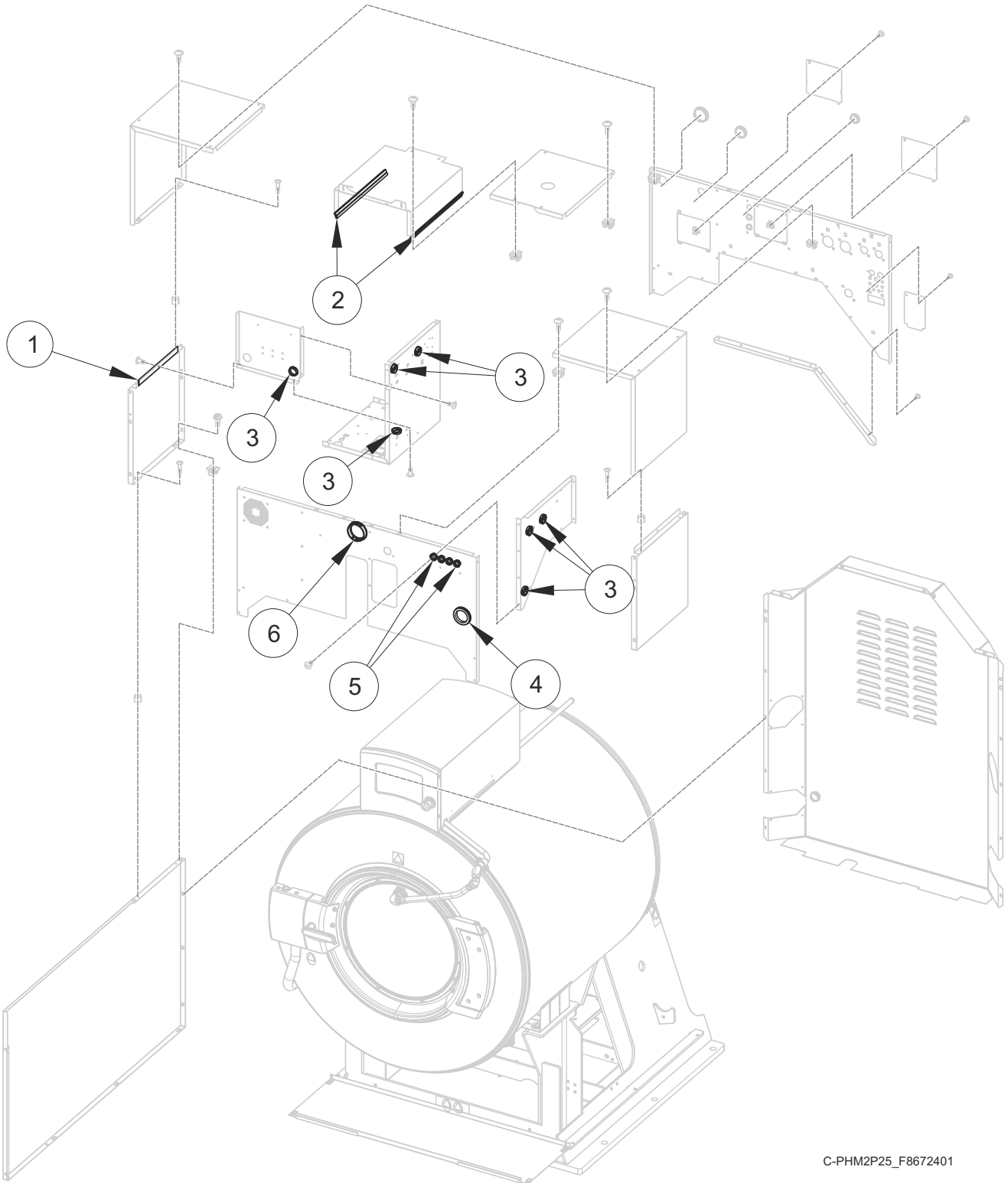


C-PHM2P5_F8672401

Front Bulkhead, Drive Box and Water Supply Box Panels

REF	PART NO.	DESCRIPTION	COMMENTS
1	F8596802	Top Cover	
2	F8117601	Screw	
3	M412763	Rivet	
4	F8585501	Drive Box Partition Panel	
5	F8608101	Wire Tray Cover	105 pound models
6	F8571101	Drive Box Partition Panel	
7	70030501	Expansion Clip	
8	F8608302	Top Cover	85 pound models
	F8608201	Top Cover	105 pound models
9	56079	Panel Locator	
10	F8578401	Bulkhead Panel	105 pound models
11	F8578701	Bulkhead Brace	
12	70058501	Pop Rivet	
13	F8585302	Bulkhead Panel	Models with 1 or 3 in the 8th position
	F8585301	Bulkhead Panel	Models with 2 or 4 in the 8th position
14	F8206901	Screw	

Front Bulkhead, Drive Box and Water Supply Box Trim

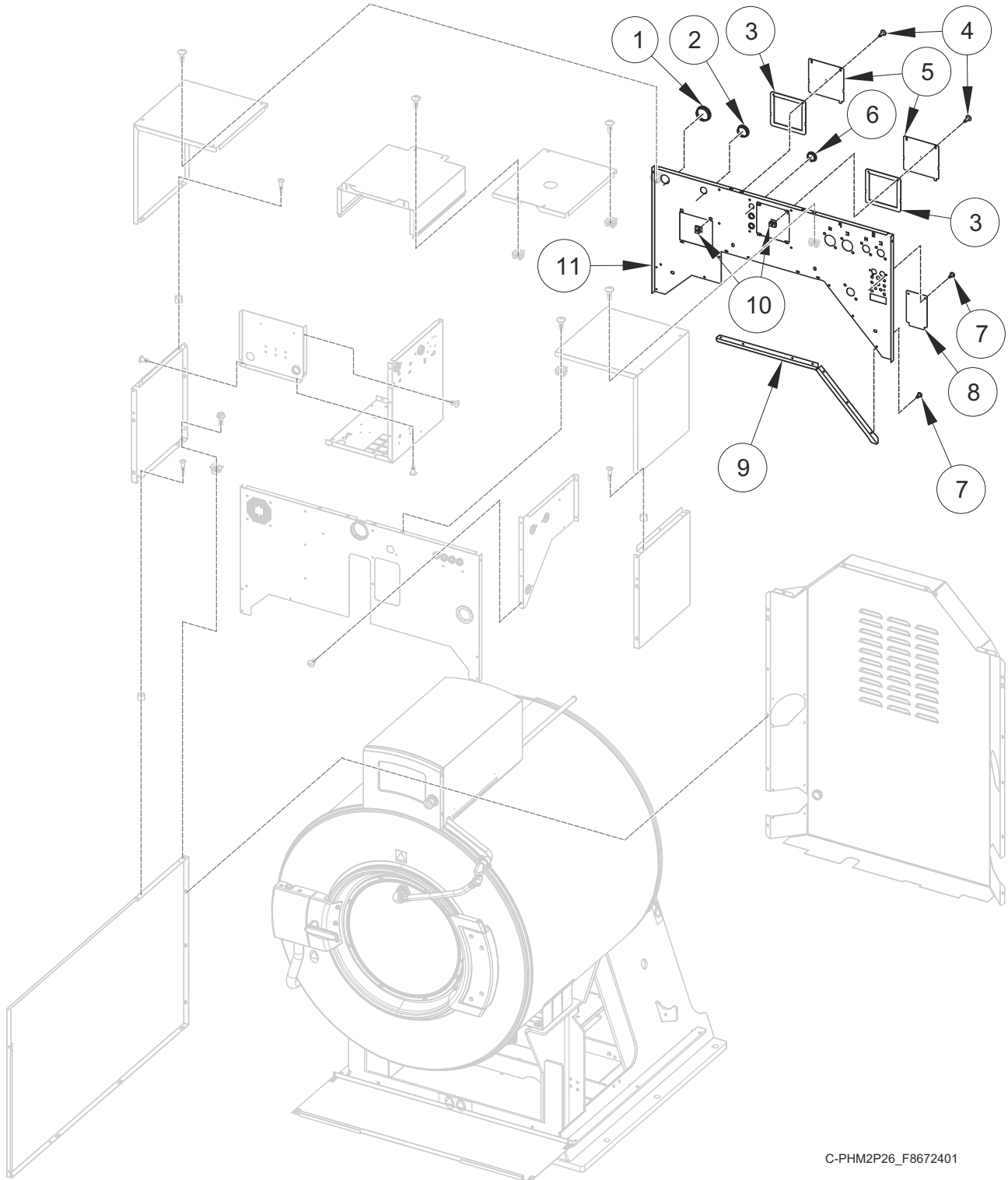


C-PHM2P25_F8672401

Front Bulkhead, Drive Box and Water Supply Box Trim

REF	PART NO.	DESCRIPTION	COMMENTS
1	70531801	Label	
2	F8412807	Trim	105 pound models
3	70346501	Bushing	
4	F8528401	Grommet	
5	70178701	Snap Bushing	
6	F8332501	Snap Bushing	

Rear Bulkhead



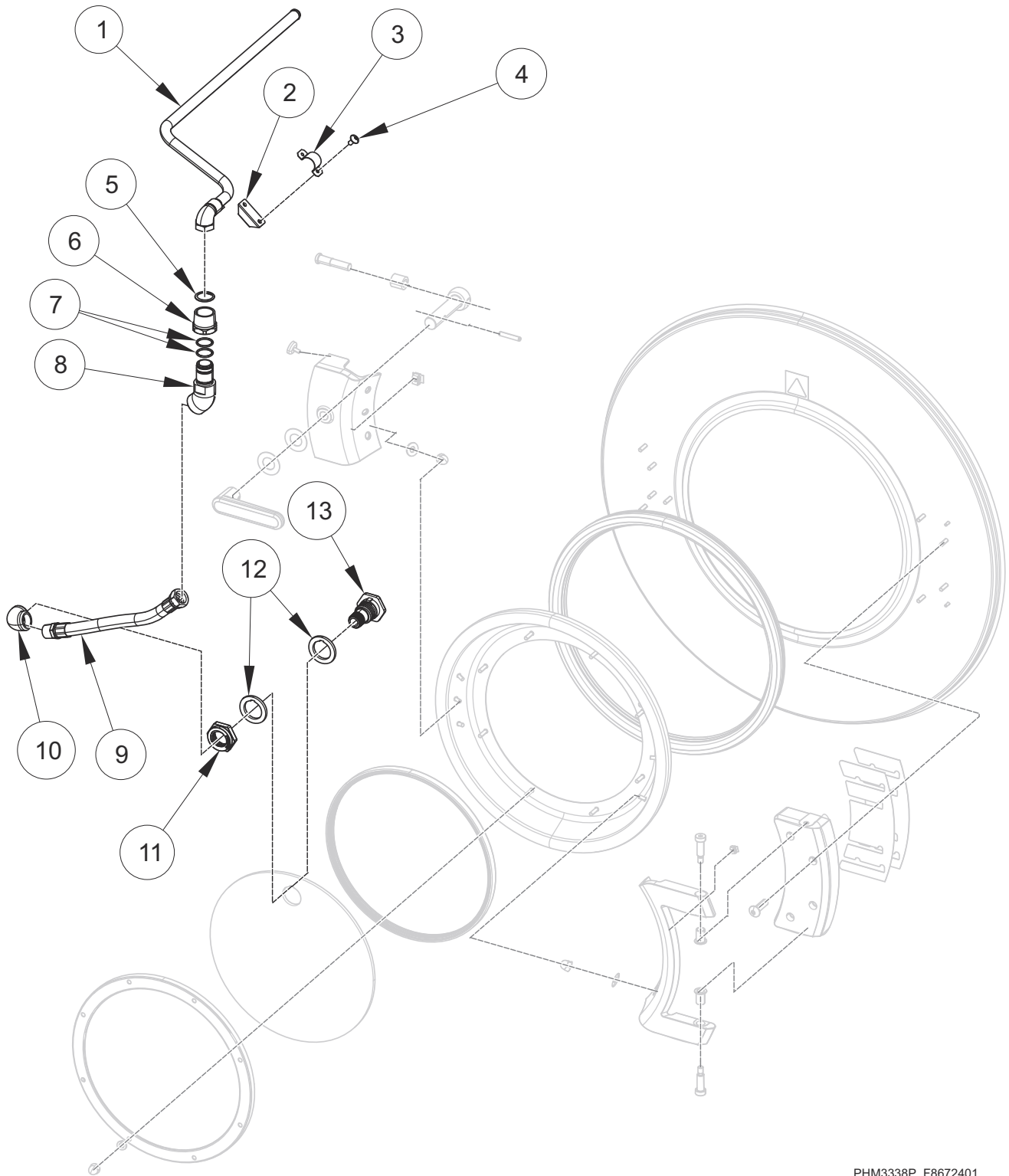
C-PHM2P26_F8672401

Rear Bulkhead

REF	PART NO.	DESCRIPTION	COMMENTS
1	F8223801	Hole Plug	
2	F8223901	Plug	
3	F8609301	Chemical Cover Gasket	
4	F8117601	Screw	
5	F8561601	Chemical Connection Cover	
6	M400985	Plug	
7	70058501	Pop Rivet	
8	F8338602	Dispenser Cover	
9	F8484001	Rear Bulkhead Edging	
10	70030501	Expansion Clip	
11	F8561201	Bulkhead Panel	

Spray Tube Assembly

Models with 3 or 4 in the 8th Position

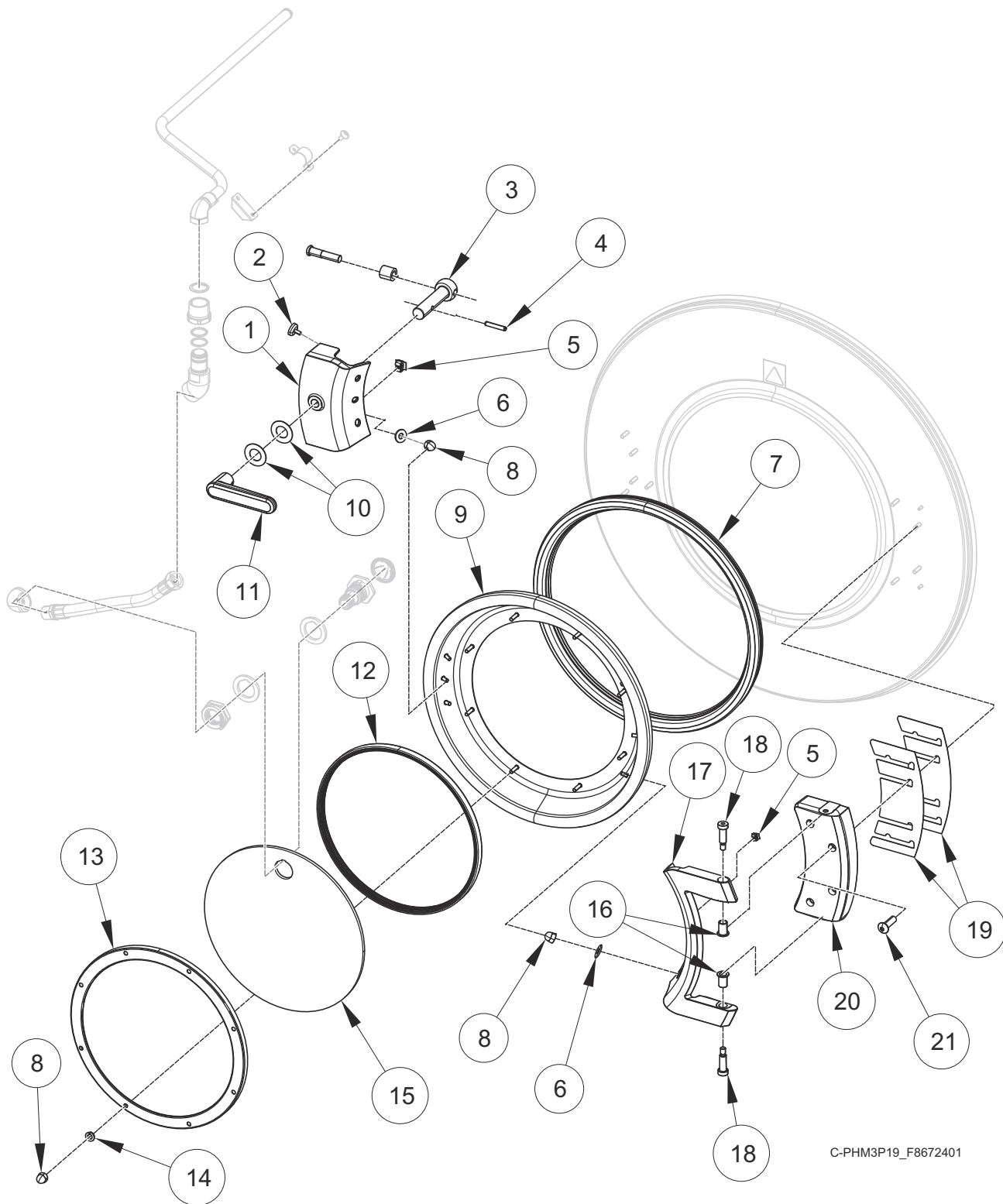


PHM3338P_F8672401

Spray Tube Assembly

REF	PART NO.	DESCRIPTION	COMMENTS
	F8504001	Swivel Coupling Assembly	Includes items 5-8
1	F8332304	Spray Rinse Tube Assembly	85 pound models
	F8332303	Spray Pipe Assembly	105 pound models
2	F8451101	Spray Rinse Bracket	
3	F8451701	Spray Rinse Strap	
4	431287	Screw	
5	F310206	Ring Retainer	
6	F8453801	Swivel Coupling Bushing	
7	F170200	O-Ring	
8	F8504001	Swivel Coupling Assembly	
9	F8508202	Spray Rinse Hose	
10	F8453701	Elbow	
11	F8322601	Nut	
12	F8322701	Spray Nozzle Gasket	
13	F8356301	Door Spray Nozzle Assembly	

Door

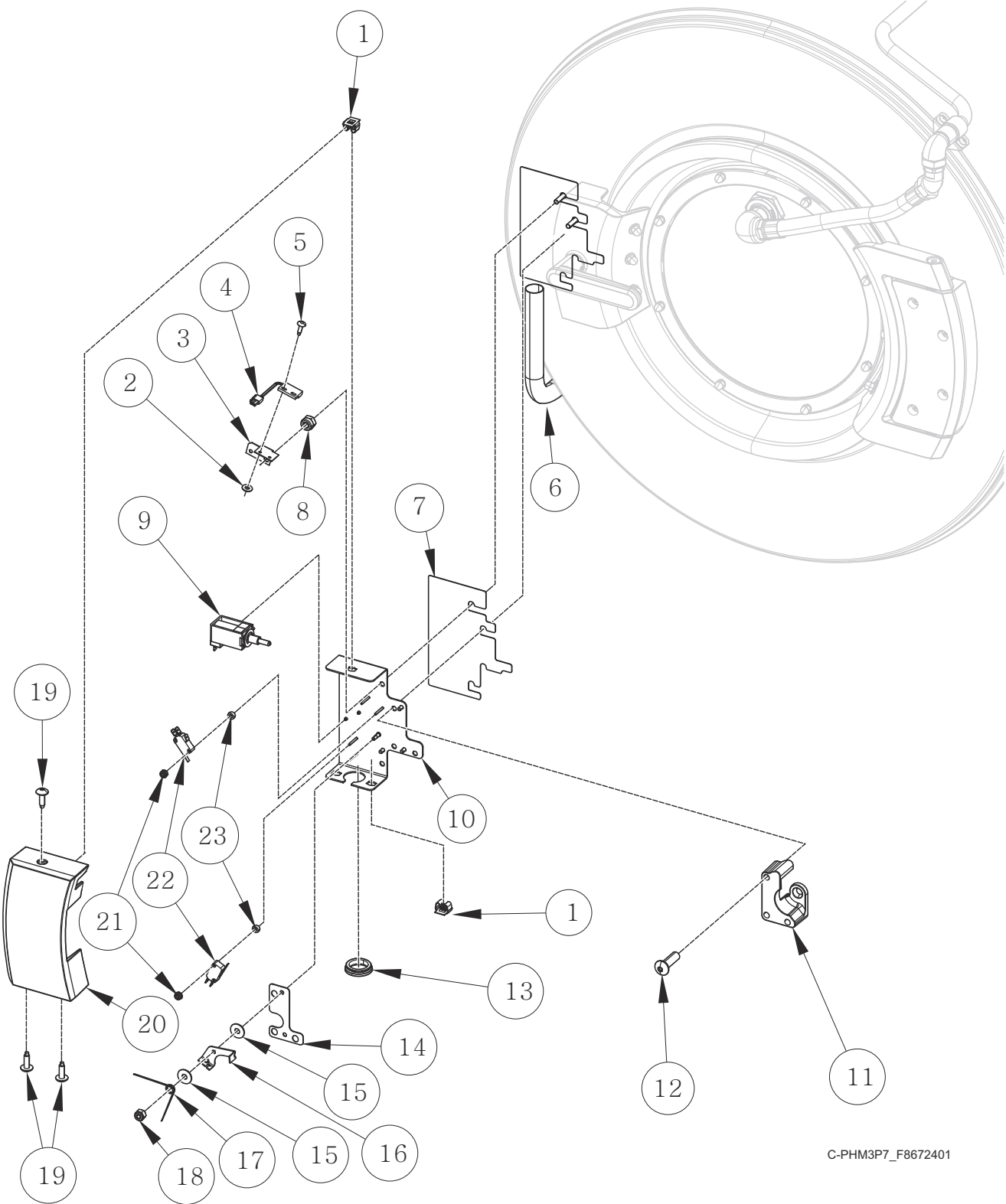


C-PHM3P19_F8672401

Door

REF	PART NO.	DESCRIPTION	COMMENTS
	F8479901	Door Assembly	Models with 1 or 2 in the 8th position; Includes items 1-4 and 6-20
	F8479902	Door Assembly	Models with 3 or 4 in the 8th position; Includes items 1-4 and 6-20
1	F8468501	Handle Mount	
2	F8406201	Magnet	
3	F8221403	Door Latch Arm Assembly	Includes latch arm support and bearing sleeve
4	F431222	Spring Pin	
5	70030501	Expansion Clip	
6	F431147	Washer	
7	F8508502	Door Gasket	
8	F8549401	Nut	
9	F8479701	Door Weldment	
10	F431916	Washer	
11	F8435501	Door Handle	
12	F8499902	Door Glass Gasket	
13	F8475201	Door Glass Retainer	
14	F431100	Washer	
15	F8468901	Door Glass	Models with 1 or 2 in the 8th position
	F8469001	Door Glass	Models with 3 or 4 in the 8th position
16	F8378701	Bushing	
17	F8468101	Door Hinge	
18	F8549301	Bolt	
19	F8479501	Door Hinge Shim	
20	F8468301	Lug Hinge	
21	F8270701	Bolt	

Door Lock

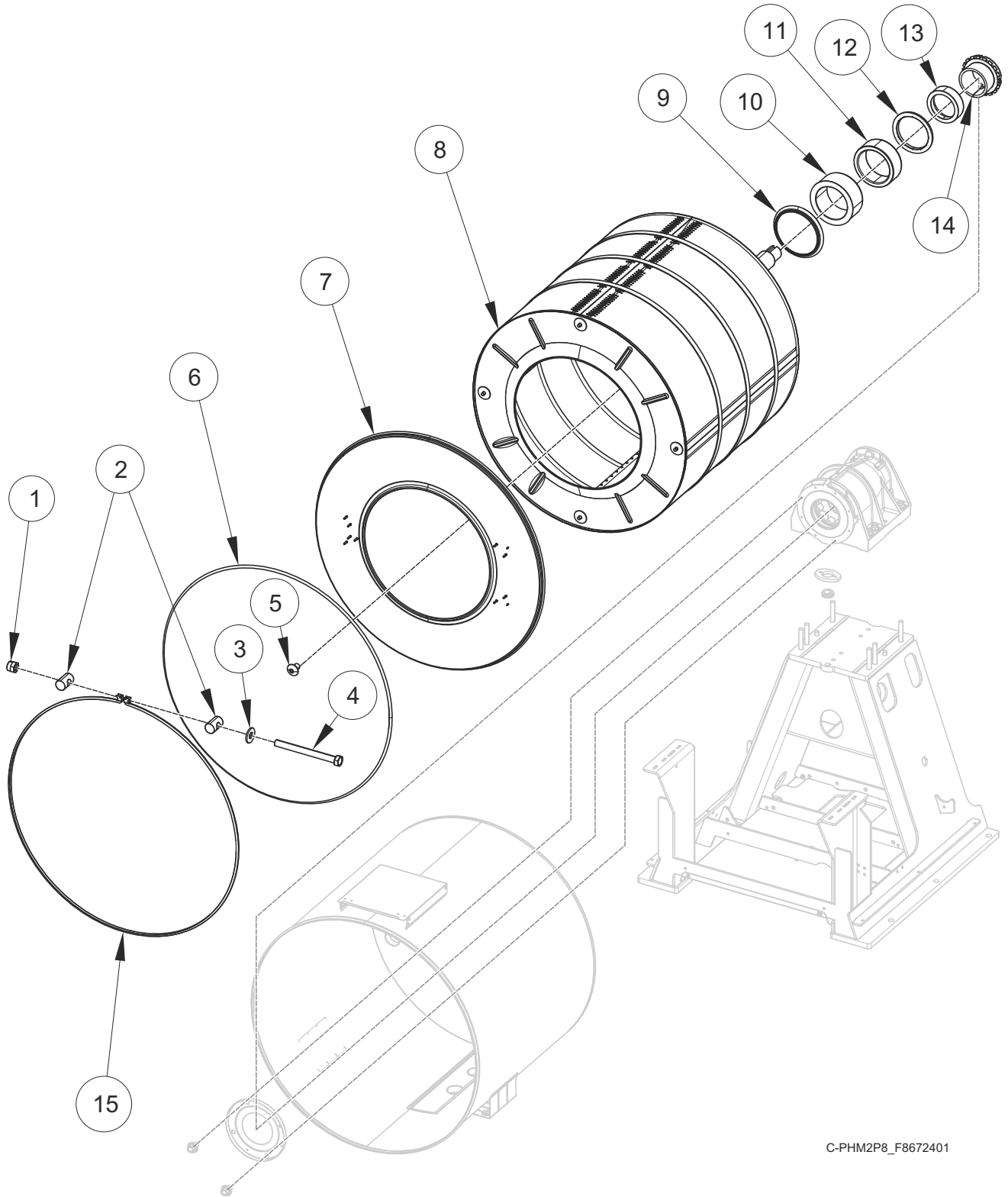


C-PHM3P7_F8672401

Door Lock

REF	PART NO.	DESCRIPTION	COMMENTS
	F8565901	Door Lock Harness	
	F8571801	Door Interlock Harness	
	F8606201	Door Lock Assembly	Includes items 1-5, 9, 10, 15-18, 21-23 and F430977 Screw
1	F70030501	Expansion Clip	
2	F431125	Washer	
3	F8402601	Reed Switch Bracket	
4	F8066804	Reed Switch Assembly	
5	F8245101	Blind Rivet	
6	F8576903	Wire Harness Tube Assembly	
7	F8489601	Door Lock Plate Shim	
8	F431024	Nut	
9	F8630601	Solenoid	
10	F8320401	Door Lock Plate Assembly	
11	F8344501	Door Lock Catch	
12	F8270701	Bolt	
13	F8457801	Grommet	
14	F8484401	Shim	
15	F8193101	Washer	
16	F8223401	Door Lock Switch Lever	
17	F8070301	Torsion/Door Lock Spring	
18	F430232	Nut	
19	F8117601	Screw	
20	F8435801	Door Lock Cover	
21	F430225	Nut	
22	F200203200	Door Lock Microswitch	
23	F431901	Spacer	

Shell Front and Basket

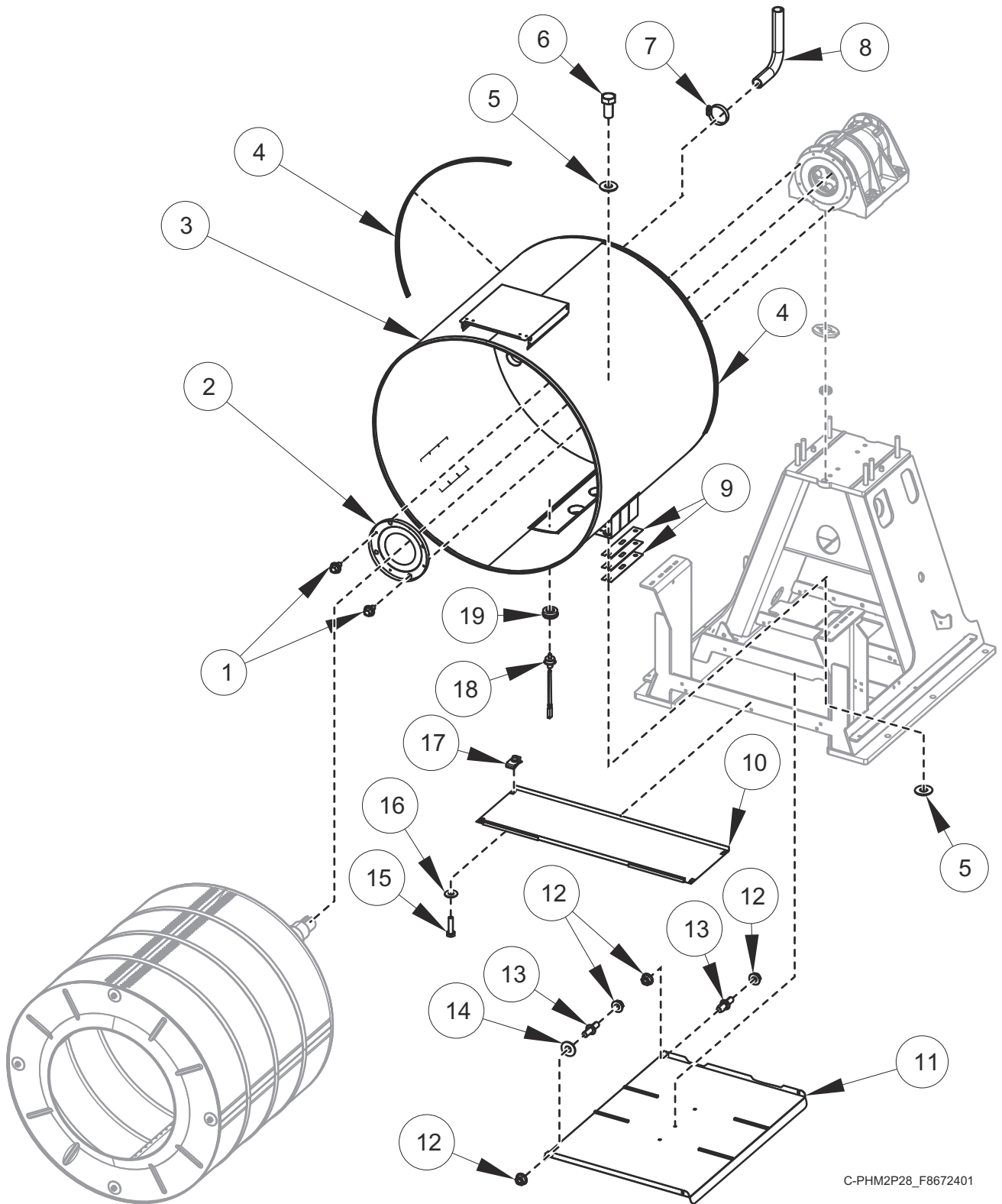


C-PHM2P8_F8672401

Shell Front and Basket

REF	PART NO.	DESCRIPTION	COMMENTS
	F8537806	Shell Front Gasket Kit	Includes items 1-4 and 15
1	F430218	Nut	
2	F8302701	Pin	
3	M400080	Washer	
4	F8673701	Screw	
5	70391101	Screw	
6	F8502306	Shell Band Gasket	
7	F8479301	Shell Front Assembly	
8	F8575901	Basket Assembly Kit	85 pound models; Includes items 9-13
	F8576001	Basket Assembly Kit	105 pound models; Includes items 9-13
9	F8527702	Excluder Seal	Viton
10	F8343912	Sleeve Seal	
11	F8465401	Bearing	
12	F8464902	Insertion Sleeve	
13	F8522602	Shaft Sleeve	
14	F8382502	Adapter Sleeve	
15	F8388006	Ring Clamp Weldment	

Shell Frame and Seal



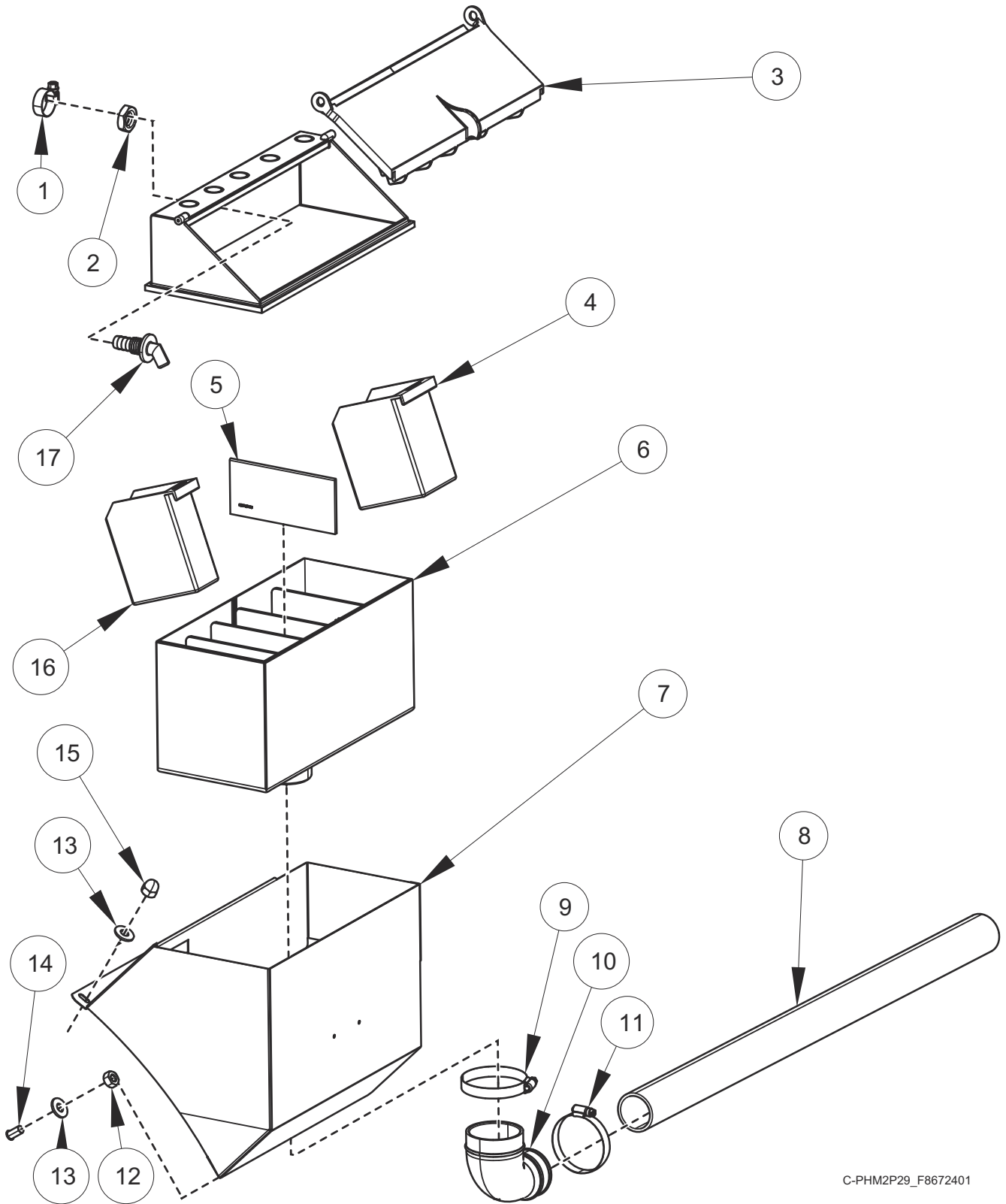
C-PHM2P28_F8672401

Shell Frame and Seal

REF	PART NO.	DESCRIPTION	COMMENTS
1	F8442702	Screw	
2	F8550102	Seal Wear Plate	
3	F8544203	Shell Assembly	85 pound models with 1 or 3 in the 8th position
	F8544204	Shell Assembly	85 pound models with 1 or 3 in the 8th position with electric heat
	F8544201	Shell Assembly	85 pound models with 2 or 4 in the 8th position
	F8544202	Shell Assembly	85 pound models with 2 or 4 in the 8th position with electric heat
	F8544303	Shell Assembly	105 pound models with 1 or 3 in the 8th position
	F8544304	Shell Assembly	105 pound models with 1 or 3 in the 8th position with electric heat
	F8544301	Shell Assembly	105 pound models with 2 or 4 in the 8th position
	F8544302	Shell Assembly	105 pound models with 2 or 4 in the 8th position with electric heat
	4	F8412809	Trim
5	M400081	Washer	
6	F8574001	Screw	
7	F200215	Hose Clamp	
8	F8363601	Vent Hose	
9	F8630301	Shim	
10	F8480402	Frame Shield Extension	105 pound models
11	F8480201	Frame Shield	
12	44087201	Nut	
13	70334702	Stud	
14	M400080	Washer	
15	20253	Screw	105 pound models
16	M405535	Washer	105 pound models
17	70030401	Nut	105 pound models
18	F8538801	Thermistor	
19	2251000400	Temperature Probe Grommet	

Supply Dispenser

Models with 1 or 3 in the 8th Position

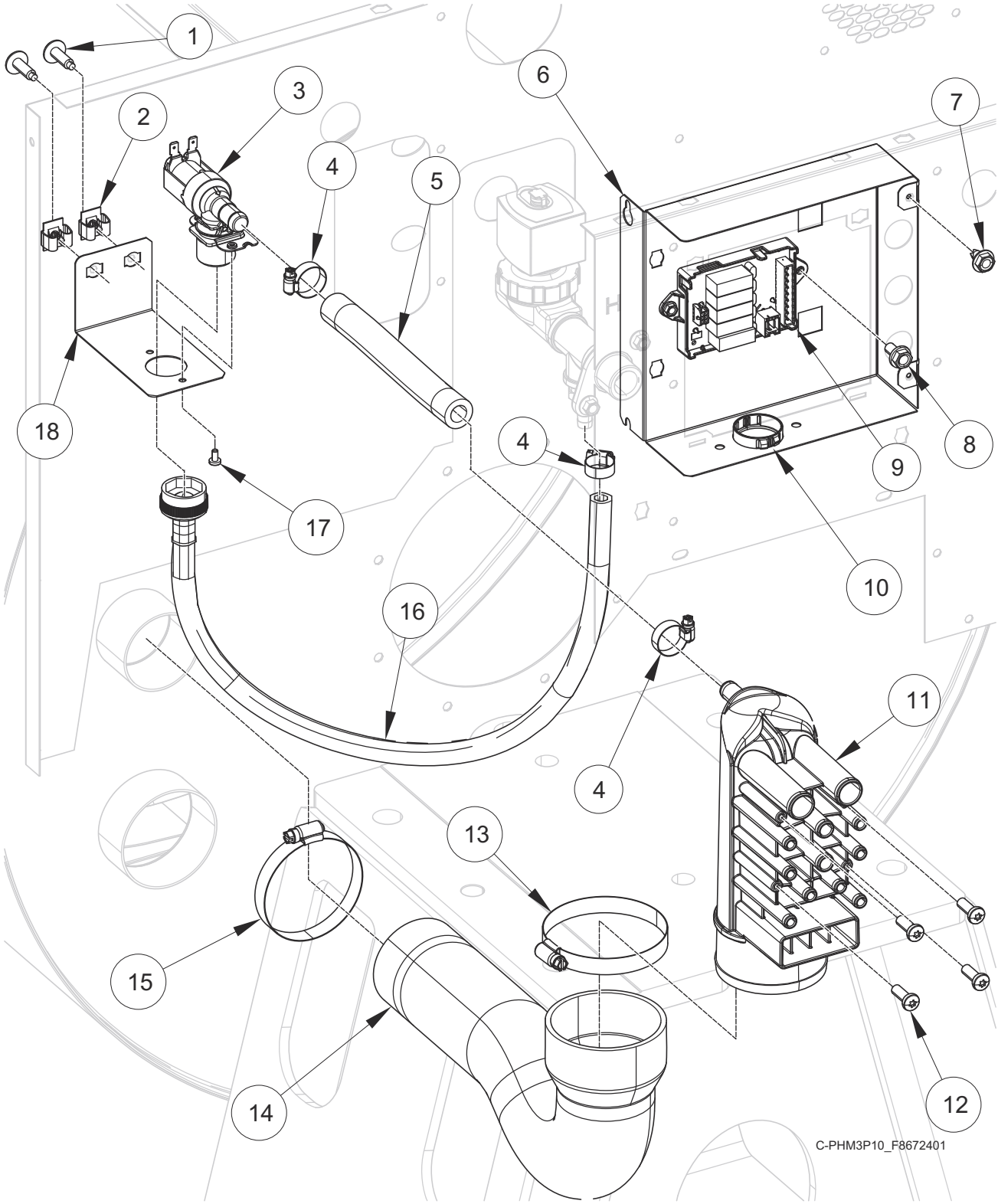


C-PHM2P29_F8672401

Supply Dispenser

REF	PART NO.	DESCRIPTION	COMMENTS
	F8566102	External Supply Board Communication Harness	4-output
	F8566101	External Supply Board Communication Harness	8-output
	F8566402	External Supply Board Power Harness	4-output
	F8566401	External Supply Board Power Harness	8-output
	F190304	Plug Cap	
	F749802	Strain Relief Adapter Kit	
1	36801	Hose Clamp	
2	802292	Nut	
3	F0150514-00	Dispenser Lid	
4	F150386	Chemical Supply Cup	2 used: 30 ounce supply cup (22 ounce when tilted)
5	F0150525-00	Supply Dispenser Spacer	
6	F0150512-00P	Dispenser Assembly	Includes items 3-5, 16, and dispenser top
7	F8549702	Supply Weldment	
8	F8551902	Chemical Supply Hose	85 pound models
	F8551903	Chemical Supply Hose	105 pound models
9	F200213	Hose Clamp	
10	F8514301	Elbow	
11	F200415	Hose Clamp	
12	F431005	Nut	
13	F431147	Washer	
14	F390301	Stud	
15	F8549401	Nut	
16	F150385	Chemical Supply Cup	3 used; 20 ounce supply cup (12 ounce when tilted)
17	F8322001	Injection Nozzle	

Chemical Injection



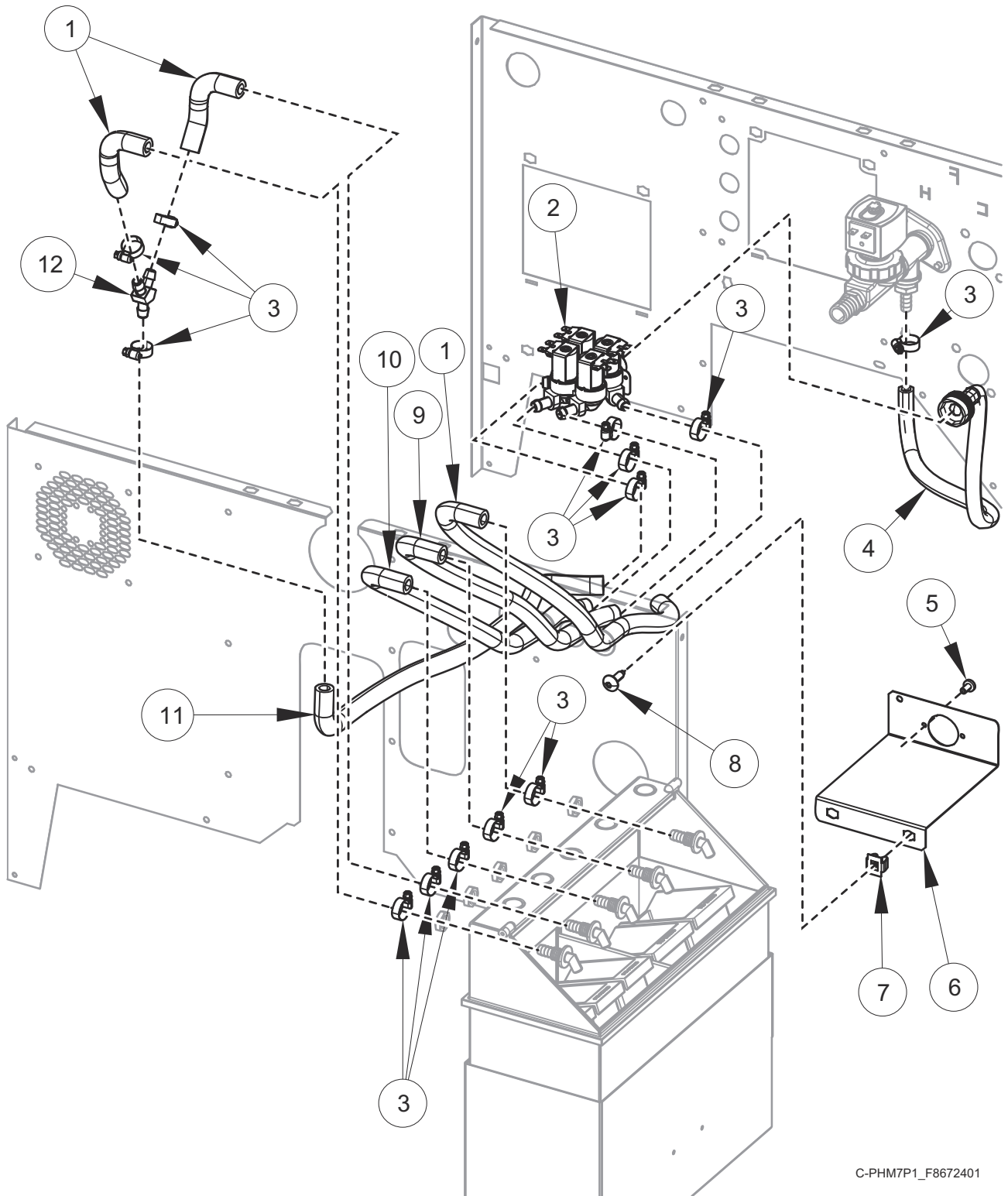
C-PHM3P10_F8672401

Chemical Injection

REF	PART NO.	DESCRIPTION	COMMENTS
	F8597302	Chemical Connection Assembly	5-output; Includes items 6-10
	F8597301	Chemical Connection Assembly	8-output; Includes items 6-10
1	F8117601	Screw	
2	70030501	Expansion Clip	
3	F8579101	Valve	
4	36801	Hose Clamp	
5	F8232007	Hose	
6	F8561401	Chemical Connection Bracket	
7	D503688	Screw	
8	430497	Screw	
9	804528	Chemical Injection Control	5-output
	F8497401	Chemical Injection Control	8-output
	F8555403	Connector	7 pin; H3
	F8555404	Connector	10 pin; H4
	F8555401	Connector	2 pin; H5
	F8555405	Connector	11 pin; H6
	F8555402	Connector	4 pin; H7
	70493102	Connector	9 pin; H2
10	70346501	Bushing	
11	F8538201	Chemical Dispenser	
12	800548	Screw	
13	F200201	Hose Clamp	
14	F8600902	Chemical Injection Hose	
15	F200213	Hose Clamp	
16	F8344602	Hose	
17	F8230301	Screw	
18	F8562201	Water Valve Bracket	

Water Supply Valve and Hoses to Supply Dispenser

Models with 1 or 3 in the 8th Position

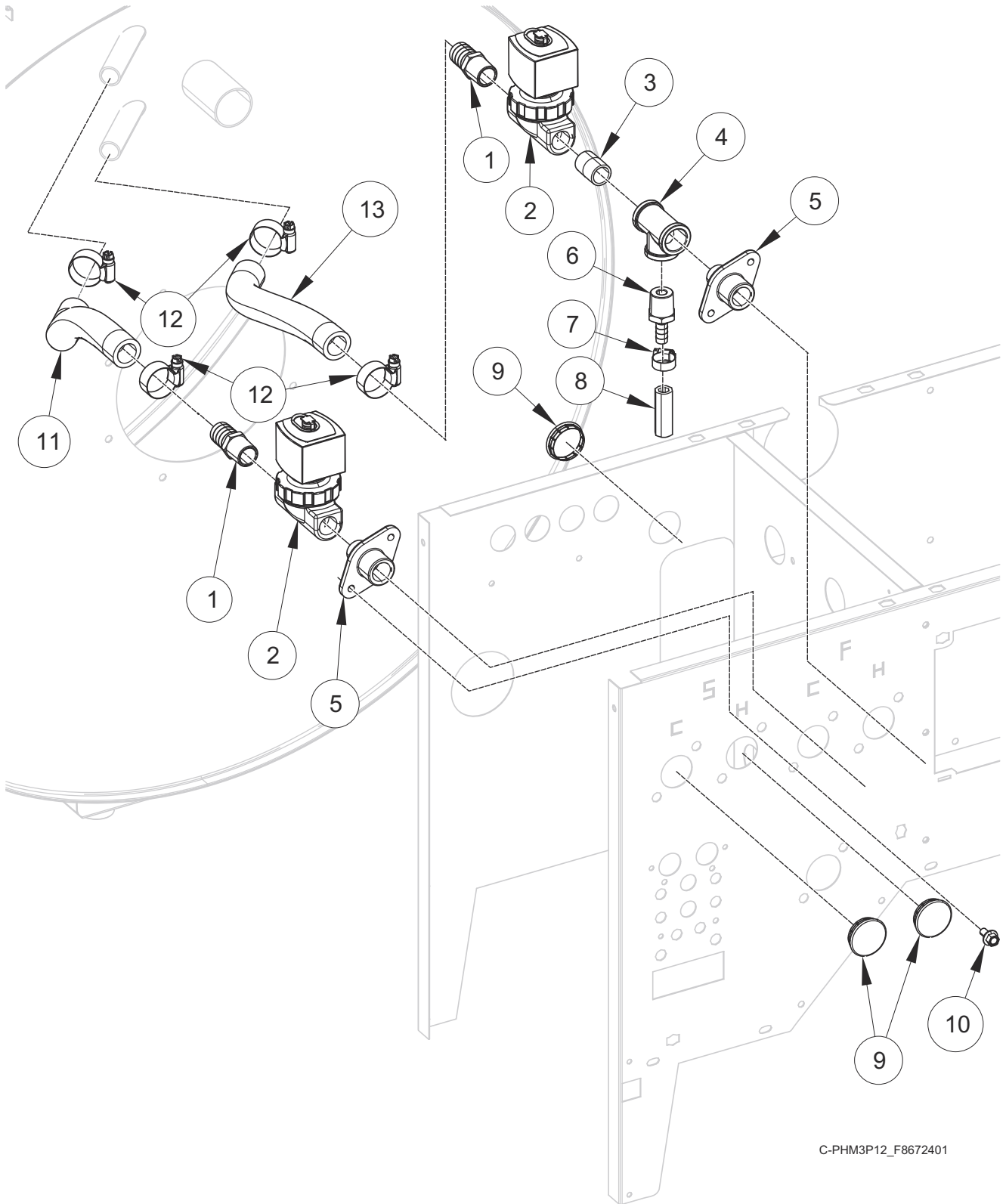


C-PHM7P1_F8672401

Water Supply Valve and Hoses to Supply Dispenser

REF	PART NO.	DESCRIPTION	COMMENTS
1	F8617815	Hose	
2	F8336602	Valve	4 way
3	36801	Hose Clamp	
4	F200509	Water Hose	
5	F8230301	Screw	
6	F8331902	Valve Mounting Bracket	
7	70030501	Expansion Clip	
8	F8117601	Screw	
9	F8617808	Hose	105 models
	F8617805	Hose	85 models
10	F8617801	Hose	105 models
	F8617807	Hose	85 models
11	F8617811	Hose	105 models
	F8617801	Hose	85 models
12	F422816	Y Connector	

Fill Plumbing Assembly



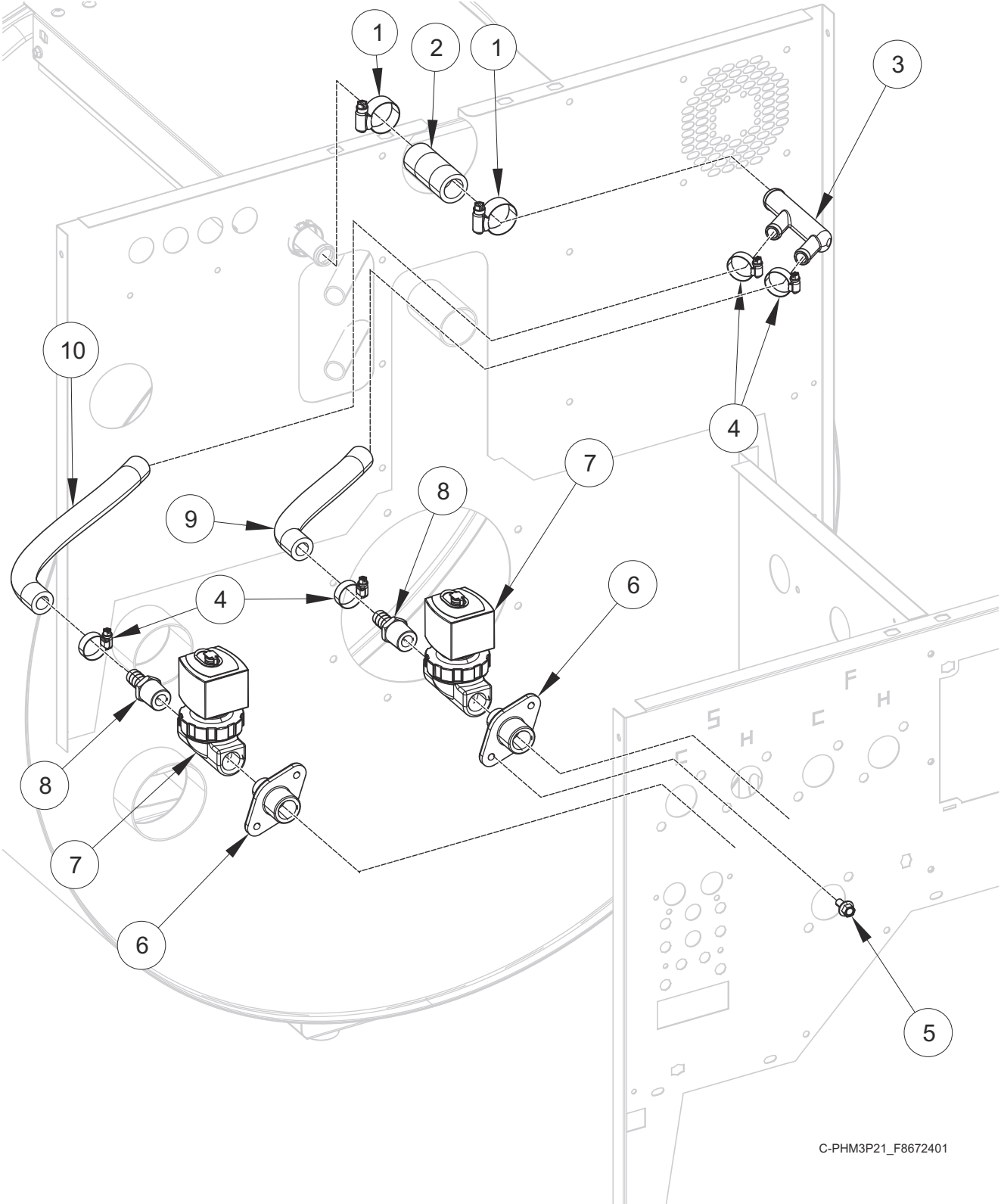
C-PHM3P12_F8672401

Fill Plumbing Assembly

REF	PART NO.	DESCRIPTION	COMMENTS
	F8566001	Fill Harness	Models with 1 in the 8th Position
	F8566002	Fill Harness	Models with 2 in the 8th Position
	F8566003	Fill Harness	Models with 3 in the 8th Position
	F8566004	Fill Harness	Models with 4 in the 8th Position
	F8288309	Valve Assembly	3/4 inch; 24VDC; Includes items 1, 2 and 5
	F8288310	Valve Assembly	3/4 inch; 24VDC; Includes items 1-6
	F200164	Water Hose	Standard thread; 3/4 inch
	F200166	Water Hose	Metric thread; 3/4 inch
	F200185	Water Hose	Standard thread; 1 inch
	F200193	Water Hose	Metric thread; 1 inch
	F8379508	Valve Rebuild Kit	3/4 inch; 24VDC; EPDM
1	F421951	Hose Barb	
2	F8322907	Valve	3/4 inch; 24VDC; EPDM
3	C000417	Nipple	
4	F422206	Tee	
5	F8362702	Coupling	
6	F421964	Hose Barb	
7	36801	Hose Clamp	
8	F8344602	Hose	
9	F8223902	Plug	
10	70321501	Screw	
11	C002658	Hose	
12	F200222	Hose Clamp	
13	F8137502	Hose	

Spray Plumbing Assembly

Models with 3 or 4 in the 8th Position

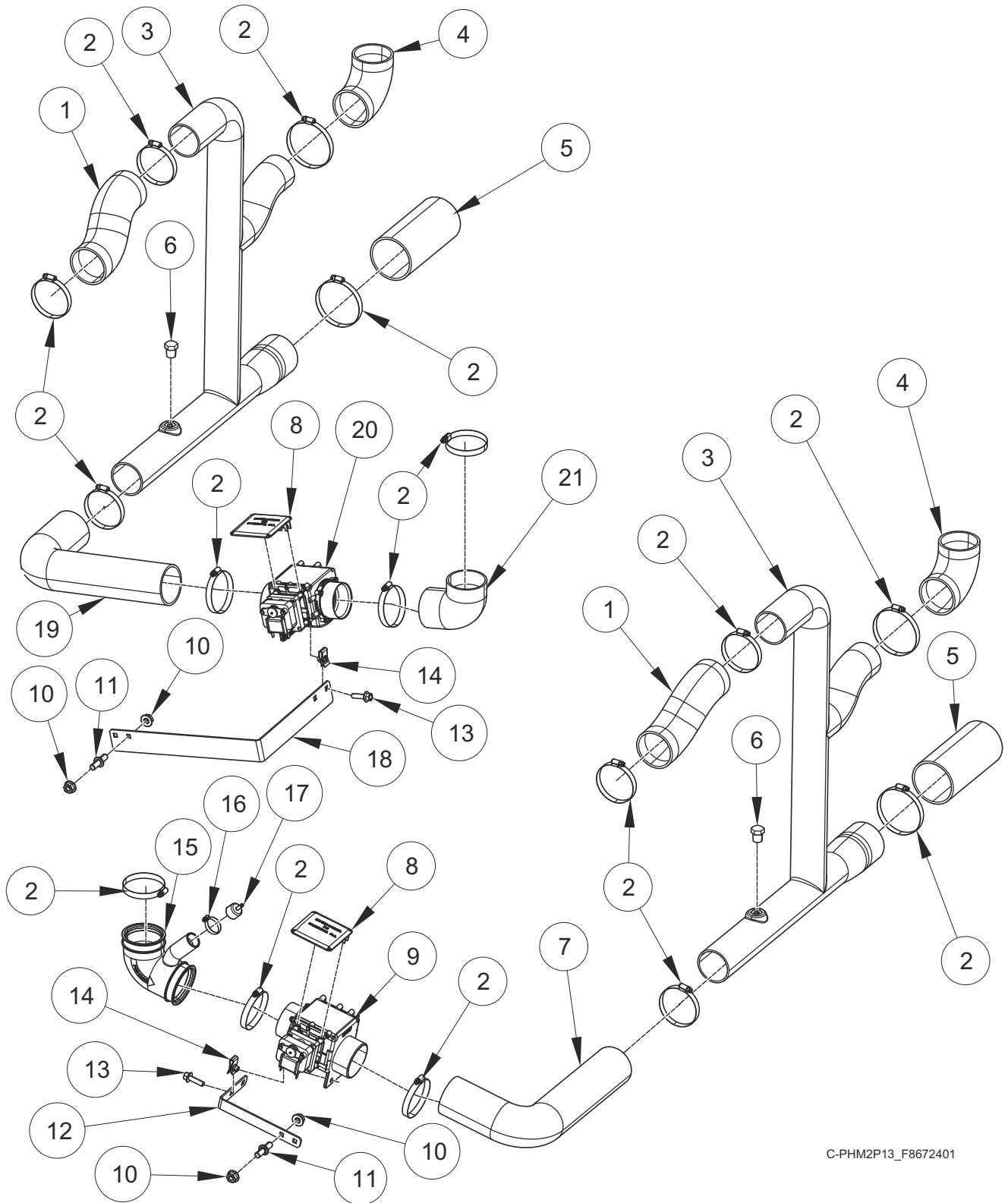


C-PHM3P21_F8672401

Spray Plumbing Assembly

REF	PART NO.	DESCRIPTION	COMMENTS
	F8288406	Valve Assembly	1/2 inch; 24VDC; Includes items 6-8
	F8379507	Valve Rebuild Kit	1/2 inch; 24VDC; EPDM
1	F200222	Hose Clamp	
2	F8137504	Hose	
3	F8333201	Manifold	
4	36801	Hose Clamp	
5	70321501	Screw	
6	F8362701	Coupling	
7	F8322804	Valve	1/2 inch; 24VDC; EPDM
	F8515001	Coil	24VDC
8	F421930	Hose Barb	
9	F8232006	Hose	
10	F602586-34	Hose	

Drain Plumbing

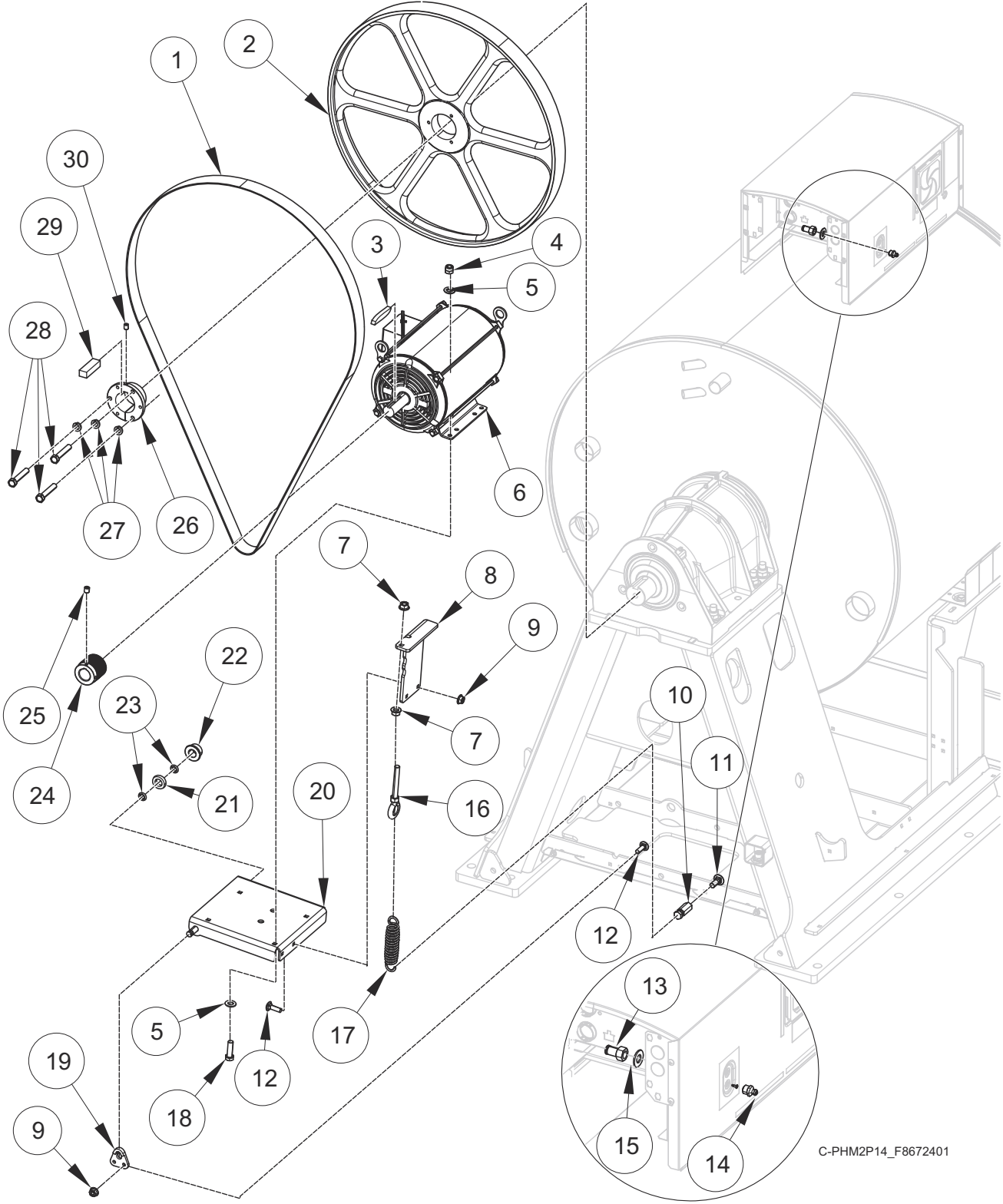


C-PHM2P13_F8672401

Drain Plumbing

REF	PART NO.	DESCRIPTION	COMMENTS
	F8520004	Drain Valve Harness	Single drain
	F8520003	Drain Valve Harness	Dual drain
1	F0150488-00	Overflow Hose	
2	F200201	Hose Clamp	
3	F8386805	Molded Drain	
4	F8491701	Overflow	
5	F200165100	Drain Hose	
6	F8531401	Plug	
7	F8486701	Drain Elbow Hose	
	F8395801	Drain Hose	Electric and dual heat
8	F200133600	Drain Valve Cover	
9	F8577201	Drain Valve Kit	Right
10	44087201	Nut	
11	70334702	Stud	
12	F8545902	Drain Valve Bracket	Right
	F8487201	Drain Valve Bracket	Electric and dual heat; Right
13	202175	Screw	
14	70030401	Nut	
15	F8542301	Drain Hose	
	F8542501	Drain Hose	Electric heat
16	36802	Hose Clamp	
17	F8579301	Pressure Cap	
18	F8312903	Drain Valve Bracket	Left; Dual drain
	F8487202	Drain Valve Bracket	Electric and dual heat; Left; Dual drain
19	F8617101	Drain Elbow Hose	Dual drain
	F8395801	Drain Hose	Electric and dual heat; Dual drain
20	F200166402	Drain Valve Kit	Left; Dual drain
21	F8340801	Drain Elbow Hose	Dual drain
	F8487001	Drain Elbow Hose	Electric and dual heat; Dual drain

Motor and Pulley

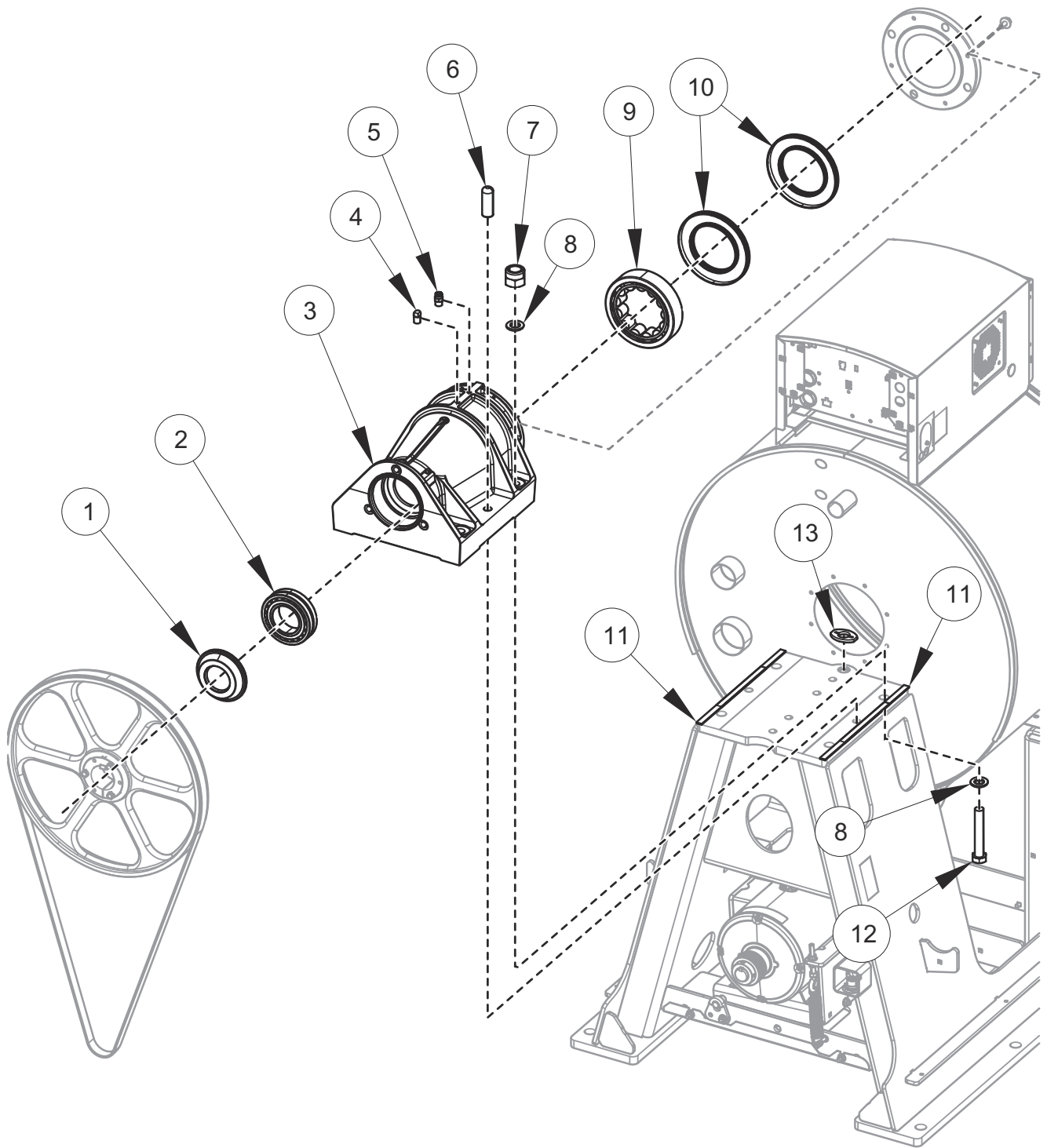


C-PHM2P14_F8672401

Motor and Pulley

REF	PART NO.	DESCRIPTION	COMMENTS
	F8579201	Motor Harness	
1	F8382809	Belt	
2	F8522201	Basket Pulley	
3	F8487101	Key	
4	F8387601	Nut	
5	F8366601	Washer	
6	F8564401	Motor	Models through August 6, 2023
	F8745801	Motor	Models starting August 7, 2023
7	44087301	Nut	
8	F8342203	Spring Bracket	
9	44087201	Nut	
10	F8634701	Stud	
11	M405503	Bolt	
12	F8402801	Bolt	
13	F422114	Air Coupling	
14	F190701	Grease Fitting	
15	70292801	Washer	
16	F8319503	Eye Bolt	
17	F8632601	Extension Spring	
18	800461	Screw	
19	F8441101	Motor Rod Plate	
20	F8441802	Motor Bracket Weldment	
21	F8451601	Spacer	
22	F8333303	Flanged Bushing	
23	F8441901	O-Ring	
24	F8466901	Motor Pulley	
25	F8484702	Screw	
26	F280294P	Basket Pulley Bushing	
27	M400014	Washer	
28	44079204	Screw	
29	44049001	Key	
30	M400077	Screw	

Bearing Housing

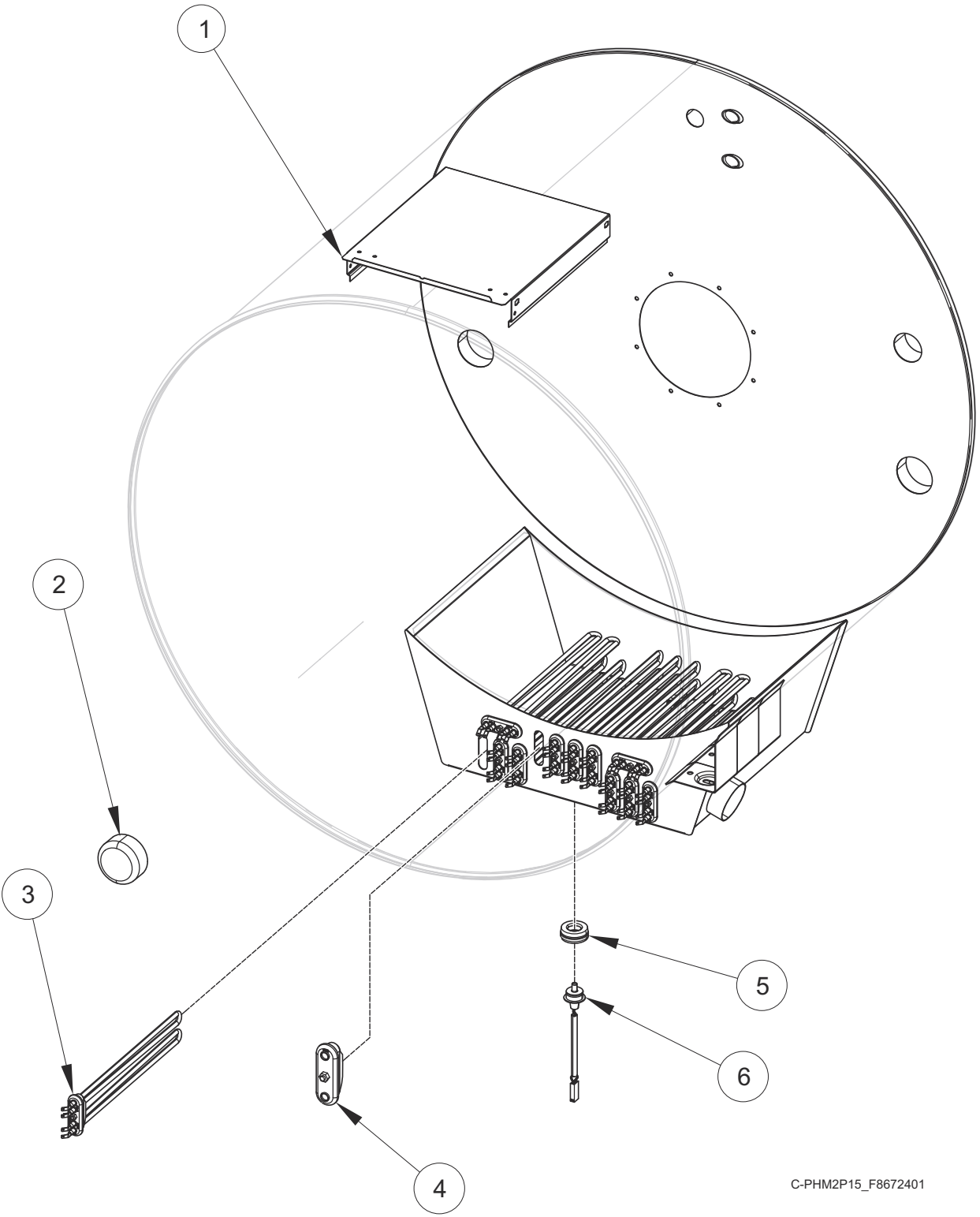


C-PHM3P24_F8672401

Bearing Housing

REF	PART NO.	DESCRIPTION	COMMENTS
	F8575301	Bearing Housing Kit	Includes items 1-3, 5-11, F8313701 Screw, F8527702 Excluder Seal, F8382502 Adapter Sleeve, F8442802 Screw and F8550102 Seal Wear Plate
	F8474702	Bearing Housing Assembly	Includes items 2, 3, 5, 9 and 10
	F8579501	Bearings and Seals Kit	Viton; Includes items 1, 2, 6-10, 12, F8527702 Excluder Seal and F410102 Sealant
1	F8528502	Radial Lip Seal	
2	F8465603	Bearing	
3	F8465101	Bearing Housing	
4	M403052	Plug	
5	J1408004	Connector	
6	F8406502	Dowel Pin	
7	F430248	Nut	
8	F8171201	Washer	
9	F8465301	Bearing	
10	F8203810	Radial Seal	
11	F8207001	Gasket	
12	F8313702	Screw	
13	F8452701	Seal Scupper Pad	

Electric Heat Option

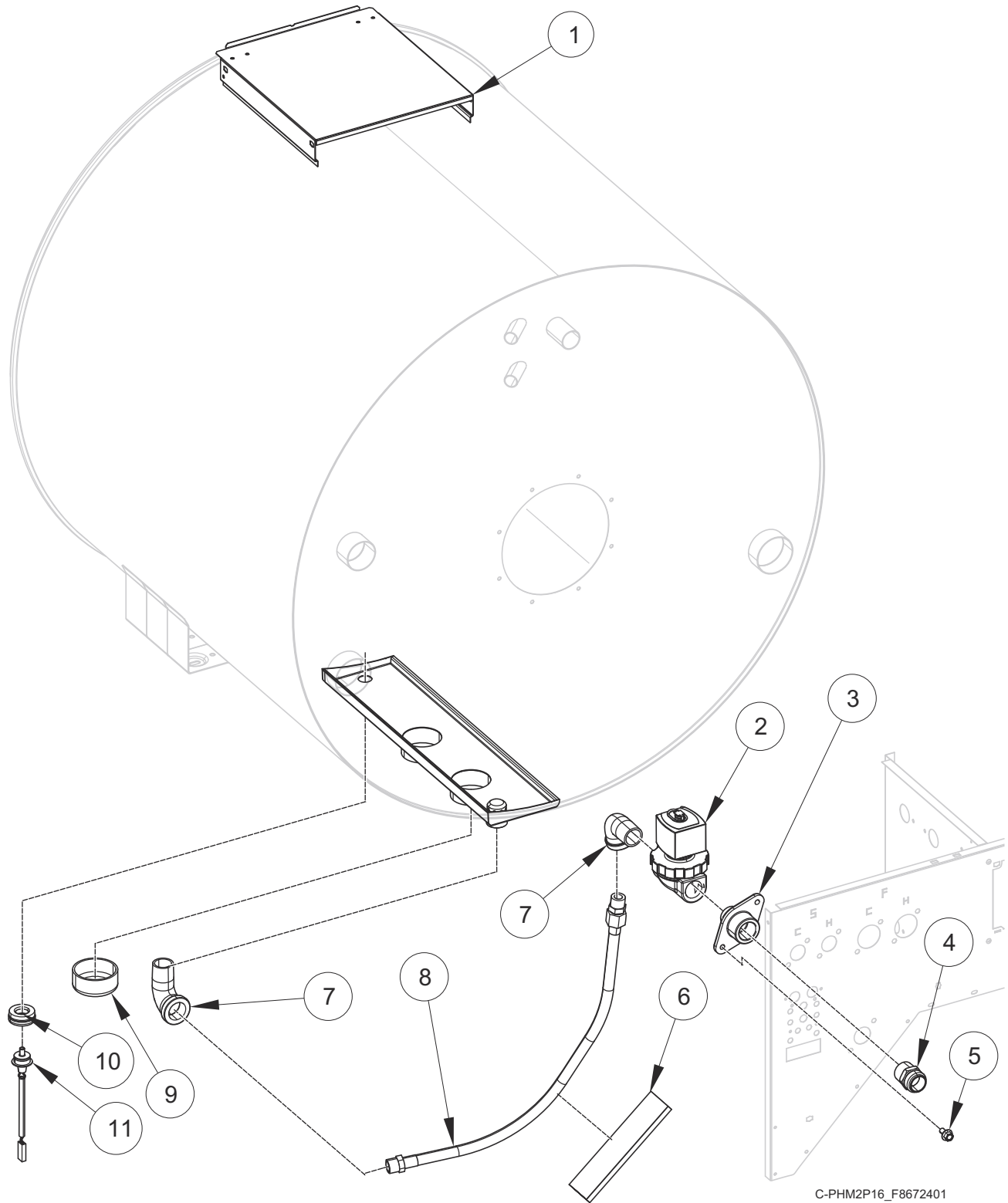


C-PHM2P15_F8672401

Electric Heat Option

REF	PART NO.	DESCRIPTION	COMMENTS
	F8487201	Drain Valve Bracket	Right
	F8487202	Drain Valve Bracket	Left; Dual drain
	F8564004	Harness	
	F8568901	Jumper	Electric and dual heat
	F8584803	Electric Heat Harness	9 element
1	F8544204	Shell Assembly	85 pound models with 1 or 3 in the 8th position
	F8544202	Shell Assembly	85 pound models with 2 or 4 in the 8th position
	F8544304	Shell Assembly	105 pound models with 1 or 3 in the 8th position
	F8544302	Shell Assembly	105 pound models with 2 or 4 in the 8th position
2	F0150502-00	Plug	
3	F8568301	Heating Element	4200 W; 230 Volt
4	F360202	Heating Element Plug	
5	2251000400	Temperature Probe Grommet	
6	F8538801	Thermistor	

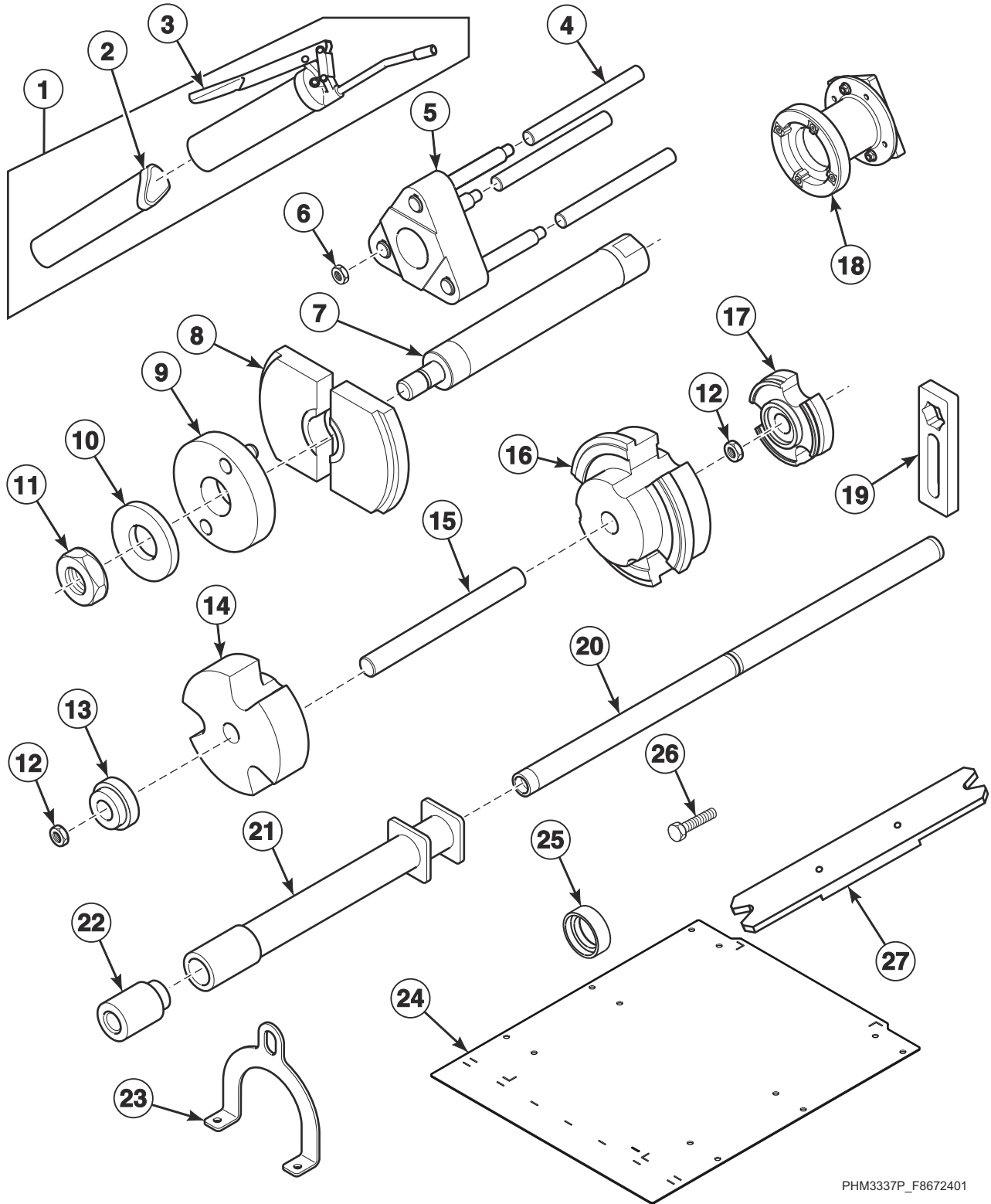
Steam Heat Option



Steam Heat Option

REF	PART NO.	DESCRIPTION	COMMENTS
	F8520704	Harness	
	F8662301	Steam Kit	Includes items 2, 3, 5-8, F8609101 Water Level Pressure Switch, 203464 Barbed Tee, F8520705 Steam Valve Harness, F421703 Street Elbow, F420409 Plug, F270307 Steam Filter, F200197 Steam Hose, 901403 Nipple, tubing, insulation and labels
	F270307	Steam Filter	1/2 inch
	F8487201	Drain Valve Bracket	Right; Dual heat
	F8487202	Drain Valve Bracket	Left; Dual drain; Dual heat
	F8545902	Drain Valve Bracket	Right
	F8312903	Drain Valve Bracket	Left; Dual drain
	F8621101	Steam Plumbing Assembly	1/2 inch; Includes items 2, 3, 7 and 8
	F8288407	Steam Valve Assembly	1/2 inch; 24VDC; Includes items 2, 3, and 7
	F8520705	Drain Valve Harness	
1	F8544203	Shell Assembly	85 pound models with 1 or 3 in the 8th position
	F8544204	Shell Assembly	85 pound models with 1 or 3 in the 8th position with dual heat
	F8544201	Shell Assembly	85 pound models with 2 or 4 in the 8th position
	F8544202	Shell Assembly	85 pound models with 2 or 4 in the 8th position with dual heat
	F8544303	Shell Assembly	105 pound models with 1 or 3 in the 8th position
	F8544304	Shell Assembly	105 pound models with 1 or 3 in the 8th position with dual heat
	F8544301	Shell Assembly	105 pound models with 2 or 4 in the 8th position
	F8544302	Shell Assembly	105 pound models with 2 or 4 in the 8th position with dual heat
2	F8322805	Valve	1/2 inch: 24VDC
	F8515001	Coil	24VDC
3	F8362701	Coupling	
4	F421908	Hose Adapter	
5	70321501	Screw	
6	F8233703	Insulation	
7	F421703	Street Elbow	
8	F200197	Steam Hose	
9	F0150502-00	Plug	
10	2251000400	Temperature Probe Grommet	
11	F8538801	Thermistor	

Special Tools and Kits



PHM3337P_F8672401

Special Tools and Kits

REF	PART NO.	DESCRIPTION	COMMENTS
	F8662201	Wireless Network Kit	Includes 203532 Wireless Network Control Assembly, F8520407 Wireless Harness, label and hardware; Models through January 2019
	1112P	Concrete Hardware Kit	
	203346	USB IR Interface Kit	
	F8599402	Bearing Seal Insertion and Removal Kit	Purchase; Includes items 4-21, 23, 25, 27, 70350503 Wing Nut and F8313702 Screw
	F8599402-1	Bearing Seal Insertion and Removal Kit	Rental; Includes items 4-21, 23, 25, 27, 70350503 Wing Nut and F8313702 Screw
	F8676201	Wireless Network Kit	Includes 807211 Wireless Network Control Assembly, F8674005 Wireless Harness, label and hardware; Models starting February 2019
	F8674005	Wireless Harness	Models starting February 2019
	F8520407	Wireless Harness	Models through February 2019
	205391P	Gateway	
1	F798700	Grease Gun Kit	Includes items 2 and 3
2	F210206P	Bearing Grease	
3	F210207P	Grease Gun	
4	F8599301	Rod	
5	F8560502	Shaft Support Assembly	
6	F8459101	Nut	
7	F8450401	Bearing Removal Shaft Assembly	
8	F8450601	Bearing Removal Plate	
9	F8455602	Bearing Removal Washer Assembly	
10	F8456101	Washer	
11	F8455801	Nut	
12	F8457701	Nut	
13	F8455701	Bearing Removal Plug	
14	F8515102	Front Bearing Fixture Assembly	
15	F8452101	Threaded Rod	
16	F8515301	Seal Press Fixture	
17	F8515202	Rear Bearing Seal Fixture	
18	F8530202	Bearing Sleeve Assembly	
19	F8562801	One Sided Disassembly Fixture	
20	F8534101	Guide Rod Assembly	
21	F8490701	Hammer	
22	F8514401	Hammer Tool Adapter	
25	F8537502	Excluder Seal Fixture	
26	M400063	Screw	
23	F8451502	Lifting Fixture	
24	F8471801	Frame Template	
27	F8634802	Clamp	

Parts Index

A

Adapter Sleeve F8382502	33
Air Coupling F422114	49

B

Basket Assembly Kit F8575901	33
F8576001	33
Basket Pulley F8522201	49
Basket Pulley Bushing F280294P	49
Bearing F8465301	51
F8465401	33
F8465603	51
Bearing Grease F210206P	57
Bearing Housing F8465101	51
Bearing Housing Assembly F8474702	51
Bearing Housing Kit F8575301	51
Bearing Removal Plate F8450601	57
Bearing Removal Plug F8455701	57
Bearing Removal Shaft Assembly F8450401	57
Bearing Removal Washer Assembly F8455602	57
Bearing Seal Insertion and Removal Kit F8599402	57
F8599402-1	57
Bearing Sleeve Assembly F8530202	57
Bearings and Seals Kit F8579501	51
Belt F8382809	49
Belt Guard Assembly F8481701	19
F8481702	19
Blind Rivet F8245101	31
Bolt F8270701	29, 31
F8402801	49
F8549301	29
M405503	49
Bulkhead Brace F8578701	21
Bulkhead Panel F8561201	25

F8578401	21
F8585301	21
F8585302	21
Bushing F8378701	29
70346501	15, 23, 39

C

Chemical Connection Assembly F8597301	39
F8597302	39
Chemical Connection Bracket F8561401	39
Chemical Connection Cover F8564601	25
Chemical Cover Gasket F8609301	25
Chemical Dispenser F8538201	39
Chemical Injection Control F8497401	39
804528	39
Chemical Injection Hose F8600902	39
Chemical Supply Cup F150385	37
F150386	37
Chemical Supply Hose F8551902	37
F8551903	37
Circuit Breaker 70488101	15
Clamp F8634802	57
Coil F8515001	45, 55
Concrete Hardware Kit 1112P	57
Connector F8555401	39
F8555402	39
F8555403	39
F8555404	39
F8555405	39
J1408004	51
70493102	39
Contact Base F8538101	9, 11
Contact Switch F8069501	9, 11
Contacting 70482601	15
70482701	15
Control Assembly F8493902	9
F8616203	9
F8746104	11
Control Decal F8612901	9

N/A items do not appear in index.

F8665501	9
Control Plate	
F8555701	9, 11
F8555703	9
F8555704	11
Control Power Harness	
F8565401	13
Coupling	
F8362701	45, 55
F8362702	43

D

Danger Label	
F8614501	7
DIN Rail	
F8134101	15
Dispenser Assembly	
F0150512-00P	37
Dispenser Cover	
F8338602	25
Dispenser Lid	
F0150514-00	37
Door Assembly	
F8479901	29
F879902	29
Door Gasket	
F8508502	29
Door Glass	
F8468901	29
F8469001	29
Door Glass Gasket	
F8499902	29
Door Glass Retainer	
F8475201	29
Door Handle	
F8435501	29
Door Hinge	
F8468101	29
Door Hinge Shim	
F8479501	29
Door Interlock Harness	
F8571801	31
Door Latch Arm Assembly	
F8221403	29
Door Lock Assembly	
F8606201	31
Door Lock Catch	
F8344501	31
Door Lock Cover	
F8435801	31
Door Lock Harness	
F8565901	31
Door Lock Microswitch	
F200203200	31
Door Lock Plate Assembly	
F8320401	31
Door Lock Plate Shim	
F8489601	31
Door Lock Switch Lever	
F8223401	31

Door Spray Nozzle Assembly	
F8356301	27
Door Weldment	
F8479701	29
Dowel Pin	
F8406502	51
Drain Elbow Hose	
F8340801	47
F8486701	47
F8487001	47
F8617101	47
Drain Hose	
F200165100	47
F8395801	47
F8542301	47
F8542501	47
Drain Valve Bracket	
F8312903	47, 55
F8487201	47, 53, 55
F8487202	47, 53, 55
F8545902	47, 55
Drain Valve Cover	
F200133600	47
Drain Valve Harness	
F8520003	47
F8520004	47
F8520705	55
Drain Valve Kit	
F200166402	47
F8577201	47
Drive	
F8548113	13
F8548114	13
F8548118	13
F8548119	13
Drive Box Partition Panel	
F8571101	21
F8585501	21
Drive Jog Harness	
F8566601	13
Drive Mounting Bracket	
F8322401	13
F8574301	13
F8574302	13

E

Elbow	
F8453701	27
F8514301	37
Electric Heat Harness	
F8584803	53
Emergency Stop Label	
44012902	9, 11
Emergency Stop Pushbutton	
F200233500	9, 11
End Stop	
F8449801	15
E-Stop Harness	
F8519404	9, 11
Ethernet Cable	
F8585001	9, 11
Excluder Seal	
F8527702	33

N/A items do not appear in index.

Excluder Seal Fixture F8537502	57
Expansion Clip 70030501	9, 11, 13, 15, 19, 21, 25, 29, 31, 39, 41
Extension Spring F8632601	49
External Supply Board Communication Harness F8566101	37
F8566102	37
External Supply Board Power Harness F8566401	37
F8566402	37
Eye Bolt F8319503	49

F

Fan F8623601	9, 11, 15
Fill Harness F8566001	43
F8566002	43
F8566003	43
F8566004	43
Filter F8548203	13
F8548204	13
F8548208	13
Filter Kit F8662105	13
F8662106	13
F8662107	13
F8662108	13
Filter Retainer Guard F8578501	9, 11, 15
Flanged Bushing F8333303	49
Frame Shield F8480201	35
Frame Shield Extension F8480402	35
Frame Template F8471801	57
Front Bearing Fixture Assembly F8515102	57
Front Panel F8481301	19

G

Gasket F8207001	51
Gateway 205391P	57
Grease Fitting F190701	49
Grease Gun F210207P	57
Grease Gun Kit F798700	57
Grommet F170604	19

F8457801	31
F8528401	23
Ground Lug Connector M411283	15
Guide Rod Assembly F8534101	57

H

Hammer F8490701	57
Hammer Tool Adapter F8514401	57
Handle Mount F8468501	29
Harness F8520704	55
F8564004	53
F8566301	9, 11
F8598303	9, 11
F8617901	9, 11
Heating Element F8568301	53
Heating Element Plug F360202	53
Hole Plug F8223801	15, 25
Hose C002658	43
F602586-34	45
F8137502	43
F8137504	45
F8232006	45
F8232007	39
F8344602	39, 43
F8617801	41
F8617805	41
F8617807	41
F8617808	41
F8617811	41
F8617815	41
Hose Adapter F421908	55
Hose Barb F421930	45
F421951	43
F421964	43
Hose Clamp F200201	39, 47
F200213	37, 39
F200215	35
F200222	43, 45
F200415	37
36801	37, 39, 41, 43, 45
36802	47
39282	9, 11
Hot Surface Warning Label F8609001	7
F8614301	7

N/A items do not appear in index.

I

Injection Nozzle	
F8322001	37
Input and Output Control Assembly	
F8494101P	9, 11
Insertion Sleeve	
F8464902	33
Installation/Operation Communication Harness	
F8519503	9, 11
Insulation	
F8233703	55
Insulator	
M413862	13

J

Jumper	
F8568901	53

K

Key	
F8487101	49
44049001	49

L

Label	
D516100	15
F8601301	7
F8609801	7
F8613701	7
F8614601	7, 15
F8614801	7
F8615901	7
F8620801	7
44286803	13
70531801	23
Left Side Panel	
F8480902	19
F8480904	19
Lifting Fixture	
F8451502	57
Lug Hinge	
F8468301	29

M

Machine ID Control Assembly	
203361P	9, 11
Magnet	
F8406201	29
Manifold	
F8333201	45
Module Box Assembly	
F8555505	9
F8555506	9

Module Box Fan/Jog Harness	
F8566502	9, 11
Module Box Front Panel Assembly	
F8664202	9
F8664205	11
Module Box Power Harness	
F8566201	9
F8566203	11
Module Box Top	
F8412504	9, 11
Molded Drain	
F8386805	47
Motor	
F8564401	49
F8745801	49
Motor Bracket Weldment	
F8441802	49
Motor Harness	
F8579201	49
Motor Pulley	
F8466901	49
Motor Rod Plate	
F8441101	49

N

Nameplate	
F8443105	9, 11
Nipple	
C000417	43
Nut	
F430218	33
F430225	17, 31
F430231	9, 11, 15
F430232	31
F430248	51
F431005	37
F431024	31
F8322601	27
F8387601	49
F8455801	57
F8457701	57
F8459101	57
F8549401	29, 37
44087201	19, 35, 47, 49
44087301	49
44088001	15
685846	9, 11
70030401	19, 35, 47
802292	37

O

One Sided Disassembly Fixture	
F8562801	57
O-Ring	
F170200	27
F8441901	49
Overflow	
F8491701	47
Overflow Hose	
F0150488-00	47

N/A items do not appear in index.

P

Panel Locator	
56079	19, 21
Pin	
F8302701	33
Pinch Warning Label	
F8615701	7, 19
70538401	7
Plug	
F0150502-00	53, 55
F8223901	15, 25
F8223902	43
F8531401	47
M400985	25
M403052	51
Plug Cap	
F190304	37
Pop Rivet	
M400003	9, 11, 15
70058501	15, 21, 25
Power Distribution Block	
M413865	13
Power Distribution Block Cover	
44014901P	13
Power Harness	
F8565601	13
F8565801	13
F8567901	13
F8567902	13
F8567903	13
F8567904	13
Pressure Cap	
F8579301	47
Pressure Sensor	
F8623401	9, 11

R

Radial Lip Seal	
F8528502	51
Radial Seal	
F8203810	51
Rear Bearing Seal Fixture	
F8515202	57
Rear Bulkhead Edging	
F8484001	25
Reed Switch Assembly	
F8066804	31
Reed Switch Bracket	
F8402601	31
Right Side Panel	
F8480901	19
F8480903	19
Ring Clamp Weldment	
F8388006	33
Ring Retainer	
F310206	27
Rivet	
M412763	19, 21
Rod	
F8599301	57

S

Screw	
D503688	39
F8117601	19, 21, 25, 31, 39, 41
F8151201	9, 11, 15
F8206901	9, 11, 13, 15, 19, 21
F8230301	39, 41
F8313702	51
F8413701	9, 11
F8442702	35
F8484702	49
F8560601	19
F8574001	35
F8673701	33
M400063	57
M400077	49
M401938	17
202175	19, 47
20253	35
39733	13
430497	39
431287	27
44079204	49
51783	13
685837	15
70321501	43, 45, 55
70391101	33
800461	49
800548	39
Seal Pad	
F8617601	9, 11
Seal Press Fixture	
F8515301	57
Seal Scupper Pad	
F8452701	51
Seal Wear Plate	
F8550102	35
Shaft Sleeve	
F8522602	33
Shaft Support Assembly	
F8560502	57
Shell Assembly	
F8544201	35, 55
F8544202	35, 53
F8544203	35, 55
F8544204	35, 53, 55
F8544301	35, 55
F8544302	35, 53, 55
F8544303	35, 55
F8544304	35, 53, 55
Shell Band Gasket	
F8502306	33
Shell Front Assembly	
F8479301	33
Shell Front Gasket Kit	
F8537806	33
Shim	
F8484401	31
F8630301	35
Shock Warning Label	
F8614201	7, 19
F8614401	7
Sleeve Seal	
F8343912	33

N/A items do not appear in index.

Snap Bushing	
F8332501	23
44071501	15
70178701	23
Solenoid	
F8630601	31
Spacer	
F431901	31
F8451601	49
Spray Nozzle Gasket	
F8322701	27
Spray Pipe Assembly	
F8332303	27
Spray Rinse Bracket	
F8451101	27
Spray Rinse Hose	
F8508202	27
Spray Rinse Strap	
F8451701	27
Spray Rinse Tube Assembly	
F8332304	27
Spring Bracket	
F8342203	49
Spring Pin	
F431222	29
Steam Filter	
F270307	55
Steam Hose	
F200197	55
Steam Kit	
F8662301	55
Steam Plumbing Assembly	
F8621101	55
Steam Valve Assembly	
F8288407	55
Strain Relief Adapter Kit	
F8566401	37
Street Elbow	
F421703	55
Stud	
F390301	37
F8590801	9, 11
F8634701	49
70334702	19, 35, 47
Supply Dispenser Spacer	
F0150525-00	37
Supply Weldment	
F8549702	37
Swivel Coupling Assembly	
F8504001	27
Swivel Coupling Bushing	
F8453801	27

T

Tee	
F422206	43
Temperature Probe Grommet	
2251000400	17, 35, 53, 55
Terminal	
00622SG	9, 11, 15
Terminal Block	
430642	13

N/A items do not appear in index.

Terminal Block Shield	
70333001	13
Thermistor	
F8538801	17, 35, 53, 55
Threaded Rod	
F8452101	57
Top Cover	
F8596802	21
F8608201	21
F8608302	21
Torsion/Door Lock Spring	
F8070301	31
Transformer	
F8512001	15
202758	9, 11
Trim	
F8412801	19
F8412802	19
F8412804	19
F8412807	23
F8412809	35

U

USB IR Interface Kit	
203346	57
USB-Serial Interface Assembly	
203440	9, 11

V

Valve	
.....	41
F8322804	45
F8322805	55
F8579101	39
Valve Assembly	
F8288309	43
F8288310	43
F8288406	45
F8322907	43
Valve Mounting Bracket	
F8331902	41
Valve Rebuild Kit	
F8379507	45
F8379508	43
Vent Hose	
F8363601	35
Vibration Switch	
F8204001	17
Vibration Switch Shield	
F8337301	17

W

Warning Label	
F8611601	7
44324001	7, 19
Washer	
F431100	29
F431125	31

F431147	29, 37
F431916	29
F8171201	51
F8193101	31
F8366601	49
F8456101	57
M400014	49
M400080	33, 35
M400081	35
M405535	19, 35
70292801	49
Water Hose	
F200164	43
F200166	43
F200185	43
F200509	41
Water Valve Bracket	
F8562201	39
Wire Harness Tube Assembly	
F8576903	31
Wire Tray Cover	
F8608101	21
Wireless Harness	
F8520407	9, 11, 57
F8674005	57
Wireless Network Kit	
F8662201	57
F8676201	57

Y

Y Connector	
F422816	41
