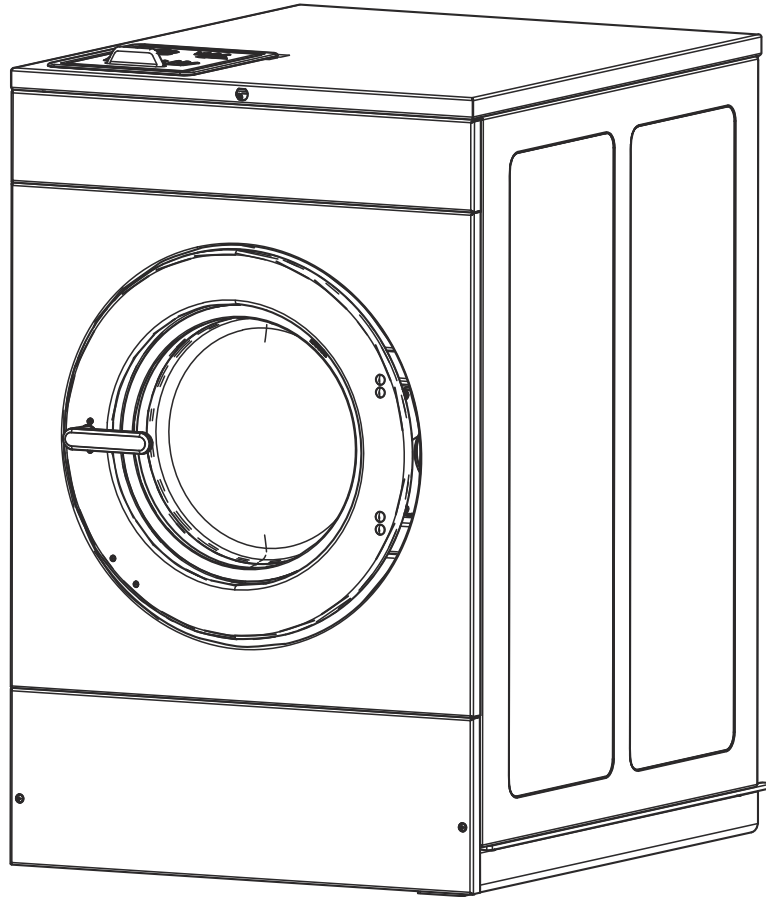


# Washer-Extractor

Cabinet Hardmount

Design 4, 6 and 7

Refer to Page 3 for Model Numbers



C-CHM2C3\_F8674601



# Table of Contents

Title	Page
Parts Ordering Information.....	2
Serial Plate Location .....	2
Model Identification .....	3
Product Overview - Galaxy 600 Network International .....	4
Labels .....	6
Control Module and Front Tray Assembly .....	8
Control Tray Assembly.....	10
Flush Mount Coin Meter Assembly - Single Drop .....	12
Flush Mount Coin Meter Assembly - Dual Drop.....	14
Electronic Coin Meter Assembly .....	16
Optional Coin Box .....	18
Inverter Drive Box - 20 and 30 Pound Models with B Voltage .....	20
Inverter Drive Box - 20 and 30 Pound Models with N, P, Q, W, X and Y Voltage.....	22
Inverter Drive Box - 40 Pound Models with B Voltage .....	24
Inverter Drive Box - 40 Pound Models with N, P, Q, W, X and Y Voltage.....	26
Inverter Drive Box - 60 Pound Models with Q and X Voltage .....	28
Inverter Drive Box - 60 Pound Models with N and P Voltage.....	30
External Supply Kit.....	32
Inverter Drive .....	34
Front Panels and Control Panel - Design 4 .....	36
Front Panels and Control Panel - Design 6 .....	38
Front Panels and Control Panel - Design 7 .....	40
Rear and Top Panels .....	42
Side Panels.....	44
Door - 20 Pound Models .....	46
Door - 30 Pound Models .....	48
Door - 40 and 60 Pound Models .....	50
Door Lock.....	52
Shell Front, Basket, Shell and Frame Template .....	54
Bearing Housing .....	56
Drain Plumbing .....	58
Pump Drain Plumbing - 20, 30 and 40 Pound Models.....	60
Fill Plumbing - 20 Pound Models .....	62
Fill Plumbing - 30 Pound Models .....	64
Fill Plumbing - 40 Pound Models .....	66
Fill Plumbing - 60 Pound Models .....	68
Motor, Pulley and Belt - 20 and 30 Pound Models.....	70
Motor, Pulley and Belt - 40 and 60 Pound Models.....	72
Electric Heating.....	74
Steam Heating - 40 and 60 Pound Models .....	76
Special Tools and Kits .....	78
Parts Index.....	81

© Copyright 2022, Alliance Laundry Systems LLC

All rights reserved. No part of the contents of this book may be reproduced or transmitted in any form or by any means without the expressed written consent of the publisher.

## Parts Ordering Information

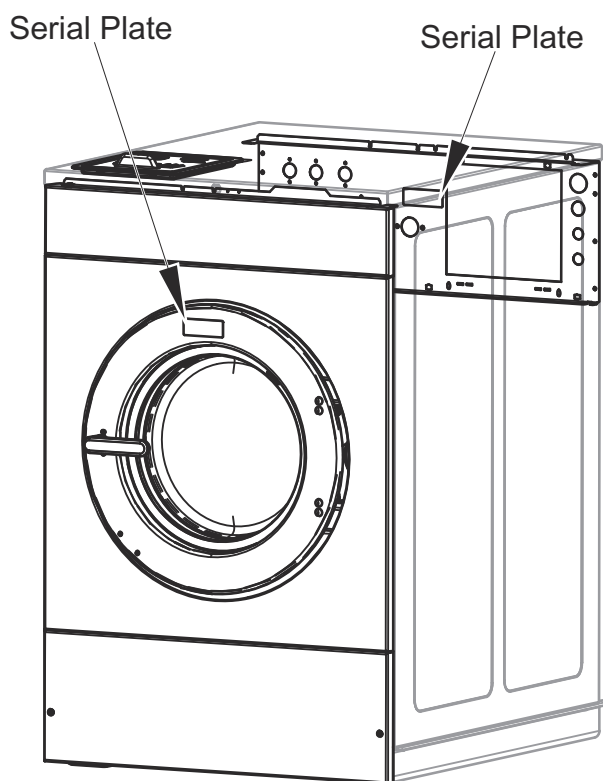
If literature or replacement parts are required, contact the source from whom the machine was purchased or contact Alliance Laundry Systems at (920) 748-3950 for the name and address of the nearest authorized parts distributor.

For technical assistance, call the number listed below:

(920) 748-3121 Ripon, Wisconsin

## Serial Plate Location

When calling or writing about your product, be sure to mention model and serial numbers. Model and serial numbers are located on serial plate(s) as shown.



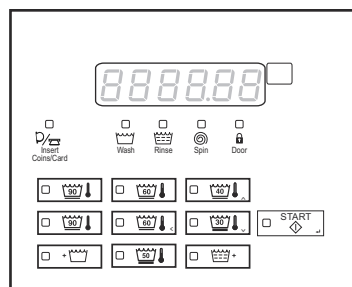
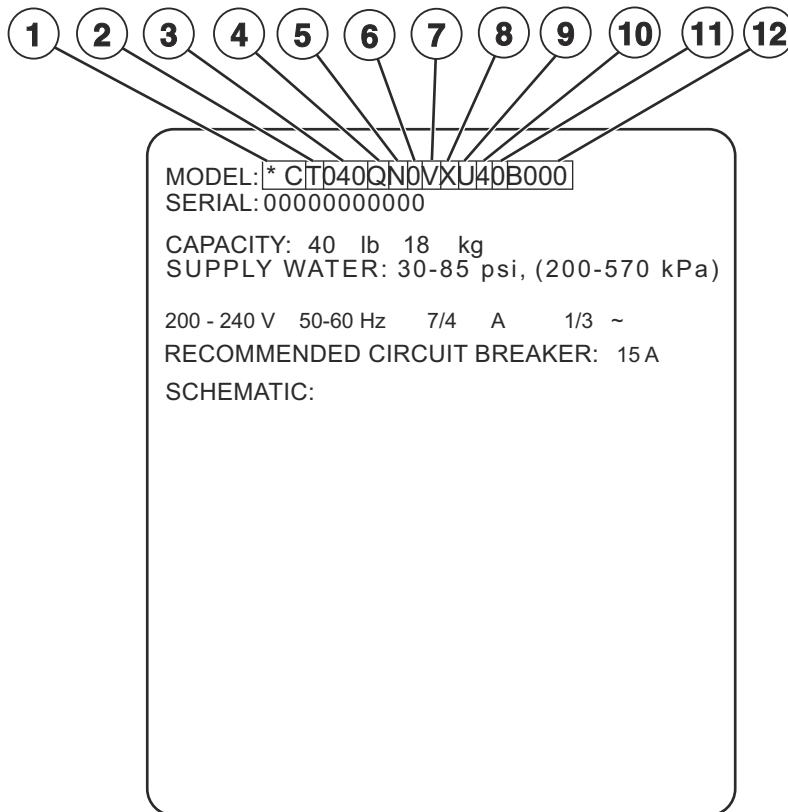
C-CHM2C2\_F8674601

## Model Identification

Information in this manual is applicable to these washer-extractor models:

HCA020WC	HCD040WC	HCG020WT	HCH040WQ	HCL020WH
HCA020WD	HCD040WD	HCG020WV	HCH040WT	HCL020WX
HCA020WE	HCD040WE	HCG020WX	HCH040WV	HCL030WH
HCA020WF	HCD040WF	HCG030WC	HCH040WX	HCL030WX
HCA020WH	HCD040WH	HCG030WD	HCH060WC	HCL040WH
HCA020WT	HCD040WQ	HCG030WE	HCH060WD	HCL040WX
HCA020WV	HCD040WT	HCG030WF	HCH060WE	HCL060WH
HCA020WX	HCD040WV	HCG030WH	HCH060WF	HCL060WX
HCA030WC	HCD040WX	HCG030WT	HCH060WH	HCU020WC
HCA030WD	HCE020WC	HCG030WV	HCH060WQ	HCU020WD
HCA030WE	HCE020WD	HCG030WX	HCH060WT	HCU020WE
HCA030WF	HCE020WE	HCG040WC	HCH060WV	HCU020WF
HCA030WH	HCE020WF	HCG040WD	HCH060WX	HCU020WH
HCA030WT	HCE020WH	HCG040WE	HCJ020WC	HCU020WQ
HCA030WV	HCE020WQ	HCG040WF	HCJ020WD	HCU020WT
HCA030WX	HCE020WT	HCG040WH	HCJ020WE	HCU020WV
HCA040WC	HCE020WV	HCG040WT	HCJ020WF	HCU020WX
HCA040WD	HCE020WX	HCG040WV	HCJ020WH	HCU030WC
HCA040WE	HCE030WC	HCG040WX	HCJ020WQ	HCU030WD
HCA040WF	HCE030WD	HCG060WC	HCJ020WT	HCU030WE
HCA040WH	HCE030WE	HCG060WD	HCJ020WV	HCU030WF
HCA040WT	HCE030WF	HCG060WE	HCJ020WX	HCU030WH
HCA040WV	HCE030WH	HCG060WF	HCJ030WC	HCU030WQ
HCA040WX	HCE030WQ	HCG060WH	HCJ030WD	HCU030WT
HCA060WC	HCE030WT	HCG060WT	HCJ030WE	HCU030WV
HCA060WD	HCE030WV	HCG060WV	HCJ030WF	HCU030WX
HCA060WE	HCE030WX	HCG060WX	HCJ030WH	HCU040WC
HCA060WF	HCE040WC	HCH020WC	HCJ030WQ	HCU040WD
HCA060WH	HCE040WD	HCH020WD	HCJ030WT	HCU040WE
HCA060WT	HCE040WE	HCH020WE	HCJ030WV	HCU040WF
HCA060WV	HCE040WF	HCH020WF	HCJ030WX	HCU040WH
HCA060WX	HCE040WH	HCH020WH	HCJ040WC	HCU040WQ
HCD020WC	HCE040WQ	HCH020WQ	HCJ040WD	HCU040WT
HCD020WD	HCE040WT	HCH020WT	HCJ040WE	HCU040WV
HCD020WE	HCE040WV	HCH020WV	HCJ040WF	HCU040WX
HCD020WF	HCE040WX	HCH020WX	HCJ040WH	HCU060WC
HCD020WH	HCE060WC	HCH030WC	HCJ040WQ	HCU060WD
HCD020WQ	HCE060WD	HCH030WD	HCJ040WT	HCU060WE
HCD020WT	HCE060WE	HCH030WE	HCJ040WV	HCU060WF
HCD020WV	HCE060WF	HCH030WF	HCJ040WX	HCU060WH
HCD020WX	HCE060WH	HCH030WH	HCJ060WC	HCU060WQ
HCD030WC	HCE060WQ	HCH030WQ	HCJ060WD	HCU060WT
HCD030WD	HCE060WT	HCH030WT	HCJ060WE	HCU060WV
HCD030WE	HCE060WV	HCH030WV	HCJ060WF	HCU060WX
HCD030WF	HCE060WX	HCH030WX	HCJ060WH	
HCD030WH	HCG020WC	HCH040WC	HCJ060WQ	
HCD030WQ	HCG020WD	HCH040WD	HCJ060WT	
HCD030WT	HCG020WE	HCH040WE	HCJ060WV	
HCD030WV	HCG020WF	HCH040WF	HCJ060WX	
HCD030WX	HCG020WH	HCH040WH		

# Product Overview - Galaxy 600 Network International



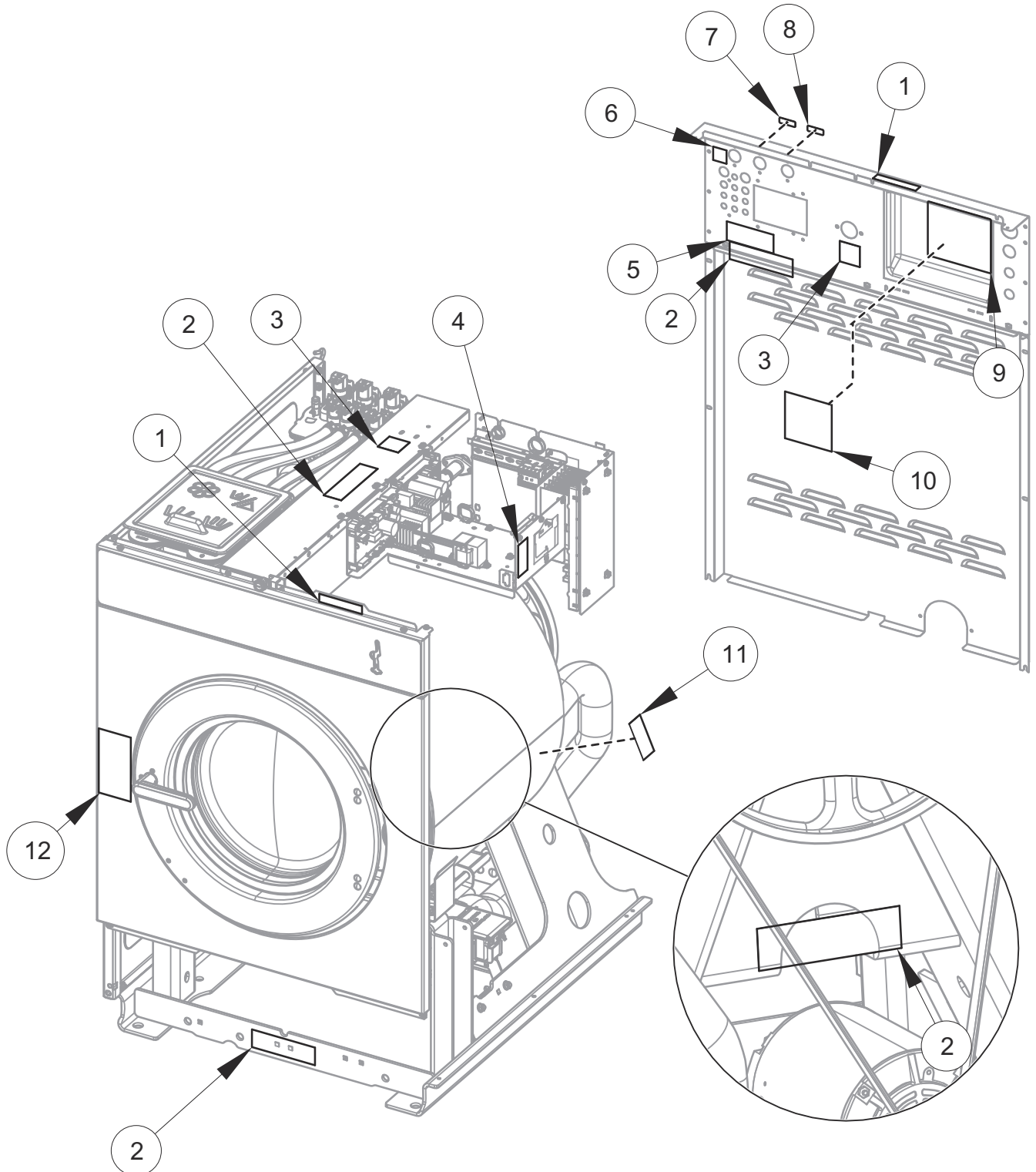
Galaxy 600 International Network

CHM3495P\_F8674601

# Product Overview - Galaxy 600 Network International

REF	PART NO.	DESCRIPTION	COMMENTS
1	-	Product Family	HC
2	-	Market Approvals	A (Australia IEC) D (Brazil IEC) G (International) H (China-ROHS IEC) J (Japan-PSE IEC) K (Korea) L (Thailand-TISI IEC) U (International CE/EAC IEC)
3	-	Capacity (Dry Weight in Pounds)	020 030 040 060
4	-	Control	W
5	-	Actuation	L (Central Pay) X (Prep for Coin) Y (Prep for Card) C (Single Coin) D (Dual Coin) E (Electronic Drop) T (Token) F (Single Coin + CD Lock and Key) Q (Dual Coin + CD Lock and Key) H (Electronic Drop + CD Lock and Key) V (Token + CD Lock and Key)
6	-	Coin Meter	0 (Standard) 1 (CD Lock and Key)
7	-	Speed	F (F-Speed) V (V-Speed)
8	-	Voltage	B (120/60/1) W (200-240/50/1/3) Y (200-240/60/1/3) X (200-240/50-60/1/3) Q (200-240/50-60/3) P (380-415/50-60/3) N (440-480/50-60/3)
9	-	Panel	B (Chrome Door) C (Chrome Door) U (Vinyl) 1 (Stainless Steel Side)
10	-	Design	4 6 7
11	-	Heat	0 (Standard) D (Steam) E (Electric Heat) P (Prep for Steam)
12	-	Features and Options	

# Labels



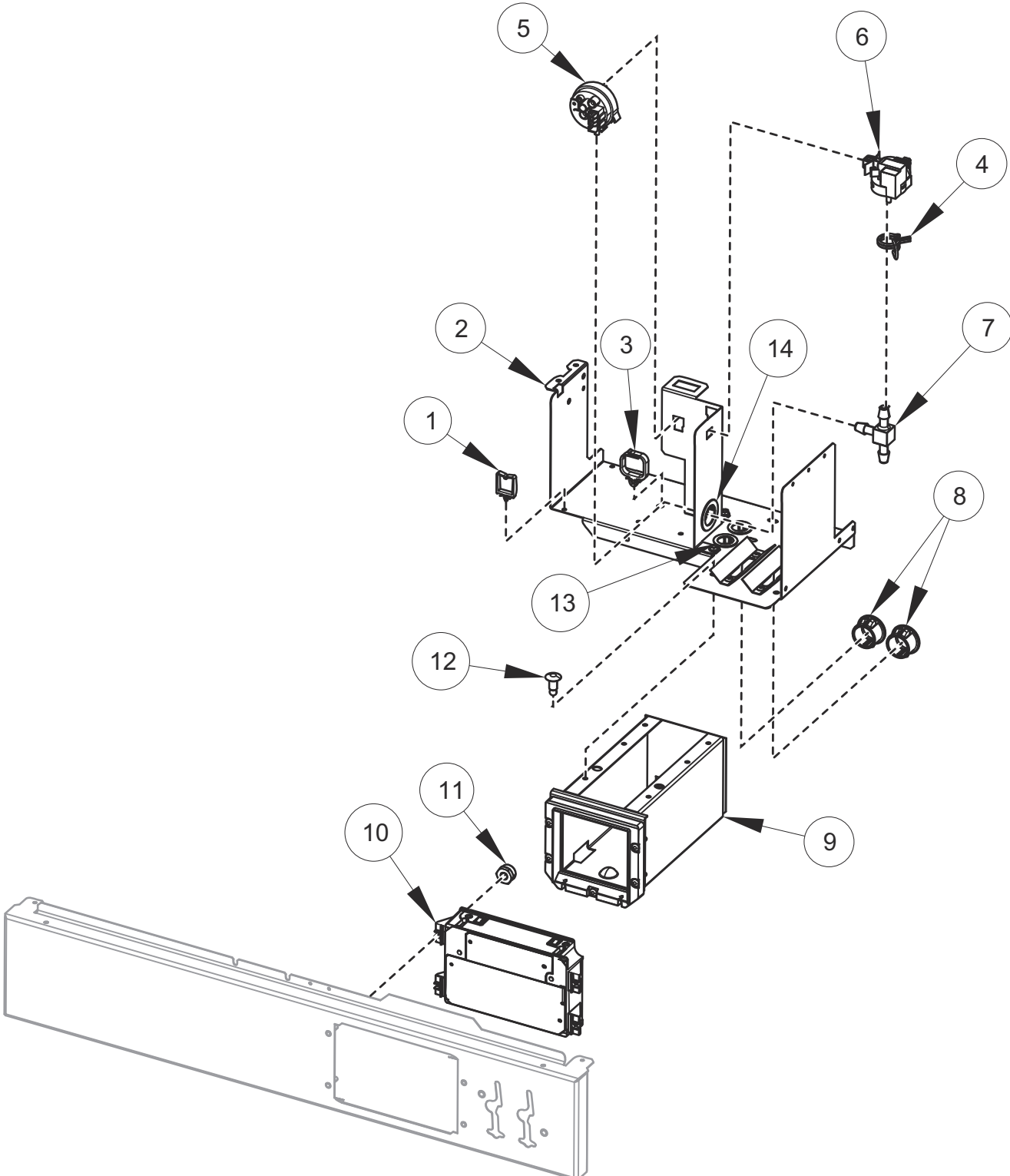
C-CHM2P27\_F8674601



# Labels

REF	PART NO.	DESCRIPTION	COMMENTS
1	F8614501	Danger Label	English/Quebec/French
2	44324001	Warning Label	Pinch/Shock; English/French
	F8614201	Shock Warning Label	Icon
	F8615701	Pinch Warning Label	Icon
3	F8614301	Hot Surface Warning Label	English/Quebec/French
	F8609001	Hot Surface Warning Label	Icon
4	F8601301	Label	Warning; Underground components
5	F8609401	Label	Notice; Chemical connection
6	203853	Label	ROHS (China)
7	F8611301	Label	Hot water; Icon
8	F8611401	Label	Cold water; Icon
9	F8611601	Warning Label	Warning; English/Quebec/French
10	F8602401	Label	Notice; Large expansion board
11	70538401	Pinch Warning Label	English/French
	F8615701	Pinch Warning Label	Icon
12	F8614801	Label	Warning fire/injury; English/Quebec/French

# Control Module and Front Tray Assembly

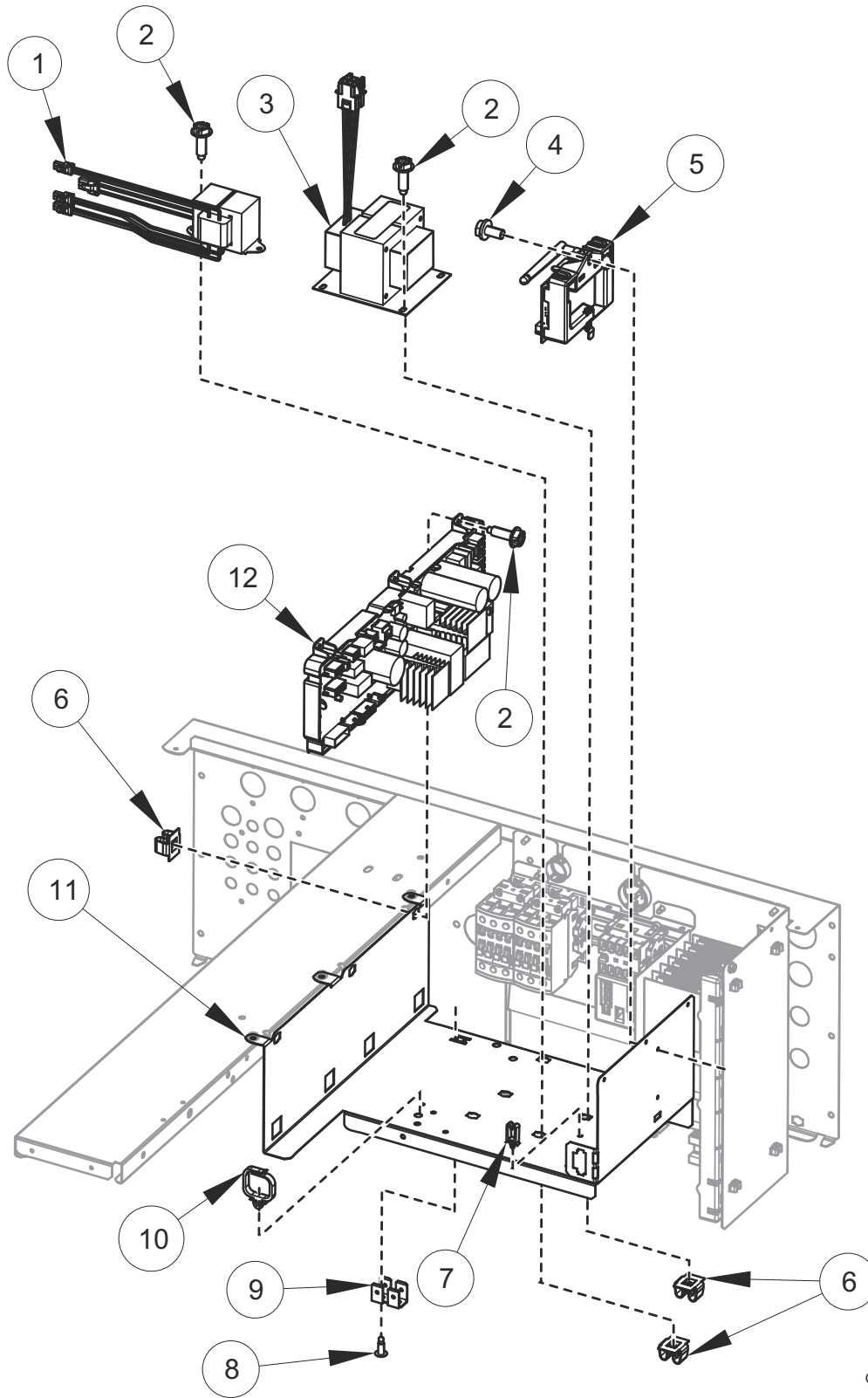


C-CHM5P1\_F8674601

# Control Module and Front Tray Assembly

REF	PART NO.	DESCRIPTION	COMMENTS
	44374701	App Pay Overlay Kit	
	203361P	Machine ID Control Assembly	
	F8567301	Front Tray Assembly	20 pound models; Includes items 1-3, 6, 8, 9, 12-14, 70413301 Pushbutton Switch and F8519701 Coin Vault Harness
	F8567304	Front Tray Assembly	20 pound models; Steam or electric heat; Includes items 1-9, 12-14, 70413301 Pushbutton Switch and F8519701 Coin Vault Harness
	F8567302	Front Tray Assembly	30 pound models; Includes items 1-3, 6, 8, 9, 12-14, 70413301 Pushbutton Switch and F8519701 Coin Vault Harness
	F8567305	Front Tray Assembly	30 pound models; Steam or electric heat; Includes items 1-9, 12-14, 70413301 Pushbutton Switch and F8519701 Coin Vault Harness
	F8567303	Front Tray Assembly	40 and 60 pound models; Includes items 1-3, 6, 8, 9, 12-14, 70413301 Pushbutton Switch and F8519701 Coin Vault Harness
	F8567306	Front Tray Assembly	40 and 60 pound models; Steam or electric heat; Includes items 1-9, 12-14, 70413301 Pushbutton Switch and F8519701 Coin Vault Harness
	F8519701	Coin Vault Harness	
	F8519301	Harness	Tray power harness
	F8519501	Harness	20 and 30 pound models; Communication
	F8519502	Harness	40 and 60 pound models; Communication
	F8519601	Harness	Coin access
	F8519403	Emergency Stop Bypass Harness	
	205070	Payment Center Kit	
	205069	Payment Center Kit	Includes printer
<b>1</b>	70366201	Wire Clip	
<b>2</b>	F8531001	Front Tray Assembly	
<b>3</b>	F8449501	Wire Clip	
<b>4</b>	39282	Hose Clamp	
<b>5</b>	F8609101	Water Level Pressure Switch	Steam or electric heat
	F8405303	Tubing	Electric heat
<b>6</b>	F8623401	Pressure Sensor	
	F8405302	Tubing	Electric heat
<b>7</b>	203464	Barbed Tee	Steam or electric heat
<b>8</b>	M411826	Snap Bushing	
<b>9</b>	F8529101	Coin Vault Assembly	
<b>10</b>	F8493901P	Control Assembly	
<b>11</b>	685846	Nut	
<b>12</b>	70058501	Pop Rivet	
<b>13</b>	F140938	Snap Bushing	
<b>14</b>	M402542	Snap Bushing	

# Control Tray Assembly

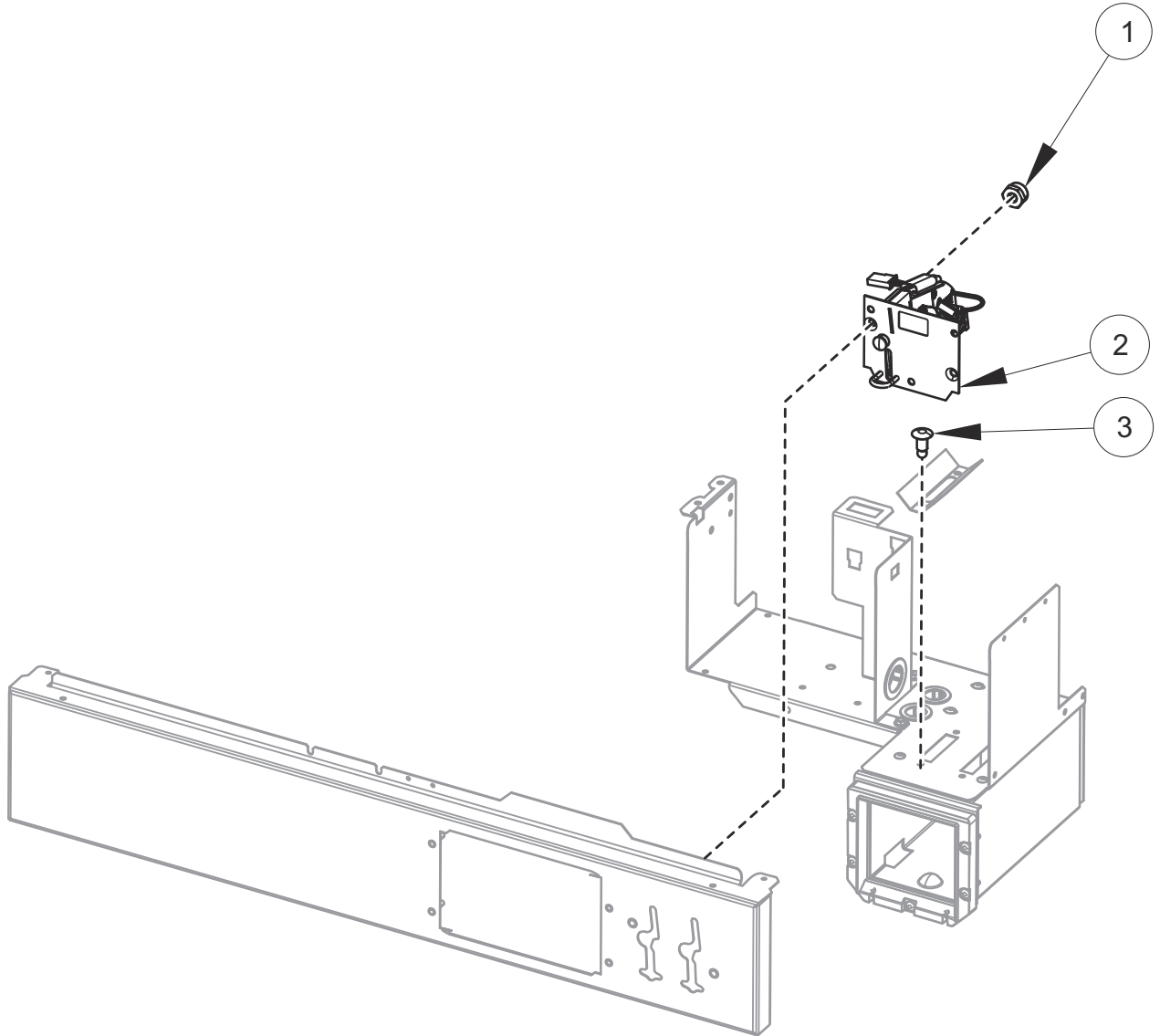


C-CHM5P2\_F8674601

# Control Tray Assembly

REF	PART NO.	DESCRIPTION	COMMENTS
	F8520403	Wireless Harness	20 and 30 pound models through January 2019
	F8674003	Wireless Harness	20 and 30 pound models starting February 2019
	F8520404	Wireless Harness	40 and 60 pound models through January 2019
	F8674004	Wireless Harness	40 and 60 pound models starting February 2019
	F8662401	Wireless Kit	20 and 30 pound models through January 2019; Includes items 4, 5, F8520403 Wireless Harness and labels
	F8676001	Wireless Kit	20 and 30 pound models starting February 2019; Includes items 4, 5, F8674003 Wireless Harness and labels
	F8662402	Wireless Kit	40 and 60 pound models through January 2019; Includes items 4, 5, F8520404 Wireless Harness and labels
	F8676101	Wireless Kit	40 and 60 pound models starting February 2019; Includes items 4, 5, F8674004 Wireless Harness and labels
	205223P	Gateway	
	205391P	Gateway	
<b>1</b>	202757	Transformer	B voltage with external supply
	202758	Transformer	N, P, Q, W, X and Y voltage with external supply
<b>2</b>	F8206901	Screw	
<b>3</b>	F8491101	Transformer	N and P voltage
<b>4</b>	430497	Screw	
<b>5</b>	203532	Wireless Network Control Assembly	Models through January 2019
	807211	Wireless Network Control Assembly	Models starting February 2019
<b>6</b>	70030501	Expansion Clip	
<b>7</b>	70347601	Wire Clip	External supply
<b>8</b>	M400003	Pop Rivet	
<b>9</b>	00622SG	Terminal	
<b>10</b>	F8449501	Wire Clip	
<b>11</b>	F8530701	Control Tray	
<b>12</b>	F8494101P	Input and Output Control Assembly	

# Flush Mount Coin Meter Assembly - Single Drop

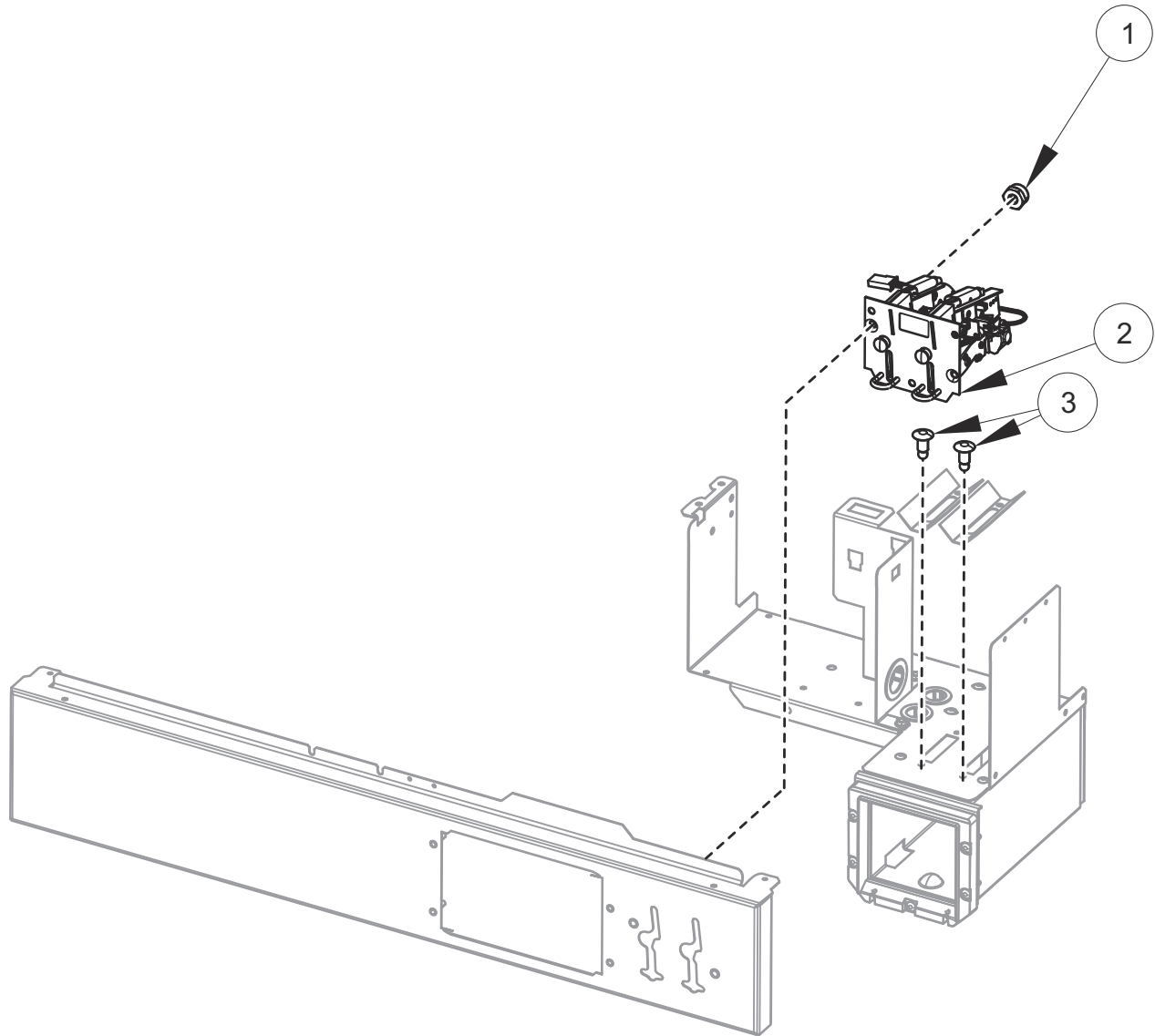


C-CHM6P7\_F8674601

## Flush Mount Coin Meter Assembly - Single Drop

REF	PART NO.	DESCRIPTION	COMMENTS
	44374701	App Pay Overlay Kit	
	38725	Coin Identification Paper	
	200674P	Opto Coupler	
<b>1</b>	685846	Nut	
<b>2</b>	70441601P	Coin Drop	U.S.A.; \$.25
	38475	Coin Drop Assembly	Japan; 100 yen
	38464P	Coin Drop Assembly	Canada; .25
	CK077	Coin Drop Kit	Taiwan; 10 NT
	70506901	Coin Drop Assembly	Singapore; \$1.00 NEW
	38462P	Coin Drop Assembly	Token; STD 118-1
	38463	Coin Drop Assembly	Token; STD 118-5
	38963P	Coin Drop	Token STD 118-16
	39748	Coin Drop	Jeton 08MS
	201141	Coin Drop Assembly	Token; Jeton wh121
	70471601	Coin Drop Assembly	Token; 7K
<b>3</b>	70058501	Pop Rivet	

# Flush Mount Coin Meter Assembly - Dual Drop



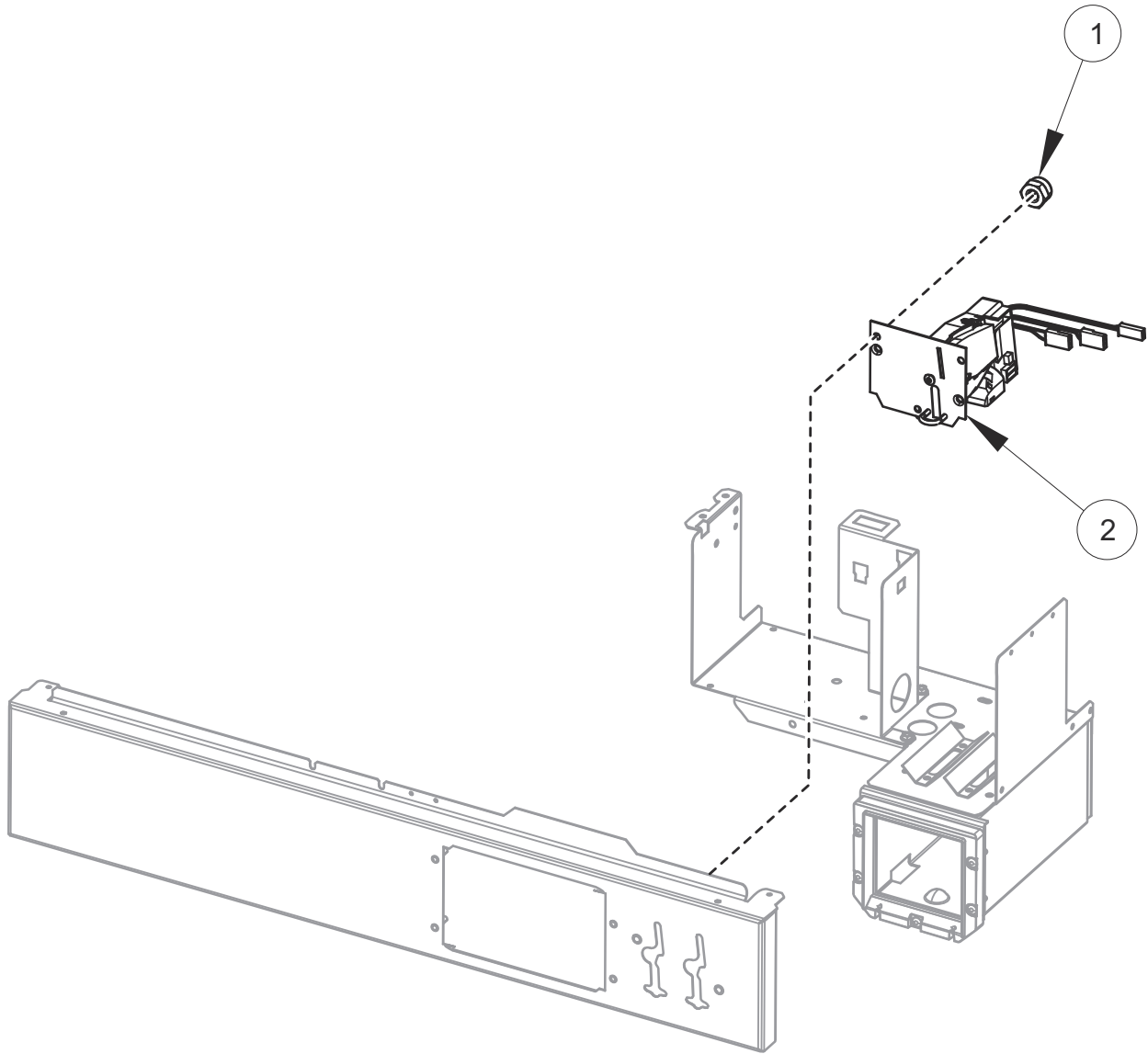
C-CHM6P8\_F8674601



## Flush Mount Coin Meter Assembly - Dual Drop

REF	PART NO.	DESCRIPTION	COMMENTS
	44374701	App Pay Overlay Kit	
	38725	Coin Identification Paper	
	200674P	Opto Coupler	
<b>1</b>	685846	Nut	
<b>2</b>	70441603	Coin Drop	U.S.A.; \$.25 and \$1.00
	38519	Coin Drop Assembly	Japan; 100 yen and 500 yen
	70441602	Coin Drop Assembly	Canada; .25 and \$1.00
	38467	Coin Drop Assembly	Australia; \$0.20 and \$1.00
	70447301	Coin Drop Assembly	Australia; \$1.00 and \$2.00
	70283102	Coin Drop Assembly	0.20 and 0.50 Euro
	210195	Coin Drop Assembly	0.20 and 1.00 Euro
	210196	Coin Drop Assembly	0.50 and 1.00 Euro
	F0160737-00	Coin Meter	0.50 and 2.00 Euro
	70281102	Coin Drop Assembly	Taiwan; 10 and 50 NT
	70482401	Coin Drop Assembly	New Zealand; \$1.00 and \$2.00
<b>3</b>	70058501	Pop Rivet	

# Electronic Coin Meter Assembly

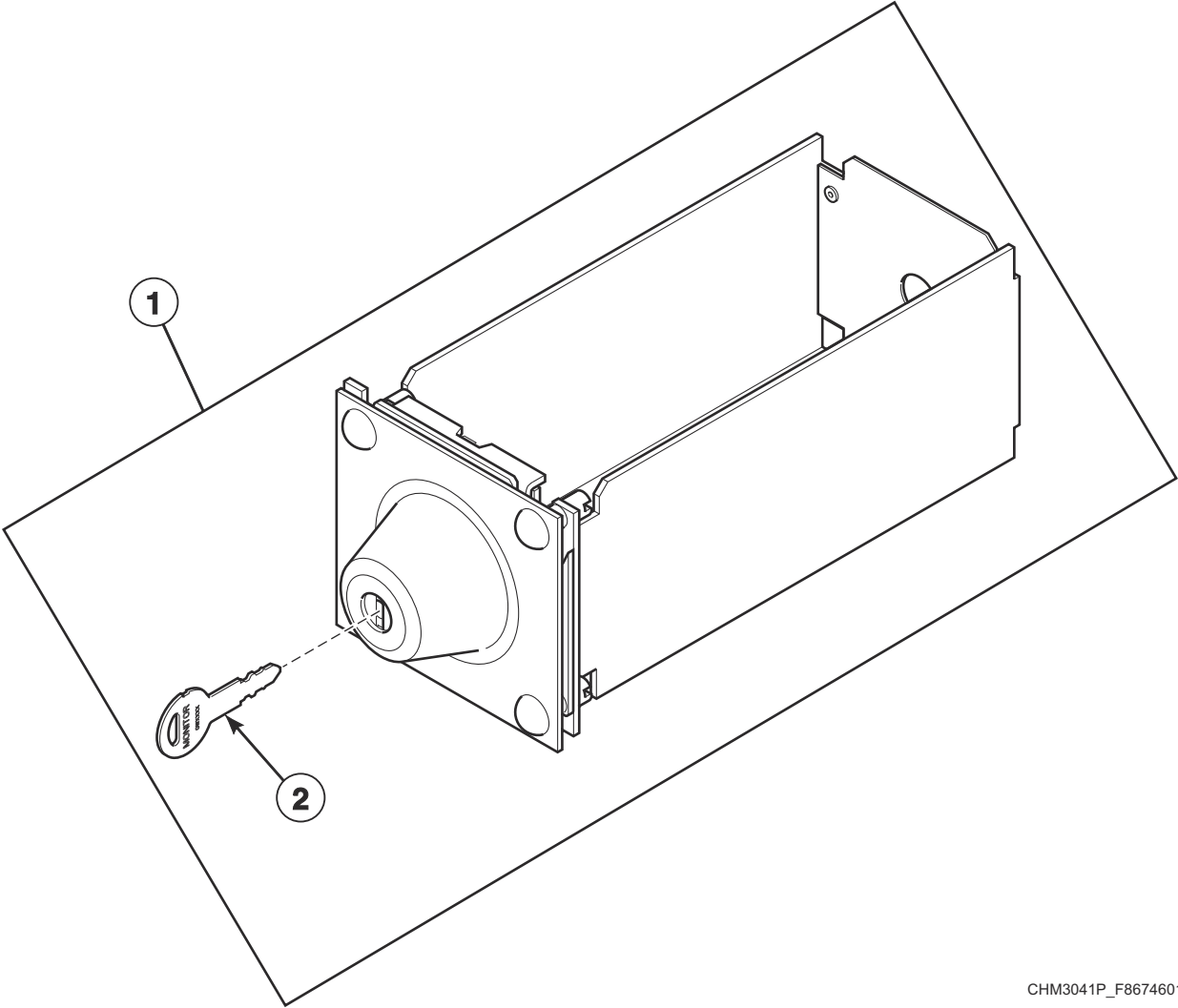


C-CHM6P6\_F8674601

# Electronic Coin Meter Assembly

REF	PART NO.	DESCRIPTION	COMMENTS
	44374701	App Pay Overlay Kit	
	38725	Coin Identification Paper	
	CK500	Electronic Coin Drop Kit	For use when installing Electronic Coin Drop Kits
	F8034701P	Pulse Expander Assembly	
<b>1</b>	F430215	Nut	
<b>2</b>	70513302	Electronic Coin Drop Assembly	Euro and Great Britain coins
	70513310	Electronic Coin Drop Assembly	Japan and Thailand coins
	70513304	Electronic Coin Drop Assembly	Australia, New Zealand, Hong Kong and South Korea coins
	70513303	Electronic Coin Drop Assembly	Denmark, Norway and Euro coins
	70513306	Electronic Coin Drop Assembly	Mexico, Ecuador and U.S.A. coins
	70294107	Electronic Coin Drop Assembly	Lithuania, Latvia and Euro coins
	70513311	Electronic Coin Drop Assembly	Chiand Malaysia coins
	70513308	Electronic Coin Drop Assembly	South African 1 and 5 rand coins
	70513309	Electronic Coin Drop Assembly	Euro coins
	70513312	Electronic Coin Drop Assembly	Russia coins
	70513313	Electronic Coin Drop Assembly	Philippines coins
	70513314	Electronic Coin Drop Assembly	Thailand coins
	70513315	Electronic Coin Drop Assembly	Chile coins
	70513316	Electronic Coin Drop Assembly	Singapore coins
	CK115	Electronic Coin Drop Kit	United States and Canada; Includes 38725 Coin Identification Paper
	CK099	Electronic Coin Drop Kit	Australia (default), New Zealand, Hong Kong, South Korea and Malaysia; Includes 38725 Coin Identification Paper
	CK100	Electronic Coin Drop Kit	United Kingdom (default) and Europe; Includes 38725 Coin Identification Paper
	CK101	Electronic Coin Drop Kit	Europe (default), Denmark and Norway; Includes 38725 Coin Identification Paper
	CK108	Electronic Coin Drop Kit	South Africa; Includes 38725 Coin Identification Paper
	CK109	Electronic Coin Drop Kit	Euro; Includes 38725 Coin Identification Paper
	CK110	Electronic Coin Drop Kit	Mexico (default), Ecuador and United States; Includes 38725 Coin Identification Paper
	CK113	Electronic Coin Drop Kit	Japan and Taiwan; Includes 38725 Coin Identification Paper
	CK116	Electronic Coin Drop Kit	Malaysia (default) and China; Includes 38725 Coin Identification Paper
	CK117	Electronic Coin Drop Kit	Russia; Includes 38725 Coin Identification Paper
	CK118	Electronic Coin Drop Kit	Philippine; Includes 38725 Coin Identification Paper
	CK119	Electronic Coin Drop Kit	Thailand; Includes 38725 Coin Identification Paper
	CK120	Electronic Coin Drop Kit	Chile; Includes 38725 Coin Identification Paper
	CK121	Electronic Coin Drop Kit	Singapore; Includes 38725 Coin Identification Paper
	CK122	Coin Drop Kit	New Zealand; 1.00 and 2.00; Includes 38725 Coin Identification Paper

# Optional Coin Box

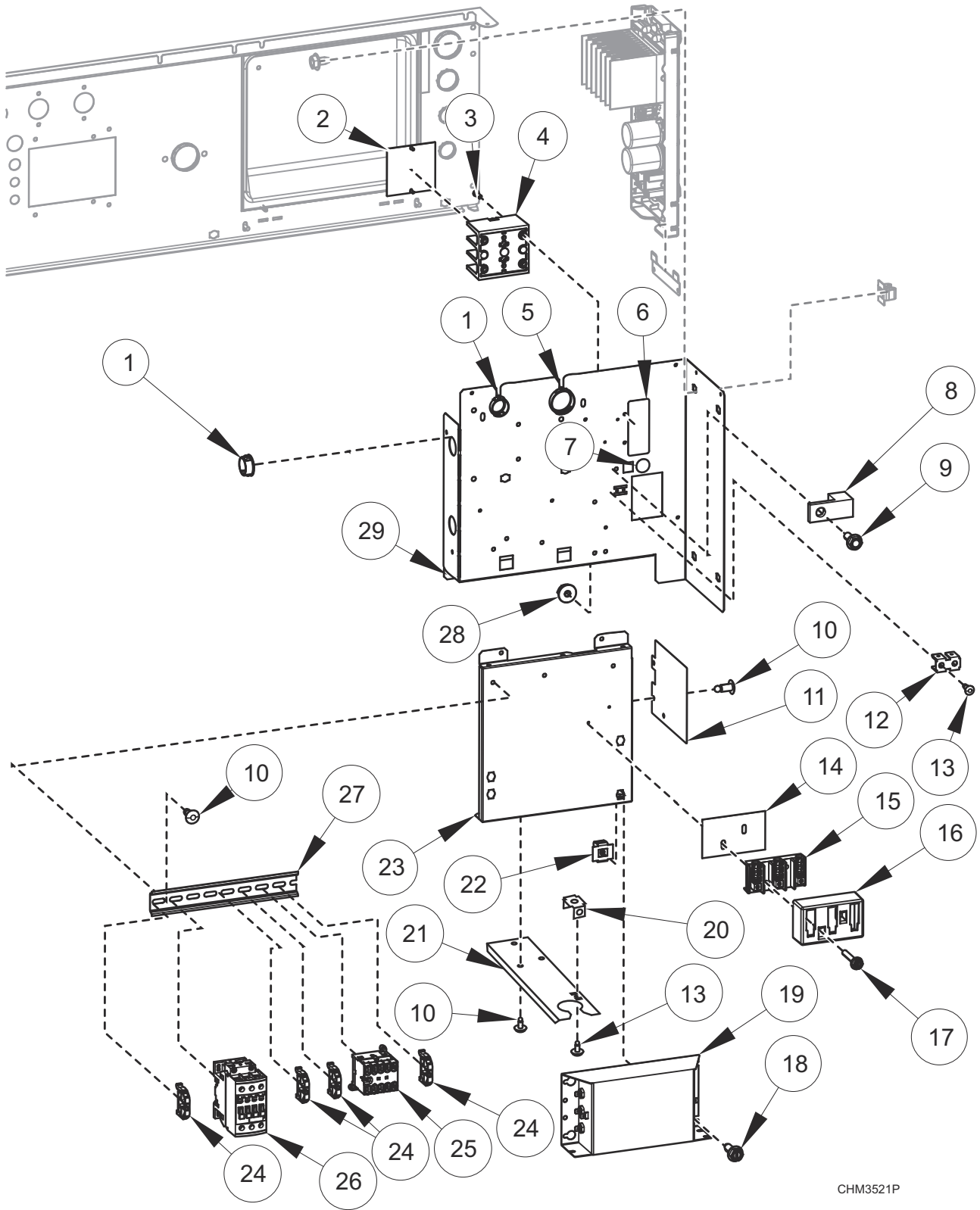


CHM3041P\_F8674601

## Optional Coin Box

REF	PART NO.	DESCRIPTION	COMMENTS
1	F8182001	Coin Drawer Assembly	
2	F160420	Key	GW0023

# Inverter Drive Box - 20 and 30 Pound Models with B Voltage

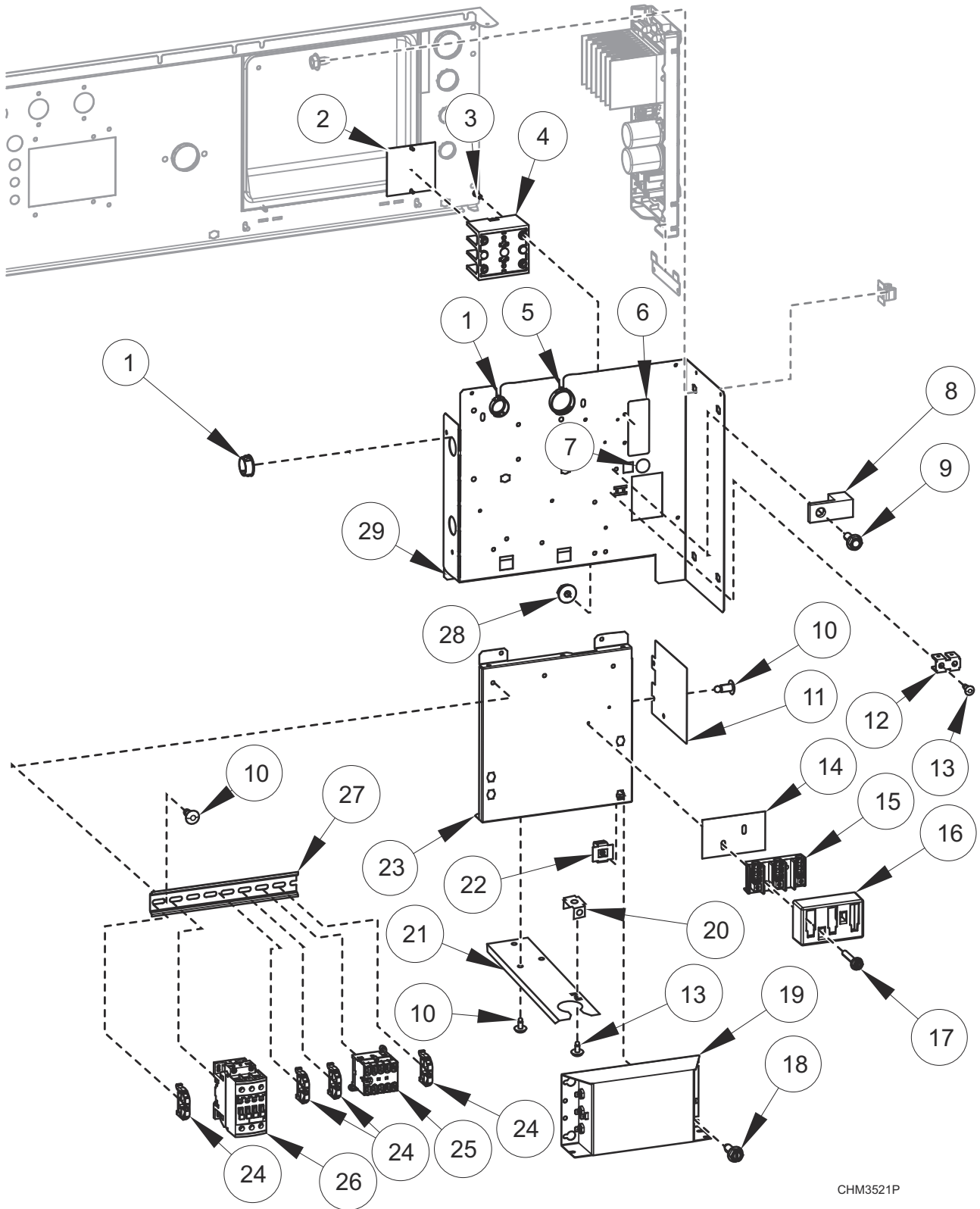


CHM3521P

## Inverter Drive Box - 20 and 30 Pound Models with B Voltage

REF	PART NO.	DESCRIPTION	COMMENTS
	F8567001	Drive Panel Base Assembly	Includes items 10-13, 21, 25 and 27
	F8662801	Filter Kit	Includes items 1, 14-20, harnesses and labels
	F8518405	Harness	Power TB1
	F8518604	Harness	Power drive
	F8528001	Harness	TB filter
	F8528002	Harness	PDB filter; Electric heat
	F8528004	Harness	TB Filter
	F8528006	Harness	TB2 Filter
	F8619101	Power Harness	Power contactor; Electric heat
	F8619102	Harness	Power contactor; Electric heat
<b>1</b>	F140938	Snap Bushing	
<b>2</b>	44014901P	Power Distribution Block Cover	Electric heat
<b>3</b>	39733	Screw	Electric heat
<b>4</b>	M413865	Power Distribution Block	Electric heat
<b>5</b>	70346501	Bushing	
<b>6</b>	44286801	Label	Power input; L1, N
<b>7</b>	D516100	Label	
<b>8</b>	M411283	Ground Lug Connector	
<b>9</b>	685837	Screw	
<b>10</b>	70058501	Pop Rivet	
<b>11</b>	F8616901	Drive Shield	
<b>12</b>	00622SG	Terminal	
<b>13</b>	M400003	Pop Rivet	
<b>14</b>	M413862	Insulator	
<b>15</b>	430642	Terminal Block	
<b>16</b>	70333001	Terminal Block Shield	
<b>17</b>	51783	Screw	
<b>18</b>	F8206901	Screw	
<b>19</b>	F8591601	EMI Filter	
<b>20</b>	00621SG	Male Tab Terminal	IEC models
<b>21</b>	F8744301	Harness Support Bracket	IEC models
<b>22</b>	70030501	Expansion Clip	
<b>23</b>	F8530901	Contactory Tray	
<b>24</b>	F8449801	End Stop	
<b>25</b>	70482601	Contactory	5.5kW/500V; 24VDC
<b>26</b>	70482701	Contactory	50A; 24VDC
<b>27</b>	M412689	DIN Rail	7.5 mm x 35 mm x 8.364 inch
<b>28</b>	44088001	Nut	
<b>29</b>	F8530801	Drive Terminal Tray	

# Inverter Drive Box - 20 and 30 Pound Models with N, P, Q, W, X and Y Voltage



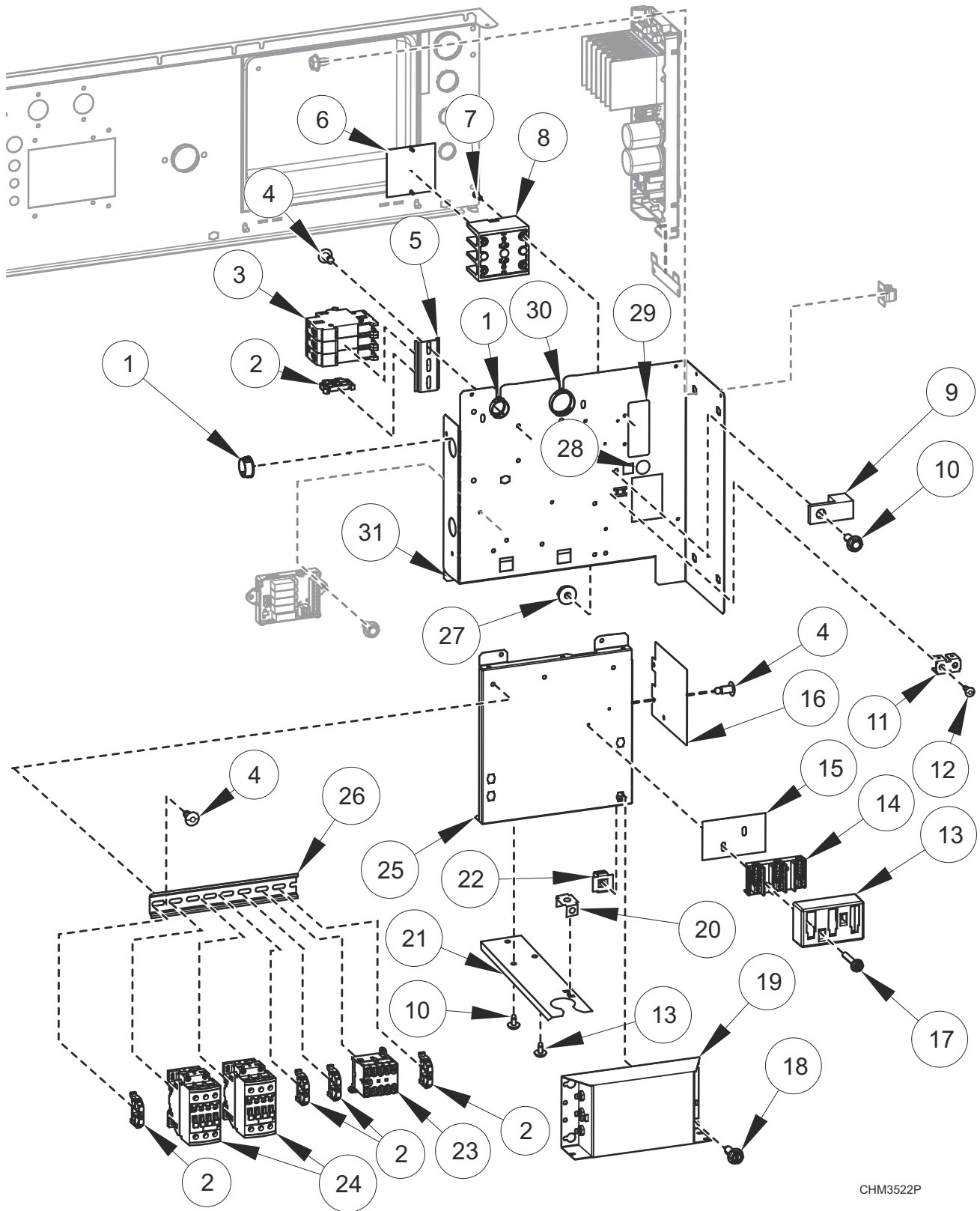
CHM3521P



## Inverter Drive Box - 20 and 30 Pound Models with N, P, Q, W, X and Y Voltage

REF	PART NO.	DESCRIPTION	COMMENTS
	F8567001	Drive Panel Base Assembly	Includes items 10-13, 21, 25 and 27
	F8518401	Harness	Power TB1; W, X and Y voltage
	F8518501	Harness	Power TB1; N and P voltage
	F8518502	Harness	Power PDB; N and P voltage; Electric heat
	F8518402	Harness	Power PDB; Q voltage; Electric heat
	F8518404	Harness	Power filter; Q, W, X, and Y voltage
	F8518504	Harness	Power filter; N and P voltage
	F8518605	Harness	Power drive; Q, W, X, and Y voltage
	F8518606	Harness	Power drive; N and P voltage
	F8528001	Harness	TB filter
	F8528002	Harness	PDB filter; Electric heat
	F8528005	Harness	TB2 Filter; N, P, Q, W, X, and Y voltage
	F8619101	Power Harness	Power contactor; Electric heat
	F8619102	Harness	Power contactor; Electric heat
	F8662809	Filter Kit	Includes items 1, 14-20, harnesses and labels; Q voltage; Electric heat
	F8662810	Filter Kit	Includes items 1, 14-20, harnesses and labels; N and P voltage; Electric heat
	F8662803	Filter Kit	Includes items 1, 14-20, harnesses and labels; W, X and Y voltage
	F8662805	Filter Kit	Includes items 1, 14-20, harnesses and labels; N and P voltage
<b>1</b>	F140938	Snap Bushing	
<b>2</b>	44014901P	Power Distribution Block Cover	Electric heat
<b>3</b>	39733	Screw	Electric heat
<b>4</b>	M413865	Power Distribution Block	Electric heat
<b>5</b>	70346501	Bushing	
<b>6</b>	44286803	Label	Power input; L1, L2, L3; N and P voltage
	44286804	Wire Label	Power input; L1, L2/N; L1, L2, L3; W, X and Y voltage
<b>7</b>	D516100	Label	
<b>8</b>	M411283	Ground Lug Connector	
<b>9</b>	685837	Screw	
<b>10</b>	70058501	Pop Rivet	
<b>11</b>	F8616901	Drive Shield	
<b>12</b>	00622SG	Terminal	
<b>13</b>	M400003	Pop Rivet	
<b>14</b>	M413862	Insulator	
<b>15</b>	430642	Terminal Block	
<b>16</b>	70333001	Terminal Block Shield	
<b>17</b>	51783	Screw	
<b>18</b>	F8206901	Screw	
<b>19</b>	F8591801	EMI Filter	
	F8637501	EMI Filter	
<b>20</b>	00621SG	Male Tab Terminal	IEC models
<b>21</b>	F8744301	Harness Support Bracket	IEC models
<b>22</b>	70030501	Expansion Clip	
<b>23</b>	F8530901	Contactory Tray	
<b>24</b>	F8449801	End Stop	
<b>25</b>	70482601	Contactory	5.5kW/500V; 24VDC
<b>26</b>	70482701	Contactory	50A; 24VDC
<b>27</b>	M412689	DIN Rail	7.5 mm x 35 mm x 8.364 inch
<b>28</b>	44088001	Nut	
<b>29</b>	F8530801	Drive Terminal Tray	

# Inverter Drive Box - 40 Pound Models with B Voltage

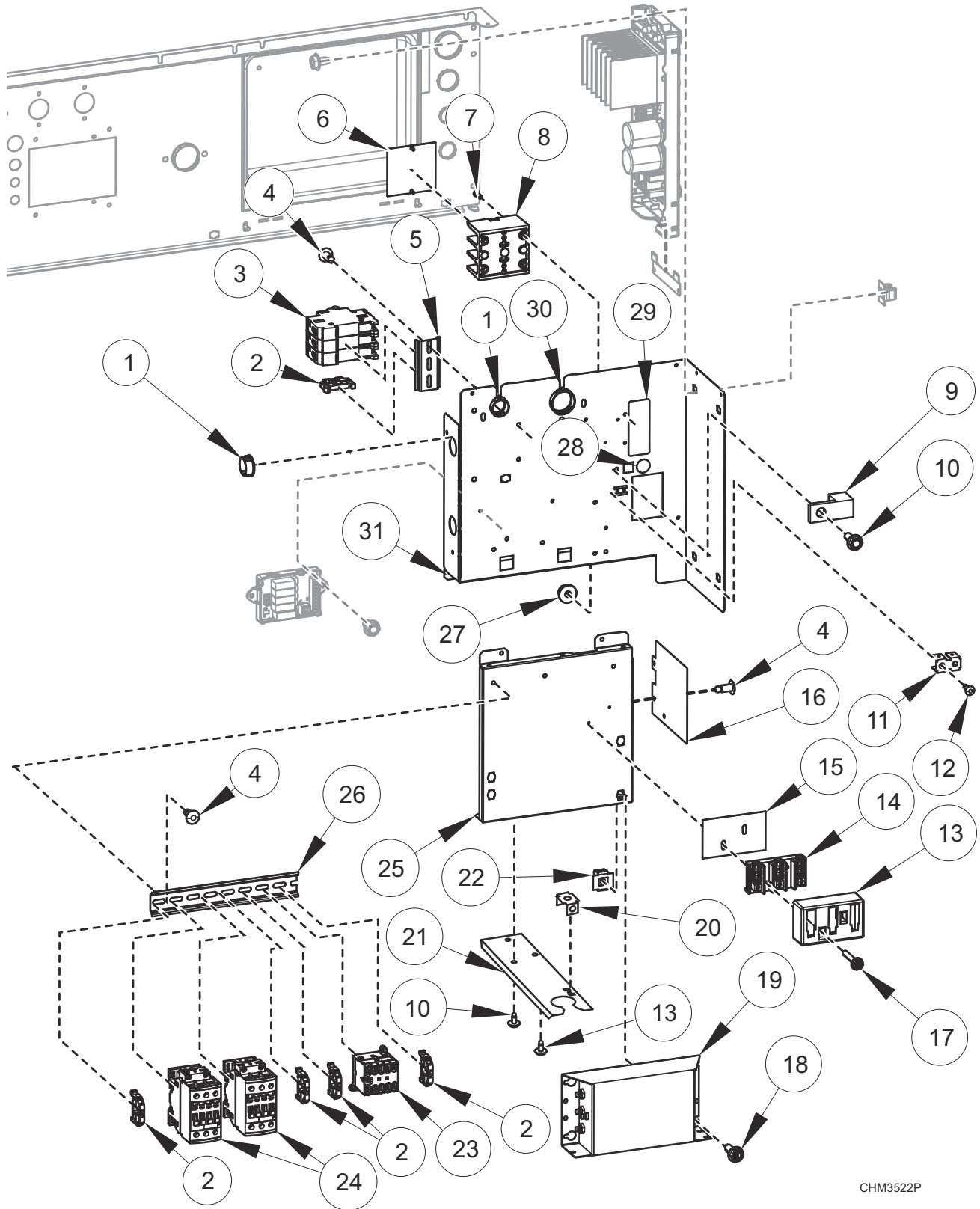


CHM3522P

## Inverter Drive Box - 40 Pound Models with B Voltage

REF	PART NO.	DESCRIPTION	COMMENTS
	F8567001	Drive Panel Base Assembly	Includes items 4, 11, 12, 16, 23, 24 and 29
	F8567002	Drive Panel Base Assembly	Electric heat; Includes items 4, 5, 11, 12, 16, 23, 24 and 29
	F8583501	Jumper	Circuit breaker jumper; Electric heat
	F8518405	Harness	Power TB1
	F8518604	Harness	Power drive
	F8528001	Harness	TB filter
	F8528003	Harness	CB filter; Electric heat
	F8528004	Harness	TB filter
	F8528006	Harness	TB2 filter
	F8619101	Power Harness	Power contactor; Electric heat
	F8619102	Harness	Power contactor; Electric heat
	F8662802	Filter Kit	Includes items 1, 14, 15, 17-20, harnesses and labels; B voltage
<b>1</b>	F140938	Snap Bushing	
<b>2</b>	F8449801	End Stop	
<b>3</b>	70488101	Circuit Breaker	3P; 25A; Electric heat
<b>4</b>	70058501	Pop Rivet	
<b>5</b>	B12315401	DIN Rail	7.5 mm x 35 mm x 72 mm; Electric heat
<b>6</b>	44014901P	Power Distribution Block Cover	Electric heat
<b>7</b>	39733	Screw	Electric heat
<b>8</b>	M413865	Power Distribution Block	Electric heat
<b>9</b>	M411283	Ground Lug Connector	
<b>10</b>	685837	Screw	
<b>11</b>	00622SG	Terminal	
<b>12</b>	M400003	Pop Rivet	
<b>13</b>	70333001	Terminal Block Shield	
<b>14</b>	430642	Terminal Block	
<b>15</b>	M413862	Insulator	
<b>16</b>	F8616901	Drive Shield	
<b>17</b>	51783	Screw	
<b>18</b>	F8206901	Screw	
<b>19</b>	F8591601	EMI Filter	
<b>20</b>	00621SG	Male Tab Terminal	IEC models
<b>21</b>	F8744301	Harness Support Bracket	IEC models
<b>22</b>	70030501	Expansion Clip	
<b>23</b>	70482601	Contactors	5.5kW/500V; 24VDC; Electric heat
<b>24</b>	70482701	Contactors	50A; 24VDC
<b>25</b>	F8530901	Contactors Tray	
<b>26</b>	M412689	DIN Rail	7.5 mm x 35 mm x 8.364 inch
<b>27</b>	44088001	Nut	
<b>28</b>	D516100	Label	
<b>29</b>	44286801	Label	Power input; L1, N
<b>30</b>	70346501	Bushing	
<b>31</b>	F8530801	Drive Terminal Tray	

# Inverter Drive Box - 40 Pound Models with N, P, Q, W, X and Y Voltage

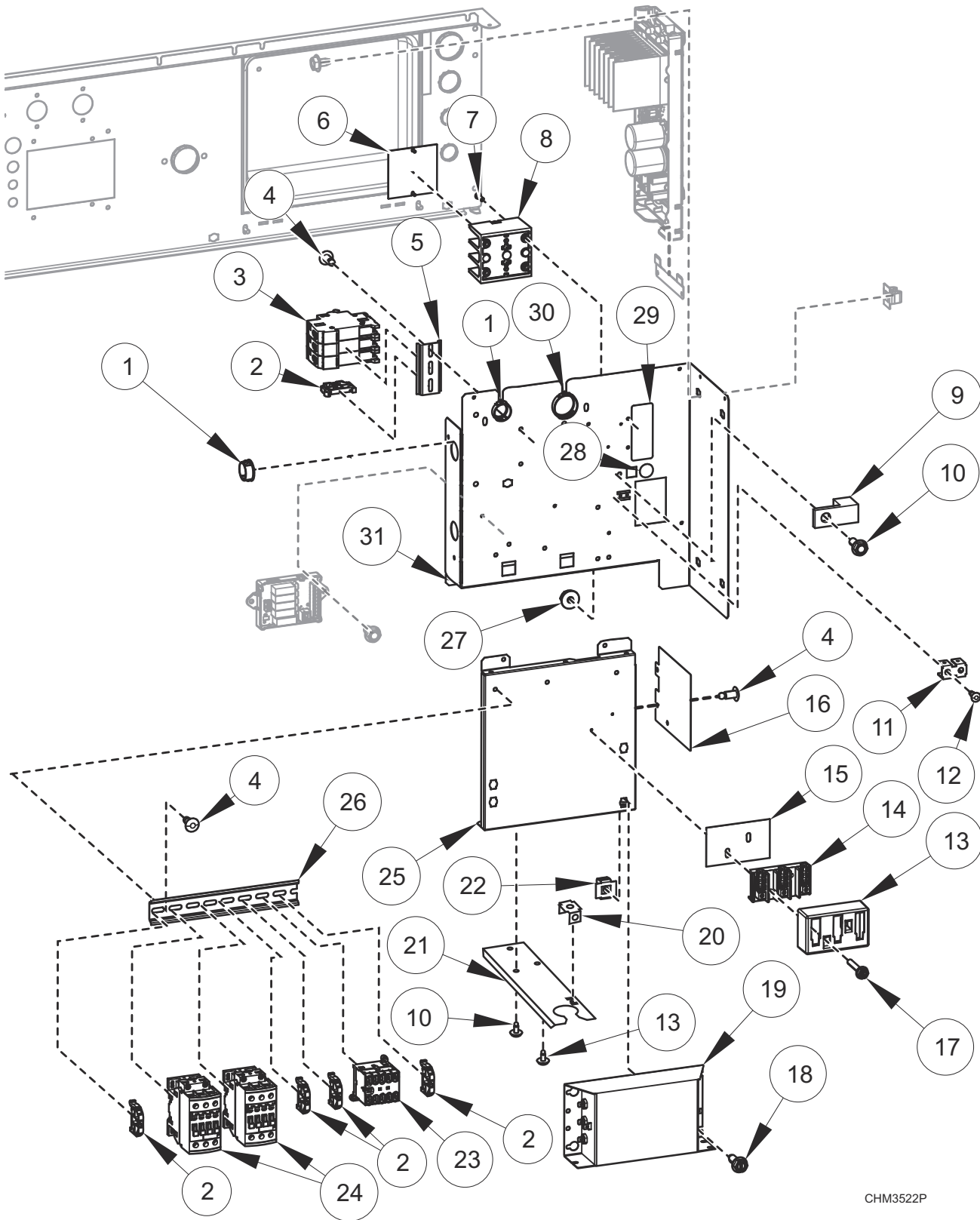


CHM3522P

## Inverter Drive Box - 40 Pound Models with N, P, Q, W, X and Y Voltage

REF	PART NO.	DESCRIPTION	COMMENTS
	F8567001	Drive Panel Base Assembly	Includes items 4, 11, 12, 16, 23, 24 and 29
	F8567002	Drive Panel Base Assembly	Electric heat; Includes items 4, 5, 11, 12, 16, 23, 24 and 29
	F8583501	Jumper	Circuit breaker jumper; Electric heat
	F8518401	Harness	Power TB1; W, X and Y voltage
	F8518501	Harness	Power TB1; N and P voltage
	F8518504	Harness	Power filter; N and P voltage
	F8518605	Harness	Power drive; Q, W, X, and Y voltage
	F8518606	Harness	Power drive; N and P voltage
	F8528001	Harness	TB filter
	F8528003	Harness	CB filter; Electric heat
	F8528005	Harness	TB2 Filter; N, P, Q, W, X, and Y voltage
	F8518503	Harness	Power CB; N and P voltage; Electric heat
	F8518403	Harness	Power CB; Q voltage; Electric heat
	F8619101	Power Harness	Power contactor; Electric heat
	F8619102	Harness	Power contactor; Electric heat
	F8662811	Filter Kit	Includes items 1, 14, 15, 17-20, harnesses and labels; Q voltage; Electric heat
	F8662812	Filter Kit	Includes items 1, 14, 15, 17-20, harnesses and labels; N and P voltage; Electric heat
	F8662804	Filter Kit	Includes items 1, 14, 15, 17-20, harnesses and labels; W, X and Y voltage
	F8662806	Filter Kit	Includes items 1, 14, 15, 17-20, harnesses and labels; N and P voltage
<b>1</b>	F140938	Snap Bushing	
<b>2</b>	F8449801	End Stop	
<b>3</b>	70488101	Circuit Breaker	3P; 25A; Electric heat
<b>4</b>	70058501	Pop Rivet	
<b>5</b>	B12315401	DIN Rail	7.5 mm x 35 mm x 72 mm; Electric heat
<b>6</b>	44014901P	Power Distribution Block Cover	Electric heat
<b>7</b>	39733	Screw	Electric heat
<b>8</b>	M413865	Power Distribution Block	Electric heat
<b>9</b>	M411283	Ground Lug Connector	
<b>10</b>	685837	Screw	
<b>11</b>	00622SG	Terminal	
<b>12</b>	M400003	Pop Rivet	
<b>13</b>	70333001	Terminal Block Shield	
<b>14</b>	430642	Terminal Block	
<b>15</b>	M413862	Insulator	
<b>16</b>	F8616901	Drive Shield	
<b>17</b>	51783	Screw	
<b>18</b>	F8206901	Screw	
<b>19</b>	F8591801	EMI Filter	Q, W, X and Y voltage
	F8637501	EMI Filter	N and P voltage
<b>20</b>	00621SG	Male Tab Terminal	IEC models
<b>21</b>	F8744301	Harness Support Bracket	IEC models
<b>22</b>	70030501	Expansion Clip	
<b>23</b>	70482601	Contactors	5.5kW/500V; 24VDC; Electric heat
<b>24</b>	70482701	Contactors	50A; 24VDC
<b>25</b>	F8530901	Contactors Tray	
<b>26</b>	M412689	DIN Rail	7.5 mm x 35 mm x 8.364 inch
<b>27</b>	44088001	Nut	
<b>28</b>	D516100	Label	
<b>29</b>	44286803	Label	Power input; L1, L2, L3; N and P voltage
	44286804	Wire Label	Power input; L1, L2/N; L1, L2, L3; W, X and Y voltage
<b>30</b>	70346501	Bushing	
<b>31</b>	F8530801	Drive Terminal Tray	

# Inverter Drive Box - 60 Pound Models with Q and X Voltage

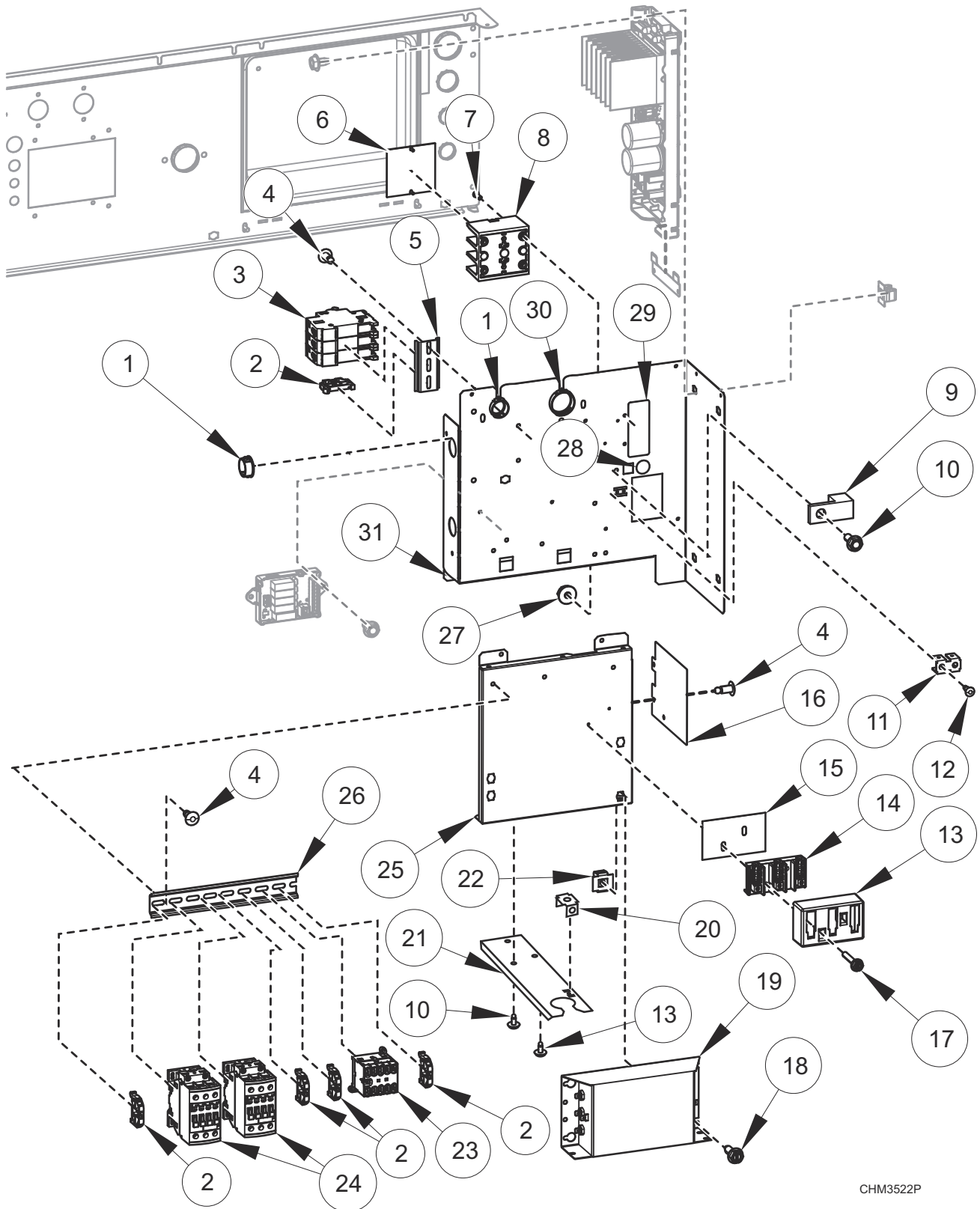


CHM3522P

## Inverter Drive Box - 60 Pound Models with Q and X Voltage

REF	PART NO.	DESCRIPTION	COMMENTS
	F8567003	Drive Panel Base Assembly	Includes items 4, 11, 12, 16, 23, 24 and 29
	F8567004	Drive Panel Base Assembly	Electric heat; Includes items 4, 5, 11, 12, 16, 23, 24 and 29
	F8583501	Jumper	Circuit breaker jumper; Electric heat
	F8518401	Harness	Power TB1; X voltage
	F8518404	Harness	Power filter
	F8518607	Harness	Power drive
	F8528001	Harness	TB filter
	F8528003	Harness	CB filter; Electric heat
	F8528005	Harness	TB2 Filter
	F8518403	Harness	Power CB; Q voltage; Electric heat
	F8619101	Power Harness	Power contactor; Electric heat
	F8619102	Harness	Power contactor; Electric heat
	F8662811	Filter Kit	Includes items 1, 14, 15, 17-20, harnesses and labels; Q voltage; Electric heat
	F8662804	Filter Kit	Includes items 1, 14, 15, 17-20, harnesses and labels; X voltage
<b>1</b>	F140938	Snap Bushing	
<b>2</b>	F8449801	End Stop	
<b>3</b>	70488101	Circuit Breaker	3P; 25A; Electric heat
<b>4</b>	70058501	Pop Rivet	
<b>5</b>	B12315401	DIN Rail	7.5 mm x 35 mm x 72 mm; Electric heat
<b>6</b>	44014901P	Power Distribution Block Cover	Electric heat
<b>7</b>	39733	Screw	Electric heat
<b>8</b>	M413865	Power Distribution Block	Electric heat
<b>9</b>	M411283	Ground Lug Connector	
<b>10</b>	685837	Screw	
<b>11</b>	00622SG	Terminal	
<b>12</b>	M400003	Pop Rivet	
<b>13</b>	70333001	Terminal Block Shield	
<b>14</b>	430642	Terminal Block	
<b>15</b>	M413862	Insulator	
<b>16</b>	F8616901	Drive Shield	
<b>17</b>	51783	Screw	
<b>18</b>	F8206901	Screw	
<b>19</b>	F8591801	EMI Filter	
<b>20</b>	00621SG	Male Tab Terminal	IEC models
<b>21</b>	F8744301	Harness Support Bracket	IEC models
<b>22</b>	70030501	Expansion Clip	
<b>23</b>	70482601	Contactors	5.5kW/500V; 24VDC
<b>24</b>	70482701	Contactors	50A; 24VDC
<b>25</b>	F8530901	Contactors Tray	
<b>26</b>	M412689	DIN Rail	7.5 mm x 35 mm x 8.364 inch
<b>27</b>	44088001	Nut	
<b>28</b>	D516100	Label	
<b>29</b>	44286804	Wire Label	Power input; L1, L2/N; L1, L2, L3; X voltage
<b>30</b>	70346501	Bushing	
<b>31</b>	F8530803	Drive Terminal Tray	

# Inverter Drive Box - 60 Pound Models with N and P Voltage



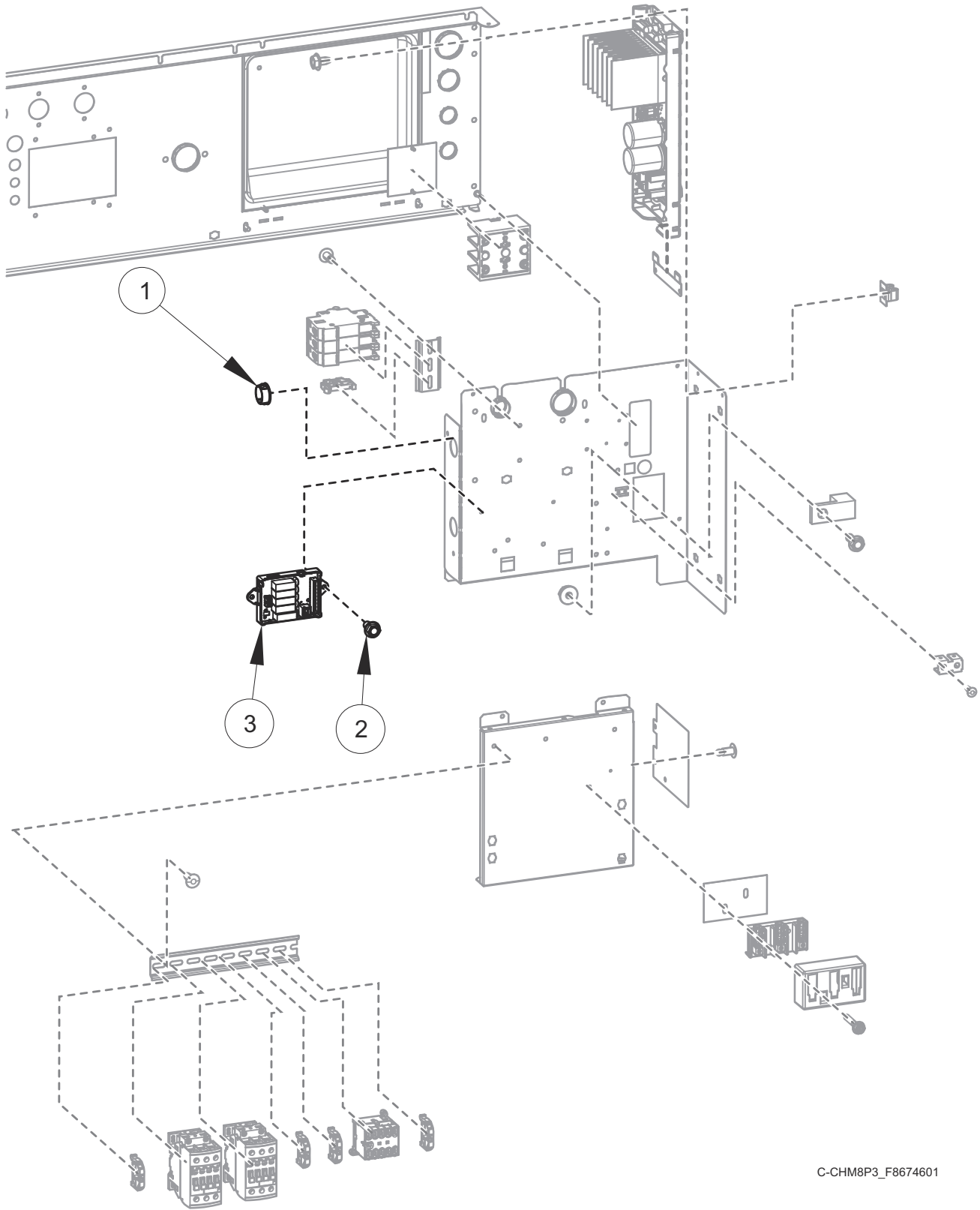
CHM3522P



## Inverter Drive Box - 60 Pound Models with N and P Voltage

REF	PART NO.	DESCRIPTION	COMMENTS
	F8567003	Drive Panel Base Assembly	Includes items 4, 11, 12, 16, 23, 24 and 29
	F8567004	Drive Panel Base Assembly	Electric heat; Includes items 4, 5, 11, 12, 16, 23, 24 and 29
	F8583501	Jumper	Circuit breaker jumper; Electric heat
	F8518501	Harness	Power TB1; N and P voltage
	F8518503	Harness	Power CB; Electric heat
	F8518504	Harness	Power filter
	F8518606	Harness	Power drive
	F8528001	Harness	TB filter
	F8528003	Harness	CB filter; Electric heat
	F8528005	Harness	TB2 Filter
	F8619101	Power Harness	Power contactor; Electric heat
	F8619102	Harness	Power contactor; Electric heat
	F8662812	Filter Kit	Includes items 1, 14, 15, 17-20, harnesses and labels; Electric heat
	F8662806	Filter Kit	Includes items 1, 14, 15, 17-20, harnesses and labels
<b>1</b>	F140938	Snap Bushing	
<b>2</b>	F8449801	End Stop	
<b>3</b>	70488101	Circuit Breaker	3P; 25A; Electric heat
<b>4</b>	70058501	Pop Rivet	
<b>5</b>	B12315401	DIN Rail	7.5 mm x 35 mm x 72 mm; Electric heat
<b>6</b>	44014901P	Power Distribution Block Cover	Electric heat
<b>7</b>	39733	Screw	Electric heat
<b>8</b>	M413865	Power Distribution Block	Electric heat
<b>9</b>	M411283	Ground Lug Connector	
<b>10</b>	685837	Screw	
<b>11</b>	00622SG	Terminal	
<b>12</b>	M400003	Pop Rivet	
<b>13</b>	70333001	Terminal Block Shield	
<b>14</b>	430642	Terminal Block	
<b>15</b>	M413862	Insulator	
<b>16</b>	F8616901	Drive Shield	
<b>17</b>	51783	Screw	
<b>18</b>	F8206901	Screw	
<b>19</b>	F8637501	EMI Filter	
<b>20</b>	00621SG	Male Tab Terminal	IEC models
<b>21</b>	F8744301	Harness Support Bracket	IEC models
<b>22</b>	70030501	Expansion Clip	
<b>23</b>	70482601	Contactors	5.5kW/500V; 24VDC
<b>24</b>	70482701	Contactors	50A; 24VDC
<b>25</b>	F8530901	Contactors Tray	
<b>26</b>	M412689	DIN Rail	7.5 mm x 35 mm x 8.364 inch
<b>27</b>	44088001	Nut	
<b>28</b>	D516100	Label	
<b>29</b>	44286803	Label	Power input; L1, L2, L3
<b>30</b>	70346501	Bushing	
<b>31</b>	F8530803	Drive Terminal Tray	

# External Supply Kit

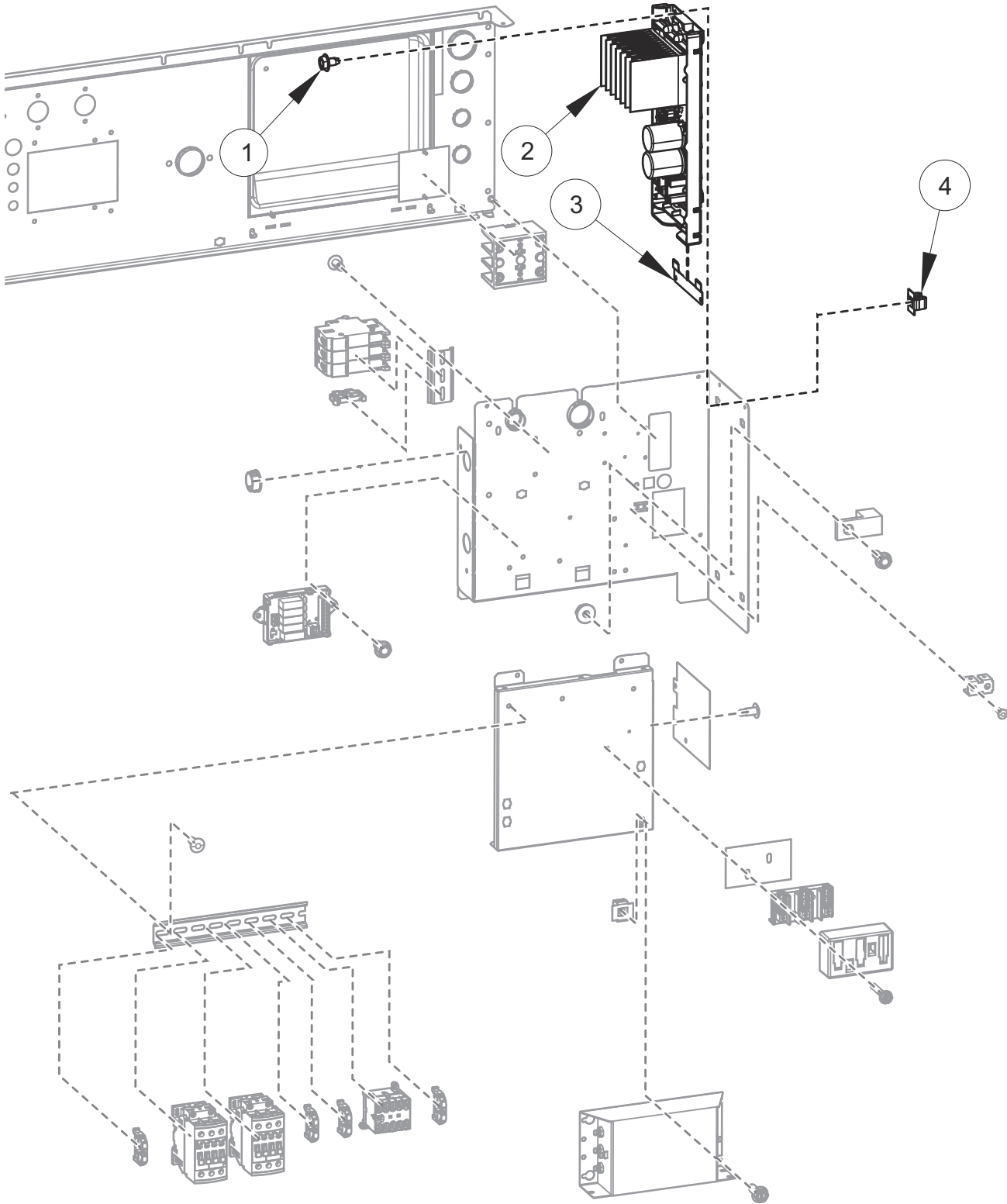


C-CHM8P3\_F8674601

## External Supply Kit

REF	PART NO.	DESCRIPTION	COMMENTS
	F8520601	Harness	Communication; 20 and 30 pound models
	F8520602	Harness	Communication; 40 and 60 pound models
	F8528203	Harness	Power; B voltage
	F8528204	Harness	Power; N, P, Q, W, X and Y voltage
	F8662505	External Supply Kit	20 and 30 pound models with B voltage; Includes items 1-3, F8520601 Harness, F8528203 Harness and labels; 4 out
	F8662506	External Supply Kit	40 pound models with B voltage; Includes items 1-3, F8520602 Harness, F8528203 Harness and labels; 4 out
	F8662507	External Supply Kit	20 and 30 pound models with N, P, Q and X voltage; Includes items 1-3, F8520601 Harness, F8528204 Harness and labels; 4 out
	F8662508	External Supply Kit	40 and 60 pound models with N, P, Q and X voltage; Includes items 1-3, F8520602 Harness, F8528204 Harness and labels; 4 out
<b>1</b>	F140938	Snap Bushing	
<b>2</b>	430497	Screw	
<b>3</b>	804528	Chemical Injection Control	5 output
	70493102	Connector	9 pin; H2

# Inverter Drive

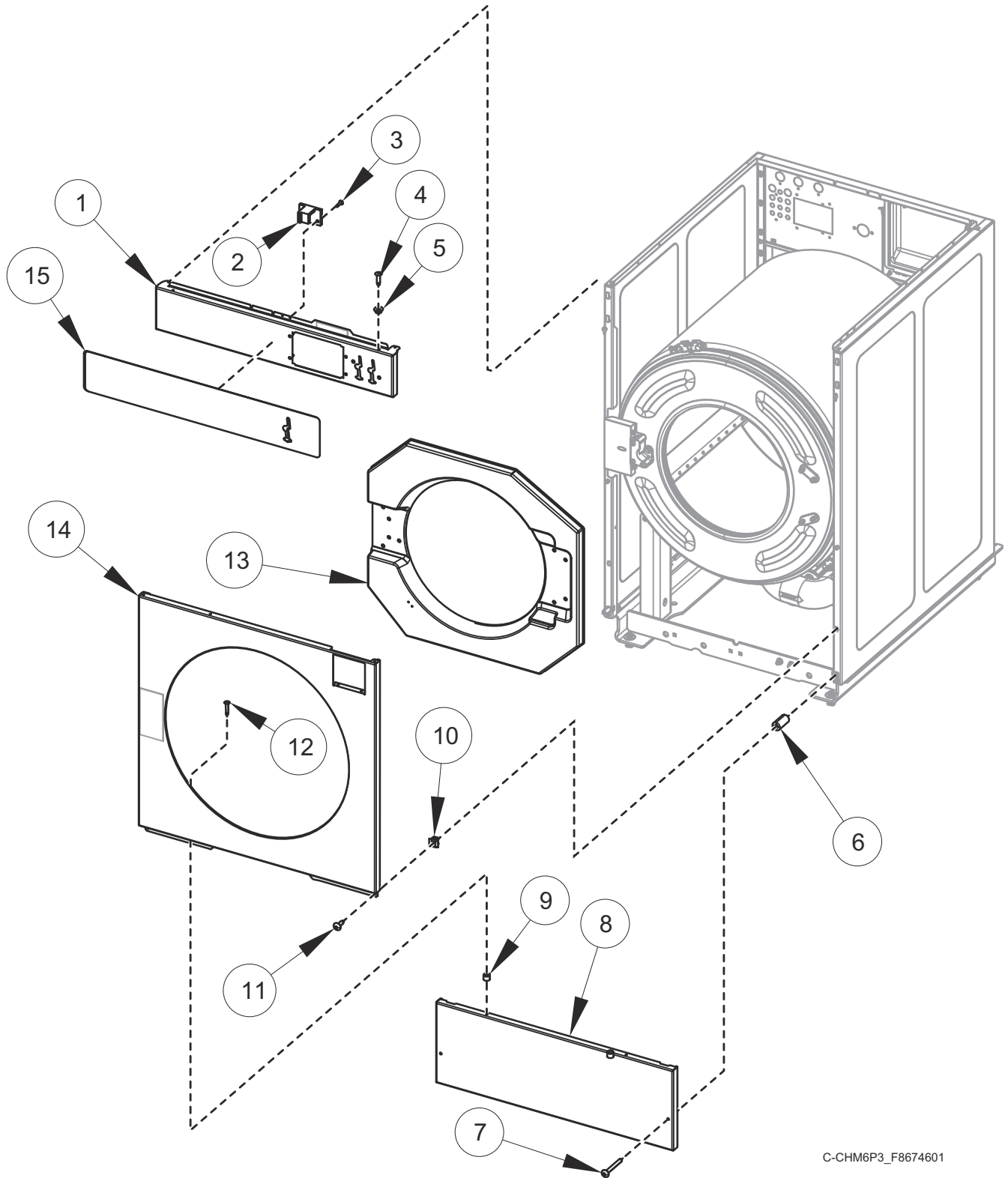


C-CHM2P22\_F8674601

# Inverter Drive

REF	PART NO.	DESCRIPTION	COMMENTS
	F8519202	Drive Communication Harness	20 and 30 pound models; 40 and 60 pound models with N and P voltage; Electric heat
	F8519203	Drive Communication Harness	40 and 60 pound models with Q voltage; Electric heat
	F8519201	Drive Communication Harness	Standard
	F8519204	Drive Communication Harness	Steam heat
	F8518605	Harness	Power drive; 20, 30 and 40 pound models with Q, W, X and Y voltage
	F8518607	Harness	60 pound models with Q and X voltage
	F8518606	Harness	Power drive; N and P voltage; EMI filter
	F8518602	Drive Power Harness	Q, W, X and Y voltage
	F8518603	Drive Power Harness	N and P voltage
	F8518601	Drive Power Harness	B voltage
<b>1</b>	D503688	Screw	
<b>2</b>	F8496001	Drive Assembly	20, 30 and 40 pound models; N and P voltage; 2 hp; 480 Volt
	F8495401P	Drive Assembly	20, 30 and 40 pound models; B, Q, W, X and Y voltage; 2 hp; 120/240 Volt
	F8496301P	Drive Assembly	60 pound models; Q and X voltage; 3 hp; 240 Volt
	F8496901	Drive Assembly	60 pound models; N and P voltage; 5 hp; 480 Volt
<b>3</b>	F8322401	Drive Mounting Bracket	2 included with N and P voltage
<b>4</b>	70030501	Expansion Clip	

# Front Panels and Control Panel - Design 4

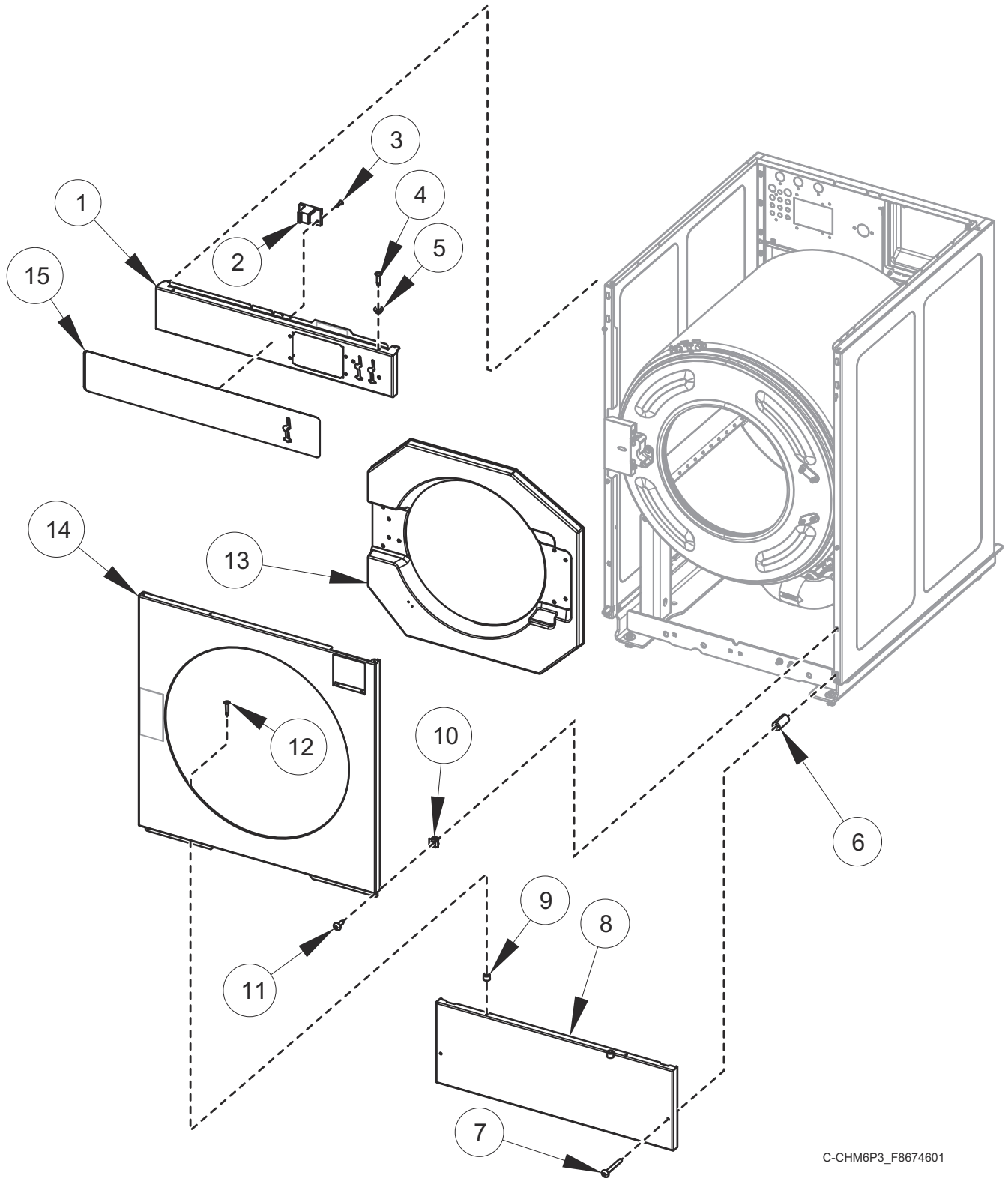


C-CHM6P3\_F8674601

## Front Panels and Control Panel - Design 4

REF	PART NO.	DESCRIPTION	COMMENTS
1	F8523701	Control Panel Assembly	20 pound models
	F8523801	Control Panel Assembly	30 pound models
	F8523901	Control Panel Assembly	40 pound models
	F8553701	Control Panel Assembly	60 pound models
2	F8201001	Top Cover Latch	
3	F431215	Pop Rivet	
4	70412601	Pop Rivet	
5	F8201101	Washer	
6	F8609701	Access Panel Retaining Spacer	
7	F8589501	Screw	
8	F8524001	Access Panel	20 pound models
	F8524101	Access Panel	30 pound models
	F8524201	Access Panel	40 pound models
	F8553901	Access Panel	60 pound models
9	56079	Panel Locator	
10	70030501	Expansion Clip	
11	F8117601	Screw	
12	M412763	Rivet	
13	F8658801	Door Bezel	20 pound models
	F8658901	Door Bezel	30 pound models
	F0170426-30	Door Bezel	40 and 60 pound models
14	F8524301	Front Panel	20 pound models
	F8524401	Front Panel	30 pound models
	F8524501	Front Panel	40 pound models
	F8554001	Front Panel	60 pound models
15	F8641601	Overlay	Single coin
	F8641602	Overlay	Dual coin
	F8641605	Overlay	Electronic coin drop

# Front Panels and Control Panel - Design 6



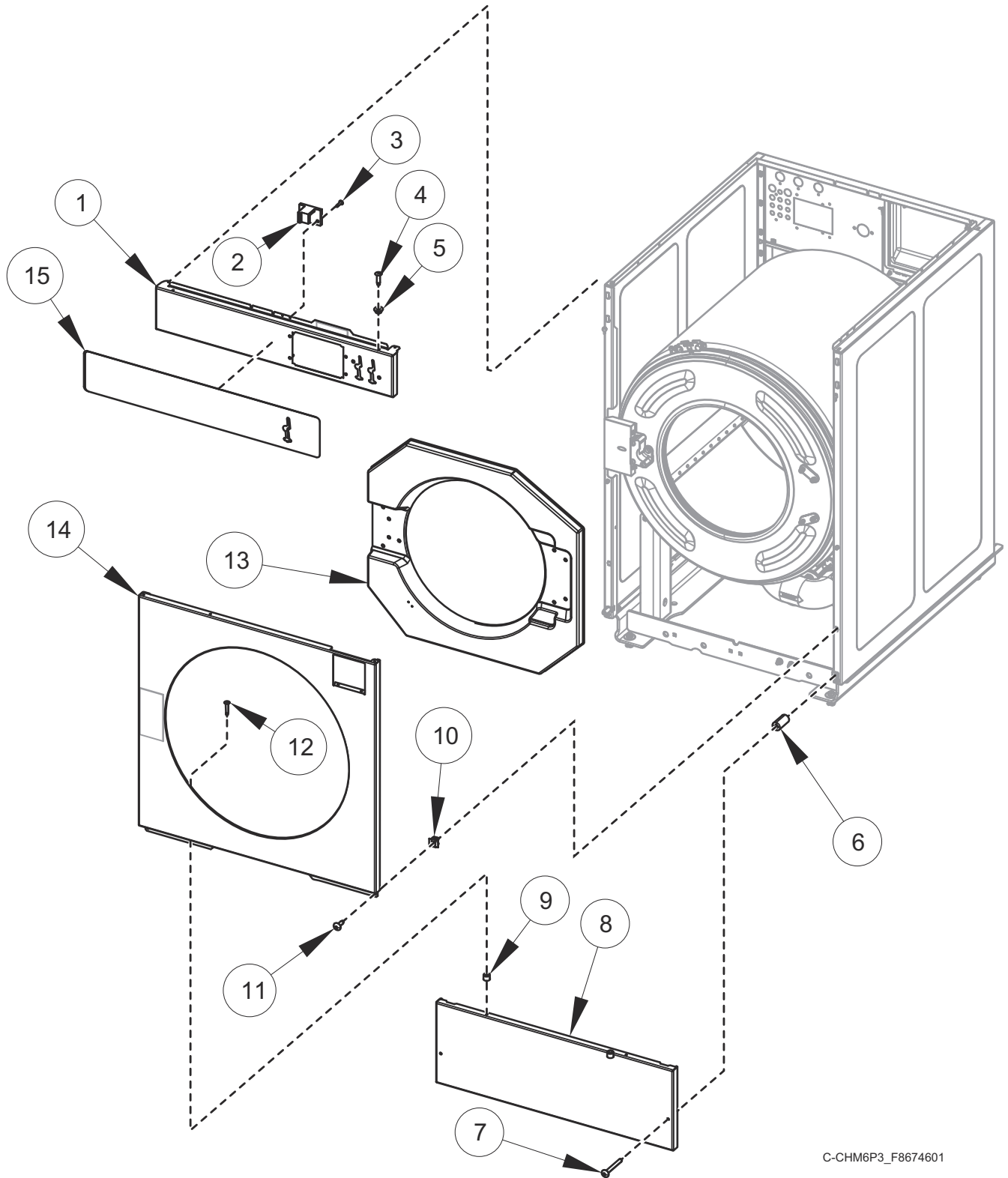
C-CHM6P3\_F8674601



## Front Panels and Control Panel - Design 6

REF	PART NO.	DESCRIPTION	COMMENTS
	F8698801	Instruction Label	English/Spanish instructions
	F8698901	Instruction Label	Icon instructions
	F8699702	Basket Capacity Label	20 pound models; 2 basket
	F8699703	Basket Capacity Label	30 pound models; 3 basket
	F8699704	Basket Capacity Label	40 pound models; 4 basket
	F8699706	Basket Capacity Label	60 pound models; 6 basket
<b>1</b>	F8523701	Control Panel Assembly	20 pound models
	F8523801	Control Panel Assembly	30 pound models
	F8523901	Control Panel Assembly	40 pound models
	F8553701	Control Panel Assembly	60 pound models
<b>2</b>	F8201001	Top Cover Latch	
<b>3</b>	F431215	Pop Rivet	
<b>4</b>	70412601	Pop Rivet	
<b>5</b>	F8201101	Washer	
<b>6</b>	F8609701	Access Panel Retaining Spacer	
<b>7</b>	F8589501	Screw	
<b>8</b>	F8524001	Access Panel	20 pound models
	F8524101	Access Panel	30 pound models
	F8524201	Access Panel	40 pound models
	F8553901	Access Panel	60 pound models
<b>9</b>	56079	Panel Locator	
<b>10</b>	70030501	Expansion Clip	
<b>11</b>	F8117601	Screw	
<b>12</b>	M412763	Rivet	
<b>13</b>	F8658801	Door Bezel	20 pound models
	F8658901	Door Bezel	30 pound models
	F0170426-30	Door Bezel	40 and 60 pound models
<b>14</b>	F8685601	Front Panel	20 pound models
	F8685701	Front Panel	30 pound models
	F8685201	Front Panel	40 pound models
	F8685801	Front Panel	60 pound models
<b>15</b>	F8693701	Overlay	20 pound models; Single coin
	F8693702	Overlay	20 pound models; Dual coin
	F8693705	Overlay	20 pound models; World drop
	F8693801	Overlay	30 pound models; Single coin
	F8693802	Overlay	30 pound models; Dual coin
	F8693805	Overlay	30 pound models; World drop
	F8693901	Overlay	40 pound models; Single coin
	F8693902	Overlay	40 pound models; Dual coin
	F8693905	Overlay	40 pound models; World drop
	F8694001	Overlay	60 pound models; Single coin
	F8694002	Overlay	60 pound models; Dual coin
	F8694005	Overlay	60 pound models; World drop

# Front Panels and Control Panel - Design 7

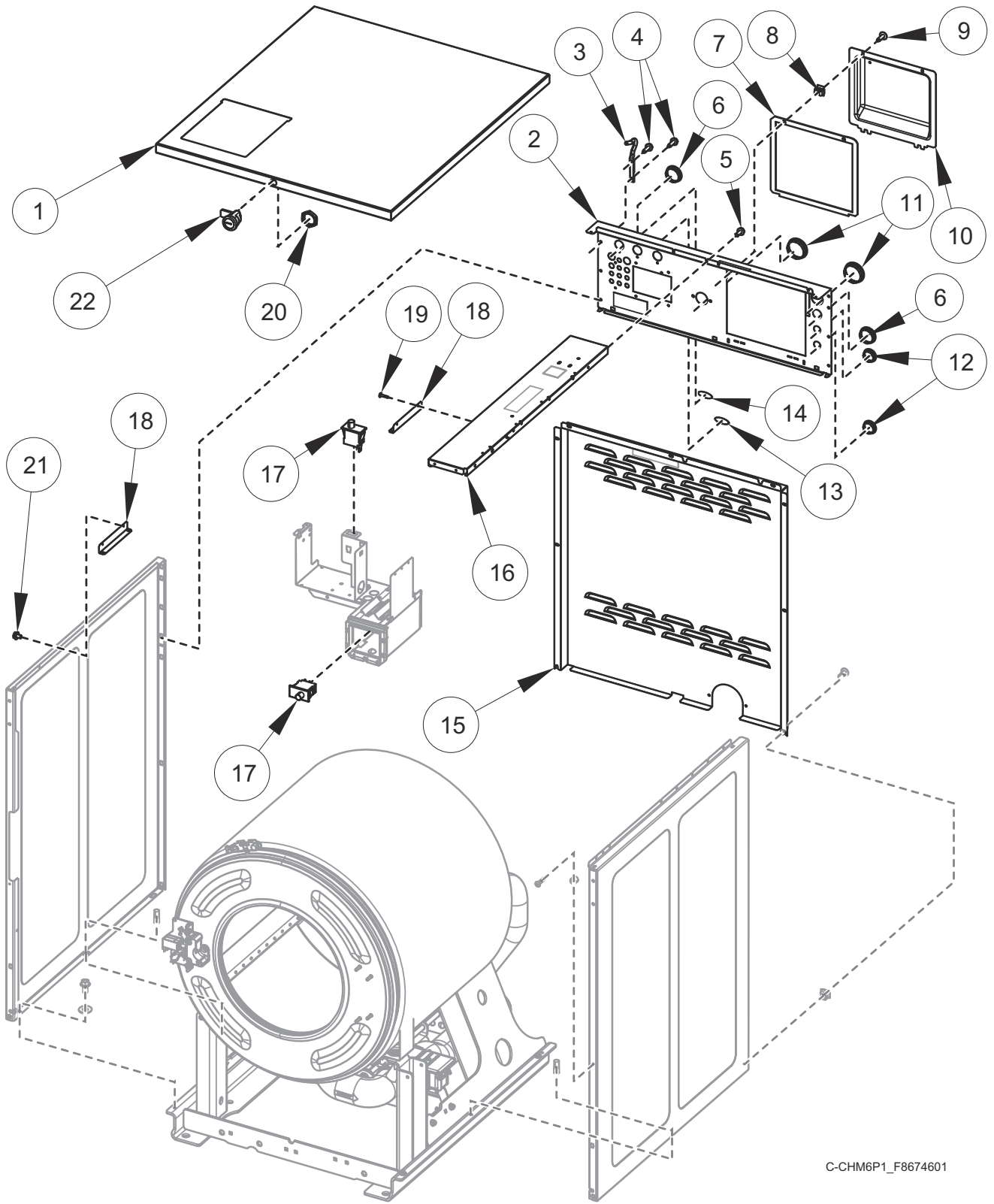


C-CHM6P3\_F8674601

## Front Panels and Control Panel - Design 7

REF	PART NO.	DESCRIPTION	COMMENTS
	F8698801	Instruction Label	English/Spanish instructions
	F8698901	Instruction Label	Icon instructions
	F8699702	Basket Capacity Label	20 pound models; 2 basket
	F8699703	Basket Capacity Label	30 pound models; 3 basket
	F8699704	Basket Capacity Label	40 pound models; 4 basket
	F8699706	Basket Capacity Label	60 pound models; 6 basket
<b>1</b>	F8523701	Control Panel Assembly	20 pound models
	F8523801	Control Panel Assembly	30 pound models
	F8523901	Control Panel Assembly	40 pound models
	F8553701	Control Panel Assembly	60 pound models
<b>2</b>	F8201001	Top Cover Latch	
<b>3</b>	F431215	Pop Rivet	
<b>4</b>	70412601	Pop Rivet	
<b>5</b>	F8201101	Washer	
<b>6</b>	F8609701	Access Panel Retaining Spacer	
<b>7</b>	F8589501	Screw	
<b>8</b>	F8524001	Access Panel	20 pound models
	F8524101	Access Panel	30 pound models
	F8524201	Access Panel	40 pound models
	F8553901	Access Panel	60 pound models
<b>9</b>	56079	Panel Locator	
<b>10</b>	70030501	Expansion Clip	
<b>11</b>	F8117601	Screw	
<b>12</b>	M412763	Rivet	
<b>13</b>	F8658801	Door Bezel	20 pound models
	F8658901	Door Bezel	30 pound models
	F0170426-30	Door Bezel	40 and 60 pound models
<b>14</b>	F8524303	Front Panel	20 pound models
	F8524403	Front Panel	30 pound models
	F8524503	Front Panel	40 pound models
	F8554003	Front Panel	60 pound models
<b>15</b>	F8727501	Overlay	20 pound models; Single coin
	F8727502	Overlay	20 pound models; Dual coin
	F8727505	Overlay	20 pound models; World drop
	F8727601	Overlay	30 pound models; Single coin
	F8727602	Overlay	30 pound models; Dual coin
	F8727605	Overlay	30 pound models; World drop
	F8727701	Overlay	40 pound models; Single coin
	F8727702	Overlay	40 pound models; Dual coin
	F8727705	Overlay	40 pound models; World drop
	F8727801	Overlay	60 pound models; Single coin
	F8727802	Overlay	60 pound models; Dual coin
	F8727805	Overlay	60 pound models; World drop

# Rear and Top Panels

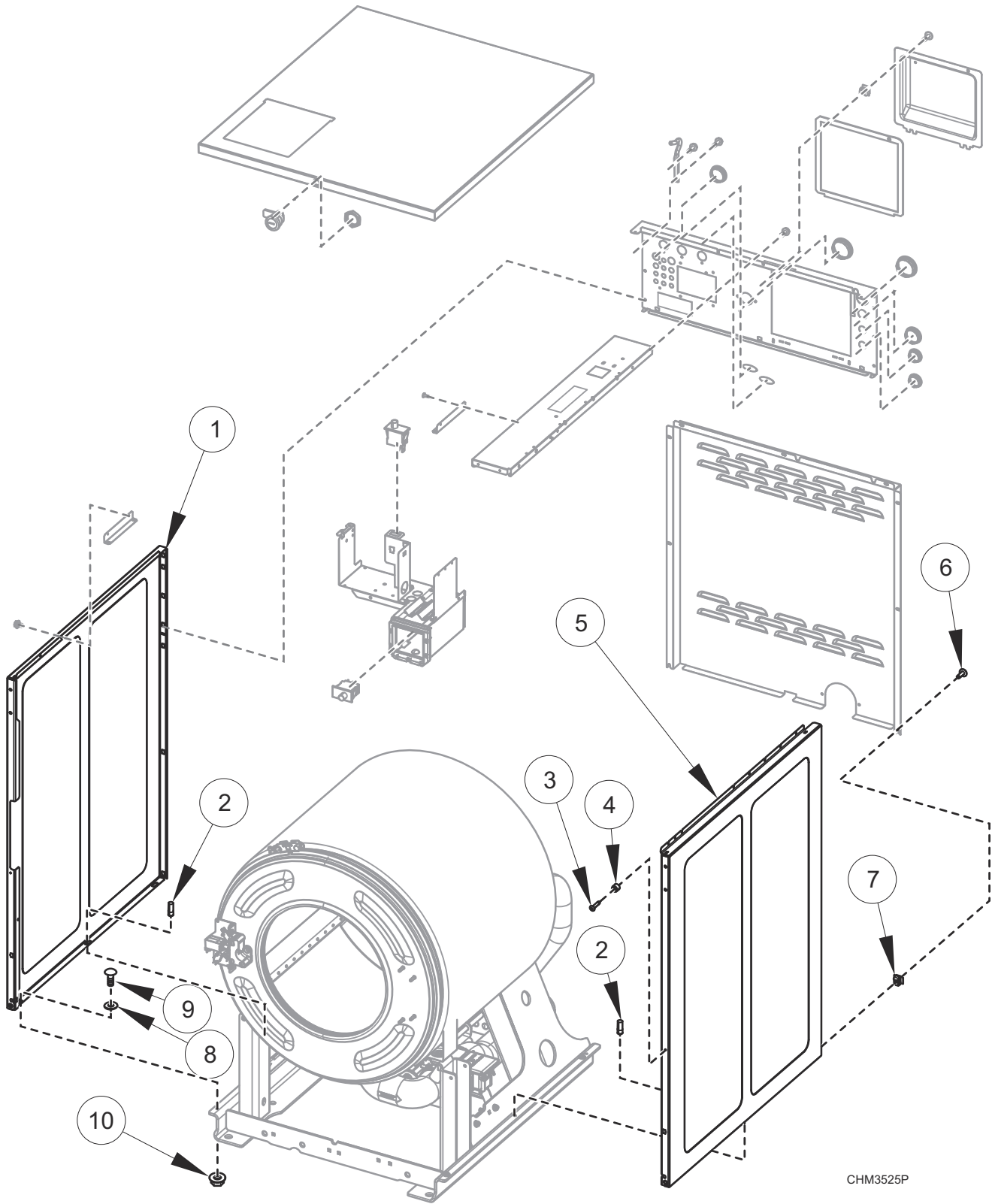


C-CHM6P1\_F8674601

## Rear and Top Panels

REF	PART NO.	DESCRIPTION	COMMENTS
1	F8525401	Top Cover	20 pound models
	F8525501	Top Cover	30 pound models
	F8525601	Top Cover	40 pound models
	F8554301	Top Cover	60 pound models
2	F8513101	Valve Panel	20 pound models
	F8513201	Valve Panel	30 pound models
	F8513301	Valve Panel	40 pound models
	F8554401	Valve Panel	60 pound models
3	F8258601	Top Cover Hinge	
4	F8206901	Screw	
5	33562	Screw	
6	F8223901	Plug	
7	F8542601	Gasket	
8	70030501	Expansion Clip	
9	F8117601	Screw	
10	F8518301	Terminal Tray Cover	
	F8521301	Cable	
11	F8223801	Hole Plug	
12	M400985	Plug	
13	F8611301	Label	Hot water
14	F8611401	Label	Cold water
15	F8527001	Rear Panel	20 pound models
	F8527101	Rear Panel	30 pound models
	F8527201	Rear Panel	40 pound models
	F8554501	Rear Panel	60 pound models
16	F8527301	Cabinet Brace	20 pound models
	F8527401	Cabinet Brace	30 pound models
	F8527501	Cabinet Brace	40 pound models
	F8553201	Cabinet Brace	60 pound models
17	70413301	Pushbutton Switch	
18	F8525701	Dispenser Bracket	
19	F431215	Pop Rivet	
20	44088801	Nut	
21	51780	Screw	
22	44089303P	Panel Lock	
	70155603	Key	

# Side Panels

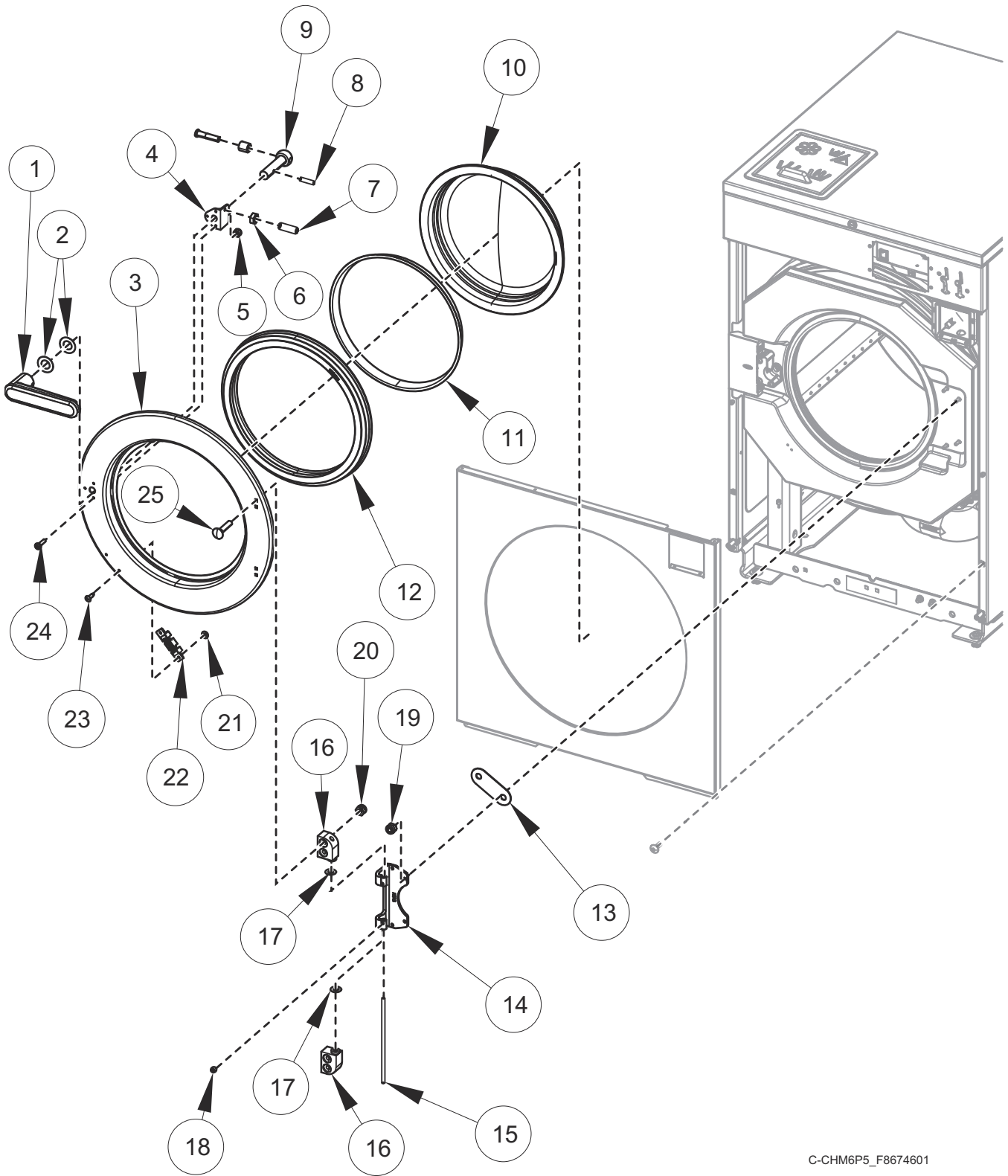


CHM3525P

## Side Panels

REF	PART NO.	DESCRIPTION	COMMENTS
1	F8524602	Side Panel	20 pound models; Left
	F8524604	Side Panel	20 pound models; Left; Stainless steel; All markets through December 7, 2021; T market models starting December 8, 2021; Models with 0 in 5th position of serial number starting December 8, 2021
	F8525606	Side Panel	20 pound models; Left; Painted; All markets except T with 6 in 5th position of serial number starting December 8, 2021
	F8524702	Side Panel	30 pound models; Left
	F8524704	Side Panel	30 pound models; Left; Stainless steel; All markets through December 7, 2021; T market models starting December 8, 2021; Models with 0 in 5th position of serial number starting December 8, 2021
	F8524706	Side Panel	30 pound models; Left; Painted; All markets except T with 6 in 5th position of serial number starting December 8, 2021
	F8524802	Side Panel	40 pound models; Left
	F8524804	Side Panel	40 pound models; Left; Stainless steel; All markets through December 7, 2021; T market models starting December 8, 2021; Models with 0 in 5th position of serial number starting December 8, 2021
	F8524806	Side Panel	40 pound models; Left; Painted; All markets except T with 6 in 5th position of serial number starting December 8, 2021
	F8554204	Side Panel	60 pound models; Left
	F8554202	Side Panel	60 pound models; Left; Stainless steel; All markets through December 7, 2021; T market models starting December 8, 2021; Models with 0 in 5th position of serial number starting December 8, 2021
	F8554206	Side Panel	60 pound models; Left; Painted; All markets except T with 6 in 5th position of serial number starting December 8, 2021
	2	F8502101	Pin
3	M412763	Rivet	
4	56079	Panel Locator	
5	F8524601	Side Panel	20 pound models; Right
	F8524603	Side Panel	20 pound models; Right; Stainless steel; All markets through December 7, 2021; T market models starting December 8, 2021; Models with 0 in 5th position of serial number starting December 8, 2021
	F8525605	Side Panel	20 pound models; Right; Painted; All markets except T with 6 in 5th position of serial number starting December 8, 2021
	F8524701	Side Panel	30 pound models; Right
	F8524703	Side Panel	30 pound models; Right; Stainless steel; All markets through December 7, 2021; T market models starting December 8, 2021; Models with 0 in 5th position of serial number starting December 8, 2021
	F8524705	Side Panel	30 pound models; Right; Painted; All markets except T with 6 in 5th position of serial number starting December 8, 2021
	F8524801	Side Panel	40 pound models; Right
	F8524803	Side Panel	40 pound models; Right; Stainless steel; All markets through December 7, 2021; T market models starting December 8, 2021; Models with 0 in 5th position of serial number starting December 8, 2021
	F8524805	Side Panel	40 pound models; Right; Painted; All markets except T with 6 in 5th position of serial number starting December 8, 2021
	F8554203	Side Panel	60 pound models; Right
	F8554201	Side Panel	60 pound models; Right; Stainless steel; All markets through December 7, 2021; T market models starting December 8, 2021; Models with 0 in 5th position of serial number starting December 8, 2021
	F8554205	Side Panel	60 pound models; Right; Painted; All markets except T with 6 in 5th position of serial number starting December 8, 2021
	6	F8117601	Screw
7	70030501	Expansion Clip	
8	M405535	Washer	
9	F8402801	Bolt	
10	44087201	Nut	

# Door - 20 Pound Models



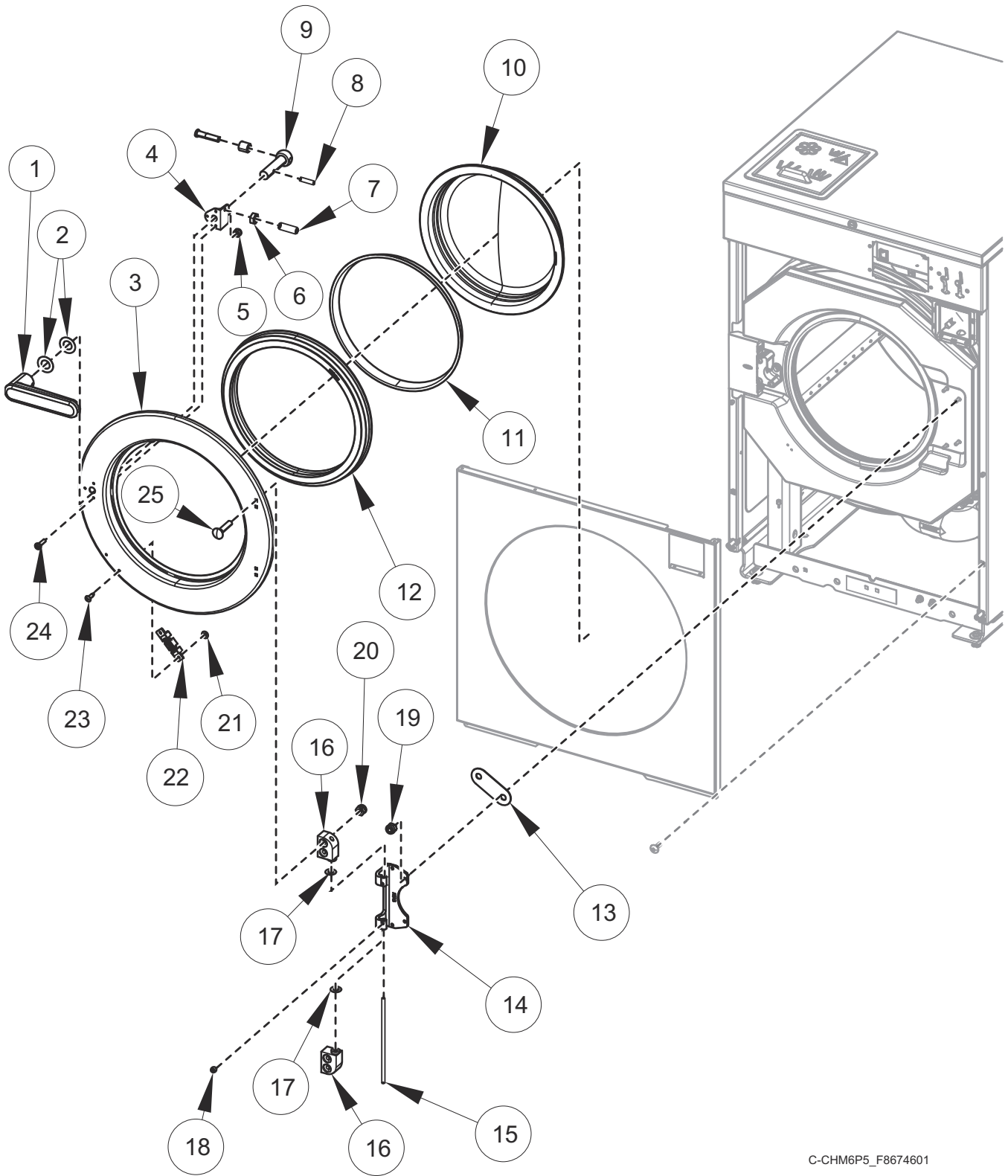
C-CHM6P5\_F8674601



## Door - 20 Pound Models

REF	PART NO.	DESCRIPTION	COMMENTS
	F8617203	Door Assembly	Design 4; Includes items 1-12, 14-18 and 20-25
	F8617204	Door Assembly	Design 4; Chrome; Includes items 1-12, 14-18 and 20-25
	F8617206	Door Assembly	Design 4; Chrome and green; Includes items 1-12, 14-18 and 20-25
	F8617205	Door Assembly	Design 4; Green; Includes items 1-12, 14-18 and 20-25
	F8617213	Door Assembly	Design 6 and 7
	F8617214	Door Assembly	Design 6 and 7; Chrome
	F8617215	Door Assembly	Design 6 and 7; Green
	F8617216	Door Assembly	Design 6 and 7; Chrome green
<b>1</b>	F8544701	Door Handle	
<b>2</b>	F431916	Washer	
<b>3</b>	F8507502	Door	Design 4
	F8507501R	Door	Design 6 and 7; Plated
	F8507501P	Door	Chrome
<b>4</b>	F8567501	Door Handle Spacer Kit	Includes items 6 and 7
<b>5</b>	F430232	Nut	
<b>6</b>	F431041	Nut	
<b>7</b>	F430532	Screw	
<b>8</b>	F431222	Spring Pin	
<b>9</b>	F8221403	Door Latch Arm Assembly	Includes latch arm shaft, latch arm support and sleeve
<b>10</b>	F8675701P	Door Glass	Design 4
	F290205P	Door Glass Kit	Design 6 and 7
<b>11</b>	F8583201	Door Glass Trim	Black
	F8583204	Door Glass Trim	Green
<b>12</b>	F200000202	Door Gasket	
<b>13</b>	F200131000P	Door Hinge Shim Kit	
<b>14</b>	F190216P	Door Hinge	
<b>15</b>	F602813-2	Rod	
<b>16</b>	F150271	Door Mount	
<b>17</b>	F431929	Washer	Non-ferrous
	F431147	Washer	
<b>18</b>	F430536	Screw	
<b>19</b>	C001236	Nut	
<b>20</b>	F430215	Nut	
<b>21</b>	F431133	Washer	
<b>22</b>	F8390801	Magnet	
<b>23</b>	F431223	Pop Rivet	
<b>24</b>	F8535501	Screw	
<b>25</b>	F430974	Bolt	
	F8508101	Bolt	Chrome

# Door - 30 Pound Models

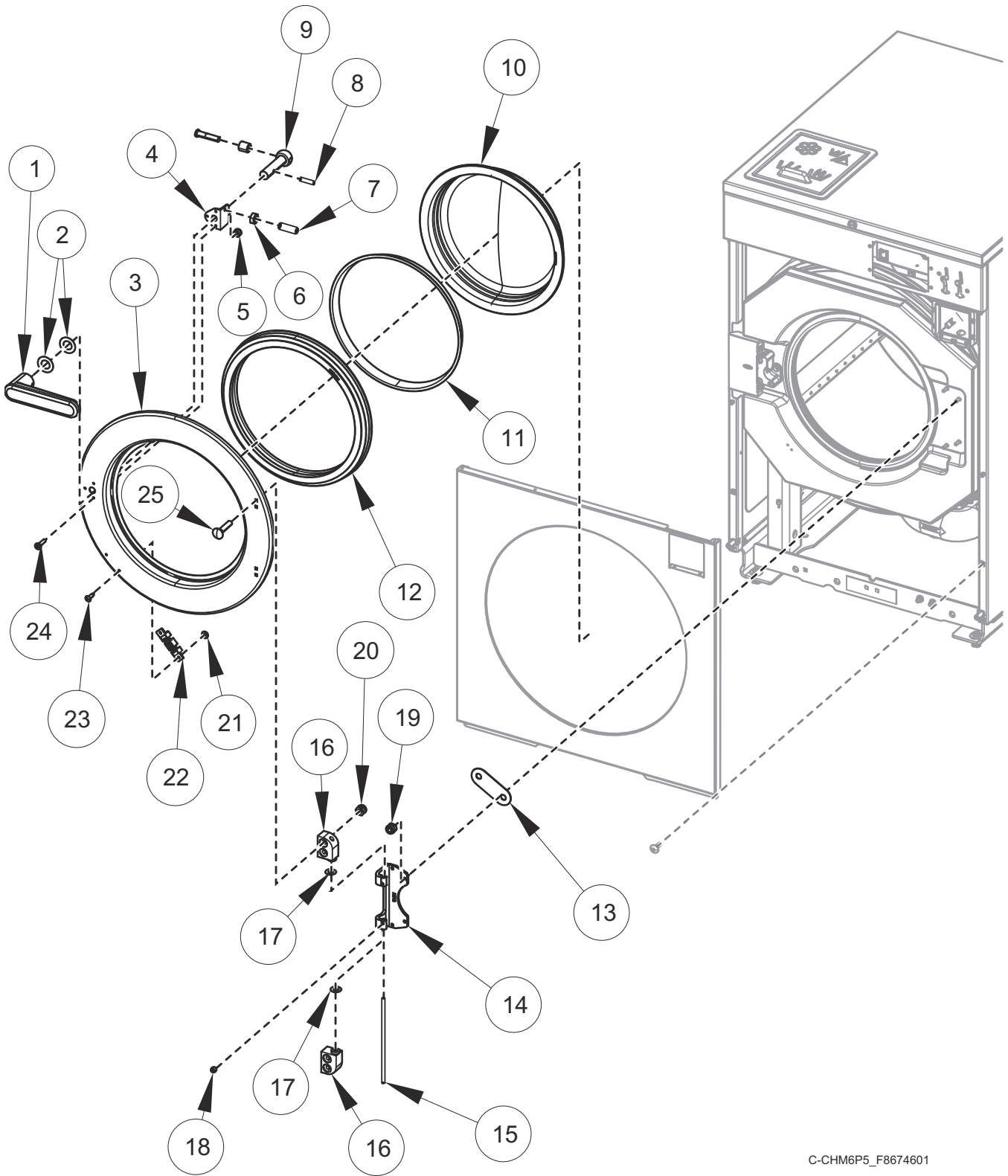


C-CHM6P5\_F8674601

## Door - 30 Pound Models

REF	PART NO.	DESCRIPTION	COMMENTS
	F8617303	Door Assembly	Design 4; Includes items 1-12, 14-18 and 20-25
	F8617304	Door Assembly	Design 4; Chrome; Includes items 1-12, 14-18 and 20-25
	F8617306	Door Assembly	Design 4; Chrome and green; Includes items 1-12, 14-18 and 20-25
	F8617305	Door Assembly	Design 4; Green; Includes items 1-12, 14-18 and 20-25
	F8617313	Door Assembly	Design 6 and 7
	F8617314	Door Assembly	Design 6 and 7; Chrome
	F8617315	Door Assembly	Design 6 and 7; Green
	F8617316	Door Assembly	Design 6 and 7; Chrome green
<b>1</b>	F8544701	Door Handle	
<b>2</b>	F431916	Washer	
<b>3</b>	F8507602	Door	
	F8752601	Door	Chrome
<b>4</b>	F8567501	Door Handle Spacer Kit	
<b>5</b>	F430232	Nut	
<b>6</b>	F431041	Nut	
<b>7</b>	F430533	Screw	
<b>8</b>	F431222	Spring Pin	
<b>9</b>	F8221403	Door Latch Arm Assembly	Includes latch arm shaft, latch arm support and sleeve
<b>10</b>	F8485305	Door Glass	Design 4
	F8485301P	Door Glass	Design 6 and 7; Deep
<b>11</b>	F8583202	Door Glass Trim	Black
	F8583205	Door Glass Trim	Green
<b>12</b>	F8111602	Door Gasket	
<b>13</b>	F200131000P	Door Hinge Shim Kit	
<b>14</b>	F190216P	Door Hinge	
<b>15</b>	F602813-2	Rod	
<b>16</b>	F150271	Door Mount	
<b>17</b>	F431929	Washer	Non-ferrous
	F431147	Washer	
<b>18</b>	F430536	Screw	
<b>19</b>	C001236	Nut	
<b>20</b>	F430215	Nut	
<b>21</b>	F431133	Washer	
<b>22</b>	F8390801	Magnet	
<b>23</b>	F431223	Pop Rivet	
<b>24</b>	F8535501	Screw	
<b>25</b>	F430974	Bolt	
	F8508101	Bolt	Chrome

# Door - 40 and 60 Pound Models

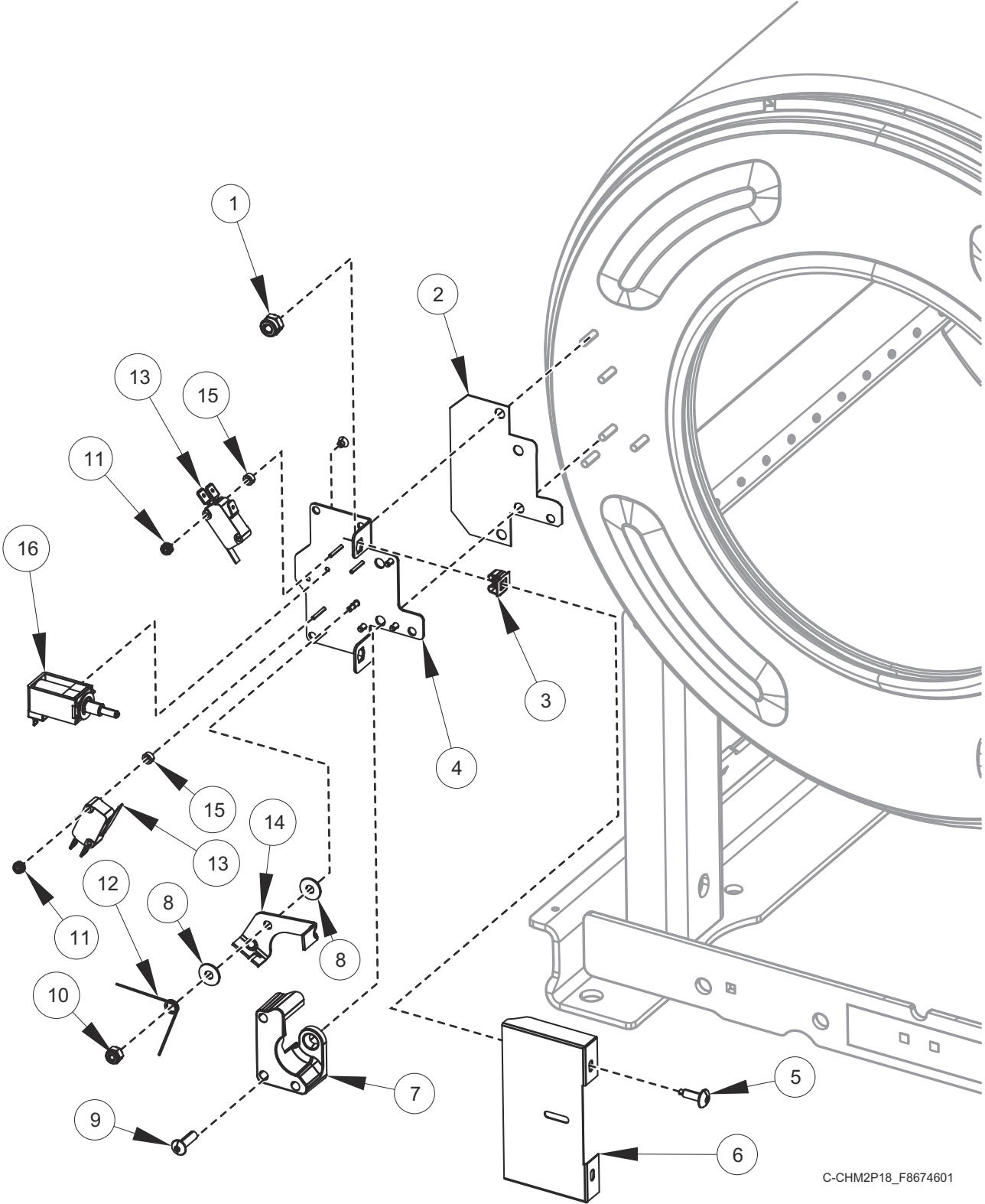


C-CHM6P5\_F8674601

## Door - 40 and 60 Pound Models

REF	PART NO.	DESCRIPTION	COMMENTS
	F8617403	Door Assembly	Design 4; Includes items 1-12, 14-18 and 20-25
	F8617404	Door Assembly	Design 4; Chrome; Includes items 1-12, 14-18 and 20-25
	F8617406	Door Assembly	Design 4; Chrome and green; Includes items 1-12, 14-18 and 20-25
	F8617405	Door Assembly	Design 4; Green; Includes items 1-12, 14-18 and 20-25
	F8617413	Door Assembly	Design 6 and 7
	F8617414	Door Assembly	Design 6 and 7; Chrome
	F8617415	Door Assembly	Design 6 and 7; Green
	F8617416	Door Assembly	Design 6 and 7; Chrome green
1	F8544701	Door Handle	
2	F431916	Washer	
3	F8507702	Door	
	F8507701	Door	Chrome
4	F8567501	Door Handle Spacer Kit	
5	F430232	Nut	
6	F431041	Nut	
7	F430533	Screw	
8	F431222	Spring Pin	
9	F8221403	Door Latch Arm Assembly	Includes latch arm shaft, latch arm support and sleeve
10	F8485405	Door Glass	Design 4
	F8485401P	Door Glass	Design 6 and 7; Deep
11	F8583203	Door Glass Trim	Black
	F8583206	Door Glass Trim	Green
12	F8111602	Door Gasket	Design 4
	F8111502	Door Gasket	Design 6 and 7; Black
13	F200131000P	Door Hinge Shim Kit	
14	F190216P	Door Hinge	
15	F602813-3	Rod	
16	F150271	Door Mount	
17	F431929	Washer	Non-ferrous
	F431147	Washer	
18	F430536	Screw	
19	C001236	Nut	
20	F430215	Nut	
21	F431133	Washer	
22	F8390801	Magnet	
23	F431223	Pop Rivet	
24	F8535501	Screw	
25	F430974	Bolt	
	F8508101	Bolt	Chrome

# Door Lock

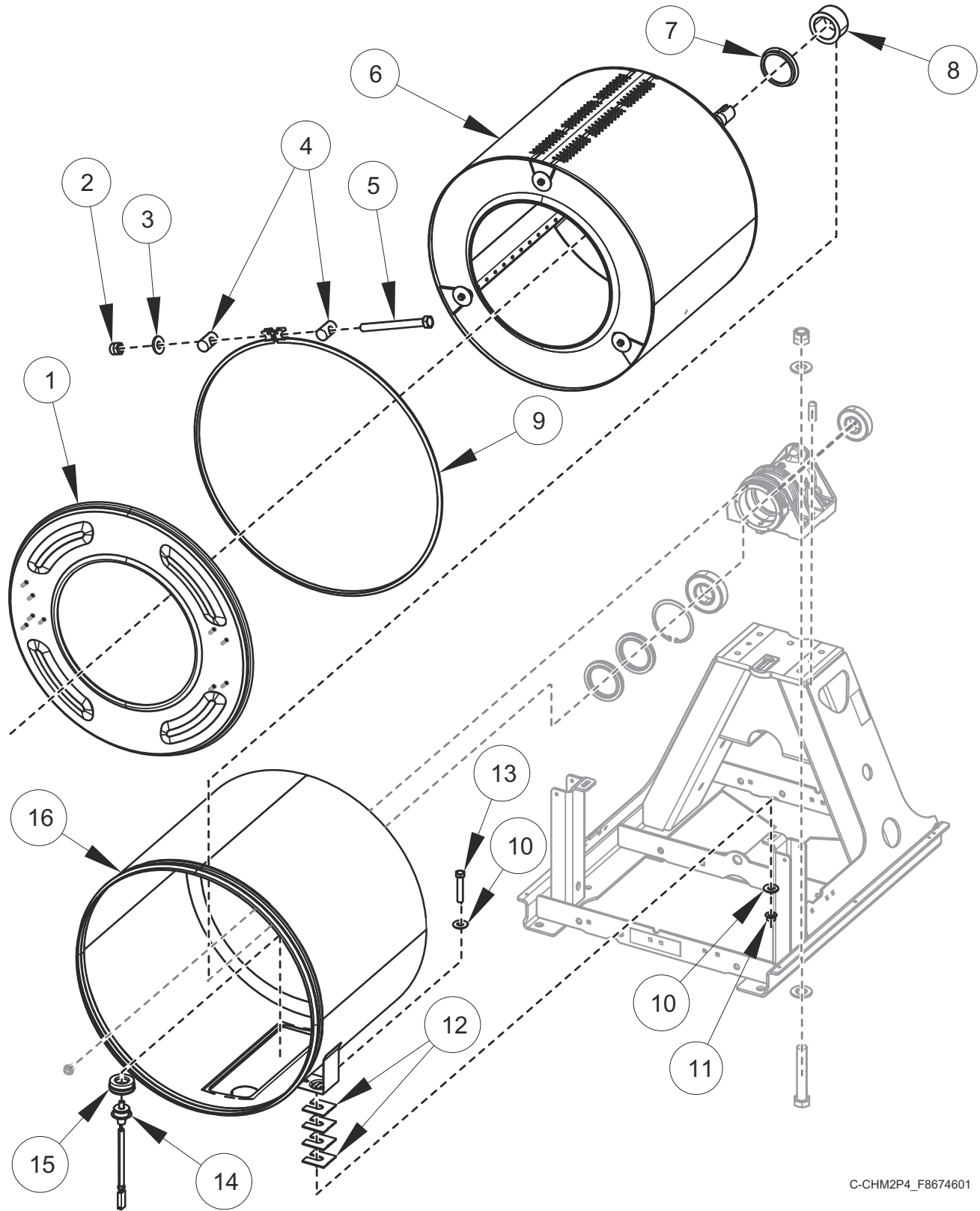


C-CHM2P18\_F8674601

# Door Lock

REF	PART NO.	DESCRIPTION	COMMENTS
	F8632401	Door Lock Assembly	Includes items 3, 4 and 10-16
	F8520201	Door Lock Harness	20 and 30 pound models
	F8520202	Door Lock Harness	40 and 60 pound models
	F8066804	Reed Switch Assembly	
<b>1</b>	F431024	Nut	
<b>2</b>	F8344401	Door Lock Plate Shim	
<b>3</b>	70030501	Expansion Clip	
<b>4</b>	F8223202	Door Lock Plate Assembly	
<b>5</b>	F8117601	Screw	
<b>6</b>	F8245001	Door Lock Cover	
<b>7</b>	F8344501	Door Lock Catch	
<b>8</b>	F8193101	Washer	
<b>9</b>	F8270701	Bolt	
<b>10</b>	F430232	Nut	
<b>11</b>	F430225	Nut	
<b>12</b>	F8070301	Torsion/Door Lock Spring	
<b>13</b>	F200203200	Door Lock Microswitch	
<b>14</b>	F8223401	Door Lock Switch Lever	
<b>15</b>	F431901	Spacer	
<b>16</b>	F977P3	Door Lock Solenoid Replacement Kit	

# Shell Front, Basket, Shell and Frame Template



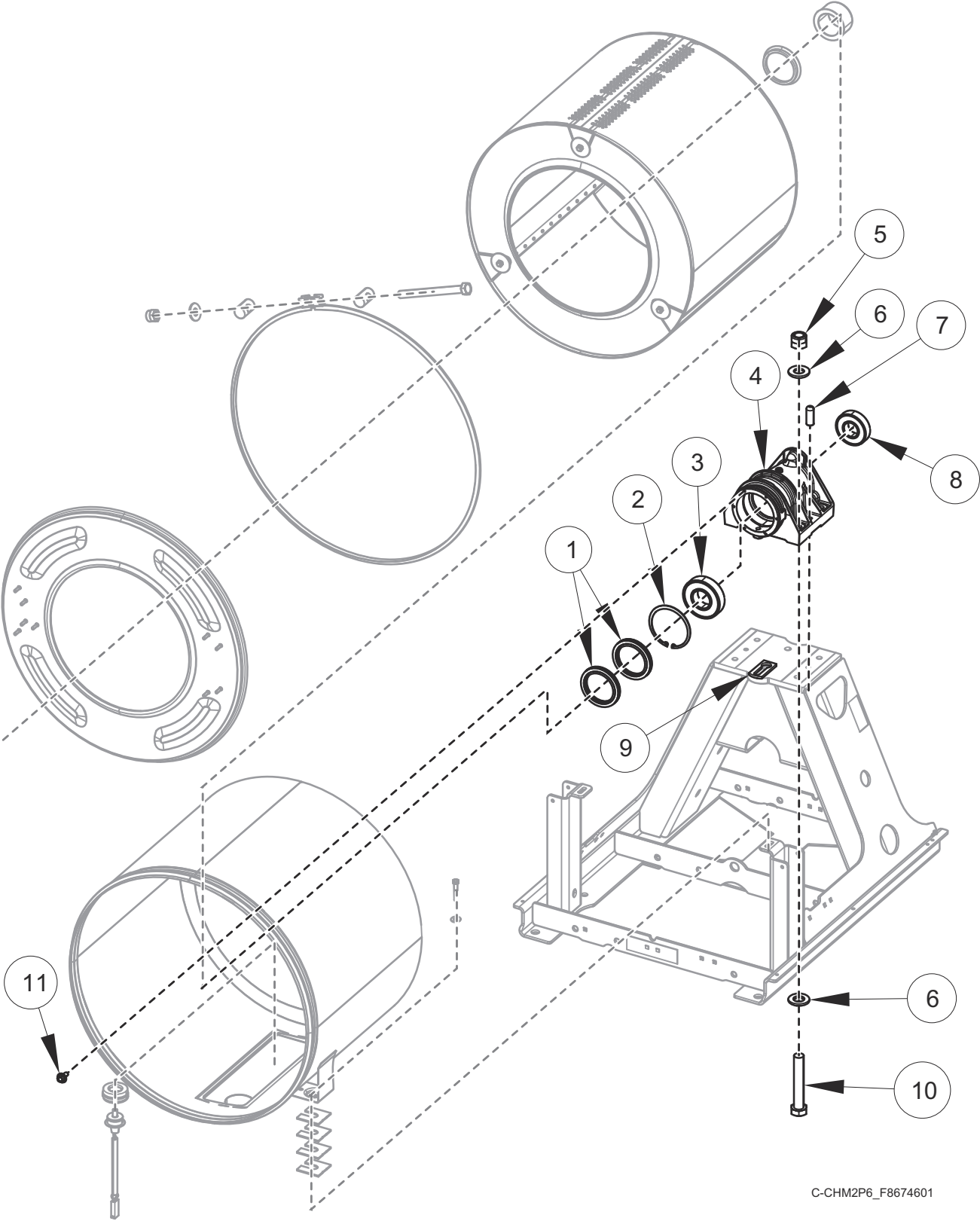
C-CHM2P4\_F8674601



## Shell Front, Basket, Shell and Frame Template

REF	PART NO.	DESCRIPTION	COMMENTS
	F8598301	Harness	Thermistor; 20 and 30 pound models
	F8598302	Harness	Thermistor; 40 and 60 pound models
<b>1</b>	F8222301	Shell Front	20 pound models
	F8222401	Shell Front	30 pound models
	F8222501	Shell Front	40 pound models
	F8222601	Shell Front	60 pound models
<b>2</b>	F430218	Nut	
<b>3</b>	M400080	Washer	
<b>4</b>	F8302701	Pin	
<b>5</b>	F8673701	Screw	
<b>6</b>	F8391304	Basket	20 pound models; Viton
	F8391302	Basket	20 pound models; Rain
	F8391504	Basket	30 pound models; Viton
	F8391502	Basket	30 pound models; Rain
	F8391704	Basket	40 pound models; Viton
	F8391702	Basket	40 pound models; Rain
	F8502805	Basket	60 pound models; Viton
	F8502802	Basket	60 pound models; Rain
<b>7</b>	F8337002	Excluder Seal	
<b>8</b>	F8343906P	Shaft Seal Sleeve Kit	
<b>9</b>	F8537801	Shell Band Kit	20 pound models; Includes items 2-5
	F8537802	Shell Band Kit	30 pound models; Includes items 2-5
	F8537803	Shell Band Kit	40 pound models; Includes items 2-5
	F8537804	Shell Band Kit	60 pound models; Includes items 2-5
<b>10</b>	M400081	Washer	
<b>11</b>	44087301	Nut	
<b>12</b>	F8402701	Washer	
<b>13</b>	F8621601	Screw	
<b>14</b>	F8538801	Thermistor	
<b>15</b>	2251000400	Temperature Probe Grommet	
<b>16</b>	F8512102	Shell	20 pound models; Electric and dual heat
	F8514002	Shell	30 pound models; Electric and dual heat
	F8512202	Shell	40 pound models; Electric and dual heat
	F8543702	Shell	60 pound models; Electric and dual heat
	F8512202	Shell	40 pound models; Steam Heat
	F8543702	Shell	60 pound models; Steam Heat
	F8512101	Shell	20 pound models; Standard
	F8514001	Shell	30 pound models; Standard
	F8512201	Shell	40 pound models; Standard
	F8543701	Shell	60 pound models; Standard

# Bearing Housing

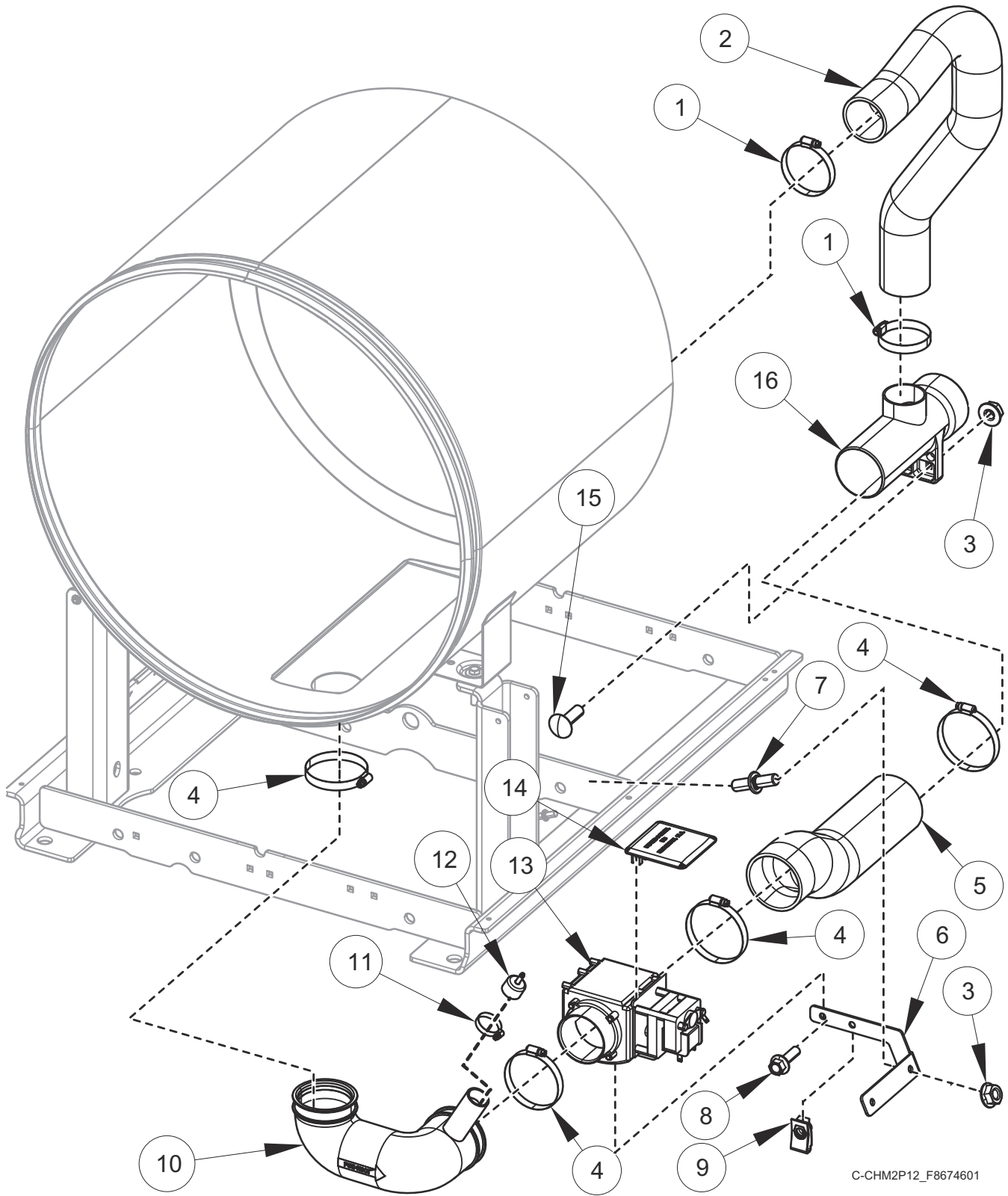


C-CHM2P6\_F8674601

# Bearing Housing

REF	PART NO.	DESCRIPTION	COMMENTS
	F8271601P	Bearing Housing Assembly	20 pound models; Includes items 1-4 and 8; Standard
	F8271602	Bearing Housing Assembly	20 pound models; Includes items 1-4 and 8; Viton
	F8271701P	Bearing Housing Assembly	30 pound models; Includes items 1-4 and 8; Standard
	F8271702	Bearing Housing Assembly	30 pound models; Includes items 1-4 and 8; Viton
	F8271801P	Bearing Housing Assembly	40 pound models; Includes items 1-4 and 8; Standard
	F8271802	Bearing Housing Assembly	40 pound models; Includes items 1-4 and 8; Viton
	F8271901P	Bearing Housing Assembly	60 pound models; Includes items 1-4 and 8; Standard
	F8271902	Bearing Housing Assembly	60 pound models; Includes items 1-4 and 8; Viton
<b>1</b>	F8203801	Triple Lip Seal	20 pound models; Standard
	F8203813	Triple Lip Seal	20 pound models; Viton
	F8203802	Triple Lip Seal	30 pound models; Standard
	F8203814	Triple Lip Seal	30 pound models; Viton
	F8203803	Triple Lip Seal	40 pound models; Standard
	F8203815	Triple Lip Seal	40 pound models; Viton
	F8203806	Triple Lip Seal	60 pound models; Standard
	F8203816	Radial Lip Seal	60 pound models; Viton
<b>2</b>	F8344901	Retaining Ring	20 pound models
	F8345001	Retaining Ring	30 pound models
	F8337801	Retaining Ring	40 pound models
	F8337901	Retaining Ring	60 pound models
<b>3</b>	F100137P	Bearing	20 and 40 pound models
	F100123P	Bearing	30 pound models
	F100135	Bearing	60 pound models
<b>4</b>	F8247902	Bearing Housing	20 pound models
	F8246802	Bearing Housing	30 pound models
	F8249902	Bearing Housing	40 pound models
	F8250902	Bearing Housing	60 pound models
<b>5</b>	F8387701	Nut	
<b>6</b>	F430339	Washer	
<b>7</b>	F8388201	Dowel Pin	
<b>8</b>	F100136P	Bearing	20 pound models
	F100108	Bearing	30 pound models
	F100134	Bearing	40 and 60 pound models
<b>9</b>	F8350302	Seal Scupper Pad	
<b>10</b>	F8368801	Screw	
<b>11</b>	F8442702	Screw	

# Drain Plumbing

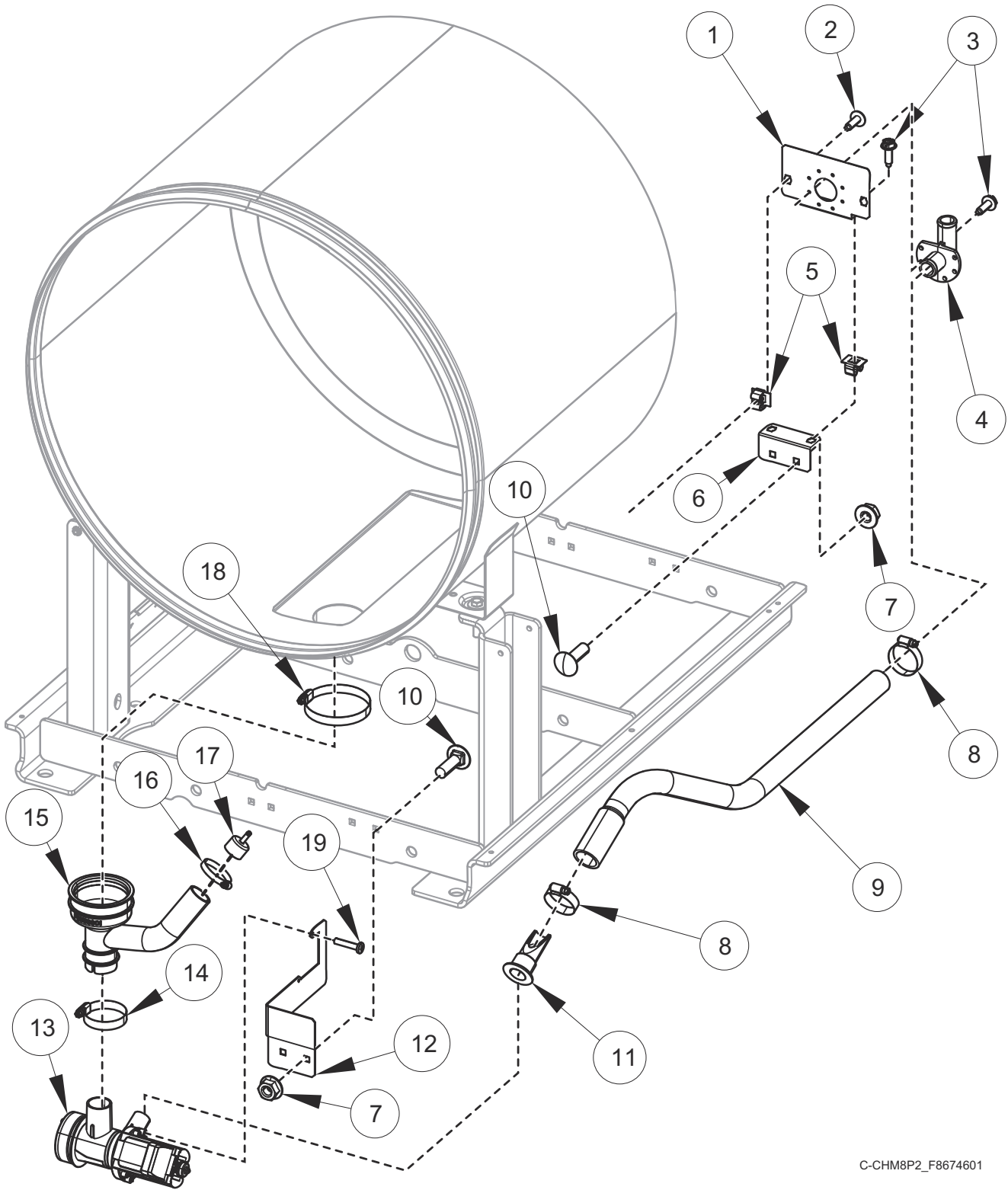


C-CHM2P12\_F8674601

## Drain Plumbing

REF	PART NO.	DESCRIPTION	COMMENTS
	F8520001	Drain Valve Harness	20 and 30 pound models
	F8520002	Drain Valve Harness	40 and 60 pound models
	F200165100	Drain Hose	
<b>1</b>	F200213	Hose Clamp	
<b>2</b>	F8522401	Overflow Hose	20 pound models
	F8521201	Overflow Hose	30 pound models
	F8522501	Overflow Hose	40 and 60 pound models
<b>3</b>	44087201	Nut	
<b>4</b>	F200201	Hose Clamp	
<b>5</b>	F8587301	Rear Drain Hose	20 pound models
	F8543001	Rear Drain Hose	30 pound models
	F8543201	Rear Drain Hose	40 pound models
	F8543501	Rear Drain Hose	60 pound models
<b>6</b>	F8587701	Drain Valve Bracket	20 pound models
	F8543101	Drain Valve Bracket	30 pound models
	F8543301	Drain Valve Bracket	40 pound models
	F8543401	Drain Valve Bracket	60 pound models
<b>7</b>	70334702	Stud	
<b>8</b>	202175	Screw	
<b>9</b>	70030401	Nut	
<b>10</b>	F8542002	Drain Hose	20 pound models
	F8541901	Drain Hose	30, 40 and 60 pound models
	F8542001	Drain Hose	40 and 60 pound models; Steam and electric heat
<b>11</b>	36802	Hose Clamp	
<b>12</b>	F8579301	Pressure Cap	
<b>13</b>	F200166302	Drain Valve Kit	3 inch; 120 Volt; Left; NO; Includes item 14
	F8406308	Drain Valve	3 inch; 120 Volt; Right; NO
	F200166402	Drain Valve Kit	3 inch; 230 Volt; Left; NO; Includes item 14
	F8577201	Drain Valve Kit	3 inch; 230 Volt; Right; NO; Includes item 14
<b>14</b>	F200133600	Drain Valve Cover	
<b>15</b>	F8402801	Bolt	
<b>16</b>	F8752101	Drain Tee	

# Pump Drain Plumbing - 20, 30 and 40 Pound Models

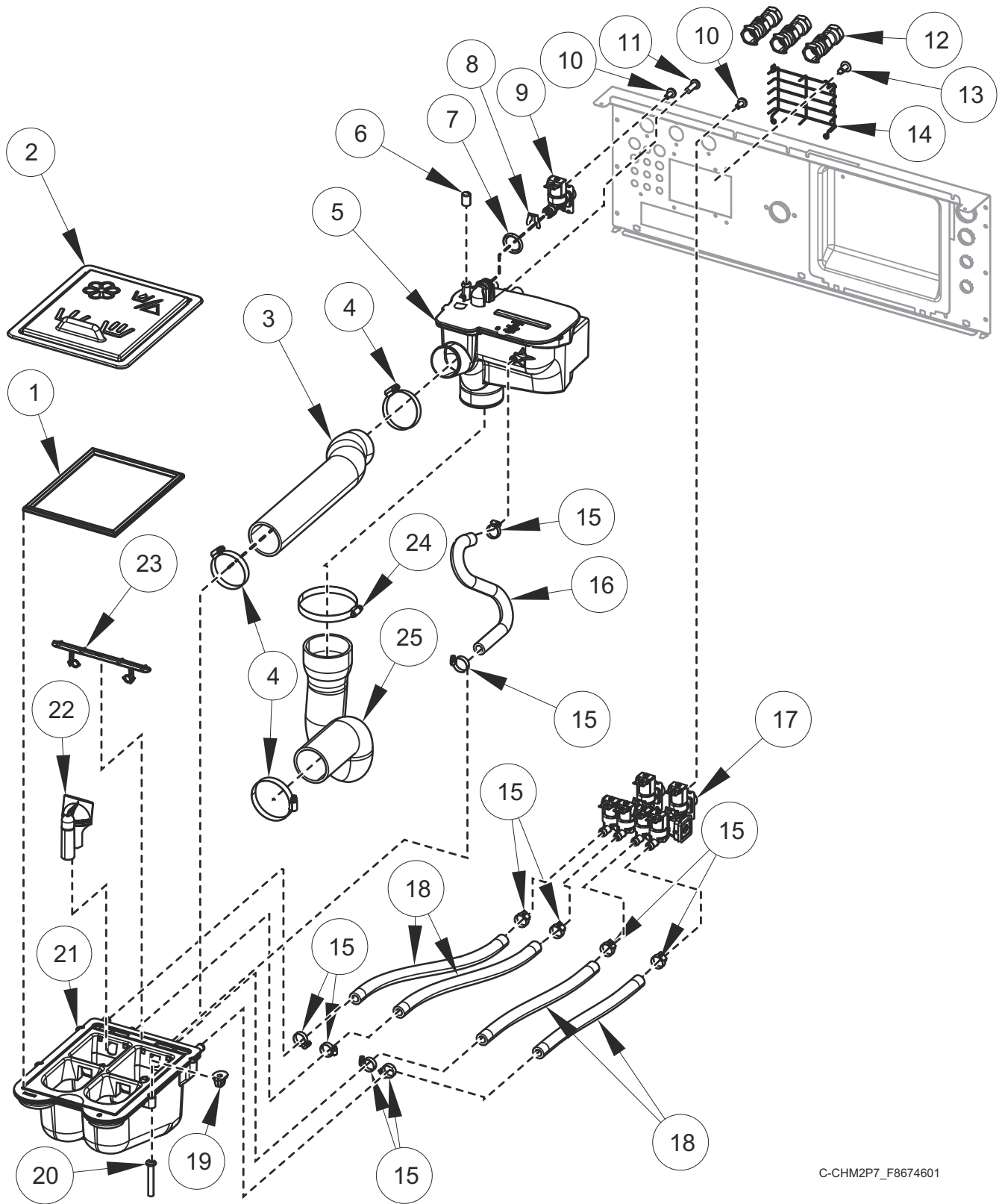


C-CHM8P2\_F8674601

## Pump Drain Plumbing - 20, 30 and 40 Pound Models

REF	PART NO.	DESCRIPTION	COMMENTS
	27154	Drain Hose	Hose to standpipe
	F150352	Overflow Plug	20 pound models
	F8520001	Drain Valve Harness	20 and 30 pound models
	F8520002	Drain Valve Harness	40 pound models
<b>1</b>	F8571301	Bracket	Upper; Elbow mount
<b>2</b>	F8117601	Screw	
<b>3</b>	F8206901	Screw	
<b>4</b>	35766	Drain Hose Elbow	
<b>5</b>	70030501	Expansion Clip	
<b>6</b>	F8571401	Bracket	Lower; Elbow mount
<b>7</b>	44087201	Nut	
<b>8</b>	F200204	Hose Clamp	
<b>9</b>	F8537001	Pump Drain Rear Hose	20 pound models
	F8557001	Pump Drain Rear Hose	30 pound models
	F8557201	Pump Drain Rear Hose	40 pound models
<b>10</b>	F8402801	Bolt	
<b>11</b>	800310	Backflow Preventer	
<b>12</b>	F8536901	Pump Drain Bracket	20 pound models
	F8557101	Pump Drain Bracket	30 pound models
	F8557301	Pump Drain Bracket	40 pound models
<b>13</b>	805723	Pump Drain and Bracket Assembly	120 Volt/60 Hertz; Green
	805613	Pump Drain and Bracket Assembly	208-240 Volt/60 Hertz; Red
	804038	Pump Drain and Bracket Assembly	220-240 Volt/50 Hertz; Blue
<b>14</b>	F200215	Hose Clamp	
<b>15</b>	F8556601	Pump Drain Hose	
<b>16</b>	36802	Hose Clamp	
<b>17</b>	F8579301	Pressure Cap	
<b>18</b>	F200219	Hose Clamp	
<b>19</b>	F8658501	Screw	

# Fill Plumbing - 20 Pound Models



C-CHM2P7\_F8674601



## Fill Plumbing - 20 Pound Models

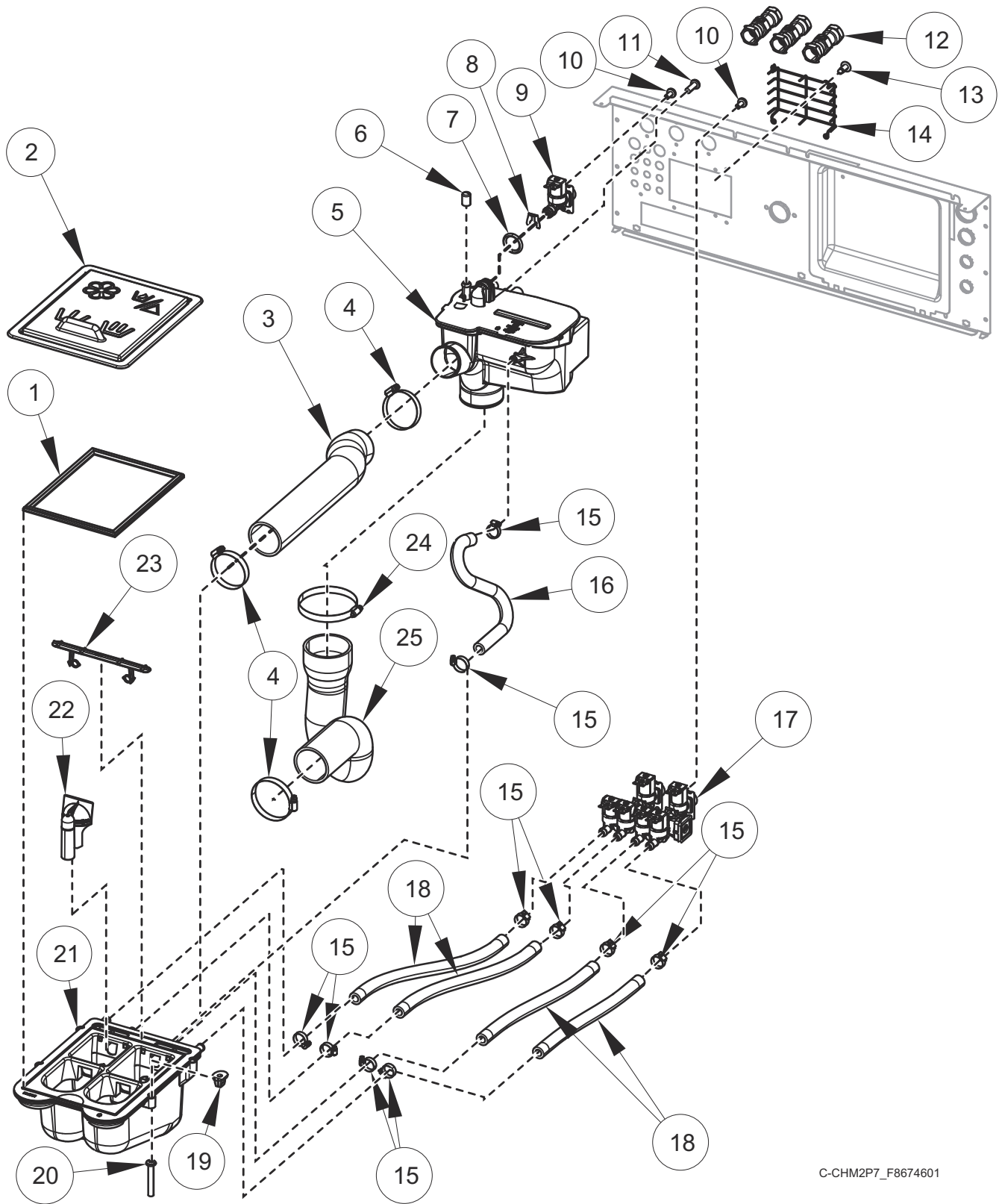
REF	PART NO.	DESCRIPTION	COMMENTS
	F8047403	Dispenser	Includes Items 21-23
	F8520101	Fill Valve Harness	
	F8665601	Water Hose Kit	Standard thread; Red (hot); Includes 20290 Washer and 803615 Washer Filter
	F8665603	Water Hose Kit	Standard thread; Blue (cold); Includes 20290 Washer and 803615 Washer Filter
	F8665602	Water Hose Kit	Metric thread; Red (hot); Includes 20290 Washer and 803615 Washer Filter
	F8665604	Water Hose Kit	Metric thread; Blue (cold); Includes 20290 Washer and 803615 Washer Filter
	F8671201	Fill Hose Kit	WRAS; Includes item 12 and F8665602 Water Hose Kit
	F8671202	Fill Hose Kit	WRAS; Includes item 12 and F8665604 Water Hose Kit
	F8671101	Fill Hose Kit	Australian watermark; Includes F8665602 Water Hose Kit and B12543901 Check Valve
	F8671102	Fill Hose Kit	Australian watermark; Includes F8665604 Water Hose Kit and B12543901 Check Valve
<b>1</b>	B12568601	Dispenser Gasket	
<b>2</b>	F8563204	Dispenser Cover	Black; Icons and text
	F8563203	Dispenser Cover	Gray; Icons and text
	F8563202	Dispenser Cover	Black; Icons
	F8563201	Dispenser Cover	Gray; Icons
<b>3</b>	F8529401	Supply Vacuum Hose	
<b>4</b>	F200213	Hose Clamp	
<b>5</b>	F8517503	Vacuum Breaker Assembly	With inlet and fill
	F8517502	Vacuum Breaker Assembly	With inlet
	F8517501	Vacuum Breaker Assembly	With fill
	F8517504	Vacuum Breaker Assembly	
<b>6</b>	F8197701	Cap	WRAS
<b>7</b>	F8569101	O-Ring	
<b>8</b>	F8566801	Clip	
<b>9</b>	F8565201	Valve	Standard
	F8565202	Valve	Metric
<b>10</b>	F8230301	Screw	
<b>11</b>	800548	Screw	
<b>12</b>	F8301201	Double Check Valve	WRAS
<b>13</b>	70058501	Pop Rivet	
<b>14</b>	F8589601	Vacuum Breaker Guard	
<b>15</b>	36801	Hose Clamp	
<b>16</b>	F8616401	Rear Vent Hose	
<b>17</b>	F8529701	Manifold Valve	Standard
	F8529702P	Manifold Valve	Metric
<b>18</b>	F8232007	Hose	
<b>19</b>	F0431807-00	Nut	
<b>20</b>	F8535601	Screw	
<b>21</b>	F8437902	Dispenser Weldment	
<b>22</b>	F8047901	Siphon Cover	
<b>23</b>	F8047801	Access Cover	
<b>24</b>	F200201	Hose Clamp	
<b>25</b>	F8529601	P-Trap Hose	



## Fill Plumbing - 30 Pound Models

REF	PART NO.	DESCRIPTION	COMMENTS
	F8047403	Dispenser	Includes Items 21-23
	F8520101	Fill Valve Harness	
	F8665601	Water Hose Kit	Standard thread; Red (hot); Includes 20290 Washer and 803615 Washer Filter
	F8665603	Water Hose Kit	Standard thread; Blue (cold); Includes 20290 Washer and 803615 Washer Filter
	F8665602	Water Hose Kit	Metric thread; Red (hot); Includes 20290 Washer and 803615 Washer Filter
	F8665604	Water Hose Kit	Metric thread; Blue (cold); Includes 20290 Washer and 803615 Washer Filter
	F8671201	Fill Hose Kit	WRAS; Includes item 12 and F8665602 Water Hose Kit
	F8671202	Fill Hose Kit	WRAS; Includes item 12 and F8665604 Water Hose Kit
	F8671101	Fill Hose Kit	Australian watermark; Includes F8665602 Water Hose Kit and B12543901 Check Valve
	F8671102	Fill Hose Kit	Australian watermark; Includes F8665604 Water Hose Kit and B12543901 Check Valve
<b>1</b>	B12568601	Dispenser Gasket	
<b>2</b>	F8563204	Dispenser Cover	Black; Icons and text
	F8563203	Dispenser Cover	Gray; Icons and text
	F8563202	Dispenser Cover	Black; Icons
	F8563201	Dispenser Cover	Gray; Icons
<b>3</b>	F8529402	Supply Vacuum Hose	
<b>4</b>	F200213	Hose Clamp	
<b>5</b>	F8517503	Vacuum Breaker Assembly	With inlet and fill
	F8517502	Vacuum Breaker Assembly	With inlet
	F8517501	Vacuum Breaker Assembly	With fill
	F8517504	Vacuum Breaker Assembly	
<b>6</b>	F8197701	Cap	WRAS
<b>7</b>	F8569101	O-Ring	
<b>8</b>	F8566801	Clip	
<b>9</b>	F8565201	Valve	Standard
	F8565202	Valve	Metric
<b>10</b>	F8230301	Screw	
<b>11</b>	800548	Screw	
<b>12</b>	F8301201	Double Check Valve	WRAS
<b>13</b>	70058501	Pop Rivet	
<b>14</b>	F8589601	Vacuum Breaker Guard	
<b>15</b>	36801	Hose Clamp	
<b>16</b>	F8616402	Rear Vent Hose	
<b>17</b>	F8529701	Manifold Valve	Standard
	F8529702P	Manifold Valve	Metric
<b>18</b>	F8232011	Hose	
<b>19</b>	F0431807-00	Nut	
<b>20</b>	F8535601	Screw	
<b>21</b>	F8437902	Dispenser Weldment	
<b>22</b>	F8047901	Siphon Cover	
<b>23</b>	F8047801	Access Cover	
<b>24</b>	F200201	Hose Clamp	
<b>25</b>	F8529602	P-Trap Hose	

# Fill Plumbing - 40 Pound Models

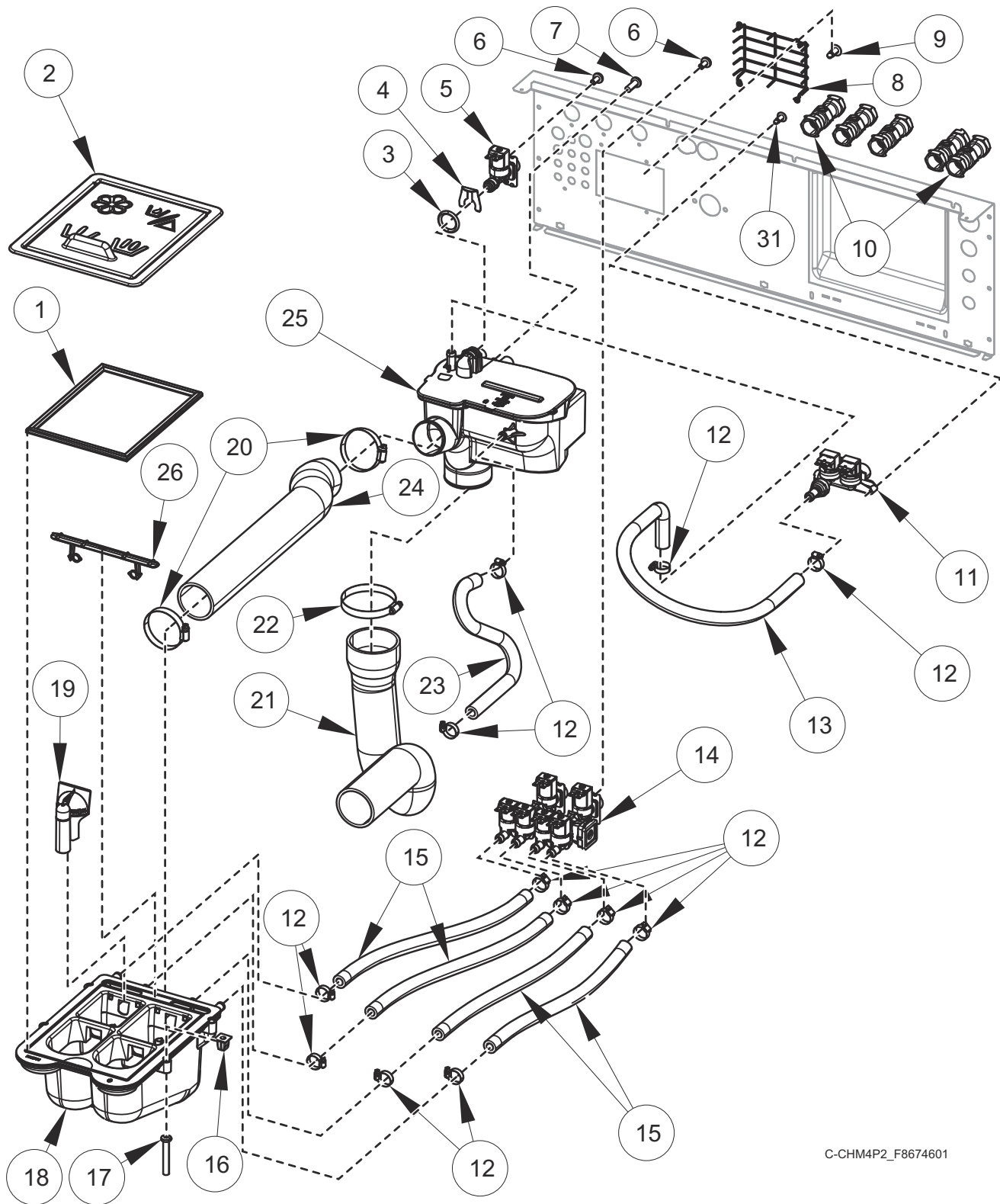


C-CHM2P7\_F8674601

## Fill Plumbing - 40 Pound Models

REF	PART NO.	DESCRIPTION	COMMENTS
	F8047403	Dispenser	Includes Items 21-23
	F8520101	Fill Valve Harness	
	F8665601	Water Hose Kit	Standard thread; Red (hot); Includes 20290 Washer and 803615 Washer Filter
	F8665603	Water Hose Kit	Standard thread; Blue (cold); Includes 20290 Washer and 803615 Washer Filter
	F8665602	Water Hose Kit	Metric thread; Red (hot); Includes 20290 Washer and 803615 Washer Filter
	F8665604	Water Hose Kit	Metric thread; Blue (cold); Includes 20290 Washer and 803615 Washer Filter
	F8671201	Fill Hose Kit	WRAS; Includes item 12 and F8665602 Water Hose Kit
	F8671202	Fill Hose Kit	WRAS; Includes item 12 and F8665604 Water Hose Kit
	F8671101	Fill Hose Kit	Australian watermark; Includes F8665602 Water Hose Kit and B12543901 Check Valve
	F8671102	Fill Hose Kit	Australian watermark; Includes F8665604 Water Hose Kit and B12543901 Check Valve
<b>1</b>	B12568601	Dispenser Gasket	
<b>2</b>	F8563204	Dispenser Cover	Black; Icons and text
	F8563203	Dispenser Cover	Gray; Icons and text
	F8563202	Dispenser Cover	Black; Icons
	F8563201	Dispenser Cover	Gray; Icons
<b>3</b>	F8529403	Supply Vacuum Hose	
<b>4</b>	F200213	Hose Clamp	
<b>5</b>	F8517503	Vacuum Breaker Assembly	With inlet and fill
	F8517502	Vacuum Breaker Assembly	With inlet
	F8517501	Vacuum Breaker Assembly	With fill
	F8517504	Vacuum Breaker Assembly	
<b>6</b>	F8197701	Cap	WRAS
<b>7</b>	F8569101	O-Ring	
<b>8</b>	F8566801	Clip	
<b>9</b>	F8565201	Valve	Standard
	F8565202	Valve	Metric
<b>10</b>	F8230301	Screw	
<b>11</b>	800548	Screw	
<b>12</b>	F8301201	Double Check Valve	WRAS
<b>13</b>	70058501	Pop Rivet	
<b>14</b>	F8589601	Vacuum Breaker Guard	
<b>15</b>	36801	Hose Clamp	
<b>16</b>	F8616402	Rear Vent Hose	
<b>17</b>	F8529701	Manifold Valve	Standard
	F8529702P	Manifold Valve	Metric
<b>18</b>	F8232010	Hose	
<b>19</b>	F0431807-00	Nut	
<b>20</b>	F8535601	Screw	
<b>21</b>	F8437902	Dispenser Weldment	
<b>22</b>	F8047901	Siphon Cover	
<b>23</b>	F8047801	Access Cover	
<b>24</b>	F200201	Hose Clamp	
<b>25</b>	F8529603	P-Trap Hose	

# Fill Plumbing - 60 Pound Models

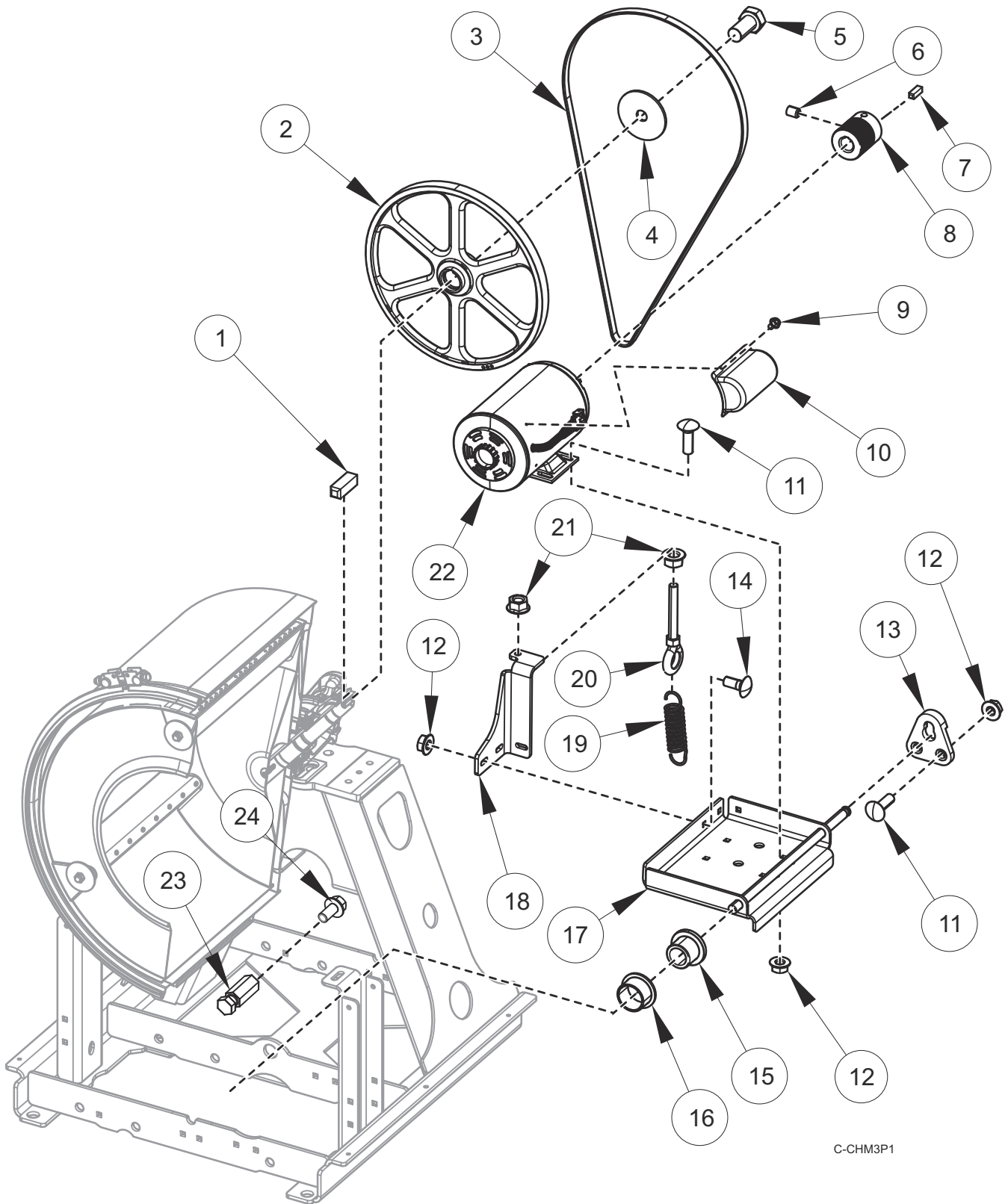


C-CHM4P2\_F8674601

## Fill Plumbing - 60 Pound Models

REF	PART NO.	DESCRIPTION	COMMENTS
	F8047403	Dispenser	Includes Items 18, 19 and 26
	F8520102	Fill Valve Harness	
	223/00243/00	Y-Connector	
	F8665601	Water Hose Kit	Standard thread; Red (hot); Includes 20290 Washer and 803615 Washer Filter
	F8665603	Water Hose Kit	Standard thread; Blue (cold); Includes 20290 Washer and 803615 Washer Filter
	F8665602	Water Hose Kit	Metric thread; Red (hot); Includes 20290 Washer and 803615 Washer Filter
	F8665604	Water Hose Kit	Metric thread; Blue (cold); Includes 20290 Washer and 803615 Washer Filter
	F8671201	Fill Hose Kit	WRAS; Includes item 11 and F8665602 Water Hose Kit
	F8671202	Fill Hose Kit	WRAS; Includes item 11 and F8665604 Water Hose Kit
	F8671101	Fill Hose Kit	Australian watermark; Includes F8665602 Water Hose Kit and B12543901 Check Valve
	F8671102	Fill Hose Kit	Australian watermark; Includes F8665604 Water Hose Kit and B12543901 Check Valve
<b>1</b>	B12568601	Dispenser Gasket	
<b>2</b>	F8563204	Dispenser Cover	Black; Icons and text
	F8563203	Dispenser Cover	Gray; Icons and text
	F8563202	Dispenser Cover	Black; Icons
	F8563201	Dispenser Cover	Gray; Icons
<b>3</b>	F8569101	O-Ring	
<b>4</b>	F8566801	Clip	
<b>5</b>	F8565201	Valve	3/4 inch; Standard
	F8565202	Valve	3/4 inch; Metric
<b>6</b>	F8230301	Screw	
<b>7</b>	800548	Screw	
<b>8</b>	F8589601	Vacuum Breaker Guard	
<b>9</b>	70058501	Pop Rivet	
<b>10</b>	F8301201	Double Check Valve	WRAS
<b>11</b>	F8434003	Mixing Valve	Standard
	F8434004	Mixing Valve	Metric
<b>12</b>	36801	Hose Clamp	
<b>13</b>	F8598501	Auxiliary Fill Hose	
<b>14</b>	F8529701	Manifold Valve	Standard
	F8529702P	Manifold Valve	Metric
<b>15</b>	F8232012	Hose	
<b>16</b>	F0431807-00	Nut	
<b>17</b>	F8535601	Screw	
<b>18</b>	F8437902	Dispenser Weldment	
<b>19</b>	F8047901	Siphon Cover	
<b>20</b>	F200213	Hose Clamp	
<b>21</b>	F8529604	P-Trap Hose	
<b>22</b>	F200201	Hose Clamp	
<b>23</b>	F8616404	Rear Vent Hose	
<b>24</b>	F8529404	Supply Vacuum Hose	
<b>25</b>	F8517503	Vacuum Breaker Assembly	With inlet and fill
	F8517502	Vacuum Breaker Assembly	With inlet; WRAS
	F8517501	Vacuum Breaker Assembly	With fill; WRAS
	F8517504	Vacuum Breaker Assembly	
<b>26</b>	F8047801	Access Cover	

# Motor, Pulley and Belt - 20 and 30 Pound Models



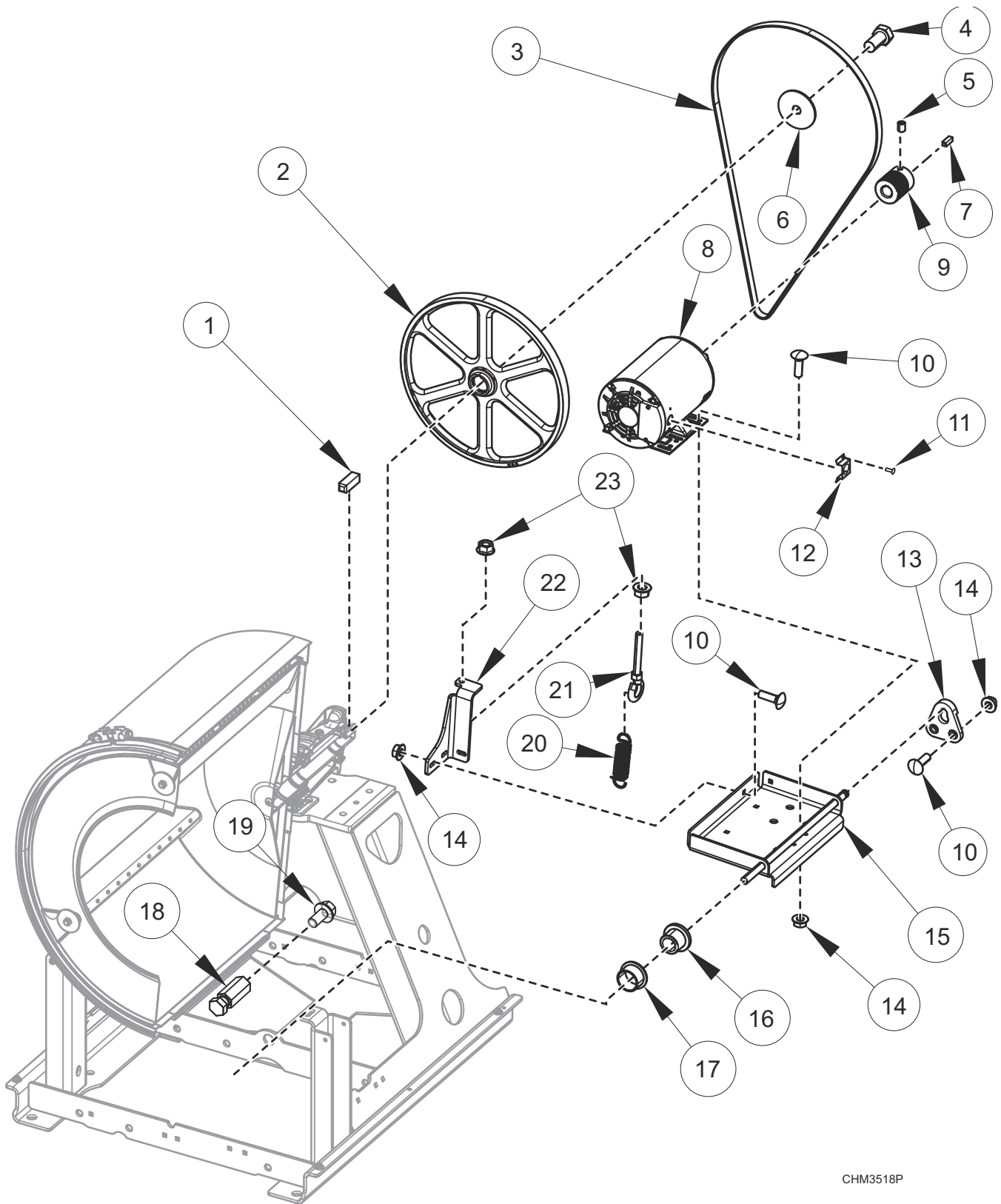
C-CHM3P1



## Motor, Pulley and Belt - 20 and 30 Pound Models

REF	PART NO.	DESCRIPTION	COMMENTS
	F8733806	Gasket	EMI 17.8 inch
	F8733801	Gasket	EMI 21 inch
	F8733802	Gasket	EMI 24 inch
	F8519001	Motor Harness	1 hp; 120-240 Volt
	F8519006	Motor Harness	1 hp; 120-240 Volt; EMI filter models through August 2021
	F8719401	Motor Harness	1 hp; 120-240 Volt; IEC shielded models starting September 2021
	F8519002	Motor Harness	1 hp; 380-480 Volt
	F8519007	Motor Harness	1 hp; 380-480 Volt; EMI filter models through August 2021
	F8719402	Motor Harness	1 hp; 380-480 Volt; IEC shielded models starting September 2021
	F8748601	Spring Stud Kit	
<b>1</b>	F430801	Key	
<b>2</b>	F8511601	Basket Pulley	20 pound models
	F8511701	Basket Pulley	30 pound models
<b>3</b>	F8382811	Belt	20 pound models; Poly-V; 560J6
	F8382812	Belt	30 pound models; Poly-V; 690J6
<b>4</b>	F431115	Washer	
<b>5</b>	F8574001	Screw	
<b>6</b>	M400077	Screw	
<b>7</b>	H8752006H	Key	
<b>8</b>	F8525301	Motor Pulley	
<b>9</b>	23222	Screw	
<b>10</b>	70521901	Motor Conduit Mounting Bracket	Models through August 2021
	F8732401	Motor Conduit Mounting Bracket	Models starting September 2021
<b>11</b>	F8402801	Bolt	
<b>12</b>	44087201	Nut	
<b>13</b>	F8441101	Motor Rod Plate	
<b>14</b>	70062401	Bolt	
<b>15</b>	F8535202	Flanged Isolator	
<b>16</b>	F8333302	Flanged Bushing	
<b>17</b>	F8589001	Motor Bracket Weldment	
<b>18</b>	F8581201	Spring Bracket	
<b>19</b>	F310124	Extension Spring	
<b>20</b>	F8319503	Eye Bolt	
<b>21</b>	44087301	Nut	
<b>22</b>	F8509601P	Motor	1 hp; 230 Volt
	F8509701	Motor	1 hp; 460 Volt
<b>23</b>	F8634701	Stud	
<b>24</b>	70126104	Screw	

# Motor, Pulley and Belt - 40 and 60 Pound Models

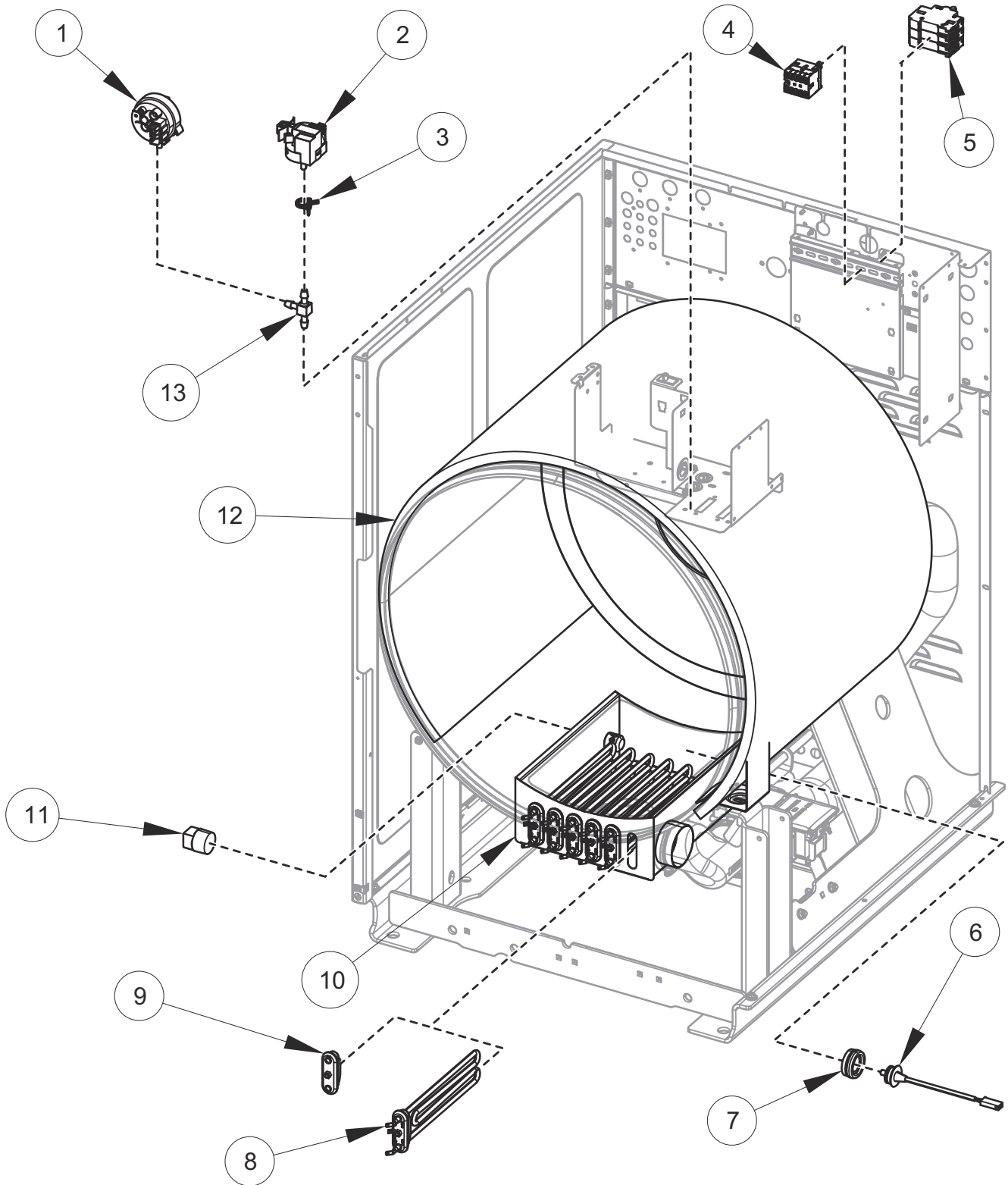


CHM3518P

## Motor, Pulley and Belt - 40 and 60 Pound Models

REF	PART NO.	DESCRIPTION	COMMENTS
	F8733806	Gasket	EMI 17.8 inch
	F8733803	Gasket	EMI 25.6 inch
	F8733804	Gasket	EMI 29 inch
	F8519003	Motor Harness	2-3 hp; 240 Volt; B, Q, W, X and Y voltage
	F8719403	Motor Harness	2-3 hp; B, Q, W, X and Y voltage; IEC shielded models starting September 2021
	F8519004	Motor Harness	2-3 hp; 480 Volt; N and P voltage
	F8719404	Motor Harness	2-3 hp; N and P voltage; IEC shielded models starting September 2021
	F8519008	Motor Harness	B, Q, W, X and Y voltage; EMI filter models through August 2021
	F8519009	Motor Harness	N and P voltage; EMI filter models through August 2021
	F8748601	Spring Stud Kit	
<b>1</b>	F430801	Key	
<b>2</b>	F8511701	Basket Pulley	40 pound models
	F8511801	Basket Pulley	60 pound models
<b>3</b>	F8382813	Belt	40 pound models; Poly-V; 717J8
	F8382818	Belt	60 pound models; Poly-V; 765J10
<b>4</b>	F8574001	Screw	
<b>5</b>	M400077	Screw	
<b>6</b>	F431115	Washer	
<b>7</b>	H8752006H	Key	
<b>8</b>	F8564101P	Motor	2 hp; 230/460 Volt; 40 pound models
	F8564102P	Motor	3 hp; 230/460 Volt; 60 pound models
<b>9</b>	F8525301	Motor Pulley	40 pound models
	F8525302	Motor Pulley	60 pound models
<b>10</b>	F8402801	Bolt	
<b>11</b>	23222	Screw	
<b>12</b>	F8732801	Bracket	
<b>13</b>	44087201	Nut	
<b>14</b>	F8441101	Motor Rod Plate	
<b>15</b>	F8589002	Motor Bracket Weldment	
<b>16</b>	F8535202	Flanged Isolator	
<b>17</b>	F8333302	Flanged Bushing	
<b>18</b>	F8634701	Stud	
<b>19</b>	70126104	Screw	
<b>20</b>	F310124	Extension Spring	40 pound models
	F8440701	Extension Spring	60 pound models
<b>21</b>	F8319503	Eye Bolt	
<b>22</b>	F8581201	Spring Bracket	
<b>23</b>	44087301	Nut	

# Electric Heating

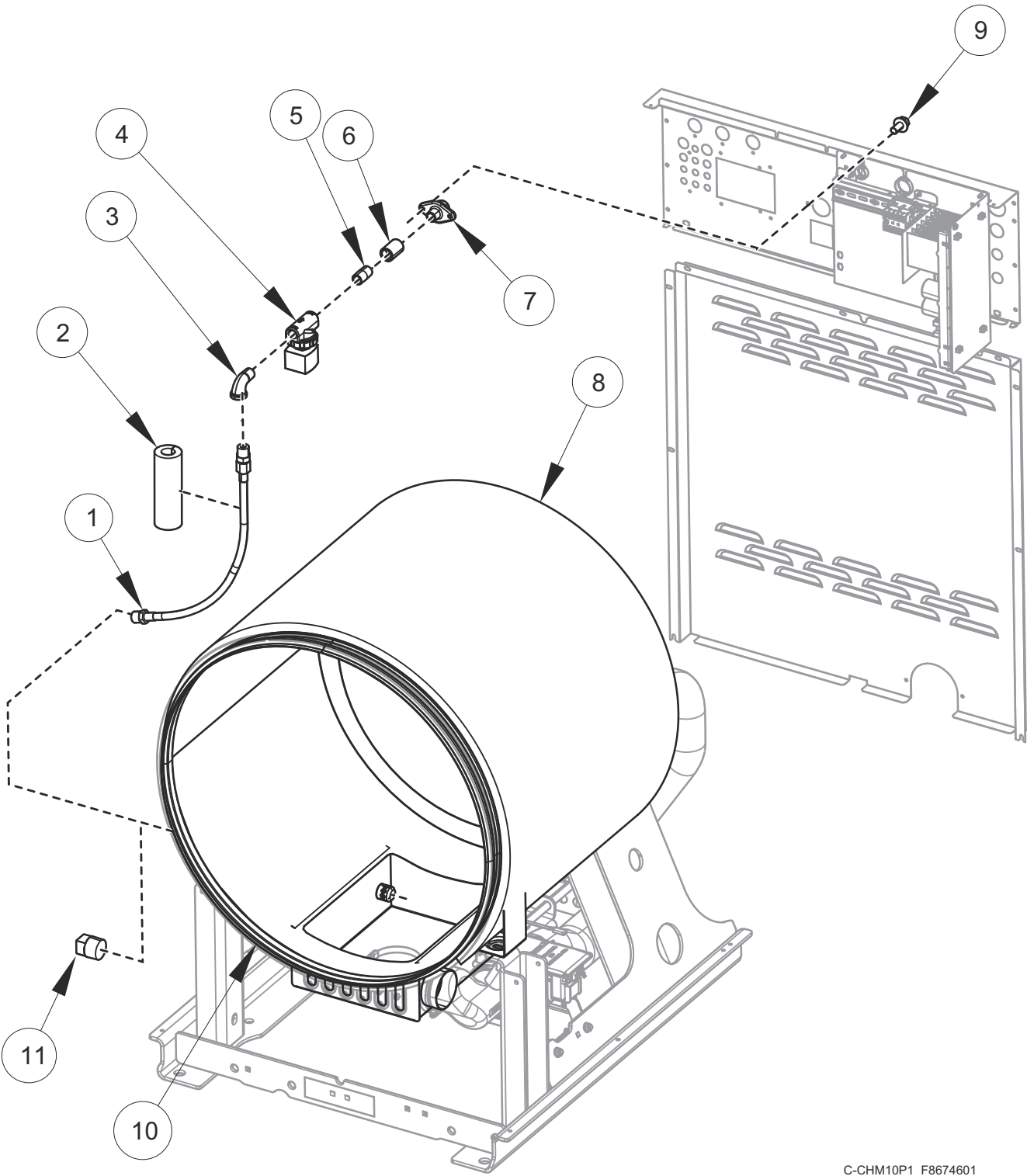


C-CHM8P6\_F8674601

# Electric Heating

REF	PART NO.	DESCRIPTION	COMMENTS
	F8584801	Electric Heat Element Harness	3 element ground
	F8584802	Electric Heat Element Harness	6 element ground
	F8619101	Power Harness	
	F8564001	Harness	Heater; 20 and 30 pound models; N and P Voltage
	F8564002	Harness	Heater; 20 and 30 pound models; Q Voltage
	F8564003	Harness	Heater; 40 and 60 pound models; N, P and Q Voltage
	F8598301	Harness	Thermistor; 20 and 30 pound models
	F8598302	Harness	Thermistor; 40 and 60 pound models
	F8568901	Jumper	40 and 60 pound models with N voltage
	F8569001	Jumper	40 and 60 pound models with P voltage; 20 and 30 pound models with N and P voltage
<b>1</b>	F8609101	Water Level Pressure Switch	
<b>2</b>	F8623401	Pressure Sensor	
<b>3</b>	39282	Hose Clamp	
<b>4</b>	70482601	Contactator	
<b>5</b>	70488101	Circuit Breaker	
<b>6</b>	F8538801	Thermistor	
<b>7</b>	2251000400	Temperature Probe Grommet	
<b>8</b>	F8568401	Heating Element	2600W; 240 Volt
	F8568402	Heating Element	3400W; 277 Volt
	F8568301	Heating Element	4200W; 230 Volt
<b>9</b>	F360202	Heating Element Plug	
<b>10</b>	F8512102	Shell	20 pound models
	F8514002	Shell	30 pound models
	F8512202	Shell	40 pound models
	F8543702	Shell	60 pound models
<b>11</b>	F420408	Plug	20, 30 and 40 pound models
	F420409	Plug	60 pound models
<b>12</b>	F8209101	Insulation	20 pound models
	F8209102	Insulation	30 pound models
	F8209103	Insulation	40 pound models
	F8209104	Insulation	60 pound models
<b>13</b>	203464	Barbed Tee	

# Steam Heating - 40 and 60 Pound Models

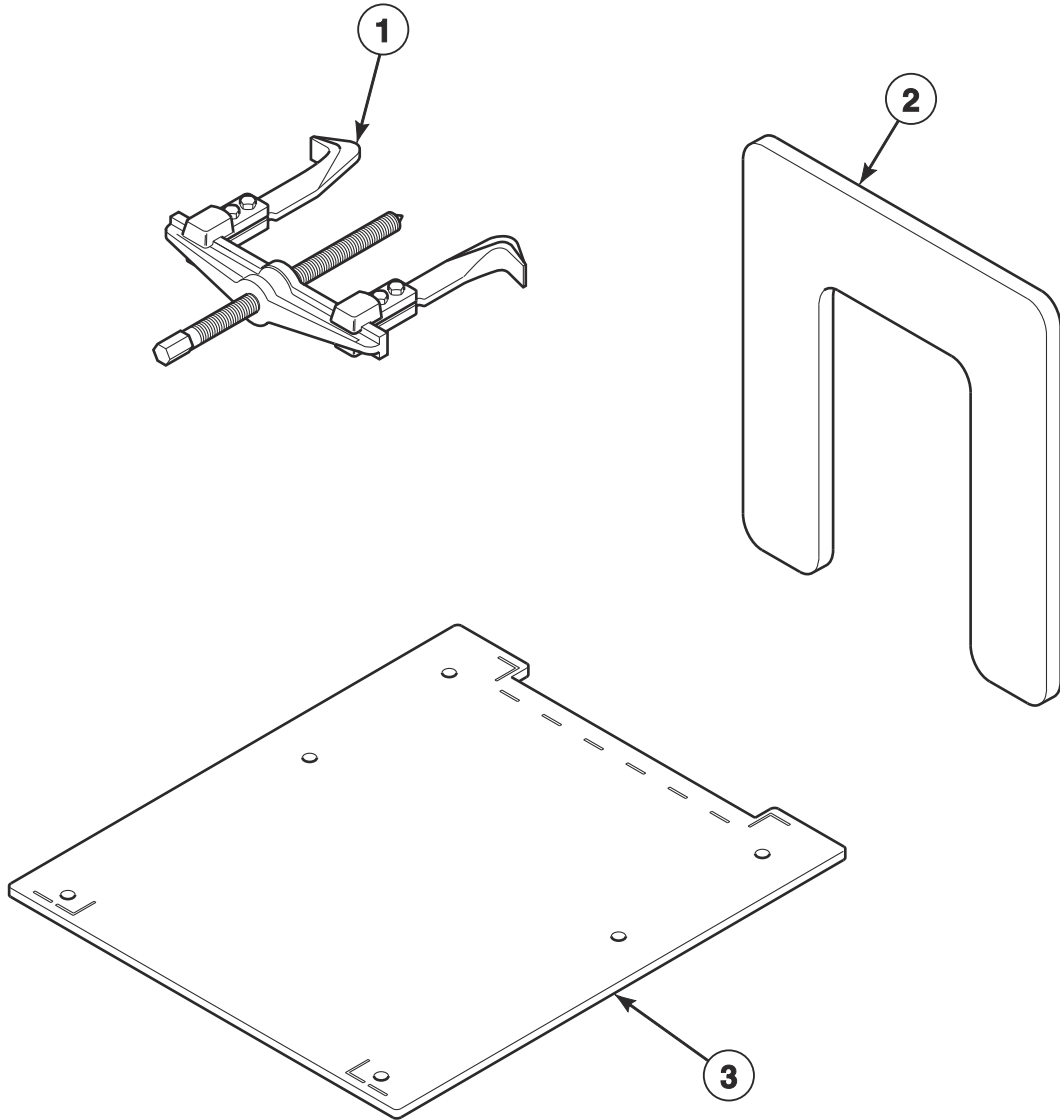


C-CHM10P1\_F8674601

## Steam Heating - 40 and 60 Pound Models

REF	PART NO.	DESCRIPTION	COMMENTS
	F8662602	Steam Kit	40 pound models; Includes Items 1-7, 9, 11, 901403 Nipple, F270307 Steam Filter, F8520704 Harness, insulation and labels
	F8662601	Steam Kit	60 pound models; Includes Items 1-7, 9, 11, 901403 Nipple, 70214101 Nipple, F270307 Steam Filter, F8520704 Harness, insulation and labels
	F270307	Steam Filter	1/2 inch
	F270308	Steam Filter	3/4 inch
	F8520704	Harness	Steam Valve
	F8233704	Insulation	12 inch
	F8233708	Pipe Insulation	20 inch
	F410300	Pipe Insulation	36 inch
<b>1</b>	F200153P	Steam Hose	40 pound models
	F200197	Steam Hose	60 pound models
<b>2</b>	F8233702	Insulation	6 inch
<b>3</b>	H86070034	Street Elbow	
<b>4</b>	F8322805	Valve	
	F8515001	Coil	
<b>5</b>	70435601	Pipe Nipple	
<b>6</b>	F8116301	Coupling	
<b>7</b>	F8362701	Coupling	
<b>8</b>	F8209103	Insulation	40 pound models
	F8209104	Insulation	60 pound models
<b>9</b>	70321501	Screw	
<b>10</b>	F8512202	Shell	40 pound models
	F8543702	Shell	60 pound models
<b>11</b>	F420408	Plug	

# Special Tools and Kits



CHM3486P\_F8674601



## Special Tools and Kits

REF	PART NO.	DESCRIPTION	COMMENTS
	1111P	Concrete Kit	5/8 inch
	389P4	Basket Tool Kit	Purchase; Requires item 1
	390P4-1	Basket Rental Tool Kit	Purchase; Requires item 1
	203346	USB IR Interface Kit	
<b>1</b>	F460129P	Basket Puller Tool	
<b>2</b>	F8608502P	Basket Pulley Puller Tool	Use with item 1
<b>3</b>	F8433301	Frame Template	20 pound models
	F8433401	Frame Template	30 pound models
	F8433501	Frame Template	40 pound models
	F8433601	Frame Template	60 pound models



# Parts Index

## A

Access Cover	
F8047801 .....	63, 65, 67, 69
Access Panel	
F8524001 .....	37, 39, 41
F8524101 .....	37, 39, 41
F8524201 .....	37, 39, 41
F8553901 .....	37, 39, 41
Access Panel Retaining Spacer	
F8609701 .....	37, 39, 41
App Pay Overlay Kit	
44374701 .....	9, 13, 15, 17
Auxiliary Fill Hose	
F8598501 .....	69

## B

Backflow Preventer	
800310 .....	61
Barbed Tee	
203464 .....	9, 75
Basket	
F8391302 .....	55
F8391304 .....	55
F8391502 .....	55
F8391504 .....	55
F8391702 .....	55
F8391704 .....	55
F8502802 .....	55
F8502805 .....	55
Basket Capacity Label	
F8699702 .....	39, 41
F8699703 .....	39, 41
F8699704 .....	39, 41
F8699706 .....	39, 41
Basket Puller Tool	
F460129P .....	79
Basket Pulley	
F8511601 .....	71
F8511701 .....	71, 73
F8511801 .....	73
Basket Pulley Puller Tool	
F8608502P .....	79
Basket Rental Tool Kit	
390P4-1 .....	79
Basket Tool Kit	
389P4 .....	79
Bearing	
F100108 .....	57
F100123P .....	57
F100134 .....	57
F100135 .....	57
F100136P .....	57
F100137P .....	57
Bearing Housing	
F8246802 .....	57
F8247902 .....	57
F8249902 .....	57
F8250902 .....	57

Bearing Housing Assembly	
F8271601P .....	57
F8271602 .....	57
F8271701P .....	57
F8271702 .....	57
F8271801P .....	57
F8271802 .....	57
F8271901P .....	57
F8271902 .....	57
Belt	
F8382811 .....	71
F8382812 .....	71
F8382813 .....	73
F8382818 .....	73
Bolt	
F430974 .....	47, 49, 51
F8270701 .....	53
F8402801 .....	45, 59, 61, 71, 73
F8508101 .....	47, 49, 51
70062401 .....	71
Bracket	
F8571301 .....	61
F8571401 .....	61
F8732801 .....	73
Bushing	
70346501 .....	21, 23, 25, 27, 29, 31

## C

Cabinet Brace	
F8527301 .....	43
F8527401 .....	43
F8527501 .....	43
F8553201 .....	43
Cable	
F8521301 .....	43
Cap	
F8197701 .....	63, 65, 67
Chemical Injection Control	
804528 .....	33
Circuit Breaker	
70488101 .....	25, 27, 29, 31, 75
Clip	
F8566801 .....	63, 65, 67, 69
Coil	
F8515001 .....	77
Coin Drawer Assembly	
F8182001 .....	19
Coin Drop	
38963P .....	13
39748 .....	13
70441601P .....	13
70441603 .....	15
Coin Drop Assembly	
201141 .....	13
210195 .....	15
210196 .....	15
38462P .....	13
38463 .....	13
38464P .....	13
38467 .....	15
38475 .....	13

N/A items do not appear in index.

38519 .....	15
70281102 .....	15
70283102 .....	15
70441602 .....	15
70447301 .....	15
70471601 .....	13
70482401 .....	15
70506901 .....	13
Coin Drop Kit	
CK077 .....	13
CK122 .....	17
Coin Identification Paper	
38725 .....	13, 15, 17
Coin Meter	
F0160737-00 .....	15
Coin Vault Assembly	
F8529101 .....	9
Coin Vault Harness	
F8519701 .....	9
Concrete Kit	
1111P .....	79
Connector	
70493102 .....	33
Contactactor	
F330188P .....	75
70482601 .....	21, 23, 25, 27, 29, 31
70482701 .....	21, 23, 25, 27, 29, 31
Contactactor Tray	
F8530901 .....	21, 23, 25, 27, 29, 31
Control Assembly	
F8493901P .....	9
Control Panel Assembly	
F8523701 .....	37, 39, 41
F8523801 .....	37, 39, 41
F8523901 .....	37, 39, 41
F8553701 .....	37, 39, 41
Control Tray	
F8530701 .....	11
Coupling	
F8116301 .....	77
F8362701 .....	77

## D

Danger Label	
F8614501 .....	7
DIN Rail	
B12315401 .....	25, 27, 29, 31
M412689 .....	21, 23, 25, 27, 29, 31
Dispenser	
F8047403 .....	63, 65, 67, 69
Dispenser Bracket	
F8525701 .....	43
Dispenser Cover	
F8563201 .....	63, 65, 67, 69
F8563202 .....	63, 65, 67, 69
F8563203 .....	63, 65, 67, 69
F8563204 .....	63, 65, 67, 69
Dispenser Gasket	
B12568601 .....	63, 65, 67, 69
Dispenser Weldment	
F8437902 .....	63, 65, 67, 69
Door	
F8507501P .....	47

N/A items do not appear in index.

F8507501R .....	47
F8507502 .....	47
F8507602 .....	49
F8507701 .....	51
F8507702 .....	51
F8752601 .....	49
Door Assembly	
F8617203 .....	47
F8617204 .....	47
F8617205 .....	47
F8617206 .....	47
F8617213 .....	47
F8617214 .....	47
F8617215 .....	47
F8617216 .....	47
F8617303 .....	49
F8617304 .....	49
F8617305 .....	49
F8617306 .....	49
F8617313 .....	49
F8617314 .....	49
F8617315 .....	49
F8617316 .....	49
F8617403 .....	51
F8617404 .....	51
F8617405 .....	51
F8617406 .....	51
F8617413 .....	51
F8617414 .....	51
F8617415 .....	51
F8617416 .....	51
Door Bezel	
F0170426-30 .....	37, 39, 41
F8658801 .....	37, 39, 41
F8658901 .....	37, 39, 41
Door Gasket	
F200000202 .....	47
F8111502 .....	51
F8111602 .....	49, 51
Door Glass	
F8485301P .....	49
F8485305 .....	49
F8485401P .....	51
F8485405 .....	51
F8675701P .....	47
Door Glass Kit	
F290205P .....	47
Door Glass Trim	
F8583201 .....	47
F8583202 .....	49
F8583203 .....	51
F8583204 .....	47
F8583205 .....	49
F8583206 .....	51
Door Handle	
F8544701 .....	47, 49, 51
Door Handle Spacer Kit	
F8567501 .....	47, 49, 51
Door Hinge	
F190216P .....	47, 49, 51
Door Hinge Shim Kit	
F200131000P .....	47, 49, 51
Door Latch Arm Assembly	
F8221403 .....	47, 49, 51
Door Lock Assembly	
F8632401 .....	53

Door Lock Catch F8344501 .....	53
Door Lock Cover F8245001 .....	53
Door Lock Harness F8520201 .....	53
F8520202 .....	53
Door Lock Microswitch F200203200 .....	53
Door Lock Plate Assembly F8223202 .....	53
Door Lock Plate Shim F83344401 .....	53
Door Lock Solenoid Replacement Kit F977P3 .....	53
Door Lock Switch Lever F8223401 .....	53
Door Mount F150271 .....	47, 49, 51
Double Check Valve F8301201 .....	63, 65, 67, 69
Dowel Pin F8388201 .....	57
Drain Hose F200165100 .....	59
F8541901 .....	59
F8542001 .....	59
F8542002 .....	59
27154 .....	61
Drain Hose Elbow 35766 .....	61
Drain Tee F8752101 .....	59
Drain Valve F8406308 .....	59
Drain Valve Bracket F8543101 .....	59
F8543301 .....	59
F8543401 .....	59
F8587701 .....	59
Drain Valve Cover F200133600 .....	59
Drain Valve Harness F8520001 .....	59, 61
F8520002 .....	59, 61
Drain Valve Kit F200166302 .....	59
F200166402 .....	59
F8577201 .....	59
Drive Assembly F8495401P .....	35
F8496001 .....	35
F8496301P .....	35
F8496901 .....	35
Drive Communication Harness F8519201 .....	35
F8519202 .....	35
F8519203 .....	35
F8519204 .....	35
Drive Mounting Bracket F8322401 .....	35
Drive Panel Base Assembly F8567001 .....	21, 23, 25, 27
F8567002 .....	25, 27
F8567003 .....	29, 31

F8567004 .....	29, 31
Drive Power Harness F8518601 .....	35
F8518602 .....	35
F8518603 .....	35
Drive Shield F8616901 .....	21, 23, 25, 27, 29, 31
Drive Terminal Tray F8530801 .....	21, 23, 25, 27
F8530803 .....	29, 31

## E

Electric Heat Element Harness F8584801 .....	75
F8584802 .....	75
Electronic Coin Drop Assembly 70294107 .....	17
70513302 .....	17
70513303 .....	17
70513304 .....	17
70513306 .....	17
70513309 .....	17
70513310 .....	17
70513311 .....	17
70513312 .....	17
70513313 .....	17
70513314 .....	17
70513315 .....	17
70513316 .....	17
Electronic Coin Drop Kit CK099 .....	17
CK100 .....	17
CK101 .....	17
CK108 .....	17
CK109 .....	17
CK110 .....	17
CK113 .....	17
CK115 .....	17
CK116 .....	17
CK117 .....	17
CK118 .....	17
CK119 .....	17
CK120 .....	17
CK121 .....	17
CK500 .....	17
Emergency Stop Bypass Harness F8549403 .....	9
EMI Filter F8591601 .....	21, 25
F8591801 .....	23, 27, 29
F8637501 .....	23, 27, 31
End Stop F8449801 .....	21, 23, 25, 27, 29, 31
Excluder Seal F8337002 .....	55
Expansion Clip 70030501 ...	11, 21, 23, 25, 27, 29, 31, 35, 37, 39, 41, 43, 45, 53, 61
Extension Spring F310124 .....	71, 73
F8440701 .....	73
External Supply Kit F8662505 .....	33
F8662506 .....	33

N/A items do not appear in index.

F8662507 .....	33
F8662508 .....	33
Eye Bolt	
F8319503 .....	71, 73

## F

Fill Hose Kit	
F8671101 .....	63, 65, 67, 69
F8671102 .....	63, 65, 67, 69
F8671201 .....	63, 65, 67, 69
F8671202 .....	63, 65, 67, 69
Fill Valve Harness	
F8520101 .....	63, 65, 67
F8520102 .....	69
Filter Kit	
F8662801 .....	21
F8662802 .....	25
F8662803 .....	23
F8662804 .....	27, 29
F8662805 .....	23
F8662806 .....	27, 31
F8662809 .....	23
F8662810 .....	23
F8662811 .....	27, 29
F8662812 .....	27, 31
Flanged Bushing	
F8333302 .....	71, 73
Flanged Isolator	
F8535202 .....	71, 73
Frame Template	
F8433301 .....	79
F8433401 .....	79
F8433501 .....	79
F8433601 .....	79
Front Panel	
F8524301 .....	37
F8524303 .....	41
F8524401 .....	37
F8524403 .....	41
F8524501 .....	37
F8524503 .....	41
F8554001 .....	37
F8554003 .....	41
F8685201 .....	39
F8685601 .....	39
F8685701 .....	39
F8685801 .....	39
Front Tray Assembly	
F8531001 .....	9
F8567301 .....	9
F8567302 .....	9
F8567303 .....	9
F8567304 .....	9
F8567305 .....	9
F8567306 .....	9

## G

Gasket	
F8542601 .....	43
F8733801 .....	71
F8733802 .....	71
F8733803 .....	73

F8733804 .....	73
F8733806 .....	71, 73
Gateway	
205223P .....	11
205391P .....	11
Ground Lug Connector	
M411283 .....	21, 23, 25, 27, 29, 31

## H

Harness	
F8518401 .....	23, 27, 29
F8518402 .....	21, 23
F8518403 .....	27, 29
F8518404 .....	21, 23, 29
F8518405 .....	21, 25
F8518501 .....	21, 23, 27, 31
F8518502 .....	23
F8518503 .....	27, 31
F8518504 .....	23, 27
F8518604 .....	25
F8518605 .....	23, 27, 31, 35
F8518606 .....	23, 27, 31, 35
F8518607 .....	29
F8519301 .....	9
F8519501 .....	9
F8519502 .....	9
F8519601 .....	9
F8520601 .....	33
F8520602 .....	33
F8520704 .....	77
F8528001 .....	23, 25, 27, 29, 31
F8528002 .....	23
F8528003 .....	25, 27, 29, 31
F8528004 .....	21, 25
F8528005 .....	23, 27, 29, 31
F8528006 .....	21, 25
F8528203 .....	33
F8528204 .....	33
F8564001 .....	75
F8564002 .....	75
F8564003 .....	75
F8598301 .....	55, 75
F8598302 .....	55, 75
F8619102 .....	21, 23, 25, 27, 29, 31
Harness Support Bracket	
F8744301 .....	21, 23, 25, 27, 29, 31
Heating Element	
F8568301 .....	75
F8568401 .....	75
F8568402 .....	75
Heating Element Plug	
F360202 .....	75
Hole Plug	
F8223801 .....	43
Hose	
F8232007 .....	63
F8232010 .....	67
F8232011 .....	65
F8232012 .....	69
Hose Clamp	
F200201 .....	59, 63, 65, 67, 69
F200204 .....	61
F200213 .....	59, 63, 65, 67, 69
F200215 .....	61
F200219 .....	61

N/A items do not appear in index.

36801 .....	63, 65, 67, 69
36802 .....	59, 61
39282 .....	9, 75
<b>Hot Surface Warning Label</b>	
F8609001 .....	7
F8614301 .....	7

## I

<b>Input and Output Control Assembly</b>	
F8494101P .....	11
<b>Instruction Label</b>	
F8698801 .....	39, 41
F8698901 .....	39, 41
<b>Insulation</b>	
F8209101 .....	75
F8209102 .....	75
F8209103 .....	75, 77
F8209104 .....	75, 77
F8233702 .....	77
F8233704 .....	77
<b>Insulator</b>	
M413862 .....	21, 23, 25, 27, 29, 31

## J

<b>Jumper</b>	
F8568901 .....	75
F8569001 .....	75
F8583501 .....	25, 27, 29, 31

## K

<b>Key</b>	
F160420 .....	19
F430801 .....	71, 73
H8752006H .....	71, 73
70155603 .....	43

## L

<b>Label</b>	
D516100 .....	21, 23, 25, 27, 29, 31
F8601301 .....	7
F8602401 .....	7
F8609401 .....	7
F8611301 .....	7, 43
F8611401 .....	7, 43
F8614801 .....	7
203853 .....	7
44286801 .....	21, 25
44286803 .....	23, 27, 31

## M

<b>Machine ID Control Assembly</b>	
203361P .....	9
<b>Magnet</b>	
F8390801 .....	47, 49, 51

<b>Male Tab Terminal</b>	
00621SG .....	21, 23, 25, 27, 29, 31

<b>Manifold Valve</b>	
F8529701 .....	63, 65, 67, 69
F8529702P .....	63, 65, 67, 69

<b>Mixing Valve</b>	
F8434003 .....	69
F8434004 .....	69

<b>Motor</b>	
F8509601P .....	71
F8509701 .....	71
F8564101P .....	73
F8564102P .....	73

<b>Motor Bracket Weldment</b>	
F8589001 .....	71
F8589002 .....	73

<b>Motor Conduit Mounting Bracket</b>	
F8732401 .....	71
70521901 .....	71

<b>Motor Harness</b>	
F8519001 .....	71
F8519002 .....	71
F8519003 .....	73
F8519004 .....	73
F8519006 .....	71
F8519007 .....	71
F8519008 .....	73
F8519009 .....	73
F8719401 .....	71
F8719402 .....	71
F8719403 .....	73
F8719404 .....	73

<b>Motor Pulley</b>	
F8525301 .....	71, 73
F8525302 .....	73

<b>Motor Rod Plate</b>	
F8441101 .....	71, 73

## N

<b>Nut</b>	
C001236 .....	47, 49, 51
F0431807-00 .....	63, 65, 67, 69
F430215 .....	17, 47, 49, 51
F430218 .....	55
F430225 .....	53
F430232 .....	47, 49, 51, 53
F431024 .....	53
F431041 .....	47, 49, 51
F8387701 .....	57
44087201 .....	45, 59, 61, 71, 73
44087301 .....	55, 71, 73
44088001 .....	21, 23, 25, 27, 29, 31
44088801 .....	43
685846 .....	9, 13, 15
70030401 .....	59

## O

<b>Opto Coupler</b>	
200674P .....	13, 15
<b>O-Ring</b>	
F8569101 .....	63, 65, 67, 69

N/A items do not appear in index.

Overflow Hose	
F8521201 .....	59
F8522401 .....	59
F8522501 .....	59
Overflow Plug	
F150352 .....	61
Overlay	
F8641601 .....	37, 39
F8641602 .....	37
F8641605 .....	37, 39
F8693701 .....	39
F8693801 .....	39
F8693802 .....	39
F8693805 .....	39
F8693901 .....	39
F8693902 .....	39
F8693905 .....	39
F8694001 .....	39
F8694002 .....	39
F8694005 .....	39
F8727501 .....	41
F8727502 .....	41
F8727505 .....	41
F8727601 .....	41
F8727602 .....	41
F8727605 .....	41
F8727701 .....	41
F8727702 .....	41
F8727705 .....	41
F8727801 .....	41
F8727802 .....	41
F8727805 .....	41

## P

Panel Locator	
56079 .....	37, 39, 41, 45
Panel Lock	
44089303P .....	43
Payment Center Kit	
205069 .....	9
205070 .....	9
Pin	
F8302701 .....	55
F8502101 .....	45
Pinch Warning Label	
F8615701 .....	7
70538401 .....	7
Pipe Insulation	
F410300 .....	77
F8233708 .....	77
Pipe Nipple	
70435601 .....	77
Plug	
F420408 .....	75, 77
F420409 .....	75
F8223901 .....	43
M400985 .....	43
Pop Rivet	
F431215 .....	37, 39, 41, 43
F431223 .....	47, 49, 51
M400003 .....	11, 21, 23, 25, 27, 29, 31
700585019, 13, 15, 21, 23, 25, 27, 29, 31, 63, 65, 67, 69	
70412601 .....	37, 39, 41

Power Distribution Block	
M413865 .....	21, 23, 25, 27, 29, 31
Power Distribution Block Cover	
44014901P .....	21, 23, 25, 27, 29, 31
Power Harness	
F8619101 .....	21, 23, 25, 27, 29, 31, 75
Pressure Cap	
F8579301 .....	59, 61
Pressure Sensor	
F8623401 .....	9, 75
P-Trap Hose	
F8529601 .....	63
F8529602 .....	65
F8529603 .....	67
F8529604 .....	69
Pulse Expander Assembly	
F8034701P .....	17
Pump Drain and Bracket Assembly	
804038 .....	61
805613 .....	61
805723 .....	61
Pump Drain Bracket	
F8536901 .....	61
F8557101 .....	61
F8557301 .....	61
Pump Drain Hose	
F8556601 .....	61
Pump Drain Rear Hose	
F8537001 .....	61
F8557001 .....	61
F8557201 .....	61
Pushbutton Switch	
70413301 .....	43

## R

Radial Lip Seal	
F8203816 .....	57
Rear Drain Hose	
F8543001 .....	59
F8543201 .....	59
F8543501 .....	59
F8587301 .....	59
Rear Panel	
F8527001 .....	43
F8527101 .....	43
F8527201 .....	43
F8554501 .....	43
Rear Vent Hose	
F8616401 .....	63
F8616402 .....	65, 67
F8616404 .....	69
Reed Switch Assembly	
F8066804 .....	53
Retaining Ring	
F8337801 .....	57
F8337901 .....	57
F8344901 .....	57
F8345001 .....	57
Rivet	
M412763 .....	37, 39, 41, 45
Rod	
F602813-2 .....	47, 49, 51

N/A items do not appear in index.



---

## S

### Screw

D503688 .....	35	F8524705 .....	45
F430532 .....	47	F8524706 .....	45
F430533 .....	49, 51	F8524801 .....	45
F430536 .....	47, 49, 51	F8524802 .....	45
F8117601 .....	37, 39, 41, 43, 45, 53, 61	F8524803 .....	45
F8206901 .....	11, 21, 23, 25, 27, 29, 31, 43, 61	F8524804 .....	45
F8230301 .....	63, 65, 67, 69	F8524805 .....	45
F8368801 .....	57	F8524806 .....	45
F8442702 .....	57	F8525605 .....	45
F8535501 .....	47, 49, 51	F8525606 .....	45
F8535601 .....	63, 65, 67, 69	F8554201 .....	45
F8574001 .....	71, 73	F8554202 .....	45
F8589501 .....	37, 39, 41	F8554203 .....	45
F8621601 .....	55	F8554204 .....	45
F8658501 .....	61	F8554205 .....	45
F8673701 .....	55	F8554206 .....	45
M400077 .....	71, 73	Siphon Cover	
202175 .....	59	F8047901 .....	63, 65, 67, 69
23222 .....	71, 73	Snap Bushing	
33562 .....	43	F140938 .....	9, 21, 23, 25, 27, 29, 31, 33
39733 .....	21, 23, 25, 27, 29, 31	M402542 .....	9
403497 .....	33	M411826 .....	9
430497 .....	11	Spacer	
51780 .....	43	F431901 .....	53
51783 .....	21, 23, 25, 27, 29, 31	Spring Bracket	
685837 .....	21, 23, 25, 27, 29, 31	F8581201 .....	71
70126104 .....	71, 73	8581201 .....	73
70321501 .....	77	Spring Pin	
800548 .....	63, 65, 67, 69	F431222 .....	47, 49, 51
Seal Scupper Pad		Spring Stud Kit	
F8350302 .....	57	F8748601 .....	71, 73
Shaft Seal Sleeve Kit		Steam Filter	
F8343906P .....	55	F270307 .....	77
Shell		F270308 .....	77
F8512101 .....	55	Steam Hose	
F8512102 .....	55, 75	F200153P .....	77
F8512201 .....	55	F200197 .....	77
F8512202 .....	55, 75, 77	Steam Kit	
F8514001 .....	55	F8662601 .....	77
F8514002 .....	55, 75	F8662602 .....	77
F8543701 .....	55	Street Elbow	
F8543702 .....	55, 75, 77	H86070034 .....	77
Shell Band Kit		Stud	
F837803 .....	55	F8634701 .....	71, 73
F8537801 .....	55	70334702 .....	59
F8537802 .....	55	Supply Vacuum Hose	
F8537804 .....	55	F8529401 .....	63
Shell Front		F8529402 .....	65
F8222301 .....	55	F8529403 .....	67
F8222401 .....	55	F8529404 .....	69
F8222501 .....	55		
F8222601 .....	55		
Shock Warning Label			
F8614201 .....	7		
Side Panel			
F8524601 .....	45		
F8524602 .....	45		
F8524603 .....	45		
F8524604 .....	45		
F8524701 .....	45		
F8524702 .....	45		
F8524703 .....	45		
F8524704 .....	45		

---

## T

Temperature Probe Grommet	
2251000400 .....	55, 75
Terminal	
00622SG .....	11, 21, 23, 25, 27, 29, 31
Terminal Block	
430642 .....	21, 23, 25, 27, 29, 31
Terminal Block Shield	
70333001 .....	21, 23, 25, 27, 29, 31
Terminal Tray Cover	
F8518301 .....	43

Thermistor	
F8538801 .....	55, 75
Top Cover	
F8525401 .....	43
F8525501 .....	43
F8525601 .....	43
F8554301 .....	43
Top Cover Hinge	
F8258601 .....	43
Top Cover Latch	
F8201001 .....	37, 39, 41
Torsion/Door Lock Spring	
F8070301 .....	53
Transformer	
F8491101 .....	11
202757 .....	11
202758 .....	11
Triple Lip Seal	
F8203801 .....	57
F8203802 .....	57
F8203803 .....	57
F8203806 .....	57
F8203813 .....	57
F8203814 .....	57
F8203815 .....	57
Tubing	
F8405302 .....	9
F8405303 .....	9

## U

USB IR Interface Kit	
203346 .....	79

## V

Vacuum Breaker Assembly	
F8517501 .....	63, 65, 67, 69
F8517502 .....	63, 65, 67, 69
F8517503 .....	63, 65, 67, 69
F8517504 .....	63, 65, 67, 69
Vacuum Breaker Guard	
F8589601 .....	63, 65, 67, 69
Valve	
F8322805 .....	77
F8565201 .....	63, 65, 67, 69
F8565202 .....	63, 65, 67, 69
Valve Panel	
F8513101 .....	43
F8513201 .....	43
F8513301 .....	43
F8554401 .....	43

## W

Warning Label	
F8611601 .....	7
44324001 .....	7
Washer	
F430339 .....	57
F431115 .....	71, 73
F431133 .....	47, 49, 51

F431147 .....	47, 49, 51
F431916 .....	47, 49, 51
F431929 .....	47, 49, 51
F8193101 .....	53
F8201101 .....	37, 39, 41
F8402701 .....	55
M400080 .....	55
M400081 .....	55
M405535 .....	45

Water Hose Kit	
F8665601 .....	63, 65, 67, 69
F8665602 .....	63, 65, 67, 69
F8665603 .....	63, 65, 67, 69
F8665604 .....	63, 65, 67, 69

Water Level Pressure Switch	
F8609101 .....	9, 75

Wire Clip	
F8449501 .....	9, 11
70347601 .....	11
70366201 .....	9

Wire Label	
44286804 .....	23, 27, 29

Wireless Harness	
F8520403 .....	11
F8520404 .....	11
F8674003 .....	11
F8674004 .....	11

Wireless Kit	
F8662401 .....	11
F8662402 .....	11
F8676001 .....	11
F8676101 .....	11

Wireless Network Control Assembly	
203532 .....	11
807211 .....	11

## Y

Y-Connector	
223/00243/00 .....	69

N/A items do not appear in index.