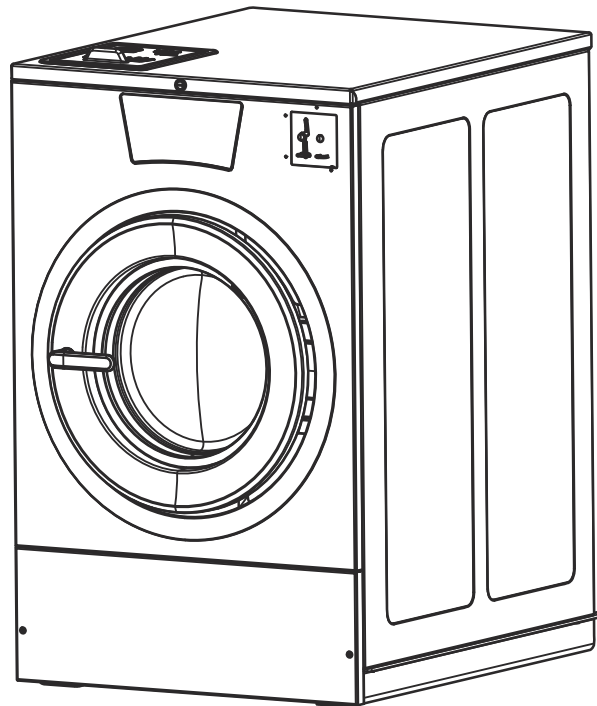


Washer-Extractor

Cabinet Hardmount

Design 5 and 6

Refer to Page 5 for Model Numbers



C-CHM11P10_F8677301

Table of Contents

Title	Page
Parts Ordering Information.....	3
Serial Plate Location	3
Model Identification	5
Product Overview - Touch Vend	6
Labels	8
Control Module and Front Tray Assembly - Coin Models	10
Control Module and Front Tray Assembly - Card Reader and Central Pay Models	12
Control Tray Assembly.....	14
Flush Mount Coin Meter Assembly - Single Drop	16
Flush Mount Coin Meter Assembly - Dual Drop.....	18
Electronic Coin Meter Assembly	20
Optional Coin Box.....	22
Inverter Drive Box - 20 and 30 Pound Models with B Voltage	24
Inverter Drive Box - 20 and 30 Pound Models with N, P, Q, W, X and Y Voltage.....	26
Inverter Drive Box - 40 Pound Models with B Voltage	28
Inverter Drive Box - 40 Pound Models with N, P, Q, W, X and Y Voltage.....	30
Inverter Drive Box - 60 Pound Models with Q and X Voltage	32
Inverter Drive Box - 60 Pound Models with N and P Voltage.....	34
External Supply Kit (Drawing 1 of 2)	36
External Supply Kit (Drawing 2 of 2)	38
Inverter Drive	40
Front Panels and Control Panel - 20 and 30 Pound models.....	42
Front Panels and Control Panel - 40 and 60 Pound models.....	44
Rear and Top Panels	46
Side Panels.....	48
Door - 20 Pound Models	50
Door - 30 Pound Models	52
Door - 40 and 60 Pound Models	54
Door Lock.....	56
Shell Front, Basket, Shell and Frame Template	58
Bearing Housing	60
Drain Plumbing	62
Pump Drain Plumbing - 20, 30 and 40 Pound Models.....	64
Fill Plumbing - 20 Pound Models	66
Fill Plumbing - 30 Pound Models	68
Fill Plumbing - 40 Pound Models	70
Fill Plumbing - 60 Pound Models	72
Motor, Pulley and Belt - 20 and 30 Pound Models.....	74
Motor, Pulley and Belt - 40 and 60 Pound Models.....	76
Electric Heating.....	78
Steam Heating - 40 and 60 Pound Models	80

© Copyright 2023, Alliance Laundry Systems LLC

All rights reserved. No part of the contents of this book may be reproduced or transmitted in any form or by any means without the expressed written consent of the publisher.

Special Tools and Kits	82
Parts Index	85

Parts Ordering Information

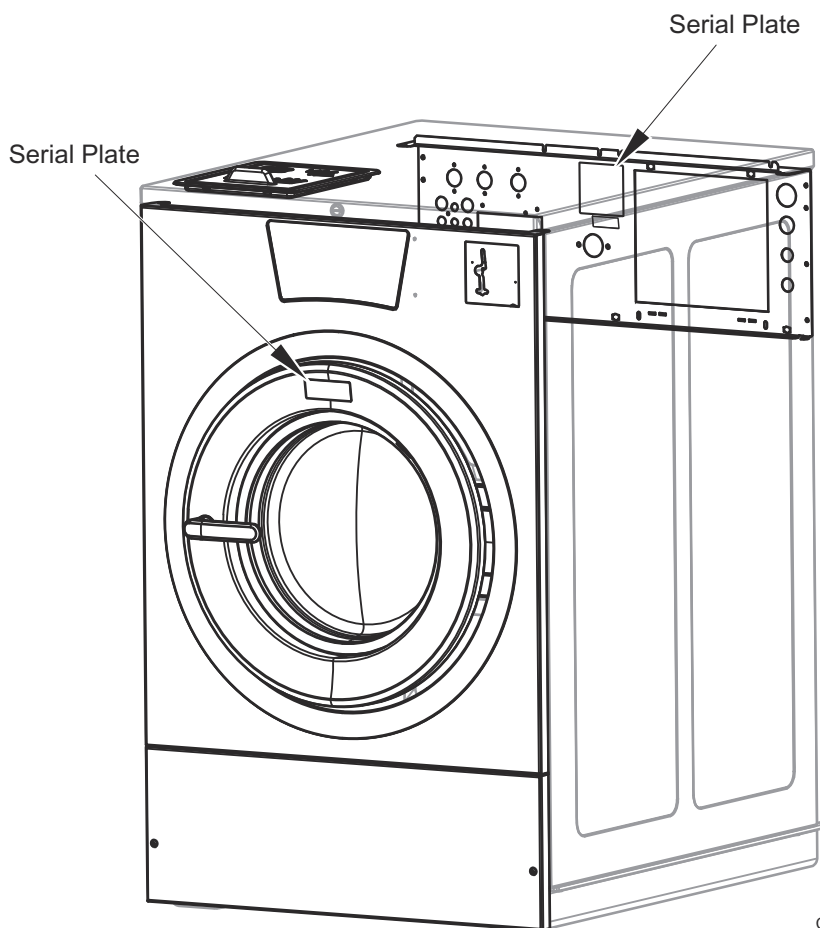
If literature or replacement parts are required, contact the source from whom the machine was purchased or contact Alliance Laundry Systems at (920) 748-3950 for the name and address of the nearest authorized parts distributor.

For technical assistance, call the number listed below:

(920) 748-3121 Ripon, Wisconsin

Serial Plate Location

When calling or writing about your product, be sure to mention model and serial numbers. Model and serial numbers are located on serial plate(s) as shown.



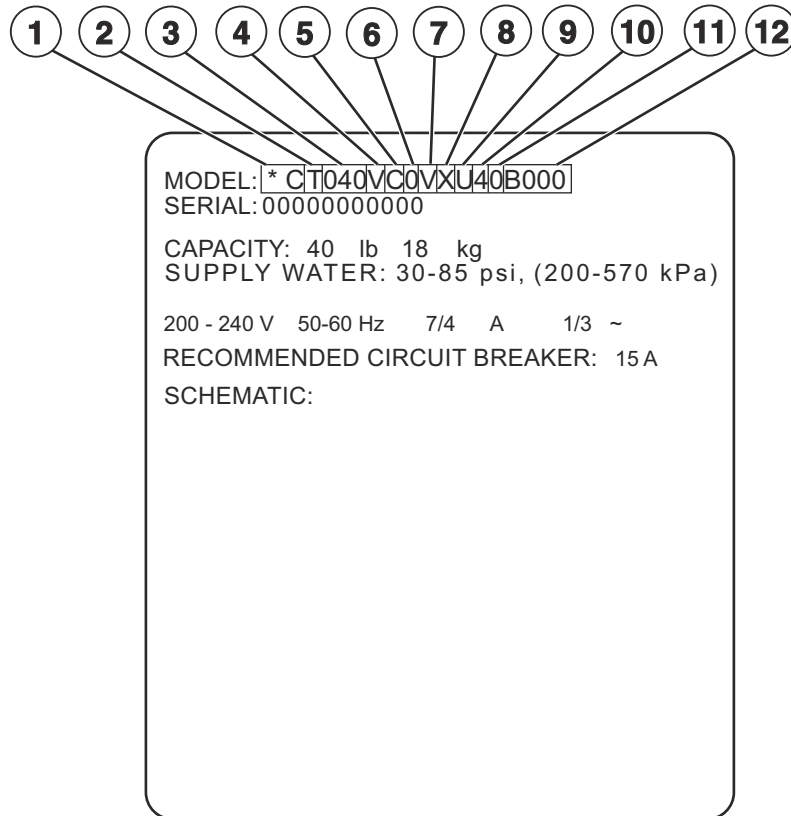
C-CHM11P11_F8677301

Model Identification

Information in this manual is applicable to these washer-extractor models:

HCA020VC	HCD020VT	HCE040VX	HCG060VF	HCH060VX	SCD020VL	SCE060VC	SCG060VT
HCA020VD	HCD020VV	HCE040VY	HCG060VH	HCH060VY	SCD020VQ	SCE060VD	SCG060VV
HCA020VE	HCD020VX	HCE060VC	HCG060VL	SCA020VC	SCD020VT	SCE060VE	SCG060VX
HCA020VF	HCD020VY	HCE060VD	HCG060VQ	SCA020VD	SCD020VV	SCE060VF	SCG060VY
HCA020VH	HCD030VC	HCE060VE	HCG060VT	SCA020VE	SCD020VX	SCE060VH	SCH020VC
HCA020VL	HCD030VD	HCE060VF	HCG060VV	SCA020VF	SCD020VY	SCE060VL	SCH020VD
HCA020VQ	HCD030VE	HCE060VH	HCG060VX	SCA020VH	SCD030VC	SCE060VQ	SCH020VE
HCA020VT	HCD030VF	HCE060VL	HCG060VY	SCA020VL	SCD030VD	SCE060VT	SCH020VF
HCA020VV	HCD030VH	HCE060VQ	HCH020VC	SCA020VQ	SCD030VE	SCE060VV	SCH020VH
HCA020VX	HCD030VL	HCE060VT	HCH020VD	SCA020VT	SCD030VF	SCE060VX	SCH020VL
HCA020VY	HCD030VQ	HCE060VV	HCH020VE	SCA020VV	SCD030VH	SCE060VY	SCH020VQ
HCA030VC	HCD030VT	HCE060VX	HCH020VF	SCA020VX	SCD030VL	SCG020VC	SCH020VT
HCA030VD	HCD030VV	HCE060VY	HCH020VH	SCA020VY	SCD030VQ	SCG020VD	SCH020VV
HCA030VE	HCD030VX	HCG020VC	HCH020VL	SCA030VC	SCD030VT	SCG020VE	SCH020VX
HCA030VF	HCD030VY	HCG020VD	HCH020VQ	SCA030VD	SCD030VV	SCG020VF	SCH020VY
HCA030VH	HCD040VD	HCG020VE	HCH020VT	SCA030VE	SCD030VX	SCG020VH	SCH030VC
HCA030VL	HCD040VH	HCG020VF	HCH020VV	SCA030VF	SCD030VY	SCG020VL	SCH030VD
HCA030VQ	HCD040VL	HCG020VH	HCH020VX	SCA030VH	SCD040VD	SCG020VQ	SCH030VE
HCA030VT	HCD040VQ	HCG020VL	HCH020VY	SCA030VL	SCE020VC	SCG020VT	SCH030VF
HCA030VV	HCD040VT	HCG020VQ	HCH030VC	SCA030VQ	SCE020VD	SCG020VV	SCH030VH
HCA030VX	HCD040VV	HCG020VT	HCH030VD	SCA030VT	SCE020VE	SCG020VX	SCH030VL
HCA030VY	HCD040VX	HCG020VV	HCH030VE	SCA030VV	SCE020VF	SCG020VY	SCH030VQ
HCA040VC	HCE020VC	HCG020VX	HCH030VF	SCA030VX	SCE020VH	SCG030VC	SCH030VT
HCA040VD	HCE020VD	HCG020VY	HCH030VH	SCA030VY	SCE020VL	SCG030VD	SCH030VV
HCA040VE	HCE020VE	HCG030VC	HCH030VL	SCA040VC	SCE020VQ	SCG030VE	SCH030VX
HCA040VF	HCE020VF	HCG030VD	HCH030VQ	SCA040VD	SCE020VT	SCG030VF	SCH030VY
HCA040VH	HCE020VH	HCG030VE	HCH030VT	SCA040VE	SCE020VV	SCG030VH	SCH040VC
HCA040VL	HCE020VL	HCG030VF	HCH030VV	SCA040VF	SCE020VX	SCG030VL	SCH040VD
HCA040VQ	HCE020VQ	HCG030VH	HCH030VX	SCA040VH	SCE020VY	SCG030VQ	SCH040VE
HCA040VT	HCE020VT	HCG030VL	HCH030VY	SCA040VL	SCE030VC	SCG030VT	SCH040VF
HCA040VV	HCE020VV	HCG030VQ	HCH040VC	SCA040VQ	SCE030VD	SCG030VV	SCH040VH
HCA040VX	HCE020VX	HCG030VT	HCH040VD	SCA040VT	SCE030VE	SCG030VX	SCH040VL
HCA040VY	HCE020VY	HCG030VV	HCH040VE	SCA040VV	SCE030VF	SCG030VY	SCH040VQ
HCA060VC	HCE030VC	HCG030VX	HCH040VF	SCA040VX	SCE030VH	SCG040VC	SCH040VT
HCA060VD	HCE030VD	HCG030VY	HCH040VH	SCA040VY	SCE030VL	SCG040VD	SCH040VV
HCA060VE	HCE030VE	HCG040VC	HCH040VL	SCA060VC	SCE030VQ	SCG040VE	SCH040VX
HCA060VF	HCE030VF	HCG040VD	HCH040VQ	SCA060VD	SCE030VT	SCG040VF	SCH040VY
HCA060VH	HCE030VH	HCG040VE	HCH040VT	SCA060VE	SCE030VV	SCG040VH	SCH060VC
HCA060VL	HCE030VL	HCG040VF	HCH040VV	SCA060VF	SCE030VX	SCG040VL	SCH060VD
HCA060VQ	HCE030VQ	HCG040VH	HCH040VX	SCA060VH	SCE030VY	SCG040VQ	SCH060VE
HCA060VT	HCE030VT	HCG040VL	HCH040VY	SCA060VL	SCE040VC	SCG040VT	SCH060VF
HCA060VV	HCE030VV	HCG040VQ	HCH060VC	SCA060VQ	SCE040VD	SCG040VV	SCH060VH
HCA060VX	HCE030VX	HCG040VT	HCH060VD	SCA060VT	SCE040VE	SCG040VX	SCH060VL
HCA060VY	HCE030VY	HCG040VV	HCH060VE	SCA060VV	SCE040VF	SCG040VY	SCH060VQ
HCD020VC	HCE040VC	HCG040VX	HCH060VF	SCA060VX	SCE040VH	SCG060VC	SCH060VT
HCD020VD	HCE040VD	HCG040VY	HCH060VH	SCA060VY	SCE040VL	SCG060VD	SCH060VV
HCD020VE	HCE040VE	HCG060VC	HCH060VL	SCD020VC	SCE040VQ	SCG060VE	SCH060VX
HCD020VF	HCE040VF	HCG060VD	HCH060VQ	SCD020VD	SCE040VT	SCG060VF	SCH060VY
HCD020VH	HCE040VH	HCG060VE	HCH060VT	SCD020VE	SCE040VV	SCG060VH	
HCD020VL	HCE040VL		HCH060VV	SCD020VF	SCE040VX	SCG060VL	
HCD020VQ	HCE040VQ			SCD020VH	SCE040VY	SCG060VQ	
	HCE040VT						
	HCE040VV						

Product Overview - Touch Vend



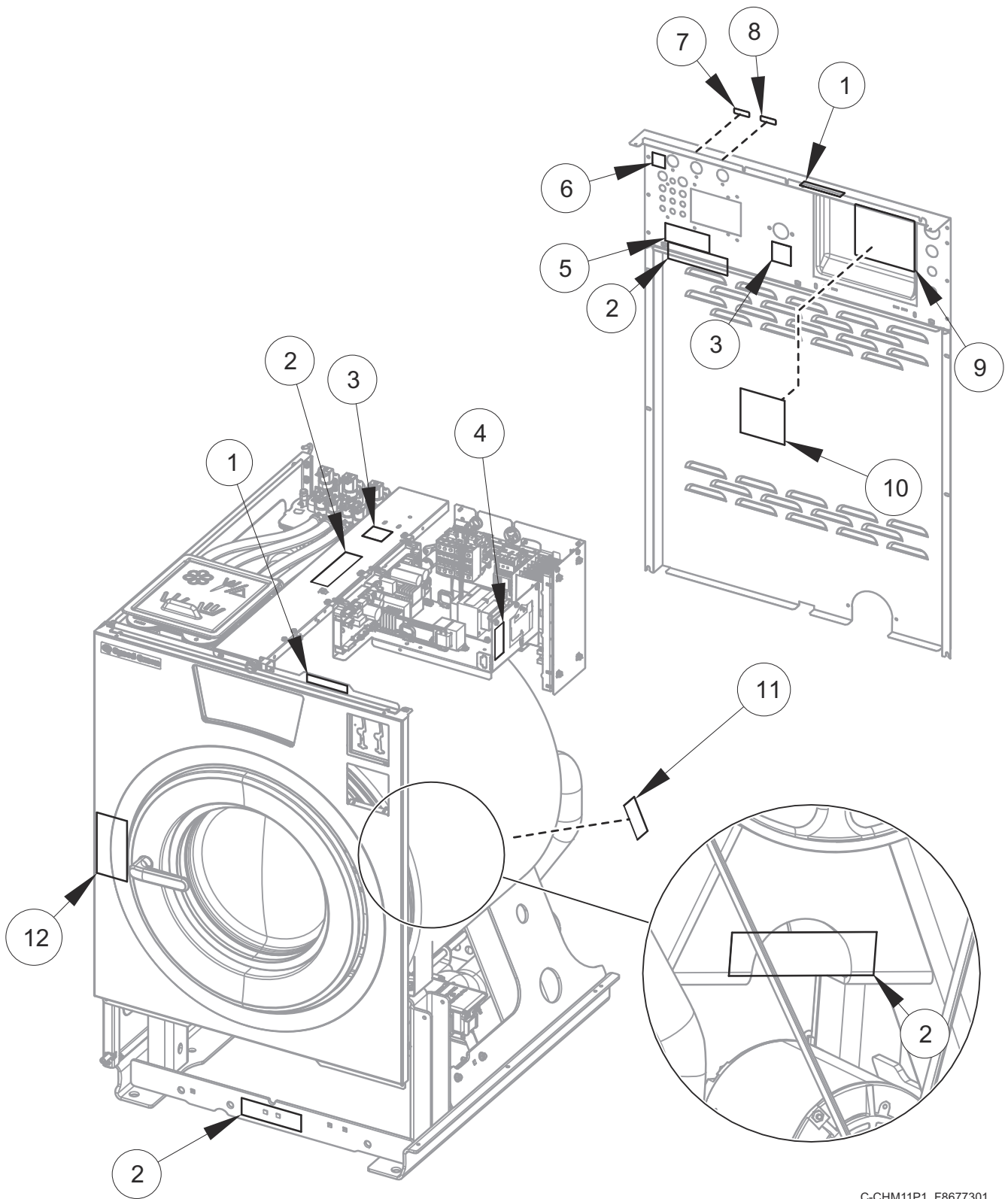
Touch Vend

CHM3501P

Product Overview - Touch Vend

REF	PART NO.	DESCRIPTION	COMMENTS
1	-	Product Family	SC HC
2	-	Market Approvals	A (Australia IEC) D (Brazil IEC) G (International) H (China-ROHS IEC) J (Japan-PSE IEC) K (Korea IEC) L (Thailand-TISI IEC) T (North America) U (International CE/EAC IEC)
3	-	Capacity (Dry Weight in Pounds)	020 030 040 060
4	-	Control	V
5	-	Actuation	L (Central Pay) X (Prep for Coin) Y (Prep for Card) C (Single Coin) D (Dual Coin) E (Electronic Drop) T (Token) F (Single Coin + CD Lock and Key) Q (Dual Coin + CD Lock and Key) H (Electronic Drop + CD Lock and Key) V (Token + CD Lock and Key)
6	-	Coin Meter	0 (Standard) 1 (CD Lock and Key)
7	-	Speed	F (F-Speed) V (V-Speed)
8	-	Voltage	B (120/60/1) W (200-240/50/1/3) Y (200-240/60/1/3) X (200-240/50-60/1/3) Q (200-240/50-60/3) P (380-415/50-60/3) N (440-480/50-60/3)
9	-	Panel	B (Chrome Door) C (Chrome Door) U (Vinyl) 1 (Stainless Steel Side)
10	-	Design	5
11	-	Heat	0 (Standard) D (Steam) E (Electric Heat) P (Prep for Steam)
12	-	Features and Options	

Labels

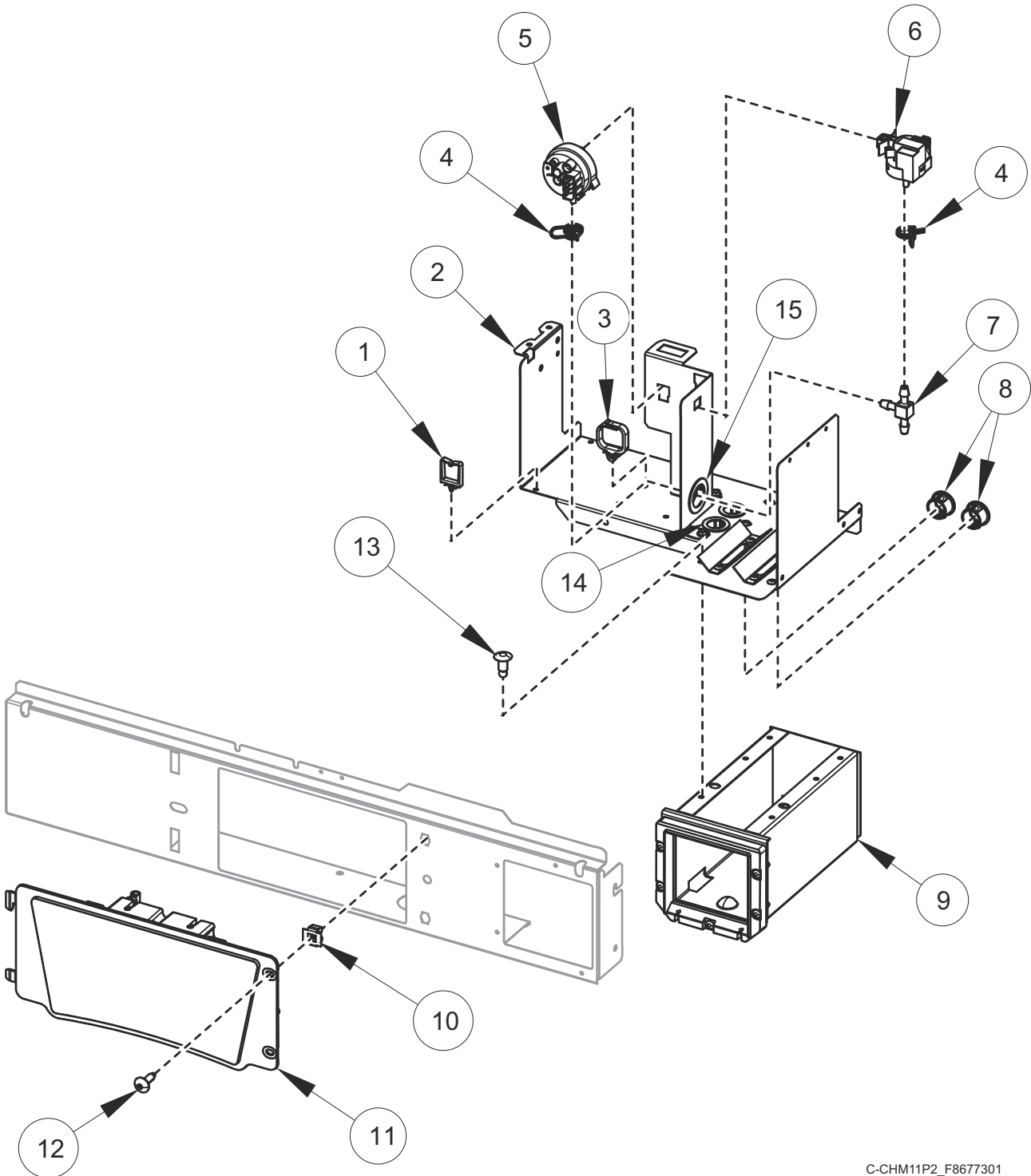


C-CHM11P1_F8677301

Labels

REF	PART NO.	DESCRIPTION	COMMENTS
1	F8614501	Danger Label	English/Quebec/French
2	44324001	Warning Label	Pinch/Shock; English/French
	F8614201	Shock Warning Label	Icon
	F8615701	Pinch Warning Label	Icon
3	F8614301	Hot Surface Warning Label	English/Quebec/French
	F8609001	Hot Surface Warning Label	Icon
4	F8601301	Label	Warning; Underground components
5	F8609401	Label	Notice; Chemical connection
6	203853	Label	ROHS (China)
7	F8611301	Label	Hot water; Icon
8	F8611401	Label	Cold water; Icon
9	F8611601	Warning Label	Warning; English/Quebec/French
10	F8602401	Label	Notice; Large expansion board
11	70538401	Pinch Warning Label	English/French
	F8615701	Pinch Warning Label	Icon
12	F8614801	Label	Warning fire/injury; English/Quebec/French

Control Module and Front Tray Assembly - Coin Models

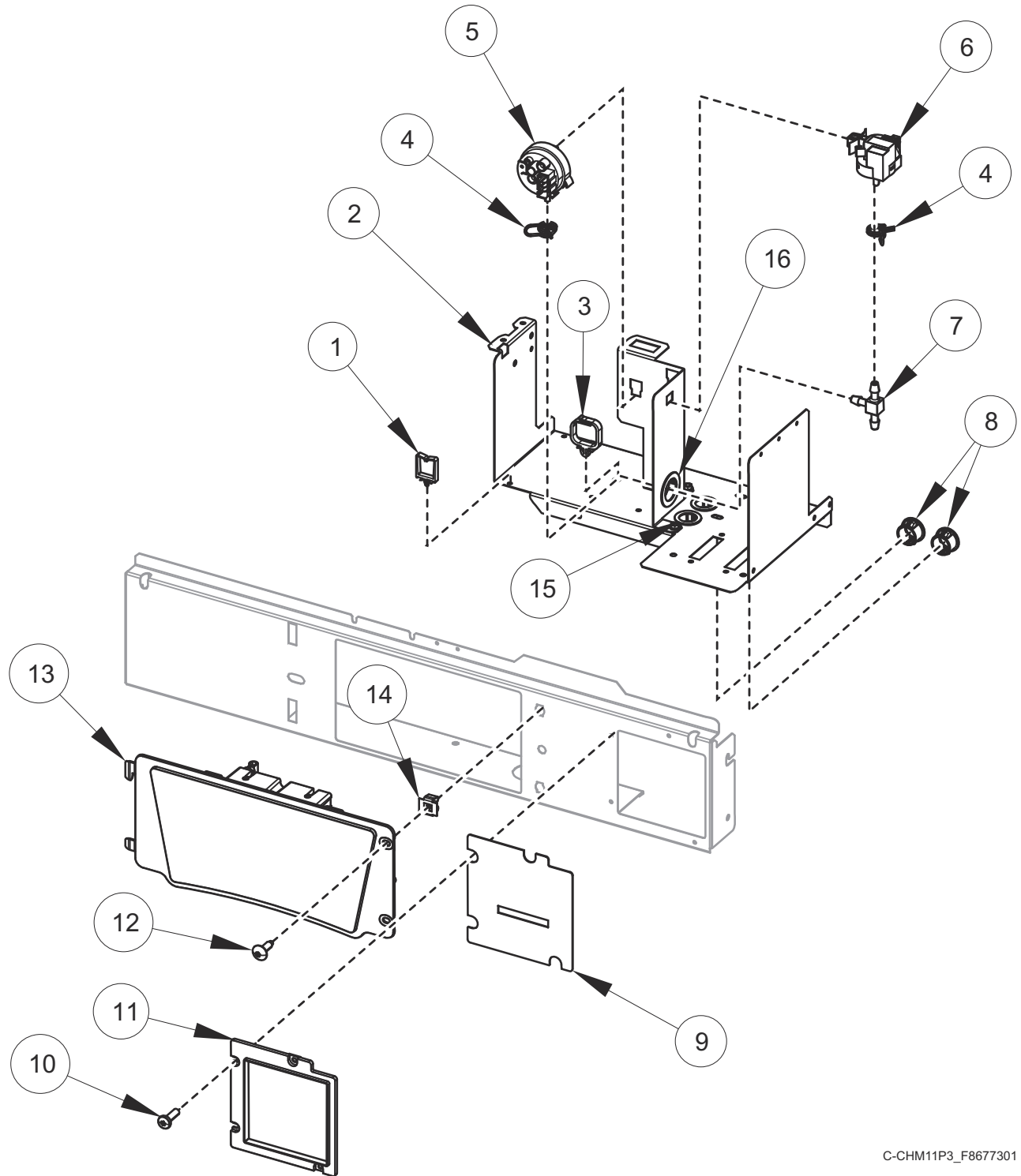


C-CHM11P2_F8677301

Control Module and Front Tray Assembly - Coin Models

REF	PART NO.	DESCRIPTION	COMMENTS
	44374701	App Pay Overlay Kit	
	203361P	Machine ID Control Assembly	
	F8567301	Front Tray Assembly	20 pound models; Includes items 1-3, 6, 8, 9, 13-15, 70413301 Pushbutton Switch and F8519701 Coin Vault Harness
	F8567304	Front Tray Assembly	20 pound models; Steam or electric heat; Includes items 1-9, 13-15, 70413301 Pushbutton Switch and F8519701 Coin Vault Harness
	F8567302	Front Tray Assembly	30 pound models; Includes items 1-3, 6, 8, 9, 13-15, 70413301 Pushbutton Switch and F8519701 Coin Vault Harness
	F8567305	Front Tray Assembly	30 pound models; Steam or electric heat; Includes items 1-9, 13-15, 70413301 Pushbutton Switch and F8519701 Coin Vault Harness
	F8567303	Front Tray Assembly	40 and 60 pound models; Includes items 1-3, 6, 8, 9, 13-15, 70413301 Pushbutton Switch and F8519701 Coin Vault Harness
	F8567306	Front Tray Assembly	40 and 60 pound models; Steam or electric heat; Includes items 1-9, 13-15, 70413301 Pushbutton Switch and F8519701 Coin Vault Harness
	F8519701	Coin Vault Harness	
	F8519301	Harness	Tray power harness
	F8519501	Harness	20 and 30 pound models
	F8519502	Harness	40 and 60 pound models
	F8663001	Harness	Coin access; 20, 30 and 40 pound models
	F8663002	Harness	Coin access; 60 pound models
	F8519403	Emergency Stop Bypass Harness	
1	70366201	Wire Clip	
2	F8531001	Front Tray Assembly	
3	F8449501	Wire Clip	
4	39282	Hose Clamp	
5	F8404401	Water Pressure Switch	Steam or electric heat
	F8405303	Tubing	Electric heat
6	F8623401	Pressure Sensor	
	F8405302	Tubing	Electric heat
7	203464	Barbed Tee	Steam or electric heat
8	M411826	Snap Bushing	
9	F8529101	Coin Vault Assembly	
10	70030501	Expansion Clip	
11	F8647601	Control Assembly	
12	F8117601	Screw	
13	70058501	Pop Rivet	
14	F140938	Snap Bushing	
15	M402542	Snap Bushing	

Control Module and Front Tray Assembly - Card Reader and Central Pay Models

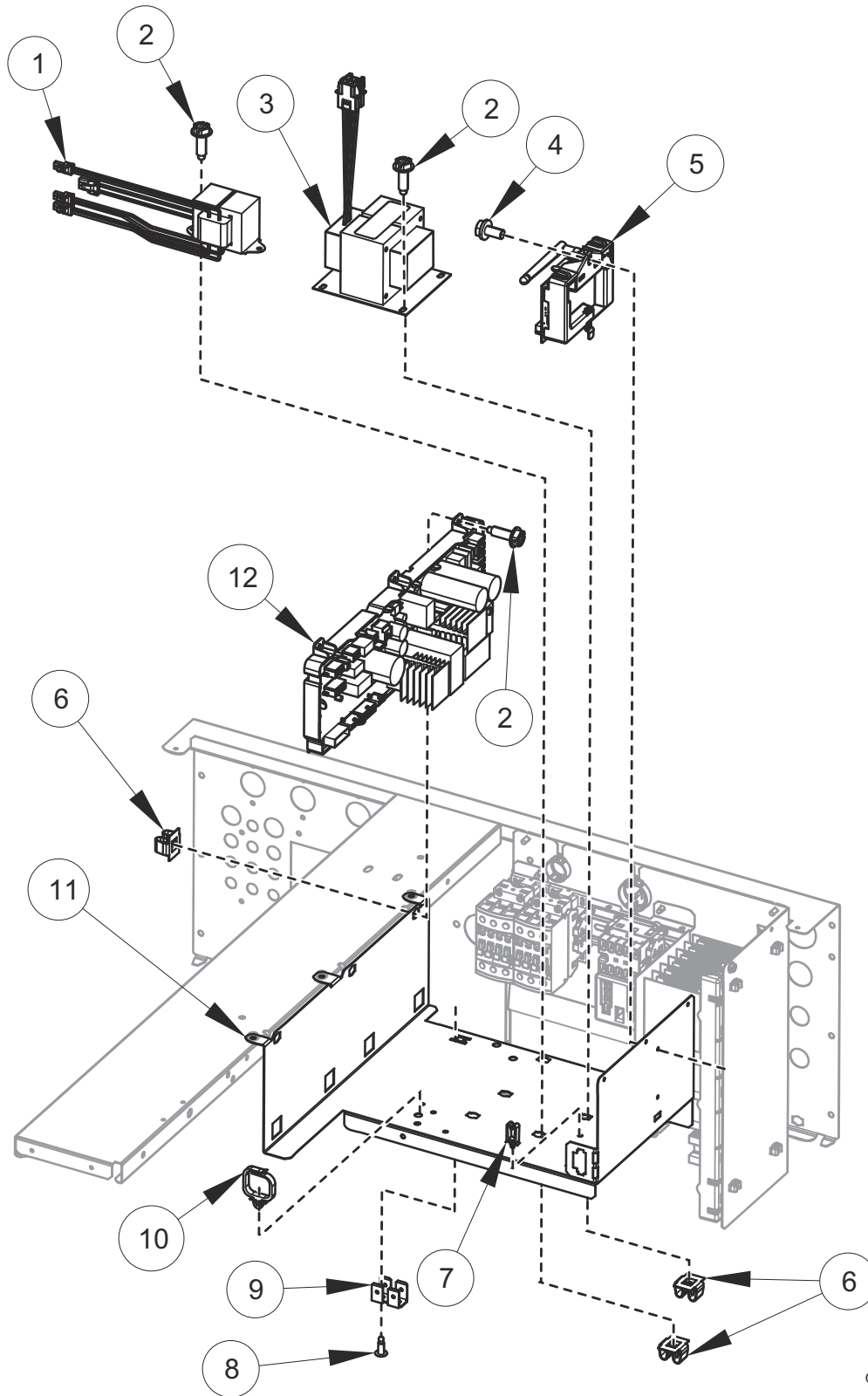


C-CHM11P3_F8677301

Control Module and Front Tray Assembly - Card Reader and Central Pay Models

REF	PART NO.	DESCRIPTION	COMMENTS
	44374701	App Pay Overlay Kit	
	203361P	Machine ID Control Assembly	
	F8567307	Front Tray Assembly	20 pound models; Includes items 1-3, 6, 8, 13, 14, 70413301 Pushbutton Switch
	F8567310	Front Tray Assembly	20 pound models; Steam or electric heat; Includes items 1-8, 13, 14, and 70413301 Pushbutton Switch
	F8567308	Front Tray Assembly	30 pound models; Includes items 1-3, 6, 8, 13, 14, 70413301 Pushbutton Switch
	F8567311	Front Tray Assembly	30 pound models; Steam or electric heat; Includes items 1-8, 13, 14, and 70413301 Pushbutton Switch
	F8567309	Front Tray Assembly	40 and 60 pound models; Includes items 1-3, 6, 8, 13, 14, 70413301 Pushbutton Switch
	F8567312	Front Tray Assembly	40 and 60 pound models; Steam or electric heat; Includes items 1-8, 13, 14, and 70413301 Pushbutton Switch
	F8519301	Harness	Tray power harness
	F8519501	Harness	20 and 30 pound models; Communication
	F8519502	Harness	40 and 60 pound models; Communication
	F8519702	Coin Vault Bypass Harness	
	F8519601	Harness	Coin Access
	F8519403	Emergency Stop Bypass Harness	
	F8555406	Connector	Central pay
1	70366201	Wire Clip	
2	F8531002	Front Tray Assembly	
3	F8449501	Wire Clip	
4	39282	Hose Clamp	
5	F8404401	Water Pressure Switch	Steam or electric heat
	F8405303	Tubing	Electric heat
6	F8623401	Pressure Sensor	
	F8405302	Tubing	Electric heat
7	203464	Barbed Tee	Steam or electric heat
8	M411826	Snap Bushing	
9	F8574204	Card Reader Plate	
10	F8117601	Screw	
11	F8632501	Vend Plate	
12	F8117601	Screw	
13	F8647601	Control Assembly	
14	70030501	Expansion Clip	
15	F140938	Snap Bushing	
16	M402542	Snap Bushing	

Control Tray Assembly

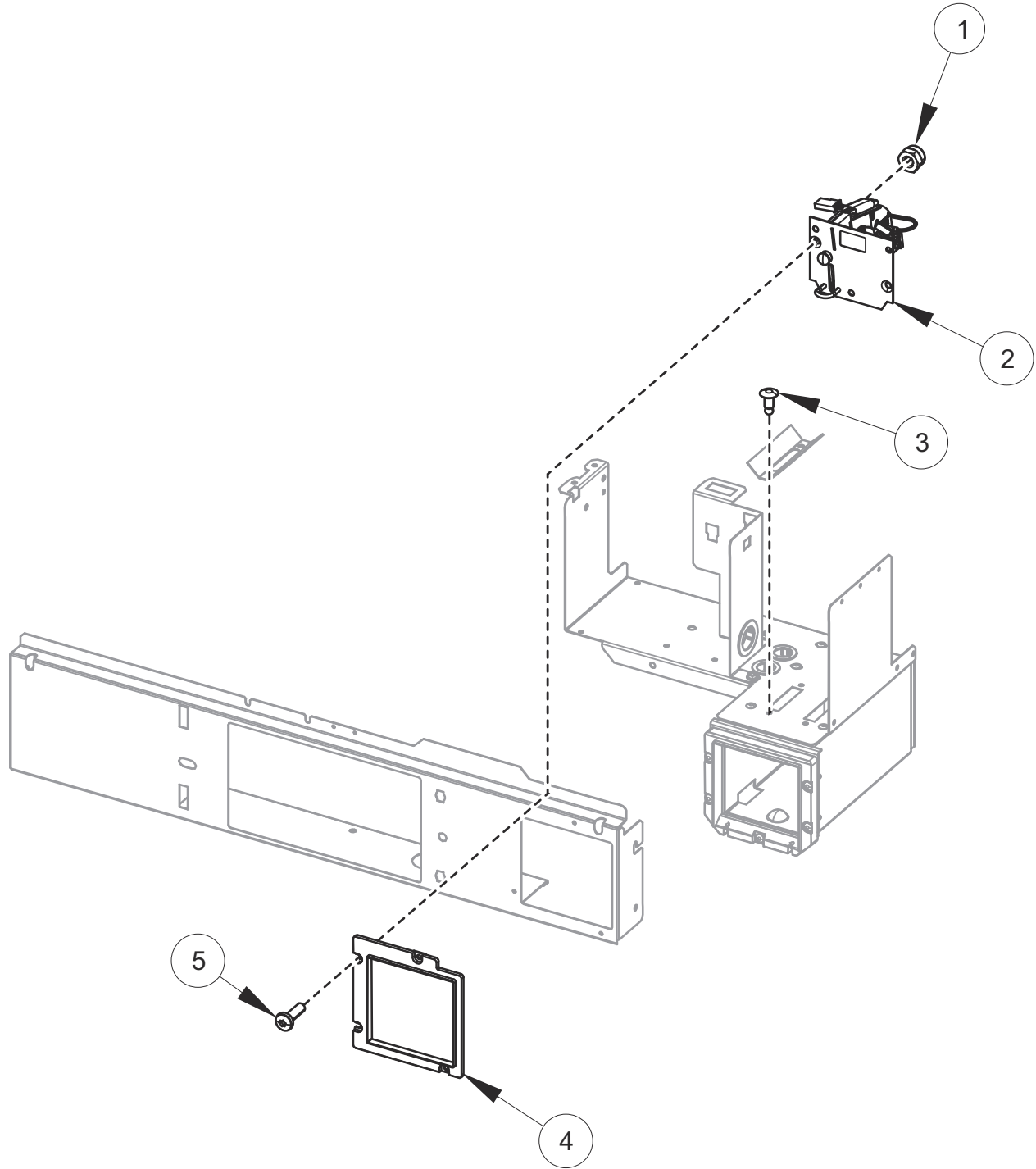


C-CHM5P2_F8677301

Control Tray Assembly

REF	PART NO.	DESCRIPTION	COMMENTS
	F8520403	Wireless Harness	20 and 30 pound models
	F8520404	Wireless Harness	40 and 60 pound models
1	202757	Transformer	B voltage with external supply
	202758	Transformer	N, P, Q, W, X and Y voltage with external supply
2	F8206901	Screw	
3	F8491101	Transformer	N and P voltage
4	430497	Screw	
5	203532	Wireless Network Control Assembly	
6	70030501	Expansion Clip	
7	70347601	Wire Clip	External supply
8	M400003	Pop Rivet	
9	00622SG	Terminal	
10	F8449501	Wire Clip	
11	F8530701	Control Tray	
12	F8494101P	Input and Output Control Assembly	

Flush Mount Coin Meter Assembly - Single Drop

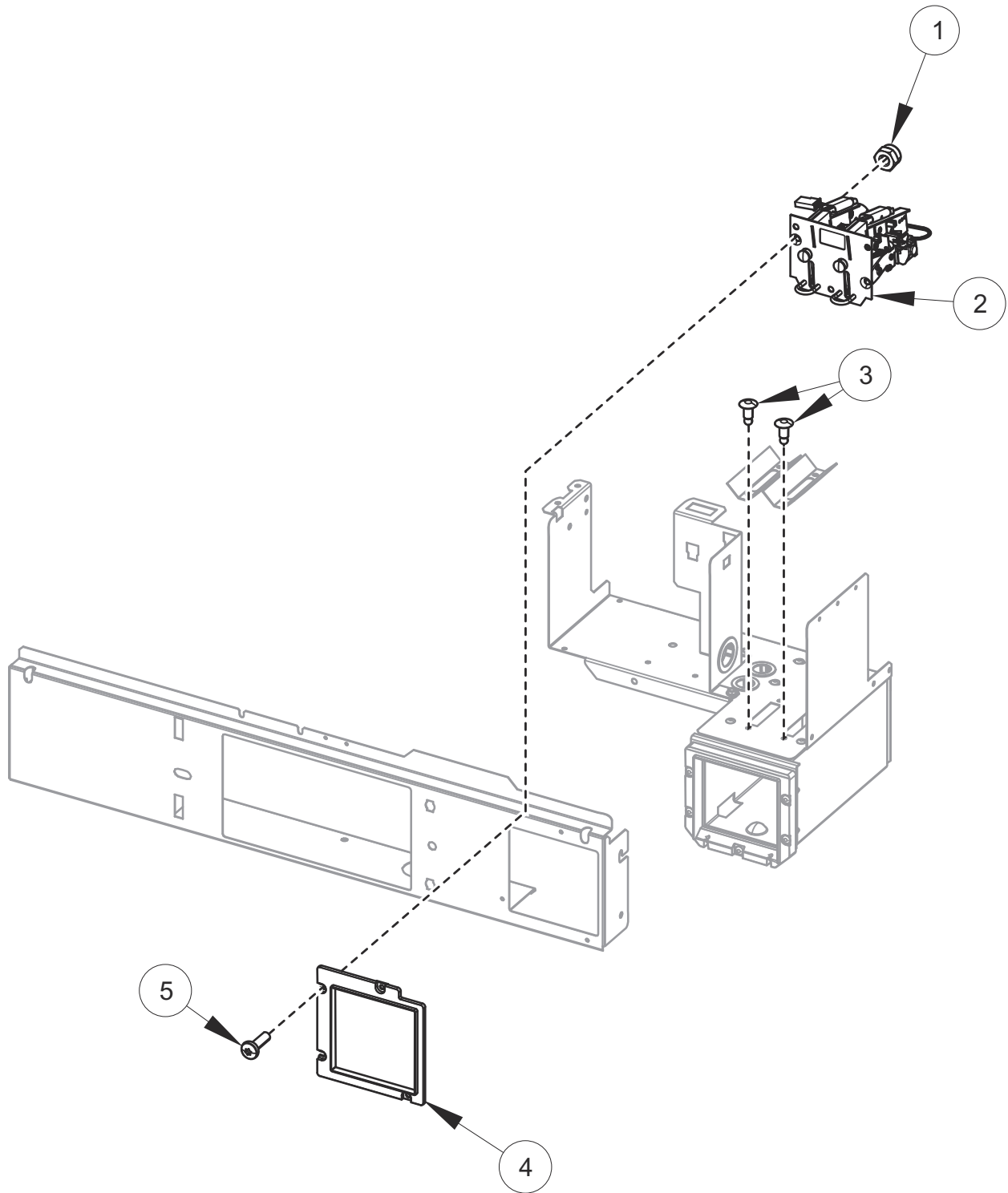


C-CHM11P5_F8677301

Flush Mount Coin Meter Assembly - Single Drop

REF	PART NO.	DESCRIPTION	COMMENTS
	44374701	App Pay Overlay Kit	
	38725	Coin Identification Paper	
	200674P	Opto Coupler	
1	F430215	Nut	
2	F8672701	Coin Drop Assembly	U.S.A.; \$.25
	F8672703	Coin Drop Assembly	Canada; .25
	F8672719	Coin Drop Assembly	Taiwan; 10 NT
	F8672718	Coin Drop Assembly	Singapore; \$1.00 NEW
	F8672711	Coin Drop Assembly	Token; STD 118-1
	F8672713	Coin Drop Assembly	Token; STD 118-5
	F8672712	Coin Drop Assembly	Token STD 118-16
	F8672710	Coin Drop Assembly	Jeton 08MS
	F8672709	Coin Drop Assembly	Token; Jeton wh121
	F8672714	Coin Drop Assembly	Token; 7K
	F8672715	Coin Drop Assembly	Korea; 500 won
3	70058501	Pop Rivet	
4	F8632501	Vend Plate	
5	F8117601	Screw	

Flush Mount Coin Meter Assembly - Dual Drop

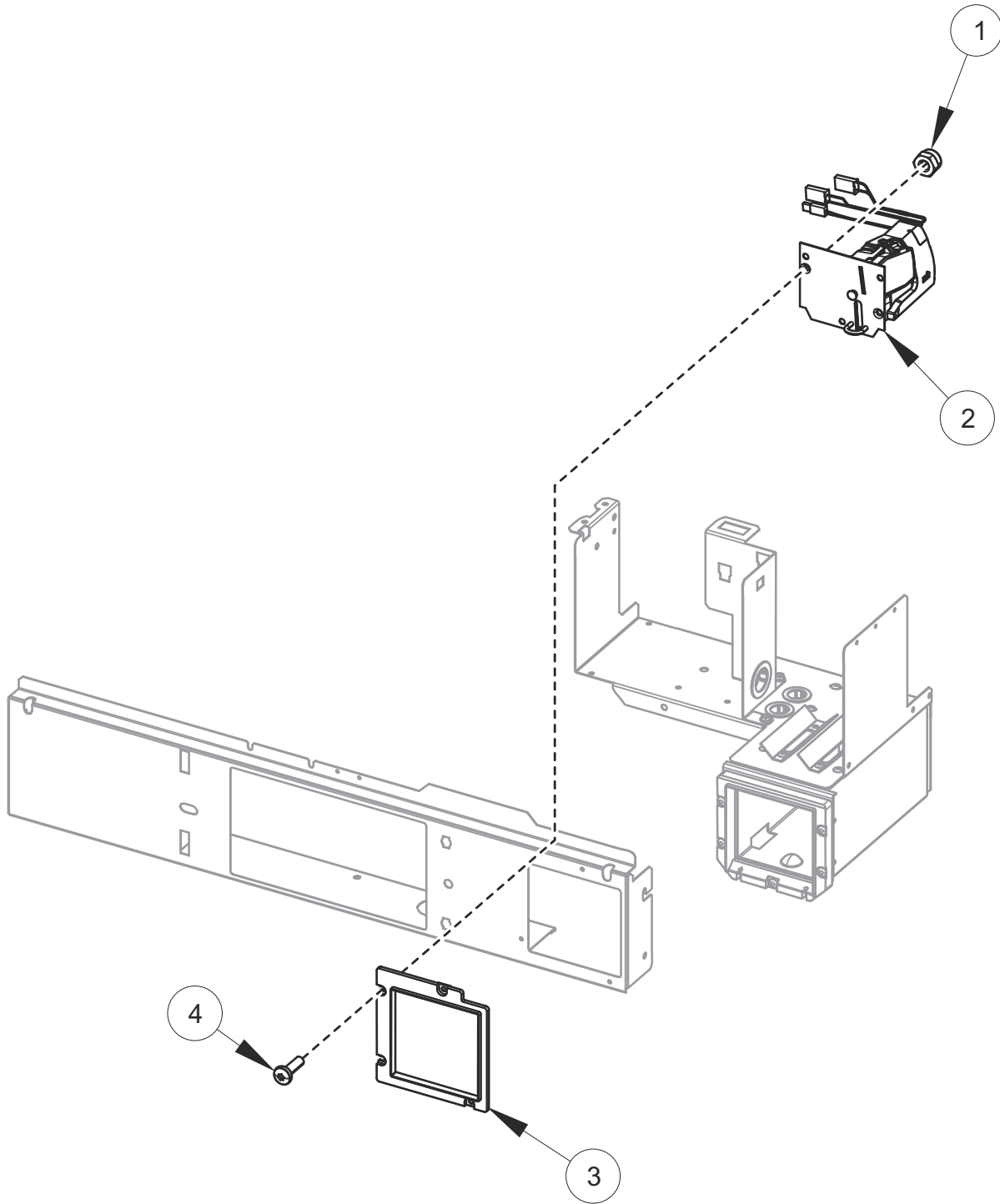


C-CHM11P6_F8677301

Flush Mount Coin Meter Assembly - Dual Drop

REF	PART NO.	DESCRIPTION	COMMENTS
	44374701	App Pay Overlay Kit	
	38725	Coin Identification Paper	
	200674P	Opto Coupler	
1	F430215	Nut	
2	F8672702	Coin Drop Assembly	U.S.A.; \$.25 and \$1.00
	F8672716	Coin Drop Assembly	Japan; 100 yen and 500 yen
	F8672704	Coin Drop Assembly	Canada; .25 and \$1.00
	F8672705	Coin Drop Assembly	Australia; \$0.20 and \$1.00
	F8672722	Coin Drop Assembly	Australia; \$1.00 and \$2.00
	F8672720	Coin Drop Assembly	0.20 and 0.50 Euro
	F8672721	Coin Drop Assembly	0.20 and 1.00 Euro
	F8672707	Coin Drop Assembly	0.50 and 1.00 Euro
	F8672708	Coin Drop Assembly	0.50 and 2.00 Euro
	F8672717	Coin Drop Assembly	Taiwan; 10 and 50 NT
	F8672706	Coin Drop Assembly	New Zealand; \$1.00 and \$2.00
3	70058501	Pop Rivet	
4	F8632501	Vend Plate	
5	F8117601	Screw	

Electronic Coin Meter Assembly

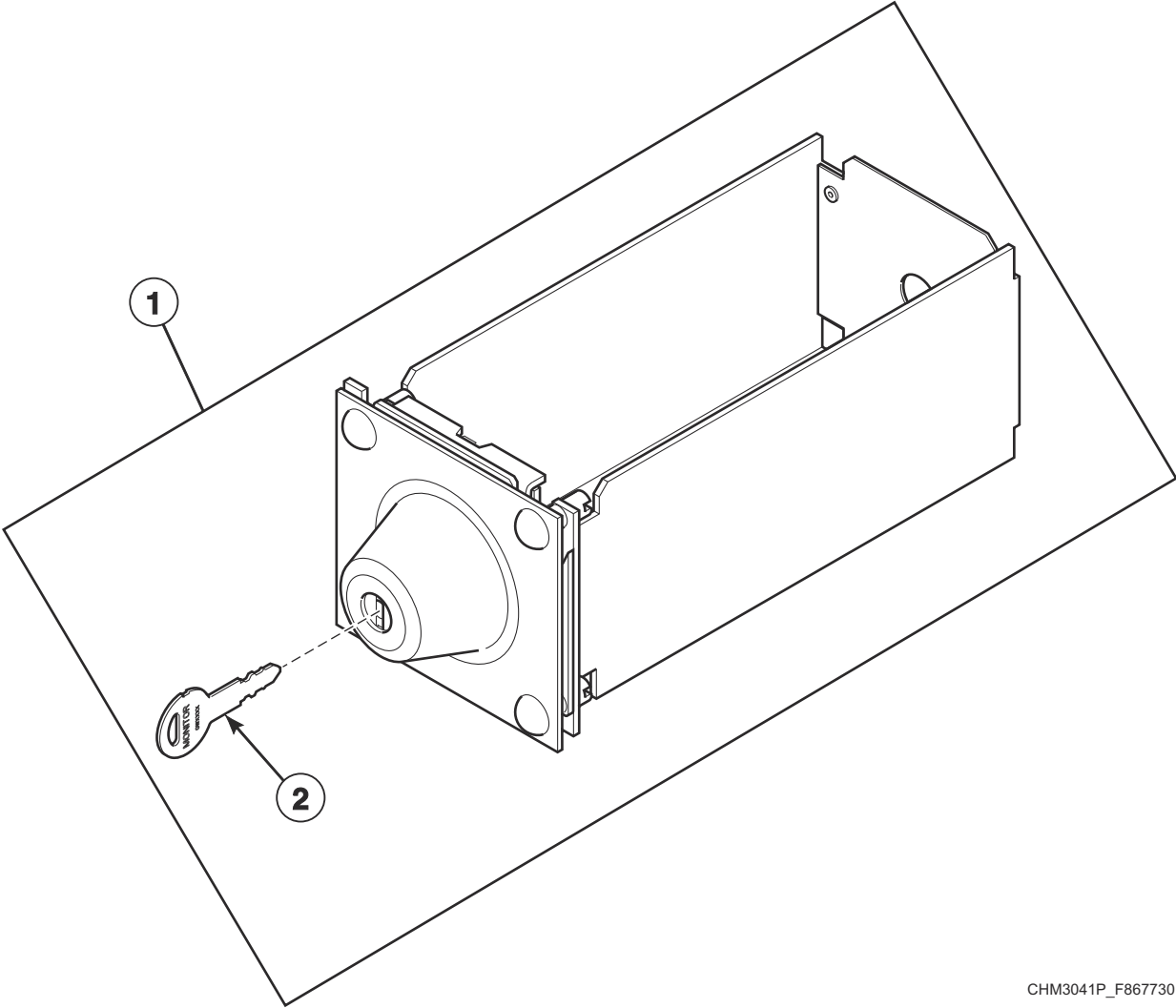


C-CHM11P7_F8677301

Electronic Coin Meter Assembly

REF	PART NO.	DESCRIPTION	COMMENTS
	44374701	App Pay Overlay Kit	
	38725	Coin Identification Paper	
	F8034701P	Pulse Expander Assembly	
1	F430215	Nut	
2	F8672602	Electronic Coin Drop Assembly	Euro and Great Britain coins
	F8672609	Electronic Coin Drop Assembly	Japan and Thailand coins
	F8672604	Electronic Coin Drop Assembly	Australia, New Zealand, Hong Kong and South Korea coins
	F8672603	Electronic Coin Drop Assembly	Denmark, Norway and Euro coins
	F8672606	Electronic Coin Drop Assembly	Mexico, Ecuador and U.S.A. coins
	F8672610	Electronic Coin Drop Assembly	Chiand Malaysia coins
	F8672607	Electronic Coin Drop Assembly	South African 1 and 5 rand coins
	F8672608	Electronic Coin Drop Assembly	Euro coins
	F8672611	Electronic Coin Drop Assembly	Russia coins
	F8672612	Electronic Coin Drop Assembly	Philippines coins
	F8672613	Electronic Coin Drop Assembly	Thailand coins
	F8672614	Electronic Coin Drop Assembly	Chile coins
	F8672615	Electronic Coin Drop Assembly	Singapore coins
	F8672601	Electronic Coin Drop Assembly	United States and Canada coins
	F8672605	Electronic Coin Drop Assembly	Great Britain coins and tokens
3	70058501	Pop Rivet	
4	F8632501	Vend Plate	
5	F8117601	Screw	

Optional Coin Box

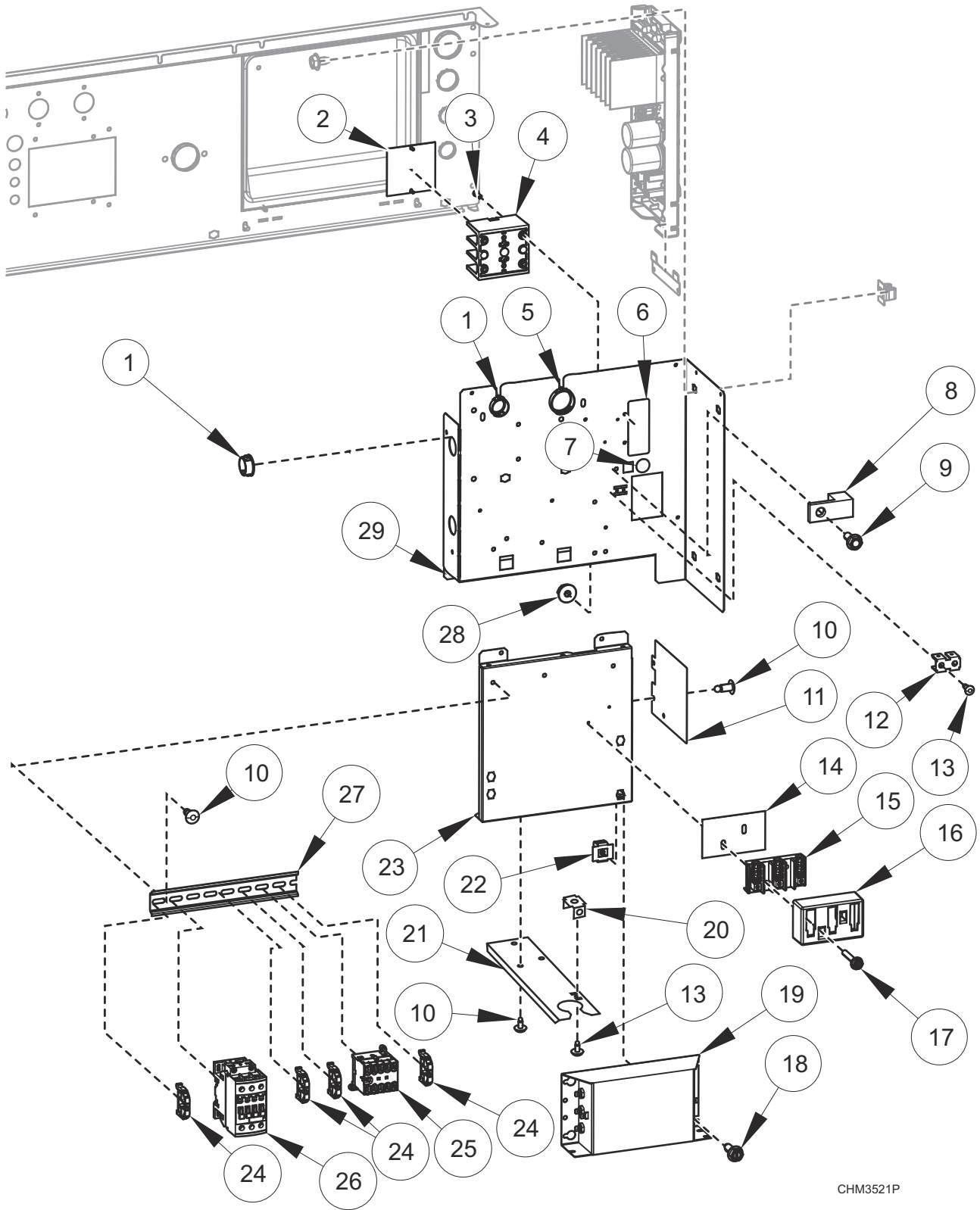


CHM3041P_F8677301

Optional Coin Box

REF	PART NO.	DESCRIPTION	COMMENTS
1	F8182001	Coin Drawer Assembly	
2	F160420	Key	GW0023

Inverter Drive Box - 20 and 30 Pound Models with B Voltage

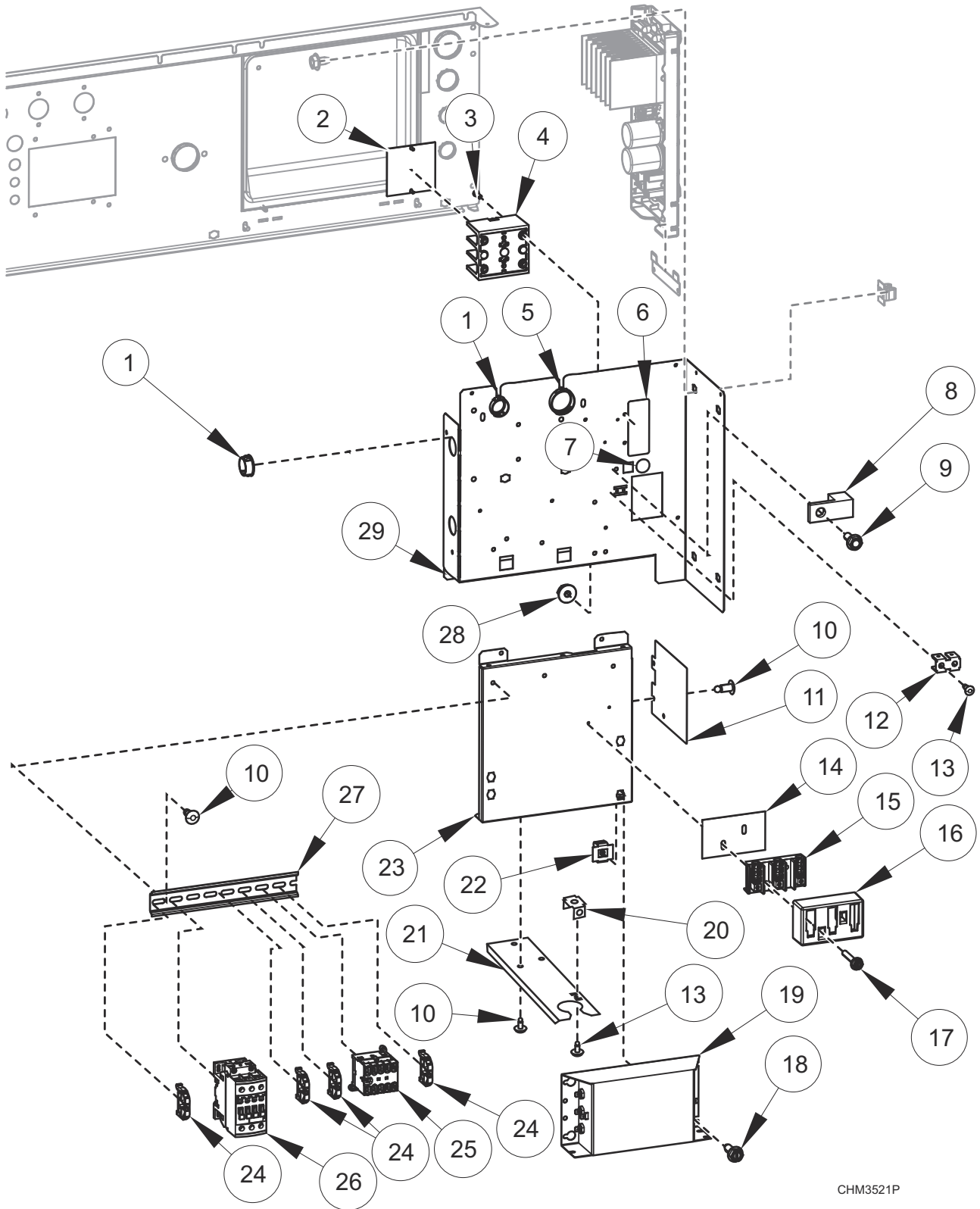


CHM3521P

Inverter Drive Box - 20 and 30 Pound Models with B Voltage

REF	PART NO.	DESCRIPTION	COMMENTS
	F8567001	Drive Panel Base Assembly	Includes items 10-13, 21, 25 and 27
	F8662801	Filter Kit	Includes items 1, 14-20, harnesses and labels
	F8518405	Harness	Power TB1
	F8518604	Harness	Power drive
	F8528001	Harness	TB filter
	F8528002	Harness	PDB filter; Electric heat
	F8528004	Harness	TB Filter
	F8528006	Harness	TB2 Filter
	F8619101	Power Harness	Power contactor; Electric heat
	F8619102	Harness	Power contactor; Electric heat
1	F140938	Snap Bushing	
2	44014901P	Power Distribution Block Cover	Electric heat
3	39733	Screw	Electric heat
4	M413865	Power Distribution Block	Electric heat
5	70346501	Bushing	
6	44286801	Label	Power input; L1, N
7	D516100	Label	
8	M411283	Ground Lug Connector	
9	685837	Screw	
10	70058501	Pop Rivet	
11	F8616901	Drive Shield	
12	00622SG	Terminal	
13	M400003	Pop Rivet	
14	M413862	Insulator	
15	430642	Terminal Block	
16	70333001	Terminal Block Shield	
17	51783	Screw	
18	F8206901	Screw	
19	F8591601	EMI Filter	
20	00621SG	Male Tab Terminal	IEC Models
21	F8744301	Harness Support Bracket	IEC Models
22	70030501	Expansion Clip	
23	F8530901	Contactory Tray	
24	F8449801	End Stop	
25	70482601	Contactory	5.5kW/500V; 24VDC
26	70482701	Contactory	50A; 24VDC
27	M412689	DIN Rail	7.5 mm x 35 mm x 8.364 inch
28	44088001	Nut	
29	F8530801	Drive Terminal Tray	

Inverter Drive Box - 20 and 30 Pound Models with N, P, Q, W, X and Y Voltage

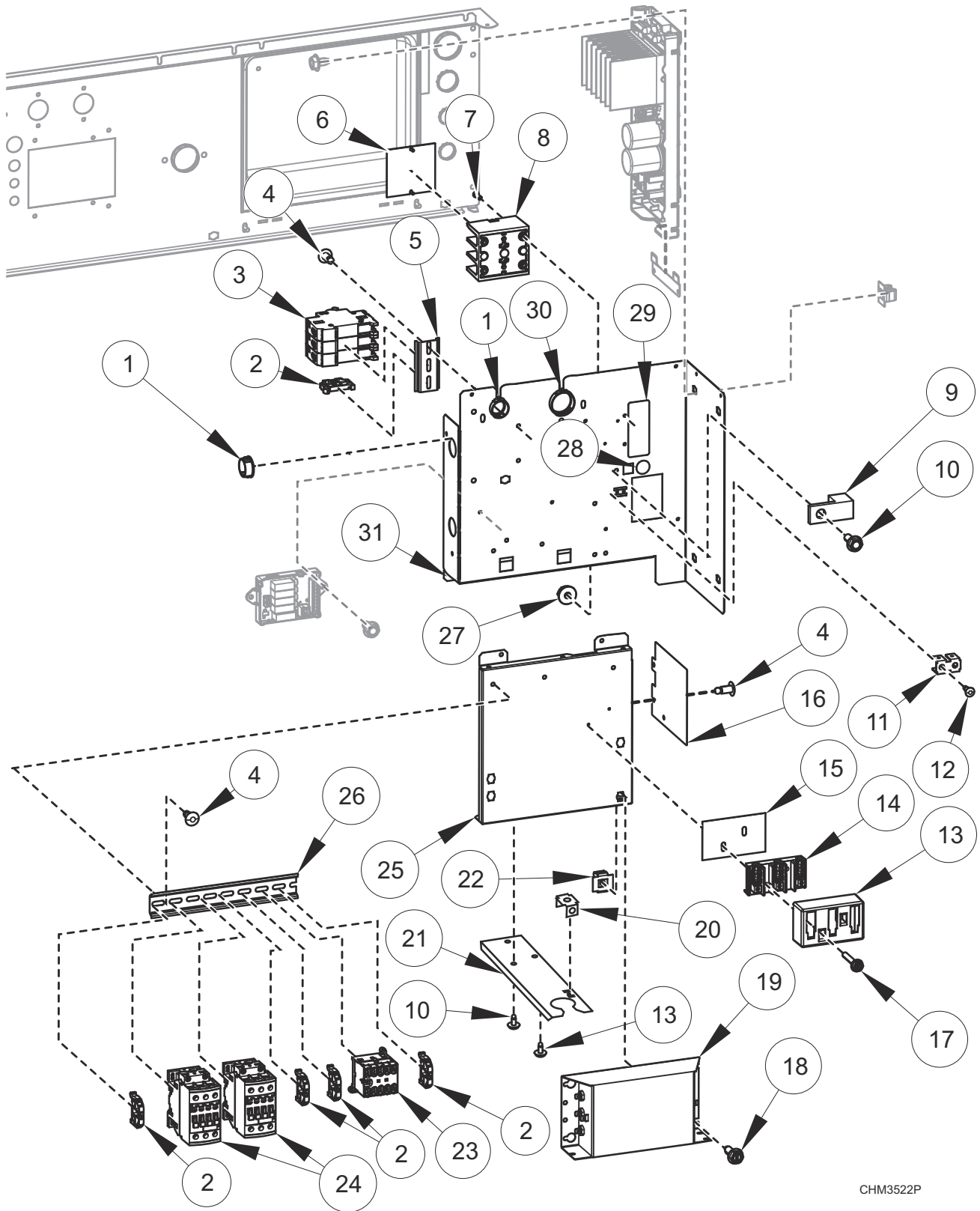


CHM3521P

Inverter Drive Box - 20 and 30 Pound Models with N, P, Q, W, X and Y Voltage

REF	PART NO.	DESCRIPTION	COMMENTS
	F8567001	Drive Panel Base Assembly	Includes items 10-13, 21, 25 and 27
	F8518401	Harness	Power TB1; W, X and Y voltage
	F8518501	Harness	Power TB1; N and P voltage
	F8518502	Harness	Power PDB; N and P voltage; Electric heat
	F8518402	Harness	Power PDB; Q voltage; Electric heat
	F8518404	Harness	Power filter; Q, W, X, and Y voltage
	F8518504	Harness	Power filter; N and P voltage
	F8518605	Harness	Power drive; Q, W, X, and Y voltage
	F8518606	Harness	Power drive; N and P voltage
	F8528001	Harness	TB filter
	F8528002	Harness	PDB filter; Electric heat
	F8528005	Harness	TB2 Filter; N, P, Q, W, X, and Y voltage
	F8619101	Power Harness	Power contactor; Electric heat
	F8619102	Harness	Power contactor; Electric heat
	F8662809	Filter Kit	Includes items 1, 14-20, harnesses and labels; Q voltage; Electric heat
	F8662810	Filter Kit	Includes items 1, 14-20, harnesses and labels; N and P voltage; Electric heat
	F8662803	Filter Kit	Includes items 1, 14-20, harnesses and labels; W, X and Y voltage
	F8662805	Filter Kit	Includes items 1, 14-20, harnesses and labels; N and P voltage
1	F140938	Snap Bushing	
2	44014901P	Power Distribution Block Cover	Electric heat
3	39733	Screw	Electric heat
4	M413865	Power Distribution Block	Electric heat
5	70346501	Bushing	
6	44286803	Label	Power input; L1, L2, L3; N and P voltage
	44286804	Wire Label	Power input; L1, L2/N; L1, L2, L3; W, X and Y voltage
7	D516100	Label	
8	M411283	Ground Lug Connector	
9	685837	Screw	
10	70058501	Pop Rivet	
11	F8616901	Drive Shield	
12	00622SG	Terminal	
13	M400003	Pop Rivet	
14	M413862	Insulator	
15	430642	Terminal Block	
16	70333001	Terminal Block Shield	
17	51783	Screw	
18	F8206901	Screw	
19	F8591801	EMI Filter	
	F8637501	EMI Filter	
20	00621SG	Male Tab Terminal	IEC Models
21	F8744301	Harness Support Bracket	IEC Models
22	70030501	Expansion Clip	
23	F8530901	Contactory Tray	
24	F8449801	End Stop	
25	70482601	Contactory	5.5kW/500V; 24VDC
26	70482701	Contactory	50A; 24VDC
27	M412689	DIN Rail	7.5 mm x 35 mm x 8.364 inch
28	44088001	Nut	
29	F8530801	Drive Terminal Tray	

Inverter Drive Box - 40 Pound Models with B Voltage

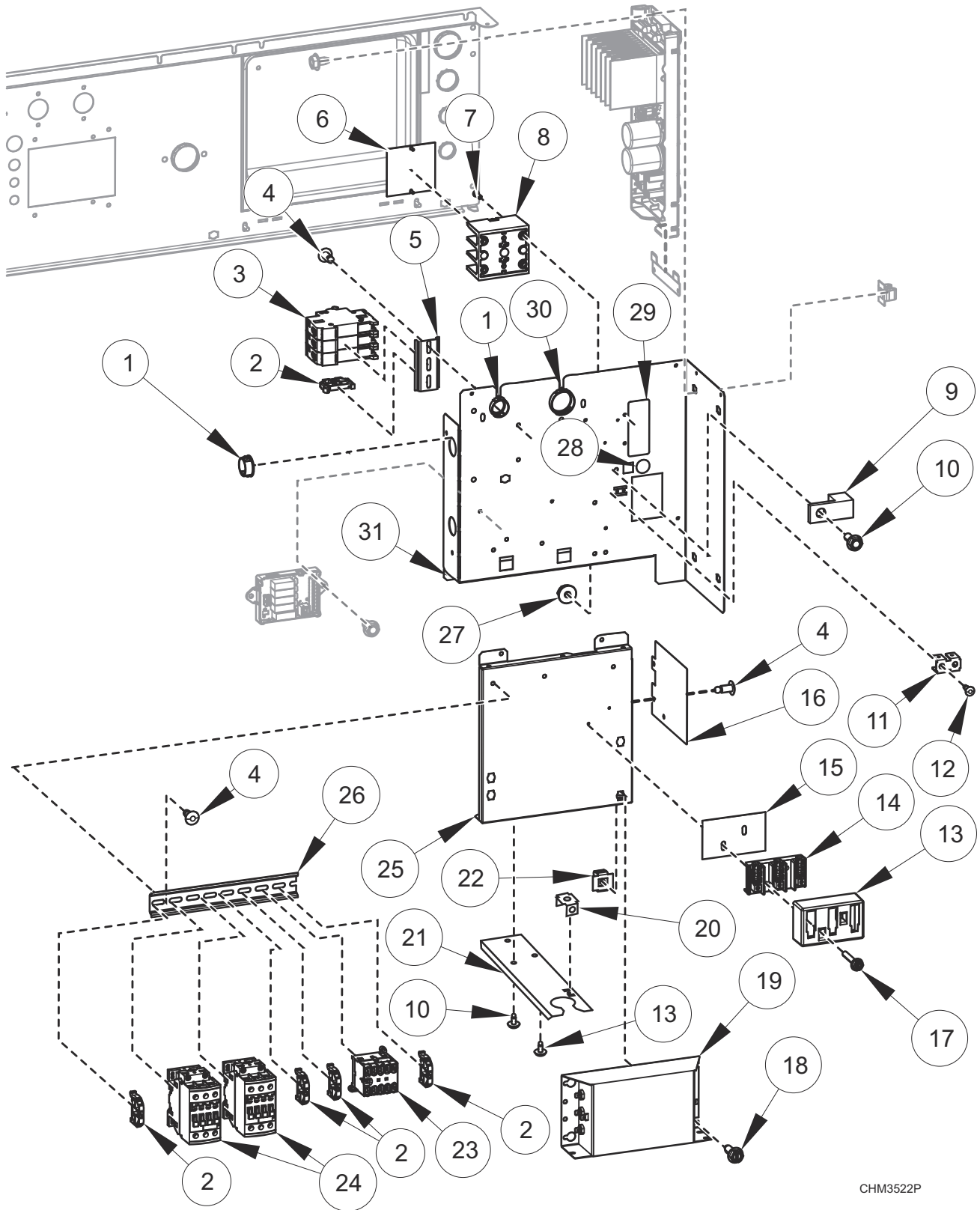


CHM3522P

Inverter Drive Box - 40 Pound Models with B Voltage

REF	PART NO.	DESCRIPTION	COMMENTS
	F8567001	Drive Panel Base Assembly	Includes items 4, 11, 12, 16, 23, 24 and 29
	F8567002	Drive Panel Base Assembly	Electric heat; Includes items 4, 5, 11, 12, 16, 23, 24 and 29
	F8583501	Jumper	Circuit breaker jumper; Electric heat
	F8518405	Harness	Power TB1
	F8518604	Harness	Power drive
	F8528001	Harness	TB filter
	F8528003	Harness	CB filter; Electric heat
	F8528004	Harness	TB filter
	F8528006	Harness	TB2 filter
	F8619101	Power Harness	Power contactor; Electric heat
	F8619102	Harness	Power contactor; Electric heat
	F8662802	Filter Kit	Includes items 1, 14, 15, 17-20, harnesses and labels; B voltage
1	F140938	Snap Bushing	
2	F8449801	End Stop	
3	70488101	Circuit Breaker	3P; 25A; Electric heat
4	70058501	Pop Rivet	
5	B12315401	DIN Rail	7.5 mm x 35 mm x 72 mm; Electric heat
6	44014901P	Power Distribution Block Cover	Electric heat
7	39733	Screw	Electric heat
8	M413865	Power Distribution Block	Electric heat
9	M411283	Ground Lug Connector	
10	685837	Screw	
11	00622SG	Terminal	
12	M400003	Pop Rivet	
13	70333001	Terminal Block Shield	
14	430642	Terminal Block	
15	M413862	Insulator	
16	F8616901	Drive Shield	
17	51783	Screw	
18	F8206901	Screw	
19	F8591601	EMI Filter	
20	00621SG	Male Tab Terminal	IEC Models
21	F8744301	Harness Support Bracket	IEC Models
22	70030501	Expansion Clip	
23	70482601	Contactors	5.5kW/500V; 24VDC; Electric heat
24	70482701	Contactors	50A; 24VDC
25	F8530901	Contactors Tray	
26	M412689	DIN Rail	7.5 mm x 35 mm x 8.364 inch
27	44088001	Nut	
28	D516100	Label	
29	44286801	Label	Power input; L1, N
30	70346501	Bushing	
31	F8530801	Drive Terminal Tray	

Inverter Drive Box - 40 Pound Models with N, P, Q, W, X and Y Voltage

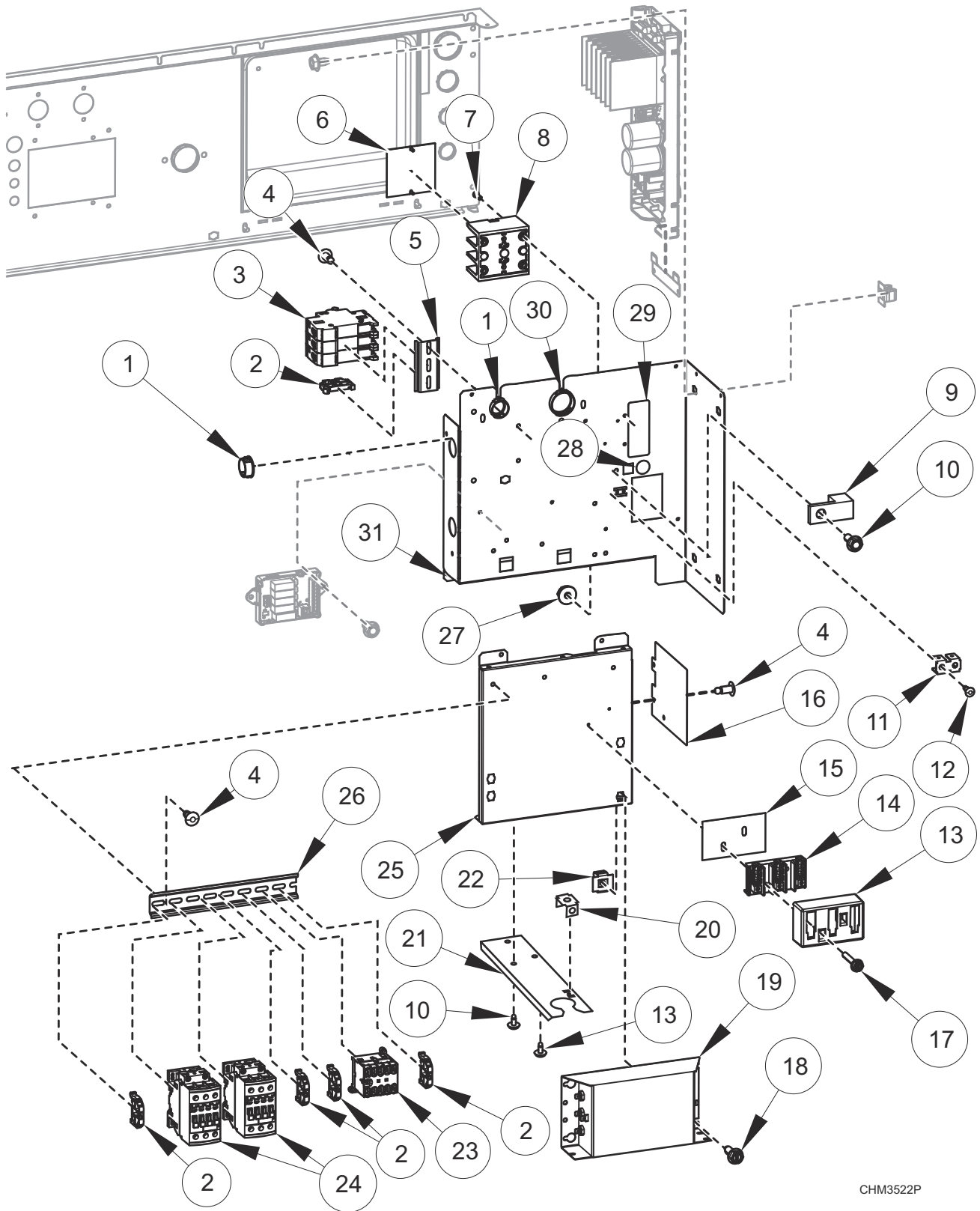


CHM3522P

Inverter Drive Box - 40 Pound Models with N, P, Q, W, X and Y Voltage

REF	PART NO.	DESCRIPTION	COMMENTS
	F8567001	Drive Panel Base Assembly	Includes items 4, 11, 12, 16, 23, 24 and 29
	F8567002	Drive Panel Base Assembly	Electric heat; Includes items 4, 5, 11, 12, 16, 23, 24 and 29
	F8583501	Jumper	Circuit breaker jumper; Electric heat
	F8518401	Harness	Power TB1; W, X and Y voltage
	F8518501	Harness	Power TB1; N and P voltage
	F8518504	Harness	Power filter; N and P voltage
	F8518605	Harness	Power drive; Q, W, X, and Y voltage
	F8518606	Harness	Power drive; N and P voltage
	F8528001	Harness	TB filter
	F8528003	Harness	CB filter; Electric heat
	F8528005	Harness	TB2 Filter; N, P, Q, W, X, and Y voltage
	F8518503	Harness	Power CB; N and P voltage; Electric heat
	F8518403	Harness	Power CB; Q voltage; Electric heat
	F8619101	Power Harness	Power contactor; Electric heat
	F8619102	Harness	Power contactor; Electric heat
	F8662811	Filter Kit	Includes items 1, 14, 15, 17-20, harnesses and labels; Q voltage; Electric heat
	F8662812	Filter Kit	Includes items 1, 14, 15, 17-20, harnesses and labels; N and P voltage; Electric heat
	F8662804	Filter Kit	Includes items 1, 14, 15, 17-20, harnesses and labels; W, X and Y voltage
	F8662806	Filter Kit	Includes items 1, 14, 15, 17-20, harnesses and labels; N and P voltage
1	F140938	Snap Bushing	
2	F8449801	End Stop	
3	70488101	Circuit Breaker	3P; 25A; Electric heat
4	70058501	Pop Rivet	
5	B12315401	DIN Rail	7.5 mm x 35 mm x 72 mm; Electric heat
6	44014901P	Power Distribution Block Cover	Electric heat
7	39733	Screw	Electric heat
8	M413865	Power Distribution Block	Electric heat
9	M411283	Ground Lug Connector	
10	685837	Screw	
11	00622SG	Terminal	
12	M400003	Pop Rivet	
13	70333001	Terminal Block Shield	
14	430642	Terminal Block	
15	M413862	Insulator	
16	F8616901	Drive Shield	
17	51783	Screw	
18	F8206901	Screw	
19	F8591801	EMI Filter	Q, W, X and Y voltage
	F8637501	EMI Filter	N and P voltage
20	00621SG	Male Tab Terminal	IEC Models
21	F8744301	Harness Support Bracket	IEC Models
22	70030501	Expansion Clip	
23	70482601	Contactors	5.5kW/500V; 24VDC; Electric heat
24	70482701	Contactors	50A; 24VDC
25	F8530901	Contactors Tray	
26	M412689	DIN Rail	7.5 mm x 35 mm x 8.364 inch
27	44088001	Nut	
28	D516100	Label	
29	44286803	Label	Power input; L1, L2, L3; N and P voltage
	44286804	Wire Label	Power input; L1, L2/N; L1, L2, L3; W, X and Y voltage
30	70346501	Bushing	
31	F8530801	Drive Terminal Tray	

Inverter Drive Box - 60 Pound Models with Q and X Voltage

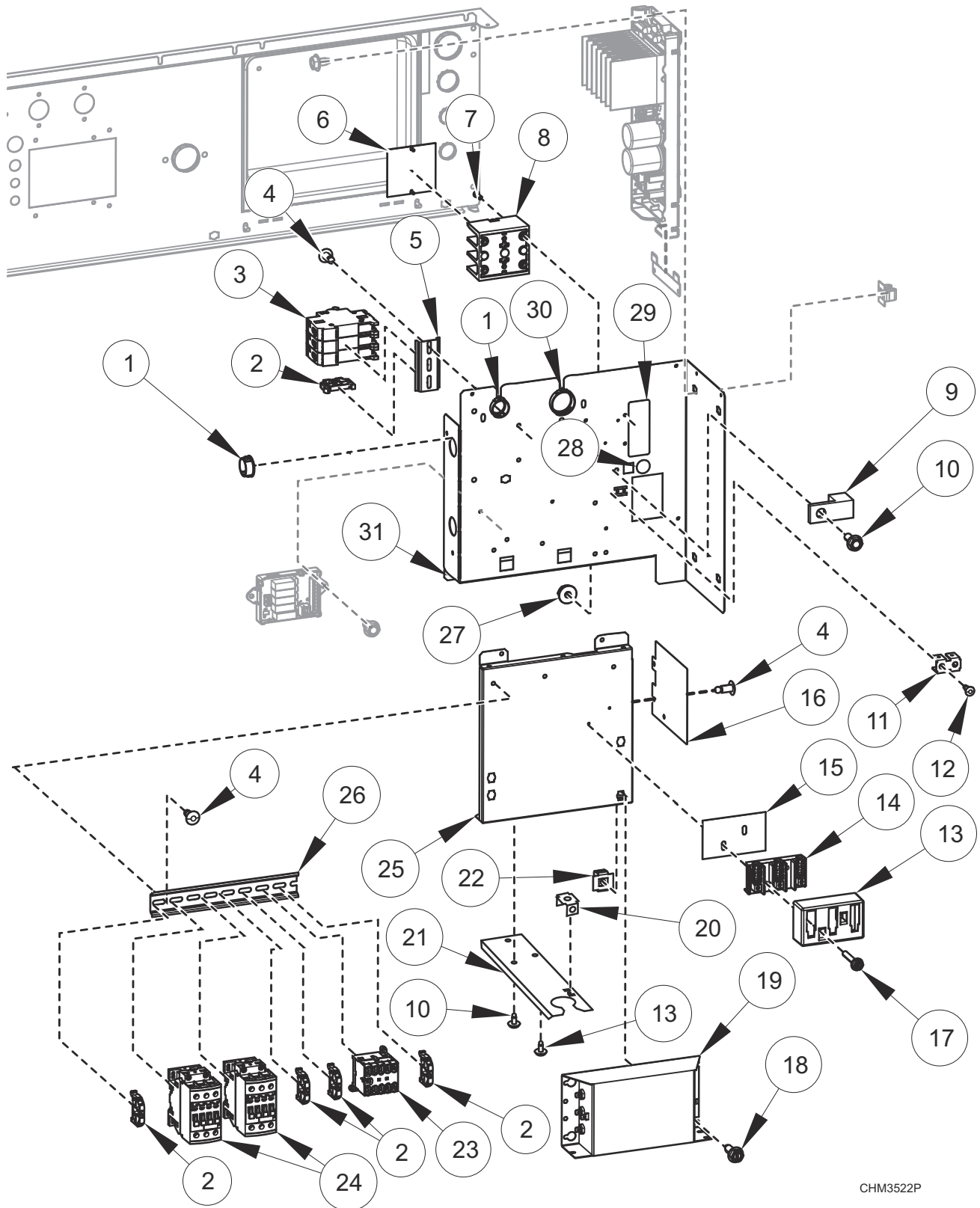


CHM3522P

Inverter Drive Box - 60 Pound Models with Q and X Voltage

REF	PART NO.	DESCRIPTION	COMMENTS
	F8567003	Drive Panel Base Assembly	Includes items 4, 11, 12, 16, 23, 24 and 29
	F8567004	Drive Panel Base Assembly	Electric heat; Includes items 4, 5, 11, 12, 16, 23, 24 and 29
	F8583501	Jumper	Circuit breaker jumper; Electric heat
	F8518401	Harness	Power TB1; X voltage
	F8518404	Harness	Power filter
	F8518607	Harness	Power drive
	F8528001	Harness	TB filter
	F8528003	Harness	CB filter; Electric heat
	F8528005	Harness	TB2 Filter
	F8518403	Harness	Power CB; Q voltage; Electric heat
	F8619101	Power Harness	Power contactor; Electric heat
	F8619102	Harness	Power contactor; Electric heat
	F8662811	Filter Kit	Includes items 1, 14, 15, 17-20, harnesses and labels; Q voltage; Electric heat
	F8662804	Filter Kit	Includes items 1, 14, 15, 17-20, harnesses and labels; X voltage
1	F140938	Snap Bushing	
2	F8449801	End Stop	
3	70488101	Circuit Breaker	3P; 25A; Electric heat
4	70058501	Pop Rivet	
5	B12315401	DIN Rail	7.5 mm x 35 mm x 72 mm; Electric heat
6	44014901P	Power Distribution Block Cover	Electric heat
7	39733	Screw	Electric heat
8	M413865	Power Distribution Block	Electric heat
9	M411283	Ground Lug Connector	
10	685837	Screw	
11	00622SG	Terminal	
12	M400003	Pop Rivet	
13	70333001	Terminal Block Shield	
14	430642	Terminal Block	
15	M413862	Insulator	
16	F8616901	Drive Shield	
17	51783	Screw	
18	F8206901	Screw	
19	F8591801	EMI Filter	
20	00621SG	Male Tab Terminal	IEC Models
21	F8744301	Harness Support Bracket	IEC Models
22	70030501	Expansion Clip	
23	70482601	Contactora	5.5kW/500V; 24VDC
24	70482701	Contactora	50A; 24VDC
25	F8530901	Contactora Tray	
26	M412689	DIN Rail	7.5 mm x 35 mm x 8.364 inch
27	44088001	Nut	
28	D516100	Label	
29	44286804	Wire Label	Power input; L1, L2/N; L1, L2, L3; X voltage
30	70346501	Bushing	
31	F8530803	Drive Terminal Tray	

Inverter Drive Box - 60 Pound Models with N and P Voltage

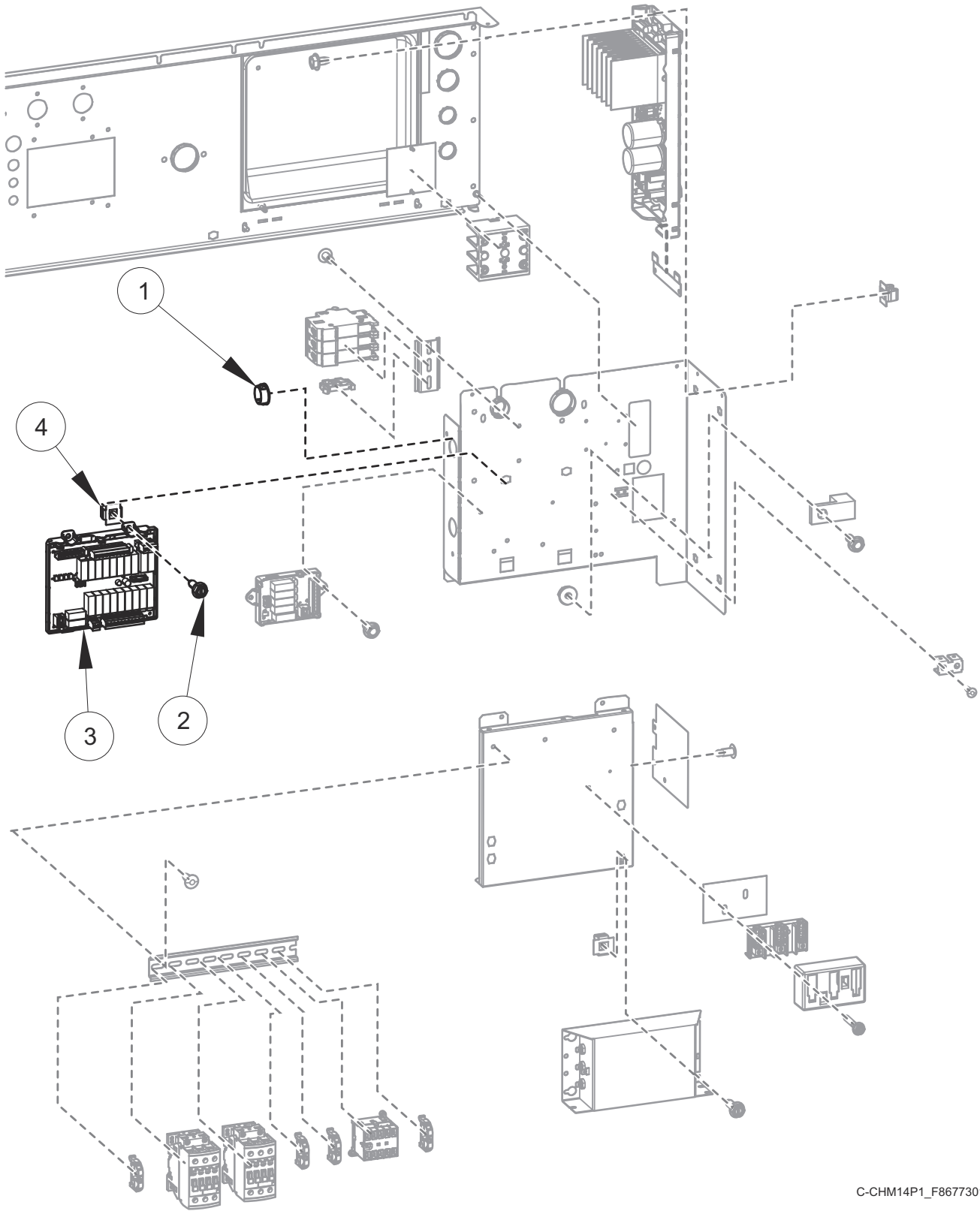


CHM3522P

Inverter Drive Box - 60 Pound Models with N and P Voltage

REF	PART NO.	DESCRIPTION	COMMENTS
	F8567003	Drive Panel Base Assembly	Includes items 4, 11, 12, 16, 23, 24 and 29
	F8567004	Drive Panel Base Assembly	Electric heat; Includes items 4, 5, 11, 12, 16, 23, 24 and 29
	F8583501	Jumper	Circuit breaker jumper; Electric heat
	F8518501	Harness	Power TB1; N and P voltage
	F8518503	Harness	Power CB; Electric heat
	F8518504	Harness	Power filter
	F8518606	Harness	Power drive
	F8528001	Harness	TB filter
	F8528003	Harness	CB filter; Electric heat
	F8528005	Harness	TB2 Filter
	F8619101	Power Harness	Power contactor; Electric heat
	F8619102	Harness	Power contactor; Electric heat
	F8662812	Filter Kit	Includes items 1, 14, 15, 17-20, harnesses and labels; Electric heat
	F8662806	Filter Kit	Includes items 1, 14, 15, 17-20, harnesses and labels
1	F140938	Snap Bushing	
2	F8449801	End Stop	
3	70488101	Circuit Breaker	3P; 25A; Electric heat
4	70058501	Pop Rivet	
5	B12315401	DIN Rail	7.5 mm x 35 mm x 72 mm; Electric heat
6	44014901P	Power Distribution Block Cover	Electric heat
7	39733	Screw	Electric heat
8	M413865	Power Distribution Block	Electric heat
9	M411283	Ground Lug Connector	
10	685837	Screw	
11	00622SG	Terminal	
12	M400003	Pop Rivet	
13	70333001	Terminal Block Shield	
14	430642	Terminal Block	
15	M413862	Insulator	
16	F8616901	Drive Shield	
17	51783	Screw	
18	F8206901	Screw	
19	F8637501	EMI Filter	
20	00621SG	Male Tab Terminal	IEC Models
21	F8744301	Harness Support Bracket	IEC Models
22	70030501	Expansion Clip	
23	70482601	Contactors	5.5kW/500V; 24VDC
24	70482701	Contactors	50A; 24VDC
25	F8530901	Contactors Tray	
26	M412689	DIN Rail	7.5 mm x 35 mm x 8.364 inch
27	44088001	Nut	
28	D516100	Label	
29	44286803	Label	Power input; L1, L2, L3
30	70346501	Bushing	
31	F8530803	Drive Terminal Tray	

External Supply Kit (Drawing 1 of 2)

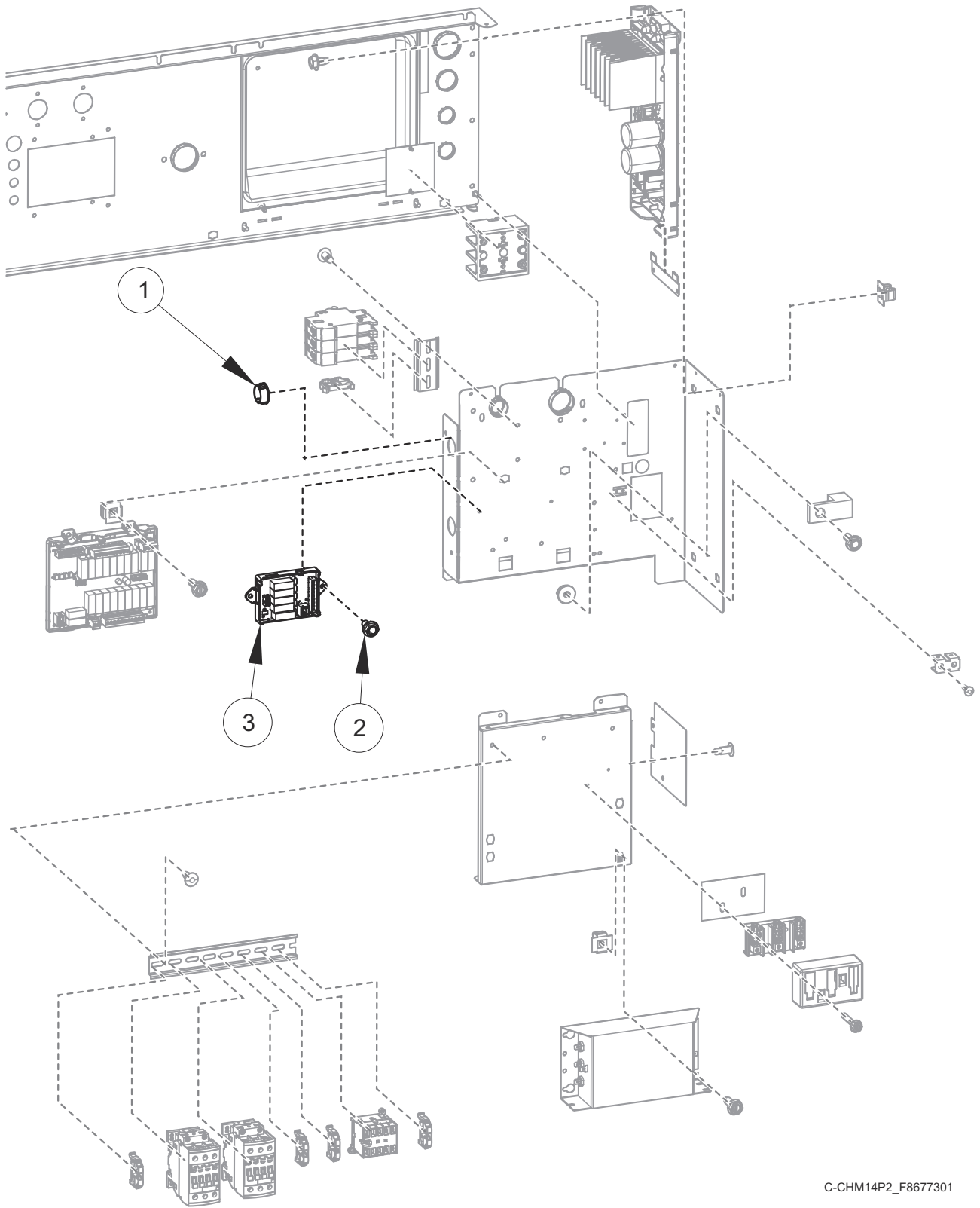


C-CHM14P1_F8677301

External Supply Kit (Drawing 1 of 2)

REF	PART NO.	DESCRIPTION	COMMENTS
	F8581301	Harness	Communication; Use with F8497401 Chemical Injection Control
	F8528205	Harness	Power; B voltage; Use with F8497401 Chemical Injection Control
	F8528206	Harness	Power; N, P, Q, W, X and Y voltage; Use with F8497401 Chemical Injection Control
	F8662509	External Supply Kit	20, 30 and 40 pound card ready models with B voltage; Includes items 1-4, F8581301 Harness, F8528205 Harness and labels; 8 out
	F8662510	External Supply Kit	Card ready models with N, P, Q and X voltage; Includes items 1-4, F8581301 Harness, F8528206 Harness and labels; 8 out
	F8662511	External Supply Kit	20, 30 and 40 pound coin and central pay models with B voltage; Includes items 1-4, 202757 Transformer, F8581301 Harness, F8528205 Harness, hardware and labels; 8 out
	F8662512	External Supply Kit	Coin and central pay models with N, P, Q and X voltage; Includes items 1-4, 202758 Transformer, F8581301 Harness, F8528206 Harness, hardware and labels; 8 out
1	F140938	Snap Bushing	
2	F8206901	Screw	
3	F8497401	Chemical Injection Control	8-output
	F8555403	Connector	7 pin; H3
	F8555404	Connector	10 pin; H4
	F8555401	Connector	2 pin; H5
	F8555405	Connector	11 pin; H6
	F8555402	Connector	4 pin; H7
4	70030501	Expansion Clip	

External Supply Kit (Drawing 2 of 2)

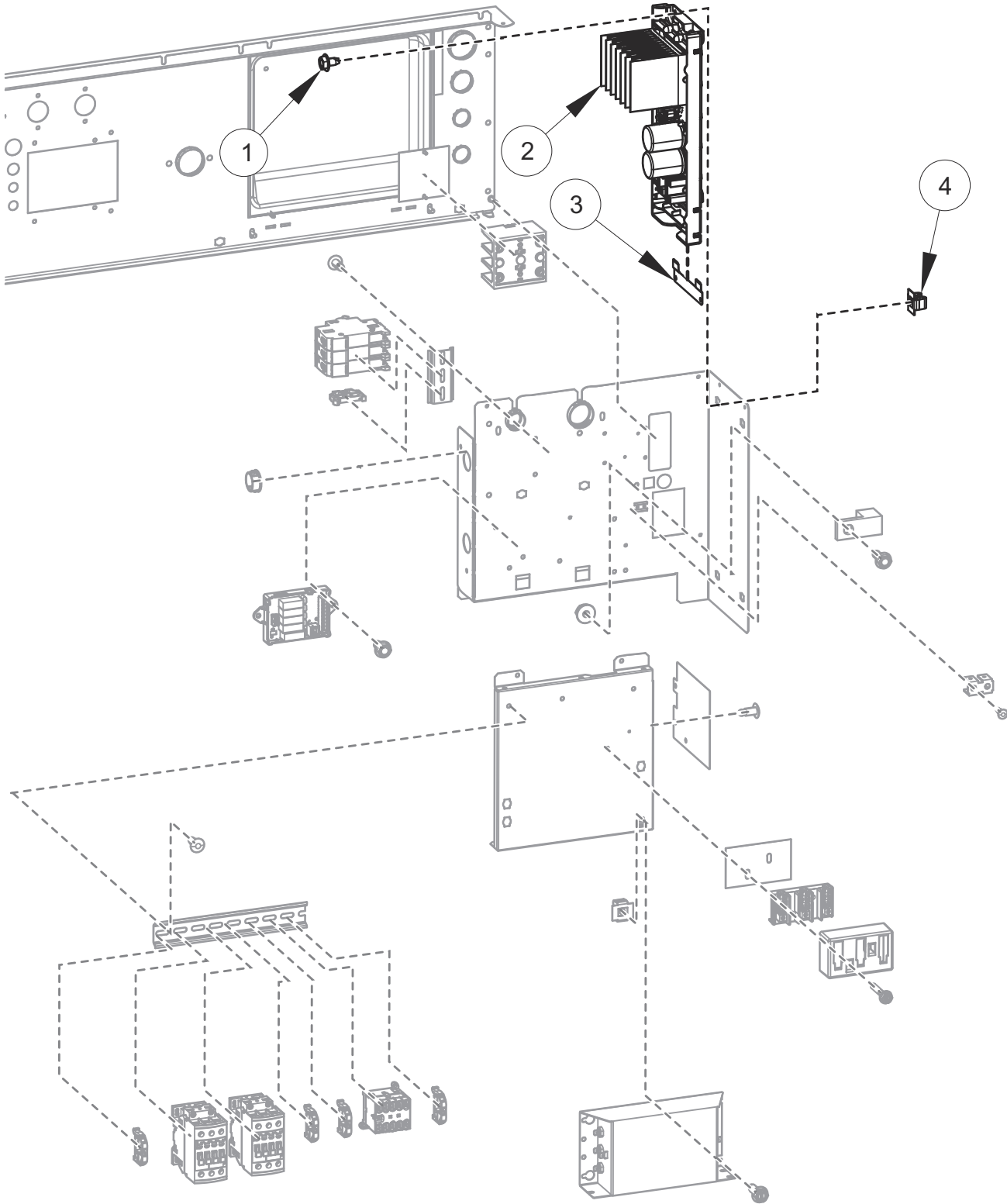


C-CHM14P2_F8677301

External Supply Kit (Drawing 2 of 2)

REF	PART NO.	DESCRIPTION	COMMENTS
	F8520601	Harness	Communication; 20 and 30 pound models; Use with 804528 Chemical Injection Control
	F8520602	Harness	Communication; 40 and 60 pound models; Use with 804528 Chemical Injection Control
	F8528203	Harness	Power; B voltage; Use with 804528 Chemical Injection Control
	F8528204	Harness	Power; N, P, Q, W, X and Y voltage; Use with 804528 Chemical Injection Control
	F8662501	External Supply Kit	20 and 30 pound card ready models with B voltage; Includes items 1-3, F8520601 Harness, F8528203 Harness and labels; 4 out
	F8662502	External Supply Kit	40 pound card ready models with B voltage; Includes items 1-3, F8520602 Harness, F8528203 Harness and labels; 4 out
	F8662503	External Supply Kit	20 and 30 pound card ready models with N, P, Q and X voltage; Includes items 1-3, F8520601 Harness, F8528204 Harness and labels; 4 out
	F8662504	External Supply Kit	40 and 60 pound card ready models with N, P, Q and X voltage; Includes items 1-3, F8520602 Harness, F8528204 Harness and labels; 4 out
	F8662505	External Supply Kit	20 and 30 pound coin and central pay models with B voltage; Includes items 1-3, 202757 Transformer, F8520601 Harness, F8528203 Harness, hardware and labels; 4 out
	F8662506	External Supply Kit	40 pound coin and central pay models with B voltage; Includes items 1-3, 202757 Transformer, F8520601 Harness, F8528203 Harness, hardware and labels; 4 out
	F8662507	External Supply Kit	20 and 30 pound coin and central pay models with N, P, Q and X voltage; Includes items 1-3, 202758 Transformer, F8520601 Harness, F8528204 Harness, hardware and labels; 4 out
	F8662508	External Supply Kit	40 and 60 pound coin and central pay models with N, P, Q and X voltage; Includes items 1-3, F8520602 Harness, F8528204 Harness, hardware and labels; 4 out
1	F140938	Snap Bushing	
2	430497	Screw	
3	804528	Chemical Injection Control	5 output
	70493102	Connector	9 pin; H2

Inverter Drive

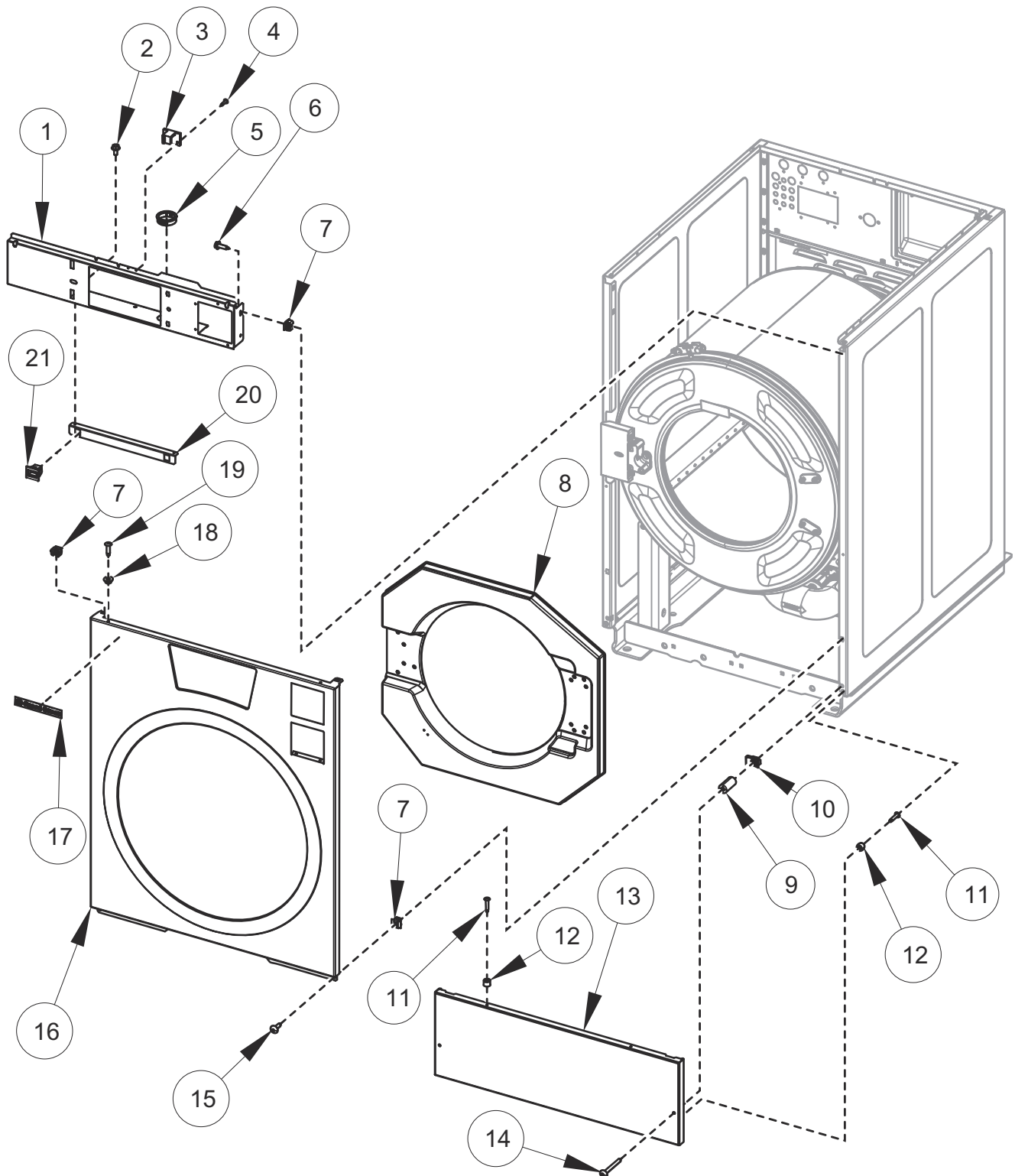


C-CHM2P22_F8677301

Inverter Drive

REF	PART NO.	DESCRIPTION	COMMENTS
	F8519202	Drive Communication Harness	20 and 30 pound models; 40 and 60 pound models with N and P voltage; Electric heat
	F8519203	Drive Communication Harness	40 and 60 pound models Q voltage; Electric heat
	F8519201	Drive Communication Harness	Standard
	F8519204	Drive Communication Harness	Steam heat
	F8518605	Harness	Power drive; 20, 30 and 40 pound models with Q, W, X and Y voltage; EMI filter
	F8518607	Harness	60 pound models models with Q and X voltage; EMI filter
	F8518606	Harness	Power drive; N and P voltage; EMI filter
	F8518602	Drive Power Harness	Q, W, X and Y voltage
	F8518603	Drive Power Harness	N and P voltage
	F8518601	Drive Power Harness	B voltage
1	D503688	Screw	
2	F8496001	Drive Assembly	20, 30 and 40 pound models; N and P voltage; 2 hp; 480 Volt
	F8495401P	Drive Assembly	20, 30 and 40 pound models; B, Q, W X and Y voltage; 2 hp; 120/240 Volt
	F8496301P	Drive Assembly	60 pound models; Q and X voltage; 3 hp; 240 Volt
	F8496901	Drive Assembly	60 pound models; N and P voltage; 5 hp; 480 Volt
3	F8322401	Drive Mounting Bracket	2 included with N and P voltage
4	70030501	Expansion Clip	

Front Panels and Control Panel - 20 and 30 Pound models

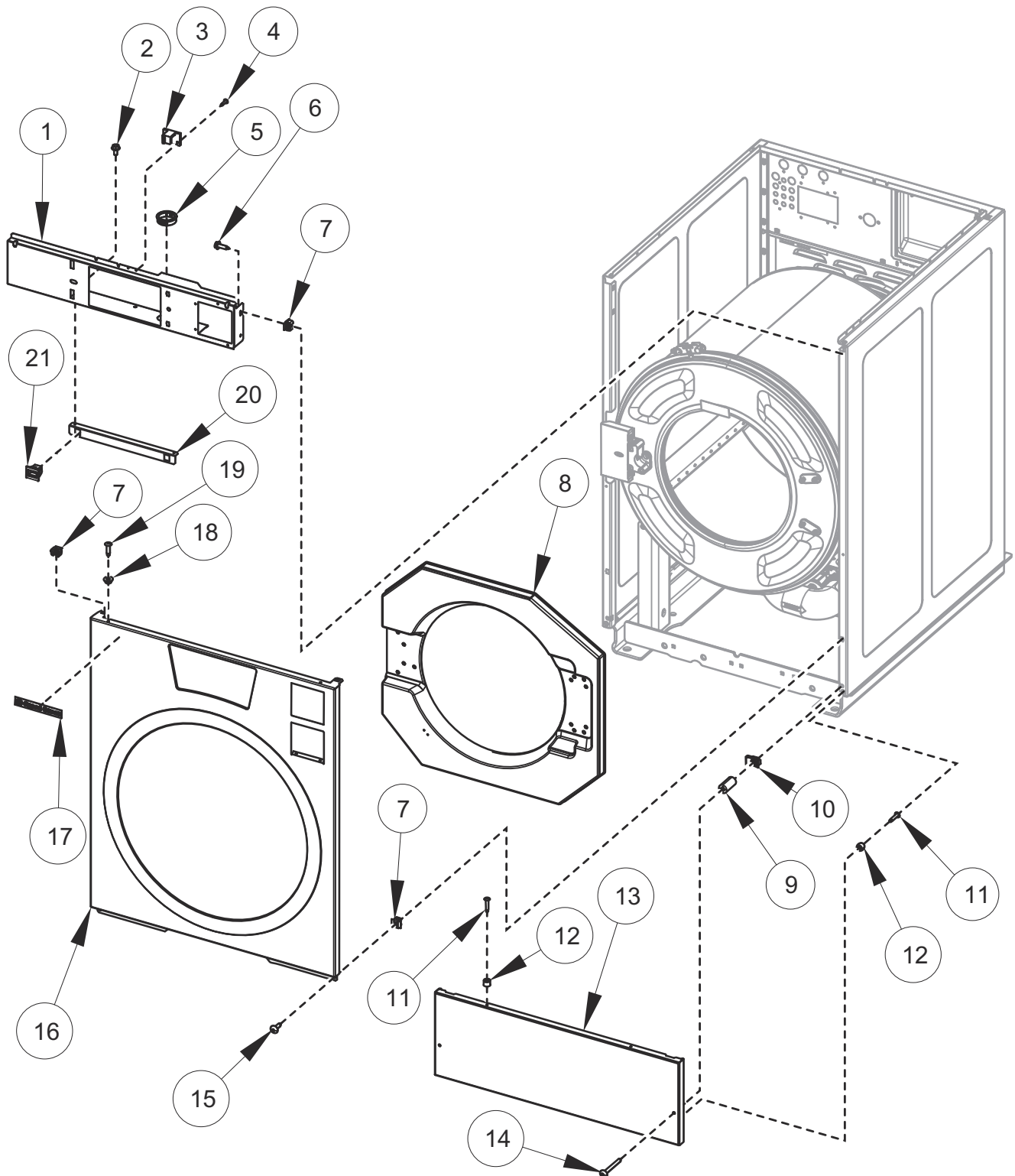


C-CHM11P8_F8677301

Front Panels and Control Panel - 20 and 30 Pound models

REF	PART NO.	DESCRIPTION	COMMENTS
1	F8631901	Control Panel Assembly	20 pound models; Design 5
	F8631903	Control Panel Assembly	30 pound models; Design 5
	F8698201	Front Panel	20 pound coin models; Design 6
	F8698202	Front Panel	20 pound card ready models; Design 6
	F8698204	Front Panel	20 pound central pay models; Design 6
	F8698301	Front Panel	30 pound coin models; Design 6
	F8698302	Front Panel	30 pound card ready models; Design 6
	F8698304	Front Panel	30 pound central pay models; Design 6
2	430497	Screw	
3	F8201001	Top Cover Latch	
4	F431215	Pop Rivet	
5	70346501	Bushing	
6	F8206901	Screw	
7	70030501	Expansion Clip	
8	F8658701	Door Bezel	20 pound models; Black
	F8658801	Door Bezel	20 pound models; Gray
	F8658901	Door Bezel	30 pound models
9	F8609701	Access Panel Retaining Spacer	
10	36020	Nut	
11	M412763	Rivet	
12	56079	Panel Locator	
13	F8524001	Access Panel	20 pound models
	F8524101	Access Panel	30 pound models
14	F8589501	Screw	
15	F8117601	Screw	
16	F8666201	Front Panel	20 pound coin models; Includes items 7 and 17-19; Design 5
	F8666202	Front Panel	20 pound card ready models; Includes items 7 and 17-19; Design 5
	F8666204	Front Panel	20 pound central pay models; Includes items 7 and 17-19; Design 5
	F8666301	Front Panel	30 pound coin models; Includes items 7 and 17-19; Design 5
	F8666302	Front Panel	30 pound card ready models; Includes items 7 and 17-19; Design 5
	F8666304	Front Panel	30 pound central pay models; Includes items 7 and 17-19; Design 5
	F8685601	Front Panel	20 pound coin models; Includes items 7 and 17-19; Design 6
	F8685602	Front Panel	20 pound card ready models; Includes items 7 and 17-19; Design 6
	F8685604	Front Panel	20 pound card ready models; Includes items 7 and 17-19; Design 6
	F8685701	Front Panel	30 pound coin models; Includes items 7 and 17-19; Design 6
	F8685702	Front Panel	30 pound card ready models; Includes items 7 and 17-19; Design 6
	F8685704	Front Panel	30 pound central pay models; Includes items 7 and 17-19; Design 6
17	F8664901	Nameplate	Design 5; S models
	F8688801	Nameplate	Design 6; S models
	F8687701	Decal	H models
18	F8201101	Washer	
19	70412601	Pop Rivet	
20	F8665701	Bracket	
21	D510177	Door Catch Assembly	

Front Panels and Control Panel - 40 and 60 Pound models

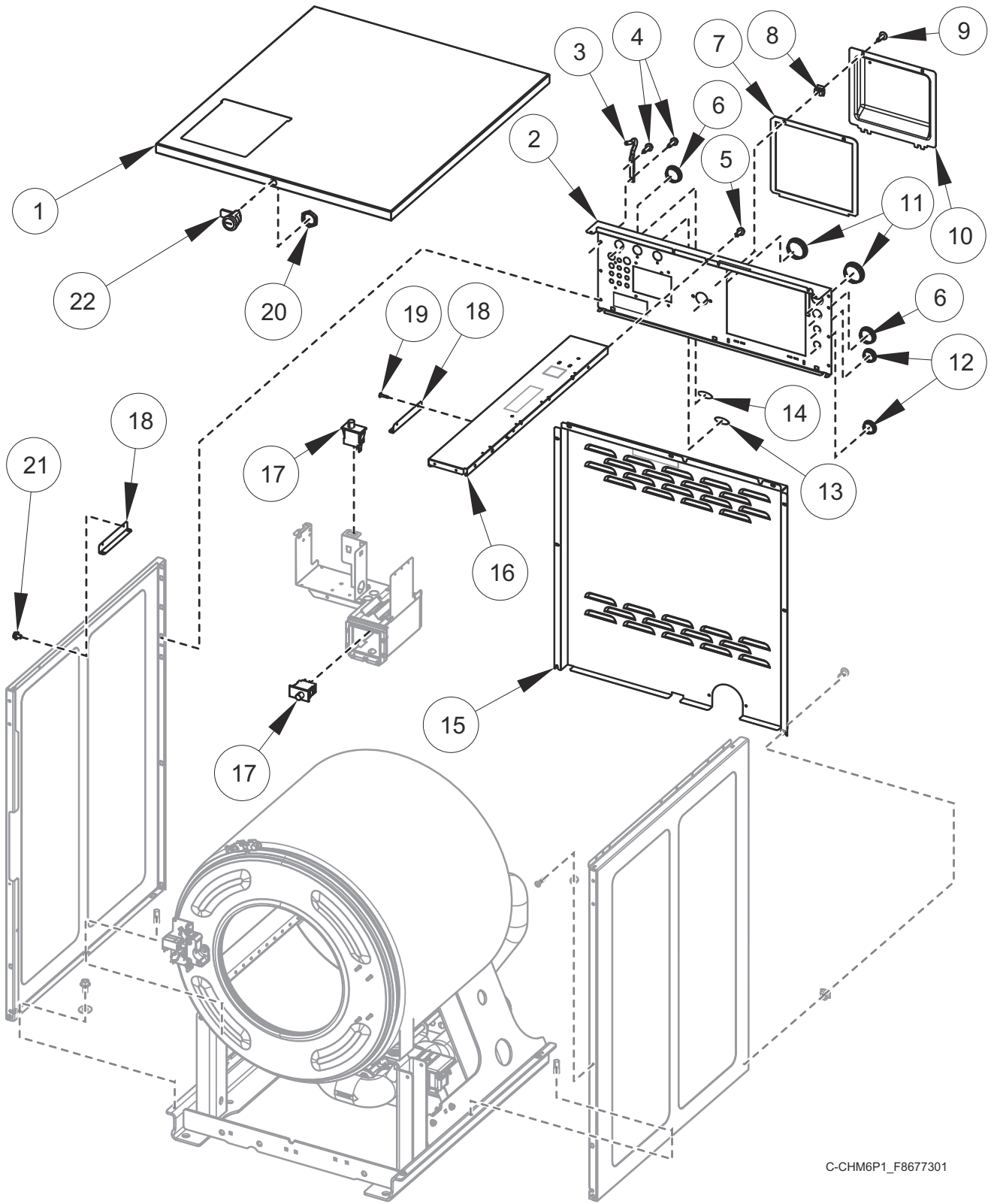


C-CHM11P8_F8677301

Front Panels and Control Panel - 40 and 60 Pound models

REF	PART NO.	DESCRIPTION	COMMENTS
1	F8631905	Control Panel Assembly	40 pound models; Design 5
	F8631907	Control Panel Assembly	60 pound models; Design 5
	F8698401	Front Panel	40 pound coin models; Design 6
	F8698402	Front Panel	40 pound card ready models; Design 6
	F8698404	Front Panel	40 pound central pay models; Design 6
	F8698501	Front Panel	60 pound coin models; Design 6
	F8698502	Front Panel	60 pound card ready models; Design 6
	F8698504	Front Panel	60 pound central pay models; Design 6
2	430497	Screw	
3	F8201001	Top Cover Latch	
4	F431215	Pop Rivet	
5	70346501	Bushing	
6	F8206901	Screw	
7	70030501	Expansion Clip	
8	F8659101	Door Bezel	40 and 60 pound models
9	F8609701	Access Panel Retaining Spacer	
10	36020	Nut	
11	M412763	Rivet	
12	56079	Panel Locator	
13	F8524201	Access Panel	40 pound models
	F8553901	Access Panel	60 pound models
14	F8589501	Screw	
15	F8117601	Screw	
16	F8666401	Front Panel	40 pound coin models; Includes items 7 and 17-19; Design 5
	F8666402	Front Panel	40 pound card ready models; Includes items 7 and 17-19; Design 5
	F8666404	Front Panel	40 pound central pay models; Includes items 7 and 17-19; Design 5
	F8666501	Front Panel	60 pound coin models; Includes items 7 and 17-19; Design 5
	F8666502	Front Panel	60 pound card ready models; Includes items 7 and 17-19; Design 5
	F8666504	Front Panel	60 pound central pay models; Includes items 7 and 17-19; Design 5
	F8685201	Front Panel	40 pound coin models; Includes items 7 and 17-19; Design 6
	F8685202	Front Panel	40 pound card ready models; Includes items 7 and 17-19; Design 6
	F8685204	Front Panel	40 pound central pay models; Includes items 7 and 17-19; Design 6
	F8685801	Front Panel	60 pound coin models; Includes items 7 and 17-19; Design 6
	F8685802	Front Panel	60 pound card ready models; Includes items 7 and 17-19; Design 6
	F8685804	Front Panel	60 pound central pay models; Includes items 7 and 17-19; Design 6
17	F8664901	Nameplate	S models
	F8688801	Nameplate	S models
	F8687701	Decal	H models
18	F8201101	Washer	
19	70412601	Pop Rivet	
20	F8665701	Bracket	
21	D510177	Door Catch Assembly	

Rear and Top Panels

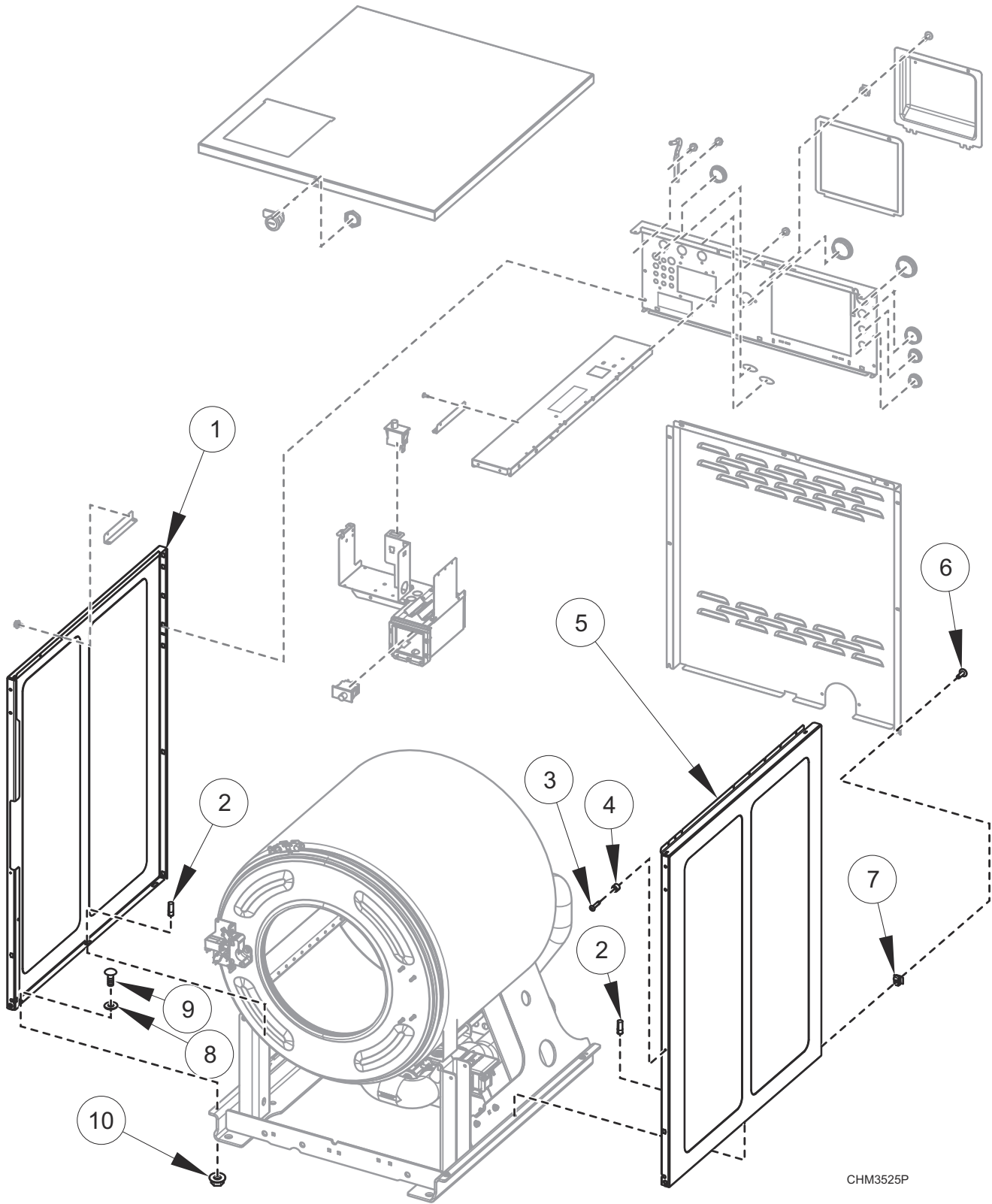


C-CHM6P1_F8677301

Rear and Top Panels

REF	PART NO.	DESCRIPTION	COMMENTS
1	F8525401	Top Cover	20 pound models
	F8525501	Top Cover	30 pound models
	F8525601	Top Cover	40 pound models
	F8554301	Top Cover	60 pound models
2	F8513101	Valve Panel	20 pound models
	F8513201	Valve Panel	30 pound models
	F8513301	Valve Panel	40 pound models
	F8554401	Valve Panel	60 pound models
3	F8258601	Top Cover Hinge	
4	F8206901	Screw	
5	33562	Screw	
6	F8223901	Plug	
7	F8542601	Gasket	
8	70030501	Expansion Clip	
9	F8117601	Screw	
10	F8518301	Terminal Tray Cover	
	F8521301	Cable	
11	F8223801	Hole Plug	
12	M400985	Plug	
13	F8611301	Label	Hot water
14	F8611401	Label	Cold water
15	F8527001	Rear Panel	20 pound models
	F8660101	Rear Panel	30 pound models
	F8660201	Rear Panel	40 pound models
	F8554501	Rear Panel	60 pound models
16	F8527301	Cabinet Brace	20 pound models
	F8527401	Cabinet Brace	30 pound models
	F8527501	Cabinet Brace	40 pound models
	F8553201	Cabinet Brace	60 pound models
17	70413301	Pushbutton Switch	
18	F8525701	Dispenser Bracket	
19	F431215	Pop Rivet	
20	44088801	Nut	
21	51780	Screw	
22	44089303P	Panel Lock	
	70155603	Key	

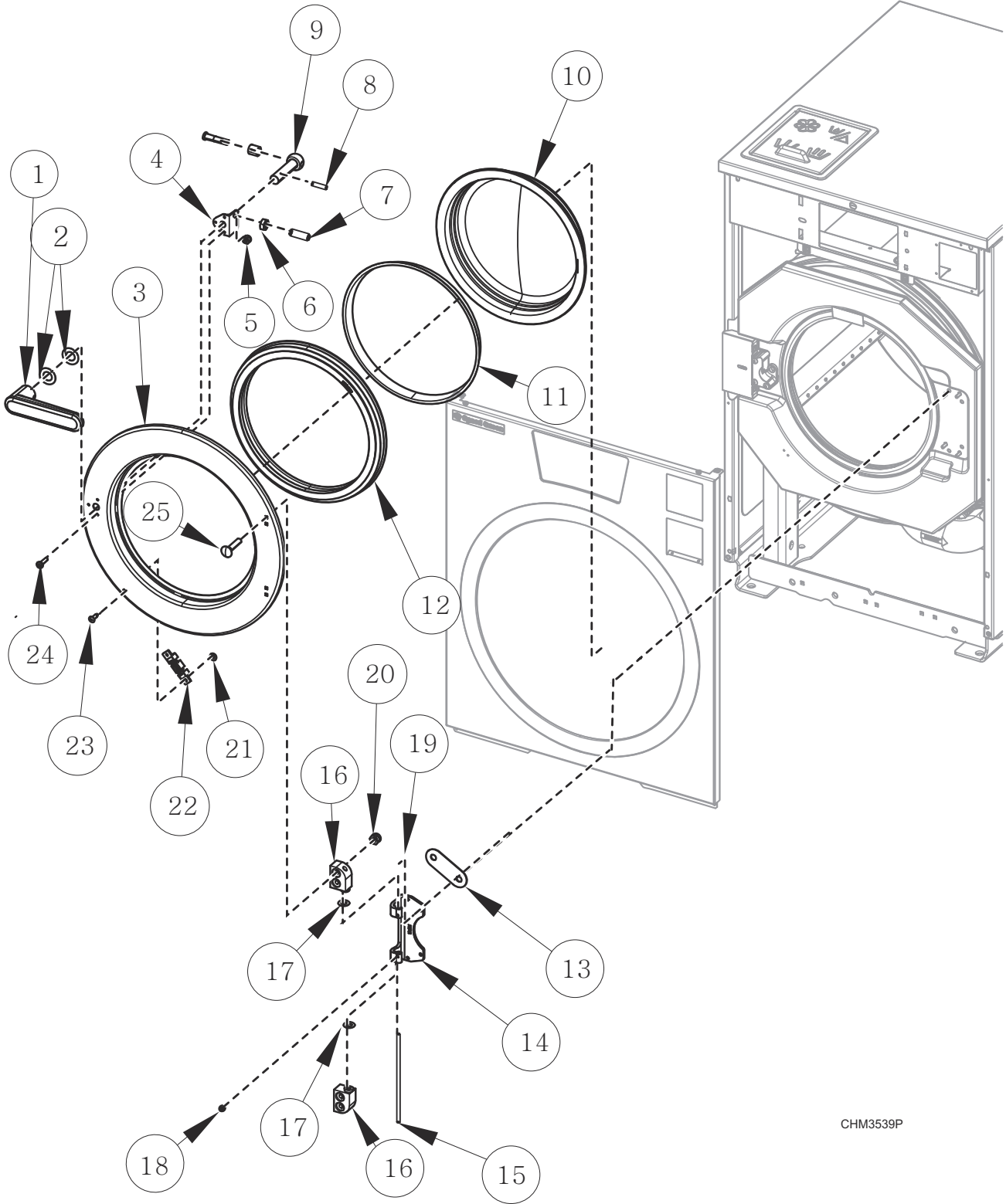
Side Panels



Side Panels

REF	PART NO.	DESCRIPTION	COMMENTS
1	F8633702	Side Panel	20 pound models; Left
	F8633704	Side Panel	20 pound models; Left; Stainless steel
	F8633802	Side Panel	30 pound models; Left
	F8633804	Side Panel	30 pound models; Left; Stainless steel
	F8633902	Side Panel	40 pound models; Left
	F8633904	Side Panel	40 pound models; Left; Stainless steel
	F8634002	Side Panel	60 pound models; Left
	F8634004	Side Panel	60 pound models; Left; Stainless steel
2	F8502101	Pin	
3	M412763	Rivet	
4	56079	Panel Locator	
5	F8633701	Side Panel	20 pound models; Right
	F8633703	Side Panel	20 pound models; Right; Stainless steel
	F8633801	Side Panel	30 pound models; Right
	F8633803	Side Panel	30 pound models; Right; Stainless steel
	F8633901	Side Panel	40 pound models; Right
	F8633903	Side Panel	40 pound models; Right; Stainless steel
	F8634001	Side Panel	60 pound models; Right
	F8634003	Side Panel	60 pound models; Right; Stainless steel
6	F8117601	Screw	
7	70030501	Expansion Clip	
8	M405535	Washer	
9	F8402801	Bolt	
10	44087201	Nut	

Door - 20 Pound Models



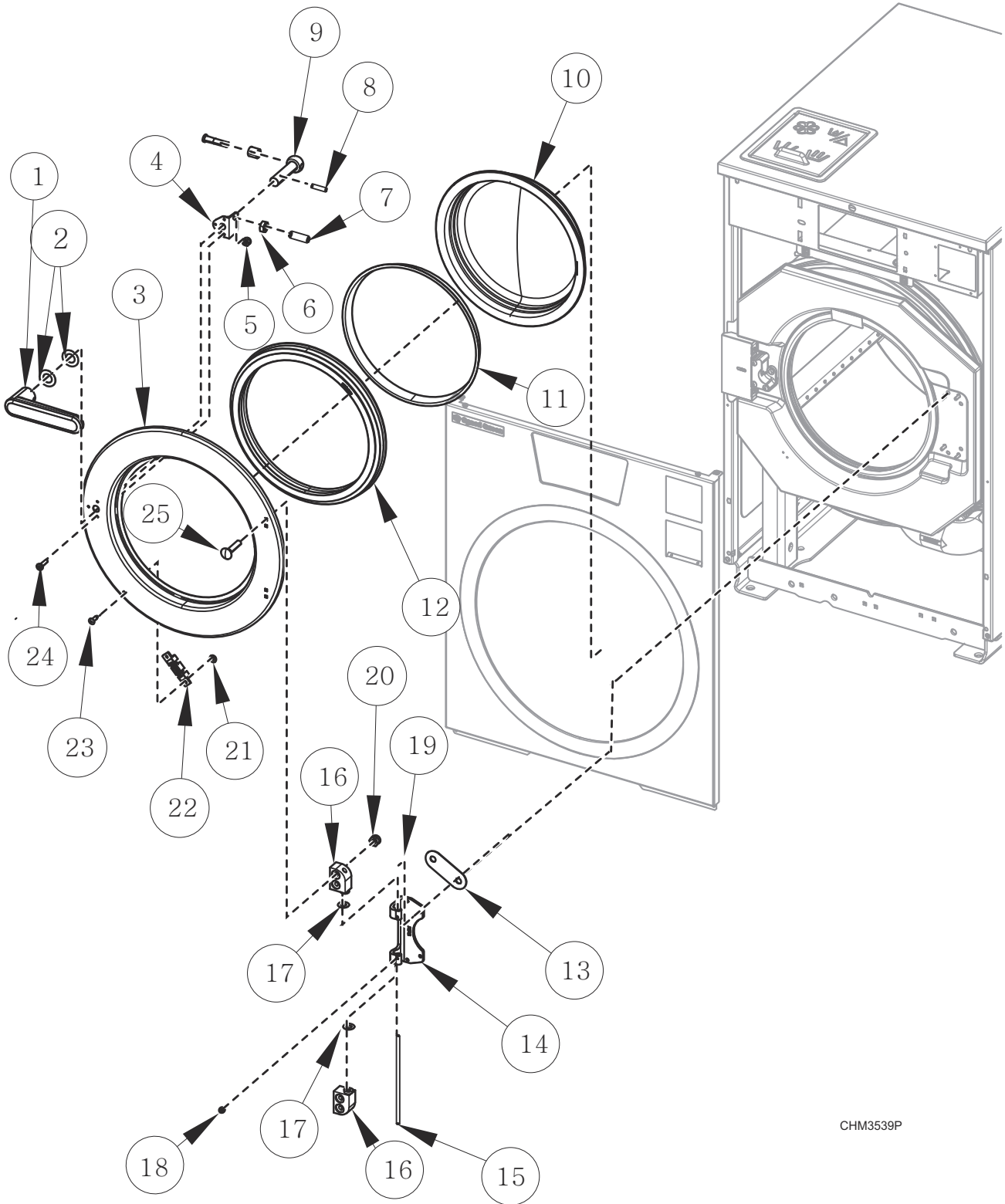
CHM3539P

Door - 20 Pound Models

REF	PART NO.	DESCRIPTION	COMMENTS
	F8617212	Door Assembly	Models starting 1/1/21; Chrome; Includes items 1-6, 8 and 10-20
	F8748701	Hinge Replacement Kit	Used to replace F8653810 Door Assembly and F8653101 Shell Front used on models through 12/31/20
1	F8624603	Door Handle	
2	F431916	Washer	
3	F8507501P	Door	
4	F8567501	Door Handle Spacer	
5	F430232	Nut	
6	F431041	Nut	
7	F430532	Screw	
8	F431222	Spring Pin	
9	F8221403	Door Latch Arm Assembly	Includes latch arm shaft, latch arm support and sleeve
10	F290205P	Door Glass Kit	
11	F8583201	Door Glass Trim	
12	F200000202	Door Gasket	
13	F200131000P	Door Hinge Shim Kit	
14	F190216P	Door Hinge	
15	F602813-2	Rod	
16	F150271	Door Mount	
17	F431929	Washer	Non-ferrous
	F431147	Washer	
18	F430536	Screw	
19	C001236	Nut	
20	F430215	Nut	
21	F431133	Washer	
22	F8390801	Magnet	
23	F431223	Pop Rivet	
24	F8535501	Screw	
25	F8508101	Bolt	

NOTE: If F8653810 Door Assembly (used on models through 12/31/20) needs to be replaced, use F8748701 Hinge Replacement Kit.

Door - 30 Pound Models



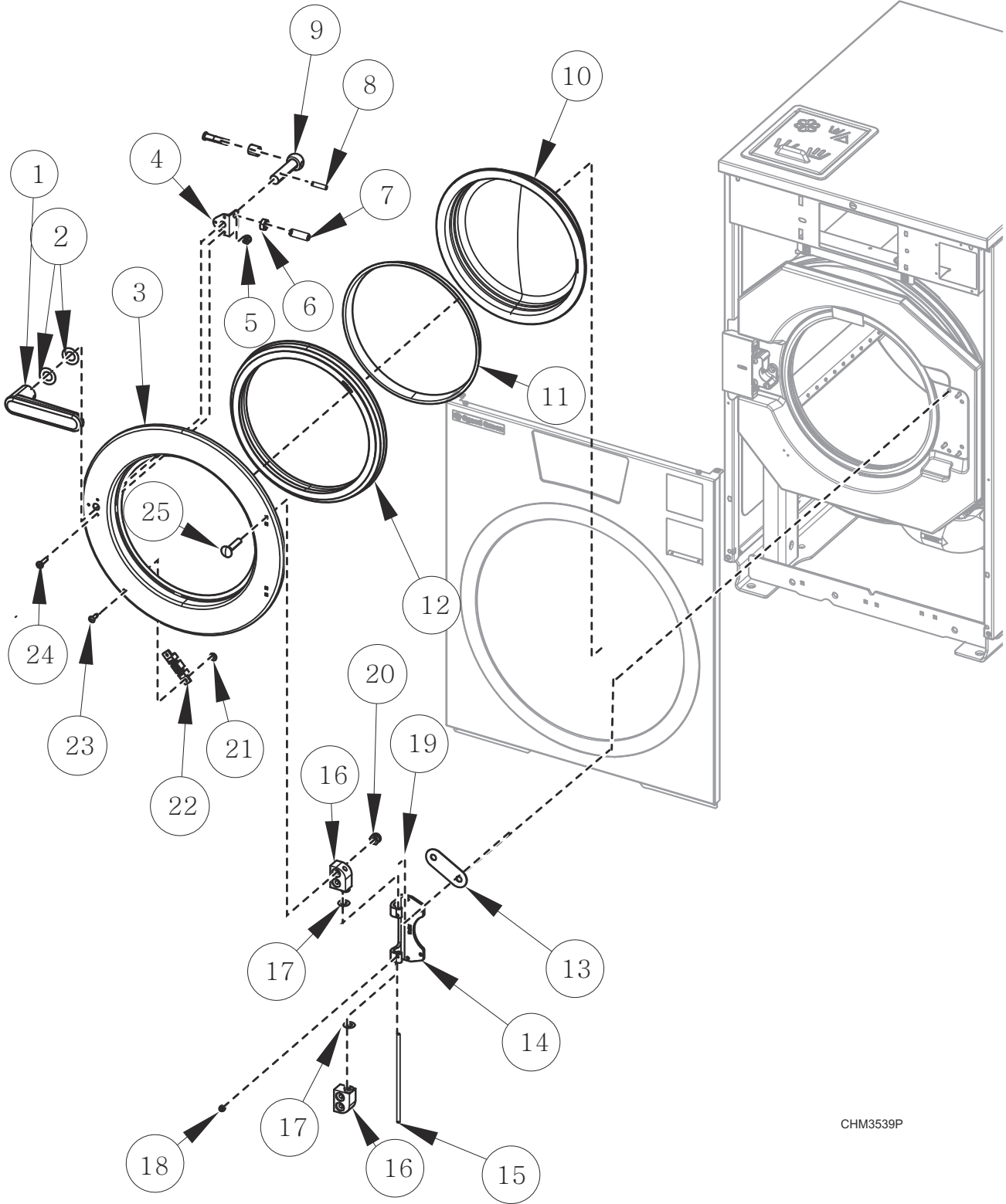
CHM3539P

Door - 30 Pound Models

REF	PART NO.	DESCRIPTION	COMMENTS
	F8617312	Door Assembly	Models starting 1/1/21; Chrome; Includes items 1-6, 8 and 10-20
	F8748801	Hinge Replacement Kit	Used to replace F8653710 Door Assembly and F8653001 Shell Front used on models through 12/31/20
1	F8624603	Door Handle	
2	F431916	Washer	
3	F8752601	Door	
4	F8567501	Door Handle Spacer	
5	F430232	Nut	
6	F431041	Nut	
7	F430533	Screw	
8	F431222	Spring Pin	
9	F8221403	Door Latch Arm Assembly	Includes latch arm shaft, latch arm support and sleeve
10	F8485301P	Door Glass	
11	F8583202	Door Glass Trim	
12	F8111602	Door Gasket	
13	F200131000P	Door Hinge Shim Kit	
14	F190216P	Door Hinge	
15	F602813-2	Rod	
16	F150271	Door Mount	
17	F431929	Washer	Non-ferrous
	F431147	Washer	
18	F430536	Screw	
19	C001236	Nut	
20	F430215	Nut	
21	F431133	Washer	
22	F8390801	Magnet	
23	F431223	Pop Rivet	
24	F8535501	Screw	
25	F8508101	Bolt	

NOTE: If F8653710 Door Assembly (used on models through 12/31/20) needs to be replaced, use F8748701 Hinge Replacement Kit.

Door - 40 and 60 Pound Models



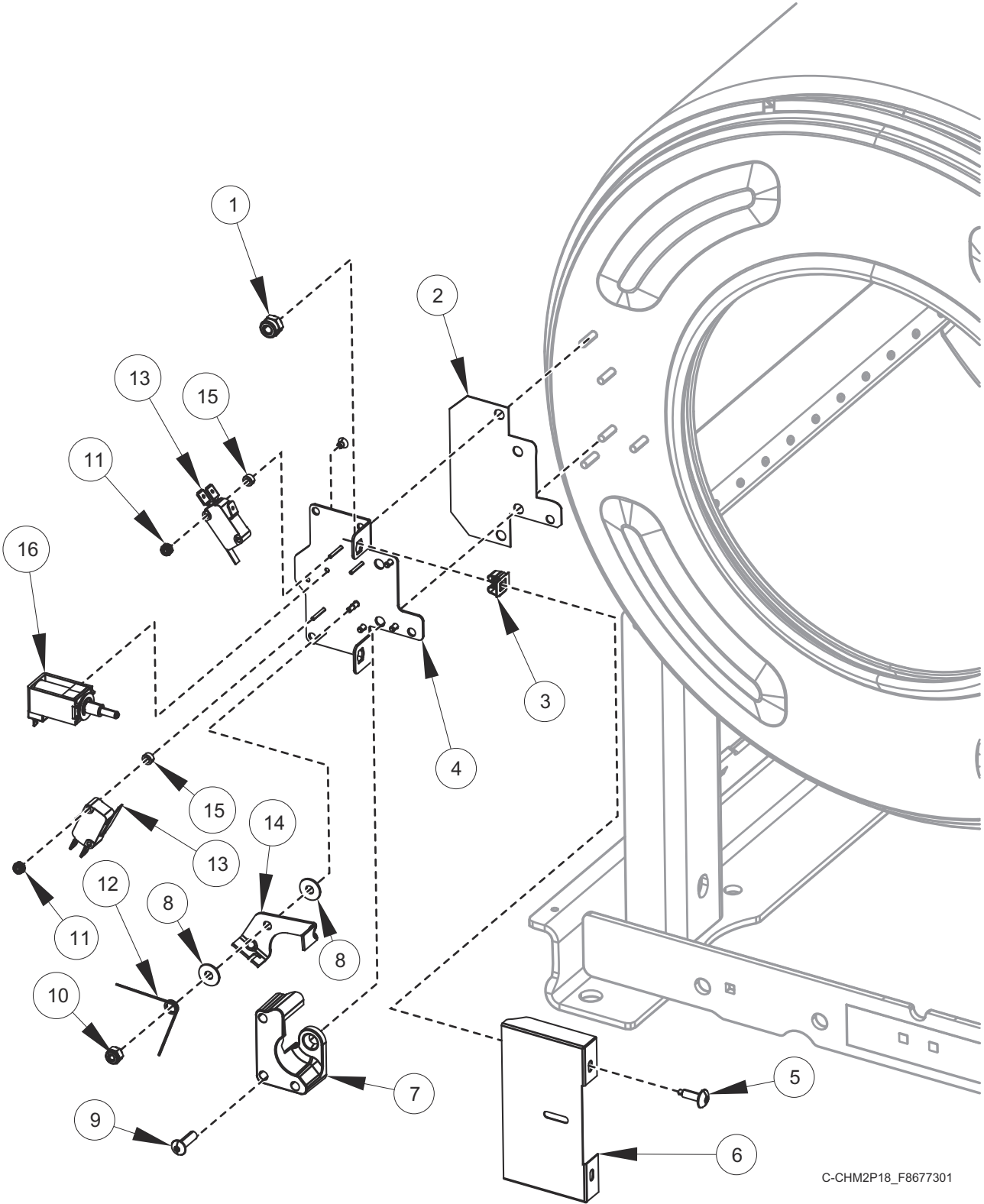
CHM3539P

Door - 40 and 60 Pound Models

REF	PART NO.	DESCRIPTION	COMMENTS
	F8617412	Door Assembly	Models starting 1/1/21; Chrome; Includes items 1-6, 8 and 10-20
	F8748901	Hinge Replacement Kit	40 pound models; Used to replace F8653610 Door Assembly and F8652901 Shell Front used on models through 12/31/20
	F8749001	Hinge Replacement Kit	60 pound models; Used to replace F8653610 Door Assembly and F8652601 Shell Front used on models through 12/31/20
1	F8624603	Door Handle	
2	F431916	Washer	
3	F8507701	Door	
4	F8567501	Door Handle Spacer	
5	F430232	Nut	
6	F431041	Nut	
7	F430533	Screw	
8	F431222	Spring Pin	
9	F8221403	Door Latch Arm Assembly	Includes latch arm shaft, latch arm support and sleeve
10	F8485401P	Door Glass	
11	F8583203	Door Glass Trim	
12	F8111502	Door Gasket	
13	F200131000P	Door Hinge Shim Kit	
14	F190216P	Door Hinge	
15	F602813-3	Rod	
16	F150271	Door Mount	
17	F431929	Washer	Non-ferrous
	F431147	Washer	
18	F430536	Screw	
19	C001236	Nut	
20	F430215	Nut	
21	F431133	Washer	
22	F8390801	Magnet	
23	F431223	Pop Rivet	
24	F8535501	Screw	
25	F8508101	Bolt	

NOTE: If F8653610 Door Assembly (used on models through 12/31/20) needs to be replaced, use F8748901 Hinge Replacement Kit or F8749001 Hinge Replacement Kit.

Door Lock

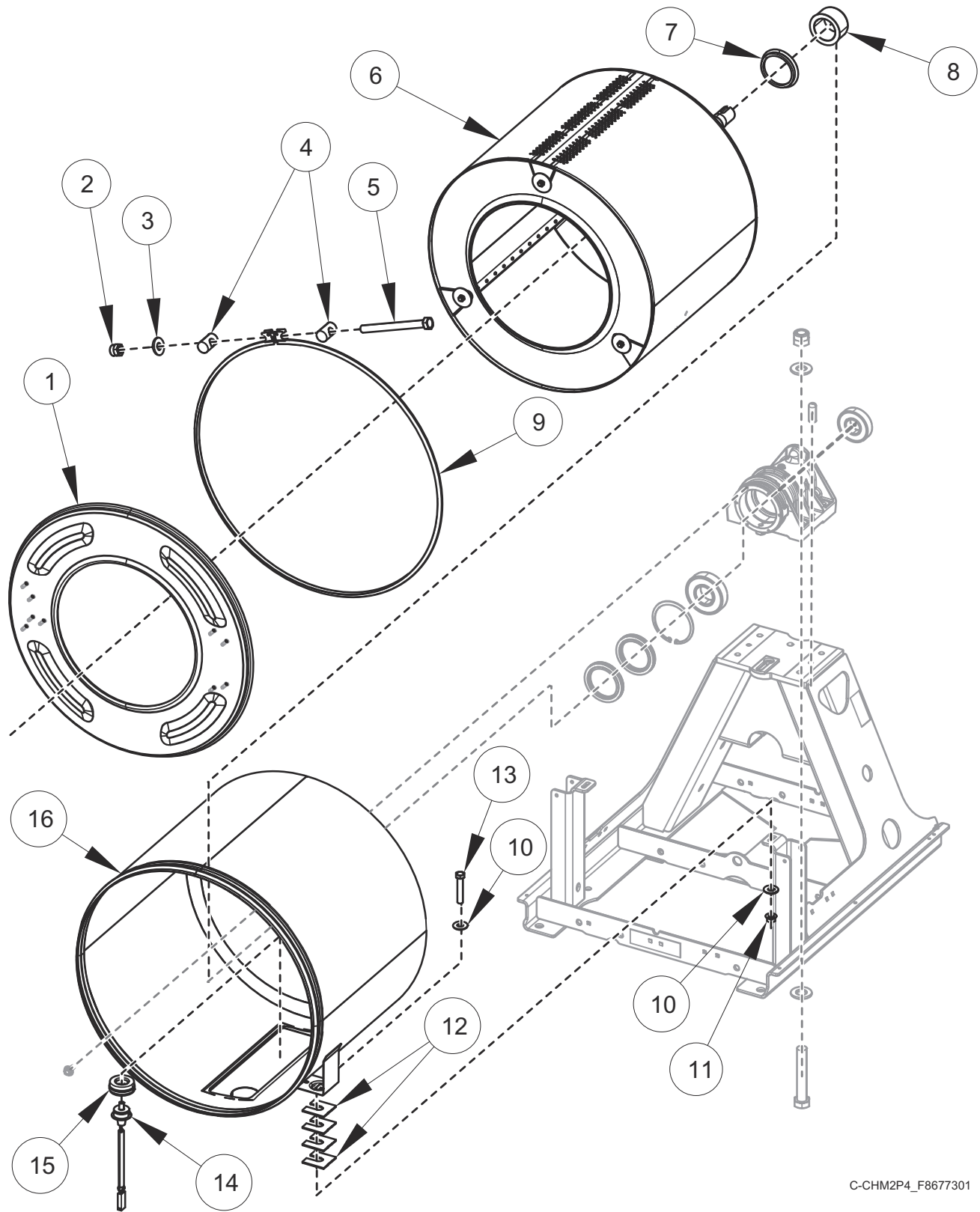


C-CHM2P18_F8677301

Door Lock

REF	PART NO.	DESCRIPTION	COMMENTS
	F8632401	Door Lock Assembly	Includes items 3, 4 and 10-16
	F8520201	Door Lock Harness	20 and 30 pound models
	F8520202	Door Lock Harness	40 and 60 pound models
	F8066804	Reed Switch Assembly	
1	F431024	Nut	
2	F8344401	Door Lock Plate Shim	
3	70030501	Expansion Clip	
4	F8223202	Door Lock Plate Assembly	
5	F8117601	Screw	
6	F8245001	Door Lock Cover	
7	F8344501	Door Lock Catch	
8	F8193101	Washer	
9	F8270701	Bolt	
10	F430232	Nut	
11	F430225	Nut	
12	F8070301	Torsion/Door Lock Spring	
13	F200203200	Door Lock Microswitch	
14	F8223401	Door Lock Switch Lever	
15	F431901	Spacer	
16	F977P3	Door Lock Solenoid Replacement Kit	

Shell Front, Basket, Shell and Frame Template

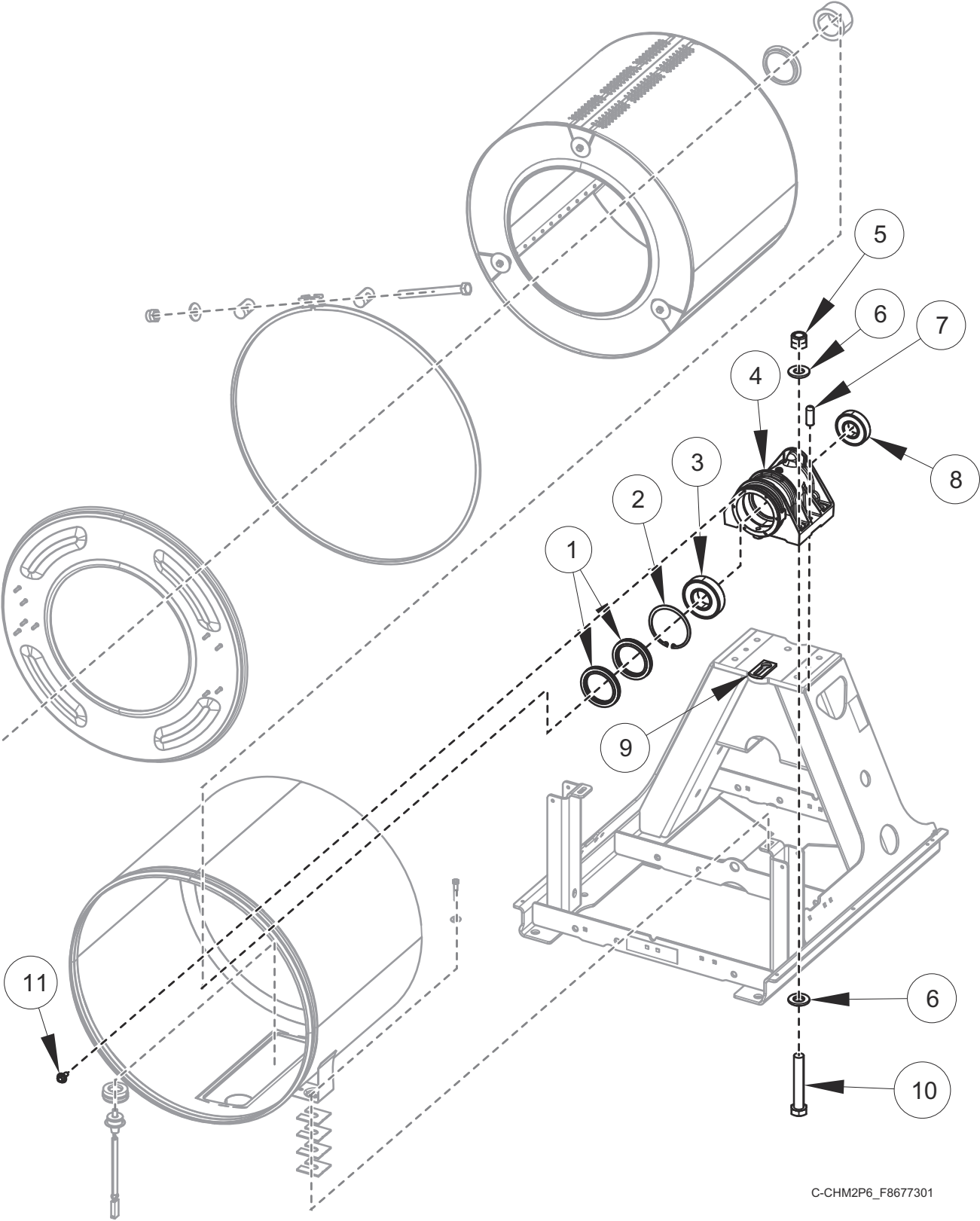


C-CHM2P4_F8677301

Shell Front, Basket, Shell and Frame Template

REF	PART NO.	DESCRIPTION	COMMENTS
	F8598301	Harness	20 and 30 pound models
	F8598302	Harness	40 and 60 pound models
1	F8653101	Shell Front	20 pound models through 12/31/20; Used with F8653810 Door Assembly
	F8653001	Shell Front	30 pound models through 12/31/20; Used with F8653710 Door Assembly
	F8652901	Shell Front	40 pound models through 12/31/20; Used with F8653610 Door Assembly
	F8652601	Shell Front	60 pound models through 12/31/20; Used with F8653610 Door Assembly
	F8229401	Shell Front Assembly	20 pound models starting 1/1/21; Used with F8617212 Door Assembly
	F8229501	Shell Front Assembly	30 pound models starting 1/1/21; Used with F8617312 Door Assembly
	F8229601	Shell Front Assembly	40 pound models starting 1/1/21; Used with F8617412 Door Assembly
	F8229701	Shell Front Assembly	60 pound models; Used with F8617412 Door Assembly
2	F430218	Nut	
3	M400080	Washer	
4	F8302701	Pin	
5	F8673701	Screw	
6	F8391304	Basket	20 pound models; Viton
	F8391302	Basket	20 pound models; Rain
	F8391504	Basket	30 pound models; Viton
	F8391502	Basket	30 pound models; Rain
	F8391704	Basket	40 pound models; Viton
	F8391702	Basket	40 pound models; Rain
	F8502805	Basket	60 pound models; Viton
	F8502802	Basket	60 pound models; Rain
7	F8337002	Excluder Seal	
8	F8343906P	Shaft Seal Sleeve Kit	
9	F8537801	Shell Band Kit	20 pound models; Includes items 2-5
	F8537802	Shell Band Kit	30 pound models; Includes items 2-5
	F8537803	Shell Band Kit	40 pound models; Includes items 2-5
	F8537804	Shell Band Kit	60 pound models; Includes items 2-5
10	M400081	Washer	
11	44087301	Nut	
12	F8402701	Washer	
13	F8621601	Screw	
14	F8538801	Thermistor	
15	2251000400	Temperature Probe Grommet	
16	F8512102	Shell	20 pound models; Electric and dual heat
	F8512101	Shell	20 pound models; Standard
	F8514002	Shell	30 pound models; Electric and dual heat
	F8514001	Shell	30 pound models; Standard
	F8512202	Shell	40 pound models; Electric and dual heat
	F8512202	Shell	40 pound models; Steam Heat
	F8512201	Shell	40 pound models; Standard
	F8543702	Shell	60 pound models; Electric and dual heat
	F8543702	Shell	60 pound models; Steam Heat
	F8543701	Shell	60 pound models; Standard

Bearing Housing

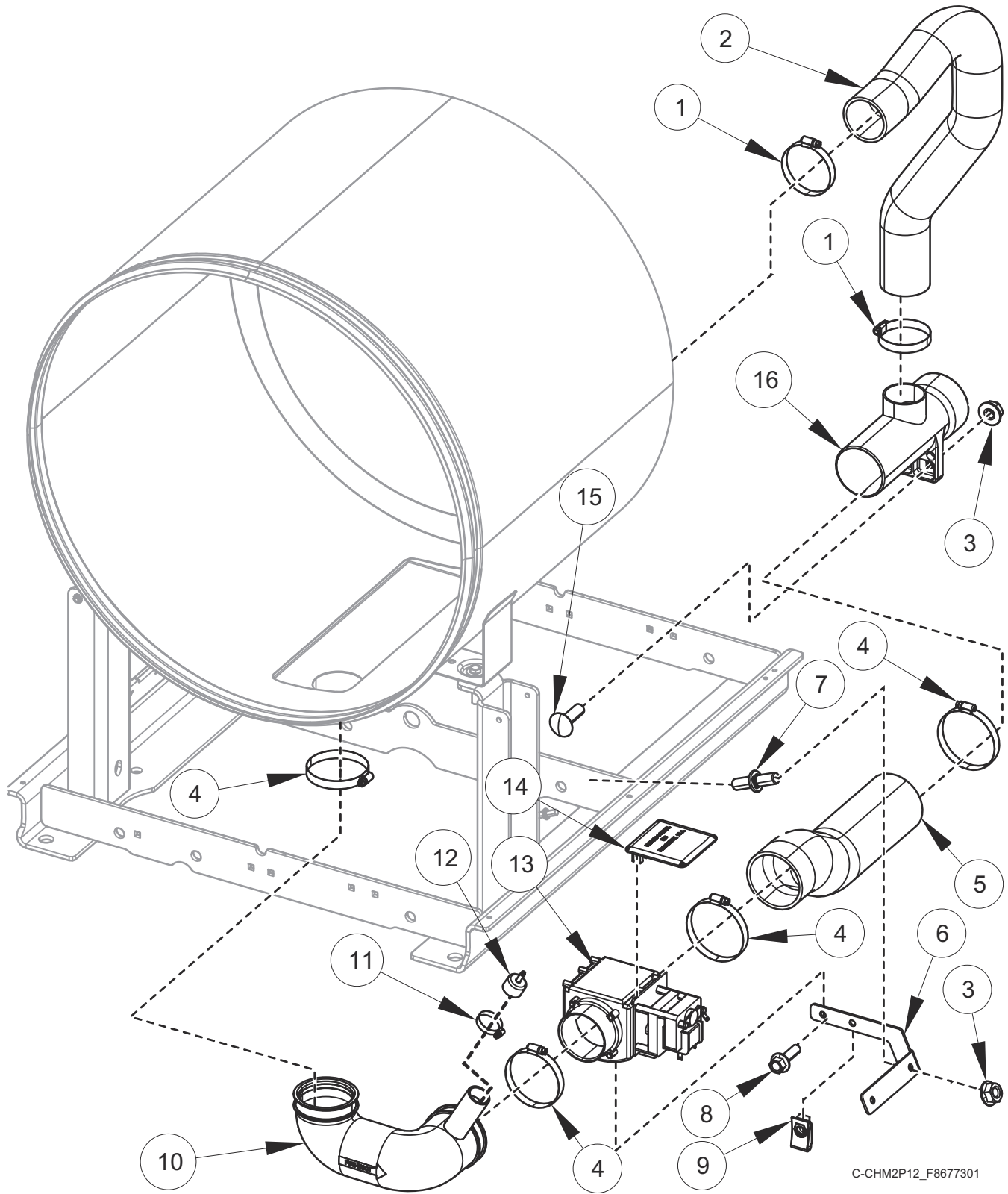


C-CHM2P6_F8677301

Bearing Housing

REF	PART NO.	DESCRIPTION	COMMENTS
	F8271601P	Bearing Housing Assembly	20 pound models; Includes items 1-4 and 8; Standard
	F8271602	Bearing Housing Assembly	20 pound models; Includes items 1-4 and 8; Viton
	F8271701P	Bearing Housing Assembly	30 pound models; Includes items 1-4 and 8; Standard
	F8271702	Bearing Housing Assembly	30 pound models; Includes items 1-4 and 8; Viton
	F8271801P	Bearing Housing Assembly	40 pound models; Includes items 1-4 and 8; Standard
	F8271802	Bearing Housing Assembly	40 pound models; Includes items 1-4 and 8; Viton
	F8271901P	Bearing Housing Assembly	60 pound models; Includes items 1-4 and 8; Standard
	F8271902	Bearing Housing Assembly	60 pound models; Includes items 1-4 and 8; Viton
1	F8203801	Triple Lip Seal	20 pound models; Standard
	F8203813	Triple Lip Seal	20 pound models; Viton
	F8203802	Triple Lip Seal	30 pound models; Standard
	F8203814	Triple Lip Seal	30 pound models; Viton
	F8203803	Triple Lip Seal	40 pound models; Standard
	F8203815	Triple Lip Seal	40 pound models; Viton
	F8203806	Triple Lip Seal	60 pound models; Standard
	F8203816	Radial Lip Seal	60 pound models; Viton
2	F8344901	Retaining Ring	20 pound models
	F8345001	Retaining Ring	30 pound models
	F8337801	Retaining Ring	40 pound models
	F8337901	Retaining Ring	60 pound models
3	F100137P	Bearing	20 and 40 pound models
	F100123P	Bearing	30 pound models
	F100135	Bearing	60 pound models
4	F8247902	Bearing Housing	20 pound models
	F8246802	Bearing Housing	30 pound models
	F8249902	Bearing Housing	40 pound models
	F8250902	Bearing Housing	60 pound models
5	F8387701	Nut	
6	F430339	Washer	
7	F8388201	Dowel Pin	
8	F100136P	Bearing	20 pound models
	F100108	Bearing	30 pound models
	F100134	Bearing	40 and 60 pound models
9	F8350302	Seal Scupper Pad	
10	F8368801	Screw	
11	F8442702	Screw	

Drain Plumbing

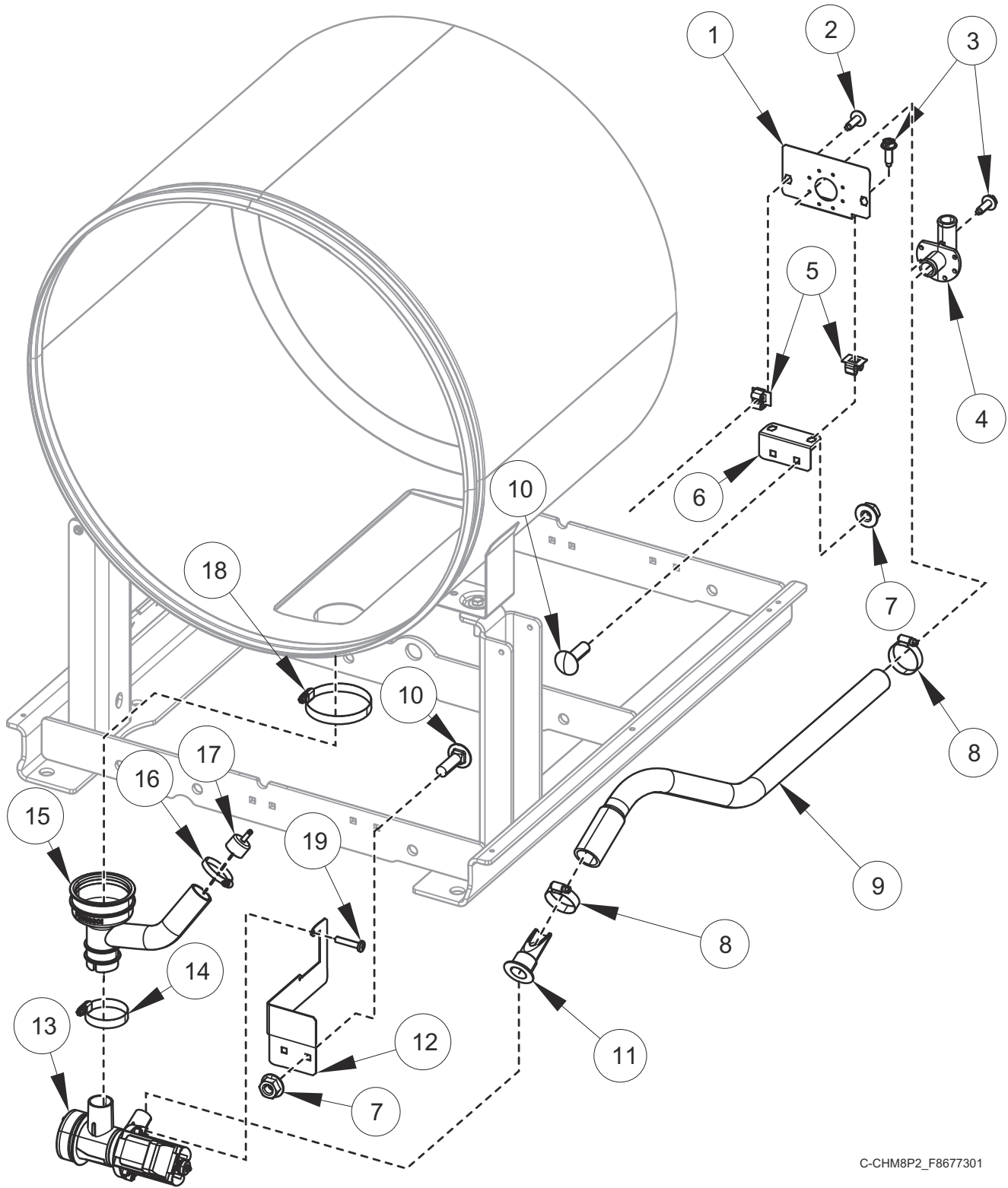


C-CHM2P12_F8677301

Drain Plumbing

REF	PART NO.	DESCRIPTION	COMMENTS
	F8520001	Drain Valve Harness	20 and 30 pound models
	F8520002	Drain Valve Harness	40 and 60 pound models
1	F200213	Hose Clamp	
2	F8522401	Overflow Hose	20 pound models
	F8521201	Overflow Hose	30 pound models
	F8522501	Overflow Hose	40 and 60 pound models
3	44087201	Nut	
4	F200201	Hose Clamp	
5	F8587301	Rear Drain Hose	20 pound models
	F8543001	Rear Drain Hose	30 pound models
	F8543201	Rear Drain Hose	40 pound models
	F8543501	Rear Drain Hose	60 pound models
6	F8587701	Drain Valve Bracket	20 pound models
	F8543101	Drain Valve Bracket	30 pound models
	F8543301	Drain Valve Bracket	40 pound models
	F8543401	Drain Valve Bracket	60 pound models
7	70334702	Stud	
8	202175	Screw	
9	70030401	Nut	
10	F8542002	Drain Hose	20 pound models
	F8541901	Drain Hose	30, 40 and 60 pound models
	F8542001	Drain Hose	40 and 60 pound models; Electric heat
11	36802	Hose Clamp	
12	F8579301	Pressure Cap	
13	F200166302	Drain Valve Kit	3 inch; 120 Volt; Left; NO
	F8406308	Drain Valve	3 inch; 120 Volt; Right; NO
	F200166402	Drain Valve Kit	3 inch; 230 Volt; Left; NO; Includes item 14
	F8577201	Drain Valve Kit	3 inch; 230 Volt; Right; NO
14	F200133600	Drain Valve Cover	
15	F8402801	Bolt	
16	F8752101	Drain Tee	

Pump Drain Plumbing - 20, 30 and 40 Pound Models

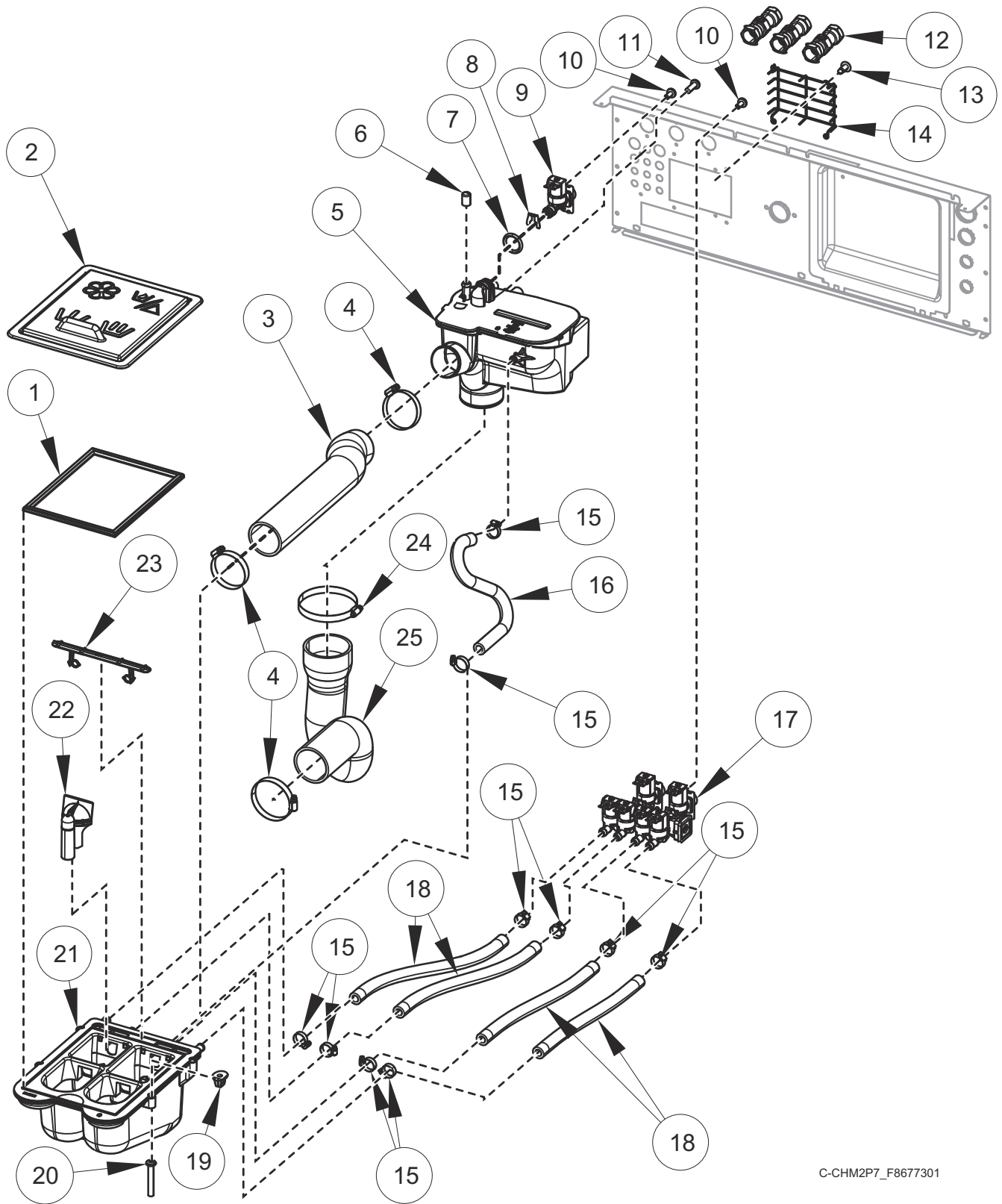


C-CHM8P2_F8677301

Pump Drain Plumbing - 20, 30 and 40 Pound Models

REF	PART NO.	DESCRIPTION	COMMENTS
	27154	Drain Hose	Hose to standpipe
	F150352	Overflow Plug	20 pound models
	F8520001	Drain Valve Harness	20 and 30 pound models
	F8520002	Drain Valve Harness	40 pound models
1	F8571301	Bracket	Upper; Elbow mount
2	F8117601	Screw	
3	F8206901	Screw	
4	35766	Drain Hose Elbow	
5	70030501	Expansion Clip	
6	F8571401	Bracket	Lower; Elbow mount
7	44087201	Nut	
8	F200204	Hose Clamp	
9	F8537001	Pump Drain Rear Hose	20 pound models
	F8557001	Pump Drain Rear Hose	30 pound models
	F8557201	Pump Drain Rear Hose	40 pound models
10	F8402801	Bolt	
11	800310	Backflow Preventer	
12	F8536901	Pump Drain Bracket	20 pound models
	F8557101	Pump Drain Bracket	30 pound models
	F8557301	Pump Drain Bracket	40 pound models
13	805723	Pump Drain and Bracket Assembly	120 Volt/60 Hertz; Green
	805613	Pump Drain and Bracket Assembly	208-240 Volt/60 Hertz; Red
	804038	Pump Drain and Bracket Assembly	220-240 Volt/50 Hertz; Blue
14	F200215	Hose Clamp	
15	F8556601	Pump Drain Hose	
16	36802	Hose Clamp	
17	F8579301	Pressure Cap	
18	F200219	Hose Clamp	
19	F8658501	Screw	

Fill Plumbing - 20 Pound Models

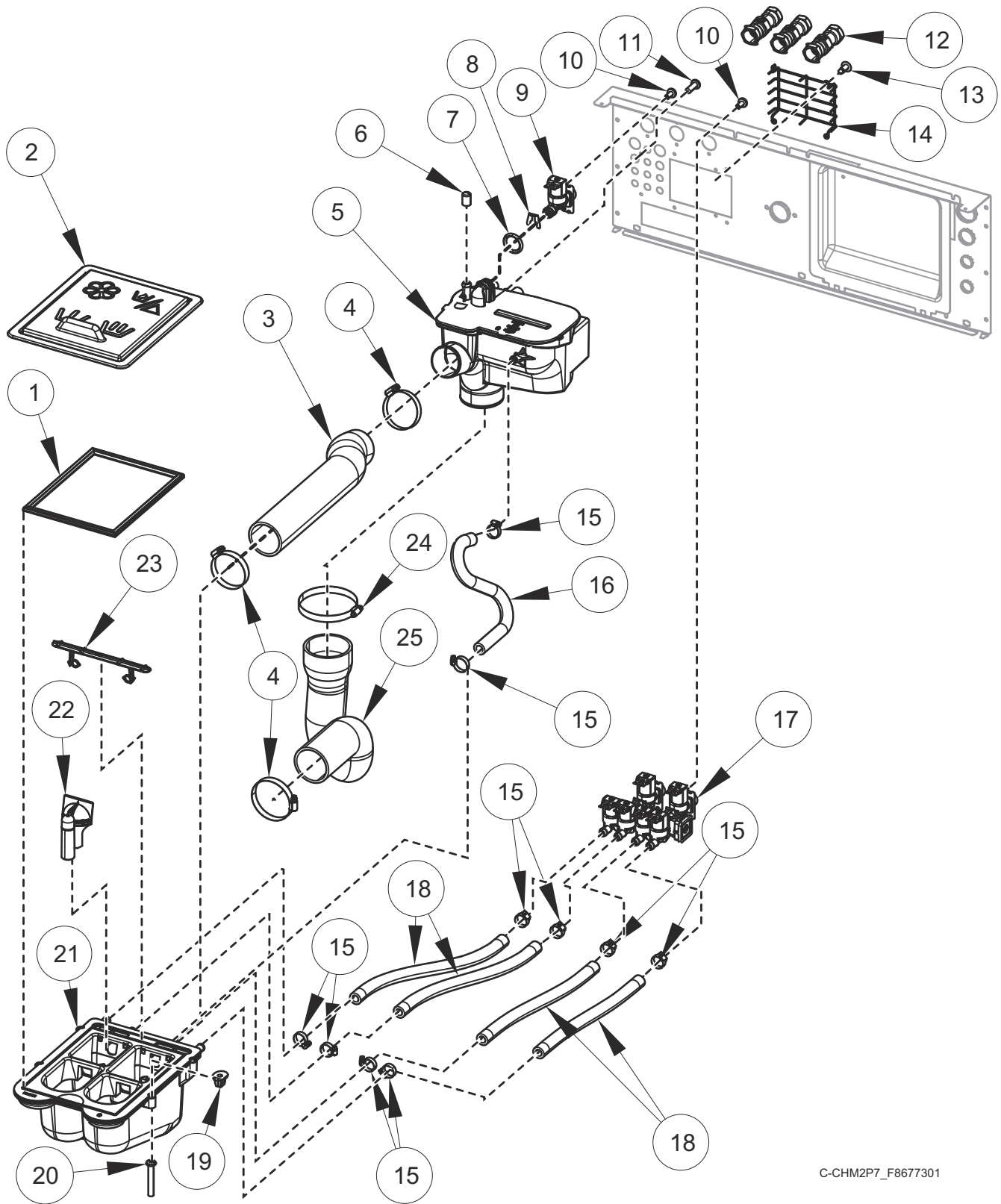


C-CHM2P7_F8677301

Fill Plumbing - 20 Pound Models

REF	PART NO.	DESCRIPTION	COMMENTS
	F8047403	Dispenser	Includes Items 21-23
	F8520101	Fill Valve Harness	
	F8665601	Water Hose Kit	Standard thread; Red (hot); Includes 20290 Washer and 803615 Washer Filter
	F8665603	Water Hose Kit	Standard thread; Blue (cold); Includes 20290 Washer and 803615 Washer Filter
	F8665602	Water Hose Kit	Metric thread; Red (hot); Includes 20290 Washer and 803615 Washer Filter
	F8665604	Water Hose Kit	Metric thread; Blue (cold); Includes 20290 Washer and 803615 Washer Filter
	F8671201	Fill Hose Kit	WRAS; Includes item 12 and F8665602 Water Hose Kit
	F8671202	Fill Hose Kit	WRAS; Includes item 12 and F8665604 Water Hose Kit
	F8671101	Fill Hose Kit	Australian watermark; Includes F8665602 Water Hose Kit and B12543901 Check Valve
	F8671102	Fill Hose Kit	Australian watermark; Includes F8665604 Water Hose Kit and B12543901 Check Valve
1	B12568601	Dispenser Gasket	
2	F8563204	Dispenser Cover	Black; Icons and text
	F8563203	Dispenser Cover	Gray; Icons and text
	F8563202	Dispenser Cover	Black; Icons
	F8563201	Dispenser Cover	Gray; Icons
3	F8529401	Supply Vacuum Hose	
4	F200213	Hose Clamp	
5	F8517503	Vacuum Breaker Assembly	With inlet and fill
	F8517502	Vacuum Breaker Assembly	With inlet
	F8517501	Vacuum Breaker Assembly	With fill
	F8517504	Vacuum Breaker Assembly	
6	F8197701	Cap	WRAS
7	F8569101	O-Ring	
8	F8566801	Clip	
9	F8565201	Valve	Standard
	F8565202	Valve	Metric
10	F8230301	Screw	
11	800548	Screw	
12	F8301201	Double Check Valve	WRAS
13	70058501	Pop Rivet	
14	F8589601	Vacuum Breaker Guard	
15	36801	Hose Clamp	
16	F8616401	Rear Vent Hose	
17	F8529701	Manifold Valve	Standard
	F8529702P	Manifold Valve	Metric
18	F8232007	Hose	
19	F0431807-00	Nut	
20	F8535601	Screw	
21	F8402801	Bolt	
22	F8047901	Siphon Cover	
23	F8047801	Access Cover	
24	F200201	Hose Clamp	
25	F8529601	P-Trap Hose	

Fill Plumbing - 30 Pound Models

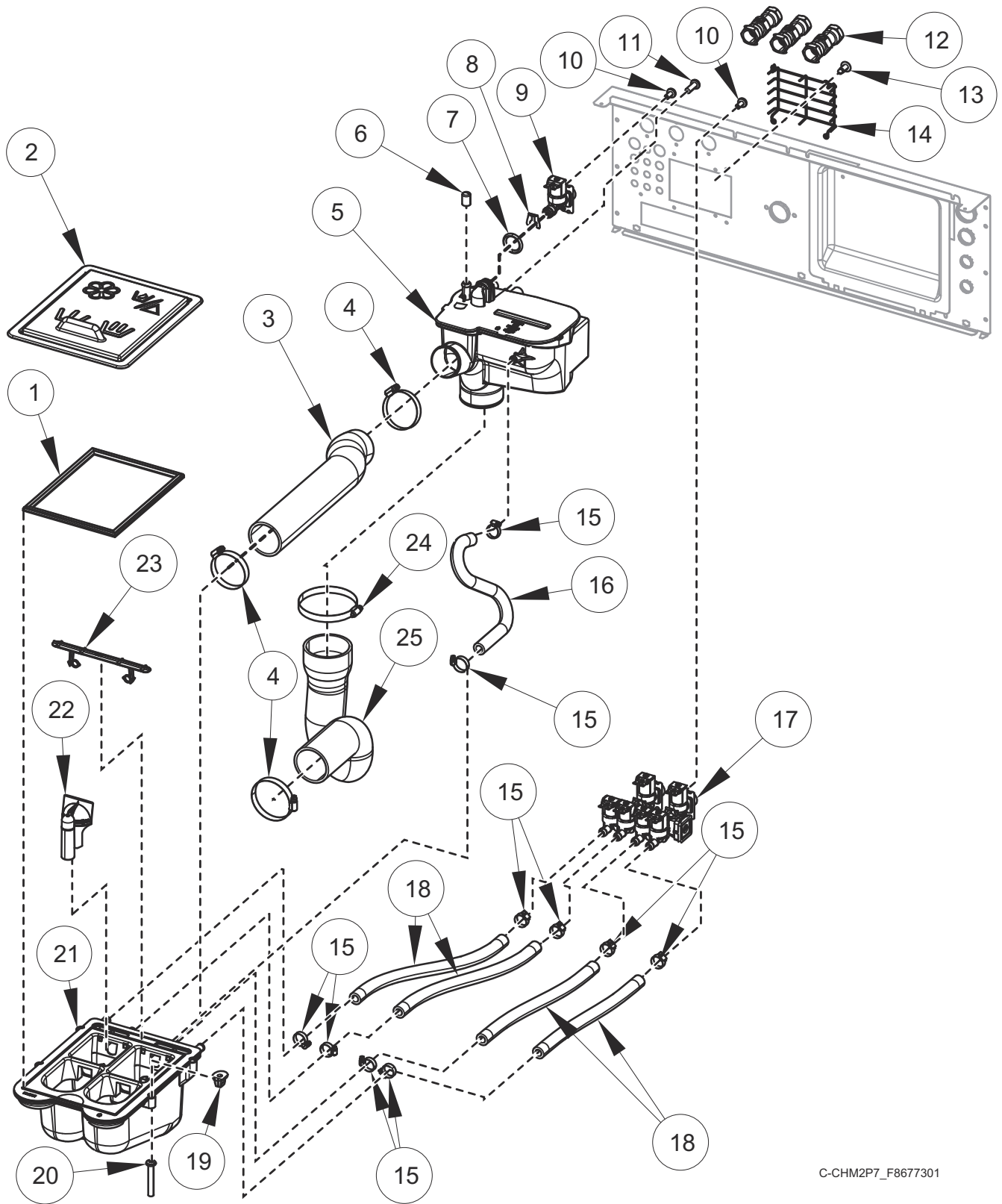


C-CHM2P7_F8677301

Fill Plumbing - 30 Pound Models

REF	PART NO.	DESCRIPTION	COMMENTS
	F8047403	Dispenser	Includes Items 21-23
	F8520101	Fill Valve Harness	
	F8665601	Water Hose Kit	Standard thread; Red (hot); Includes 20290 Washer and 803615 Washer Filter
	F8665603	Water Hose Kit	Standard thread; Blue (cold); Includes 20290 Washer and 803615 Washer Filter
	F8665602	Water Hose Kit	Metric thread; Red (hot); Includes 20290 Washer and 803615 Washer Filter
	F8665603	Water Hose Kit	Metric thread; Blue (cold); Includes 20290 Washer and 803615 Washer Filter
	F8671201	Fill Hose Kit	WRAS; Includes item 12 and F8665602 Water Hose Kit
	F8671202	Fill Hose Kit	WRAS; Includes item 12 and F8665604 Water Hose Kit
	F8671101	Fill Hose Kit	Australian watermark; Includes F8665602 Water Hose Kit and B12543901 Check Valve
	F8671102	Fill Hose Kit	Australian watermark; Includes F8665604 Water Hose Kit and B12543901 Check Valve
1	B12568601	Dispenser Gasket	
2	F8563204	Dispenser Cover	Black; Icons and text
	F8563203	Dispenser Cover	Gray; Icons and text
	F8563202	Dispenser Cover	Black; Icons
	F8563201	Dispenser Cover	Gray; Icons
3	F8529402	Supply Vacuum Hose	
4	F200213	Hose Clamp	
5	F8517503	Vacuum Breaker Assembly	With inlet and fill
	F8517502	Vacuum Breaker Assembly	With inlet
	F8517501	Vacuum Breaker Assembly	With fill
	F8517504	Vacuum Breaker Assembly	
6	F8197701	Cap	WRAS
7	F8569101	O-Ring	
8	F8566801	Clip	
9	F8565201	Valve	Standard
	F8565202	Valve	Metric
10	F8230301	Screw	
11	800548	Screw	
12	F8301201	Double Check Valve	WRAS
13	70058501	Pop Rivet	
14	F8589601	Vacuum Breaker Guard	
15	36801	Hose Clamp	
16	F8616402	Rear Vent Hose	
17	F8529701	Manifold Valve	Standard
	F8529702P	Manifold Valve	Metric
18	F8232011	Hose	
19	F0431807-00	Nut	
20	F8535601	Screw	
21	F8402801	Bolt	
22	F8047901	Siphon Cover	
23	F8047801	Access Cover	
24	F200201	Hose Clamp	
25	F8529602	P-Trap Hose	

Fill Plumbing - 40 Pound Models

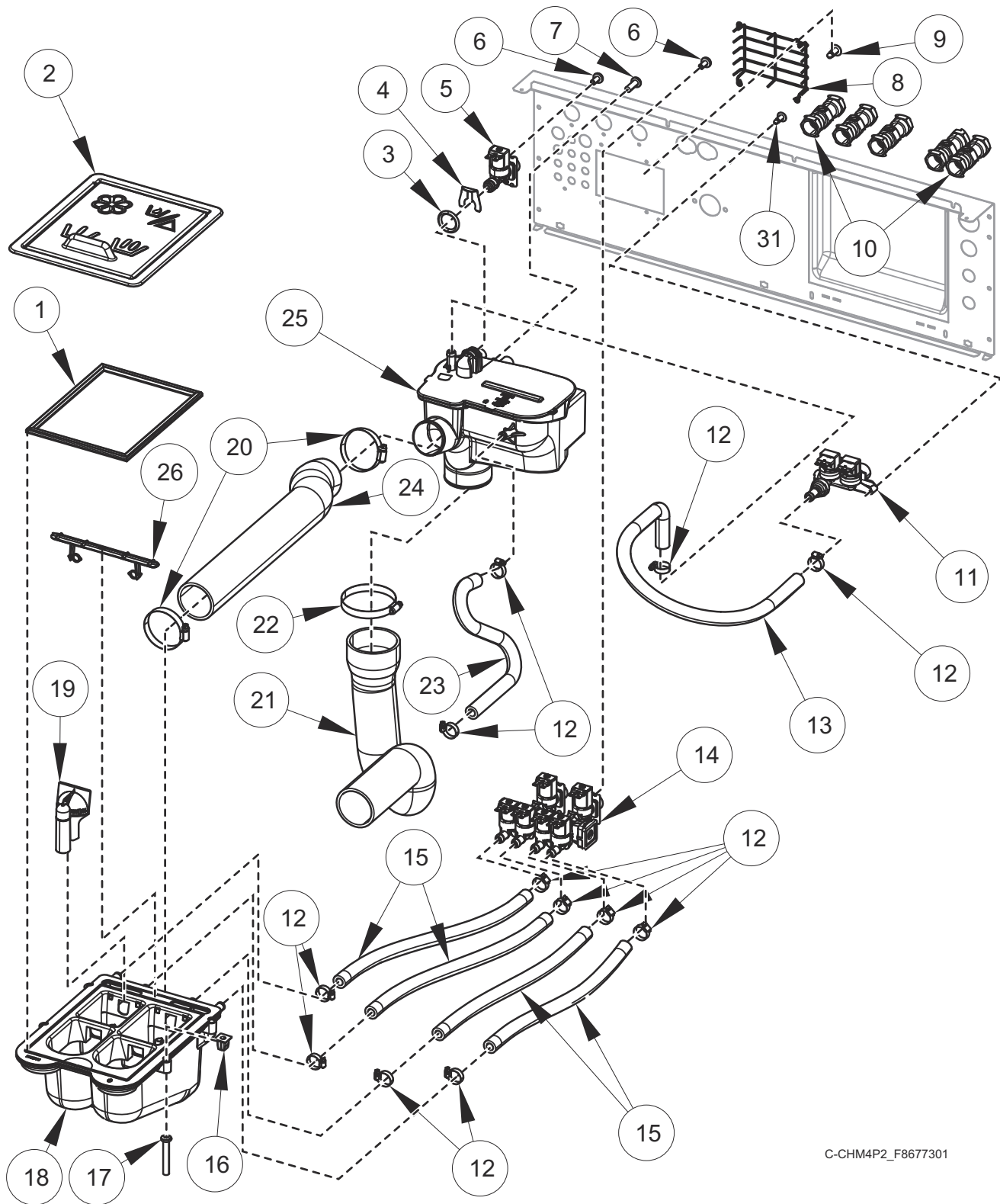


C-CHM2P7_F8677301

Fill Plumbing - 40 Pound Models

REF	PART NO.	DESCRIPTION	COMMENTS
	F8047403	Dispenser	Includes Items 21-23
	F8520101	Fill Valve Harness	
	F8665601	Water Hose Kit	Standard thread; Red (hot); Includes 20290 Washer and 803615 Washer Filter
	F8665603	Water Hose Kit	Standard thread; Blue (cold); Includes 20290 Washer and 803615 Washer Filter
	F8665602	Water Hose Kit	Metric thread; Red (hot); Includes 20290 Washer and 803615 Washer Filter
	F8665603	Water Hose Kit	Metric thread; Blue (cold); Includes 20290 Washer and 803615 Washer Filter
	F8671201	Fill Hose Kit	WRAS; Includes item 12 and F8665602 Water Hose Kit
	F8671202	Fill Hose Kit	WRAS; Includes item 12 and F8665604 Water Hose Kit
	F8671101	Fill Hose Kit	Australian watermark; Includes F8665602 Water Hose Kit and B12543901 Check Valve
	F8671102	Fill Hose Kit	Australian watermark; Includes F8665604 Water Hose Kit and B12543901 Check Valve
1	B12568601	Dispenser Gasket	
2	F8563204	Dispenser Cover	Black; Icons and text
	F8563203	Dispenser Cover	Gray; Icons and text
	F8563202	Dispenser Cover	Black; Icons
	F8563201	Dispenser Cover	Gray; Icons
3	F8529403	Supply Vacuum Hose	
4	F200213	Hose Clamp	
5	F8517503	Vacuum Breaker Assembly	With inlet and fill
	F8517502	Vacuum Breaker Assembly	With inlet
	F8517501	Vacuum Breaker Assembly	With fill
	F8517504	Vacuum Breaker Assembly	
6	F8197701	Cap	WRAS
7	F8569101	O-Ring	
8	F8566801	Clip	
9	F8565201	Valve	Standard
	F8565202	Valve	Metric
10	F8230301	Screw	
11	800548	Screw	
12	F8301201	Double Check Valve	WRAS
13	70058501	Pop Rivet	
14	F8589601	Vacuum Breaker Guard	
15	36801	Hose Clamp	
16	F8616402	Rear Vent Hose	
17	F8529701	Manifold Valve	Standard
	F8529702P	Manifold Valve	Metric
18	F8232010	Hose	
19	F0431807-00	Nut	
20	F8535601	Screw	
21	F8402801	Bolt	
22	F8047901	Siphon Cover	
23	F8047801	Access Cover	
24	F200201	Hose Clamp	
25	F8529603	P-Trap Hose	

Fill Plumbing - 60 Pound Models

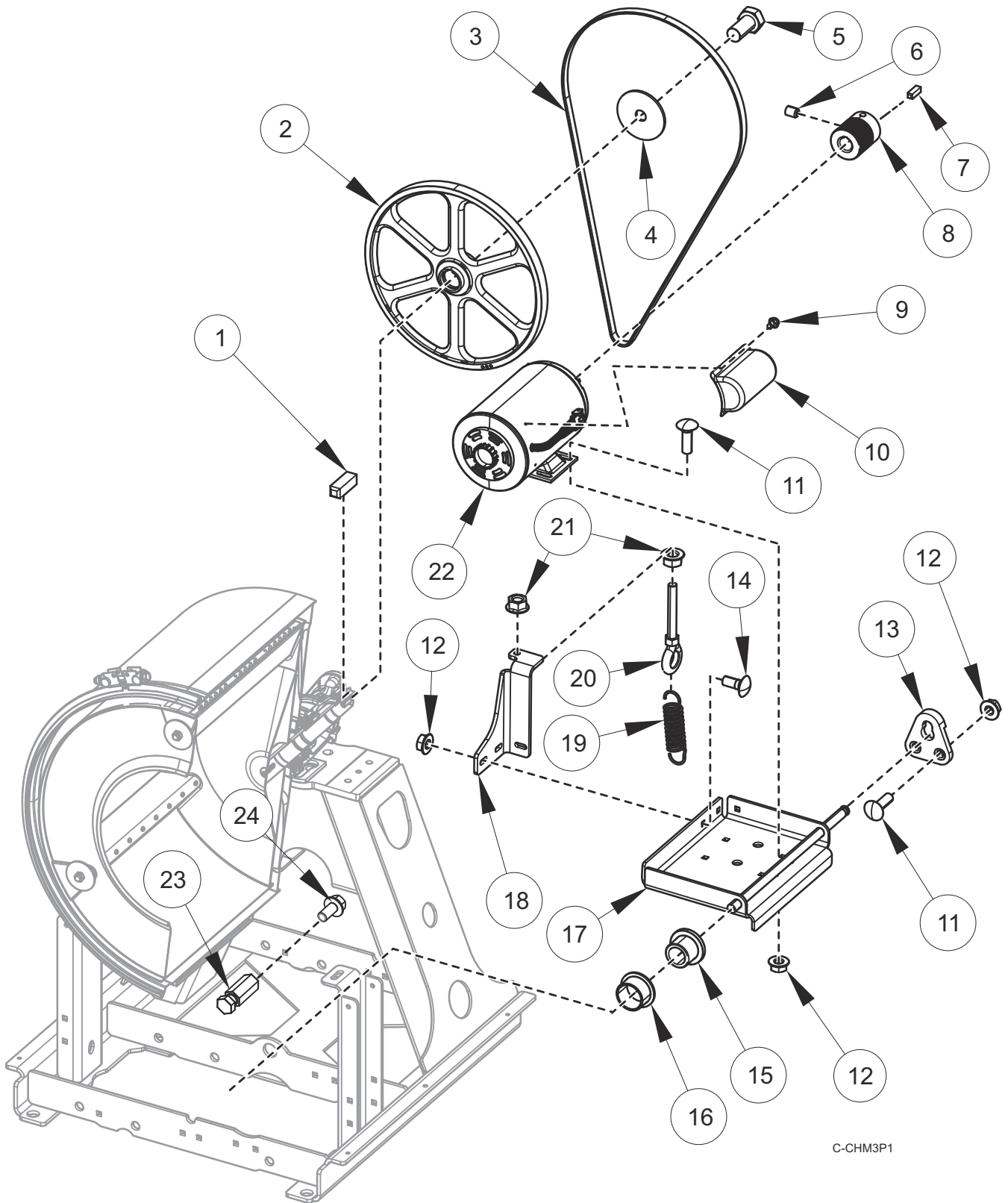


C-CHM4P2_F8677301

Fill Plumbing - 60 Pound Models

REF	PART NO.	DESCRIPTION	COMMENTS
	F8047403	Dispenser	Includes Items 18, 19 and 26
	F8520102	Fill Valve Harness	
	223/00243/00	Y-Connector	
	F8665601	Water Hose Kit	Standard thread; Red (hot); Includes 20290 Washer and 803615 Washer Filter
	F8665603	Water Hose Kit	Standard thread; Blue (cold); Includes 20290 Washer and 803615 Washer Filter
	F8665602	Water Hose Kit	Metric thread; Red (hot); Includes 20290 Washer and 803615 Washer Filter
	F8665604	Water Hose Kit	Metric thread; Blue (cold); Includes 20290 Washer and 803615 Washer Filter
	F8671201	Fill Hose Kit	WRAS; Includes item 11 and F8665602 Water Hose Kit
	F8671202	Fill Hose Kit	WRAS; Includes item 11 and F8665604 Water Hose Kit
	F8671101	Fill Hose Kit	Australian watermark; Includes F8665602 Water Hose Kit and B12543901 Check Valve
	F8671102	Fill Hose Kit	Australian watermark; Includes F8665604 Water Hose Kit and B12543901 Check Valve
	F8161201	Mixing Valve Screen	Plastic
	24122	Mixing Valve Screen	Steel mesh
1	B12568601	Dispenser Gasket	
2	F8563204	Dispenser Cover	Black; Icons and text
	F8563203	Dispenser Cover	Gray; Icons and text
	F8563202	Dispenser Cover	Black; Icons
	F8563201	Dispenser Cover	Gray; Icons
3	F8569101	O-Ring	
4	F8566801	Clip	
5	F8565201	Valve	3/4 inch; Standard
	F8565202	Valve	3/4 inch; Metric
6	F8230301	Screw	
7	800548	Screw	
8	F8589601	Vacuum Breaker Guard	
9	70058501	Pop Rivet	
10	F8301201	Double Check Valve	WRAS
11	F8434003	Mixing Valve	Standard
	F8434004	Mixing Valve	Metric
12	36801	Hose Clamp	
13	F8598501	Auxiliary Fill Hose	
14	F8529701	Manifold Valve	Standard
	F8529702P	Manifold Valve	Metric
15	F8232012	Hose	
16	F0431807-00	Nut	
17	F8535601	Screw	
18	F8437902	Dispenser Weldment	
19	F8047901	Siphon Cover	
20	F200213	Hose Clamp	
21	F8529604	P-Trap Hose	
22	F200201	Hose Clamp	
23	F8616404	Rear Vent Hose	
24	F8529404	Supply Vacuum Hose	
25	F8517503	Vacuum Breaker Assembly	With inlet and fill
	F8517502	Vacuum Breaker Assembly	With inlet; WRAS
	F8517501	Vacuum Breaker Assembly	With fill; WRAS
	F8517504	Vacuum Breaker Assembly	
26	F8047801	Access Cover	

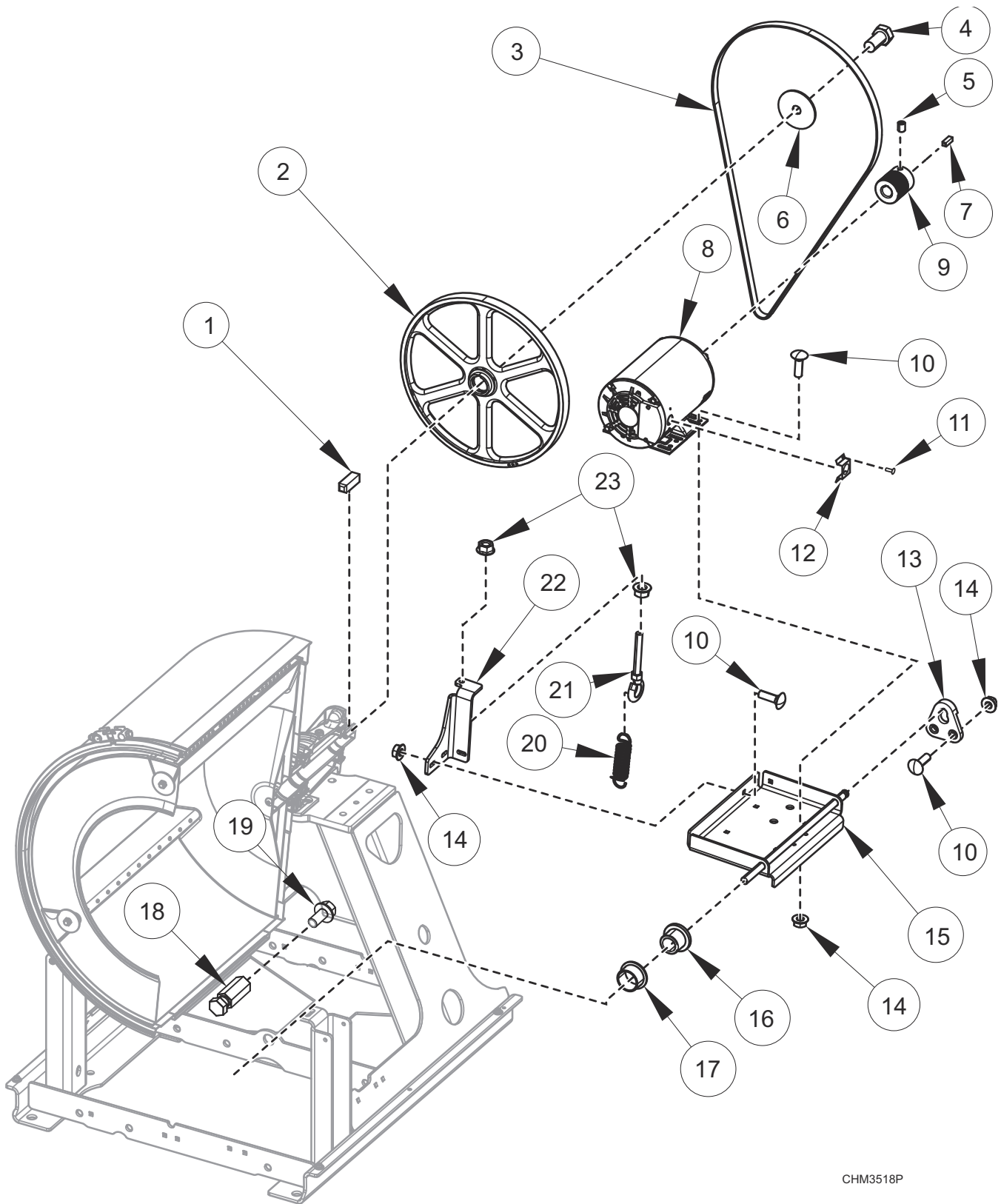
Motor, Pulley and Belt - 20 and 30 Pound Models



Motor, Pulley and Belt - 20 and 30 Pound Models

REF	PART NO.	DESCRIPTION	COMMENTS
	F8733806	Gasket	EMI 17.8 inch
	F8733801	Gasket	EMI 21 inch
	F8733802	Gasket	EMI 24 inch
	F8519001	Motor Harness	1 hp; 120-240 Volt
	F8519006	Motor Harness	1 hp; 120-240 Volt; EMI filter models through August 2021
	F8719401	Motor Harness	1 hp; 120-240 Volt; IEC shielded models starting September 2021
	F8519002	Motor Harness	1 hp; 380-480 Volt
	F8519007	Motor Harness	1 hp; 380-480 Volt; EMI filter models through August 2021
	F8719402	Motor Harness	1 hp; 380-480 Volt; IEC shielded models starting September 2021
	F8748601	Spring Stud Kit	Contains F8634701 Stud and 70126104 Screw. Used to replace F8351902 Eye Bolt and 44087201 Nut
1	F430801	Key	
2	F8511601	Basket Pulley	20 pound models
	F8511701	Basket Pulley	30 pound models
3	F8382811	Belt	20 pound models; Poly-V; 560J6
	F8382812	Belt	30 pound models; Poly-V; 690J6
4	F431115	Washer	
5	F8574001	Screw	
6	M400077	Screw	
7	H8752006H	Key	
8	F8525301	Motor Pulley	
9	23222	Screw	
10	70521901	Motor Conduit Mounting Bracket	Models through August 2021
	F8732401	Motor Conduit Mounting Bracket	Models starting September 2021
11	F8402801	Bolt	
12	44087201	Nut	
13	F8441101	Motor Rod Plate	
14	70062401	Bolt	
15	F8535202	Flanged Isolator	
16	F8333302	Flanged Bushing	
17	F8589001	Motor Bracket Weldment	
18	F8581201	Spring Bracket	
19	F310124	Extension Spring	
20	F8319503	Eye Bolt	
21	44087301	Nut	
22	F8509601P	Motor	1 hp; 230 Volt
	F8509701	Motor	1 hp; 460 Volt
23	F8634701	Stud	
24	70126104	Screw	

Motor, Pulley and Belt - 40 and 60 Pound Models

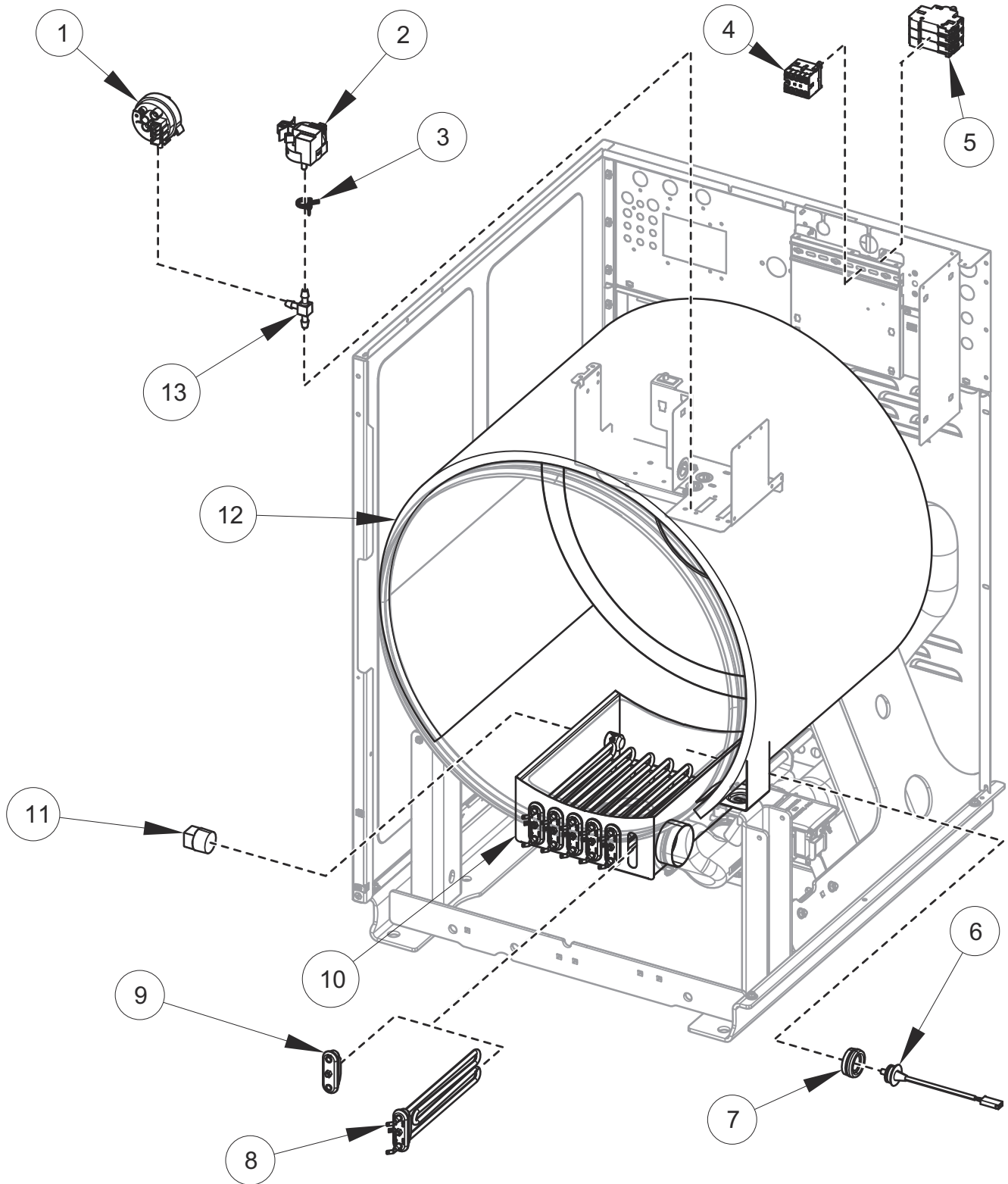


CHM3518P

Motor, Pulley and Belt - 40 and 60 Pound Models

REF	PART NO.	DESCRIPTION	COMMENTS
	F8733806	Gasket	EMI 17.8 inch
	F8733803	Gasket	EMI 25.6 inch
	F8733804	Gasket	EMI 29 inch
	F8519003	Motor Harness	2-3 hp; 240 Volt; B, Q, W, X and Y voltage
	F8519004	Motor Harness	2-3 hp; 480 Volt; N and P voltage
	F8519008	Motor Harness	B, Q, W, X and Y voltage; EMI filter models through August 2021
	F8519009	Motor Harness	N and P voltage; EMI filter models through August 2021
	F8719403	Motor Harness	2-3 hp; B, Q, W, X and Y voltage; IEC shielded models starting September 2021
	F8719404	Motor Harness	2-3 hp; N and P voltage; IEC shielded models starting September 2021
	F8748601	Spring Stud Kit	Contains F8634701 Stud and 70126104 Screw. Used to replace F8351902 Eye Bolt and 44087201 Nut
1	F430801	Key	
2	F8511701	Basket Pulley	40 pound models
	F8511801	Basket Pulley	60 pound models
3	F8382813	Belt	40 pound models; Poly-V; 717J8
	F8382818	Belt	60 pound models; Poly-V; 770J12
4	F8574001	Screw	
5	M400077	Screw	
6	F431115	Washer	
7	H8752006H	Key	
8	F8564101P	Motor	2 hp; 230/460 Volt; 40 pound models
	F8564102P	Motor	3 hp; 230/460 Volt; 60 pound models
9	F8525301	Motor Pulley	40 pound models
	F8525302	Motor Pulley	60 pound models
10	F8402801	Bolt	
11	23222	Screw	
12	F8732801	Bracket	
13	F8441101	Motor Rod Plate	
14	44087201	Nut	
15	F8589002	Motor Bracket Weldment	
16	F8535202	Flanged Isolator	
17	F8333302	Flanged Bushing	
18	F8634701	Stud	
19	70126104	Screw	
20	F310124	Extension Spring	40 pound models
	F8440701	Extension Spring	60 pound models
21	F8319503	Eye Bolt	
22	F8581201	Spring Bracket	
23	44087301	Nut	

Electric Heating

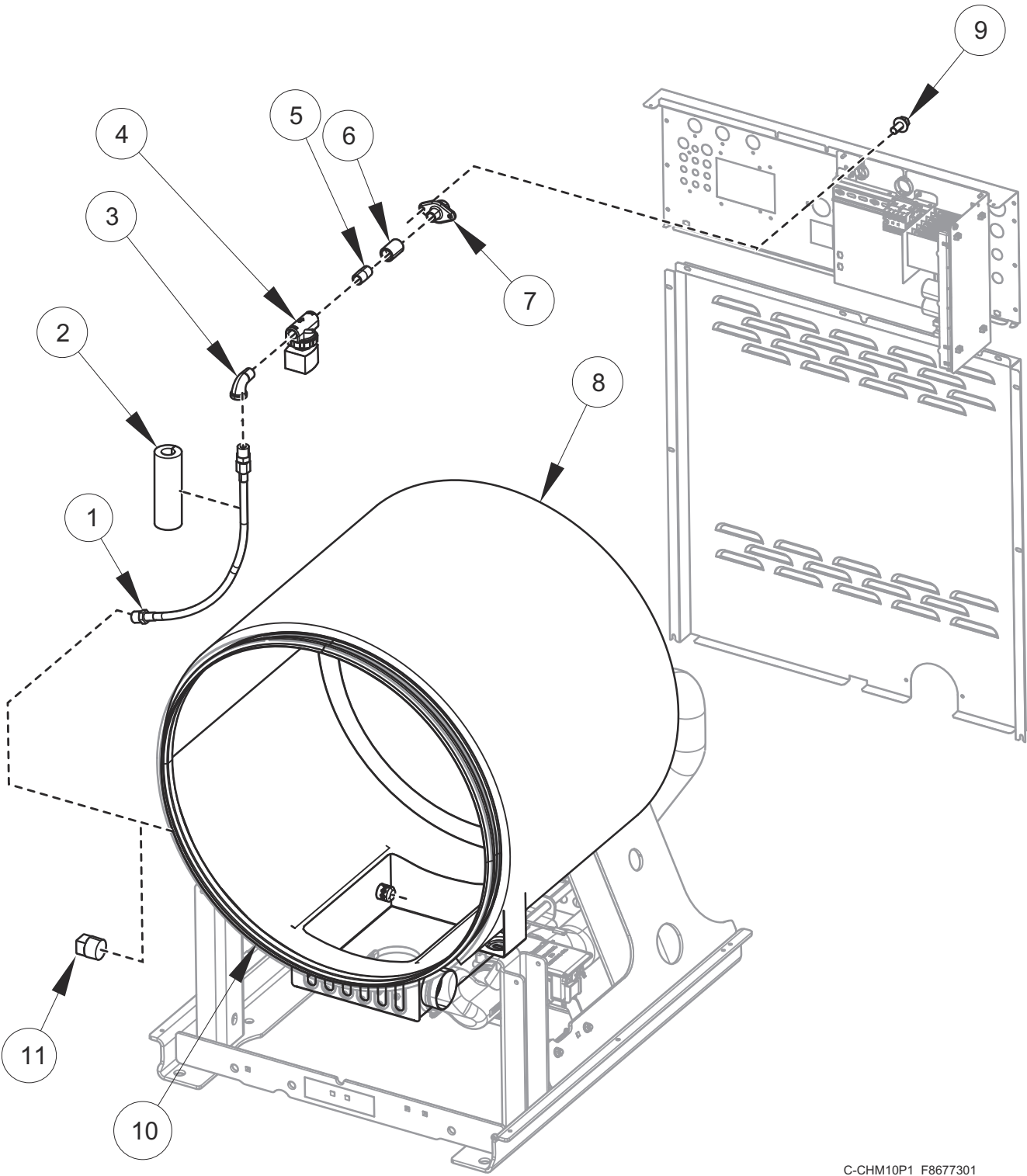


C-CHM8P6_F8677301

Electric Heating

REF	PART NO.	DESCRIPTION	COMMENTS
	F8584801	Electric Heat Element Harness	3 element ground
	F8584802	Electric Heat Element Harness	6 element ground
	F8619101	Power Harness	
	F8564001	Harness	Heater; 20 and 30 pound models; N and P Voltage
	F8564002	Harness	Heater; 20 and 30 pound models; Q Voltage
	F8564003	Harness	Heater; 40 and 60 pound models; N, P and Q Voltage
	F8598301	Harness	Thermistor; 20 and 30 pound models
	F8598302	Harness	Thermistor; 40 and 60 pound models
	F8568901	Jumper	40 and 60 pound models with N voltage
	F8569001	Jumper	40 and 60 pound models with P voltage; 20 and 30 pound models with N and P voltage
1	F8404401	Water Pressure Switch	
2	F8623401	Pressure Sensor	
3	39282	Hose Clamp	
4	70482601	Contactora	
5	70488101	Circuit Breaker	
6	F8538801	Thermistor	
7	2251000400	Temperature Probe Grommet	
8	F8568401	Heating Element	2600W; 240 Volt
	F8568402	Heating Element	3400W; 277 Volt
	F8568301	Heating Element	4200W; 230 Volt
9	F360202	Heating Element Plug	
10	F8512102	Shell	20 pound models
	F8514002	Shell	30 pound models
	F8512202	Shell	40 pound models
	F8543702	Shell	60 pound models
11	F420408	Plug	20, 30 and 40 pound models
	F420409	Plug	60 pound models
12	F8209101	Insulation	20 pound models
	F8209102	Insulation	30 pound models
	F8209103	Insulation	40 pound models
	F8209104	Insulation	60 pound models
13	203464	Barbed Tee	

Steam Heating - 40 and 60 Pound Models

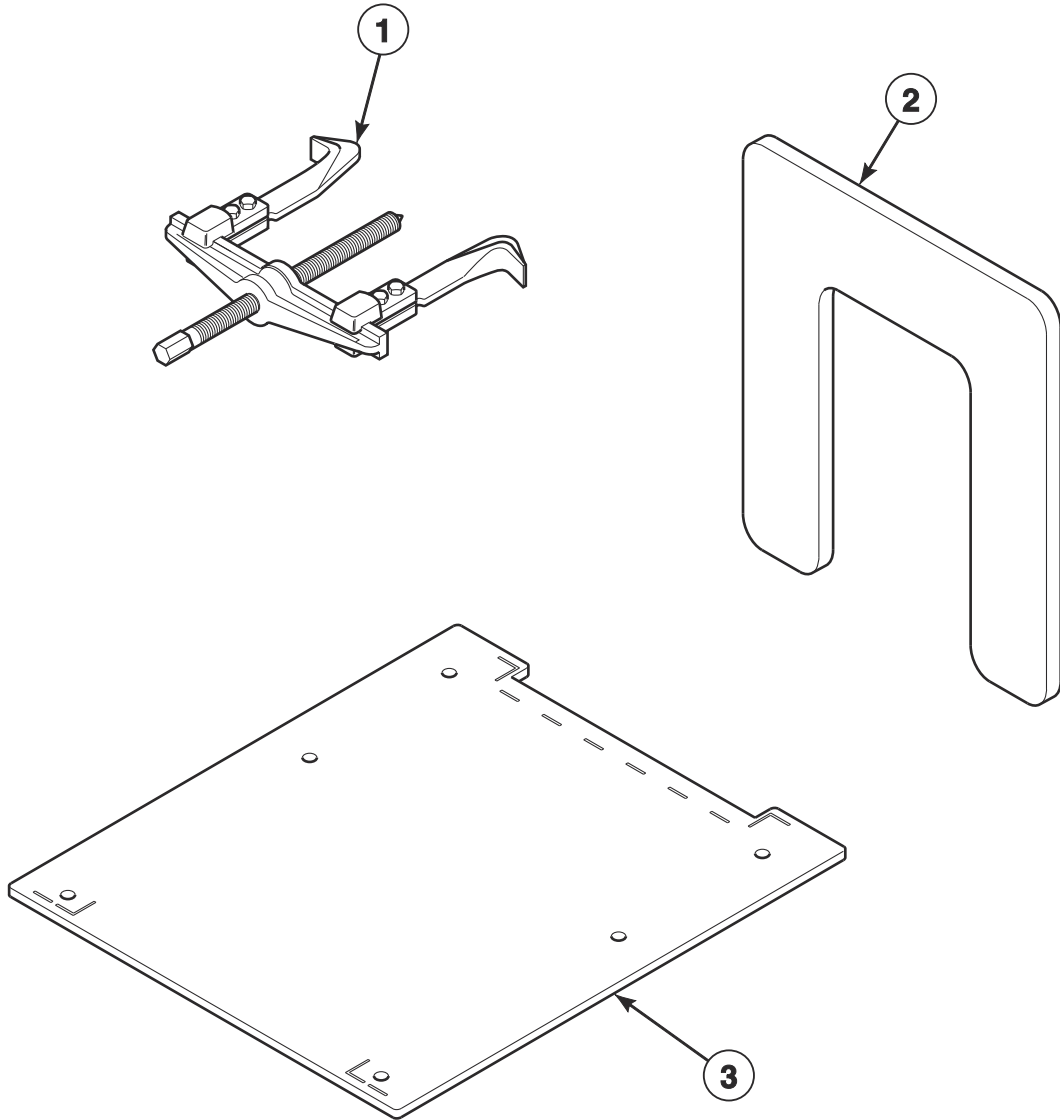


C-CHM10P1_F8677301

Steam Heating - 40 and 60 Pound Models

REF	PART NO.	DESCRIPTION	COMMENTS
	F8662602	Steam Kit	40 pound models; Includes Items 1-8, 10, 901403 Nipple, 7021401 Nipple, F270307 Steam Filter, F8520704 Harness, insulation and labels
	F8662601	Steam Kit	60 pound models; Includes Items 1-8, 10, 901403 Nipple, 7021401 Nipple, F270307 Steam Filter, F8520704 Harness, insulation and labels
	F270307	Steam Filter	1/2 inch
	F270308	Steam Filter	3/4 inch
	F8520704	Harness	Steam Valve
	F410300	Pipe Insulation	36 inches
1	F200153P	Steam Hose	40 pound models
	F200197	Steam Hose	60 pound models
2	F8233702	Insulation	6 inches
	F8233704	Insulation	12 inches; 60 pound models
	F8233708	Pipe Insulation	20 inches; 60 pound models
3	H86070034	Street Elbow	
4	F8322805	Valve	
	F8515001	Coil	
5	70435601	Pipe Nipple	
6	F8116301	Coupling	
7	F8362701	Coupling	
8	F8209103	Insulation	40 pound models
	F8209104	Insulation	60 pound models
9	70321501	Screw	
10	F8512202	Shell	40 pound models
	F8543702	Shell	60 pound models
11	F420408	Plug	40 pound models
	F420409	Plug	60 pound models

Special Tools and Kits



CHM3486P_F8677301

Special Tools and Kits

REF	PART NO.	DESCRIPTION	COMMENTS
	F8673201	Central Pay Kit	20, 30 and 40 pound coin and central pay models; N, P, Q, V, X and Y voltage; Includes 204094 Central Pay Assembly, 202758 Transformer, F140938 Snap Bushing, hardware and harnesses
	F8673205	Central Pay Kit	20, 30 and 40 pound coin and central pay models; B voltage; Includes 204094 Central Pay Assembly, 202757 Transformer, F140938 Snap Bushing, hardware and harnesses
	F8673203	Central Pay Kit	20, 30 and 40 pound card ready models; Includes 204094 Central Pay Assembly, F140938 Snap Bushing, hardware and harnesses
	F8673202	Central Pay Kit	60 pound coin and central pay models; N, P, Q W, X and Y voltage; Includes 204094 Central Pay Assembly, 202758 Transformer, F140938 Snap Bushing, hardware and harnesses
	F8673204	Central Pay Kit	60 pound card ready models; Includes 204094 Central Pay Assembly, F140938 Snap Bushing, hardware and harnesses
	1111P	Concrete Kit	5/8 inch
	389P4	Basket Tool Kit	Purchase; Requires item 1
	390P4-1	Basket Rental Tool Kit	Purchase; Requires item 1
	203346	USB IR Interface Kit	
	203440	USB-Serial Interface Assembly	
	NK330	USB Gateway Kit	Wireless
	204689	Wireless Network Kit	
	NK320	Ethernet Gateway Kit	Wireless
	F8667801	USB Cable	
	204145P	Gateway	
	205391P	Gateway	
1	F460129P	Basket Puller Tool	
2	F8608502P	Basket Pulley Puller Tool	Use with item 1
3	F8433301	Frame Template	20 pound models
	F8433401	Frame Template	30 pound models
	F8433501	Frame Template	40 pound models
	F8433601	Frame Template	60 pound models

Parts Index

A

Access Cover	
F8047801	67, 69, 71, 73
Access Panel	
F8524001	43
F8524101	43
F8524201	45
F8553901	45
Access Panel Retaining Spacer	
F8609701	43, 45
App Pay Overlay Kit	
44374701	11, 13, 17, 19, 21
Auxiliary Fill Hose	
F8598501	73

B

Backflow Preventer	
800310	65
Barbed Tee	
203464	11, 13, 79
Basket	
F8391302	59
F8391304	59
F8391502	59
F8391504	59
F8391702	59
F8391704	59
F8502802	59
F8502805	59
Basket Puller Tool	
F460129P	83
Basket Pulley	
F8511601	75
F8511701	75, 77
F8511801	77
Basket Pulley Puller Tool	
F8608502P	83
Basket Rental Tool Kit	
390P4-1	83
Basket Tool Kit	
389P4	83
Bearing	
F100108	61
F100123P	61
F100134	61
F100135	61
F100136P	61
F100137P	61
Bearing Housing	
F8246802	61
F8247902	61
F8249902	61
F8250902	61
Bearing Housing Assembly	
F8271601P	61
F8271602	61
F8271701P	61
F8271702	61

F8271801P	61
F8271802	61
F8271901P	61
F8271902	61
Belt	
F8382811	75
F8382812	75
F8382813	77
F8382818	77
Bolt	
F8270701	57
F8402801	49, 63, 65, 75, 77
F8437902	67, 69, 71
F8508101	51, 53, 55
70062401	75
Bracket	
F8571301	65
F8571401	65
F8665701	43, 45
F8732801	77
Bushing	
70346501	25, 27, 29, 31, 33, 35, 43, 45

C

Cabinet Brace	
F8527301	47
F8527401	47
F8527501	47
F8553201	47
Cable	
F8521301	47
Cap	
F8197701	67, 69, 71
Card Reader Plate	
F8574204	13
Central Pay Kit	
F8673201	83
F8673202	83
F8673203	83
F8673204	83
F8673205	83
Chemical Injection Control	
F8497401	37
804528	39
Circuit Breaker	
70488101	29, 31, 33, 35, 79
Clamp Ring Assembly	
F8537804	59
Clip	
F8566801	67, 69, 71, 73
Coil	
F8515001	81
Coin Drawer Assembly	
F8182001	23
Coin Drop Assembly17	
F8672701	17
F8672702	19
F8672703	17
F8672704	19
F8672705	19

N/A items do not appear in index.

F8672706	19
F8672707	19
F8672708	19
F8672709	17
F8672710	17
F8672711	17
F8672713	17
F8672714	17
F8672715	17
F8672716	19
F8672717	19
F8672718	17
F8672719	17
F8672720	19
F8672721	19
F8672722	19
Coin Identification Paper	
38725	17, 19, 21
Coin Vault Assembly	
F8529101	11
Coin Vault Bypass Harness	
F8519702	13
Coin Vault Harness	
F8519701	11
Concrete Kit	
1111P	83
Connector	
F8555401	37
F8555402	37
F8555403	37
F8555404	37
F8555405	37
F8555406	13
70493102	39
Contactora	
F330188P	79
70482601	25, 27, 29, 31, 33, 35
70482701	25, 27, 29, 31, 33, 35
Contactora Tray	
F8530901	25, 27, 29, 31, 33, 35
Control Assembly	
F8647601	11, 13
Control Panel Assembly	
F8631901	43
F8631903	43
F8631905	45
F8631907	45
Control Tray	
F8530701	15
Coupling	
F8116301	81
F8362701	81

D

Danger Label	
F8614501	9
Decal	
F8687701	43, 45
DIN Rail	
B12315401	29, 31, 33, 35
M412689	25, 27, 29, 31, 33, 35
Dispenser	
F8047403	67, 69, 71, 73

Dispenser Bracket	
F8525701	47
Dispenser Cover	
F8563201	67, 69, 71, 73
F8563202	67, 69, 71, 73
F8563203	67, 69, 71, 73
F8563204	67, 69, 71, 73
Dispenser Gasket	
B12568601	67, 69, 71, 73
Dispenser Weldment	
F8437902	73
Door	
F8507501P	51
F8507701	55
F8752601	53
Door Assembly	
F8617212	51
F8617312	53
F8617412	55
Door Bezel	
F8658701	43
F8658801	43
F8658901	43
F8659101	45
Door Catch Assembly	
D510177	43, 45
Door Gasket	
F20000202	51
F8111502	55
F8111602	53
Door Glass	
F8485301P	53
F8485401P	55
Door Glass Kit	
F290205P	51
Door Glass Trim	
F8583201	51
F8583202	53
F8583203	55
Door Handle	
F8624603	51, 53, 55
Door Handle Spacer	
F8567501	53, 55
Door Handle Spacer Kit	
F8567501	51
Door Hinge	
F190216P	51, 53, 55
Door Hinge Shim Kit	
F200131000P	51, 53, 55
Door Latch Arm Assembly	
F8221403	51, 53, 55
Door Lock Assembly	
F8632401	57
Door Lock Catch	
F8344501	57
Door Lock Cover	
F8245001	57
Door Lock Harness	
F8520201	57
F8520202	57
Door Lock Microswitch	
F200203200	57
Door Lock Plate Assembly	
F8223202	57

N/A items do not appear in index.

Door Lock Plate Shim F83344401	57
Door Lock Solenoid Replacement Kit F977P3	57
Door Lock Switch Lever F8223401	57
Door Mount F150271	51, 53, 55
Double Check Valve F8301201	67, 69, 71, 73
Dowel Pin F8388201	61
Drain Hose F8541901	63
F8542001	63
F8542002	63
27154	65
Drain Hose Elbow 35766	65
Drain Tee F8752101	63
Drain Valve F8406308	63
Drain Valve Bracket F8543101	63
F8543301	63
F8543401	63
F8587701	63
Drain Valve Cover F200133600	63
Drain Valve Harness F8520001	63, 65
F8520002	63, 65
Drain Valve Kit F200166302	63
F200166402	63
F8577201	63
Drive Assembly F8495401P	41
F8496001	41
F8496301P	41
F8496901	41
Drive Communication Harness F8519201	41
F8519202	41
F8519203	41
F8519204	41
Drive Mounting Bracket F8322401	41
Drive Panel Base Assembly F8567001	25, 27, 29, 31
F8567002	29, 31
F8567003	33, 35
F8567004	33, 35
Drive Power Harness F8518601	41
F8518602	41
F8518603	41
Drive Shield F8616901	25, 27, 29, 31, 33, 35
Drive Terminal Tray F8530801	25, 27, 29, 31
F8530803	33, 35

E

Electric Heat Element Harness F8584801	79
F8584802	79
Electronic Coin Drop Assembly F8672601	21
F8672602	21
F8672603	21
F8672604	21
F8672605	21
F8672606	21
F8672607	21
F8672608	21
F8672609	21
F8672610	21
F8672611	21
F8672612	21
F8672613	21
F8672614	21
F8672615	21
Emergency Stop Bypass Harness F8519403	13
F8549403	11
EMI Filter F8591601	25, 29
F8591801	27, 31, 33
F8637501	27, 31, 35
End Stop F8449801	25, 27, 29, 31, 33, 35
Ethernet Gateway Kit NK320	83
Excluder Seal F8337002	59
Expansion Clip 70030501	11, 13, 15, 25, 27, 29, 31, 33, 35, 37, 41, 43, 45, 47, 49, 57, 65
Extension Spring F310124	75, 77
F8440701	77
External Supply Kit F8662501	39
F8662502	39
F8662503	39
F8662504	39
F8662505	39
F8662506	39
F8662507	39
F8662508	39
F8662509	37
F8662510	37
F8662511	37
F8662512	37
Eye Bolt F8319503	75, 77

F

Fill Hose Kit F8671101	67, 69, 71, 73
F8671102	67, 69, 71, 73
F8671201	67, 69, 71, 73
F8671202	67, 69, 71, 73

N/A items do not appear in index.

Fill Valve Harness	
F8520101	67, 69, 71
F8520102	73
Filter Kit	
F8662801	25
F8662802	29
F8662803	27
F8662804	31, 33
F8662805	27
F8662806	31, 35
F8662809	27
F8662810	27
F8662811	31, 33
F8662812	31, 35
Flanged Bushing	
F8333302	75, 77
Flanged Isolator	
F8535202	75, 77
Frame Template	
F8433301	83
F8433401	83
F8433501	83
F8433601	83
Front Panel	
F8666201	43
F8666202	43
F8666204	43
F8666301	43
F8666302	43
F8666304	43
F8666401	45
F8666402	45
F8666404	45
F8666501	45
F8666502	45
F8666504	45
F8685201	45
F8685202	45
F8685204	45
F8685601	43
F8685602	43
F8685604	43
F8685701	43
F8685702	43
F8685704	43
F8685801	45
F8685802	45
F8685804	45
F8698201	43
F8698202	43
F8698204	43
F8698301	43
F8698302	43
F8698304	43
F8698401	45
F8698402	45
F8698404	45
F8698501	45
F8698502	45
F8698504	45
Front Tray Assembly	
F8531001	11
F8531002	13
F8567301	11
F8567302	11
F8567303	11
F8567304	11
F8567305	11

F8567306	11
F8567307	13
F8567308	13
F8567309	13
F8567310	13
F8567311	13
F8567312	13

G

Gasket	
F8542601	47
F8733801	75
F8733802	75
F8733803	77
F8733804	77
F8733806	75, 77
Gateway	
204145P	83
205391P	83
Ground Lug Connector	
M411283	25, 27, 29, 31, 33, 35

H

Harness	
F8518401	27, 31, 33
F8518402	25, 27
F8518403	31, 33
F8518404	25, 27, 33
F8518405	25, 29
F8518501	25, 27, 31, 35
F8518502	27
F8518503	31, 35
F8518504	27, 31
F8518604	29
F8518605	27, 31, 35, 41
F8518606	27, 31, 35, 41
F8518607	33
F8519301	11, 13
F8519501	11, 13
F8519502	11, 13
F8519601	13
F8520601	39
F8520602	39
F8520704	81
F8528001	27, 29, 31, 33, 35
F8528002	27
F8528003	29, 31, 33, 35
F8528004	25, 29
F8528005	27, 31, 33, 35
F8528006	25, 29
F8528203	39
F8528204	39
F8528205	37
F8528206	37
F8564001	79
F8564002	79
F8564003	79
F8581301	37
F8598301	59, 79
F8598302	59, 79
F8619102	25, 27, 29, 31, 33, 35
F8663001	11
F8663002	11

N/A items do not appear in index.

Harness Support Bracket	
F8744301	25, 27, 29, 31, 33, 35
Heating Element	
F8568301	79
F8568401	79
F8568402	79
Heating Element Plug	
F360202	79
Hinge Replacement Kit	
F8748701	51
F8748801	53
F8748901	55
F8749001	55
Hole Plug	
F8223801	47
Hose	
F8232007	67
F8232010	71
F8232011	69
F8232012	73
Hose Clamp	
F200201	63, 67, 69, 71, 73
F200204	65
F200213	63, 67, 69, 71, 73
F200215	65
F200219	65
36801	67, 69, 71, 73
36802	63, 65
39282	11, 13, 79
Hot Surface Warning Label	
F8609001	9
F8614301	9

I

Input and Output Control Assembly	
F8494101P	15
Insulation	
F8209101	79
F8209102	79
F8209103	79, 81
F8209104	79, 81
F8233702	81
F8233704	81
Insulator	
M413862	25, 27, 29, 31, 33, 35

J

Jumper	
F8568901	79
F8569001	79
F8583501	29, 31, 33, 35

K

Key	
F160420	23
F430801	75, 77
H8752006H	75, 77
70155603	47

L

Label	
D516100	25, 27, 29, 31, 33, 35
F8601301	9
F8602401	9
F8609401	9
F8611301	9, 47
F8611401	9, 47
F8614801	9
203853	9
44286801	25, 29
44286803	27, 31, 35

M

Machine ID Control Assembly	
203361P	11, 13
Magnet	
F8390801	51, 53, 55
Male Tab Terminal	
00621SG	25, 27, 29, 31, 33, 35
Manifold Valve	
F8529701	67, 69, 71, 73
F8529702P	67, 69, 71, 73
Mixing Valve	
F8434003	73
F8434004	73
Mixing Valve Screen	
F8161201	73
24122	73
Motor	
F8509601P	75
F8509701	75
F8564101P	77
F8564102P	77
Motor Bracket Weldment	
F8589001	75
F8589002	77
Motor Conduit Mounting Bracket	
F8732401	75
70521901	75
Motor Harness	
F8519001	75
F8519002	75
F8519003	77
F8519004	77
F8519006	75
F8519007	75
F8519008	77
F8519009	77
F8719401	75
F8719402	75
F8719403	77
F8719404	77
Motor Pulley	
F8525301	75, 77
F8525302	77
Motor Rod Plate	
F8441101	75, 77

N/A items do not appear in index.

N

Nameplate	
F8664901	43
F8667901	45
F8688801	43, 45
Nut	
C001236	51, 53, 55
F0431807-00	67, 69, 71, 73
F430215	17, 19, 21, 51, 53, 55
F430218	59
F430225	57
F430232	51, 53, 55, 57
F431024	57
F431041	51, 53, 55
F8387701	61
36020	43, 45
44087201	49, 63, 65, 75, 77
44087301	59, 75, 77
44088001	25, 27, 29, 31, 33, 35
44088801	47
70030401	63

O

Opto Coupler	
200674P	17, 19
O-Ring	
F8569101	67, 69, 71, 73
Overflow Hose	
F8521201	63
F8522401	63
F8522501	63
Overflow Plug	
F150352	65

P

Panel Locator	
56079	43, 45, 49
Panel Lock	
44089303P	47
Pin	
F8302701	59
F8502101	49
Pinch Warning Label	
F8615701	9
70538401	9
Pipe Insulation	
F410300	81
F8233708	81
Pipe Nipple	
70435601	81
Plug	
F420408	79, 81
F420409	79, 81
F8223901	47
M400985	47
Pop Rivet	
F431215	43, 45, 47
F431223	51, 53, 55
M400003	15, 25, 27, 29, 31, 33, 35

70058501	11, 17, 19, 21, 25, 27, 29, 31, 33, 35, 67, 69, 71, 73
70412601	43, 45
Power Distribution Block	
M413865	25, 27, 29, 31, 33, 35
Power Distribution Block Cover	
44014901P	25, 27, 29, 31, 33, 35
Power Harness	
F8619101	25, 27, 29, 31, 33, 35, 79
Pressure Cap	
F8579301	63, 65
Pressure Sensor	
F8623401	11, 13, 79
P-Trap Hose	
F8529601	67
F8529602	69
F8529603	71
F8529604	73
Pulse Expander Assembly	
F8034701P	21
Pump Drain and Bracket Assembly	
804038	65
805613	65
805723	65
Pump Drain Bracket	
F8536901	65
F8557101	65
F8557301	65
Pump Drain Hose	
F8556601	65
Pump Drain Rear Hose	
F8537001	65
F8557001	65
F8557201	65
Pushbutton Switch	
70413301	47

R

Radial Lip Seal	
F8203816	61
Rear Drain Hose	
F8543001	63
F8543201	63
F8543501	63
F8587301	63
Rear Panel	
F8527001	47
F8554501	47
F8660101	47
F8660201	47
Rear Vent Hose	
F8616401	67
F8616402	69, 71
F8616404	73
Reed Switch Assembly	
F8066804	57
Retaining Ring	
F8337801	61
F8337901	61
F8344901	61
F8345001	61
Rivet	
M412763	43, 45, 49

N/A items do not appear in index.

Rod	F602813-2.....	51, 53, 55
-----	----------------	------------

S

Screw	D503688	41
	F430532	51
	F430533	53, 55
	F430536	51, 53, 55
	F8117601	11, 13, 17, 19, 21, 43, 45, 47, 49, 57, 65
	F8206901	15, 25, 27, 29, 31, 33, 35, 37, 43, 45, 47, 65
	F8230301	67, 69, 71, 73
	F8368801	61
	F8442702	61
	F8535501	51, 53, 55
	F8535601	67, 69, 71, 73
	F8574001	75, 77
	F8589501	43, 45
	F8621601	59
	F8658501	65
	F8673701	59
	M400077	75, 77
	202175	63
	23222	75, 77
	33562	47
	39733	25, 27, 29, 31, 33, 35
	403497	39
	430497	15, 43, 45
	51780	47
	51783	25, 27, 29, 31, 33, 35
	685837	25, 27, 29, 31, 33, 35
	70126104	75, 77
	70321501	81
	800548	67, 69, 71, 73
Seal Scupper Pad	F8350302	61
Shaft Seal Sleeve Kit	F8343906P	59
Shell	F8512101	59
	F8512102	59, 79
	F8512201	59
	F8512202	59, 79, 81
	F8514001	59
	F8514002	59, 79
	F8543701	59
	F8543702	59, 79, 81
Shell Band Kit	F8357802	59
	F8537801	59
	F8537803	59
Shell Front	F8652601	59
	F8652901	59
	F8653001	59
	F8653101	59
Shell Front Assembly	F8229401	59
	F8229501	59
	F8229601	59
	F8229701	59
Shock Warning Label	F8614201	9

Side Panel	F8633701	49
	F8633702	49
	F8633703	49
	F8633704	49
	F8633801	49
	F8633802	49
	F8633803	49
	F8633804	49
	F8633901	49
	F8633902	49
	F8633903	49
	F8633904	49
	F8634001	49
	F8634002	49
	F8634003	49
	F8634004	49
Siphon Cover	F8047901	67, 69, 71, 73
Snap Bushing	F140938	11, 13, 25, 27, 29, 31, 33, 35, 37, 39
	M402542	11, 13
	M411826	11, 13
Spacer	F431901	57
Spring Bracket	F8581201	75, 77
Spring Pin	F431222	51, 53, 55
Spring Stud Kit	F8748601	75, 77
Steam Filter	F270307	81
	F270308	81
Steam Hose	F200153P	81
	F200197	81
Steam Kit	F8662601	81
	F8662602	81
Street Elbow	H86070034	81
Stud	F8634701	75, 77
	70334702	63
Supply Vacuum Hose	F8529401	67
	F8529402	69
	F8529403	71
	F8529404	73

T

Temperature Probe Grommet	2251000400	59, 79
Terminal	00622SG	15, 25, 27, 29, 31, 33, 35
Terminal Block	430642	25, 27, 29, 31, 33, 35
Terminal Block Shield	70333001	25, 27, 29, 31, 33, 35
Terminal Tray Cover	F8518301	47

N/A items do not appear in index.

Thermistor	
F8538801	59, 79
Top Cover	
F8525401	47
F8525501	47
F8525601	47
F8554301	47
Top Cover Hinge	
F8258601	47
Top Cover Latch	
F8201001	43, 45
Torsion/Door Lock Spring	
F8070301	57
Transformer	
F8491101	15
202757	15
202758	15
Triple Lip Seal	
F8203801	61
F8203802	61
F8203803	61
F8203806	61
F8203813	61
F8203814	61
F8203815	61
Tubing	
F8405302	11, 13
F8405303	11, 13

U

USB Cable	
F8667801	83
USB Gateway Kit	
NK330	83
USB IR Interface Kit	
203346	83
USB-Serial Interface Assembly	
203440	83

V

Vacuum Breaker Assembly	
F8517501	67, 69, 71, 73
F8517502	67, 69, 71, 73
F8517503	67, 69, 71, 73
F8517504	67, 69, 71, 73
Vacuum Breaker Guard	
F8589601	67, 69, 71, 73
Valve	
F8322805	81
F8565201	67, 69, 71, 73
F8565202	67, 69, 71, 73
Valve Panel	
F8513101	47
F8513201	47
F8513301	47
F8554401	47
Vend Plate	
F8632501	13, 17, 19, 21

W

Warning Label	
F8611601	9
44324001	9
Washer	
F430339	61
F431115	75, 77
F431133	51, 53, 55
F431147	51, 53, 55
F431916	51, 53, 55
F431929	51, 53, 55
F8193101	57
F8201101	43, 45
F8402701	59
M400080	59
M400081	59
M405535	49
Water Hose Kit	
F8665601	67, 69, 71, 73
F8665602	67, 69, 71, 73
F8665603	67, 69, 71, 73
F8665604	67, 73
Water Pressure Switch	
F8404401	11, 13, 79
Wire Clip	
F8449501	11, 13, 15
70347601	15
70366201	11, 13
Wire Label	
44286804	27, 31, 33
Wireless Harness	
F8520403	15
F8520404	15
Wireless Network Control Assembly	
203532	15
Wireless Network Kit	
204689	83

Y

Y-Connector	
223/00243/00	73