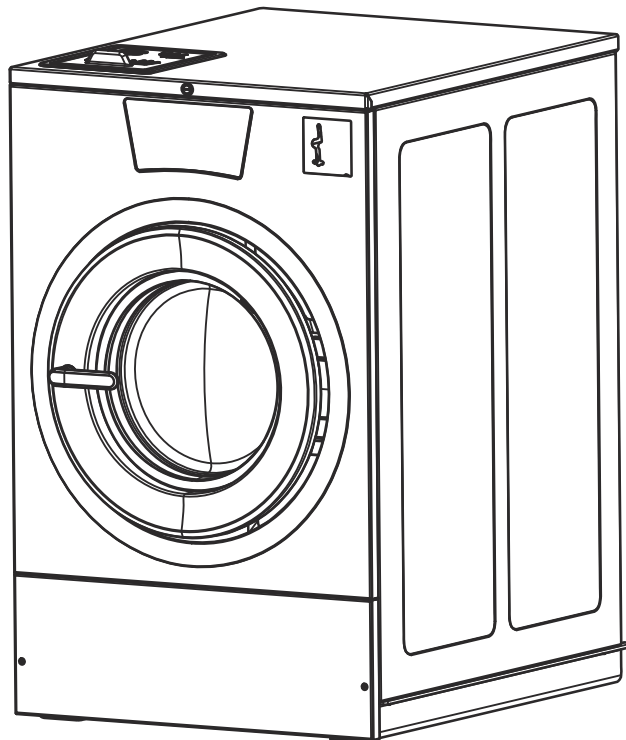


Washer-Extractor

Cabinet Hardmount

Design 5 and 6

Refer to Page 3 for Model Numbers



C-CHM11P10_F8678501

Table of Contents

Title	Page
Parts Ordering Information.....	2
Serial Plate Location	2
Model Identification	3
Product Overview - Touch Vend	4
Labels	6
Control Module and Front Tray Assembly - Coin Models	8
Control Module and Front Tray Assembly- Card Reader and Central Pay Models	10
Control Module and Front Tray Assembly - FOB Models	12
Control Tray Assembly.....	14
Flush Mount Coin Meter Assembly - Single Drop	16
Flush Mount Coin Meter Assembly - Dual Drop.....	18
Electronic Coin Meter Assembly	20
Optional Coin Box	22
Inverter Drive Box - Q and X Voltage.....	24
Inverter Drive Box - N and P Voltage.....	26
External Supply Kit.....	28
Inverter Drive	30
Front Panels and Control Panel.....	32
Rear and Top Panels	34
Side Panels.....	36
Door (Drawing 1 of 2).....	38
Door (Drawing 2 of 2).....	40
Door Lock.....	42
Shell Front and Basket.....	44
Shell	46
Bearing Housing and Frame Shield	48
Drain Plumbing	50
Fill Plumbing	52
Motor, Pulley and Belt.....	54
Electric Heating	56
Steam Heating	58
Special Tools and Kits	60
Parts Index.....	63

© Copyright 2022, Alliance Laundry Systems LLC

All rights reserved. No part of the contents of this book may be reproduced or transmitted in any form or by any means without the expressed written consent of the publisher.

Parts Ordering Information

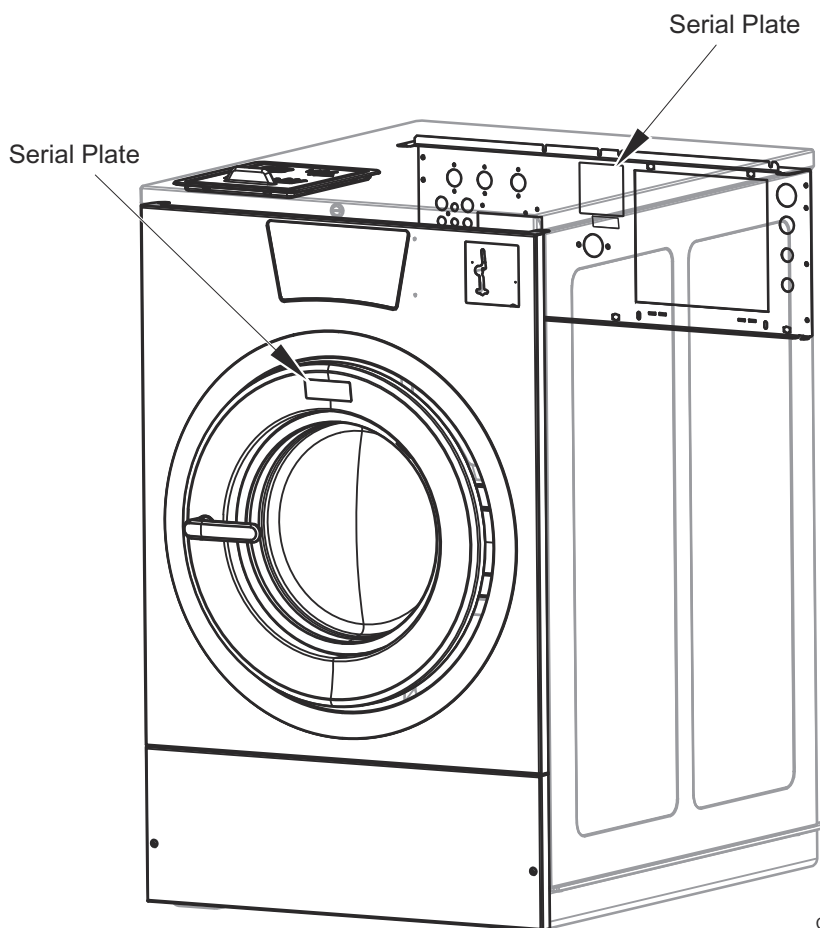
If literature or replacement parts are required, contact the source from whom the machine was purchased or contact Alliance Laundry Systems at (920) 748-3950 for the name and address of the nearest authorized parts distributor.

For technical assistance, call the number listed below:

(920) 748-3121 Ripon, Wisconsin

Serial Plate Location

When calling or writing about your product, be sure to mention model and serial numbers. Model and serial numbers are located on serial plate(s) as shown.



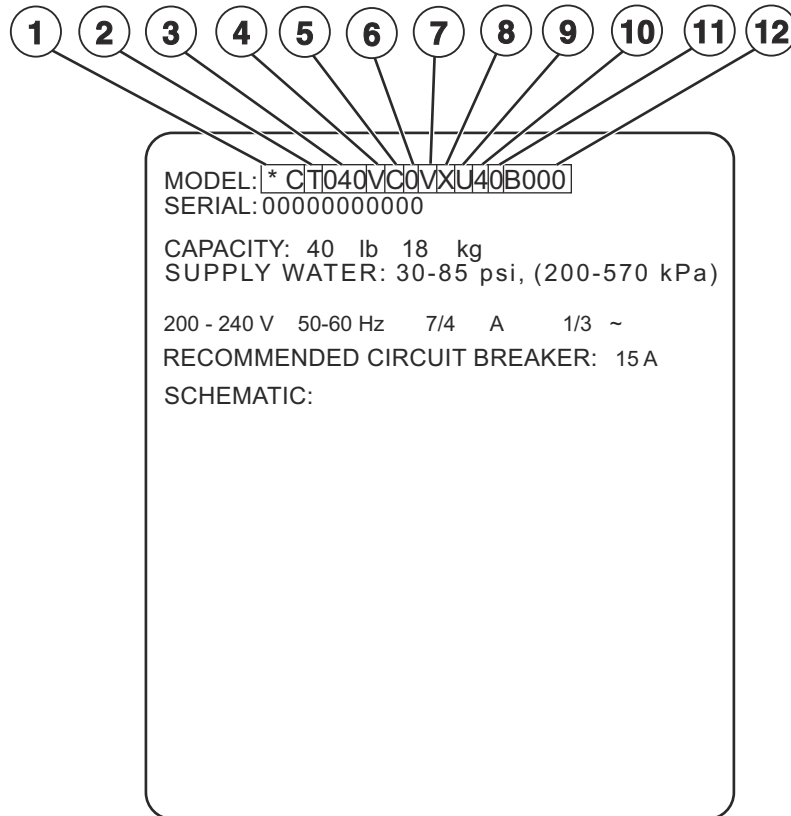
C-CHM11P11_F8678501

Model Identification

Information in this manual is applicable to these washer-extractor models:

HCA080VC	HCH080VQ	HCT080VX	SCA080VC	SCH080VQ	SCT080VX
HCA080VD	HCH080VT	HCT080VY	SCA080VD	SCH080VT	SCT080VY
HCA080VE	HCH080VV	HCT100VC	SCA080VE	SCH080VV	SCT100VC
HCA080VF	HCH080VX	HCT100VD	SCA080VF	SCH080VX	SCT100VD
HCA080VH	HCH080VY	HCT100VE	SCA080VH	SCH080VY	SCT100VE
HCA080VL	HCH100VC	HCT100VF	SCA080VL	SCH100VC	SCT100VF
HCA080VQ	HCH100VD	HCT100VH	SCA080VQ	SCH100VD	SCT100VH
HCA080VT	HCH100VE	HCT100VL	SCA080VT	SCH100VE	SCT100VL
HCA080VV	HCH100VF	HCT100VP	SCA080VV	SCH100VF	SCT100VP
HCA080VX	HCH100VH	HCT100VQ	SCA080VX	SCH100VH	SCT100VQ
HCA080VY	HCH100VL	HCT100VT	SCA080VY	SCH100VL	SCT100VT
HCA100VC	HCH100VQ	HCT100VV	SCA100VC	SCH100VQ	SCT100VV
HCA100VD	HCH100VT	HCT100VX	SCA100VD	SCH100VT	SCT100VX
HCA100VE	HCH100VV	HCT100VY	SCA100VE	SCH100VV	SCT100VY
HCA100VF	HCH100VX	HCU080VC	SCA100VF	SCH100VX	SCU080VC
HCA100VH	HCH100VY	HCU080VD	SCA100VH	SCH100VY	SCU080VD
HCA100VL	HCH080VV	HCU080VE	SCA100VL	SCJ080VV	SCU080VE
HCA100VQ	HCH100VV	HCU080VF	SCA100VQ	SCJ100VV	SCU080VF
HCA100VT	HCK080VC	HCU080VH	SCA100VT	SCK080VC	SCU080VH
HCA100VV	HCK080VD	HCU080VL	SCA100VV	SCK080VD	SCU080VL
HCA100VX	HCK080VE	HCU080VQ	SCA100VX	SCK080VE	SCU080VQ
HCA100VY	HCK080VF	HCU080VT	SCA100VY	SCK080VF	SCU080VT
HCG080VC	HCK080VH	HCU080VV	SCG080VC	SCK080VH	SCU080VV
HCG080VD	HCK080VL	HCU080VX	SCG080VD	SCK080VL	SCU080VX
HCG080VE	HCK080VQ	HCU080VY	SCG080VE	SCK080VQ	SCU080VY
HCG080VF	HCK080VT	HCU100VC	SCG080VF	SCK080VT	SCU100VC
HCG080VH	HCK080VV	HCU100VD	SCG080VH	SCK080VV	SCU100VD
HCG080VL	HCK080VX	HCU100VE	SCG080VL	SCK080VX	SCU100VE
HCG080VQ	HCK080VY	HCU100VF	SCG080VQ	SCK080VY	SCU100VF
HCG080VT	HCK100VC	HCU100VH	SCG080VT	SCK100VC	SCU100VH
HCG080VV	HCK100VD	HCU100VL	SCG080VV	SCK100VD	SCU100VL
HCG080VX	HCK100VE	HCU100VQ	SCG080VX	SCK100VE	SCU100VQ
HCG080VY	HCK100VF	HCU100VT	SCG080VY	SCK100VF	SCU100VT
HCG100VC	HCK100VH	HCU100VV	SCG100VC	SCK100VH	SCU100VV
HCG100VD	HCK100VL	HCU100VX	SCG100VD	SCK100VL	SCU100VX
HCG100VE	HCK100VQ	HCU100VY	SCG100VE	SCK100VQ	SCU100VY
HCG100VF	HCK100VT		SCG100VF	SCK100VT	
HCG100VH	HCK100VV		SCG100VH	SCK100VV	
HCG100VL	HCK100VX		SCG100VL	SCK100VX	
HCG100VQ	HCK100VY		SCG100VQ	SCK100VY	
HCG100VT	HCT080VC		SCG100VT	SCT080VC	
HCG100VV	HCT080VD		SCG100VV	SCT080VD	
HCG100VX	HCT080VE		SCG100VX	SCT080VE	
HCG100VY	HCT080VF		SCG100VY	SCT080VF	
HCH080VC	HCT080VH		SCH080VC	SCT080VH	
HCH080VD	HCT080VL		SCH080VD	SCT080VL	
HCH080VE	HCT080VP		SCH080VE	SCT080VP	
HCH080VF	HCT080VQ		SCH080VF	SCT080VQ	
HCH080VH	HCT080VT		SCH080VH	SCT080VT	
HCH080VL	HCT080VV		SCH080VL	SCT080VV	

Product Overview - Touch Vend



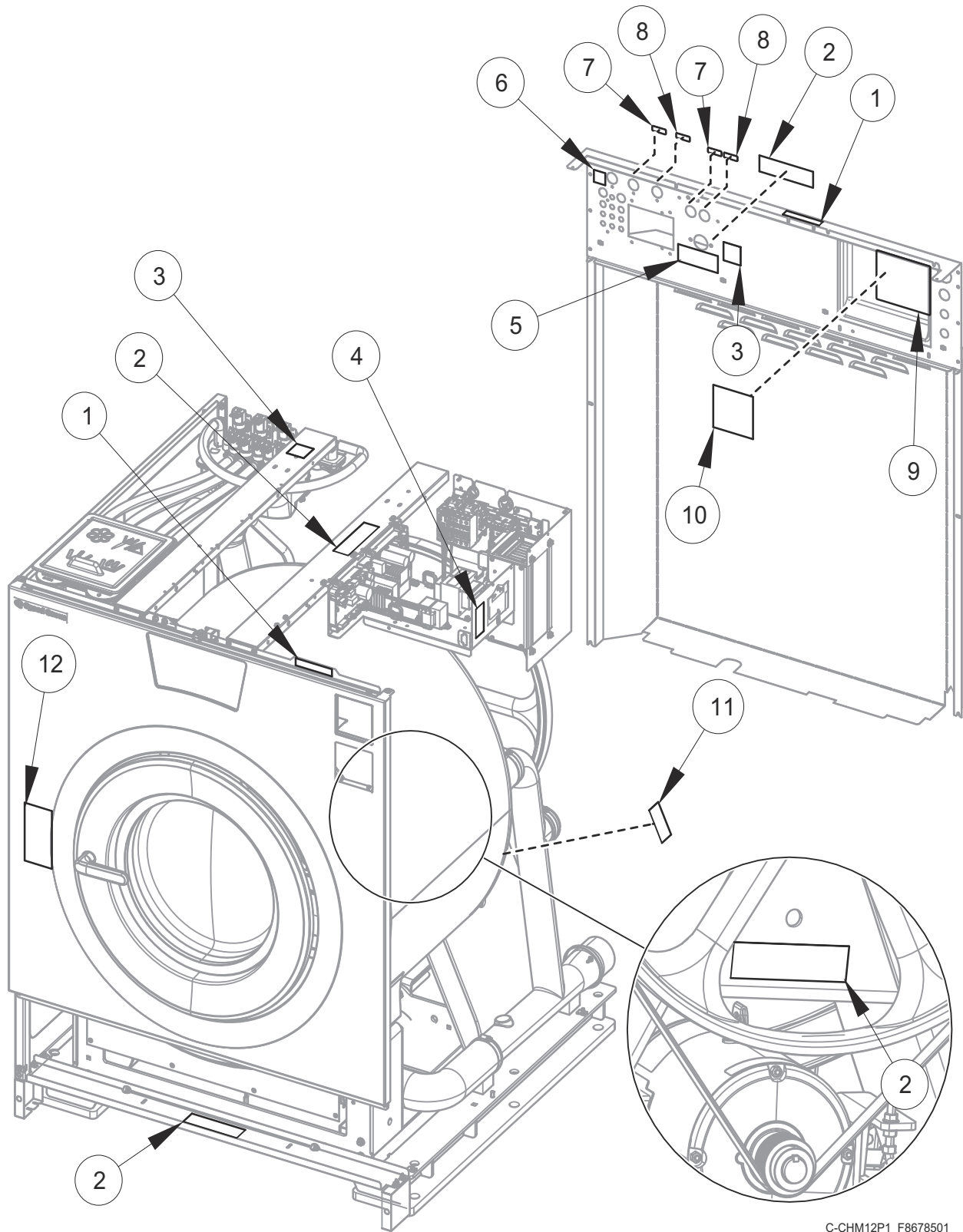
Touch Vend

CHM3501P

Product Overview - Touch Vend

REF	PART NO.	DESCRIPTION	COMMENTS
1	-	Product Family	SC HC
2	-	Market Approvals	A (Australia ICE) D (Brazil IEC) G (International) H (China-ROHS IEC) J (Japan-PSE IEC) K (Korea IEC) L (Thailand-TISI IEC) T (North America) U (International CE/EAC)
3	-	Capacity (Dry Weight in Pounds)	080 100
4	-	Control	V
5	-	Actuation	L (Central Pay) X (Prep for Coin) Y (Prep for Card) P (Fob) C (Single Coin) D (Dual Coin) E (Electronic Drop) T (Token) F (Single Coin + CD Lock and Key) Q (Dual Coin + CD Lock and Key) H (Electronic Drop + CD Lock and Key) V (Token + CD Lock and Key)
6	-	Coin Meter	0 (Standard) 1 (CD Lock and Key)
7	-	Speed	F (F-Speed) V (V-Speed)
8	-	Voltage	B (120/60/1) W (200-240/50/1/3) Y (200-240/60/1/3) X (200-240/50-60/1/3) Q (200-240/50-60/3) P (380-415/50-60/3) N (440-480/50-60/3)
9	-	Panel	B (Chrome Door) C (Chrome Door) U (Vinyl) 1 (Stainless Steel Side)
10	-	Design	5
11	-	Heat	0 (Standard) D (Steam) E (Electric Heat) P (Prep for Steam)
12	-	Features and Options	

Labels

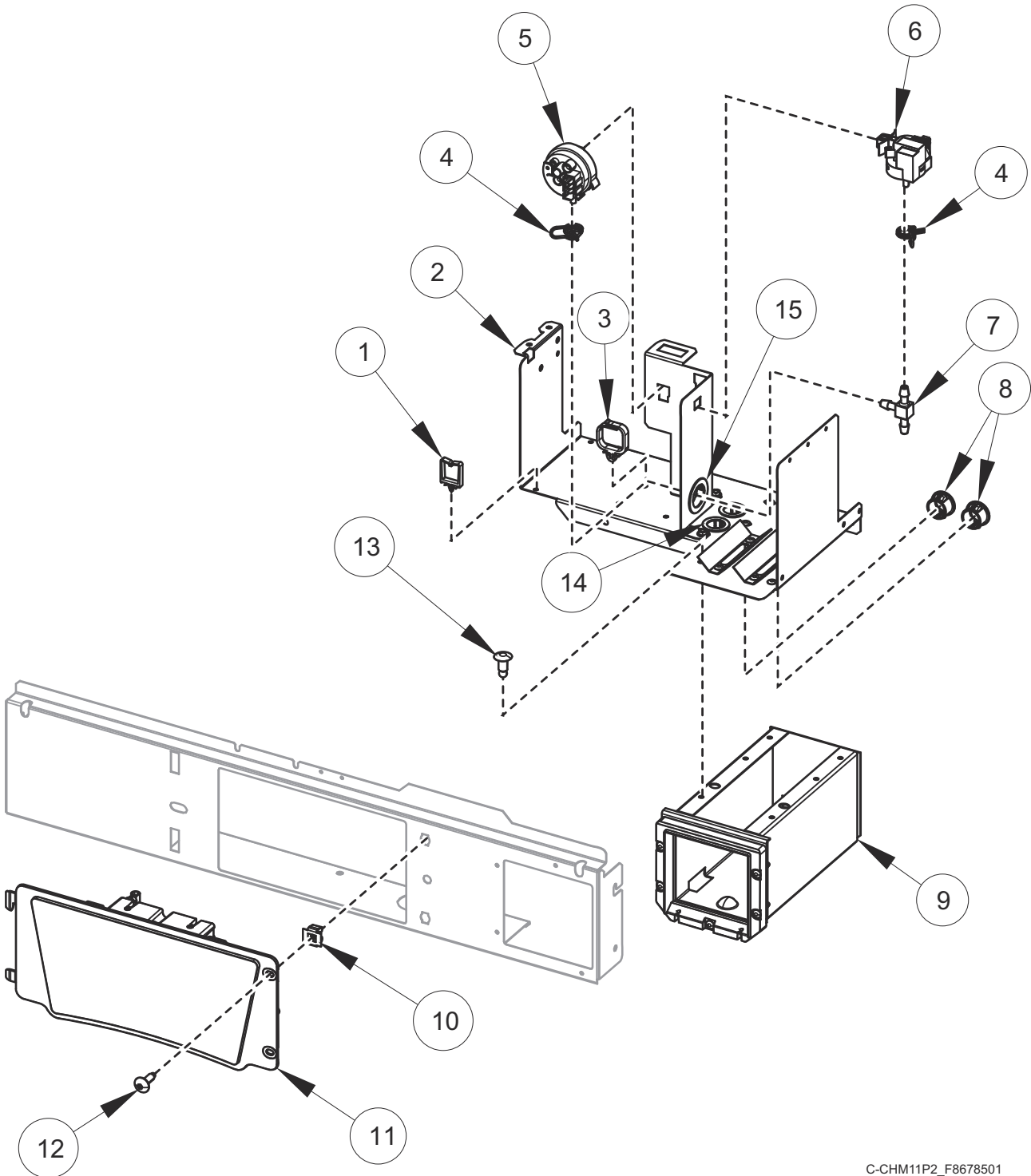


C-CHM12P1_F8678501

Labels

REF	PART NO.	DESCRIPTION	COMMENTS
1	F8614501	Danger Label	English/Quebec/French
2	44324001	Warning Label	Pinch/Shock; English/French
	F8614201	Shock Warning Label	Icon
	F8615701	Pinch Warning Label	Icon
3	F8614301	Hot Surface Warning Label	English/Quebec/French
	F8609001	Hot Surface Warning Label	Icon
4	F8601301	Label	Warning; Underground components
5	F8609401	Label	Notice; Chemical connection
6	203853	Label	ROHS (China)
7	F8611301	Label	Hot water; Icon
8	F8611401	Label	Cold water; Icon
9	F8611601	Warning Label	Warning; English/Quebec/French
10	F8602401	Label	Notice; Large expansion board
11	70538401	Pinch Warning Label	English/French
	F8615701	Pinch Warning Label	Icon
12	F8614801	Label	Warning fire/injury; English/Quebec/French

Control Module and Front Tray Assembly - Coin Models

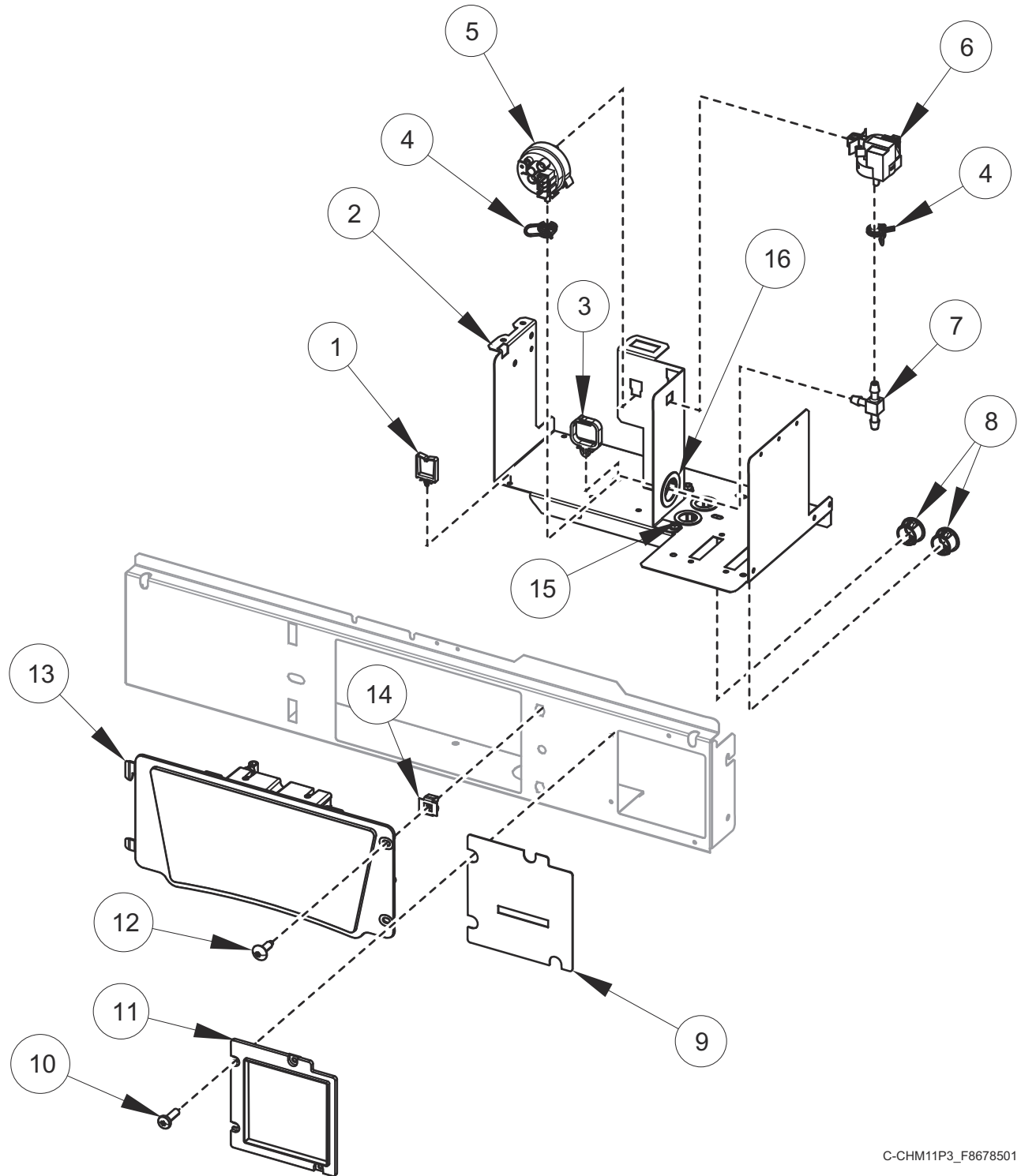


C-CHM11P2_F8678501

Control Module and Front Tray Assembly - Coin Models

REF	PART NO.	DESCRIPTION	COMMENTS
	44374701	App Pay Overlay Kit	
	203361P	Machine ID Control Assembly	
	F8567303	Front Tray Assembly	Includes items 1-3, 6, 8, 9, 13-15, 70413301 Pushbutton Switch and F8519701 Coin Vault Harness
	F8567306	Front Tray Assembly	Steam or electric heat; Includes items 1-9, 13-15, 70413301 Pushbutton Switch and F8519701 Coin Vault Harness
	F8519701	Coin Vault Harness	
	F8519301	Harness	Tray power harness
	F8519505	Harness	Communication
	F8663002	Harness	Coin access
	F8519403	Emergency Stop Bypass Harness	
1	70366201	Wire Clip	
2	F8531001	Front Tray Assembly	
3	F8449501	Wire Clip	
4	39282	Hose Clamp	
5	F8609101	Water Level Pressure Switch	Steam or electric heat
	F8405303	Tubing	Electric heat
6	F8623401	Pressure Sensor	
	F8405302	Tubing	Electric heat
7	203464	Barbed Tee	Steam or electric heat
8	M411826	Snap Bushing	
9	F8529101	Coin Vault Assembly	
10	70030501	Expansion Clip	
11	F8746101	Control Assembly	
12	F8117601	Screw	
13	70058501	Pop Rivet	
14	F140938	Snap Bushing	
15	M402542	Snap Bushing	

Control Module and Front Tray Assembly- Card Reader and Central Pay Models

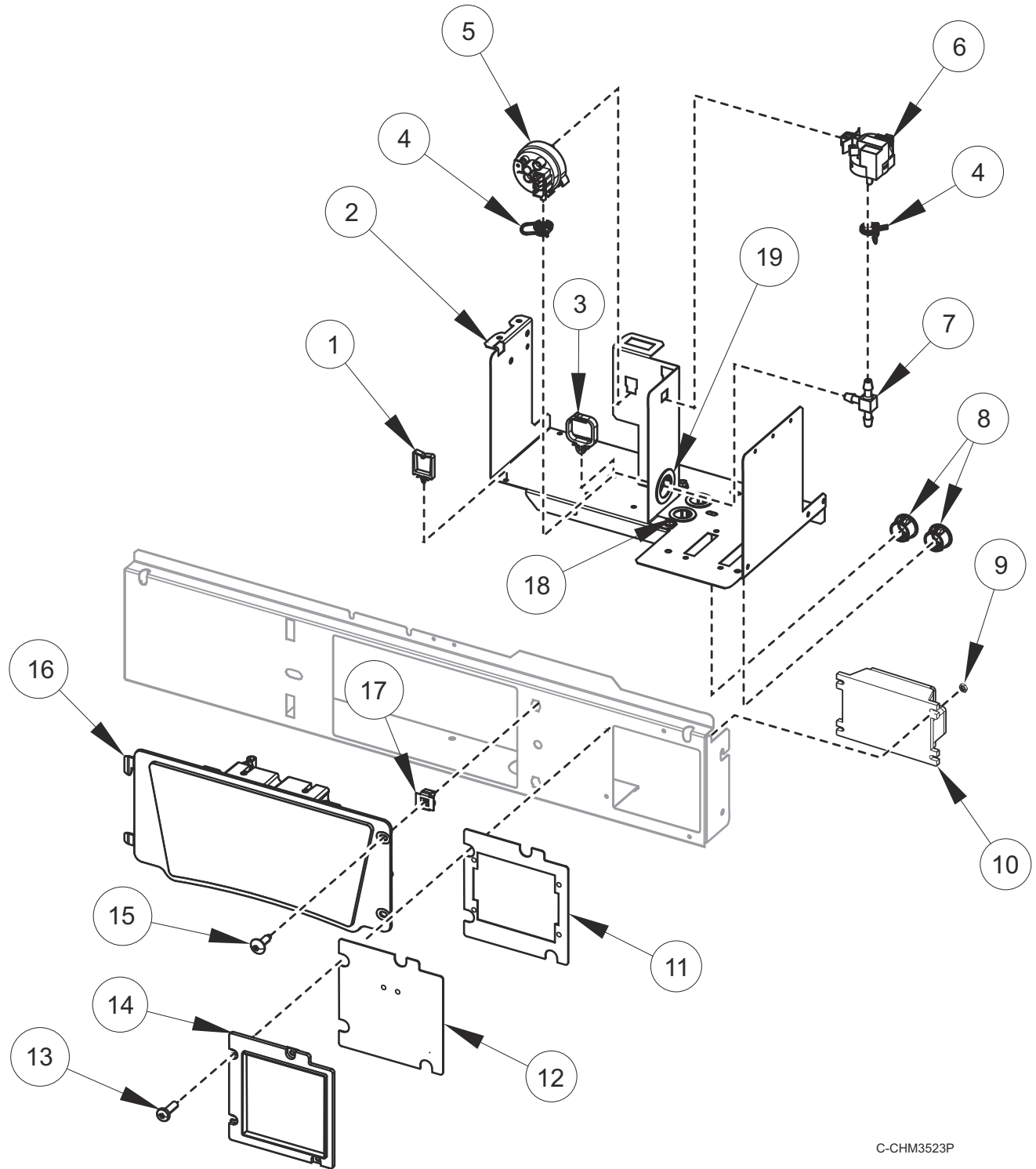


C-CHM11P3_F8678501

Control Module and Front Tray Assembly- Card Reader and Central Pay Models

REF	PART NO.	DESCRIPTION	COMMENTS
	44374701	App Pay Overlay Kit	
	F8673202	Central Pay Kit	Includes item 13, 204094 Central Pay Assembly, 202758 Transformer, hardware and harnesses
	F8673204	Central Pay Kit	Includes item 13, 204094 Central Pay Assembly, hardware and harnesses
	203361P	Machine ID Control Assembly	
	205067	Payment Center Kit	Includes printer
	205068	Payment Center Kit	
	F8567309	Front Tray Assembly	Includes items 1-3, 6, 8, 15, 16, 70413301 Pushbutton Switch
	F8567312	Front Tray Assembly	Steam or electric heat; Includes items 1-8, 15, 16, and 70413301 Pushbutton Switch
	F8660304	Central Pay Harness	Tray power harness
	F8519301	Harness	Tray power harness
	F8519505	Harness	Communication
	F8519702	Coin Vault Bypass Harness	
	F8663002	Harness	Coin access
	F8519403	Emergency Stop Bypass Harness	
	F8555406	Connector	Central pay
1	70366201	Wire Clip	
2	F8531001	Front Tray Assembly	
3	F8449501	Wire Clip	
4	39282	Hose Clamp	
5	F8609101	Water Level Pressure Switch	Steam or electric heat
	F8405303	Tubing	Electric heat
6	F8623401	Pressure Sensor	
	F8405302	Tubing	Electric heat
7	203464	Barbed Tee	Steam or electric heat
8	M411826	Snap Bushing	
9	F8574204	Card Reader Plate	
10	F8117601	Screw	
11	F8632501	Vend Plate	
12	F8117601	Screw	
13	F8746101	Control Assembly	
14	70030501	Expansion Clip	
15	F140938	Snap Bushing	
16	M402542	Snap Bushing	

Control Module and Front Tray Assembly - FOB Models

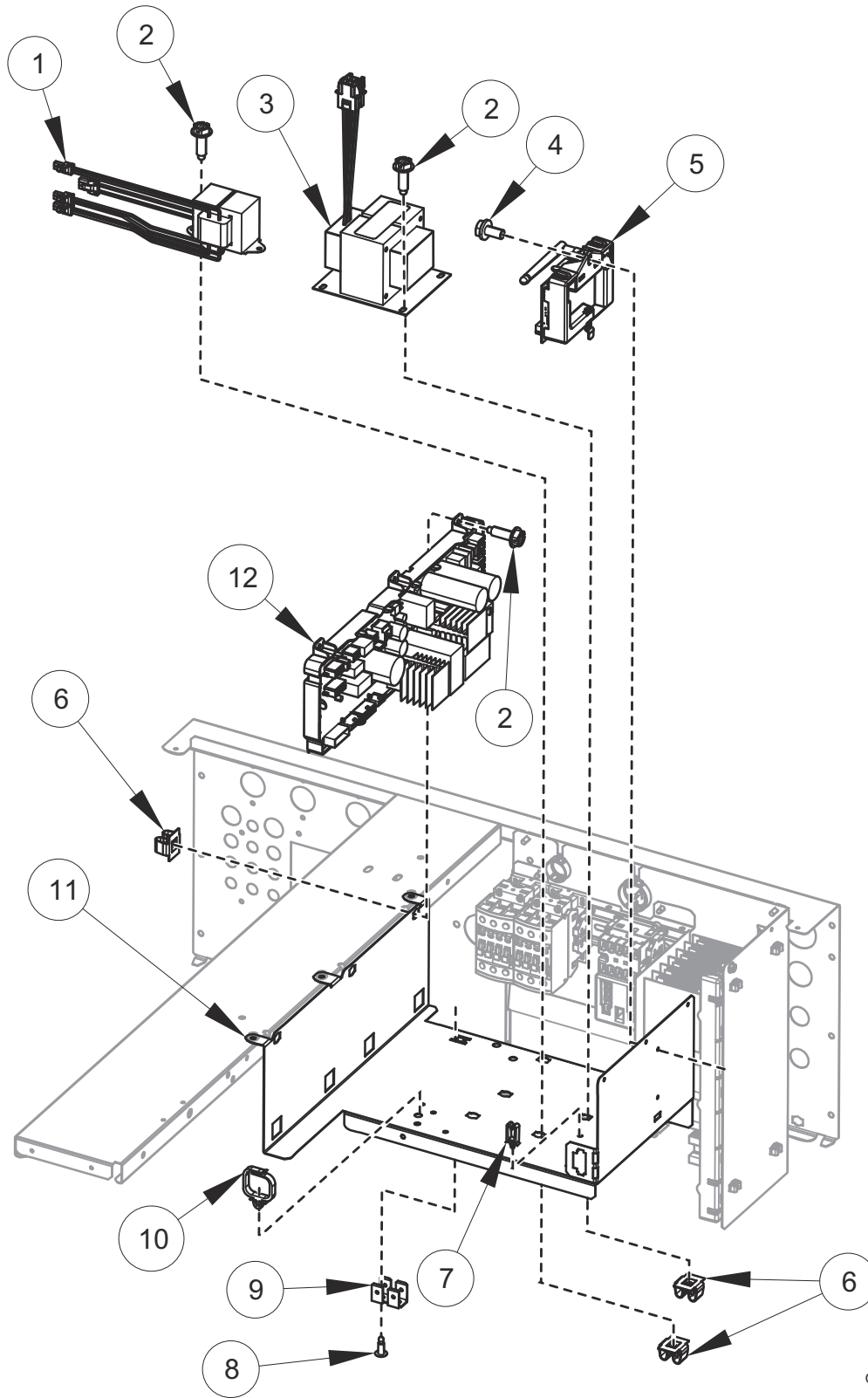


C-CHM3523P

Control Module and Front Tray Assembly - FOB Models

REF	PART NO.	DESCRIPTION	COMMENTS
	44374701	App Pay Overlay Kit	
	F8673202	Central Pay Kit	Includes item 13, 204094 Central Pay Assembly, 202758 Transformer, hardware and harnesses
	F8673204	Central Pay Kit	Includes item 13, 204094 Central Pay Assembly, hardware and harnesses
	203361P	Machine ID Control Assembly	
	205067	Payment Center Kit	Includes printer
	205068	Payment Center Kit	
	F8567309	Front Tray Assembly	Includes items 1-3, 6, 8, 15, 16, 70413301 Pushbutton Switch
	F8567312	Front Tray Assembly	Steam or electric heat; Includes items 1-8, 15, 16, and 70413301 Pushbutton Switch
	F8660304	Central Pay Harness	Tray power harness
	F8519301	Harness	Tray power harness
	F8519505	Harness	Communication
	F8519702	Coin Vault Bypass Harness	
	F8663002	Harness	Coin access
	F8519403	Emergency Stop Bypass Harness	
	F8555406	Connector	Central pay
	F8719302	Fob Communication Harness	
1	70366201	Wire Clip	
2	F8531001	Front Tray Assembly	
3	F8449501	Wire Clip	
4	39282	Hose Clamp	
5	F8609101	Water Level Pressure Switch	Steam or electric heat
	F8405303	Tubing	Electric heat
6	F8623401	Pressure Sensor	
	F8405302	Tubing	Electric heat
7	203464	Barbed Tee	Steam or electric heat
8	M411826	Snap Bushing	
9	70054	Nut	
10	205135	Fob Reader Control Assembly	
11	F8734601	Accessory Plate Assembly	
12	F8374001	Top Right Cover	
13	F8117601	Screw	
14	F8632501	Vend Plate	
15	F8117601	Screw	
16	F8746101	Control Assembly	
17	70030501	Expansion Clip	
18	F140938	Snap Bushing	
19	M402542	Snap Bushing	

Control Tray Assembly

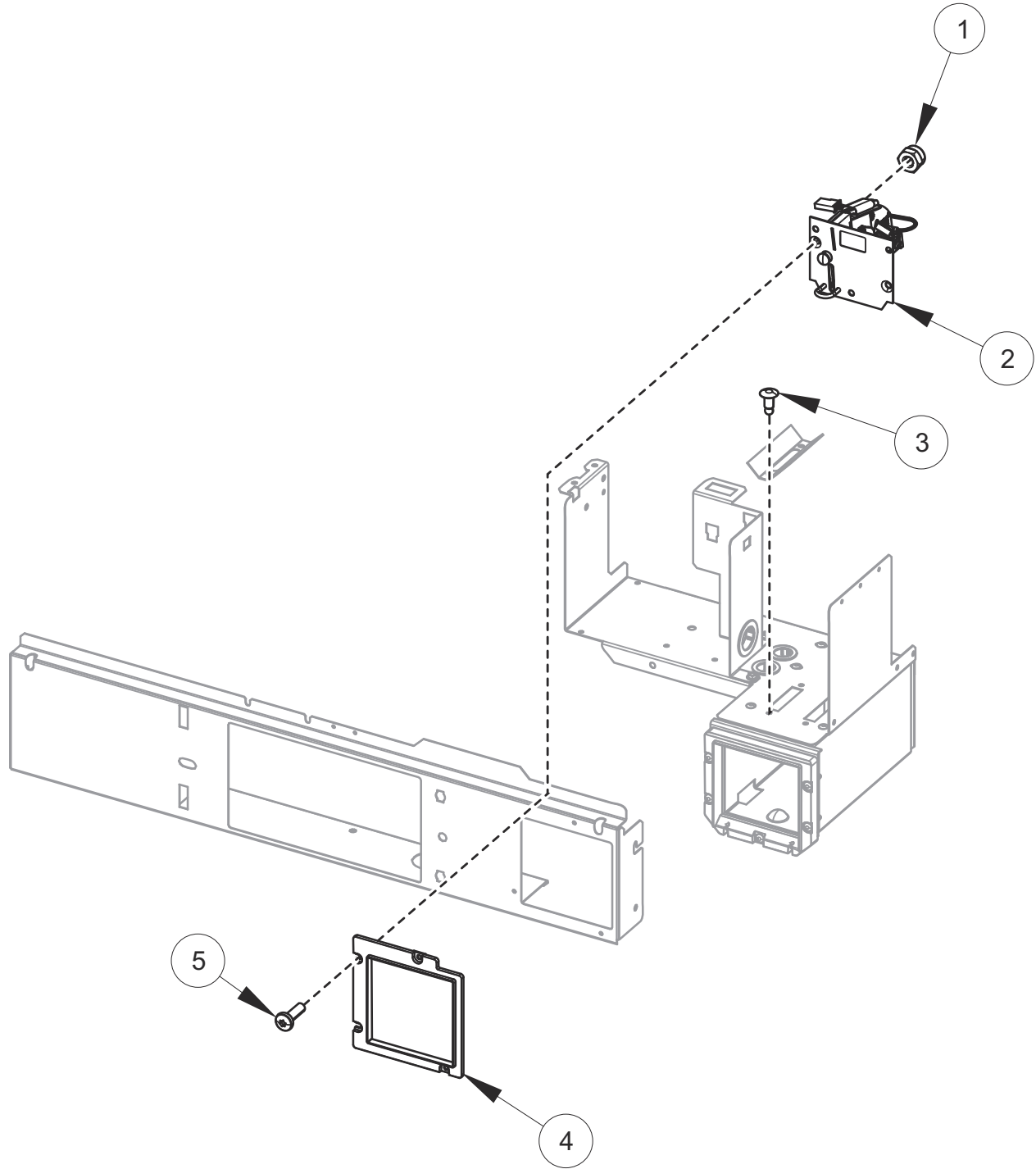


C-CHM5P2_F8678501

Control Tray Assembly

REF	PART NO.	DESCRIPTION	COMMENTS
	F8674004	Wireless Harness	
	F6878101	Wireless Network Kit	
	204692	Wireless Control Label	
	205223P	Gateway	
	205391P	Gateway	
1	202758	Transformer	
2	F8206901	Screw	
3	F8491101	Transformer	N and P voltage
4	430497	Screw	
5	807211	Wireless Network Control Assembly	
6	70030501	Expansion Clip	
7	70347601	Wire Clip	External supply
8	M400003	Pop Rivet	
9	00622SG	Terminal	
10	F8449501	Wire Clip	
11	F8530701	Control Tray	
12	F8494101P	Input and Output Control Assembly	

Flush Mount Coin Meter Assembly - Single Drop

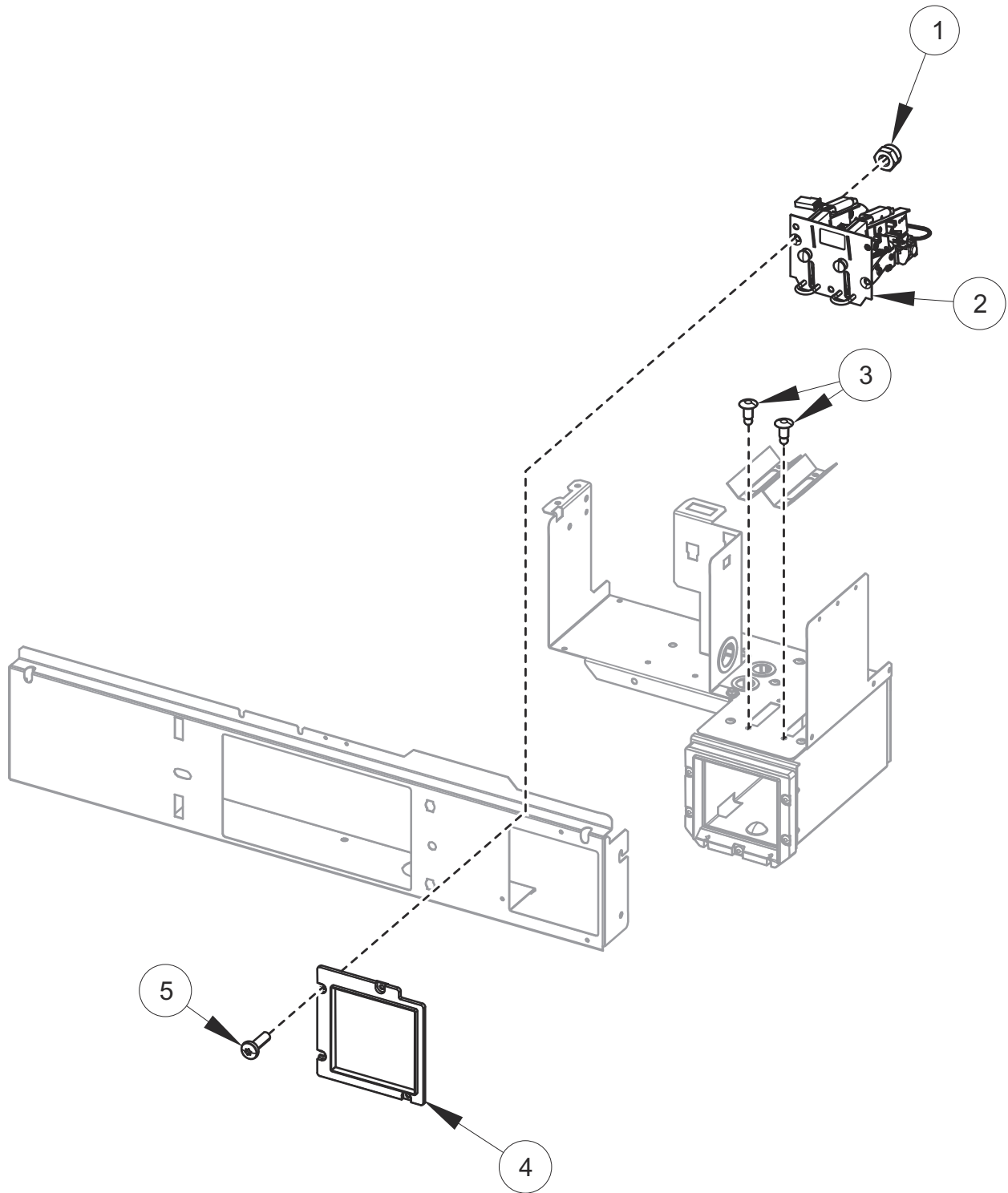


C-CHM11P5_F8678501

Flush Mount Coin Meter Assembly - Single Drop

REF	PART NO.	DESCRIPTION	COMMENTS
	44374701	App Pay Overlay Kit	
	38725	Coin Identification Paper	
	200674P	Opto Coupler	
1	F430215	Nut	
2	F8672701	Coin Drop Assembly	U.S.A.; \$.25
	F8672703	Coin Drop Assembly	Canada; .25
	F8672719	Coin Drop Assembly	Taiwan; 10 NT
	F8672718	Coin Drop Assembly	Singapore; \$1.00 NEW
	F8672711	Coin Drop Assembly	Token; STD 118-1
	F8672713	Coin Drop Assembly	Token; STD 118-5
	F8672712	Coin Drop Assembly	Token STD 118-16
	F8672710	Coin Drop Assembly	Jeton 08MS
	F8672709	Coin Drop Assembly	Token; Jeton wh121
	F8672714	Coin Drop Assembly	Token; 7K
	F8672715	Coin Drop Assembly	Korea; 500 won
3	70058501	Pop Rivet	
4	F8632501	Vend Plate	
5	F8117601	Screw	

Flush Mount Coin Meter Assembly - Dual Drop

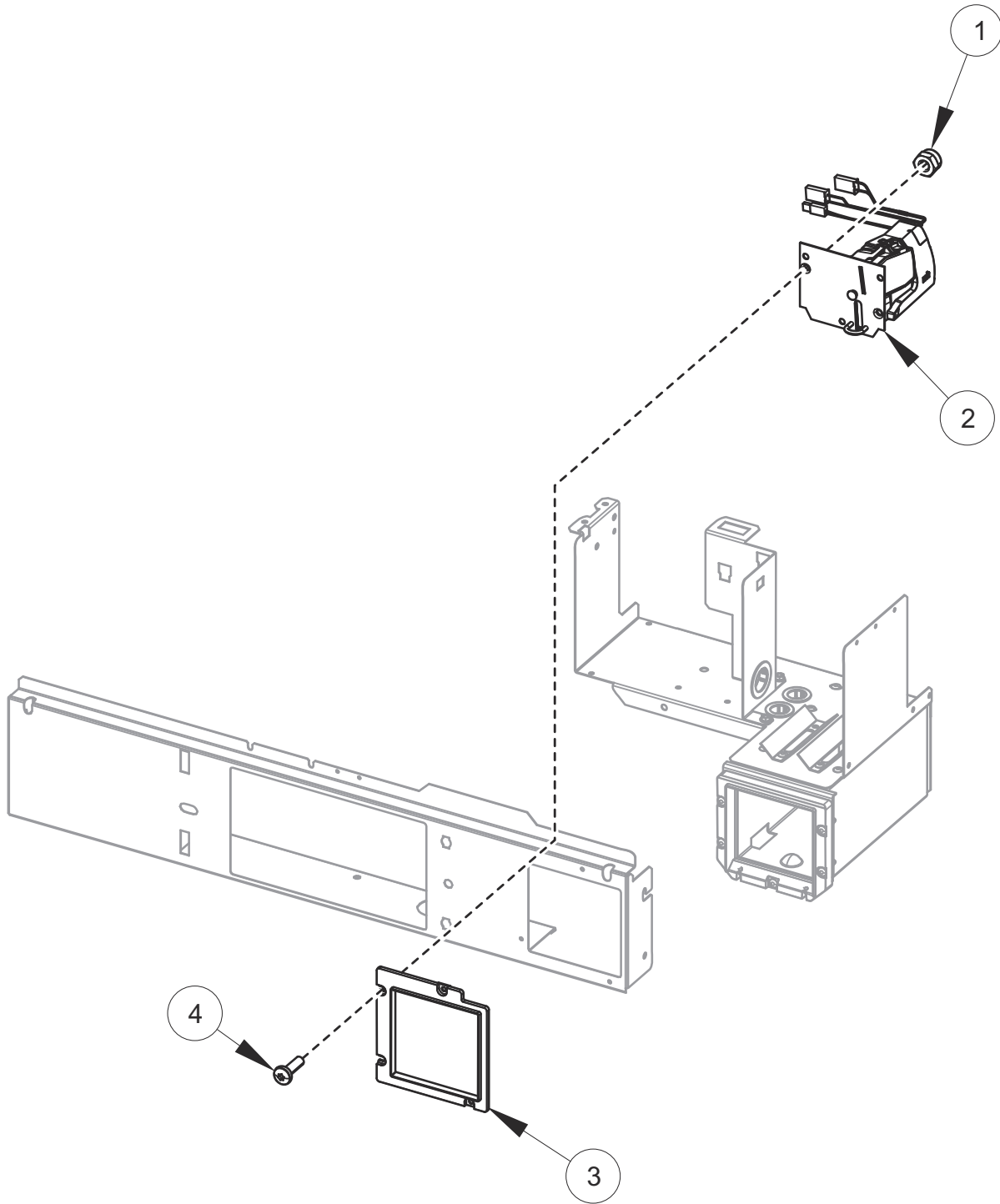


C-CHM11P6_F8678501

Flush Mount Coin Meter Assembly - Dual Drop

REF	PART NO.	DESCRIPTION	COMMENTS
	44374701	App Pay Overlay Kit	
	38725	Coin Identification Paper	
	200674P	Opto Coupler	
1	F430215	Nut	
2	F8672702	Coin Drop Assembly	U.S.A.; \$.25 and \$1.00
	F8672716	Coin Drop Assembly	Japan; 100 yen and 500 yen
	F8672704	Coin Drop Assembly	Canada; .25 and \$1.00
	F8672705	Coin Drop Assembly	Australia; \$0.20 and \$1.00
	F8672722	Coin Drop Assembly	Australia; \$1.00 and \$2.00
	F8672720	Coin Drop Assembly	0.20 and 0.50 Euro
	F8672721	Coin Drop Assembly	0.20 and 1.00 Euro
	F8672707	Coin Drop Assembly	0.50 and 1.00 Euro
	F8672708	Coin Drop Assembly	0.50 and 2.00 Euro
	F8672717	Coin Drop Assembly	Taiwan; 10 and 50 NT
	F8672706	Coin Drop Assembly	New Zealand; \$1.00 and \$2.00
	CK503	Coin Drop Kit	U.S.A. and Canada; \$.25 and \$1.00
3	70058501	Pop Rivet	
4	F8632501	Vend Plate	
5	F8117601	Screw	

Electronic Coin Meter Assembly

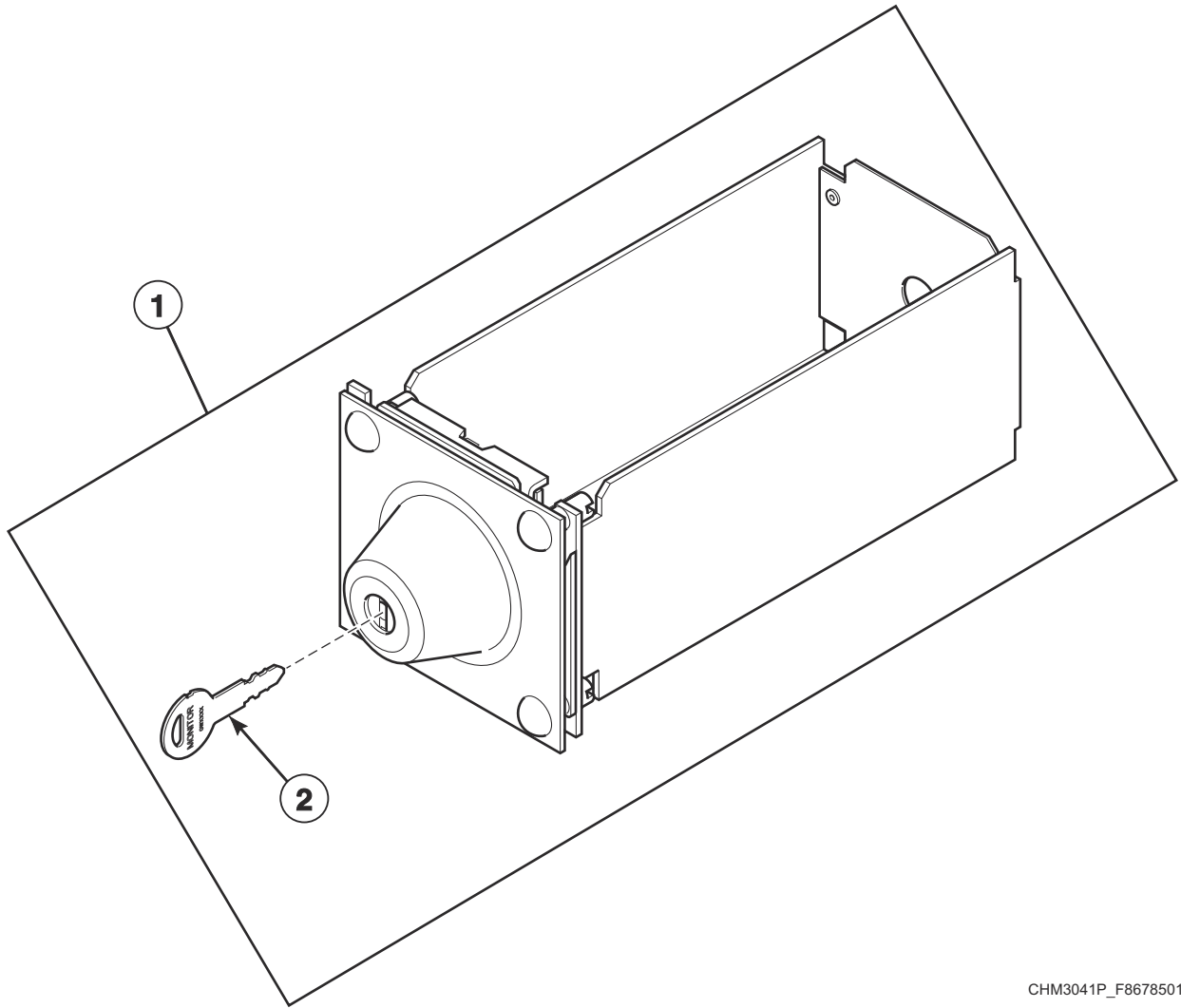


C-CHM11P7_F8678501

Electronic Coin Meter Assembly

REF	PART NO.	DESCRIPTION	COMMENTS
	44374701	App Pay Overlay Kit	
	38725	Coin Identification Paper	
	F8034701P	Pulse Expander Assembly	
1	F430215	Nut	
2	F8672602	Electronic Coin Drop Assembly	Euro and Great Britain coins
	F8672609	Electronic Coin Drop Assembly	Japan and Thailand coins
	F8672604	Electronic Coin Drop Assembly	Australia, New Zealand, Hong Kong and South Korea coins
	F8672603	Electronic Coin Drop Assembly	Denmark, Norway and Euro coins
	F8672606	Electronic Coin Drop Assembly	Mexico, Ecuador and U.S.A. coins
	F8672610	Electronic Coin Drop Assembly	Chiand Malaysia coins
	F8672607	Electronic Coin Drop Assembly	South African 1 and 5 rand coins
	F8672608	Electronic Coin Drop Assembly	Euro coins
	F8672611	Electronic Coin Drop Assembly	Russia coins
	F8672612	Electronic Coin Drop Assembly	Philippines coins
	F8672613	Electronic Coin Drop Assembly	Thailand coins
	F8672614	Electronic Coin Drop Assembly	Chile coins
	F8672615	Electronic Coin Drop Assembly	Singapore coins
	F8672601	Electronic Coin Drop Assembly	United States and Canada coins
	F8672605	Electronic Coin Drop Assembly	Great Britain coins and tokens
3	70058501	Pop Rivet	
4	F8632501	Vend Plate	
5	F8117601	Screw	

Optional Coin Box

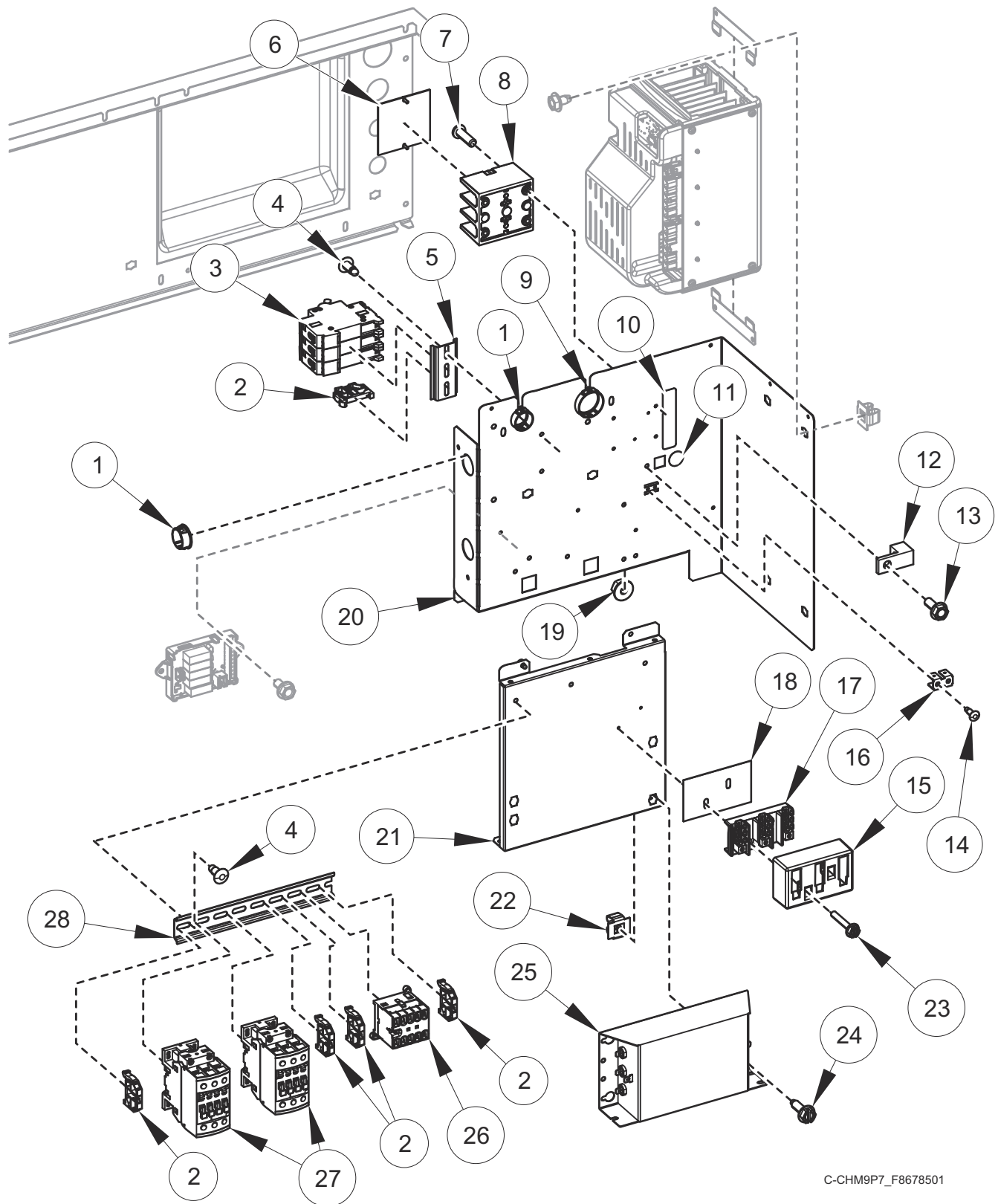


CHM3041P_F8678501

Optional Coin Box

REF	PART NO.	DESCRIPTION	COMMENTS
1	F8182001	Coin Drawer Assembly	
2	F160420	Key	GW0023

Inverter Drive Box - Q and X Voltage

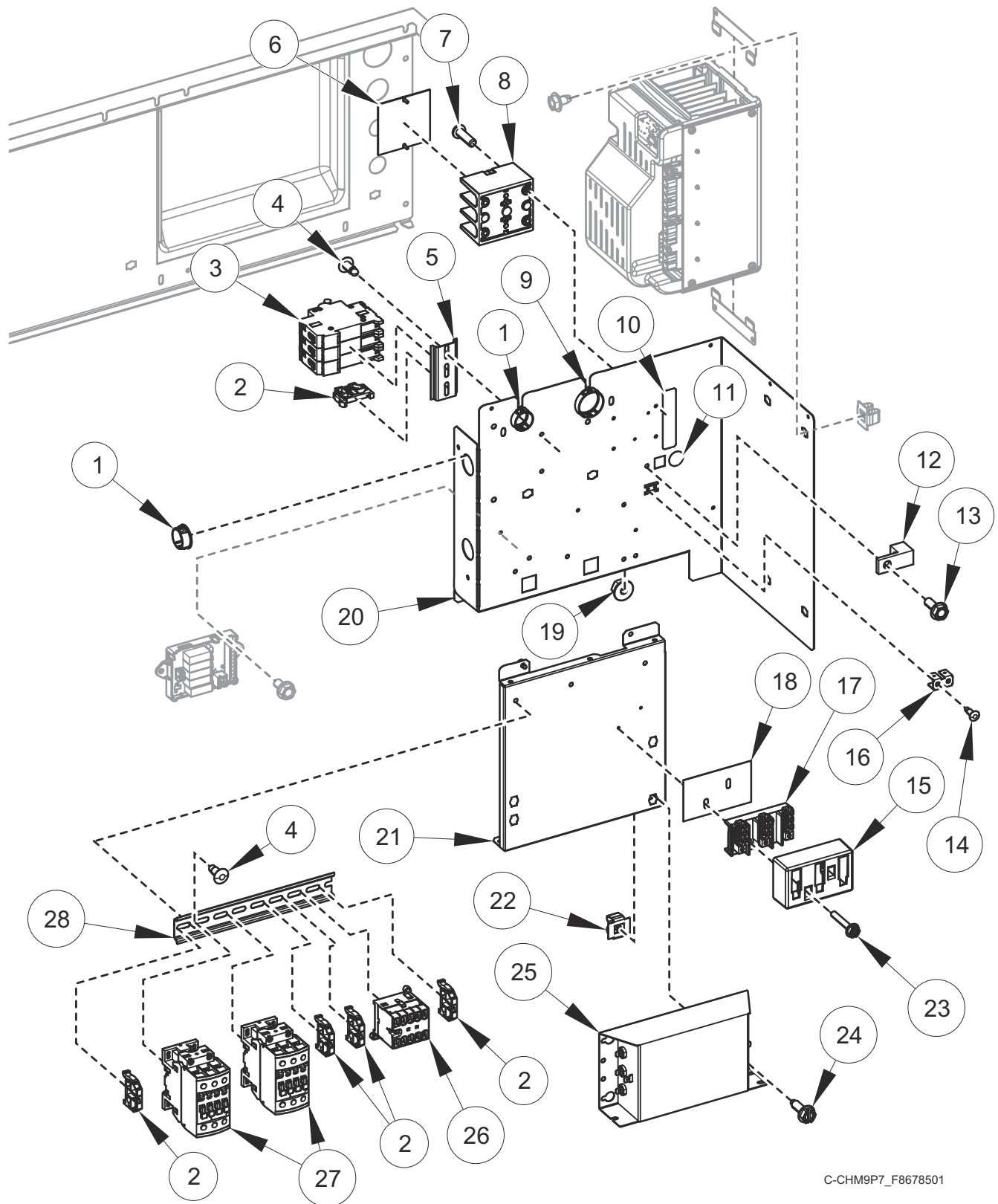


C-CHM9P7_F8678501

Inverter Drive Box - Q and X Voltage

REF	PART NO.	DESCRIPTION	COMMENTS
	F8567003	Drive Panel Base Assembly	Includes items 4, 11, 12, 16, 23, 24 and 29
	F8567004	Drive Panel Base Assembly	Electric heat; Includes items 4, 5, 11, 12, 16, 23, 24 and 29
	F8583501	Jumper	Circuit breaker jumper; Electric heat
	F8518401	Harness	Power TB1; X voltage
	F8518403	Harness	Power CB; Q voltage; Electric heat
	F8518404	Harness	Power filter
	F8518606	Harness	Power drive
	F8528001	Harness	TB filter
	F8528003	Harness	CB filter; Electric heat
	F8528005	Harness	TB2 filter
	F8619101	Power Harness	Power contactor; Electric heat
	F8619102	Harness	Power contactor; Electric heat; IEC
	F8662813	Filter Kit	Includes items 1, 15, 17, 18, 22-25, harness and labels; Q voltage; Electric heat
	F8662808	Filter Kit	Includes items 1, 15, 17, 18, 22-25, harness and labels; X voltage
1	F140938	Snap Bushing	
2	F8449801	End Stop	
3	70488101	Circuit Breaker	3P; 25A; Electric heat
4	70058501	Pop Rivet	
5	B12315401	DIN Rail	7.5 mm x 35 mm x 72 mm; Electric heat
6	44014901P	Power Distribution Block Cover	Electric heat
7	39733	Screw	Electric heat
8	M413865	Power Distribution Block	Electric heat
9	70346501	Bushing	
10	44286803	Label	Power input; L1, L2, L3
	44286804	Wire Label	Power input; L1, L2/N; L1, L2, L3; X voltage
11	D516100	Label	
12	M411283	Ground Lug Connector	
13	685837	Screw	
14	M400003	Pop Rivet	
15	70333001	Terminal Block Shield	
16	00622SG	Terminal	
17	430642	Terminal Block	
18	M413862	Insulator	
19	44088001	Nut	
20	F8530803	Drive Terminal Tray	
21	F8530901	Contactors Tray	
22	70030501	Expansion Clip	
23	51783	Screw	
24	F8206901	Screw	
25	F8591801	EMI Filter	200/240 Volt; 1/3 Phase; 20 Amp
	F8637501	EMI Filter	380/480 Volt; 3 Phase; 12 Amp
26	70482601	Contactors	5.5kW/500V; 24VDC
27	70482701	Contactors	50A; 24VDC
28	M412689	DIN Rail	7.5 mm x 35 mm x 8.364 inch

Inverter Drive Box - N and P Voltage

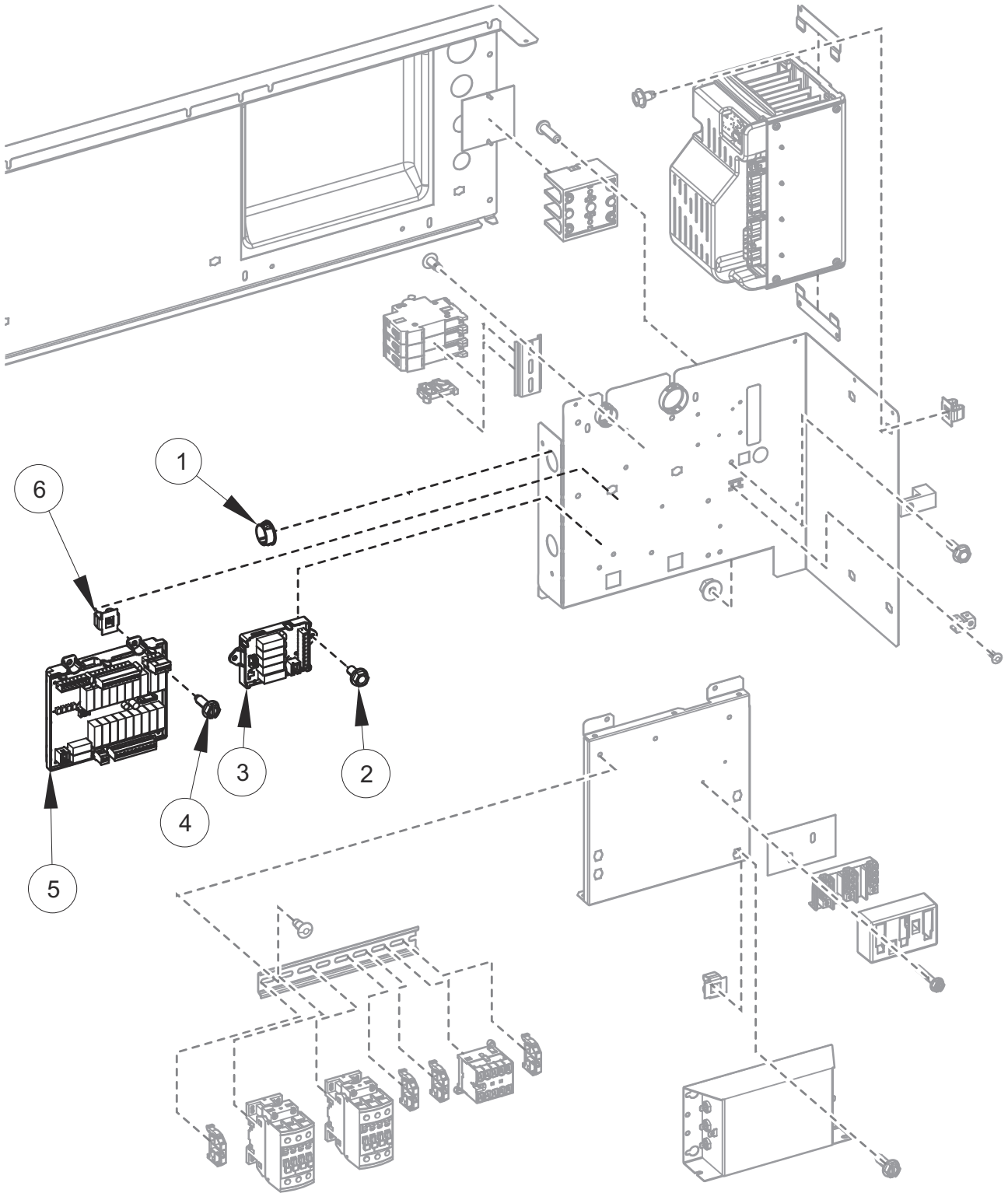


C-CHM9P7_F8678501

Inverter Drive Box - N and P Voltage

REF	PART NO.	DESCRIPTION	COMMENTS
	F8567003	Drive Panel Base Assembly	Includes items 4, 11, 12, 16, 23, 24 and 29
	F8567004	Drive Panel Base Assembly	Electric heat; Includes items 4, 5, 11, 12, 16, 23, 24 and 29
	F8583501	Jumper	Circuit breaker jumper; Electric heat
	F8518501	Harness	
	F8518403	Harness	Electric heat
	F8518503	Harness	Electric heat
	F8518504	Harness	Power filter
	F8518606	Harness	Power drive
	F8528001	Harness	TB filter
	F8528003	Harness	CB filter; Electric heat
	F8528005	Harness	TB2 filter
	F8619101	Power Harness	Power contactor; Electric heat
	F8619102	Harness	Power contactor; Electric heat
	F8662814	Filter Kit	Includes items 1, 15, 17, 18, 22-25, harness and labels; Electric heat
	F8662807	Filter Kit	Includes items 1, 15, 17, 18, 22-25, harness and labels
1	F140938	Snap Bushing	
2	F8449801	End Stop	
3	70488101	Circuit Breaker	3P; 25A; Electric heat
4	70058501	Pop Rivet	
5	B12315401	DIN Rail	7.5 mm x 35 mm x 72 mm; Electric heat
6	44014901P	Power Distribution Block Cover	Electric heat
7	39733	Screw	Electric heat
8	M413865	Power Distribution Block	Electric heat
9	70346501	Bushing	
10	44286803	Label	Power input; L1, L2, L3
11	D516100	Label	
12	M411283	Ground Lug Connector	
13	685837	Screw	
14	M400003	Pop Rivet	
15	70333001	Terminal Block Shield	
16	00622SG	Terminal	
17	430642	Terminal Block	
18	M413862	Insulator	
19	44088001	Nut	
20	F8530803	Drive Terminal Tray	
21	F8530901	Contactorm Tray	
22	70030501	Expansion Clip	
23	51783	Screw	
24	F8206901	Screw	
25	F8591801	EMI Filter	200/240 Volt; 1/3 Phase; 20 Amp
	F8637501	EMI Filter	380/480 Volt; 3 Phase; 12 Amp
26	70482601	Contactorm	5.5kW/500V; 24VDC
27	70482701	Contactorm	50A; 24VDC
28	M412689	DIN Rail	7.5 mm x 35 mm x 8.364 inch

External Supply Kit

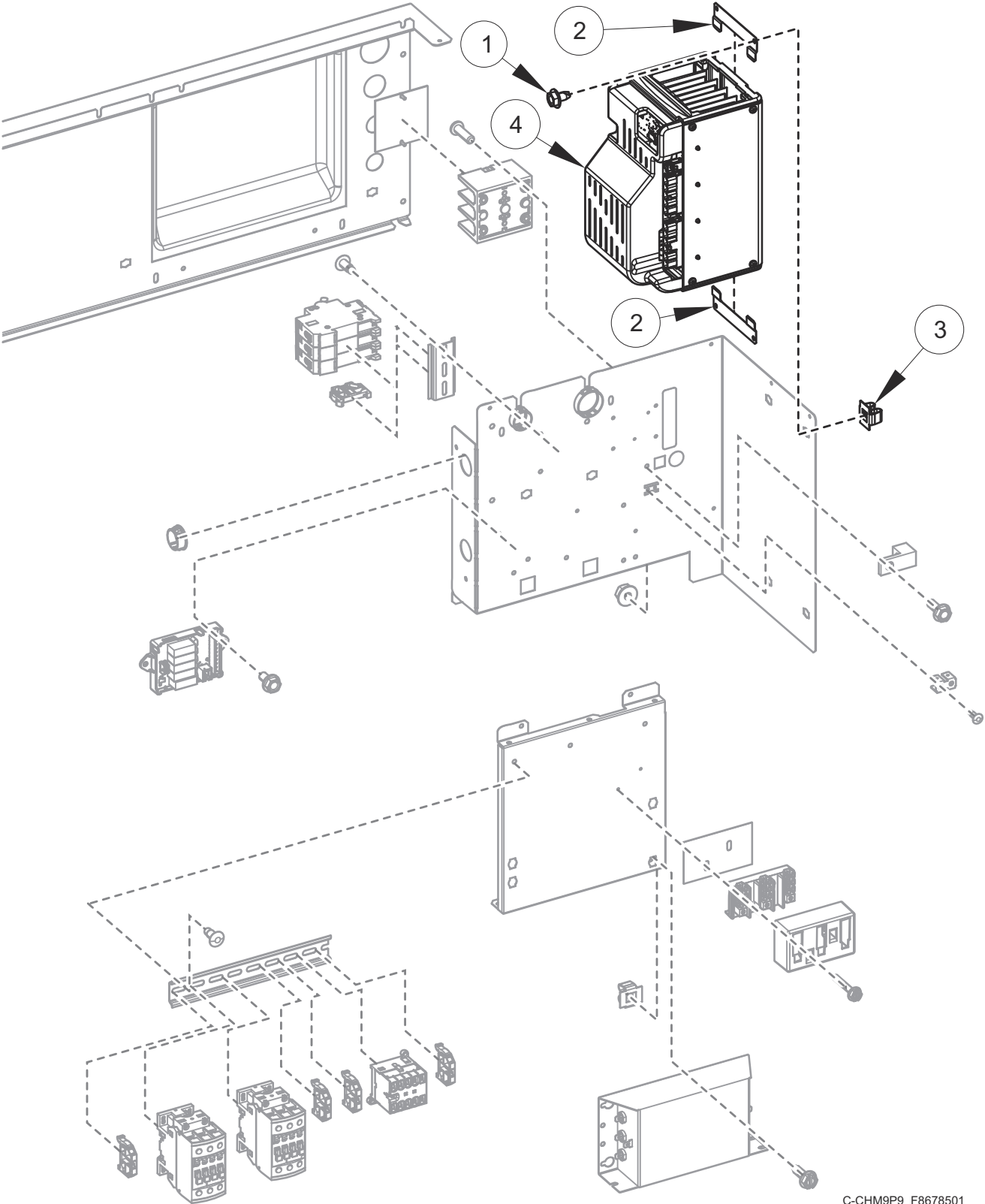


C-CHM9P22_F8678501

External Supply Kit

REF	PART NO.	DESCRIPTION	COMMENTS
	F8662512	External Supply Kit	Coin and central pay models; Includes items 1, 4-6, 202758 Transformer, F8581301 Harness, F8528206 Harness, hardware and labels; 8 out
	F8662508	External Supply Kit	Coin and central pay models; Includes items 1-3, 202758 Transformer, F8520602 Harness, F8528204 Harness, hardware and labels; 4 out
	F8662510	External Supply Kit	Card ready models; Includes items 1, 4-6, F8581301 Harness, F8528206 Harness and labels; 8 out
	F8662504	External Supply Kit	Card ready models; Includes items 1-3, F8520602 Harness, F8528204 Harness and labels; 4 out
	F8520602	Harness	Communication; Use with 804528 Chemical Injection Control
	F8581301	Harness	Communication; Use with F8497401 Chemical Injection Control
	F8528204	Harness	Power; Use with 804528 Chemical Injection Control
	F8528206	Harness	Power; Use with F8497401 Chemical Injection Control
1	F140938	Snap Bushing	
2	430497	Screw	
3	804528	Chemical Injection Control	5 output
	70493102	Connector	9 pin; H2
4	F8206901	Screw	
5	F8497401	Chemical Injection Control	8 output
	F8555403	Connector	7 pin; H3
	F8555404	Connector	10 pin; H4
	F8555401	Connector	2 pin; H5
	F8555405	Connector	11 pin; H6
	F8555402	Connector	4 pin; H7
6	70030501	Expansion Clip	

Inverter Drive

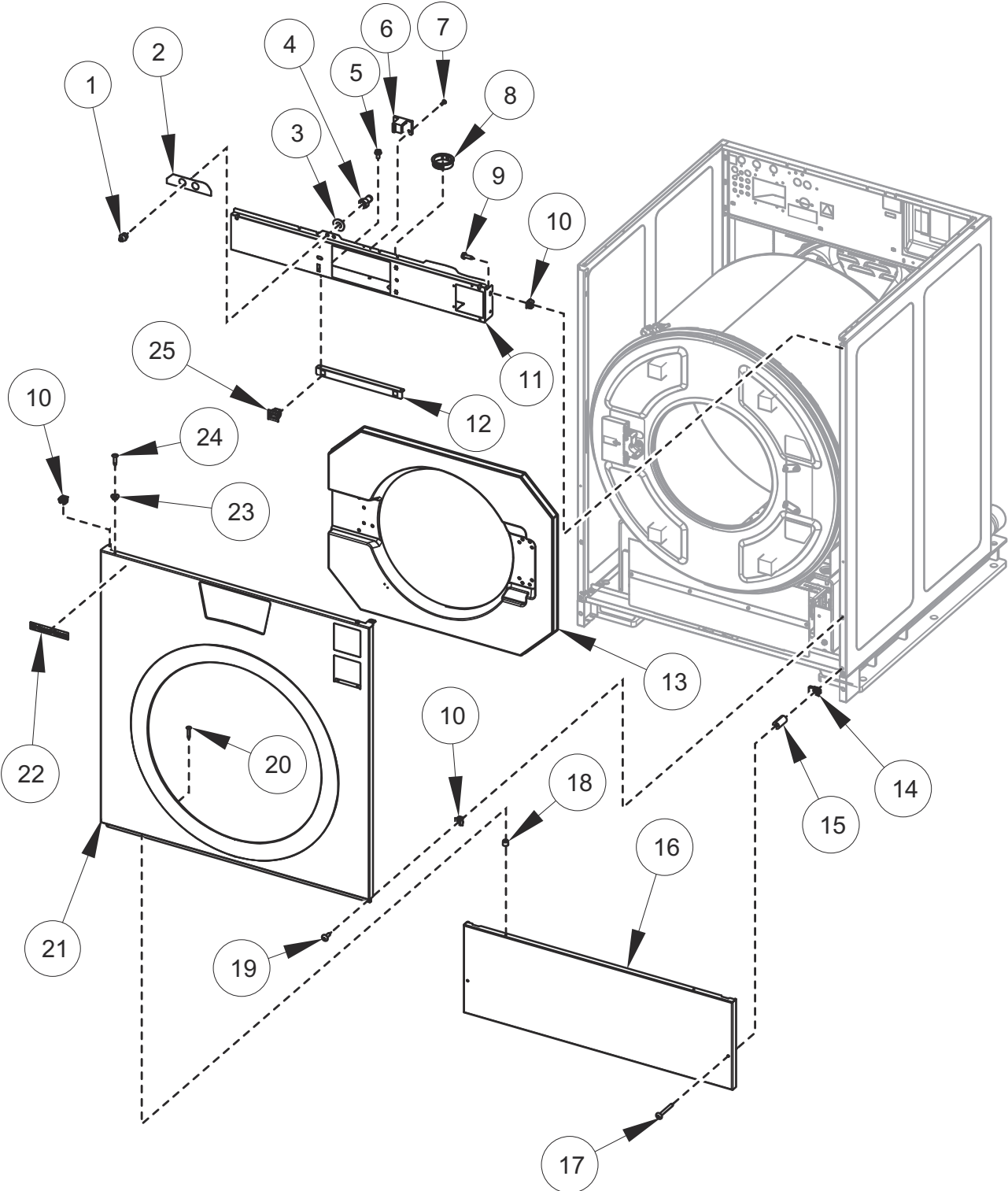


C-CHM9P9_F8678501

Inverter Drive

REF	PART NO.	DESCRIPTION	COMMENTS
	F8519202	Drive Communication Harness	Electric heat; N and P voltage
	F8519203	Drive Communication Harness	Electric heat; Q voltage
	F8519201	Drive Communication Harness	Standard
	F8519204	Drive Communication Harness	Steam heat
	F8518603	Drive Power Harness	2/3/5 hp; 480 Volt
1	D503688	Screw	
2	F8322401	Drive Mounting Bracket	
3	70030501	Expansion Clip	
4	F8496601	Drive Assembly	Q and X voltage; 5 hp; 240 Volt
	F8496901	Drive Assembly	N and P voltage; 5 hp; 480 Volt

Front Panels and Control Panel

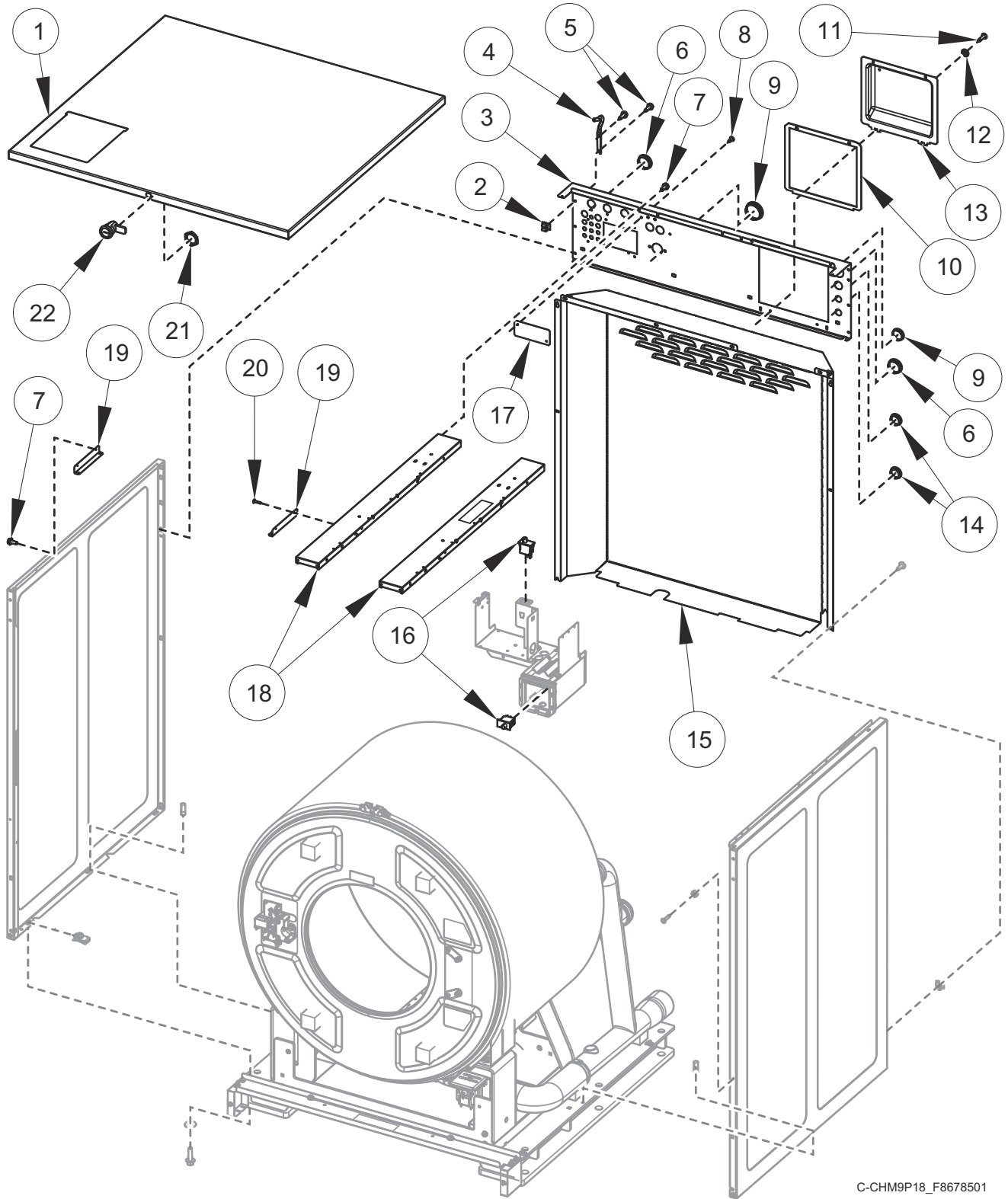


C-CHM12P2_F8678501

Front Panels and Control Panel

REF	PART NO.	DESCRIPTION	COMMENTS
	44374701	App Pay Overlay Kit	
	F8535502	Screw	Used to mount front panel
1	F190701	Grease Fitting	
2	F8613501	Label	Grease instruction notice
3	70292801	Washer	
4	F422114	Air Coupling	
	F8245713	Hose	
5	430497	Screw	
6	F8201001	Top Cover Latch	
7	F431215	Pop Rivet	
8	70346501	Bushing	
9	F8206901	Screw	
10	70030501	Expansion Clip	
11	F8631909	Control Panel Assembly	
12	F8665701	Bracket	
13	F8659301	Door Bezel	Black
	F8659301	Door Bezel	Gray
14	36020	Nut	
15	F8609701	Access Panel Retaining Spacer	
16	F8552702	Access Panel	
17	F8589501	Screw	
18	56079	Panel Locator	
19	F8117601	Screw	
20	M412763	Rivet	
21	F8666601	Front Panel Assembly	Coin models; Includes items 9 and 12-23; Design 5
	F8666602	Front Panel Assembly	Card ready models; Includes items 9 and 12-23; Design 5
	F8666604	Front Panel Assembly	Central pay models; Includes items 9 and 12-23; Design 5
	F8698601	Front Panel	Coin models; Includes items 9 and 12-23; Design 6
	F8698602	Front Panel	Card ready and fob models; Includes items 9 and 12-23; Design 6
	F8698604	Front Panel	Central pay models; Includes items 9 and 12-23; Design 6
22	F8664901	Nameplate	Design 5
	F8688901	Nameplate	Design 6
23	F8201101	Washer	
24	70412601	Pop Rivet	
25	D510177	Door Catch Assembly	

Rear and Top Panels

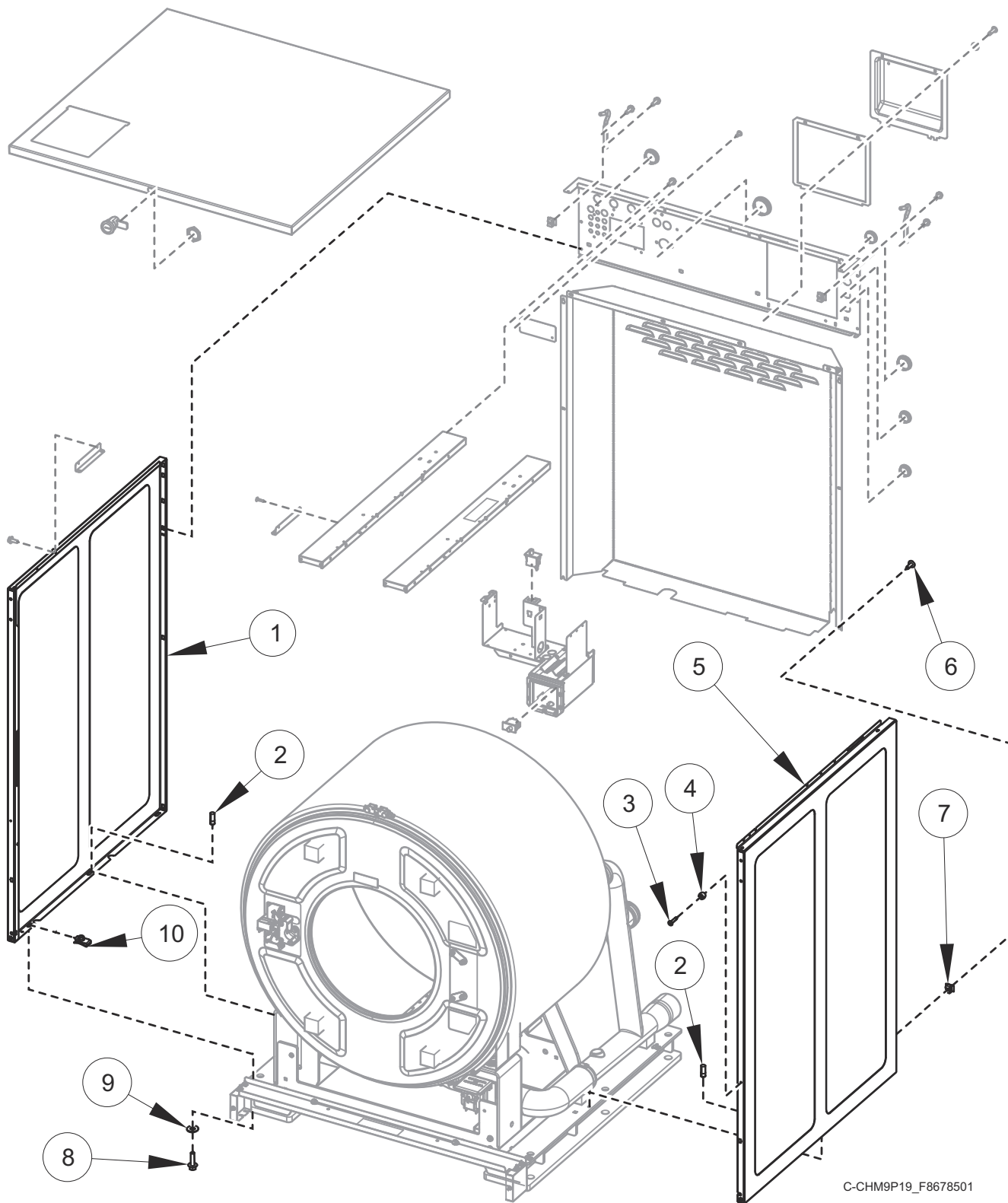


C-CHM9P18_F8678501

Rear and Top Panels

REF	PART NO.	DESCRIPTION	COMMENTS
1	F8553301	Top Cover	80 pound models
	F8553302	Top Cover	100 pound models
2	70030501	Expansion Clip	
3	F8553401	Valve Panel	
4	F8258601	Top Cover Hinge	
5	F8206901	Screw	
6	F8223901	Plug	
7	33562	Screw	
8	685847	Pop Rivet	
9	F8223801	Hole Plug	
10	F8542601	Gasket	
11	70412601	Pop Rivet	
12	804501	Washer	
13	F8518301	Terminal Tray Cover	
14	M400985	Plug	
15	F8555301	Rear Panel	
16	70413301	Pushbutton Switch	
17	F8586301	Fill Cover	
18	F8556901	Cabinet Brace	80 pound models
	F8556902	Cabinet Brace	100 pound models
19	F8525701	Dispenser Bracket	
20	F431215	Pop Rivet	
21	44088801	Nut	
22	44089306	Panel Lock	
	70155603	Key	

Side Panels

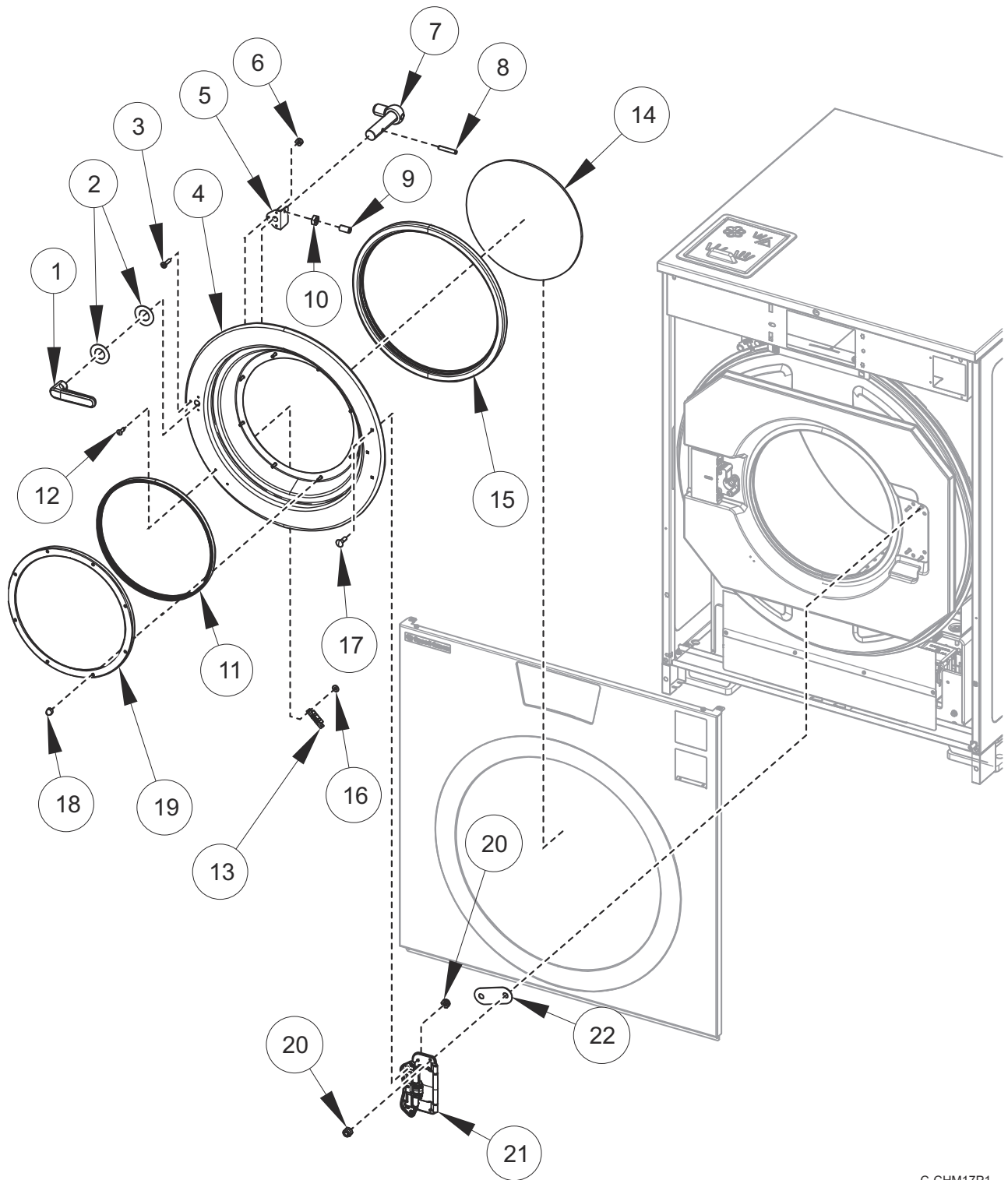


Side Panels

REF	PART NO.	DESCRIPTION	COMMENTS
1	F8634102	Side Panel	80 pound models; Left; Stainless steel
	F8633602	Side Panel	100 pound models; Left; Stainless steel
2	F8502101	Pin	
3	M412763	Rivet	
4	56079	Panel Locator	
5	F8634101	Side Panel	80 pound models; Right; Stainless steel
	F8633601	Side Panel	100 pound models; Right; Stainless steel
6	F8117601	Screw	
7	70030501	Expansion Clip	
8	202175	Screw	
9	M405535	Washer	
10	70030401	Nut	

Door (Drawing 1 of 2)

Models through serial no. 2208025605



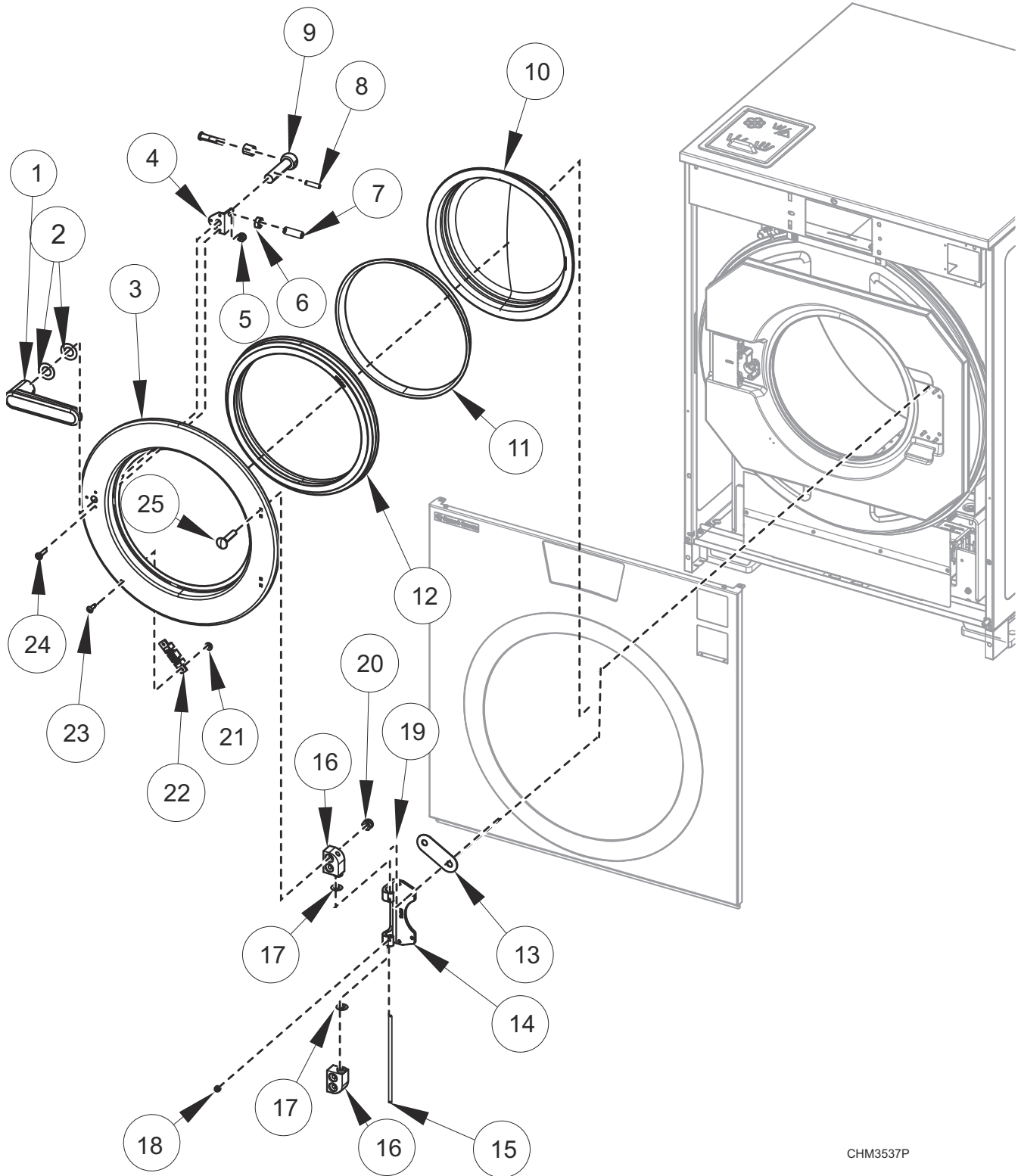
C-CHM17P1

Door (Drawing 1 of 2)

REF	PART NO.	DESCRIPTION	COMMENTS
	F8653510	Door Assembly	Chrome; Includes items 1-6 and 8-22
	F8749101	Hinge Replacement Kit	
1	F8624603	Door Handle	
2	F431916	Washer	
3	F8535501	Screw	
4	F8654801	Door	Design 5; Chrome
	F8687101	Door	Design 6; Chrome
5	F8567501	Door Handle Spacer Kit	
6	F430232	Nut	
7	F8221403	Door Latch Arm Assembly	Includes latch arm shaft, latch arm support and sleeve
8	F431222	Spring Pin	
9	F430532	Screw	
10	F431041	Nut	
11	F8499904P	Door Glass Gasket	
12	F431223	Pop Rivet	
13	F8390801	Magnet	
14	F290210P	Glass	
15	F8440801P	Door Gasket	
16	F431133	Washer	
17	F8680901	Bolt	
18	F8549401	Nut	
19	F8504902	Door Glass Retainer	
20	C001236	Nut	
21	F8647401	Door Hinge Assembly	
22	F200131000P	Door Hinge Shim Kit	

Door (Drawing 2 of 2)

Models starting serial no. 2208025606

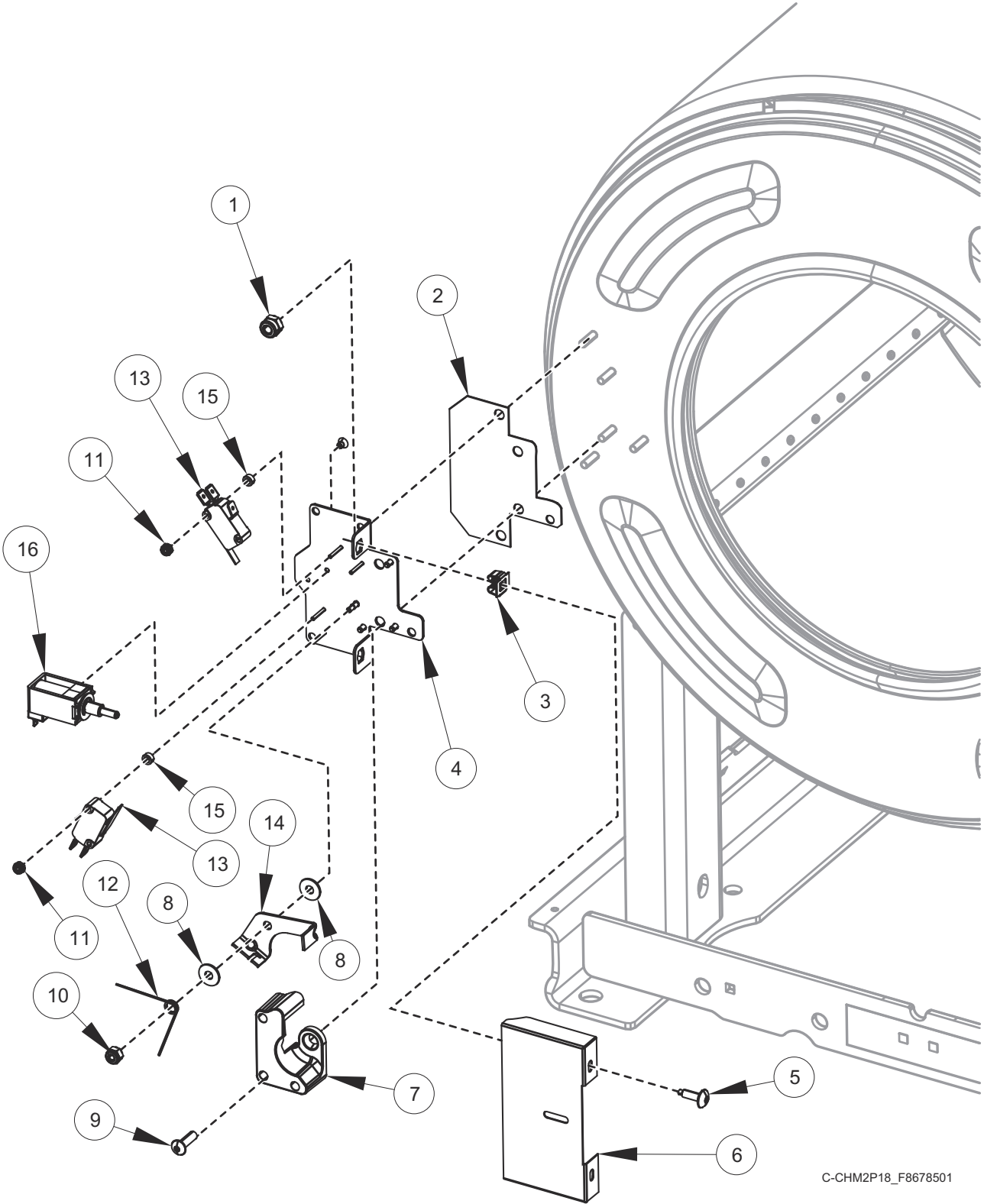


CHM3537P

Door (Drawing 2 of 2)

REF	PART NO.	DESCRIPTION	COMMENTS
	F8698701	Door Assembly	Chrome; Includes items 1-11, 13-15, and 20-27
	F8698702	Door Assembly	Chrome; Includes items 1-11, 13-15, and 20-27
	F8749101	Hinge Replacement Kit	
1	F8624603	Door Handle	
2	F431916	Washer	
3	F8687105	Door	Design 6; Chrome
	F8687102	Door	Design 6; Black
4	F8567501	Door Handle Spacer Kit	
5	F430232	Nut	
6	F431041	Nut	
7	F430532	Screw	
8	F431222	Spring Pin	
9	F8221403	Door Latch Arm Assembly	Includes latch arm shaft, latch arm support and sleeve
10	535439P	Door Glass	
11	F8583207	Door Glass Trim	
12	F8636501	Door Gasket	
13	F200131000P	Door Hinge Shim Kit	
14	F190216P	Door Hinge	
15	F602813-3	Rod	
16	F150271	Door Mount	
17	F431929	Washer	Non-ferrous
	F431147	Washer	
18	F430536	Screw	
19	C001236	Nut	
20	F430215	Nut	
21	F431133	Washer	
22	F8390801	Magnet	
23	F431223	Pop Rivet	
24	F8535501	Screw	
25	F430974	Bolt	
	F8508101	Bolt	Chrome

Door Lock

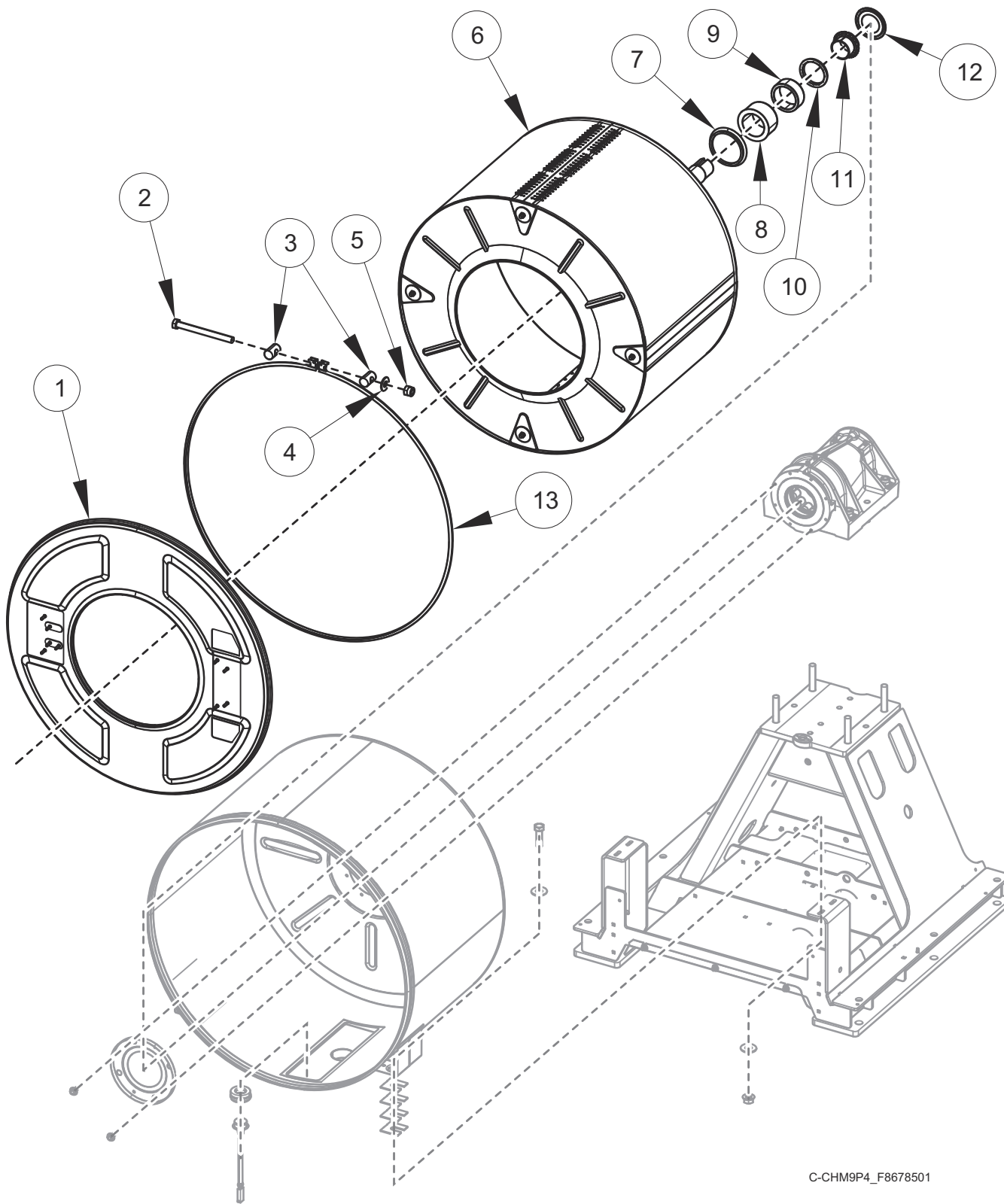


C-CHM2P18_F8678501

Door Lock

REF	PART NO.	DESCRIPTION	COMMENTS
	F8632401	Door Lock Assembly	Includes items 1-16 and F320200 Door Lock Splash
	F8520202	Door Lock Harness	
	F8066804	Reed Switch Assembly	
1	F431024	Nut	
2	F8344401	Door Lock Plate Shim	
3	70030501	Expansion Clip	
4	F8223202	Door Lock Plate Assembly	
5	F8117601	Screw	
6	F8245001	Door Lock Cover	
7	F8344501	Door Lock Catch	
8	F8193101	Washer	
9	F8270701	Bolt	
10	F430232	Nut	
12	F8070301	Torsion/Door Lock Spring	
13	F200203200	Door Lock Microswitch	
14	F8223401	Door Lock Switch Lever	
15	F431901	Spacer	
16	F977P3	Door Lock Solenoid Replacement Kit	

Shell Front and Basket

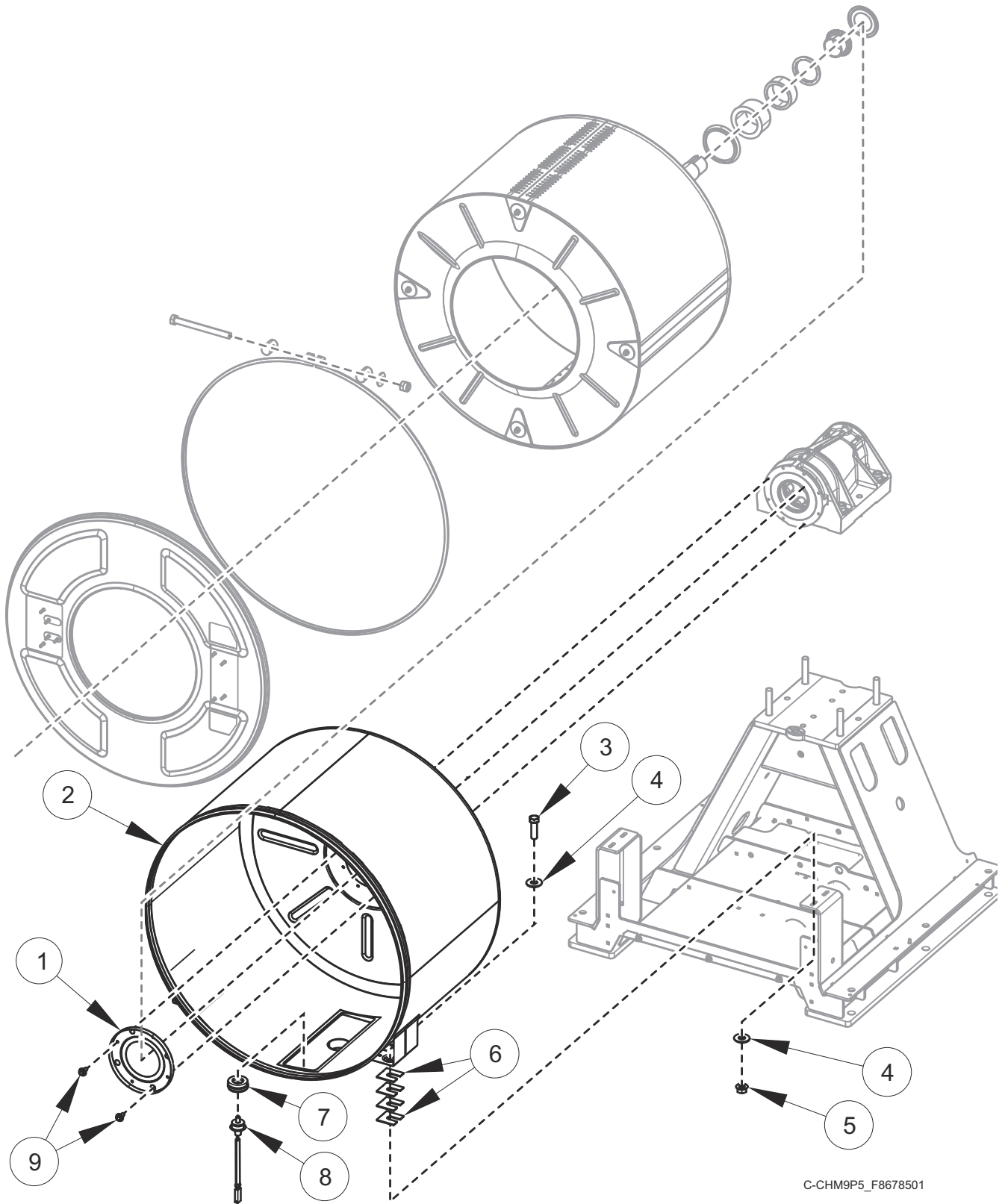


C-CHM9P4_F8678501

Shell Front and Basket

REF	PART NO.	DESCRIPTION	COMMENTS
1	F8222701	Shell Front	80 pound models
	F8229801	Shell Front Assembly	100 pound models
2	F8673701	Screw	
3	F8302701	Pin	
4	M400080	Washer	
5	F430218	Nut	
6	F8516901	Basket Assembly	80 pound models
	F8516904	Basket	80 pound models; Rain; Viton
	F8516903	Basket Assembly	80 pound models; Viton
	F8516902	Basket	80 pound models; Rain
	F8517003	Basket Assembly	100 pound models; Viton
	F8517004	Basket	100 pound models; Rain; Viton
	F8517001	Basket Assembly	100 pound models
	F8517002	Basket	100 pound models; Rain
7	F8337101	Excluder Seal	Standard
	F8527701	Excluder Seal	Viton
8	F8343911	Seal Sleeve	
9	F8280504	Bearing	
10	F8464901	Insertion Sleeve	
11	F8382501	Sleeve Adapter	
12	F8379301	Seal	
13	F8537808	Shell Band Kit	

Shell

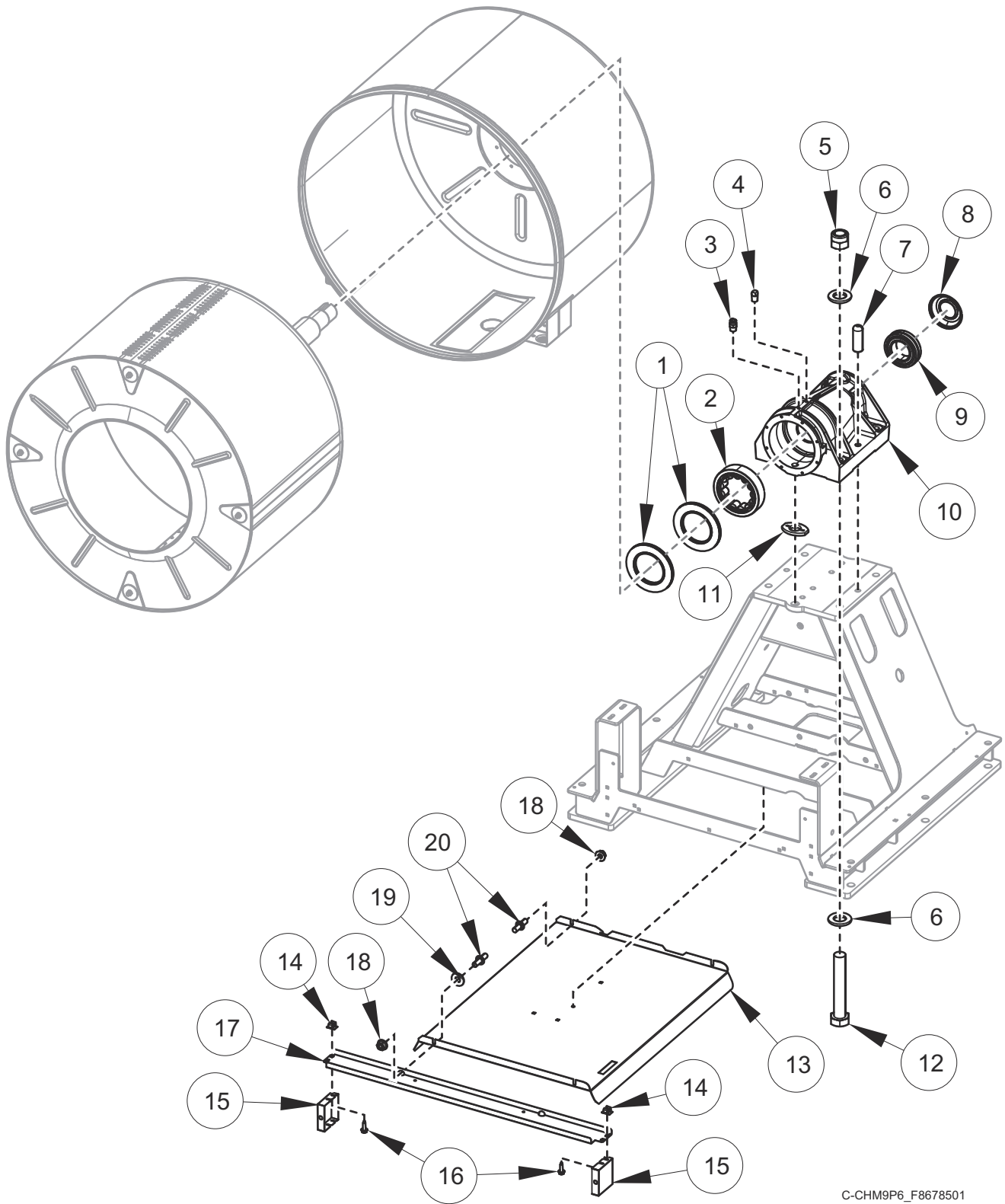


C-CHM9P5_F8678501

Shell

REF	PART NO.	DESCRIPTION	COMMENTS
1	F8550101	Seal Wear Plate	
2	F8543801	Shell	80 pound models
	F8543802	Shell	80 pound models; Electric and steam heat
	F8543901	Shell	100 pound models
	F8543902	Shell	100 pound models; Electric and steam heat
3	F430900	Screw	
4	M400081	Washer	
5	F430218	Nut	
6	F8402701	Washer	
7	2251000400	Temperature Probe Grommet	
8	F8538801	Thermistor	
9	F8442702	Screw	

Bearing Housing and Frame Shield

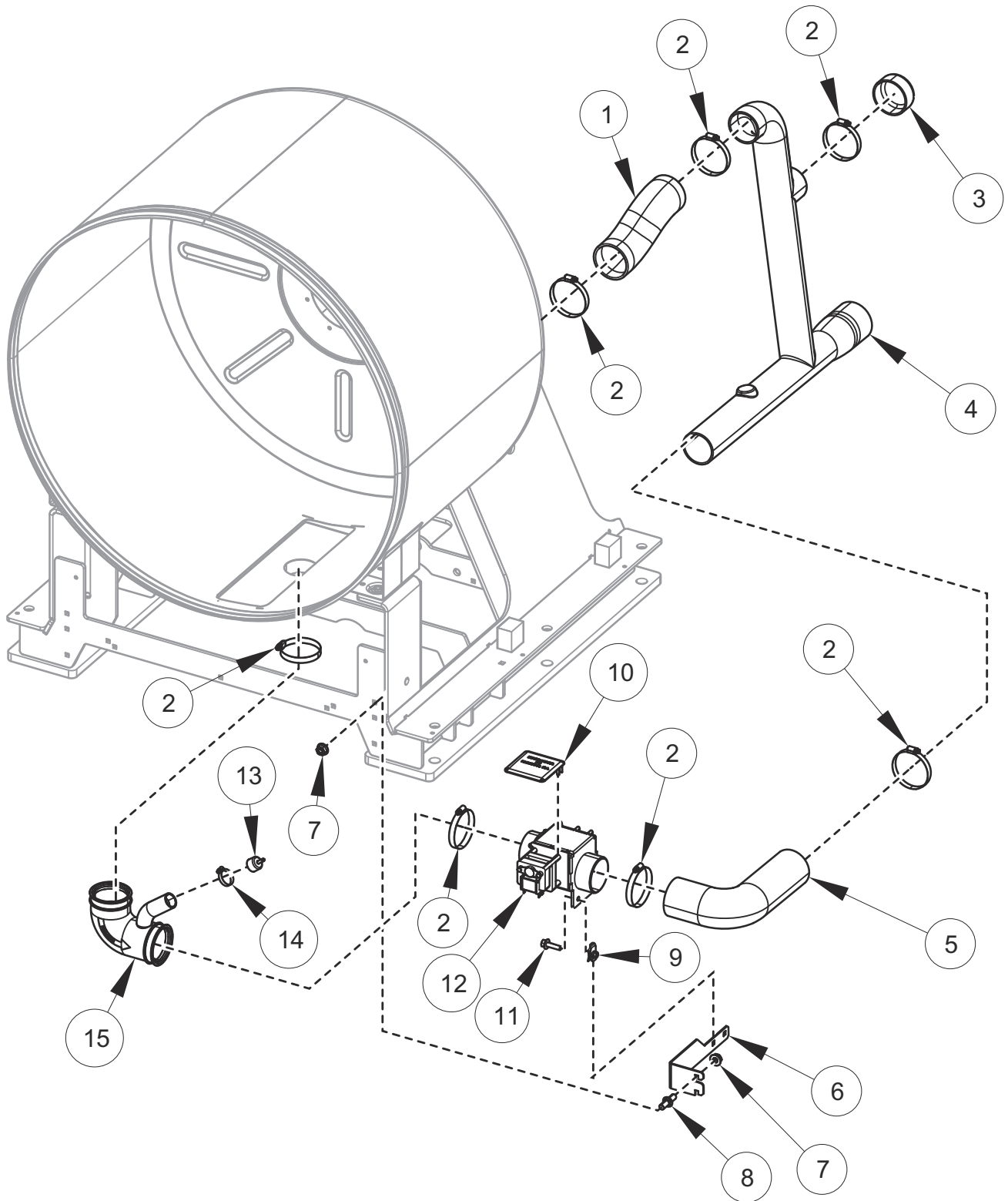


C-CHM9P6_F8678501

Bearing Housing and Frame Shield

REF	PART NO.	DESCRIPTION	COMMENTS
	F8474601	Bearing Housing Assembly	Includes items 1-4 and 8; Standard
	F8474602	Bearing Housing Assembly	Includes items 1-4 and 8; Viton
	F8503801	Bearings and Seals Kit	Standard NBR; Includes items 1, 2, 5-9, 12, F8337101 Excluder Seal, F8502305 Shell Band Gasket and F410102 Clear Sealant
	F8503701	Bearings and Seals Kit	Viton; Includes items 1, 2, 5-9, 12, F8527701 Excluder Seal, F8502305 Shell Band Gasket and F410102 Clear Sealant
1	F8203807	Radial Seal	Standard
	F8203808	Radial Seal	Viton
2	F8280504	Bearing	
3	J1408004	Connector	
4	M403052	Plug	
5	F430248	Nut	
6	F8171201	Washer	
7	F8406502	Dowel Pin	
8	F8528501	Radial Lip Seal	
9	F8375401	Bearing	
10	F8465001	Bearing Housing	
11	F8452701	Seal Scupper Pad	
12	F8313701	Screw	
13	F8509501	Frame Shield	
14	70030501	Expansion Clip	
15	F8557401	False Side Panel	80 pound models
	F8557402	False Side Panel	100 pound models
16	F8206901	Screw	
17	F8577901	Frame Shield Extension	80 pound models
	F8577902	Frame Shield Extension	100 pound models
18	44087201	Nut	
19	M400080	Washer	
20	70334702	Stud	

Drain Plumbing

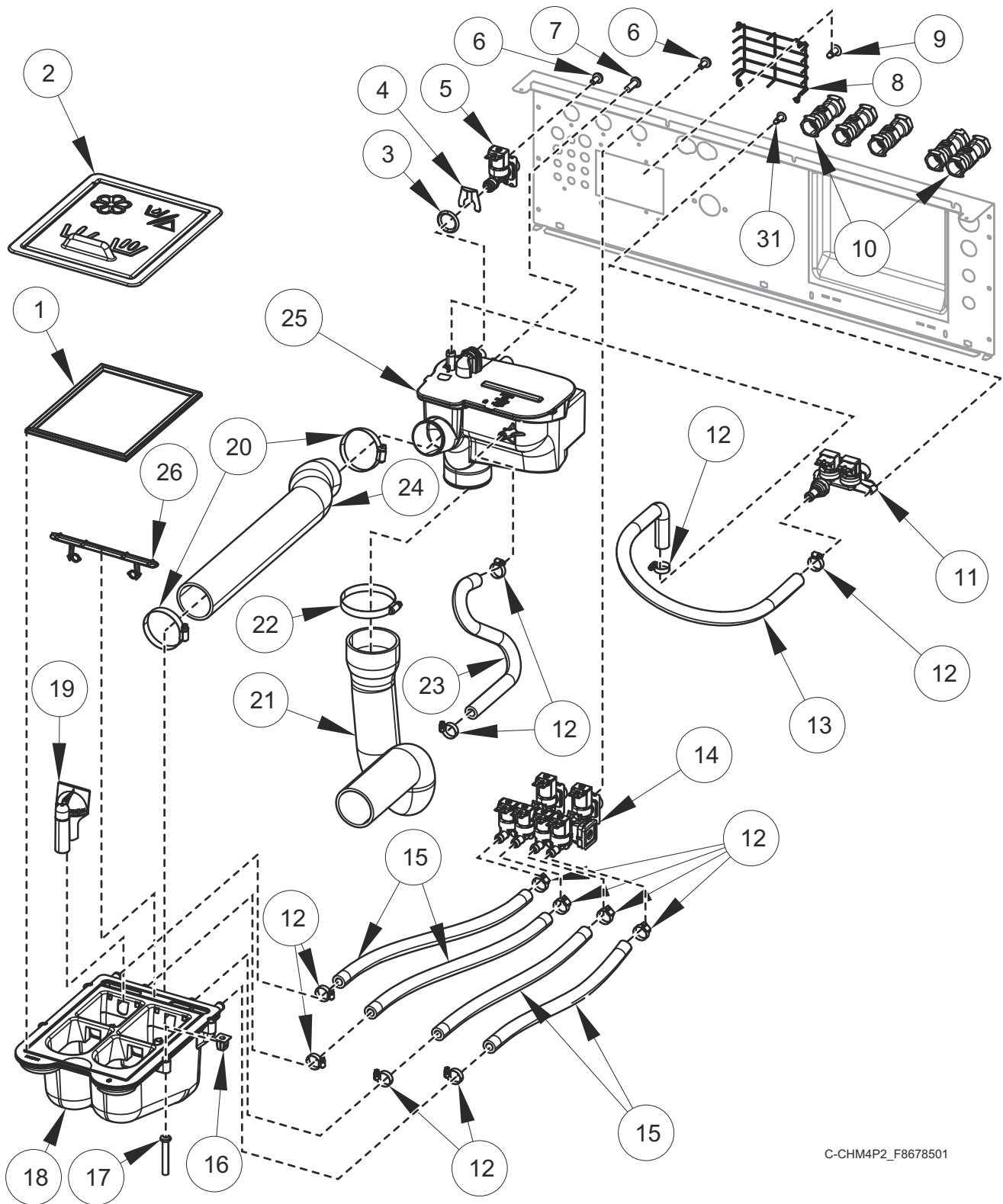


C-CHM9P1_F8678501

Drain Plumbing

REF	PART NO.	DESCRIPTION	COMMENTS
	F8520002	Drain Valve Harness	
1	F0150488-00	Overflow Hose	
2	F200201	Hose Clamp	
3	F0150502-00	Plug	
4	F8386807	Molded Drain	
5	C000412	Water Reuse Hose	
6	F8543601	Drain Valve Bracket	
7	44087201	Nut	
8	70334702	Stud	
9	70030401	Nut	
10	F200133600	Drain Valve Cover	
11	F8117601	Screw	
12	F8577201	Drain Valve Kit	3 inch; 230 Volt; Right; NO; Includes item 14
	F200166302	Drain Valve Kit	3 inch; 120 Volt; Left; NO; Includes item 14
	F200166402	Drain Valve Kit	3 inch; 230 Volt; Left; NO; Includes item 14
13	F8579301	Pressure Cap	
14	36802	Hose Clamp	
15	F8542001	Drain Hose	
	F8542201	Drain Hose	Electric heat

Fill Plumbing

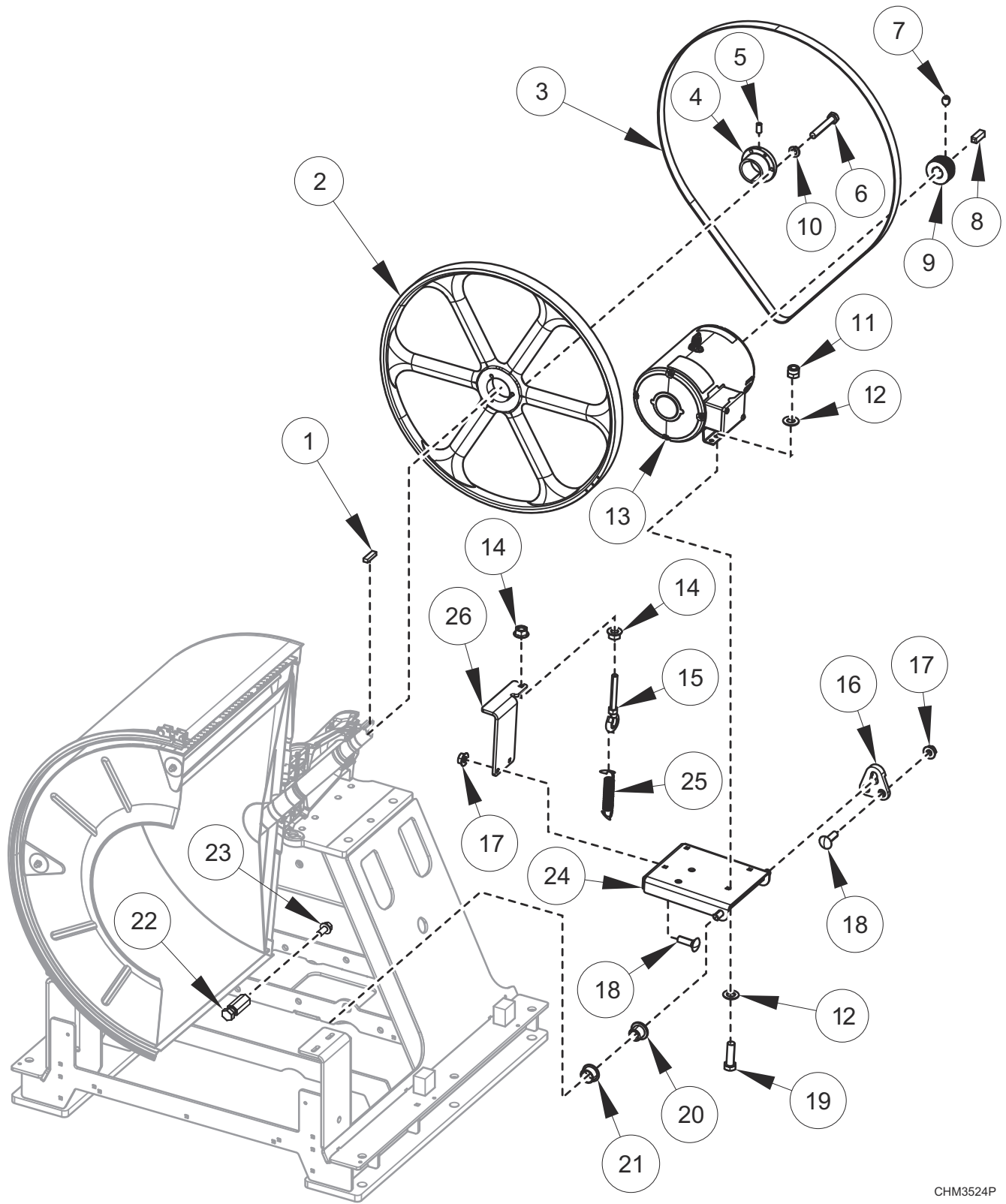


C-CHM4P2_F8678501

Fill Plumbing

REF	PART NO.	DESCRIPTION	COMMENTS
	F8047403	Dispenser	Includes Items 18, 19 and 26
	F8520102	Fill Valve Harness	
	223/00243/00	Y-Connector	Metric
	F8544601	Fill Hose Kit	WRAS; Includes item 11 and F8665602 Water Hose Kit
	F200164	Water Hose	Y fitting; 2 required; Standard
	F200166	Water Hose	Metric thread
	44069101	Hose Fitting	3/4 inch; Standard
1	B12568601	Dispenser Gasket	
2	F8563204	Dispenser Cover	Black; Icons and text
	F8563202	Dispenser Cover	Black; Icons
3	F8569101	O-Ring	
4	F8566801	Clip	
5	F8565201	Valve	3/4 inch; Standard
	F8565202	Valve	3/4 inch; Standard
6	F8230301	Screw	
7	800548	Screw	
8	F8589601	Vacuum Breaker Guard	
9	70058501	Pop Rivet	
10	F8301201	Double Check Valve	WRAS
11	70519801	Mixing Valve	Standard
	70519802	Mixing Valve	Metric
12	36801	Hose Clamp	
13	F8598801	Auxiliary Fill Hose	
14	F8529701	Manifold Valve	Standard
	F8529702P	Manifold Valve	Metric
15	F8232012	Hose	
16	F0431807-00	Nut	
17	F8535601	Screw	
18	F8437902	Dispenser Weldment	
19	F8047901	Siphon Cover	
20	F200213	Hose Clamp	
21	F8529605	P-Trap Hose	
22	F200201	Hose Clamp	
23	F8616405	Rear Vent Hose	
24	F8529405	Supply Vacuum Hose	80 pound models
	F8529406	Supply Vacuum Hose	100 pound models
25	F8517503	Vacuum Breaker Assembly	With inlet and fill
	F8517502	Vacuum Breaker Assembly	With inlet; WRAS
	F8517501	Vacuum Breaker Assembly	With fill
	F8517504	Vacuum Breaker Assembly	WRAS
26	F8047801	Access Cover	

Motor, Pulley and Belt

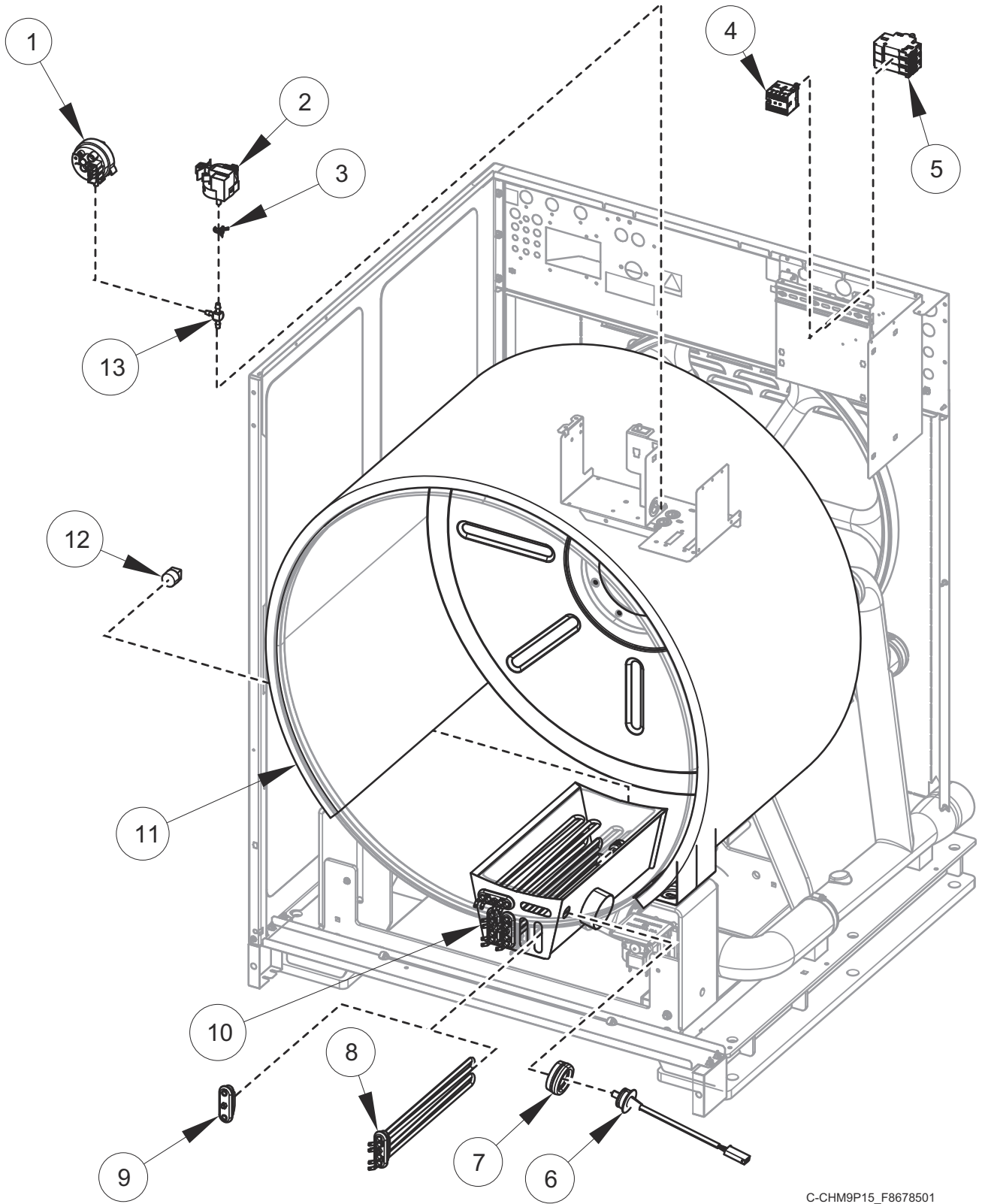


CHM3524P

Motor, Pulley and Belt

REF	PART NO.	DESCRIPTION	COMMENTS
	F8519005	Motor Harness	5 hp
	F8519010	Motor Harness	EMI filter
	F8748601	Spring Stud Kit	Contains F8634701 Stud and M405503 Screw. Used to replace F8351902 Eye Bolt and 44087201 Nut
1	44049002	Key	
2	F8381801	Sheave Pulley	
3	F8382819	Belt	80 pound models; Poly-V; 955J12
	70276205P	Belt	100 pound models
4	F8649401	Flanged Bushing	
5	44048902	Screw	
6	44079203	Screw	
7	M400077	Screw	
8	H8752006H	Key	
9	F8362601	Motor Pulley	80 pound models
	F8362602	Motor Pulley	100 pound models
10	M400013	Washer	
11	F8387601	Nut	
12	F8366601	Washer	
13	F8510001	Motor	5 hp
14	44087301	Nut	
15	F8319503	Eye Bolt	
16	F8542101	Drain Hose	
17	44087201	Nut	
18	F8402801	Bolt	
19	800461	Screw	
20	F8535202	Flanged Isolator	
21	F8333302	Flanged Bushing	
22	F8634701	Stud	
23	70126104	Screw	
24	F8441805	Motor Bracket Weldment	
25	F8440701	Extension Spring	
26	F8342201	Motor Spring Bracket	

Electric Heating

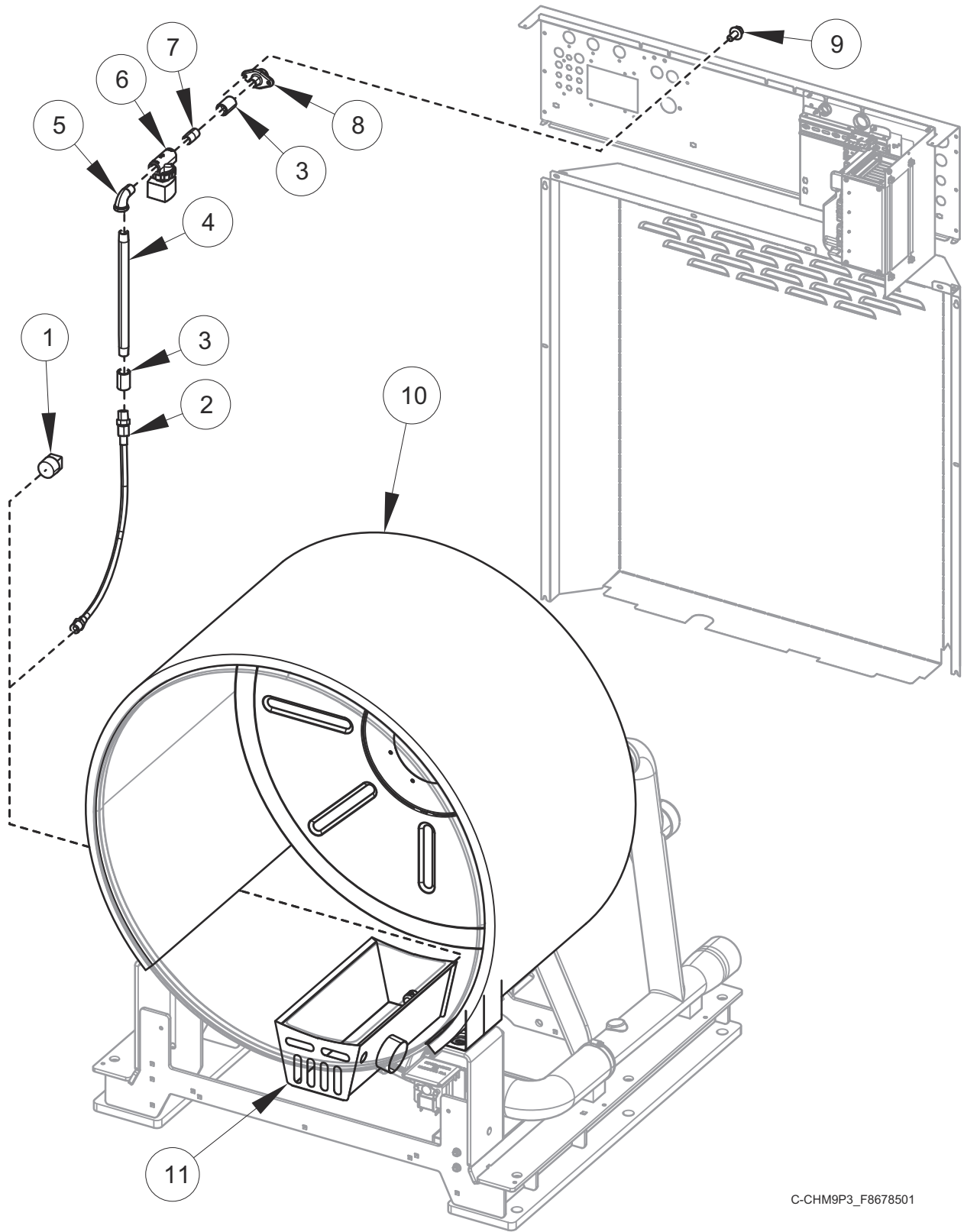


C-CHM9P15_F8678501

Electric Heating

REF	PART NO.	DESCRIPTION	COMMENTS
	F8584802	Electric Heat Element Harness	6 element and ground
	F8619101	Power Harness	
	F8528003	Harness	
	F8564004	Harness	N, P and Q voltage
	F8598302	Harness	Temperature
	F8568901	Jumper	N and P voltage
	F8583501	Jumper	N, P and Q voltage
1	39282	Hose Clamp	
2	F8404401	Water Pressure Switch	
3	F8623401	Pressure Sensor	
4	70482601	Contactora	
5	70488101	Circuit Breaker	
6	F8538801	Thermistor	
7	2251000400	Temperature Probe Grommet	
8	F8568301	Heating Element	4200W; 230 Volt
9	F360202	Heating Element Plug	
10	F8543802	Shell	80 pound models
	F8543902	Shell	100 pound models
11	F8209105	Shell Insulation	
12	F420408	Plug	
13	203464	Barbed Tee	

Steam Heating

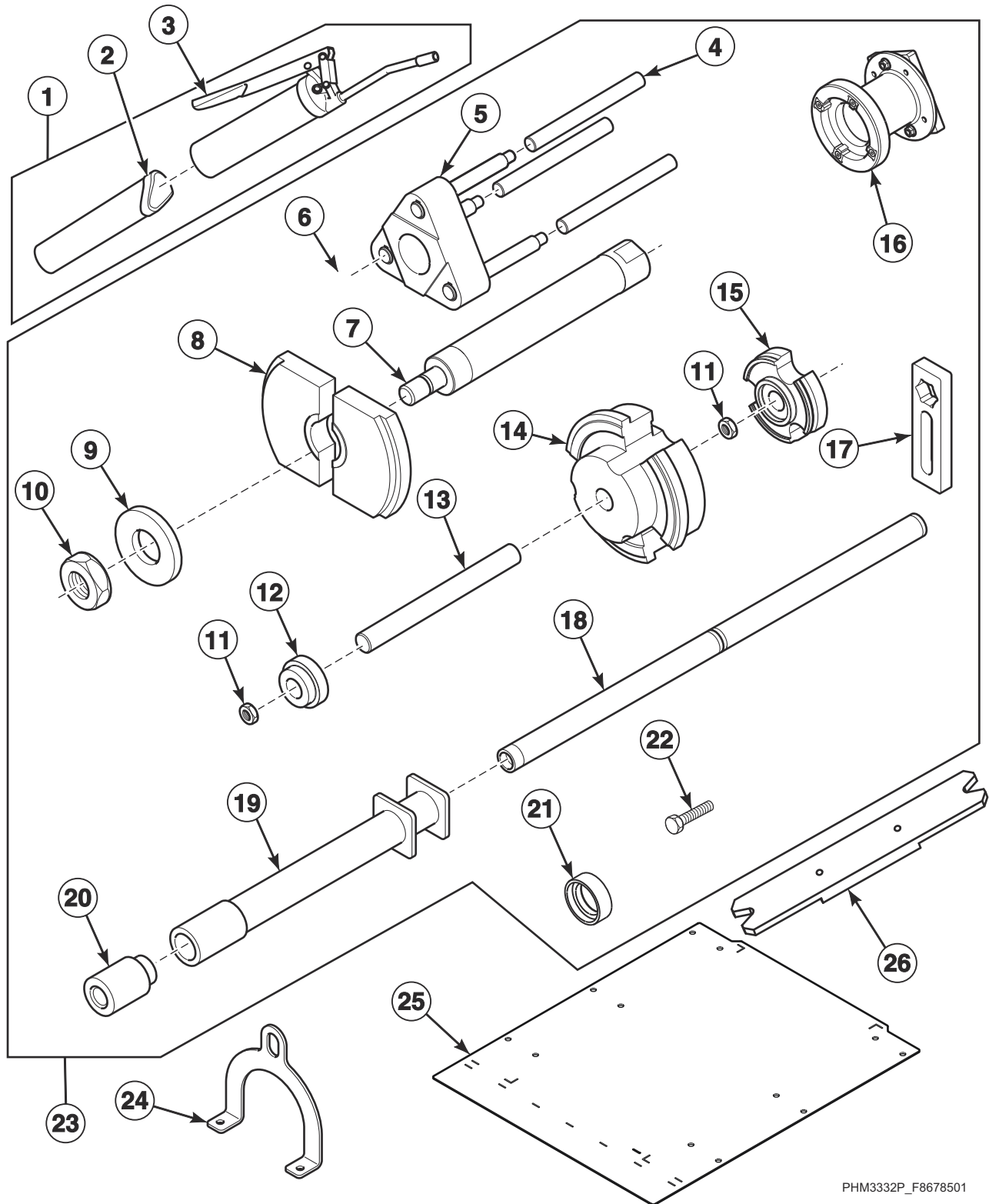


C-CHM9P3_F8678501

Steam Heating

REF	PART NO.	DESCRIPTION	COMMENTS
	F8662601	Steam Kit	Includes Items 2-9, 901403 Nipple, F270307 Steam Filter, F8520704 Harness, insulation and labels
	F270307	Steam Filter	1/2 inch
	F8520704	Harness	Steam valve
	F8564004	Harness	
	F8233702	Insulation	Steam pipe; 6 inches
	F8233704	Insulation	Steam pipe; 12 inches
	F8233708	Pipe Insulation	Steam pipe; 20 inches
	F410300	Pipe Insulation	Steam pipe; 36 inches
1	F420408	Plug	
2	F200197	Steam Hose	
3	F8116301	Coupling	
4	70214101	Pipe Nipple	
5	H86070034	Street Elbow	
6	F8322805	Valve	
	F8515001	Coil	
7	70435601	Pipe Nipple	
8	F8362701	Coupling	
9	70321501	Screw	
10	F8209105	Shell Insulation	
11	F8543802	Shell	80 pound models
	F8543902	Shell	100 pound models

Special Tools and Kits



PHM3332P_F8678501

Special Tools and Kits

REF	PART NO.	DESCRIPTION	COMMENTS
	204454	Ferrite	EMI; SCK models
	1112P	Concrete Hardware Kit	
	203346	USB IR Interface Kit	
	203440	USB-Serial Interface Assembly	
	F8662902	Central Pay Interface Kit	Central pay models; Includes 204094 Central Pay Assembly, 202758 Transformer, F140938 Snap Bushing, labels, hardware and harnesses
	204145P	Gateway	
	NK330	USB Gateway Kit	Wireless
	NK320	Ethernet Gateway Kit	Wireless
1	F798700	Grease Gun Kit	Includes items 2 and 3
2	F210206P	Bearing Grease	
3	F210207P	Grease Gun	
4	F8599201	Rod	
5	F8560501	Shaft Support Assembly	
6	F8459101	Nut	
7	F8450401	Bearing Removal Shaft Assembly	
8	F8450601	Bearing Removal Plate	
9	F8456101	Washer	
10	F8455801	Nut	
11	F8457701	Nut	
12	F8455701	Bearing Removal Plug	
13	F8452101	Threaded Rod	
14	F8515301	Seal Press Fixture	
15	F8515201	Bearing Seal Fixture	
16	F8530201	Bearing Sleeve Assembly	
17	F8562801	One Sided Disassembly Fixture	
18	F8534101	Guide Rod Assembly	
19	F8490701	Hammer	
20	F8514401	Hammer Tool Adapter	
21	F8537502	Excluder Seal Fixture	
22	M400063	Screw	
23	F8599401	Bearing Seal Insertion and Removal Kit	Purchase; Includes items 1-26, 70350503 Wing Nut and F8313702 Screw
	F8599401-1	Bearing Seal Insertion and Removal Kit	Rental; Includes items 1-26, 70350503 Wing Nut and F8313702 Screw
24	F8451501	Bearing Housing Lifting Fixture	
25	F8413101	Frame Template	
26	F8634802	Clamp	

Parts Index

A

Access Cover	
F8047801	53
Access Panel	
F8552702	33
Access Panel Retaining Spacer	
F8609701	33
Accessory Plate Assembly	
F8734601	13
Air Coupling	
F422114	33
App Pay Overlay Kit	
44374701	9, 11, 13, 17, 19, 21, 33
Auxiliary Fill Hose	
F8598801	53

B

Barbed Tee	
203464	9, 11, 13, 57
Basket	
F8516901	45
F8516902	45
F8516904	45
F8517002	45
F8517004	45
Basket Assembly	
F8516903	45
F8517001	45
F8517003	45
Bearing	
F8280504	45, 49
F8375401	49
Bearing Grease	
F210206P	61
Bearing Housing	
F8465001	49
Bearing Housing Assembly	
F8474601	49
F8474602	49
Bearing Housing Lifting Fixture	
F8451501	61
Bearing Removal Plate	
F8450601	61
Bearing Removal Plug	
F8455701	61
Bearing Removal Shaft Assembly	
F8450401	61
Bearing Seal Fixture	
F8515201	61
Bearing Seal Insertion and Removal Kit	
F8599401	61
F8599401-1	61
Bearing Sleeve Assembly	
F8530201	61
Bearings and Seals Kit	
F8503701	49
F8503801	49

Belt	
F8382819	55
70276205P	55
Bolt	
F430974	41
F8270701	43
F8402801	55
F8508101	41
F8680901	39
Bracket	
F8665701	33
Bushing	
70346501	33

C

Cabinet Brace	
F8556901	35
F8556902	35
Card Reader Plate	
F8574204	11
Central Pay Harness	
F8660304	11, 13
Central Pay Interface Kit	
F8662902	61
Central Pay Kit	
F8673202	11, 13
F8673204	11, 13
Chemical Injection Control	
F8497401	29
804528	29
Circuit Breaker	
70488101	25, 27, 57
Clamp	
F8634802	61
Clip	
F8566801	53
Coil	
F8515001	59
Coin Drawer Assembly	
F8182001	23
Coin Drop Assembly ¹⁷	
F8672701	17
F8672702	19
F8672703	17
F8672704	19
F8672705	19
F8672706	19
F8672707	19
F8672708	19
F8672709	17
F8672710	17
F8672711	17
F8672713	17
F8672714	17
F8672715	17
F8672716	19
F8672717	19
F8672718	17
F8672719	17
F8672720	19
F8672721	19

N/A items do not appear in index.

F8672722	19
Coin Drop Kit	
CK503	19
Coin Identification Paper	
38725	17, 19, 21
Coin Vault Assembly	
F8529101	9
Coin Vault Bypass Harness	
F8519702	11, 13
Coin Vault Harness	
F8519701	9
Concrete Hardware Kit	
1112P	61
Connector	
F8555401	29
F8555402	29
F8555403	29
F8555404	29
F8555405	29
F8555406	11, 13
J1408004	49
70493102	29
Contactora	
F330188P	57
70482601	25, 27
70482701	25, 27
Contactora Tray	
F8530901	25, 27
Control Assembly	
F8746101	9, 11, 13
Control Panel Assembly	
F8631909	33
Control Tray	
F8530701	15
Coupling	
F8116301	59
F8362701	59

D

Danger Label	
F8614501	7
DIN Rail	
B12315401	25, 27
M412689	25, 27
Dispenser	
F8047403	53
Dispenser Bracket	
F8525701	35
Dispenser Cover	
F8563202	53
F8563204	53
Dispenser Gasket	
B12568601	53
Dispenser Weldment	
F8437902	53
Door	
F8654801	39
F8687101	39, 41
F8687102	41
Door Assembly	
F8653510	39
F8698701	41

F8698702	41
Door Bezel	
F8659301	33
Door Catch Assembly	
D510177	33
Door Gasket	
F8440801P	39
F8636501	41
Door Glass	
535439P	41
Door Glass Gasket	
F8499904P	39
Door Glass Retainer	
F8504902	39
Door Glass Trim	
F8583207	41
Door Handle	
F8624603	39, 41
Door Handle Spacer Kit	
F8567501	39
Door Handle Spaer Kit	
F8567501	41
Door Hinge	
F190216P	41
Door Hinge Assembly	
F8647401	39
Door Hinge Shim Kit	
F200131000P	39, 41
Door Latch Arm Assembly	
F8221403	39, 41
Door Lock Assembly	
F8632401	43
Door Lock Catch	
F8344501	43
Door Lock Cover	
F8245001	43
Door Lock Harness	
F8520202	43
Door Lock Microswitch	
F200203200	43
Door Lock Plate Assembly	
F8223202	43
Door Lock Plate Shim	
F83344401	43
Door Lock Solenoid Replacement Kit	
F977P3	43
Door Lock Switch Lever	
F8223401	43
Door Mount	
F150271	41
Double Check Valve	
F8301201	53
Dowel Pin	
F8406502	49
Drain Hose	
F8542001	51
F8542101	55
F8542201	51
Drain Valve Bracket	
F8543601	51
Drain Valve Cover	
F200133600	51

N/A items do not appear in index.

Drain Valve Harness	
F8520002	51
Drain Valve Kit	
F200166302	51
F200166402	51
F8577201	51
Drive Assembly	
F8496601	31
F8496901	31
Drive Communication Harness	
F8519201	31
F8519202	31
F8519203	31
F8519204	31
Drive Mounting Bracket	
F8322401	31
Drive Panel Base Assembly	
F8567001	25
F8567003	27
F8567004	25, 27
Drive Power Harness	
F8518603	31
Drive Terminal Tray	
F8530803	25, 27

E

Electric Heat Element Harness	
F8584802	57
Electronic Coin Drop Assembly	
F8672601	21
F8672602	21
F8672603	21
F8672604	21
F8672605	21
F8672606	21
F8672607	21
F8672608	21
F8672609	21
F8672610	21
F8672611	21
F8672612	21
F8672613	21
F8672614	21
F8672615	21
Emergency Stop Bypass Harness	
F8519403	11, 13
F8549403	9
EMI Filter	
F8591801	25, 27
F8637501	25, 27
End Stop	
F8449801	25, 27
Ethernet Gateway Kit	
NK320	61
Excluder Seal	
F8337101	45
F8527701	45
Excluder Seal Fixture	
F8537502	61
Expansion Clip	
70030501	9, 11, 13, 15, 25, 27, 29, 31, 33, 35, 37, 43, 49

Extension Spring	
F8440701	55
External Supply Kit	
F8662504	29
F8662508	29
F8662510	29
F8662512	29
Eye Bolt	
F8319503	55

F

False Side Panel	
F8557401	49
F8557402	49
Ferrite	
204454	61
Fill Cover	
F8586301	35
Fill Hose Kit	
F8544601	53
Fill Valve Harness	
F8520102	53
Filter Kit	
F8662807	27
F8662808	25
F8662813	25
F8662814	27
Flanged Bushing	
F8649401	55
Flanged Isolator	
F8333302	55
F8535202	55
Fob Communication Harness	
F8719302	13
Fob Reader Control Assembly	
205135	13
Frame Shield	
F8509501	49
Frame Shield Extension	
F8577901	49
F8577902	49
Frame Template	
F8413101	61
Front Panel	
F8698601	33
F8698602	33
F8698604	33
Front Panel Assembly	
F8666601	33
F8666602	33
F8666604	33
Front Tray Assembly	
F8531001	9, 11, 13
F8567303	9
F8567306	9
F8567309	11, 13
F8567312	11, 13

N/A items do not appear in index.

G

Gasket	
F8542601	35
Gateway	
204145P	61
205223P	15
205391P	15
Glass	
F290210P	39
Grease Fitting	
F190701	33
Grease Gun	
F210207P	61
Grease Gun Kit	
F798700	61
Ground Lug Connector	
M411283	25, 27
Guide Rod Assembly	
F8534101	61

H

Hammer	
F8490701	61
Hammer Tool Adapter	
F8514401	61
Harness	
F8518401	25
F8518403	25, 27
F8518404	25
F8518501	27
F8518503	27
F8518504	27
F8518606	25, 27
F8519301	9, 11, 13
F8519505	9, 11, 13
F8520602	29
F8520704	59
F8528001	25, 27
F8528003	25, 27
F8528005	25, 27
F8528204	29
F8528206	29
F8564001	57
F8564004	57, 59
F8581301	29
F8598302	57
F8619102	25, 27
F8663002	9, 11, 13
Heating Element	
F8568301	57
Heating Element Plug	
F360202	57
Hinge Replacement Kit	
F8749101	39, 41
Hole Plug	
F8223801	35
Hose	
F8232012	53
F8245713	33
Hose Clamp	
F200201	51, 53

F200213	53
36801	53
36802	51
39282	9, 11, 13, 57

Hose Fitting	
44069101	53
Hot Surface Warning Label	
F8609001	7
F8614301	7

I

Input and Output Control Assembly	
F8494101P	15
Insertion Sleeve	
F8464901	45
Insulation	
F8233702	59
F8233704	59
Insulator	
M413862	25, 27

J

Jumper	
F8568901	57
F8583501	25, 27, 57

K

Key	
F160420	23
44049002	55
70155603	35

L

Label	
D516100	25, 27
F8601301	7
F8602401	7
F8609401	7
F8611301	7
F8611401	7
F8613501	33
F8614801	7
203853	7
44286803	25, 27

M

Machine ID Control Assembly	
203361P	9, 11, 13
Magnet	
F8390801	39, 41
Manifold Valve	
F8529701	53
F8529702P	53

N/A items do not appear in index.

Mixing Valve	
70519801	53
70519802	53
Molded Drain	
F8386807	51
Motor	
F8510001	55
Motor Bracket Weldment	
F8441805	55
Motor Harness	
F8519005	55
F8519010	55
Motor Key	
H8752006H	55
Motor Pulley	
F8362601	55
F8362602	55
Motor Spring Bracket	
F8342201	55

N

Nameplate	
F8664901	33
F8688901	33
Nut	
C001236	39, 41
F0431807-00	53
F430215	17, 19, 21, 41
F430218	45, 47
F430232	39, 41, 43
F430248	49
F431024	43
F431041	39, 41
F8387601	55
F8455801	61
F8457701	61
F8459101	61
F8549401	39
36020	33
44087201	49, 51, 55
44087301	55
44088001	25, 27
44088801	35
70030401	37, 51
70054	13

O

One Sided Disassembly Fixture	
F8562801	61
Opto Coupler	
200674P	17, 19
O-Ring	
F8569101	53
Overflow Hose	
F0150488-00	51

P

Panel Locator	
56079	33, 37

Panel Lock	
44089306	35
Payment Center Kit	
205067	11, 13
205068	11, 13
Pin	
F8302701	45
F8502101	37
Pinch Warning Label	
F8615701	7
70538401	7
Pipe Insulation	
F410300	59
F8233708	59
Pipe Nipple	
70214101	59
70435601	59
Plug	
F0150502-00	51
F420408	57, 59
F8223901	35
M400985	35
M403052	49
Pop Rivet	
F431215	33, 35
F431223	39, 41
M400003	15, 25, 27
685847	35
70058501	9, 17, 19, 21, 25, 27, 53
70412601	33
Power Distribution Block	
M413865	25, 27
Power Distribution Block Cover	
44014901P	25, 27
Power Harness	
F8619101	25, 27, 57
Pressure Cap	
F8579301	51
Pressure Sensor	
F8623401	9, 11, 13, 57
P-Trap Hose	
F8529605	53
Pulse Expander Assembly	
F8034701P	21
Pushbutton Switch	
70413301	35

R

Radial Lip Seal	
F8528501	49
Radial Seal	
F8203807	49
F8203808	49
Rear Panel	
F8555301	35
Rear Vent Hose	
F8616405	53
Reed Switch Assembly	
F8066804	43
Rivet	
M412763	33, 37
70412601	35

N/A items do not appear in index.

Rod	
F602813-3	41
F8599201	61

S

Screw	
D503688	31
F430532	39, 41
F430536	41
F430900	47
F8117601	9, 11, 13, 17, 19, 21, 33, 37, 43
F8206901	15, 25, 27, 29, 33, 35, 49
F8230301	53
F8313701	49
F8442702	47
F8535501	39, 41
F8535502	33
F8535601	53
F8589501	33
F8673701	45
M400063	61
M400077	55
202175	37, 51
33562	35
39733	25, 27
403497	29
430497	15, 33
44048902	55
44079203	55
51783	25, 27
685837	25, 27
70126104	55
70321501	59
800461	55
800548	53
Seal	
F8379301	45
Seal Press Fixture	
F8515301	61
Seal Scupper Pad	
F8452701	49
Seal Sleeve	
F8343911	45
Seal Wear Plate	
F8550101	47
Shaft Support Assembly	
F8560501	61
Sheave Pulley	
F8381801	55
Shell	
F8543801	47
F8543802	47, 57, 59
F8543901	47
F8543902	47, 57, 59
Shell Band Kit	
F8537808	45
Shell Front	
F8222701	45
Shell Front Assembly	
F8229801	45
Shell Insulation	
F8209105	57, 59
Shock Warning Label	
F8614201	7

Side Panel	
F8633601	37
F8633602	37
F8634101	37
F8634102	37
Siphon Cover	
F8047901	53
Sleeve Adapter	
F8382501	45
Snap Bushing	
F140938	9, 11, 13, 25, 27, 29
M402542	9, 11, 13
M411826	9, 11, 13
70346501	25, 27
Spacer	
F431901	43
Spring Pin	
F431222	39, 41
Spring Stud Kit	
F8748601	55
Steam Filter	
F270307	59
Steam Hose	
F200197	59
Steam Kit	
F8662601	59
Street Elbow	
H86070034	59
Stud	
F8634701	55
70334702	49, 51
Supply Vacuum Hose	
F8529405	53
F8529406	53

T

Temperature Probe Grommet	
2251000400	47, 57
Terminal	
00622SG	15, 25, 27
Terminal Block	
430642	25, 27
Terminal Block Shield	
70333001	25, 27
Terminal Tray Cover	
F8518301	35
Thermistor	
F8538801	47, 57
Threaded Rod	
F8452101	61
Top Cover	
F8553301	35
F8553302	35
Top Cover Hinge	
F8258601	35
Top Cover Latch	
F8201001	33
Top Right Cover	
F8374001	13
Torsion/Door Lock Spring	
F8070301	43

N/A items do not appear in index.

Transformer	
F8491101	15
202758	15
Tubing	
F8405302	9, 11, 13
F8405303	9, 11, 13

U

USB Gateway Kit	
NK330	61
USB IR Interface Kit	
203346	61
USB-Serial Interface Assembly	
203440	61

V

Vacuum Breaker Assembly	
F8517501	53
F8517502	53
F8517503	53
F8517504	53
Vacuum Breaker Guard	
F8589601	53
Valve	
F8322805	59
F8565201	53
F8565202	53
Valve Panel	
F8553401	35
Vend Plate	
F8632501	11, 13, 17, 19, 21

W

Warning Label	
F8611601	7
44324001	7
Washer	
F431133	39, 41
F431147	41
F431916	39, 41
F431929	41
F8171201	49
F8193101	43
F8201101	33
F8366601	55
F8402701	47
F8456101	61
M400013	55
M400080	45, 49
M400081	47
M405535	37
70292801	33
804501	35
Water Hose	
F200164	53
F200166	53
Water Level Pressure Switch	
F8609101	9, 11, 13

Water Pressure Switch	
F8404401	57
Water Reuse Hose	
C000412	51
Wire Clip	
F8449501	9, 11, 13, 15
70347601	15
70366201	9, 11, 13
Wire Label	
44286804	25
Wireless Control Label	
204692	15
Wireless Harness	
F8674004	15
Wireless Network Control Assembly	
807211	15
Wireless Network Kit	
F6878101	15

Y

Y-Connector	
223/00243/00	53

N/A items do not appear in index.

