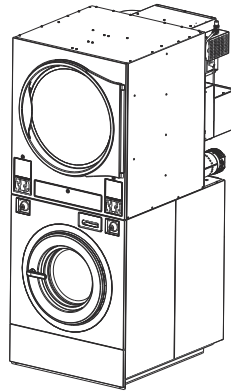


Stacked Washer-Extractor/ Tumble Dryer

Stacked 30 and 50 Pound Capacity
Designs 1-2

Refer to Page 5 for Model Numbers



STX1C_F8706801

Table of Contents

Title	Page
Parts Ordering Information.....	3
Serial Plate Location	3
Machine Identification	5
Product Overview.....	6
Touch Control	8
Dual Digital Control	10
Coin Drops	12
Coin Drop Kits.....	14
Central Pay and Card Reader Components	16
Optional Coin Box.....	18
Door and Hinge Components - Design 1 Models	20
Door and Hinge Components - Design 2 Models	22
Upper Front Panel Assemblies	24
Cabinet Front Components.....	26
Lint Drawer Components	28
Cylinder and Trunnion Components	30
Bearing Components	32
Cabinet Components - 30 Pound Models	34
Cabinet Components - 50 Pound Models	36
Drive Motor Components	38
Exhaust Components.....	40
Blower Components.....	42
Airflow Switch.....	44
Gas Burner Housing and Secondary Stove Limit	46
Gas Valve and Piping	48
Burner Orifices	50
Electric Heater Components - 30 Pound Models.....	52
Control Tray and Accessory Box	54
Labels - Tumble Dryer	56
Harnesses - Tumble Dryer.....	57
Drive Panel Assembly.....	58
Control Tray	60
Control Tray - IEC Components.....	62
Lower Front Panels.....	64
Rear Panels	66
Side Panels.....	68
Door	70
Door Lock.....	72
Shell Front, Basket, Shell and Frame Template	74
Bearing Housing	76
Drain Plumbing	78

© Copyright 2023, Alliance Laundry Systems LLC

All rights reserved. No part of the contents of this book may be reproduced or transmitted in any form or by any means without the expressed written consent of the publisher.

Pump Drain Plumbing	80
Fill Plumbing	82
Motor, Pulley and Belt - 30 Pound Models.....	84
Motor, Pulley and Belt - 50 Pound Models.....	86
Special Tools and Kits	88
Labels - Washer-Extractor	90
Parts Index.....	91

Parts Ordering Information

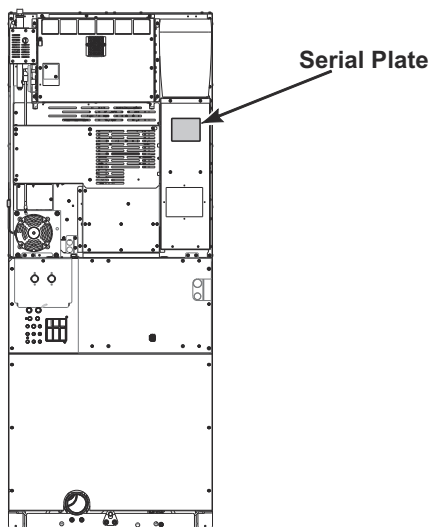
If literature or replacement parts are required, contact the source from whom the machine was purchased or contact Alliance Laundry Systems at (920) 748-3950 for the name and address of the nearest authorized parts distributor.

For technical assistance, call the number listed below:

(920) 748-3121 Ripon, Wisconsin

Serial Plate Location

When calling or writing about your product, be sure to mention model and serial numbers. Model and serial numbers are located on serial plate(s) as shown.



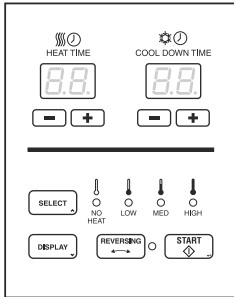
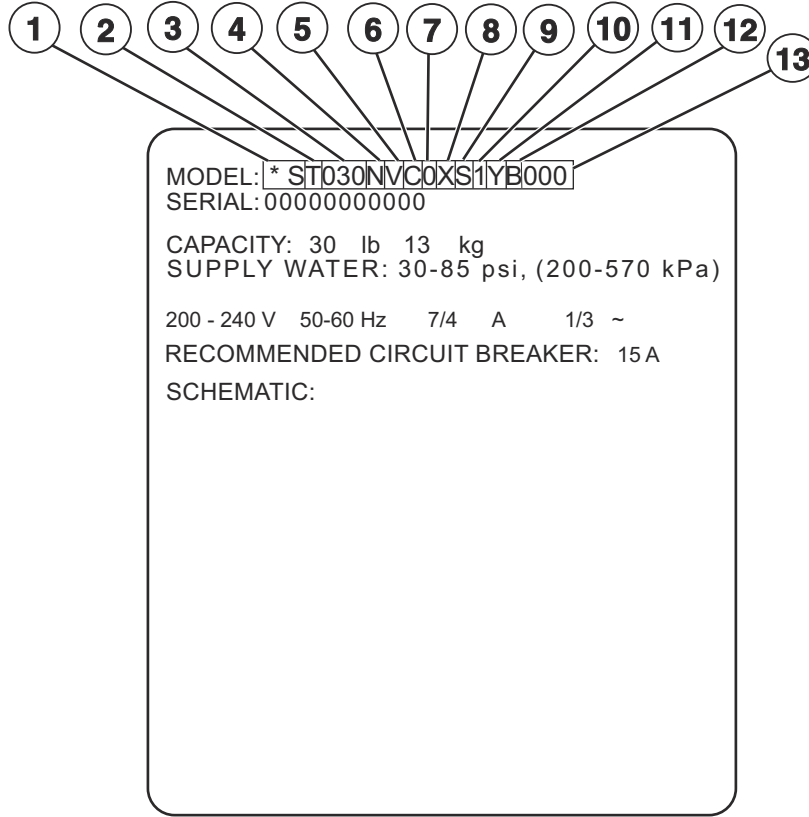
STX1P_F8706801

Machine Identification

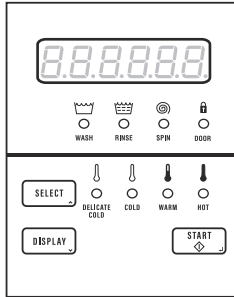
Information in this manual is applicable to these machines:

HSA030N	SSA030N	UST030E
HSA050N	SSA050N	UST030N
HSG030E	SSG030E	UST050N
HSG030N	SSG030L	
HSG050N	SSG030N	
HSK030L	SSG050L	
HSK030N	SSG050N	
HSK050L	SSJ030D	
HSK050N	SSJ050D	
HST030N	SSK030L	
HST050N	SSK030N	
	SSK050L	
	SSK050N	
	SST030E	
	SST030L	
	SST030N	
	SST050L	
	SST050N	

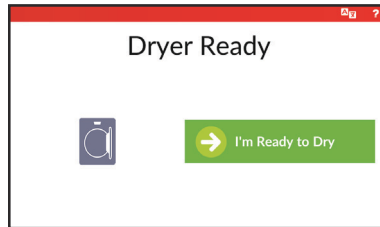
Product Overview



OPL (Upper)



OPL (Lower)



Vend (Upper)



Vend (Lower)

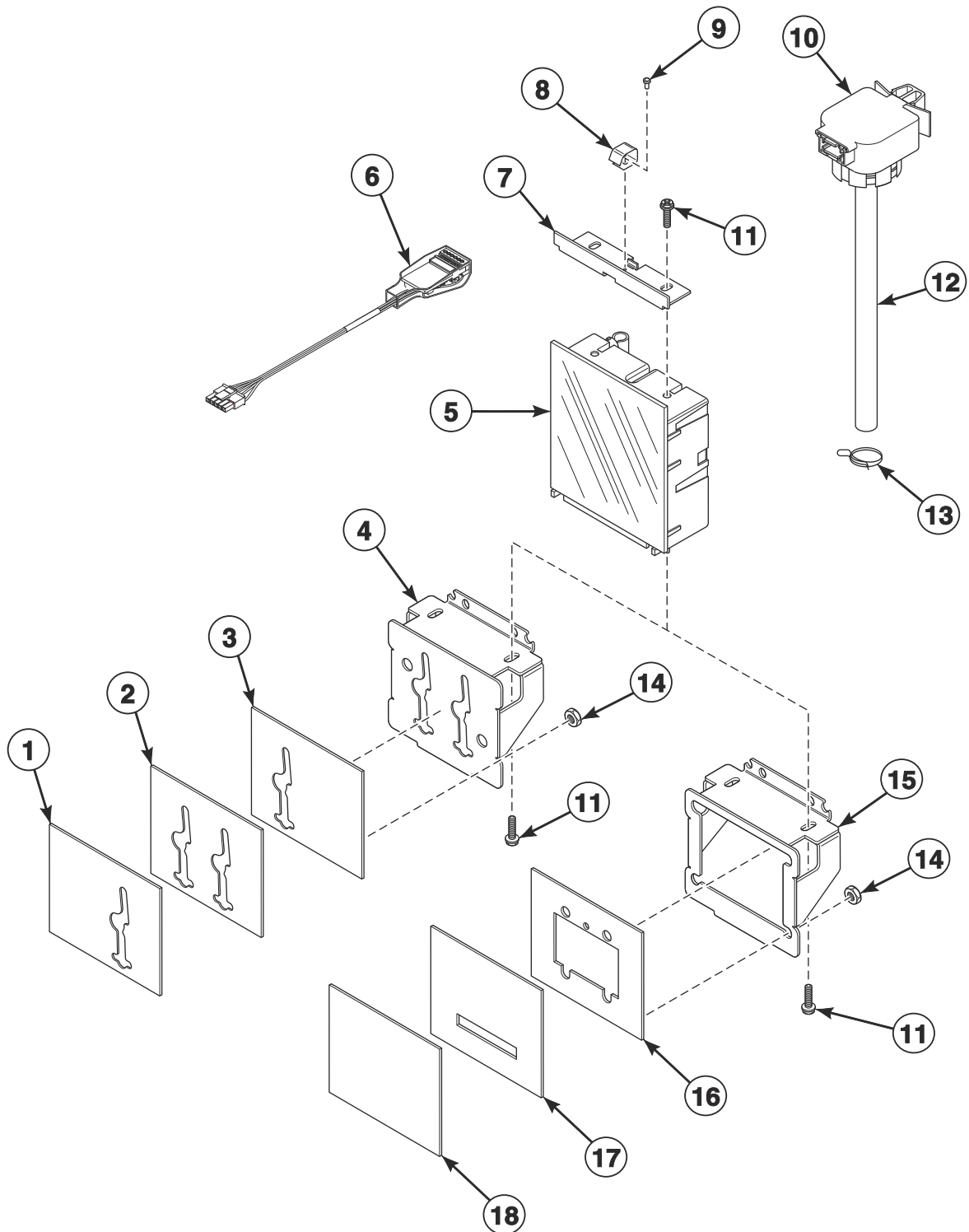
STX2P_F8706801

Product Overview

REF	PART NO.	DESCRIPTION	COMMENTS
1	-	Product Family	*S
2	-	Market Approvals	A (Australia IEC) G (International) J (Japan-PSE IEC) K (Korea IEC) T (North America)
3	-	Capacity (Dry Weight in Pounds)	030 050
4	-	Heater (Tumble dryer)	D (Liquid Propane) E (Electric) L (Liquid Propane) N (Natural Gas)
5	-	Control	V (Vend) F (OPL)
6	-	Actuation	L (Central Pay) X (Prep for Coin) Y (Prep for Card) C (Single Coin) E (Electronic Drop) N (OPL)
7	-	Coin Meter	0 (Standard)
8	-	Voltage	B (100-120/50-60/1) X (200-240/50-60/1/3) P (380-415/50-60/3) D (200-208/50-60/1) E (230-240/50-60/1) F (200-208/50-60/3) G (230-240/50-60/3) H (380/50-60/3)
9	-	Door/Cylinder/Panel	S (Gravity Drain) P (Pump Drain)
10	-	Design	1
11	-	Manual Soap Dispenser	Y (Included) N (Not Included)
12	-	Plumbing/Soap Board	B (US Threads/4 Signal Board) E (US Threads/8 Signal Board) J (Metric Threads/4 Signal Board) L (Metric Threads/8 Signal Board)
13	-	Features and Options	

Touch Control

Vend



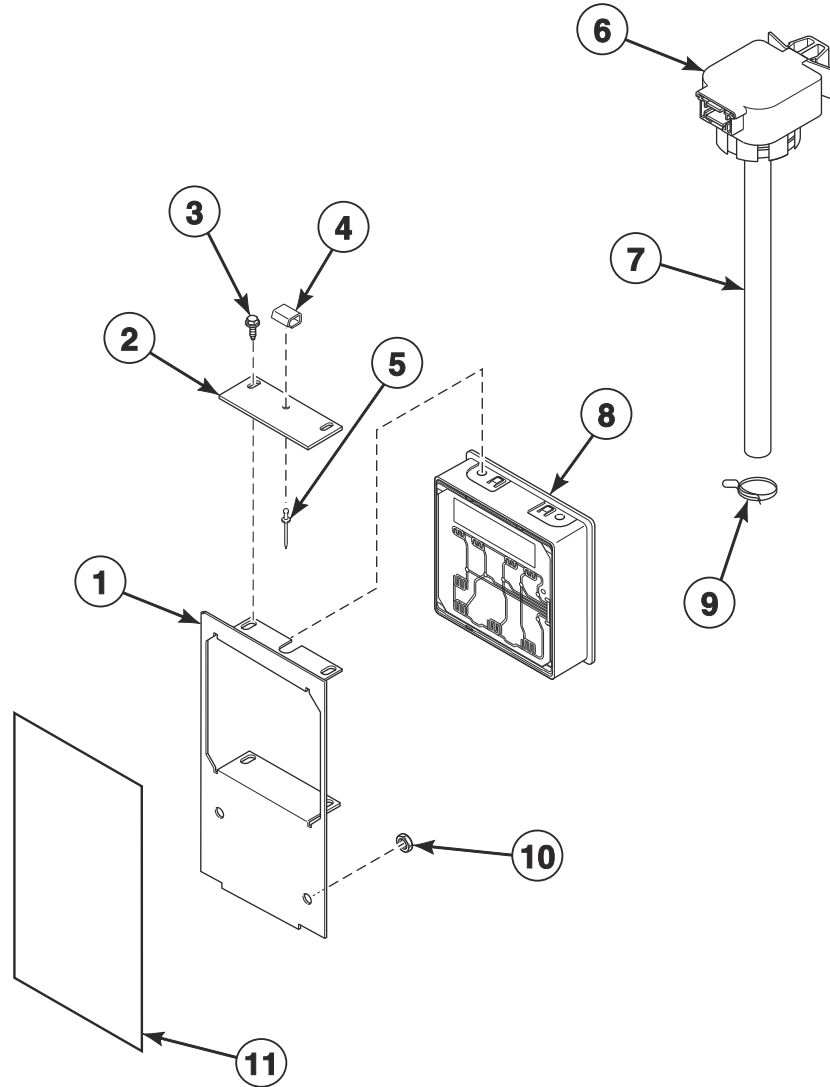
STX3P_F8706801

Touch Control

REF	PART NO.	DESCRIPTION	COMMENTS
	70577101	Vend Activation Harness	
	F8682401	Pressure Sensor Harness	
	70633801	Suction Cup	
	M411826	Snap Bushing	
	44374701	App Pay Overlay Kit	
1	70633005	Plate Assembly	Coin; Right
2	70633003	Plate Assembly	Dual drop
3	70633002	Plate Assembly	Coin; Left
4	70581001	Control Bracket	Lower; Coin
	70581002	Control Bracket	Lower; Card
5	70576201P	Control Assembly	Upper pocket
	F8746201	Control Assembly	Lower pocket
6	203361P	Machine ID Control Assembly	
7	70581101	Control Bracket	Upper
8	431318	Control Door Latch	2 required
9	M400003	Pop Rivet	
10	F8623401	Pressure Sensor	
11	203799	Screw	
12	203478	Tubing	
13	39282	Hose Clamp	
14	44088001	Nut	
15	70581002	Control Bracket	Lower; Card and central pay
16	70633006	Plate Assembly	Card slide
17	70633004	Plate Assembly	Card slot
18	70633001	Plate Assembly	Central pay

Dual Digital Control

OPL

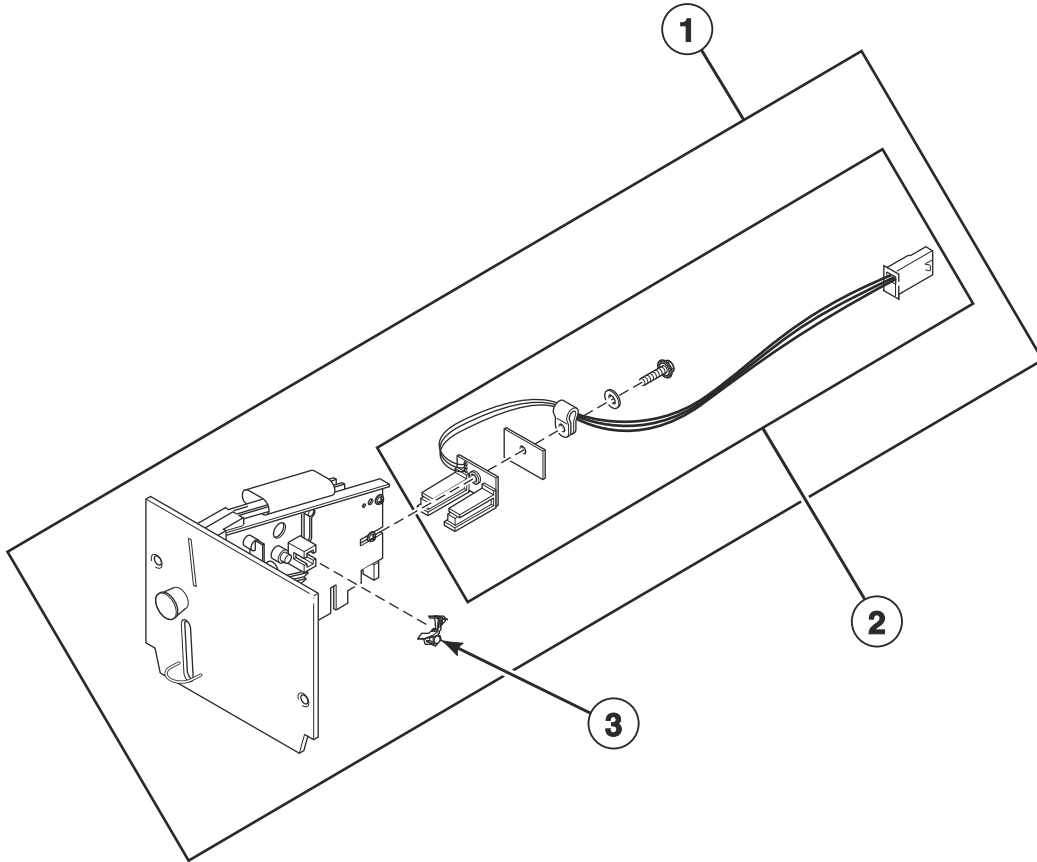


STX4P_F8706801

Dual Digital Control

REF	PART NO.	DESCRIPTION	COMMENTS
	70577101	Vend Activation Harness	
	F8682402	Pressure Sensor Harness	
	70633801	Suction Cup	
	M411826	Snap Bushing	
1	70641803	Control Door and Studs Assembly	
2	70184501	Latch Mounting Bracket	
3	804608	Screw	4 required
4	431318	Control Door Latch	
5	M400003	Pop Rivet	
6	F8623401	Pressure Sensor	
7	203478	Tubing	
8	70479801	Control Assembly	Upper pocket
	F8701401	Control Assembly	Lower pocket
9	39282	Hose Clamp	
10	44087101	Nut	2 required
11	70642801	Overlay	Upper pocket; Dryer
	F8701601	Overlay	Lower pocket; Washer

Coin Drops

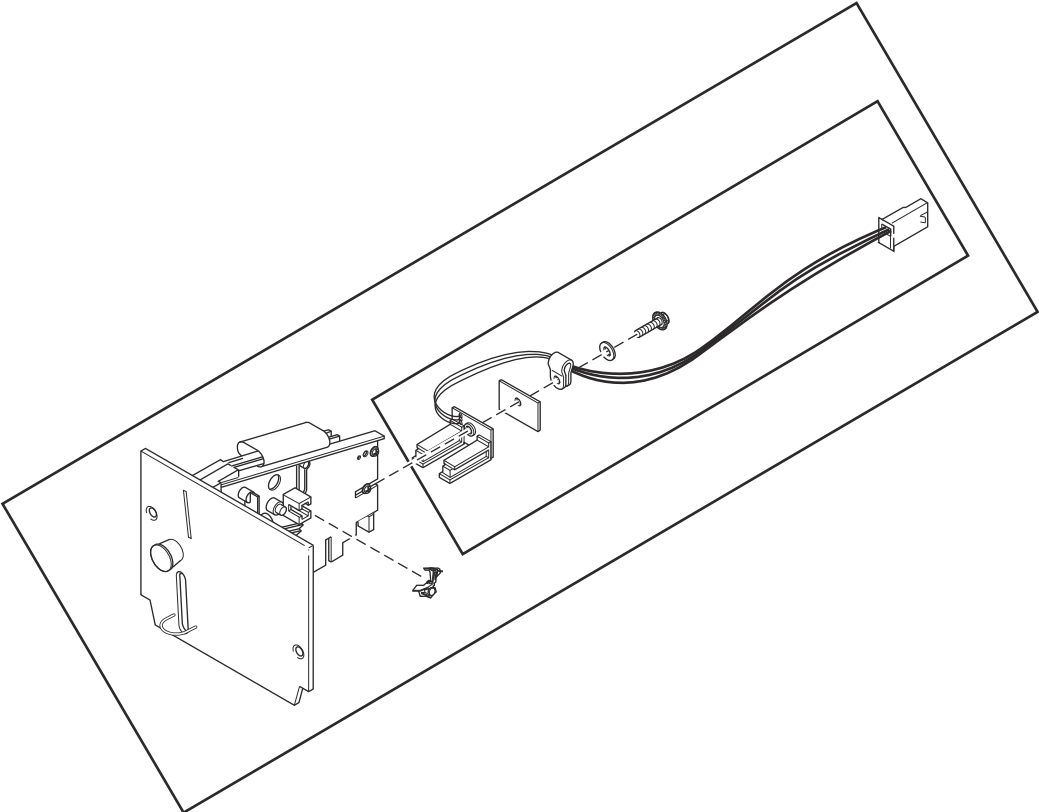


TMB3699P_F8706801

Coin Drops

REF	PART NO.	DESCRIPTION	COMMENTS
1	70441601P	Coin Drop	Single; U.S.A.; \$.25
	38475	Coin Drop Assembly	Single; Japan; 100 yen
	38464P	Coin Drop Assembly	Single; Canada; .25
	CK077	Coin Drop Kit	Single; Taiwan; 10 NT
	70506901	Coin Drop Assembly	Single; Singapore; \$1.00 NEW
	70441603	Coin Drop	Dual; U.S.A.; \$.25 and \$1.00
	38519	Coin Drop Assembly	Dual; Japan; 100 yen and 500 yen
	70441602	Coin Drop Assembly	Dual; Canada; .25 and 1.00
	38467	Coin Drop Assembly	Dual; Australia; \$0.20 and \$1.00
	70447301	Coin Drop Assembly	Dual; Australia; \$1.00 and \$2.00
	70283102	Coin Drop Assembly	Dual; 0.20 and 0.50 Euro
	210195	Coin Drop Assembly	Dual; 0.20 and 1.00 Euro
	210196	Coin Drop Assembly	Dual; 0.50 and 1.00 Euro
	F0160737-00	Coin Meter	Dual; 0.50 and 2.00 Euro
	70281102	Coin Drop Assembly	Dual; Taiwan; 10 and 50 NT
	70482401	Coin Drop Assembly	Dual; New Zealand ; \$1.00 and \$2.00
	38462P	Coin Drop Assembly	Single; Token; STD 118-1
	38463	Coin Drop Assembly	Single; Token; STD 118-5
	38963P	Coin Drop	Single; Token STD 118-16
	39748	Coin Drop	Single; Jeton 08MS
	201141	Coin Drop Assembly	Single; Token; Jeton wh121
	70471601	Coin Drop Assembly	Single; Token; 7K
	70513302	Electronic Coin Drop Assembly	Euro and Great Britain coins
	70513310	Electronic Coin Drop Assembly	Japan and Thailand coins
	70513304	Electronic Coin Drop Assembly	Australia, New Zealand, Hong Kong and South Korea coins
	70513303	Electronic Coin Drop Assembly	Denmark, Norway and Euro coins
	70513306	Electronic Coin Drop Assembly	Mexico, Ecuador and U.S.A. coins
	70294107	Electronic Coin Drop Assembly	Lithuania, Latvia and Euro coins
	70513311	Electronic Coin Drop Assembly	China and Malaysia coins
	70513308	Electronic Coin Drop Assembly	South African 1, 2 and 5 rand coins
	70513309	Electronic Coin Drop Assembly	Euro coins
	70513312	Electronic Coin Drop Assembly	Russia coins
	70513313	Electronic Coin Drop Assembly	Phillipines coins
70513314	Electronic Coin Drop Assembly	Thailand coins	
70513315	Electronic Coin Drop Assembly	Chile coins	
70513316	Electronic Coin Drop Assembly	Singapore coins	
2	200674P	Opto Coupler	
3	201595P	Wire Guard	

Coin Drop Kits

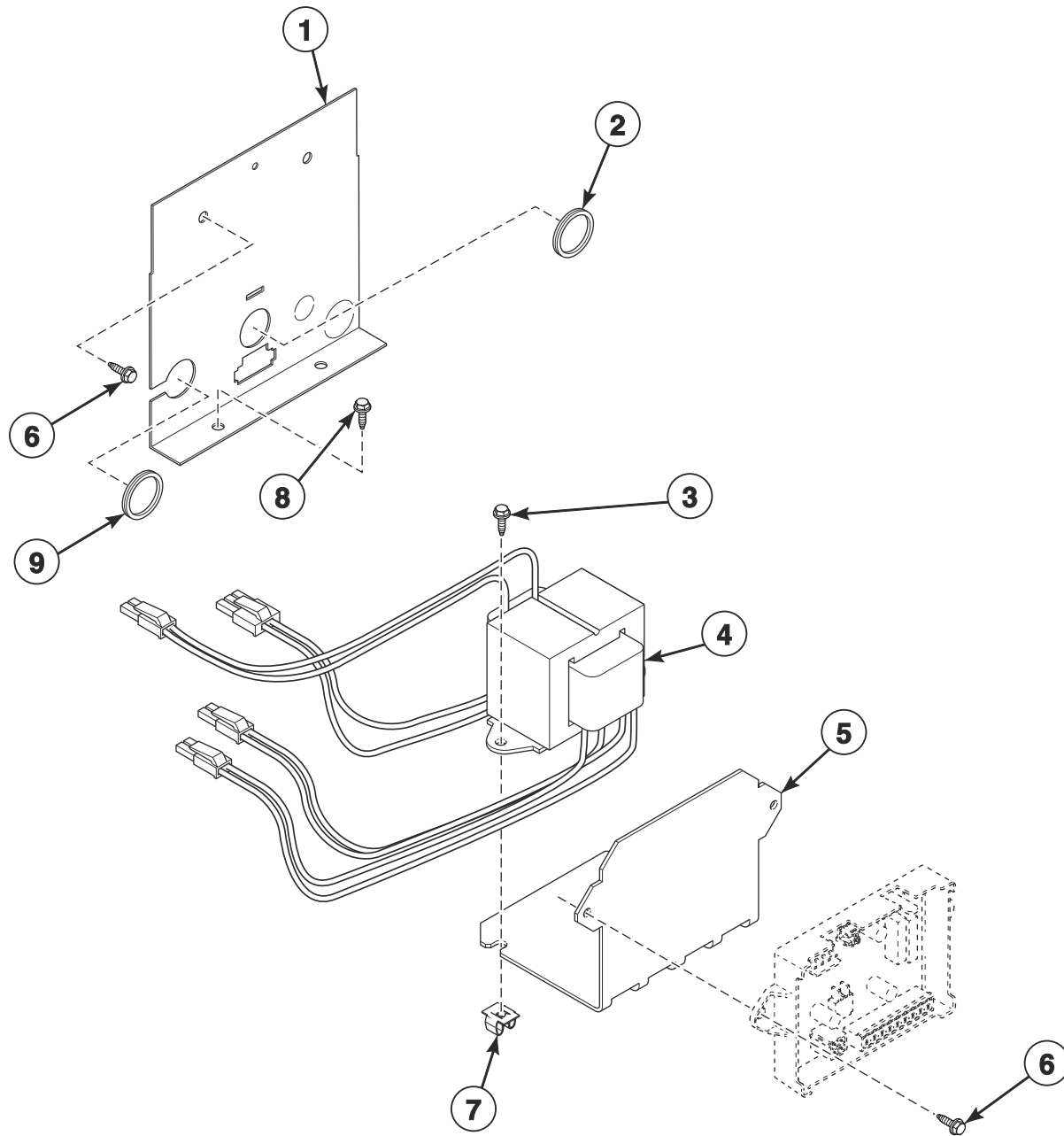


TMB3699PA_F8706801

Coin Drop Kits

REF	PART NO.	DESCRIPTION	COMMENTS
	CK115	Electronic Coin Drop Kit	United States and Canada
	CK099	Electronic Coin Drop Kit	Australia (default), New Zealand, Hong Kong, South Korea and Malaysia
	CK100	Electronic Coin Drop Kit	United Kingdom (default) and Europe
	CK101	Electronic Coin Drop Kit	Europe (default), Denmark and Norway
	CK108	Electronic Coin Drop Kit	South Africa
	CK109	Electronic Coin Drop Kit	Euro
	CK110	Electronic Coin Drop Kit	Mexico (default), Ecuador and United States
	CK113	Electronic Coin Drop Kit	Japan and Taiwan
	CK116	Electronic Coin Drop Kit	Malaysia (default) and China
	CK117	Electronic Coin Drop Kit	Russia
	CK118	Electronic Coin Drop Kit	Philippine
	CK119	Electronic Coin Drop Kit	Thailand
	CK120	Electronic Coin Drop Kit	Chile
	CK121	Electronic Coin Drop Kit	Singapore
	CK122	Coin Drop Kit	New Zealand; 1.00 and 2.00

Central Pay and Card Reader Components

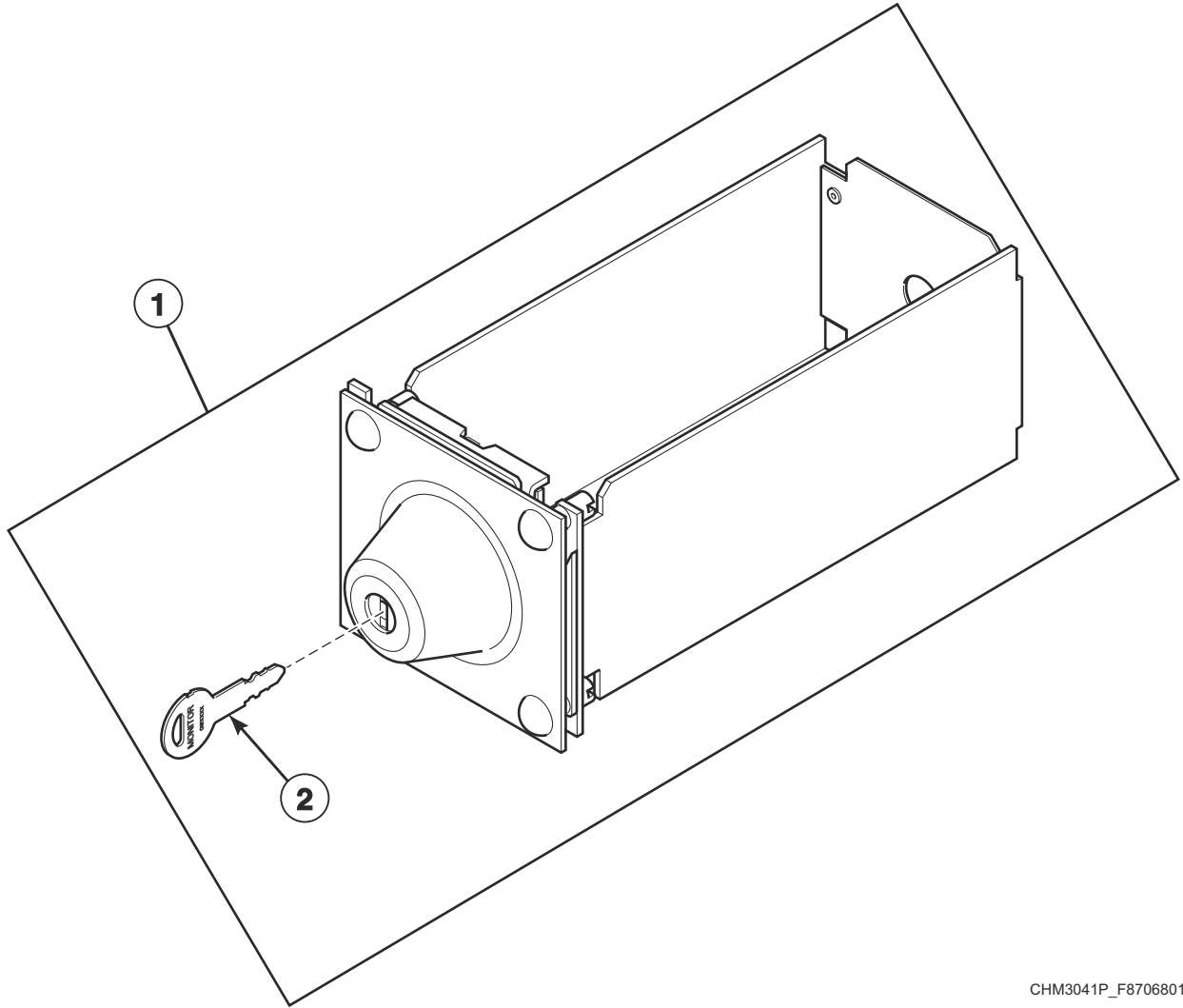


STX5P_F8706801

Central Pay and Card Reader Components

REF	PART NO.	DESCRIPTION	COMMENTS
	204145P	Gateway	
	44355603	Central Pay Harness	Routes from central pay board to upper control tray
	44272304	Transformer Harness	100-120 Volt; Routes from transformer to I/O Control Assembly; Card and central pay
	44272305	Transformer Harness	200-480 Volt; Routes from transformer to I/O Control Assembly; Card and central pay
	44355604	Central Pay Board Harness	Routes from central pay board to transformer
	44355605	Central Pay Harness	Routes from central pay board to front end control
	44272303	Power Supply Transformer Harness	
	44272306	Supply Harness	24 Volt; Lower
	F8702401	Harness	
	70366201	Wire Clip	
1	70307011	Control Housing Cover	Prep for card and central pay
2	44052701	Bushing	Prep for card and coin
3	M411072	Screw	4 required
4	202757	Transformer	100-120 Volt; Card and central pay
	202758	Transformer	200-480 Volt; Card and central pay
5	70604001	Mounting Bracket	2 required
6	51780	Screw	
7	70030501	Expansion Clip	4 required
8	430497	Screw	
9	44071501	Snap Bushing	

Optional Coin Box

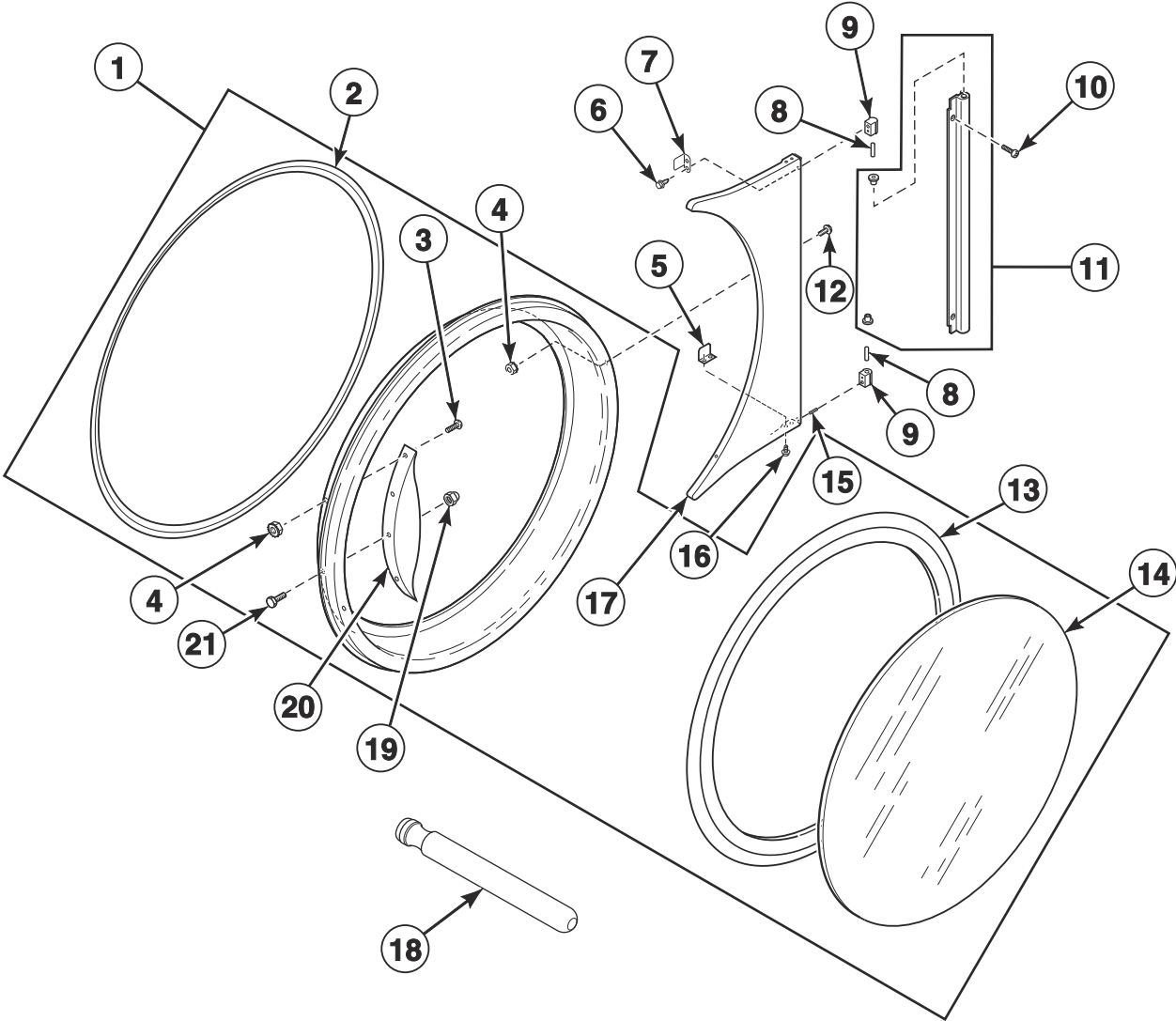


CHM3041P_F8706801

Optional Coin Box

REF	PART NO.	DESCRIPTION	COMMENTS
	F8689901	Vault Front Plate	
1	F8182001	Coin Drawer Assembly	
2	F160420	Key	

Door and Hinge Components - Design 1 Models

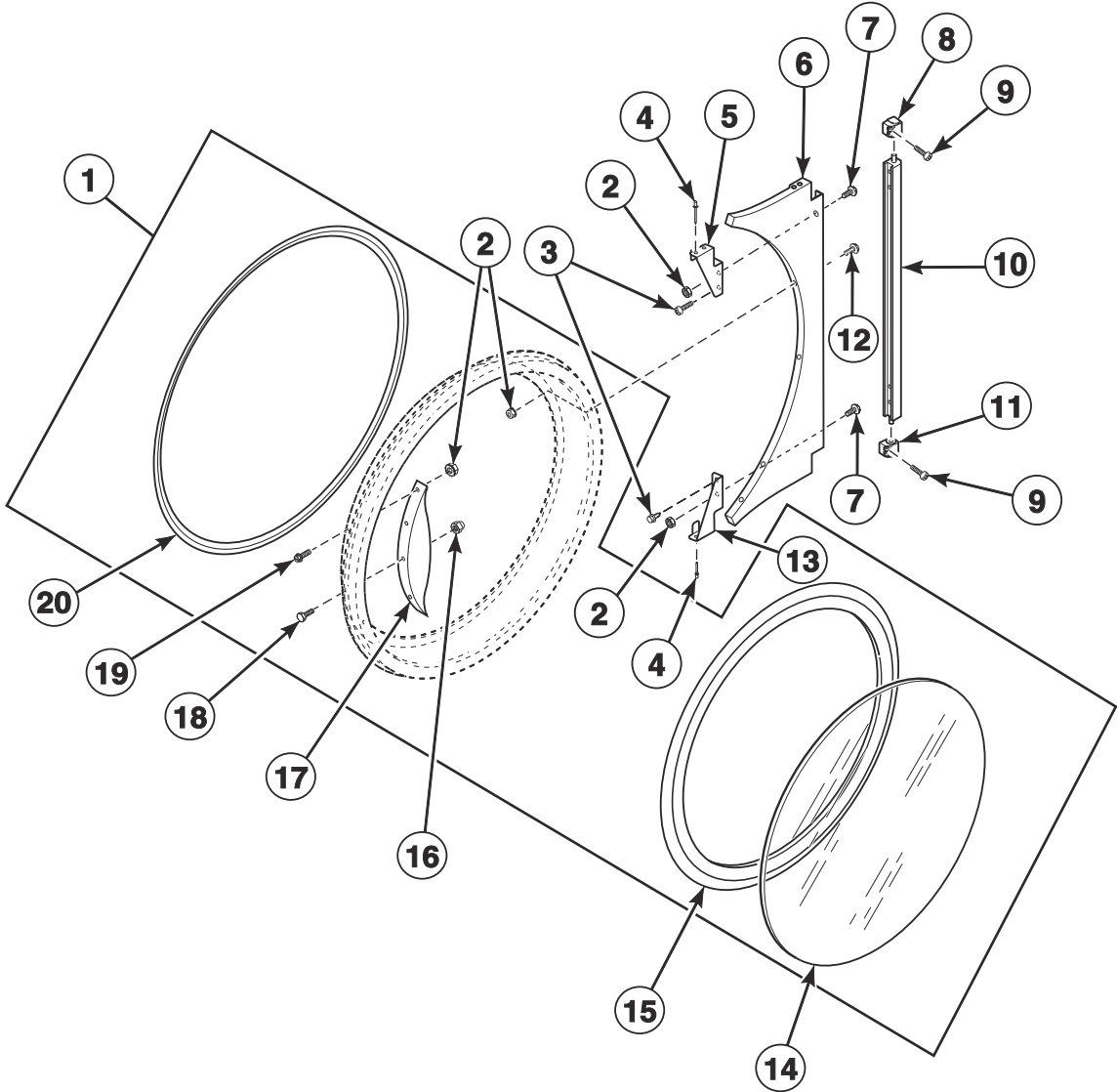


TMB3690P_F8706801

Door and Hinge Components - Design 1 Models

REF	PART NO.	DESCRIPTION	COMMENTS
1	70597702	Door Assembly	Chrome; 30 pound models
	44354702	Door Assembly	Chrome; 50 pound models
2	70296801	Door Ring Gasket	30 pound models
	70296802	Door Ring Gasket	50 pound models
3	70442101	Screw	4 required
4	44088001	Nut	
5	70532101	Door Switch Actuator	Bottom
6	70576101	Screw	
7	70532102	Door Switch Actuator	Top
8	70071401	Pin	
9	70622401	Hinge Cam Kit	Chrome
10	FR004022	Screw	
11	70601008	Door Hinge Lug Assembly	Chrome; 30 pound models
	70601005	Door Hinge Lug Assembly	Chrome; 50 pound models
12	44349101	Screw	
13	70211901P	Door Glass Seal Kit	Use Loctite 414 for seal; 30 pound models
	70211902P	Door Seal Kit	Use Loctite 414 for seal; 50 pound models
14	M400784P	Door Glass	30 pound models
	44008401P	Door Glass	50 pound models
15	70436301	Screw	
16	70058501	Pop Rivet	
17	70595502	Door Hinge	Chrome; 30 pound models
	70596601	Door Hinge Assembly	Chrome; 50 pound models
18	M4221P4	Door Glass Installation Tool	
19	M414215	Nut	For door strike; Mounts between door strike screw and door handle
20	44007902P	Door Handle	30 pound models
	44007901	Door Handle	50 pound models
21	M400661	Screw	Door Strike

Door and Hinge Components - Design 2 Models

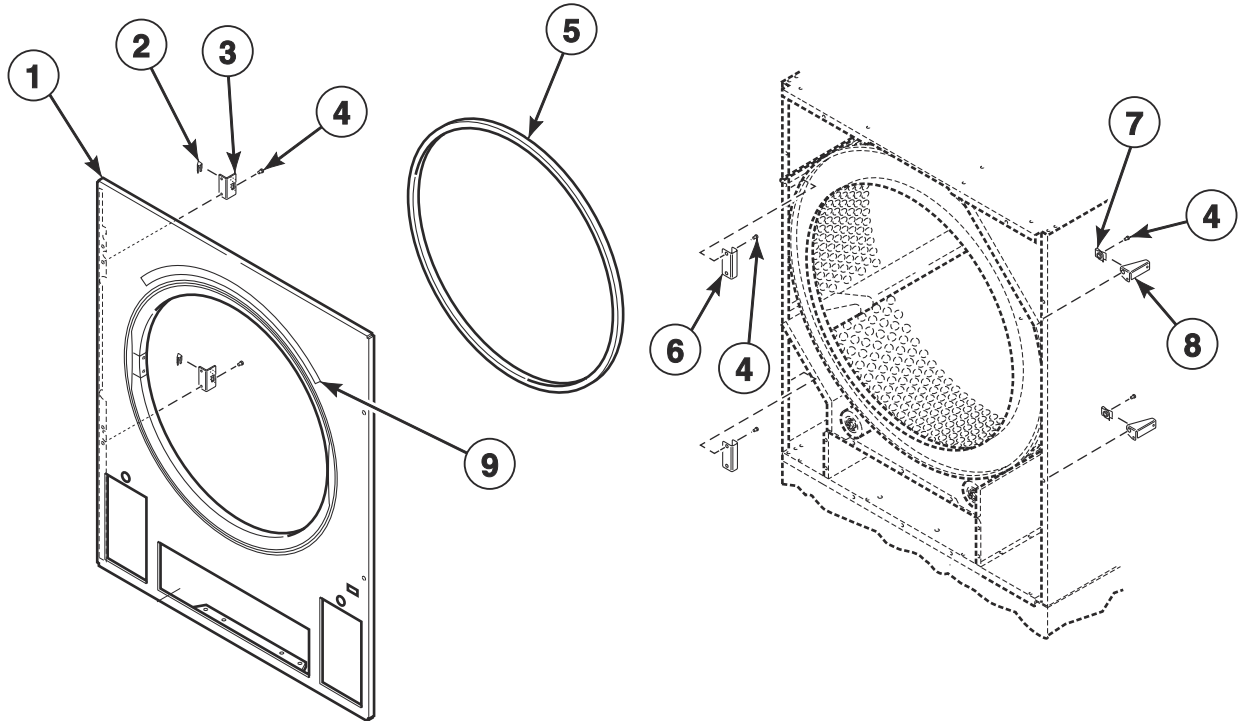


TMB3805P_F8706801

Door and Hinge Components - Design 2 Models

REF	PART NO.	DESCRIPTION	COMMENTS
1	70597702	Door Assembly	Chrome
2	44088001	Nut	
3	802822	Screw	
4	70058501	Pop Rivet	
5	70632001	Upper Hinge Gusset	
6	70632708	Door Hinge	Chrome; 30 pound models
	44366607	Door Hinge Assembly	Chrome; 50 pound models
7	70640201	Screw	
8	70639301	Upper Lug Assembly	Use with 2 of item 9
9	70640301	Screw	
10	70640402	Center Hinge Lug Assembly	30 pound models
	70640401	Center Hinge Lug Assembly	50 pound models
11	70639302	Lower Lug Assembly	Use with 2 of item 9
12	44349101	Screw	
13	70632002	Lower Hinge Gusset	
14	M400784P	Door Glass	
15	70211901P	Door Glass Seal Kit	Use Loctite 414 for seal
16	M414215	Nut	For door strike; Mounts between door strike screw and door handle
17	44007902P	Door Handle	
18	M400661	Screw	Door Strike
19	70442101	Screw	4 required
20	70296801	Door Ring Gasket	

Upper Front Panel Assemblies

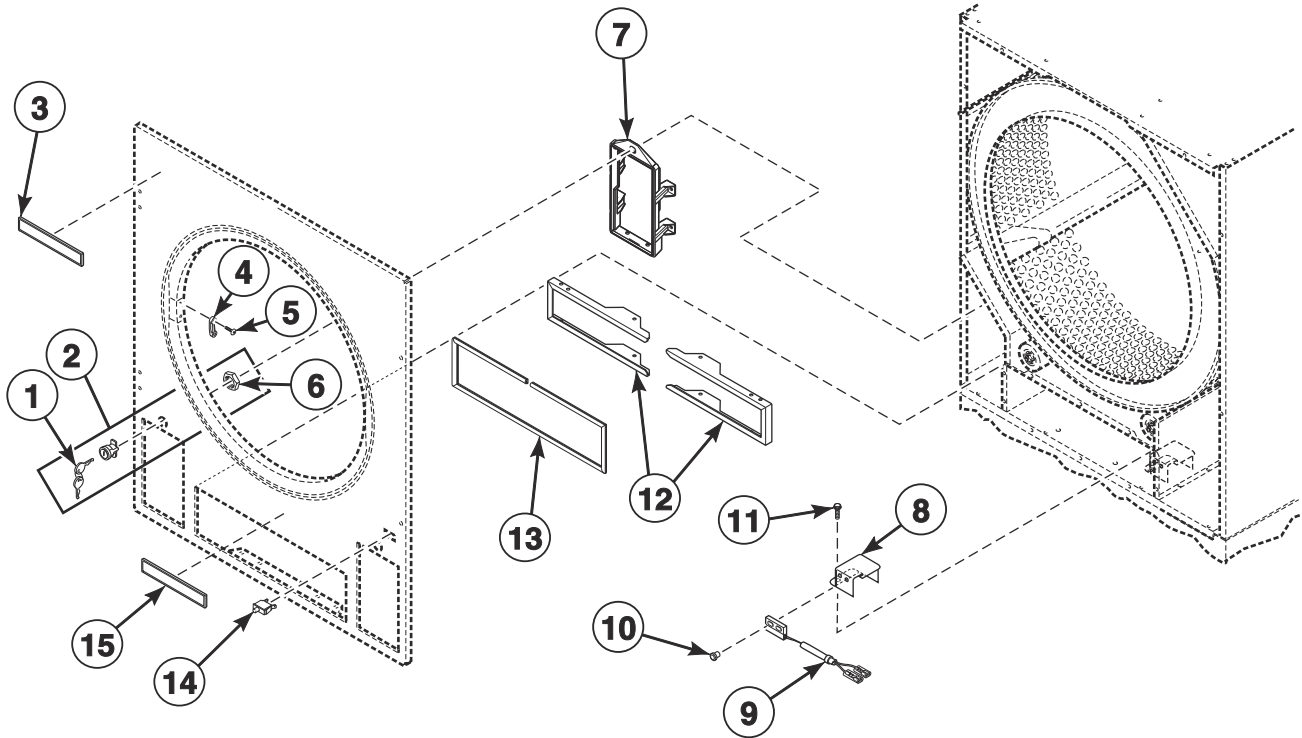


STX6P_F8706801

Upper Front Panel Assemblies

REF	PART NO.	DESCRIPTION	COMMENTS
	70289101P	Gasket	Sold per foot; Used behind item 1
1	70643201	Upper Front Panel Assembly	Stainless steel; 30 pound models; Design 1
	70643401	Upper Front Panel	Stainless steel; 50 pound models; Design 1
	70703504	Upper Front Panel Assembly	Stainless steel; 30 pound models; Design 2
	70702304	Upper Front Panel Assembly	Stainless steel; 50 pound models; Design 2
2	35865	Hold-Down Clip	2 required
3	70604801	Clip Mount Bracket	2 required
4	70058501	Pop Rivet	
5	70173401P	Front Panel Seal	Requires D511637P Adhesive
6	70604901	Clip Keeper Bracket	2 required
7	70030401	Nut	2 required
8	70610501	Bracket	2 required; Design 1
	70634201	Bracket	2 required; Design 2 models
9	70534301	Warning Label	English
	70534302	Warning Label	French
	70534300	Label Kit	Warning; IEC models

Cabinet Front Components

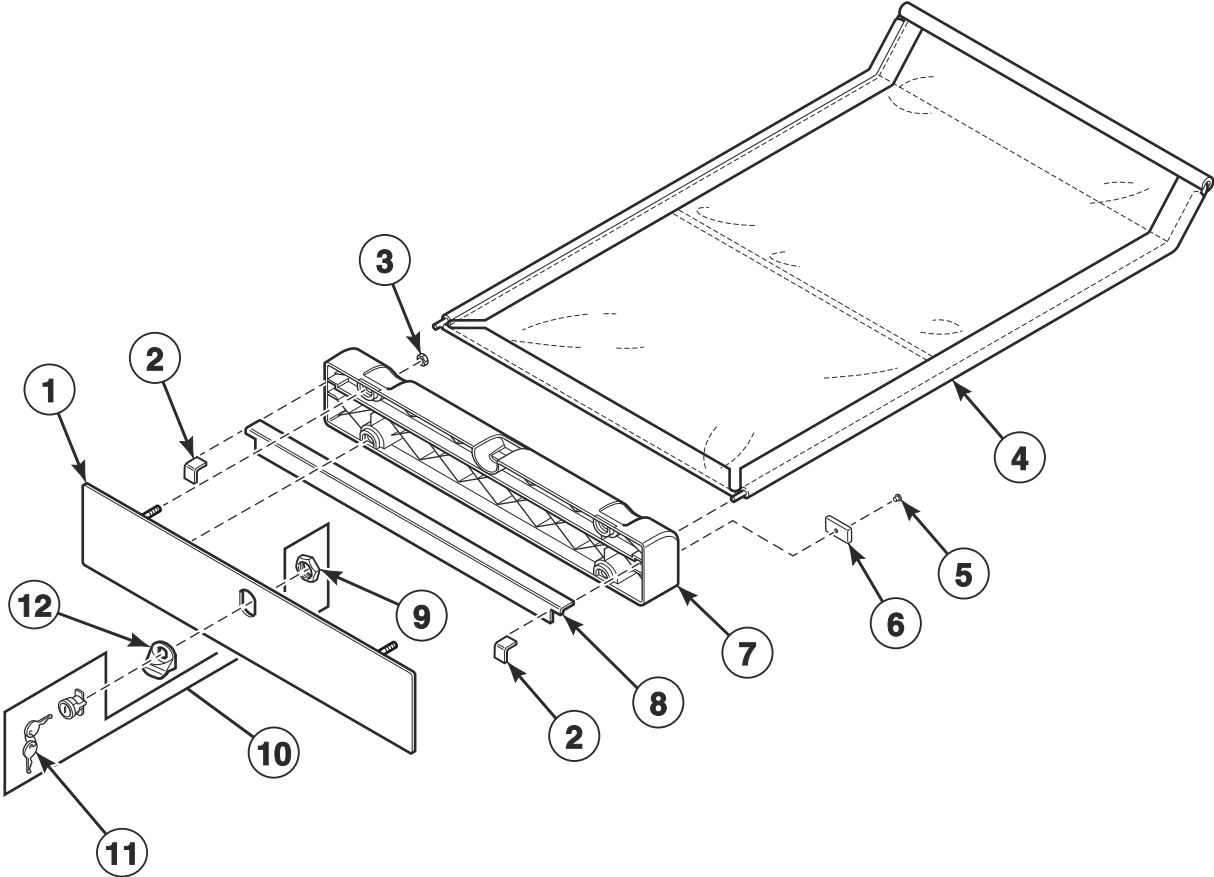


STX23P_F8706801

Cabinet Front Components

REF	PART NO.	DESCRIPTION	COMMENTS
	44334102	Coin Vault Switch Harness	
	44334103	Bypass Harness	Card
	70482901	Door Catch Kit	
1	70155601	Key	RL001
2	44089301P	Lock, Key and Nut Kit	RL001
	44089304	Panel Lock	RL001; Chrome
3	F8664901	Nameplate	S models; Design 1
	F8443106	Nameplate	U models; Design 2
4	M401223	Door Latch	
5	44166601	Pop Rivet	2 required for item 4
6	44088801	Nut	Panel lock
7	70642001	Control Bezel	
8	70606301	Reed Switch Box	
9	F8066804	Reed Switch Assembly	
10	F8245101	Blind Rivet	
11	430497	Screw	
12	70605701	Lint Seal Shoulder Bracket	
13	70593901	Lint Box Gasket	
14	70413301	Pushbutton Switch	Door switch
15	F8688901	Nameplate	S models; Design 2
	F8688001	Nameplate	H models; Design 2

Lint Drawer Components

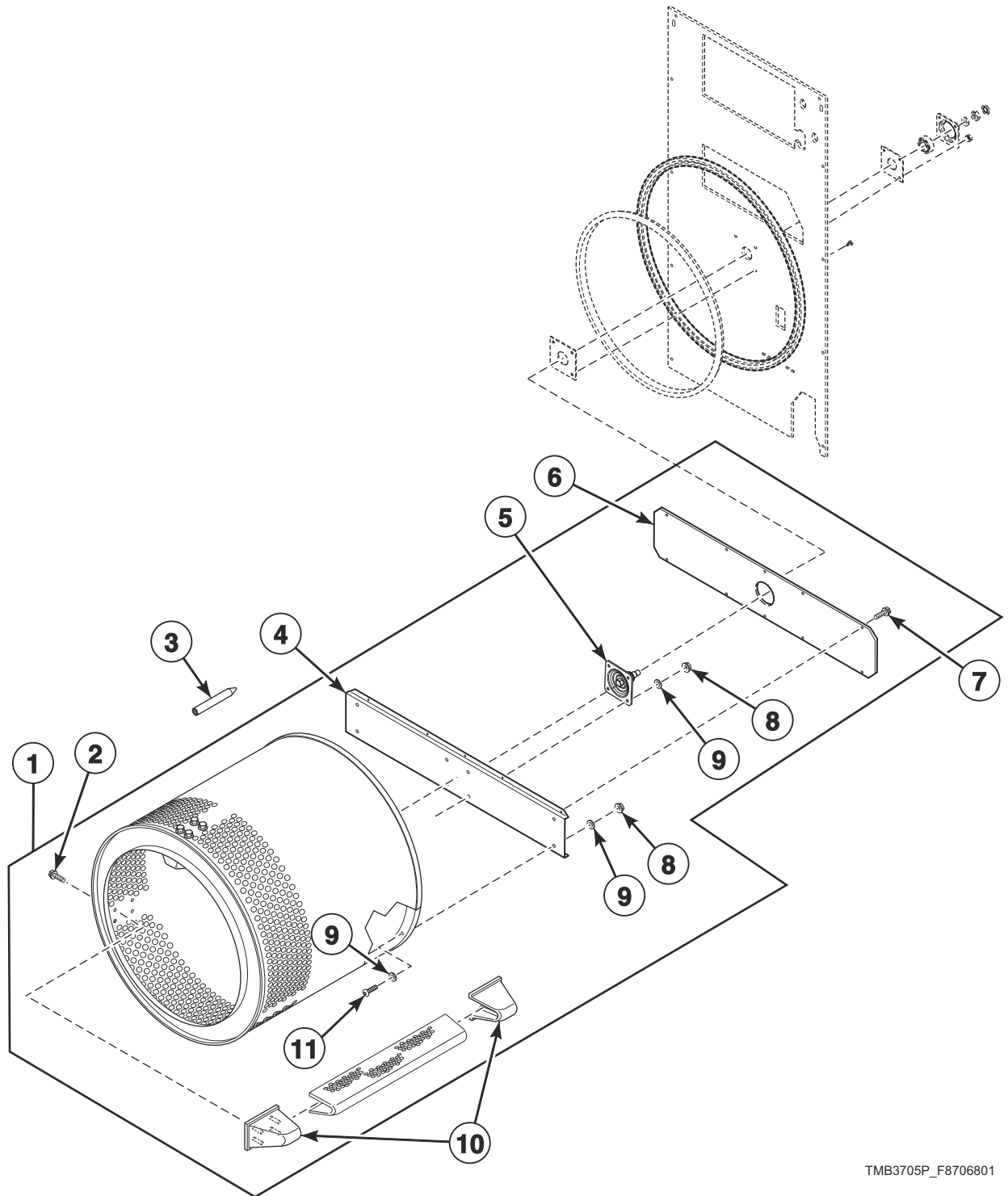


TMB3813P_F8706801

Lint Drawer Components

REF	PART NO.	DESCRIPTION	COMMENTS
	70598101	Foam Gasket	
	430497	Screw	
1	70567401	Lint Front Assembly	30 pound models
	70588101	Lint Front Assembly	50 pound models
2	70605601	Lint Screen Shim	
3	44087101	Nut	
4	70596102	Lint Screen Assembly	30 pound models
	70596101	Lint Screen Assembly	50 pound models
5	F8245101	Blind Rivet	
6	70343101	Magnet	
7	70598201	Lint Door Support	30 pound models
	70594401	Lint Door Support	50 pound models
8	70595702	Lint Screen Bracket	30 pound models
	70595701	Lint Screen Bracket	50 pound models
9	44088801	Nut	
10	70722301	Lock, Key and Nut Kit	RL002
	44390902	Panel Lock	RL002; Black
	70399201	Panel Latch	No lock
11	70155602	Key	RL002
12	70642201	Lock Pull	Vend

Cylinder and Trunnion Components

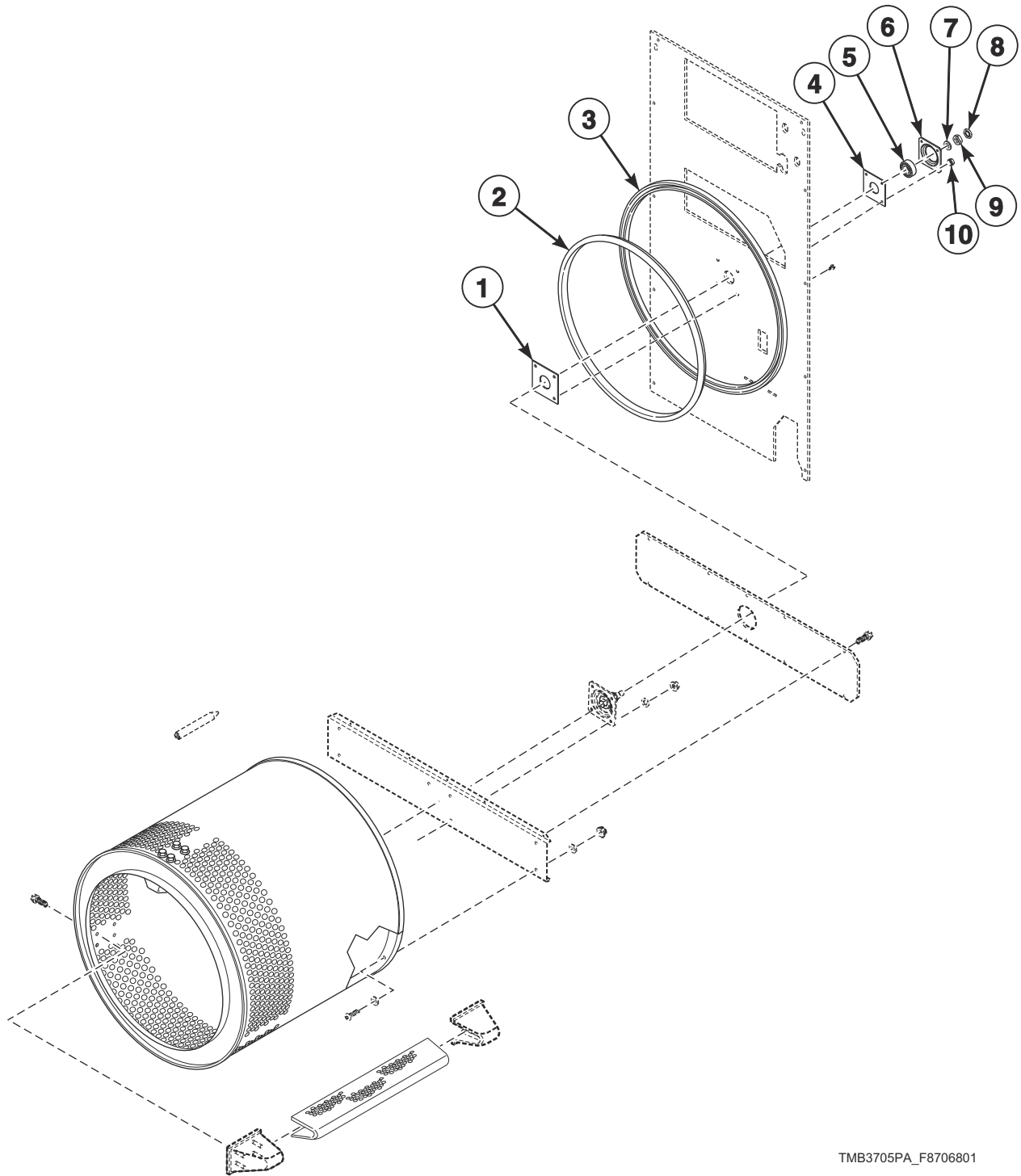


TMB3705P_F8706801

Cylinder and Trunnion Components

REF	PART NO.	DESCRIPTION	COMMENTS
	70343101P	Drywall Screw Magnet Kit	Includes 6 magnets and 6 screws
1	70372502P	Cylinder Assembly	Stainless steel; 30 pound models
	70372902P	Cylinder Assembly	Stainless steel; 50 pound models
2	62588	Screw	
3	263P4	Cylinder Guide Tool	
4	70257101	Rear Cylinder Channel	30 pound models
	70305201	Rear Cylinder Channel	50 pound models
5	70564803	Trunnion and Seal Kit	30 pound models
	70564805	Trunnion and Seal Kit	50 pound models
6	70257201	Rear Cylinder Channel Plate	30 pound models
	70305301	Rear Cylinder Channel Plate	50 pound models
7	430497	Screw	10 required
8	M412986	Nut	
9	70411301	Washer	
10	70070101	End Cap	
11	70391101	Screw	8 required

Bearing Components

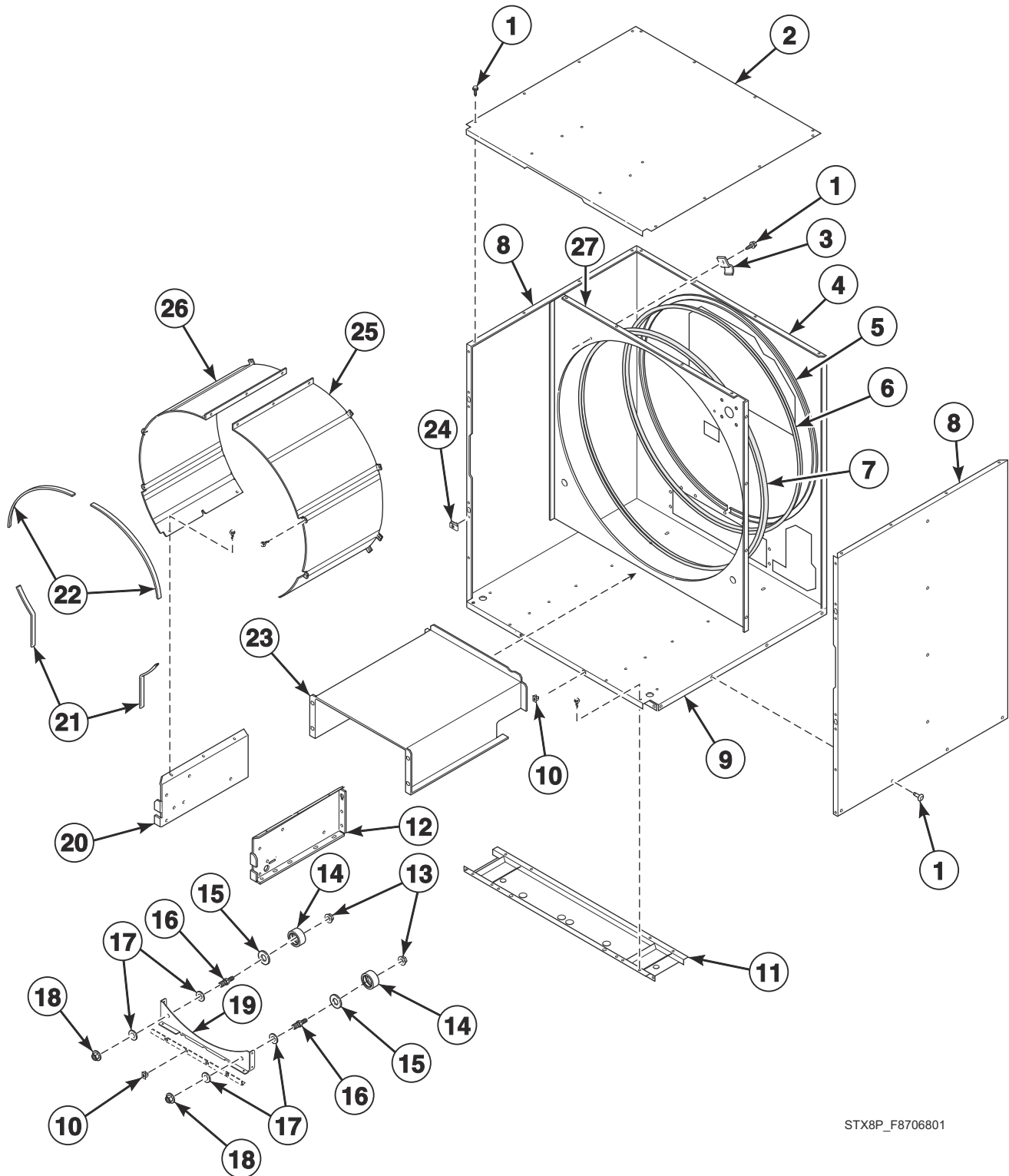


TMB3705PA_F8706801

Bearing Components

REF	PART NO.	DESCRIPTION	COMMENTS
1	430352	Cylinder Bearing Stud Plate Assembly	
2	70013701P	Rear Cylinder Seal	Requires D511637P Adhesive; 30 pound models
	70013703P	Rear Cylinder Seal	Requires D511637P Adhesive; 50 pound models
3	70506402	Rear Cylinder Seal Support	30 pound models
	70506403	Rear Cylinder Seal Support	50 pound models
4	70355001	Rear Bearing Shim	
5	70448701	Support Bearing	
6	70013901	Rear Cylinder Bearing Housing	
7	M400991	Washer	
8	M400034	Nut	
9	M400022	Nut	
10	M412986	Nut	

Cabinet Components - 30 Pound Models

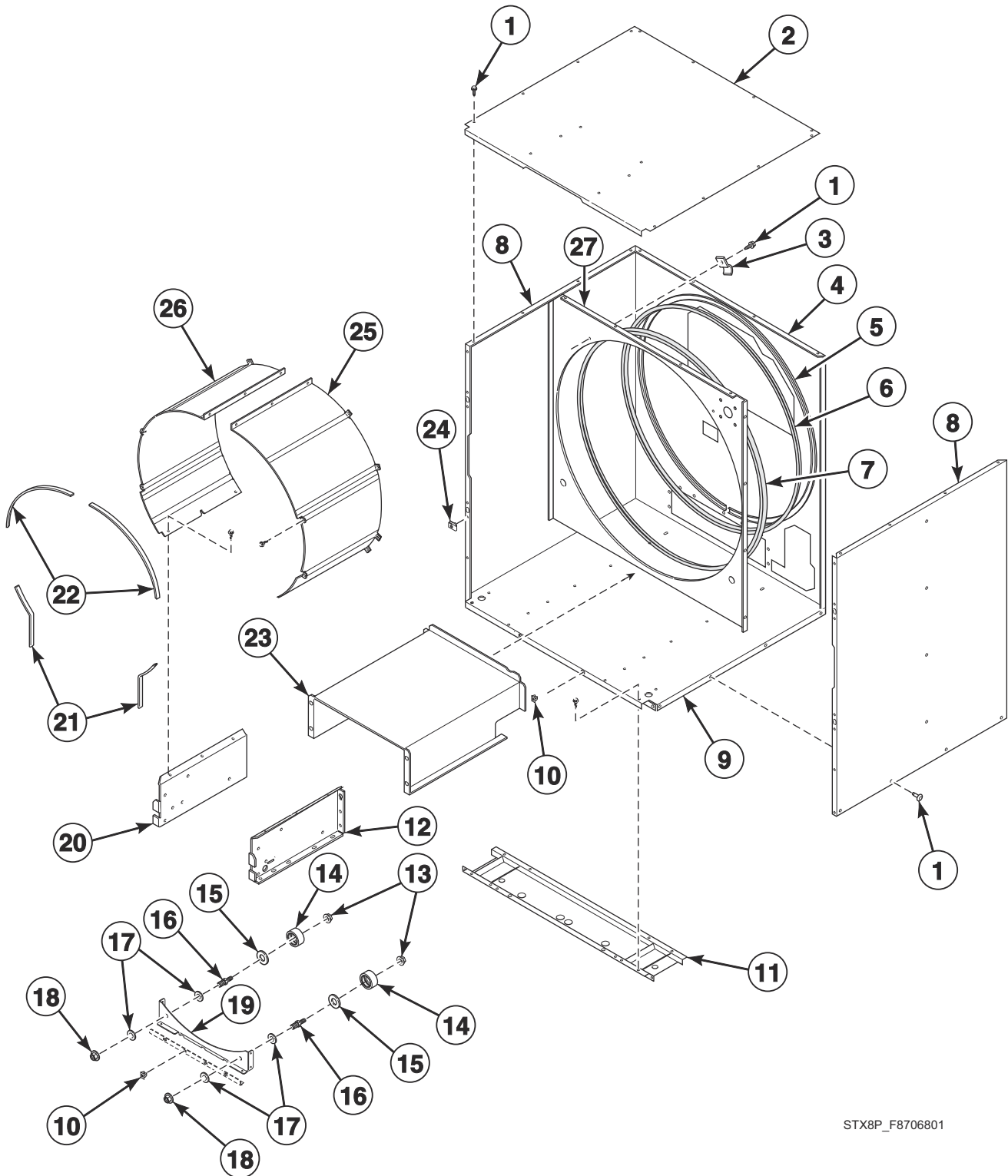


STX8P_F8706801

Cabinet Components - 30 Pound Models

REF	PART NO.	DESCRIPTION	COMMENTS
	298P4P	Spray Paint	White
	122P4P	Porcelain Touch-Up Paint	White
	430352	Cylinder Bearing Stud Plate Assembly	
	70058501	Pop Rivet	
	70301101	Wire Channel	
1	430497	Screw	
2	70605801	Top Panel	Upper pocket
3	70226701	Clip	
4	70580701	Rear Panel	Gas models
	70580702	Rear Panel	Electric models
5	70506402	Rear Cylinder Seal Support	
6	70013701P	Rear Cylinder Seal	Requires D511637P Adhesive
7	70066003	Center Cylinder Seal	Includes center cylinder seal support and center cylinder seal
8	70607401W	Side Panel	Design 1
	70639501W	Side Panel	Design 2 models
9	70606001	Center Pan	Lower pan of top pocket
10	70030501	Expansion Clip	
11	70644401	Center Pan Channel	Located under center pan
12	70573701	Front Air Duct	Right
13	430576	Nut	
14	70616701	Roller and Seal Kit	
15	70443601	Roller Seal	
16	70249501	Roller Shaft	
17	70261401	Washer	
18	70288801	Nut	
19	70584901	Roller Support Bracket	
20	70573702	Front Air Duct	Left
21	70015711	Sheet Metal Edge Gasket	Lower
22	70015712	Sheet Metal Edge Gasket	Upper
23	70580801	Air Duct	Rear
24	70030401	Nut	
25	70339301	Cylinder Shroud	Right
26	70339302	Cylinder Shroud	Left
27	70639201	Center Partition	

Cabinet Components - 50 Pound Models

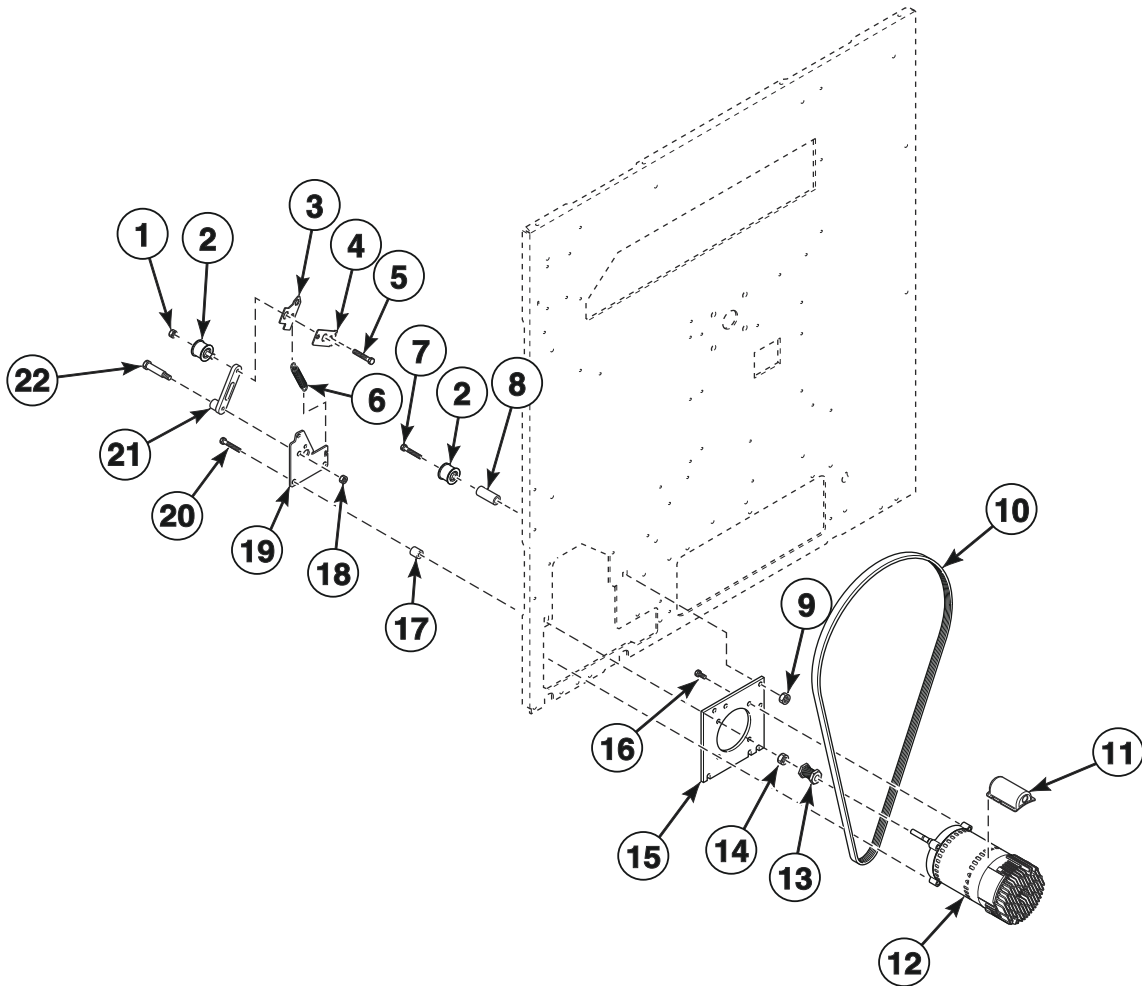


STX8P_F8706801

Cabinet Components - 50 Pound Models

REF	PART NO.	DESCRIPTION	COMMENTS
	298P4P	Spray Paint	White
	122P4P	Porcelain Touch-Up Paint	White
	430352	Cylinder Bearing Stud Plate Assembly	
	70058501	Pop Rivet	
	70301101	Wire Channel	
1	430497	Screw	
2	70606501	Top Panel	Upper pocket
3	70226701	Clip	
4	70588501	Rear Panel	
5	70506403	Rear Cylinder Seal Support	
6	70013703P	Rear Cylinder Seal	Requires D511637P Adhesive
7	70066005	Center Cylinder Seal	Includes center cylinder seal support and center cylinder seal
8	70607501W	Side Panel	Design 1
	70639601W	Side Panel	Design 2 models
9	70606701	Center Pan	Lower pan of top pocket
10	70030501	Expansion Clip	
11	70644501	Center Pan Channel	Located under center pan
12	70588301	Front Air Duct	Right
13	430576	Nut	
14	70616701	Roller and Seal Kit	
15	70443601	Roller Seal	
16	70249501	Roller Shaft	
17	70261401	Washer	
18	70288801	Nut	
19	70588901	Roller Support Bracket	
20	70588302	Front Air Duct	Left
21	70015707	Sheet Metal Edge Gasket	Lower
22	70015708	Sheet Metal Edge Gasket	Upper
23	70588601	Air Duct	Rear
24	70030401	Nut	
25	70301901	Cylinder Shroud	Right
26	70301902	Cylinder Shroud	Left
27	70639101	Center Partition	

Drive Motor Components

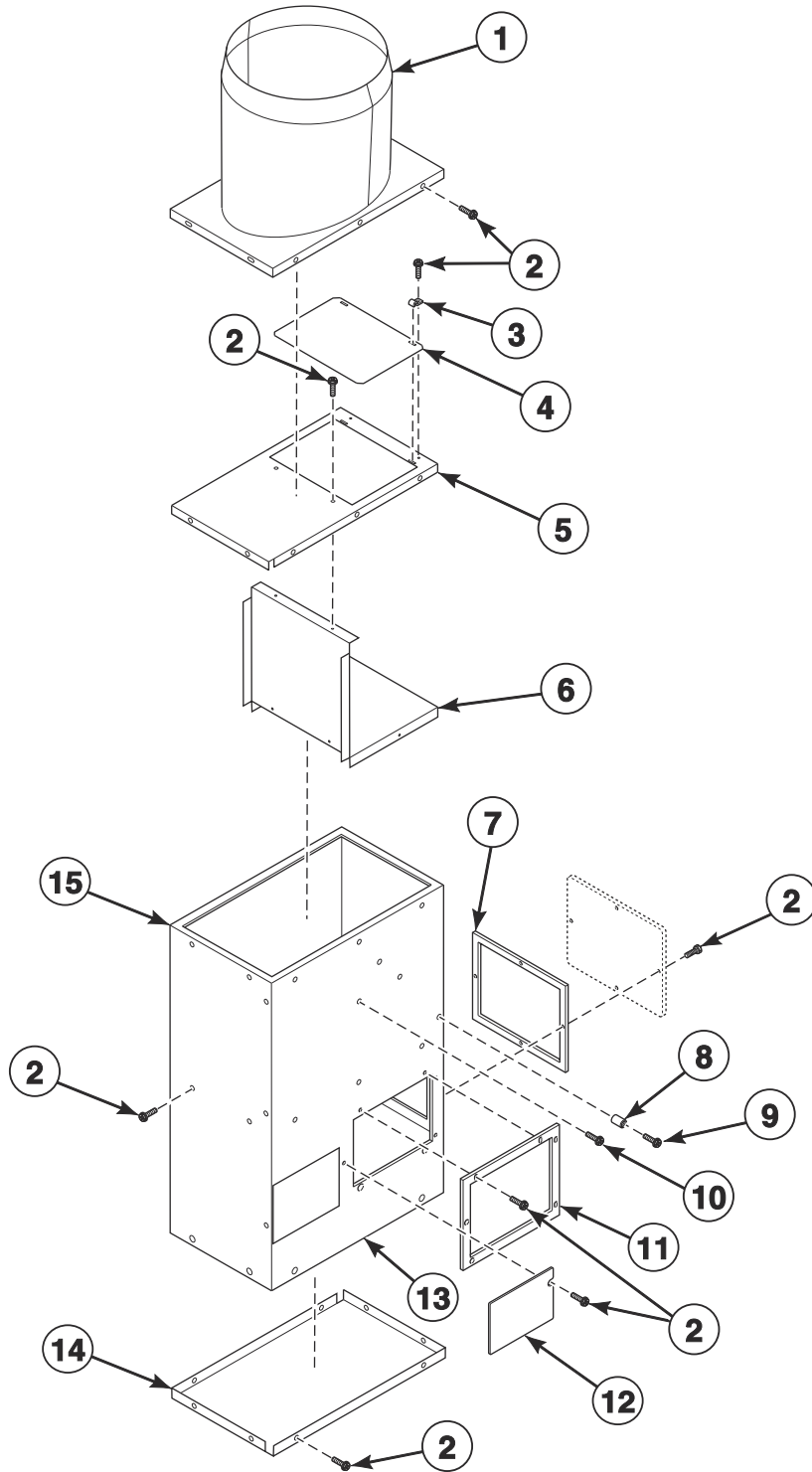


TMB3817P_F8706801

Drive Motor Components

REF	PART NO.	DESCRIPTION	COMMENTS
1	56156	Nut	
2	70050401P	Idler Wheel Assembly	
3	70569501	Tensioning Bracket	
4	70543401	Spring Catch Bracket	
5	70508301	Screw	
6	70571801	Spring	
7	F430144	Screw	
8	70569603	Standoff	
9	44087201	Nut	
10	70655102	Lever Arm and Belt Kit	30 pound models
	70655103	Lever Arm and Belt Kit	50 pound models
11	70521901	Motor Conduit Mounting Bracket	
12	70478601P	Drive Motor	.33 HP; 120, 230 Volt/1 Phase; 30 pound models
	70485001P	Drive Motor	.33 HP; 380-460 Volt/3 Phase; 30 pound models
	44259501P	Drive Motor	.50 HP; 120, 230 Volt/1 Phase; 50 pound models
	44259601P	Drive Motor	.50 HP; 460 Volt/3 Phase; 50 pound models
13	70559101	Motor Pulley	
14	44333202	Nut	
15	70564201	Motor Mount Plate	
16	70126104	Screw	
17	70488403	Spacer	
18	44087301	Nut	
19	70571901	Drive Plate	
20	70546301	Screw	
21	70653801	Lever Arm and Bushing Assembly	
22	70501301	Screw	

Exhaust Components

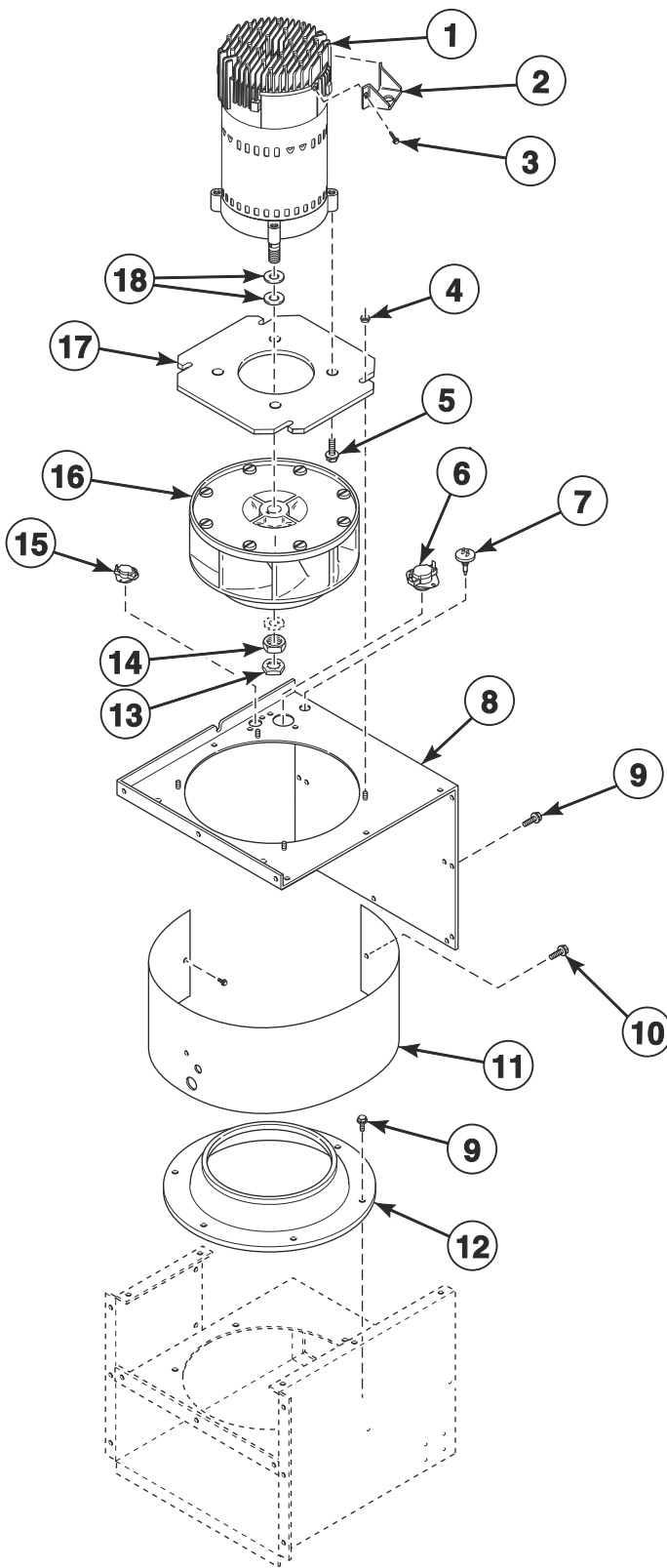


STX9P_F8706801

Exhaust Components

REF	PART NO.	DESCRIPTION	COMMENTS
	F8691602	Exhaust Assembly	30 pound models; 3 phase
	F8691603	Exhaust Assembly	30 pound electric models; 1 phase
	70644101	Exhaust Assembly	50 pound models
	70289101P	Gasket	Sold per foot
	70478101	Duct Cover	30 pound electric models; 1 phase
	70478001	Exhaust Adapter	6 inch to 4 inch; 30 pound electric models; 1 phase
1	44154301	Exhaust Pipe	30 pound models; 3 phase
	70425801	Exhaust Pipe Assembly	50 pound models; 3 phase
2	430497	Screw	
3	70226701	Clip	2 required
4	70343501	Duct Damper	30 pound models
	70307301	Duct Damper	50 pound models
5	F8684601	Exhaust Duct Damper Plate	30 pound models
	70644001	Exhaust Duct Damper Plate	50 pound models
6	70302601	Exhaust Duct Partition	50 pound models
7	70340403	Exhaust Duct Gasket	30 pound models
	70302803	Exhaust Duct Gasket	50 pound models
8	56079	Panel Locator	2 required
9	70275801	Screw	2 required
10	70069901	Screw	
11	70340402	Blower Housing Outlet Gasket	30 pound models
	70302802	Blower Housing Outlet Gasket	50 pound models
12	70340404	Exhaust Duct Pad	30 pound models
	70302804	Exhaust Duct Pad	50 pound models
13	F8690102	Exhaust Duct	30 pound models; Right
	70643701	Exhaust Duct	50 pound models; Right
14	F8690401	Exhaust Duct Cover	30 pound models; Bottom
	70643901	Exhaust Duct Cover	50 pound models; Bottom
15	F8690301	Exhaust Duct	30 pound models; Left
	70643801	Exhaust Duct	50 pound models; Left

Blower Components

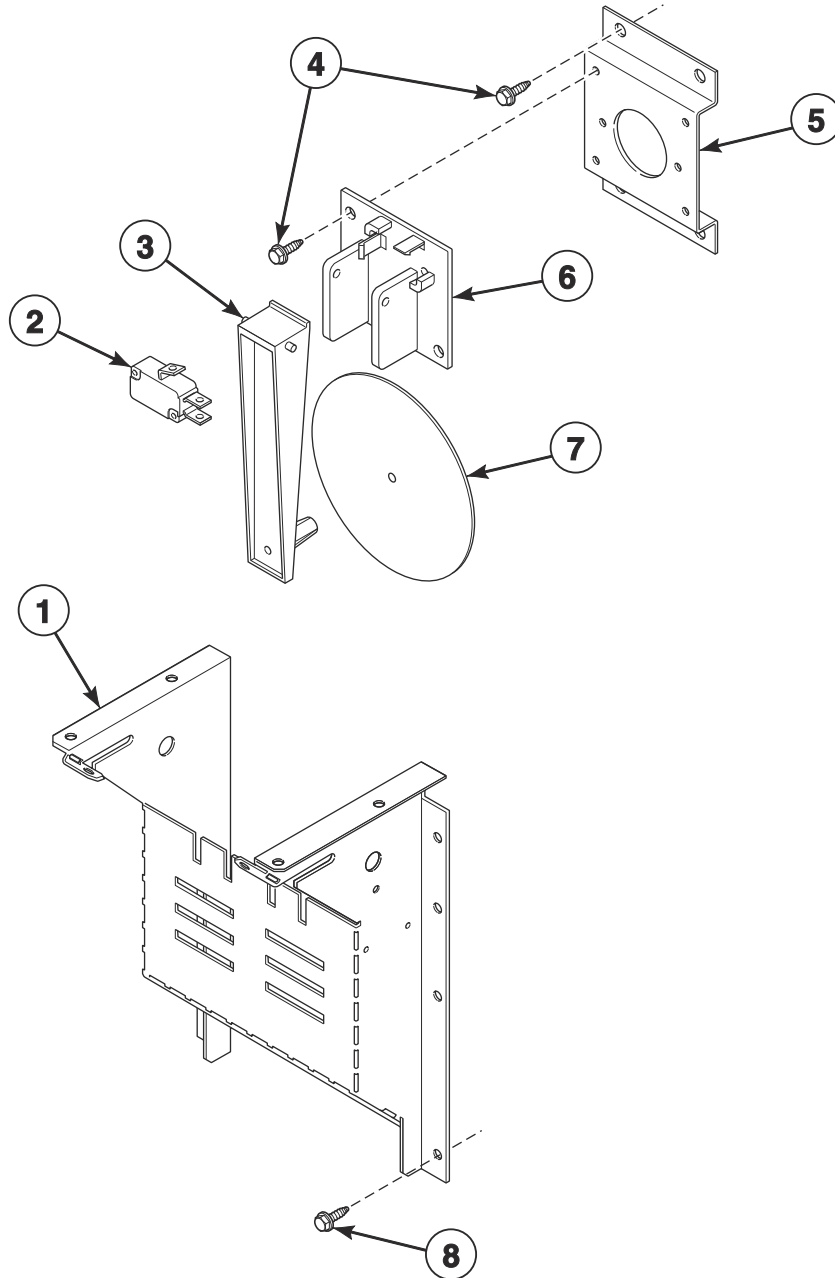


STX10P_F8706801

Blower Components

REF	PART NO.	DESCRIPTION	COMMENTS
	70392701P	Gasket	For blower housing opening
1	70478701P	Fan Motor	.50 HP; 120, 230 Volt/1 Phase
	70484901P	Fan Motor	.50 HP; 380-460 Volt/3 Phase
2	44317901	Motor Conduit Bracket	
3	23222	Screw	
4	29786	Nut	4 required
5	70126101	Screw	4 required
6	44328001	Limit Thermostat	
7	M414704	Thermistor	
8	70341402	Blower Housing Cover Assembly	30 pound models
	70322802	Blower Housing Cover Assembly	50 pound models
9	430497	Screw	12 required
10	51780	Screw	
11	70340801	Blower Housing Scroll	
12	70014101	Blower Inlet Cone	30 pound models
	70303101	Blower Inlet Cone	50 pound models
13	M400034	Nut	
14	M400022	Nut	
15	70530901	Limit Thermostat	
16	70359801P	Blower Assembly	30 pound models
	70302201P	Blower Assembly	50 pound models
17	70341001	Blower Motor Mounting Plate	
18	M400991	Washer	3 required

Airflow Switch

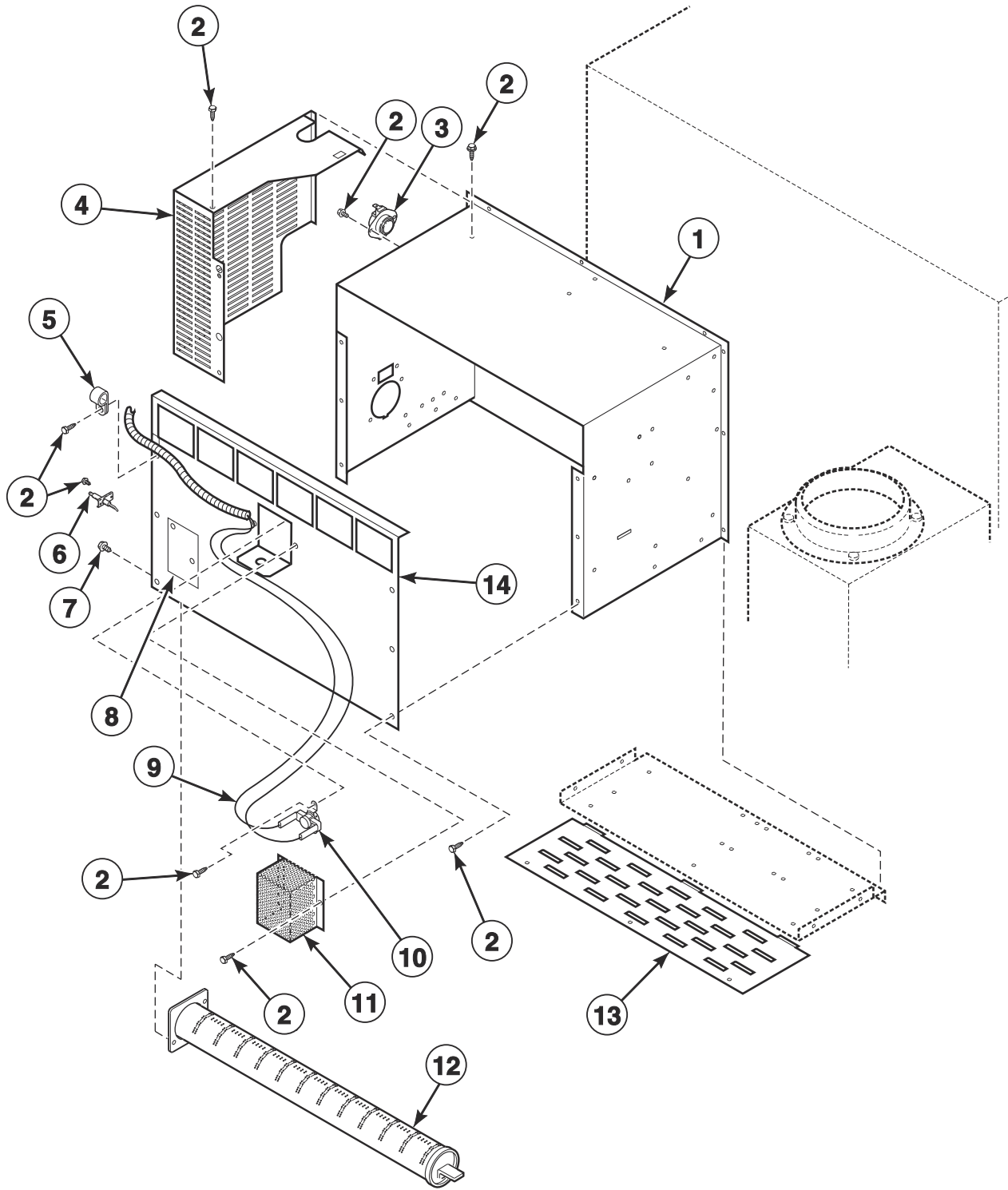


TMB3799P_F8706801

Airflow Switch

REF	PART NO.	DESCRIPTION	COMMENTS
	70429601P	Airflow Switch Kit	Includes items 2-4, 6 and 7
1	70356101	Airflow Switch Wrapper	
2	70411901	Switch	
3	70319401	Airflow Switch Arm	
4	430757	Screw	
5	70356301	Switch Bracket	
6	70319602	Airflow Switch and Arm Bracket	
7	70319201	Airflow Switch Vane	
8	430497	Screw	

Gas Burner Housing and Secondary Stove Limit

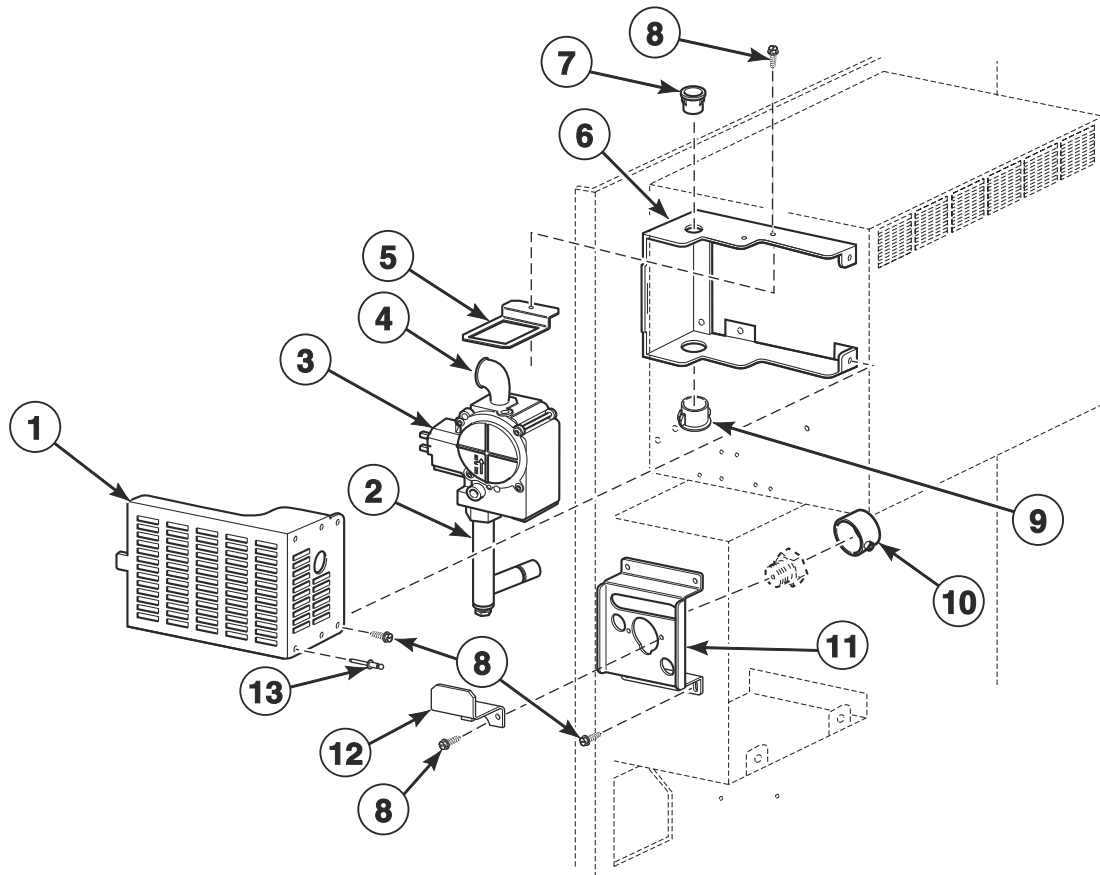


TMB2315P_F8706801

Gas Burner Housing and Secondary Stove Limit

REF	PART NO.	DESCRIPTION	COMMENTS
1	70333401	Stove Top and Sides	30 pound models
	70306001	Stove Top and Sides	50 pound models
2	430497	Screw	
3	44328005	Limit Thermostat	Side
4	70233401	Gas Valve Cover	IEC models
5	70203701	Pipe Clip	
6	70548701P	Spark Electrode	
7	05161	Screw	
8	70159601	Igniter Cover	
9	70564301	Stove Limit Harness	
10	44328104	Limit Thermostat	Rear
11	M414477	Thermostat Cover	
12	70229801P	Gas Burner	
	70546701	Anti-Rattle Burner Assembly	Includes 70229801P Gas Burner, 431318 Control Door Latch and M400003 Pop Rivet
13	70188801	Burner Grill	30 pound models
	70306501	Burner Grill	50 pound models
14	70371501	Stove Back	30 pound models
	70375201	Stove Back	50 pound models

Gas Valve and Piping

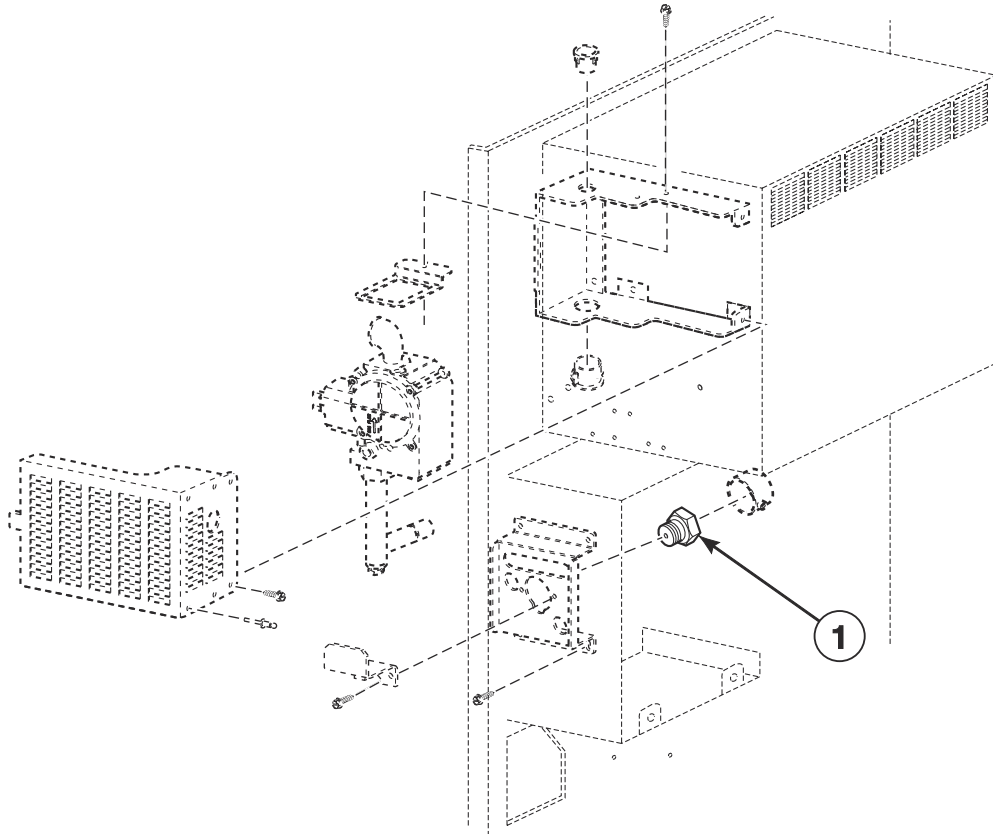


STX11P_F8706801

Gas Valve and Piping

REF	PART NO.	DESCRIPTION	COMMENTS
	70550208	L.P. Conversion Kit	CSA and AGA 30 pound models; Natural Gas (N.G.); 0-2,000 feet
	70551907	L.P. Conversion Kit	IEC 30 pound models; N.G.; 0-2,000 feet
	70550209	L.P. Conversion Kit	CSA 50 pound models; N.G.; 0-2,000 feet
	70550210	L.P. Conversion Kit	AGA 50 pound models; N.G.; 0-2,000 feet
	70551908	L.P. Conversion Kit	IEC 50 pound models; N.G.; 0-2,000 feet
	44239701	High Voltage Suppression Cable	
	70131901	Adapter	IEC models; BPT/NPT
	70131902	Adapter	CSA models; BPT/NPT
	44273501	Gas Valve Harness	
	70564301	Stove Limit Harness	
	70535901	Notice Label	Australian models; N.G.
	70544901	Notice Label	Australian models; Liquid Petroleum (L.P.)
1	70282401	Rear Valve Cover	
2	70552801P	Orifice Adapter	
3	44154503	N.G. Valve	CSA models
	44154504	L.P. Valve	CSA models
	44154507	Gas Valve	IEC models; N.G.
	44154508	Gas Valve	IEC models; L.P.
4	F422304	Street Elbow	
5	70502601	Valve Support Bracket	
6	70328201	Forward Valve Cover	
7	M400770	Snap Bushing	
8	430497	Screw	
9	M402542	Snap Bushing	
10	70239801	Primary Air Adjustment Sleeve	L.P. models
11	70248901	Orifice Holder Bracket	
12	70539901	Ignition Keeper Orifice Bracket	
13	70058501	Pop Rivet	3/16 inch

Burner Orifices

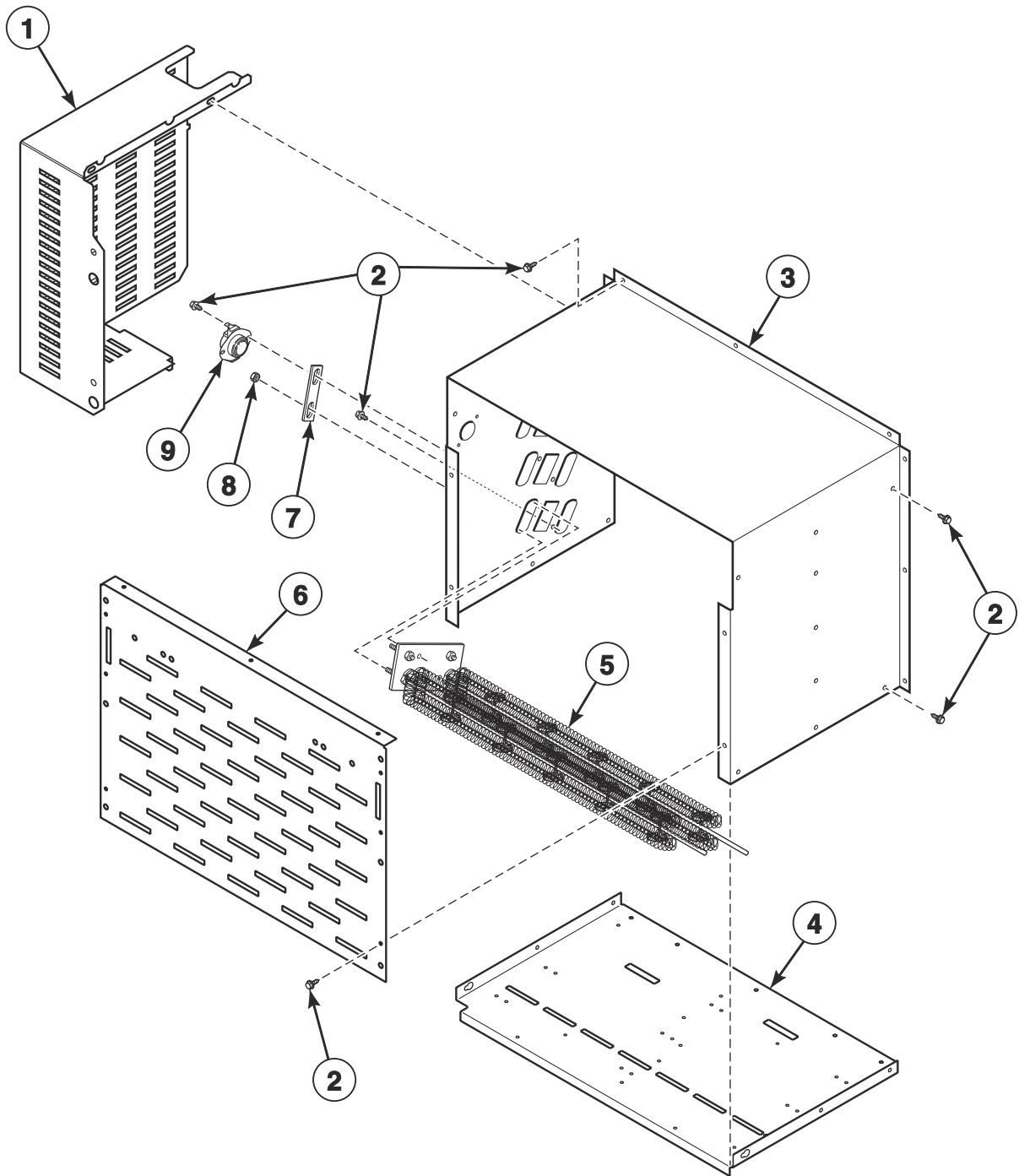


STX11PA_F8706801

Burner Orifices

REF	PART NO.	DESCRIPTION	COMMENTS
	70609909	High Altitude Orifice Kit	CSA Natural Gas (N.G.) 30 pound models
	70609910	High Altitude Orifice Kit	CSA Liquid Petroleum Gas (L.P.) 30 pound models
	70609911	High Altitude Orifice Kit	CSA N.G. 50 pound models
	70609912	High Altitude Orifice Kit	CSA L.P. 50 pound models
1	70684142	Burner Orifice	30 pound A, G, K and T market models; N.G.; Drill no. 20 (4.09 mm); 0-2,000 feet
	70684139	Burner Orifice	30 pound A, G, K and T market models; N.G.; Drill no. 23 (3.91 mm); 2,001-4,000 feet
	70684137	Burner Orifice	30 pound A, G, K and T market models; N.G.; Drill no. 25 (3.80 mm); 4,001-6,000 feet
	70684135	Burner Orifice	30 pound A, G, K and T market models; N.G.; Drill no. 27 (3.66 mm); 6,001-8,000 feet
	70684133	Burner Orifice	30 pound A, G, K and T market models; N.G.; 3.50 mm; 8,001-10,000 feet
	70684116	Burner Orifice	30 pound A, G, K and T market models; L.P.; Drill no. 40 (2.49 mm); 0-2,000 feet
	70684114	Burner Orifice	30 pound A, G, K and T market models; L.P.; Drill no. 42 (2.37 mm); 2,001-4,000 feet
	70684113	Burner Orifice	30 pound A, G, K and T market models; L.P.; 2.30 mm; 4,001-6,000 feet
	70684111	Burner Orifice	30 pound A, G, K and T market models; L.P.; 2.20 mm; 6,001-8,000 feet
	70684109	Burner Orifice	30 pound A, G, K and T market models; L.P.; Drill no. 45 (2.08 mm); 8,001-10,000 feet
	70684111	Burner Orifice	30 pound J market models; L.P.; 2.20 mm; 0-2,000 feet
	70684109	Burner Orifice	30 pound J market models; L.P.; Drill no. 45; (2.08 mm); 2,001-4,000 feet
	70684108	Burner Orifice	30 pound J market models; L.P.; Drill no. 46; (2.06 mm); 4,001-6,000 feet
	70684106	Burner Orifice	30 pound J market models; L.P.; Drill no. 48; (1.93 mm); 6,001-8,000 feet
	70684105	Burner Orifice	30 pound J market models; L.P.; Drill no. 49; (1.85 mm); 8,001-10,000 feet
	70684149	Burner Orifice	50 pound A, G, K and T market models; N.G.; Drill no. 14 (4.62 mm); 0-2,000 feet
	70684146	Burner Orifice	50 pound A, G, K and T market models; N.G.; Drill no. 17 (4.39 mm); 2,001-4,000 feet
	70684144	Burner Orifice	50 pound A, G, K and T market models; N.G.; Drill no. 18 (4.31 mm); 4,001-6,000 feet
	70684142	Burner Orifice	50 pound A, G, K and T market models; N.G.; Drill no. 20 (4.09 mm); 6,001-8,000 feet
	70684139	Burner Orifice	50 pound A, G, K and T market models; N.G.; Drill no. 23 (3.91 mm); 8,001-10,000 feet
	70684123	Burner Orifice	50 pound A, G, K and T market models; L.P.; Drill no. 34 (2.82 mm); 0-2,000 feet
	70684120	Burner Orifice	50 pound A, G, K and T market models; L.P.; Drill no. 36 (2.71 mm); 2,001-4,000 feet
	70684118	Burner Orifice	50 pound A, G, K and T market models; L.P.; Drill no. 38 (2.58 mm); 4,001-6,000 feet
	70684116	Burner Orifice	50 pound A, G, K and T market models; L.P.; Drill no. 40 (2.49 mm); 6,001-8,000 feet
	70684114	Burner Orifice	50 pound A, G, K and T market models; L.P.; Drill no. 42 (2.37 mm); 8,001-10,000 feet
	70684117	Burner Orifice	50 pound J market models; L.P.; Drill no. 39 (2.53 mm); 0-2,000 feet
	70684114	Burner Orifice	50 pound J market models; L.P.; Drill no. 42 (2.37 mm); 2,001-4,000 feet
	70684113	Burner Orifice	50 pound J market models; L.P.; 2.3 mm; 4,001-6,000 feet
	70684112	Burner Orifice	50 pound J market models; L.P.; Drill no. 43 (2.26 mm); 6,001-8,000 feet
	70684110	Burner Orifice	50 pound J market models; L.P.; Drill no. 44 (2.18 mm); 8,001-10,000 feet

Electric Heater Components - 30 Pound Models

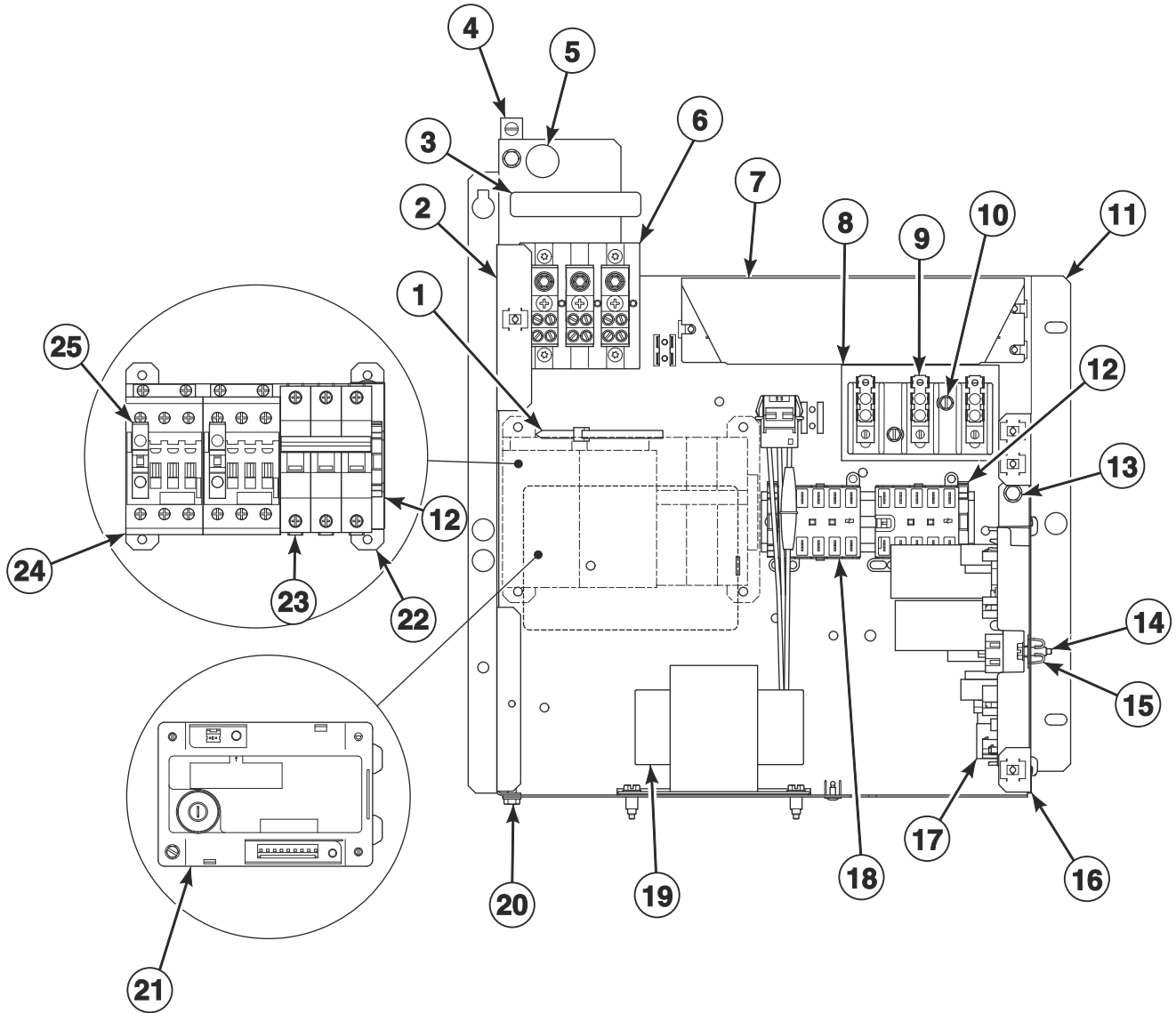


TMB3584P_F8706801

Electric Heater Components - 30 Pound Models

REF	PART NO.	DESCRIPTION	COMMENTS
	70564303	Stove Limit Harness	
	70500506	Jumper Harness	3 inch; 8 required for 380 and 400-415 Volt
	70500505	Jumper Harness	9 inch; 2 required for 440 and 460-480 Volt
1	70525701	Connector Cover	
2	430497	Screw	
3	70525601	Stove Top and Sides	
4	70357201	Stove Partition	
5	70034401P	Heater Element	3 required; 7 kW; 208 Volt heater element for 200-208 Volt/3 Phase
	70034402P	Heater Element	3 required; 7 kW; 220 Volt heater element for 380 and 440 Volt/3 Phase
	70034403P	Heater Element	3 required; 7 kW; 240 Volt heater element for 230-240 Volt/3 Phase and 400-415 and 460-480 Volt/3 Phase
	70034417	Heater Element	3 required; 3 kW; 240 Volt heater element for 230-240 Volt/1 Phase
	70034418P	Heater Element	3 required; 3 kW; 208 Volt heater element for 200-208 Volt/1 Phase
6	70214901	Stove Grill	
7	M400869	Jumper Strip	12 required for 200-208 and 230-240 Volt; 6 required for all other voltages
	70066501	Jumper Bar	4 required for 440 and 460-480 Volt
8	70054	Nut	
9	44328007	Limit Thermostat	

Control Tray and Accessory Box



STX12P_F8706801

Control Tray and Accessory Box

REF	PART NO.	DESCRIPTION	COMMENTS
	44071501	Snap Bushing	Gas models; Use with item 2; 7/8 inch
	70476001	Snap Bushing	Gas models; Use with item 2; 1/2 inch
	70500601	Power Harness	
	M413862	Insulator	Use with item 6, 8 and 9
	70559304	Conversion Kit	30 pound models; X to B voltage
	70610101	EMI Filter Kit	CSA gas models; 100-240 Volt
	70610102	EMI Filter Kit	CSA gas models; 380-480 Volt
	70610103	EMI Filter Kit	CSA electric models; 200-240 Volt
	70610104	EMI Filter Kit	CSA electric models; 380-480 Volt
1	70335601	Cable Tie	
2	70520601	Junction Box Side	30 pound electric models; Left side
	70526401	Junction Box Side	30 pound gas models; Left side
	70560701	Junction Box Side	50 pound models; Left side
3	44286803	Label	Wire L1, L2, L3
	44286801	Label	Wire L1, N
	44286804	Wire Label	Wire L1 L2, L1 N, L1 L2 L3
4	M411283	Ground Lug Connector	Attach with 685837 Screw
5	D516100	Label	
6	M413865	Power Distribution Block	Electric models; Attach with 39733 Screw
	44014901P	Power Distribution Block Cover	Electric models; Attach with 39733 Screw
	430642	Terminal Block	Gas models; Attach with 51783 Screw
	70333001	Terminal Block Shield	Gas models; Attach with 51783 Screw
7	F8591601	EMI Filter	IEC models; 100-120 and 200-240 Volt
	F8637501	EMI Filter	IEC models; 380-480 Volt
8	70333001	Terminal Block Shield	IEC models
9	430642	Terminal Block	IEC models
10	51783	Screw	IEC models
11	70531501	Junction Box Base Assembly	30 pound electric models
	70531401	Junction Box Base Assembly	30 pound gas models
	70607201	Junction Box Base Assembly	50 pound models
12	F8449801	End Stop	Electric models 3 required; Gas models 2 required
13	430497	Screw	
14	F8206901	Screw	
15	70030501	Expansion Clip	
16	70520801	Control Board Tray	30 pound models
	70527101	Control Board Tray	50 pound models
17	70479201P	I/O Control Assembly	
18	70482601	Contact	1 required for 120-240 Volt; 2 required for 380-480 Volt
19	F8491101	Transformer	380-480 Volt
20	51780	Screw	
21	70482002	Ignition Control	IEC gas models
	70482001	Ignition Control	CSA gas models
22	70531701	Bracket Assembly	Electric models
23	70488101	Circuit Breaker	Electric models; 380-480 Volt
	70488102	Circuit Breaker	Electric models; 200-240 Volt
24	70482701	Contact	Electric models
25	44313201	Auxiliary Contact Block	Electric models

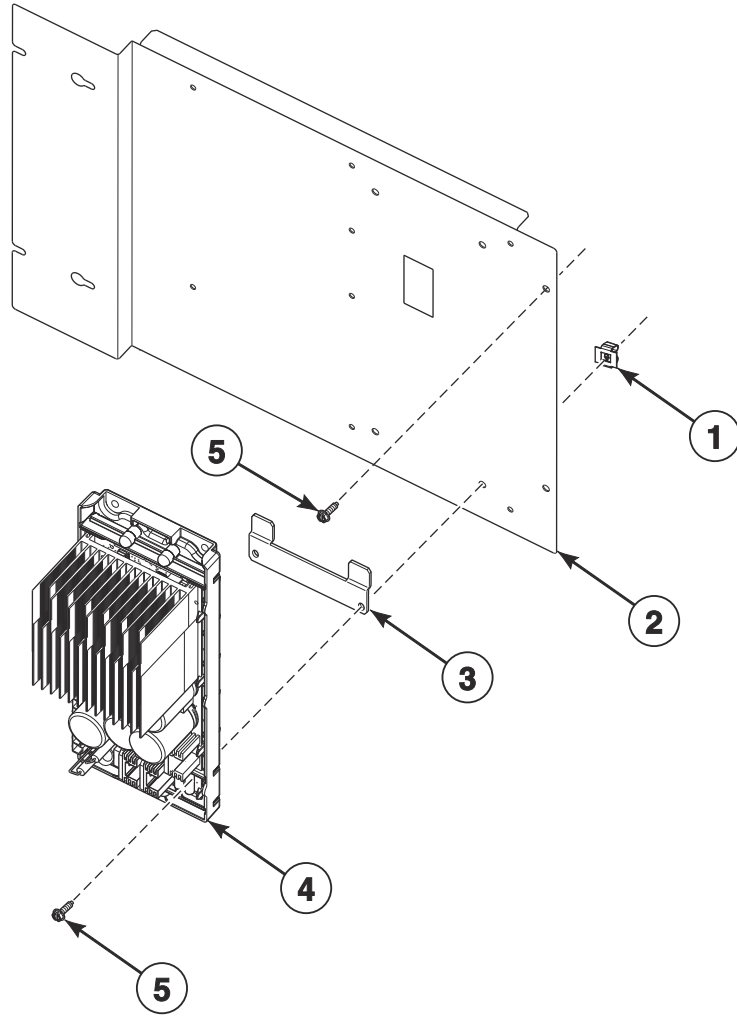
Labels - Tumble Dryer

PART NO.	DESCRIPTION	COMMENTS
70535101	Caution Label	Vent/install
F8614501	Danger Label	Shock; English/French
F8614301	Hot Surface Warning Label	English/French
F8609001	Hot Surface Warning Label	Icon
F8611601	Warning Label	
F8614500	Label Kit	Shock
F8605500	Label Kit	
44321501	Notice Label	120/240 Volt
70539601	Notice Label	
70534201	Notice Label	
F8609501	Notice Label	
D516073	Notice Label	Read instructions; Icon
70538401	Pinch Warning Label	English/French
F8615701	Pinch Warning Label	Icon
F8614401	Shock Warning Label	English/French
F8614201	Shock Warning Label	Icon
70536301	Warning Label	Lint
44324101	Warning Label	Fire; Australian models
70534305	Warning Label	Fire; Colombian Spanish; Australian models
44321601	Warning Label	Risk of fire; Icon

Harnesses - Tumble Dryer

PART NO.	DESCRIPTION	COMMENTS
44316009	Filter Output Power Harness	1 Phase; Power distribution block to RFI filter
44316010	Filter Output Power Harness	3 Phase; Power distribution block to RFI filter
70609001	Base Harness	
44334604	Heat Control Harness	Gas models
44334605	Heat Control Harness	Electric models
44316005	Harness	Electric models; 200-240 Volt; Control circuit breaker to EMI filter
44316006	Harness	Electric models; 380-480 Volt; Control circuit breaker to EMI filter
44309005	Harness	Electric CSA models; 200-240 Volt; Power distribution block to control circuit breaker
44309006	Harness	Electric IEC; 380-480 Volt; Power distribution block to control circuit breaker
44309015	Harness	Electric IEC: 200-240 Volt; Power distribution block to control circuit breaker
44309016	Harness	Electric IEC models; 380-480 Volt; Power distribution block to control circuit breaker
70500504	Harness	Electric models; Contactor to element
70500503	Harness	Electric models; Contactor to element; 200-240 Volt
44334702	Inverter Contactor Coil Harness	Secondary; 380-480 Volt
44335303	Inverter Motor Harness	
70561501	Junction Box Harness	
44316003	Filter Input Power Harness	Gas models; 1 Phase; Power distribution block to filter
44316004	Filter Input Power Harness	Gas models; 3 Phase; Power distribution block to filter
70608901	Main Harness	
44280009	Motor Contactor Power Harness	Electric models; 3 Phase
44280004	Motor Contactor Power Harness	Gas models; 3 Phase
44280008	Motor Contactor Power Harness	Electric models; 1 Phase
44280011	Motor Contactor Power Harness	1 Phase; EMI
44280013	Motor Contactor Power Harness	3 Phase; EMI
44280002	Motor Contactor Power Harness	Gas models; 1 Phase
44280103	Power Harness	Electric models; 380-480 Volt
44280102	Power Harness	Gas models; 380-480 Volt
44272103	Power Harness	Electric models; 100-240 Volt
44272102	Power Harness	Gas models; 100-240 Volt
44273602	Steam Control Harness	
F8519403	Emergency Stop Bypass Harness	OPL

Drive Panel Assembly

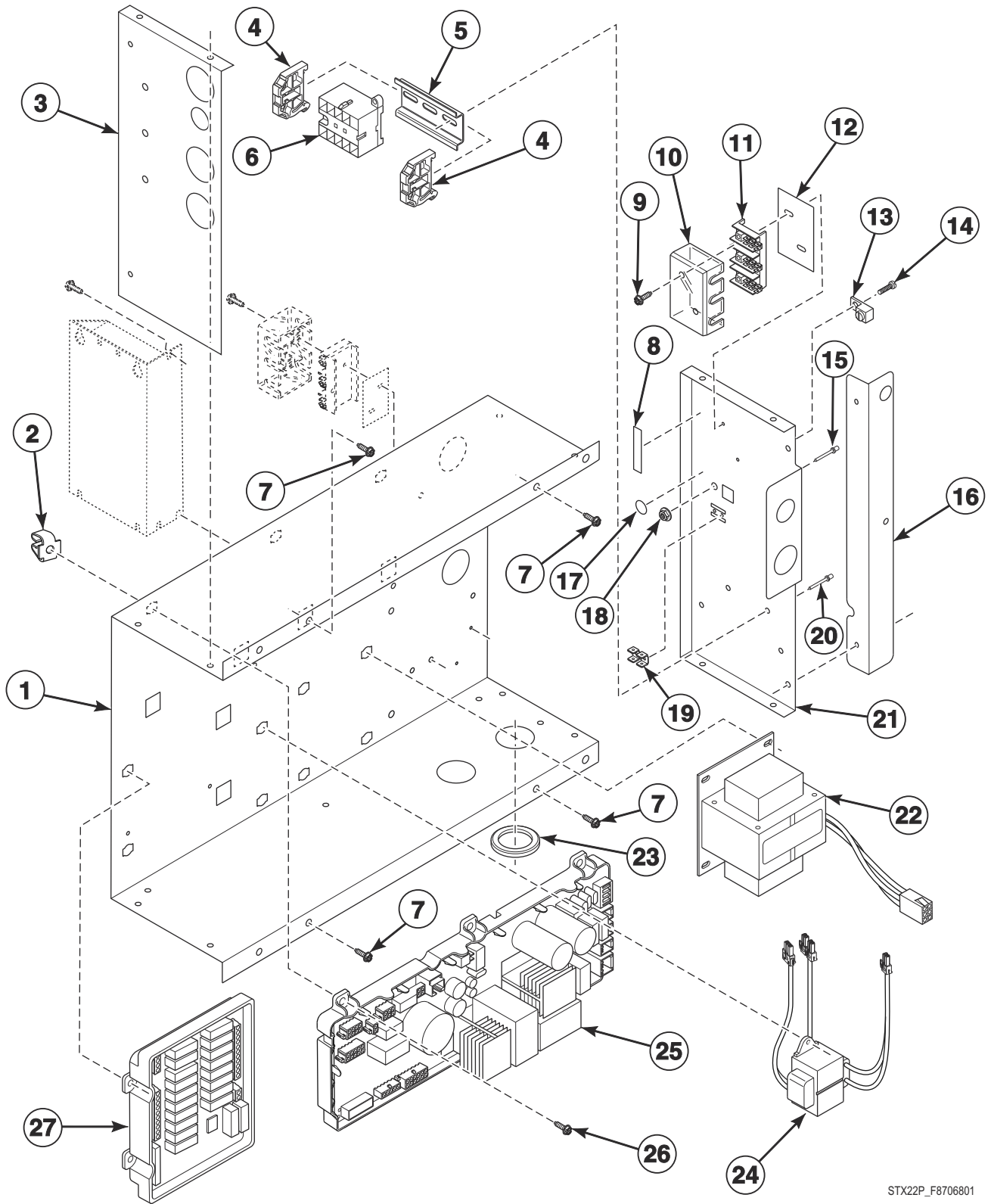


STX21P_F8706801

Drive Panel Assembly

REF	PART NO.	DESCRIPTION	COMMENTS
	F8689601	Drive Panel Assembly	B voltage; Includes items 1-5
	F8689602	Drive Panel Assembly	X voltage; Includes items 1-5
	F8689603	Drive Panel Assembly	N and P voltage; Includes items 1-5
	F8682001	Drive Communication Harness	
	F8682101	Drive Power Harness	B voltage
	F8682103	Drive Power Harness	N and P voltage
	F8682102	Drive Power Harness	X voltage
	F8518601	Drive Power Harness	2 HP; 120 Volt; B voltage
1	70030501	Expansion Clip	
2	F8683401	Electric Sub Panel	
3	F8322401	Drive Mounting Bracket	
4	F8495401P	Drive Assembly	2 HP; 120/240 Volt
	F8496001	Drive Assembly	2 HP; 480 Volt
5	F8206901	Screw	

Control Tray



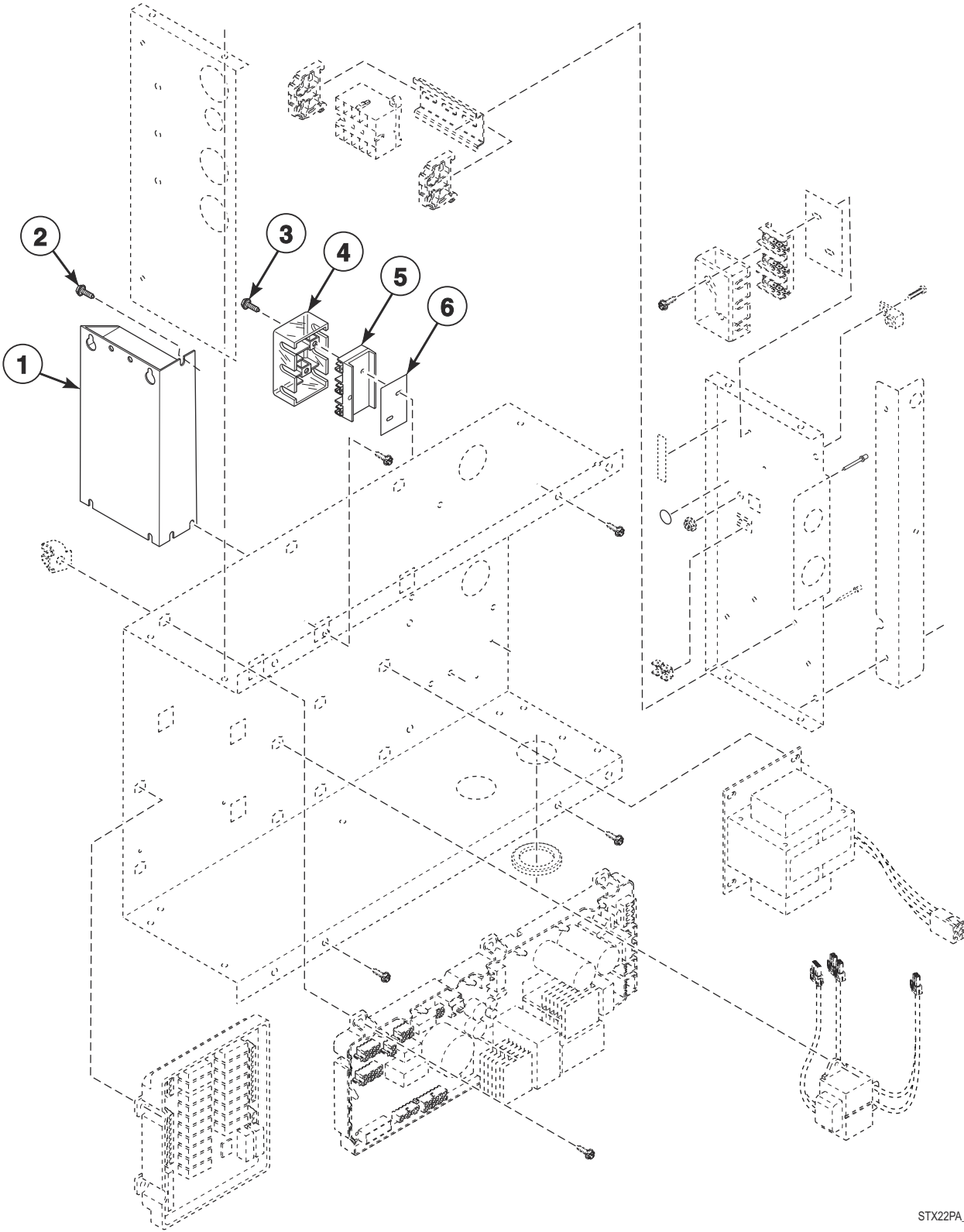
STX22P_F8706801

Control Tray

REF	PART NO.	DESCRIPTION	COMMENTS
	F8690501	Control Tray Assembly	B voltage; Includes items 1-3, 5-22, 24 and 25
	F8690502	Control Tray Assembly	X voltage; Includes items 1-3, 5-22, 24 and 25
	F8690503	Control Tray Assembly	N and P voltage; Includes items 1-3, 5-22, 24 and 25
	F8682301	Power Harness	B voltage; Vend
	F8682302	Power Harness	N, P and X voltage; Vend
	F8702501	Transformer Harness	B voltage; OPL
	F8702502	Transformer Harness	N, P and X voltage; OPL
	F8681801	Power Harness	B voltage
	F8681802	Power Harness	X voltage
	F8681901	Power Harness	N and P voltage
	F8685101	Contactor Harness	
	F8682201	Communication Harness	
	M400985	Plug	
1	F8681601	Control Tray	
2	70030501	Expansion Clip	
3	F8700801	Control Tray	Left
4	F8449801	End Stop	
5	B12315401	DIN Rail	
6	70482601	Contactor	
7	430497	Screw	
8	44286801	Label	Power input; L1, N
	44286804	Wire Label	Power input; L1, L2/N; L1, L2, L3
	44286803	Label	Power input; L1, L2, L3
9	51783	Screw	
10	70333001	Terminal Block Shield	
11	430642	Terminal Block	
12	M413862	Insulator	
13	M411283	Ground Lug Connector	
14	685837	Screw	
15	M400003	Pop Rivet	
16	F8701001	Control Tray Support	
17	D516100	Label	
18	44088001	Nut	
19	00622SG	Terminal	
20	70058501	Pop Rivet	
21	F8700901	Control Tray	Right
22	F8491101	Transformer	N and P voltage
23	70346501	Bushing	
24	202757	Transformer	B voltage
	202758	Transformer	N, P and X voltage
25	F8494101P	Input and Output Control Assembly	
26	F8206901	Screw	
27	F8497401	Chemical Injection Control	Vend
	804528	Chemical Injection Control	OPL

Control Tray - IEC Components

IEC Models

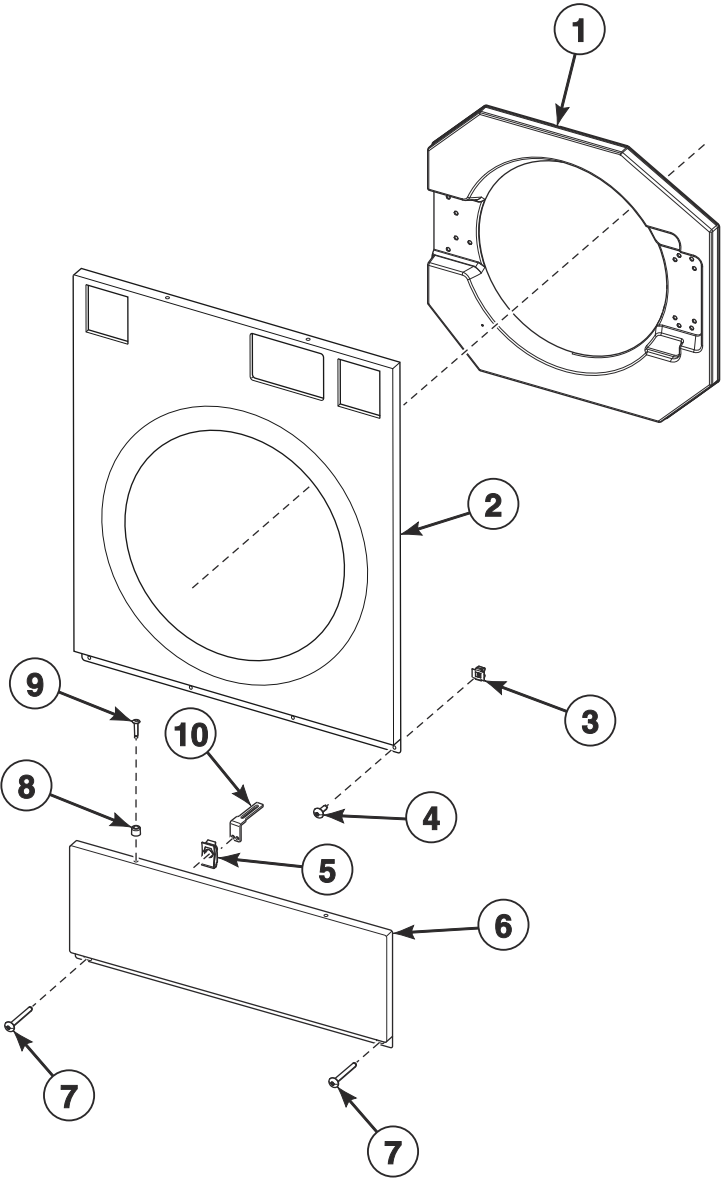


STX22PA_F8706801

Control Tray - IEC Components

REF	PART NO.	DESCRIPTION	COMMENTS
	F8690504	Control Tray Assembly	B voltage
	F8690505	Control Tray Assembly	X voltage
	F8690506	Control Tray Assembly	N and P voltage
	F8519403	Emergency Stop Bypass Harness	
	F8528006	Harness	TB2; B voltage
	F8710502	Power Harness	Filter; B voltage
	F8710402	Power Harness	TB2; B voltage
	F8710501	Power Harness	Filter; X, N and P voltage
	F8710401	Power Harness	TB2; X voltage
	F8528005	Harness	TB2; X, N and P voltage
	F8711101	Power Harness	TB2; N and P voltage
1	F8591601	EMI Filter	120/240 Volt/1 Phase
	F8591801	EMI Filter	200/240 Volt/3 Phase
	F8637501	EMI Filter	380/480 Volt
2	D503688	Screw	
3	51783	Screw	
4	70333001	Terminal Block Shield	
5	430642	Terminal Block	
6	M413862	Insulator	

Lower Front Panels

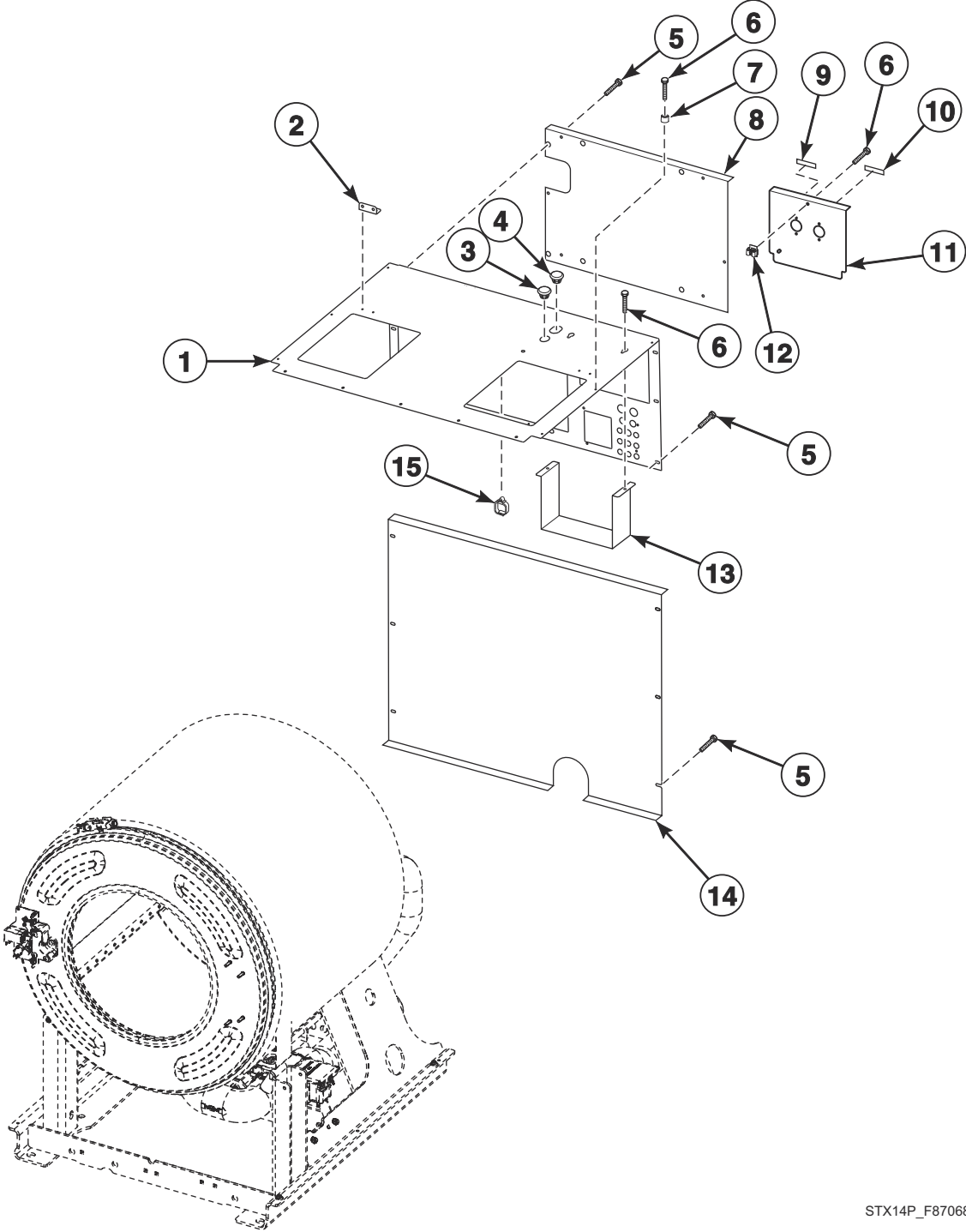


STX13P_F8706801

Lower Front Panels

REF	PART NO.	DESCRIPTION	COMMENTS
	05161	Screw	2 required
1	F8658901	Door Bezel	30 pound models
	F8659101	Door Bezel	50 pound models
2	F8687201	Front Panel	30 pound models; Coin; Design 1
	F8687202	Front Panel	30 pound models; Card; Design 1
	F8712601	Front Panel	30 pound models; Coin; Design 2
	F8712602	Front Panel	30 pound models; Card; Design 2
	F8687203	Front Panel	30 pound models; Card; No dispenser
	F8687204	Front Panel	30 pound models; Coin; No dispenser
	F8642701	Front Panel	50 pound models; Coin; Design 1
	F8642702	Front Panel	50 pound models; Card; Design 1
	F8712501	Front Panel	50 pound models; Coin; Design 2
	F8712502	Front Panel	50 pound models; Card; Design 2
	F8642704	Front Panel	50 pound models; Card; No dispenser
	F8642703	Front Panel	50 pound models; Coin; No dispenser
	3	70030501	Expansion Clip
4	F8117601	Screw	2 required
5	70030401	Nut	2 required
6	F8688501	Access Panel	30 pound models
	F8683601	Access Panel	50 pound models
7	202175	Screw	2 required
8	56079	Panel Locator	2 required
9	M412763	Rivet	2 required
10	F8702601	Access Panel Bracket	

Rear Panels

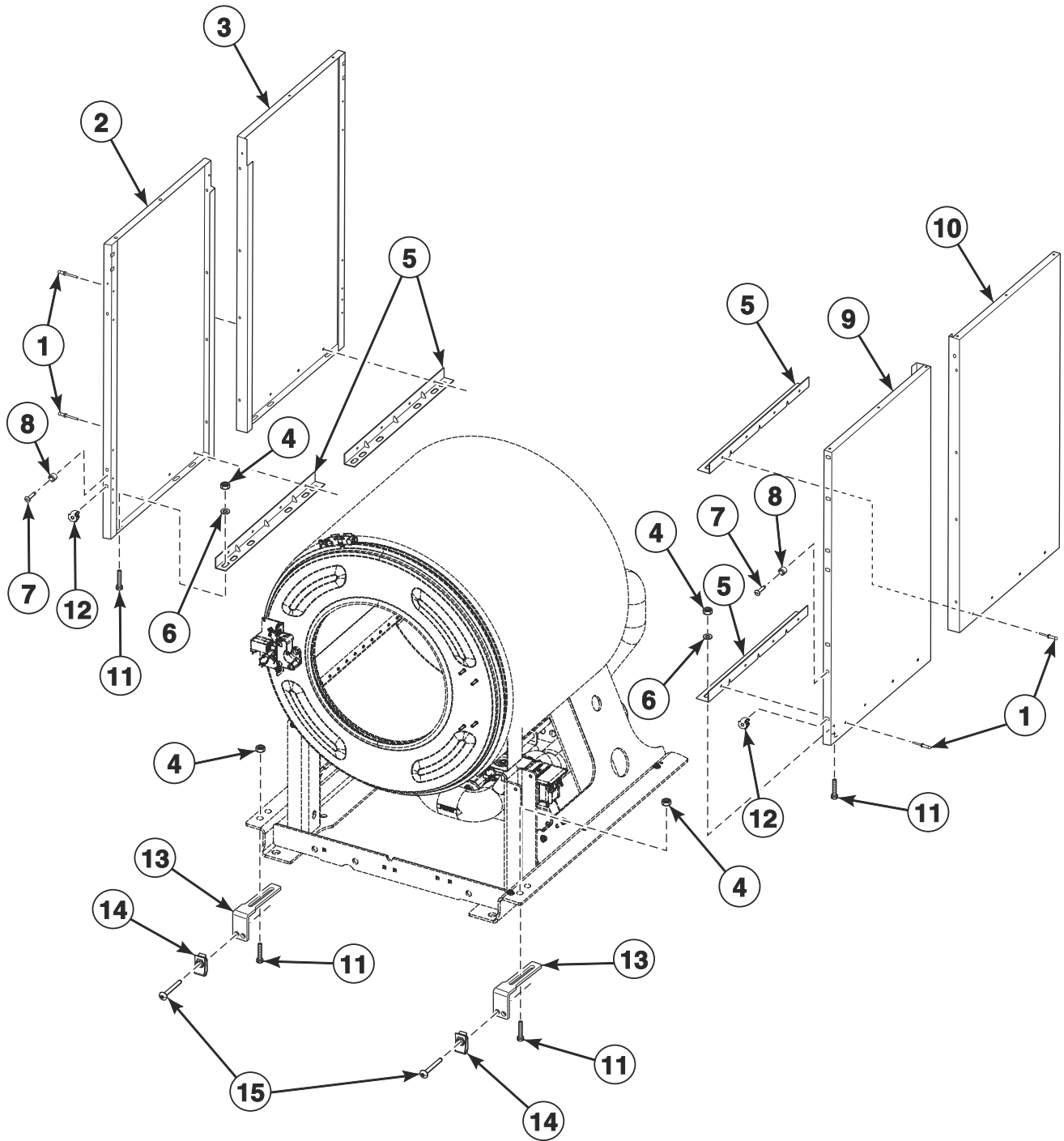


STX14P_F8706801

Rear Panels

REF	PART NO.	DESCRIPTION	COMMENTS
	70275801	Screw	
	44368601	Strain Relief	
1	F8708301	Rear Center Pan	30 pound models
	F8708401	Rear Center Pan	50 pound models
2	F8684301	Clip	
3	M400985	Plug	
4	F8223901	Plug	
5	F8206901	Screw	
6	430497	Screw	
7	56079	Panel Locator	
8	F8681701	Control Tray Cover	Left
9	F8611301	Label	Hot Water
10	F8611401	Label	Cold Water
11	F8688201	Valve Panel	2 HP; 120/240 Volt
12	70030501	Expansion Clip	
13	F8701101	Valve Support Bracket	2 HP; 480 Volt
14	F8688301	Back Cover	Bottom; 30 pound models
	F8683901	Back Cover	Bottom; 50 pound models
15	F8449501	Wire Clip	

Side Panels

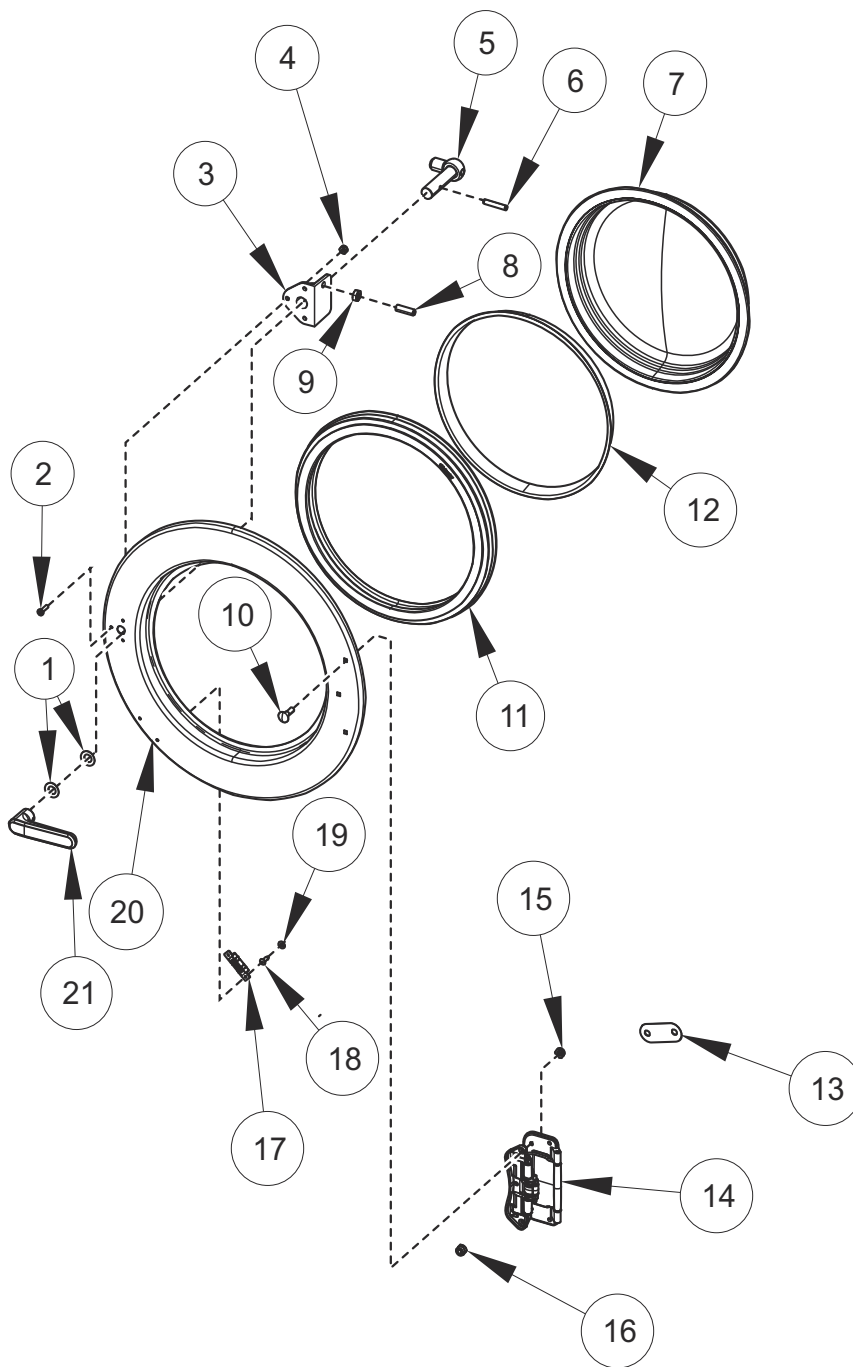


STX16P_F8706801

Side Panels

REF	PART NO.	DESCRIPTION	COMMENTS
	F430215	Nut	
	F8231001	Stud	
1	70058501	Pop Rivet	
2	F8710703W	Right Panel	30 pound models; Forward
	F8710803W	Right Panel	50 pound models; Forward
3	F8710903W	Right Panel	30 pound models; Backside
	F8711003W	Right Panel	50 pound models; Backside
4	44087201	Nut	
5	F8710601	Side Panel Brace Bracket	
6	M400080	Washer	
7	56079	Panel Locator	
8	70275801	Screw	
9	F8710704W	Left Panel	30 pound models; Forward
	F8710804W	Left Panel	50 pound models; Forward
10	F8710904W	Left Panel	30 pound models; Backside
	F8711004W	Left Panel	50 pound models; Backside
11	F8402801	Bolt	
12	70030501	Expansion Clip	
13	F8702601	Access Panel Bracket	
14	70030401	Nut	
15	F8206901	Screw	

Door

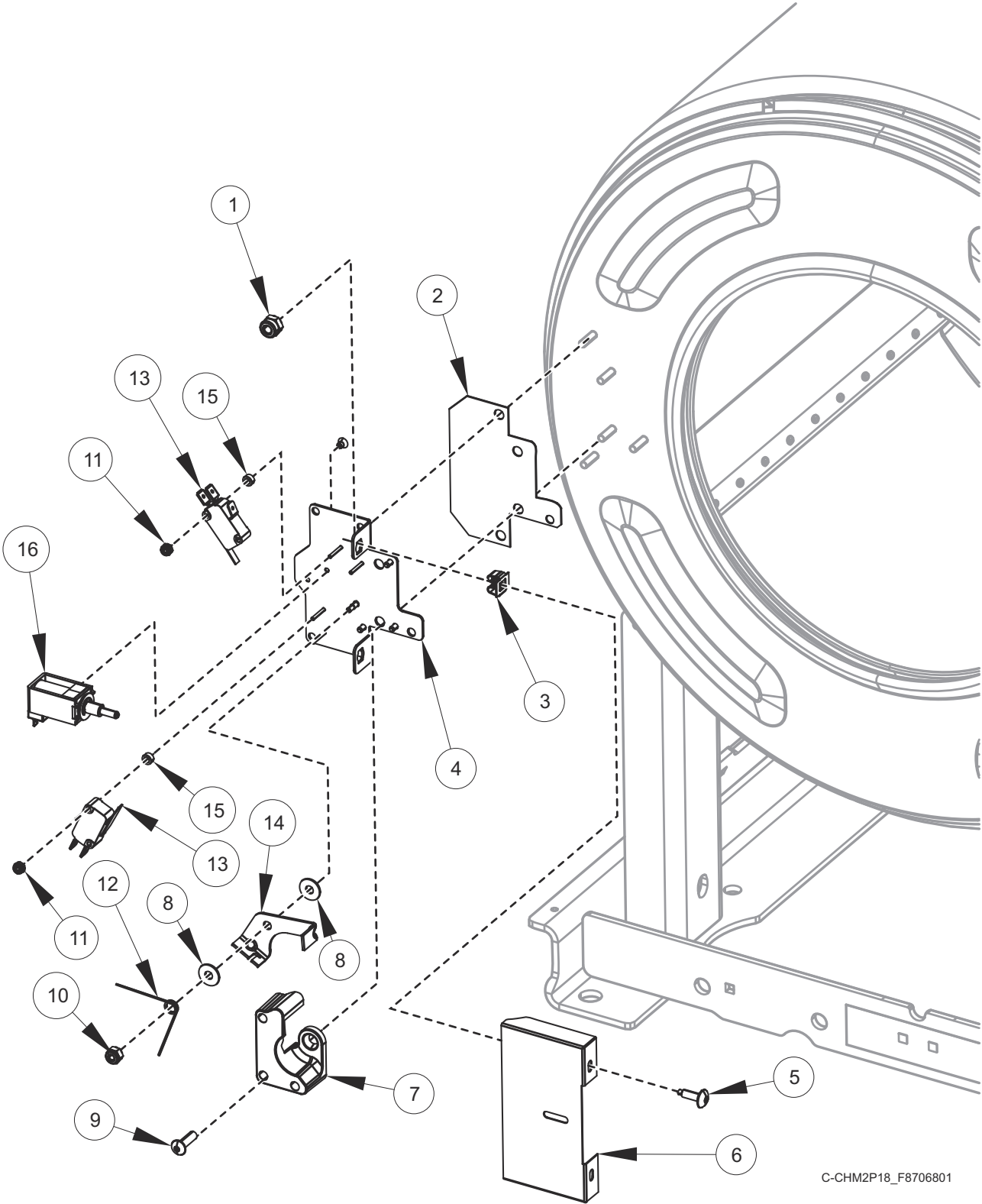


STX15P_F8706801

Door

REF	PART NO.	DESCRIPTION	COMMENTS
	F8617312	Door Assembly	30 pound models; Chrome; Includes items 1-6, 8 and 10-20
	F8617412	Door Assembly	50 pound models; Chrome; Includes items 1-6, 8 and 10-20
1	F431916	Washer	
2	F8535501	Screw	
3	F8567501	Door Handle Spacer Kit	
4	F430232	Nut	
5	F8221403	Door Latch Arm Assembly	Includes latch arm shaft, latch arm support and sleeve
6	F431222	Spring Pin	
7	F8485301P	Door Glass	30 pound models
	F8485401P	Door Glass	50 pound models
8	F430533	Screw	
9	F431041	Nut	
10	F8680901	Bolt	
11	F8111602	Door Gasket	30 pound models
	F8111502	Door Gasket	50 pound models
12	F8583202	Door Glass Trim	30 pound models
	F8583203	Door Glass Trim	50 pound models
13	F200131000P	Door Hinge Shim Kit	
14	F8647401	Door Hinge Assembly	
15	F430215	Nut	
16	C001236	Nut	
17	F8390801	Magnet	
18	F431223	Pop Rivet	
19	F431133	Washer	
20	F8651401	Door	30 pound models; Chrome
	F8651501	Door	50 pound models; Chrome
21	F8624603	Door Handle	

Door Lock

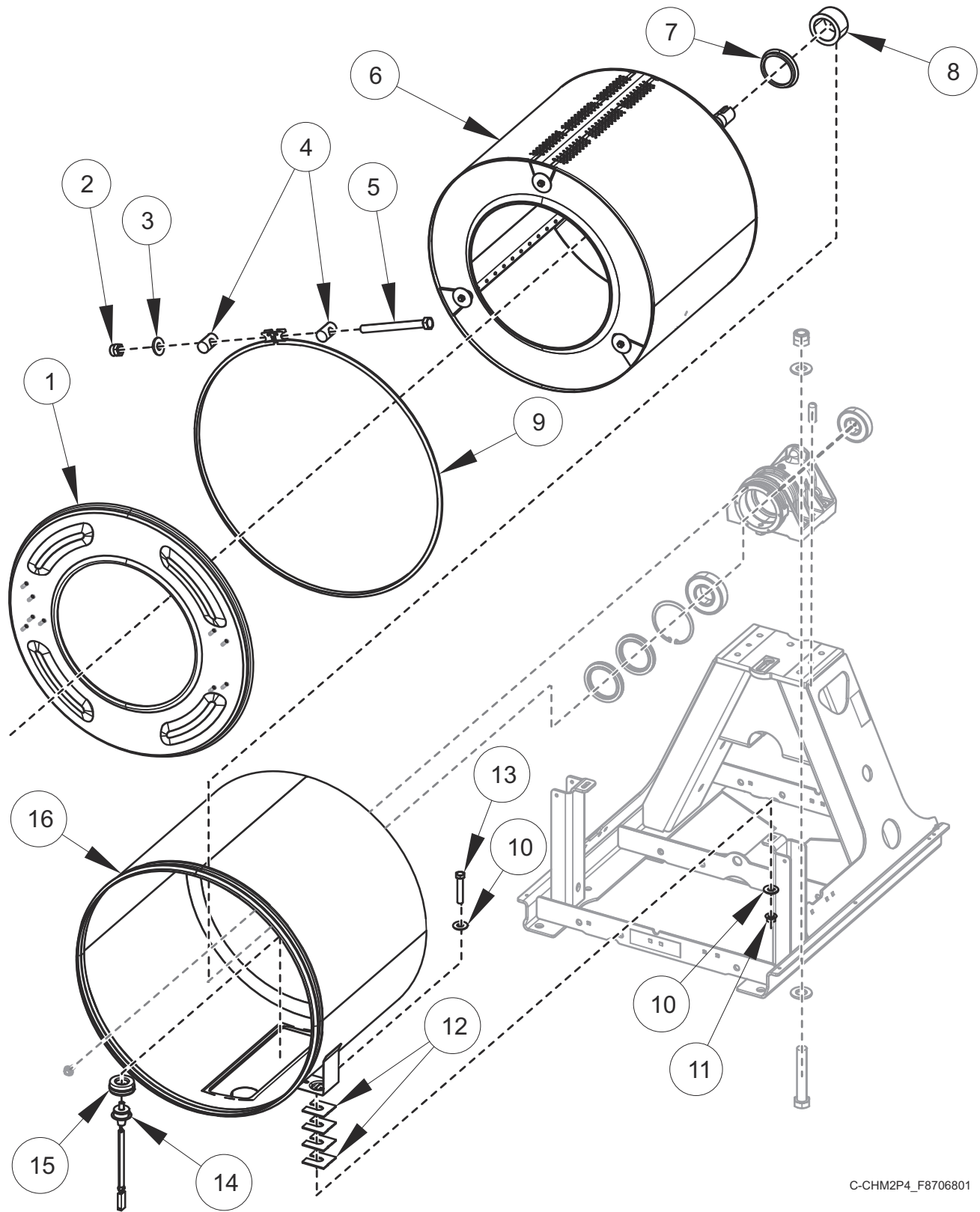


C-CHM2P18_F8706801

Door Lock

REF	PART NO.	DESCRIPTION	COMMENTS
	F8632401	Door Lock Assembly	Includes items 3, 4 and 10-16
	F8520202	Door Lock Harness	
	F8066804	Reed Switch Assembly	
1	F431024	Nut	
2	F8344401	Door Lock Plate Shim	
3	70030501	Expansion Clip	
4	F8223202	Door Lock Plate Assembly	
5	F8117601	Screw	
6	F8245001	Door Lock Cover	
7	F8344501	Door Lock Catch	
8	F8193101	Washer	
9	F8270701	Bolt	
10	F430232	Nut	
11	F430225	Nut	
12	F8070301	Torsion/Door Lock Spring	
13	F200203200	Door Lock Microswitch	
14	F8223401	Door Lock Switch Lever	
15	F431901	Spacer	
16	F977P3	Door Lock Solenoid Replacement Kit	

Shell Front, Basket, Shell and Frame Template

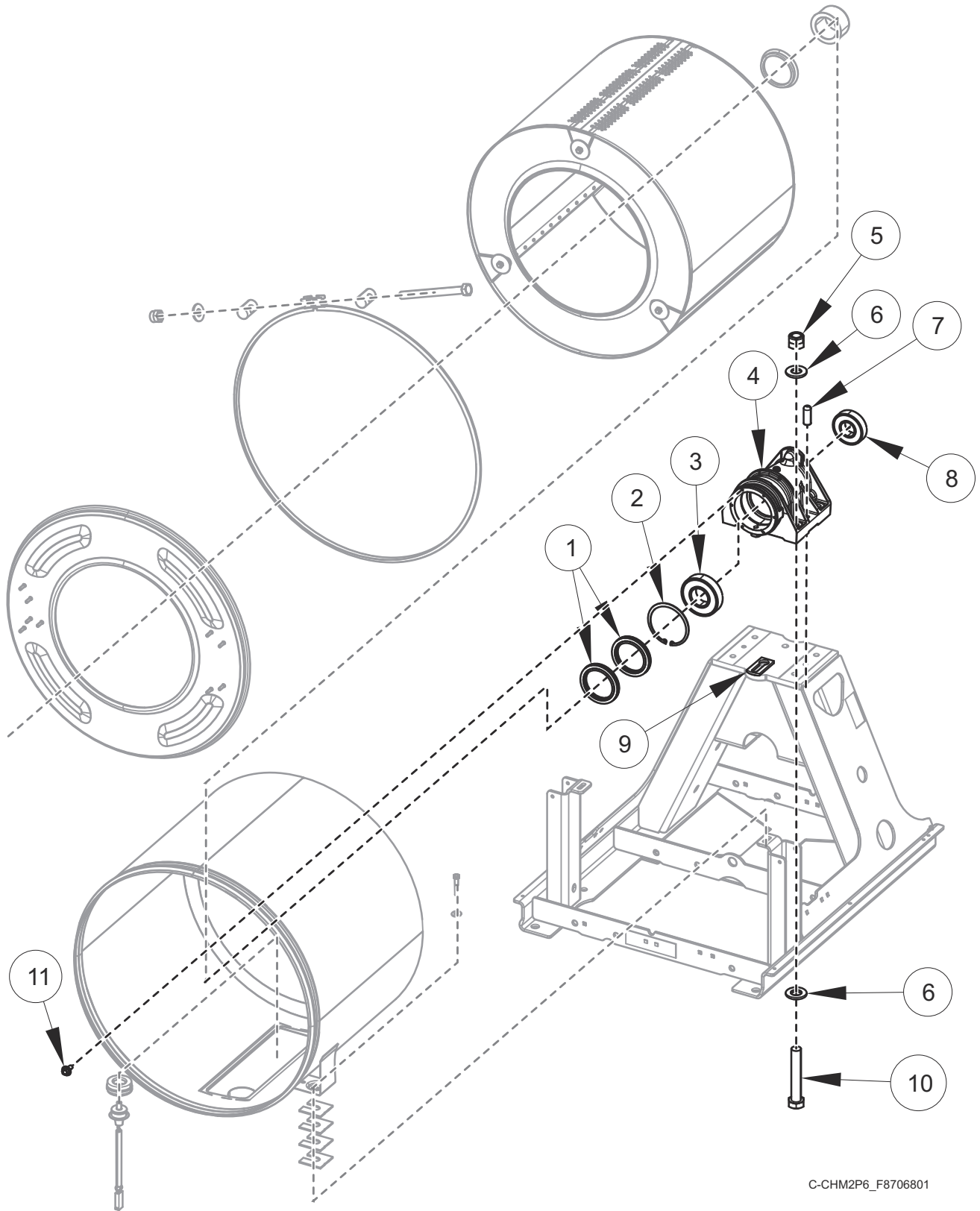


C-CHM2P4_F8706801

Shell Front, Basket, Shell and Frame Template

REF	PART NO.	DESCRIPTION	COMMENTS
	F8598302	Harness	
1	F8653001	Shell Front	30 pound models
	F8652901	Shell Front	50 pound models
2	F430218	Nut	
3	M400080	Washer	
4	F8302701	Pin	
5	F8673701	Screw	
6	F8391502	Basket	30 pound models; Rain
	F8391702	Basket	50 pound models; Rain
7	F8336901	Excluder Seal	30 pound models
	F8337001	Excluder Seal	50 pound models
8	F8343904P	Shaft Seal Sleeve Kit	30 pound models
	F8343906P	Shaft Seal Sleeve Kit	50 pound models
9	F8537802	Shell Band Kit	30 pound models; Includes items 2-5
	F8537803	Shell Band Kit	50 pound models; Includes items 2-5
10	M400081	Washer	
11	44087301	Nut	
12	F8402701	Washer	
13	F8621601	Screw	
14	F8538801	Thermistor	
15	2251000400	Temperature Probe Grommet	
16	F8514003	Shell	30 pound models; OPL
	F8514001	Shell	30 pound models; Standard
	F8512203	Shell	50 pound models; OPL
	F8512201	Shell	50 pound models; Standard

Bearing Housing

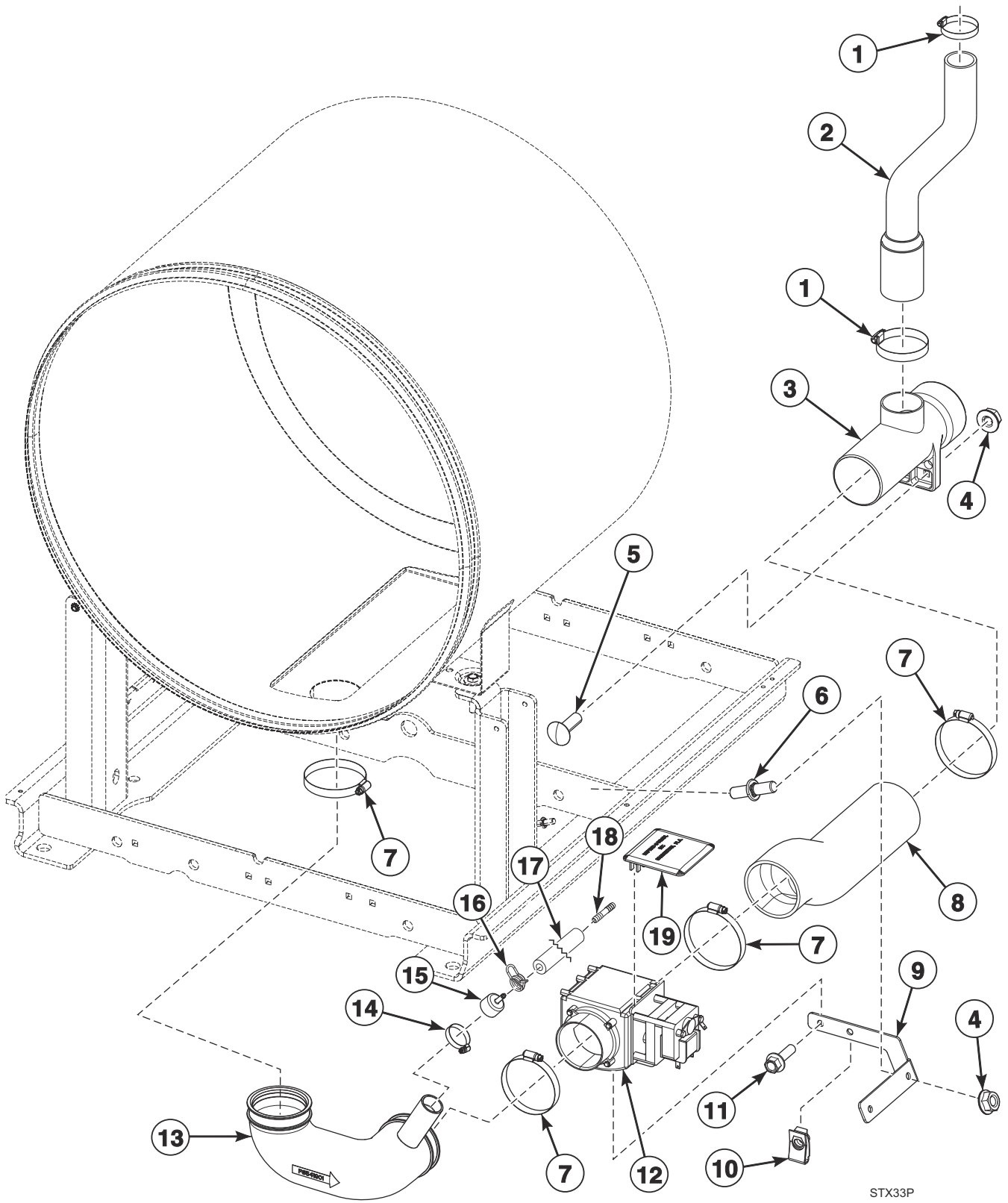


C-CHM2P6_F8706801

Bearing Housing

REF	PART NO.	DESCRIPTION	COMMENTS
	F8271701P	Bearing Housing Assembly	30 pound models; Includes items 1-4 and 8; Standard
	F8271801P	Bearing Housing Assembly	50 pound models; Includes items 1-4 and 8; Standard
1	F8203802	Triple Lip Seal	30 pound models; Standard
	F8203803	Triple Lip Seal	50 pound models; Standard
2	F8345001	Retaining Ring	30 pound models
	F8337801	Retaining Ring	50 pound models
3	F100123P	Bearing	30 pound models
	F100137P	Bearing	50 pound models
4	F8246802	Bearing Housing	30 pound models
	F8249902	Bearing Housing	50 pound models
5	F8387701	Nut	
6	F430339	Washer	
7	F8388201	Dowel Pin	
8	F100108	Bearing	30 pound models
	F100134	Bearing	50 pound models
9	F8350301	Seal Scupper Pad	30 pound models
	F8350302	Seal Scupper Pad	50 pound models
10	F8368801	Screw	
11	F8442702	Screw	

Drain Plumbing

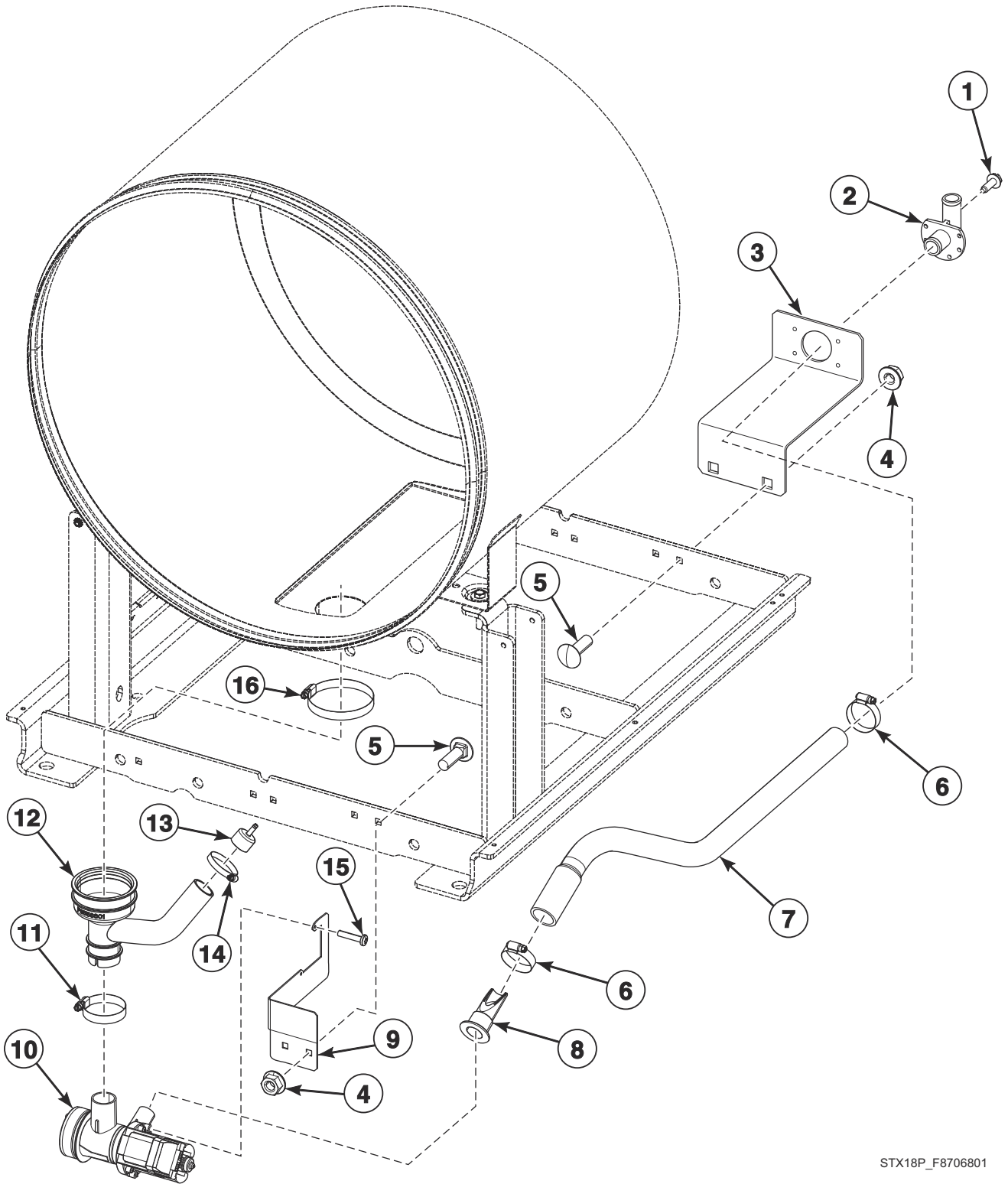


STX33P

Drain Plumbing

REF	PART NO.	DESCRIPTION	COMMENTS
	F8520002	Drain Valve Harness	
1	F200213	Hose Clamp	
2	F8684902	Overflow Hose	30 pound models
	F8684901	Overflow Hose	50 pound models
3	F8752101	Drain Tee	
4	44087201	Nut	
5	F8402801	Bolt	
6	70334702	Stud	
7	F200201	Hose Clamp	
8	F8543001	Rear Drain Hose	30 pound models
	F8543201	Rear Drain Hose	50 pound models
9	F8543101	Drain Valve Bracket	30 pound models
	F8543301	Drain Valve Bracket	50 pound models
10	70030401	Nut	
11	202175	Screw	
12	F200166302	Drain Valve Kit	3 inch; 120 Volt; Left; NO
	F200166402	Drain Valve Kit	3 inch; 230 Volt; Left; NO; Includes item 14
	F8577201	Drain Valve Kit	3 inch; 230 Volt; Right; NO
13	F8541901	Drain Hose	
14	36802	Hose Clamp	
15	F8579301	Pressure Cap	
16	39282	Hose Clamp	
17	F8405301	Hose	
18	F422500	Connector	
19	F200133600	Drain Valve Cover	

Pump Drain Plumbing

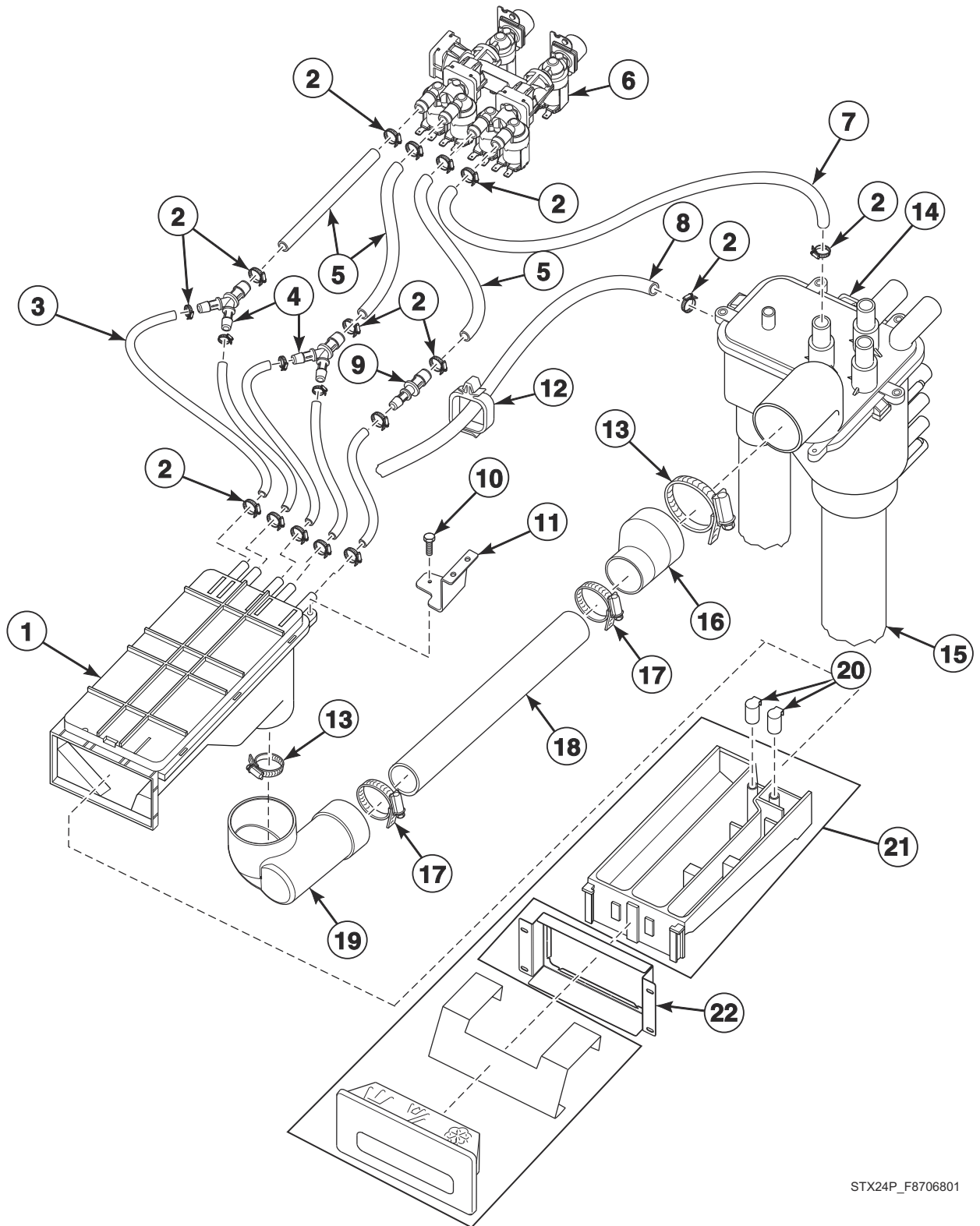


STX18P_F8706801

Pump Drain Plumbing

REF	PART NO.	DESCRIPTION	COMMENTS
	27154	Drain Hose	Hose to standpipe
	F8520002	Drain Valve Harness	
	F8117601	Screw	
1	F8206901	Screw	
2	35766	Drain Hose Elbow	
3	F8705601	Bracket	Upper; Elbow mount
4	44087201	Nut	
5	F8402801	Bolt	
6	F200204	Hose Clamp	
7	F8557002	Pump Drain Rear Hose	30 pound models
	F8557202	Pump Drain Rear Hose	50 pound models
8	800310	Backflow Preventer	
9	F8557101	Pump Drain Bracket	30 pound models
	F8557301	Pump Drain Bracket	50 pound models
10	805723	Pump Drain and Bracket Assembly	120 Volt/60 Hertz; Yellow
	805613	Pump Drain and Bracket Assembly	208-240 Volt/60 Hertz; Red
11	F200215	Hose Clamp	
12	F8556601	Pump Drain Hose	
13	F8579301	Pressure Cap	
14	36802	Hose Clamp	
15	F8658501	Screw	
16	F200219	Hose Clamp	

Fill Plumbing

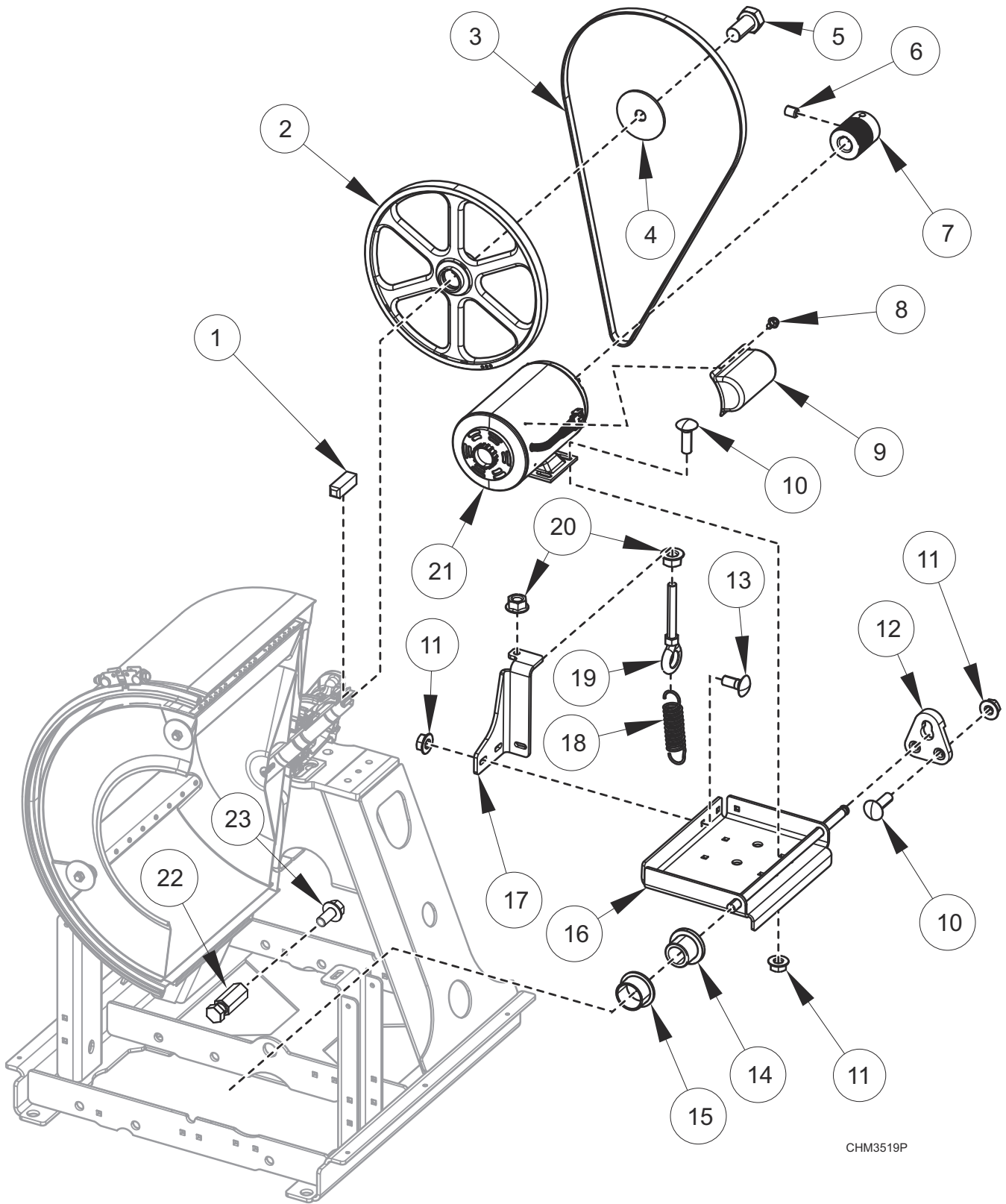


STX24P_F8706801

Fill Plumbing

REF	PART NO.	DESCRIPTION	COMMENTS
	F8665601	Water Hose Kit	Standard thread; Red (hot); Includes 20290 Washer and 803615 Washer Filter
	F8665603	Water Hose Kit	Standard thread; Blue (cold); Includes 20290 Washer and 803615 Washer Filter
	F8665602	Water Hose Kit	Metric thread; Red (hot); Includes 20290 Washer and 803615 Washer Filter
	F8665604	Water Hose Kit	Metric thread; Blue (cold); Includes 20290 Washer and 803615 Washer Filter
	F8230301	Screw	
	526497	Screw	
	F8197701	Cap	
	F140605	Cable Tie	
	F8702101	Fill Valve Harness	
	F150443	Plug	
	521546	Dispenser Siphon Cap	
	203386	Check Valve Kit	IEC models
1	F8697601	Dispenser Assembly	
2	36801	Hose Clamp	
3	F8691401	Hose	
4	F8699401	Y Reducer	
5	F8232007	Hose	30 pound models
	F8232011	Hose	50 pound models
6	F8690601	Valve	Standard
	F8690602	Valve	Metric
7	F8598501	Auxiliary Fill Hose	
8	F8701201	Vent Hose	
9	F8699301	Reducer	
10	430497	Screw	
11	F8712401	Dispenser Mount	Rear
12	F8449501	Wire Clip	
13	F200215	Hose Clamp	
14	F8697801	Mixer Assembly	
15	F8685001	P-Trap Hose	Use F200201 Hose Clamp
16	F8689001	Hose Coupling	
17	F200213	Hose Clamp	
18	F8695204	Chemical Supply Hose	30 pound models
	F8695203	Chemical Supply Hose	50 pound models
19	F8702001	Dispenser Outlet Elbow	
20	521546	Dispenser Siphon Cap	
21	F8713401	Dispenser Handle Assembly	Includes drawer
22	F8712301	Dispenser Mount Bracket	

Motor, Pulley and Belt - 30 Pound Models



CHM3519P

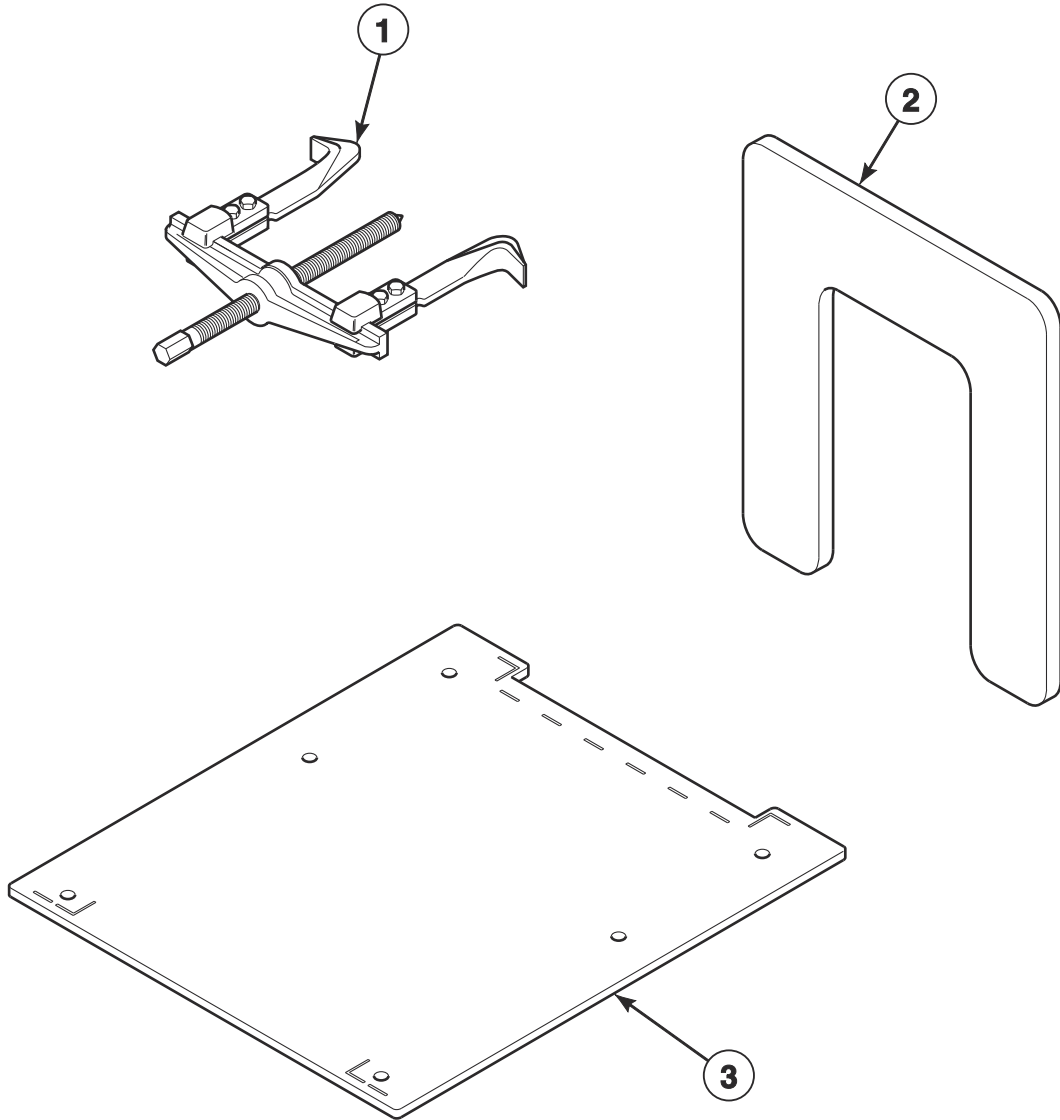
Motor, Pulley and Belt - 30 Pound Models

REF	PART NO.	DESCRIPTION	COMMENTS
	F8682501	Motor Harness	1 hp; 120-240 Volt; CSA models
	F8682502	Motor Harness	1 hp; 380-480 Volt; CSA models
	F8682505	Motor Harness	1 hp; 120-240 Volt; IEC models
	F8682506	Motor Harness	1 hp; 380-480 Volt; IEC models
	F8748601	Spring Stud Kit	Includes items 22 and 23; Use to replace F8351902 Eye Bolt and 44087201 Nut connected to eye bolt
1	F430801	Key	
2	F8511701	Basket Pulley	
3	F8382812	Belt	Poly-V; 690J6
4	F431115	Washer	
5	F8574001	Screw	
6	M400077	Screw	
7	F8525301	Motor Pulley	
8	23222	Screw	
9	70521901	Motor Conduit Mounting Bracket	
10	F8402801	Bolt	
11	44087201	Nut	
12	F8441101	Motor Rod Plate	
13	F8402801	Bolt	
14	F8535202	Flanged Isolator	
15	F8333302	Flanged Bushing	
16	F8589001	Motor Bracket Weldment	
17	F8581201	Spring Bracket	
18	F310124	Extension Spring	
19	F8319503	Eye Bolt	
20	44087301	Nut	
21	F8509601P	Motor	1 hp; 230 Volt
	F8509701	Motor	1 hp; 460 Volt
22	F8634701	Stud	
23	70126104	Screw	

Motor, Pulley and Belt - 50 Pound Models

REF	PART NO.	DESCRIPTION	COMMENTS
	F8682503	Motor Harness	2-3 hp; 240 Volt; B and X voltage; CSA models
	F8682504	Motor Harness	2-3 hp; 480 Volt; N and P voltage; CSA models
	F8682507	Motor Harness	2-3 hp; 240 Volt; B and X voltage; IEC models
	F8682508	Motor Harness	2-3 hp; 480 Volt; N and P voltage; IEC models
	F8748601	Spring Stud Kit	Includes items 15 and 16; Use to replace F8351902 Eye Bolt and 44087201 Nut connected to eye bolt
1	F430801	Key	
2	F8511701	Basket Pulley	
3	F8382813	Belt	Poly-V; 717J8
4	F8574001	Screw	
5	M400077	Screw	
6	F431115	Washer	
7	F8564101P	Motor	2 hp; 230/460 Volt
8	F8525301	Motor Pulley	
9	F8402801	Bolt	
10	F8441101	Motor Rod Plate	
11	44087201	Nut	
12	F8589002	Motor Bracket Weldment	
13	F8535202	Flanged Isolator	
14	F8333302	Flanged Bushing	
15	F8634701	Stud	
16	70126104	Screw	
17	F8319503	Eye Bolt	
18	F8581201	Spring Bracket	
19	44087301	Nut	

Special Tools and Kits



CHM3486P_F8706801

Special Tools and Kits

REF	PART NO.	DESCRIPTION	COMMENTS
	1111P	Concrete Kit	5/8 inch
	389P4	Basket Tool Kit	Purchase; Requires item 1
	390P4-1	Basket Rental Tool Kit	Rental; Requires item 1
	203346	USB IR Interface Kit	
1	F460129P	Basket Puller Tool	
2	F8608502P	Basket Pulley Puller Tool	Use with item 1
3	F8433401	Frame Template	30 pound models
	F8433501	Frame Template	50 pound models

Labels - Washer-Extractor

PART NO.	DESCRIPTION	COMMENTS
F8614501	Danger Label	English/Quebec/French
44324001	Warning Label	Pinch/Shock; English/French
F8614201	Shock Warning Label	Icon
F8615701	Pinch Warning Label	Icon
F8614301	Hot Surface Warning Label	English/Quebec/French
F8609001	Hot Surface Warning Label	Icon
F8601301	Label	Warning; Underground components
F8609401	Label	Notice; Chemical connection
F8611301	Label	Hot water; Icon
F8611401	Label	Cold water; Icon
F8611601	Warning Label	Warning; English/Quebec/French
F8602401	Label	Notice; Large expansion board
70538401	Pinch Warning Label	English/French
F8615701	Pinch Warning Label	Icon
F8614801	Label	Warning fire/injury; English/Quebec/French

Parts Index

A

Access Panel	
F8683601	65
F8688501	65
Access Panel Bracket	
F8702601	65, 69
Adapter	
70131901	49
70131902	49
Air Duct	
70580801	35
70588601	37
Airflow Switch and Arm Bracket	
70319602	45
Airflow Switch Arm	
70319401	45
Airflow Switch Kit	
70429601P	45
Airflow Switch Vane	
70319201	45
Airflow Switch Wrapper	
70356101	45
Anti-Rattle Burner Assembly	
70546701	47
App Pay Overlay Kit	
44374701	9
Auxiliary Contact Block	
44313201	55
Auxiliary Fill Hose	
F8598501	83

B

Back Cover	
F8683901	67
F8688301	67
Backflow Preventer	
800310	81
Base Harness	
70609001	57
Basket	
F8391502	75
F8391702	75
Basket Puller Tool	
F460129P	89
Basket Pulley	
F8511701	85, 87
Basket Pulley Puller Tool	
F8608502P	89
Basket Rental Tool Kit	
390P4-1	89
Basket Tool Kit	
389P4	89
Bearing	
F100108	77
F100123P	77
F100134	77
F100137P	77

Bearing Housing	
F8246802	77
F8249902	77
Bearing Housing Assembly	
F8271701P	77
F8271801P	77
Belt	
F8382812	85
F8382813	87
Blind Rivet	
F8245101	27, 29
Blower Assembly	
70302201P	43
70359801P	43
Blower Housing Cover Assembly	
70322802	43
70341402	43
Blower Housing Outlet Gasket	
70302802	41
70340402	41
Blower Housing Scroll	
70340801	43
Blower Inlet Cone	
70014101	43
70303101	43
Blower Motor Mounting Plate	
70341001	43
Bolt	
F8270701	73
F8402801	69, 79, 81, 85, 87
F8680901	71
Bracket	
F8705601	81
70610501	25
70634201	25
Bracket Assembly	
70531701	55
Burner Grill	
70188801	47
70306501	47
Burner Orifice	
70684105	51
70684106	51
70684108	51
70684109	51
70684110	51
70684111	51
70684112	51
70684113	51
70684114	51
70684116	51
70684117	51
70684118	51
70684120	51
70684123	51
70684133	51
70684135	51
70684137	51
70684139	51
70684142	51
70684144	51
70684146	51
70684149	51

N/A items do not appear in index.

Bushing	
44052701	17
70346501	61
Bypass Harness	
44334103	27

C

Cable Tie	
F140605	83
70335601	55
Cap	
F8197701	83
Caution Label	
70535101	56
Center Cylinder Seal	
70066003	35
70066005	37
Center Hinge Lug Assembly	
70640401	23
70640402	23
Center Pan	
70606001	35
70606701	37
Center Pan Channel	
70644401	35
70644501	37
Center Partition	
70639101	37
70639201	35
Central Pay Board Harness	
44355604	17
Central Pay Harness	
44355603	17
44355605	17
Check Valve Kit	
203386	83
Chemical Injection Control	
F8497401	61
804528	61
Chemical Supply Hose	
F8695203	83
F8695204	83
Circuit Breaker	
70488101	55
70488102	55
Clip	
F8684301	67
70226701	35, 37, 41
Clip Keeper Bracket	
70604901	25
Clip Mount Bracket	
70604801	25
Coin Drawer Assembly	
F8182001	19
Coin Drop	
38963P	13
39748	13
70441601	13
70441603	13
Coin Drop Assembly	
201141	13
210195	13
210196	13

38462P	13
38463	13
38467	13
38519	13
70281102	13
70283102	13
70441602	13
70447301	13
70471601	13
70482401	13
70506901	13
Coin Drop Kit	
CK077	13
CK122	15
Coin Identification Paper	
38464P	13
38475	13
Coin Meter	
F0160737-00	13
Coin Vault Switch Harness	
44334102	27
Communication Harness	
F8682201	61
Concrete Kit	
1111P	89
Connector	
F422500	79
Connector Cover	
70525701	53
Contactora	
70482601	55, 61
70482701	55
Contactora Harness	
F8685101	61
Control Assembly	
F8701401	11
F8746201	9
70479801	11
70576201P	9
Control Bezel	
70642001	27
Control Board Tray	
70520801	55
70527101	55
Control Bracket	
70581001	9
70581002	9
70581101	9
Control Door and Studs Assembly	
70641803	11
Control Door Latch	
431318	9, 11
Control Housing Cover	
70307011	17
Control Tray Assembly	
F8689602	61
F8690503	61
F8690504	63
F8690506	63
Control Tray Cover	
F8681701	67
Control Tray Support	
F8701001	61
Conversion Kit	
70559304	55

N/A items do not appear in index.

Cylinder Assembly	
70372502P	31
70372902P	31
Cylinder Bearing Stud Plate Assembly	
430352	33, 35, 37
Cylinder Guide Tool	
263P4	31
Cylinder Shroud	
70301901	37
70301902	37
70339301	35
70339302	35

D

Danger Label	
F8614501	56, 90
DIN Rail	
B12315401	61
Dispenser Assembly	
F8697601	83
Dispenser Handle Assembly	
F8713401	83
Dispenser Mount	
F8712401	83
Dispenser Mount Bracket	
F8712301	83
Dispenser Outlet Elbow	
F8702001	83
Dispenser Siphon Cap	
521546	83
Door	
F8651401	71
F8651501	71
Door Assembly	
F8617312	71
F8617412	71
44354702	21
70597702	21, 23
Door Bezel	
F8658901	65
F8659101	65
Door Catch Kit	
70482901	27
Door Gasket	
F8111502	71
F8111602	71
Door Glass	
F8485301P	71
F8485401P	71
M400784P	21, 23
44008401P	21
Door Glass Installation Tool	
M4221P4	21
Door Glass Seal Kit	
70211901P	21, 23
Door Glass Trim	
F8583202	71
F8583203	71
Door Handle	
F8624603	71
44007901	21
44007902P	21, 23

Door Handle Spaer	
F8223701	71
Door Hinge	
70595502	21
70632708	23
Door Hinge Assembly	
F8647401	71
44366607	23
70596601	21
Door Hinge Lug Assembly	
70601005	21
70601008	21
Door Hinge Shim Kit	
F200131000P	71
Door Latch	
M401223	27
Door Latch Arm Assembly	
F8221403	71
Door Lock Assembly	
F8632401	73
Door Lock Catch	
F8344501	73
Door Lock Cover	
F8245001	73
Door Lock Harness	
F8520202	73
Door Lock Microswitch	
F200203200	73
Door Lock Plate Assembly	
F8223202	73
Door Lock Plate Shim	
F83344401	73
Door Lock Solenoid Replacement Kit	
F977P3	73
Door Lock Switch Lever	
F8223401	73
Door Ring Gasket	
70296801	21, 23
70296802	21
Door Seal Kit	
70211902P	21
Door Switch Actuator	
70532101	21
70532102	21
Dowel Pin	
F8388201	77
Drain Hose	
F8541901	79
27154	81
Drain Hose Elbow	
35766	81
Drain Tee	
F8752101	79
Drain Valve Bracket	
F8543101	79
F8543301	79
Drain Valve Cover	
F200133600	79
Drain Valve Harness	
F8520002	79, 81
Drain Valve Kit	
F200166302	79
F200166402	79
F8577201	79

N/A items do not appear in index.

Drive Assembly	
F8495401P	59
F8496001	59
Drive Communication Harness	
F8682001	59
Drive Motor	
44259501P	39
44259601P	39
70478601P	39
70485001P	39
Drive Mounting Bracket	
F8322401	59
Drive Panel Assembly	
F8689601	59, 61
F8689602	59
F8689603	59
Drive Plate	
70571901	39
Drive Power Harness	
F8518601	59
F86822101	59
F86822102	59
F86822103	59
Drywall Screw Magnet Kit	
70343101P	31
Duct Cover	
70478101	41
Duct Damper	
70307301	41
70343501	41

E

Electric Sub Panel	
F8683401	59
Electronic Coin Drop Assembly	
70294107	13
70513302	13
70513303	13
70513304	13
70513306	13
70513308	13
70513309	13
70513310	13
70513311	13
70513312	13
70513313	13
70513314	13
70513315	13
70513316	13
Electronic Coin Drop Kit	
CK099	15
CK100	15
CK101	15
CK108	15
CK109	15
CK110	15
CK113	15
CK115	15
CK116	15
CK117	15
CK118	15
CK119	15
CK120	15
CK121	15

Emergency Stop Bypass Harness	
F8519403	57, 63
EMI Filter	
F8591601	55, 63
F8591801	63
F8637501	55, 63
EMI Filter Kit	
70610101	55
70610102	55
70610103	55
70610104	55
End Cap	
70070101	31
End Stop	
F8449801	55, 61
Excluder Seal	
F8336901	75
F8337001	75
Exhaust Assembly	
F8691602	41
F8691603	41
70478001	41
70644101	41
Exhaust Duct	
F8690102	41
F8690301	41
70643701	41
70643801	41
Exhaust Duct Cover	
F8690401	41
70643901	41
Exhaust Duct Damper Plate	
F8684601	41
70644001	41
Exhaust Duct Gasket	
70302803	41
70340403	41
Exhaust Duct Pad	
70302804	41
70340404	41
Exhaust Duct Partition	
70302601	41
Exhaust Pipe	
44154301	41
Exhaust Pipe Assembly	
70425801	41
Expansion Clip	
70030501	17, 35, 37, 55, 59, 61, 65, 67, 69, 73
Extension Spring	
F310124	85
Eye Bolt	
F8319503	85, 87

F

Fan Motor	
70478701P	43
70484901P	43
Fill Valve Harness	
F8702101	83
Filter Input Power Harness	
44316003	57
44316004	57

N/A items do not appear in index.

Filter Output Power Harness	
44316009	57
44316010	57
Flanged Bushing	
F8333302	85, 87
Flanged Isolator	
F8535202	85, 87
Foam Gasket	
70598101	29
Forward Valve Cover	
70328201	49
Frame Template	
F8433401	89
F8433501	89
Front Air Duct	
70573701	35
70573702	35
70588301	37
70588302	37
Front Panel	
F8642701	65
F8642702	65
F8642703	65
F8642704	65
F8687201	65
F8687202	65
F8687203	65
F8687204	65
F8712501	65
F8712502	65
F8712601	65
F8712602	65
Front Panel Seal	
70173401P	25
F8681601	
F8681601	61
F8700801	61
F8700901	61

G

Gas Burner	
70229801P	47
Gas Valve	
44154507	49
44154508	49
Gas Valve Cover	
70233401	47
Gas Valve Harness	
44273501	49
Gasket	
70289101P	25, 41
70392701P	43
Gateway	
204145P	17
Ground Lug Connector	
M411283	55, 61

H

Harness	
F8528005	63
F8528006	63

F8598302	75
F8702401	17
44309005	57
44309006	57
44309015	57
44309016	57
44316005	57
44316006	57
70500503	57
70500504	57
Heat Control Harness	
44334604	57
44334605	57
Heater Element	
70034401P	53
70034402P	53
70034403P	53
70034417	53
70034418P	53
High Altitude Orifice Kit	
70609909	51
70609910	51
70609911	51
70609912	51
High Voltage Suppression Cable	
44239701	49
Hinge Cam Kit	
70622401	21
Hold-Down Clip	
35865	25
Hose	
F8232007	83
F8232011	83
F8405301	79
F8691401	83
Hose Clamp	
F200201	79
F200204	81
F200213	79, 83
F200215	81, 83
F200219	81
36801	83
36802	79, 81
39282	9, 11, 79
Hose Coupling	
F8689001	83
Hot Surface Warning Label	
F8609001	56, 90
F8614301	56, 90

I

Idler Wheel Assembly	
70050401P	39
Igniter Cover	
70159601	47
Ignition Control	
70482001	55
70482002	55
Ignition Keeper Orifice Bracket	
70539901	49
Input and Output Control Assembly	
F8494101P	61

N/A items do not appear in index.

Insulator	
M413862	55, 61, 63
Inverter Contactor Coil Harness	
44334702	57
Inverter Motor Harness	
44335303	57
I/O Control Assembly	
70479201P	55

J

Jumper Bar	
70066501	53
Jumper Harness	
70500505	53
70500506	53
Jumper Strip	
M400869	53
Junction Box Base Assembly	
70531401	55
70531501	55
70607201	55
Junction Box Harness	
70561501	57
Junction Box Side	
70520601	55
70526401	55
70560701	55

K

Key	
F160420	19
F430801	85, 87
70155601	27
70155602	29

L

Label	
D516100	55, 61
F8601301	90
F8602401	90
F8609401	90
F8611301	67, 90
F8611401	67, 90
F8614801	90
44286801	55, 61
44286803	55, 61
Label Kit	
F8605500	56
F8614500	56
70534300	25
Latch Mounting Bracket	
70184501	11
Left Panel	
F8710704W	69
F8710804W	69
F8710904W	69
F8711004W	69
Lever Arm and Belt Kit	
70655102	39

70655103	39
Lever Arm and Bushing Assembly	
70653801	39
Limit Thermostat	
44328001	43
44328005	47
44328007	53
44328104	47
70530901	43
Lint Box Gasket	
70593901	27
Lint Door Support	
70594401	29
70598201	29
Lint Front Assembly	
70567401	29
70588101	29
Lint Screen Assembly	
70596101	29
70596102	29
Lint Screen Bracket	
70595701	29
70595702	29
Lint Screen Shim	
70605601	29
Lint Seal Shoulder Bracket	
70605701	27
Lock Pull	
70642201	29
Lock, Key and Nut Kit	
44089301P	27
70722301	29
Lower Hinge Gusset	
70632002	23
Lower Lug Assembly	
70639302	23
L.P. Conversion Kit	
70550208	49
70550209	49
70550210	49
70551907	49
70551908	49
L.P. Valve	
44154504	49

M

Machine ID Control Assembly	
203361P	9
Magnet	
F8390801	71
70343101	29
Main Harness	
70608901	57
Mixer Assembly	
F8697801	83
Motor	
F8509601P	85
F8509701	85
F8564101P	87
Motor Bracket Weldment	
F8589001	85
F8589002	87

N/A items do not appear in index.

Motor Conduit Bracket 44317901	43
Motor Conduit Mounting Bracket 70521901	39, 85
Motor Contactor Power Harness 44280002	57
44280004	57
44280008	57
44280009	57
44280011	57
44280013	57
Motor Harness F8682501	85
F8682502	85
F8682503	87
F8682504	87
F8682505	85
F8682506	85
F8682507	87
F8682508	87
Motor Mount Plate 70564201	39
Motor Pulley F8525301	85, 87
70559101	39
Motor Rod Plate F8441101	85, 87
Mounting Bracket 70604001	17

N

Nameplate F8443106	27
F8664901	27
F8688001	27
F8688901	27
Notice Label D516073	56
F8609501	56
44321501	56
70534201	56
70535901	49
70539601	56
70544901	49
Nut C001236	71
F430215	69, 71
F430218	75
F430225	73
F430232	71, 73
F431024	73
F431041	71
F8387701	77
M400022	33, 43
M400034	33, 43
M412986	31, 33
M414215	21, 23
Q6163	53
29786	43
430576	35, 37
44087101	11, 29
44087201	39, 69, 79, 81, 85, 87
44087301	39, 75, 85, 87
44088001	9, 21, 23, 61
44088801	27, 29

44333202	39
56156	39
70030401	25, 35, 37, 65, 69, 79
70288801	35, 37
N.G. Valve 44154503	49

O

Opto Coupler 200674P	13
Orifice Adapter 70552801P	49
Orifice Holder Bracket 70248901	49
Overflow Hose F8684901	79
F8684902	79
Overlay F8701601	11
70642801	11

P

Panel Latch 70399201	29
Panel Locator 56079	41, 65, 67, 69
Panel Lock 44089304	27
44390902	29
Pin F8302701	75
70071401	21
Pinch Warning Label F8615701	56, 90
70538401	56, 90
Pipe Clip 70203701	47
Plate Assembly 70633001	9
70633002	9
70633003	9
70633004	9
70633005	9
70633006	9
Plug F150443	83
F8223901	67
M400985	61, 67
Pop Rivet F431223	71
M400003	9, 11, 61
44166601	27
70058501	21, 23, 25, 35, 37, 49, 61, 69
Porcelain Touch-Up Paint 122P4P	35, 37
Power Distribution Block M413865	55
Power Distribution Block Cover 44014901	55

N/A items do not appear in index.

Power Harness	
F8681801	61
F8681802	61
F8681901	61
F8682301	61
F8682302	61
F8710401	63
F8710402	63
F8710501	63
F8710502	63
F8711101	63
44272102	57
44272103	57
44280102	57
44280103	57
70500601	55
Power Supply Transformer Harness	
44272303	17
Pressure Cap	
F8579301	79, 81
Pressure Sensor	
F8623401	9, 11
Pressure Sensor Harness	
F8682401	9
F8682402	11
Primary Air Adjustment Sleeve	
70239801	49
P-Trap Hose	
F8685001	83
Pump Drain and Bracket Assembly	
805613	81
805723	81
Pump Drain Bracket	
F8557101	81
F8557301	81
Pump Drain Hose	
F8556601	81
Pump Drain Rear Hose	
F8557002	81
F8557202	81
Pushbutton Switch	
70413301	27

R

Rear Bearing Shim	
70355001	33
Rear Center Pan	
F8708301	67
F8708401	67
Rear Cylinder Bearing Housing	
70013901	33
Rear Cylinder Channel	
70257101	31
70305201	31
Rear Cylinder Channel Plate	
70257201	31
70305301	31
Rear Cylinder Seal	
70013701P	33, 35
70013703P	33, 37
Rear Cylinder Seal Support	
70506402	33, 35
70506403	33, 37

Rear Drain Hose	
F8543001	79
F8543201	79
Rear Panel	
70580701	35
70580702	35
70588501	37
Rear Valve Cover	
70282401	49
Reducer	
F8699301	83
Reed Switch Assembly	
F8066804	27, 73
Reed Switch Box	
70606301	27
Retaining Ring	
F8337801	77
F8345001	77
Right Panel	
F8710703W	69
F8710803W	69
F8710903W	69
F8711003W	69
Rivet	
M412763	65
Roller and Seal Kit	
70616701	35, 37
Roller Seal	
70443601	35, 37
Roller Shaft	
70249501	35, 37
Roller Support Bracket	
70584901	35
70588901	37

S

Screw	
D503688	63
FR004022	21
F430144	39
F430533	71
F8117601	65, 73, 81
F8206901	55, 61, 67, 69, 81
F8230301	83
F8368801	77
F8442702	77
F8535501	71
F8574001	85, 87
F8621601	75
F8658501	81
F8673701	75
M400077	85, 87
M400661	21, 23
M411072	17
05161	47, 65
202175	65, 79
203799	9
23222	43, 85
430497	17, 27, 29, 31, 35, 37, 41, 43, 45, 47, 49, 53, 55, 61, 67, 83
430757	45
44349101	21, 23
51780	17, 43, 55
51783	55, 61, 63

N/A items do not appear in index.

526497	83	Spring Bracket	
62588	31	F8581201	85, 87
685837	61	Spring Catch Bracket	
70126101	43	70543401	39
70126104	39, 85, 87	Spring Pin	
70275801	41, 67, 69	F431222	71
70356301	59	Spring Stud Kit	
70391101	31	F8748601	85, 87
70436301	21	Standoff	
70442101	21, 23	70569603	39
70501301	39	Steam Control Harness	
70508301	39	44273602	57
70546301	39	Stove Back	
70576101	21	70371501	47
70640201	23	70375201	47
70640301	23	Stove Grill	
802822	23	70214901	53
804608	11	Stove Limit Harness	
Seal Scupper Pad		70564301	47, 49
F8350301	77	70564303	53
F8350302	77	Stove Partition	
Shaft Seal Sleeve Kit		70357201	53
F8343904P	75	Stove Top and Sides	
F8343906P	75	70306001	47
Sheet Metal Edge Gasket		70333401	47
70015707	37	70525601	53
70015708	37	Strain Relief	
70015711	35	44368601	67
70015712	35	Street Elbow	
Shell		F422304	49
F8512201	75	Stud	
F8512203	75	F8231001	69
F8514001	75	F8634701	85, 87
F8514003	75	70334702	79
Shell Band Kit		Suction Cup	
F8357802	75	70633801	9, 11
F8537803	75	Supply Harness	
Shell Front		44272306	17
F8652901	75	Support Bearing	
F8653001	75	70448701	33
Shock Warning Label		Switch	
F8614201	56, 90	70411901	45
F8614401	56	Switch Bracket	
Side Panel		70356301	45
70607401W	35		
70607501W	37		
70639501W	35		
70639601W	37		
Side Panel Brace Bracket			
F8710601	69		
Snap Bushing			
M400770	49		
M402542	49		
M411826	9, 11		
44071501	17, 55		
70476001	55		
Spacer			
F431901	73		
70488403	39		
Spark Electrode			
70548701P	47		
Spray Paint			
298P4P	35, 37		
Spring			
70571801	39		

T

Temperature Probe Grommet	
2251000400	75
Tensioning Bracket	
70569501	39
Terminal	
00622SG	61
Terminal Block	
430642	55, 61, 63
Terminal Block Shield	
70333001	55, 61, 63
Thermistor	
F8538801	75
M414704	43
Thermostat Cover	
M414477	47

N/A items do not appear in index.

Top Panel	
70605801	35
70606501	37
Torsion/Door Lock Spring	
F8070301	73
Transformer	
F8491101	55, 61
202757	17, 61
202758	17, 61
Transformer Harness	
F8702501	61
F8702502	61
44272304	17
44272305	17
Triple Lip Seal	
F8203802	77
F8203803	77
Trunnion and Seal Kit	
70564803	31
70564805	31
Tubing	
203478	9, 11

U

Upper Front Panel	
70643401	25
Upper Front Panel Assembly	
70643201	25
70702304	25
70703504	25
Upper Hinge Gusset	
70632001	23
Upper Lug Assembly	
70639301	23
USB IR Interface Kit	
203346	89

V

Valve	
F8690601	83
F8690602	83
Valve Panel	
F8688201	67
Valve Support Bracket	
F8701101	67
70502601	49
Vault Front Plate	
F8689901	19
Vend Activation Harness	
70577101	9, 11
Vent Hose	
F8701201	83

W

Warning Label	
F8611601	56, 90
44321601	56
44324001	90

44324101	56
70534301	25
70534302	25
70534305	56
70536301	56
Washer	
F430339	77
F431115	85, 87
F431133	71
F431916	71
F8193101	73
F8402701	75
M400080	69, 75
M400081	75
M400991	33, 43
70261401	35, 37
70411301	31
Water Hose Kit	
F8665601	83
F8665602	83
F8665603	83
F8665604	83
Wire Channel	
70301101	35, 37
Wire Clip	
F8449501	67, 83
70366201	17
Wire Guard	
201595P	13
Wire Label	
44286804	55, 61

Y

Y Reducer	
F8699401	83

N/A items do not appear in index.