

Service Manual for Stacked Drying Tumbler

(30 Pound Capacity)

(For Models From Serial No. DTCK9401011756)

KEEP THIS MANUAL FOR FUTURE REFERENCE

Table of Contents

Replacement Parts Information	3	SECTION II — Adjustments	
Important, Rules for Personal Safety	3	35. Leveling Legs	31
Serial Plate Location	5	36. Main Gas Burner Air Shutter	31
 		37. Airflow Switch	32
SECTION I — Service Procedures		38. Cylinder Door Switch	33
1. Introduction	6	39. Cylinder Door Strike	33
2. Loading Door Assembly	6	40. Belt Guard Switch	33
3. Door Hinge	7	41. Drive Belt Tension	33
4. Door Bar/Handle	7	42. Cylinder Belt Tension	33
5. Front Panel	8	 	
6. Door Switch	9	SECTION III — Service Helps	
7. Electromechanical Control	9	43. Motor Does Not Start	34
8. Electronic Control	10	44. Motor Overload Protector Cycles	
9. Fuse and Fuse Holder Assembly	11	Repeatedly	35
10. Coin Drop Assembly	12	45. Motor Runs But Cylinder Does Not Turn	35
11. Lint Screen	12	46. Motor Does Not Stop	35
12. Lint Drawer Seal	12	47. Burner Does Not Ignite	36
13. Lint Drawer Switch	12	48. Burner Ignites and Goes Out Repeatedly	37
14. Cylinder Rollers	13	49. Burner Does Not Shut Off	38
15. Cylinder Belt	13	50. Clothes Do Not Dry	38
16. Cylinder Idler Assembly	13	51. Tumbler Overheating	39
17. Cylinder and Trunnion Assembly	15	52. Burners Not Burning Properly	39
18. Trunnion Bearing Assembly	15	53. Cylinder Door Opens During Operation	39
19. Trunnion Assembly	16	 	
20. Cylinder Seal (Rear or Front)	17	SECTION IV —	
21. Roller Shaft	19	Electronic Control Troubleshooting	40
22. Air Duct Roller Support Assembly	19	 	
23. Air Duct Roller Support Seals	20	SECTION V — Special Tools	40
24. Airflow Switch	20		
25. Stove High Limit Thermostat	20		
26. Burner System Components	21		
27. Temperature Sensor	25		
28. Cabinet High Limit Thermostat	25		
29. Belt Guard and Belt Guard Switch	26		
30. Drive Belt	26		
31. Drive Idler Wheel	27		
32. Fan	28		
33. Fan Bearing, Shaft and Housing			
Assembly	29		
34. Motor	30		

IMPORTANT: Warranty is void unless tumbler is installed according to the installation manual. Compliance with minimum specifications and requirements detailed therein, and with applicable local codes is a **MUST**. Because of varied requirements, applicable local codes should be thoroughly understood and all pre-installation work arranged for accordingly.

Installation must also conform with American National Standard Z223.1-1984 "National Fuel Gas Code" and Standard ANSI/NFPA 70-1984 "National Electrical Code" in the U.S.A., Standards CAN1-B149.1 OR CAN1-B149.2 installation codes for gas burning appliances and equipment in Canada and/or local codes.

▲ WARNING

FAILURE TO INSTALL, MAINTAIN, AND/OR OPERATE THIS MACHINE ACCORDING TO MANUFACTURER'S INSTRUCTIONS MAY RESULT IN CONDITIONS WHICH CAN PRODUCE SERIOUS INJURY, DEATH AND/OR PROPERTY DAMAGE.

NOTE: The **WARNING** and **IMPORTANT** instructions appearing in this manual are not meant to cover all possible conditions and situations that may occur. It must be understood that common sense, caution and carefulness are factors which **CANNOT** be built into this tumbler. These factors **MUST BE** supplied by the person(s) installing, maintaining or operating the tumbler.

Always contact your dealer, distributor, service agent or the manufacturer on any problems or conditions you do not understand.

FOR YOUR SAFETY

IF YOU SMELL GAS

1. Open windows
2. Don't touch electrical switches
3. Extinguish any open flame
4. Immediately call your gas supplier

CONSIGNES DE SÈCURITÈ

Si vous sentez une odeur de gaz:

1. Ouvrez les fenêtrés
2. Ne touchez pas aux interrupteurs électricques
3. Eteignez toute flamme nue
4. Contactez immédiatement votre compagnie de gaz

FOR YOUR SAFETY

Do not store or use gasoline or other flammable vapors and liquids in the vicinity of this or any other appliance.

CONSIGNES DE SÈCURITÈ

Il est interdit d'entreposer ou d'utiliser des liquides inflammables ou dégagant des vapeurs inflammables, à proximité de tout appareil fonctionnant au gaz.

IMPORTANT: Purchaser must consult the local gas supplier for suggested instructions to be followed if the tumbler user smells gas. The gas utility instructions plus the warning note directly above must be posted in a prominent location near the tumbler for customer use.

© Copyright 1995 Ripon Service Parts Center
Product Publications
P.O. Box 990
Ripon WI 54971

All rights reserved. No part of the contents of this book may be reproduced or transmitted in any form or by any means without the written permission of the publisher.

REPLACEMENT PARTS INFORMATION

If replacement parts are required, contact the source from whom you purchased your tumbler or, contact RSPC, P.O. Box 990, Ripon, Wisconsin 54971-0990, for the name and address of the nearest authorized parts distributor.

IMPORTANT Rules For Personal Safety

(Save these instructions)

▲ WARNING

To reduce the risk of fire, electric shock, serious injury or death to persons when using your tumbler, follow these basic precautions:

DO NOT ALLOW CHILDREN TO PLAY IN, WITH OR AROUND THIS TUMBLER. SERIOUS INJURY MAY RESULT IF A CHILD SHOULD CRAWL INSIDE AND THE TUMBLER IS STARTED. THIS IS A SAFETY RULE FOR ALL APPLIANCES.

- Read all instructions before using the tumbler.
- Install this tumbler according to the installation instructions. All connections for gas supply, electrical power and grounding must comply with local codes and be made by licensed personnel when required.
- To minimize the possibility of electrical shock, make sure the tumbler has been properly grounded in accordance with the installation instructions.
- Because of hazards under certain conditions **DO NOT USE** an extension cord.
- **ALWAYS** disconnect the electrical power to the tumbler before servicing.
- To prevent damage which may result in fire or shock hazard, **DO NOT** expose this tumbler to rain or excessive moisture.
- Should your tumbler require service, **DO NOT** attempt to repair or replace any part or parts of your tumbler. All servicing should be referred to a qualified serviceman.
- **DO NOT** reach into the tumbler if the cylinder is moving.
- Before this tumbler is removed from service or discarded, remove the door to the drying compartment.
- Store laundry aids, dry cleaning solvents and disinfectants out of the reach of children (preferably in a locked cabinet) to help prevent poisoning or chemical burns.
- **DO NOT TUMBLE** fiber glass curtains and draperies unless the label says it can be done. If they are dried, wipe out the cylinder with a damp cloth to remove particles of fiber glass.

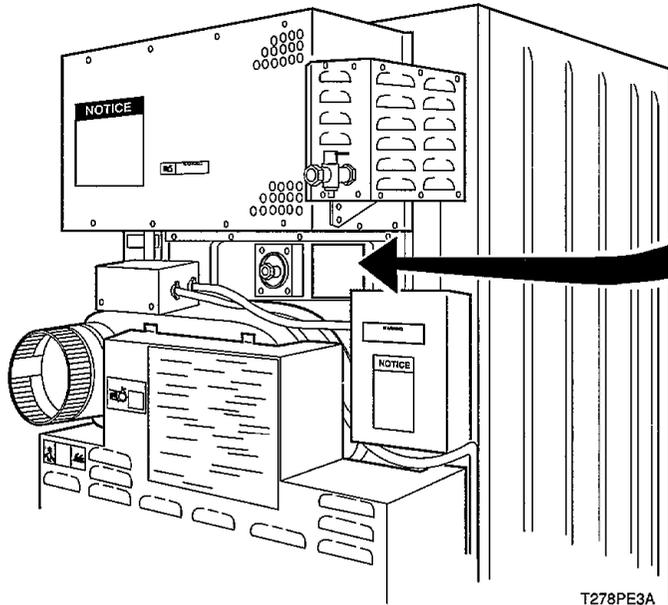
- **TO AVOID CREATING A FIRE, SPONTANEOUS COMBUSTION OR EXPLOSION HAZARD:**
 - **KEEP APPLIANCE AREA CLEAN AND FREE FROM COMBUSTIBLE MATERIALS.**
 - **Towels or garments heavily soiled with a cooking residue, machine oils or grease, must be thoroughly washed in hot water using an extra amount of strong heavy duty detergent and a long wash cycle before drying.**
 - **Remove laundry immediately after tumbler stops.**
 - **DO NOT place anything on top of the tumbler or drape items over the front of the tumbler.**
 - **DO NOT use flammable dry cleaning solvents, gasoline, kerosene or other flammable cleaners in or near the tumbler.**
 - **DO NOT put fabrics treated with flammable cleaners into the tumbler until they have been thoroughly air dried and then hand washed.**
 - **DO NOT put plastics, anything containing wax or chemicals such as in mops and cleaning cloths, or anything dry cleaned at home with a dry cleaning solvent in the tumbler.**
 - **DO NOT USE HEAT for drying articles containing foam rubber or similarly textured rubberlike materials.**
- **ALWAYS clean the lint filter daily. A layer of lint in the filter reduces drying efficiency and prolongs drying time.**
- **ALWAYS read and follow manufacturer's instructions on packages of laundry and cleaning aids. Heed all warnings or precautions.**

ALWAYS FOLLOW THE FABRIC CARE INSTRUCTIONS SUPPLIED BY THE GARMENT MANUFACTURER.

▲ WARNING

- **Install lockable door(s) to prevent public access to rear of tumblers.**
- **Never operate the tumbler with access panels open.**
- **Do not operate the tumbler with guards or parts missing, or with broken parts.**
- **Do not bypass any safety devices.**

Serial Plate Location



IMPORTANT
When writing for information on any tumbler, be sure to mention model and serial numbers. The model and serial numbers will be found on the serial plate as shown.

SECTION I

Service Procedures

▲ WARNING

To reduce the risk of electric shock, fire, explosion, serious injury or death:

- Disconnect electric power to the tumbler before servicing.
- Close gas shut-off valve to gas tumbler before servicing.
- Close steam gate valve to steam tumbler before servicing.
- Never start the tumbler with any guards/panels removed.
- Whenever ground wires are removed during servicing, these ground wires must be reconnected to ensure that the tumbler is properly grounded.

W002

1. INTRODUCTION

IMPORTANT: References made to the left or right hand direction are taken from the operator's position facing the front of the tumbler.

SAFETY WARNINGS AND DECALS

Safety Warnings and Decals have been provided in key locations to remind you of important precautions for the safe operation and maintenance of your tumbler. Please take the time to review these warnings before proceeding with service work.

All decals have been designed and applied to withstand washing and cleaning. Decals should be checked periodically to be sure they have not been damaged, removed, or painted. Refer to the Parts Manual for ordering replacement decals.

2. LOADING DOOR ASSEMBLY (Figure 1)

- Open loading door.
- While supporting door, remove upper hinge bolt holding door to hinge bracket.

NOTE: Nylon washer must be in place on lower pin when reinstalling loading door.

- Remove door from bracket.

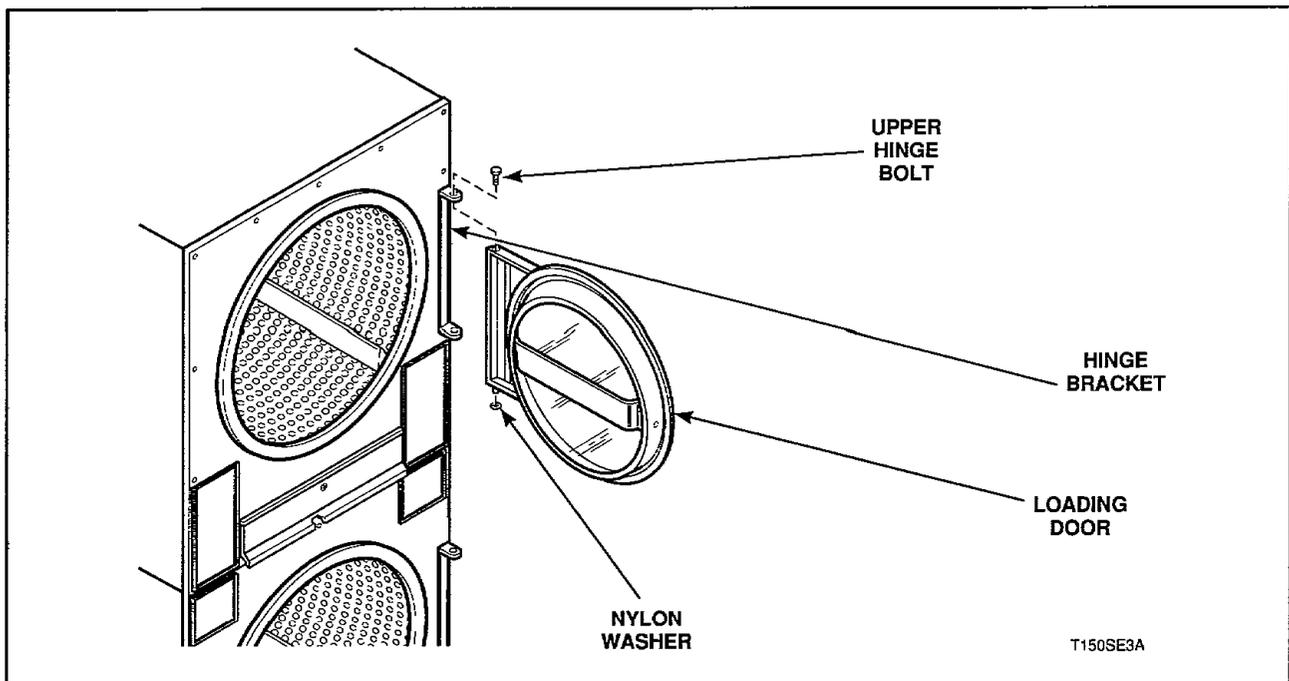


Figure 1

▲ WARNING

To reduce the risk of electric shock, fire, explosion, serious injury or death:

- Disconnect electric power to the tumbler before servicing.
- Close gas shut-off valve to gas tumbler before servicing.
- Close steam gate valve to steam tumbler before servicing.
- Never start the tumbler with any guards/panels removed.
- Whenever ground wires are removed during servicing, these ground wires must be reconnected to ensure that the tumbler is properly grounded.

W002

3. DOOR HINGE (Figure 2)

- Remove loading door assembly, paragraph 2.
- Remove nuts and screws holding hinge to door frame, Figure 2.

4. DOOR BAR/HANDLE (Figure 3)

- Open loading door.
- Remove screws holding door bar/handle to loading door.

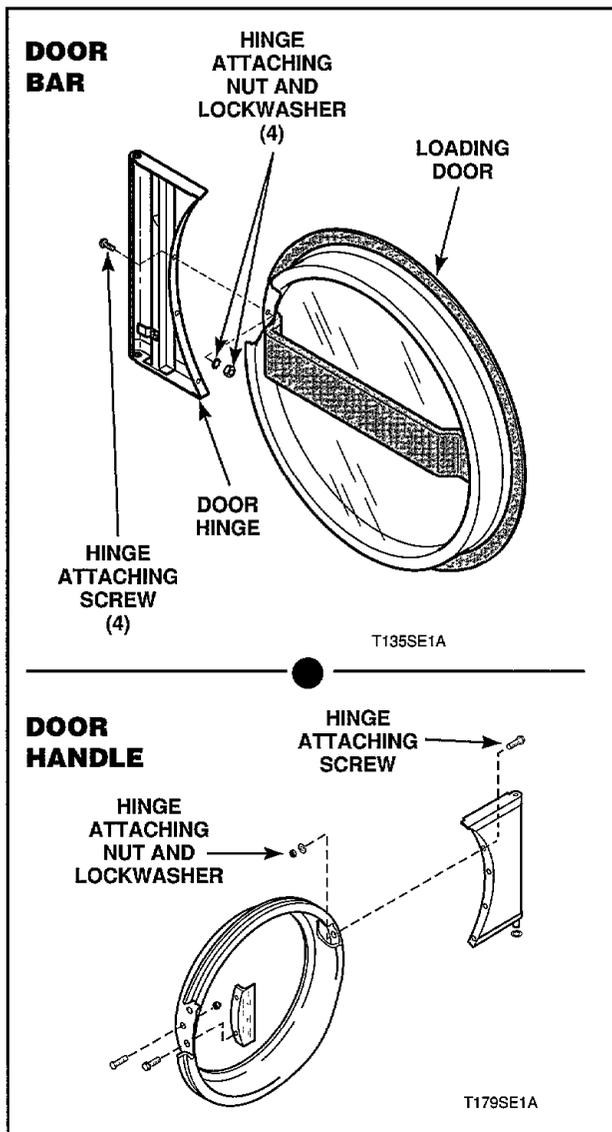


Figure 2

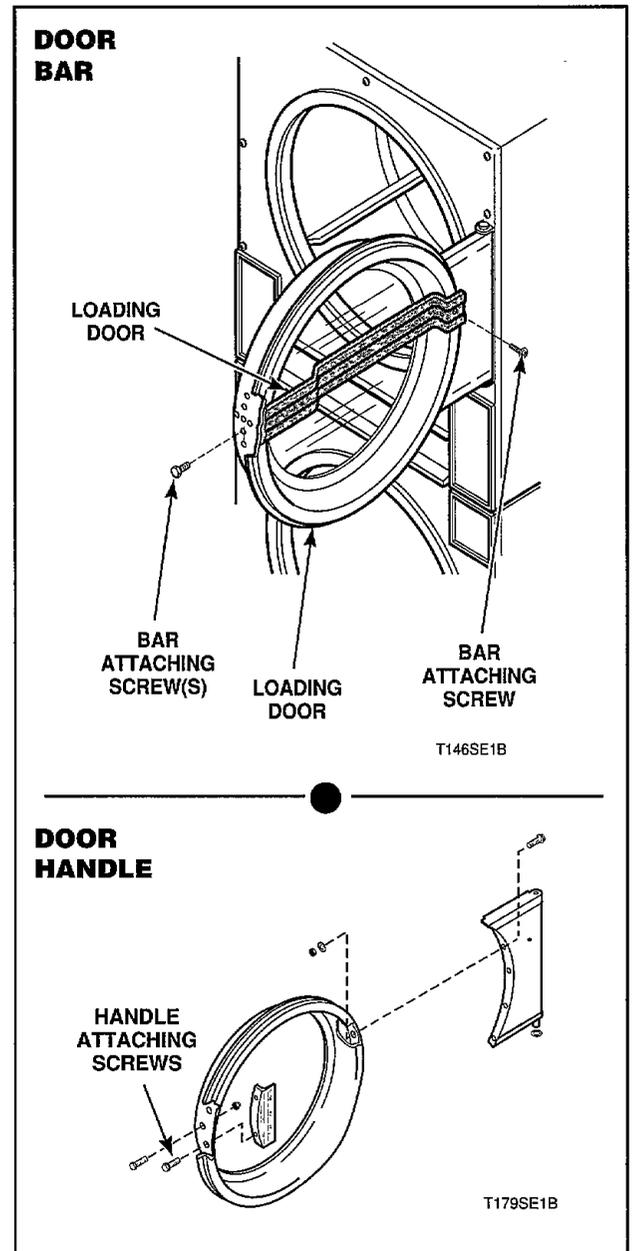


Figure 3

▲ WARNING

To reduce the risk of electric shock, fire, explosion, serious injury or death:

- **Disconnect electric power to the tumbler before servicing.**
- **Close gas shut-off valve to gas tumbler before servicing.**
- **Close steam gate valve to steam tumbler before servicing.**
- **Never start the tumbler with any guards/panels removed.**
- **Whenever ground wires are removed during servicing, these ground wires must be reconnected to ensure that the tumbler is properly grounded.**

W002

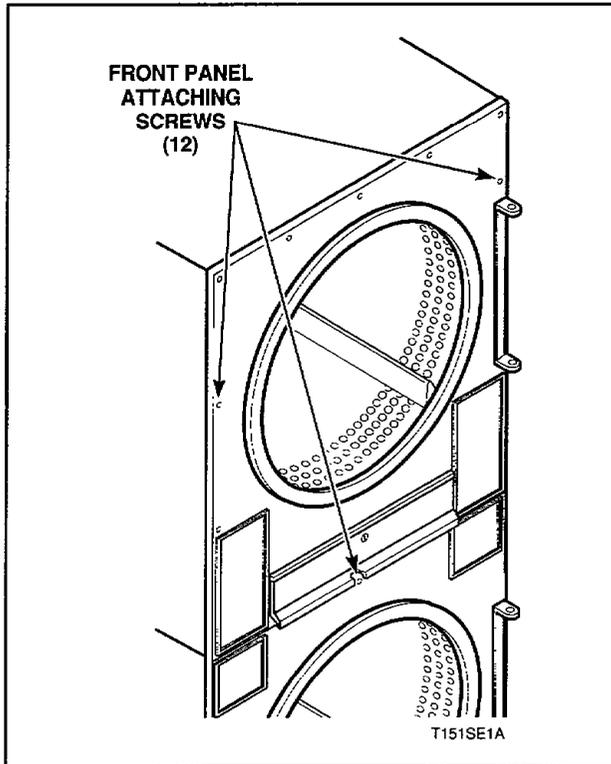


Figure 4

5. FRONT PANEL (Figure 4)

- Remove loading door, paragraph 2.
- Unlock and remove lint drawer.
- Remove screws holding front panel to cabinet.
- While supporting front panel, tip the top forward slightly and lift up and out far enough to disconnect both electronic controls (upper front panel only), Figure 5.
- Remove front panel.

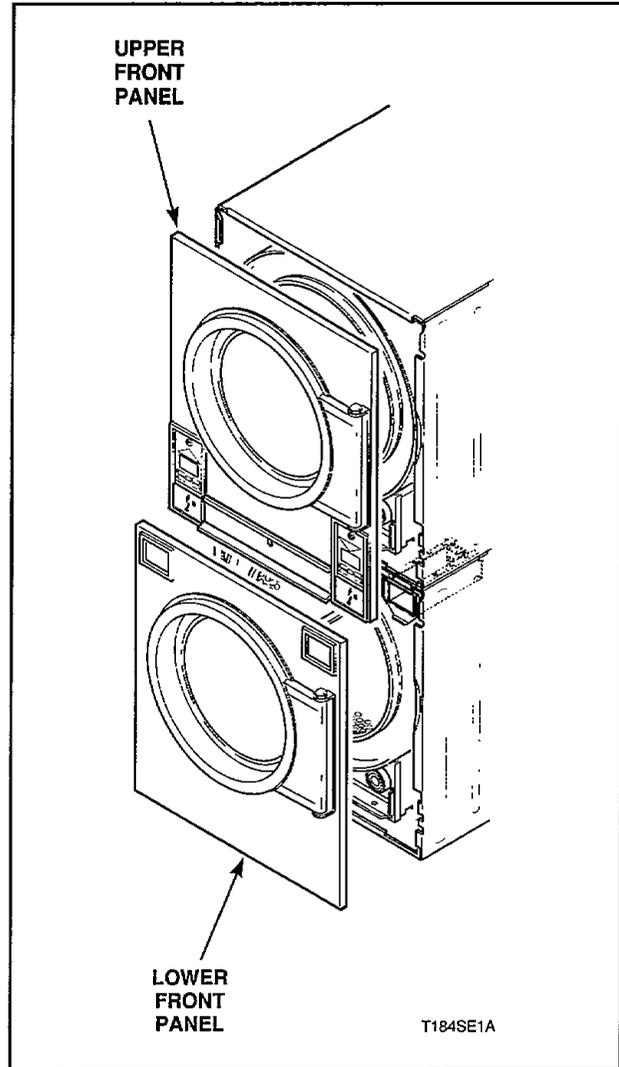


Figure 5

NOTE: Refer to wiring diagram when rewiring electronic control.

▲ WARNING

To reduce the risk of electric shock, fire, explosion, serious injury or death:

- Disconnect electric power to the tumbler before servicing.
- Close gas shut-off valve to gas tumbler before servicing.
- Close steam gate valve to steam tumbler before servicing.
- Never start the tumbler with any guards/panels removed.
- Whenever ground wires are removed during servicing, these ground wires must be reconnected to ensure that the tumbler is properly grounded.

W002

6. DOOR SWITCH (Figure 6)

- Remove front panel, paragraph 5.
- Door switch is mounted on a bracket screwed to the inside of the side panel. Disconnect wires to door switch and remove by depressing tabs on switch and pushing out through mounting bracket.

NOTE: Refer to wiring diagram when rewiring door switch.

▲ WARNING

To reduce the risk of serious injury the door switch **MUST** be reinstalled after service is completed.

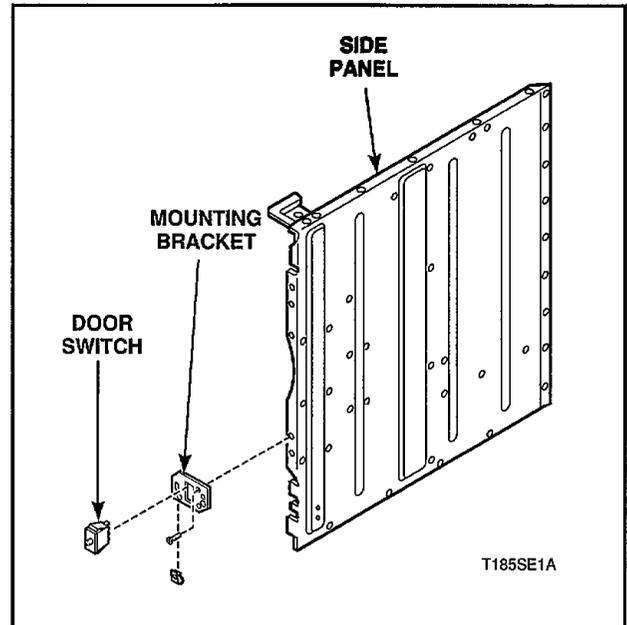


Figure 6

7. ELECTROMECHANICAL CONTROL (Figure 7)

- Unlock control door and remove control assembly.
- Disconnect control assembly from wiring harness at quick disconnect block.
- Remove nuts holding control bracket at top.
- Remove screws at bottom of control bracket.
- Pry top of control bracket over the top bolts on control door and lift out of control door.
- Disconnect coin meter wires and lift coin meter off control bracket.
- Disconnect wires from temperature control board.
- Compress locking tabs on four plastic circuit board supports and remove temperature control board.
- Disconnect wires from relay.
- Remove two screws holding relay to control bracket.
- Disconnect wires from rocker switch.
- Compress tabs at top and bottom of rocker switch and push through the control bracket.
- Remove temperature switch knob and nut from temperature switch.
- Disconnect wires from temperature switch and remove switch from control bracket.

NOTE: Refer to wiring diagram when rewiring components.

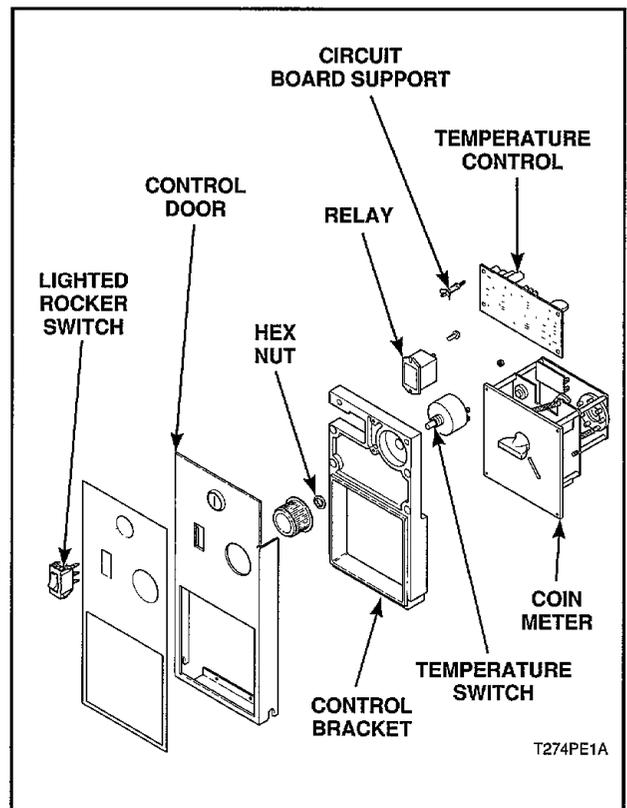


Figure 7

▲ WARNING

To reduce the risk of electric shock, fire, explosion, serious injury or death:

- Disconnect electric power to the tumbler before servicing.
- Close gas shut-off valve to gas tumbler before servicing.
- Close steam gate valve to steam tumbler before servicing.
- Never start the tumbler with any guards/panels removed.
- Whenever ground wires are removed during servicing, these ground wires must be reconnected to ensure that the tumbler is properly grounded.

W002

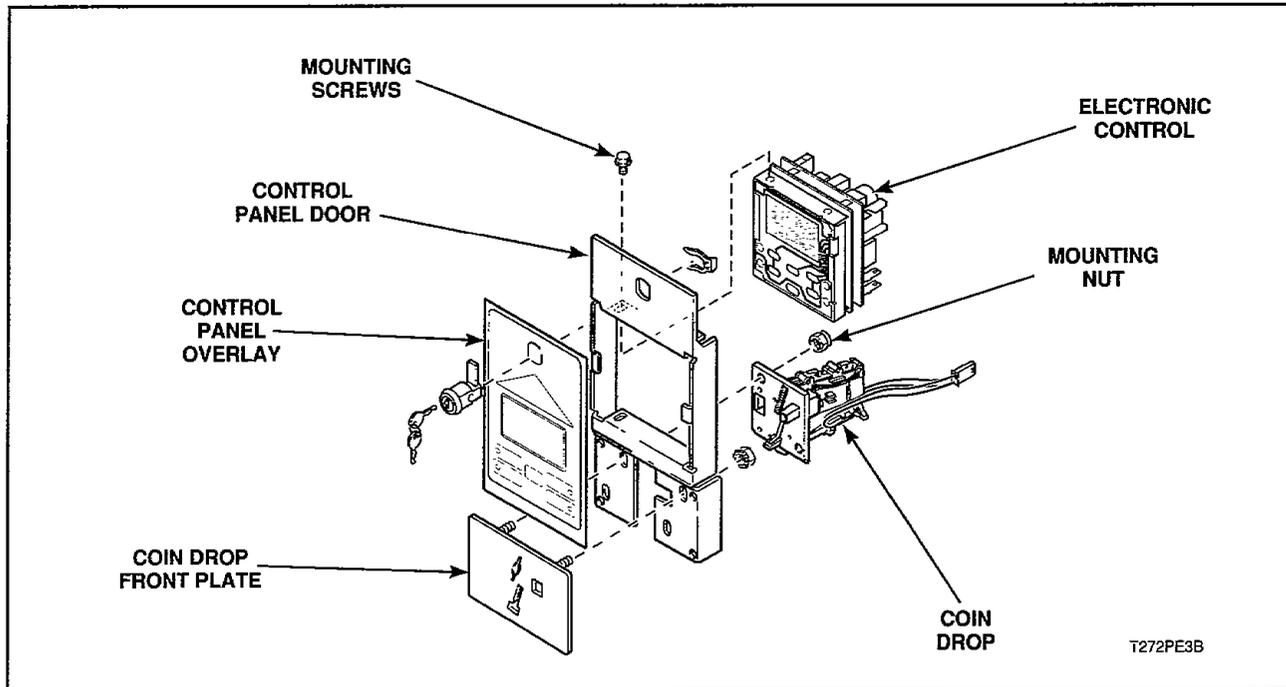


Figure 8

8. ELECTRONIC CONTROL

- a. Unlock and remove electronic control door, *Figure 8*.

IMPORTANT: Electronic control door MUST be reinstalled after servicing is completed.

- b. Remove screws holding electronic control to control panel door.

IMPORTANT: Due to sensitivity of electronic control, careful handling is required. As a precautionary measure, we recommend using a grounded wrist strap when handling electronic control. Wrist strap, cord, and alligator clip are designed to carry away any electrostatic charge from your body and to direct charge to an available ground. When removing electronic control grasp *only* the top metal tab of the unit. DO NOT remove electronic control by grasping sides. Do not touch circuit boards on the front or back side of electronic control.

- c. Pull electronic control out of control panel door and disconnect electronic control at the quick disconnect blocks, *Figure 8*.
- e. Place electronic control in a clean, dry location where it cannot be damaged.
- f. Remove two nuts holding coin drop to coin drop face plate.
- g. Disconnect coin drop at quick disconnect.

NOTE: Refer to wiring diagram when rewiring electronic control.

▲ WARNING

To reduce the risk of electric shock, fire, explosion, serious injury or death:

- **Disconnect electric power to the tumbler before servicing.**
- **Close gas shut-off valve to gas tumbler before servicing.**
- **Close steam gate valve to steam tumbler before servicing.**
- **Never start the tumbler with any guards/panels removed.**
- **Whenever ground wires are removed during servicing, these ground wires must be reconnected to ensure that the tumbler is properly grounded.**

W002

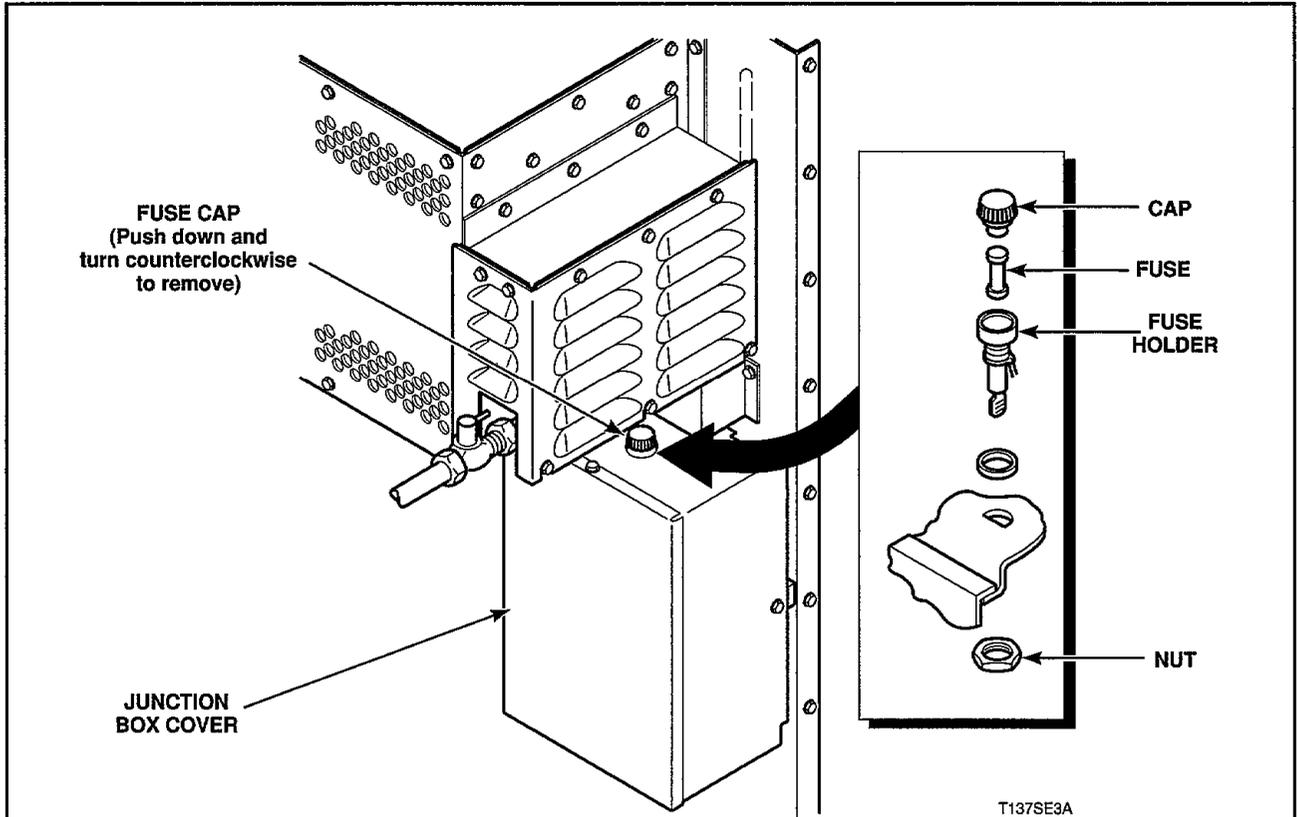


Figure 9

9. FUSE AND FUSE HOLDER ASSEMBLY

- Fuse holder is located on the top of each junction box at the rear of the tumbler.
- Turn fuse cap counterclockwise to remove fuse, *Figure 9*.
- Remove fuse from fuse cap.
- Remove junction box cover, *Figure 9*.
- Disconnect wires from fuse holder.

NOTE: Refer to wiring diagram when rewiring fuse holder.

- Remove plastic retaining nut. Remove assembly.

▲ WARNING

To reduce the risk of electric shock, fire, explosion, serious injury or death:

- **Disconnect electric power to the tumbler before servicing.**
- **Close gas shut-off valve to gas tumbler before servicing.**
- **Close steam gate valve to steam tumbler before servicing.**
- **Never start the tumbler with any guards/panels removed.**
- **Whenever ground wires are removed during servicing, these ground wires must be reconnected to ensure that the tumbler is properly grounded.**

W002

10. COIN DROP ASSEMBLY (Figure 8)

- Unlock electronic control door and tip forward.
- Disconnect wires to coin drop.
- Disconnect wires to electronic control at quick disconnect blocks.
- Remove two mounting nuts and remove coin drop.

11. LINT SCREEN (Figure 10)

- Unlock and remove lint drawer.
- Remove lint screen bracket screws and lint screen brackets.
- Remove lint screen.

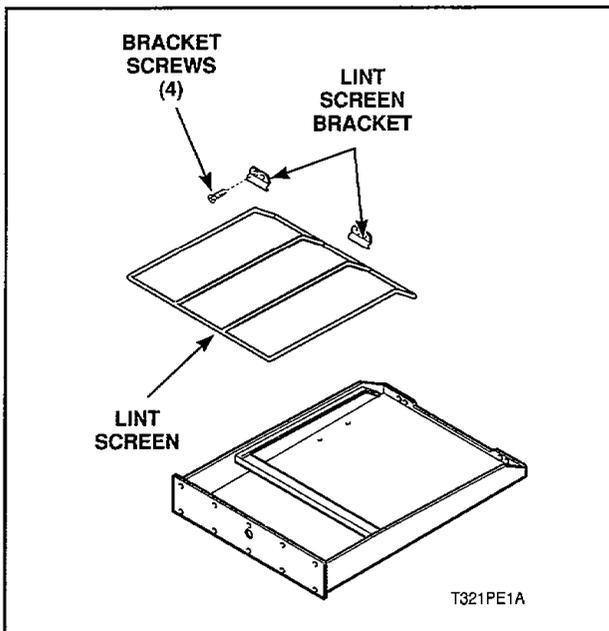


Figure 10

12. LINT DRAWER SEAL

- Unlock and remove lint drawer.
- Remove damaged or worn seal from front panel.
- Degrease area where new seal is to be placed.

▲ WARNING

For personal safety use degreaser/solvent only in a well ventilated area away from any open flames or sources of ignition.

- When installing new seal, make sure it is placed in depressed front panel area and does not extend into lint drawer opening cavity.

13. LINT DRAWER SWITCH (Figure 11)

- Unlock and remove lint drawer.
- Pull lint drawer switch out.
- Remove front panel, paragraph 5.
- Depress tabs on sides of switch and pull switch out.
- Disconnect wires to switch.

NOTE: Refer to wiring diagram when rewiring switch.

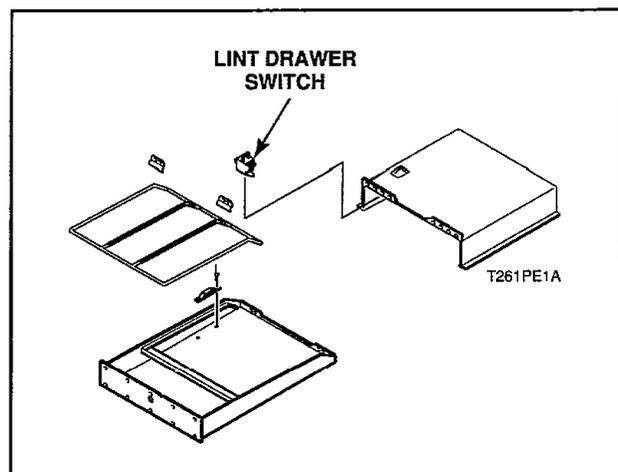


Figure 11

▲ WARNING

To reduce the risk of electric shock, fire, explosion, serious injury or death:

- **Disconnect electric power to the tumbler before servicing.**
- **Close gas shut-off valve to gas tumbler before servicing.**
- **Close steam gate valve to steam tumbler before servicing.**
- **Never start the tumbler with any guards/panels removed.**
- **Whenever ground wires are removed during servicing, these ground wires must be reconnected to ensure that the tumbler is properly grounded.**

W002

14. CYLINDER ROLLERS (Figure 12)

- Unlock and remove lint drawer.
- Remove front panel, paragraph 5.
- Remove nuts from end of roller shafts.
- Lift cylinder up slightly and remove rollers from shafts.

15. CYLINDER BELT (Figure 12)

- Unlock and remove lint drawer.
- Remove front panel, paragraph 5.
- Remove front panel mounting angle (bottom unit only).
- Remove door switch bracket, paragraph 6.
- Remove sweep sheet by disconnecting springs from the left side of the sweep sheet, *Figure 13B*. Release the sweep sheet bumper from the tips of the two bracket screws on the left side. Remove the two mounting screws from the right side of the air duct roller support bracket, *Figure 13A*. Spread the right side of the cabinet slightly then pull the lower right end of the sweep sheet out and turn the cylinder slowly clockwise, *Figure 13*, to reassemble reverse procedure.
- Disengage belt from idler system by rotating idler arm down.
- Remove cylinder belt being careful not to pinch it. Lift up cylinder to create a gap between rollers and cylinder to allow belt to pass through.

NOTE: When installing cylinder belt, be sure belt is properly positioned around cylinder with the ribbed surface of belt against the cylinder and on sheave and idler. After installing belt, manually rotate cylinder clockwise by hand a few turns to align belt around belt path.

16. CYLINDER IDLER ASSEMBLY (Figure 12)

- Unlock and remove lint drawer.
- Remove front panel, paragraph 5.
- Disengage belt from idler system by rotating idler arm down.
- Remove cap screw holding cylinder idler wheel to idler arm. Remove cylinder idler.

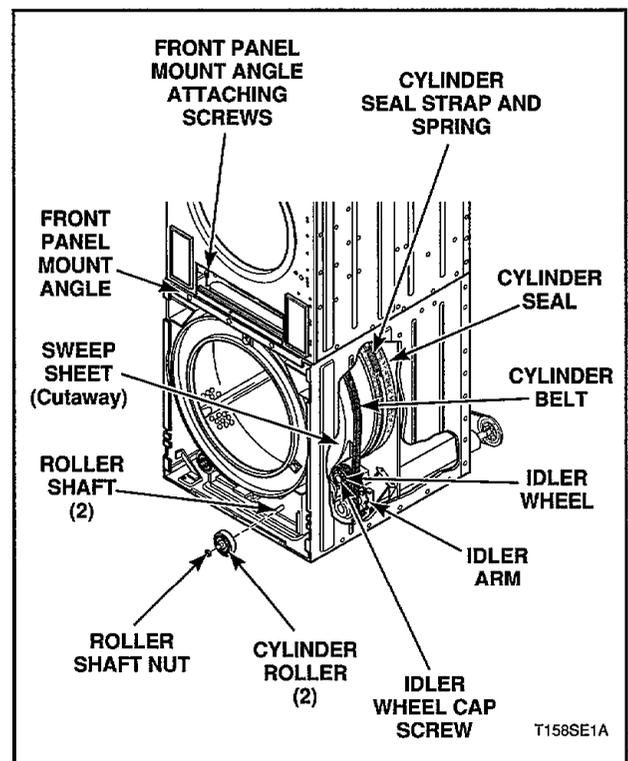
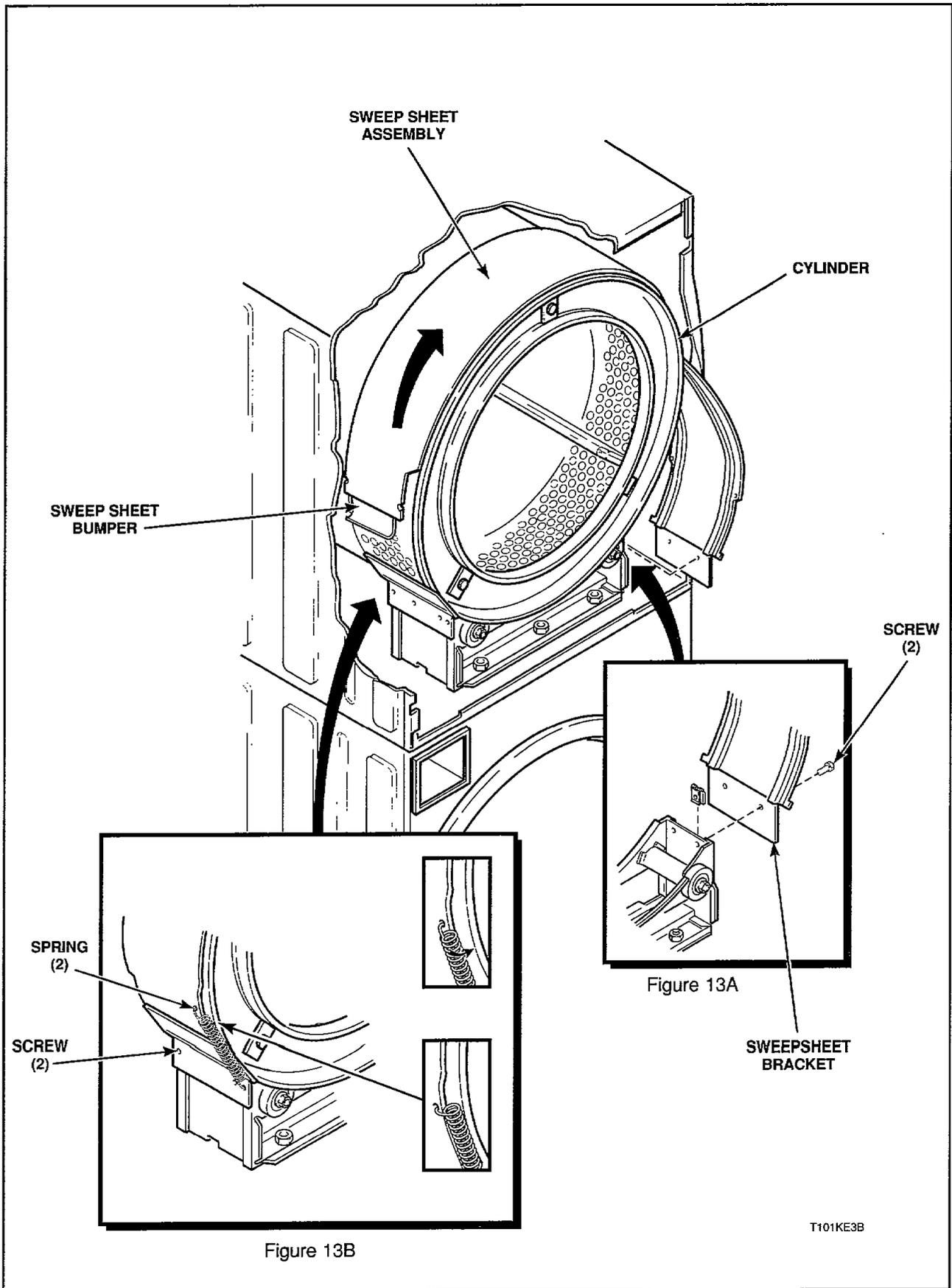


Figure 12



▲ WARNING

To reduce the risk of electric shock, fire, explosion, serious injury or death:

- Disconnect electric power to the tumbler before servicing.
- Close gas shut-off valve to gas tumbler before servicing.
- Close steam gate valve to steam tumbler before servicing.
- Never start the tumbler with any guards/panels removed.
- Whenever ground wires are removed during servicing, these ground wires must be reconnected to ensure that the tumbler is properly grounded.

W002

17. CYLINDER AND TRUNNION ASSEMBLY

- Unlock and remove lint drawer.
- Remove front panel, paragraph 5.
- Remove front panel mounting angle (bottom unit only).
- Remove sweep sheet by disconnecting springs from the left side of the sweep sheet, *Figure 13B*. Release the sweep sheet bumper from the tips of the two bracket screws on the left side. Remove the two mounting screws from the right side of the air duct roller support bracket, *Figure 13A*. Spread the right side of the cabinet slightly then pull the lower right end of the sweep sheet out and turn the cylinder clockwise, *Figure 13*. To reassemble, reverse procedure.
- Run the cylinder belt off idler system.
- Remove upper portion of belt, leaving belt in place on lint shroud.
- Remove rollers, paragraph 14.
- Lift cylinder up slightly and remove rollers from shafts.
- Remove palnut, jamnut and washer from end of trunnion shaft located at rear of tumbler, *Figure 14*.

LOWER STACKED MODEL ONLY

Unlock and remove top lint drawer. Remove screws holding front panel mount angle to top tumbler base and remove front panel mount angle from bottom tumbler, *Figure 12*.

- Screw cylinder guide tool, Part No. 263P4, on trunnion shaft threads to be used as a guide.
- Remove cylinder and trunnion assembly from tumbler.
- Rotate and pull the cylinder so that the cylinder seal can be worked over the lip on the air duct roller support assembly.

NOTE: Care must be taken not to damage or remove the seals on the sweep sheet.

NOTE: When removing cylinder through front of cabinet, spread cabinet slightly so cylinder will clear cabinet sides. Be careful not to pull off cylinder seal when removing cylinder.

IMPORTANT: After reinstalling cylinder and trunnion assembly, make sure steel strap is in place on seal and seal is over seal partition along entire circumference of cylinder. Test that cylinder turns freely and seal does not bind.

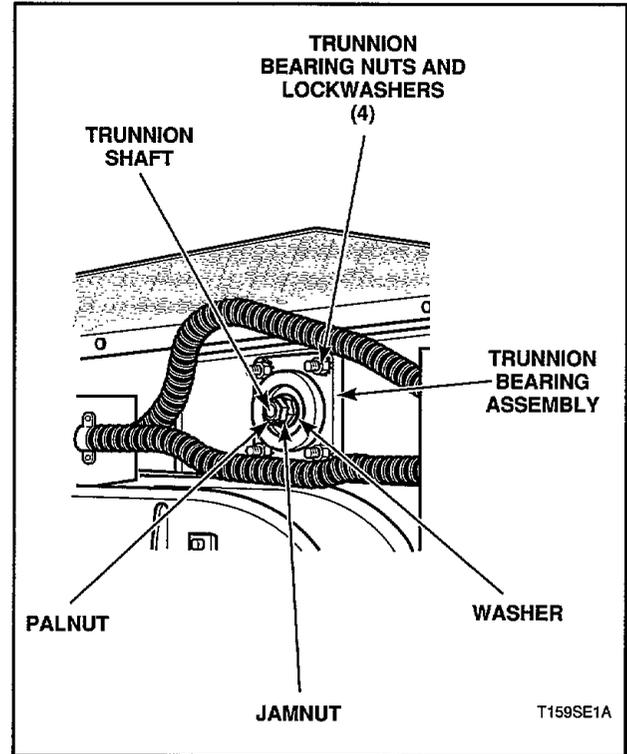


Figure 14

18. TRUNNION BEARING ASSEMBLY (*Figure 14*)

- Remove palnut, jamnut and washer from end of trunnion shaft.
- Screw cylinder guide tool, Part No. 263P4, on trunnion shaft threads to be used as a guide.
- Remove nuts and lockwashers holding bearing assembly on cabinet back.
- Remove trunnion bearing assembly.

IMPORTANT: Trunnion bearing assembly is a nonrepairable part. If worn or damaged replace entire assembly.

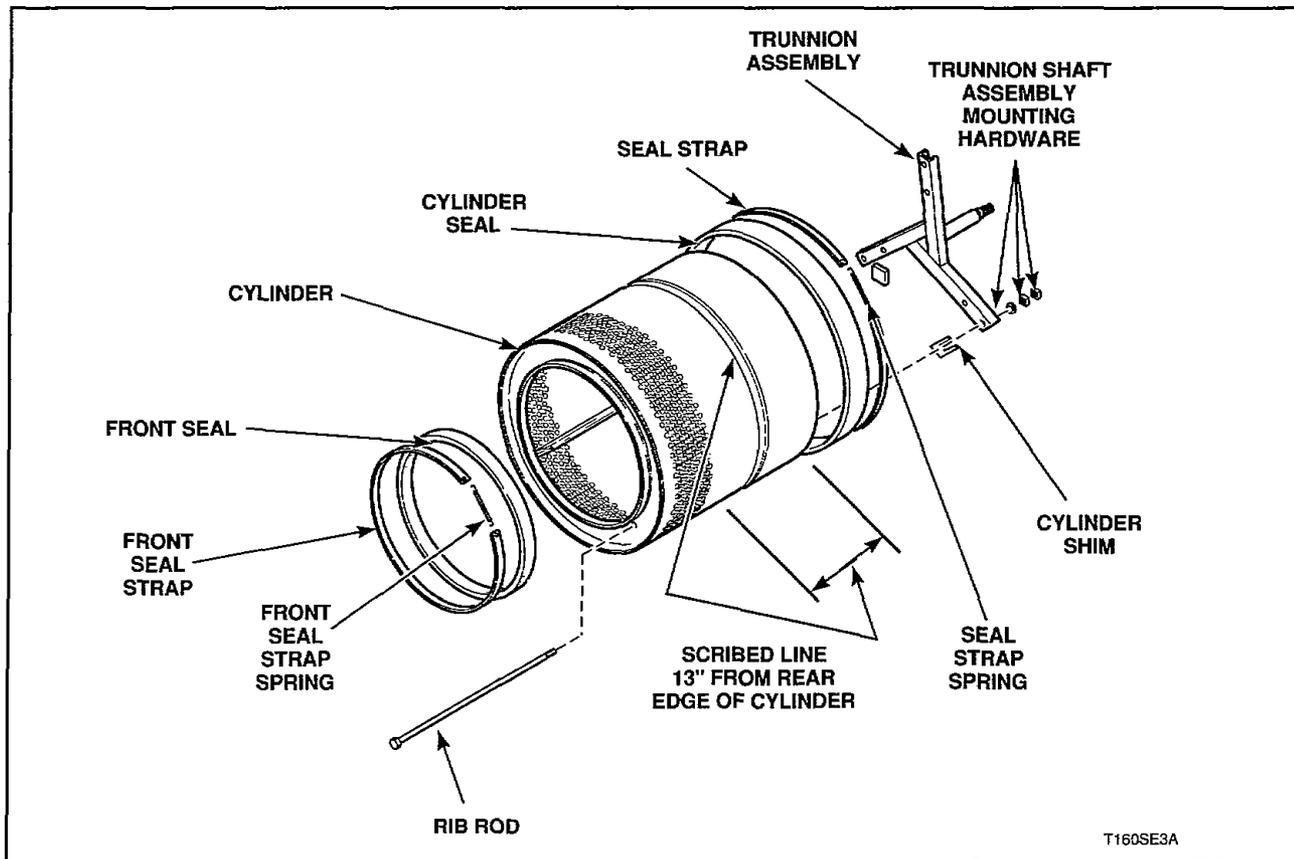
NOTE: Upon reassembly, use cylinder guide service tool to position trunnion shaft through bearing bore.

▲ WARNING

To reduce the risk of electric shock, fire, explosion, serious injury or death:

- Disconnect electric power to the tumbler before servicing.
- Close gas shut-off valve to gas tumbler before servicing.
- Close steam gate valve to steam tumbler before servicing.
- Never start the tumbler with any guards/panels removed.
- Whenever ground wires are removed during servicing, these ground wires must be reconnected to ensure that the tumbler is properly grounded.

W002



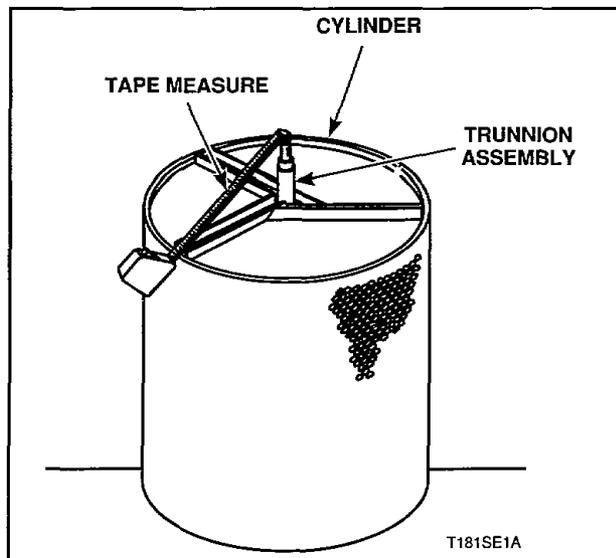
T160SE3A

Figure 15

19. TRUNNION ASSEMBLY (Figure 15)

- Remove cylinder and trunnion assembly, paragraph 17.
- Remove the three washers and six nuts holding trunnion assembly to rear of cylinder, Figure 15.

IMPORTANT: When installing trunnion assembly on cylinder, the cylinder and shaft must be leveled. Refer to Figure 16 for an example of how to check for proper alignment of the shaft and cylinder. Measure the distance between the center of the trunnion shaft and the outer rim of the cylinder as shown. If any measurement is lower than the highest point, place shim or shims (M401402) between trunnion channel and cylinder back until the measurement is equal to the highest point.



T181SE1A

Figure 16

▲ WARNING

To reduce the risk of electric shock, fire, explosion, serious injury or death:

- **Disconnect electric power to the tumbler before servicing.**
- **Close gas shut-off valve to gas tumbler before servicing.**
- **Close steam gate valve to steam tumbler before servicing.**
- **Never start the tumbler with any guards/panels removed.**
- **Whenever ground wires are removed during servicing, these ground wires must be reconnected to ensure that the tumbler is properly grounded.**

W002

20. CYLINDER SEAL (Rear or Front) (Figure 15)

a. Rear Cylinder Seal

- (1) Remove cylinder and trunnion assembly, paragraph 17.
- (2) Disconnect seal strap spring and remove seal strap.
- (3) Break seal loose from cylinder. Concentrated heat to metal below seal will loosen adhesive.

NOTE: Scribe a line around the perimeter of the cylinder indicating where leading edge of seal is to be positioned. Line should be 13" from rear edge of cylinder.

- (4) Scrape any remaining adhesive from cylinder with a single edge razor blade while applying heat with a hair dryer or hot air gun.
- (5) With degreaser/solvent, thoroughly clean area to be reglued.

- (8) With nozzle of glue gun slightly under seal leading edge, apply a liberal amount of hot melt around cylinder perimeter following with hand pressure mating seal to cylinder. Hot melt should extend to seal edge or slightly beyond.

NOTE: DO NOT get adhesive on the face of the seal that comes in contact with moving parts.

b. Front Cylinder Seal

- (1) Remove cylinder and trunnion assembly, paragraph 17.
- (2) Disconnect seal strap spring and remove seal strap.
- (3) Break seal loose from cylinder. Concentrated heat to metal below seal will loosen adhesive.
- (4) Scrape any remaining adhesive from cylinder with a single edge razor blade while applying heat with a hair dryer or hot air gun.
- (5) With degreaser/solvent, thoroughly clean area to be reglued.

▲ WARNING

For personal safety use degreaser/solvent only in a well ventilated area away from any open flames or sources of ignition.

▲ WARNING

For personal safety use degreaser/solvent only in a well ventilated area away from any open flames or sources of ignition.

- (6) Position new seal on cylinder with leading edge at scribed line.
- (7) Obtain a glue gun and load gun with hot melt adhesive sticks provided with cylinder seal.

▲ WARNING

For personal safety DO NOT let hot glue contact skin. Hot glue may cause burns.

Read and follow glue gun manufacturer's operating instructions before using any glue gun.

IMPORTANT: Use ONLY hot melt adhesive sticks provided with seal. Other adhesives or hot melts will not adhere to cylinder surface or will break down with heat.

▲ WARNING

To reduce the risk of electric shock, fire, explosion, serious injury or death:

- **Disconnect electric power to the tumbler before servicing.**
- **Close gas shut-off valve to gas tumbler before servicing.**
- **Close steam gate valve to steam tumbler before servicing.**
- **Never start the tumbler with any guards/panels removed.**
- **Whenever ground wires are removed during servicing, these ground wires must be reconnected to ensure that the tumbler is properly grounded.**

W002

- (6) The front cylinder seal will be installed on the cylinder with the colored thread stripe on the inside at the front rolled edge of the cylinder. The narrower section of the width will be to the front of the tumbler. The seal may have to be stretched slightly to ease assembly.
- (7) Starting at the top, set the seal around the outside of the front cylinder lip. Working from both left and right, proceed by stretching and positioning the seal downward until the seal is in place. Align colored thread stripe to the front rolled edge of the cylinder.
- (8) Obtain a glue gun and load gun with hot melt adhesive sticks provided with cylinder seal.
- (9) The seal is now ready to be glued. The field installation of this seal requires the seal to be glued every 2" to 3" around its circumference. Insert the glue gun nozzle between the seal and cylinder lip.
- (10) The front cylinder strap should now be placed in position. The raised edges of the strap should be placed against the seal. The spring must be stretched between one hole of the strap and the opposite hole using a pair of needle-nose pliers or vise-grips.
- (11) Flare the seal outward by running hand around the seal, slightly bending the seal outward. The seal is slightly elastic and will now fit better against the front panel during reassembly.

▲ WARNING

For personal safety DO NOT let hot glue contact skin. Hot glue may cause burns.

Read and follow glue gun manufacturer's operating instructions before using any glue gun.

IMPORTANT: Use ONLY hot melt adhesive sticks provided with seal. Other adhesives or hot melts will not adhere to cylinder surface or will break down with heat.

▲ WARNING

To reduce the risk of electric shock, fire, explosion, serious injury or death:

- Disconnect electric power to the tumbler before servicing.
- Close gas shut-off valve to gas tumbler before servicing.
- Close steam gate valve to steam tumbler before servicing.
- Never start the tumbler with any guards/panels removed.
- Whenever ground wires are removed during servicing, these ground wires must be reconnected to ensure that the tumbler is properly grounded.

W002

21. ROLLER SHAFT (Figure 17)

- Remove cylinder and trunnion assembly, paragraph 17.
- Remove cylinder roller, paragraph 14.
- Remove screws from retainer and remove retainer, Figure 17.
- Slide shaft forward out of air duct roller support assembly.

22. AIR DUCT ROLLER SUPPORT ASSEMBLY (Figure 17)

- Remove cylinder and trunnion assembly, paragraph 17.
- Remove screws holding lint shroud to back of air duct roller support assembly.
- Remove nuts and lockwashers holding air duct roller support assembly to base.
- Lifting up over the weld studs and pulling forward, remove air duct roller support assembly.
- Remove roller shaft, paragraph 21.

IMPORTANT: When reinstalling air duct roller support assembly on upper tumbler, be careful not to pinch main wire harness routed below assembly.

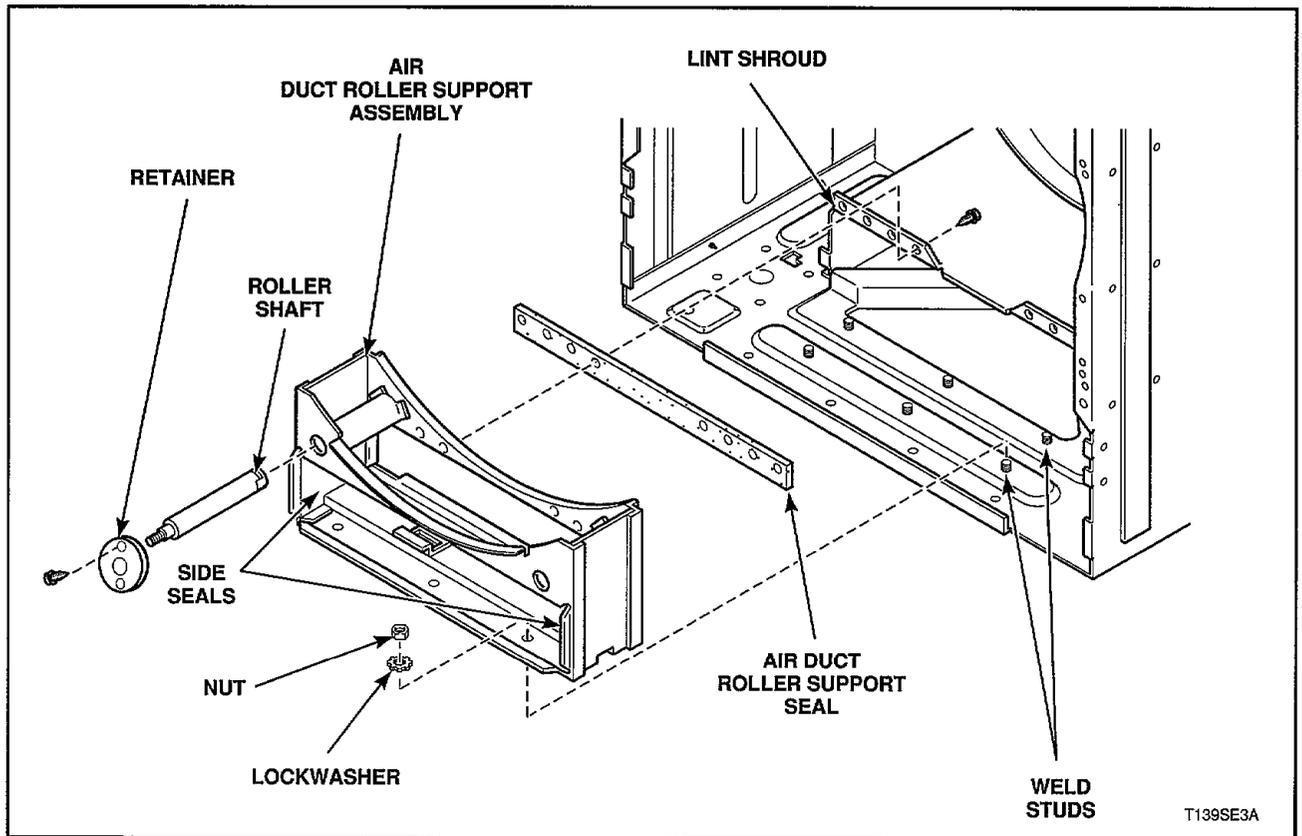


Figure 17

▲ WARNING

To reduce the risk of electric shock, fire, explosion, serious injury or death:

- Disconnect electric power to the tumbler before servicing.
- Close gas shut-off valve to gas tumbler before servicing.
- Close steam gate valve to steam tumbler before servicing.
- Never start the tumbler with any guards/panels removed.
- Whenever ground wires are removed during servicing, these ground wires must be reconnected to ensure that the tumbler is properly grounded.

W002

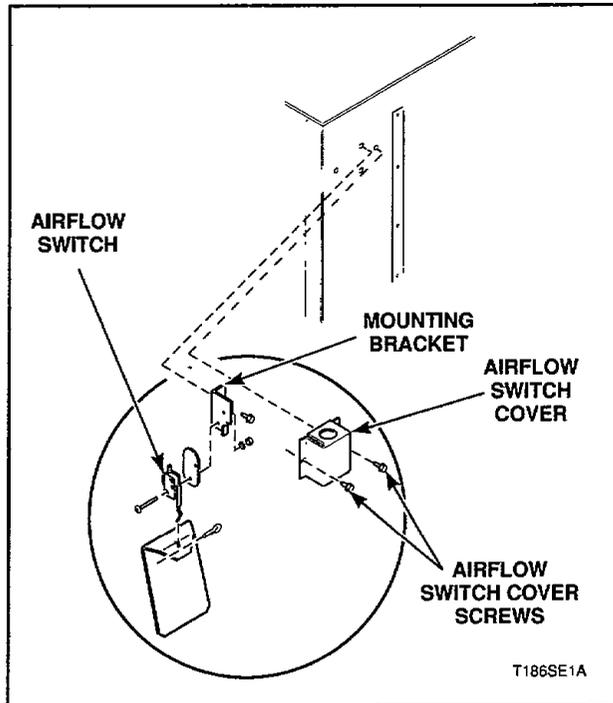


Figure 18

23. AIR DUCT ROLLER SUPPORT SEALS (Figure 17)

- Remove air duct roller support assembly, paragraph 22.
- Detach air duct roller support seal from back of roller support assembly.
- Side seals can be replaced without removing air duct roller support.

IMPORTANT: When reinstalling air duct roller support assembly on upper unit, be careful not to pinch main wire harness routed below assembly.

24. AIRFLOW SWITCH (Figure 18)

- Remove airflow switch cover screws. Remove cover.
- Disconnect wires from switch.

NOTE: Refer to wiring diagram when rewiring switch.

- Remove screws and nuts holding switch to mounting bracket.

25. STOVE HIGH LIMIT THERMOSTAT (Figure 19)

- Remove screws attaching thermostat cover to stove. Remove cover.
- Disconnect wires from high limit thermostat.

NOTE: Refer to wiring diagram when rewiring thermostat.

- Remove screws attaching thermostat to stove.

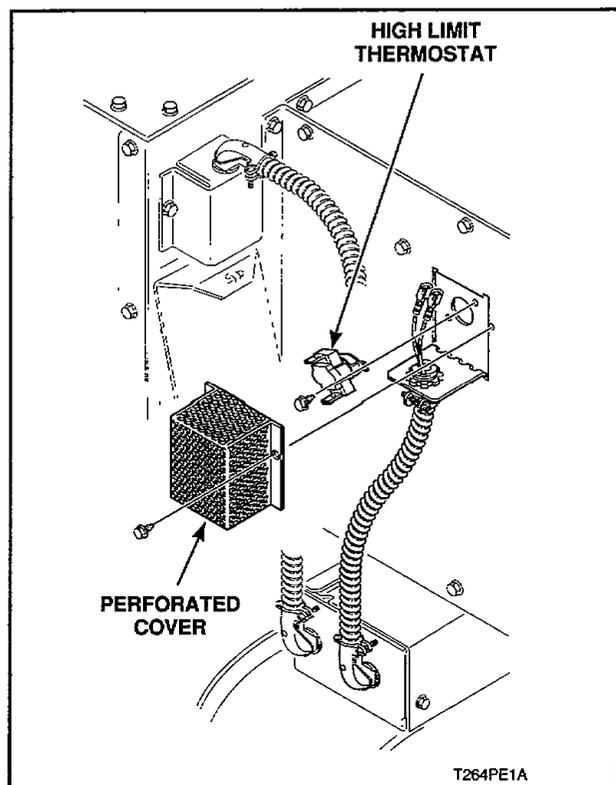


Figure 19

▲ WARNING

To reduce the risk of electric shock, fire, explosion, serious injury or death:

- **Disconnect electric power to the tumbler before servicing.**
- **Close gas shut-off valve to gas tumbler before servicing.**
- **Close steam gate valve to steam tumbler before servicing.**
- **Never start the tumbler with any guards/panels removed.**
- **Whenever ground wires are removed during servicing, these ground wires must be reconnected to ensure that the tumbler is properly grounded.**

W002

26. BURNER SYSTEM COMPONENTS

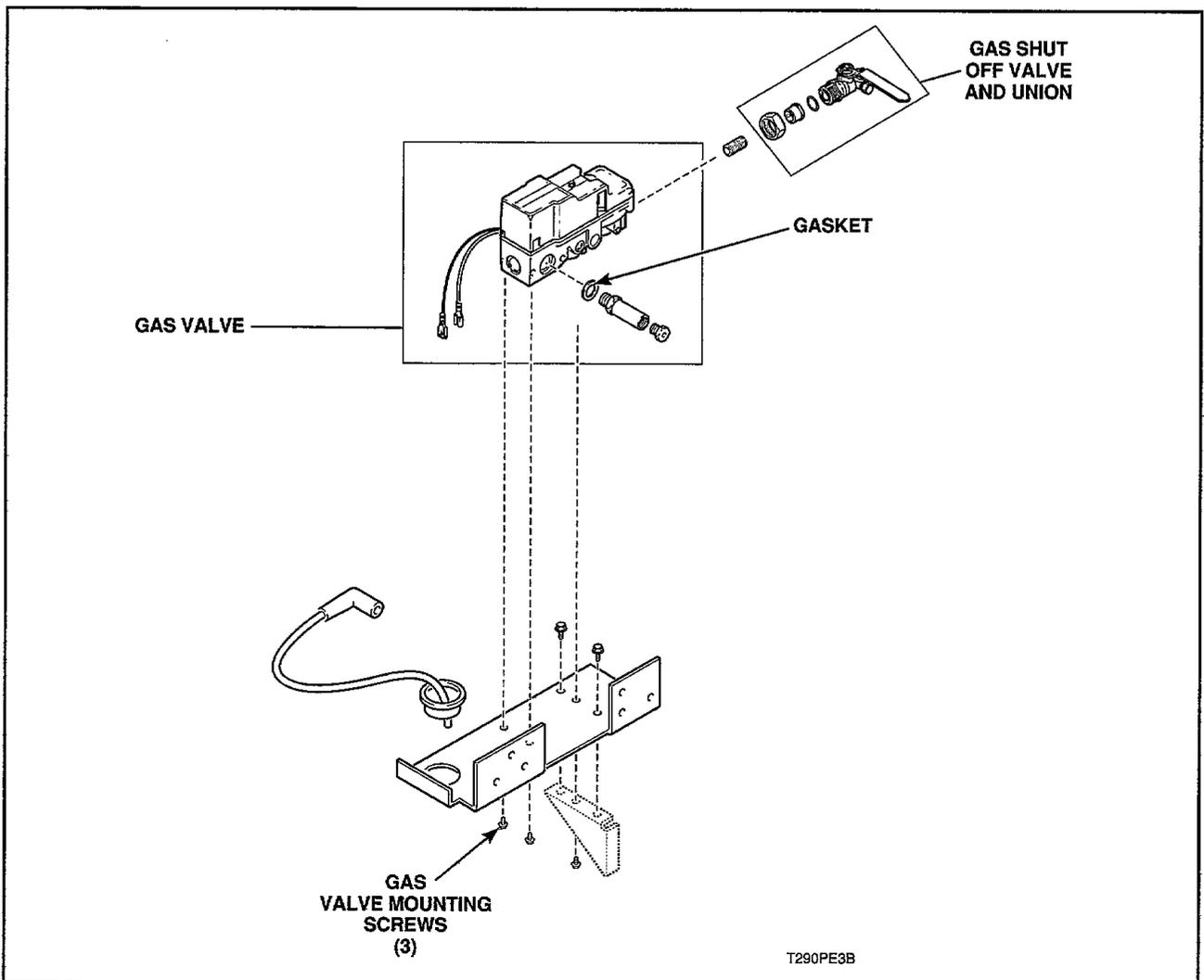
**a. Complete Gas Valve Assembly,
(Figure 20)**

- (1) Remove top screws holding gas valve cover to cabinet and stove and loosen bottom screws.
- (2) Remove gas valve cover.
- (3) Remove junction box cover screw.
- (4) Remove junction box cover.
- (5) Disconnect gas valve wire connections.

- (6) Disconnect gas valve pipe union nut attaching gas shut-off valve to gas valve nipple.
- (7) Remove screws holding gas valve to mounting plate.

IMPORTANT: When reinstalling gas valve, purge air and sediment from the gas service line before connecting it loosely to the tumbler. Purge remaining air until odor of gas is detected, then tighten connection. Use pipe compound resistant to action of L.P. gas on all pipe threads.

NOTE: Refer to wiring diagram when rewiring gas valve.



T290PE3B

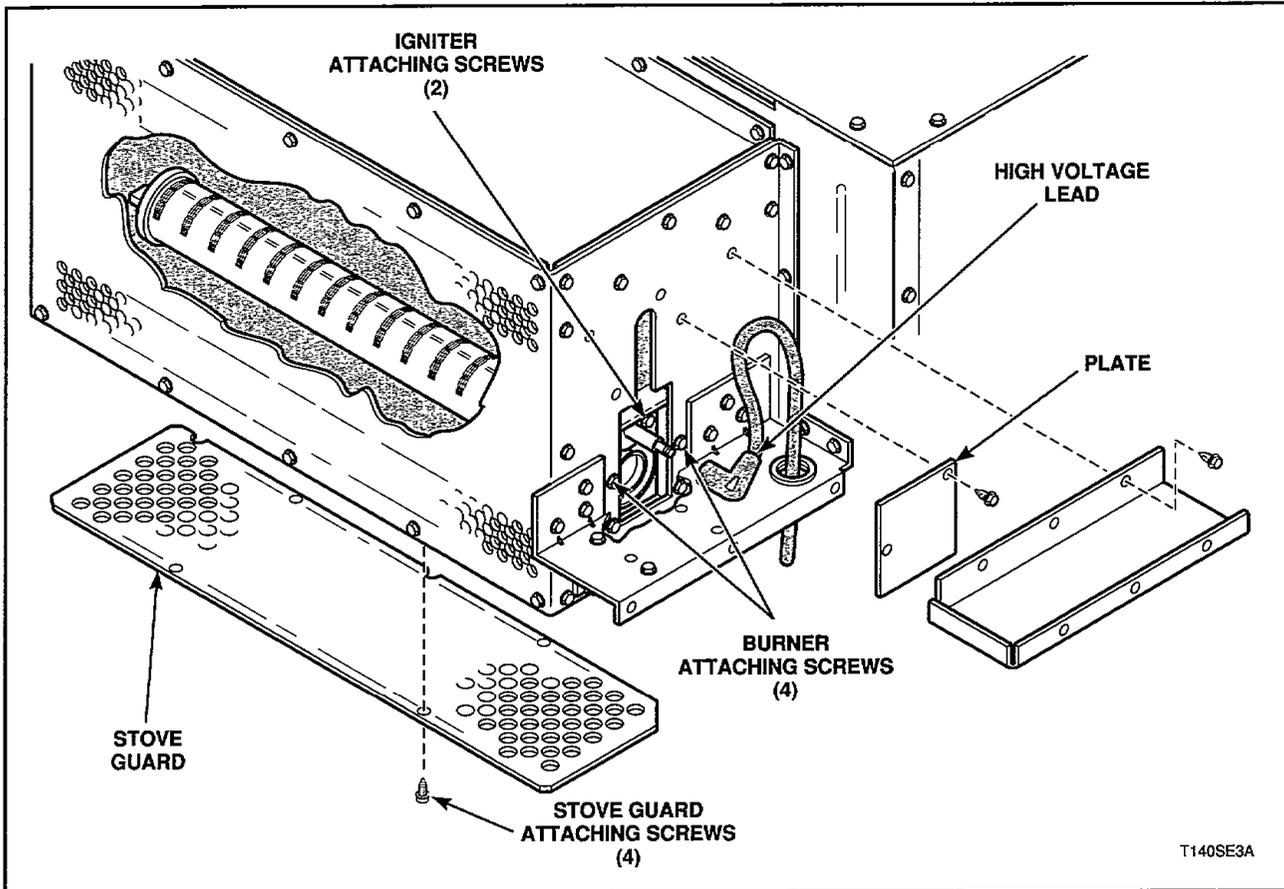
Figure 20

▲ WARNING

To reduce the risk of electric shock, fire, explosion, serious injury or death:

- Disconnect electric power to the tumbler before servicing.
- Close gas shut-off valve to gas tumbler before servicing.
- Close steam gate valve to steam tumbler before servicing.
- Never start the tumbler with any guards/panels removed.
- Whenever ground wires are removed during servicing, these ground wires must be reconnected to ensure that the tumbler is properly grounded.

W002



T140SE3A

Figure 21

▲ WARNING

To reduce the risk of fire or explosion:
Check all pipe connections for gas leaks with a soapy solution. DO NOT USE AN OPEN FLAME TO CHECK FOR GAS LEAKS!

b. Igniter and Burner Tube Assembly, (Figure 21)

- (1) Remove complete gas valve assembly, paragraph 26, step "a".
- (2) Remove screws holding stove guard to bottom of stove. Remove guard.
- (3) Disconnect high voltage lead from igniter.
- (4) Remove screws holding burner to stove.
- (5) Remove screws holding plate to side of stove.
- (6) Remove burner by lifting igniter end up towards top of stove and pulling burner towards gas valve end of stove. Remove burner from bottom of stove.
- (7) Remove screws holding igniter to burner.
- (8) Remove igniter.

▲ WARNING

To reduce the risk of electric shock, fire, explosion, serious injury or death:

- **Disconnect electric power to the tumbler before servicing.**
- **Close gas shut-off valve to gas tumbler before servicing.**
- **Close steam gate valve to steam tumbler before servicing.**
- **Never start the tumbler with any guards/panels removed.**
- **Whenever ground wires are removed during servicing, these ground wires must be reconnected to ensure that the tumbler is properly grounded.**

W002

IMPORTANT: When reinstalling igniter on burner, gap between igniter and burner tab should be .125" - .1875" (1/8" to 3/16") (3.18 - 4.76 mm), *Figure 22.*

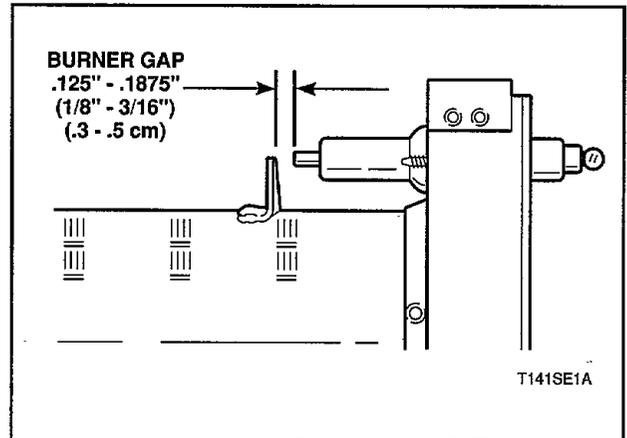


Figure 22

▲ WARNING

To reduce the risk of electric shock, fire, explosion, serious injury or death:

- **Disconnect electric power to the tumbler before servicing.**
- **Close gas shut-off valve to gas tumbler before servicing.**
- **Close steam gate valve to steam tumbler before servicing.**
- **Never start the tumbler with any guards/panels removed.**
- **Whenever ground wires are removed during servicing, these ground wires must be reconnected to ensure that the tumbler is properly grounded.**

W002

**c. Instant Electronic Ignition Control,
(Figure 23)**

- (1) Remove screw holding junction box cover to junction box. Remove cover.
- (2) Disconnect wire harness.
- (3) Remove high voltage lead.
- (4) Remove screws holding ignition control to junction box.
- (5) Remove ignition control.

IMPORTANT: Remove circuit board and plastic back as a unit. Handle ignition control by sides of board only. DO NOT contact circuit boards with hands or metal objects. Place control in clean, dry area away from work area to avoid damage.

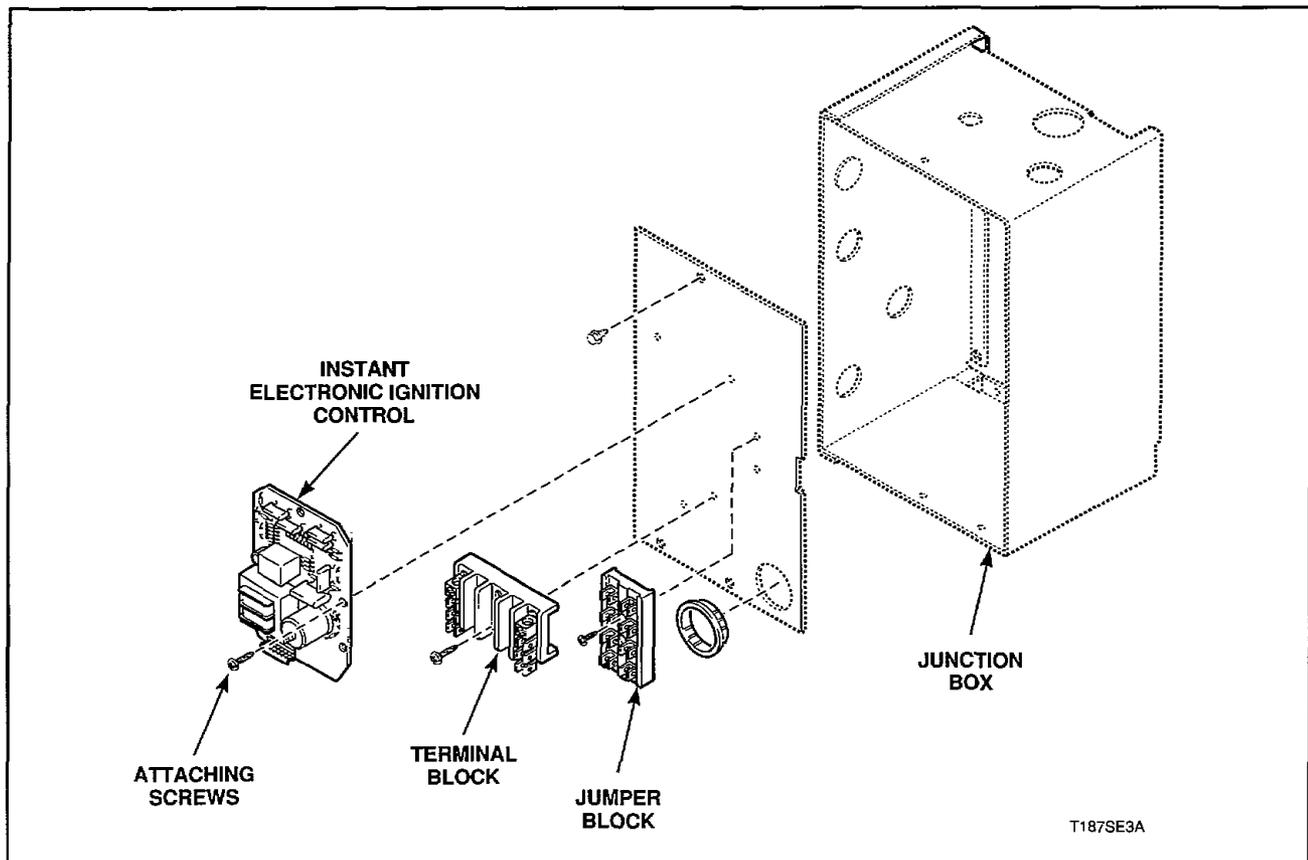


Figure 23

▲ WARNING

To reduce the risk of electric shock, fire, explosion, serious injury or death:

- **Disconnect electric power to the tumbler before servicing.**
- **Close gas shut-off valve to gas tumbler before servicing.**
- **Close steam gate valve to steam tumbler before servicing.**
- **Never start the tumbler with any guards/panels removed.**
- **Whenever ground wires are removed during servicing, these ground wires must be reconnected to ensure that the tumbler is properly grounded.**

W002

27. TEMPERATURE SENSOR (Figure 24)

- Remove screws holding fan housing junction box cover.
- Remove cover from fan housing junction box.
- Disconnect two wires from temperature sensor terminals.
- Remove temperature sensor by turning counterclockwise.

NOTE: Refer to wiring diagram when rewiring temperature sensor.

28. CABINET HIGH LIMIT THERMOSTAT (Figure 24)

- Remove two screws holding fan housing junction box cover.
- Remove cover from fan housing junction box.
- Disconnect two wires from thermostat.

NOTE: Refer to wiring diagram when rewiring thermostat.

- Remove screws holding cabinet high limit thermostat to fan housing. Remove thermostat.

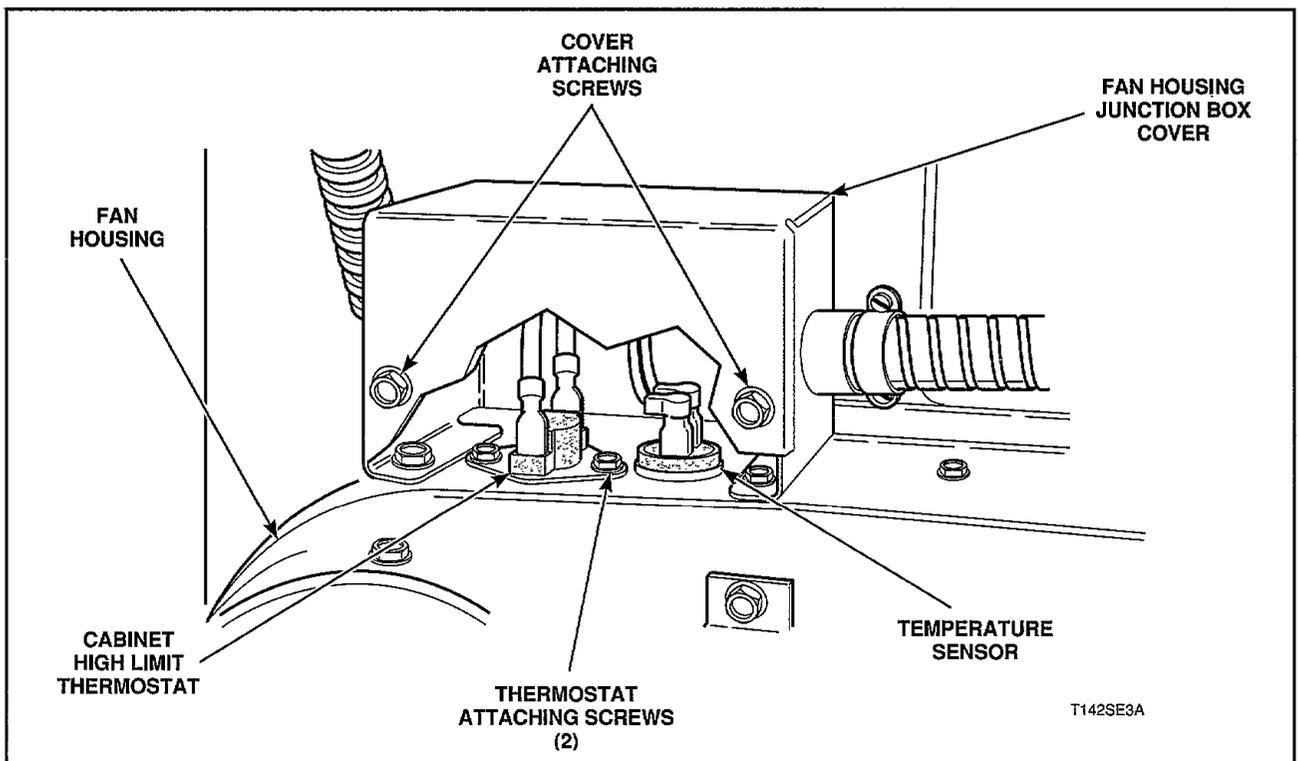


Figure 24

▲ WARNING

To reduce the risk of electric shock, fire, explosion, serious injury or death:

- Disconnect electric power to the tumbler before servicing.
- Close gas shut-off valve to gas tumbler before servicing.
- Close steam gate valve to steam tumbler before servicing.
- Never start the tumbler with any guards/panels removed.
- Whenever ground wires are removed during servicing, these ground wires must be reconnected to ensure that the tumbler is properly grounded.

W002

**29. BELT GUARD AND BELT GUARD SWITCH
(Figure 25)**

- a. Remove screws holding belt guard front to belt guard.

▲ WARNING

To reduce the risk of serious injury, belt guard front and belt guard switch **MUST** be reinstalled after servicing has been completed.

- b. Disconnect wires from belt guard switch.

NOTE: Refer to wiring diagram when rewiring belt guard switch.

- c. Depress tabs on sides of switch and push switch out through belt guard.
d. Support belt guard and remove attaching screws. Remove belt guard.

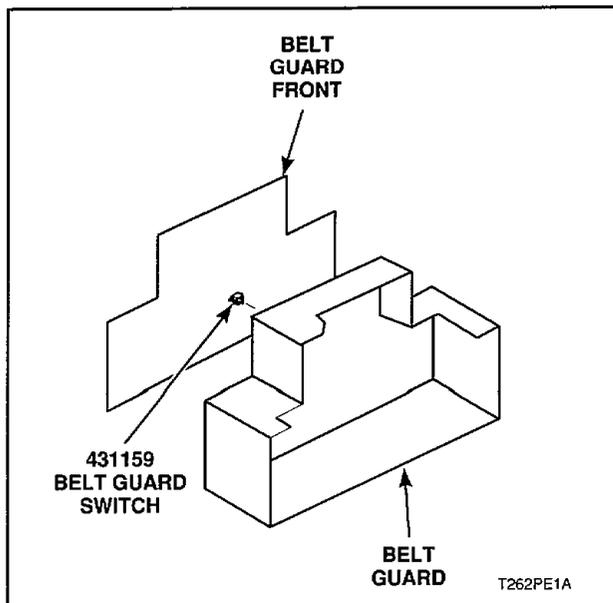


Figure 25

30. DRIVE BELT

- a. Remove screws holding belt guard front to belt guard, *Figure 25*.

▲ WARNING

To reduce the risk of serious injury, belt guard front **MUST** be reinstalled after servicing has been completed.

- b. Pull drive belt idler wheel to the right to relieve belt tension.
c. Run belt off sheaves, pulley, and idler, *Figure 26*.

IMPORTANT: Drive belt **MUST** be replaced with Belt No. 430054 for proper tumbler operation.

NOTE: The drive belt tension is automatically set by a spring loaded idler system. There is no adjustment. Refer to *Figure 26* for proper belt routing.

- d. Reinstall belt guard front.

▲ WARNING

To reduce the risk of electric shock, fire, explosion, serious injury or death:

- Disconnect electric power to the tumbler before servicing.
- Close gas shut-off valve to gas tumbler before servicing.
- Close steam gate valve to steam tumbler before servicing.
- Never start the tumbler with any guards/panels removed.
- Whenever ground wires are removed during servicing, these ground wires must be reconnected to ensure that the tumbler is properly grounded.

W002

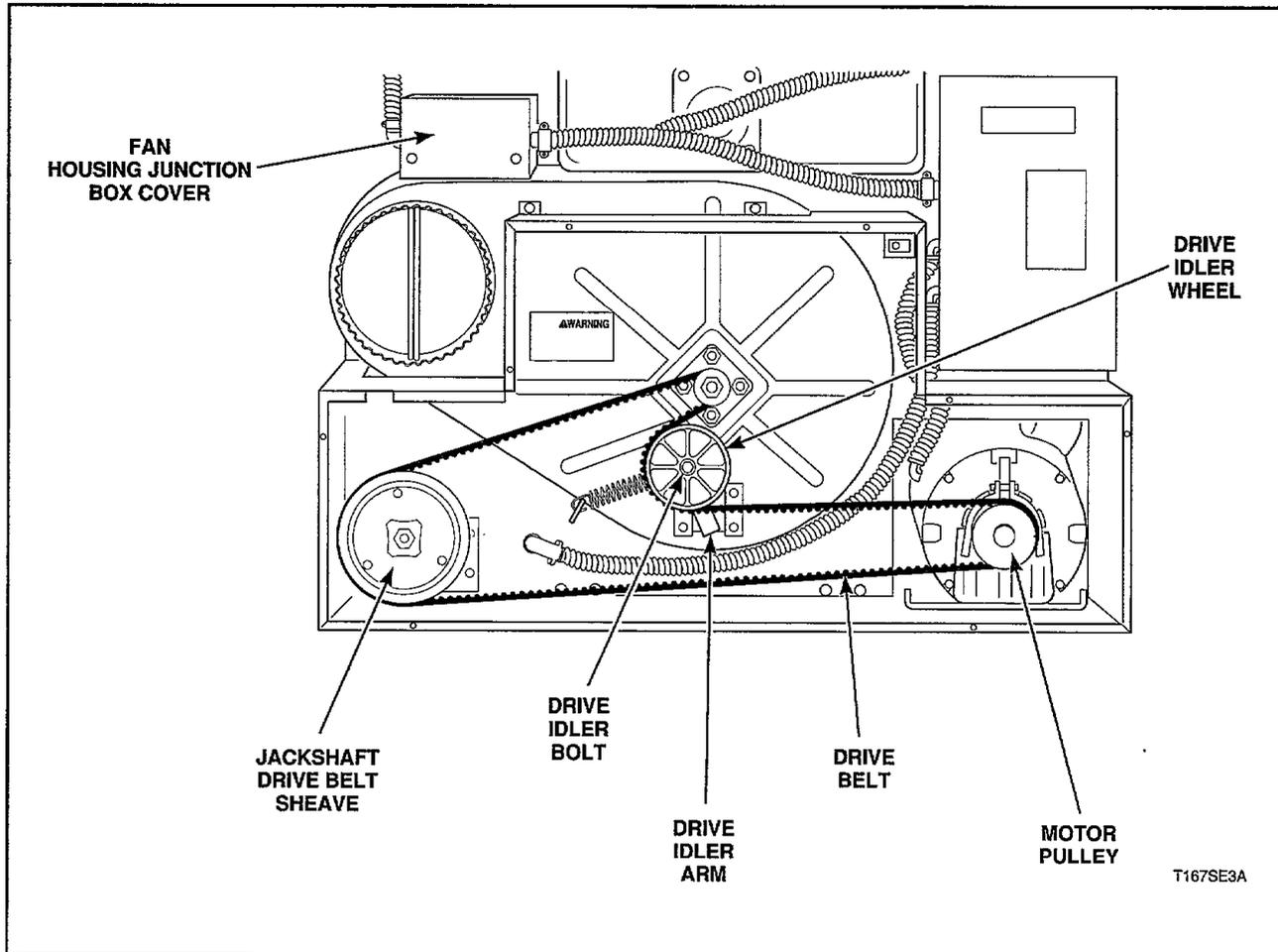


Figure 26

31. DRIVE IDLER WHEEL (Figure 26)

- Remove drive belt, paragraph 30.
- Remove bolt holding drive idler wheel to idler arm.

▲ WARNING

To reduce the risk of serious injury, belt guard front **MUST** be reinstalled after servicing has been completed.

▲ WARNING

To reduce the risk of electric shock, fire, explosion, serious injury or death:

- **Disconnect electric power to the tumbler before servicing.**
- **Close gas shut-off valve to gas tumbler before servicing.**
- **Close steam gate valve to steam tumbler before servicing.**
- **Never start the tumbler with any guards/panels removed.**
- **Whenever ground wires are removed during servicing, these ground wires must be reconnected to ensure that the tumbler is properly grounded.**

W002

32. FAN

- Remove belt guard, paragraph 29.
- Remove drive belt, paragraph 30, steps "b" and "c".
- Remove screws from fan housing junction box cover and remove cover, *Figure 27*.
- Disconnect cabinet high limit thermostat and temperature sensor wires.
- Remove screws holding fan housing junction box to fan housing. Remove fan housing junction box.
- Remove 17 screws holding fan housing to cabinet back, *Figure 27*.
- With fan housing assembly off cabinet, hold fan while loosening palnut and jamnut, *Figure 28*.
- Remove palnut and jamnut from fan shaft. Remove fan.

NOTE: Refer to wiring diagram when rewiring cabinet high limit thermostat and temperature sensor.

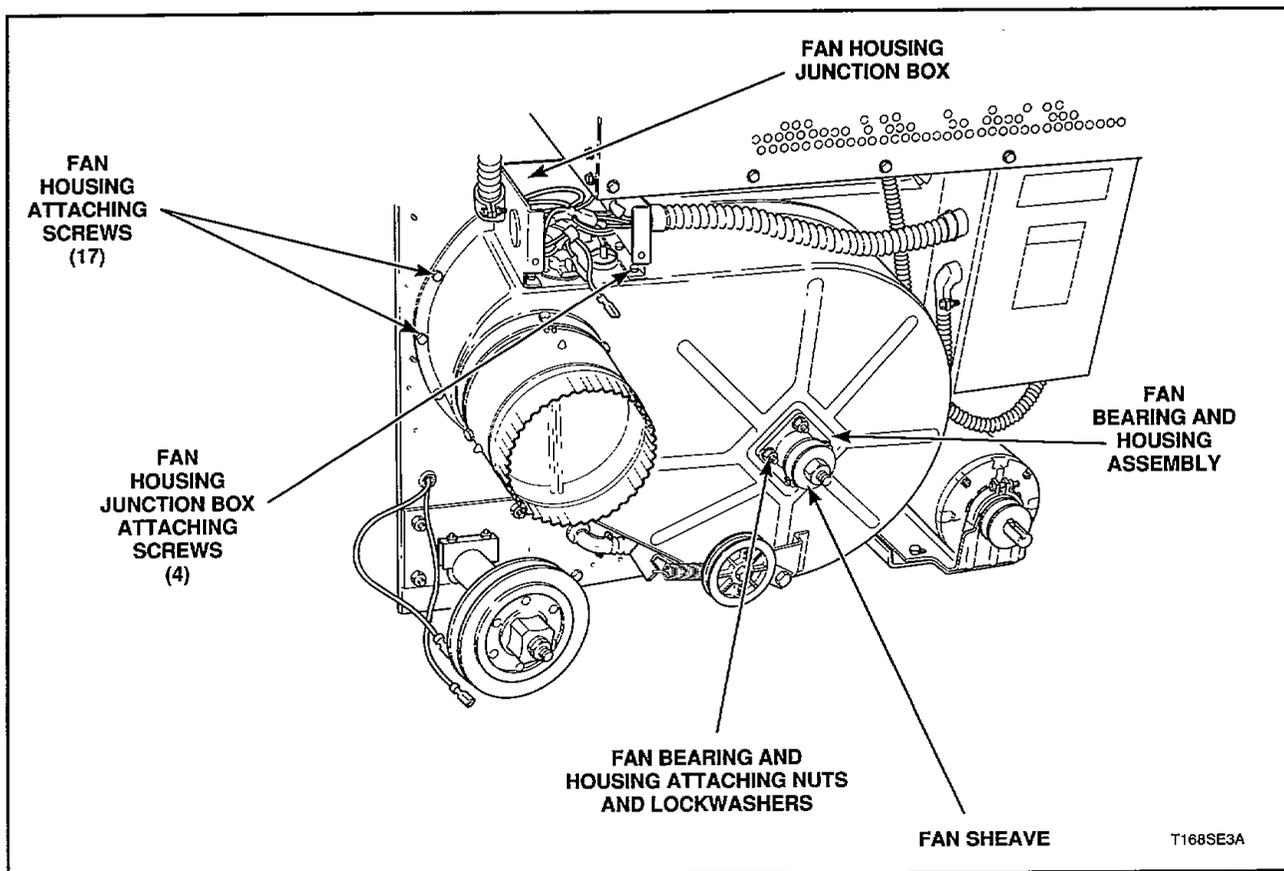


Figure 27

▲ WARNING

To reduce the risk of electric shock, fire, explosion, serious injury or death:

- **Disconnect electric power to the tumbler before servicing.**
- **Close gas shut-off valve to gas tumbler before servicing.**
- **Close steam gate valve to steam tumbler before servicing.**
- **Never start the tumbler with any guards/panels removed.**
- **Whenever ground wires are removed during servicing, these ground wires must be reconnected to ensure that the tumbler is properly grounded.**

W002

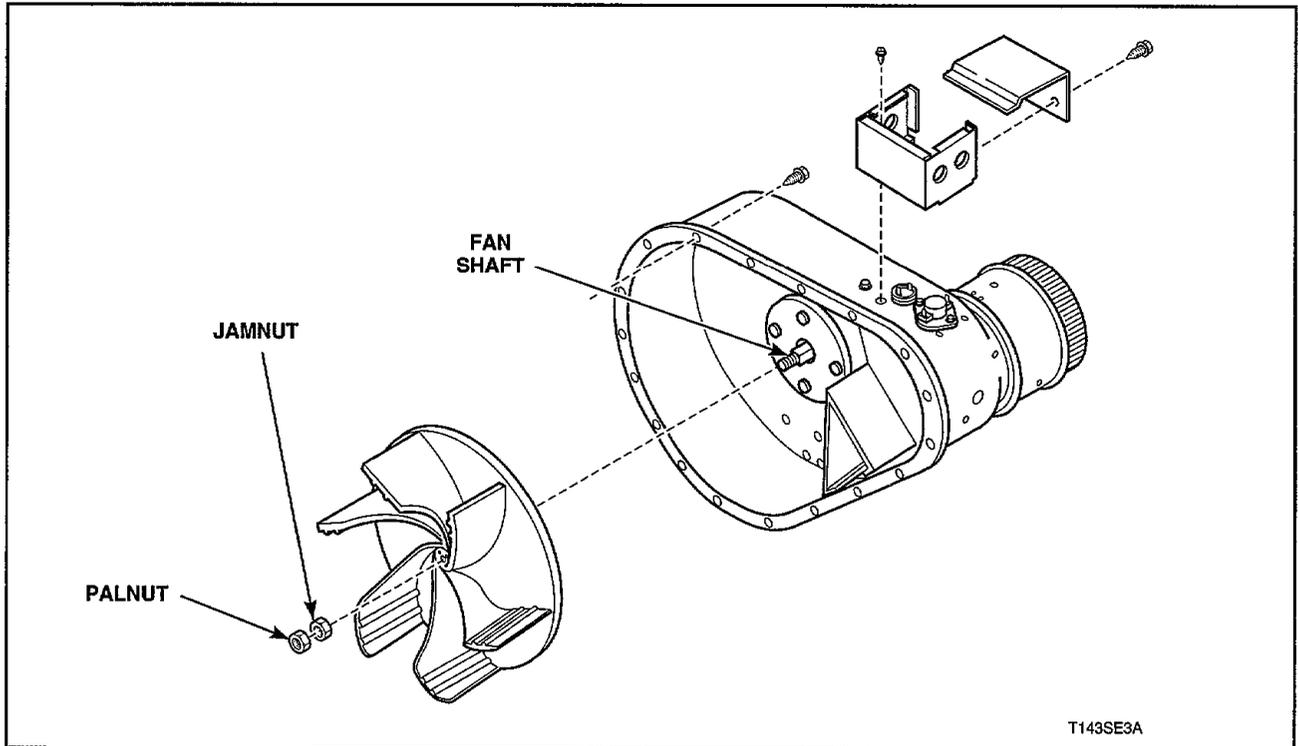


Figure 28

33. FAN BEARING, SHAFT AND HOUSING ASSEMBLY (Figure 28)

- Remove belt guard, paragraph 29.
- Remove drive belt, paragraph 30, steps "b" and "c".
- Remove fan, paragraph 29, steps "c" through "h".
- Loosen fan sheave setscrew. Remove fan sheave, Figure 27.
- Remove nuts, lockwashers and fan bearing, shaft and housing assembly from blower housing.

IMPORTANT: Fan bearing, shaft and housing assembly is a nonrepairable part. If worn or damaged replace entire assembly.

▲ WARNING

To reduce the risk of electric shock, fire, explosion, serious injury or death:

- Disconnect electric power to the tumbler before servicing.
- Close gas shut-off valve to gas tumbler before servicing.
- Close steam gate valve to steam tumbler before servicing.
- Never start the tumbler with any guards/panels removed.
- Whenever ground wires are removed during servicing, these ground wires must be reconnected to ensure that the tumbler is properly grounded.

W002

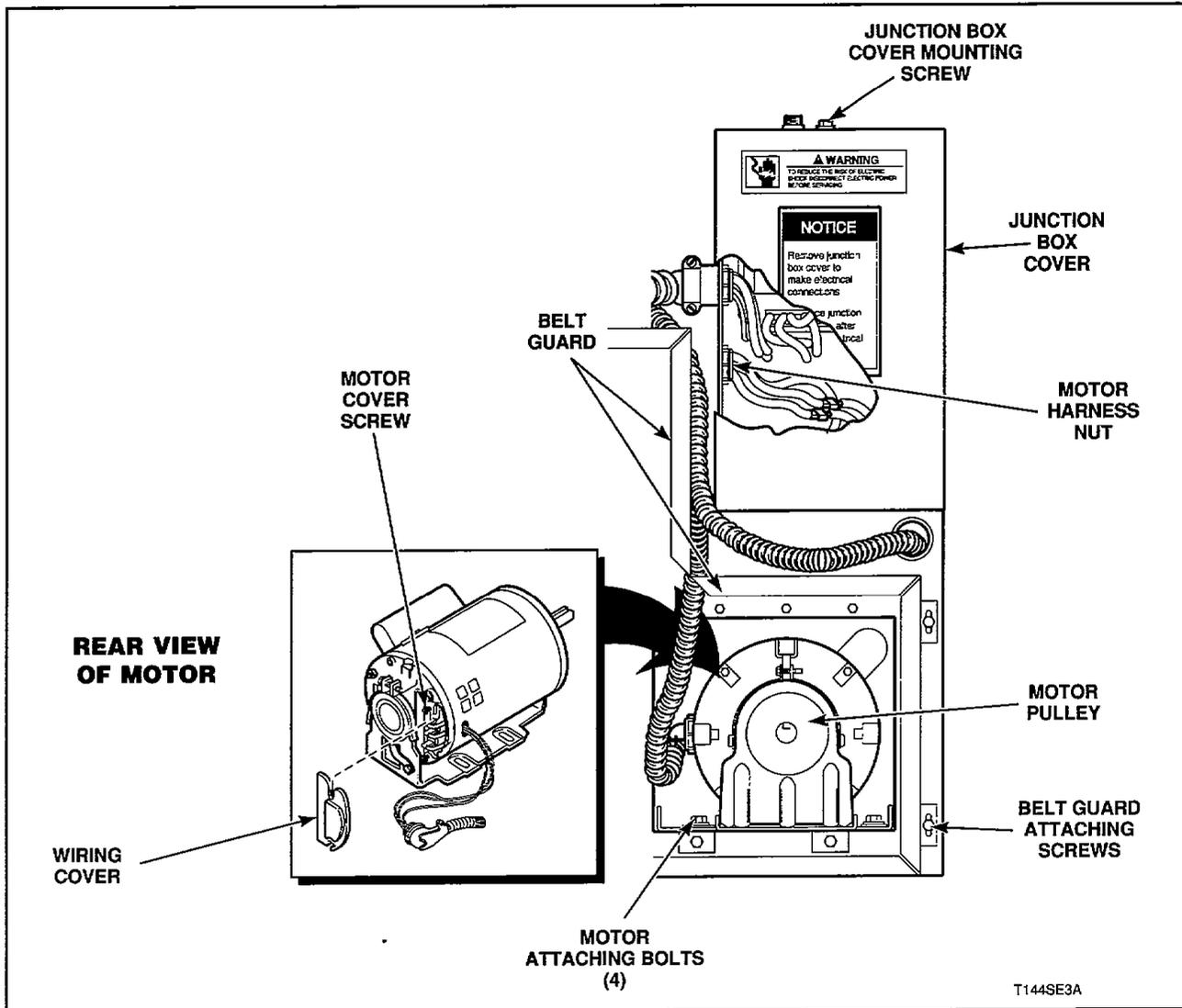


Figure 29

34. MOTOR (Figure 29)

- Remove belt guard, paragraph 29.
- Remove drive belt, paragraph 30, steps "b" and "c".
- Remove junction box cover mounting screw. Remove junction box cover.
- Disconnect motor wires in junction box.
- Remove harness nut holding motor harness to junction box.
- Remove bolts holding motor to motor mounting bracket.
- Remove motor (with harness attached) out through rear of tumbler.
- Loosen screw on motor wiring cover and slide cover to the side.
- Disconnect motor harness wires from motor.

NOTE: Refer to wiring diagram when rewiring motor wires.

NOTE: When installing motor, refer to wiring diagram when rewiring motor.

SECTION II

Adjustments

▲ WARNING

To reduce the risk of electric shock, fire, explosion, serious injury or death:

- Disconnect electric power to the tumbler before servicing.
- Close gas shut-off valve to gas tumbler before servicing.
- Close steam gate valve to steam tumbler before servicing.
- Never start the tumbler with any guards/panels removed.
- Whenever ground wires are removed during servicing, these ground wires must be reconnected to ensure that the tumbler is properly grounded.

W002

35. LEVELING LEGS

NOTE: Keep tumbler as close to the floor as possible. All four legs must rest firmly on the floor so weight of tumbler is evenly distributed. Tumbler must not rock.

- a. Check the front to rear level by rotating the clothes cylinder until one of the cylinder ribs is at the bottom. Place a level on the rib. Adjust legs as necessary.

NOTE: The front of the tumbler should be slightly higher than the rear (approximately 1/8 inch, 3.18 mm). This will prevent the clothes, while tumbling, from wearing on the door glass gasket.

- b. Check the side to side level by placing a level on the front and rear of top panel. Adjust legs as necessary.

36. MAIN GAS BURNER AIR SHUTTER

IMPORTANT: The burner requires no adjustment for primary air.

▲ WARNING

To reduce the risk of electric shock, fire, explosion, serious injury or death:

- Disconnect electric power to the tumbler before servicing.
- Close gas shut-off valve to gas tumbler before servicing.
- Close steam gate valve to steam tumbler before servicing.
- Never start the tumbler with any guards/panels removed.
- Whenever ground wires are removed during servicing, these ground wires must be reconnected to ensure that the tumbler is properly grounded.

WC02

37. AIRFLOW SWITCH (Figure 30)

The airflow switch is set at the factory for proper operation. However, at installation, airflow must be checked on each switch. If there is a problem, adjust as follows:

IMPORTANT: Lint drawers, loading doors, coin vaults and microprocessor doors must be in place before attempting to adjust airflow switch.

IMPORTANT: Airflow switch vane must remain closed during operation. If it opens during the drying cycle, this indicates insufficient airflow through the tumbler. If switch remains open, or pops open and closed during the cycle, the heating system will shut off. The cylinder and fan will continue to operate even though the airflow switch is malfunctioning.

IMPORTANT: Airflow switch operation may be affected by a clogged lint screen, lack of make-up air, or in the customer installed main or collector ducts. These conditions must be checked and necessary corrections made before adjusting airflow switch. Always check airflow at installation.

The airflow switch operation is controlled by bending the vane. Bending the vane either increases or decreases airflow switch sensitivity. The vane should be adjusted so the airflow will force the vane away from the cabinet when the loading door is opened 1-1/2 inches (3.81 cm). Loading door switch must be taped shut during this adjustment. Adjust the airflow switch as follows:

- a. Load the tumbler with a dry cotton load.

NOTE: Airflow adjustment is faster with two people; one person opening loading door in front and the other person adjusting the vane at the rear of the tumbler.

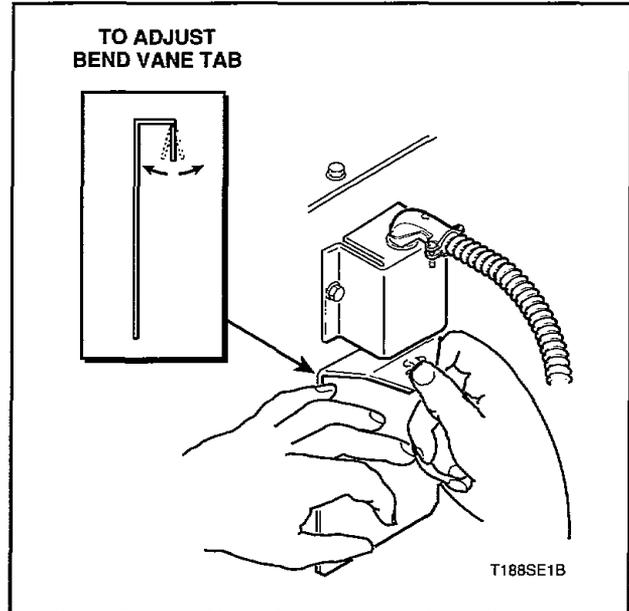


Figure 30

- b. Start the tumbler. Open loading door 1-1/2 inches (3.81 cm). The airflow vane should move away from the cabinet, opening the switch contacts and shutting off the heat system. This indicates proper operation and proper adjustment.
- c. If switch is not opening as described in step "b", it should be adjusted so it is MORE sensitive. Grasp the vane and spread the vane and switch connection apart, *Figure 30*. Retest by opening loading door and continue spreading the vane until switch operates as described in step "b".
- d. If switch opens BEFORE loading door is opened the proper distance, step "b", it should be adjusted so it is LESS sensitive. Squeeze the vane and switch connection together. Retest by opening the loading door and continue squeezing vane connection together until switch operates as described in step "b".
- e. Remove tape from the loading door switch.

▲ WARNING

To reduce the risk of electric shock, fire, explosion, serious injury or death:

- Disconnect electric power to the tumbler before servicing.
- Close gas shut-off valve to gas tumbler before servicing.
- Close steam gate valve to steam tumbler before servicing.
- Never start the tumbler with any guards/panels removed.
- Whenever ground wires are removed during servicing, these ground wires must be reconnected to ensure that the tumbler is properly grounded.

W002

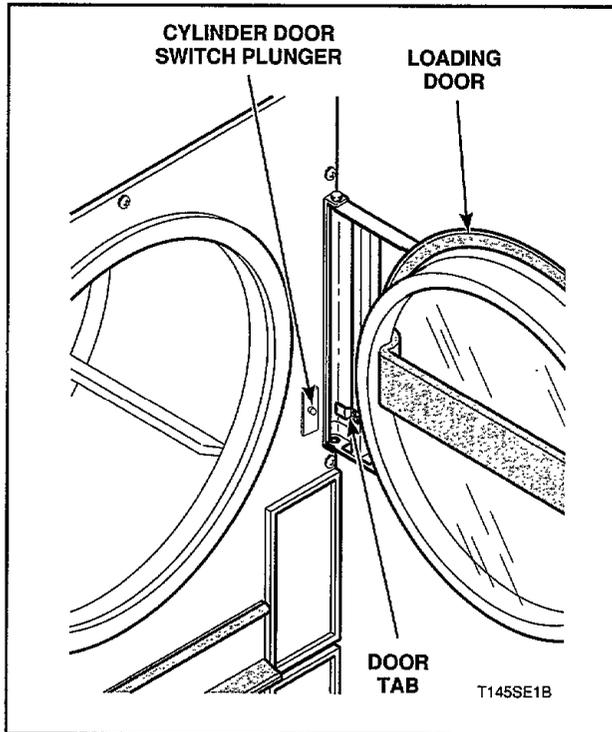


Figure 31

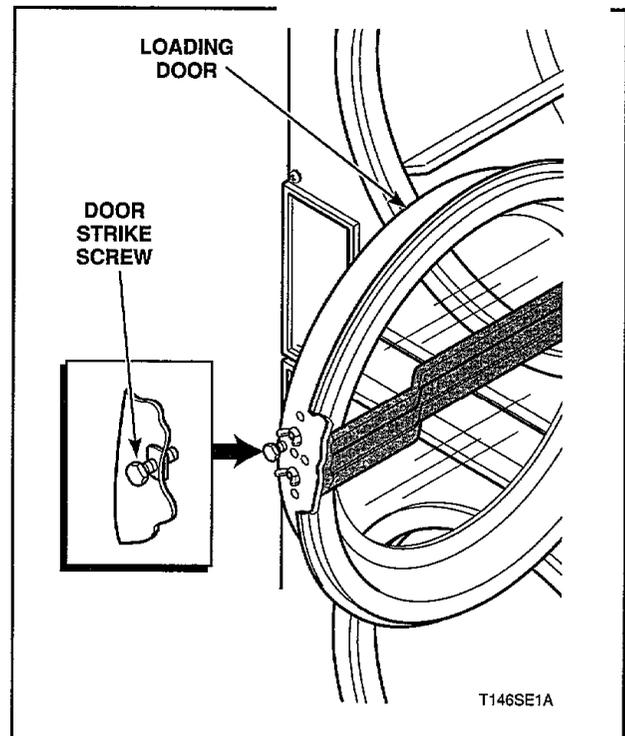


Figure 32

38. CYLINDER DOOR SWITCH (Figure 31)

The door switch should be adjusted so the cylinder stops when door is opened two inches (5.08 cm), plus or minus 1/4 inch (6.35 mm). This switch is a normally open switch and is closed when the door is closed.

- a. Close door and start tumbler. Slowly open loading door. Cylinder and heat system should shut off when door is open two inches (5.08 cm) plus or minus 1/4 inch (6.35 mm).
- b. Slowly close loading door. When door is two inches (5.08 cm) from being fully closed, the tab on the door should contact the switch plunger and depress it enough to close the switch with an audible "click".
- c. If tab does not depress the switch plunger enough to operate the switch, bend tab on loading door OUTWARD and repeat steps "a" and "b".

39. CYLINDER DOOR STRIKE (Figure 32)

The door strike must be adjusted so that sufficient tension holds loading door closed against the force of a load tumbling against it. The door is properly adjusted when 8-15 lbs. (35.6-66.7 kg) of pull is required to open door.

To adjust, open door and turn door strike screw in or out as required.

40. BELT GUARD SWITCH

The belt guard switch is a normally open switch and closed when the guard front is in place. No adjustment is necessary.

41. DRIVE BELT TENSION

Correct tension is maintained by a spring loaded idler. No adjustment is necessary.

42. CYLINDER BELT TENSION

Correct tension is maintained by a spring loaded idler. No adjustment is necessary.

SECTION III

Service Helps

▲ WARNING

To reduce the risk of electric shock, fire, explosion, serious injury or death:

- **Disconnect electric power to the tumbler before servicing.**
- **Close gas shut-off valve to gas tumbler before servicing.**
- **Close steam gate valve to steam tumbler before servicing.**
- **Never start the tumbler with any guards/panels removed.**
- **Whenever ground wires are removed during servicing, these ground wires must be reconnected to ensure that the tumbler is properly grounded.**

W002

IMPORTANT: Refer to appropriate wiring diagram for aid in testing tumbler components.

43. MOTOR DOES NOT START

POSSIBLE CAUSE	TO CORRECT
Electrical power off or circuit breaker tripped, or fuse blown.	Check power supply, reset breaker, or replace fuses.
Loading door switch, lint drawer switch or belt guard switch not closed or inoperative switch.	Close door, drawer or replace guard or test switch and replace if inoperative.
Door switch improperly adjusted.	Refer to ADJUSTMENTS section in this manual for door switch adjustment.
Start circuit not complete.	Press start button.
Inoperative motor.	Have motor tested and replace if inoperative.
Improper coins inserted in coin drop.	Check that proper coins are inserted.
Inoperative coin drop.	Test coin drop and replace if inoperative.
Broken, loose, or incorrect wiring.	Refer to wiring diagram located on back of tumbler.
Jackshaft binding in bearings.	Replace bearings.
Fan shaft binding in bearings.	Replace fan shaft and bearing assembly.
Cylinder shaft binding in bearings.	Replace cylinder bearing and housing assembly.
Idler bearings binding.	Replace idler(s).
Stove high limit thermostat is open or inoperative.	Allow tumbler to cool down and clean lint screen or replace thermostat.
Electronic control inoperative.	Replace electronic control.

▲ WARNING

To reduce the risk of electric shock, fire, explosion, serious injury or death:

- **Disconnect electric power to the tumbler before servicing.**
- **Close gas shut-off valve to gas tumbler before servicing.**
- **Close steam gate valve to steam tumbler before servicing.**
- **Never start the tumbler with any guards/panels removed.**
- **Whenever ground wires are removed during servicing, these ground wires must be reconnected to ensure that the tumbler is properly grounded.**

W002

44. MOTOR OVERLOAD PROTECTOR CYCLES REPEATEDLY

POSSIBLE CAUSE	TO CORRECT
Incorrect voltage.	Refer to INSTALLATION INSTRUCTIONS (supplied with tumbler) for electrical requirements.
Clothes load too large.	Remove part of load.
Clothes cylinder is binding.	Check cylinder for binding.
Inadequate wiring.	Check with local power company to ensure that wiring is adequate.
Inadequate make-up air.	Refer to INSTALLATION INSTRUCTIONS (supplied with tumbler) for make-up air requirements.
Poor housekeeping.	Clean lint accumulation on and around the motor.
Broken, loose, or incorrect wiring.	Refer to wiring diagram located on back of tumbler.

45. MOTOR RUNS BUT CYLINDER DOES NOT TURN

POSSIBLE CAUSE	TO CORRECT
Motor drive pulley loose and key fallen out.	Replace key and tighten setscrews.
Drive belt sheave loose and key fallen out.	Replace key and tighten setscrews.
Broken drive belt.	Replace drive belt.
Broken cylinder belt.	Replace cylinder belt.
Cylinder is binding.	Check cylinder for binding.

46. MOTOR DOES NOT STOP

POSSIBLE CAUSE	TO CORRECT
Inoperative door switch, belt guard switch, or lint drawer switch.	Test switches and replace if inoperative.
Inoperative coin drop.	Test coin drop and replace if inoperative.
Incorrect wiring.	Refer to wiring diagram located on back of tumbler.
Electronic Control inoperative.	Replace electronic control.

▲ WARNING

To reduce the risk of electric shock, fire, explosion, serious injury or death:

- **Disconnect electric power to the tumbler before servicing.**
- **Close gas shut-off valve to gas tumbler before servicing.**
- **Close steam gate valve to steam tumbler before servicing.**
- **Never start the tumbler with any guards/panels removed.**
- **Whenever ground wires are removed during servicing, these ground wires must be reconnected to ensure that the tumbler is properly grounded.**

W002

47. BURNER DOES NOT IGNITE

POSSIBLE CAUSE	TO CORRECT
Improper or inadequate exhaust system.	Refer to INSTALLATION INSTRUCTIONS (supplied with tumbler) for exhaust system requirements.
Blown fuses or tripped circuit breaker in external electric supply line.	Check fuses or circuit breaker.
Drying selector set in the "cool down" portion of cycle.	Reset switch on microprocessor.
Inoperative cabinet high limit thermostat.	Test thermostat and replace if inoperative.
Insufficient gas supply.	Open partially closed gas shut-off valve, or correct low gas pressure. Check manifold pressure and adjust to pressure specified on rating plate. If pressure cannot be obtained, have gas supplier check main pressure.
Incorrect orifices.	Tumbler is equipped for type of gas specified on serial plate. If orifices are different from that specified on serial plate, obtain proper orifices.
Lint buildup.	Clean lint compartment after every 8 hour shift. Check damper for lint accumulation. Check ductwork for lint build-up.
Inadequate duct work and make-up air.	Refer to INSTALLATION INSTRUCTIONS (supplied with tumbler) to ensure that ductwork and make-up air openings are sized adequately.
Inoperative airflow switch.	Test switch and replace if inoperative.
Airflow switch out of adjustment.	Refer to ADJUSTMENTS section in this manual for airflow switch adjustment.
Lint drawer not closed properly.	Unlock and open lint drawer, close lint drawer on tumbler (ensuring a tight fit) then lock.
Broken, loose, or incorrect wiring.	Refer to wiring diagram located on back of tumbler.

▲ WARNING

To reduce the risk of electric shock, fire, explosion, serious injury or death:

- **Disconnect electric power to the tumbler before servicing.**
- **Close gas shut-off valve to gas tumbler before servicing.**
- **Close steam gate valve to steam tumbler before servicing.**
- **Never start the tumbler with any guards/panels removed.**
- **Whenever ground wires are removed during servicing, these ground wires must be reconnected to ensure that the tumbler is properly grounded.**

W002

47. BURNER DOES NOT IGNITE (continued)

POSSIBLE CAUSE	TO CORRECT
Improper igniter to burner tab clearances.	Set gap as described in SERVICE PROCEDURES section, paragraph 26, <i>Figure 21</i> .
Valve coils inoperative.	Check valve coils and replace if inoperative.
Blown fuse on tumbler.	Check fuse and replace if necessary.
Gas shut-off valve closed.	Open shut-off valve.
Ground wire from IEI board not connected to ground terminal.	Connect ground wire to terminal.
Inoperative IEI control.	Replace IEI control.
Inoperative motor switch.	Replace motor.
IEI control in safety lockout.	Reset IEI control by opening and closing tumbler door.

48. BURNER IGNITES AND GOES OUT REPEATEDLY

POSSIBLE CAUSE	TO CORRECT
Insufficient gas pressure.	Check gas supply and pressure.
Inoperative cabinet high limit thermostat.	Test thermostat and replace if inoperative.
Improper or inadequate exhaust system.	Refer to INSTALLATION INSTRUCTIONS (supplied with tumbler) for exhaust system requirements.
Improper orifices.	Tumbler is equipped for type of gas specified on serial plate. If orifices are different from that specified on serial plate, obtain and install correct orifices.
Broken, loose, or incorrect wiring.	Refer to wiring diagram located on back of tumbler.
Excessive igniter to burner clearance.	Set gap as described in SERVICE PROCEDURES section, paragraph 26, <i>Figure 21</i> .
Inadequate make-up air.	Refer to INSTALLATION INSTRUCTIONS (supplied with tumbler) for make-up air requirements.

▲ WARNING

To reduce the risk of electric shock, fire, explosion, serious injury or death:

- **Disconnect electric power to the tumbler before servicing.**
- **Close gas shut-off valve to gas tumbler before servicing.**
- **Close steam gate valve to steam tumbler before servicing.**
- **Never start the tumbler with any guards/panels removed.**
- **Whenever ground wires are removed during servicing, these ground wires must be reconnected to ensure that the tumbler is properly grounded.**

W002

49. BURNER DOES NOT SHUT OFF

POSSIBLE CAUSE	TO CORRECT
Motor does not stop.	Refer to paragraph 46.
Impurities on gas valve seat, preventing valve from closing.	Replace gas valve.
Incorrect wiring.	Refer to wiring diagram located on back of tumbler.
Inoperative temperature sensor.	Replace temperature sensor.

50. CLOTHES DO NOT DRY

POSSIBLE CAUSE	TO CORRECT
Burner does not ignite.	Refer to paragraph 47.
Too much water in articles being dried.	Remove excess water.
Clothes load too large.	Remove part of load. Thirty pounds dry weight (cotton load) is maximum load.
Improper or inadequate exhaust system.	Refer to INSTALLATION INSTRUCTIONS (supplied with tumbler) for exhaust system requirements.
Burner ignites and goes out repeatedly.	Refer to paragraph 48.
Drying selector improperly set.	Set selector for higher setting.
Incorrect voltage.	Refer to INSTALLATION INSTRUCTIONS (supplied with tumbler) for electrical requirements.
Inadequate make-up air.	Refer to INSTALLATION INSTRUCTIONS (supplied with tumbler) for make-up air requirements.
Clogged lint screen.	Clean lint screen.
Exhaust thimble binding.	Adjust thimble vanes so they move freely.

▲ WARNING

To reduce the risk of electric shock, fire, explosion, serious injury or death:

- **Disconnect electric power to the tumbler before servicing.**
- **Close gas shut-off valve to gas tumbler before servicing.**
- **Close steam gate valve to steam tumbler before servicing.**
- **Never start the tumbler with any guards/panels removed.**
- **Whenever ground wires are removed during servicing, these ground wires must be reconnected to ensure that the tumbler is properly grounded.**

W002

51. TUMBLER OVERHEATING

POSSIBLE CAUSE	TO CORRECT
Incorrect main burner orifices.	Replace with correct orifices.
Gas pressure too high.	Adjust gas pressure as specified on serial plate.
Inadequate make-up air.	Refer to INSTALLATION INSTRUCTIONS (supplied with tumbler) for make-up air requirements.
Lint accumulation.	Remove lint.
Restricted or inadequate exhaust system.	Remove obstruction or lint build up from exhaust ductwork. Refer to INSTALLATION INSTRUCTIONS (supplied with tumbler) for exhaust system requirements.
Inoperative temperature sensor.	Check wiring to ensure temperature sensor is connected. Replace temperature sensor if necessary.
Exhaust thimble binding.	Adjust vanes so they move freely.

52. BURNERS NOT BURNING PROPERLY

POSSIBLE CAUSE	TO CORRECT
Dirt in burners.	Disassemble burners and blow out the dirt.
Gas pressure too high.	Check serial plate on back of tumbler for correct gas pressure.
Incorrect orifices.	Tumbler is equipped for type of gas specified on serial plate. If orifices are different from that specified on serial plate, obtain and install correct orifices.
Restricted or blocked exhaust duct.	Disassemble and clean exhaust system.
Airflow switch not functioning properly.	Replace airflow switch.
Inadequate make-up air.	Refer to INSTALLATION INSTRUCTIONS (supplied with tumbler) for make-up air requirements.

53. CYLINDER DOOR OPENS DURING OPERATION

POSSIBLE CAUSE	TO CORRECT
Door strike improperly adjusted.	Refer to ADJUSTMENTS section in this manual for door strike adjustment.
Tumbler improperly leveled.	Refer to ADJUSTMENTS section in this manual for leveling leg adjustment.

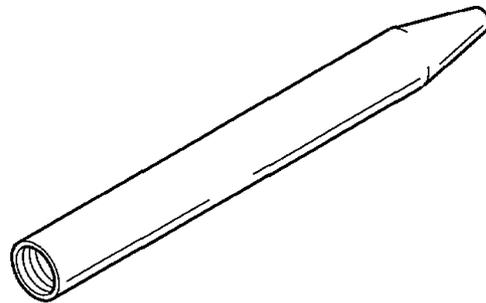
SECTION IV

Electronic Control Troubleshooting

Refer to Troubleshooting Guide supplied with the tumbler.

SECTION V

Special Tools



T147SE3A

263P4
CYLINDER GUIDE TOOL